

A
EC
C
D
E
F
G
H
I
J
K
L
M
N
O
P

SECTION **EC**

ENGINE CONTROL SYSTEM

CONTENTS

<p style="text-align: center;">VQ35DE</p> <p>SERVICE INFORMATION18</p> <p>INDEX FOR DTC18</p> <p>U1000 - U1010 18</p> <p>P0011 - P0081 18</p> <p>P0101 - P0128 18</p> <p>P0130 - P0159 19</p> <p>P0171 - P0223 20</p> <p>P0300 - P0430 20</p> <p>P0441 - P0456 21</p> <p>P0460 - P0643 21</p> <p>P0700 - P0745 22</p> <p>P0850 - P1554 22</p> <p>P1564 - P1615 23</p> <p>P1705 - P1774 23</p> <p>P1805 - P2A03 24</p> <p>PRECAUTIONS25</p> <p>Precaution for Supplemental Restraint System (SRS) "AIR BAG" and "SEAT BELT PRE-TENSIONER"25</p> <p>Precaution for Procedure without Cowl Top Cover...25</p> <p>On Board Diagnosis (OBD) System of Engine and A/T25</p> <p>Precaution26</p> <p>PREPARATION29</p> <p>Special Service Tool29</p> <p>Commercial Service Tool30</p> <p>ENGINE CONTROL SYSTEM31</p> <p>Schematic31</p> <p>Multiport Fuel Injection (MFI) System31</p> <p>Electronic Ignition (EI) System34</p> <p>Fuel Cut Control (At No Load and High Engine Speed)34</p> <p>AIR CONDITIONING CUT CONTROL36</p> <p>Input/Output Signal Chart36</p> <p>System Description36</p>	<p>AUTOMATIC SPEED CONTROL DEVICE (ASCD)37</p> <p>System Description37</p> <p>Component Description38</p> <p>CAN COMMUNICATION39</p> <p>System Description39</p> <p>EVAPORATIVE EMISSION SYSTEM40</p> <p>Description40</p> <p>Component Inspection42</p> <p>Removal and Installation44</p> <p>How to Detect Fuel Vapor Leakage44</p> <p>ON BOARD REFUELING VAPOR RECOVERY (ORVR)46</p> <p>System Description46</p> <p>Diagnosis Procedure46</p> <p>Component Inspection48</p> <p>POSITIVE CRANKCASE VENTILATION51</p> <p>Description51</p> <p>Component Inspection51</p> <p>IVIS (INFINITI VEHICLE IMMOBILIZER SYSTEM-NATS)53</p> <p>Description53</p> <p>ON BOARD DIAGNOSTIC (OBD) SYSTEM54</p> <p>Introduction54</p> <p>Two Trip Detection Logic54</p> <p>Emission-Related Diagnostic Information55</p> <p>Malfunction Indicator Lamp (MIL)67</p> <p>OBD System Operation Chart70</p> <p>BASIC SERVICE PROCEDURE76</p> <p>Basic Inspection76</p> <p>Idle Speed and Ignition Timing Check80</p> <p>Procedure After Replacing ECM81</p> <p>VIN Registration81</p> <p>Accelerator Pedal Released Position Learning82</p> <p>Throttle Valve Closed Position Learning82</p>
--	--

Idle Air Volume Learning	82
Fuel Pressure Check	84
TROUBLE DIAGNOSIS	86
Trouble Diagnosis Introduction	86
DTC Inspection Priority Chart	90
Fail-Safe Chart	92
Symptom Matrix Chart	93
Engine Control Component Parts Location	97
Vacuum Hose Drawing	105
Circuit Diagram	106
ECM Harness Connector Terminal Layout	108
ECM Terminal and Reference Value	108
CONSULT-III Function (ENGINE)	116
Generic Scan Tool (GST) Function	125
CONSULT-III Reference Value in Data Monitor Mode	126
Major Sensor Reference Graph in Data Monitor Mode	129
TROUBLE DIAGNOSIS - SPECIFICATION VALUE	132
Description	132
Testing Condition	132
Inspection Procedure	132
Diagnosis Procedure	133
TROUBLE DIAGNOSIS FOR INTERMITTENT INCIDENT	140
Description	140
Diagnosis Procedure	140
POWER SUPPLY AND GROUND CIRCUIT ..	141
Wiring Diagram	141
Diagnosis Procedure	142
Ground Inspection	146
DTC U1000, U1001 CAN COMMUNICATION LINE	147
Description	147
On Board Diagnosis Logic	147
DTC Confirmation Procedure	147
Wiring Diagram	148
Diagnosis Procedure	148
DTC U1010 CAN COMMUNICATION	149
Description	149
On Board Diagnosis Logic	149
DTC Confirmation Procedure	149
Diagnosis Procedure	149
DTC P0011, P0021 IVT CONTROL	150
Description	150
CONSULT-III Reference Value in Data Monitor Mode	150
On Board Diagnosis Logic	151
DTC Confirmation Procedure	151
Diagnosis Procedure	152
Component Inspection	153
Removal and Installation	153

DTC P0031, P0032, P0051, P0052 A/F SEN- SOR 1 HEATER	154
Description	154
CONSULT-III Reference Value in Data Monitor Mode	154
On Board Diagnosis Logic	154
DTC Confirmation Procedure	154
Wiring Diagram	155
Diagnosis Procedure	158
Component Inspection	159
Removal and Installation	160
DTC P0037, P0038, P0057, P0058 HO2S2 HEATER	161
Description	161
CONSULT-III Reference Value in Data Monitor Mode	161
On Board Diagnosis Logic	161
DTC Confirmation Procedure	161
Wiring Diagram	163
Diagnosis Procedure	166
Component Inspection	168
Removal and Installation	168
DTC P0075, P0081 IVT CONTROL SOLE- NOID VALVE	169
Component Description	169
CONSULT-III Reference Value in Data Monitor Mode	169
On Board Diagnosis Logic	169
DTC Confirmation Procedure	169
Wiring Diagram	170
Diagnosis Procedure	173
Component Inspection	174
Removal and Installation	175
DTC P0101 MAF SENSOR	176
Component Description	176
CONSULT-III Reference Value in Data Monitor Mode	176
On Board Diagnosis Logic	176
DTC Confirmation Procedure	176
Overall Function Check	178
Wiring Diagram	180
Diagnosis Procedure	181
Component Inspection	183
Removal and Installation	184
DTC P0102, P0103 MAF SENSOR	185
Component Description	185
CONSULT-III Reference Value in Data Monitor Mode	185
On Board Diagnosis Logic	185
DTC Confirmation Procedure	185
Wiring Diagram	187
Diagnosis Procedure	188
Component Inspection	190
Removal and Installation	191
DTC P0112, P0113 IAT SENSOR	192

Component Description	192	Component Description	218	
On Board Diagnosis Logic	192	CONSULT-III Reference Value in Data Monitor Mode	218	A
DTC Confirmation Procedure	192	On Board Diagnosis Logic	218	EC
Wiring Diagram	193	DTC Confirmation Procedure	218	
Diagnosis Procedure	193	Overall Function Check	219	
Component Inspection	195	Wiring Diagram	220	
Removal and Installation	195	Diagnosis Procedure	223	C
DTC P0116 ECT SENSOR	196	Removal and Installation	225	
Component Description	196	DTC P0131, P0151 A/F SENSOR 1	226	
On Board Diagnosis Logic	196	Component Description	226	D
DTC Confirmation Procedure	196	CONSULT-III Reference Value in Data Monitor Mode	226	
Diagnosis Procedure	197	On Board Diagnosis Logic	226	E
Component Inspection	197	DTC Confirmation Procedure	226	
Removal and Installation	198	Wiring Diagram	228	F
DTC P0117, P0118 ECT SENSOR	199	Diagnosis Procedure	231	
Component Description	199	Removal and Installation	233	
On Board Diagnosis Logic	199	DTC P0132, P0152 A/F SENSOR 1	234	
DTC Confirmation Procedure	200	Component Description	234	G
Wiring Diagram	201	CONSULT-III Reference Value in Data Monitor Mode	234	
Diagnosis Procedure	201	On Board Diagnosis Logic	234	H
Component Inspection	203	DTC Confirmation Procedure	234	
Removal and Installation	203	Wiring Diagram	236	I
DTC P0122, P0123 TP SENSOR	204	Diagnosis Procedure	239	
Component Description	204	Removal and Installation	241	J
CONSULT-III Reference Value in Data Monitor Mode	204	DTC P0133, P0153 A/F SENSOR 1	242	
On Board Diagnosis Logic	204	Component Description	242	K
DTC Confirmation Procedure	204	CONSULT-III Reference Value in Data Monitor Mode	242	
Wiring Diagram	205	On Board Diagnosis Logic	242	L
Diagnosis Procedure	206	DTC Confirmation Procedure	242	
Component Inspection	208	Wiring Diagram	244	M
Removal and Installation	209	Diagnosis Procedure	247	
DTC P0125 ECT SENSOR	210	Removal and Installation	250	N
Component Description	210	DTC P0137, P0157 HO2S2	251	
On Board Diagnosis Logic	210	Component Description	251	O
DTC Confirmation Procedure	210	CONSULT-III Reference Value in Data Monitor Mode	251	
Diagnosis Procedure	211	On Board Diagnosis Logic	251	P
Component Inspection	211	DTC Confirmation Procedure	251	
Removal and Installation	212	Overall Function Check	252	
DTC P0127 IAT SENSOR	213	Wiring Diagram	253	
Component Description	213	Diagnosis Procedure	256	
On Board Diagnosis Logic	213	Component Inspection	258	
DTC Confirmation Procedure	213	Removal and Installation	259	
Diagnosis Procedure	214	DTC P0138, P0158 HO2S2	260	
Component Inspection	214	Component Description	260	
Removal and Installation	215	CONSULT-III Reference Value in Data Monitor Mode	260	
DTC P0128 THERMOSTAT FUNCTION	216	On Board Diagnosis Logic	260	
On Board Diagnosis Logic	216	DTC Confirmation Procedure	261	
DTC Confirmation Procedure	216	Overall Function Check	261	
Diagnosis Procedure	216	Wiring Diagram	263	
Component Inspection	216	DTC P0130, P0150 A/F SENSOR 1	218	
Removal and Installation	217	Component Description	218	

Diagnosis Procedure	266	DTC P0300, P0301, P0302, P0303, P0304, P0305, P0306 MULTIPLE CYLINDER MISFIRE, NO. 1 - 6 CYLINDER MISFIRE	318
Component Inspection	269	On Board Diagnosis Logic	318
Removal and Installation	270	DTC Confirmation Procedure	318
DTC P0139, P0159 HO2S2	271	Diagnosis Procedure	319
Component Description	271	DTC P0327, P0328 KS	325
CONSULT-III Reference Value in Data Monitor		Component Description	325
Mode	271	On Board Diagnosis Logic	325
On Board Diagnosis Logic	271	DTC Confirmation Procedure	325
DTC Confirmation Procedure	271	Wiring Diagram	326
Overall Function Check	272	Diagnosis Procedure	327
Wiring Diagram	273	Component Inspection	328
Diagnosis Procedure	276	Removal and Installation	329
Component Inspection	278	DTC P0335 CKP SENSOR (POS)	330
Removal and Installation	279	Component Description	330
DTC P0171, P0174 FUEL INJECTION SYSTEM FUNCTION	280	CONSULT-III Reference Value in Data Monitor	
On Board Diagnosis Logic	280	Mode	330
DTC Confirmation Procedure	280	On Board Diagnosis Logic	330
Wiring Diagram	284	DTC Confirmation Procedure	330
Diagnosis Procedure	287	Wiring Diagram	331
DTC P0172, P0175 FUEL INJECTION SYSTEM FUNCTION	292	Diagnosis Procedure	332
On Board Diagnosis Logic	292	Component Inspection	334
DTC Confirmation Procedure	292	Removal and Installation	334
Wiring Diagram	296	DTC P0340, P0345 CMP SENSOR (PHASE)	335
Diagnosis Procedure	299	Component Description	335
DTC P0181 FTT SENSOR	304	CONSULT-III Reference Value in Data Monitor	
Component Description	304	Mode	335
On Board Diagnosis Logic	304	On Board Diagnosis Logic	335
DTC Confirmation Procedure	304	DTC Confirmation Procedure	335
Wiring Diagram	305	Wiring Diagram	336
Diagnosis Procedure	306	Diagnosis Procedure	339
Component Inspection	307	Component Inspection	341
Removal and Installation	307	Removal and Installation	342
DTC P0182, P0183 FTT SENSOR	308	DTC P0420, P0430 THREE WAY CATALYST FUNCTION	343
Component Description	308	On Board Diagnosis Logic	343
On Board Diagnosis Logic	308	DTC Confirmation Procedure	343
DTC Confirmation Procedure	308	Overall Function Check	344
Wiring Diagram	309	Diagnosis Procedure	344
Diagnosis Procedure	309	DTC P0441 EVAP CONTROL SYSTEM	347
Component Inspection	311	System Description	347
Removal and Installation	311	On Board Diagnosis Logic	347
DTC P0222, P0223 TP SENSOR	312	DTC Confirmation Procedure	347
Component Description	312	Overall Function Check	348
CONSULT-III Reference Value in Data Monitor		Diagnosis Procedure	348
Mode	312	DTC P0442 EVAP CONTROL SYSTEM	352
On Board Diagnosis Logic	312	On Board Diagnosis Logic	352
DTC Confirmation Procedure	312	DTC Confirmation Procedure	352
Wiring Diagram	313	Diagnosis Procedure	353
Diagnosis Procedure	314	DTC P0443 EVAP CANISTER PURGE VOLUME CONTROL SOLENOID VALVE	359
Component Inspection	316	Description	359
Removal and Installation	317		

CONSULT-III Reference Value in Data Monitor	Wiring Diagram	389	
Mode	Diagnosis Procedure	390	A
On Board Diagnosis Logic	Component Inspection	392	
DTC Confirmation Procedure			
Wiring Diagram	DTC P0453 EVAP CONTROL SYSTEM		
Diagnosis Procedure	PRESSURE SENSOR	393	EC
Component Inspection	Component Description	393	
Removal and Installation	CONSULT-III Reference Value in Data Monitor		
	Mode	393	C
DTC P0444, P0445 EVAP CANISTER PURGE	On Board Diagnosis Logic	393	
VOLUME CONTROL SOLENOID VALVE	DTC Confirmation Procedure	393	
Description	Wiring Diagram	395	D
CONSULT-III Reference Value in Data Monitor	Diagnosis Procedure	396	
Mode	Component Inspection	399	
On Board Diagnosis Logic			
DTC Confirmation Procedure	DTC P0455 EVAP CONTROL SYSTEM	400	E
Wiring Diagram	On Board Diagnosis Logic	400	
Diagnosis Procedure	DTC Confirmation Procedure	400	F
Component Inspection	Diagnosis Procedure	401	
Removal and Installation			
	DTC P0456 EVAP CONTROL SYSTEM	406	
DTC P0447 EVAP CANISTER VENT CON-	On Board Diagnosis Logic	406	G
TROL VALVE	DTC Confirmation Procedure	407	
Component Description	Overall Function Check	407	
CONSULT-III Reference Value in Data Monitor	Diagnosis Procedure	408	H
Mode			
On Board Diagnosis Logic	DTC P0460 FUEL LEVEL SENSOR	413	I
DTC Confirmation Procedure	Component Description	413	
Wiring Diagram	On Board Diagnosis Logic	413	J
Diagnosis Procedure	DTC Confirmation Procedure	413	
Component Inspection	Diagnosis Procedure	413	
	Removal and Installation	414	K
DTC P0448 EVAP CANISTER VENT CON-			
TROL VALVE	DTC P0461 FUEL LEVEL SENSOR	415	L
Component Description	Component Description	415	
CONSULT-III Reference Value in Data Monitor	On Board Diagnosis Logic	415	
Mode	Overall Function Check	415	
On Board Diagnosis Logic	Diagnosis Procedure	416	
DTC Confirmation Procedure	Removal and Installation	416	
Wiring Diagram			
Diagnosis Procedure	DTC P0462, P0463 FUEL LEVEL SENSOR		
Component Inspection	CIRCUIT	417	M
	Component Description	417	
DTC P0451 EVAP CONTROL SYSTEM	On Board Diagnosis Logic	417	
PRESSURE SENSOR	DTC Confirmation Procedure	417	
Component Description	Diagnosis Procedure	417	N
CONSULT-III Reference Value in Data Monitor	Removal and Installation	418	
Mode			
On Board Diagnosis Logic	DTC P0500 VSS	419	O
DTC Confirmation Procedure	Description	419	
Diagnosis Procedure	On Board Diagnosis Logic	419	
Component Inspection	DTC Confirmation Procedure	419	
	Overall Function Check	420	
DTC P0452 EVAP CONTROL SYSTEM	Diagnosis Procedure	420	P
PRESSURE SENSOR			
Component Description	DTC P0506 ISC SYSTEM	421	
CONSULT-III Reference Value in Data Monitor	Description	421	
Mode	On Board Diagnosis Logic	421	
On Board Diagnosis Logic	DTC Confirmation Procedure	421	
DTC Confirmation Procedure	Diagnosis Procedure	421	

DTC P0507 ISC SYSTEM	423	DTC P1217 ENGINE OVER TEMPERATURE	449
Description	423	Description	449
On Board Diagnosis Logic	423	CONSULT-III Reference Value in Data Monitor	
DTC Confirmation Procedure	423	Mode	450
Diagnosis Procedure	423	On Board Diagnosis Logic	450
DTC P0550 PSP SENSOR	425	Overall Function Check	450
Component Description	425	Wiring Diagram	452
CONSULT-III Reference Value in Data Monitor		Diagnosis Procedure	453
Mode	425	Main 12 Causes of Overheating	457
On Board Diagnosis Logic	425	Component Inspection	457
DTC Confirmation Procedure	425	DTC P1220 FUEL PUMP CONTROL MOD-	
Wiring Diagram	426	ULE (FPCM)	459
Diagnosis Procedure	427	Description	459
Component Inspection	428	CONSULT-III Reference Value in Data Monitor	
Removal and Installation	429	Mode	459
DTC P0603 ECM POWER SUPPLY	430	On Board Diagnosis Logic	459
Component Description	430	DTC Confirmation Procedure	459
On Board Diagnosis Logic	430	Wiring Diagram	461
DTC Confirmation Procedure	430	Diagnosis Procedure	462
Wiring Diagram	431	Component Inspection	465
Diagnosis Procedure	432	DTC P1225 TP SENSOR	466
DTC P0605 ECM	434	Component Description	466
Component Description	434	On Board Diagnosis Logic	466
On Board Diagnosis Logic	434	DTC Confirmation Procedure	466
DTC Confirmation Procedure	434	Diagnosis Procedure	466
Diagnosis Procedure	435	Removal and Installation	467
DTC P0643 SENSOR POWER SUPPLY	436	DTC P1226 TP SENSOR	468
On Board Diagnosis Logic	436	Component Description	468
DTC Confirmation Procedure	436	On Board Diagnosis Logic	468
Wiring Diagram	437	DTC Confirmation Procedure	468
Diagnosis Procedure	438	Diagnosis Procedure	468
DTC P0850 PNP SWITCH	441	Removal and Installation	469
Component Description	441	DTC P1421 COLD START CONTROL	470
CONSULT-III Reference Value in Data Monitor		Description	470
Mode	441	On Board Diagnosis Logic	470
On Board Diagnosis Logic	441	DTC Confirmation Procedure	470
DTC Confirmation Procedure	441	Diagnosis Procedure	470
Overall Function Check	442	DTC P1550 BATTERY CURRENT SENSOR	472
Wiring Diagram	443	Component Description	472
Diagnosis Procedure	444	CONSULT-III Reference Value in Data Monitor	
DTC P1148, P1168 CLOSED LOOP CON-		Mode	472
TROL	446	On Board Diagnosis Logic	472
On Board Diagnosis Logic	446	DTC Confirmation Procedure	472
DTC P1211 TCS CONTROL UNIT	447	Wiring Diagram	473
Description	447	Diagnosis Procedure	474
On Board Diagnosis Logic	447	Component Inspection	476
DTC Confirmation Procedure	447	DTC P1551, P1552 BATTERY CURRENT	
Diagnosis Procedure	447	SENSOR	477
DTC P1212 TCS COMMUNICATION LINE	448	Component Description	477
Description	448	CONSULT-III Reference Value in Data Monitor	
On Board Diagnosis Logic	448	Mode	477
DTC Confirmation Procedure	448	On Board Diagnosis Logic	477
Diagnosis Procedure	448	DTC Confirmation Procedure	477
		Wiring Diagram	478

Diagnosis Procedure	479	CONSULT-III Reference Value in Data Monitor	
Component Inspection	481	Mode	515
DTC P1553 BATTERY CURRENT SENSOR .. 482		On Board Diagnosis Logic	515
Component Description	482	DTC Confirmation Procedure	515
CONSULT-III Reference Value in Data Monitor		Wiring Diagram	517
Mode	482	Diagnosis Procedure	518
On Board Diagnosis Logic	482	Component Inspection	521
DTC Confirmation Procedure	482	DTC P1574 ICC VEHICLE SPEED SENSOR . 522	
Wiring Diagram	483	Component Description	522
Diagnosis Procedure	484	On Board Diagnosis Logic	522
Component Inspection	486	DTC Confirmation Procedure	522
DTC P1554 BATTERY CURRENT SENSOR .. 487		Diagnosis Procedure	522
Component Description	487	DTC P1574 ASCD VEHICLE SPEED SEN-	
CONSULT-III Reference Value in Data Monitor		SOR	524
Mode	487	Component Description	524
On Board Diagnosis Logic	487	On Board Diagnosis Logic	524
Overall Function Check	487	DTC Confirmation Procedure	524
Wiring Diagram	489	Diagnosis Procedure	524
Diagnosis Procedure	490	DTC P1715 INPUT SPEED SENSOR	526
Component Inspection	492	Description	526
DTC P1564 ICC STEERING SWITCH	493	CONSULT-III Reference Value in Data Monitor	
Component Description	493	Mode	526
CONSULT-III Reference Value in Data Monitor		On Board Diagnosis Logic	526
Mode	493	Diagnosis Procedure	526
On Board Diagnosis Logic	493	DTC P1805 BRAKE SWITCH	527
DTC Confirmation Procedure	494	Component Description	527
Wiring Diagram	495	CONSULT-III Reference Value in Data Monitor	
Diagnosis Procedure	496	Mode	527
Component Inspection	498	On Board Diagnosis Logic	527
DTC P1564 ASCD STEERING SWITCH	500	DTC Confirmation Procedure	527
Component Description	500	Wiring Diagram	528
CONSULT-III Reference Value in Data Monitor		Diagnosis Procedure	529
Mode	500	Component Inspection	532
On Board Diagnosis Logic	500	DTC P2100, P2103 THROTTLE CONTROL	
DTC Confirmation Procedure	501	MOTOR RELAY	534
Wiring Diagram	502	Component Description	534
Diagnosis Procedure	503	CONSULT-III Reference Value in Data Monitor	
Component Inspection	505	Mode	534
DTC P1568 ICC FUNCTION	506	On Board Diagnosis Logic	534
On Board Diagnosis Logic	506	DTC Confirmation Procedure	534
DTC Confirmation Procedure	506	Wiring Diagram	535
Diagnosis Procedure	506	Diagnosis Procedure	536
DTC P1572 ICC BRAKE SWITCH	507	DTC P2101 ELECTRIC THROTTLE CON-	
Component Description	507	TROL FUNCTION	538
CONSULT-III Reference Value in Data Monitor		Description	538
Mode	507	On Board Diagnosis Logic	538
On Board Diagnosis Logic	507	DTC Confirmation Procedure	538
DTC Confirmation Procedure	507	Wiring Diagram	539
Wiring Diagram	509	Diagnosis Procedure	540
Diagnosis Procedure	510	Component Inspection	543
Component Inspection	514	Removal and Installation	543
DTC P1572 ASCD BRAKE SWITCH	515	DTC P2118 THROTTLE CONTROL MOTOR . 544	
Component Description	515	Component Description	544

On Board Diagnosis Logic	544	CONSULT-III Reference Value in Data Monitor Mode	574
DTC Confirmation Procedure	544	On Board Diagnosis Logic	574
Wiring Diagram	545	DTC Confirmation Procedure	574
Diagnosis Procedure	546	Wiring Diagram	576
Component Inspection	547	Diagnosis Procedure	579
Removal and Installation	547	Removal and Installation	582
DTC P2119 ELECTRIC THROTTLE CON- TROL ACTUATOR	548	ASC D BRAKE SWITCH	583
Component Description	548	Component Description	583
On Board Diagnosis Logic	548	CONSULT-III Reference Value in Data Monitor Mode	583
DTC Confirmation Procedure	548	Wiring Diagram	584
Diagnosis Procedure	549	Diagnosis Procedure	585
DTC P2122, P2123 APP SENSOR	550	Component Inspection	588
Component Description	550	ASC D INDICATOR	589
CONSULT-III Reference Value in Data Monitor Mode	550	Component Description	589
On Board Diagnosis Logic	550	CONSULT-III Reference Value in Data Monitor Mode	589
DTC Confirmation Procedure	550	Wiring Diagram	590
Wiring Diagram	551	Diagnosis Procedure	590
Diagnosis Procedure	552	ELECTRICAL LOAD SIGNAL	592
Component Inspection	554	Description	592
Removal and Installation	554	CONSULT-III Reference Value in Data Monitor Mode	592
DTC P2127, P2128 APP SENSOR	555	Diagnosis Procedure	592
Component Description	555	FUEL INJECTOR	594
CONSULT-III Reference Value in Data Monitor Mode	555	Component Description	594
On Board Diagnosis Logic	555	CONSULT-III Reference Value in Data Monitor Mode	594
DTC Confirmation Procedure	555	Wiring Diagram	595
Wiring Diagram	556	Diagnosis Procedure	596
Diagnosis Procedure	557	Component Inspection	599
Component Inspection	560	Removal and Installation	599
Removal and Installation	560	FUEL PUMP	600
DTC P2135 TP SENSOR	561	Description	600
Component Description	561	CONSULT-III Reference Value in Data Monitor Mode	600
CONSULT-III Reference Value in Data Monitor Mode	561	Wiring Diagram	601
On Board Diagnosis Logic	561	Diagnosis Procedure	602
DTC Confirmation Procedure	561	Component Inspection	605
Wiring Diagram	562	Removal and Installation	606
Diagnosis Procedure	563	ICC BRAKE SWITCH	607
Component Inspection	565	Component Description	607
Removal and Installation	566	CONSULT-III Reference Value in Data Monitor Mode	607
DTC P2138 APP SENSOR	567	Wiring Diagram	608
Component Description	567	Diagnosis Procedure	609
CONSULT-III Reference Value in Data Monitor Mode	567	Component Inspection	613
On Board Diagnosis Logic	567	IGNITION SIGNAL	614
DTC Confirmation Procedure	567	Component Description	614
Wiring Diagram	568	Wiring Diagram	615
Diagnosis Procedure	569	Diagnosis Procedure	620
Component Inspection	572	Component Inspection	623
Removal and Installation	573	DTC P2A00, P2A03 A/F SENSOR 1	574
DTC P2A00, P2A03 A/F SENSOR 1	574	Component Description	574
Component Description	574		

Removal and Installation	625	On Board Diagnosis (OBD) System of Engine and A/T	647	A
REFRIGERANT PRESSURE SENSOR	626	Precaution	648	
Component Description	626	PREPARATION	651	EC
Wiring Diagram	627	Special Service Tool	651	
Diagnosis Procedure	628	Commercial Service Tool	651	
Removal and Installation	630	ENGINE CONTROL SYSTEM	653	C
SNOW MODE SWITCH	631	Schematic	653	
Description	631	Multiport Fuel Injection (MFI) System	653	D
CONSULT-III Reference Value in Data Monitor Mode	631	Electronic Ignition (EI) System	656	
Wiring Diagram	632	Fuel Cut Control (At No Load and High Engine Speed)	656	E
Diagnosis Procedure	632	AIR CONDITIONING CUT CONTROL	658	
Component Inspection	634	Input/Output Signal Chart	658	
MIL AND DATA LINK CONNECTOR	636	System Description	658	F
Wiring Diagram	636	AUTOMATIC SPEED CONTROL DEVICE (ASCD)	659	
SERVICE DATA AND SPECIFICATIONS (SDS)	638	System Description	659	G
Fuel Pressure	638	Component Description	660	
Idle Speed and Ignition Timing	638	CAN COMMUNICATION	661	H
Calculated Load Value	638	System Description	661	
Mass Air Flow Sensor	638	EVAPORATIVE EMISSION SYSTEM	662	I
Intake Air Temperature Sensor	638	Description	662	
Engine Coolant Temperature Sensor	638	Component Inspection	664	
Fuel Tank Temperature Sensor	638	Removal and Installation	666	J
Crankshaft Position Sensor (POS)	639	How to Detect Fuel Vapor Leakage	666	
Camshaft Position Sensor (PHASE)	639	ON BOARD REFUELING VAPOR RECOVERY (ORVR)	668	K
A/F Sensor 1 Heater	639	System Description	668	
Heated Oxygen Sensor 2 Heater	639	Diagnosis Procedure	668	
Throttle Control Motor	639	Component Inspection	670	L
Fuel Injector	639	POSITIVE CRANKCASE VENTILATION	673	
Fuel Pump	639	Description	673	
VK45DE		Component Inspection	673	M
SERVICE INFORMATION	640	IVIS (INFINITI VEHICLE IMMOBILIZER SYSTEM-NATS)	675	
INDEX FOR DTC	640	Description	675	N
U1000 - U1010	640	ON BOARD DIAGNOSTIC (OBD) SYSTEM	676	
P0011 - P0081	640	Introduction	676	
P0101 - P0128	640	Two Trip Detection Logic	676	O
P0130 - P0159	641	Emission-Related Diagnostic Information	677	
P0171 - P0223	641	Malfunction Indicator Lamp (MIL)	693	
P0300 - P0308	642	OBD System Operation Chart	696	P
P0327 - P0430	642	BASIC SERVICE PROCEDURE	702	
P0441 - P0456	643	Basic Inspection	702	
P0460 - P0643	643	Idle Speed and Ignition Timing Check	705	
P0700 - P0745	644	Procedure After Replacing ECM	706	
P0850 - P1421	644	VIN Registration	706	
P1550 - P1574	645	Accelerator Pedal Released Position Learning	706	
P1610 - P1774	645	Throttle Valve Closed Position Learning	706	
P1800 - P2A03	646	PRECAUTIONS	647	
PRECAUTIONS	647	Precaution for Supplemental Restraint System (SRS) "AIR BAG" and "SEAT BELT PRE-TENSIONER"	647	
Precaution for Procedure without Cowl Top Cover	647	Precaution for Procedure without Cowl Top Cover	647	

Idle Air Volume Learning	707
Fuel Pressure Check	708
TROUBLE DIAGNOSIS	710
Trouble Diagnosis Introduction	710
DTC Inspection Priority Chart	714
Fail-Safe Chart	715
Symptom Matrix Chart	717
Engine Control Component Parts Location	721
Vacuum Hose Drawing	730
Circuit Diagram	731
ECM Harness Connector Terminal Layout	733
ECM Terminal and Reference Value	733
CONSULT-III Function	741
Generic Scan Tool (GST) Function	750
CONSULT-III Reference Value in Data Monitor Mode	751
TROUBLE DIAGNOSIS - SPECIFICATION VALUE	755
Description	755
Testing Condition	755
Inspection Procedure	755
Diagnosis Procedure	756
TROUBLE DIAGNOSIS FOR INTERMITTENT INCIDENT	763
Description	763
Diagnosis Procedure	763
POWER SUPPLY AND GROUND CIRCUIT ..	764
Wiring Diagram	764
Diagnosis Procedure	765
Ground Inspection	769
DTC U1000, U1001 CAN COMMUNICATION LINE	770
Description	770
On Board Diagnosis Logic	770
DTC Confirmation Procedure	770
Wiring Diagram	771
Diagnosis Procedure	771
DTC U1010 CAN COMMUNICATION	772
Description	772
On Board Diagnosis Logic	772
DTC Confirmation Procedure	772
Diagnosis Procedure	772
DTC P0011, P0021 IVT CONTROL	773
Description	773
CONSULT-III Reference Value in Data Monitor Mode	774
On Board Diagnosis Logic	774
DTC Confirmation Procedure	774
Wiring Diagram	776
Diagnosis Procedure	779
Component Inspection	783
Removal and Installation	784

DTC P0031, P0032, P0051, P0052 A/F SEN- SOR 1 HEATER	785
Description	785
CONSULT-III Reference Value in Data Monitor Mode	785
On Board Diagnosis Logic	785
DTC Confirmation Procedure	785
Wiring Diagram	786
Diagnosis Procedure	789
Component Inspection	791
Removal and Installation	791
DTC P0037, P0038, P0057, P0058 HO2S2 HEATER	792
Description	792
CONSULT-III Reference Value in Data Monitor Mode	792
On Board Diagnosis Logic	792
DTC Confirmation Procedure	792
Wiring Diagram	793
Diagnosis Procedure	796
Component Inspection	798
Removal and Installation	798
DTC P0075, P0081 IVT CONTROL SOLE- NOID VALVE	799
Component Description	799
CONSULT-III Reference Value in Data Monitor Mode	799
On Board Diagnosis Logic	799
DTC Confirmation Procedure	799
Wiring Diagram	800
Diagnosis Procedure	803
Component Inspection	804
Removal and Installation	805
DTC P0101 MAF SENSOR	806
Component Description	806
CONSULT-III Reference Value in Data Monitor Mode	806
On Board Diagnosis Logic	806
DTC Confirmation Procedure	806
Overall Function Check	808
Wiring Diagram	809
Diagnosis Procedure	810
Component Inspection	812
Removal and Installation	813
DTC P0102, P0103 MAF SENSOR	814
Component Description	814
CONSULT-III Reference Value in Data Monitor Mode	814
On Board Diagnosis Logic	814
DTC Confirmation Procedure	814
Wiring Diagram	816
Diagnosis Procedure	817
Component Inspection	819
Removal and Installation	820
DTC P0112, P0113 IAT SENSOR	821

Component Description	821	Component Description	848	
On Board Diagnosis Logic	821	CONSULT-III Reference Value in Data Monitor Mode	848	A
DTC Confirmation Procedure	821	On Board Diagnosis Logic	848	
Wiring Diagram	822	DTC Confirmation Procedure	848	EC
Diagnosis Procedure	822	Overall Function Check	849	
Component Inspection	824	Wiring Diagram	850	
Removal and Installation	824	Diagnosis Procedure	853	C
DTC P0116 ECT SENSOR	825	Removal and Installation	855	
Component Description	825	DTC P0131, P0151 A/F SENSOR 1	856	
On Board Diagnosis Logic	825	Component Description	856	D
DTC Confirmation Procedure	825	CONSULT-III Reference Value in Data Monitor Mode	856	
Diagnosis Procedure	826	On Board Diagnosis Logic	856	E
Component Inspection	826	DTC Confirmation Procedure	856	
Removal and Installation	827	Wiring Diagram	858	F
DTC P0117, P0118 ECT SENSOR	828	Diagnosis Procedure	861	
Component Description	828	Removal and Installation	863	
On Board Diagnosis Logic	828	DTC P0132, P0152 A/F SENSOR 1	864	G
DTC Confirmation Procedure	829	Component Description	864	
Wiring Diagram	830	CONSULT-III Reference Value in Data Monitor Mode	864	H
Diagnosis Procedure	830	On Board Diagnosis Logic	864	
Component Inspection	832	DTC Confirmation Procedure	864	I
Removal and Installation	832	Wiring Diagram	866	
DTC P0122, P0123 TP SENSOR	833	Diagnosis Procedure	869	J
Component Description	833	Removal and Installation	871	
CONSULT-III Reference Value in Data Monitor Mode	833	DTC P0133, P0153 A/F SENSOR 1	872	K
On Board Diagnosis Logic	833	Component Description	872	
DTC Confirmation Procedure	833	CONSULT-III Reference Value in Data Monitor Mode	872	L
Wiring Diagram	834	On Board Diagnosis Logic	872	
Diagnosis Procedure	835	DTC Confirmation Procedure	872	M
Component Inspection	837	Wiring Diagram	874	
Removal and Installation	838	Diagnosis Procedure	877	N
DTC P0125 ECT SENSOR	839	Removal and Installation	880	
Component Description	839	DTC P0137, P0157 HO2S2	881	O
On Board Diagnosis Logic	839	Component Description	881	
DTC Confirmation Procedure	839	CONSULT-III Reference Value in Data Monitor Mode	881	P
Diagnosis Procedure	840	On Board Diagnosis Logic	881	
Component Inspection	840	DTC Confirmation Procedure	881	
Removal and Installation	841	Overall Function Check	882	
DTC P0127 IAT SENSOR	842	Wiring Diagram	883	
Component Description	842	Diagnosis Procedure	886	
On Board Diagnosis Logic	842	Component Inspection	888	
DTC Confirmation Procedure	842	Removal and Installation	889	
Diagnosis Procedure	843	DTC P0138, P0158 HO2S2	890	
Component Inspection	843	Component Description	890	
Removal and Installation	844	CONSULT-III Reference Value in Data Monitor Mode	890	
DTC P0128 THERMOSTAT FUNCTION	845	On Board Diagnosis Logic	890	
On Board Diagnosis Logic	845	DTC Confirmation Procedure	891	
DTC Confirmation Procedure	845	Overall Function Check	891	
Diagnosis Procedure	846	Wiring Diagram	893	
Component Inspection	846	DTC P0130, P0150 A/F SENSOR 1	848	
Removal and Installation	847	Component Description	848	

Diagnosis Procedure	896
Component Inspection	900
Removal and Installation	901
DTC P0139, P0159 HO2S2	902
Component Description	902
CONSULT-III Reference Value in Data Monitor	
Mode	902
On Board Diagnosis Logic	902
DTC Confirmation Procedure	902
Overall Function Check	903
Wiring Diagram	904
Diagnosis Procedure	907
Component Inspection	909
Removal and Installation	910
DTC P0171, P0174 FUEL INJECTION SYSTEM FUNCTION	911
On Board Diagnosis Logic	911
DTC Confirmation Procedure	911
Wiring Diagram	915
Diagnosis Procedure	918
DTC P0172, P0175 FUEL INJECTION SYSTEM FUNCTION	922
On Board Diagnosis Logic	922
DTC Confirmation Procedure	922
Wiring Diagram	926
Diagnosis Procedure	929
DTC P0181 FTT SENSOR	933
Component Description	933
On Board Diagnosis Logic	933
DTC Confirmation Procedure	933
Wiring Diagram	934
Diagnosis Procedure	934
Component Inspection	936
Removal and Installation	936
DTC P0182, P0183 FTT SENSOR	937
Component Description	937
On Board Diagnosis Logic	937
DTC Confirmation Procedure	937
Wiring Diagram	938
Diagnosis Procedure	938
Component Inspection	940
Removal and Installation	940
DTC P0222, P0223 TP SENSOR	941
Component Description	941
CONSULT-III Reference Value in Data Monitor	
Mode	941
On Board Diagnosis Logic	941
DTC Confirmation Procedure	941
Wiring Diagram	942
Diagnosis Procedure	943
Component Inspection	945
Removal and Installation	946

DTC P0300 - P0308 MULTIPLE CYLINDER MISFIRE, NO. 1 - 8 CYLINDER MISFIRE	947
On Board Diagnosis Logic	947
DTC Confirmation Procedure	947
Diagnosis Procedure	948
DTC P0327, P0328, P0332, P0333 KS	953
Component Description	953
On Board Diagnosis Logic	953
DTC Confirmation Procedure	953
Wiring Diagram	954
Diagnosis Procedure	955
Component Inspection	956
Removal and Installation	957
DTC P0335 CKP SENSOR (POS)	958
Component Description	958
CONSULT-III Reference Value in Data Monitor	
Mode	958
On Board Diagnosis Logic	958
DTC Confirmation Procedure	958
Wiring Diagram	959
Diagnosis Procedure	960
Component Inspection	962
Removal and Installation	962
DTC P0340 CAMSHAFT POSITION (CMP) SENSOR (PHASE)	963
Component Description	963
On Board Diagnosis Logic	963
DTC Confirmation Procedure	963
Wiring Diagram	964
Diagnosis Procedure	965
Component Inspection	967
Removal and Installation	968
DTC P0420, P0430 THREE WAY CATALYST FUNCTION	969
On Board Diagnosis Logic	969
DTC Confirmation Procedure	969
Overall Function Check	970
Diagnosis Procedure	970
DTC P0441 EVAP CONTROL SYSTEM	973
System Description	973
On Board Diagnosis Logic	973
DTC Confirmation Procedure	973
Overall Function Check	974
Diagnosis Procedure	974
DTC P0442 EVAP CONTROL SYSTEM	978
On Board Diagnosis Logic	978
DTC Confirmation Procedure	978
Diagnosis Procedure	979
DTC P0443 EVAP CANISTER PURGE VOLUME CONTROL SOLENOID VALVE	985
Description	985
CONSULT-III Reference Value in Data Monitor	
Mode	985

On Board Diagnosis Logic	986	Component Inspection	1017
DTC Confirmation Procedure	986	DTC P0453 EVAP CONTROL SYSTEM	
Wiring Diagram	987	PRESSURE SENSOR	1018
Diagnosis Procedure	988	Component Description	1018
Component Inspection	991	CONSULT-III Reference Value in Data Monitor	
Removal and Installation	991	Mode	1018
DTC P0444, P0445 EVAP CANISTER PURGE		On Board Diagnosis Logic	1018
VOLUME CONTROL SOLENOID VALVE	992	DTC Confirmation Procedure	1018
Description	992	Wiring Diagram	1020
CONSULT-III Reference Value in Data Monitor		Diagnosis Procedure	1021
Mode	992	Component Inspection	1024
On Board Diagnosis Logic	993	DTC P0455 EVAP CONTROL SYSTEM	1025
DTC Confirmation Procedure	993	On Board Diagnosis Logic	1025
Wiring Diagram	994	DTC Confirmation Procedure	1025
Diagnosis Procedure	995	Diagnosis Procedure	1026
Component Inspection	997	DTC P0456 EVAP CONTROL SYSTEM	1031
Removal and Installation	997	On Board Diagnosis Logic	1031
DTC P0447 EVAP CANISTER VENT CON-		DTC Confirmation Procedure	1032
TROL VALVE	998	Overall Function Check	1032
Component Description	998	Diagnosis Procedure	1033
CONSULT-III Reference Value in Data Monitor		DTC P0460 FUEL LEVEL SENSOR	1038
Mode	998	Component Description	1038
On Board Diagnosis Logic	998	On Board Diagnosis Logic	1038
DTC Confirmation Procedure	998	DTC Confirmation Procedure	1038
Wiring Diagram	999	Diagnosis Procedure	1038
Diagnosis Procedure	1000	Removal and Installation	1039
Component Inspection	1002	DTC P0461 FUEL LEVEL SENSOR	1040
DTC P0448 EVAP CANISTER VENT CON-		Component Description	1040
TROL VALVE	1003	On Board Diagnosis Logic	1040
Component Description	1003	Overall Function Check	1040
CONSULT-III Reference Value in Data Monitor		Diagnosis Procedure	1041
Mode	1003	Removal and Installation	1041
On Board Diagnosis Logic	1003	DTC P0462, P0463 FUEL LEVEL SENSOR	
DTC Confirmation Procedure	1003	CIRCUIT	1042
Wiring Diagram	1005	Component Description	1042
Diagnosis Procedure	1006	On Board Diagnosis Logic	1042
Component Inspection	1007	DTC Confirmation Procedure	1042
DTC P0451 EVAP CONTROL SYSTEM		Diagnosis Procedure	1042
PRESSURE SENSOR	1009	Removal and Installation	1043
Component Description	1009	DTC P0500 VSS	1044
CONSULT-III Reference Value in Data Monitor		Description	1044
Mode	1009	On Board Diagnosis Logic	1044
On Board Diagnosis Logic	1009	DTC Confirmation Procedure	1044
DTC Confirmation Procedure	1009	Overall Function Check	1045
Diagnosis Procedure	1010	Diagnosis Procedure	1045
Component Inspection	1010	DTC P0506 ISC SYSTEM	1046
DTC P0452 EVAP CONTROL SYSTEM		Description	1046
PRESSURE SENSOR	1012	On Board Diagnosis Logic	1046
Component Description	1012	DTC Confirmation Procedure	1046
CONSULT-III Reference Value in Data Monitor		Diagnosis Procedure	1046
Mode	1012	DTC P0507 ISC SYSTEM	1048
On Board Diagnosis Logic	1012	Description	1048
DTC Confirmation Procedure	1012		
Wiring Diagram	1014		
Diagnosis Procedure	1015		

A
EC
C
D
E
F
G
H
I
J
K
L
M
N
O
P

On Board Diagnosis Logic	1048	Description	1080
DTC Confirmation Procedure	1048	On Board Diagnosis Logic	1080
Diagnosis Procedure	1048	DTC Confirmation Procedure	1080
DTC P0550 PSP SENSOR	1050	Diagnosis Procedure	1080
Component Description	1050	DTC P1212 TCS COMMUNICATION LINE	1081
CONSULT-III Reference Value in Data Monitor		Description	1081
Mode	1050	On Board Diagnosis Logic	1081
On Board Diagnosis Logic	1050	DTC Confirmation Procedure	1081
DTC Confirmation Procedure	1050	Diagnosis Procedure	1081
Wiring Diagram	1051	DTC P1217 ENGINE OVER TEMPERATURE	1082
Diagnosis Procedure	1052	Description	1082
Component Inspection	1054	CONSULT-III Reference Value in Data Monitor	
Removal and Installation	1054	Mode	1083
DTC P0603 ECM POWER SUPPLY	1055	On Board Diagnosis Logic	1083
Component Description	1055	Overall Function Check	1083
On Board Diagnosis Logic	1055	Wiring Diagram	1085
DTC Confirmation Procedure	1055	Diagnosis Procedure	1086
Wiring Diagram	1056	Main 13 Causes of Overheating	1090
Diagnosis Procedure	1057	Component Inspection	1091
DTC P0605 ECM	1059	DTC P1220 FUEL PUMP CONTROL MOD-	1092
Component Description	1059	ULE (FPCM)	1092
On Board Diagnosis Logic	1059	Description	1092
DTC Confirmation Procedure	1059	CONSULT-III Reference Value in Data Monitor	
Diagnosis Procedure	1060	Mode	1092
DTC P0643 SENSOR POWER SUPPLY	1061	On Board Diagnosis Logic	1092
On Board Diagnosis Logic	1061	DTC Confirmation Procedure	1092
DTC Confirmation Procedure	1061	Wiring Diagram	1094
Wiring Diagram	1062	Diagnosis Procedure	1095
Diagnosis Procedure	1063	Component Inspection	1098
DTC P0850 PNP SWITCH	1066	DTC P1225 TP SENSOR	1099
Component Description	1066	Component Description	1099
CONSULT-III Reference Value in Data Monitor		On Board Diagnosis Logic	1099
Mode	1066	DTC Confirmation Procedure	1099
On Board Diagnosis Logic	1066	Diagnosis Procedure	1099
DTC Confirmation Procedure	1066	Removal and Installation	1100
Overall Function Check	1067	DTC P1226 TP SENSOR	1101
Wiring Diagram	1068	Component Description	1101
Diagnosis Procedure	1069	On Board Diagnosis Logic	1101
DTC P1140, P1145 IVT CONTROL POSITION		DTC Confirmation Procedure	1101
SENSOR	1071	Diagnosis Procedure	1101
Component Description	1071	Removal and Installation	1102
CONSULT-III Reference Value in Data Monitor		DTC P1421 COLD START CONTROL	1103
Mode	1071	Description	1103
On Board Diagnosis Logic	1071	On Board Diagnosis Logic	1103
DTC Confirmation Procedure	1071	DTC Confirmation Procedure	1103
Wiring Diagram	1072	Diagnosis Procedure	1103
Diagnosis Procedure	1075	DTC P1550 BATTERY CURRENT SENSOR .	1105
Component Inspection	1077	Component Description	1105
Removal and Installation	1078	CONSULT-III Reference Value in Data Monitor	
DTC P1148, P1168 CLOSED LOOP CON-		Mode	1105
TROL	1079	On Board Diagnosis Logic	1105
On Board Diagnosis Logic	1079	DTC Confirmation Procedure	1105
DTC P1211 TCS CONTROL UNIT	1080	Wiring Diagram	1106

Diagnosis Procedure	1107	Component Description	1139	
Component Inspection	1109	CONSULT-III Reference Value in Data Monitor Mode	1139	A
DTC P1551, P1552 BATTERY CURRENT SENSOR	1110	On Board Diagnosis Logic	1139	EC
Component Description	1110	DTC Confirmation Procedure	1139	
CONSULT-III Reference Value in Data Monitor Mode	1110	Wiring Diagram	1141	
On Board Diagnosis Logic	1110	Diagnosis Procedure	1142	C
DTC Confirmation Procedure	1110	Component Inspection	1146	
Wiring Diagram	1111	DTC P1572 ASCD BRAKE SWITCH	1147	
Diagnosis Procedure	1112	Component Description	1147	D
Component Inspection	1114	CONSULT-III Reference Value in Data Monitor Mode	1147	
DTC P1553 BATTERY CURRENT SENSOR	1115	On Board Diagnosis Logic	1147	E
Component Description	1115	DTC Confirmation Procedure	1147	
CONSULT-III Reference Value in Data Monitor Mode	1115	Wiring Diagram	1149	F
On Board Diagnosis Logic	1115	Diagnosis Procedure	1150	
DTC Confirmation Procedure	1115	Component Inspection	1153	
Wiring Diagram	1116	DTC P1574 ICC VEHICLE SPEED SENSOR	1154	G
Diagnosis Procedure	1117	Component Description	1154	
Component Inspection	1119	On Board Diagnosis Logic	1154	
DTC P1554 BATTERY CURRENT SENSOR	1120	DTC Confirmation Procedure	1154	
Component Description	1120	Diagnosis Procedure	1154	H
CONSULT-III Reference Value in Data Monitor Mode	1120	DTC P1574 ASCD VEHICLE SPEED SENSOR	1156	
On Board Diagnosis Logic	1120	Component Description	1156	I
Overall Function Check	1120	On Board Diagnosis Logic	1156	
Wiring Diagram	1122	DTC Confirmation Procedure	1156	
Diagnosis Procedure	1123	Diagnosis Procedure	1156	J
Component Inspection	1125	DTC P1715 INPUT SPEED SENSOR	1158	
DTC P1564 ICC STEERING SWITCH	1126	Description	1158	K
Component Description	1126	CONSULT-III Reference Value in Data Monitor Mode	1158	
CONSULT-III Reference Value in Data Monitor Mode	1126	On Board Diagnosis Logic	1158	
On Board Diagnosis Logic	1126	Diagnosis Procedure	1158	L
DTC Confirmation Procedure	1127	DTC P1800 VIAS CONTROL SOLENOID VALVE	1159	
Wiring Diagram	1128	Component Description	1159	M
Diagnosis Procedure	1129	CONSULT-III Reference Value in Data Monitor Mode	1159	
Component Inspection	1131	On Board Diagnosis Logic	1159	
DTC P1564 ASCD STEERING SWITCH	1132	DTC Confirmation Procedure	1159	N
Component Description	1132	Wiring Diagram	1160	
CONSULT-III Reference Value in Data Monitor Mode	1132	Diagnosis Procedure	1161	O
On Board Diagnosis Logic	1132	Component Inspection	1162	
DTC Confirmation Procedure	1132	Removal and Installation	1162	
Wiring Diagram	1134	DTC P1805 BRAKE SWITCH	1164	P
Diagnosis Procedure	1135	Component Description	1164	
Component Inspection	1137	CONSULT-III Reference Value in Data Monitor Mode	1164	
DTC P1568 ICC FUNCTION	1138	On Board Diagnosis Logic	1164	
On Board Diagnosis Logic	1138	DTC Confirmation Procedure	1164	
DTC Confirmation Procedure	1138	Wiring Diagram	1165	
Diagnosis Procedure	1138	Diagnosis Procedure	1166	
DTC P1572 ICC BRAKE SWITCH	1139	Component Inspection	1169	

DTC P2100, P2103 THROTTLE CONTROL

MOTOR RELAY	1171
Component Description	1171
CONSULT-III Reference Value in Data Monitor Mode	1171
On Board Diagnosis Logic	1171
DTC Confirmation Procedure	1171
Wiring Diagram	1172
Diagnosis Procedure	1173

DTC P2101 ELECTRIC THROTTLE CONTROL FUNCTION1175

Description	1175
On Board Diagnosis Logic	1175
DTC Confirmation Procedure	1175
Wiring Diagram	1176
Diagnosis Procedure	1177
Component Inspection	1180
Removal and Installation	1180

DTC P2118 THROTTLE CONTROL MOTOR 1181

Component Description	1181
On Board Diagnosis Logic	1181
DTC Confirmation Procedure	1181
Wiring Diagram	1182
Diagnosis Procedure	1183
Component Inspection	1184
Removal and Installation	1184

DTC P2119 ELECTRIC THROTTLE CONTROL ACTUATOR1186

Component Description	1186
On Board Diagnosis Logic	1186
DTC Confirmation Procedure	1186
Diagnosis Procedure	1187

DTC P2122, P2123 APP SENSOR1188

Component Description	1188
CONSULT-III Reference Value in Data Monitor Mode	1188
On Board Diagnosis Logic	1188
DTC Confirmation Procedure	1188
Wiring Diagram	1189
Diagnosis Procedure	1190
Component Inspection	1192
Removal and Installation	1192

DTC P2127, P2128 APP SENSOR1193

Component Description	1193
CONSULT-III Reference Value in Data Monitor Mode	1193
On Board Diagnosis Logic	1193
DTC Confirmation Procedure	1193
Wiring Diagram	1194
Diagnosis Procedure	1195
Component Inspection	1198
Removal and Installation	1198

DTC P2135 TP SENSOR1199

Component Description	1199
-----------------------------	------

CONSULT-III Reference Value in Data Monitor Mode	1199
On Board Diagnosis Logic	1199
DTC Confirmation Procedure	1199
Wiring Diagram	1200
Diagnosis Procedure	1201
Component Inspection	1203
Removal and Installation	1204

DTC P2138 APP SENSOR1205

Component Description	1205
CONSULT-III Reference Value in Data Monitor Mode	1205
On Board Diagnosis Logic	1205
DTC Confirmation Procedure	1205
Wiring Diagram	1206
Diagnosis Procedure	1207
Component Inspection	1210
Removal and Installation	1211

DTC P2A00, P2A03 A/F SENSOR 11212

Component Description	1212
CONSULT-III Reference Value in Data Monitor Mode	1212
On Board Diagnosis Logic	1212
DTC Confirmation Procedure	1212
Wiring Diagram	1214
Diagnosis Procedure	1217
Removal and Installation	1221

ASCD BRAKE SWITCH1222

Component Description	1222
CONSULT-III Reference Value in Data Monitor Mode	1222
Wiring Diagram	1223
Diagnosis Procedure	1224
Component Inspection	1225

ASCD INDICATOR1227

Component Description	1227
CONSULT-III Reference Value in Data Monitor Mode	1227
Wiring Diagram	1228
Diagnosis Procedure	1228

ELECTRICAL LOAD SIGNAL1230

Description	1230
CONSULT-III Reference Value in Data Monitor Mode	1230
Diagnosis Procedure	1230

FUEL INJECTOR1232

Component Description	1232
CONSULT-III Reference Value in Data Monitor Mode	1232
Wiring Diagram	1233
Diagnosis Procedure	1234
Component Inspection	1236
Removal and Installation	1236

FUEL PUMP	1237	Wiring Diagram	1265	
Description	1237	Diagnosis Procedure	1265	A
CONSULT-III Reference Value in Data Monitor		Component Inspection	1267	
Mode	1237	VIAS	1269	EC
Wiring Diagram	1238	Description	1269	
Diagnosis Procedure	1239	CONSULT-III Reference Value in Data Monitor		
Component Inspection	1241	Mode	1270	
Removal and Installation	1242	Wiring Diagram	1271	C
ICC BRAKE SWITCH	1243	Diagnosis Procedure	1272	
Component Description	1243	Component Inspection	1275	
CONSULT-III Reference Value in Data Monitor		Removal and Installation	1275	D
Mode	1243	MIL AND DATA LINK CONNECTOR	1276	
Wiring Diagram	1244	Wiring Diagram	1276	E
Diagnosis Procedure	1245	SERVICE DATA AND SPECIFICATIONS		
Component Inspection	1246	(SDS)	1278	
IGNITION SIGNAL	1248	Fuel Pressure	1278	F
Component Description	1248	Idle Speed and Ignition Timing	1278	
Wiring Diagram	1249	Calculated Load Value	1278	
Diagnosis Procedure	1254	Mass Air Flow Sensor	1278	G
Component Inspection	1257	Intake Air Temperature Sensor	1278	
Removal and Installation	1258	Engine Coolant Temperature Sensor	1278	
REFRIGERANT PRESSURE SENSOR	1259	Fuel Tank Temperature Sensor	1278	H
Component Description	1259	Crankshaft Position Sensor (POS)	1279	
Wiring Diagram	1260	Camshaft Position Sensor (PHASE)	1279	
Diagnosis Procedure	1261	A/F Sensor 1 Heater	1279	
Removal and Installation	1263	Heated Oxygen Sensor 2 Heater	1279	I
SNOW MODE SWITCH	1264	Throttle Control Motor	1279	
Description	1264	Fuel Injector	1279	J
CONSULT-III Reference Value in Data Monitor		Fuel Pump	1279	
Mode	1264			K
				L
				M
				N
				O
				P

INDEX FOR DTC

< SERVICE INFORMATION >

[VQ35DE]

SERVICE INFORMATION

INDEX FOR DTC

U1000 - U1010

INFOID:000000002954074

NOTE:

- If DTC U1000 or U1001 is displayed with other DTC, first perform the trouble diagnosis for DTC U1000, U1001. Refer to [EC-147](#).
- If DTC U1010 is displayed with other DTC, first perform the trouble diagnosis for DTC U1010. Refer to [EC-149](#).

DTC*1		Items (CONSULT-III screen terms)	Reference page
CONSULT-III GST*2	ECM*3		
U1000	1000*4	CAN COMM CIRCUIT	EC-147
U1001	1001*4	CAN COMM CIRCUIT	EC-147
U1010	1010	CONTROL UNIT(CAN)	EC-149

*1: 1st trip DTC No. is the same as DTC No.

*2: This number is prescribed by SAE J2012.

*3: In Diagnostic Test Mode II (Self-diagnostic results), this number is controlled by NISSAN.

*4: The troubleshooting for this DTC needs CONSULT-III.

P0011 - P0081

INFOID:0000000003464818

NOTE:

- If DTC U1000 or U1001 is displayed with other DTC, first perform the trouble diagnosis for DTC U1000, U1001. Refer to [EC-147](#).
- If DTC U1010 is displayed with other DTC, first perform the trouble diagnosis for DTC U1010. Refer to [EC-149](#).

DTC*1		Items (CONSULT-III screen terms)	Reference page
CONSULT-III GST*2	ECM*3		
P0011	0011	INT/V TIM CONT-B1	EC-150
P0021	0021	INT/V TIM CONT-B2	EC-150
P0031	0031	A/F SEN1 HTR (B1)	EC-154
P0032	0032	A/F SEN1 HTR (B1)	EC-154
P0037	0037	HO2S2 HTR (B1)	EC-161
P0038	0038	HO2S2 HTR (B1)	EC-161
P0051	0051	A/F SEN1 HTR (B2)	EC-154
P0052	0052	A/F SEN1 HTR (B2)	EC-154
P0057	0057	HO2S2 HTR (B2)	EC-161
P0058	0058	HO2S2 HTR (B2)	EC-161
P0075	0075	INT/V TIM V/CIR-B1	EC-169
P0081	0081	INT/V TIM V/CIR-B2	EC-169

*1: 1st trip DTC No. is the same as DTC No.

*2: This number is prescribed by SAE J2012.

*3: In Diagnostic Test Mode II (Self-diagnostic results), this number is controlled by NISSAN.

P0101 - P0128

INFOID:0000000003464819

NOTE:

INDEX FOR DTC

< SERVICE INFORMATION >

[VQ35DE]

- If DTC U1000 or U1001 is displayed with other DTC, first perform the trouble diagnosis for DTC U1000, U1001. Refer to [EC-147](#).
- If DTC U1010 is displayed with other DTC, first perform the trouble diagnosis for DTC U1010. Refer to [EC-149](#).

DTC*1		Items (CONSULT-III screen terms)	Reference page
CONSULT-III GST*2	ECM*3		
P0101	0101	MAF SEN/CIRCUIT	EC-176
P0102	0102	MAF SEN/CIRCUIT	EC-185
P0103	0103	MAF SEN/CIRCUIT	EC-185
P0112	0112	IAT SEN/CIRCUIT	EC-192
P0113	0113	IAT SEN/CIRCUIT	EC-192
P0116	0116	ECT SENSOR	EC-196
P0117	0117	ECT SEN/CIRC	EC-199
P0118	0118	ECT SEN/CIRC	EC-199
P0122	0122	TP SEN 2/CIRC	EC-204
P0123	0123	TP SEN 2/CIRC	EC-204
P0125	0125	ECT SENSOR	EC-210
P0127	0127	IAT SENSOR	EC-213
P0128	0128	THERMSTAT FNCTN	EC-216

*1: 1st trip DTC No. is the same as DTC No.

*2: This number is prescribed by SAE J2012.

*3: In Diagnostic Test Mode II (Self-diagnostic results), this number is controlled by NISSAN.

P0130 - P0159

INFOID:000000003464820

NOTE:

- If DTC U1000 or U1001 is displayed with other DTC, first perform the trouble diagnosis for DTC U1000, U1001. Refer to [EC-147](#).
- If DTC U1010 is displayed with other DTC, first perform the trouble diagnosis for DTC U1010. Refer to [EC-149](#).

DTC*1		Items (CONSULT-III screen terms)	Reference page
CONSULT-III GST*2	ECM*3		
P0130	0130	A/F SENSOR1 (B1)	EC-218
P0131	0131	A/F SENSOR1 (B1)	EC-226
P0132	0132	A/F SENSOR1 (B1)	EC-234
P0133	0133	A/F SENSOR1 (B1)	EC-242
P0137	0137	HO2S2 (B1)	EC-251
P0138	0138	HO2S2 (B1)	EC-260
P0139	0139	HO2S2 (B1)	EC-271
P0150	0150	A/F SENSOR1 (B2)	EC-218
P0151	0151	A/F SENSOR1 (B2)	EC-226
P0152	0152	A/F SENSOR1 (B2)	EC-234
P0153	0153	A/F SENSOR1 (B2)	EC-242
P0157	0157	HO2S2 (B2)	EC-251
P0158	0158	HO2S2 (B2)	EC-260
P0159	0159	HO2S2 (B2)	EC-271

INDEX FOR DTC

[VQ35DE]

< SERVICE INFORMATION >

- *1: 1st trip DTC No. is the same as DTC No.
- *2: This number is prescribed by SAE J2012.
- *3: In Diagnostic Test Mode II (Self-diagnostic results), this number is controlled by NISSAN.

P0171 - P0223

INFOID:000000003464821

NOTE:

- If DTC U1000 or U1001 is displayed with other DTC, first perform the trouble diagnosis for DTC U1000, U1001. Refer to [EC-147](#).
- If DTC U1010 is displayed with other DTC, first perform the trouble diagnosis for DTC U1010. Refer to [EC-149](#).

DTC*1		Items (CONSULT-III screen terms)	Reference page
CONSULT-III GST*2	ECM*3		
P0171	0171	FUEL SYS-LEAN-B1	EC-280
P0172	0172	FUEL SYS-RICH-B1	EC-292
P0174	0174	FUEL SYS-LEAN-B2	EC-280
P0175	0175	FUEL SYS-RICH-B2	EC-292
P0181	0181	FTT SENSOR	EC-304
P0182	0182	FTT SEN/CIRCUIT	EC-308
P0183	0183	FTT SEN/CIRCUIT	EC-308
P0222	0222	TP SEN 1/CIRC	EC-312
P0223	0223	TP SEN 1/CIRC	EC-312

- *1: 1st trip DTC No. is the same as DTC No.
- *2: This number is prescribed by SAE J2012.
- *3: In Diagnostic Test Mode II (Self-diagnostic results), this number is controlled by NISSAN.

P0300 - P0430

INFOID:000000003464822

NOTE:

- If DTC U1000 or U1001 is displayed with other DTC, first perform the trouble diagnosis for DTC U1000, U1001. Refer to [EC-147](#).
- If DTC U1010 is displayed with other DTC, first perform the trouble diagnosis for DTC U1010. Refer to [EC-149](#).

DTC*1		Items (CONSULT-III screen terms)	Reference page
CONSULT-III GST*2	ECM*3		
P0300	0300	MULTI CYL MISFIRE	EC-318
P0301	0301	CYL 1 MISFIRE	EC-318
P0302	0302	CYL 2 MISFIRE	EC-318
P0303	0303	CYL 3 MISFIRE	EC-318
P0304	0304	CYL 4 MISFIRE	EC-318
P0305	0305	CYL 5 MISFIRE	EC-318
P0306	0306	CYL 6 MISFIRE	EC-318
P0327	0327	KNOCK SEN/CIRC-B1	EC-325
P0328	0328	KNOCK SEN/CIRC-B1	EC-325
P0335	0335	CKP SEN/CIRCUIT	EC-330
P0340	0340	CMP SEN/CIRC-B1	EC-335
P0345	0345	CMP SEN/CIRC-B2	EC-335

INDEX FOR DTC

< SERVICE INFORMATION >

[VQ35DE]

DTC*1		Items (CONSULT-III screen terms)	Reference page
CONSULT-III GST*2	ECM*3		
P0420	0420	TW CATALYST SYS-B1	EC-343
P0430	0430	TW CATALYST SYS-B2	EC-343

*1: 1st trip DTC No. is the same as DTC No.

*2: This number is prescribed by SAE J2012.

*3: In Diagnostic Test Mode II (Self-diagnostic results), this number is controlled by NISSAN.

P0441 - P0456

INFOID:000000003464823

NOTE:

- If DTC U1000 or U1001 is displayed with other DTC, first perform the trouble diagnosis for DTC U1000, U1001. Refer to [EC-147](#).
- If DTC U1010 is displayed with other DTC, first perform the trouble diagnosis for DTC U1010. Refer to [EC-149](#).

DTC*1		Items (CONSULT-III screen terms)	Reference page
CONSULT-III GST*2	ECM*3		
P0441	0441	EVAP PURG FLOW/MON	EC-347
P0442	0442	EVAP SMALL LEAK	EC-352
P0443	0443	PURG VOLUME CONT/V	EC-359
P0444	0444	PURG VOLUME CONT/V	EC-366
P0445	0445	PURG VOLUME CONT/V	EC-366
P0447	0447	VENT CONTROL VALVE	EC-372
P0448	0448	VENT CONTROL VALVE	EC-378
P0451	0451	EVAP SYS PRES SEN	EC-384
P0452	0452	EVAP SYS PRES SEN	EC-387
P0453	0453	EVAP SYS PRES SEN	EC-393
P0455	0455	EVAP GROSS LEAK	EC-400
P0456	0456	EVAP VERY SML LEAK	EC-406

*1: 1st trip DTC No. is the same as DTC No.

*2: This number is prescribed by SAE J2012.

*3: In Diagnostic Test Mode II (Self-diagnostic results), this number is controlled by NISSAN.

P0460 - P0643

INFOID:000000003464824

NOTE:

- If DTC U1000 or U1001 is displayed with other DTC, first perform the trouble diagnosis for DTC U1000, U1001. Refer to [EC-147](#).
- If DTC U1010 is displayed with other DTC, first perform the trouble diagnosis for DTC U1010. Refer to [EC-149](#).

DTC*1		Items (CONSULT-III screen terms)	Reference page
CONSULT-III GST*2	ECM*3		
P0460	0460	FUEL LEV SEN SLOSH	EC-413
P0461	0461	FUEL LEVEL SENSOR	EC-415
P0462	0462	FUEL LEVL SEN/CIRC	EC-417
P0463	0463	FUEL LEVL SEN/CIRC	EC-417

INDEX FOR DTC

< SERVICE INFORMATION >

[VQ35DE]

DTC*1		Items (CONSULT-III screen terms)	Reference page
CONSULT-III GST*2	ECM*3		
P0500	0500	VEH SPEED SEN/CIRC*4	EC-419
P0506	0506	ISC SYSTEM	EC-421
P0507	0507	ISC SYSTEM	EC-423
P0550	0550	PW ST P SEN/CIRC	EC-425
P0603	0603	ECM BACK UP/CIRCUIT	EC-430
P0605	0605	ECM	EC-434
P0643	0643	SENSOR POWER/CIRC	EC-436

*1: 1st trip DTC No. is the same as DTC No.

*2: This number is prescribed by SAE J2012.

*3: In Diagnostic Test Mode II (Self-diagnostic results), this number is controlled by NISSAN.

*4: When the fail-safe operations for both self-diagnoses occur, the MIL illuminates.

P0700 - P0745

INFOID:000000003464825

NOTE:

- If DTC U1000 or U1001 is displayed with other DTC, first perform the trouble diagnosis for DTC U1000, U1001. Refer to [EC-147](#).
- If DTC U1010 is displayed with other DTC, first perform the trouble diagnosis for DTC U1010. Refer to [EC-149](#).

DTC*1		Items (CONSULT-III screen terms)	Reference page
CONSULT-III GST*2	ECM*3		
P0700	0700	TCM	AT-102
P0705	0705	PNP SW/CIRC	AT-103
P0710	0710	ATF TEMP SEN/CIRC	AT-133
P0717	0717	TURBINE SENSOR	AT-106
P0720	0720	VEH SPD SEN/CIR AT*4	AT-108
P0725	0725	ENGINE SPEED SIG	AT-113
P0740	0740	TCC SOLENOID/CIRC	AT-125
P0744	0744	A/T TCC S/V FNCTN	AT-127
P0745	0745	L/PRESS SOL/CIRC	AT-129

*1: 1st trip DTC No. is the same as DTC No.

*2: This number is prescribed by SAE J2012.

*3: In Diagnostic Test Mode II (Self-diagnostic results), this number is controlled by NISSAN.

*4: When the fail-safe operations for both self-diagnoses occur, the MIL illuminates.

P0850 - P1554

INFOID:000000003464826

NOTE:

- If DTC U1000 or U1001 is displayed with other DTC, first perform the trouble diagnosis for DTC U1000, U1001. Refer to [EC-147](#).
- If DTC U1010 is displayed with other DTC, first perform the trouble diagnosis for DTC U1010. Refer to [EC-149](#).

INDEX FOR DTC

< SERVICE INFORMATION >

[VQ35DE]

DTC*1		Items (CONSULT-III screen terms)	Reference page
CONSULT-III GST*2	ECM*3		
P0850	0850	P-N POS SW/CIRCUIT	EC-441
P1148	1148	CLOSED LOOP-B1	EC-446
P1168	1168	CLOSED LOOP-B2	EC-446
P1211	1211	TCS C/U FUNCTN	EC-447
P1212	1212	TCS/CIRC	EC-448
P1217	1217	ENG OVER TEMP	EC-449
P1220	1220	FPCM/CIRCUIT	EC-459
P1225	1225	CTP LEARNING	EC-466
P1226	1226	CTP LEARNING	EC-468
P1421	1421	COLD START CONTROL	EC-470
P1550	1550	BAT CURRENT SENSOR	EC-472
P1551	1551	BAT CURRENT SENSOR	EC-477
P1552	1552	BAT CURRENT SENSOR	EC-477
P1553	1553	BAT CURRENT SENSOR	EC-482
P1554	1554	BAT CURRENT SENSOR	EC-487

*1: 1st trip DTC No. is the same as DTC No.

*2: This number is prescribed by SAE J2012.

*3: In Diagnostic Test Mode II (Self-diagnostic results), this number is controlled by NISSAN.

P1564 - P1615

INFOID:000000003464827

NOTE:

- If DTC U1000 or U1001 is displayed with other DTC, first perform the trouble diagnosis for DTC U1000, U1001. Refer to [EC-147](#).
- If DTC U1010 is displayed with other DTC, first perform the trouble diagnosis for DTC U1010. Refer to [EC-149](#).

DTC*1		Items (CONSULT-III screen terms)	Reference page
CONSULT-III GST*2	ECM*3		
P1564	1564	ASCD SW	EC-493 (Models with ICC) EC-500 (Models with ASCD)
P1568	1568	ICC COMMAND VALUE*4	EC-506
P1572	1572	ASCD BRAKE SW	EC-507 (Models with ICC) EC-515 (Models with ASCD)
P1574	1574	ASCD VHL SPD SEN	EC-522 (Models with ICC) EC-524 (Models with ASCD)
P1610 - P1615	1610 - 1615	NATS MALFUNCTION	EC-53

*1: 1st trip DTC No. is the same as DTC No.

*2: This number is prescribed by SAE J2012.

*3: In Diagnostic Test Mode II (Self-diagnostic results), this number is controlled by NISSAN.

*4: Models with ICC.

P1705 - P1774

INFOID:000000003464828

NOTE:

- If DTC U1000 or U1001 is displayed with other DTC, first perform the trouble diagnosis for DTC U1000, U1001. Refer to [EC-147](#).

INDEX FOR DTC

< SERVICE INFORMATION >

[VQ35DE]

- If DTC U1010 is displayed with other DTC, first perform the trouble diagnosis for DTC U1010. Refer to [EC-149](#).

DTC*1		Items (CONSULT-III screen terms)	Reference page
CONSULT-III GST*2	ECM*3		
P1705	1705	TP SEN/CIRC A/T	AT-131
P1715	1715	IN PULY SPEED	EC-526
P1730	1730	A/T INTERLOCK	AT-140
P1752	1752	I/C SOLENOID/CIRC	AT-144
P1757	1757	FR/B SOLENOID/CIRC	AT-146
P1762	1762	D/C SOLENOID/CIRC	AT-148
P1767	1767	HLR/C SOL/CIRC	AT-150
P1772	1772	LC/B SOLENOID/CIRC	AT-152
P1774	1774	LC/B SOLENOID FNCT	AT-154

*1: 1st trip DTC No. is the same as DTC No.

*2: This number is prescribed by SAE J2012.

*3: In Diagnostic Test Mode II (Self-diagnostic results), this number is controlled by NISSAN.

P1805 - P2A03

INFOID:000000003464829

NOTE:

- If DTC U1000 or U1001 is displayed with other DTC, first perform the trouble diagnosis for DTC U1000, U1001. Refer to [EC-147](#).
- If DTC U1010 is displayed with other DTC, first perform the trouble diagnosis for DTC U1010. Refer to [EC-149](#).

DTC*1		Items (CONSULT-III screen terms)	Reference page
CONSULT-III GST*2	ECM*3		
P1805	1805	BRAKE SW/CIRCUIT	EC-527
P2100	2100	ETC MOT PWR	EC-534
P2101	2101	ETC FUNCTION/CIRC	EC-538
P2103	2103	ETC MOT PWR	EC-534
P2118	2118	ETC MOT	EC-544
P2119	2119	ETC ACTR	EC-548
P2122	2122	APP SEN 1/CIRC	EC-550
P2123	2123	APP SEN 1/CIRC	EC-550
P2127	2127	APP SEN 2/CIRC	EC-555
P2128	2128	APP SEN 2/CIRC	EC-555
P2135	2135	TP SENSOR	EC-561
P2138	2138	APP SENSOR	EC-567
P2A00	2A00	A/F SENSOR1 (B1)	EC-574
P2A03	2A03	A/F SENSOR1 (B2)	EC-574

*1: 1st trip DTC No. is the same as DTC No.

*2: This number is prescribed by SAE J2012.

*3: In Diagnostic Test Mode II (Self-diagnostic results), this number is controlled by NISSAN.

PRECAUTIONS

< SERVICE INFORMATION >

[VQ35DE]

PRECAUTIONS

Precaution for Supplemental Restraint System (SRS) "AIR BAG" and "SEAT BELT PRE-TENSIONER"

INFOID:000000005154049

The Supplemental Restraint System such as "AIR BAG" and "SEAT BELT PRE-TENSIONER", used along with a front seat belt, helps to reduce the risk or severity of injury to the driver and front passenger for certain types of collision. This system includes seat belt switch inputs and dual stage front air bag modules. The SRS system uses the seat belt switches to determine the front air bag deployment, and may only deploy one front air bag, depending on the severity of a collision and whether the front occupants are belted or unbelted. Information necessary to service the system safely is included in the "SUPPLEMENTAL RESTRAINT SYSTEM" and "SEAT BELTS" of this Service Manual.

WARNING:

- To avoid rendering the SRS inoperative, which could increase the risk of personal injury or death in the event of a collision which would result in air bag inflation, all maintenance must be performed by an authorized NISSAN/INFINITI dealer.
- Improper maintenance, including incorrect removal and installation of the SRS, can lead to personal injury caused by unintentional activation of the system. For removal of Spiral Cable and Air Bag Module, see the "SUPPLEMENTAL RESTRAINT SYSTEM".
- Do not use electrical test equipment on any circuit related to the SRS unless instructed to in this Service Manual. SRS wiring harnesses can be identified by yellow and/or orange harnesses or harness connectors.

PRECAUTIONS WHEN USING POWER TOOLS (AIR OR ELECTRIC) AND HAMMERS

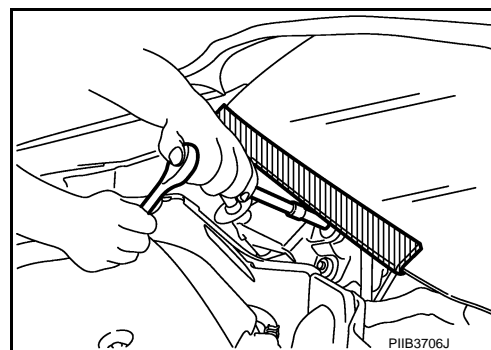
WARNING:

- When working near the Air Bag Diagnosis Sensor Unit or other Air Bag System sensors with the ignition ON or engine running, DO NOT use air or electric power tools or strike near the sensor(s) with a hammer. Heavy vibration could activate the sensor(s) and deploy the air bag(s), possibly causing serious injury.
- When using air or electric power tools or hammers, always switch the ignition OFF, disconnect the battery, and wait at least 3 minutes before performing any service.

Precaution for Procedure without Cowl Top Cover

INFOID:000000002954077

When performing the procedure after removing cowl top cover, cover the lower end of windshield with urethane, etc.



On Board Diagnosis (OBD) System of Engine and A/T

INFOID:000000002954078

The ECM has an on board diagnostic system. It will light up the malfunction indicator lamp (MIL) to warn the driver of a malfunction causing emission deterioration.

CAUTION:

- Be sure to turn the ignition switch OFF and disconnect the negative battery cable before any repair or inspection work. The open/short circuit of related switches, sensors, solenoid valves, etc. will cause the MIL to light up.
- Be sure to connect and lock the connectors securely after work. A loose (unlocked) connector will cause the MIL to light up due to the open circuit. (Be sure the connector is free from water, grease, dirt, bent terminals, etc.)
- Certain systems and components, especially those related to OBD, may use a new style slide-locking type harness connector. For description and how to disconnect, refer to [PG-75](#).
- Be sure to route and secure the harnesses properly after work. The interference of the harness with a bracket, etc. may cause the MIL to light up due to the short circuit.

PRECAUTIONS

[VQ35DE]

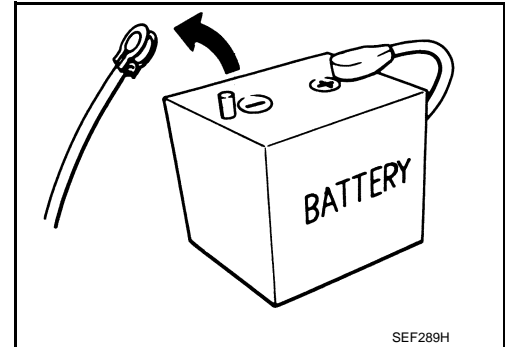
< SERVICE INFORMATION >

- Be sure to connect rubber tubes properly after work. A misconnected or disconnected rubber tube may cause the MIL to light up due to the malfunction of the EVAP system or fuel injection system, etc.
- Be sure to erase the unnecessary malfunction information (repairs completed) from the ECM and TCM (Transmission control module) before returning the vehicle to the customer.

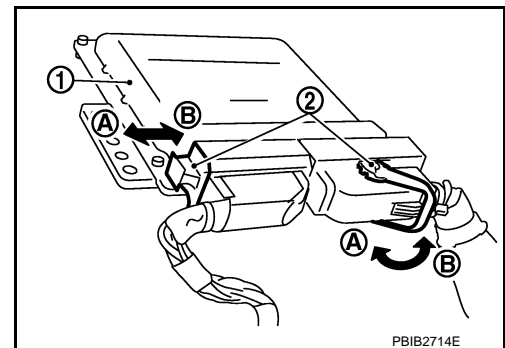
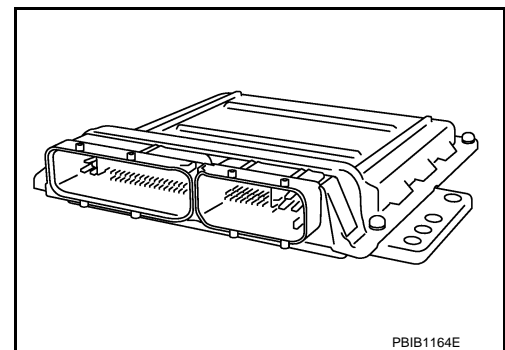
Precaution

INFOID:000000002954079

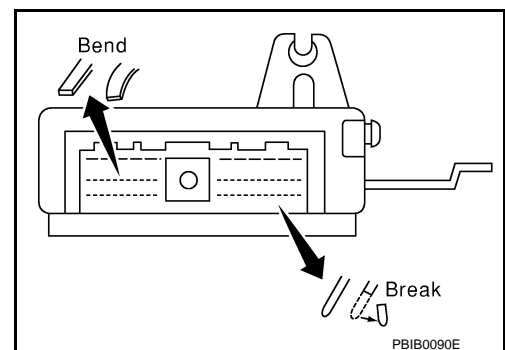
- Always use a 12 volt battery as power source.
- Do not attempt to disconnect battery cables while engine is running.
- Before connecting or disconnecting the ECM harness connector, turn ignition switch OFF and disconnect negative battery cable. Failure to do so may damage the ECM because battery voltage is applied to ECM even if ignition switch is turned OFF.
- Before removing parts, turn ignition switch OFF and then disconnect negative battery cable.



- Do not disassemble ECM.
- If a battery cable is disconnected, the memory will return to the ECM value.
The ECM will now start to self-control at its initial value. Engine operation can vary slightly when the terminal is disconnected. However, this is not an indication of a malfunction. Do not replace parts because of a slight variation.
- If the battery is disconnected, the following emission-related diagnostic information will be lost within 24 hours.
 - Diagnostic trouble codes
 - 1st trip diagnostic trouble codes
 - Freeze frame data
 - 1st trip freeze frame data
 - System readiness test (SRT) codes
 - Test values
- When connecting ECM harness connector, fasten (B) it securely with a lever (2) as far as it will go as shown in the figure.
 - ECM (1)
 - Loosen (A)



- When connecting or disconnecting pin connectors into or from ECM, take care not to damage pin terminals (bend or break).
Make sure that there are not any bends or breaks on ECM pin terminal, when connecting pin connectors.
- Securely connect ECM harness connectors.
A poor connection can cause an extremely high (surge) voltage to develop in coil and condenser, thus resulting in damage to ICs.
- Keep engine control system harness at least 10 cm (4 in) away from adjacent harness, to prevent engine control system malfunctions due to receiving external noise, degraded operation of ICs, etc.

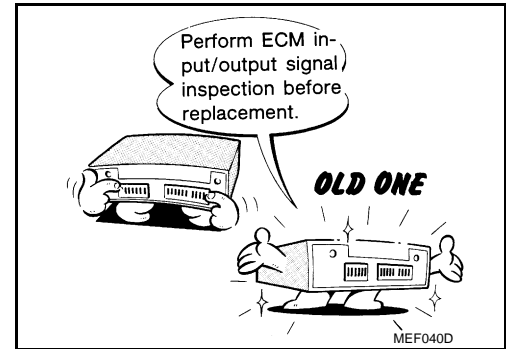


PRECAUTIONS

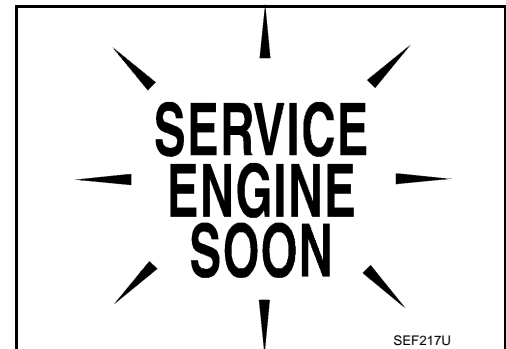
[VQ35DE]

< SERVICE INFORMATION >

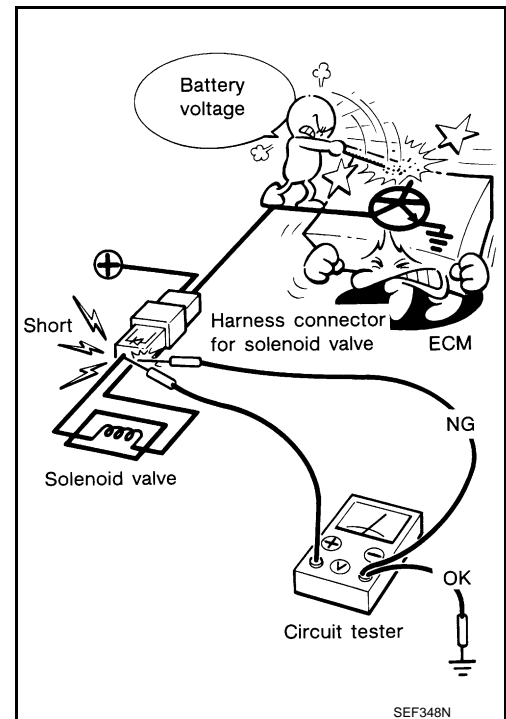
- Keep engine control system parts and harness dry.
- Before replacing ECM, perform ECM Terminals and Reference Value inspection and make sure ECM functions properly. Refer to [EC-108, "ECM Terminal and Reference Value"](#).
- Handle mass air flow sensor carefully to avoid damage.
- Do not clean mass air flow sensor with any type of detergent.
- Do not disassemble electric throttle control actuator.
- Even a slight leak in the air intake system can cause serious incidents.
- Do not shock or jar the camshaft position sensor (PHASE), crankshaft position sensor (POS).



- After performing each TROUBLE DIAGNOSIS, perform DTC Confirmation Procedure or Overall Function Check. The DTC should not be displayed in the DTC Confirmation Procedure if the repair is completed. The Overall Function Check should be a good result if the repair is completed.



- When measuring ECM signals with a circuit tester, never allow the two tester probes to contact. Accidental contact of probes will cause a short circuit and damage the ECM power transistor.
- Do not use ECM ground terminals when measuring input/output voltage. Doing so may result in damage to the ECM's transistor. Use a ground other than ECM terminals, such as the ground.



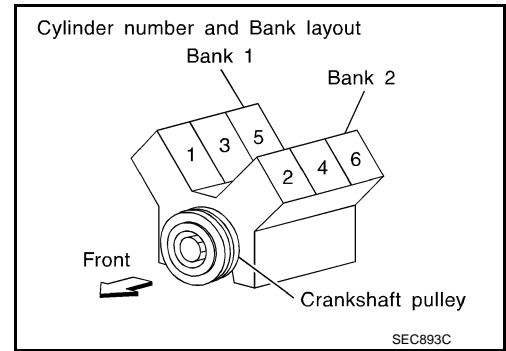
A
EC
C
D
E
F
G
H
I
J
K
L
M
N
O
P

PRECAUTIONS

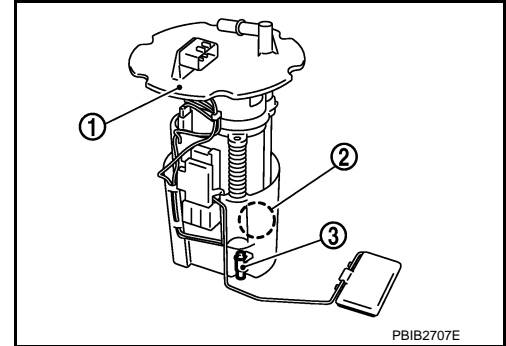
< SERVICE INFORMATION >

[VQ35DE]

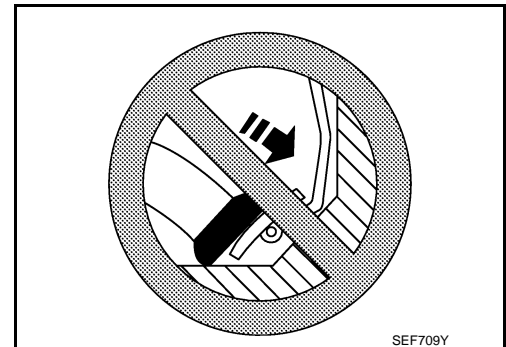
- B1 indicates the bank 1, B2 indicates the bank 2 as shown in the figure.



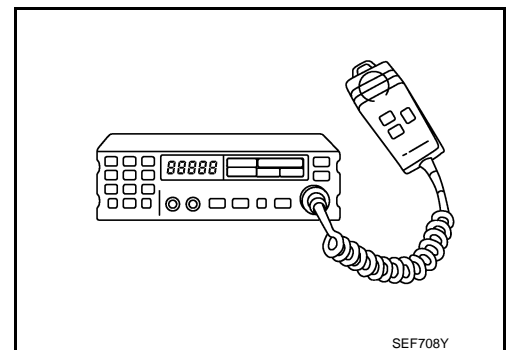
- Do not operate fuel pump when there is no fuel in lines.
 - Fuel level sensor unit and fuel pump (1)
 - Fuel pressure regulator (2)
 - Fuel tank temperature sensor (3)
- Tighten fuel hose clamps to the specified torque.



- Do not depress accelerator pedal when starting.
- Immediately after starting, do not rev up engine unnecessarily.
- Do not rev up engine just prior to shutdown.



- When installing C.B. ham radio or a mobile phone, be sure to observe the following as it may adversely affect electronic control systems depending on installation location.
 - Keep the antenna as far as possible from the electronic control units.
 - Keep the antenna feeder line more than 20 cm (8 in) away from the harness of electronic controls. Do not let them run parallel for a long distance.
 - Adjust the antenna and feeder line so that the standing-wave ratio can be kept smaller.
 - Be sure to ground the radio to vehicle body.



PREPARATION

< SERVICE INFORMATION >

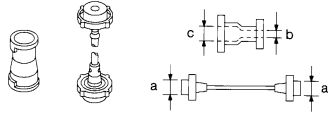
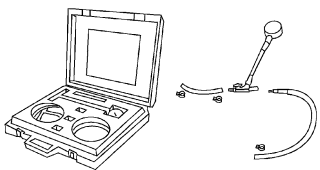
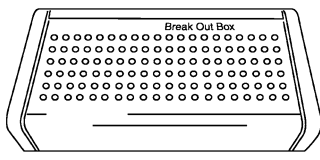
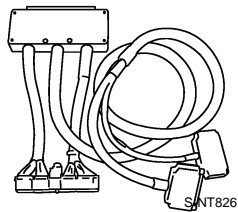
[VQ35DE]

PREPARATION

Special Service Tool

INFOID:00000002954080

The actual shapes of Kent-Moore tools may differ from those of special service tools illustrated here.

Tool number (Kent-Moore No.) Tool name	Description
<p>EG17650301 (J-33984-A) Radiator cap tester adapter</p>  <p style="text-align: center;">S-NT564</p>	<p>Adapting radiator cap tester to radiator cap and radiator filler neck a: 28 (1.10) dia. b: 31.4 (1.236) dia. c: 41.3 (1.626) dia. Unit: mm (in)</p>
<p>(J-44321) Fuel pressure gauge kit</p>  <p style="text-align: center;">LEC642</p>	<p>Checking fuel pressure</p>
<p>KV109E0010 (J-46209) Break-out box</p>  <p style="text-align: center;">S-NT825</p>	<p>Measuring the ECM signals with a circuit tester</p>
<p>KV109E0080 (J-45819) Y-cable adapter</p>  <p style="text-align: center;">S-NT826</p>	<p>Measuring the ECM signals with a circuit tester</p>

A
EC
C
D
E
F
G
H
I
J
K
L
M
N
O
P

PREPARATION

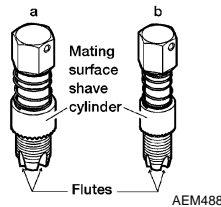
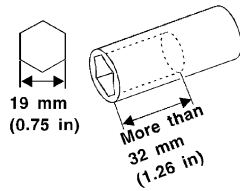
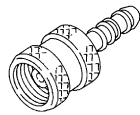
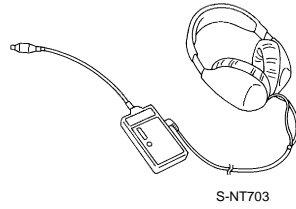
< SERVICE INFORMATION >

[VQ35DE]

Commercial Service Tool

INFOID:00000002954081

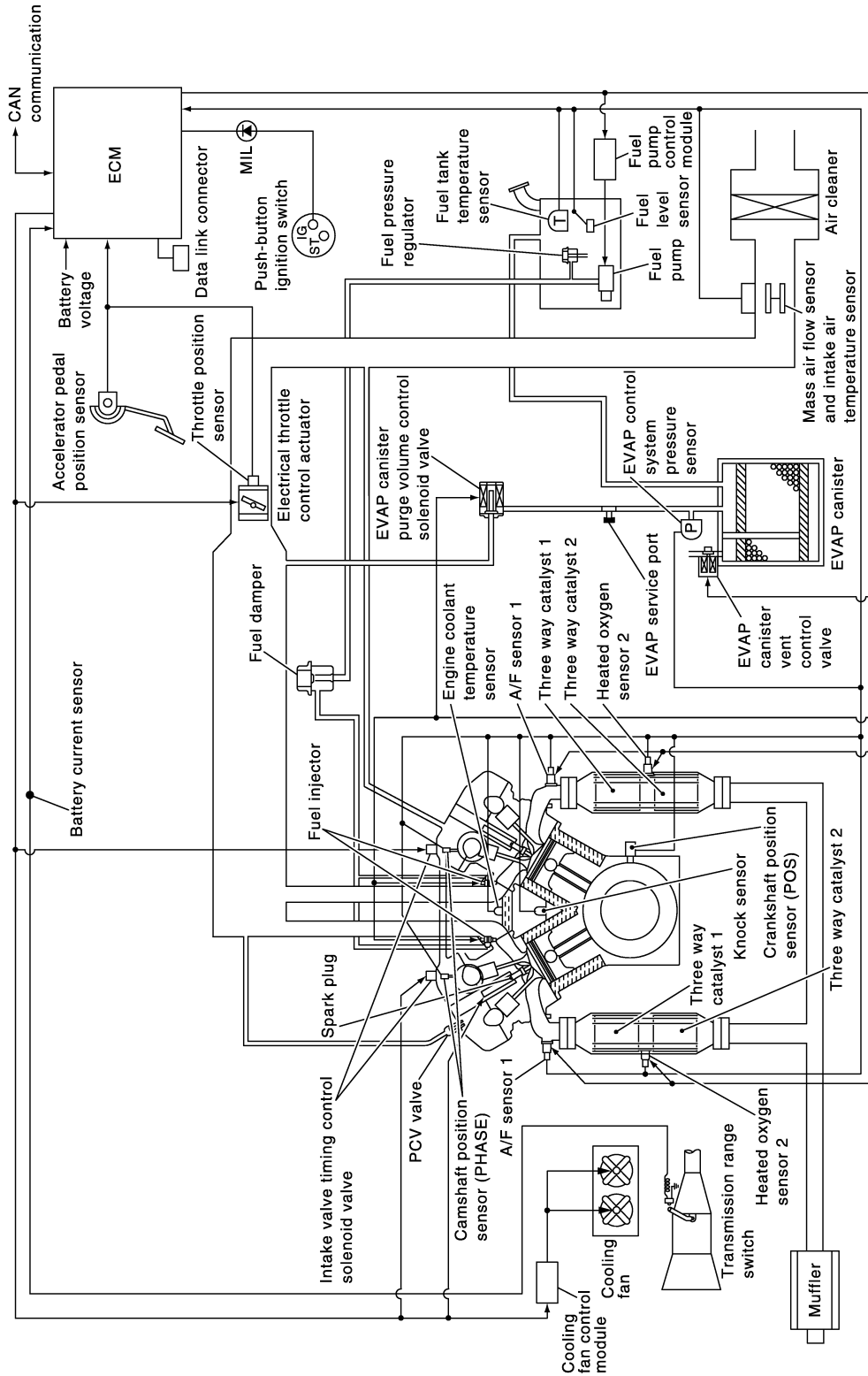
Tool name (Kent-Moore No.)	Description
Leak detector i.e.: (J-41416)	Locating the EVAP leak
EVAP service port adapter i.e.: (J-41413-OBDD)	Applying positive pressure through EVAP service port
Fuel filler cap adapter i.e.: (MLR-8382)	Checking fuel tank vacuum relief valve opening pressure
Socket wrench	Removing and installing engine coolant temperature sensor
Oxygen sensor thread cleaner i.e.: (J-43897-18) (J-43897-12)	Reconditioning the exhaust system threads before installing a new oxygen sensor. Use with anti-seize lubricant shown below. a: 18 mm diameter with pitch 1.5 mm for Zirconia Oxygen Sensor b: 12 mm diameter with pitch 1.25 mm for Titanium Oxygen Sensor
Anti-seize lubricant i.e.: (Permatex™ 133AR or equivalent meeting MIL specification MIL-A-907)	Lubricating oxygen sensor thread cleaning tool when reconditioning exhaust system threads.



ENGINE CONTROL SYSTEM

Schematic

INFOID:000000002954082



JSBIA0060GB

Multiport Fuel Injection (MFI) System

INFOID:000000002954083

INPUT/OUTPUT SIGNAL CHART

A
EC
C
D
E
F
G
H
I
J
K
L
M
N
O
P

ENGINE CONTROL SYSTEM

[VQ35DE]

< SERVICE INFORMATION >

Sensor	Input Signal to ECM	ECM function	Actuator
Crankshaft position sensor (POS)	Engine speed* ³	Fuel injection & mixture ratio control	Fuel injector
Camshaft position sensor (PHASE)	Piston position		
Mass air flow sensor	Amount of intake air		
Engine coolant temperature sensor	Engine coolant temperature		
Air fuel ratio (A/F) sensor 1	Density of oxygen in exhaust gas		
Throttle position sensor	Throttle position		
Accelerator pedal position sensor	Accelerator pedal position		
Transmission range switch	Gear position		
Battery	Battery voltage* ³		
Knock sensor	Engine knocking condition		
Power steering pressure sensor	Power steering operation		
Heated oxygen sensor 2* ¹	Density of oxygen in exhaust gas		
ABS actuator and electric unit (control unit)	VDC/TCS operation command* ²		
Air conditioner switch	Air conditioner operation* ²		
Wheel sensor	Vehicle speed* ²		

*1: This sensor is not used to control the engine system under normal conditions.

*2: This signal is sent to the ECM through CAN communication line.

*3: ECM determines the start signal status by the signals of engine speed and battery voltage.

SYSTEM DESCRIPTION

The amount of fuel injected from the fuel injector is determined by the ECM. The ECM controls the length of time the valve remains open (injection pulse duration). The amount of fuel injected is a program value in the ECM memory. The program value is preset by engine operating conditions. These conditions are determined by input signals (for engine speed and intake air) from the crankshaft position sensor (POS), camshaft position sensor (PHASE) and the mass air flow sensor.

VARIOUS FUEL INJECTION INCREASE/DECREASE COMPENSATION

In addition, the amount of fuel injected is compensated to improve engine performance under various operating conditions as listed below.

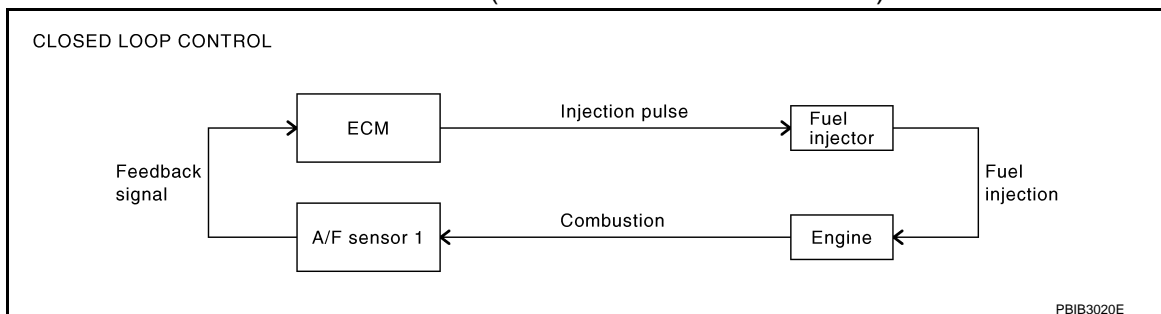
<Fuel increase>

- During warm-up
- When starting the engine
- During acceleration
- Hot-engine operation
- When selector lever is changed from N to D
- High-load, high-speed operation

<Fuel decrease>

- During deceleration
- During high engine speed operation

MIXTURE RATIO FEEDBACK CONTROL (CLOSED LOOP CONTROL)



< SERVICE INFORMATION >

The mixture ratio feedback system provides the best air-fuel mixture ratio for driveability and emission control. The three way catalyst 1 can then better reduce CO, HC and NOx emissions. This system uses A/F sensor 1 in the exhaust manifold to monitor whether the engine operation is rich or lean. The ECM adjusts the injection pulse width according to the sensor voltage signal. For more information about A/F sensor 1, refer to [EC-226](#). This maintains the mixture ratio within the range of stoichiometric (ideal air-fuel mixture).

This stage is referred to as the closed loop control condition.

Heated oxygen sensor 2 is located downstream of the three way catalyst 1. Even if the switching characteristics of A/F sensor 1 shift, the air-fuel ratio is controlled to stoichiometric by the signal from heated oxygen sensor 2.

Open Loop Control

The open loop system condition refers to when the ECM detects any of the following conditions. Feedback control stops in order to maintain stabilized fuel combustion.

- Deceleration and acceleration
- High-load, high-speed operation
- Malfunction of A/F sensor 1 or its circuit
- Insufficient activation of A/F sensor 1 at low engine coolant temperature
- High engine coolant temperature
- During warm-up
- After shifting from N to D
- When starting the engine

MIXTURE RATIO SELF-LEARNING CONTROL

The mixture ratio feedback control system monitors the mixture ratio signal transmitted from A/F sensor 1. This feedback signal is then sent to the ECM. The ECM controls the basic mixture ratio as close to the theoretical mixture ratio as possible. However, the basic mixture ratio is not necessarily controlled as originally designed. Both manufacturing differences (i.e., mass air flow sensor hot wire) and characteristic changes during operation (i.e., fuel injector clogging) directly affect mixture ratio.

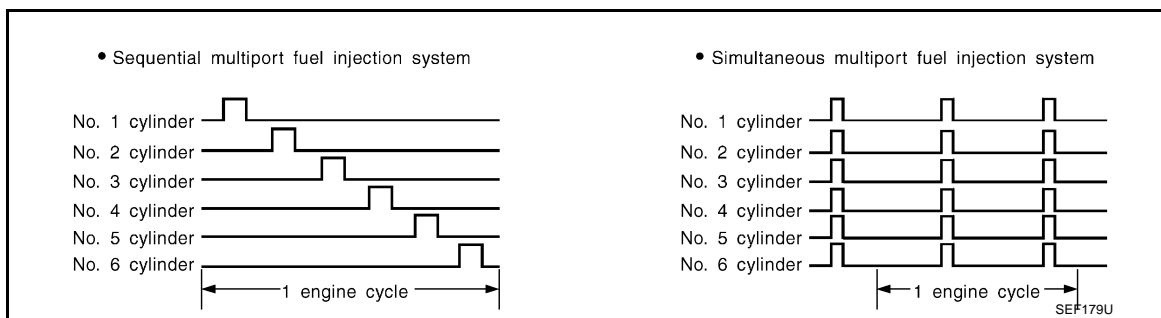
Accordingly, the difference between the basic and theoretical mixture ratios is monitored in this system. This is then computed in terms of "injection pulse duration" to automatically compensate for the difference between the two ratios.

"Fuel trim" refers to the feedback compensation value compared against the basic injection duration. Fuel trim includes short term fuel trim and long term fuel trim.

"Short term fuel trim" is the short-term fuel compensation used to maintain the mixture ratio at its theoretical value. The signal from A/F sensor 1 indicates whether the mixture ratio is RICH or LEAN compared to the theoretical value. The signal then triggers a reduction in fuel volume if the mixture ratio is rich, and an increase in fuel volume if it is lean.

"Long term fuel trim" is overall fuel compensation carried out long-term to compensate for continual deviation of the short term fuel trim from the central value. Such deviation will occur due to individual engine differences, wear over time and changes in the usage environment.

FUEL INJECTION TIMING



Two types of systems are used.

Sequential Multiport Fuel Injection System

Fuel is injected into each cylinder during each engine cycle according to the firing order. This system is used when the engine is running.

Simultaneous Multiport Fuel Injection System

Fuel is injected simultaneously into all six cylinders twice each engine cycle. In other words, pulse signals of the same width are simultaneously transmitted from the ECM.

The six fuel injectors will then receive the signals two times for each engine cycle.

This system is used when the engine is being started and/or if the fail-safe system (CPU) is operating.

ENGINE CONTROL SYSTEM

[VQ35DE]

< SERVICE INFORMATION >

FUEL SHUT-OFF

Fuel to each cylinder is cut off during deceleration, operation of the engine at excessively high speeds or operation of the vehicle at excessively high speeds.

Electronic Ignition (EI) System

INFOID:000000002954084

INPUT/OUTPUT SIGNAL CHART

Sensor	Input Signal to ECM	ECM function	Actuator
Crankshaft position sensor (POS)	Engine speed*2 Piston position	Ignition timing control	Power transistor
Camshaft position sensor (PHASE)			
Mass air flow sensor	Amount of intake air		
Engine coolant temperature sensor	Engine coolant temperature		
Throttle position sensor	Throttle position		
Accelerator pedal position sensor	Accelerator pedal position		
Battery	Battery voltage*2		
Knock sensor	Engine knocking		
Transmission range switch	Gear position		
Wheel sensor	Vehicle speed*1		

*1: This signal is sent to the ECM through CAN communication line.

*2: ECM determines the start signal status by the signals of engine speed and battery voltage.

SYSTEM DESCRIPTION

Firing order: 1 - 2 - 3 - 4 - 5 - 6

The ignition timing is controlled by the ECM to maintain the best air-fuel ratio for every running condition of the engine. The ignition timing data is stored in the ECM.

The ECM receives information such as the injection pulse width and camshaft position sensor (PHASE) signal. Computing this information, ignition signals are transmitted to the power transistor.

During the following conditions, the ignition timing is revised by the ECM according to the other data stored in the ECM.

- At starting
- During warm-up
- At idle
- At low battery voltage
- During acceleration

The knock sensor retard system is designed only for emergencies. The basic ignition timing is programmed within the anti-knocking zone, if recommended fuel is used under dry conditions. The retard system does not operate under normal driving conditions. If engine knocking occurs, the knock sensor monitors the condition. The signal is transmitted to the ECM. The ECM retards the ignition timing to eliminate the knocking condition.

Fuel Cut Control (At No Load and High Engine Speed)

INFOID:000000002954085

INPUT/OUTPUT SIGNAL CHART

Sensor	Input Signal to ECM	ECM function	Actuator
Transmission range switch	Neutral position	Fuel cut control	Fuel injector
Accelerator pedal position sensor	Accelerator pedal position		
Engine coolant temperature sensor	Engine coolant temperature		
Crankshaft position sensor (POS) Camshaft position sensor (PHASE)	Engine speed		
Wheel sensor	Vehicle speed*		

*: This signal is sent to the ECM through CAN communication line.

SYSTEM DESCRIPTION

ENGINE CONTROL SYSTEM

[VQ35DE]

< SERVICE INFORMATION >

If the engine speed is above 1,400 rpm under no load (for example, the selector lever position is neutral and engine speed is over 1,400 rpm) fuel will be cut off after some time. The exact time when the fuel is cut off varies based on engine speed.

Fuel cut will be operated until the engine speed reaches 1,000 rpm, then fuel cut will be cancelled.

NOTE:

This function is different from deceleration control listed under Multiport Fuel Injection (MFI) System, [EC-31, "Multiport Fuel Injection \(MFI\) System"](#).

A

EC

C

D

E

F

G

H

I

J

K

L

M

N

O

P

AIR CONDITIONING CUT CONTROL

< SERVICE INFORMATION >

[VQ35DE]

AIR CONDITIONING CUT CONTROL

Input/Output Signal Chart

INFOID:000000002954086

Sensor	Input Signal to ECM	ECM function	Actuator
Air conditioner switch	Air conditioner ON signal* ¹	Air conditioner cut control	Air conditioner relay
Accelerator pedal position sensor	Accelerator pedal position		
Engine coolant temperature sensor	Engine coolant temperature		
Battery	Battery voltage* ²		
Refrigerant pressure sensor	Refrigerant pressure		
Power steering pressure sensor	Power steering operation		
Wheel sensor	Vehicle speed* ¹		

*1: This signal is sent to the ECM through CAN communication line.

*2: ECM determines the start signal status by the signals of engine speed and battery voltage.

System Description

INFOID:000000002954087

This system improves engine operation when the air conditioner is used. Under the following conditions, the air conditioner is turned off.

- When the accelerator pedal is fully depressed.
- When cranking the engine.
- At high engine speeds.
- When the engine coolant temperature becomes excessively high.
- When operating power steering during low engine speed or low vehicle speed.
- When engine speed is excessively low.
- When refrigerant pressure is excessively low or high.

AUTOMATIC SPEED CONTROL DEVICE (ASCD)

< SERVICE INFORMATION >

[VQ35DE]

AUTOMATIC SPEED CONTROL DEVICE (ASCD)

System Description

INFOID:000000002954088

INPUT/OUTPUT SIGNAL CHART

Sensor	Input signal to ECM	ECM function	Actuator
ASCD brake switch	Brake pedal operation	ASCD vehicle speed control	Electric throttle control actuator
Stop lamp switch	Brake pedal operation		
ASCD steering switch	ASCD steering switch operation		
Transmission range switch	Gear position		
Wheel sensor	Vehicle speed*		
TCM	Powertrain revolution*		

*: This signal is sent to the ECM through CAN communication line

BASIC ASCD SYSTEM

Refer to Owner's Manual for ASCD operating instructions.

Automatic Speed Control Device (ASCD) allows a driver to keep vehicle at predetermined constant speed without depressing accelerator pedal. Driver can set vehicle speed in advance between approximately 40 km/h (25 MPH) and 144 km/h (89 MPH).

ECM controls throttle angle of electric throttle control actuator to regulate engine speed.

Operation status of ASCD is indicated by CRUISE lamp and SET lamp in combination meter. If any malfunction occurs in ASCD system, it automatically deactivates control.

NOTE:

Always drive vehicle in safe manner according to traffic conditions and obey all traffic laws.

SET OPERATION

Press MAIN switch. (The CRUISE lamp in combination meter illuminates.)

When vehicle speed reaches a desired speed between approximately 40 km/h (25 MPH) and 144 km/h (89 MPH), press SET/COAST switch. (Then SET lamp in combination meter illuminates.)

ACCELERATE OPERATION

If the RESUME/ACCELERATE switch is pressed during cruise control driving, increase the vehicle speed until the switch is released or vehicle speed reaches maximum speed controlled by the system.

And then ASCD will keep the new set speed.

CANCEL OPERATION

When any of following conditions exist, cruise operation will be canceled.

- CANCEL switch is pressed
- More than 2 switches at ASCD steering switch are pressed at the same time (Set speed will be cleared)
- Brake pedal is depressed
- Selector lever is changed to N, P, R position
- Vehicle speed decreased to 13 km/h (8 MPH) lower than the set speed
- VDC/TCS system is operated

When the ECM detects any of the following conditions, the ECM will cancel the cruise operation and inform the driver by blinking indicator lamp.

- Engine coolant temperature is slightly higher than the normal operating temperature, CRUISE lamp may blink slowly.

When the engine coolant temperature decreases to the normal operating temperature, CRUISE lamp will stop blinking and the cruise operation will be able to work by pressing SET/COAST switch or RESUME/ACCELERATE switch.

- Malfunction for some self-diagnoses regarding ASCD control: SET lamp will blink quickly.

If MAIN switch is turned to OFF during ASCD is activated, all of ASCD operations will be canceled and vehicle speed memory will be erased.

COAST OPERATION

When the SET/COAST switch is pressed during cruise control driving, decrease vehicle set speed until the switch is released. And then ASCD will keep the new set speed.

RESUME OPERATION

AUTOMATIC SPEED CONTROL DEVICE (ASCD)

[VQ35DE]

< SERVICE INFORMATION >

When the RESUME/ACCELERATE switch is pressed after cancel operation other than pressing MAIN switch is performed, vehicle speed will return to last set speed. To resume vehicle set speed, vehicle condition must meet following conditions.

- Brake pedal is released
- A/T selector lever is in other than P and N positions
- Vehicle speed is greater than 40 km/h (25 MPH) and less than 144 km/h (89 MPH)

Component Description

INFOID:000000002954089

ASCD STEERING SWITCH

Refer to [EC-500](#).

ASCD BRAKE SWITCH

Refer to [EC-515](#) and [EC-583](#).

STOP LAMP SWITCH

Refer to [EC-515](#), [EC-527](#) and [EC-583](#)

ELECTRIC THROTTLE CONTROL ACTUATOR

Refer to [EC-534](#), [EC-538](#), [EC-544](#) and [EC-548](#).

ASCD INDICATOR

Refer to [EC-589](#).

CAN COMMUNICATION

System Description

INFOID:000000002954090

CAN (Controller Area Network) is a serial communication line for real time application. It is an on-vehicle multiplex communication line with high data communication speed and excellent error detection ability. Many electronic control units are equipped onto a vehicle, and each control unit shares information and links with other control units during operation (not independent). In CAN communication, control units are connected with 2 communication lines (CAN H line, CAN L line) allowing a high rate of information transmission with less wiring. Each control unit transmits/receives data but selectively reads required data only.

Refer to [LAN-29. "CAN System Specification Chart"](#), about CAN communication for detail..

A

EC

C

D

E

F

G

H

I

J

K

L

M

N

O

P

EVAPORATIVE EMISSION SYSTEM

< SERVICE INFORMATION >

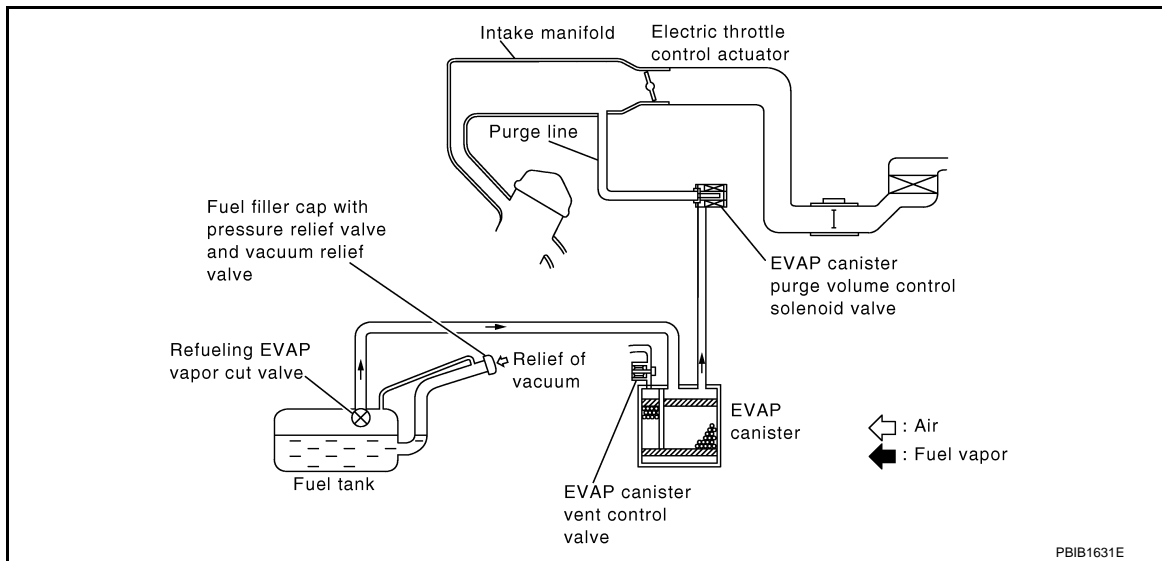
[VQ35DE]

EVAPORATIVE EMISSION SYSTEM

Description

INFOID:000000002954091

SYSTEM DESCRIPTION



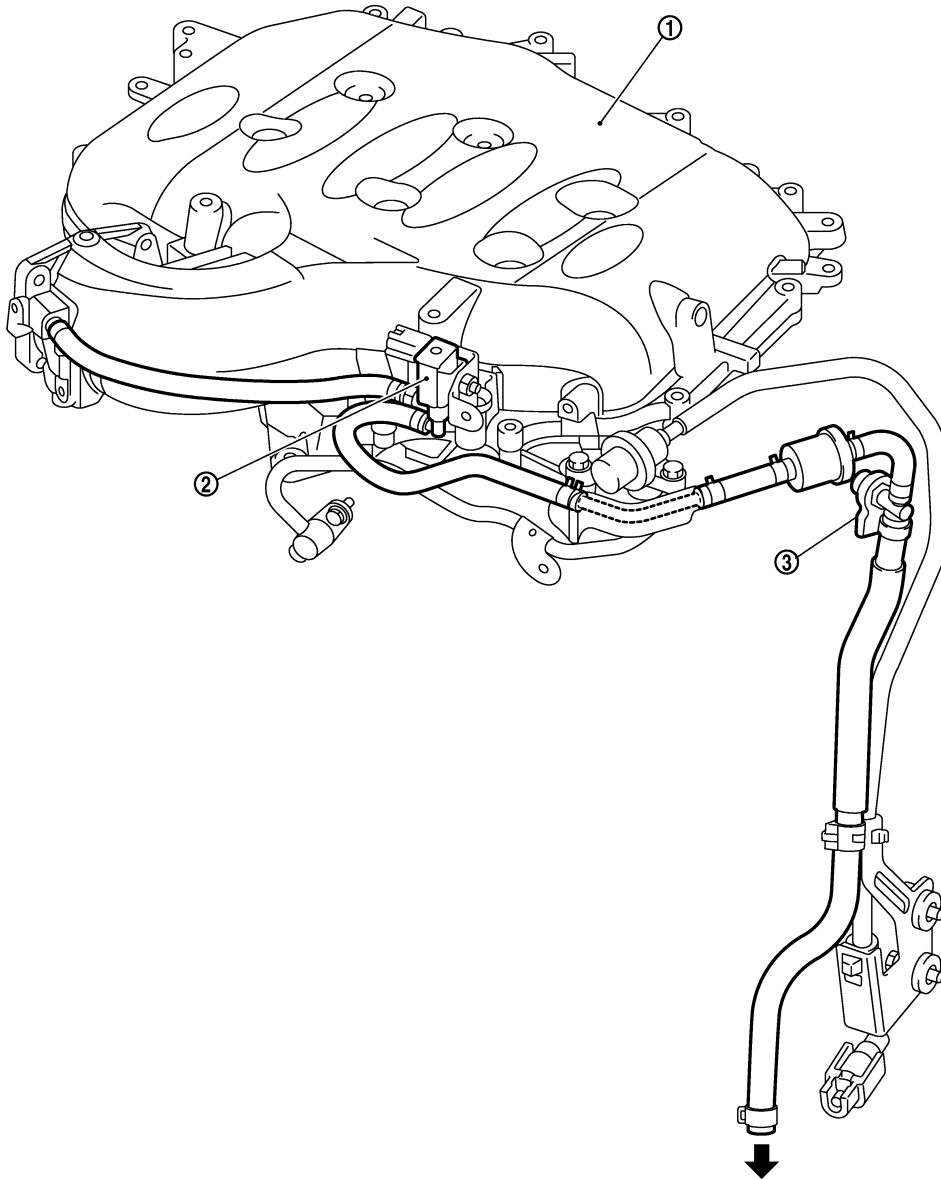
The evaporative emission system is used to reduce hydrocarbons emitted into the atmosphere from the fuel system. This reduction of hydrocarbons is accomplished by activated charcoals in the EVAP canister. The fuel vapor in the sealed fuel tank is led into the EVAP canister which contains activated carbon and the vapor is stored there when the engine is not operating or when refueling to the fuel tank. The vapor in the EVAP canister is purged by the air through the purge line to the intake manifold when the engine is operating. EVAP canister purge volume control solenoid valve is controlled by ECM. When the engine operates, the flow rate of vapor controlled by EVAP canister purge volume control solenoid valve is proportionally regulated as the air flow increases. EVAP canister purge volume control solenoid valve also shuts off the vapor purge line during decelerating and idling.

EVAPORATIVE EMISSION LINE DRAWING

EVAPORATIVE EMISSION SYSTEM

< SERVICE INFORMATION >

[VQ35DE]



PBIB2779E

← : From next page

1. Intake manifold collector

2. EVAP canister purge volume control

3. EVAP service port solenoid valve

NOTE:

Do not use soapy water or any type of solvent while installing vacuum hose or purge hoses.

A

EC

C

D

E

F

G

H

I

J

K

L

M

N

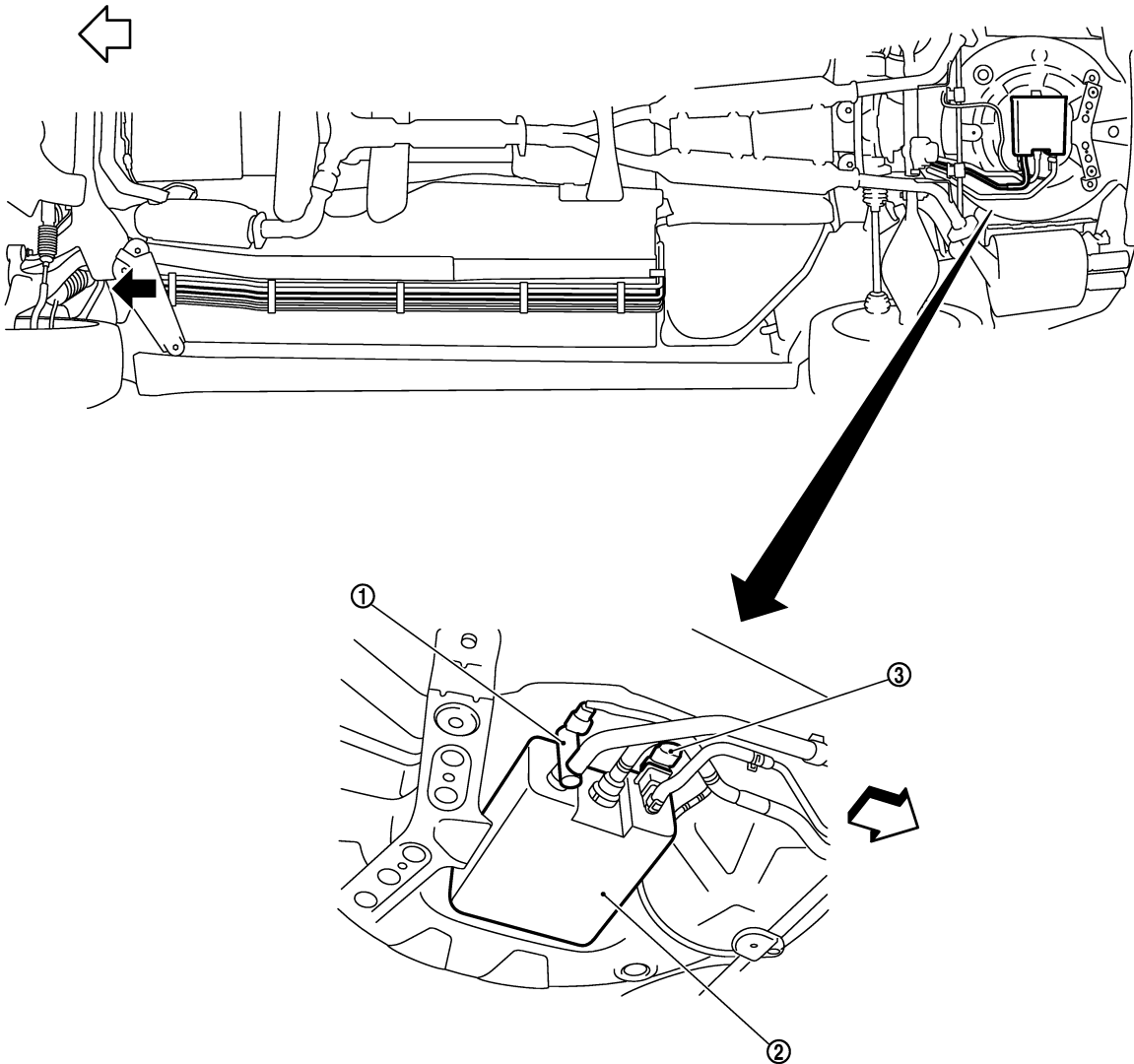
O

P

EVAPORATIVE EMISSION SYSTEM

< SERVICE INFORMATION >

[VQ35DE]



PBIB2780E

↔ : Vehicle front

← : To previous page

1. EVAP canister vent control valve

2. EVAP canister

3. EVAP control system pressure sensor

NOTE:

Do not use soapy water or any type of solvent while installing vacuum hose or purge hoses.

Component Inspection

INFOID:000000002954092

EVAP CANISTER

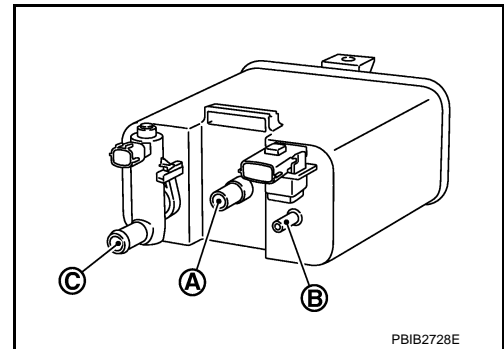
EVAPORATIVE EMISSION SYSTEM

[VQ35DE]

< SERVICE INFORMATION >

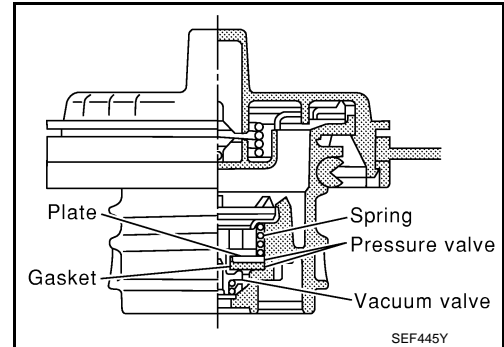
Check EVAP canister as follows:

1. Block port (B).
2. Blow air into port (A) and check that it flows freely out of port (C).
3. Release blocked port (B).
4. Apply vacuum pressure to port (B) and check that vacuum pressure exists at the ports (A) and (C).
5. Block port (A) and (B).
6. Apply pressure to port (C) and check that there is no leakage.



FUEL TANK VACUUM RELIEF VALVE (BUILT INTO FUEL FULLER CAP)

1. Wipe clean valve housing.



2. Check valve opening pressure and vacuum.

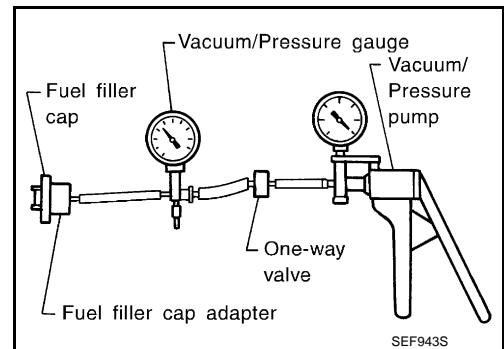
Pressure: 15.3 - 20.0 kPa (0.156 - 0.204 kg/cm², 2.22 - 2.90 psi)

Vacuum: -6.0 to -3.3 kPa (-0.061 to -0.034 kg/cm², -0.87 to -0.48 psi)

3. If out of specification, replace fuel filler cap as an assembly.

CAUTION:

Use only a genuine fuel filler cap as a replacement. If an incorrect fuel filler cap is used, the MIL may come on.



EVAP CANISTER PURGE VOLUME CONTROL SOLENOID VALVE

Refer to [EC-365](#).

FUEL TANK TEMPERATURE SENSOR

Refer to [EC-307](#).

EVAP CANISTER VENT CONTROL VALVE

Refer to [EC-376](#).

EVAP CONTROL SYSTEM PRESSURE SENSOR

Refer to [EC-385](#).

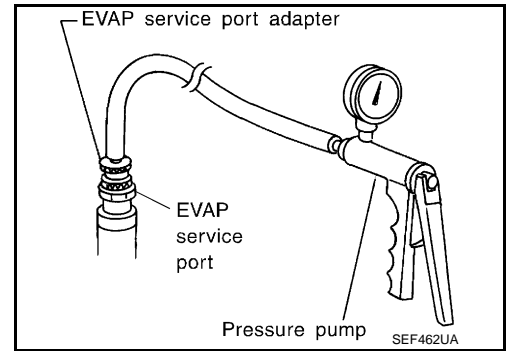
EVAP SERVICE PORT

EVAPORATIVE EMISSION SYSTEM

[VQ35DE]

< SERVICE INFORMATION >

Positive pressure is delivered to the EVAP system through the EVAP service port. If fuel vapor leakage in the EVAP system occurs, use a leak detector to locate the leak.

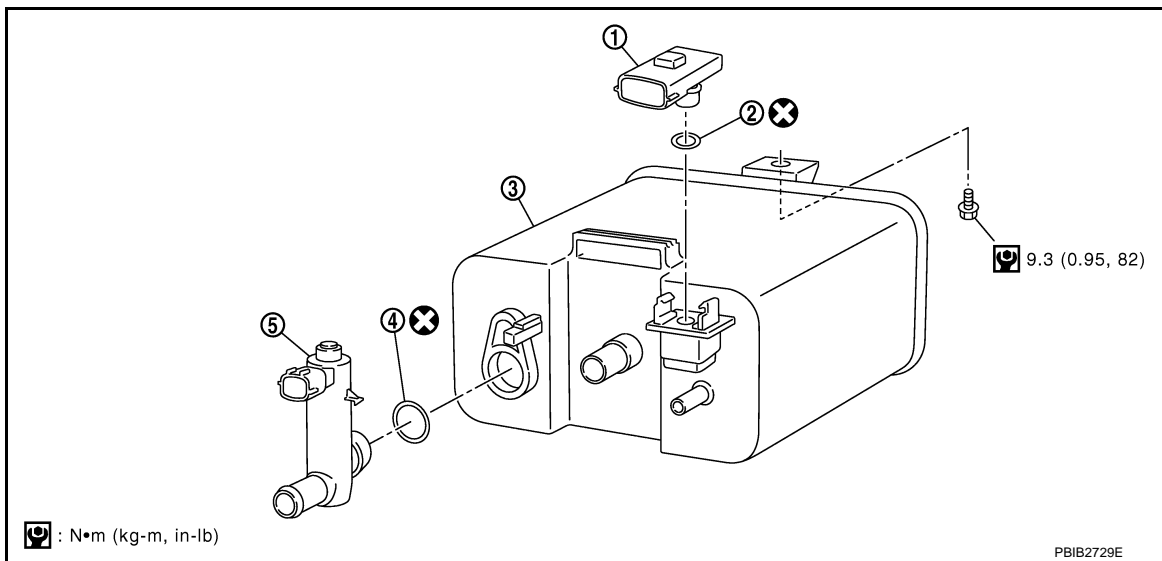


INFOID:000000002954093

Removal and Installation

EVAP CANISTER

Tighten EVAP canister as shown in the figure.

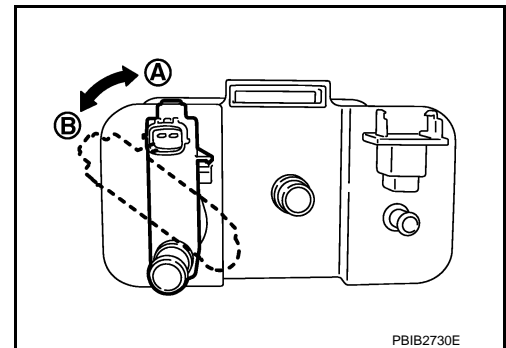


1. EVAP control system pressure sensor
2. O-ring
3. EVAP canister
4. O-ring
5. EVAP canister vent control valve

EVAP CANISTER VENT CONTROL VALVE

1. Turn EVAP canister vent control valve counterclockwise.
 - Lock (A)
 - Unlock (B)
2. Remove the EVAP canister vent control valve.

Always replace O-ring with a new one.



INFOID:000000002954094

How to Detect Fuel Vapor Leakage

CAUTION:

- Do not use compressed air or a high pressure pump.
- Do not exceed 4.12 kPa (0.042 kg/cm², 0.6 psi) of pressure in EVAP system.

NOTE:

- Do not start engine.

EVAPORATIVE EMISSION SYSTEM

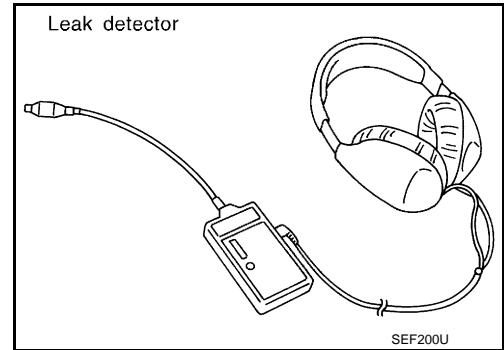
[VQ35DE]

< SERVICE INFORMATION >

- Improper installation of EVAP service port adapter to the EVAP service port may cause a leak.

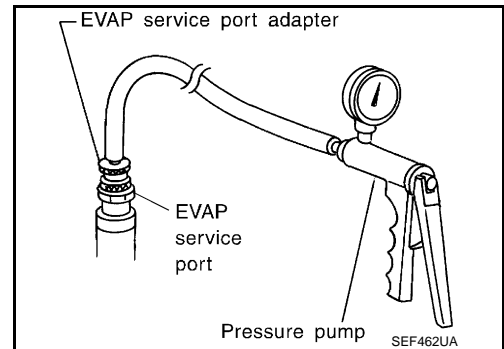
④ WITH CONSULT-III

1. Attach the EVAP service port adapter securely to the EVAP service port.
2. Also attach the pressure pump and hose to the EVAP service port adapter.
3. Turn ignition switch ON.
4. Select the "EVAP SYSTEM CLOSE" of "WORK SUPPORT MODE" with CONSULT-III.
5. Touch "START". A bar graph (Pressure indicating display) will appear on the screen.
6. Apply positive pressure to the EVAP system until the pressure indicator reaches the middle of the bar graph.
7. Remove EVAP service port adapter and hose with pressure pump.
8. Locate the leak using a leak detector. Refer to [EC-40, "Description"](#).

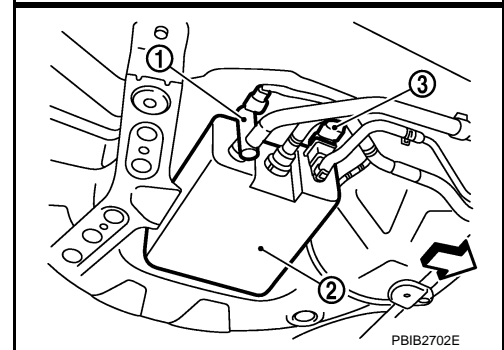


⊗ WITHOUT CONSULT-III

1. Attach the EVAP service port adapter securely to the EVAP service port.
2. Also attach the pressure pump with pressure gauge to the EVAP service port adapter.



3. Apply battery voltage between the terminals of EVAP canister vent control valve (1) to make a closed EVAP system.
 - Illustration shows the view from under the vehicle
 - ←: Vehicle front
 - EVAP canister (2)
 - EVAP control system pressure sensor (3)
4. To locate the leak, deliver positive pressure to the EVAP system until pressure gauge points reach 1.38 to 2.76 kPa (0.014 to 0.028 kg/cm², 0.2 to 0.4 psi).
5. Remove EVAP service port adapter and hose with pressure pump.
6. Locate the leak using a leak detector. Refer to [EC-40, "Description"](#).



ON BOARD REFUELING VAPOR RECOVERY (ORVR)

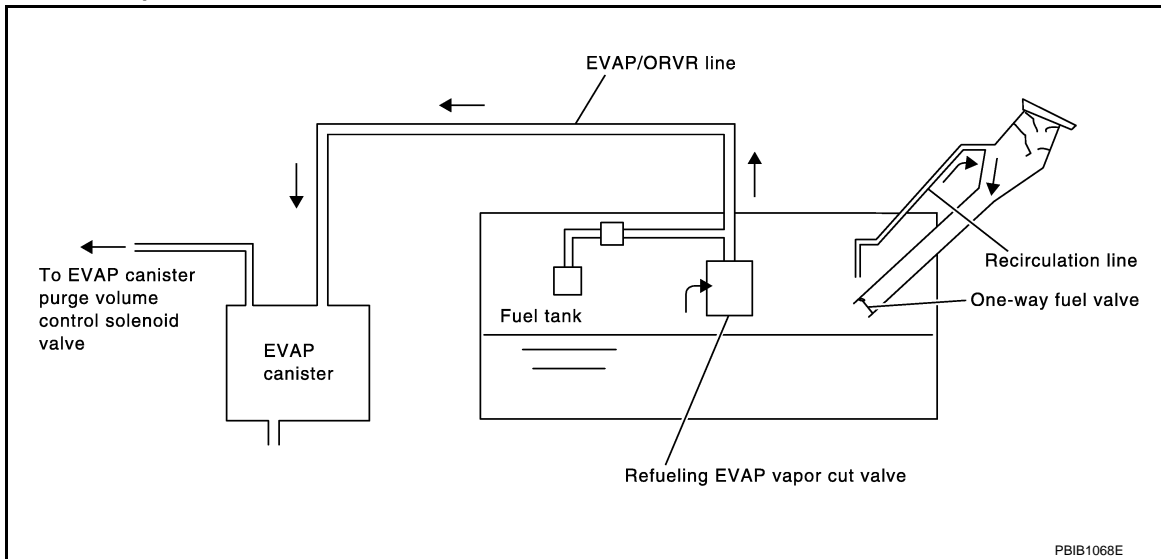
< SERVICE INFORMATION >

[VQ35DE]

ON BOARD REFUELING VAPOR RECOVERY (ORVR)

System Description

INFOID:000000002954095



From the beginning of refueling, the air and vapor inside the fuel tank go through refueling EVAP vapor cut valve and EVAP/ORVR line to the EVAP canister. The vapor is absorbed by the EVAP canister and the air is released to the atmosphere.

When the refueling has reached the full level of the fuel tank, the refueling EVAP vapor cut valve is closed and refueling is stopped because of auto shut-off. The vapor which was absorbed by the EVAP canister is purged during driving.

WARNING:

When conducting inspections below, be sure to observe the following:

- Put a “CAUTION: FLAMMABLE” sign in workshop.
- Do not smoke while servicing fuel system. Keep open flames and sparks away from work area.
- Be sure to furnish the workshop with a CO₂ fire extinguisher.

CAUTION:

- Before removing fuel line parts, carry out the following procedures:
 - Put drained fuel in an explosion-proof container and put lid on securely.
 - Release fuel pressure from fuel line. Refer to [EC-84, "Fuel Pressure Check"](#).
 - Disconnect battery ground cable.
- Always replace O-ring when the fuel gauge retainer is removed.
- Do not kink or twist hose and tube when they are installed.
- Do not tighten hose and clamps excessively to avoid damaging hoses.
- After installation, run engine and check for fuel leaks at connection.
- Do not attempt to top off the fuel tank after the fuel pump nozzle shuts off automatically. Continued refueling may cause fuel overflow, resulting in fuel spray and possibly a fire.

Diagnosis Procedure

INFOID:000000002954096

SYMPTOM: FUEL ODOR FROM EVAP CANISTER IS STRONG.

1. CHECK EVAP CANISTER

1. Remove EVAP canister with EVAP canister vent control valve and EVAP control system pressure sensor attached.
2. Weigh the EVAP canister with EVAP canister vent control valve and EVAP control system pressure sensor attached.

The weight should be less than 2.0 kg (4.4 lb).

OK or NG

- OK >> GO TO 2.
- NG >> GO TO 3.

2. CHECK IF EVAP CANISTER SATURATED WITH WATER

ON BOARD REFUELING VAPOR RECOVERY (ORVR)

[VQ35DE]

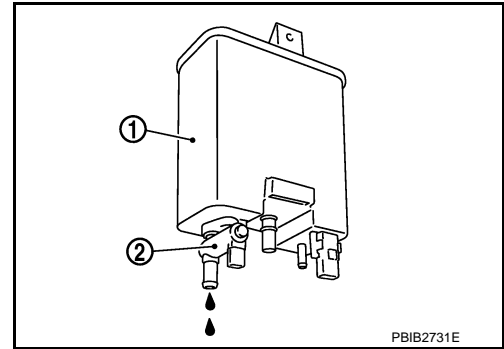
< SERVICE INFORMATION >

Does water drain from the EVAP canister?

- EVAP canister (1)
- EVAP canister vent control valve (2)

Yes or No

- Yes >> GO TO 3.
No >> GO TO 5.



3.REPLACE EVAP CANISTER

Replace EVAP canister with a new one.

>> GO TO 4.

4.DETECT MALFUNCTIONING PART

Check the EVAP hose between EVAP canister and vehicle frame for clogging or poor connection.

>> Repair or replace EVAP hose.

5.CHECK REFUELING EVAP VAPOR CUT VALVE

Refer to [EC-48. "Component Inspection"](#).

OK or NG

- OK >> **INSPECTION END**
NG >> Replace refueling EVAP vapor cut valve with fuel tank.

SYMPTOM: CANNOT REFUEL/FUEL ODOR FROM THE FUEL FILLER OPENING IS STRONG WHILE REFUELING.

1.CHECK EVAP CANISTER

1. Remove EVAP canister with EVAP canister vent control valve and EVAP control system pressure sensor attached.
2. Weigh the EVAP canister with EVAP canister vent control valve and EVAP control system pressure sensor attached.

The weight should be less than 2.0 kg (4.4 lb).

OK or NG

- OK >> GO TO 2.
NG >> GO TO 3.

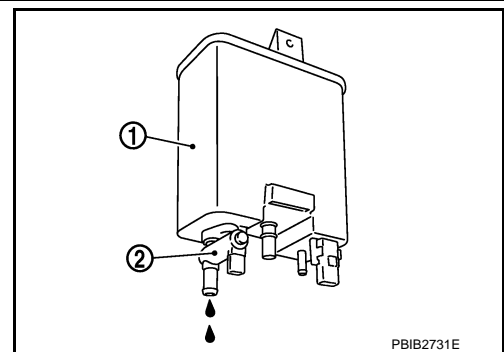
2.CHECK IF EVAP CANISTER SATURATED WITH WATER

Does water drain from the EVAP canister?

- EVAP canister (1)
- EVAP canister vent control valve (2)

Yes or No

- Yes >> GO TO 3.
No >> GO TO 5.



3.REPLACE EVAP CANISTER

Replace EVAP canister with a new one.

ON BOARD REFUELING VAPOR RECOVERY (ORVR)

[VQ35DE]

< SERVICE INFORMATION >

>> GO TO 4.

4. DETECT MALFUNCTIONING PART

Check the EVAP hose between EVAP canister and vehicle frame for clogging or poor connection.

>> Repair or replace EVAP hose.

5. CHECK VENT HOSES AND VENT TUBES

Check hoses and tubes between EVAP canister and refueling control valve for clogging, kink, looseness and improper connection.

OK or NG

OK >> GO TO 6.

NG >> Repair or replace hoses and tubes.

6. CHECK FILLER NECK TUBE

Check recirculation line for clogging, dents and cracks.

OK or NG

OK >> GO TO 7.

NG >> Replace filler neck tube.

7. CHECK REFUELING EVAP VAPOR CUT VALVE

Refer to [EC-48. "Component Inspection"](#).

OK or NG

OK >> GO TO 8.

NG >> Replace refueling EVAP vapor cut valve with fuel tank.

8. CHECK FUEL FILLER TUBE

Check filler neck tube and hose connected to the fuel tank for clogging, dents and cracks.

OK or NG

OK >> GO TO 9.

NG >> Replace fuel filler tube.

9. CHECK ONE-WAY FUEL VALVE-I

Check one-way valve for clogging.

OK or NG

OK >> GO TO 10.

NG >> Repair or replace one-way fuel valve with fuel tank.

10. CHECK ONE-WAY FUEL VALVE-II

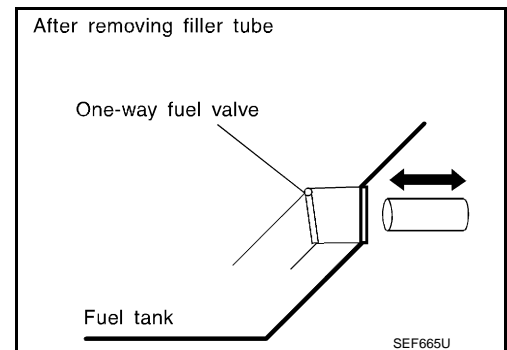
1. Make sure that fuel is drained from the tank.
2. Remove fuel filler tube and hose.
3. Check one-way fuel valve for operation as follows.
When a stick is inserted, the valve should open, when removing stick it should close.

Do not drop any material into the tank.

OK or NG

OK >> **INSPECTION END**

NG >> Replace fuel filler tube or replace one-way fuel valve with fuel tank.



Component Inspection

REFUELING EVAP VAPOR CUT VALVE

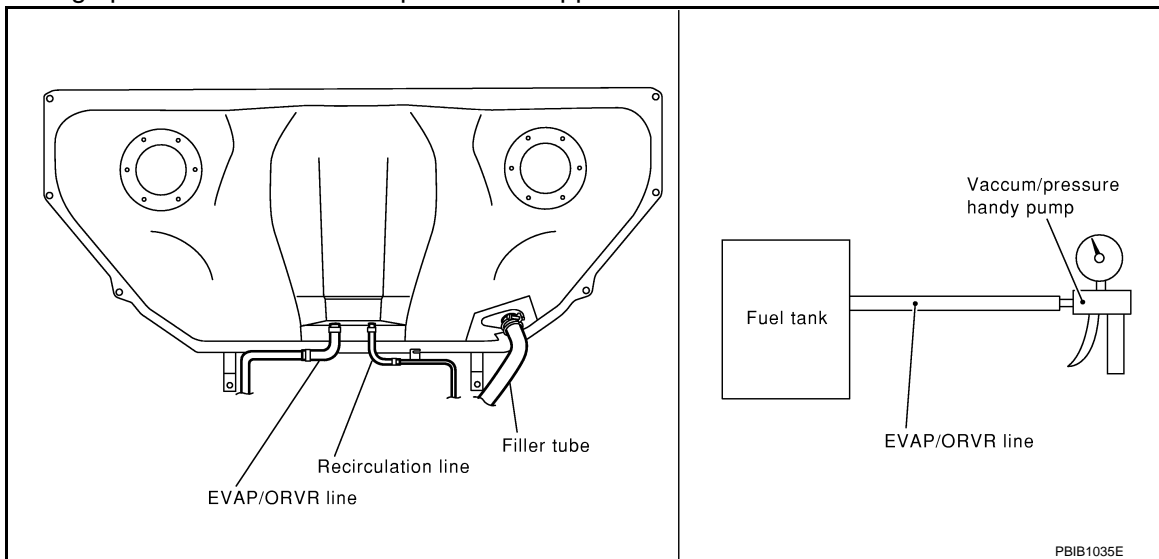
Ⓟ With CONSULT-III

ON BOARD REFUELING VAPOR RECOVERY (ORVR)

[VQ35DE]

< SERVICE INFORMATION >

1. Remove fuel tank. Refer to [FL-10](#).
2. Drain fuel from the tank as follows:
 - a. Remove fuel feed hose located on the fuel gauge retainer.
 - b. Connect a spare fuel hose, one side to fuel gauge retainer where the hose was removed and the other side to a fuel container.
 - c. Drain fuel using "FUEL PUMP RELAY" in "ACTIVE TEST" mode with CONSULT-III.
3. Check refueling EVAP vapor cut valve for being stuck to close as follows.
Blow air into the refueling EVAP vapor cut valve (from the end of EVAP/ORVR line hose), and check that the air flows freely into the tank.
4. Check refueling EVAP vapor cut valve for being stuck to open as follows.
 - a. Connect vacuum pump to hose end.
 - b. Remove fuel gauge retainer with fuel gauge unit.
Always replace O-ring with new one.
 - c. Put fuel tank upside down.
 - d. Apply vacuum pressure to hose end [-13.3 kPa (-100 mmHg, -3.94 inHg)] with fuel gauge retainer remaining open and check that the pressure is applicable.



⊗ Without CONSULT-III

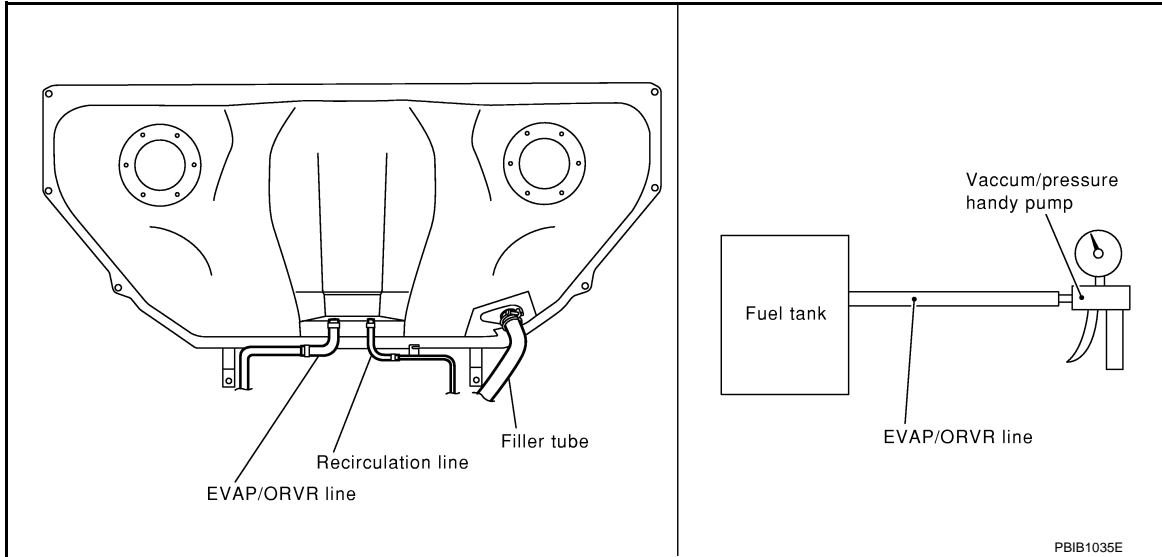
1. Remove fuel tank. Refer to [FL-10](#).
2. Drain fuel from the tank as follows:
 - a. Remove fuel gauge retainer.
 - b. Drain fuel from the tank using a handy pump into a fuel container.
3. Check refueling EVAP vapor cut valve for being stuck to close as follows.
Blow air into the refueling EVAP vapor cut valve (from the end of EVAP/ORVR line hose), and check that the air flows freely into the tank.
4. Check refueling EVAP vapor cut valve for being stuck to open as follows.
 - a. Connect vacuum pump to hose end.
 - b. Remove fuel gauge retainer with fuel gauge unit.
Always replace O-ring with new one.
 - c. Put fuel tank upside down.

ON BOARD REFUELING VAPOR RECOVERY (ORVR)

[VQ35DE]

< SERVICE INFORMATION >

- d. Apply vacuum pressure to hose end [-13.3 kPa (-100 mmHg, -3.94 inHg)] with fuel gauge retainer remaining open and check that the pressure is applicable.



POSITIVE CRANKCASE VENTILATION

< SERVICE INFORMATION >

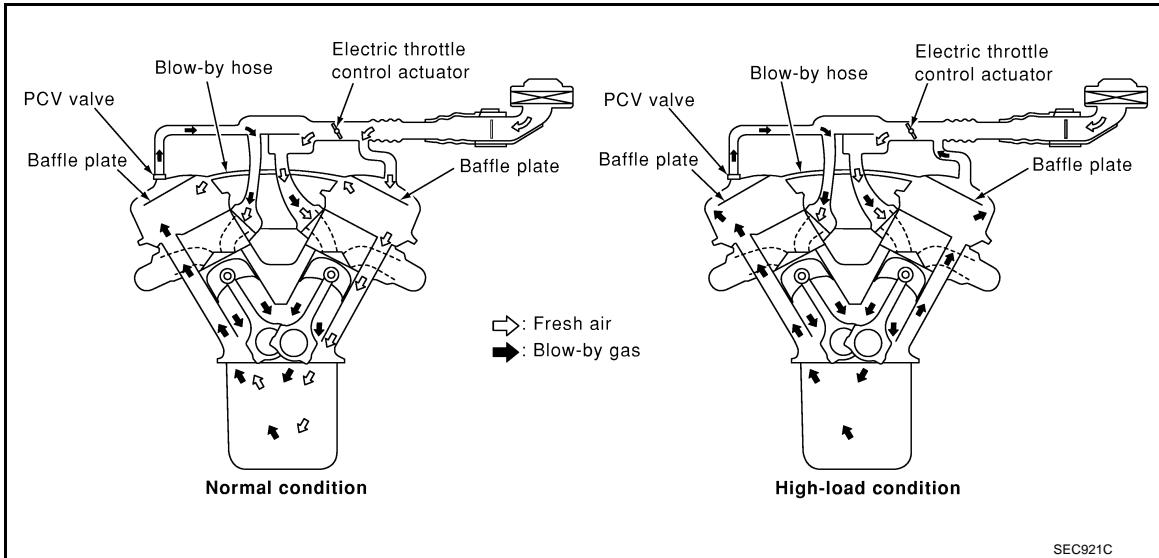
[VQ35DE]

POSITIVE CRANKCASE VENTILATION

Description

INFOID:000000002954098

SYSTEM DESCRIPTION



This system returns blow-by gas to the intake manifold.

The positive crankcase ventilation (PCV) valve is provided to conduct crankcase blow-by gas to the intake manifold.

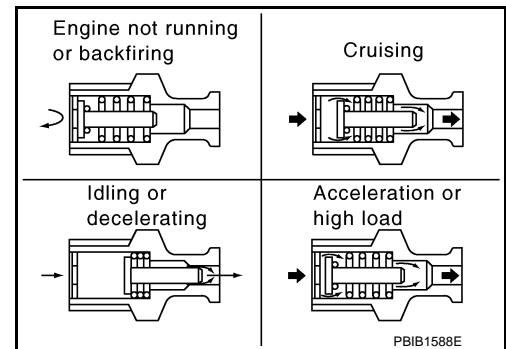
During partial throttle operation of the engine, the intake manifold sucks the blow-by gas through the PCV valve.

Normally, the capacity of the valve is sufficient to handle any blow-by and a small amount of ventilating air.

The ventilating air is then drawn from the air inlet tubes into the crankcase. In this process the air passes through the hose connecting air inlet tubes to rocker cover.

Under full-throttle condition, the manifold vacuum is insufficient to draw the blow-by flow through the valve. The flow goes through the hose connection in the reverse direction.

On vehicles with an excessively high blow-by, the valve does not meet the requirement. This is because some of the flow will go through the hose connection to the air inlet tubes under all conditions.



Component Inspection

INFOID:000000002954099

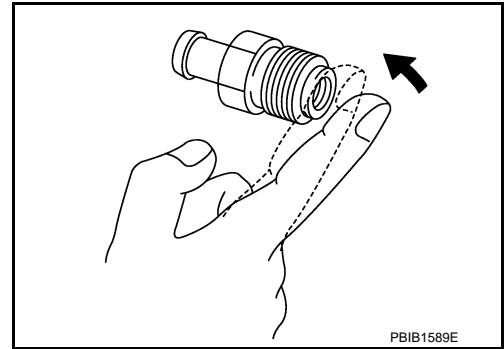
PCV (POSITIVE CRANKCASE VENTILATION) VALVE

POSITIVE CRANKCASE VENTILATION

[VQ35DE]

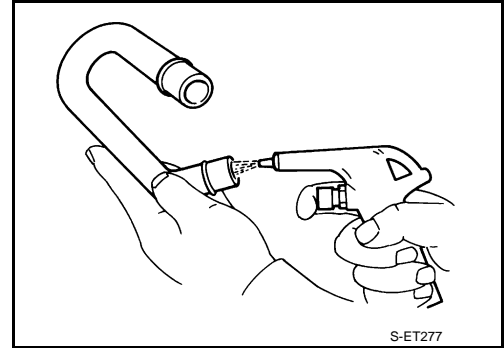
< SERVICE INFORMATION >

With engine running at idle, remove PCV valve from rocker cover. A properly working valve makes a hissing noise as air passes through it. A strong vacuum should be felt immediately when a finger is placed over valve inlet.



PCV VALVE VENTILATION HOSE

1. Check hoses and hose connections for leaks.
2. Disconnect all hoses and clean with compressed air. If any hose cannot be freed of obstructions, replace.



IVIS (INFINITI VEHICLE IMMOBILIZER SYSTEM-NATS)

< SERVICE INFORMATION >

[VQ35DE]

IVIS (INFINITI VEHICLE IMMOBILIZER SYSTEM-NATS)

Description

INFOID:000000003470232

- If the security indicator lights up with the ignition switch ON or DTC P1610 - P1615 is displayed in “SELF DIAGNOSTIC RESULT” mode, perform the trouble diagnosis for corresponding to the detected DTC. Refer to [EC-640, "U1000 - U1010"](#).
- Check that no DTC is displayed in “SELF DIAGNOSIS RESULT” mode of “BCM” before erasing the detected DTC in “ENGINE” mode with CONSULT-III.
- When replacing ECM, refer to [EC-706, "Procedure After Replacing ECM"](#).

A

EC

C

D

E

F

G

H

I

J

K

L

M

N

O

P

ON BOARD DIAGNOSTIC (OBD) SYSTEM

< SERVICE INFORMATION >

[VQ35DE]

ON BOARD DIAGNOSTIC (OBD) SYSTEM

Introduction

INFOID:000000002954101

The ECM has an on board diagnostic system, which detects malfunctions related to engine sensors or actuators. The ECM also records various emission-related diagnostic information including:

Emission-related diagnostic information	Diagnostic service
Diagnostic Trouble Code (DTC)	Service \$03 of SAE J1979
Freeze Frame data	Service \$02 of SAE J1979
System Readiness Test (SRT) code	Service \$01 of SAE J1979
1st Trip Diagnostic Trouble Code (1st Trip DTC)	Service \$07 of SAE J1979
1st Trip Freeze Frame data	
Test values and Test limits	Service \$06 of SAE J1979
Calibration ID	Service \$09 of SAE J1979

The above information can be checked using procedures listed in the table below.

×: Applicable —: Not applicable

	DTC	1st trip DTC	Freeze Frame data	1st trip Freeze Frame data	SRT code	SRT status	Test value
CONSULT-III	×	×	×	×	×	×	—
GST	×	×	×	—	×	×	×
ECM	×	×*	—	—	—	×	—

*: When DTC and 1st trip DTC simultaneously appear on the display, they cannot be clearly distinguished from each other.

The malfunction indicator lamp (MIL) on the instrument panel lights up when the same malfunction is detected in two consecutive trips (Two trip detection logic), or when the ECM enters fail-safe mode. (Refer to [EC-92, "Fail-Safe Chart"](#).)

Two Trip Detection Logic

INFOID:000000002954102

When a malfunction is detected for the first time, 1st trip DTC and 1st trip Freeze Frame data are stored in the ECM memory. The MIL will not light up at this stage. <1st trip>

If the same malfunction is detected again during the next drive, the DTC and Freeze Frame data are stored in the ECM memory, and the MIL lights up. The MIL lights up at the same time when the DTC is stored. <2nd trip> The "trip" in the "Two Trip Detection Logic" means a driving mode in which self-diagnosis is performed during vehicle operation. Specific on board diagnostic items will cause the ECM to light up or blink the MIL, and store DTC and Freeze Frame data, even in the 1st trip, as shown below.

×: Applicable —: Not applicable

Items	MIL				DTC		1st trip DTC	
	1st trip		2nd trip		1st trip displaying	2nd trip displaying	1st trip displaying	2nd trip displaying
	Blinking	Lighting up	Blinking	Lighting up				
Misfire (Possible three way catalyst damage) — DTC: P0300 - P0306 is being detected	×	—	—	—	—	—	×	—
Misfire (Possible three way catalyst damage) — DTC: P0300 - P0306 is being detected	—	—	×	—	—	×	—	—
One trip detection diagnoses (Refer to EC-55, "Emission-Related Diagnostic Information" .)	—	×	—	—	×	—	—	—
Except above	—	—	—	×	—	×	×	—

When there is an open circuit on MIL circuit, the ECM cannot warn the driver by lighting up MIL when there is malfunction on engine control system.

ON BOARD DIAGNOSTIC (OBD) SYSTEM

[VQ35DE]

< SERVICE INFORMATION >

Therefore, when electrical controlled throttle and part of ECM related diagnoses are continuously detected as NG for 5 trips, ECM warns the driver that engine control system malfunctions and MIL circuit is open by means of operating fail-safe function.

The fail-safe function also operates when above diagnoses except MIL circuit are detected and demands the driver to repair the malfunction.

Engine operating condition in fail-safe mode	Engine speed will not rise more than 2,500 rpm due to the fuel cut
--	--

Emission-Related Diagnostic Information

INFOID:000000002954103

EMISSION-RELATED DIAGNOSTIC INFORMATION ITEMS

×:Applicable —: Not applicable

Items (CONSULT-III screen terms)	DTC*1		SRT code	Test value/ Test limit (GST only)	Trip	MIL	Reference page
	CONSULT-III GST*2	ECM*3					
CAN COMM CIRCUIT	U1000	1000*4	—	—	1	×	EC-147
CAN COMM CIRCUIT	U1001	1001*4	—	—	2 (Models with ASCD)	—	EC-147
					1 or 2 (Models with ICC)		
CONTROL UNIT(CAN)	U1010	1010	—	—	1	×	EC-149
NO DTC IS DETECTED. FURTHER TESTING MAY BE REQUIRED.	P0000	0000	—	—	—	Flashing *8	—
INT/V TIM CONT-B1	P0011	0011	—	—	2	×	EC-150
INT/V TIM CONT-B2	P0021	0021	—	—	2	×	EC-150
A/F SEN1 HTR (B1)	P0031	0031	—	×	2	×	EC-154
A/F SEN1 HTR (B1)	P0032	0032	—	×	2	×	EC-154
HO2S2 HTR (B1)	P0037	0037	—	×	2	×	EC-161
HO2S2 HTR (B1)	P0038	0038	—	×	2	×	EC-161
A/F SEN1 HTR (B2)	P0051	0051	—	×	2	×	EC-154
A/F SEN1 HTR (B2)	P0052	0052	—	×	2	×	EC-154
HO2S2 HTR (B2)	P0057	0057	—	×	2	×	EC-161
HO2S2 HTR (B2)	P0058	0058	—	×	2	×	EC-161
INT/V TIM V/CIR-B1	P0075	0075	—	—	2	×	EC-169
INT/V TIM V/CIR-B2	P0081	0081	—	—	2	×	EC-169
MAF SEN/CIRCUIT	P0101	0101	—	—	2	×	EC-176
MAF SEN/CIRCUIT	P0102	0102	—	—	1	×	EC-185
MAF SEN/CIRCUIT	P0103	0103	—	—	1	×	EC-185
IAT SEN/CIRCUIT	P0112	0112	—	—	2	×	EC-192
IAT SEN/CIRCUIT	P0113	0113	—	—	2	×	EC-192
ECT SENSOR	P0116	0116	—	—	2	×	EC-210
ECT SEN/CIRC	P0117	0117	—	—	1	×	EC-199
ECT SEN/CIRC	P0118	0118	—	—	1	×	EC-199
TP SEN 2/CIRC	P0122	0122	—	—	1	×	EC-204
TP SEN 2/CIRC	P0123	0123	—	—	1	×	EC-204
ECT SENSOR	P0125	0125	—	—	2	×	EC-210
IAT SENSOR	P0127	0127	—	—	2	×	EC-213
THERMSTAT FNCTN	P0128	0128	—	—	2	×	EC-216

ON BOARD DIAGNOSTIC (OBD) SYSTEM

< SERVICE INFORMATION >

[VQ35DE]

Items (CONSULT-III screen terms)	DTC*1		SRT code	Test value/ Test limit (GST only)	Trip	MIL	Reference page
	CONSULT-III GST*2	ECM*3					
A/F SENSOR1 (B1)	P0130	0130	—	×	2	×	EC-218
A/F SENSOR1 (B1)	P0131	0131	—	×	2	×	EC-226
A/F SENSOR1 (B1)	P0132	0132	—	×	2	×	EC-234
A/F SENSOR1 (B1)	P0133	0133	×	×	2	×	EC-242
HO2S2 (B1)	P0137	0137	×	×	2	×	EC-251
HO2S2 (B1)	P0138	0138	×	×	2	×	EC-260
HO2S2 (B1)	P0139	0139	×	×	2	×	EC-271
A/F SENSOR1 (B2)	P0150	0150	—	×	2	×	EC-218
A/F SENSOR1 (B2)	P0151	0151	—	×	2	×	EC-226
A/F SENSOR1 (B2)	P0152	0152	—	×	2	×	EC-234
A/F SENSOR1 (B2)	P0153	0153	×	×	2	×	EC-242
HO2S2 (B2)	P0157	0157	×	×	2	×	EC-251
HO2S2 (B2)	P0158	0158	×	×	2	×	EC-260
HO2S2 (B2)	P0159	0159	×	×	2	×	EC-271
FUEL SYS-LEAN-B1	P0171	0171	—	—	2	×	EC-280
FUEL SYS-RICH-B1	P0172	0172	—	—	2	×	EC-292
FUEL SYS-LEAN-B2	P0174	0174	—	—	2	×	EC-280
FUEL SYS-RICH-B2	P0175	0175	—	—	2	×	EC-292
FTT SENSOR	P0181	0181	—	—	2	×	EC-304
FTT SEN/CIRCUIT	P0182	0182	—	—	2	×	EC-308
FTT SEN/CIRCUIT	P0183	0183	—	—	2	×	EC-308
TP SEN 1/CIRC	P0222	0222	—	—	1	×	EC-312
TP SEN 1/CIRC	P0223	0223	—	—	1	×	EC-312
MULTI CYL MISFIRE	P0300	0300	—	—	2	×	EC-318
CYL 1 MISFIRE	P0301	0301	—	—	2	×	EC-318
CYL 2 MISFIRE	P0302	0302	—	—	2	×	EC-318
CYL 3 MISFIRE	P0303	0303	—	—	2	×	EC-318
CYL 4 MISFIRE	P0304	0304	—	—	2	×	EC-318
CYL 5 MISFIRE	P0305	0305	—	—	2	×	EC-318
CYL 6 MISFIRE	P0306	0306	—	—	2	×	EC-318
KNOCK SEN/CIRC-B1	P0327	0327	—	—	2	—	EC-325
KNOCK SEN/CIRC-B1	P0328	0328	—	—	2	—	EC-325
CKP SEN/CIRCUIT	P0335	0335	—	—	2	×	EC-330
CMP SEN/CIRC-B1	P0340	0340	—	—	2	×	EC-335
CMP SEN/CIRC-B2	P0345	0345	—	—	2	×	EC-335
TW CATALYST SYS-B1	P0420	0420	×	×	2	×	EC-343
TW CATALYST SYS-B2	P0430	0430	×	×	2	×	EC-343
EVAP PURG FLOW/MON	P0441	0441	×	×	2	×	EC-347
EVAP SMALL LEAK	P0442	0442	×	×	2	×	EC-352
PURG VOLUME CONT/V	P0443	0443	—	—	2	×	EC-359
PURG VOLUME CONT/V	P0444	0444	—	—	2	×	EC-366
PURG VOLUME CONT/V	P0445	0445	—	—	2	×	EC-366

ON BOARD DIAGNOSTIC (OBD) SYSTEM

< SERVICE INFORMATION >

[VQ35DE]

Items (CONSULT-III screen terms)	DTC*1		SRT code	Test value/ Test limit (GST only)	Trip	MIL	Reference page
	CONSULT-III GST*2	ECM*3					
VENT CONTROL VALVE	P0447	0447	—	—	2	×	EC-372
VENT CONTROL VALVE	P0448	0448	—	—	2	×	EC-378
EVAP SYS PRES SEN	P0451	0451	—	—	2	×	EC-384
EVAP SYS PRES SEN	P0452	0452	—	—	2	×	EC-387
EVAP SYS PRES SEN	P0453	0453	—	—	2	×	EC-393
EVAP GROSS LEAK	P0455	0455	—	—	2	×	EC-400
EVAP VERY SML LEAK	P0456	0456	x*7	x	2	×	EC-406
FUEL LEV SEN SLOSH	P0460	0460	—	—	2	×	EC-413
FUEL LEVEL SENSOR	P0461	0461	—	—	2	×	EC-415
FUEL LEVL SEN/CIRC	P0462	0462	—	—	2	×	EC-417
FUEL LEVL SEN/CIRC	P0463	0463	—	—	2	×	EC-417
VEH SPEED SEN/CIRC*5	P0500	0500	—	—	2	×	EC-419
ISC SYSTEM	P0506	0506	—	—	2	×	EC-421
ISC SYSTEM	P0507	0507	—	—	2	×	EC-423
PW ST P SEN/CIRC	P0550	0550	—	—	2	—	EC-425
ECM BACK UP/CIRCUIT	P0603	0603	—	—	2	×	EC-430
ECM	P0605	0605	—	—	1 or 2	x or —	EC-434
SENSOR POWER/CIRC	P0643	0643	—	—	1	×	EC-436
TCM	P0700	0700	—	—	1	×	AT-102
PNP SW/CIRC	P0705	0705	—	—	2	×	AT-103
ATF TEMP SEN/CIRC	P0710	0710	—	—	2	×	AT-133
TURBINE SENSOR	P0717	0717	—	—	2	×	AT-106
VEH SPD SEN/CIR AT*5	P0720	0720	—	—	2	×	AT-108
ENGINE SPEED SIG	P0725	0725	—	—	2	—	AT-113
TCC SOLENOID/CIRC	P0740	0740	—	—	2	×	AT-125
A/T TCC S/V FNCTN	P0744	0744	—	—	2	×	AT-127
L/PRESS SOL/CIRC	P0745	0745	—	—	2	×	AT-129
P-N POS SW/CIRCUIT	P0850	0850	—	—	2	×	EC-441
CLOSED LOOP-B1	P1148	1148	—	—	1	×	EC-446
CLOSED LOOP-B2	P1168	1168	—	—	1	×	EC-446
TCS C/U FUNCTN	P1211	1211	—	—	2	—	EC-447
TCS/CIRC	P1212	1212	—	—	2	—	EC-448
ENG OVER TEMP	P1217	1217	—	—	1	×	EC-449
FPCM/CIRCUIT	P1220	1220	—	—	2	×	EC-459
CTP LEARNING	P1225	1225	—	—	2	—	EC-466
CTP LEARNING	P1226	1226	—	—	2	—	EC-468
COLD START CONTROL	P1421	1421	—	—	2	×	EC-470
BAT CURRENT SENSOR	P1550	1550	—	—	2	—	EC-472
BAT CURRENT SENSOR	P1551	1551	—	—	2	—	EC-477
BAT CURRENT SENSOR	P1552	1552	—	—	2	—	EC-477
BAT CURRENT SENSOR	P1553	1553	—	—	2	—	EC-482

A

EC

C

D

E

F

G

H

I

J

K

L

M

N

O

P

ON BOARD DIAGNOSTIC (OBD) SYSTEM

< SERVICE INFORMATION >

[VQ35DE]

Items (CONSULT-III screen terms)	DTC*1		SRT code	Test value/ Test limit (GST only)	Trip	MIL	Reference page
	CONSULT-III GST*2	ECM*3					
BAT CURRENT SENSOR	P1554	1554	—	—	2	—	EC-487
ASCD SW	P1564	1564	—	—	1	—	EC-493 (Models with ICC) EC-500 (Models with ASCD)
ICC COMMAND VALUE*6	P1568	1568	—	—	1	—	EC-506
ASCD BRAKE SW	P1572	1572	—	—	1	—	EC-507 (Models with ICC) EC-515 (Models with ASCD)
ASCD VHL SPD SEN	P1574	1574	—	—	1	—	EC-522 (Models with ICC) EC-524 (Models with ASCD)
NATS MALFUNCTION	P1610 - P1615	1610 - 1615	—	—	2	—	EC-53
TP SEN/CIRC A/T	P1705	1705	—	—	2	—	AT-131
IN PULY SPEED	P1715	1715	—	—	2	—	EC-526
A/T INTERLOCK	P1730	1730	—	—	1	×	AT-140
I/C SOLENOID/CIRC	P1752	1752	—	—	1	×	AT-144
FR/B SOLENOID/CIRC	P1757	1757	—	—	1	×	AT-146
D/C SOLENOID/CIRC	P1762	1762	—	—	1	×	AT-148
HLR/C SOL/CIRC	P1767	1767	—	—	1	×	AT-150
LC/B SOLENOID/CIRC	P1772	1772	—	—	1	×	AT-152
LC/B SOLENOID FNCT	P1774	1774	—	—	1	×	AT-154
BRAKE SW/CIRCUIT	P1805	1805	—	—	2	—	EC-527
ETC MOT PWR	P2100	2100	—	—	1	×	EC-534
ETC FUNCTION/CIRC	P2101	2101	—	—	1	×	EC-538
ETC MOT PWR	P2103	2103	—	—	1	×	EC-534
ETC MOT	P2118	2118	—	—	1	×	EC-544
ETC ACTR	P2119	2119	—	—	1	×	EC-548
APP SEN 1/CIRC	P2122	2122	—	—	1	×	EC-550
APP SEN 1/CIRC	P2123	2123	—	—	1	×	EC-550
APP SEN 2/CIRC	P2127	2127	—	—	1	×	EC-555
APP SEN 2/CIRC	P2128	2128	—	—	1	×	EC-555
TP SENSOR	P2135	2135	—	—	1	×	EC-561
APP SENSOR	P2138	2138	—	—	1	×	EC-567
A/F SENSOR1 (B1)	P2A00	2A00	—	×	2	×	EC-574
A/F SENSOR1 (B2)	P2A03	2A03	—	×	2	×	EC-574

*1: 1st trip DTC No. is the same as DTC No.

*2: This number is prescribed by SAE J2012.

*3: In Diagnostic Test Mode II (Self-diagnostic results), this number is controlled by NISSAN.

*4: The troubleshooting for this DTC needs CONSULT-III.

*5: When the fail-safe operations for both self-diagnoses occur, the MIL illuminates.

*6: Models with ICC.

*7: SRT code will not be set if the self-diagnostic result is NG.

*8: When the ECM is in the mode of displaying SRT status, MIL may flash. For the details, refer to "How to Display SRT Status".

ON BOARD DIAGNOSTIC (OBD) SYSTEM

< SERVICE INFORMATION >

[VQ35DE]

DTC AND 1ST TRIP DTC

The 1st trip DTC (whose number is the same as the DTC number) is displayed for the latest self-diagnostic result obtained. If the ECM memory was cleared previously, and the 1st trip DTC did not reoccur, the 1st trip DTC will not be displayed.

If a malfunction is detected during the 1st trip, the 1st trip DTC is stored in the ECM memory. The MIL will not light up (two trip detection logic). If the same malfunction is not detected in the 2nd trip (meeting the required driving pattern), the 1st trip DTC is cleared from the ECM memory. If the same malfunction is detected in the 2nd trip, both the 1st trip DTC and DTC are stored in the ECM memory and the MIL lights up. In other words, the DTC is stored in the ECM memory and the MIL lights up when the same malfunction occurs in two consecutive trips. If a 1st trip DTC is stored and a non-diagnostic operation is performed between the 1st and 2nd trips, only the 1st trip DTC will continue to be stored. For malfunctions that blink or light up the MIL during the 1st trip, the DTC and 1st trip DTC are stored in the ECM memory.

Procedures for clearing the DTC and the 1st trip DTC from the ECM memory are described in "HOW TO ERASE EMISSION-RELATED DIAGNOSTIC INFORMATION".

For malfunctions in which 1st trip DTCs are displayed, refer to "EMISSION-RELATED DIAGNOSTIC INFORMATION ITEMS". These items are required by legal regulations to continuously monitor the system/component. In addition, the items monitored non-continuously are also displayed on CONSULT-III.

1st trip DTC is specified in Service \$07 of SAE J1979. 1st trip DTC detection occurs without lighting up the MIL and therefore does not warn the driver of a malfunction. However, 1st trip DTC detection will not prevent the vehicle from being tested, for example during Inspection/Maintenance (I/M) tests.

When a 1st trip DTC is detected, check, print out or write down and erase (1st trip) DTC and Freeze Frame data as specified in Work Flow procedure Step 2, refer to [EC-86, "Trouble Diagnosis Introduction"](#). Then perform DTC Confirmation Procedure or Overall Function Check to try to duplicate the malfunction. If the malfunction is duplicated, the item requires repair.

How to Read DTC and 1st Trip DTC

DTC and 1st trip DTC can be read by the following methods.

With CONSULT-III

With GST

CONSULT-III or GST (Generic Scan Tool) Examples: P0340, P0850, P1148, etc.

These DTCs are prescribed by SAE J2012.

(CONSULT-III also displays the malfunctioning component or system.)

No Tools

The number of blinks of the MIL in the Diagnostic Test Mode II (Self-Diagnostic Results) indicates the DTC. Example: 0340, 0850, 1148, etc.

These DTCs are controlled by NISSAN.

- **1st trip DTC No. is the same as DTC No.**
- **Output of a DTC indicates a malfunction. However, GST or the Diagnostic Test Mode II do not indicate whether the malfunction is still occurring or has occurred in the past and has returned to normal. CONSULT-III can identify malfunction status as shown below. Therefore, using CONSULT-III (if available) is recommended.**

A sample of CONSULT-III display for DTC and 1st trip DTC is shown below. DTC or 1st trip DTC of a malfunction is displayed in SELF-DIAGNOSTIC RESULTS mode of CONSULT-III. Time data indicates how many times the vehicle was driven after the last detection of a DTC.

If the DTC is being detected currently, the time data will be [0].

If a 1st trip DTC is stored in the ECM, the time data will be [1t].

FREEZE FRAME DATA AND 1ST TRIP FREEZE FRAME DATA

The ECM records the driving conditions such as fuel system status, calculated load value, engine coolant temperature, short term fuel trim, long term fuel trim, engine speed, vehicle speed, absolute throttle position, base fuel schedule and intake air temperature at the moment a malfunction is detected.

Data which are stored in the ECM memory, along with the 1st trip DTC, are called 1st trip freeze frame data. The data, stored together with the DTC data, are called freeze frame data and displayed on CONSULT-III or GST. The 1st trip freeze frame data can only be displayed on the CONSULT-III screen, not on the GST. For details, see [EC-116, "CONSULT-III Function \(ENGINE\)"](#).

Only one set of freeze frame data (either 1st trip freeze frame data or freeze frame data) can be stored in the ECM. 1st trip freeze frame data is stored in the ECM memory along with the 1st trip DTC. There is no priority for 1st trip freeze frame data and it is updated each time a different 1st trip DTC is detected. However, once freeze frame data (2nd trip detection/MIL on) is stored in the ECM memory, 1st trip freeze frame data is no longer stored. Remember, only one set of freeze frame data can be stored in the ECM. The ECM has the following priorities to update the data.

ON BOARD DIAGNOSTIC (OBD) SYSTEM

< SERVICE INFORMATION >

[VQ35DE]

Priority	Items	
1	Freeze frame data	Misfire — DTC: P0300 - P0306 Fuel Injection System Function — DTC: P0171, P0172, P0174, P0175
2		Except the above items (Includes A/T related items)
3	1st trip freeze frame data	

For example, the EGR malfunction (Priority: 2) was detected and the freeze frame data was stored in the 2nd trip. After that when the misfire (Priority: 1) is detected in another trip, the freeze frame data will be updated from the EGR malfunction to the misfire. The 1st trip freeze frame data is updated each time a different malfunction is detected. There is no priority for 1st trip freeze frame data. However, once freeze frame data is stored in the ECM memory, 1st trip freeze data is no longer stored (because only one freeze frame data or 1st trip freeze frame data can be stored in the ECM). If freeze frame data is stored in the ECM memory and freeze frame data with the same priority occurs later, the first (original) freeze frame data remains unchanged in the ECM memory.

Both 1st trip freeze frame data and freeze frame data (along with the DTCs) are cleared when the ECM memory is erased. Procedures for clearing the ECM memory are described in "HOW TO ERASE EMISSION-RELATED DIAGNOSTIC INFORMATION".

SYSTEM READINESS TEST (SRT) CODE

System Readiness Test (SRT) code is specified in Service \$01 of SAE J1979.

As part of an enhanced emissions test for Inspection & Maintenance (I/M), certain states require the status of SRT be used to indicate whether the ECM has completed self-diagnosis of major emission systems and components. Completion must be verified in order for the emissions inspection to proceed.

If a vehicle is rejected for a State emissions inspection due to one or more SRT items indicating "INCMP", use the information in this Service Manual to set the SRT to "CMPLT".

In most cases the ECM will automatically complete its self-diagnosis cycle during normal usage, and the SRT status will indicate "CMPLT" for each application system. Once set as "CMPLT", the SRT status remains "CMPLT" until the self-diagnosis memory is erased.

Occasionally, certain portions of the self-diagnostic test may not be completed as a result of the customer's normal driving pattern; the SRT will indicate "INCMP" for these items.

NOTE:

The SRT will also indicate "INCMP" if the self-diagnosis memory is erased for any reason or if the ECM memory power supply is interrupted for several hours.

If, during the state emissions inspection, the SRT indicates "CMPLT" for all test items, the inspector will continue with the emissions test. However, if the SRT indicates "INCMP" for one or more of the SRT items the vehicle is returned to the customer untested.

NOTE:

If MIL is ON during the state emissions inspection, the vehicle is also returned to the customer untested even though the SRT indicates "CMPLT" for all test items. Therefore, it is important to check SRT ("CMPLT") and DTC (No DTCs) before the inspection.

SRT Item

The table below shows required self-diagnostic items to set the SRT to "CMPLT".

SRT item (CONSULT-III indication)	Performance Priority*	Required self-diagnostic items to set the SRT to "CMPLT"	Corresponding DTC No.
CATALYST	2	Three way catalyst function	P0420, P0430
EVAP SYSTEM	2	EVAP control system purge flow monitoring	P0441
	1	EVAP control system	P0442
	2	EVAP control system	P0456
HO2S	2	Air fuel ratio (A/F) sensor 1	P0133, P0153
		Heated oxygen sensor 2	P0137, P0157
		Heated oxygen sensor 2	P0138, P0158
		Heated oxygen sensor 2	P0139, P0159

*: If completion of several SRTs is required, perform driving patterns (DTC confirmation procedure), one by one based on the priority for models with CONSULT-III.

SRT Set Timing

ON BOARD DIAGNOSTIC (OBD) SYSTEM

< SERVICE INFORMATION >

[VQ35DE]

SRT is set as "CMPLT" after self-diagnosis has been performed one or more times. Completion of SRT is done regardless of whether the result is OK or NG. The set timing is different between OK and NG results and is shown in the table below.

Self-diagnosis result		Diagnosis	Example				
			Ignition cycle				
			← ON →	OFF	← ON →	OFF	← ON →
All OK	Case 1	P0400	OK (1)	— (1)	OK (2)	— (2)	
		P0402	OK (1)	— (1)	— (1)	OK (2)	
		P1402	OK (1)	OK (2)	— (2)	— (2)	
		SRT of EGR	"CMPLT"	"CMPLT"	"CMPLT"	"CMPLT"	
	Case 2	P0400	OK (1)	— (1)	— (1)	— (1)	
		P0402	— (0)	— (0)	OK (1)	— (1)	
		P1402	OK (1)	OK (2)	— (2)	— (2)	
		SRT of EGR	"INCMP"	"INCMP"	"CMPLT"	"CMPLT"	
NG exists	Case 3	P0400	OK	OK	—	—	
		P0402	—	—	—	—	
		P1402	NG	—	NG	NG (Consecutive NG)	
		(1st trip) DTC	1st trip DTC	—	1st trip DTC	DTC (= MIL ON)	
		SRT of EGR	"INCMP"	"INCMP"	"INCMP"	"CMPLT"	

OK: Self-diagnosis is carried out and the result is OK.

NG: Self-diagnosis is carried out and the result is NG.

—: Self-diagnosis is not carried out.

When all SRT related self-diagnoses showed OK results in a single cycle (Ignition OFF-ON-OFF), the SRT will indicate "CMPLT". → Case 1 above

When all SRT related self-diagnoses showed OK results through several different cycles, the SRT will indicate "CMPLT" at the time the respective self-diagnoses have at least one OK result. → Case 2 above

If one or more SRT related self-diagnoses showed NG results in 2 consecutive cycles, the SRT will also indicate "CMPLT". → Case 3 above

The table above shows that the minimum number of cycles for setting SRT as "INCMP" is one (1) for each self-diagnosis (Case 1 & 2) or two (2) for one of self-diagnoses (Case 3). However, in preparation for the state emissions inspection, it is unnecessary for each self-diagnosis to be executed twice (Case 3) for the following reasons:

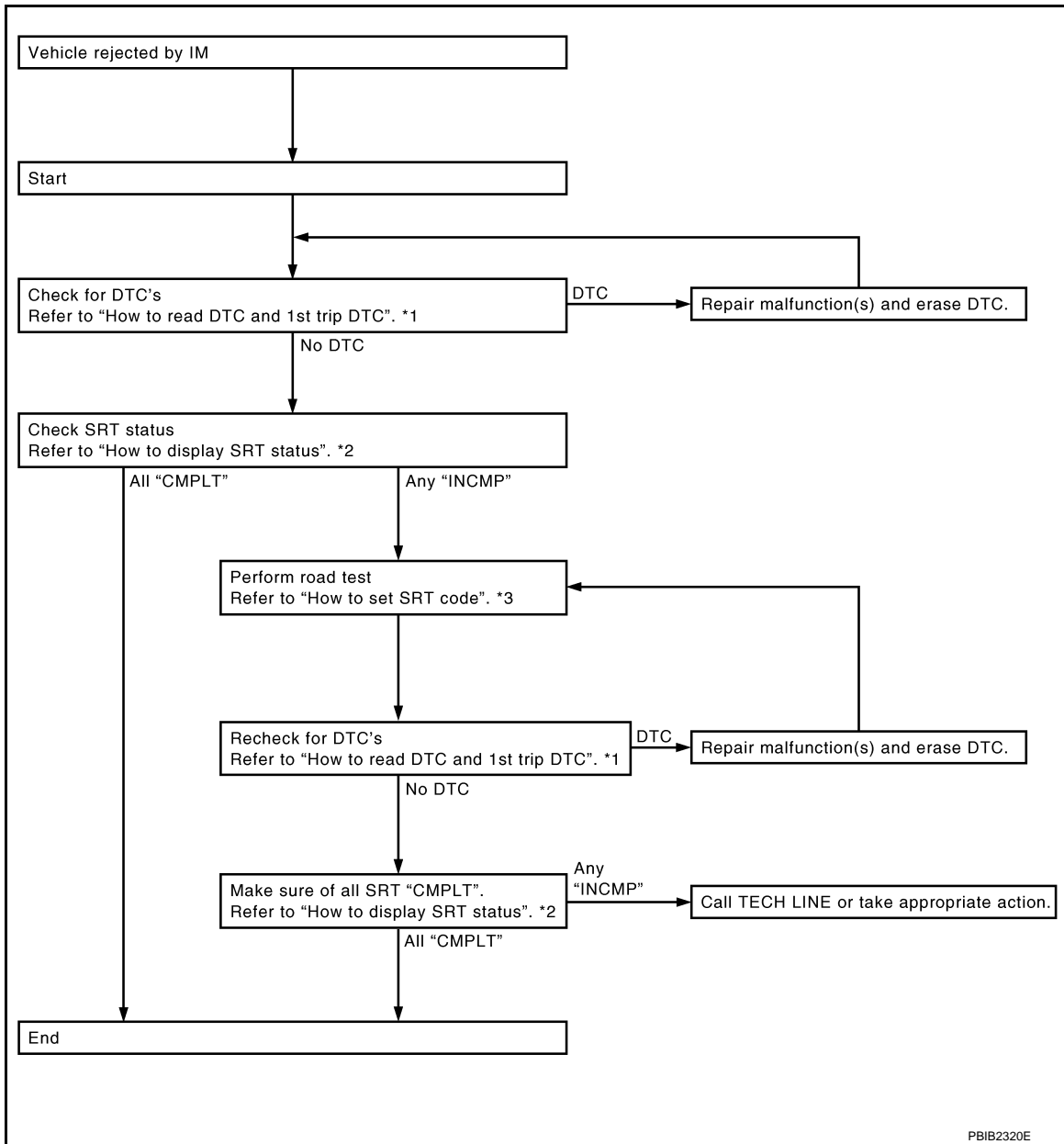
- The SRT will indicate "CMPLT" at the time the respective self-diagnoses have one (1) OK result.
- The emissions inspection requires "CMPLT" of the SRT only with OK self-diagnosis results.
- When, during SRT driving pattern, 1st trip DTC (NG) is detected prior to "CMPLT" of SRT, the self-diagnosis memory must be erased from ECM after repair.
- If the 1st trip DTC is erased, all the SRT will indicate "INCMP".

NOTE:

SRT can be set as "CMPLT" together with the DTC(s). Therefore, DTC check must always be carried out prior to the state emission inspection even though the SRT indicates "CMPLT".

SRT Service Procedure

If a vehicle has failed the state emissions inspection due to one or more SRT items indicating "INCMP", review the flowchart diagnostic sequence on the next page.



*1 "How to Read DTC and 1st Trip DTC" *2 "How to Display SRT Status"

*3 "How to Set SRT Code"

How to Display SRT Status

WITH CONSULT-III

Selecting "SRT STATUS" in "DTC CONFIRMATION" mode with CONSULT-III.

For items whose SRT codes are set, a "CMPLT" is displayed on the CONSULT-III screen; for items whose SRT codes are not set, "INCMP" is displayed.

A sample of CONSULT-III display for SRT code is shown in the figure.

"INCMP" means the self-diagnosis is incomplete and SRT is not set. "CMPLT" means the self-diagnosis is complete and SRT is set.

NOTE:

Though displayed on the CONSULT-III screen, "HO2S HTR" is not SRT item.

WITH GST

Selecting Service \$01 with GST (Generic Scan Tool)

NO TOOLS

A SRT code itself can not be displayed while only SRT status can be.

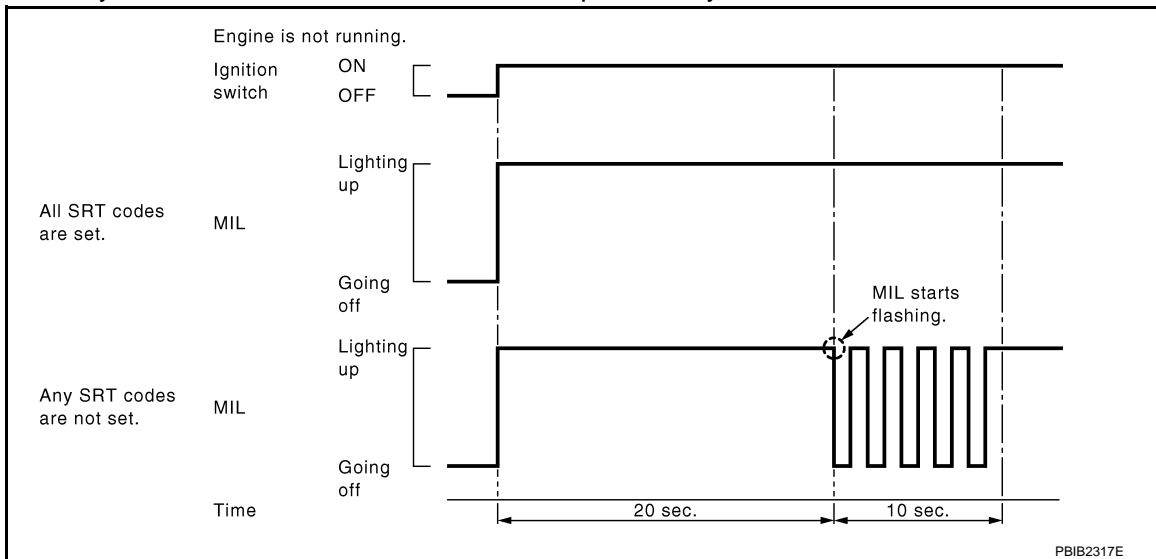
1. Turn ignition switch ON and wait 20 seconds.
2. SRT status is indicated as shown below.

ON BOARD DIAGNOSTIC (OBD) SYSTEM

[VQ35DE]

< SERVICE INFORMATION >

- When all SRT codes are set, MIL lights up continuously.
- When any SRT codes are not set, MIL will flash periodically for 10 seconds.



How to Set SRT Code

To set all SRT codes, self-diagnosis for the items indicated above must be performed one or more times. Each diagnosis may require a long period of actual driving under various conditions.

WITH CONSULT-III

Perform corresponding DTC Confirmation Procedure one by one based on Performance Priority in the table on "SRT Item".

WITHOUT CONSULT-III

The most efficient driving pattern in which SRT codes can be properly set is explained on the next page. The driving pattern should be performed one or more times to set all SRT codes.

A

EC

C

D

E

F

G

H

I

J

K

L

M

N

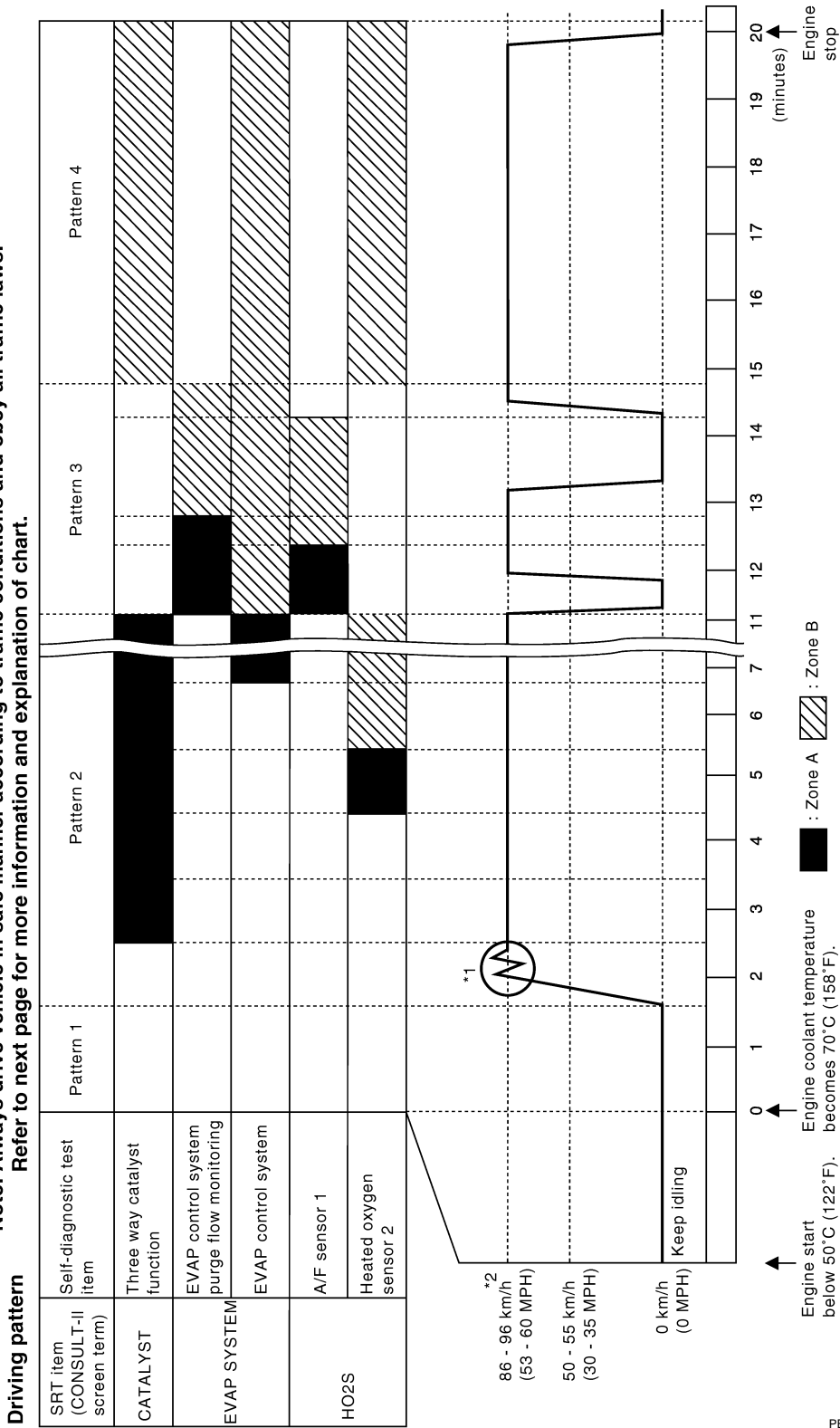
O

P

ON BOARD DIAGNOSTIC (OBD) SYSTEM

Driving Pattern

Note: Always drive vehicle in safe manner according to traffic conditions and obey all traffic laws. Refer to next page for more information and explanation of chart.



PBIB2906E

- The time required for each diagnosis varies with road surface conditions, weather, altitude, individual driving habits, etc.
 Zone A refers to the range where the time, required for the diagnosis under normal conditions*, is the shortest.
 Zone B refers to the range where the diagnosis can still be performed if the diagnosis is not completed within zone A.

*: Normal conditions refer to the following:

ON BOARD DIAGNOSTIC (OBD) SYSTEM

[VQ35DE]

< SERVICE INFORMATION >

- Sea level
- Flat road
- Ambient air temperature: 20 - 30°C (68 - 86°F)
- Diagnosis is performed as quickly as possible under normal conditions.
Under different conditions [For example: ambient air temperature other than 20 - 30°C (68 - 86°F)], diagnosis may also be performed.

Pattern 1:

- **The engine is started at the engine coolant temperature of -10 to 35°C (14 to 95°F) (where the voltage between the ECM terminal 73 and ground is 3.0 - 4.3V).**
- **The engine must be operated at idle speed until the engine coolant temperature is greater than 70°C (158°F) (where the voltage between the ECM terminal 73 and ground is lower than 1.4V).**
- **The engine is started at the fuel tank temperature of warmer than 0°C (32°F) (where the voltage between the ECM terminal 107 and ground is less than 4.1V).**

Pattern 2:

- When steady-state driving is performed again even after it is interrupted, each diagnosis can be conducted. In this case, the time required for diagnosis may be extended.

Pattern 3:

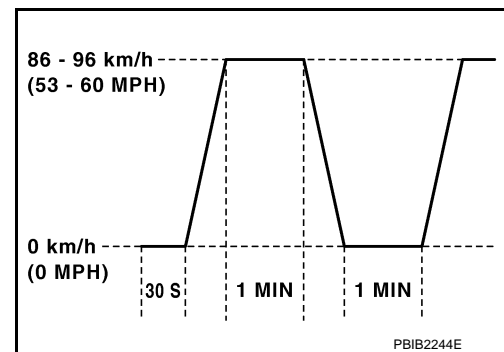
- Operate vehicle following the driving pattern shown in the figure.
- Release the accelerator pedal during decelerating vehicle speed from 90 km/h (56 MPH) to 0 km/h (0 MPH).

Pattern 4:

- The accelerator pedal must be held very steady during steady-state driving.
- If the accelerator pedal is moved, the test must be conducted all over again.

*1: Depress the accelerator pedal until vehicle speed is 90 km/h (56 MPH), then release the accelerator pedal and keep it released for more than 10 seconds. Depress the accelerator pedal until vehicle speed is 90 km/h (56 MPH) again.

*2: Checking the vehicle speed with GST is advised.



Suggested Transmission Gear Position

Set the selector lever in the D position with the overdrive switch turned ON.

TEST VALUE AND TEST LIMIT (GST ONLY — NOT APPLICABLE TO CONSULT-III)

The following is the information specified in Service \$06 of SAE J1979.

The test value is a parameter used to determine whether a system/circuit diagnostic test is OK or NG while being monitored by the ECM during self-diagnosis. The test limit is a reference value which is specified as the maximum or minimum value and is compared with the test value being monitored.

These data (test value and test limit) are specified by Test ID (TID) and Component ID (CID) and can be displayed on the GST screen.

Item	Self-diagnostic test item	DTC	Test value (GST display)		Test limit	Conversion
			TID	CID		
CATALYST	Three way catalyst function (Bank 1)	P0420	01H	01H	Max.	1/128
		P0420	02H	81H	Min.	1
	Three way catalyst function (Bank 2)	P0430	03H	02H	Max.	1/128
		P0430	04H	82H	Min.	1
EVAP SYSTEM	EVAP control system (Small leak)	P0442	05H	03H	Max.	1/128 mm ²
	EVAP control system purge flow monitoring	P0441	06H	83H	Min.	20 mV
	EVAP control system (Very small leak)	P0456	07H	03H	Max.	1/128 mm ²

ON BOARD DIAGNOSTIC (OBD) SYSTEM

< SERVICE INFORMATION >

[VQ35DE]

Item	Self-diagnostic test item	DTC	Test value (GST display)		Test limit	Conversion	
			TID	CID			
HO2S	Air fuel ratio (A/F) sensor 1 (Bank 1)	P0131	41H	8EH	Min.	5mV	
		P0132	42H	0EH	Max.	5mV	
		P2A00	43H	0EH	Max.	0.002	
		P2A00	44H	8EH	Min.	0.002	
		P0133	45H	8EH	Min.	0.002	
		P0130	46H	0EH	Max.	5mV	
		P0130	47H	8EH	Min.	5mV	
		P0133	48H	8EH	Min.	0.002	
	Air fuel ratio (A/F) sensor 1 (Bank 2)	P0151	4CH	8FH	Min.	5mV	
		P0152	4DH	0FH	Max.	5mV	
		P2A03	4EH	0FH	Max.	0.002	
		P2A03	4FH	8FH	Min.	0.002	
		P0153	50H	8FH	Min.	0.002	
		P0150	51H	0FH	Max.	5mV	
		P0150	52H	8FH	Min.	5mV	
		P0153	53H	8FH	Min.	0.002	
	Heated oxygen sensor 2 (Bank 1)	P0139	19H	86H	Min.	10mV/500 ms	
		P0137	1AH	86H	Min.	10 mV	
		P0138	1BH	06H	Max.	10 mV	
		P0138	1CH	06H	Max.	10mV	
	Heated oxygen sensor 2 (Bank 2)	P0159	21H	87H	Min.	10 mV/500 ms	
		P0157	22H	87H	Min.	10 mV	
		P0158	23H	07H	Max.	10 mV	
		P0158	24H	07H	Max.	10mV	
	HO2S HTR	A/F sensor 1 heater (Bank 1)	P0032	57H	10H	Max.	5 mV
			P0031	58H	90H	Min.	5 mV
		A/F sensor 1 heater (Bank 2)	P0052	59H	11H	Max.	5 mV
			P0051	5AH	91H	Min.	5 mV
Heated oxygen sensor 2 heater (Bank 1)		P0038	2DH	0AH	Max.	20 mV	
		P0037	2EH	8AH	Min.	20 mV	
Heated oxygen sensor 2 heater (Bank 2)		P0058	2FH	0BH	Max.	20 mV	
		P0057	30H	8BH	Min.	20 mV	

HOW TO ERASE EMISSION-RELATED DIAGNOSTIC INFORMATION

How to Erase DTC and 1st Trip DTC

 **With CONSULT-III**

NOTE:

- If the ignition switch stays ON after repair work, be sure to turn ignition OFF once. Wait at least 10 seconds and then turn it ON (engine stopped) again.
- If the DTC is not for A/T related items (see [EC-18, "U1000 - U1010"](#)), skip step 1.

1. Erase DTC in TCM. Refer to [AT-40, "OBD-II Diagnostic Trouble Code \(DTC\)"](#).
2. Select "ENGINE" with CONSULT-III.
3. Select "SELF-DIAG RESULTS".
4. Touch "ERASE". (DTC in ECM will be erased.)

 **With GST**

ON BOARD DIAGNOSTIC (OBD) SYSTEM

[VQ35DE]

< SERVICE INFORMATION >

NOTE:

- If the ignition switch stays ON after repair work, be sure to turn ignition switch OFF once. Wait at least 10 seconds and then turn it ON (engine stopped) again.
 - If the DTC is not for A/T related items (see [EC-18, "U1000 - U1010"](#)), skip step 1.
1. Erase DTC in TCM. Refer to [AT-40, "OBD-II Diagnostic Trouble Code \(DTC\)"](#) (The DTC in TCM will be erased)
 2. Select Service \$04 with GST (Generic Scan Tool).

No Tools

NOTE:

- If the ignition switch stays ON after repair work, be sure to turn ignition switch OFF once. Wait at least 10 seconds and then turn it ON (engine stopped) again.
 - If the DTC is not for A/T related items (see [EC-18, "U1000 - U1010"](#)), skip step 1.
1. Erase DTC in TCM. Refer to [AT-40, "OBD-II Diagnostic Trouble Code \(DTC\)"](#).
 2. Erase DTC in ECM. Refer to HOW TO ERASE DIAGNOSTIC TEST MODE II (SELF-DIAGNOSTIC RESULTS).
- If the battery is disconnected, the emission-related diagnostic information will be lost within 24 hours.
 - The following data are cleared when the ECM memory is erased.
 - Diagnostic trouble codes
 - 1st trip diagnostic trouble codes
 - Freeze frame data
 - 1st trip freeze frame data
 - System readiness test (SRT) codes
 - Test values

Actual work procedures are explained using a DTC as an example. Be careful so that not only the DTC, but all of the data listed above, are cleared from the ECM memory during work procedures.

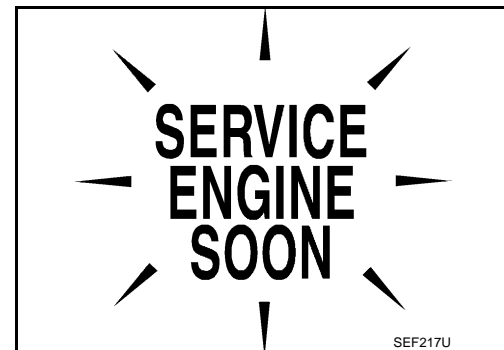
Malfunction Indicator Lamp (MIL)

INFOID:000000002954104

DESCRIPTION

The MIL is located on the instrument panel.

1. The MIL will light up when the ignition switch is turned ON without the engine running. This is a bulb check. If the MIL does not light up, refer to [DI-34](#) or see [EC-636](#).
2. When the engine is started, the MIL should go off. If the MIL remains on, the on board diagnostic system has detected an engine system malfunction.








ON BOARD DIAGNOSTIC SYSTEM FUNCTION

The on board diagnostic system has the following three functions.

ON BOARD DIAGNOSTIC (OBD) SYSTEM

< SERVICE INFORMATION >

[VQ35DE]

Diagnostic Test Mode	KEY and ENG. Status	Function	Explanation of Function
Mode I	Ignition switch in ON position  Engine stopped 	BULB CHECK	This function checks the MIL bulb for damage (blown, open circuit, etc.). If the MIL does not come on, check MIL circuit.
	Engine running 	MALFUNCTION WARNING	This is a usual driving condition. When a malfunction is detected twice in two consecutive driving cycles (two trip detection logic), the MIL will light up to inform the driver that a malfunction has been detected. The following malfunctions will light up or blink the MIL in the 1st trip. <ul style="list-style-type: none"> • Misfire (Possible three way catalyst damage) • One trip detection diagnoses
Mode II	Ignition switch in ON position  Engine stopped 	SELF-DIAGNOSTIC RESULTS	This function allows DTCs and 1st trip DTCs to be read.

When there is an open circuit on MIL circuit, the ECM cannot warn the driver by lighting up MIL when there is malfunction on engine control system.

Therefore, when electrical controlled throttle and part of ECM related diagnoses are continuously detected as NG for 5 trips, ECM warns the driver that engine control system malfunctions and MIL circuit is open by means of operating fail-safe function.

The fail-safe function also operates when above diagnoses except MIL circuit are detected and demands the driver to repair the malfunction.

Engine operating condition in fail-safe mode	Engine speed will not rise more than 2,500 rpm due to the fuel cut
--	--

MIL Flashing Without DTC

When any SRT codes are not set, MIL may flash without DTC. For the details, refer to [EC-55. "Emission-Related Diagnostic Information"](#).

HOW TO SWITCH DIAGNOSTIC TEST MODE

NOTE:

- It is better to count the time accurately with a clock.
- It is impossible to switch the diagnostic mode when an accelerator pedal position sensor circuit has a malfunction.
- Always ECM returns to Diagnostic Test Mode I after ignition switch is turned OFF.

How to Set Diagnostic Test Mode II (Self-diagnostic Results)

1. Confirm that accelerator pedal is fully released, turn ignition switch ON and wait 3 seconds.
2. Repeat the following procedure quickly five times within 5 seconds.
 - a. Fully depress the accelerator pedal.
 - b. Fully release the accelerator pedal.
3. Wait 7 seconds, fully depress the accelerator pedal and keep it for approx. 10 seconds until the MIL starts blinking.

NOTE:

ON BOARD DIAGNOSTIC (OBD) SYSTEM

[VQ35DE]

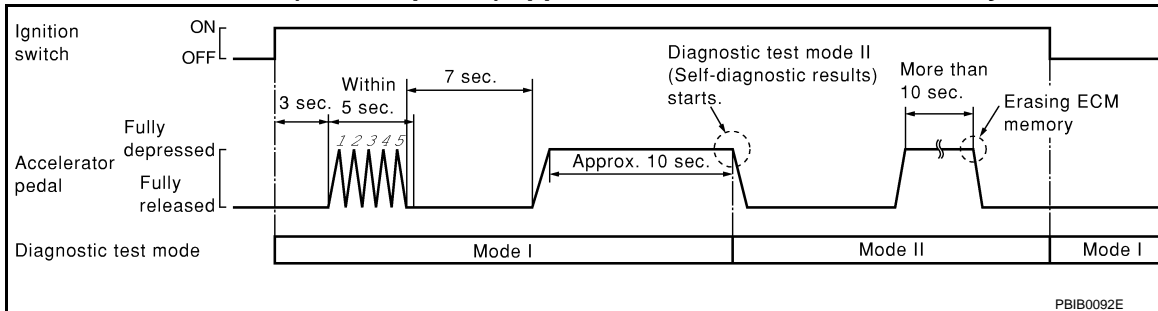
< SERVICE INFORMATION >

Do not release the accelerator pedal for 10 seconds if MIL may start blinking on the halfway of this 10 seconds. This blinking is displaying SRT status and is continued for another 10 seconds. For the details, refer to [EC-55, "Emission-Related Diagnostic Information"](#).

4. Fully release the accelerator pedal.
ECM has entered to Diagnostic Test Mode II (Self-diagnostic results).

NOTE:

Wait until the same DTC (or 1st trip DTC) appears to confirm all DTCs certainly.



How to Erase Diagnostic Test Mode II (Self-diagnostic Results)

1. Set ECM in Diagnostic Test Mode II (Self-diagnostic results). Refer to "How to Set Diagnostic Test Mode II (Self-diagnostic Results)".
2. Fully depress the accelerator pedal and keep it for more than 10 seconds.
The emission-related diagnostic information has been erased from the backup memory in the ECM.
3. Fully release the accelerator pedal, and confirm the DTC 0000 is displayed.

DIAGNOSTIC TEST MODE I — BULB CHECK

In this mode, the MIL on the instrument panel should stay ON. If it remains OFF, check the bulb. Refer to [DI-34](#) or see [EC-636](#).

DIAGNOSTIC TEST MODE I — MALFUNCTION WARNING

MIL	Condition
ON	When the malfunction is detected.
OFF	No malfunction.

This DTC number is clarified in Diagnostic Test Mode II (SELF-DIAGNOSTIC RESULTS)

DIAGNOSTIC TEST MODE II — SELF-DIAGNOSTIC RESULTS

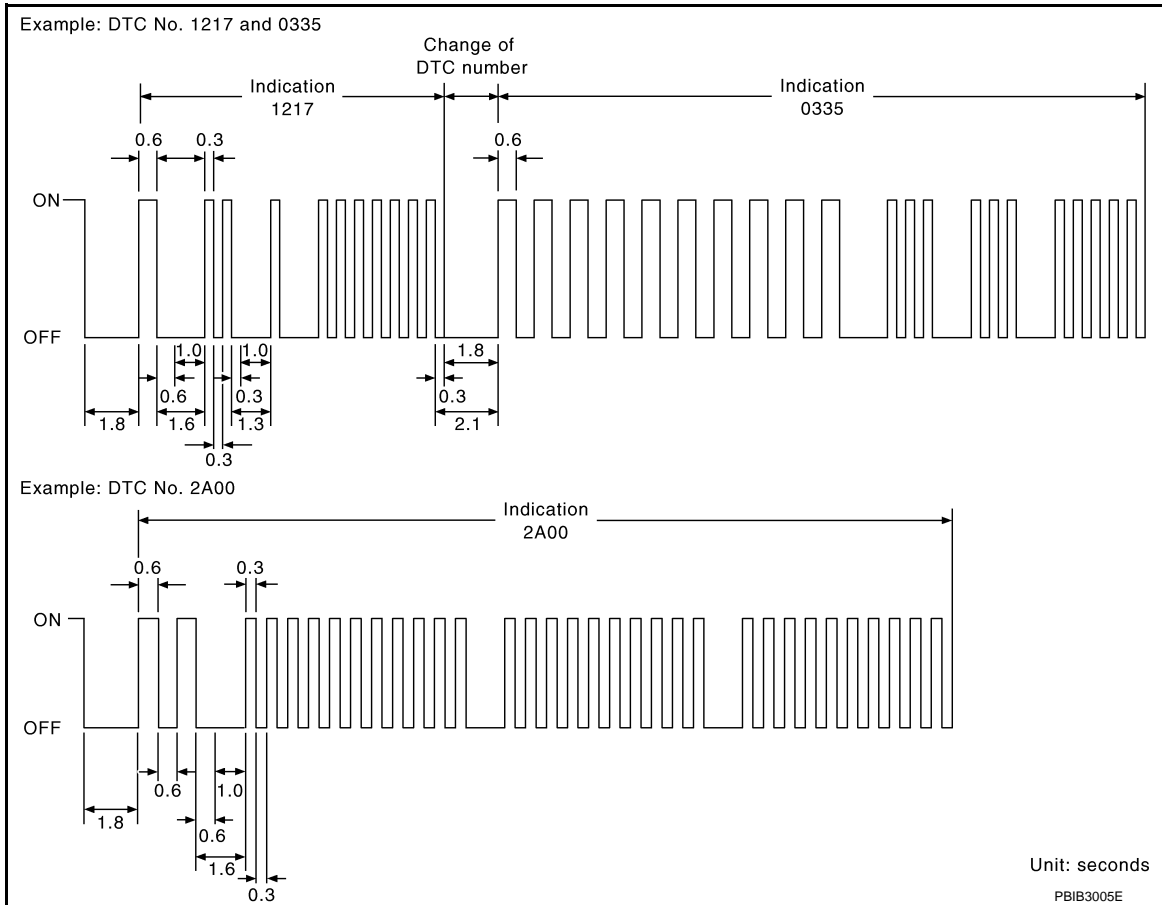
In this mode, the DTC and 1st trip DTC are indicated by the number of blinks of the MIL as shown below. The DTC and 1st trip DTC are displayed at the same time. If the MIL does not illuminate in diagnostic test mode I (Malfunction warning), all displayed items are 1st trip DTCs. If only one code is displayed when the MIL illuminates in diagnostic test mode II (SELF-DIAGNOSTIC RESULTS), it is a DTC; if two or more codes are displayed, they may be either DTCs or 1st trip DTCs. DTC No. is same as that of 1st trip DTC. These uniden-

ON BOARD DIAGNOSTIC (OBD) SYSTEM

[VQ35DE]

< SERVICE INFORMATION >

tified codes can be identified by using the CONSULT-III or GST. A DTC will be used as an example for how to read a code.



A particular trouble code can be identified by the number of four-digit numeral flashes. The “zero” is indicated by the number of ten flashes. The “A” is indicated by the number of eleven flash. The length of time the 1,000th-digit numeral flashes on and off is 1.2 seconds consisting of an ON (0.6-second) - OFF (0.6-second) cycle.

The 100th-digit numeral and lower digit numerals consist of a 0.3-second ON and 0.3-second OFF cycle.

A change from one digit numeral to another occurs at an interval of 1.0-second OFF. In other words, the later numeral appears on the display 1.3 seconds after the former numeral has disappeared.

A change from one trouble code to another occurs at an interval of 1.8-second OFF.

In this way, all the detected malfunctions are classified by their DTC numbers. The DTC 0000 refers to no malfunction. (See [EC-18](#))

How to Erase Diagnostic Test Mode II (Self-diagnostic Results)

The DTC can be erased from the back up memory in the ECM by depressing accelerator pedal. Refer to "How to Erase Diagnostic Test Mode II (Self-diagnostic Results)"

- If the battery is disconnected, the DTC will be lost from the backup memory within 24 hours.
- Be careful not to erase the stored memory before starting trouble diagnoses.

OBD System Operation Chart

INFOID:000000002954105

RELATIONSHIP BETWEEN MIL, 1ST TRIP DTC, DTC, AND DETECTABLE ITEMS

- When a malfunction is detected for the first time, the 1st trip DTC and the 1st trip freeze frame data are stored in the ECM memory.
- When the same malfunction is detected in two consecutive trips, the DTC and the freeze frame data are stored in the ECM memory, and the MIL will come on. For details, refer to [EC-54. "Two Trip Detection Logic"](#).
- The MIL will go off after the vehicle is driven 3 times (driving pattern B) with no malfunction. The drive is counted only when the recorded driving pattern is met (as stored in the ECM). If another malfunction occurs while counting, the counter will reset.
- The DTC and the freeze frame data will be stored until the vehicle is driven 40 times (driving pattern A) without the same malfunction recurring (except for Misfire and Fuel Injection System). For Misfire and Fuel Injection System, the DTC and freeze frame data will be stored until the vehicle is driven 80 times (driving pattern

ON BOARD DIAGNOSTIC (OBD) SYSTEM

< SERVICE INFORMATION >

[VQ35DE]

- C) without the same malfunction recurring. The "TIME" in "SELF-DIAGNOSTIC RESULTS" mode of CONSULT-III will count the number of times the vehicle is driven.
- The 1st trip DTC is not displayed when the self-diagnosis results in OK for the 2nd trip.

SUMMARY CHART

Items	Fuel Injection System	Misfire	Other
MIL (goes off)	3 (pattern B)	3 (pattern B)	3 (pattern B)
DTC, Freeze Frame Data (no display)	80 (pattern C)	80 (pattern C)	40 (pattern A)
1st Trip DTC (clear)	1 (pattern C), *1	1 (pattern C), *1	1 (pattern B)
1st Trip Freeze Frame Data (clear)	*1, *2	*1, *2	1 (pattern B)

For details about patterns B and C under "Fuel Injection System" and "Misfire", see "EXPLANATION FOR DRIVING PATTERNS FOR "MISFIRE <EXHAUST QUALITY DETERIORATION>", "FUEL INJECTION SYSTEM".

For details about patterns A and B under Other, see "EXPLANATION FOR DRIVING PATTERNS FOR "MISFIRE <EXHAUST QUALITY DETERIORATION>", "FUEL INJECTION SYSTEM".

*1: Clear timing is at the moment OK is detected.

*2: Clear timing is when the same malfunction is detected in the 2nd trip.

RELATIONSHIP BETWEEN MIL, DTC, 1ST TRIP DTC AND DRIVING PATTERNS FOR "MISFIRE " <EXHAUST QUALITY DETERIORATION>, "FUEL INJECTION SYSTEM"

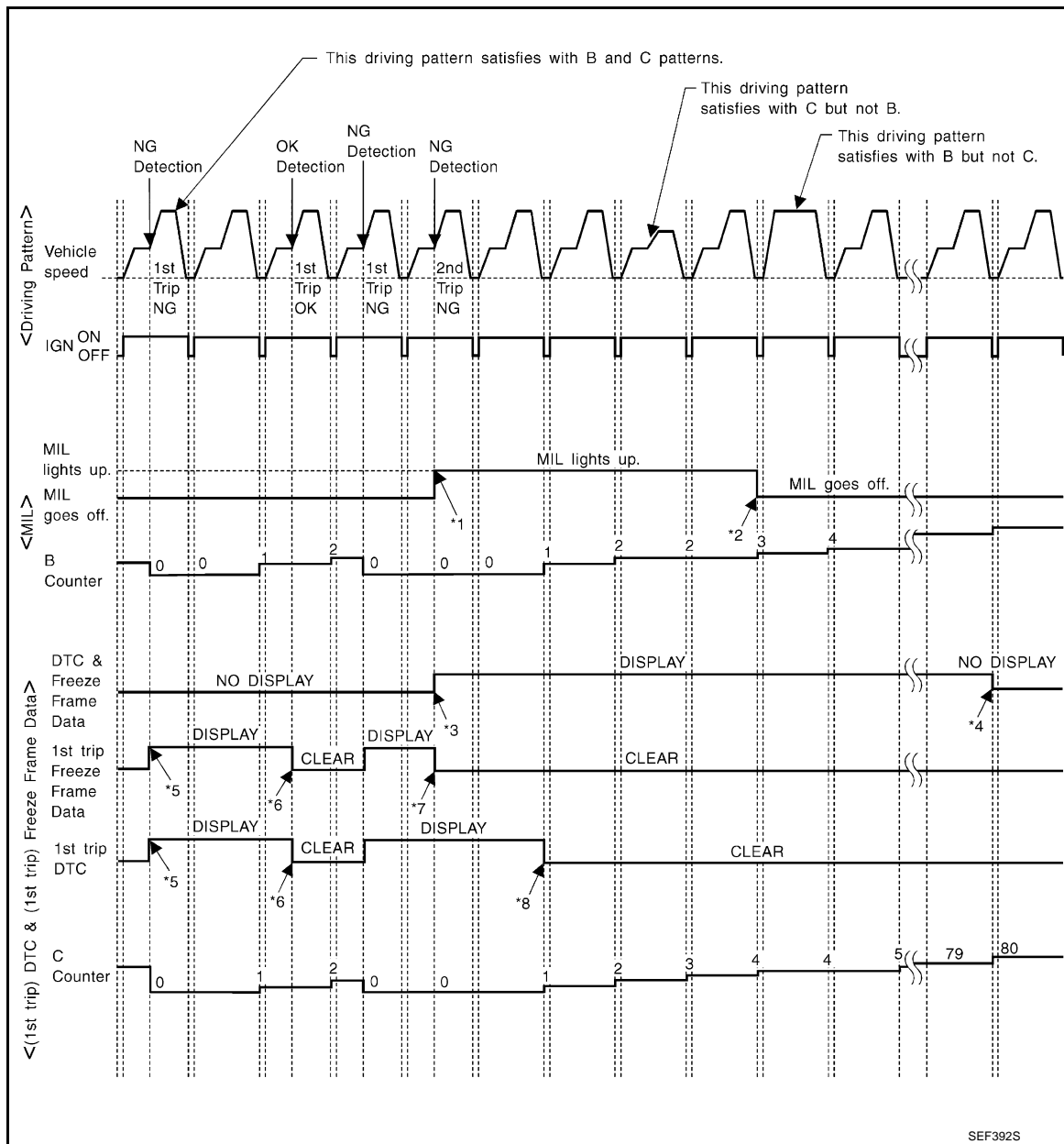
A
C
D
E
F
G
H
I
J
K
L
M
N
O
P

EC

ON BOARD DIAGNOSTIC (OBD) SYSTEM

< SERVICE INFORMATION >

[VQ35DE]



- *1: When the same malfunction is detected in two consecutive trips, MIL will light up.
- *2: MIL will go off after vehicle is driven 3 times (pattern B) without any malfunctions.
- *3: When the same malfunction is detected in two consecutive trips, the DTC and the freeze frame data will be stored in ECM.
- *4: The DTC and the freeze frame data will not be displayed any longer after vehicle is driven 80 times (pattern C) without the same malfunction. (The DTC and the freeze frame data still remain in ECM.)
- *5: When a malfunction is detected for the first time, the 1st trip DTC and the 1st trip freeze frame data will be stored in ECM.
- *6: The 1st trip DTC and the 1st trip freeze frame data will be cleared at the moment OK is detected.
- *7: When the same malfunction is detected in the 2nd trip, the 1st trip freeze frame data will be cleared.
- *8: 1st trip DTC will be cleared when vehicle is driven once (pattern C) without the same malfunction after DTC is stored in ECM.

EXPLANATION FOR DRIVING PATTERNS FOR "MISFIRE <EXHAUST QUALITY DETERIORATION>", "FUEL INJECTION SYSTEM"

<Driving Pattern B>

Driving pattern B means the vehicle operation as follows:

ON BOARD DIAGNOSTIC (OBD) SYSTEM

[VQ35DE]

< SERVICE INFORMATION >

All components and systems should be monitored at least once by the OBD system.

- The B counter will be cleared when the malfunction is detected once regardless of the driving pattern.
- The B counter will be counted up when driving pattern B is satisfied without any malfunction.
- The MIL will go off when the B counter reaches 3. (*2 in "OBD SYSTEM OPERATION CHART")

<Driving Pattern C>

Driving pattern C means the vehicle operation as follows:

The following conditions should be satisfied at the same time:

Engine speed: (Engine speed in the freeze frame data) ± 375 rpm

Calculated load value: (Calculated load value in the freeze frame data) $\times (1 \pm 0.1)$ [%]

Engine coolant temperature (T) condition:

- When the freeze frame data shows lower than 70°C (158°F), T should be lower than 70°C (158°F).
- When the freeze frame data shows higher than or equal to 70°C (158°F), T should be higher than or equal to 70°C (158°F).

Example:

If the stored freeze frame data is as follows:

Engine speed: 850 rpm, Calculated load value: 30%, Engine coolant temperature: 80°C (176°F)

To be satisfied with driving pattern C, the vehicle should run under the following conditions:

Engine speed: 475 - 1,225 rpm, Calculated load value: 27 - 33%, Engine coolant temperature: more than 70°C (158°F)

- The C counter will be cleared when the malfunction is detected regardless of vehicle conditions above.
- The C counter will be counted up when vehicle conditions above is satisfied without the same malfunction.
- The DTC will not be displayed after C counter reaches 80.
- The 1st trip DTC will be cleared when C counter is counted once without the same malfunction after DTC is stored in ECM.

RELATIONSHIP BETWEEN MIL, DTC, 1ST TRIP DTC AND DRIVING PATTERNS EXCEPT FOR "MISFIRE <EXHAUST QUALITY DETERIORATION>", "FUEL INJECTION SYSTEM"

A

EC

C

D

E

F

G

H

I

J

K

L

M

N

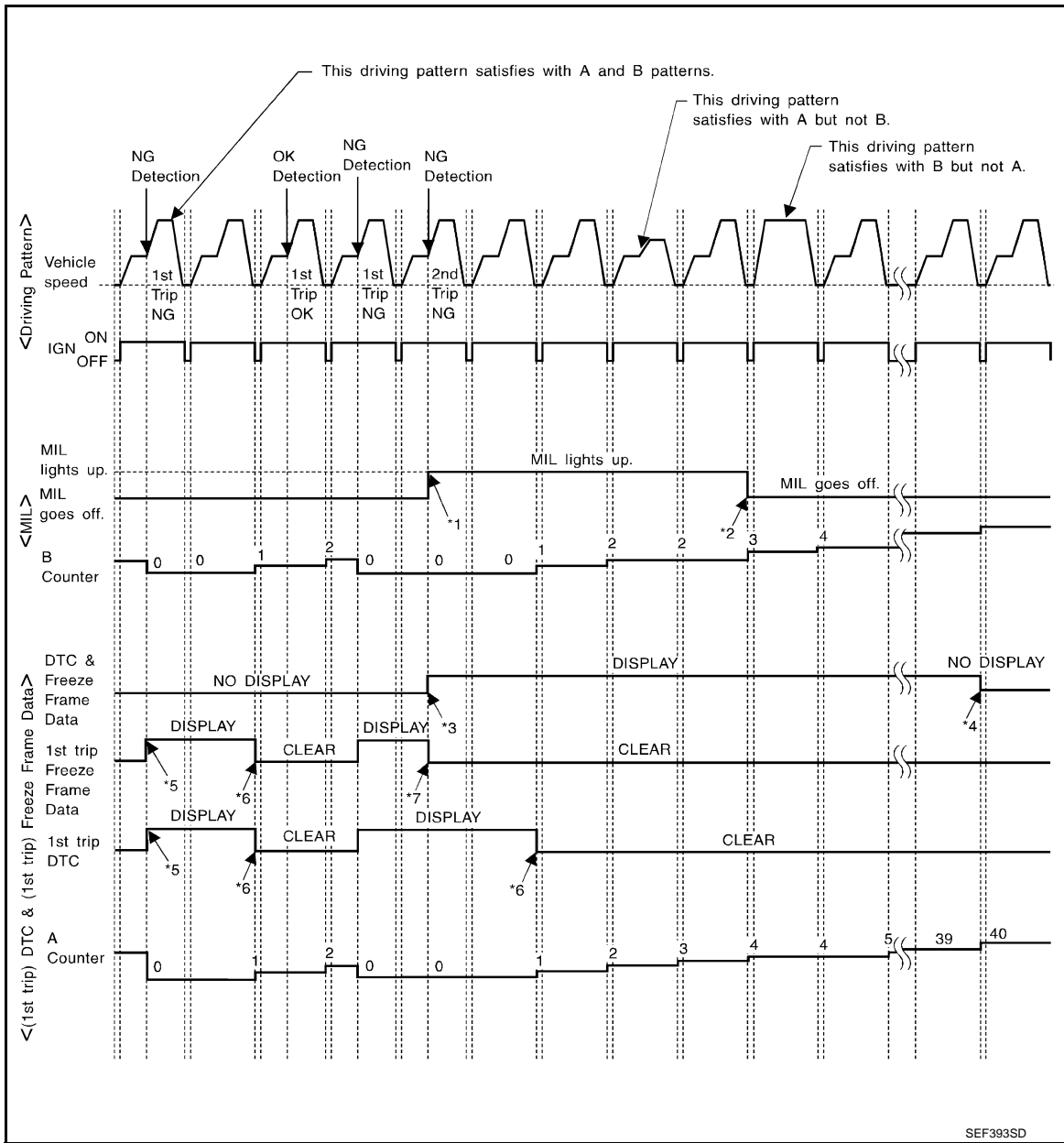
O

P

ON BOARD DIAGNOSTIC (OBD) SYSTEM

< SERVICE INFORMATION >

[VQ35DE]



- *1: When the same malfunction is detected in two consecutive trips, MIL will light up.
- *2: MIL will go off after vehicle is driven 3 times (pattern B) without any malfunctions.
- *3: When the same malfunction is detected in two consecutive trips, the DTC and the freeze frame data will be stored in ECM.
- *4: The DTC and the freeze frame data will not be displayed any longer after vehicle is driven 40 times (pattern A) without the same malfunction. (The DTC and the freeze frame data still remain in ECM.)
- *5: When a malfunction is detected for the first time, the 1st trip DTC and the 1st trip freeze frame data will be stored in ECM.
- *6: 1st trip DTC will be cleared after vehicle is driven once (pattern B) without the same malfunction.
- *7: When the same malfunction is detected in the 2nd trip, the 1st trip freeze frame data will be cleared.

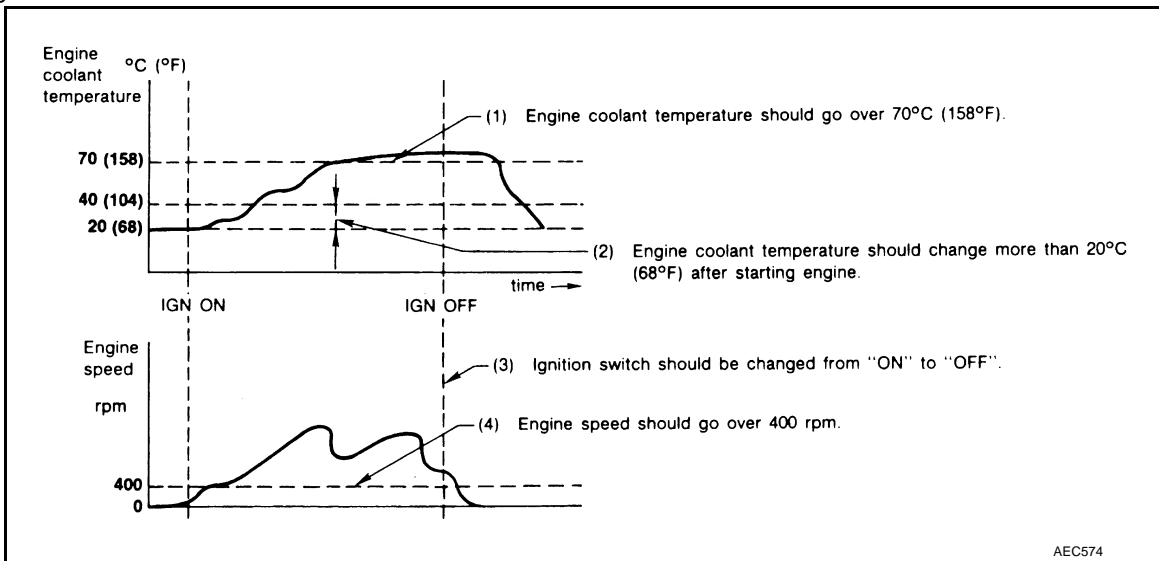
EXPLANATION FOR DRIVING PATTERNS EXCEPT FOR "MISFIRE <EXHAUST QUALITY DETERIORATION>", "FUEL INJECTION SYSTEM"

ON BOARD DIAGNOSTIC (OBD) SYSTEM

< SERVICE INFORMATION >

[VQ35DE]

<Driving Pattern A>



- The A counter will be cleared when the malfunction is detected regardless of (1) - (4).
- The A counter will be counted up when (1) - (4) are satisfied without the same malfunction.
- The DTC will not be displayed after the A counter reaches 40.

<Driving Pattern B>

Driving pattern B means the vehicle operation as follows:

All components and systems should be monitored at least once by the OBD system.

- The B counter will be cleared when the malfunction is detected once regardless of the driving pattern.
- The B counter will be counted up when driving pattern B is satisfied without any malfunctions.
- The MIL will go off when the B counter reaches 3 (*2 in OBD SYSTEM OPERATION CHART).

A

EC

C

D

E

F

G

H

I

J

K

L

M

N

O

P

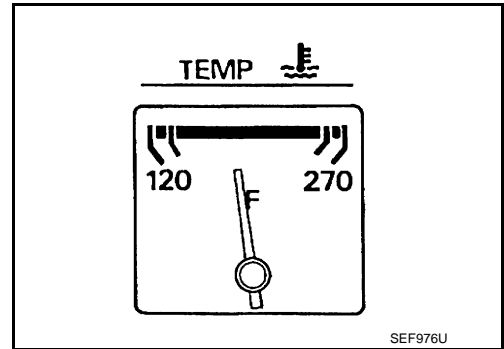
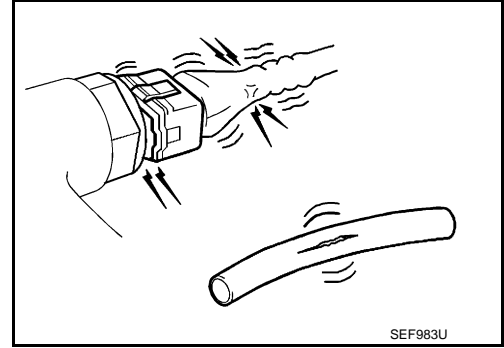
BASIC SERVICE PROCEDURE

Basic Inspection

INFOID:00000002954106

1. INSPECTION START

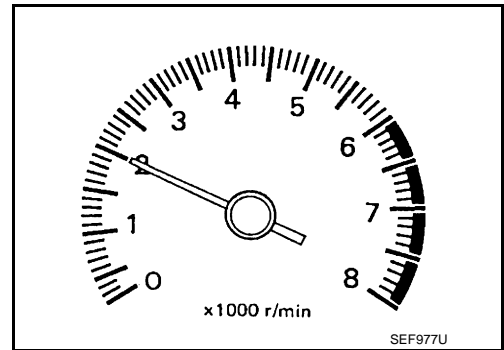
1. Check service records for any recent repairs that may indicate a related malfunction, or a current need for scheduled maintenance.
2. Open engine hood and check the following:
 - Harness connectors for improper connections
 - Wiring harness for improper connections, pinches and cut
 - Vacuum hoses for splits, kinks and improper connections
 - Hoses and ducts for leaks
 - Air cleaner clogging
 - Gasket
3. Confirm that electrical or mechanical loads are not applied.
 - Headlamp switch is OFF.
 - Air conditioner switch is OFF.
 - Rear window defogger switch is OFF.
 - Steering wheel is in the straight-ahead position, etc.
4. Start engine and warm it up until engine coolant temperature indicator points the middle of gauge. Ensure engine stays below 1,000 rpm.



5. Run engine at about 2,000 rpm for about 2 minutes under no load.
6. Make sure that no DTC is displayed with CONSULT-III or GST.

OK or NG

- OK >> GO TO 3.
 NG >> GO TO 2.



2. REPAIR OR REPLACE

Repair or replace components as necessary according to corresponding Diagnostic Procedure.

>> GO TO 3

3. CHECK TARGET IDLE SPEED

Ⓟ With CONSULT-III

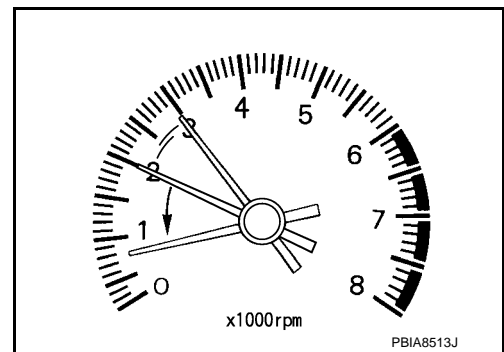
1. Run engine at about 2,000 rpm for about 2 minutes under no load.

BASIC SERVICE PROCEDURE

[VQ35DE]

< SERVICE INFORMATION >

- Rev engine (2,000 to 3,000 rpm) two or three times under no load, then run engine at idle speed for about 1 minute.



- Read idle speed in "DATA MONITOR" mode with CONSULT-III. Refer to [EC-80. "Idle Speed and Ignition Timing Check"](#).

650 ± 50 rpm (in P or N position)

⊗ Without CONSULT-III

- Run engine at about 2,000 rpm for about 2 minutes under no load.
- Rev engine (2,000 to 3,000 rpm) two or three times under no load, then run engine at idle speed for about 1 minute.
- Check idle speed.
Refer to [EC-80. "Idle Speed and Ignition Timing Check"](#).

650 ± 50 rpm (in P or N position)

OK or NG

- OK >> GO TO 10.
- NG >> GO TO 4.

4. PERFORM ACCELERATOR PEDAL RELEASED POSITION LEARNING

- Stop engine.
- Perform [EC-82. "Accelerator Pedal Released Position Learning"](#).

>> GO TO 5.

5. PERFORM THROTTLE VALVE CLOSED POSITION LEARNING

Perform [EC-82. "Throttle Valve Closed Position Learning"](#).

>> GO TO 6.

6. PERFORM IDLE AIR VOLUME LEARNING

Refer to [EC-82. "Idle Air Volume Learning"](#).

Is Idle Air Volume Learning carried out successfully?

Yes or No

- Yes >> GO TO 7.
- No >> 1. Follow the instruction of Idle Air Volume Learning.
2. GO TO 4.

7. CHECK TARGET IDLE SPEED AGAIN

Ⓜ With CONSULT-III

- Start engine and warm it up to normal operating temperature.
- Read idle speed in "DATA MONITOR" mode with CONSULT-III. Refer to [EC-80. "Idle Speed and Ignition Timing Check"](#).

650 ± 50 rpm (in P or N position)

⊗ Without CONSULT-III

< SERVICE INFORMATION >

1. Start engine and warm it up to normal operating temperature.
2. Check idle speed.
Refer to [EC-80, "Idle Speed and Ignition Timing Check"](#).

650 ± 50 rpm (in P or N position)

OK or NG

- OK >> GO TO 10.
NG >> GO TO 8.

8. DETECT MALFUNCTIONING PART

Check the Following.

- Check camshaft position sensor (PHASE) and circuit. Refer to [EC-335](#).
- Check crankshaft position sensor (POS) and circuit. Refer to [EC-330](#).

OK or NG

- OK >> GO TO 9.
NG >> 1. Repair or replace.
2. GO TO 4.

9. CHECK ECM FUNCTION

1. Substitute another known-good ECM to check ECM function. (ECM may be the cause of an incident, but this is a rare case.)
2. Perform initialization of IVIS (NATS) system and registration of all IVIS (NATS) ignition key IDs. Refer to [BL-221, "ECM Re-Communicating Function"](#).

>> GO TO 4.

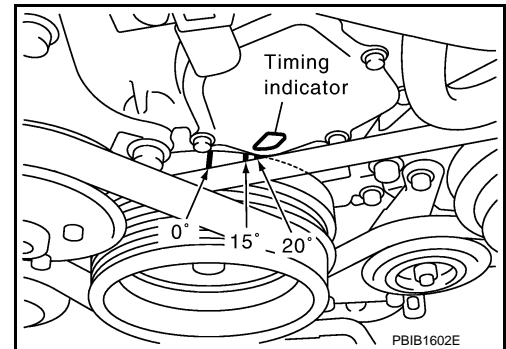
10. CHECK IGNITION TIMING

1. Run engine at idle.
2. Check ignition timing with a timing light.
Refer to [EC-80, "Idle Speed and Ignition Timing Check"](#).

15 ± 5° BTDC (in P or N position)

OK or NG

- OK >> GO TO 19.
NG >> GO TO 11.



11. PERFORM ACCELERATOR PEDAL RELEASED POSITION LEARNING

1. Stop engine.
2. Perform [EC-82, "Accelerator Pedal Released Position Learning"](#).

>> GO TO 12.

12. PERFORM THROTTLE VALVE CLOSED POSITION LEARNING

Perform [EC-82, "Throttle Valve Closed Position Learning"](#).

>> GO TO 13.

13. PERFORM IDLE AIR VOLUME LEARNING

Refer to [EC-82, "Idle Air Volume Learning"](#).

Is Idle Air Volume Learning carried out successfully?

Yes or No

- Yes >> GO TO 14.
No >> 1. Follow the instruction of Idle Air Volume Learning.

BASIC SERVICE PROCEDURE

[VQ35DE]

< SERVICE INFORMATION >

2. GO TO 4.

14. CHECK TARGET IDLE SPEED AGAIN

☐ With CONSULT-III

1. Start engine and warm it up to normal operating temperature.
2. Read idle speed in "DATA MONITOR" mode with CONSULT-III. Refer to [EC-80, "Idle Speed and Ignition Timing Check"](#).

650 ± 50 rpm (in P or N position)

⊗ Without CONSULT-III

1. Start engine and warm it up to normal operating temperature.
2. Check idle speed.
Refer to [EC-80, "Idle Speed and Ignition Timing Check"](#).

650 ± 50 rpm (in P or N position)

OK or NG

- OK >> GO TO 15.
NG >> GO TO 17.

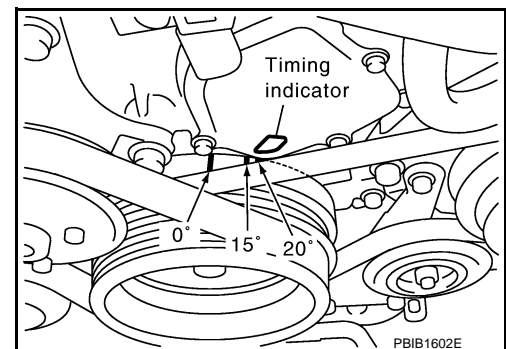
15. CHECK IGNITION TIMING AGAIN

1. Run engine at idle.
2. Check ignition timing with a timing light.
Refer to [EC-80, "Idle Speed and Ignition Timing Check"](#).

15 ± 5° BTDC (in P or N position)

OK or NG

- OK >> GO TO 19.
NG >> GO TO 16.



16. CHECK TIMING CHAIN INSTALLATION

Check timing chain installation. Refer to [EM-65](#).

OK or NG

- OK >> GO TO 17.
NG >> 1. Repair the timing chain installation.
2. GO TO 4.

17. DETECT MALFUNCTIONING PART

Check the following.

- Check camshaft position sensor (PHASE) and circuit. Refer to [EC-335](#).
- Check crankshaft position sensor (POS) and circuit. Refer to [EC-330](#).

OK or NG

- OK >> GO TO 18.
NG >> 1. Repair or replace.
2. GO TO 4.

18. CHECK ECM FUNCTION

1. Substitute another known-good ECM to check ECM function. (ECM may be the cause of an incident, but this is a rare case.)
2. Perform initialization of IVIS (NATS) system and registration of all IVIS (NATS) ignition key IDs. Refer to [BL-221, "ECM Re-Communicating Function"](#).

>> GO TO 4.

BASIC SERVICE PROCEDURE

[VQ35DE]

< SERVICE INFORMATION >

19. INSPECTION END

Did you replace ECM, referring this Basic Inspection procedure?

Yes or No

Yes >> 1. Perform [EC-81. "VIN Registration"](#).
2. **INSPECTION END**

No >> **INSPECTION END**

Idle Speed and Ignition Timing Check

INFOID:000000002954107

IDLE SPEED

Ⓟ With CONSULT-III

Check idle speed in "DATA MONITOR" mode with CONSULT-III.

Ⓢ With GST

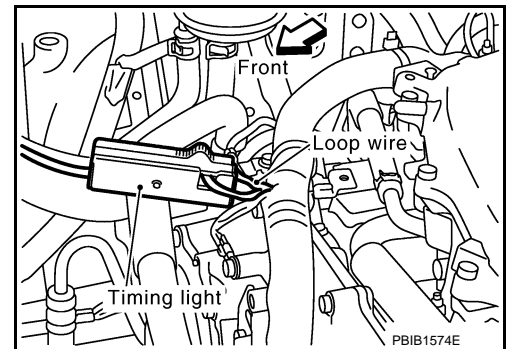
Check idle speed with Service \$01 GST.

IGNITION TIMING

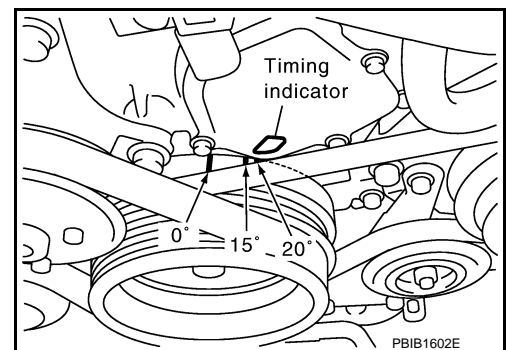
Any of following two methods may be used.

Method A

1. Attach timing light to loop wire as shown.

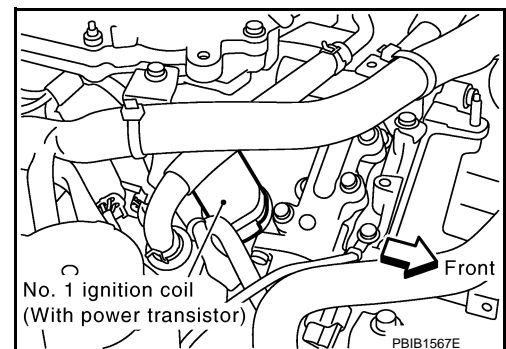


2. Check ignition timing.



Method B

1. Remove No. 1 ignition coil.

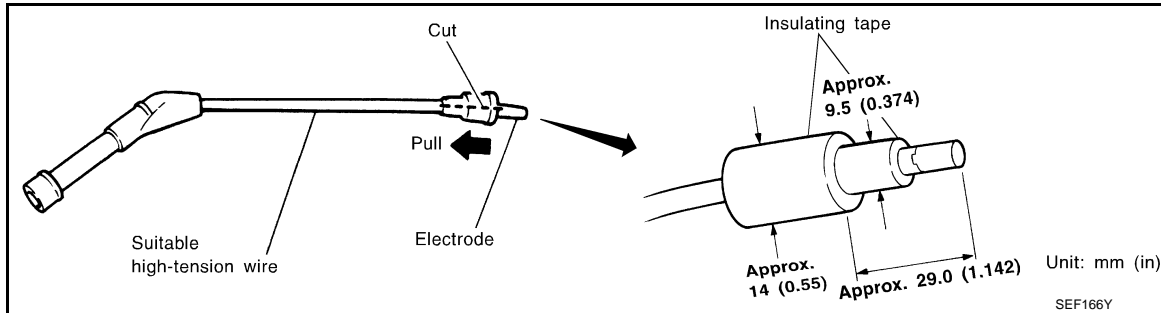
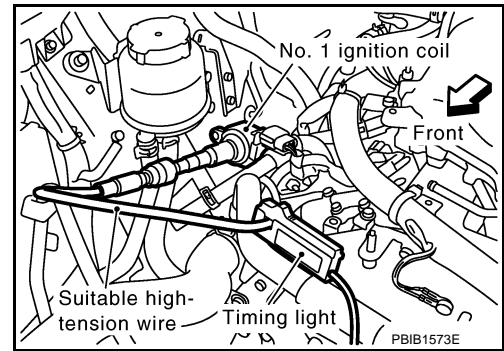


BASIC SERVICE PROCEDURE

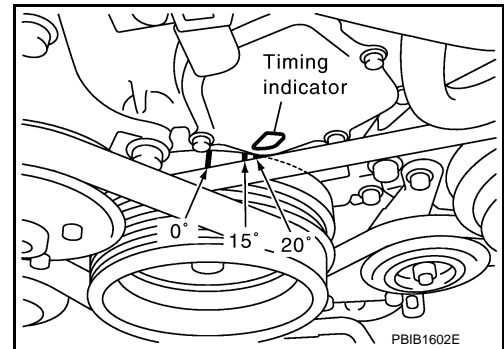
[VQ35DE]

< SERVICE INFORMATION >

2. Connect No. 1 ignition coil and No. 1 spark plug with suitable high-tension wire as shown, and attach timing light clamp to this wire.



3. Check ignition timing.



Procedure After Replacing ECM

INFOID:000000002954108

When replacing ECM, the following procedure must be performed.

1. Perform initialization of IVIS (NATS) system and registration of all IVIS (NATS) ignition key IDs. Refer to [BL-221, "ECM Re-Communicating Function"](#).
2. Perform [EC-81, "VIN Registration"](#).
3. Perform [EC-82, "Accelerator Pedal Released Position Learning"](#).
4. Perform [EC-82, "Throttle Valve Closed Position Learning"](#).
5. Perform [EC-82, "Idle Air Volume Learning"](#).

VIN Registration

INFOID:000000002954109

DESCRIPTION

VIN Registration is an operation to registering VIN in ECM. It must be performed each time ECM is replaced.

NOTE:

Accurate VIN which is registered in ECM may be required for Inspection & Maintenance (I/M).

OPERATION PROCEDURE

Ⓟ With CONSULT-III

1. Check the VIN of the vehicle and note it. Refer to [GI-45](#).
2. Turn ignition switch ON and engine stopped.
3. Select "VIN REGISTRATION" in "WORK SUPPORT" mode.
4. Follow the instruction of CONSULT-III display.

Accelerator Pedal Released Position Learning

INFOID:000000002954110

DESCRIPTION

Accelerator Pedal Released Position Learning is an operation to learn the fully released position of the accelerator pedal by monitoring the accelerator pedal position sensor output signal. It must be performed each time harness connector of accelerator pedal position sensor or ECM is disconnected.

OPERATION PROCEDURE

1. Make sure that accelerator pedal is fully released.
2. Turn ignition switch ON and wait at least 2 seconds.
3. Turn ignition switch OFF and wait at least 10 seconds.
4. Repeat step 2 and 3 for 4 times.

Throttle Valve Closed Position Learning

INFOID:000000002954111

DESCRIPTION

Throttle Valve Closed Position Learning is an operation to learn the fully closed position of the throttle valve by monitoring the throttle position sensor output signal. It must be performed each time harness connector of electric throttle control actuator or ECM is disconnected.

OPERATION PROCEDURE

1. Make sure that accelerator pedal is fully released.
2. Turn ignition switch ON.
3. Turn ignition switch OFF and wait at least 10 seconds.
Make sure that throttle valve moves during above 10 seconds by confirming the operating sound.

Idle Air Volume Learning

INFOID:000000002954112

DESCRIPTION

Idle Air Volume Learning is an operation to learn the idle air volume that keeps each engine within the specific range. It must be performed under any of the following conditions:

- Each time electric throttle control actuator or ECM is replaced.
- Idle speed or ignition timing is out of specification.

PREPARATION

Before performing Idle Air Volume Learning, make sure that all of the following conditions are satisfied. Learning will be cancelled if any of the following conditions are missed for even a moment.

- Battery voltage: More than 12.9V (At idle)
- Engine coolant temperature: 70 - 105°C (158 - 221°F)
- Transmission range switch: ON
- Electric load switch: OFF
(Air conditioner, headlamp, rear window defogger)
On vehicles equipped with daytime light systems, if the parking brake is applied before the engine is started the headlamp will not be illuminated.
- Steering wheel: Neutral (Straight-ahead position)
- Vehicle speed: Stopped
- Transmission: Warm-up
 - With CONSULT-III: Drive vehicle until "ATF TEMP SE 1" in "DATA MONITOR" mode of "TRANSMISSION" system indicates less than 0.9V.
 - Without CONSULT-III: Drive vehicle for 10 minutes.

OPERATION PROCEDURE

Ⓟ With CONSULT-III

1. Perform [EC-82. "Accelerator Pedal Released Position Learning"](#).
2. Perform [EC-82. "Throttle Valve Closed Position Learning"](#).
3. Start engine and warm it up to normal operating temperature.
4. Check that all items listed under the topic PREPARATION (previously mentioned) are in good order.
5. Select "IDLE AIR VOL LEARN" in "WORK SUPPORT" mode.

BASIC SERVICE PROCEDURE

[VQ35DE]

< SERVICE INFORMATION >

6. Touch "START" and wait 20 seconds.
7. Make sure that "CMPLT" is displayed on CONSULT-III screen. If "CMPLT" is not displayed, Idle Air Volume Learning will not be carried out successfully. In this case, find the cause of the incident by referring to the DIAGNOSTIC PROCEDURE below.
8. Rev up the engine two or three times and make sure that idle speed and ignition timing are within the specifications.

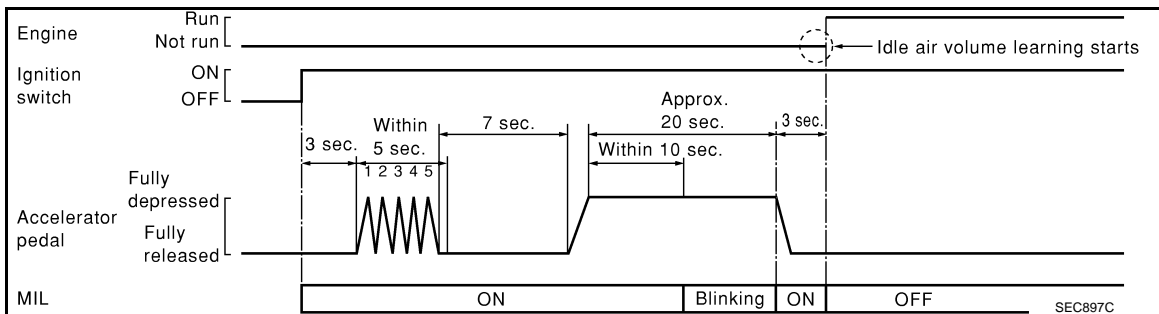
ITEM	SPECIFICATION
Idle speed	650 ± 50 rpm (in P or N position)
Ignition timing	15 ± 5° BTDC (in P or N position)

⊗ Without CONSULT-III

NOTE:

- It is better to count the time accurately with a clock.
- It is impossible to switch the diagnostic mode when an accelerator pedal position sensor circuit has a malfunction.

1. Perform [EC-82, "Accelerator Pedal Released Position Learning"](#).
2. Perform [EC-82, "Throttle Valve Closed Position Learning"](#).
3. Start engine and warm it up to normal operating temperature.
4. Check that all items listed under the topic PREPARATION (previously mentioned) are in good order.
5. Turn ignition switch OFF and wait at least 10 seconds.
6. Confirm that accelerator pedal is fully released, turn ignition switch ON and wait 3 seconds.
7. Repeat the following procedure quickly five times within 5 seconds.
 - a. Fully depress the accelerator pedal.
 - b. Fully release the accelerator pedal.
8. Wait 7 seconds, fully depress the accelerator pedal and keep it for approx. 20 seconds until the MIL stops blinking and turned ON.
9. Fully release the accelerator pedal within 3 seconds after the MIL turned ON.
10. Start engine and let it idle.
11. Wait 20 seconds.



12. Rev up the engine two or three times and make sure that idle speed and ignition timing are within the specifications.

ITEM	SPECIFICATION
Idle speed	650 ± 50 rpm (in P or N position)
Ignition timing	15 ± 5° BTDC (in P or N position)

13. If idle speed and ignition timing are not within the specification, Idle Air Volume Learning will not be carried out successfully. In this case, find the cause of the incident by referring to the DIAGNOSTIC PROCEDURE below.

DIAGNOSTIC PROCEDURE

If idle air volume learning cannot be performed successfully, proceed as follows:

1. Check that throttle valve is fully closed.
2. Check PCV valve operation.

BASIC SERVICE PROCEDURE

[VQ35DE]

< SERVICE INFORMATION >

3. Check that downstream of throttle valve is free from air leakage.
4. When the above three items check out OK, engine component parts and their installation conditions are questionable. Check and eliminate the cause of the incident.
It is useful to perform [EC-132](#).
5. If any of the following conditions occur after the engine has started, eliminate the cause of the incident and perform Idle Air Volume Learning all over again:
 - Engine stalls.
 - Erroneous idle.

Fuel Pressure Check

INFOID:000000002954113

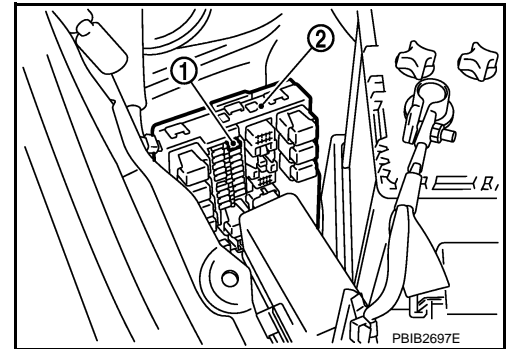
FUEL PRESSURE RELEASE

Ⓟ With CONSULT-III

1. Turn ignition switch ON.
2. Perform "FUEL PRESSURE RELEASE" in "WORK SUPPORT" mode with CONSULT-III.
3. Start engine.
4. After engine stalls, crank it two or three times to release all fuel pressure.
5. Turn ignition switch OFF.

ⓧ Without CONSULT-III

1. Remove fuel pump fuse (1) located in IPDM E/R (2).
2. Start engine.
3. After engine stalls, crank it two or three times to release all fuel pressure.
4. Turn ignition switch OFF.
5. Reinstall fuel pump fuse after servicing fuel system.



FUEL PRESSURE CHECK

CAUTION:

Before disconnecting fuel line, release fuel pressure from fuel line to eliminate danger.

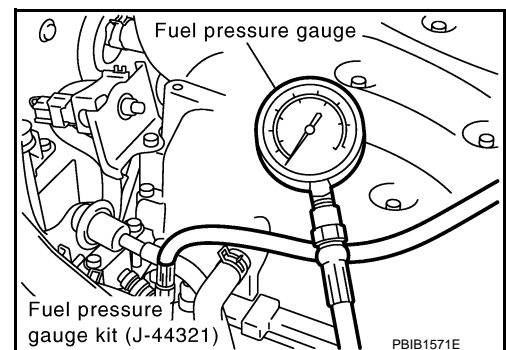
NOTE:

- Prepare pans or saucers under the disconnected fuel line because the fuel may spill out. The fuel pressure cannot be completely released because Y50 models do not have fuel return system.
- Use Fuel Pressure Gauge Kit (J-44321) to check fuel pressure.

1. Release fuel pressure to zero. Refer to "FUEL PRESSURE RELEASE".
2. Install the inline fuel quick disconnected fitting between fuel damper and fuel injector tube.
3. Connect the fuel pressure test gauge (quick connector adapter hose) to the inline fuel quick disconnected fitting.
4. Turn ignition switch ON and check for fuel leakage.
5. Start engine and check for fuel leakage.
6. Read the indication of fuel pressure gauge.

At idling: Approximately 350 kPa (3.57 kg/cm², 51 psi)

7. If result is unsatisfactory, go to next step.
8. Check the following.
 - Fuel hoses and fuel tubes for clogging
 - Fuel filter for clogging
 - Fuel pump
 - Fuel pressure regulator for cloggingIf OK, replace fuel pressure regulator.



BASIC SERVICE PROCEDURE

< SERVICE INFORMATION >

[VQ35DE]

If NG, repair or replace.

A

EC

C

D

E

F

G

H

I

J

K

L

M

N

O

P

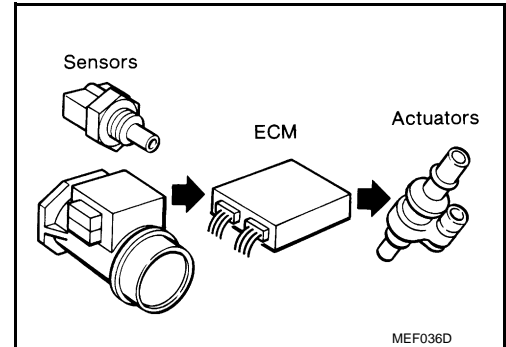
TROUBLE DIAGNOSIS

Trouble Diagnosis Introduction

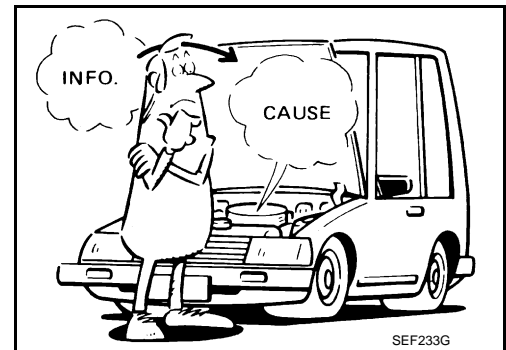
INFOID:000000002954114

INTRODUCTION

The engine has an ECM to control major systems such as fuel control, ignition control, idle air control system, etc. The ECM accepts input signals from sensors and instantly drives actuators. It is essential that both input and output signals are proper and stable. At the same time, it is important that there are no malfunctions such as vacuum leaks, fouled spark plugs, or other malfunctions with the engine.



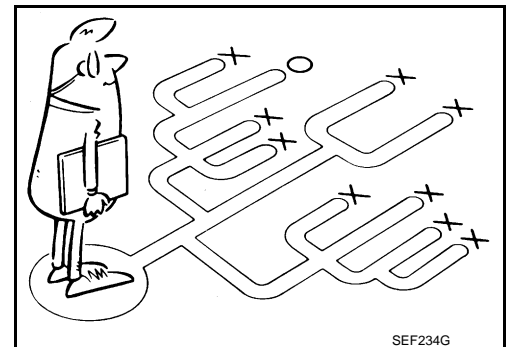
It is much more difficult to diagnose an incident that occurs intermittently rather than continuously. Most intermittent incidents are caused by poor electric connections or improper wiring. In this case, careful checking of suspected circuits may help prevent the replacement of good parts.



A visual check only may not find the cause of the incidents. A road test with CONSULT-III (or GST) or a circuit tester connected should be performed. Follow the Work Flow on "WORK FLOW".

Before undertaking actual checks, take a few minutes to talk with a customer who approaches with a driveability complaint. The customer can supply good information about such incidents, especially intermittent ones. Find out what symptoms are present and under what conditions they occur. A Diagnostic Worksheet like the example on "Worksheet Sample" should be used.

Start your diagnosis by looking for conventional malfunctions first. This will help troubleshoot driveability malfunctions on an electronically controlled engine vehicle.



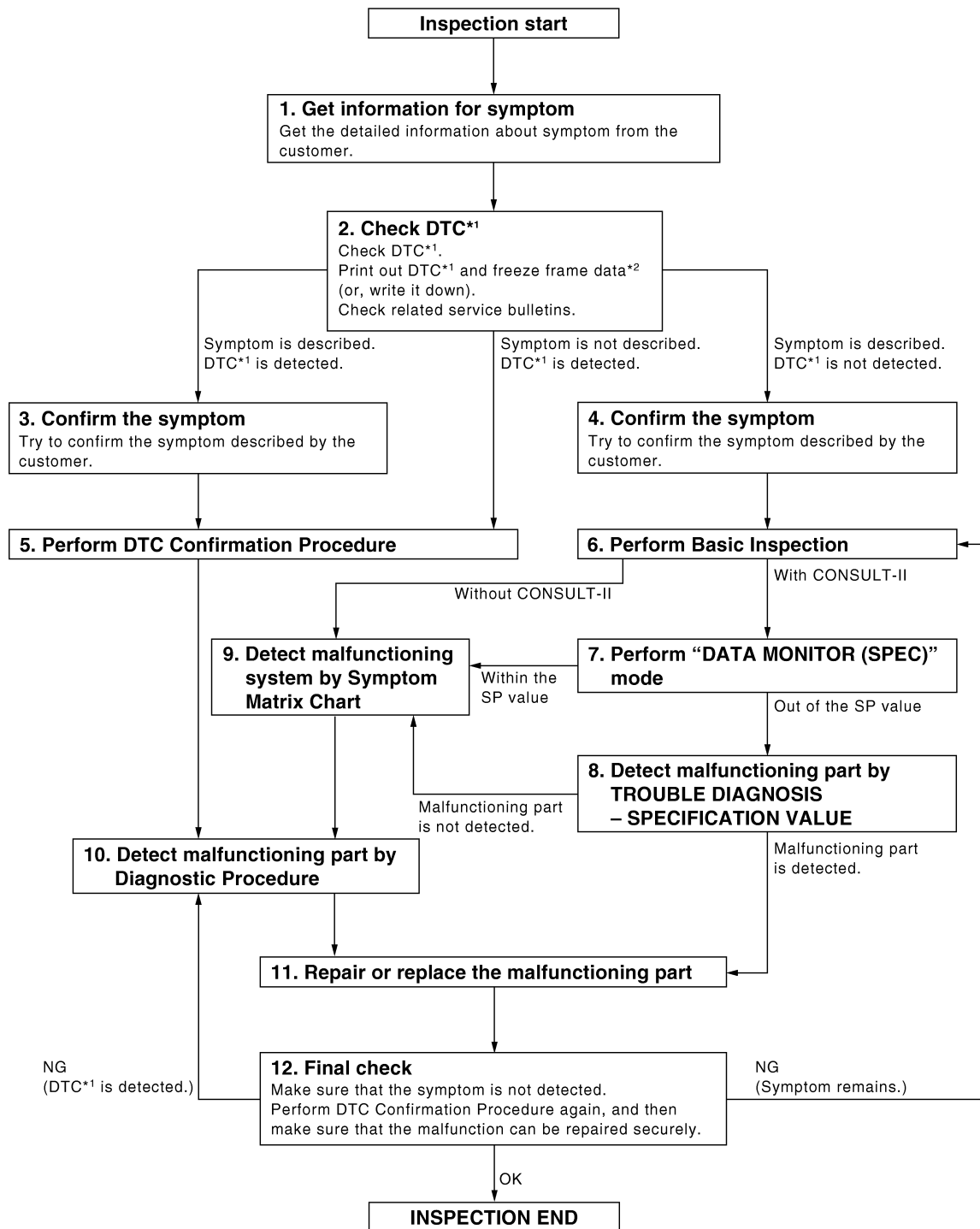
WORK FLOW

TROUBLE DIAGNOSIS

< SERVICE INFORMATION >

[VQ35DE]

Overall Sequence



*1: Include 1st trip DTC.

*2: Include 1st trip freeze frame data.

PBIB2267E

Detailed Flow

1.GET INFORMATION FOR SYMPTOM

Get the detailed information from the customer about the symptom (the condition and the environment when the incident/malfunction occurred) using the "DIAGNOSTIC WORKSHEET".

>> GO TO 2.

< SERVICE INFORMATION >

2. CHECK DTC*1

1. Check DTC*1.
2. Perform the following procedure if DTC*1 is displayed.
 - Record DTC*1 and freeze frame data*2. (Print them out with CONSULT-III or GST.)
 - Erase DTC*1. (Refer to [EC-55, "Emission-Related Diagnostic Information"](#).)
 - Study the relationship between the cause detected by DTC*1 and the symptom described by the customer. (Symptom Matrix Chart is useful. Refer to [EC-93, "Symptom Matrix Chart"](#).)
3. Check related service bulletins for information.

Is any symptom described and any DTC detected?

Symptom is described, DTC*1 is displayed>>GO TO 3.

Symptom is described, DTC*1 is not displayed>>GO TO 4.

Symptom is not described, DTC*1 is displayed>>GO TO 5.

3. CONFIRM THE SYMPTOM

Try to confirm the symptom described by the customer (except MIL ON).

DIAGNOSIS WORK SHEET is useful to verify the incident.

Verify relation between the symptom and the condition when the symptom is detected.

>> GO TO 5.

4. CONFIRM THE SYMPTOM

Try to confirm the symptom described by the customer.

DIAGNOSIS WORK SHEET is useful to verify the incident.

Verify relation between the symptom and the condition when the symptom is detected.

>> GO TO 6.

5. PERFORM DTC CONFIRMATION PROCEDURE

Perform DTC Confirmation Procedure for the displayed DTC*1, and then make sure that DTC*1 is detected again.

If two or more DTCs*1 are detected, refer to [EC-90, "DTC Inspection Priority Chart"](#) and determine trouble diagnosis order.

NOTE:

- Freeze frame data*2 is useful if the DTC*1 is not detected.
- Perform Overall Function Check if DTC Confirmation Procedure is not included on Service Manual. This simplified check procedure is an effective alternative though DTC*1 cannot be detected during this check. If the result of Overall Function Check is NG, it is the same as the detection of DTC*1 by DTC Confirmation Procedure.

Is DTC*1 detected?

Yes >> GO TO 10.

No >> Check according to [EC-140](#).

6. PERFORM BASIC INSPECTION

Perform [EC-76, "Basic Inspection"](#).

With CONSULT-III>>GO TO 7.

Without CONSULT-III>>GO TO 9.

7. PERFORM DATA MONITOR MODE

Ⓟ With CONSULT-III

Make sure that "MAS A/F SE-B1", "B/FUEL SCHDL", and "A/F ALPHA-B1", "A/F ALPHA-B2" are within the SP value using CONSULT-III "SPEC" "DATA MONITOR" mode. Refer to [EC-133, "Diagnosis Procedure"](#).

Are they within the SP value?

Yes >> GO TO 9.

TROUBLE DIAGNOSIS

[VQ35DE]

< SERVICE INFORMATION >

No >> GO TO 8.

8. DETECT MALFUNCTIONING PART BY TROUBLE DIAGNOSIS - SPECIFICATION VALUE

Detect malfunctioning part according to [EC-132](#).

Is malfunctioning part detected?

Yes >> GO TO 11.

No >> GO TO 9.

9. DETECT MALFUNCTIONING SYSTEM BY SYMPTOM MATRIX CHART

Detect malfunctioning system according to [EC-93. "Symptom Matrix Chart"](#) based on the confirmed symptom in step 4, and determine the trouble diagnosis order based on possible causes and symptom.

>> GO TO 10.

10. DETECT MALFUNCTIONING PART BY DIAGNOSTIC PROCEDURE

Inspect according to Diagnostic Procedure of the system.

NOTE:

The Diagnostic Procedure in EC section described based on open circuit inspection. A short circuit inspection is also required for the circuit check in the Diagnostic Procedure. For details, refer to Circuit Inspection in [GI-26. "How to Perform Efficient Diagnosis for an Electrical Incident"](#).

Is malfunctioning part detected?

Yes >> GO TO 11.

No >> Monitor input data from related sensors or check voltage of related ECM terminals using CONSULT-III. Refer to [EC-126. "CONSULT-III Reference Value in Data Monitor Mode"](#), [EC-108. "ECM Terminal and Reference Value"](#).

11. REPAIR OR REPLACE THE MALFUNCTIONING PART

1. Repair or replace the malfunctioning part.
2. Reconnect parts or connectors disconnected during Diagnostic Procedure again after repair and replacement.
3. Check DTC. If DTC is displayed, erase it, refer to [EC-55. "Emission-Related Diagnostic Information"](#).

>> GO TO 12.

12. FINAL CHECK

When DTC was detected in step 2, perform DTC Confirmation Procedure or Overall Function Check again, and then make sure that the malfunction have been repaired securely.

When symptom was described from the customer, refer to confirmed symptom in step 3 or 4, and make sure that the symptom is not detected.

OK or NG

NG (DTC*1 is detected)>>GO TO 10.

NG (Symptom remains)>>GO TO 6.

OK >> 1. Before returning the vehicle to the customer, make sure to erase unnecessary DTC*1 in ECM and TCM (Transmission Control Module). (Refer to [EC-55. "Emission-Related Diagnostic Information"](#) and [AT-40. "OBD-II Diagnostic Trouble Code \(DTC\)"](#).)

2. If the completion of SRT is needed, drive vehicle under the specific driving pattern. Refer to [EC-55. "Emission-Related Diagnostic Information"](#).

3. **INSPECTION END**

*1: Include 1st trip DTC.

*2: Include 1st trip freeze frame data.

DIAGNOSTIC WORKSHEET

Description

TROUBLE DIAGNOSIS

[VQ35DE]

< SERVICE INFORMATION >

- If DTC U1000 or U1001 is displayed with other DTC, first perform the trouble diagnosis for DTC U1000, U1001. Refer to [EC-147](#).
- If DTC U1010 is displayed with other DTC, first perform the trouble diagnosis for DTC U1010. Refer to [EC-149](#).

Priority	Detected items (DTC)	
1	<ul style="list-style-type: none"> • U1000 U1001 CAN communication line • U1010 CAN communication • P0101 P0102 P0103 Mass air flow sensor • P0112 P0113 P0127 Intake air temperature sensor • P0116 P0117 P0118 P0125 Engine coolant temperature sensor • P0122 P0123 P0222 P0223 P1225 P1226 P2135 Throttle position sensor • P0128 Thermostat function • P0181 P0182 P0183 Fuel tank temperature sensor • P0327 P0328 Knock sensor • P0335 Crankshaft position sensor (POS) • P0340 P0345 Camshaft position sensor (PHASE) • P0460 P0461 P0462 P0463 Fuel level sensor • P0500 Vehicle speed sensor • P0643 Sensor power supply • P0605 ECM • P0700 TCM • P0705 P0850 Transmission range switch • P1550 P1551 P1552 P1553 P1554 Battery current sensor • P1610 - P1615 NATS • P2122 P2123 P2127 P2128 P2138 Accelerator pedal position sensor 	<p>A</p> <p>EC</p> <p>C</p> <p>D</p> <p>E</p> <p>F</p> <p>G</p>
2	<ul style="list-style-type: none"> • P0031 P0032 P0051 P0052 Air fuel ratio (A/F) sensor 1 heater • P0037 P0038 P0057 P0058 Heated oxygen sensor 2 heater • P0075 P0081 Intake valve timing control solenoid valve • P0130 P0131 P0132 P0133 P0150 P0151 P0152 P0153 P2A00 P2A03 Air fuel ratio (A/F) sensor 1 • P0137 P0138 P0139 P0157 P0158 P0159 Heated oxygen sensor 2 • P0441 EVAP control system purge flow monitoring • P0443 P0444 P0445 EVAP canister purge volume control solenoid valve • P0447 P0448 EVAP canister vent control valve • P0451 P0452 P0453 EVAP control system pressure sensor • P0550 Power steering pressure sensor • P0603 ECM power supply • P0710 P0717 P0720 P0725 P0740 P0744 P0745 P1705 P1715 P1730 P1752 P1754 P1757 P1759 P1762 P1764 P1767 P1769 P1772 P1774 A/T related sensors, solenoid valves and switches • P1217 Engine over temperature (OVERHEAT) • P1220 Fuel pump control module • P1805 Brake switch • P2100 P2103 Throttle control motor relay • P2101 Electric throttle control function • P2118 Throttle control motor 	<p>H</p> <p>I</p> <p>J</p> <p>K</p> <p>L</p>
3	<ul style="list-style-type: none"> • P0011 P0021 Intake valve timing control • P0171 P0172 P0174 P0175 Fuel injection system function • P0300 - P0306 Misfire • P0420 P0430 Three way catalyst function • P0442 P0456 EVAP control system (SMALL LEAK, VERY SMALL LEAK) • P0455 EVAP control system (GROSS LEAK) • P0506 P0507 Idle speed control system • P1148 P1168 Closed loop control • P1211 TCS control unit • P1212 TCS communication line • P1421 Cold start control • P1564 ICC steering switch/ASCD steering switch • P1568 ICC command value* • P1572 ICC brake switch/ASCD brake switch • P1574 ICC vehicle speed sensor/ASCD vehicle speed sensor • P2119 Electric throttle control actuator 	<p>M</p> <p>N</p> <p>O</p> <p>P</p>

*: With ICC models

TROUBLE DIAGNOSIS

< SERVICE INFORMATION >

[VQ35DE]

Fail-Safe Chart

INFOID:000000002954116

When the DTC listed below is detected, the ECM enters fail-safe mode and the MIL lights up.

DTC No.	Detected items	Engine operating condition in fail-safe mode								
P0102 P0103	Mass air flow sensor circuit	Engine speed will not rise more than 2,400 rpm due to the fuel cut.								
P0117 P0118	Engine coolant temperature sensor circuit	<p>Engine coolant temperature will be determined by ECM based on the following condition. CONSULT-III displays the engine coolant temperature decided by ECM.</p> <table border="1" style="width: 100%; border-collapse: collapse;"> <thead> <tr> <th style="width: 50%;">Condition</th> <th style="width: 50%;">Engine coolant temperature decided (CONSULT-III display)</th> </tr> </thead> <tbody> <tr> <td>Just as ignition switch is turned ON or START</td> <td style="text-align: center;">40°C (104°F)</td> </tr> <tr> <td>Approx. 4 minutes or more after engine starting</td> <td style="text-align: center;">80°C (176°F)</td> </tr> <tr> <td>Except as shown above</td> <td style="text-align: center;">40 - 80°C (104 - 176°F) (Depends on the time)</td> </tr> </tbody> </table> <p>When the fail-safe system for engine coolant temperature sensor is activated, the cooling fan operates while engine is running.</p>	Condition	Engine coolant temperature decided (CONSULT-III display)	Just as ignition switch is turned ON or START	40°C (104°F)	Approx. 4 minutes or more after engine starting	80°C (176°F)	Except as shown above	40 - 80°C (104 - 176°F) (Depends on the time)
Condition	Engine coolant temperature decided (CONSULT-III display)									
Just as ignition switch is turned ON or START	40°C (104°F)									
Approx. 4 minutes or more after engine starting	80°C (176°F)									
Except as shown above	40 - 80°C (104 - 176°F) (Depends on the time)									
P0122 P0123 P0222 P0223 P2135	Throttle position sensor	<p>The ECM controls the electric throttle control actuator in regulating the throttle opening in order for the idle position to be within +10 degrees.</p> <p>The ECM regulates the opening speed of the throttle valve to be slower than the normal condition.</p> <p>So, the acceleration will be poor.</p>								
P0643	Sensor power supply	ECM stops the electric throttle control actuator control, throttle valve is maintained at a fixed opening (approx. 5 degrees) by the return spring.								
P2100 P2103	Throttle control motor relay	ECM stops the electric throttle control actuator control, throttle valve is maintained at a fixed opening (approx. 5 degrees) by the return spring.								
P2101	Electric throttle control function	ECM stops the electric throttle control actuator control, throttle valve is maintained at a fixed opening (approx. 5 degrees) by the return spring.								
P2118	Throttle control motor	ECM stops the electric throttle control actuator control, throttle valve is maintained at a fixed opening (approx. 5 degrees) by the return spring.								
P2119	Electric throttle control actuator	<p>(When electric throttle control actuator does not function properly due to the return spring malfunction:)</p> <p>ECM controls the electric throttle actuator by regulating the throttle opening around the idle position. The engine speed will not rise more than 2,000 rpm.</p> <p>(When throttle valve opening angle in fail-safe mode is not in specified range:)</p> <p>ECM controls the electric throttle control actuator by regulating the throttle opening to 20 degrees or less.</p> <p>(When ECM detects the throttle valve is stuck open:)</p> <p>While the vehicle is driving, it slows down gradually by fuel cut. After the vehicle stops, the engine stalls.</p> <p>The engine can restart in N or P position, and engine speed will not exceed 1,000 rpm or more.</p>								
P2122 P2123 P2127 P2128 P2138	Accelerator pedal position sensor	<p>The ECM controls the electric throttle control actuator in regulating the throttle opening in order for the idle position to be within +10 degrees.</p> <p>The ECM regulates the opening speed of the throttle valve to be slower than the normal condition.</p> <p>So, the acceleration will be poor.</p>								

- When there is an open circuit on MIL circuit, the ECM cannot warn the driver by lighting up MIL when there is malfunction on engine control system.
Therefore, when electrical controlled throttle and part of ECM related diagnoses are continuously detected as NG for 5 trips, ECM warns the driver that engine control system malfunctions and MIL circuit is open by means of operating fail-safe function.
The fail-safe function also operates when above diagnoses except MIL circuit are detected and demands the driver to repair the malfunction.

TROUBLE DIAGNOSIS

< SERVICE INFORMATION >

[VQ35DE]

Engine operating condition in fail-safe mode

Engine speed will not rise more than 2,500 rpm due to the fuel cut

Symptom Matrix Chart

INFOID:000000002954117

SYSTEM — BASIC ENGINE CONTROL SYSTEM

		SYMPTOM												Reference page	
		HARD/NO START/RESTART (EXCP. HA)	ENGINE STALL	HESITATION/SURGING/FLAT SPOT	SPARK KNOCK/DETONATION	LACK OF POWER/POOR ACCELERATION	HIGH IDLE/LOW IDLE	ROUGH IDLE/HUNTING	IDLING VIBRATION	SLOW/NO RETURN TO IDLE	OVERHEATS/WATER TEMPERATURE HIGH	EXCESSIVE FUEL CONSUMPTION	EXCESSIVE OIL CONSUMPTION		BATTERY DEAD (UNDER CHARGE)
Warranty symptom code		AA	AB	AC	AD	AE	AF	AG	AH	AJ	AK	AL	AM	HA	
Fuel	Fuel pump circuit	1	1	2	3	2		2	2			3		2	EC-600
	Fuel pressure regulator system	3	3	4	4	4	4	4	4	4		4			EC-84
	Fuel injector circuit	1	1	2	3	2		2	2			2			EC-594
	Evaporative emission system	3	3	4	4	4	4	4	4	4	4	4			EC-40
Air	Positive crankcase ventilation system	3	3	4	4	4	4	4	4	4		4	1		EC-51
	Incorrect idle speed adjustment						1	1	1	1		1			EC-76
	Electric throttle control actuator	1	1	2	3	3	2	2	2	2		2		2	EC-538,EC-534,EC-544,EC-548
Ignition	Incorrect ignition timing adjustment	3	3	1	1	1		1	1			1			EC-76
	Ignition circuit	1	1	2	2	2		2	2			2			EC-614
Main power supply and ground circuit		2	2	3	3	3		3	3		2	3			EC-141

TROUBLE DIAGNOSIS

< SERVICE INFORMATION >

[VQ35DE]

	SYMPTOM													Reference page
	HARD/NO START/RESTART (EXCP. HA)	ENGINE STALL	HESITATION/SURGING/FLAT SPOT	SPARK KNOCK/DETONATION	LACK OF POWER/POOR ACCELERATION	HIGH IDLE/LOW IDLE	ROUGH IDLE/HUNTING	IDLING VIBRATION	SLOW/NO RETURN TO IDLE	OVERHEATS/WATER TEMPERATURE HIGH	EXCESSIVE FUEL CONSUMPTION	EXCESSIVE OIL CONSUMPTION	BATTERY DEAD (UNDER CHARGE)	
Warranty symptom code	AA	AB	AC	AD	AE	AF	AG	AH	AJ	AK	AL	AM	HA	
Mass air flow sensor circuit	1			2										EC-176 , EC-185
Engine coolant temperature sensor circuit							3			3				
Air fuel ratio (A/F) sensor 1 circuit		1	2	3	2		2	2			2			EC-218 , EC-226 , EC-234 , EC-242 , EC-574
Throttle position sensor circuit						2			2					EC-204 , EC-312 , EC-466 , EC-468 , EC-561
Accelerator pedal position sensor circuit			3	2	1									EC-550 , EC-555 , EC-567 , EC-436
Knock sensor circuit			2								3			EC-325
Crankshaft position sensor (POS) circuit	2	2												EC-330
Camshaft position sensor (PHASE) circuit	3	2												EC-335
Vehicle speed signal circuit		2	3		3						3			EC-419
Power steering pressure sensor circuit		2					3	3						EC-425
ECM	2	2	3	3	3	3	3	3	3	3	3			EC-430 , EC-434
Intake valve timing control solenoid valve circuit		3	2		1	3	2	2	3		3			EC-169
PNP switch circuit			3		3		3	3			3			EC-441
Refrigerant pressure sensor circuit		2				3			3		4			EC-626
Electrical load signal circuit							3							EC-592
Air conditioner circuit	2	2	3	3	3	3	3	3	3		3		2	ATC-36
ABS actuator and electric unit (control unit)			4											BRC-12

1 - 6: The numbers refer to the order of inspection.
(continued on next page)

SYSTEM — ENGINE MECHANICAL & OTHER

TROUBLE DIAGNOSIS

< SERVICE INFORMATION >

[VQ35DE]

		SYMPTOM												Reference page	
		HARD/NO START/RESTART (EXCP. HA)	ENGINE STALL	HESITATION/SURGING/FLAT SPOT	SPARK KNOCK/DETONATION	LACK OF POWER/POOR ACCELERATION	HIGH IDLE/LOW IDLE	ROUGH IDLE/HUNTING	IDLING VIBRATION	SLOW/NO RETURN TO IDLE	OVERHEATS/WATER TEMPERATURE HIGH	EXCESSIVE FUEL CONSUMPTION	EXCESSIVE OIL CONSUMPTION		BATTERY DEAD (UNDER CHARGE)
Warranty symptom code		AA	AB	AC	AD	AE	AF	AG	AH	AJ	AK	AL	AM	HA	
Fuel	Fuel tank	5													FL-10
	Fuel piping			5	5	5		5	5			5			EM-46
	Vapor lock		5												—
	Valve deposit														—
	Poor fuel (Heavy weight gasoline, Low octane)	5		5	5	5		5	5			5			—
Air	Air duct														EM-18
	Air cleaner														EM-18
	Air leakage from air duct (Mass air flow sensor — electric throttle control actuator)		5	5		5		5	5			5			EM-18
	Electric throttle control actuator	5			5		5			5					EM-20
	Air leakage from intake manifold/Collector/Gasket														EM-25
Cranking	Battery	1	1	1		1		1	1					1	SC-4
	Generator circuit														SC-19
	Starter circuit	3										1			SC-8
	Signal plate	6													EM-123
	PNP switch	4													AT-103
Engine	Cylinder head														
	Cylinder head gasket	5	5	5	5	5		5	5		4	5	3		EM-101
	Cylinder block														
	Piston												4		
	Piston ring														
	Connecting rod	6	6	6	6	6		6	6			6			EM-123
	Bearing														
	Crankshaft														
Valve mechanism	Timing chain														EM-65
	Camshaft														EM-84
	Intake valve timing control	5	5	5	5	5		5	5			5			EM-65
	Intake valve														
	Exhaust valve												3		EM-84

A
EC
C
D
E
F
G
H
I
J
K
L
M
N
O
P

TROUBLE DIAGNOSIS

< SERVICE INFORMATION >

[VQ35DE]

		SYMPTOM												Reference page	
		HARD/NO START/RESTART (EXCP. HA)	ENGINE STALL	HESITATION/SURGING/FLAT SPOT	SPARK KNOCK/DETONATION	LACK OF POWER/POOR ACCELERATION	HIGH IDLE/LOW IDLE	ROUGH IDLE/HUNTING	IDLING VIBRATION	SLOW/NO RETURN TO IDLE	OVERHEATS/WATER TEMPERATURE HIGH	EXCESSIVE FUEL CONSUMPTION	EXCESSIVE OIL CONSUMPTION		BATTERY DEAD (UNDER CHARGE)
Warranty symptom code		AA	AB	AC	AD	AE	AF	AG	AH	AJ	AK	AL	AM	HA	
Exhaust	Exhaust manifold/Tube/Muffler/Gasket	5	5	5	5	5		5	5			5			EM-27, EX-3
	Three way catalyst														
Lubrica-tion	Oil pan/Oil strainer/Oil pump/Oil filter/Oil gallery/Oil cooler	5	5	5	5	5		5	5			5			EM-30, LU-15, LU-8, LU-12
	Oil level (Low)/Filthy oil														LU-5
Cooling	Radiator/Hose/Radiator filler cap														CO-13, CO-17
	Thermostat									5					CO-28
	Water pump	5	5	5	5	5		5	5		4	5			CO-23
	Water gallery														CO-30
	Cooling fan														CO-21
	Coolant level (Low)/Contaminated coolant										5				CO-10
IVIS (INFINITI Vehicle Immobilizer System — NATS)		1	1												EC-53 or BL-217

1 - 6: The numbers refer to the order of inspection.

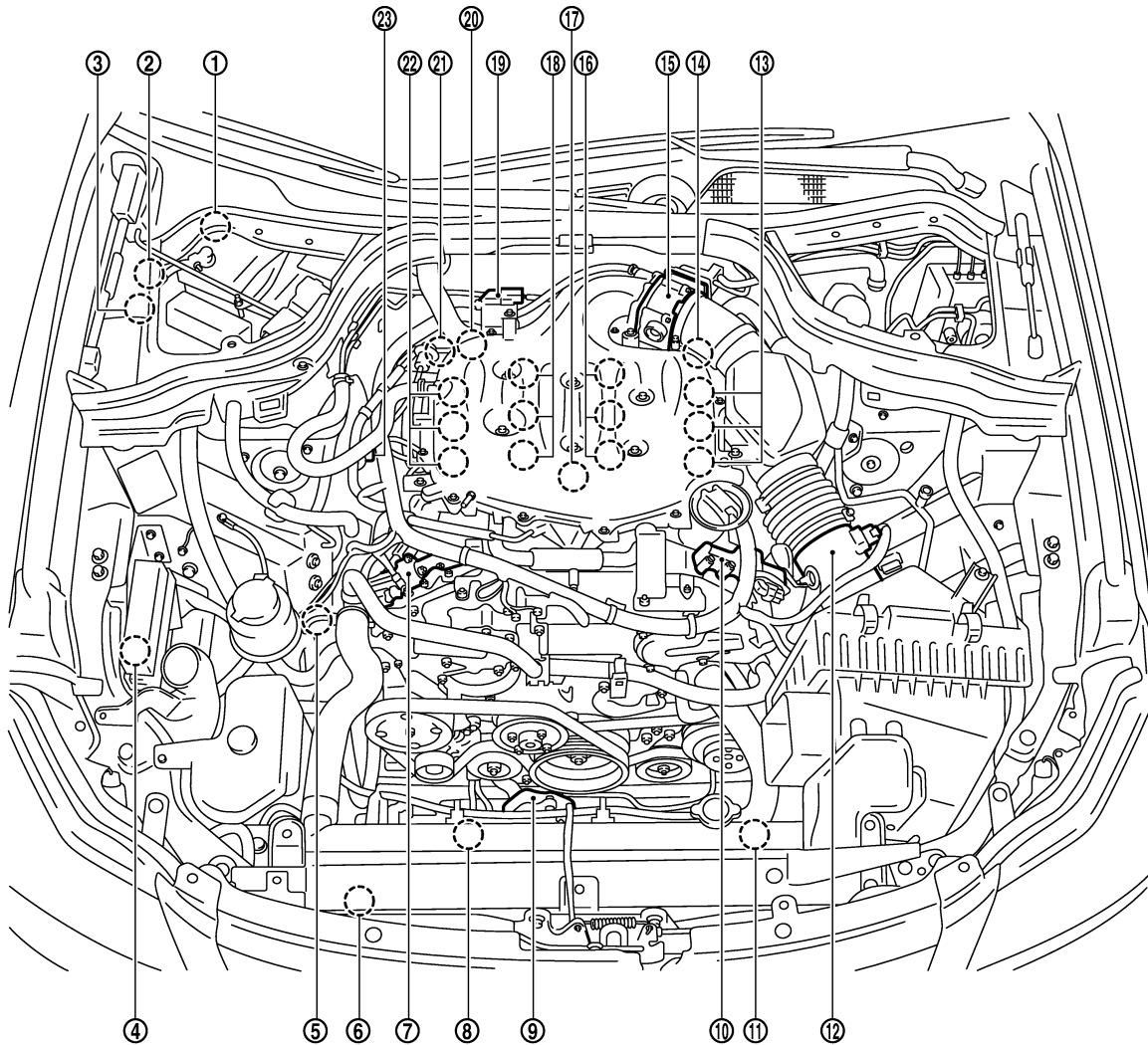
TROUBLE DIAGNOSIS

< SERVICE INFORMATION >

[VQ35DE]

Engine Control Component Parts Location

INFOID:000000002954118



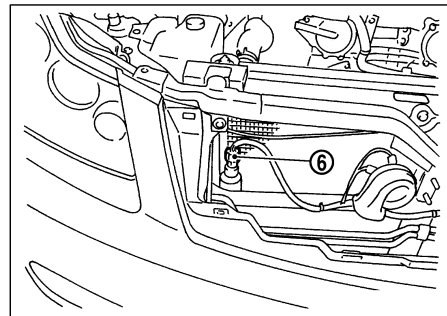
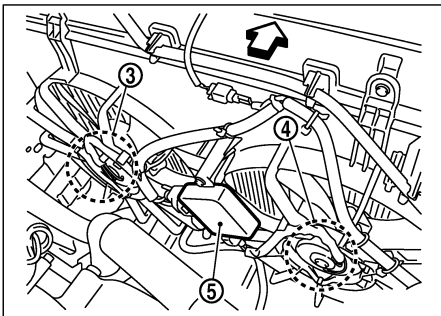
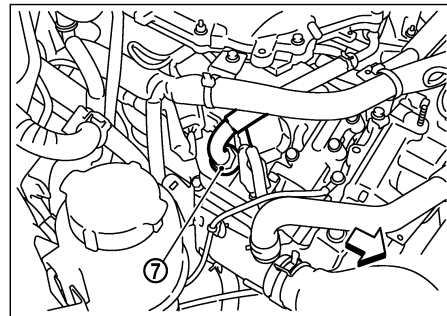
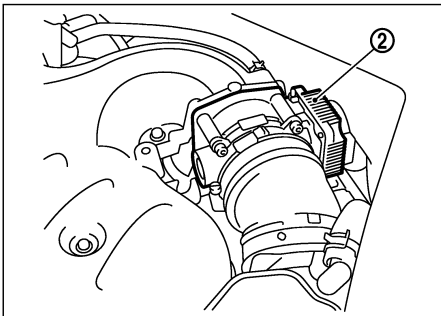
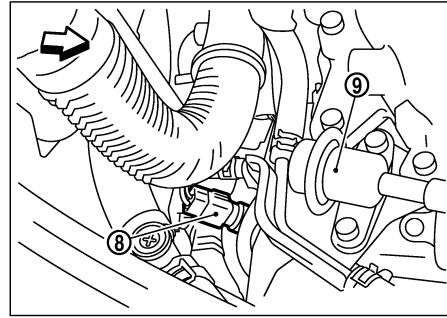
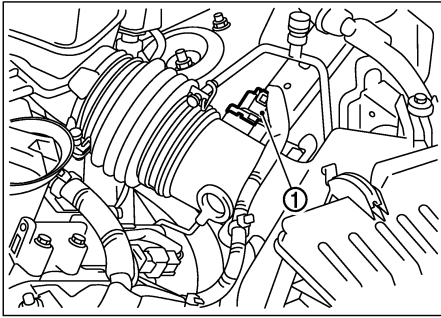
PBIB2781E

- | | | |
|---|---|--|
| 1. IPDM E/R | 2. ICC brake hold relay
(ICC models only) | 3. Battery current sensor |
| 4. Cooling fan relay | 5. Power steering pressure sensor | 6. Refrigerant pressure sensor |
| 7. Intake valve timing control solenoid valve (bank 1) | 8. Cooling fan motor-2 | 9. Cooling fan control module |
| 10. Intake valve timing control solenoid valve (bank 2) | 11. Cooling fan motor-1 | 12. Mass air flow sensor
(with built in intake air temperature sensor) |
| 13. Ignition coil (with power transistor) and spark plug (bank 2) | 14. Camshaft position sensor (PHASE) (Bank 2) | 15. Electric throttle control actuator
(with built in throttle position sensor, throttle control motor) |
| 16. Fuel injector (bank 2) | 17. Knock sensor | 18. Fuel injector (bank 1) |
| 19. EVAP canister purge volume control solenoid valve | 20. Camshaft position sensor (PHASE) (Bank 1) | 21. Engine coolant temperature sensor |
| 22. Ignition coil (with power transistor) and spark plug (bank 1) | 23. EVAP service port | |

TROUBLE DIAGNOSIS

< SERVICE INFORMATION >

[VQ35DE]



PBIB3351E

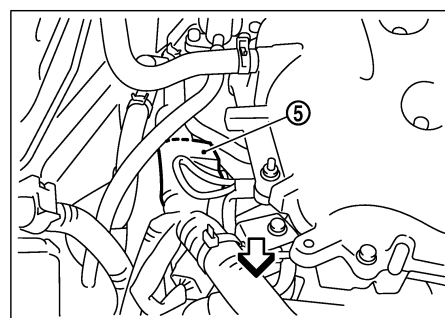
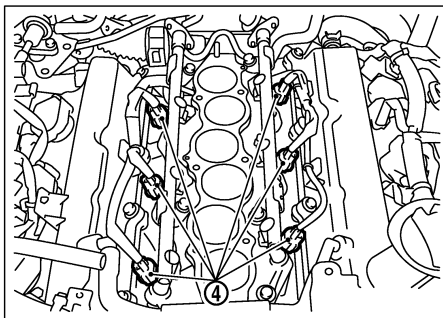
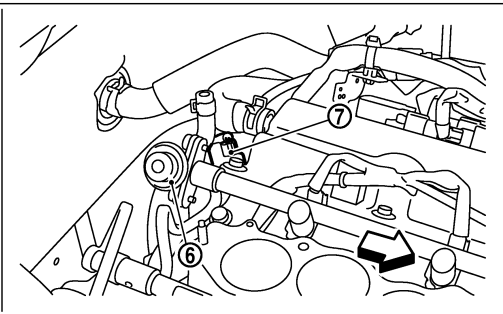
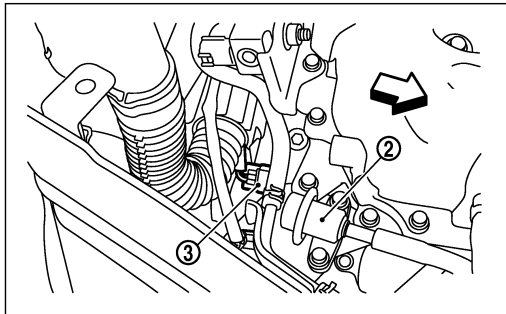
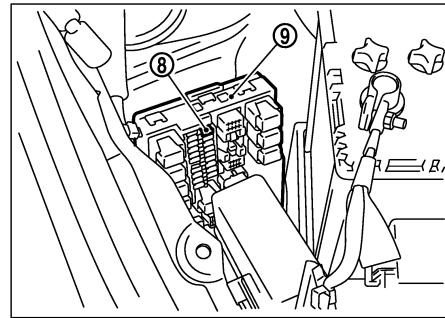
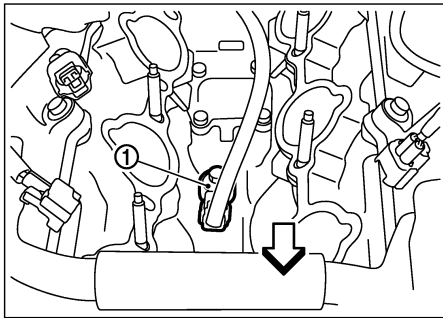
↶ : Vehicle front

- | | | |
|--|---|--|
| 1. Mass air flow sensor
(with built in intake air temperature sensor) | 2. Electric throttle control actuator
(with built in throttle position sensor, throttle control motor) | 3. Cooling fan motor-1 |
| 4. Cooling fan motor-2 | 5. Cooling fan control module | 6. Refrigerant pressure sensor harness connector |
| 7. PCV valve | 8. Engine coolant temperature sensor harness connector | 9. Fuel dumper |

TROUBLE DIAGNOSIS

< SERVICE INFORMATION >

[VQ35DE]



PBIB2788E

← : Vehicle front

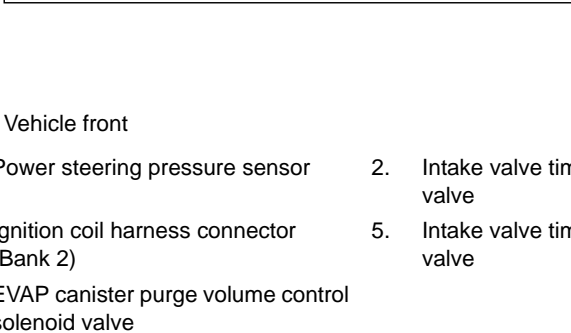
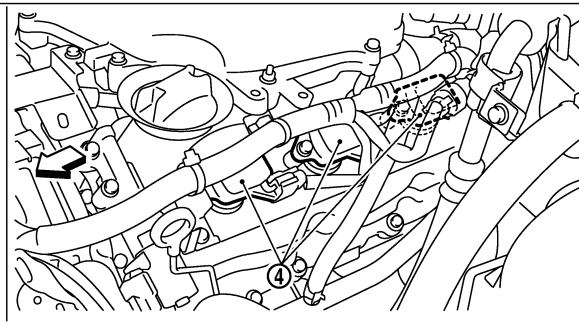
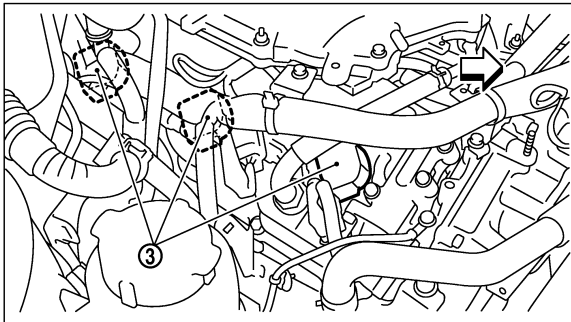
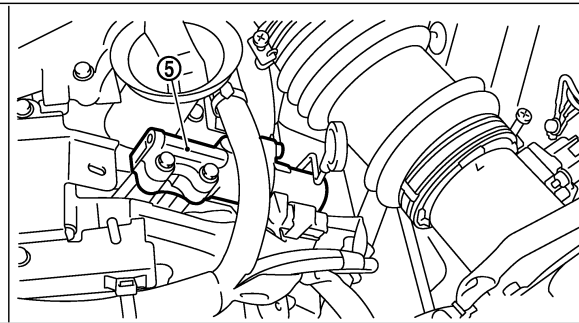
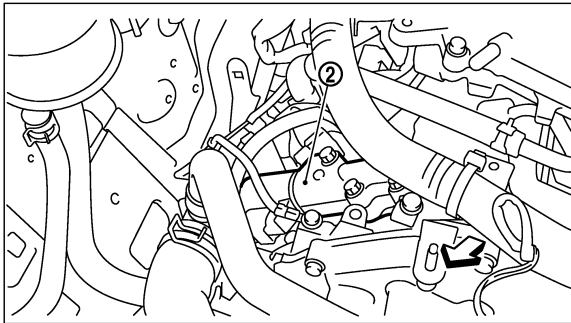
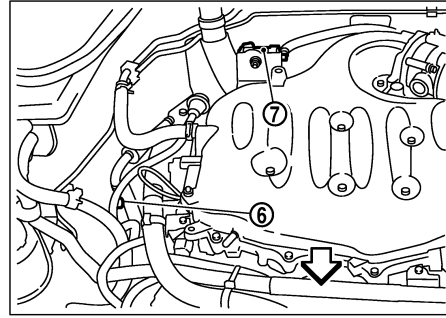
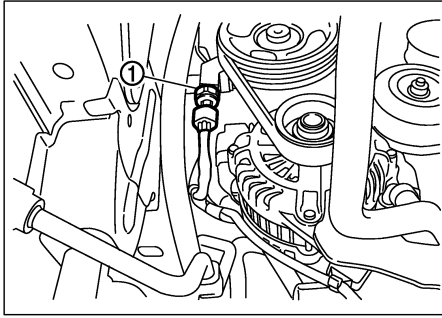
- | | | |
|--|-------------------|--|
| 1. Knock sensor | 2. Fuel damper | 3. Camshaft position sensor (PHASE) (Bank 1) |
| 4. Fuel injector harness connector | 5. Condenser | 6. Fuel damper |
| 7. Camshaft position sensor (PHASE) (Bank 2) | 8. Fuel pump fuse | 9. IPDM E/R |

A
EC
C
D
E
F
G
H
I
J
K
L
M
N
O
P

TROUBLE DIAGNOSIS

< SERVICE INFORMATION >

[VQ35DE]

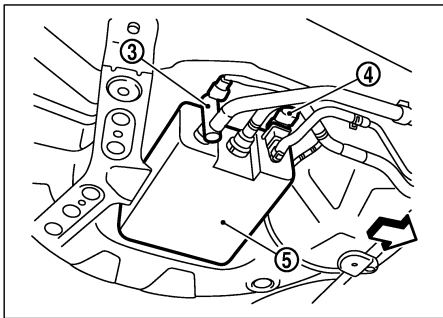
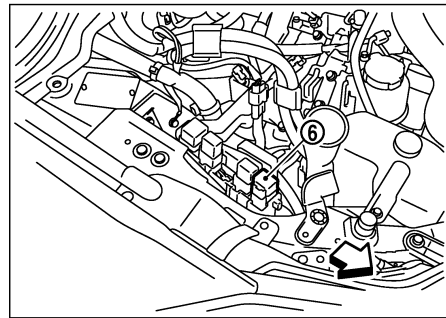
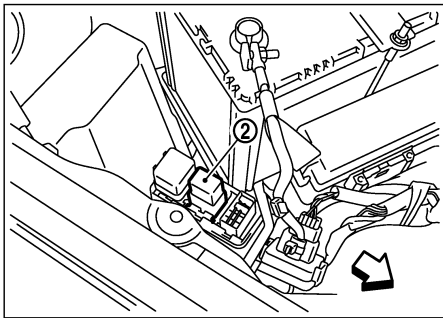
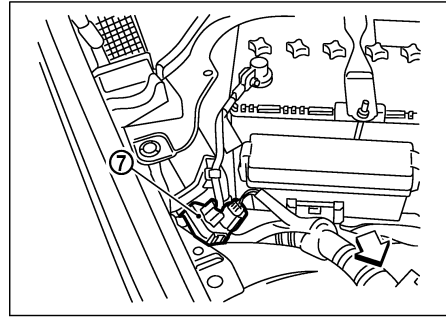
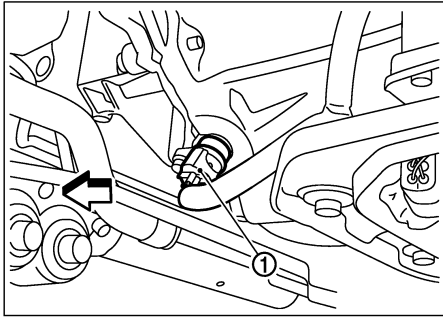


PBIB2789E

↶ : Vehicle front

- | | | |
|--|---|---|
| 1. Power steering pressure sensor | 2. Intake valve timing control solenoid valve | 3. Ignition coil harness connector (Bank 1) |
| 4. Ignition coil harness connector (Bank 2) | 5. Intake valve timing control solenoid valve | 6. EVAP service port |
| 7. EVAP canister purge volume control solenoid valve | | |

A
EC
 C
 D
 E
 F
 G
 H
 I
 J
 K
 L
 M
 N
 O
 P



PBIB2790E

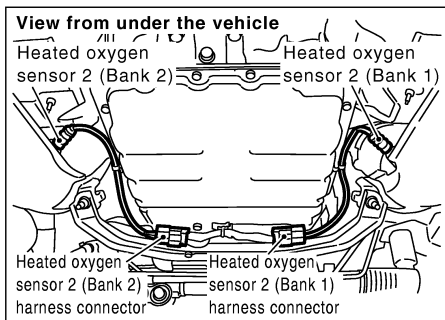
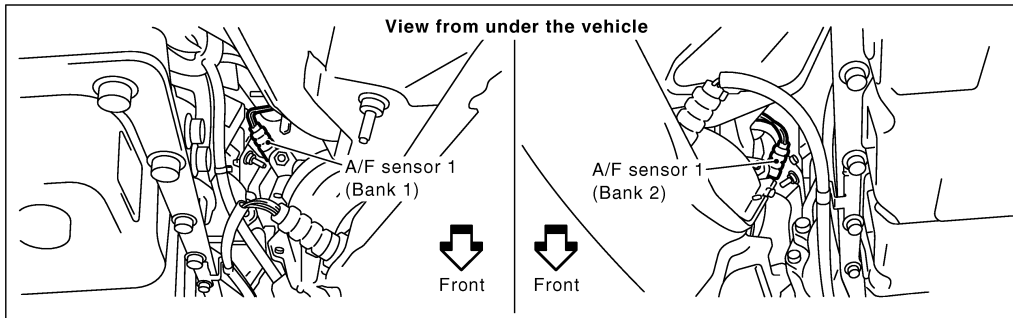
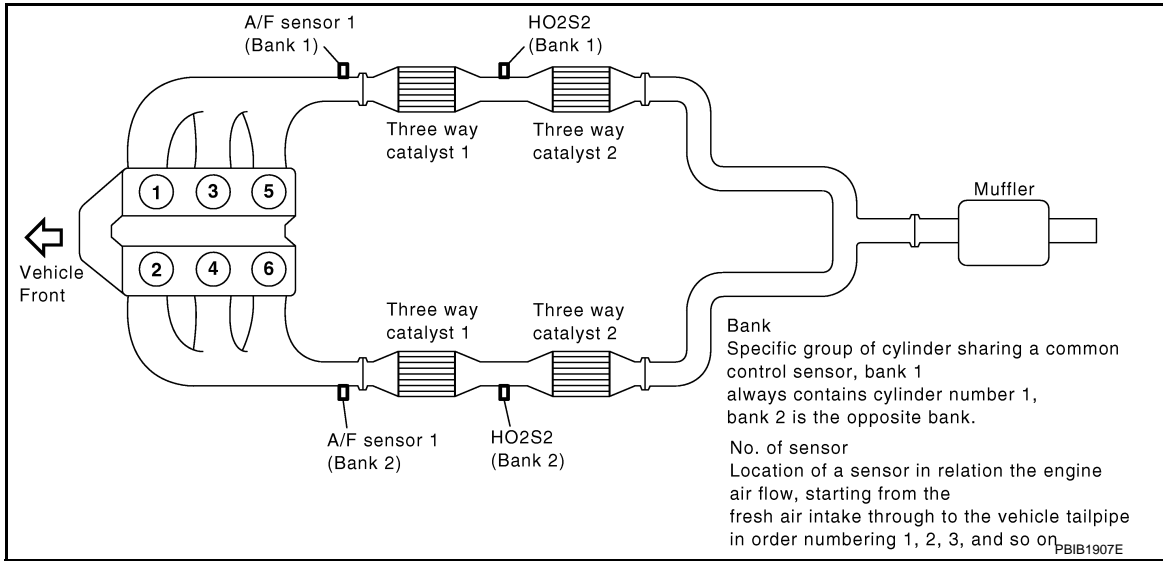
← : Vehicle front

- | | | |
|--|---|-------------------------------------|
| 1. Crankshaft position sensor (POS) | 2. ICC brake hold relay (ICC models only) | 3. EVAP canister vent control valve |
| 4. EVAP control system pressure sensor | 5. EVAP canister | 6. Cooling fan relay |
| 7. Battery current sensor | | |

TROUBLE DIAGNOSIS

< SERVICE INFORMATION >

[VQ35DE]

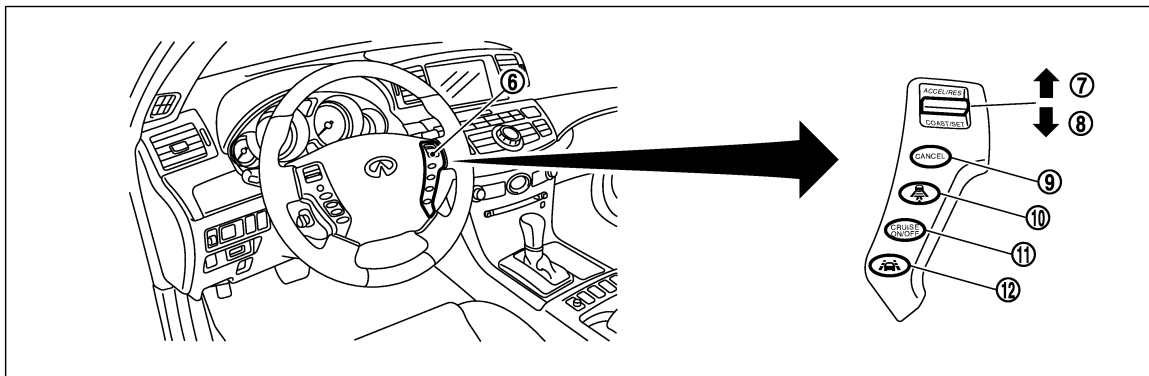
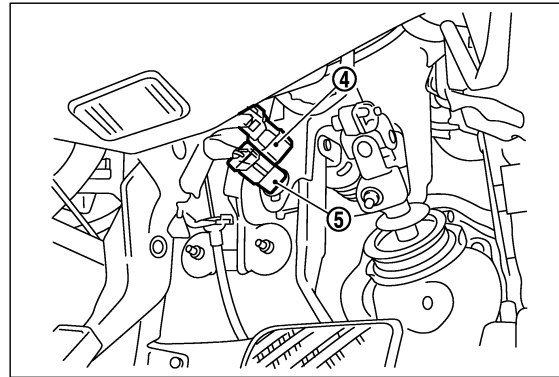
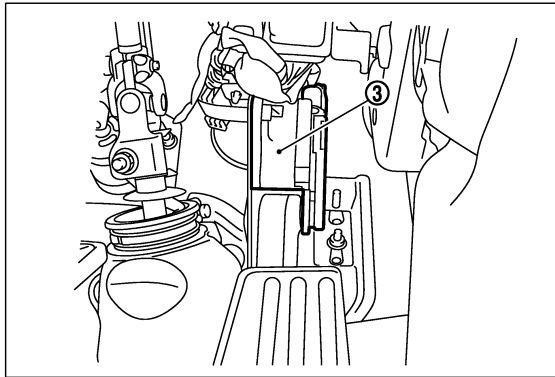
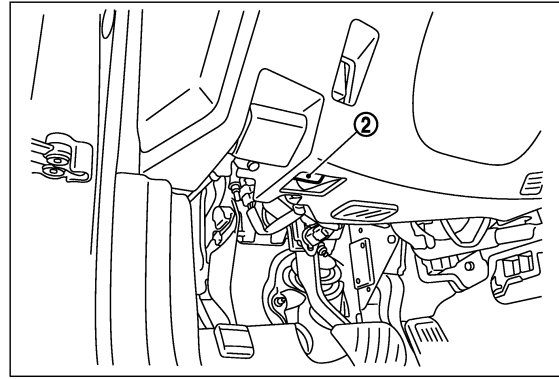
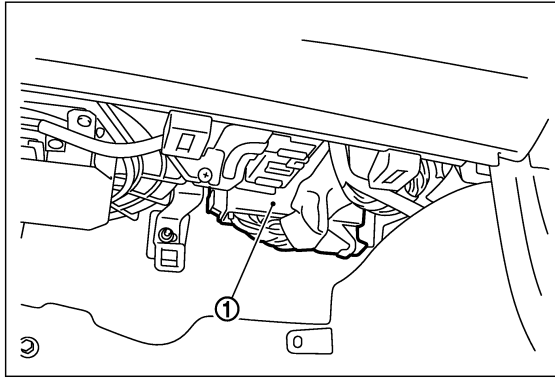


PBIB2188E

TROUBLE DIAGNOSIS

< SERVICE INFORMATION >

[VQ35DE]



JMBIA1088ZZ

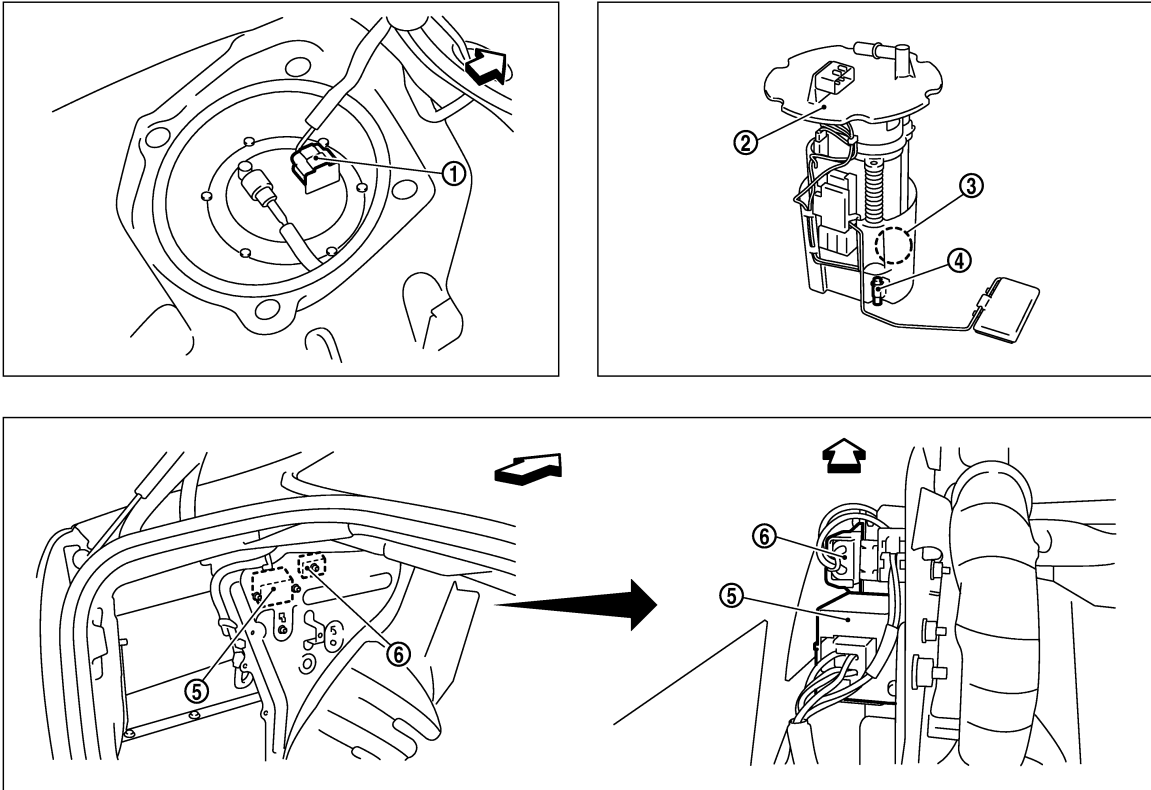
- | | | |
|--|---|---|
| 1. ECM | 2. Data link connector | 3. Accelerator pedal position sensor |
| 4. Stop lamp switch | 5. ICC brake switch
(models with ICC)
ASCD brake switch
(models with ASCD) | 6. ICC steering switch
(models with ICC)
ASCD steering switch
(models with ASCD) |
| 7. RESUME/ACCELERATE switch | 8. SET/COAST switch | 9. CANCEL switch |
| 10. DISTANCE switch
(ICC models only) | 11. MAIN switch | 12. LDP ON switch |

A
EC
C
D
E
F
G
H
I
J
K
L
M
N
O
P

TROUBLE DIAGNOSIS

< SERVICE INFORMATION >

[VQ35DE]



PBIB2681E

← : Vehicle front

- | | | |
|---|---|----------------------------|
| 1. Fuel level sensor unit and fuel pump harness connector | 2. Fuel level sensor unit and fuel pump | 3. Fuel pressure regulator |
| 4. Fuel tank temperature sensor | 5. FPCM | 6. Dropping resistor |

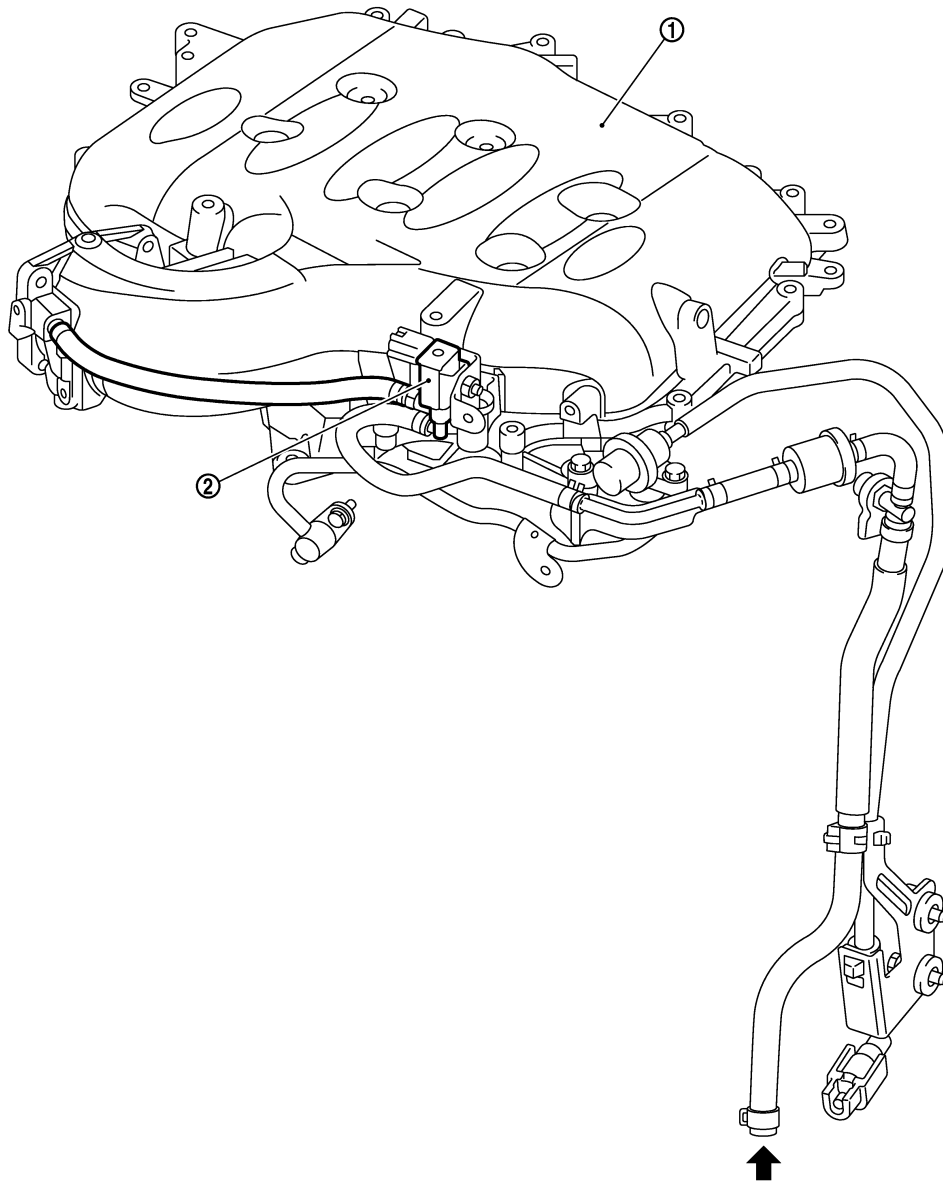
TROUBLE DIAGNOSIS

< SERVICE INFORMATION >

[VQ35DE]

Vacuum Hose Drawing

INFOID:000000002954119



⇐ : Vehicle front

← : From EVAP canister

1. Intake manifold collector

2. EVAP canister purge volume control solenoid valve

NOTE:

Do not use soapy water or any type of solvent while installing vacuum hoses or purge hoses.

Refer to [EC-31. "Schematic"](#) for Vacuum Control System.

PBIB2791E

A
EC
C
D
E
F
G
H
I
J
K
L
M
N
O
P

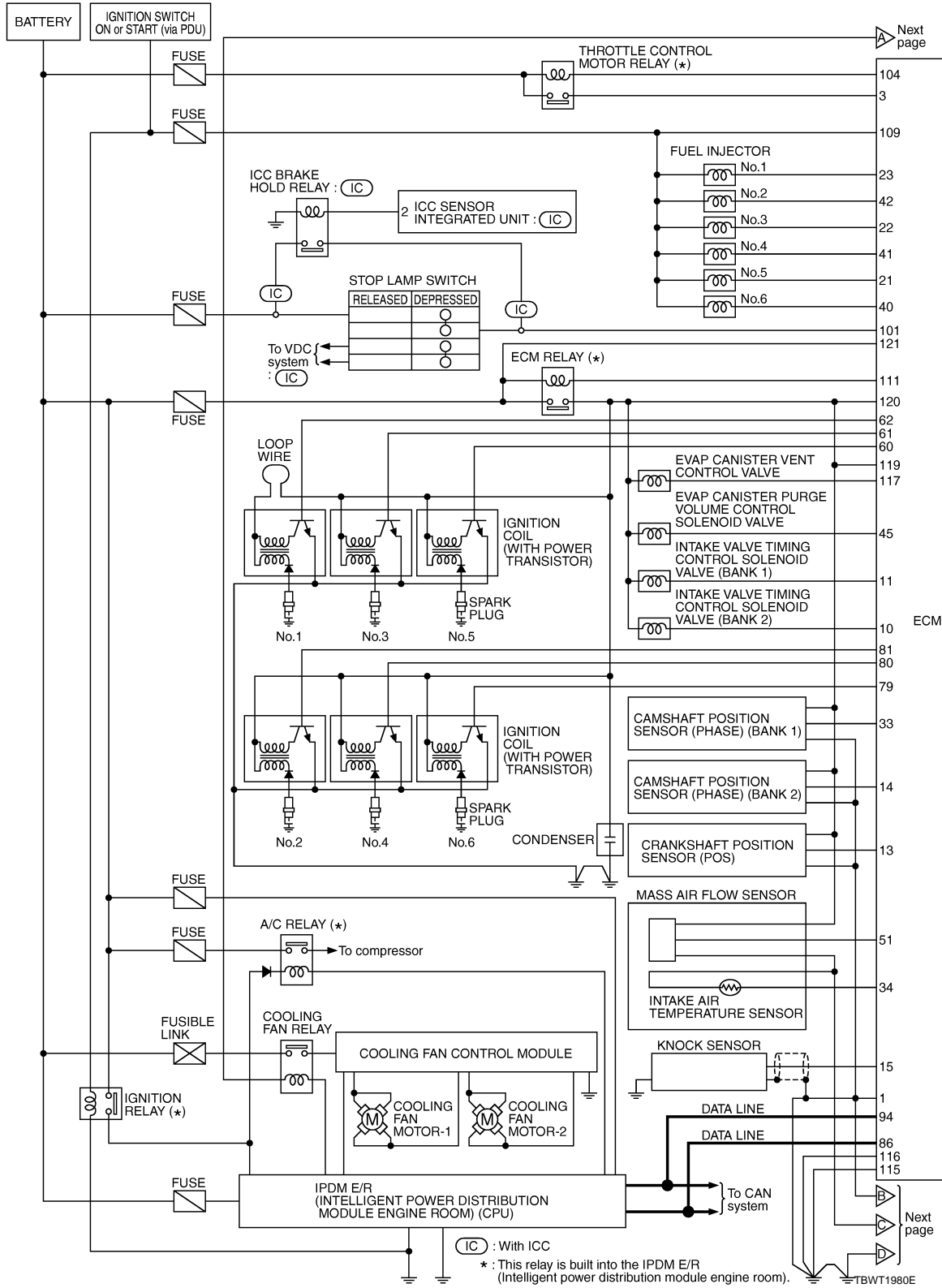
TROUBLE DIAGNOSIS

< SERVICE INFORMATION >

[VQ35DE]

Circuit Diagram

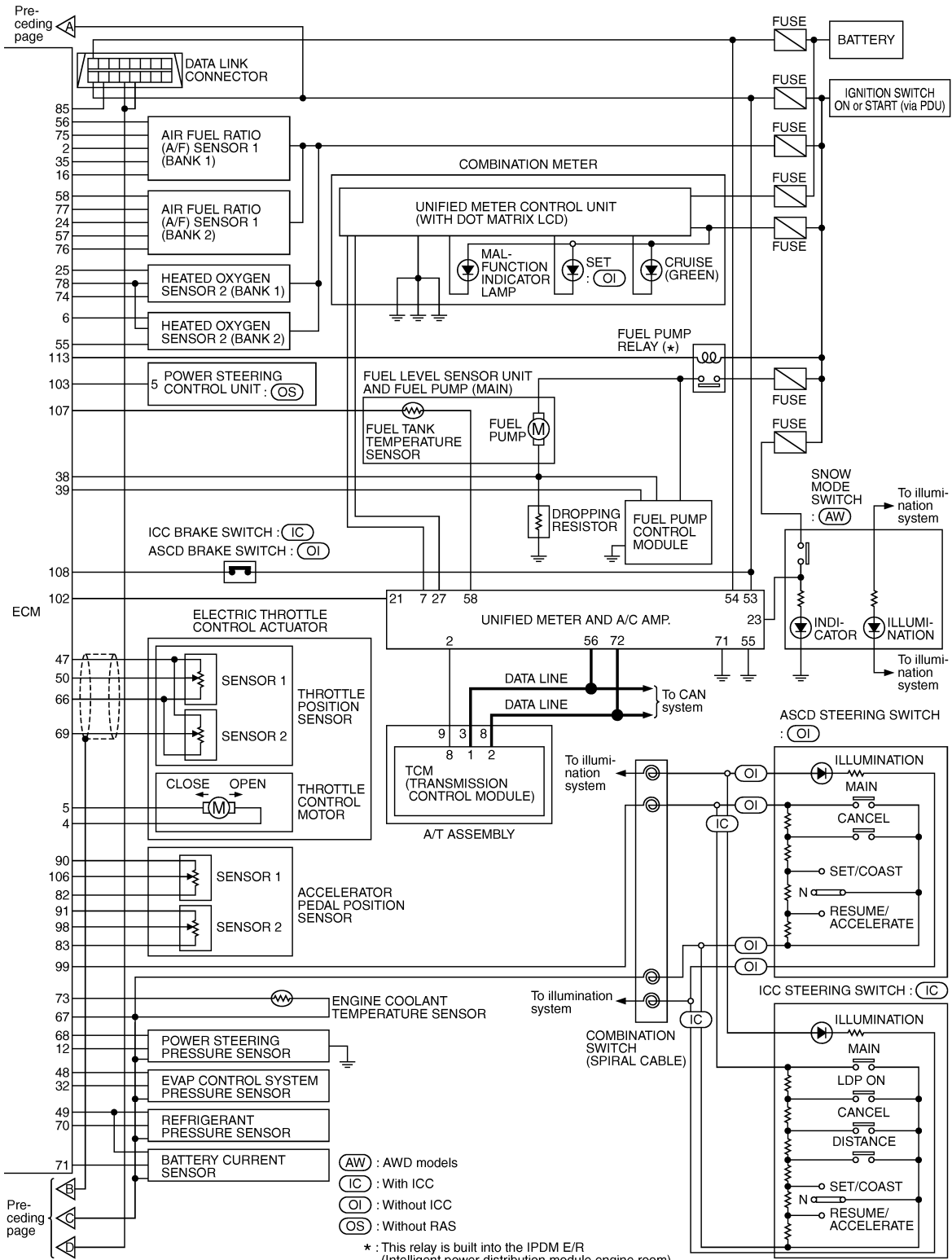
INFOID:00000002954120



TROUBLE DIAGNOSIS

< SERVICE INFORMATION >

[VQ35DE]



TBWT1947E

A
EC
C
D
E
F
G
H
I
J
K
L
M
N
O
P

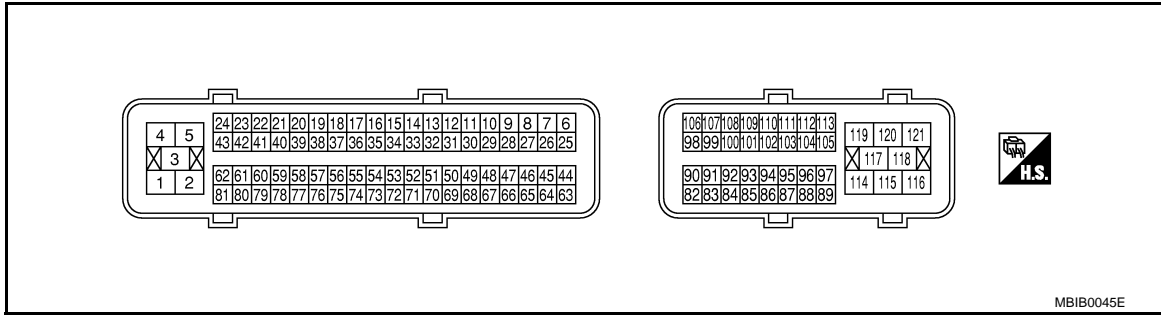
TROUBLE DIAGNOSIS

< SERVICE INFORMATION >

[VQ35DE]

ECM Harness Connector Terminal Layout

INFOID:000000002954121

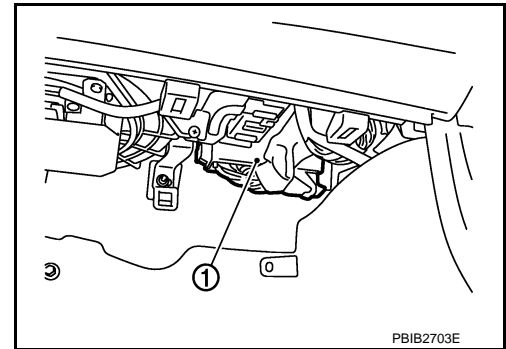


ECM Terminal and Reference Value

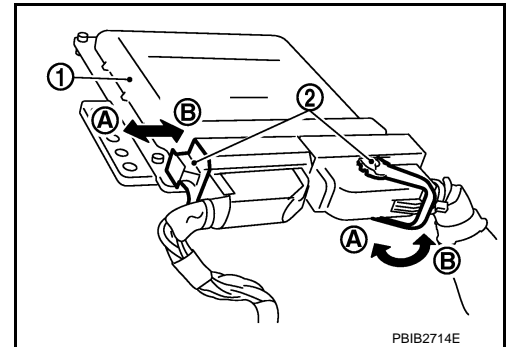
INFOID:000000002954122

PREPARATION

- ECM (1) is located behind the passenger side instrument lower panel. For this inspection, remove passenger side instrument lower panel.
- Remove ECM harness connector.



- When disconnecting ECM harness connector, loosen (A) it with levers (2) as far as they will go as shown in the figure.
 - ECM (1)
 - Fasten (B)
- Connect a break-out box (SST) and Y-cable adapter (SST) between the ECM and ECM harness connector.
 - Use extreme care not to touch 2 pins at one time.
 - Data is for comparison and may not be exact.



ECM INSPECTION TABLE

Specification data are reference values and are measured between each terminal and ground. Pulse signal is measured by CONSULT-III.

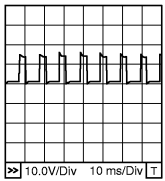
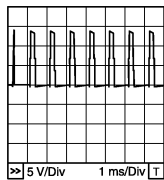
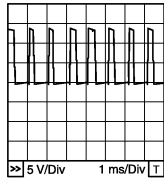
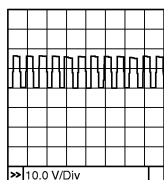
CAUTION:

Do not use ECM ground terminals when measuring input/output voltage. Doing so may result in damage to the ECMs transistor. Use a ground other than ECM terminals, such as the ground.

TROUBLE DIAGNOSIS

< SERVICE INFORMATION >

[VQ35DE]

TER-MI-NAL NO.	WIRE COLOR	ITEM	CONDITION	DATA (DC Voltage)
1	B	ECM ground	[Engine is running] • Idle speed	Body ground
2	SB	A/F sensor 1 heater (bank 1)	[Engine is running] • Warm-up condition • Idle speed	Approximately 5V★  PBIB1584E
3	R	Throttle control motor relay power supply	[Ignition switch: ON]	BATTERY VOLTAGE (11 - 14V)
4	W	Throttle control motor (Close)	[Ignition switch: ON] • Engine stopped • Selector lever: D • Accelerator pedal: Fully released	0 - 14V★  PBIB1104E
5	B	Throttle control motor (Open)	[Ignition switch: ON] • Engine stopped • Selector lever: D • Accelerator pedal: Fully depressed	0 - 14V★  PBIB1105E
6	R/L	Heated oxygen sensor 2 heater (bank 2)	[Engine is running] • Engine speed: Below 3,600 rpm after the following conditions are met - Engine: After warming up - Keeping the engine speed between 3,500 and 4,000 rpm for 1 minute and at idle for 1 minute under no load	0 - 1.0V
			[Ignition switch: ON] • Engine stopped [Engine is running] • Engine speed: Above 3,600 rpm	BATTERY VOLTAGE (11 - 14V)
10	W/G	Intake valve timing control solenoid valve (bank 2)	[Engine is running] • Warm-up condition • Idle speed	BATTERY VOLTAGE (11 - 14V)
			[Engine is running] • Warm-up condition • When revving engine up to 2,000rpm quickly	7 - 12V★  PBIB1790E

A

EC

C

D

E

F

G

H

I

J

K

L

M

N

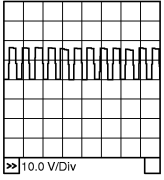
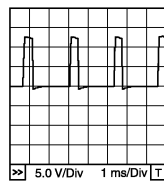
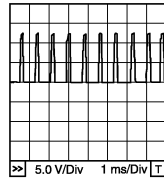
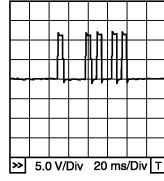
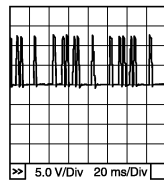
O

P

TROUBLE DIAGNOSIS

< SERVICE INFORMATION >

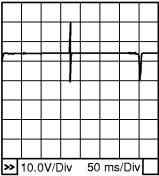
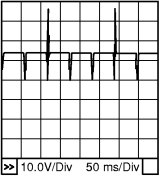
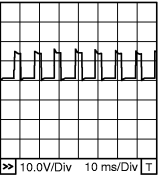
[VQ35DE]

TER-MI-NAL NO.	WIRE COLOR	ITEM	CONDITION	DATA (DC Voltage)
11	W/R	Intake valve timing control solenoid valve (bank 1)	[Engine is running] <ul style="list-style-type: none"> • Warm-up condition • Idle speed 	BATTERY VOLTAGE (11 - 14V)
			[Engine is running] <ul style="list-style-type: none"> • Warm-up condition • When revving engine up to 2,000rpm quickly 	7 - 12V★  PBIB1790E
12	R/G	Power steering pressure sensor	[Engine is running] <ul style="list-style-type: none"> • Steering wheel: Being turned 	0.5 - 4.5V
			[Engine is running] <ul style="list-style-type: none"> • Steering wheel: Not being turned 	0.4 - 0.8V
13	W	Crankshaft position sensor (POS)	[Engine is running] <ul style="list-style-type: none"> • Warm-up condition • Idle speed NOTE: The pulse cycle changes depending on rpm at idle	1.0 - 2.0V★  PBIB1041E
			[Engine is running] <ul style="list-style-type: none"> • Engine speed: 2,000 rpm 	1.0 - 2.0V★  PBIB1042E
14	L	Camshaft position sensor (PHASE) (bank 2)	[Engine is running] <ul style="list-style-type: none"> • Warm-up condition • Idle speed NOTE: The pulse cycle changes depending on rpm at idle	1.0 - 4.0V★  PBIB1039E
			[Engine is running] <ul style="list-style-type: none"> • Engine speed: 2,000 rpm 	1.0 - 4.0V★  PBIB1040E
15	W	Knock sensor	[Engine is running] <ul style="list-style-type: none"> • Idle speed 	Approximately 2.5V

TROUBLE DIAGNOSIS

< SERVICE INFORMATION >

[VQ35DE]

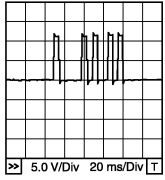
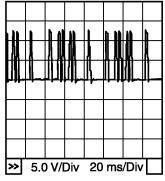
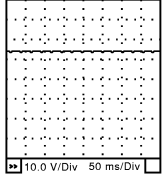
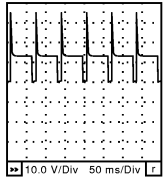
TER-MI-NAL NO.	WIRE COLOR	ITEM	CONDITION	DATA (DC Voltage)
16	G/W	A/F sensor 1 (bank 1)	[Engine is running] • Warm-up condition • Idle speed	Approximately 3.1V
35	BR/W			Approximately 2.6V
56	G			Approximately 2.3V
75	GR			Approximately 2.3V
21 22 23 40 41 42	W R/Y R/B V/R P/L R/W	Fuel injector No. 5 Fuel injector No. 3 Fuel injector No. 1 Fuel injector No. 6 Fuel injector No. 4 Fuel injector No. 2	[Engine is running] • Warm-up condition • Idle speed NOTE: The pulse cycle changes depending on rpm at idle	BATTERY VOLTAGE (11 - 14V)★  PBIB0042E
			[Engine is running] • Warm-up condition • Engine speed: 2,000 rpm	BATTERY VOLTAGE (11 - 14V)★  PBIB0043E
24	O	A/F sensor 1 heater (bank 2)	[Engine is running] • Warm-up condition • Idle speed	Approximately 5V★  PBIB1584E
25	P/B	Heated oxygen sensor 2 heater (bank 1)	[Engine is running] • Engine speed: Below 3,600 rpm after the following conditions are met - Engine: After warming up - Keeping the engine speed between 3,500 and 4,000 rpm for 1 minute and at idle for 1 minute under no load	0 - 1.0V
			[Ignition switch: ON] • Engine stopped [Engine is running] • Engine speed: Above 3,600 rpm	BATTERY VOLTAGE (11 - 14V)
32	R/G	EVAP control system pressure sensor	[Ignition switch: ON]	Approximately 1.8 - 4.8V

A
EC
C
D
E
F
G
H
I
J
K
L
M
N
O
P

TROUBLE DIAGNOSIS

< SERVICE INFORMATION >

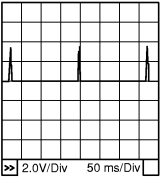
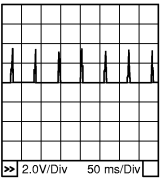
[VQ35DE]

TERMINAL NO.	WIRE COLOR	ITEM	CONDITION	DATA (DC Voltage)
33	LG	Camshaft position sensor (PHASE) (bank 1)	[Engine is running] <ul style="list-style-type: none"> • Warm-up condition • Idle speed NOTE: The pulse cycle changes depending on rpm at idle	1.0 - 4.0V★  PBI1039E
			[Engine is running] <ul style="list-style-type: none"> • Engine speed: 2,000 rpm 	1.0 - 4.0V★  PBI1040E
34	Y/G	Intake air temperature sensor	[Engine is running]	Approximately 0 - 4.8V Output voltage varies with intake air temperature.
38	G/R	Fuel pump control module (FPCM) check	[When cranking engine]	Approximately 0V
			[Engine is running] <ul style="list-style-type: none"> • Warm-up condition • Idle speed 	4 - 6V
39	B/R	Fuel pump control module (FPCM)	[When cranking engine]	0 - 0.5V
			[Engine is running] <ul style="list-style-type: none"> • Warm-up condition • Idle speed 	8 - 12V
45	V	EVAP canister purge volume control solenoid valve	[Engine is running] <ul style="list-style-type: none"> • Idle speed • Accelerator pedal: Not depressed even slightly, after engine starting 	BATTERY VOLTAGE (11 - 14V)★  SEC990C
			[Engine is running] <ul style="list-style-type: none"> • Engine speed: About 2,000 rpm (More than 100 seconds after starting engine) 	BATTERY VOLTAGE (11 - 14V)★  SEC991C
47	G	Sensor power supply (Throttle position sensor)	[Ignition switch: ON]	Approximately 5V
48	B/R	Sensor power supply (EVAP control system pressure sensor)	[Ignition switch: ON]	Approximately 5V
49	BY	Sensor power supply (Refrigerant pressure sensor, Battery current sensor)	[Ignition switch: ON]	Approximately 5V

TROUBLE DIAGNOSIS

< SERVICE INFORMATION >

[VQ35DE]

TERMINAL NO.	WIRE COLOR	ITEM	CONDITION	DATA (DC Voltage)	
50	W	Throttle position sensor 1	[Ignition switch: ON] <ul style="list-style-type: none"> Engine stopped Selector lever: D Accelerator pedal: Fully released 	More than 0.36V	EC
			[Ignition switch: ON] <ul style="list-style-type: none"> Engine stopped Selector lever: D Accelerator pedal: Fully depressed 	Less than 4.75V	C
51	W	Mass air flow sensor	[Engine is running] <ul style="list-style-type: none"> Warm-up condition Idle speed 	0.9 - 1.2V	D
			[Engine is running] <ul style="list-style-type: none"> Warm-up condition Engine speed: 2,500 rpm 	1.6 - 1.9V	E
55	W	Heated oxygen sensor 2 (bank 2)	[Engine is running] <ul style="list-style-type: none"> Revvng engine from idle to 3,000 rpm quickly after the following conditions are met <ul style="list-style-type: none"> Engine: After warming up Keeping the engine speed between 3,500 and 4,000 rpm for 1 minute and at idle for 1 minute under no load 	0 - Approximately 1.0V	F
57	GR/L	A/F sensor 1 (bank 2)	[Engine is running] <ul style="list-style-type: none"> Warm-up condition Idle speed 	Approximately 2.6V	H
58	LG/B			Approximately 2.3V	
76	W/L			Approximately 3.1V	I
77	Y			Approximately 2.3V	
60 61 62 79 80 81	V/W P Y/R GR/R GR/B G/R	Ignition signal No. 5 Ignition signal No. 3 Ignition signal No. 1 Ignition signal No. 6 Ignition signal No. 4 Ignition signal No. 2	[Engine is running] <ul style="list-style-type: none"> Warm-up condition Idle speed NOTE: The pulse cycle changes depending on rpm at idle	0 - 0.2V★ 	J
			[Engine is running] <ul style="list-style-type: none"> Warm-up condition Engine speed: 2,000 rpm 	0.1 - 0.4V★ 	K
66	B	Sensor ground (Throttle position sensor)	[Engine is running] <ul style="list-style-type: none"> Warm-up condition Idle speed 	Approximately 0V	L
67	B/W	Sensor ground	[Engine is running] <ul style="list-style-type: none"> Warm-up condition Idle speed 	Approximately 0V	M
68	L/Y	Sensor power supply (Power steering pressure sensor)	[Ignition switch: ON]	Approximately 5V	N

A
EC
C
D
E
F
G
H
I
J
K
L
M
N
O
P

TROUBLE DIAGNOSIS

< SERVICE INFORMATION >

[VQ35DE]

TERMINAL NO.	WIRE COLOR	ITEM	CONDITION	DATA (DC Voltage)
69	R	Throttle position sensor 2	[Ignition switch: ON] <ul style="list-style-type: none"> • Engine stopped • Selector lever: D • Accelerator pedal: Fully released 	Less than 4.75V
			[Ignition switch: ON] <ul style="list-style-type: none"> • Engine stopped • Selector lever: D • Accelerator pedal: Fully depressed 	More than 0.36V
70	L/R	Refrigerant pressure sensor	[Engine is running] <ul style="list-style-type: none"> • Warm-up condition • Both A/C switch and blower fan motor switch: ON (Compressor operates) 	1.0 - 4.0V
71	L/R	Battery current sensor	[Engine is running] <ul style="list-style-type: none"> • Battery: Fully charged* • Idle speed 	Approximately 2.6 - 3.5V
73	Y/B	Engine coolant temperature sensor	[Engine is running]	Approximately 0 - 4.8V Output voltage varies with engine coolant temperature.
74	W	Heated oxygen sensor 2 (bank 1)	[Engine is running] <ul style="list-style-type: none"> • Revving engine from idle to 3,000 rpm quickly after the following conditions are met - Engine: After warming up - Keeping the engine speed between 3,500 and 4,000 rpm for 1 minute and at idle for 1 minute under no load 	0 - Approximately 1.0V
78	B	Sensor ground (Heated oxygen sensor)	[Engine is running] <ul style="list-style-type: none"> • Warm-up condition • Idle speed 	Approximately 0V
82	W	Sensor ground (APP sensor 1)	[Engine is running] <ul style="list-style-type: none"> • Warm-up condition • Idle speed 	Approximately 0V
83	P	Sensor ground (APP sensor 2)	[Engine is running] <ul style="list-style-type: none"> • Warm-up condition • Idle speed 	Approximately 0V
85	V	Data link connector	[Ignition switch: ON] <ul style="list-style-type: none"> • CONSULT-III or GST: Disconnected 	Approximately 5V - Battery voltage (11 - 14V)
86	P	CAN communication line	[Ignition switch: ON]	Approximately 1.1 - 2.3V Output voltage varies with the communication status.
90	L	Sensor power supply (APP sensor 1)	[Ignition switch: ON]	Approximately 5V
91	BR	Sensor power supply (APP sensor 2)	[Ignition switch: ON]	Approximately 5V
94	L	CAN communication line	[Ignition switch: ON]	Approximately 2.6 - 3.2V Output voltage varies with the communication status.
98	R	Accelerator pedal position sensor 2	[Ignition switch: ON] <ul style="list-style-type: none"> • Engine stopped • Accelerator pedal: Fully released 	0.20 - 0.55V
			[Ignition switch: ON] <ul style="list-style-type: none"> • Engine stopped • Accelerator pedal: Fully depressed 	1.85 - 2.40V

TROUBLE DIAGNOSIS

< SERVICE INFORMATION >

[VQ35DE]

TER-MI-NAL NO.	WIRE COLOR	ITEM	CONDITION	DATA (DC Voltage)	A
99	Y	ICC steering switch (models with ICC system)	[Ignition switch: ON] • ICC steering switch: OFF	Approximately 4.3V	EC
			[Ignition switch: ON] • MAIN switch: Pressed	Approximately 0V	C
			[Ignition switch: ON] • CANCEL switch: Pressed	Approximately 1.9V	D
			[Ignition switch: ON] • RESUME/ACCELERATE switch: Pressed	Approximately 3.8V	E
			[Ignition switch: ON] • SET/COAST switch: Pressed	Approximately 3.3V	F
			[Ignition switch: ON] • DISTANCE switch: Pressed	Approximately 2.6V	G
			[Ignition switch: ON] • LDP ON switch: Pressed	Approximately 1.1V	H
99	Y	ASCD steering switch (models with ASCD system)	[Ignition switch: ON] • ASCD steering switch: OFF	Approximately 4V	I
			[Ignition switch: ON] • MAIN switch: Pressed	Approximately 0V	J
			[Ignition switch: ON] • CANCEL switch: Pressed	Approximately 1V	K
			[Ignition switch: ON] • RESUME/ACCELERATE switch: Pressed	Approximately 3V	L
			[Ignition switch: ON] • SET/COAST switch: Pressed	Approximately 2V	M
101	V/R	Stop lamp switch	[Ignition switch: OFF] • Brake pedal: Fully released	Approximately 0V	N
			[Ignition switch: OFF] • Brake pedal: Slightly depressed	BATTERY VOLTAGE (11 - 14V)	O
102	G	PNP switch	[Ignition switch: ON] • Selector lever: P or N	Approximately 0V	P
			[Ignition switch: ON] • Selector lever: Except above	BATTERY VOLTAGE (11 - 14V)	P
104	O	Throttle control motor relay	[Ignition switch: OFF]	BATTERY VOLTAGE (11 - 14V)	P
			[Ignition switch: ON]	0 - 1.0V	P
106	LG	Accelerator pedal position sensor 1	[Ignition switch: ON] • Engine stopped • Accelerator pedal: Fully released	0.4 - 1.1V	P
			[Ignition switch: ON] • Engine stopped • Accelerator pedal: Fully depressed	3.7 - 4.8V	P
107	V/W	Fuel tank temperature sensor	[Engine is running]	Approximately 0 - 4.8V Output voltage varies with fuel tank temperature.	P
108	BR	ICC brake switch (models with ICC system) ASCD brake switch (models with ASCD system)	[Ignition switch: ON] • Brake pedal: Slightly depressed	Approximately 0V	P
			[Ignition switch: ON] • Brake pedal: Fully released	BATTERY VOLTAGE (11 - 14V)	P
109	L	Ignition switch	[Ignition switch: OFF]	0V	P
			[Ignition switch: ON]	BATTERY VOLTAGE (11 - 14V)	P

TROUBLE DIAGNOSIS

< SERVICE INFORMATION >

[VQ35DE]

TER-MI-NAL NO.	WIRE COLOR	ITEM	CONDITION	DATA (DC Voltage)
111	SB	ECM relay (Self shut-off)	[Engine is running] [Ignition switch: OFF] • For a few seconds after turning ignition switch OFF	0 - 1.5V
			[Ignition switch: OFF] • More than a few seconds after turning ignition switch OFF	BATTERY VOLTAGE (11 - 14V)
113	GR	Fuel pump relay	[Ignition switch: ON] • For 1 second after turning ignition switch ON [Engine is running]	0 - 1.5V
			[Ignition switch: ON] • More than 1 second after turning ignition switch ON	BATTERY VOLTAGE (11 - 14V)
115 116	B B	ECM ground	[Engine is running] • Idle speed	Body ground
117	GR/L	EVAP canister vent control valve	[Ignition switch: ON]	BATTERY VOLTAGE (11 - 14V)
119 120	R R	Power supply for ECM	[Ignition switch: ON]	BATTERY VOLTAGE (11 - 14V)
121	L	Power supply for ECM (Back-up)	[Ignition switch: OFF]	BATTERY VOLTAGE (11 - 14V)

★: Average voltage for pulse signal (Actual pulse signal can be confirmed by oscilloscope.)

*: Before measuring the terminal voltage, confirm that the battery is fully charged. Refer to [SC-4. "How to Handle Battery"](#).

CONSULT-III Function (ENGINE)

INFOID:000000002954123

FUNCTION

Diagnostic test mode	Function
Work support	This mode enables a technician to adjust some devices faster and more accurately by following the indications on the CONSULT-III unit.
Self-diagnostic results	Self-diagnostic results such as 1st trip DTC, DTCs and 1st trip freeze frame data or freeze frame data can be read and erased quickly.*
Data monitor	Input/Output data in the ECM can be read.
Active test	Diagnostic Test Mode in which CONSULT-III drives some actuators apart from the ECMs and also shifts some parameters in a specified range.
DTC & SRT confirmation	The status of system monitoring tests and the self-diagnosis status/result can be confirmed.
Function test	This mode is used to inform customers when their vehicle condition requires periodic maintenance.
ECU part number	ECM part number can be read.

*: The following emission-related diagnostic information is cleared when the ECM memory is erased.

- Diagnostic trouble codes
- 1st trip diagnostic trouble codes
- Freeze frame data
- 1st trip freeze frame data
- System readiness test (SRT) codes
- Test values

ENGINE CONTROL COMPONENT PARTS/CONTROL SYSTEMS APPLICATION

TROUBLE DIAGNOSIS

< SERVICE INFORMATION >

[VQ35DE]

Item		DIAGNOSTIC TEST MODE						
		WORK SUPPORT	SELF-DIAGNOSTIC RESULTS		DATA MONITOR	ACTIVE TEST	DTC & SRT CONFIRMATION	
			DTC*1	FREEZE FRAME DATA*2			SRT STATUS	DTC WORK SUPPORT
ENGINE CONTROL COMPONENT PARTS	INPUT	Crankshaft position sensor (POS)	×	×	×			
	Camshaft position sensor (PHASE)	×	×	×				
	Mass air flow sensor	×		×				
	Engine coolant temperature sensor	×	×	×	×			
	Air fuel ratio (A/F) sensor 1	×		×		×	×	
	Heated oxygen sensor 2	×		×		×	×	
	Wheel sensor	×	×	×				
	Accelerator pedal position sensor	×		×				
	Throttle position sensor	×	×	×				
	Fuel tank temperature sensor	×		×	×			
	EVAP control system pressure sensor	×		×				
	Intake air temperature sensor	×	×	×				
	Knock sensor	×						
	Refrigerant pressure sensor				×			
	Closed throttle position switch (accelerator pedal position sensor signal)				×			
	Air conditioner switch				×			
	Transmission range switch	×			×			
	Stop lamp switch	×			×			
	Power steering pressure sensor	×			×			
	Battery voltage				×			
	Load signal				×			
Fuel level sensor	×			×				
Battery current sensor	×			×				
ICC steering switch	×			×				
ASCD steering switch	×			×				
ICC brake switch	×			×				
ASCD brake switch	×			×				

A
EC
C
D
E
F
G
H
I
J
K
L
M
N
O
P

TROUBLE DIAGNOSIS

< SERVICE INFORMATION >

[VQ35DE]

Item		DIAGNOSTIC TEST MODE							
		WORK SUPPORT	SELF-DIAGNOSTIC RESULTS		DATA MONITOR	ACTIVE TEST	DTC & SRT CONFIRMATION		
			DTC*1	FREEZE FRAME DATA*2			SRT STATUS	DTC WORK SUPPORT	
ENGINE CONTROL COMPONENT PARTS	OUTPUT	Fuel injector				×	×		
		Power transistor (Ignition timing)				×	×		
		Throttle control motor relay		×		×			
		Throttle control motor		×					
		EVAP canister purge volume control solenoid valve		×		×	×		×
		FPCM		×		×	×		
		Air conditioner relay				×			
		Fuel pump relay	×			×	×		
		Cooling fan relay		×		×	×		
		Air fuel ratio (A/F) sensor 1 heater		×		×		×*3	
		Heated oxygen sensor 2 heater		×		×		×*3	
		EVAP canister vent control valve	×	×		×	×		
		Intake valve timing control solenoid valve		×		×	×		
		Alternator				×	×		
		Calculated load value			×	×			

X: Applicable

*1: This item includes 1st trip DTCs.

*2: This mode includes 1st trip freeze frame data or freeze frame data. The items appear on CONSULT-III screen in freeze frame data mode only if a 1st trip DTC or DTC is detected. For details, refer to [EC-55, "Emission-Related Diagnostic Information"](#).

*3: Always "CMPLT" is displayed.

WORK SUPPORT MODE

Work Item

WORK ITEM	CONDITION	USAGE
FUEL PRESSURE RELEASE	<ul style="list-style-type: none"> FUEL PUMP WILL STOP BY TOUCHING "START" DURING IDLING. CRANK A FEW TIMES AFTER ENGINE STALLS. 	When releasing fuel pressure from fuel line
IDLE AIR VOL LEARN	<ul style="list-style-type: none"> THE IDLE AIR VOLUME THAT KEEPS THE ENGINE WITHIN THE SPECIFIED RANGE IS MEMORIZED IN ECM. 	When learning the idle air volume
SELF-LEARNING CONT	<ul style="list-style-type: none"> THE COEFFICIENT OF SELF-LEARNING CONTROL MIXTURE RATIO RETURNS TO THE ORIGINAL COEFFICIENT. 	When clearing the coefficient of self-learning control value

TROUBLE DIAGNOSIS

< SERVICE INFORMATION >

[VQ35DE]

WORK ITEM	CONDITION	USAGE
EVAP SYSTEM CLOSE	<p>CLOSE THE EVAP CANISTER VENT CONTROL VALVE IN ORDER TO MAKE EVAP SYSTEM CLOSE UNDER THE FOLLOWING CONDITIONS.</p> <ul style="list-style-type: none"> • IGN SW ON • ENGINE NOT RUNNING • AMBIENT TEMPERATURE IS ABOVE 0°C (32°F). • NO VACUUM AND NO HIGH PRESSURE IN EVAP SYSTEM • FUEL TANK TEMP. IS MORE THAN 0°C (32°F). • WITHIN 10 MINUTES AFTER STARTING "EVAP SYSTEM CLOSE" • WHEN TRYING TO EXECUTE "EVAP SYSTEM CLOSE" UNDER THE CONDITION EXCEPT ABOVE, CONSULT-III WILL DISCONTINUE IT AND DISPLAY APPROPRIATE INSTRUCTION. <p>NOTE: WHEN STARTING ENGINE, CONSULT-III MAY DISPLAY "BATTERY VOLTAGE IS LOW. CHARGE BATTERY", EVEN IN USING CHARGED BATTERY.</p>	When detecting EVAP vapor leak point of EVAP system
VIN REGISTRATION	<ul style="list-style-type: none"> • IN THIS MODE VIN IS REGISTERED IN ECM 	When registering VIN in ECM
TARGET IDLE RPM ADJ*	<ul style="list-style-type: none"> • IDLE CONDITION 	When setting target idle speed
TARGET IGN TIM ADJ*	<ul style="list-style-type: none"> • IDLE CONDITION 	When adjusting target ignition timing

*: This function is not necessary in the usual service procedure.

SELF-DIAG RESULTS MODE

Self Diagnostic Item

Regarding items of DTC and 1st trip DTC, refer to [EC-55, "Emission-Related Diagnostic Information".](#))

Freeze Frame Data and 1st Trip Freeze Frame Data

Freeze frame data item*	Description
DIAG TROUBLE CODE [PXXXX]	<ul style="list-style-type: none"> • The engine control component part/control system has a trouble code, it is displayed as PXXXX. (Refer to EC-55, "Emission-Related Diagnostic Information".)
FUEL SYS-B1	<ul style="list-style-type: none"> • "Fuel injection system status" at the moment a malfunction is detected is displayed. • One mode in the following is displayed. Mode2: Open loop due to detected system malfunction Mode3: Open loop due to driving conditions (power enrichment, deceleration enrichment) Mode4: Closed loop - using oxygen sensor(s) as feedback for fuel control Mode5: Open loop - has not yet satisfied condition to go to closed loop
FUEL SYS-B2	
CAL/LD VALUE [%]	<ul style="list-style-type: none"> • The calculated load value at the moment a malfunction is detected is displayed.
COOLANT TEMP [°C] or [°F]	<ul style="list-style-type: none"> • The engine coolant temperature at the moment a malfunction is detected is displayed.
L-FUEL TRM-B1 [%]	<ul style="list-style-type: none"> • "Long-term fuel trim" at the moment a malfunction is detected is displayed. • The long-term fuel trim indicates much more gradual feedback compensation to the base fuel schedule than short-term fuel trim.
L-FUEL TRM-B2 [%]	
S-FUEL TRM-B1 [%]	<ul style="list-style-type: none"> • "Short-term fuel trim" at the moment a malfunction is detected is displayed. • The short-term fuel trim indicates dynamic or instantaneous feedback compensation to the base fuel schedule.
S-FUEL TRM-B2 [%]	
ENGINE SPEED [rpm]	<ul style="list-style-type: none"> • The engine speed at the moment a malfunction is detected is displayed.
VEHICL SPEED [km/h] or [mph]	<ul style="list-style-type: none"> • The vehicle speed at the moment a malfunction is detected is displayed.
ABSOL TH·P/S [%]	<ul style="list-style-type: none"> • The throttle valve opening angle at the moment a malfunction is detected is displayed.

TROUBLE DIAGNOSIS

[VQ35DE]

< SERVICE INFORMATION >

Freeze frame data item*	Description
B/FUEL SCHDL [msec]	<ul style="list-style-type: none"> The base fuel schedule at the moment a malfunction is detected is displayed.
INT/A TEMP SE [°C] or [°F]	<ul style="list-style-type: none"> The intake air temperature at the moment a malfunction is detected is displayed.

*: The items are the same as those of 1st trip freeze frame data.

DATA MONITOR MODE

Monitored Item

×: Applicable

Monitored item [Unit]	Unit	Description	Remarks
ENG SPEED	rpm	<ul style="list-style-type: none"> Indicates the engine speed computed from the signal of the crankshaft position sensor (POS) and camshaft position sensor (PHASE). 	<ul style="list-style-type: none"> Accuracy becomes poor if engine speed drops below the idle rpm. If the signal is interrupted while the engine is running, an abnormal value may be indicated.
MAS A/F SE-B1	V	<ul style="list-style-type: none"> The signal voltage of the mass air flow sensor is displayed. 	<ul style="list-style-type: none"> When the engine is stopped, a certain value is indicated.
B/FUEL SCHDL	msec	<ul style="list-style-type: none"> "Base fuel schedule" indicates the fuel injection pulse width programmed into ECM, prior to any learned on board correction. 	
A/F ALPHA-B1	%	<ul style="list-style-type: none"> The mean value of the air-fuel ratio feedback correction factor per cycle is indicated. 	<ul style="list-style-type: none"> When the engine is stopped, a certain value is indicated. This data also includes the data for the air-fuel ratio learning control.
A/F ALPHA-B2			
COOLAN TEMP/S	°C or °F	<ul style="list-style-type: none"> The engine coolant temperature (determined by the signal voltage of the engine coolant temperature sensor) is displayed. 	<ul style="list-style-type: none"> When the engine coolant temperature sensor is open or short-circuited, ECM enters fail-safe mode. The engine coolant temperature determined by the ECM is displayed.
A/F SEN1 (B1)	V	<ul style="list-style-type: none"> The A/F signal computed from the input signal of the air fuel ratio (A/F) sensor 1 is displayed. 	
A/F SEN1 (B2)			
HO2S2 (B1)	V	<ul style="list-style-type: none"> The signal voltage of the heated oxygen sensor 2 is displayed. 	
HO2S2 (B2)			
HO2S2 MNTR (B1)	RICH/LEAN	<ul style="list-style-type: none"> Display of heated oxygen sensor 2 signal: RICH: means the amount of oxygen after three way catalyst is relatively small. LEAN: means the amount of oxygen after three way catalyst is relatively large. 	<ul style="list-style-type: none"> When the engine is stopped, a certain value is indicated.
HO2S2 MNTR (B2)			
VHCL SPEED SE	km/h or mph	<ul style="list-style-type: none"> The vehicle speed computed from the vehicle speed signal sent from combination meter is displayed. 	
BATTERY VOLT	V	<ul style="list-style-type: none"> The power supply voltage of ECM is displayed. 	
ACCEL SEN 1	V	<ul style="list-style-type: none"> The accelerator pedal position sensor signal voltage is displayed. 	<ul style="list-style-type: none"> ACCEL SENS 2 signal is converted by ECM internally. Thus, they differs from ECM terminal voltage signal.
ACCEL SEN 2			
THRTL SEN 1	V	<ul style="list-style-type: none"> The throttle position sensor signal voltage is displayed. 	<ul style="list-style-type: none"> THRTL SEN 2 signal is converted by ECM internally. Thus, they differs from ECM terminal voltage signal.
THRTL SEN 2			
FUEL T/TMP SE	°C or °F	<ul style="list-style-type: none"> The fuel temperature (determined by the signal voltage of the fuel tank temperature sensor) is displayed. 	

TROUBLE DIAGNOSIS

< SERVICE INFORMATION >

[VQ35DE]

Monitored item [Unit]	Unit	Description	Remarks
INT/A TEMP SE	°C or °F	<ul style="list-style-type: none"> The intake air temperature (determined by the signal voltage of the intake air temperature sensor) is indicated. 	
EVAP SYS PRES	V	<ul style="list-style-type: none"> The signal voltage of EVAP control system pressure sensor is displayed. 	
FPCM DR VOLT	V	<ul style="list-style-type: none"> The voltage between fuel pump and FPCM is displayed. 	
FUEL LEVEL SE	V	<ul style="list-style-type: none"> The signal voltage of the fuel level sensor is displayed. 	
START SIGNAL	ON/OFF	<ul style="list-style-type: none"> Indicates start signal status [ON/OFF] computed by the ECM according to the signals of engine speed and battery voltage. 	<ul style="list-style-type: none"> After starting the engine, [OFF] is displayed regardless of the starter signal.
CLSD THL POS	ON/OFF	<ul style="list-style-type: none"> Indicates idle position [ON/OFF] computed by ECM according to the accelerator pedal position sensor signal. 	
AIR COND SIG	ON/OFF	<ul style="list-style-type: none"> Indicates [ON/OFF] condition of the air conditioner switch as determined by the air conditioner signal. 	
P/N POSI SW	ON/OFF	<ul style="list-style-type: none"> Indicates [ON/OFF] condition from the park/neutral position (PNP) switch signal. 	
PW/ST SIGNAL	ON/OFF	<ul style="list-style-type: none"> [ON/OFF] condition of the power steering system (determined by the signal voltage of the power steering pressure sensor signal) is indicated. 	
LOAD SIGNAL	ON/OFF	<ul style="list-style-type: none"> Indicates [ON/OFF] condition from the electrical load signal. ON: Rear window defogger switch is ON and/or lighting switch is in 2nd position. OFF: Both rear window defogger switch and lighting switch are OFF. 	
IGNITION SW	ON/OFF	<ul style="list-style-type: none"> Indicates [ON/OFF] condition from ignition switch signal. 	
HEATER FAN SW	ON/OFF	<ul style="list-style-type: none"> Indicates [ON/OFF] condition from the heater fan switch signal. 	
BRAKE SW	ON/OFF	<ul style="list-style-type: none"> Indicates [ON/OFF] condition from the stop lamp switch signal. 	
INJ PULSE-B1	msec	<ul style="list-style-type: none"> Indicates the actual fuel injection pulse width compensated by ECM according to the input signals. 	<ul style="list-style-type: none"> When the engine is stopped, a certain computed value is indicated.
INJ PULSE-B2	msec		
IGN TIMING	BTDC	<ul style="list-style-type: none"> Indicates the ignition timing computed by ECM according to the input signals. 	<ul style="list-style-type: none"> When the engine is stopped, a certain value is indicated.
CAL/LD VALUE	%	<ul style="list-style-type: none"> "Calculated load value" indicates the value of the current air flow divided by peak air flow. 	
MASS AIRFLOW	g·m/s	<ul style="list-style-type: none"> Indicates the mass air flow computed by ECM according to the signal voltage of the mass air flow sensor. 	
PURG VOL C/V	%	<ul style="list-style-type: none"> Indicates the EVAP canister purge volume control solenoid valve control value computed by the ECM according to the input signals. The opening becomes larger as the value increases. 	
INT/V TIM (B1)	°CA	<ul style="list-style-type: none"> Indicates [°CA] of intake camshaft advanced angle. 	
INT/V TIM (B2)			

A

EC

C

D

E

F

G

H

I

J

K

L

M

N

O

P

TROUBLE DIAGNOSIS

< SERVICE INFORMATION >

[VQ35DE]

Monitored item [Unit]	Unit	Description	Remarks
INT/V SOL (B1)	%	<ul style="list-style-type: none"> The control value of the intake valve timing control solenoid valve (determined by ECM according to the input signals) is indicated. The advance angle becomes larger as the value increases. 	
INT/V SOL (B2)			
AIR COND RLY	ON/OFF	<ul style="list-style-type: none"> The air conditioner relay control condition (determined by ECM according to the input signals) is indicated. 	
FUEL PUMP RLY	ON/OFF	<ul style="list-style-type: none"> Indicates the fuel pump relay control condition determined by ECM according to the input signals. 	
FPCM	HI/LOW	<ul style="list-style-type: none"> The control condition of the fuel pump control module (FPCM) (determined by the ECM according to the input signal) is indicated. 	
VENT CONT/V	ON/OFF	<ul style="list-style-type: none"> The control condition of the EVAP canister vent control valve (determined by ECM according to the input signals) is indicated. ON: Closed OFF: Open 	
THRTL RELAY	ON/OFF	<ul style="list-style-type: none"> Indicates the throttle control motor relay control condition determined by the ECM according to the input signals. 	
HO2S2 HTR (B1)	ON/OFF	<ul style="list-style-type: none"> Indicates [ON/OFF] condition of heated oxygen sensor 2 heater determined by ECM according to the input signals. 	
HO2S2 HTR (B2)			
I/P PULLY SPD	rpm	<ul style="list-style-type: none"> Indicates the engine speed computed from the turbine revolution sensor signal. 	
VEHICLE SPEED	km/h or mph	<ul style="list-style-type: none"> The vehicle speed computed from the vehicle speed signal sent from TCM is displayed. 	
IDL A/V LEARN	YET/CMPLT	<ul style="list-style-type: none"> Display the condition of idle air volume learning YET: Idle Air Volume Learning has not been performed yet. CMPLT: Idle Air Volume Learning has already been performed successfully. 	
TRVL AFTER MIL	km or mile	<ul style="list-style-type: none"> Distance traveled while MIL is activated. 	
A/F S1 HTR (B1)	%	<ul style="list-style-type: none"> Air fuel ratio (A/F) sensor 1 heater control value computed by ECM according to the input signals. The current flow to the heater becomes larger as the value increases. 	
A/F S1 HTR (B2)			
AC PRESS SEN	V	<ul style="list-style-type: none"> The signal voltage from the refrigerant pressure sensor is displayed. 	
VHCL SPEED SE	km/h or mph	<ul style="list-style-type: none"> The vehicle speed computed from the vehicle speed signal sent from combination meter is displayed. 	
MAIN SW	ON/OFF	<ul style="list-style-type: none"> Indicates [ON/OFF] condition from MAIN switch signal. 	
CANCEL SW	ON/OFF	<ul style="list-style-type: none"> Indicates [ON/OFF] condition from CANCEL switch signal. 	
RESUME/ACC SW	ON/OFF	<ul style="list-style-type: none"> Indicates [ON/OFF] condition from RESUME/ACCELERATE switch signal. 	
SET SW	ON/OFF	<ul style="list-style-type: none"> Indicates [ON/OFF] condition from SET/COAST switch signal. 	
BRAKE SW1	ON/OFF	<ul style="list-style-type: none"> Indicates [ON/OFF] condition from ASCD brake switch signal. 	

TROUBLE DIAGNOSIS

< SERVICE INFORMATION >

[VQ35DE]

Monitored item [Unit]	Unit	Description	Remarks
BRAKE SW2	ON/OFF	<ul style="list-style-type: none"> Indicates [ON/OFF] condition of stop lamp switch signal. 	
DIST SW	ON/OFF	<ul style="list-style-type: none"> Indicates [ON/OFF] condition from DISTANCE switch signal. 	
CRUISE LAMP	ON/OFF	<ul style="list-style-type: none"> Indicates [ON/OFF] condition of CRUISE lamp determined by the ECM according to the input signals. 	
FAN DUTY	%	<ul style="list-style-type: none"> Indicates a command value for cooling fan. The value is calculated by ECM based on input signals. 	
AC EVA TEMP	°C	<ul style="list-style-type: none"> Indicates A/C evaporator temperature sent from "unified meter and A/C amp.". 	
AC EVA TARGET	°C	<ul style="list-style-type: none"> Indicates target A/C evaporator temperature sent from "unified meter and A/C amp.". 	
ALT DUTY	%	<ul style="list-style-type: none"> Indicates the duty ratio of the power generation command value. The ratio is calculated by ECM based on the battery current sensor signal. 	
BAT CUR SEN	mV	<ul style="list-style-type: none"> The signal voltage of battery current sensor is displayed. 	
ALT DUTY SIG	ON/OFF	<ul style="list-style-type: none"> The control condition of the power generation voltage variable control (determined by ECM according to the input signals) is indicated. ON: Power generation voltage variable control is active. OFF: Power generation voltage variable control is inactive. 	
A/F ADJ-B1	—	<ul style="list-style-type: none"> Indicates the correction of factor stored in ECM. The factor is calculated from the difference between the target air-fuel ratio stored in ECM and the air-fuel ratio calculated from A/F sensor 1 signal. 	
A/F ADJ-B2			

NOTE:

Any monitored item that does not match the vehicle being diagnosed is deleted from the display automatically.

ACTIVE TEST MODE

Test Item

TEST ITEM	CONDITION	JUDGEMENT	CHECK ITEM (REMEDY)
FUEL INJECTION	<ul style="list-style-type: none"> Engine: Return to the original trouble condition Change the amount of fuel injection using CONSULT-III. 	If trouble symptom disappears, see CHECK ITEM.	<ul style="list-style-type: none"> Harness and connectors Fuel injector Air fuel ratio (A/F) sensor 1
IGNITION TIMING	<ul style="list-style-type: none"> Engine: Return to the original trouble condition Timing light: Set Retard the ignition timing using CONSULT-III. 	If trouble symptom disappears, see CHECK ITEM.	<ul style="list-style-type: none"> Perform Idle Air Volume Learning.
POWER BALANCE	<ul style="list-style-type: none"> Engine: After warming up, idle the engine. A/C switch OFF Selector lever: P or N Cut off each injector signal one at a time using CONSULT-III. 	Engine runs rough or dies.	<ul style="list-style-type: none"> Harness and connectors Compression Fuel injector Power transistor Spark plug Ignition coil

TROUBLE DIAGNOSIS

< SERVICE INFORMATION >

[VQ35DE]

TEST ITEM	CONDITION	JUDGEMENT	CHECK ITEM (REMEDY)
ENG COOLANT TEMP	<ul style="list-style-type: none"> Engine: Return to the original trouble condition Change the engine coolant temperature using CONSULT-III. 	If trouble symptom disappears, see CHECK ITEM.	<ul style="list-style-type: none"> Harness and connectors Engine coolant temperature sensor Fuel injector
FUEL PUMP RELAY	<ul style="list-style-type: none"> Ignition switch: ON (Engine stopped) Turn the fuel pump relay "ON" and "OFF" using CONSULT-III and listen to operating sound. 	Fuel pump relay makes the operating sound.	<ul style="list-style-type: none"> Harness and connectors Fuel pump relay
PURG VOL CONT/V	<ul style="list-style-type: none"> Engine: After warming up, run engine at 1,500 rpm. Change the EVAP canister purge volume control solenoid valve opening percent using CONSULT-III. 	Engine speed changes according to the opening percent.	<ul style="list-style-type: none"> Harness and connectors Solenoid valve
FUEL/T TEMP SEN	<ul style="list-style-type: none"> Change the fuel tank temperature using CONSULT-III. 		
VENT CONTROL/V	<ul style="list-style-type: none"> Ignition switch: ON (Engine stopped) Turn solenoid valve "ON" and "OFF" with the CONSULT-III and listen to operating sound. 	Solenoid valve makes an operating sound.	<ul style="list-style-type: none"> Harness and connectors Solenoid valve
FPCM	<ul style="list-style-type: none"> Engine: Returns to the original trouble condition Select "LOW" and "HI" with CONSULT-III. 	If trouble symptom disappears, see CHECK ITEM.	<ul style="list-style-type: none"> Harness and connectors FPCM
V/T ASSIGN ANGLE	<ul style="list-style-type: none"> Engine: Return to the original trouble condition Change intake valve timing using CONSULT-III. 	If trouble symptom disappears, see CHECK ITEM.	<ul style="list-style-type: none"> Harness and connectors Intake valve timing control solenoid valve
FAN DUTY CONTROL*	<ul style="list-style-type: none"> Ignition switch: ON Change duty ratio using CONSULT-III. 	Cooling fan speed changes.	<ul style="list-style-type: none"> Harness and connectors Cooling fan motor Cooling fan relay Cooling fan control module IPDM E/R
ALTERNATOR DUTY	<ul style="list-style-type: none"> Engine: Idle Change duty ratio using CONSULT-III. 	Battery voltage changes.	<ul style="list-style-type: none"> Harness and connectors IPDM E/R Alternator

*: Leaving cooling fan OFF with CONSULT-III while engine is running may cause the engine to overheat.

DTC & SRT CONFIRMATION MODE

SRT STATUS Mode

For details, refer to [EC-55. "Emission-Related Diagnostic Information"](#).

SRT WORK SUPPORT Mode

This mode enables a technician to drive a vehicle to set the SRT while monitoring the SRT status.

DTC WORK SUPPORT Mode

Test mode	Test item	Corresponding DTC No.	Reference page
EVAPORATIVE SYSTEM	EVP SML LEAK P0442/P1442*	P0442	EC-352
		P0455	EC-400
	EVP V/S LEAK P0456/P1456*	P0456	EC-406
	PURG VOL CN/V P1444	P0443	EC-359
	PURG FLOW P0441	P0441	EC-347

TROUBLE DIAGNOSIS

< SERVICE INFORMATION >

[VQ35DE]

Test mode	Test item	Corresponding DTC No.	Reference page
A/F SEN1	A/F SEN1 (B1) P1278/P1279	P0133	EC-242
	A/F SEN1 (B1) P1276	P0130	EC-218
	A/F SEN1 (B2) P1288/P1289	P0153	EC-242
	A/F SEN1 (B2) P1286	P0150	EC-218
HO2S2	HO2S2 (B1) P1146	P0138	EC-260
	HO2S2 (B1) P1147	P0137	EC-251
	HO2S2 (B1) P0139	P0139	EC-271
	HO2S2 (B2) P1166	P0158	EC-260
	HO2S2 (B2) P1167	P0157	EC-251
	HO2S2 (B2) P0159	P0159	EC-271

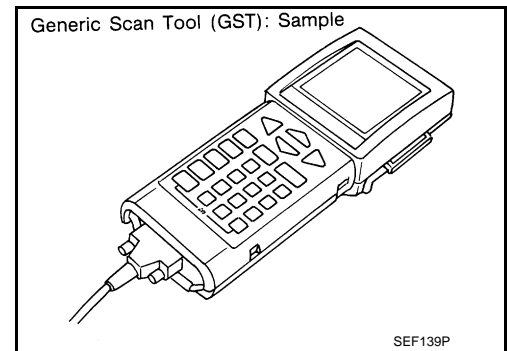
*: DTC P1442 and P1456 does not apply to Y50 models but appears in DTC Work Support Mode screens.

Generic Scan Tool (GST) Function

INFOID:000000002954124

DESCRIPTION

Generic Scan Tool (OBDII scan tool) complying with SAE J1978 has 8 different functions explained below. ISO9141 is used as the protocol. The name "GST" or "Generic Scan Tool" is used in this service manual.



FUNCTION

Diagnostic Service		Function
Service \$01	READINESS TESTS	This diagnostic service gains access to current emission-related data values, including analog inputs and outputs, digital inputs and outputs, and system status information.
Service \$02	(FREEZE DATA)	This diagnostic service gains access to emission-related data value which were stored by ECM during the freeze frame. For details, refer to EC-55. "Emission-Related Diagnostic Information" .
Service \$03	DTCs	This diagnostic service gains access to emission-related power train trouble codes which were stored by ECM.
Service \$04	CLEAR DIAG INFO	This diagnostic service can clear all emission-related diagnostic information. This includes: <ul style="list-style-type: none"> • Clear number of diagnostic trouble codes (Service \$01) • Clear diagnostic trouble codes (Service \$03) • Clear trouble code for freeze frame data (Service \$01) • Clear freeze frame data (Service \$02) • Reset status of system monitoring test (Service \$01) • Clear on board monitoring test results (Service \$06 and \$07)
Service \$06	(ON BOARD TESTS)	This diagnostic service accesses the results of on board diagnostic monitoring tests of specific components/systems that are not continuously monitored.
Service \$07	(ON BOARD TESTS)	This diagnostic service enables the off board test drive to obtain test results for emission-related powertrain components/systems that are continuously monitored during normal driving conditions.

TROUBLE DIAGNOSIS

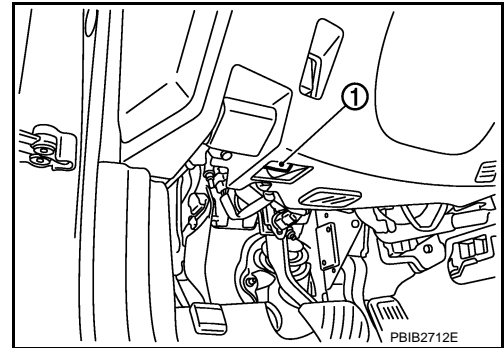
[VQ35DE]

< SERVICE INFORMATION >

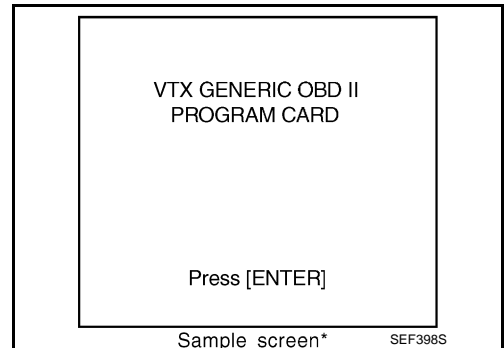
Diagnostic Service	Function
Service \$08	<p>—</p> <p>This diagnostic service can close EVAP system in ignition switch ON position (Engine stopped). When this diagnostic service is performed, EVAP canister vent control valve can be closed.</p> <p>In the following conditions, this diagnostic service cannot function.</p> <ul style="list-style-type: none"> • Low ambient temperature • Low battery voltage • Engine running • Ignition switch OFF • Low fuel temperature • Too much pressure is applied to EVAP system
Service \$09	<p>(CALIBRATION ID)</p> <p>This diagnostic service enables the off-board test device to request specific vehicle information such as Vehicle Identification Number (VIN) and Calibration IDs.</p>

INSPECTION PROCEDURE

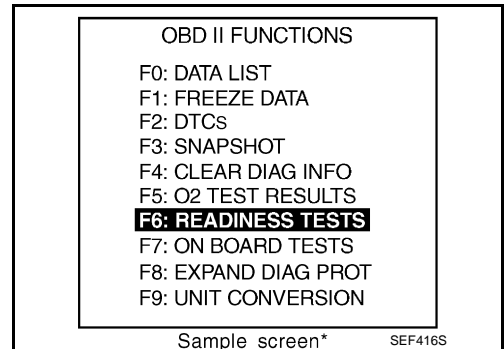
1. Turn ignition switch OFF.
2. Connect "GST" to data link connector (1), which is located under LH dash panel near the hood opener handle.



3. Turn ignition switch ON.
4. Enter the program according to instruction on the screen or in the operation manual.
(*: Regarding GST screens in this section, sample screens are shown.)



5. Perform each diagnostic mode according to each service procedure.
For further information, see the GST Operation Manual of the tool maker.



CONSULT-III Reference Value in Data Monitor Mode

INFOID:000000002954125

Remarks:

- Specification data are reference values.
- Specification data are output/input values which are detected or supplied by the ECM at the connector.

TROUBLE DIAGNOSIS

[VQ35DE]

< SERVICE INFORMATION >

* Specification data may not be directly related to their components signals/values/operations.

i.e. Adjust ignition timing with a timing light before monitoring IGN TIMING, because the monitor may show the specification data in spite of the ignition timing not being adjusted to the specification data. This IGN TIMING monitors the data calculated by the ECM according to the signals input from the camshaft position sensor and other ignition timing related sensors.

MONITOR ITEM	CONDITION		SPECIFICATION
ENG SPEED	• Run engine and compare CONSULT-III value with the tachometer indication.		Almost the same speed as the tachometer indication.
MAS A/F SE-B1	See EC-132 .		
B/FUEL SCHDL	See EC-132 .		
A/F ALPHA-B1 A/F ALPHA-B2	See EC-132 .		
COOLAN TEMP/S	• Engine: After warming up		More than 70°C (158°F)
A/F SEN1 (B1) A/F SEN1 (B2)	• Engine: After warming up	Maintaining engine speed at 2,000 rpm	Fluctuates around 1.5 V
HO2S2 (B1) HO2S2 (B2)	• Revving engine from idle to 3,000 rpm quickly after the following conditions are met		0 - 0.3V ↔ Approx. 0.6 - 1.0V
HO2S2 MNTR (B1) HO2S2 MNTR (B2)	- Engine: After warming up - Keeping engine speed between 3,500 and 4,000 rpm for 1 minute and at idle for 1 minute under no load		LEAN ↔ RICH
VHCL SPEED SE	• Turn drive wheels and compare CONSULT-III value with the speedometer indication.		Almost the same speed as speedometer indication
BATTERY VOLT	• Ignition switch: ON (Engine stopped)		11 - 14V
ACCEL SEN 1 ACCEL SEN 2* ¹	• Ignition switch: ON (Engine stopped)	Accelerator pedal: Fully released	0.4 - 1.1V
		Accelerator pedal: Fully depressed	3.7 - 4.8V
TP SEN 1-B1 TP SEN 1-B2* ¹	• Ignition switch: ON (Engine stopped) • Selector lever: D	Accelerator pedal: Fully released	More than 0.36V
		Accelerator pedal: Fully depressed	Less than 4.75V
EVAP SYS PRES	• Ignition switch: ON		Approx. 1.8 - 4.8V
START SIGNAL	• Ignition switch: ON → START → ON		OFF → ON → OFF
CLSD THL POS	• Ignition switch: ON (Engine stopped)	Accelerator pedal: Fully released	ON
		Accelerator pedal: Slightly depressed	OFF
AIR COND SIG	• Engine: After warming up, idle the engine	Air conditioner switch: OFF	OFF
		Air conditioner switch: ON (Compressor operates.)	ON
P/N POSI SW	• Ignition switch: ON	Selector lever: P or N	ON
		Selector lever: Except above	OFF
PW/ST SIGNAL	• Engine: After warming up, idle the engine	Steering wheel: Not being turned	OFF
		Steering wheel: Being turned	ON
LOAD SIGNAL	• Ignition switch: ON	Rear window defogger switch: ON and/or Lighting switch: 2nd position	ON
		Rear window defogger switch and lighting switch: OFF	OFF
IGNITION SW	• Ignition switch: ON → OFF → ON		ON → OFF → ON
HEATER FAN SW	• Engine: After warming up, idle the engine	Heater fan switch: ON	ON
		Heater fan switch: OFF	OFF
BRAKE SW	• Ignition switch: ON	Brake pedal: Fully released	OFF
		Brake pedal: Slightly depressed	ON
INJ PULSE-B1 INJ PULSE-B2	• Engine: After warming up • Selector lever: P or N • Air conditioner switch: OFF • No load	Idle	2.0 - 3.0 msec
		2,000 rpm	1.9 - 2.9 msec

A

EC

C

D

E

F

G

H

I

J

K

L

M

N

O

P

TROUBLE DIAGNOSIS

< SERVICE INFORMATION >

[VQ35DE]

MONITOR ITEM	CONDITION		SPECIFICATION
IGN TIMING	<ul style="list-style-type: none"> Engine: After warming up Selector lever: P or N Air conditioner switch: OFF No load 	Idle	13° - 18° BTDC
		2,000 rpm	25° - 45° BTDC
CAL/LD VALUE	<ul style="list-style-type: none"> Engine: After warming up Selector lever: P or N Air conditioner switch: OFF No load 	Idle	5% - 35%
		2,500 rpm	5% - 35%
MASS AIRFLOW	<ul style="list-style-type: none"> Engine: After warming up Selector lever: P or N Air conditioner switch: OFF No load 	Idle	2.0 - 6.0 g-m/s
		2,500 rpm	7.0 - 20.0 g-m/s
PURG VOL C/V	<ul style="list-style-type: none"> Engine: After warming up Selector lever: P or N Air conditioner switch: OFF No load 	Idle (Accelerator pedal: Not depressed even slightly, after engine starting.)	0%
		2,000 rpm	—
INT/V TIM (B1) INT/V TIM (B2)	<ul style="list-style-type: none"> Engine: After warming up Selector lever: P or N Air conditioner switch: OFF No load 	Idle	-5° - 5°C
		When revving engine up to 2,000 rpm quickly	Approx. 0° - 30°C
INT/V SOL (B1) INT/V SOL (B2)	<ul style="list-style-type: none"> Engine: After warming up Selector lever: P or N Air conditioner switch: OFF No load 	Idle	0% - 2%
		When revving engine up to 2,000 rpm quickly	Approx. 0% - 50%
AIR COND RLY	<ul style="list-style-type: none"> Engine: After warming up, idle the engine 	Air conditioner switch: OFF	OFF
		Air conditioner switch: ON (Compressor operates)	ON
FUEL PUMP RLY	<ul style="list-style-type: none"> For 1 seconds after turning ignition switch: ON Engine running or cranking 		ON
		<ul style="list-style-type: none"> Except above 	OFF
FPCM	<ul style="list-style-type: none"> Engine: Cranking 		HI
		<ul style="list-style-type: none"> Engine: Idle Engine coolant temperature: More than 10°C (50°F) 	LOW
VENT CONT/V	<ul style="list-style-type: none"> Ignition switch: ON 		OFF
THRTL RELAY	<ul style="list-style-type: none"> Ignition switch: ON 		ON
HO2S2 HTR (B1) HO2S2 HTR (B2)	<ul style="list-style-type: none"> Engine speed: Below 3,600 rpm after the following conditions are met. <ul style="list-style-type: none"> Engine: After warming up Keeping the engine speed between 3,500 and 4,000 rpm for 1 minute and at idle for 1 minute under no load 		ON
		<ul style="list-style-type: none"> Engine speed: Above 3,600 rpm 	OFF
I/P PULLY SPD	<ul style="list-style-type: none"> Vehicle speed: More than 20 km/h (12 MPH) 		Almost the same speed as the tachometer indication
VEHICLE SPEED	<ul style="list-style-type: none"> Turn drive wheels and compare CONSULT-III value with the speedometer indication. 		Almost the same speed as the speedometer indication
TRVL AFTER MIL	<ul style="list-style-type: none"> Ignition switch: ON 	Vehicle has traveled after MIL has turned ON.	0 - 65,535 km (0 - 40,723 miles)
A/F S1 HTR (B1) A/F S1 HTR (B2)	<ul style="list-style-type: none"> Engine: After warming up, idle the engine 		0 - 100%
AC PRESS SEN	<ul style="list-style-type: none"> Engine: Idle Both A/C switch and blower fan switch: ON (Compressor operates) 		1.0 - 4.0V
VHCL SPEED SE	<ul style="list-style-type: none"> Turn drive wheels and compare CONSULT-III value with the speedometer indication. 		Almost the same speed as the speedometer indication
SET VHCL SPD	<ul style="list-style-type: none"> Engine: Running 	ASCD: Operating	The preset vehicle speed is displayed

TROUBLE DIAGNOSIS

< SERVICE INFORMATION >

[VQ35DE]

MONITOR ITEM	CONDITION	SPECIFICATION	
MAIN SW	• Ignition switch: ON	MAIN switch: Pressed	ON
		MAIN switch: Released	OFF
CANCEL SW	• Ignition switch: ON	CANCEL switch: Pressed	ON
		CANCEL switch: Released	OFF
RESUME/ACC SW	• Ignition switch: ON	RESUME/ACCELERATE switch: Pressed	ON
		RESUME/ACCELERATE switch: Released	OFF
SET SW	• Ignition switch: ON	SET/COAST switch: Pressed	ON
		SET/COAST switch: Released	OFF
BRAKE SW1 (ICC/ASCD brake switch)	• Ignition switch: ON	Brake pedal: Fully released	ON
		Brake pedal: Slightly depressed	OFF
BRAKE SW2 (Stop lamp switch)	• Ignition switch: ON	Brake pedal: Fully released	OFF
		Brake pedal: Slightly depressed	ON
DIST SW	• Ignition switch: ON	DISTANCE switch: Pressed	ON
		DISTANCE switch: Released	OFF
CRUISE LAMP	• Ignition switch: ON	MAIN switch: Pressed at the 1st time → at the 2nd time	ON → OFF
SET LAMP	• MAIN switch: ON • When vehicle speed: Between 40 km/h (25 MPH) and 144 km/h (89 MPH)	ASCD: Operating	ON
		ASCD: Not operating	OFF
FAN DUTY	• Engine: Running		0 - 100%
AC EVA TEMP	• Engine: Idle • Both A/C switch and blower fan switch: ON (Compressor operates)		
AC EVA TARGET	• Engine: Idle • Both A/C switch and blower fan switch: ON (Compressor operates)		
ALT DUTY	• Engine: Idle		0 - 80%
BAT CUR SEN	• Engine speed: Idle • Battery: Fully charged*2 • Selector lever: P or N • Air conditioner switch: OFF • No load		Approx. 2,600 - 3,500mV
ALT DUTY SIG	• Power generation voltage variable control: Operating • Power generation voltage variable control: Not operating		ON
			OFF

*1: Accelerator pedal position sensor 2 signal and throttle position sensor 2 signal are converted by ECM internally. Thus, they differ from ECM terminals voltage signal.

*2: Before measuring the terminal voltage, confirm that the battery is fully charged. Refer to [SC-4, "How to Handle Battery"](#).

Major Sensor Reference Graph in Data Monitor Mode

INFOID:000000002954126

The following are the major sensor reference graphs in "DATA MONITOR" mode.

CLSD THL POS, ACCEL SEN 1, THRTL SEN 1

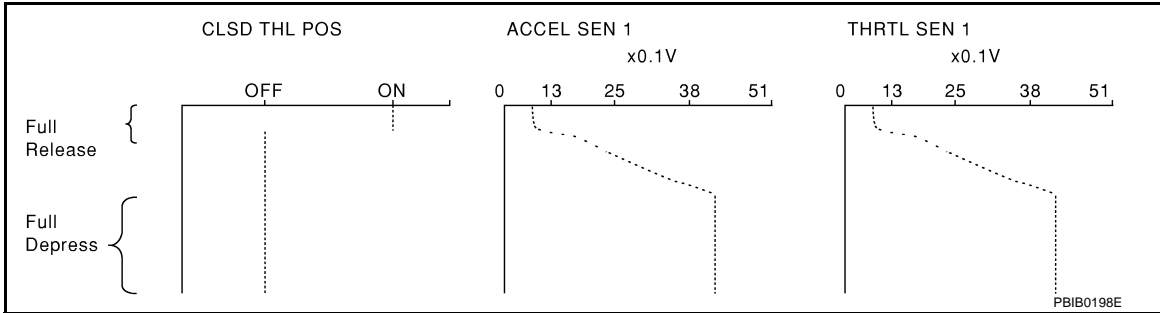
Below is the data for "CLSD THL POS", "ACCEL SEN 1" and "THRTL SEN 1" when depressing the accelerator pedal with the ignition switch ON and with selector lever in D position.

TROUBLE DIAGNOSIS

< SERVICE INFORMATION >

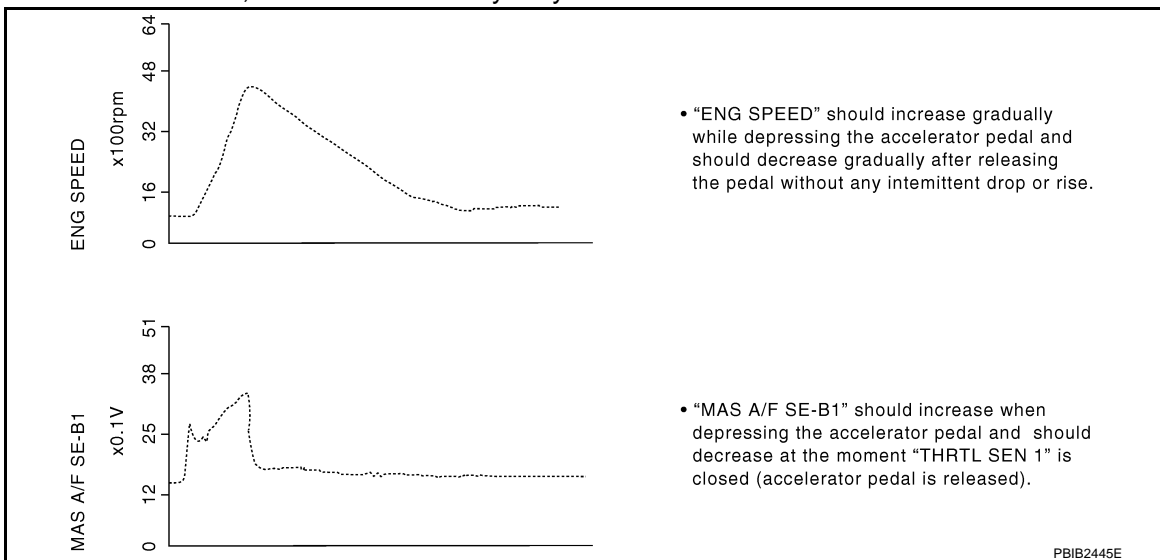
[VQ35DE]

The signal of "ACCEL SEN 1" and "THRTL SEN 1" should rise gradually without any intermittent drop or rise after "CLSD THL POS" is changed from "ON" to "OFF".



ENG SPEED, MAS A/F SE-B1, THRTL SEN 1, HO2S2 (B1), INJ PULSE-B1

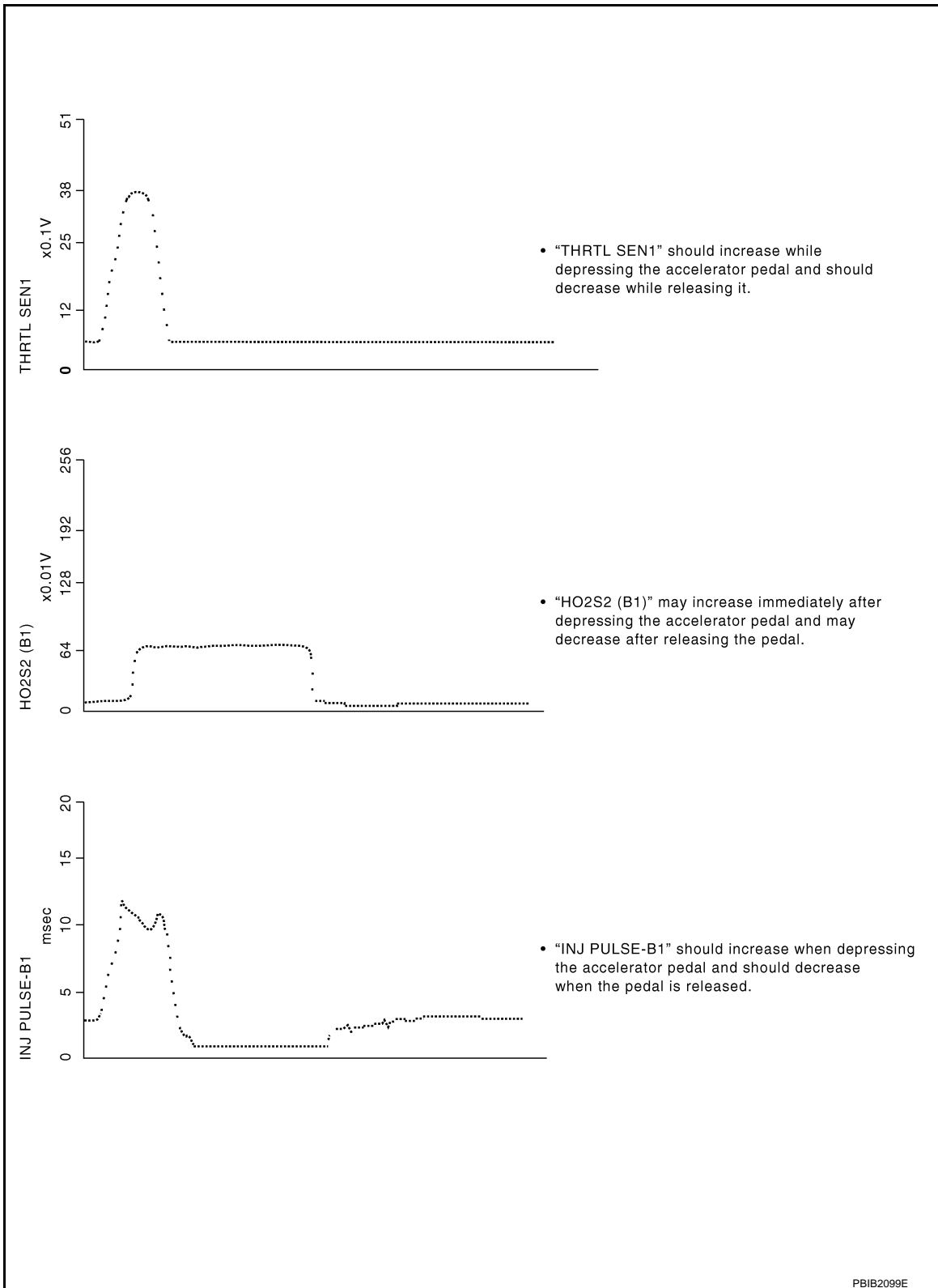
Below is the data for "ENG SPEED", "MAS A/F SE-B1", "THRTL SEN 1", "HO2S2 (B1)" and "INJ PULSE-B1" when revving engine quickly up to 4,800 rpm under no load after warming up engine sufficiently. Each value is for reference, the exact value may vary.



TROUBLE DIAGNOSIS

< SERVICE INFORMATION >

[VQ35DE]



A

EC

C

D

E

F

G

H

I

J

K

L

M

N

O

P

TROUBLE DIAGNOSIS - SPECIFICATION VALUE

< SERVICE INFORMATION >

[VQ35DE]

TROUBLE DIAGNOSIS - SPECIFICATION VALUE

Description

INFOID:000000002954127

The specification (SP) value indicates the tolerance of the value that is displayed in "SPEC" in "DATA MONITOR" mode of CONSULT-III during normal operation of the Engine Control System. When the value in "SPEC" in "DATA MONITOR" mode is within the SP value, the Engine Control System is confirmed OK. When the value in "SPEC" in "DATA MONITOR" mode is NOT within the SP value, the Engine Control System may have one or more malfunctions.

The SP value is used to detect malfunctions that may affect the Engine Control System, but will not light the MIL.

The SP value will be displayed for the following three items:

- B/FUEL SCHDL (The fuel injection pulse width programmed into ECM prior to any learned on board correction)
- A/F ALPHA-B1/B2 (The mean value of air-fuel ratio feedback correction factor per cycle)
- MAS A/F SE-B1 (The signal voltage of the mass air flow sensor)

Testing Condition

INFOID:000000002954128

- Vehicle driven distance: More than 5,000 km (3,107 miles)
- Barometric pressure: 98.3 - 104.3 kPa (1.003 - 1.064 kg/cm², 14.25 - 15.12 psi)
- Atmospheric temperature: 20 - 30°C (68 - 86°F)
- Engine coolant temperature: 75 - 95°C (167 - 203°F)
- Transmission: Warmed-up
- After the engine is warmed up to normal operating temperature, drive vehicle until "ATF TEMP SE 1" (A/T fluid temperature sensor signal) indicates more than 60°C (140°F).
- Electrical load: Not applied
- Rear window defogger switch, air conditioner switch, lighting switch are OFF. Steering wheel is straight ahead.
- Engine speed: Idle

Inspection Procedure

INFOID:000000002954129

NOTE:

Perform "SPEC" in "DATA MONITOR" mode in maximum scale display.

1. Perform [EC-76. "Basic Inspection"](#).
2. Confirm that the testing conditions indicated above are met.
3. Select "B/FUEL SCHDL", "A/F ALPHA-B1", "A/F ALPHA-B2" and "MAS A/F SE-B1" in "SPEC" of "DATA MONITOR" mode with CONSULT-III.
4. Make sure that monitor items are within the SP value.
5. If NG, go to [EC-133. "Diagnosis Procedure"](#).

TROUBLE DIAGNOSIS - SPECIFICATION VALUE

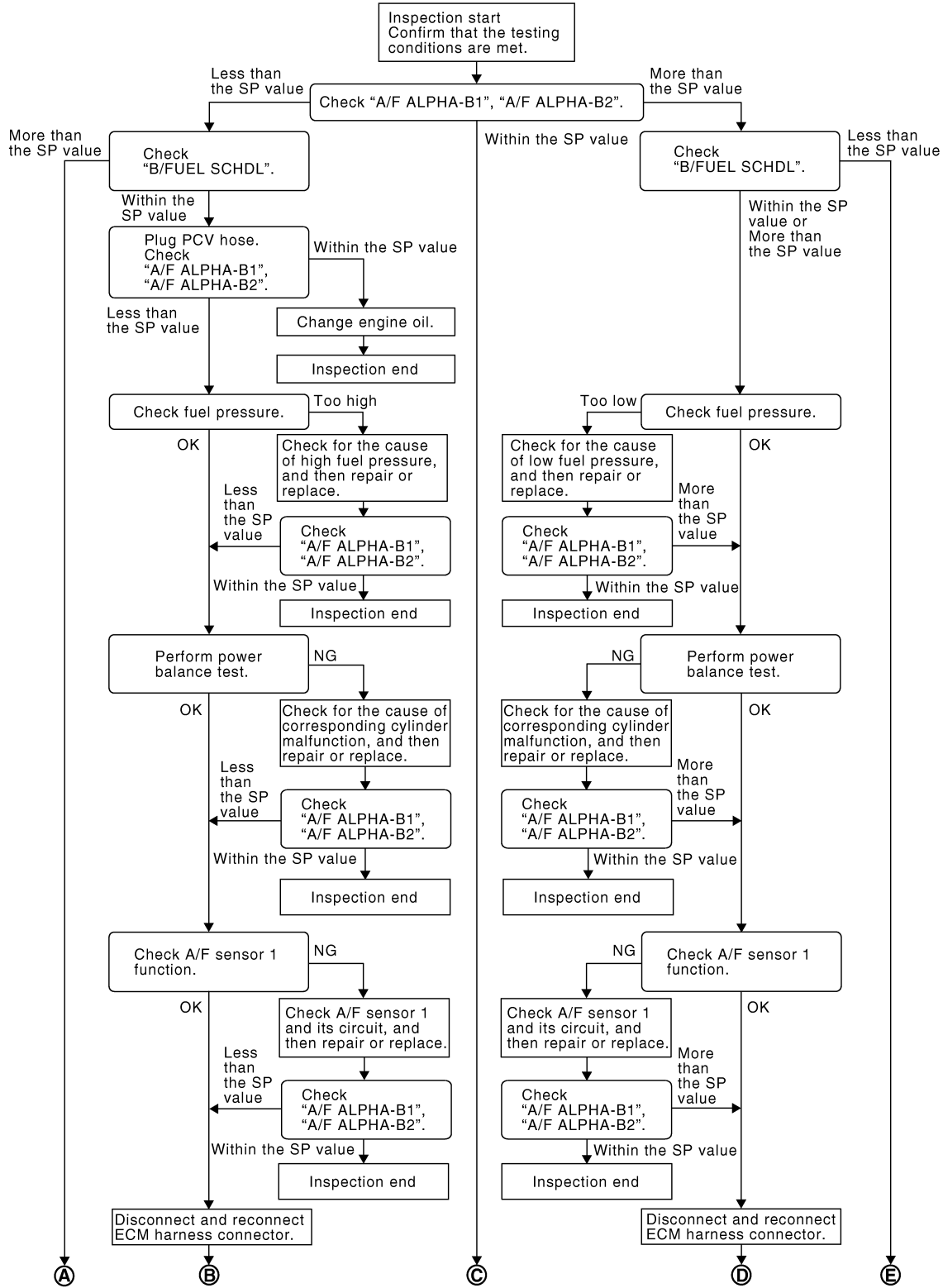
< SERVICE INFORMATION >

[VQ35DE]

Diagnosis Procedure

INFOID:00000002954130

OVERALL SEQUENCE

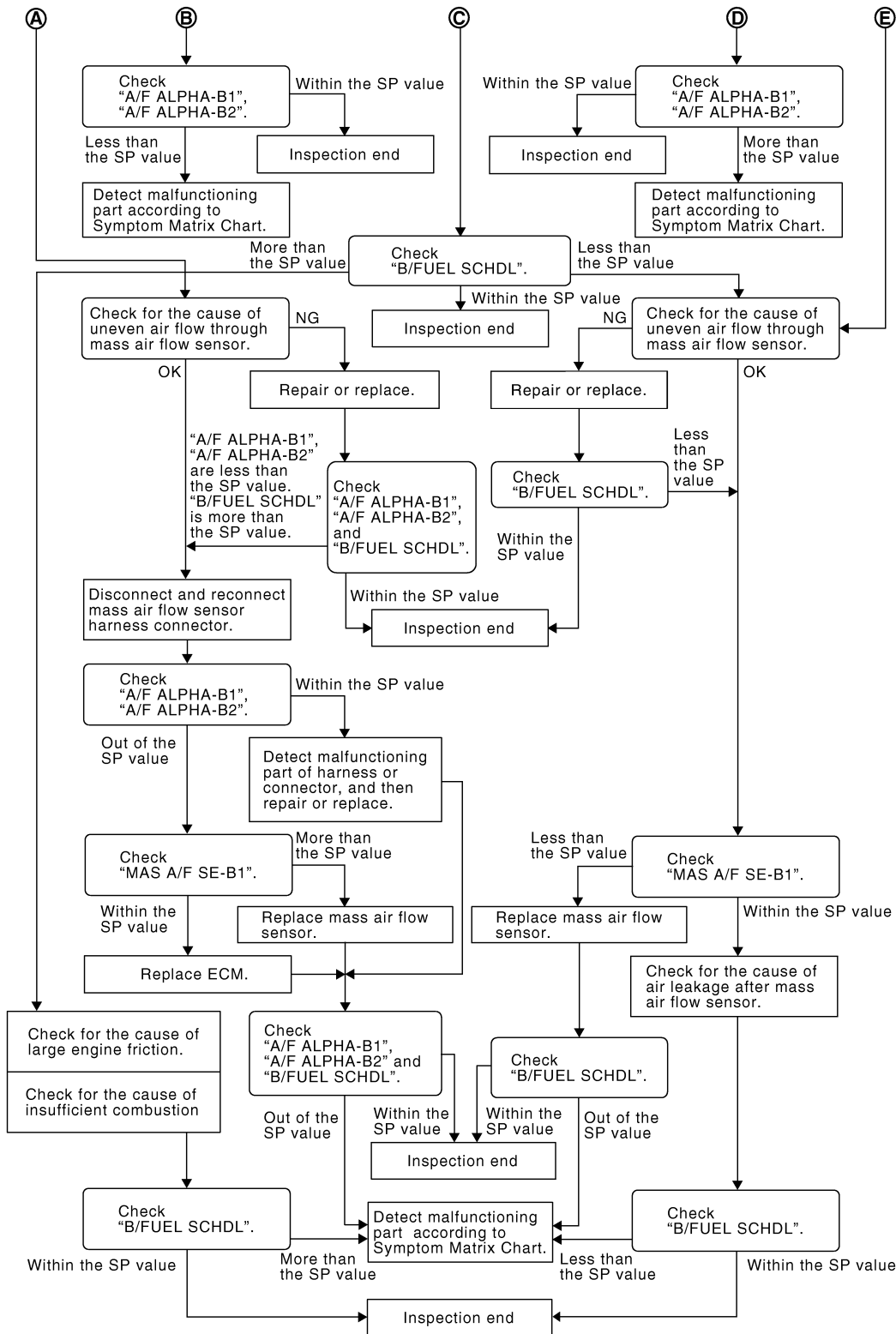


PBIB2268E

TROUBLE DIAGNOSIS - SPECIFICATION VALUE

< SERVICE INFORMATION >

[VQ35DE]



PBIB3214E

DETAILED PROCEDURE

1. CHECK "A/F ALPHA-B1", "A/F ALPHA-B2"

1. Start engine.
2. Confirm that the testing conditions are met. Refer to [EC-132. "Testing Condition"](#).
3. Select "A/F ALPHA-B1", "A/F ALPHA-B2" in "SPEC" of "DATA MONITOR" mode, and make sure that the each indication is within the SP value.

NOTE:

TROUBLE DIAGNOSIS - SPECIFICATION VALUE

[VQ35DE]

< SERVICE INFORMATION >

Check "A/F ALPHA-B1", "A/F ALPHA-B2" for approximately 1 minute because they may fluctuate. It is NG if the indication is out of the SP value even a little.

OK or NG

OK >> GO TO 17.

NG (Less than the SP value)>>GO TO 2.

NG (More than the SP value)>>GO TO 3.

2.CHECK "B/FUEL SCHDL"

Select "B/FUEL SCHDL" in "SPEC" of "DATA MONITOR" mode, and make sure that the indication is within the SP value.

OK or NG

OK >> GO TO 4.

NG (More than the SP value)>>GO TO 19.

3.CHECK "B/FUEL SCHDL"

Select "B/FUEL SCHDL" in "SPEC" of "DATA MONITOR" mode, and make sure that the indication is within the SP value.

OK or NG

OK >> GO TO 6.

NG (More than the SP value)>>GO TO 6.

NG (Less than the SP value)>>GO TO 25.

4.CHECK "A/F ALPHA-B1", "A/F ALPHA-B2"

1. Stop the engine.

2. Disconnect PCV hose, and then plug it.

3. Start engine.

4. Select "A/F ALPHA-B1", "A/F ALPHA-B2" in "SPEC" of "DATA MONITOR" mode, and make sure that the each indication is within the SP value.

OK or NG

OK >> GO TO 5.

NG >> GO TO 6.

5.CHANGE ENGINE OIL

1. Stop the engine.

2. Change engine oil.

NOTE:

This symptom may occur when a large amount of gasoline is mixed with engine oil because of driving conditions (such as when engine oil temperature does not rise enough since a journey distance is too short during winter). The symptom will not be detected after changing engine oil or changing driving condition.

>> INSPECTION END

6.CHECK FUEL PRESSURE

Check fuel pressure. (Refer to [EC-84, "Fuel Pressure Check"](#).)

OK or NG

OK >> GO TO 9.

NG (Fuel pressure is too high)>>Replace fuel pressure regulator, refer to [EC-84, "Fuel Pressure Check"](#). GO TO 8.

NG (Fuel pressure is too low)>>GO TO 7.

7.DETECT MALFUNCTIONING PART

1. Check the following.

- Clogged and bent fuel hose and fuel tube

- Clogged fuel filter

- Fuel pump and its circuit (Refer to [EC-600](#).)

2. If NG, repair or replace the malfunctioning part. (Refer to [EC-84, "Fuel Pressure Check"](#).)
If OK, replace fuel pressure regulator.

< SERVICE INFORMATION >

>> GO TO 8.

8.CHECK "A/F ALPHA-B1", "A/F ALPHA-B2"

1. Start engine.
2. Select "A/F ALPHA-B1", "A/F ALPHA-B2" in "SPEC" of "DATA MONITOR" mode, and make sure that the each indication is within the SP value.

OK or NG

- OK >> **INSPECTION END**
 NG >> GO TO 9.

9.PERFORM POWER BALANCE TEST

1. Perform "POWER BALANCE" in "ACTIVE TEST" mode.
2. Make sure that the each cylinder produces a momentary engine speed drop.

OK or NG

- OK >> GO TO 12.
 NG >> GO TO 10.

10.DETECT MALFUNCTIONING PART

1. Check the following.
 - Ignition coil and its circuit (Refer to [EC-614.](#))
 - Fuel injector and its circuit (Refer to [EC-594.](#))
 - Intake air leakage
 - Low compression pressure (Refer to [EM-101. "On-Vehicle Service."](#))
2. If NG, repair or replace the malfunctioning part.
 If OK, replace fuel injector. (It may be caused by leakage from fuel injector or clogging.)

>> GO TO 11.

11.CHECK "A/F ALPHA-B1", "A/F ALPHA-B2"

1. Start engine.
2. Select "A/F ALPHA-B1", "A/F ALPHA-B2" in "SPEC" of "DATA MONITOR" mode, and make sure that the each indication is within the SP value.

OK or NG

- OK >> **INSPECTION END**
 NG >> GO TO 12.

12.CHECK A/F SENSOR 1 FUNCTION

Perform all DTC Confirmation Procedure related with A/F sensor 1.

- For DTC P0130, P0150, refer to [EC-218. "DTC Confirmation Procedure"](#).
- For DTC P0131, P0151, refer to [EC-226. "DTC Confirmation Procedure"](#).
- For DTC P0132, P0152, refer to [EC-234. "DTC Confirmation Procedure"](#).
- For DTC P0133, P0153, refer to [EC-242. "DTC Confirmation Procedure"](#).
- For DTC P2A00, P2A03, refer to [EC-574. "DTC Confirmation Procedure"](#).

OK or NG

- OK >> GO TO 15.
 NG >> GO TO 13.

13.CHECK A/F SENSOR 1 CIRCUIT

Perform Diagnostic Procedure according to corresponding DTC.

>> GO TO 14.

14.CHECK "A/F ALPHA-B1", "A/F ALPHA-B2"

1. Start engine.
2. Select "A/F ALPHA-B1", "A/F ALPHA-B2" in "SPEC" of "DATA MONITOR" mode, and make sure that the each indication is within the SP value.

OK or NG

TROUBLE DIAGNOSIS - SPECIFICATION VALUE

[VQ35DE]

< SERVICE INFORMATION >

OK >> **INSPECTION END**
NG >> GO TO 15.

15. DISCONNECT AND RECONNECT ECM HARNESS CONNECTOR

1. Stop the engine.
2. Disconnect ECM harness connector. Check pin terminal and connector for damage, and then reconnect it.

>> GO TO 16.

16. CHECK "A/F ALPHA-B1", "A/F ALPHA-B2"

1. Start engine.
2. Select "A/F ALPHA-B1", "A/F ALPHA-B2" in "SPEC" of "DATA MONITOR" mode, and make sure that the each indication is within the SP value.

OK or NG

OK >> **INSPECTION END**
NG >> Detect malfunctioning part according to [EC-93. "Symptom Matrix Chart"](#).

17. CHECK "B/FUEL SCHDL"

Select "B/FUEL SCHDL" in "SPEC" of "DATA MONITOR" mode, and make sure that the indication is within the SP value.

OK or NG

OK >> **INSPECTION END**
NG (More than the SP value) >> GO TO 18.
NG (Less than the SP value) >> GO TO 25.

18. DETECT MALFUNCTIONING PART

1. Check for the cause of large engine friction. Refer to the following.
 - Engine oil level is too high
 - Engine oil viscosity
 - Belt tension of power steering, alternator, A/C compressor, etc. is excessive
 - Noise from engine
 - Noise from transmission, etc.
2. Check for the cause of insufficient combustion. Refer to the following.
 - Valve clearance malfunction
 - Intake valve timing control function malfunction
 - Camshaft sprocket installation malfunction, etc.

>> Repair or replace malfunctioning part, and then GO TO 30.

19. CHECK INTAKE SYSTEM

Check for the cause of uneven air flow through mass air flow sensor. Refer to the following.

- Crushed air ducts
- Malfunctioning seal of air cleaner element
- Uneven dirt of air cleaner element
- Improper specification of intake air system

OK or NG

OK >> GO TO 21.
NG >> Repair or replace malfunctioning part, and then GO TO 20.

20. CHECK "A/F ALPHA-B1", "A/F ALPHA-B2", AND "B/FUEL SCHDL"

Select "A/F ALPHA-B1", "A/F ALPHA-B2", and "B/FUEL SCHDL" in "SPEC" of "DATA MONITOR" mode, and make sure that the each indication is within the SP value.

OK or NG

OK >> **INSPECTION END**
NG ("B/FUEL SCHDL" is more, "A/F ALPHA-B1", "A/F ALPHA-B2" are less than the SP value) >> GO TO 21.

21. DISCONNECT AND RECONNECT MASS AIR FLOW SENSOR HARNESS CONNECTOR

1. Stop the engine.

TROUBLE DIAGNOSIS - SPECIFICATION VALUE

[VQ35DE]

< SERVICE INFORMATION >

2. Disconnect mass air flow sensor harness connector. Check pin terminal and connector for damage and then reconnect it again.

>> GO TO 22.

22.CHECK "A/F ALPHA-B1", "A/F ALPHA-B2"

1. Start engine.
2. Select "A/F ALPHA-B1", "A/F ALPHA-B2" in "SPEC" of "DATA MONITOR" mode, and make sure that the each indication is within the SP value.

OK or NG

OK >> 1. Detect malfunctioning part of mass air flow sensor circuit and repair it. Refer to [EC-185](#).
2. GO TO 29.

NG >> GO TO 23.

23.CHECK "MAS A/F SE-B1"

Select "MAS A/F SE-B1" in "SPEC" of "DATA MONITOR" mode, and make sure that the indication is within the SP value.

OK or NG

OK >> GO TO 24.

NG (More than the SP value)>>Replace mass air flow sensor, and then GO TO 29.

24.REPLACE ECM

1. Replace ECM.
2. Perform initialization of IVIS (NATS) system and registration of all IVIS (NATS) ignition key IDs. Refer to [BL-221, "ECM Re-Communicating Function"](#).
3. Perform [EC-81, "VIN Registration"](#).
4. Perform [EC-82, "Accelerator Pedal Released Position Learning"](#).
5. Perform [EC-82, "Throttle Valve Closed Position Learning"](#).
6. Perform [EC-82, "Idle Air Volume Learning"](#).

>> GO TO 29.

25.CHECK INTAKE SYSTEM

Check for the cause of uneven air flow through mass air flow sensor. Refer to the following.

- Crushed air ducts
- Malfunctioning seal of air cleaner element
- Uneven dirt of air cleaner element
- Improper specification of intake air system

OK or NG

OK >> GO TO 27.

NG >> Repair or replace malfunctioning part, and then GO TO 26.

26.CHECK "B/FUEL SCHDL"

Select "B/FUEL SCHDL" in "SPEC" of "DATA MONITOR" mode, and make sure that the indication is within the SP value.

OK or NG

OK >> **INSPECTION END**

NG (Less than the SP value)>>GO TO 27.

27.CHECK "MAS A/F SE-B1"

Select "MAS A/F SE-B1" in "SPEC" of "DATA MONITOR" mode, and make sure that the indication is within the SP value.

OK or NG

OK >> GO TO 28.

NG (Less than the SP value)>>Replace mass air flow sensor, and then GO TO 30.

28.CHECK INTAKE SYSTEM

Check for the cause of air leak after the mass air flow sensor. Refer to the following.

TROUBLE DIAGNOSIS - SPECIFICATION VALUE

[VQ35DE]

< SERVICE INFORMATION >

- Disconnection, looseness, and cracks in air duct
- Looseness of oil filler cap
- Disconnection of oil level gauge
- Open stuck, breakage, hose disconnection, or cracks of PCV valve
- Disconnection or cracks of EVAP purge hose, open stuck of EVAP canister purge volume control solenoid valve
- Malfunctioning seal of rocker cover gasket
- Disconnection, looseness, or cracks of hoses, such as vacuum hose, connecting to intake air system parts
- Malfunctioning seal of intake air system, etc.

>> GO TO 30.

29.CHECK "A/F ALPHA-B1", "A/F ALPHA-B2", AND "B/FUEL SCHDL"

Select "A/F ALPHA-B1", "A/F ALPHA-B2", and "B/FUEL SCHDL" in "SPEC" of "DATA MONITOR" mode, and make sure that the each indication is within the SP value.

OK or NG

OK >> **INSPECTION END**

NG >> Detect malfunctioning part according to [EC-93. "Symptom Matrix Chart"](#).

30.CHECK "B/FUEL SCHDL"

Select "B/FUEL SCHDL" in "SPEC" of "DATA MONITOR" mode, and then make sure that the indication is within the SP value.

OK or NG

OK >> **INSPECTION END**

NG >> Detect malfunctioning part according to [EC-93. "Symptom Matrix Chart"](#).

A
EC
C
D
E
F
G
H
I
J
K
L
M
N
O
P

TROUBLE DIAGNOSIS FOR INTERMITTENT INCIDENT

< SERVICE INFORMATION >

[VQ35DE]

TROUBLE DIAGNOSIS FOR INTERMITTENT INCIDENT

Description

INFOID:000000002954131

Intermittent incidents may occur. In many cases, the malfunction resolves itself (the part or circuit function returns to normal without intervention). It is important to realize that the symptoms described in the customer's complaint often do not recur on (1st trip) DTC visits. Realize also that the most frequent cause of intermittent incidents occurrences is poor electrical connections. Because of this, the conditions under which the incident occurred may not be clear. Therefore, circuit checks made as part of the standard diagnostic procedure may not indicate the specific malfunctioning area.

Common Intermittent Incidents Report Situations

STEP in Work Flow	Situation
2	The CONSULT-III is used. The SELF-DIAG RESULTS screen shows time data other than [0] or [1t].
3 or 4	The symptom described by the customer does not recur.
5	(1st trip) DTC does not appear during the DTC Confirmation Procedure.
10	The Diagnostic Procedure for PXXXX does not indicate the malfunctioning area.

Diagnosis Procedure

INFOID:000000002954132

1.INSPECTION START

Erase (1st trip) DTCs. Refer to [EC-55. "Emission-Related Diagnostic Information"](#).

>> GO TO 2.

2.CHECK GROUND TERMINALS

Check ground terminals for corroding or loose connection.

Refer to [EC-146. "Ground Inspection"](#).

OK or NG

OK >> GO TO 3.

NG >> Repair or replace.

3.SEARCH FOR ELECTRICAL INCIDENT

Perform [GI-26. "How to Perform Efficient Diagnosis for an Electrical Incident"](#), "INCIDENT SIMULATION TESTS".

OK or NG

OK >> GO TO 4.

NG >> Repair or replace.

4.CHECK CONNECTOR TERMINALS

Refer to [GI-23. "How to Check Terminal"](#), "HOW TO PROBE CONNECTORS", "How to Check Enlarged Contact Spring of Terminal".

OK or NG

OK >> **INSPECTION END**

NG >> Repair or replace connector.

POWER SUPPLY AND GROUND CIRCUIT

< SERVICE INFORMATION >

[VQ35DE]

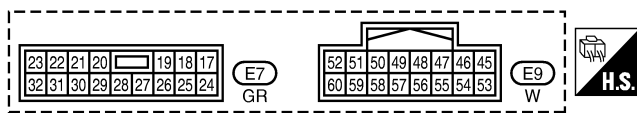
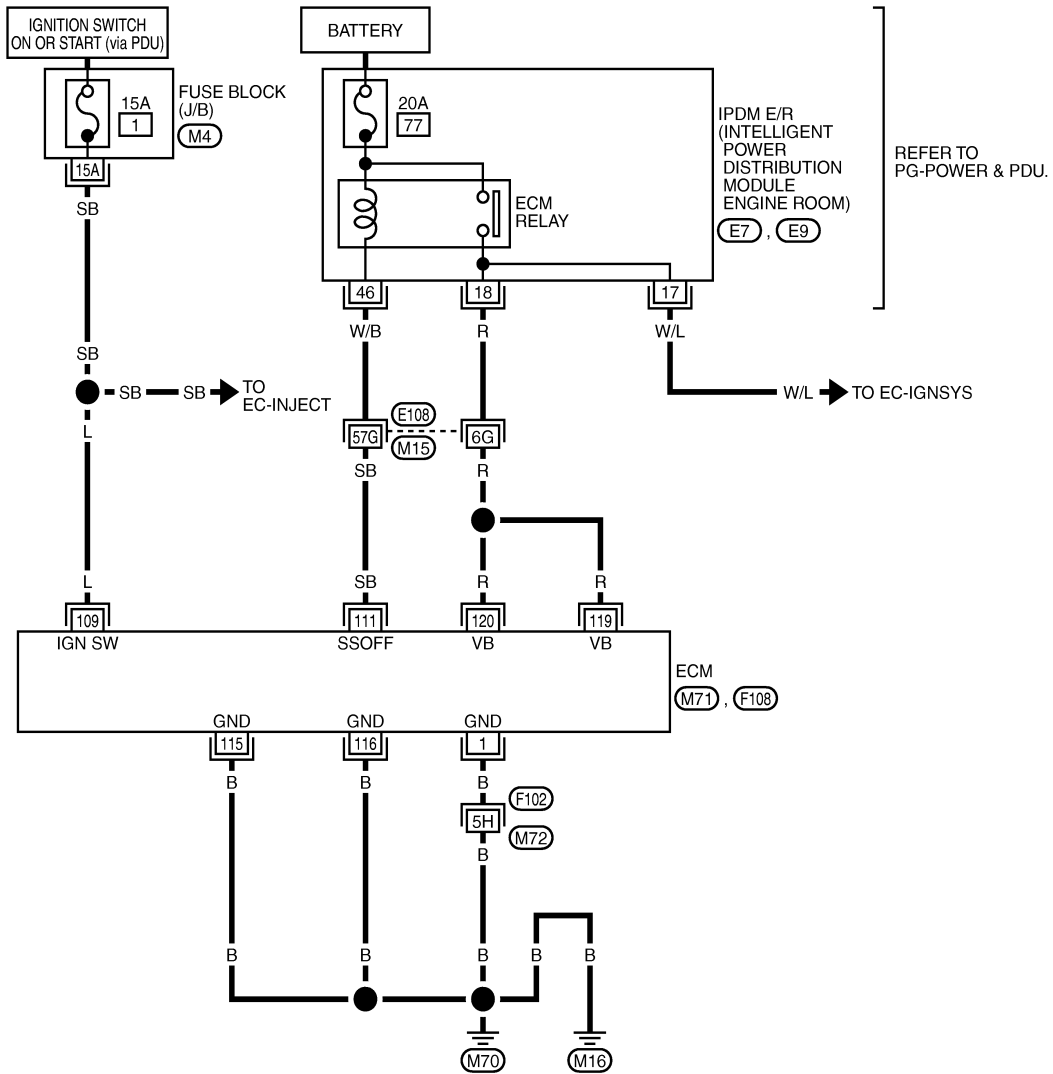
POWER SUPPLY AND GROUND CIRCUIT

Wiring Diagram

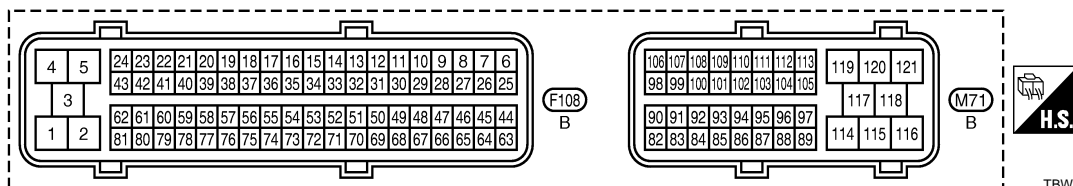
INFOID:000000002954133

EC-MAIN-01

— : DETECTABLE LINE FOR DTC
 - - - : NON-DETECTABLE LINE FOR DTC



REFER TO THE FOLLOWING.
 (E108), (F102) - SUPER MULTIPLE JUNCTION (SMJ)
 (M4) - FUSE BLOCK - JUNCTION BOX (J/B)



TBWT1948E

Specification data are reference values and are measured between each terminal and ground.

CAUTION:

Do not use ECM ground terminals when measuring input/output voltage. Doing so may result in damage to the ECM's transistor. Use a ground other than ECM terminals, such as the ground.

POWER SUPPLY AND GROUND CIRCUIT

< SERVICE INFORMATION >

[VQ35DE]

TER-MI-NAL NO.	WIRE COLOR	ITEM	CONDITION	DATA (DC Voltage)
1	B	ECM ground	[Engine is running] • Idle speed	Body ground
109	L	Ignition switch	[Ignition switch: OFF]	0V
			[Ignition switch: ON]	BATTERY VOLTAGE (11 - 14V)
111	SB	ECM relay (Self shut-off)	[Engine is running] [Ignition switch: OFF] • For a few seconds after turning ignition switch OFF	0 - 1.5V
			[Ignition switch: OFF] • More than a few seconds after turning ignition switch OFF	BATTERY VOLTAGE (11 - 14V)
115 116	B B	ECM ground	[Engine is running] • Idle speed	Body ground
119 120	R R	Power supply for ECM	[Ignition switch: ON]	BATTERY VOLTAGE (11 - 14V)

Diagnosis Procedure

INFOID:000000002954134

1. INSPECTION START

Start engine.

Is engine running?

Yes or No

Yes >> GO TO 8.

No >> GO TO 2.

2. CHECK ECM POWER SUPPLY CIRCUIT-I

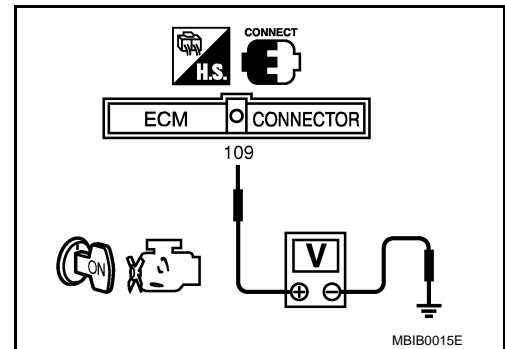
- Turn ignition switch OFF and then ON.
- Check voltage between ECM terminal 109 and ground with CONSULT-III or tester.

Voltage: Battery voltage

OK or NG

OK >> GO TO 4.

NG >> GO TO 3.



3. DETECT MALFUNCTIONING PART

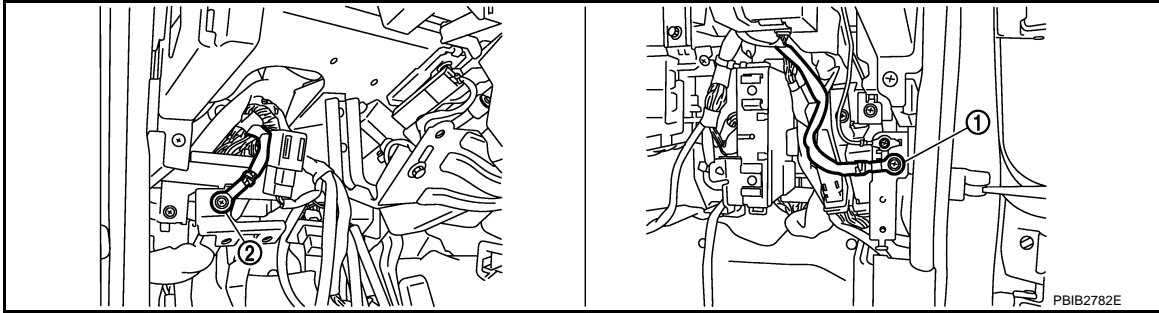
Check the following.

- Fuse block (J/B) connector M4
- 15A fuse
- Harness for open or short between ECM and fuse

>> Repair open circuit or short to ground or short to power in harness or connectors.

4. CHECK GROUND CONNECTIONS-I

- Turn ignition switch OFF.
- Loosen and retighten two ground screws on the body.
Refer to [EC-146. "Ground Inspection"](#).



1. Body ground M70
2. Body ground M16

OK or NG

- OK >> GO TO 5.
- NG >> Repair or replace ground connections.

5. CHECK ECM GROUND CIRCUIT FOR OPEN AND SHORT-I

1. Disconnect ECM harness connector.
2. Check harness continuity between ECM terminals 1, 115, 116 and ground. Refer to Wiring Diagram.

Continuity should exist.

3. Also check harness for short to power.

OK or NG

- OK >> GO TO 7.
- NG >> GO TO 6.

6. DETECT MALFUNCTIONING PART

Check the following.

- Harness connectors F102, M72
- Harness for open or short between ECM and ground

>> Repair open circuit or short to power in harness or connectors.

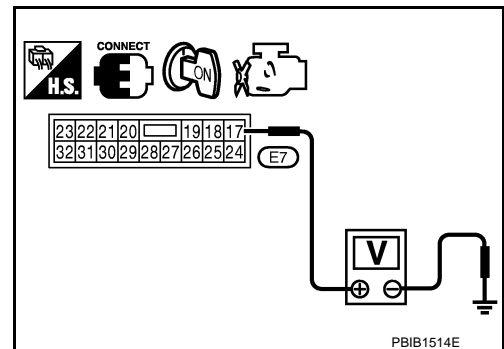
7. CHECK ECM POWER SUPPLY CIRCUIT-II

1. Reconnect ECM harness connector.
2. Turn ignition switch ON.
3. Check voltage between IPDM E/R terminal 17 and ground with CONSULT-III or tester.

Voltage: Battery voltage

OK or NG

- OK >> Go to [EC-614](#).
- NG >> GO TO 8.



8. CHECK ECM POWER SUPPLY CIRCUIT-III

1. Turn ignition switch OFF and wait at least 10 seconds.

POWER SUPPLY AND GROUND CIRCUIT

[VQ35DE]

< SERVICE INFORMATION >

2. Check voltage between ECM terminals 119, 120 and ground with CONSULT-III or tester.

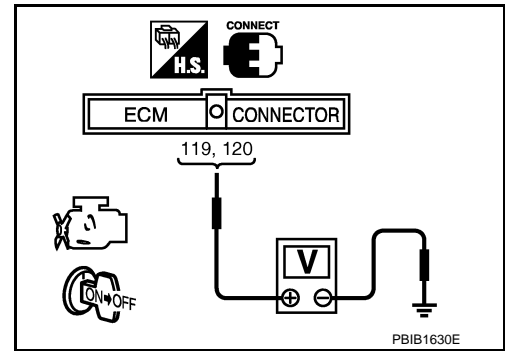
Voltage: After turning ignition switch OFF, battery voltage will exist for a few seconds, then drop approximately 0V.

OK or NG

OK >> GO TO 15.

NG (Battery voltage does not exist.)>>GO TO 9.

NG (Battery voltage exists for more than a few seconds.)>>GO TO 12.



9. CHECK ECM POWER SUPPLY CIRCUIT-IV

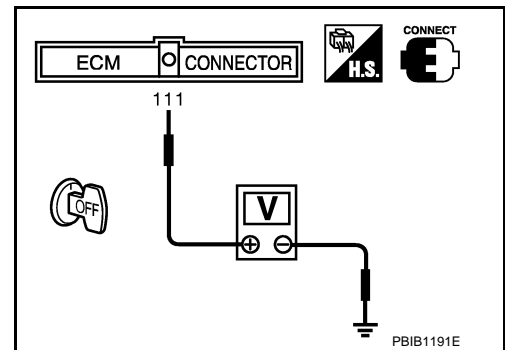
1. Turn ignition switch OFF and wait at least 10 seconds.
2. Check voltage between ECM terminal 111 and ground with CONSULT-III or tester.

Voltage: Battery voltage

OK or NG

OK >> GO TO 10.

NG >> GO TO 12.



10. CHECK ECM POWER SUPPLY CIRCUIT-V

1. Disconnect ECM harness connector.
2. Disconnect IPDM E/R harness connector E7.
3. Check harness continuity between ECM terminals 119, 120 and IPDM E/R terminal 18. Refer to Wiring Diagram.

Continuity should exist.

4. Also check harness for short to ground and short to power.

OK or NG

OK >> GO TO 18.

NG >> GO TO 11.

11. DETECT MALFUNCTIONING PART

Check the following.

- Harness or connectors E108, M15
- Harness for open or short between ECM and IPDM E/R

>> Repair open circuit or short to ground or short to power in harness or connectors.

12. CHECK ECM POWER SUPPLY CIRCUIT-VI

1. Disconnect ECM harness connector.
2. Disconnect IPDM E/R harness connector E9.
3. Check harness continuity between ECM terminal 111 and IPDM E/R terminal 46. Refer to Wiring Diagram.

Continuity should exist.

4. Also check harness for short to ground and short to power.

OK or NG

OK >> GO TO 14.

NG >> GO TO 13.

POWER SUPPLY AND GROUND CIRCUIT

[VQ35DE]

< SERVICE INFORMATION >

13. DETECT MALFUNCTIONING PART

Check the following.

- Harness or connectors E108, M15
- Harness for open or short between ECM and IPDM E/R

>> Repair open circuit or short to ground or short to power in harness or connectors.

14. CHECK 20A FUSE

1. Disconnect 20A fuse from IPDM E/R.
2. Check 20A fuse.

OK or NG

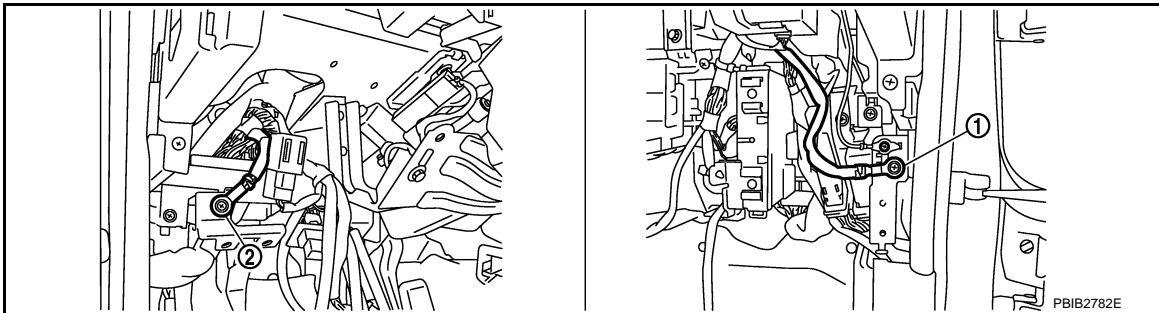
OK >> GO TO 18.

NG >> Replace 20A fuse.

15. CHECK GROUND CONNECTIONS-II

Loosen and retighten two ground screws on the body.

Refer to [EC-146. "Ground Inspection"](#).



1. Body ground M70

2. Body ground M16

OK or NG

OK >> GO TO 16.

NG >> Repair or replace ground connections.

16. CHECK ECM GROUND CIRCUIT FOR OPEN AND SHORT-II

1. Disconnect ECM harness connector.
2. Check harness continuity between ECM terminals 1, 115, 116 and ground.
Refer to Wiring Diagram.

Continuity should exist.

3. Also check harness for short to power.

OK or NG

OK >> GO TO 18.

NG >> GO TO 17.

17. DETECT MALFUNCTIONING PART

Check the following.

- Harness or connectors F102, M72
- Harness for open or short between ECM and ground

>> Repair open circuit or short to power in harness or connectors.

18. CHECK INTERMITTENT INCIDENT

Refer to [EC-140](#).

OK or NG

OK >> Replace IPDM E/R. Refer to [PG-19](#).

NG >> Repair open circuit or short to ground or short to power in harness or connectors.

POWER SUPPLY AND GROUND CIRCUIT

< SERVICE INFORMATION >

[VQ35DE]

Ground Inspection

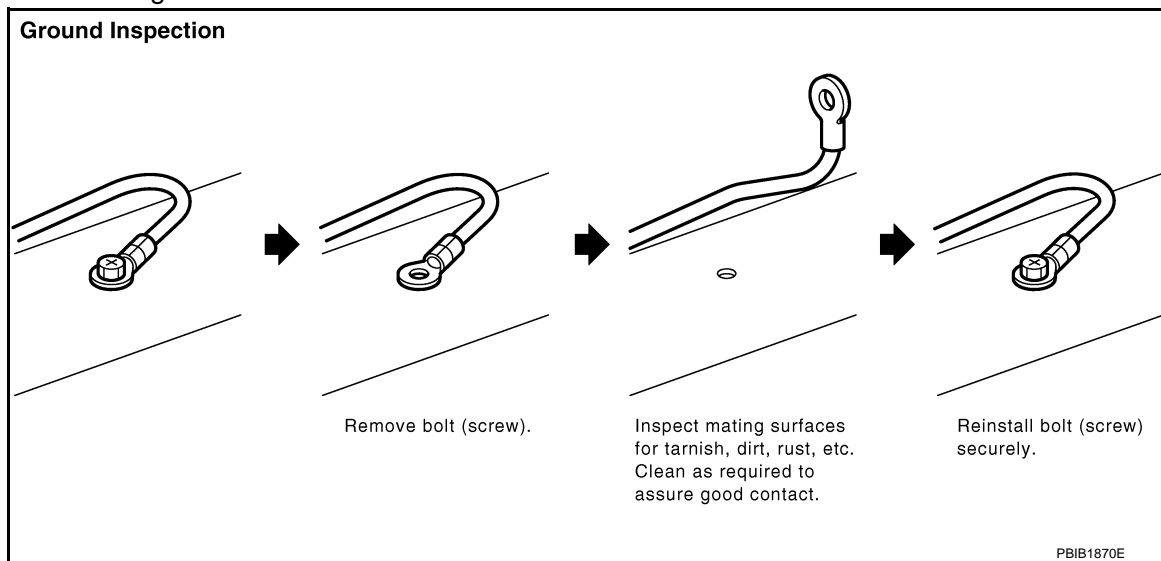
INFOID:000000002954135

Ground connections are very important to the proper operation of electrical and electronic circuits. Ground connections are often exposed to moisture, dirt and other corrosive elements. The corrosion (rust) can become an unwanted resistance. This unwanted resistance can change the way a circuit works.

Electronically controlled circuits are very sensitive to proper grounding. A loose or corroded ground can drastically affect an electronically controlled circuit. A poor or corroded ground can easily affect the circuit. Even when the ground connection looks clean, there can be a thin film of rust on the surface.

When inspecting a ground connection follow these rules:

- Remove the ground bolt or screw.
- Inspect all mating surfaces for tarnish, dirt, rust, etc.
- Clean as required to assure good contact.
- Reinstall bolt or screw securely.
- Inspect for “add-on” accessories which may be interfering with the ground circuit.
- If several wires are crimped into one ground eyelet terminal, check for proper crimps. Make sure all of the wires are clean, securely fastened and providing a good ground path. If multiple wires are cased in one eyelet make sure no ground wires have excess wire insulation.



DTC U1000, U1001 CAN COMMUNICATION LINE

< SERVICE INFORMATION >

[VQ35DE]

DTC U1000, U1001 CAN COMMUNICATION LINE

Description

INFOID:000000002954136

CAN (Controller Area Network) is a serial communication line for real time application. It is an on-vehicle multiplex communication line with high data communication speed and excellent error detection ability. Many electronic control units are equipped onto a vehicle, and each control unit shares information and links with other control units during operation (not independent). In CAN communication, control units are connected with 2 communication lines (CAN H line, CAN L line) allowing a high rate of information transmission with less wiring. Each control unit transmits/receives data but selectively reads required data only.

On Board Diagnosis Logic

INFOID:000000002954137

DTC No.	Trouble diagnosis name	DTC detecting condition	Possible cause
U1000*1 1000*1	CAN communication line	<ul style="list-style-type: none">When ECM is not transmitting or receiving CAN communication signal of OBD (emission-related diagnosis) for 2 seconds or more.	<ul style="list-style-type: none">Harness or connectors (CAN communication line is open or shorted)
U1001*2*3 1001*2*3		<ul style="list-style-type: none">When ECM is not transmitting or receiving CAN communication signal other than OBD (emission-related diagnosis) for 2 seconds or more.	

*1: This self-diagnosis has the one trip detection logic.

*2: The MIL will not light up for this diagnosis.

*3: This self-diagnosis has the one or two trip detection logic. (Models with ICC)

DTC Confirmation Procedure

INFOID:000000002954138

1. Turn ignition switch ON and wait at least 3 seconds.
2. Check 1st trip DTC.
3. If 1st trip DTC is detected, go to [EC-148, "Diagnosis Procedure"](#).

DTC U1000, U1001 CAN COMMUNICATION LINE




[VQ35DE]

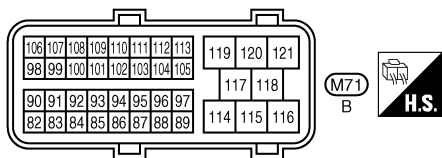
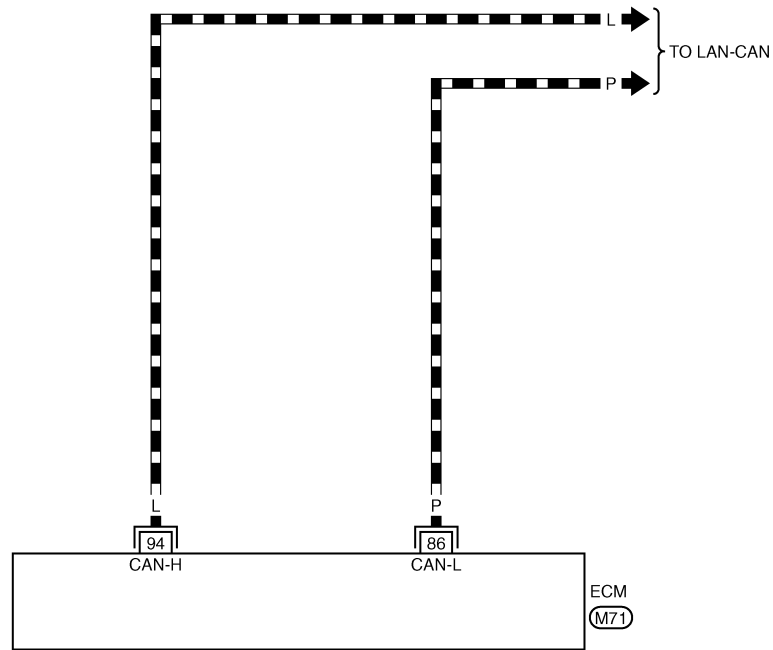
< SERVICE INFORMATION >

INFOID:000000002954139

Wiring Diagram

EC-CAN-01

-  : DETECTABLE LINE FOR DTC
-  : NON-DETECTABLE LINE FOR DTC
-  : DATA LINE



TBWT0947E

Diagnosis Procedure

INFOID:000000002954140

Go to [LAN-29, "CAN System Specification Chart"](#).

DTC U1010 CAN COMMUNICATION

Description

INFOID:000000002954141

CAN (Controller Area Network) is a serial communication line for real time application. It is an on-vehicle multiplex communication line with high data communication speed and excellent error detection ability. Many electronic control units are equipped onto a vehicle, and each control unit shares information and links with other control units during operation (not independent). In CAN communication, control units are connected with 2 communication lines (CAN H line, CAN L line) allowing a high rate of information transmission with less wiring. Each control unit transmits/receives data but selectively reads required data only.

On Board Diagnosis Logic

INFOID:000000002954142

This self-diagnosis has the one trip detection logic.

DTC No.	Trouble diagnosis name	DTC detecting condition	Possible cause
U1010 1010	CAN communication bus	When detecting error during the initial diagnosis for CAN controller of each control unit.	<ul style="list-style-type: none"> • ECM

DTC Confirmation Procedure

INFOID:000000002954143

1. Turn ignition switch ON.
2. Check DTC.
3. If DTC is detected, go to [EC-149, "Diagnosis Procedure"](#).

Diagnosis Procedure

INFOID:000000002954144

1. INSPECTION START

With CONSULT-III

1. Turn ignition switch ON.
2. Select "SELF-DIAG RESULTS" mode with CONSULT-III.
3. Touch "ERASE".
4. **Perform DTC Confirmation Procedure.**
See [EC-149, "DTC Confirmation Procedure"](#).
5. Is the DTC U1010 displayed again?

With GST

1. Turn ignition switch ON.
2. Select Service \$04 with GST.
3. **Perform DTC Confirmation Procedure.**
See [EC-149, "DTC Confirmation Procedure"](#).
4. Is the DTC U1010 displayed again?

Yes or No

- Yes >> GO TO 2.
No >> **INSPECTION END**

2. REPLACE ECM

1. Replace ECM.
2. Perform initialization of IVIS (NATS) system and registration of all IVIS (NATS) ignition key IDs. Refer to [BL-221, "ECM Re-Communicating Function"](#).
3. Perform [EC-81, "VIN Registration"](#).
4. Perform [EC-82, "Accelerator Pedal Released Position Learning"](#).
5. Perform [EC-82, "Throttle Valve Closed Position Learning"](#).
6. Perform [EC-82, "Idle Air Volume Learning"](#).

>> INSPECTION END

DTC P0011, P0021 IVT CONTROL

[VQ35DE]

< SERVICE INFORMATION >

DTC P0011, P0021 IVT CONTROL

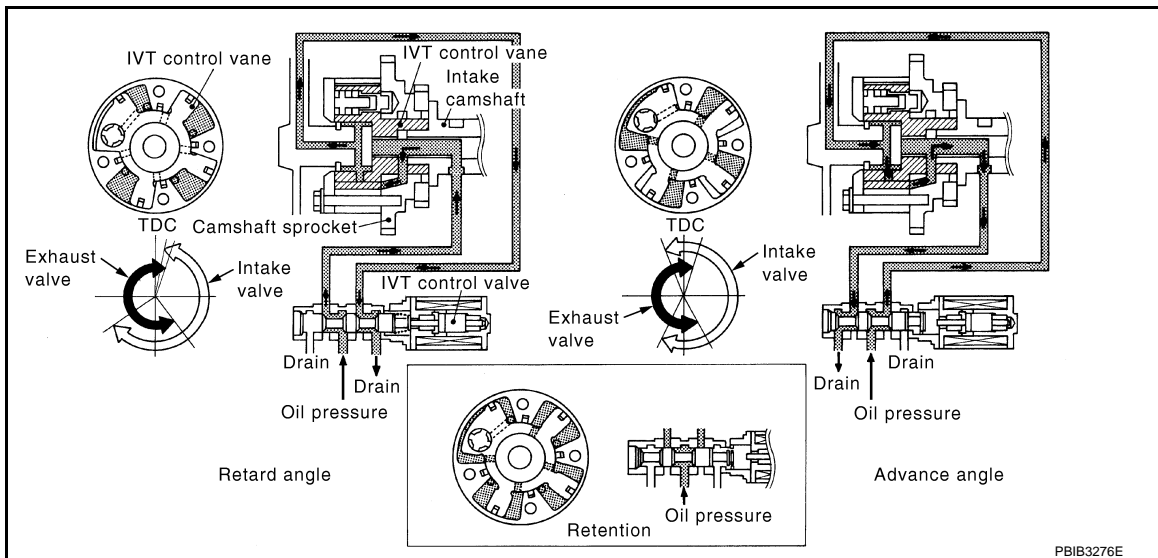
Description

INFOID:000000002954145

SYSTEM DESCRIPTION

Sensor	Input signal to ECM	ECM function	Actuator
Crankshaft position sensor (POS)	Engine speed and piston position	Intake valve timing control	Intake valve timing control solenoid valve
Camshaft position sensor (PHASE)			
Engine coolant temperature sensor	Engine coolant temperature		
Wheel sensor	Vehicle speed*		

*: This signal is sent to the ECM through CAN communication line



This mechanism hydraulically controls cam phases continuously with the fixed operating angle of the intake valve.

The ECM receives signals such as crankshaft position, camshaft position, engine speed, and engine coolant temperature. Then, the ECM sends ON/OFF pulse duty signals to the intake valve timing (IVT) control solenoid valve depending on driving status. This makes it possible to control the shut/open timing of the intake valve to increase engine torque in low/mid speed range and output in high-speed range.

CONSULT-III Reference Value in Data Monitor Mode

INFOID:000000002954146

Specification data are reference values.

MONITOR ITEM	CONDITION	SPECIFICATION
INT/V TIM (B1) INT/V TIM (B2)	• Engine: After warming up • Selector lever: P or N • Air conditioner switch: OFF • No load	Idle -5° - 5°CA
	When revving engine up to 2,000 rpm quickly	Approx. 0° - 30°CA
INT/V SOL (B1) INT/V SOL (B2)	• Engine: After warming up • Selector lever: P or N • Air conditioner switch: OFF • No load	Idle 0% - 2%
	When revving engine up to 2,000 rpm quickly	Approx. 0% - 50%

DTC P0011, P0021 IVT CONTROL

< SERVICE INFORMATION >

[VQ35DE]

On Board Diagnosis Logic

INFOID:000000002954147

DTC No.	Trouble diagnosis name	Detecting condition	Possible cause
P0011 0011 (Bank 1)	Intake valve timing control performance	There is a gap between angle of target and phase-control angle degree.	<ul style="list-style-type: none"> Crankshaft position sensor (POS) Camshaft position sensor (PHASE) Intake valve control solenoid valve Accumulation of debris to the signal pick-up portion of the camshaft Timing chain installation Foreign matter caught in the oil groove for intake valve timing control
P0021 0021 (Bank 2)			

FAIL-SAFE MODE

When the malfunction is detected, the ECM enters fail-safe mode.

Detected items	Engine operating condition in fail-safe mode
Intake valve timing control	The signal is not energized to the solenoid valve and the valve control does not function.

DTC Confirmation Procedure

INFOID:000000002954148

CAUTION:

Always drive at a safe speed.

NOTE:

- If DTC P0011 or P0021 is displayed with DTC P0075, P0081, first perform the trouble diagnosis for [EC-169](#).
- If DTC Confirmation Procedure has been previously conducted, always turn ignition switch OFF and wait at least 10 seconds before conducting the next test.

TESTING CONDITION:

Before performing the following procedure, confirm that battery voltage is between 10V and 16V at idle.

WITH CONSULT-III

1. Start engine and warm it up to the normal operating temperature.
2. Maintain the following conditions for at least 6 consecutive seconds. Hold the accelerator pedal as steady as possible.

VHCL SPEED SE	100 - 120 km/h (63 - 75 MPH)
ENG SPEED	1,200 - 2,000 rpm
COOLAN TEMP/S	More than 60°C (140°F)
B/FUEL SCHDL	More than 7.3 msec
Selector lever	D position

3. Stop vehicle with engine running and let engine idle for 10 seconds.
4. Check 1st trip DTC.
5. If 1st trip DTC is detected, go to [EC-152, "Diagnosis Procedure"](#).
If 1st trip DTC is not detected, go to next step.
6. Maintain the following conditions for at least 20 consecutive seconds.

ENG SPEED	1,700 - 3,175 rpm (A constant rotation is maintained.)
COOLAN TEMP/S	70 - 105°C (158 - 221°F)
Selector lever	1st or 2nd position
Driving location uphill	Driving vehicle uphill (Increased engine load will help maintain the driving conditions required for this test.)

7. Check 1st trip DTC.

DTC P0011, P0021 IVT CONTROL

[VQ35DE]

< SERVICE INFORMATION >

8. If 1st trip DTC is detected, go to [EC-152. "Diagnosis Procedure"](#).

Ⓢ WITH GST

Follow the procedure "WITH CONSULT-III" above.

Diagnosis Procedure

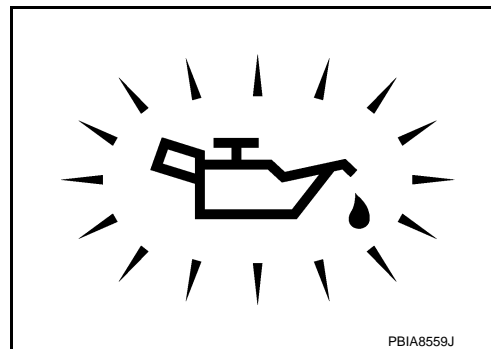
INFOID:000000002954149

1. CHECK OIL PRESSURE WARNING LAMP

1. Start engine.
2. Check oil pressure warning lamp and confirm it is not illuminated.

OK or NG

- OK >> GO TO 2.
NG >> Go to [LU-5. "Inspection"](#).



2. CHECK INTAKE VALVE TIMING CONTROL SOLENOID VALVE

Refer to [EC-153. "Component Inspection"](#).

OK or NG

- OK >> GO TO 3.
NG >> Replace intake valve timing control solenoid valve.

3. CHECK CRANKSHAFT POSITION SENSOR (POS)

Refer to [EC-334. "Component Inspection"](#).

OK or NG

- OK >> GO TO 4.
NG >> Replace crankshaft position sensor (POS).

4. CHECK CAMSHAFT POSITION SENSOR (PHASE)

Refer to [EC-341. "Component Inspection"](#).

OK or NG

- OK >> GO TO 5.
NG >> Replace malfunctioning camshaft position sensor (PHASE).

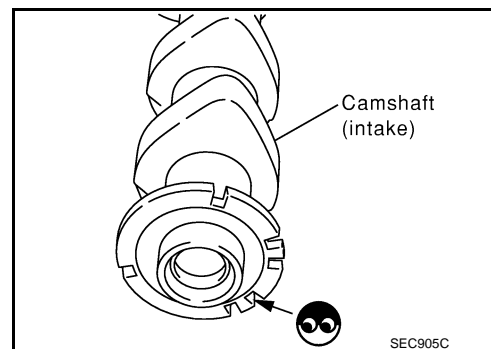
5. CHECK CAMSHAFT (INTAKE)

Check the following.

- Accumulation of debris to the signal plate of camshaft rear end
- Chipping signal plate of camshaft rear end

OK or NG

- OK >> GO TO 6.
NG >> Remove debris and clean the signal plate of camshaft rear end or replace camshaft.



6. CHECK TIMING CHAIN INSTALLATION

Check service records for any recent repairs that may cause timing chain misaligned.

Are there any service records that may cause timing chain misaligned?

Yes or No

DTC P0011, P0021 IVT CONTROL

[VQ35DE]

< SERVICE INFORMATION >

- Yes >> Check timing chain installation. Refer to [EM-65](#).
- No >> GO TO 7.

7. CHECK LUBRICATION CIRCUIT

Refer to [EM-84](#), "Removal and Installation".

OK or NG

- OK >> GO TO 8.
- NG >> Clean lubrication line.

8. CHECK INTERMITTENT INCIDENT

Refer to [EC-140](#).

For Wiring Diagram, refer to [EC-331](#) for CKP sensor (POS) and [EC-336](#) for CMP sensor (PHASE).

>> **INSPECTION END**

Component Inspection

INFOID:000000002954150

INTAKE VALVE TIMING CONTROL SOLENOID VALVE

1. Disconnect intake valve timing control solenoid valve harness connector.
2. Check resistance between intake valve timing control solenoid valve terminals as follows.

Terminals	Resistance
1 and 2	7.0 - 7.5Ω [at 20°C (68°F)]
1 or 2 and ground	∞Ω (Continuity should not exist)

If NG, replace intake valve timing control solenoid valve.
If OK, go to next step.

3. Remove intake valve timing control solenoid valve.
4. Provide 12V DC between intake valve timing control solenoid valve terminals and then interrupt it. Make sure that the plunger moves as shown in the figure.

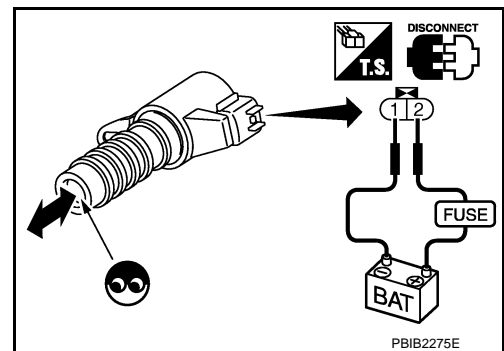
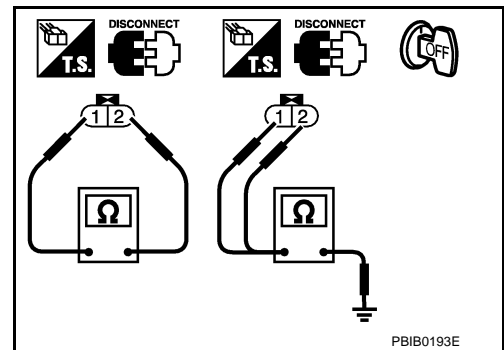
CAUTION:

Do not apply 12V DC continuously for 5 seconds or more. Doing so may result in damage to the coil in intake valve timing control solenoid valve.

If NG, replace intake valve timing control solenoid valve.

NOTE:

Always replace O-ring when intake valve timing control solenoid valve is removed.



INFOID:000000002954151

Removal and Installation

INTAKE VALVE TIMING CONTROL SOLENOID VALVE

Refer to [EM-84](#).

DTC P0031, P0032, P0051, P0052 A/F SENSOR 1 HEATER

< SERVICE INFORMATION >

[VQ35DE]

DTC P0031, P0032, P0051, P0052 A/F SENSOR 1 HEATER

Description

INFOID:000000002954152

SYSTEM DESCRIPTION

Sensor	Input Signal to ECM	ECM function	Actuator
Camshaft position sensor (PHASE) Crankshaft position sensor (POS)	Engine speed	Air fuel ratio (A/F) sensor 1 heater control	Air fuel ratio (A/F) sensor 1 heater
Mass air flow sensor	Amount of intake air		

The ECM performs ON/OFF duty control of the A/F sensor 1 heater corresponding to the engine operating condition to keep the temperature of A/F sensor 1 element at the specified range.

CONSULT-III Reference Value in Data Monitor Mode

INFOID:000000002954153

Specification data are reference values.

MONITOR ITEM	CONDITION	SPECIFICATION
A/F S1 HTR (B1) A/F S1 HTR (B2)	• Engine: After warming up, idle the engine	0 - 100%

On Board Diagnosis Logic

INFOID:000000002954154

DTC No.	Trouble diagnosis name	DTC detecting condition	Possible cause
P0031 0031 (Bank 1)	Air fuel ratio (A/F) sensor 1 heater control circuit low	The current amperage in the A/F sensor 1 heater circuit is out of the normal range. (An excessively low voltage signal is sent to ECM through the A/F sensor 1 heater.)	• Harness or connectors (The A/F sensor 1 heater circuit is open or shorted.) • A/F sensor 1 heater
P0051 0051 (Bank 2)			
P0032 0032 (Bank 1)	Air fuel ratio (A/F) sensor 1 heater control circuit high	The current amperage in the A/F sensor 1 heater circuit is out of the normal range. (An excessively high voltage signal is sent to ECM through the A/F sensor 1 heater.)	• Harness or connectors (The A/F sensor 1 heater circuit is shorted.) • A/F sensor 1 heater
P0052 0052 (Bank 2)			

DTC Confirmation Procedure

INFOID:000000002954155

NOTE:

If DTC Confirmation Procedure has been previously conducted, always turn ignition switch OFF and wait at least 10 seconds before conducting the next test.

TESTING CONDITION:

Before performing the following procedure, confirm that battery voltage is between 10.5V and 16V at idle.

1. Start engine and let it idle for at least 10 seconds.
2. Check 1st trip DTC.
3. If 1st trip DTC is detected, go to [EC-158. "Diagnosis Procedure"](#).

DTC P0031, P0032, P0051, P0052 A/F SENSOR 1 HEATER

< SERVICE INFORMATION >

[VQ35DE]

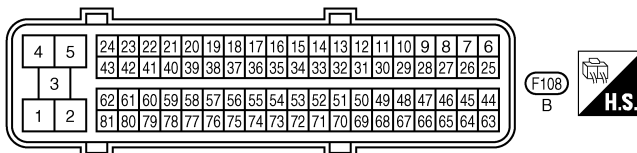
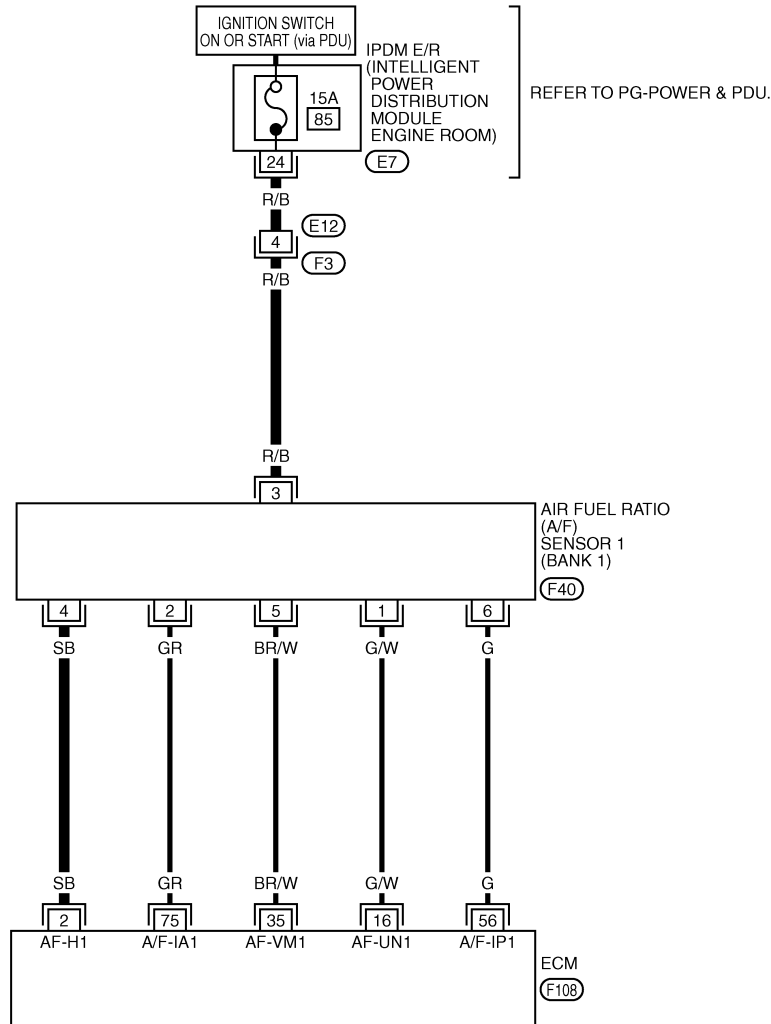
Wiring Diagram

INFOID:00000002954156

BANK 1

EC-AF1HB1-01

— : DETECTABLE LINE FOR DTC
 - - - : NON-DETECTABLE LINE FOR DTC



TBWT0968E

Specification data are reference values and are measured between each terminal and ground. Pulse signal is measured by CONSULT-III.

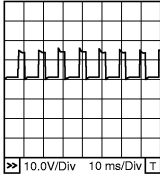
CAUTION:

DTC P0031, P0032, P0051, P0052 A/F SENSOR 1 HEATER

< SERVICE INFORMATION >

[VQ35DE]

Do not use ECM ground terminals when measuring input/output voltage. Doing so may result in damage to the ECM's transistor. Use a ground other than ECM terminals, such as the ground.

TER-MI-NAL NO.	WIRE COLOR	ITEM	CONDITION	DATA (DC Voltage)
2	SB	A/F sensor 1 heater (bank 1)	[Engine is running] <ul style="list-style-type: none"> • Warm-up condition • Idle speed 	Approximately 5V★ 
16	G/W	A/F sensor 1 (bank 1)	[Engine is running] <ul style="list-style-type: none"> • Warm-up condition • Idle speed 	Approximately 3.1V
35	BR/W			Approximately 2.6V
56	G			Approximately 2.3V
75	GR			Approximately 2.3V

★: Average voltage for pulse signal (Actual pulse signal can be confirmed by oscilloscope.)

DTC P0031, P0032, P0051, P0052 A/F SENSOR 1 HEATER

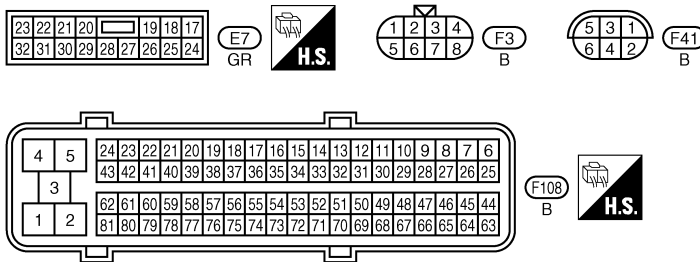
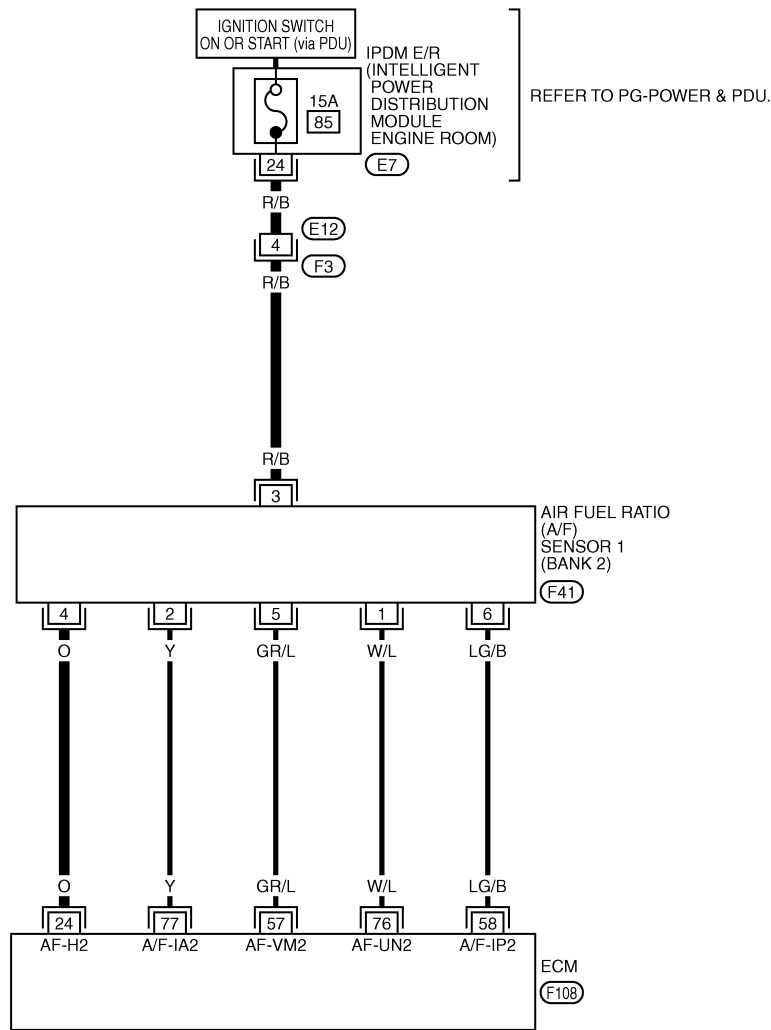
< SERVICE INFORMATION >

[VQ35DE]

BANK 2

EC-AF1HB2-01

— : DETECTABLE LINE FOR DTC
 - - - : NON-DETECTABLE LINE FOR DTC



TBWT0969E

Specification data are reference values and are measured between each terminal and ground. Pulse signal is measured by CONSULT-III.

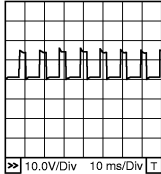
CAUTION:

Do not use ECM ground terminals when measuring input/output voltage. Doing so may result in damage to the ECM's transistor. Use a ground other than ECM terminals, such as the ground.

DTC P0031, P0032, P0051, P0052 A/F SENSOR 1 HEATER

< SERVICE INFORMATION >

[VQ35DE]

TER-MI-NAL NO.	WIRE COLOR	ITEM	CONDITION	DATA (DC Voltage)
24	O	A/F sensor 1 heater (bank 2)	[Engine is running] <ul style="list-style-type: none"> • Warm-up condition • Idle speed 	Approximately 5V★ 
57	GR/L	A/F sensor 1 (bank 2)	[Engine is running] <ul style="list-style-type: none"> • Warm-up condition • Idle speed 	Approximately 2.6V
58	LG/B			Approximately 2.3V
76	W/L			Approximately 3.1V
77	Y			Approximately 2.3V

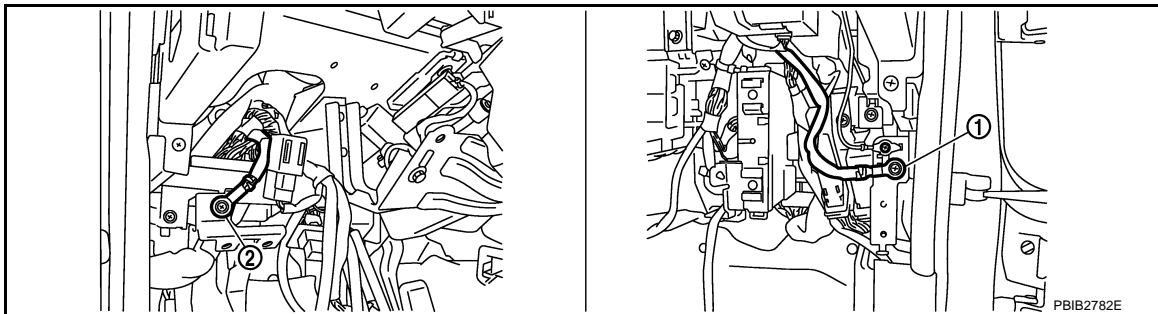
★: Average voltage for pulse signal (Actual pulse signal can be confirmed by oscilloscope.)

Diagnosis Procedure

INFOID:000000002954157

1. CHECK GROUND CONNECTIONS

1. Turn ignition switch OFF.
2. Loosen and retighten two ground screws on the body.
Refer to [EC-146, "Ground Inspection"](#).



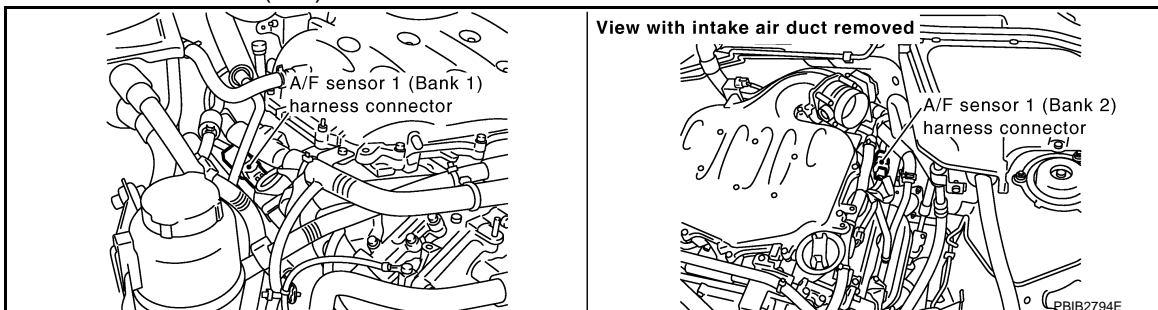
1. Body ground M70
2. Body ground M16

OK or NG

- OK >> GO TO 2.
 NG >> Repair or replace ground connections.

2. CHECK AIR FUEL RATIO (A/F) SENSOR 1 POWER SUPPLY CIRCUIT

1. Disconnect air fuel ratio (A/F) sensor 1 harness connector.



2. Turn ignition switch ON.

DTC P0031, P0032, P0051, P0052 A/F SENSOR 1 HEATER

[VQ35DE]

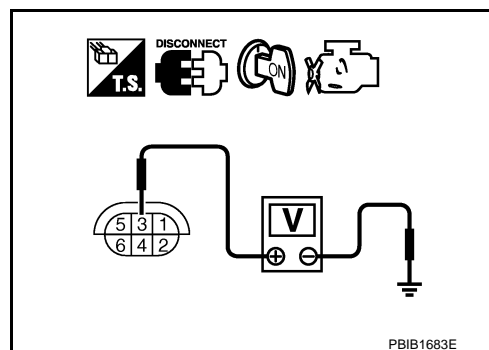
< SERVICE INFORMATION >

3. Check voltage between A/F sensor 1 terminal 3 and ground with CONSULT-III or tester.

Voltage: Battery voltage

OK or NG

- OK >> GO TO 4.
- NG >> GO TO 3.



3. DETECT MALFUNCTIONING PART

Check the following.

- Harness connectors E12, F3
- IPDM E/R harness connector E7
- 15A fuse
- Harness for open or short between A/F sensor 1 and fuse

>> Repair or replace harness or connectors.

4. CHECK A/F SENSOR 1 HEATER OUTPUT SIGNAL CIRCUIT

1. Turn ignition switch OFF.
2. Disconnect ECM harness connector.
3. Check harness continuity between the following:
ECM terminal 2 and A/F sensor 1 (bank 1) terminal 4 or
ECM terminal 24 and A/F sensor 1 (bank 2) terminal 4.
Refer to Wiring Diagram.

Continuity should exist.

4. Also check harness for short to ground and short to power.

OK or NG

- OK >> GO TO 5.
- NG >> Repair open circuit or short to ground or short to power in harness or connectors.

5. CHECK A/F SENSOR 1 HEATER

Refer to [EC-159, "Component Inspection"](#).

OK or NG

- OK >> GO TO 6.
- NG >> Replace malfunctioning air fuel ratio (A/F) sensor 1.

6. CHECK INTERMITTENT INCIDENT

Perform [EC-140](#).

>> **INSPECTION END**

Component Inspection

INFOID:000000002954158

AIR FUEL RATIO (A/F) SENSOR 1 HEATER

DTC P0031, P0032, P0051, P0052 A/F SENSOR 1 HEATER

[VQ35DE]

< SERVICE INFORMATION >

Check resistance between terminals 3 and 4.

Resistance: 2.3 - 4.3Ω [at 25°C (77°F)]

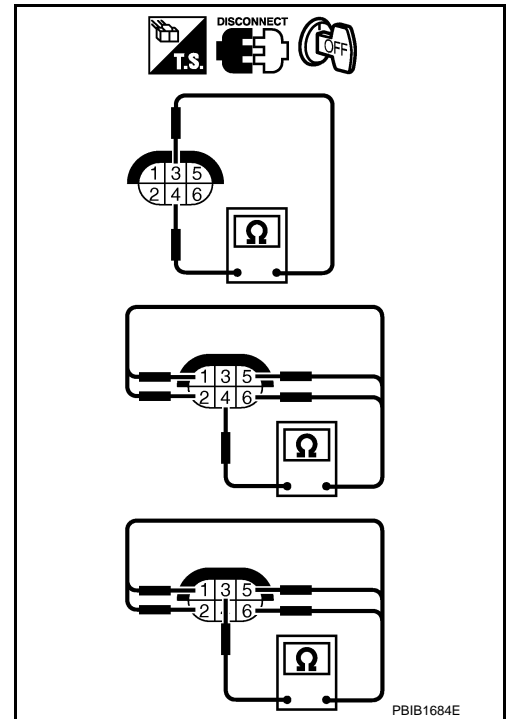
Check continuity between terminals 3 and 1, 2, 5, 6, terminals 4 and 1, 2, 5, 6.

Continuity should not exist.

If NG, replace the air fuel ratio (A/F) sensor 1.

CAUTION:

- Discard any air fuel ratio (A/F) sensor which has been dropped from a height of more than 0.5 m (19.7 in) onto a hard surface such as a concrete floor; use a new one.
- Before installing new air fuel ratio (A/F) sensor, clean exhaust system threads using Heated Oxygen Sensor Thread Cleaner tool J-43897-18 or J-43897-12 and approved anti-seize lubricant.



INFOID:000000002954159

Removal and Installation

AIR FUEL RATIO (A/F) SENSOR 1

Refer to [EM-27](#).

DTC P0037, P0038, P0057, P0058 HO2S2 HEATER

< SERVICE INFORMATION >

[VQ35DE]

DTC P0037, P0038, P0057, P0058 HO2S2 HEATER

Description

INFOID:000000002954160

SYSTEM DESCRIPTION

Sensor	Input signal to ECM	ECM function	Actuator
Camshaft position sensor (PHASE) Crankshaft position sensor (POS)	Engine speed	Heated oxygen sensor 2 heater control	Heated oxygen sensor 2 heater
Engine coolant temperature sensor	Engine coolant temperature		
Mass air flow sensor	Amount of intake air		

The ECM performs ON/OFF control of the heated oxygen sensor 2 heater corresponding to the engine speed, amount of intake air and engine coolant temperature.

OPERATION

Engine speed rpm	Heated oxygen sensor 2 heater
Above 3,600	OFF
Below 3,600 rpm after the following conditions are met. <ul style="list-style-type: none"> • Engine: After warming up • Keeping the engine speed between 3,500 and 4,000 rpm for 1 minute and at idle for 1 minute under no load 	ON

CONSULT-III Reference Value in Data Monitor Mode

INFOID:000000002954161

Specification data are reference values.

MONITOR ITEM	CONDITION	SPECIFICATION
HO2S2 HTR (B1) HO2S2 HTR (B2)	<ul style="list-style-type: none"> • Engine speed: Below 3,600 rpm after the following conditions are met. - Engine: After warming up - Keeping the engine speed between 3,500 and 4,000 rpm for 1 minute and at idle for 1 minute under no load 	ON
	<ul style="list-style-type: none"> • Engine speed: Above 3,600 rpm 	OFF

On Board Diagnosis Logic

INFOID:000000002954162

DTC No.	Trouble diagnosis name	DTC detecting condition	Possible cause
P0037 0037 (Bank 1)	Heated oxygen sensor 2 heater control circuit low	The current amperage in the heated oxygen sensor 2 heater circuit is out of the normal range. (An excessively low voltage signal is sent to ECM through the heated oxygen sensor 2 heater.)	<ul style="list-style-type: none"> • Harness or connectors (The heated oxygen sensor 2 heater circuit is open or shorted.) • Heated oxygen sensor 2 heater
P0057 0057 (Bank 2)			
P0038 0038 (Bank 1)	Heated oxygen sensor 2 heater control circuit high	The current amperage in the heated oxygen sensor 2 heater circuit is out of the normal range. (An excessively high voltage signal is sent to ECM through the heated oxygen sensor 2 heater.)	<ul style="list-style-type: none"> • Harness or connectors (The heated oxygen sensor 2 heater circuit is shorted.) • Heated oxygen sensor 2 heater
P0058 0058 (Bank 2)			

DTC Confirmation Procedure

INFOID:000000002954163

NOTE:

If DTC Confirmation Procedure has been previously conducted, always turn ignition switch OFF and wait at least 10 seconds before conducting the next test.

TESTING CONDITION:

DTC P0037, P0038, P0057, P0058 HO2S2 HEATER

< SERVICE INFORMATION >

[VQ35DE]

Before performing the following procedure, confirm that battery voltage is between 11V and 16V at idle.

1. Start engine and warm it up to the normal operating temperature.
2. Turn ignition switch OFF and wait at least 10 seconds.
3. Start the engine and keep the engine speed between 3,500 rpm and 4,000 rpm for at least 1 minute under no load.
4. Let engine idle for 1 minute.
5. Check 1st trip DTC.
6. If 1st trip DTC is detected, go to [EC-166, "Diagnosis Procedure"](#).

DTC P0037, P0038, P0057, P0058 HO2S2 HEATER

< SERVICE INFORMATION >

[VQ35DE]

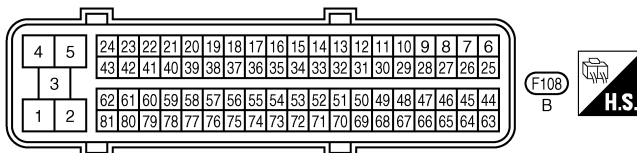
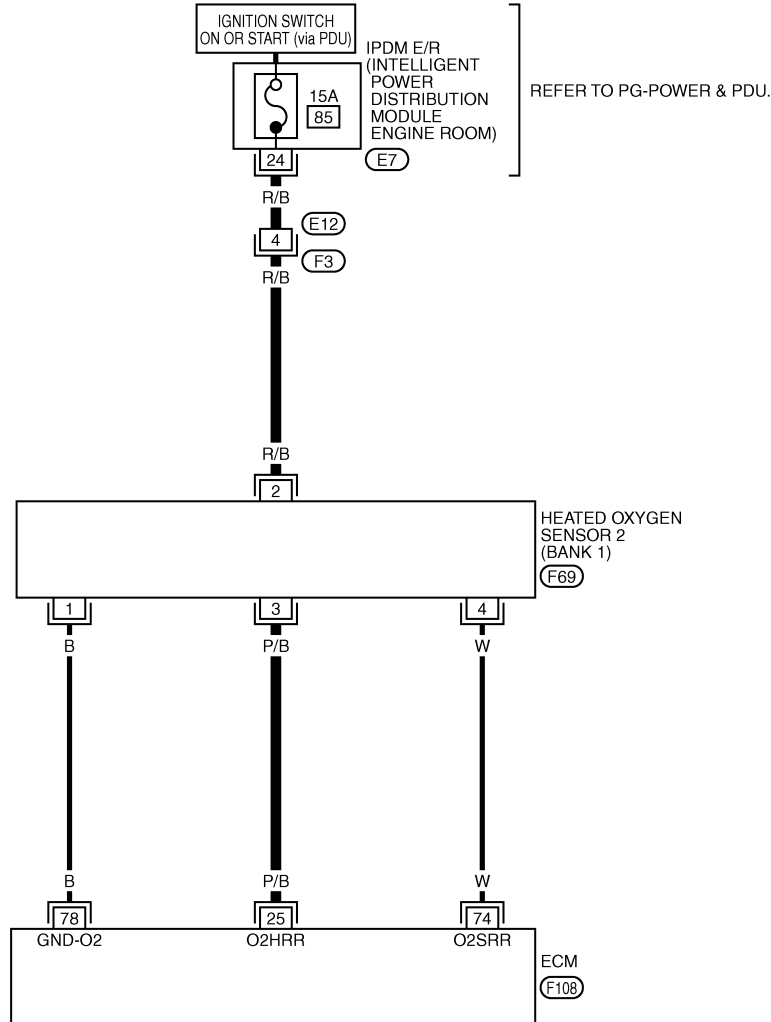
Wiring Diagram

INFOID:000000002954164

BANK 1

EC-O2H2B1-01

— : DETECTABLE LINE FOR DTC
 - - - : NON-DETECTABLE LINE FOR DTC



TBWT1470E

Specification data are reference values and are measured between each terminal and ground.

CAUTION:

Do not use ECM ground terminals when measuring input/output voltage. Doing so may result in damage to the ECM's transistor. Use a ground other than ECM terminals, such as the ground.

DTC P0037, P0038, P0057, P0058 HO2S2 HEATER

< SERVICE INFORMATION >

[VQ35DE]

TER- MI- NAL NO.	WIRE COLOR	ITEM	CONDITION	DATA (DC Voltage)
25	P/B	Heated oxygen sensor 2 heater (bank 1)	[Engine is running] <ul style="list-style-type: none"> • Engine speed: Below 3,600 rpm after the following conditions are met - Engine: After warming up - Keeping the engine speed between 3,500 and 4,000 rpm for 1 minute and at idle for 1 minute under no load 	0 - 1.0V
			[Ignition switch: ON] <ul style="list-style-type: none"> • Engine stopped [Engine is running] <ul style="list-style-type: none"> • Engine speed: Above 3,600 rpm 	BATTERY VOLTAGE (11 - 14V)
74	W	Heated oxygen sensor 2 (bank 1)	[Engine is running] <ul style="list-style-type: none"> • Revving engine from idle to 3,000 rpm quickly after the following conditions are met - Engine: After warming up - Keeping the engine speed between 3,500 and 4,000 rpm for 1 minute and at idle for 1 minute under no load 	0 - Approximately 1.0V
78	B	Sensor ground (Heated oxygen sensor)	[Engine is running] <ul style="list-style-type: none"> • Warm-up condition • Idle speed 	Approximately 0V

DTC P0037, P0038, P0057, P0058 HO2S2 HEATER

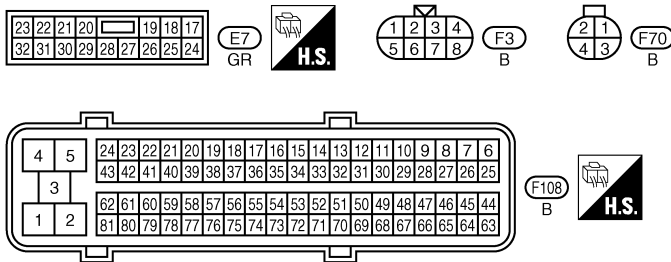
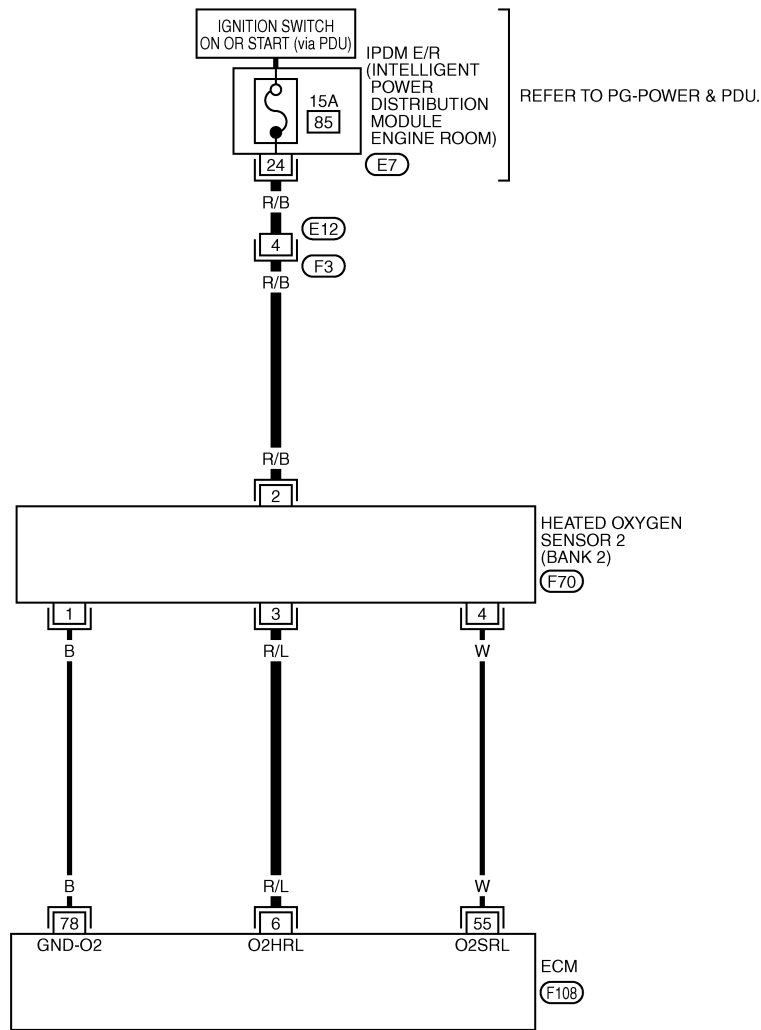
< SERVICE INFORMATION >

[VQ35DE]

BANK 2

EC-O2H2B2-01

— : DETECTABLE LINE FOR DTC
 - - - : NON-DETECTABLE LINE FOR DTC



TBWT1471E

Specification data are reference values and are measured between each terminal and ground.

CAUTION:

Do not use ECM ground terminals when measuring input/output voltage. Doing so may result in damage to the ECM's transistor. Use a ground other than ECM terminals, such as the ground.

DTC P0037, P0038, P0057, P0058 HO2S2 HEATER

< SERVICE INFORMATION >

[VQ35DE]

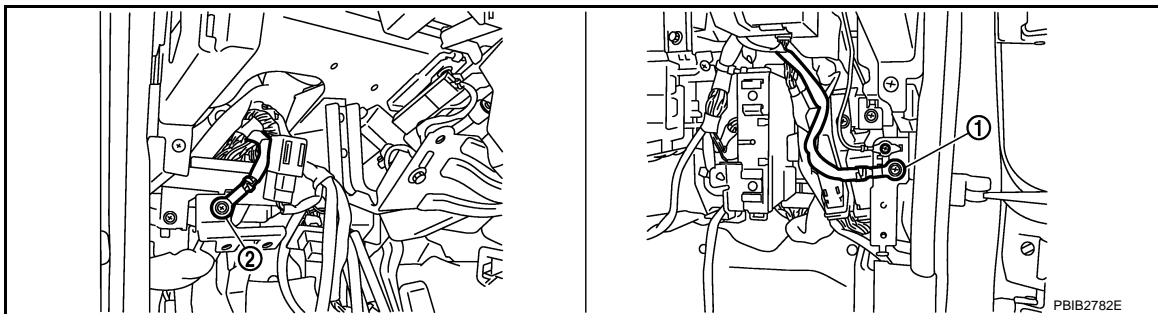
TER-MI-NAL NO.	WIRE COLOR	ITEM	CONDITION	DATA (DC Voltage)
6	R/L	Heated oxygen sensor 2 heater (bank 2)	[Engine is running] <ul style="list-style-type: none"> • Engine speed: Below 3,600 rpm after the following conditions are met - Engine: After warming up - Keeping the engine speed between 3,500 and 4,000 rpm for 1 minute and at idle for 1 minute under no load 	0 - 1.0V
			[Ignition switch: ON] <ul style="list-style-type: none"> • Engine stopped [Engine is running] <ul style="list-style-type: none"> • Engine speed: Above 3,600 rpm 	BATTERY VOLTAGE (11 - 14V)
55	W	Heated oxygen sensor 2 (bank 2)	[Engine is running] <ul style="list-style-type: none"> • Revving engine from idle to 3,000 rpm quickly after the following conditions are met - Engine: After warming up - Keeping the engine speed between 3,500 and 4,000 rpm for 1 minute and at idle for 1 minute under no load 	0 - Approximately 1.0V
78	B	Sensor ground (Heated oxygen sensor)	[Engine is running] <ul style="list-style-type: none"> • Warm-up condition • Idle speed 	Approximately 0V

Diagnosis Procedure

INFOID:000000002954165

1. CHECK GROUND CONNECTIONS

1. Turn ignition switch OFF.
2. Loosen and retighten two ground screws on the body.
Refer to [EC-146, "Ground Inspection"](#).



1. Body ground M70
2. Body ground M16

OK or NG

- OK >> GO TO 2.
 NG >> Repair or replace ground connections.

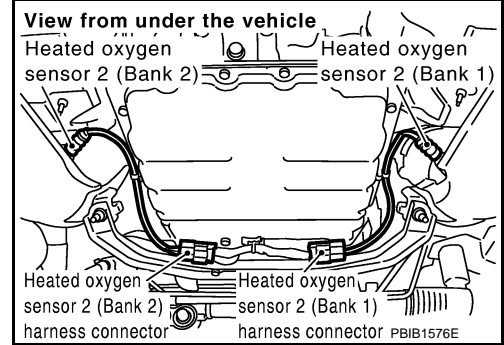
2. CHECK HO2S2 POWER SUPPLY CIRCUIT

DTC P0037, P0038, P0057, P0058 HO2S2 HEATER

[VQ35DE]

< SERVICE INFORMATION >

1. Disconnect heated oxygen sensor 2 harness connector.

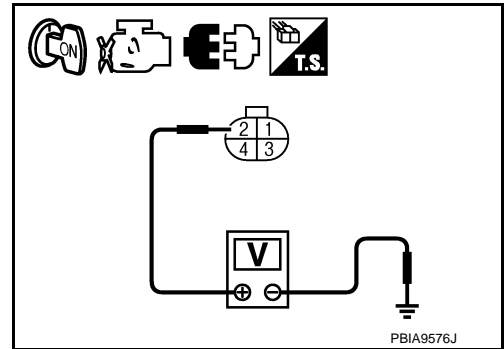


2. Turn ignition switch ON.
3. Check voltage between HO2S2 terminal 2 and ground with CONSULT-III or tester.

Voltage: Battery voltage

OK or NG

- OK >> GO TO 4.
- NG >> GO TO 3.



3. DETECT MALFUNCTIONING PART

Check the following.

- Harness connectors E12, F3
- IPDM E/R connector E7
- 15A fuse
- Harness for open or short between heated oxygen sensor 2 and fuse

>> Repair open circuit or short to ground or short to power in harness or connectors.

4. CHECK HO2S2 OUTPUT SIGNAL CIRCUIT FOR OPEN AND SHORT

1. Turn ignition switch OFF.
2. Disconnect ECM harness connector.
3. Check harness continuity between ECM terminal and HO2S2 terminal as follows. Refer to Wiring Diagram.

DTC	Terminals		Bank
	ECM	Sensor	
P0037, P0038	25	3	1
P0057, P0058	6	3	2

Continuity should exist.

4. Also check harness for short to ground and short to power.

OK or NG

- OK >> GO TO 5.
- NG >> Repair open circuit or short to ground or short to power in harness or connectors.

5. CHECK HEATED OXYGEN SENSOR 2 HEATER

Refer to [EC-168. "Component Inspection"](#).

OK or NG

- OK >> GO TO 6.
- NG >> Replace malfunctioning heated oxygen sensor 2.

DTC P0037, P0038, P0057, P0058 HO2S2 HEATER

< SERVICE INFORMATION >

[VQ35DE]

6. CHECK INTERMITTENT INCIDENT

Refer to [EC-140](#).

>> **INSPECTION END**

Component Inspection

INFOID:000000002954166

HEATED OXYGEN SENSOR 2 HEATER

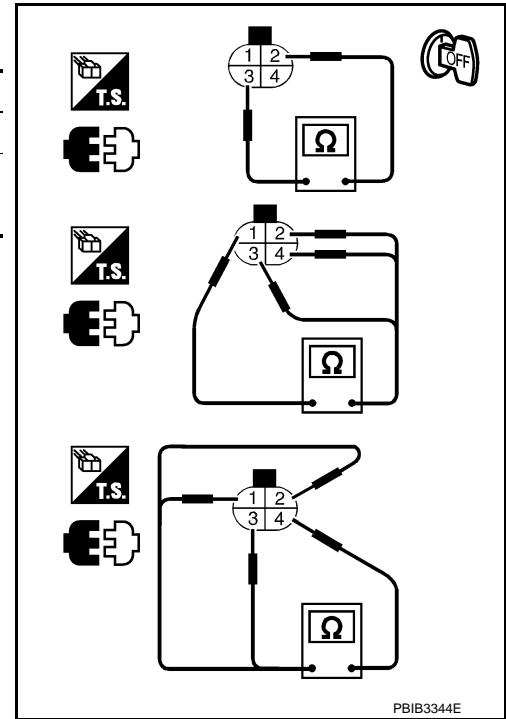
1. Check resistance between HO2S2 terminals as follows.

Terminal No.	Resistance
2 and 3	3.4 - 4.4 Ω at 25°C (77°F)
1 and 2, 3, 4	$\infty \Omega$ (Continuity should not exist)
4 and 1, 2, 3	$\infty \Omega$ (Continuity should not exist)

2. If NG, replace heated oxygen sensor 2.

CAUTION:

- Discard any heated oxygen sensor which has been dropped from a height of more than 0.5 m (19.7 in) onto a hard surface such as a concrete floor; use a new one.
- Before installing new oxygen sensor, clean exhaust system threads using Oxygen Sensor Thread Cleaner tool J-43897-18 or J-43897-12 and approved anti-seize lubricant.



PBIB3344E

Removal and Installation

INFOID:000000002954167

HEATED OXYGEN SENSOR 2

Refer to [EM-27](#).

DTC P0075, P0081 IVT CONTROL SOLENOID VALVE

< SERVICE INFORMATION >

[VQ35DE]

DTC P0075, P0081 IVT CONTROL SOLENOID VALVE

Component Description

INFOID:000000002954168

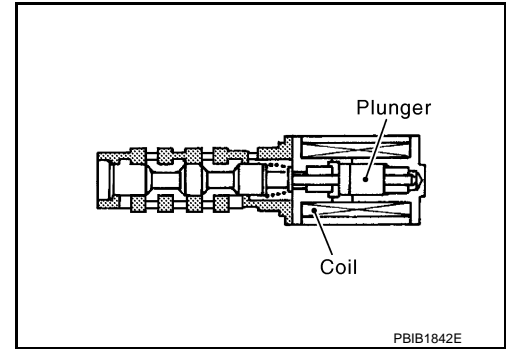
Intake valve timing control solenoid valve is activated by ON/OFF pulse duty (ratio) signals from the ECM.

The intake valve timing control solenoid valve changes the oil amount and direction of flow through intake valve timing control unit or stops oil flow.

The longer pulse width advances valve angle.

The shorter pulse width retards valve angle.

When ON and OFF pulse widths become equal, the solenoid valve stops oil pressure flow to fix the intake valve angle at the control position.



CONSULT-III Reference Value in Data Monitor Mode

INFOID:000000002954169

Specification data are reference values.

MONITOR ITEM	CONDITION		SPECIFICATION
INT/V SOL (B1) INT/V SOL (B2)	<ul style="list-style-type: none"> Engine: After warming up Selector lever: P or N Air conditioner switch: OFF No load 	Idle	0% - 2%
		When revving engine up to 2,000 rpm quickly	Approx. 25% - 50%

On Board Diagnosis Logic

INFOID:000000002954170

DTC No.	Trouble diagnosis name	DTC detecting condition	Possible cause
P0075 0075 (Bank 1)	Intake valve timing control solenoid valve circuit	An improper voltage is sent to the ECM through intake valve timing control solenoid valve.	<ul style="list-style-type: none"> Harness or connectors (Intake valve timing control solenoid valve circuit is open or shorted.) Intake valve timing control solenoid valve
P0081 0081 (Bank 2)			

DTC Confirmation Procedure

INFOID:000000002954171

NOTE:

If DTC Confirmation Procedure has been previously conducted, always turn ignition switch OFF and wait at least 10 seconds before conducting the next test.

1. Start engine and let it idle for 5 seconds.
2. Check 1st trip DTC.
3. If 1st trip DTC is detected, go to [EC-173, "Diagnosis Procedure"](#).

DTC P0075, P0081 IVT CONTROL SOLENOID VALVE

< SERVICE INFORMATION >

[VQ35DE]

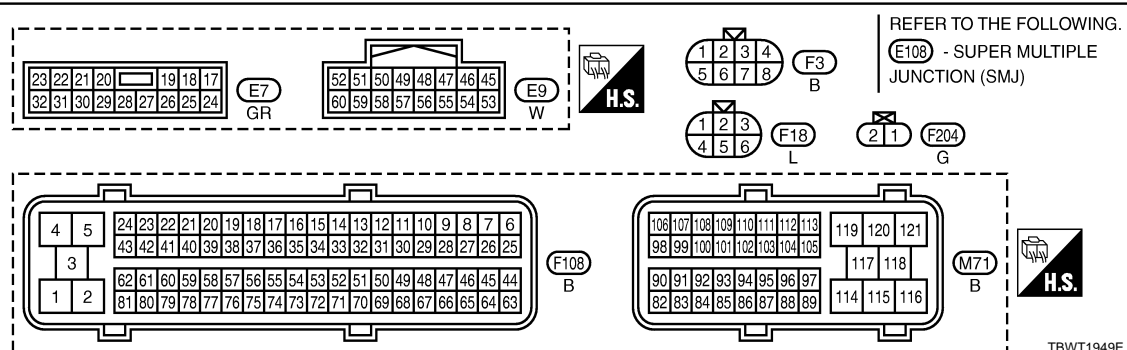
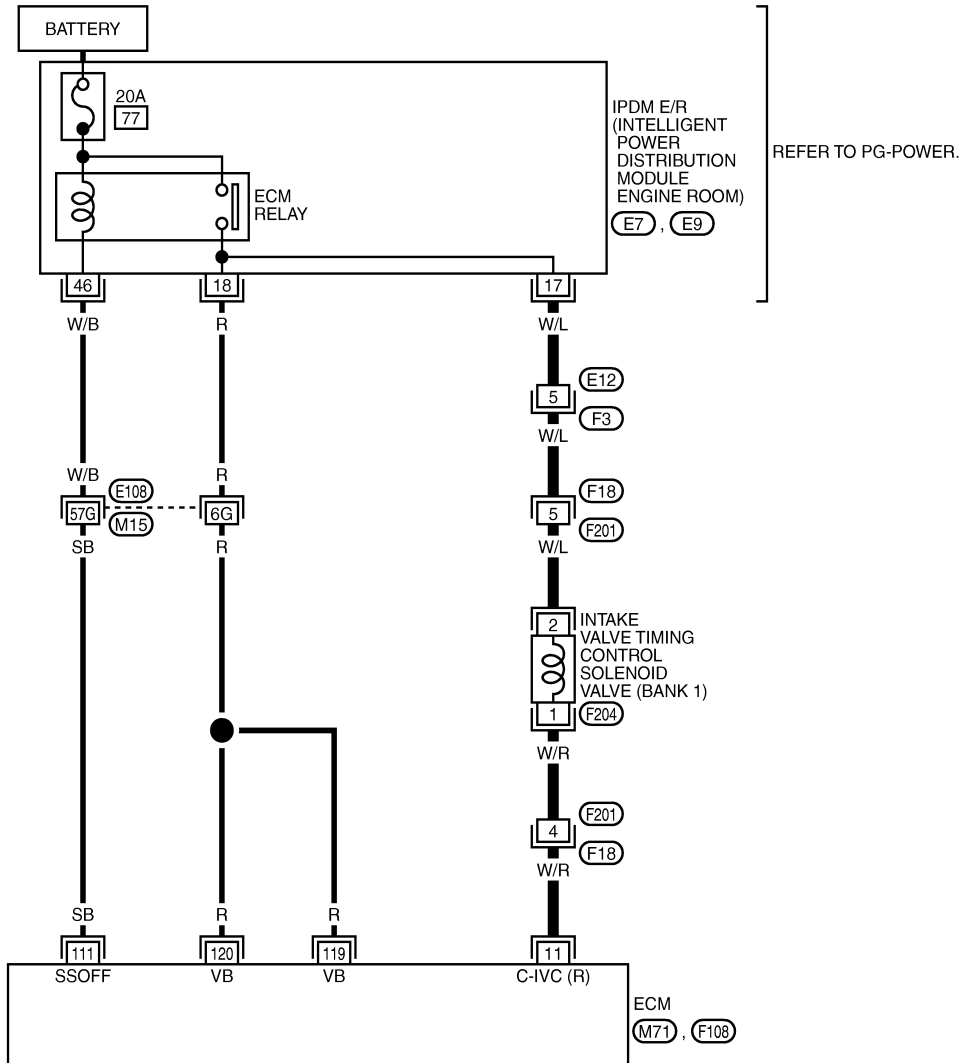
Wiring Diagram

INFOID:000000002954172

BANK 1

EC-IVCB1-01

: DETECTABLE LINE FOR DTC
 : NON-DETECTABLE LINE FOR DTC



Specification data are reference values and are measured between each terminal and ground.
Pulse signal is measured by CONSULT-III.

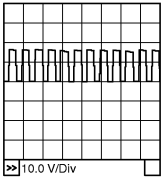
CAUTION:

DTC P0075, P0081 IVT CONTROL SOLENOID VALVE

< SERVICE INFORMATION >

[VQ35DE]

Do not use ECM ground terminals when measuring input/output voltage. Doing so may result in damage to the ECM's transistor. Use a ground other than ECM terminals, such as the ground.

TER-MI-NAL NO.	WIRE COLOR	ITEM	CONDITION	DATA (DC Voltage)
11	W/R	Intake valve timing control solenoid valve (bank 1)	[Engine is running] <ul style="list-style-type: none"> • Warm-up condition • Idle speed 	BATTERY VOLTAGE (11 - 14V)
			[Engine is running] <ul style="list-style-type: none"> • Warm-up condition • When revving engine up to 2,000rpm quickly 	7 - 12V★ 
111	SB	ECM relay (Self shut-off)	[Engine is running] [Ignition switch: OFF] <ul style="list-style-type: none"> • For a few seconds after turning ignition switch OFF 	0 - 1.5V
			[Ignition switch: OFF] <ul style="list-style-type: none"> • More than a few seconds after turning ignition switch OFF 	BATTERY VOLTAGE (11 - 14V)
119 120	R R	Power supply for ECM	[Ignition switch: ON]	BATTERY VOLTAGE (11 - 14V)

★: Average voltage for pulse signal (Actual pulse signal can be confirmed by oscilloscope.)

A
EC
C
D
E
F
G
H
I
J
K
L
M
N
O
P

DTC P0075, P0081 IVT CONTROL SOLENOID VALVE

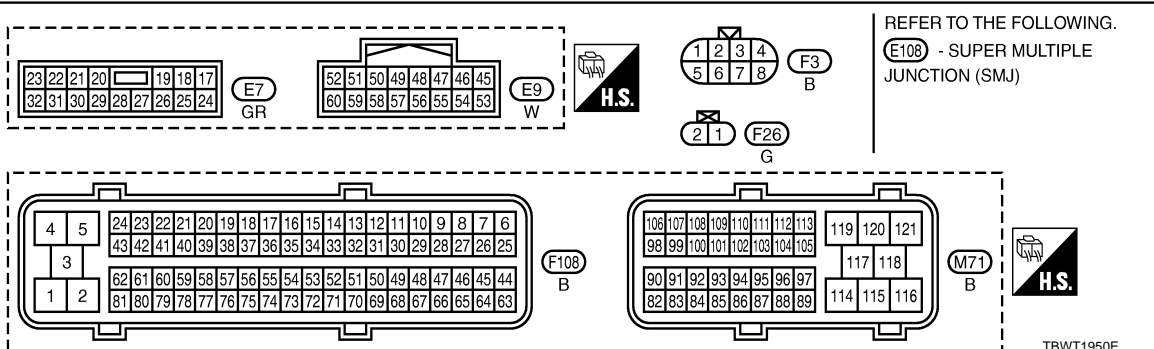
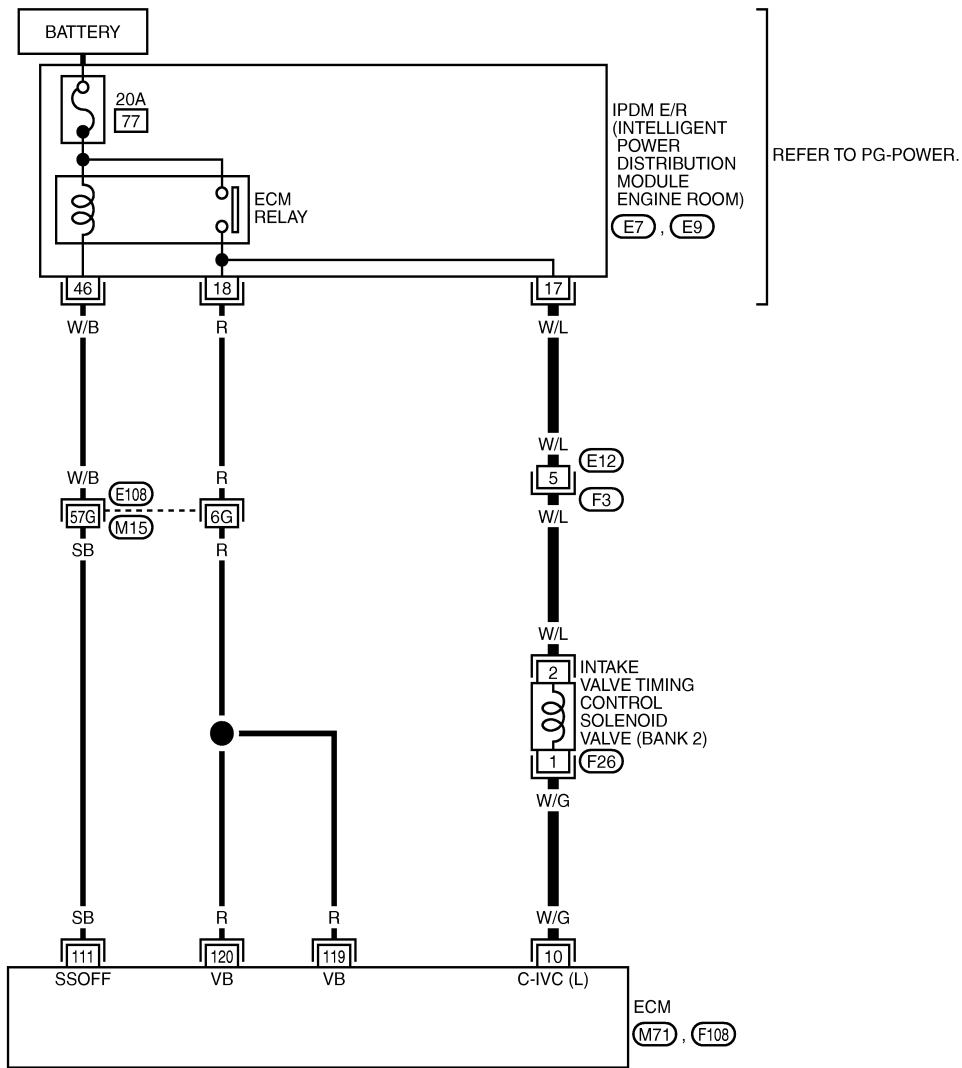
< SERVICE INFORMATION >

[VQ35DE]

BANK 2

EC-IVCB2-01

— : DETECTABLE LINE FOR DTC
 - - - : NON-DETECTABLE LINE FOR DTC



Specification data are reference values and are measured between each terminal and ground. Pulse signal is measured by CONSULT-III.

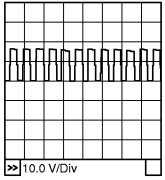
CAUTION:

Do not use ECM ground terminals when measuring input/output voltage. Doing so may result in damage to the ECM's transistor. Use a ground other than ECM terminals, such as the ground.

DTC P0075, P0081 IVT CONTROL SOLENOID VALVE

< SERVICE INFORMATION >

[VQ35DE]

TER-MI-NAL NO.	WIRE COLOR	ITEM	CONDITION	DATA (DC Voltage)
10	W/G	Intake valve timing control solenoid valve (bank 2)	[Engine is running] • Warm-up condition • Idle speed	BATTERY VOLTAGE (11 - 14V)
			[Engine is running] • Warm-up condition • When revving engine up to 2,000rpm quickly	7 - 12V★  PBIB1790E
111	SB	ECM relay (Self shut-off)	[Engine is running] [Ignition switch: OFF] • For a few seconds after turning ignition switch OFF	0 - 1.5V
			[Ignition switch: OFF] • More than a few seconds after turning ignition switch OFF	BATTERY VOLTAGE (11 - 14V)
119 120	R R	Power supply for ECM	[Ignition switch: ON]	BATTERY VOLTAGE (11 - 14V)

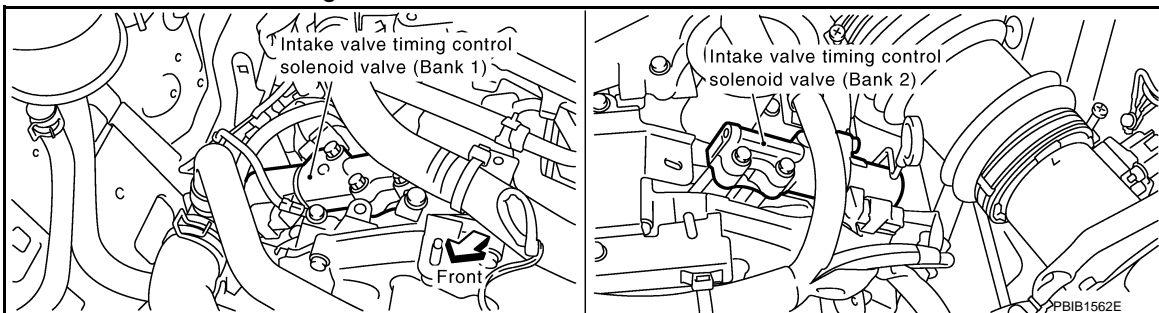
★: Average voltage for pulse signal (Actual pulse signal can be confirmed by oscilloscope.)

Diagnosis Procedure

INFOID:000000002954173

1. CHECK INTAKE VALVE TIMING CONTROL SOLENOID VALVE POWER SUPPLY CIRCUIT

- Turn ignition switch OFF.
- Disconnect intake valve timing control solenoid valve harness connector.

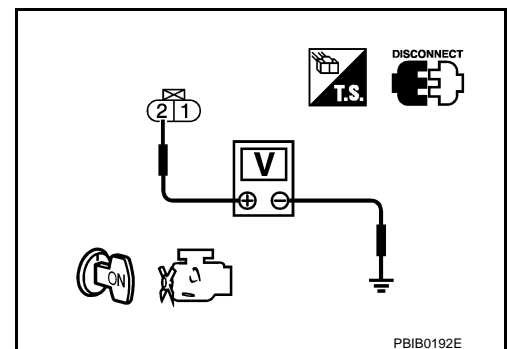


- Turn ignition switch ON.
- Check voltage between intake valve timing control solenoid valve terminal 2 and ground with CONSULT-III or tester.

Voltage: Battery voltage

OK or NG

- OK >> GO TO 3.
NG >> GO TO 2.



2. DETECT MALFUNCTIONING PART

Check the following.

- Harness connectors E12, F3
- Harness connectors E18, F201 (bank 1)

DTC P0075, P0081 IVT CONTROL SOLENOID VALVE

< SERVICE INFORMATION >

[VQ35DE]

- Harness for open or short between intake valve timing control solenoid valve and IPDM E/R

>> Repair open circuit or short to ground or short to power in harness or connectors.

3. CHECK INTAKE VALVE TIMING CONTROL SOLENOID VALVE OUTPUT SIGNAL CIRCUIT FOR OPEN AND SHORT

1. Turn ignition switch OFF.
2. Disconnect ECM harness connector.
3. Check harness continuity between the following;
ECM terminal 11 and intake valve timing control solenoid valve (bank 1) terminal 1 or
ECM terminal 10 and intake valve timing control solenoid valve (bank 2) terminal 1.
Refer to Wiring Diagram.

Continuity should exist.

4. Also check harness for short to ground and short to power.

OK or NG

- OK >> GO TO 5.
- NG >> GO TO 4.

4. DETECT MALFUNCTIONING PART

Check the following.

- Harness connectors F201, F18 (bank 1)
- Harness for open or short between intake valve timing control solenoid valve and ECM

>> Repair open circuit or short to ground or short to power in harness or connectors.

5. CHECK INTAKE VALVE TIMING CONTROL SOLENOID VALVE

Refer to [EC-174. "Component Inspection"](#).

OK or NG

- OK >> GO TO 6.
- NG >> Replace malfunctioning intake valve timing control solenoid valve.

6. CHECK INTERMITTENT INCIDENT

Refer to [EC-140](#).

>> **INSPECTION END**

Component Inspection

INFOID:000000002954174

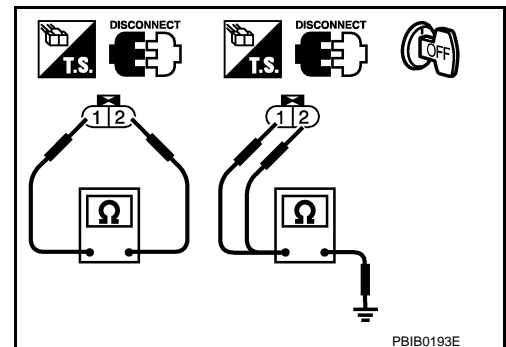
INTAKE VALVE TIMING CONTROL SOLENOID VALVE

1. Disconnect intake valve timing control solenoid valve harness connector.
2. Check resistance between intake valve timing control solenoid valve terminals as follows.

Terminals	Resistance
1 and 2	7.0 - 7.5Ω [at 20°C (68°F)]
1 or 2 and ground	∞Ω (Continuity should not exist)

If NG, replace intake valve timing control solenoid valve.
If OK, go to next step.

3. Remove intake valve timing control solenoid valve.



DTC P0075, P0081 IVT CONTROL SOLENOID VALVE

[VQ35DE]

< SERVICE INFORMATION >

4. Provide 12V DC between intake valve timing control solenoid valve terminals and then interrupt it. Make sure that the plunger moves as shown in the figure.

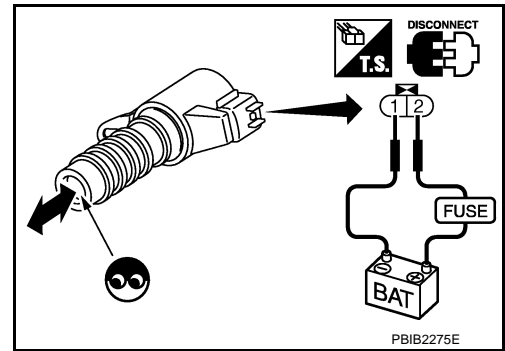
CAUTION:

Do not apply 12V DC continuously for 5 seconds or more. Doing so may result in damage to the coil in intake valve timing control solenoid valve.

If NG, replace intake valve timing control solenoid valve.

NOTE:

Always replace O-ring when intake valve timing control solenoid valve is removed.



Removal and Installation

INTAKE VALVE TIMING CONTROL SOLENOID VALVE

Refer to [EM-84](#).

INFOID:000000002954175

A
EC
C
D
E
F
G
H
I
J
K
L
M
N
O
P

DTC P0101 MAF SENSOR

< SERVICE INFORMATION >

[VQ35DE]

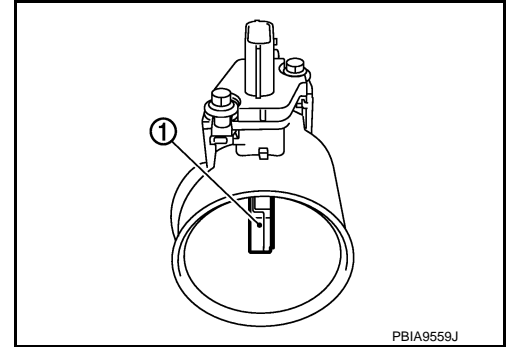
DTC P0101 MAF SENSOR

Component Description

INFOID:000000002954176

The mass air flow sensor (1) is placed in the stream of intake air. It measures the intake flow rate by measuring a part of the entire intake flow. The mass air flow sensor controls the temperature of the hot wire to a certain amount. The heat generated by the hot wire is reduced as the intake air flows around it. The more air, the greater the heat loss.

Therefore, the electric current supplied to hot wire is changed to maintain the temperature of the hot wire as air flow increases. The ECM detects the air flow by means of this current change.



CONSULT-III Reference Value in Data Monitor Mode

INFOID:000000002954177

Specification data are reference values.

MONITOR ITEM	CONDITION		SPECIFICATION
MAS A/F SE-B1	See EC-132 .		
CAL/LD VALUE	<ul style="list-style-type: none"> Engine: After warming up Selector lever: P or N Air conditioner switch: OFF No load 	Idle	5% - 35%
		2,500 rpm	5% - 35%
MASS AIRFLOW	<ul style="list-style-type: none"> Engine: After warming up Selector lever: P or N Air conditioner switch: OFF No load 	Idle	2.0 - 6.0 g-m/s
		2,500 rpm	7.0 - 20.0 g-m/s

On Board Diagnosis Logic

INFOID:000000002954178

DTC No.	Trouble diagnosis name	DTC detecting condition		Possible cause
P0101 0101	Mass air flow sensor circuit range/performance	A)	A high voltage from the sensor is sent to ECM under light load driving condition.	<ul style="list-style-type: none"> Harness or connectors (The sensor circuit is open or shorted.) Mass air flow sensor EVAP control system pressure sensor Intake air temperature sensor
		B)	A low voltage from the sensor is sent to ECM under heavy load driving condition.	<ul style="list-style-type: none"> Harness or connectors (The sensor circuit is open or shorted.) Intake air leaks Mass air flow sensor EVAP control system pressure sensor Intake air temperature sensor

DTC Confirmation Procedure

INFOID:000000002954179

Perform PROCEDURE FOR MALFUNCTION A first.

If DTC cannot be confirmed, perform PROCEDURE FOR MALFUNCTION B.

NOTE:

If DTC Confirmation Procedure has been previously conducted, always turn ignition switch OFF and wait at least 10 seconds before conducting the next test.

PROCEDURE FOR MALFUNCTION A

NOTE:

DTC P0101 MAF SENSOR

[VQ35DE]

< SERVICE INFORMATION >

If engine will not start or stops soon, wait at least 10 seconds with engine stopped (Ignition switch ON) instead of running engine at idle speed.

1. Turn ignition switch ON.
2. Start engine and warm it up to normal operating temperature.
3. Run engine for at least 10 seconds at idle speed.
4. Check 1st trip DTC.
5. If 1st trip DTC is detected, go to [EC-181, "Diagnosis Procedure"](#).

PROCEDURE FOR MALFUNCTION B

NOTE:

Check vehicle specifications and VIN, then select the procedure to be performed. (Refer to the table below.)

Vehicle specification	Vehicle serial number	Procedure
Axel		
2WD	Up to 606709	B-a
	From 606710	B-b
4WD	Up to 655057	B-a
	From 655058	B-b

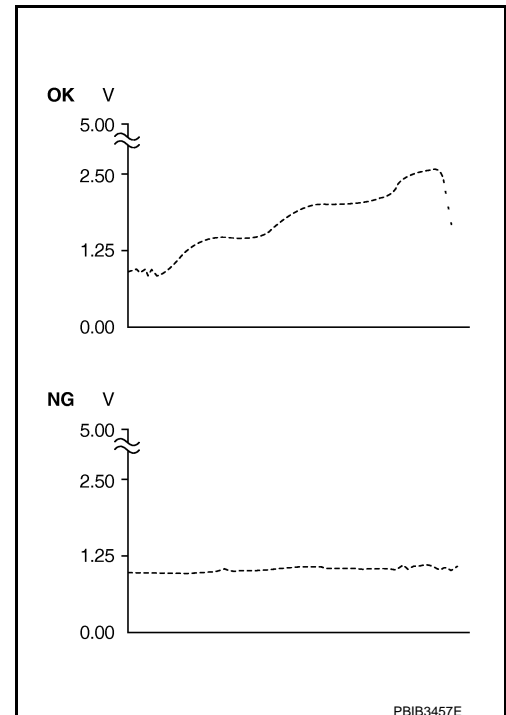
CAUTION:

Always drive vehicle at a safe speed.

Procedure for Malfunction B-a

④ WITH CONSULT-III

1. Turn ignition switch ON.
2. Start engine and warm it up to normal operating temperature.
If engine cannot be started, go to [EC-181, "Diagnosis Procedure"](#).
3. Select "DATA MONITOR" mode with CONSULT-III.
4. Check the voltage of "MAS A/F SE-B1" with "DATA MONITOR".
5. Increases engine speed to about 4,000 rpm.
6. Monitor the linear voltage rise in response to engine speed increases.
If NG, go to [EC-181, "Diagnosis Procedure"](#).
If OK, go to following step.



7. Maintain the following conditions for at least 10 consecutive seconds.

ENG SPEED	More than 2,000 rpm
THRTL SEN 1	More than 3V
THRTL SEN 2	More than 3V

DTC P0101 MAF SENSOR

[VQ35DE]

< SERVICE INFORMATION >

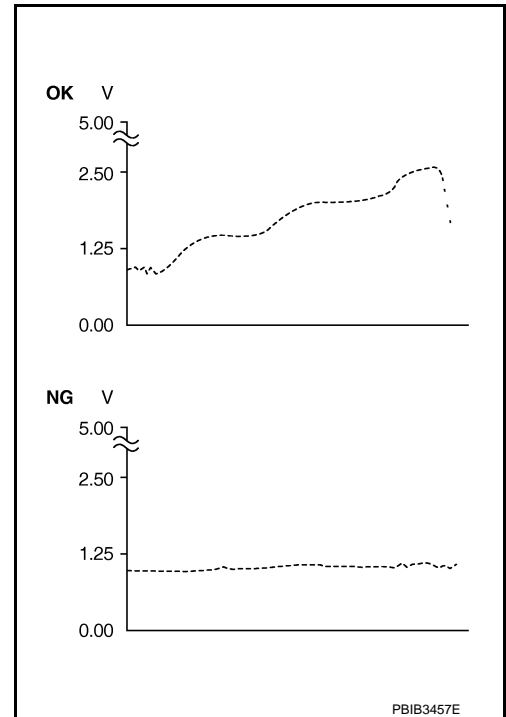
Selector lever	Suitable position
Driving location	Driving vehicle uphill (Increased engine load) will help maintain the driving conditions required for this test.

8. If 1st trip DTC is detected, go to [EC-181, "Diagnosis Procedure"](#).

Procedure for Malfunction B-b

④ WITH CONSULT-III

1. Turn ignition switch ON.
2. Start engine and warm it up to normal operating temperature.
If engine cannot be started, go to [EC-181, "Diagnosis Procedure"](#).
3. Select "DATA MONITOR" mode with CONSULT-III.
4. Check the voltage of "MAS A/F SE-B1" with "DATA MONITOR".
5. Increases engine speed to about 4,000 rpm.
6. Monitor the linear voltage rise in response to engine speed increases.
If NG, go to [EC-181, "Diagnosis Procedure"](#).
If OK, go to following step.



7. Maintain the following conditions for at least 10 consecutive seconds.

ENG SPEED	More than 2,000 rpm
THRTL SEN 1	More than 1.5V
THRTL SEN 2	More than 1.5V
Selector lever	Suitable position
Driving location	Driving vehicle uphill (Increased engine load) will help maintain the driving conditions required for this test.

8. If 1st trip DTC is detected, go to [EC-181, "Diagnosis Procedure"](#).

Overall Function Check

INFOID:000000002954180

PROCEDURE FOR MALFUNCTION B

Use this procedure to check the overall function of the mass air flow sensor circuit. During this check, a DTC might not be confirmed.

④ With GST

1. Start engine and warm it up to normal operating temperature.
2. Select Service \$01 with GST.

DTC P0101 MAF SENSOR

[VQ35DE]

< SERVICE INFORMATION >

3. Check the mass air flow sensor signal with Service \$01.
4. Check for linear mass air flow sensor signal value rise in response to increases to about 4,000 rpm in engine speed.
5. If NG, go to [EC-181. "Diagnosis Procedure"](#).

CALC LOAD	20%
COOLANT TEMP	95°C
SHORT FT #1	2%
LONG FT #1	0%
SHORT FT #2	4%
LONG FT #2	0%
ENGINE SPD	2637RPM
VEHICLE SPD	0MPH
IGN ADVANCE	41.0°
INTAKE AIR	41°C
MAF	14.1gm/sec
THROTTLE POS	3%

SEF534P

A

EC

C

D

E

F

G

H

I

J

K

L

M

N

O

P

DTC P0101 MAF SENSOR

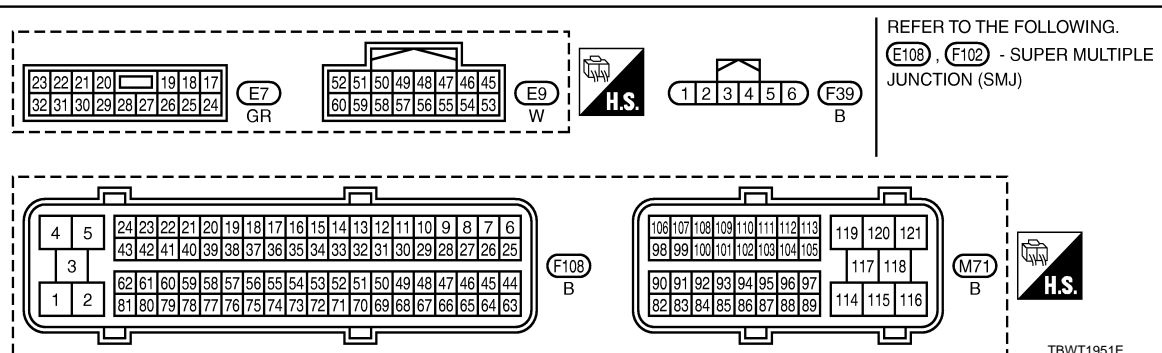
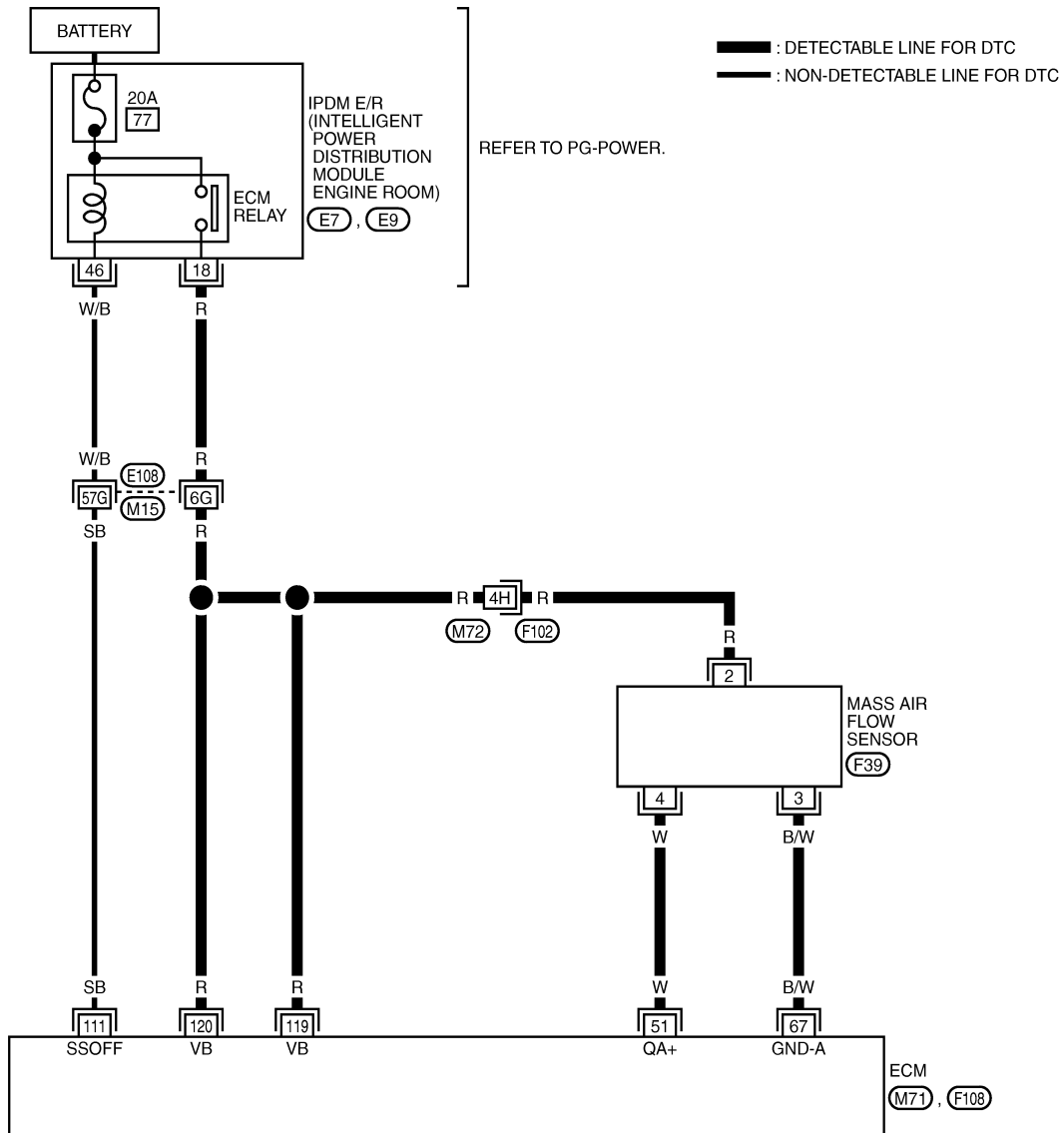
< SERVICE INFORMATION >

[VQ35DE]

INFOID:00000002954181

Wiring Diagram

EC-MAFS-01



Specification data are reference values and are measured between each terminal and ground.

CAUTION:

Do not use ECM ground terminals when measuring input/output voltage. Doing so may result in damage to the ECM's transistor. Use a ground other than ECM terminals, such as the ground.

DTC P0101 MAF SENSOR

< SERVICE INFORMATION >

[VQ35DE]

TER-MI-NAL NO.	WIRE COLOR	ITEM	CONDITION	DATA (DC Voltage)
51	W	Mass air flow sensor	[Engine is running] • Warm-up condition • Idle speed	0.9 - 1.2V
			[Engine is running] • Warm-up condition • Engine speed: 2,500 rpm	1.6 - 1.9V
67	B/W	Sensor ground	[Engine is running] • Warm-up condition • Idle speed	Approximately 0V
111	SB	ECM relay (Self shut-off)	[Engine is running] [Ignition switch: OFF] • For a few seconds after turning ignition switch OFF	0 - 1.5V
			[Ignition switch: OFF] • More than a few seconds after turning ignition switch OFF	BATTERY VOLTAGE (11 - 14V)
119 120	R R	Power supply for ECM	[Ignition switch: ON]	BATTERY VOLTAGE (11 - 14V)

Diagnosis Procedure

INFOID:000000002954182

1. INSPECTION START

Which malfunction (A or B) is duplicated?

A or B

- A >> GO TO 3.
- B >> GO TO 2.

2. CHECK INTAKE SYSTEM

Check the following for connection.

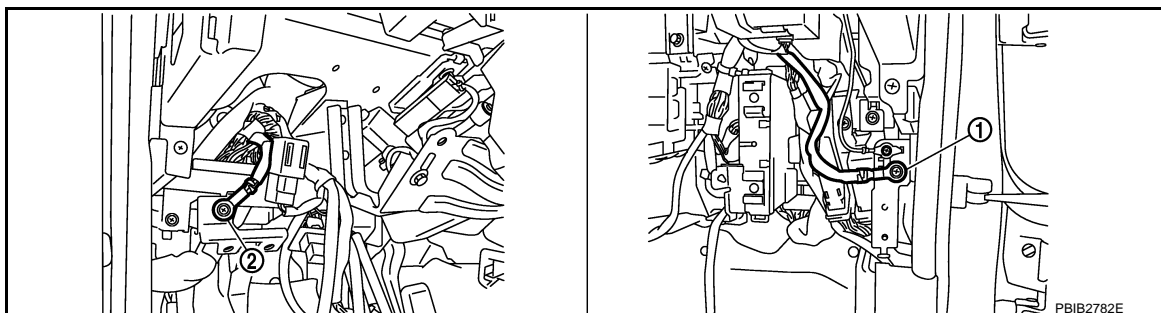
- Air duct
- Vacuum hoses
- Intake air passage between air duct and intake manifold

OK or NG

- OK >> GO TO 3.
- NG >> Reconnect the parts.

3. CHECK GROUND CONNECTIONS

1. Turn ignition switch OFF.
2. Loosen and retighten two ground screws on the body.
Refer to [EC-146, "Ground Inspection"](#).



1. Body ground M70

2. Body ground M16

DTC P0101 MAF SENSOR

[VQ35DE]

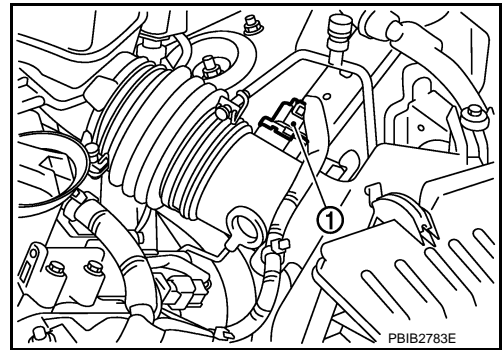
< SERVICE INFORMATION >

OK or NG

- OK >> GO TO 4.
- NG >> Repair or replace ground connections.

4. CHECK MAF SENSOR POWER SUPPLY CIRCUIT

1. Disconnect mass air flow (MAF) sensor (1) harness connector.
2. Turn ignition switch ON.

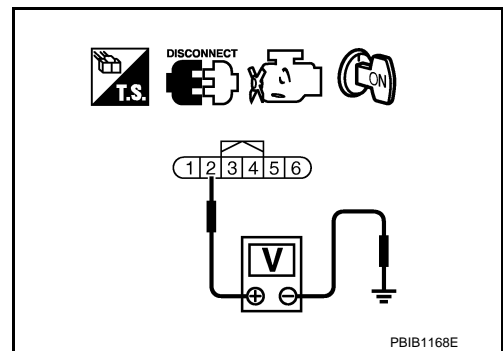


3. Check voltage between MAF sensor terminal 2 and ground with CONSULT-III or tester.

Voltage: Battery voltage

OK or NG

- OK >> GO TO 6.
- NG >> GO TO 5.



5. DETECT MALFUNCTIONING PART

Check the following.

- Harness connectors E108, M15
- Harness connectors M72, F102
- Harness for open or short between mass air flow sensor and ECM
- Harness for open or short between mass air flow sensor and IPDM E/R

>> Repair open circuit or short to ground or short to power in harness or connectors.

6. CHECK MAF SENSOR GROUND CIRCUIT FOR OPEN AND SHORT

1. Turn ignition switch OFF.
2. Disconnect ECM harness connector.
3. Check harness continuity between MAF sensor terminal 3 and ECM terminal 67.
Refer to Wiring Diagram.

Continuity should exist.

4. Also check harness for short to ground and short to power.

OK or NG

- OK >> GO TO 7.
- NG >> Repair open circuit or short to ground or short to power in harness or connectors.

7. CHECK MAF SENSOR INPUT SIGNAL CIRCUIT FOR OPEN AND SHORT

1. Check harness continuity between MAF sensor terminal 4 and ECM terminal 51.
Refer to Wiring Diagram.

Continuity should exist.

2. Also check harness for short to ground and short to power.

OK or NG

DTC P0101 MAF SENSOR

[VQ35DE]

< SERVICE INFORMATION >

- OK >> GO TO 8.
NG >> Repair open circuit or short to ground or short to power in harness or connectors.

8. CHECK INTAKE AIR TEMPERATURE SENSOR

Refer to [EC-195. "Component Inspection"](#).

OK or NG

- OK >> GO TO 9.
NG >> Replace intake air temperature sensor.

9. CHECK EVAP CONTROL SYSTEM PRESSURE SENSOR

Refer to [EC-385. "Component Inspection"](#).

OK or NG

- OK >> GO TO 10.
NG >> Replace EVAP control system pressure sensor.

10. CHECK MASS AIR FLOW SENSOR

Refer to [EC-183. "Component Inspection"](#).

OK or NG

- OK >> GO TO 11.
NG >> Replace mass air flow sensor.

11. CHECK INTERMITTENT INCIDENT

Refer to [EC-140](#).

>> **INSPECTION END**

Component Inspection

INFOID:000000002954183

MASS AIR FLOW SENSOR

 With CONSULT-III

1. Reconnect all harness connectors disconnected.
2. Start engine and warm it up to normal operating temperature.
3. Connect CONSULT-III and select "DATA MONITOR" mode.
4. Select "MAS A/F SE-B1" and check indication under the following conditions.

Condition	MAS A/F SE-B1 (V)
Ignition switch ON (Engine stopped.)	Approx. 0.4
Idle (Engine is warmed-up to normal operating temperature.)	0.9 - 1.2
2,500 rpm (Engine is warmed-up to normal operating temperature.)	1.6 - 1.9
Idle to about 4,000 rpm	0.9 - 1.2 to Approx. 2.4*

*: Check for linear voltage rise in response to engine being increased to about 4,000 rpm.

5. If the voltage is out of specification, proceed the following.
 - a. Check for the cause of uneven air flow through mass air flow sensor. Refer to following.
 - Crushed air ducts
 - Malfunctioning seal of air cleaner element
 - Uneven dirt of air cleaner element
 - Improper specification of intake air system parts
 - b. If NG, repair or replace malfunctioning part and perform step 2 to 4 again. If OK, go to next step.
6. Turn ignition switch OFF.
7. Disconnect mass air flow sensor harness connector and reconnect it again.
8. Perform step 2 to 4 again.

DTC P0101 MAF SENSOR

[VQ35DE]

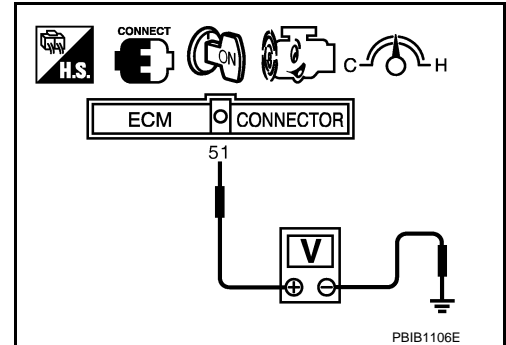
< SERVICE INFORMATION >

9. If NG, clean or replace mass air flow sensor.

⊗ Without CONSULT-III

1. Reconnect all harness connectors disconnected.
2. Start engine and warm it up to normal operating temperature.
3. Check voltage between ECM terminal 51 (Mass air flow sensor signal) and ground.

Condition	Voltage V
Ignition switch ON (Engine stopped.)	Approx. 0.4
Idle (Engine is warmed-up to normal operating temperature.)	0.9 - 1.2
2,500 rpm (Engine is warmed-up to normal operating temperature.)	1.6 - 1.9
Idle to about 4,000 rpm	0.9 - 1.2 to Approx. 2.4*



*: Check for linear voltage rise in response to engine being increased to about 4,000 rpm.

4. If the voltage is out of specification, proceed the following.
 - a. Check for the cause of uneven air flow through mass air flow sensor. Refer to following.
 - Crushed air ducts
 - Malfunctioning seal of air cleaner element
 - Uneven dirt of air cleaner element
 - Improper specification of intake air system parts
 - b. If NG, repair or replace malfunctioning part and perform step 2 and 3 again. If OK, go to next step.
5. Turn ignition switch OFF.
6. Disconnect mass air flow sensor harness connector and reconnect it again.
7. Perform step 2 and 3 again.
8. If NG, clean or replace mass air flow sensor.

Removal and Installation

INFOID:000000002954184

MASS AIR FLOW SENSOR

Refer to [EM-18](#).

DTC P0102, P0103 MAF SENSOR

< SERVICE INFORMATION >

[VQ35DE]

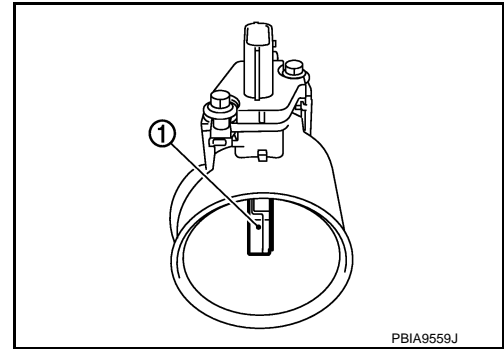
DTC P0102, P0103 MAF SENSOR

Component Description

INFOID:000000002954185

The mass air flow sensor (1) is placed in the stream of intake air. It measures the intake flow rate by measuring a part of the entire intake flow. The mass air flow sensor controls the temperature of the hot wire to a certain amount. The heat generated by the hot wire is reduced as the intake air flows around it. The more air, the greater the heat loss.

Therefore, the electric current supplied to hot wire is changed to maintain the temperature of the hot wire as air flow increases. The ECM detects the air flow by means of this current change.



CONSULT-III Reference Value in Data Monitor Mode

INFOID:000000002954186

Specification data are reference values.

MONITOR ITEM	CONDITION		SPECIFICATION
MAS A/F SE-B1	See EC-132 .		
CAL/LD VALUE	<ul style="list-style-type: none"> Engine: After warming up Selector lever: P or N Air conditioner switch: OFF No load 	Idle	5% - 35%
		2,500 rpm	5% - 35%
MASS AIRFLOW	<ul style="list-style-type: none"> Engine: After warming up Selector lever: P or N Air conditioner switch: OFF No load 	Idle	2.0 - 6.0 g-m/s
		2,500 rpm	7.0 - 20.0 g-m/s

On Board Diagnosis Logic

INFOID:000000002954187

These self-diagnoses have the one trip detection logic.

DTC No.	Trouble diagnosis name	DTC detecting condition	Possible cause
P0102 0102	Mass air flow sensor circuit low input	An excessively low voltage from the sensor is sent to ECM.	<ul style="list-style-type: none"> Harness or connectors (The sensor circuit is open or shorted.) Intake air leaks Mass air flow sensor
P0103 0103	Mass air flow sensor circuit high input	An excessively high voltage from the sensor is sent to ECM.	<ul style="list-style-type: none"> Harness or connectors (The sensor circuit is open or shorted.) Mass air flow sensor

FAIL-SAFE MODE

When the malfunction is detected, the ECM enters fail-safe mode and the MIL lights up.

Detected items	Engine operating condition in fail-safe mode
Mass air flow sensor circuit	Engine speed will not rise more than 2,400 rpm due to the fuel cut.

DTC Confirmation Procedure

INFOID:000000002954188

NOTE:

If DTC Confirmation Procedure has been previously conducted, always turn ignition switch OFF and wait at least 10 seconds before conducting the next test.

PROCEDURE FOR DTC P0102

1. Start engine and wait at least 5 seconds.
2. Check DTC.

DTC P0102, P0103 MAF SENSOR

[VQ35DE]

< SERVICE INFORMATION >

3. If DTC is detected, go to [EC-188, "Diagnosis Procedure"](#).

PROCEDURE FOR DTC P0103

1. Turn ignition switch ON.
2. Wait at least 5 seconds.
3. Check DTC.
4. If DTC is detected, go to [EC-188, "Diagnosis Procedure"](#).
If DTC is not detected, go to next step.
5. Start engine and wait at least 5 seconds.
6. Check DTC.
7. If DTC is detected, go to [EC-188, "Diagnosis Procedure"](#).

DTC P0102, P0103 MAF SENSOR

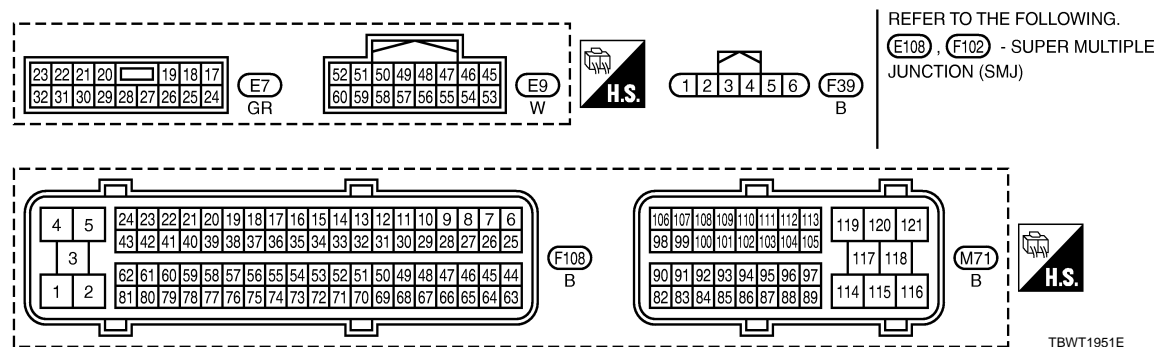
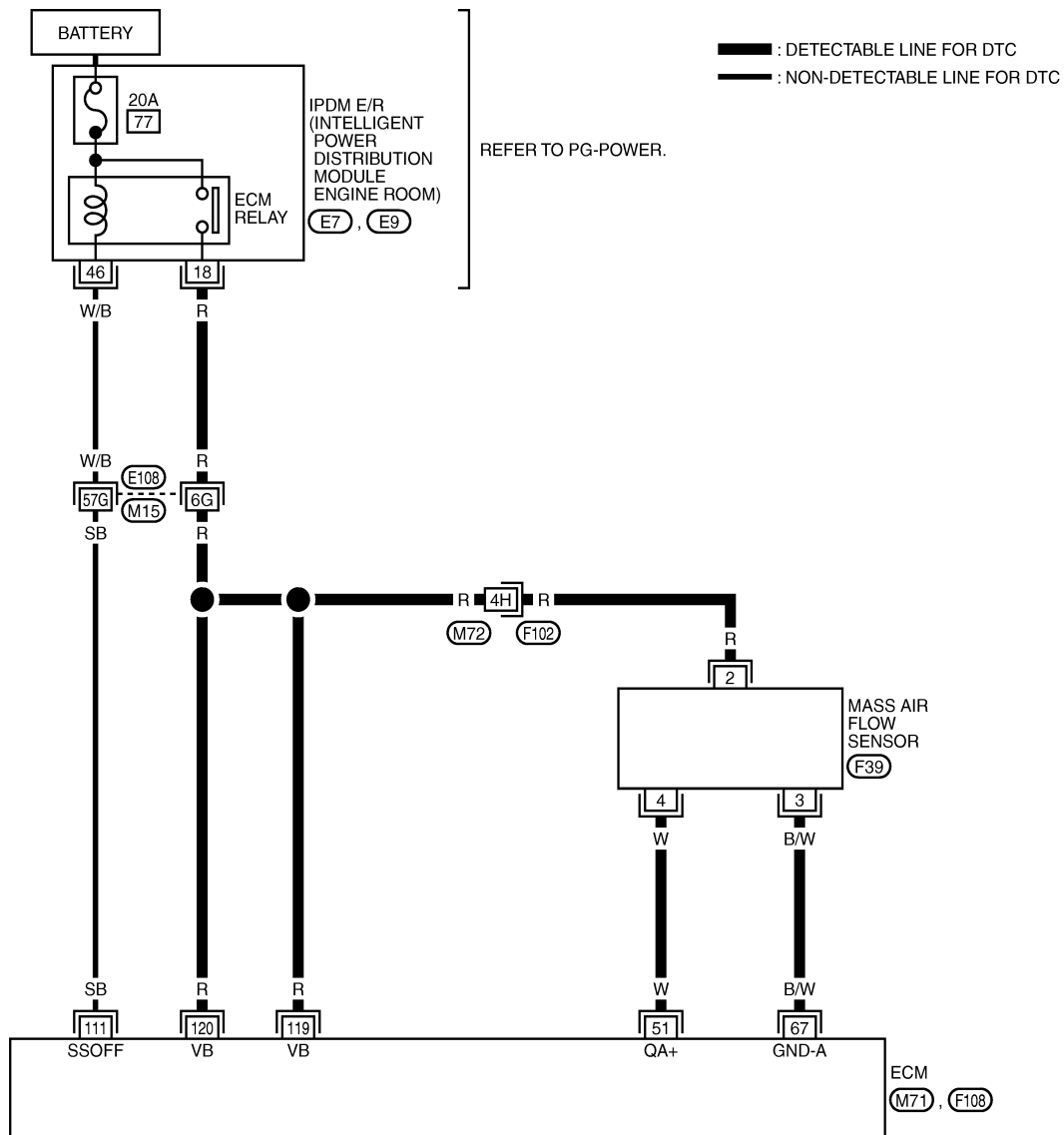
< SERVICE INFORMATION >

[VQ35DE]

Wiring Diagram

INFOID:00000002954189

EC-MAFS-01



Specification data are reference values and are measured between each terminal and ground.

CAUTION:

Do not use ECM ground terminals when measuring input/output voltage. Doing so may result in damage to the ECM's transistor. Use a ground other than ECM terminals, such as the ground.

DTC P0102, P0103 MAF SENSOR

< SERVICE INFORMATION >

[VQ35DE]

TER-MI-NAL NO.	WIRE COLOR	ITEM	CONDITION	DATA (DC Voltage)
51	W	Mass air flow sensor	[Engine is running] • Warm-up condition • Idle speed	0.9 - 1.2V
			[Engine is running] • Warm-up condition • Engine speed: 2,500 rpm	1.6 - 1.9V
67	B/W	Sensor ground	[Engine is running] • Warm-up condition • Idle speed	Approximately 0V
111	SB	ECM relay (Self shut-off)	[Engine is running] [Ignition switch: OFF] • For a few seconds after turning ignition switch OFF	0 - 1.5V
			[Ignition switch: OFF] • More than a few seconds after turning ignition switch OFF	BATTERY VOLTAGE (11 - 14V)
119 120	R R	Power supply for ECM	[Ignition switch: ON]	BATTERY VOLTAGE (11 - 14V)

Diagnosis Procedure

INFOID:000000002954190

1. INSPECTION START

Which malfunction (P0102 or P0103) is duplicated?

P0102 or P0103

- P0102 >> GO TO 2.
- P0103 >> GO TO 3.

2. CHECK INTAKE SYSTEM

Check the following for connection.

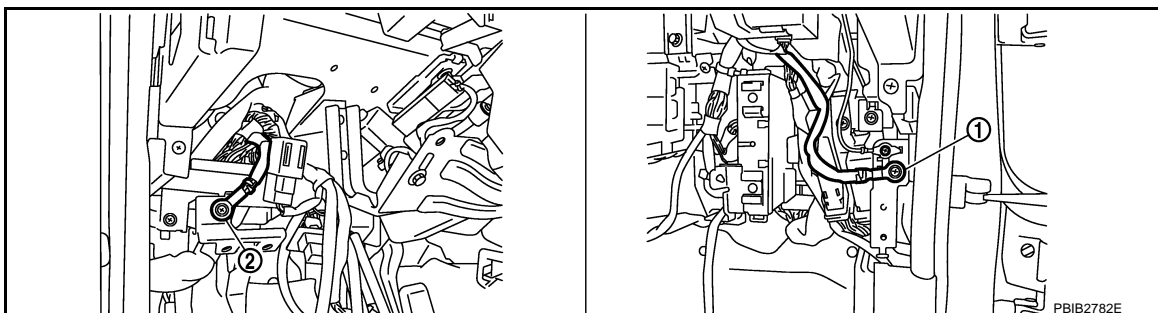
- Air duct
- Vacuum hoses
- Intake air passage between air duct to intake manifold

OK or NG

- OK >> GO TO 3.
- NG >> Reconnect the parts.

3. CHECK GROUND CONNECTIONS

1. Turn ignition switch OFF.
2. Loosen and retighten two ground screws on the body.
Refer to [EC-146, "Ground Inspection"](#).



1. Body ground M70

2. Body ground M16

DTC P0102, P0103 MAF SENSOR

[VQ35DE]

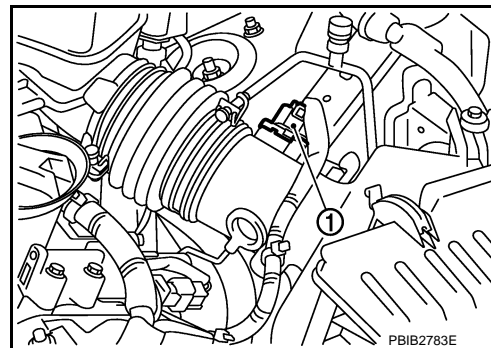
< SERVICE INFORMATION >

OK or NG

- OK >> GO TO 4.
NG >> Repair or replace ground connections.

4. CHECK MAF SENSOR POWER SUPPLY CIRCUIT

1. Disconnect mass air flow (MAF) sensor (1) harness connector.
2. Turn ignition switch ON.

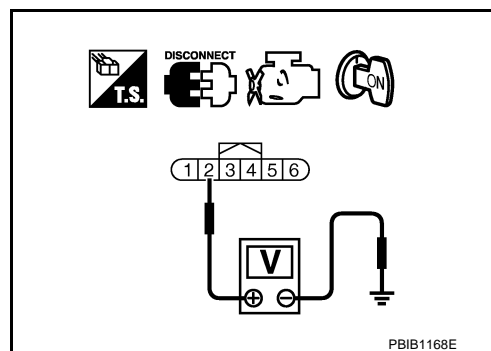


3. Check voltage between MAF sensor terminal 2 and ground with CONSULT-III or tester.

Voltage: Battery voltage

OK or NG

- OK >> GO TO 6.
NG >> GO TO 5.



5. DETECT MALFUNCTIONING PART

Check the following.

- Harness connectors E108, M15
- Harness connectors M72, F102
- Harness for open or short between mass air flow sensor and ECM
- Harness for open or short between mass air flow sensor and IPDM E/R

>> Repair open circuit or short to ground or short to power in harness or connectors.

6. CHECK MAF SENSOR GROUND CIRCUIT FOR OPEN AND SHORT

1. Turn ignition switch OFF.
2. Disconnect ECM harness connector.
3. Check harness continuity between MAF sensor terminal 3 and ECM terminal 67.
Refer to Wiring Diagram.

Continuity should exist.

4. Also check harness for short to ground and short to power.

OK or NG

- OK >> GO TO 7.
NG >> Repair open circuit or short to ground or short to power in harness or connectors.

7. CHECK MAF SENSOR INPUT SIGNAL CIRCUIT FOR OPEN AND SHORT

1. Check harness continuity between MAF sensor terminal 4 and ECM terminal 51.
Refer to Wiring Diagram.

Continuity should exist.

2. Also check harness for short to ground and short to power.

OK or NG

DTC P0102, P0103 MAF SENSOR

[VQ35DE]

< SERVICE INFORMATION >

- OK >> GO TO 8.
NG >> Repair open circuit or short to ground or short to power in harness or connectors.

8. CHECK MASS AIR FLOW SENSOR

Refer to [EC-190, "Component Inspection"](#).

OK or NG

- OK >> GO TO 9.
NG >> Replace mass air flow sensor.

9. CHECK INTERMITTENT INCIDENT

Refer to [EC-140](#).

>> **INSPECTION END**

Component Inspection

INFOID:000000002954191

MASS AIR FLOW SENSOR

With CONSULT-III

1. Reconnect all harness connectors disconnected.
2. Start engine and warm it up to normal operating temperature.
3. Connect CONSULT-III and select "DATA MONITOR" mode.
4. Select "MAS A/F SE-B1" and check indication under the following conditions.

Condition	MAS A/F SE-B1 (V)
Ignition switch ON (Engine stopped.)	Approx. 0.4
Idle (Engine is warmed-up to normal operating temperature.)	0.9 - 1.2
2,500 rpm (Engine is warmed-up to normal operating temperature.)	1.6 - 1.9
Idle to about 4,000 rpm	0.9 - 1.2 to Approx. 2.4*

*: Check for linear voltage rise in response to engine being increased to about 4,000 rpm.

5. If the voltage is out of specification, proceed the following.
 - a. Check for the cause of uneven air flow through mass air flow sensor. Refer to following.
 - Crushed air ducts
 - Malfunctioning seal of air cleaner element
 - Uneven dirt of air cleaner element
 - Improper specification of intake air system parts
 - b. If NG, repair or replace malfunctioning part and perform step 2 to 4 again.
If OK, go to next step.
6. Turn ignition switch OFF.
7. Disconnect mass air flow sensor harness connector and reconnect it again.
8. Perform step 2 to 4 again.
9. If NG, clean or replace mass air flow sensor.

Without CONSULT-III

1. Reconnect all harness connectors disconnected.
2. Start engine and warm it up to normal operating temperature.

DTC P0102, P0103 MAF SENSOR

[VQ35DE]

< SERVICE INFORMATION >

3. Check voltage between ECM terminal 51 (Mass air flow sensor signal) and ground.

Condition	Voltage V
Ignition switch ON (Engine stopped.)	Approx. 0.4
Idle (Engine is warmed-up to normal operating temperature.)	0.9 - 1.2
2,500 rpm (Engine is warmed-up to normal operating temperature.)	1.6 - 1.9
Idle to about 4,000 rpm	0.9 - 1.2 to Approx. 2.4*

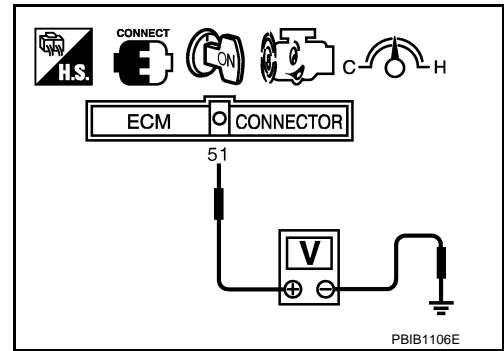
*: Check for linear voltage rise in response to engine being increased to about 4,000 rpm.

4. If the voltage is out of specification, proceed the following.
- Check for the cause of uneven air flow through mass air flow sensor. Refer to following.
 - Crushed air ducts
 - Malfunctioning seal of air cleaner element
 - Uneven dirt of air cleaner element
 - Improper specification of intake air system parts
 - If NG, repair or replace malfunctioning part and perform step 2 and 3 again. If OK, go to next step.
5. Turn ignition switch OFF.
6. Disconnect mass air flow sensor harness connector and reconnect it again.
7. Perform step 2 and 3 again.
8. If NG, clean or replace mass air flow sensor.

Removal and Installation

MASS AIR FLOW SENSOR

Refer to [EM-18](#).



INFOID:000000002954192

DTC P0112, P0113 IAT SENSOR

[VQ35DE]

< SERVICE INFORMATION >

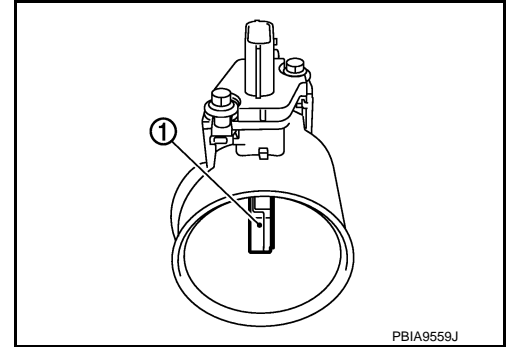
DTC P0112, P0113 IAT SENSOR

Component Description

INFOID:000000002954193

The intake air temperature sensor is built-into mass air flow sensor (1). The sensor detects intake air temperature and transmits a signal to the ECM.

The temperature sensing unit uses a thermistor which is sensitive to the change in temperature. Electrical resistance of the thermistor decreases in response to the temperature rise.



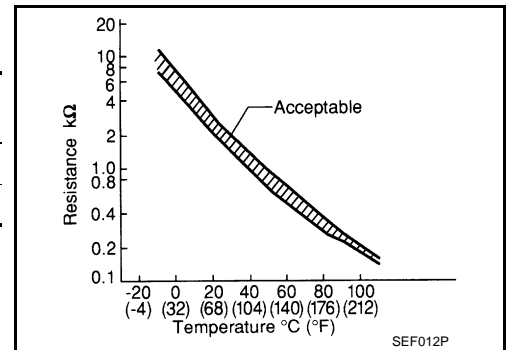
<Reference data>

Intake air temperature °C (°F)	Voltage* V	Resistance kΩ
25 (77)	3.3	1.800 - 2.200
80 (176)	1.2	0.283 - 0.359

*: This data is reference value and is measured between ECM terminal 34 (Intake air temperature sensor) and ground.

CAUTION:

Do not use ECM ground terminals when measuring input/output voltage. Doing so may result in damage to the ECM's transistor. Use a ground other than ECM terminals, such as the ground.



On Board Diagnosis Logic

INFOID:000000002954194

DTC No.	Trouble diagnosis name	DTC detecting condition	Possible cause
P0112 0112	Intake air temperature sensor circuit low input	An excessively low voltage from the sensor is sent to ECM.	<ul style="list-style-type: none"> • Harness or connectors (The sensor circuit is open or shorted.) • Intake air temperature sensor
P0113 0113	Intake air temperature sensor circuit high input	An excessively high voltage from the sensor is sent to ECM.	

DTC Confirmation Procedure

INFOID:000000002954195

NOTE:

If DTC Confirmation Procedure has been previously conducted, always turn ignition switch OFF and wait at least 10 seconds before conducting the next test.

1. Turn ignition switch ON.
2. Wait at least 5 seconds.
3. Check 1st trip DTC.
4. If 1st trip DTC is detected, go to [EC-193. "Diagnosis Procedure"](#).

DTC P0112, P0113 IAT SENSOR



< SERVICE INFORMATION >

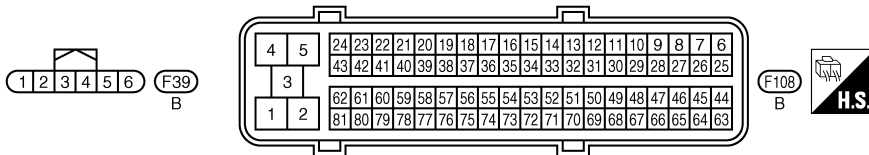
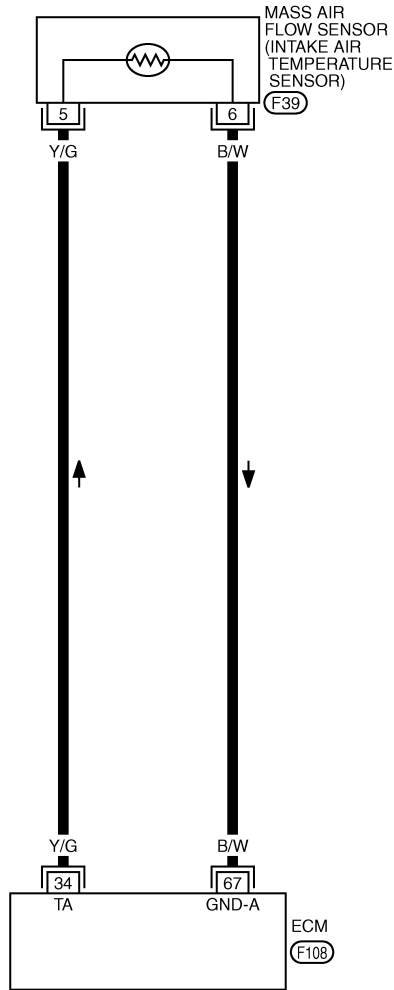
[VQ35DE]

Wiring Diagram

INFOID:000000002954196

EC-IATS-01

 : DETECTABLE LINE FOR DTC
 : NON-DETECTABLE LINE FOR DTC



TBWT0951E

INFOID:000000002954197

Diagnosis Procedure

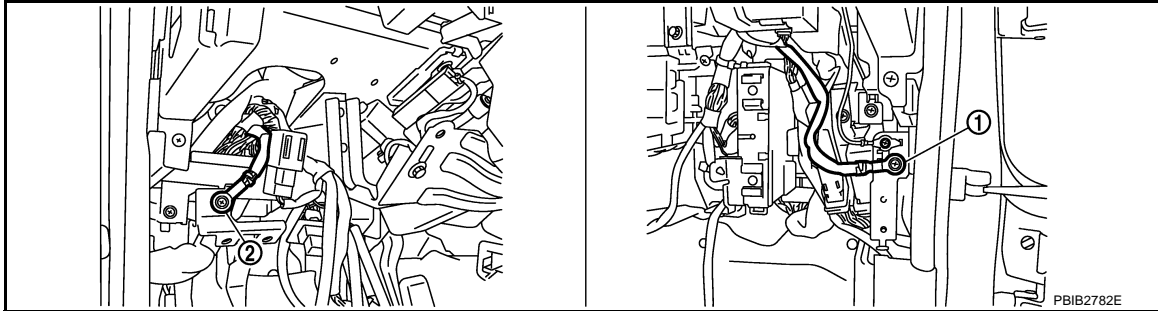
1. CHECK GROUND CONNECTIONS

1. Turn ignition switch OFF.
2. Loosen and retighten two ground screws on the body.
Refer to [EC-146. "Ground Inspection"](#).

DTC P0112, P0113 IAT SENSOR

< SERVICE INFORMATION >

[VQ35DE]



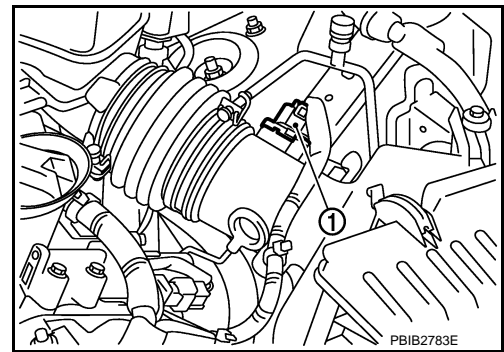
1. Body ground M70
2. Body ground M16

OK or NG

- OK >> GO TO 2.
- NG >> Repair or replace ground connections.

2. CHECK INTAKE AIR TEMPERATURE SENSOR POWER SUPPLY CIRCUIT

1. Disconnect mass air flow sensor (intake air temperature sensor is built-into) (1) harness connector.
2. Turn ignition switch ON.

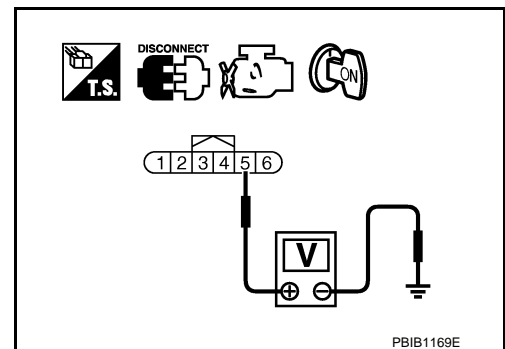


3. Check voltage between mass air flow sensor terminal 5 and ground with CONSULT-III or tester.

Voltage: Approximately 5V

OK or NG

- OK >> GO TO 3.
- NG >> Repair open circuit or short to ground or short to power in harness or connectors.



3. CHECK INTAKE AIR TEMPERATURE SENSOR GROUND CIRCUIT FOR OPEN AND SHORT

1. Turn ignition switch OFF.
2. Disconnect ECM harness connector.
3. Check harness continuity between mass air flow sensor terminal 6 and ECM terminal 67. Refer to Wiring Diagram.

Continuity should exist.

4. Also check harness for short to ground and short to power.

OK or NG

- OK >> GO TO 4.
- NG >> Repair open circuit or short to ground or short to power in harness or connectors.

4. CHECK INTAKE AIR TEMPERATURE SENSOR

Refer to [EC-195. "Component Inspection"](#).

OK or NG

DTC P0112, P0113 IAT SENSOR

[VQ35DE]

< SERVICE INFORMATION >

- OK >> GO TO 5.
- NG >> Replace mass air flow sensor (with intake air temperature sensor).

5. CHECK INTERMITTENT INCIDENT

Refer to [EC-140](#).

>> **INSPECTION END**

Component Inspection

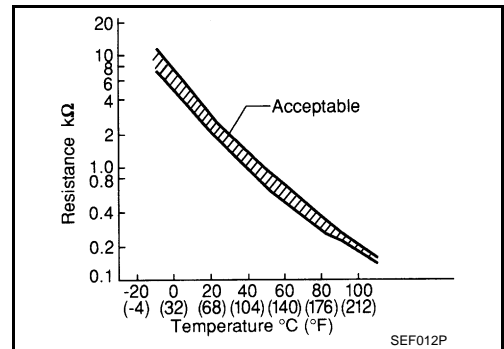
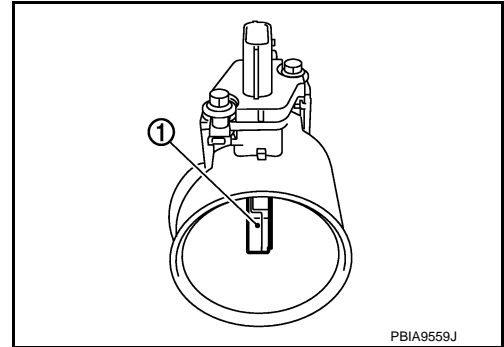
INFOID:000000002954198

INTAKE AIR TEMPERATURE SENSOR

1. Check resistance between mass air flow sensor (1) terminals 5 and 6 under the following conditions.

Intake air temperature °C (°F)	Resistance kΩ
25 (77)	1.800 - 2.200

2. If NG, replace mass air flow sensor (with intake air temperature sensor).



Removal and Installation

INFOID:000000002954199

MASS AIR FLOW SENSOR

Refer to [EM-18](#).

DTC P0116 ECT SENSOR

< SERVICE INFORMATION >

[VQ35DE]

DTC P0116 ECT SENSOR

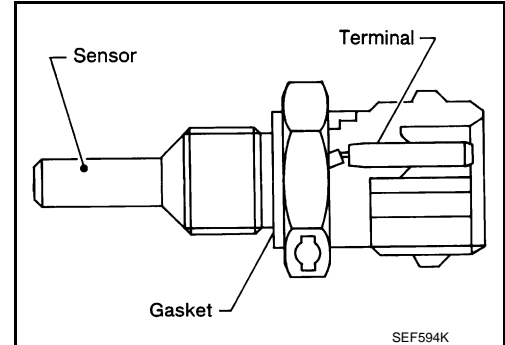
Component Description

INFOID:000000004932947

NOTE:

If DTC P0125 is displayed with P0117 or P0118, first perform the trouble diagnosis for DTC P0117 or P0118. Refer to [EC-199](#).

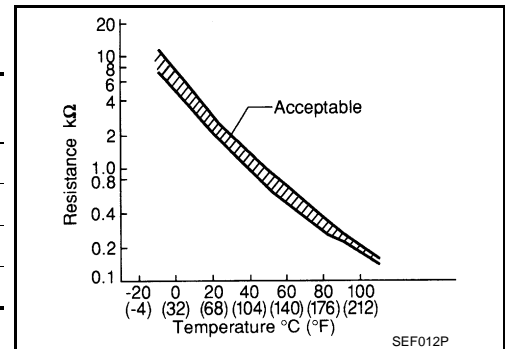
The engine coolant temperature sensor is used to detect the engine coolant temperature. The sensor modifies a voltage signal from the ECM. The modified signal returns to the ECM as the engine coolant temperature input. The sensor uses a thermistor which is sensitive to the change in temperature. The electrical resistance of the thermistor decreases as temperature increases.



<Reference data>

Engine coolant temperature °C (°F)	Voltage* V	Resistance kΩ
-10 (14)	4.4	7.0 - 11.4
20 (68)	3.5	2.1 - 2.9
50 (122)	2.2	0.68 - 1.00
90 (194)	0.9	0.236 - 0.260

*: This data is reference value and is measured between ECM terminal 73 (Engine coolant temperature sensor) and ground.



CAUTION:

Do not use ECM ground terminals when measuring input/output voltage. Doing so may result in damage to the ECM's transistor. Use a ground other than ECM terminals, such as the ground.

On Board Diagnosis Logic

INFOID:000000004932939

NOTE:

If DTC P0116 is displayed with P0117 or P0118, first perform the trouble diagnosis for DTC P0117, P0118. Refer to [EC-199, "On Board Diagnosis Logic"](#).

DTC No.	Trouble diagnosis name	DTC detecting condition	Possible cause
P0116 0116	Engine coolant temperature sensor circuit range/performance	Engine coolant temperature signal from engine coolant temperature sensor does not fluctuate, even when some time has passed after starting the engine with pre-warming up condition.	<ul style="list-style-type: none"> • Harness or connectors (High or low resistance in the circuit) • Engine coolant temperature sensor

DTC Confirmation Procedure

INFOID:000000004932940

NOTE:

If DTC Confirmation Procedure has been previously conducted, always turn ignition switch OFF and wait at least 10 seconds before conducting the next test.

TESTING CONDITION:

Before performing the following procedure, do not add fuel.

1. Start engine and warm it up to normal operating temperature.
2. Rev engine up to 2,000 rpm for more than 10 minutes.
3. Move the vehicle to a cool place, then stop engine and turn ignition switch OFF.
4. Check resistance between "fuel level sensor unit and fuel pump" terminals 4 and 5.

DTC P0116 ECT SENSOR

[VQ35DE]

< SERVICE INFORMATION >

5. Soak the vehicle until the resistance between "fuel level sensor unit and fuel pump" terminals 4 and 5 becomes 0.5 k Ω higher than the value measured before soaking.

CAUTION:

Never turn ignition switch ON during soaking time.

NOTE:

Soak time changes depending on ambient air temperature. It may take several hours.

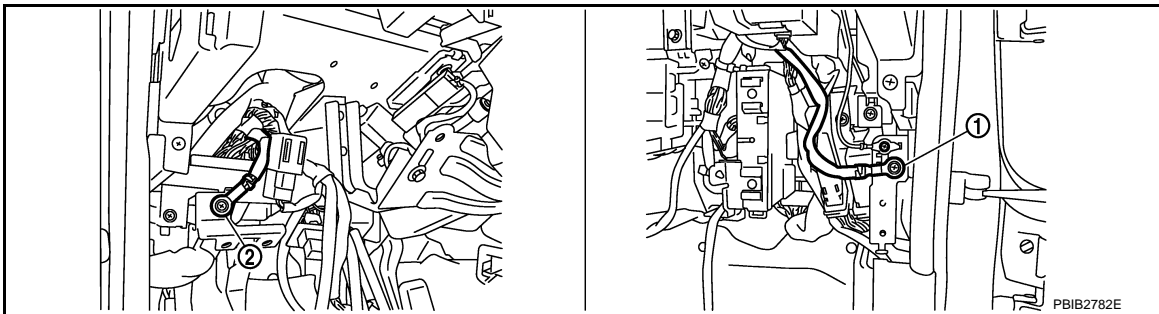
6. Start engine and let it idle for 5 minutes.
7. Check 1st trip DTC.
8. If 1st trip DTC is detected, go to [EC-197, "Diagnosis Procedure"](#).

Diagnosis Procedure

INFOID:000000004932944

1. CHECK GROUND CONNECTIONS

1. Turn ignition switch OFF.
2. Loosen and retighten two ground screws on the body.
Refer to [EC-146, "Ground Inspection"](#).



1. Body ground M70

2. Body ground M16

OK or NG

OK >> GO TO 2.

NG >> Repair or replace ground connections.

2. CHECK ENGINE COOLANT TEMPERATURE SENSOR

Refer to [EC-197, "Component Inspection"](#).

OK or NG

OK >> GO TO 3.

NG >> Replace engine coolant temperature sensor.

3. CHECK INTERMITTENT INCIDENT

Refer to [EC-140](#).

Refer to [EC-201, "Wiring Diagram"](#).

>> **INSPECTION END**

Component Inspection

INFOID:000000004932946

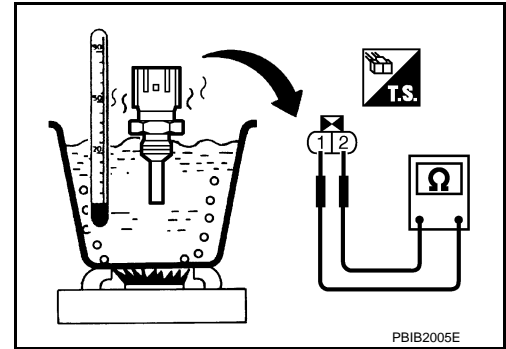
ENGINE COOLANT TEMPERATURE SENSOR

DTC P0116 ECT SENSOR

[VQ35DE]

< SERVICE INFORMATION >

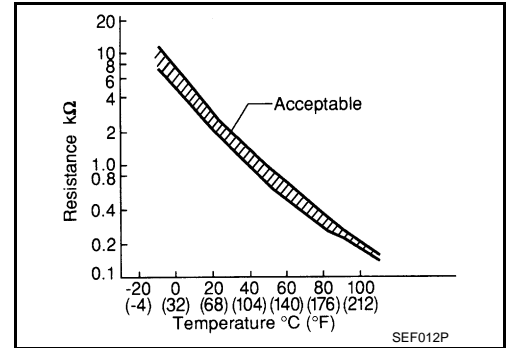
1. Check resistance between engine coolant temperature sensor terminals 1 and 2 as shown in the figure.



<Reference data>

Temperature °C (°F)	Resistance kΩ
20 (68)	2.1 - 2.9
50 (122)	0.68 - 1.00
90 (194)	0.236 - 0.260

2. If NG, replace engine coolant temperature sensor.



INFOID:000000004932945

Removal and Installation

ENGINE COOLANT TEMPERATURE SENSOR

Refer to [CO-30](#).

DTC P0117, P0118 ECT SENSOR

< SERVICE INFORMATION >

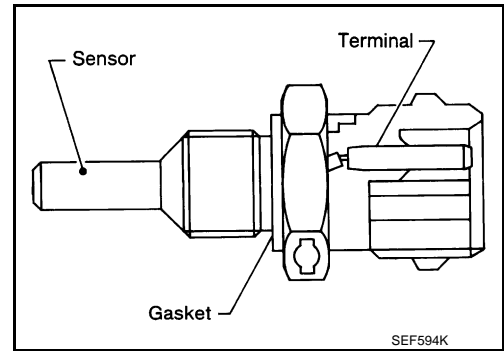
[VQ35DE]

DTC P0117, P0118 ECT SENSOR

Component Description

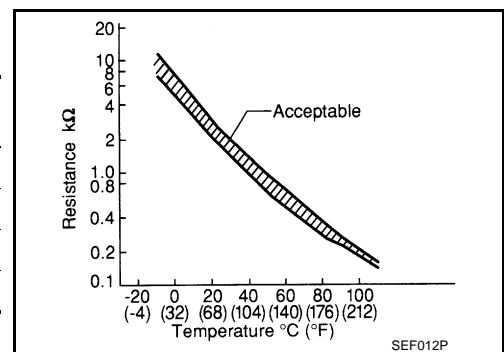
INFOID:000000002954200

The engine coolant temperature sensor is used to detect the engine coolant temperature. The sensor modifies a voltage signal from the ECM. The modified signal returns to the ECM as the engine coolant temperature input. The sensor uses a thermistor which is sensitive to the change in temperature. The electrical resistance of the thermistor decreases as temperature increases.



<Reference data>

Engine coolant temperature °C (°F)	Voltage* V	Resistance kΩ
-10 (14)	4.4	7.0 - 11.4
20 (68)	3.5	2.1 - 2.9
50 (122)	2.2	0.68 - 1.00
90 (194)	0.9	0.236 - 0.260



*: This data is reference value and is measured between ECM terminal 73 (Engine coolant temperature sensor) and ground.

CAUTION:

Do not use ECM ground terminals when measuring input/output voltage. Doing so may result in damage to the ECM's transistor. Use a ground other than ECM terminals, such as the ground.

On Board Diagnosis Logic

INFOID:000000002954201

These self-diagnoses have the one trip detection logic.

DTC No.	Trouble Diagnosis Name	DTC Detecting Condition	Possible Cause
P0117 0117	Engine coolant temperature sensor circuit low input	An excessively low voltage from the sensor is sent to ECM.	<ul style="list-style-type: none"> • Harness or connectors (The sensor circuit is open or shorted.) • Engine coolant temperature sensor
P0118 0118	Engine coolant temperature sensor circuit high input	An excessively high voltage from the sensor is sent to ECM.	

FAIL-SAFE MODE

When the malfunction is detected, the ECM enters fail-safe mode and the MIL lights up.

DTC P0117, P0118 ECT SENSOR

< SERVICE INFORMATION >

[VQ35DE]

Detected items	Engine operating condition in fail-safe mode	
Engine coolant temperature sensor circuit	Engine coolant temperature will be determined by ECM based on the following condition. CONSULT-III displays the engine coolant temperature decided by ECM.	
	Condition	Engine coolant temperature decided (CONSULT-III display)
	Just as ignition switch is turned ON or START	40°C (104°F)
	Approx. 4 minutes or more after engine starting	80°C (176°F)
	Except as shown above	40 - 80°C (104 - 176°F) (Depends on the time)
When the fail-safe system for engine coolant temperature sensor is activated, the cooling fan operates while engine is running.		

DTC Confirmation Procedure

INFOID:000000002954202

NOTE:

If DTC Confirmation Procedure has been previously conducted, always turn ignition switch OFF and wait at least 10 seconds before conducting the next test.

1. Turn ignition switch ON.
2. Wait at least 5 seconds.
3. Check DTC.
4. If DTC is detected, go to [EC-201, "Diagnosis Procedure"](#).

DTC P0117, P0118 ECT SENSOR



< SERVICE INFORMATION >

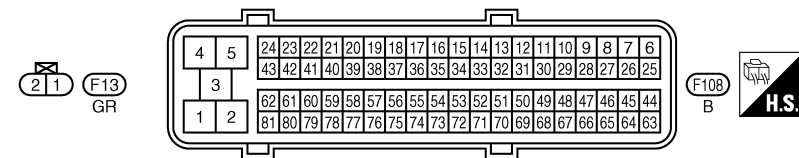
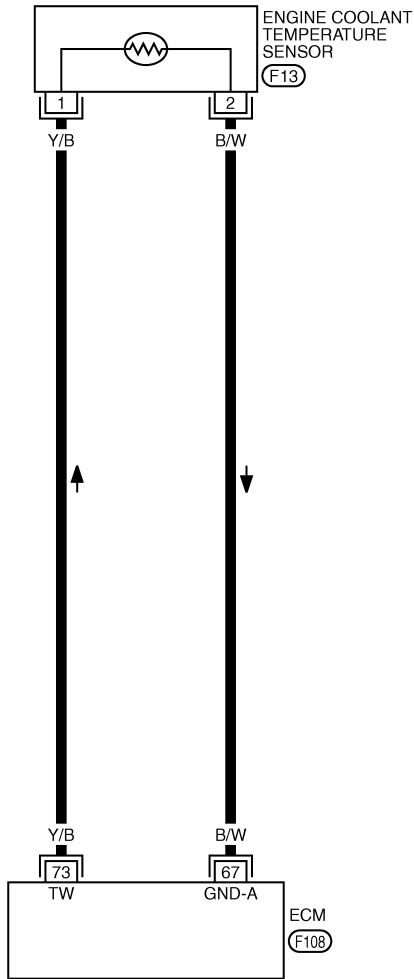
[VQ35DE]

Wiring Diagram

INFOID:000000002954203

EC-ECTS-01

 : DETECTABLE LINE FOR DTC
 : NON-DETECTABLE LINE FOR DTC



TBWT0952E

Diagnosis Procedure

INFOID:000000002954204

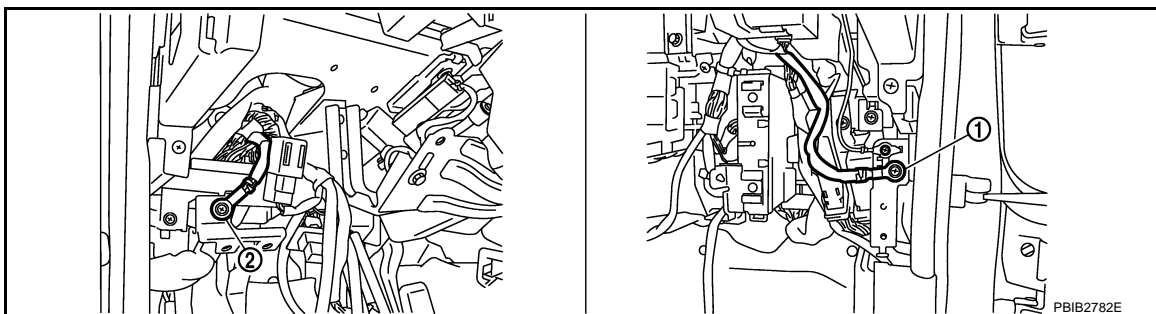
1. CHECK GROUND CONNECTIONS

1. Turn ignition switch OFF.
2. Loosen and retighten two ground screws on the body.
Refer to [EC-146. "Ground Inspection"](#).

DTC P0117, P0118 ECT SENSOR

< SERVICE INFORMATION >

[VQ35DE]



1. Body ground M70

2. Body ground M16

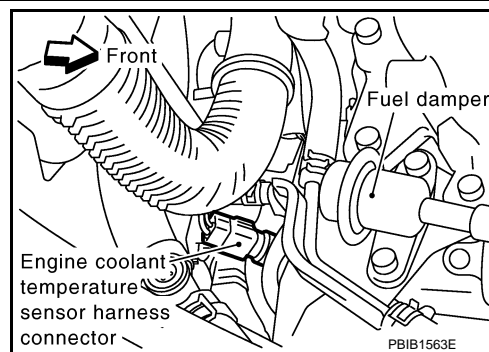
OK or NG

OK >> GO TO 2.

NG >> Repair or replace ground connections.

2.CHECK ECT SENSOR POWER SUPPLY CIRCUIT

1. Disconnect engine coolant temperature (ECT) sensor harness connector.
2. Turn ignition switch ON.



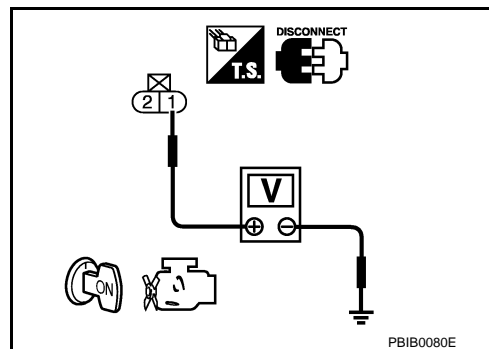
3. Check voltage between ECT sensor terminal 1 and ground with CONSULT-III or tester.

Voltage: Approximately 5V

OK or NG

OK >> GO TO 3.

NG >> Repair open circuit or short to ground or short to power in harness or connectors.



3.CHECK ECT SENSOR GROUND CIRCUIT FOR OPEN AND SHORT

1. Turn ignition switch OFF.
2. Disconnect ECM harness connector.
3. Check harness continuity between ECT sensor terminal 2 and ECM terminal 67. Refer to Wiring Diagram.

Continuity should exist.

4. Also check harness for short to ground and short to power.

OK or NG

OK >> GO TO 4.

NG >> Repair open circuit or short to ground or short to power in harness or connectors.

4.CHECK ENGINE COOLANT TEMPERATURE SENSOR

Refer to [EC-203. "Component Inspection"](#).

OK or NG

DTC P0117, P0118 ECT SENSOR

[VQ35DE]

< SERVICE INFORMATION >

- OK >> GO TO 5.
- NG >> Replace engine coolant temperature sensor.

5. CHECK INTERMITTENT INCIDENT

Refer to [EC-140](#).

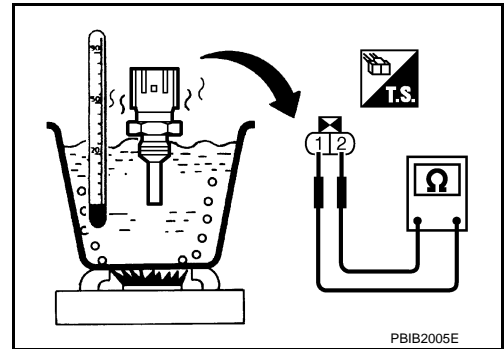
>> **INSPECTION END**

Component Inspection

INFOID:000000002954205

ENGINE COOLANT TEMPERATURE SENSOR

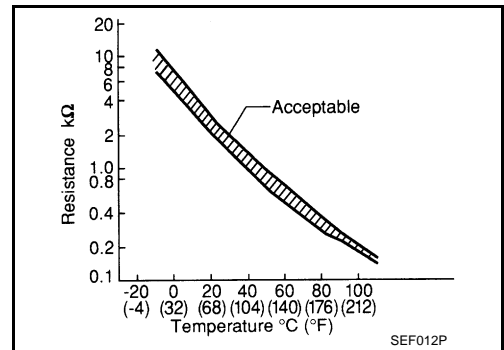
1. Check resistance between engine coolant temperature sensor terminals 1 and 2 as shown in the figure.



<Reference data>

Temperature °C (°F)	Resistance kΩ
20 (68)	2.1 - 2.9
50 (122)	0.68 - 1.00
90 (194)	0.236 - 0.260

2. If NG, replace engine coolant temperature sensor.



Removal and Installation

INFOID:000000002954206

ENGINE COOLANT TEMPERATURE SENSOR

Refer to [CO-30](#).

DTC P0122, P0123 TP SENSOR

< SERVICE INFORMATION >

[VQ35DE]

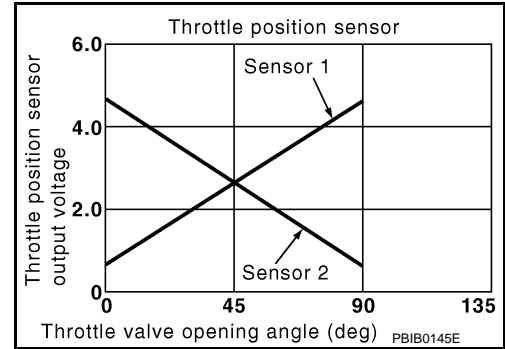
DTC P0122, P0123 TP SENSOR

Component Description

INFOID:000000002954207

Electric throttle control actuator consists of throttle control motor, throttle position sensor, etc. The throttle position sensor responds to the throttle valve movement.

The throttle position sensor has two sensors. These sensors are a kind of potentiometers which transform the throttle valve position into output voltage, and emit the voltage signal to the ECM. In addition, these sensors detect the opening and closing speed of the throttle valve and feed the voltage signals to the ECM. The ECM judges the current opening angle of the throttle valve from these signals and the ECM controls the throttle control motor to make the throttle valve opening angle properly in response to driving condition.



CONSULT-III Reference Value in Data Monitor Mode

INFOID:000000002954208

Specification data are reference values.

MONITOR ITEM	CONDITION	SPECIFICATION
THRTL SEN 1 THRTL SEN 2*	Ignition switch: ON (Engine stopped)	Accelerator pedal: Fully released
	Selector lever: D	Accelerator pedal: Fully depressed
		More than 0.36V
		Less than 4.75V

*: Throttle position sensor 2 signal is converted by ECM internally. Thus, it differs from ECM terminal voltage signal.

On Board Diagnosis Logic

INFOID:000000002954209

These self-diagnoses have the one trip detection logic.

DTC No.	Trouble diagnosis name	DTC detecting condition	Possible cause
P0122 0122	Throttle position sensor 2 circuit low input	An excessively low voltage from the TP sensor 2 is sent to ECM.	<ul style="list-style-type: none"> Harness or connectors (TP sensor 2 circuit is open or shorted.) (APP sensor 2 circuit is shorted.) Electric throttle control actuator (TP sensor 2) Accelerator pedal position sensor (APP sensor 2)
P0123 0123	Throttle position sensor 2 circuit high input	An excessively high voltage from the TP sensor 2 is sent to ECM.	

FAIL-SAFE MODE

When the malfunction is detected, ECM enters fail-safe mode and the MIL lights up.

Engine operation condition in fail-safe mode

The ECM controls the electric throttle control actuator in regulating the throttle opening in order for the idle position to be within +10 degrees.

The ECM regulates the opening speed of the throttle valve to be slower than the normal condition.

So, the acceleration will be poor.

DTC Confirmation Procedure

INFOID:000000002954210

NOTE:

If DTC Confirmation Procedure has been previously conducted, always turn ignition switch OFF and wait at least 10 seconds before conducting the next test.

TESTING CONDITION:

Before performing the following procedure, confirm that battery voltage is more than 10V at idle.

1. Start engine and let it idle for 1 second.
2. Check DTC.
3. If DTC is detected, go to [EC-206. "Diagnosis Procedure"](#).

DTC P0122, P0123 TP SENSOR

< SERVICE INFORMATION >

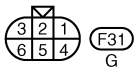
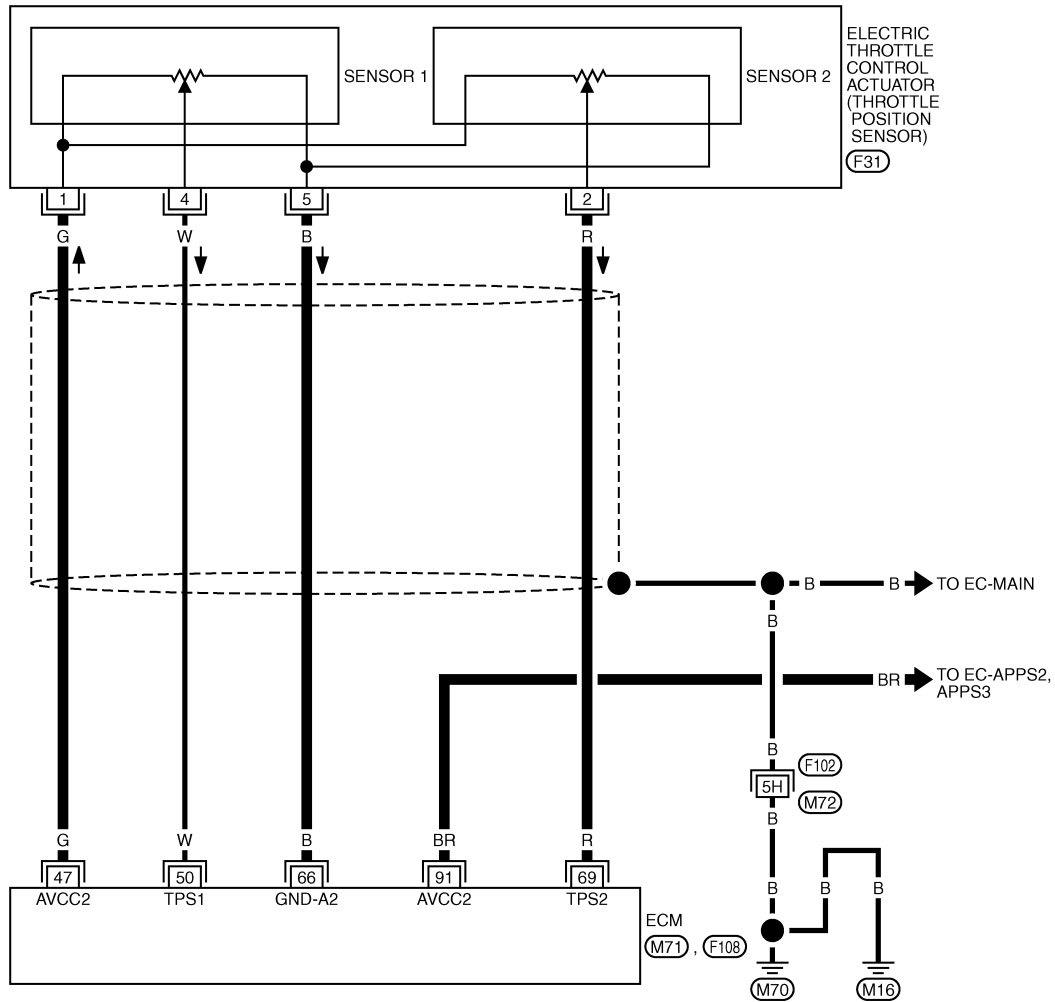
[VQ35DE]

Wiring Diagram

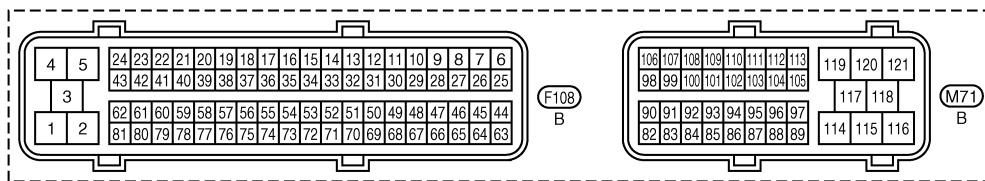
INFOID:000000002954211

EC-TPS2-01

— : DETECTABLE LINE FOR DTC
 - - - : NON-DETECTABLE LINE FOR DTC



REFER TO THE FOLLOWING.
 (F102) -SUPER MULTIPLE JUNCTION (SMJ)



TBWT1472E

Specification data are reference values and are measured between each terminal and ground.

CAUTION:

Do not use ECM ground terminals when measuring input/output voltage. Doing so may result in damage to the ECM's transistor. Use a ground other than ECM terminals, such as the ground.

DTC P0122, P0123 TP SENSOR

< SERVICE INFORMATION >

[VQ35DE]

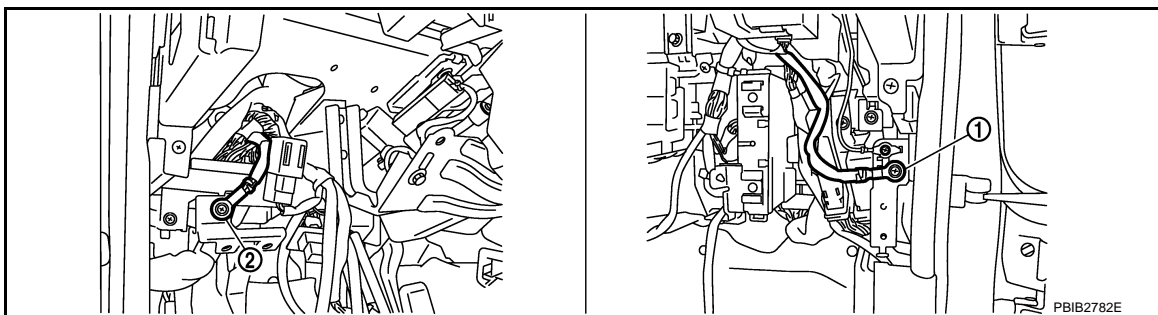
TER-MI-NAL NO.	WIRE COLOR	ITEM	CONDITION	DATA (DC Voltage)
47	G	Sensor power supply (Throttle position sensor)	[Ignition switch: ON]	Approximately 5V
50	W	Throttle position sensor 1	[Ignition switch: ON] • Engine stopped • Selector lever: D • Accelerator pedal: Fully released	More than 0.36V
			[Ignition switch: ON] • Engine stopped • Selector lever: D • Accelerator pedal: Fully depressed	Less than 4.75V
66	B	Sensor ground (Throttle position sensor)	[Engine is running] • Warm-up condition • Idle speed	Approximately 0V
69	R	Throttle position sensor 2	[Ignition switch: ON] • Engine stopped • Selector lever: D • Accelerator pedal: Fully released	Less than 4.75V
			[Ignition switch: ON] • Engine stopped • Selector lever: D • Accelerator pedal: Fully depressed	More than 0.36V
91	BR	Sensor power supply (APP sensor 2)	[Ignition switch: ON]	Approximately 5V

Diagnosis Procedure

INFOID:000000002954212

1. CHECK GROUND CONNECTIONS

1. Turn ignition switch OFF.
2. Loosen and retighten two ground screws on the body.
Refer to [EC-146. "Ground Inspection"](#).



1. Body ground M70
2. Body ground M16

OK or NG

- OK >> GO TO 2.
 NG >> Repair or replace ground connections.

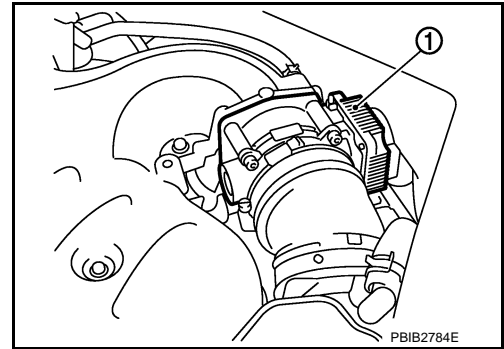
2. CHECK THROTTLE POSITION SENSOR 2 POWER SUPPLY CIRCUIT-I

DTC P0122, P0123 TP SENSOR

[VQ35DE]

< SERVICE INFORMATION >

1. Disconnect electric throttle control actuator (1) harness connector.
2. Turn ignition switch ON.

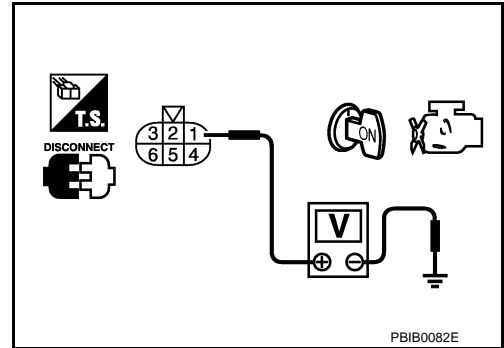


3. Check voltage between electric throttle control actuator terminal 1 and ground with CONSULT-III or tester.

Voltage: Approximately 5V

OK or NG

- OK >> GO TO 7.
- NG >> GO TO 3.



3.CHECK THROTTLE POSITION SENSOR 2 POWER SUPPLY CIRCUIT-II

1. Turn ignition switch OFF.
2. Disconnect ECM harness connector.
3. Check harness continuity between electric throttle control actuator terminal 1 and ECM terminal 47. Refer to Wiring Diagram.

Continuity should exist.

OK or NG

- OK >> GO TO 4.
- NG >> Repair open circuit.

4.CHECK THROTTLE POSITION SENSOR 2 POWER SUPPLY CIRCUIT-III

Check harness for short to power and short to ground, between the following terminals.

ECM terminal	Sensor terminal	Reference Wiring Diagram
47	Electric throttle control actuator terminal 1	EC-205
91	APP sensor terminal 5	EC-556

OK or NG

- OK >> GO TO 5.
- NG >> Repair short to ground or short to power in harness or connectors.

5.CHECK APP SENSOR

Refer to [EC-560. "Component Inspection"](#).

OK or NG

- OK >> GO TO 11.
- NG >> GO TO 6.

6.REPLACE ACCELERATOR PEDAL ASSEMBLY

1. Replace accelerator pedal assembly.
2. Perform [EC-82. "Accelerator Pedal Released Position Learning"](#).
3. Perform [EC-82. "Throttle Valve Closed Position Learning"](#).
4. Perform [EC-82. "Idle Air Volume Learning"](#).

>> INSPECTION END

7.CHECK THROTTLE POSITION SENSOR 2 GROUND CIRCUIT FOR OPEN AND SHORT

1. Turn ignition switch OFF.
2. Disconnect ECM harness connector.
3. Check harness continuity between electric throttle control actuator terminal 5 and ECM terminal 66.
Refer to Wiring Diagram.

Continuity should exist.

4. Also check harness for short to ground and short to power.

OK or NG

OK >> GO TO 8.

NG >> Repair open circuit or short to ground or short to power in harness or connectors.

8.CHECK THROTTLE POSITION SENSOR 2 INPUT SIGNAL CIRCUIT FOR OPEN AND SHORT

1. Check harness continuity between ECM terminal 69 and electric throttle control actuator terminal 2.
Refer to Wiring Diagram.

Continuity should exist.

2. Also check harness for short to ground and short to power.

OK or NG

OK >> GO TO 9.

NG >> Repair open circuit or short to ground or short to power in harness or connectors.

9.CHECK THROTTLE POSITION SENSORRefer to [EC-208, "Component Inspection"](#).OK or NG

OK >> GO TO 11.

NG >> GO TO 10.

10.REPLACE ELECTRIC THROTTLE CONTROL ACTUATOR

1. Replace the electric throttle control actuator.
2. Perform [EC-82, "Throttle Valve Closed Position Learning"](#).
3. Perform [EC-82, "Idle Air Volume Learning"](#).

>> INSPECTION END

11.CHECK INTERMITTENT INCIDENTRefer to [EC-140](#).

>> INSPECTION END

Component Inspection

INFOID:000000002954213

THROTTLE POSITION SENSOR

1. Reconnect all harness connectors disconnected.
2. Perform [EC-82, "Throttle Valve Closed Position Learning"](#).
3. Turn ignition switch ON.
4. Set selector lever to D position.

DTC P0122, P0123 TP SENSOR

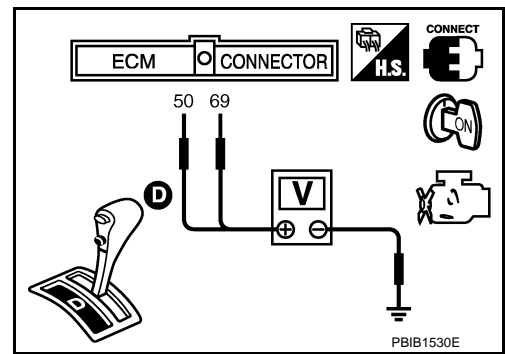
[VQ35DE]

< SERVICE INFORMATION >

5. Check voltage between ECM terminals 50 (TP sensor 1 signal), 69 (TP sensor 2 signal) and ground under the following conditions.

Terminal	Accelerator pedal	Voltage
50 (Throttle position sensor 1)	Fully released	More than 0.36V
	Fully depressed	Less than 4.75V
69 (Throttle position sensor 2)	Fully released	Less than 4.75V
	Fully depressed	More than 0.36V

6. If NG, replace electric throttle control actuator and go to the next step.
7. Perform [EC-82, "Throttle Valve Closed Position Learning"](#).
8. Perform [EC-82, "Idle Air Volume Learning"](#).



Removal and Installation

INFOID:000000002954214

ELECTRIC THROTTLE CONTROL ACTUATOR

Refer to [EM-20](#).

DTC P0125 ECT SENSOR

[VQ35DE]

< SERVICE INFORMATION >

DTC P0125 ECT SENSOR

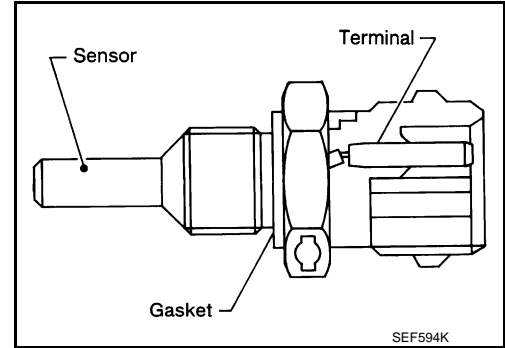
Component Description

INFOID:000000002954215

NOTE:

If DTC P0125 is displayed with P0117 or P0118, first perform the trouble diagnosis for DTC P0117 or P0118. Refer to [EC-199](#).

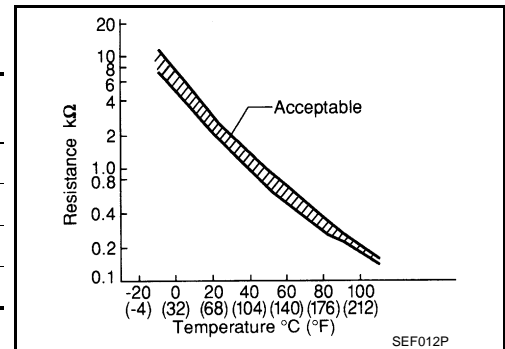
The engine coolant temperature sensor is used to detect the engine coolant temperature. The sensor modifies a voltage signal from the ECM. The modified signal returns to the ECM as the engine coolant temperature input. The sensor uses a thermistor which is sensitive to the change in temperature. The electrical resistance of the thermistor decreases as temperature increases.



<Reference data>

Engine coolant temperature °C (°F)	Voltage* V	Resistance kΩ
-10 (14)	4.4	7.0 - 11.4
20 (68)	3.5	2.1 - 2.9
50 (122)	2.2	0.68 - 1.00
90 (194)	0.9	0.236 - 0.260

*: This data is reference value and is measured between ECM terminal 73 (Engine coolant temperature sensor) and ground.



CAUTION:

Do not use ECM ground terminals when measuring input/output voltage. Doing so may result in damage to the ECM's transistor. Use a ground other than ECM terminals, such as the ground.

On Board Diagnosis Logic

INFOID:000000002954216

DTC No.	Trouble diagnosis name	DTC detecting condition	Possible cause
P0125 0125	Insufficient engine coolant temperature for closed loop fuel control	<ul style="list-style-type: none"> Voltage sent to ECM from the sensor is not practical, even when some time has passed after starting the engine. Engine coolant temperature is insufficient for closed loop fuel control. 	<ul style="list-style-type: none"> Harness or connectors (High resistance in the circuit) Engine coolant temperature sensor Thermostat

DTC Confirmation Procedure

INFOID:000000002954217

CAUTION:

Be careful not to overheat engine.

NOTE:

If DTC Confirmation Procedure has been previously conducted, always turn ignition switch OFF and wait at least 10 seconds before conducting the next test.

Ⓟ WITH CONSULT-III

- Turn ignition switch ON.
- Select "DATA MONITOR" mode with CONSULT-III.
- Check that "COOLAN TEMP/S" is above 10°C (50°F).
If it is above 10°C (50°F), the test result will be OK.
If it is below 10°C (50°F), go to following step.
- Start engine and run it for 65 minutes at idle speed.

DTC P0125 ECT SENSOR

[VQ35DE]

< SERVICE INFORMATION >

If "COOLAN TEMP/S" increases to more than 10°C (50°F) within 65 minutes, stop engine because the test result will be OK.

5. Check 1st trip DTC.
6. If 1st trip DTC is detected, go to [EC-211, "Diagnosis Procedure"](#).

Ⓢ WITH GST

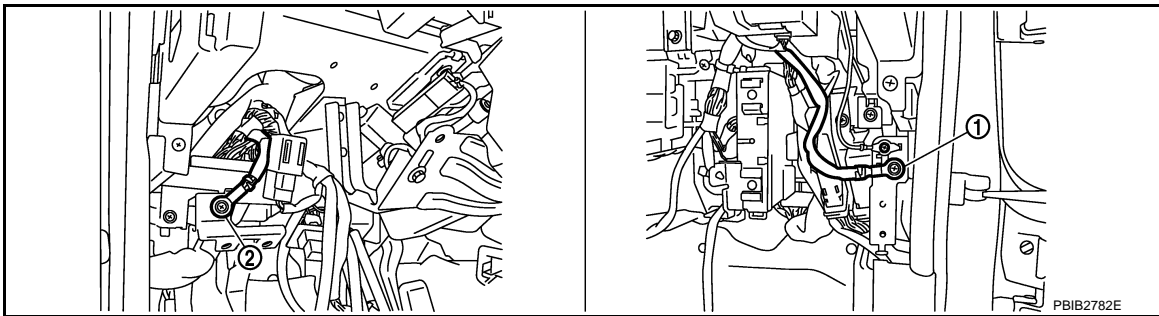
Follow the procedure "WITH CONSULT-III" above.

Diagnosis Procedure

INFOID:000000002954218

1. CHECK GROUND CONNECTIONS

1. Turn ignition switch OFF.
2. Loosen and retighten two ground screws on the body.
Refer to [EC-146, "Ground Inspection"](#).



1. Body ground M70

2. Body ground M16

OK or NG

- OK >> GO TO 2.
- NG >> Repair or replace ground connections.

2. CHECK ENGINE COOLANT TEMPERATURE SENSOR

Refer to [EC-211, "Component Inspection"](#).

OK or NG

- OK >> GO TO 3.
- NG >> Replace engine coolant temperature sensor.

3. CHECK THERMOSTAT OPERATION

When the engine is cold [lower than 70°C (158°F)] condition, grasp lower radiator hose and confirm the engine coolant does not flow.

OK or NG

- OK >> GO TO 4.
- NG >> Repair or replace thermostat. Refer to [CO-28](#).

4. CHECK INTERMITTENT INCIDENT

Refer to [EC-140](#).

Refer to [EC-201, "Wiring Diagram"](#).

>> **INSPECTION END**

Component Inspection

INFOID:000000002954219

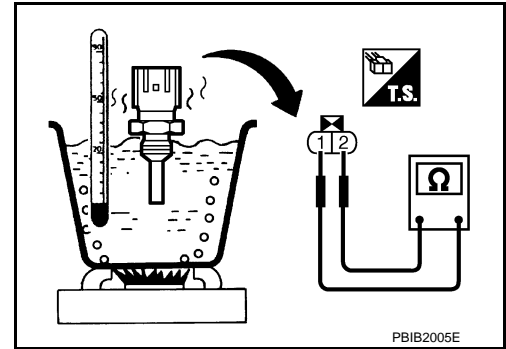
ENGINE COOLANT TEMPERATURE SENSOR

DTC P0125 ECT SENSOR

[VQ35DE]

< SERVICE INFORMATION >

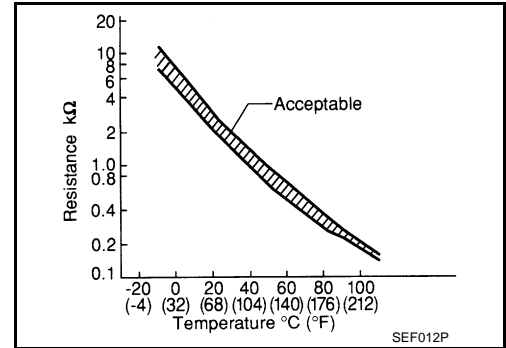
1. Check resistance between engine coolant temperature sensor terminals 1 and 2 as shown in the figure.



<Reference data>

Temperature °C (°F)	Resistance kΩ
20 (68)	2.1 - 2.9
50 (122)	0.68 - 1.00
90 (194)	0.236 - 0.260

2. If NG, replace engine coolant temperature sensor.



INFOID:000000002954220

Removal and Installation

ENGINE COOLANT TEMPERATURE SENSOR

Refer to [CO-30](#).

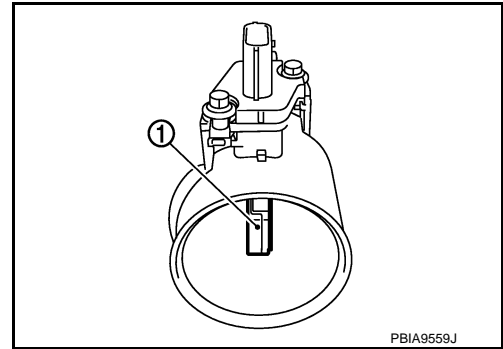
DTC P0127 IAT SENSOR

Component Description

INFOID:000000002954221

The intake air temperature sensor is built-into mass air flow sensor (1). The sensor detects intake air temperature and transmits a signal to the ECM.

The temperature sensing unit uses a thermistor which is sensitive to the change in temperature. Electrical resistance of the thermistor decreases in response to the temperature rise.



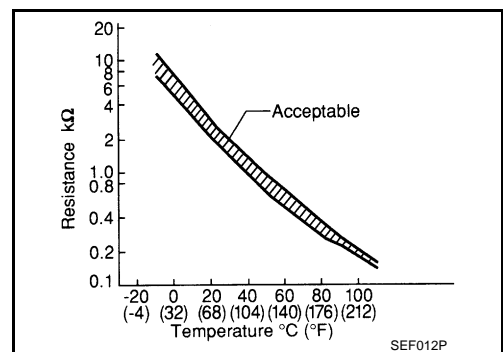
<Reference data>

Intake air temperature °C (°F)	Voltage* V	Resistance kΩ
25 (77)	3.3	1.800 - 2.200
80 (176)	1.2	0.283 - 0.359

*: This data is reference value and is measured between ECM terminal 34 (Intake air temperature sensor) and ground.

CAUTION:

Do not use ECM ground terminals when measuring input/output voltage. Doing so may result in damage to the ECM's transistor. Use a ground other than ECM terminals, such as the ground.



On Board Diagnosis Logic

INFOID:000000002954222

DTC No.	Trouble diagnosis name	DTC detecting condition	Possible cause
P0127 0127	Intake air temperature too high	Rationally incorrect voltage from the sensor is sent to ECM, compared with the voltage signal from engine coolant temperature sensor.	<ul style="list-style-type: none"> • Harness or connectors (The sensor circuit is open or shorted) • Intake air temperature sensor

DTC Confirmation Procedure

INFOID:000000002954223

NOTE:

If DTC Confirmation Procedure has been previously conducted, always turn ignition switch OFF and wait at least 10 seconds before conducting the next test.

CAUTION:

Always drive vehicle at a safe speed.

TESTING CONDITION:

This test may be conducted with the drive wheels lifted in the shop or by driving the vehicle. If a road test is expected to be easier, it is unnecessary to lift the vehicle.

④ WITH CONSULT-III

1. Wait until engine coolant temperature is less than 90°C (194°F)
 - a. Turn ignition switch ON.
 - b. Select "DATA MONITOR" mode with CONSULT-III.
 - c. Check the engine coolant temperature.
 - d. If the engine coolant temperature is not less than 90°C (194°F), turn ignition switch OFF and cool down engine.
 - Perform the following steps before engine coolant temperature is above 90°C (194°F).
2. Start engine.

DTC P0127 IAT SENSOR

[VQ35DE]

< SERVICE INFORMATION >

3. Hold vehicle speed at more than 70 km/h (43 MPH) for 100 consecutive seconds.
4. Check 1st trip DTC.
5. If 1st trip DTC is detected, go to [EC-214, "Diagnosis Procedure"](#).

Ⓢ WITH GST

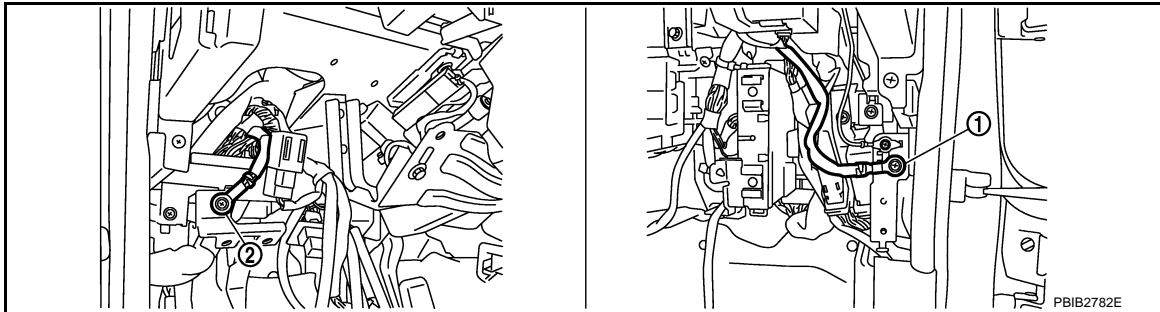
Follow the procedure "WITH CONSULT-III" above.

Diagnosis Procedure

INFOID:000000002954224

1. CHECK GROUND CONNECTIONS

1. Turn ignition switch OFF.
2. Loosen and retighten two ground screws on the body.
Refer to [EC-146, "Ground Inspection"](#).



1. Body ground M70

2. Body ground M16

OK or NG

OK >> GO TO 2.

NG >> Repair or replace ground connections.

2. CHECK INTAKE AIR TEMPERATURE SENSOR

Refer to [EC-214, "Component Inspection"](#).

OK or NG

OK >> GO TO 3.

NG >> Replace mass air flow sensor (with intake air temperature sensor).

3. CHECK INTERMITTENT INCIDENT

Refer to [EC-140](#).

Refer to [EC-193, "Wiring Diagram"](#).

>> **INSPECTION END**

Component Inspection

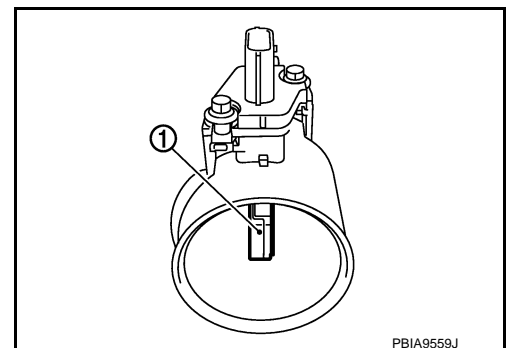
INFOID:000000002954225

INTAKE AIR TEMPERATURE SENSOR

1. Check resistance between mass air flow sensor (1) terminals 5 and 6 under the following conditions.

Intake air temperature °C (°F)	Resistance kΩ
25 (77)	1.800 - 2.200

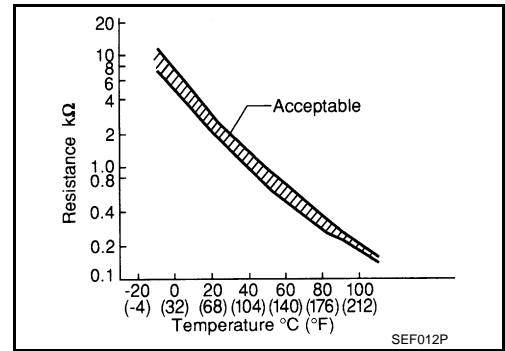
2. If NG, replace mass air flow sensor (with intake air temperature sensor).



DTC P0127 IAT SENSOR

< SERVICE INFORMATION >

[VQ35DE]



Removal and Installation

MASS AIR FLOW SENSOR

Refer to [EM-18](#).

INFOID:000000002954226

A
EC
C
D
E
F
G
H
I
J
K
L
M
N
O
P

DTC P0128 THERMOSTAT FUNCTION

< SERVICE INFORMATION >

[VQ35DE]

DTC P0128 THERMOSTAT FUNCTION

On Board Diagnosis Logic

INFOID:000000002954227

Engine coolant temperature has not risen enough to open the thermostat even though the engine has run long enough.
This is due to a leak in the seal or the thermostat stuck open.

DTC No.	Trouble diagnosis name	DTC detecting condition	Possible cause
P0128 0128	Thermostat function	The engine coolant temperature does not reach to specified temperature even though the engine has run long enough.	<ul style="list-style-type: none">• Thermostat• Leakage from sealing portion of thermostat• Engine coolant temperature sensor

DTC Confirmation Procedure

INFOID:000000002954228

NOTE:

If DTC Confirmation Procedure has been previously conducted, always turn ignition switch OFF and wait at least 10 seconds before conducting the next test.

TESTING CONDITION:

- For best results, perform at ambient temperature of -10°C (14°F) or higher.
- For best results, perform at engine coolant temperature of -10°C (14°F) to 52°C (126°F).

WITH CONSULT-III

1. Turn A/C switch OFF.
2. Turn blower fan switch OFF.
3. Turn ignition switch ON.
4. Select "COOLAN TEMP/S" in "DATA MONITOR" mode with CONSULT-III.
5. Check the indication of "COOLAN TEMP/S".
If it is below 52°C (126°F), go to following step.
If it is above 52°C (126°F), cool down the engine to less than 52°C (126°F), then go to next step.
6. Start engine.
7. Wait at idle for a least 30 minutes.
If "COOLAN TEMP/S" increases to more than 71°C (160°F) within 30 minutes, turn ignition switch OFF because the test result will be OK.
8. Check 1st trip DTC.
9. If 1st trip DTC is detected, go to [EC-216, "Diagnosis Procedure"](#).

WITH GST

Follow the procedure "WITH CONSULT-III" above.

Diagnosis Procedure

INFOID:000000002954229

1. CHECK ENGINE COOLANT TEMPERATURE SENSOR

Refer to [EC-216, "Component Inspection"](#).

OK or NG

- OK >> **INSPECTION END**
- NG >> Replace engine coolant temperature sensor.

Component Inspection

INFOID:000000002954230

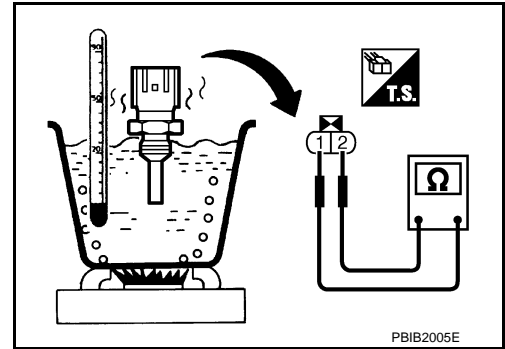
ENGINE COOLANT TEMPERATURE SENSOR

DTC P0128 THERMOSTAT FUNCTION

[VQ35DE]

< SERVICE INFORMATION >

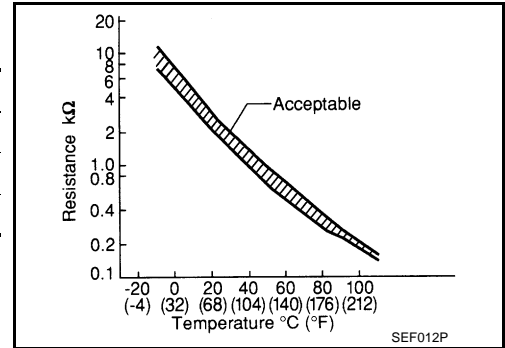
1. Check resistance between engine coolant temperature sensor terminals 1 and 2 as shown in the figure.



<Reference data>

Temperature °C (°F)	Resistance kΩ
20 (68)	2.1 - 2.9
50 (122)	0.68 - 1.00
90 (194)	0.236 - 0.260

2. If NG, replace engine coolant temperature sensor.



Removal and Installation

ENGINE COOLANT TEMPERATURE SENSOR

Refer to [CO-30](#).

INFOID:000000002954231

DTC P0130, P0150 A/F SENSOR 1

< SERVICE INFORMATION >

[VQ35DE]

DTC P0130, P0150 A/F SENSOR 1

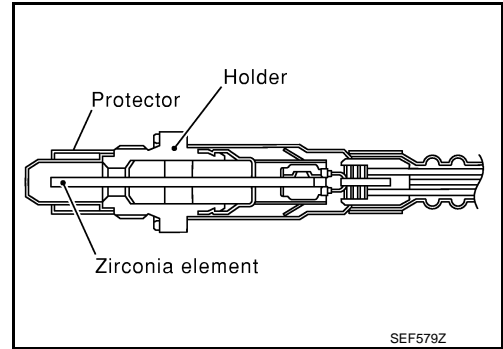
Component Description

INFOID:000000002954232

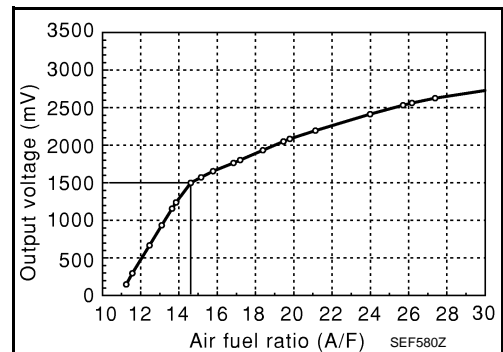
The air fuel ratio (A/F) sensor 1 is a planar dual-cell limit current sensor. The sensor element of the A/F sensor 1 is the combination of a Nernst concentration cell (sensor cell) with an oxygen-pump cell, which transports ions. It has a heater in the element.

The sensor is capable of precise measurement $\lambda = 1$, but also in the lean and rich range. Together with its control electronics, the sensor outputs a clear, continuous signal throughout a wide λ range ($0.7 < \lambda < \text{air}$).

The exhaust gas components diffuse through the diffusion gap at the electrode of the oxygen pump and Nernst concentration cell, where they are brought to thermodynamic balance.



An electronic circuit controls the pump current through the oxygen-pump cell so that the composition of the exhaust gas in the diffusion gap remains constant at $\lambda = 1$. Therefore, the A/F sensor 1 is able to indicate air/fuel ratio by this pumping of current. In addition, a heater is integrated in the sensor to ensure the required operating temperature of 700 - 800°C (1,292 - 1,472°F).



CONSULT-III Reference Value in Data Monitor Mode

INFOID:000000002954233

Specification data are reference values.

MONITOR ITEM	CONDITION		SPECIFICATION
A/F SEN1 (B1) A/F SEN1 (B2)	• Engine: After warming up	Maintaining engine speed at 2,000 rpm	Fluctuates around 1.5 V

On Board Diagnosis Logic

INFOID:000000002954234

To judge the malfunction, the diagnosis checks that the A/F signal computed by ECM from the air fuel ratio (A/F) sensor 1 signal fluctuates according to fuel feedback control.

DTC No.	Trouble diagnosis name	DTC detecting condition		Possible Cause
P0130 0130 (Bank 1)	Air fuel ratio (A/F) sensor 1 circuit	A)	The A/F signal computed by ECM from the A/F sensor 1 signal is constantly in the range other than approx. 1.5V.	<ul style="list-style-type: none"> • Harness or connectors (The A/F sensor 1 circuit is open or shorted.) • Air fuel ratio (A/F) sensor 1
P0150 0150 (Bank 2)		B)	The A/F signal computed by ECM from the A/F sensor 1 signal is constantly approx. 1.5V.	

DTC Confirmation Procedure

INFOID:000000002954235

Perform **PROCEDURE FOR MALFUNCTION A** first.

If the DTC cannot be confirmed, perform **PROCEDURE FOR MALFUNCTION B**.

NOTE:

If DTC Confirmation Procedure has been previously conducted, always turn ignition switch OFF and wait at least 10 seconds before conducting the next test.

TESTING CONDITION:

Before performing the following procedure, confirm that battery voltage is more than 11V at idle.

PROCEDURE FOR MALFUNCTION A

DTC P0130, P0150 A/F SENSOR 1

[VQ35DE]

< SERVICE INFORMATION >

1. Start engine and warm it up to normal operating temperature.
2. Let engine idle for 2 minutes.
3. Check 1st trip DTC.
4. If 1st trip DTC is detected, go to [EC-223, "Diagnosis Procedure"](#).

PROCEDURE FOR MALFUNCTION B

CAUTION:

Always drive vehicle at a safe speed.

Procedure for Malfunction B

WITH CONSULT-III

1. Start engine and warm it up to normal operating temperature.
2. Select "A/F SEN1 (B1)" or "A/F SEN1 (B2)" in "DATA MONITOR" mode with CONSULT-III.
3. Check "A/F SEN1 (B1)" or "A/F SEN1 (B2)" indication.
If the indication is constantly approx. 1.5V and does not fluctuates, go to [EC-223, "Diagnosis Procedure"](#).
If the indication fluctuates around 1.5V, go to next step.
4. Select "A/F SEN1 (B1) P1276" (for DTC P0130) or "A/F SEN1 (B2) P1286" (for DTC P0150) of "A/F SEN1" in "DTC WORK SUPPORT" mode with CONSULT-III.
5. Touch "START".
6. When the following conditions are met, "TESTING" will be displayed on the CONSULT-III screen.

ENG SPEED	1,100 - 3,200 rpm
VHCL SPEED SE	More than 64 km/h (40 MPH)
B/FUEL SCHDL	1.0 - 8.0 msec
Shift lever	D position

If "TESTING" is not displayed after 20 seconds, retry from step 2.

7. Release accelerator pedal fully.
NOTE:
Never apply brake during releasing the accelerator pedal.
8. Make sure that "TESTING" changes to "COMPLETED".
If "TESTING" changed to "OUT OF CONDITION", retry from step 6.
9. Make sure that "OK" is displayed after touching "SELF-DIAG RESULT".
If "NG" is displayed, go to [EC-223, "Diagnosis Procedure"](#).

Overall Function Check

INFOID:000000002954236

Use this procedure to check the overall function of the A/F sensor 1 circuit. During this check, a 1st trip DTC might not be confirmed.

WITH GST

1. Start engine and warm it up to normal operating temperature.
2. Drive the vehicle at a speed of 80 km/h (50 MPH) for a few minutes in the suitable gear position.
3. Set D position, then release the accelerator pedal fully until the vehicle speed decreases to 50 km/h (30 MPH).
NOTE:
Never apply brake during releasing the accelerator pedal.
4. Repeat steps 2 to 3 for five times.
5. Stop the vehicle and turn ignition switch OFF.
6. Wait at least 10 seconds and restart engine.
7. Repeat steps 2 to 3 for five times.
8. Stop the vehicle and connect GST to the vehicle.
9. Make sure that no DTC is displayed.
If 1st trip DTC is displayed, go to [EC-223, "Diagnosis Procedure"](#).

DTC P0130, P0150 A/F SENSOR 1

[VQ35DE]

< SERVICE INFORMATION >

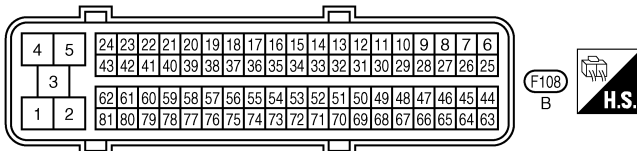
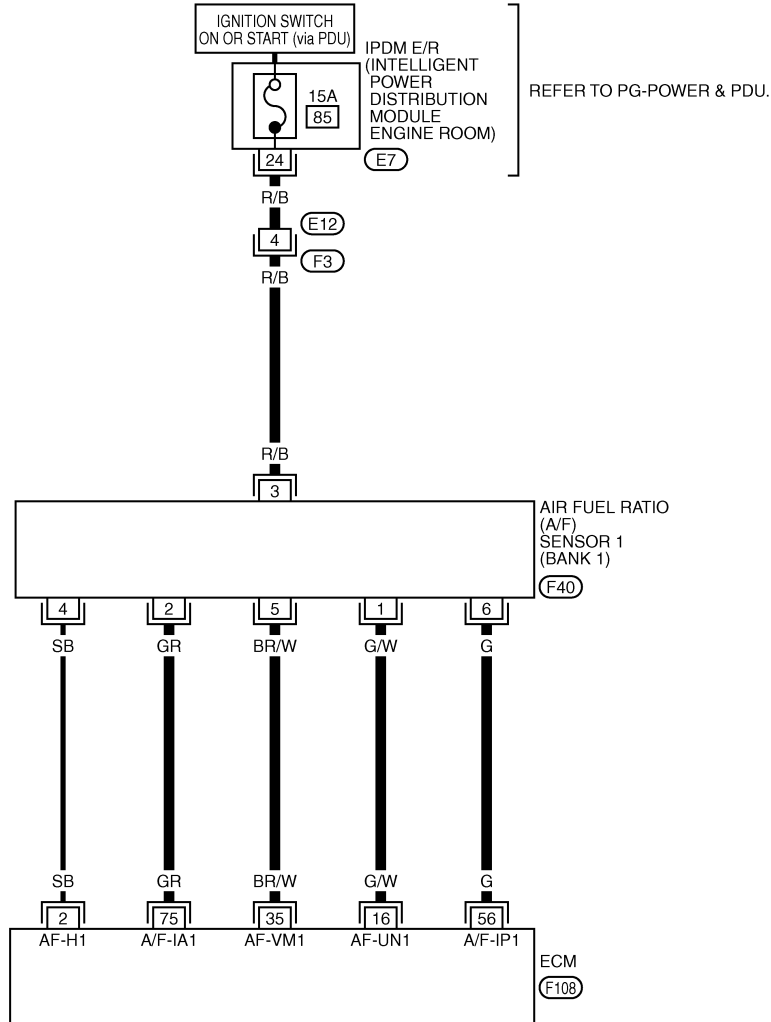
Wiring Diagram

INFOID:00000002954237

BANK 1

EC-AF1B1-01

— : DETECTABLE LINE FOR DTC
 - - - : NON-DETECTABLE LINE FOR DTC



TBWT0979E

Specification data are reference values and are measured between each terminal and ground.
 Pulse signal is measured by CONSULT-III.

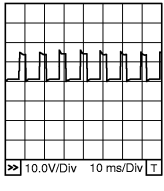
CAUTION:

DTC P0130, P0150 A/F SENSOR 1

< SERVICE INFORMATION >

[VQ35DE]

Do not use ECM ground terminals when measuring input/output voltage. Doing so may result in damage to the ECM's transistor. Use a ground other than ECM terminals, such as the ground.

TER-MI-NAL NO.	WIRE COLOR	ITEM	CONDITION	DATA (DC Voltage)
2	SB	A/F sensor 1 heater (bank 1)	[Engine is running] • Warm-up condition • Idle speed	Approximately 5V★ 
16	G/W	A/F sensor 1 (bank 1)	[Engine is running] • Warm-up condition • Idle speed	Approximately 3.1V
35	BR/W			Approximately 2.6V
56	G			Approximately 2.3V
75	GR			Approximately 2.3V

★: Average voltage for pulse signal (Actual pulse signal can be confirmed by oscilloscope.)

A
EC
C
D
E
F
G
H
I
J
K
L
M
N
O
P

DTC P0130, P0150 A/F SENSOR 1

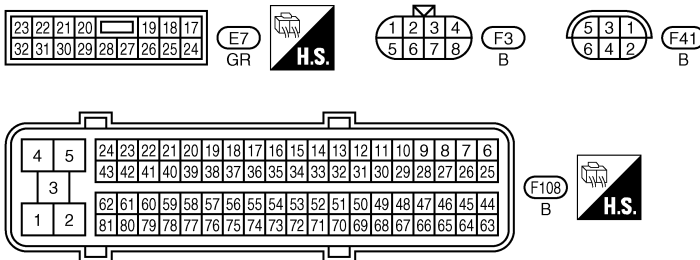
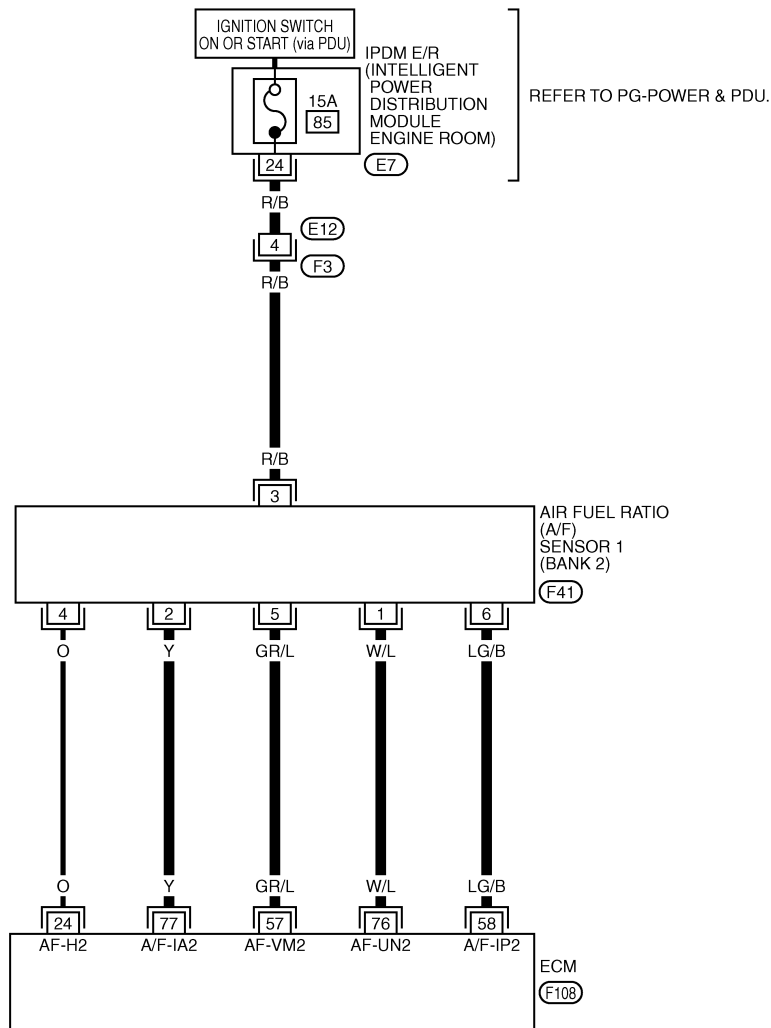
[VQ35DE]

< SERVICE INFORMATION >

BANK 2

EC-AF1B2-01

— : DETECTABLE LINE FOR DTC
 - - - : NON-DETECTABLE LINE FOR DTC



TBWT0980E

Specification data are reference values and are measured between each terminal and ground.
 Pulse signal is measured by CONSULT-III.

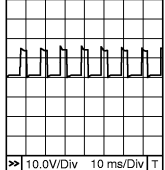
CAUTION:

Do not use ECM ground terminals when measuring input/output voltage. Doing so may result in damage to the ECM's transistor. Use a ground other than ECM terminals, such as the ground.

DTC P0130, P0150 A/F SENSOR 1

< SERVICE INFORMATION >

[VQ35DE]

TER-MI-NAL NO.	WIRE COLOR	ITEM	CONDITION	DATA (DC Voltage)
24	O	A/F sensor 1 heater (bank 2)	[Engine is running] • Warm-up condition • Idle speed	Approximately 5V★ 
57	GR/L	A/F sensor 1 (bank 2)	[Engine is running] • Warm-up condition • Idle speed	Approximately 2.6V
58	LG/B			Approximately 2.3V
76	W/L			Approximately 3.1V
77	Y			Approximately 2.3V

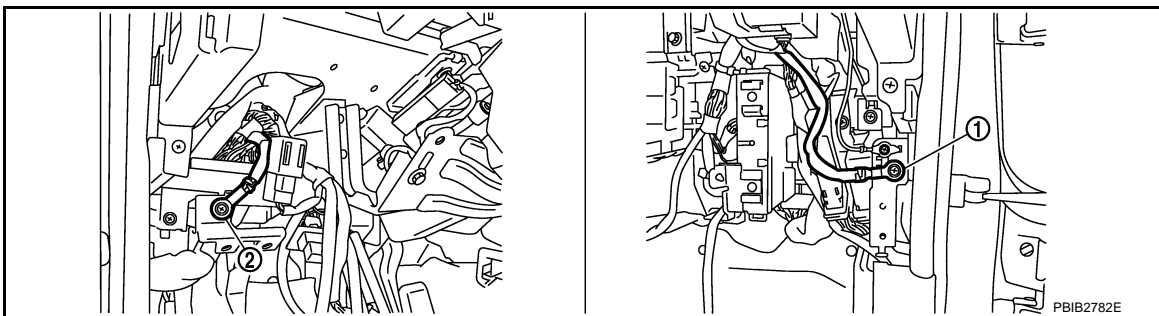
★: Average voltage for pulse signal (Actual pulse signal can be confirmed by oscilloscope.)

Diagnosis Procedure

INFOID:000000002954238

1. CHECK GROUND CONNECTIONS

1. Turn ignition switch OFF.
2. Loosen and retighten two ground screws on the body.
Refer to [EC-146, "Ground Inspection"](#).



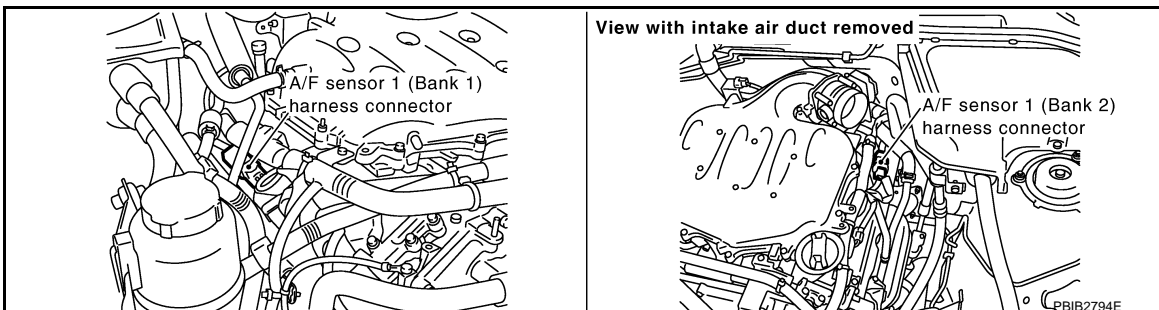
1. Body ground M70
2. Body ground M16

OK or NG

- OK >> GO TO 2.
NG >> Repair or replace ground connections.

2. CHECK AIR FUEL RATIO (A/F) SENSOR 1 POWER SUPPLY CIRCUIT

1. Disconnect A/F sensor 1 harness connector.



2. Turn ignition switch ON.

DTC P0130, P0150 A/F SENSOR 1

[VQ35DE]

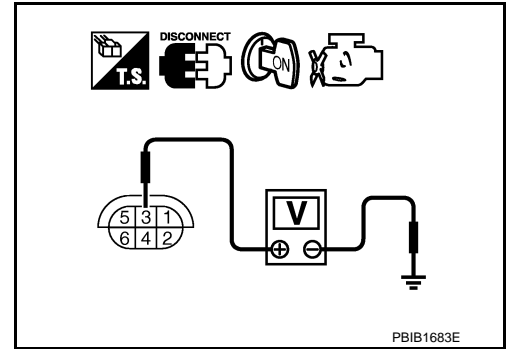
< SERVICE INFORMATION >

- Check voltage between A/F sensor 1 terminal 3 and ground with CONSULT-III or tester.

Voltage: Battery voltage

OK or NG

- OK >> GO TO 4.
- NG >> GO TO 3.



3. DETECT MALFUNCTIONING PART

Check the following.

- Harness connectors E12, F3
- IPDM E/R harness connector E7
- 15A fuse
- Harness for open or short between A/F sensor 1 and fuse

>> Repair or replace harness or connectors.

4. CHECK A/F SENSOR 1 INPUT SIGNAL CIRCUIT FOR OPEN AND SHORT

- Turn ignition switch OFF.
- Disconnect ECM harness connector.
- Check harness continuity between A/F sensor 1 terminal and ECM terminal as follows. Refer to Wiring Diagram.

	A/F sensor 1 terminal	ECM terminal
Bank 1	1	16
	2	75
	5	35
	6	56
Bank 2	1	76
	2	77
	5	57
	6	58

Continuity should exist.

- Check harness continuity between the following terminals and ground. Refer to Wiring Diagram.

Bank 1		Bank 2	
A/F sensor 1 terminal	ECM terminal	A/F sensor 1 terminal	ECM terminal
1	16	1	76
2	75	2	77
5	35	5	57
6	56	6	58

Continuity should not exist.

- Also check harness for short to power.

OK or NG

- OK >> GO TO 5.

DTC P0130, P0150 A/F SENSOR 1

[VQ35DE]

< SERVICE INFORMATION >

NG >> Repair open circuit or short to ground or short to power in harness or connectors.

5. CHECK INTERMITTENT INCIDENT

Perform [EC-140](#).

OK or NG

OK >> GO TO 6.

NG >> Repair or replace.

6. REPLACE AIR FUEL RATIO (A/F) SENSOR 1

Replace malfunctioning air fuel ratio (A/F) sensor 1.

CAUTION:

- Discard any A/F sensor which has been dropped from a height of more than 0.5 m (19.7 in) onto a hard surface such as a concrete floor; use a new one.
- Before installing new A/F sensor, clean exhaust system threads using Oxygen Sensor Thread Cleaner tool J-43897-18 or J-43897-12 and approved anti-seize lubricant.

>> INSPECTION END

Removal and Installation

INFOID:000000002954239

AIR FUEL RATIO (A/F) SENSOR 1

Refer to [EM-27](#).

A
EC
C
D
E
F
G
H
I
J
K
L
M
N
O
P

DTC P0131, P0151 A/F SENSOR 1

< SERVICE INFORMATION >

[VQ35DE]

DTC P0131, P0151 A/F SENSOR 1

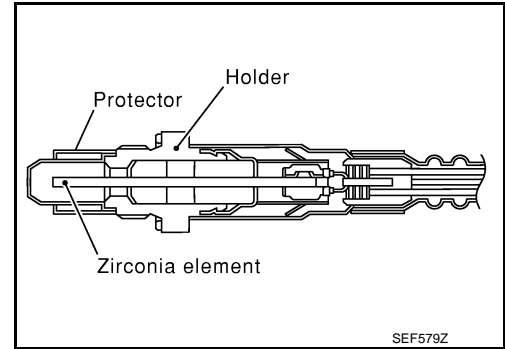
Component Description

INFOID:000000002954240

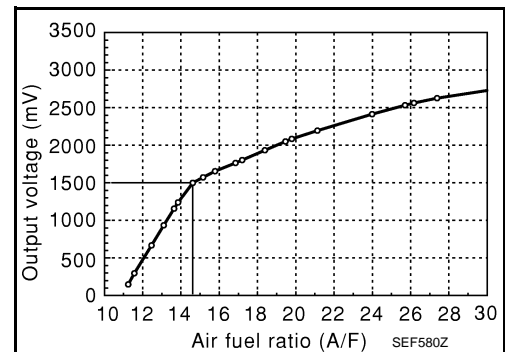
The air fuel ratio (A/F) sensor 1 is a planar dual-cell limit current sensor. The sensor element of the A/F sensor 1 is the combination of a Nernst concentration cell (sensor cell) with an oxygen-pump cell, which transports ions. It has a heater in the element.

The sensor is capable of precise measurement $\lambda = 1$, but also in the lean and rich range. Together with its control electronics, the sensor outputs a clear, continuous signal throughout a wide λ range ($0.7 < \lambda < \text{air}$).

The exhaust gas components diffuse through the diffusion gap at the electrode of the oxygen pump and Nernst concentration cell, where they are brought to thermodynamic balance.



An electronic circuit controls the pump current through the oxygen-pump cell so that the composition of the exhaust gas in the diffusion gap remains constant at $\lambda = 1$. Therefore, the A/F sensor 1 is able to indicate air/fuel ratio by this pumping of current. In addition, a heater is integrated in the sensor to ensure the required operating temperature of 700 - 800°C (1,292 - 1,472°F).



CONSULT-III Reference Value in Data Monitor Mode

INFOID:000000002954241

Specification data are reference values.

MONITOR ITEM	CONDITION		SPECIFICATION
A/F SEN1 (B1) A/F SEN1 (B2)	• Engine: After warming up	Maintaining engine speed at 2,000 rpm	Fluctuates around 1.5 V

On Board Diagnosis Logic

INFOID:000000002954242

To judge the malfunction, the diagnosis checks that the A/F signal computed by ECM from the A/F sensor 1 signal is not inordinately low.

DTC No.	Trouble diagnosis name	DTC detecting condition	Possible Cause
P0131 0131 (Bank 1)	Air fuel ratio (A/F) sensor 1 circuit low voltage	• The A/F signal computed by ECM from the A/F sensor 1 signal is constantly approx. 0V.	<ul style="list-style-type: none"> • Harness or connectors (The A/F sensor 1 circuit is open or shorted.) • A/F sensor 1
P0151 0151 (Bank 2)			

DTC Confirmation Procedure

INFOID:000000002954243

NOTE:

If DTC Confirmation Procedure has been previously conducted, always turn ignition switch OFF and wait at least 10 seconds before conducting the next test.

TESTING CONDITION:

Before performing the following procedure, confirm that battery voltage is more than 10.5V at idle.

Ⓜ WITH CONSULT-III

1. Start engine and warm it up to normal operating temperature.

DTC P0131, P0151 A/F SENSOR 1

[VQ35DE]

< SERVICE INFORMATION >

2. Select "A/F SEN1 (B1)" or "A/F SEN1 (B2)" in "DATA MONITOR" mode with CONSULT-III.
3. Check "A/F SEN1 (B1)" or "A/F SEN1 (B2)" indication.
If the indication is constantly approx. 0V, go to [EC-231, "Diagnosis Procedure"](#).
If the indication is not constantly approx. 0V, go to next step.
4. Turn ignition switch OFF, wait at least 10 seconds and then restart engine.
5. Drive and accelerate vehicle to more than 40 km/h (25 MPH) within 20 seconds after restarting engine.
6. Maintain the following conditions for about 20 consecutive seconds.

ENG SPEED	1,000 - 3,200 rpm
VHCL SPEED SE	More than 40 km/h (25 MPH)
B/FUEL SCHDL	1.5 - 9.0 msec
Selector lever	Suitable position

NOTE:

- Keep the accelerator pedal as steady as possible during the cruising.
 - If this procedure is not completed within 1 minute after restarting engine at step 4, return to step 4.
7. Check 1st trip DTC.
 8. If 1st trip DTC is displayed, go to [EC-231, "Diagnosis Procedure"](#).

WITH GST

Follow the procedure "WITH CONSULT-III" above.

A
EC
C
D
E
F
G
H
I
J
K
L
M
N
O
P

DTC P0131, P0151 A/F SENSOR 1

[VQ35DE]

< SERVICE INFORMATION >

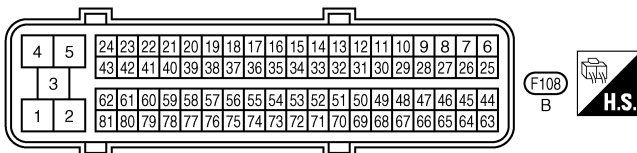
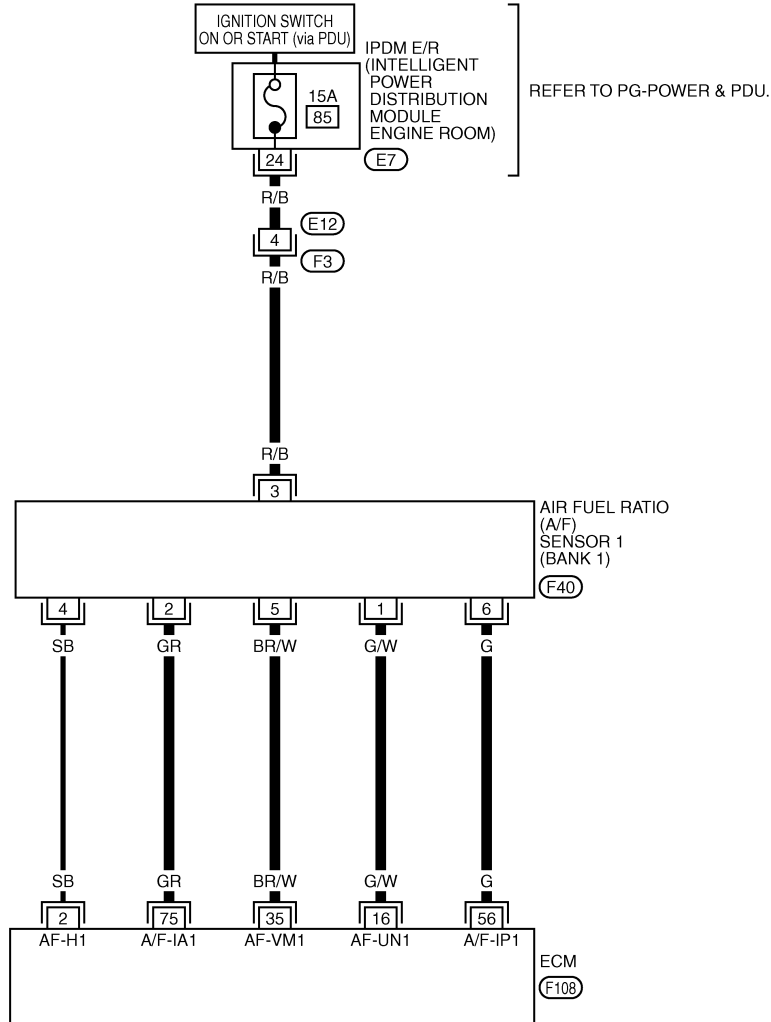
Wiring Diagram

INFOID:00000002954244

BANK 1

EC-AF1B1-01

— : DETECTABLE LINE FOR DTC
 - - - : NON-DETECTABLE LINE FOR DTC



TBWT0979E

Specification data are reference values and are measured between each terminal and ground.
 Pulse signal is measured by CONSULT-III.

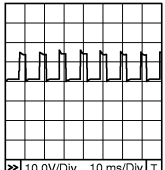
CAUTION:

DTC P0131, P0151 A/F SENSOR 1

< SERVICE INFORMATION >

[VQ35DE]

Do not use ECM ground terminals when measuring input/output voltage. Doing so may result in damage to the ECM's transistor. Use a ground other than ECM terminals, such as the ground.

TER-MI-NAL NO.	WIRE COLOR	ITEM	CONDITION	DATA (DC Voltage)
2	SB	A/F sensor 1 heater (bank 1)	[Engine is running] <ul style="list-style-type: none"> • Warm-up condition • Idle speed 	Approximately 5V★ 
16	G/W	A/F sensor 1 (bank 1)	[Engine is running] <ul style="list-style-type: none"> • Warm-up condition • Idle speed 	Approximately 3.1V
35	BR/W			Approximately 2.6V
56	G			Approximately 2.3V
75	GR			Approximately 2.3V

★: Average voltage for pulse signal (Actual pulse signal can be confirmed by oscilloscope.)

A
EC
C
D
E
F
G
H
I
J
K
L
M
N
O
P

DTC P0131, P0151 A/F SENSOR 1

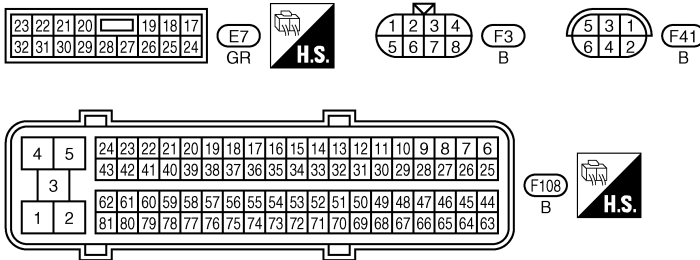
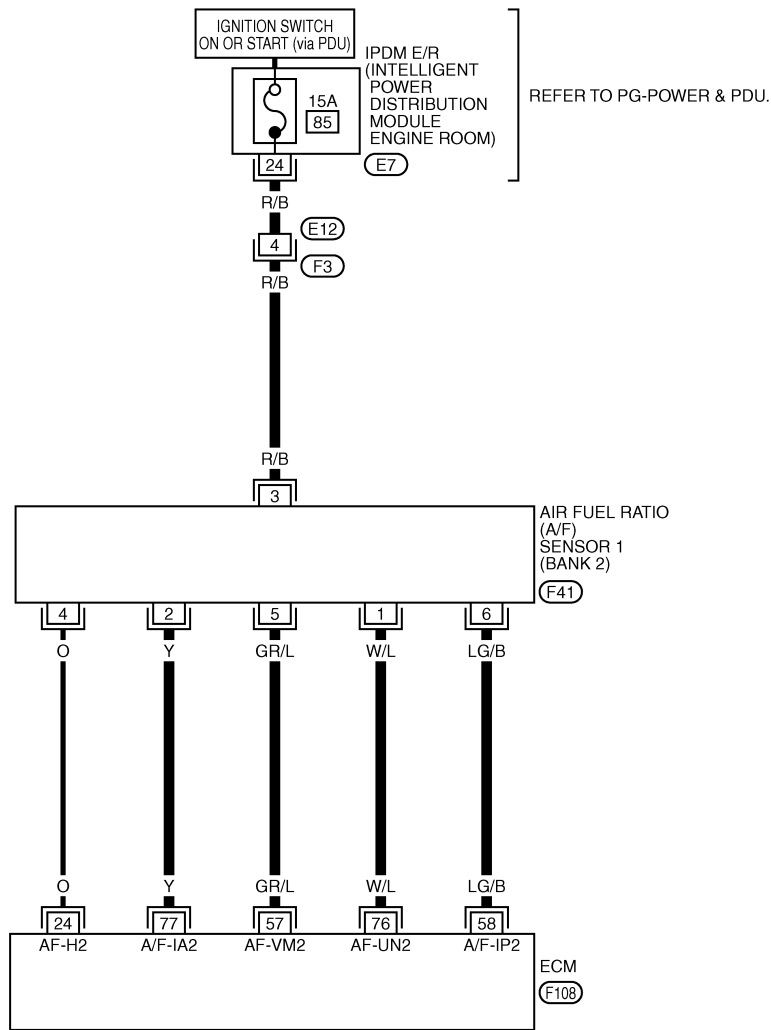
[VQ35DE]

< SERVICE INFORMATION >

BANK 2

EC-AF1B2-01

— : DETECTABLE LINE FOR DTC
 - - - : NON-DETECTABLE LINE FOR DTC



TBWT0980E

Specification data are reference values and are measured between each terminal and ground. Pulse signal is measured by CONSULT-III.

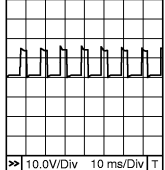
CAUTION:

Do not use ECM ground terminals when measuring input/output voltage. Doing so may result in damage to the ECM's transistor. Use a ground other than ECM terminals, such as the ground.

DTC P0131, P0151 A/F SENSOR 1

< SERVICE INFORMATION >

[VQ35DE]

TER-MI-NAL NO.	WIRE COLOR	ITEM	CONDITION	DATA (DC Voltage)
24	O	A/F sensor 1 heater (bank 2)	[Engine is running] • Warm-up condition • Idle speed	Approximately 5V★ 
57	GR/L	A/F sensor 1 (bank 2)	[Engine is running] • Warm-up condition • Idle speed	Approximately 2.6V
58	LG/B			Approximately 2.3V
76	W/L			Approximately 3.1V
77	Y			Approximately 2.3V

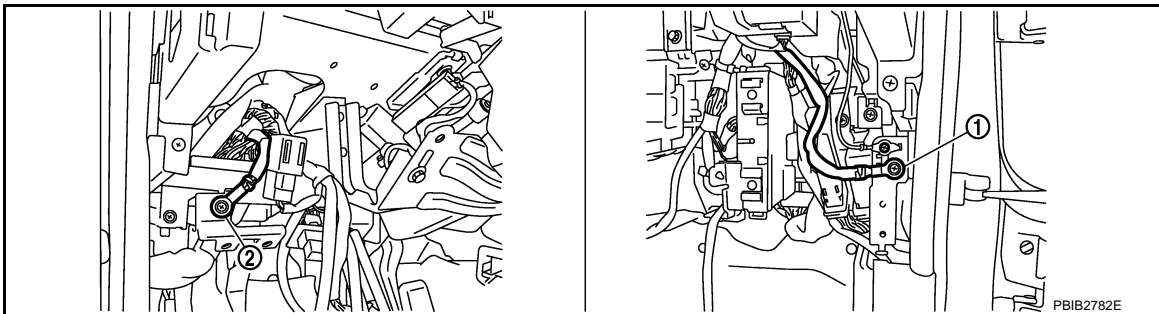
★: Average voltage for pulse signal (Actual pulse signal can be confirmed by oscilloscope.)

Diagnosis Procedure

INFOID:000000002954245

1. CHECK GROUND CONNECTIONS

1. Turn ignition switch OFF.
2. Loosen and retighten two ground screws on the body.
Refer to [EC-146, "Ground Inspection"](#).



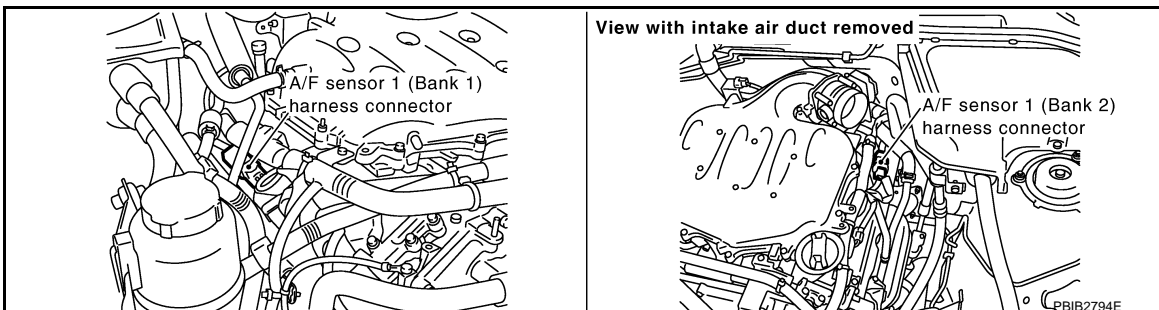
1. Body ground M70
2. Body ground M16

OK or NG

- OK >> GO TO 2.
NG >> Repair or replace ground connections.

2. CHECK AIR FUEL RATIO (A/F) SENSOR 1 POWER SUPPLY CIRCUIT

1. Disconnect A/F sensor 1 harness connector.



2. Turn ignition switch ON.

DTC P0131, P0151 A/F SENSOR 1

[VQ35DE]

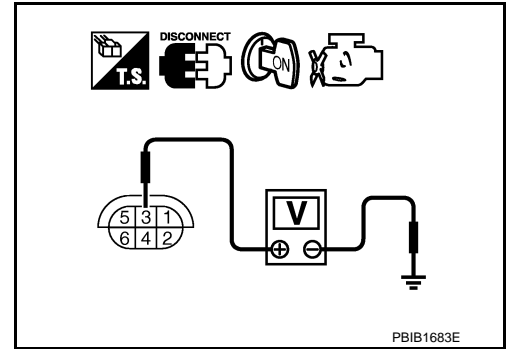
< SERVICE INFORMATION >

- Check voltage between A/F sensor 1 terminal 3 and ground with CONSULT-III or tester.

Voltage: Battery voltage

OK or NG

- OK >> GO TO 4.
- NG >> GO TO 3.



3. DETECT MALFUNCTIONING PART

Check the following.

- Harness connectors E12, F3
- IPDM E/R harness connector E7
- 15A fuse
- Harness for open or short between A/F sensor 1 and fuse

>> Repair or replace harness or connectors.

4. CHECK A/F SENSOR 1 INPUT SIGNAL CIRCUIT FOR OPEN AND SHORT

- Turn ignition switch OFF.
- Disconnect ECM harness connector.
- Check harness continuity between A/F sensor 1 terminal and ECM terminal as follows. Refer to Wiring Diagram.

	A/F sensor 1 terminal	ECM terminal
Bank 1	1	16
	2	75
	5	35
	6	56
Bank 2	1	76
	2	77
	5	57
	6	58

Continuity should exist.

- Check harness continuity between the following terminals and ground. Refer to Wiring Diagram.

Bank 1		Bank 2	
A/F sensor 1 terminal	ECM terminal	A/F sensor 1 terminal	ECM terminal
1	16	1	76
2	75	2	77
5	35	5	57
6	56	6	58

Continuity should not exist.

- Also check harness for short to power.

OK or NG

- OK >> GO TO 5.

DTC P0131, P0151 A/F SENSOR 1

[VQ35DE]

< SERVICE INFORMATION >

NG >> Repair open circuit or short to ground or short to power in harness or connectors.

5. CHECK INTERMITTENT INCIDENT

Perform [EC-140](#).

OK or NG

OK >> GO TO 6.

NG >> Repair or replace.

6. REPLACE AIR FUEL RATIO (A/F) SENSOR 1

Replace malfunctioning air fuel ratio (A/F) sensor 1.

CAUTION:

- Discard any A/F sensor which has been dropped from a height of more than 0.5 m (19.7 in) onto a hard surface such as a concrete floor; use a new one.
- Before installing new A/F sensor, clean exhaust system threads using Oxygen Sensor Thread Cleaner tool J-43897-18 or J-43897-12 and approved anti-seize lubricant.

>> INSPECTION END

Removal and Installation

INFOID:000000002954246

AIR FUEL RATIO (A/F) SENSOR 1

Refer to [EM-27](#).

A
EC
C
D
E
F
G
H
I
J
K
L
M
N
O
P

DTC P0132, P0152 A/F SENSOR 1

< SERVICE INFORMATION >

[VQ35DE]

DTC P0132, P0152 A/F SENSOR 1

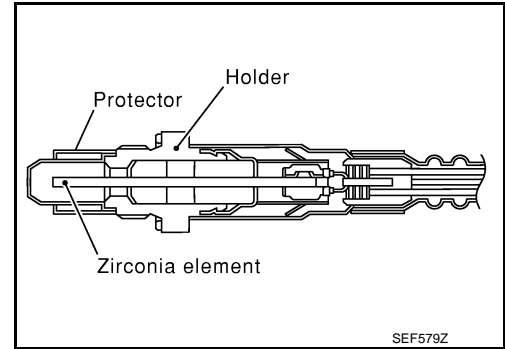
Component Description

INFOID:000000002954247

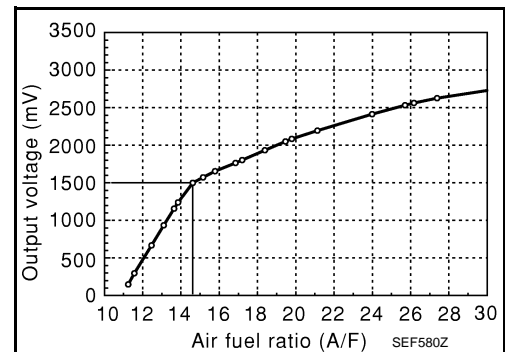
The air fuel ratio (A/F) sensor 1 is a planar dual-cell limit current sensor. The sensor element of the A/F sensor 1 is the combination of a Nernst concentration cell (sensor cell) with an oxygen-pump cell, which transports ions. It has a heater in the element.

The sensor is capable of precise measurement $\lambda = 1$, but also in the lean and rich range. Together with its control electronics, the sensor outputs a clear, continuous signal throughout a wide λ range ($0.7 < \lambda < \text{air}$).

The exhaust gas components diffuse through the diffusion gap at the electrode of the oxygen pump and Nernst concentration cell, where they are brought to thermodynamic balance.



An electronic circuit controls the pump current through the oxygen-pump cell so that the composition of the exhaust gas in the diffusion gap remains constant at $\lambda = 1$. Therefore, the A/F sensor 1 is able to indicate air/fuel ratio by this pumping of current. In addition, a heater is integrated in the sensor to ensure the required operating temperature of 700 - 800°C (1,292 - 1,472°F).



CONSULT-III Reference Value in Data Monitor Mode

INFOID:000000002954248

Specification data are reference values.

MONITOR ITEM	CONDITION		SPECIFICATION
A/F SEN1 (B1) A/F SEN1 (B2)	• Engine: After warming up	Maintaining engine speed at 2,000 rpm	Fluctuates around 1.5 V

On Board Diagnosis Logic

INFOID:000000002954249

To judge the malfunction, the diagnosis checks that the A/F signal computed by ECM from the A/F sensor 1 signal is not inordinately high.

DTC No.	Trouble diagnosis name	DTC detecting condition	Possible Cause
P0132 0132 (Bank 1) P0152 0152 (Bank 2)	Air fuel ratio (A/F) sensor 1 circuit high voltage	• The A/F signal computed by ECM from the A/F sensor 1 signal is constantly approx. 5V.	<ul style="list-style-type: none"> • Harness or connectors (The A/F sensor 1 circuit is open or shorted.) • A/F sensor 1

DTC Confirmation Procedure

INFOID:000000002954250

NOTE:

If DTC Confirmation Procedure has been previously conducted, always turn ignition switch OFF and wait at least 10 seconds before conducting the next test.

TESTING CONDITION:

Before performing the following procedure, confirm that battery voltage is more than 10.5V at idle.

Ⓜ WITH CONSULT-III

1. Start engine and warm it up to normal operating temperature.

DTC P0132, P0152 A/F SENSOR 1

[VQ35DE]

< SERVICE INFORMATION >

2. Select "A/F SEN1 (B1)" or "A/F SEN1 (B2)" in "DATA MONITOR" mode with CONSULT-III.
3. Check "A/F SEN1 (B1)" or "A/F SEN1 (B2)" indication.
If the indication is constantly approx. 5V, go to [EC-239. "Diagnosis Procedure"](#).
If the indication is not constantly approx. 5V, go to next step.
4. Turn ignition switch OFF, wait at least 10 seconds and then restart engine.
5. Drive and accelerate vehicle to more than 40 km/h (25 MPH) within 20 seconds after restarting engine.
6. Maintain the following conditions for about 20 consecutive seconds.

ENG SPEED	1,000 - 3,200 rpm
VHCL SPEED SE	More than 40 km/h (25 MPH)
B/FUEL SCHDL	1.5 - 9.0 msec
Selector lever	Suitable position

NOTE:

- Keep the accelerator pedal as steady as possible during the cruising.
- If this procedure is not completed within 1 minute after restarting engine at step 4, return to step 4.

7. Check 1st trip DTC.
8. If 1st trip DTC is displayed, go to [EC-239. "Diagnosis Procedure"](#).

WITH GST

Follow the procedure "WITH CONSULT-III" above.

A
EC
C
D
E
F
G
H
I
J
K
L
M
N
O
P

DTC P0132, P0152 A/F SENSOR 1

[VQ35DE]

< SERVICE INFORMATION >

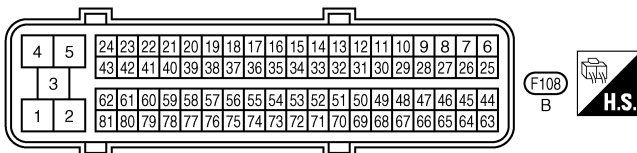
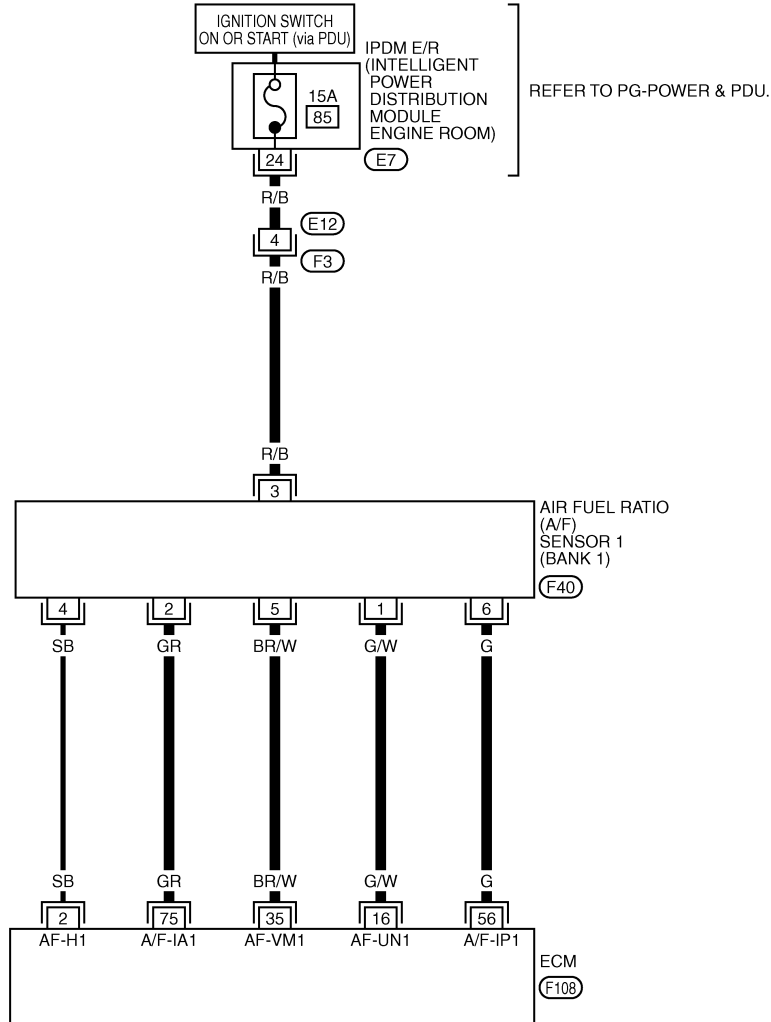
Wiring Diagram

INFOID:00000002954251

BANK 1

EC-AF1B1-01

— : DETECTABLE LINE FOR DTC
 - - - : NON-DETECTABLE LINE FOR DTC



TBWT0979E

Specification data are reference values and are measured between each terminal and ground.
 Pulse signal is measured by CONSULT-III.

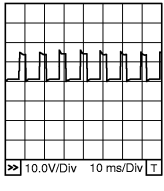
CAUTION:

DTC P0132, P0152 A/F SENSOR 1

< SERVICE INFORMATION >

[VQ35DE]

Do not use ECM ground terminals when measuring input/output voltage. Doing so may result in damage to the ECM's transistor. Use a ground other than ECM terminals, such as the ground.

TER-MI-NAL NO.	WIRE COLOR	ITEM	CONDITION	DATA (DC Voltage)
2	SB	A/F sensor 1 heater (bank 1)	[Engine is running] <ul style="list-style-type: none"> • Warm-up condition • Idle speed 	Approximately 5V★ 
16	G/W	A/F sensor 1 (bank 1)	[Engine is running] <ul style="list-style-type: none"> • Warm-up condition • Idle speed 	Approximately 3.1V
35	BR/W			Approximately 2.6V
56	G			Approximately 2.3V
75	GR			Approximately 2.3V

★: Average voltage for pulse signal (Actual pulse signal can be confirmed by oscilloscope.)

A
EC
C
D
E
F
G
H
I
J
K
L
M
N
O
P

DTC P0132, P0152 A/F SENSOR 1

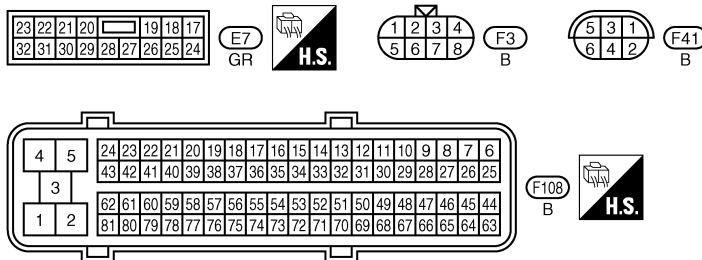
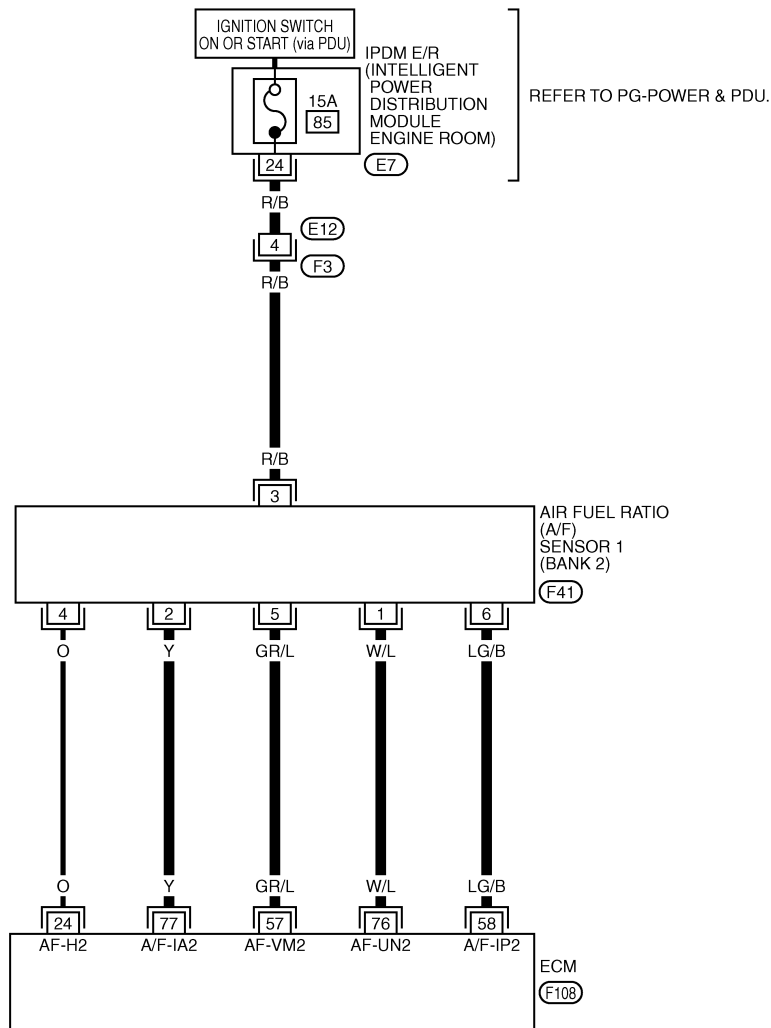
[VQ35DE]

< SERVICE INFORMATION >

BANK 2

EC-AF1B2-01

— : DETECTABLE LINE FOR DTC
 - - - : NON-DETECTABLE LINE FOR DTC



TBWT0980E

Specification data are reference values and are measured between each terminal and ground. Pulse signal is measured by CONSULT-III.

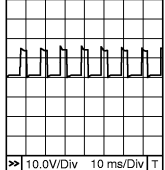
CAUTION:

Do not use ECM ground terminals when measuring input/output voltage. Doing so may result in damage to the ECM's transistor. Use a ground other than ECM terminals, such as the ground.

DTC P0132, P0152 A/F SENSOR 1

< SERVICE INFORMATION >

[VQ35DE]

TER-MI-NAL NO.	WIRE COLOR	ITEM	CONDITION	DATA (DC Voltage)
24	O	A/F sensor 1 heater (bank 2)	[Engine is running] • Warm-up condition • Idle speed	Approximately 5V★ 
57	GR/L	A/F sensor 1 (bank 2)	[Engine is running] • Warm-up condition • Idle speed	Approximately 2.6V
58	LG/B			Approximately 2.3V
76	W/L			Approximately 3.1V
77	Y			Approximately 2.3V

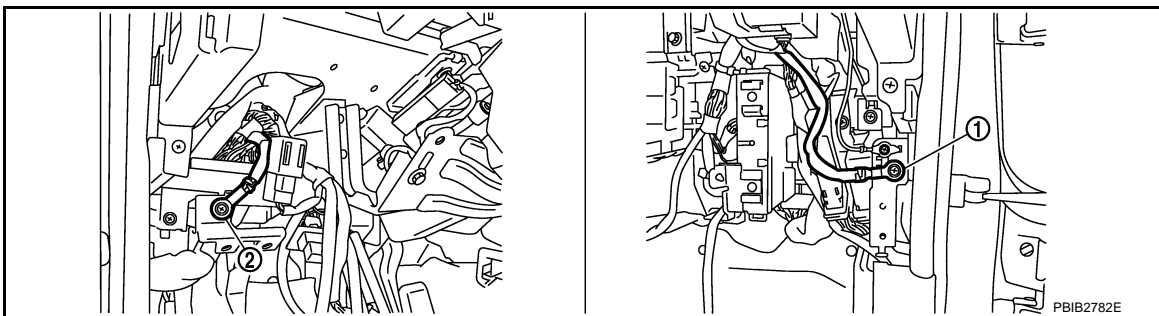
★: Average voltage for pulse signal (Actual pulse signal can be confirmed by oscilloscope.)

Diagnosis Procedure

INFOID:000000002954252

1. CHECK GROUND CONNECTIONS

1. Turn ignition switch OFF.
2. Loosen and retighten two ground screws on the body.
Refer to [EC-146, "Ground Inspection"](#).



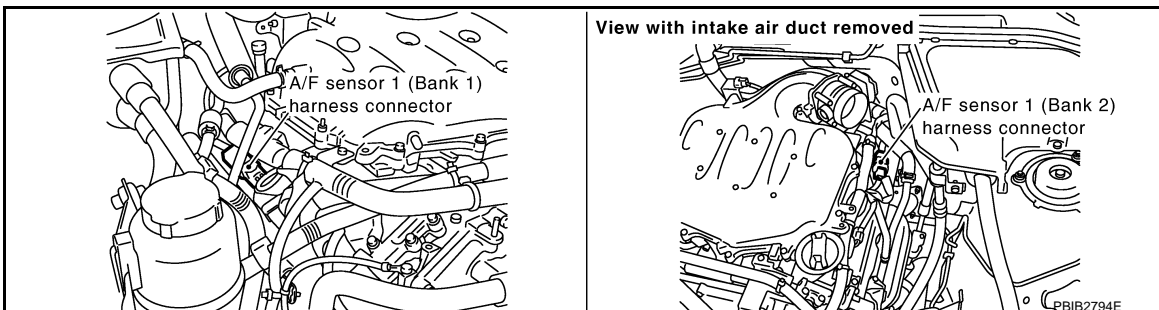
1. Body ground M70
2. Body ground M16

OK or NG

- OK >> GO TO 2.
NG >> Repair or replace ground connections.

2. CHECK AIR FUEL RATIO (A/F) SENSOR 1 POWER SUPPLY CIRCUIT

1. Disconnect A/F sensor 1 harness connector.



2. Turn ignition switch ON.

DTC P0132, P0152 A/F SENSOR 1

[VQ35DE]

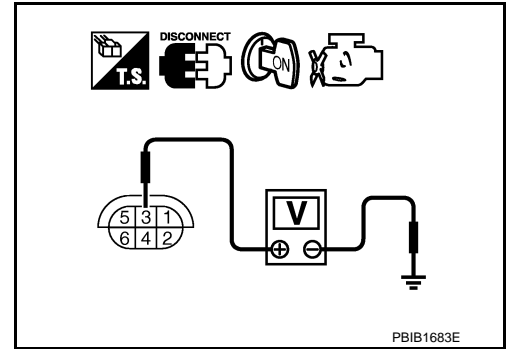
< SERVICE INFORMATION >

- Check voltage between A/F sensor 1 terminal 3 and ground with CONSULT-III or tester.

Voltage: Battery voltage

OK or NG

- OK >> GO TO 4.
- NG >> GO TO 3.



3. DETECT MALFUNCTIONING PART

Check the following.

- Harness connectors E12, F3
- IPDM E/R harness connector E7
- 15A fuse
- Harness for open or short between A/F sensor 1 and fuse

>> Repair or replace harness or connectors.

4. CHECK A/F SENSOR 1 INPUT SIGNAL CIRCUIT FOR OPEN AND SHORT

- Turn ignition switch OFF.
- Disconnect ECM harness connector.
- Check harness continuity between A/F sensor 1 terminal and ECM terminal as follows. Refer to Wiring Diagram.

	A/F sensor 1 terminal	ECM terminal
Bank 1	1	16
	2	75
	5	35
	6	56
Bank 2	1	76
	2	77
	5	57
	6	58

Continuity should exist.

- Check harness continuity between the following terminals and ground. Refer to Wiring Diagram.

Bank 1		Bank 2	
A/F sensor 1 terminal	ECM terminal	A/F sensor 1 terminal	ECM terminal
1	16	1	76
2	75	2	77
5	35	5	57
6	56	6	58

Continuity should not exist.

- Also check harness for short to power.

OK or NG

- OK >> GO TO 5.

DTC P0132, P0152 A/F SENSOR 1

[VQ35DE]

< SERVICE INFORMATION >

NG >> Repair open circuit or short to ground or short to power in harness or connectors.

5. CHECK INTERMITTENT INCIDENT

Perform [EC-140](#).

OK or NG

OK >> GO TO 6.

NG >> Repair or replace.

6. REPLACE AIR FUEL RATIO (A/F) SENSOR 1

Replace malfunctioning air fuel ratio (A/F) sensor 1.

CAUTION:

- Discard any A/F sensor which has been dropped from a height of more than 0.5 m (19.7 in) onto a hard surface such as a concrete floor; use a new one.
- Before installing new A/F sensor, clean exhaust system threads using Oxygen Sensor Thread Cleaner tool J-43897-18 or J-43897-12 and approved anti-seize lubricant.

>> INSPECTION END

Removal and Installation

INFOID:000000002954253

AIR FUEL RATIO (A/F) SENSOR 1

Refer to [EM-27](#).

A
EC
C
D
E
F
G
H
I
J
K
L
M
N
O
P

DTC P0133, P0153 A/F SENSOR 1

< SERVICE INFORMATION >

[VQ35DE]

DTC P0133, P0153 A/F SENSOR 1

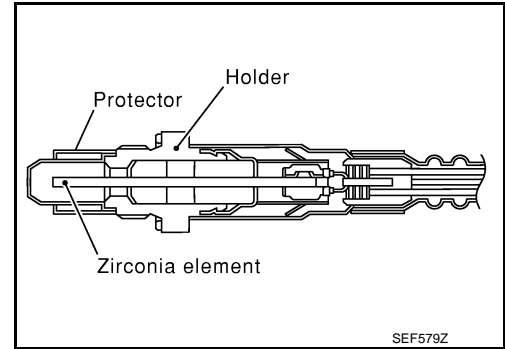
Component Description

INFOID:000000002954254

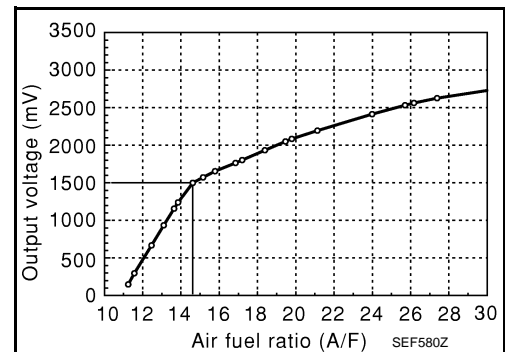
The air fuel ratio (A/F) sensor 1 is a planar dual-cell limit current sensor. The sensor element of the A/F sensor 1 is the combination of a Nernst concentration cell (sensor cell) with an oxygen-pump cell, which transports ions. It has a heater in the element.

The sensor is capable of precise measurement $\lambda = 1$, but also in the lean and rich range. Together with its control electronics, the sensor outputs a clear, continuous signal throughout a wide λ range ($0.7 < \lambda < \text{air}$).

The exhaust gas components diffuse through the diffusion gap at the electrode of the oxygen pump and Nernst concentration cell, where they are brought to thermodynamic balance.



An electronic circuit controls the pump current through the oxygen-pump cell so that the composition of the exhaust gas in the diffusion gap remains constant at $\lambda = 1$. Therefore, the A/F sensor 1 is able to indicate air/fuel ratio by this pumping of current. In addition, a heater is integrated in the sensor to ensure the required operating temperature of 700 - 800°C (1,292 - 1,472°F).



CONSULT-III Reference Value in Data Monitor Mode

INFOID:000000002954255

Specification data are reference values.

MONITOR ITEM	CONDITION		SPECIFICATION
A/F SEN1 (B1) A/F SEN1 (B2)	• Engine: After warming up	Maintaining engine speed at 2,000 rpm	Fluctuates around 1.5 V

On Board Diagnosis Logic

INFOID:000000002954256

To judge the malfunction of A/F sensor 1, this diagnosis measures response time of the A/F signal computed by ECM from the A/F sensor 1 signal. The time is compensated by engine operating (speed and load), fuel feedback control constant, and the A/F sensor 1 temperature index. Judgment is based on whether the compensated time (the A/F signal cycling time index) is inordinately long or not.

DTC No.	Trouble diagnosis name	DTC detecting condition	Possible Cause
P0133 0133 (Bank 1)	Air fuel ratio (A/F) sensor 1 circuit slow response	• The response of the A/F signal computed by ECM from A/F sensor 1 signal takes more than the specified time.	<ul style="list-style-type: none"> • Harness or connectors (The A/F sensor 1 circuit is open or shorted.) • A/F sensor 1 • A/F sensor 1 heater • Fuel pressure • Fuel injector • Intake air leaks • Exhaust gas leaks • PCV • Mass air flow sensor
P0153 0153 (Bank 2)			

DTC Confirmation Procedure

INFOID:000000002954257

NOTE:

If DTC Confirmation Procedure has been previously conducted, always turn ignition switch OFF and wait at least 10 seconds before conducting the next test.

DTC P0133, P0153 A/F SENSOR 1

< SERVICE INFORMATION >

[VQ35DE]

TESTING CONDITION:

Before performing the following procedure, confirm that battery voltage is more than 11V at idle.

④ WITH CONSULT-III

1. Start engine and warm it up to normal operating temperature.
2. Turn ignition switch OFF and wait at least 10 seconds.
3. Start engine and keep the engine speed between 3,500 and 4,000 rpm for at least 1 minute under no load.
4. Let engine idle for 1 minute.
5. Select "A/F SEN1(B1) P1278/P1279" (for DTC P0133) or "A/F SEN1(B1) P1288/P1289" (for DTC P0153) of "A/F SEN1" in "DTC WORK SUPPORT" mode with CONSULT-III.
6. Touch "START".
If "COMPLETED" appears on CONSULT-III screen, go to step 10.
If "COMPLETED" does not appear on CONSULT-III screen, go to the following step.
7. After perform the following procedure, "TESTING" will be displayed on the CONSULT-III screen.
 - a. Increase the engine speed up to 4,000 to 5,000 rpm and keep it for 10 seconds.
 - b. Fully release accelerator pedal and then let engine idle for about 10 seconds.
If "TESTING" is not displayed after 10 seconds, refer to EC-132.
8. Wait for about 20 seconds at idle at under the condition that "TESTING" is displayed on the CONSULT-III screen.
9. Make sure that "TESTING" changes to "COMPLETED".
If "TESTING" changed to "OUT OF CONDITION", refer to EC-132.
10. Make sure that "OK" is displayed after touching "SELF-DIAG RESULT".
If "NG" is displayed, go to [EC-247, "Diagnosis Procedure"](#).

④ WITH GST

1. Start engine and warm it up to normal operating temperature.
2. Select Service \$01 with GST.
3. Calculate the total value of "Short term fuel trim" and "Long term fuel trim" indications.
Make sure that the total percentage should be within $\pm 15\%$.
If OK, go to the following step.
If NG, check the following.
 - Intake air leaks
 - Exhaust gas leaks
 - Incorrect fuel pressure
 - Lack of fuel
 - Fuel injector
 - Incorrect PCV hose connection
 - PCV valve
 - Mass air flow sensor
4. Turn ignition switch OFF and wait at least 10 seconds.
5. Start engine and keep the engine speed between 3,500 and 4,000 rpm for at least 1 minute under no load.
6. Let engine idle for 1 minute.
7. Increase the engine speed up to 4,000 to 5,000 rpm and keep it for 10 seconds.
8. Fully release accelerator pedal and then let engine idle for about 1 minute.
9. Select Service \$07 with GST.
If the 1st trip DTC is displayed, go to [EC-247, "Diagnosis Procedure"](#).

DTC P0133, P0153 A/F SENSOR 1

[VQ35DE]

< SERVICE INFORMATION >

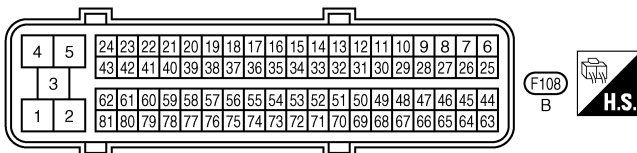
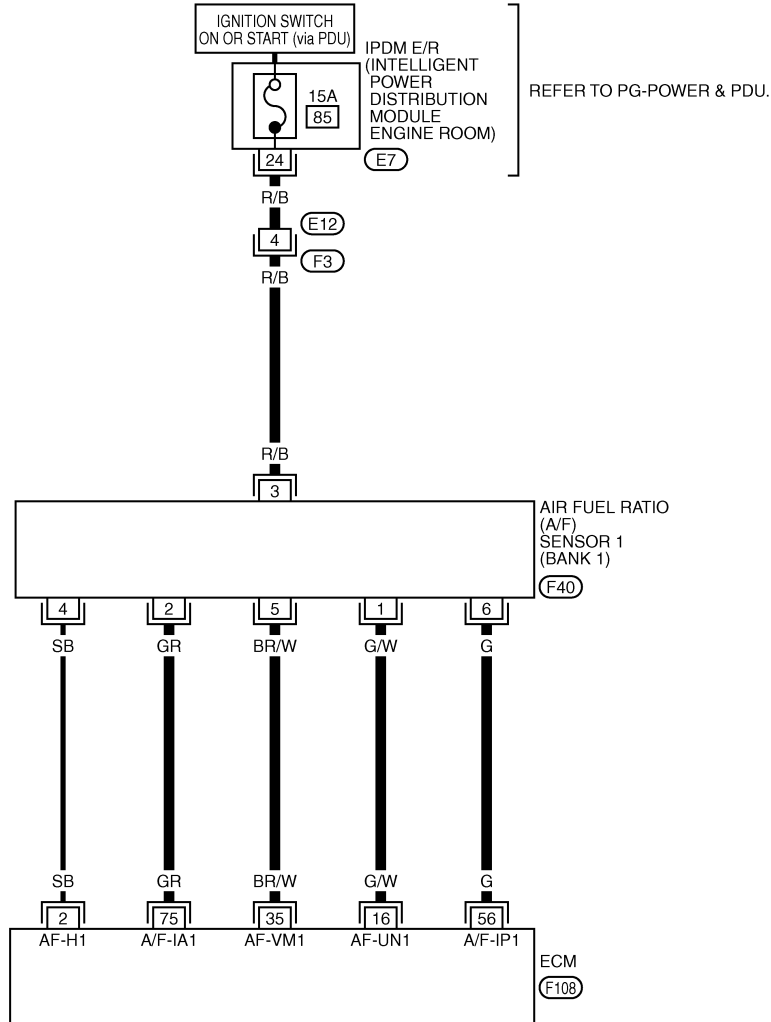
Wiring Diagram

INFOID:00000002954258

BANK 1

EC-AF1B1-01

— : DETECTABLE LINE FOR DTC
 - - - : NON-DETECTABLE LINE FOR DTC



TBWT0979E

Specification data are reference values and are measured between each terminal and ground.
 Pulse signal is measured by CONSULT-III.

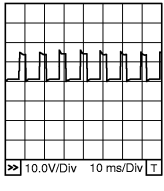
CAUTION:

DTC P0133, P0153 A/F SENSOR 1

< SERVICE INFORMATION >

[VQ35DE]

Do not use ECM ground terminals when measuring input/output voltage. Doing so may result in damage to the ECM's transistor. Use a ground other than ECM terminals, such as the ground.

TER-MI-NAL NO.	WIRE COLOR	ITEM	CONDITION	DATA (DC Voltage)
2	SB	A/F sensor 1 heater (bank 1)	[Engine is running] <ul style="list-style-type: none"> • Warm-up condition • Idle speed 	Approximately 5V★ 
16	G/W	A/F sensor 1 (bank 1)	[Engine is running] <ul style="list-style-type: none"> • Warm-up condition • Idle speed 	Approximately 3.1V
35	BR/W			Approximately 2.6V
56	G			Approximately 2.3V
75	GR			Approximately 2.3V

★: Average voltage for pulse signal (Actual pulse signal can be confirmed by oscilloscope.)

A
EC
C
D
E
F
G
H
I
J
K
L
M
N
O
P

DTC P0133, P0153 A/F SENSOR 1

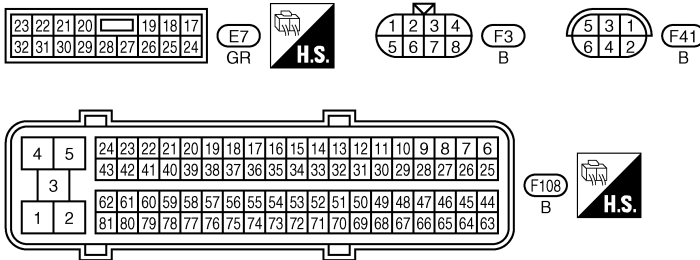
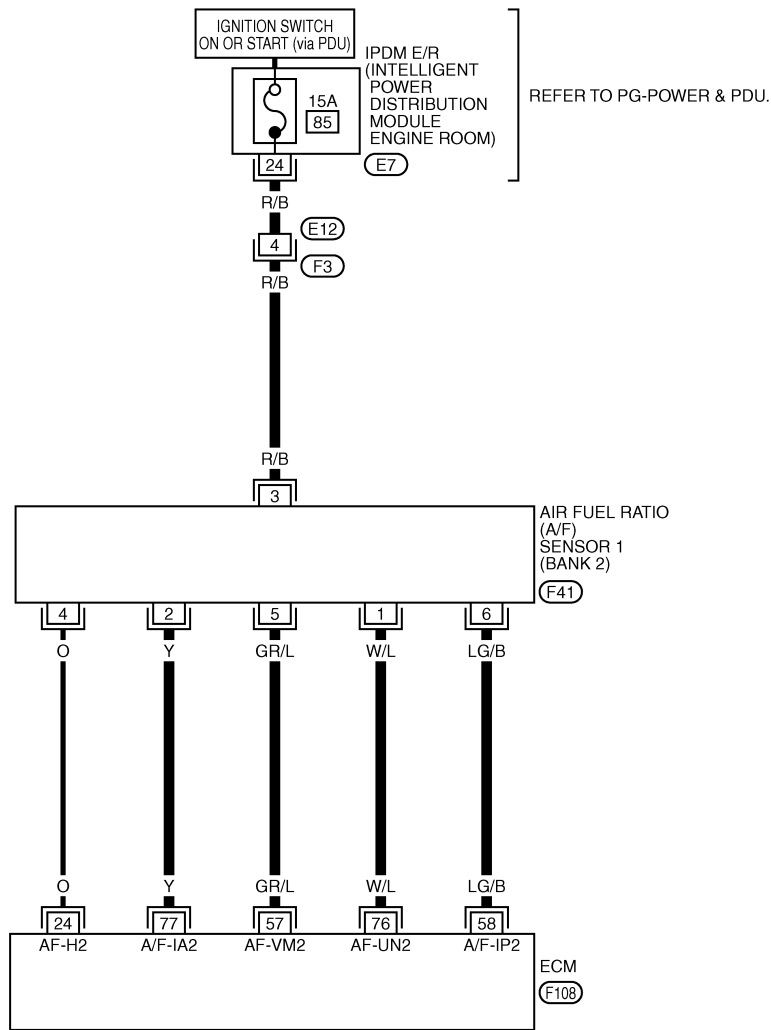
[VQ35DE]

< SERVICE INFORMATION >

BANK 2

EC-AF1B2-01

— : DETECTABLE LINE FOR DTC
 - - - : NON-DETECTABLE LINE FOR DTC



TBWT0980E

Specification data are reference values and are measured between each terminal and ground. Pulse signal is measured by CONSULT-III.

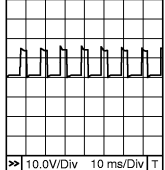
CAUTION:

Do not use ECM ground terminals when measuring input/output voltage. Doing so may result in damage to the ECM's transistor. Use a ground other than ECM terminals, such as the ground.

DTC P0133, P0153 A/F SENSOR 1

< SERVICE INFORMATION >

[VQ35DE]

TERMINAL NO.	WIRE COLOR	ITEM	CONDITION	DATA (DC Voltage)
24	O	A/F sensor 1 heater (bank 2)	[Engine is running] <ul style="list-style-type: none"> • Warm-up condition • Idle speed 	Approximately 5V★ 
57	GR/L	A/F sensor 1 (bank 2)	[Engine is running] <ul style="list-style-type: none"> • Warm-up condition • Idle speed 	Approximately 2.6V
58	LG/B			Approximately 2.3V
76	W/L			Approximately 3.1V
77	Y			Approximately 2.3V

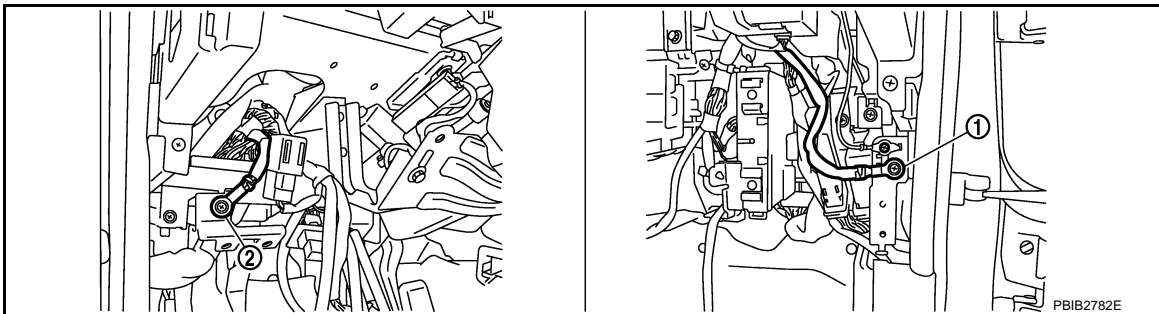
★: Average voltage for pulse signal (Actual pulse signal can be confirmed by oscilloscope.)

Diagnosis Procedure

INFOID:000000002954259

1. CHECK GROUND CONNECTIONS

1. Turn ignition switch OFF.
2. Loosen and retighten two ground screws on the body.
Refer to [EC-146, "Ground Inspection"](#).



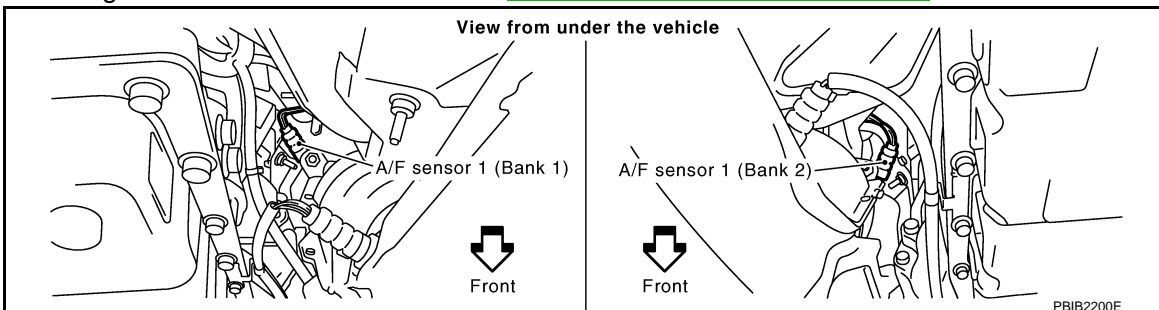
1. Body ground M70
2. Body ground M16

OK or NG

- OK >> GO TO 2.
 NG >> Repair or replace ground connections.

2. RETIGHTEN A/F SENSOR 1

Loosen and retighten the A/F sensor 1. Refer to [EM-27, "Removal and Installation"](#).

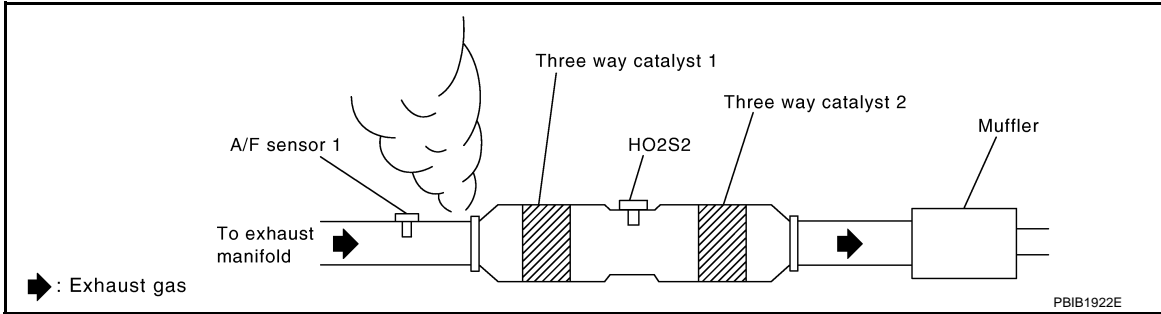


>> GO TO 3.

< SERVICE INFORMATION >

3. CHECK EXHAUST GAS LEAK

1. Start engine and run it at idle.
2. Listen for an exhaust gas leak before three way catalyst 1.



OK or NG

- OK >> GO TO 4.
- NG >> Repair or replace.

4. CHECK FOR INTAKE AIR LEAK

Listen for an intake air leak after the mass air flow sensor.

OK or NG

- OK >> GO TO 5.
- NG >> Repair or replace.

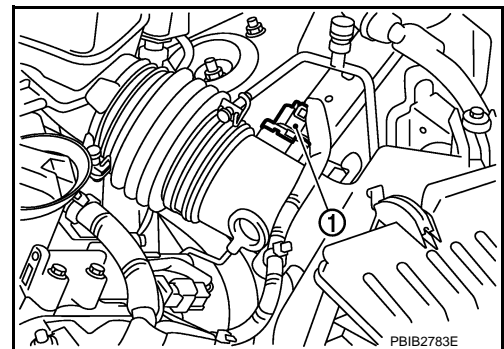
5. CLEAR THE SELF-LEARNING DATA

With CONSULT-III

1. Start engine and warm it up to normal operating temperature.
 2. Select "SELF-LEARNING CONT" in "WORK SUPPORT" mode with CONSULT-III.
 3. Clear the self-learning control coefficient by touching "CLEAR" or "START".
 4. Run engine for at least 10 minutes at idle speed.
- Is the 1st trip DTC P0171, P172, P0174 or P0175 detected? Is it difficult to start engine?**

Without CONSULT-III

1. Start engine and warm it up to normal operating temperature.
 2. Turn ignition switch OFF.
 3. Disconnect mass air flow sensor (1) harness connector.
 4. Restart engine and let it idle for at least 5 seconds.
 5. Stop engine and reconnect mass air flow sensor harness connector.
 6. Make sure DTC P0102 is displayed.
 7. Erase the DTC memory. Refer to [EC-55. "Emission-Related Diagnostic Information"](#).
 8. Make sure DTC P0000 is displayed.
 9. Run engine for at least 10 minutes at idle speed.
- Is the 1st trip DTC P0171, P0172, P0174 or P0175 detected? Is it difficult to start engine?**



Yes or No

- Yes >> Perform trouble diagnosis for DTC P0171, P0174 or P0172, P0175. Refer to [EC-280](#) or [EC-292](#).
- No >> GO TO 6.

6. CHECK AIR FUEL RATIO (A/F) SENSOR 1 POWER SUPPLY CIRCUIT

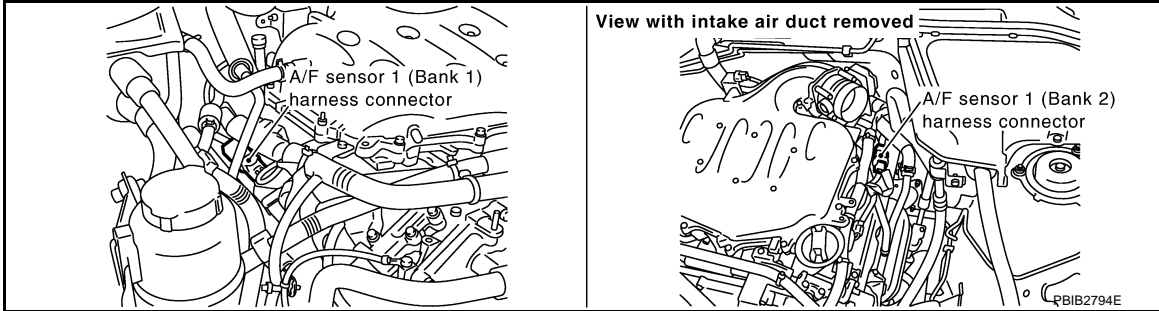
1. Turn ignition switch OFF.

DTC P0133, P0153 A/F SENSOR 1

[VQ35DE]

< SERVICE INFORMATION >

- Disconnect A/F sensor 1 harness connector.

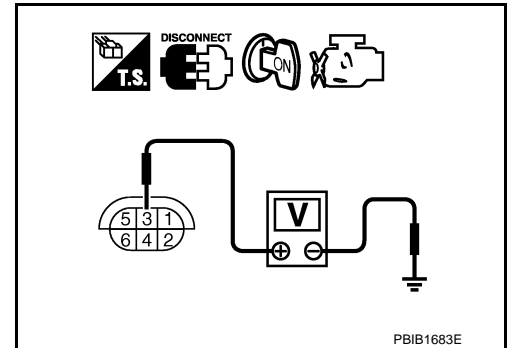


- Turn ignition switch ON.
- Check voltage between A/F sensor 1 terminal 3 and ground with CONSULT-III or tester.

Voltage: Battery voltage

OK or NG

- OK >> GO TO 8.
- NG >> GO TO 7.



7. DETECT MALFUNCTIONING PART

Check the following.

- Harness connectors E12, F3
- IPDM E/R harness connector E7
- 15A fuse
- Harness for open or short between A/F sensor 1 and fuse

>> Repair or replace harness or connectors.

8. CHECK A/F SENSOR 1 INPUT SIGNAL CIRCUIT FOR OPEN AND SHORT

- Turn ignition switch OFF.
- Disconnect ECM harness connector.
- Check harness continuity between A/F sensor 1 terminal and ECM terminal as follows. Refer to Wiring Diagram.

	A/F sensor 1 terminal	ECM terminal
Bank 1	1	16
	2	75
	5	35
	6	56
Bank 2	1	76
	2	77
	5	57
	6	58

Continuity should exist.

- Check harness continuity between the following terminals and ground. Refer to Wiring Diagram.

DTC P0133, P0153 A/F SENSOR 1

[VQ35DE]

< SERVICE INFORMATION >

Bank 1		Bank 2	
A/F sensor 1 terminal	ECM terminal	A/F sensor 1 terminal	ECM terminal
1	16	1	76
2	75	2	77
5	35	5	57
6	56	6	58

Continuity should not exist.

5. Also check harness for short to power.

OK or NG

OK >> GO TO 9.

NG >> Repair open circuit or short to ground or short to power in harness or connectors.

9. CHECK AIR FUEL RATIO (A/F) SENSOR 1 HEATER

Refer to [EC-159, "Component Inspection"](#).

OK or NG

OK >> GO TO 10.

NG >> GO TO 13.

10. CHECK MASS AIR FLOW SENSOR

Refer to [EC-183, "Component Inspection"](#).

OK or NG

OK >> GO TO 11.

NG >> Replace mass air flow sensor.

11. CHECK PCV VALVE

Refer to [EC-51, "Component Inspection"](#).

OK or NG

OK >> GO TO 12.

NG >> Repair or replace PCV valve.

12. CHECK INTERMITTENT INCIDENT

Perform [EC-140](#).

OK or NG

OK >> GO TO 13.

NG >> Repair or replace.

13. REPLACE AIR FUEL RATIO (A/F) SENSOR 1

Replace malfunctioning air fuel ratio (A/F) sensor 1.

CAUTION:

- Discard any A/F sensor which has been dropped from a height of more than 0.5 m (19.7 in) onto a hard surface such as a concrete floor; use a new one.
- Before installing new A/F sensor, clean exhaust system threads using Oxygen Sensor Thread Cleaner tool J-43897-18 or J-43897-12 and approved anti-seize lubricant.

>> **INSPECTION END**

Removal and Installation

INFOID:000000002954260

AIR FUEL RATIO (A/F) SENSOR 1

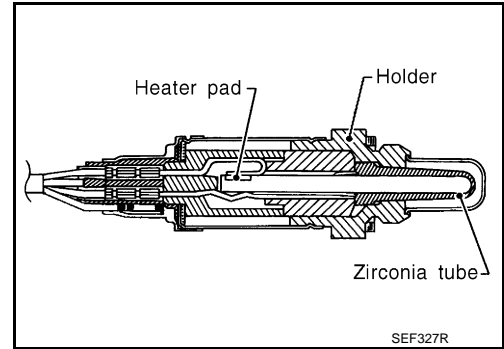
Refer to [EM-27](#).

DTC P0137, P0157 HO2S2

Component Description

INFOID:000000002954261

The heated oxygen sensor 2, after three way catalyst 1, monitors the oxygen level in the exhaust gas on each bank.
 Even if switching characteristics of the air fuel ratio (A/F) sensor 1 are shifted, the air-fuel ratio is controlled to stoichiometric, by the signal from the heated oxygen sensor 2.
 This sensor is made of ceramic zirconia. The zirconia generates voltage from approximately 1V in richer conditions to 0V in leaner conditions.
 Under normal conditions the heated oxygen sensor 2 is not used for engine control operation.



CONSULT-III Reference Value in Data Monitor Mode

INFOID:000000002954262

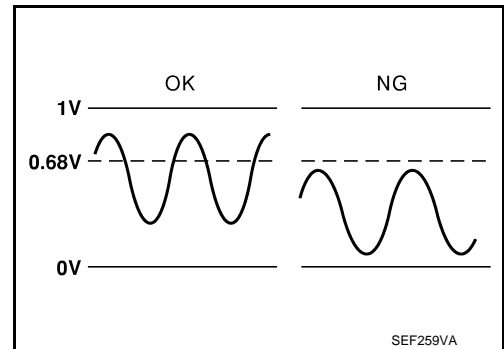
Specification data are reference values.

MONITOR ITEM	CONDITION	SPECIFICATION
HO2S2 (B1) HO2S2 (B2)	<ul style="list-style-type: none"> • Revving engine from idle to 3,000 rpm quickly after the following conditions are met - Engine: After warming up - Keeping engine speed between 3,500 and 4,000 rpm for 1 minute and at idle for 1 minute under no load 	0 - 0.3V ↔ Approx. 0.6 - 1.0V
HO2S2 MNTR (B1) HO2S2 MNTR (B2)		LEAN ↔ RICH

On Board Diagnosis Logic

INFOID:000000002954263

The heated oxygen sensor 2 has a much longer switching time between rich and lean than the air fuel ratio (A/F) sensor 1. The oxygen storage capacity of the three way catalyst 1 causes the longer switching time. To judge the malfunctions of heated oxygen sensor 2, ECM monitors whether the maximum voltage of the sensor is sufficiently high during the various driving condition such as fuel-cut.



DTC No.	Trouble diagnosis name	DTC detecting condition	Possible cause
P0137 0137 (Bank 1)	Heated oxygen sensor 2 circuit low voltage	The maximum voltage from the sensor is not reached to the specified voltage.	<ul style="list-style-type: none"> • Harness or connectors (The sensor circuit is open or shorted) • Heated oxygen sensor 2 • Fuel pressure • Fuel injector • Intake air leaks
P0157 0157 (Bank 2)			

DTC Confirmation Procedure

INFOID:000000002954264

NOTE:

If DTC confirmation Procedure has been previously conducted, always turn ignition switch OFF and wait at least 10 seconds before conducting the next test.

WITH CONSULT-III

TESTING CONDITION:

For better results, perform "DTC WORK SUPPORT" at a temperature of 0 to 30 °C (32 to 86 °F).

1. Turn ignition switch ON and select "DATA MONITOR" mode with CONSULT-III.

< SERVICE INFORMATION >

2. Start engine and warm it up to the normal operating temperature.
3. Turn ignition switch OFF and wait at least 10 seconds.
4. Start engine and keep the engine speed between 3,500 and 4,000 rpm for at least 1 minute under no load.
5. Let engine idle for 1 minute.
6. Make sure that "COOLAN TEMP/S" indicates more than 70°C (158°F).
If not, warm up engine and go to next step when "COOLAN TEMP/S" indication reaches to 70°C (158°F).
7. Open engine hood.
8. Select "HO2S2 (B1) P1147" (for DTC P0137) or "HO2S2 (B2) P1167" (for DTC P0157) of "HO2S2" in "DTC WORK SUPPORT" mode with CONSULT-III.
9. Start engine and following the instruction of CONSULT-III.
NOTE:
It will take at most 10 minutes until "COMPLETED" is displayed.
10. Make sure that "OK" is displayed after touching "SELF-DIAG RESULTS".
If "NG" is displayed, refer to [EC-256, "Diagnosis Procedure"](#).
If "CAN NOT BE DIAGNOSED" is displayed, perform the following.
 - a. Turn ignition switch OFF and leave the vehicle in a cool place (soak the vehicle).
 - b. Return to step 1.

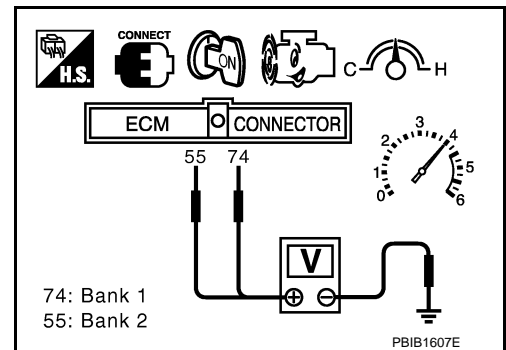
Overall Function Check

INFOID:000000002954265

Use this procedure to check the overall function of the heated oxygen sensor 2 circuit. During this check, a 1st trip DTC might not be confirmed.

WITH GST

1. Start engine and warm it up to the normal operating temperature.
2. Turn ignition switch OFF and wait at least 10 seconds.
3. Start engine and keep the engine speed between 3,500 and 4,000 rpm for at least 1 minute under no load.
4. Let engine idle for 1 minute.
5. Set voltmeter probes between ECM terminal 55 [HO2S2 (B2) signal] or 74 [HO2S2 (B1) signal] and ground.
6. Check the voltage when revving up to 4,000 rpm under no load at least 10 times.
(Depress and release accelerator pedal as soon as possible.)
The voltage should be above 0.68V at least once during this procedure.
If the voltage can be confirmed in step 6, step 7 is not necessary.
7. Keep vehicle at idling for 10 minutes, then check the voltage. Or check the voltage when coasting from 80 km/h (50 MPH) in D position.
The voltage should be above 0.68V at least once during this procedure.
8. If NG, go to [EC-256, "Diagnosis Procedure"](#).

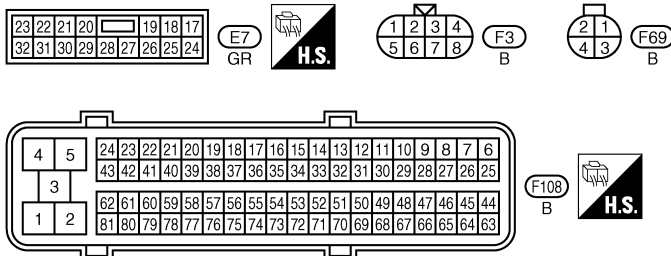
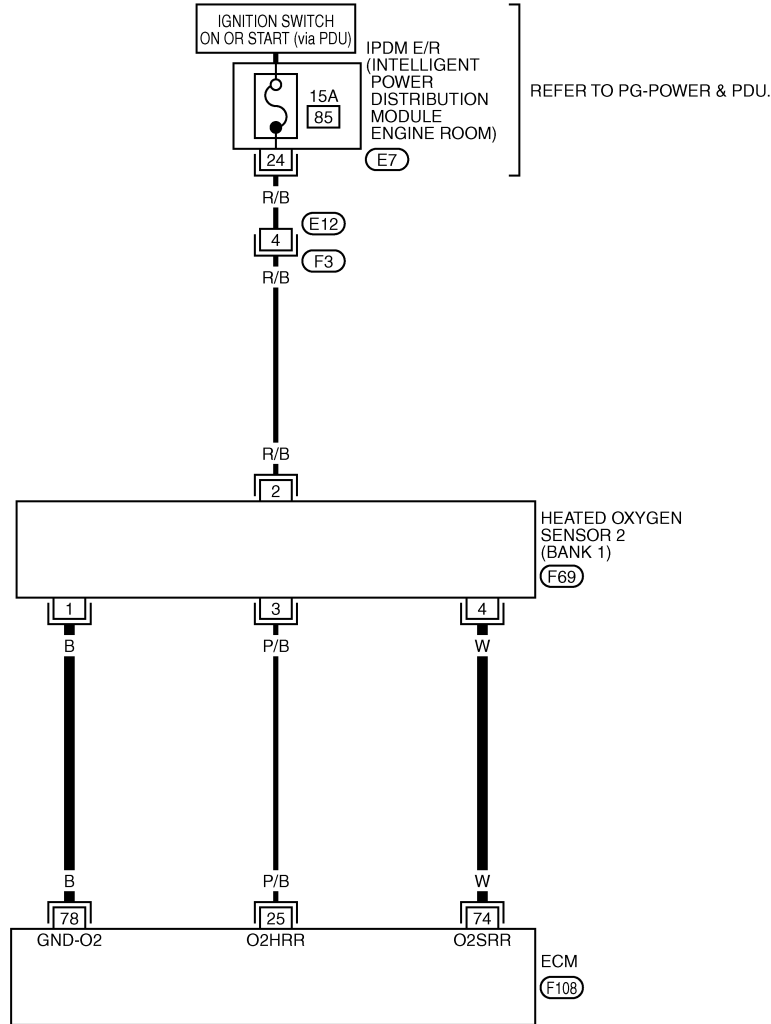


Wiring Diagram

BANK 1

EC-O2S2B1-01

— : DETECTABLE LINE FOR DTC
 - - - : NON-DETECTABLE LINE FOR DTC



TBWT1473E

Specification data are reference values and are measured between each terminal and ground.

CAUTION:

Do not use ECM ground terminals when measuring input/output voltage. Doing so may result in damage to the ECM's transistor. Use a ground other than ECM terminals, such as the ground.

DTC P0137, P0157 HO2S2

< SERVICE INFORMATION >

[VQ35DE]

TER-MI-NAL NO.	WIRE COLOR	ITEM	CONDITION	DATA (DC Voltage)
25	P/B	Heated oxygen sensor 2 heater (bank 1)	[Engine is running] <ul style="list-style-type: none"> • Engine speed: Below 3,600 rpm after the following conditions are met - Engine: After warming up - Keeping the engine speed between 3,500 and 4,000 rpm for 1 minute and at idle for 1 minute under no load 	0 - 1.0V
			[Ignition switch: ON] <ul style="list-style-type: none"> • Engine stopped [Engine is running] <ul style="list-style-type: none"> • Engine speed: Above 3,600 rpm 	BATTERY VOLTAGE (11 - 14V)
74	W	Heated oxygen sensor 2 (bank 1)	[Engine is running] <ul style="list-style-type: none"> • Revving engine from idle to 3,000 rpm quickly after the following conditions are met - Engine: After warming up - Keeping the engine speed between 3,500 and 4,000 rpm for 1 minute and at idle for 1 minute under no load 	0 - Approximately 1.0V
78	B	Sensor ground (Heated oxygen sensor)	[Engine is running] <ul style="list-style-type: none"> • Warm-up condition • Idle speed 	Approximately 0V

DTC P0137, P0157 HO2S2

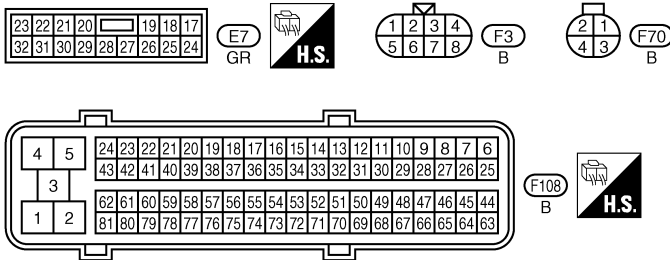
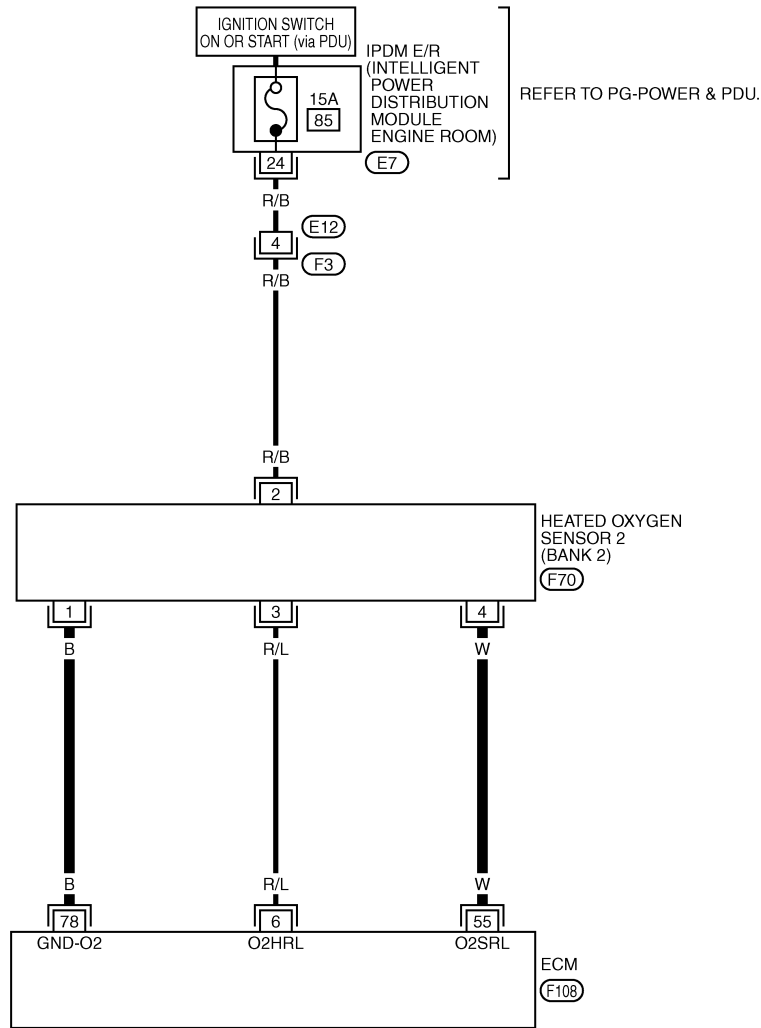
[VQ35DE]

< SERVICE INFORMATION >

BANK 2

EC-O2S2B2-01

— : DETECTABLE LINE FOR DTC
 — : NON-DETECTABLE LINE FOR DTC



TBWT1474E

Specification data are reference values and are measured between each terminal and ground.

CAUTION:

Do not use ECM ground terminals when measuring input/output voltage. Doing so may result in damage to the ECM's transistor. Use a ground other than ECM terminals, such as the ground.

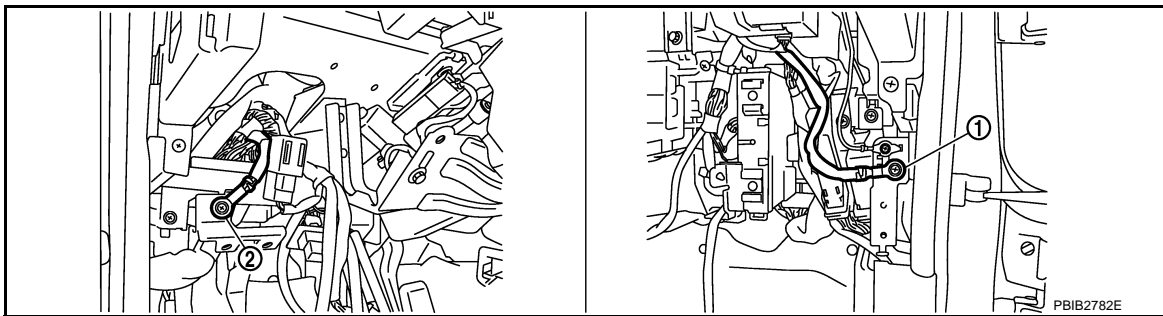
TER-MI-NAL NO.	WIRE COLOR	ITEM	CONDITION	DATA (DC Voltage)
6	R/L	Heated oxygen sensor 2 heater (bank 2)	[Engine is running] <ul style="list-style-type: none"> Engine speed: Below 3,600 rpm after the following conditions are met <ul style="list-style-type: none"> - Engine: After warming up - Keeping the engine speed between 3,500 and 4,000 rpm for 1 minute and at idle for 1 minute under no load 	0 - 1.0V
			[Ignition switch: ON] <ul style="list-style-type: none"> Engine stopped [Engine is running] <ul style="list-style-type: none"> Engine speed: Above 3,600 rpm 	BATTERY VOLTAGE (11 - 14V)
55	W	Heated oxygen sensor 2 (bank 2)	[Engine is running] <ul style="list-style-type: none"> Revsing engine from idle to 3,000 rpm quickly after the following conditions are met <ul style="list-style-type: none"> - Engine: After warming up - Keeping the engine speed between 3,500 and 4,000 rpm for 1 minute and at idle for 1 minute under no load 	0 - Approximately 1.0V
78	B	Sensor ground (Heated oxygen sensor)	[Engine is running] <ul style="list-style-type: none"> Warm-up condition Idle speed 	Approximately 0V

Diagnosis Procedure

INFOID:000000002954267

1. CHECK GROUND CONNECTIONS

- Turn ignition switch OFF.
- Loosen and retighten two ground screws on the body.
Refer to [EC-146, "Ground Inspection"](#).



- Body ground M70
- Body ground M16

OK or NG

- OK >> GO TO 2.
- NG >> Repair or replace ground connections.

2. CLEAR THE SELF-LEARNING DATA

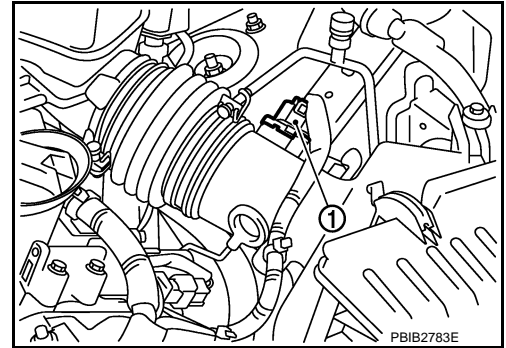
With CONSULT-III

- Start engine and warm it up to normal operating temperature.
- Select "SELF-LEARNING CONT" in "WORK SUPPORT" mode with CONSULT-III.
- Clear the self-learning control coefficient by touching "CLEAR".
- Run engine for at least 10 minutes at idle speed.
Is the 1st trip DTC P0171 or P0174 detected?
Is it difficult to start engine?

< SERVICE INFORMATION >

⊗ Without CONSULT-III

1. Start engine and warm it up to normal operating temperature.
 2. Turn ignition switch OFF.
 3. Disconnect mass air flow sensor (1) harness connector, and restart and run engine for at least 5 seconds at idle speed.
 4. Stop engine and reconnect mass air flow sensor harness connector.
 5. Make sure DTC P0102 is displayed.
 6. Erase the DTC memory. Refer to [EC-55, "Emission-Related Diagnostic Information"](#).
 7. Make sure DTC P0000 is displayed.
 8. Run engine for at least 10 minutes at idle speed.
- Is the 1st trip DTC P0171 or P0174 detected?
Is it difficult to start engine?**



Yes or No

- Yes >> Perform trouble diagnosis for DTC P0171 or P0174. Refer to [EC-280](#).
 No >> GO TO 3.

3.CHECK HO2S2 GROUND CIRCUIT FOR OPEN AND SHORT

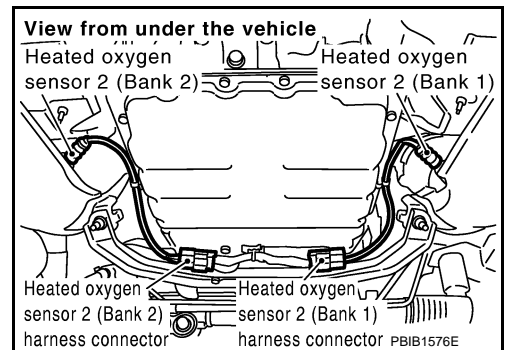
1. Turn ignition switch OFF.
2. Disconnect heated oxygen sensor 2 harness connector.
3. Disconnect ECM harness connector.
4. Check harness continuity between ECM terminal 78 and HO2S2 terminal 1.
Refer to Wiring Diagram.

Continuity should exist.

5. Also check harness for short to ground and short to power.

OK or NG

- OK >> GO TO 4.
 NG >> Repair open circuit or short to ground or short to power in harness or connectors.



4.CHECK HO2S2 INPUT SIGNAL CIRCUIT FOR OPEN AND SHORT

1. Check harness continuity between ECM terminal and HO2S2 terminal as follows.
Refer to Wiring Diagram.

DTC	Terminals		Bank
	ECM	Sensor	
P0137	74	4	1
P0157	55	4	2

Continuity should exist.

2. Check harness continuity between the following terminals and ground.
Refer to Wiring Diagram.

DTC	Terminals		Bank
	ECM	Sensor	
P0137	74	4	1
P0157	55	4	2

Continuity should not exist.

3. Also check harness for short to power.

OK or NG

< SERVICE INFORMATION >

- OK >> GO TO 5.
 NG >> Repair open circuit or short to ground or short to power in harness or connectors.

5. CHECK HEATED OXYGEN SENSOR 2

Refer to [EC-258, "Component Inspection"](#).

OK or NG

- OK >> GO TO 6.
 NG >> Replace malfunctioning heated oxygen sensor 2.

6. CHECK INTERMITTENT INCIDENT

Refer to [EC-140](#).

>> **INSPECTION END**

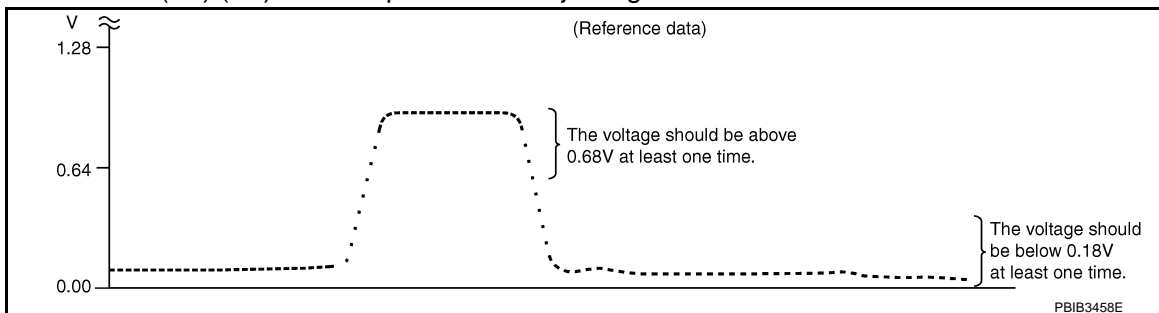
Component Inspection

INFOID:000000002954268

HEATED OXYGEN SENSOR 2

④ With CONSULT-III

1. Start engine and warm it up to the normal operating temperature.
2. Turn ignition switch OFF and wait at least 10 seconds.
3. Start engine and keep the engine speed between 3,500 and 4,000 rpm for at least 1 minute under no load.
4. Let engine idle for 1 minute.
5. Select "FUEL INJECTION" in "ACTIVE TEST" mode, and select "HO2S2 (B1)/(B2)" as the monitor item with CONSULT-III.
6. Check "HO2S2 (B1)/(B2)" at idle speed when adjusting "FUEL INJECTION" to $\pm 25\%$.



"HO2S2 (B1)/(B2)" should be above 0.68V at least once when the "FUEL INJECTION" is +25%.
 "HO2S2 (B1)/(B2)" should be below 0.18V at least once when the "FUEL INJECTION" is -25%.

CAUTION:

- Discard any heated oxygen sensor which has been dropped from a height of more than 0.5 m (19.7 in) onto a hard surface such as a concrete floor; use a new one.
- Before installing new oxygen sensor, clean exhaust system threads using Oxygen Sensor Thread Cleaner tool J-43897-18 or J-43897-12 and approved anti-seize lubricant.

⊗ Without CONSULT-III

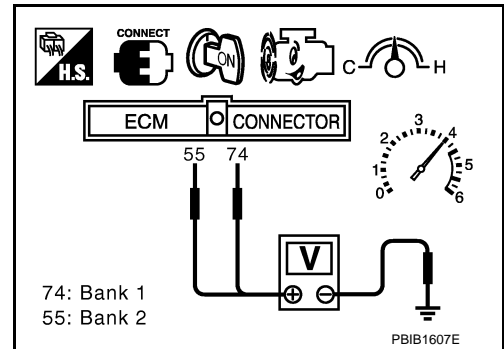
1. Start engine and warm it up to the normal operating temperature.
2. Turn ignition switch OFF and wait at least 10 seconds.
3. Start engine and keep the engine speed between 3,500 and 4,000 rpm for at least 1 minute under no load.
4. Let engine idle for 1 minute.
5. Set voltmeter probes between ECM terminal 74 [HO2S2 (B2) signal] or 55 [HO2S2 (B1) signal] and ground.

DTC P0137, P0157 HO2S2

[VQ35DE]

< SERVICE INFORMATION >

6. Check the voltage when revving up to 4,000 rpm under no load at least 10 times.
(Depress and release accelerator pedal as soon as possible.)
The voltage should be above 0.68V at least once during this procedure.
If the voltage is above 0.68V at step 6, step 7 is not necessary.
7. Keep vehicle at idling for 10 minutes, then check voltage. Or check the voltage when coasting from 80 km/h (50 MPH) in D position.
The voltage should be below 0.18V at least once during this procedure.
8. If NG, replace heated oxygen sensor 2.



CAUTION:

- Discard any heated oxygen sensor which has been dropped from a height of more than 0.5 m (19.7 in) onto a hard surface such as a concrete floor; use a new one.
- Before installing new oxygen sensor, clean exhaust system threads using Oxygen Sensor Thread Cleaner tool J-43897-18 or J-43897-12 and approved anti-seize lubricant.

Removal and Installation

INFOID:000000002954269

HEATED OXYGEN SENSOR 2

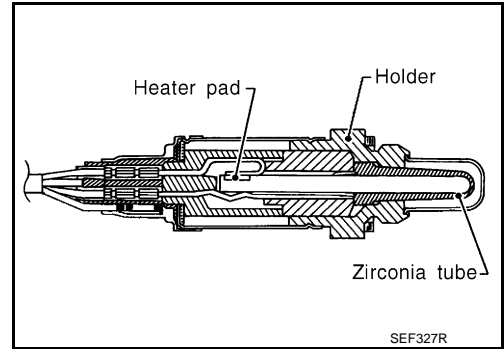
Refer to [EM-27](#).

DTC P0138, P0158 HO2S2

Component Description

INFOID:000000002954270

The heated oxygen sensor 2, after three way catalyst 1, monitors the oxygen level in the exhaust gas on each bank. Even if switching characteristics of the air fuel ratio (A/F) sensor 1 are shifted, the air-fuel ratio is controlled to stoichiometric, by the signal from the heated oxygen sensor 2. This sensor is made of ceramic zirconia. The zirconia generates voltage from approximately 1V in richer conditions to 0V in leaner conditions. Under normal conditions the heated oxygen sensor 2 is not used for engine control operation.



CONSULT-III Reference Value in Data Monitor Mode

INFOID:000000002954271

Specification data are reference values.

MONITOR ITEM	CONDITION	SPECIFICATION
HO2S2 (B1) HO2S2 (B2)	<ul style="list-style-type: none"> • Revving engine from idle to 3,000 rpm quickly after the following conditions are met - Engine: After warming up - Keeping engine speed between 3,500 and 4,000 rpm for 1 minute and at idle for 1 minute under no load 	0 - 0.3V ↔ Approx. 0.6 - 1.0V
HO2S2 MNTR (B1) HO2S2 MNTR (B2)		LEAN ↔ RICH

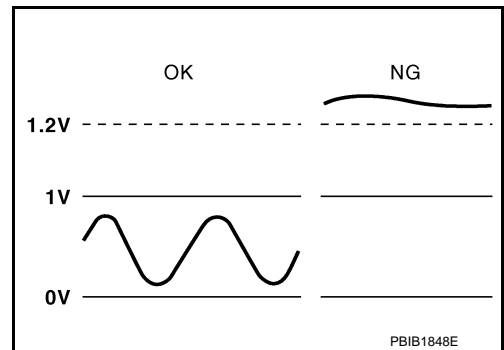
On Board Diagnosis Logic

INFOID:000000002954272

The heated oxygen sensor 2 has a much longer switching time between rich and lean than the air fuel ratio (A/F) sensor 1. The oxygen storage capacity of the three way catalyst 1 causes the longer switching time.

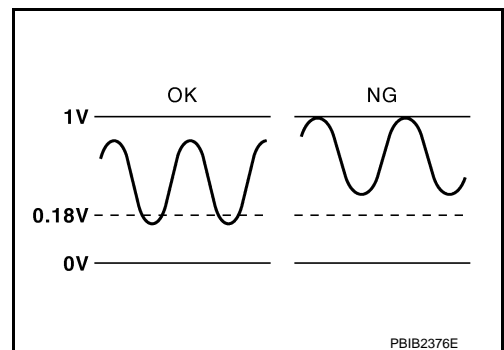
MALFUNCTION A

To judge the malfunctions of heated oxygen sensor 2, ECM monitors whether the voltage is unusually high during the various driving condition such as fuel-cut.



MALFUNCTION B

To judge the malfunctions of heated oxygen sensor 2, ECM monitors whether the minimum voltage of sensor is sufficiently low during the various driving condition such as fuel-cut.



DTC No.	Trouble diagnosis name		DTC detecting condition	Possible cause
P0138 0138 (Bank 1)	Heated oxygen sensor 2 circuit high voltage	A)	An excessively high voltage from the sensor is sent to ECM.	<ul style="list-style-type: none"> • Harness or connectors (The sensor circuit is open or shorted) • Heated oxygen sensor 2
P0158 0158 (Bank 2)		B)	The minimum voltage from the sensor is not reached to the specified voltage.	<ul style="list-style-type: none"> • Harness or connectors (The sensor circuit is open or shorted) • Heated oxygen sensor 2 • Fuel pressure • Fuel injector

DTC Confirmation Procedure

INFOID:000000002954273

**Perform PROCEDURE FOR MALFUNCTION A first.
If DTC cannot be confirmed, perform PROCEDURE FOR MALFUNCTION B.**

NOTE:

If DTC Confirmation Procedure has been previously conducted, always turn ignition switch OFF and wait at least 10 seconds before conducting the next test.

PROCEDURE FOR MALFUNCTION A

1. Start engine and warm it up to the normal operating temperature.
2. Turn ignition switch OFF and wait at least 10 seconds.
3. Start engine and keep the engine speed between 3,500 and 4,000 rpm for at least 1 minute under no load.
4. Let engine idle for 2 minutes.
5. Check 1st trip DTC.
6. If 1st trip DTC is detected, go to [EC-266, "Diagnosis Procedure"](#).

PROCEDURE FOR MALFUNCTION B

Ⓟ With CONSULT-III

TESTING CONDITION:

For better results, perform "DTC WORK SUPPORT" at a temperature of 0 to 30 °C (32 to 86 °F).

1. Turn ignition switch ON and select "DATA MONITOR" mode with CONSULT-III.
2. Start engine and warm it up to the normal operating temperature.
3. Turn ignition switch OFF and wait at least 10 seconds.
4. Start engine and keep the engine speed between 3,500 and 4,000 rpm for at least 1 minute under no load.
5. Let engine idle for 1 minute.
6. Make sure that "COOLAN TEMP/S" indicates more than 70°C (158°F).
If not, warm up engine and go to next step when "COOLAN TEMP/S" indication reaches to 70°C (158°F).
7. Open engine hood.
8. Select "HO2S2 (B1) P1146" (for DTC P0138) or "HO2S2 (B2) P1166" (for DTC P0158) of "HO2S2" in "DTC WORK SUPPORT" mode with CONSULT-III.
9. Start engine and following the instruction of CONSULT-III.

NOTE:

It will take at most 10 minutes until "COMPLETED" is displayed.

10. Make sure that "OK" is displayed after touching "SELF-DIAG RESULTS".
If "NG" is displayed, refer to [EC-266, "Diagnosis Procedure"](#).
If "CAN NOT BE DIAGNOSED" is displayed, perform the following.
 - a. Turn ignition switch OFF and leave the vehicle in a cool place (soak the vehicle).
 - b. Return to step 1.

Overall Function Check

INFOID:000000002954274

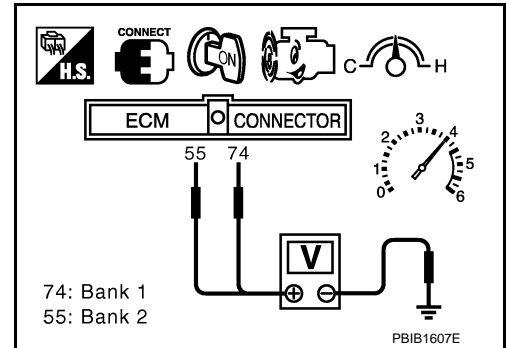
PROCEDURE FOR MALFUNCTION B

Use this procedure to check the overall function of the heated oxygen sensor 2 circuit. During this check, a 1st trip DTC might not be confirmed.

< SERVICE INFORMATION >

 With GST

1. Start engine and warm it up to the normal operating temperature.
2. Turn ignition switch OFF and wait at least 10 seconds.
3. Start engine and keep the engine speed between 3,500 and 4,000 rpm for at least 1 minute under no load.
4. Let engine idle for 1 minute.
5. Set voltmeter probes between ECM terminal 55 [HO2S2 (B2) signal] or 74 [HO2S2 (B1) signal] and ground.
6. Check the voltage when revving up to 4,000 rpm under no load at least 10 times.
(Depress and release accelerator pedal as soon as possible.)
The voltage should be below 0.18V at least once during this procedure.
If the voltage can be confirmed in step 6, step 7 is not necessary.
7. Keep vehicle at idling for 10 minutes, then check the voltage. Or check the voltage when coasting from 80 km/h (50 MPH) in D position.
The voltage should be below 0.18V at least once during this procedure.
8. If NG, go to [EC-266. "Diagnosis Procedure"](#).



DTC P0138, P0158 HO2S2

< SERVICE INFORMATION >

[VQ35DE]

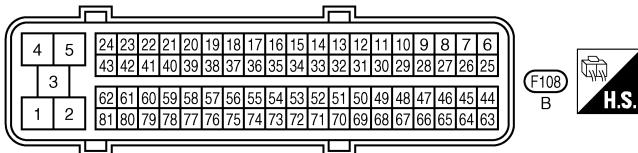
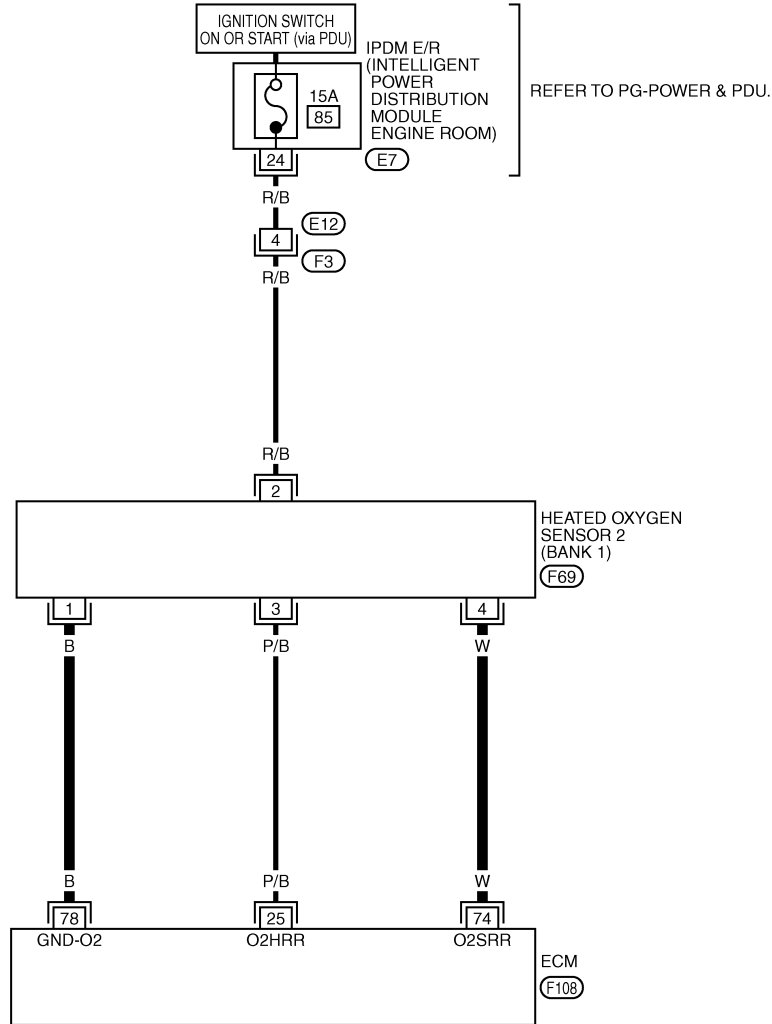
Wiring Diagram

INFOID:000000002954275

BANK 1

EC-O2S2B1-01

— : DETECTABLE LINE FOR DTC
— : NON-DETECTABLE LINE FOR DTC



TBWT1473E

Specification data are reference values and are measured between each terminal and ground.

CAUTION:

Do not use ECM ground terminals when measuring input/output voltage. Doing so may result in damage to the ECM's transistor. Use a ground other than ECM terminals, such as the ground.

DTC P0138, P0158 HO2S2

< SERVICE INFORMATION >

[VQ35DE]

TER- MI- NAL NO.	WIRE COLOR	ITEM	CONDITION	DATA (DC Voltage)
25	P/B	Heated oxygen sensor 2 heater (bank 1)	[Engine is running] <ul style="list-style-type: none"> • Engine speed: Below 3,600 rpm after the following conditions are met - Engine: After warming up - Keeping the engine speed between 3,500 and 4,000 rpm for 1 minute and at idle for 1 minute under no load 	0 - 1.0V
			[Ignition switch: ON] <ul style="list-style-type: none"> • Engine stopped [Engine is running] <ul style="list-style-type: none"> • Engine speed: Above 3,600 rpm 	BATTERY VOLTAGE (11 - 14V)
74	W	Heated oxygen sensor 2 (bank 1)	[Engine is running] <ul style="list-style-type: none"> • Revving engine from idle to 3,000 rpm quickly after the following conditions are met - Engine: After warming up - Keeping the engine speed between 3,500 and 4,000 rpm for 1 minute and at idle for 1 minute under no load 	0 - Approximately 1.0V
78	B	Sensor ground (Heated oxygen sensor)	[Engine is running] <ul style="list-style-type: none"> • Warm-up condition • Idle speed 	Approximately 0V

DTC P0138, P0158 HO2S2

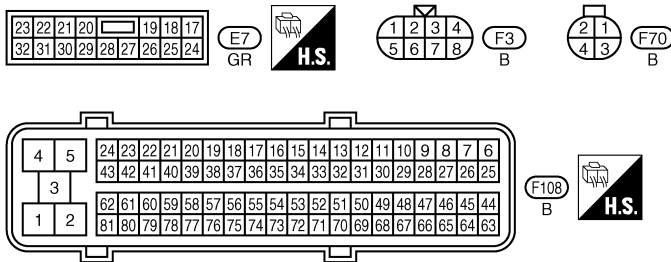
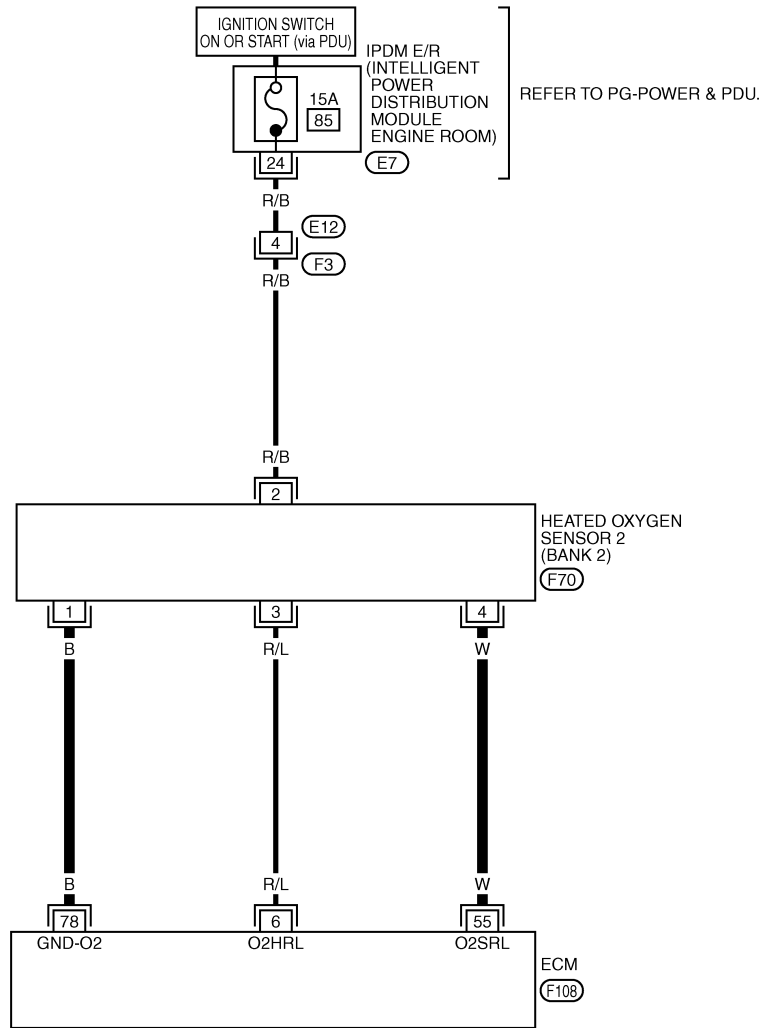
< SERVICE INFORMATION >

[VQ35DE]

BANK 2

EC-O2S2B2-01

— : DETECTABLE LINE FOR DTC
 - - - : NON-DETECTABLE LINE FOR DTC



TBWT1474E

Specification data are reference values and are measured between each terminal and ground.

CAUTION:

Do not use ECM ground terminals when measuring input/output voltage. Doing so may result in damage to the ECM's transistor. Use a ground other than ECM terminals, such as the ground.

DTC P0138, P0158 HO2S2

< SERVICE INFORMATION >

[VQ35DE]

TER-MI-NAL NO.	WIRE COLOR	ITEM	CONDITION	DATA (DC Voltage)
6	R/L	Heated oxygen sensor 2 heater (bank 2)	[Engine is running] <ul style="list-style-type: none"> Engine speed: Below 3,600 rpm after the following conditions are met <ul style="list-style-type: none"> - Engine: After warming up - Keeping the engine speed between 3,500 and 4,000 rpm for 1 minute and at idle for 1 minute under no load 	0 - 1.0V
			[Ignition switch: ON] <ul style="list-style-type: none"> Engine stopped [Engine is running] <ul style="list-style-type: none"> Engine speed: Above 3,600 rpm 	BATTERY VOLTAGE (11 - 14V)
55	W	Heated oxygen sensor 2 (bank 2)	[Engine is running] <ul style="list-style-type: none"> Revsing engine from idle to 3,000 rpm quickly after the following conditions are met <ul style="list-style-type: none"> - Engine: After warming up - Keeping the engine speed between 3,500 and 4,000 rpm for 1 minute and at idle for 1 minute under no load 	0 - Approximately 1.0V
78	B	Sensor ground (Heated oxygen sensor)	[Engine is running] <ul style="list-style-type: none"> Warm-up condition Idle speed 	Approximately 0V

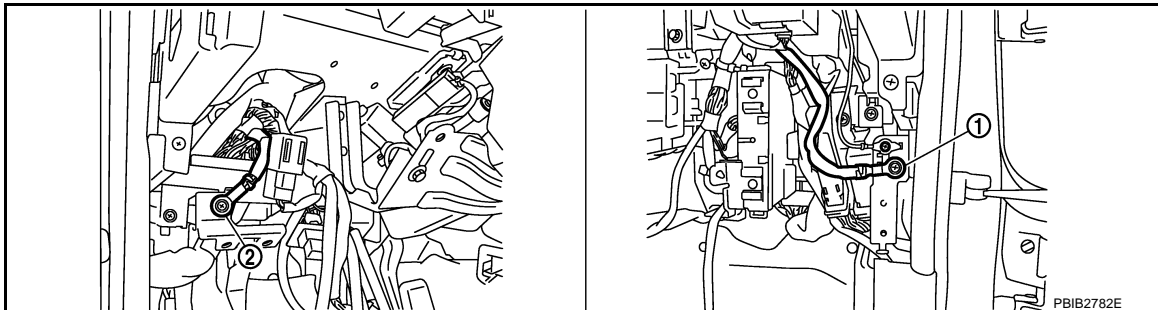
Diagnosis Procedure

INFOID:000000002954276

PROCEDURE FOR MALFUNCTION A

1. CHECK GROUND CONNECTIONS

- Turn ignition switch OFF.
- Loosen and retighten two ground screws on the body.
Refer to [EC-146, "Ground Inspection"](#).



1. Body ground M70

2. Body ground M16

OK or NG

OK >> GO TO 2.

NG >> Repair or replace ground connections.

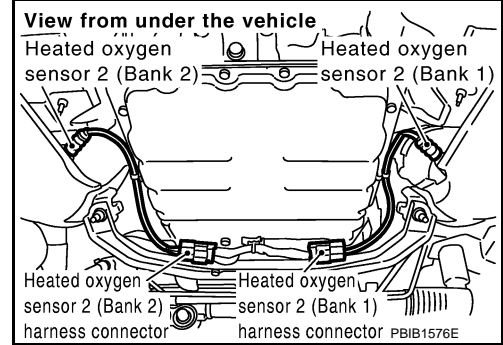
2. CHECK HO2S2 GROUND CIRCUIT FOR OPEN AND SHORT

DTC P0138, P0158 HO2S2

[VQ35DE]

< SERVICE INFORMATION >

1. Disconnect heated oxygen sensor 2 harness connector.
2. Disconnect ECM harness connector.
3. Check harness continuity between ECM terminal 78 and HO2S2 terminal 1.
Refer to Wiring Diagram.



Continuity should exist.

4. Also check harness for short to ground and short to power.

OK or NG

- OK >> GO TO 3.
NG >> Repair open circuit or short to ground or short to power in harness or connectors.

3. CHECK HO2S2 INPUT SIGNAL CIRCUIT FOR OPEN AND SHORT

1. Check harness continuity between ECM terminal and HO2S2 terminal as follows.
Refer to Wiring Diagram.

DTC	Terminals		Bank
	ECM	Sensor	
P0138	74	4	1
P0158	55	4	2

Continuity should exist.

2. Check harness continuity between the following terminals and ground.
Refer to Wiring Diagram.

DTC	Terminals		Bank
	ECM	Sensor	
P0138	74	4	1
P0158	55	4	2

Continuity should not exist.

3. Also check harness for short to power.

OK or NG

- OK >> GO TO 4.
NG >> Repair open circuit or short to ground or short to power in harness or connectors.

4. CHECK HO2S2 CONNECTOR FOR WATER

Check connectors for water.

Water should not exist.

OK or NG

- OK >> GO TO 5.
NG >> Repair or replace harness or connectors.

5. CHECK HEATED OXYGEN SENSOR 2

Refer to [EC-269, "Component Inspection"](#).

OK or NG

- OK >> GO TO 6.
NG >> Replace malfunctioning heated oxygen sensor 2.

6. CHECK INTERMITTENT INCIDENT

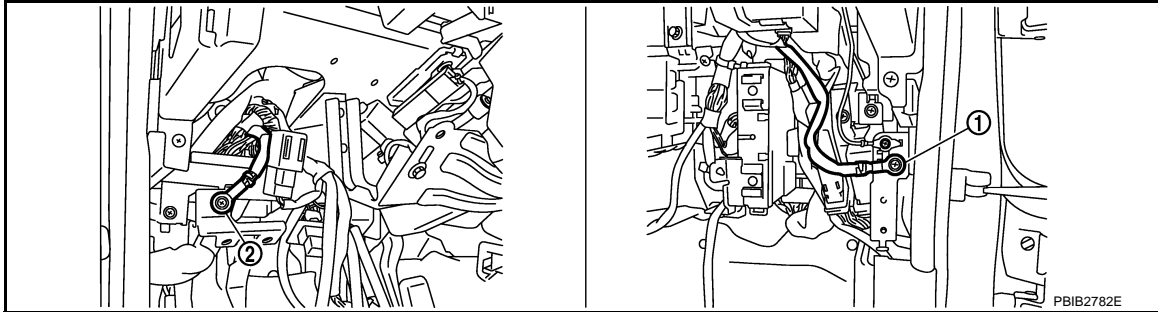
Refer to [EC-140](#).

>> INSPECTION END

PROCEDURE FOR MALFUNCTION B

1. CHECK GROUND CONNECTIONS

1. Turn ignition switch OFF.
2. Loosen and retighten two ground screws on the body.
Refer to [EC-146, "Ground Inspection"](#).



1. Body ground M70

2. Body ground M16

OK or NG

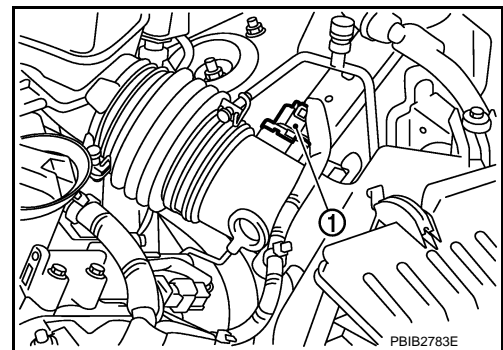
- OK >> GO TO 2.
NG >> Repair or replace ground connections.

2. CLEAR THE SELF-LEARNING DATA**With CONSULT-III**

1. Start engine and warm it up to normal operating temperature.
2. Select "SELF-LEARNING CONT" in "WORK SUPPORT" mode with CONSULT-III.
3. Clear the self-learning control coefficient by touching "CLEAR".
4. Run engine for at least 10 minutes at idle speed.
Is the 1st trip DTC P0172 or P0175 detected?
Is it difficult to start engine?

Without CONSULT-III

1. Start engine and warm it up to normal operating temperature.
2. Turn ignition switch OFF.
3. Disconnect mass air flow sensor (1) harness connector, and restart and run engine for at least 5 seconds at idle speed.
4. Stop engine and reconnect mass air flow sensor harness connector.
5. Make sure DTC P0102 is displayed.
6. Erase the DTC memory. Refer to [EC-55, "Emission-Related Diagnostic Information"](#).
7. Make sure DTC P0000 is displayed.
8. Run engine for at least 10 minutes at idle speed.
Is the 1st trip DTC P0172 or P0175 detected?
Is it difficult to start engine?

**Yes or No**

- Yes >> Perform trouble diagnosis for DTC P0172, P0175. Refer to [EC-292](#).
No >> GO TO 3.

3. CHECK HO2S2 GROUND CIRCUIT FOR OPEN AND SHORT

1. Turn ignition switch OFF.

DTC P0138, P0158 HO2S2

[VQ35DE]

< SERVICE INFORMATION >

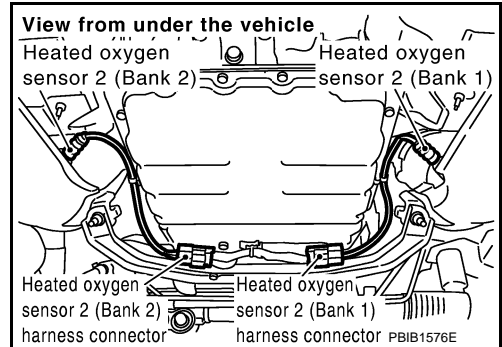
2. Disconnect heated oxygen sensor 2 harness connector.
3. Disconnect ECM harness connector.
4. Check harness continuity between ECM terminal 78 and HO2S2 terminal 1.
Refer to Wiring Diagram.

Continuity should exist.

5. Also check harness for short to ground and short to power.

OK or NG

- OK >> GO TO 4.
- NG >> Repair open circuit or short to ground or short to power in harness or connectors.



4. CHECK HO2S2 INPUT SIGNAL CIRCUIT FOR OPEN AND SHORT

1. Check harness continuity between ECM terminal and HO2S2 terminal as follows.
Refer to Wiring Diagram.

DTC	Terminals		Bank
	ECM	Sensor	
P0138	74	4	1
P0158	55	4	2

Continuity should exist.

2. Check harness continuity between the following terminals and ground.
Refer to Wiring Diagram.

DTC	Terminals		Bank
	ECM	Sensor	
P0138	74	4	1
P0158	55	4	2

Continuity should not exist.

3. Also check harness for short to power.

OK or NG

- OK >> GO TO 5.
- NG >> Repair open circuit or short to ground or short to power in harness or connectors.

5. CHECK HEATED OXYGEN SENSOR 2

Refer to [EC-269](#). "Component Inspection".

OK or NG

- OK >> GO TO 6.
- NG >> Replace malfunctioning heated oxygen sensor 2.

6. CHECK INTERMITTENT INCIDENT

Refer to [EC-140](#).

>> **INSPECTION END**

Component Inspection

INFOID:000000002954277

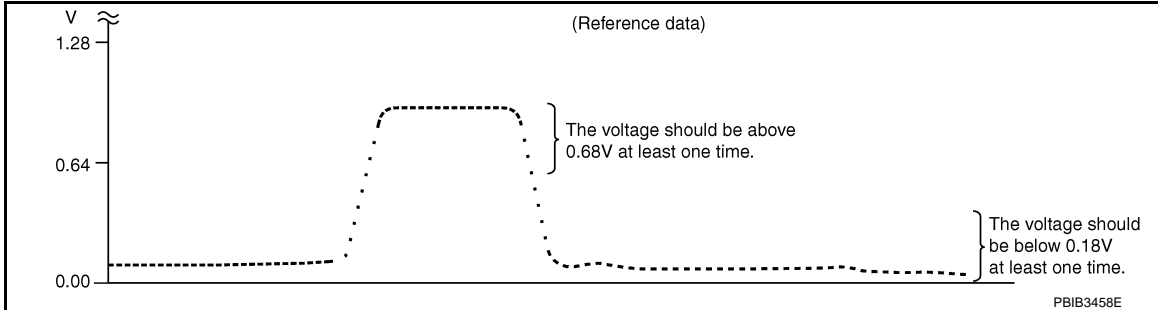
HEATED OXYGEN SENSOR 2

Ⓟ With CONSULT-III

1. Start engine and warm it up to the normal operating temperature.

< SERVICE INFORMATION >

2. Turn ignition switch OFF and wait at least 10 seconds.
3. Start engine and keep the engine speed between 3,500 and 4,000 rpm for at least 1 minute under no load.
4. Let engine idle for 1 minute.
5. Select "FUEL INJECTION" in "ACTIVE TEST" mode, and select "HO2S2 (B1)/(B2)" as the monitor item with CONSULT-III.
6. Check "HO2S2 (B1)/(B2)" at idle speed when adjusting "FUEL INJECTION" to $\pm 25\%$.



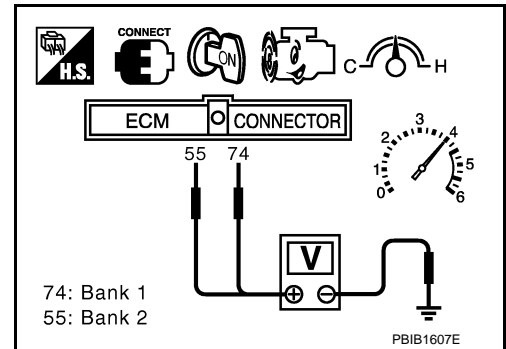
"HO2S2 (B1)/(B2)" should be above 0.68V at least once when the "FUEL INJECTION" is +25%.
 "HO2S2 (B1)/(B2)" should be below 0.18V at least once when the "FUEL INJECTION" is -25%.

CAUTION:

- Discard any heated oxygen sensor which has been dropped from a height of more than 0.5 m (19.7 in) onto a hard surface such as a concrete floor; use a new one.
- Before installing new oxygen sensor, clean exhaust system threads using Oxygen Sensor Thread Cleaner tool J-43897-18 or J-43897-12 and approved anti-seize lubricant.

⊗ Without CONSULT-III

1. Start engine and warm it up to the normal operating temperature.
2. Turn ignition switch OFF and wait at least 10 seconds.
3. Start engine and keep the engine speed between 3,500 and 4,000 rpm for at least 1 minute under no load.
4. Let engine idle for 1 minute.
5. Set voltmeter probes between ECM terminal 74 [HO2S2 (B2) signal] or 55 [HO2S2 (B1) signal] and ground.
6. Check the voltage when revving up to 4,000 rpm under no load at least 10 times.
 (Depress and release accelerator pedal as soon as possible.)
The voltage should be above 0.68V at least once during this procedure.
If the voltage is above 0.68V at step 6, step 7 is not necessary.
7. Keep vehicle at idling for 10 minutes, then check voltage. Or check the voltage when coasting from 80 km/h (50 MPH) in D position.
The voltage should be below 0.18V at least once during this procedure.
8. If NG, replace heated oxygen sensor 2.



CAUTION:

- Discard any heated oxygen sensor which has been dropped from a height of more than 0.5 m (19.7 in) onto a hard surface such as a concrete floor; use a new one.
- Before installing new oxygen sensor, clean exhaust system threads (using Oxygen Sensor Thread Cleaner tool J-43897-18 or J-43897-12) and approved anti-seize lubricant.

Removal and Installation

INFOID:000000002954278

HEATED OXYGEN SENSOR 2

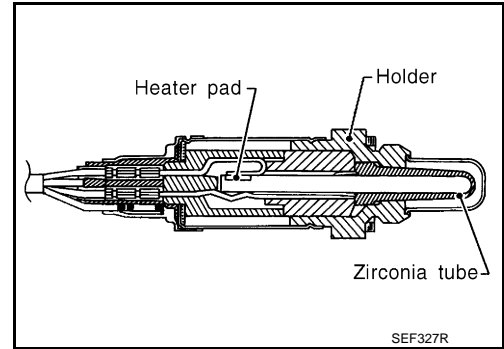
Refer to [EM-27](#).

DTC P0139, P0159 HO2S2

Component Description

INFOID:000000002954279

The heated oxygen sensor 2, after three way catalyst 1, monitors the oxygen level in the exhaust gas on each bank.
 Even if switching characteristics of the air fuel ratio (A/F) sensor 1 are shifted, the air-fuel ratio is controlled to stoichiometric, by the signal from the heated oxygen sensor 2.
 This sensor is made of ceramic zirconia. The zirconia generates voltage from approximately 1V in richer conditions to 0V in leaner conditions.
 Under normal conditions the heated oxygen sensor 2 is not used for engine control operation.



CONSULT-III Reference Value in Data Monitor Mode

INFOID:000000002954280

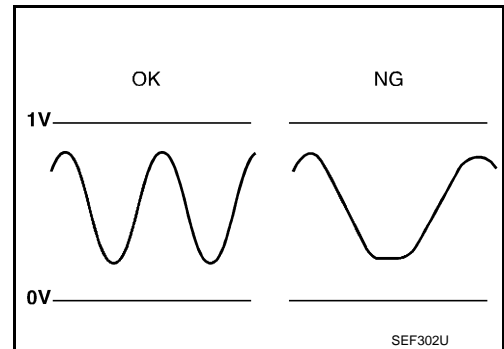
Specification data are reference values.

MONITOR ITEM	CONDITION	SPECIFICATION
HO2S2 (B1) HO2S2 (B2)	<ul style="list-style-type: none"> • Revving engine from idle to 3,000 rpm quickly after the following conditions are met - Engine: After warming up - Keeping engine speed between 3,500 and 4,000 rpm for 1 minute and at idle for 1 minute under no load 	0 - 0.3V ↔ Approx. 0.6 - 1.0V
HO2S2 MNTR (B1) HO2S2 MNTR (B2)		LEAN ↔ RICH

On Board Diagnosis Logic

INFOID:000000002954281

The heated oxygen sensor 2 has a much longer switching time between rich and lean than the air fuel ratio (A/F) sensor 1. The oxygen storage capacity of the three way catalyst 1 causes the longer switching time. To judge the malfunctions of heated oxygen sensor 2, ECM monitors whether the switching response of the sensor's voltage is faster than specified during the various driving condition such as fuel-cut.



DTC No.	Trouble diagnosis name	DTC detecting condition	Possible cause
P0139 0139 (Bank 1)	Heated oxygen sensor 2 circuit slow response	It takes more time for the sensor to respond between rich and lean than the specified time.	<ul style="list-style-type: none"> • Harness or connectors (The sensor circuit is open or shorted) • Heated oxygen sensor 2 • Fuel pressure • Fuel injector • Intake air leaks
P0159 0159 (Bank 2)			

DTC Confirmation Procedure

INFOID:000000002954282

NOTE:

If DTC Confirmation Procedure has been previously conducted, always turn ignition switch OFF and wait at least 10 seconds before conducting the next test.

WITH CONSULT-III

TESTING CONDITION:

For better results, perform "DTC WORK SUPPORT" at a temperature of 0 to 30 °C (32 to 86 °F).

1. Turn ignition switch ON and select "DATA MONITOR" mode with CONSULT-III.

< SERVICE INFORMATION >

2. Start engine and warm it up to the normal operating temperature.
3. Turn ignition switch OFF and wait at least 10 seconds.
4. Start engine and keep the engine speed between 3,500 and 4,000 rpm for at least 1 minute under no load.
5. Let engine idle for 1 minute.
6. Make sure that "COOLAN TEMP/S" indicates more than 70°C (158°F).
If not, warm up engine and go to next step when "COOLAN TEMP/S" indication reaches to 70°C (158°F).
7. Open engine hood.
8. Select "HO2S2 (B1) P0139" or "HO2S2 (B2) P0159" of "HO2S2" in "DTC WORK SUPPORT" mode with CONSULT-III.
9. Start engine and following the instruction of CONSULT-III.
NOTE:
It will take at most 10 minutes until "COMPLETED" is displayed.
10. Make sure that "OK" is displayed after touching "SELF-DIAG RESULTS".
If "NG" is displayed, refer to [EC-276, "Diagnosis Procedure"](#).
If "CAN NOT BE DIAGNOSED" is displayed, perform the following.
 - a. Turn ignition switch OFF and leave the vehicle in a cool place (soak the vehicle).
 - b. Return to step 1.

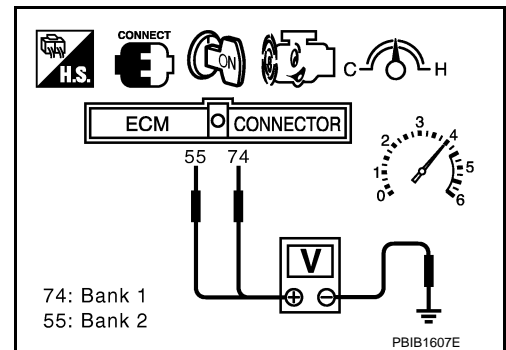
Overall Function Check

INFOID:000000002954283

Use this procedure to check the overall function of the heated oxygen sensor 2 circuit. During this check, a 1st trip DTC might not be confirmed.

WITH GST

1. Start engine and warm it up to the normal operating temperature.
2. Turn ignition switch OFF and wait at least 10 seconds.
3. Start engine and keep the engine speed between 3,500 and 4,000 rpm for at least 1 minute under no load.
4. Let engine idle for 1 minute.
5. Set voltmeter probes between ECM terminal 55 [HO2S2 (B2) signal] or 74 [HO2S2 (B1) signal] and ground.
6. Check the voltage when revving up to 4,000 rpm under no load at least 10 times.
(Depress and release accelerator pedal as soon as possible.)
A change of voltage should be more than 0.24V for 1 second during this procedure.
If the voltage can be confirmed in step 6, step 7 is not necessary.
7. Keep vehicle at idling for 10 minutes, then check the voltage. Or check the voltage when coasting from 80 km/h (50 MPH) in D position.
A change of voltage should be more than 0.24V for 1 second during this procedure.
8. If NG, go to [EC-276, "Diagnosis Procedure"](#).

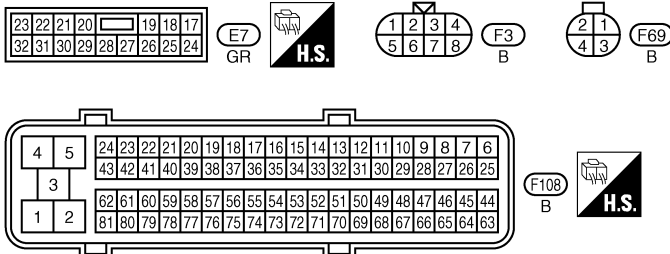
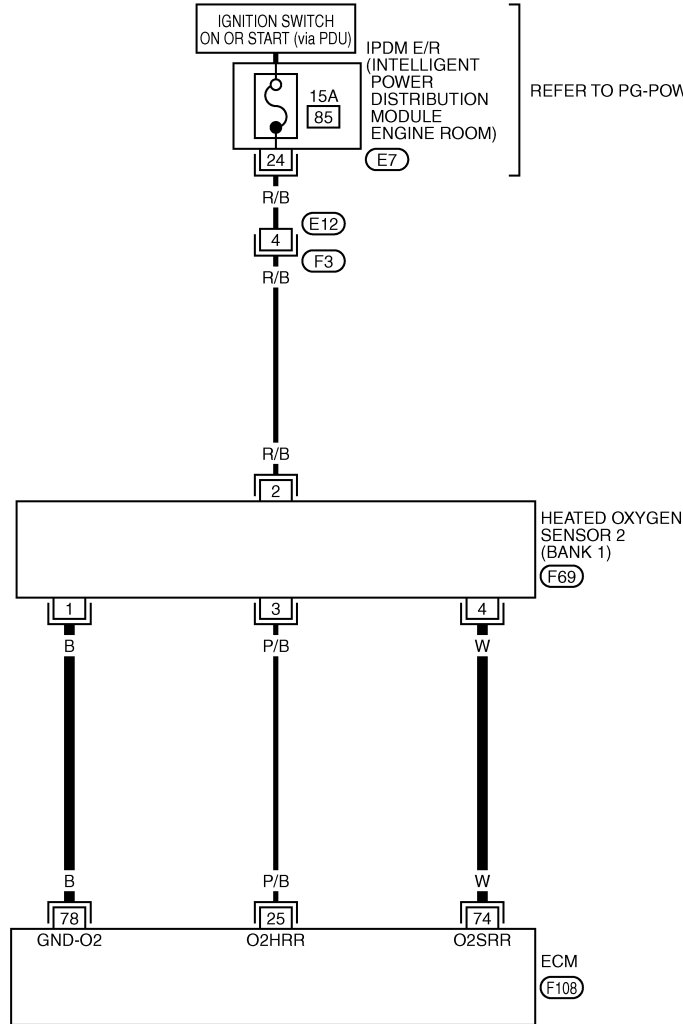


Wiring Diagram

BANK 1

EC-O2S2B1-01

— : DETECTABLE LINE FOR DTC
 - - - : NON-DETECTABLE LINE FOR DTC



TBWT1473E

Specification data are reference values and are measured between each terminal and ground.

CAUTION:

Do not use ECM ground terminals when measuring input/output voltage. Doing so may result in damage to the ECM's transistor. Use a ground other than ECM terminals, such as the ground.

DTC P0139, P0159 HO2S2

< SERVICE INFORMATION >

[VQ35DE]

TER-MI-NAL NO.	WIRE COLOR	ITEM	CONDITION	DATA (DC Voltage)
25	P/B	Heated oxygen sensor 2 heater (bank 1)	[Engine is running] <ul style="list-style-type: none"> • Engine speed: Below 3,600 rpm after the following conditions are met - Engine: After warming up - Keeping the engine speed between 3,500 and 4,000 rpm for 1 minute and at idle for 1 minute under no load 	0 - 1.0V
			[Ignition switch: ON] <ul style="list-style-type: none"> • Engine stopped [Engine is running] <ul style="list-style-type: none"> • Engine speed: Above 3,600 rpm 	BATTERY VOLTAGE (11 - 14V)
74	W	Heated oxygen sensor 2 (bank 1)	[Engine is running] <ul style="list-style-type: none"> • Revving engine from idle to 3,000 rpm quickly after the following conditions are met - Engine: After warming up - Keeping the engine speed between 3,500 and 4,000 rpm for 1 minute and at idle for 1 minute under no load 	0 - Approximately 1.0V
78	B	Sensor ground (Heated oxygen sensor)	[Engine is running] <ul style="list-style-type: none"> • Warm-up condition • Idle speed 	Approximately 0V

DTC P0139, P0159 HO2S2

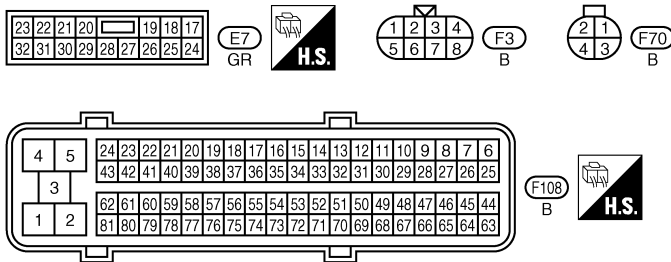
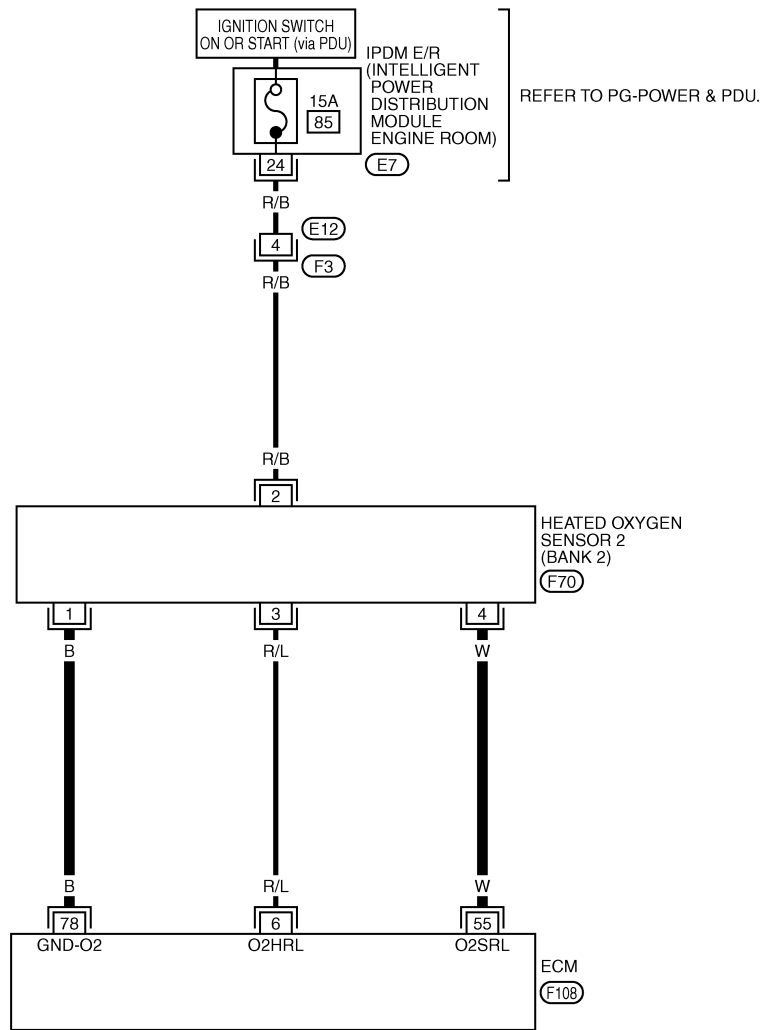
[VQ35DE]

< SERVICE INFORMATION >

BANK 2

EC-O2S2B2-01

— : DETECTABLE LINE FOR DTC
 — : NON-DETECTABLE LINE FOR DTC



TBWT1474E

Specification data are reference values and are measured between each terminal and ground.

CAUTION:

Do not use ECM ground terminals when measuring input/output voltage. Doing so may result in damage to the ECM's transistor. Use a ground other than ECM terminals, such as the ground.

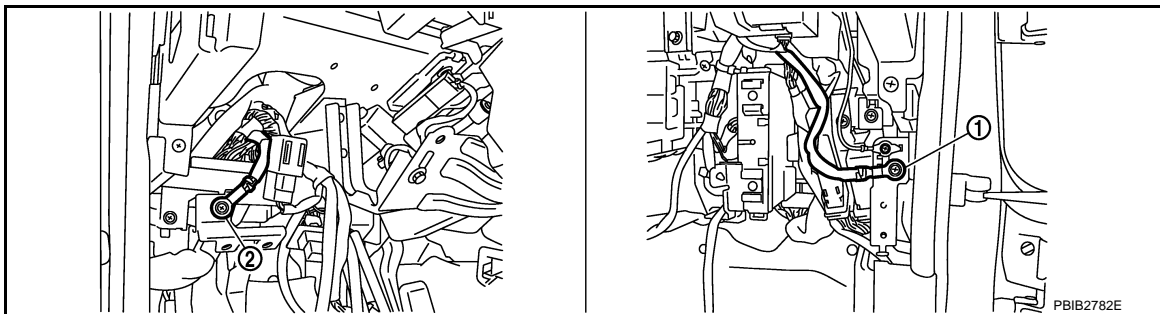
TER-MI-NAL NO.	WIRE COLOR	ITEM	CONDITION	DATA (DC Voltage)
6	R/L	Heated oxygen sensor 2 heater (bank 2)	[Engine is running] <ul style="list-style-type: none"> Engine speed: Below 3,600 rpm after the following conditions are met <ul style="list-style-type: none"> - Engine: After warming up - Keeping the engine speed between 3,500 and 4,000 rpm for 1 minute and at idle for 1 minute under no load 	0 - 1.0V
			[Ignition switch: ON] <ul style="list-style-type: none"> Engine stopped [Engine is running] <ul style="list-style-type: none"> Engine speed: Above 3,600 rpm 	BATTERY VOLTAGE (11 - 14V)
55	W	Heated oxygen sensor 2 (bank 2)	[Engine is running] <ul style="list-style-type: none"> Revsing engine from idle to 3,000 rpm quickly after the following conditions are met <ul style="list-style-type: none"> - Engine: After warming up - Keeping the engine speed between 3,500 and 4,000 rpm for 1 minute and at idle for 1 minute under no load 	0 - Approximately 1.0V
78	B	Sensor ground (Heated oxygen sensor)	[Engine is running] <ul style="list-style-type: none"> Warm-up condition Idle speed 	Approximately 0V

Diagnosis Procedure

INFOID:000000002954285

1. CHECK GROUND CONNECTIONS

- Turn ignition switch OFF.
- Loosen and retighten two ground screws on the body.
Refer to [EC-146, "Ground Inspection"](#).



- Body ground M70
- Body ground M16

OK or NG

- OK >> GO TO 2.
- NG >> Repair or replace ground connections.

2. CLEAR THE SELF-LEARNING DATA

With CONSULT-III

- Start engine and warm it up to normal operating temperature.
- Select "SELF-LEARNING CONT" in "WORK SUPPORT" mode with CONSULT-III.
- Clear the self-learning control coefficient by touching "CLEAR".
- Run engine for at least 10 minutes at idle speed.
Is the 1st trip DTC P0171, P0172, P0174 or P0175 detected?
Is it difficult to start engine?

Without CONSULT-III

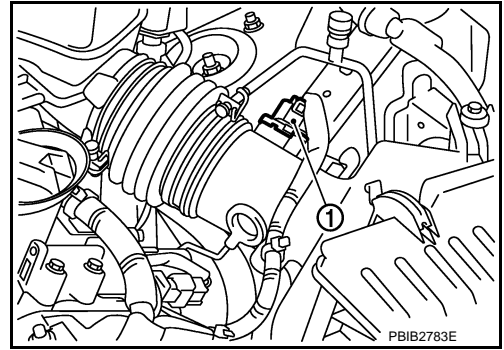
- Start engine and warm it up to normal operating temperature.

DTC P0139, P0159 HO2S2

[VQ35DE]

< SERVICE INFORMATION >

2. Turn ignition switch OFF.
 3. Disconnect mass air flow sensor (1) harness connector, and restart and run engine for at least 5 seconds at idle speed.
 4. Stop engine and reconnect mass air flow sensor harness connector.
 5. Make sure DTC P0102 is displayed.
 6. Erase the DTC memory. Refer to [EC-55. "Emission-Related Diagnostic Information"](#).
 7. Make sure DTC P0000 is displayed.
 8. Run engine for at least 10 minutes at idle speed.
- Is the 1st trip DTC P0171, P0172, P0174 or P0175 detected?
Is it difficult to start engine?**



Yes or No

- Yes >> Perform trouble diagnosis for DTC P0171, P0174 or P0172, P0175. Refer to [EC-280](#) or [EC-292](#).
 No >> GO TO 3.

3.CHECK HO2S2 GROUND CIRCUIT FOR OPEN AND SHORT

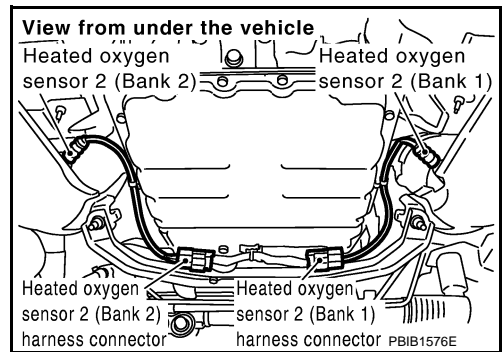
1. Turn ignition switch OFF.
2. Disconnect heated oxygen sensor 2 harness connector.
3. Disconnect ECM harness connector.
4. Check harness continuity between ECM terminal 78 and HO2S2 terminal 1.
Refer to Wiring Diagram.

Continuity should exist.

5. Also check harness for short to ground and short to power.

OK or NG

- OK >> GO TO 4.
 NG >> Repair open circuit or short to ground or short to power in harness or connectors.



4.CHECK HO2S2 INPUT SIGNAL CIRCUIT FOR OPEN AND SHORT

1. Check harness continuity between ECM terminal and HO2S2 terminal as follows.
Refer to Wiring Diagram.

DTC	Terminals		Bank
	ECM	Sensor	
P0139	74	4	1
P0159	55	4	2

Continuity should exist.

2. Check harness continuity between the following terminals and ground.
Refer to Wiring Diagram.

DTC	Terminals		Bank
	ECM	Sensor	
P0139	74	1	1
P0159	55	1	2

Continuity should not exist.

3. Also check harness for short to power.

OK or NG

- OK >> GO TO 5.
 NG >> Repair open circuit or short to ground or short to power in harness or connectors.

< SERVICE INFORMATION >

5. CHECK HEATED OXYGEN SENSOR 2Refer to [EC-278](#), "Component Inspection".OK or NG

OK >> GO TO 6.

NG >> Replace malfunctioning heated oxygen sensor 2.

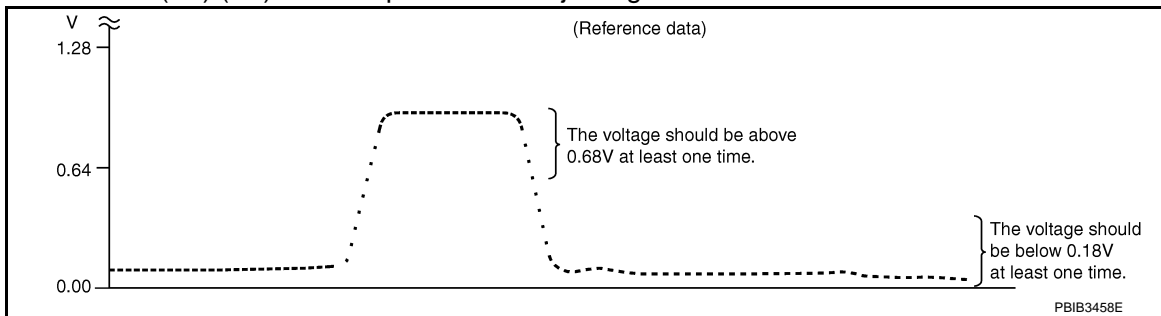
6. CHECK INTERMITTENT INCIDENTRefer to [EC-140](#).>> **INSPECTION END****Component Inspection**

INFOID:000000002954286

HEATED OXYGEN SENSOR 2

Ⓜ With CONSULT-III

1. Start engine and warm it up to the normal operating temperature.
2. Turn ignition switch OFF and wait at least 10 seconds.
3. Start engine and keep the engine speed between 3,500 and 4,000 rpm for at least 1 minute under no load.
4. Let engine idle for 1 minute.
5. Select "FUEL INJECTION" in "ACTIVE TEST" mode, and select "HO2S2 (B1)/(B2)" as the monitor item with CONSULT-III.
6. Check "HO2S2 (B1)/(B2)" at idle speed when adjusting "FUEL INJECTION" to $\pm 25\%$.



"HO2S2 (B1)/(B2)" should be above 0.68V at least once when the "FUEL INJECTION" is +25%.

"HO2S2 (B1)/(B2)" should be below 0.18V at least once when the "FUEL INJECTION" is -25%.

CAUTION:

- Discard any heated oxygen sensor which has been dropped from a height of more than 0.5 m (19.7 in) onto a hard surface such as a concrete floor; use a new one.
- Before installing new oxygen sensor, clean exhaust system threads using Oxygen Sensor Thread Cleaner tool J-43897-18 or J-43897-12 and approved anti-seize lubricant.

ⓧ Without CONSULT-III

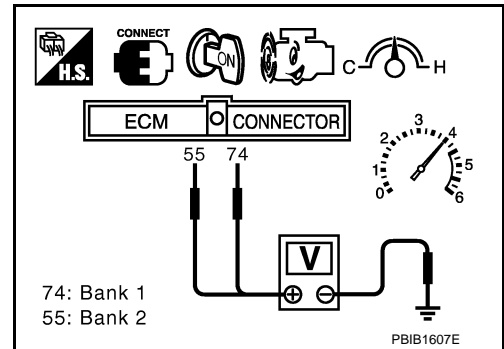
1. Start engine and warm it up to the normal operating temperature.
2. Turn ignition switch OFF and wait at least 10 seconds.
3. Start engine and keep the engine speed between 3,500 and 4,000 rpm for at least 1 minute under no load.
4. Let engine idle for 1 minute.
5. Set voltmeter probes between ECM terminal 74 [HO2S2 (B2) signal] or 55 [HO2S2 (B1) signal] and ground.

DTC P0139, P0159 HO2S2

[VQ35DE]

< SERVICE INFORMATION >

6. Check the voltage when revving up to 4,000 rpm under no load at least 10 times.
(Depress and release accelerator pedal as soon as possible.)
The voltage should be above 0.68V at least once during this procedure.
If the voltage is above 0.68V at step 6, step 7 is not necessary.
7. Keep vehicle at idling for 10 minutes, then check voltage. Or check the voltage when coasting from 80 km/h (50 MPH) in D position.
The voltage should be below 0.18V at least once during this procedure.
8. If NG, replace heated oxygen sensor 2.



CAUTION:

- Discard any heated oxygen sensor which has been dropped from a height of more than 0.5 m (19.7 in) onto a hard surface such as a concrete floor; use a new one.
- Before installing new oxygen sensor, clean exhaust system threads using Oxygen Sensor Thread Cleaner tool J-43897-18 or J-43897-12 and approved anti-seize lubricant.

Removal and Installation

INFOID:000000002954287

HEATED OXYGEN SENSOR 2

Refer to [EM-27](#).

DTC P0171, P0174 FUEL INJECTION SYSTEM FUNCTION

< SERVICE INFORMATION >

[VQ35DE]

DTC P0171, P0174 FUEL INJECTION SYSTEM FUNCTION

On Board Diagnosis Logic

INFOID:000000002954288

With the Air/Fuel Mixture Ratio Self-Learning Control, the actual mixture ratio can be brought closely to the theoretical mixture ratio based on the mixture ratio feedback signal from the A/F sensors 1. The ECM calculates the necessary compensation to correct the offset between the actual and the theoretical ratios. In case the amount of the compensation value is extremely large (The actual mixture ratio is too lean.), the ECM judges the condition as the fuel injection system malfunction and lights up the MIL (2 trip detection logic).

Sensor	Input signal to ECM	ECM function	Actuator
A/F sensor 1	Density of oxygen in exhaust gas (Mixture ratio feedback signal)	Fuel injection control	Fuel injector

DTC No.	Trouble diagnosis name	DTC detecting condition	Possible cause
P0171 0171 (Bank 1)	Fuel injection system too lean	<ul style="list-style-type: none"> Fuel injection system does not operate properly. The amount of mixture ratio compensation is too large. (The mixture ratio is too lean.) 	<ul style="list-style-type: none"> Intake air leaks A/F sensor 1 Fuel injector Exhaust gas leaks Incorrect fuel pressure Lack of fuel Mass air flow sensor Incorrect PCV hose connection
P0174 0174 (Bank 2)			

DTC Confirmation Procedure

INFOID:000000002954289

NOTE:

Check vehicle specifications and VIN, then select the procedure to be performed. (Refer to the table below.)

Vehicle specification	Vehicle serial number	Procedure
Drive		
2WD	Up to 606709	A
	From 606710	B
AWD	Up to 655057	A
	From 655058	B

PROCEDURE A

NOTE:

If DTC Confirmation Procedure has been previously conducted, always turn ignition switch OFF and wait at least 10 seconds before conducting the next test.

Ⓟ With CONSULT-III

- Start engine and warm it up to normal operating temperature.
- Turn ignition switch OFF and wait at least 10 seconds.
- Turn ignition switch ON and select "SELF-LEARNING CONT" in "WORK SUPPORT" mode with CONSULT-III.
- Clear the self-learning control coefficient by touching "CLEAR".
- Start engine.
If it is difficult to start engine, the fuel injection system has a malfunction. Perform the following procedure is advised.
 - Crank engine while depressing accelerator pedal.
 - If engine starts, go to [EC-287, "Diagnosis Procedure"](#).
- Keep engine at idle for at least 10 minutes.
- Check 1st trip DTC.
- If 1st trip DTC is detected, go to [EC-287, "Diagnosis Procedure"](#).
If 1st trip DTC is not detected, performing the following procedure is advised.

DTC P0171, P0174 FUEL INJECTION SYSTEM FUNCTION

[VQ35DE]

< SERVICE INFORMATION >

- a. Turn ignition switch OFF and wait at least 10 seconds.
- b. Start engine and drive the vehicle under the similar conditions to (1st trip) Freeze Frame Data for 10 minutes. Refer to the table below.
Hold the accelerator pedal as steady as possible.

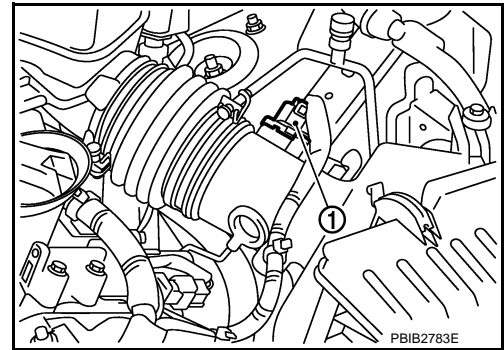
The similar conditions to (1st trip) Freeze Frame Data means the vehicle operation that the following conditions should be satisfied at the same time.

Engine speed	Engine speed in the freeze frame data \pm 400 rpm
Vehicle speed	Vehicle speed in the freeze frame data \pm 10 km/h (6 MPH)
Engine coolant temperature (T) condition	When the freeze frame data shows lower than 70 °C (158 °F), T should be lower than 70 °C (158 °F).
	When the freeze frame data shows higher than or equal to 70 °C (158 °F), T should be higher than or equal to 70 °C (158 °F).

9. Check 1st trip DTC.
10. The 1st trip is detected, go to [EC-287, "Diagnosis Procedure"](#).

With GST

1. Start engine and warm it up to normal operating temperature.
2. Turn ignition switch OFF and wait at least 10 seconds.
3. Disconnect mass air flow sensor (1) harness connector.
4. Restart engine and let it idle for at least 5 seconds.
5. Stop engine and reconnect mass air flow sensor harness connector.
6. Select Service \$03 with GST. Make sure DTC P0102 is detected.
7. Select Service \$04 with GST and erase the DTC P0102.
8. Start engine again and let it idle for at least 10 minutes.
9. Select Service \$07 with GST. The 1st trip DTC P0171 or P0174 should be detected at this stage, if a malfunction exists. If so, go to [EC-287, "Diagnosis Procedure"](#).



NOTE:

If 1st trip DTC is not detected during above procedure, performing the following procedure is advised.

- a. Turn ignition switch OFF and wait at least 10 seconds.
- b. Start engine and drive the vehicle under the similar conditions to (1st trip) Freeze Frame Data for 10 minutes. Refer to the table below.
Hold the accelerator pedal as steady as possible.

The similar conditions to (1st trip) Freeze Frame Data means the vehicle operation that the following conditions should be satisfied at the same time.

Engine speed	Engine speed in the freeze frame data \pm 400 rpm
Vehicle speed	Vehicle speed in the freeze frame data \pm 10 km/h (6 MPH)
Engine coolant temperature (T) condition	When the freeze frame data shows lower than 70 °C (158 °F), T should be lower than 70 °C (158 °F).
	When the freeze frame data shows higher than or equal to 70 °C (158 °F), T should be higher than or equal to 70 °C (158 °F).

10. If it is difficult to start engine at step 8, the fuel injection system has a malfunction.
11. Crank engine while depressing accelerator pedal. If engine starts, go to [EC-287, "Diagnosis Procedure"](#). If engine does not start, check exhaust and intake air leak visually.

PROCEDURE B

NOTE:

DTC P0171, P0174 FUEL INJECTION SYSTEM FUNCTION

< SERVICE INFORMATION >

[VQ35DE]

If DTC Confirmation Procedure has been previously conducted, always turn ignition switch OFF and wait at least 10 seconds before conducting the next test.

④ With CONSULT-III

1. Start engine and warm it up to normal operating temperature.
2. Turn ignition switch OFF and wait at least 10 seconds.
3. Turn ignition switch ON and select "SELF-LEARNING CONT" in "WORK SUPPORT" mode with CONSULT-III.
4. Clear the self-learning control coefficient by touching "CLEAR".
5. Start engine.
If it is difficult to start engine, the fuel injection system has a malfunction.
Perform the following procedure is advised.
 - a. Crank engine while depressing accelerator pedal.
 - b. If engine starts, go to [EC-287, "Diagnosis Procedure"](#).
6. Keep engine at idle for at least 5 minutes.
7. Check 1st trip DTC.
8. If 1st trip DTC is detected, go to [EC-287, "Diagnosis Procedure"](#).
If 1st trip DTC is not detected, performing the following procedure is advised.
 - a. Turn ignition switch OFF and wait at least 10 seconds.
 - b. Start engine and drive the vehicle under the similar conditions to (1st trip) Freeze Frame Data for 10 minutes. Refer to the table below.
Hold the accelerator pedal as steady as possible.

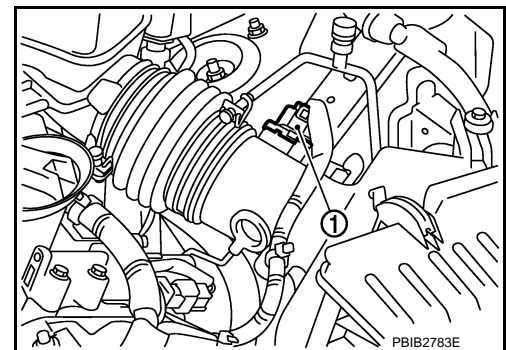
The similar conditions to (1st trip) Freeze Frame Data means the vehicle operation that the following conditions should be satisfied at the same time.

Engine speed	Engine speed in the freeze frame data \pm 400 rpm
Vehicle speed	Vehicle speed in the freeze frame data \pm 10 km/h (6 MPH)
Engine coolant temperature (T) condition	When the freeze frame data shows lower than 70 °C (158 °F), T should be lower than 70 °C (158 °F).
	When the freeze frame data shows higher than or equal to 70 °C (158 °F), T should be higher than or equal to 70 °C (158 °F).

9. Check 1st trip DTC.
10. The 1st trip is detected, go to [EC-287, "Diagnosis Procedure"](#).

④ With GST

1. Start engine and warm it up to normal operating temperature.
2. Turn ignition switch OFF and wait at least 10 seconds.
3. Disconnect mass air flow sensor (1) harness connector.
4. Restart engine and let it idle for at least 5 seconds.
5. Stop engine and reconnect mass air flow sensor harness connector.
6. Select Service \$03 with GST. Make sure DTC P0102 is detected.
7. Select Service \$04 with GST and erase the DTC P0102.
8. Start engine again and let it idle for at least 5 minutes.
9. Select Service \$07 with GST. The 1st trip DTC P0171 or P0174 should be detected at this stage, if a malfunction exists. If so, go to [EC-287, "Diagnosis Procedure"](#).



NOTE:

If 1st trip DTC is not detected during above procedure, performing the following procedure is advised.

- a. Turn ignition switch OFF and wait at least 10 seconds.

DTC P0171, P0174 FUEL INJECTION SYSTEM FUNCTION

< SERVICE INFORMATION >

[VQ35DE]

- b. Start engine and drive the vehicle under the similar conditions to (1st trip) Freeze Frame Data for 10 minutes. Refer to the table below.
Hold the accelerator pedal as steady as possible.

The similar conditions to (1st trip) Freeze Frame Data means the vehicle operation that the following conditions should be satisfied at the same time.

Engine speed	Engine speed in the freeze frame data \pm 400 rpm
Vehicle speed	Vehicle speed in the freeze frame data \pm 10 km/h (6 MPH)
Engine coolant temperature (T) condition	When the freeze frame data shows lower than 70 °C (158 °F), T should be lower than 70 °C (158 °F).
	When the freeze frame data shows higher than or equal to 70 °C (158 °F), T should be higher than or equal to 70 °C (158 °F).

10. If it is difficult to start engine at step 8, the fuel injection system has a malfunction.
11. Crank engine while depressing accelerator pedal. If engine starts, go to [EC-287, "Diagnosis Procedure"](#). If engine does not start, check exhaust and intake air leak visually.

A
EC
C
D
E
F
G
H
I
J
K
L
M
N
O
P

DTC P0171, P0174 FUEL INJECTION SYSTEM FUNCTION

< SERVICE INFORMATION >

[VQ35DE]

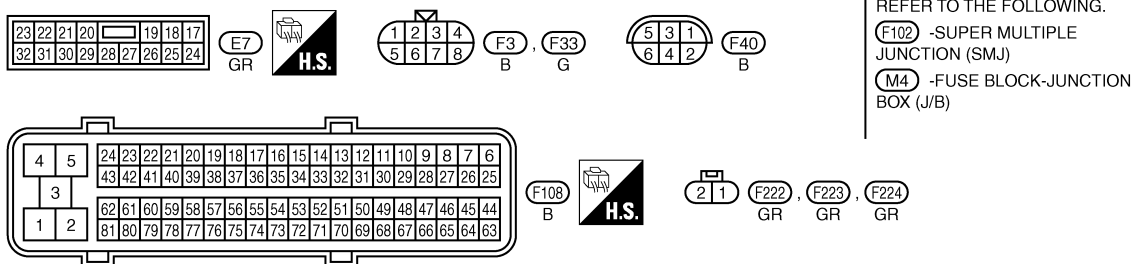
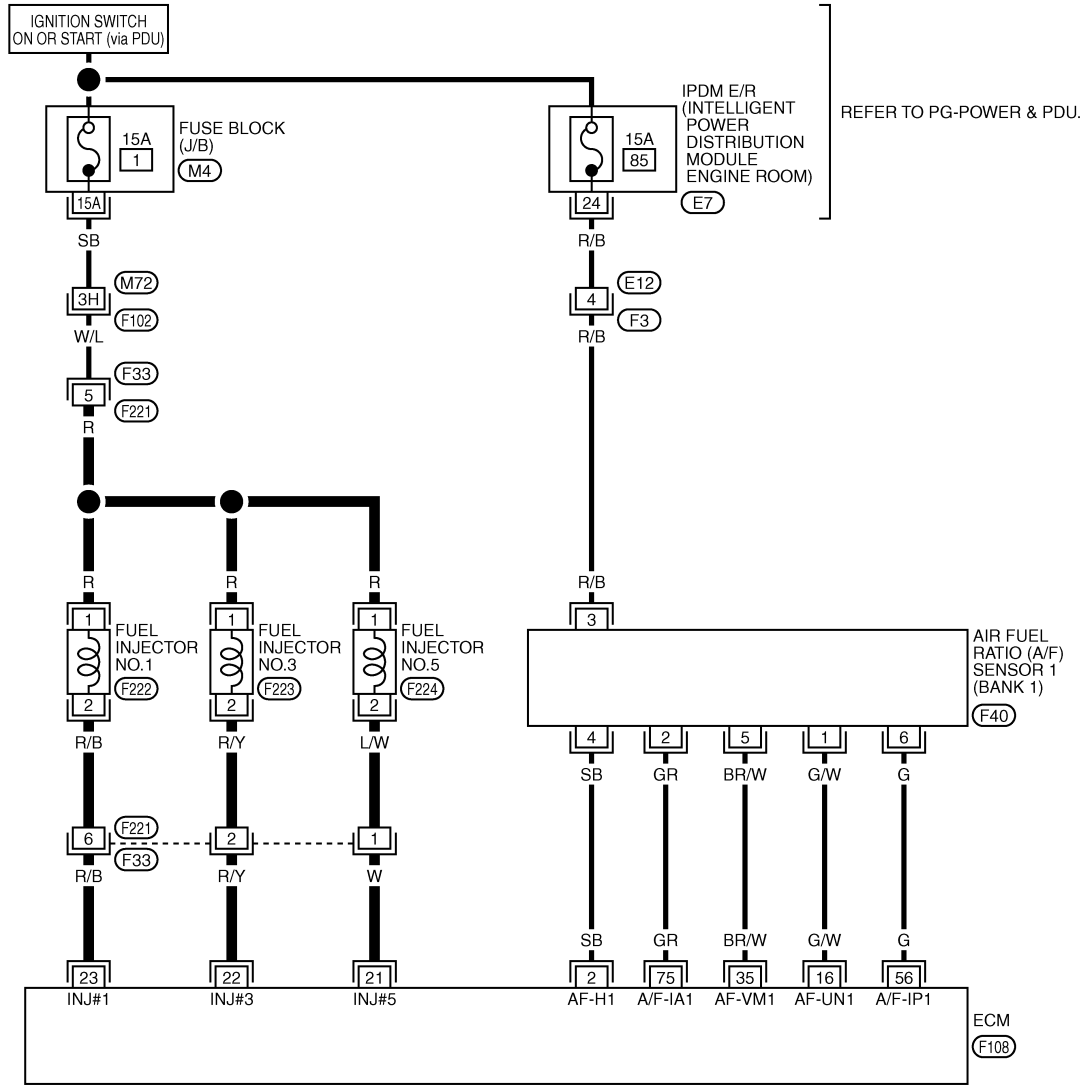
INFOID:000000002954290

Wiring Diagram

BANK 1

EC-FUELB1-01

— : DETECTABLE LINE FOR DTC
 - - - : NON-DETECTABLE LINE FOR DTC



TBWT0956E

Specification data are reference values and are measured between each terminal and ground. Pulse signal is measured by CONSULT-III.

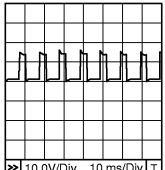
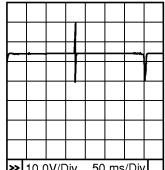
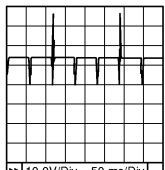
CAUTION:

DTC P0171, P0174 FUEL INJECTION SYSTEM FUNCTION

< SERVICE INFORMATION >

[VQ35DE]

Do not use ECM ground terminals when measuring input/output voltage. Doing so may result in damage to the ECMs transistor. Use a ground other than ECM terminals, such as the ground.

TER-MI-NAL NO.	WIRE COLOR	ITEM	CONDITION	DATA (DC Voltage)
2	SB	A/F sensor 1 heater (bank 1)	[Engine is running] • Warm-up condition • Idle speed	Approximately 5V★  <small>PBIB1584E</small>
16	G/W	A/F sensor 1 (bank 1)	[Engine is running] • Warm-up condition • Idle speed	Approximately 3.1V
35	BR/W			Approximately 2.6V
56	G			Approximately 2.3V
75	GR			Approximately 2.3V
21 22 23	W R/Y R/B	Fuel injector No. 5 Fuel injector No. 3 Fuel injector No. 1	[Engine is running] • Warm-up condition • Idle speed NOTE: The pulse cycle changes depending on rpm at idle	BATTERY VOLTAGE (11 - 14V)★  <small>PBIB0042E</small>
			[Engine is running] • Warm-up condition • Engine speed: 2,000 rpm	BATTERY VOLTAGE (11 - 14V)★  <small>PBIB0043E</small>

★: Average voltage for pulse signal (Actual pulse signal can be confirmed by oscilloscope.)

A
EC
C
D
E
F
G
H
I
J
K
L
M
N
O
P

DTC P0171, P0174 FUEL INJECTION SYSTEM FUNCTION

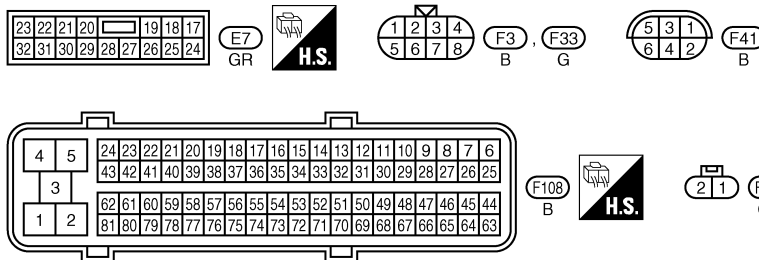
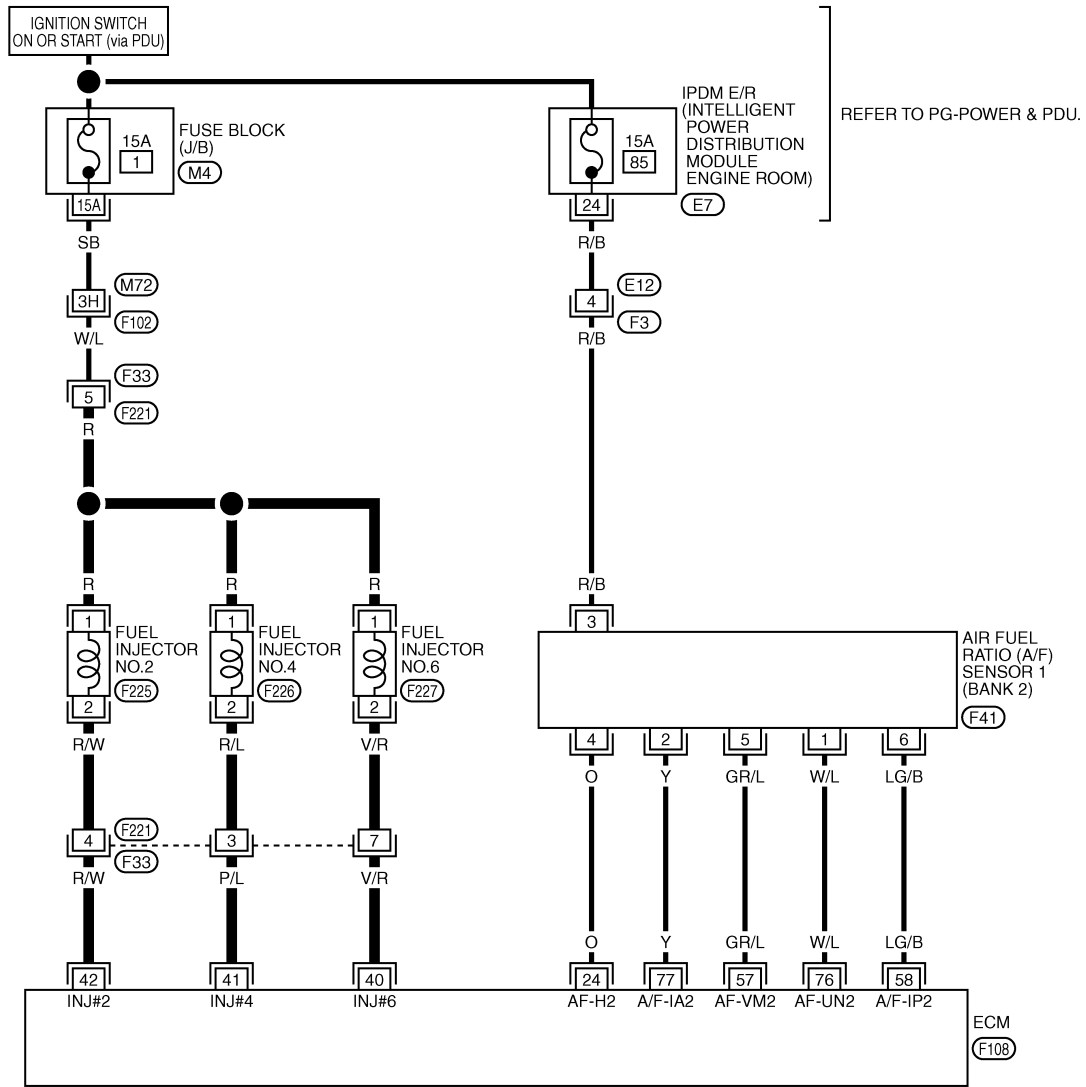
< SERVICE INFORMATION >

[VQ35DE]

BANK 2

EC-FUELB2-01

— : DETECTABLE LINE FOR DTC
 - - - : NON-DETECTABLE LINE FOR DTC



REFER TO THE FOLLOWING.
 (F102) -SUPER MULTIPLE JUNCTION (SMJ)
 (M4) -FUSE BLOCK-JUNCTION BOX (J/B)

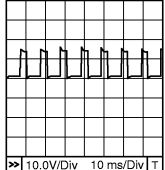
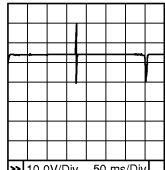
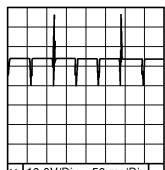
TBW0957E

Specification data are reference values and are measured between each terminal and ground.
 Pulse signal is measured by CONSULT-III.
CAUTION:
 Do not use ECM ground terminals when measuring input/output voltage. Doing so may result in damage to the ECMs transistor. Use a ground other than ECM terminals, such as the ground.

DTC P0171, P0174 FUEL INJECTION SYSTEM FUNCTION

< SERVICE INFORMATION >

[VQ35DE]

TER-MI-NAL NO.	WIRE COLOR	ITEM	CONDITION	DATA (DC Voltage)
24	O	A/F sensor 1 heater (bank 2)	[Engine is running] • Warm-up condition • Idle speed	Approximately 5V★  PBIB1584E
40 41 42	V/R P/L R/W	Fuel injector No. 6 Fuel injector No. 4 Fuel injector No. 2	[Engine is running] • Warm-up condition • Idle speed NOTE: The pulse cycle changes depending on rpm at idle	BATTERY VOLTAGE (11 - 14V)★  PBIB0042E
57 58 76 77	GR/L LG/B W/L Y	A/F sensor 1 (bank 2)	[Engine is running] • Warm-up condition • Idle speed	BATTERY VOLTAGE (11 - 14V)★  PBIB0043E
57	GR/L	A/F sensor 1 (bank 2)	[Engine is running] • Warm-up condition • Idle speed	Approximately 2.6V
58	LG/B			Approximately 2.3V
76	W/L			Approximately 3.1V
77	Y			Approximately 2.3V

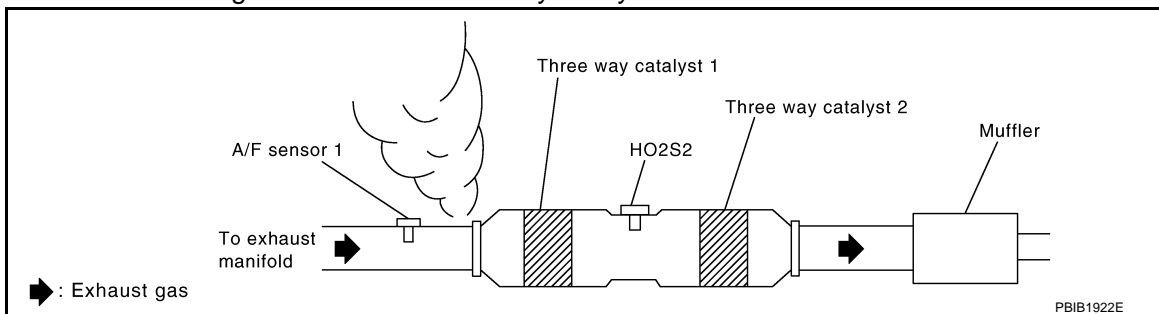
★: Average voltage for pulse signal (Actual pulse signal can be confirmed by oscilloscope.)

Diagnosis Procedure

INFOID:000000002954291

1. CHECK EXHAUST GAS LEAK

1. Start engine and run it at idle.
2. Listen for an exhaust gas leak before three way catalyst 1.



OK or NG

- OK >> GO TO 2.
- NG >> Repair or replace.

2. CHECK FOR INTAKE AIR LEAK

DTC P0171, P0174 FUEL INJECTION SYSTEM FUNCTION

[VQ35DE]

< SERVICE INFORMATION >

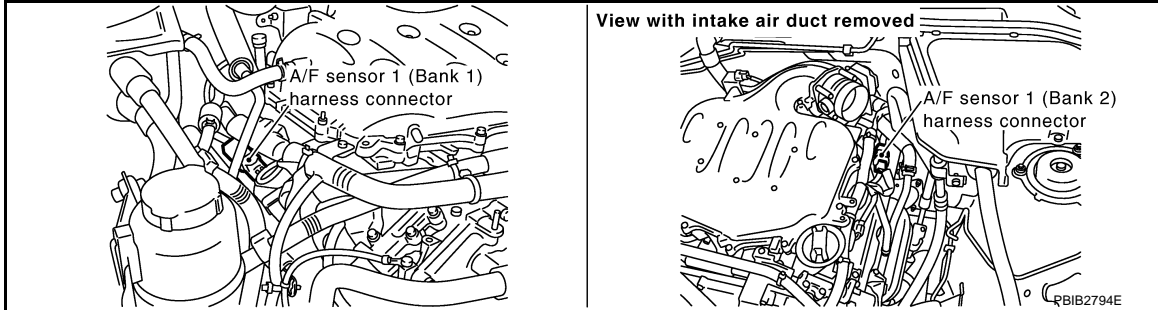
1. Listen for an intake air leak after the mass air flow sensor.
2. Check PCV hose connection.

OK or NG

- OK >> GO TO 3.
 NG >> Repair or replace.

3. CHECK A/F SENSOR 1 INPUT SIGNAL CIRCUIT

1. Turn ignition switch OFF.
2. Disconnect corresponding A/F sensor 1 harness connector.



3. Disconnect ECM harness connector.
4. Check harness continuity between the following terminals.
Refer to Wiring Diagram.

	A/F sensor 1 terminal	ECM terminal
Bank 1	1	16
	2	75
	5	35
	6	56
Bank 2	1	76
	2	77
	5	57
	6	58

Continuity should exist.

5. Check harness continuity between the following terminals and ground.
Refer to Wiring Diagram.

Bank 1		Bank 2	
A/F sensor 1 terminal	ECM terminal	A/F sensor 1 terminal	ECM terminal
1	16	1	76
2	75	2	77
5	35	5	57
6	56	6	58

Continuity should not exist.

6. Also check harness for short to power.

OK or NG

- OK >> GO TO 4.
 NG >> Repair open circuit or short to ground or short to power in harness or connectors.

4. CHECK FUEL PRESSURE

1. Release fuel pressure to zero. Refer to [EC-84, "Fuel Pressure Check"](#).
2. Install fuel pressure gauge and check fuel pressure. Refer to [EC-84, "Fuel Pressure Check"](#).

DTC P0171, P0174 FUEL INJECTION SYSTEM FUNCTION

< SERVICE INFORMATION >

[VQ35DE]

At idling: Approximately 350 kPa (3.57 kg/cm², 51 psi)

OK or NG

- OK >> GO TO 6.
- NG >> GO TO 5.

5. DETECT MALFUNCTIONING PART

Check the following.

- Fuel pump and circuit (Refer to [EC-600](#).)
- Fuel pressure regulator (Refer to [EC-84](#), "Fuel Pressure Check".)
- Fuel lines (Refer to [FL-3](#).)
- Fuel filter for clogging

>> Repair or replace.

6. CHECK MASS AIR FLOW SENSOR

 **With CONSULT-III**

1. Install all removed parts.
2. Check "MASS AIR FLOW" in "DATA MONITOR" mode with CONSULT-III.

2.0 - 6.0 g-m/sec: at idling

7.0 - 20.0 g-m/sec: at 2,500 rpm

 **With GST**

1. Install all removed parts.
2. Check mass air flow sensor signal in Service \$01 with GST.

2.0 - 6.0 g-m/sec: at idling

7.0 - 20.0 g-m/sec: at 2,500 rpm

OK or NG

OK (With CONSULT-III)>>GO TO 7.

OK (Without CONSULT-III)>>GO TO 8.

NG >> Check connectors for rusted terminals or loose connections in the mass air flow sensor circuit or grounds. Refer to [EC-176](#).

7. CHECK FUNCTION OF FUEL INJECTOR

 **With CONSULT-III**

1. Start engine.
2. Perform "POWER BALANCE" in "ACTIVE TEST" mode with CONSULT-III.
3. Make sure that each circuit produces a momentary engine speed drop.

OK or NG

OK >> GO TO 10.

NG >> Perform trouble diagnosis for FUEL INJECTOR, refer to [EC-594](#).

8. CHECK FUNCTION OF FUEL INJECTOR-I

 **Without CONSULT-III**

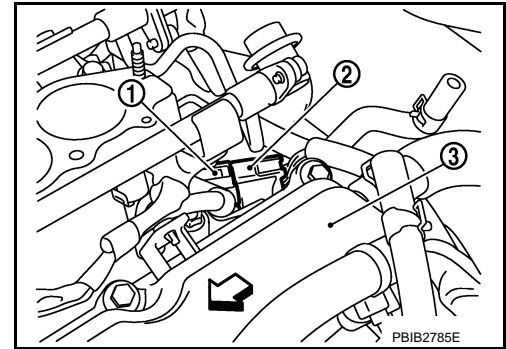
1. Turn ignition switch OFF.

DTC P0171, P0174 FUEL INJECTION SYSTEM FUNCTION

[VQ35DE]

< SERVICE INFORMATION >

2. Disconnect harness connectors F221 (1), F33 (2).
 - ⇐: vehicle front
 - Cylinder head (bank 2) (3)
3. Turn ignition switch ON.

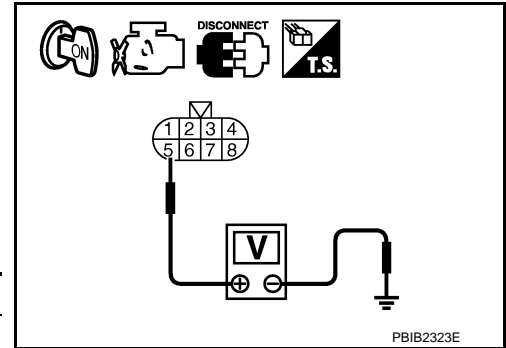


4. Check voltage between harness connector F33 terminal 5 and ground with CONSULT-III or tester.

Voltage: Battery voltage

5. Turn ignition switch OFF.
6. Disconnect ECM harness connector.
7. Check harness continuity between the following terminals.

Cylinder	Harness connector F33 terminal	ECM terminal
1	6	23
2	4	42
3	2	22
4	3	41
5	1	21
6	7	40



Continuity should exist.

8. Also check harness for short to ground and short to power.

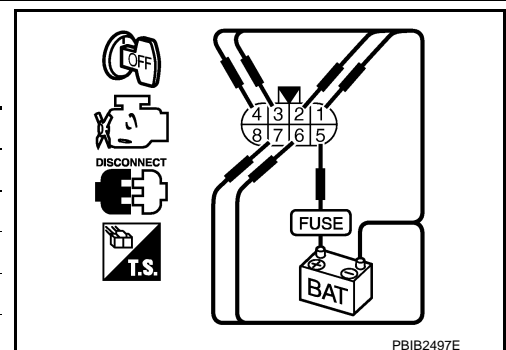
OK or NG

- OK >> GO TO 9.
- NG >> Perform trouble diagnosis for FUEL INJECTOR, refer to [EC-594](#).

9. CHECK FUNCTION OF FUEL INJECTOR-II

Provide battery voltage between the following terminals, and then interrupt it. Listen to each fuel injector operating sound.

Cylinder	Harness connector F221 terminal	
	(+)	(-)
1	5	6
2		4
3		2
4		3
5		1
6		7



Operating sound should exist.

OK or NG

- OK >> GO TO 10.
- NG >> Perform trouble diagnosis for FUEL INJECTOR, refer to [EC-594](#).

DTC P0171, P0174 FUEL INJECTION SYSTEM FUNCTION

< SERVICE INFORMATION >

[VQ35DE]

10. CHECK FUEL INJECTOR

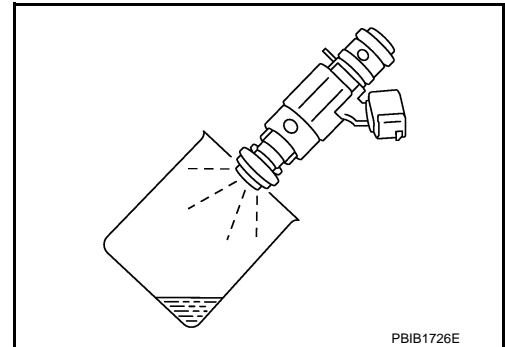
1. Turn ignition switch OFF.
2. Confirm that the engine is cooled down and there are no fire hazards near the vehicle.
3. Reconnect all harness connectors disconnected.
4. Disconnect all fuel injector harness connectors.
5. Remove fuel tube assembly. Refer to [EM-46](#).
Keep fuel hose and all fuel injectors connected to fuel tube.
6. For DTC P0171, reconnect fuel injector harness connectors on bank 1.
For DTC P0174, reconnect fuel injector harness connectors on bank 2.
7. Disconnect all ignition coil harness connectors.
8. Prepare pans or saucers under each fuel injector.
9. Crank engine for about 3 seconds.
For DTC P0171, make sure that fuel sprays out from fuel injectors on bank 1.
For DTC P0174, make sure that fuel sprays out from fuel injectors on bank 2.

Fuel should be sprayed evenly for each fuel injector.

OK or NG

OK >> GO TO 11.

NG >> Replace fuel injectors from which fuel does not spray out. Always replace O-ring with new ones.



11. CHECK INTERMITTENT INCIDENT

Refer to [EC-140](#).

>> **INSPECTION END**

DTC P0172, P0175 FUEL INJECTION SYSTEM FUNCTION

< SERVICE INFORMATION >

[VQ35DE]

DTC P0172, P0175 FUEL INJECTION SYSTEM FUNCTION

On Board Diagnosis Logic

INFOID:000000002954292

With the Air/Fuel Mixture Ratio Self-Learning Control, the actual mixture ratio can be brought closely to the theoretical mixture ratio based on the mixture ratio feedback signal from the A/F sensors 1. The ECM calculates the necessary compensation to correct the offset between the actual and the theoretical ratios. In case the amount of the compensation value is extremely large (The actual mixture ratio is too rich.), the ECM judges the condition as the fuel injection system malfunction and lights up the MIL (2 trip detection logic).

Sensor	Input signal to ECM	ECM function	Actuator
A/F sensor 1	Density of oxygen in exhaust gas (Mixture ratio feedback signal)	Fuel injection control	Fuel injector

DTC No.	Trouble diagnosis name	DTC detecting condition	Possible cause
P0172 0172 (Bank 1)	Fuel injection system too rich	<ul style="list-style-type: none"> Fuel injection system does not operate properly. The amount of mixture ratio compensation is too large. (The mixture ratio is too rich.) 	<ul style="list-style-type: none"> A/F sensor 1 Fuel injector Exhaust gas leaks Incorrect fuel pressure Mass air flow sensor
P0175 0175 (Bank 2)			

DTC Confirmation Procedure

INFOID:000000002954293

NOTE:

Check vehicle specifications and VIN, then select the procedure to be performed. (Refer to the table below.)

Vehicle specification	Vehicle serial number	Procedure
Drive		
2WD	Up to 606709	A
	From 606710	B
AWD	Up to 655057	A
	From 655058	B

PROCEDURE A

NOTE:

If DTC Confirmation Procedure has been previously conducted, always turn ignition switch OFF and wait at least 10 seconds before conducting the next test.

④ With CONSULT-III

1. Start engine and warm it up to normal operating temperature.
2. Turn ignition switch OFF and wait at least 10 seconds.
3. Turn ignition switch ON and select "SELF-LEARNING CONT" in "WORK SUPPORT" mode with CONSULT-III.
4. Clear the self-learning control coefficient by touching "CLEAR".
5. Start engine.
If it is difficult to start engine, the fuel injection system has a malfunction. Perform the following procedure is advised.
 - a. Crank engine while depressing accelerator pedal.
 - b. If engine starts, go to [EC-299. "Diagnosis Procedure"](#).
6. Keep engine at idle for at least 10 minutes.
7. Check 1st trip DTC.
8. If 1st trip DTC is detected, go to [EC-299. "Diagnosis Procedure"](#).
If 1st trip DTC is not detected, performing the following procedure is advised.
 - a. Turn ignition switch OFF and wait at least 10 seconds.

DTC P0172, P0175 FUEL INJECTION SYSTEM FUNCTION

< SERVICE INFORMATION >

[VQ35DE]

- b. Start engine and drive the vehicle under the similar conditions to (1st trip) Freeze Frame Data for 10 minutes. Refer to the table below.
Hold the accelerator pedal as steady as possible.

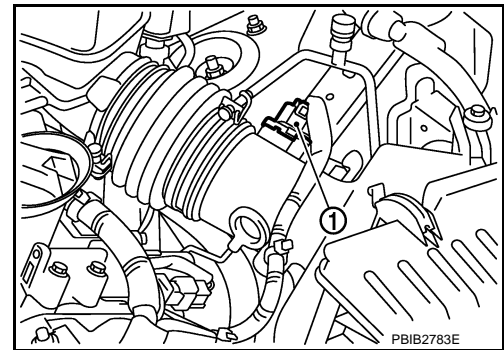
The similar conditions to (1st trip) Freeze Frame Data means the vehicle operation that the following conditions should be satisfied at the same time.

Engine speed	Engine speed in the freeze frame data \pm 400 rpm
Vehicle speed	Vehicle speed in the freeze frame data \pm 10 km/h (6 MPH)
Engine coolant temperature (T) condition	When the freeze frame data shows lower than 70 °C (158 °F), T should be lower than 70 °C (158 °F).
	When the freeze frame data shows higher than or equal to 70 °C (158 °F), T should be higher than or equal to 70 °C (158 °F).

9. Check 1st trip DTC.
 10. The 1st trip is detected, go to [EC-299, "Diagnosis Procedure"](#).

 With GST

- Start engine and warm it up to normal operating temperature.
- Turn ignition switch OFF and wait at least 10 seconds.
- Disconnect mass air flow sensor (1) harness connector.
- Restart engine and let it idle for at least 5 seconds.
- Stop engine and reconnect mass air flow sensor harness connector.
- Select Service \$03 with GST. Make sure DTC P0102 is detected.
- Select Service \$04 with GST and erase the DTC P0102.
- Start engine again and let it idle for at least 10 minutes.
- Select Service \$07 with GST. The 1st trip DTC P0172 or P0175 should be detected at this stage, if a malfunction exists. If so, go to [EC-299, "Diagnosis Procedure"](#).



NOTE:

If 1st trip DTC is not detected during above procedure, performing the following procedure is advised.

- Turn ignition switch OFF and wait at least 10 seconds.
- Start engine and drive the vehicle under the similar conditions to (1st trip) Freeze Frame Data for 10 minutes. Refer to the table below.
Hold the accelerator pedal as steady as possible.

The similar conditions to (1st trip) Freeze Frame Data means the vehicle operation that the following conditions should be satisfied at the same time.

Engine speed	Engine speed in the freeze frame data \pm 400 rpm
Vehicle speed	Vehicle speed in the freeze frame data \pm 10 km/h (6 MPH)
Engine coolant temperature (T) condition	When the freeze frame data shows lower than 70 °C (158 °F), T should be lower than 70 °C (158 °F).
	When the freeze frame data shows higher than or equal to 70 °C (158 °F), T should be higher than or equal to 70 °C (158 °F).

10. If it is difficult to start engine at step 8, the fuel injection system has a malfunction.
 11. Crank engine while depressing accelerator pedal. If engine starts, go to [EC-299, "Diagnosis Procedure"](#).
 If engine does not start, check exhaust and intake air leak visually.

PROCEDURE B

NOTE:

If DTC Confirmation Procedure has been previously conducted, always turn ignition switch OFF and wait at least 10 seconds before conducting the next test.

DTC P0172, P0175 FUEL INJECTION SYSTEM FUNCTION

< SERVICE INFORMATION >

[VQ35DE]

Ⓟ With CONSULT-III

1. Start engine and warm it up to normal operating temperature.
2. Turn ignition switch OFF and wait at least 10 seconds.
3. Turn ignition switch ON and select "SELF-LEARNING CONT" in "WORK SUPPORT" mode with CONSULT-III.
4. Clear the self-learning control coefficient by touching "CLEAR".
5. Start engine.
If it is difficult to start engine, the fuel injection system has a malfunction.
Perform the following procedure is advised.
 - a. Crank engine while depressing accelerator pedal.
 - b. If engine starts, go to [EC-299, "Diagnosis Procedure"](#).
6. Keep engine at idle for at least 5 minutes.
7. Check 1st trip DTC.
8. If 1st trip DTC is detected, go to [EC-299, "Diagnosis Procedure"](#).
If 1st trip DTC is not detected, performing the following procedure is advised.
 - a. Turn ignition switch OFF and wait at least 10 seconds.
 - b. Start engine and drive the vehicle under the similar conditions to (1st trip) Freeze Frame Data for 10 minutes. Refer to the table below.
Hold the accelerator pedal as steady as possible.

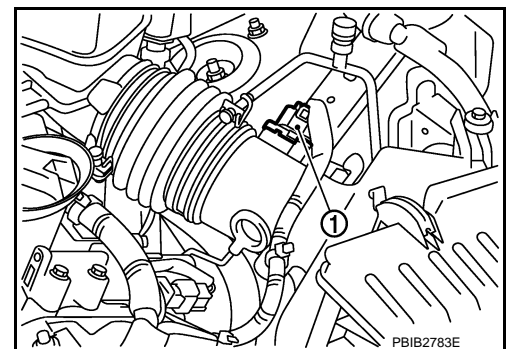
The similar conditions to (1st trip) Freeze Frame Data means the vehicle operation that the following conditions should be satisfied at the same time.

Engine speed	Engine speed in the freeze frame data \pm 400 rpm
Vehicle speed	Vehicle speed in the freeze frame data \pm 10 km/h (6 MPH)
Engine coolant temperature (T) condition	When the freeze frame data shows lower than 70 °C (158 °F), T should be lower than 70 °C (158 °F).
	When the freeze frame data shows higher than or equal to 70 °C (158 °F), T should be higher than or equal to 70 °C (158 °F).

9. Check 1st trip DTC.
10. The 1st trip is detected, go to [EC-299, "Diagnosis Procedure"](#).

Ⓢ With GST

1. Start engine and warm it up to normal operating temperature.
2. Turn ignition switch OFF and wait at least 10 seconds.
3. Disconnect mass air flow sensor (1) harness connector.
4. Restart engine and let it idle for at least 5 seconds.
5. Stop engine and reconnect mass air flow sensor harness connector.
6. Select Service \$03 with GST. Make sure DTC P0102 is detected.
7. Select Service \$04 with GST and erase the DTC P0102.
8. Start engine again and let it idle for at least 5 minutes.
9. Select Service \$07 with GST. The 1st trip DTC P0172 or P0175 should be detected at this stage, if a malfunction exists. If so, go to [EC-299, "Diagnosis Procedure"](#).



NOTE:

If 1st trip DTC is not detected during above procedure, performing the following procedure is advised.

- a. Turn ignition switch OFF and wait at least 10 seconds.
- b. Start engine and drive the vehicle under the similar conditions to (1st trip) Freeze Frame Data for 10 minutes. Refer to the table below.
Hold the accelerator pedal as steady as possible.

DTC P0172, P0175 FUEL INJECTION SYSTEM FUNCTION

< SERVICE INFORMATION >

[VQ35DE]

The similar conditions to (1st trip) Freeze Frame Data means the vehicle operation that the following conditions should be satisfied at the same time.

Engine speed	Engine speed in the freeze frame data \pm 400 rpm
Vehicle speed	Vehicle speed in the freeze frame data \pm 10 km/h (6 MPH)
Engine coolant temperature (T) condition	When the freeze frame data shows lower than 70 °C (158 °F), T should be lower than 70 °C (158 °F).
	When the freeze frame data shows higher than or equal to 70 °C (158 °F), T should be higher than or equal to 70 °C (158 °F).

10. If it is difficult to start engine at step 8, the fuel injection system has a malfunction.

11. Crank engine while depressing accelerator pedal. If engine starts, go to [EC-299, "Diagnosis Procedure"](#).
If engine does not start, check exhaust and intake air leak visually.

NOTE:

If DTC Confirmation Procedure has been previously conducted, always turn ignition switch OFF and wait at least 10 seconds before conducting the next test.

A
EC
C
D
E
F
G
H
I
J
K
L
M
N
O
P

DTC P0172, P0175 FUEL INJECTION SYSTEM FUNCTION

< SERVICE INFORMATION >

[VQ35DE]

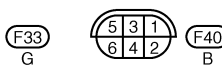
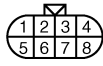
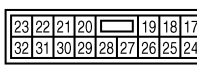
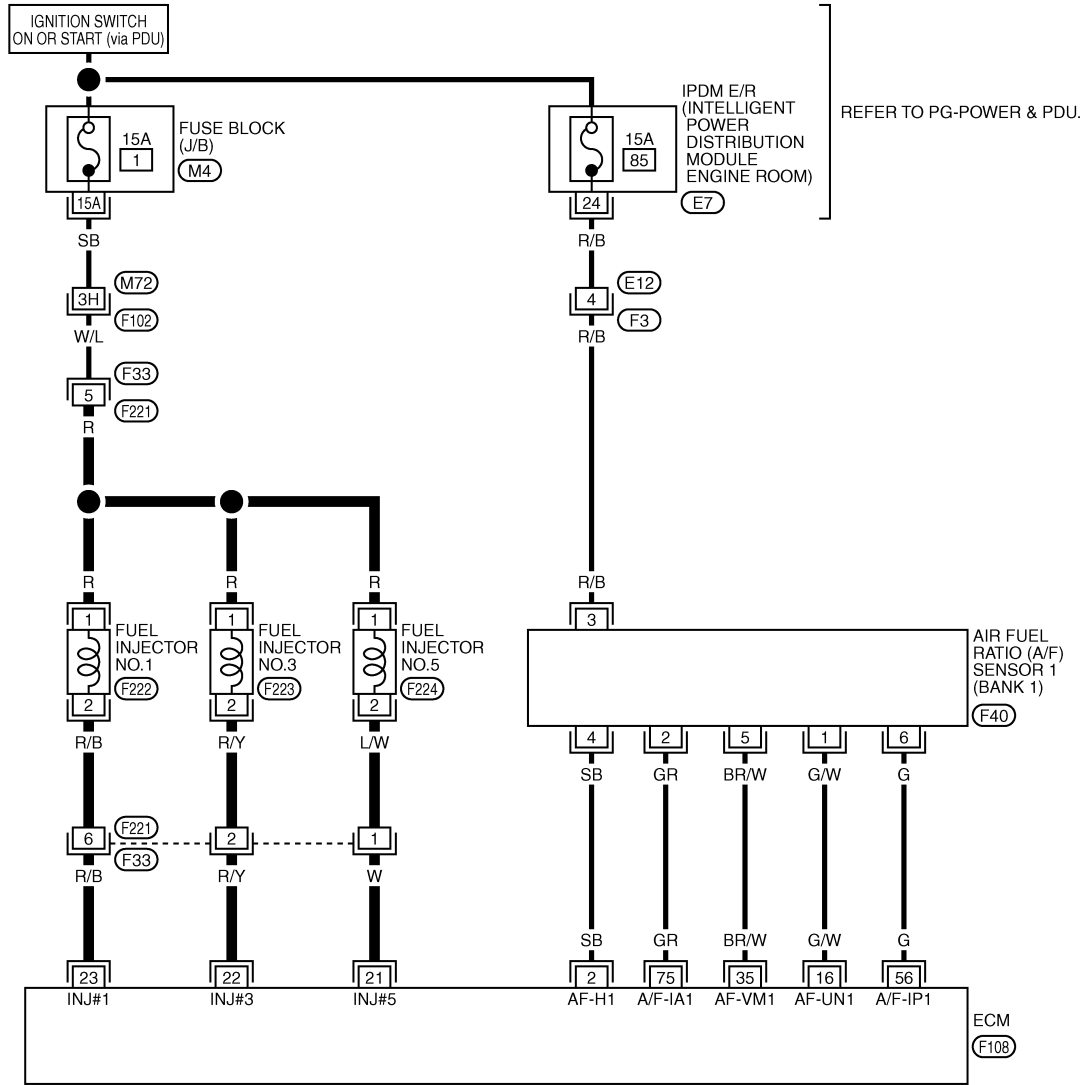
INFOID:000000002954294

Wiring Diagram

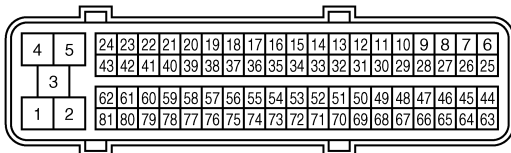
BANK 1

— : DETECTABLE LINE FOR DTC
 - - - : NON-DETECTABLE LINE FOR DTC

EC-FUELB1-01



REFER TO THE FOLLOWING.
 (F102) -SUPER MULTIPLE JUNCTION (SMJ)
 (M4) -FUSE BLOCK-JUNCTION BOX (J/B)



TBWT0956E

Specification data are reference values and are measured between each terminal and ground. Pulse signal is measured by CONSULT-III.

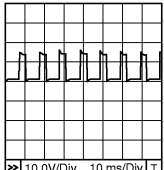
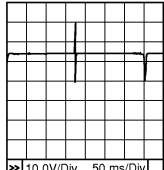
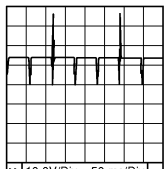
CAUTION:

DTC P0172, P0175 FUEL INJECTION SYSTEM FUNCTION

< SERVICE INFORMATION >

[VQ35DE]

Do not use ECM ground terminals when measuring input/output voltage. Doing so may result in damage to the ECMs transistor. Use a ground other than ECM terminals, such as the ground.

TER-MI-NAL NO.	WIRE COLOR	ITEM	CONDITION	DATA (DC Voltage)
2	SB	A/F sensor 1 heater (bank 1)	[Engine is running] <ul style="list-style-type: none"> • Warm-up condition • Idle speed 	Approximately 5V★  <small>PBIB1584E</small>
16	G/W	A/F sensor 1 (bank 1)	[Engine is running] <ul style="list-style-type: none"> • Warm-up condition • Idle speed 	Approximately 3.1V
35	BR/W			Approximately 2.6V
56	G			Approximately 2.3V
75	GR			Approximately 2.3V
21 22 23	W R/Y R/B	Fuel injector No. 5 Fuel injector No. 3 Fuel injector No. 1	[Engine is running] <ul style="list-style-type: none"> • Warm-up condition • Idle speed NOTE: The pulse cycle changes depending on rpm at idle	BATTERY VOLTAGE (11 - 14V)★  <small>PBIB0042E</small>
			[Engine is running] <ul style="list-style-type: none"> • Warm-up condition • Engine speed: 2,000 rpm 	BATTERY VOLTAGE (11 - 14V)★  <small>PBIB0043E</small>

★: Average voltage for pulse signal (Actual pulse signal can be confirmed by oscilloscope.)

A
EC
C
D
E
F
G
H
I
J
K
L
M
N
O
P

DTC P0172, P0175 FUEL INJECTION SYSTEM FUNCTION

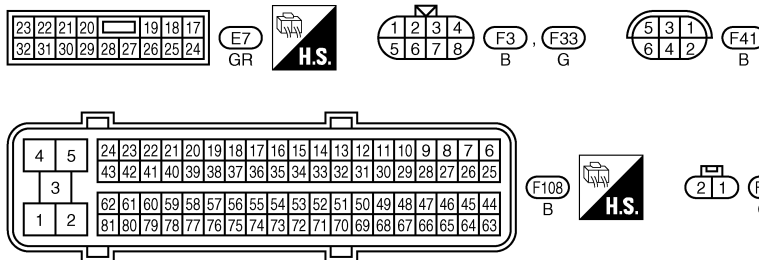
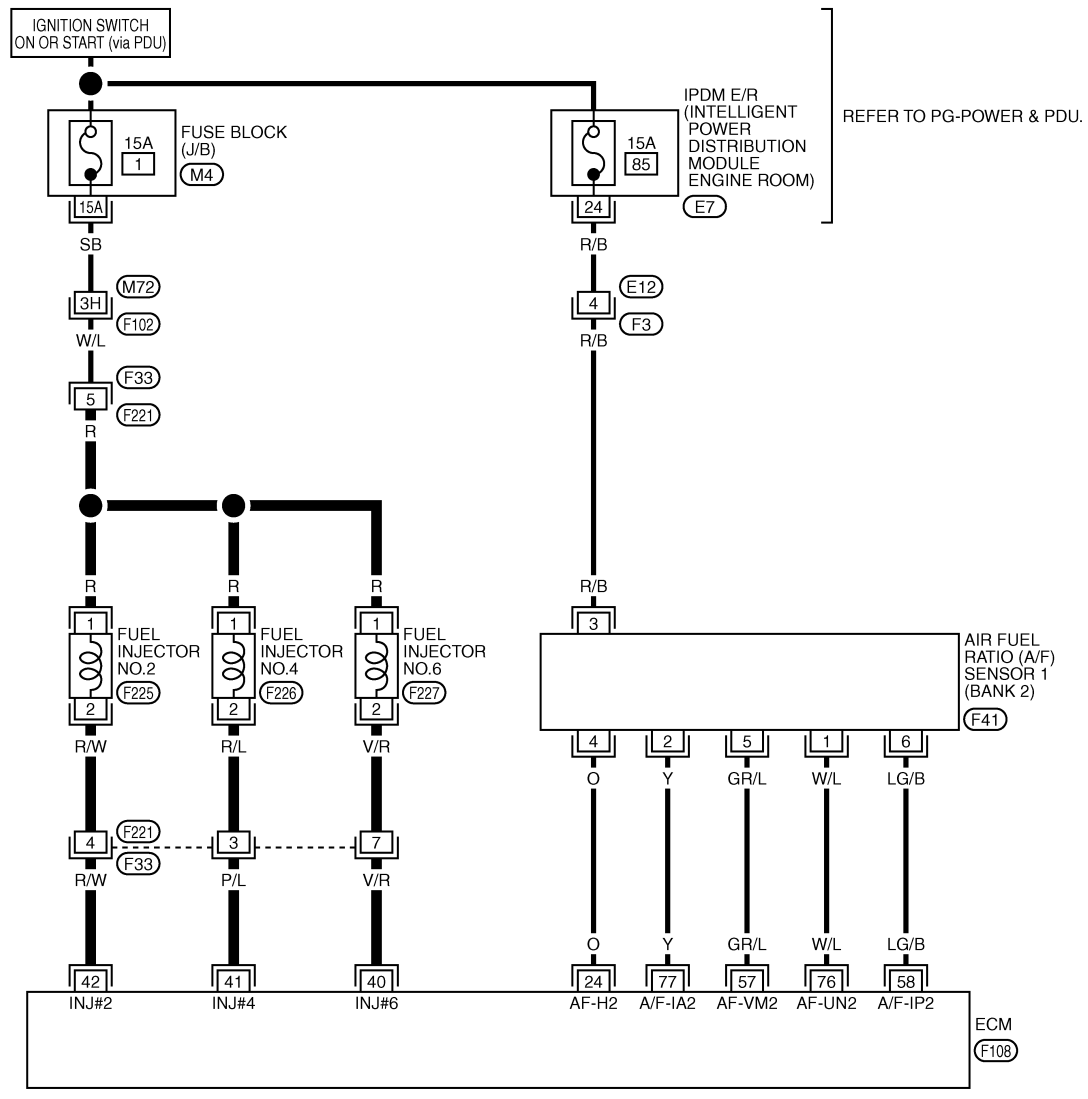
< SERVICE INFORMATION >

[VQ35DE]

BANK 2

— : DETECTABLE LINE FOR DTC
 - - - : NON-DETECTABLE LINE FOR DTC

EC-FUELB2-01



REFER TO THE FOLLOWING.
 (F102) -SUPER MULTIPLE JUNCTION (SMJ)
 (M4) -FUSE BLOCK-JUNCTION BOX (J/B)

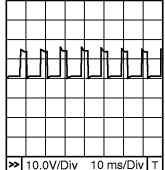
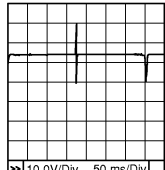
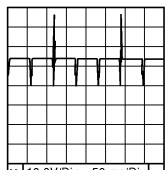
TBW0957E

Specification data are reference values and are measured between each terminal and ground. Pulse signal is measured by CONSULT-III.
CAUTION:
 Do not use ECM ground terminals when measuring input/output voltage. Doing so may result in damage to the ECMs transistor. Use a ground other than ECM terminals, such as the ground.

DTC P0172, P0175 FUEL INJECTION SYSTEM FUNCTION

< SERVICE INFORMATION >

[VQ35DE]

TER-MI-NAL NO.	WIRE COLOR	ITEM	CONDITION	DATA (DC Voltage)
24	O	A/F sensor 1 heater (bank 2)	[Engine is running] • Warm-up condition • Idle speed	Approximately 5V★  PBIB1584E
40 41 42	V/R P/L R/W	Fuel injector No. 6 Fuel injector No. 4 Fuel injector No. 2	[Engine is running] • Warm-up condition • Idle speed NOTE: The pulse cycle changes depending on rpm at idle	BATTERY VOLTAGE (11 - 14V)★  PBIB0042E
57 58 76 77	GR/L LG/B W/L Y	A/F sensor 1 (bank 2)	[Engine is running] • Warm-up condition • Idle speed	BATTERY VOLTAGE (11 - 14V)★  PBIB0043E
57	GR/L	A/F sensor 1 (bank 2)	[Engine is running] • Warm-up condition • Idle speed	Approximately 2.6V
58	LG/B			Approximately 2.3V
76	W/L			Approximately 3.1V
77	Y			Approximately 2.3V

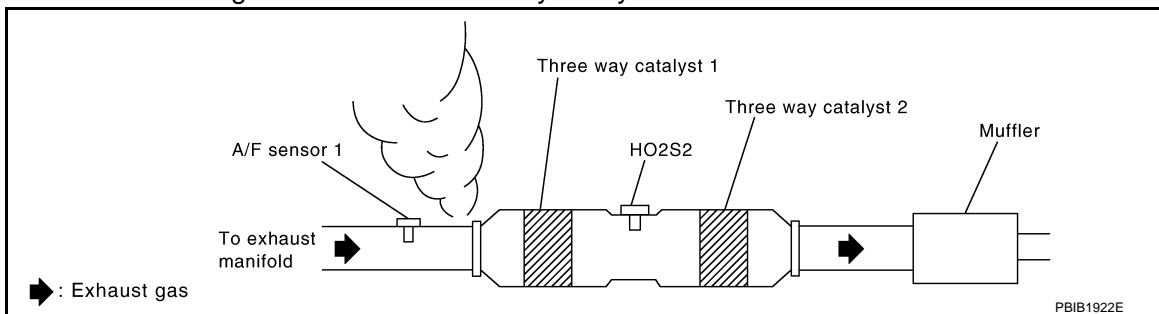
★: Average voltage for pulse signal (Actual pulse signal can be confirmed by oscilloscope.)

Diagnosis Procedure

INFOID:000000002954295

1. CHECK EXHAUST GAS LEAK

1. Start engine and run it at idle.
2. Listen for an exhaust gas leak before three way catalyst 1.



OK or NG

- OK >> GO TO 2.
- NG >> Repair or replace.

2. CHECK FOR INTAKE AIR LEAK

DTC P0172, P0175 FUEL INJECTION SYSTEM FUNCTION

[VQ35DE]

< SERVICE INFORMATION >

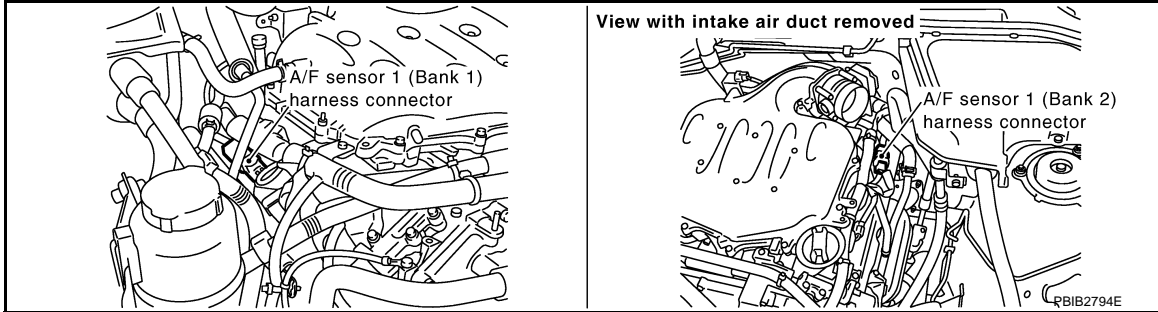
Listen for an intake air leak after the mass air flow sensor.

OK or NG

- OK >> GO TO 3.
- NG >> Repair or replace.

3. CHECK A/F SENSOR 1 INPUT SIGNAL CIRCUIT

1. Turn ignition switch OFF.
2. Disconnect corresponding A/F sensor 1 harness connector.



3. Disconnect ECM harness connector.
4. Check harness continuity between the following terminals.
Refer to Wiring Diagram.

	A/F sensor 1 terminal	ECM terminal
Bank 1	1	16
	2	75
	5	35
	6	56
Bank 2	1	76
	2	77
	5	57
	6	58

Continuity should exist.

5. Check harness continuity between the following terminals and ground.
Refer to Wiring Diagram.

Bank 1		Bank 2	
A/F sensor 1 terminal	ECM terminal	A/F sensor 1 terminal	ECM terminal
1	16	1	76
2	75	2	77
5	35	5	57
6	56	6	58

Continuity should not exist.

6. Also check harness for short to power.

OK or NG

- OK >> GO TO 4.
- NG >> Repair open circuit or short to ground or short to power in harness or connectors.

4. CHECK FUEL PRESSURE

1. Release fuel pressure to zero. Refer to [EC-84, "Fuel Pressure Check"](#).
2. Install fuel pressure gauge and check fuel pressure. Refer to [EC-84, "Fuel Pressure Check"](#).

At idling: Approximately 350 kPa (3.57 kg/cm², 51 psi)

OK or NG

- OK >> GO TO 6.
- NG >> GO TO 5.

5. DETECT MALFUNCTIONING PART

Check the following.

- Fuel pump and circuit (Refer to [EC-600](#).)
- Fuel pressure regulator (Refer to [EC-84](#), "Fuel Pressure Check".)

>> Repair or replace.

6. CHECK MASS AIR FLOW SENSOR

 **With CONSULT-III**

1. Install all removed parts.
2. Check "MASS AIR FLOW" in "DATA MONITOR" mode with CONSULT-III.

2.0 - 6.0 g-m/sec: at idling
7.0 - 20.0 g-m/sec: at 2,500 rpm

 **With GST**

1. Install all removed parts.
2. Check mass air flow sensor signal in "Service \$01" with GST.

2.0 - 6.0 g-m/sec: at idling
7.0 - 20.0 g-m/sec: at 2,500 rpm

OK or NG

- OK (With CONSULT-III) >> GO TO 7.
- OK (Without CONSULT-III) >> GO TO 8.
- NG >> Check connectors for rusted terminals or loose connections in the mass air flow sensor circuit or grounds. Refer to [EC-176](#).

7. CHECK FUNCTION OF FUEL INJECTOR

 **With CONSULT-III**

1. Start engine.
2. Perform "POWER BALANCE" in "ACTIVE TEST" mode with CONSULT-III.
3. Make sure that each circuit produces a momentary engine speed drop.

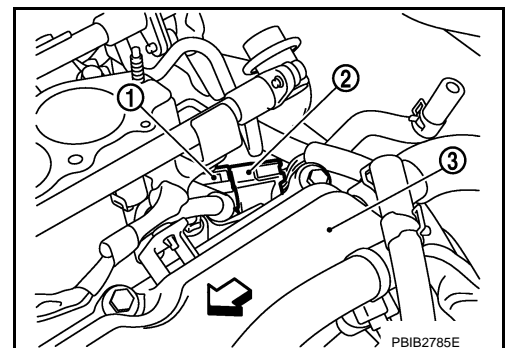
OK or NG

- OK >> GO TO 10.
- NG >> Perform trouble diagnosis for FUEL INJECTOR, refer to [EC-594](#).

8. CHECK FUNCTION OF FUEL INJECTOR-I

 **Without CONSULT-III**

1. Turn ignition switch OFF.
2. Disconnect harness connectors F221 (1), F33 (2).
 - ↵: vehicle front
 - Cylinder head (bank 2) (3)
3. Turn ignition switch ON.



DTC P0172, P0175 FUEL INJECTION SYSTEM FUNCTION

[VQ35DE]

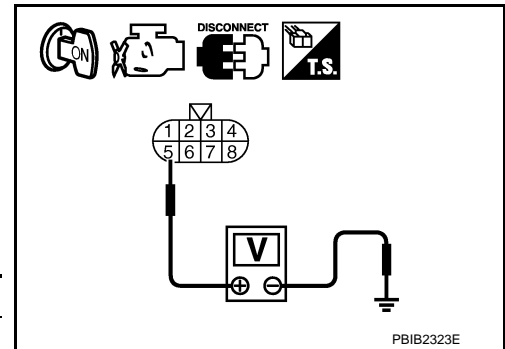
< SERVICE INFORMATION >

4. Check voltage between harness connector F33 terminal 5 and ground with CONSULT-III or tester.

Voltage: Battery voltage

5. Turn ignition switch OFF.
6. Disconnect ECM harness connector.
7. Check harness continuity between the following terminals.

Cylinder	Harness connector F33 terminal	ECM terminal
1	6	23
2	4	42
3	2	22
4	3	41
5	1	21
6	7	40



Continuity should exist.

8. Also check harness for short to ground and short to power.

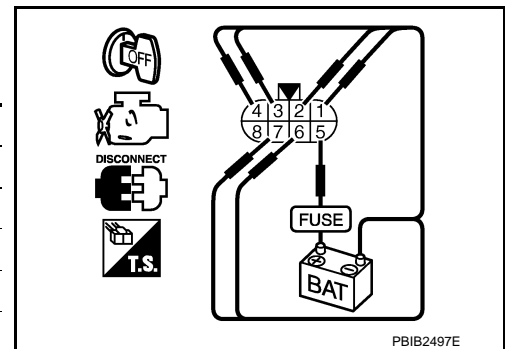
OK or NG

- OK >> GO TO 9.
- NG >> Perform trouble diagnosis for FUEL INJECTOR, refer to [EC-594](#).

9. CHECK FUNCTION OF FULE INJECTOR-II

Provide battery voltage between the following terminals, and then interrupt it. Listen to each fuel injector operating sound.

Cylinder	Harness connector F221 terminal	
	(+)	(-)
1	5	6
2		4
3		2
4		3
5		1
6		7



Operating sound should exist.

OK or NG

- OK >> GO TO 10.
- NG >> Perform trouble diagnosis for FUEL INJECTOR, refer to [EC-594](#).

10. CHECK FUEL INJECTOR

1. Remove fuel injector assembly. Refer to [EM-46](#).
Keep fuel hose and all fuel injectors connected to fuel tube.
2. Confirm that the engine is cooled down and there are no fire hazards near the vehicle.
3. Reconnect all harness connectors disconnected.
4. Disconnect all fuel injector harness connectors.
5. Disconnect all ignition coil harness connectors.
6. Prepare pans or saucers under each fuel injectors.
7. Crank engine for about 3 seconds.
Make sure fuel does not drip from fuel injector.

OK or NG

- OK (Does not drip.)>>GO TO 11.

DTC P0172, P0175 FUEL INJECTION SYSTEM FUNCTION

< SERVICE INFORMATION >

[VQ35DE]

NG (Drips.)>>Replace the fuel injectors from which fuel is dripping. Always replace O-ring with new one.

11.CHECK INTERMITTENT INCIDENT

Refer to [EC-140](#).

>> INSPECTION END

A

EC

C

D

E

F

G

H

I

J

K

L

M

N

O

P

DTC P0181 FTT SENSOR

[VQ35DE]

< SERVICE INFORMATION >

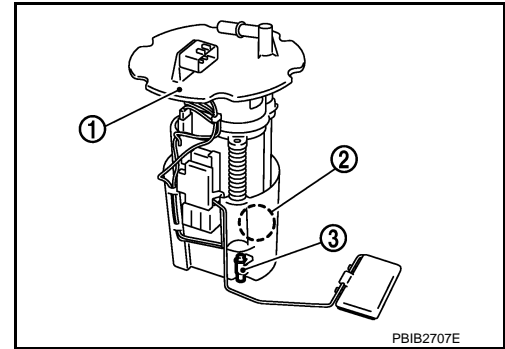
DTC P0181 FTT SENSOR

Component Description

INFOID:000000002954296

The fuel tank temperature sensor (3) is used to detect the fuel temperature inside the fuel tank. The sensor modifies a voltage signal from the ECM. The modified signal returns to the ECM as the fuel temperature input. The sensor uses a thermistor which is sensitive to the change in temperature. The electrical resistance of the thermistor decreases as temperature increases.

- Fuel level sensor unit and fuel pump (1)
- Fuel pressure regulator (2)



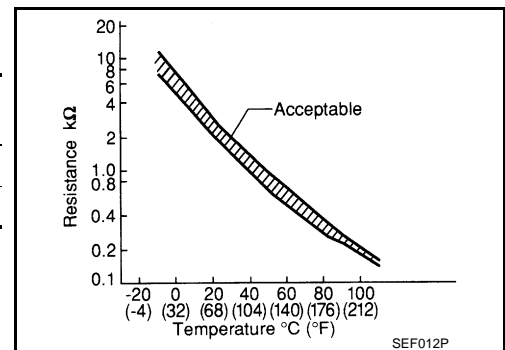
<Reference data>

Fluid temperature °C (°F)	Voltage* V	Resistance kΩ
20 (68)	3.5	2.3 - 2.7
50 (122)	2.2	0.79 - 0.90

*: This data is reference value and is measured between ECM terminal 107 (Fuel tank temperature sensor) and ground.

CAUTION:

Do not use ECM ground terminals when measuring input/output voltage. Doing so may result in damage to the ECM's transistor. Use a ground other than ECM terminals, such as the ground.



On Board Diagnosis Logic

INFOID:000000002954297

DTC No.	Trouble diagnosis name	DTC detecting condition	Possible cause
P0181 0181	Fuel tank temperature sensor circuit range/performance	Rationally incorrect voltage from the sensor is sent to ECM, compared with the voltage signals from engine coolant temperature sensor and intake air temperature sensor.	<ul style="list-style-type: none"> • Harness or connectors (The sensor circuit is open or shorted) • Fuel tank temperature sensor

DTC Confirmation Procedure

INFOID:000000002954298

NOTE:

If DTC Confirmation Procedure has been previously conducted, always turn ignition switch OFF and wait at least 10 seconds before conducting the next test.

WITH CONSULT-III

1. Turn ignition switch ON and wait at least 10 seconds.
2. Check 1st trip DTC.
If 1st trip DTC is detected, go to [EC-306. "Diagnosis Procedure"](#).
If 1st trip DTC is not detected.
3. Select "DATA MONITOR"
4. Check "COOLAN TEMP/S" value.
If "COOLAN TEMP/S" is less than 60°C (140°F), the result will be OK.
If "COOLAN TEMP/S" is above 60°C (140°F), go to the following step.
5. Cool engine down until "COOLAN TEMP/S" is less than 60°C (140°F).
6. Wait at least 10 seconds.
7. Check 1st trip DTC.
8. If 1st trip DTC is detected, go to [EC-306. "Diagnosis Procedure"](#).

DTC P0181 FTT SENSOR

[VQ35DE]

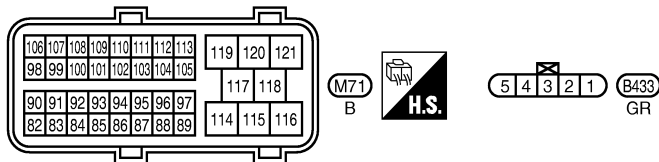
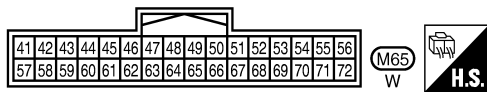
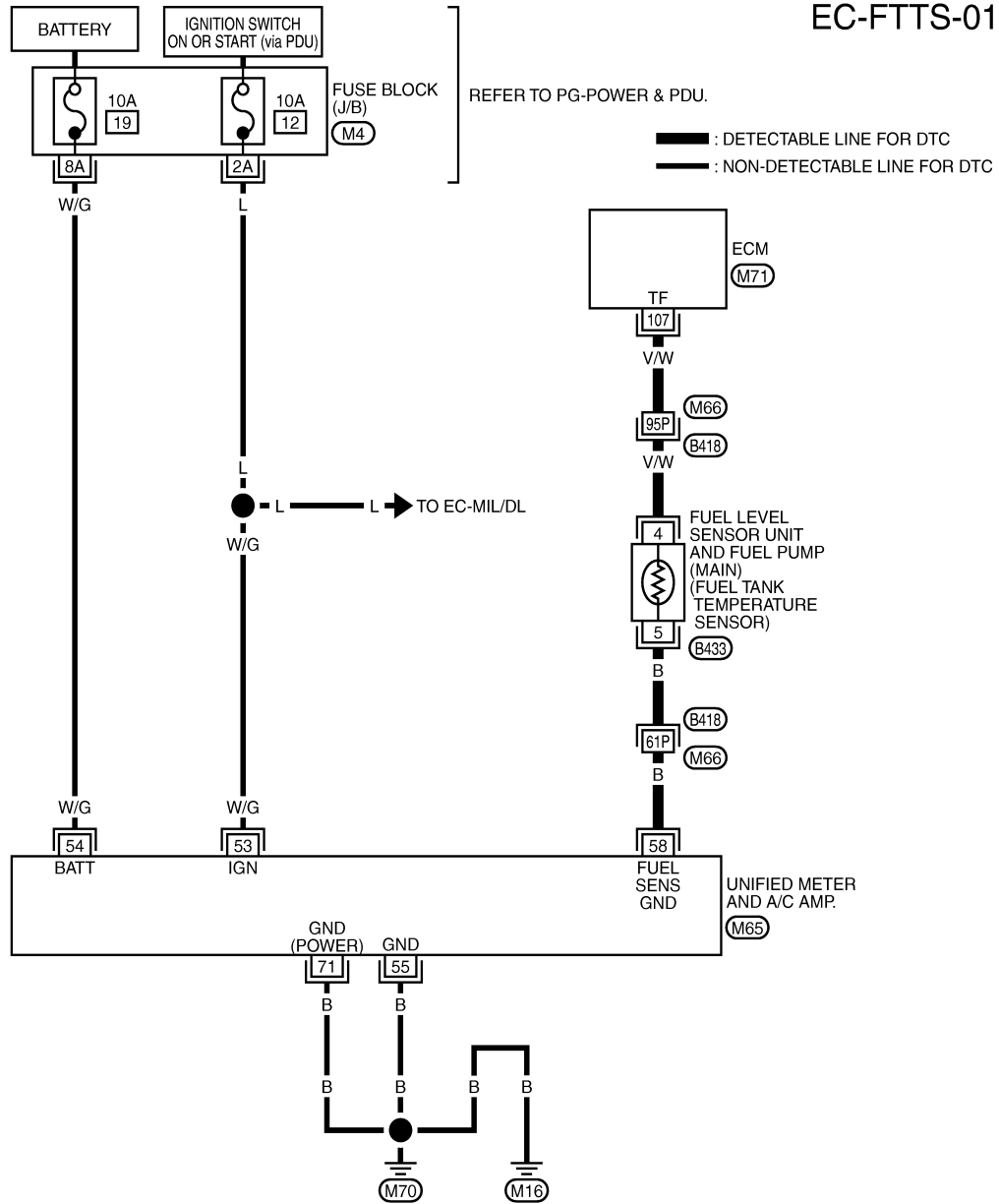
< SERVICE INFORMATION >

WITH GST

Follow the procedure "WITH CONSULT-III" above.

Wiring Diagram

INFOID:000000002954299



REFER TO THE FOLLOWING.
 (B418) - SUPER MULTIPLE JUNCTION (SMJ)
 (M4) - FUSE BLOCK - JUNCTION BOX (J/B)

TBWT1952E

DTC P0181 FTT SENSOR

< SERVICE INFORMATION >

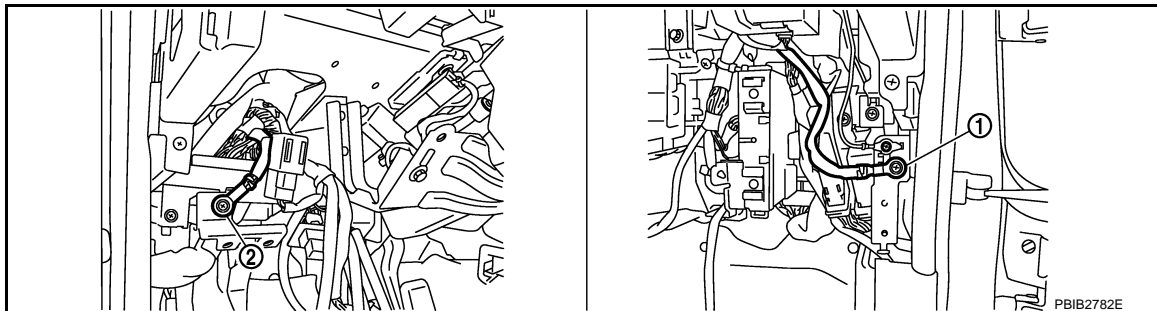
[VQ35DE]

INFOID:000000002954300

Diagnosis Procedure

1. CHECK GROUND CONNECTIONS

1. Turn ignition switch OFF.
2. Loosen and retighten two ground screws on the body.
Refer to [EC-146, "Ground Inspection"](#).



1. Body ground M70
2. Body ground M16

OK or NG

- OK >> GO TO 2.
NG >> Repair or replace ground connections.

2. CHECK DTC WITH "UNIFIED METER AND A/C AMP."

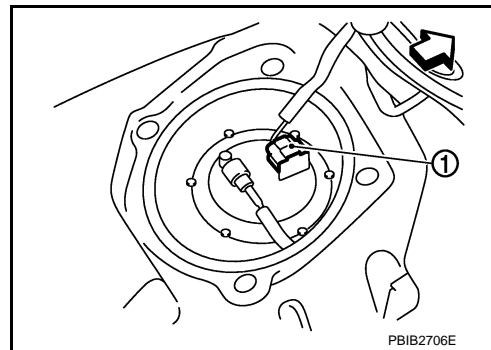
Refer to [DI-27, "CONSULT-III Function \(METER/M&A\)"](#).

OK or NG

- OK >> GO TO 3.
NG >> Go to [DI-22, "Fuel Level Sensor Signal Inspection"](#).

3. CHECK FUEL TANK TEMPERATURE SENSOR POWER SUPPLY CIRCUIT

1. Turn ignition switch OFF.
2. Disconnect "fuel level sensor unit and fuel pump" harness connector (1).
 - Illustration shows the view with rear seat cushion and inspection hole cover (RH) removed.
 - ↶: Vehicle front
3. Turn ignition switch ON.

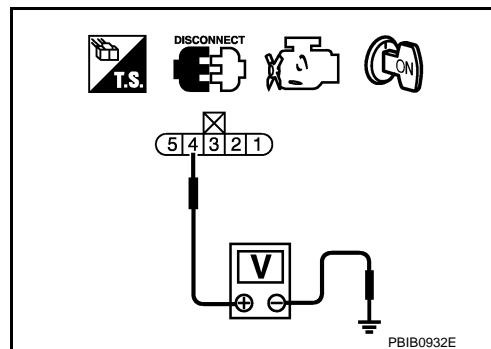


4. Check voltage between "fuel level sensor unit and fuel pump" terminal 4 and ground with CONSULT-III or tester.

Voltage: Approximately 5V

OK or NG

- OK >> GO TO 5.
NG >> GO TO 4.



4. DETECT MALFUNCTIONING PART

Check the following.

- Harness connectors M66, B418

DTC P0181 FTT SENSOR

[VQ35DE]

< SERVICE INFORMATION >

- Harness for open or short between ECM and “fuel level sensor unit and fuel pump”

>> Repair open circuit or short to ground or short to power in harness or connector.

5. CHECK FUEL TANK TEMPERATURE SENSOR GROUND CIRCUIT FOR OPEN AND SHORT

1. Turn ignition switch OFF.
2. Disconnect “unified meter and A/C amp.” harness connector.
3. Check harness continuity between “fuel level sensor unit and fuel pump” terminal 5 and “unified meter and A/C amp.” terminal 58. Refer to Wiring Diagram.

Continuity should exist.

4. Also check harness for short to ground and short to power.

OK or NG

- OK >> GO TO 7.
- NG >> GO TO 6.

6. DETECT MALFUNCTIONING PART

Check the following.

- Harness connectors M66, B418
- Harness for open or short between “fuel level sensor unit and fuel pump” and “unified meter and A/C amp.”

>> Repair open circuit or short to ground or short to power in harness or connector.

7. CHECK FUEL TANK TEMPERATURE SENSOR

Refer to [EC-307, "Component Inspection"](#).

OK or NG

- OK >> GO TO 8.
- NG >> Replace “fuel level sensor unit and fuel pump”.

8. CHECK INTERMITTENT INCIDENT

Refer to [EC-140](#).

>> **INSPECTION END**

Component Inspection

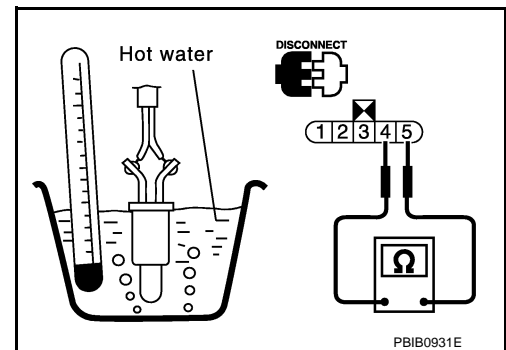
INFOID:000000002954301

FUEL TANK TEMPERATURE SENSOR

1. Remove fuel level sensor unit.
2. Check resistance between “fuel level sensor unit and fuel pump” terminals 4 and 5 by heating with hot water as shown in the figure.

Temperature °C (°F)	Resistance kΩ
20 (68)	2.3 - 2.7
50 (122)	0.79 - 0.90

If NG, replace fuel level sensor unit.



INFOID:000000002954302

Removal and Installation

FUEL TANK TEMPERATURE SENSOR

Refer to [FL-4](#).

DTC P0182, P0183 FTT SENSOR

< SERVICE INFORMATION >

[VQ35DE]

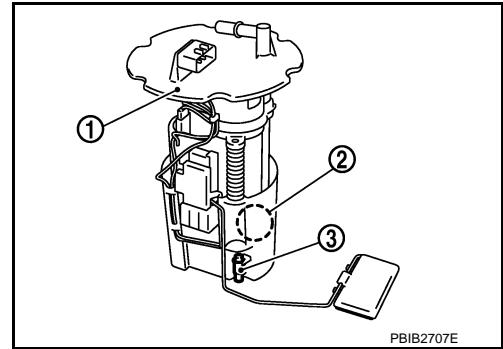
DTC P0182, P0183 FTT SENSOR

Component Description

INFOID:000000002954303

The fuel tank temperature sensor (3) is used to detect the fuel temperature inside the fuel tank. The sensor modifies a voltage signal from the ECM. The modified signal returns to the ECM as the fuel temperature input. The sensor uses a thermistor which is sensitive to the change in temperature. The electrical resistance of the thermistor decreases as temperature increases.

- Fuel level sensor unit and fuel pump (1)
- Fuel pressure regulator (2)



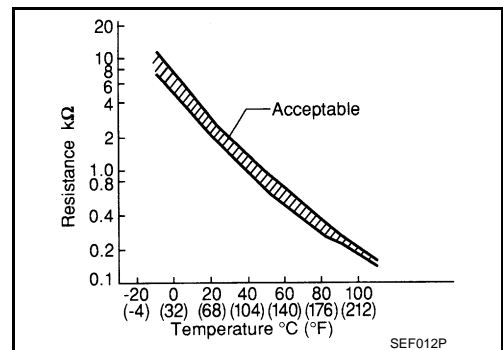
<Reference data>

Fluid temperature °C (°F)	Voltage* V	Resistance kΩ
20 (68)	3.5	2.3 - 2.7
50 (122)	2.2	0.79 - 0.90

*: This data is reference value and is measured between ECM terminal 107 (Fuel tank temperature sensor) and ground.

CAUTION:

Do not use ECM ground terminals when measuring input/output voltage. Doing so may result in damage to the ECM's transistor. Use a ground other than ECM terminals, such as the ground.



On Board Diagnosis Logic

INFOID:000000002954304

DTC No.	Trouble diagnosis name	DTC detecting condition	Possible cause
P0182 0182	Fuel tank temperature sensor circuit low input	An excessively low voltage from the sensor is sent to ECM.	<ul style="list-style-type: none"> • Harness or connectors (The sensor circuit is open or shorted.) • Fuel tank temperature sensor
P0183 0183	Fuel tank temperature sensor circuit high input	An excessively high voltage from the sensor is sent to ECM.	

DTC Confirmation Procedure

INFOID:000000002954305

NOTE:

If DTC Confirmation Procedure has been previously conducted, always turn ignition switch OFF and wait at least 10 seconds before conducting the next test.

WITH CONSULT-III

1. Turn ignition switch ON.
2. Wait at least 5 seconds.
3. Check 1st trip DTC.
4. If 1st trip DTC is detected, go to [EC-309. "Diagnosis Procedure"](#).

WITH GST

Follow the procedure "WITH CONSULT-III" above.

DTC P0182, P0183 FTT SENSOR

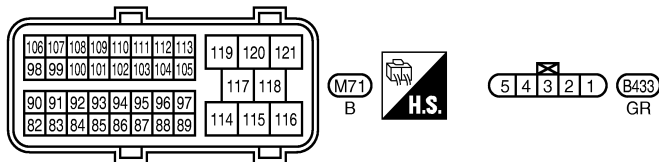
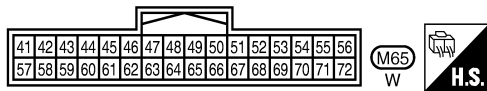
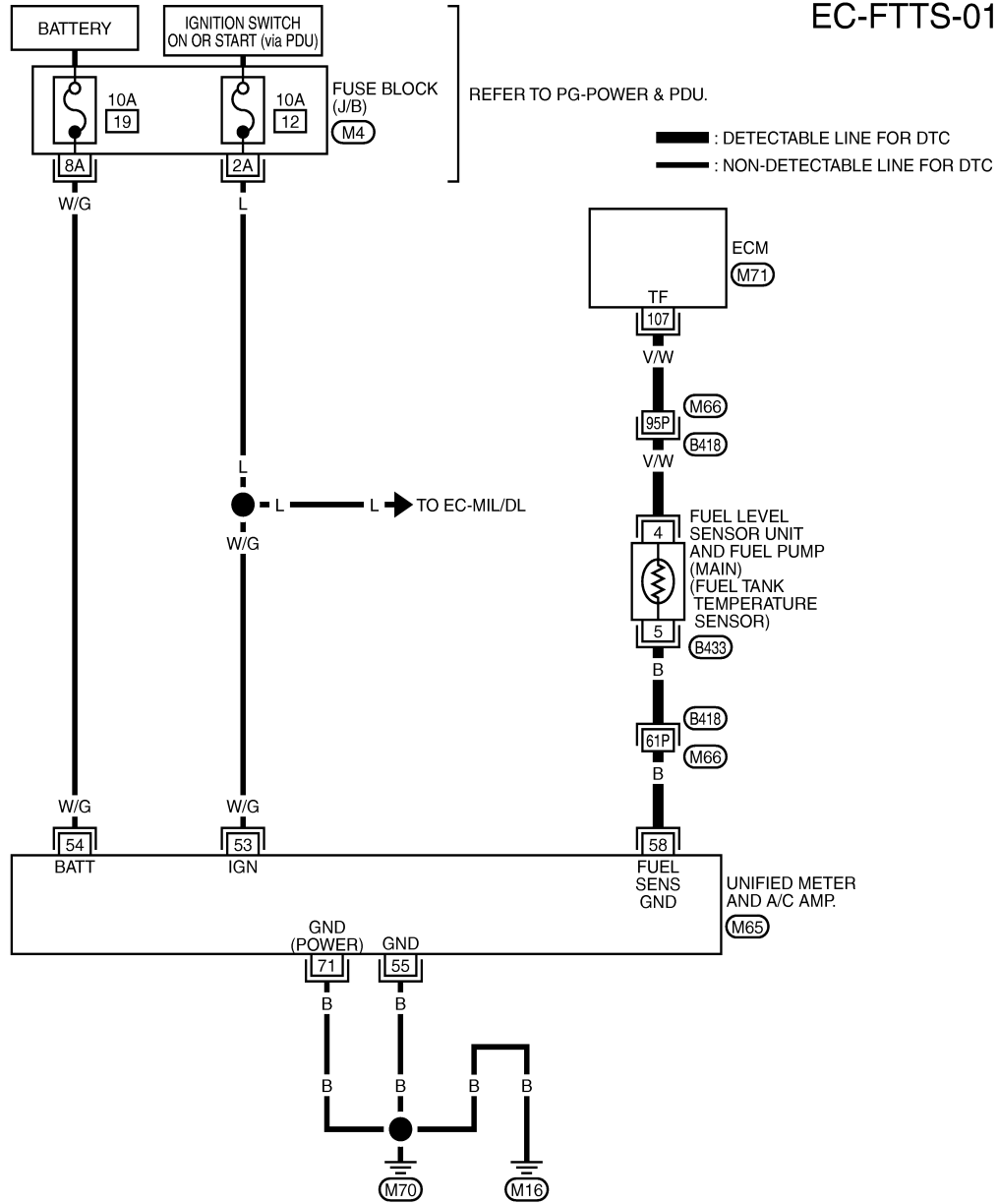
< SERVICE INFORMATION >

[VQ35DE]

INFOID:000000002954306

Wiring Diagram

EC-FTTS-01



REFER TO THE FOLLOWING.
 (B418) - SUPER MULTIPLE JUNCTION (SMJ)
 (M4) - FUSE BLOCK - JUNCTION BOX (J/B)

TBWT1952E

Diagnosis Procedure

INFOID:000000002954307

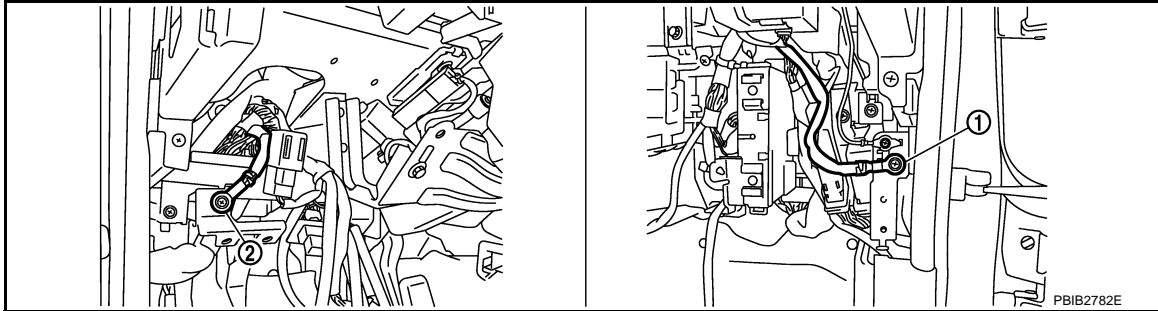
1. CHECK GROUND CONNECTIONS

1. Turn ignition switch OFF.
2. Loosen and retighten two ground screws on the body.
 Refer to [EC-146. "Ground Inspection"](#).

DTC P0182, P0183 FTT SENSOR

< SERVICE INFORMATION >

[VQ35DE]



1. Body ground M70

2. Body ground M16

OK or NG

OK >> GO TO 2.

NG >> Repair or replace ground connections.

2. CHECK DTC WITH "UNIFIED METER AND A/C AMP."

Refer to [DI-27. "CONSULT-III Function \(METER/M&A\)".](#)

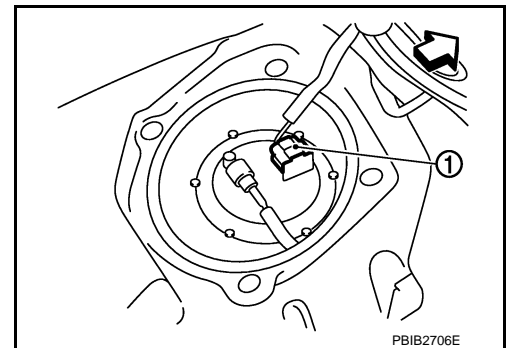
OK or NG

OK >> GO TO 3.

NG >> Go to [DI-22. "Fuel Level Sensor Signal Inspection".](#)

3. CHECK FUEL TANK TEMPERATURE SENSOR POWER SUPPLY CIRCUIT

1. Turn ignition switch OFF.
2. Disconnect "fuel level sensor unit and fuel pump" harness connector (1).
 - Illustration shows the view with rear seat cushion and inspection hole cover (RH) removed.
 - ↶: Vehicle front
3. Turn ignition switch ON.



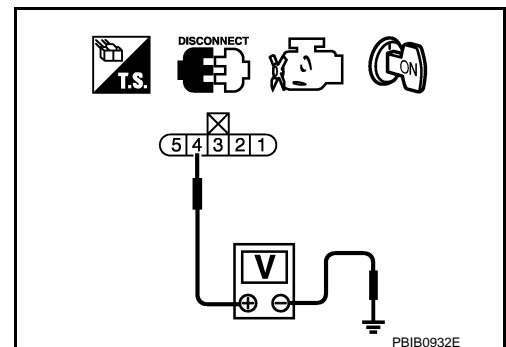
4. Check voltage between "fuel level sensor unit and fuel pump" terminal 4 and ground with CONSULT-III or tester.

Voltage: Approximately 5V

OK or NG

OK >> GO TO 5.

NG >> GO TO 4.



4. DETECT MALFUNCTIONING PART

Check the following.

- Harness connectors M66, B418
- Harness for open or short between ECM and "fuel level sensor unit and fuel pump"

>> Repair open circuit or short to ground or short to power in harness or connector.

5. CHECK FUEL TANK TEMPERATURE SENSOR GROUND CIRCUIT FOR OPEN AND SHORT

1. Turn ignition switch OFF.

DTC P0182, P0183 FTT SENSOR

[VQ35DE]

< SERVICE INFORMATION >

2. Disconnect "unified meter and A/C amp." harness connector.
3. Check harness continuity between "fuel level sensor unit and fuel pump" terminal 5 and "unified meter and A/C amp." terminal 58. Refer to Wiring Diagram.

Continuity should exist.

4. Also check harness for short to ground and short to power.

OK or NG

- OK >> GO TO 7.
- NG >> GO TO 6.

6. DETECT MALFUNCTIONING PART

Check the following.

- Harness connectors M66, B418
- Harness for open or short between "fuel level sensor unit and fuel pump" and "unified meter and A/C amp."

>> Repair open circuit or short to ground or short to power in harness or connector.

7. CHECK FUEL TANK TEMPERATURE SENSOR

Refer to [EC-311. "Component Inspection"](#).

OK or NG

- OK >> GO TO 8.
- NG >> Replace "fuel level sensor unit and fuel pump".

8. CHECK INTERMITTENT INCIDENT

Refer to [EC-140](#).

>> **INSPECTION END**

Component Inspection

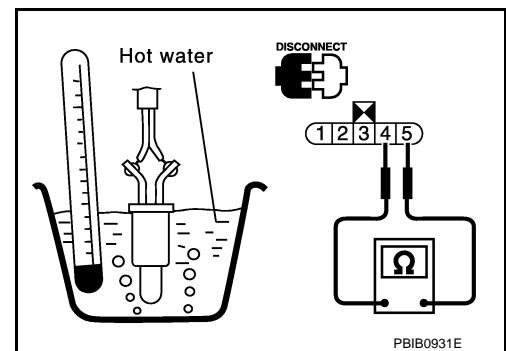
INFOID:000000002954308

FUEL TANK TEMPERATURE SENSOR

1. Remove fuel level sensor unit.
2. Check resistance between "fuel level sensor unit and fuel pump" terminals 4 and 5 by heating with hot water as shown in the figure.

Temperature °C (°F)	Resistance kΩ
20 (68)	2.3 - 2.7
50 (122)	0.79 - 0.90

If NG, replace fuel level sensor unit.



INFOID:000000002954309

Removal and Installation

FUEL TANK TEMPERATURE SENSOR

Refer to [FL-4](#).

DTC P0222, P0223 TP SENSOR

< SERVICE INFORMATION >

[VQ35DE]

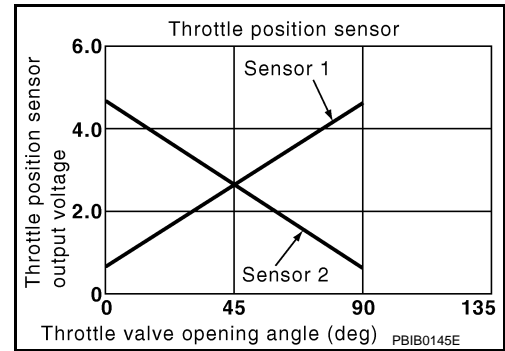
DTC P0222, P0223 TP SENSOR

Component Description

INFOID:000000002954310

Electric throttle control actuator consists of throttle control motor, throttle position sensor, etc. The throttle position sensor responds to the throttle valve movement.

The throttle position sensor has the two sensors. These sensors are a kind of potentiometers which transform the throttle valve position into output voltage, and emit the voltage signal to the ECM. In addition, these sensors detect the opening and closing speed of the throttle valve and feed the voltage signals to the ECM. The ECM judges the current opening angle of the throttle valve from these signals and the ECM controls the throttle control motor to make the throttle valve opening angle properly in response to driving condition.



CONSULT-III Reference Value in Data Monitor Mode

INFOID:000000002954311

Specification data are reference values.

MONITOR ITEM	CONDITION	SPECIFICATION
THRTL SEN 1 THRTL SEN 2*	• Ignition switch: ON (Engine stopped) • Selector lever: D	Accelerator pedal: Fully released
		Accelerator pedal: Fully depressed
		More than 0.36V
		Less than 4.75V

*: Throttle position sensor 2 signal is converted by ECM internally. Thus, it differs from ECM terminal voltage signal.

On Board Diagnosis Logic

INFOID:000000002954312

These self-diagnoses have the one trip detection logic.

DTC No.	Trouble diagnosis name	DTC detecting condition	Possible cause
P0222 0222	Throttle position sensor 1 circuit low input	An excessively low voltage from the TP sensor 1 is sent to ECM.	<ul style="list-style-type: none"> • Harness or connectors (TP sensor 1 circuit is open or shorted.) (APP sensor 2 circuit is shorted.) • Electric throttle control actuator (TP sensor 1) • Accelerator pedal position sensor (APP sensor 2)
P0223 0223	Throttle position sensor 1 circuit high input	An excessively high voltage from the TP sensor 1 is sent to ECM.	

FAIL-SAFE MODE

When the malfunction is detected, ECM enters fail-safe mode and the MIL lights up.

Engine operation condition in fail-safe mode

The ECM controls the electric throttle control actuator in regulating the throttle opening in order for the idle position to be within +10 degrees.

The ECM regulates the opening speed of the throttle valve to be slower than the normal condition.

So, the acceleration will be poor.

DTC Confirmation Procedure

INFOID:000000002954313

NOTE:

If DTC Confirmation Procedure has been previously conducted, always turn ignition switch OFF and wait at least 10 seconds before conducting the next test.

TESTING CONDITION:

Before performing the following procedure, confirm that battery voltage is more than 10V at idle.

1. Start engine and let it idle for 1 second.
2. Check DTC.
3. If DTC is detected, go to [EC-314. "Diagnosis Procedure"](#).

DTC P0222, P0223 TP SENSOR

< SERVICE INFORMATION >

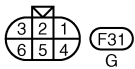
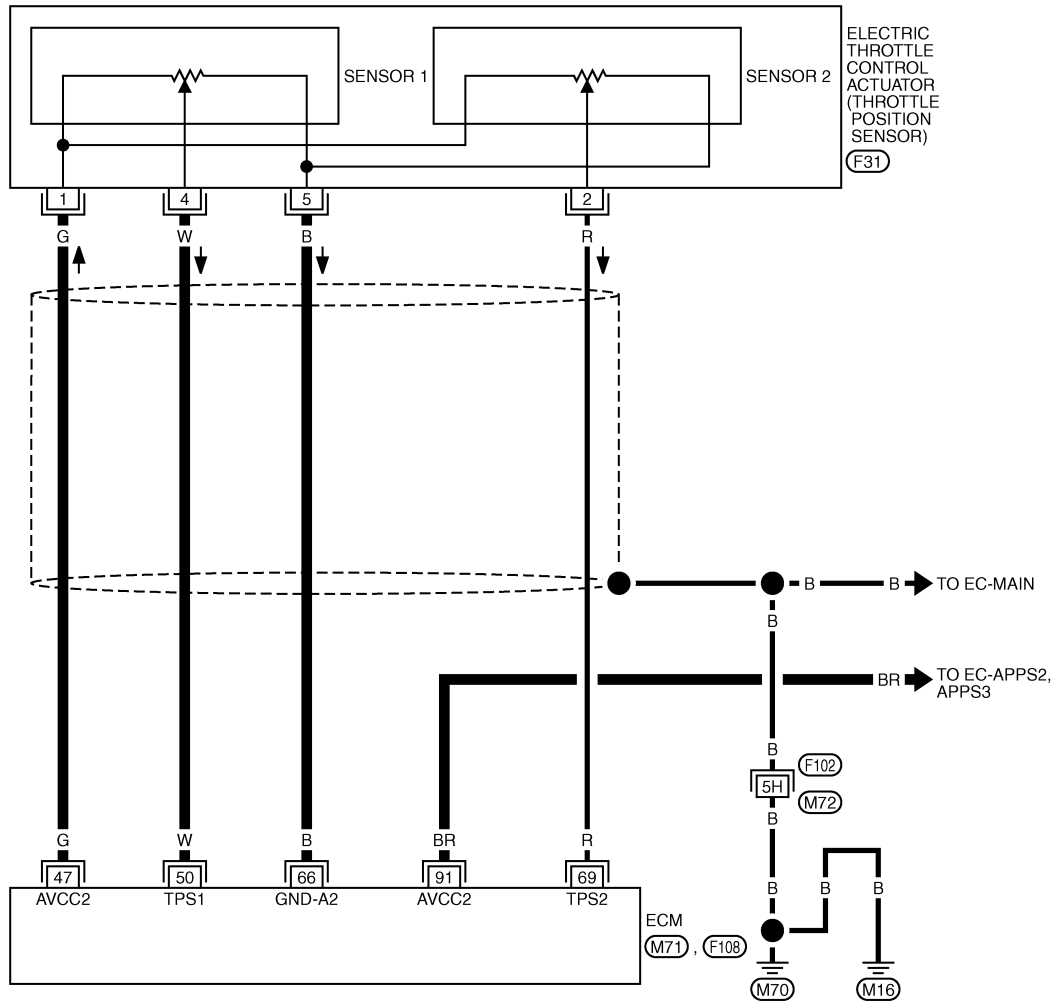
[VQ35DE]

Wiring Diagram

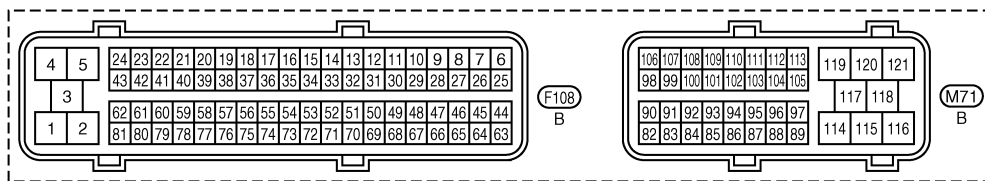
INFOID:000000002954314

EC-TPS1-01

— : DETECTABLE LINE FOR DTC
 - - - : NON-DETECTABLE LINE FOR DTC



REFER TO THE FOLLOWING.
 (F102) -SUPER MULTIPLE JUNCTION (SMJ)



TBWT1475E

Specification data are reference values and are measured between each terminal and ground.

CAUTION:

Do not use ECM ground terminals when measuring input/output voltage. Doing so may result in damage to the ECM's transistor. Use a ground other than ECM terminals, such as the ground.

DTC P0222, P0223 TP SENSOR

< SERVICE INFORMATION >

[VQ35DE]

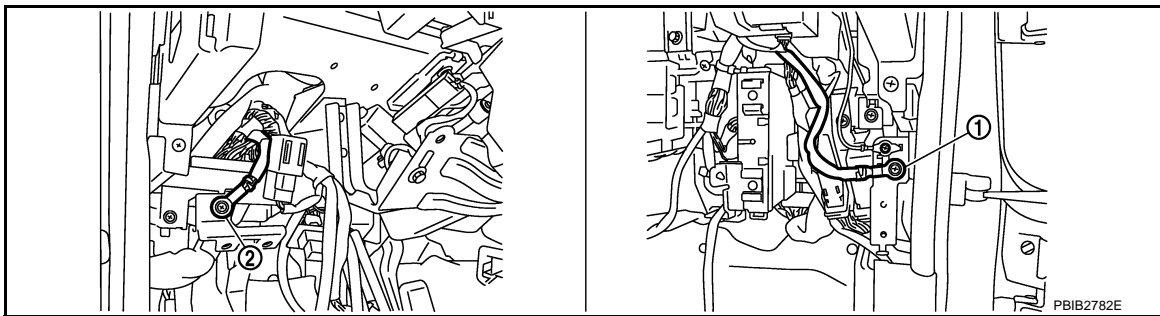
TER-MI-NAL NO.	WIRE COLOR	ITEM	CONDITION	DATA (DC Voltage)
47	G	Sensor power supply (Throttle position sensor)	[Ignition switch: ON]	Approximately 5V
50	W	Throttle position sensor 1	[Ignition switch: ON] • Engine stopped • Selector lever: D • Accelerator pedal: Fully released	More than 0.36V
			[Ignition switch: ON] • Engine stopped • Selector lever: D • Accelerator pedal: Fully depressed	Less than 4.75V
66	B	Sensor ground (Throttle position sensor)	[Engine is running] • Warm-up condition • Idle speed	Approximately 0V
69	R	Throttle position sensor 2	[Ignition switch: ON] • Engine stopped • Selector lever: D • Accelerator pedal: Fully released	Less than 4.75V
			[Ignition switch: ON] • Engine stopped • Selector lever: D • Accelerator pedal: Fully depressed	More than 0.36V
91	BR	Sensor power supply (APP sensor 2)	[Ignition switch: ON]	Approximately 5V

Diagnosis Procedure

INFOID:000000002954315

1. CHECK GROUND CONNECTIONS

1. Turn ignition switch OFF.
2. Loosen and retighten two ground screws on the body.
Refer to [EC-146. "Ground Inspection"](#).



1. Body ground M70
2. Body ground M16

OK or NG

- OK >> GO TO 2.
 NG >> Repair or replace ground connections.

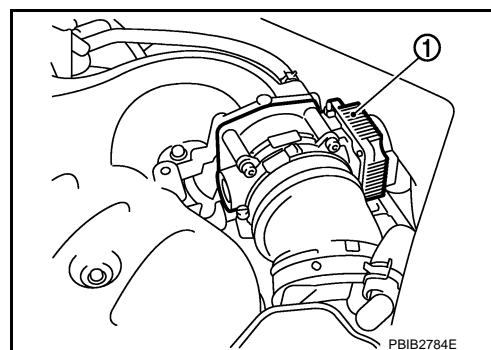
2. CHECK THROTTLE POSITION SENSOR 1 POWER SUPPLY CIRCUIT-I

DTC P0222, P0223 TP SENSOR

[VQ35DE]

< SERVICE INFORMATION >

1. Disconnect electric throttle control actuator (1) harness connector.
2. Turn ignition switch ON.

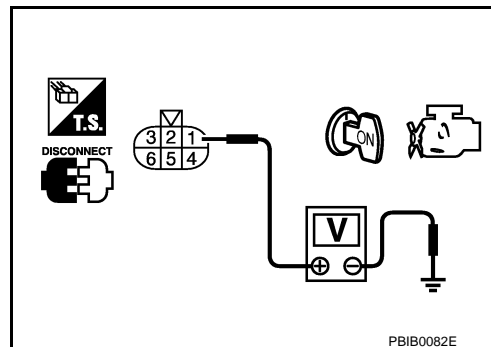


3. Check voltage between electric throttle control actuator terminal 1 and ground with CONSULT-III or tester.

Voltage: Approximately 5V

OK or NG

- OK >> GO TO 7.
 NG >> GO TO 3.



3.CHECK THROTTLE POSITION SENSOR 1 POWER SUPPLY CIRCUIT-II

1. Turn ignition switch OFF.
2. Disconnect ECM harness connector.
3. Check harness continuity between electric throttle control actuator terminal 1 and ECM terminal 47. Refer to Wiring Diagram.

Continuity should exist.

OK or NG

- OK >> GO TO 4.
 NG >> Repair open circuit.

4.CHECK THROTTLE POSITION SENSOR 1 POWER SUPPLY CIRCUIT-III

Check harness for short to power and short to ground, between the following terminals.

ECM terminal	Sensor terminal	Reference Wiring Diagram
47	Electric throttle control actuator terminal 1	EC-313
91	APP sensor terminal 5	EC-556

OK or NG

- OK >> GO TO 5.
 NG >> Repair short to ground or short to power in harness or connectors.

5.CHECK APP SENSOR

Refer to [EC-560. "Component Inspection"](#).

OK or NG

- OK >> GO TO 11.
 NG >> GO TO 6.

6.REPLACE ACCELERATOR PEDAL ASSEMBLY

1. Replace accelerator pedal assembly.
2. Perform [EC-82. "Accelerator Pedal Released Position Learning"](#).
3. Perform [EC-82. "Throttle Valve Closed Position Learning"](#).
4. Perform [EC-82. "Idle Air Volume Learning"](#).

>> INSPECTION END

7.CHECK THROTTLE POSITION SENSOR 1 GROUND CIRCUIT FOR OPEN AND SHORT

1. Turn ignition switch OFF.
2. Disconnect ECM harness connector.
3. Check harness continuity between electric throttle control actuator terminal 5 and ECM terminal 66.
Refer to Wiring Diagram.

Continuity should exist.

4. Also check harness for short to ground and short to power.

OK or NG

OK >> GO TO 8.

NG >> Repair open circuit or short to ground or short to power in harness or connectors.

8.CHECK THROTTLE POSITION SENSOR 1 INPUT SIGNAL CIRCUIT FOR OPEN AND SHORT

1. Check harness continuity between ECM terminal 50 and electric throttle control actuator terminal 4.
Refer to Wiring Diagram.

Continuity should exist.

2. Also check harness for short to ground and short to power.

OK or NG

OK >> GO TO 9.

NG >> Repair open circuit or short to ground or short to power in harness or connectors.

9.CHECK THROTTLE POSITION SENSOR

Refer to [EC-316, "Component Inspection"](#).

OK or NG

OK >> GO TO 11.

NG >> GO TO 10.

10.REPLACE ELECTRIC THROTTLE CONTROL ACTUATOR

1. Replace the electric throttle control actuator.
2. Perform [EC-82, "Throttle Valve Closed Position Learning"](#).
3. Perform [EC-82, "Idle Air Volume Learning"](#).

>> INSPECTION END

11.CHECK INTERMITTENT INCIDENT

Refer to [EC-140](#).

>> INSPECTION END

Component Inspection

INFOID:000000002954316

THROTTLE POSITION SENSOR

1. Reconnect all harness connectors disconnected.
2. Perform [EC-82, "Throttle Valve Closed Position Learning"](#).
3. Turn ignition switch ON.
4. Set selector lever to D position.

DTC P0222, P0223 TP SENSOR

[VQ35DE]

< SERVICE INFORMATION >

5. Check voltage between ECM terminals 50 (TP sensor 1 signal), 69 (TP sensor 2 signal) and ground under the following conditions.

Terminal	Accelerator pedal	Voltage
50 (Throttle position sensor 1)	Fully released	More than 0.36V
	Fully depressed	Less than 4.75V
69 (Throttle position sensor 2)	Fully released	Less than 4.75V
	Fully depressed	More than 0.36V

6. If NG, replace electric throttle control actuator and go to the next step.

7. Perform [EC-82, "Throttle Valve Closed Position Learning"](#).

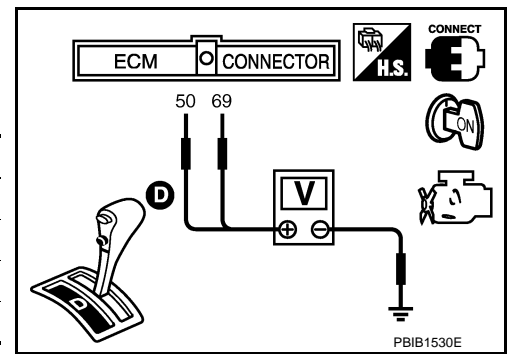
8. Perform [EC-82, "Idle Air Volume Learning"](#).

Removal and Installation

INFOID:000000002954317

ELECTRIC THROTTLE CONTROL ACTUATOR

Refer to [EM-25](#).



A

EC

C

D

E

F

G

H

I

J

K

L

M

N

O

P

DTC P0300, P0301, P0302, P0303, P0304, P0305, P0306 MULTIPLE CYLINDER MISFIRE, NO. 1 - 6 CYLINDER MISFIRE

< SERVICE INFORMATION >

[VQ35DE]

DTC P0300, P0301, P0302, P0303, P0304, P0305, P0306 MULTIPLE CYLINDER MISFIRE, NO. 1 - 6 CYLINDER MISFIRE

On Board Diagnosis Logic

INFOID:000000002954318

When a misfire occurs, engine speed will fluctuate. If the engine speed fluctuates enough to cause the crankshaft position (CKP) sensor (POS) signal to vary, ECM can determine that a misfire is occurring.

Sensor	Input signal to ECM	ECM function
Crankshaft position sensor (POS)	Engine speed	On board diagnosis of misfire

The misfire detection logic consists of the following two conditions.

- One Trip Detection Logic (Three Way Catalyst Damage)**
 On the 1st trip that a misfire condition occurs that can damage the three way catalyst (TWC) due to overheating, the MIL will blink.
 When a misfire condition occurs, the ECM monitors the CKP sensor signal every 200 engine revolutions for a change.
 When the misfire condition decreases to a level that will not damage the TWC, the MIL will turn off.
 If another misfire condition occurs that can damage the TWC on a second trip, the MIL will blink.
 When the misfire condition decreases to a level that will not damage the TWC, the MIL will remain on.
 If another misfire condition occurs that can damage the TWC, the MIL will begin to blink again.
- Two Trip Detection Logic (Exhaust quality deterioration)**
 For misfire conditions that will not damage the TWC (but will affect vehicle emissions), the MIL will only light when the misfire is detected on a second trip. During this condition, the ECM monitors the CKP sensor signal every 1,000 engine revolutions.
 A misfire malfunction can be detected on any one cylinder or on multiple cylinders.

DTC No.	Trouble diagnosis name	DTC detecting condition	Possible cause
P0300 0300	Multiple cylinder misfire detected	Multiple cylinder misfire.	<ul style="list-style-type: none"> • Improper spark plug • Insufficient compression • Incorrect fuel pressure • The fuel injector circuit is open or shorted • Fuel injector • Intake air leak • The ignition signal circuit is open or shorted • Lack of fuel • Signal plate • A/F sensor 1 • Incorrect PCV hose connection
P0301 0301	No.1 cylinder misfire detected	No. 1 cylinder misfires.	
P0302 0302	No. 2 cylinder misfire detected	No. 2 cylinder misfires.	
P0303 0303	No. 3 cylinder misfire detected	No. 3 cylinder misfires.	
P0304 0304	No. 4 cylinder misfire detected	No. 4 cylinder misfires.	
P0305 0305	No. 5 cylinder misfire detected	No. 5 cylinder misfires.	
P0306 0306	No. 6 cylinder misfire detected	No. 6 cylinder misfires.	

DTC Confirmation Procedure

INFOID:000000002954319

CAUTION:

Always drive vehicle in safe manner according to traffic conditions and obey all traffic laws when driving.

NOTE:

If DTC Confirmation Procedure has been previously conducted, always turn ignition switch OFF and wait at least 10 seconds before conducting the next test.

1. Start engine and warm it up to normal operating temperature.
2. Turn ignition switch OFF and wait at least 10 seconds.
3. Restart engine and let it idle for about 15 minutes.
4. Check 1st trip DTC.
5. If 1st trip DTC is detected, go to [EC-319. "Diagnosis Procedure"](#).

DTC P0300, P0301, P0302, P0303, P0304, P0305, P0306 MULTIPLE CYLINDER MISFIRE, NO. 1 - 6 CYLINDER MISFIRE

[VQ35DE]

< SERVICE INFORMATION >

NOTE:

If 1st trip DTC is not detected during above procedure, performing the following procedure is advised.

- a. Turn ignition switch OFF and wait at least 10 seconds.
- b. Start engine and drive the vehicle under the similar conditions to (1st trip) Freeze Frame Data for a certain time. Refer to the table below.

Hold the accelerator pedal as steady as possible.

The similar conditions to (1st trip) Freeze Frame Data means the vehicle operation that the following conditions should be satisfied at the same time.

Engine speed	Engine speed in the freeze frame data \pm 400 rpm
Vehicle speed	Vehicle speed in the freeze frame data \pm 10 km/h (6 MPH)
Engine coolant temperature (T) condition	When the freeze frame data shows lower than 70 °C (158 °F), T should be lower than 70 °C (158 °F).
	When the freeze frame data shows higher than or equal to 70 °C (158 °F), T should be higher than or equal to 70 °C (158 °F).

The time to driving varies according to the engine speed in the freeze frame data.

Engine speed	Time
Around 1,000 rpm	Approximately 10 minutes
Around 2,000 rpm	Approximately 5 minutes
More than 3,000 rpm	Approximately 3.5 minutes

Diagnosis Procedure

INFOID:000000002954320

1. CHECK FOR INTAKE AIR LEAK AND PCV HOSE

1. Start engine and run it at idle speed.
2. Listen for the sound of the intake air leak.
3. Check PCV hose connection.

OK or NG

- OK >> GO TO 2.
 NG >> Discover air leak location and repair.

2. CHECK FOR EXHAUST SYSTEM CLOGGING

Stop engine and visually check exhaust tube, three way catalyst and muffler for dents.

OK or NG

- OK (With CONSULT-III) >> GO TO 3.
 OK (Without CONSULT-III) >> GO TO 4.
 NG >> Repair or replace it.

3. PERFORM POWER BALANCE TEST

With CONSULT-III

1. Perform "POWER BALANCE" in "ACTIVE TEST" mode with CONSULT-III.
2. Is there any cylinder which does not produces a momentary engine speed drop?

Yes or No

- Yes >> GO TO 4.
 No >> GO TO 10.

4. CHECK FUNCTION OF FUEL INJECTOR-I

Without CONSULT-III

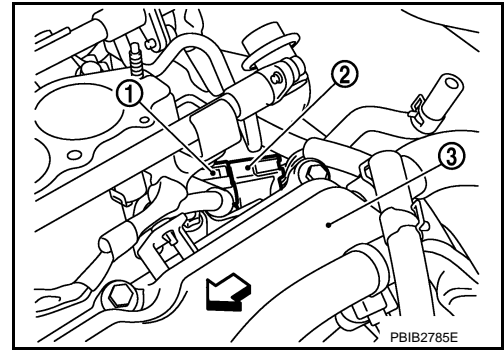
1. Turn ignition switch OFF.

DTC P0300, P0301, P0302, P0303, P0304, P0305, P0306 MULTIPLE CYLINDER MISFIRE, NO. 1 - 6 CYLINDER MISFIRE

[VQ35DE]

< SERVICE INFORMATION >

2. Disconnect harness connectors F221 (1), F33 (2).
 - ⇐: vehicle front
 - Cylinder head (bank 2) (3)
3. Turn ignition switch ON.

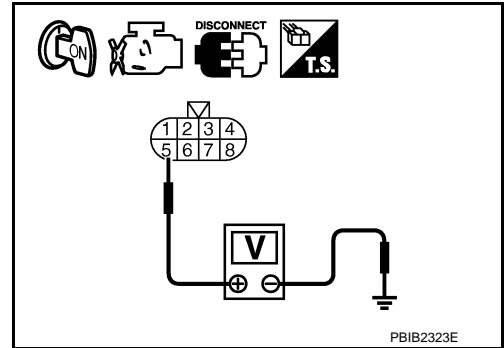


4. Check voltage between harness connector F33 terminal 5 and ground with CONSULT-III or tester.

Voltage: Battery voltage

5. Turn ignition switch OFF.
6. Disconnect ECM harness connector.
7. Check harness continuity between the following terminals.

Cylinder	Harness connector F33 terminal	ECM terminal
1	6	23
2	4	42
3	2	22
4	3	41
5	1	21
6	7	40



Continuity should exist.

8. Also check harness for short to ground and short to power.

OK or NG

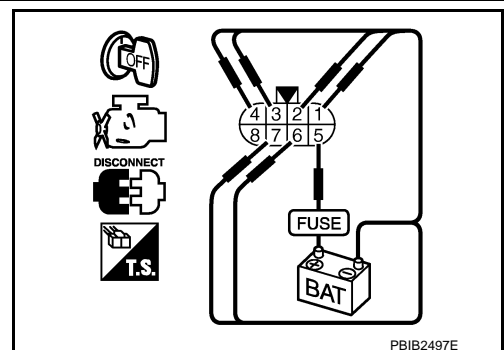
OK >> GO TO 5.

NG >> Perform trouble diagnosis for FUEL INJECTOR, refer to [EC-594](#).

5. CHECK FUNCTION OF FUEL INJECTOR-II

Provide battery voltage between the following terminals, and then interrupt it. Listen to each fuel injector operating sound.

Cylinder	Harness connector F221 terminal	
	(+)	(-)
1	5	6
2		4
3		2
4		3
5		1
6		7



Operating sound should exist.

OK or NG

OK >> GO TO 6.

NG >> Perform trouble diagnosis for FUEL INJECTOR, refer to [EC-594](#).

6. CHECK FUNCTION OF IGNITION COIL-I

CAUTION:

Do the following procedure in the place where ventilation is good without the combustible.

1. Turn ignition switch OFF.
2. Remove fuel pump fuse (1) in IPDM E/R (2) to release fuel pressure.

NOTE:

Do not use CONSULT-III to release fuel pressure, or fuel pressure applies again during the following procedure.

3. Start engine.
4. After engine stalls, crank it two or three times to release all fuel pressure.
5. Turn ignition switch OFF.
6. Remove all ignition coil harness connectors to avoid the electrical discharge from the ignition coils.
7. Remove ignition coil and spark plug of the cylinder to be checked.
8. Crank engine for 5 seconds or more to remove combustion gas in the cylinder.
9. Connect spark plug and harness connector to ignition coil.
10. Fix ignition coil using a rope etc. with gap of 13 - 17 mm between the edge of the spark plug and grounded metal portion as shown in the figure.
11. Crank engine for about 3 seconds, and check whether spark is generated between the spark plug and the grounded metal portion.

Spark should be generated.

CAUTION:

- Do not approach to the spark plug and the ignition coil within 50cm. Be careful not to get an electrical shock while checking, because the electrical discharge voltage becomes 20kV or more.
- It might cause to damage the ignition coil if the gap of more than 17 mm is taken.

NOTE:

When the gap is less than 13 mm, the spark might be generated even if the coil is malfunctioning.

OK or NG

- OK >> GO TO 10.
NG >> GO TO 7.

7. CHECK FUNCTION OF IGNITION COIL-II

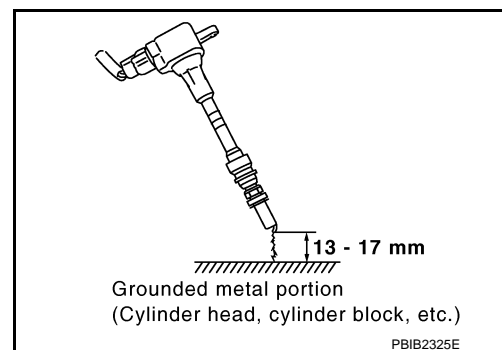
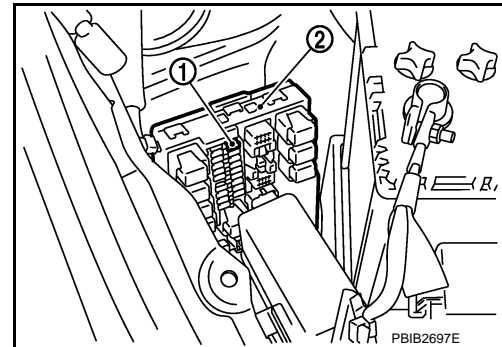
1. Turn ignition switch OFF.
2. Disconnect spark plug and connect a known-good spark plug.
3. Crank engine for about 3 seconds, and recheck whether spark is generated between the spark plug and the grounded metal portion.

Spark should be generated.

OK or NG

- OK >> GO TO 8.
NG >> Check ignition coil, power transistor and their circuits. Refer to [EC-614](#).

8. CHECK SPARK PLUG



DTC P0300, P0301, P0302, P0303, P0304, P0305, P0306 MULTIPLE CYLINDER MISFIRE, NO. 1 - 6 CYLINDER MISFIRE

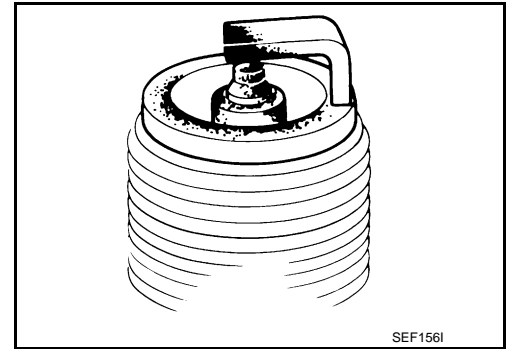
[VQ35DE]

< SERVICE INFORMATION >

Check the initial spark plug for fouling, etc.

OK or NG

- OK >> Replace spark plug(s) with standard type one(s). For spark plug type, refer to [EM-44](#).
- NG >> 1. Repair or clean spark plug.
2. GO TO 9.



9. CHECK FUNCTION OF IGNITION COIL-III

1. Reconnect the initial spark plugs.
2. Crank engine for about 3 seconds, and recheck whether spark is generated between the spark plug and the grounded portion.

Spark should be generated.

OK or NG

- OK >> **INSPECTION END**
- NG >> Replace spark plug(s) with standard type one(s). For spark plug type, refer to [MA-18. "Changing Spark Plugs \(Platinum-Tipped Type\)"](#).

10. CHECK COMPRESSION PRESSURE

Check compression pressure. Refer to [EM-101. "On-Vehicle Service"](#).

OK or NG

- OK >> GO TO 11.
- NG >> Check pistons, piston rings, valves, valve seats and cylinder head gaskets.

11. CHECK FUEL PRESSURE

1. Install all removed parts.
2. Release fuel pressure to zero. Refer to [EC-84. "Fuel Pressure Check"](#).
3. Install fuel pressure gauge and check fuel pressure. Refer to [EC-84. "Fuel Pressure Check"](#).

At idling: Approximately 350 kPa (3.57 kg/cm², 51 psi)

OK or NG

- OK >> GO TO 13.
- NG >> GO TO 12.

12. DETECT MALFUNCTIONING PART

Check the following.

- Fuel pump and circuit (Refer to [EC-600](#).)
- Fuel pressure regulator (Refer to [EC-84. "Fuel Pressure Check"](#).)
- Fuel lines (Refer to [FL-3](#).)
- Fuel filter for clogging

>> Repair or replace.

13. CHECK IGNITION TIMING

Check the following items. Refer to [EC-76. "Basic Inspection"](#).

Items	Specifications
Target idle speed	650 ± 50 rpm (in P or N position)
Ignition timing	15 ± 5° BTDC (in P or N position)

OK or NG

- OK >> GO TO 14.

DTC P0300, P0301, P0302, P0303, P0304, P0305, P0306 MULTIPLE CYLINDER MISFIRE, NO. 1 - 6 CYLINDER MISFIRE

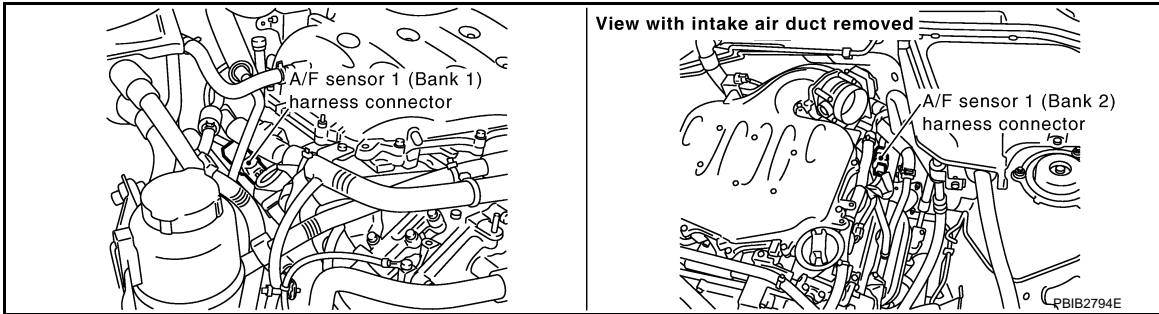
[VQ35DE]

< SERVICE INFORMATION >

NG >> Follow the [EC-76. "Basic Inspection"](#).

14. CHECK A/F SENSOR 1 INPUT SIGNAL CIRCUIT

1. Turn ignition switch OFF.
2. Disconnect corresponding A/F sensor 1 harness connector.



3. Disconnect ECM harness connector.
4. Check harness continuity between the following terminals. Refer to Wiring Diagram.

	A/F sensor 1 terminal	ECM terminal
Bank 1	1	16
	2	75
	5	35
	6	56
Bank 2	1	76
	2	77
	5	57
	6	58

Continuity should exist.

5. Check harness continuity between the following terminals and ground. Refer to Wiring Diagram.

Bank 1		Bank 2	
A/F sensor 1 terminal	ECM terminal	A/F sensor 1 terminal	ECM terminal
1	16	1	76
2	75	2	77
5	35	5	57
6	56	6	58

Continuity should not exist.

6. Also check harness for short to power.

OK or NG

OK >> GO TO 15.

NG >> Repair open circuit or short to ground or short to power in harness or connectors.

15. CHECK A/F SENSOR 1 HEATER

Refer to [EC-159. "Component Inspection"](#).

OK or NG

OK >> GO TO 17.

NG >> GO TO 16.

16. REPLACE AIR FUEL RATIO (A/F) SENSOR 1

DTC P0300, P0301, P0302, P0303, P0304, P0305, P0306 MULTIPLE CYLINDER MISFIRE, NO. 1 - 6 CYLINDER MISFIRE

< SERVICE INFORMATION >

[VQ35DE]

Replace malfunctioning air fuel ratio (A/F) sensor 1.

CAUTION:

- Discard any A/F sensor which has been dropped from a height of more than 0.5 m (19.7 in) onto a hard surface such as a concrete floor; use a new one.
- Before installing new A/F sensor, clean exhaust system threads using Oxygen Sensor Thread Cleaner tool J-43897-18 or J-43897-12 and approved anti-seize lubricant.

>> INSPECTION END

17. CHECK MASS AIR FLOW SENSOR

With CONSULT-III

1. Install all removed parts.
2. Start engine and warm it up to normal operating temperature.
3. Check mass air flow sensor signal in "DATA MONITOR" mode with CONSULT-III.

2.0 - 6.0 g-m/sec: at idling

7.0 - 20.0 g-m/sec: at 2,500 rpm

With GST

1. Install all removed parts.
2. Start engine and warm it up to normal operating temperature.
3. Check mass air flow sensor signal in Service \$01 with GST.

2.0 - 6.0 g-m/sec: at idling

7.0 - 20.0 g-m/sec: at 2,500 rpm

OK or NG

OK >> GO TO 18.

NG >> Check connectors for rusted terminals or loose connections in the mass air flow sensor circuit or ground. Refer to [EC-176](#).

18. CHECK SYMPTOM MATRIX CHART

Check items on the rough idle symptom in [EC-93. "Symptom Matrix Chart"](#).

OK or NG

OK >> GO TO 19.

NG >> Repair or replace.

19. ERASE THE 1ST TRIP DTC

Some tests may cause a 1st trip DTC to be set.

Erase the 1st trip DTC from the ECM memory after performing the tests. Refer to [EC-55. "Emission-Related Diagnostic Information"](#).

>> GO TO 20.

20. CHECK INTERMITTENT INCIDENT

Refer to [EC-140](#).

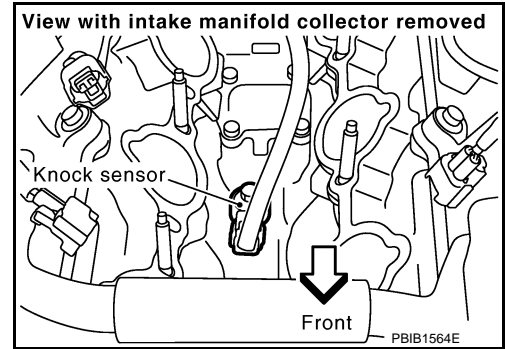
>> INSPECTION END

DTC P0327, P0328 KS

Component Description

INFOID:000000002954321

The knock sensor is attached to the cylinder block. It senses engine knocking using a piezoelectric element. A knocking vibration from the cylinder block is sensed as vibrational pressure. This pressure is converted into a voltage signal and sent to the ECM.



On Board Diagnosis Logic

INFOID:000000002954322

The MIL will not light up for these diagnoses.

DTC No.	Trouble diagnosis name	DTC detected condition	Possible cause
P0327 0327	Knock sensor circuit low input	An excessively low voltage from the sensor is sent to ECM.	<ul style="list-style-type: none"> • Harness or connectors (The sensor circuit is open or shorted.) • Knock sensor
P0328 0328	Knock sensor circuit high input	An excessively high voltage from the sensor is sent to ECM.	

DTC Confirmation Procedure

INFOID:000000002954323

NOTE:

If DTC Confirmation Procedure has been previously conducted, always turn ignition switch OFF and wait at least 10 seconds before conducting the next test.

TESTING CONDITION:

Before performing the following procedure, confirm that battery voltage is more than 10V at idle.

1. Start engine and run it for at least 5 seconds at idle speed.
2. Check 1st trip DTC.
3. If 1st trip DTC is detected, go to [EC-327, "Diagnosis Procedure"](#).

DTC P0327, P0328 KS

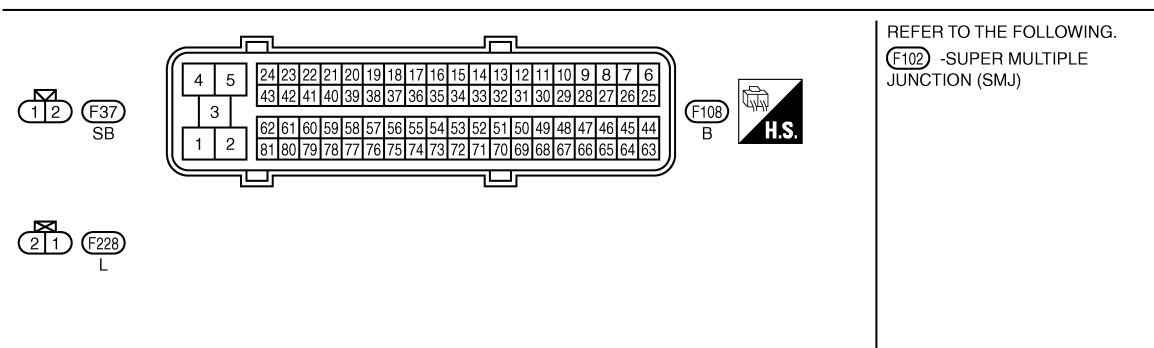
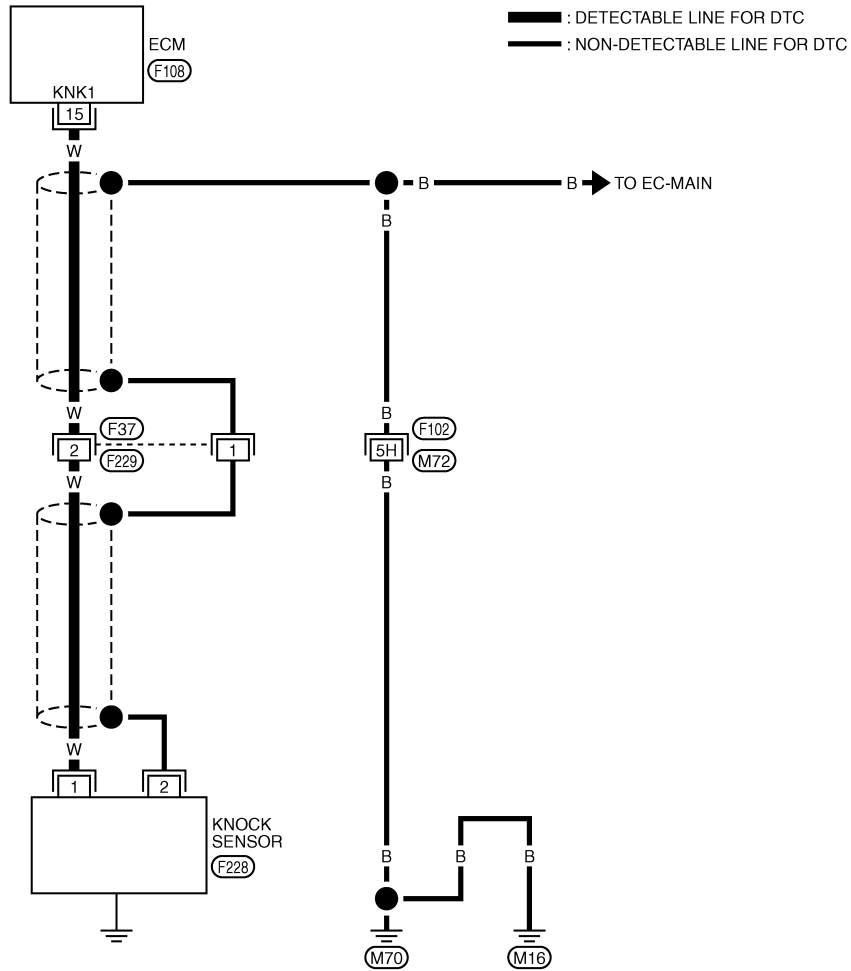
[VQ35DE]

< SERVICE INFORMATION >

Wiring Diagram

INFOID:000000002954324

EC-KS-01



TBWT0960E

Specification data are reference values and are measured between each terminal and ground.

CAUTION:

Do not use ECM ground terminals when measuring input/output voltage. Doing so may result in damage to the ECM's transistor. Use a ground other than ECM terminals, such as the ground.

DTC P0327, P0328 KS

< SERVICE INFORMATION >

[VQ35DE]

TER-MI-NAL NO.	WIRE COLOR	ITEM	CONDITION	DATA (DC Voltage)
15	W	Knock sensor	[Engine is running] • Idle speed	Approximately 2.5V

Diagnosis Procedure

INFOID:000000002954325

1. CHECK KNOCK SENSOR INPUT SIGNAL CIRCUIT FOR OPEN AND SHORT-I

1. Turn ignition switch OFF.
2. Disconnect ECM harness connector.
3. Check resistance between ECM terminal 15 and ground. Refer to Wiring Diagram.

NOTE:

It is necessary to use an ohmmeter which can measure more than 10 MΩ.

Resistance: Approximately 532 - 588 kΩ [at 20°C (68°F)]

4. Also check harness for short to ground and short to power.

OK or NG

- OK >> GO TO 5.
- NG >> GO TO 2.

2. CHECK KNOCK SENSOR INPUT SIGNAL CIRCUIT FOR OPEN AND SHORT-II

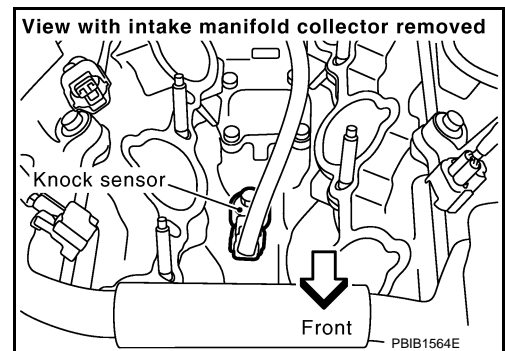
1. Disconnect knock sensor harness connector.
2. Check harness continuity between ECM terminal 15 and knock sensor terminal 1. Refer to Wiring Diagram.

Continuity should exist.

3. Also check harness for short to ground and short to power.

OK or NG

- OK >> GO TO 4.
- NG >> GO TO 3.



3. DETECT MALFUNCTIONING PART

Check the following.

- Harness connectors F37, F229
- Harness for open or short between ECM and knock sensor

>> Repair open circuit or short to ground or short to power in harness or connectors.

4. CHECK KNOCK SENSOR

Refer to [EC-328. "Component Inspection"](#).

OK or NG

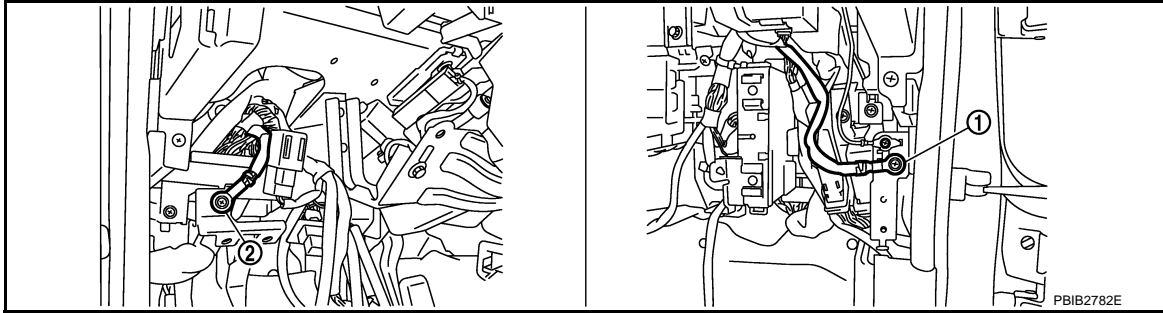
- OK >> GO TO 5.
- NG >> Replace knock sensor.

5. CHECK GROUND CONNECTIONS

Loosen and retighten two ground screws on the body.

< SERVICE INFORMATION >

Refer to [EC-146. "Ground Inspection"](#).



- 1. Body ground M70
- 2. Body ground M16

OK or NG

- OK >> GO TO 6.
- NG >> Repair or replace ground connections.

6. CHECK KNOCK SENSOR SHIELD CIRCUIT FOR OPEN AND SHORT

- 1. Disconnect knock sensor harness connector.
- 2. Check harness continuity between knock sensor terminal 2 and ground. Refer to Wiring Diagram.

Continuity should exist.

- 3. Also check harness for short to power.

OK or NG

- OK >> GO TO 8.
- NG >> GO TO 7.

7. DETECT MALFUNCTIONING PART

Check the following.

- Harness connectors F37, F229
- Harness connectors F102, M72
- Harness for open or short between knock sensor terminal 2 and ground

>> Repair open circuit or short to power in harness or connectors.

8. CHECK INTERMITTENT INCIDENT

Refer to [EC-140](#).

>> **INSPECTION END**

Component Inspection

INFOID:000000002954326

KNOCK SENSOR

Check resistance between knock sensor terminal 1 and ground.

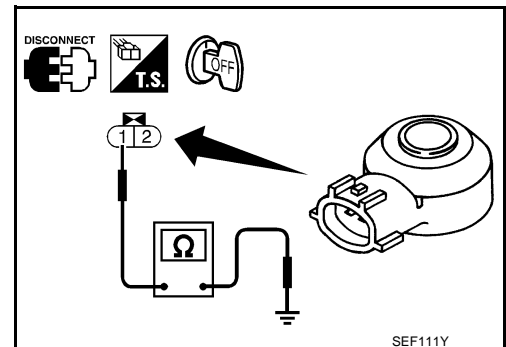
NOTE:

It is necessary to use an ohmmeter which can measure more than 10 MΩ.

Resistance: Approximately 532 - 588 kΩ [at 20°C (68°F)]

CAUTION:

Do not use any knock sensors that have been dropped or physically damaged. Use only new ones.



Removal and Installation

INFOID:000000002954327

KNOCK SENSOR

Refer to [EM-123](#).

A

EC

C

D

E

F

G

H

I

J

K

L

M

N

O

P

DTC P0335 CKP SENSOR (POS)

< SERVICE INFORMATION >

[VQ35DE]

DTC P0335 CKP SENSOR (POS)

Component Description

INFOID:000000002954328

The crankshaft position sensor (POS) is located on the oil pan facing the gear teeth (cogs) of the signal plate. It detects the fluctuation of the engine revolution.

The sensor consists of a permanent magnet and Hall IC.

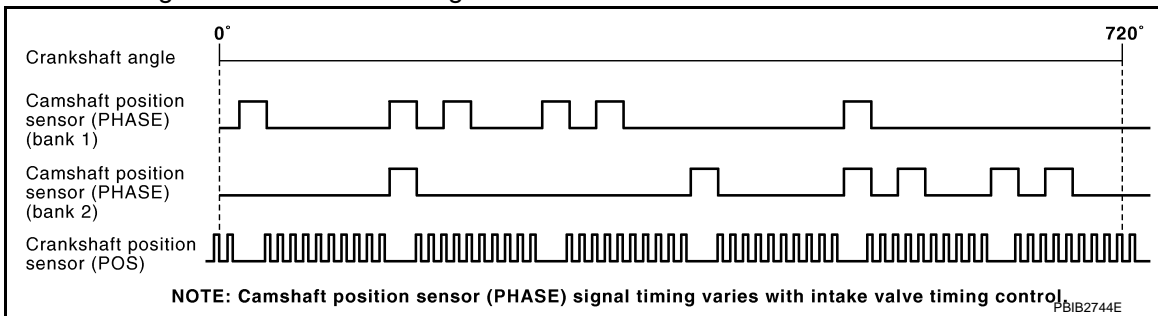
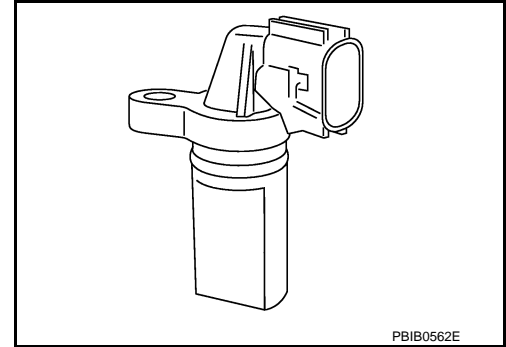
When the engine is running, the high and low parts of the teeth cause the gap with the sensor to change.

The changing gap causes the magnetic field near the sensor to change.

Due to the changing magnetic field, the voltage from the sensor changes.

The ECM receives the voltage signal and detects the fluctuation of the engine revolution.

ECM receives the signals as shown in the figure.



CONSULT-III Reference Value in Data Monitor Mode

INFOID:000000002954329

Specification data are reference values.

MONITOR ITEM	CONDITION	SPECIFICATION
ENG SPEED	<ul style="list-style-type: none"> Run engine and compare CONSULT-III value with the tachometer indication. 	Almost the same speed as the tachometer indication.

On Board Diagnosis Logic

INFOID:000000002954330

DTC No.	Trouble diagnosis name	DTC detecting condition	Possible cause
P0335 0335	Crankshaft position sensor (POS) circuit	<ul style="list-style-type: none"> The crankshaft position sensor (POS) signal is not detected by the ECM during the first few seconds of engine cranking. The proper pulse signal from the crankshaft position sensor (POS) is not sent to ECM while the engine is running. The crankshaft position sensor (POS) signal is not in the normal pattern during engine running. 	<ul style="list-style-type: none"> Harness or connectors (The sensor circuit is open or shorted) Crankshaft position sensor (POS) Signal plate

DTC Confirmation Procedure

INFOID:000000002954331

NOTE:

If DTC Confirmation Procedure has been previously conducted, always turn ignition switch OFF and wait at least 10 seconds before conducting the next test.

TESTING CONDITION:

Before performing the following procedure, confirm that battery voltage is more than 10.5V with ignition switch ON.

1. Crank engine for at least 2 seconds and run it for at least 5 seconds at idle speed.
2. Check 1st trip DTC.

DTC P0335 CKP SENSOR (POS)

[VQ35DE]

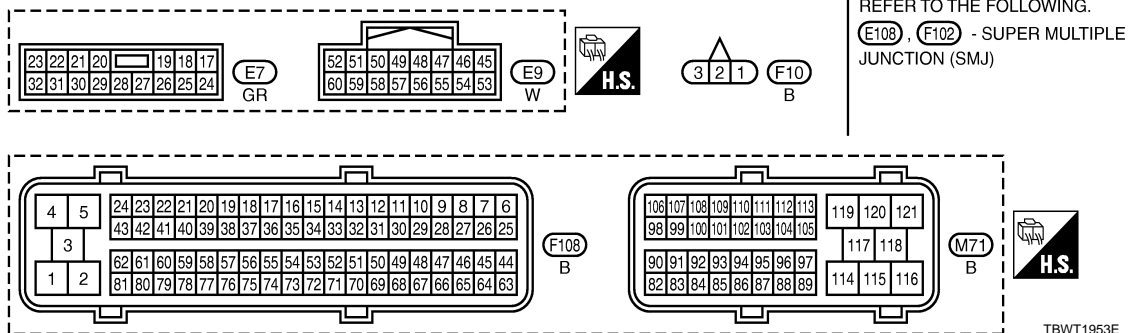
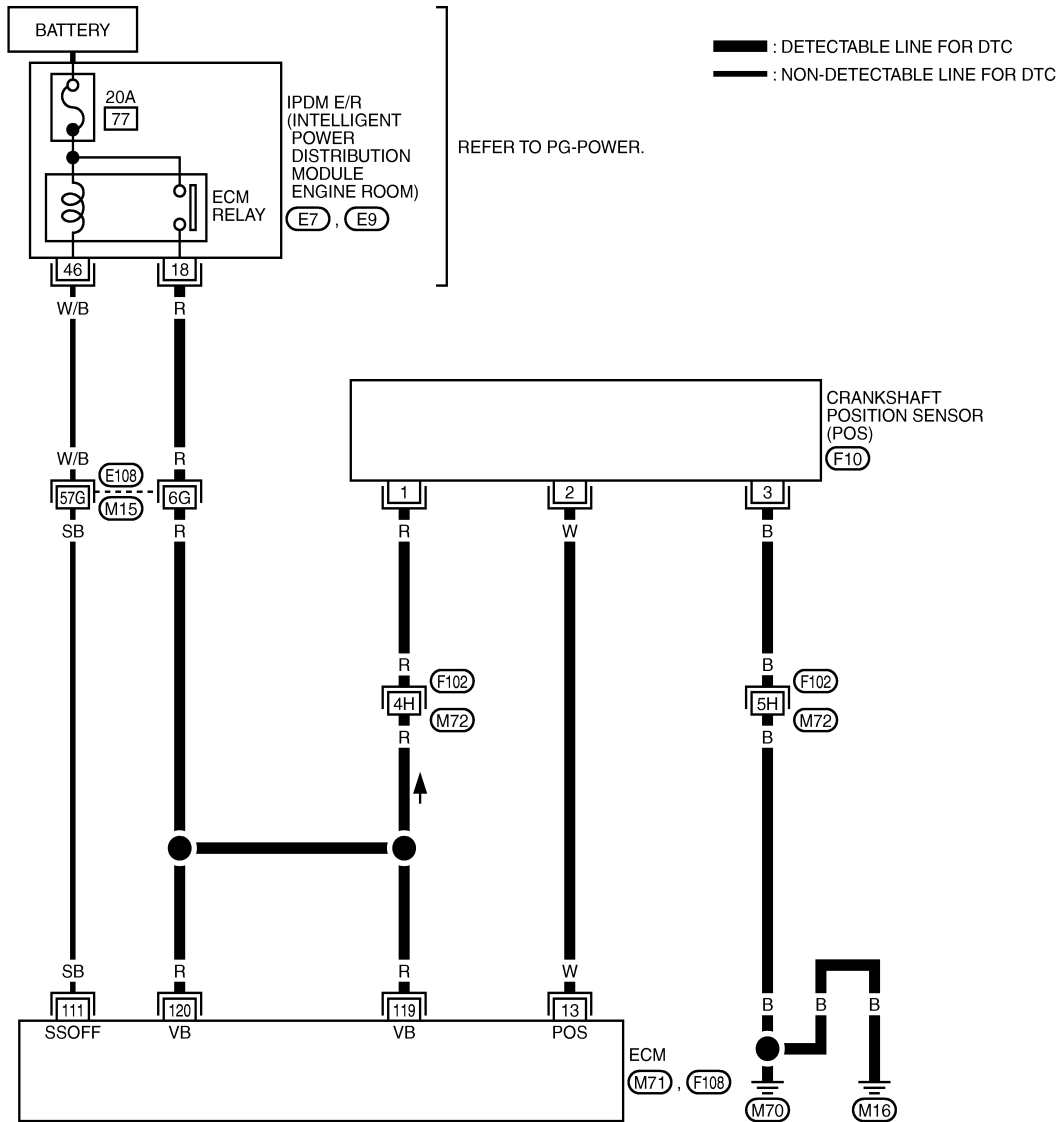
< SERVICE INFORMATION >

3. If 1st trip DTC is detected, go to [EC-332. "Diagnosis Procedure"](#).

Wiring Diagram

INFOID:000000002954332

EC-POS-01



Specification data are reference values and are measured between each terminal and ground. Pulse signal is measured by CONSULT-III.

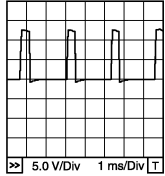
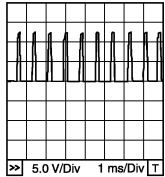
CAUTION:

DTC P0335 CKP SENSOR (POS)

< SERVICE INFORMATION >

[VQ35DE]

Do not use ECM ground terminals when measuring input/output voltage. Doing so may result in damage to the ECM's transistor. Use a ground other than ECM terminals, such as the ground.

TER-MI-NAL NO.	WIRE COLOR	ITEM	CONDITION	DATA (DC Voltage)
13	W	Crankshaft position sensor (POS)	[Engine is running] <ul style="list-style-type: none"> • Warm-up condition • Idle speed NOTE: The pulse cycle changes depending on rpm at idle	1.0 - 2.0V★  <small>PBIB1041E</small>
			[Engine is running] <ul style="list-style-type: none"> • Engine speed: 2,000 rpm 	1.0 - 2.0V★  <small>PBIB1042E</small>
111	SB	ECM relay (Self shut-off)	[Engine is running] [Ignition switch: OFF] <ul style="list-style-type: none"> • For a few seconds after turning ignition switch OFF 	0 - 1.5V
			[Ignition switch: OFF] <ul style="list-style-type: none"> • More than a few seconds after turning ignition switch OFF 	BATTERY VOLTAGE (11 - 14V)
119 120	R R	Power supply for ECM	[Ignition switch: ON]	BATTERY VOLTAGE (11 - 14V)

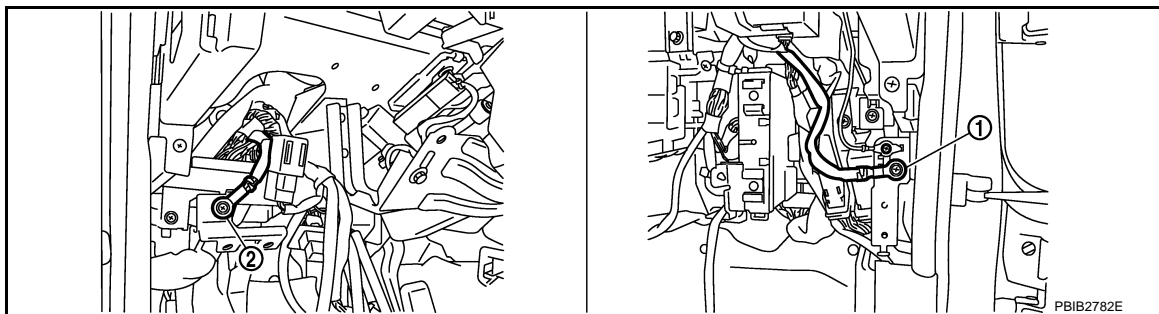
★: Average voltage for pulse signal (Actual pulse signal can be confirmed by oscilloscope.)

Diagnosis Procedure

INFOID:000000002954333

1. CHECK GROUND CONNECTIONS

1. Turn ignition switch OFF.
2. Loosen and retighten two ground screws on the body.
Refer to [EC-146. "Ground Inspection"](#).



1. Body ground M70
2. Body ground M16

OK or NG

- OK >> GO TO 2.
- NG >> Repair or replace ground connections.

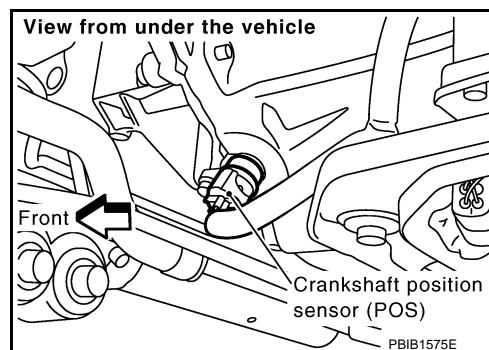
2. CHECK CRANKSHAFT POSITION (CKP) SENSOR (POS) POWER SUPPLY CIRCUIT

DTC P0335 CKP SENSOR (POS)

[VQ35DE]

< SERVICE INFORMATION >

1. Disconnect crankshaft position (CKP) sensor (POS) harness connector.
2. Turn ignition switch ON.

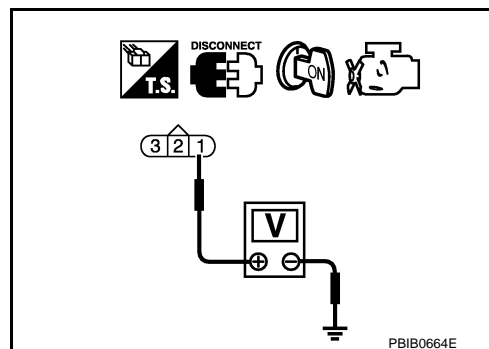


3. Check voltage between CKP sensor (POS) terminal 1 and ground with CONSULT-III or tester.

Voltage: Battery voltage

OK or NG

- OK >> GO TO 4.
- NG >> GO TO 3.



3. DETECT MALFUNCTIONING PART

Check the following.

- Harness connectors E108, M15
- Harness connectors F102, M72
- Harness for open or short between crankshaft position sensor (POS) and ECM
- Harness for open or short between crankshaft position sensor (POS) and IPDM E/R

>> Repair open circuit or short to ground or short to power in harness or connectors.

4. CHECK CKP SENSOR (POS) GROUND CIRCUIT FOR OPEN AND SHORT

1. Turn ignition switch OFF.
2. Check harness continuity between CKP sensor (POS) terminal 3 and ground. Refer to Wiring Diagram.

Continuity should exist.

3. Also check harness for short to power.

OK or NG

- OK >> GO TO 6.
- NG >> GO TO 5.

5. DETECT MALFUNCTIONING PART

Check the following.

- Harness connectors F102, M72
- Harness for open or short between crankshaft position sensor (POS) and ground

>> Repair open circuit or short to power in harness or connectors.

6. CHECK CKP SENSOR (POS) INPUT SIGNAL CIRCUIT FOR OPEN AND SHORT

1. Disconnect ECM harness connector.
2. Check harness continuity between ECM terminal 13 and CKP sensor (POS) terminal 2. Refer to Wiring Diagram.

Continuity should exist.

DTC P0335 CKP SENSOR (POS)

[VQ35DE]

< SERVICE INFORMATION >

3. Also check harness for short to ground and short to power.

OK or NG

OK >> GO TO 7.

NG >> Repair open circuit or short to ground or short to power in harness or connectors.

7. CHECK CRANKSHAFT POSITION SENSOR (POS)

Refer to [EC-334, "Component Inspection"](#).

OK or NG

OK >> GO TO 8.

NG >> Replace crankshaft position sensor (POS).

8. CHECK GEAR TOOTH

Visually check for chipping signal plate gear tooth.

OK or NG

OK >> GO TO 9.

NG >> Replace the signal plate.

9. CHECK INTERMITTENT INCIDENT

Refer to [EC-140](#).

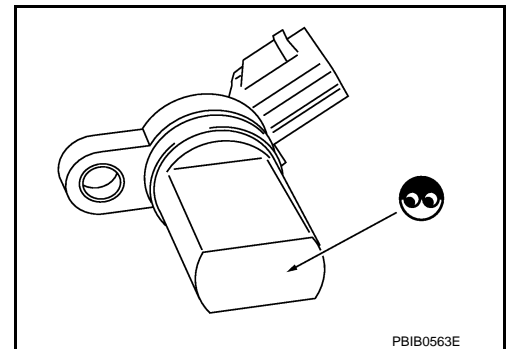
>> **INSPECTION END**

Component Inspection

INFOID:000000002954334

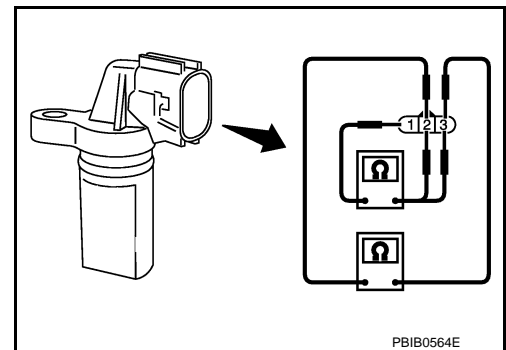
CRANKSHAFT POSITION SENSOR (POS)

1. Loosen the fixing bolt of the sensor.
2. Disconnect crankshaft position sensor (POS) harness connector.
3. Remove the sensor.
4. Visually check the sensor for chipping.



5. Check resistance as shown in the figure.

Terminal No. (Polarity)	Resistance Ω [at 25°C (77°F)]
1 (+) - 2 (-)	Except 0 or ∞
1 (+) - 3 (-)	
2 (+) - 3 (-)	



Removal and Installation

INFOID:000000002954335

CRANKSHAFT POSITION SENSOR (POS)

Refer to [EM-30](#).

DTC P0340, P0345 CMP SENSOR (PHASE)

< SERVICE INFORMATION >

[VQ35DE]

DTC P0340, P0345 CMP SENSOR (PHASE)

Component Description

INFOID:000000002954336

The camshaft position sensor (PHASE) senses the retraction of camshaft (INT) to identify a particular cylinder. The camshaft position sensor (PHASE) senses the piston position.

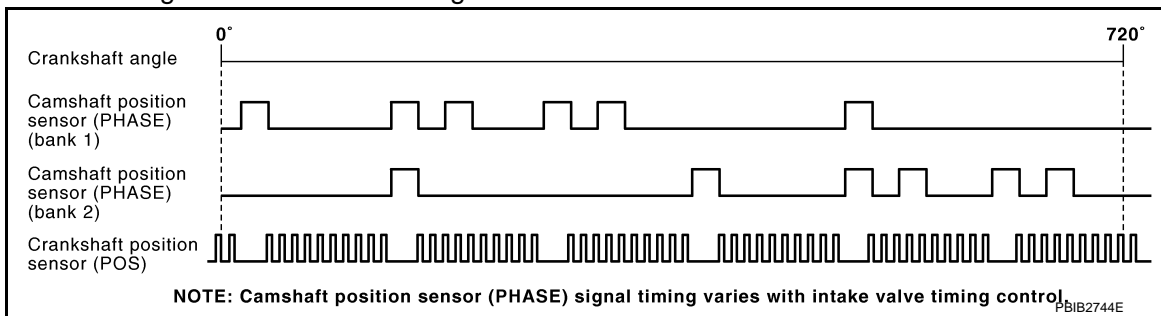
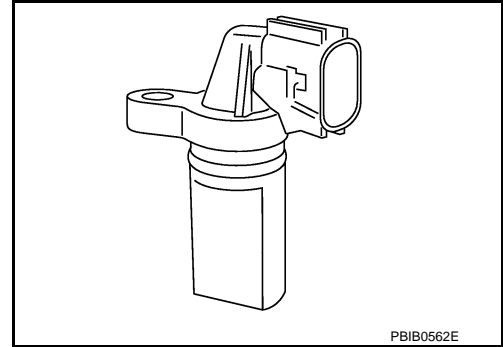
When the crankshaft position sensor (POS) system becomes inoperative, the camshaft position sensor (PHASE) provides various controls of engine parts instead, utilizing timing of cylinder identification signals.

The sensor consists of a permanent magnet and Hall IC.

When engine is running, the high and low parts of the teeth cause the gap with the sensor to change.

The changing gap causes the magnetic field near the sensor to change.

Due to the changing magnetic field, the voltage from the sensor changes. ECM receives the signals as shown in the figure.



CONSULT-III Reference Value in Data Monitor Mode

INFOID:000000002954337

Specification data are reference values.

MONITOR ITEM	CONDITION	SPECIFICATION
ENG SPEED	<ul style="list-style-type: none"> Run engine and compare CONSULT-III value with the tachometer indication. 	Almost the same speed as the tachometer indication.

On Board Diagnosis Logic

INFOID:000000002954338

DTC No.	Trouble diagnosis name	DTC detecting condition	Possible cause
P0340 0340 (Bank 1)	Camshaft position sensor (PHASE) circuit	<ul style="list-style-type: none"> The cylinder No. signal is not sent to ECM for the first few seconds during engine cranking. The cylinder No. signal is not sent to ECM during engine running. The cylinder No. signal is not in the normal pattern during engine running. 	<ul style="list-style-type: none"> Harness or connectors (The sensor circuit is open or shorted) Camshaft position sensor (PHASE) Camshaft (INT) Starter motor (Refer to SC-8.) Starting system circuit (Refer to SC-8.) Dead (Weak) battery
P0345 0345 (Bank 2)			

DTC Confirmation Procedure

INFOID:000000002954339

NOTE:

If DTC Confirmation Procedure has been previously conducted, always turn ignition switch OFF and wait at least 10 seconds before conducting the next test.

TESTING CONDITION:

Before performing the following procedure, confirm that battery voltage is more than 10.5V with ignition switch ON.

1. Crank engine for at least 2 seconds and run it for at least 5 seconds at idle speed.
2. Check 1st trip DTC.
3. If 1st trip DTC is detected, go to [EC-339. "Diagnosis Procedure"](#).

DTC P0340, P0345 CMP SENSOR (PHASE)

[VQ35DE]

< SERVICE INFORMATION >

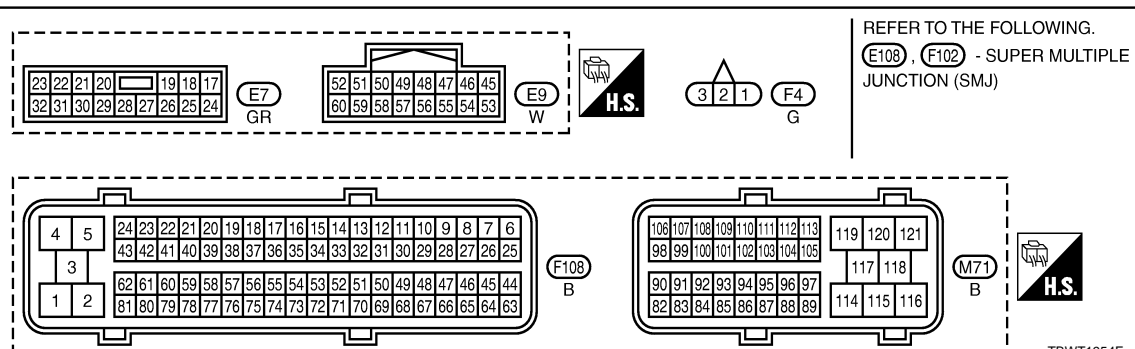
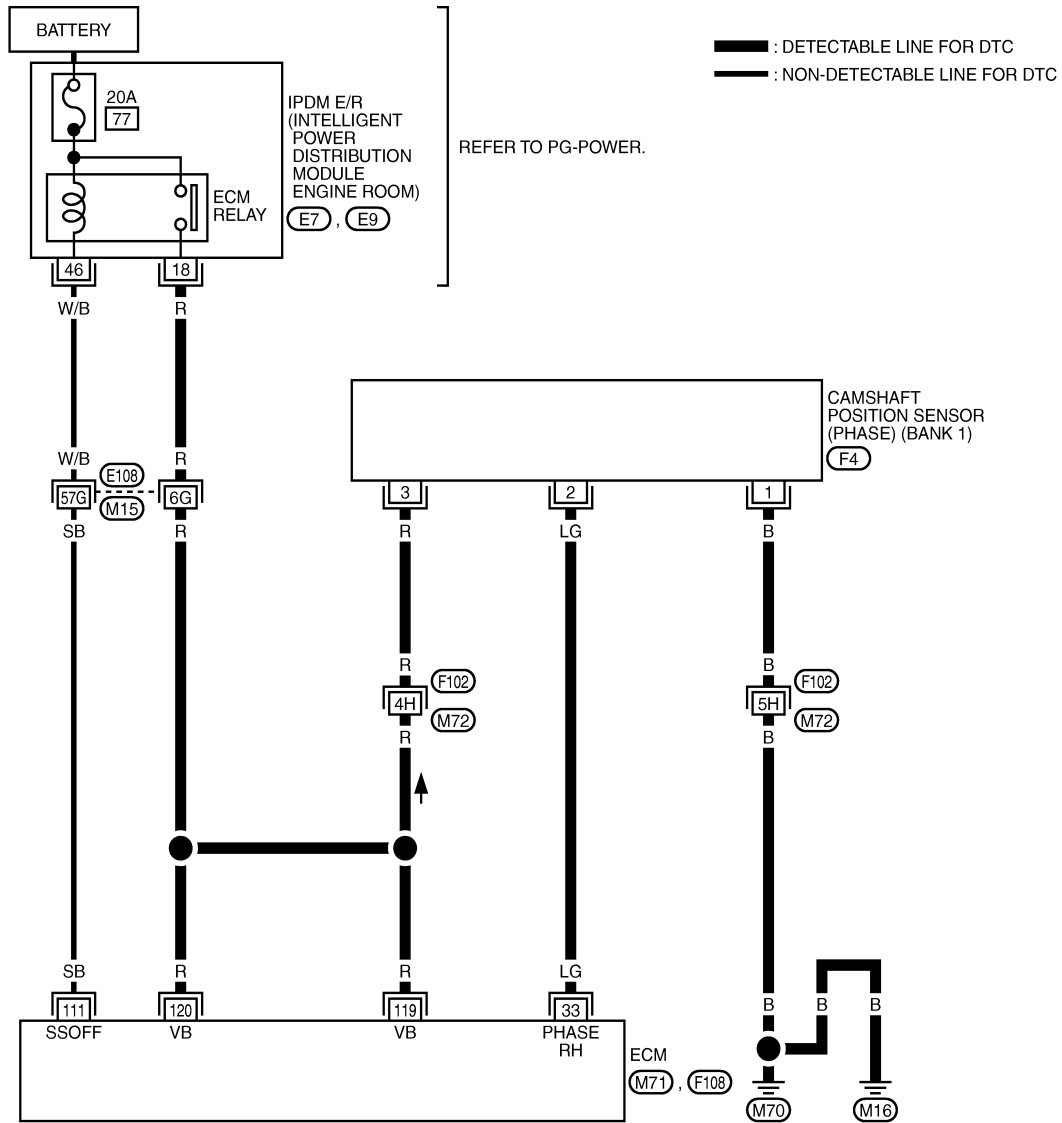
- If 1st trip DTC is not detected, go to next step.
- 4. Maintaining engine speed at more than 800 rpm for at least 5 seconds.
- 5. Check 1st trip DTC.
- 6. If 1st trip DTC is detected, go to [EC-339. "Diagnosis Procedure"](#).

Wiring Diagram

INFOID:000000002954340

BANK 1

EC-PHSB1-01



TBWT1954E

DTC P0340, P0345 CMP SENSOR (PHASE)

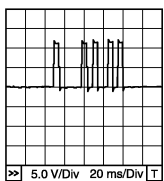
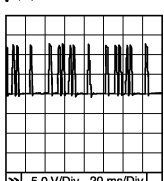
[VQ35DE]

< SERVICE INFORMATION >

Specification data are reference values and are measured between each terminal and ground.
Pulse signal is measured by CONSULT-III.

CAUTION:

Do not use ECM ground terminals when measuring input/output voltage. Doing so may result in damage to the ECM's transistor. Use a ground other than ECM terminals, such as the ground.

TER-MI-NAL NO.	WIRE COLOR	ITEM	CONDITION	DATA (DC Voltage)
33	LG	Camshaft position sensor (PHASE) (bank 1)	[Engine is running] <ul style="list-style-type: none"> • Warm-up condition • Idle speed NOTE: The pulse cycle changes depending on rpm at idle	1.0 - 4.0V★  <p style="text-align: right; font-size: small;">PBIB1039E</p>
			[Engine is running] <ul style="list-style-type: none"> • Engine speed is 2,000 rpm 	1.0 - 4.0V★  <p style="text-align: right; font-size: small;">PBIB1040E</p>
111	SB	ECM relay (Self shut-off)	[Engine is running] [Ignition switch: OFF] <ul style="list-style-type: none"> • For a few seconds after turning ignition switch OFF 	0 - 1.5V
			[Ignition switch: OFF] <ul style="list-style-type: none"> • More than a few seconds after turning ignition switch OFF 	BATTERY VOLTAGE (11 - 14V)
119 120	R R	Power supply for ECM	[Ignition switch: ON]	BATTERY VOLTAGE (11 - 14V)

★: Average voltage for pulse signal (Actual pulse signal can be confirmed by oscilloscope.)

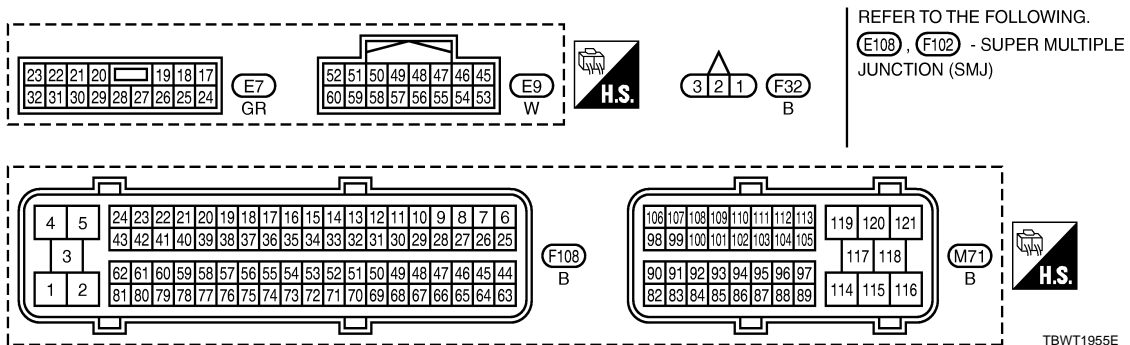
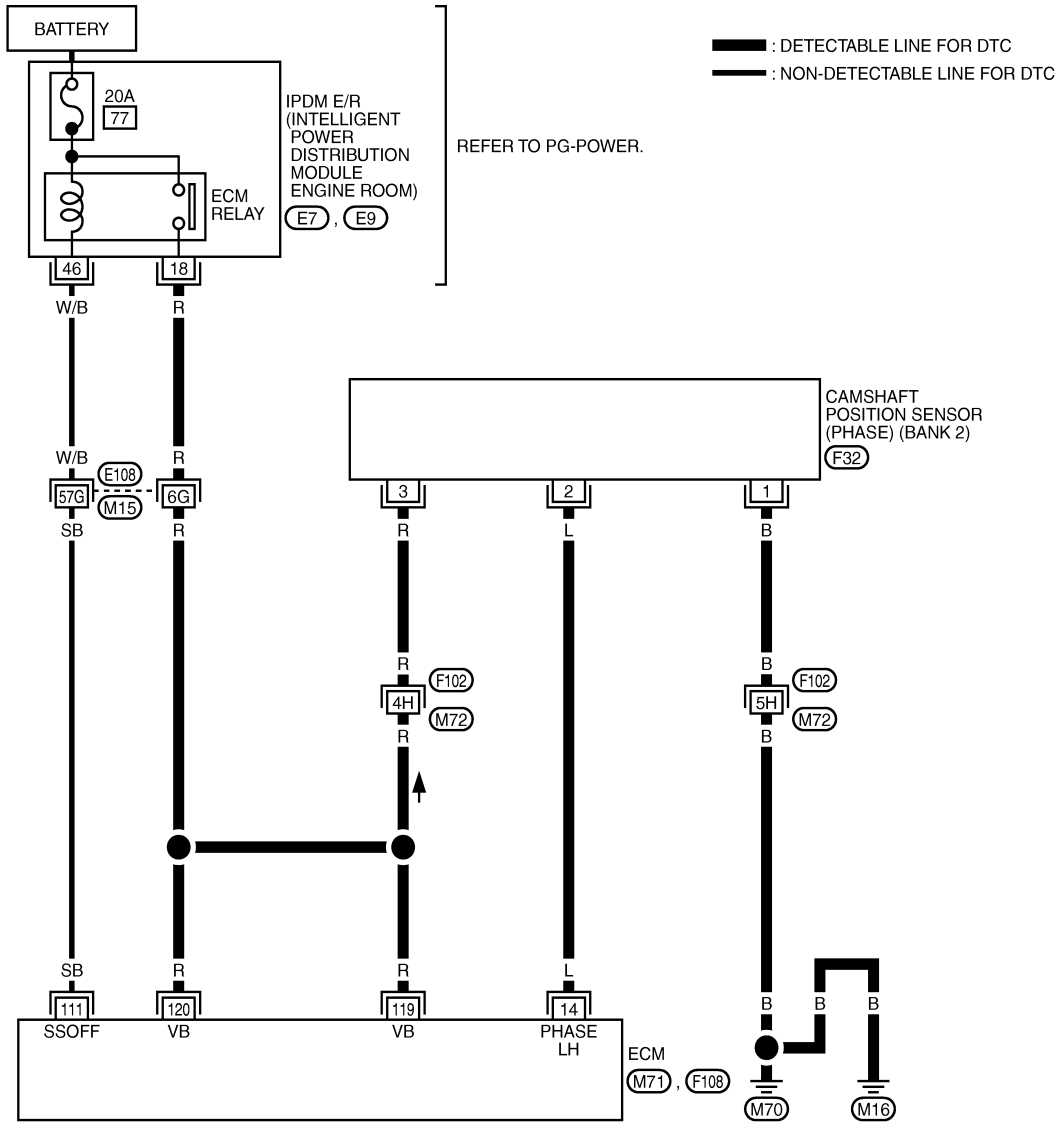
DTC P0340, P0345 CMP SENSOR (PHASE)

[VQ35DE]

< SERVICE INFORMATION >

BANK 2

EC-PHSB2-01



Specification data are reference values and are measured between each terminal and ground. Pulse signal is measured by CONSULT-III.

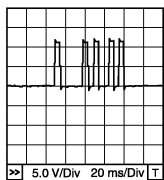
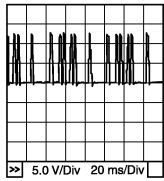
CAUTION:

Do not use ECM ground terminals when measuring input/output voltage. Doing so may result in damage to the ECM's transistor. Use a ground other than ECM terminals, such as the ground.

DTC P0340, P0345 CMP SENSOR (PHASE)

< SERVICE INFORMATION >

[VQ35DE]

TER-MI-NAL NO.	WIRE COLOR	ITEM	CONDITION	DATA (DC Voltage)
14	L	Camshaft position sensor (PHASE) (bank 2)	[Engine is running] • Warm-up condition • Idle speed NOTE: The pulse cycle changes depending on rpm at idle	1.0 - 4.0V★  <small>PBIB1039E</small>
			[Engine is running] • Engine speed: 2,000 rpm	1.0 - 4.0V★  <small>PBIB1040E</small>
111	SB	ECM relay (Self shut-off)	[Engine is running] [Ignition switch: OFF] • For a few seconds after turning ignition switch OFF	0 - 1.5V
			[Ignition switch: OFF] • More than a few seconds after turning ignition switch OFF	BATTERY VOLTAGE (11 - 14V)
119 120	R R	Power supply for ECM	[Ignition switch: ON]	BATTERY VOLTAGE (11 - 14V)

★: Average voltage for pulse signal (Actual pulse signal can be confirmed by oscilloscope.)

Diagnosis Procedure

INFOID:000000002954341

1. CHECK STARTING SYSTEM

Turn ignition switch to START position.

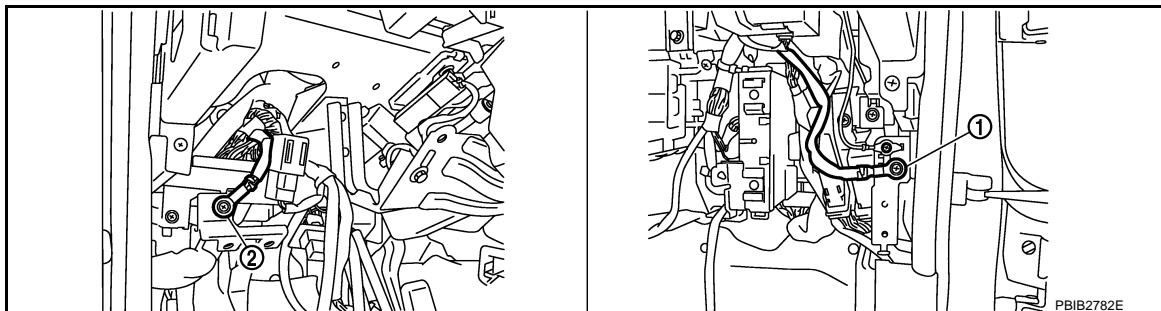
- Does the engine turn over?**
- Does the starter motor operate?**

Yes or No

- Yes >> GO TO 2.
- No >> Check starting system. (Refer to [SC-8.](#))

2. CHECK GROUND CONNECTIONS

1. Turn ignition switch OFF.
2. Loosen and retighten ground two screws on the body. Refer to [EC-146. "Ground Inspection"](#).



DTC P0340, P0345 CMP SENSOR (PHASE)

[VQ35DE]

< SERVICE INFORMATION >

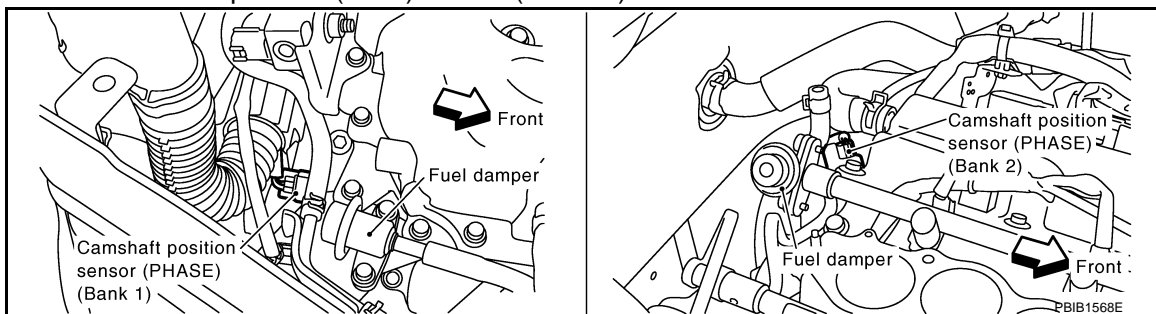
1. Body ground M70
2. Body ground M16

OK or NG

- OK >> GO TO 3.
NG >> Repair or replace ground connections.

3. CHECK CAMSHAFT POSITION (CMP) SENSOR (PHASE) POWER SUPPLY CIRCUIT

1. Disconnect camshaft position (CMP) sensor (PHASE) harness connector.

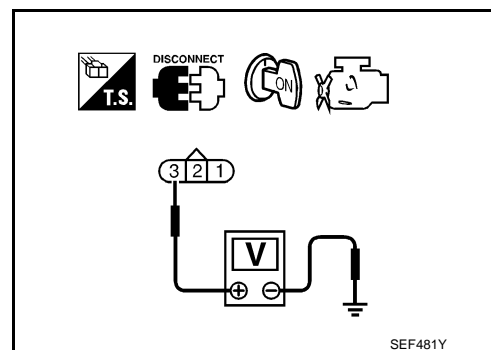


2. Turn ignition switch ON.
3. Check voltage between CMP sensor (PHASE) terminal 3 and ground with CONSULT-III or tester.

Voltage: Battery voltage

OK or NG

- OK >> GO TO 5.
NG >> GO TO 4.



4. DETECT MALFUNCTIONING PART

Check the following.

- Harness connectors E108, M15
- Harness connectors F102, M72
- Harness for open or short between camshaft position sensor (PHASE) and ECM
- Harness for open or short between camshaft position sensor (PHASE) and IPDM E/R

>> Repair open circuit or short to ground or short to power in harness or connectors.

5. CHECK CMP SENSOR (PHASE) GROUND CIRCUIT FOR OPEN AND SHORT

1. Turn ignition switch OFF.
2. Check harness continuity between CMP sensor (PHASE) terminal 1 and ground. Refer to Wiring Diagram.

Continuity should exist.

3. Also check harness for short to power.

OK or NG

- OK >> GO TO 7.
NG >> GO TO 6.

6. DETECT MALFUNCTIONING PART

Check the following.

- Harness connectors F102, M72
- Harness for open or short between CMP sensor (PHASE) and ground

>> Repair open circuit or short to power in harness or connectors.

DTC P0340, P0345 CMP SENSOR (PHASE)

< SERVICE INFORMATION >

[VQ35DE]

7. CHECK CMP SENSOR (PHASE) INPUT SIGNAL CIRCUIT FOR OPEN AND SHORT

1. Disconnect ECM harness connector.
2. Check harness continuity between ECM terminal 33 (Bank 1) or 14 (Bank 2) and CMP sensor (PHASE) terminal 2.
Refer to Wiring Diagram.

Continuity should exist.

3. Also check harness for short to ground and short to power.

OK or NG

- OK >> GO TO 8.
- NG >> Repair open circuit or short to ground or short to power in harness or connectors.

8. CHECK CAMSHAFT POSITION SENSOR (PHASE)

Refer to [EC-341, "Component Inspection"](#).

OK or NG

- OK >> GO TO 9.
- NG >> Replace malfunctioning camshaft position sensor (PHASE).

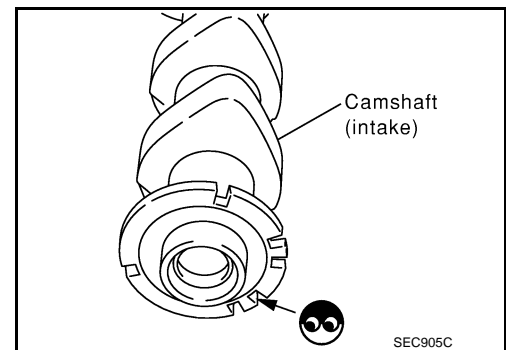
9. CHECK CAMSHAFT (INT)

Check the following.

- Accumulation of debris to the signal plate of camshaft rear end
- Chipping signal plate of camshaft rear end

OK or NG

- OK >> GO TO 10.
- NG >> Remove debris and clean the signal plate of camshaft rear end or replace camshaft.



10. CHECK INTERMITTENT INCIDENT

Refer to [EC-140](#).

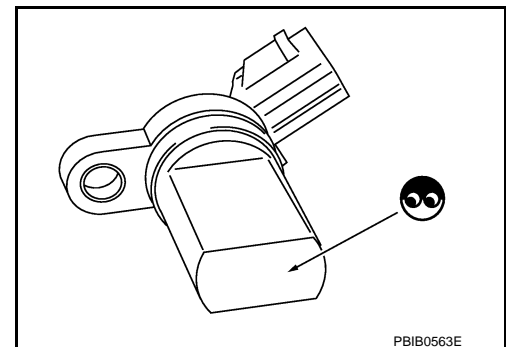
>> **INSPECTION END**

Component Inspection

INFOID:000000002954342

CAMSHAFT POSITION SENSOR (PHASE)

1. Loosen the fixing bolt of the sensor.
2. Disconnect camshaft position sensor (PHASE) harness connector.
3. Remove the sensor.
4. Visually check the sensor for chipping.



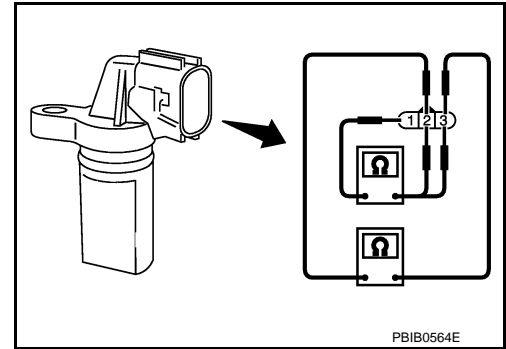
DTC P0340, P0345 CMP SENSOR (PHASE)

[VQ35DE]

< SERVICE INFORMATION >

5. Check resistance as shown in the figure.

Terminal No. (Polarity)	Resistance Ω [at 25°C (77°F)]
1 (+) - 2 (-)	Except 0 or ∞
1 (+) - 3 (-)	
2 (+) - 3 (-)	



Removal and Installation

CAMSHAFT POSITION SENSOR (PHASE)

Refer to [EM-84](#).

INFOID:000000002954343

DTC P0420, P0430 THREE WAY CATALYST FUNCTION

< SERVICE INFORMATION >

[VQ35DE]

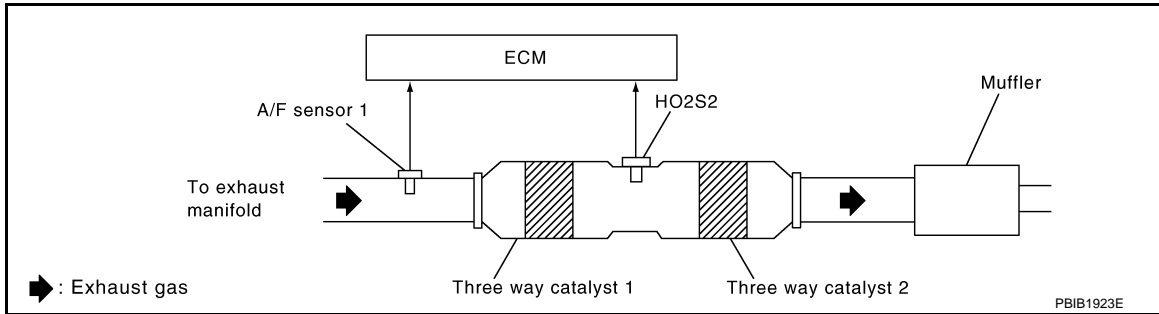
DTC P0420, P0430 THREE WAY CATALYST FUNCTION

On Board Diagnosis Logic

INFOID:000000002954344

The ECM monitors the switching frequency ratio of air fuel ratio (A/F) sensor 1 and heated oxygen sensor 2. A three way catalyst 1 with high oxygen storage capacity will indicate a low switching frequency of heated oxygen sensor 2. As oxygen storage capacity decreases, the heated oxygen sensor 2 switching frequency will increase.

When the frequency ratio of A/F sensor 1 and heated oxygen sensor 2 approaches a specified limit value, the three way catalyst 1 malfunction is diagnosed.



DTC No.	Trouble diagnosis name	DTC detecting condition	Possible cause
P0420 0420 (Bank 1)	Catalyst system efficiency below threshold	<ul style="list-style-type: none"> • Three way catalyst (manifold) does not operate properly. • Three way catalyst (manifold) does not have enough oxygen storage capacity. 	<ul style="list-style-type: none"> • Three way catalyst (manifold) • Exhaust tube • Intake air leaks • Fuel injector • Fuel injector leaks • Spark plug • Improper ignition timing
P0430 0430 (Bank 2)			

DTC Confirmation Procedure

INFOID:000000002954345

NOTE:

If DTC Confirmation Procedure has been previously conducted, always turn ignition switch OFF and wait at least 10 seconds before conducting the next test.

WITH CONSULT-III

TESTING CONDITION:

Do not hold engine speed for more than the specified minutes below.

1. Turn ignition switch ON and select "DATA MONITOR" mode with CONSULT-III.
2. Start engine and warm it up to the normal operating temperature.
3. Turn ignition switch OFF and wait at least 10 seconds.
4. Start engine and keep the engine speed between 3,500 and 4,000 rpm for at least 1 minute under no load.
5. Let engine idle for 1 minute.
6. Make sure that "COOLAN TEMP/S" indicates more than 70°C (158°F).
If not, warm up engine and go to next step when "COOLAN TEMP/S" indication reaches to 70°C (158°F).
7. Open engine hood.
8. Select "DTC & SRT CONFIRMATION" then "SRT WORK SUPPORT" mode with CONSULT-III.
9. Rev engine up to 2,000 to 3,000 rpm and hold it for 3 consecutive minutes then release the accelerator pedal completely.
If "INCMP" of "CATALYST" changed to "CMPLT", go to step 12.
10. Wait 5 seconds at idle.
11. Rev engine up to 2,000 to 3,000 rpm and maintain it until "INCMP" of "CATALYST" changes to "CMPLT" (It will take approximately 5 minutes).
If not "CMPLT", stop engine and cool it down to less than 70°C (158°F) and then retest from step 1.
12. Select "SELF-DIAG RESULTS" mode with CONSULT-III.
13. Confirm that the 1st trip DTC is not detected.

DTC P0420, P0430 THREE WAY CATALYST FUNCTION

[VQ35DE]

< SERVICE INFORMATION >

If the 1st trip DTC is detected, go to [EC-344, "Diagnosis Procedure"](#).

Overall Function Check

INFOID:000000002954346

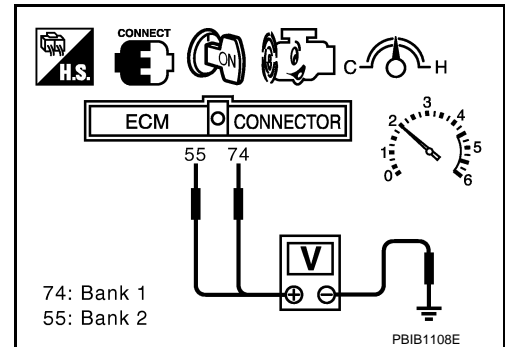
Use this procedure to check the overall function of the three way catalyst (manifold). During this check, a 1st trip DTC might not be confirmed.

Ⓢ WITH GST

1. Start engine and warm it up to the normal operating temperature.
2. Turn ignition switch OFF and wait at least 10 seconds.
3. Start engine and keep the engine speed between 3,500 and 4,000 rpm for at least 1 minute under no load.
4. Let engine idle for 1 minute.
5. Open engine hood.
6. Set voltmeter probe between ECM terminals ECM terminals 55 [HO2S2 (bank 2) signal], 74 [HO2S2 (bank 1) signal] and ground.
7. Keep engine speed at 2,500 rpm constant under no load.
8. Make sure that the voltage does not vary for more than 5 seconds.

If the voltage fluctuation cycle takes less than 5 seconds, go to [EC-344, "Diagnosis Procedure"](#).

- 1 cycle: 0.6 - 1.0 → 0 - 0.3 → 0.6 - 1.0



Diagnosis Procedure

INFOID:000000002954347

1. CHECK EXHAUST SYSTEM

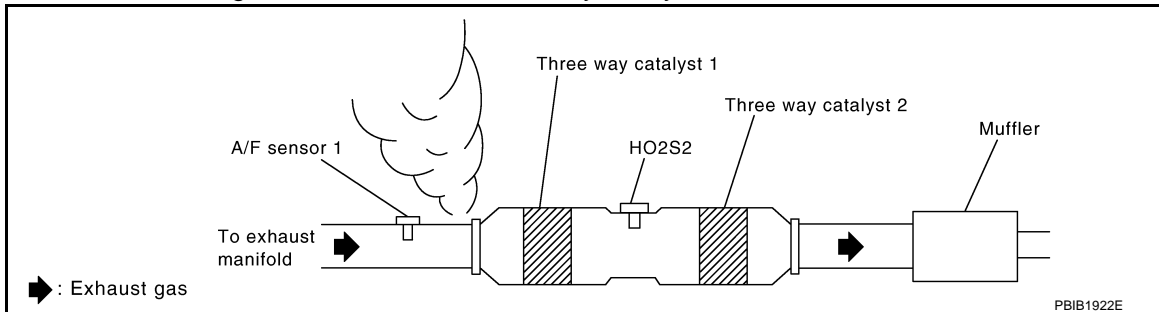
Visually check exhaust tubes and muffler for dent.

OK or NG

- OK >> GO TO 2.
- NG >> Repair or replace.

2. CHECK EXHAUST GAS LEAK

1. Start engine and run it at idle.
2. Listen for an exhaust gas leak before the three way catalyst 1.



OK or NG

- OK >> GO TO 3.
- NG >> Repair or replace.

3. CHECK INTAKE AIR LEAK

Listen for an intake air leak after the mass air flow sensor.

OK or NG

- OK >> GO TO 4.
- NG >> Repair or replace.

4. CHECK IGNITION TIMING

Check the following items. Refer to [EC-76, "Basic Inspection"](#).

DTC P0420, P0430 THREE WAY CATALYST FUNCTION

< SERVICE INFORMATION >

[VQ35DE]

Items	Specifications
Target idle speed	650 ± 50 rpm (in P or N position)
Ignition timing	15 ± 5° BTDC (in P or N position)

OK or NG

- OK >> GO TO 5.
- NG >> Follow the [EC-76, "Basic Inspection"](#).

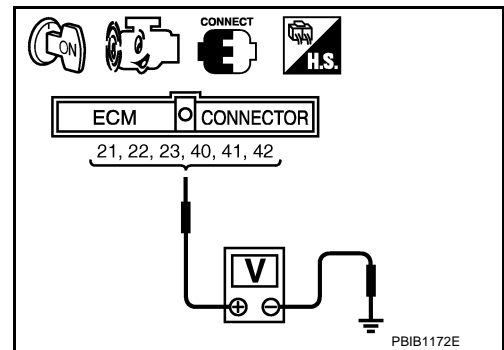
5. CHECK FUEL INJECTORS

1. Stop engine and then turn ignition switch ON.
2. Check voltage between ECM terminals 21, 22, 23, 40, 41, 42 and ground with CONSULT-III or tester. Refer to Wiring Diagram for fuel Injectors, [EC-595, "Wiring Diagram"](#).

Voltage: Battery voltage

OK or NG

- OK >> GO TO 6.
- NG >> Perform [EC-596, "Diagnosis Procedure"](#).



6. CHECK FUNCTION OF IGNITION COIL-I

CAUTION:

Do the following procedure in the place where ventilation is good without the combustible.

1. Turn ignition switch OFF.
2. Remove fuel pump fuse (1) in IPDM E/R (2) to release fuel pressure.

NOTE:

Do not use CONSULT-III to release fuel pressure, or fuel pressure applies again during the following procedure.

3. Start engine.
4. After engine stalls, crank it two or three times to release all fuel pressure.
5. Turn ignition switch OFF.
6. Remove all ignition coil harness connectors to avoid the electrical discharge from the ignition coils.
7. Remove ignition coil and spark plug of the cylinder to be checked.
8. Crank engine for 5 seconds or more to remove combustion gas in the cylinder.
9. Connect spark plug and harness connector to ignition coil.
10. Fix ignition coil using a rope etc. with gap of 13 - 17 mm between the edge of the spark plug and grounded metal portion as shown in the figure.
11. Crank engine for about 3 seconds, and check whether spark is generated between the spark plug and the grounded metal portion.

Spark should be generated.

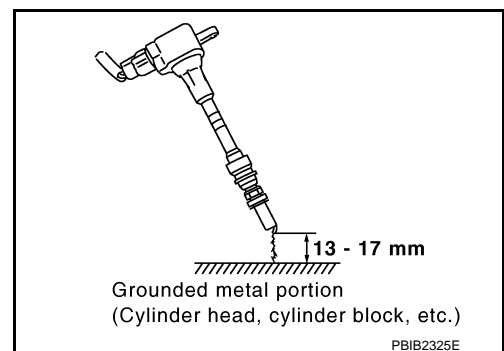
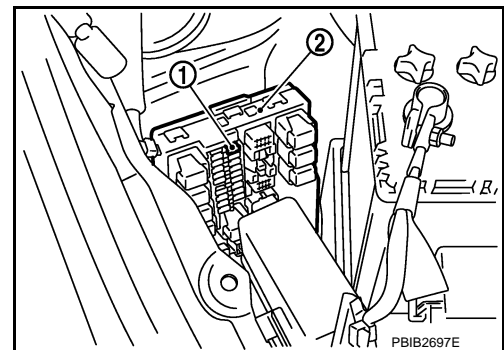
CAUTION:

- Do not approach to the spark plug and the ignition coil within 50cm. Be careful not to get an electrical shock while checking, because the electrical discharge voltage becomes 20kV or more.
- It might cause to damage the ignition coil if the gap of more than 17 mm is taken.

NOTE:

When the gap is less than 13 mm, the spark might be generated even if the coil is malfunctioning.

OK or NG



DTC P0420, P0430 THREE WAY CATALYST FUNCTION

[VQ35DE]

< SERVICE INFORMATION >

- OK >> GO TO 10.
- NG >> GO TO 7.

7.CHECK FUNCTION OF IGNITION COIL-II

1. Turn ignition switch OFF.
2. Disconnect spark plug and connect a known-good spark plug.
3. Crank engine for about 3 seconds, and recheck whether spark is generated between the spark plug and the grounded metal portion.

Spark should be generated.

OK or NG

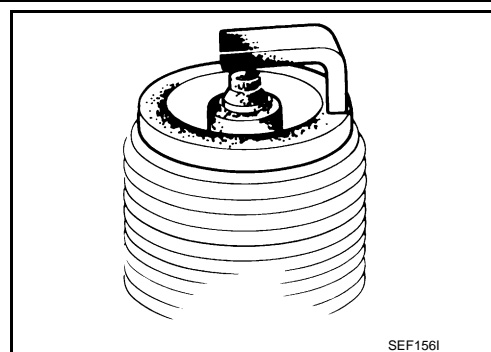
- OK >> GO TO 8.
- NG >> Check ignition coil, power transistor and their circuits. Refer to [EC-614](#).

8.CHECK SPARK PLUG

Check the initial spark plug for fouling, etc.

OK or NG

- OK >> Replace spark plug(s) with standard type one(s). For spark plug type, refer to [MA-18. "Changing Spark Plugs \(Platinum-Tipped Type\)"](#).
- NG >> 1. Repair or clean spark plug.
2. GO TO 9.



9.CHECK FUNCTION OF IGNITION COIL-III

1. Reconnect the initial spark plugs.
2. Crank engine for about 3 seconds, and recheck whether spark is generated between the spark plug and the grounded portion.

Spark should be generated.

OK or NG

- OK >> **INSPECTION END**
- NG >> Replace spark plug(s) with standard type one(s). For spark plug type, refer to [MA-18. "Changing Spark Plugs \(Platinum-Tipped Type\)"](#).

10.CHECK FUEL INJECTOR

1. Turn ignition switch OFF.
2. Remove fuel injector assembly.
Refer to [EM-46](#).
Keep fuel hose and all fuel injectors connected to fuel tube.
3. Disconnect all ignition coil harness connectors.
4. Reconnect all fuel injector harness connectors disconnected.
5. Turn ignition switch ON.
Make sure fuel does not drip from fuel injector.

OK or NG

- OK (Does not drip.)>>GO TO 11.
- NG (Drips.)>>Replace the fuel injector(s) from which fuel is dripping.

11.CHECK INTERMITTENT INCIDENT

Refer to [EC-140](#).

Trouble is fixed.>>**INSPECTION END**

Trouble is not fixed.>>Replace three way catalyst assembly.

DTC P0441 EVAP CONTROL SYSTEM

< SERVICE INFORMATION >

[VQ35DE]

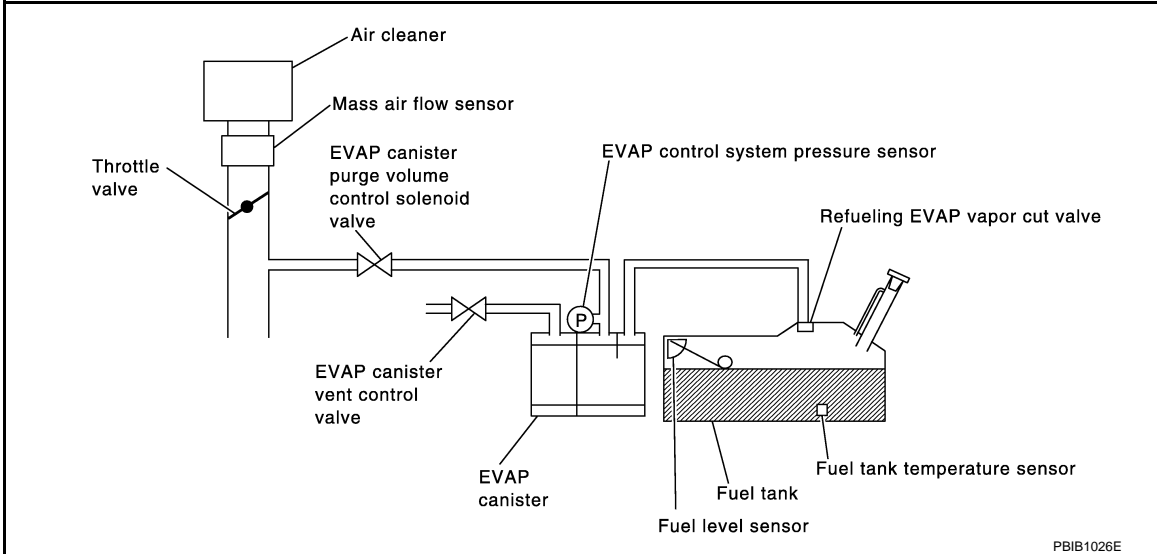
DTC P0441 EVAP CONTROL SYSTEM

System Description

INFOID:000000002954348

NOTE:

If DTC P0441 is displayed with other DTC such as P2122, P2123, P2127, P2128 or P2138, first perform trouble diagnosis for other DTC.



In this evaporative emission (EVAP) control system, purge flow occurs during non-closed throttle conditions. Purge volume is related to air intake volume. Under normal purge conditions (non-closed throttle), the EVAP canister purge volume control solenoid valve is open to admit purge flow. Purge flow exposes the EVAP control system pressure sensor to intake manifold vacuum.

On Board Diagnosis Logic

INFOID:000000002954349

Under normal conditions (non-closed throttle), sensor output voltage indicates if pressure drop and purge flow are adequate. If not, a malfunction is determined.

DTC No.	Trouble diagnosis name	DTC detecting condition	Possible cause
P0441 0441	EVAP control system incorrect purge flow	EVAP control system does not operate properly, EVAP control system has a leak between intake manifold and EVAP control system pressure sensor.	<ul style="list-style-type: none"> • EVAP canister purge volume control solenoid valve stuck closed • EVAP control system pressure sensor and the circuit • Loose, disconnected or improper connection of rubber tube • Blocked rubber tube • Cracked EVAP canister • EVAP canister purge volume control solenoid valve circuit • Accelerator pedal position sensor • Blocked purge port • EVAP canister vent control valve

DTC Confirmation Procedure

INFOID:000000002954350

CAUTION:

Always drive vehicle at a safe speed.

NOTE:

If DTC Confirmation Procedure has been previously conducted, always turn ignition switch OFF and wait at least 10 seconds before conducting the next test.

TESTING CONDITION:

Always perform test at a temperature of 5°C (41°F) or more.

WITH CONSULT-III

1. Start engine and warm it up to normal operating temperature.

DTC P0441 EVAP CONTROL SYSTEM

[VQ35DE]

< SERVICE INFORMATION >

2. Turn ignition switch OFF and wait at least 10 seconds.
3. Start engine and let it idle for at least 70 seconds.
4. Select "PURG FLOW P0441" of "EVAPORATIVE SYSTEM" in "DTC WORK SUPPORT" mode with CONSULT-III.
5. Touch "START".
If "COMPLETED" is displayed, go to step 7.
6. When the following conditions are met, "TESTING" will be displayed on the CONSULT-III screen. Maintain the conditions continuously until "TESTING" changes to "COMPLETED". (It will take at least 35 seconds.)

Selector lever	Suitable position
VHCL SPEED SE	32 - 120 km/h (20 - 75 MPH)
ENG SPEED	500 - 3,000 rpm
B/FUEL SCHDL	1.3 - 9.0 msec
COOLAN TEMP/S	70 - 100°C (158 - 212°F)

If "TESTING" is not changed for a long time, retry from step 2.

7. Make sure that "OK" is displayed after touching "SELF-DIAG RESULTS". If "NG" is displayed, refer to [EC-348. "Diagnosis Procedure"](#).

Overall Function Check

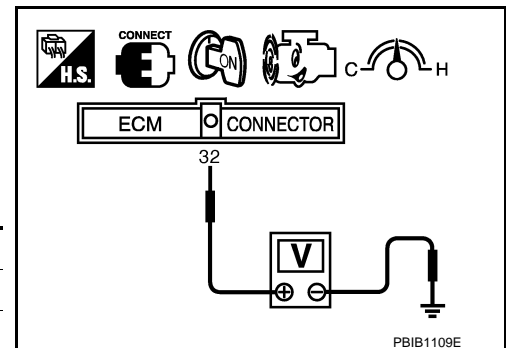
INFOID:000000002954351

Use this procedure to check the overall monitoring function of the EVAP control system purge flow monitoring. During this check, a 1st trip DTC might not be confirmed.

Ⓢ WITH GST

1. Lift up drive wheels.
2. Start engine (VDC switch OFF) and warm it up to normal operating temperature.
3. Turn ignition switch OFF, wait at least 10 seconds.
4. Start engine and wait at least 70 seconds.
5. Set voltmeter probes to ECM terminals 32 (EVAP control system pressure sensor signal) and ground.
6. Check EVAP control system pressure sensor value at idle speed and note it.
7. Establish and maintain the following conditions for at least 1 minute.

Air conditioner switch	ON
Headlamp switch	ON
Rear window defogger switch	ON
Engine speed	Approx. 3,000 rpm
Gear position	Any position other than P, N or R



PBIB1109E

8. Verify that EVAP control system pressure sensor value stays 0.1V less than the value at idle speed (measured at step 6) for at least 1 second.
9. If NG, go to [EC-348. "Diagnosis Procedure"](#).

Diagnosis Procedure

INFOID:000000002954352

1. CHECK EVAP CANISTER

1. Turn ignition switch OFF.
2. Check EVAP canister for cracks.

OK or NG

- OK (With CONSULT-III)>>GO TO 2.
- OK (Without CONSULT-III)>>GO TO 3.
- NG >> Replace EVAP canister.

2. CHECK PURGE FLOW

Ⓢ With CONSULT-III

DTC P0441 EVAP CONTROL SYSTEM

[VQ35DE]

< SERVICE INFORMATION >

1. Disconnect vacuum hose connected to EVAP canister purge volume control solenoid valve at EVAP service port and install vacuum gauge. For the location of EVAP service port, refer to [EC-40, "Description"](#).
2. Start engine and let it idle.
3. Select "PURG VOL CONT/V" in "ACTIVE TEST" mode with CONSULT-III.
4. Rev engine up to 2,000 rpm.
5. Touch "Qd" and "Qu" on CONSULT-III screen to adjust "PURG VOL CONT/V" opening and check vacuum existence.

PURG VOL CONT/V	Vacuum
100%	Should exist.
0%	Should not exist.

OK or NG

OK >> GO TO 7.

NG >> GO TO 4.

3. CHECK PURGE FLOW

⊗ Without CONSULT-III

1. Start engine and warm it up to normal operating temperature.
2. Stop engine.
3. Disconnect vacuum hose connected to EVAP canister purge volume control solenoid valve at EVAP service port and install vacuum gauge. For the location of EVAP service port, refer to [EC-40, "Description"](#).
4. Start engine and let it idle.
Do not depress accelerator pedal even slightly.
5. Check vacuum gauge indication before 60 seconds passed after starting engine.

Vacuum should not exist.

6. Revving engine up to 2,000rpm after 100 seconds passed after starting engine.

Vacuum should exist.

OK or NG

OK >> GO TO 7.

NG >> GO TO 4.

4. CHECK EVAP PURGE LINE

1. Turn ignition switch OFF.
2. Check EVAP purge line for improper connection or disconnection.
Refer to [EC-40, "Description"](#).

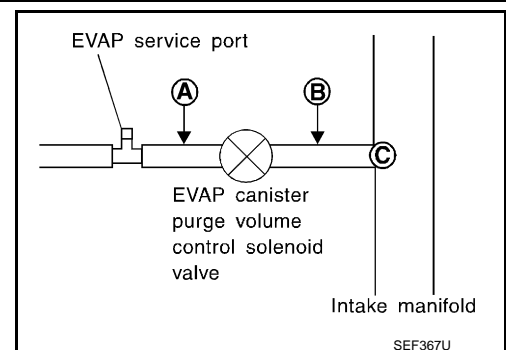
OK or NG

OK >> GO TO 5.

NG >> Repair it.

5. CHECK EVAP PURGE HOSE AND PURGE PORT

1. Disconnect purge hoses connected to EVAP service port **A** and EVAP canister purge volume control solenoid valve **B**.
2. Blow air into each hose and EVAP purge port **C**.



DTC P0441 EVAP CONTROL SYSTEM

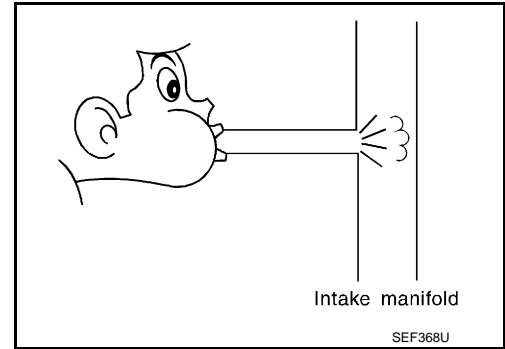
[VQ35DE]

< SERVICE INFORMATION >

3. Check that air flows freely.

OK or NG

- OK (With CONSULT-III)>>GO TO 6.
- OK (Without CONSULT-III)>>GO TO 7.
- NG >> Repair or clean hoses and/or purge port.



6. CHECK EVAP CANISTER PURGE VOLUME CONTROL SOLENOID VALVE

With CONSULT-III

1. Start engine.
2. Perform "PURG VOL CONT/V" in "ACTIVE TEST" mode with CONSULT-III. Check that engine speed varies according to the valve opening.

OK or NG

- OK >> GO TO 8.
- NG >> GO TO 7.

7. CHECK EVAP CANISTER PURGE VOLUME CONTROL SOLENOID VALVE

Refer to [EC-371, "Component Inspection"](#).

OK or NG

- OK >> GO TO 8.
- NG >> Replace EVAP canister purge volume control solenoid valve.

8. CHECK EVAP CONTROL SYSTEM PRESSURE SENSOR CONNECTOR

1. Disconnect EVAP control system pressure sensor harness connector.
2. Check connectors for water.

Water should not exist.

OK or NG

- OK >> GO TO 9.
- NG >> Replace EVAP control system pressure sensor.

9. CHECK EVAP CONTROL SYSTEM PRESSURE SENSOR FUNCTION

Refer to [EC-387, "DTC Confirmation Procedure"](#) for DTC P0452, [EC-393, "DTC Confirmation Procedure"](#) for DTC P0453.

OK or NG

- OK >> GO TO 10.
- NG >> Replace EVAP control system pressure sensor.

10. CHECK RUBBER TUBE FOR CLOGGING

1. Disconnect rubber tube connected to EVAP canister vent control valve.
2. Check the rubber tube for clogging.

OK or NG

- OK >> GO TO 11.
- NG >> Clean the rubber tube using an air blower.

11. CHECK EVAP CANISTER VENT CONTROL VALVE

Refer to [EC-376, "Component Inspection"](#).

OK or NG

- OK >> GO TO 12.
- NG >> Replace EVAP canister vent control valve.

12. CHECK EVAP PURGE LINE

DTC P0441 EVAP CONTROL SYSTEM

[VQ35DE]

< SERVICE INFORMATION >

Inspect EVAP purge line (pipe and rubber tube). Check for evidence of leaks.

Refer to [EC-40, "Description"](#).

OK or NG

OK >> GO TO 13.

NG >> Replace it.

13.CLEAN EVAP PURGE LINE

Clean EVAP purge line (pipe and rubber tube) using air blower.

>> GO TO 14.

14.CHECK INTERMITTENT INCIDENT

Refer to [EC-140](#).

>> INSPECTION END

A

EC

C

D

E

F

G

H

I

J

K

L

M

N

O

P

DTC P0442 EVAP CONTROL SYSTEM

< SERVICE INFORMATION >

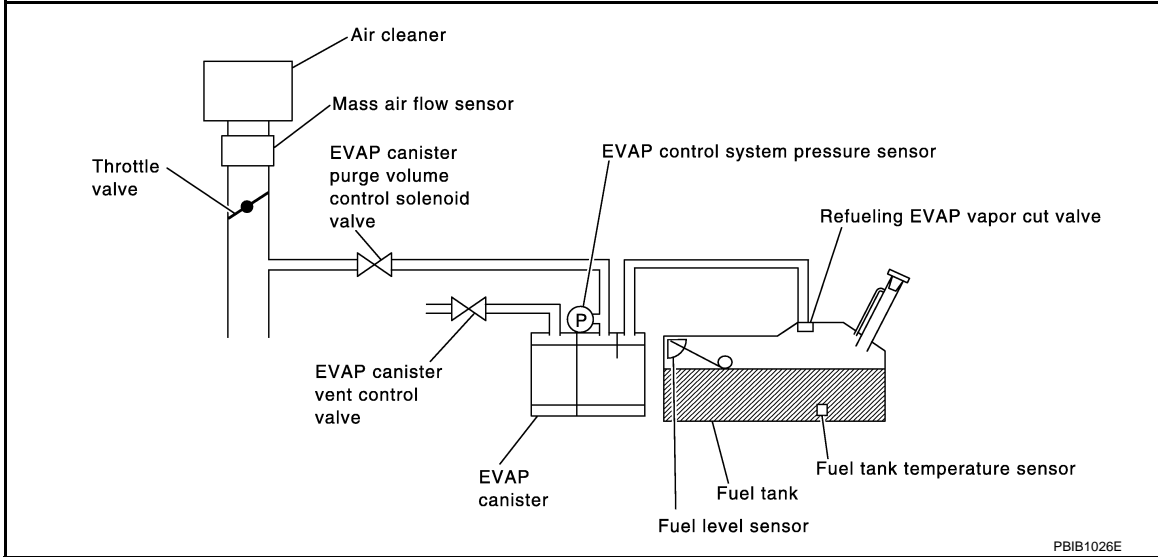
[VQ35DE]

DTC P0442 EVAP CONTROL SYSTEM

On Board Diagnosis Logic

INFOID:000000002954353

This diagnosis detects leaks in the EVAP purge line using engine intake manifold vacuum. If pressure does not increase, the ECM will check for leaks in the line between the fuel tank and EVAP canister purge volume control solenoid valve, under the following "Vacuum test" conditions. The EVAP canister vent control valve is closed to shut the EVAP purge line off. The EVAP canister purge volume control solenoid valve will then be opened to depressurize the EVAP purge line using intake manifold vacuum. After this occurs, the EVAP canister purge volume control solenoid valve will be closed.



DTC No.	Trouble diagnosis name	DTC detecting condition	Possible cause
P0442 0442	EVAP control system small leak detected (negative pressure)	EVAP control system has a leak, EVAP control system does not operate properly.	<ul style="list-style-type: none"> • Incorrect fuel tank vacuum relief valve • Incorrect fuel filler cap used • Fuel filler cap remains open or fails to close. • Foreign matter caught in fuel filler cap. • Leak is in line between intake manifold and EVAP canister purge volume control solenoid valve. • Foreign matter caught in EVAP canister vent control valve. • EVAP canister or fuel tank leaks • EVAP purge line (pipe and rubber tube) leaks • EVAP purge line rubber tube bent • Loose or disconnected rubber tube • EVAP canister vent control valve and the circuit • EVAP canister purge volume control solenoid valve and the circuit • Fuel tank temperature sensor • O-ring of EVAP canister vent control valve is missing or damaged • EVAP canister is saturated with water • EVAP control system pressure sensor • Fuel level sensor and the circuit • Refueling EVAP vapor cut valve • ORVR system leaks

CAUTION:

- Use only a genuine NISSAN fuel filler cap as a replacement. If an incorrect fuel filler cap is used, the MIL may come on.
- If the fuel filler cap is not tightened properly, the MIL may come on.
- Use only a genuine NISSAN rubber tube as a replacement.

DTC Confirmation Procedure

INFOID:000000002954354

NOTE:

DTC P0442 EVAP CONTROL SYSTEM

[VQ35DE]

< SERVICE INFORMATION >

- If DTC Confirmation Procedure has been previously conducted, always turn ignition switch OFF and wait at least 10 seconds before conducting the next test.

TESTING CONDITION:

- Perform "DTC WORK SUPPORT" when the fuel level is between 1/4 and 3/4 full, and vehicle is placed on flat level surface.
- Always perform test at a temperature of 0 to 30°C (32 to 86°F).

④ WITH CONSULT-III

1. Turn ignition switch ON.
2. Turn ignition switch OFF and wait at least 10 seconds.
3. Turn ignition switch ON and select "DATA MONITOR" mode with CONSULT-III.
4. Make sure that the following conditions are met.
COOLAN TEMP/S: 0 - 70°C (32 - 158°F)
INT/A TEMP SE: 0 - 30°C (32 - 86°F)
5. Select "EVAP SML LEAK P0442/P1442" of "EVAPORATIVE SYSTEM" in "DTC WORK SUPPORT" mode with CONSULT-III.
Follow the instruction displayed.
NOTE:
If the engine speed cannot be maintained within the range displayed on the CONSULT-III screen, go to [EC-76, "Basic Inspection"](#).
6. Make sure that "OK" is displayed.
If "NG" is displayed, refer to [EC-353, "Diagnosis Procedure"](#).
NOTE:
Make sure that EVAP hoses are connected to EVAP canister purge volume control solenoid valve properly.

④ WITH GST

NOTE:

Be sure to read the explanation of [EC-55, "Emission-Related Diagnostic Information"](#) before driving vehicle.

1. Start engine.
2. Drive vehicle according to [EC-55, "Emission-Related Diagnostic Information"](#).
3. Stop vehicle.
4. Turn ignition switch OFF, wait at least 10 seconds and then turn ON.
5. Select Service \$07 with GST.
 - If P0442 is displayed on the screen, go to [EC-353, "Diagnosis Procedure"](#).
 - If P0441 is displayed on the screen, go to [EC-348, "Diagnosis Procedure"](#).

Diagnosis Procedure

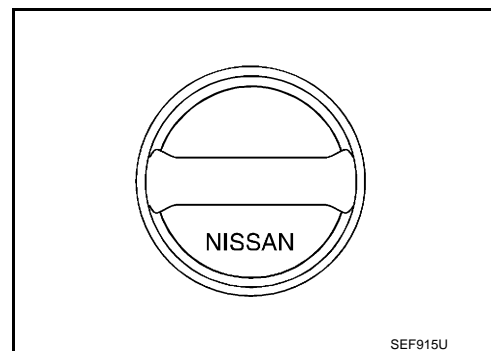
INFOID:000000002954355

1. CHECK FUEL FILLER CAP DESIGN

1. Turn ignition switch OFF.
2. Check for genuine NISSAN fuel filler cap design.

OK or NG

- OK >> GO TO 2.
NG >> Replace with genuine NISSAN fuel filler cap.



2. CHECK FUEL FILLER CAP INSTALLATION

Check that the cap is tightened properly by rotating the cap clockwise.

OK or NG

- OK >> GO TO 3.
NG >> 1. Open fuel filler cap, then clean cap and fuel filler neck threads using air blower.
2. Retighten until ratcheting sound is heard.

DTC P0442 EVAP CONTROL SYSTEM

[VQ35DE]

< SERVICE INFORMATION >

3. CHECK FUEL FILLER CAP FUNCTION

Check for air releasing sound while opening the fuel filler cap.

OK or NG

- OK >> GO TO 5.
- NG >> GO TO 4.

4. CHECK FUEL TANK VACUUM RELIEF VALVE

Refer to [EC-42, "Component Inspection"](#).

OK or NG

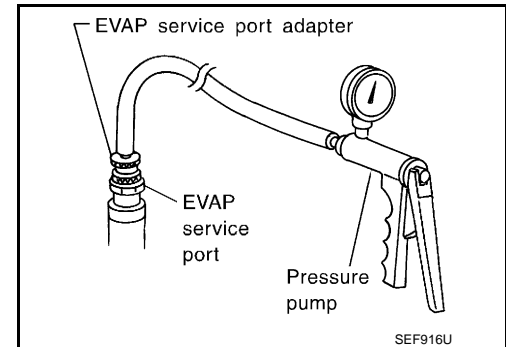
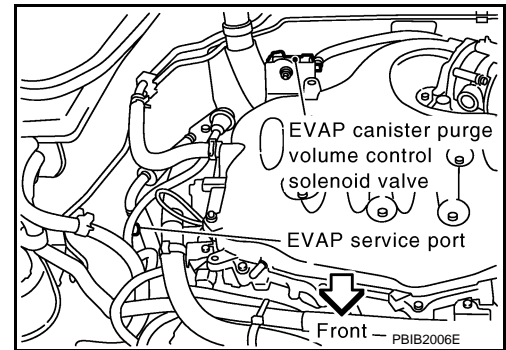
- OK >> GO TO 5.
- NG >> Replace fuel filler cap with a genuine one.

5. INSTALL THE PRESSURE PUMP

To locate the EVAP leak, install EVAP service port adapter and pressure pump to EVAP service port securely.

NOTE:

Improper installation of the EVAP service port adapter to the EVAP service port may cause leaking.



- With CONSULT-III >> GO TO 6.
- Without CONSULT-III >> GO TO 7.

6. CHECK FOR EVAP LEAK

With CONSULT-III

1. Turn ignition switch ON.
2. Select "EVAP SYSTEM CLOSE" of "WORK SUPPORT" mode with CONSULT-III.
3. Touch "START" and apply pressure into the EVAP line until the pressure indicator reaches the middle of the bar graph.

CAUTION:

- Never use compressed air or a high pressure pump.
- Do not exceed 4.12 kPa (0.042 kg/cm², 0.6 psi) of pressure in the system.

DTC P0442 EVAP CONTROL SYSTEM

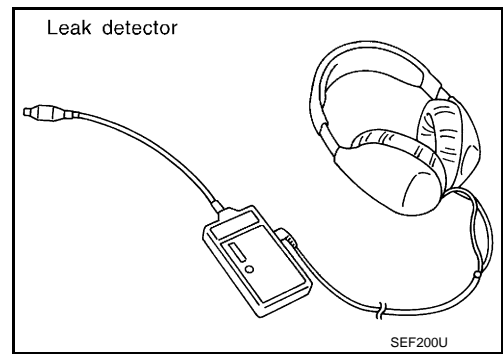
[VQ35DE]

< SERVICE INFORMATION >

- Using EVAP leak detector, locate the EVAP leak. For the leak detector, refer to the instruction manual for more details. Refer to [EC-40. "Description"](#).

OK or NG

- OK >> GO TO 8.
NG >> Repair or replace.



7. CHECK FOR EVAP LEAK

⊗ Without CONSULT-III

- Turn ignition switch OFF.
- Apply 12 volts DC to EVAP canister vent control valve (1). The valve will close. (Continue to apply 12 volts until the end of test.)
 - Illustration shows the view from under the vehicle
 - ↔: Vehicle front
 - EVAP canister (2)
 - EVAP control system pressure sensor (3)
- Pressurize the EVAP line using pressure pump with 1.3 to 2.7 kPa (10 to 20 mmHg, 0.39 to 0.79 inHg), then remove pump and EVAP service port adapter.

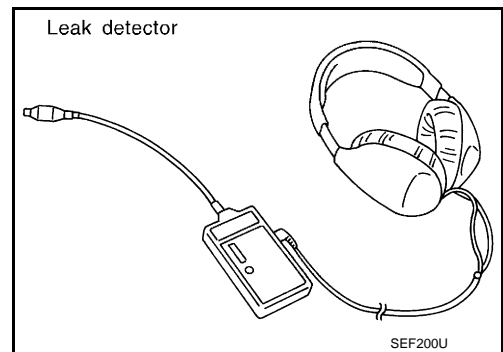
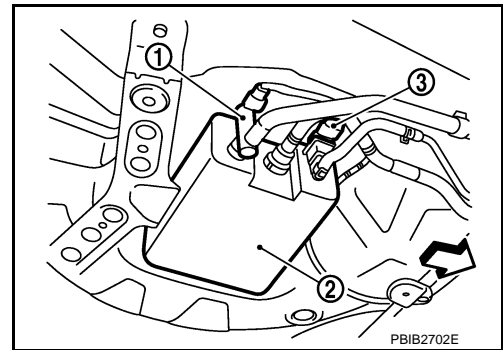
CAUTION:

- Never use compressed air or a high pressure pump.
- Do not exceed 4.12 kPa (0.042 kg/cm², 0.6 psi) of pressure in the system.

- Using EVAP leak detector, locate the EVAP leak. For the leak detector, refer to the instruction manual for more details. Refer to [EC-40. "Description"](#).

OK or NG

- OK >> GO TO 8.
NG >> Repair or replace.



8. CHECK EVAP CANISTER VENT CONTROL VALVE

Check the following.

- EVAP canister vent control valve is installed properly. Refer to [EC-44. "Removal and Installation"](#).
- EVAP canister vent control valve. Refer to [EC-376. "Component Inspection"](#).

OK or NG

- OK >> GO TO 9.
NG >> Repair or replace EVAP canister vent control valve and O-ring.

9. CHECK IF EVAP CANISTER SATURATED WITH WATER

- Remove EVAP canister with EVAP canister vent control valve and EVAP control system pressure sensor attached.

DTC P0442 EVAP CONTROL SYSTEM

[VQ35DE]

< SERVICE INFORMATION >

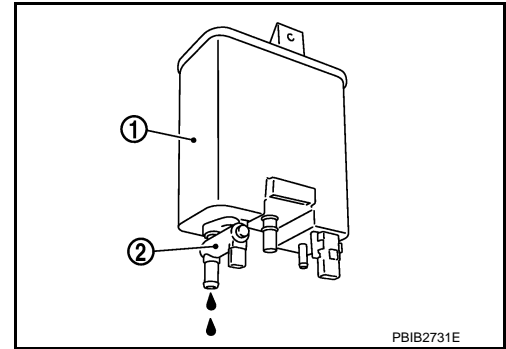
2. Does water drain from the EVAP canister (1)?
 - EVAP canister vent control valve (2)

Yes or No

Yes >> GO TO 10.

No (With CONSULT-III)>>GO TO 12.

No (Without CONSULT-III)>>GO TO 13.



10.CHECK EVAP CANISTER

Weigh the EVAP canister with the EVAP canister vent control valve and EVAP control system pressure sensor attached.

The weight should be less than 2.0 kg (4.4 lb).

OK or NG

OK (With CONSULT-III)>>GO TO 12.

OK (Without CONSULT-III)>>GO TO 13.

NG >> GO TO 11.

11.DETECT MALFUNCTIONING PART

Check the following.

- EVAP canister for damage
- EVAP hose between EVAP canister and vehicle frame for clogging or poor connection

>> Repair hose or replace EVAP canister.

12.CHECK EVAP CANISTER PURGE VOLUME CONTROL SOLENOID VALVE OPERATION

With CONSULT-III

1. Disconnect vacuum hose to EVAP canister purge volume control solenoid valve at EVAP service port.
2. Start engine.
3. Perform "PURG VOL CONT/V" in "ACTIVE TEST" mode.
4. Touch "Qu" on CONSULT-III screen to increase "PURG VOL CONT/V" opening to 100%.
5. Check vacuum hose for vacuum when revving engine up to 2,000 rpm.

OK or NG

OK >> GO TO 15.

NG >> GO TO 14.

13.CHECK EVAP CANISTER PURGE VOLUME CONTROL SOLENOID VALVE OPERATION

Without CONSULT-III

1. Start engine and warm it up to normal operating temperature.
2. Stop engine.
3. Disconnect vacuum hose to EVAP canister purge volume control solenoid valve at EVAP service port.
4. Start engine and let it idle for at least 80 seconds.
5. Check vacuum hose for vacuum when revving engine up to 2,000 rpm.

Vacuum should exist.

OK or NG

OK >> GO TO 16.

NG >> GO TO 14.

14.CHECK VACUUM HOSE

Check vacuum hoses for clogging or disconnection. Refer to [EC-105, "Vacuum Hose Drawing"](#).

OK or NG

OK >> GO TO 15.

NG >> Repair or reconnect the hose.

DTC P0442 EVAP CONTROL SYSTEM

[VQ35DE]

< SERVICE INFORMATION >

15. CHECK EVAP CANISTER PURGE VOLUME CONTROL SOLENOID VALVE

Refer to [EC-365, "Component Inspection"](#).

OK or NG

OK >> GO TO 16.

NG >> Replace EVAP canister purge volume control solenoid valve.

16. CHECK FUEL TANK TEMPERATURE SENSOR

Refer to [EC-307, "Component Inspection"](#).

OK or NG

OK >> GO TO 17.

NG >> Replace fuel level sensor unit.

17. CHECK EVAP CONTROL SYSTEM PRESSURE SENSOR

Refer to [EC-352, "DTC Confirmation Procedure"](#).

OK or NG

OK >> GO TO 18.

NG >> Replace EVAP control system pressure sensor.

18. CHECK EVAP PURGE LINE

Check EVAP purge line (pipe, rubber tube, fuel tank and EVAP canister) for cracks or improper connection.

Refer to [EC-40, "Description"](#).

OK or NG

OK >> GO TO 19.

NG >> Repair or reconnect the hose.

19. CLEAN EVAP PURGE LINE

Clean EVAP purge line (pipe and rubber tube) using air blower.

>> GO TO 20.

20. CHECK EVAP/ORVR LINE

Check EVAP/ORVR line between EVAP canister and fuel tank for clogging, kink, looseness and improper connection. For location, refer to [EC-46](#).

OK or NG

OK >> GO TO 21.

NG >> Repair or replace hoses and tubes.

21. CHECK RECIRCULATION LINE

Check recirculation line between filler neck tube and fuel tank for clogging, kink, cracks, looseness and improper connection.

OK or NG

OK >> GO TO 22.

NG >> Repair or replace hose, tube or filler neck tube.

22. CHECK REFUELING EVAP VAPOR CUT VALVE

Refer to [EC-48, "Component Inspection"](#).

OK or NG

OK >> GO TO 23.

NG >> Replace refueling EVAP vapor cut valve with fuel tank.

23. CHECK FUEL LEVEL SENSOR

Refer to [DI-24, "Electrical Component Inspection"](#).

OK or NG

OK >> GO TO 24.

NG >> Replace fuel level sensor unit.

A

EC

C

D

E

F

G

H

I

J

K

L

M

N

O

P

DTC P0442 EVAP CONTROL SYSTEM

< SERVICE INFORMATION >

[VQ35DE]

24.CHECK INTERMITTENT INCIDENT

Refer to [EC-140](#).

>> INSPECTION END

DTC P0443 EVAP CANISTER PURGE VOLUME CONTROL SOLENOID VALVE

< SERVICE INFORMATION >

[VQ35DE]

DTC P0443 EVAP CANISTER PURGE VOLUME CONTROL SOLENOID VALVE

Description

INFOID:000000002954356

SYSTEM DESCRIPTION

Sensor	Input signal to ECM	ECM function	Actuator
Crankshaft position sensor (POS) Camshaft position sensor (PHASE)	Engine speed*1	EVAP canister purge flow control	EVAP canister purge vol- ume control solenoid valve
Mass air flow sensor	Amount of intake air		
Engine coolant temperature sensor	Engine coolant temperature		
Battery	Battery voltage*1		
Throttle position sensor	Throttle position		
Accelerator pedal position sensor	Accelerator pedal position		
Air fuel ratio (A/F) sensor 1	Density of oxygen in exhaust gas (Mixture ratio feedback signal)		
Fuel tank temperature sensor	Fuel temperature in fuel tank		
Wheel sensor	Vehicle speed*2		

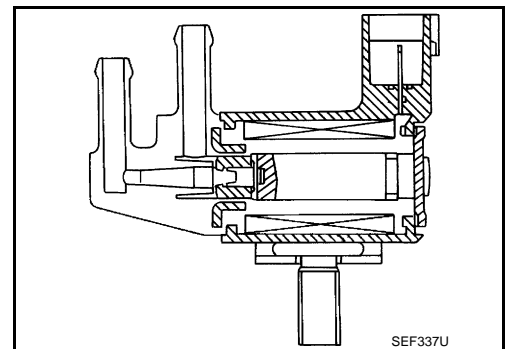
*1: ECM determines the start signal status by the signals of engine speed and battery voltage.

*2: This signal is sent to the ECM through CAN communication line.

This system controls flow rate of fuel vapor from the EVAP canister. The opening of the vapor by-pass passage in the EVAP canister purge volume control solenoid valve changes to control the flow rate. The EVAP canister purge volume control solenoid valve repeats ON/OFF operation according to the signal sent from the ECM. The opening of the valve varies for optimum engine control. The optimum value stored in the ECM is determined by considering various engine conditions. When the engine is operating, the flow rate of fuel vapor from the EVAP canister is regulated as the air flow changes.

COMPONENT DESCRIPTION

The EVAP canister purge volume control solenoid valve uses a ON/OFF duty to control the flow rate of fuel vapor from the EVAP canister. The EVAP canister purge volume control solenoid valve is moved by ON/OFF pulses from the ECM. The longer the ON pulse, the greater the amount of fuel vapor that will flow through the valve.



CONSULT-III Reference Value in Data Monitor Mode

INFOID:000000002954357

Specification data are reference values.

MONITOR ITEM	CONDITION	SPECIFICATION
PURG VOL C/V	<ul style="list-style-type: none"> Engine: After warming up Selector lever: P or N Air conditioner switch: OFF No load 	Idle (Accelerator pedal: Not depressed even slightly, after engine starting.) 0%
		2,000 rpm —

DTC P0443 EVAP CANISTER PURGE VOLUME CONTROL SOLENOID VALVE

< SERVICE INFORMATION >

[VQ35DE]

On Board Diagnosis Logic

INFOID:000000002954358

DTC No.	Trouble diagnosis name	DTC detecting condition	Possible cause
P0443 0443	EVAP canister purge volume control solenoid valve	The canister purge flow is detected during the specified driving conditions, even when EVAP canister purge volume control solenoid valve is completely closed.	<ul style="list-style-type: none">• EVAP control system pressure sensor• EVAP canister purge volume control solenoid valve (The valve is stuck open.)• EVAP canister vent control valve• EVAP canister• Hoses (Hoses are connected incorrectly or clogged.)

DTC Confirmation Procedure

INFOID:000000002954359

NOTE:

If DTC Confirmation Procedure has been previously conducted, always turn ignition switch OFF and wait at least 10 seconds before conducting the next test.

TESTING CONDITION:

Always perform test at a temperature of 5°C (41°F) or more.

WITH CONSULT-III

1. Start engine and warm it up to normal operating temperature.
2. Turn ignition switch OFF and wait at least 10 seconds.
3. Turn ignition switch ON.
4. Select "PURG VOL CN/V P1444" of "EVAPORATIVE SYSTEM" in "DTC WORK SUPPORT" mode with CONSULT-III.
5. Touch "START".
6. Start engine and let it idle until "TESTING" on CONSULT-III changes to "COMPLETED". (It will take approximately 10 seconds.)
If "TESTING" is not displayed after 5 minutes, retry from step 2.
7. Make sure that "OK" is displayed after touching "SELF-DIAG RESULTS". If "NG" is displayed, refer to [EC-362. "Diagnosis Procedure"](#).

WITH GST

1. Start engine and warm it up to normal operating temperature.
2. Turn ignition switch OFF and wait at least 10 seconds.
3. Start engine and let it idle for at least 20 seconds.
4. Select Service \$07 with GST.
5. If 1st trip DTC is detected, go to [EC-362. "Diagnosis Procedure"](#).

DTC P0443 EVAP CANISTER PURGE VOLUME CONTROL SOLENOID VALVE

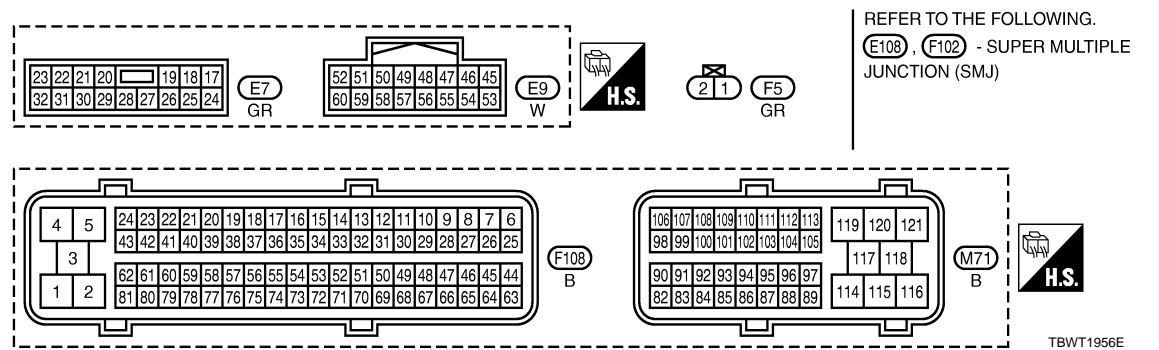
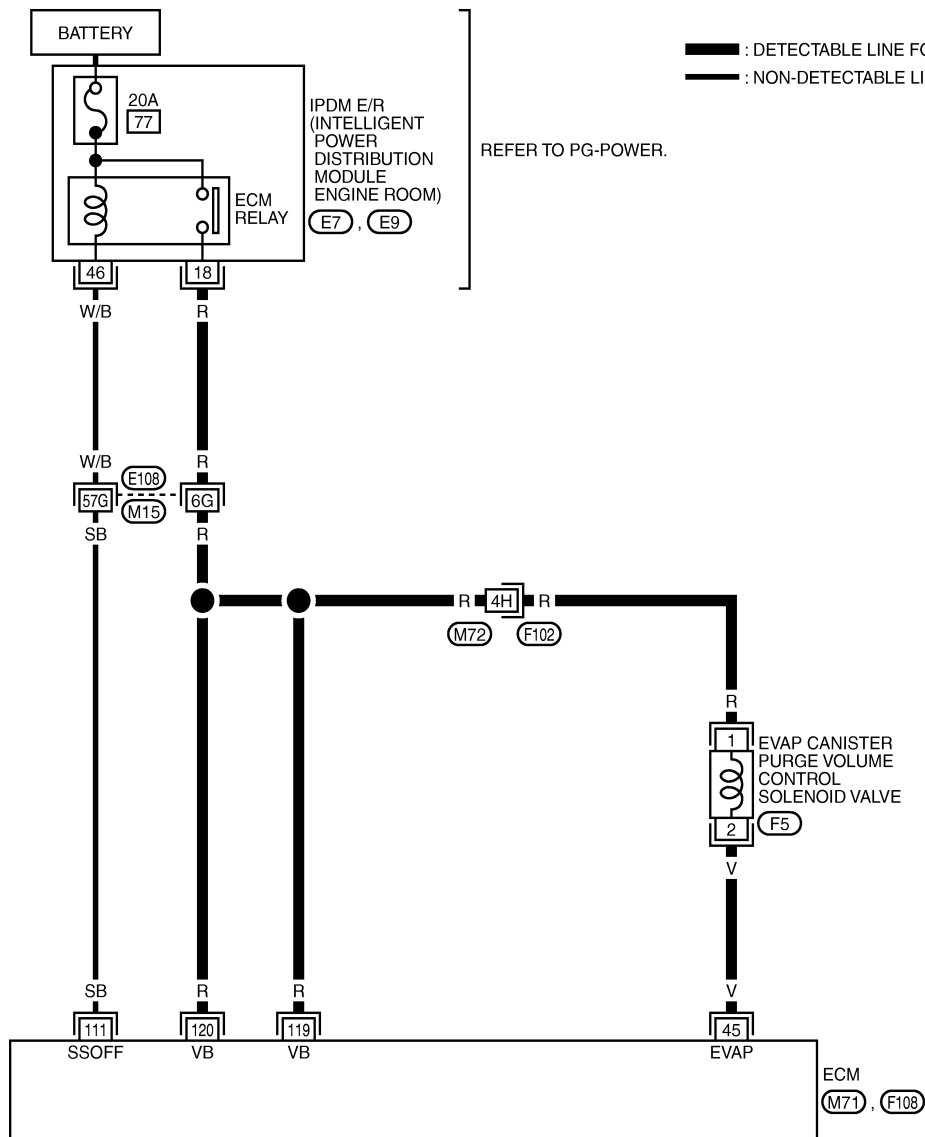
< SERVICE INFORMATION >

[VQ35DE]

Wiring Diagram

INFOID:00000002954360

EC-PGC/V-01



Specification data are reference values and are measured between each terminal and ground. Pulse signal is measured by CONSULT-III.

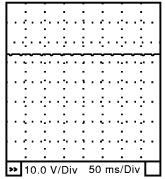
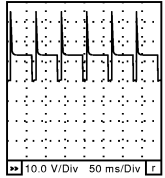
CAUTION:

DTC P0443 EVAP CANISTER PURGE VOLUME CONTROL SOLENOID VALVE

[VQ35DE]

< SERVICE INFORMATION >

Do not use ECM ground terminals when measuring input/output voltage. Doing so may result in damage to the ECM's transistor. Use a ground other than ECM terminals, such as the ground.

TER-MI-NAL NO.	WIRE COLOR	ITEM	CONDITION	DATA (DC Voltage)
45	V	EVAP canister purge volume control solenoid valve	[Engine is running] <ul style="list-style-type: none"> Idle speed Accelerator pedal: Not depressed even slightly, after engine starting 	BATTERY VOLTAGE (11 - 14V)★  SEC990C
			[Engine is running] <ul style="list-style-type: none"> Engine speed: About 2,000 rpm (More than 100 seconds after starting engine) 	BATTERY VOLTAGE (11 - 14V)★  SEC991C
111	SB	ECM relay (Self shut-off)	[Engine is running] [Ignition switch: OFF] <ul style="list-style-type: none"> For a few seconds after turning ignition switch OFF 	0 - 1.5V
			[Ignition switch: OFF] <ul style="list-style-type: none"> More than a few seconds after turning ignition switch OFF 	BATTERY VOLTAGE (11 - 14V)
119 120	R R	Power supply for ECM	[Ignition switch: ON]	BATTERY VOLTAGE (11 - 14V)

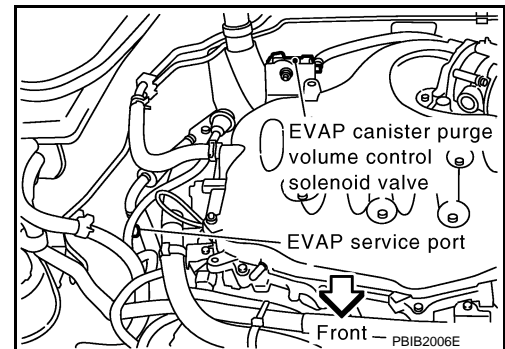
★: Average voltage for pulse signal (Actual pulse signal can be confirmed by oscilloscope.)

Diagnosis Procedure

INFOID:000000002954361

1. CHECK EVAP CANISTER PURGE VOLUME CONTROL SOLENOID VALVE POWER SUPPLY CIRCUIT

- Turn ignition switch OFF.
- Disconnect EVAP canister purge volume control solenoid valve harness connector.
- Turn ignition switch ON.



DTC P0443 EVAP CANISTER PURGE VOLUME CONTROL SOLENOID VALVE

[VQ35DE]

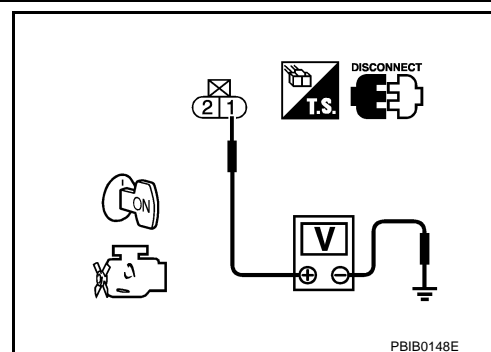
< SERVICE INFORMATION >

4. Check voltage between EVAP canister purge volume control solenoid valve terminal 1 and ground with CONSULT-III or tester.

Voltage: Battery voltage

OK or NG

- OK >> GO TO 3.
- NG >> GO TO 2.



2. DETECT MALFUNCTIONING PART

Check the following.

- Harness connectors E108, M15
- Harness connectors M72, F102
- Harness for open or short between EVAP canister purge volume control solenoid valve and IPDM E/R
- Harness for open or short between EVAP canister purge volume control solenoid valve and ECM

>> Repair open circuit or short to ground or short to power in harness or connectors.

3. CHECK EVAP CANISTER PURGE VOLUME CONTROL SOLENOID VALVE OUTPUT SIGNAL CIRCUIT FOR OPEN AND SHORT

1. Turn ignition switch OFF.
2. Disconnect ECM harness connector.
3. Check harness continuity between ECM terminal 45 and EVAP canister purge volume control solenoid valve terminal 2. Refer to Wiring Diagram.

Continuity should exist.

4. Also check harness for short to ground and short to power.

OK or NG

- OK >> GO TO 4.
- NG >> Repair open circuit or short to ground or short to power in harness or connectors.

4. CHECK EVAP CONTROL SYSTEM PRESSURE SENSOR CONNECTOR

1. Disconnect EVAP control system pressure sensor harness connector.
2. Check connectors for water.

Water should not exist.

OK or NG

- OK >> GO TO 5.
- NG >> Replace EVAP control system pressure sensor.

5. CHECK EVAP CONTROL SYSTEM PRESSURE SENSOR

Refer to [EC-385. "Component Inspection"](#).

OK or NG

- OK (With CONSULT-III) >> GO TO 6.
- OK (Without CONSULT-III) >> GO TO 7.
- NG >> Replace EVAP control system pressure sensor.

6. CHECK EVAP CANISTER PURGE VOLUME CONTROL SOLENOID VALVE

With CONSULT-III

1. Turn ignition switch OFF.
2. Reconnect harness connectors disconnected.
3. Start engine.
4. Perform "PURG VOL CONT/V" in "ACTIVE TEST" mode with CONSULT-III. Check that engine speed varies according to the valve opening.

DTC P0443 EVAP CANISTER PURGE VOLUME CONTROL SOLENOID VALVE

[VQ35DE]

< SERVICE INFORMATION >

OK or NG

- OK >> GO TO 8.
- NG >> GO TO 7.

7. CHECK EVAP CANISTER PURGE VOLUME CONTROL SOLENOID VALVE

Refer to [EC-365. "Component Inspection"](#).

OK or NG

- OK >> GO TO 8.
- NG >> Replace EVAP canister purge volume control solenoid valve.

8. CHECK RUBBER TUBE FOR CLOGGING

1. Disconnect rubber tube connected to EVAP canister vent control valve.
2. Check the rubber tube for clogging.

OK or NG

- OK >> GO TO 9.
- NG >> Clean the rubber tube using an air blower.

9. CHECK EVAP CANISTER VENT CONTROL VALVE

Refer to [EC-376. "Component Inspection"](#).

OK or NG

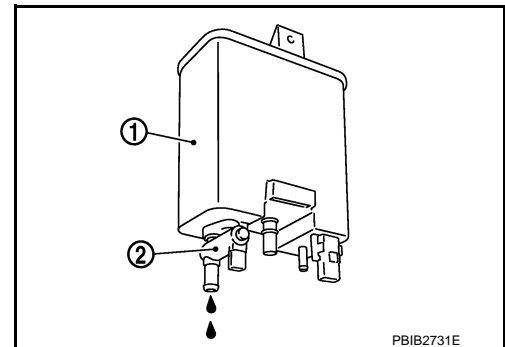
- OK >> GO TO 10.
- NG >> Replace EVAP canister vent control valve.

10. CHECK IF EVAP CANISTER SATURATED WITH WATER

1. Remove EVAP canister with EVAP canister vent control valve and EVAP control system pressure sensor attached.
2. Does water drain from the EVAP canister (1)?
 - EVAP canister vent control valve (2)

Yes or No

- Yes >> GO TO 11.
- No >> GO TO 13.



11. CHECK EVAP CANISTER

Weigh the EVAP canister with the EVAP canister vent control valve and EVAP control system pressure sensor attached.

The weight should be less than 2.0 kg (4.4 lb).

OK or NG

- OK >> GO TO 13.
- NG >> GO TO 12.

12. DETECT MALFUNCTIONING PART

Check the following.

- EVAP canister for damage
- EVAP hose between EVAP canister and vehicle frame for clogging or poor connection

>> Repair hose or replace EVAP canister.

13. CHECK INTERMITTENT INCIDENT

Refer to [EC-140](#).

>> **INSPECTION END**

DTC P0443 EVAP CANISTER PURGE VOLUME CONTROL SOLENOID VALVE

< SERVICE INFORMATION >

[VQ35DE]

Component Inspection

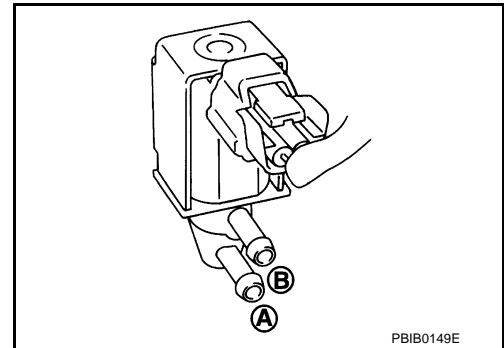
INFOID:000000002954362

EVAP CANISTER PURGE VOLUME CONTROL SOLENOID VALVE

④ With CONSULT-III

Check air passage continuity of EVAP canister purge volume control solenoid valve under the following conditions.

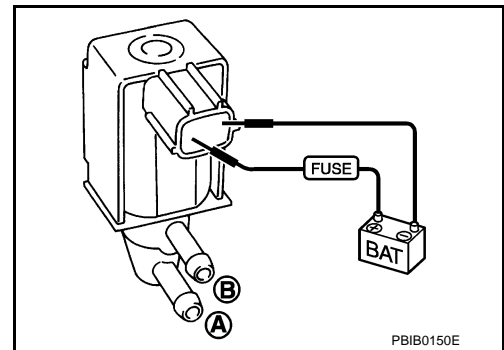
Condition (PURG VOL CONT/V value)	Air passage continuity between A and B
100%	Yes
0%	No



⊗ Without CONSULT-III

Check air passage continuity of EVAP canister purge volume control solenoid valve under the following conditions.

Condition	Air passage continuity between A and B
12V direct current supply between terminals 1 and 2	Yes
No supply	No



Removal and Installation

INFOID:000000002954363

EVAP CANISTER PURGE VOLUME CONTROL SOLENOID VALVE

Refer to [EM-20](#).

A
EC
C
D
E
F
G
H
I
J
K
L
M
N
O
P

DTC P0444, P0445 EVAP CANISTER PURGE VOLUME CONTROL SOLENOID VALVE

< SERVICE INFORMATION >

[VQ35DE]

DTC P0444, P0445 EVAP CANISTER PURGE VOLUME CONTROL SOLENOID VALVE

Description

INFOID:000000002954364

SYSTEM DESCRIPTION

Sensor	Input signal to ECM	ECM function	Actuator
Crankshaft position sensor (POS) Camshaft position sensor (PHASE)	Engine speed* ¹	EVAP canister purge flow control	EVAP canister purge volume control solenoid valve
Mass air flow sensor	Amount of intake air		
Engine coolant temperature sensor	Engine coolant temperature		
Battery	Battery voltage* ¹		
Throttle position sensor	Throttle position		
Accelerator pedal position sensor	Accelerator pedal position		
Air fuel ratio (A/F) sensor 1	Density of oxygen in exhaust gas (Mixture ratio feedback signal)		
Fuel tank temperature sensor	Fuel temperature in fuel tank		
Wheel sensor	Vehicle speed* ²		

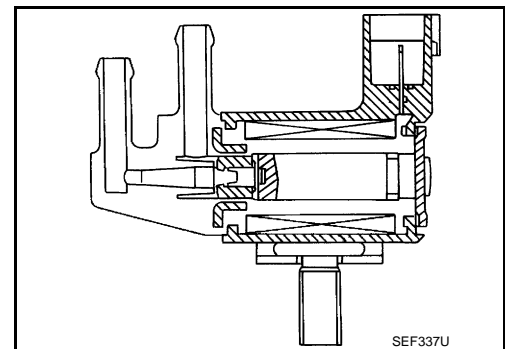
*1: ECM determines the start signal status by the signals of engine speed and battery voltage.

*2: This signal is sent to the ECM through CAN communication line.

This system controls flow rate of fuel vapor from the EVAP canister. The opening of the vapor by-pass passage in the EVAP canister purge volume control solenoid valve changes to control the flow rate. The EVAP canister purge volume control solenoid valve repeats ON/OFF operation according to the signal sent from the ECM. The opening of the valve varies for optimum engine control. The optimum value stored in the ECM is determined by considering various engine conditions. When the engine is operating, the flow rate of fuel vapor from the EVAP canister is regulated as the air flow changes.

COMPONENT DESCRIPTION

The EVAP canister purge volume control solenoid valve uses a ON/OFF duty to control the flow rate of fuel vapor from the EVAP canister. The EVAP canister purge volume control solenoid valve is moved by ON/OFF pulses from the ECM. The longer the ON pulse, the greater the amount of fuel vapor that will flow through the valve.



CONSULT-III Reference Value in Data Monitor Mode

INFOID:000000002954365

Specification data are reference values.

MONITOR ITEM	CONDITION	SPECIFICATION
PURG VOL C/V	<ul style="list-style-type: none"> Engine: After warming up Selector lever: P or N Air conditioner switch: OFF No load 	Idle (Accelerator pedal: Not depressed even slightly, after engine starting.)
		2,000 rpm

DTC P0444, P0445 EVAP CANISTER PURGE VOLUME CONTROL SOLENOID VALVE

< SERVICE INFORMATION >

[VQ35DE]

On Board Diagnosis Logic

INFOID:000000002954366

DTC No.	Trouble diagnosis name	DTC detecting condition	Possible cause
P0444 0444	EVAP canister purge volume control solenoid valve circuit open	An excessively low voltage signal is sent to ECM through the valve	<ul style="list-style-type: none"> • Harness or connectors (The solenoid valve circuit is open or shorted.) • EVAP canister purge volume control solenoid valve
P0445 0445	EVAP canister purge volume control solenoid valve circuit shorted	An excessively high voltage signal is sent to ECM through the valve	<ul style="list-style-type: none"> • Harness or connectors (The solenoid valve circuit is shorted.) • EVAP canister purge volume control solenoid valve

DTC Confirmation Procedure

INFOID:000000002954367

NOTE:

If DTC Confirmation Procedure has been previously conducted, always turn ignition switch OFF and wait at least 10 seconds before conducting the next test.

TESTING CONDITION:

Before performing the following procedure, confirm battery voltage is more than 11V at idle.

1. Start engine and let it idle for at least 13 seconds.
2. Check 1st trip DTC.
3. If 1st trip DTC is detected, go to [EC-369, "Diagnosis Procedure"](#).

A
EC
C
D
E
F
G
H
I
J
K
L
M
N
O
P

DTC P0444, P0445 EVAP CANISTER PURGE VOLUME CONTROL SOLENOID VALVE

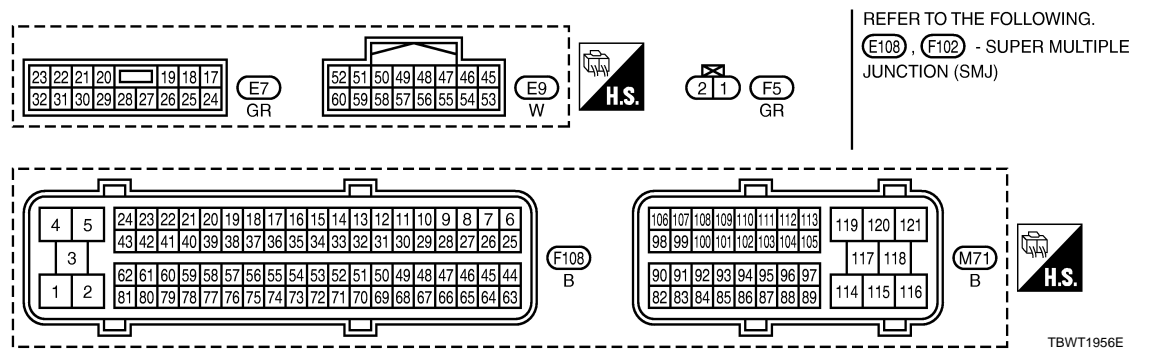
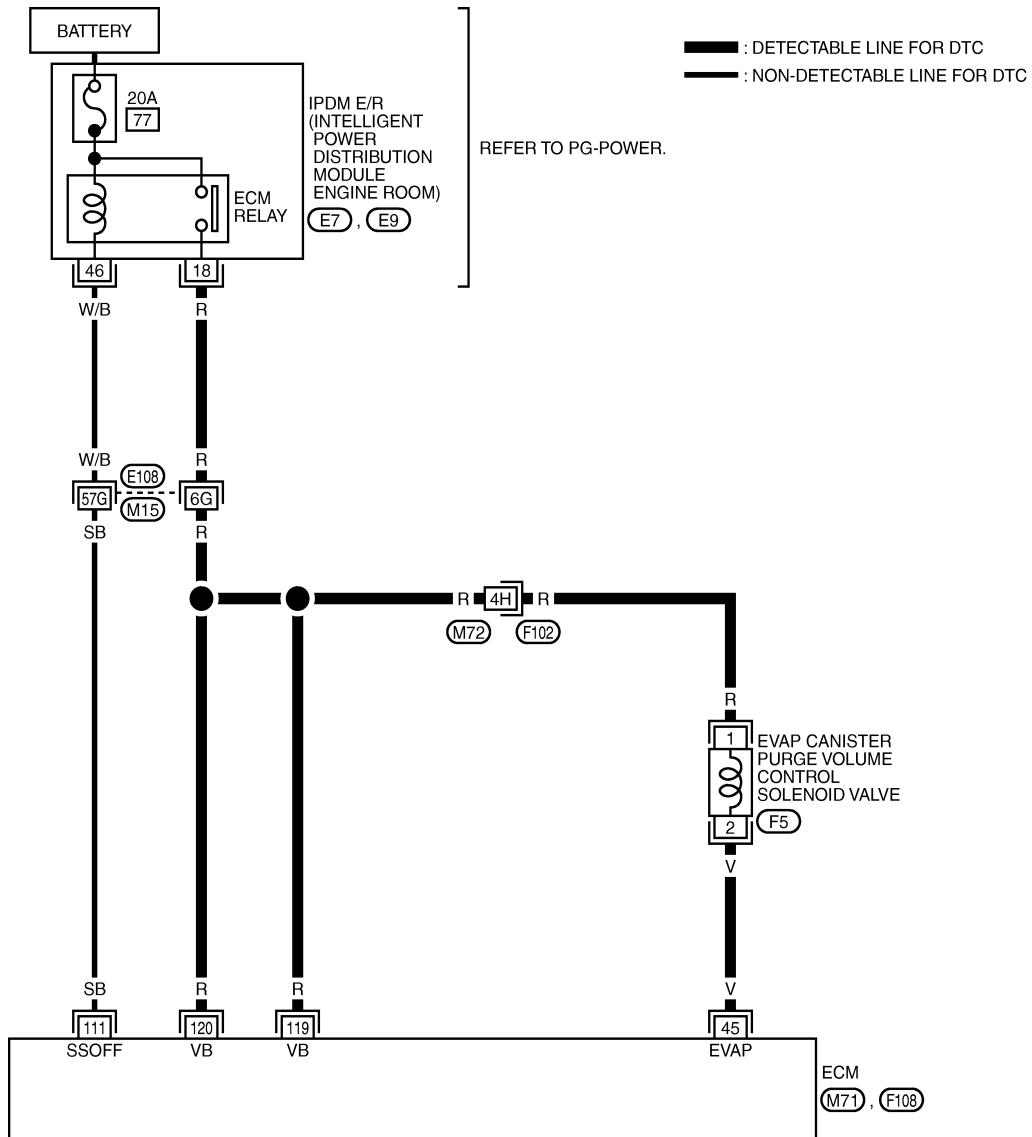
< SERVICE INFORMATION >

[VQ35DE]

INFOID:00000002954368

Wiring Diagram

EC-PGC/V-01



Specification data are reference values and are measured between each terminal and ground. Pulse signal is measured by CONSULT-III.

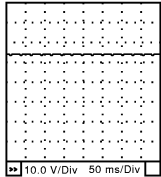
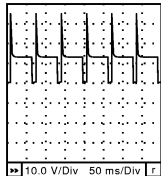
CAUTION:

DTC P0444, P0445 EVAP CANISTER PURGE VOLUME CONTROL SOLENOID VALVE

< SERVICE INFORMATION >

[VQ35DE]

Do not use ECM ground terminals when measuring input/output voltage. Doing so may result in damage to the ECM's transistor. Use a ground other than ECM terminals, such as the ground.

TER-MI-NAL NO.	WIRE COLOR	ITEM	CONDITION	DATA (DC Voltage)
45	V	EVAP canister purge volume control solenoid valve	[Engine is running] <ul style="list-style-type: none"> • Idle speed • Accelerator pedal: Not depressed even slightly, after engine starting 	BATTERY VOLTAGE (11 - 14V)★  <small>SEC990C</small>
			[Engine is running] <ul style="list-style-type: none"> • Engine speed: About 2,000 rpm (More than 100 seconds after starting engine) 	BATTERY VOLTAGE (11 - 14V)★  <small>SEC991C</small>
111	SB	ECM relay (Self shut-off)	[Engine is running] [Ignition switch: OFF] <ul style="list-style-type: none"> • For a few seconds after turning ignition switch OFF 	0 - 1.5V
			[Ignition switch: OFF] <ul style="list-style-type: none"> • More than a few seconds after turning ignition switch OFF 	BATTERY VOLTAGE (11 - 14V)
119 120	R R	Power supply for ECM	[Ignition switch: ON]	BATTERY VOLTAGE (11 - 14V)

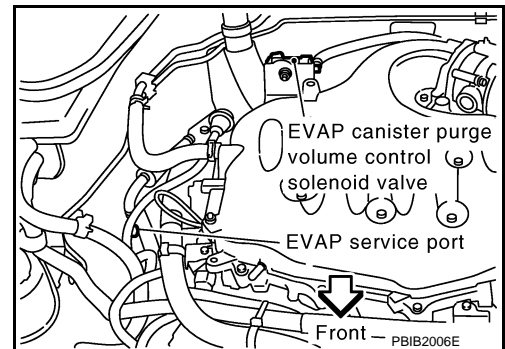
★: Average voltage for pulse signal (Actual pulse signal can be confirmed by oscilloscope.)

Diagnosis Procedure

INFOID:000000002954369

1. CHECK EVAP CANISTER PURGE VOLUME CONTROL SOLENOID VALVE POWER SUPPLY CIRCUIT

1. Turn ignition switch OFF.
2. Disconnect EVAP canister purge volume control solenoid valve harness connector.
3. Turn ignition switch ON.



DTC P0444, P0445 EVAP CANISTER PURGE VOLUME CONTROL SOLENOID VALVE

[VQ35DE]

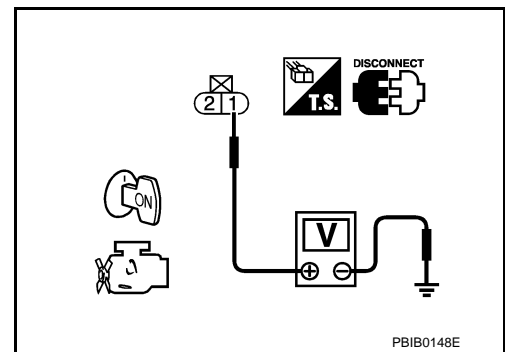
< SERVICE INFORMATION >

4. Check voltage between EVAP canister purge volume control solenoid valve terminal 1 and ground with CONSULT-III or tester.

Voltage: Battery voltage

OK or NG

- OK >> GO TO 3.
- NG >> GO TO 2.



2. DETECT MALFUNCTIONING PART

Check the following.

- Harness connectors E108, M15
- Harness connectors M72, F102
- Harness for open or short between EVAP canister purge volume control solenoid valve and IPDM E/R
- Harness for open or short between EVAP canister purge volume control solenoid valve and ECM

>> Repair open circuit or short to ground or short to power in harness or connectors.

3. CHECK EVAP CANISTER PURGE VOLUME CONTROL SOLENOID VALVE OUTPUT SIGNAL CIRCUIT FOR OPEN AND SHORT

1. Turn ignition switch OFF.
2. Disconnect ECM harness connector.
3. Check harness continuity between ECM terminal 45 and EVAP canister purge volume control solenoid valve terminal 2. Refer to Wiring Diagram.

Continuity should exist.

4. Also check harness for short to ground and short to power.

OK or NG

- OK (With CONSULT-III) >> GO TO 4.
- OK (Without CONSULT-III) >> GO TO 5.
- NG >> Repair open circuit or short to ground or short to power in harness or connectors.

4. CHECK EVAP CANISTER PURGE VOLUME CONTROL SOLENOID VALVE OPERATION

Ⓟ With CONSULT-III

1. Reconnect all harness connectors disconnected.
2. Start engine.
3. Perform "PURG VOL CONT/V" in "ACTIVE TEST" mode with CONSULT-III. Check that engine speed varies according to the valve opening.

OK or NG

- OK >> GO TO 6.
- NG >> GO TO 5.

5. CHECK EVAP CANISTER PURGE VOLUME CONTROL SOLENOID VALVE

Refer to [EC-371, "Component Inspection"](#).

OK or NG

- OK >> GO TO 6.
- NG >> Replace EVAP canister purge volume control solenoid valve.

6. CHECK INTERMITTENT INCIDENT

Refer to [EC-140](#).

>> **INSPECTION END**

DTC P0444, P0445 EVAP CANISTER PURGE VOLUME CONTROL SOLENOID VALVE

< SERVICE INFORMATION >

[VQ35DE]

Component Inspection

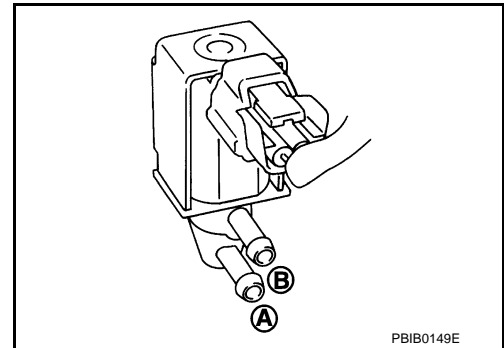
INFOID:000000002954370

EVAP CANISTER PURGE VOLUME CONTROL SOLENOID VALVE

④ With CONSULT-III

Check air passage continuity of EVAP canister purge volume control solenoid valve under the following conditions.

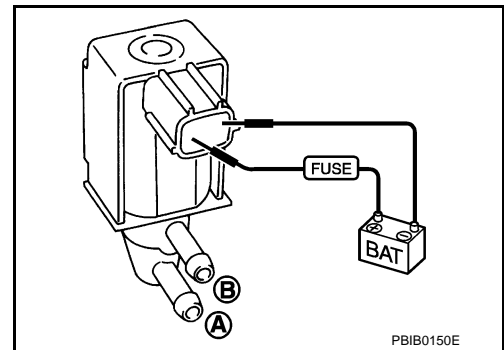
Condition (PURG VOL CONT/V value)	Air passage continuity between A and B
100%	Yes
0%	No



⊗ Without CONSULT-III

Check air passage continuity of EVAP canister purge volume control solenoid valve under the following conditions.

Condition	Air passage continuity between A and B
12V direct current supply between terminals 1 and 2	Yes
No supply	No



Removal and Installation

INFOID:000000002954371

EVAP CANISTER PURGE VOLUME CONTROL SOLENOID VALVE

Refer to [EM-20](#).

A
EC
C
D
E
F
G
H
I
J
K
L
M
N
O
P

DTC P0447 EVAP CANISTER VENT CONTROL VALVE

< SERVICE INFORMATION >

[VQ35DE]

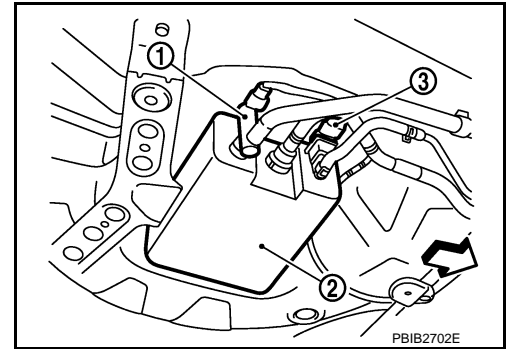
DTC P0447 EVAP CANISTER VENT CONTROL VALVE

Component Description

INFOID:000000002954372

The EVAP canister vent control valve (1) is located on the EVAP canister (2) and is used to seal the canister vent.

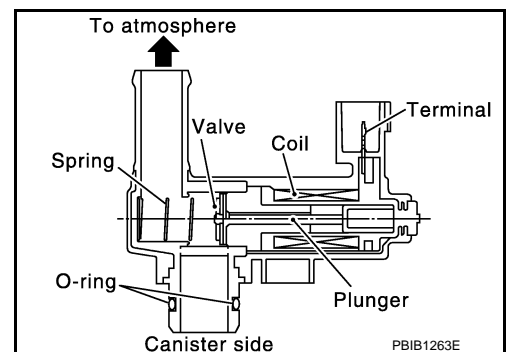
- Illustration shows the view from under the vehicle.
- ⇐: Vehicle front
- EVAP control system pressure sensor (3)



This solenoid valve responds to signals from the ECM. When the ECM sends an ON signal, the coil in the solenoid valve is energized. A plunger will then move to seal the canister vent. The ability to seal the vent is necessary for the on board diagnosis of other evaporative emission control system components.

This solenoid valve is used only for diagnosis, and usually remains opened.

When the vent is closed, under normal purge conditions, the evaporative emission control system is depressurized and allows EVAP control system diagnosis.



CONSULT-III Reference Value in Data Monitor Mode

INFOID:000000002954373

Specification data are reference values.

MONITOR ITEM	CONDITION	SPECIFICATION
VENT CONT/V	• Ignition switch: ON	OFF

On Board Diagnosis Logic

INFOID:000000002954374

DTC No.	Trouble diagnosis name	DTC detecting condition	Possible cause
P0447 0447	EVAP canister vent control valve circuit open	An improper voltage signal is sent to ECM through EVAP canister vent control valve.	<ul style="list-style-type: none"> • Harness or connectors (The valve circuit is open or shorted.) • EVAP canister vent control valve

DTC Confirmation Procedure

INFOID:000000002954375

NOTE:

If DTC Confirmation Procedure has been previously conducted, always turn ignition switch OFF and wait at least 10 seconds before conducting the next test.

TESTING CONDITION:

Before performing the following procedure, confirm battery voltage is more than 11V at idle.

1. Start engine and wait at least 8 seconds.
2. Check 1st trip DTC.
3. If 1st trip DTC is detected, go to [EC-374, "Diagnosis Procedure"](#).

DTC P0447 EVAP CANISTER VENT CONTROL VALVE

< SERVICE INFORMATION >

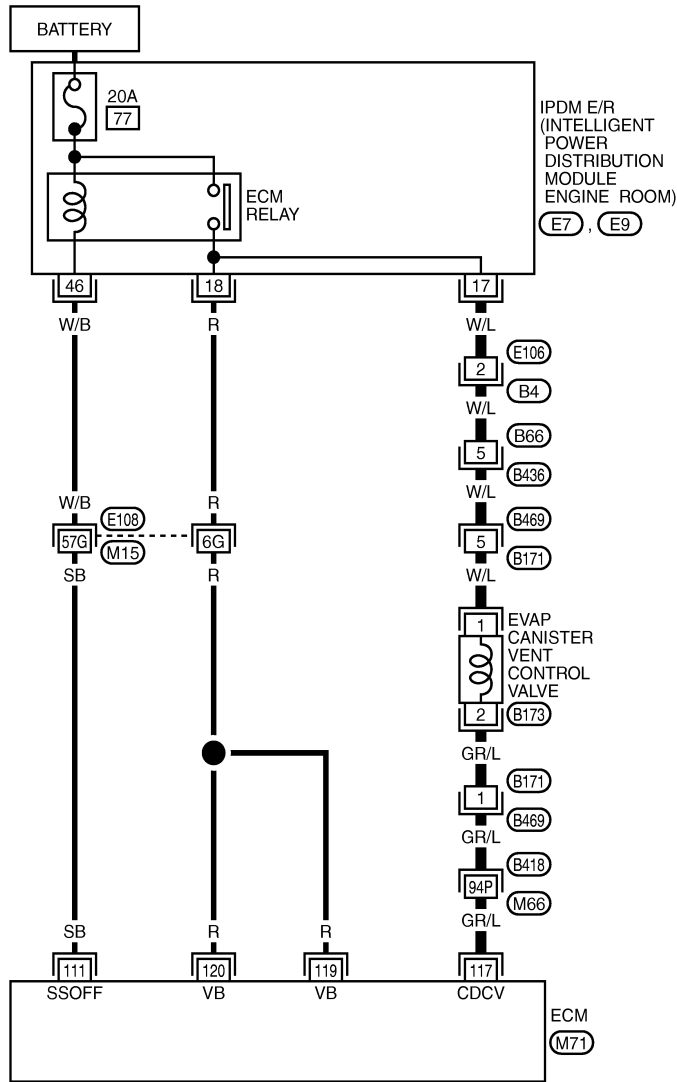
[VQ35DE]

INFOID:000000002954376

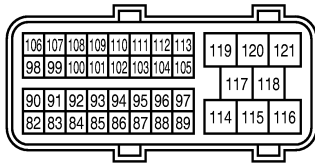
Wiring Diagram

EC-VENT/V-01

— : DETECTABLE LINE FOR DTC
 — : NON-DETECTABLE LINE FOR DTC

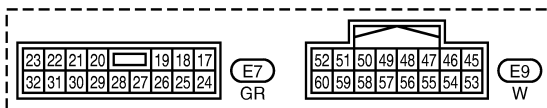


REFER TO PG-POWER.



M71 B H.S.

REFER TO THE FOLLOWING.
 (E108), (B418) - SUPER MULTIPLE JUNCTION (SMJ)



H.S.

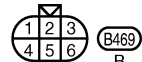


B

B



B



B

TBWT1957E

Specification data are reference values and are measured between each terminal and ground.

CAUTION:

Do not use ECM ground terminals when measuring input/output voltage. Doing so may result in damage to the ECM's transistor. Use a ground other than ECM terminals, such as the ground.

DTC P0447 EVAP CANISTER VENT CONTROL VALVE

< SERVICE INFORMATION >

[VQ35DE]

TER-MI-NAL NO.	WIRE COLOR	ITEM	CONDITION	DATA (DC Voltage)
111	SB	ECM relay (Self shut-off)	[Engine is running] [Ignition switch: OFF] <ul style="list-style-type: none">For a few seconds after turning ignition switch OFF	0 - 1.5V
			[Ignition switch: OFF] <ul style="list-style-type: none">More than a few seconds after turning ignition switch OFF	BATTERY VOLTAGE (11 - 14V)
117	GR/L	EVAP canister vent control valve	[Ignition switch: ON]	BATTERY VOLTAGE (11 - 14V)
119 120	R R	Power supply for ECM	[Ignition switch: ON]	BATTERY VOLTAGE (11 - 14V)

Diagnosis Procedure

INFOID:000000002954377

1. INSPECTION START

Do you have CONSULT-III?

Yes or No

- Yes >> GO TO 2.
- No >> GO TO 3.

2. CHECK EVAP CANISTER VENT CONTROL VALVE CIRCUIT

Ⓟ With CONSULT-III

- Turn ignition switch OFF and then turn ON.
- Select "VENT CONTROL/V" in "ACTIVE TEST" mode with CONSULT-III.
- Touch "ON/OFF" on CONSULT-III screen.
- Check for operating sound of the valve.

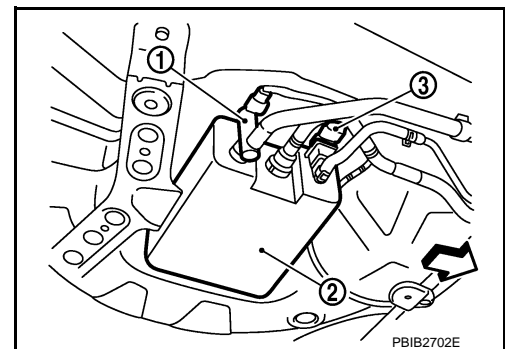
Clicking noise should be heard.

OK or NG

- OK >> GO TO 7.
- NG >> GO TO 3.

3. CHECK EVAP CANISTER VENT CONTROL VALVE POWER SUPPLY CIRCUIT

- Turn ignition switch OFF.
- Disconnect EVAP canister vent control valve (1) harness connector.
 - Illustration shows the view from under the vehicle.
 - ↔: Vehicle front
 - EVAP canister (2)
 - EVAP control system pressure sensor (3)
- Turn ignition switch ON.



DTC P0447 EVAP CANISTER VENT CONTROL VALVE

[VQ35DE]

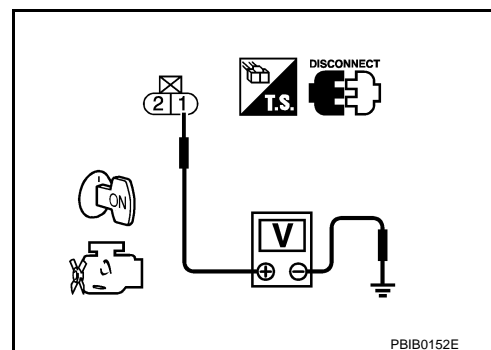
< SERVICE INFORMATION >

4. Check voltage between EVAP canister vent control valve terminal 1 and ground with CONSULT-III or tester.

Voltage: Battery voltage

OK or NG

- OK >> GO TO 5.
- NG >> GO TO 4.



4. DETECT MALFUNCTIONING PART

Check the following.

- Harness connectors E106, B4
- Harness connectors E66, B436
- Harness connectors B469, B171
- Harness for open or short between EVAP canister vent control valve and IPDM E/R

>> Repair open circuit or short to ground or short to power in harness or connectors.

5. CHECK EVAP CANISTER VENT CONTROL VALVE OUTPUT SIGNAL CIRCUIT FOR OPEN AND SHORT

1. Turn ignition switch OFF.
2. Disconnect ECM harness connector.
3. Check harness continuity between ECM terminal 117 and EVAP canister vent control valve terminal 2. Refer to Wiring Diagram.

Continuity should exist.

4. Also check harness for short to ground and short to power.

OK or NG

- OK >> GO TO 7.
- NG >> GO TO 6.

6. DETECT MALFUNCTIONING PART

Check the following.

- Harness connectors B171, B469
- Harness connectors B418, M66
- Harness for open or short between EVAP canister vent control valve and ECM

>> Repair open circuit or short to ground or short to power in harness or connectors.

7. CHECK RUBBER TUBE FOR CLOGGING

1. Disconnect rubber tube connected to EVAP canister vent control valve.
2. Check the rubber tube for clogging.

OK or NG

- OK >> GO TO 8.
- NG >> Clean the rubber tube using an air blower.

8. CHECK EVAP CANISTER VENT CONTROL VALVE

Refer to [EC-376, "Component Inspection"](#).

OK or NG

- OK >> GO TO 9.
- NG >> Replace EVAP canister vent control valve.

9. CHECK INTERMITTENT INCIDENT

Refer to [EC-140](#).

DTC P0447 EVAP CANISTER VENT CONTROL VALVE

[VQ35DE]

< SERVICE INFORMATION >

>> INSPECTION END

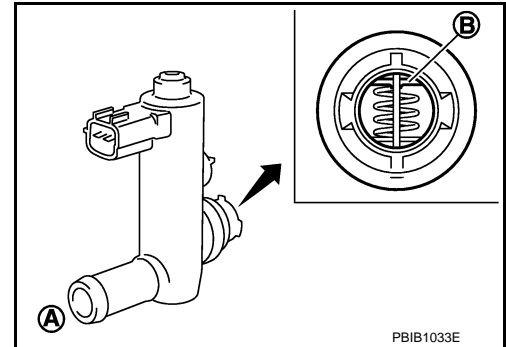
Component Inspection

INFOID:000000002954378

EVAP CANISTER VENT CONTROL VALVE

④ With CONSULT-III

1. Remove EVAP canister vent control valve from EVAP canister.
2. Check portion (B) of EVAP canister vent control valve for being rusted.
If NG, replace EVAP canister vent control valve.
If OK, go to next step.
3. Reconnect harness connectors disconnected.
4. Turn ignition switch ON.



5. Perform "VENT CONTROL/V" in "ACTIVE TEST" mode.
6. Check air passage continuity and operation delay time.
Make sure new O-ring is installed properly.

Condition VENT CONTROL/V	Air passage continuity between A and B
ON	No
OFF	Yes

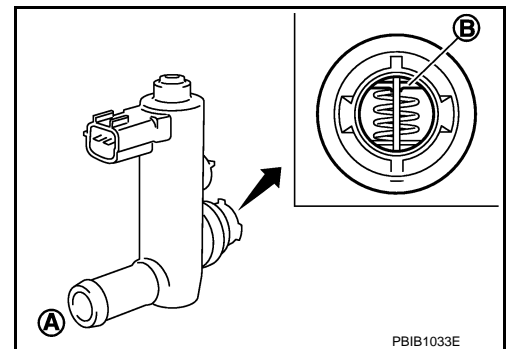
Operation takes less than 1 second.

If NG, replace EVAP canister vent control valve.
If OK, go to next step.

7. Clean the air passage [portion (A) to (B)] of EVAP canister vent control valve using an air blower.
8. Perform step 6 again.

⊗ Without CONSULT-III

1. Remove EVAP canister vent control valve from EVAP canister.
2. Check portion (B) of EVAP canister vent control valve for being rusted.



DTC P0447 EVAP CANISTER VENT CONTROL VALVE

[VQ35DE]

< SERVICE INFORMATION >

3. Check air passage continuity and operation delay time under the following conditions.
Make sure new O-ring is installed properly.

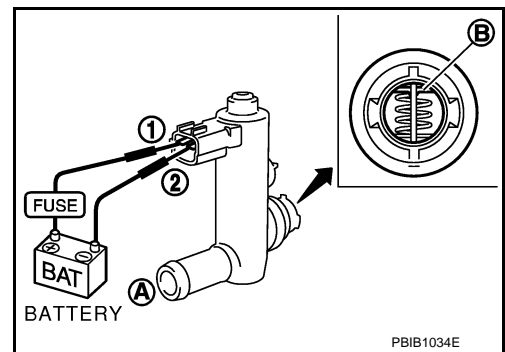
Condition	Air passage continuity between (A) and (B)
12V direct current supply between terminals (1) and (2)	No
OFF	Yes

Operation takes less than 1 second.

If NG, replace EVAP canister vent control valve.

If OK, go to next step.

4. Clean the air passage [portion (A) to (B)] of EVAP canister vent control valve using an air blower.
5. Perform step 3 again.



A
EC
C
D
E
F
G
H
I
J
K
L
M
N
O
P

DTC P0448 EVAP CANISTER VENT CONTROL VALVE

< SERVICE INFORMATION >

[VQ35DE]

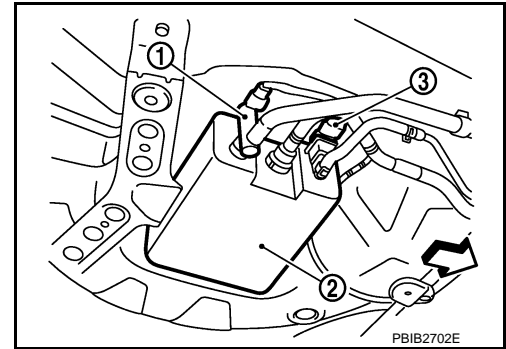
DTC P0448 EVAP CANISTER VENT CONTROL VALVE

Component Description

INFOID:000000002954379

The EVAP canister vent control valve (1) is located on the EVAP canister (2) and is used to seal the canister vent.

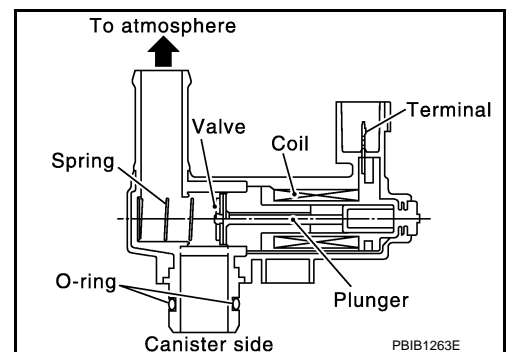
- Illustration shows the view from under the vehicle.
- ⇐: Vehicle front
- EVAP control system pressure sensor (3)



This solenoid valve responds to signals from the ECM. When the ECM sends an ON signal, the coil in the solenoid valve is energized. A plunger will then move to seal the canister vent. The ability to seal the vent is necessary for the on board diagnosis of other evaporative emission control system components.

This solenoid valve is used only for diagnosis, and usually remains opened.

When the vent is closed, under normal purge conditions, the evaporative emission control system is depressurized and allows "EVAP Control System" diagnosis.



CONSULT-III Reference Value in Data Monitor Mode

INFOID:000000002954380

Specification data are reference values.

MONITOR ITEM	CONDITION	SPECIFICATION
VENT CONT/V	• Ignition switch: ON	OFF

On Board Diagnosis Logic

INFOID:000000002954381

DTC No.	Trouble diagnosis name	DTC detecting condition	Possible cause
P0448 0448	EVAP canister vent control valve close	EVAP canister vent control valve remains closed under specified driving conditions.	<ul style="list-style-type: none"> • EVAP canister vent control valve • EVAP control system pressure sensor and the circuit • Blocked rubber tube to EVAP canister vent control valve • EVAP canister is saturated with water

DTC Confirmation Procedure

INFOID:000000002954382

NOTE:

If DTC Confirmation Procedure has been previously conducted, always turn ignition switch OFF and wait at least 10 seconds before conducting the next test.

1. Turn ignition switch ON and wait at least 5 seconds.
2. Turn ignition switch OFF and wait at least 10 seconds.
3. Start engine and let it idle for at least 1 minute.
4. Repeat next procedures three times.
 - a. Increase the engine speed up to 3,000 to 3,500 rpm and keep it for 2 minutes and 50 seconds to 3 minutes.

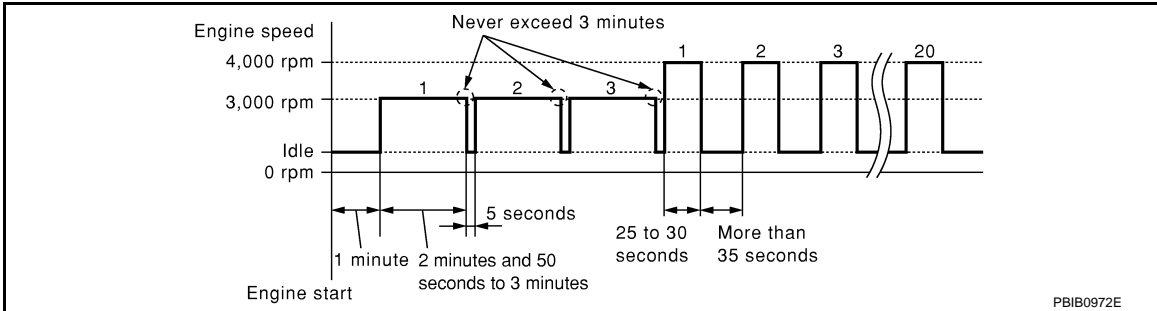
Never exceed 3 minutes.

DTC P0448 EVAP CANISTER VENT CONTROL VALVE

[VQ35DE]

< SERVICE INFORMATION >

- b. Fully released accelerator pedal and keep engine idle for about 5 seconds.
5. Check 1st trip DTC.
6. If 1st trip DTC is detected, go to [EC-381, "Diagnosis Procedure"](#).
If 1st trip DTC is not detected, go to the next step.
7. Repeat next procedure 20 times.
 - a. Quickly increase the engine speed up to 4,000 to 4,500 rpm or more and keep it for 25 to 30 seconds.
 - b. Fully released accelerator pedal and keep engine idle for at least 35 seconds.



8. Check 1st trip DTC.
9. If 1st trip DTC is detected, go to [EC-381, "Diagnosis Procedure"](#).

A
EC
C
D
E
F
G
H
I
J
K
L
M
N
O
P

DTC P0448 EVAP CANISTER VENT CONTROL VALVE

< SERVICE INFORMATION >

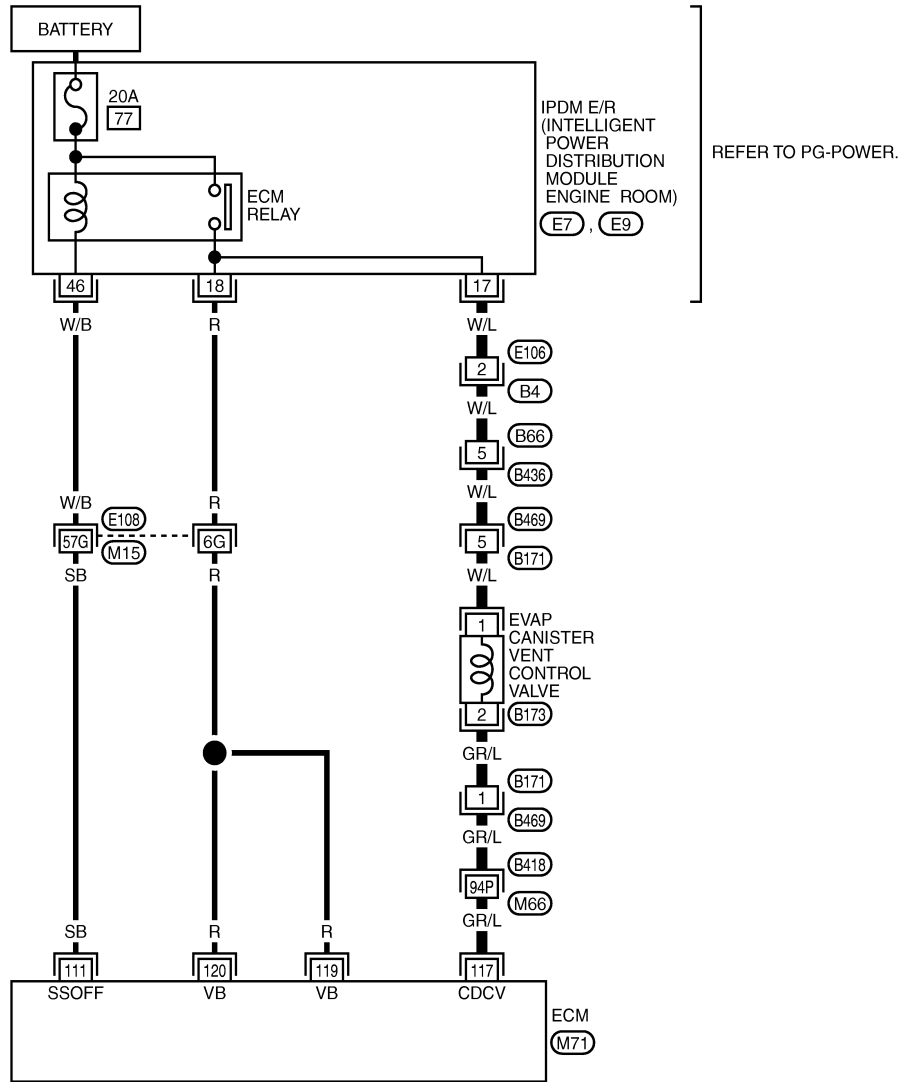
[VQ35DE]

INFOID:00000002954383

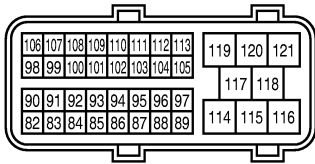
Wiring Diagram

EC-VENT/V-01

: DETECTABLE LINE FOR DTC
 : NON-DETECTABLE LINE FOR DTC

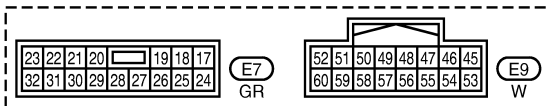


REFER TO PG-POWER.



(M71) B

REFER TO THE FOLLOWING.
 (E108), (B418) - SUPER MULTIPLE JUNCTION (SMJ)

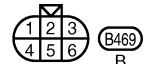


(B4) B

(B436) B



(B173) B



(B469) B

TBWT1957E

Specification data are reference values and are measured between each terminal and ground.

CAUTION:

Do not use ECM ground terminals when measuring input/output voltage. Doing so may result in damage to the ECM's transistor. Use a ground other than ECM terminals, such as the ground.

DTC P0448 EVAP CANISTER VENT CONTROL VALVE

< SERVICE INFORMATION >

[VQ35DE]

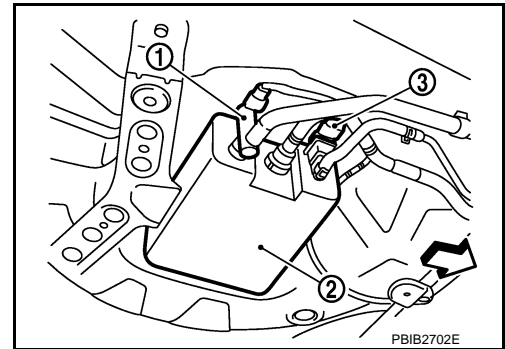
TER-MI-NAL NO.	WIRE COLOR	ITEM	CONDITION	DATA (DC Voltage)
111	SB	ECM relay (Self shut-off)	[Engine is running] [Ignition switch: OFF] • For a few seconds after turning ignition switch OFF	0 - 1.5V
			[Ignition switch: OFF] • More than a few seconds after turning ignition switch OFF	BATTERY VOLTAGE (11 - 14V)
117	GR/L	EVAP canister vent control valve	[Ignition switch: ON]	BATTERY VOLTAGE (11 - 14V)
119 120	R R	Power supply for ECM	[Ignition switch: ON]	BATTERY VOLTAGE (11 - 14V)

Diagnosis Procedure

INFOID:000000002954384

1. CHECK RUBBER TUBE

- Turn ignition switch OFF.
- Disconnect rubber tube connected to EVAP canister vent control valve (1).
 - Illustration shows the view from under the vehicle.
 - ↔: Vehicle front
 - EVAP canister (2)
 - EVAP control system pressure sensor (3)
- Check the rubber tube for clogging.



OK or NG

- OK >> GO TO 2.
- NG >> Clean rubber tube using an air blower.

2. CHECK EVAP CANISTER VENT CONTROL VALVE

Refer to [EC-382, "Component Inspection"](#).

OK or NG

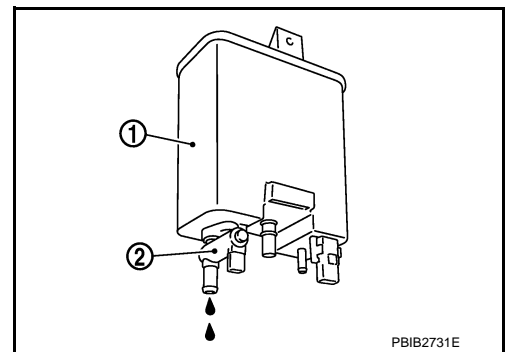
- OK >> GO TO 3.
- NG >> Replace EVAP canister vent control valve.

3. CHECK IF EVAP CANISTER SATURATED WITH WATER

- Remove EVAP canister with EVAP canister vent control valve and EVAP control system pressure sensor attached.
- Check if water will drain from the EVAP canister (1).
 - EVAP canister vent control valve (2)

Yes or No

- Yes >> GO TO 4.
- No >> GO TO 6.



4. CHECK EVAP CANISTER

Weigh the EVAP canister with the EVAP canister vent control valve and EVAP control system pressure sensor attached.

The weight should be less than 2.0 kg (4.4 lb).

DTC P0448 EVAP CANISTER VENT CONTROL VALVE

[VQ35DE]

< SERVICE INFORMATION >

OK or NG

- OK >> GO TO 6.
- NG >> GO TO 5.

5. DETECT MALFUNCTIONING PART

Check the following.

- EVAP canister for damage
- EVAP hose between EVAP canister and vehicle frame for clogging or poor connection

>> Repair hose or replace EVAP canister.

6. CHECK EVAP CONTROL SYSTEM PRESSURE SENSOR CONNECTOR

1. Disconnect EVAP control system pressure sensor harness connector.
2. Check connectors for water.

Water should not exist.

OK or NG

- OK >> GO TO 7.
- NG >> Replace EVAP control system pressure sensor.

7. CHECK EVAP CONTROL SYSTEM PRESSURE SENSOR

Refer to [EC-385, "Component Inspection"](#).

OK or NG

- OK >> GO TO 8.
- NG >> Replace EVAP control system pressure sensor.

8. CHECK INTERMITTENT INCIDENT

Refer to [EC-140](#).

>> **INSPECTION END**

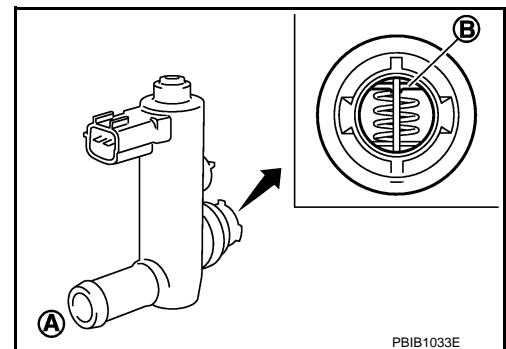
Component Inspection

INFOID:000000002954385

EVAP CANISTER VENT CONTROL VALVE

 With CONSULT-III

1. Remove EVAP canister vent control valve from EVAP canister.
2. Check portion (B) of EVAP canister vent control valve for being rusted.
If NG, replace EVAP canister vent control valve.
If OK, go to next step.
3. Reconnect harness connectors disconnected.
4. Turn ignition switch ON.



5. Perform "VENT CONTROL/V" in "ACTIVE TEST" mode.
6. Check air passage continuity and operation delay time.
Make sure new O-ring is installed properly.

Condition VENT CONTROL/V	Air passage continuity between A and B
ON	No
OFF	Yes

DTC P0448 EVAP CANISTER VENT CONTROL VALVE

[VQ35DE]

< SERVICE INFORMATION >

Operation takes less than 1 second.

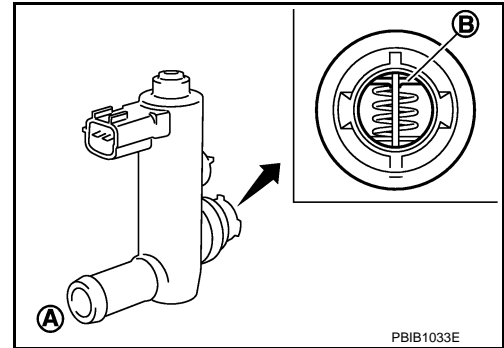
If NG, replace EVAP canister vent control valve.

If OK, go to next step.

7. Clean the air passage [portion (A) to (B)] of EVAP canister vent control valve using an air blower.
8. Perform step 6 again.

⊗ Without CONSULT-III

1. Remove EVAP canister vent control valve from EVAP canister.
2. Check portion (B) of EVAP canister vent control valve for being rusted.



3. Check air passage continuity and operation delay time under the following conditions.

Make sure new O-ring is installed properly.

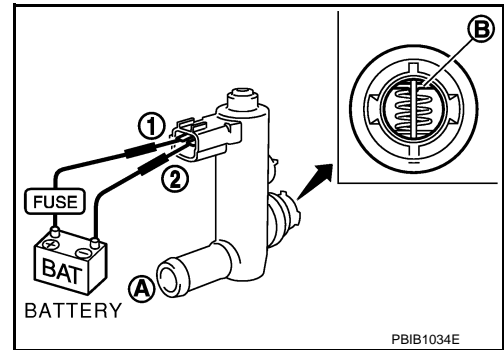
Condition	Air passage continuity between (A) and (B)
12V direct current supply between terminals (1) and (2)	No
OFF	Yes

Operation takes less than 1 second.

If NG, replace EVAP canister vent control valve.

If OK, go to next step.

4. Clean the air passage [portion (A) to (B)] of EVAP canister vent control valve using an air blower.
5. Perform step 3 again.



A
EC
C
D
E
F
G
H
I
J
K
L
M
N
O
P

DTC P0451 EVAP CONTROL SYSTEM PRESSURE SENSOR

< SERVICE INFORMATION >

[VQ35DE]

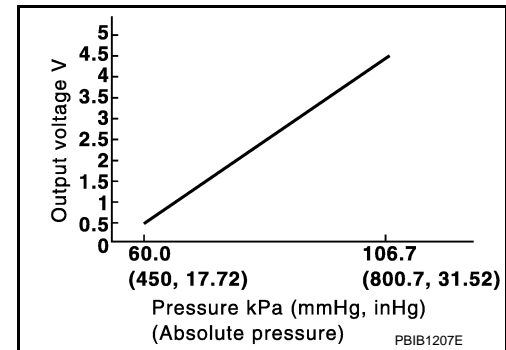
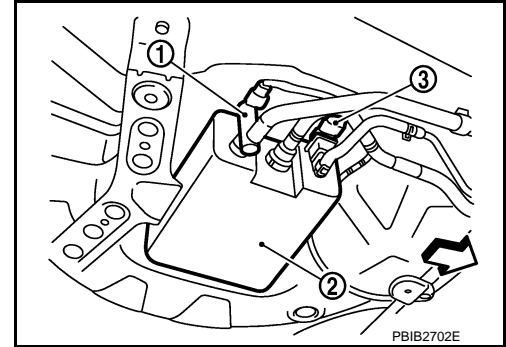
DTC P0451 EVAP CONTROL SYSTEM PRESSURE SENSOR

Component Description

INFOID:000000002954386

The EVAP control system pressure sensor (3) detects pressure in the purge line. The sensor output voltage to the ECM increases as pressure increases.

- Illustration shows the view from under the vehicle.
- ⇐: Vehicle front
- EVAP canister vent control valve (1)
- EVAP canister (2)



CONSULT-III Reference Value in Data Monitor Mode

INFOID:000000002954387

Specification data are reference values.

MONITOR ITEM	CONDITION	SPECIFICATION
EVAP SYS PRES	• Ignition switch: ON	Approx. 1.8 - 4.8V

On Board Diagnosis Logic

INFOID:000000002954388

NOTE:

If DTC P0451 is displayed with DTC P0643, first perform the trouble diagnosis for DTC P0643. Refer to [EC-436](#).

DTC No.	Trouble diagnosis name	DTC detecting condition	Possible cause
P0451 0451	EVAP control system pressure sensor performance	ECM detects a sloshing signal from the EVAP control system pressure sensor	<ul style="list-style-type: none"> • Harness or connectors • EVAP control system pressure sensor

DTC Confirmation Procedure

INFOID:000000002954389

NOTE:

If DTC Confirmation Procedure has been previously conducted, always turn ignition switch OFF and wait at least 10 seconds before conducting the next test.

1. Turn ignition switch OFF and wait at least 10 seconds.
2. Start engine and wait at least 40 seconds.

NOTE:

Do not depress accelerator pedal even slightly.

3. Check 1st trip DTC.
4. If 1st trip DTC is detected, go to [EC-385, "Diagnosis Procedure"](#).

DTC P0451 EVAP CONTROL SYSTEM PRESSURE SENSOR

< SERVICE INFORMATION >

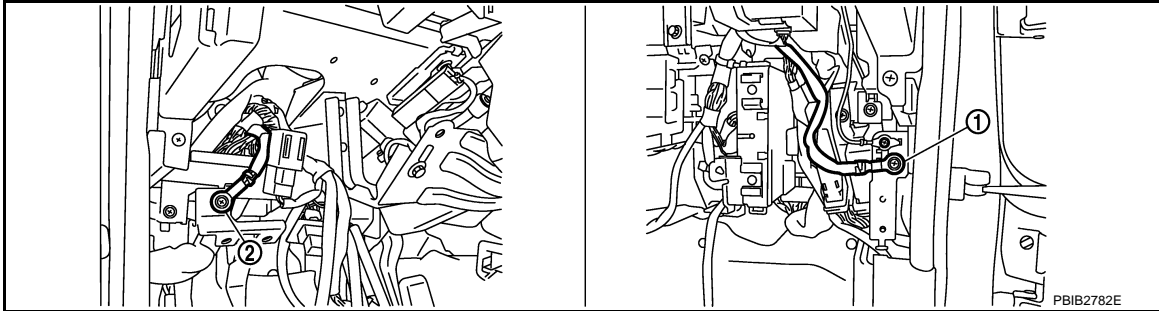
[VQ35DE]

Diagnosis Procedure

INFOID:000000002954390

1. CHECK GROUND CONNECTIONS

1. Turn ignition switch OFF.
2. Loosen and retighten two ground screws on the body.
Refer to [EC-146. "Ground Inspection"](#).



1. Body ground M70

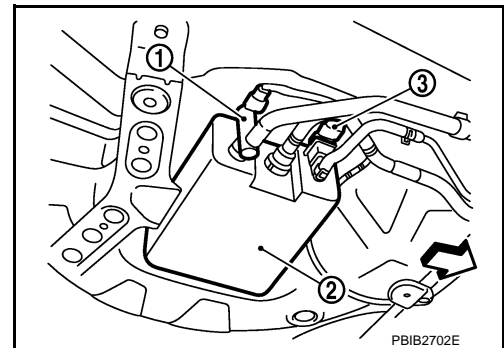
2. Body ground M16

OK or NG

- OK >> GO TO 2.
NG >> Repair or replace ground connections.

2. CHECK EVAP CONTROL SYSTEM PRESSURE SENSOR CONNECTOR FOR WATER

1. Disconnect EVAP control system pressure sensor (3) harness connector.
 - Illustration shows the view from under the vehicle.
 - ⇐: Vehicle front
 - EVAP canister vent control valve (1)
 - EVAP canister (2)
2. Check sensor harness connector for water.



Water should not exist.

OK or NG

- OK >> GO TO 3.
NG >> Repair or replace harness connector.

3. CHECK EVAP CONTROL SYSTEM PRESSURE SENSOR

Refer to [EC-385. "Component Inspection"](#).

OK or NG

- OK >> GO TO 4.
NG >> Replace EVAP control system pressure sensor.

4. CHECK INTERMITTENT INCIDENT

Refer to [EC-140](#).

For Wiring Diagram, refer to [EC-389. "Wiring Diagram"](#).

>> **INSPECTION END**

Component Inspection

INFOID:000000002954391

EVAP CONTROL SYSTEM PRESSURE SENSOR

1. Remove EVAP control system pressure sensor with its harness connector connected from EVAP canister.
Always replace O-ring with a new one.
2. Install a vacuum pump to EVAP control system pressure sensor.

DTC P0451 EVAP CONTROL SYSTEM PRESSURE SENSOR

[VQ35DE]

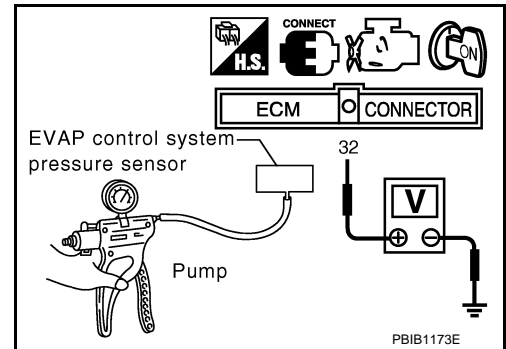
< SERVICE INFORMATION >

3. Turn ignition switch ON and check output voltage between ECM terminal 32 and ground under the following conditions.

Applied vacuum kPa (mmHg, inHg)	Voltage V
Not applied	1.8 - 4.8
-26.7 (-200, -7.87)	2.1 to 2.5V lower than above value

CAUTION:

- Always calibrate the vacuum pump gauge when using it.
 - Do not apply below -93.3 kPa (-700 mmHg, -27.56 inHg) or pressure over 101.3 kPa (760 mmHg, 29.92 inHg).
4. If NG, replace EVAP control system pressure sensor.



DTC P0452 EVAP CONTROL SYSTEM PRESSURE SENSOR

< SERVICE INFORMATION >

[VQ35DE]

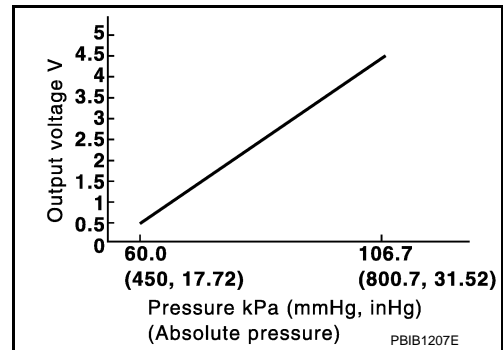
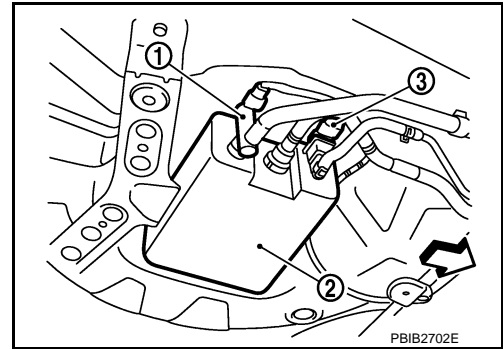
DTC P0452 EVAP CONTROL SYSTEM PRESSURE SENSOR

Component Description

INFOID:000000002954392

The EVAP control system pressure sensor (3) detects pressure in the purge line. The sensor output voltage to the ECM increases as pressure increases.

- Illustration shows the view from under the vehicle.
- ⇐: Vehicle front
- EVAP canister vent control valve (1)
- EVAP canister (2)



CONSULT-III Reference Value in Data Monitor Mode

INFOID:000000002954393

Specification data are reference values.

MONITOR ITEM	CONDITION	SPECIFICATION
EVAP SYS PRES	• Ignition switch: ON	Approx. 1.8 - 4.8V

On Board Diagnosis Logic

INFOID:000000002954394

NOTE:

If DTC P0452 is displayed with DTC P0643, first perform the trouble diagnosis for DTC P0643. Refer to [EC-436](#).

DTC No.	Trouble diagnosis name	DTC detecting condition	Possible cause
P0452 0452	EVAP control system pressure sensor low input	An excessively low voltage from the sensor is sent to ECM.	<ul style="list-style-type: none"> • Harness or connectors (The sensor circuit is open or shorted.) • EVAP control system pressure sensor

DTC Confirmation Procedure

INFOID:000000002954395

NOTE:

If DTC Confirmation Procedure has been previously conducted, always turn ignition switch OFF and wait at least 10 seconds before conducting the next test.

TESTING CONDITION:

Always perform test at a temperature of 5°C (41°F) or more.

Ⓟ WITH CONSULT-III

1. Start engine and warm it up to normal operating temperature.
2. Turn ignition switch OFF and wait at least 10 seconds.
3. Turn ignition switch ON.
4. Select "DATA MONITOR" mode with CONSULT-III.

DTC P0452 EVAP CONTROL SYSTEM PRESSURE SENSOR

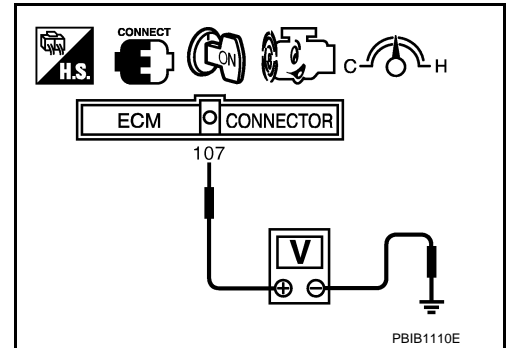
[VQ35DE]

< SERVICE INFORMATION >

5. Make sure that "FUEL T/TMP SE" is more than 0°C (32°F).
6. Start engine and wait at least 20 seconds.
7. Check 1st trip DTC.
8. If 1st trip DTC is detected, go to [EC-390. "Diagnosis Procedure"](#).

Ⓢ WITH GST

1. Start engine and warm it up to normal operating temperature.
2. Check that voltage between ECM terminal 107 (Fuel tank temperature sensor signal) and ground is less than 4.2V.
3. Turn ignition switch OFF and wait at least 10 seconds.
4. Start engine and wait at least 20 seconds.
5. Select Service \$07 with GST.
If 1st trip DTC is detected, go to [EC-390. "Diagnosis Procedure"](#).



DTC P0452 EVAP CONTROL SYSTEM PRESSURE SENSOR

< SERVICE INFORMATION >

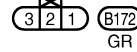
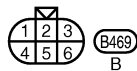
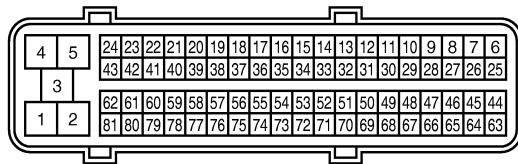
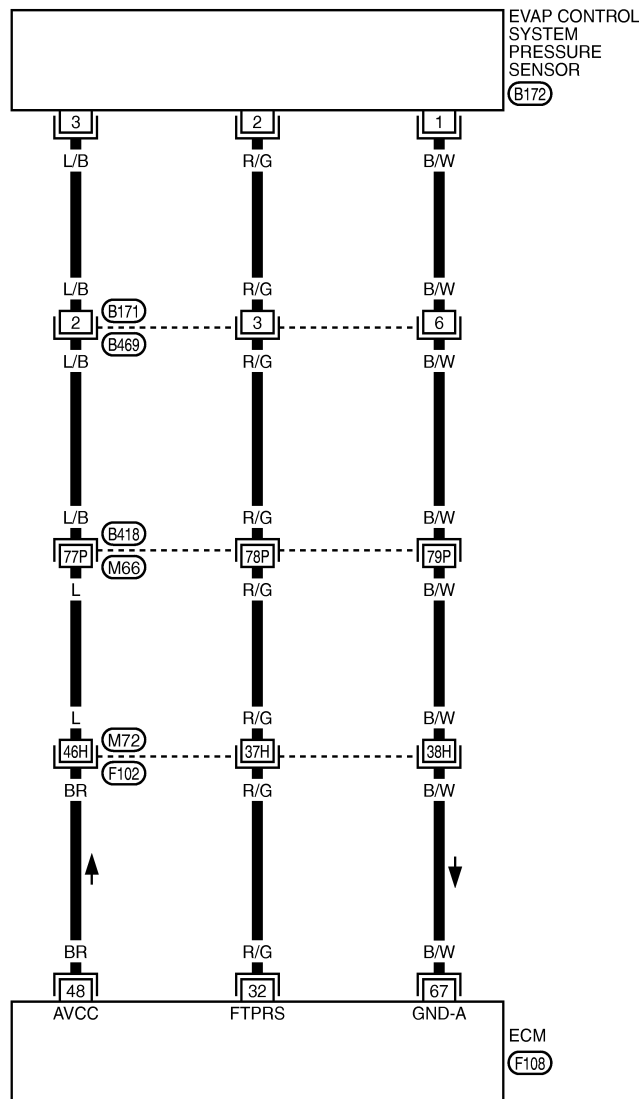
[VQ35DE]

INFOID:000000002954396

Wiring Diagram

EC-PRE/SE-01

: DETECTABLE LINE FOR DTC
 : NON-DETECTABLE LINE FOR DTC



REFER TO THE FOLLOWING.
 (F102), (B418) - SUPER MULTIPLE JUNCTION (SMJ)

TBWT1958E

Specification data are reference values and are measured between each terminal and ground.

CAUTION:

Do not use ECM ground terminals when measuring input/output voltage. Doing so may result in damage to the ECM's transistor. Use a ground other than ECM terminals, such as the ground.

DTC P0452 EVAP CONTROL SYSTEM PRESSURE SENSOR

< SERVICE INFORMATION >

[VQ35DE]

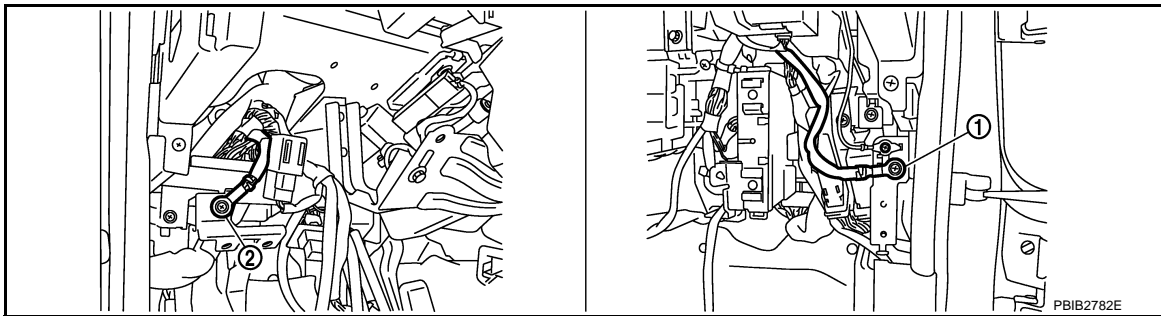
TER-MI-NAL NO.	WIRE COLOR	ITEM	CONDITION	DATA (DC Voltage)
32	R/G	EVAP control system pressure sensor	[Ignition switch: ON]	Approximately 1.8 - 4.8V
48	BR	Sensor power supply (EVAP control system pressure sensor)	[Ignition switch: ON]	Approximately 5V
67	B/W	Sensor ground	[Engine is running] • Warm-up condition • Idle speed	Approximately 0V

Diagnosis Procedure

INFOID:000000002954397

1. CHECK GROUND CONNECTIONS

1. Turn ignition switch OFF.
2. Loosen and retighten two ground screws on the body.
Refer to [EC-146. "Ground Inspection"](#).



1. Body ground M70

2. Body ground M16

OK or NG

OK >> GO TO 2.

NG >> Repair or replace ground connections.

2. CHECK CONNECTOR

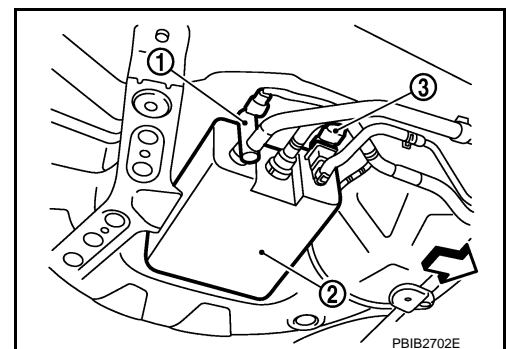
1. Disconnect EVAP control system pressure sensor (3) harness connector.
 - Illustration shows the view from under the vehicle.
 - ⇐: Vehicle front
 - EVAP canister vent control valve (1)
 - EVAP canister (2)
2. Check sensor harness connector for water.

Water should not exist.

OK or NG

OK >> GO TO 3.

NG >> Repair or replace harness connector.



3. CHECK EVAP CONTROL SYSTEM PRESSURE SENSOR POWER SUPPLY CIRCUIT

1. Turn ignition switch ON.

DTC P0452 EVAP CONTROL SYSTEM PRESSURE SENSOR

[VQ35DE]

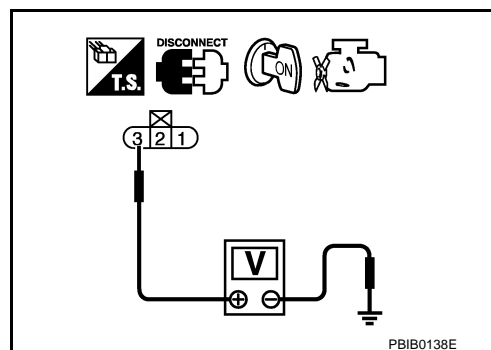
< SERVICE INFORMATION >

2. Check voltage between EVAP control system pressure sensor terminal 3 and ground with CONSULT-III or tester.

Voltage: Approximately 5V

OK or NG

- OK >> GO TO 5.
- NG >> GO TO 4.



4. DETECT MALFUNCTIONING PART

Check the following.

- Harness connectors B171, B469
- Harness connectors B418, M66
- Harness connectors M72, F102
- Harness for open or short between EVAP control system pressure sensor and ECM

>> Repair open circuit or short to ground or short to power in harness or connectors.

5. CHECK EVAP CONTROL SYSTEM PRESSURE SENSOR GROUND CIRCUIT FOR OPEN AND SHORT

1. Turn ignition switch OFF.
2. Disconnect ECM harness connector.
3. Check harness continuity between EVAP control system pressure sensor terminal 1 and ECM terminal 67.
Refer to Wiring Diagram.

Continuity should exist.

4. Also check harness for short to ground and short to power.

OK or NG

- OK >> GO TO 7.
- NG >> GO TO 6.

6. DETECT MALFUNCTIONING PART

Check the following.

- Harness connectors B171, B469
- Harness connectors B418, M66
- Harness connectors M72, F102
- Harness for open or short between EVAP control system pressure sensor and ECM

>> Repair open circuit or short to ground or short to power in harness or connectors.

7. CHECK EVAP CONTROL SYSTEM PRESSURE SENSOR INPUT SIGNAL CIRCUIT FOR OPEN AND SHORT

1. Check harness continuity between ECM terminal 32 and EVAP control system pressure sensor terminal 2.
Refer to Wiring Diagram.

Continuity should exist.

2. Also check harness for short to ground and short to power.

OK or NG

- OK >> GO TO 9.
- NG >> GO TO 8.

8. DETECT MALFUNCTIONING PART

Check the following.

DTC P0452 EVAP CONTROL SYSTEM PRESSURE SENSOR

[VQ35DE]

< SERVICE INFORMATION >

- Harness connectors B171, B469
- Harness connectors B418, M66
- Harness connectors M72, F102
- Harness for open or short between EVAP control system pressure sensor and ECM

>> Repair open circuit or short to ground or short to power in harness or connectors.

9. CHECK EVAP CONTROL SYSTEM PRESSURE SENSOR

Refer to [EC-392, "Component Inspection"](#).

OK or NG

- OK >> GO TO 10.
- NG >> Replace EVAP control system pressure sensor.

10. CHECK INTERMITTENT INCIDENT

Refer to [EC-140](#).

>> **INSPECTION END**

Component Inspection

INFOID:000000002954398

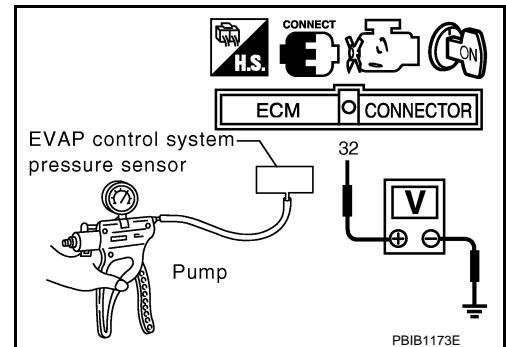
EVAP CONTROL SYSTEM PRESSURE SENSOR

1. Remove EVAP control system pressure sensor with its harness connector connected from EVAP canister.
Always replace O-ring with a new one.
2. Install a vacuum pump to EVAP control system pressure sensor.
3. Turn ignition switch ON and check output voltage between ECM terminal 32 and ground under the following conditions.

Applied vacuum kPa (mmHg, inHg)	Voltage V
Not applied	1.8 - 4.8
-26.7 (-200, -7.87)	2.1 to 2.5V lower than above value

CAUTION:

- **Always calibrate the vacuum pump gauge when using it.**
 - **Do not apply below -93.3 kPa (-700 mmHg, -27.56 inHg) or pressure over 101.3 kPa (760 mmHg, 29.92 inHg).**
4. If NG, replace EVAP control system pressure sensor.



DTC P0453 EVAP CONTROL SYSTEM PRESSURE SENSOR

< SERVICE INFORMATION >

[VQ35DE]

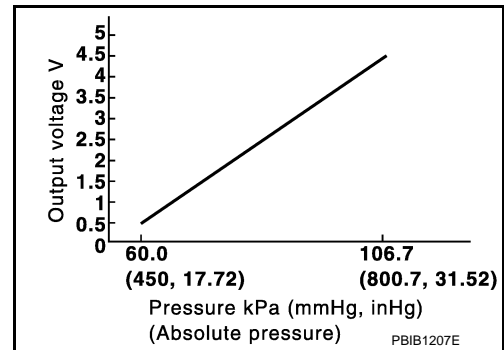
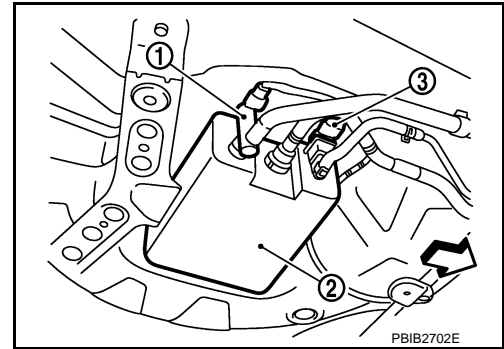
DTC P0453 EVAP CONTROL SYSTEM PRESSURE SENSOR

Component Description

INFOID:000000002954399

The EVAP control system pressure sensor (3) detects pressure in the purge line. The sensor output voltage to the ECM increases as pressure increases.

- Illustration shows the view from under the vehicle.
- ⇐: Vehicle front
- EVAP canister vent control valve (1)
- EVAP canister (2)



CONSULT-III Reference Value in Data Monitor Mode

INFOID:000000002954400

Specification data are reference values.

MONITOR ITEM	CONDITION	SPECIFICATION
EVAP SYS PRES	• Ignition switch: ON	Approx. 1.8 - 4.8V

On Board Diagnosis Logic

INFOID:000000002954401

NOTE:

If DTC P0453 is displayed with DTC P0643, first perform the trouble diagnosis for DTC P0643. Refer to [EC-436](#).

DTC No.	Trouble diagnosis name	DTC detecting condition	Possible cause
P0453 0453	EVAP control system pressure sensor high input	An excessively high voltage from the sensor is sent to ECM.	<ul style="list-style-type: none"> • Harness or connectors (The sensor circuit is open or shorted.) • EVAP control system pressure sensor • EVAP canister vent control valve • EVAP canister • Rubber hose from EVAP canister vent control valve to vehicle frame

DTC Confirmation Procedure

INFOID:000000002954402

NOTE:

If DTC Confirmation Procedure has been previously conducted, always turn ignition switch OFF and wait at least 10 seconds before conducting the next test.

TESTING CONDITION:

Always perform test at a temperature of 5°C (41°F) or more.

Ⓟ WITH CONSULT-III

1. Start engine and warm it up to normal operating temperature.

DTC P0453 EVAP CONTROL SYSTEM PRESSURE SENSOR

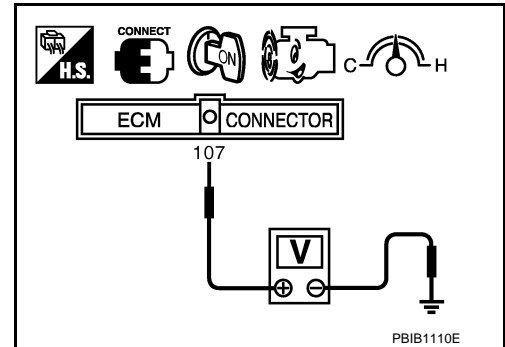
[VQ35DE]

< SERVICE INFORMATION >

2. Turn ignition switch OFF and wait at least 10 seconds.
3. Turn ignition switch ON.
4. Select "DATA MONITOR" mode with CONSULT-III.
5. Make sure that "FUEL T/TMP SE" is more than 0°C (32°F).
6. Start engine and wait at least 20 seconds.
7. Check 1st trip DTC.
8. If 1st trip DTC is detected, go to [EC-396. "Diagnosis Procedure"](#).

WITH GST

1. Start engine and warm it up to normal operating temperature.
2. Check that voltage between ECM terminal 107 (Fuel tank temperature sensor signal) and ground is less than 4.2V.
3. Turn ignition switch OFF and wait at least 10 seconds.
4. Start engine and wait at least 20 seconds.
5. Select Service \$07 with GST.
If 1st trip DTC is detected, go to [EC-396. "Diagnosis Procedure"](#).



DTC P0453 EVAP CONTROL SYSTEM PRESSURE SENSOR

< SERVICE INFORMATION >

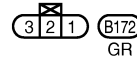
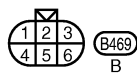
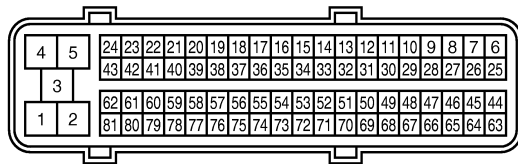
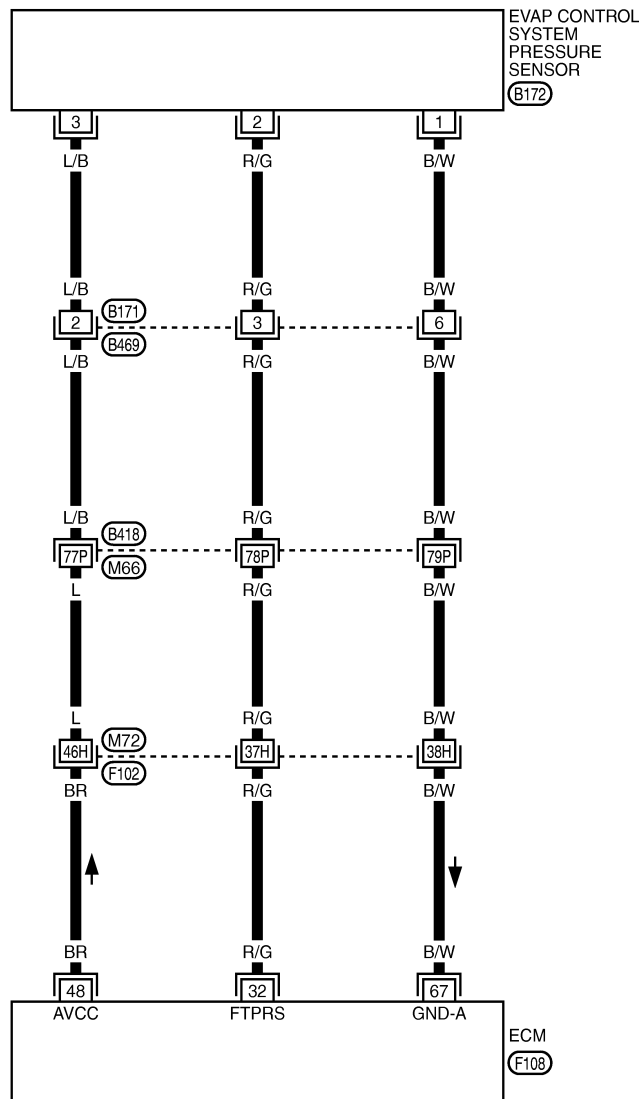
[VQ35DE]

INFOID:000000002954403

Wiring Diagram

EC-PRE/SE-01

: DETECTABLE LINE FOR DTC
 : NON-DETECTABLE LINE FOR DTC



REFER TO THE FOLLOWING.
 (F102), (B418) - SUPER MULTIPLE JUNCTION (SMJ)

TBWT1958E

Specification data are reference values and are measured between each terminal and ground.

CAUTION:

Do not use ECM ground terminals when measuring input/output voltage. Doing so may result in damage to the ECM's transistor. Use a ground other than ECM terminals, such as the ground.

DTC P0453 EVAP CONTROL SYSTEM PRESSURE SENSOR

< SERVICE INFORMATION >

[VQ35DE]

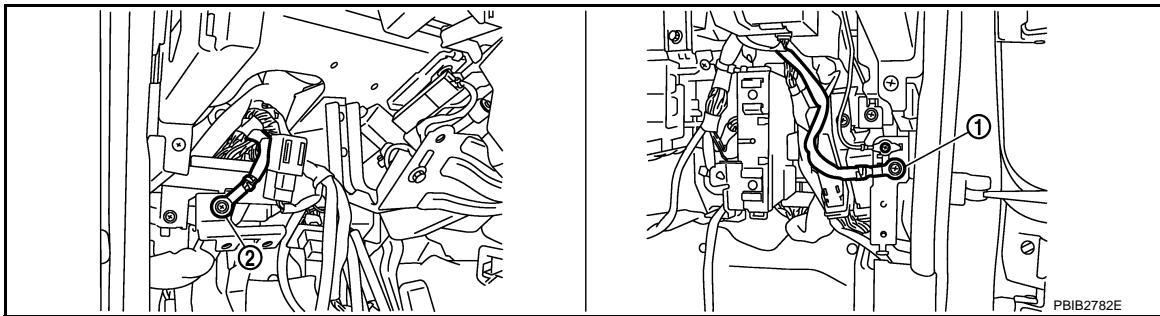
TER-MI-NAL NO.	WIRE COLOR	ITEM	CONDITION	DATA (DC Voltage)
32	R/G	EVAP control system pressure sensor	[Ignition switch: ON]	Approximately 1.8 - 4.8V
48	BR	Sensor power supply (EVAP control system pressure sensor)	[Ignition switch: ON]	Approximately 5V
67	B/W	Sensor ground	[Engine is running] • Warm-up condition • Idle speed	Approximately 0V

Diagnosis Procedure

INFOID:000000002954404

1. CHECK GROUND CONNECTIONS

1. Turn ignition switch OFF.
2. Loosen and retighten two ground screws on the body.
Refer to [EC-146. "Ground Inspection"](#).



1. Body ground M70

2. Body ground M16

OK or NG

OK >> GO TO 2.

NG >> Repair or replace ground connections.

2. CHECK CONNECTOR

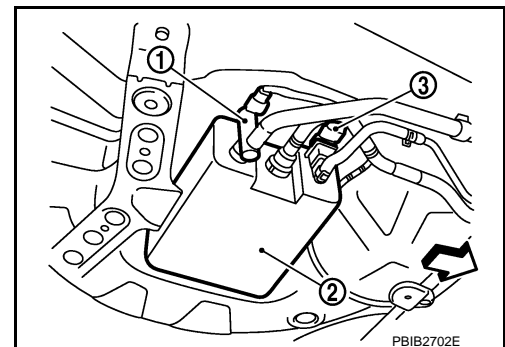
1. Disconnect EVAP control system pressure sensor (3) harness connector.
 - Illustration shows the view from under the vehicle.
 - ⇐: Vehicle front
 - EVAP canister vent control valve (1)
 - EVAP canister (2)
2. Check sensor harness connector for water.

Water should not exist.

OK or NG

OK >> GO TO 3.

NG >> Repair or replace harness connector.



3. CHECK EVAP CONTROL SYSTEM PRESSURE SENSOR POWER SUPPLY CIRCUIT

1. Turn ignition switch ON.

DTC P0453 EVAP CONTROL SYSTEM PRESSURE SENSOR

[VQ35DE]

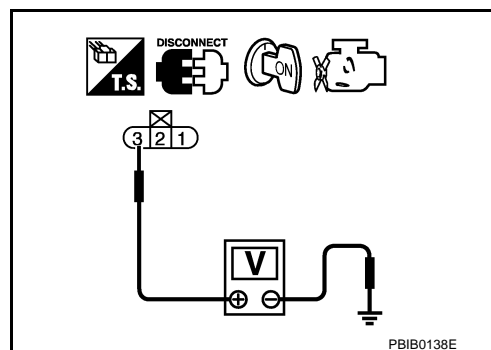
< SERVICE INFORMATION >

2. Check voltage between EVAP control system pressure sensor terminal 3 and ground with CONSULT-III or tester.

Voltage: Approximately 5V

OK or NG

- OK >> GO TO 5.
- NG >> GO TO 4.



4. DETECT MALFUNCTIONING PART

Check the following.

- Harness connectors B171, B469
- Harness connectors B418, M66
- Harness connectors M72, F102
- Harness for open or short between EVAP control system pressure sensor and ECM

>> Repair open circuit or short to ground or short to power in harness or connectors.

5. CHECK EVAP CONTROL SYSTEM PRESSURE SENSOR GROUND CIRCUIT FOR OPEN AND SHORT

1. Turn ignition switch OFF.
2. Disconnect ECM harness connector.
3. Check harness continuity between EVAP control system pressure sensor terminal 1 and ECM terminal 67.
Refer to Wiring Diagram.

Continuity should exist.

4. Also check harness for short to ground and short to power.

OK or NG

- OK >> GO TO 7.
- NG >> GO TO 6.

6. DETECT MALFUNCTIONING PART

Check the following.

- Harness connectors B171, B469
- Harness connectors B418, M66
- Harness connectors M72, F102
- Harness for open or short between EVAP control system pressure sensor and ECM

>> Repair open circuit or short to ground or short to power in harness or connectors.

7. CHECK EVAP CONTROL SYSTEM PRESSURE SENSOR INPUT SIGNAL CIRCUIT FOR OPEN AND SHORT

1. Check harness continuity between ECM terminal 32 and EVAP control system pressure sensor terminal 2.
Refer to Wiring Diagram.

Continuity should exist.

2. Also check harness for short to ground and short to power.

OK or NG

- OK >> GO TO 9.
- NG >> GO TO 8.

8. DETECT MALFUNCTIONING PART

Check the following.

DTC P0453 EVAP CONTROL SYSTEM PRESSURE SENSOR

[VQ35DE]

< SERVICE INFORMATION >

- Harness connectors B171, B469
- Harness connectors B418, M66
- Harness connectors M72, F102
- Harness for open or short between EVAP control system pressure sensor and ECM

>> Repair open circuit or short to ground or short to power in harness or connectors.

9. CHECK RUBBER TUBE

1. Disconnect rubber tube connected to EVAP canister vent control valve.
2. Check the rubber tube for clogging.

OK or NG

- OK >> GO TO 10.
NG >> Clean the rubber tube using an air blower, repair or replace rubber tube.

10. CHECK EVAP CANISTER VENT CONTROL VALVE

Refer to [EC-376. "Component Inspection"](#).

OK or NG

- OK >> GO TO 11.
NG >> Replace EVAP canister vent control valve.

11. CHECK EVAP CONTROL SYSTEM PRESSURE SENSOR

Refer to [EC-399. "Component Inspection"](#).

OK or NG

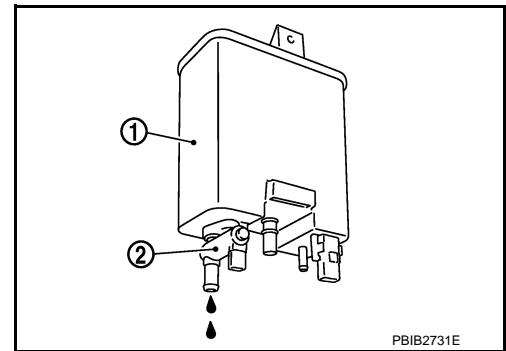
- OK >> GO TO 12.
NG >> Replace EVAP control system pressure sensor.

12. CHECK IF EVAP CANISTER SATURATED WITH WATER

1. Remove EVAP canister with EVAP canister vent control valve and EVAP control system pressure sensor attached.
2. Check if water will drain from the EVAP canister (1).
 - EVAP canister vent control valve (2)

Yes or No

- Yes >> GO TO 13.
No >> GO TO 15.



13. CHECK EVAP CANISTER

Weigh the EVAP canister with the EVAP canister vent control valve and EVAP control system pressure sensor attached.

The weight should be less than 2.0 kg (4.4 lb).

OK or NG

- OK >> GO TO 15.
NG >> GO TO 14.

14. DETECT MALFUNCTIONING PART

Check the following.

- EVAP canister for damage
- EVAP hose between EVAP canister and vehicle frame for clogging or poor connection

>> Repair hose or replace EVAP canister.

15. CHECK INTERMITTENT INCIDENT

Refer to [EC-140](#).

DTC P0453 EVAP CONTROL SYSTEM PRESSURE SENSOR

< SERVICE INFORMATION >

[VQ35DE]

>> INSPECTION END

Component Inspection

INFOID:000000002954405

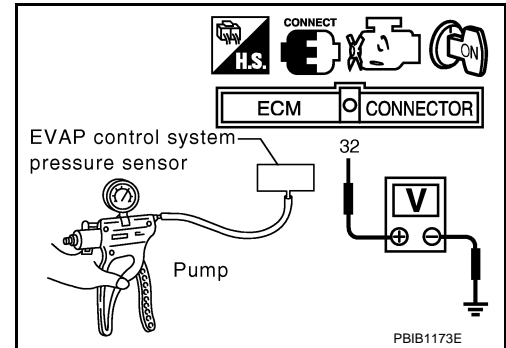
EVAP CONTROL SYSTEM PRESSURE SENSOR

1. Remove EVAP control system pressure sensor with its harness connector connected from EVAP canister.
Always replace O-ring with a new one.
2. Install a vacuum pump to EVAP control system pressure sensor.
3. Turn ignition switch ON and check output voltage between ECM terminal 32 and ground under the following conditions.

Applied vacuum kPa (mmHg, inHg)	Voltage V
Not applied	1.8 - 4.8
-26.7 (-200, -7.87)	2.1 to 2.5V lower than above value

CAUTION:

- Always calibrate the vacuum pump gauge when using it.
 - Do not apply below -93.3 kPa (-700 mmHg, -27.56 inHg) or pressure over 101.3 kPa (760 mmHg, 29.92 inHg).
4. If NG, replace EVAP control system pressure sensor.



A
EC
C
D
E
F
G
H
I
J
K
L
M
N
O
P

DTC P0455 EVAP CONTROL SYSTEM

< SERVICE INFORMATION >

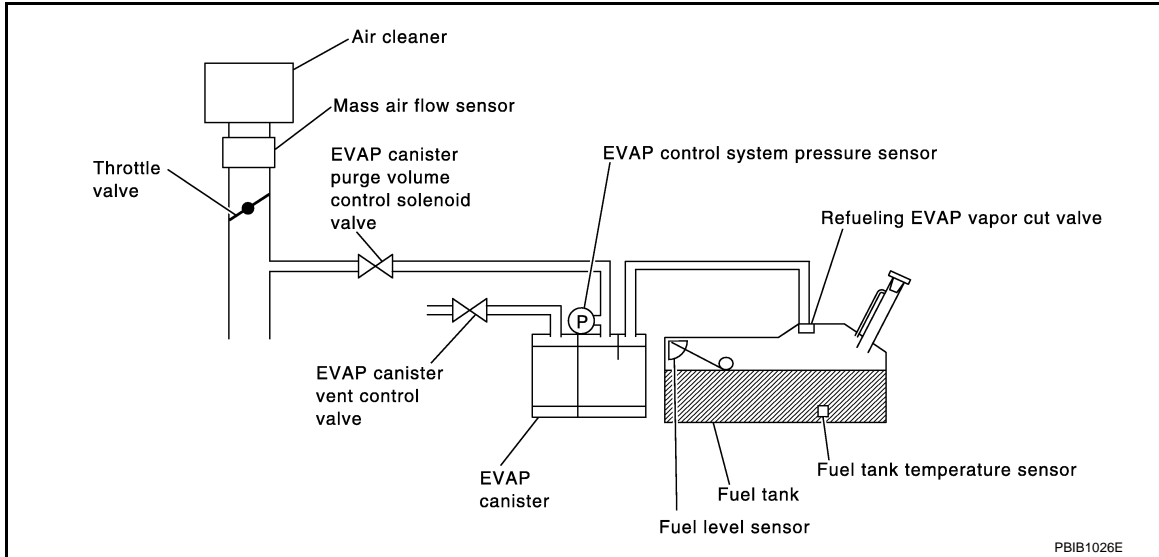
[VQ35DE]

DTC P0455 EVAP CONTROL SYSTEM

On Board Diagnosis Logic

INFOID:000000002954406

This diagnosis detects a very large leak (fuel filler cap fell off etc.) in EVAP system between the fuel tank and EVAP canister purge volume control solenoid valve.



DTC No.	Trouble diagnosis name	DTC detecting condition	Possible cause
P0455 0455	EVAP control system gross leak detected	EVAP control system has a very large leak such as fuel filler cap fell off, EVAP control system does not operate properly.	<ul style="list-style-type: none"> • Fuel filler cap remains open or fails to close. • Incorrect fuel tank vacuum relief valve • Incorrect fuel filler cap used • Foreign matter caught in fuel filler cap. • Leak is in line between intake manifold and EVAP canister purge volume control solenoid valve. • Foreign matter caught in EVAP canister vent control valve. • EVAP canister or fuel tank leaks • EVAP purge line (pipe and rubber tube) leaks • EVAP purge line rubber tube bent. • Loose or disconnected rubber tube • EVAP canister vent control valve and the circuit • EVAP canister purge volume control solenoid valve and the circuit • Fuel tank temperature sensor • O-ring of EVAP canister vent control valve is missing or damaged. • EVAP control system pressure sensor • Refueling EVAP vapor cut valve • ORVR system leaks

CAUTION:

- Use only a genuine NISSAN fuel filler cap as a replacement. If an incorrect fuel filler cap is used, the MIL may come on.
- If the fuel filler cap is not tightened properly, the MIL may come on.
- Use only a genuine NISSAN rubber tube as a replacement.

DTC Confirmation Procedure

INFOID:000000002954407

CAUTION:

Never remove fuel filler cap during the DTC Confirmation Procedure.

NOTE:

DTC P0455 EVAP CONTROL SYSTEM

< SERVICE INFORMATION >

[VQ35DE]

- **Make sure that EVAP hoses are connected to EVAP canister purge volume control solenoid valve properly.**
- If DTC Confirmation Procedure has been previously conducted, always turn ignition switch OFF and wait at least 10 seconds before conducting the next test.

TESTING CONDITION:

- **Perform "DTC WORK SUPPORT" when the fuel level is between 1/4 and 3/4 full, and vehicle is placed on flat level surface.**
- **Open engine hood before conducting the following procedures.**

Ⓜ WITH CONSULT-III

1. Tighten fuel filler cap securely until ratcheting sound is heard.
2. Turn ignition switch ON.
3. Turn ignition switch OFF and wait at least 10 seconds.
4. Turn ignition switch ON and select "DATA MONITOR" mode with CONSULT-III.
5. Make sure that the following conditions are met.
COOLAN TEMP/S: 0 - 70°C (32 - 158°F)
INT/A TEMP SE: 0 - 60°C (32 - 140°F)
6. Select "EVAP SML LEAK P0442/P1442" of "EVAPORATIVE SYSTEM" in "DTC WORK SUPPORT" mode with CONSULT-III.
Follow the instruction displayed.
NOTE:
If the engine speed cannot be maintained within the range displayed on the CONSULT-III screen, go to [EC-76. "Basic Inspection"](#).
7. Make sure that "OK" is displayed.
If "NG" is displayed, select "SELF-DIAG RESULTS" mode and make sure that "EVAP GROSS LEAK [P0455]" is displayed. If it is displayed, refer to [EC-401. "Diagnosis Procedure"](#).
If P0442 is displayed, perform Diagnostic Procedure for DTC P0442 [EC-353. "Diagnosis Procedure"](#).

Ⓜ WITH GST

NOTE:

Be sure to read the explanation of [EC-55. "Emission-Related Diagnostic Information"](#) before driving vehicle.

1. Start engine.
2. Drive vehicle according to [EC-55. "Emission-Related Diagnostic Information"](#).
3. Stop vehicle.
4. Turn ignition switch OFF, wait at least 10 seconds and then turn ON.
5. Select Service \$07 with GST.
 - If P0441 is displayed on the screen, go to [EC-348. "Diagnosis Procedure"](#).
 - If P0442 is displayed on the screen, go to [EC-353. "Diagnosis Procedure"](#).
 - If P0455 is displayed on the screen, go to [EC-401. "Diagnosis Procedure"](#).

Diagnosis Procedure

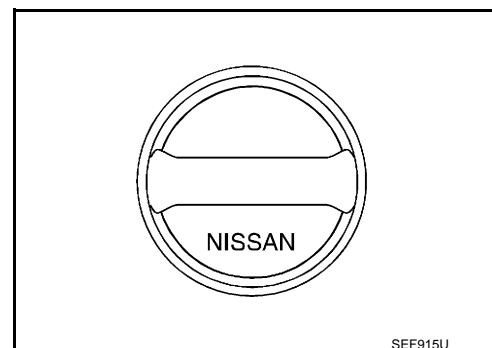
INFOID:000000002954408

1. CHECK FUEL FILLER CAP DESIGN

1. Turn ignition switch OFF.
2. Check for genuine NISSAN fuel filler cap design.

OK or NG

- OK >> GO TO 2.
NG >> Replace with genuine NISSAN fuel filler cap.



2. CHECK FUEL FILLER CAP INSTALLATION

Check that the cap is tightened properly by rotating the cap clockwise.

DTC P0455 EVAP CONTROL SYSTEM

[VQ35DE]

< SERVICE INFORMATION >

OK or NG

OK >> GO TO 3.

- NG >> 1. Open fuel filler cap, then clean cap and fuel filler neck threads using air blower.
2. Retighten until ratcheting sound is heard.

3. CHECK FUEL FILLER CAP FUNCTION

Check for air releasing sound while opening the fuel filler cap.

OK or NG

OK >> GO TO 5.

NG >> GO TO 4.

4. CHECK FUEL TANK VACUUM RELIEF VALVE

Refer to [EC-42. "Component Inspection"](#).

OK or NG

OK >> GO TO 5.

NG >> Replace fuel filler cap with a genuine one.

5. CHECK EVAP PURGE LINE

Check EVAP purge line (pipe, rubber tube, fuel tank and EVAP canister) for cracks, improper connection or disconnection.

Refer to [EC-40. "Description"](#).

OK or NG

OK >> GO TO 6.

NG >> Repair or reconnect the hose.

6. CLEAN EVAP PURGE LINE

Clean EVAP purge line (pipe and rubber tube) using air blower.

>> GO TO 7.

7. CHECK EVAP CANISTER VENT CONTROL VALVE

Check the following.

- EVAP canister vent control valve is installed properly.
Refer to [EC-44. "Removal and Installation"](#).
- EVAP canister vent control valve.
Refer to [EC-376. "Component Inspection"](#).

OK or NG

OK >> GO TO 8.

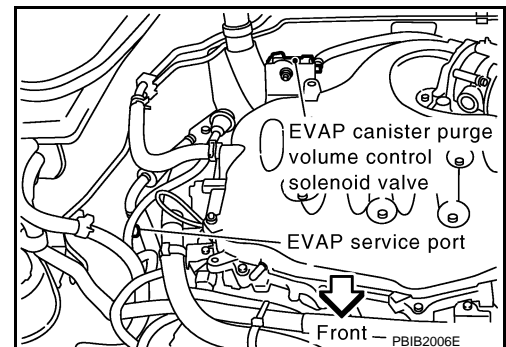
NG >> Repair or replace EVAP canister vent control valve and O-ring.

8. INSTALL THE PRESSURE PUMP

To locate the EVAP leak, install EVAP service port adapter and pressure pump to EVAP service port securely.

NOTE:

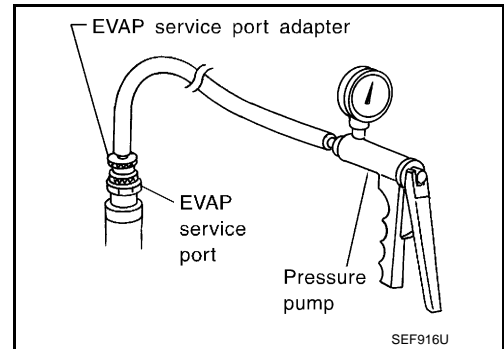
Improper installation of the EVAP service port adapter to the EVAP service port may cause leaking.



DTC P0455 EVAP CONTROL SYSTEM

< SERVICE INFORMATION >

[VQ35DE]



With CONSULT-III>>GO TO 9.
Without CONSULT-III>>GO TO 10.

9. CHECK FOR EVAP LEAK

With CONSULT-III

1. Turn ignition switch ON.
2. Select "EVAP SYSTEM CLOSE" of "WORK SUPPORT" mode with CONSULT-III.
3. Touch "START" and apply pressure into the EVAP line until the pressure indicator reaches the middle of the bar graph.

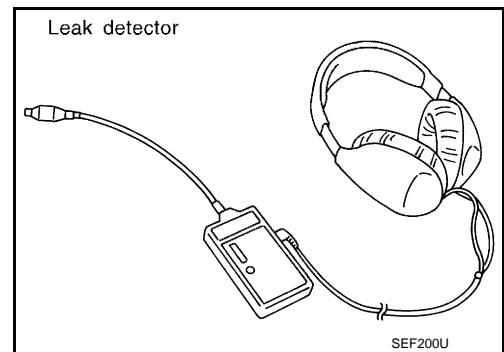
CAUTION:

- Do not use compressed air or a high pressure pump.
- Do not exceed 4.12 kPa (0.042 kg/cm², 0.6 psi) of pressure in the system.

4. Using EVAP leak detector, locate the EVAP leak. For the leak detector, refer to the instruction manual for more details. Refer to [EC-40, "Description"](#).

OK or NG

- OK >> GO TO 11.
NG >> Repair or replace.



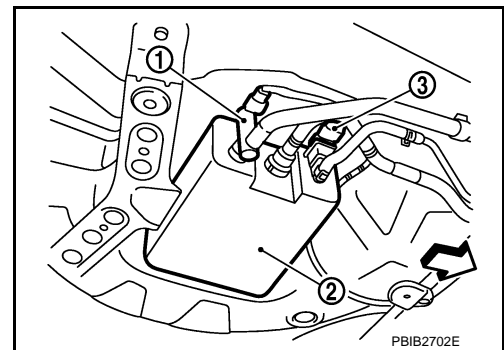
10. CHECK FOR EVAP LEAK

Without CONSULT-III

1. Turn ignition switch OFF.
2. Apply 12 volts DC to EVAP canister vent control valve (1). The valve will close. (Continue to apply 12 volts until the end of test.)
 - Illustration shows the view from under the vehicle
 - ⇐: Vehicle front
 - EVAP canister (2)
 - EVAP control system pressure sensor (3)
3. Pressurize the EVAP line using pressure pump with 1.3 to 2.7 kPa (10 to 20 mmHg, 0.39 to 0.79 inHg), then remove pump and EVAP service port adapter.

CAUTION:

- Do not use compressed air or a high pressure pump.
- Do not exceed 4.12 kPa (0.042 kg/cm², 0.6 psi) of pressure in the system.



DTC P0455 EVAP CONTROL SYSTEM

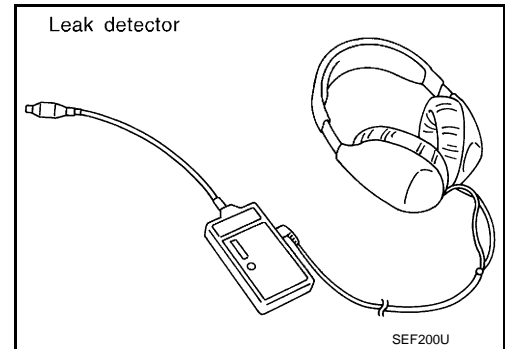
[VQ35DE]

< SERVICE INFORMATION >

- Using EVAP leak detector, locate the EVAP leak. For the leak detector, refer to the instruction manual for more details. Refer to [EC-40. "Description"](#).

OK or NG

- OK >> GO TO 12.
NG >> Repair or replace.



11. CHECK EVAP CANISTER PURGE VOLUME CONTROL SOLENOID VALVE OPERATION

With CONSULT-III

- Disconnect vacuum hose to EVAP canister purge volume control solenoid valve at EVAP service port.
- Start engine.
- Perform "PURG VOL CONT/V" in "ACTIVE TEST" mode.
- Touch "Qu" on CONSULT-III screen to increase "PURG VOL CONT/V" opening to 100%.
- Check vacuum hose for vacuum when revving engine up to 2,000 rpm.

OK or NG

- OK >> GO TO 14.
NG >> GO TO 13.

12. CHECK EVAP CANISTER PURGE VOLUME CONTROL SOLENOID VALVE OPERATION

Without CONSULT-III

- Start engine and warm it up to normal operating temperature.
- Stop engine.
- Disconnect vacuum hose to EVAP canister purge volume control solenoid valve at EVAP service port.
- Start engine and let it idle for at least 80 seconds.
- Check vacuum hose for vacuum when revving engine up to 2,000 rpm.

Vacuum should exist.

OK or NG

- OK >> GO TO 15.
NG >> GO TO 13.

13. CHECK VACUUM HOSE

Check vacuum hoses for clogging or disconnection. Refer to [EC-105. "Vacuum Hose Drawing"](#).

OK or NG

- OK (With CONSULT-III) >> GO TO 14.
OK (Without CONSULT-III) >> GO TO 15.
NG >> Repair or reconnect the hose.

14. CHECK EVAP CANISTER PURGE VOLUME CONTROL SOLENOID VALVE

With CONSULT-III

- Start engine.
- Perform "PURG VOL CONT/V" in "ACTIVE TEST" mode with CONSULT-III. Check that engine speed varies according to the valve opening.

OK or NG

- OK >> GO TO 16.
NG >> GO TO 15.

15. CHECK EVAP CANISTER PURGE VOLUME CONTROL SOLENOID VALVE

Refer to [EC-365. "Component Inspection"](#).

OK or NG

- OK >> GO TO 16.
NG >> Replace EVAP canister purge volume control solenoid valve.

DTC P0455 EVAP CONTROL SYSTEM

[VQ35DE]

< SERVICE INFORMATION >

16.CHECK FUEL TANK TEMPERATURE SENSOR

Refer to [EC-307. "Component Inspection"](#).

OK or NG

OK >> GO TO 17.

NG >> Replace fuel level sensor unit.

17.CHECK EVAP CONTROL SYSTEM PRESSURE SENSOR

Refer to [EC-385. "Component Inspection"](#).

OK or NG

OK >> GO TO 18.

NG >> Replace EVAP control system pressure sensor.

18.CHECK EVAP/ORVR LINE

Check EVAP/ORVR line between EVAP canister and fuel tank for clogging, kink, looseness and improper connection. For location, refer to [EC-46](#).

OK or NG

OK >> GO TO 19.

NG >> Repair or replace hoses and tubes.

19.CHECK RECIRCULATION LINE

Check recirculation line between filler neck tube and fuel tank for clogging, kink, cracks, looseness and improper connection.

OK or NG

OK >> GO TO 20.

NG >> Repair or replace hose, tube or filler neck tube.

20.CHECK REFUELING EVAP VAPOR CUT VALVE

Refer to [EC-48. "Component Inspection"](#).

OK or NG

OK >> GO TO 21.

NG >> Replace refueling EVAP vapor cut valve with fuel tank.

21.CHECK INTERMITTENT INCIDENT

Refer to [EC-140](#).

>> **INSPECTION END**

A
EC
C
D
E
F
G
H
I
J
K
L
M
N
O
P

DTC P0456 EVAP CONTROL SYSTEM

< SERVICE INFORMATION >

[VQ35DE]

DTC P0456 EVAP CONTROL SYSTEM

On Board Diagnosis Logic

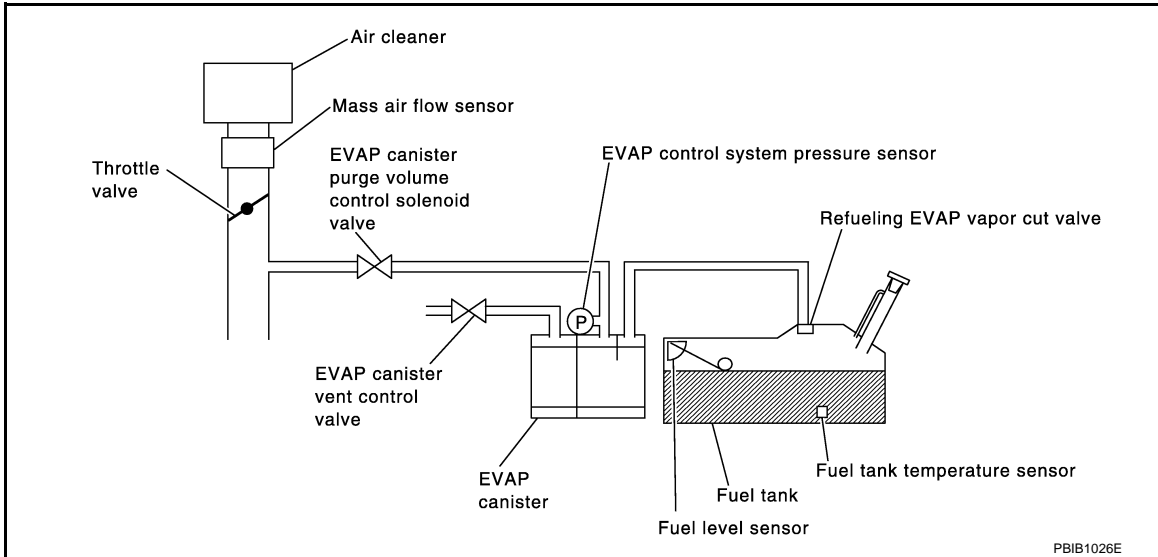
INFOID:00000002954409

This diagnosis detects very small leaks in the EVAP line between fuel tank and EVAP canister purge volume control solenoid valve, using the intake manifold vacuum in the same way as conventional EVAP small leak diagnosis.

If ECM judges a leak which corresponds to a very small leak, the very small leak P0456 will be detected.

If ECM judges a leak equivalent to a small leak, EVAP small leak P0442 will be detected.

If ECM judges there are no leaks, the diagnosis will be OK.



DTC No.	Trouble diagnosis name	DTC detecting condition	Possible cause
P0456 0456	Evaporative emission control system very small leak (negative pressure check)	<ul style="list-style-type: none"> • EVAP system has a very small leak. • EVAP system does not operate properly. 	<ul style="list-style-type: none"> • Incorrect fuel tank vacuum relief valve • Incorrect fuel filler cap used • Fuel filler cap remains open or fails to close. • Foreign matter caught in fuel filler cap. • Leak is in line between intake manifold and EVAP canister purge volume control solenoid valve. • Foreign matter caught in EVAP canister vent control valve. • EVAP canister or fuel tank leaks • EVAP purge line (pipe and rubber tube) leaks • EVAP purge line rubber tube bent • Loose or disconnected rubber tube • EVAP canister vent control valve and the circuit • EVAP canister purge volume control solenoid valve and the circuit • Fuel tank temperature sensor • O-ring of EVAP canister vent control valve is missing or damaged • EVAP canister is saturated with water • EVAP control system pressure sensor • Refueling EVAP vapor cut valve • ORVR system leaks • Fuel level sensor and the circuit • Foreign matter caught in EVAP canister purge volume control solenoid valve

CAUTION:

- Use only a genuine NISSAN fuel filler cap as a replacement. If an incorrect fuel filler cap is used, the MIL may come on.
- If the fuel filler cap is not tightened properly, the MIL may come on.
- Use only a genuine NISSAN rubber tube as a replacement.

DTC P0456 EVAP CONTROL SYSTEM

< SERVICE INFORMATION >

[VQ35DE]

DTC Confirmation Procedure

INFOID:000000002954410

NOTE:

- If DTC P0456 is displayed with P0442, first perform trouble diagnosis for DTC P0456.
- After repair, make sure that the hoses and clips are installed properly.
- If DTC Confirmation Procedure has been previously conducted, always turn ignition switch OFF and wait at least 10 seconds before conducting the next test.

TESTING CONDITION:

- Open engine hood before conducting following procedure.
- If any of following conditions are met just before the DTC confirmation procedure, leave the vehicle for more than 1 hour.
 - Fuel filler cap is removed.
 - Fuel is refilled or drained.
 - EVAP component parts is/are removed.
- Before performing the following procedure, confirm that battery voltage is more than 11V at idle.

Ⓜ WITH CONSULT-III

1. Turn ignition switch ON and select "DATA MONITOR" mode with CONSULT-III.
2. Make sure the following conditions are met.
 - FUEL LEVEL SE: 0.25 - 1.4V**
 - COOLAN TEMP/S: 0 - 32°C (32 - 90°F)**
 - FUEL T/TMP SE: 0 - 35°C (32 - 95°F)**
 - INT/A TEMP SE: More than 0°C (32°F)**If NG, turn ignition switch OFF and leave the vehicle in a cool place (soak the vehicle) or refilling/draining fuel until the output voltage condition of the "FUEL LEVEL SE" meets within the range above and leave the vehicle for more than 1 hour. Then start from step 1).
3. Turn ignition switch OFF and wait at least 10 seconds.
4. Turn ignition switch ON.
5. Select "EVAP V/S LEAK P0456/P1456" of "EVAPORATIVE SYSTEM" in "DTC WORK SUPPORT" mode with CONSULT-III.
Follow the instruction displayed.
6. Make sure that "OK" is displayed.
If "NG" is displayed, refer to [EC-408, "Diagnosis Procedure"](#).

NOTE:

- If the engine speed cannot be maintained within the range displayed on CONSULT-III screen, go to [EC-76, "Basic Inspection"](#).
- Make sure that EVAP hoses are connected to EVAP canister purge volume control solenoid valve properly.

Overall Function Check

INFOID:000000002954411

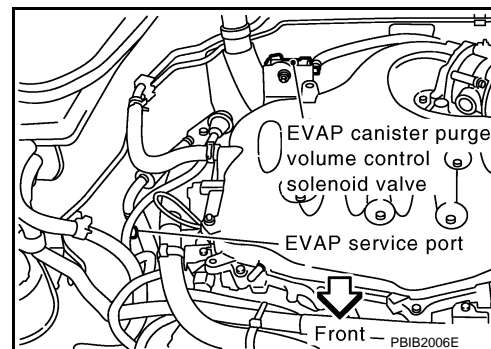
Ⓜ WITH GST

Use this procedure to check the overall function of the EVAP very small leak function. During this check, a 1st trip DTC might not be confirmed.

CAUTION:

- Do not use compressed air, doing so may damage the EVAP system.
- Do not start engine.
- Do not exceeded 4.12 kPa (0.042 kg/cm², 0.6 psi).

1. Attach the EVAP service port adapter securely to the EVAP service port.



DTC P0456 EVAP CONTROL SYSTEM

[VQ35DE]

< SERVICE INFORMATION >

2. Set the pressure pump and a hose.
3. Also set a vacuum gauge via 3-way connector and a hose.
4. Turn ignition switch ON.
5. Connect GST and select Service \$08.
6. Using Service \$08 control the EVAP canister vent control valve (close).
7. Apply pressure and make sure the following conditions are satisfied.

Pressure to be applied: 2.7 kPa (20 mmHg, 0.79 inHg)

Time to be waited after the pressure drawn in to the EVAP system and the pressure to be dropped: 60 seconds and the pressure should not be dropped more than 0.4 kPa (3 mmHg, 0.12 inHg).

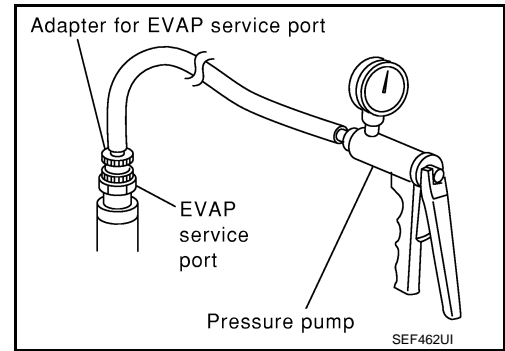
If NG, go to [EC-408, "Diagnosis Procedure"](#).

If OK, go to next step.

8. Disconnect GST.
9. Start engine and warm it up to normal operating temperature.
10. Turn ignition switch OFF and wait at least 10 seconds.
11. Restart engine and let it idle for 90 seconds.
12. Keep engine speed at 2,000 rpm for 30 seconds.
13. Turn ignition switch OFF.

NOTE:

For more information, refer to GST Instruction Manual.



Diagnosis Procedure

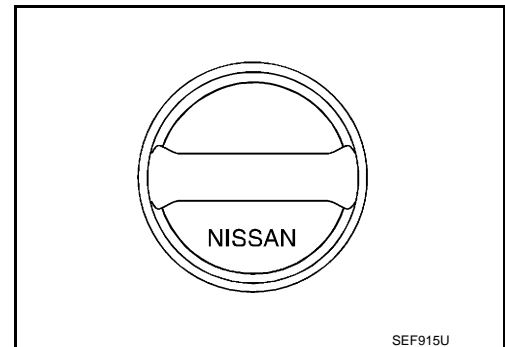
INFOID:000000002954412

1. CHECK FUEL FILLER CAP DESIGN

1. Turn ignition switch OFF.
2. Check for genuine NISSAN fuel filler cap design.

OK or NG

- OK >> GO TO 2.
NG >> Replace with genuine NISSAN fuel filler cap.



2. CHECK FUEL FILLER CAP INSTALLATION

Check that the cap is tightened properly by rotating the cap clockwise.

OK or NG

- OK >> GO TO 3.
NG >> 1. Open fuel filler cap, then clean cap and fuel filler neck threads using air blower.
2. Retighten until ratcheting sound is heard.

3. CHECK FUEL FILLER CAP FUNCTION

Check for air releasing sound while opening the fuel filler cap.

OK or NG

- OK >> GO TO 5.
NG >> GO TO 4.

4. CHECK FUEL TANK VACUUM RELIEF VALVE

Refer to [EC-42, "Component Inspection"](#).

OK or NG

- OK >> GO TO 5.
NG >> Replace fuel filler cap with a genuine one.

DTC P0456 EVAP CONTROL SYSTEM

< SERVICE INFORMATION >

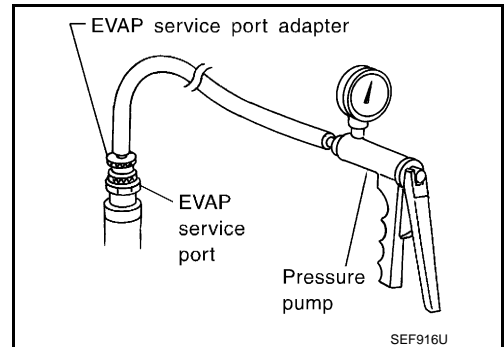
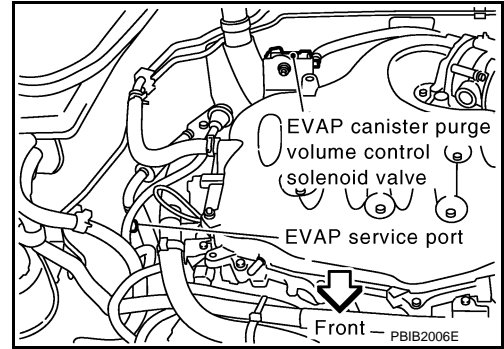
[VQ35DE]

5. INSTALL THE PRESSURE PUMP

To locate the EVAP leak, install EVAP service port adapter and pressure pump to EVAP service port securely.

NOTE:

Improper installation of the EVAP service port adapter to the EVAP service port may cause leaking.



With CONSULT-III >> GO TO 6.
Without CONSULT-III >> GO TO 7.

6. CHECK FOR EVAP LEAK

With CONSULT-III

1. Turn ignition switch ON.
2. Select "EVAP SYSTEM CLOSE" of "WORK SUPPORT" mode with CONSULT-III.
3. Touch "START" and apply pressure into the EVAP line until the pressure indicator reaches the middle of the bar graph.

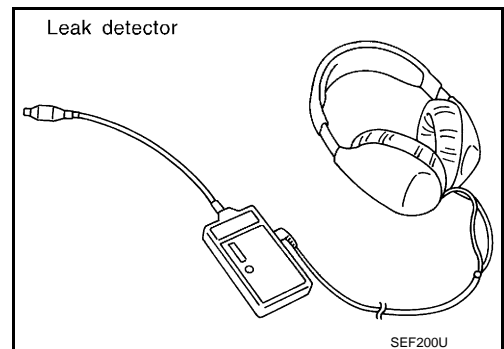
CAUTION:

- Do not use compressed air or a high pressure pump.
- Do not exceed 4.12 kPa (0.042 kg/cm², 0.6 psi) of pressure in the system.

4. Using EVAP leak detector, locate the EVAP leak. For the leak detector, refer to the instruction manual for more details.
Refer to [EC-40, "Description"](#).

OK or NG

- OK >> GO TO 8.
- NG >> Repair or replace.



7. CHECK FOR EVAP LEAK

Without CONSULT-III

1. Turn ignition switch OFF.

DTC P0456 EVAP CONTROL SYSTEM

[VQ35DE]

< SERVICE INFORMATION >

- Apply 12 volts DC to EVAP canister vent control valve (1). The valve will close. (Continue to apply 12 volts until the end of test.)
 - Illustration shows the view from under the vehicle
 - ⇐: Vehicle front
 - EVAP canister (2)
 - EVAP control system pressure sensor (3)
- Pressurize the EVAP line using pressure pump with 1.3 to 2.7 kPa (10 to 20 mmHg, 0.39 to 0.79 inHg), then remove pump and EVAP service port adapter.

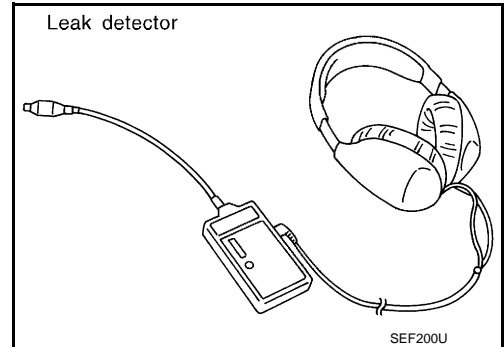
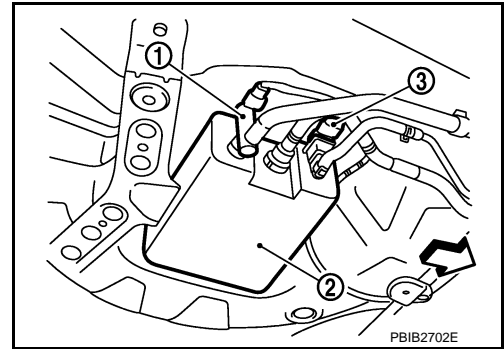
CAUTION:

- Do not use compressed air or a high pressure pump.
- Do not exceed 4.12 kPa (0.042 kg/cm², 0.6 psi) of pressure in the system.

- Using EVAP leak detector, locate the EVAP leak. For the leak detector, refer to the instruction manual for more details. Refer to [EC-40, "Description"](#).

OK or NG

- OK >> GO TO 8.
NG >> Repair or replace.



8. CHECK EVAP CANISTER VENT CONTROL VALVE

Check the following.

- EVAP canister vent control valve is installed properly.
Refer to [EC-44, "Removal and Installation"](#).
- EVAP canister vent control valve.
Refer to [EC-376, "Component Inspection"](#).

OK or NG

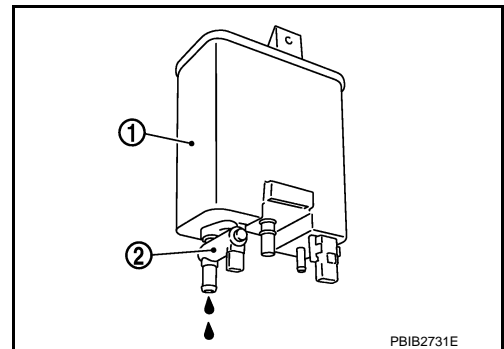
- OK >> GO TO 9.
NG >> Repair or replace EVAP canister vent control valve and O-ring.

9. CHECK IF EVAP CANISTER SATURATED WITH WATER

- Remove EVAP canister with EVAP canister vent control valve and EVAP control system pressure sensor attached.
- Does water drain from the EVAP canister (1)?
 - EVAP canister vent control valve (2)

Yes or No

- Yes >> GO TO 10.
No (With CONSULT-III) >> GO TO 12.
No (Without CONSULT-III) >> GO TO 13.



10. CHECK EVAP CANISTER

Weigh the EVAP canister with the EVAP canister vent control valve and EVAP control system pressure sensor attached.

The weight should be less than 2.0 kg (4.4 lb).

OK or NG

- OK (With CONSULT-III) >> GO TO 12.
OK (Without CONSULT-III) >> GO TO 13.
NG >> GO TO 11.

DTC P0456 EVAP CONTROL SYSTEM

< SERVICE INFORMATION >

[VQ35DE]

11. DETECT MALFUNCTIONING PART

Check the following.

- EVAP canister for damage
- EVAP hose between EVAP canister and vehicle frame for clogging or poor connection

>> Repair hose or replace EVAP canister.

12. CHECK EVAP CANISTER PURGE VOLUME CONTROL SOLENOID VALVE OPERATION

With CONSULT-III

1. Disconnect vacuum hose to EVAP canister purge volume control solenoid valve at EVAP service port.
2. Start engine.
3. Perform "PURG VOL CONT/V" in "ACTIVE TEST" mode.
4. Touch "Qu" on CONSULT-III screen to increase "PURG VOL CONT/V" opening to 100%.
5. Check vacuum hose for vacuum when revving engine up to 2,000 rpm.

OK or NG

- OK >> GO TO 15.
- NG >> GO TO 14.

13. CHECK EVAP CANISTER PURGE VOLUME CONTROL SOLENOID VALVE OPERATION

Without CONSULT-III

1. Start engine and warm it up to normal operating temperature.
2. Stop engine.
3. Disconnect vacuum hose to EVAP canister purge volume control solenoid valve at EVAP service port.
4. Start engine and let it idle for at least 80 seconds.
5. Check vacuum hose for vacuum when revving engine up to 2,000 rpm.

Vacuum should exist.

OK or NG

- OK >> GO TO 16.
- NG >> GO TO 14.

14. CHECK VACUUM HOSE

Check vacuum hoses for clogging or disconnection. Refer to [EC-105, "Vacuum Hose Drawing"](#).

OK or NG

- OK >> GO TO 15.
- NG >> Repair or reconnect the hose.

15. CHECK EVAP CANISTER PURGE VOLUME CONTROL SOLENOID VALVE

Refer to [EC-365, "Component Inspection"](#).

OK or NG

- OK >> GO TO 16.
- NG >> Replace EVAP canister purge volume control solenoid valve.

16. CHECK FUEL TANK TEMPERATURE SENSOR

Refer to [EC-307, "Component Inspection"](#).

OK or NG

- OK >> GO TO 17.
- NG >> Replace fuel level sensor unit.

17. CHECK EVAP CONTROL SYSTEM PRESSURE SENSOR

Refer to [EC-385, "Component Inspection"](#).

OK or NG

- OK >> GO TO 18.
- NG >> Replace EVAP control system pressure sensor.

18. CHECK EVAP PURGE LINE

DTC P0456 EVAP CONTROL SYSTEM

[VQ35DE]

< SERVICE INFORMATION >

Check EVAP purge line (pipe, rubber tube, fuel tank and EVAP canister) for cracks or improper connection. Refer to [EC-40, "Description"](#).

OK or NG

OK >> GO TO 19.

NG >> Repair or reconnect the hose.

19. CLEAN EVAP PURGE LINE

Clean EVAP purge line (pipe and rubber tube) using air blower.

>> GO TO 20.

20. CHECK EVAP/ORVR LINE

Check EVAP/ORVR line between EVAP canister and fuel tank for clogging, kink, looseness and improper connection. For location, refer to [EC-46](#).

OK or NG

OK >> GO TO 21.

NG >> Repair or replace hoses and tubes.

21. CHECK RECIRCULATION LINE

Check recirculation line between filler neck tube and fuel tank for clogging, kink, cracks, looseness and improper connection.

OK or NG

OK >> GO TO 22.

NG >> Repair or replace hose, tube or filler neck tube.

22. CHECK REFUELING EVAP VAPOR CUT VALVE

Refer to [EC-48, "Component Inspection"](#).

OK or NG

OK >> GO TO 23.

NG >> Replace refueling EVAP vapor cut valve with fuel tank.

23. CHECK FUEL LEVEL SENSOR

Refer to [DI-24, "Electrical Component Inspection"](#).

OK or NG

OK >> GO TO 24.

NG >> Replace fuel level sensor unit.

24. CHECK INTERMITTENT INCIDENT

Refer to [EC-140](#).

>> **INSPECTION END**

DTC P0460 FUEL LEVEL SENSOR

< SERVICE INFORMATION >

[VQ35DE]

DTC P0460 FUEL LEVEL SENSOR

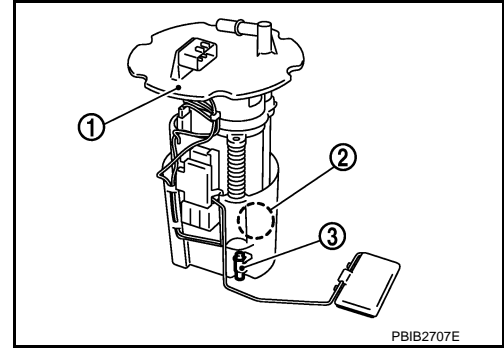
Component Description

INFOID:000000002954413

The fuel level sensor is mounted in the fuel level sensor unit. The sensor detects a fuel level in the fuel tank and transmits a signal to the “unified meter and A/C amp.”. The “unified meter and A/C amp.” sends the fuel level sensor signal to the ECM through CAN communication line.

It consists of two parts, one is mechanical float and the other is variable resistor. Fuel level sensor output voltage changes depending on the movement of the fuel mechanical float.

- Fuel level sensor unit and fuel pump (1)
- Fuel pressure regulator (2)
- Fuel tank temperature sensor (3)



On Board Diagnosis Logic

INFOID:000000002954414

NOTE:

- If DTC P0460 is displayed with DTC U1000 or U1001, first perform the trouble diagnosis for DTC U1000, U1001. Refer to [EC-147](#).
- If DTC P0460 is displayed with DTC U1010, first perform the trouble diagnosis for DTC U1010. Refer to [EC-149](#).

When the vehicle is parked, naturally the fuel level in the fuel tank is stable. It means that output signal of the fuel level sensor does not change. If ECM senses sloshing signal from the sensor, fuel level sensor malfunction is detected.

DTC No.	Trouble diagnosis name	DTC detecting condition	Possible cause
P0460 0460	Fuel level sensor circuit noise	Even though the vehicle is parked, a signal being varied is sent from the fuel level sensor to ECM.	<ul style="list-style-type: none"> • Harness or connectors (The CAN communication line is open or shorted) • Harness or connectors (The sensor circuit is open or shorted) • Unified meter and A/C amp. • Fuel level sensor

DTC Confirmation Procedure

INFOID:000000002954415

NOTE:

If DTC Confirmation Procedure has been previously conducted, always turn ignition switch OFF and wait at least 10 seconds before conducting the next test.

1. Start engine and wait maximum of 2 consecutive minutes.
2. Check 1st trip DTC.
3. If 1st trip DTC is detected, go to [EC-413, "Diagnosis Procedure"](#).

Diagnosis Procedure

INFOID:000000002954416

1. CHECK DTC WITH “UNIFIED METER AND A/C AMP.”

Refer to [DI-27, "CONSULT-III Function \(METER/M&A\)"](#).

OK or NG

- OK >> GO TO 2.
- NG >> Go to [DI-22, "Fuel Level Sensor Signal Inspection"](#).

2. CHECK INTERMITTENT INCIDENT

Refer to [EC-140](#).

>> INSPECTION END

DTC P0460 FUEL LEVEL SENSOR

< SERVICE INFORMATION >

[VQ35DE]

Removal and Installation

INFOID:000000002954417

FUEL LEVEL SENSOR

Refer to [FL-4](#)

DTC P0461 FUEL LEVEL SENSOR

< SERVICE INFORMATION >

[VQ35DE]

DTC P0461 FUEL LEVEL SENSOR

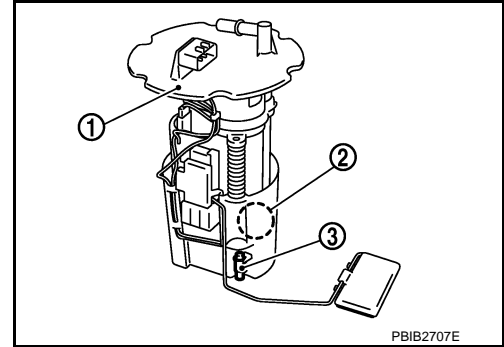
Component Description

INFOID:000000002954418

The fuel level sensor is mounted in the fuel level sensor unit. The sensor detects a fuel level in the fuel tank and transmits a signal to the “unified meter and A/C amp.”. The “unified meter and A/C amp.” sends the fuel level sensor signal to the ECM through CAN communication line.

It consists of two parts, one is mechanical float and the other is variable resistor. Fuel level sensor output voltage changes depending on the movement of the fuel mechanical float.

- Fuel level sensor unit and fuel pump (1)
- Fuel pressure regulator (2)
- Fuel tank temperature sensor (3)



On Board Diagnosis Logic

INFOID:000000002954419

NOTE:

- If DTC P0461 is displayed with DTC U1000 or U1001, first perform the trouble diagnosis for DTC U1000, U1001. Refer to [EC-147](#).
- If DTC P0461 is displayed with DTC U1010, first perform the trouble diagnosis for DTC U1010. Refer to [EC-149](#).

Driving long distances naturally affect fuel gauge level.

This diagnosis detects the fuel gauge malfunction of the gauge not moving even after a long distance has been driven.

DTC No.	Trouble diagnosis name	DTC detecting condition	Possible cause
P0461 0461	Fuel level sensor circuit range/performance	The output signal of the fuel level sensor does not change within the specified range even though the vehicle has been driven a long distance.	<ul style="list-style-type: none"> • Harness or connectors (The CAN communication line is open or shorted) • Harness or connectors (The sensor circuit is open or shorted) • Unified meter and A/C amp. • Fuel level sensor

Overall Function Check

INFOID:000000002954420

Use this procedure to check the overall function of the fuel level sensor function. During this check, a 1st trip DTC might not be confirmed.

WARNING:

When performing following procedure, be sure to observe the handling of the fuel. Refer to [FL-10](#).

TESTING CONDITION:

Before starting overall function check, preparation of draining fuel and refilling fuel is required.

Ⓜ WITH CONSULT-III

NOTE:

Start from step 10, if it is possible to confirm that the fuel cannot be drained by 30 ℓ (7-7/8 US gal, 6-5/8 Imp gal) in advance.

1. Prepare a fuel container and a spare hose.
2. Release fuel pressure from fuel line, refer to [EC-84, "Fuel Pressure Check"](#).
3. Remove the fuel feed hose on the fuel level sensor unit.
4. Connect a spare fuel hose where the fuel feed hose was removed.
5. Turn ignition switch OFF and wait at least 10 seconds then turn ON.
6. Select “FUEL LEVEL SE” in “DATA MONITOR” mode with CONSULT-III.
7. Check “FUEL LEVEL SE” output voltage and note it.
8. Select “FUEL PUMP RELAY” in “ACTIVE TEST” mode with CONSULT-III.
9. Touch “ON” and drain fuel approximately 30 ℓ (7-7/8 US gal, 6-5/8 Imp gal) and stop it.
10. Check “FUEL LEVEL SE” output voltage and note it.
11. Fill fuel into the fuel tank for 30 ℓ (7-7/8 US gal, 6-5/8 Imp gal).
12. Check “FUEL LEVEL SE” output voltage and note it.

DTC P0461 FUEL LEVEL SENSOR

[VQ35DE]

< SERVICE INFORMATION >

13. Confirm whether the voltage changes more than 0.03V during step 7 to 10 and 10 to 12.
If NG, go to [EC-416, "Diagnosis Procedure"](#).

Ⓢ WITH GST

NOTE:

Start from step 8, if it is possible to confirm that the fuel cannot be drained by 30 ℓ (7-7/8 US gal, 6-5/8 Imp gal) in advance.

1. Prepare a fuel container and a spare hose.
2. Release fuel pressure from fuel line. Refer to [EC-84, "Fuel Pressure Check"](#).
3. Remove the fuel feed hose on the fuel level sensor unit.
4. Connect a spare fuel hose where the fuel feed hose was removed.
5. Turn ignition switch ON.
6. Drain fuel by 30 ℓ (7-7/8 US gal, 6-5/8 Imp gal) from the fuel tank using proper equipment.
7. Confirm that the fuel gauge indication varies.
8. Fill fuel into the fuel tank for 30 ℓ (7-7/8 US gal, 6-5/8 Imp gal).
9. Confirm that the fuel gauge indication varies.
10. If NG, go to [EC-416, "Diagnosis Procedure"](#).

Diagnosis Procedure

INFOID:000000002954421

1.CHECK DTC WITH "UNIFIED METER AND A/C AMP."

Refer to [DI-27, "CONSULT-III Function \(METER/M&A\)"](#).

OK or NG

- OK >> GO TO 2.
NG >> Go to [DI-22, "Fuel Level Sensor Signal Inspection"](#).

2.CHECK INTERMITTENT INCIDENT

Refer to [EC-140](#).

>> **INSPECTION END**

Removal and Installation

INFOID:000000002954422

FUEL LEVEL SENSOR

Refer to [FL-4](#).

DTC P0462, P0463 FUEL LEVEL SENSOR CIRCUIT

< SERVICE INFORMATION >

[VQ35DE]

DTC P0462, P0463 FUEL LEVEL SENSOR CIRCUIT

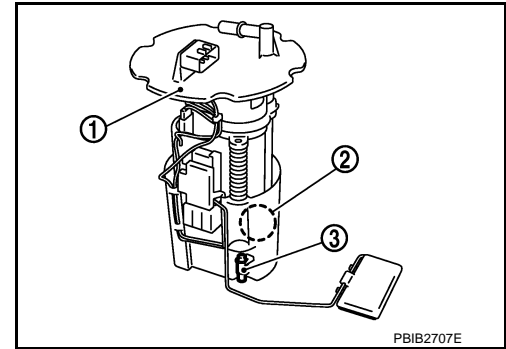
Component Description

INFOID:000000002954423

The fuel level sensor is mounted in the fuel level sensor unit. The sensor detects a fuel level in the fuel tank and transmits a signal to the “unified meter and A/C amp.”. The “unified meter and A/C amp.” sends the fuel level sensor signal to the ECM through CAN communication line.

It consists of two parts, one is mechanical float and the other is variable resistor. Fuel level sensor output voltage changes depending on the movement of the fuel mechanical float.

- Fuel level sensor unit and fuel pump (1)
- Fuel pressure regulator (2)
- Fuel tank temperature sensor (3)



On Board Diagnosis Logic

INFOID:000000002954424

NOTE:

- If DTC P0462 or P0463 is displayed with DTC U1000 or U1001, first perform the trouble diagnosis for DTC U1000, U1001. Refer to [EC-147](#).
- If DTC P0462 or P0463 is displayed with DTC U1010, first perform the trouble diagnosis for DTC U1010. Refer to [EC-149](#).

This diagnosis indicates the former, to detect open or short circuit malfunction.

DTC No.	Trouble diagnosis name	DTC detecting condition	Possible cause
P0462 0462	Fuel level sensor circuit low input	An excessively low voltage from the sensor is sent to ECM.	<ul style="list-style-type: none">• Harness or connectors (The CAN communication line is open or shorted)• Unified meter and A/C amp.• Fuel level sensor
P0463 0463	Fuel level sensor circuit high input	An excessively high voltage from the sensor is sent to ECM.	

DTC Confirmation Procedure

INFOID:000000002954425

NOTE:

If DTC Confirmation Procedure has been previously conducted, always turn ignition switch OFF and wait at least 10 seconds before conducting the next test.

TESTING CONDITION:

Before performing the following procedure, confirm that battery voltage is more than 11V at ignition switch ON.

Ⓜ WITH CONSULT-III

1. Turn ignition switch ON.
2. Wait at least 5 seconds.
3. Check 1st trip DTC.
4. If 1st trip DTC is detected, go to [EC-417, "Diagnosis Procedure"](#).

Ⓜ WITH GST

Follow the procedure “WITH CONSULT-III” above.

Diagnosis Procedure

INFOID:000000002954426

1. CHECK DTC WITH “UNIFIED METER AND A/C AMP.”

Refer to [DI-27, "CONSULT-III Function \(METER/M&A\)"](#).

OK or NG

- OK >> GO TO 2.
- NG >> Go to [DI-22, "Fuel Level Sensor Signal Inspection"](#).

DTC P0462, P0463 FUEL LEVEL SENSOR CIRCUIT

< SERVICE INFORMATION >

[VQ35DE]

2. CHECK INTERMITTENT INCIDENT

Refer to [EC-140](#).

>> **INSPECTION END**

Removal and Installation

INFOID:000000002954427

FUEL LEVEL SENSOR

Refer to [FL-4](#).

DTC P0500 VSS

< SERVICE INFORMATION >

[VQ35DE]

DTC P0500 VSS

Description

INFOID:000000002954428

NOTE:

- If DTC P0500 is displayed with DTC U1000 or U1001, first perform the trouble diagnosis for DTC U1000, U1001. Refer to [EC-147](#).
- If DTC P0500 is displayed with DTC U1010, first perform the trouble diagnosis for DTC U1010. Refer to [EC-149](#).

The vehicle speed signal is sent to the “unified meter and A/C amp.” from the “ABS actuator and electric unit (control unit)” by CAN communication line. The “unified meter and A/C amp.” then sends a signal to the ECM by CAN communication line.

On Board Diagnosis Logic

INFOID:000000002954429

DTC No.	Trouble diagnosis name	DTC detecting condition	Possible cause
P0500 0500	Vehicle speed sensor	The almost 0 km/h (0 MPH) signal from vehicle speed sensor is sent to ECM even when vehicle is being driven.	<ul style="list-style-type: none"> • Harness or connectors (The CAN communication line is open or shorted) • Harness or connectors (The vehicle speed signal circuit is open or shorted) • Wheel sensor • Unified meter and A/C amp. • ABS actuator and electric unit (control unit)

FAIL-SAFE MODE

When the malfunction is detected, the ECM enters fail-safe mode.

Detected items	Engine operating condition in fail-safe mode
Vehicle speed sensor	When the fail-safe system for vehicle speed sensor is activated, the cooling fan operates (Highest) while engine is running.

DTC Confirmation Procedure

INFOID:000000002954430

CAUTION:

Always drive vehicle at a safe speed.

NOTE:

If DTC Confirmation Procedure has been previously conducted, always turn ignition switch OFF and wait at least 10 seconds before conducting the next test.

TESTING CONDITION:

Steps 1 and 2 may be conducted with the drive wheels lifted in the shop or by driving the vehicle. If a road test is expected to be easier, it is unnecessary to lift the vehicle.

Ⓟ WITH CONSULT-III

1. Start engine (VDC switch OFF).
2. Read “VHCL SPEED SE” in “DATA MONITOR” mode with CONSULT-III. The vehicle speed on CONSULT-III should exceed 10 km/h (6 MPH) when rotating wheels with suitable gear position.
If NG, go to [EC-420. "Diagnosis Procedure"](#).
If OK, go to following step.
3. Select “DATA MONITOR” mode with CONSULT-III.
4. Warm engine up to normal operating temperature.
5. Maintain the following conditions for at least 50 consecutive seconds.

ENG SPEED	1,600 - 6,000 rpm
COOLAN TEMP/S	More than 70°C (158°F)
B/FUEL SCHDL	5.3 - 31.8 msec
Selector lever	Except P or N position
PW/ST SIGNAL	OFF

DTC P0500 VSS

[VQ35DE]

< SERVICE INFORMATION >

6. Check 1st trip DTC.
7. If 1st trip DTC is detected, go to [EC-420, "Diagnosis Procedure"](#).

Overall Function Check

INFOID:000000002954431

Use this procedure to check the overall function of the vehicle speed sensor circuit. During this check, a 1st trip DTC might not be confirmed.

WITH GST

1. Lift up drive wheels.
2. Start engine.
3. Read vehicle speed sensor signal in Service \$01 with GST.
The vehicle speed sensor on GST should be able to exceed 10 km/h (6 MPH) when rotating wheels with suitable gear position.
4. If NG, go to [EC-420, "Diagnosis Procedure"](#).

INFOID:000000002954432

Diagnosis Procedure

1. CHECK DTC WITH "ABS ACTUATOR AND ELECTRIC UNIT (CONTROL UNIT)"

Refer to [BRC-12](#).

OK or NG

- OK >> GO TO 2.
NG >> Repair or replace.

2. CHECK DTC WITH "UNIFIED METER AND A/C AMP."

Refer to [DI-26](#).

>> **INSPECTION END**

DTC P0506 ISC SYSTEM

Description

INFOID:000000002954433

NOTE:

If DTC P0506 is displayed with other DTC, first perform the trouble diagnosis for the other DTC.

The ECM controls the engine idle speed to a specified level through the fine adjustment of the air, which is let into the intake manifold, by operating the electric throttle control actuator. The operating of the throttle valve is varied to allow for optimum control of the engine idling speed. The crankshaft position sensor (POS) detects the actual engine speed and sends a signal to the ECM.

The ECM controls the electric throttle control actuator so that the engine speed coincides with the target value memorized in the ECM. The target engine speed is the lowest speed at which the engine can operate steadily. The optimum value stored in the ECM is determined by taking into consideration various engine conditions, such as during warming up, deceleration, and engine load (air conditioner, power steering and cooling fan operation, etc.).

On Board Diagnosis Logic

INFOID:000000002954434

DTC No.	Trouble diagnosis name	DTC detecting condition	Possible cause
P0506 0506	Idle speed control system RPM lower than expected	The idle speed is less than the target idle speed by 100 rpm or more.	<ul style="list-style-type: none"> Electric throttle control actuator Intake air leak

DTC Confirmation Procedure

INFOID:000000002954435

NOTE:

- If DTC Confirmation Procedure has been previously conducted, always turn ignition switch OFF and wait at least 10 seconds before conducting the next test.
- If the target idle speed is out of the specified value, perform [EC-82, "Idle Air Volume Learning"](#), before conducting DTC Confirmation Procedure. For the target idle speed, refer to the [EC-638](#).

TESTING CONDITION:

- Before performing the following procedure, confirm that battery voltage is more than 11V at idle.
- Always perform the test at a temperature above -10°C(14°F).
 - Open engine hood.
 - Start engine and warm it up to normal operating temperature.
 - Turn ignition switch OFF and wait at least 10 seconds.
 - Start engine and run it for at least 1 minute at idle speed.
 - Check 1st trip DTC.
 - If 1st trip DTC is detected, go to [EC-421, "Diagnosis Procedure"](#).

Diagnosis Procedure

INFOID:000000002954436

1. CHECK INTAKE AIR LEAK

- Start engine and let it idle.
- Listen for an intake air leak after the mass air flow sensor.

OK or NG

- OK >> GO TO 2.
- NG >> Discover air leak location and repair.

2. REPLACE ECM

- Stop engine.
- Replace ECM.
- Perform initialization of IVIS (NATS) system and registration of all IVIS (NATS) ignition key IDs. Refer to [BL-221, "ECM Re-Communicating Function"](#).
- Perform [EC-81, "VIN Registration"](#).
- Perform [EC-82, "Accelerator Pedal Released Position Learning"](#).
- Perform [EC-82, "Throttle Valve Closed Position Learning"](#).
- Perform [EC-82, "Idle Air Volume Learning"](#).

DTC P0506 ISC SYSTEM

< SERVICE INFORMATION >

[VQ35DE]

>> INSPECTION END

DTC P0507 ISC SYSTEM

Description

INFOID:000000002954437

NOTE:

If DTC P0507 is displayed with other DTC, first perform the trouble diagnosis for the other DTC.

The ECM controls the engine idle speed to a specified level through the fine adjustment of the air, which is let into the intake manifold, by operating the electric throttle control actuator. The operating of the throttle valve is varied to allow for optimum control of the engine idling speed. The crankshaft position sensor (POS) detects the actual engine speed and sends a signal to the ECM.

The ECM controls the electric throttle control actuator so that the engine speed coincides with the target value memorized in the ECM. The target engine speed is the lowest speed at which the engine can operate steadily. The optimum value stored in the ECM is determined by taking into consideration various engine conditions, such as during warming up, deceleration, and engine load (air conditioner, power steering and cooling fan operation, etc.).

On Board Diagnosis Logic

INFOID:000000002954438

DTC No.	Trouble diagnosis name	DTC detecting condition	Possible cause
P0507 0507	Idle speed control system RPM higher than expected	The idle speed is more than the target idle speed by 200 rpm or more.	<ul style="list-style-type: none"> • Electric throttle control actuator • Intake air leak • PCV system

DTC Confirmation Procedure

INFOID:000000002954439

NOTE:

- If DTC Confirmation Procedure has been previously conducted, always turn ignition switch OFF and wait at least 10 seconds before conducting the next test.
- **If the target idle speed is out of the specified value, perform [EC-82, "Idle Air Volume Learning"](#), before conducting DTC Confirmation Procedure. For the target idle speed, refer to the [EC-638](#).**

TESTING CONDITION:

- **Before performing the following procedure, confirm that battery voltage is more than 11V at idle.**
- **Always perform the test at a temperature above -10°C(14°F).**
 1. Open engine hood.
 2. Start engine and warm it up to normal operating temperature.
 3. Turn ignition switch OFF and wait at least 10 seconds.
 4. Start engine and run it for at least 1 minute at idle speed.
 5. Check 1st trip DTC.
 6. If 1st trip DTC is detected, go to [EC-423, "Diagnosis Procedure"](#).

Diagnosis Procedure

INFOID:000000002954440

1.CHECK PCV HOSE CONNECTION

Confirm that PCV hose is connected correctly.

OK or NG

- OK >> GO TO 2.
- NG >> Repair or replace.

2.CHECK INTAKE AIR LEAK

1. Start engine and let it idle.
2. Listen for an intake air leak after the mass air flow sensor.

OK or NG

- OK >> GO TO 3.
- NG >> Discover air leak location and repair.

3.REPLACE ECM

1. Stop engine.
2. Replace ECM.

DTC P0507 ISC SYSTEM

[VQ35DE]

< SERVICE INFORMATION >

3. Perform initialization of IVIS (NATS) system and registration of all IVIS (NATS) ignition key IDs. Refer to [BL-221, "ECM Re-Communicating Function"](#).
4. Perform [EC-81, "VIN Registration"](#).
5. Perform [EC-82, "Accelerator Pedal Released Position Learning"](#).
6. Perform [EC-82, "Throttle Valve Closed Position Learning"](#).
7. Perform [EC-82, "Idle Air Volume Learning"](#).

>> INSPECTION END

DTC P0550 PSP SENSOR

< SERVICE INFORMATION >

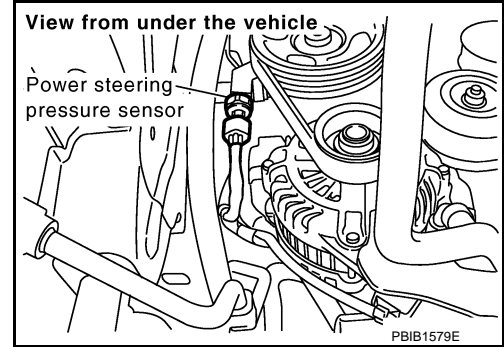
[VQ35DE]

DTC P0550 PSP SENSOR

Component Description

INFOID:000000002954441

Power steering pressure (PSP) sensor is installed to the power steering high-pressure tube and detects a power steering load. This sensor is a potentiometer which transforms the power steering load into output voltage, and emits the voltage signal to the ECM. The ECM controls the electric throttle control actuator and adjusts the throttle valve opening angle to increase the engine speed and adjusts the idle speed for the increased load.



CONSULT-III Reference Value in Data Monitor Mode

INFOID:000000002954442

Specification data are reference values.

MONITOR ITEM	CONDITION		SPECIFICATION
PW/ST SIGNAL	<ul style="list-style-type: none"> Engine: After warming up, idle the engine 	Steering wheel: Not being turned	OFF
		Steering wheel: Being turned	ON

On Board Diagnosis Logic

INFOID:000000002954443

The MIL will not light up for this diagnosis.

NOTE:

If DTC P0550 is displayed with DTC P0643, first perform the trouble diagnosis for DTC P0643. Refer to [EC-436](#).

DTC No.	Trouble diagnosis name	DTC detecting condition	Possible cause
P0550 0550	Power steering pressure sensor circuit	An excessively low or high voltage from the sensor is sent to ECM.	<ul style="list-style-type: none"> Harness or connectors (The sensor circuit is open or shorted) Power steering pressure sensor

DTC Confirmation Procedure

INFOID:000000002954444

NOTE:

If DTC Confirmation Procedure has been previously conducted, always turn ignition switch OFF and wait at least 10 seconds before conducting the next test.

1. Turn ignition switch ON.
2. Start engine and let it idle for at least 5 seconds.
3. Check 1st trip DTC.
4. If 1st trip DTC is detected, go to [EC-427. "Diagnosis Procedure"](#).

DTC P0550 PSP SENSOR

[VQ35DE]

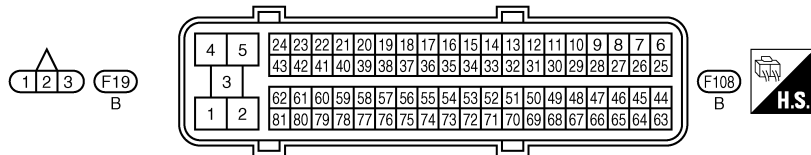
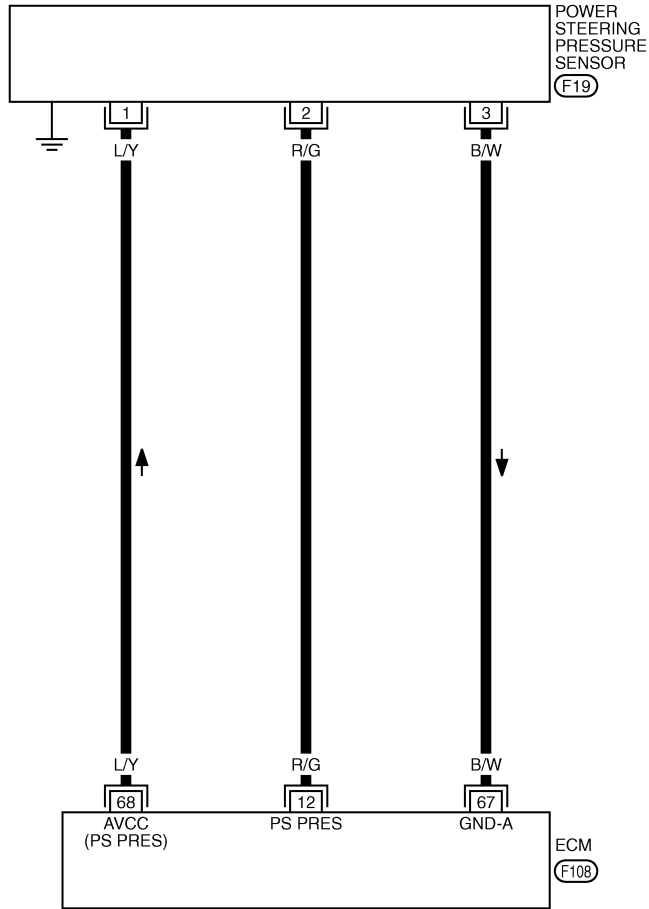
< SERVICE INFORMATION >

Wiring Diagram

INFOID:000000002954445

EC-PS/SEN-01

— : DETECTABLE LINE FOR DTC
— : NON-DETECTABLE LINE FOR DTC



TBWT0967E

Specification data are reference values and are measured between each terminal and ground.

CAUTION:

Do not use ECM ground terminals when measuring input/output voltage. Doing so may result in damage to the ECM's transistor. Use a ground other than ECM terminals, such as the ground.

DTC P0550 PSP SENSOR

< SERVICE INFORMATION >

[VQ35DE]

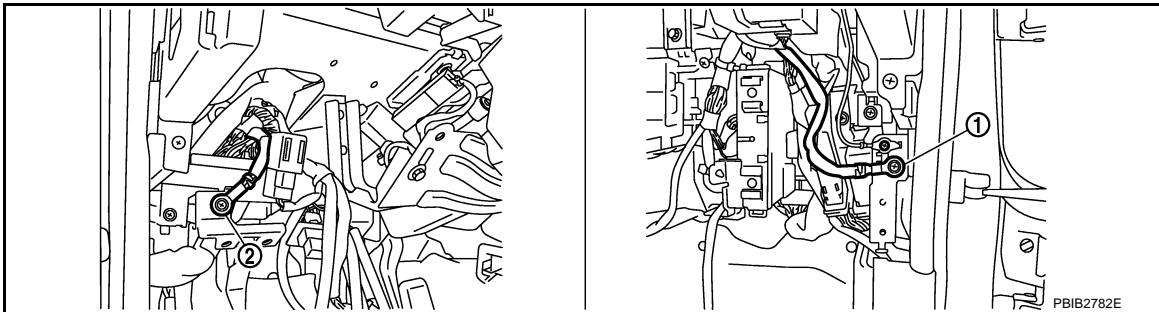
TER-MI-NAL NO.	WIRE COLOR	ITEM	CONDITION	DATA (DC Voltage)
12	R/G	Power steering pressure sensor	[Engine is running] • Steering wheel: Being turned	0.5 - 4.5V
			[Engine is running] • Steering wheel: Not being turned	0.4 - 0.8V
67	B/W	Sensor ground	[Engine is running] • Warm-up condition • Idle speed	Approximately 0V
68	L/Y	Sensor power supply (Power steering pressure sensor)	[Ignition switch: ON]	Approximately 5V

Diagnosis Procedure

INFOID:000000002954446

1. CHECK GROUND CONNECTIONS

1. Turn ignition switch OFF.
2. Loosen and retighten two ground screws on the body.
Refer to [EC-146](#). "Ground Inspection".



1. Body ground M70

2. Body ground M16

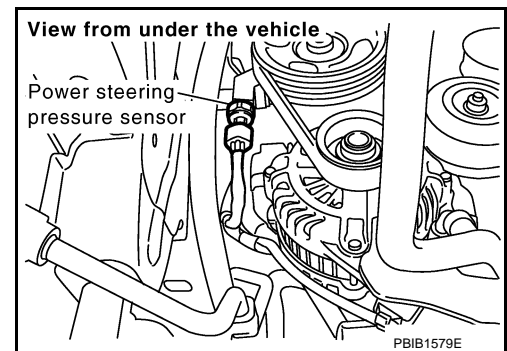
OK or NG

OK >> GO TO 2.

NG >> Repair or replace ground connections.

2. CHECK PSP SENSOR POWER SUPPLY CIRCUIT

1. Disconnect power steering pressure (PSP) sensor harness connector.
2. Turn ignition switch ON.



DTC P0550 PSP SENSOR

[VQ35DE]

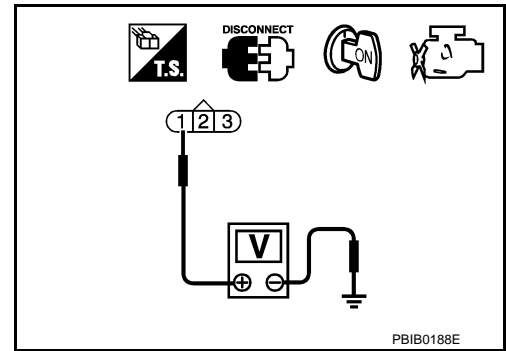
< SERVICE INFORMATION >

3. Check voltage between PSP sensor terminal 1 and ground with CONSULT-III or tester.

Voltage: Approximately 5V

OK or NG

- OK >> GO TO 3.
- NG >> Repair open circuit or short to ground or short to power in harness or connectors.



3. CHECK PSP SENSOR GROUND CIRCUIT FOR OPEN AND SHORT

1. Turn ignition switch OFF.
2. Disconnect ECM harness connector.
3. Check harness continuity between PSP sensor terminal 3 and ECM terminal 67. Refer to Wiring Diagram.

Continuity should exist.

4. Also check harness for short to ground and short to power.

OK or NG

- OK >> GO TO 4.
- NG >> Repair open circuit or short to ground short to power in harness or connectors.

4. CHECK PSP SENSOR INPUT SIGNAL CIRCUIT FOR OPEN AND SHORT

1. Check harness continuity between ECM terminal 12 and PSP sensor terminal 2. Refer to Wiring Diagram.

Continuity should exist.

2. Also check harness for short to ground and short to power.

OK or NG

- OK >> GO TO 5.
- NG >> Repair open circuit or short to ground or short to power in harness or connectors.

5. CHECK PSP SENSOR

Refer to [EC-428, "Component Inspection"](#).

OK or NG

- OK >> GO TO 6.
- NG >> Replace PSP sensor.

6. CHECK INTERMITTENT INCIDENT

Refer to [EC-140](#).

>> **INSPECTION END**

Component Inspection

INFOID:000000002954447

POWER STEERING PRESSURE SENSOR

1. Reconnect all harness connectors disconnected.
2. Start engine and let it idle.

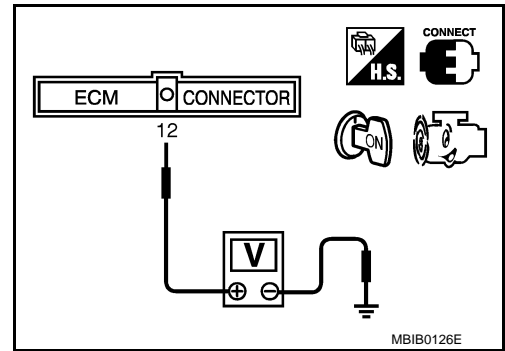
DTC P0550 PSP SENSOR

[VQ35DE]

< SERVICE INFORMATION >

3. Check voltage between ECM terminal 12 and ground under the following conditions.

Condition	Voltage
Steering wheel: Being turned.	0.5 - 4.5V
Steering wheel: Not being turned.	0.4 - 0.8V



Removal and Installation

POWER STEERING PRESSURE SENSOR

Refer to [PS-36](#).

INFOID:000000002954448

A
EC
C
D
E
F
G
H
I
J
K
L
M
N
O
P

DTC P0603 ECM POWER SUPPLY

< SERVICE INFORMATION >

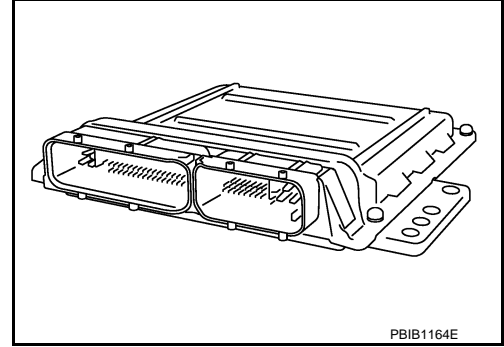
[VQ35DE]

DTC P0603 ECM POWER SUPPLY

Component Description

INFOID:000000002954449

Battery voltage is supplied to the ECM even when the ignition switch is turned OFF for the ECM memory function of the DTC memory, the air-fuel ratio feedback compensation value memory, the idle air volume learning value memory, etc.



On Board Diagnosis Logic

INFOID:000000002954450

DTC No.	Trouble diagnosis name	DTC detecting condition	Possible cause
P0603 0603	ECM power supply circuit	ECM back-up RAM system does not function properly.	<ul style="list-style-type: none">• Harness or connectors [ECM power supply (back-up) circuit is open or shorted.]• ECM

DTC Confirmation Procedure

INFOID:000000002954451

NOTE:

If DTC Confirmation Procedure has been previously conducted, always turn ignition switch OFF and wait at least 10 seconds before conducting the next test.

1. Turn ignition switch ON and wait at least 1 second.
2. Start engine and let it idle for 1 second.
3. Turn ignition switch OFF, wait at least 10 seconds, and then turn ON.
4. Repeat steps 2 and 3 for four times.
5. Check 1st trip DTC.
6. If 1st trip DTC is detected, go to [EC-432. "Diagnosis Procedure"](#).

DTC P0603 ECM POWER SUPPLY



< SERVICE INFORMATION >

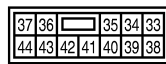
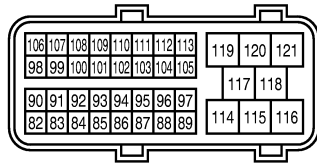
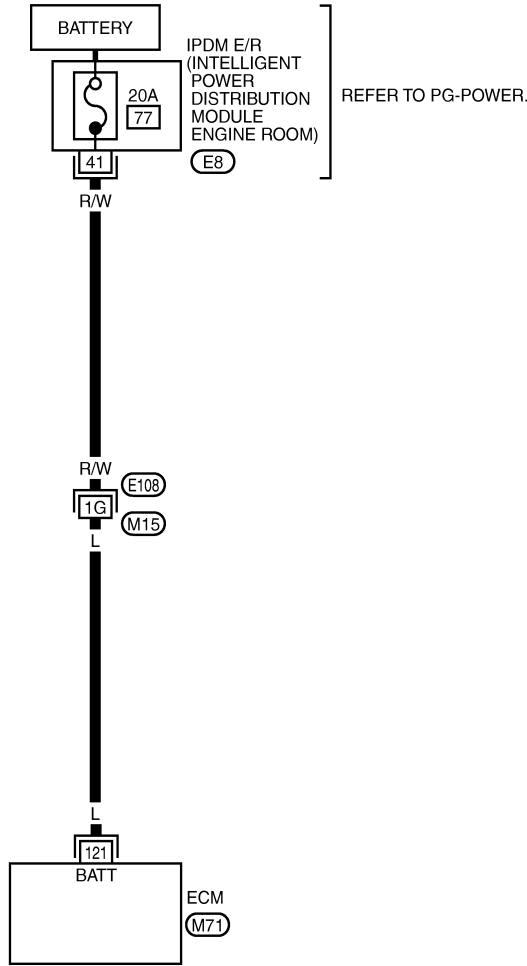
[VQ35DE]

Wiring Diagram

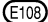
INFOID:000000002954452

EC-ECM/PW-01

 : DETECTABLE LINE FOR DTC
 : NON-DETECTABLE LINE FOR DTC



REFER TO THE FOLLOWING.

 - SUPER MULTIPLE JUNCTION (SMJ)

TBWT1959E

Specification data are reference values and are measured between each terminal and ground.

CAUTION:

Do not use ECM ground terminals when measuring input/output voltage. Doing so may result in damage to the ECM's transistor. Use a ground other than ECM terminals, such as the ground.

DTC P0603 ECM POWER SUPPLY

[VQ35DE]

< SERVICE INFORMATION >

TER-MI-NAL NO.	WIRE COLOR	ITEM	CONDITION	DATA (DC Voltage)
121	L	Power supply for ECM (Back-up)	[Ignition switch: OFF]	BATTERY VOLTAGE (11 - 14V)

Diagnosis Procedure

INFOID:00000002954453

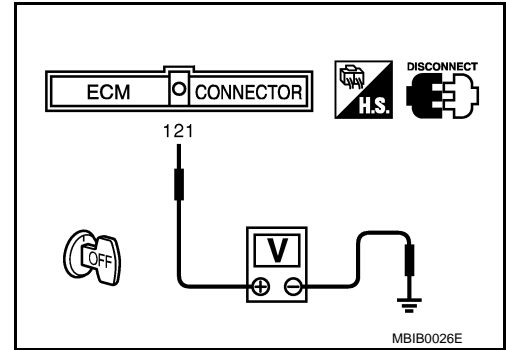
1. CHECK ECM POWER SUPPLY

1. Turn ignition switch OFF.
2. Disconnect ECM harness connector.
3. Check voltage between ECM terminal 121 and ground with CONSULT-III or tester.

Voltage: Battery voltage

OK or NG

- OK >> GO TO 3.
NG >> GO TO 2.



2. DETECT MALFUNCTIONING PART

Check the following.

- Harness connectors E108, M15
- 20A fuse
- IPDM E/R harness connector E8
- Harness for open or short between ECM and battery

>> Repair or replace harness or connectors.

3. CHECK INTERMITTENT INCIDENT

Refer to [EC-140](#).

OK or NG

- OK >> GO TO 4.
NG >> Repair or replace harness or connectors.

4. PERFORM DTC CONFIRMATION PROCEDURE

With CONSULT-III

1. Turn ignition switch ON.
2. Select "SELF-DIAG RESULTS" mode with CONSULT-III.
3. Touch "ERASE".
4. **Perform DTC Confirmation Procedure.**
See [EC-430, "DTC Confirmation Procedure"](#).
5. Is the 1st trip DTC P0603 displayed again?

With GST

1. Turn ignition switch ON.
2. Select Service \$04 with GST.
3. **Perform DTC Confirmation Procedure.**
See [EC-430, "DTC Confirmation Procedure"](#).
4. Is the 1st trip DTC P0603 displayed again?

Yes or No

- Yes >> GO TO 5.
No >> **INSPECTION END**

DTC P0603 ECM POWER SUPPLY

< SERVICE INFORMATION >

[VQ35DE]

5. REPLACE ECM

1. Replace ECM.
2. Perform initialization of IVIS (NATS) system and registration of all IVIS (NATS) ignition key IDs. Refer to [BL-221, "ECM Re-Communicating Function"](#).
3. Perform [EC-81, "VIN Registration"](#).
4. Perform [EC-82, "Accelerator Pedal Released Position Learning"](#).
5. Perform [EC-82, "Throttle Valve Closed Position Learning"](#).
6. Perform [EC-82, "Idle Air Volume Learning"](#).

>> INSPECTION END

A

EC

C

D

E

F

G

H

I

J

K

L

M

N

O

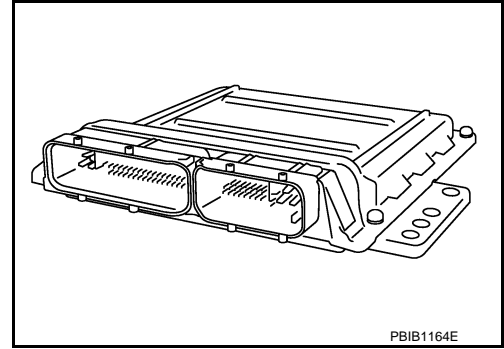
P

DTC P0605 ECM

Component Description

INFOID:000000002954454

The ECM consists of a microcomputer and connectors for signal input and output and for power supply. The ECM controls the engine.



On Board Diagnosis Logic

INFOID:000000002954455

This self-diagnosis has one or two trip detection logic.

DTC No.	Trouble diagnosis name	DTC detecting condition		Possible cause
P0605 0605	Engine control module	A)	ECM calculation function is malfunctioning.	• ECM
		B)	ECM EEP-ROM system is malfunctioning.	
		C)	ECM self shut-off function is malfunctioning.	

FAIL-SAFE MODE

ECM enters fail-safe mode when the malfunction A is detected.

Detected items	Engine operation condition in fail-safe mode
Malfunction A	<ul style="list-style-type: none"> ECM stops the electric throttle control actuator control, throttle valve is maintained at a fixed opening (approx. 5 degrees) by the return spring. ECM deactivates ASCD operation.

DTC Confirmation Procedure

INFOID:000000002954456

Perform **PROCEDURE FOR MALFUNCTION A** first. If the 1st trip DTC cannot be confirmed, perform **PROCEDURE FOR MALFUNCTION B**. If there is no malfunction on **PROCEDURE FOR MALFUNCTION B**, perform **PROCEDURE FOR MALFUNCTION C**.

NOTE:

If DTC Confirmation Procedure has been previously conducted, always turn ignition switch OFF and wait at least 10 seconds before conducting the next test.

PROCEDURE FOR MALFUNCTION A

1. Turn ignition switch ON.
2. Check 1st trip DTC.
3. If 1st trip DTC is detected, go to [EC-435. "Diagnosis Procedure"](#).

PROCEDURE FOR MALFUNCTION B

1. Turn ignition switch ON and wait at least 1 second.
2. Turn ignition switch OFF, wait at least 10 seconds, and then turn ON.
3. Check 1st trip DTC.
4. If 1st trip DTC is detected, go to [EC-435. "Diagnosis Procedure"](#).

PROCEDURE FOR MALFUNCTION C

1. Turn ignition switch ON and wait at least 1 second.
2. Turn ignition switch OFF, wait at least 10 seconds, and then turn ON.
3. Repeat step 2 for 32 times.
4. Check 1st trip DTC.
5. If 1st trip DTC is detected, go to [EC-435. "Diagnosis Procedure"](#).

Diagnosis Procedure

INFOID:000000002954457

1.INSPECTION START**④ With CONSULT-III**

1. Turn ignition switch ON.
2. Select "SELF-DIAG RESULTS" mode with CONSULT-III.
3. Touch "ERASE".
4. **Perform DTC Confirmation Procedure.**
See [EC-434, "DTC Confirmation Procedure"](#).
5. Is the 1st trip DTC P0605 displayed again?

④ With GST

1. Turn ignition switch ON.
2. Select Service \$04 with GST.
3. **Perform DTC Confirmation Procedure.**
See [EC-434, "DTC Confirmation Procedure"](#).
4. Is the 1st trip DTC P0605 displayed again?

Yes or No

Yes >> GO TO 2.

No >> **INSPECTION END****2.REPLACE ECM**

1. Replace ECM.
2. Perform initialization of IVIS (NATS) system and registration of all IVIS (NATS) ignition key IDs. Refer to [BL-221, "ECM Re-Communicating Function"](#).
3. Perform [EC-81, "VIN Registration"](#).
4. Perform [EC-82, "Accelerator Pedal Released Position Learning"](#).
5. Perform [EC-82, "Throttle Valve Closed Position Learning"](#).
6. Perform [EC-82, "Idle Air Volume Learning"](#).

>> **INSPECTION END**A
EC
C
D
E
F
G
H
I
J
K
L
M
N
O
P

DTC P0643 SENSOR POWER SUPPLY

< SERVICE INFORMATION >

[VQ35DE]

DTC P0643 SENSOR POWER SUPPLY

On Board Diagnosis Logic

INFOID:000000002954458

This self-diagnosis has the one trip detection logic.

DTC No.	Trouble diagnosis name	DTC detecting condition	Possible cause
P0643 0643	Sensor power supply circuit short	ECM detects a voltage of power source for sensor is excessively low or high.	<ul style="list-style-type: none">• Harness or connectors (APP sensor 1 circuit is shorted.) (EVAP control system pressure sensor is shorted.) (Refrigerant pressure sensor circuit is shorted.) (PSP sensor circuit is shorted.) (Battery current sensor circuit is shorted.)• Accelerator pedal position sensor• EVAP control system pressure sensor• Refrigerant pressure sensor• Power steering pressure sensor• Battery current sensor

FAIL-SAFE MODE

When the malfunction is detected, ECM enters fail-safe mode and the MIL lights up.

Engine operation condition in fail-safe mode

ECM stops the electric throttle control actuator control, throttle valve is maintained at a fixed opening (approx. 5 degrees) by the return spring.

DTC Confirmation Procedure

INFOID:000000002954459

NOTE:

If DTC Confirmation Procedure has been previously conducted, always turn ignition switch OFF and wait at least 10 seconds before conducting the next test.

TESTING CONDITION:

Before performing the following procedure, confirm that battery voltage is more than 10V at idle.

④ WITH CONSULT-III

1. Start engine and let it idle for 1 second.
2. Check DTC.
3. If DTC is detected, go to [EC-438. "Diagnosis Procedure"](#).

④ WITH GST

Follow the procedure "WITH CONSULT-III" above.

DTC P0643 SENSOR POWER SUPPLY

< SERVICE INFORMATION >

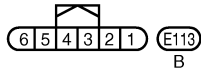
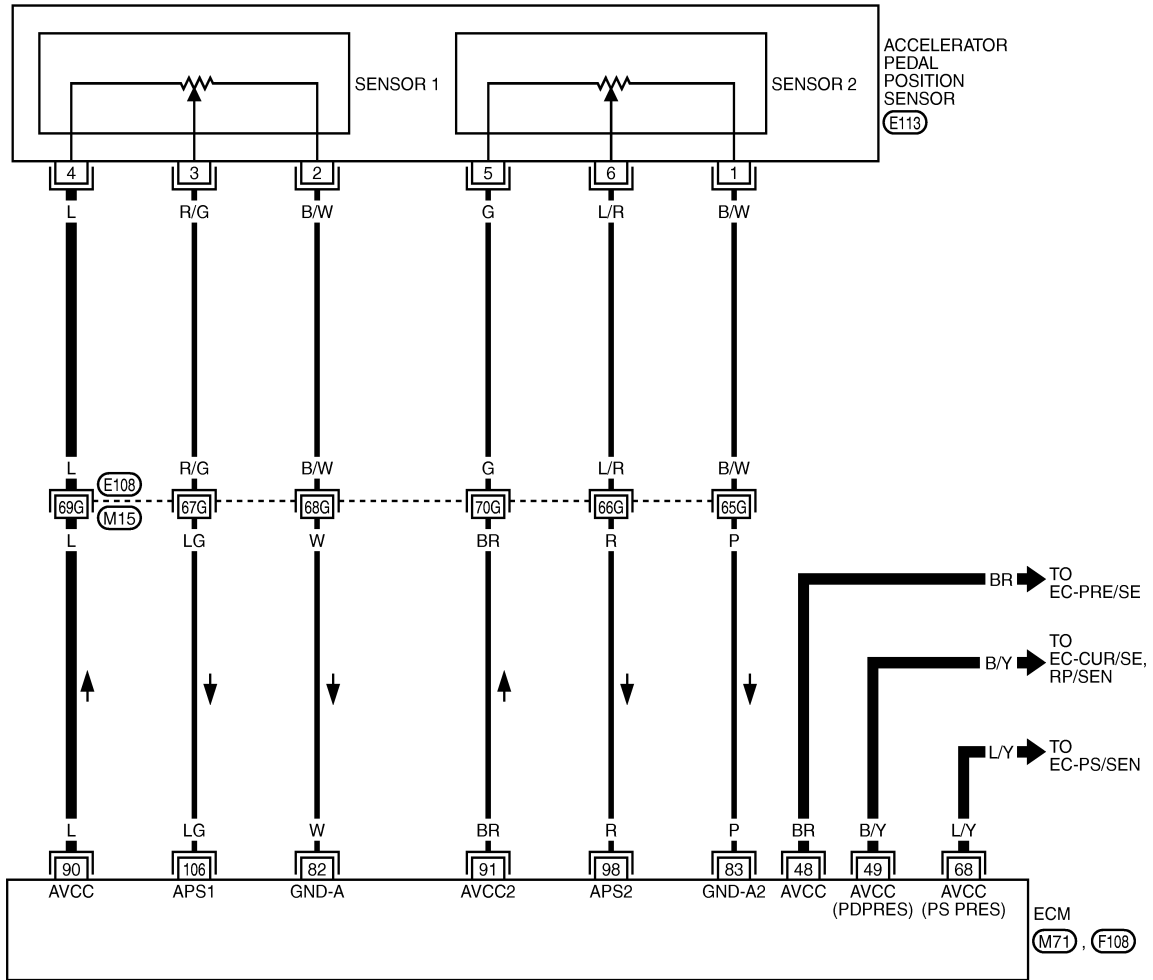
[VQ35DE]

Wiring Diagram

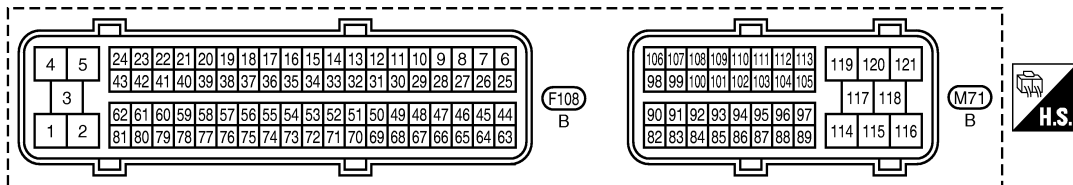
INFOID:000000002954460

EC-SEN/PW-01

— : DETECTABLE LINE FOR DTC
 - - - : NON-DETECTABLE LINE FOR DTC



REFER TO THE FOLLOWING.
 (E108) - SUPER MULTIPLE JUNCTION (SMJ)



TBWT1960E

Specification data are reference values and are measured between each terminal and ground.

CAUTION:

Do not use ECM ground terminals when measuring input/output voltage. Doing so may result in damage to the ECM's transistor. Use a ground other than ECM terminals, such as the ground.

DTC P0643 SENSOR POWER SUPPLY

< SERVICE INFORMATION >

[VQ35DE]

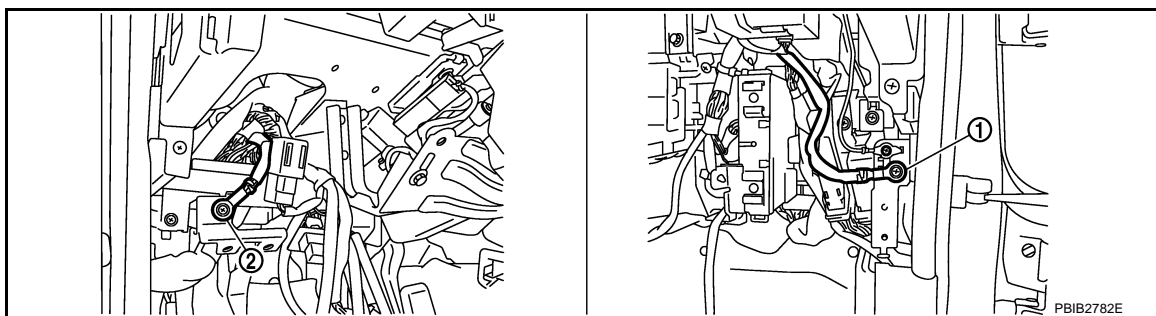
TER-MI-NAL NO.	WIRE COLOR	ITEM	CONDITION	DATA (DC Voltage)
48	BR	Sensor power supply (EVAP control system pressure sensor)	[Ignition switch: ON]	Approximately 5V
49	B/Y	Sensor power supply (Refrigerant pressure sensor, Battery current sensor)	[Ignition switch: ON]	Approximately 5V
68	L/Y	Sensor power supply (Power steering pressure sensor)	[Ignition switch: ON]	Approximately 5V
82	W	Sensor ground (APP sensor 1)	[Engine is running] • Warm-up condition • Idle speed	Approximately 0V
83	P	Sensor ground (APP sensor 2)	[Engine is running] • Warm-up condition • Idle speed	Approximately 0V
90	L	Sensor power supply (APP sensor 1)	[Ignition switch: ON]	Approximately 5V
91	BR	Sensor power supply (APP sensor 2)	[Ignition switch: ON]	Approximately 5V
98	R	Accelerator pedal position sensor 2	[Ignition switch: ON] • Engine stopped • Accelerator pedal: Fully released	0.20 - 0.55V
			[Ignition switch: ON] • Engine stopped • Accelerator pedal: Fully depressed	1.85 - 2.40V
106	LG	Accelerator pedal position sensor 1	[Ignition switch: ON] • Engine stopped • Accelerator pedal: Fully released	0.4 - 1.1V
			[Ignition switch: ON] • Engine stopped • Accelerator pedal: Fully depressed	3.7 - 4.8V

Diagnosis Procedure

INFOID:000000002954461

1. CHECK GROUND CONNECTIONS

1. Turn ignition switch OFF.
2. Loosen and retighten two ground screws on the body.
Refer to [EC-146](#), "Ground Inspection".



1. Body ground M70

2. Body ground M16

OK or NG

OK >> GO TO 2.

DTC P0643 SENSOR POWER SUPPLY

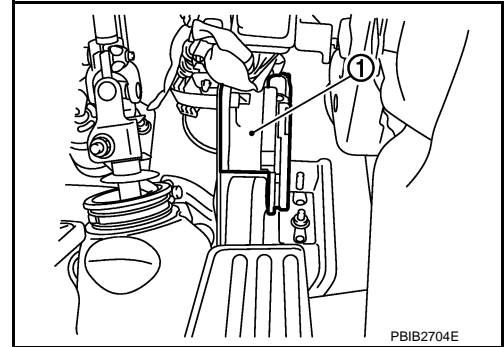
[VQ35DE]

< SERVICE INFORMATION >

NG >> Repair or replace ground connections.

2. CHECK ACCELERATOR PEDAL POSITION SENSOR 1 POWER SUPPLY CIRCUIT

1. Disconnect accelerator pedal position (APP) sensor (1) harness connector.
2. Turn ignition switch ON.

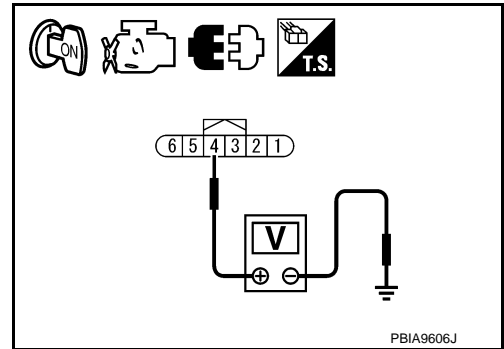


3. Check voltage between APP sensor terminal 4 and ground with CONSULT-III or tester.

Voltage: Approximately 5V

OK or NG

- OK >> GO TO 5.
NG >> GO TO 3.



3. CHECK SENSOR POWER SUPPLY CIRCUITS

Check harness for short to power and short to ground, between the following terminals.

ECM terminal	Sensor terminal	Reference Wiring Diagram
90	APP sensor terminal 4	EC-437
48	EVAP control system pressure sensor terminal 3	EC-389
49	Refrigerant pressure sensor terminal 1	EC-627
	Battery current sensor terminal 1	EC-473
68	PSP sensor terminal 1	EC-426

OK or NG

- OK >> GO TO 4.
NG >> Repair short to ground or short to power in harness or connectors.

4. CHECK COMPONENTS

Check the following.

- EVAP control system pressure sensor (Refer to [EC-392, "Component Inspection"](#).)
- Refrigerant pressure sensor (Refer to [ATC-82, "Magnet Clutch Circuit"](#).)
- Battery current sensor (Refer to [EC-476, "Component Inspection"](#).)
- Power steering pressure sensor (Refer to [EC-428, "Component Inspection"](#).)

OK or NG

- OK >> GO TO 7.
NG >> Replace malfunctioning component.

5. CHECK APP SENSOR

Refer to [EC-554, "Component Inspection"](#).

OK or NG

- OK >> GO TO 7.
NG >> GO TO 6.

DTC P0643 SENSOR POWER SUPPLY

< SERVICE INFORMATION >

[VQ35DE]

6. REPLACE ACCELERATOR PEDAL ASSEMBLY

1. Replace accelerator pedal assembly.
2. Perform [EC-82. "Accelerator Pedal Released Position Learning"](#).
3. Perform [EC-82. "Throttle Valve Closed Position Learning"](#).
4. Perform [EC-82. "Idle Air Volume Learning"](#).

>> INSPECTION END

7. CHECK INTERMITTENT INCIDENT

Refer to [EC-140](#).

>> INSPECTION END

DTC P0850 PNP SWITCH

[VQ35DE]

< SERVICE INFORMATION >

DTC P0850 PNP SWITCH

Component Description

INFOID:000000002954462

When the selector lever position is P or N, transmission range switch is ON.
ECM detects the position because the continuity of the line (the ON signal) exists.

CONSULT-III Reference Value in Data Monitor Mode

INFOID:000000002954463

Specification data are reference values.

MONITOR ITEM	CONDITION		SPECIFICATION
P/N POSI SW	• Ignition switch: ON	Selector lever: P or N	ON
		Selector lever: Except above	OFF

On Board Diagnosis Logic

INFOID:000000002954464

DTC No.	Trouble diagnosis name	DTC detecting condition	Possible cause
P0850 0850	Park/neutral position switch	The signal of the transmission range switch is not changed in the process of engine starting and driving.	<ul style="list-style-type: none">• Harness or connectors [The transmission range switch circuit is open or shorted.]• transmission range switch• Unified meter and A/C amp.• TCM

DTC Confirmation Procedure

INFOID:000000002954465

CAUTION:

Always drive vehicle at a safe speed.

NOTE:

If DTC Confirmation Procedure has been previously conducted, always turn ignition switch OFF and wait at least 10 seconds before conducting the next test.

④ WITH CONSULT-III

1. Turn ignition switch ON.
2. Select "P/N POSI SW" in "DATA MONITOR" mode with CONSULT-III. Then check the "P/N POSI SW" signal under the following conditions.

Position (Selector lever)	Known-good signal
N or P position	ON
Except above position	OFF

If NG, go to [EC-444, "Diagnosis Procedure"](#).

If OK, go to following step.

3. Select "DATA MONITOR" mode with CONSULT-III.
4. Start engine and warm it up to normal operating temperature.
5. Maintain the following conditions for at least 50 consecutive seconds.

ENG SPEED	1,400 - 6,375 rpm
COOLAN TEMP/S	More than 70°C (158°F)
B/FUEL SCHDL	2.0 - 31.8 msec
VHCL SPEED SE	More than 64 km/h (40 MPH)
Selector lever	Suitable position

6. If 1st trip DTC is detected, go to [EC-444, "Diagnosis Procedure"](#).

DTC P0850 PNP SWITCH

[VQ35DE]

< SERVICE INFORMATION >

INFOID:000000002954466

Overall Function Check

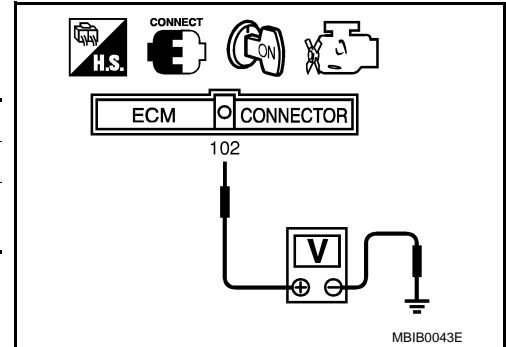
Use this procedure to check the overall function of the transmission range switch circuit. During this check, a 1st trip DTC might not be confirmed.

⑧ WITH GST

1. Turn ignition switch ON.
2. Check voltage between ECM terminal 102 (PNP signal) and ground under the following conditions.

Position (Selector lever)	Voltage (Known good data)
P or N position	Approx. 0V
Except above position	BATTERY VOLTAGE (11 - 14V)

3. If NG, go to [EC-444](#), "Diagnosis Procedure".



DTC P0850 PNP SWITCH

< SERVICE INFORMATION >

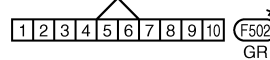
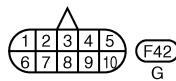
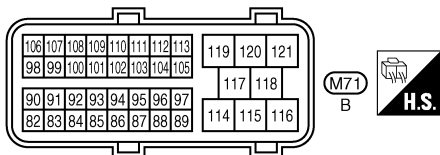
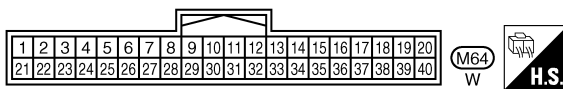
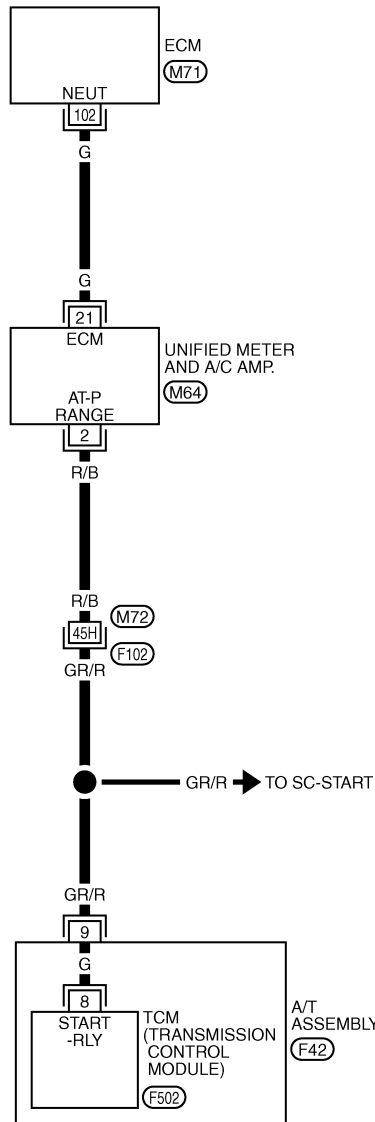
[VQ35DE]

Wiring Diagram

INFOID:00000002954467

EC-PNP/SW-01

— : DETECTABLE LINE FOR DTC
 — : NON-DETECTABLE LINE FOR DTC



REFER TO THE FOLLOWING.
 (F102) -SUPER MULTIPLE JUNCTION (SMJ)

*: THIS CONNECTOR IS NOT SHOWN IN "HARNESS LAYOUT", PG SECTION.

TBWT0985E

Specification data are reference values and are measured between each terminal and ground.

CAUTION:

Do not use ECM ground terminals when measuring input/output voltage. Doing so may result in damage to the ECM's transistor. Use a ground other than ECM terminals, such as the ground.

DTC P0850 PNP SWITCH

< SERVICE INFORMATION >

[VQ35DE]

TER-MI-NAL NO.	WIRE COLOR	ITEM	CONDITION	DATA (DC Voltage)
102	G	Transmission range switch	[Ignition switch: ON] • Selector lever: P or N	Approximately 0V
			[Ignition switch: ON] • Selector lever: Except above	BATTERY VOLTAGE (11 - 14V)

Diagnosis Procedure

INFOID:000000002954468

1. CHECK DTC WITH TCM

Refer to [AT-40. "OBD-II Diagnostic Trouble Code \(DTC\)".](#)

OK or NG

- OK >> GO TO 2.
- NG >> Repair or replace.

2. CHECK STARTING SYSTEM

Turn ignition switch OFF, then turn it to START.

Does starter motor operate?

Yes or No

- Yes >> GO TO 3.
- No >> Refer to [SC-8](#).

3. CHECK PNP INPUT SIGNAL CIRCUIT FOR OPEN AND SHORT-I

1. Turn ignition switch OFF.
2. Disconnect A/T assembly harness connector.
3. Disconnect "unified meter and A/C amp." harness connector.
4. Check harness continuity between A/T assembly terminal 9 and "unified meter and A/C amp." terminal 2. Refer to Wiring Diagram.

Continuity should exist.

5. Also check harness for short to ground and short to power.

OK or NG

- OK >> GO TO 5.
- NG >> GO TO 4.

4. DETECT MALFUNCTIONING PART

Check the following.

- Harness connectors M72, F102
- Harness for open or short between A/T assembly and "unified meter and A/C amp."

>> Repair open circuit or short to ground or short to power in harness or connectors.

5. CHECK PNP INPUT SIGNAL CIRCUIT FOR OPEN AND SHORT-II

1. Disconnect ECM harness connector.
2. Check harness continuity between ECM terminal 102 and "unified meter and A/C amp." terminal 21. Refer to Wiring Diagram.

Continuity should exist.

3. Also check harness for short to ground and short to power.

OK or NG

- OK >> GO TO 6.
- NG >> Repair open circuit or short to ground or short to power in harness or connectors.

6. CHECK PNP INPUT SIGNAL CIRCUIT FOR OPEN AND SHORT-III

DTC P0850 PNP SWITCH

[VQ35DE]

< SERVICE INFORMATION >

1. Check harness continuity between A/T assembly terminal 9 and TCM terminal 8.
Refer to [AT-98](#).

Continuity should exist.

2. Also check harness for short to ground and short to power.

OK or NG

OK >> GO TO 7.

NG >> Repair open circuit or short to ground or short to power in harness or connectors.

7. CHECK INTERMITTENT INCIDENT

Refer to [EC-140](#).

OK or NG

OK >> GO TO 8.

NG >> Repair or replace.

8. REPLACE "UNIFIED METER AND A/C AMP."

Refer to [DI-26](#).

>> INSPECTION END

A

EC

C

D

E

F

G

H

I

J

K

L

M

N

O

P

DTC P1148, P1168 CLOSED LOOP CONTROL

< SERVICE INFORMATION >

[VQ35DE]

DTC P1148, P1168 CLOSED LOOP CONTROL

On Board Diagnosis Logic

INFOID:000000002954469

These self-diagnoses have the one trip detection logic.

DTC No.	Trouble diagnosis name	DTC detecting condition	Possible cause
P1148 1148 (Bank 1)	Closed loop control function	The closed loop control function for bank 1 does not operate even when vehicle is driving in the specified condition.	<ul style="list-style-type: none">• Harness or connectors (The A/F sensor 1 circuit is open or shorted.)• A/F sensor 1• A/F sensor 1 heater
P1168 1168 (Bank 2)		The closed loop control function for bank 2 does not operate even when vehicle is driving in the specified condition.	

NOTE:

DTC P1148 or P1168 is displayed with another DTC for A/F sensor 1.
Perform the trouble diagnosis for the corresponding DTC.

DTC P1211 TCS CONTROL UNIT

< SERVICE INFORMATION >

[VQ35DE]

DTC P1211 TCS CONTROL UNIT

Description

INFOID:000000002954470

The malfunction information related to TCS is transferred through the CAN communication line from “ABS actuator and electric unit (control unit)” to ECM.

Be sure to erase the malfunction information such as DTC not only for “ABS actuator and electric unit (control unit)” but also for ECM after TCS related repair.

On Board Diagnosis Logic

INFOID:000000002954471

**Freeze frame data is not stored in the ECM for this self-diagnosis.
The MIL will not light up for this self-diagnosis.**

DTC No.	Trouble diagnosis name	DTC detecting condition	Possible cause
P1211 1211	TCS control unit	ECM receives a malfunction information from “ABS actuator electric unit (control unit)”	<ul style="list-style-type: none">• ABS actuator and electric unit (control unit)• TCS related parts

DTC Confirmation Procedure

INFOID:000000002954472

TESTING CONDITION:

Before performing the following procedure, confirm that battery voltage is more than 10.5V at idle.

1. Start engine and let it idle for at least 60 seconds.
2. Check 1st trip DTC.
3. If 1st trip DTC is detected, go to [EC-447. "Diagnosis Procedure"](#).

Diagnosis Procedure

INFOID:000000002954473

Go to [BRC-12](#).

DTC P1212 TCS COMMUNICATION LINE

< SERVICE INFORMATION >

[VQ35DE]

DTC P1212 TCS COMMUNICATION LINE

Description

INFOID:000000002954474

NOTE:

- If DTC P1212 is displayed with DTC U1000 or U1001, first perform the trouble diagnosis for DTC U1000, U1001. Refer to [EC-147](#).
- If DTC P1212 is displayed with DTC U1010, first perform the trouble diagnosis for DTC U1010. Refer to [EC-149](#).

This CAN communication line is used to control the smooth engine operation during the TCS operation. Pulse signals are exchanged between ECM and “ABS actuator and electric unit (control unit)”.

Be sure to erase the malfunction information such as DTC not only for “ABS actuator and electric unit (control unit)” but also for ECM after TCS related repair.

On Board Diagnosis Logic

INFOID:000000002954475

Freeze frame data is not stored in the ECM for this self-diagnosis.

The MIL will not light up for this self-diagnosis.

DTC No.	Trouble diagnosis name	DTC detecting condition	Possible cause
P1212 1212	TCS communication line	ECM can not receive the information from “ABS actuator and electric unit (control unit)” continuously.	<ul style="list-style-type: none">• Harness or connectors (The CAN communication line is open or shorted.)• ABS actuator and electric unit (control unit)• Dead (Weak) battery

DTC Confirmation Procedure

INFOID:000000002954476

TESTING CONDITION:

Before performing the following procedure, confirm that battery voltage is more than 10.5V at idle.

1. Start engine and let it idle for at least 10 seconds.
2. Check 1st trip DTC.
3. If 1st trip DTC is detected, go to [EC-448. "Diagnosis Procedure"](#).

Diagnosis Procedure

INFOID:000000002954477

Go to [BRC-12](#).

DTC P1217 ENGINE OVER TEMPERATURE

< SERVICE INFORMATION >

[VQ35DE]

DTC P1217 ENGINE OVER TEMPERATURE

Description

INFOID:00000002954478

SYSTEM DESCRIPTION

NOTE:

- If DTC P1217 is displayed with DTC U1000 or U1001, first perform the trouble diagnosis for DTC U1000, U1001. Refer to [EC-147](#).
- If DTC P1217 is displayed with DTC U1010, first perform the trouble diagnosis for DTC U1010. Refer to [EC-149](#).

Cooling Fan Control

Sensor	Input signal to ECM	ECM function	Actuator
Crankshaft position sensor (POS) Camshaft position sensor (PHASE)	Engine speed*1	Cooling fan control	<ul style="list-style-type: none">• IPDM E/R• Cooling fan relay• Cooling fan control module
Battery	Battery voltage*1		
Wheel sensor	Vehicle speed*2		
Engine coolant temperature sensor	Engine coolant temperature		
Air conditioner switch	Air conditioner ON signal*2		
Refrigerant pressure sensor	Refrigerant pressure		
Unified meter and A/C amp.	Target A/C evaporator temperature*2		
Intake sensor	A/C evaporator temperature*2		

*1: The ECM determines the start signal status by the signals of engine speed and battery voltage.

*2: This signal is sent to ECM through CAN communication line.

ECM controls cooling fan speed corresponding to vehicle speed, engine coolant temperature, air conditioner ON signal, refrigerant pressure, target A/C evaporator temperature and A/C evaporator temperature.

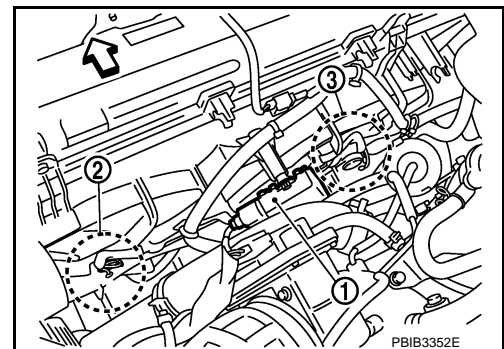
Cooling fan control signal is sent to IPDM E/R from ECM by CAN communication line. Then, IPDM E/R sends ON/OFF pulse duty signal to cooling fan control module. Corresponding to this ON/OFF pulse duty signal, cooling fan control module gives cooling fan motor operating voltage to cooling fan motors. Cooling fan speed is controlled by duty cycle of cooling fan motor operating voltage sent from cooling fan control module.

COMPONENT DESCRIPTION

Cooling Fan Control Module

Cooling fan control module (1) receives ON/OFF pulse duty signal from IPDM E/R. Corresponding to this ON/OFF pulse duty signal, cooling fan control module sends cooling fan motor operating voltage to cooling fan motor. The revolution speed of cooling fan motor is controlled by duty cycle of the voltage.

- ↖: Vehicle front
- Cooling fan motor-1 (2)
- Cooling fan motor-2 (3)



Cooling Fan Motor

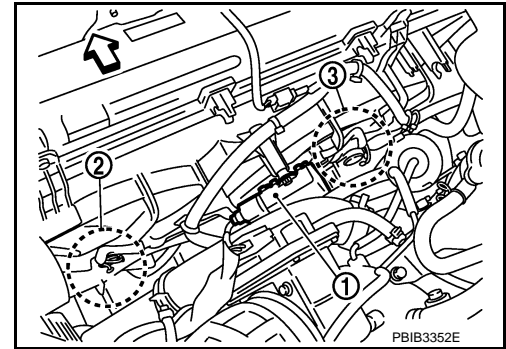
DTC P1217 ENGINE OVER TEMPERATURE

[VQ35DE]

< SERVICE INFORMATION >

Cooling fan motor receives cooling fan motor operating voltage from cooling fan control module (1). The revolution speed of cooling fan motor is controlled by duty cycle of the voltage.

- ⇐: Vehicle front
- Cooling fan motor-1 (2)
- Cooling fan motor-2 (3)



CONSULT-III Reference Value in Data Monitor Mode

INFOID:000000002954479

Specification data are reference values.

MONITOR ITEM	CONDITION	SPECIFICATION
FAN DUTY	• Engine: Running	0 - 100%

On Board Diagnosis Logic

INFOID:000000002954480

If the cooling fan or another component in the cooling system malfunctions, engine coolant temperature will rise.

When the engine coolant temperature reaches an abnormally high temperature condition, a malfunction is indicated.

This self-diagnosis has the one trip detection logic.

DTC No.	Trouble diagnosis name	DTC detecting condition	Possible cause
P1217 1217	Engine over temperature (Overheat)	<ul style="list-style-type: none"> • Cooling fan does not operate properly (Overheat). • Cooling fan system does not operate properly (Overheat). • Engine coolant was not added to the system using the proper filling method. • Engine coolant is not within the specified range. 	<ul style="list-style-type: none"> • Harness or connectors (The cooling fan circuit is open or shorted.) • IPDM E/R • Cooling fan control module • Cooling fan motor • Radiator hose • Radiator • Radiator cap • Water pump • Thermostat <p>For more information, refer to EC-457, "Main 12 Causes of Overheating".</p>

CAUTION:

When a malfunction is indicated, be sure to replace the coolant. Refer to [CO-10](#), "[Changing Engine Coolant](#)". Also, replace the engine oil. Refer to [LU-7](#), "[Changing Engine Oil](#)".

1. Fill radiator with coolant up to specified level with a filling speed of 2 liters per minute. Be sure to use coolant with the proper mixture ratio. Refer to [MA-10](#), "[Anti-Freeze Coolant Mixture Ratio](#)".
2. After refilling coolant, run engine to ensure that no water-flow noise is emitted.

Overall Function Check

INFOID:000000002954481

Use this procedure to check the overall function of the cooling fan. During this check, a DTC might not be confirmed.

WARNING:

Never remove the radiator cap when the engine is hot. Serious burns could be caused by high pressure fluid escaping from the radiator.

Wrap a thick cloth around cap. Carefully remove the cap by turning it a quarter turn to allow built-up pressure to escape. Then turn the cap all the way off.

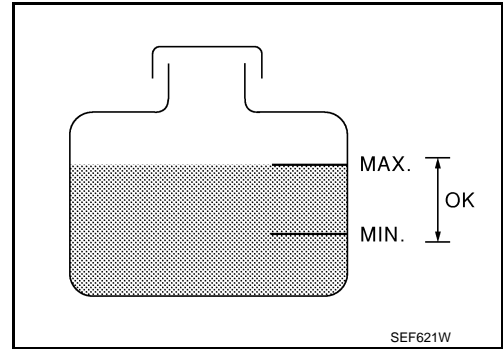
Ⓟ WITH CONSULT-III

DTC P1217 ENGINE OVER TEMPERATURE

[VQ35DE]

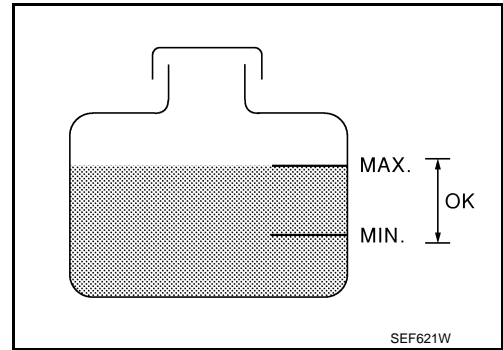
< SERVICE INFORMATION >

1. Check the coolant level in the reservoir tank and radiator.
Allow engine to cool before checking coolant level.
If the coolant level in the reservoir tank and/or radiator is below the proper range, skip the following steps and go to [EC-453, "Diagnosis Procedure"](#).
2. Confirm whether customer filled the coolant or not. If customer filled the coolant, skip the following steps and go to [EC-453, "Diagnosis Procedure"](#).
3. Turn ignition switch ON.
4. Perform "FAN DUTY CONTROL" in "ACTIVE TEST" mode with CONSULT-III.
5. Make sure that cooling fan speed varies according to the percent.
6. If the results are NG, go to [EC-453, "Diagnosis Procedure"](#).



WITH GST

1. Check the coolant level in the reservoir tank and radiator.
Allow engine to cool before checking coolant level.
If the coolant level in the reservoir tank and/or radiator is below the proper range, skip the following steps and go to [EC-453, "Diagnosis Procedure"](#).
2. Confirm whether customer filled the coolant or not. If customer filled the coolant, skip the following steps and go to [EC-453, "Diagnosis Procedure"](#).
3. Perform IPDM E/R auto active test and check cooling fan motors operation, refer to [PG-22, "Auto Active Test"](#).
4. If NG, go to [EC-453, "Diagnosis Procedure"](#).



A
EC
C
D
E
F
G
H
I
J
K
L
M
N
O
P

DTC P1217 ENGINE OVER TEMPERATURE

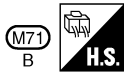
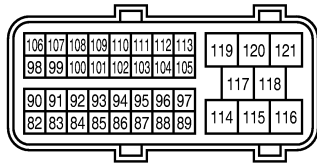
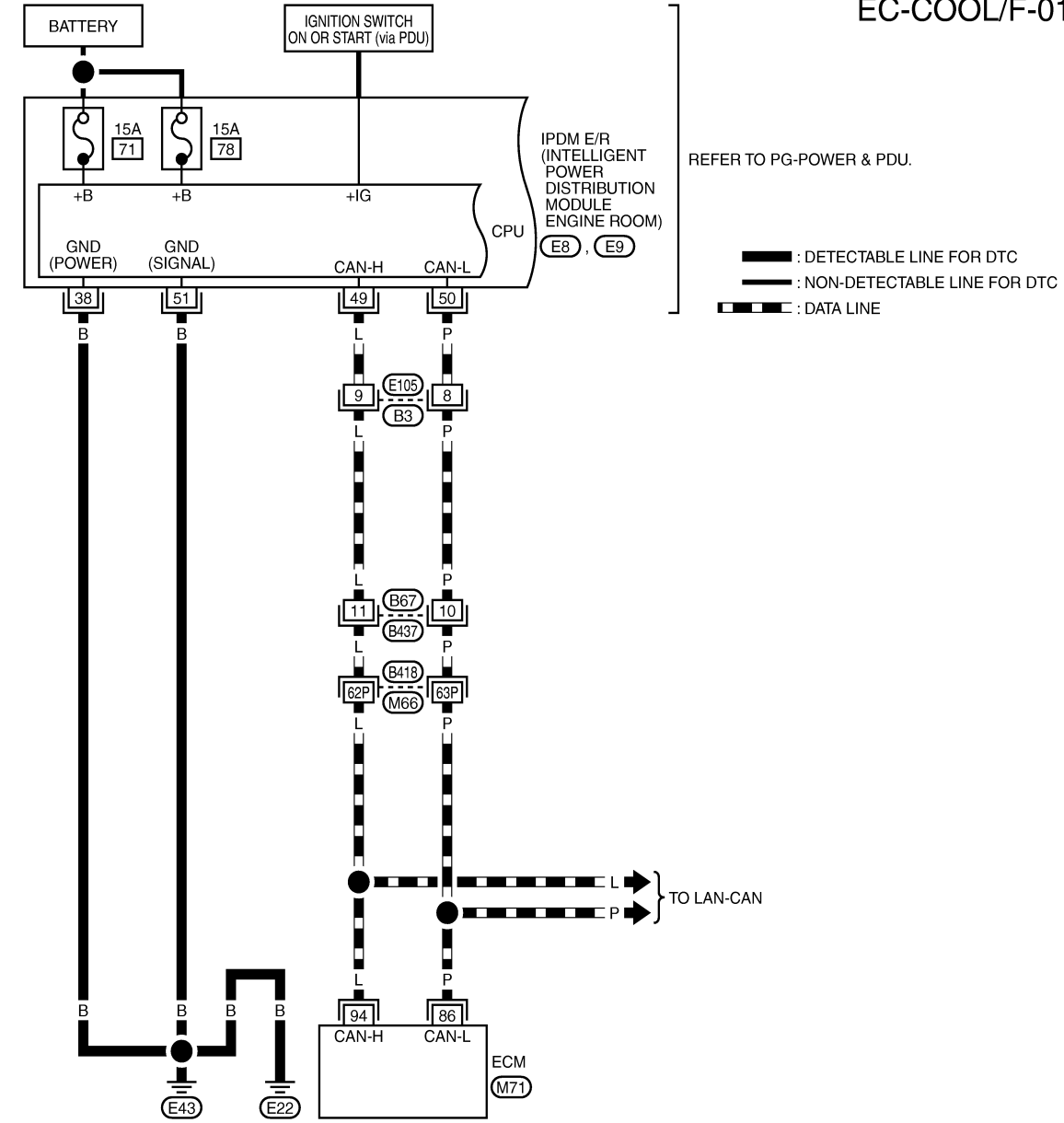
[VQ35DE]

< SERVICE INFORMATION >

INFOID:00000002954482

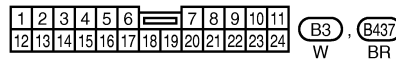
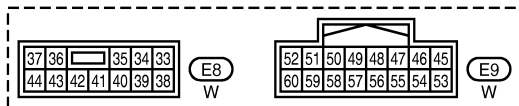
Wiring Diagram

EC-COOL/F-01



REFER TO THE FOLLOWING.

B418 - SUPER MULTIPLE JUNCTION (SMJ)

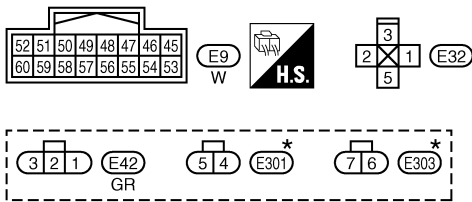
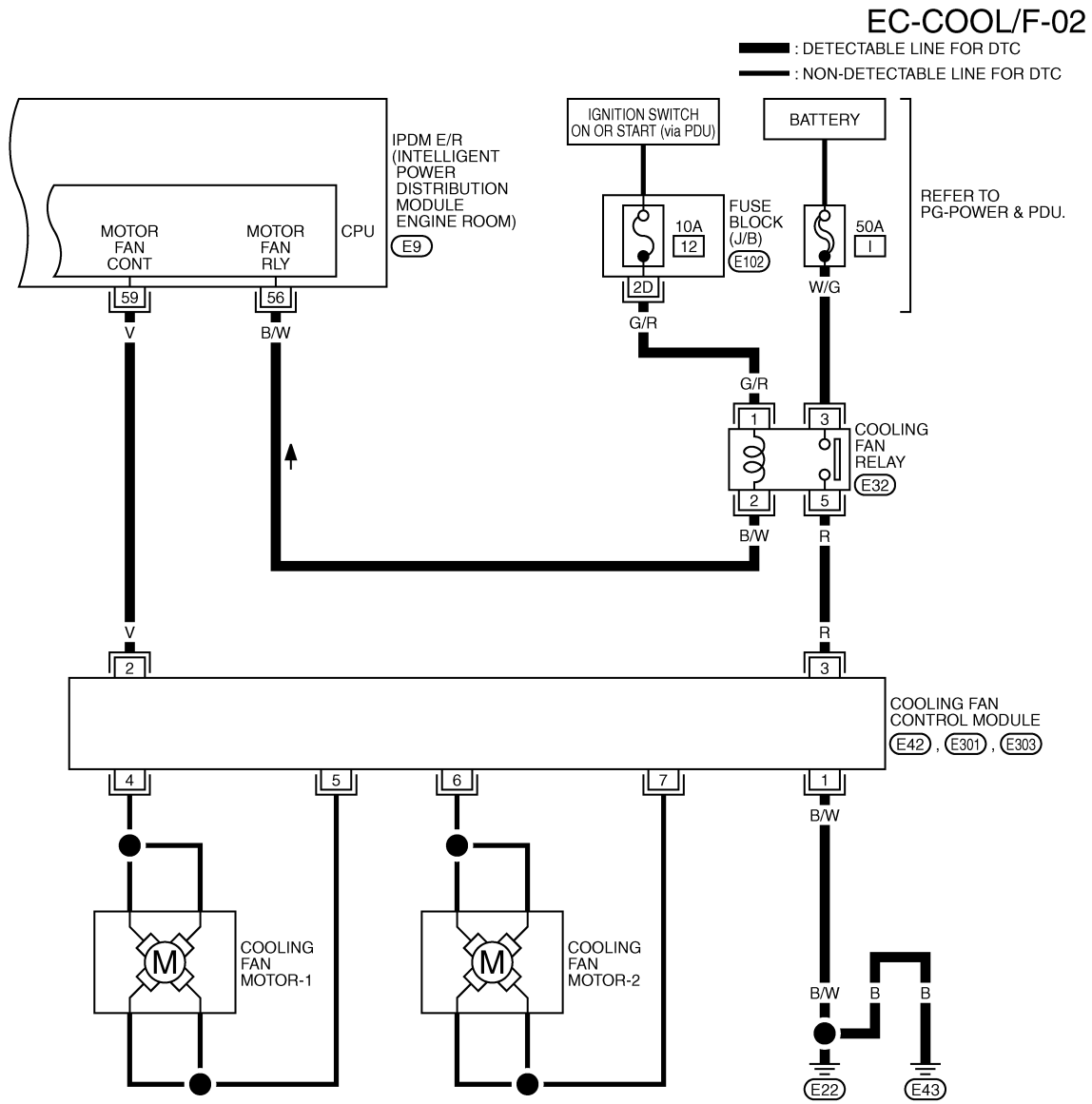


TBWT1961E

DTC P1217 ENGINE OVER TEMPERATURE

< SERVICE INFORMATION >

[VQ35DE]



*: THIS CONNECTOR IS NOT SHOWN IN "HARNESS LAYOUT", PG SECTION.

REFER TO THE FOLLOWING.
 (E102) - FUSE BLOCK-JUNCTION BOX (J/B)

TBWT1478E

INFOID:000000002954483

Diagnosis Procedure

1. CHECK COOLING FAN OPERATION

With CONSULT-III

1. Turn ignition switch ON.
2. Perform "FAN DUTY CONTROL" in "ACTIVE TEST" mode with CONSULT-III.
3. Make sure that cooling fan speed varies according to the percent.

DTC P1217 ENGINE OVER TEMPERATURE

[VQ35DE]

< SERVICE INFORMATION >

⊗ Without CONSULT-III

1. Perform IPDM E/R auto active test and check cooling fan motors operation, refer to [PG-22. "Auto Active Test"](#).
2. Make sure that cooling fan operates.

OK or NG

- OK >> GO TO 2.
NG >> GO TO 5.

2.CHECK COOLING SYSTEM FOR LEAK

Refer to [CO-10. "Inspection"](#)

OK or NG

- OK >> GO TO 3.
NG >> Check the following for leak.
- Hose
 - Radiator
 - Water pump

3.CHECK COMPONENT PARTS

Check the following.

- Radiator cap. Refer to [CO-15. "Checking Radiator Cap"](#).
- Thermostat. Refer to [CO-28](#).
- Engine coolant temperature sensor. Refer to [EC-203. "Component Inspection"](#).

OK or NG

- OK >> GO TO 4.
NG >> Replace malfunctioning component.

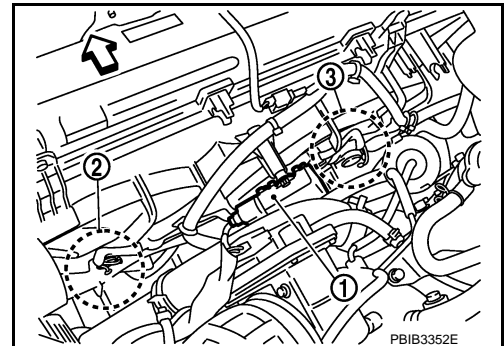
4.CHECK MAIN 12 CAUSES

If the cause cannot be isolated, go to [EC-457. "Main 12 Causes of Overheating"](#).

>> **INSPECTION END**

5.CHECK COOLING FAN CONTROL MODULE POWER SUPPLY CIRCUIT-I

1. Turn ignition switch OFF.
2. Disconnect cooling fan control module (1) harness connector E42.
 - ↵: Vehicle front
 - Cooling fan motor-1 (2)
 - Cooling fan motor-2 (3)
3. Turn ignition switch ON.

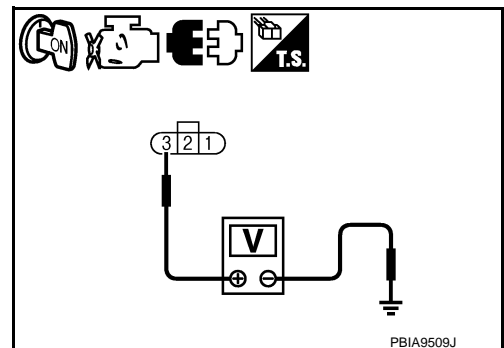


4. Check voltage between cooling fan control module terminal 3 and ground with CONSULT-III or tester.

Voltage: Battery voltage

OK or NG

- OK >> GO TO 6.
NG >> GO TO 11.



6.CHECK COOLING FAN CONTROL MODULE GROUND CIRCUIT

DTC P1217 ENGINE OVER TEMPERATURE

[VQ35DE]

< SERVICE INFORMATION >

1. Turn ignition switch OFF.
2. Check harness continuity between cooling fan control module terminal 1 and ground.
Refer to wiring diagram.

Continuity should exist.

3. Also check harness for short to power.

OK or NG

OK >> GO TO 7.

NG >> Repair open circuit or short to power in harness or connectors.

7. CHECK IPDM E/R GROUND CIRCUIT

1. Disconnect IPDM E/R harness connector E8, E9.
2. Check harness continuity between IPDM E/R terminal 38, 51 and ground.
Refer to wiring diagram.

Continuity should exist.

3. Also check harness for short to power.

OK or NG

OK >> GO TO 8.

NG >> Repair open circuit or short to power in harness or connectors.

8. CHECK COOLING FAN CONTROL SIGNAL CIRCUIT

1. Check harness continuity between IPDM E/R terminal 59 and cooling fan control module terminal 2.
Refer to wiring diagram.

Continuity should exist.

2. Also check harness for short to ground and short to power.

OK or NG

OK >> GO TO 9.

NG >> Repair open circuit or short to ground or short to power in harness or connectors.

9. CHECK COOLING FAN CONTROL MODULE OUTPUT SIGNAL CIRCUIT

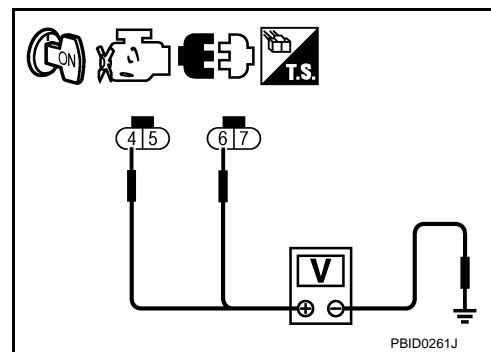
1. Reconnect all harness connectors disconnected.
2. Disconnect cooling fan control module harness connectors E301, E303.
3. Turn ignition switch ON.
4. Check voltage between cooling fan control module terminals 4, 6 and ground with CONSULT-III or tester.

Voltage: Battery voltage

OK or NG

OK >> GO TO 10.

NG >> Replace cooling fan control module.



10. CHECK COOLING FAN MOTORS -1 AND -2

Refer to [EC-457, "Component Inspection"](#).

OK or NG

OK >> GO TO 15.

NG >> Replace cooling fan motor.

11. CHECK COOLING FAN CONTROL MODULE POWER SUPPLY CIRCUIT-II

1. Turn ignition switch OFF.
2. Disconnect cooling fan relay harness connector.
3. Turn ignition switch ON.

DTC P1217 ENGINE OVER TEMPERATURE

[VQ35DE]

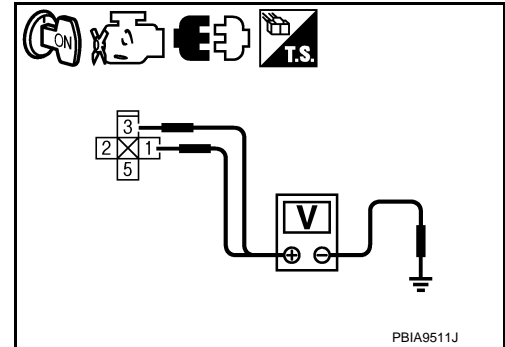
< SERVICE INFORMATION >

4. Check voltage between cooling fan relay terminals 1, 3 and ground with CONSULT-III or tester.

Voltage: Battery voltage

OK or NG

- OK >> GO TO 13.
NG >> GO TO 12.



12. DETECT MALFUNCTIONING PART

Check the following.

- 10A fuse
- Fuse block (J/B) connector E102
- 50A fusible link
- Harness for open or short between cooling fan relay and fuse
- Harness for open or short between cooling fan relay and battery

>> Repair open circuit or short to ground or short to power in harness or connectors.

13. CHECK COOLING FAN CONTROL MODULE POWER SUPPLY CIRCUIT-III

1. Turn ignition switch OFF.
2. Disconnect IPDM E/R harness connector E9.
3. Check harness continuity between the following;
Cooling fan relay terminal 2 and IPDM E/R terminal 56,
Cooling fan relay terminal 5 and cooling fan control module terminal 3.
Refer to wiring diagram.

Continuity should exist.

4. Also check harness for short to ground and short to power.

OK or NG

- OK >> GO TO 14.
NG >> Repair open circuit or short to ground or short to power in harness or connectors.

14. CHECK COOLING FAN RELAY

Refer to [EC-457, "Component Inspection"](#).

OK or NG

- OK >> GO TO 15.
NG >> Replace cooling fan relay.

15. CHECK INTERMITTENT INCIDENT

Perform [EC-140](#).

OK or NG

- OK >> Replace IPDM E/R. Refer to [PG-19](#).
NG >> Repair or replace harness connectors.

DTC P1217 ENGINE OVER TEMPERATURE

< SERVICE INFORMATION >

[VQ35DE]

Main 12 Causes of Overheating

INFOID:000000002954484

Engine	Step	Inspection item	Equipment	Standard	Reference page
OFF	1	<ul style="list-style-type: none"> Blocked radiator Blocked condenser Blocked radiator grille Blocked bumper 	• Visual	No blocking	—
	2	• Coolant mixture	• Coolant tester	50 - 50% coolant mixture	MA-10, "Anti-Freeze Coolant Mixture Ratio"
	3	• Coolant level	• Visual	Coolant up to MAX level in reservoir tank and radiator filler neck	MA-13, "Changing Engine Coolant"
	4	• Radiator cap	• Pressure tester	59 - 98 kPa (0.6 - 1.0 kg/cm ² , 9 - 14 psi) (Limit)	CO-15, "Checking Radiator Cap"
ON*2	5	• Coolant leaks	• Visual	No leaks	CO-10, "Inspection"
ON*2	6	• Thermostat	• Touch the upper and lower radiator hoses	Both hoses should be hot	CO-28
ON*1	7	• Cooling fan	• CONSULT-III	Operating	See trouble diagnosis for DTC P1217 (EC-449).
OFF	8	• Combustion gas leak	• Color checker chemical tester 4 Gas analyzer	Negative	—
ON*3	9	• Coolant temperature gauge	• Visual	Gauge less than 3/4 when driving	—
		• Coolant overflow to reservoir tank	• Visual	No overflow during driving and idling	MA-13, "Changing Engine Coolant"
OFF*4	10	• Coolant return from reservoir tank to radiator	• Visual	Should be initial level in reservoir tank	MA-13, "Changing Engine Coolant"
OFF	11	• Cylinder head	• Straight gauge feeler gauge	0.1 mm (0.004 in) Maximum distortion (warping)	EM-101
	12	• Cylinder block and pistons	• Visual	No scuffing on cylinder walls or piston	EM-123

*1: Turn the ignition switch ON.

*2: Engine running at 3,000 rpm for 10 minutes.

*3: Drive at 90 km/h (55 MPH) for 30 minutes and then let idle for 10 minutes.

*4: After 60 minutes of cool down time.

For more information, refer to [CO-7](#).

Component Inspection

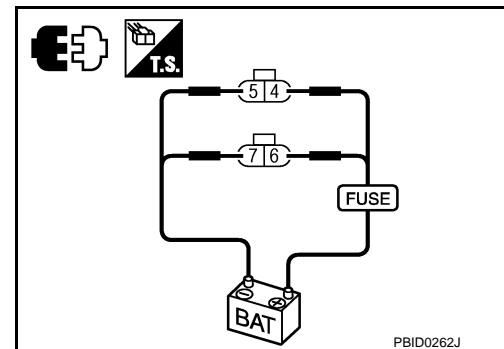
INFOID:000000002954485

COOLING FAN MOTORS -1 AND -2

1. Disconnect cooling fan control module harness connectors.
2. Supply cooling fan control module terminals with battery voltage and check operation.

Cooling fan motor	Terminals	
	(+)	(-)
1	4	5
2	6	7

Make sure that cooling fan operates.
If NG, replace cooling fan motor.



COOLING FAN RELAY

DTC P1217 ENGINE OVER TEMPERATURE

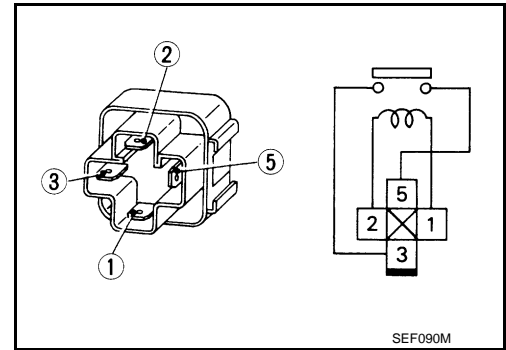
[VQ35DE]

< SERVICE INFORMATION >

1. Disconnect cooling fan relay harness connector.
2. Check continuity between terminals 3 and 5 under the following conditions.

Conditions	Continuity
12V direct current supply between terminals 1 and 2	Yes
No current supply	No

If NG, replace cooling fan relay.



DTC P1220 FUEL PUMP CONTROL MODULE (FPCM)

< SERVICE INFORMATION >

[VQ35DE]

DTC P1220 FUEL PUMP CONTROL MODULE (FPCM)

Description

INFOID:000000002954486

SYSTEM DESCRIPTION

Sensor	Input Signal to ECM	ECM function	Actuator
Crankshaft position sensor (POS) Camshaft position sensor (PHASE)	Engine speed*	Fuel pump control	Fuel pump control module (FPCM)
Mass air flow sensor	Amount of intake air		
Engine coolant temperature sensor	Engine coolant temperature		
Battery	Battery voltage*		

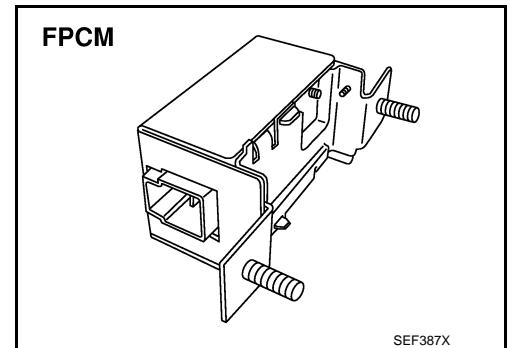
*: ECM determines the start signal status by the signals of engine speed and battery voltage.

This system controls the fuel pump operation. The amount of fuel flow delivered from the fuel pump is altered between two flow rates by the FPCM operation. The FPCM determines the voltage supplied to the fuel pump (and therefore fuel flow) according to the following conditions.

Conditions	Amount of fuel flow	Supplied voltage
<ul style="list-style-type: none"> Engine cranking Engine coolant temperature is below 10°C (50°F). Engine is running under heavy load and high speed conditions 	high	Battery voltage (11 - 14V)
Except the above	low	Approximately 8V

COMPONENT DESCRIPTION

The FPCM adjusts the voltage supplied to the fuel pump to control the amount of fuel flow. When the FPCM increases the voltage supplied to the fuel pump, the fuel flow is increased. When the FPCM decreases the voltage, the fuel flow is decreased.



CONSULT-III Reference Value in Data Monitor Mode

INFOID:000000002954487

Specification data are reference values.

MONITOR ITEM	CONDITION	SPECIFICATION
FPCM	• Engine: Cranking	HI
	• Engine: Idle	LOW
	• Engine coolant temperature: More than 10°C (50°F)	

On Board Diagnosis Logic

INFOID:000000002954488

DTC No.	Trouble diagnosis name	DTC detecting condition	Possible cause
P1220 1220	Fuel pump control module (FPCM)	An improper voltage signal from the FPCM, which is supplied to a point between the fuel pump and the dropping resistor, is detected by ECM.	<ul style="list-style-type: none"> Harness or connectors (FPCM circuit is shorted.) Dropping resistor FPCM

DTC Confirmation Procedure

INFOID:000000002954489

CAUTION:

DTC P1220 FUEL PUMP CONTROL MODULE (FPCM)

< SERVICE INFORMATION >

[VQ35DE]

Always drive vehicle at a safe speed.

NOTE:

If DTC Confirmation Procedure has been previously conducted, always turn ignition switch OFF and wait at least 10 seconds before conducting the next test.

TESTING CONDITION:

Before performing the following procedure, confirm that battery voltage is more than 11V with ignition switch ON.

 WITH CONSULT-III

1. Turn ignition switch ON and select "DATA MONITOR" mode with CONSULT-III.
2. Make sure that "COOLAN TEMP/S" indicates less than 70°C (158°F). If not, cool down the engine.
3. Start engine.
4. Hold vehicle at the following conditions for 12 seconds.

ENG SPEED	1,550 - 3,250 rpm (AWD models) 1,450 - 3,100 rpm (2WD models)
VHCL SPEED SE	70 - 120 km/h (43 - 75 MPH)
B/FUEL SCHDL	Less than 31.8 msec
Selector lever	Suitable position

5. Check 1st trip DTC.
6. If 1st trip DTC is detected, go to [EC-462, "Diagnosis Procedure"](#).

 WITH GST

Follow the procedure WITH CONSULT-III above.

DTC P1220 FUEL PUMP CONTROL MODULE (FPCM)

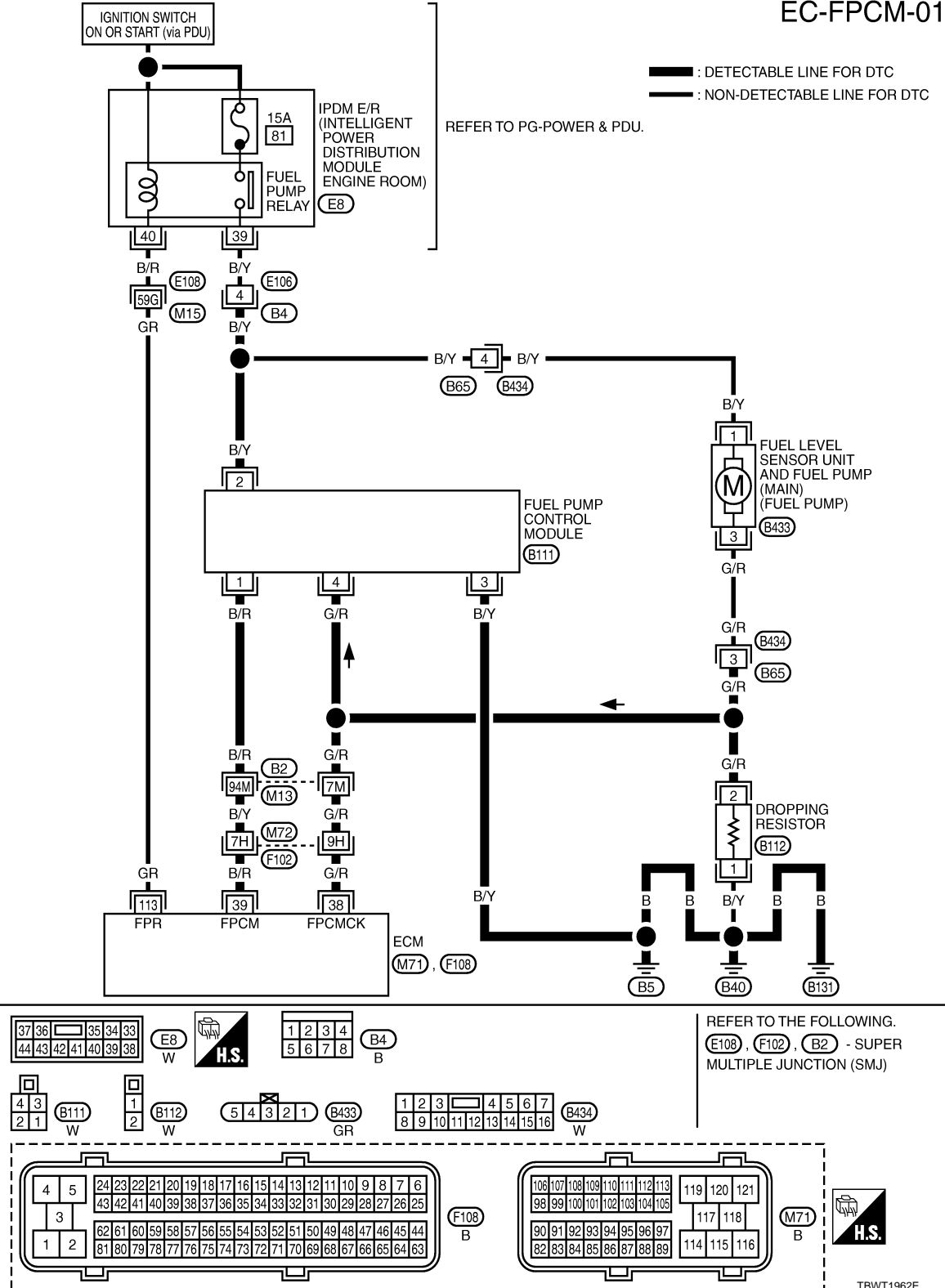
< SERVICE INFORMATION >

[VQ35DE]

Wiring Diagram

INFOID:00000002954490

EC-FPCM-01



Specification data are reference values and are measured between each terminal and ground.

CAUTION:

Do not use ECM ground terminals when measuring input/output voltage. Doing so may result in damage to the ECM's transistor. Use a ground other than ECM terminals, such as the ground.

DTC P1220 FUEL PUMP CONTROL MODULE (FPCM)

< SERVICE INFORMATION >

[VQ35DE]

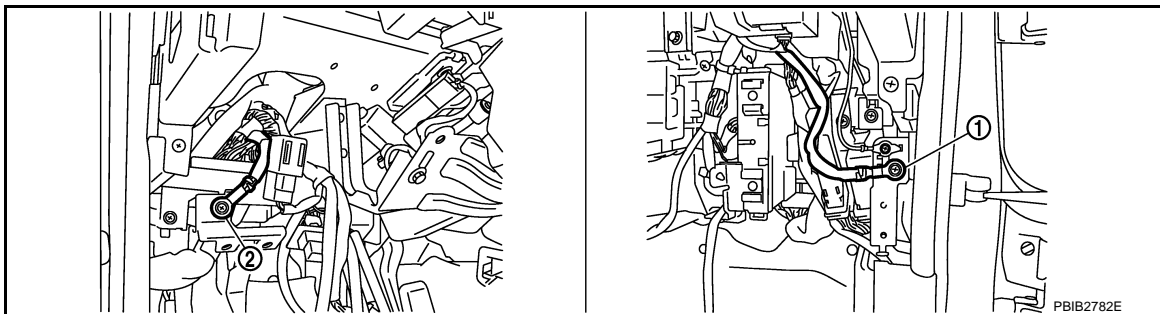
TER-MI-NAL NO.	WIRE COLOR	ITEM	CONDITION	DATA (DC Voltage)
38	G/R	Fuel pump control module (FPCM) check	[When cranking engine]	Approximately 0V
			[Engine is running] • Warm-up condition • Idle speed	4 - 6V
39	B/R	Fuel pump control module (FPCM)	[When cranking engine]	0 - 0.5V
			[Engine is running] • Warm-up condition • Idle speed	8 - 12V
113	GR	Fuel pump relay	[Ignition switch: ON] • For 1 second after turning ignition switch ON	0 - 1.5V
			[Engine is running] • More than 1 second after turning ignition switch ON	BATTERY VOLTAGE (11 - 14V)

Diagnosis Procedure

INFOID:000000002954491

1. CHECK GROUND CONNECTIONS

- Turn ignition switch OFF.
- Loosen and retighten two ground screws on the body.
Refer to [EC-146, "Ground Inspection"](#).



1. Body ground M70

2. Body ground M16

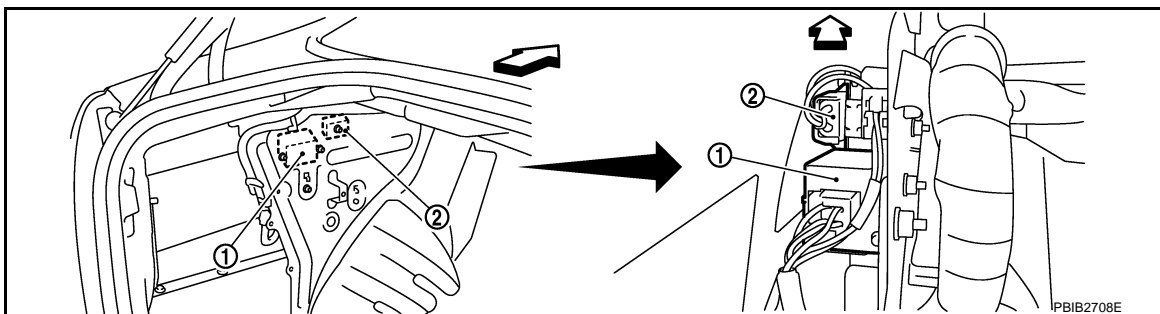
OK or NG

OK >> GO TO 2.

NG >> Repair or replace ground connections.

2. CHECK FPCM POWER SUPPLY CIRCUIT

- Disconnect fuel pump control module (FPCM) harness connector.



← : Vehicle front

1. FPCM

2. Dropping resistor

DTC P1220 FUEL PUMP CONTROL MODULE (FPCM)

[VQ35DE]

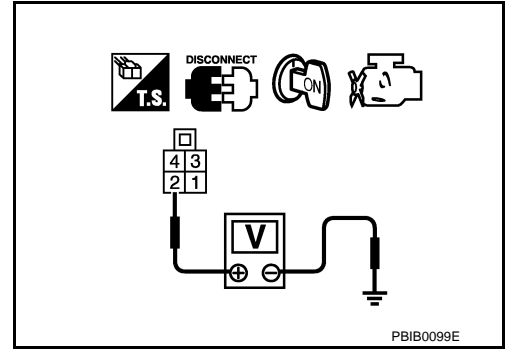
< SERVICE INFORMATION >

- Turn ignition switch ON.
- Check voltage between FPCM terminal 2 and ground with CONSULT-III or tester.

Voltage: Battery voltage

OK or NG

- OK >> GO TO 4.
- NG >> GO TO 3.



3. DETECT MALFUNCTIONING PART

Check the following.

- Harness connectors E106, B4
- Harness for open or short between FPCM and harness connector B4

>> Repair open circuit or short to ground or short to power in harness or connectors.

4. CHECK FPCM GROUND CIRCUIT-I FOR OPEN AND SHORT

- Turn ignition switch OFF.
- Check harness continuity between FPCM terminal 3 and ground. Refer to Wiring Diagram.

Continuity should exist.

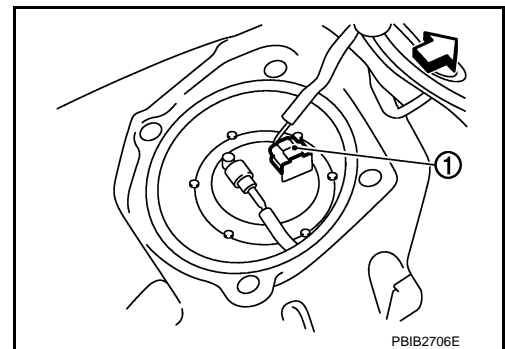
- Also check harness for short to power.

OK or NG

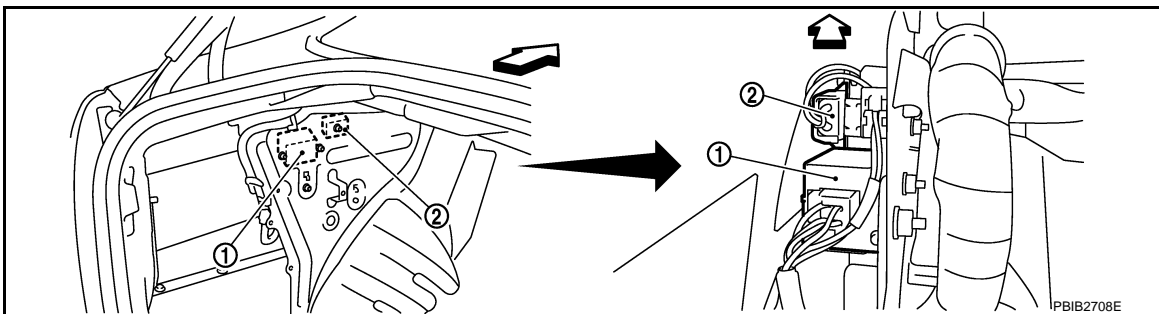
- OK >> GO TO 5.
- NG >> Repair open circuit or short to power in harness or connectors.

5. CHECK FPCM GROUND CIRCUIT-II FOR OPEN AND SHORT

- Disconnect "fuel level sensor unit and fuel pump" harness connector (1).
 - Illustration shows the view with rear seat cushion and inspection hole cover (RH) removed.
 - ↶: Vehicle front



- Disconnect dropping resistor harness connector.



↶ : Vehicle front

1. FPCM

2. Dropping resistor

DTC P1220 FUEL PUMP CONTROL MODULE (FPCM)

[VQ35DE]

< SERVICE INFORMATION >

3. Check harness continuity between the following;
“fuel level sensor unit and fuel pump” terminal 3 and dropping resistor terminal 2,
FPCM terminal 4 and dropping resistor terminal 2.
Refer to Wiring Diagram.

Continuity should exist.

4. Check harness continuity between the following;
“fuel level sensor unit and fuel pump” terminal 3 and ground,
FPCM terminal 4 and ground.
Refer to Wiring Diagram.

Continuity should not exist.

5. Also check harness for short to power.

OK or NG

- OK >> GO TO 7.
- NG >> GO TO 6.

6. DETECT MALFUNCTIONING PART

Check the following.

- Harness connectors B434, B65
- Harness for open or short between “fuel level sensor unit and fuel pump” and dropping resistor
- Harness for open or short between FPCM and dropping resistor
- Harness for open or short between harness connector B65 and ground
- Harness for open or short between FPCM and ground

>> Repair open circuit or short to ground or short to power in harness or connectors.

7. CHECK FPCM INPUT SIGNAL CIRCUIT FOR OPEN AND SHORT

1. Disconnect ECM harness connector.
2. Check harness continuity between ECM terminal 38 and FPCM terminal 4.
Refer to Wiring Diagram.

Continuity should exist.

3. Check harness continuity between ECM terminal 38 and ground.
Refer to Wiring Diagram.

Continuity should not exist.

4. Also check harness for short to power.

OK or NG

- OK >> GO TO 9.
- NG >> GO TO 8.

8. DETECT MALFUNCTIONING PART

Check the following.

- Harness connectors B2, M13
- Harness connectors M72, F102
- Harness for open or short between ECM and FPCM

>> Repair open circuit or short to ground or short to power in harness or connectors.

9. CHECK FPCM OUTPUT SIGNAL CIRCUIT FOR OPEN AND SHORT

1. Check harness continuity between ECM terminal 39 and FPCM terminal 1.
Refer to Wiring Diagram.

Continuity should exist.

2. Also check harness for short to ground and short to power.

DTC P1220 FUEL PUMP CONTROL MODULE (FPCM)

[VQ35DE]

< SERVICE INFORMATION >

OK or NG

- OK >> GO TO 11.
- NG >> GO TO 10.

10. DETECT MALFUNCTIONING PART

Check the following.

- Harness connectors B2, M13
- Harness connectors M72, F102
- Harness for open or short between ECM and FPCM

>> Repair open circuit or short to ground or short to power in harness or connectors.

11. CHECK FPCM

Refer to [EC-465. "Component Inspection"](#).

OK or NG

- OK >> GO TO 12.
- NG >> Replace FPCM.

12. CHECK INTERMITTENT INCIDENT

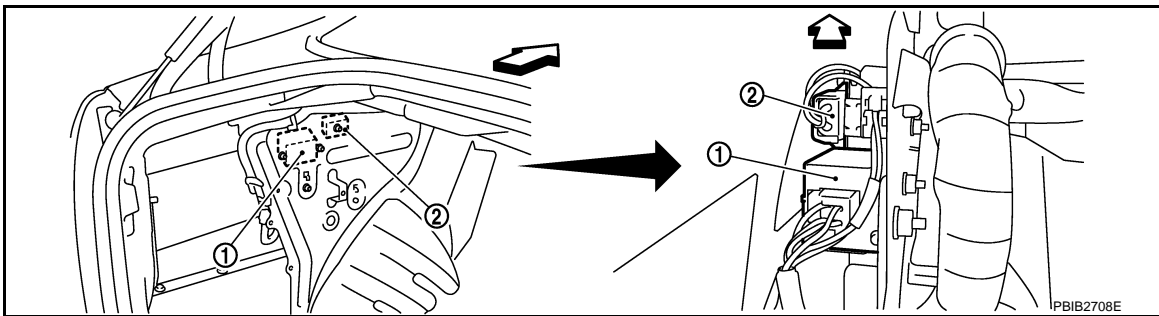
Refer to [EC-140](#).

>> **INSPECTION END**

Component Inspection

INFOID:000000002954492

FUEL PUMP CONTROL MODULE



↶ : Vehicle front

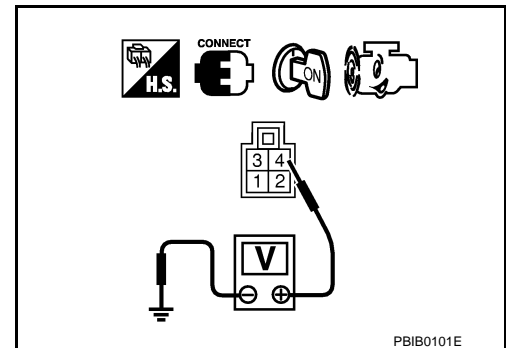
1. FPCM

2. Dropping resistor

1. Start engine and warm it up to normal operating temperature.
2. Turn ignition switch OFF and wait at least 10 seconds.
3. Check voltage between FPCM terminal 4 and ground under the following conditions.

Condition	Voltage
When engine cranking	Approx. 0V
After starting engine	Approx. 5V

4. If NG, replace fuel pump control module.



PBIB0101E

DTC P1225 TP SENSOR

< SERVICE INFORMATION >

[VQ35DE]

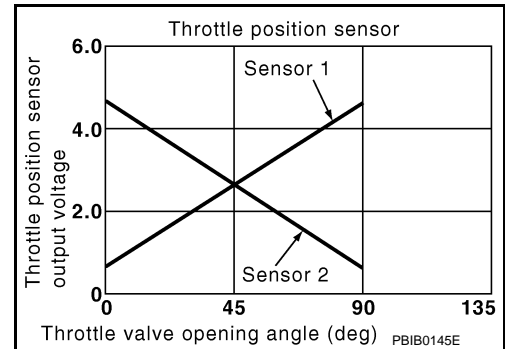
DTC P1225 TP SENSOR

Component Description

INFOID:000000002954493

Electric throttle control actuator consists of throttle control motor, throttle position sensor, etc. The throttle position sensor responds to the throttle valve movement.

The throttle position sensor has the two sensors. These sensors are a kind of potentiometers which transform the throttle valve position into output voltage, and emit the voltage signal to the ECM. In addition, these sensors detect the opening and closing speed of the throttle valve and feed the voltage signals to the ECM. The ECM judges the current opening angle of the throttle valve from these signals and the ECM controls the throttle control motor to make the throttle valve opening angle properly in response to driving condition.



On Board Diagnosis Logic

INFOID:000000002954494

The MIL will not light up for this diagnosis.

DTC No.	Trouble diagnosis name	DTC detecting condition	Possible cause
P1225 1225	Closed throttle position learning performance	Closed throttle position learning value is excessively low.	• Electric throttle control actuator (TP sensor 1 and 2)

DTC Confirmation Procedure

INFOID:000000002954495

NOTE:

If DTC Confirmation Procedure has been previously conducted, always turn ignition switch OFF and wait at least 10 seconds before conducting the next test.

TESTING CONDITION:

Before performing the following procedure, confirm that battery voltage is more than 10V at idle.

1. Turn ignition switch ON.
2. Turn ignition switch OFF, wait at least 10 seconds.
3. Turn ignition switch ON.
4. Check 1st trip DTC.
5. If 1st trip DTC is detected, go to [EC-466, "Diagnosis Procedure"](#).

Diagnosis Procedure

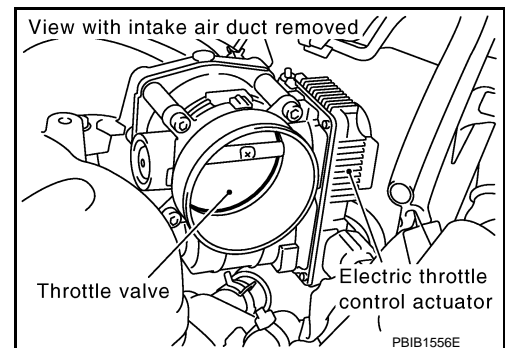
INFOID:000000002954496

1. CHECK ELECTRIC THROTTLE CONTROL ACTUATOR VISUALLY

1. Turn ignition switch OFF.
2. Remove the intake air duct.
3. Check if foreign matter is caught between the throttle valve and the housing.

OK or NG

- OK >> GO TO 2.
NG >> Remove the foreign matter and clean the electric throttle control actuator inside.



2. REPLACE ELECTRIC THROTTLE CONTROL ACTUATOR

1. Replace the electric throttle control actuator.
2. Perform [EC-82, "Throttle Valve Closed Position Learning"](#).
3. Perform [EC-82, "Idle Air Volume Learning"](#).

DTC P1225 TP SENSOR

< SERVICE INFORMATION >

[VQ35DE]

>> INSPECTION END

Removal and Installation

INFOID:000000002954497

ELECTRIC THROTTLE CONTROL ACTUATOR

Refer to [EM-20](#).

A

EC

C

D

E

F

G

H

I

J

K

L

M

N

O

P

DTC P1226 TP SENSOR

< SERVICE INFORMATION >

[VQ35DE]

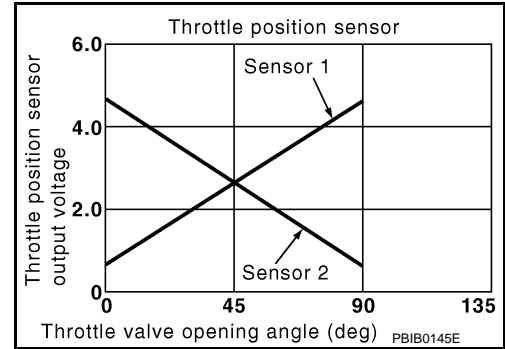
DTC P1226 TP SENSOR

Component Description

INFOID:000000002954498

Electric throttle control actuator consists of throttle control motor, throttle position sensor, etc. The throttle position sensor responds to the throttle valve movement.

The throttle position sensor has the two sensors. These sensors are a kind of potentiometers which transform the throttle valve position into output voltage, and emit the voltage signal to the ECM. In addition, these sensors detect the opening and closing speed of the throttle valve and feed the voltage signals to the ECM. The ECM judges the current opening angle of the throttle valve from these signals and the ECM controls the throttle control motor to make the throttle valve opening angle properly in response to driving condition.



On Board Diagnosis Logic

INFOID:000000002954499

The MIL will not light up for this diagnosis.

DTC No.	Trouble diagnosis name	DTC detecting condition	Possible cause
P1226 1226	Closed throttle position learning performance	Closed throttle position learning is not performed successfully, repeatedly.	• Electric throttle control actuator (TP sensor 1 and 2)

DTC Confirmation Procedure

INFOID:000000002954500

NOTE:

If DTC Confirmation Procedure has been previously conducted, always turn ignition switch OFF and wait at least 10 seconds before conducting the next test.

TESTING CONDITION:

Before performing the following procedure, confirm that battery voltage is more than 10V at idle.

1. Turn ignition switch ON.
2. Turn ignition switch OFF, wait at least 10 seconds.
3. Turn ignition switch ON.
4. Repeat steps 2 and 3 for 32 times.
5. Check 1st trip DTC.
6. If 1st trip DTC is detected, go to [EC-469. "Removal and Installation"](#).

Diagnosis Procedure

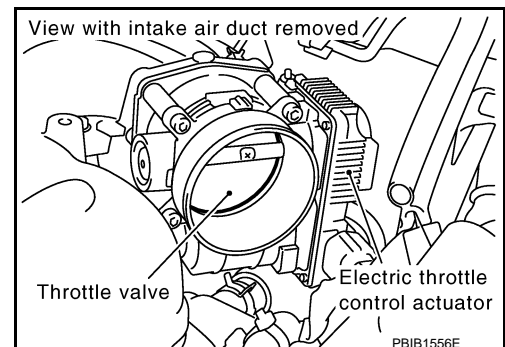
INFOID:000000002954501

1. CHECK ELECTRIC THROTTLE CONTROL ACTUATOR VISUALLY

1. Turn ignition switch OFF.
2. Remove the intake air duct.
3. Check if foreign matter is caught between the throttle valve and the housing.

OK or NG

- OK >> GO TO 2.
NG >> Remove the foreign matter and clean the electric throttle control actuator inside.



2. REPLACE ELECTRIC THROTTLE CONTROL ACTUATOR

1. Replace the electric throttle control actuator.

DTC P1226 TP SENSOR

[VQ35DE]

< SERVICE INFORMATION >

2. Perform [EC-82, "Throttle Valve Closed Position Learning"](#).
3. Perform [EC-82, "Idle Air Volume Learning"](#).

A

>> INSPECTION END

Removal and Installation

INFOID:000000002954502

EC

ELECTRIC THROTTLE CONTROL ACTUATOR

Refer to [EM-20](#).

C

D

E

F

G

H

I

J

K

L

M

N

O

P

DTC P1421 COLD START CONTROL

< SERVICE INFORMATION >

[VQ35DE]

DTC P1421 COLD START CONTROL

Description

INFOID:000000002954503

ECM controls ignition timing and engine idle speed when engine is started with prewarming up condition. This control promotes the activation of three way catalyst by heating the catalyst and reduces emissions.

On Board Diagnosis Logic

INFOID:000000002954504

DTC No.	Trouble diagnosis name	DTC detecting condition	Possible cause
P1421 1421	Cold start emission reduction strategy monitoring	ECM does not control ignition timing and engine idle speed properly when engine is started with prewarming up condition.	<ul style="list-style-type: none">• Lack of intake air volume• Fuel injection system• ECM

DTC Confirmation Procedure

INFOID:000000002954505

NOTE:

- If DTC Confirmation Procedure has been previously conducted, always turn ignition switch OFF and wait at least 10 seconds before conducting the next test.
- **If DTC P1421 is displayed with other DTC, first perform the trouble diagnosis for other DTC.**

TESTING CONDITION:

Before performing the following procedure, confirm that battery voltage is more than 11V at idle.

ⓑ WITH CONSULT-III

1. Turn ignition switch OFF and wait at least 10 seconds.
2. Turn ignition switch ON.
3. Select "DATA MONITOR" mode with CONSULT-III.
4. Check that the "COOLAN TEMP/S" indication is between 4°C (39°F) and 36°C (97°F).
If "COOLAN TEMP/S" indication is within the specified value, go to the following step.
If "COOLANT TEMP/S" indication is out of the specified value, cool engine down or warm engine up and go to step 1.
5. Start engine and let it idle for 5 minutes.
6. Check 1st trip DTC.
7. If 1st trip DTC is detected, go to [EC-470, "Diagnosis Procedure"](#).

ⓐ WITH GST

Follow the procedure "WITH CONSULT-III" above.

Diagnosis Procedure

INFOID:000000002954506

1.PERFORM IDLE AIR VOLUME LEARNING

Perform [EC-82, "Idle Air Volume Learning"](#).

Is Idle Air Volume Learning carried out successfully?

Yes or No

Yes >> GO TO 2.

No >> Follow the instruction of Idle Air Volume Learning.

2.CHECK INTAKE SYSTEM

Check for the cause of intake air volume lacking. Refer to the following.

- Crushed intake air passage
- Intake air passage clogging

OK or NG

OK >> GO TO 3.

NG >> Repair or replace malfunctioning part

3.CHECK FUEL INJECTION SYSTEM FUNCTION

DTC P1421 COLD START CONTROL

[VQ35DE]

< SERVICE INFORMATION >

Perform [EC-280, "DTC Confirmation Procedure"](#) in DTC P0171, P0174 FUEL INJECTION SYSTEM FUNCTION.

OK or NG

OK >> GO TO 4.

NG >> Go to [EC-287, "Diagnosis Procedure"](#).

4. PERFORM DTC CONFIRMATION PROCEDURE

 **With CONSULT-III**

1. Turn ignition switch ON.
2. Select "SELF DIAG RESULTS" mode with CONSULT-III.
3. Touch "ERASE".
4. **Perform DTC Confirmation Procedure.**
See [EC-470, "DTC Confirmation Procedure"](#).
5. Is the 1st trip DTC P1421 displayed again?

 **With GST**

1. Turn ignition switch ON.
2. Select Service \$04 with GST.
3. **Perform DTC Confirmation Procedure.**
See [EC-470, "DTC Confirmation Procedure"](#).
4. Is the 1st trip DTC P1421 displayed again?

Yes or No

Yes >> GO TO 5.

No >> **INSPECTION END**

5. REPLACE ECM

1. Replace ECM.
2. Perform initialization of IVIS (NATS) system and registration of all IVIS (NATS) ignition key IDs.
Refer to [BL-221, "ECM Re-Communicating Function"](#).
3. Perform [EC-81, "VIN Registration"](#).
4. Perform [EC-82, "Accelerator Pedal Released Position Learning"](#).
5. Perform [EC-82, "Throttle Valve Closed Position Learning"](#).
6. Perform [EC-82, "Idle Air Volume Learning"](#).

>> **INSPECTION END**

A

EC

C

D

E

F

G

H

I

J

K

L

M

N

O

P

DTC P1550 BATTERY CURRENT SENSOR

< SERVICE INFORMATION >

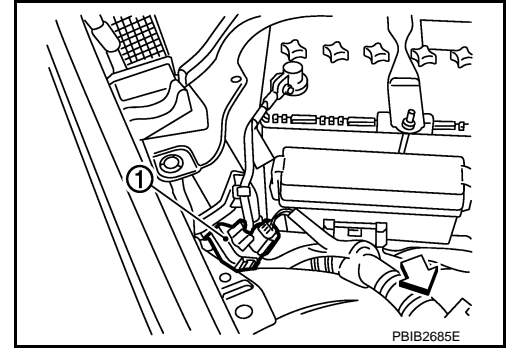
[VQ35DE]

DTC P1550 BATTERY CURRENT SENSOR

Component Description

INFOID:000000002954507

The power generation voltage variable control enables fuel consumption to be decreased by reducing the engine load which is caused by the power generation of the generator. The battery current sensor (1) is installed to the battery cable at the negative terminal. The sensor measures the charging/discharging current of the battery. Based on the sensor signal, ECM judges whether or not the power generation voltage variable control is performed. When performing the power generation voltage variable control, ECM calculates the target power generation voltage based on the sensor signal. And ECM sends the calculated value as the power generation command value to IPDM E/R. For the details of the power generation voltage variable control, refer to SC section.



PBIB2685E

CAUTION:

Do not connect the electrical component or the ground wire directly to the battery terminal. The connection causes the malfunction of the power generation voltage variable control, and then the battery discharge may occur.

CONSULT-III Reference Value in Data Monitor Mode

INFOID:000000002954508

Specification data are reference values.

MONITOR ITEM	CONDITION	SPECIFICATION
BAT CUR SEN	<ul style="list-style-type: none"> Engine speed: Idle Battery: Fully charged* Selector lever: P or N Air conditioner switch: OFF No load 	Approx. 2,600 - 3,500mV

*: Before measuring the terminal voltage, confirm that the battery is fully charged. Refer to [SC-4, "How to Handle Battery"](#).

On Board Diagnosis Logic

INFOID:000000002954509

The MIL will not light up for this diagnosis.

NOTE:

If DTC P1550 is displayed with DTC P0643, first perform the trouble diagnosis for DTC P0643. Refer to [EC-436](#).

DTC No.	Trouble diagnosis name	DTC detecting condition	Possible cause
P1550 1550	Battery current sensor circuit range/performance	The output voltage of the battery current sensor remains within the specified range while engine is running.	<ul style="list-style-type: none"> Harness or connectors (The sensor circuit is open or shorted.) Battery current sensor

DTC Confirmation Procedure

INFOID:000000002954510

If DTC Confirmation Procedure has been previously conducted, always turn ignition switch OFF and wait at least 10 seconds before conducting the next test.

TESTING CONDITION:

Before performing the following procedure, confirm that battery voltage is more than 8V at idle.

1. Start engine and wait at least 10 seconds.
2. Check 1st trip DTC.
3. If 1st trip DTC is detected, go to [EC-474, "Diagnosis Procedure"](#).

DTC P1550 BATTERY CURRENT SENSOR

< SERVICE INFORMATION >

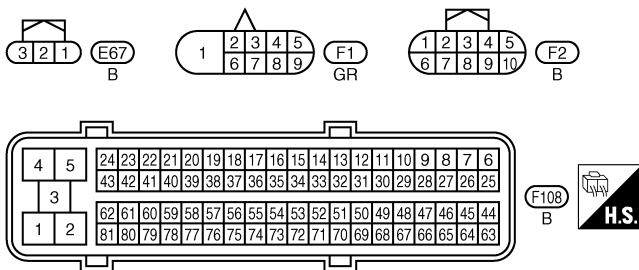
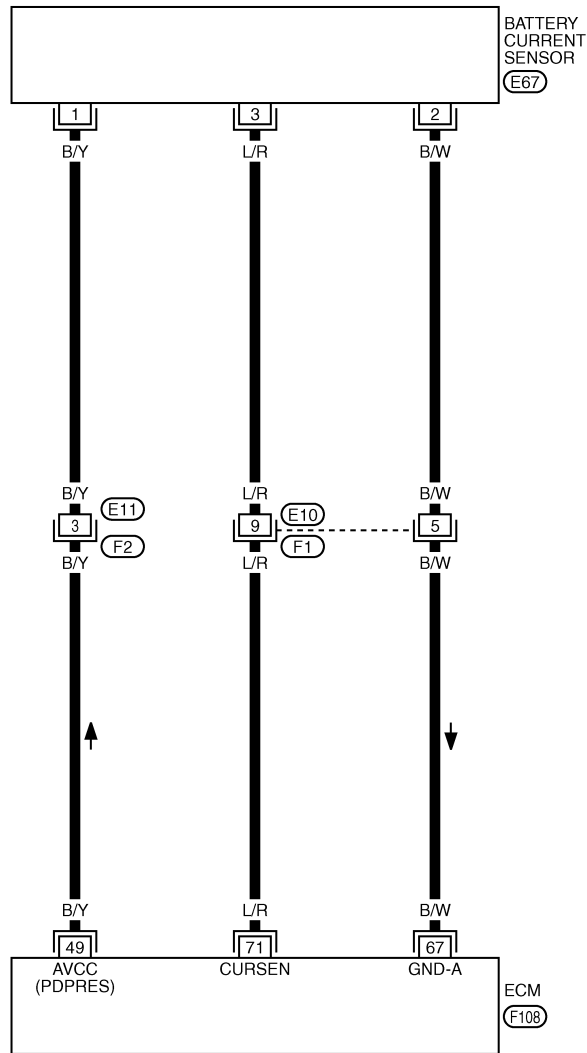
[VQ35DE]

INFOID:000000002954511

Wiring Diagram

EC-CUR/SE-01

— : DETECTABLE LINE FOR DTC
 — : NON-DETECTABLE LINE FOR DTC



TBWT0995E

Specification data are reference values and are measured between each terminal and ground.

CAUTION:

Do not use ECM ground terminals when measuring input/output voltage. Doing so may result in damage to the ECM's transistor. Use a ground other than ECM terminals, such as the ground.

DTC P1550 BATTERY CURRENT SENSOR

< SERVICE INFORMATION >

[VQ35DE]

TER-MI-NAL NO.	WIRE COLOR	ITEM	CONDITION	DATA (DC Voltage)
49	B/Y	Sensor power supply (Refrigerant pressure sensor, Battery current sensor)	[Ignition switch: ON]	Approximately 5V
67	B/W	Sensor ground	[Engine is running] <ul style="list-style-type: none">• Warm-up condition• Idle speed	Approximately 0V
71	L/R	Battery current sensor	[Engine is running] <ul style="list-style-type: none">• Battery: Fully charged*• Idle speed	Approximately 2.6 - 3.5V

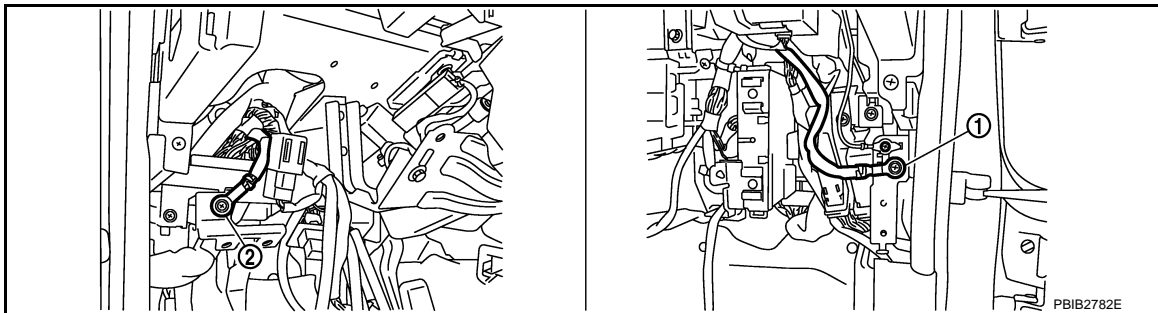
*: Before measuring the terminal voltage, confirm that the battery is fully charged. Refer to [SC-4. "How to Handle Battery"](#).

Diagnosis Procedure

INFOID:000000002954512

1. CHECK GROUND CONNECTIONS

1. Turn ignition switch OFF.
2. Loosen and retighten two ground screws on the body.
Refer to [EC-146. "Ground Inspection"](#).



1. Body ground M70

2. Body ground M16

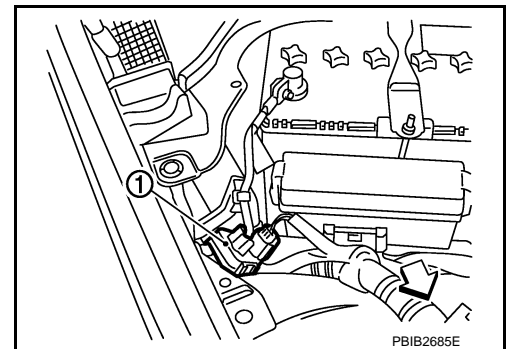
OK or NG

OK >> GO TO 2.

NG >> Repair or replace ground connections.

2. CHECK BATTERY CURRENT SENSOR POWER SUPPLY CIRCUIT

1. Disconnect battery current sensor harness connector.
2. Turn ignition switch ON.



DTC P1550 BATTERY CURRENT SENSOR

[VQ35DE]

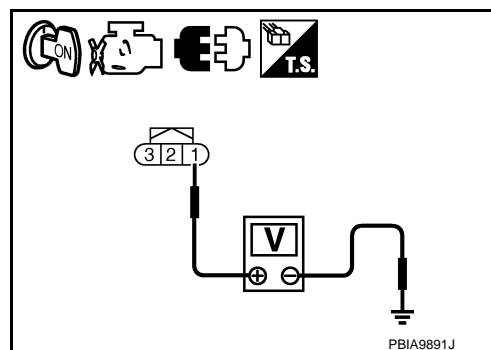
< SERVICE INFORMATION >

3. Check voltage between battery current sensor terminal 1 and ground with CONSULT-III or tester.

Voltage: Approximately 5V

OK or NG

- OK >> GO TO 4.
- NG >> GO TO 3.



3. DETECT MALFUNCTIONING PART

Check the following.

- Harness connectors E11, F2
- Harness for open or short between battery current sensor and ECM

>> Repair open circuit or short to ground or short to power in harness or connectors.

4. CHECK BATTERY CURRENT SENSOR GROUND CIRCUIT FOR OPEN AND SHORT

1. Turn ignition switch OFF.
2. Disconnect ECM harness connector.
3. Check harness continuity between battery current sensor terminal 2 and ECM terminal 67. Refer to Wiring Diagram.

Continuity should exist.

4. Also check harness for short to ground and short to power.

OK or NG

- OK >> GO TO 6.
- NG >> GO TO 5.

5. DETECT MALFUNCTIONING PART

Check the following.

- Harness connectors E10, F1
- Harness for open or short between battery current sensor and ECM

>> Repair open circuit or short to ground or short to power in harness or connectors.

6. CHECK BATTERY CURRENT SENSOR INPUT SIGNAL CIRCUIT FOR OPEN AND SHORT

1. Check harness continuity between battery current sensor terminal 3 and ECM terminal 71. Refer to Wiring Diagram.

Continuity should exist.

2. Also check harness for short to ground and short to power.

OK or NG

- OK >> GO TO 8.
- NG >> GO TO 7.

7. DETECT MALFUNCTIONING PART

Check the following.

- Harness connectors E10, F1
- Harness for open or short between battery current sensor and ECM

>> Repair open circuit or short to ground or short to power in harness or connectors.

8. CHECK BATTERY CURRENT SENSOR

Refer to [EC-476. "Component Inspection"](#).

DTC P1550 BATTERY CURRENT SENSOR

[VQ35DE]

< SERVICE INFORMATION >

OK or NG

- OK >> GO TO 9.
- NG >> Replace battery negative cable assembly.

9. CHECK INTERMITTENT INCIDENT

Refer to [EC-140](#).

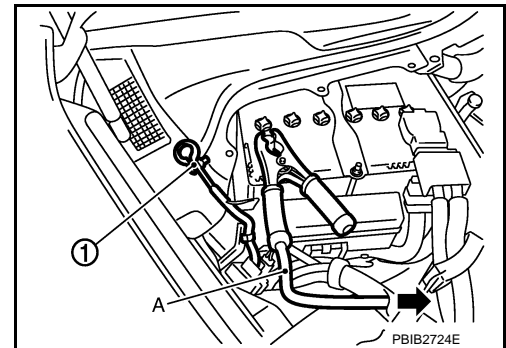
>> **INSPECTION END**

Component Inspection

INFOID:000000002954513

BATTERY CURRENT SENSOR

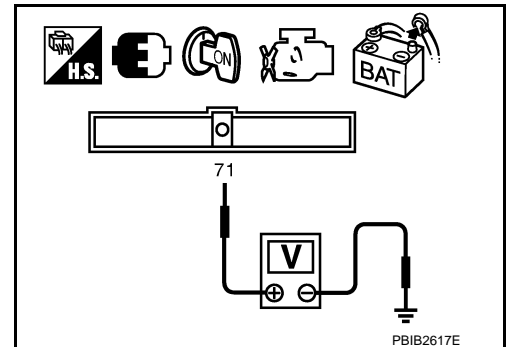
1. Reconnect harness connectors disconnected.
2. Disconnect battery negative cable (1).
 - : To body ground
3. Install jumper cable (A) between battery negative terminal and body ground.
4. Turn ignition switch ON.



5. Check voltage between ECM terminal 71 (battery current sensor signal) and ground.

Voltage: Approximately 2.5V

6. If NG, replace battery negative cable assembly.



DTC P1551, P1552 BATTERY CURRENT SENSOR

< SERVICE INFORMATION >

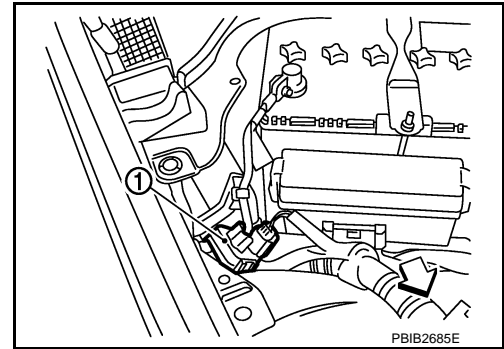
[VQ35DE]

DTC P1551, P1552 BATTERY CURRENT SENSOR

Component Description

INFOID:000000002954514

The power generation voltage variable control enables fuel consumption to be decreased by reducing the engine load which is caused by the power generation of the generator. The battery current sensor (1) is installed to the battery cable at the negative terminal. The sensor measures the charging/discharging current of the battery. Based on the sensor signal, ECM judges whether or not the power generation voltage variable control is performed. When performing the power generation voltage variable control, ECM calculates the target power generation voltage based on the sensor signal. And ECM sends the calculated value as the power generation command value to IPDM E/R. For the details of the power generation voltage variable control, refer to SC section.



PBIB2685E

CAUTION:

Do not connect the electrical component or the ground wire directly to the battery terminal. The connection causes the malfunction of the power generation voltage variable control, and then the battery discharge may occur.

CONSULT-III Reference Value in Data Monitor Mode

INFOID:000000002954515

Specification data are reference values.

MONITOR ITEM	CONDITION	SPECIFICATION
BAT CUR SEN	<ul style="list-style-type: none"> • Engine speed: Idle • Battery: Fully charged* • Selector lever: P or N • Air conditioner switch: OFF • No load 	Approx. 2,600 - 3,500mV

*: Before measuring the terminal voltage, confirm that the battery is fully charged. Refer to [SC-4, "How to Handle Battery"](#).

On Board Diagnosis Logic

INFOID:000000002954516

The MIL will not light up for this diagnosis.

NOTE:

If DTC P1551 or P1552 is displayed with DTC P0643, first perform the trouble diagnosis for DTC P0643. Refer to [EC-436](#).

DTC No.	Trouble diagnosis name	DTC detecting condition	Possible cause
P1551 1551	Battery current sensor circuit low input	An excessively low voltage from the sensor is sent to ECM.	<ul style="list-style-type: none"> • Harness or connectors (The sensor circuit is open or shorted.) • Battery current sensor
P1552 1552	Battery current sensor circuit high input	An excessively high voltage from the sensor is sent to ECM.	

DTC Confirmation Procedure

INFOID:000000002954517

If DTC Confirmation Procedure has been previously conducted, always turn ignition switch OFF and wait at least 10 seconds before conducting the next test.

TESTING CONDITION:

Before performing the following procedure, confirm that battery voltage is more than 8V with ignition switch ON

1. Turn ignition switch ON.
2. Wait at least 10 seconds.
3. Check 1st trip DTC.
4. If 1st trip DTC is detected, go to [EC-479, "Diagnosis Procedure"](#).

DTC P1551, P1552 BATTERY CURRENT SENSOR

< SERVICE INFORMATION >

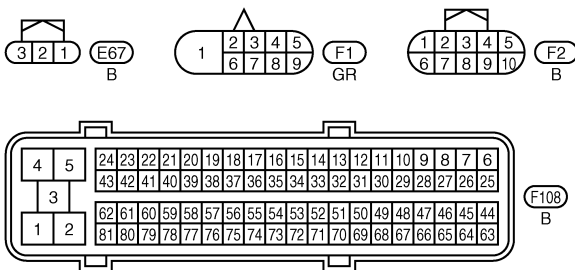
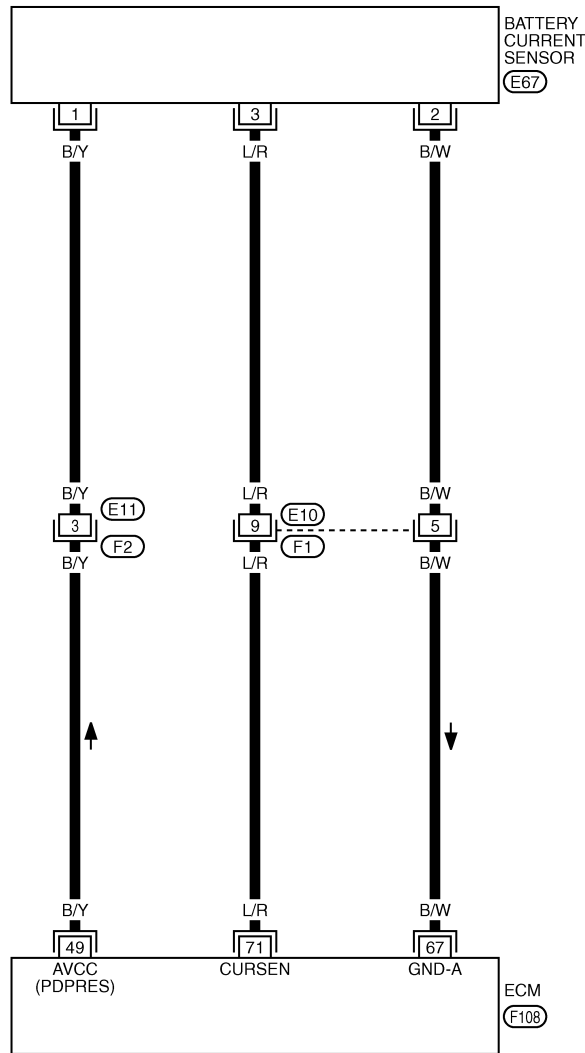
[VQ35DE]

INFOID:000000002954518

Wiring Diagram

EC-CUR/SE-01

: DETECTABLE LINE FOR DTC
 : NON-DETECTABLE LINE FOR DTC



TBWT0995E

Specification data are reference values and are measured between each terminal and ground.

CAUTION:

Do not use ECM ground terminals when measuring input/output voltage. Doing so may result in damage to the ECM's transistor. Use a ground other than ECM terminals, such as the ground.

DTC P1551, P1552 BATTERY CURRENT SENSOR

< SERVICE INFORMATION >

[VQ35DE]

TER-MI-NAL NO.	WIRE COLOR	ITEM	CONDITION	DATA (DC Voltage)
49	B/Y	Sensor power supply (Refrigerant pressure sensor, Battery current sensor)	[Ignition switch: ON]	Approximately 5V
67	B/W	Sensor ground	[Engine is running] • Warm-up condition • Idle speed	Approximately 0V
71	L/R	Battery current sensor	[Engine is running] • Battery: Fully charged* • Idle speed	Approximately 2.6 - 3.5V

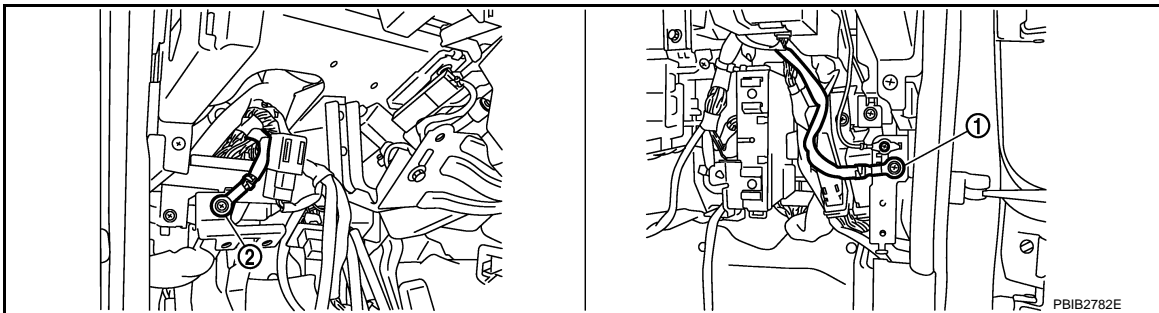
*: Before measuring the terminal voltage, confirm that the battery is fully charged. Refer to [SC-4. "How to Handle Battery"](#).

Diagnosis Procedure

INFOID:000000002954519

1. CHECK GROUND CONNECTIONS

1. Turn ignition switch OFF.
2. Loosen and retighten two ground screws on the body.
Refer to [EC-146. "Ground Inspection"](#).



1. Body ground M70

2. Body ground M16

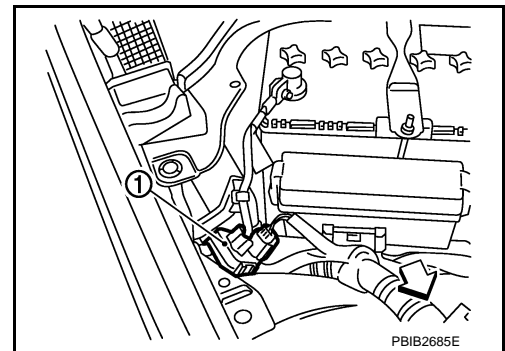
OK or NG

OK >> GO TO 2.

NG >> Repair or replace ground connections.

2. CHECK BATTERY CURRENT SENSOR POWER SUPPLY CIRCUIT

1. Disconnect battery current sensor harness connector.
2. Turn ignition switch ON.



DTC P1551, P1552 BATTERY CURRENT SENSOR

[VQ35DE]

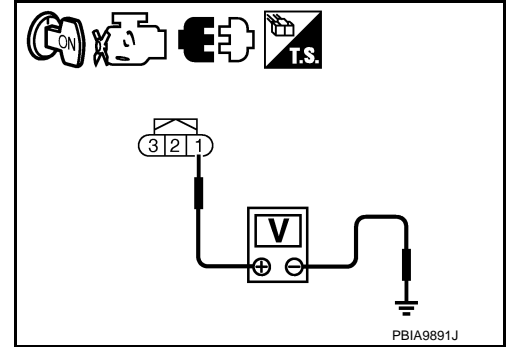
< SERVICE INFORMATION >

3. Check voltage between battery current sensor terminal 1 and ground with CONSULT-III or tester.

Voltage: Approximately 5V

OK or NG

- OK >> GO TO 4.
- NG >> GO TO 3.



3. DETECT MALFUNCTIONING PART

Check the following.

- Harness connectors E11, F2
- Harness for open or short between battery current sensor and ECM

>> Repair open circuit or short to ground or short to power in harness or connectors.

4. CHECK BATTERY CURRENT SENSOR GROUND CIRCUIT FOR OPEN AND SHORT

1. Turn ignition switch OFF.
2. Disconnect ECM harness connector.
3. Check harness continuity between battery current sensor terminal 2 and ECM terminal 67. Refer to Wiring Diagram.

Continuity should exist.

4. Also check harness for short to ground and short to power.

OK or NG

- OK >> GO TO 6.
- NG >> GO TO 5.

5. DETECT MALFUNCTIONING PART

Check the following.

- Harness connectors E10, F1
- Harness for open or short between battery current sensor and ECM

>> Repair open circuit or short to ground or short to power in harness or connectors.

6. CHECK BATTERY CURRENT SENSOR INPUT SIGNAL CIRCUIT FOR OPEN AND SHORT

1. Check harness continuity between battery current sensor terminal 3 and ECM terminal 71. Refer to Wiring Diagram.

Continuity should exist.

2. Also check harness for short to ground and short to power.

OK or NG

- OK >> GO TO 8.
- NG >> GO TO 7.

7. DETECT MALFUNCTIONING PART

Check the following.

- Harness connectors E10, F1
- Harness for open or short between battery current sensor and ECM

>> Repair open circuit or short to ground or short to power in harness or connectors.

8. CHECK BATTERY CURRENT SENSOR

Refer to [EC-481, "Component Inspection"](#).

DTC P1551, P1552 BATTERY CURRENT SENSOR

[VQ35DE]

< SERVICE INFORMATION >

OK or NG

- OK >> GO TO 9.
- NG >> Replace battery negative cable assembly.

9. CHECK INTERMITTENT INCIDENT


Refer to [EC-140](#).

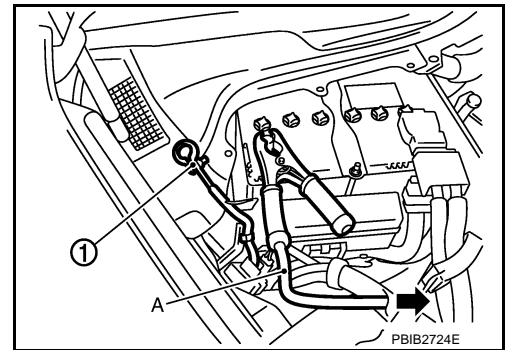
>> **INSPECTION END**

Component Inspection

INFOID:000000002954520

BATTERY CURRENT SENSOR

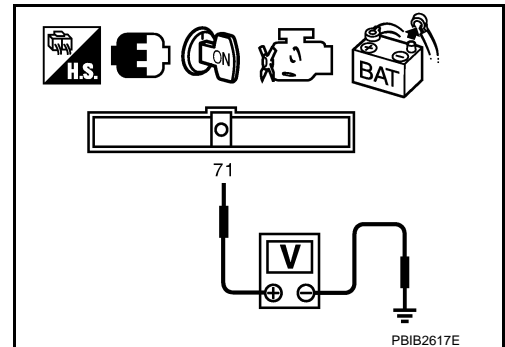
1. Reconnect harness connectors disconnected.
2. Disconnect battery negative cable (1).
 - : To body ground
3. Install jumper cable (A) between battery negative terminal and body ground.
4. Turn ignition switch ON.



5. Check voltage between ECM terminal 71 (battery current sensor signal) and ground.

Voltage: Approximately 2.5V

6. If NG, replace battery negative cable assembly.



DTC P1553 BATTERY CURRENT SENSOR

< SERVICE INFORMATION >

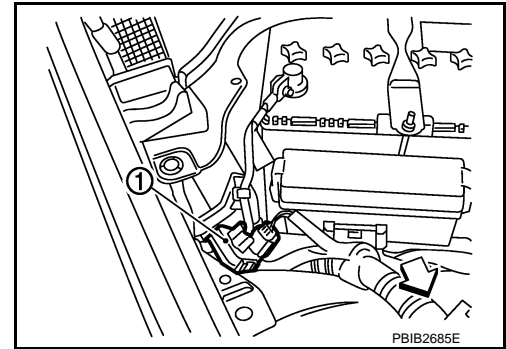
[VQ35DE]

DTC P1553 BATTERY CURRENT SENSOR

Component Description

INFOID:000000002954521

The power generation voltage variable control enables fuel consumption to be decreased by reducing the engine load which is caused by the power generation of the generator. The battery current sensor (1) is installed to the battery cable at the negative terminal. The sensor measures the charging/discharging current of the battery. Based on the sensor signal, ECM judges whether or not the power generation voltage variable control is performed. When performing the power generation voltage variable control, ECM calculates the target power generation voltage based on the sensor signal. And ECM sends the calculated value as the power generation command value to IPDM E/R. For the details of the power generation voltage variable control, refer to SC section.



PBIB2685E

CAUTION:

Do not connect the electrical component or the ground wire directly to the battery terminal. The connection causes the malfunction of the power generation voltage variable control, and then the battery discharge may occur.

CONSULT-III Reference Value in Data Monitor Mode

INFOID:000000002954522

Specification data are reference values.

MONITOR ITEM	CONDITION	SPECIFICATION
BAT CUR SEN	<ul style="list-style-type: none">• Engine speed: Idle• Battery: Fully charged*• Selector lever: P or N• Air conditioner switch: OFF• No load	Approx. 2,600 - 3,500mV

*: Before measuring the terminal voltage, confirm that the battery is fully charged. Refer to [SC-4, "How to Handle Battery"](#).

On Board Diagnosis Logic

INFOID:000000002954523

The MIL will not light up for this diagnosis.

NOTE:

If DTC P1553 is displayed with DTC P0643, first perform the trouble diagnosis for DTC P0643. Refer to [EC-436](#).

DTC No.	Trouble diagnosis name	DTC detecting condition	Possible cause
P1553 1553	Battery current sensor performance	The signal voltage transmitted from the sensor to ECM is higher than the amount of the maximum power generation.	<ul style="list-style-type: none">• Harness or connectors (The sensor circuit is open or shorted.)• Battery current sensor

DTC Confirmation Procedure

INFOID:000000002954524

If DTC Confirmation Procedure has been previously conducted, always turn ignition switch OFF and wait at least 10 seconds before conducting the next test.

TESTING CONDITION:

Before performing the following procedure, confirm that battery voltage is more than 8V at idle.

1. Start engine and wait at least 10 seconds.
2. Check 1st trip DTC.
3. If 1st trip DTC is detected, go to [EC-484, "Diagnosis Procedure"](#).

DTC P1553 BATTERY CURRENT SENSOR

< SERVICE INFORMATION >

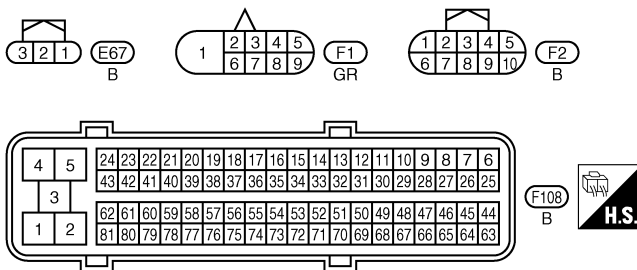
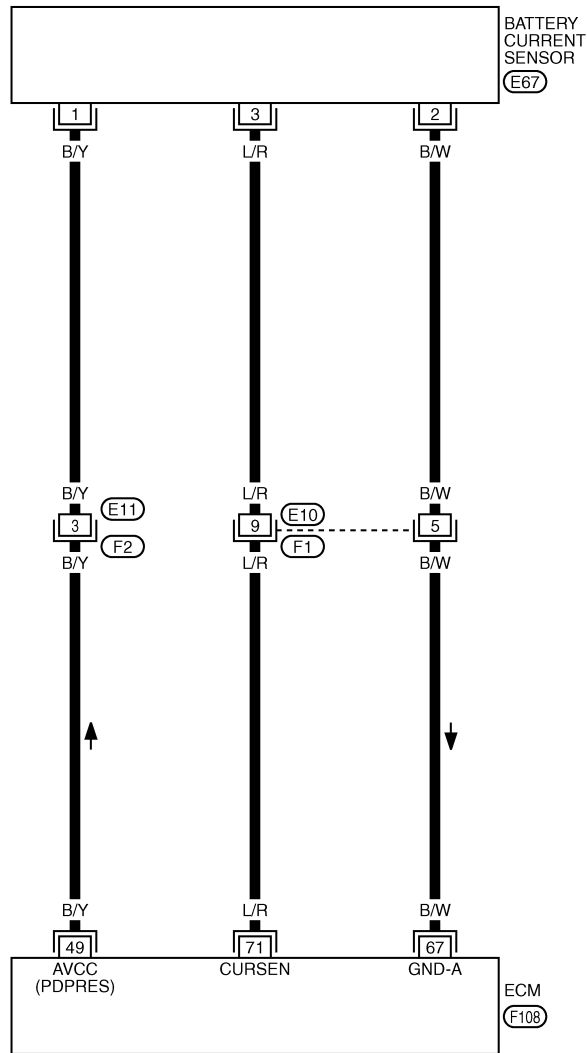
[VQ35DE]

INFOID:000000002954525

Wiring Diagram

EC-CUR/SE-01

— : DETECTABLE LINE FOR DTC
 — : NON-DETECTABLE LINE FOR DTC



TBWT0995E

Specification data are reference values and are measured between each terminal and ground.

CAUTION:

Do not use ECM ground terminals when measuring input/output voltage. Doing so may result in damage to the ECM's transistor. Use a ground other than ECM terminals, such as the ground.

DTC P1553 BATTERY CURRENT SENSOR

< SERVICE INFORMATION >

[VQ35DE]

TER-MI-NAL NO.	WIRE COLOR	ITEM	CONDITION	DATA (DC Voltage)
49	B/Y	Sensor power supply (Refrigerant pressure sensor, Battery current sensor)	[Ignition switch: ON]	Approximately 5V
67	B/W	Sensor ground	[Engine is running] • Warm-up condition • Idle speed	Approximately 0V
71	L/R	Battery current sensor	[Engine is running] • Battery: Fully charged* • Idle speed	Approximately 2.6 - 3.5V

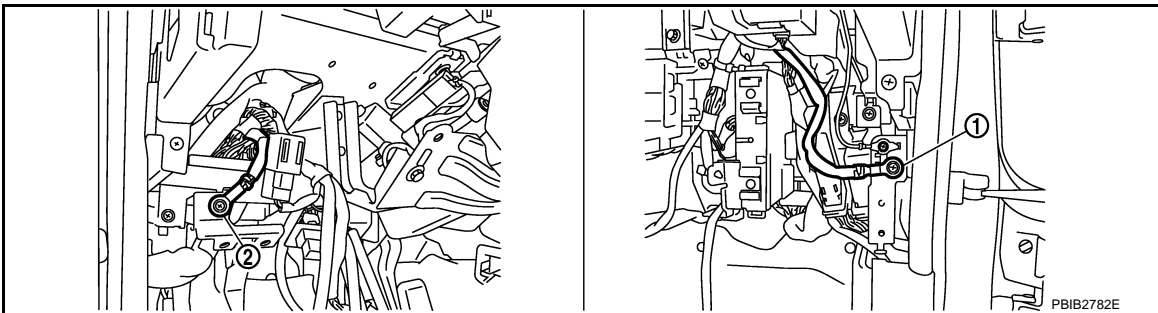
*: Before measuring the terminal voltage, confirm that the battery is fully charged. Refer to [SC-4. "How to Handle Battery"](#).

Diagnosis Procedure

INFOID:000000002954526

1. CHECK GROUND CONNECTIONS

1. Turn ignition switch OFF.
2. Loosen and retighten two ground screws on the body.
Refer to [EC-146. "Ground Inspection"](#).



1. Body ground M70

2. Body ground M16

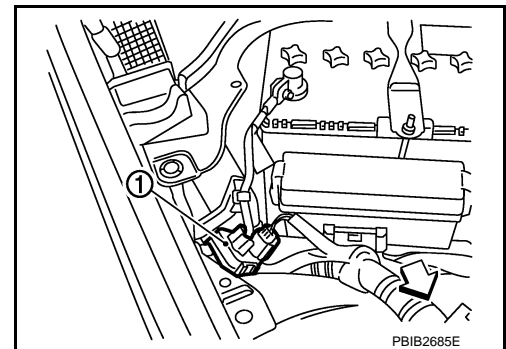
OK or NG

OK >> GO TO 2.

NG >> Repair or replace ground connections.

2. CHECK BATTERY CURRENT SENSOR POWER SUPPLY CIRCUIT

1. Disconnect battery current sensor harness connector.
2. Turn ignition switch ON.



DTC P1553 BATTERY CURRENT SENSOR

[VQ35DE]

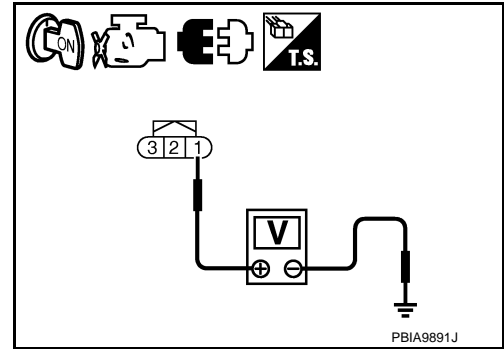
< SERVICE INFORMATION >

3. Check voltage between battery current sensor terminal 1 and ground with CONSULT-III or tester.

Voltage: Approximately 5V

OK or NG

- OK >> GO TO 4.
- NG >> GO TO 3.



3. DETECT MALFUNCTIONING PART

Check the following.

- Harness connectors E11, F2
- Harness for open or short between battery current sensor and ECM

>> Repair open circuit or short to ground or short to power in harness or connectors.

4. CHECK BATTERY CURRENT SENSOR GROUND CIRCUIT FOR OPEN AND SHORT

1. Turn ignition switch OFF.
2. Disconnect ECM harness connector.
3. Check harness continuity between battery current sensor terminal 2 and ECM terminal 67. Refer to Wiring Diagram.

Continuity should exist.

4. Also check harness for short to ground and short to power.

OK or NG

- OK >> GO TO 6.
- NG >> GO TO 5.

5. DETECT MALFUNCTIONING PART

Check the following.

- Harness connectors E10, F1
- Harness for open or short between battery current sensor and ECM

>> Repair open circuit or short to ground or short to power in harness or connectors.

6. CHECK BATTERY CURRENT SENSOR INPUT SIGNAL CIRCUIT FOR OPEN AND SHORT

1. Check harness continuity between battery current sensor terminal 3 and ECM terminal 71. Refer to Wiring Diagram.

Continuity should exist.

2. Also check harness for short to ground and short to power.

OK or NG

- OK >> GO TO 8.
- NG >> GO TO 7.

7. DETECT MALFUNCTIONING PART

Check the following.

- Harness connectors E10, F1
- Harness for open or short between battery current sensor and ECM

>> Repair open circuit or short to ground or short to power in harness or connectors.

8. CHECK BATTERY CURRENT SENSOR

Refer to [EC-486. "Component Inspection"](#).

DTC P1553 BATTERY CURRENT SENSOR

[VQ35DE]

< SERVICE INFORMATION >

OK or NG

- OK >> GO TO 9.
- NG >> Replace battery negative cable assembly.

9. CHECK INTERMITTENT INCIDENT

Refer to [EC-140](#).

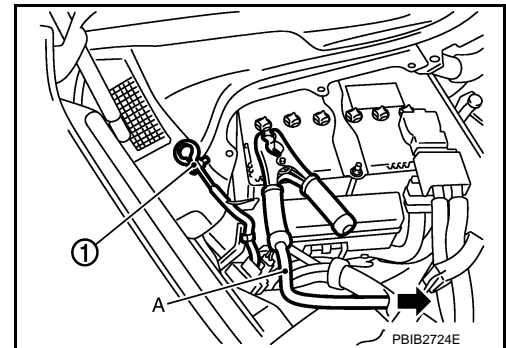
>> **INSPECTION END**

Component Inspection

INFOID:000000002954527

BATTERY CURRENT SENSOR

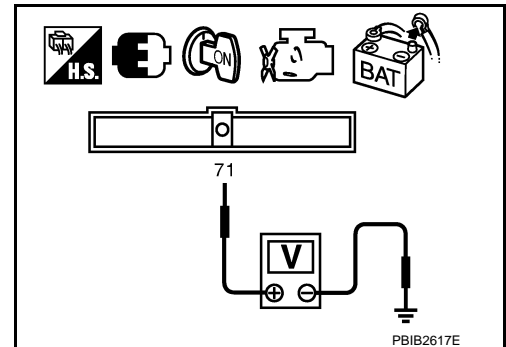
1. Reconnect harness connectors disconnected.
2. Disconnect battery negative cable (1).
 - : To body ground
3. Install jumper cable (A) between battery negative terminal and body ground.
4. Turn ignition switch ON.



5. Check voltage between ECM terminal 71 (battery current sensor signal) and ground.

Voltage: Approximately 2.5V

6. If NG, replace battery negative cable assembly.



DTC P1554 BATTERY CURRENT SENSOR

< SERVICE INFORMATION >

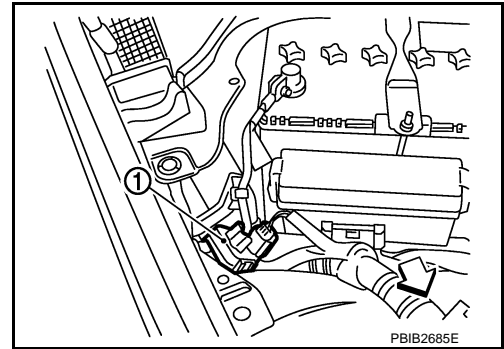
[VQ35DE]

DTC P1554 BATTERY CURRENT SENSOR

Component Description

INFOID:000000002954528

The power generation voltage variable control enables fuel consumption to be decreased by reducing the engine load which is caused by the power generation of the generator. The battery current sensor (1) is installed to the battery cable at the negative terminal. The sensor measures the charging/discharging current of the battery. Based on the sensor signal, ECM judges whether or not the power generation voltage variable control is performed. When performing the power generation voltage variable control, ECM calculates the target power generation voltage based on the sensor signal. And ECM sends the calculated value as the power generation command value to IPDM E/R. For the details of the power generation voltage variable control, refer to SC section.



PBIB2685E

CAUTION:

Do not connect the electrical component or the ground wire directly to the battery terminal. The connection causes the malfunction of the power generation voltage variable control, and then the battery discharge may occur.

CONSULT-III Reference Value in Data Monitor Mode

INFOID:000000002954529

Specification data are reference values.

MONITOR ITEM	CONDITION	SPECIFICATION
BAT CUR SEN	<ul style="list-style-type: none"> • Engine speed: Idle • Battery: Fully charged* • Selector lever: P or N • Air conditioner switch: OFF • No load 	Approx. 2,600 - 3,500mV

*: Before measuring the terminal voltage, confirm that the battery is fully charged. Refer to [SC-4, "How to Handle Battery"](#).

On Board Diagnosis Logic

INFOID:000000002954530

The MIL will not light up for this diagnosis.

NOTE:

If DTC P1554 is displayed with DTC P0643, first perform the trouble diagnosis for DTC P0643. Refer to [EC-436](#).

DTC No.	Trouble diagnosis name	DTC detecting condition	Possible cause
P1554 1554	Battery current sensor performance	The output voltage of the battery current sensor is lower than the specified value while the battery voltage is high enough.	<ul style="list-style-type: none"> • Harness or connectors (The sensor circuit is open or shorted.) • Battery current sensor

Overall Function Check

INFOID:000000002954531

Use this procedure to check the overall function of the battery current sensor circuit. During this check, a 1st trip DTC might not be confirmed.

TESTING CONDITION:

- Before performing the following procedure, confirm that battery voltage is more than 12.8V at idle.
- Before performing the following procedure, confirm that all load switches and A/C switch are turned OFF.

Ⓟ WITH CONSULT-III

1. Start engine and let it idle.
2. Select "BAT CUR SEN" in "DATA MONITOR" mode with CONSULT-III.
3. Check "BAT CUR SEN" indication for 10 seconds.
"BAT CUR SEN" should be above 2,300mV at least once.
4. If NG, go to [EC-490, "Diagnosis Procedure"](#).

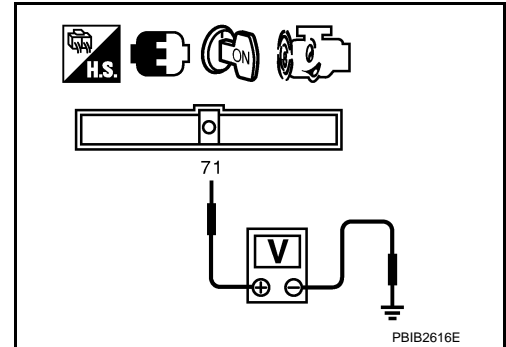
DTC P1554 BATTERY CURRENT SENSOR

[VQ35DE]

< SERVICE INFORMATION >

WITH GST

1. Start engine and let it idle.
2. Check voltage between ECM terminal 71 (battery current sensor signal) and ground for 10 seconds.
The voltage should be above 2.3V at least once.
3. If NG, go to [EC-490, "Diagnosis Procedure"](#).



DTC P1554 BATTERY CURRENT SENSOR

< SERVICE INFORMATION >

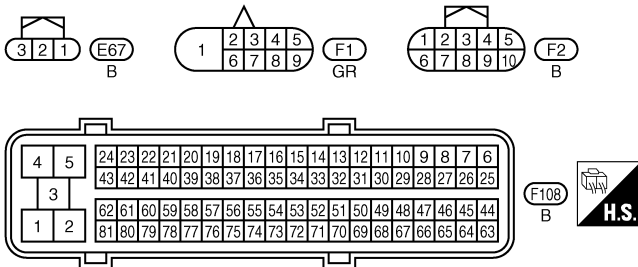
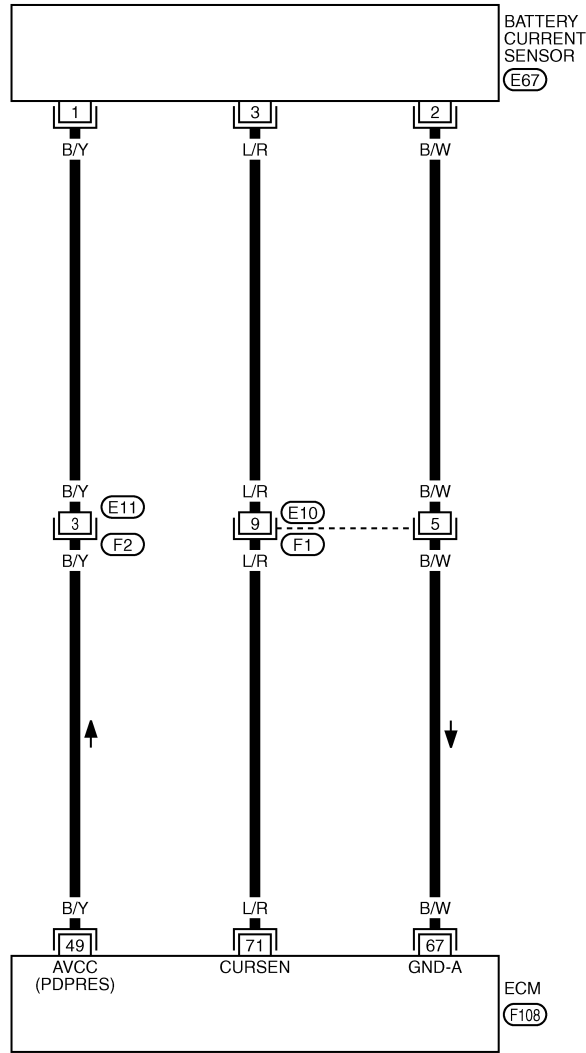
[VQ35DE]

Wiring Diagram

INFOID:000000002954532

EC-CUR/SE-01

: DETECTABLE LINE FOR DTC
 : NON-DETECTABLE LINE FOR DTC



TBWT0995E

Specification data are reference values and are measured between each terminal and ground.

CAUTION:

Do not use ECM ground terminals when measuring input/output voltage. Doing so may result in damage to the ECM's transistor. Use a ground other than ECM terminals, such as the ground.

DTC P1554 BATTERY CURRENT SENSOR

< SERVICE INFORMATION >

[VQ35DE]

TER-MI-NAL NO.	WIRE COLOR	ITEM	CONDITION	DATA (DC Voltage)
49	B/Y	Sensor power supply (Refrigerant pressure sensor, Battery current sensor)	[Ignition switch: ON]	Approximately 5V
67	B/W	Sensor ground	[Engine is running] <ul style="list-style-type: none">• Warm-up condition• Idle speed	Approximately 0V
71	L/R	Battery current sensor	[Engine is running] <ul style="list-style-type: none">• Battery: Fully charged*• Idle speed	Approximately 2.6 - 3.5V

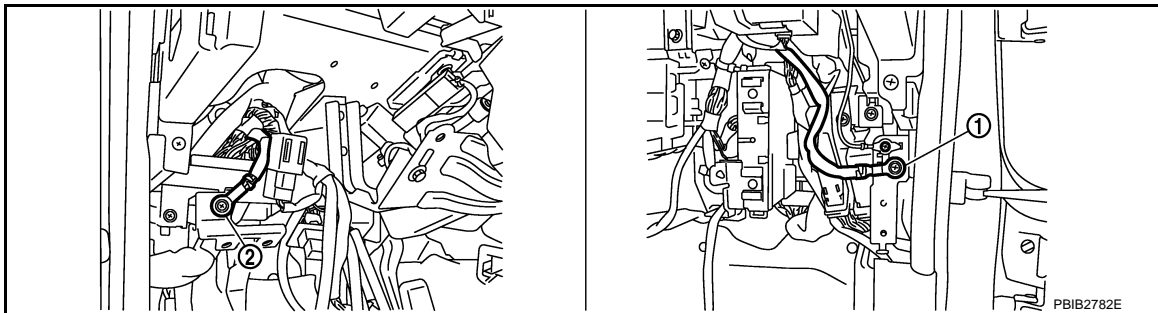
*: Before measuring the terminal voltage, confirm that the battery is fully charged. Refer to [SC-4. "How to Handle Battery"](#).

Diagnosis Procedure

INFOID:000000002954533

1. CHECK GROUND CONNECTIONS

1. Turn ignition switch OFF.
2. Loosen and retighten two ground screws on the body.
Refer to [EC-146. "Ground Inspection"](#).



1. Body ground M70

2. Body ground M16

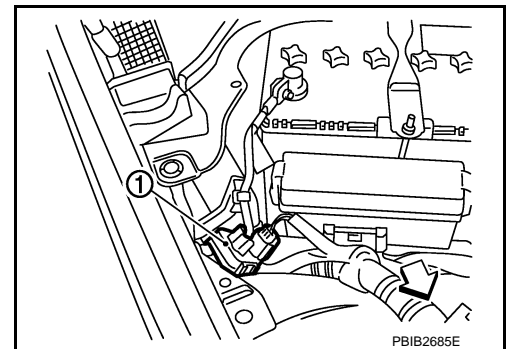
OK or NG

OK >> GO TO 2.

NG >> Repair or replace ground connections.

2. CHECK BATTERY CURRENT SENSOR POWER SUPPLY CIRCUIT

1. Disconnect battery current sensor harness connector.
2. Turn ignition switch ON.



DTC P1554 BATTERY CURRENT SENSOR

[VQ35DE]

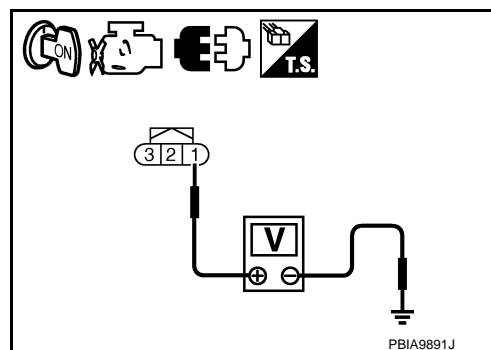
< SERVICE INFORMATION >

3. Check voltage between battery current sensor terminal 1 and ground with CONSULT-III or tester.

Voltage: Approximately 5V

OK or NG

- OK >> GO TO 4.
- NG >> GO TO 3.



3. DETECT MALFUNCTIONING PART

Check the following.

- Harness connectors E11, F2
- Harness for open or short between battery current sensor and ECM

>> Repair open circuit or short to ground or short to power in harness or connectors.

4. CHECK BATTERY CURRENT SENSOR GROUND CIRCUIT FOR OPEN AND SHORT

1. Turn ignition switch OFF.
2. Disconnect ECM harness connector.
3. Check harness continuity between battery current sensor terminal 2 and ECM terminal 67. Refer to Wiring Diagram.

Continuity should exist.

4. Also check harness for short to ground and short to power.

OK or NG

- OK >> GO TO 6.
- NG >> GO TO 5.

5. DETECT MALFUNCTIONING PART

Check the following.

- Harness connectors E10, F1
- Harness for open or short between battery current sensor and ECM

>> Repair open circuit or short to ground or short to power in harness or connectors.

6. CHECK BATTERY CURRENT SENSOR INPUT SIGNAL CIRCUIT FOR OPEN AND SHORT

1. Check harness continuity between battery current sensor terminal 3 and ECM terminal 71. Refer to Wiring Diagram.

Continuity should exist.

2. Also check harness for short to ground and short to power.

OK or NG

- OK >> GO TO 8.
- NG >> GO TO 7.

7. DETECT MALFUNCTIONING PART

Check the following.

- Harness connectors E10, F1
- Harness for open or short between battery current sensor and ECM

>> Repair open circuit or short to ground or short to power in harness or connectors.

8. CHECK BATTERY CURRENT SENSOR

Refer to [EC-492. "Component Inspection"](#).

DTC P1554 BATTERY CURRENT SENSOR

[VQ35DE]

< SERVICE INFORMATION >

OK or NG

- OK >> GO TO 9.
- NG >> Replace battery negative cable assembly.

9. CHECK INTERMITTENT INCIDENT

Refer to [EC-140](#).

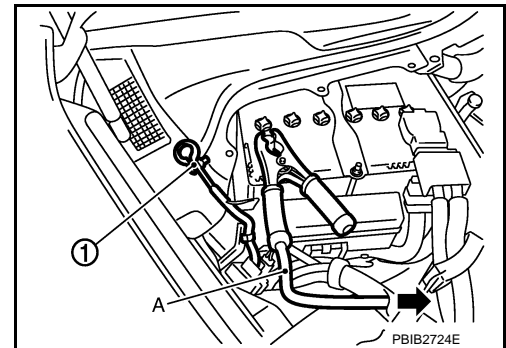
>> **INSPECTION END**

Component Inspection

INFOID:000000002954534

BATTERY CURRENT SENSOR

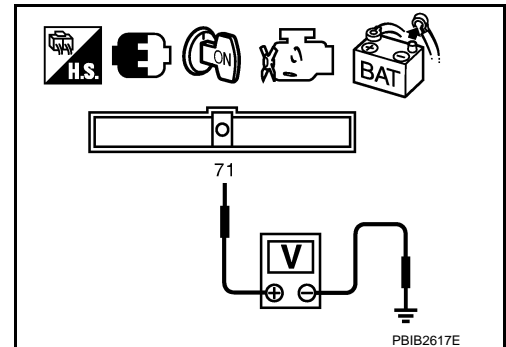
1. Reconnect harness connectors disconnected.
2. Disconnect battery negative cable (1).
 - : To body ground
3. Install jumper cable (A) between battery negative terminal and body ground.
4. Turn ignition switch ON.



5. Check voltage between ECM terminal 71 (battery current sensor signal) and ground.

Voltage: Approximately 2.5V

6. If NG, replace battery negative cable assembly.



DTC P1564 ICC STEERING SWITCH

< SERVICE INFORMATION >

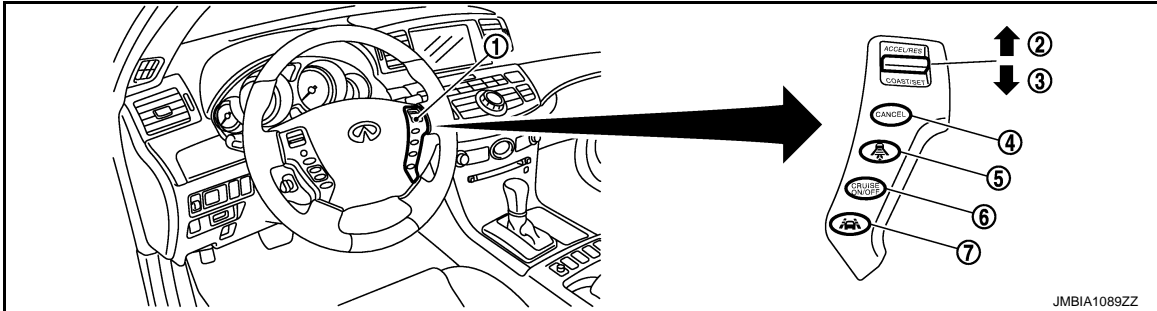
[VQ35DE]

DTC P1564 ICC STEERING SWITCH

Component Description

INFOID:000000002954535

ICC steering switch has variant values of electrical resistance for each button. ECM reads voltage variation of switch, and determines which button is operated.



- | | | |
|------------------------|-----------------------------|---------------------|
| 1. ICC steering switch | 2. RESUME/ACCELERATE switch | 3. SET/COAST switch |
| 4. CANCEL switch | 5. DISTANCE switch | 6. MAIN switch |
| 7. LDP ON switch | | |

Refer to [ACS-9](#) for the ICC function.

CONSULT-III Reference Value in Data Monitor Mode

INFOID:000000002954536

Specification data are reference values.

MONITOR ITEM	CONDITION		SPECIFICATION
MAIN SW	• Ignition switch: ON	MAIN switch: Pressed	ON
		MAIN switch: Released	OFF
CANCEL SW	• Ignition switch: ON	CANCEL switch: Pressed	ON
		CANCEL switch: Released	OFF
RESUME/ACC SW	• Ignition switch: ON	RESUME/ACCELERATE switch: Pressed	ON
		RESUME/ACCELERATE switch: Released	OFF
SET SW	• Ignition switch: ON	SET/COAST switch: Pressed	ON
		SET/COAST switch: Released	OFF
DIST SW	• Ignition switch: ON	DISTANCE switch: Pressed	ON
		DISTANCE switch: Released	OFF
LDP ON SW	• Ignition switch: ON	LDP ON switch: pressed	ON
		LDP ON switch: Released	OFF

On Board Diagnosis Logic

INFOID:000000002954537

This self-diagnosis has the one trip detection logic.

The MIL will not light up for this diagnosis.

NOTE:

If DTC P1564 is displayed with DTC P0605, first perform the trouble diagnosis for DTC P0605. Refer to [EC-434](#).

DTC P1564 ICC STEERING SWITCH

< SERVICE INFORMATION >

[VQ35DE]

DTC No.	Trouble diagnosis name	DTC detecting condition	Possible cause
P1564 1564	ICC steering switch	<ul style="list-style-type: none">• An excessively high voltage signal from the ICC steering switch is sent to ECM.• ECM detects that input signal from the ICC steering switch is out of the specified range.• ECM detects that the ICC steering switch is stuck ON.	<ul style="list-style-type: none">• Harness or connectors (The switch circuit is open or shorted.)• ICC steering switch• ECM

DTC Confirmation Procedure

INFOID:000000002954538

NOTE:

If DTC Confirmation Procedure has been previously conducted, always turn ignition switch OFF and wait at least 10 seconds before conducting the next test.

1. Turn ignition switch ON.
2. Wait at least 10 seconds.
3. Press MAIN switch for at least 10 seconds, then release it and wait at least 10 seconds.
4. Press CANCEL switch for at least 10 seconds, then release it and wait at least 10 seconds.
5. Press RESUME/ACCELERATE switch for at least 10 seconds, then release it and wait at least 10 seconds.
6. Press SET/COAST switch for at least 10 seconds, then release it and wait at least 10 seconds.
7. Press DISTANCE switch for at least 10 seconds, then release it and wait at least 10 seconds.
8. Press LDP ON switch for at least 10 seconds, then release it and wait at least 10 seconds.
9. Check DTC.
10. If DTC is detected, go to [EC-496, "Diagnosis Procedure"](#).

DTC P1564 ICC STEERING SWITCH

< SERVICE INFORMATION >

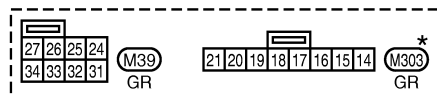
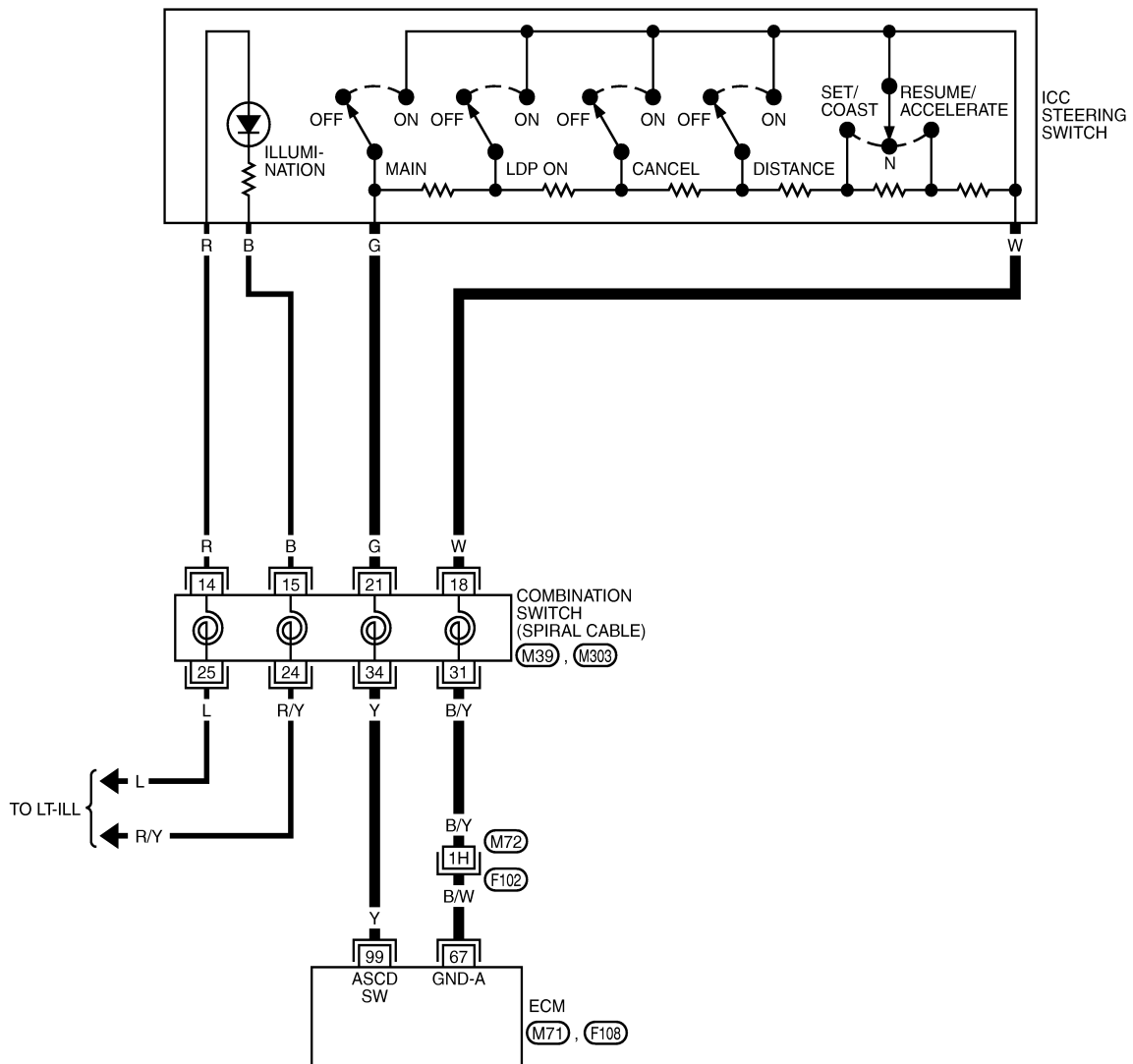
[VQ35DE]

INFOID:00000002954539

Wiring Diagram

EC-ICC/SW-01

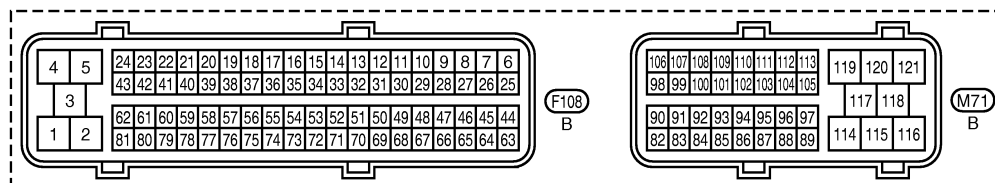
— : DETECTABLE LINE FOR DTC
 — : NON-DETECTABLE LINE FOR DTC



*: THIS CONNECTOR IS NOT SHOWN IN "HARNESS LAYOUT", PG SECTION.

REFER TO THE FOLLOWING.

(F102) - SUPER MULTIPLE JUNCTION (SMJ)



TBWT1963E

Specification data are reference values and are measured between each terminal and ground.

CAUTION:

Do not use ECM ground terminals when measuring input/output voltage. Doing so may result in damage to the ECM's transistor. Use a ground other than ECM terminals, such as the ground.

DTC P1564 ICC STEERING SWITCH

[VQ35DE]

< SERVICE INFORMATION >

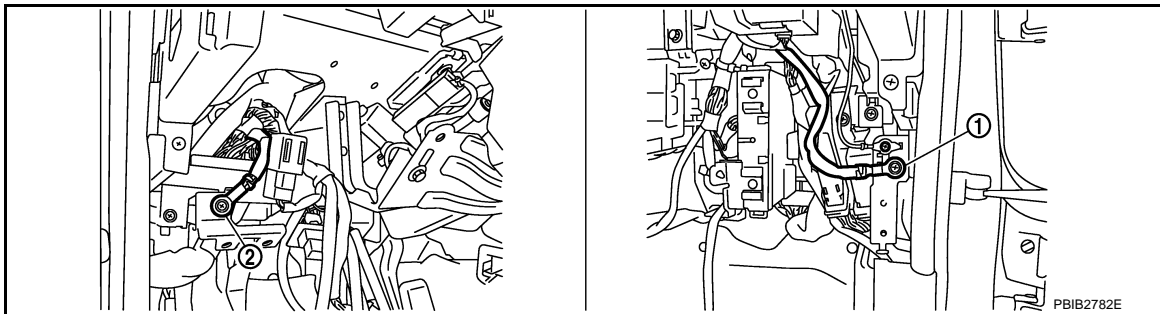
TER-MI-NAL NO.	WIRE COLOR	ITEM	CONDITION	DATA (DC Voltage)
67	B/W	Sensor ground	[Engine is running] • Warm-up condition • Idle speed	Approximately 0V
99	Y	ICC steering switch (models with ICC system)	[Ignition switch: ON] • ICC steering switch: OFF	Approximately 4.3V
			[Ignition switch: ON] • MAIN switch: Pressed	Approximately 0V
			[Ignition switch: ON] • CANCEL switch: Pressed	Approximately 1.9V
			[Ignition switch: ON] • RESUME/ACCELERATE switch: Pressed	Approximately 3.8V
			[Ignition switch: ON] • SET/COAST switch: Pressed	Approximately 3.3V
			[Ignition switch: ON] • DISTANCE switch: Pressed	Approximately 2.6V
			[Ignition switch: ON] • LDP ON switch: Pressed	Approximately 1.1V

Diagnosis Procedure

INFOID:000000002954540

1. CHECK GROUND CONNECTIONS

1. Turn ignition switch OFF.
2. Loosen and retighten two ground screws on the body.
Refer to [EC-146, "Ground Inspection"](#).



1. Body ground M70

2. Body ground M16

OK or NG

- OK >> GO TO 2.
 NG >> Repair or replace ground connections.

2. CHECK ICC STEERING SWITCH CIRCUIT

With CONSULT-III

1. Turn ignition switch ON.
2. Select "MAIN SW", "CANCEL SW", "RESUME/ACC SW", "SET SW" and "DIST SW" in "DATA MONITOR" mode with CONSULT-III.
3. Check each item indication under the following conditions.

Switch	Monitor item	Condition	Indication
MAIN switch	MAIN SW	Pressed	ON
		Released	OFF

DTC P1564 ICC STEERING SWITCH

[VQ35DE]

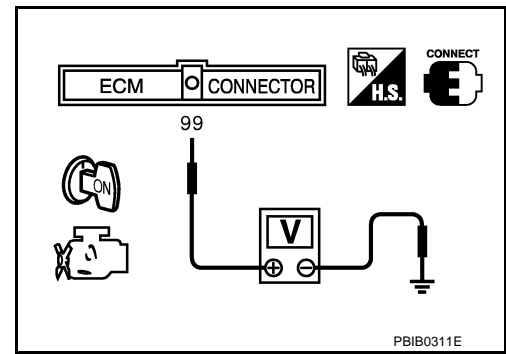
< SERVICE INFORMATION >

Switch	Monitor item	Condition	Indication
CANCEL switch	CANCEL SW	Pressed	ON
		Released	OFF
RESUME/ACCELERATE switch	RESUME/ACC SW	Pressed	ON
		Released	OFF
SET/COAST switch	SET SW	Pressed	ON
		Released	OFF
DISTANCE switch	DIST SW	Pressed	ON
		Released	OFF
LDP ON switch	LDP ON SW	Pressed	ON
		Released	OFF

⊗ Without CONSULT-III

- Turn ignition switch ON.
- Check voltage between ECM terminal 99 and ground with pressing each button.

Switch	Condition	Voltage [V]
MAIN switch	Pressed	Approx. 0
	Released	Approx. 4.3
CANCEL switch	Pressed	Approx. 1.9
	Released	Approx. 4.3
RESUME/ACCELERATE switch	Pressed	Approx. 3.8
	Released	Approx. 4.3
SET/COAST switch	Pressed	Approx. 3.3
	Released	Approx. 4.3
DISTANCE switch	Pressed	Approx. 2.6
	Released	Approx. 4.3
LDP ON switch	Pressed	Approx. 1.1
	Released	Approx. 4.3



OK or NG

- OK >> GO TO 8.
 NG >> GO TO 3.

3. CHECK ICC STEERING SWITCH GROUND CIRCUIT FOR OPEN AND SHORT

- Turn ignition switch OFF.
- Disconnect ECM harness connector.
- Disconnect combination switch harness connector M303.
- Check harness continuity between combination switch terminal 18 and ECM terminal 67. Refer to Wiring Diagram.

Continuity should exist.

- Also check harness for short to ground and short to power.

OK or NG

- OK >> GO TO 5.
 NG >> GO TO 4.

4. DETECT MALFUNCTIONING PART

Check the following.

- Harness connectors M72, F102
- Combination switch (spiral cable)

DTC P1564 ICC STEERING SWITCH

[VQ35DE]

< SERVICE INFORMATION >

- Harness for open and short between ECM and combination switch

>> Repair open circuit or short to ground or short to power in harness or connectors.

5. CHECK ICC STEERING SWITCH INPUT SIGNAL CIRCUIT FOR OPEN AND SHORT

1. Check harness continuity between ECM terminal 99 and combination switch terminal 21. Refer to Wiring Diagram.

Continuity should exist.

2. Also check harness for short to ground and short to power.

OK or NG

- OK >> GO TO 7.
- NG >> GO TO 6.

6. DETECT MALFUNCTIONING PART

Check the following.

- Combination switch (spiral cable)
- Harness for open and short between ECM and combination switch

>> Repair open circuit or short to ground or short to power in harness or connectors.

7. CHECK ICC STEERING SWITCH

Refer to [EC-498, "Component Inspection"](#).

OK or NG

- OK >> GO TO 8.
- NG >> Replace ICC steering switch.

8. CHECK INTERMITTENT INCIDENT

Refer to [EC-140](#).

>> **INSPECTION END**

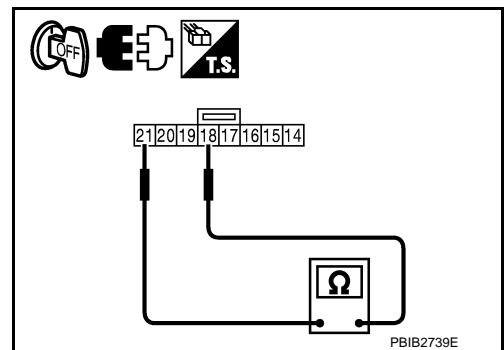
Component Inspection

INFOID:000000002954541

ICC STEERING SWITCH

1. Disconnect combination switch (spiral cable) harness connector M303.
2. Check continuity between combination switch terminals 18 and 21 with pushing each switch.

Switch	Condition	Resistance [Ω]
MAIN switch	Pressed	Approx. 0
	Released	Approx. 5,500
CANCEL switch	Pressed	Approx. 620
	Released	Approx. 5,500
RESUME/ACCELERATE switch	Pressed	Approx. 2,990
	Released	Approx. 5,500
SET/COAST switch	Pressed	Approx. 1,810
	Released	Approx. 5,500
DISTANCE switch	Pressed	Approx. 1,100
	Released	Approx. 5,500
LDP ON switch	Pressed	Approx. 270
	Released	Approx. 5,500



DTC P1564 ICC STEERING SWITCH

< SERVICE INFORMATION >

[VQ35DE]

If NG, replace ICC steering switch.

A

EC

C

D

E

F

G

H

I

J

K

L

M

N

O

P

DTC P1564 ASCD STEERING SWITCH

< SERVICE INFORMATION >

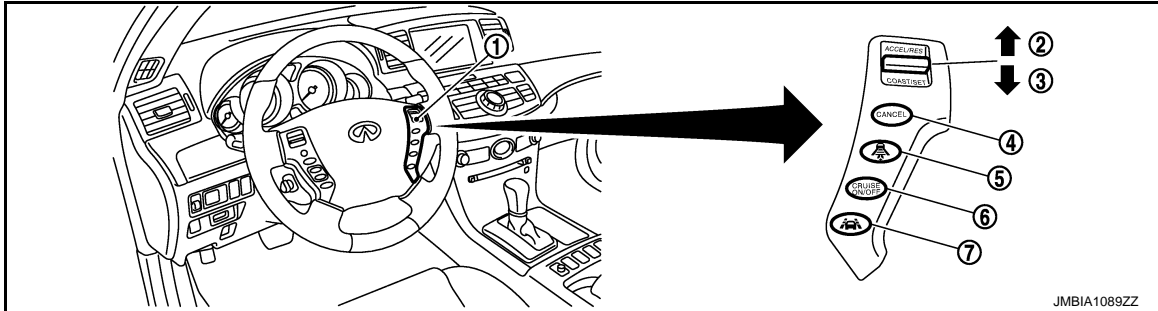
[VQ35DE]

DTC P1564 ASCD STEERING SWITCH

Component Description

INFOID:000000002954542

ASCD steering switch has variant values of electrical resistance for each button. ECM reads voltage variation of switch, and determines which button is operated.



- | | | |
|-----------------------------------|--------------------------------------|---------------------|
| 1. ASCD steering switch | 2. RESUME/ACCELERATE switch | 3. SET/COAST switch |
| 4. CANCEL switch | 5. DISTANCE switch (Models with ICC) | 6. MAIN switch |
| 7. LDP ON switch (Model with ICC) | | |

Refer to [EC-37](#) for the ASCD function.

CONSULT-III Reference Value in Data Monitor Mode

INFOID:000000002954543

Specification data are reference values.

MONITOR ITEM	CONDITION		SPECIFICATION
MAIN SW	• Ignition switch: ON	MAIN switch: Pressed	ON
		MAIN switch: Released	OFF
CANCEL SW	• Ignition switch: ON	CANCEL switch: Pressed	ON
		CANCEL switch: Released	OFF
RESUME/ACC SW	• Ignition switch: ON	RESUME/ACCELERATE switch: Pressed	ON
		RESUME/ACCELERATE switch: Released	OFF
SET SW	• Ignition switch: ON	SET/COAST switch: Pressed	ON
		SET/COAST switch: Released	OFF

On Board Diagnosis Logic

INFOID:000000002954544

This self-diagnosis has the one trip detection logic.

The MIL will not light up for this diagnosis.

NOTE:

If DTC P1564 is displayed with DTC P0605, first perform the trouble diagnosis for DTC P0605. Refer to [EC-434](#).

DTC No.	Trouble diagnosis name	DTC detecting condition	Possible cause
P1564 1564	ASCD steering switch	<ul style="list-style-type: none"> An excessively high voltage signal from the ASCD steering switch is sent to ECM. ECM detects that input signal from the ASCD steering switch is out of the specified range. ECM detects that the ASCD steering switch is stuck ON. 	<ul style="list-style-type: none"> Harness or connectors (The switch circuit is open or shorted.) ASCD steering switch ECM

DTC P1564 ASCD STEERING SWITCH

< SERVICE INFORMATION >

[VQ35DE]

DTC Confirmation Procedure

INFOID:000000002954545

NOTE:

If DTC Confirmation Procedure has been previously conducted, always turn ignition switch OFF and wait at least 10 seconds before conducting the next test.

1. Turn ignition switch ON.
2. Select "DATA MONITOR" mode with CONSULT-III.
3. Wait at least 10 seconds.
4. Press MAIN switch for at least 10 seconds, then release it and wait at least 10 seconds.
5. Press CANCEL switch for at least 10 seconds, then release it and wait at least 10 seconds.
6. Press RESUME/ACCELERATE switch for at least 10 seconds, then release it and wait at least 10 seconds.
7. Press SET/COAST switch for at least 10 seconds, then release it and wait at least 10 seconds.
8. If DTC is detected, go to [EC-503, "Diagnosis Procedure"](#).

A

EC

C

D

E

F

G

H

I

J

K

L

M

N

O

P

DTC P1564 ASCD STEERING SWITCH

< SERVICE INFORMATION >

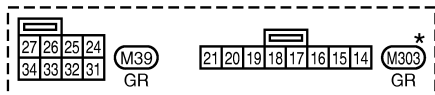
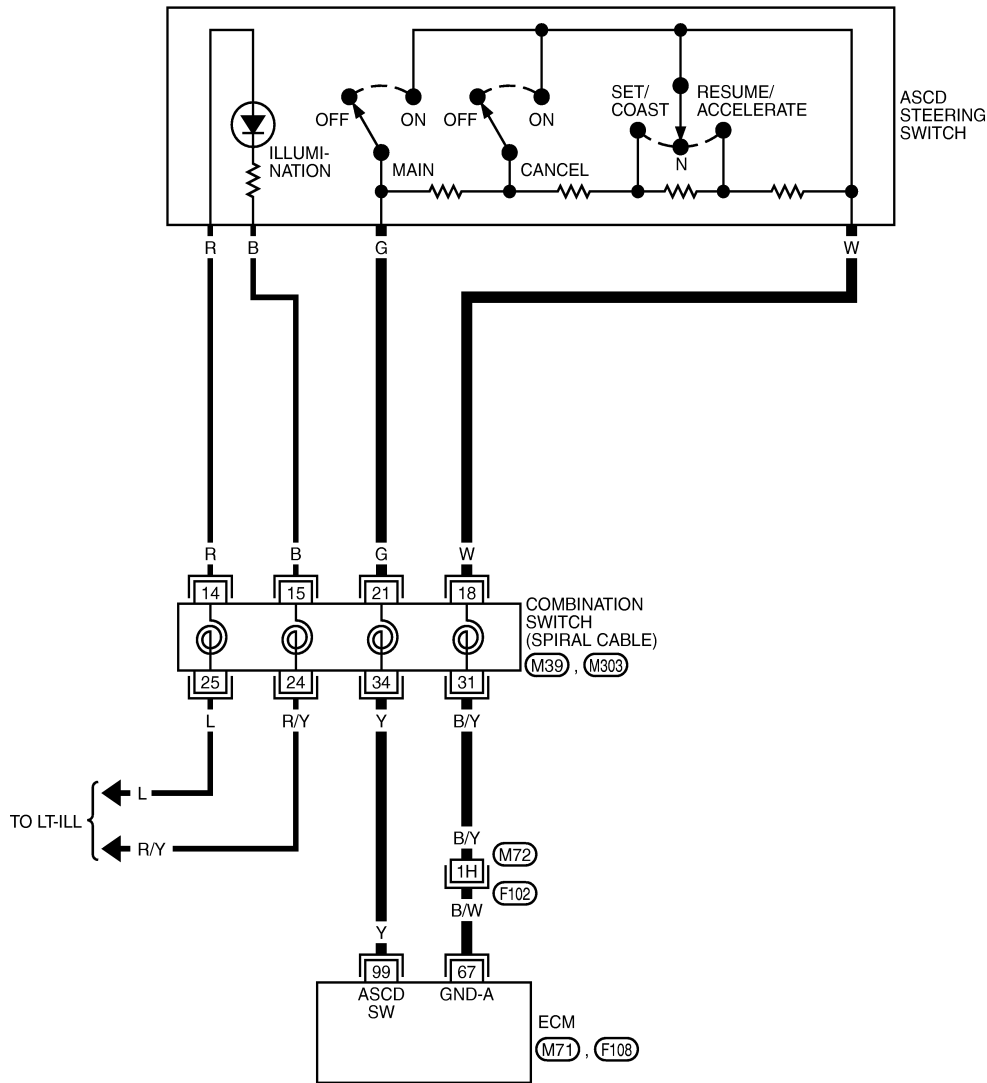
[VQ35DE]

Wiring Diagram

INFOID:00000002954546

EC-ASC/SW-01

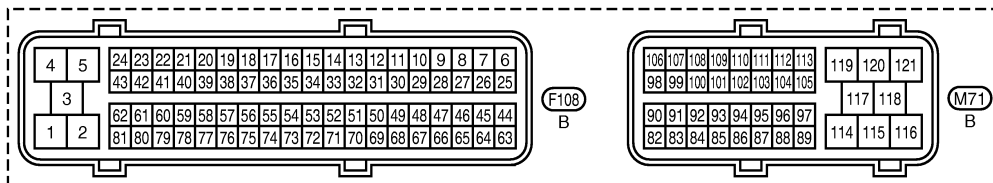
— : DETECTABLE LINE FOR DTC
 — : NON-DETECTABLE LINE FOR DTC



*: THIS CONNECTOR IS NOT SHOWN IN "HARNESS LAYOUT", PG SECTION.

REFER TO THE FOLLOWING.

F102 - SUPER MULTIPLE JUNCTION (SMJ)



TBWT1964E

Specification data are reference values and are measured between each terminal and ground.

CAUTION:

Do not use ECM ground terminals when measuring input/output voltage. Doing so may result in damage to the ECM's transistor. Use a ground other than ECM terminals, such as the ground.

DTC P1564 ASCD STEERING SWITCH

< SERVICE INFORMATION >

[VQ35DE]

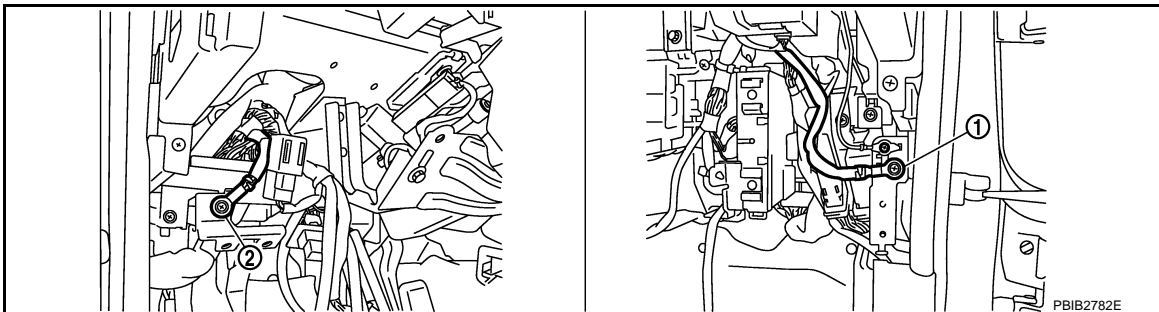
TER-MI-NAL NO.	WIRE COLOR	ITEM	CONDITION	DATA (DC Voltage)
67	B/W	Sensor ground	[Engine is running] • Warm-up condition • Idle speed	Approximately 0V
99	Y	ASCD steering switch (models with ASCD system)	[Ignition switch: ON] • ASCD steering switch: OFF	Approximately 4V
			[Ignition switch: ON] • MAIN switch: Pressed	Approximately 0V
			[Ignition switch: ON] • CANCEL switch: Pressed	Approximately 1V
			[Ignition switch: ON] • RESUME/ACCELERATE switch: Pressed	Approximately 3V
			[Ignition switch: ON] • SET/COAST switch: Pressed	Approximately 2V

Diagnosis Procedure

INFOID:000000002954547

1. CHECK GROUND CONNECTIONS

1. Turn ignition switch OFF.
2. Loosen and retighten two ground screws on the body.
Refer to [EC-146, "Ground Inspection"](#).



1. Body ground M70
2. Body ground M16

OK or NG

- OK >> GO TO 2.
NG >> Repair or replace ground connections.

2. CHECK ASCD STEERING SWITCH CIRCUIT

Ⓜ With CONSULT-III

1. Turn ignition switch ON.
2. Select "MAIN SW", "CANCEL SW", "RESUME/ACC SW" and "SET SW" in "DATA MONITOR" mode with CONSULT-III.
3. Check each item indication under the following conditions.

Switch	Monitor item	Condition	Indication
MAIN switch	MAIN SW	Pressed	ON
		Released	OFF
CANCEL switch	CANCEL SW	Pressed	ON
		Released	OFF

DTC P1564 ASCD STEERING SWITCH

[VQ35DE]

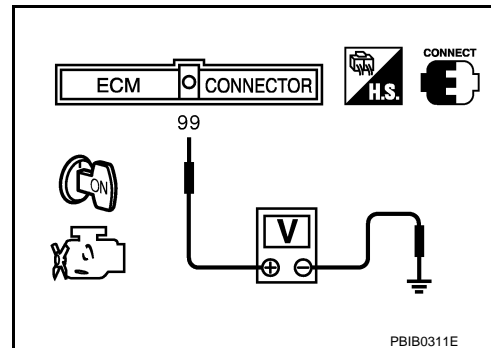
< SERVICE INFORMATION >

Switch	Monitor item	Condition	Indication
RESUME/ACCELERATE switch	RESUME/ACC SW	Pressed	ON
		Released	OFF
SET/COAST switch	SET SW	Pressed	ON
		Released	OFF

⊗ Without CONSULT-III

- Turn ignition switch ON.
- Check voltage between ECM terminal 99 and ground with pressing each button.

Switch	Condition	Voltage [V]
MAIN switch	Pressed	Approx. 0
	Released	Approx. 4
CANCEL switch	Pressed	Approx. 1
	Released	Approx. 4
RESUME/ACCELERATE switch	Pressed	Approx. 3
	Released	Approx. 4
SET/COAST switch	Pressed	Approx. 2
	Released	Approx. 4



OK or NG

- OK >> GO TO 8.
 NG >> GO TO 3.

3. CHECK ASCD STEERING SWITCH GROUND CIRCUIT FOR OPEN AND SHORT

- Turn ignition switch OFF.
- Disconnect ECM harness connector.
- Disconnect combination switch harness connector M303.
- Check harness continuity between combination switch terminal 18 and ECM terminal 67. Refer to Wiring Diagram.

Continuity should exist.

- Also check harness for short to ground and short to power.

OK or NG

- OK >> GO TO 5.
 NG >> GO TO 4.

4. DETECT MALFUNCTIONING PART

Check the following.

- Harness connectors M72, F102
- Combination switch (spiral cable)
- Harness for open and short between ECM and combination switch

>> Repair open circuit or short to ground or short to power in harness or connectors.

5. CHECK ASCD STEERING SWITCH INPUT SIGNAL CIRCUIT FOR OPEN AND SHORT

- Check harness continuity between ECM terminal 99 and combination switch terminal 21. Refer to Wiring Diagram.

Continuity should exist.

- Also check harness for short to ground and short to power.

OK or NG

DTC P1564 ASCD STEERING SWITCH

[VQ35DE]

< SERVICE INFORMATION >

- OK >> GO TO 7.
- NG >> GO TO 6.

6. DETECT MALFUNCTIONING PART

Check the following.

- Combination switch (spiral cable)
- Harness for open and short between ECM and combination switch

>> Repair open circuit or short to ground or short to power in harness or connectors.

7. CHECK ASCD STEERING SWITCH

Refer to [EC-505, "Component Inspection"](#).

OK or NG

- OK >> GO TO 8.
- NG >> Replace ASCD steering switch.

8. CHECK INTERMITTENT INCIDENT

Refer to [EC-140](#).

>> **INSPECTION END**

Component Inspection

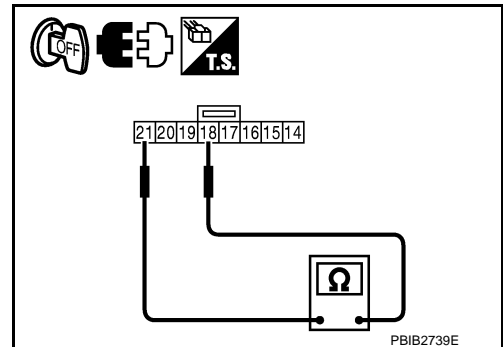
INFOID:000000002954548

ASCD STEERING SWITCH

1. Disconnect combination switch (spiral cable) harness connector M303.
2. Check continuity between combination switch terminals 18 and 21 with pushing each switch.

Switch	Condition	Resistance [Ω]
MAIN switch	Pressed	Approx. 0
	Released	Approx. 4,000
CANCEL switch	Pressed	Approx. 250
	Released	Approx. 4,000
RESUME/ACCELERATE switch	Pressed	Approx. 1,480
	Released	Approx. 4,000
SET/COAST switch	Pressed	Approx. 660
	Released	Approx. 4,000

If NG, replace ASCD steering switch.



DTC P1568 ICC FUNCTION

< SERVICE INFORMATION >

[VQ35DE]

DTC P1568 ICC FUNCTION

On Board Diagnosis Logic

INFOID:000000002954549

This self-diagnosis has the one trip detection logic.

The MIL will not light up for this diagnosis.

NOTE:

- If DTC P1568 is displayed with DTC U1000 or U1001, first perform the trouble diagnosis for DTC U1000, U1001. Refer to [EC-147](#).
- If DTC P1568 is displayed with DTC U1010, first perform the trouble diagnosis for DTC U1010. Refer to [EC-149](#).
- If DTC P1568 is displayed with DTC P0605, first perform the trouble diagnosis for DTC P0605. Refer to [EC-434](#).

DTC No.	Trouble Diagnosis Name	DTC Detecting Condition	Possible Cause
P1568 1568	ICC function	ECM detects a difference between signals from ICC sensor integrated unit is out of specified range.	<ul style="list-style-type: none">• Harness or connectors (The CAN communication line is open or shorted.)• ICC sensor integrated unit• ECM

DTC Confirmation Procedure

INFOID:000000002954550

CAUTION:

Always drive vehicle at a safe speed.

NOTE:

If DTC Confirmation Procedure has been previously conducted, always turn ignition switch OFF and wait at least 10 seconds before conducting the next test.

TESTING CONDITION:

Step 4 may be conducted with the drive wheels lifted in the shop or by driving the vehicle. If a road test is expected to be easier, it is unnecessary to lift the vehicle.

1. Turn ignition switch ON.
2. Press MAIN switch on ICC steering switch.
3. Drive the vehicle at more than 40 km/h (25 MPH).
4. Press SET/COAST switch.
5. Check DTC.
6. If DTC is detected, go to [EC-506. "Diagnosis Procedure"](#).

Diagnosis Procedure

INFOID:000000002954551

1. REPLACE ICC SENSOR INTEGRATED UNIT

1. Replace ICC sensor integrated unit.
2. Perform [ACS-14](#).
3. Check DTC of ICC sensor integrated unit. Refer to [ACS-40](#).

>> INSPECTION END

DTC P1572 ICC BRAKE SWITCH

< SERVICE INFORMATION >

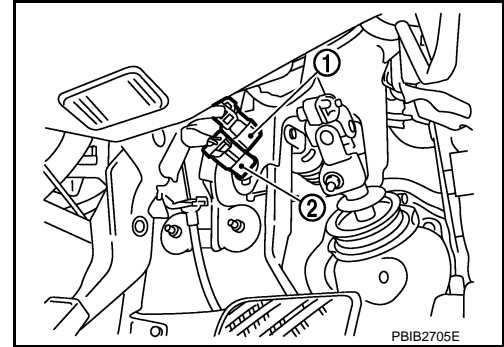
[VQ35DE]

DTC P1572 ICC BRAKE SWITCH

Component Description

INFOID:000000002954552

When the brake pedal is depressed, ICC brake switch (2) is turned OFF and stop lamp switch (1) is turned ON. ECM detects the state of the brake pedal by this input of two kinds (ON/OFF signal). Refer to [ACS-9](#) for the ICC function.



CONSULT-III Reference Value in Data Monitor Mode

INFOID:000000002954553

Specification data are reference values.

MONITOR ITEM	CONDITION		SPECIFICATION
BRAKE SW1 (ICC brake switch)	• Ignition switch: ON	Brake pedal: Fully released	ON
		Brake pedal: Slightly depressed	OFF
BRAKE SW2 (Stop lamp switch)	• Ignition switch: ON	Brake pedal: Fully released	OFF
		Brake pedal: Slightly depressed	ON

On Board Diagnosis Logic

INFOID:000000002954554

**This diagnosis has the one trip detection logic.
The MIL will not light up for this diagnosis.**

NOTE:

- If DTC P1572 is displayed with DTC P0605, first perform the trouble diagnosis for DTC P0605. Refer to [EC-434](#).
- This self-diagnosis has the one trip detection logic. When malfunction A is detected, DTC is not stored in ECM memory. And in that case, 1st trip DTC and 1st trip freeze frame data are displayed. 1st trip DTC is erased when ignition switch OFF. And even when malfunction A is detected in two consecutive trips, DTC is not stored in ECM memory.

DTC No.	Trouble diagnosis name	DTC detecting condition		Possible cause
P1572 1572	ICC brake switch	A)	ON signals from the stop lamp switch and the ICC brake switch are sent to ECM at the same time.	<ul style="list-style-type: none"> • Harness or connectors (The stop lamp switch circuit is shorted.) • Harness or connectors (The ICC brake switch circuit is shorted.) • Stop lamp switch • ICC brake switch • ICC brake hold relay • Incorrect stop lamp switch installation • Incorrect ICC brake switch installation • ECM
		B)	ICC brake switch signal is not sent to ECM for extremely long time while the vehicle is driving	

DTC Confirmation Procedure

INFOID:000000002954555

CAUTION:

Always drive vehicle at a safe speed.

NOTE:

- If DTC Confirmation Procedure has been previously conducted, always turn ignition switch OFF and wait at least 10 seconds before conducting the next test.

DTC P1572 ICC BRAKE SWITCH

[VQ35DE]

< SERVICE INFORMATION >

- Procedure for malfunction B is not described here. It takes extremely long time to complete procedure for malfunction B. By performing procedure for malfunction A, the incident that causes malfunction B can be detected.

TESTING CONDITION:

Steps 4 and 5 may be conducted with the drive wheels lifted in the shop or by driving the vehicle. If a road test is expected to be easier, it is unnecessary to lift the vehicle.

WITH CONSULT-III

1. Start engine (VDC switch OFF).
2. Select "DATA MONITOR" mode with CONSULT-III.
3. Press MAIN switch and make sure that CRUISE lamp lights up.
4. Drive the vehicle for at least 5 consecutive seconds under the following conditions.

VHCL SPEED SE	More than 30 km/h (19 MPH)
Selector lever	Suitable position

5. Check 1st trip DTC.
6. If 1st trip DTC is detected, go to [EC-510. "Diagnosis Procedure"](#).
If 1st trip DTC is not detected, go to the following step.
7. Drive the vehicle for at least 5 consecutive seconds under the following conditions.

VHCL SPEED SE	More than 30 km/h (19 MPH)
Selector lever	Suitable position
Driving location	Depress the brake pedal for more than five seconds so as not to come off from the above-mentioned vehicle speed.

8. Check 1st trip DTC.
9. If 1st trip DTC is detected, go to [EC-510. "Diagnosis Procedure"](#).

WITH GST

Follow the procedure "WITH CONSULT-III" above.

DTC P1572 ICC BRAKE SWITCH

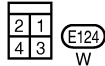
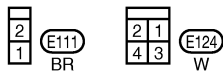
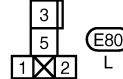
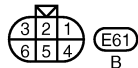
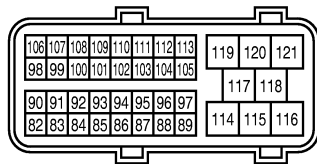
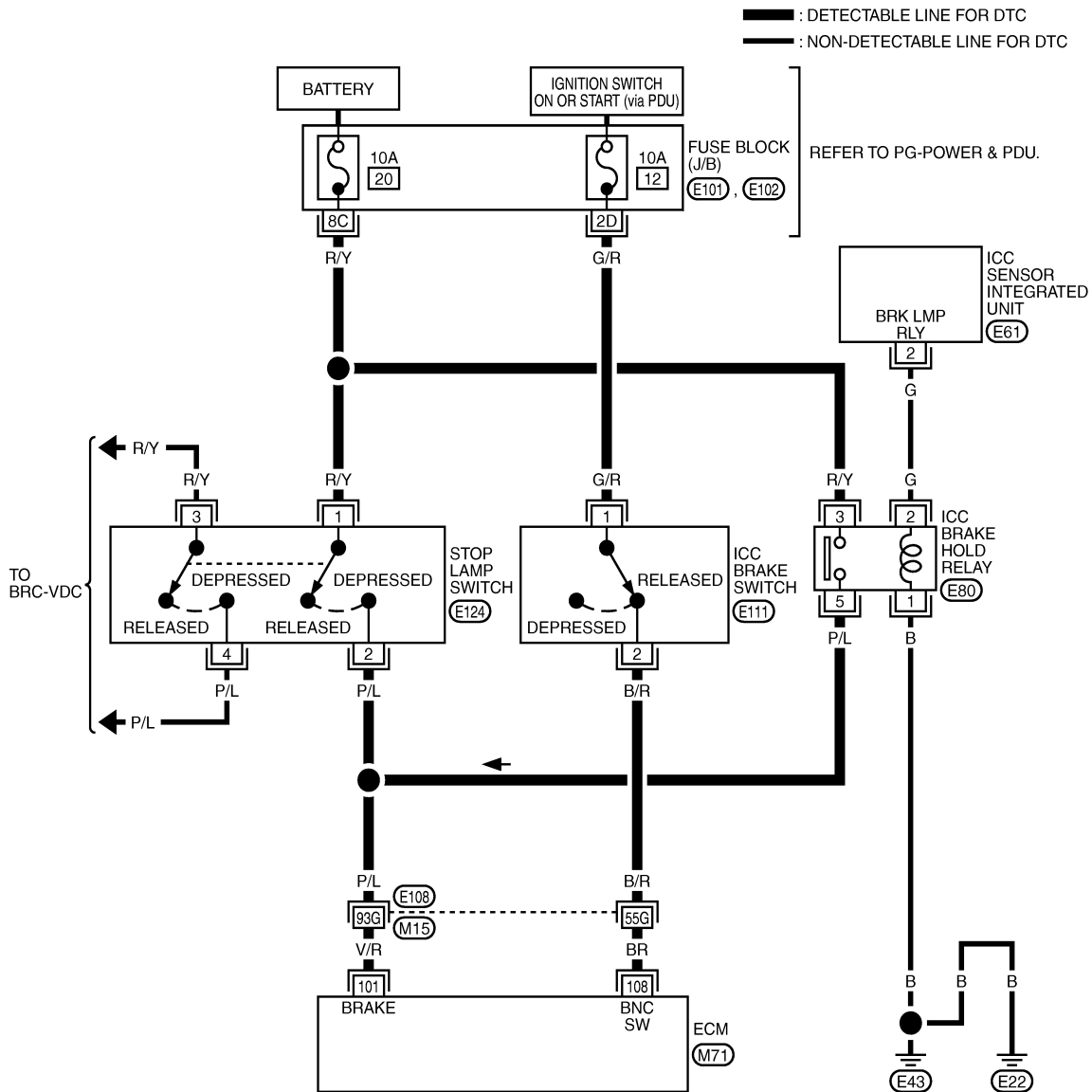
< SERVICE INFORMATION >

[VQ35DE]

Wiring Diagram

INFOID:00000002954556

EC-ICC/BS-01



REFER TO THE FOLLOWING.

- (E108) - SUPER MULTIPLE JUNCTION (SMJ)
- (E101), (E102) - FUSE BLOCK - JUNCTION BOX (J/B)

TBWT1965E

Specification data are reference values and are measured between each terminal and ground.

CAUTION:

Do not use ECM ground terminals when measuring input/output voltage. Doing so may result in damage to the ECM's transistor. Use a ground other than ECM terminals, such as the ground.

DTC P1572 ICC BRAKE SWITCH

[VQ35DE]

< SERVICE INFORMATION >

TER-MI-NAL NO.	WIRE COLOR	ITEM	CONDITION	DATA (DC Voltage)
101	V/R	Stop lamp switch	[Ignition switch: OFF] • Brake pedal: Fully released	Approximately 0V
			[Ignition switch: OFF] • Brake pedal: Slightly depressed	BATTERY VOLTAGE (11 - 14V)
108	BR	ICC brake switch	[Ignition switch: ON] • Brake pedal: Slightly depressed	Approximately 0V
			[Ignition switch: ON] • Brake pedal: Fully released	BATTERY VOLTAGE (11 - 14V)

Diagnosis Procedure

INFOID:000000002954557

1. CHECK OVERALL FUNCTION-I

④ With CONSULT-III

- Turn ignition switch ON.
- Select "BRAKE SW1" in "DATA MONITOR" mode with CONSULT-III.
- Check "BRAKE SW1" indication under the following conditions.

CONDITION	INDICATION
Brake pedal: Slightly depressed	OFF
Brake pedal: Fully released	ON

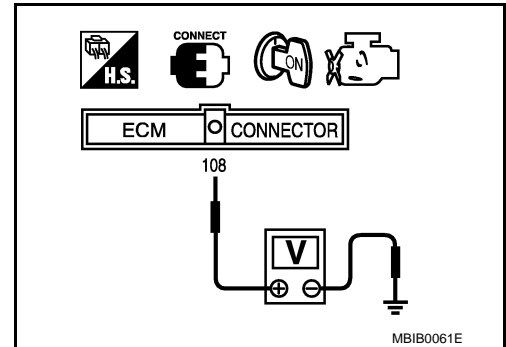
⊗ Without CONSULT-III

- Turn ignition switch ON.
- Check voltage between ECM terminal 108 and ground under the following conditions.

CONDITION	VOLTAGE
Brake pedal: Slightly depressed	Approximately 0V
Brake pedal: Fully released	Battery voltage

OK or NG

- OK >> GO TO 2.
NG >> GO TO 3.



2. CHECK OVERALL FUNCTION-II

④ With CONSULT-III

Check "BRAKE SW2" indication in "DATA MONITOR" mode.

CONDITION	INDICATION
Brake pedal: Fully released	OFF
Brake pedal: Slightly depressed	ON

⊗ Without CONSULT-III

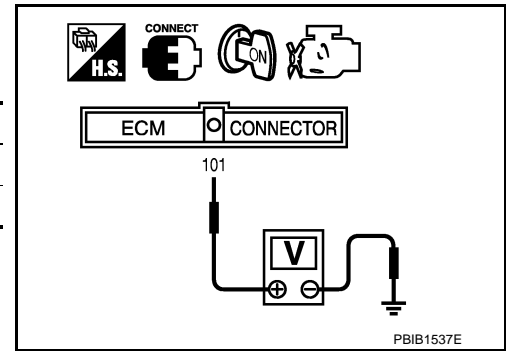
DTC P1572 ICC BRAKE SWITCH

[VQ35DE]

< SERVICE INFORMATION >

Check voltage between ECM terminal 101 and ground under the following conditions.

CONDITION	VOLTAGE
Brake pedal: Fully released	Approximately 0V
Brake pedal: Slightly depressed	Battery voltage



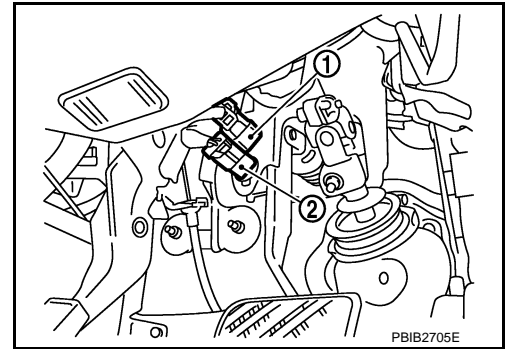
OK or NG

OK >> GO TO 15.

NG >> GO TO 8.

3. CHECK ICC BRAKE SWITCH POWER SUPPLY CIRCUIT

1. Turn ignition switch OFF.
2. Disconnect ICC brake switch (2) harness connector.
 - Stop lamp switch (1)
3. Turn ignition switch ON.



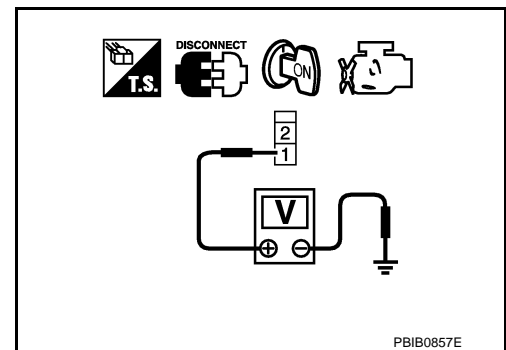
4. Check voltage between ICC brake switch terminal 1 and ground with CONSULT-III or tester.

Voltage: Battery voltage

OK or NG

OK >> GO TO 5.

NG >> GO TO 4.



4. DETECT MALFUNCTIONING PART

Check the following.

- Fuse block (J/B) connector E102
- 10A fuse
- Harness for open or short between ICC brake switch and fuse

>> Repair open circuit or short to ground or short to power in harness or connectors.

5. CHECK ICC BRAKE SWITCH INPUT SIGNAL CIRCUIT FOR OPEN AND SHORT-II

1. Turn ignition switch OFF.
2. Disconnect ECM harness connector.
3. Check harness continuity between ICC brake switch terminal 2 and ECM terminal 108. Refer Wiring Diagram.

Continuity should exist.

4. Also check harness for short to ground and short to power.

DTC P1572 ICC BRAKE SWITCH

[VQ35DE]

< SERVICE INFORMATION >

OK or NG

- OK >> GO TO 7.
- NG >> GO TO 6.

6. DETECT MALFUNCTIONING PART

Check the following.

- Harness connectors E108, M15
- Harness for open or short between ICC brake switch and ECM

>> Repair open circuit or short to ground or short to power in harness or connectors.

7. CHECK ICC BRAKE SWITCH

Refer to [EC-514, "Component Inspection"](#).

OK or NG

- OK >> GO TO 15.
- NG >> Replace ICC brake switch.

8. CHECK DTC WITH ICC SENSOR INTEGRATED UNIT

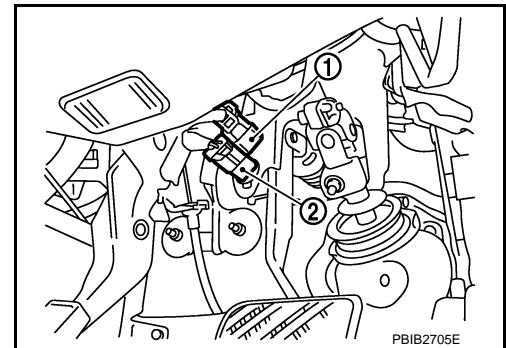
Refer to [ACS-40](#).

OK or NG

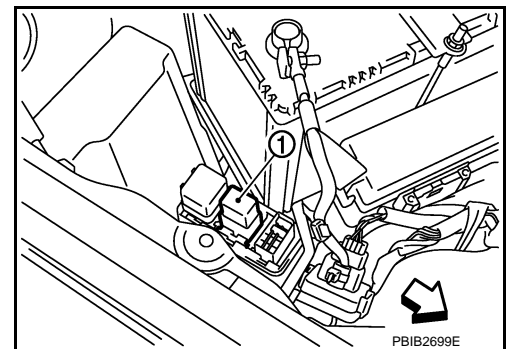
- OK >> GO TO 9.
- NG >> Repair or replace.

9. CHECK STOP LAMP SWITCH POWER SUPPLY CIRCUIT

1. Turn ignition switch OFF.
2. Disconnect stop lamp switch (1) harness connector.
 - ICC brake switch (2)



3. Disconnect ICC brake hold relay (1) harness connector.
 - ↶: Vehicle front



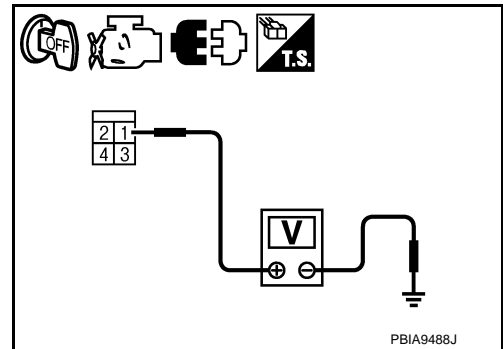
DTC P1572 ICC BRAKE SWITCH

[VQ35DE]

< SERVICE INFORMATION >

4. Check voltage between stop lamp switch terminal 1 and ground with CONSULT-III or tester.

Voltage: Battery voltage

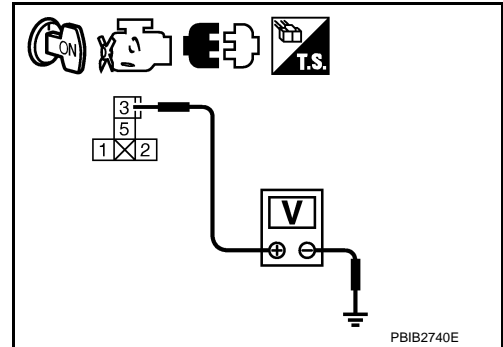


5. Check voltage between ICC brake hold relay terminal 3 and ground with CONSULT-III or tester.

Voltage: Battery voltage

OK or NG

- OK >> GO TO 11.
- NG >> GO TO 10.



10. DETECT MALFUNCTIONING PART

Check the following.

- Fuse block (J/B) connector E101
- 10A fuse
- Harness for open or short between battery and stop lamp switch
- Harness for open or short between battery and ICC brake hold relay

>> Repair open circuit or short to ground or short to power in harness or connectors.

11. CHECK STOP LAMP SWITCH INPUT SIGNAL CIRCUIT FOR OPEN AND SHORT

1. Disconnect ECM harness connector.
2. Check harness continuity between the following;
ECM terminal 101 and stop lamp switch terminal 2,
ECM terminal 101 and ICC brake hold relay terminal 5.
Refer to Wiring Diagram.

Continuity should exist.

3. Also check harness for short to ground and short to power.

OK or NG

- OK >> GO TO 13.
- NG >> GO TO 12.

12. DETECT MALFUNCTIONING PART

Check the following.

- Harness connectors E108, M15
- Harness for open or short between ECM and stop lamp switch
- Harness for open or short between ECM and ICC brake hold relay

>> Repair open circuit or short to ground or short to power in harness or connectors.

13. CHECK STOP LAMP SWITCH

Refer to [EC-514, "Component Inspection"](#).

OK or NG

- OK >> GO TO 14.

DTC P1572 ICC BRAKE SWITCH

[VQ35DE]

< SERVICE INFORMATION >

NG >> Replace stop lamp switch.

14. CHECK ICC BRAKE HOLD RELAY

Refer to [EC-514, "Component Inspection"](#).

OK >> GO TO 15.

NG >> Replace ICC brake hold relay.

15. CHECK INTERMITTENT INCIDENT

Refer to [EC-140](#).

>> **INSPECTION END**

Component Inspection

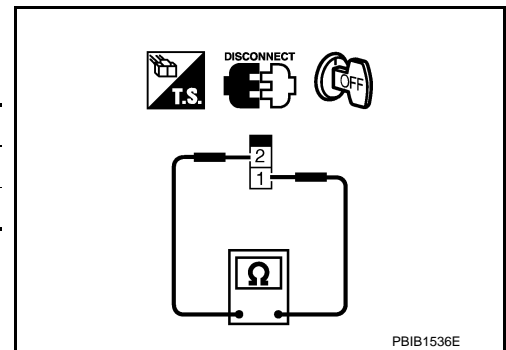
INFOID:000000002954558

ICC BRAKE SWITCH

1. Turn ignition switch OFF.
2. Disconnect ICC brake switch harness connector.
3. Check continuity between ICC brake switch terminals 1 and 2 under the following conditions.

Condition	Continuity
Brake pedal: Fully released	Should exist
Brake pedal: Slightly depressed	Should not exist

4. If NG, adjust ICC brake switch installation, refer to [BR-6](#), and perform step 3 again.

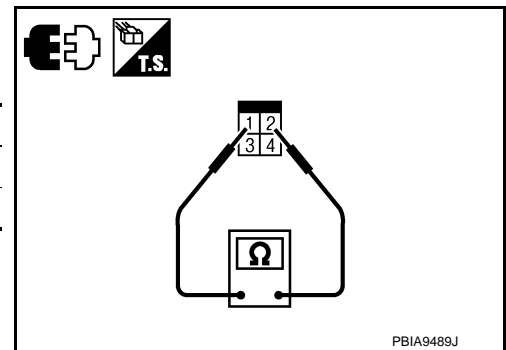


STOP LAMP SWITCH

1. Turn ignition switch OFF.
2. Disconnect stop lamp switch harness connector.
3. Check continuity between stop lamp switch terminals 1 and 2 under the following conditions.

Condition	Continuity
Brake pedal: Fully released	Should not exist
Brake pedal: Slightly depressed	Should exist

4. If NG, adjust stop lamp switch installation, refer to [BR-6](#), and perform step 3 again.

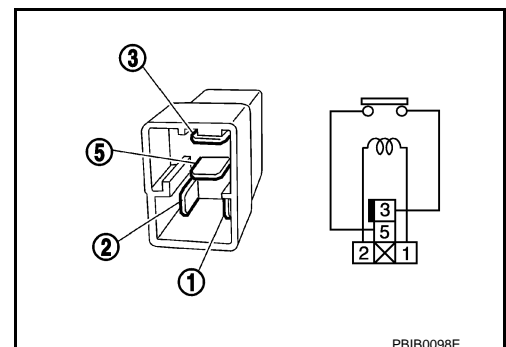


ICC BRAKE HOLD RELAY

1. Check continuity between ICC brake hold relay terminals 3 and 5 under the following conditions.

Condition	Continuity
12V direct current supply between terminals 1 and 2	Should not exist
No current supply	Should exist

2. If NG, replace ICC brake hold relay.



DTC P1572 ASCD BRAKE SWITCH

< SERVICE INFORMATION >

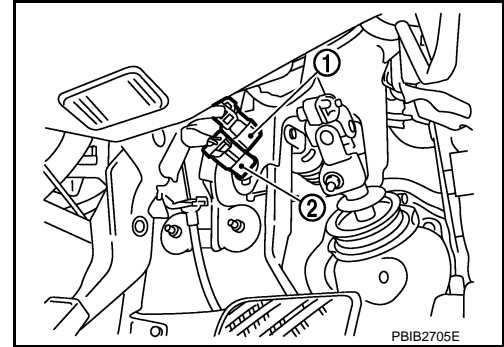
[VQ35DE]

DTC P1572 ASCD BRAKE SWITCH

Component Description

INFOID:000000002954559

When the brake pedal is depressed, ASCD brake switch (2) is turned OFF and stop lamp switch (1) is turned ON. ECM detects the state of the brake pedal by this input of two kinds (ON/OFF signal). Refer to [EC-37](#) for the ASCD function.



CONSULT-III Reference Value in Data Monitor Mode

INFOID:000000002954560

Specification data are reference values.

MONITOR ITEM	CONDITION	SPECIFICATION	
BRAKE SW1 (ASCD brake switch)	• Ignition switch: ON	Brake pedal: Fully released	ON
		Brake pedal: Slightly depressed	OFF
BRAKE SW2 (Stop lamp switch)	• Ignition switch: ON	Brake pedal: Fully released	OFF
		Brake pedal: Slightly depressed	ON

On Board Diagnosis Logic

INFOID:000000002954561

This self-diagnosis has the one trip detection logic.

The MIL will not light up for this diagnosis.

NOTE:

- If DTC P1572 is displayed with DTC P0605, first perform the trouble diagnosis for DTC P0605. Refer to [EC-434](#).
- This self-diagnosis has the one trip detection logic. When malfunction A is detected, DTC is not stored in ECM memory. And in that case, 1st trip DTC and 1st trip freeze frame data are displayed. 1st trip DTC is erased when ignition switch OFF. And even when malfunction A is detected in two consecutive trips, DTC is not stored in ECM memory.

DTC No.	Trouble diagnosis name	DTC detecting condition	Possible cause
P1572 1572	ASCD brake switch	A) When the vehicle speed is above 30 km/h (19 MPH), ON signals from the stop lamp switch and the ASCD brake switch are sent to the ECM at the same time.	<ul style="list-style-type: none"> • Harness or connectors (The stop lamp switch circuit is shorted.) • Harness or connectors (The ASCD brake switch circuit is shorted.)
		B) ASCD brake switch signal is not sent to ECM for extremely long time while the vehicle is driving.	<ul style="list-style-type: none"> • Stop lamp switch • ASCD brake switch • Incorrect stop lamp switch installation • Incorrect ASCD brake switch installation • ECM

DTC Confirmation Procedure

INFOID:000000002954562

CAUTION:

Always drive vehicle at a safe speed.

NOTE:

- If DTC Confirmation Procedure has been previously conducted, always turn ignition switch OFF and wait at least 10 seconds before conducting the next test.
- Procedure for malfunction B is not described here. It takes extremely long time to complete procedure for malfunction B. By performing procedure for malfunction A, the incident that causes malfunction B can be detected.

DTC P1572 ASCD BRAKE SWITCH

[VQ35DE]

< SERVICE INFORMATION >

TESTING CONDITION:

Steps 4 and 5 may be conducted with the drive wheels lifted in the shop or by driving the vehicle. If a road test is expected to be easier, it is unnecessary to lift the vehicle.

WITH CONSULT-III

1. Start engine (VDC switch OFF).
2. Select "DATA MONITOR" mode with CONSULT-III.
3. Press MAIN switch and make sure that CRUISE lamp lights up.
4. Drive the vehicle for at least 5 consecutive seconds under the following conditions.

VHCL SPEED SE	More than 30 km/h (19 MPH)
Selector lever	Suitable position

5. Check 1st trip DTC.
6. If 1st trip DTC is detected, go to [EC-518. "Diagnosis Procedure"](#).
If 1st trip DTC is not detected, go to the following step.
7. Drive the vehicle for at least 5 consecutive seconds under the following conditions.

VHCL SPEED SE	More than 30 km/h (19 MPH)
Selector lever	Suitable position
Driving location	Depress the brake pedal for more than five seconds so as not to come off from the above-mentioned vehicle speed.

8. Check 1st trip DTC.
9. If 1st trip DTC is detected, go to [EC-518. "Diagnosis Procedure"](#).

WITH GST

Follow the procedure "WITH CONSULT-III" above.

DTC P1572 ASCD BRAKE SWITCH

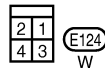
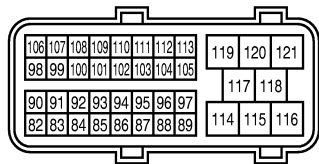
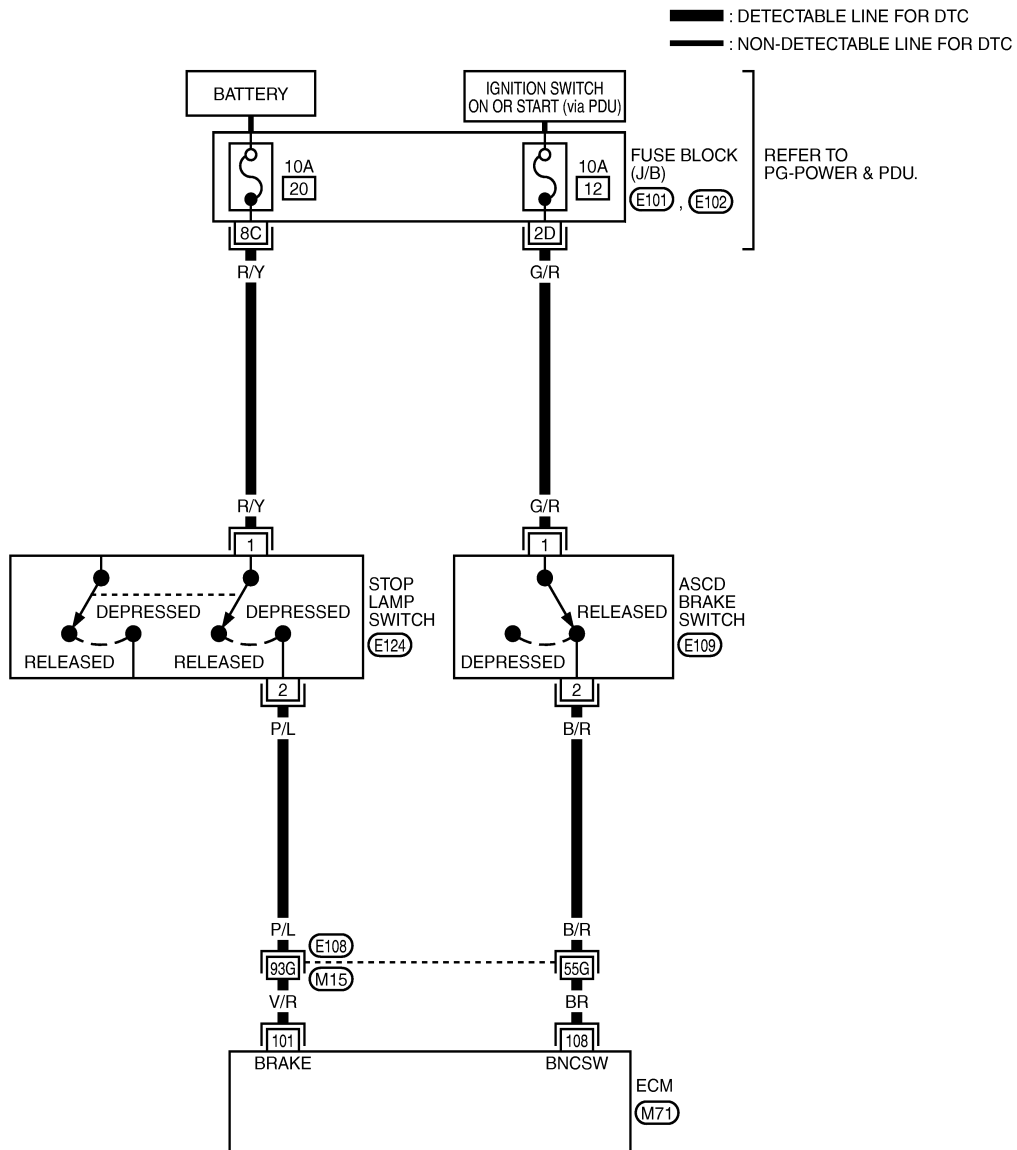
< SERVICE INFORMATION >

[VQ35DE]

INFOID:00000002954563

Wiring Diagram

EC-ASC/BS-01



REFER TO THE FOLLOWING.
 (E108) - SUPER MULTIPLE JUNCTION (SMJ)
 (E101), (E102) - FUSE BLOCK - JUNCTION BOX (J/B)

TBWT1966E

Specification data are reference values and are measured between each terminal and ground.

CAUTION:

Do not use ECM ground terminals when measuring input/output voltage. Doing so may result in damage to the ECM's transistor. Use a ground other than ECM terminals, such as the ground.

DTC P1572 ASCD BRAKE SWITCH

[VQ35DE]

< SERVICE INFORMATION >

TER-MI-NAL NO.	WIRE COLOR	ITEM	CONDITION	DATA (DC Voltage)
101	V/R	Stop lamp switch	[Ignition switch: OFF] • Brake pedal: Fully released	Approximately 0V
			[Ignition switch: OFF] • Brake pedal: Slightly depressed	BATTERY VOLTAGE (11 - 14V)
108	BR	ASCD brake switch	[Ignition switch: ON] • Brake pedal: Slightly depressed	Approximately 0V
			[Ignition switch: ON] • Brake pedal: Fully released	BATTERY VOLTAGE (11 - 14V)

Diagnosis Procedure

INFOID:000000002954564

1. CHECK OVERALL FUNCTION-I

④ With CONSULT-III

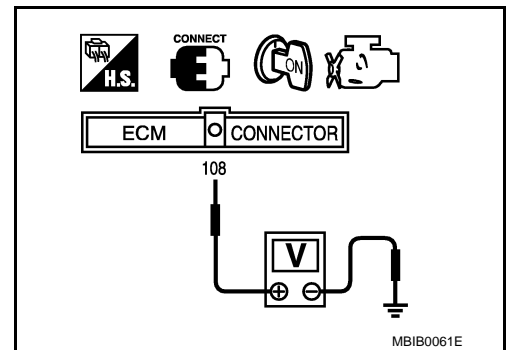
- Turn ignition switch ON.
- Select "BRAKE SW1" in "DATA MONITOR" mode with CONSULT-III.
- Check "BRAKE SW1" indication under the following conditions.

CONDITION	INDICATION
Brake pedal: Slightly depressed	OFF
Brake pedal: Fully released	ON

⊗ Without CONSULT-III

- Turn ignition switch ON.
- Check voltage between ECM terminal 108 and ground under the following conditions.

CONDITION	VOLTAGE
Brake pedal: Slightly depressed	Approximately 0V
Brake pedal: Fully released	Battery voltage



OK or NG

- OK >> GO TO 2.
NG >> GO TO 3.

2. CHECK OVERALL FUNCTION-II

④ With CONSULT-III

Check "BRAKE SW2" indication in "DATA MONITOR" mode.

CONDITION	INDICATION
Brake pedal: Fully released	OFF
Brake pedal: Slightly depressed	ON

⊗ Without CONSULT-III

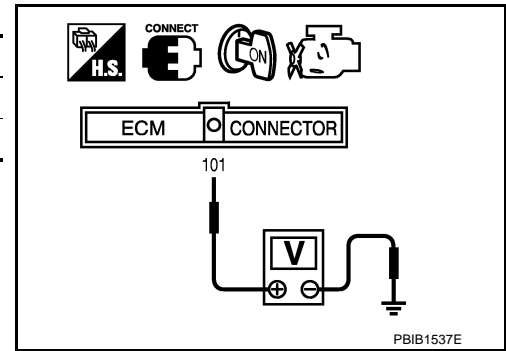
Check voltage between ECM terminal 101 and ground under the following conditions.

DTC P1572 ASCD BRAKE SWITCH

[VQ35DE]

< SERVICE INFORMATION >

CONDITION	VOLTAGE
Brake pedal: Fully released	Approximately 0V
Brake pedal: Slightly depressed	Battery voltage



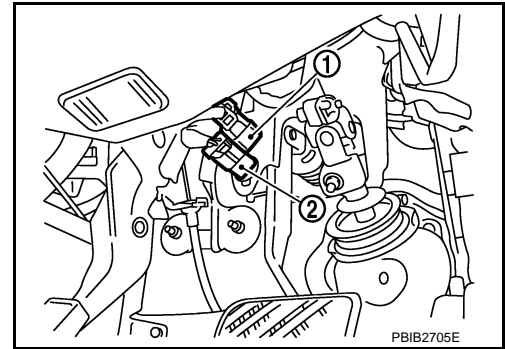
OK or NG

OK >> GO TO 13.

NG >> GO TO 8.

3. CHECK ASCD BRAKE SWITCH POWER SUPPLY CIRCUIT

1. Turn ignition switch OFF.
2. Disconnect ASCD brake switch (2) harness connector.
 - Stop lamp switch (1)
3. Turn ignition switch ON.



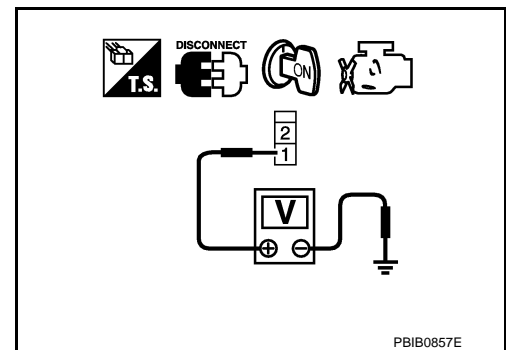
4. Check voltage between ASCD brake switch terminal 1 and ground with CONSULT-III or tester.

Voltage: Battery voltage

OK or NG

OK >> GO TO 5.

NG >> GO TO 4.



4. DETECT MALFUNCTIONING PART

Check the following.

- Fuse block (J/B) connector E102
- 10A fuse
- Harness for open or short between ASCD brake switch and fuse

>> Repair open circuit or short to ground or short to power in harness or connectors.

5. CHECK ASCD BRAKE SWITCH INPUT SIGNAL CIRCUIT FOR OPEN AND SHORT

1. Turn ignition switch OFF.
2. Disconnect ECM harness connector.
3. Check harness continuity between ECM terminal 108 and ASCD brake switch terminal 2. Refer to Wiring Diagram.

Continuity should exist.

4. Also check harness for short to ground and short to power.

DTC P1572 ASCD BRAKE SWITCH

[VQ35DE]

< SERVICE INFORMATION >

OK or NG

- OK >> GO TO 7.
- NG >> GO TO 6.

6. DETECT MALFUNCTIONING PART

Check the following.

- Harness connectors E108, M15
- Harness for open or short between ECM and ASCD brake switch

>> Repair open circuit or short to ground or short to power in harness or connectors.

7. CHECK ASCD BRAKE SWITCH

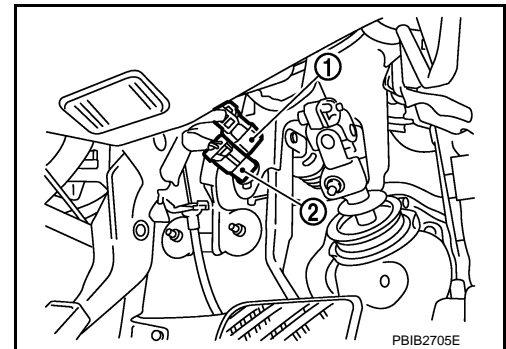
Refer to [EC-521, "Component Inspection"](#)

OK or NG

- OK >> GO TO 13.
- NG >> Replace ASCD brake switch.

8. CHECK STOP LAMP SWITCH POWER SUPPLY CIRCUIT

1. Turn ignition switch OFF.
2. Disconnect stop lamp switch (1) harness connector.
 - ASCD brake switch (2)

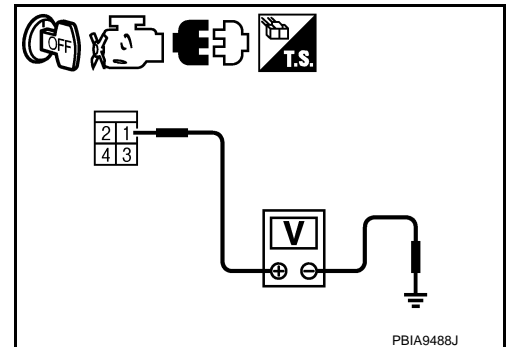


3. Check voltage between stop lamp switch terminal 1 and ground with CONSULT-III or tester.

Voltage: Battery voltage

OK or NG

- OK >> GO TO 10.
- NG >> GO TO 9.



9. DETECT MALFUNCTIONING PART

Check the following.

- Fuse block (J/B) connector E101
- 10A fuse
- Harness for open or short between stop lamp switch and battery

>> Repair open circuit or short to ground or short to power in harness or connectors.

10. CHECK STOP LAMP SWITCH INPUT SIGNAL CIRCUIT FOR OPEN AND SHORT

1. Disconnect ECM harness connector.
2. Check harness continuity between ECM terminal 101 and stop lamp switch terminal 2. Refer to Wiring Diagram.

Continuity should exist.

3. Also check harness for short to ground and short to power.

DTC P1572 ASCD BRAKE SWITCH

[VQ35DE]

< SERVICE INFORMATION >

OK or NG

- OK >> GO TO 12.
- NG >> GO TO 11.

11. DETECT MALFUNCTIONING PART

Check the following.

- Harness connectors E108, M15
- Harness for open or short between ECM and stop lamp switch

>> Repair open circuit or short to ground or short to power in harness or connectors.

12. CHECK STOP LAMP SWITCH

Refer to [EC-521, "Component Inspection"](#)

OK or NG

- OK >> GO TO 13.
- NG >> Replace stop lamp switch.

13. CHECK INTERMITTENT INCIDENT

Refer to [EC-140](#).

>> **INSPECTION END**

Component Inspection

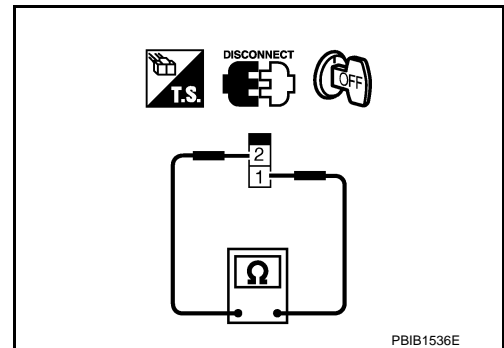
INFOID:000000002954565

ASC D BRAKE SWITCH

1. Turn ignition switch OFF.
2. Disconnect ASCD brake switch harness connector.
3. Check harness continuity between ASCD brake switch terminals 1 and 2 under the following conditions.

Condition	Continuity
Brake pedal: Fully released.	Should exist.
Brake pedal: Slightly depressed.	Should not exist.

4. If NG, adjust ASCD brake switch installation, refer to [BR-6](#), and perform step 3 again.

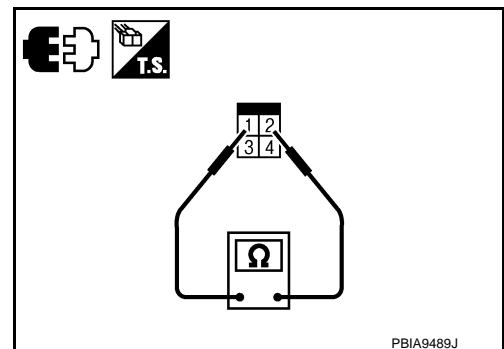


STOP LAMP SWITCH

1. Turn ignition switch OFF.
2. Disconnect stop lamp switch harness connector.
3. Check harness continuity between stop lamp switch terminals 1 and 2 under the following conditions.

Condition	Continuity
Brake pedal: Fully released.	Should not exist.
Brake pedal: Slightly depressed.	Should exist.

4. If NG, adjust stop lamp switch installation, refer to [BR-6](#), and perform step 3 again.



DTC P1574 ICC VEHICLE SPEED SENSOR

< SERVICE INFORMATION >

[VQ35DE]

DTC P1574 ICC VEHICLE SPEED SENSOR

Component Description

INFOID:000000002954566

The ECM receives two vehicle speed signals via CAN communication line. One is sent from “unified meter and A/C amp.”, and the other is from TCM (Transmission control module). The ECM uses these signals for ICC control. Refer to [ACS-9](#) for ICC functions.

On Board Diagnosis Logic

INFOID:000000002954567

This self-diagnosis has the one trip detection logic.

The MIL will not light up for this diagnosis.

NOTE:

- If DTC P1574 is displayed with DTC U1000, U1001, first perform the trouble diagnosis for DTC U1000, U1001. Refer to [EC-147](#).
- If DTC P1574 is displayed with DTC U1010, first perform the trouble diagnosis for DTC U1010. Refer to [EC-149](#).
- If DTC P1574 is displayed with DTC P0500, first perform the trouble diagnosis for DTC P0500. Refer to [EC-419](#).
- If DTC P1574 is displayed with DTC P0605, first perform the trouble diagnosis for DTC P0605. Refer to [EC-434](#).

DTC No.	Trouble diagnosis name	DTC detecting condition	Possible cause
P1574 1574	ICC vehicle speed sensor	ECM detects a difference between two vehicle speed signals is out of the specified range.	<ul style="list-style-type: none">• Harness or connectors (The CAN communication line is open or shorted.)• Unified meter and A/C amp.• ABS actuator and electric unit (control unit)• Wheel sensor• TCM• ECM

DTC Confirmation Procedure

INFOID:000000002954568

CAUTION:

Always drive vehicle at a safe speed.

NOTE:

If DTC Confirmation Procedure has been previously conducted, always turn ignition switch OFF and wait at least 10 seconds before conducting the next test.

TESTING CONDITION:

Step 3 may be conducted with the drive wheels lifted in the shop or by driving the vehicle. If a road test is expected to be easier, it is unnecessary to lift the vehicle.

1. Start engine (VDC switch OFF).
2. Drive the vehicle at more than 40 km/h (25MPH).
3. Check DTC.
4. If DTC is detected, go to [EC-522, "Diagnosis Procedure"](#).

Diagnosis Procedure

INFOID:000000002954569

1.CHECK DTC WITH TCM

Check DTC with TCM. Refer to [AT-40](#).

OK or NG

- OK >> GO TO 2.
- NG >> Perform trouble shooting relevant to DTC indicated.

2.CHECK DTC WITH “ABS ACTUATOR AND ELECTRIC UNIT (CONTROL UNIT)”

Refer to [BRC-12](#).

OK or NG

DTC P1574 ICC VEHICLE SPEED SENSOR

[VQ35DE]

< SERVICE INFORMATION >

- OK >> GO TO 3.
- NG >> Repair or replace.

A

3.CHECK DTC WITH "UNIFIED METER AND A/C AMP."

Check combination meter function.
Refer to [DI-26](#).

EC

>> INSPECTION END

C

D

E

F

G

H

I

J

K

L

M

N

O

P

DTC P1574 ASCD VEHICLE SPEED SENSOR

< SERVICE INFORMATION >

[VQ35DE]

DTC P1574 ASCD VEHICLE SPEED SENSOR

Component Description

INFOID:000000002954570

The ECM receives two vehicle speed sensor signals via CAN communication line. One is sent from “unified meter and A/C amp.”, and the other is from TCM (Transmission control module). The ECM uses these signals for ASCD control. Refer to [EC-37](#) for ASCD functions.

On Board Diagnosis Logic

INFOID:000000002954571

This self-diagnosis has the one trip detection logic.

The MIL will not light up for this diagnosis.

NOTE:

- If DTC P1574 is displayed with DTC U1000, U1001, first perform the trouble diagnosis for DTC U1000, U1001. Refer to [EC-147](#).
- If DTC P1574 is displayed with DTC U1010, first perform the trouble diagnosis for DTC U1010. Refer to [EC-149](#).
- If DTC P1574 is displayed with DTC P0500, first perform the trouble diagnosis for DTC P0500. Refer to [EC-419](#).
- If DTC P1574 is displayed with DTC P0605, first perform the trouble diagnosis for DTC P0605. Refer to [EC-434](#).

DTC No.	Trouble diagnosis name	DTC detecting condition	Possible cause
P1574 1574	ASCD vehicle speed sensor	ECM detects a difference between two vehicle speed signals is out of the specified range.	<ul style="list-style-type: none">• Harness or connectors (The CAN communication line is open or shorted.)• Unified meter and A/C amp.• ABS actuator and electric unit (control unit)• Wheel sensor• TCM• ECM

DTC Confirmation Procedure

INFOID:000000002954572

CAUTION:

Always drive vehicle at a safe speed.

NOTE:

If DTC Confirmation Procedure has been previously conducted, always turn ignition switch OFF and wait at least 10 seconds before conducting the next test.

TESTING CONDITION:

Step 3 may be conducted with the drive wheels lifted in the shop or by driving the vehicle. If a road test is expected to be easier, it is unnecessary to lift the vehicle.

1. Start engine (VDC switch OFF).
2. Drive the vehicle at more than 40 km/h (25 MPH).
3. Check DTC.
4. If DTC is detected, go to [EC-524, "Diagnosis Procedure"](#).

Diagnosis Procedure

INFOID:000000002954573

1. CHECK DTC WITH TCM

Check DTC with TCM. Refer to [AT-40](#).

OK or NG

- OK >> GO TO 2.
- NG >> Perform trouble shooting relevant to DTC indicated.

2. CHECK DTC WITH “ABS ACTUATOR AND ELECTRIC UNIT (CONTROL UNIT)”

Refer to [BRC-12](#).

OK or NG

DTC P1574 ASCD VEHICLE SPEED SENSOR

[VQ35DE]

< SERVICE INFORMATION >

- OK >> GO TO 3.
- NG >> Repair or replace.

3.CHECK DTC WITH "UNIFIED METER AND A/C AMP."

Refer to [DI-26](#).

>> **INSPECTION END**

A

EC

C

D

E

F

G

H

I

J

K

L

M

N

O

P

DTC P1715 INPUT SPEED SENSOR

[VQ35DE]

< SERVICE INFORMATION >

DTC P1715 INPUT SPEED SENSOR

Description

INFOID:000000002954574

ECM receives input speed sensor signal from TCM through CAN communication line. ECM uses this signal for engine control.

CONSULT-III Reference Value in Data Monitor Mode

INFOID:000000002954575

Specification data are reference values.

MONITOR ITEM	CONDITION	SPECIFICATION
I/P PULLY SPD	• Vehicle speed: More than 20 km/h (12MPH)	Almost the same speed as the tachometer indication

On Board Diagnosis Logic

INFOID:000000002954576

NOTE:

- If DTC P1715 is displayed with DTC U1000, U1001 first perform the trouble diagnosis for DTC U1000, U1001. Refer to [EC-147](#).
- If DTC P1715 is displayed with DTC U1010, first perform the trouble diagnosis for DTC U1010. Refer to [EC-149](#).
- If DTC P1715 is displayed with DTC P0605, first perform the trouble diagnosis for DTC P0605. Refer to [EC-434](#).
- If DTC P1715 is displayed with DTC P0335, first perform the trouble diagnosis for DTC P0335. Refer to [EC-330](#).
- If DTC P1715 is displayed with DTC P0340, P0345 first perform the trouble diagnosis for DTC P0340, P0345. Refer to [EC-335](#).

The MIL will not lights up for this diagnosis.

DTC No.	Trouble diagnosis name	DTC detecting condition	Possible cause
P1715 1715	Input speed sensor (TCM output)	Input speed sensor signal is different from the theoretical value calculated by ECM from revolution sensor signal and engine rpm signal.	<ul style="list-style-type: none">• Harness or connectors (The CAN communication line is open or shorted)• Harness or connectors (Input speed sensor circuit is open or shorted)• TCM

Diagnosis Procedure

INFOID:000000002954577

1.CHECK DTC WITH TCM

Check DTC with TCM. Refer to [AT-40](#).

OK or NG

OK >> GO TO 2.

NG >> Perform trouble shooting relevant to DTC indicated.

2.REPLACE TCM

Replace TCM. Refer to [AT-43](#).

>> INSPECTION END

DTC P1805 BRAKE SWITCH

< SERVICE INFORMATION >

[VQ35DE]

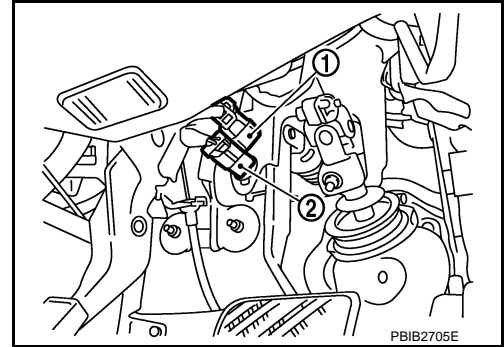
DTC P1805 BRAKE SWITCH

Component Description

INFOID:000000002954578

Brake switch signal is applied to the ECM through the stop lamp switch (1) when the brake pedal is depressed. This signal is used mainly to decrease the engine speed when the vehicle is driving.

- ICC brake switch (models with ICC) (2)
- ASCD brake switch (models with ASCD) (2)



CONSULT-III Reference Value in Data Monitor Mode

INFOID:000000002954579

Specification data are reference values.

MONITOR ITEM	CONDITION		SPECIFICATION
BRAKE SW	• Ignition switch: ON	Brake pedal: Fully released	OFF
		Brake pedal: Slightly depressed	ON

On Board Diagnosis Logic

INFOID:000000002954580

The MIL will not light up for this diagnosis.

DTC No.	Trouble diagnosis name	DTC detecting condition	Possible cause
P1805 1805	Brake switch	A brake switch signal is not sent to ECM for extremely long time while the vehicle is driving.	<ul style="list-style-type: none"> • Harness or connectors (Stop lamp switch circuit is open or shorted.) • Stop lamp switch

FAIL-SAFE MODE

When the malfunction is detected, ECM enters fail-safe mode.

Engine operating condition in fail-safe mode	
ECM controls the electric throttle control actuator by regulating the throttle opening to a small range. Therefore, acceleration will be poor.	
Vehicle condition	Driving condition
When engine is idling	Normal
When accelerating	Poor acceleration

DTC Confirmation Procedure

INFOID:000000002954581

1. Turn ignition switch ON.
2. Fully depress the brake pedal for at least 5 seconds.
3. Erase the DTC.
4. Check 1st trip DTC.
5. If 1st trip DTC is detected, go to [EC-529, "Diagnosis Procedure"](#).

DTC P1805 BRAKE SWITCH

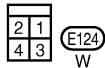
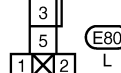
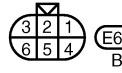
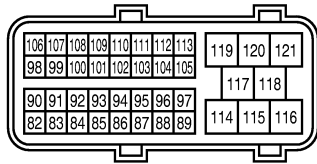
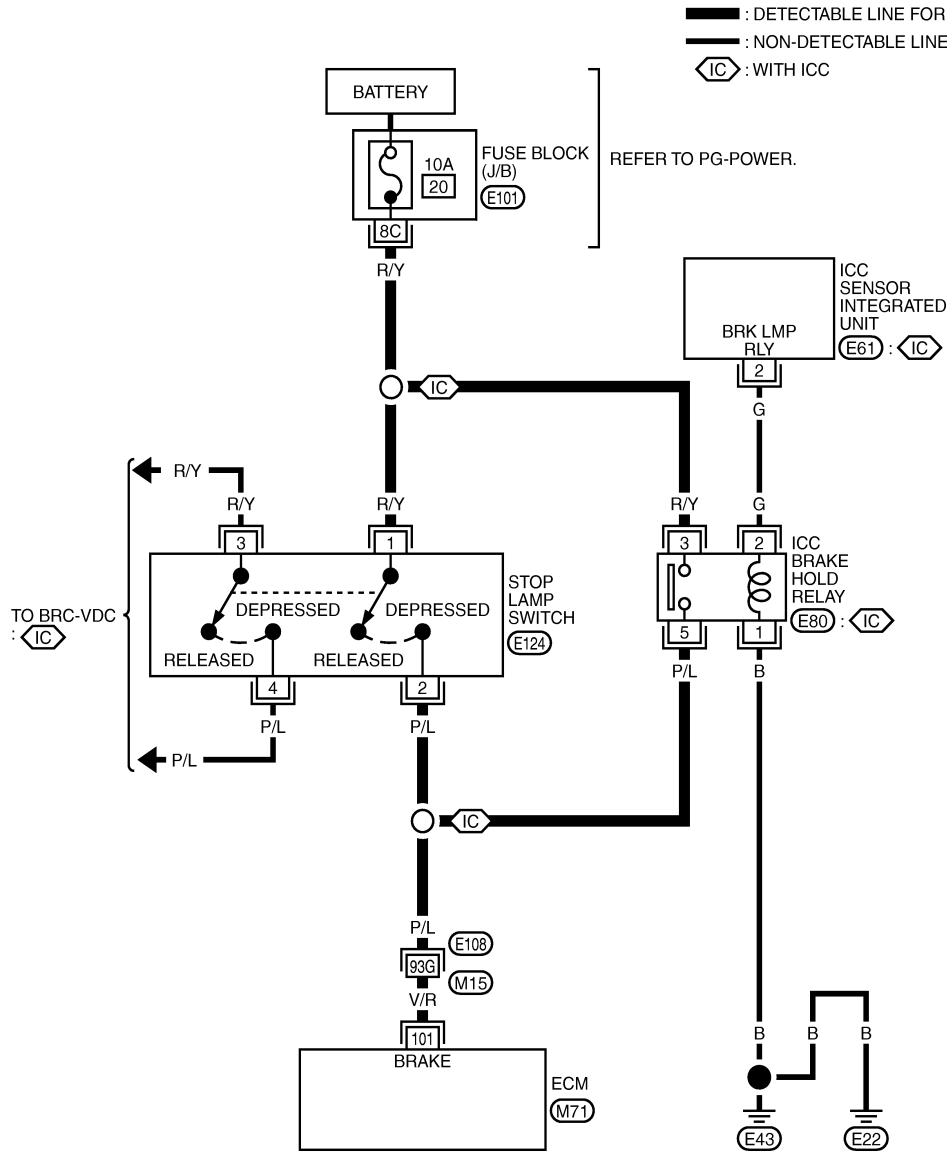
< SERVICE INFORMATION >

[VQ35DE]

Wiring Diagram

INFOID:00000002954582

EC-BRK/SW-01



REFER TO THE FOLLOWING.

- (E108) - SUPER MULTIPLE JUNCTION (SMJ)
- (E101) - FUSE BLOCK - JUNCTION BOX (J/B)

TBWT1967E

Specification data are reference values and are measured between each terminal and ground.

CAUTION:

Do not use ECM ground terminals when measuring input/output voltage. Doing so may result in damage to the ECM's transistor. Use a ground other than ECM terminals, such as the ground.

DTC P1805 BRAKE SWITCH

[VQ35DE]

< SERVICE INFORMATION >

TER-MI-NAL NO.	WIRE COLOR	ITEM	CONDITION	DATA (DC Voltage)
101	V/R	Stop lamp switch	[Ignition switch: OFF] • Brake pedal: Fully released	Approximately 0V
			[Ignition switch: OFF] • Brake pedal: Slightly depressed	BATTERY VOLTAGE (11 - 14V)

Diagnosis Procedure

INFOID:000000002954583

ICC MODELS

1. CHECK DTC WITH ICC SENSOR INTEGRATED UNIT

Refer to [ACS-40](#).

OK or NG

- OK >> GO TO 2.
- NG >> Repair or replace.

2. CHECK STOP LAMP SWITCH CIRCUIT

1. Turn ignition switch OFF.
2. Check the stop lamp when depressing and releasing the brake pedal.

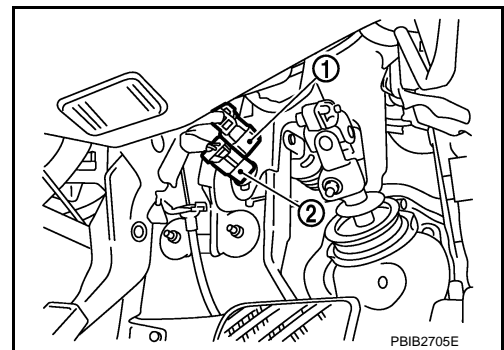
Brake pedal	Stop lamp
Fully released	Not illuminated
Slightly depressed	Illuminated

OK or NG

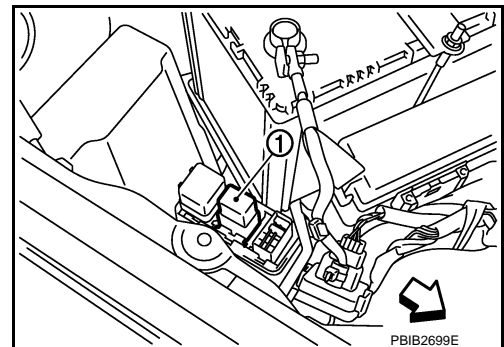
- OK >> GO TO 5.
- NG >> GO TO 3.

3. CHECK STOP LAMP SWITCH POWER SUPPLY CIRCUIT

1. Disconnect stop lamp switch (1) harness connector.
- ICC brake switch (2)



2. Disconnect ICC brake hold relay (1) harness connector.
- ⇐: Vehicle front



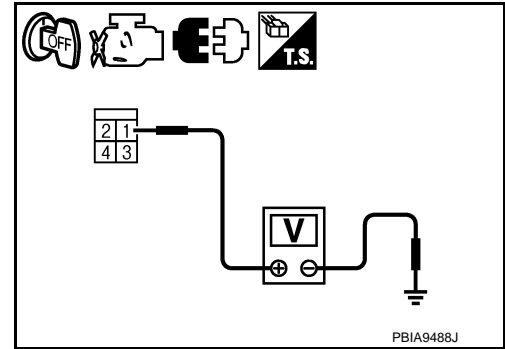
DTC P1805 BRAKE SWITCH

[VQ35DE]

< SERVICE INFORMATION >

3. Check voltage between stop lamp switch terminal 1 and ground with CONSULT-III or tester.

Voltage: Battery voltage

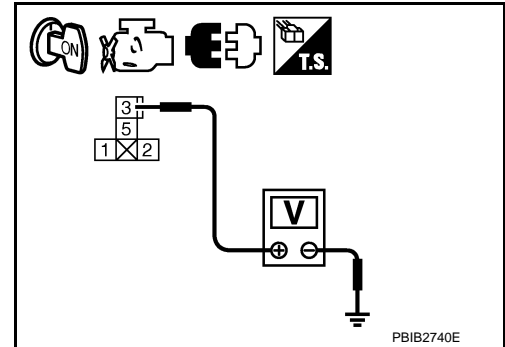


4. Check voltage between ICC brake hold relay terminal 3 and ground with CONSULT-III or tester.

Voltage: Battery voltage

OK or NG

- OK >> GO TO 5.
- NG >> GO TO 4.



4. DETECT MALFUNCTIONING PART

Check the following.

- Fuse block (J/B) connector E101
- 10A fuse
- Harness for open or short between battery and stop lamp switch
- Harness for open or short between battery and ICC brake hold relay

>> Repair open circuit or short to ground or short to power in harness or connectors.

5. CHECK STOP LAMP SWITCH INPUT SIGNAL CIRCUIT FOR OPEN AND SHORT

1. Disconnect ECM harness connector.
2. Check harness continuity between the following;
ECM terminal 101 and stop lamp switch terminal 2,
ECM terminal 101 and ICC brake hold relay terminal 5.
Refer to Wiring Diagram.

Continuity should exist.

3. Also check harness for short to ground and short to power.

OK or NG

- OK >> GO TO 7.
- NG >> GO TO 6.

6. DETECT MALFUNCTIONING PART

Check the following.

- Harness connectors E108, M15
- Harness for open or short between ECM and stop lamp switch
- Harness for open or short between ECM and ICC brake hold relay

>> Repair open circuit or short to ground or short to power in harness or connectors.

7. CHECK STOP LAMP SWITCH

Refer to [EC-532, "Component Inspection"](#).

OK or NG

- OK >> GO TO 8.

DTC P1805 BRAKE SWITCH

[VQ35DE]

< SERVICE INFORMATION >

NG >> Replace stop lamp switch.

8.CHECK ICC BRAKE HOLD RELAY

Refer to [EC-514, "Component Inspection"](#).

OK >> GO TO 9.

NG >> Replace ICC brake hold relay.

9.CHECK INTERMITTENT INCIDENT

Refer to [EC-140](#).

>> **INSPECTION END**

ASCEND MODELS

1.CHECK STOP LAMP SWITCH CIRCUIT

1. Turn ignition switch OFF.
2. Check the stop lamp when depressing and releasing the brake pedal.

Brake pedal	Stop lamp
Fully released	Not illuminated
Slightly depressed	Illuminated

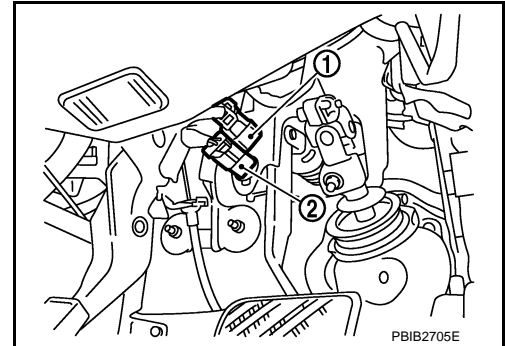
OK or NG

OK >> GO TO 4.

NG >> GO TO 2.

2.CHECK STOP LAMP SWITCH POWER SUPPLY CIRCUIT

1. Disconnect stop lamp switch (1) harness connector.
- ASCD brake switch (2)



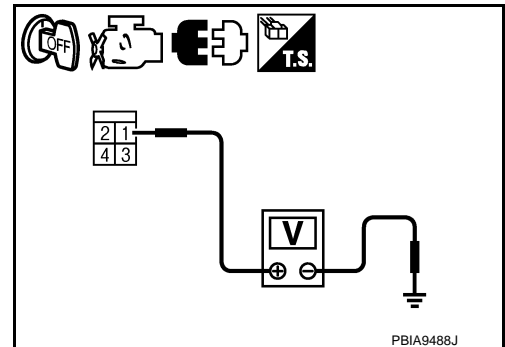
2. Check voltage between stop lamp switch terminal 1 and ground with CONSULT-III or tester.

Voltage: Battery voltage

OK or NG

OK >> GO TO 4.

NG >> GO TO 3.



3.DETECT MALFUNCTIONING PART

Check the following.

- Fuse block (J/B) connector E101
- 10A fuse
- Harness for open or short between stop lamp switch and battery

DTC P1805 BRAKE SWITCH

[VQ35DE]

< SERVICE INFORMATION >

>> Repair open circuit or short to ground or short to power in harness or connectors.

4. CHECK STOP LAMP SWITCH INPUT SIGNAL CIRCUIT FOR OPEN AND SHORT

1. Disconnect ECM harness connector.
2. Check harness continuity between ECM terminal 101 and stop lamp switch terminal 2.
Refer to Wiring Diagram.

Continuity should exist.

3. Also check harness for short to ground and short to power.

OK or NG

OK >> GO TO 6.

NG >> GO TO 5.

5. DETECT MALFUNCTIONING PART

Check the following.

- Harness connectors E108, M15
- Harness for open or short between ECM and stop lamp switch

>> Repair open circuit or short to ground or short to power in harness or connectors.

6. CHECK STOP LAMP SWITCH

Refer to [EC-532, "Component Inspection"](#).

OK or NG

OK >> GO TO 7.

NG >> Replace stop lamp switch.

7. CHECK INTERMITTENT INCIDENT

Refer to [EC-140](#).

>> **INSPECTION END**

Component Inspection

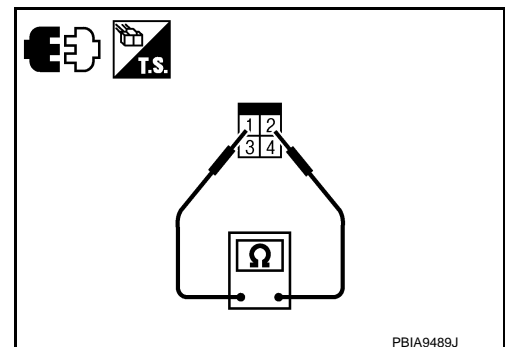
INFOID:000000002954584

STOP LAMP SWITCH

1. Turn ignition switch OFF.
2. Disconnect stop lamp switch harness connector.
3. Check harness continuity between stop lamp switch terminals 1 and 2 under the following conditions.

Condition	Continuity
When brake pedal: Fully released.	Should not exist.
When brake pedal: Slightly depressed.	Should exist.

4. If NG, adjust stop lamp switch installation, refer to [BR-6](#), and perform step 3 again.



ICC BRAKE HOLD RELAY

DTC P1805 BRAKE SWITCH

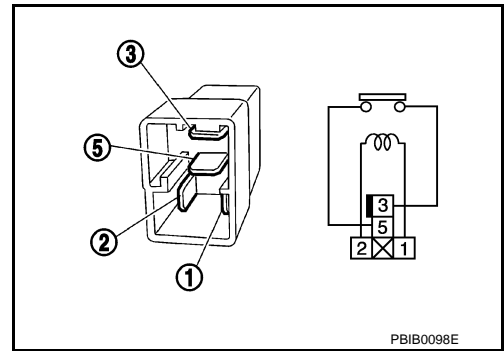
[VQ35DE]

< SERVICE INFORMATION >

1. Check continuity between ICC brake hold relay terminals 3 and 5 under the following conditions.

Condition	Continuity
12V direct current supply between terminals 1 and 2	Should not exist
No current supply	Should exist

2. If NG, replace ICC brake hold relay.



A

EC

C

D

E

F

G

H

I

J

K

L

M

N

O

P

DTC P2100, P2103 THROTTLE CONTROL MOTOR RELAY

< SERVICE INFORMATION >

[VQ35DE]

DTC P2100, P2103 THROTTLE CONTROL MOTOR RELAY

Component Description

INFOID:000000002954585

Power supply for the throttle control motor is provided to the ECM via throttle control motor relay. The throttle control motor relay is ON/OFF controlled by the ECM. When the ignition switch is turned ON, the ECM sends an ON signal to throttle control motor relay and battery voltage is provided to the ECM. When the ignition switch is turned OFF, the ECM sends an OFF signal to throttle control motor relay and battery voltage is not provided to the ECM.

CONSULT-III Reference Value in Data Monitor Mode

INFOID:000000002954586

Specification data are reference values.

MONITOR ITEM	CONDITION	SPECIFICATION
THRTL RELAY	• Ignition switch: ON	ON

On Board Diagnosis Logic

INFOID:000000002954587

These self-diagnoses have the one trip detection logic.

DTC No.	Trouble diagnosis name	DTC detecting condition	Possible cause
P2100 2100	Throttle control motor relay circuit open	ECM detects a voltage of power source for throttle control motor is excessively low.	<ul style="list-style-type: none">• Harness or connectors (Throttle control motor relay circuit is open)• Throttle control motor relay
P2103 2103	Throttle control motor relay circuit short	ECM detect the throttle control motor relay is stuck ON.	<ul style="list-style-type: none">• Harness or connectors (Throttle control motor relay circuit is shorted)• Throttle control motor relay

FAIL-SAFE MODE

When the malfunction is detected, ECM enters fail-safe mode and the MIL lights up.

Engine operating condition in fail-safe mode

ECM stops the electric throttle control actuator control, throttle valve is maintained at a fixed opening (approx. 5 degrees) by the return spring.

DTC Confirmation Procedure

INFOID:000000002954588

NOTE:

If DTC Confirmation Procedure has been previously conducted, always turn ignition switch OFF and wait at least 10 seconds before conducting the next test.

PROCEDURE FOR DTC P2100

1. Turn ignition switch ON and wait at least 2 seconds.
2. Start engine and let it idle for 5 seconds.
3. Check DTC.
4. If DTC is detected, go to [EC-536, "Diagnosis Procedure"](#).

PROCEDURE FOR DTC P2103

TESTING CONDITION:

Before performing the following procedure, confirm that battery voltage is more than 8V.

1. Turn ignition switch ON and wait at least 1 second.
2. Check DTC.
3. If DTC is detected, go to [EC-536, "Diagnosis Procedure"](#).

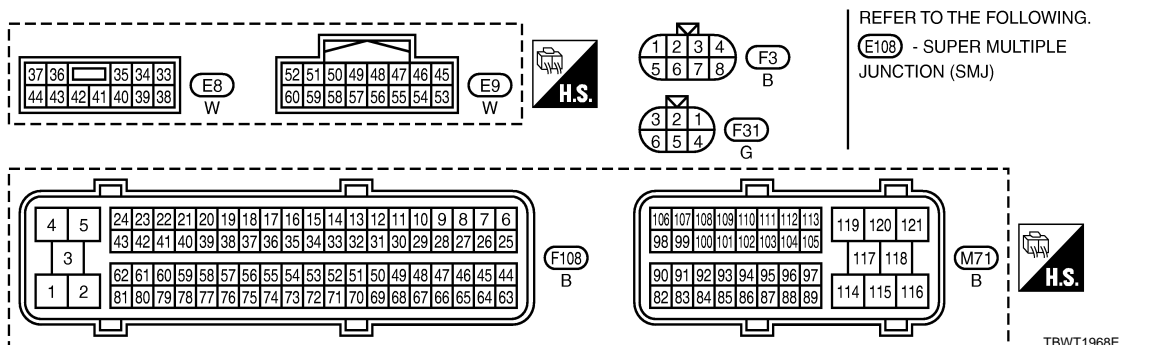
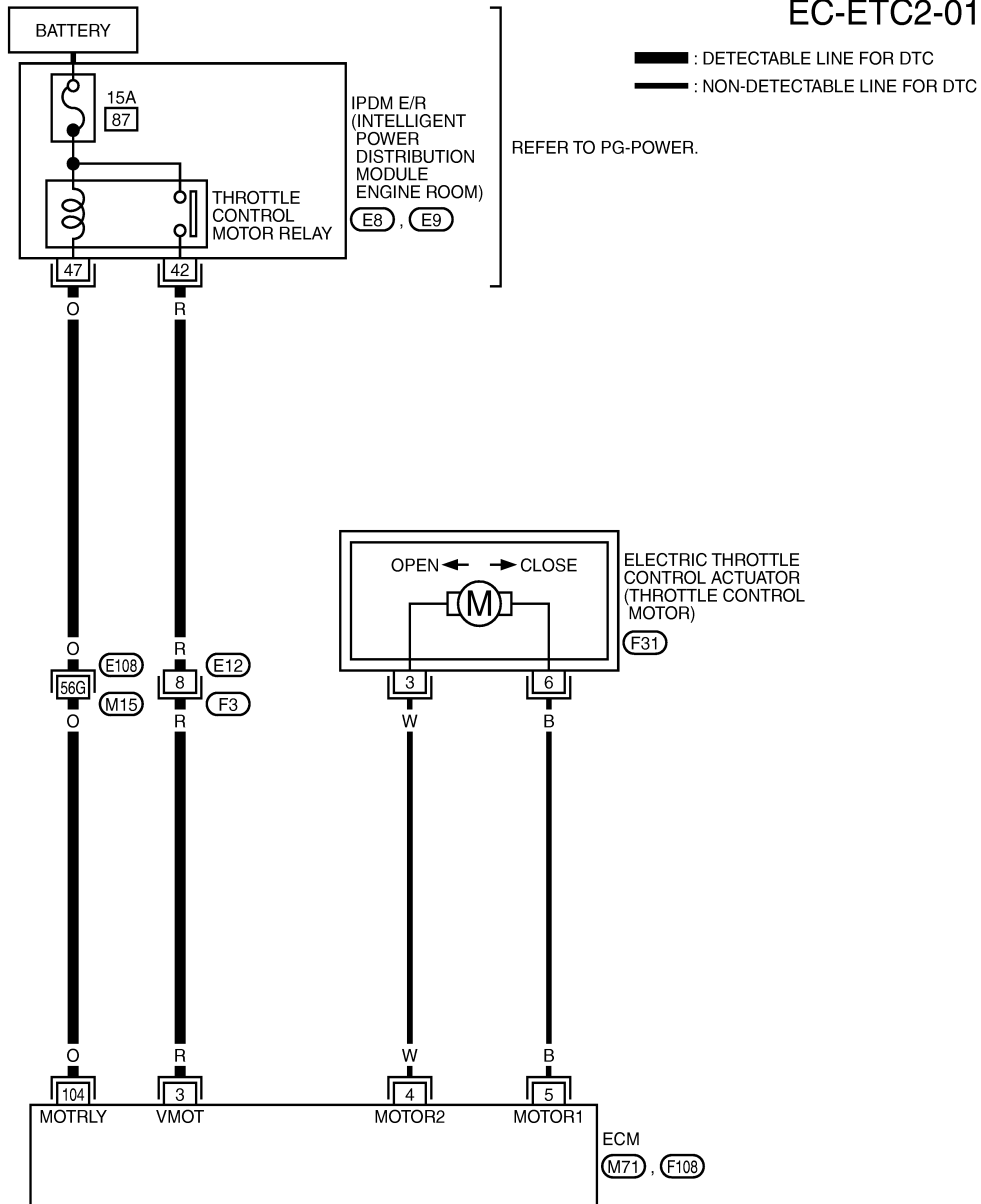
DTC P2100, P2103 THROTTLE CONTROL MOTOR RELAY

< SERVICE INFORMATION >

[VQ35DE]

INFOID:00000002954589

Wiring Diagram



Specification data are reference values and are measured between each terminal and ground. Pulse signal is measured by CONSULT-III.

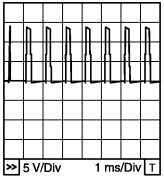
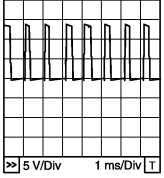
CAUTION:

DTC P2100, P2103 THROTTLE CONTROL MOTOR RELAY

< SERVICE INFORMATION >

[VQ35DE]

Do not use ECM ground terminals when measuring input/output voltage. Doing so may result in damage to the ECM's transistor. Use a ground other than ECM terminals, such as the ground.

TER-MI-NAL NO.	WIRE COLOR	ITEM	CONDITION	DATA (DC Voltage)
3	R	Throttle control motor relay power supply	[Ignition switch: ON]	BATTERY VOLTAGE (11 - 14V)
4	W	Throttle control motor (Close)	[Ignition switch: ON] • Engine stopped • Selector lever: D • Accelerator pedal: Fully released	0 - 14V★  PBIB1104E
5	B	Throttle control motor (Open)	[Ignition switch: ON] • Engine stopped • Selector lever: D • Accelerator pedal: Fully depressed	0 - 14V★  PBIB1105E
104	O	Throttle control motor relay	[Ignition switch: OFF]	BATTERY VOLTAGE (11 - 14V)
			[Ignition switch: ON]	0 - 1.0V

★: Average voltage for pulse signal (Actual pulse signal can be confirmed by oscilloscope.)

Diagnosis Procedure

INFOID:000000002954590

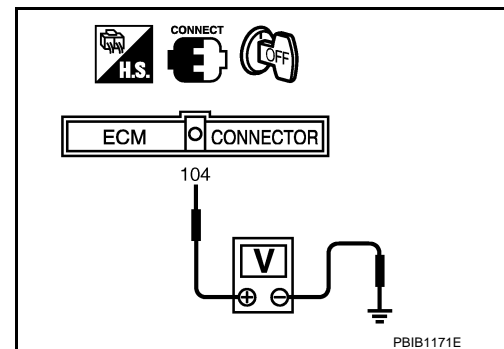
1. CHECK THROTTLE CONTROL MOTOR RELAY POWER SUPPLY CIRCUIT-I

- Turn ignition switch OFF.
- Check voltage between ECM terminal 104 and ground with CONSULT-III or tester.

Voltage: Battery voltage

OK or NG

- OK >> GO TO 5.
NG >> GO TO 2.



2. CHECK THROTTLE CONTROL MOTOR RELAY POWER SUPPLY CIRCUIT-II

- Disconnect ECM harness connector.
- Disconnect IPDM E/R harness connector E9.
- Check continuity between ECM terminal 104 and IPDM E/R terminal 47. Refer to Wiring Diagram.

Continuity should exist.

- Also check harness for short to ground and short to power.

OK or NG

- OK >> GO TO 4.
NG >> GO TO 3.

DTC P2100, P2103 THROTTLE CONTROL MOTOR RELAY

< SERVICE INFORMATION >

[VQ35DE]

3. DETECT MALFUNCTIONING PART

Check the following.

- Harness connectors E108, M15
- Harness for open or short between ECM and IPDM E/R

>> Repair open circuit or short to ground or short to power in harness or connectors.

4. CHECK FUSE

1. Disconnect 15A fuse.
2. Check 15A fuse for blown.

OK or NG

- OK >> GO TO 8.
- NG >> Replace 15A fuse.

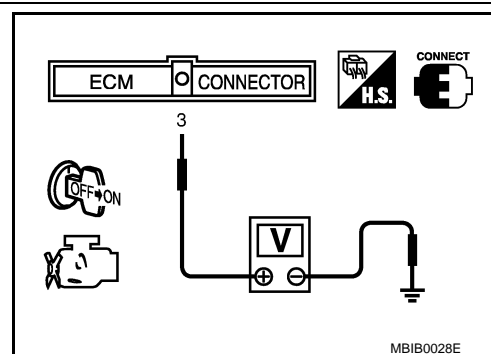
5. CHECK THROTTLE CONTROL MOTOR RELAY INPUT SIGNAL CIRCUIT-I

Check voltage between ECM terminal 3 and ground under the following conditions with CONSULT-III or tester.

Ignition switch	Voltage
OFF	Approximately 0V
ON	Battery voltage (11 - 14V)

OK or NG

- OK >> GO TO 8.
- NG >> GO TO 6.



6. CHECK THROTTLE CONTROL MOTOR RELAY INPUT SIGNAL CIRCUIT-II

1. Turn ignition switch OFF.
2. Disconnect ECM harness connector.
3. Disconnect IPDM E/R harness connector E8.
4. Check continuity between ECM terminal 3 and IPDM E/R terminal 42.
Refer to Wiring Diagram.

Continuity should exist.

5. Also check harness for short to ground and short to power.

OK or NG

- OK >> GO TO 8.
- NG >> GO TO 7.

7. DETECT MALFUNCTIONING PART

Check the following.

- Harness connectors E12, F3
- Harness for open or short between ECM and IPDM E/R

>> Repair open circuit or short to ground or short to power in harness or connectors.

8. CHECK INTERMITTENT INCIDENT

Refer to [EC-140](#).

OK or NG

- OK >> Replace IPDM E/R. Refer to [PG-19](#).
- NG >> Repair or replace harness or connectors.

DTC P2101 ELECTRIC THROTTLE CONTROL FUNCTION

< SERVICE INFORMATION >

[VQ35DE]

DTC P2101 ELECTRIC THROTTLE CONTROL FUNCTION

Description

INFOID:000000002954591

NOTE:

If DTC P2101 is displayed with DTC P2100 or P2119, first perform the trouble diagnosis for DTC P2100 or P2119. Refer to [EC-534](#) or [EC-548](#).

Electric throttle control actuator consists of throttle control motor, throttle position sensor, etc.

The throttle control motor is operated by the ECM and it opens and closes the throttle valve.

The current opening angle of the throttle valve is detected by the throttle position sensor and it provides feedback to the ECM to control the throttle control motor to make the throttle valve opening angle properly in response to driving condition.

On Board Diagnosis Logic

INFOID:000000002954592

This self-diagnosis has the one trip detection logic.

DTC No.	Trouble diagnosis name	DTC detecting condition	Possible cause
P2101 2101	Electric throttle control performance	Electric throttle control function does not operate properly.	<ul style="list-style-type: none">• Harness or connectors (Throttle control motor circuit is open or shorted)• Electric throttle control actuator

FAIL-SAFE MODE

When the malfunction is detected, ECM enters fail-safe mode and the MIL lights up.

Engine operating condition in fail-safe mode

ECM stops the electric throttle control actuator control, throttle valve is maintained at a fixed opening (approx. 5 degrees) by the return spring.

DTC Confirmation Procedure

INFOID:000000002954593

NOTE:

If DTC Confirmation Procedure has been previously conducted, always turn ignition switch OFF and wait at least 10 seconds before conducting the next test.

TESTING CONDITION:

Before performing the following procedure, confirm that battery voltage is more than 11V when engine is running.

1. Turn ignition switch ON and wait at least 2 seconds.
2. Start engine and let it idle for 5 seconds.
3. Check DTC.
4. If DTC is detected, go to [EC-540, "Diagnosis Procedure"](#).

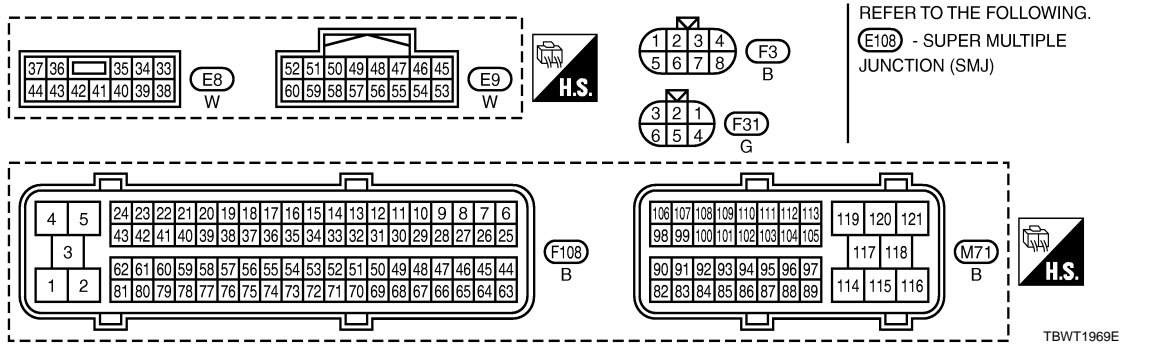
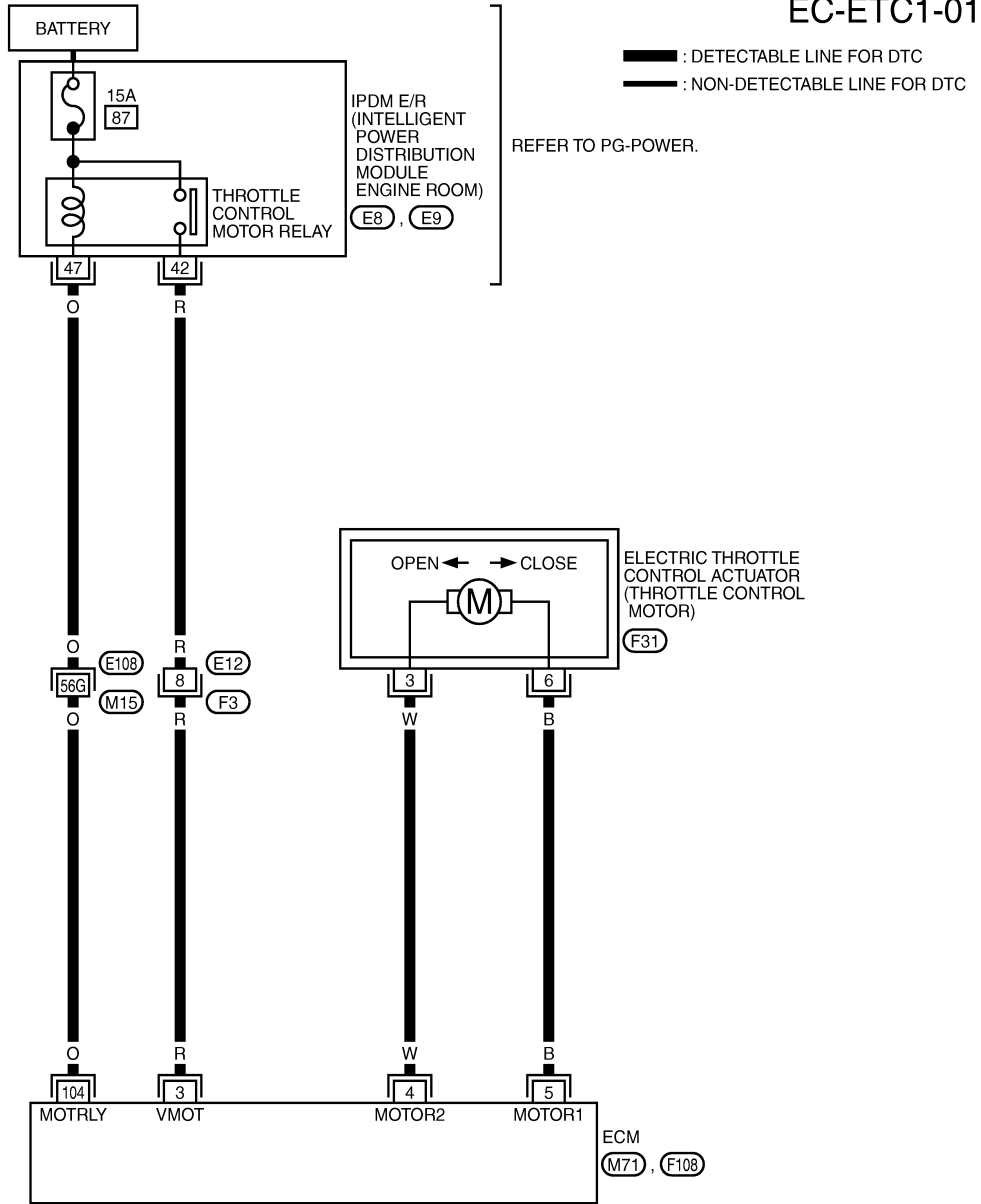
DTC P2101 ELECTRIC THROTTLE CONTROL FUNCTION

< SERVICE INFORMATION >

[VQ35DE]

INFOID:00000002954594

Wiring Diagram



Specification data are reference values and are measured between each terminal and ground. Pulse signal is measured by CONSULT-III.

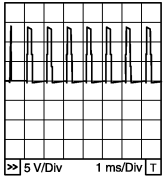
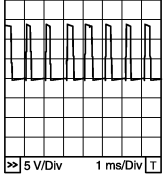
CAUTION:

DTC P2101 ELECTRIC THROTTLE CONTROL FUNCTION

< SERVICE INFORMATION >

[VQ35DE]

Do not use ECM ground terminals when measuring input/output voltage. Doing so may result in damage to the ECM's transistor. Use a ground other than ECM terminals, such as the ground.

TER-MI-NAL NO.	WIRE COLOR	ITEM	CONDITION	DATA (DC Voltage)
3	R	Throttle control motor relay power supply	[Ignition switch: ON]	BATTERY VOLTAGE (11 - 14V)
4	W	Throttle control motor (Close)	[Ignition switch: ON] • Engine stopped • Selector lever: D • Accelerator pedal: Fully released	0 - 14V★  PBIB1104E
5	B	Throttle control motor (Open)	[Ignition switch: ON] • Engine stopped • Selector lever: D • Accelerator pedal: Fully depressed	0 - 14V★  PBIB1105E
104	O	Throttle control motor relay	[Ignition switch: OFF]	BATTERY VOLTAGE (11 - 14V)
			[Ignition switch: ON]	0 - 1.0V

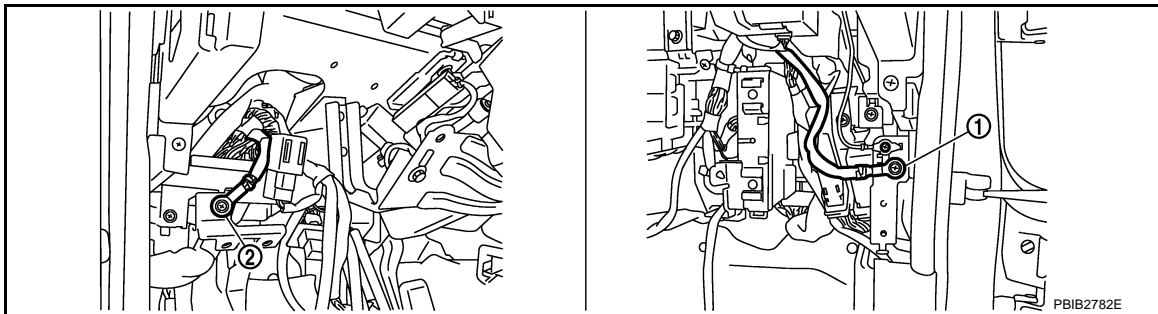
★: Average voltage for pulse signal (Actual pulse signal can be confirmed by oscilloscope.)

Diagnosis Procedure

INFOID:000000002954595

1. CHECK GROUND CONNECTIONS

1. Turn ignition switch OFF.
2. Loosen and retighten two ground screws on the body.
Refer to [EC-146. "Ground Inspection"](#).



1. Body ground M70

2. Body ground M16

OK or NG

OK >> GO TO 2.

NG >> Repair or replace ground connections.

2. CHECK THROTTLE CONTROL MOTOR RELAY INPUT SIGNAL CIRCUIT-I

DTC P2101 ELECTRIC THROTTLE CONTROL FUNCTION

[VQ35DE]

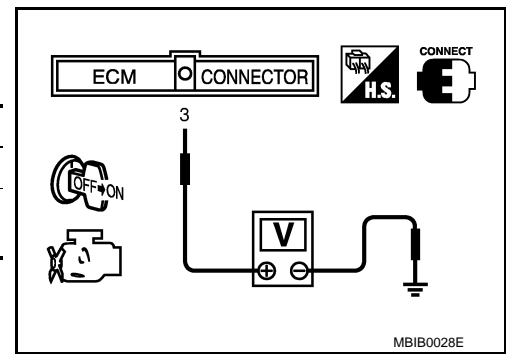
< SERVICE INFORMATION >

Check voltage between ECM terminal 3 and ground under the following conditions with CONSULT-III or tester.

Ignition switch	Voltage
OFF	Approximately 0V
ON	Battery voltage (11 - 14V)

OK or NG

- OK >> GO TO 10.
- NG >> GO TO 3.



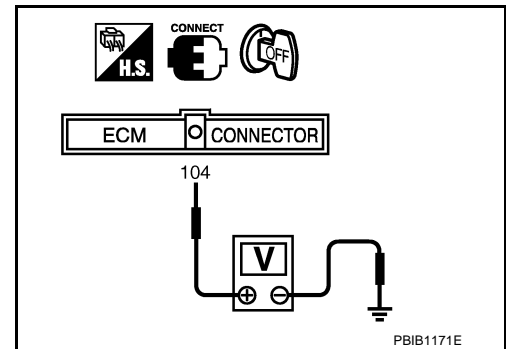
3.CHECK THROTTLE CONTROL MOTOR RELAY POWER SUPPLY CIRCUIT-I

1. Turn ignition switch OFF.
2. Check voltage between ECM terminal 104 and ground with CONSULT-III or tester.

Voltage: Battery voltage

OK or NG

- OK >> GO TO 7.
- NG >> GO TO 4.



4.CHECK THROTTLE CONTROL MOTOR RELAY POWER SUPPLY CIRCUIT-II

1. Disconnect ECM harness connector.
2. Disconnect IPDM E/R harness connector E9.
3. Check harness continuity between ECM terminal 104 and IPDM E/R terminal 47. Refer to Wiring Diagram.

Continuity should exist.

4. Also check harness for short to ground and short to power.

OK or NG

- OK >> GO TO 6.
- NG >> GO TO 5.

5.DETECT MALFUNCTIONING PART

Check the following.

- Harness connectors E108, M15
- Harness for open or short between ECM and IPDM E/R

>> Repair open circuit or short to ground or short to power in harness or connectors.

6.CHECK FUSE

1. Disconnect 15A fuse.
2. Check 15A fuse for blown.

OK or NG

- OK >> GO TO 9.
- NG >> Replace 15A fuse.

7.CHECK THROTTLE CONTROL MOTOR RELAY INPUT SIGNAL CIRCUIT-II

1. Disconnect ECM harness connector.
2. Disconnect IPDM E/R harness connector E8.
3. Check harness continuity between ECM terminal 3 and IPDM E/R terminal 42. Refer to Wiring Diagram.

DTC P2101 ELECTRIC THROTTLE CONTROL FUNCTION

< SERVICE INFORMATION >

[VQ35DE]

Continuity should exist.

- Also check harness for short to ground and short to power.

OK or NG

- OK >> GO TO 9.
- NG >> GO TO 8.

8. DETECT MALFUNCTIONING PART

Check the following.

- Harness connectors E12, F3
- Harness for open or short between ECM and IPDM E/R

>> Repair open circuit or short to ground or short to power in harness or connectors.

9. CHECK INTERMITTENT INCIDENT

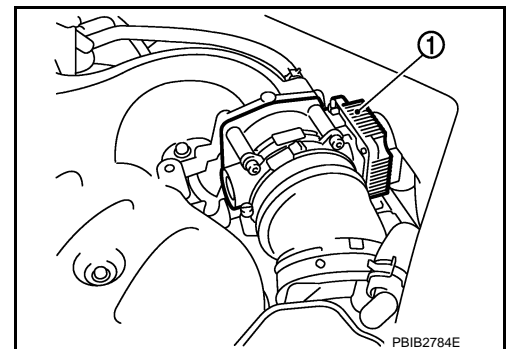
Refer to [EC-140](#).

OK or NG

- OK >> Replace IPDM E/R. Refer to [PG-19](#).
- NG >> Repair or replace harness or connectors.

10. CHECK THROTTLE CONTROL MOTOR OUTPUT SIGNAL CIRCUIT FOR OPEN OR SHORT

- Disconnect electric throttle control actuator (1) harness connector.
- Disconnect ECM harness connector.
- Check harness continuity between the following terminals. Refer to Wiring Diagram.



Electric throttle control actuator terminal	ECM terminal	Continuity
3	5	Should not exist
	4	Should exist
6	5	Should exist
	4	Should not exist

- Also check harness for short to ground and short to power.

OK or NG

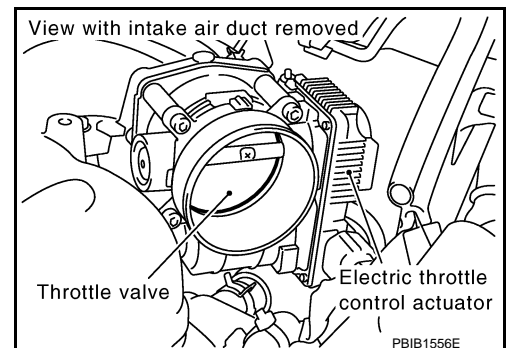
- OK >> GO TO 11.
- NG >> Repair or replace.

11. CHECK ELECTRIC THROTTLE CONTROL ACTUATOR VISUALLY

- Remove the intake air duct.
- Check if foreign matter is caught between the throttle valve and the housing.

OK or NG

- OK >> GO TO 12.
- NG >> Remove the foreign matter and clean the electric throttle control actuator inside.



12. CHECK THROTTLE CONTROL MOTOR

Refer to [EC-543, "Component Inspection"](#).

OK or NG

- OK >> GO TO 13.

DTC P2101 ELECTRIC THROTTLE CONTROL FUNCTION

[VQ35DE]

< SERVICE INFORMATION >

NG >> GO TO 14.

13. CHECK INTERMITTENT INCIDENT

Refer to [EC-140](#).

OK or NG

OK >> GO TO 14.

NG >> Repair or replace harness or connectors.

14. REPLACE ELECTRIC THROTTLE CONTROL ACTUATOR

1. Replace the electric throttle control actuator.
2. Perform [EC-82, "Throttle Valve Closed Position Learning"](#).
3. Perform [EC-82, "Idle Air Volume Learning"](#).

>> **INSPECTION END**

Component Inspection

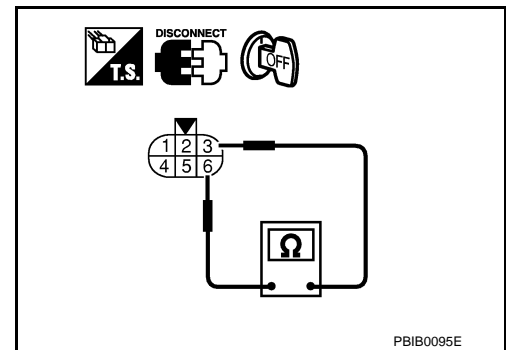
INFOID:000000002954596

THROTTLE CONTROL MOTOR

1. Disconnect electric throttle control actuator harness connector.
2. Check resistance between terminals 3 and 6.

Resistance: Approximately 1 - 15 Ω [at 25 °C (77°F)]

3. If NG, replace electric throttle control actuator and go to next step.
4. Perform [EC-82, "Throttle Valve Closed Position Learning"](#).
5. Perform [EC-82, "Idle Air Volume Learning"](#).



INFOID:000000002954597

Removal and Installation

ELECTRIC THROTTLE CONTROL ACTUATOR

Refer to [EM-20](#).

DTC P2118 THROTTLE CONTROL MOTOR

< SERVICE INFORMATION >

[VQ35DE]

DTC P2118 THROTTLE CONTROL MOTOR

Component Description

INFOID:000000002954598

The throttle control motor is operated by the ECM and it opens and closes the throttle valve. The current opening angle of the throttle valve is detected by the throttle position sensor and it provides feedback to the ECM to control the throttle control motor to make the throttle valve opening angle properly in response to driving condition.

On Board Diagnosis Logic

INFOID:000000002954599

This self-diagnosis has the one trip detection logic.

DTC No.	Trouble diagnosis name	DTC detecting condition	Possible cause
P2118 2118	Throttle control motor circuit short	ECM detects short in both circuits between ECM and throttle control motor.	<ul style="list-style-type: none">• Harness or connectors (Throttle control motor circuit is shorted.)• Electric throttle control actuator (Throttle control motor)

FAIL-SAFE MODE

When the malfunction is detected, ECM enters fail-safe mode and the MIL lights up.

Engine operating condition in fail-safe mode

ECM stops the electric throttle control actuator control, throttle valve is maintained at a fixed opening (approx. 5 degrees) by the return spring.

DTC Confirmation Procedure

INFOID:000000002954600

NOTE:

If DTC Confirmation Procedure has been previously conducted, always turn ignition switch OFF and wait at least 10 seconds before conducting the next test.

1. Turn ignition switch ON and wait at least 2 seconds.
2. Start engine and let it idle for 5 seconds.
3. Check DTC.
4. If DTC is detected, go to [EC-546. "Diagnosis Procedure"](#).

DTC P2118 THROTTLE CONTROL MOTOR

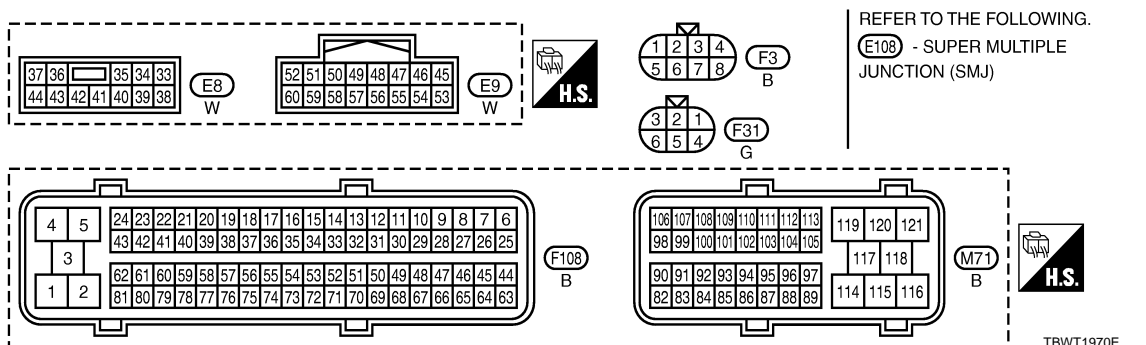
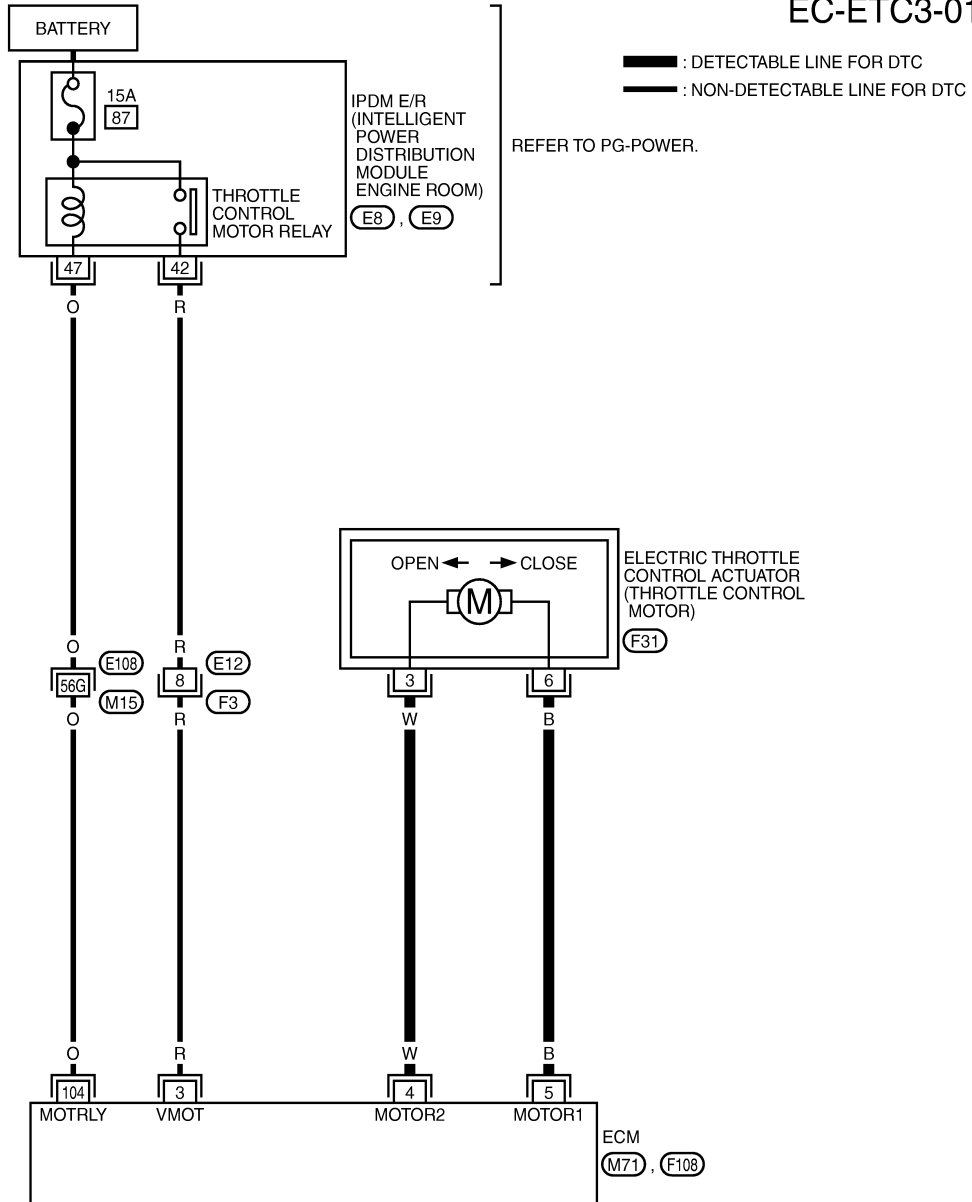
< SERVICE INFORMATION >

[VQ35DE]

INFOID:00000002954601

Wiring Diagram

EC-ETC3-01



Specification data are reference values and are measured between each terminal and ground. Pulse signal is measured by CONSULT-III.

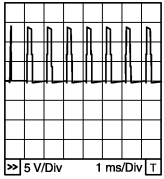
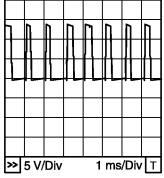
CAUTION:

DTC P2118 THROTTLE CONTROL MOTOR

< SERVICE INFORMATION >

[VQ35DE]

Do not use ECM ground terminals when measuring input/output voltage. Doing so may result in damage to the ECM's transistor. Use a ground other than ECM terminals, such as the ground.

TER-MI-NAL NO.	WIRE COLOR	ITEM	CONDITION	DATA (DC Voltage)
3	R	Throttle control motor relay power supply	[Ignition switch: ON]	BATTERY VOLTAGE (11 - 14V)
4	W	Throttle control motor (Close)	[Ignition switch: ON] • Engine stopped • Selector lever: D • Accelerator pedal: Fully released	0 - 14V★  PBIB1104E
5	B	Throttle control motor (Open)	[Ignition switch: ON] • Engine stopped • Selector lever: D • Accelerator pedal: Fully depressed	0 - 14V★  PBIB1105E
104	O	Throttle control motor relay	[Ignition switch: OFF]	BATTERY VOLTAGE (11 - 14V)
			[Ignition switch: ON]	0 - 1.0V

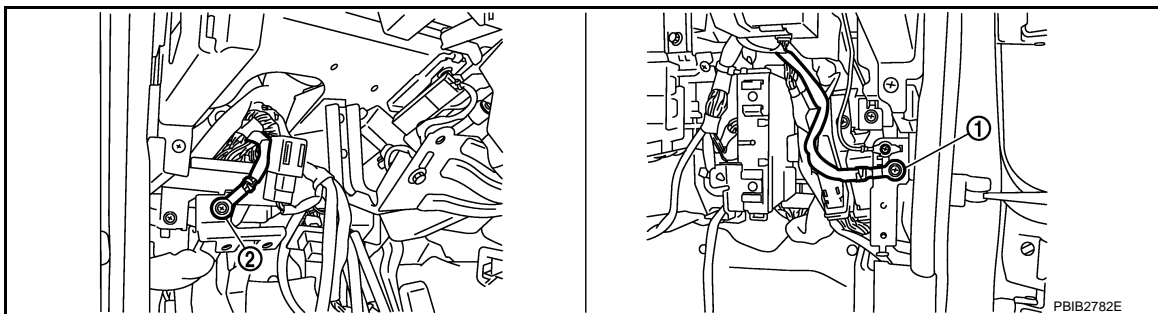
★: Average voltage for pulse signal (Actual pulse signal can be confirmed by oscilloscope.)

Diagnosis Procedure

INFOID:000000002954602

1. CHECK GROUND CONNECTIONS

1. Turn ignition switch OFF.
2. Loosen and retighten two ground screws on the body.
Refer to [EC-146. "Ground Inspection"](#).



1. Body ground M70

2. Body ground M16

OK or NG

- OK >> GO TO 2.
NG >> Repair or replace ground connections.

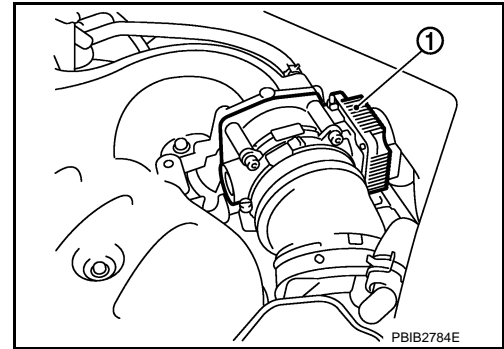
2. CHECK THROTTLE CONTROL MOTOR OUTPUT SIGNAL CIRCUIT FOR OPEN AND SHORT

DTC P2118 THROTTLE CONTROL MOTOR

[VQ35DE]

< SERVICE INFORMATION >

1. Disconnect electric throttle control actuator (1) harness connector.
2. Disconnect ECM harness connector.
3. Check harness continuity between the following terminals. Refer to Wiring Diagram.



Electric throttle control actuator terminal	ECM terminal	Continuity
3	5	Should not exist
	4	Should exist
6	5	Should exist
	4	Should not exist

4. Also check harness for short to ground and short to power.

OK or NG

- OK >> GO TO 3.
NG >> Repair or replace.

3. CHECK THROTTLE CONTROL MOTOR

Refer to [EC-547, "Component Inspection"](#).

OK or NG

- OK >> GO TO 4.
NG >> GO TO 5.

4. CHECK INTERMITTENT INCIDENT

Refer to [EC-140](#).

OK or NG

- OK >> GO TO 5.
NG >> Repair or replace harness or connectors.

5. REPLACE ELECTRIC THROTTLE CONTROL ACTUATOR

1. Replace the electric throttle control actuator.
2. Perform [EC-82, "Throttle Valve Closed Position Learning"](#).
3. Perform [EC-82, "Idle Air Volume Learning"](#).

>> **INSPECTION END**

Component Inspection

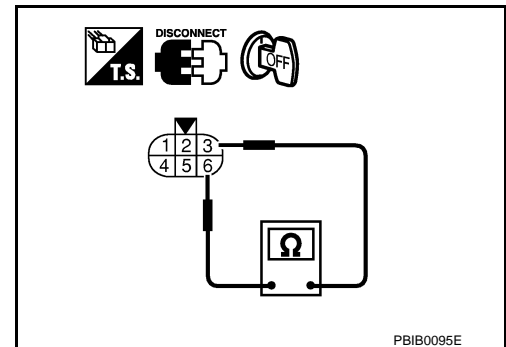
INFOID:000000002954603

THROTTLE CONTROL MOTOR

1. Disconnect electric throttle control actuator harness connector.
2. Check resistance between terminals 3 and 6.

Resistance: Approximately 1 - 15 Ω [at 25 °C (77°F)]

3. If NG, replace electric throttle control actuator and go to next step.
4. Perform [EC-82, "Throttle Valve Closed Position Learning"](#).
5. Perform [EC-82, "Idle Air Volume Learning"](#).



Removal and Installation

INFOID:000000002954604

ELECTRIC THROTTLE CONTROL ACTUATOR

Refer to [EM-20](#).

DTC P2119 ELECTRIC THROTTLE CONTROL ACTUATOR

< SERVICE INFORMATION >

[VQ35DE]

DTC P2119 ELECTRIC THROTTLE CONTROL ACTUATOR

Component Description

INFOID:000000002954605

Electric throttle control actuator consists of throttle control motor, throttle position sensor, etc. The throttle control motor is operated by the ECM and it opens and closes the throttle valve. The throttle position sensor detects the throttle valve position, and the opening and closing speed of the throttle valve and feeds the voltage signals to the ECM. The ECM judges the current opening angle of the throttle valve from these signals and the ECM controls the throttle control motor to make the throttle valve opening angle properly in response to driving condition.

On Board Diagnosis Logic

INFOID:000000002954606

This self-diagnosis has one trip detection logic.

DTC No.	Trouble diagnosis name	DTC detecting condition		Possible cause
P2119 2119	Electric throttle control actuator	A)	Electric throttle control actuator does not function properly due to the return spring malfunction.	• Electric throttle control actuator
		B)	Throttle valve opening angle in fail-safe mode is not in specified range.	
		C)	ECM detect the throttle valve is stuck open.	

FAIL-SAFE MODE

When the malfunction is detected, ECM enters fail-safe mode and the MIL lights up.

Detected items	Engine operating condition in fail-safe mode
Malfunction A	The ECM controls the electric throttle actuator by regulating the throttle opening around the idle position. The engine speed will not rise more than 2,000 rpm.
Malfunction B	ECM controls the electric throttle control actuator by regulating the throttle opening to 20 degrees or less.
Malfunction C	While the vehicle is driving, it slows down gradually by fuel cut. After the vehicle stops, the engine stalls. The engine can restart in N or P position, and engine speed will not exceed 1,000 rpm or more.

DTC Confirmation Procedure

INFOID:000000002954607

NOTE:

- Perform **PROCEDURE FOR MALFUNCTION A AND B** first. If the DTC cannot be confirmed, perform **PROCEDURE FOR MALFUNCTION C**.
- If DTC Confirmation Procedure has been previously conducted, always turn ignition switch OFF and wait at least 10 seconds before conducting the next test.

PROCEDURE FOR MALFUNCTION A AND B

1. Turn ignition switch ON and wait at least 1 second.
2. Shift selector lever to D position and wait at least 3 seconds.
3. Shift selector lever to P position or Neutral position.
4. Turn ignition switch OFF and wait at least 10 seconds.
5. Turn ignition switch ON and wait at least 1 second.
6. Shift selector lever to D position and wait at least 3 seconds.
7. Shift selector lever to P position or Neutral position.
8. Turn ignition switch OFF, wait at least 10 seconds, and then turn ON.
9. Check DTC.
10. If DTC is detected, go to [EC-549, "Diagnosis Procedure"](#).

PROCEDURE FOR MALFUNCTION C

1. Turn ignition switch ON and wait at least 1 second.
2. Shift selector lever to D position and wait at least 3 seconds.

DTC P2119 ELECTRIC THROTTLE CONTROL ACTUATOR

[VQ35DE]

< SERVICE INFORMATION >

3. Shift selector lever to P position or Neutral position.
4. Start engine and let it idle for 3 seconds.
5. Check DTC.
6. If DTC is detected, go to [EC-549. "Diagnosis Procedure"](#).

Diagnosis Procedure

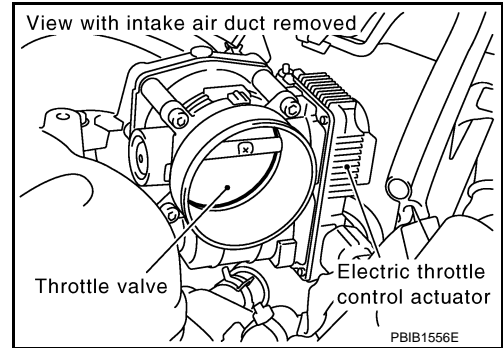
INFOID:000000002954608

1. CHECK ELECTRIC THROTTLE CONTROL ACTUATOR VISUALLY

1. Remove the intake air duct.
2. Check if foreign matter is caught between the throttle valve and the housing.

OK or NG

- OK >> GO TO 2.
NG >> Remove the foreign matter and clean the electric throttle control actuator inside.



2. REPLACE ELECTRIC THROTTLE CONTROL ACTUATOR

1. Replace the electric throttle control actuator.
2. Perform [EC-82. "Throttle Valve Closed Position Learning"](#).
3. Perform [EC-82. "Idle Air Volume Learning"](#).

>> INSPECTION END

DTC P2122, P2123 APP SENSOR

< SERVICE INFORMATION >

[VQ35DE]

DTC P2122, P2123 APP SENSOR

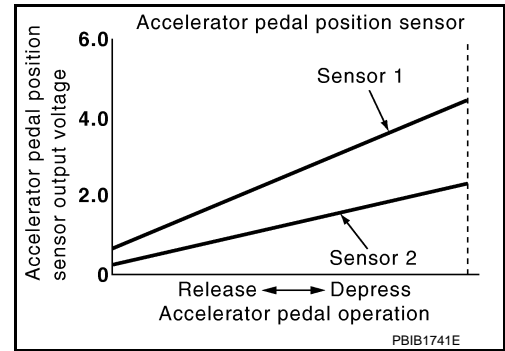
Component Description

INFOID:000000002954609

The accelerator pedal position sensor is installed on the upper end of the accelerator pedal assembly. The sensor detects the accelerator position and sends a signal to the ECM.

Accelerator pedal position sensor has two sensors. These sensors are a kind of potentiometers which transform the accelerator pedal position into output voltage, and emit the voltage signal to the ECM. In addition, these sensors detect the opening and closing speed of the accelerator pedal and feed the voltage signals to the ECM. The ECM judges the current opening angle of the accelerator pedal from these signals and controls the throttle control motor based on these signals.

Idle position of the accelerator pedal is determined by the ECM receiving the signal from the accelerator pedal position sensor. The ECM uses this signal for the engine operation such as fuel cut.



CONSULT-III Reference Value in Data Monitor Mode

INFOID:000000002954610

Specification data are reference values.

MONITOR ITEM	CONDITION		SPECIFICATION
ACCEL SEN 1 ACCEL SEN 2*	• Ignition switch: ON (Engine stopped)	Accelerator pedal: Fully released	0.4 - 1.1V
		Accelerator pedal: Fully depressed	3.7 - 4.8V
CLSD THL POS	• Ignition switch: ON (Engine stopped)	Accelerator pedal: Fully released	ON
		Accelerator pedal: Slightly depressed	OFF

*: Accelerator pedal position sensor 2 signal is converted by ECM internally. Thus, it differs from ECM terminal voltage.

On Board Diagnosis Logic

INFOID:000000002954611

These self-diagnoses have the one trip detection logic.

NOTE:

If DTC P2122 or P2123 is displayed with DTC P0643, first perform the trouble diagnosis for DTC P0643. Refer to [EC-436](#).

DTC No.	Trouble diagnosis name	DTC detecting condition	Possible cause
P2122 2122	Accelerator pedal position sensor 1 circuit low input	An excessively low voltage from the APP sensor 1 is sent to ECM.	<ul style="list-style-type: none"> • Harness or connectors (APP sensor 1 circuit is open or shorted.) • Accelerator pedal position sensor (APP sensor 1)
P2123 2123	Accelerator pedal position sensor 1 circuit high input	An excessively high voltage from the APP sensor 1 is sent to ECM.	

FAIL-SAFE MODE

When the malfunction is detected, ECM enters fail-safe mode and the MIL lights up.

Engine operating condition in fail-safe mode

The ECM controls the electric throttle control actuator in regulating the throttle opening in order for the idle position to be within +10 degrees.

The ECM regulates the opening speed of the throttle valve to be slower than the normal condition.

So, the acceleration will be poor.

DTC Confirmation Procedure

INFOID:000000002954612

NOTE:

If DTC Confirmation Procedure has been previously conducted, always turn ignition switch OFF and wait at least 10 seconds before conducting the next test.

DTC P2122, P2123 APP SENSOR

[VQ35DE]

< SERVICE INFORMATION >

TESTING CONDITION:

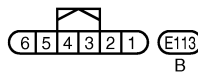
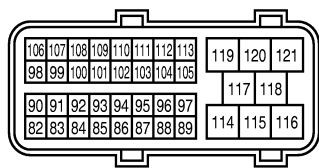
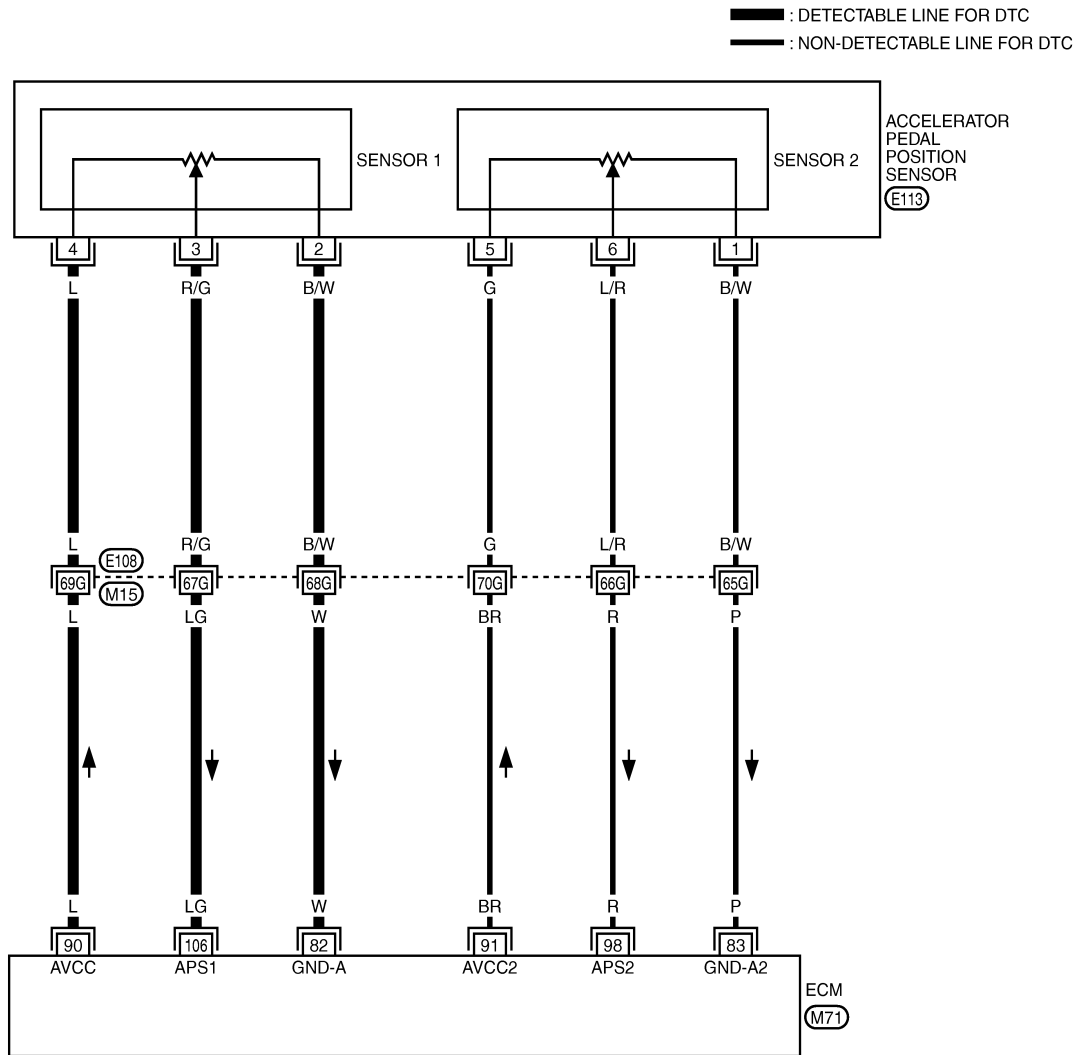
Before performing the following procedure, confirm that battery voltage is more than 10V at idle.

1. Start engine and let it idle for 1 second.
2. Check DTC.
3. If DTC is detected, go to [EC-552, "Diagnosis Procedure"](#).

Wiring Diagram

INFOID:000000002954613

EC-APPS1-01



REFER TO THE FOLLOWING.

(E108) - SUPER MULTIPLE JUNCTION (SMJ)

TBWT1971E

DTC P2122, P2123 APP SENSOR

< SERVICE INFORMATION >

[VQ35DE]

Specification data are reference values and are measured between each terminal and ground.

CAUTION:

Do not use ECM ground terminals when measuring input/output voltage. Doing so may result in damage to the ECM's transistor. Use a ground other than ECM terminals, such as the ground.

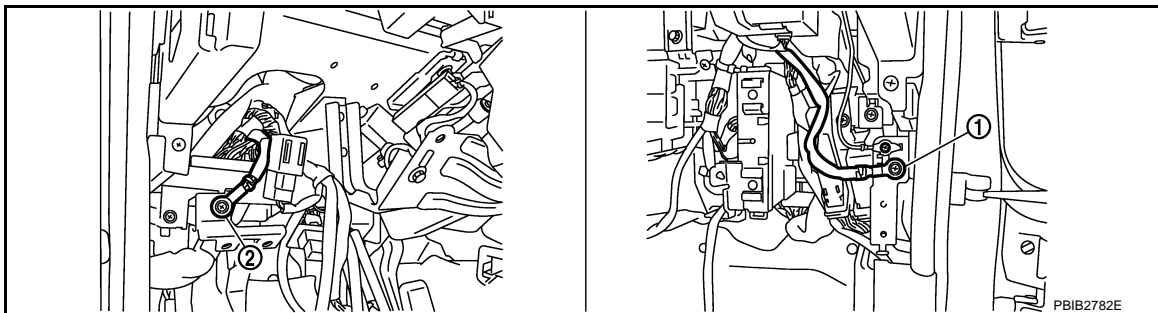
TER-MI-NAL NO.	WIRE COLOR	ITEM	CONDITION	DATA (DC Voltage)
82	W	Sensor ground (APP sensor 1)	[Engine is running] • Warm-up condition • Idle speed	Approximately 0V
83	P	Sensor ground (APP sensor 2)	[Engine is running] • Warm-up condition • Idle speed	Approximately 0V
90	L	Sensor power supply (APP sensor 1)	[Ignition switch: ON]	Approximately 5V
91	BR	Sensor power supply (APP sensor 2)	[Ignition switch: ON]	Approximately 5V
98	R	Accelerator pedal position sensor 2	[Ignition switch: ON] • Engine stopped • Accelerator pedal: Fully released	0.20 - 0.55V
			[Ignition switch: ON] • Engine stopped • Accelerator pedal: Fully depressed	1.85 - 2.40V
106	LG	Accelerator pedal position sensor 1	[Ignition switch: ON] • Engine stopped • Accelerator pedal: Fully released	0.4 - 1.1V
			[Ignition switch: ON] • Engine stopped • Accelerator pedal: Fully depressed	3.7 - 4.8V

Diagnosis Procedure

INFOID:000000002954614

1. CHECK GROUND CONNECTIONS

1. Turn ignition switch OFF.
2. Loosen and retighten two ground screws on the body.
Refer to [EC-146, "Ground Inspection"](#).



1. Body ground M70

2. Body ground M16

OK or NG

OK >> GO TO 2.

NG >> Repair or replace ground connections.

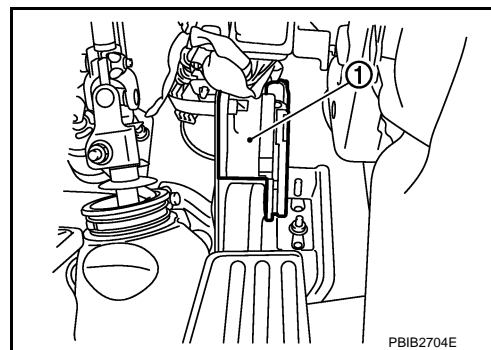
2. CHECK APP SENSOR 1 POWER SUPPLY CIRCUIT

DTC P2122, P2123 APP SENSOR

[VQ35DE]

< SERVICE INFORMATION >

1. Disconnect accelerator pedal position (APP) sensor (1) harness connector.
2. Turn ignition switch ON.

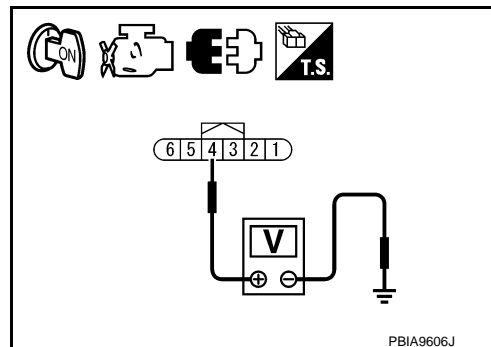


3. Check voltage between APP sensor terminal 4 and ground with CONSULT-III or tester.

Voltage: Approximately 5V

OK or NG

- OK >> GO TO 4.
- NG >> GO TO 3.



3. DETECT MALFUNCTIONING PART

Check the following.

- Harness connectors E108, M15
- Harness for open or short between ECM and accelerator pedal position sensor

>> Repair open circuit or short to ground or short to power in harness or connectors.

4. CHECK APP SENSOR 1 GROUND CIRCUIT FOR OPEN AND SHORT

1. Turn ignition switch OFF.
2. Disconnect ECM harness connector.
3. Check harness continuity between APP sensor terminal 2 and ECM terminal 82. Refer to Wiring Diagram.

Continuity should exist.

4. Also check harness for short to ground and short to power.

OK or NG

- OK >> GO TO 6.
- NG >> GO TO 5.

5. DETECT MALFUNCTIONING PART

Check the following.

- Harness connectors E108, M15
- Harness for open or short between ECM and accelerator pedal position sensor

>> Repair open circuit or short to ground or short to power in harness or connectors.

6. CHECK APP SENSOR INPUT SIGNAL CIRCUIT FOR OPEN AND SHORT

1. Check harness continuity between ECM terminal 106 and APP sensor terminal 3. Refer to Wiring Diagram.

Continuity should exist.

2. Also check harness for short to ground and short to power.

OK or NG

A
EC
C
D
E
F
G
H
I
J
K
L
M
N
O
P

DTC P2122, P2123 APP SENSOR

[VQ35DE]

< SERVICE INFORMATION >

- OK >> GO TO 8.
- NG >> GO TO 7.

7. DETECT MALFUNCTIONING PART

Check the following.

- Harness connectors E108, M15
- Harness for open or short between ECM and accelerator pedal position sensor

>> Repair open circuit or short to ground or short to power in harness or connectors.

8. CHECK APP SENSOR

Refer to [EC-554, "Component Inspection"](#).

OK or NG

- OK >> GO TO 10.
- NG >> GO TO 9.

9. REPLACE ACCELERATOR PEDAL ASSEMBLY

1. Replace accelerator pedal assembly.
2. Perform [EC-82, "Accelerator Pedal Released Position Learning"](#).
3. Perform [EC-82, "Throttle Valve Closed Position Learning"](#).
4. Perform [EC-82, "Idle Air Volume Learning"](#).

>> **INSPECTION END**

10. CHECK INTERMITTENT INCIDENT

Refer to [EC-140](#).

>> **INSPECTION END**

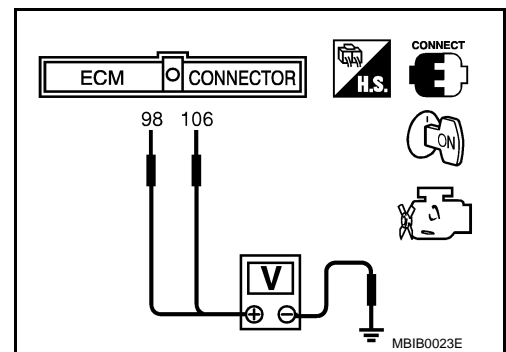
Component Inspection

INFOID:000000002954615

ACCELERATOR PEDAL POSITION SENSOR

1. Reconnect all harness connectors disconnected.
2. Turn ignition switch ON.
3. Check voltage between ECM terminals 106 (APP sensor 1 signal), 98 (APP sensor 2 signal) and ground under the following conditions.

Terminal	Accelerator pedal	Voltage
106 (Accelerator pedal position sensor 1)	Fully released	0.4 - 1.1V
	Fully depressed	3.7 - 4.8V
98 (Accelerator pedal position sensor 2)	Fully released	0.20 - 0.55V
	Fully depressed	1.85 - 2.40V



4. If NG, replace accelerator pedal assembly and go to next step.
5. Perform [EC-82, "Accelerator Pedal Released Position Learning"](#).
6. Perform [EC-82, "Throttle Valve Closed Position Learning"](#).
7. Perform [EC-82, "Idle Air Volume Learning"](#).

Removal and Installation

INFOID:000000002954616

ACCELERATOR PEDAL

Refer to [ACC-3](#).

DTC P2127, P2128 APP SENSOR

< SERVICE INFORMATION >

[VQ35DE]

DTC P2127, P2128 APP SENSOR

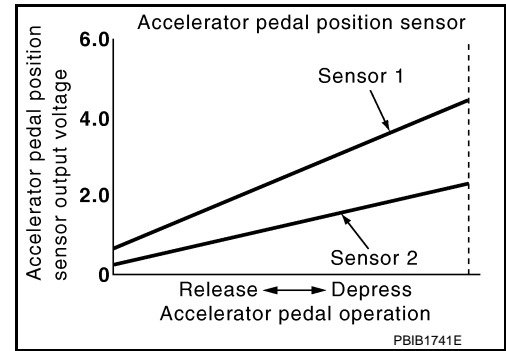
Component Description

INFOID:000000002954617

The accelerator pedal position sensor is installed on the upper end of the accelerator pedal assembly. The sensor detects the accelerator position and sends a signal to the ECM.

Accelerator pedal position sensor has two sensors. These sensors are a kind of potentiometers which transform the accelerator pedal position into output voltage, and emit the voltage signal to the ECM. In addition, these sensors detect the opening and closing speed of the accelerator pedal and feed the voltage signals to the ECM. The ECM judges the current opening angle of the accelerator pedal from these signals and controls the throttle control motor based on these signals.

Idle position of the accelerator pedal is determined by the ECM receiving the signal from the accelerator pedal position sensor. The ECM uses this signal for the engine operation such as fuel cut.



A

EC

C

D

E

CONSULT-III Reference Value in Data Monitor Mode

INFOID:000000002954618

Specification data are reference values.

MONITOR ITEM	CONDITION	SPECIFICATION
ACCEL SEN 1 ACCEL SEN 2*	• Ignition switch: ON (Engine stopped) Accelerator pedal: Fully released	0.4 - 1.1V
	Accelerator pedal: Fully depressed	3.7 - 4.8V
CLSD THL POS	• Ignition switch: ON (Engine stopped) Accelerator pedal: Fully released	ON
	Accelerator pedal: Slightly depressed	OFF

*: Accelerator pedal position sensor 2 signal is converted by ECM internally. Thus, it differs from ECM terminal voltage.

On Board Diagnosis Logic

INFOID:000000002954619

These self-diagnoses have the one trip detection logic.

DTC No.	Trouble diagnosis name	DTC detecting condition	Possible cause
P2127 2127	Accelerator pedal position sensor 2 circuit low input	An excessively low voltage from the APP sensor 2 is sent to ECM.	<ul style="list-style-type: none"> • Harness or connectors (APP sensor 2 circuit is open or shorted.) (TP sensor circuit is shorted.) • Accelerator pedal position sensor (APP sensor 2) • Electric throttle control actuator (TP sensor 1 and 2)
P2128 2128	Accelerator pedal position sensor 2 circuit high input	An excessively high voltage from the APP sensor 2 is sent to ECM.	

FAIL-SAFE MODE

When the malfunction is detected, ECM enters fail-safe mode and the MIL lights up.

Engine operating condition in fail-safe mode

The ECM controls the electric throttle control actuator in regulating the throttle opening in order for the idle position to be within +10 degrees.

The ECM regulates the opening speed of the throttle valve to be slower than the normal condition.

So, the acceleration will be poor.

DTC Confirmation Procedure

INFOID:000000002954620

NOTE:

If DTC Confirmation Procedure has been previously conducted, always turn ignition switch OFF and wait at least 10 seconds before conducting the next test.

TESTING CONDITION:

Before performing the following procedure, confirm that battery voltage is more than 10V at idle.

F

G

H

I

J

K

L

M

N

O

P

DTC P2127, P2128 APP SENSOR

[VQ35DE]

< SERVICE INFORMATION >

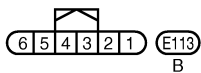
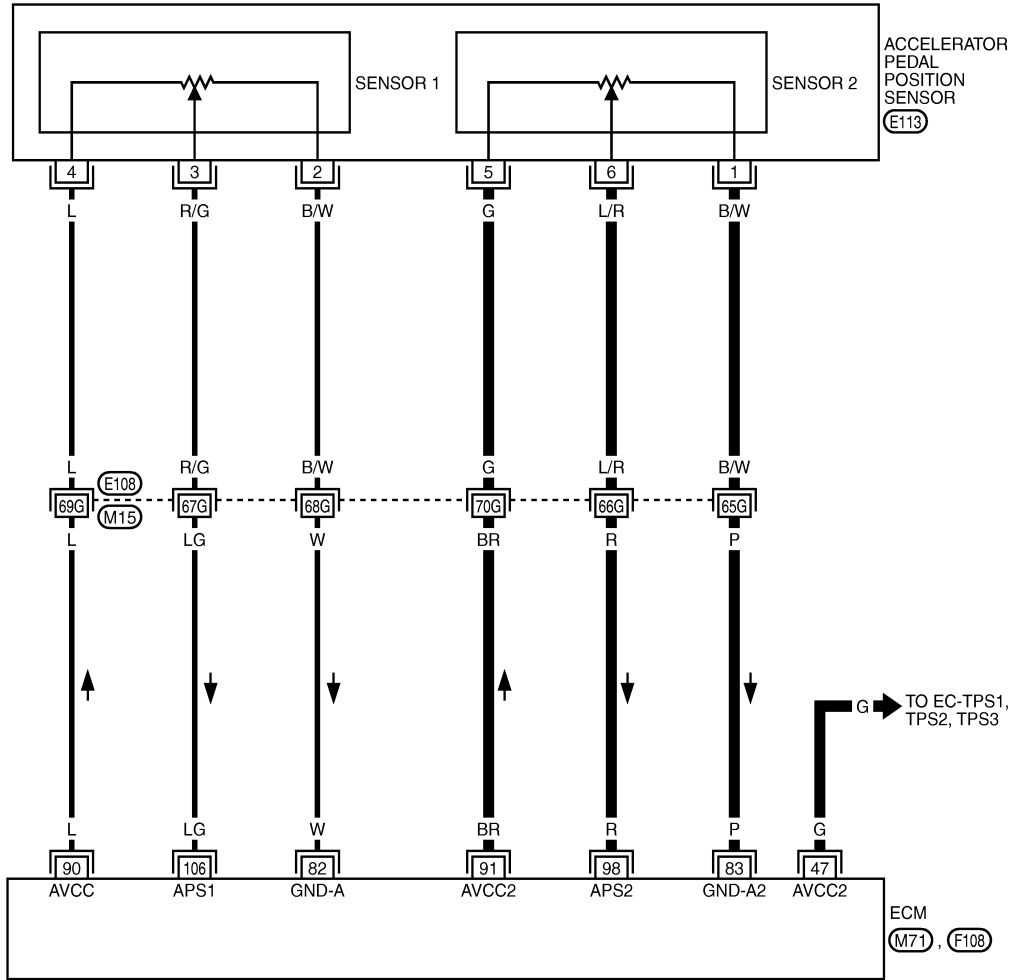
1. Start engine and let it idle for 1 second.
2. Check DTC.
3. If DTC is detected, go to [EC-557. "Diagnosis Procedure"](#).

Wiring Diagram

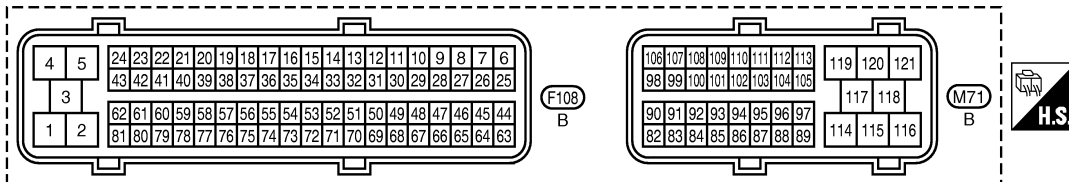
INFOID:000000002954621

EC-APPS2-01

— : DETECTABLE LINE FOR DTC
 - - - : NON-DETECTABLE LINE FOR DTC



REFER TO THE FOLLOWING.
 (E108) - SUPER MULTIPLE JUNCTION (SMJ)



TBWT1972E

DTC P2127, P2128 APP SENSOR

[VQ35DE]

< SERVICE INFORMATION >

Specification data are reference values and are measured between each terminal and ground.

CAUTION:

Do not use ECM ground terminals when measuring input/output voltage. Doing so may result in damage to the ECM's transistor. Use a ground other than ECM terminals, such as the ground.

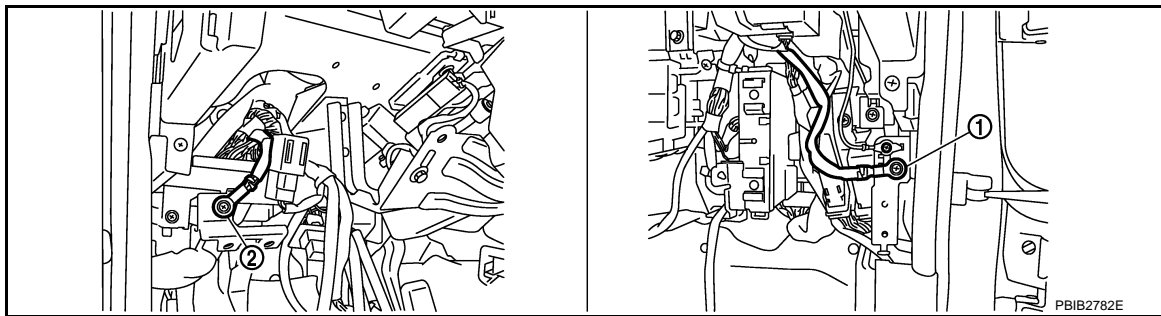
TERMINAL NO.	WIRE COLOR	ITEM	CONDITION	DATA (DC Voltage)
47	G	Sensor power supply (Throttle position sensor)	[Ignition switch: ON]	Approximately 5V
82	W	Sensor ground (APP sensor 1)	[Engine is running] • Warm-up condition • Idle speed	Approximately 0V
83	P	Sensor ground (APP sensor 2)	[Engine is running] • Warm-up condition • Idle speed	Approximately 0V
90	L	Sensor power supply (APP sensor 1)	[Ignition switch: ON]	Approximately 5V
91	BR	Sensor power supply (APP sensor 2)	[Ignition switch: ON]	Approximately 5V
98	R	Accelerator pedal position sensor 2	[Ignition switch: ON] • Engine stopped • Accelerator pedal: Fully released	0.20 - 0.55V
			[Ignition switch: ON] • Engine stopped • Accelerator pedal: Fully depressed	1.85 - 2.40V
106	LG	Accelerator pedal position sensor 1	[Ignition switch: ON] • Engine stopped • Accelerator pedal: Fully released	0.4 - 1.1V
			[Ignition switch: ON] • Engine stopped • Accelerator pedal: Fully depressed	3.7 - 4.8V

Diagnosis Procedure

INFOID:000000002954622

1. CHECK GROUND CONNECTIONS

1. Turn ignition switch OFF.
2. Loosen and retighten two ground screws on the body.
Refer to [EC-146, "Ground Inspection"](#).



1. Body ground M70
2. Body ground M16

OK or NG

- OK >> GO TO 2.
- NG >> Repair or replace ground connections.

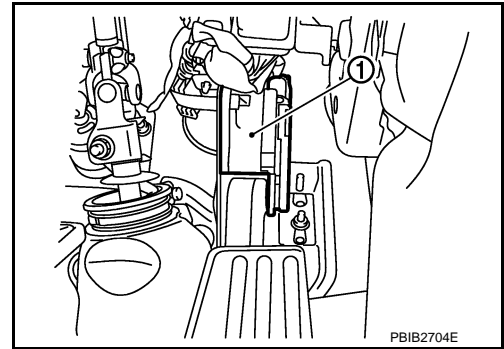
2. CHECK APP SENSOR 2 POWER SUPPLY CIRCUIT-I

DTC P2127, P2128 APP SENSOR

[VQ35DE]

< SERVICE INFORMATION >

1. Disconnect accelerator pedal position (APP) sensor (1) harness connector.
2. Turn ignition switch ON.

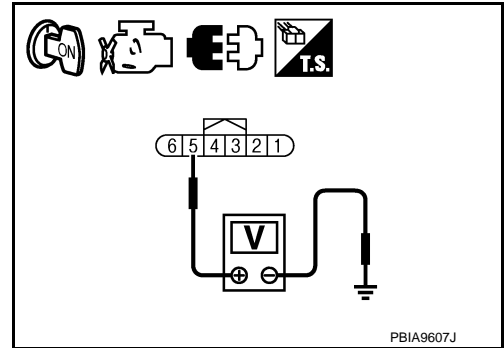


3. Check voltage between APP sensor terminal 5 and ground with CONSULT-III or tester.

Voltage: Approximately 5V

OK or NG

- OK >> GO TO 8.
 NG >> GO TO 3.



3. CHECK APP SENSOR 2 POWER SUPPLY CIRCUIT-II

1. Turn ignition switch OFF.
2. Disconnect ECM harness connector.
3. Check harness continuity between APP sensor terminal 5 and ECM terminal 91. Refer to Wiring Diagram.

Continuity should exist.

OK or NG

- OK >> GO TO 5.
 NG >> GO TO 4.

4. DETECT MALFUNCTIONING PART

Check the following.

- Harness connectors E108, M15
- Harness for open or short between ECM and accelerator pedal position sensor

>> Repair open circuit.

5. CHECK APP SENSOR 2 POWER SUPPLY CIRCUIT-III

Check harness for short to power and short to ground, between the following terminals.

ECM terminal	Sensor terminal	Reference Wiring Diagram
91	APP sensor terminal 5	EC-556
47	Electric throttle control actuator terminal 1	EC-562

OK or NG

- OK >> GO TO 6.
 NG >> Repair short to ground or short to power in harness or connectors.

6. CHECK THROTTLE POSITION SENSOR

Refer to [EC-565. "Component Inspection"](#).

OK or NG

- OK >> GO TO 14.

DTC P2127, P2128 APP SENSOR

< SERVICE INFORMATION >

[VQ35DE]

NG >> GO TO 7.

7. REPLACE ELECTRIC THROTTLE CONTROL ACTUATOR

1. Replace the electric throttle control actuator.
2. Perform [EC-82, "Throttle Valve Closed Position Learning"](#).
3. Perform [EC-82, "Idle Air Volume Learning"](#).

>> **INSPECTION END**

8. CHECK APP SENSOR 2 GROUND CIRCUIT FOR OPEN AND SHORT

1. Turn ignition switch OFF.
2. Disconnect ECM harness connector.
3. Check harness continuity between APP sensor terminal 1 and ECM terminal 83.
Refer to Wiring Diagram.

Continuity should exist.

4. Also check harness for short to ground and short to power.

OK or NG

OK >> GO TO 10.

NG >> GO TO 9.

9. DETECT MALFUNCTIONING PART

Check the following.

- Harness connectors E108, M15
- Harness for open or short between ECM and accelerator pedal position sensor

>> Repair open circuit or short to ground or short to power in harness or connectors.

10. CHECK APP SENSOR 2 INPUT SIGNAL CIRCUIT FOR OPEN AND SHORT

1. Check harness continuity between ECM terminal 98 and APP sensor terminal 6.
Refer to Wiring Diagram.

Continuity should exist.

2. Also check harness for short to ground and short to power.

OK or NG

OK >> GO TO 12.

NG >> GO TO 11.

11. DETECT MALFUNCTIONING PART

Check the following.

- Harness connectors E108, M15
- Harness for open or short between ECM and accelerator pedal position sensor

>> Repair open circuit or short to ground or short to power in harness or connectors.

12. CHECK APP SENSOR

Refer to [EC-560, "Component Inspection"](#).

OK or NG

OK >> GO TO 14.

NG >> GO TO 13.

13. REPLACE ACCELERATOR PEDAL ASSEMBLY

1. Replace accelerator pedal assembly.
2. Perform [EC-82, "Accelerator Pedal Released Position Learning"](#).
3. Perform [EC-82, "Throttle Valve Closed Position Learning"](#).
4. Perform [EC-82, "Idle Air Volume Learning"](#).

DTC P2127, P2128 APP SENSOR

[VQ35DE]

< SERVICE INFORMATION >

>> INSPECTION END

14.CHECK INTERMITTENT INCIDENT

Refer to [EC-140](#).

>> INSPECTION END

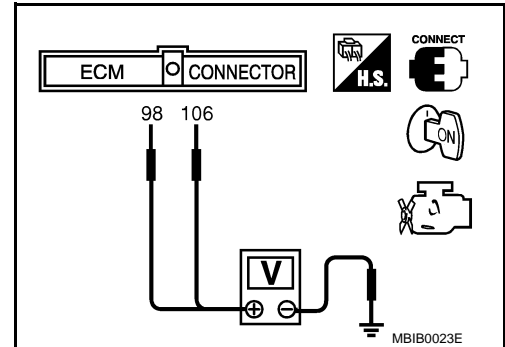
Component Inspection

INFOID:000000002954623

ACCELERATOR PEDAL POSITION SENSOR

1. Reconnect all harness connectors disconnected.
2. Turn ignition switch ON.
3. Check voltage between ECM terminals 106 (APP sensor 1 signal), 98 (APP sensor 2 signal) and ground under the following conditions.

Terminal	Accelerator pedal	Voltage
106 (Accelerator pedal position sensor 1)	Fully released	0.4 - 1.1V
	Fully depressed	3.7 - 4.8V
98 (Accelerator pedal position sensor 2)	Fully released	0.20 - 0.55V
	Fully depressed	1.85 - 2.40V



4. If NG, replace accelerator pedal assembly and go to next step.
5. Perform [EC-82. "Accelerator Pedal Released Position Learning"](#).
6. Perform [EC-82. "Throttle Valve Closed Position Learning"](#).
7. Perform [EC-82. "Idle Air Volume Learning"](#).

Removal and Installation

INFOID:000000002954624

ACCELERATOR PEDAL

Refer to [ACC-3](#).

DTC P2135 TP SENSOR

< SERVICE INFORMATION >

[VQ35DE]

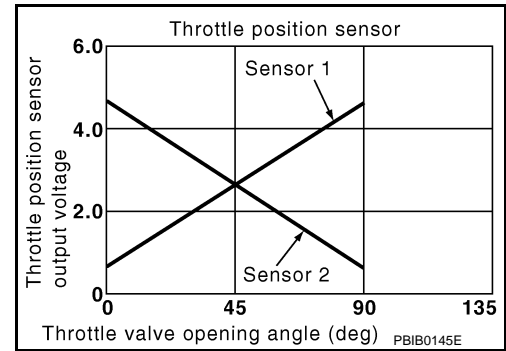
DTC P2135 TP SENSOR

Component Description

INFOID:000000002954625

Electric throttle control actuator consists of throttle control motor, throttle position sensor, etc. The throttle position sensor responds to the throttle valve movement.

The throttle position sensor has the two sensors. These sensors are a kind of potentiometers which transform the throttle valve position into output voltage, and emit the voltage signal to the ECM. In addition, these sensors detect the opening and closing speed of the throttle valve and feed the voltage signals to the ECM. The ECM judges the current opening angle of the throttle valve from these signals and the ECM controls the throttle control motor to make the throttle valve opening angle properly in response to driving condition.



CONSULT-III Reference Value in Data Monitor Mode

INFOID:000000002954626

Specification data are reference values.

MONITOR ITEM	CONDITION	SPECIFICATION
THRTL SEN 1 THRTL SEN 2*	• Ignition switch: ON (Engine stopped) • Selector lever: D	Accelerator pedal: Fully released
		Accelerator pedal: Fully depressed
		More than 0.36V
		Less than 4.75V

*: Throttle position sensor 2 signal is converted by ECM internally. Thus, it differs from ECM terminal voltage signal.

On Board Diagnosis Logic

INFOID:000000002954627

This self-diagnosis has the one trip detection logic.

DTC No.	Trouble diagnosis name	DTC detecting condition	Possible cause
P2135 2135	Throttle position sensor circuit range/performance	Rationally incorrect voltage is sent to ECM compared with the signals from TP sensor 1 and TP sensor 2.	<ul style="list-style-type: none"> • Harness or connector (TP sensor 1 and 2 circuit is open or shorted.) (APP sensor 2 circuit is shorted.) • Electric throttle control actuator (TP sensor 1 and 2) • Accelerator pedal position sensor (APP sensor 2)

FAIL-SAFE MODE

When the malfunction is detected, ECM enters fail-safe mode and the MIL lights up.

Engine operation condition in fail-safe mode

The ECM controls the electric throttle control actuator in regulating the throttle opening in order for the idle position to be within +10 degrees.

The ECM regulates the opening speed of the throttle valve to be slower than the normal condition. So, the acceleration will be poor.

DTC Confirmation Procedure

INFOID:000000002954628

NOTE:

If DTC Confirmation Procedure has been previously conducted, always turn ignition switch OFF and wait at least 10 seconds before conducting the next test.

TESTING CONDITION:

Before performing the following procedure, confirm that battery voltage is more than 10V at idle.

1. Start engine and let it idle for 1 second.
2. Check DTC.
3. If DTC is detected, go to [EC-563. "Diagnosis Procedure"](#).

DTC P2135 TP SENSOR

< SERVICE INFORMATION >

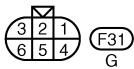
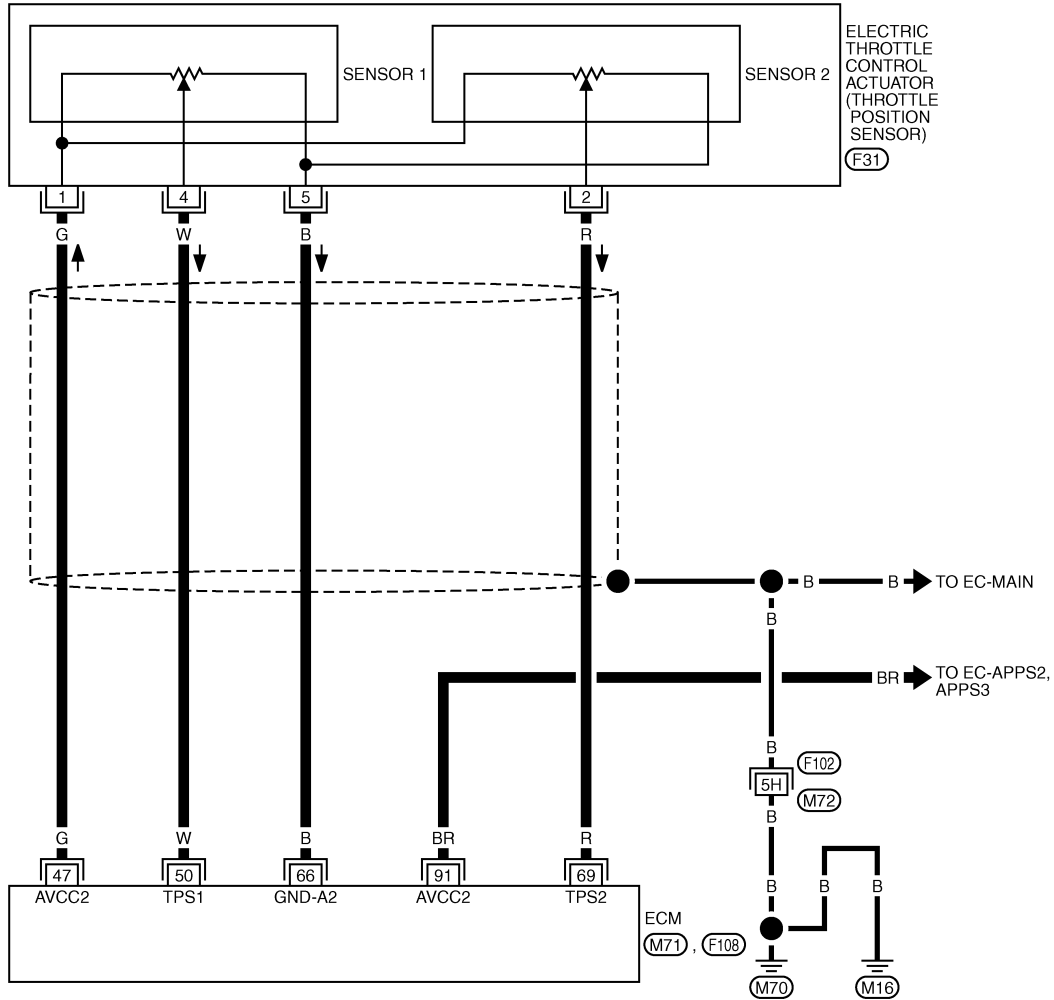
[VQ35DE]

Wiring Diagram

INFOID:00000002954629

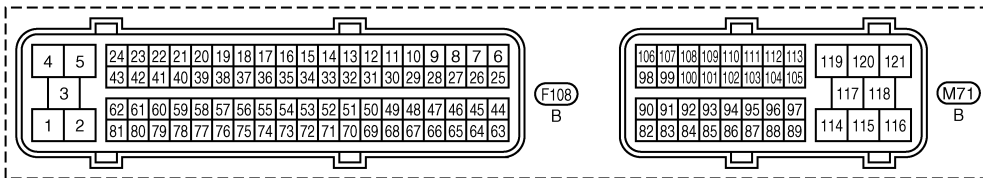
EC-TPS3-01

— : DETECTABLE LINE FOR DTC
 - - - : NON-DETECTABLE LINE FOR DTC



REFER TO THE FOLLOWING.

(F102) -SUPER MULTIPLE JUNCTION (SMJ)



TBWT1483E

Specification data are reference values and are measured between each terminal and ground.

CAUTION:

Do not use ECM ground terminals when measuring input/output voltage. Doing so may result in damage to the ECM's transistor. Use a ground other than ECM terminals, such as the ground.

DTC P2135 TP SENSOR

< SERVICE INFORMATION >

[VQ35DE]

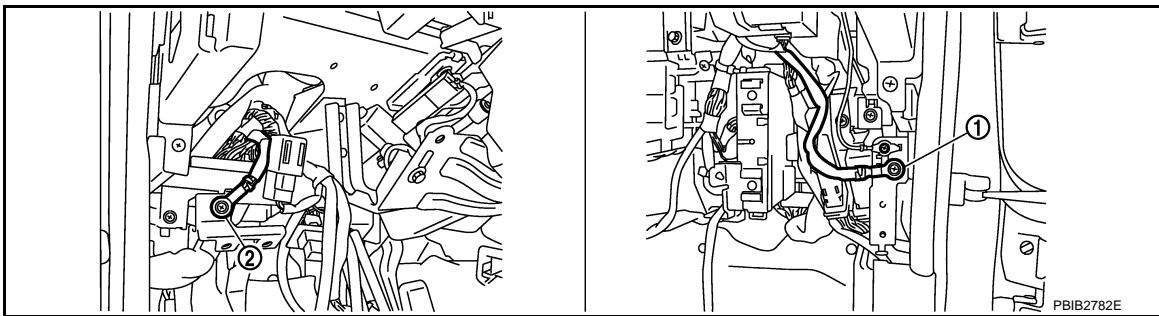
TER-MI-NAL NO.	WIRE COLOR	ITEM	CONDITION	DATA (DC Voltage)
47	G	Sensor power supply (Throttle position sensor)	[Ignition switch: ON]	Approximately 5V
50	W	Throttle position sensor 1	[Ignition switch: ON] • Engine stopped • Selector lever: D • Accelerator pedal: Fully released	More than 0.36V
			[Ignition switch: ON] • Engine stopped • Selector lever: D • Accelerator pedal: Fully depressed	Less than 4.75V
66	B	Sensor ground (Throttle position sensor)	[Engine is running] • Warm-up condition • Idle speed	Approximately 0V
69	R	Throttle position sensor 2	[Ignition switch: ON] • Engine stopped • Selector lever: D • Accelerator pedal: Fully released	Less than 4.75V
			[Ignition switch: ON] • Engine stopped • Selector lever: D • Accelerator pedal: Fully depressed	More than 0.36V
91	BR	Sensor power supply (APP sensor 2)	[Ignition switch: ON]	Approximately 5V

Diagnosis Procedure

INFOID:000000002954630

1. CHECK GROUND CONNECTIONS

1. Turn ignition switch OFF.
2. Loosen and retighten two ground screws on the body.
Refer to [EC-146. "Ground Inspection"](#).



1. Body ground M70
2. Body ground M16

OK or NG

- OK >> GO TO 2.
 NG >> Repair or replace ground connections.

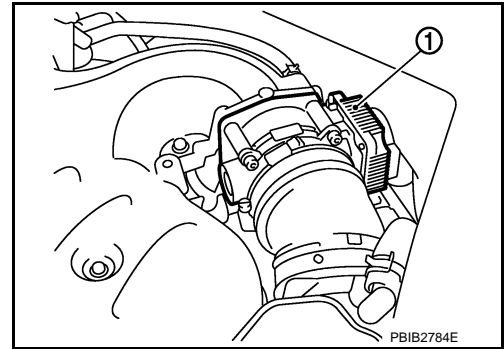
2. CHECK THROTTLE POSITION SENSOR POWER SUPPLY CIRCUIT-I

DTC P2135 TP SENSOR

[VQ35DE]

< SERVICE INFORMATION >

1. Disconnect electric throttle control actuator (1) harness connector.
2. Turn ignition switch ON.

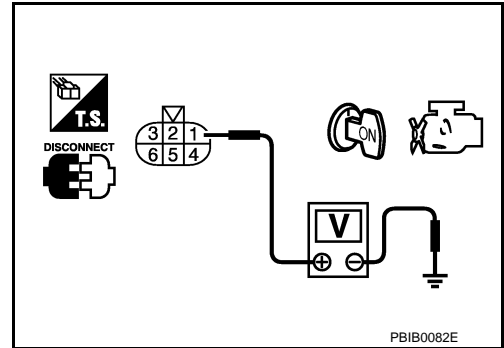


3. Check voltage between electric throttle control actuator terminal 1 and ground with CONSULT-III or tester.

Voltage: Approximately 5V

OK or NG

- OK >> GO TO 7.
 NG >> GO TO 3.



3.CHECK THROTTLE POSITION SENSOR POWER SUPPLY CIRCUIT-II

1. Turn ignition switch OFF.
2. Disconnect ECM harness connector.
3. Check harness continuity between electric throttle control actuator terminal 1 and ECM terminal 47. Refer to Wiring Diagram.

Continuity should exist.

OK or NG

- OK >> GO TO 4.
 NG >> Repair open circuit.

4.CHECK THROTTLE POSITION SENSOR POWER SUPPLY CIRCUIT-III

Check harness for short to power and short to ground, between the following terminals.

ECM terminal	Sensor terminal	Reference Wiring Diagram
47	Electric throttle control actuator terminal 1	EC-562
91	APP sensor terminal 5	EC-556

OK or NG

- OK >> GO TO 5.
 NG >> Repair short to ground or short to power in harness or connectors.

5.CHECK APP SENSOR

Refer to [EC-560, "Component Inspection"](#).

OK or NG

- OK >> GO TO 11.
 NG >> GO TO 6.

6.REPLACE ACCELERATOR PEDAL ASSEMBLY

1. Replace accelerator pedal assembly.
2. Perform [EC-82, "Accelerator Pedal Released Position Learning"](#).
3. Perform [EC-82, "Throttle Valve Closed Position Learning"](#).
4. Perform [EC-82, "Idle Air Volume Learning"](#).

>> INSPECTION END

7. CHECK THROTTLE POSITION SENSOR GROUND CIRCUIT FOR OPEN AND SHORT

1. Turn ignition switch OFF.
2. Disconnect ECM harness connector.
3. Check harness continuity between electric throttle control actuator terminal 5 and ECM terminal 66. Refer to Wiring Diagram.

Continuity should exist.

4. Also check harness for short to ground and short to power.

OK or NG

OK >> GO TO 8.

NG >> Repair open circuit or short to ground or short to power in harness or connectors.

8. CHECK THROTTLE POSITION SENSOR INPUT SIGNAL CIRCUIT FOR OPEN AND SHORT

1. Check harness continuity between the following;
ECM terminal 50 and electric throttle control actuator terminal 4,
ECM terminal 69 and electric throttle control actuator terminal 2.
Refer to Wiring Diagram.

Continuity should exist.

2. Also check harness for short to ground and short to power.

OK or NG

OK >> GO TO 9.

NG >> Repair open circuit or short to ground or short to power in harness or connectors.

9. CHECK THROTTLE POSITION SENSOR

Refer to [EC-565. "Component Inspection"](#).

OK or NG

OK >> GO TO 11.

NG >> GO TO 10.

10. REPLACE ELECTRIC THROTTLE CONTROL ACTUATOR

1. Replace the electric throttle control actuator.
2. Perform [EC-82. "Throttle Valve Closed Position Learning"](#).
3. Perform [EC-82. "Idle Air Volume Learning"](#).

>> INSPECTION END

11. CHECK INTERMITTENT INCIDENT

Refer to [EC-140](#).

>> INSPECTION END

Component Inspection

INFOID:000000002954631

THROTTLE POSITION SENSOR

1. Reconnect all harness connectors disconnected.
2. Perform [EC-82. "Throttle Valve Closed Position Learning"](#).
3. Turn ignition switch ON.
4. Set selector lever to D position.

DTC P2135 TP SENSOR

[VQ35DE]

< SERVICE INFORMATION >

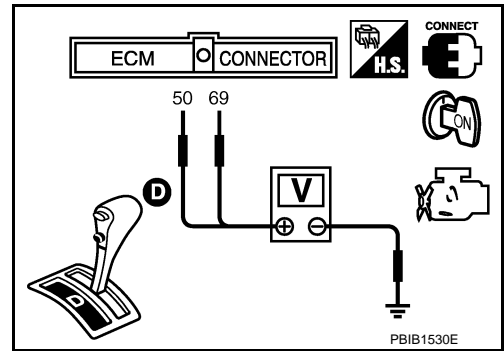
5. Check voltage between ECM terminals 50 (TP sensor 1 signal), 69 (TP sensor 2 signal) and ground under the following conditions.

Terminal	Accelerator pedal	Voltage
50 (Throttle position sensor 1)	Fully released	More than 0.36V
	Fully depressed	Less than 4.75V
69 (Throttle position sensor 2)	Fully released	Less than 4.75V
	Fully depressed	More than 0.36V

6. If NG, replace electric throttle control actuator and go to the next step.

7. Perform [EC-82. "Throttle Valve Closed Position Learning"](#).

8. Perform [EC-82. "Idle Air Volume Learning"](#).



Removal and Installation

INFOID:000000002954632

ELECTRIC THROTTLE CONTROL ACTUATOR

Refer to [EM-20](#).

DTC P2138 APP SENSOR

< SERVICE INFORMATION >

[VQ35DE]

DTC P2138 APP SENSOR

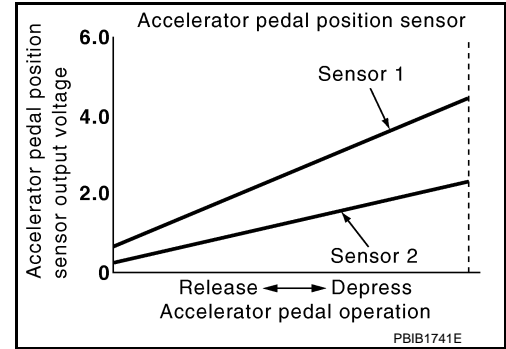
Component Description

INFOID:000000002954633

The accelerator pedal position sensor is installed on the upper end of the accelerator pedal assembly. The sensor detects the accelerator position and sends a signal to the ECM.

Accelerator pedal position sensor has two sensors. These sensors are a kind of potentiometers which transform the accelerator pedal position into output voltage, and emit the voltage signal to the ECM. In addition, these sensors detect the opening and closing speed of the accelerator pedal and feed the voltage signals to the ECM. The ECM judges the current opening angle of the accelerator pedal from these signals and controls the throttle control motor based on these signals.

Idle position of the accelerator pedal is determined by the ECM receiving the signal from the accelerator pedal position sensor. The ECM uses this signal for the engine operation such as fuel cut.



CONSULT-III Reference Value in Data Monitor Mode

INFOID:000000002954634

Specification data are reference values.

MONITOR ITEM	CONDITION	SPECIFICATION
ACCEL SEN 1 ACCEL SEN 2*	• Ignition switch: ON (Engine stopped) Accelerator pedal: Fully released	0.4 - 1.1V
	Accelerator pedal: Fully depressed	3.7 - 4.8V
CLSD THL POS	• Ignition switch: ON (Engine stopped) Accelerator pedal: Fully released	ON
	Accelerator pedal: Slightly depressed	OFF

*: Accelerator pedal position sensor 2 signal is converted by ECM internally. Thus, it differs from ECM terminal voltage.

On Board Diagnosis Logic

INFOID:000000002954635

This self-diagnosis has the one trip detection logic.

NOTE:

If DTC P2138 is displayed with DTC P0643, first perform the trouble diagnosis for DTC P0643. Refer to [EC-436](#).

DTC No.	Trouble diagnosis name	DTC detecting condition	Possible cause
P2138 2138	Accelerator pedal position sensor circuit range/performance	Rationally incorrect voltage is sent to ECM compared with the signals from APP sensor 1 and APP sensor 2.	<ul style="list-style-type: none"> • Harness or connector (APP sensor 1 and 2 circuit is open or shorted.) (TP sensor circuit is shorted.) • Accelerator pedal position sensor (APP sensor 1 and 2) • Electric throttle control actuator (TP sensor 1 and 2)

FAIL-SAFE MODE

When the malfunction is detected, ECM enters fail-safe mode and the MIL lights up.

Engine operating condition in fail-safe mode

The ECM controls the electric throttle control actuator in regulating the throttle opening in order for the idle position to be within +10 degrees.

The ECM regulates the opening speed of the throttle valve to be slower than the normal condition. So, the acceleration will be poor.

DTC Confirmation Procedure

INFOID:000000002954636

NOTE:

DTC P2138 APP SENSOR

[VQ35DE]

< SERVICE INFORMATION >

If DTC Confirmation Procedure has been previously conducted, always turn ignition switch OFF and wait at least 10 seconds before conducting the next test.

TESTING CONDITION:

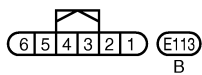
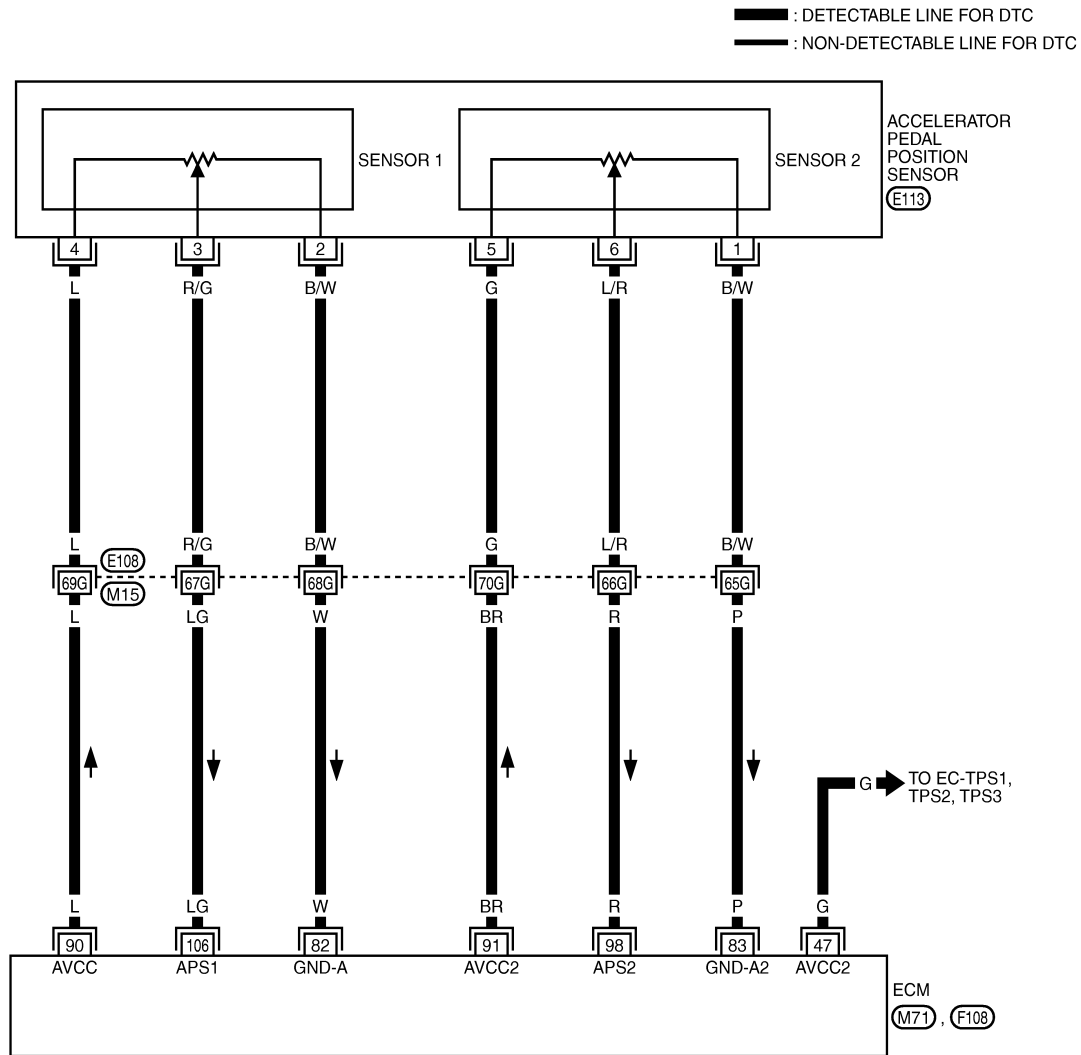
Before performing the following procedure, confirm that battery voltage is more than 10V at idle.

1. Start engine and let it idle for 1 second.
2. Check DTC.
3. If DTC is detected, go to [EC-569, "Diagnosis Procedure"](#).

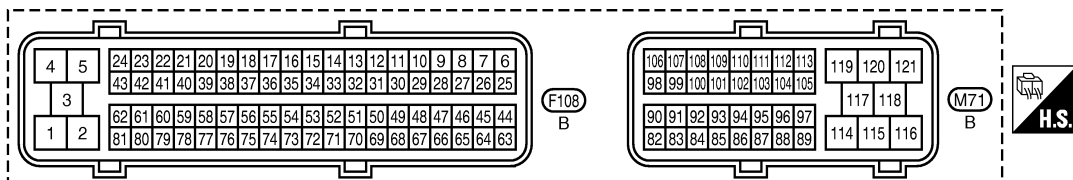
Wiring Diagram

INFOID:000000002954637

EC-APPS3-01



REFER TO THE FOLLOWING.
 (E108) - SUPER MULTIPLE JUNCTION (SMJ)



TBWT1973E

DTC P2138 APP SENSOR

< SERVICE INFORMATION >

[VQ35DE]

Specification data are reference values and are measured between each terminal and ground.

CAUTION:

Do not use ECM ground terminals when measuring input/output voltage. Doing so may result in damage to the ECM's transistor. Use a ground other than ECM terminals, such as the ground.

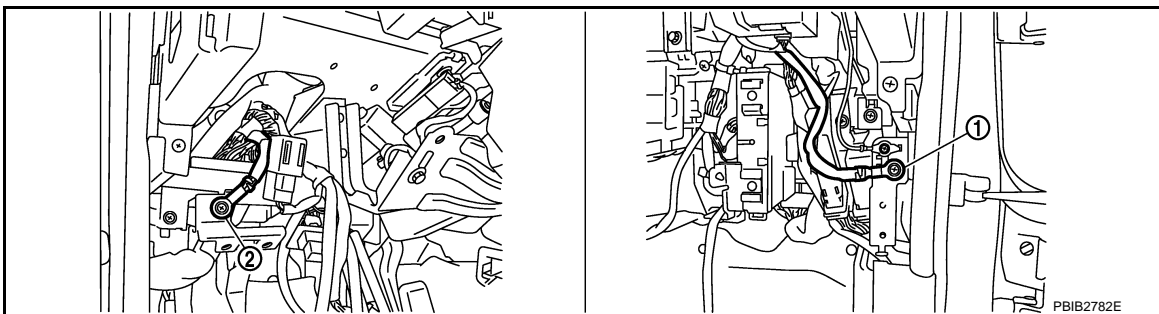
TER-MI-NAL NO.	WIRE COLOR	ITEM	CONDITION	DATA (DC Voltage)
47	G	Sensor power supply (Throttle position sensor)	[Ignition switch: ON]	Approximately 5V
82	W	Sensor ground (APP sensor 1)	[Engine is running] • Warm-up condition • Idle speed	Approximately 0V
83	P	Sensor ground (APP sensor 2)	[Engine is running] • Warm-up condition • Idle speed	Approximately 0V
90	L	Sensor power supply (APP sensor 1)	[Ignition switch: ON]	Approximately 5V
91	BR	Sensor power supply (APP sensor 2)	[Ignition switch: ON]	Approximately 5V
98	R	Accelerator pedal position sensor 2	[Ignition switch: ON] • Engine stopped • Accelerator pedal: Fully released	0.20 - 0.55V
			[Ignition switch: ON] • Engine stopped • Accelerator pedal: Fully depressed	1.85 - 2.40V
106	LG	Accelerator pedal position sensor 1	[Ignition switch: ON] • Engine stopped • Accelerator pedal: Fully released	0.4 - 1.1V
			[Ignition switch: ON] • Engine stopped • Accelerator pedal: Fully depressed	3.7 - 4.8V

Diagnosis Procedure

INFOID:000000002954638

1. CHECK GROUND CONNECTIONS

1. Turn ignition switch OFF.
2. Loosen and retighten two ground screws on the body.
Refer to [EC-146, "Ground Inspection"](#).



1. Body ground M70
2. Body ground M16

OK or NG

- OK >> GO TO 2.
- NG >> Repair or replace ground connections.

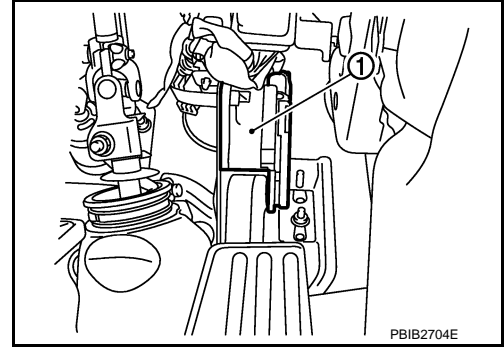
DTC P2138 APP SENSOR

[VQ35DE]

< SERVICE INFORMATION >

2. CHECK APP SENSOR 1 POWER SUPPLY CIRCUIT

1. Disconnect accelerator pedal position (APP) sensor (1) harness connector.
2. Turn ignition switch ON.

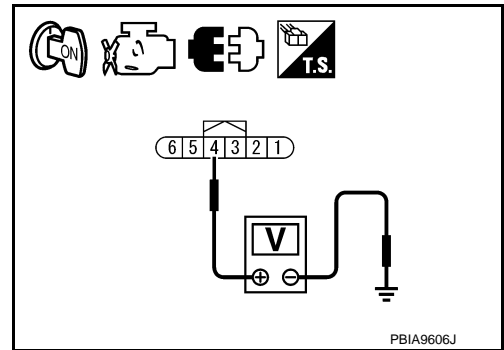


3. Check voltage between APP sensor terminal 4 and ground with CONSULT-III or tester.

Voltage: Approximately 5V

OK or NG

- OK >> GO TO 4.
- NG >> GO TO 3.



3. DETECT MALFUNCTIONING PART

Check the following.

- Harness connectors E108, M15
- Harness for open or short between ECM and accelerator pedal position sensor

>> Repair open circuit or short to ground or short to power in harness or connectors.

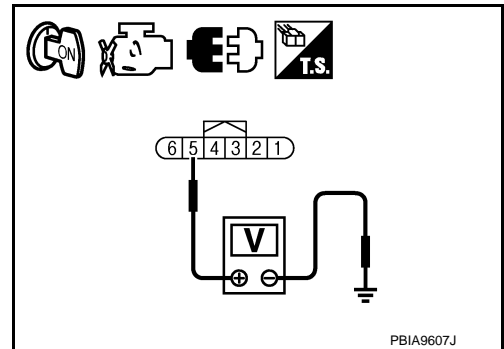
4. CHECK APP SENSOR 2 POWER SUPPLY CIRCUIT-I

1. Turn ignition switch ON.
2. Check voltage between APP sensor terminal 5 and ground with CONSULT-III or tester.

Voltage: Approximately 5V

OK or NG

- OK >> GO TO 10.
- NG >> GO TO 5.



5. CHECK APP SENSOR 2 POWER SUPPLY CIRCUIT-II

1. Turn ignition switch OFF.
2. Disconnect ECM harness connector.
3. Check harness continuity between APP sensor terminal 5 and ECM terminal 91. Refer to Wiring Diagram.

Continuity should exist.

OK or NG

- OK >> GO TO 7.
- NG >> GO TO 6.

DTC P2138 APP SENSOR

[VQ35DE]

< SERVICE INFORMATION >

6. DETECT MALFUNCTIONING PART

Check the following.

- Harness connectors E108, M15
- Harness for open or short between ECM and accelerator pedal position sensor

>> Repair open circuit.

7. CHECK APP SENSOR 2 POWER SUPPLY CIRCUIT-III

Check harness for short to power and short to ground, between the following terminals.

ECM terminal	Sensor terminal	Reference Wiring Diagram
91	APP sensor terminal 5	EC-568
47	Electric throttle control actuator terminal 1	EC-562

OK or NG

OK >> GO TO 8.

NG >> Repair short to ground or short to power in harness or connectors.

8. CHECK THROTTLE POSITION SENSOR

Refer to [EC-565, "Component Inspection"](#).

OK or NG

OK >> GO TO 16.

NG >> GO TO 9.

9. REPLACE ELECTRIC THROTTLE CONTROL ACTUATOR

1. Replace the electric throttle control actuator.
2. Perform [EC-82, "Throttle Valve Closed Position Learning"](#).
3. Perform [EC-82, "Idle Air Volume Learning"](#).

>> **INSPECTION END**

10. CHECK APP SENSOR GROUND CIRCUIT FOR OPEN AND SHORT

1. Turn ignition switch OFF.
2. Disconnect ECM harness connector.
3. Check harness continuity between the following;
APP sensor terminal 2 and ECM terminal 82,
APP sensor terminal 1 and ECM terminal 83.
Refer to Wiring Diagram.

Continuity should exist.

4. Also check harness for short to ground and short to power.

OK or NG

OK >> GO TO 12.

NG >> GO TO 11.

11. DETECT MALFUNCTIONING PART

Check the following.

- Harness connectors E108, M15
- Harness for open or short between ECM and accelerator pedal position sensor

>> Repair open circuit or short to ground or short to power in harness or connectors.

12. CHECK APP SENSOR INPUT SIGNAL CIRCUIT FOR OPEN AND SHORT

1. Check harness continuity between the following;
ECM terminal 106 and APP sensor terminal 3,
ECM terminal 98 and APP sensor terminal 6.

DTC P2138 APP SENSOR

[VQ35DE]

< SERVICE INFORMATION >

Refer to Wiring Diagram.

Continuity should exist.

2. Also check harness for short to ground and short to power.

OK or NG

OK >> GO TO 14.

NG >> GO TO 13.

13. DETECT MALFUNCTIONING PART

Check the following.

- Harness connectors E108, M15
- Harness for open or short between ECM and accelerator pedal position sensor

>> Repair open circuit or short to ground or short to power in harness or connectors.

14. CHECK APP SENSOR

Refer to [EC-572. "Component Inspection"](#).

OK or NG

OK >> GO TO 16.

NG >> GO TO 15.

15. REPLACE ACCELERATOR PEDAL ASSEMBLY

1. Replace accelerator pedal assembly.
2. Perform [EC-82. "Accelerator Pedal Released Position Learning"](#).
3. Perform [EC-82. "Throttle Valve Closed Position Learning"](#).
4. Perform [EC-82. "Idle Air Volume Learning"](#).

>> **INSPECTION END**

16. CHECK INTERMITTENT INCIDENT

Refer to [EC-140](#).

>> **INSPECTION END**

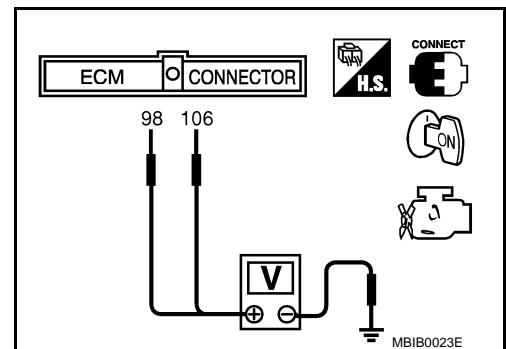
Component Inspection

INFOID:000000002954639

ACCELERATOR PEDAL POSITION SENSOR

1. Reconnect all harness connectors disconnected.
2. Turn ignition switch ON.
3. Check voltage between ECM terminals 106 (APP sensor 1 signal), 98 (APP sensor 2 signal) and ground under the following conditions.

Terminal	Accelerator pedal	Voltage
106 (Accelerator pedal position sensor 1)	Fully released	0.4 - 1.1V
	Fully depressed	3.7 - 4.8V
98 (Accelerator pedal position sensor 2)	Fully released	0.20 - 0.55V
	Fully depressed	1.85 - 2.40V



4. If NG, replace accelerator pedal assembly and go to next step.
5. Perform [EC-82. "Accelerator Pedal Released Position Learning"](#).
6. Perform [EC-82. "Throttle Valve Closed Position Learning"](#).
7. Perform [EC-82. "Idle Air Volume Learning"](#).

DTC P2138 APP SENSOR

< SERVICE INFORMATION >

[VQ35DE]

Removal and Installation

INFOID:000000002954640

ACCELERATOR PEDAL

Refer to [ACC-3](#).

A

EC

C

D

E

F

G

H

I

J

K

L

M

N

O

P

DTC P2A00, P2A03 A/F SENSOR 1

< SERVICE INFORMATION >

[VQ35DE]

DTC P2A00, P2A03 A/F SENSOR 1

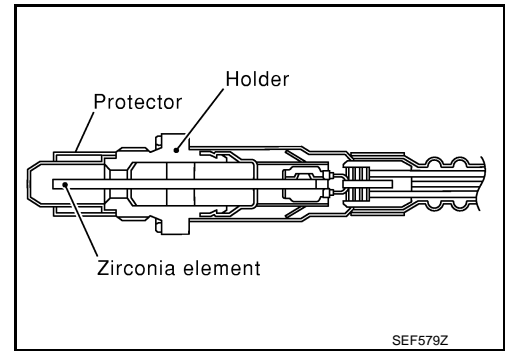
Component Description

INFOID:000000002954641

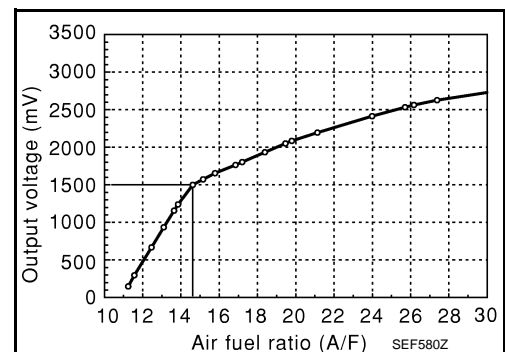
The air fuel ratio (A/F) sensor 1 is a planar dual-cell limit current sensor. The sensor element of the A/F sensor 1 is the combination of a Nernst concentration cell (sensor cell) with an oxygen-pump cell, which transports ions. It has a heater in the element.

The sensor is capable of precise measurement $\lambda = 1$, but also in the lean and rich range. Together with its control electronics, the sensor outputs a clear, continuous signal throughout a wide λ range ($0.7 < \lambda < \text{air}$).

The exhaust gas components diffuse through the diffusion gap at the electrode of the oxygen pump and Nernst concentration cell, where they are brought to thermodynamic balance.



An electronic circuit controls the pump current through the oxygen-pump cell so that the composition of the exhaust gas in the diffusion gap remains constant at $\lambda = 1$. Therefore, the A/F sensor 1 is able to indicate air/fuel ratio by this pumping of current. In addition, a heater is integrated in the sensor to ensure the required operating temperature of 700 - 800°C (1,292 - 1,472°F).



CONSULT-III Reference Value in Data Monitor Mode

INFOID:000000002954642

Specification data are reference values.

MONITOR ITEM	CONDITION		SPECIFICATION
A/F SEN1 (B1) A/F SEN1 (B2)	• Engine: After warming up	Maintaining engine speed at 2,000 rpm	Fluctuates around 1.5 V

On Board Diagnosis Logic

INFOID:000000002954643

To judge the malfunction, the A/F signal computed by ECM from the A/F sensor 1 signal is monitored not to be shifted to LEAN side or RICH side.

DTC No.	Trouble diagnosis name	DTC detecting condition	Possible Cause
P2A00 2A00 (Bank 1)	Air fuel ratio (A/F) sensor 1 circuit range/performance	<ul style="list-style-type: none"> The output voltage computed by ECM from the A/F sensor 1 signal is shifted to the lean side for a specified period. The A/F signal computed by ECM from the A/F sensor 1 signal is shifted to the rich side for a specified period. 	<ul style="list-style-type: none"> A/F sensor 1 A/F sensor 1 heater Fuel pressure Fuel injector Intake air leaks
P2A03 2A03 (Bank 2)			

DTC Confirmation Procedure

INFOID:000000002954644

NOTE:

If DTC Confirmation Procedure has been previously conducted, always turn ignition switch OFF and wait at least 10 seconds before conducting the next test.

TESTING CONDITION:

Before performing the following procedure, confirm that battery voltage is more than 11V at idle.

Ⓜ WITH CONSULT-III

1. Start engine and warm it up to normal operating temperature.

DTC P2A00, P2A03 A/F SENSOR 1

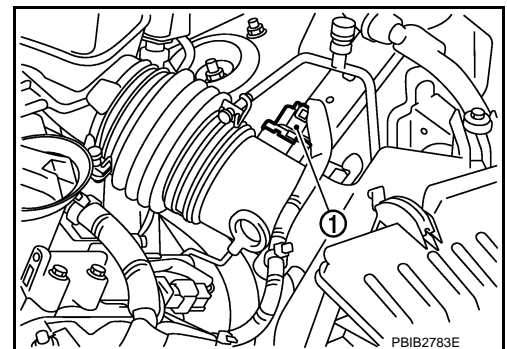
[VQ35DE]

< SERVICE INFORMATION >

2. Turn ignition switch OFF and wait at least 10 seconds.
3. Turn ignition switch ON and select "SELF-LEARNING CONT" in "WORK SUPPORT" mode with CONSULT-III.
4. Clear the self-learning coefficient by touching "CLEAR".
5. Turn ignition switch OFF and wait at least 10 seconds.
6. Start engine and keep the engine speed between 3,500 and 4,000 rpm for 1 minute under no load.
7. Let engine idle for 1 minute.
8. Keep engine speed between 2,500 and 3,000 rpm for 20 minutes.
9. Check 1st trip DTC.
10. If 1st trip DTC is detected, go to [EC-579. "Diagnosis Procedure"](#).

WITH GST

1. Start engine and warm it up to normal operating temperature.
2. Turn ignition switch OFF and wait at least 10 seconds.
3. Disconnect mass air flow sensor (1) harness connector.
4. Start engine and let it idle for at least 5 seconds.
5. Stop engine and reconnect mass air flow sensor harness connector.
6. Select Service \$03 with GST and make sure that DTC P0102 is detected.
7. Select Service \$04 with GST and erase the DTC P0102.
8. Start engine and keep the engine speed between 3,500 and 4,000 rpm for 1 minute under no load.
9. Let engine idle for 1 minute.
10. Keep engine speed between 2,500 and 3,000 rpm for 20 minutes.
11. Select Service \$07 with GST.
If 1st trip DTC is detected, go to [EC-579. "Diagnosis Procedure"](#).



A
EC
C
D
E
F
G
H
I
J
K
L
M
N
O
P

DTC P2A00, P2A03 A/F SENSOR 1

< SERVICE INFORMATION >

[VQ35DE]

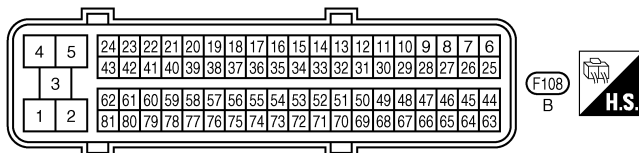
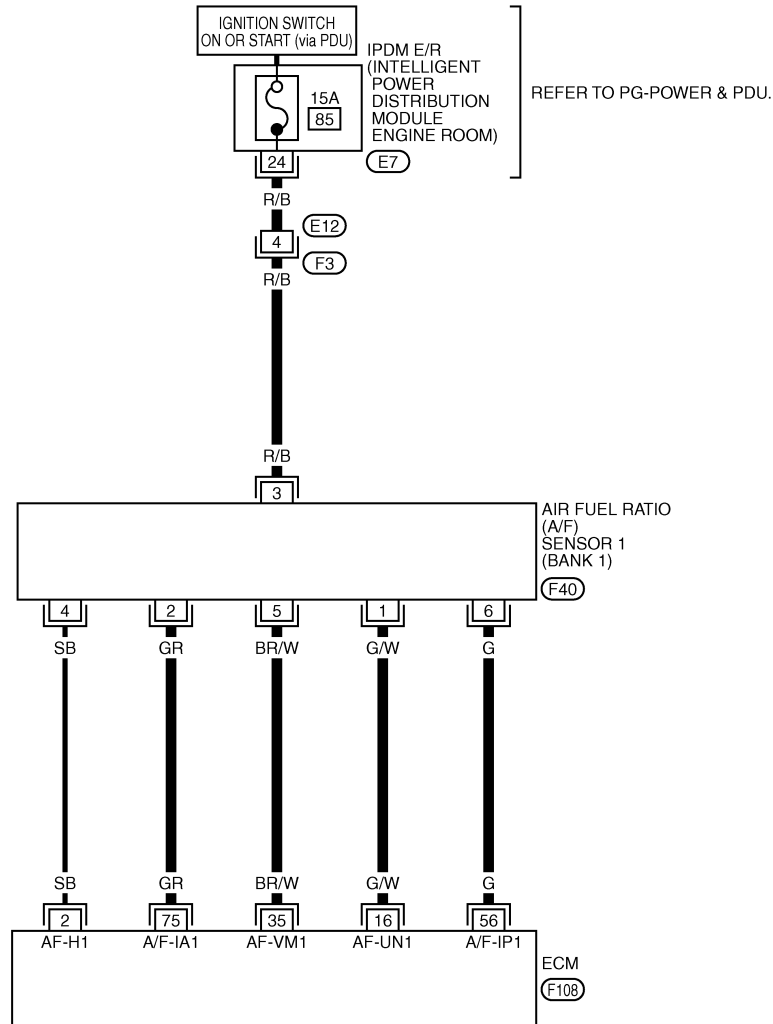
INFOID:00000002954645

Wiring Diagram

BANK 1

EC-AF1B1-01

— : DETECTABLE LINE FOR DTC
 - - - : NON-DETECTABLE LINE FOR DTC



TBWT0979E

Specification data are reference values and are measured between each terminal and ground.
 Pulse signal is measured by CONSULT-III.

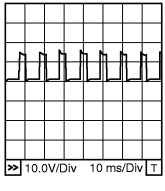
CAUTION:

DTC P2A00, P2A03 A/F SENSOR 1

< SERVICE INFORMATION >

[VQ35DE]

Do not use ECM ground terminals when measuring input/output voltage. Doing so may result in damage to the ECM's transistor. Use a ground other than ECM terminals, such as the ground.

TER-MI-NAL NO.	WIRE COLOR	ITEM	CONDITION	DATA (DC Voltage)
2	SB	A/F sensor 1 heater (bank 1)	[Engine is running] • Warm-up condition • Idle speed	Approximately 5V★ 
16	G/W	A/F sensor 1 (bank 1)	[Engine is running] • Warm-up condition • Idle speed	Approximately 3.1V
35	BR/W			Approximately 2.6V
56	G			Approximately 2.3V
75	GR			Approximately 2.3V

★: Average voltage for pulse signal (Actual pulse signal can be confirmed by oscilloscope.)

A
EC
C
D
E
F
G
H
I
J
K
L
M
N
O
P

DTC P2A00, P2A03 A/F SENSOR 1

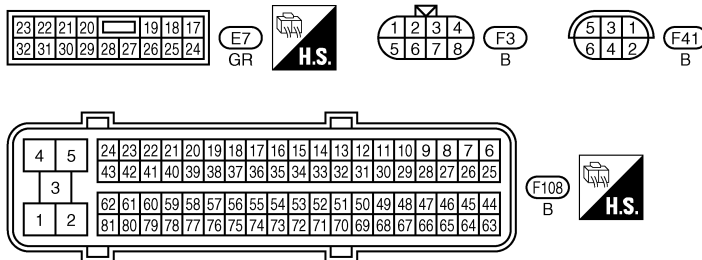
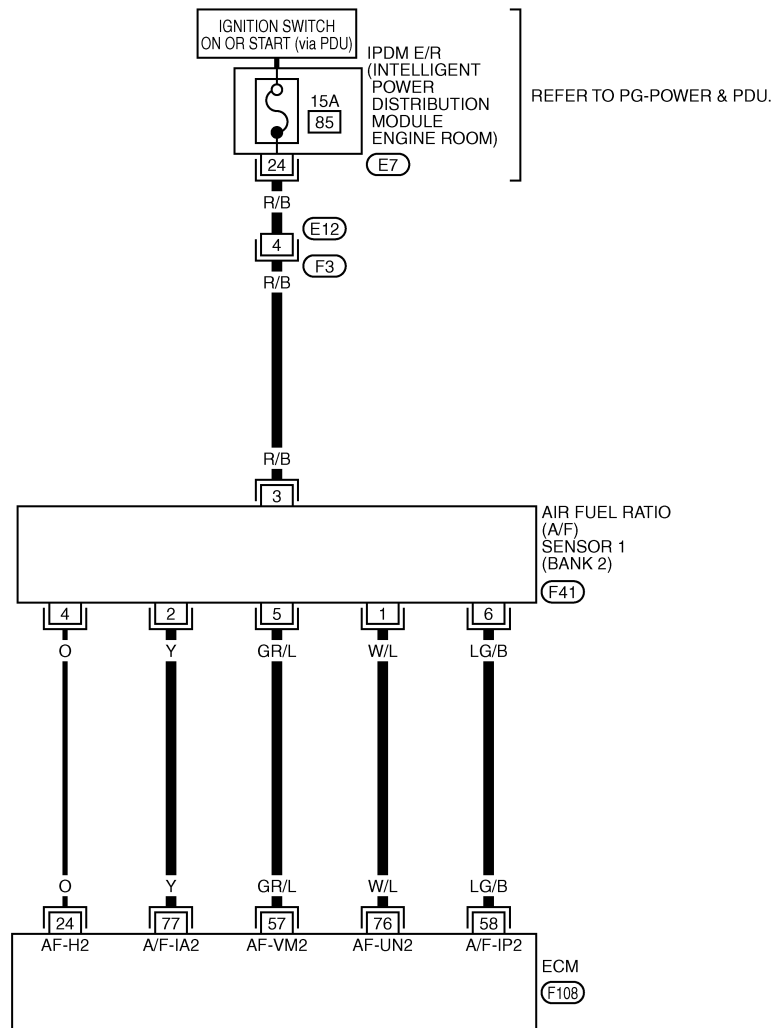
[VQ35DE]

< SERVICE INFORMATION >

BANK 2

EC-AF1B2-01

— : DETECTABLE LINE FOR DTC
 - - - : NON-DETECTABLE LINE FOR DTC



TBWT0980E

Specification data are reference values and are measured between each terminal and ground.
 Pulse signal is measured by CONSULT-III.

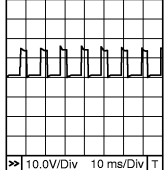
CAUTION:

Do not use ECM ground terminals when measuring input/output voltage. Doing so may result in damage to the ECM's transistor. Use a ground other than ECM terminals, such as the ground.

DTC P2A00, P2A03 A/F SENSOR 1

< SERVICE INFORMATION >

[VQ35DE]

TERMINAL NO.	WIRE COLOR	ITEM	CONDITION	DATA (DC Voltage)
24	O	A/F sensor 1 heater (bank 2)	[Engine is running] <ul style="list-style-type: none"> • Warm-up condition • Idle speed 	Approximately 5V★  PBIB1584E
57	GR/L	A/F sensor 1 (bank 2)	[Engine is running] <ul style="list-style-type: none"> • Warm-up condition • Idle speed 	Approximately 2.6V
58	LG/B			Approximately 2.3V
76	W/L			Approximately 3.1V
77	Y			Approximately 2.3V

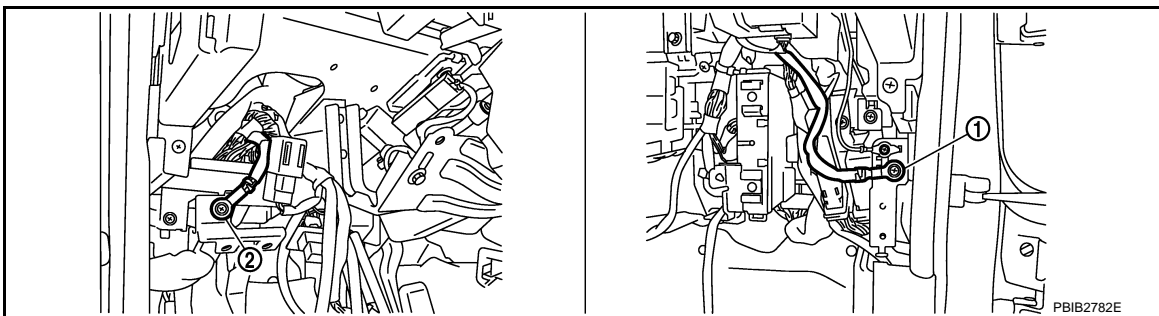
★: Average voltage for pulse signal (Actual pulse signal can be confirmed by oscilloscope.)

Diagnosis Procedure

INFOID:000000002954646

1. CHECK GROUND CONNECTIONS

1. Turn ignition switch OFF.
2. Loosen and retighten two ground screws on the body.
Refer to [EC-146, "Ground Inspection"](#).



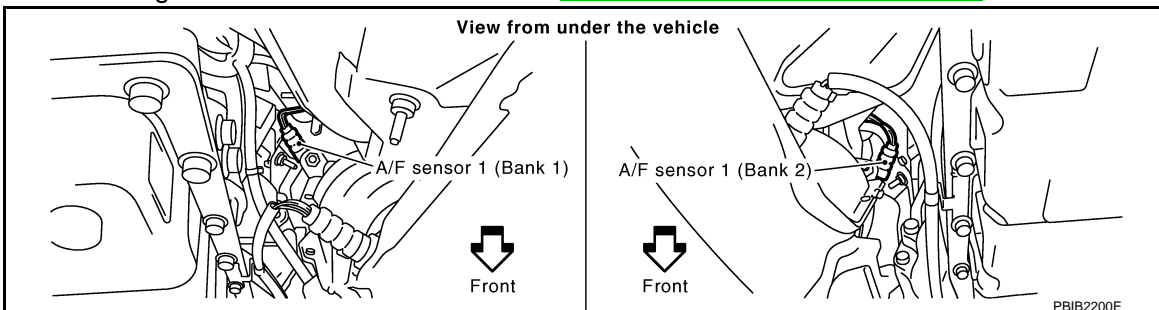
1. Body ground M70
2. Body ground M16

OK or NG

- OK >> GO TO 2.
 NG >> Repair or replace ground connections.

2. RETIGHTEN A/F SENSOR 1

1. Loosen and retighten the A/F sensor 1. Refer to [EM-27, "Removal and Installation"](#).



>> GO TO 3.

DTC P2A00, P2A03 A/F SENSOR 1

[VQ35DE]

< SERVICE INFORMATION >

3. CHECK FOR INTAKE AIR LEAK

1. Start engine and run it at idle.
2. Listen for an intake air leak after the mass air flow sensor.

OK or NG

- OK >> GO TO 4.
NG >> Repair or replace.

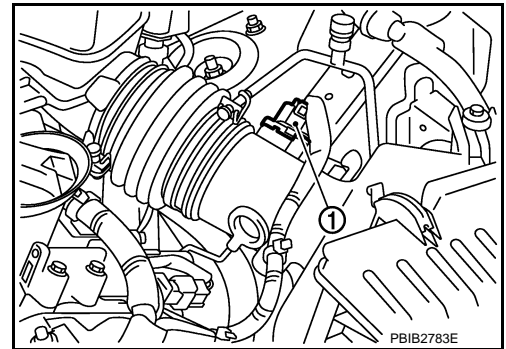
4. CLEAR THE SELF-LEARNING DATA

Ⓜ With CONSULT-III

1. Start engine and warm it up to normal operating temperature.
2. Select "SELF-LEARNING CONT" in "WORK SUPPORT" mode with CONSULT-III.
3. Clear the self-learning control coefficient by touching "CLEAR".
4. Run engine for at least 10 minutes at idle speed.
**Is the 1st trip DTC P0171, P0172, P0174 or P0175 detected?
Is it difficult to start engine?**

⊗ Without CONSULT-III

1. Start engine and warm it up to normal operating temperature.
2. Turn ignition switch OFF.
3. Disconnect mass air flow sensor (1) harness connector.
4. Restart engine and let it idle for at least 5 seconds.
5. Stop engine and reconnect mass air flow sensor harness connector.
6. Make sure DTC P0102 is displayed.
7. Erase the DTC memory. Refer to [EC-55. "Emission-Related Diagnostic Information"](#).
8. Make sure DTC P0000 is displayed.
9. Run engine for at least 10 minutes at idle speed.
**Is the 1st trip DTC P0171, P0172, P0174 or P0175 detected?
Is it difficult to start engine?**

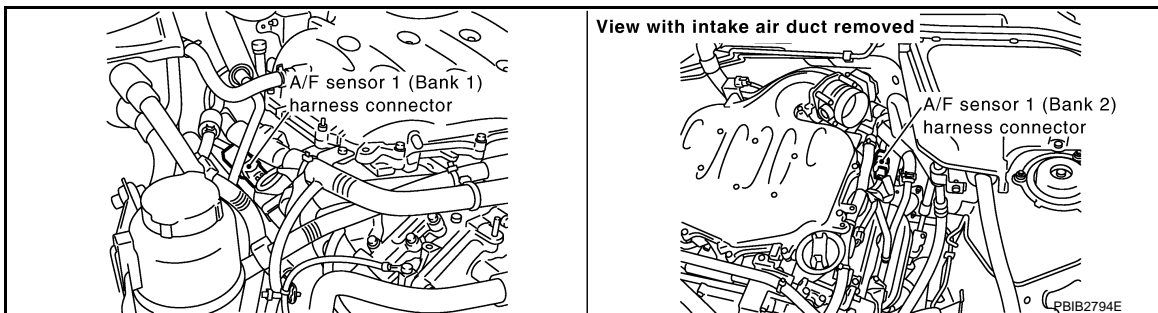


Yes or No

- Yes >> Perform trouble diagnosis for DTC P0171, P0174 or P0172, P0175. Refer to [EC-280](#) or [EC-292](#).
No >> GO TO 5.

5. CHECK HARNESS CONNECTOR

1. Turn ignition switch OFF.
2. Disconnect A/F sensor 1 harness connector.



3. Check harness connector for water.

Water should not exit.

OK or NG

- OK >> GO TO 6.
NG >> Repair or replace harness connector.

6. CHECK A/F SENSOR 1 POWER SUPPLY CIRCUIT

1. Turn ignition switch ON.

DTC P2A00, P2A03 A/F SENSOR 1

[VQ35DE]

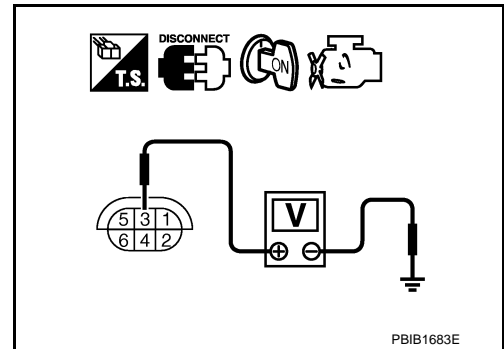
< SERVICE INFORMATION >

- Check voltage between A/F sensor 1 terminal 3 and ground with CONSULT-III or tester.

Voltage: Battery voltage

OK or NG

- OK >> GO TO 8.
- NG >> GO TO 7.



7. DETECT MALFUNCTIONING PART

Check the following.

- Harness connectors E12, F3
- IPDM E/R harness connector E7
- 15A fuse
- Harness for open or short between A/F sensor 1 and fuse

>> Repair or replace harness or connectors.

8. CHECK A/F SENSOR 1 INPUT SIGNAL CIRCUIT FOR OPEN AND SHORT

- Turn ignition switch OFF.
- Disconnect ECM harness connector.
- Check harness continuity between A/F sensor 1 terminal and ECM terminal as follows. Refer to Wiring Diagram.

	A/F sensor 1 terminal	ECM terminal
Bank 1	1	16
	2	75
	5	35
	6	56
Bank 2	1	76
	2	77
	5	57
	6	58

Continuity should exist.

- Check harness continuity between the following terminals and ground. Refer to Wiring Diagram.

Bank 1		Bank 2	
A/F sensor 1 terminal	ECM terminal	A/F sensor 1 terminal	ECM terminal
1	16	1	76
2	75	2	77
5	35	5	57
6	56	6	58

Continuity should not exist.

- Also check harness for short to power.

OK or NG

- OK >> GO TO 9.

DTC P2A00, P2A03 A/F SENSOR 1

[VQ35DE]

< SERVICE INFORMATION >

NG >> Repair open circuit or short to ground or short to power in harness or connectors.

9. CHECK A/F SENSOR 1 HEATER

Refer to [EC-159, "Component Inspection"](#).

OK or NG

OK >> GO TO 10.

NG >> GO TO 11.

10. CHECK INTERMITTENT INCIDENT

Perform [EC-140](#).

OK or NG

OK >> GO TO 11.

NG >> Repair or replace.

11. REPLACE AIR FUEL RATIO (A/F) SENSOR 1

Replace malfunctioning air fuel ratio (A/F) sensor 1.

CAUTION:

- Discard any A/F sensor which has been dropped from a height of more than 0.5 m (19.7 in) onto a hard surface such as a concrete floor; use a new one.
- Before installing new A/F sensor, clean exhaust system threads using Oxygen Sensor Thread Cleaner tool J-43897-18 or J-43897-12 and approved anti-seize lubricant.

>> INSPECTION END

Removal and Installation

INFOID:000000002954647

AIR FUEL RATIO (A/F) SENSOR 1

Refer to [EM-27](#).

ASCD BRAKE SWITCH

< SERVICE INFORMATION >

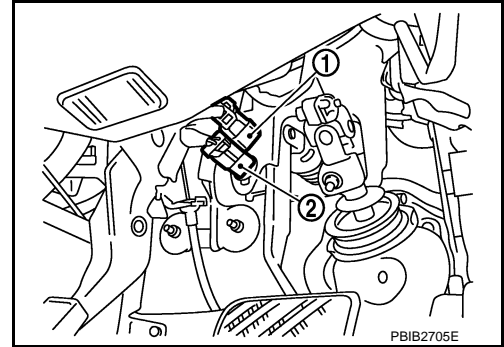
[VQ35DE]

ASCD BRAKE SWITCH

Component Description

INFOID:000000002954648

When the brake pedal is depressed, ASCD brake switch (2) is turned OFF and stop lamp switch (1) is turned ON. ECM detects the state of the brake pedal by this input of two kinds (ON/OFF signal). Refer to [EC-37](#) for the ASCD function.



CONSULT-III Reference Value in Data Monitor Mode

INFOID:000000002954649

Specification data are reference values.

MONITOR ITEM	CONDITION		SPECIFICATION
BRAKE SW1 (ASCD brake switch)	• Ignition switch: ON	Brake pedal: Fully released	ON
		Brake pedal: Slightly depressed	OFF
BRAKE SW2 (Stop lamp switch)	• Ignition switch: ON	Brake pedal: Fully released	OFF
		Brake pedal: Slightly depressed	ON

ASC D BRAKE SWITCH

< SERVICE INFORMATION >

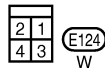
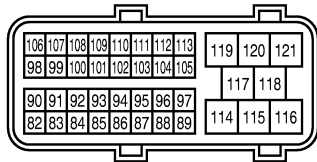
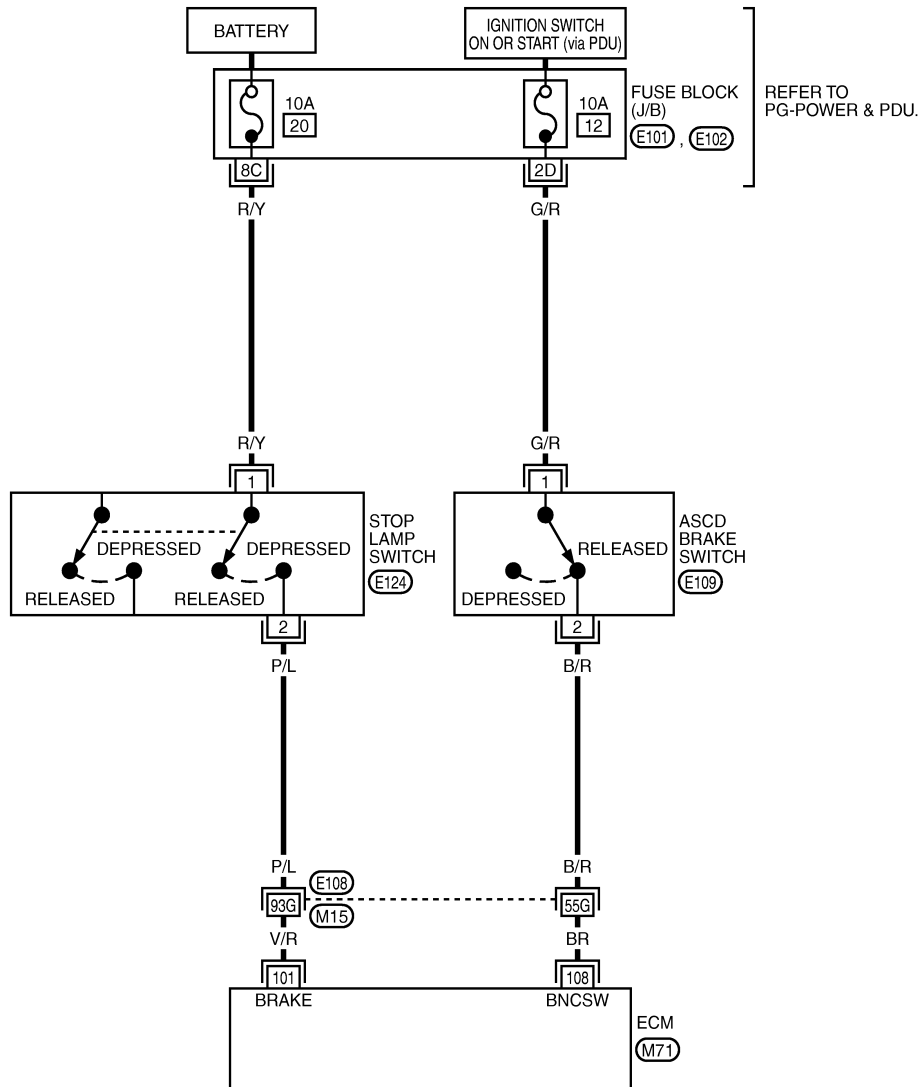
[VQ35DE]

Wiring Diagram

INFOID:00000002954650

EC-ASCBOF-01

— : DETECTABLE LINE FOR DTC
 — : NON-DETECTABLE LINE FOR DTC



REFER TO THE FOLLOWING.

- (E108) - SUPER MULTIPLE JUNCTION (SMJ)
- (E101), (E102) - FUSE BLOCK - JUNCTION BOX (J/B)

TBWT1974E

Specification data are reference values and are measured between each terminal and ground.

CAUTION:

Do not use ECM ground terminals when measuring input/output voltage. Doing so may result in damage to the ECM's transistor. Use a ground other than ECM terminals, such as the ground.

ASCD BRAKE SWITCH

< SERVICE INFORMATION >

[VQ35DE]

TER-MI-NAL NO.	WIRE COLOR	ITEM	CONDITION	DATA (DC Voltage)
101	V/R	Stop lamp switch	[Ignition switch: OFF] • Brake pedal: Fully released	Approximately 0V
			[Ignition switch: OFF] • Brake pedal: Slightly depressed	BATTERY VOLTAGE (11 - 14V)
108	BR	ASCD brake switch	[Ignition switch: ON] • Brake pedal: Slightly depressed	Approximately 0V
			[Ignition switch: ON] • Brake pedal: Fully released	BATTERY VOLTAGE (11 - 14V)

Diagnosis Procedure

INFOID:000000002954651

1. CHECK OVERALL FUNCTION-I

☑ With CONSULT-III

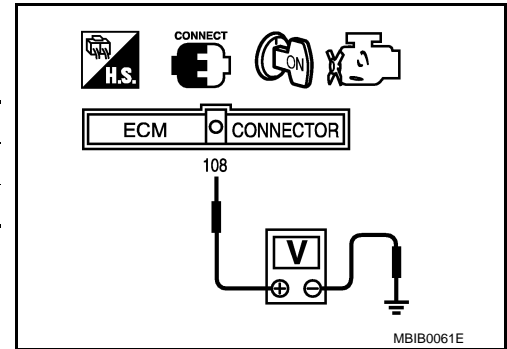
- Turn ignition switch ON.
- Select "BRAKE SW1" in "DATA MONITOR" mode with CONSULT-III.
- Check "BRAKE SW1" indication under the following conditions.

CONDITION	INDICATION
Brake pedal: Slightly depressed	OFF
Brake pedal: Fully released	ON

☒ Without CONSULT-III

- Turn ignition switch ON.
- Check voltage between ECM terminal 108 and ground under the following conditions.

CONDITION	VOLTAGE
Brake pedal: Slightly depressed	Approximately 0V
Brake pedal: Fully released	Battery voltage



OK or NG

- OK >> GO TO 2.
NG >> GO TO 3.

2. CHECK OVERALL FUNCTION-II

☑ With CONSULT-III

Check "BRAKE SW2" indication in "DATA MONITOR" mode.

CONDITION	INDICATION
Brake pedal: Fully released	OFF
Brake pedal: Slightly depressed	ON

☒ Without CONSULT-III

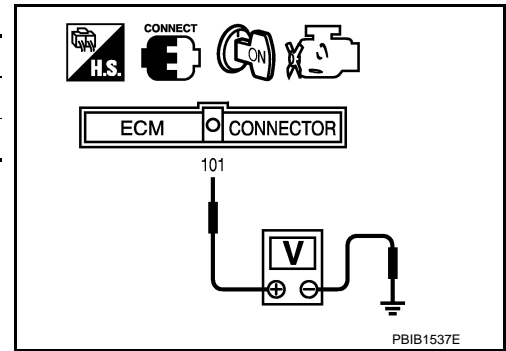
Check voltage between ECM terminal 101 and ground under the following conditions.

ASCD BRAKE SWITCH

[VQ35DE]

< SERVICE INFORMATION >

CONDITION	VOLTAGE
Brake pedal: Fully released	Approximately 0V
Brake pedal: Slightly depressed	Battery voltage



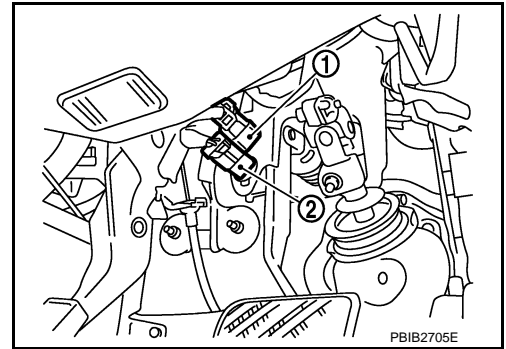
OK or NG

OK >> **INSPECTION END**

NG >> GO TO 8.

3. CHECK ASCD BRAKE SWITCH POWER SUPPLY CIRCUIT

1. Turn ignition switch OFF.
2. Disconnect ASCD brake switch (2) harness connector.
- Stop lamp switch (1)
3. Turn ignition switch ON.



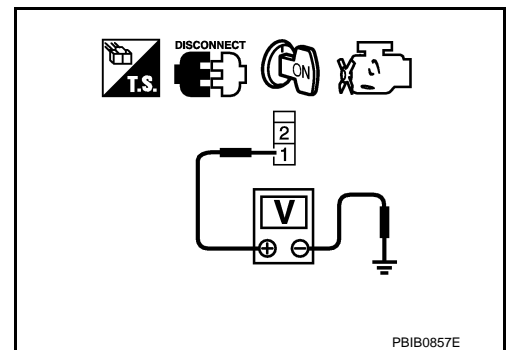
4. Check voltage between ASCD brake switch terminal 1 and ground with CONSULT-III or tester.

Voltage: Battery voltage

OK or NG

OK >> GO TO 5.

NG >> GO TO 4.



4. DETECT MALFUNCTIONING PART

Check the following.

- Fuse block (J/B) connector E102
- 10A fuse
- Harness for open or short between ASCD brake switch and fuse

>> Repair open circuit or short to ground or short to power in harness or connectors.

5. CHECK ASCD BRAKE SWITCH INPUT SIGNAL CIRCUIT FOR OPEN AND SHORT

1. Turn ignition switch OFF.
2. Disconnect ECM harness connector.
3. Check harness continuity between ECM terminal 108 and ASCD brake switch terminal 2.
Refer to Wiring Diagram.

Continuity should exist.

4. Also check harness for short to ground and short to power.

ASCD BRAKE SWITCH

[VQ35DE]

< SERVICE INFORMATION >

OK or NG

- OK >> GO TO 7.
- NG >> GO TO 6.

6. DETECT MALFUNCTIONING PART

Check the following.

- Harness connectors E108, M15
- Harness for open or short between ECM and ASCD brake switch

>> Repair open circuit or short to ground or short to power in harness or connectors.

7. CHECK ASCD BRAKE SWITCH

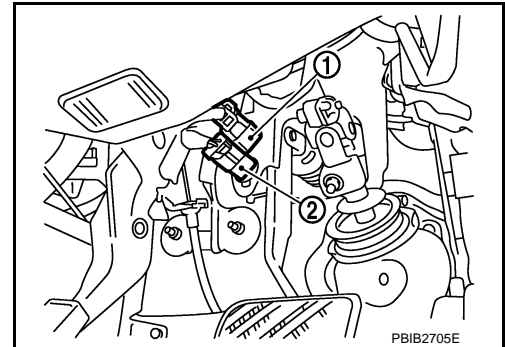
Refer to [EC-588. "Component Inspection"](#)

OK or NG

- OK >> GO TO 13.
- NG >> Replace ASCD brake switch.

8. CHECK STOP LAMP SWITCH POWER SUPPLY CIRCUIT

1. Turn ignition switch OFF.
2. Disconnect stop lamp switch (1) harness connector.
 - ASCD brake switch (2)

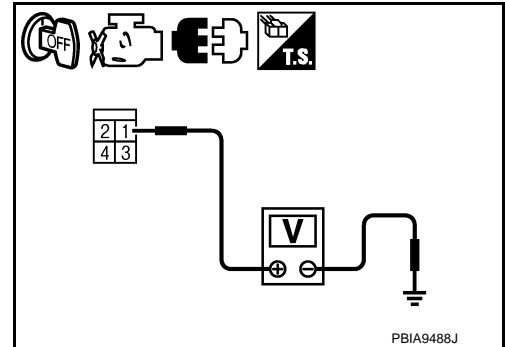


3. Check voltage between stop lamp switch terminal 1 and ground with CONSULT-III or tester.

Voltage: Battery voltage

OK or NG

- OK >> GO TO 10.
- NG >> GO TO 9.



9. DETECT MALFUNCTIONING PART

Check the following.

- Fuse block (J/B) connector E101
- 10A fuse
- Harness for open or short between stop lamp switch and battery

>> Repair open circuit or short to ground or short to power in harness or connectors.

10. CHECK STOP LAMP SWITCH INPUT SIGNAL CIRCUIT FOR OPEN AND SHORT

1. Disconnect ECM harness connector.
2. Check harness continuity between ECM terminal 101 and stop lamp switch terminal 2. Refer to Wiring Diagram.

Continuity should exist.

3. Also check harness for short to ground and short to power.

ASCD BRAKE SWITCH

[VQ35DE]

< SERVICE INFORMATION >

OK or NG

- OK >> GO TO 12.
- NG >> GO TO 11.

11. DETECT MALFUNCTIONING PART

Check the following.

- Harness connectors E108, M15
- Harness for open or short between ECM and stop lamp switch

>> Repair open circuit or short to ground or short to power in harness or connectors.

12. CHECK STOP LAMP SWITCH

Refer to [EC-588, "Component Inspection"](#).

OK or NG

- OK >> GO TO 13.
- NG >> Replace stop lamp switch.

13. CHECK INTERMITTENT INCIDENT

Refer to [EC-140](#).

>> **INSPECTION END**

Component Inspection

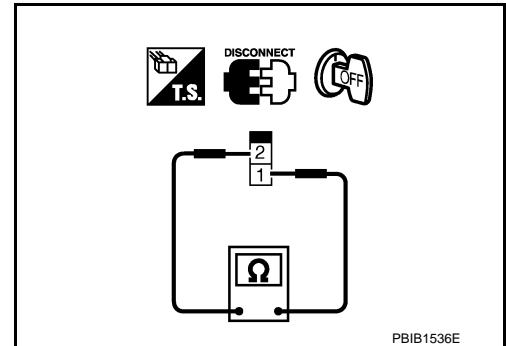
INFOID:000000002954652

ASCD BRAKE SWITCH

1. Turn ignition switch OFF.
2. Disconnect ASCD brake switch harness connector.
3. Check harness continuity between ASCD brake switch terminals 1 and 2 under the following conditions.

Condition	Continuity
Brake pedal: Fully released.	Should exist.
Brake pedal: Slightly depressed.	Should not exist.

4. If NG, adjust ASCD brake switch installation, refer to [BR-6](#), and perform step 3 again.

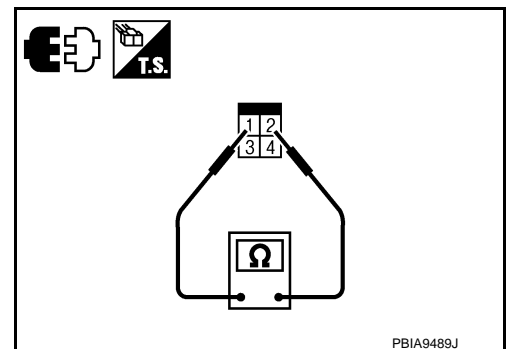


STOP LAMP SWITCH

1. Turn ignition switch OFF.
2. Disconnect stop lamp switch harness connector.
3. Check harness continuity between stop lamp switch terminals 1 and 2 under the following conditions.

Condition	Continuity
Brake pedal: Fully released.	Should not exist.
Brake pedal: Slightly depressed.	Should exist.

4. If NG, adjust stop lamp switch installation, refer to [BR-6](#), and perform step 3 again.



ASC D INDICATOR

< SERVICE INFORMATION >

[VQ35DE]

ASC D INDICATOR

Component Description

INFOID:000000002954653

ASC D indicator lamp illuminates to indicate ASC D operation status. Lamp has two indicators, CRUISE and SET, and is integrated in combination meter.

CRUISE lamp illuminates when MAIN switch on ASC D steering switch is turned ON to indicated that ASC D system is ready for operation.

SET lamp illuminates when following conditions are met.

- CRUISE lamp is illuminated.
- SET/COAST switch on ASC D steering switch is turned ON while vehicle speed is within the range of ASC D setting.

SET lamp remains lit during ASC D control.

Refer to [EC-37](#) for the ASC D function.

CONSULT-III Reference Value in Data Monitor Mode

INFOID:000000002954654

Specification data are reference values.

MONITOR ITEM	CONDITION		SPECIFICATION
CRUISE LAMP	• Ignition switch: ON	MAIN switch: Pressed at the 1st time → at the 2nd time	ON → OFF
SET LAMP	• MAIN switch: ON • When vehicle speed is between 40 km/h (25 MPH) and 144 km/h (89 MPH)	ASC D: Operating	ON
		ASC D: Not operating	OFF

ASC D INDICATOR

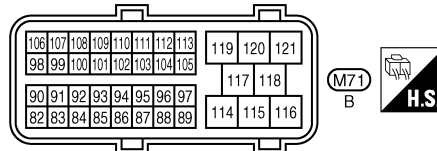
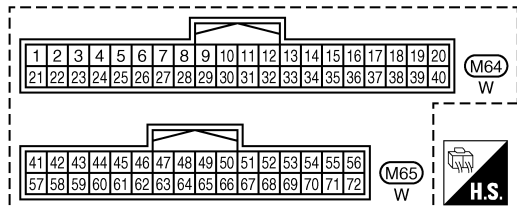
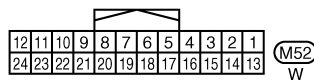
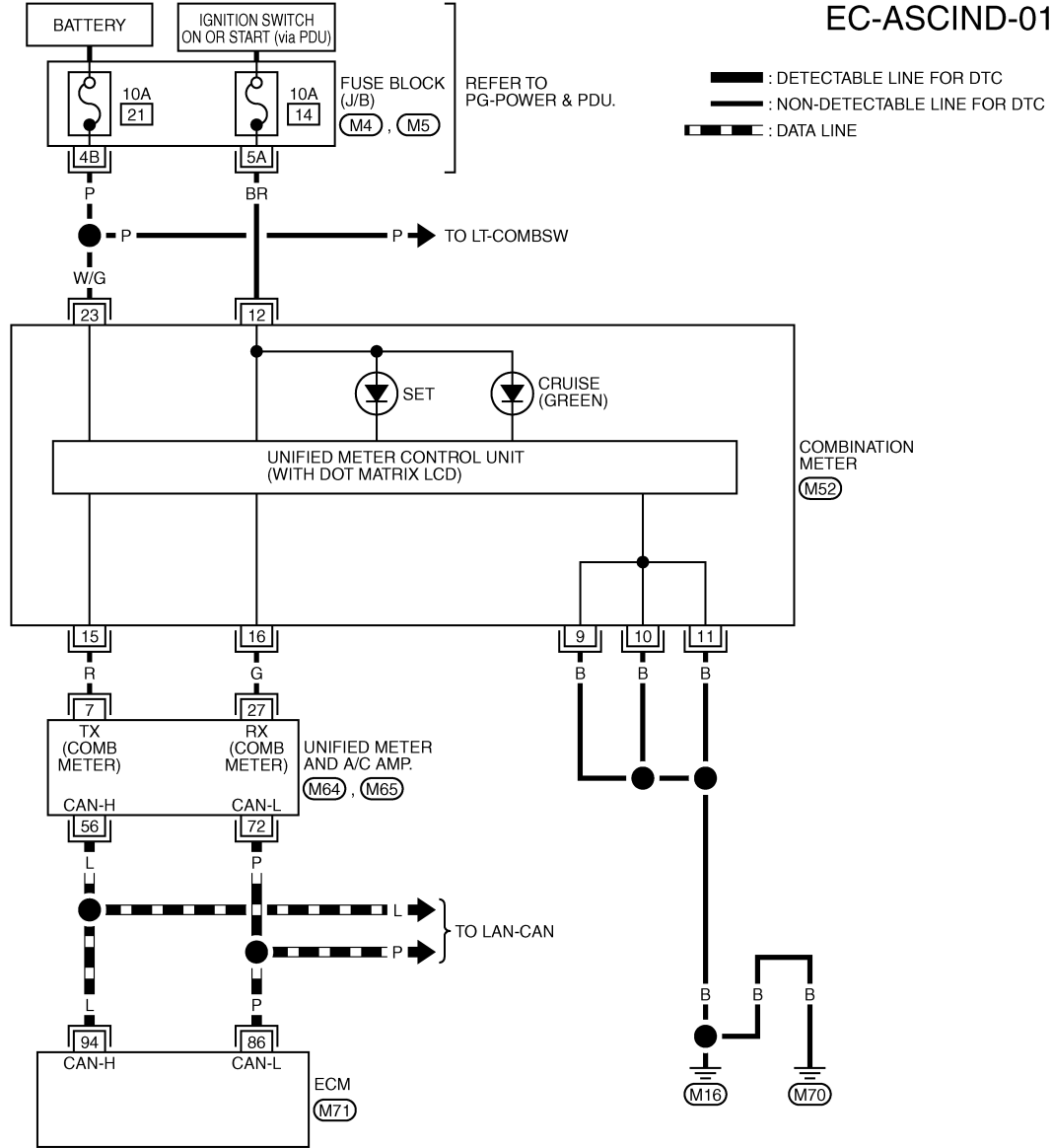
< SERVICE INFORMATION >

[VQ35DE]

INFOID:000000002954655

Wiring Diagram

EC-ASCIND-01



REFER TO THE FOLLOWING.

(M4), (M5) - FUSE BLOCK-JUNCTION BOX (J/B)

TBWT1486E

Diagnosis Procedure

INFOID:000000002954656

1. CHECK OVERALL FUNCTION

Check ASCD indicator under the following conditions.

ASCD INDICATOR

< SERVICE INFORMATION >

[VQ35DE]

ASCD INDICATOR	CONDITION		SPECIFICATION
CRUISE LAMP	<ul style="list-style-type: none"> Ignition switch: ON 	<ul style="list-style-type: none"> MAIN switch: Pressed at the 1st time → at the 2nd time 	ON → OFF
SET LAMP	<ul style="list-style-type: none"> MAIN switch: ON When vehicle speed is between 40 km/h (25 MPH) and 144 km/h (89 MPH) 	<ul style="list-style-type: none"> ASCD: Operating 	ON
		<ul style="list-style-type: none"> ASCD: Not operating 	OFF

OK or NG

OK >> **INSPECTION END**

NG >> GO TO 2.

2.CHECK DTC

Check that DTC U1000 or U1001 is not displayed.

OK or NG

OK >> GO TO 3.

NG >> Perform trouble diagnosis for DTC U1000, U1001. Refer to [EC-147](#).

3.CHECK DTC WITH "UNIFIED METER AND A/C AMP."

Refer to [DI-27. "CONSULT-III Function \(METER/M&A\)"](#).

OK or NG

OK >> GO TO 4.

NG >> Go to [DI-30. "DTC \[B2202\] Meter Communication Circuit"](#).

4.CHECK INTERMITTENT INCIDENT

Refer to [EC-140](#).

>> **INSPECTION END**

A
EC
C
D
E
F
G
H
I
J
K
L
M
N
O
P

ELECTRICAL LOAD SIGNAL

< SERVICE INFORMATION >

[VQ35DE]

ELECTRICAL LOAD SIGNAL

Description

INFOID:000000002954657

The electrical load signal (Headlamp switch signal, rear window defogger switch signal, etc.) is transferred through the CAN communication line from BCM to ECM via IPDM E/R.

CONSULT-III Reference Value in Data Monitor Mode

INFOID:000000002954658

Specification data are reference values.

MONITOR ITEM	CONDITION		SPECIFICATION
LOAD SIGNAL	• Ignition switch: ON	Rear window defogger switch: ON and/or Lighting switch: 2ND position	ON
		Rear window defogger switch and lighting switch: OFF	OFF
HEATER FAN SW	• Engine: After warming up, idle the engine	Heater fan switch: ON	ON
		Heater fan switch: OFF	OFF

Diagnosis Procedure

INFOID:000000002954659

1. CHECK LOAD SIGNAL CIRCUIT OVERALL FUNCTION-I

1. Turn ignition switch ON.
2. Connect CONSULT-III and select "DATA MONITOR" mode.
3. Select "LOAD SIGNAL" and check indication under the following conditions.

Condition	Indication
Rear window defogger switch: ON	ON
Rear window defogger switch: OFF	OFF

OK or NG

- OK >> GO TO 2.
NG >> GO TO 4.

2. CHECK LOAD SIGNAL CIRCUIT OVERALL FUNCTION-II

Check "LOAD SIGNAL" indication under the following conditions.

Condition	Indication
Lighting switch: ON at 2nd position	ON
Lighting switch: OFF	OFF

OK or NG

- OK >> GO TO 3.
NG >> GO TO 5.

3. CHECK HEATER FAN SIGNAL CIRCUIT OVERALL FUNCTION

Select "HEATER FAN SW" and check indication under the following conditions.

Condition	Indication
Heater fan control switch: ON	ON
Heater fan control switch: OFF	OFF

OK or NG

- OK >> **INSPECTION END**
NG >> GO TO 6.

ELECTRICAL LOAD SIGNAL

< SERVICE INFORMATION >

[VQ35DE]

4.CHECK REAR WINDOW DEFOGGER SYSTEM

Refer to [GW-64](#).

A

>> INSPECTION END

5.CHECK HEADLAMP SYSTEM

Refer to [LT-34](#), [LT-6](#) or [LT-63](#).

C

>> INSPECTION END

6.CHECK HEATER FAN CONTROL SYSTEM

Refer to [ATC-36](#).

D

>> INSPECTION END

E

F

G

H

I

J

K

L

M

N

O

P

EC

FUEL INJECTOR

< SERVICE INFORMATION >

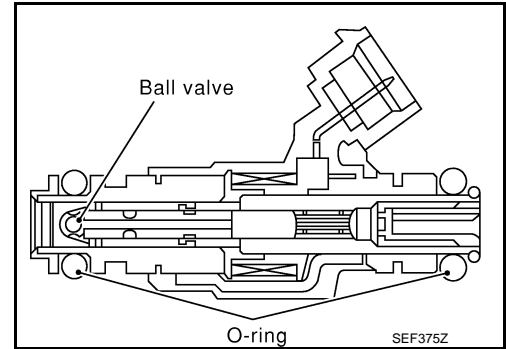
[VQ35DE]

FUEL INJECTOR

Component Description

INFOID:000000002954660

The fuel injector is a small, precise solenoid valve. When the ECM supplies a ground to the fuel injector circuit, the coil in the fuel injector is energized. The energized coil pulls the ball valve back and allows fuel to flow through the fuel injector into the intake manifold. The amount of fuel injected depends upon the injection pulse duration. Pulse duration is the length of time the fuel injector remains open. The ECM controls the injection pulse duration based on engine fuel needs.



CONSULT-III Reference Value in Data Monitor Mode

INFOID:000000002954661

Specification data are reference values.

MONITOR ITEM	CONDITION	SPECIFICATION
B/FUEL SCHDL	See EC-132 .	
INJ PULSE-B1	• Engine: After warming up • Selector lever: P or N	2.0 - 3.0 msec
INJ PULSE-B2	• Air conditioner switch: OFF • No load	1.9 - 2.9 msec

FUEL INJECTOR

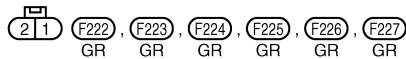
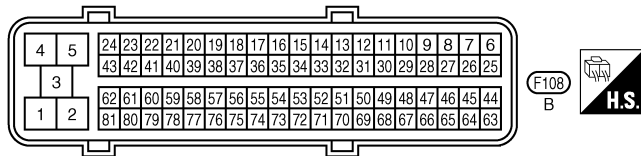
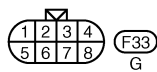
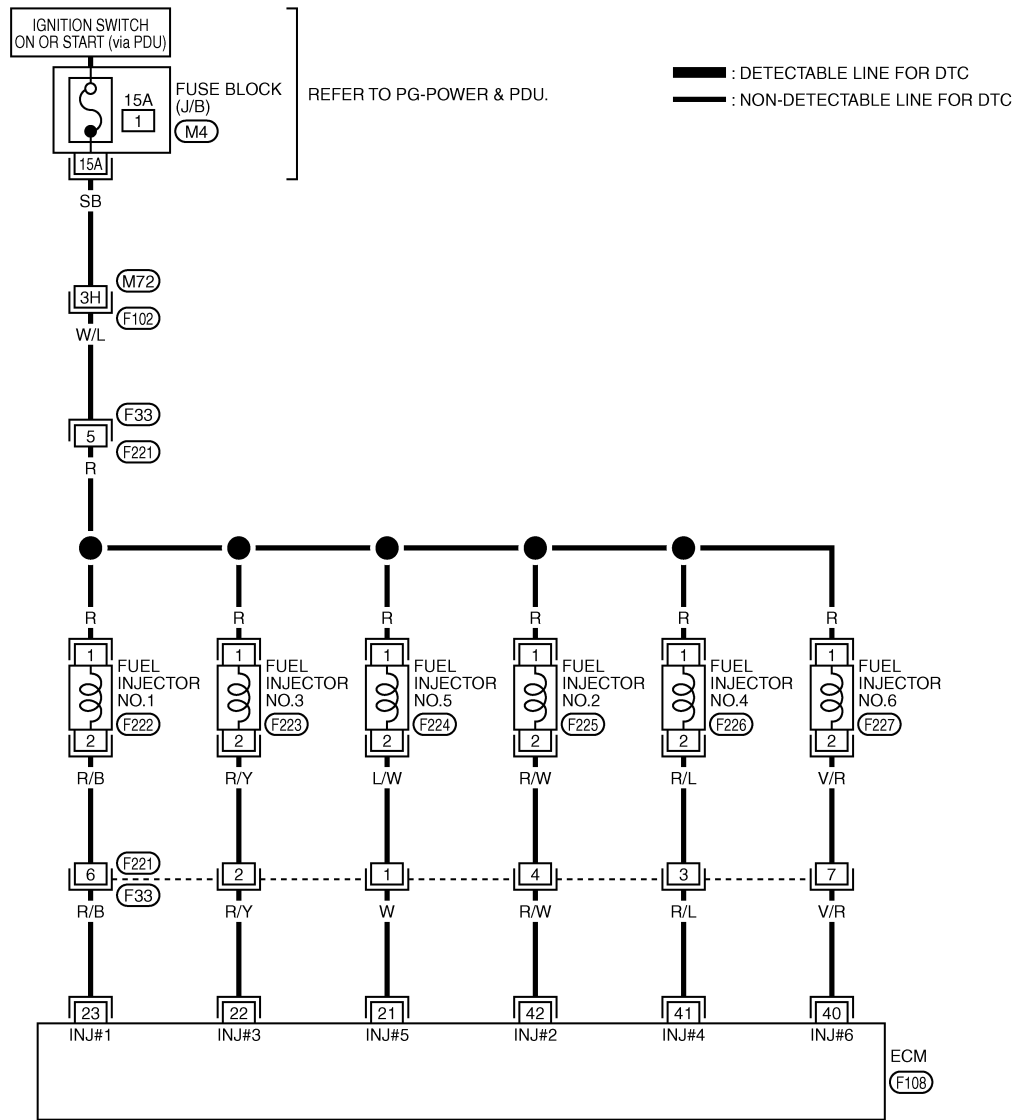
< SERVICE INFORMATION >

[VQ35DE]

Wiring Diagram

INFOID:00000002954662

EC-INJECT-01



REFER TO THE FOLLOWING.

(F102) -SUPER MULTIPLE JUNCTION (SMJ)

(M4) -FUSE BLOCK-JUNCTION BOX (J/B)

TBWT0996E

Specification data are reference values and are measured between each terminal and ground. Pulse signal is measured by CONSULT-III.

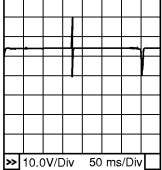
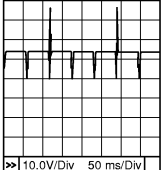
CAUTION:

FUEL INJECTOR

< SERVICE INFORMATION >

[VQ35DE]

Do not use ECM ground terminals when measuring input/output voltage. Doing so may result in damage to the ECM's transistor. Use a ground other than ECM terminals, such as the ground.

TER-MI-NAL NO.	WIRE COLOR	ITEM	CONDITION	DATA (DC Voltage)
21	W	Fuel injector No. 5	[Engine is running] • Warm-up condition • Idle speed NOTE: The pulse cycle changes depending on rpm at idle	BATTERY VOLTAGE (11 - 14V)★  <small>10.0V/Div 50 ms/Div</small> PBIB0042E
22	R/Y	Fuel injector No. 3		BATTERY VOLTAGE (11 - 14V)★  <small>10.0V/Div 50 ms/Div</small> PBIB0043E
23	R/B	Fuel injector No. 1		
40	V/R	Fuel injector No. 6		
41	R/L	Fuel injector No. 4		
42	R/W	Fuel injector No. 2		

★: Average voltage for pulse signal (Actual pulse signal can be confirmed by oscilloscope.)

Diagnosis Procedure

INFOID:000000002954663

1. INSPECTION START

Turn ignition switch to START.

Is any cylinder ignited?

Yes or No

- Yes (With CONSULT-III)>>GO TO 2.
- Yes (Without CONSULT-III)>>GO TO 3.
- No >> GO TO 6.

2. CHECK OVERALL FUNCTION

Ⓟ **With CONSULT-III**

1. Start engine.
2. Perform "POWER BALANCE" in "ACTIVE TEST" mode with CONSULT-III.
3. Make sure that each circuit produces a momentary engine speed drop.

OK or NG

- OK >> **INSPECTION END**
- NG >> GO TO 3.

3. CHECK FUNCTION OF FUEL INJECTOR-I

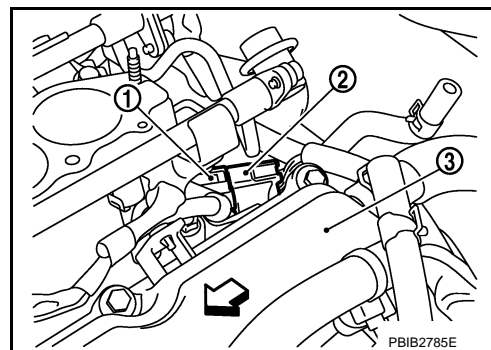
1. Turn ignition switch OFF.

FUEL INJECTOR

[VQ35DE]

< SERVICE INFORMATION >

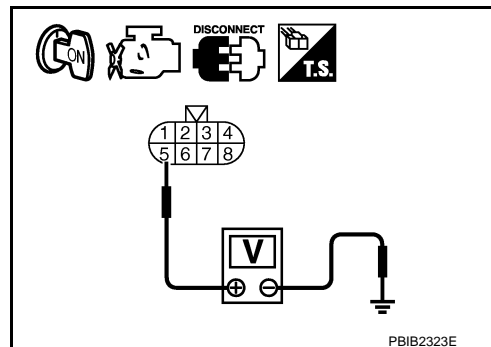
2. Disconnect harness connectors F221 (1), F33 (2).
 - ⇐: Vehicle front
 - Cylinder head (bank 2) (3)
3. Turn ignition switch ON.



4. Check voltage between harness connector F33 terminal 5 and ground with CONSULT-III or tester.

Voltage: Battery voltage

5. Turn ignition switch OFF.
6. Disconnect ECM harness connector.
7. Check harness continuity between the following terminals.



Cylinder	Harness connector F33 terminal	ECM terminal
1	6	23
2	4	42
3	2	22
4	3	41
5	1	21
6	7	40

Continuity should exist.

8. Also check harness for short to ground and short to power.

OK or NG

- OK >> GO TO 5.
- NG >> GO TO 4.

4. DETECT MALFUNCTIONING PART

Check the following.

- Harness connectors M72, F102
- Harness connectors F33
- Fuse block (J/B) connector M4
- 15A fuse
- Harness for open or short between harness connector F33 and fuse
- Harness for open or short between harness connector F33 and ECM

>> Repair open circuit or short to ground or short to power in harness or connectors.

5. CHECK FUNCTION OF FUEL INJECTOR-II

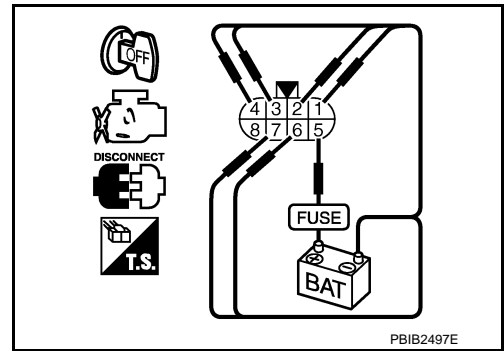
FUEL INJECTOR

[VQ35DE]

< SERVICE INFORMATION >

Provide battery voltage between the following terminals, and then interrupt it. Listen to each fuel injector operating sound.

Cylinder	Harness connector F221 terminal	
	(+)	(-)
1	5	6
2		4
3		2
4		3
5		1
6		7



Operating sound should exist.

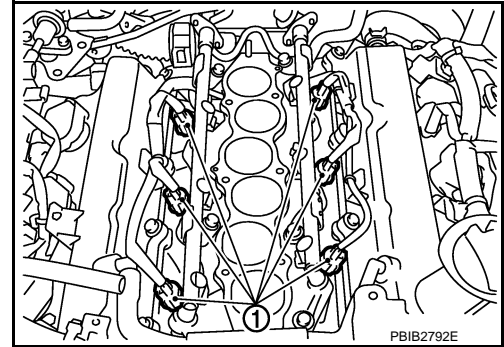
OK or NG

OK >> **INSPECTION END**

NG >> GO TO 6.

6. CHECK SUB-HARNESS CIRCUIT FOR OPEN AND SHORT

1. Disconnect fuel injector harness connector (1).



2. Check harness continuity between the following terminals. Refer to Wiring Diagram.

Harness connector F221 terminal	Fuel injector terminal
1	2
2	
3	
4	
6	
7	
5	1

Continuity should exist.

3. Also check harness for short to ground and short to power.

OK or NG

OK >> GO TO 7.

NG >> Repair open circuit or short to ground or short to power in harness or connectors.

7. CHECK FUEL INJECTOR

Refer to [EC-599. "Component Inspection"](#).

OK or NG

OK >> GO TO 8.

FUEL INJECTOR

[VQ35DE]

< SERVICE INFORMATION >

NG >> Replace malfunctioning fuel injector.

8. CHECK INTERMITTENT INCIDENT

Refer to [EC-140](#).

>> **INSPECTION END**

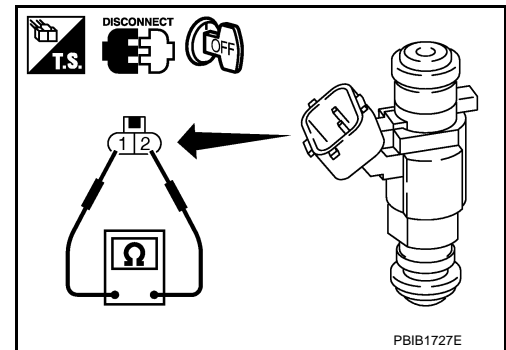
Component Inspection

INFOID:000000002954664

FUEL INJECTOR

1. Disconnect fuel injector harness connector.
2. Check resistance between terminals as shown in the figure.

Resistance: 11.1 - 14.5Ω [at 10 - 60°C (50 - 140°F)]



INFOID:000000002954665

Removal and Installation

FUEL INJECTOR

Refer to [EM-46](#).

FUEL PUMP

< SERVICE INFORMATION >

[VQ35DE]

FUEL PUMP

Description

INFOID:000000002954666

SYSTEM DESCRIPTION

Sensor	Input signal to ECM	ECM Function	Actuator
Crankshaft position sensor (POS) Camshaft position sensor (PHASE)	Engine speed*	Fuel pump control	Fuel pump relay
Battery	Battery voltage*		

*: ECM determines the start signal status by the signals of engine speed and battery voltage.

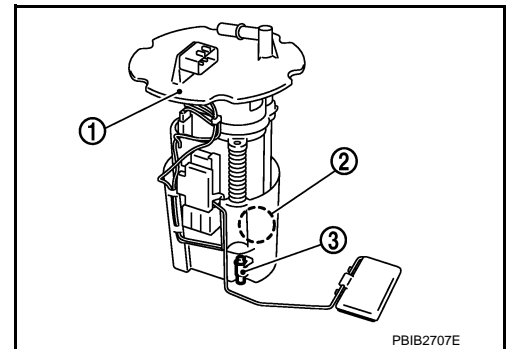
The ECM activates the fuel pump for several seconds after the ignition switch is turned ON to improve engine startability. If the ECM receives a engine speed signal from the camshaft position sensor (PHASE), it knows that the engine is rotating, and causes the pump to operate. If the engine speed signal is not received when the ignition switch is ON, the engine stalls. The ECM stops pump operation and prevents battery discharging, thereby improving safety. The ECM does not directly drive the fuel pump. It controls the ON/OFF fuel pump relay, which in turn controls the fuel pump.

Condition	Fuel pump operation
Ignition switch is turned to ON.	Operates for 1 second.
Engine running and cranking	Operates.
When engine is stopped	Stops in 1.5 seconds.
Except as shown above	Stops.

COMPONENT DESCRIPTION

A turbine type design fuel pump is used in the fuel tank.

- Fuel level sensor unit and fuel pump (1)
- Fuel pressure regulator (2)
- Fuel tank temperature sensor (3)



CONSULT-III Reference Value in Data Monitor Mode

INFOID:000000002954667

Specification data are reference values.

MONITOR ITEM	CONDITION	SPECIFICATION
FUEL PUMP RLY	<ul style="list-style-type: none"> • For 1 seconds after turning ignition switch: ON • Engine running or cranking 	ON
	<ul style="list-style-type: none"> • Except above 	OFF

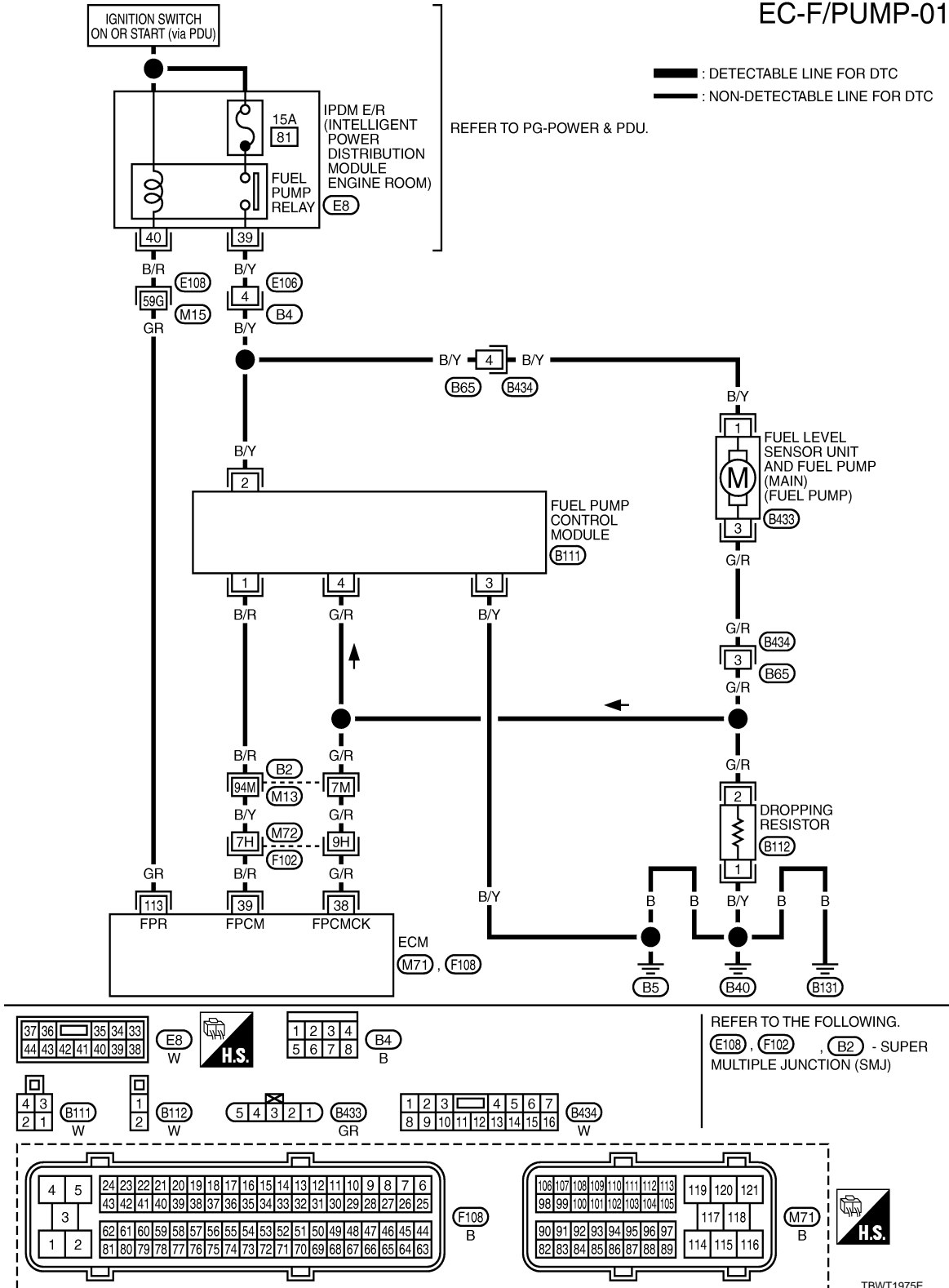
FUEL PUMP

< SERVICE INFORMATION >

[VQ35DE]

Wiring Diagram

INFOID:00000002954668



Specification data are reference values and are measured between each terminal and ground.
CAUTION:
 Do not use ECM ground terminals when measuring input/output voltage. Doing so may result in damage to the ECM's transistor. Use a ground other than ECM terminals, such as the ground.

FUEL PUMP

< SERVICE INFORMATION >

[VQ35DE]

TER-MI-NAL NO.	WIRE COLOR	ITEM	CONDITION	DATA (DC Voltage)
38	G/R	Fuel pump control module (FPCM) check	[When cranking engine]	Approximately 0V
			[Engine is running] • Warm-up condition • Idle speed	4 - 6V
39	B/R	Fuel pump control module (FPCM)	[When cranking engine]	0 - 0.5V
			[Engine is running] • Warm-up condition • Idle speed	8 - 12V
113	GR	Fuel pump relay	[Ignition switch: ON] • For 1 second after turning ignition switch ON	0 - 1.5V
			[Engine is running] • More than 1 second after turning ignition switch ON	BATTERY VOLTAGE (11 - 14V)

Diagnosis Procedure

INFOID:000000002954669

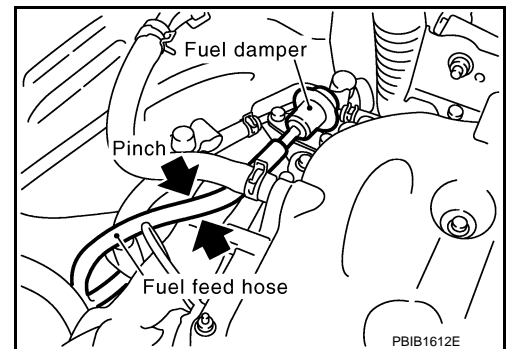
1. CHECK OVERALL FUNCTION

- Turn ignition switch ON.
- Pinch fuel feed hose with two fingers.

Fuel pressure pulsation should be felt on the fuel feed hose for 1 second after ignition switch is turned ON.

OK or NG

- OK >> **INSPECTION END**
 NG >> GO TO 2.



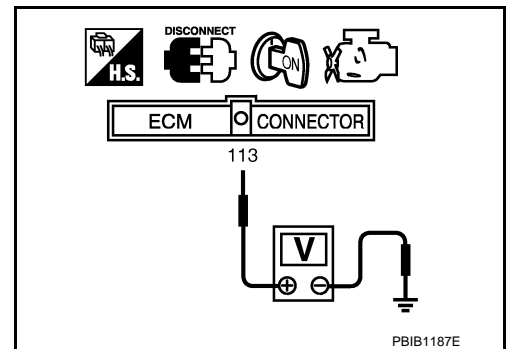
2. CHECK FUEL PUMP POWER SUPPLY CIRCUIT-I

- Turn ignition switch OFF.
- Disconnect ECM harness connector.
- Turn ignition switch ON.
- Check voltage between ECM terminal 113 and ground with CONSULT-III or tester.

Voltage: Battery voltage

OK or NG

- OK >> GO TO 5.
 NG >> GO TO 3.



3. CHECK FUEL PUMP POWER SUPPLY CIRCUIT-II

FUEL PUMP

[VQ35DE]

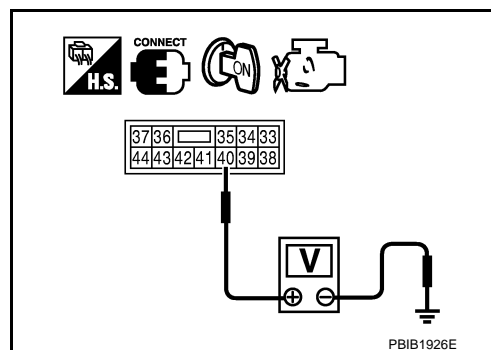
< SERVICE INFORMATION >

Check voltage between IPDM E/R terminal 40 and ground with CONSULT-III or tester.

Voltage: Battery voltage

OK or NG

- OK >> GO TO 4.
- NG >> GO TO 16.



4. DETECT MALFUNCTIONING PART

Check the following.

- Harness connectors E108, M15
- Harness for open or short between IPDM E/R and ECM

>> Repair open circuit or short to ground or short to power in harness or connectors.

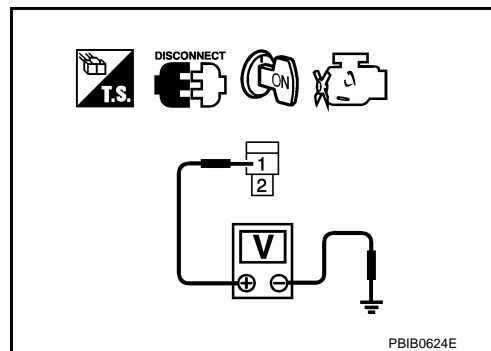
5. CHECK CONDENSER POWER SUPPLY CIRCUIT-I

1. Turn ignition switch OFF.
2. Reconnect all harness connectors disconnected.
3. Disconnect condenser harness connector.
4. Turn ignition switch ON.
5. Check voltage between condenser terminal 1 and ground with CONSULT-III or tester.

Voltage: Battery voltage should exist for 1 second after ignition switch is turned ON.

OK or NG

- OK >> GO TO 9.
- NG >> GO TO 6.



6. CHECK 15A FUSE

1. Turn ignition switch OFF.
2. Disconnect 15A fuse.
3. Check 15A fuse.

OK or NG

- OK >> GO TO 7.
- NG >> Replace fuse.

7. CHECK CONDENSER POWER SUPPLY CIRCUIT-II

1. Disconnect IPDM E/R harness connector E8.
2. Check harness continuity between IPDM E/R terminal 39 and condenser terminal 1. Refer to Wiring Diagram.

Continuity should exist.

3. Also check harness for short to ground and short to power.

OK or NG

- OK >> GO TO 16.
- NG >> GO TO 8.

8. DETECT MALFUNCTIONING PART

Check the following.

- Harness connectors E106, B4

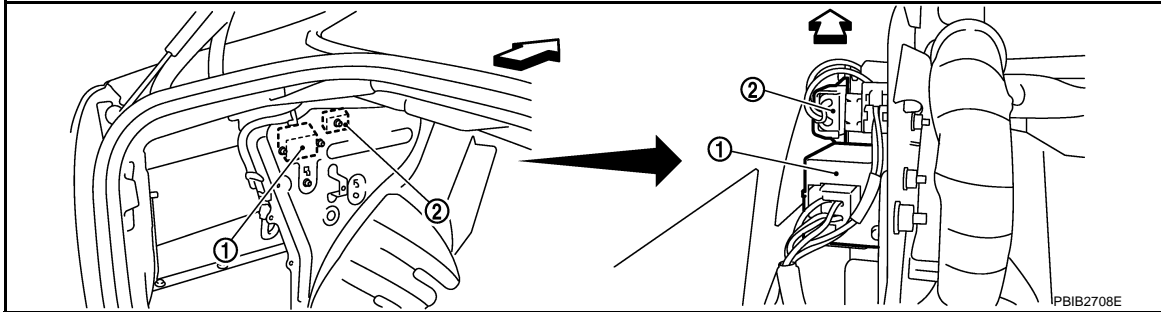
< SERVICE INFORMATION >

- Harness connectors B65, B434
- IPDM E/R connector E8
- Harness for open or short between IPDM E/R and condenser

>> Repair open circuit or short to power in harness or connectors.

9. CHECK CONDENSER GROUND CIRCUIT

1. Turn ignition switch OFF.
2. Disconnect dropping resistor harness connector.



↶ : Vehicle front

1. FPCM

2. Dropping resistor

3. Check harness continuity between condenser terminal 2 and dropping resistor terminal 2.
Refer to Wiring Diagram.

Continuity should exist.

4. Also check harness for short to ground and short to power.

OK or NG

- OK >> GO TO 11.
- NG >> GO TO 10.

10. DETECT MALFUNCTIONING PART

Check the following.

- Harness connectors B65, B434.
- Harness for open or short between condenser and dropping resistor.

>> Repair open circuit or short to ground or short to power in harness or connectors.

11. CHECK CONDENSER

Refer to [EC-605. "Component Inspection"](#).

OK or NG

- OK >> GO TO 12.
- NG >> Replace condenser.

12. CHECK FUEL PUMP POWER SUPPLY CIRCUIT-III

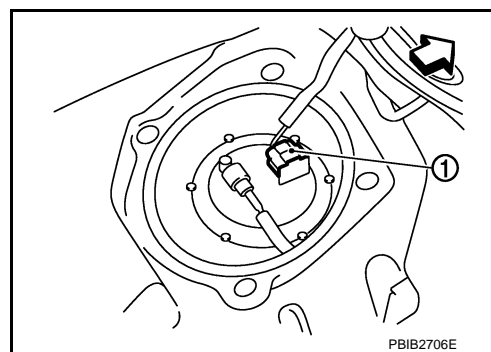
1. Turn ignition switch OFF.
2. Disconnect harness connectors B65, B434.

FUEL PUMP

[VQ35DE]

< SERVICE INFORMATION >

3. Disconnect "fuel level sensor unit and fuel pump" harness connector (1).
- Illustration shows the view with rear seat cushion and inspection hole cover (RH) removed.
- ↶: Vehicle front



4. Check harness continuity between the following;
harness connector B434 terminal 7 and "fuel level sensor unit and fuel pump" terminal 1,
"fuel level sensor unit and fuel pump" terminal 3 and harness connector B434 terminal 16,
harness connector B65 terminal 16 and dropping resistor terminal 2,
dropping resistor terminal 1 and ground.
Refer to Wiring Diagram.

Continuity should exist.

OK or NG

- OK >> GO TO 14.
- NG >> GO TO 13.

13. DETECT MALFUNCTIONING PART

Check the following.

- Harness connectors B65, B434
- Harness for open or short between "fuel level sensor unit and fuel pump" and harness connector B434
- Harness for open or short between "fuel level sensor unit and fuel pump" and dropping resistor
- Harness for open or short between dropping resistor and ground

>> Repair open circuit or short to power in harness or connectors.

14. CHECK DROPPING RESISTOR

Refer to [EC-605. "Component Inspection"](#).

OK or NG

- OK >> GO TO 15.
- NG >> Replace dropping resistor.

15. CHECK FUEL PUMP

Refer to [EC-605. "Component Inspection"](#).

OK or NG

- OK >> GO TO 16.
- NG >> Replace fuel pump.

16. CHECK INTERMITTENT INCIDENT

Refer to [EC-140](#).

OK or NG

- OK >> Replace IPDM E/R.
- NG >> Repair or replace harness or connectors.

Component Inspection

INFOID:000000002954670

FUEL PUMP

1. Turn ignition switch OFF.
2. Disconnect "fuel level sensor unit and fuel pump" harness connector.

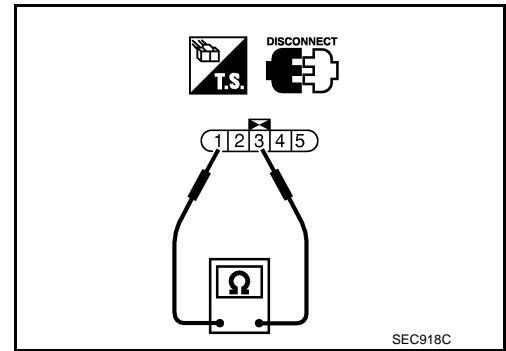
FUEL PUMP

[VQ35DE]

< SERVICE INFORMATION >

3. Check resistance between "fuel level sensor unit and fuel pump" terminals 1 and 3.

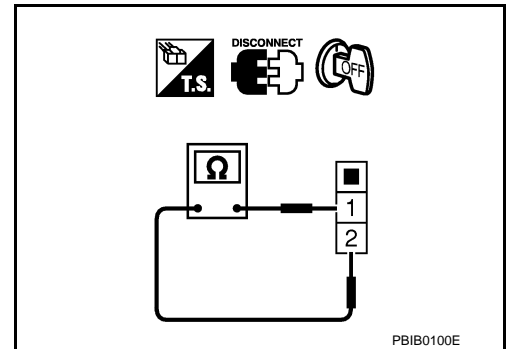
Resistance: 0.2 - 5.0Ω [at 25°C (77°F)]



DROPPING RESISTOR

1. Turn ignition switch OFF.
2. Disconnect dropping resistor harness connector.
3. Check resistance between dropping resistor terminals 1 and 2.

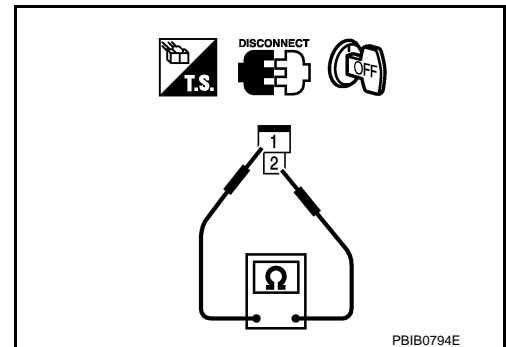
Resistance: Approximately 0.9Ω [at 20°C (68°F)]



CONDENSER

1. Turn ignition switch OFF.
2. Disconnect condenser harness connector.
3. Check resistance between condenser terminals 1 and 2.

Resistance: Above 1 MΩ [at 25°C (77°F)]



Removal and Installation

FUEL PUMP

Refer to [FL-4](#).

INFOID:000000002954671

ICC BRAKE SWITCH

< SERVICE INFORMATION >

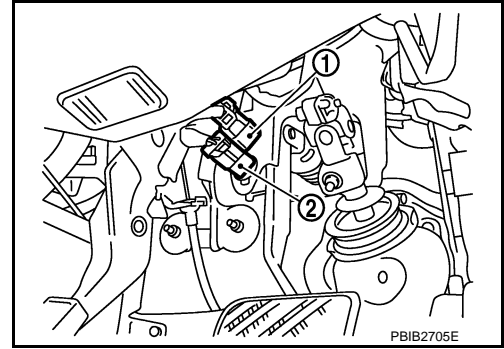
[VQ35DE]

ICC BRAKE SWITCH

Component Description

INFOID:000000002954672

When the brake pedal is depressed, ICC brake switch (2) is turned OFF and stop lamp switch (1) is turned ON. ECM detects the state of the brake pedal by this input of two kinds (ON/OFF signal). Refer to [ACS-9](#) for the ICC function.



CONSULT-III Reference Value in Data Monitor Mode

INFOID:000000002954673

Specification data are reference values.

MONITOR ITEM	CONDITION		SPECIFICATION
BRAKE SW1 (ICC brake switch)	• Ignition switch: ON	Brake pedal: Fully released	ON
		Brake pedal: Slightly depressed	OFF
BRAKE SW2 (Stop lamp switch)	• Ignition switch: ON	Brake pedal: Fully released	OFF
		Brake pedal: Slightly depressed	ON

ICC BRAKE SWITCH

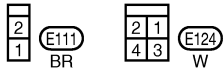
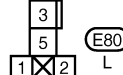
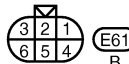
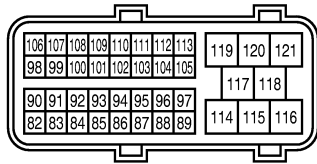
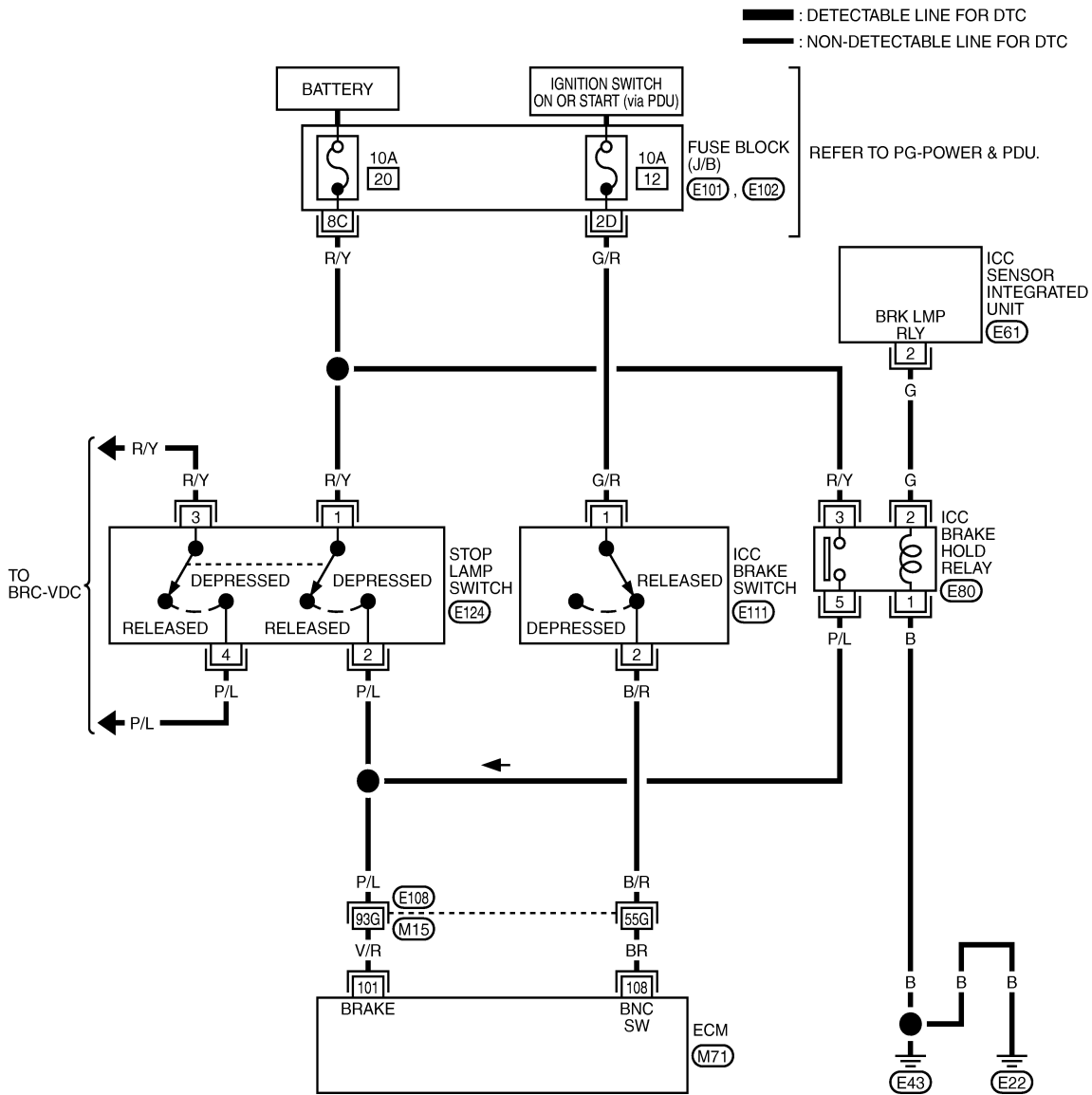
< SERVICE INFORMATION >

[VQ35DE]

INFOID:00000002954674

Wiring Diagram

EC-ICCB0F-01



REFER TO THE FOLLOWING.

- (E108) - SUPER MULTIPLE JUNCTION (SMJ)
- (E101), (E102) - FUSE BLOCK - JUNCTION BOX (J/B)

TBWT1976E

Specification data are reference values and are measured between each terminal and ground.

CAUTION:

Do not use ECM ground terminals when measuring input/output voltage. Doing so may result in damage to the ECM's transistor. Use a ground other than ECM terminals, such as the ground.

ICC BRAKE SWITCH

< SERVICE INFORMATION >

[VQ35DE]

TER-MI-NAL NO.	WIRE COLOR	ITEM	CONDITION	DATA (DC Voltage)
101	V/R	Stop lamp switch	[Ignition switch: OFF] • Brake pedal: Fully released	Approximately 0V
			[Ignition switch: OFF] • Brake pedal: Slightly depressed	BATTERY VOLTAGE (11 - 14V)
108	BR	ICC brake switch	[Ignition switch: ON] • Brake pedal: Slightly depressed	Approximately 0V
			[Ignition switch: ON] • Brake pedal: Fully released	BATTERY VOLTAGE (11 - 14V)

Diagnosis Procedure

INFOID:000000002954675

1. CHECK OVERALL FUNCTION-I

With CONSULT-III

- Turn ignition switch ON.
- Select "BRAKE SW1" in "DATA MONITOR" mode with CONSULT-III.
- Check "BRAKE SW1" indication under the following conditions.

CONDITION	INDICATION
Brake pedal: Slightly depressed	OFF
Brake pedal: Fully released	ON

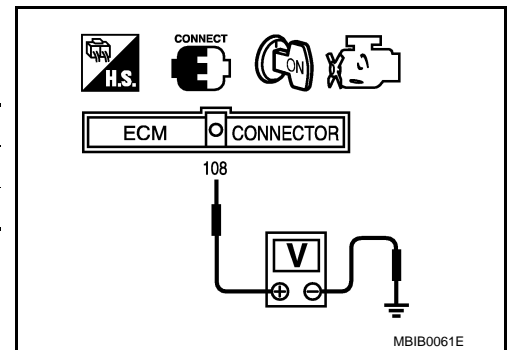
Without CONSULT-III

- Turn ignition switch ON.
- Check voltage between ECM terminal 108 and ground under the following conditions.

CONDITION	VOLTAGE
Brake pedal: Slightly depressed	Approximately 0V
Brake pedal: Fully released	Battery voltage

OK or NG

- OK >> GO TO 2.
NG >> GO TO 3.



2. CHECK OVERALL FUNCTION-II

With CONSULT-III

Check "BRAKE SW2" indication in "DATA MONITOR" mode.

CONDITION	INDICATION
Brake pedal: Fully released	OFF
Brake pedal: Slightly depressed	ON

Without CONSULT-III

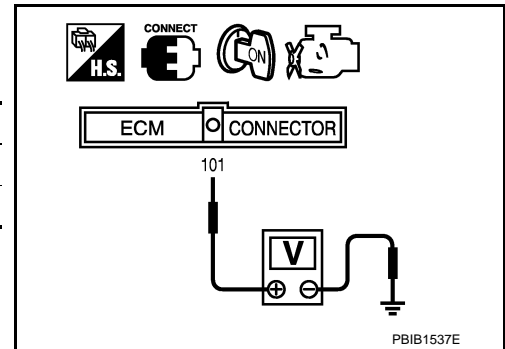
ICC BRAKE SWITCH

[VQ35DE]

< SERVICE INFORMATION >

Check voltage between ECM terminal 101 and ground under the following conditions.

CONDITION	VOLTAGE
Brake pedal: Fully released	Approximately 0V
Brake pedal: Slightly depressed	Battery voltage

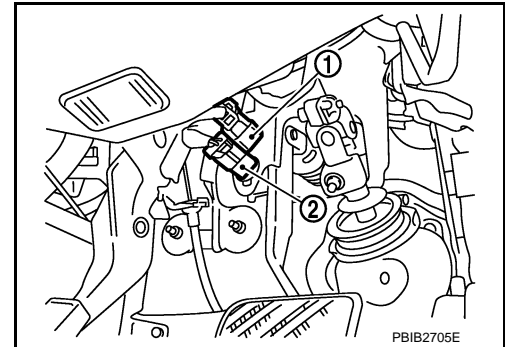


OK or NG

- OK >> **INSPECTION END**
- NG >> GO TO 8.

3. CHECK ICC BRAKE SWITCH POWER SUPPLY CIRCUIT

1. Turn ignition switch OFF.
2. Disconnect ICC brake switch (2) harness connector.
 - Stop lamp switch (1)
3. Turn ignition switch ON.

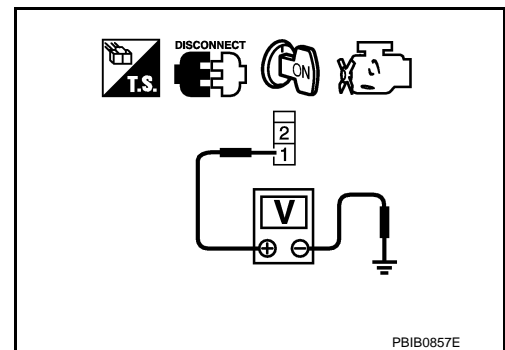


4. Check voltage between ICC brake switch terminal 1 and ground with CONSULT-III or tester.

Voltage: Battery voltage

OK or NG

- OK >> GO TO 5.
- NG >> GO TO 4.



4. DETECT MALFUNCTIONING PART

Check the following.

- Fuse block (J/B) connector E102
- 10A fuse
- Harness for open or short between ICC brake switch and fuse

>> Repair open circuit or short to ground or short to power in harness or connectors.

5. CHECK ICC BRAKE SWITCH INPUT SIGNAL CIRCUIT FOR OPEN AND SHORT-I

1. Turn ignition switch OFF.
2. Disconnect ECM harness connector.
3. Check harness continuity between ICC brake switch terminal 2 and ECM terminal 108. Refer Wiring Diagram.

Continuity should exist.

4. Also check harness for short to ground and short to power.

ICC BRAKE SWITCH

[VQ35DE]

< SERVICE INFORMATION >

OK or NG

- OK >> GO TO 7.
- NG >> GO TO 6.

6. DETECT MALFUNCTIONING PART

Check the following.

- Harness connectors E108, M15
- Harness for open or short between ICC brake switch and ECM

>> Repair open circuit or short to ground or short to power in harness or connectors.

7. CHECK ICC BRAKE SWITCH

Refer to [EC-613. "Component Inspection"](#).

OK or NG

- OK >> GO TO 15.
- NG >> Replace ICC brake switch.

8. CHECK DTC WITH ICC SENSOR INTEGRATED UNIT

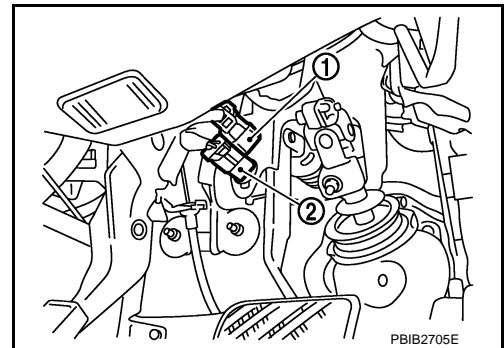
Refer to [ACS-40](#).

OK or NG

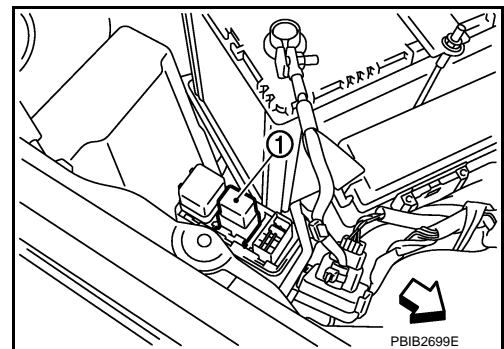
- OK >> GO TO 9.
- NG >> Repair or replace.

9. CHECK STOP LAMP SWITCH POWER SUPPLY CIRCUIT

1. Turn ignition switch OFF.
2. Disconnect stop lamp switch (1) harness connector.
 - ICC brake switch (2)



3. Disconnect ICC brake hold relay (1) harness connector.
 - ⇐: Vehicle front



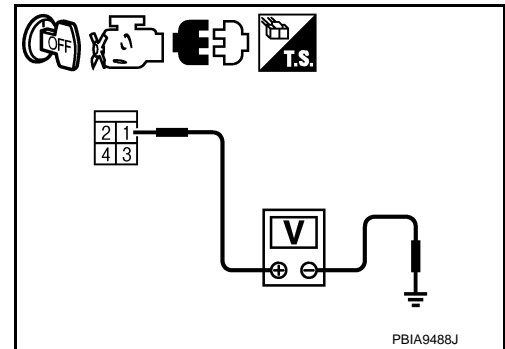
ICC BRAKE SWITCH

[VQ35DE]

< SERVICE INFORMATION >

4. Check voltage between stop lamp switch terminal 1 and ground with CONSULT-III or tester.

Voltage: Battery voltage

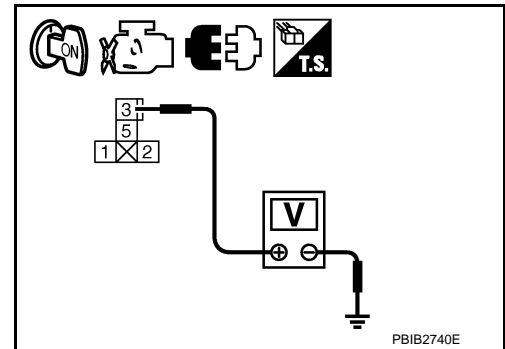


5. Check voltage between ICC brake hold relay terminal 3 and ground with CONSULT-III or tester.

Voltage: Battery voltage

OK or NG

- OK >> GO TO 11.
- NG >> GO TO 10.



10. DETECT MALFUNCTIONING PART

Check the following.

- Fuse block (J/B) connector E101
- 10A fuse
- Harness for open or short between battery and stop lamp switch
- Harness for open or short between battery and ICC brake hold relay

>> Repair open circuit or short to ground or short to power in harness or connectors.

11. CHECK STOP LAMP SWITCH INPUT SIGNAL CIRCUIT FOR OPEN AND SHORT

1. Disconnect ECM harness connector.
2. Check harness continuity between the following;
ECM terminal 101 and stop lamp switch terminal 2,
ECM terminal 101 and ICC brake hold relay terminal 5.
Refer to Wiring Diagram.

Continuity should exist.

3. Also check harness for short to ground and short to power.

OK or NG

- OK >> GO TO 13.
- NG >> GO TO 12.

12. DETECT MALFUNCTIONING PART

Check the following.

- Harness connectors E108, M15
- Harness for open or short between ECM and stop lamp switch
- Harness for open or short between ECM and ICC brake hold relay

>> Repair open circuit or short to ground or short to power in harness or connectors.

13. CHECK STOP LAMP SWITCH

Refer to [EC-613, "Component Inspection"](#).

OK or NG

- OK >> GO TO 14.

ICC BRAKE SWITCH

[VQ35DE]

< SERVICE INFORMATION >

NG >> Replace stop lamp switch.

14. CHECK ICC BRAKE HOLD RELAY

Refer to [EC-613](#), "Component Inspection".

OK >> GO TO 15.

NG >> Replace ICC brake hold relay.

15. CHECK INTERMITTENT INCIDENT

Refer to [EC-140](#).

>> **INSPECTION END**

Component Inspection

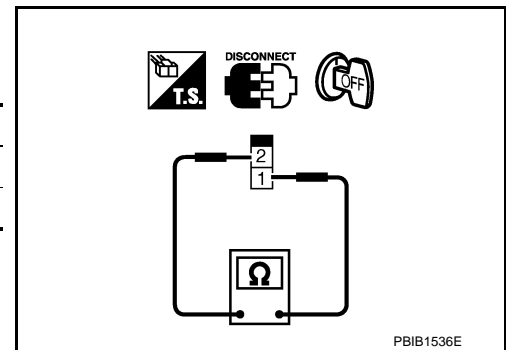
INFOID:000000002954676

ICC BRAKE SWITCH

1. Turn ignition switch OFF.
2. Disconnect ICC brake switch harness connector.
3. Check continuity between ICC brake switch terminals 1 and 2 under the following conditions.

Condition	Continuity
Brake pedal: Fully released.	Should exist.
Brake pedal: Slightly depressed.	Should not exist.

4. If NG, adjust ICC brake switch installation, refer to [BR-6](#), and perform step 3 again.

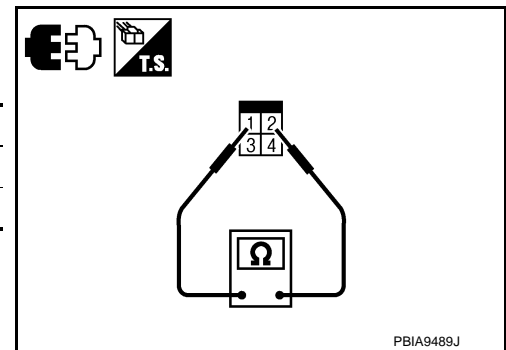


STOP LAMP SWITCH

1. Turn ignition switch OFF.
2. Disconnect stop lamp switch harness connector.
3. Check continuity between stop lamp switch terminals 1 and 2 under the following conditions.

Condition	Continuity
Brake pedal: Fully released.	Should not exist.
Brake pedal: Slightly depressed.	Should exist.

4. If NG, adjust stop lamp switch installation, refer to [BR-6](#), and perform step 3 again.

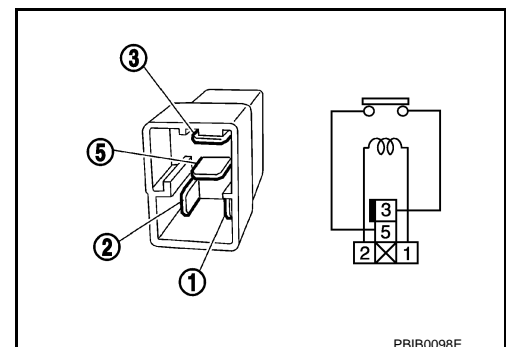


ICC BRAKE HOLD RELAY

1. Check continuity between ICC brake hold relay terminals 3 and 5 under the following conditions.

Condition	Continuity
12V direct current supply between terminals 1 and 2	Should not exist
No current supply	Should exist

2. If NG, replace ICC brake hold relay.



IGNITION SIGNAL

< SERVICE INFORMATION >

[VQ35DE]

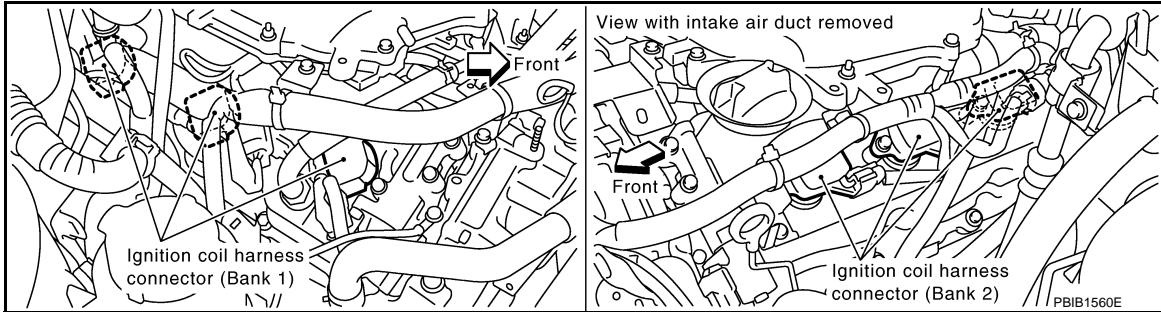
IGNITION SIGNAL

Component Description

INFOID:000000002954677

IGNITION COIL & POWER TRANSISTOR

The ignition signal from the ECM is sent to and amplified by the power transistor. The power transistor turns ON and OFF the ignition coil primary circuit. This ON/OFF operation induces the proper high voltage in the coil secondary circuit.



IGNITION SIGNAL

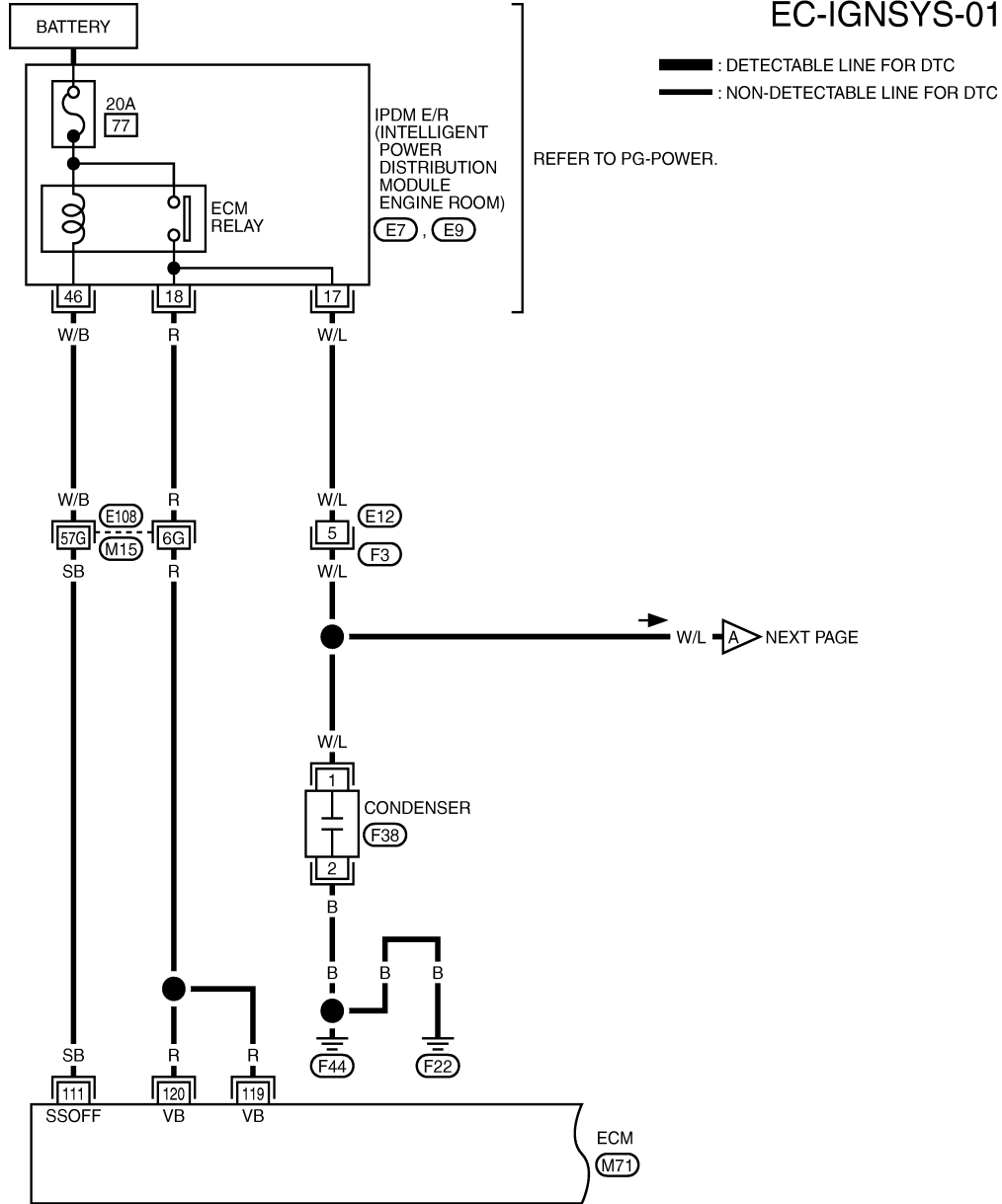
< SERVICE INFORMATION >

[VQ35DE]

INFOID:00000002954678

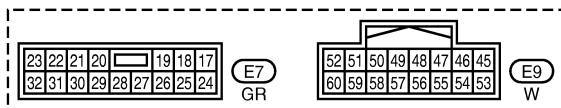
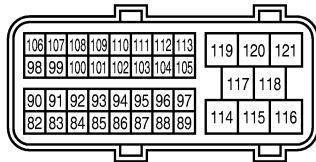
Wiring Diagram

EC-IGNSYS-01



REFER TO THE FOLLOWING.

(E108) - SUPER MULTIPLE JUNCTION (SMJ)



TBWT1977E

Specification data are reference values and are measured between each terminal and ground.

CAUTION:

Do not use ECM ground terminals when measuring input/output voltage. Doing so may result in damage to the ECM's transistor. Use a ground other than ECM terminals, such as the ground.

IGNITION SIGNAL

< SERVICE INFORMATION >

[VQ35DE]

TER- MI- NAL NO.	WIRE COLOR	ITEM	CONDITION	DATA (DC Voltage)
111	SB	ECM relay (Self shut-off)	[Engine is running] [Ignition switch: OFF] <ul style="list-style-type: none"> • For a few seconds after turning ignition switch OFF 	0 - 1.5V
			[Ignition switch: OFF] <ul style="list-style-type: none"> • More than a few seconds after turning ignition switch OFF 	BATTERY VOLTAGE (11 - 14V)
119 120	R R	Power supply for ECM	[Ignition switch: ON]	BATTERY VOLTAGE (11 - 14V)

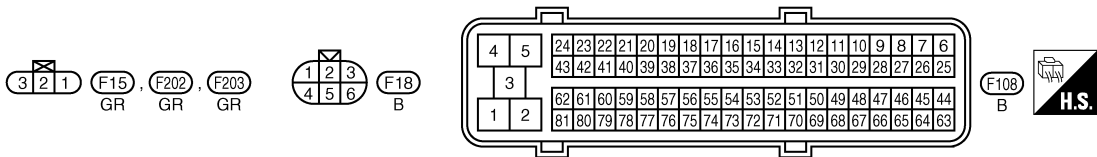
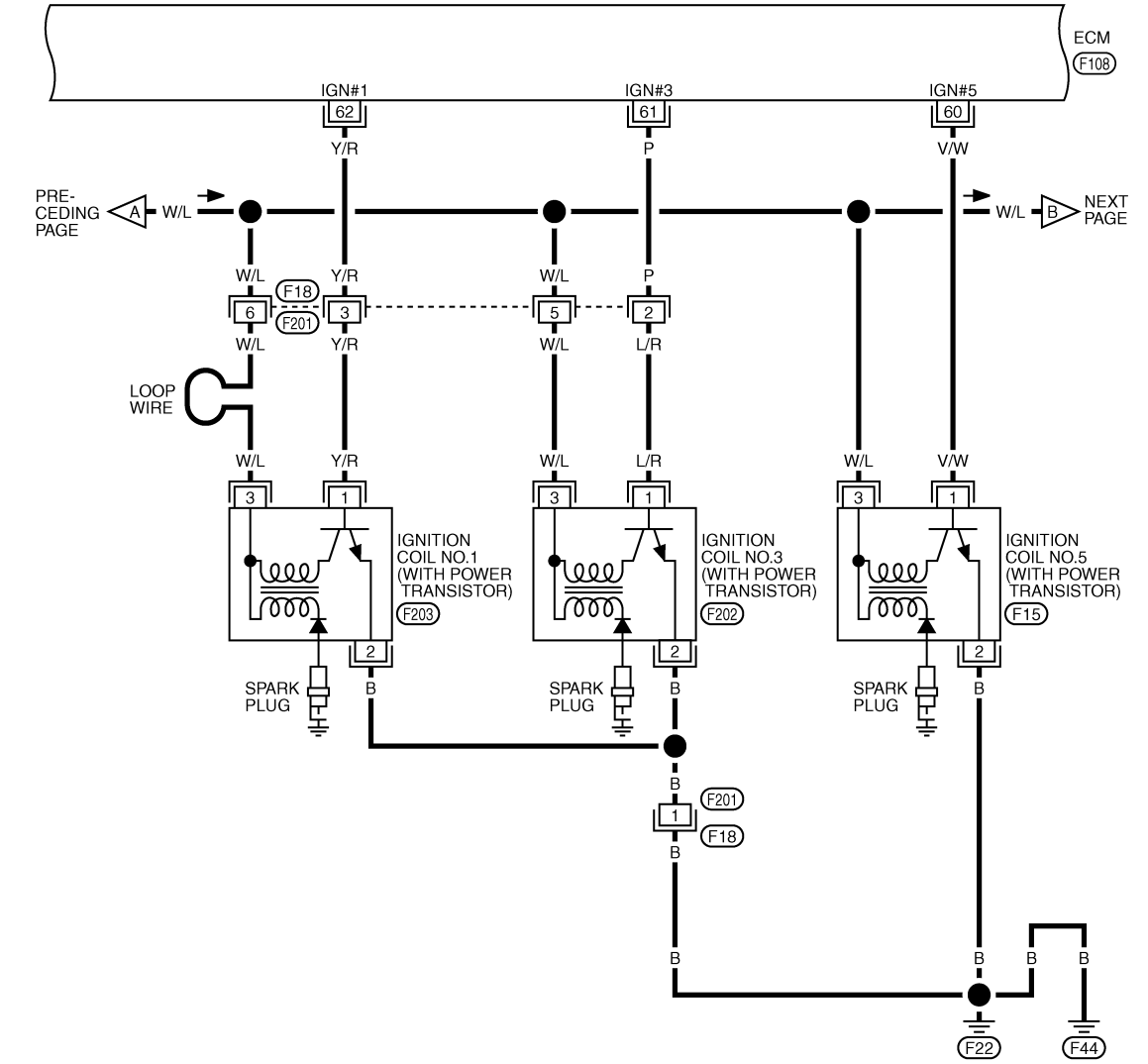
IGNITION SIGNAL

< SERVICE INFORMATION >

[VQ35DE]

EC-IGNSYS-02

— : DETECTABLE LINE FOR DTC
 — : NON-DETECTABLE LINE FOR DTC



TBWT0993E

Specification data are reference values and are measured between each terminal and ground. Pulse signal is measured by CONSULT-III.

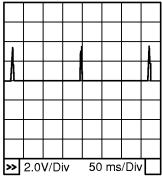
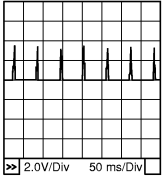
CAUTION:

Do not use ECM ground terminals when measuring input/output voltage. Doing so may result in damage to the ECM's transistor. Use a ground other than ECM terminals, such as the ground.

IGNITION SIGNAL

< SERVICE INFORMATION >

[VQ35DE]

TER-MI-NAL NO.	WIRE COLOR	ITEM	CONDITION	DATA (DC Voltage)
60 61 62	V/W P Y/R	Ignition signal No. 5 Ignition signal No. 3 Ignition signal No. 1	<p>[Engine is running]</p> <ul style="list-style-type: none"> • Warm-up condition • Idle speed <p>NOTE: The pulse cycle changes depending on rpm at idle</p>	<p>0 - 0.2V★</p>  <p style="text-align: right; font-size: small;">PBIB0044E</p>
			<p>[Engine is running]</p> <ul style="list-style-type: none"> • Warm-up condition • Engine speed: 2,000 rpm 	<p>0.1 - 0.4V★</p>  <p style="text-align: right; font-size: small;">PBIB0045E</p>

★: Average voltage for pulse signal (Actual pulse signal can be confirmed by oscilloscope.)

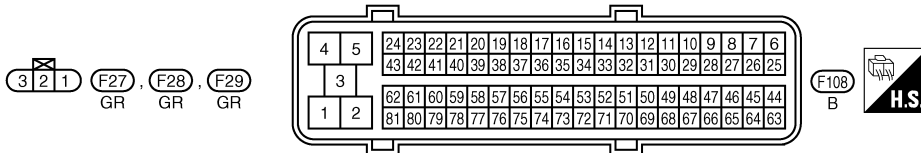
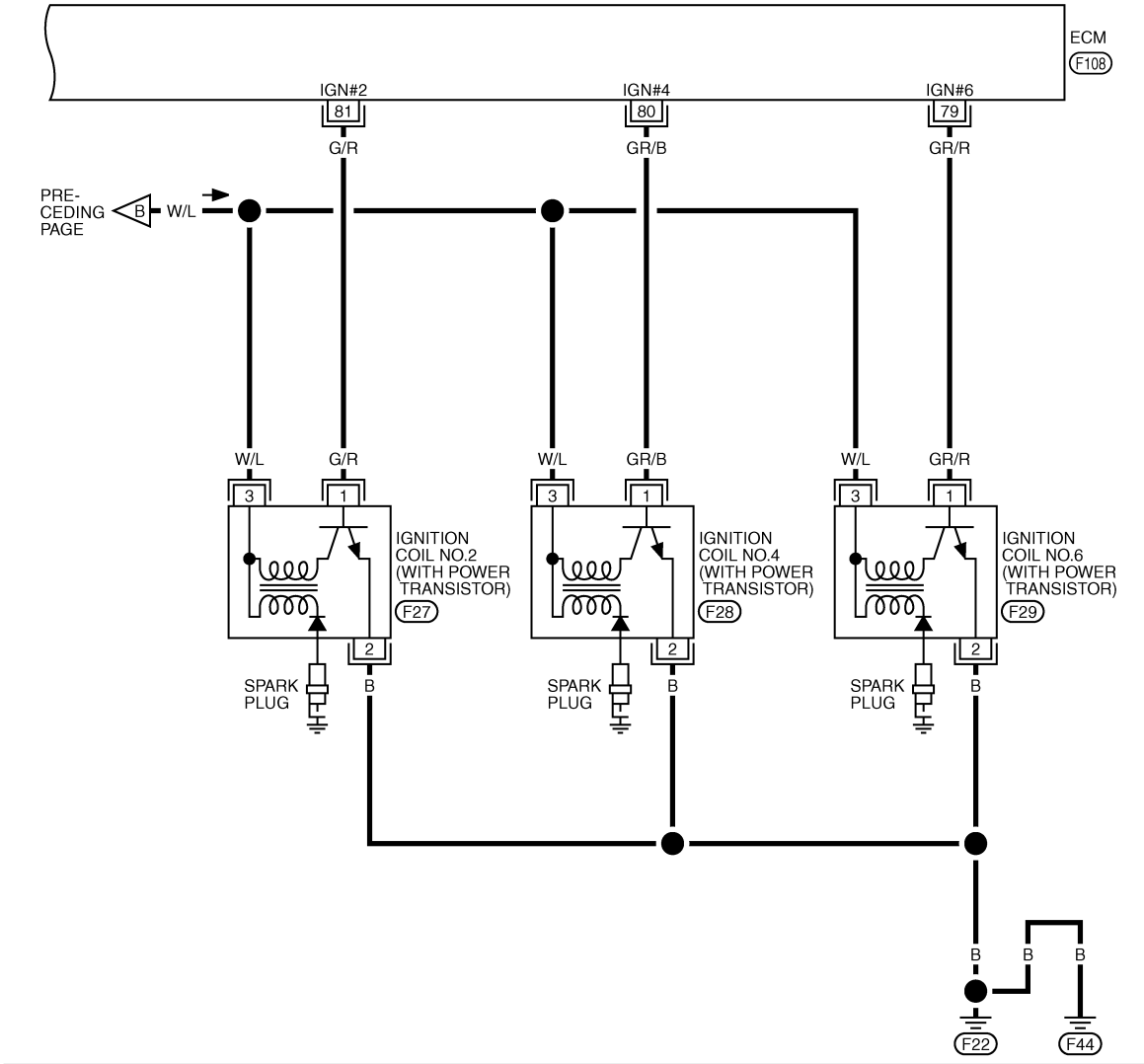
IGNITION SIGNAL

< SERVICE INFORMATION >

[VQ35DE]

EC-IGNSYS-03

— : DETECTABLE LINE FOR DTC
 — : NON-DETECTABLE LINE FOR DTC



TBWT0994E

Specification data are reference values and are measured between each terminal and ground. Pulse signal is measured by CONSULT-III.

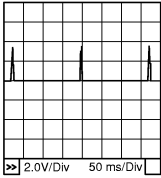
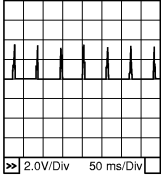
CAUTION:

Do not use ECM ground terminals when measuring input/output voltage. Doing so may result in damage to the ECM's transistor. Use a ground other than ECM terminals, such as the ground.

IGNITION SIGNAL

< SERVICE INFORMATION >

[VQ35DE]

TER-MI-NAL NO.	WIRE COLOR	ITEM	CONDITION	DATA (DC Voltage)
79 80 81	GR/R GR/B G/R	Ignition signal No. 6 Ignition signal No. 4 Ignition signal No. 2	<p>[Engine is running]</p> <ul style="list-style-type: none"> • Warm-up condition • Idle speed <p>NOTE: The pulse cycle changes depending on rpm at idle</p>	<p>0 - 0.2V★</p>  <p style="text-align: right; font-size: small;">PBI0044E</p>
			<p>[Engine is running]</p> <ul style="list-style-type: none"> • Warm-up condition • Engine speed: 2,000 rpm 	<p>0.1 - 0.4V★</p>  <p style="text-align: right; font-size: small;">PBI0045E</p>

★: Average voltage for pulse signal (Actual pulse signal can be confirmed by oscilloscope.)

Diagnosis Procedure

INFOID:000000002954679

1. CHECK ENGINE START

Turn ignition switch OFF, and restart engine.

Is engine running?

Yes or No

- Yes (With CONSULT-III)>>GO TO 2.
- Yes (Without CONSULT-III)>>GO TO 3.
- No >> GO TO 4.

2. CHECK OVERALL FUNCTION

With CONSULT-III

1. Perform "POWER BALANCE" in "ACTIVE TEST" mode with CONSULT-III.
2. Make sure that each circuit produces a momentary engine speed drop.

OK or NG

- OK >> **INSPECTION END**
- NG >> GO TO 10.

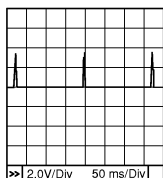
3. CHECK OVERALL FUNCTION

Without CONSULT-III

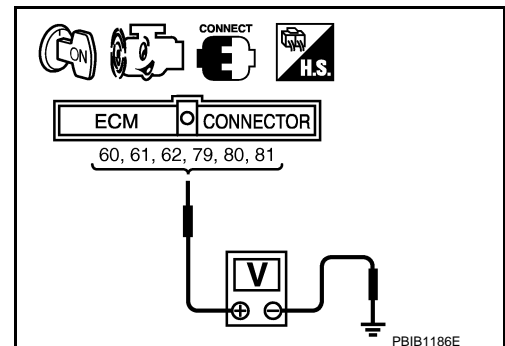
1. Let engine idle.
2. Read the voltage signal between ECM terminals 60, 61, 62, 79, 80, 81 and ground with an oscilloscope.
3. Verify that the oscilloscope screen shows the signal wave as shown below.

NOTE:

The pulse cycle changes depending on rpm at idle.



PBI0044E



OK or NG

IGNITION SIGNAL

[VQ35DE]

< SERVICE INFORMATION >

- OK >> **INSPECTION END**
- NG >> GO TO 10.

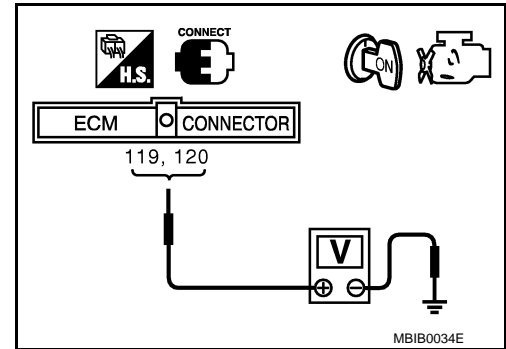
4.CHECK IGNITION COIL POWER SUPPLY CIRCUIT-I

1. Turn ignition switch OFF, wait at least 10 seconds and then turn ON.
2. Check voltage between ECM terminals 119, 120 and ground with CONSULT-III or tester.

Voltage: Battery voltage

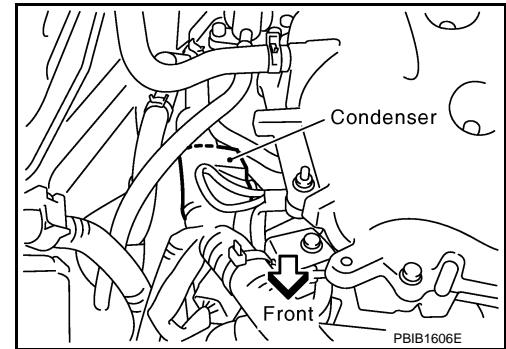
OK or NG

- OK >> GO TO 5.
- NG >> Go to [EC-141](#).



5.CHECK IGNITION COIL POWER SUPPLY CIRCUIT-II

1. Turn ignition switch OFF.
2. Disconnect condenser harness connector.
3. Turn ignition switch ON.

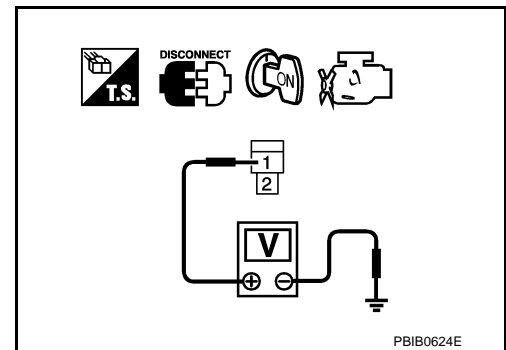


4. Check voltage between condenser terminal 1 and ground with CONSULT-III or tester.

Voltage: Battery voltage

OK or NG

- OK >> GO TO 8.
- NG >> GO TO 6.



6.CHECK IGNITION COIL POWER SUPPLY CIRCUIT-III

1. Turn ignition switch OFF.
2. Disconnect IPDM E/R harness connector E7.
3. Check harness continuity between IPDM E/R terminal 17 and condenser terminal 1. Refer to Wiring Diagram.

Continuity should exist.

4. Also check harness for short to ground and short to power.

OK or NG

- OK >> Go to [EC-141](#).
- NG >> GO TO 7.

7.DETECT MALFUNCTIONING PART

Check the following.

- Harness connectors E12, F3

IGNITION SIGNAL

[VQ35DE]

< SERVICE INFORMATION >

- Harness for open or short between IPDM E/R and condenser

>> Repair open circuit or short to ground or short to power in harness or connectors.

8. CHECK CONDENSER GROUND CIRCUIT FOR OPEN AND SHORT

1. Turn ignition switch OFF.
2. Check harness continuity between condenser terminal 2 and ground.
Refer to Wiring Diagram.

Continuity should exist.

3. Also check harness for short to power.

OK or NG

- OK >> GO TO 9.
- NG >> Repair open circuit or short to power in harness or connectors.

9. CHECK CONDENSER

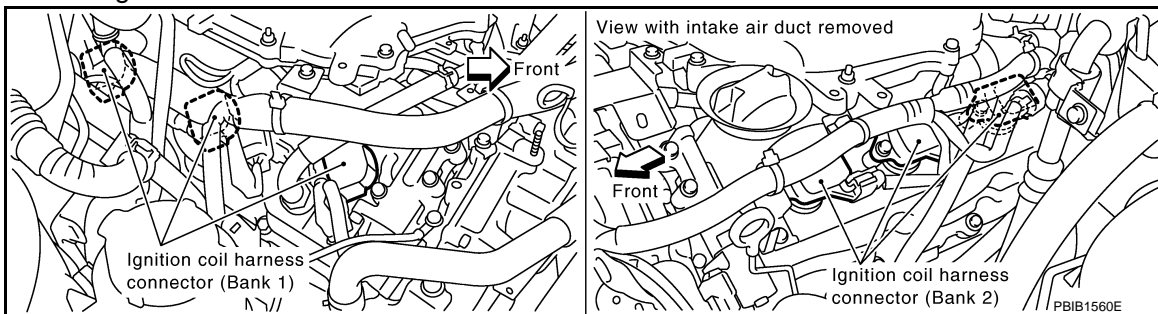
Refer to [EC-623. "Component Inspection"](#)

OK or NG

- OK >> GO TO 10.
- NG >> Replace condenser.

10. CHECK IGNITION COIL POWER SUPPLY CIRCUIT-V

1. Reconnect all harness connectors disconnected.
2. Disconnect ignition coil harness connector.

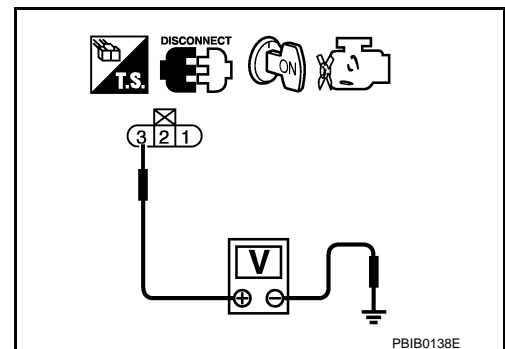


3. Turn ignition switch ON.
4. Check voltage between ignition coil terminal 3 and ground with CONSULT-III or tester.

Voltage: Battery voltage

OK or NG

- OK >> GO TO 12.
- NG >> GO TO 11.



11. DETECT MALFUNCTIONING PART

Check the following.

- Harness connectors F18, F201
- Harness connector F3
- Harness for open or short between ignition coil and harness connector F3

>> Repair or replace harness or connectors.

12. CHECK IGNITION COIL GROUND CIRCUIT FOR OPEN AND SHORT

1. Turn ignition switch OFF.
2. Check harness continuity between ignition coil terminal 2 and ground.

IGNITION SIGNAL

[VQ35DE]

< SERVICE INFORMATION >

Refer to Wiring Diagram.

Continuity should exist.

3. Also check harness for short to power.

OK or NG

- OK >> GO TO 14.
- NG >> GO TO 13.

13. DETECT MALFUNCTIONING PART

Check the following.

- Harness connectors F201, F18
- Harness for open or short between ignition coil and ground

>> Repair open circuit or short to power in harness or connectors.

14. CHECK IGNITION COIL OUTPUT SIGNAL CIRCUIT FOR OPEN AND SHORT

1. Disconnect ECM harness connector.
2. Check harness continuity between ECM terminals 60, 61, 62, 79, 80, 81 and ignition coil terminal 1. Refer to Wiring Diagram.

Continuity should exist.

3. Also check harness for short to ground and short to power.

OK or NG

- OK >> GO TO 16.
- NG >> GO TO 15.

15. DETECT MALFUNCTIONING PART

Check the following.

- Harness connectors F201, F18
- Harness for open or short between ignition coil and ECM

>> Repair open circuit or short to ground or short to power in harness or connectors.

16. CHECK IGNITION COIL WITH POWER TRANSISTOR

Refer to [EC-623. "Component Inspection"](#).

OK or NG

- OK >> GO TO 17.
- NG >> Replace ignition coil with power transistor.

17. CHECK INTERMITTENT INCIDENT

Refer to [EC-140](#).

>> **INSPECTION END**

Component Inspection

INFOID:000000002954680

IGNITION COIL WITH POWER TRANSISTOR

CAUTION:

Do the following procedure in the place where ventilation is good without the combustible.

1. Turn ignition switch OFF.
2. Disconnect ignition coil harness connector.

IGNITION SIGNAL

[VQ35DE]

< SERVICE INFORMATION >

3. Check resistance between ignition coil terminals as follows.

Terminal No. (Polarity)	Resistance Ω [at 25°C (77°F)]
1 and 2	Except 0 or ∞
1 and 3	Except 0
2 and 3	

4. If NG, replace ignition coil with power transistor.
- If OK, go to next step.
5. Turn ignition switch OFF.
6. Reconnect all harness connectors disconnected.
7. Remove fuel pump fuse (1) in IPDM E/R (2) to release fuel pressure.

NOTE:

Do not use CONSULT-III to release fuel pressure, or fuel pressure applies again during the following procedure.

8. Start engine.
9. After engine stalls, crank it two or three times to release all fuel pressure.
10. Turn ignition switch OFF.
11. Remove all ignition coil harness connectors to avoid the electrical discharge from the ignition coils.
12. Remove ignition coil and spark plug of the cylinder to be checked.
13. Crank engine for 5 seconds or more to remove combustion gas in the cylinder.
14. Connect spark plug and harness connector to ignition coil.
15. Fix ignition coil using a rope etc. with gap of 13 - 17 mm between the edge of the spark plug and grounded metal portion as shown in the figure.
16. Crank engine for about 3 seconds, and check whether spark is generated between the spark plug and the grounded metal portion.

Spark should be generated.

CAUTION:

- Do not approach to the spark plug and the ignition coil within 50cm. Be careful not to get an electrical shock while checking, because the electrical discharge voltage becomes 20kV or more.
- It might cause to damage the ignition coil if the gap of more than 17 mm is taken.

NOTE:

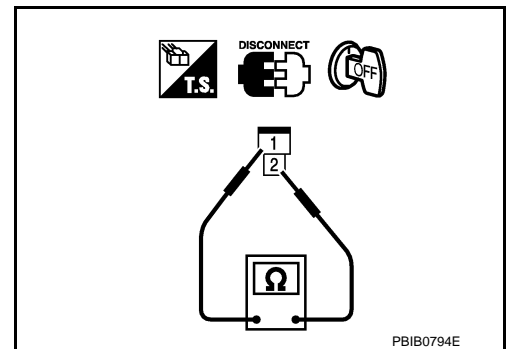
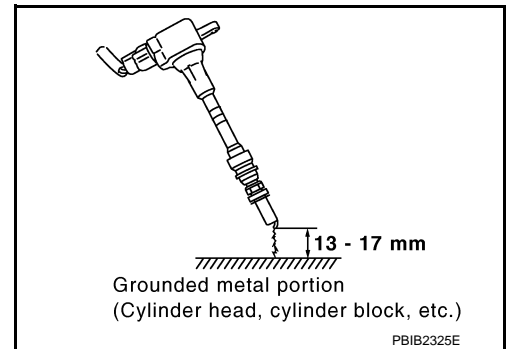
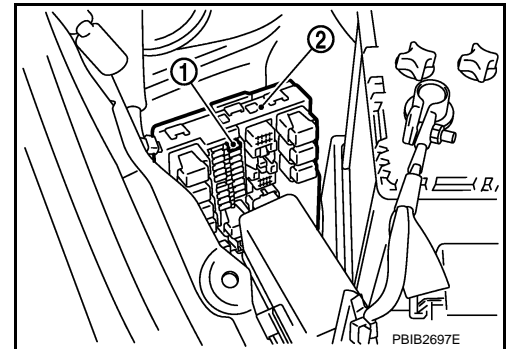
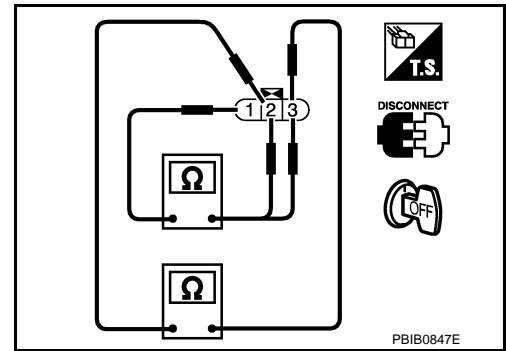
When the gap is less than 13, the spark might be generated even if the coil is malfunctioning.

17. If NG, replace ignition coil with power transistor.

CONDENSER

1. Turn ignition switch OFF.
2. Disconnect condenser harness connector.
3. Check resistance between condenser terminals 1 and 2.

Resistance: Above 1 M Ω [at 25°C (77°F)]



IGNITION SIGNAL

< SERVICE INFORMATION >

[VQ35DE]

Removal and Installation

INFOID:000000002954681

IGNITION COIL WITH POWER TRANSISTOR

Refer to [EM-43](#).

A

EC

C

D

E

F

G

H

I

J

K

L

M

N

O

P

REFRIGERANT PRESSURE SENSOR

< SERVICE INFORMATION >

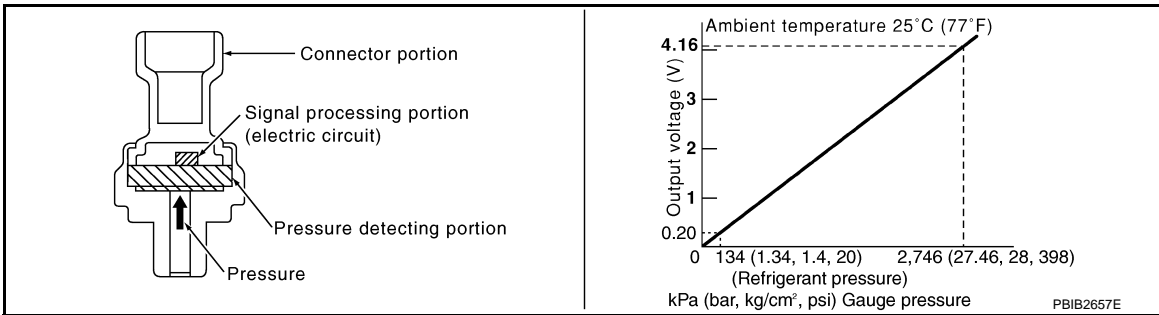
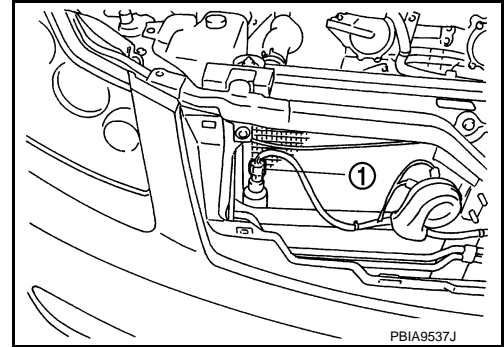
[VQ35DE]

REFRIGERANT PRESSURE SENSOR

Component Description

INFOID:000000002954682

The refrigerant pressure sensor (1) is installed at the condenser of the air conditioner system. The sensor uses an electrostatic volume pressure transducer to convert refrigerant pressure to voltage. The voltage signal is sent to ECM, and ECM controls cooling fan system.



REFRIGERANT PRESSURE SENSOR

< SERVICE INFORMATION >

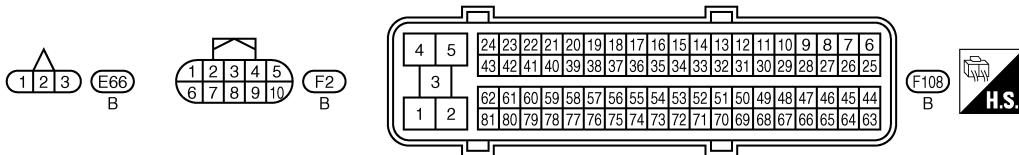
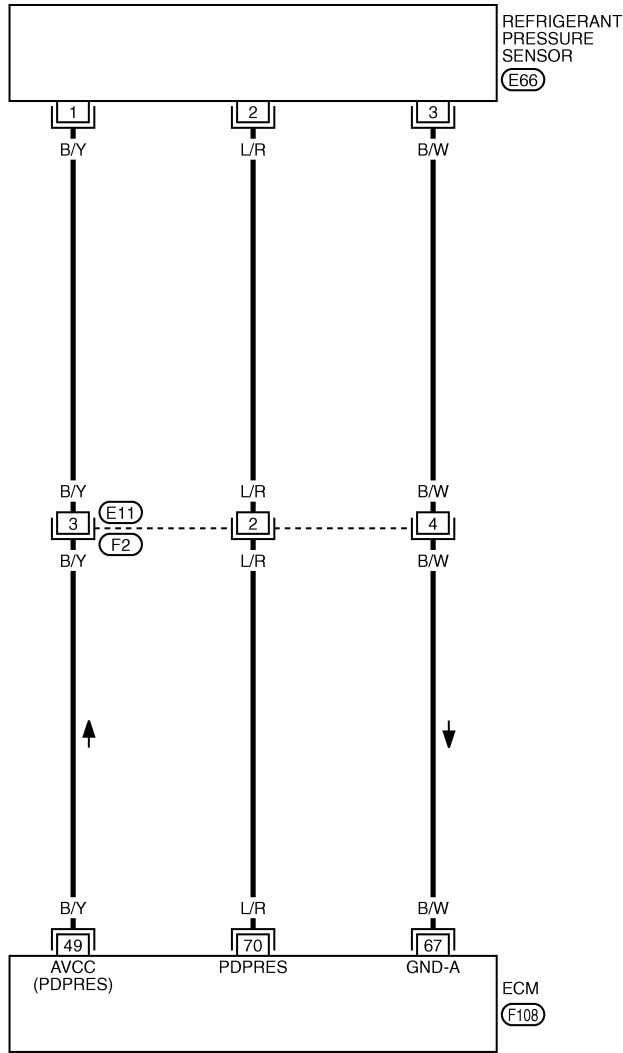
[VQ35DE]

INFOID:000000002954683

Wiring Diagram

EC-RP/SEN-01

— : DETECTABLE LINE FOR DTC
 — : NON-DETECTABLE LINE FOR DTC



TBWT0998E

Specification data are reference values and are measured between each terminal and ground.

CAUTION:

Do not use ECM ground terminals when measuring input/output voltage. Doing so may result in damage to the ECM's transistor. Use a ground other than ECM terminals, such as the ground.

REFRIGERANT PRESSURE SENSOR

< SERVICE INFORMATION >

[VQ35DE]

TER-MI-NAL NO.	WIRE COLOR	ITEM	CONDITION	DATA (DC Voltage)
49	B/Y	Sensor power supply (Refrigerant pressure sensor, Battery current sensor)	[Ignition switch: ON]	Approximately 5V
67	B/W	Sensor ground	[Engine is running] • Warm-up condition • Idle speed	Approximately 0V
70	L/R	Refrigerant pressure sensor	[Engine is running] • Warm-up condition • Both A/C switch and blower fan motor switch: ON (Compressor operates)	1.0 - 4.0V

Diagnosis Procedure

INFOID:000000002954684

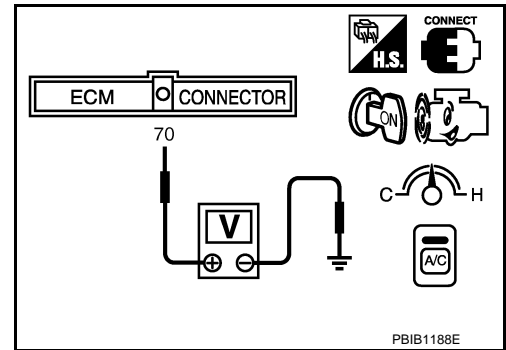
1. CHECK REFRIGERANT PRESSURE SENSOR OVERALL FUNCTION

1. Start engine and warm it up to normal operating temperature.
2. Turn A/C switch and blower fan switch ON.
3. Check voltage between ECM terminal 70 and ground with CONSULT-III or tester.

Voltage: 1.0 - 4.0V

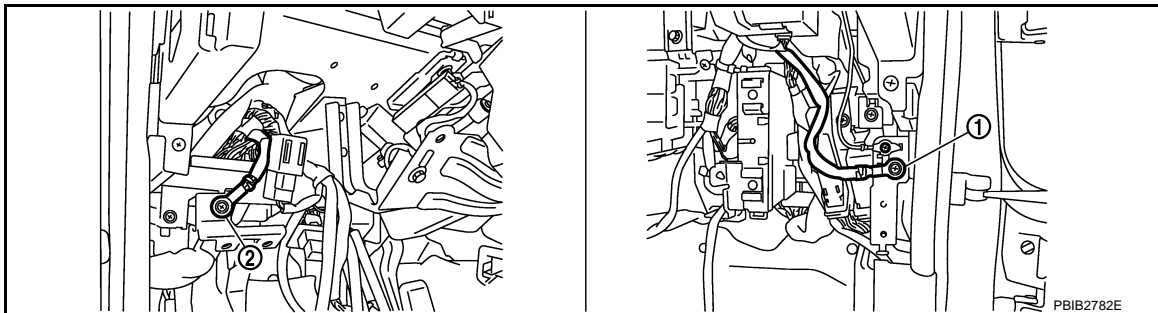
OK or NG

- OK >> **INSPECTION END**
 NG >> GO TO 2.



2. CHECK GROUND CONNECTIONS

1. Turn A/C switch and blower switch OFF.
2. Stop engine.
3. Turn ignition switch OFF.
4. Loosen and retighten two ground screws on the body.
Refer to [EC-146, "Ground Inspection"](#).



1. Body ground M70 2. Body ground M16

OK or NG

- OK >> GO TO 3.
 NG >> Repair or replace ground connections.

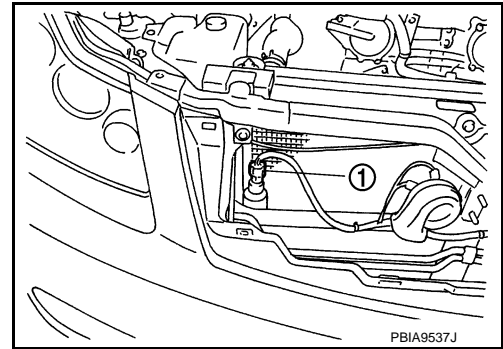
3. CHECK REFRIGERANT PRESSURE SENSOR POWER SUPPLY CIRCUIT

REFRIGERANT PRESSURE SENSOR

[VQ35DE]

< SERVICE INFORMATION >

1. Disconnect refrigerant pressure sensor (1) harness connector.
2. Turn ignition switch ON.

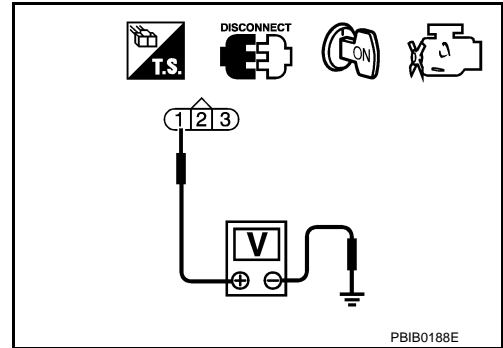


3. Check voltage between refrigerant pressure sensor terminal 1 and ground with CONSULT-III or tester.

Voltage: Approximately 5V

OK or NG

- OK >> GO TO 5.
- NG >> GO TO 4.



4. DETECT MALFUNCTIONING PART

Check the following.

- Harness connectors E11, F2
- Harness for open or short between ECM and refrigerant pressure sensor

>> Repair open circuit or short to ground or short to power in harness or connectors.

5. CHECK REFRIGERANT PRESSURE SENSOR GROUND CIRCUIT FOR OPEN AND SHORT

1. Turn ignition switch OFF.
2. Disconnect ECM harness connector.
3. Check harness continuity between refrigerant pressure sensor terminal 3 and ECM terminal 67. Refer to Wiring Diagram.

Continuity should exist.

4. Also check harness for short to ground and short to power.

OK or NG

- OK >> GO TO 7.
- NG >> GO TO 6.

6. DETECT MALFUNCTIONING PART

Check the following.

- Harness connectors E11, F2
- Harness for open or short between ECM and refrigerant pressure sensor

>> Repair open circuit or short to ground or short to power in harness or connectors.

7. CHECK REFRIGERANT PRESSURE SENSOR INPUT SIGNAL CIRCUIT FOR OPEN AND SHORT

1. Check harness continuity between ECM terminal 70 and refrigerant pressure sensor terminal 2. Refer to Wiring Diagram.

Continuity should exist.

2. Also check harness for short to ground and short to power.

OK or NG

REFRIGERANT PRESSURE SENSOR

[VQ35DE]

< SERVICE INFORMATION >

- OK >> GO TO 9.
- NG >> GO TO 8.

8. DETECT MALFUNCTIONING PART

Check the following.

- Harness connectors E11, F2
- Harness for open or short between ECM and refrigerant pressure sensor

>> Repair open circuit or short to ground or short to power in harness or connectors.

9. CHECK INTERMITTENT INCIDENT

Refer to [EC-140](#).

OK or NG

- OK >> Replace refrigerant pressure sensor.
- NG >> Repair or replace.

Removal and Installation

INFOID:000000002954685

REFRIGERANT PRESSURE SENSOR

Refer to [ATC-151, "Removal and Installation of Refrigerant Pressure Sensor"](#).

SNOW MODE SWITCH

< SERVICE INFORMATION >

[VQ35DE]

SNOW MODE SWITCH

Description

INFOID:000000002954686

NOTE:

If DTC U1000 or U1001 are displayed, first perform the trouble diagnosis for DTC U1000, U1001.

Refer to [EC-147](#).

If DTC U1010 is displayed, first perform the trouble diagnosis for DTC U1010.

Refer to [EC-149](#).

The snow mode switch signal is sent to the “unified meter and A/C amp.” from the snow mode switch. The “unified meter and A/C amp.” then sends the signal to the ECM by CAN communication line.

The snow mode is used for driving or starting the vehicle on snowy roads or slippery areas. If the snow mode is activated, the vehicle speed will not be accelerated immediately than your original pedal in due to avoid the vehicle slip. In other words, ECM controls the rapid engine torque change by controlling the electric throttle control actuator operating speed.

CONSULT-III Reference Value in Data Monitor Mode

INFOID:000000002954687

MONITOR ITEM	CONDITION		SPECIFICATION
SNOW MODE SW	• Ignition switch: ON	SNOW MODE SW: ON	ON
		SNOW MODE SW: OFF	OFF

A
EC
C
D
E
F
G
H
I
J
K
L
M
N
O
P

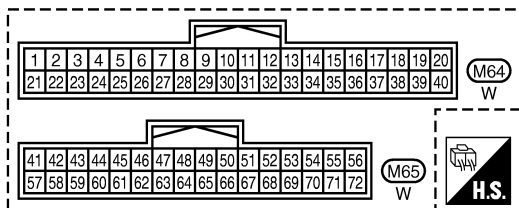
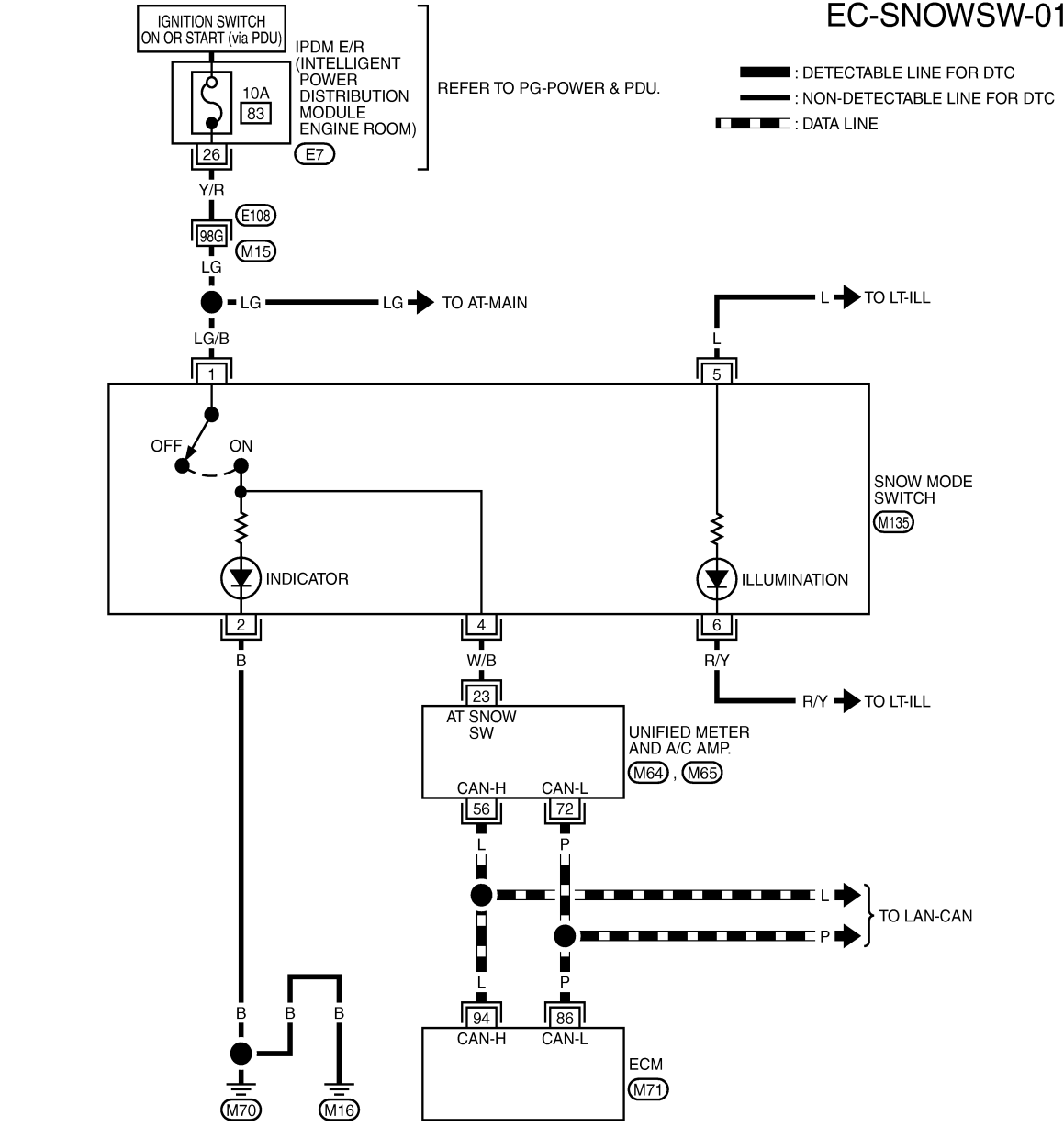
SNOW MODE SWITCH

< SERVICE INFORMATION >

[VQ35DE]

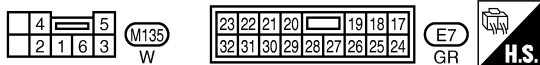
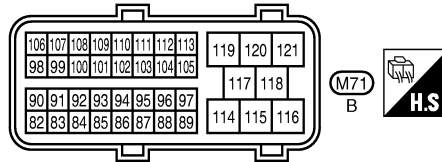
INFOID:000000002954688

Wiring Diagram



REFER TO THE FOLLOWING.

(E108) - SUPER MULTIPLE JUNCTION (SMJ)



TBWT1978E

Diagnosis Procedure

INFOID:000000002954689

1. CHECK SNOW MODE SWITCH OVERALL FUNCTION-I

1. Turn ignition switch ON.
2. Select "SNOW MODE SW" in "DATA MONITOR" mode with CONSULT-III.
3. Check "SNOW MODE SW" indication under the following conditions.

SNOW MODE SWITCH

[VQ35DE]

< SERVICE INFORMATION >

CONDITION	INDICATION
Snow mode switch: ON	ON
Snow mode switch: OFF	OFF

OK or NG

- OK >> GO TO 2.
- NG >> GO TO 3.

2.CHECK SNOW MODE SWITCH OVERALL FUNCTION-II

1. Turn ignition switch ON.
2. Start engine.
3. Check the snow mode indicator in the snow mode switch under the following condition.

CONDITION	INDICATION
Snow mode switch: ON	ON
Snow mode switch: OFF	OFF

OK or NG

- OK >> **INSPECTION END**
- NG >> GO TO 7.

3.CHECK DTC WITH "UNIFIED METER AND A/C AMP."

Refer to [DI-27. "CONSULT-III Function \(METER/M&A\)".](#)

OK or NG

- OK >> GO TO 4.
- NG >> Go to [DI-26](#).

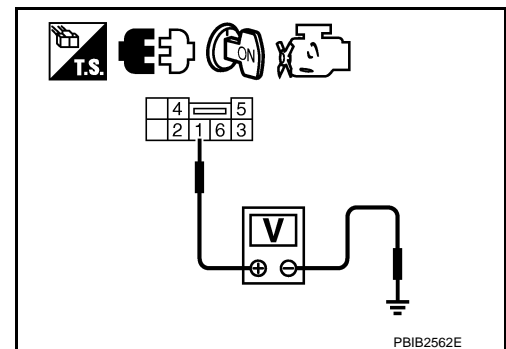
4.CHECK SNOW MODE SWITCH POWER SUPPLY CIRCUIT

1. Turn ignition switch OFF.
2. Disconnect snow mode switch harness connector.
3. Turn ignition switch ON.
4. Check voltage between snow mode switch terminal 1 and ground with CONSULT-III or tester.

Voltage: Battery voltage.

OK or NG

- OK >> GO TO 6.
- NG >> GO TO 5.



5.DETECT MALFUNCTIONING PART

Check the following.

- Harness connectors E108, M15
- IPDM E/R harness connector E7
- 10A fuse
- Harness for open or short between snow mode switch and fuse.

>> Repair open circuit or short to ground or short to power in harness or connectors.

6.CHECK SNOW MODE SWITCH INPUT SIGNAL CIRCUIT FOR OPEN AND SHORT

1. Turn ignition switch OFF.
2. Disconnect "unified meter and A/C amp." harness connector.
3. Check harness continuity between snow mode switch terminal 4 and "unified meter and A/C amp." terminal 23. Refer to Wiring Diagram.

SNOW MODE SWITCH

[VQ35DE]

< SERVICE INFORMATION >

Continuity should exist.

4. Also check harness for short to ground and short to power.

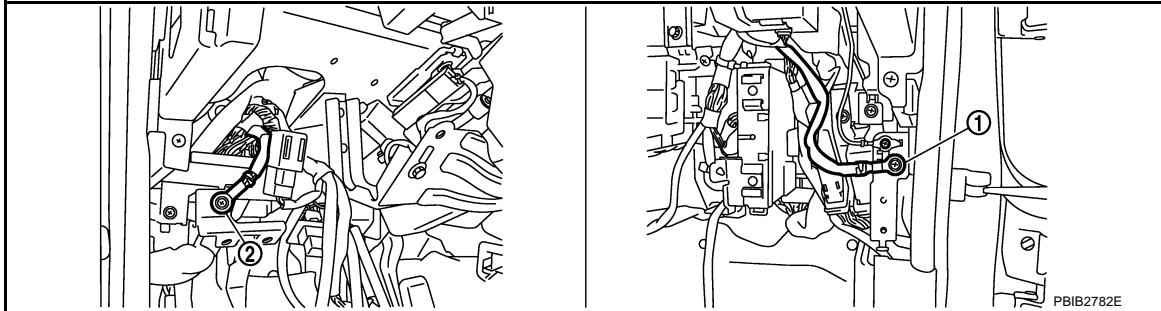
OK or NG

OK >> GO TO 9.

NG >> Repair open circuit or short to ground or short to power in harness or connectors.

7. CHECK GROUND CONNECTIONS

1. Turn ignition switch OFF.
2. Loosen and retighten two ground screws on the body.
Refer to [EC-146, "Ground Inspection"](#).



1. Body ground M70

2. Body ground M16

OK or NG

OK >> GO TO 8.

NG >> Repair or replace ground connections.

8. CHECK SNOW MODE INDICATOR LAMP GROUND CIRCUIT FOR OPEN AND SHORT

1. Check harness continuity between snow mode switch terminal 2 and ground.
Refer to Wiring Diagram.

Continuity should exist.

2. Also check harness for short to power.

OK or NG

OK >> GO TO 9.

NG >> Repair open circuit or short to power in harness or connectors.

9. CHECK SNOW MODE SWITCH

Refer to [EC-634, "Component Inspection"](#).

OK or NG

OK >> GO TO 10.

NG >> Replace snow mode switch.

10. CHECK INTERMITTENT INCIDENT

Refer to [EC-140](#).

>> **INSPECTION END**

Component Inspection

INFOID:000000002954690

SNOW MODE SWITCH

SNOW MODE SWITCH

[VQ35DE]

< SERVICE INFORMATION >

1. Check continuity between snow mode switch terminals 1 and 4 under the following conditions.

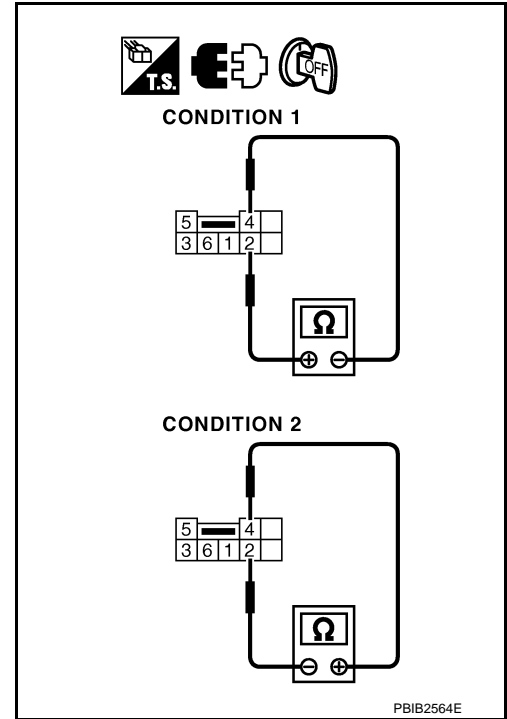
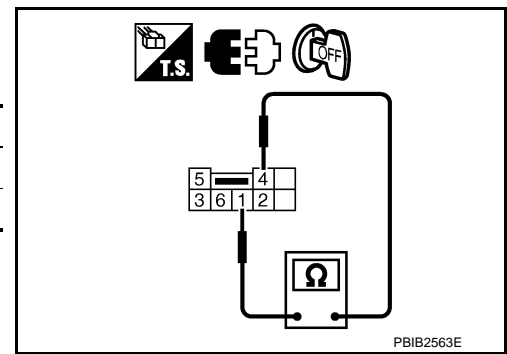
CONDITION	CONTINUITY
Snow mode switch: ON	Should exist
Snow mode switch: OFF	Should not exist

2. If NG, replace snow mode switch.
If OK, go to following step.

3. Check continuity between snow mode switch terminals 2 and 4 under the following conditions.

CONDITION	CONTINUITY
1	Should exist.
2	Should not exist.

4. If NG, replace snow mode switch.



A
EC
C
D
E
F
G
H
I
J
K
L
M
N
O
P

MIL AND DATA LINK CONNECTOR

< SERVICE INFORMATION >

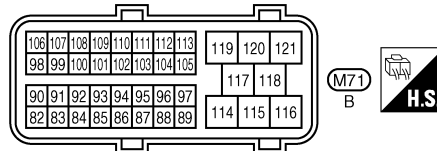
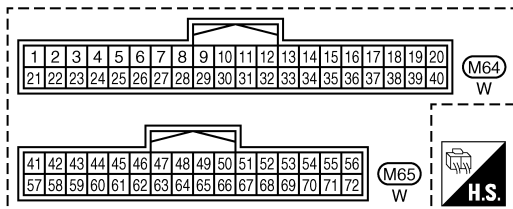
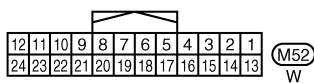
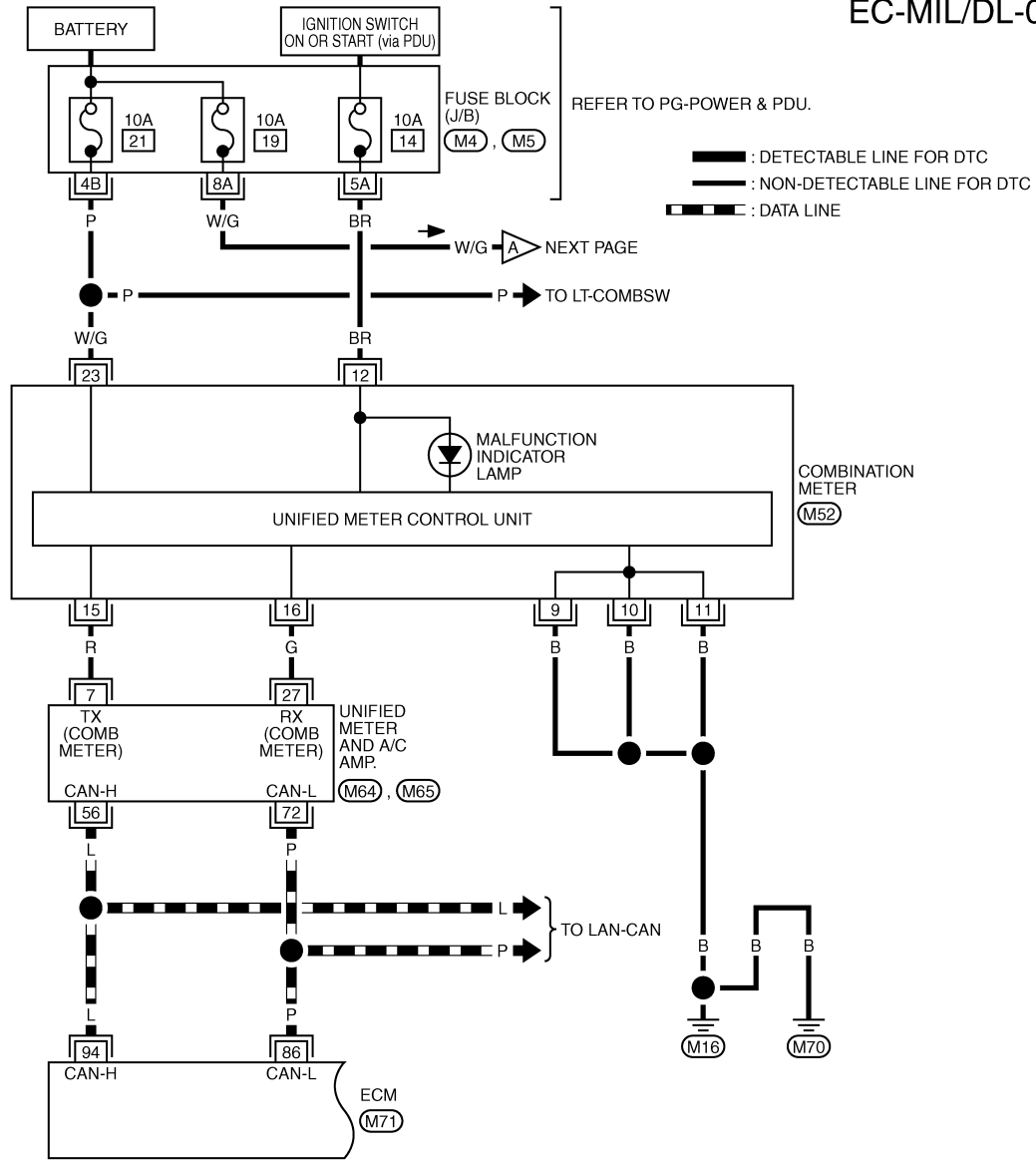
[VQ35DE]

MIL AND DATA LINK CONNECTOR

Wiring Diagram

INFOID:000000002954691

EC-MIL/DL-01



REFER TO THE FOLLOWING.
M4, M5 - FUSE BLOCK-JUNCTION BOX (J/B)



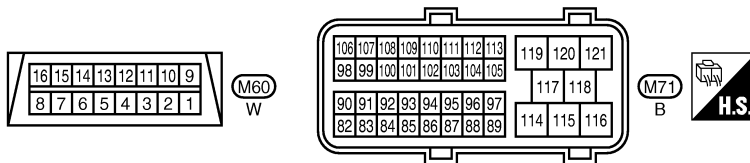
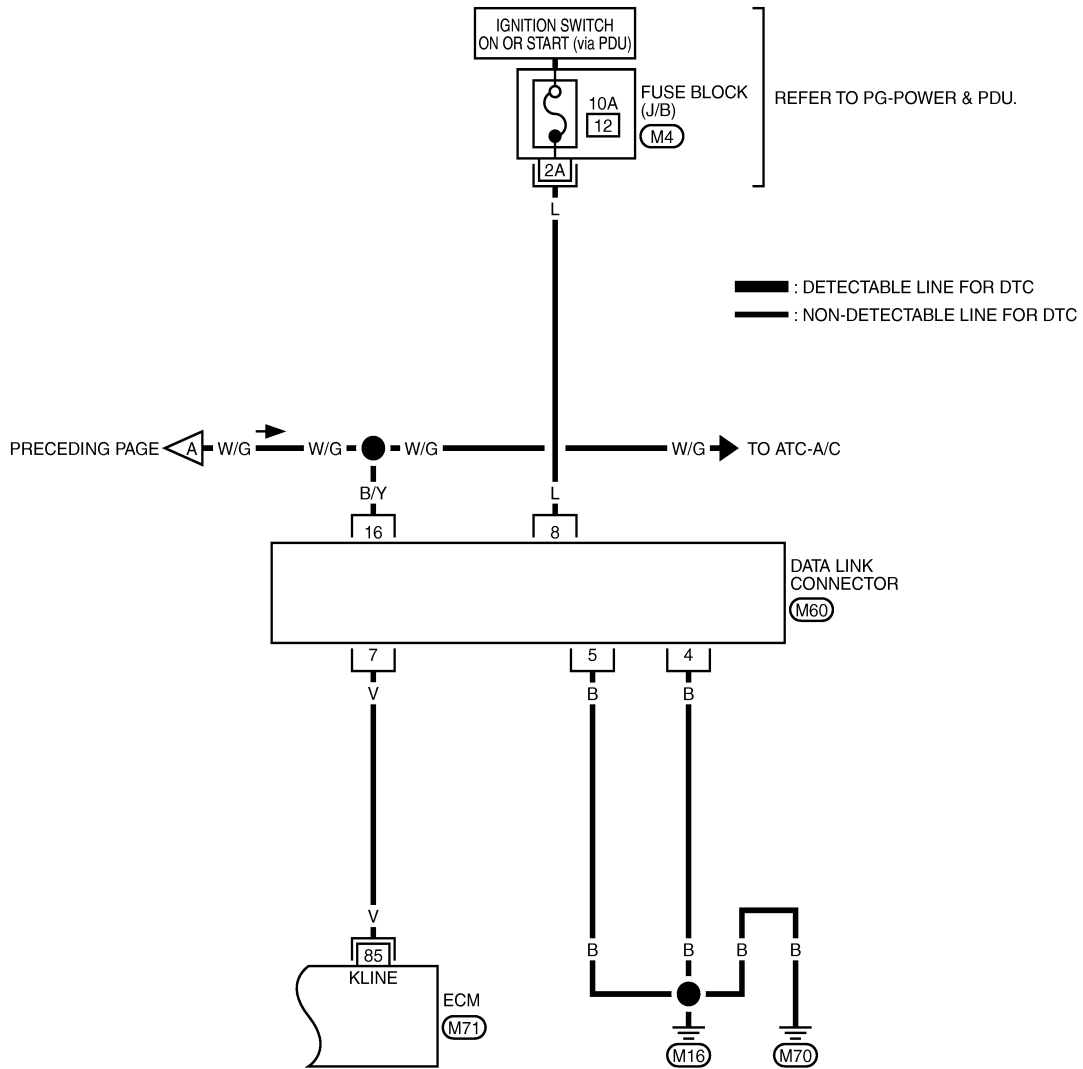
TBWT1487E

MIL AND DATA LINK CONNECTOR

< SERVICE INFORMATION >

[VQ35DE]

EC-MIL/DL-02



REFER TO THE FOLLOWING.
(M4) - FUSE BLOCK - JUNCTION BOX (J/B)

TBWT1979E

SERVICE DATA AND SPECIFICATIONS (SDS)

< SERVICE INFORMATION >

[VQ35DE]

SERVICE DATA AND SPECIFICATIONS (SDS)

Fuel Pressure

INFOID:000000002954692

Fuel pressure at idling kPa (kg/cm ² , psi)	Approximately 350 (3.57, 51)
--	------------------------------

Idle Speed and Ignition Timing

INFOID:000000002954693

Target idle speed	No load* (in P or N position)	650 ± 50 rpm
Air conditioner: ON	In P or N position	700 rpm or more
Ignition timing	In P or N position	15° ± 5° BTDC

*: Under the following conditions:

- Air conditioner switch: OFF
- Electric load: OFF (Lights, heater fan & rear window defogger)
- Steering wheel: Kept in straight-ahead position

Calculated Load Value

INFOID:000000002954694

Condition	Calculated load value% (Using CONSULT-III or GST)
At idle	5.0 - 35.0
At 2,500 rpm	5.0 - 35.0

Mass Air Flow Sensor

INFOID:000000002954695

Supply voltage	Battery voltage (11 - 14V)
Output voltage at idle	0.9 - 1.2V*
Mass air flow (Using CONSULT-III or GST)	2.0 - 6.0 g·m/sec at idle* 7.0 - 20.0 g·m/sec at 2,500 rpm*

*: Engine is warmed up to normal operating temperature and running under no load.

Intake Air Temperature Sensor

INFOID:000000002954696

Temperature °C (°F)	Resistance kΩ
25 (77)	1.800 - 2.200
80 (176)	0.283 - 0.359

Engine Coolant Temperature Sensor

INFOID:000000002954697

Temperature °C (°F)	Resistance kΩ
20 (68)	2.1 - 2.9
50 (122)	0.68 - 1.00
90 (194)	0.236 - 0.260

Fuel Tank Temperature Sensor

INFOID:000000002954698

Temperature °C (°F)	Resistance kΩ
20 (68)	2.3 - 2.7
50 (122)	0.79 - 0.90

SERVICE DATA AND SPECIFICATIONS (SDS)

< SERVICE INFORMATION >

[VQ35DE]

Crankshaft Position Sensor (POS)

INFOID:000000002954699

A

Refer to [EC-334, "Component Inspection"](#).

Camshaft Position Sensor (PHASE)

INFOID:000000002954700

EC

Refer to [EC-341, "Component Inspection"](#).

A/F Sensor 1 Heater

INFOID:000000002954701

C

Resistance [at 25°C (77°F)]

2.3 - 4.3Ω

D

Heated Oxygen Sensor 2 Heater

INFOID:000000002954702

E

Resistance [at 25°C (77°F)]

3.4 - 4.4Ω

Throttle Control Motor

INFOID:000000002954703

F

Resistance [at 25°C (77°F)]

Approximately 1 - 15Ω

Fuel Injector

INFOID:000000002954704

G

Resistance [at 10 - 60°C (50 - 140°F)]

11.1 - 14.5Ω

H

Fuel Pump

INFOID:000000002954705

I

Resistance [at 25°C (77°F)]

0.2 - 5.0Ω

J

K

L

M

N

O

P

INDEX FOR DTC

< SERVICE INFORMATION >

[VK45DE]

SERVICE INFORMATION

INDEX FOR DTC

U1000 - U1010

INFOID:000000002954706

DTC*1		Items (CONSULT-III screen terms)	Reference page
CONSULT-III GST*2	ECM*3		
U1000	1000*4	CAN COMM CIRCUIT	EC-770
U1001	1001*4	CAN COMM CIRCUIT	EC-770
U1010	1010	CONTROL UNIT(CAN)	EC-772

*1: 1st trip DTC No. is the same as DTC No.

*2: This number is prescribed by SAE J2012.

*3: In Diagnostic Test Mode II (Self-diagnostic results), this number is controlled by NISSAN.

*4: The troubleshooting for this DTC needs CONSULT-III.

P0011 - P0081

INFOID:000000003508910

DTC*1		Items (CONSULT-III screen terms)	Reference page
CONSULT-III GST*2	ECM*3		
P0011	0011	INT/V TIM CONT-B1	EC-773
P0021	0021	INT/V TIM CONT-B2	EC-773
P0031	0031	A/F SEN1 HTR (B1)	EC-785
P0032	0032	A/F SEN1 HTR (B1)	EC-785
P0037	0037	HO2S2 HTR (B1)	EC-792
P0038	0038	HO2S2 HTR (B1)	EC-792
P0051	0051	A/F SEN1 HTR (B2)	EC-785
P0052	0052	A/F SEN1 HTR (B2)	EC-785
P0057	0057	HO2S2 HTR (B2)	EC-792
P0058	0058	HO2S2 HTR (B2)	EC-792
P0075	0075	INT/V TIM V/CIR-B1	EC-799
P0081	0081	INT/V TIM V/CIR-B2	EC-799

*1: 1st trip DTC No. is the same as DTC No.

*2: This number is prescribed by SAE J2012.

*3: In Diagnostic Test Mode II (Self-diagnostic results), this number is controlled by NISSAN.

P0101 - P0128

INFOID:000000003508909

DTC*1		Items (CONSULT-III screen terms)	Reference page
CONSULT-III GST*2	ECM*3		
P0101	0101	MAF SEN/CIRCUIT-B1	EC-806
P0102	0102	MAF SEN/CIRCUIT-B1	EC-814
P0103	0103	MAF SEN/CIRCUIT-B1	EC-814
P0112	0112	IAT SEN/CIRCUIT-B1	EC-821

INDEX FOR DTC

< SERVICE INFORMATION >

[VK45DE]

DTC*1		Items (CONSULT-III screen terms)	Reference page
CONSULT-III GST*2	ECM*3		
P0113	0113	IAT SEN/CIRCUIT-B1	EC-821
P0116	0116	ECT SENSOR	EC-825
P0117	0117	ECT SEN/CIRC	EC-828
P0118	0118	ECT SEN/CIRC	EC-828
P0122	0122	TP SEN 2/CIRC-B1	EC-833
P0123	0123	TP SEN 2/CIRC-B1	EC-833
P0125	0125	ECT SENSOR	EC-839
P0127	0127	IAT SENSOR-B1	EC-842
P0128	0128	THERMSTAT FNCTN	EC-845

*1: 1st trip DTC No. is the same as DTC No.

*2: This number is prescribed by SAE J2012.

*3: In Diagnostic Test Mode II (Self-diagnostic results), this number is controlled by NISSAN.

P0130 - P0159

INFOID:000000003508916

DTC*1		Items (CONSULT-III screen terms)	Reference page
CONSULT-III GST*2	ECM*3		
P0130	0130	A/F SENSOR1 (B1)	EC-848
P0131	0131	A/F SENSOR1 (B1)	EC-856
P0132	0132	A/F SENSOR1 (B1)	EC-864
P0133	0133	A/F SENSOR1 (B1)	EC-872
P0137	0137	HO2S2 (B1)	EC-881
P0138	0138	HO2S2 (B1)	EC-890
P0139	0139	HO2S2 (B1)	EC-902
P0150	0150	A/F SENSOR1 (B2)	EC-848
P0151	0151	A/F SENSOR1 (B2)	EC-856
P0152	0152	A/F SENSOR1 (B2)	EC-864
P0153	0153	A/F SENSOR1 (B2)	EC-872
P0157	0157	HO2S2 (B2)	EC-881
P0158	0158	HO2S2 (B2)	EC-890
P0159	0159	HO2S2 (B2)	EC-902

*1: 1st trip DTC No. is the same as DTC No.

*2: This number is prescribed by SAE J2012.

*3: In Diagnostic Test Mode II (Self-diagnostic results), this number is controlled by NISSAN.

P0171 - P0223

INFOID:000000003508917

DTC*1		Items (CONSULT-III screen terms)	Reference page
CONSULT-III GST*2	ECM*3		
P0171	0171	FUEL SYS-LEAN-B1	EC-911
P0172	0172	FUEL SYS-RICH-B1	EC-922
P0174	0174	FUEL SYS-LEAN-B2	EC-911

INDEX FOR DTC

< SERVICE INFORMATION >

[VK45DE]

DTC*1		Items (CONSULT-III screen terms)	Reference page
CONSULT-III GST*2	ECM*3		
P0175	0175	FUEL SYS-RICH-B2	EC-922
P0181	0181	FTT SENSOR	EC-933
P0182	0182	FTT SEN/CIRCUIT	EC-937
P0183	0183	FTT SEN/CIRCUIT	EC-937
P0222	0222	TP SEN 1/CIRC-B1	EC-941
P0223	0223	TP SEN 1/CIRC-B1	EC-941

*1: 1st trip DTC No. is the same as DTC No.

*2: This number is prescribed by SAE J2012.

*3: In Diagnostic Test Mode II (Self-diagnostic results), this number is controlled by NISSAN.

P0300 - P0308

INFOID:000000003508921

DTC*1		Items (CONSULT-III screen terms)	Reference page
CONSULT-III GST*2	ECM*3		
P0300	0300	MULTI CYL MISFIRE	EC-947
P0301	0301	CYL 1 MISFIRE	EC-947
P0302	0302	CYL 2 MISFIRE	EC-947
P0303	0303	CYL 3 MISFIRE	EC-947
P0304	0304	CYL 4 MISFIRE	EC-947
P0305	0305	CYL 5 MISFIRE	EC-947
P0306	0306	CYL 6 MISFIRE	EC-947
P0307	0307	CYL 7 MISFIRE	EC-947
P0308	0308	CYL 8 MISFIRE	EC-947

*1: 1st trip DTC No. is the same as DTC No.

*2: This number is prescribed by SAE J2012.

*3: In Diagnostic Test Mode II (Self-diagnostic results), this number is controlled by NISSAN.

P0327 - P0430

INFOID:000000003508920

DTC*1		Items (CONSULT-III screen terms)	Reference page
CONSULT-III GST*2	ECM*3		
P0327	0327	KNOCK SEN/CIRC-B1	EC-953
P0328	0328	KNOCK SEN/CIRC-B1	EC-953
P0332	0332	KNOCK SEN/CIRC-B2	EC-953
P0333	0333	KNOCK SEN/CIRC-B2	EC-953
P0335	0335	CKP SEN/CIRCUIT	EC-958
P0340	0340	CMP SEN/CIRC-B1	EC-963
P0420	0420	TW CATALYST SYS-B1	EC-969
P0430	0430	TW CATALYST SYS-B2	EC-969

*1: 1st trip DTC No. is the same as DTC No.

*2: This number is prescribed by SAE J2012.

*3: In Diagnostic Test Mode II (Self-diagnostic results), this number is controlled by NISSAN.

INDEX FOR DTC

< SERVICE INFORMATION >

[VK45DE]

P0441 - P0456

INFOID:000000003508919

DTC*1		Items (CONSULT-III screen terms)	Reference page
CONSULT-III GST*2	ECM*3		
P0441	0441	EVAP PURG FLOW/MON	EC-973
P0442	0442	EVAP SMALL LEAK	EC-978
P0443	0443	PURG VOLUME CONT/V	EC-985
P0444	0444	PURG VOLUME CONT/V	EC-992
P0445	0445	PURG VOLUME CONT/V	EC-992
P0447	0447	VENT CONTROL VALVE	EC-998
P0448	0448	VENT CONTROL VALVE	EC-1003
P0451	0451	EVAP SYS PRES SEN	EC-1009
P0452	0452	EVAP SYS PRES SEN	EC-1012
P0453	0453	EVAP SYS PRES SEN	EC-1018
P0455	0455	EVAP GROSS LEAK	EC-1025
P0456	0456	EVAP VERY SML LEAK	EC-1031

*1: 1st trip DTC No. is the same as DTC No.

*2: This number is prescribed by SAE J2012.

*3: In Diagnostic Test Mode II (Self-diagnostic results), this number is controlled by NISSAN.

P0460 - P0643

INFOID:000000003508918

DTC*1		Items (CONSULT-III screen terms)	Reference page
CONSULT-III GST*2	ECM*3		
P0460	0460	FUEL LEV SEN SLOSH	EC-1038
P0461	0461	FUEL LEVEL SENSOR	EC-1040
P0462	0462	FUEL LEVL SEN/CIRC	EC-1042
P0463	0463	FUEL LEVL SEN/CIRC	EC-1042
P0500	0500	VEH SPEED SEN/CIRC*4	EC-1044
P0506	0506	ISC SYSTEM	EC-1046
P0507	0507	ISC SYSTEM	EC-1048
P0550	0550	PW ST P SEN/CIRC	EC-1050
P0603	0603	ECM BACK UP/CIRCUIT	EC-1055
P0605	0605	ECM	EC-1059
P0643	0643	SENSOR POWER/CIRC	EC-1061

*1: 1st trip DTC No. is the same as DTC No.

*2: This number is prescribed by SAE J2012.

*3: In Diagnostic Test Mode II (Self-diagnostic results), this number is controlled by NISSAN.

*4: When the fail-safe operations for both self-diagnoses (DTC P0500 and P0720) occur, the MIL illuminates.

INDEX FOR DTC

< SERVICE INFORMATION >

[VK45DE]

P0700 - P0745

INFOID:000000003508915

DTC*1		Items (CONSULT-III screen terms)	Reference page
CONSULT-III GST*2	ECM*3		
P0700	0700	TCM	AT-102
P0705	0705	PNP SW/CIRC	AT-103
P0710	0710	ATF TEMP SEN/CIRC	AT-133
P0717	0717	TURBINE SENSOR	AT-106
P0720	0720	VEH SPD SEN/CIR AT*4	AT-108
P0731	0731	A/T 1ST GR FNCTN	AT-115
P0732	0732	A/T 2ND GR FNCTN	AT-117
P0733	0733	A/T 3RD GR FNCTN	AT-119
P0734	0734	A/T 4TH GR FNCTN	AT-121
P0735	0735	A/T 5TH GR FNCTN	AT-123
P0740	0740	TCC SOLENOID/CIRC	AT-125
P0744	0744	A/T TCC S/V FNCTN	AT-127
P0745	0745	L/PRESS SOL/CIRC	AT-129

*1: 1st trip DTC No. is the same as DTC No.

*2: This number is prescribed by SAE J2012.

*3: In Diagnostic Test Mode II (Self-diagnostic results), this number is controlled by NISSAN.

*5: When the fail-safe operations for both self-diagnoses (DTC P0500 and P0720) occur, the MIL illuminates.

P0850 - P1421

INFOID:000000003508914

DTC*1		Items (CONSULT-III screen terms)	Reference page
CONSULT-III GST*2	ECM*3		
P0850	0850	P-N POS SW/CIRCUIT	EC-1066
P1140	1140	INTK TIM S/CIRC-B1	EC-1071
P1145	1145	INTK TIM S/CIRC-B2	EC-1071
P1148	1148	CLOSED LOOP-B1	EC-1079
P1168	1168	CLOSED LOOP-B2	EC-1079
P1211	1211	TCS C/U FUNCTN	EC-1080
P1212	1212	TCS/CIRC	EC-1081
P1217	1217	ENG OVER TEMP	EC-1082
P1220	1220	FPCM/CIRCUIT	EC-1092
P1225	1225	CTP LEARNING-B1	EC-1099
P1226	1226	CTP LEARNING-B1	EC-1101
P1421	1421	COLD START CONTROL	EC-1103

*1: 1st trip DTC No. is the same as DTC No.

*2: This number is prescribed by SAE J2012.

*3: In Diagnostic Test Mode II (Self-diagnostic results), this number is controlled by NISSAN.

INDEX FOR DTC

< SERVICE INFORMATION >

[VK45DE]

P1550 - P1574

INFOID:000000003508913

A

DTC*1		Items (CONSULT-III screen terms)	Reference page
CONSULT-III GST*2	ECM*3		
P1550	1550	BAT CURRENT SENSOR	EC-1105
P1551	1551	BAT CURRENT SENSOR	EC-1110
P1552	1552	BAT CURRENT SENSOR	EC-1110
P1553	1553	BAT CURRENT SENSOR	EC-1115
P1554	1554	BAT CURRENT SENSOR	EC-1120
P1564	1564	ASCD SW	EC-1126 (Models with ICC) EC-1132 (Models with ASCD)
P1568	1568	ICC COMMAND VALUE*4	EC-1138
P1572	1572	ASCD BRAKE SW	EC-1139 (Models with ICC) EC-1147 (Models with ASCD)
P1574	1574	ASCD VHL SPD SEN	EC-1154 (Models with ICC) EC-1156 (Models with ASCD)

EC

C

D

E

F

*1: 1st trip DTC No. is the same as DTC No.

*2: This number is prescribed by SAE J2012.

*3: In Diagnostic Test Mode II (Self-diagnostic results), this number is controlled by NISSAN.

*4: Models with ICC.

G

H

P1610 - P1774

INFOID:000000003508912

I

DTC*1		Items (CONSULT-III screen terms)	Reference page
CONSULT-III GST*2	ECM*3		
P1610	1610	LOCK MODE	BL-5
P1611	1611	ID DISCORD, IMMU-ECM	BL-5
P1612	1612	CHAIN OF ECM-IMMU	BL-5
P1614	1614	CHAIN OF IMMU-KEY	BL-5
P1715	1715	IN PULY SPEED	EC-1158
P1730	1730	A/T INTERLOCK	AT-140
P1752	1752	I/C SOLENOID/CIRC	AT-144
P1757	1757	FR/B SOLENOID/CIRC	AT-146
P1762	1762	D/C SOLENOID/CIRC	AT-148
P1767	1767	HLR/C SOL/CIRC	AT-150
P1772	1772	LC/B SOLENOID/CIRC	AT-152
P1774	1774	LC/B SOLENOID FNCT	AT-154

J

K

L

M

N

O

*1: 1st trip DTC No. is the same as DTC No.

*2: This number is prescribed by SAE J2012.

*3: In Diagnostic Test Mode II (Self-diagnostic results), this number is controlled by NISSAN.

P

INDEX FOR DTC

< SERVICE INFORMATION >

[VK45DE]

P1800 - P2A03

INFOID:000000003508911

DTC*1		Items (CONSULT-III screen terms)	Reference page
CONSULT-III GST*2	ECM*3		
P1800	1800	VIAS S/V-1	EC-1159
P1805	1805	BRAKE SW/CIRCUIT	EC-1164
P2100	2100	ETC MOT PWR-B1	EC-1171
P2101	2101	ETC FNCTN/CIRC-B1	EC-1175
P2103	2103	ETC MOT PWR	EC-1171
P2118	2118	ETC MOT-B1	EC-1181
P2119	2119	ETC ACTR-B1	EC-1186
P2122	2122	APP SEN 1/CIRC	EC-1188
P2123	2123	APP SEN 1/CIRC	EC-1188
P2127	2127	APP SEN 2/CIRC	EC-1193
P2128	2128	APP SEN 2/CIRC	EC-1193
P2135	2135	TP SENSOR-B1	EC-1199
P2138	2138	APP SENSOR	EC-1205
P2A00	2A00	A/F SENSOR1 (B1)	EC-1212
P2A03	2A03	A/F SENSOR1 (B2)	EC-1212

*1: 1st trip DTC No. is the same as DTC No.

*2: This number is prescribed by SAE J2012.

*3: In Diagnostic Test Mode II (Self-diagnostic results), this number is controlled by NISSAN.

PRECAUTIONS

< SERVICE INFORMATION >

[VK45DE]

PRECAUTIONS

Precaution for Supplemental Restraint System (SRS) "AIR BAG" and "SEAT BELT PRE-TENSIONER"

INFOID:000000005154050

The Supplemental Restraint System such as "AIR BAG" and "SEAT BELT PRE-TENSIONER", used along with a front seat belt, helps to reduce the risk or severity of injury to the driver and front passenger for certain types of collision. This system includes seat belt switch inputs and dual stage front air bag modules. The SRS system uses the seat belt switches to determine the front air bag deployment, and may only deploy one front air bag, depending on the severity of a collision and whether the front occupants are belted or unbelted. Information necessary to service the system safely is included in the "SUPPLEMENTAL RESTRAINT SYSTEM" and "SEAT BELTS" of this Service Manual.

WARNING:

- To avoid rendering the SRS inoperative, which could increase the risk of personal injury or death in the event of a collision which would result in air bag inflation, all maintenance must be performed by an authorized NISSAN/INFINITI dealer.
- Improper maintenance, including incorrect removal and installation of the SRS, can lead to personal injury caused by unintentional activation of the system. For removal of Spiral Cable and Air Bag Module, see the "SUPPLEMENTAL RESTRAINT SYSTEM".
- Do not use electrical test equipment on any circuit related to the SRS unless instructed to in this Service Manual. SRS wiring harnesses can be identified by yellow and/or orange harnesses or harness connectors.

PRECAUTIONS WHEN USING POWER TOOLS (AIR OR ELECTRIC) AND HAMMERS

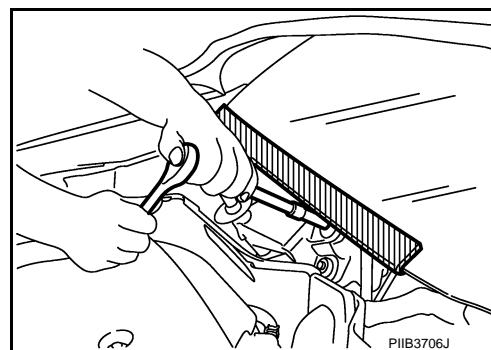
WARNING:

- When working near the Air Bag Diagnosis Sensor Unit or other Air Bag System sensors with the ignition ON or engine running, DO NOT use air or electric power tools or strike near the sensor(s) with a hammer. Heavy vibration could activate the sensor(s) and deploy the air bag(s), possibly causing serious injury.
- When using air or electric power tools or hammers, always switch the ignition OFF, disconnect the battery, and wait at least 3 minutes before performing any service.

Precaution for Procedure without Cowl Top Cover

INFOID:000000002954709

When performing the procedure after removing cowl top cover, cover the lower end of windshield with urethane, etc.



On Board Diagnosis (OBD) System of Engine and A/T

INFOID:000000002954710

The ECM has an on board diagnostic system. It will light up the malfunction indicator lamp (MIL) to warn the driver of a malfunction causing emission deterioration.

CAUTION:

- Be sure to turn the ignition switch OFF and disconnect the negative battery cable before any repair or inspection work. The open/short circuit of related switches, sensors, solenoid valves, etc. will cause the MIL to light up.
- Be sure to connect and lock the connectors securely after work. A loose (unlocked) connector will cause the MIL to light up due to the open circuit. (Be sure the connector is free from water, grease, dirt, bent terminals, etc.)
- Certain systems and components, especially those related to OBD, may use a new style slide-locking type harness connector. For description and how to disconnect, refer to [PG-75, "Description"](#).
- Be sure to route and secure the harnesses properly after work. The interference of the harness with a bracket, etc. may cause the MIL to light up due to the short circuit.

PRECAUTIONS

[VK45DE]

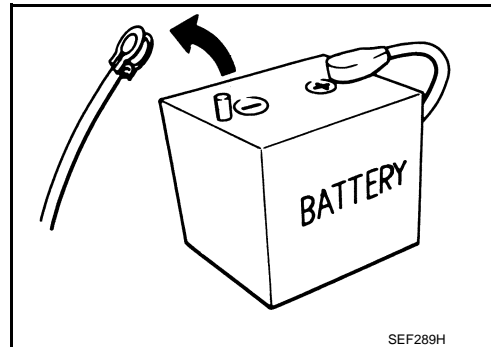
< SERVICE INFORMATION >

- Be sure to connect rubber tubes properly after work. A misconnected or disconnected rubber tube may cause the MIL to light up due to the malfunction of the EVAP system or fuel injection system, etc.
- Be sure to erase the unnecessary malfunction information (repairs completed) from the ECM and TCM (Transmission control module) before returning the vehicle to the customer.

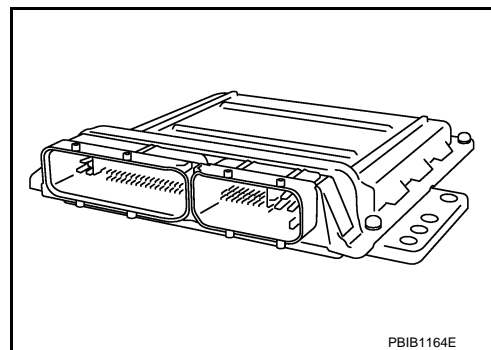
Precaution

INFOID:000000002954711

- Always use a 12 volt battery as power source.
- Do not attempt to disconnect battery cables while engine is running.
- Before connecting or disconnecting the ECM harness connector, turn ignition switch OFF and disconnect negative battery cable. Failure to do so may damage the ECM because battery voltage is applied to ECM even if ignition switch is turned OFF.
- Before removing parts, turn ignition switch OFF and then disconnect negative battery cable.



- Do not disassemble ECM.
- If a battery cable is disconnected, the memory will return to the ECM value. The ECM will now start to self-control at its initial value. So, engine operation can vary slightly in this case. However, this is not an indication of a malfunction. Do not replace parts because of a slight variation.

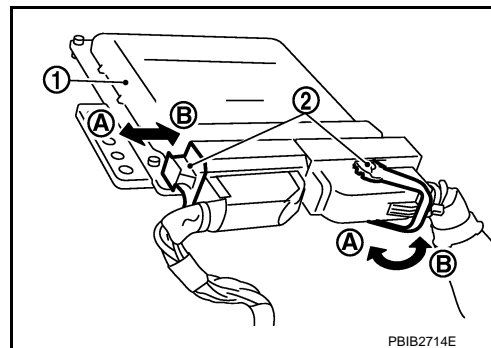


- If the battery is disconnected, the following emission-related diagnostic information will be lost within 24 hours.

- Diagnostic trouble codes
- 1st trip diagnostic trouble codes
- Freeze frame data
- 1st trip freeze frame data
- System readiness test (SRT) codes
- Test values

- When connecting ECM harness connector, fasten (B) it securely with a lever (2) as far as it will go as shown in the figure.

- ECM (1)
- Loosen (A)



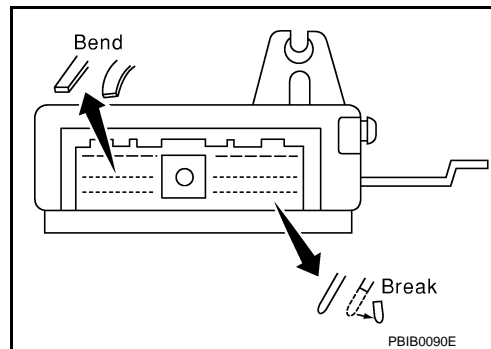
- When connecting or disconnecting pin connectors into or from ECM, take care not to damage pin terminals (bend or break).

Make sure that there are not any bends or breaks on ECM pin terminal, when connecting pin connectors.

- Securely connect ECM harness connectors.

A poor connection can cause an extremely high (surge) voltage to develop in coil and condenser, thus resulting in damage to ICs.

- Keep engine control system harness at least 10 cm (4 in) away from adjacent harness, to prevent engine control system malfunctions due to receiving external noise, degraded operation of ICs, etc.

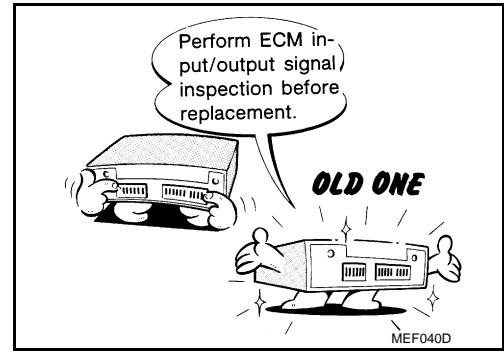


PRECAUTIONS

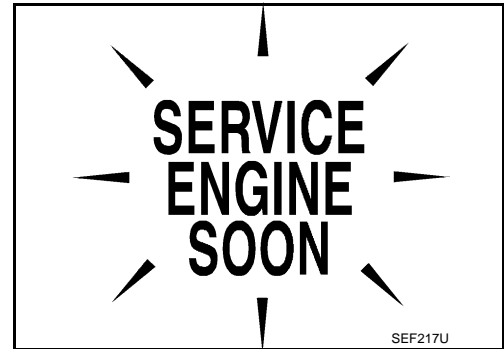
[VK45DE]

< SERVICE INFORMATION >

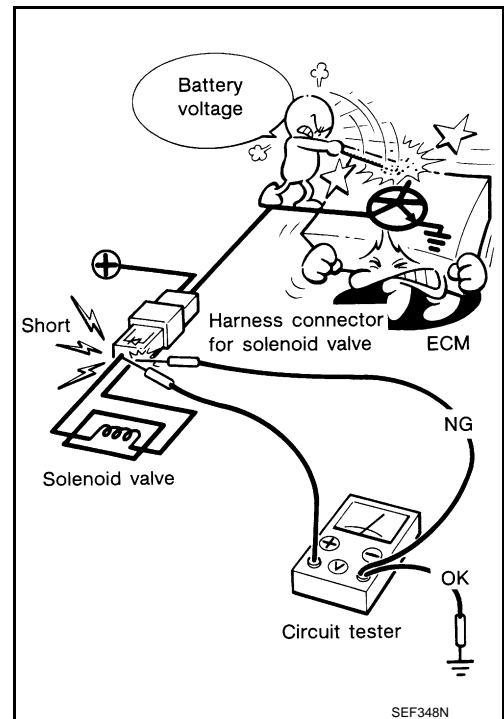
- Keep engine control system parts and harness dry.
- Before replacing ECM, perform ECM Terminals and Reference Value inspection and make sure ECM functions properly. Refer to [EC-733, "ECM Terminal and Reference Value"](#).
- Handle mass air flow sensor carefully to avoid damage.
- Do not clean mass air flow sensor with any type of detergent.
- Do not disassemble electric throttle control actuator.
- Even a slight leak in the air intake system can cause serious incidents.
- Do not shock or jar the camshaft position sensor (PHASE), crankshaft position sensor (POS).



- After performing each TROUBLE DIAGNOSIS, perform DTC Confirmation Procedure or Overall Function Check. The DTC should not be displayed in the DTC Confirmation Procedure if the repair is completed. The Overall Function Check should be a good result if the repair is completed.



- When measuring ECM signals with a circuit tester, never allow the two tester probes to contact. Accidental contact of probes will cause a short circuit and damage the ECM power transistor.
- Do not use ECM ground terminals when measuring input/output voltage. Doing so may result in damage to the ECM's transistor. Use a ground other than ECM terminals, such as the ground.



A
EC
C
D
E
F
G
H
I
J
K
L
M
N
O
P

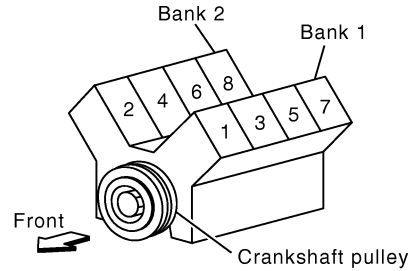
PRECAUTIONS

[VK45DE]

< SERVICE INFORMATION >

- B1 indicates the bank 1, B2 indicates the bank 2 as shown in the figure.

Cylinder number and Bank layout

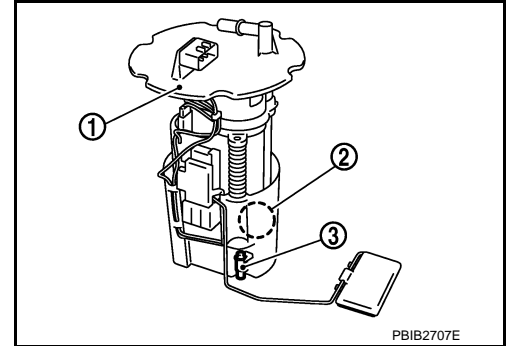


PBIB1144E

- **Do not operate fuel pump when there is no fuel in lines.**

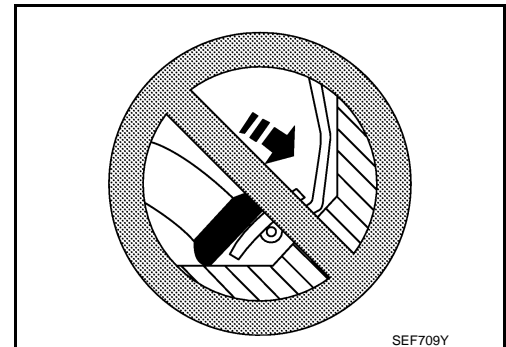
- Fuel level sensor unit and fuel pump (1)
- Fuel pressure regulator (2)
- Fuel tank temperature sensor (3)

- **Tighten fuel hose clamps to the specified torque.**



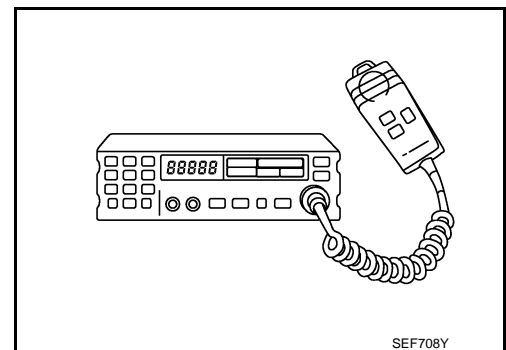
PBIB2707E

- **Do not depress accelerator pedal when starting.**
- **Immediately after starting, do not rev up engine unnecessarily.**
- **Do not rev up engine just prior to shutdown.**



- **When installing C.B. ham radio or a mobile phone, be sure to observe the following as it may adversely affect electronic control systems depending on installation location.**

- **Keep the antenna as far as possible from the electronic control units.**
- **Keep the antenna feeder line more than 20 cm (8 in) away from the harness of electronic controls. Do not let them run parallel for a long distance.**
- **Adjust the antenna and feeder line so that the standing-wave ratio can be kept smaller.**
- **Be sure to ground the radio to vehicle body.**



PREPARATION

< SERVICE INFORMATION >

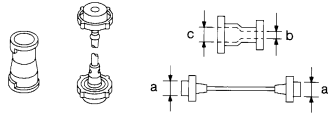
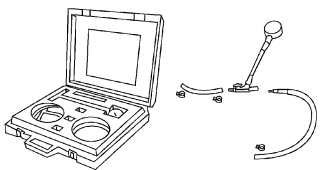
[VK45DE]

PREPARATION

Special Service Tool

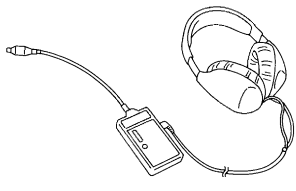
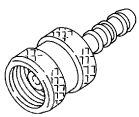
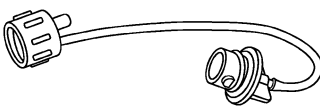
INFOID:000000002954712

The actual shapes of Kent-Moore tools may differ from those of special service tools illustrated here.

Tool number (Kent-Moore No.) Tool name	Description
EG17650301 (J-33984-A) Radiator cap tester adapter  S-NT564	Adapting radiator cap tester to radiator cap and radiator filler neck a: 28 (1.10) dia. b: 31.4 (1.236) dia. c: 41.3 (1.626) dia. Unit: mm (in)
(J-44321) Fuel pressure gauge kit  LEC642	Checking fuel pressure

Commercial Service Tool

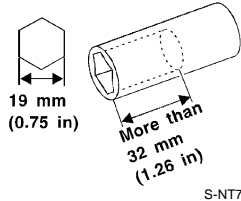
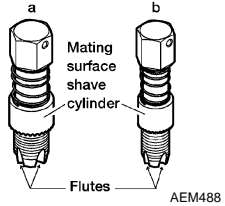
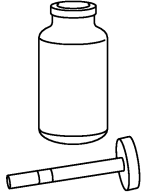
INFOID:000000002954713

Tool name (Kent-Moore No.)	Description
Leak detector i.e.: (J-41416)  S-NT703	Locating the EVAP leak
EVAP service port adapter i.e.: (J-41413-OB)  S-NT704	Applying positive pressure through EVAP service port
Fuel filler cap adapter i.e.: (MLR-8382)  S-NT815	Checking fuel tank vacuum relief valve opening pressure

PREPARATION

< SERVICE INFORMATION >

[VK45DE]

Tool name (Kent-Moore No.)	Description
<p>Socket wrench</p>  <p style="text-align: right; font-size: small;">S-NT705</p>	<p>Removing and installing engine coolant temperature sensor</p>
<p>Oxygen sensor thread cleaner i.e.: (J-43897-18) (J-43897-12)</p>  <p style="text-align: right; font-size: small;">AEM488</p>	<p>Reconditioning the exhaust system threads before installing a new oxygen sensor. Use with anti-seize lubricant shown below.</p> <p>a: 18 mm diameter with pitch 1.5 mm for Zirconia Oxygen Sensor b: 12 mm diameter with pitch 1.25 mm for Titania Oxygen Sensor</p>
<p>Anti-seize lubricant i.e.: (Permatex™ 133AR or equivalent meeting MIL specification MIL-A-907)</p>  <p style="text-align: right; font-size: small;">S-NT779</p>	<p>Lubricating oxygen sensor thread cleaning tool when reconditioning exhaust system threads.</p>

ENGINE CONTROL SYSTEM

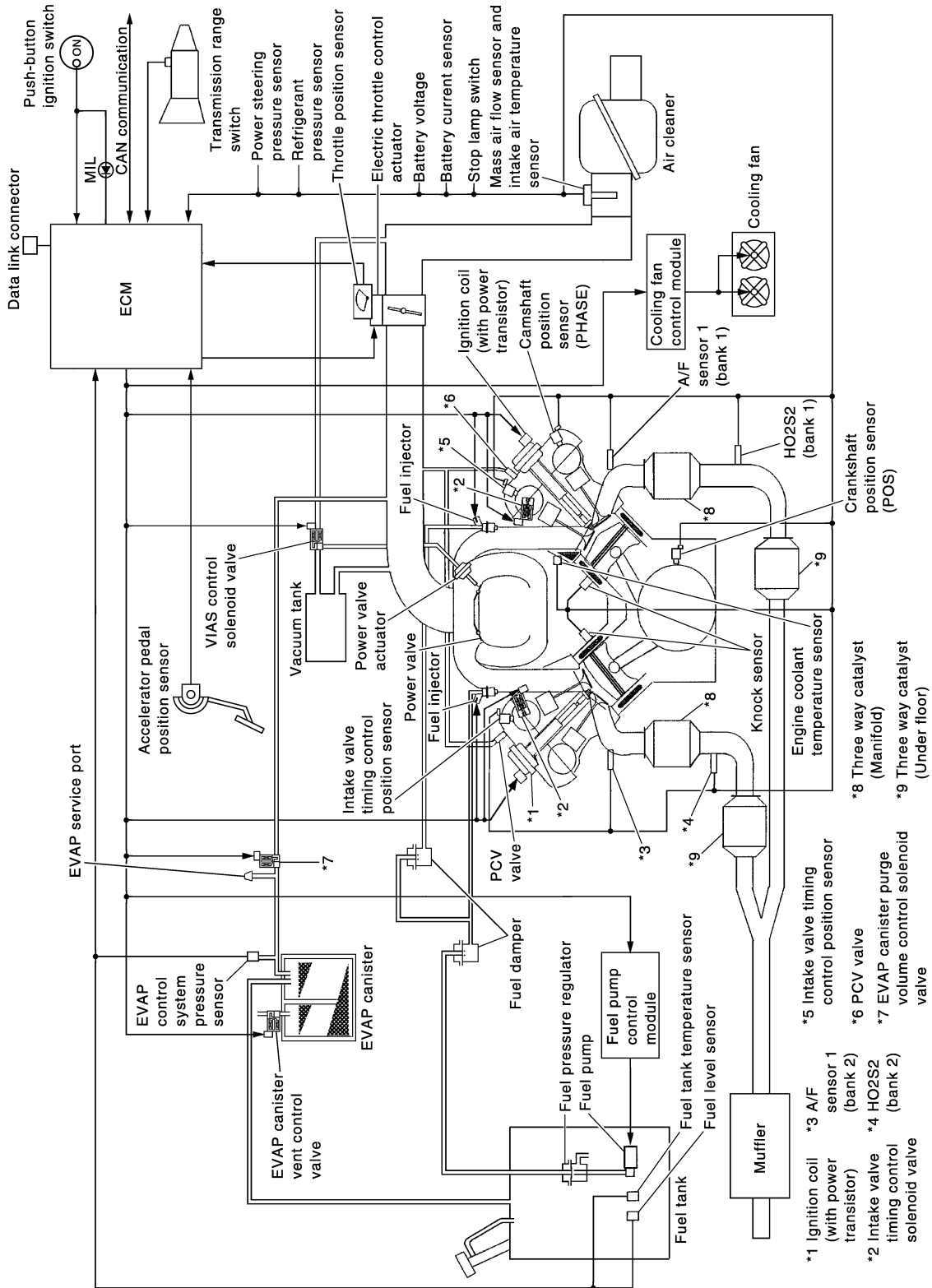
< SERVICE INFORMATION >

[VK45DE]

ENGINE CONTROL SYSTEM

Schematic

INFOID:000000002954714



JSBIA0061GB

Multiport Fuel Injection (MFI) System

INFOID:000000002954715

INPUT/OUTPUT SIGNAL CHART

ENGINE CONTROL SYSTEM

[VK45DE]

< SERVICE INFORMATION >

Sensor	Input Signal to ECM	ECM function	Actuator
Crankshaft position sensor (POS)	Engine speed* ³	Fuel injection & mixture ratio control	Fuel injector
Camshaft position sensor (PHASE)	Piston position		
Mass air flow sensor	Amount of intake air		
Engine coolant temperature sensor	Engine coolant temperature		
Air fuel ratio (A/F) sensor 1	Density of oxygen in exhaust gas		
Throttle position sensor	Throttle position		
Accelerator pedal position sensor	Accelerator pedal position		
Transmission range switch	Gear position		
Battery	Battery voltage* ³		
Knock sensor	Engine knocking condition		
Power steering pressure sensor	Power steering operation		
Heated oxygen sensor 2* ¹	Density of oxygen in exhaust gas		
ABS actuator and electric unit (control unit)	VDC/TCS operation command* ²		
Air conditioner switch	Air conditioner operation* ²		
Wheel sensor	Vehicle speed* ²		

*1: This sensor is not used to control the engine system under normal conditions.

*2: This signal is sent to the ECM through CAN communication line.

*3: ECM determines the start signal status by the signals of engine speed and battery voltage.

SYSTEM DESCRIPTION

The amount of fuel injected from the fuel injector is determined by the ECM. The ECM controls the length of time the valve remains open (injection pulse duration). The amount of fuel injected is a program value in the ECM memory. The program value is preset by engine operating conditions. These conditions are determined by input signals (for engine speed and intake air) from the crankshaft position sensor (POS), camshaft position sensor (PHASE) and the mass air flow sensor.

VARIOUS FUEL INJECTION INCREASE/DECREASE COMPENSATION

In addition, the amount of fuel injected is compensated to improve engine performance under various operating conditions as listed below.

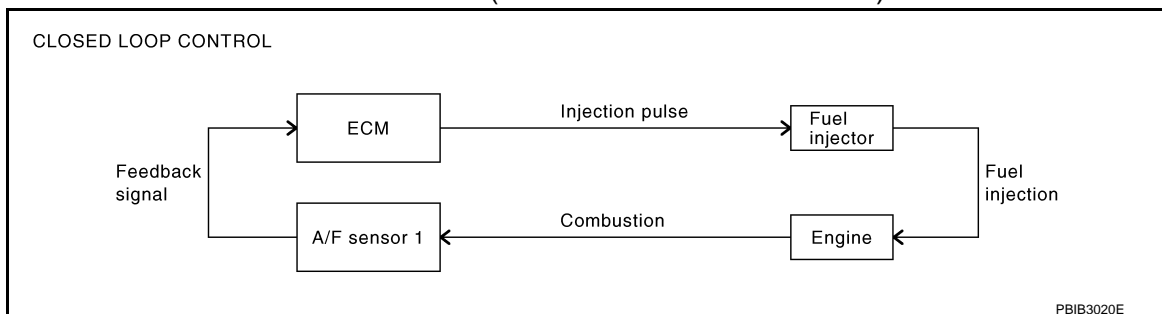
<Fuel increase>

- During warm-up
- When starting the engine
- During acceleration
- Hot-engine operation
- When selector lever is changed from N to D
- High-load, high-speed operation

<Fuel decrease>

- During deceleration
- During high engine speed operation

MIXTURE RATIO FEEDBACK CONTROL (CLOSED LOOP CONTROL)



< SERVICE INFORMATION >

The mixture ratio feedback system provides the best air-fuel mixture ratio for driveability and emission control. The three way catalyst (manifold) can then better reduce CO, HC and NOx emissions. This system uses A/F sensor 1 in the exhaust manifold to monitor whether the engine operation is rich or lean. The ECM adjusts the injection pulse width according to the sensor voltage signal. For more information about A/F sensor 1, refer to [EC-848](#). This maintains the mixture ratio within the range of stoichiometric (ideal air-fuel mixture).

This stage is referred to as the closed loop control condition.

Heated oxygen sensor 2 is located downstream of the three way catalyst (manifold). Even if the switching characteristics of A/F sensor 1 shift, the air-fuel ratio is controlled to stoichiometric by the signal from heated oxygen sensor 2.

Open Loop Control

The open loop system condition refers to when the ECM detects any of the following conditions. Feedback control stops in order to maintain stabilized fuel combustion.

- Deceleration and acceleration
- High-load, high-speed operation
- Malfunction of A/F sensor 1 or its circuit
- Insufficient activation of A/F sensor 1 at low engine coolant temperature
- High engine coolant temperature
- During warm-up
- After shifting from N to D
- When starting the engine

MIXTURE RATIO SELF-LEARNING CONTROL

The mixture ratio feedback control system monitors the mixture ratio signal transmitted from A/F sensor 1. This feedback signal is then sent to the ECM. The ECM controls the basic mixture ratio as close to the theoretical mixture ratio as possible. However, the basic mixture ratio is not necessarily controlled as originally designed. Both manufacturing differences (i.e., mass air flow sensor hot wire) and characteristic changes during operation (i.e., fuel injector clogging) directly affect mixture ratio.

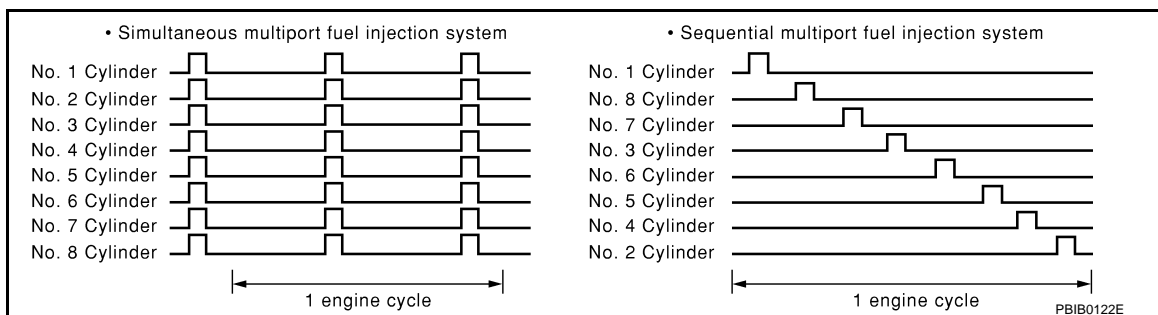
Accordingly, the difference between the basic and theoretical mixture ratios is monitored in this system. This is then computed in terms of "injection pulse duration" to automatically compensate for the difference between the two ratios.

"Fuel trim" refers to the feedback compensation value compared against the basic injection duration. Fuel trim includes short term fuel trim and long term fuel trim.

"Short term fuel trim" is the short-term fuel compensation used to maintain the mixture ratio at its theoretical value. The signal from A/F sensor 1 indicates whether the mixture ratio is RICH or LEAN compared to the theoretical value. The signal then triggers a reduction in fuel volume if the mixture ratio is rich, and an increase in fuel volume if it is lean.

"Long term fuel trim" is overall fuel compensation carried out long-term to compensate for continual deviation of the short term fuel trim from the central value. Such deviation will occur due to individual engine differences, wear over time and changes in the usage environment.

FUEL INJECTION TIMING



Two types of systems are used.

Sequential Multipoint Fuel Injection System

Fuel is injected into each cylinder during each engine cycle according to the firing order. This system is used when the engine is running.

Simultaneous Multipoint Fuel Injection System

Fuel is injected simultaneously into all eight cylinders twice each engine cycle. In other words, pulse signals of the same width are simultaneously transmitted from the ECM.

The eight fuel injectors will then receive the signals two times for each engine cycle.

This system is used when the engine is being started and/or if the fail-safe system (CPU) is operating.

ENGINE CONTROL SYSTEM

[VK45DE]

< SERVICE INFORMATION >

FUEL SHUT-OFF

Fuel to each cylinder is cut off during deceleration, operation of the engine at excessively high speeds or operation of the vehicle at excessively high speeds.

Electronic Ignition (EI) System

INFOID:000000002954716

INPUT/OUTPUT SIGNAL CHART

Sensor	Input Signal to ECM	ECM function	Actuator
Crankshaft position sensor (POS)	Engine speed*2 Piston position	Ignition timing control	Power transistor
Camshaft position sensor (PHASE)			
Mass air flow sensor	Amount of intake air		
Engine coolant temperature sensor	Engine coolant temperature		
Throttle position sensor	Throttle position		
Accelerator pedal position sensor	Accelerator pedal position		
Battery	Battery voltage*2		
Knock sensor	Engine knocking		
Transmission range switch	Gear position		
Wheel sensor	Vehicle speed*1		

*1: This signal is sent to the ECM through CAN communication line.

*2: ECM determines the start signal status by the signals of engine speed and battery voltage.

SYSTEM DESCRIPTION

Firing order: 1 - 8 - 7 - 3 - 6 - 5 - 4 - 2

The ignition timing is controlled by the ECM to maintain the best air-fuel ratio for every running condition of the engine. The ignition timing data is stored in the ECM.

The ECM receives information such as the injection pulse width and camshaft position sensor (PHASE) signal. Computing this information, ignition signals are transmitted to the power transistor.

During the following conditions, the ignition timing is revised by the ECM according to the other data stored in the ECM.

- At starting
- During warm-up
- At idle
- At low battery voltage
- During acceleration

The knock sensor retard system is designed only for emergencies. The basic ignition timing is programmed within the anti-knocking zone, if recommended fuel is used under dry conditions. The retard system does not operate under normal driving conditions. If engine knocking occurs, the knock sensor monitors the condition. The signal is transmitted to the ECM. The ECM retards the ignition timing to eliminate the knocking condition.

Fuel Cut Control (At No Load and High Engine Speed)

INFOID:000000002954717

INPUT/OUTPUT SIGNAL CHART

Sensor	Input Signal to ECM	ECM function	Actuator
Transmission range switch	Neutral position	Fuel cut control	Fuel injector
Accelerator pedal position sensor	Accelerator pedal position		
Engine coolant temperature sensor	Engine coolant temperature		
Crankshaft position sensor (POS) Camshaft position sensor (PHASE)	Engine speed		
Wheel sensor	Vehicle speed*		

*: This signal is sent to the ECM through CAN communication line.

SYSTEM DESCRIPTION

ENGINE CONTROL SYSTEM

[VK45DE]

< SERVICE INFORMATION >

If the engine speed is above 1,400 rpm under no load (for example, the selector lever position is neutral and engine speed is over 1,400 rpm) fuel will be cut off after some time. The exact time when the fuel is cut off varies based on engine speed.

Fuel cut will be operated until the engine speed reaches 1,000 rpm, then fuel cut will be cancelled.

NOTE:

This function is different from deceleration control listed under Multiport Fuel Injection (MFI) System, [EC-653](#), "[Multiport Fuel Injection \(MFI\) System](#)".

A

EC

C

D

E

F

G

H

I

J

K

L

M

N

O

P

AIR CONDITIONING CUT CONTROL

< SERVICE INFORMATION >

[VK45DE]

AIR CONDITIONING CUT CONTROL

Input/Output Signal Chart

INFOID:000000002954718

Sensor	Input Signal to ECM	ECM function	Actuator
Air conditioner switch	Air conditioner ON signal* ¹	Air conditioner cut control	Air conditioner relay
Accelerator pedal position sensor	Accelerator pedal position		
Crankshaft position sensor (POS) Camshaft position sensor (PHASE)	Engine speed* ²		
Engine coolant temperature sensor	Engine coolant temperature		
Battery	Battery voltage* ²		
Refrigerant pressure sensor	Refrigerant pressure		
Power steering pressure sensor	Power steering operation		
Wheel sensor	Vehicle speed* ¹		

*1: This signal is sent to the ECM through CAN communication line.

*2: ECM determines the start signal status by the signals of engine speed and battery voltage.

System Description

INFOID:000000002954719

This system improves engine operation when the air conditioner is used. Under the following conditions, the air conditioner is turned off.

- When the accelerator pedal is fully depressed.
- When cranking the engine.
- At high engine speeds.
- When the engine coolant temperature becomes excessively high.
- When operating power steering during low engine speed or low vehicle speed.
- When engine speed is excessively low.
- When refrigerant pressure is excessively low or high.

AUTOMATIC SPEED CONTROL DEVICE (ASCD)

< SERVICE INFORMATION >

[VK45DE]

AUTOMATIC SPEED CONTROL DEVICE (ASCD)

System Description

INFOID:000000002954720

INPUT/OUTPUT SIGNAL CHART

Sensor	Input signal to ECM	ECM function	Actuator
ASCD brake switch	Brake pedal operation	ASCD vehicle speed control	Electric throttle control actuator
Stop lamp switch	Brake pedal operation		
ASCD steering switch	ASCD steering switch operation		
Transmission range switch	Gear position		
Wheel sensor	Vehicle speed*		
TCM	Powertrain revolution*		

*: This signal is sent to the ECM through CAN communication line

BASIC ASCD SYSTEM

Refer to Owner's Manual for ASCD operating instructions.

Automatic Speed Control Device (ASCD) allows a driver to keep vehicle at predetermined constant speed without depressing accelerator pedal. Driver can set vehicle speed in advance between approximately 40 km/h (25 MPH) and 144 km/h (89 MPH).

ECM controls throttle angle of electric throttle control actuator to regulate engine speed.

Operation status of ASCD is indicated by CRUISE lamp and SET lamp in combination meter. If any malfunction occurs in ASCD system, it automatically deactivates control.

NOTE:

Always drive vehicle in safe manner according to traffic conditions and obey all traffic laws.

SET OPERATION

Press MAIN switch. (The CRUISE lamp in combination meter illuminates.)

When vehicle speed reaches a desired speed between approximately 40 km/h (25 MPH) and 144 km/h (89 MPH), press SET/COAST switch. (Then SET lamp in combination meter illuminates.)

ACCELERATE OPERATION

If the RESUME/ACCELERATE switch is pressed during cruise control driving, increase the vehicle speed until the switch is released or vehicle speed reaches maximum speed controlled by the system.

And then ASCD will keep the new set speed.

CANCEL OPERATION

When any of following conditions exist, cruise operation will be canceled.

- CANCEL switch is pressed
- More than 2 switches at ASCD steering switch are pressed at the same time (Set speed will be cleared)
- Brake pedal is depressed
- Selector lever is changed to N, P, R position
- Vehicle speed decreased to 13 km/h (8 MPH) lower than the set speed
- TCS system is operated

When the ECM detects any of the following conditions, the ECM will cancel the cruise operation and inform the driver by blinking indicator lamp.

- Engine coolant temperature is slightly higher than the normal operating temperature, CRUISE lamp may blink slowly.

When the engine coolant temperature decreases to the normal operating temperature, CRUISE lamp will stop blinking and the cruise operation will be able to work by pressing SET/COAST switch or RESUME/ACCELERATE switch.

- Malfunction for some self-diagnoses regarding ASCD control: SET lamp will blink quickly.

If MAIN switch is turned to OFF during ASCD is activated, all of ASCD operations will be canceled and vehicle speed memory will be erased.

COAST OPERATION

When the SET/COAST switch is pressed during cruise control driving, decrease vehicle set speed until the switch is released. And then ASCD will keep the new set speed.

RESUME OPERATION

AUTOMATIC SPEED CONTROL DEVICE (ASCD)

[VK45DE]

< SERVICE INFORMATION >

When the RESUME/ACCELERATE switch is pressed after cancel operation other than pressing MAIN switch is performed, vehicle speed will return to last set speed. To resume vehicle set speed, vehicle condition must meet following conditions.

- Brake pedal is released
- A/T selector lever is in other than P and N positions
- Vehicle speed is greater than 40 km/h (25 MPH) and less than 144 km/h (89 MPH)

Component Description

INFOID:000000002954721

ASCD STEERING SWITCH

Refer to [EC-1132](#).

ASCD BRAKE SWITCH

Refer to [EC-1147](#) and [EC-1222](#).

STOP LAMP SWITCH

Refer to [EC-1147](#), [EC-1164](#) and [EC-1222](#).

ELECTRIC THROTTLE CONTROL ACTUATOR

Refer to [EC-1171](#), [EC-1175](#), [EC-1181](#) and [EC-1186](#).

ASCD INDICATOR

Refer to [EC-1227](#).

CAN COMMUNICATION

System Description

INFOID:000000002954722

CAN (Controller Area Network) is a serial communication line for real time application. It is an on-vehicle multiplex communication line with high data communication speed and excellent error detection ability. Many electronic control units are equipped onto a vehicle, and each control unit shares information and links with other control units during operation (not independent). In CAN communication, control units are connected with 2 communication lines (CAN H line, CAN L line) allowing a high rate of information transmission with less wiring. Each control unit transmits/receives data but selectively reads required data only.

Refer to [LAN-30. "CAN Communication Signal Chart"](#), about CAN communication for detail.

A

EC

C

D

E

F

G

H

I

J

K

L

M

N

O

P

EVAPORATIVE EMISSION SYSTEM

< SERVICE INFORMATION >

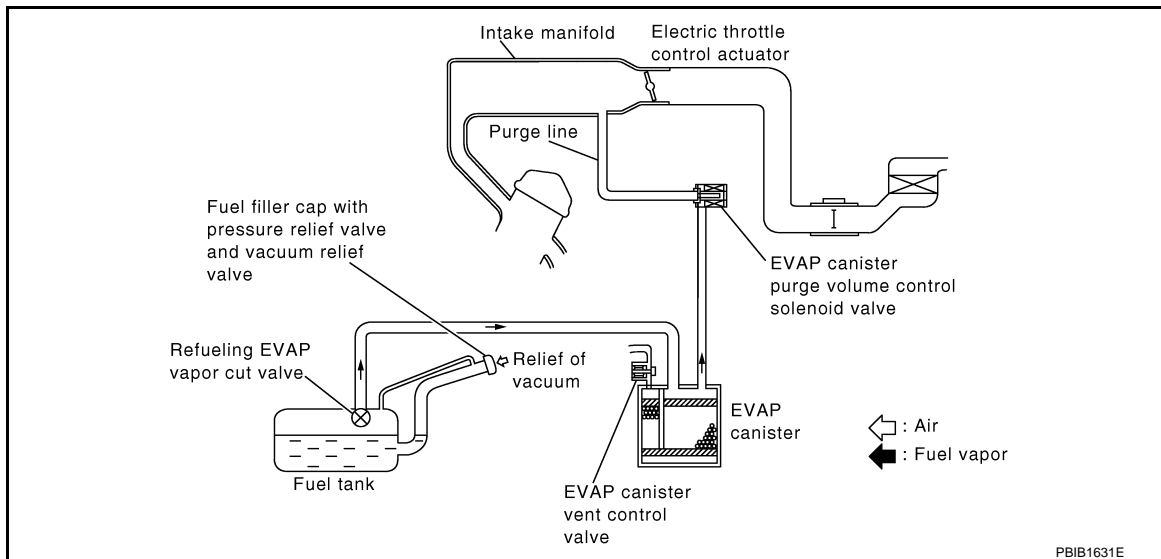
[VK45DE]

EVAPORATIVE EMISSION SYSTEM

Description

INFOID:000000002954723

SYSTEM DESCRIPTION



The evaporative emission system is used to reduce hydrocarbons emitted into the atmosphere from the fuel system. This reduction of hydrocarbons is accomplished by activated charcoals in the EVAP canister. The fuel vapor in the sealed fuel tank is led into the EVAP canister which contains activated carbon and the vapor is stored there when the engine is not operating or when refueling to the fuel tank. The vapor in the EVAP canister is purged by the air through the purge line to the intake manifold when the engine is operating. EVAP canister purge volume control solenoid valve is controlled by ECM. When the engine operates, the flow rate of vapor controlled by EVAP canister purge volume control solenoid valve is proportionally regulated as the air flow increases. EVAP canister purge volume control solenoid valve also shuts off the vapor purge line during decelerating and idling.

EVAPORATIVE EMISSION LINE DRAWING

EVAPORATIVE EMISSION SYSTEM

< SERVICE INFORMATION >

[VK45DE]

A

EC

C

D

E

F

G

H

I

J

K

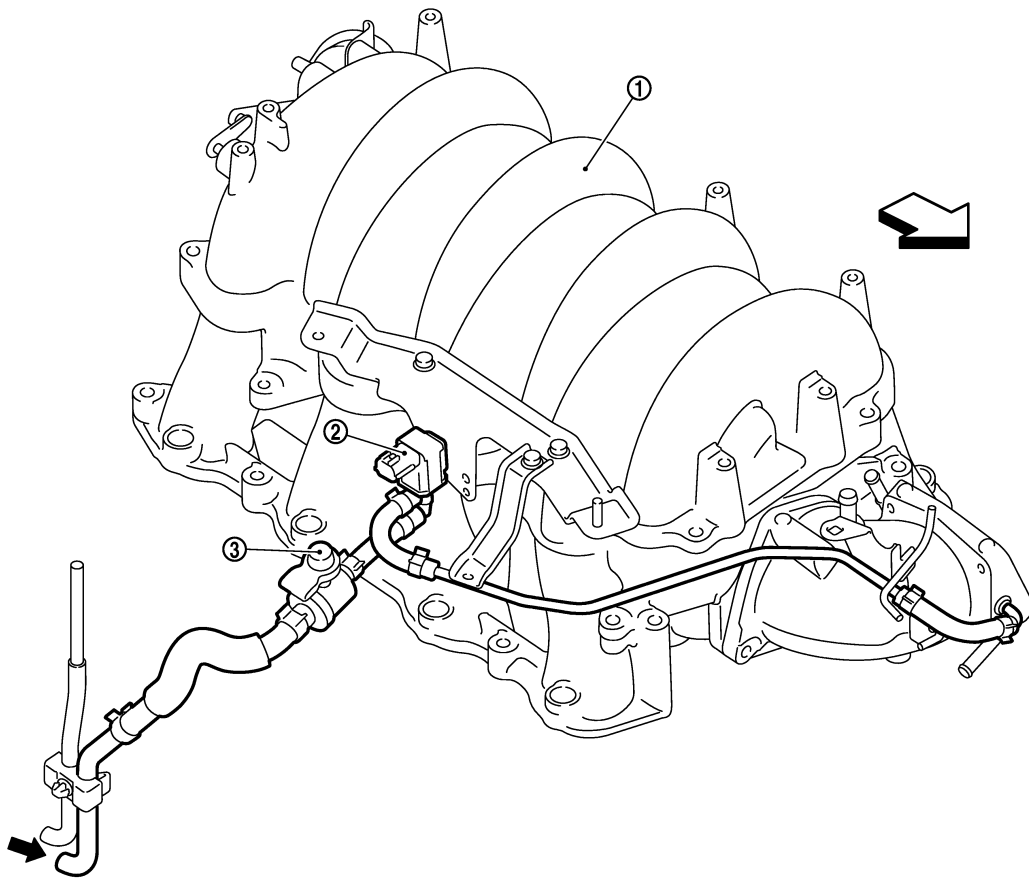
L

M

N

O

P



PBIB2726E

⇐ : Vehicle front

← : From next page

1. Intake manifold collector

2. EVAP canister purge volume control 3. EVAP service port solenoid valve

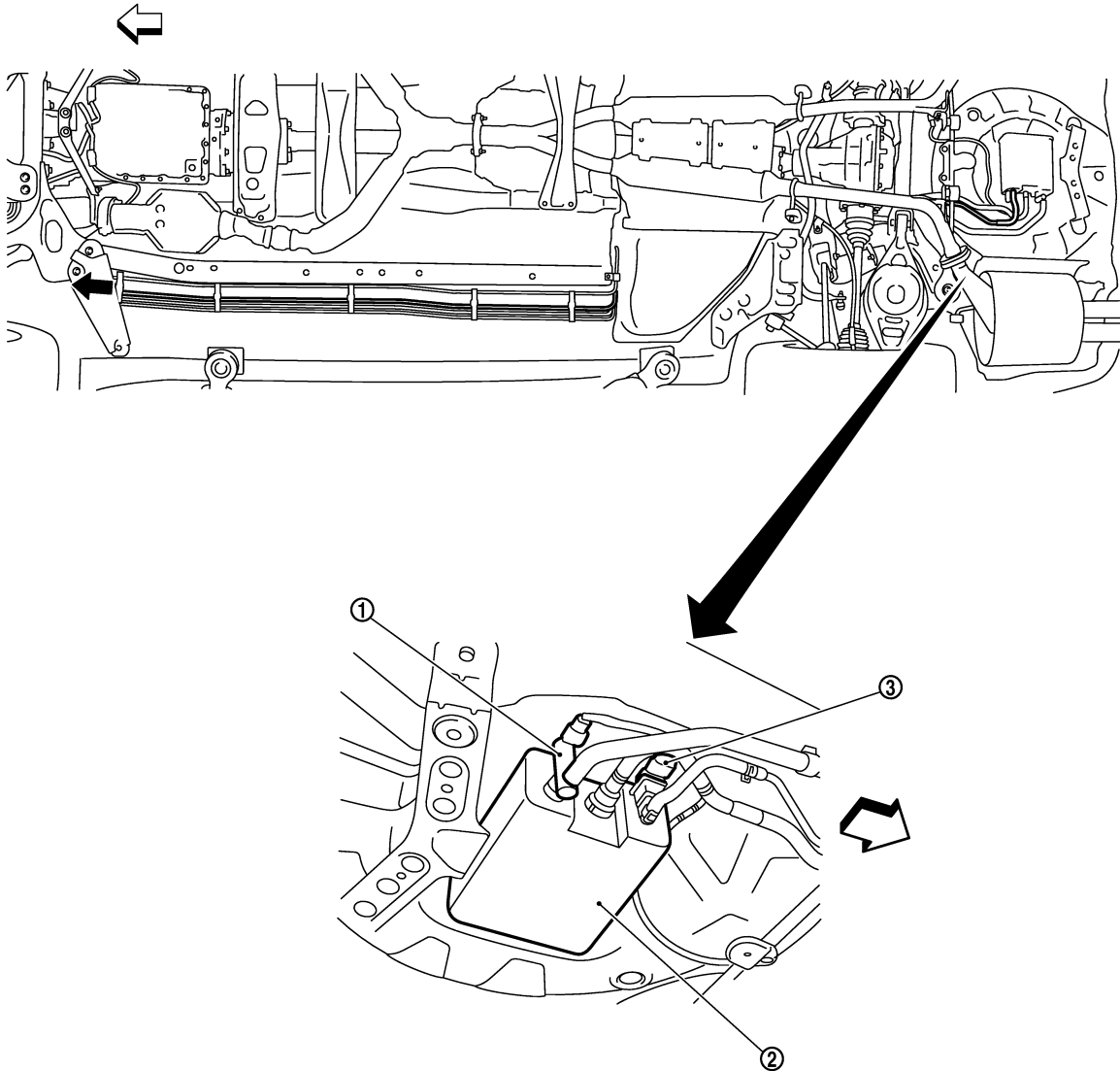
NOTE:

Do not use soapy water or any type of solvent while installing vacuum hose or purge hoses.

EVAPORATIVE EMISSION SYSTEM

< SERVICE INFORMATION >

[VK45DE]



PBIB2727E

⇐ : Vehicle front

← : To previous page

1. EVAP canister vent control valve

2. EVAP canister

3. EVAP control system pressure sensor

NOTE:

Do not use soapy water or any type of solvent while installing vacuum hose or purge hoses.

Component Inspection

INFOID:000000002954724

EVAP CANISTER

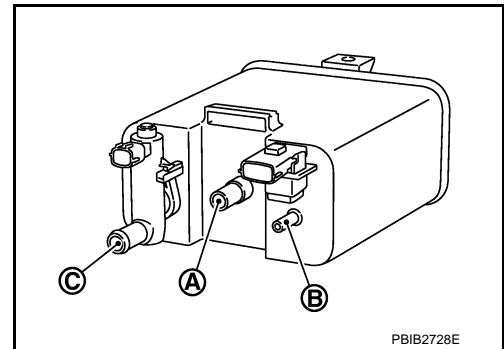
EVAPORATIVE EMISSION SYSTEM

[VK45DE]

< SERVICE INFORMATION >

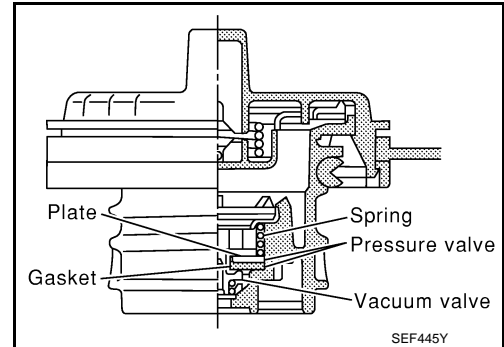
Check EVAP canister as follows:

1. Block port (B).
2. Blow air into port (A) and check that it flows freely out of port (C).
3. Release blocked port (B).
4. Apply vacuum pressure to port (B) and check that vacuum pressure exists at the ports (A) and (C).
5. Block port (A) and (B).
6. Apply pressure to port (C) and check that there is no leakage.



FUEL TANK VACUUM RELIEF VALVE (BUILT INTO FUEL FILLER CAP)

1. Wipe clean valve housing.



2. Check valve opening pressure and vacuum.

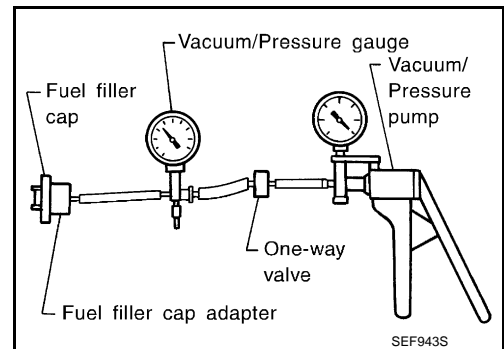
Pressure: 15.3 - 20.0 kPa (0.156 - 0.204 kg/cm², 2.22 - 2.90 psi)

Vacuum: -6.0 to -3.3 kPa (-0.061 to -0.034 kg/cm², -0.87 to -0.48 psi)

3. If out of specification, replace fuel filler cap as an assembly.

CAUTION:

Use only a genuine fuel filler cap as a replacement. If an incorrect fuel filler cap is used, the MIL may come on.



EVAP CANISTER PURGE VOLUME CONTROL SOLENOID VALVE

Refer to [EC-997](#).

FUEL TANK TEMPERATURE SENSOR

Refer to [EC-940](#).

EVAP CANISTER VENT CONTROL VALVE

Refer to [EC-1002](#).

EVAP CONTROL SYSTEM PRESSURE SENSOR

Refer to [EC-1017](#).

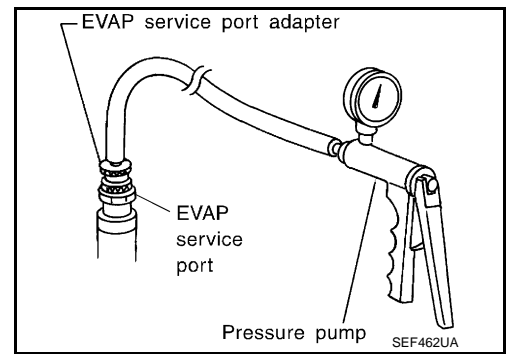
EVAP SERVICE PORT

EVAPORATIVE EMISSION SYSTEM

[VK45DE]

< SERVICE INFORMATION >

Positive pressure is delivered to the EVAP system through the EVAP service port. If fuel vapor leakage in the EVAP system occurs, use a leak detector to locate the leak.

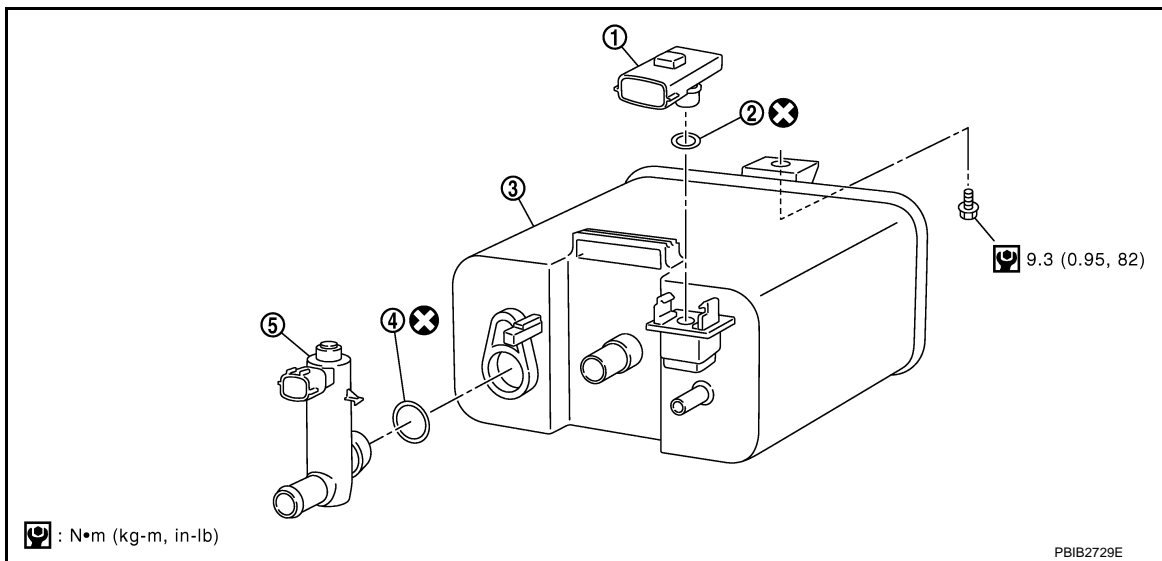


INFOID:000000002954725

Removal and Installation

EVAP CANISTER

Tighten EVAP canister as shown in the figure.

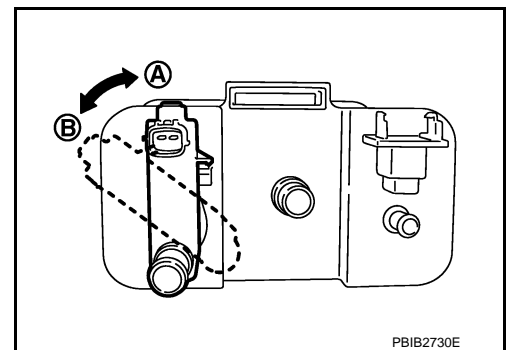


1. EVAP control system pressure sensor 2. O-ring 3. EVAP canister
4. O-ring 5. EVAP canister vent control valve

EVAP CANISTER VENT CONTROL VALVE

- Turn EVAP canister vent control valve counterclockwise.
 - Lock (A)
 - Unlock (B)
- Remove the EVAP canister vent control valve.

Always replace O-ring with a new one.



INFOID:000000002954726

How to Detect Fuel Vapor Leakage

CAUTION:

- Do not use compressed air or a high pressure pump.
- Do not exceed 4.12 kPa (0.042 kg/cm², 0.6 psi) of pressure in EVAP system.

NOTE:

- Do not start engine.
- Improper installation of EVAP service port adapter to the EVAP service port may cause a leak.

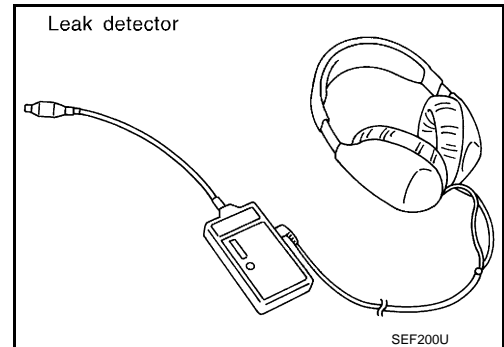
EVAPORATIVE EMISSION SYSTEM

[VK45DE]

< SERVICE INFORMATION >

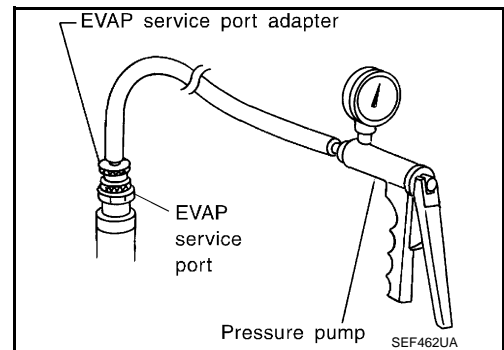
④ WITH CONSULT-III

1. Attach the EVAP service port adapter securely to the EVAP service port.
2. Also attach the pressure pump and hose to the EVAP service port adapter.
3. Turn ignition switch ON.
4. Select the "EVAP SYSTEM CLOSE" of "WORK SUPPORT MODE" with CONSULT-III.
5. Touch "START". A bar graph (Pressure indicating display) will appear on the screen.
6. Apply positive pressure to the EVAP system until the pressure indicator reaches the middle of the bar graph.
7. Remove EVAP service port adapter and hose with pressure pump.
8. Locate the leak using a leak detector. Refer to [EC-662, "Description"](#).

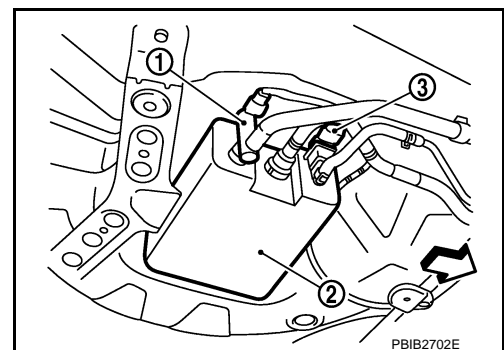


⊗ WITHOUT CONSULT-III

1. Attach the EVAP service port adapter securely to the EVAP service port.
2. Also attach the pressure pump with pressure gauge to the EVAP service port adapter.



3. Apply battery voltage between the terminals of EVAP canister vent control valve (1) to make a closed EVAP system.
 - Illustration shows the view from under the vehicle
 - ←: Vehicle front
 - EVAP canister (2)
 - EVAP control system pressure sensor (3)
4. To locate the leak, deliver positive pressure to the EVAP system until pressure gauge points reach 1.38 to 2.76 kPa (0.014 to 0.028 kg/cm², 0.2 to 0.4 psi).
5. Remove EVAP service port adapter and hose with pressure pump.
6. Locate the leak using a leak detector. Refer to [EC-662, "Description"](#).



ON BOARD REFUELING VAPOR RECOVERY (ORVR)

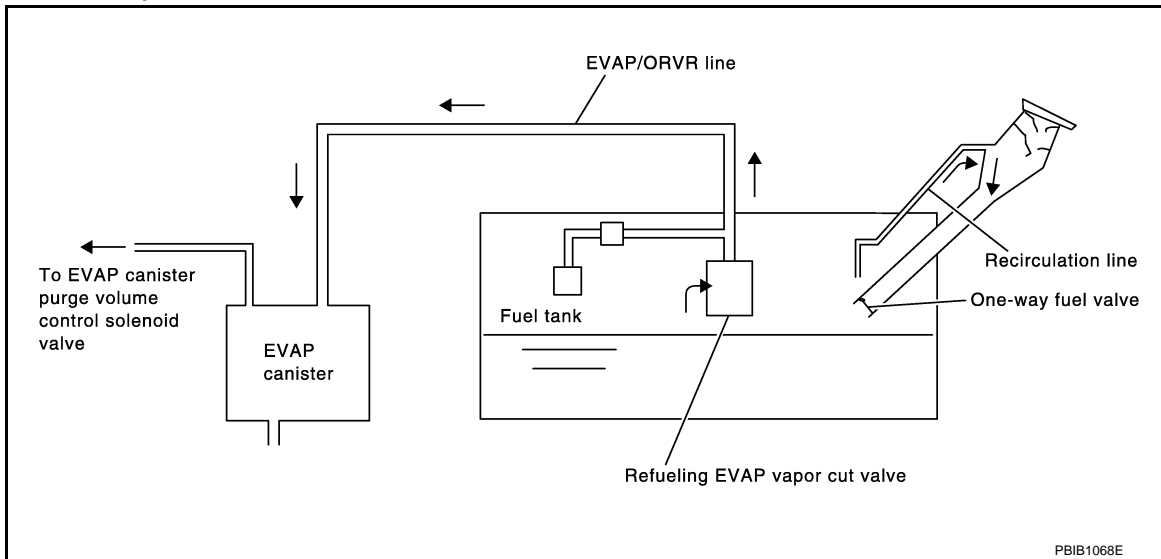
< SERVICE INFORMATION >

[VK45DE]

ON BOARD REFUELING VAPOR RECOVERY (ORVR)

System Description

INFOID:000000002954727



From the beginning of refueling, the air and vapor inside the fuel tank go through refueling EVAP vapor cut valve and EVAP/ORVR line to the EVAP canister. The vapor is absorbed by the EVAP canister and the air is released to the atmosphere.

When the refueling has reached the full level of the fuel tank, the refueling EVAP vapor cut valve is closed and refueling is stopped because of auto shut-off. The vapor which was absorbed by the EVAP canister is purged during driving.

WARNING:

When conducting inspections below, be sure to observe the following:

- Put a “CAUTION: FLAMMABLE” sign in workshop.
- Do not smoke while servicing fuel system. Keep open flames and sparks away from work area.
- Be sure to furnish the workshop with a CO₂ fire extinguisher.

CAUTION:

- Before removing fuel line parts, carry out the following procedures:
 - Put drained fuel in an explosion-proof container and put lid on securely.
 - Release fuel pressure from fuel line. Refer to [EC-708. "Fuel Pressure Check"](#).
 - Disconnect battery ground cable.
- Always replace O-ring when the fuel gauge retainer is removed.
- Do not kink or twist hose and tube when they are installed.
- Do not tighten hose and clamps excessively to avoid damaging hoses.
- After installation, run engine and check for fuel leaks at connection.
- Do not attempt to top off the fuel tank after the fuel pump nozzle shuts off automatically. Continued refueling may cause fuel overflow, resulting in fuel spray and possibly a fire.

Diagnosis Procedure

INFOID:000000002954728

SYMPTOM: FUEL ODOR FROM EVAP CANISTER IS STRONG.

1. CHECK EVAP CANISTER

1. Remove EVAP canister with EVAP canister vent control valve and EVAP control system pressure sensor attached.
2. Weigh the EVAP canister with EVAP canister vent control valve and EVAP control system pressure sensor attached.

The weight should be less than 2.0 kg (4.4 lb).

OK or NG

- OK >> GO TO 2.
- NG >> GO TO 3.

2. CHECK IF EVAP CANISTER SATURATED WITH WATER

ON BOARD REFUELING VAPOR RECOVERY (ORVR)

[VK45DE]

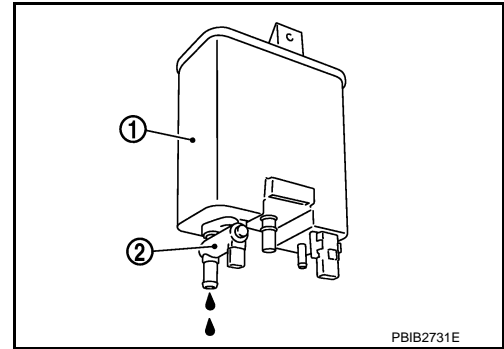
< SERVICE INFORMATION >

Does water drain from the EVAP canister (1)?

- EVAP canister vent control valve (2)

Yes or No

- Yes >> GO TO 3.
No >> GO TO 5.



3.REPLACE EVAP CANISTER

Replace EVAP canister with a new one.

>> GO TO 4.

4.DETECT MALFUNCTIONING PART

Check the EVAP hose between EVAP canister and vehicle frame for clogging or poor connection.

>> Repair or replace EVAP hose.

5.CHECK REFUELING EVAP VAPOR CUT VALVE

Refer to [EC-670. "Component Inspection"](#).

OK or NG

- OK >> **INSPECTION END**
NG >> Replace refueling EVAP vapor cut valve with fuel tank.

SYMPTOM: CANNOT REFUEL/FUEL ODOR FROM THE FUEL FILLER OPENING IS STRONG WHILE REFUELING.

1.CHECK EVAP CANISTER

1. Remove EVAP canister with EVAP canister vent control valve and EVAP control system pressure sensor attached.
2. Weigh the EVAP canister with EVAP canister vent control valve and EVAP control system pressure sensor attached.

The weight should be less than 2.0 kg (4.4 lb).

OK or NG

- OK >> GO TO 2.
NG >> GO TO 3.

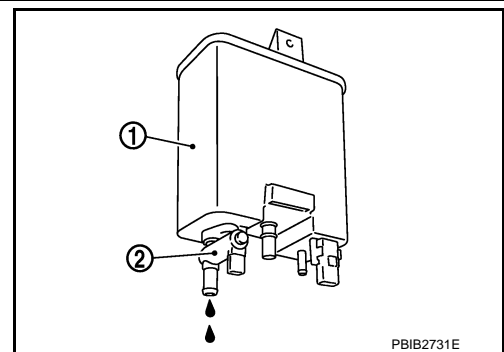
2.CHECK IF EVAP CANISTER SATURATED WITH WATER

Does water drain from the EVAP canister (1)?

- EVAP canister vent control valve (2)

Yes or No

- Yes >> GO TO 3.
No >> GO TO 5.



3.REPLACE EVAP CANISTER

Replace EVAP canister with a new one.

ON BOARD REFUELING VAPOR RECOVERY (ORVR)

< SERVICE INFORMATION >

[VK45DE]

>> GO TO 4.

4. DETECT MALFUNCTIONING PART

Check the EVAP hose between EVAP canister and vehicle frame for clogging or poor connection.

>> Repair or replace EVAP hose.

5. CHECK VENT HOSES AND VENT TUBES

Check hoses and tubes between EVAP canister and refueling control valve for clogging, kink, looseness and improper connection.

OK or NG

OK >> GO TO 6.

NG >> Repair or replace hoses and tubes.

6. CHECK FILLER NECK TUBE

Check recirculation line for clogging, dents and cracks.

OK or NG

OK >> GO TO 7.

NG >> Replace filler neck tube.

7. CHECK REFUELING EVAP VAPOR CUT VALVE

Refer to [EC-670. "Component Inspection"](#).

OK or NG

OK >> GO TO 8.

NG >> Replace refueling EVAP vapor cut valve with fuel tank.

8. CHECK FUEL FILLER TUBE

Check filler neck tube and hose connected to the fuel tank for clogging, dents and cracks.

OK or NG

OK >> GO TO 9.

NG >> Replace fuel filler tube.

9. CHECK ONE-WAY FUEL VALVE-I

Check one-way valve for clogging.

OK or NG

OK >> GO TO 10.

NG >> Repair or replace one-way fuel valve with fuel tank.

10. CHECK ONE-WAY FUEL VALVE-II

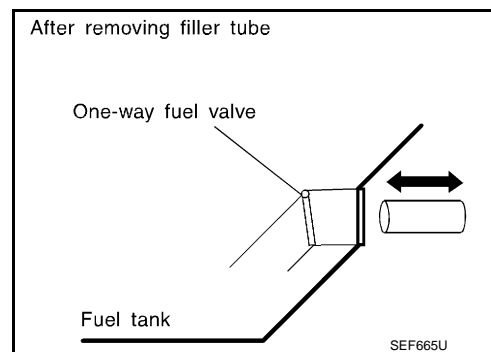
1. Make sure that fuel is drained from the tank.
2. Remove fuel filler tube and hose.
3. Check one-way fuel valve for operation as follows.
When a stick is inserted, the valve should open, when removing stick it should close.

Do not drop any material into the tank.

OK or NG

OK >> **INSPECTION END**

NG >> Replace fuel filler tube or replace one-way fuel valve with fuel tank.



Component Inspection

REFUELING EVAP VAPOR CUT VALVE

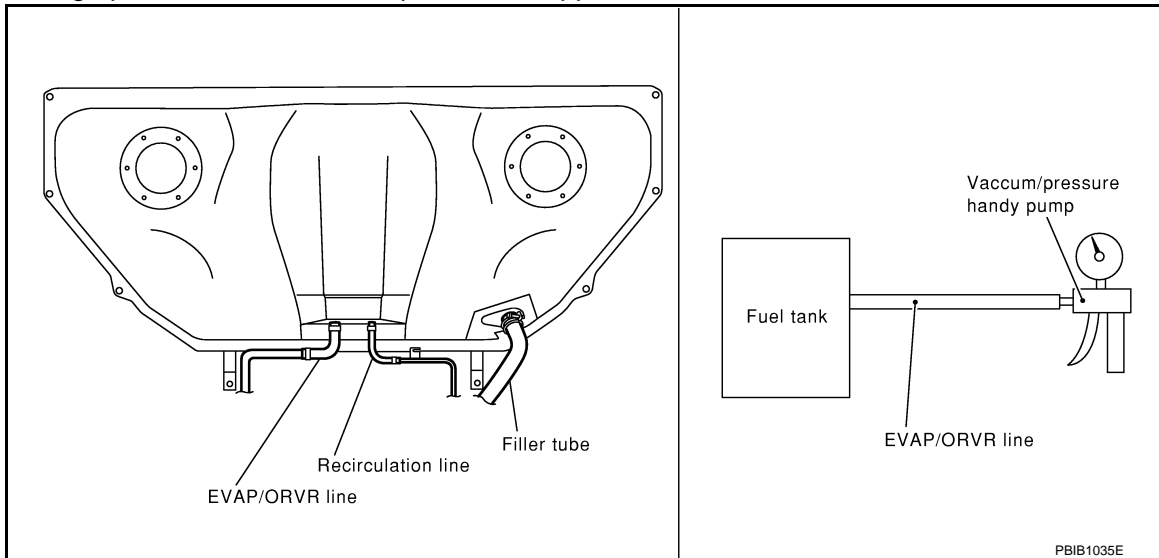
Ⓟ With CONSULT-III

ON BOARD REFUELING VAPOR RECOVERY (ORVR)

[VK45DE]

< SERVICE INFORMATION >

1. Remove fuel tank. Refer to [FL-10](#).
2. Drain fuel from the tank as follows:
 - a. Remove fuel feed hose located on the fuel gauge retainer.
 - b. Connect a spare fuel hose, one side to fuel gauge retainer where the hose was removed and the other side to a fuel container.
 - c. Drain fuel using "FUEL PUMP RELAY" in "ACTIVE TEST" mode with CONSULT-III.
3. Check refueling EVAP vapor cut valve for being stuck to close as follows.
Blow air into the refueling EVAP vapor cut valve (from the end of EVAP/ORVR line hose), and check that the air flows freely into the tank.
4. Check refueling EVAP vapor cut valve for being stuck to open as follows.
 - a. Connect vacuum pump to hose end.
 - b. Remove fuel gauge retainer with fuel gauge unit.
Always replace O-ring with new one.
 - c. Put fuel tank upside down.
 - d. Apply vacuum pressure to hose end [-13.3 kPa (-0.136 kg/cm², -1.93 psi)] with fuel gauge retainer remaining open and check that the pressure is applicable.



⊗ Without CONSULT-III

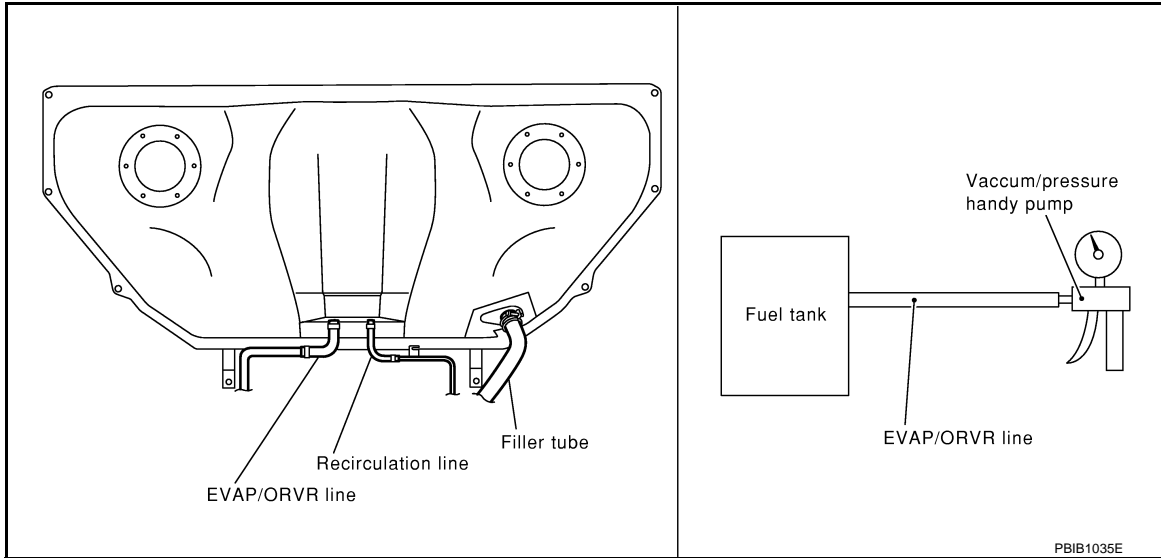
1. Remove fuel tank. Refer to [FL-10](#).
2. Drain fuel from the tank as follows:
 - a. Remove fuel gauge retainer.
 - b. Drain fuel from the tank using a handy pump into a fuel container.
3. Check refueling EVAP vapor cut valve for being stuck to close as follows.
Blow air into the refueling EVAP vapor cut valve (from the end of EVAP/ORVR line hose), and check that the air flows freely into the tank.
4. Check refueling EVAP vapor cut valve for being stuck to open as follows.
 - a. Connect vacuum pump to hose end.
 - b. Remove fuel gauge retainer with fuel gauge unit.
Always replace O-ring with new one.
 - c. Put fuel tank upside down.

ON BOARD REFUELING VAPOR RECOVERY (ORVR)

< SERVICE INFORMATION >

[VK45DE]

- d. Apply vacuum pressure to hose end [-13.3 kPa (-0.136 kg/cm², -1.93 psi)] with fuel gauge retainer remaining open and check that the pressure is applicable.



POSITIVE CRANKCASE VENTILATION

< SERVICE INFORMATION >

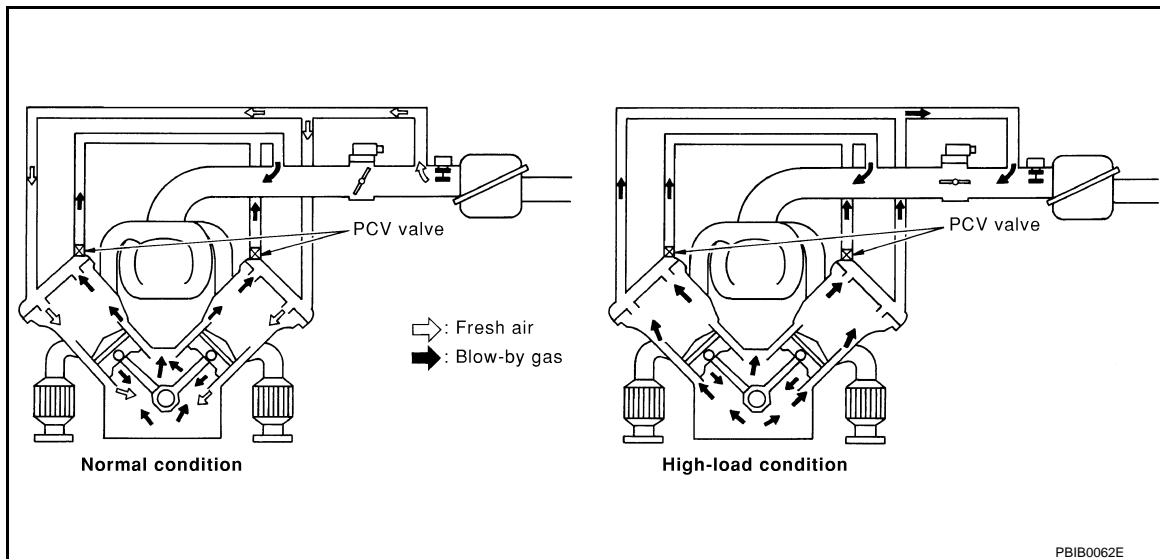
[VK45DE]

POSITIVE CRANKCASE VENTILATION

Description

INFOID:000000002954730

SYSTEM DESCRIPTION



This system returns blow-by gas to the intake manifold.

The positive crankcase ventilation (PCV) valve is provided to conduct crankcase blow-by gas to the intake manifold.

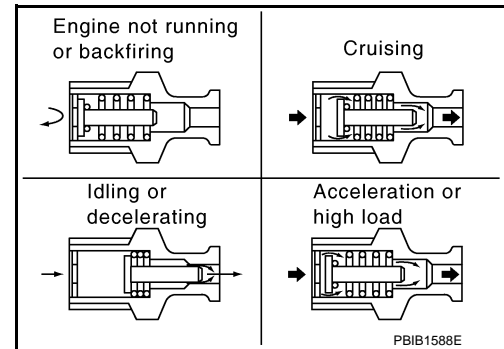
During partial throttle operation of the engine, the intake manifold sucks the blow-by gas through the PCV valve.

Normally, the capacity of the valve is sufficient to handle any blow-by and a small amount of ventilating air.

The ventilating air is then drawn from the air inlet tubes into the crankcase. In this process the air passes through the hose connecting air inlet tubes to rocker cover.

Under full-throttle condition, the manifold vacuum is insufficient to draw the blow-by flow through the valve. The flow goes through the hose connection in the reverse direction.

On vehicles with an excessively high blow-by, the valve does not meet the requirement. This is because some of the flow will go through the hose connection to the air inlet tubes under all conditions.

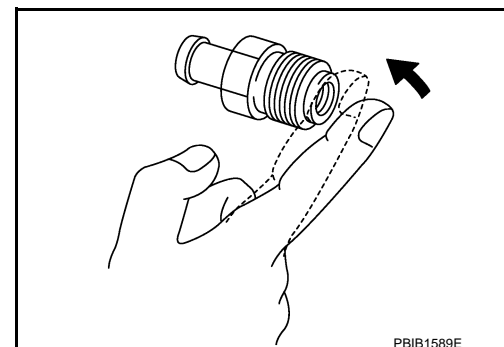


Component Inspection

INFOID:000000002954731

PCV (POSITIVE CRANKCASE VENTILATION) VALVE

With engine running at idle, remove PCV valve from rocker cover. A properly working valve makes a hissing noise as air passes through it. A strong vacuum should be felt immediately when a finger is placed over valve inlet.



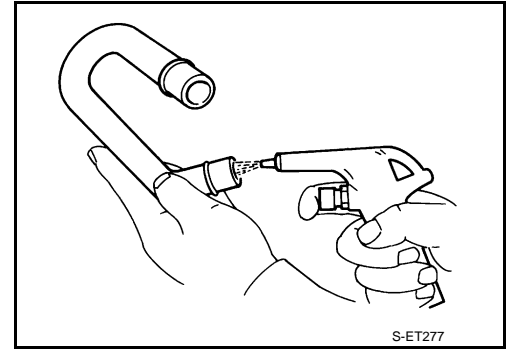
POSITIVE CRANKCASE VENTILATION

< SERVICE INFORMATION >

[VK45DE]

PCV VALVE VENTILATION HOSE

1. Check hoses and hose connections for leaks.
2. Disconnect all hoses and clean with compressed air. If any hose cannot be freed of obstructions, replace.



IVIS (INFINITI VEHICLE IMMOBILIZER SYSTEM-NATS)

< SERVICE INFORMATION >

[VK45DE]

IVIS (INFINITI VEHICLE IMMOBILIZER SYSTEM-NATS)

Description

INFOID:000000002954732

- If the security indicator lights up with the ignition switch ON or DTC P1610 - P1615 is displayed in “SELF DIAGNOSTIC RESULT” mode, perform the trouble diagnosis for corresponding to the detected DTC. Refer to [EC-640, "U1000 - U1010"](#).
- Check that no DTC is displayed in “SELF DIAGNOSIS RESULT” mode of “BCM” before erasing the detected DTC in “ENGINE” mode with CONSULT-III.
- When replacing ECM, refer to [EC-706, "Procedure After Replacing ECM"](#).

A

EC

C

D

E

F

G

H

I

J

K

L

M

N

O

P

ON BOARD DIAGNOSTIC (OBD) SYSTEM

< SERVICE INFORMATION >

[VK45DE]

ON BOARD DIAGNOSTIC (OBD) SYSTEM

Introduction

INFOID:000000002954733

The ECM has an on board diagnostic system, which detects malfunctions related to engine sensors or actuators. The ECM also records various emission-related diagnostic information including:

Emission-related diagnostic information	Diagnostic service
Diagnostic Trouble Code (DTC)	Service \$03 of SAE J1979
Freeze Frame data	Service \$02 of SAE J1979
System Readiness Test (SRT) code	Service \$01 of SAE J1979
1st Trip Diagnostic Trouble Code (1st Trip DTC)	Service \$07 of SAE J1979
1st Trip Freeze Frame data	
Test values and Test limits	Service \$06 of SAE J1979
Calibration ID	Service \$09 of SAE J1979

The above information can be checked using procedures listed in the table below.

×: Applicable —: Not applicable

	DTC	1st trip DTC	Freeze Frame data	1st trip Freeze Frame data	SRT code	SRT status	Test value
CONSULT-III	×	×	×	×	×	×	—
GST	×	×	×	—	×	×	×
ECM	×	×*	—	—	—	×	—

*: When DTC and 1st trip DTC simultaneously appear on the display, they cannot be clearly distinguished from each other.

The malfunction indicator lamp (MIL) on the instrument panel lights up when the same malfunction is detected in two consecutive trips (Two trip detection logic), or when the ECM enters fail-safe mode. (Refer to [EC-715, "Fail-Safe Chart"](#).)

Two Trip Detection Logic

INFOID:000000002954734

When a malfunction is detected for the first time, 1st trip DTC and 1st trip Freeze Frame data are stored in the ECM memory. The MIL will not light up at this stage. <1st trip>

If the same malfunction is detected again during the next drive, the DTC and Freeze Frame data are stored in the ECM memory, and the MIL lights up. The MIL lights up at the same time when the DTC is stored. <2nd trip> The "trip" in the "Two Trip Detection Logic" means a driving mode in which self-diagnosis is performed during vehicle operation. Specific on board diagnostic items will cause the ECM to light up or blink the MIL, and store DTC and Freeze Frame data, even in the 1st trip, as shown below.

×: Applicable —: Not applicable

Items	MIL				DTC		1st trip DTC	
	1st trip		2nd trip		1st trip displaying	2nd trip displaying	1st trip displaying	2nd trip displaying
	Blinking	Lighting up	Blinking	Lighting up				
Misfire (Possible three way catalyst damage) — DTC: P0300 - P0308 is being detected	×	—	—	—	—	—	×	—
Misfire (Possible three way catalyst damage) — DTC: P0300 - P0308 is being detected	—	—	×	—	—	×	—	—
One trip detection diagnoses (Refer to EC-677, "Emission-Related Diagnostic Information" .)	—	×	—	—	×	—	—	—
Except above	—	—	—	×	—	×	×	—

When there is an open circuit on MIL circuit, the ECM cannot warn the driver by lighting up MIL when there is malfunction on engine control system.

ON BOARD DIAGNOSTIC (OBD) SYSTEM

< SERVICE INFORMATION >

[VK45DE]

Therefore, when electrical controlled throttle and part of ECM related diagnoses are continuously detected as NG for 5 trips, ECM warns the driver that engine control system malfunctions and MIL circuit is open by means of operating fail-safe function.

The fail-safe function also operates when above diagnoses except MIL circuit are detected and demands the driver to repair the malfunction.

Engine operating condition in fail-safe mode	Engine speed will not rise more than 2,500 rpm due to the fuel cut
--	--

Emission-Related Diagnostic Information

INFOID:000000002954735

EMISSION-RELATED DIAGNOSTIC INFORMATION ITEMS

×:Applicable —: Not applicable

DTC*1		Items (CONSULT-III screen terms)	SRT code	Trip	MIL	Reference page
CONSULT-III GST*2	ECM*3					
U1000	1000*4	CAN COMM CIRCUIT	—	1	×	EC-770
U1001	1001*4	CAN COMM CIRCUIT	—	1 or 2	—	EC-770
U1010	1010	CONTROL UNIT(CAN)	—	1	×	EC-772
P0000	0000	NO DTC IS DETECTED. FURTHER TESTING MAY BE REQUIRED.	—	—	Flashing*8	—
P0011	0011	INT/V TIM CONT-B1	—	2	×	EC-773
P0021	0021	INT/V TIM CONT-B2	—	2	×	EC-773
P0031	0031	A/F SEN1 HTR (B1)	—	2	×	EC-785
P0032	0032	A/F SEN1 HTR (B1)	—	2	×	EC-785
P0037	0037	HO2S2 HTR (B1)	—	2	×	EC-792
P0038	0038	HO2S2 HTR (B1)	—	2	×	EC-792
P0051	0051	A/F SEN1 HTR (B2)	—	2	×	EC-785
P0052	0052	A/F SEN1 HTR (B2)	—	2	×	EC-785
P0057	0057	HO2S2 HTR (B2)	—	2	×	EC-792
P0058	0058	HO2S2 HTR (B2)	—	2	×	EC-792
P0075	0075	INT/V TIM V/CIR-B1	—	2	×	EC-799
P0081	0081	INT/V TIM V/CIR-B2	—	2	×	EC-799
P0101	0101	MAF SEN/CIRCUIT-B1	—	2	×	EC-806
P0102	0102	MAF SEN/CIRCUIT-B1	—	1	×	EC-814
P0103	0103	MAF SEN/CIRCUIT-B1	—	1	×	EC-814
P0112	0112	IAT SEN/CIRCUIT-B1	—	2	×	EC-821
P0113	0113	IAT SEN/CIRCUIT-B1	—	2	×	EC-821
P0116	0116	ECT SENSOR	—	2	×	EC-825
P0117	0117	ECT SEN/CIRC	—	1	×	EC-828
P0118	0118	ECT SEN/CIRC	—	1	×	EC-828
P0122	0122	TP SEN 2/CIRC-B1	—	1	×	EC-833
P0123	0123	TP SEN 2/CIRC-B1	—	1	×	EC-833
P0125	0125	ECT SENSOR	—	2	×	EC-839
P0127	0127	IAT SENSOR-B1	—	2	×	EC-842
P0128	0128	THERMSTAT FNCTN	—	2	×	EC-845
P0130	0130	A/F SENSOR1 (B1)	—	2	×	EC-848
P0131	0131	A/F SENSOR1 (B1)	—	2	×	EC-856
P0132	0132	A/F SENSOR1 (B1)	—	2	×	EC-864

ON BOARD DIAGNOSTIC (OBD) SYSTEM

< SERVICE INFORMATION >

[VK45DE]

DTC*1		Items (CONSULT-III screen terms)	SRT code	Trip	MIL	Reference page
CONSULT-III GST*2	ECM*3					
P0133	0133	A/F SENSOR1 (B1)	×	2	×	EC-872
P0137	0137	HO2S2 (B1)	×	2	×	EC-881
P0138	0138	HO2S2 (B1)	×	2	×	EC-890
P0139	0139	HO2S2 (B1)	×	2	×	EC-902
P0150	0150	A/F SENSOR1 (B2)	—	2	×	EC-848
P0151	0151	A/F SENSOR1 (B2)	—	2	×	EC-856
P0152	0152	A/F SENSOR1 (B2)	—	2	×	EC-864
P0153	0153	A/F SENSOR1 (B2)	×	2	×	EC-872
P0157	0157	HO2S2 (B2)	×	2	×	EC-881
P0158	0158	HO2S2 (B2)	×	2	×	EC-890
P0159	0159	HO2S2 (B2)	×	2	×	EC-902
P0171	0171	FUEL SYS-LEAN-B1	—	2	×	EC-911
P0172	0172	FUEL SYS-RICH-B1	—	2	×	EC-922
P0174	0174	FUEL SYS-LEAN-B2	—	2	×	EC-911
P0175	0175	FUEL SYS-RICH-B2	—	2	×	EC-922
P0181	0181	FTT SENSOR	—	2	×	EC-933
P0182	0182	FTT SEN/CIRCUIT	—	2	×	EC-937
P0183	0183	FTT SEN/CIRCUIT	—	2	×	EC-937
P0222	0222	TP SEN 1/CIRC-B1	—	1	×	EC-941
P0223	0223	TP SEN 1/CIRC-B1	—	1	×	EC-941
P0300	0300	MULTI CYL MISFIRE	—	2	×	EC-947
P0301	0301	CYL 1 MISFIRE	—	2	×	EC-947
P0302	0302	CYL 2 MISFIRE	—	2	×	EC-947
P0303	0303	CYL 3 MISFIRE	—	2	×	EC-947
P0304	0304	CYL 4 MISFIRE	—	2	×	EC-947
P0305	0305	CYL 5 MISFIRE	—	2	×	EC-947
P0306	0306	CYL 6 MISFIRE	—	2	×	EC-947
P0307	0307	CYL 7 MISFIRE	—	2	×	EC-947
P0308	0308	CYL 8 MISFIRE	—	2	×	EC-947
P0327	0327	KNOCK SEN/CIRC-B1	—	2	—	EC-953
P0328	0328	KNOCK SEN/CIRC-B1	—	2	—	EC-953
P0332	0332	KNOCK SEN/CIRC-B2	—	2	—	EC-953
P0333	0333	KNOCK SEN/CIRC-B2	—	2	—	EC-953
P0335	0335	CKP SEN/CIRCUIT	—	2	×	EC-958
P0340	0340	CMP SEN/CIRC-B1	—	2	×	EC-963
P0420	0420	TW CATALYST SYS-B1	×	2	×	EC-969
P0430	0430	TW CATALYST SYS-B2	×	2	×	EC-969
P0441	0441	EVAP PURG FLOW/MON	×	2	×	EC-973
P0442	0442	EVAP SMALL LEAK	×	2	×	EC-978
P0443	0443	PURG VOLUME CONT/V	—	2	×	EC-985
P0444	0444	PURG VOLUME CONT/V	—	2	×	EC-992
P0445	0445	PURG VOLUME CONT/V	—	2	×	EC-992

ON BOARD DIAGNOSTIC (OBD) SYSTEM

< SERVICE INFORMATION >

[VK45DE]

DTC*1		Items (CONSULT-III screen terms)	SRT code	Trip	MIL	Reference page
CONSULT-III GST*2	ECM*3					
P0447	0447	VENT CONTROL VALVE	—	2	×	EC-998
P0448	0448	VENT CONTROL VALVE	—	2	×	EC-1003
P0451	0451	EVAP SYS PRES SEN	—	2	×	EC-1009
P0452	0452	EVAP SYS PRES SEN	—	2	×	EC-1012
P0453	0453	EVAP SYS PRES SEN	—	2	×	EC-1018
P0455	0455	EVAP GROSS LEAK	—	2	×	EC-1025
P0456	0456	EVAP VERY SML LEAK	x*7	2	×	EC-1031
P0460	0460	FUEL LEV SEN SLOSH	—	2	×	EC-1038
P0461	0461	FUEL LEVEL SENSOR	—	2	×	EC-1040
P0462	0462	FUEL LEVL SEN/CIRC	—	2	×	EC-1042
P0463	0463	FUEL LEVL SEN/CIRC	—	2	×	EC-1042
P0500	0500	VEH SPEED SEN/CIRC*5	—	2	×	EC-1044
P0506	0506	ISC SYSTEM	—	2	×	EC-1046
P0507	0507	ISC SYSTEM	—	2	×	EC-1048
P0550	0550	PW ST P SEN/CIRC	—	2	—	EC-1050
P0603	0603	ECM BACK UP/CIRCUIT	—	2	×	EC-1055
P0605	0605	ECM	—	1 or 2	× or —	EC-1059
P0643	0643	SENSOR POWER/CIRC	—	1	×	EC-1061
P0700	0700	TRANSMISSION CONT	—	1	×	AT-102
P0705	0705	T/M RANGE SENSOR A	—	2	×	AT-103
P0710	0710	ATF TEMP SEN/CIRC	—	2	×	AT-133
P0717	0717	INPUT SPEED SENSOR A	—	2	×	AT-106
P0720	0720	OUTPUT SPEED SENSOR*5	—	2	×	AT-108
P0731	0731	1GR INCORRECT RATIO	—	2	×	AT-115
P0732	0732	2GR INCORRECT RATIO	—	2	×	AT-117
P0733	0733	3GR INCORRECT RATIO	—	2	×	AT-119
P0734	0734	4GR INCORRECT RATIO	—	2	×	AT-121
P0735	0735	5GR INCORRECT RATIO	—	2	×	AT-123
P0740	0740	TORQUE CONVERTER	—	2	×	AT-125
P0744	0744	TORQUE CONVERTER	—	2	×	AT-127
P0745	0745	PC SOLENOID A	—	2	×	AT-129
P0850	0850	P-N POS SW/CIRCUIT	—	2	×	EC-1066
P1140	1140	INTK TIM S/CIRC-B1	—	2	×	EC-1071
P1145	1145	INTK TIM S/CIRC-B2	—	2	×	EC-1071
P1148	1148	CLOSED LOOP-B1	—	1	×	EC-1079
P1168	1168	CLOSED LOOP-B2	—	1	×	EC-1079
P1211	1211	TCS C/U FUNCTN	—	2	—	EC-1080
P1212	1212	TCS/CIRC	—	2	—	EC-1081
P1217	1217	ENG OVER TEMP	—	1	×	EC-1082
P1220	1220	FPCM/CIRCUIT	—	2	×	EC-1092
P1225	1225	CTP LEARNING-B1	—	2	—	EC-1099
P1226	1226	CTP LEARNING-B1	—	2	—	EC-1101

A

EC

C

D

E

F

G

H

I

J

K

L

M

N

O

P

ON BOARD DIAGNOSTIC (OBD) SYSTEM

< SERVICE INFORMATION >

[VK45DE]

DTC*1		Items (CONSULT-III screen terms)	SRT code	Trip	MIL	Reference page
CONSULT-III GST*2	ECM*3					
P1421	1421	COLD START CONTROL	—	2	—	EC-1103
P1550	1550	BAT CURRENT SENSOR	—	2	—	EC-1105
P1551	1551	BAT CURRENT SENSOR	—	2	—	EC-1110
P1552	1552	BAT CURRENT SENSOR	—	2	—	EC-1110
P1553	1553	BAT CURRENT SENSOR	—	2	—	EC-1115
P1554	1554	BAT CURRENT SENSOR	—	2	—	EC-1120
P1564	1564	ASCD SW	—	1	—	EC-1126 (Models with ICC) EC-1132 (Models with ASCD)
P1568	1568	ICC COMMAND VALUE*6	—	1	—	EC-1138
P1572	1572	ASCD BRAKE SW	—	1	—	EC-1139 (Models with ICC) EC-1147 (Models with ASCD)
P1574	1574	ASCD VHL SPD SEN	—	1	—	EC-1154 (Models with ICC) EC-1156 (Models with ASCD)
P1610	1610	LOCK MODE	—	2	—	BL-5
P1611	1611	ID DISCORD, IMMU-ECM	—	2	—	BL-5
P1612	1612	CHAIN OF ECM-IMMU	—	2	—	BL-5
P1614	1614	CHAIN OF IMMU-KEY	—	2	—	BL-5
P1715	1715	IN PULY SPEED	—	2	—	EC-1158
P1730	1730	INTERLOCK	—	1	×	AT-140
P1752	1752	INPUT CLUTCH SOL	—	1	×	AT-144
P1757	1757	FR BRAKE SOLENOID	—	1	×	AT-146
P1762	1762	DRCT CLUTCH SOL	—	1	×	AT-148
P1767	1767	HLR CLUTCH SOLENOID	—	1	×	AT-150
P1772	1772	L C BRAKE SOLENOID	—	1	×	AT-152
P1774	1774	L C BRAKE SOLENOID	—	1	×	AT-154
P1800	1800	VIAS S/V-1	—	2	—	EC-1159
P1805	1805	BRAKE SW/CIRCUIT	—	2	—	EC-1164
P2100	2100	ETC MOT PWR-B1	—	1	×	EC-1171
P2101	2101	ETC FNCTN/CIRC-B1	—	1	×	EC-1175
P2103	2103	ETC MOT PWR	—	1	×	EC-1171
P2118	2118	ETC MOT-B1	—	1	×	EC-1181
P2119	2119	ETC ACTR-B1	—	1	×	EC-1186
P2122	2122	APP SEN 1/CIRC	—	1	×	EC-1188
P2123	2123	APP SEN 1/CIRC	—	1	×	EC-1188
P2127	2127	APP SEN 2/CIRC	—	1	×	EC-1193

ON BOARD DIAGNOSTIC (OBD) SYSTEM

< SERVICE INFORMATION >

[VK45DE]

DTC*1		Items (CONSULT-III screen terms)	SRT code	Trip	MIL	Reference page
CONSULT-III GST*2	ECM*3					
P2128	2128	APP SEN 2/CIRC	—	1	×	EC-1193
P2135	2135	TP SENSOR-B1	—	1	×	EC-1199
P2138	2138	APP SENSOR	—	1	×	EC-1205
P2A00	2A00	A/F SENSOR1 (B1)	—	2	×	EC-1212
P2A03	2A03	A/F SENSOR1 (B2)	—	2	×	EC-1212

*1: 1st trip DTC No. is the same as DTC No.

*2: This number is prescribed by SAE J2012.

*3: In Diagnostic Test Mode II (Self-diagnostic results), this number is controlled by NISSAN.

*4: The troubleshooting for this DTC needs CONSULT-III.

*5: When the fail-safe operations for both self-diagnoses occur, the MIL illuminates.

*6: Models with ICC.

*7: SRT code will not be set if the self-diagnostic result is NG.

*8: When the ECM is in the mode of displaying SRT status, MIL may flash. For the details, refer to "How to Display SRT Status".

DTC AND 1ST TRIP DTC

The 1st trip DTC (whose number is the same as the DTC number) is displayed for the latest self-diagnostic result obtained. If the ECM memory was cleared previously, and the 1st trip DTC did not recur, the 1st trip DTC will not be displayed.

If a malfunction is detected during the 1st trip, the 1st trip DTC is stored in the ECM memory. The MIL will not light up (two trip detection logic). If the same malfunction is not detected in the 2nd trip (meeting the required driving pattern), the 1st trip DTC is cleared from the ECM memory. If the same malfunction is detected in the 2nd trip, both the 1st trip DTC and DTC are stored in the ECM memory and the MIL lights up. In other words, the DTC is stored in the ECM memory and the MIL lights up when the same malfunction occurs in two consecutive trips. If a 1st trip DTC is stored and a non-diagnostic operation is performed between the 1st and 2nd trips, only the 1st trip DTC will continue to be stored. For malfunctions that blink or light up the MIL during the 1st trip, the DTC and 1st trip DTC are stored in the ECM memory.

Procedures for clearing the DTC and the 1st trip DTC from the ECM memory are described in "HOW TO ERASE EMISSION-RELATED DIAGNOSTIC INFORMATION".

For malfunctions in which 1st trip DTCs are displayed, refer to "EMISSION-RELATED DIAGNOSTIC INFORMATION ITEMS". These items are required by legal regulations to continuously monitor the system/component. In addition, the items monitored non-continuously are also displayed on CONSULT-III.

1st trip DTC is specified in Service \$07 of SAE J1979. 1st trip DTC detection occurs without lighting up the MIL and therefore does not warn the driver of a malfunction. However, 1st trip DTC detection will not prevent the vehicle from being tested, for example during Inspection/Maintenance (I/M) tests.

When a 1st trip DTC is detected, check, print out or write down and erase (1st trip) DTC and Freeze Frame data as specified in Work Flow procedure Step 2, refer to [EC-710, "Trouble Diagnosis Introduction"](#). Then perform DTC Confirmation Procedure or Overall Function Check to try to duplicate the malfunction. If the malfunction is duplicated, the item requires repair.

How to Read DTC and 1st Trip DTC

DTC and 1st trip DTC can be read by the following methods.

With CONSULT-III

CONSULT-III displays the DTC in "SELF DIAGNOSTIC RESULT" mode. Examples: P0340, P0850, P1148, etc.

These DTCs are prescribed by SAE J2012.

(CONSULT-III also displays the malfunctioning component or system.)

With GST

GST (Generic Scan Tool) displays the DTC in Diagnostic Service \$03. Examples: P0340, P0850, P1148, etc.

These DTCs are prescribed by SAE J2012.

No Tools

The number of blinks of the MIL in the Diagnostic Test Mode II (Self-Diagnostic Results) indicates the DTC. Example: 0340, 0850, 1148, etc.

These DTCs are controlled by NISSAN.

- **1st trip DTC No. is the same as DTC No.**

ON BOARD DIAGNOSTIC (OBD) SYSTEM

[VK45DE]

< SERVICE INFORMATION >

- **Output of a DTC indicates a malfunction. However, GST or the Diagnostic Test Mode II do not indicate whether the malfunction is still occurring or has occurred in the past and has returned to normal. CONSULT-III can identify malfunction status as shown below. Therefore, using CONSULT-III (if available) is recommended.**

Time data indicates how many times the vehicle was driven after the last detection of a DTC.

If the DTC is being detected currently, the time data will be [0].

If a 1st trip DTC is stored in the ECM, the time data will be [1t].

FREEZE FRAME DATA AND 1ST TRIP FREEZE FRAME DATA

The ECM records the driving conditions such as fuel system status, calculated load value, engine coolant temperature, short term fuel trim, long term fuel trim, engine speed, vehicle speed, absolute throttle position, base fuel schedule and intake air temperature at the moment a malfunction is detected.

Data which are stored in the ECM memory, along with the 1st trip DTC, are called 1st trip freeze frame data. The data, stored together with the DTC data, are called freeze frame data and displayed on CONSULT-III or GST. The 1st trip freeze frame data can only be displayed on the CONSULT-III screen, not on the GST. For details, see [EC-741, "CONSULT-III Function"](#).

Only one set of freeze frame data (either 1st trip freeze frame data or freeze frame data) can be stored in the ECM. 1st trip freeze frame data is stored in the ECM memory along with the 1st trip DTC. There is no priority for 1st trip freeze frame data and it is updated each time a different 1st trip DTC is detected. However, once freeze frame data (2nd trip detection/MIL on) is stored in the ECM memory, 1st trip freeze frame data is no longer stored. Remember, only one set of freeze frame data can be stored in the ECM. The ECM has the following priorities to update the data.

Priority	Items	
1	Freeze frame data	Misfire — DTC: P0300 - P0308 Fuel Injection System Function — DTC: P0171, P0172, P0174, P0175
2		Except the above items (Includes A/T related items)
3	1st trip freeze frame data	

For example, the EGR malfunction (Priority: 2) was detected and the freeze frame data was stored in the 2nd trip. After that when the misfire (Priority: 1) is detected in another trip, the freeze frame data will be updated from the EGR malfunction to the misfire. The 1st trip freeze frame data is updated each time a different malfunction is detected. There is no priority for 1st trip freeze frame data. However, once freeze frame data is stored in the ECM memory, 1st trip freeze data is no longer stored (because only one freeze frame data or 1st trip freeze frame data can be stored in the ECM). If freeze frame data is stored in the ECM memory and freeze frame data with the same priority occurs later, the first (original) freeze frame data remains unchanged in the ECM memory.

Both 1st trip freeze frame data and freeze frame data (along with the DTCs) are cleared when the ECM memory is erased. Procedures for clearing the ECM memory are described in "HOW TO ERASE EMISSION-RELATED DIAGNOSTIC INFORMATION".

SYSTEM READINESS TEST (SRT) CODE

System Readiness Test (SRT) code is specified in Service \$01 of SAE J1979.

As part of an enhanced emissions test for Inspection & Maintenance (I/M), certain states require the status of SRT be used to indicate whether the ECM has completed self-diagnosis of major emission systems and components. Completion must be verified in order for the emissions inspection to proceed.

If a vehicle is rejected for a State emissions inspection due to one or more SRT items indicating "INCMP", use the information in this Service Manual to set the SRT to "CMPLT".

In most cases the ECM will automatically complete its self-diagnosis cycle during normal usage, and the SRT status will indicate "CMPLT" for each application system. Once set as "CMPLT", the SRT status remains "CMPLT" until the self-diagnosis memory is erased.

Occasionally, certain portions of the self-diagnostic test may not be completed as a result of the customer's normal driving pattern; the SRT will indicate "INCMP" for these items.

NOTE:

The SRT will also indicate "INCMP" if the self-diagnosis memory is erased for any reason or if the ECM memory power supply is interrupted for several hours.

If, during the state emissions inspection, the SRT indicates "CMPLT" for all test items, the inspector will continue with the emissions test. However, if the SRT indicates "INCMP" for one or more of the SRT items the vehicle is returned to the customer untested.

NOTE:

ON BOARD DIAGNOSTIC (OBD) SYSTEM

[VK45DE]

< SERVICE INFORMATION >

If MIL is ON during the state emissions inspection, the vehicle is also returned to the customer untested even though the SRT indicates "CMPLT" for all test items. Therefore, it is important to check SRT ("CMPLT") and DTC (No DTCs) before the inspection.

SRT Item

The table below shows required self-diagnostic items to set the SRT to "CMPLT".

SRT item (CONSULT-III indication)	Performance Priority*	Required self-diagnostic items to set the SRT to "CMPLT"	Corresponding DTC No.
CATALYST	2	Three way catalyst function	P0420, P0430
EVAP SYSTEM	2	EVAP control system purge flow monitoring	P0441
	1	EVAP control system	P0442
	2	EVAP control system	P0456
HO2S	2	Air fuel ratio (A/F) sensor 1	P0133, P0153
		Heated oxygen sensor 2	P0137, P0157
		Heated oxygen sensor 2	P0138, P0158
		Heated oxygen sensor 2	P0139, P0159

*: If completion of several SRTs is required, perform driving patterns (DTC confirmation procedure), one by one based on the priority for models with CONSULT-III.

SRT Set Timing

SRT is set as "CMPLT" after self-diagnosis has been performed one or more times. Completion of SRT is done regardless of whether the result is OK or NG. The set timing is different between OK and NG results and is shown in the table below.

Self-diagnosis result		Example						
		Diagnosis	Ignition cycle					
			← ON →	OFF	← ON →	OFF	← ON →	OFF
All OK	Case 1	P0400	OK (1)	— (1)	OK (2)	— (2)		
		P0402	OK (1)	— (1)	— (1)	OK (2)		
		P1402	OK (1)	OK (2)	— (2)	— (2)		
		SRT of EGR	"CMPLT"	"CMPLT"	"CMPLT"	"CMPLT"		
	Case 2	P0400	OK (1)	— (1)	— (1)	— (1)		
		P0402	— (0)	— (0)	OK (1)	— (1)		
		P1402	OK (1)	OK (2)	— (2)	— (2)		
		SRT of EGR	"INCMP"	"INCMP"	"CMPLT"	"CMPLT"		
NG exists	Case 3	P0400	OK	OK	—	—		
		P0402	—	—	—	—		
		P1402	NG	—	NG	NG	NG (Consecutive NG)	
		(1st trip) DTC	1st trip DTC	—	1st trip DTC	DTC (= MIL ON)		
		SRT of EGR	"INCMP"	"INCMP"	"INCMP"	"CMPLT"		

OK: Self-diagnosis is carried out and the result is OK.

NG: Self-diagnosis is carried out and the result is NG.

—: Self-diagnosis is not carried out.

When all SRT related self-diagnoses showed OK results in a single cycle (Ignition OFF-ON-OFF), the SRT will indicate "CMPLT". → Case 1 above

When all SRT related self-diagnoses showed OK results through several different cycles, the SRT will indicate "CMPLT" at the time the respective self-diagnoses have at least one OK result. → Case 2 above

If one or more SRT related self-diagnoses showed NG results in 2 consecutive cycles, the SRT will also indicate "CMPLT". → Case 3 above

ON BOARD DIAGNOSTIC (OBD) SYSTEM

[VK45DE]

< SERVICE INFORMATION >

The table above shows that the minimum number of cycles for setting SRT as "INCMP" is one (1) for each self-diagnosis (Case 1 & 2) or two (2) for one of self-diagnoses (Case 3). However, in preparation for the state emissions inspection, it is unnecessary for each self-diagnosis to be executed twice (Case 3) for the following reasons:

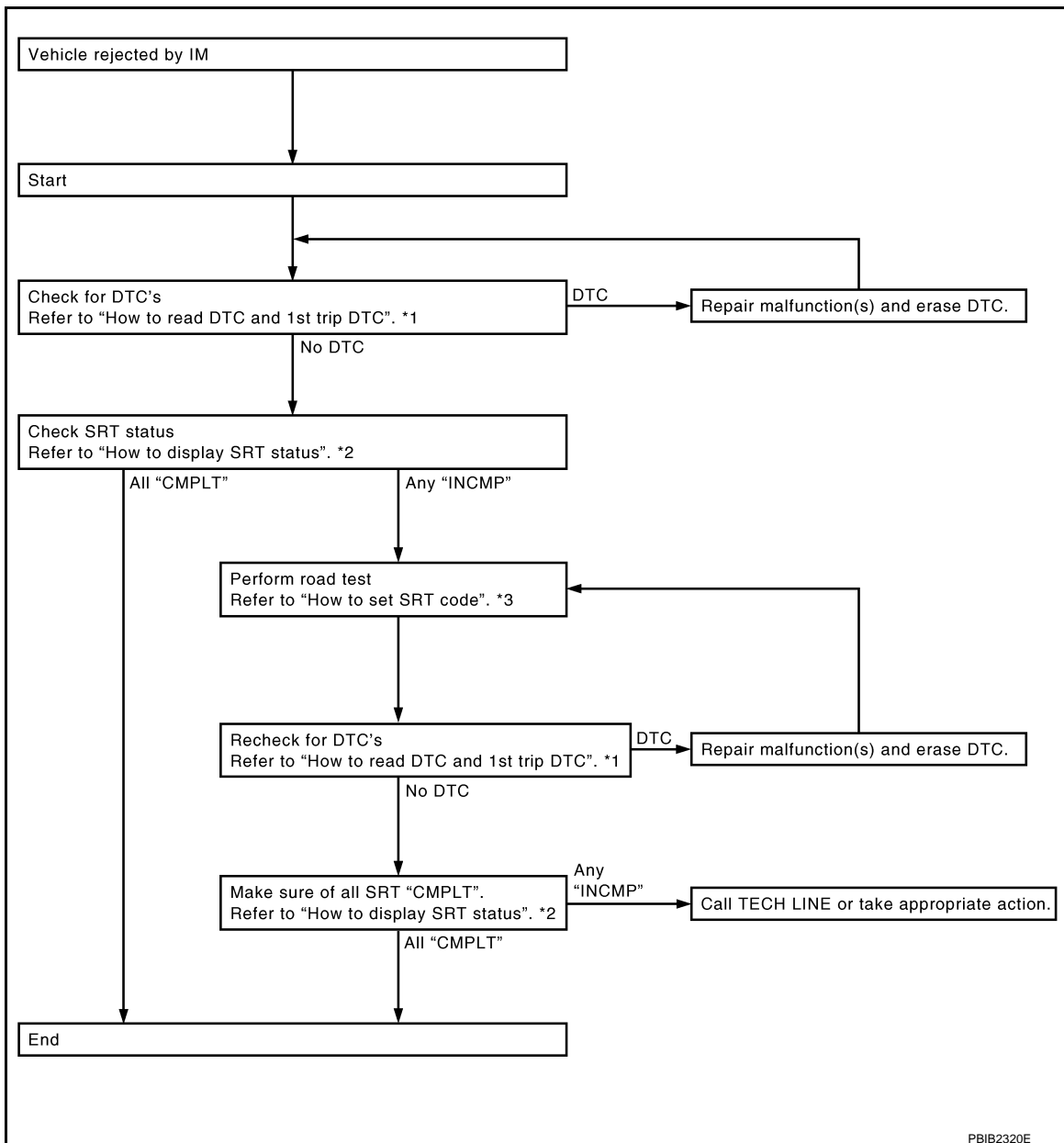
- The SRT will indicate "CMPLT" at the time the respective self-diagnoses have one (1) OK result.
- The emissions inspection requires "CMPLT" of the SRT only with OK self-diagnosis results.
- When, during SRT driving pattern, 1st trip DTC (NG) is detected prior to "CMPLT" of SRT, the self-diagnosis memory must be erased from ECM after repair.
- If the 1st trip DTC is erased, all the SRT will indicate "INCMP".

NOTE:

SRT can be set as "CMPLT" together with the DTC(s). Therefore, DTC check must always be carried out prior to the state emission inspection even though the SRT indicates "CMPLT".

SRT Service Procedure

If a vehicle has failed the state emissions inspection due to one or more SRT items indicating "INCMP", review the flowchart diagnostic sequence on the next page.



*1 "How to Read DTC and 1st Trip DTC" *2 "How to Display SRT Status"

*3 "How to Set SRT Code"

How to Display SRT Status

ON BOARD DIAGNOSTIC (OBD) SYSTEM

< SERVICE INFORMATION >

[VK45DE]

WITH CONSULT-III

Selecting "SRT STATUS" in "DTC CONFIRMATION" mode with CONSULT-III.

For items whose SRT codes are set, a "CMPLT" is displayed on the CONSULT-III screen; for items whose SRT codes are not set, "INCMP" is displayed.

"INCMP" means the self-diagnosis is incomplete and SRT is not set. "CMPLT" means the self-diagnosis is complete and SRT is set.

NOTE:

Though displayed on the CONSULT-III screen, "HO2S HTR" is not SRT item.

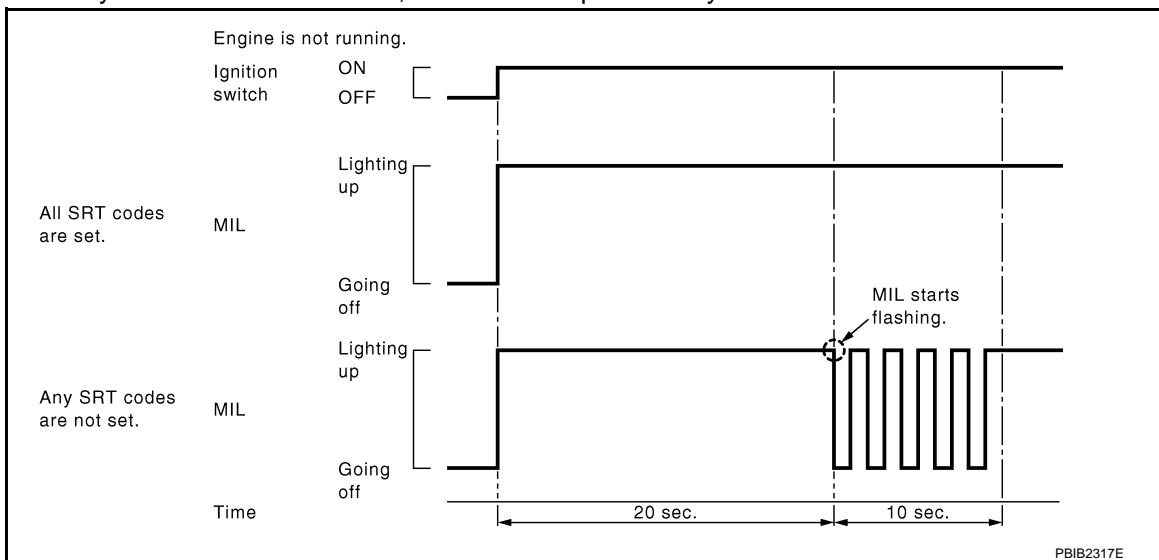
WITH GST

Selecting Service \$01 with GST (Generic Scan Tool)

NO TOOLS

A SRT code itself can not be displayed while only SRT status can be.

1. Turn ignition switch ON and wait 20 seconds.
2. SRT status is indicated as shown below.
 - When all SRT codes are set, MIL lights up continuously.
 - When any SRT codes are not set, MIL will flash periodically for 10 seconds.



How to Set SRT Code

To set all SRT codes, self-diagnosis for the items indicated above must be performed one or more times. Each diagnosis may require a long period of actual driving under various conditions.

WITH CONSULT-III

Perform corresponding DTC Confirmation Procedure one by one based on Performance Priority in the table on "SRT Item".

WITHOUT CONSULT-III

The most efficient driving pattern in which SRT codes can be properly set is explained on the next page. The driving pattern should be performed one or more times to set all SRT codes.

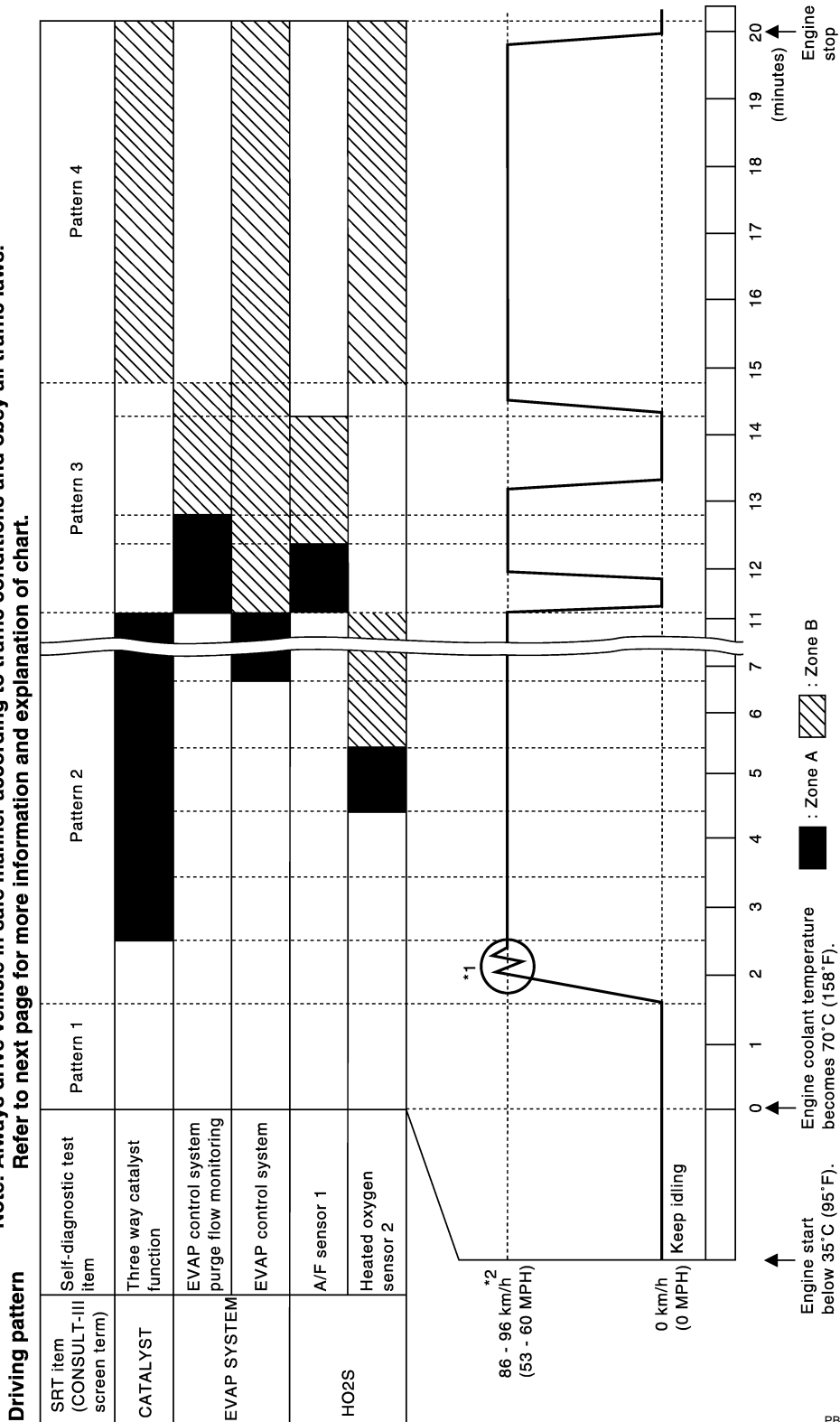
ON BOARD DIAGNOSTIC (OBD) SYSTEM

< SERVICE INFORMATION >

[VK45DE]

Driving Pattern

Note: Always drive vehicle in safe manner according to traffic conditions and obey all traffic laws. Refer to next page for more information and explanation of chart.



PBIB3622E

- The time required for each diagnosis varies with road surface conditions, weather, altitude, individual driving habits, etc.
- Zone A refers to the range where the time, required for the diagnosis under normal conditions*, is the shortest.
- Zone B refers to the range where the diagnosis can still be performed if the diagnosis is not completed within zone A.

*: Normal conditions refer to the following:

ON BOARD DIAGNOSTIC (OBD) SYSTEM

[VK45DE]

< SERVICE INFORMATION >

- Sea level
- Flat road
- Ambient air temperature: 20 - 30°C (68 - 86°F)
- Diagnosis is performed as quickly as possible under normal conditions.
Under different conditions [For example: ambient air temperature other than 20 - 30°C (68 - 86°F)], diagnosis may also be performed.

Pattern 1:

- **The engine is started at the engine coolant temperature of -10 to 35°C (14 to 95°F) (where the voltage between the ECM terminal 73 and ground is 3.0 - 4.3V).**
- **The engine must be operated at idle speed until the engine coolant temperature is greater than 70°C (158°F) (where the voltage between the ECM terminal 73 and ground is lower than 1.4V).**
- **The engine is started at the fuel tank temperature of warmer than 0°C (32°F) (where the voltage between the ECM terminal 107 and ground is less than 4.1V).**

Pattern 2:

- When steady-state driving is performed again even after it is interrupted, each diagnosis can be conducted. In this case, the time required for diagnosis may be extended.

Pattern 3:

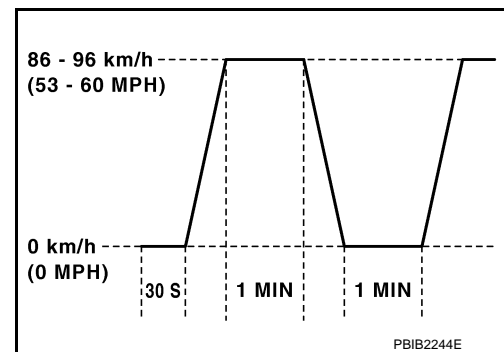
- Operate vehicle following the driving pattern shown in the figure.
- Release the accelerator pedal during decelerating vehicle speed from 90 km/h (56 MPH) to 0 km/h (0 MPH).

Pattern 4:

- The accelerator pedal must be held very steady during steady-state driving.
- If the accelerator pedal is moved, the test must be conducted all over again.

*1: Depress the accelerator pedal until vehicle speed is 90 km/h (56 MPH), then release the accelerator pedal and keep it released for more than 10 seconds. Depress the accelerator pedal until vehicle speed is 90 km/h (56 MPH) again.

*2: Checking the vehicle speed with GST is advised.



Suggested Transmission Gear Position

Set the selector lever in the D position with the overdrive switch turned ON.

TEST VALUE AND TEST LIMIT (GST ONLY — NOT APPLICABLE TO CONSULT-III)

The following is the information specified in Service \$06 of SAE J1979.

The test value is a parameter used to determine whether a system/circuit diagnostic test is OK or NG while being monitored by the ECM during self-diagnosis. The test limit is a reference value which is specified as the maximum or minimum value and is compared with the test value being monitored.

These data (test value and test limit) are specified by On Board Monitor ID(OBDMID), Test ID (TID), Unit and Scaling ID and can be displayed on the GST screen.

The items of the test value and test limit will be displayed with GST screen which items are provided by the ECM. (eg., if the bank 2 is not applied on this vehicle, only the items of the bank 1 is displayed)

ON BOARD DIAGNOSTIC (OBD) SYSTEM

< SERVICE INFORMATION >

[VK45DE]

Item	OBD-MID	Self-diagnostic test item	DTC	Test value and Test limit (GST display)		Description
				TID	Unit and Scaling ID	
HO2S	01H	Air fuel ratio (A/F) sensor 1 (Bank 1)	P0131	83H	0BH	Minimum sensor output voltage for test cycle
			P0131	84H	0BH	Maximum sensor output voltage for test cycle
			P0130	85H	0BH	Minimum sensor output voltage for test cycle
			P0130	86H	0BH	Maximum sensor output voltage for test cycle
			P0133	87H	04H	Response rate: Response ratio (Lean to Rich)
			P0133	88H	04H	Response rate: Response ratio (Rich to Lean)
			P2A00	89H	84H	The amount of shift in air fuel ratio
			P2A00	8AH	84H	The amount of shift in air fuel ratio
			P0130	8BH	0BH	Difference in sensor output voltage
			P0133	8CH	83H	Response gain at the limited frequency
	02H	Heated oxygen sensor 2 (Bank 1)	P0138	07H	0CH	Minimum sensor output voltage for test cycle
			P0137	08H	0CH	Maximum sensor output voltage for test cycle
			P0138	80H	0CH	Sensor output voltage
P0139			81H	0CH	Difference in sensor output voltage	
03H	Heated oxygen sensor 3 (Bank 1)	P0143	07H	0CH	Minimum sensor output voltage for test cycle	
		P0144	08H	0CH	Maximum sensor output voltage for test cycle	
		P0146	80H	0CH	Sensor output voltage	
		P0145	81H	0CH	Difference in sensor output voltage	

ON BOARD DIAGNOSTIC (OBD) SYSTEM

< SERVICE INFORMATION >

[VK45DE]

Item	OBD-MID	Self-diagnostic test item	DTC	Test value and Test limit (GST display)		Description
				TID	Unit and Scaling ID	
HO2S	05H	Air fuel ratio (A/F) sensor 1 (Bank 2)	P0151	83H	0BH	Minimum sensor output voltage for test cycle
			P0151	84H	0BH	Maximum sensor output voltage for test cycle
			P0150	85H	0BH	Minimum sensor output voltage for test cycle
			P0150	86H	0BH	Maximum sensor output voltage for test cycle
			P0153	87H	04H	Response rate: Response ratio (Lean to Rich)
			P0153	88H	04H	Response rate: Response ratio (Rich to Lean)
			P2A03	89H	84H	The amount of shift in air fuel ratio
			P2A03	8AH	84H	The amount of shift in air fuel ratio
			P0150	8BH	0BH	Difference in sensor output voltage
			P0153	8CH	83H	Response gain at the limited frequency
	06H	Heated oxygen sensor 2 (Bank 2)	P0158	07H	0CH	Minimum sensor output voltage for test cycle
			P0157	08H	0CH	Maximum sensor output voltage for test cycle
			P0158	80H	0CH	Sensor output voltage
P0159			81H	0CH	Difference in sensor output voltage	
07H	Heated oxygen sensor 3 (Bank2)	P0163	07H	0CH	Minimum sensor output voltage for test cycle	
		P0164	08H	0CH	Maximum sensor output voltage for test cycle	
		P0166	80H	0CH	Sensor output voltage	
		P0165	81H	0CH	Difference in sensor output voltage	
CATA- LYST	21H	Three way catalyst function (Bank1)	P0420	80H	01H	O2 storage index
			P0420	82H	01H	Switching time lag engine exhaust index value
			P2423	83H	0CH	Difference in 3rd O2 sensor output voltage
			P2423	84H	84H	O2 storage index in HC trap catalyst
	22H	Three way catalyst function (Bank2)	P0430	80H	01H	O2 storage index
			P0430	82H	01H	Switching time lag engine exhaust index value
			P2424	83H	0CH	Difference in 3rd O2 sensor output voltage
			P2424	84H	84H	O2 storage index in HC trap catalyst

A
EC
C
D
E
F
G
H
I
J
K
L
M
N
O
P

ON BOARD DIAGNOSTIC (OBD) SYSTEM

< SERVICE INFORMATION >

[VK45DE]

Item	OBD-MID	Self-diagnostic test item	DTC	Test value and Test limit (GST display)		Description
				TID	Unit and Scaling ID	
EGR SYSTEM	31H	EGR function	P0400	80H	96H	Low Flow Faults: EGR temp change rate (short term)
			P0400	81H	96H	Low Flow Faults: EGR temp change rate (long term)
			P0400	82H	96H	Low Flow Faults: Difference between max EGR temp and EGR temp under idling condition
			P0400	83H	96H	Low Flow Faults: Max EGR temp
			P1402	84H	96H	High Flow Faults: EGR temp increase rate
EVAP SYSTEM	39H	EVAP control system leak (Cap Off)	P0455	80H	0CH	Difference in pressure sensor output voltage before and after pull down
	3BH	EVAP control system leak (Small leak)	P0442	80H	05H	Leak area index (for more than 0.04inch)
	3CH	EVAP control system (Very small leak)	P0456	80H	05H	Leak area index (for more than 0.02inch)
			P0456	81H	FDH	Maximum internal pressure of EVAP system during monitoring
	3DH	Purge flow system	P0441	83H	0CH	Difference in pressure sensor output voltage before and after vent control valve close
O2 SENSOR HEATER	41H	A/F sensor 1 heater (Bank 1)	Low Input:P0031 High Input:P0032	81H	0BH	Converted value of Heater electric current to voltage
	42H	Heated oxygen sensor 2 (Bank 1)	Low Input:P0037 High Input:P0038	80H	0CH	Converted value of Heater electric current to voltage
	43H	Heated oxygen sensor 3 (Bank 1)	P0043	80H	0CH	Converted value of Heater electric current to voltage
	45H	A/F sensor 1 heater (Bank 2)	Low Input:P0051 High Input:P0052	81H	0BH	Converted value of Heater electric current to voltage
	46H	Heated oxygen sensor 2 (Bank 2)	Low Input:P0057 High Input:P0058	80H	0CH	Converted value of Heater electric current to voltage
	47H	Heated oxygen sensor 3 (Bank 2)	P0063	80H	0CH	Converted value of Heater electric current to voltage
SECONDARY AIR	71H	Secondary Air system	P0411	80H	01H	Secondary Air Injection System Incorrect Flow Detected
			Bank1: P0491 Bank2: P0492	81H	01H	Secondary Air Injection System Insufficient Flow
			P2445	82H	01H	Secondary Air Injection System Pump Stuck Off
			P2448	83H	01H	Secondary Air Injection System High Airflow
			Bank1: P2440 Bank2: P2442	84H	01H	Secondary Air Injection System Switching Valve Stuck Open
			P2440	85H	01H	Secondary Air Injection System Switching Valve Stuck Open
			P2444	86H	01H	Secondary Air Injection System Pump Stuck On

ON BOARD DIAGNOSTIC (OBD) SYSTEM

< SERVICE INFORMATION >

[VK45DE]

Item	OBD-MID	Self-diagnostic test item	DTC	Test value and Test limit (GST display)		Description
				TID	Unit and Scaling ID	
FUEL SYSTEM	81H	Fuel injection system function (Bank 1)	P0171 or P0172	80H	2FH	Long term fuel trim
			P0171 or P0172	81H	24H	The number of lambda control clamped
	82H	Fuel injection system function (Bank 2)	P0174 or P0175	80H	2FH	Long term fuel trim
			P0174 or P0175	81H	24H	The number of lambda control clamped
MISFIRE	A1H	Multiple Cylinder Misfire	P0301	80H	24H	Misfiring counter at 1000rev of the first cylinder
			P0302	81H	24H	Misfiring counter at 1000rev of the second cylinder
			P0303	82H	24H	Misfiring counter at 1000rev of the third cylinder
			P0304	83H	24H	Misfiring counter at 1000rev of the fourth cylinder
			P0305	84H	24H	Misfiring counter at 1000rev of the fifth cylinder
			P0306	85H	24H	Misfiring counter at 1000rev of the sixth cylinder
			P0307	86H	24H	Misfiring counter at 1000rev of the seventh cylinder
			P0308	87H	24H	Misfiring counter at 1000rev of the eighth cylinder
			P0300	88H	24H	Misfiring counter at 1000rev of the multiple cylinders
			P0301	89H	24H	Misfiring counter at 200rev of the first cylinder
			P0302	8AH	24H	Misfiring counter at 200rev of the second cylinder
			P0303	8BH	24H	Misfiring counter at 200rev of the third cylinder
			P0304	8CH	24H	Misfiring counter at 200rev of the fourth cylinder
			P0305	8DH	24H	Misfiring counter at 200rev of the fifth cylinder
			P0306	8EH	24H	Misfiring counter at 200rev of the fifth cylinder
			P0307	8FH	24H	Misfiring counter at 200rev of the fifth cylinder
			P0308	90H	24H	Misfiring counter at 200rev of the fifth cylinder
			P0300	91H	24H	Misfiring counter at 1000rev of the single cylinder
			P0300	92H	24H	Misfiring counter at 200rev of the single cylinder
			P0300	93H	24H	Misfiring counter at 200rev of the multiple cylinders

A

EC

C

D

E

F

G

H

I

J

K

L

M

N

O

P

ON BOARD DIAGNOSTIC (OBD) SYSTEM

< SERVICE INFORMATION >

[VK45DE]

Item	OBD-MID	Self-diagnostic test item	DTC	Test value and Test limit (GST display)		Description
				TID	Unit and Scaling ID	
MISFIRE	A2H	No.1 Cylinder Misfire	P0301	0BH	24H	EWMA (Exponential Weighted Moving Average) misfire counts for last 10 driving cycles
			P0301	0CH	24H	Misfire counts for last/current driving cycles
	A3H	No.2 Cylinder Misfire	P0302	0BH	24H	EWMA (Exponential Weighted Moving Average) misfire counts for last 10 driving cycles
			P0302	0CH	24H	Misfire counts for last/current driving cycles
	A4H	No.3 Cylinder Misfire	P0303	0BH	24H	EWMA (Exponential Weighted Moving Average) misfire counts for last 10 driving cycles
			P0303	0CH	24H	Misfire counts for last/current driving cycles
	A5H	No.4 Cylinder Misfire	P0304	0BH	24H	EWMA (Exponential Weighted Moving Average) misfire counts for last 10 driving cycles
			P0304	0CH	24H	Misfire counts for last/current driving cycles
	A6H	No.5 Cylinder Misfire	P0305	0BH	24H	EWMA (Exponential Weighted Moving Average) misfire counts for last 10 driving cycles
			P0305	0CH	24H	Misfire counts for last/current driving cycles
	A7H	No.6 Cylinder Misfire	P0306	0BH	24H	EWMA (Exponential Weighted Moving Average) misfire counts for last 10 driving cycles
			P0306	0CH	24H	Misfire counts for last/current driving cycles
	A8H	No.7 Cylinder Misfire	P0307	0BH	24H	EWMA (Exponential Weighted Moving Average) misfire counts for last 10 driving cycles
			P0307	0CH	24H	Misfire counts for last/current driving cycles
	A9H	No.8 Cylinder Misfire	P0308	0BH	24H	EWMA (Exponential Weighted Moving Average) misfire counts for last 10 driving cycles
			P0308	0CH	24H	Misfire counts for last/current driving cycles

HOW TO ERASE EMISSION-RELATED DIAGNOSTIC INFORMATION

How to Erase DTC

 WITH CONSULT-III

NOTE:

• If the ignition switch stays ON after repair work, be sure to turn ignition switch OFF once.

Wait at least 10 seconds and then turn it ON (engine stopped) again.

• If the DTC is not for A/T related items (see [EC-640, "U1000 - U1010"](#)), skip step 1.

1. Perform "HOW TO ERASE DTC" in [AT-40, "OBD-II Diagnostic Trouble Code \(DTC\)"](#). (The DTC in TCM will be erased)
2. Select "ENGINE" with CONSULT-III.

ON BOARD DIAGNOSTIC (OBD) SYSTEM

[VK45DE]

< SERVICE INFORMATION >

3. Select "SELF DIAGNOSTIC RESULT".
4. Touch "ERASE". (DTC in ECM will be erased.)

WITH GST

NOTE:

- If the ignition switch stays ON after repair work, be sure to turn ignition switch OFF once. Wait at least 10 seconds and then turn it ON (engine stopped) again.

- If the DTC is not for A/T related items (see [EC-640, "U1000 - U1010"](#)), skip step 1.

1. Perform "HOW TO ERASE DTC" in [AT-40, "OBD-II Diagnostic Trouble Code \(DTC\)"](#). (The DTC in TCM will be erased)
2. Select Service \$04 with GST (Generic Scan Tool).

No Tools

NOTE:

- If the ignition switch stays ON after repair work, be sure to turn ignition switch OFF once. Wait at least 10 seconds and then turn it ON (engine stopped) again.

- If the DTC is not for A/T related items (see [EC-640, "U1000 - U1010"](#)), skip step 1.

1. Perform "HOW TO ERASE DTC" in [AT-40, "OBD-II Diagnostic Trouble Code \(DTC\)"](#). (The DTC in TCM will be erased)
2. Erase DTC in ECM. Refer to "How to Erase Diagnostic Test Mode II (Self-Diagnostic Results)" in [EC-693, "Malfunction Indicator Lamp \(MIL\)"](#).

- If the battery is disconnected, the emission-related diagnostic information will be lost within 24 hours.

- The following data are cleared when the ECM memory is erased.

- Diagnostic trouble codes
- 1st trip diagnostic trouble codes
- Freeze frame data
- 1st trip freeze frame data
- System readiness test (SRT) codes
- Test values

Actual work procedures are explained using a DTC as an example. Be careful so that not only the DTC, but all of the data listed above, are cleared from the ECM memory during work procedures.

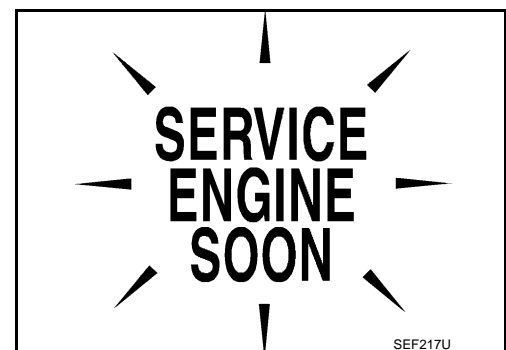
Malfunction Indicator Lamp (MIL)

INFOID:000000002954736

DESCRIPTION

The MIL is located on the instrument panel.

1. The MIL will light up when the ignition switch is turned ON without the engine running. This is a bulb check. If the MIL does not light up, check MIL circuit. Refer to [EC-1276, "Wiring Diagram"](#).
2. When the engine is started, the MIL should go off. If the MIL remains on, the on board diagnostic system has detected an engine system malfunction.








ON BOARD DIAGNOSTIC SYSTEM FUNCTION

The on board diagnostic system has the following three functions.

ON BOARD DIAGNOSTIC (OBD) SYSTEM

< SERVICE INFORMATION >

[VK45DE]

Diagnostic Test Mode	KEY and ENG. Status	Function	Explanation of Function
Mode I	Ignition switch in ON position  Engine stopped 	BULB CHECK	This function checks the MIL bulb for damage (blown, open circuit, etc.). If the MIL does not come on, check MIL circuit.
	Engine running 	MALFUNCTION WARNING	This is a usual driving condition. When a malfunction is detected twice in two consecutive driving cycles (two trip detection logic), the MIL will light up to inform the driver that a malfunction has been detected. The following malfunctions will light up or blink the MIL in the 1st trip. <ul style="list-style-type: none"> • Misfire (Possible three way catalyst damage) • One trip detection diagnoses
Mode II	Ignition switch in ON position  Engine stopped 	SELF-DIAGNOSTIC RESULTS	This function allows DTCs and 1st trip DTCs to be read.

When there is an open circuit on MIL circuit, the ECM cannot warn the driver by lighting up MIL when there is malfunction on engine control system.

Therefore, when electrical controlled throttle and part of ECM related diagnoses are continuously detected as NG for 5 trips, ECM warns the driver that engine control system malfunctions and MIL circuit is open by means of operating fail-safe function.

The fail-safe function also operates when above diagnoses except MIL circuit are detected and demands the driver to repair the malfunction.

Engine operating condition in fail-safe mode	Engine speed will not rise more than 2,500 rpm due to the fuel cut
--	--

MIL Flashing Without DTC

When any SRT codes are not set, MIL may flash without DTC. For the details, refer to [EC-677. "Emission-Related Diagnostic Information"](#).

HOW TO SWITCH DIAGNOSTIC TEST MODE

NOTE:

- It is better to count the time accurately with a clock.
- It is impossible to switch the diagnostic mode when an accelerator pedal position sensor circuit has a malfunction.
- Always ECM returns to Diagnostic Test Mode I after ignition switch is turned OFF.

How to Set Diagnostic Test Mode II (Self-diagnostic Results)

1. Confirm that accelerator pedal is fully released, turn ignition switch ON and wait 3 seconds.
2. Repeat the following procedure quickly five times within 5 seconds.
 - a. Fully depress the accelerator pedal.
 - b. Fully release the accelerator pedal.
3. Wait 7 seconds, fully depress the accelerator pedal and keep it for approx. 10 seconds until the MIL starts blinking.

NOTE:

ON BOARD DIAGNOSTIC (OBD) SYSTEM

[VK45DE]

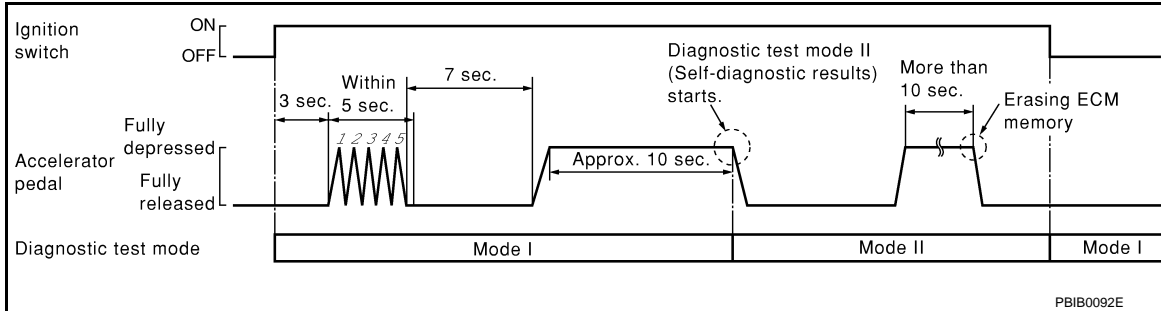
< SERVICE INFORMATION >

Do not release the accelerator pedal for 10 seconds if MIL may start blinking on the halfway of this 10 seconds. This blinking is displaying SRT status and is continued for another 10 seconds. For the details, refer to [EC-677, "Emission-Related Diagnostic Information"](#).

- Fully release the accelerator pedal.
ECM has entered to Diagnostic Test Mode II (Self-diagnostic results).

NOTE:

Wait until the same DTC (or 1st trip DTC) appears to confirm all DTCs certainly.



How to Erase Diagnostic Test Mode II (Self-diagnostic Results)

- Set ECM in Diagnostic Test Mode II (Self-diagnostic results). Refer to "How to Set Diagnostic Test Mode II (Self-diagnostic Results)".
- Fully depress the accelerator pedal and keep it for more than 10 seconds.
The emission-related diagnostic information has been erased from the backup memory in the ECM.
- Fully release the accelerator pedal, and confirm the DTC 0000 is displayed.

DIAGNOSTIC TEST MODE I — BULB CHECK

In this mode, the MIL on the instrument panel should stay ON. If it remains OFF, check MIL circuit. Refer to [EC-1276, "Wiring Diagram"](#).

DIAGNOSTIC TEST MODE I — MALFUNCTION WARNING

MIL	Condition
ON	When the malfunction is detected.
OFF	No malfunction.

This DTC number is clarified in Diagnostic Test Mode II (SELF-DIAGNOSTIC RESULTS)

DIAGNOSTIC TEST MODE II — SELF-DIAGNOSTIC RESULTS

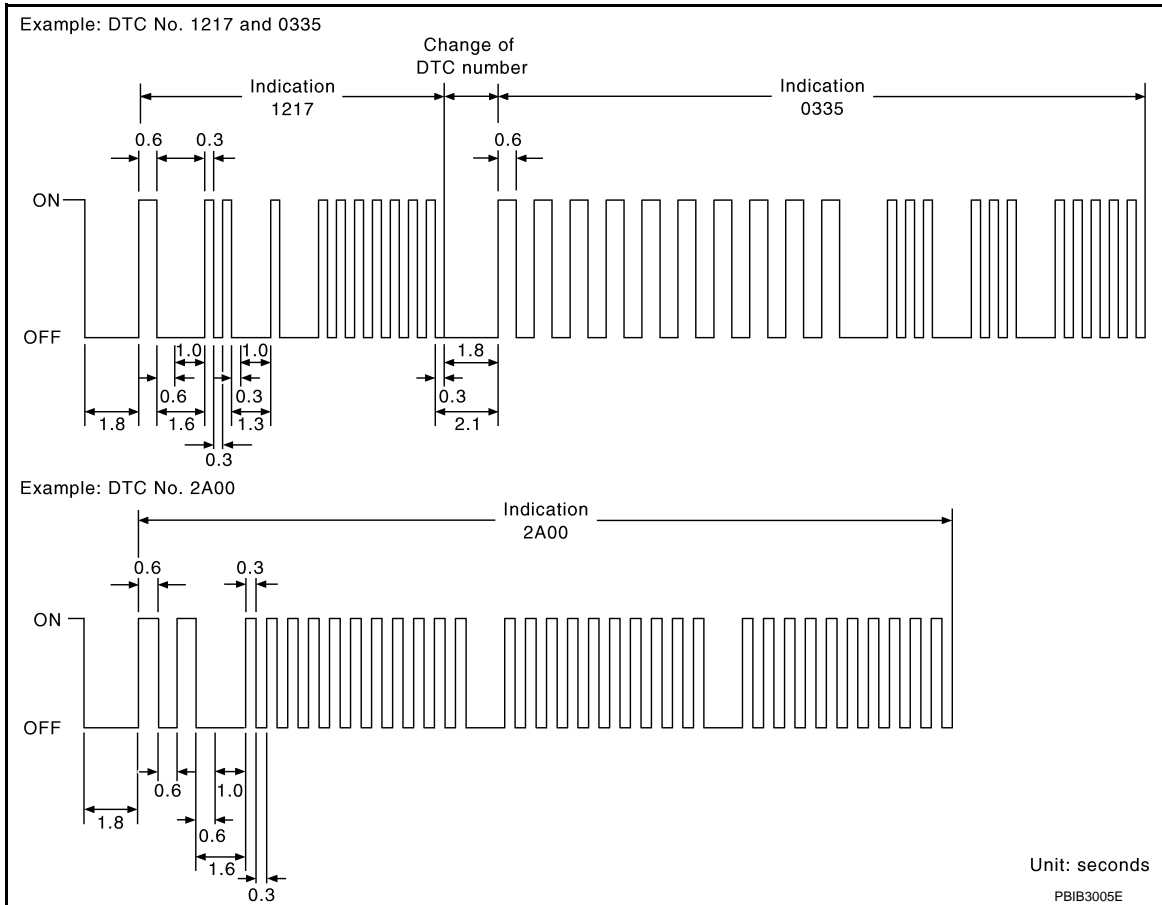
In this mode, the DTC and 1st trip DTC are indicated by the number of blinks of the MIL as shown below. The DTC and 1st trip DTC are displayed at the same time. If the MIL does not illuminate in diagnostic test mode I (Malfunction warning), all displayed items are 1st trip DTCs. If only one code is displayed when the MIL illuminates in diagnostic test mode II (SELF-DIAGNOSTIC RESULTS), it is a DTC; if two or more codes are displayed, they may be either DTCs or 1st trip DTCs. DTC No. is same as that of 1st trip DTC. These uniden-

ON BOARD DIAGNOSTIC (OBD) SYSTEM

[VK45DE]

< SERVICE INFORMATION >

tified codes can be identified by using the CONSULT-III or GST. A DTC will be used as an example for how to read a code.



A particular trouble code can be identified by the number of four-digit numeral flashes. The "zero" is indicated by the number of ten flashes. The "A" is indicated by the number of eleven flash. The length of time the 1,000th-digit numeral flashes on and off is 1.2 seconds consisting of an ON (0.6-second) - OFF (0.6-second) cycle.

The 100th-digit numeral and lower digit numerals consist of a 0.3-second ON and 0.3-second OFF cycle.

A change from one digit numeral to another occurs at an interval of 1.0-second OFF. In other words, the later numeral appears on the display 1.3 seconds after the former numeral has disappeared.

A change from one trouble code to another occurs at an interval of 1.8-second OFF.

In this way, all the detected malfunctions are classified by their DTC numbers. The DTC 0000 refers to no malfunction. (See [EC-640. "U1000 - U1010"](#))

How to Erase Diagnostic Test Mode II (Self-diagnostic Results)

The DTC can be erased from the back up memory in the ECM by depressing accelerator pedal. Refer to "How to Erase Diagnostic Test Mode II (Self-diagnostic Results)".

- If the battery is disconnected, the DTC will be lost from the backup memory within 24 hours.
- Be careful not to erase the stored memory before starting trouble diagnoses.

OBD System Operation Chart

INFOID:000000002954737

RELATIONSHIP BETWEEN MIL, 1ST TRIP DTC, DTC, AND DETECTABLE ITEMS

- When a malfunction is detected for the first time, the 1st trip DTC and the 1st trip freeze frame data are stored in the ECM memory.
- When the same malfunction is detected in two consecutive trips, the DTC and the freeze frame data are stored in the ECM memory, and the MIL will come on. For details, refer to [EC-676. "Two Trip Detection Logic"](#).
- The MIL will go off after the vehicle is driven 3 times (driving pattern B) with no malfunction. The drive is counted only when the recorded driving pattern is met (as stored in the ECM). If another malfunction occurs while counting, the counter will reset.
- The DTC and the freeze frame data will be stored until the vehicle is driven 40 times (driving pattern A) without the same malfunction recurring (except for Misfire and Fuel Injection System). For Misfire and Fuel Injection System, refer to [EC-676. "Two Trip Detection Logic"](#).

ON BOARD DIAGNOSTIC (OBD) SYSTEM

< SERVICE INFORMATION >

[VK45DE]

tion System, the DTC and freeze frame data will be stored until the vehicle is driven 80 times (driving pattern C) without the same malfunction recurring. The "TIME" in "SELF DIAGNOSTIC RESULT" mode of CONSULT-III will count the number of times the vehicle is driven.

- The 1st trip DTC is not displayed when the self-diagnosis results in OK for the 2nd trip.

SUMMARY CHART

Items	Fuel Injection System	Misfire	Other
MIL (goes off)	3 (pattern B)	3 (pattern B)	3 (pattern B)
DTC, Freeze Frame Data (no display)	80 (pattern C)	80 (pattern C)	40 (pattern A)
1st Trip DTC (clear)	1 (pattern C), *1	1 (pattern C), *1	1 (pattern B)
1st Trip Freeze Frame Data (clear)	*1, *2	*1, *2	1 (pattern B)

For details about patterns B and C under "Fuel Injection System" and "Misfire", see "EXPLANATION FOR DRIVING PATTERNS FOR "MISFIRE <EXHAUST QUALITY DETERIORATION>", "FUEL INJECTION SYSTEM".

For details about patterns A and B under Other, see "EXPLANATION FOR DRIVING PATTERNS FOR "MISFIRE <EXHAUST QUALITY DETERIORATION>", "FUEL INJECTION SYSTEM".

*1: Clear timing is at the moment OK is detected.

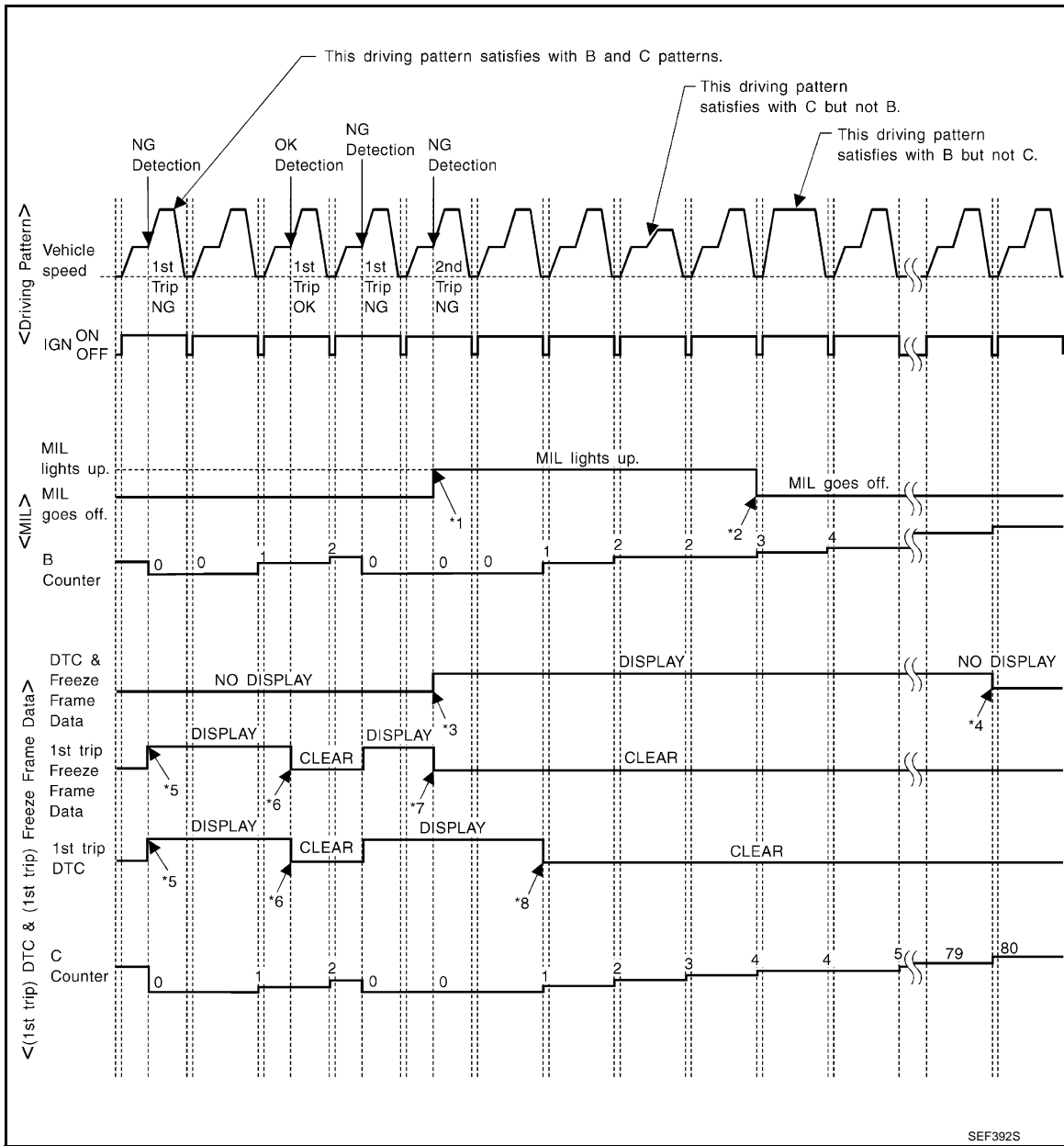
*2: Clear timing is when the same malfunction is detected in the 2nd trip.

RELATIONSHIP BETWEEN MIL, DTC, 1ST TRIP DTC AND DRIVING PATTERNS FOR "MISFIRE " <EXHAUST QUALITY DETERIORATION>, "FUEL INJECTION SYSTEM"

ON BOARD DIAGNOSTIC (OBD) SYSTEM

< SERVICE INFORMATION >

[VK45DE]



*1: When the same malfunction is detected in two consecutive trips, MIL will light up.

*2: MIL will go off after vehicle is driven 3 times (pattern B) without any malfunctions.

*3: When the same malfunction is detected in two consecutive trips, the DTC and the freeze frame data will be stored in ECM.

*4: The DTC and the freeze frame data will not be displayed any longer after vehicle is driven 80 times (pattern C) without the same malfunction. (The DTC and the freeze frame data still remain in ECM.)

*5: When a malfunction is detected for the first time, the 1st trip DTC and the 1st trip freeze frame data will be stored in ECM.

*6: The 1st trip DTC and the 1st trip freeze frame data will be cleared at the moment OK is detected.

*7: When the same malfunction is detected in the 2nd trip, the 1st trip freeze frame data will be cleared.

*8: 1st trip DTC will be cleared when vehicle is driven once (pattern C) without the same malfunction after DTC is stored in ECM.

EXPLANATION FOR DRIVING PATTERNS FOR "MISFIRE <EXHAUST QUALITY DETERIORATION>", "FUEL INJECTION SYSTEM"

<Driving Pattern B>

Driving pattern B means the vehicle operation as follows:

ON BOARD DIAGNOSTIC (OBD) SYSTEM

[VK45DE]

< SERVICE INFORMATION >

All components and systems should be monitored at least once by the OBD system.

- The B counter will be cleared when the malfunction is detected once regardless of the driving pattern.
- The B counter will be counted up when driving pattern B is satisfied without any malfunction.
- The MIL will go off when the B counter reaches 3. (*2 in "OBD SYSTEM OPERATION CHART")

<Driving Pattern C>

Driving pattern C means the vehicle operation as follows:

The following conditions should be satisfied at the same time:

Engine speed: (Engine speed in the freeze frame data) ± 375 rpm

Calculated load value: (Calculated load value in the freeze frame data) $\times (1 \pm 0.1)$ [%]

Engine coolant temperature (T) condition:

- When the freeze frame data shows lower than 70°C (158°F), T should be lower than 70°C (158°F).
- When the freeze frame data shows higher than or equal to 70°C (158°F), T should be higher than or equal to 70°C (158°F).

Example:

If the stored freeze frame data is as follows:

Engine speed: 850 rpm, Calculated load value: 30%, Engine coolant temperature: 80°C (176°F)

To be satisfied with driving pattern C, the vehicle should run under the following conditions:

Engine speed: 475 - 1,225 rpm, Calculated load value: 27 - 33%, Engine coolant temperature: more than 70°C (158°F)

- The C counter will be cleared when the malfunction is detected regardless of vehicle conditions above.
- The C counter will be counted up when vehicle conditions above is satisfied without the same malfunction.
- The DTC will not be displayed after C counter reaches 80.
- The 1st trip DTC will be cleared when C counter is counted once without the same malfunction after DTC is stored in ECM.

RELATIONSHIP BETWEEN MIL, DTC, 1ST TRIP DTC AND DRIVING PATTERNS EXCEPT FOR "MISFIRE <EXHAUST QUALITY DETERIORATION>", "FUEL INJECTION SYSTEM"

A

EC

C

D

E

F

G

H

I

J

K

L

M

N

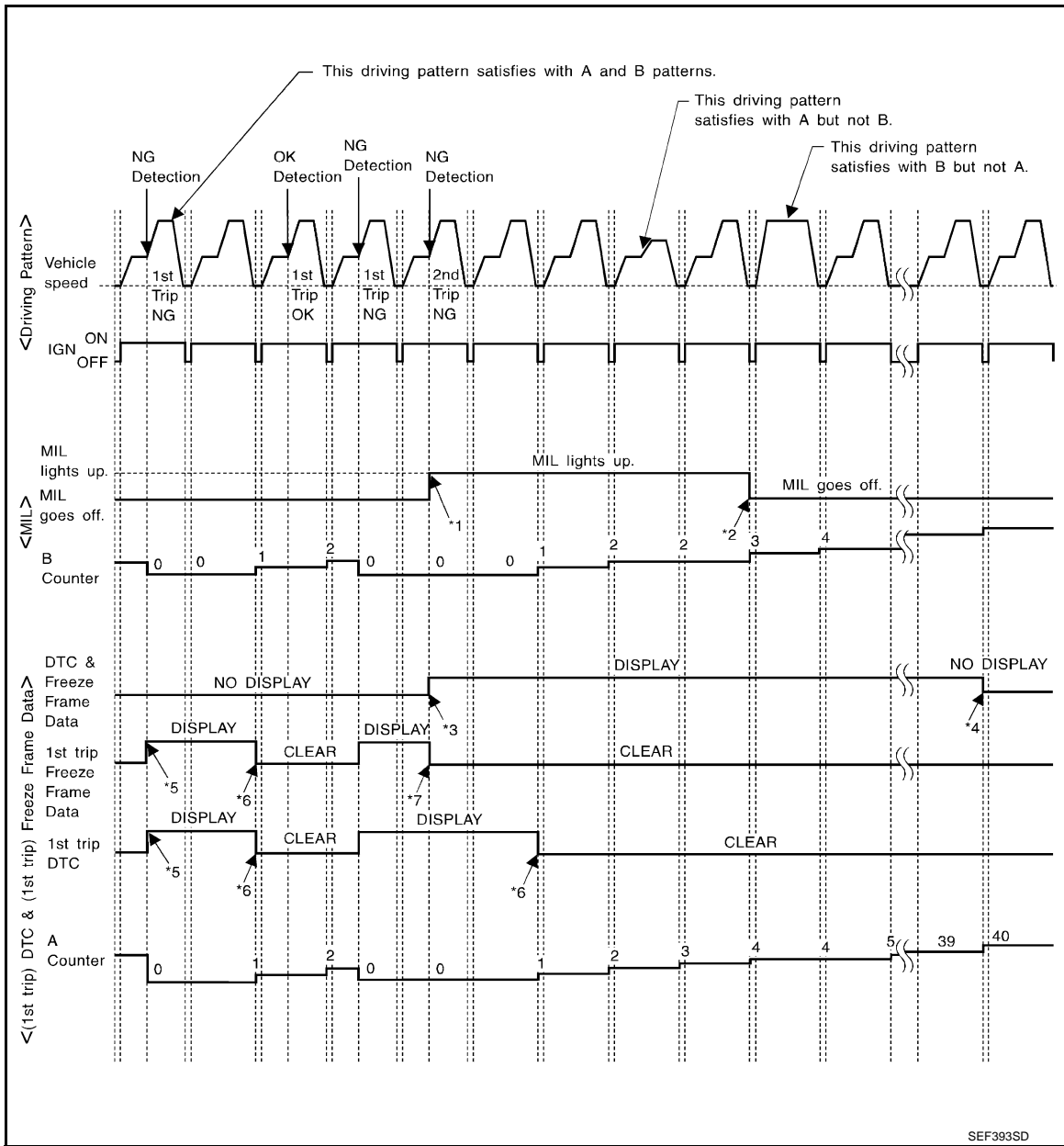
O

P

ON BOARD DIAGNOSTIC (OBD) SYSTEM

< SERVICE INFORMATION >

[VK45DE]



- *1: When the same malfunction is detected in two consecutive trips, MIL will light up.
- *2: MIL will go off after vehicle is driven 3 times (pattern B) without any malfunctions.
- *3: When the same malfunction is detected in two consecutive trips, the DTC and the freeze frame data will be stored in ECM.
- *4: The DTC and the freeze frame data will not be displayed any longer after vehicle is driven 40 times (pattern A) without the same malfunction. (The DTC and the freeze frame data still remain in ECM.)
- *5: When a malfunction is detected for the first time, the 1st trip DTC and the 1st trip freeze frame data will be stored in ECM.
- *6: 1st trip DTC will be cleared after vehicle is driven once (pattern B) without the same malfunction.
- *7: When the same malfunction is detected in the 2nd trip, the 1st trip freeze frame data will be cleared.

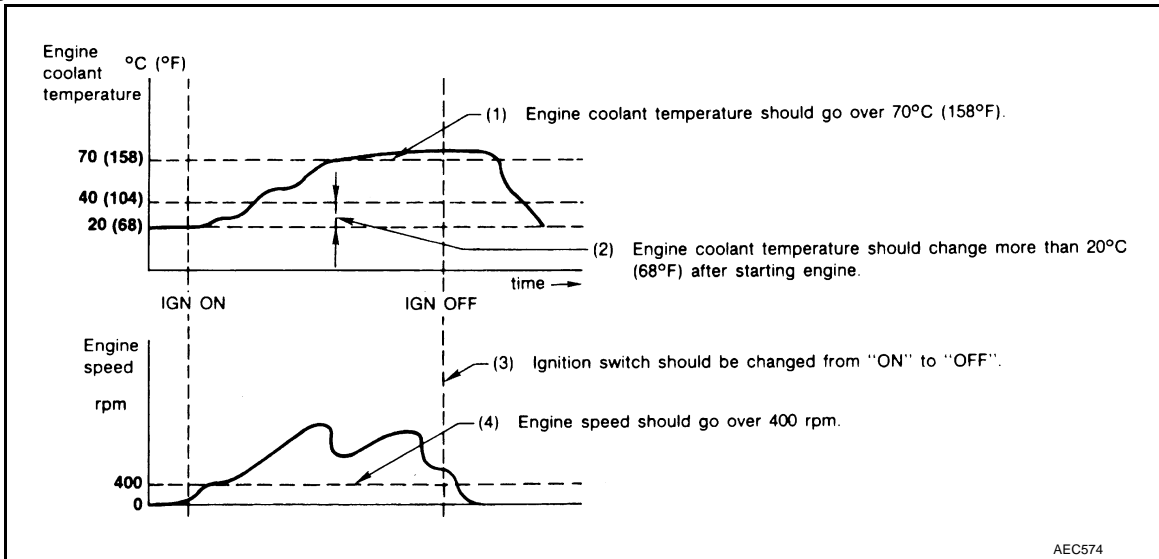
EXPLANATION FOR DRIVING PATTERNS EXCEPT FOR "MISFIRE <EXHAUST QUALITY DETERIORATION>", "FUEL INJECTION SYSTEM"

ON BOARD DIAGNOSTIC (OBD) SYSTEM

< SERVICE INFORMATION >

[VK45DE]

<Driving Pattern A>



- The A counter will be cleared when the malfunction is detected regardless of (1) - (4).
- The A counter will be counted up when (1) - (4) are satisfied without the same malfunction.
- The DTC will not be displayed after the A counter reaches 40.

<Driving Pattern B>

Driving pattern B means the vehicle operation as follows:

All components and systems should be monitored at least once by the OBD system.

- The B counter will be cleared when the malfunction is detected once regardless of the driving pattern.
- The B counter will be counted up when driving pattern B is satisfied without any malfunctions.
- The MIL will go off when the B counter reaches 3 (*2 in OBD SYSTEM OPERATION CHART).

A

EC

C

D

E

F

G

H

I

J

K

L

M

N

O

P

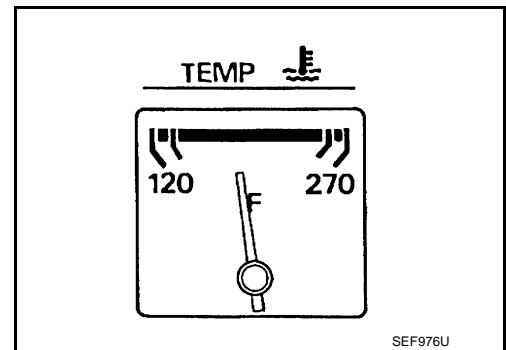
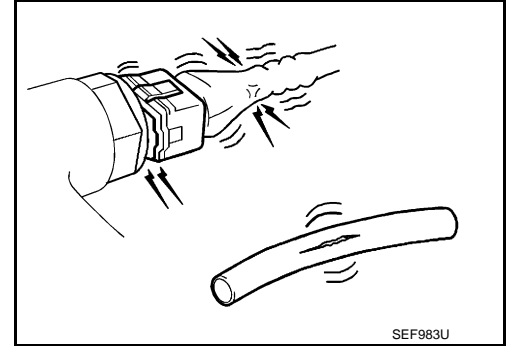
BASIC SERVICE PROCEDURE

Basic Inspection

INFOID:00000002954738

1.INSPECTION START

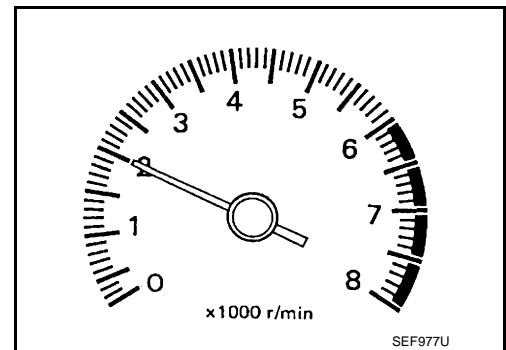
1. Check service records for any recent repairs that may indicate a related malfunction, or a current need for scheduled maintenance.
2. Open engine hood and check the following:
 - Harness connectors for improper connections
 - Wiring harness for improper connections, pinches and cut
 - Vacuum hoses for splits, kinks and improper connections
 - Hoses and ducts for leaks
 - Air cleaner clogging
 - Gasket
3. Confirm that electrical or mechanical loads are not applied.
 - Headlamp switch is OFF.
 - Air conditioner switch is OFF.
 - Rear window defogger switch is OFF.
 - Steering wheel is in the straight-ahead position, etc.
4. Start engine and warm it up until engine coolant temperature indicator points the middle of gauge. Ensure engine stays below 1,000 rpm.



5. Run engine at about 2,000 rpm for about 2 minutes under no load.
6. Make sure that no DTC is displayed with CONSULT-III or GST.

OK or NG

- OK >> GO TO 3.
 NG >> GO TO 2.



2.REPAIR OR REPLACE

Repair or replace components as necessary according to corresponding Diagnostic Procedure.

>> GO TO 3

3.CHECK TARGET IDLE SPEED

1. Run engine at about 2,000 rpm for about 2 minutes under no load.

BASIC SERVICE PROCEDURE

[VK45DE]

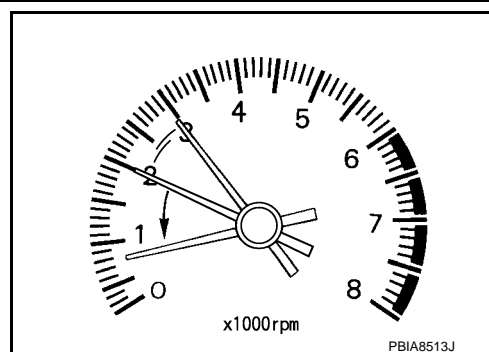
< SERVICE INFORMATION >

- Rev engine (2,000 to 3,000 rpm) two or three times under no load, then run engine at idle speed for about 1 minute.
- Check idle speed.
Refer to [EC-705. "Idle Speed and Ignition Timing Check"](#).

650 ± 50 rpm (in P or N position)

OK or NG

- OK >> GO TO 10.
NG >> GO TO 4.



4. PERFORM ACCELERATOR PEDAL RELEASED POSITION LEARNING

- Stop engine.
- Perform [EC-706. "Accelerator Pedal Released Position Learning"](#).

>> GO TO 5.

5. PERFORM THROTTLE VALVE CLOSED POSITION LEARNING

Perform [EC-706. "Throttle Valve Closed Position Learning"](#).

>> GO TO 6.

6. PERFORM IDLE AIR VOLUME LEARNING

Refer to [EC-707. "Idle Air Volume Learning"](#).

Is Idle Air Volume Learning carried out successfully?

Yes or No

- Yes >> GO TO 7.
No >> 1. Follow the instruction of Idle Air Volume Learning.
2. GO TO 4.

7. CHECK TARGET IDLE SPEED AGAIN

- Start engine and warm it up to normal operating temperature.
- Check idle speed.
Refer to [EC-705. "Idle Speed and Ignition Timing Check"](#).

650 ± 50 rpm (in P or N position)

OK or NG

- OK >> GO TO 10.
NG >> GO TO 8.

8. DETECT MALFUNCTIONING PART

Check the Following.

- Check camshaft position sensor (PHASE) and circuit. Refer to [EC-963](#).
- Check crankshaft position sensor (POS) and circuit. Refer to [EC-958](#).

OK or NG

- OK >> GO TO 9.
NG >> 1. Repair or replace.
2. GO TO 4.

9. CHECK ECM FUNCTION

- Substitute another known-good ECM to check ECM function. (ECM may be the cause of an incident, but this is a rare case.)
- Perform initialization of IVIS (NATS) system and registration of all IVIS (NATS) ignition key IDs. Refer to [BL-221. "ECM Re-Communicating Function"](#).

>> GO TO 4.

< SERVICE INFORMATION >

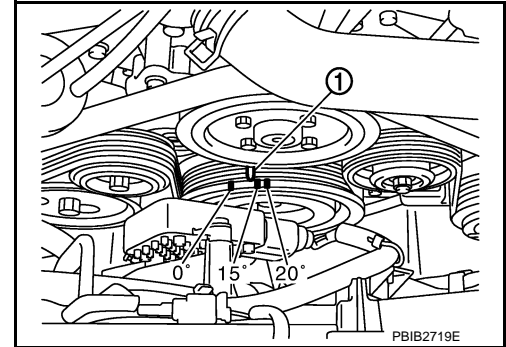
10. CHECK IGNITION TIMING

1. Run engine at idle.
2. Check ignition timing with a timing light.
Refer to [EC-705, "Idle Speed and Ignition Timing Check"](#).
- Timing indicator (1)

12 ± 5° BTDC (in P or N position)

OK or NG

- OK >> GO TO 19.
NG >> GO TO 11.



11. PERFORM ACCELERATOR PEDAL RELEASED POSITION LEARNING

1. Stop engine.
2. Perform [EC-706, "Accelerator Pedal Released Position Learning"](#).

>> GO TO 12.

12. PERFORM THROTTLE VALVE CLOSED POSITION LEARNING

Perform [EC-706, "Throttle Valve Closed Position Learning"](#).

>> GO TO 13.

13. PERFORM IDLE AIR VOLUME LEARNING

Refer to [EC-707, "Idle Air Volume Learning"](#).

Is Idle Air Volume Learning carried out successfully?

Yes or No

- Yes >> GO TO 14.
No >> 1. Follow the instruction of Idle Air Volume Learning.
 2. GO TO 4.

14. CHECK TARGET IDLE SPEED AGAIN

1. Start engine and warm it up to normal operating temperature.
2. Check idle speed.
Refer to [EC-705, "Idle Speed and Ignition Timing Check"](#).

650 ± 50 rpm (in P or N position)

OK or NG

- OK >> GO TO 15.
NG >> GO TO 17.

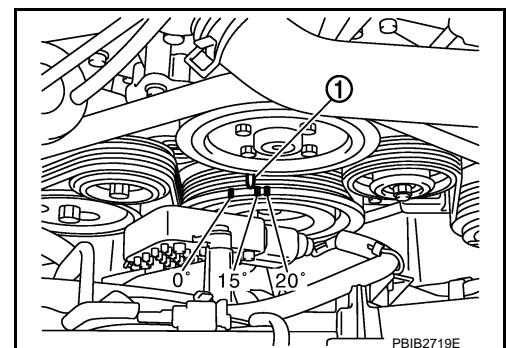
15. CHECK IGNITION TIMING AGAIN

1. Run engine at idle.
2. Check ignition timing with a timing light.
Refer to [EC-705, "Idle Speed and Ignition Timing Check"](#).
- Timing indicator (1)

12 ± 5° BTDC (in P or N position)

OK or NG

- OK >> GO TO 19.
NG >> GO TO 16.



BASIC SERVICE PROCEDURE

[VK45DE]

< SERVICE INFORMATION >

16.CHECK TIMING CHAIN INSTALLATION

Check timing chain installation. Refer to [EM-202](#).

OK or NG

- OK >> GO TO 17.
- NG >> 1. Repair the timing chain installation.
- 2. GO TO 4.

17.DETECT MALFUNCTIONING PART

Check the following.

- Check camshaft position sensor (PHASE) and circuit. Refer to [EC-963](#).
- Check crankshaft position sensor (POS) and circuit. Refer to [EC-958](#).

OK or NG

- OK >> GO TO 18.
- NG >> 1. Repair or replace.
- 2. GO TO 4.

18.CHECK ECM FUNCTION

1. Substitute another known-good ECM to check ECM function. (ECM may be the cause of an incident, but this is a rare case.)
2. Perform initialization of IVIS (NATS) system and registration of all IVIS (NATS) ignition key IDs. Refer to [BL-221, "ECM Re-Communicating Function"](#).

>> GO TO 4.

19.INSPECTION END

Did you replace ECM, referring this Basic Inspection procedure?

Yes or No

- Yes >> 1. Perform [EC-706, "VIN Registration"](#).
- 2. **INSPECTION END**
- No >> **INSPECTION END**

Idle Speed and Ignition Timing Check

INFOID:000000002954739

IDLE SPEED

Ⓟ With CONSULT-III

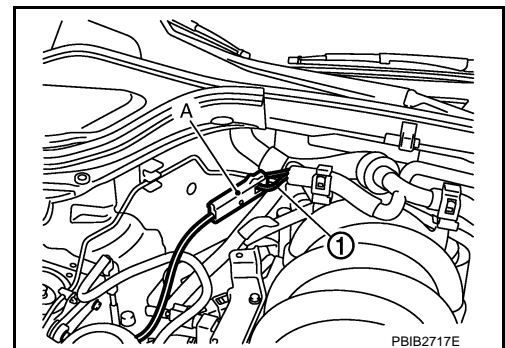
Check idle speed in "DATA MONITOR" mode with CONSULT-III.

Ⓢ With GST

Check idle speed with GST.

IGNITION TIMING

1. Attach timing light A to loop wire (1) as shown.

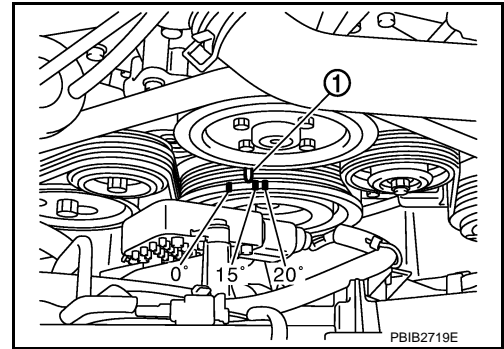


BASIC SERVICE PROCEDURE

[VK45DE]

< SERVICE INFORMATION >

2. Check ignition timing.
 - Timing indicator (1)



Procedure After Replacing ECM

INFOID:000000002954740

When replacing ECM, the following procedure must be performed.

1. Perform initialization of IVIS (NATS) system and registration of all IVIS (NATS) ignition key IDs. Refer to [BL-221, "ECM Re-Communicating Function"](#).
2. Perform [EC-706, "VIN Registration"](#).
3. Perform [EC-706, "Accelerator Pedal Released Position Learning"](#).
4. Perform [EC-706, "Throttle Valve Closed Position Learning"](#).
5. Perform [EC-707, "Idle Air Volume Learning"](#).

VIN Registration

INFOID:000000002954741

DESCRIPTION

VIN Registration is an operation to registering VIN in ECM. It must be performed each time ECM is replaced.

NOTE:

Accurate VIN which is registered in ECM may be required for Inspection & Maintenance (I/M).

OPERATION PROCEDURE

④ With CONSULT-III

1. Check the VIN of the vehicle and note it. Refer to [EM-192, "Component"](#).
2. Turn ignition switch ON and engine stopped.
3. Select "VIN REGISTRATION" in "WORK SUPPORT" mode.
4. Follow the instruction of CONSULT-III display.

Accelerator Pedal Released Position Learning

INFOID:000000002954742

DESCRIPTION

Accelerator Pedal Released Position Learning is an operation to learn the fully released position of the accelerator pedal by monitoring the accelerator pedal position sensor output signal. It must be performed each time harness connector of accelerator pedal position sensor or ECM is disconnected.

OPERATION PROCEDURE

1. Make sure that accelerator pedal is fully released.
2. Turn ignition switch ON and wait at least 2 seconds.
3. Turn ignition switch OFF and wait at least 10 seconds.
4. Repeat steps 2 and 3 four times.

Throttle Valve Closed Position Learning

INFOID:000000002954743

DESCRIPTION

Throttle Valve Closed Position Learning is an operation to learn the fully closed position of the throttle valve by monitoring the throttle position sensor output signal. It must be performed each time harness connector of electric throttle control actuator or ECM is disconnected.

OPERATION PROCEDURE

1. Make sure that accelerator pedal is fully released.
2. Turn ignition switch ON.
3. Turn ignition switch OFF and wait at least 10 seconds.
Make sure that throttle valve moves during above 10 seconds by confirming the operating sound.

Idle Air Volume Learning

INFOID:000000002954744

DESCRIPTION

Idle Air Volume Learning is an operation to learn the idle air volume that keeps each engine within the specific range. It must be performed under any of the following conditions:

- Each time electric throttle control actuator or ECM is replaced.
- Idle speed or ignition timing is out of specification.

PREPARATION

Before performing Idle Air Volume Learning, make sure that all of the following conditions are satisfied. Learning will be cancelled if any of the following conditions are missed for even a moment.

- Battery voltage: More than 12.9V (At idle)
- Engine coolant temperature: 70 - 105°C (158 - 221°F)
- Transmission range switch: ON
- Electric load switch: OFF
(Air conditioner, headlamp, rear window defogger)

On vehicles equipped with daytime light systems, if the parking brake is applied before the engine is started the headlamp will not be illuminated.

- Steering wheel: Neutral (Straight-ahead position)
- Vehicle speed: Stopped
- Transmission: Warmed-up
- With CONSULT-III: Drive vehicle until "ATF TEMP SE 1" in "DATA MONITOR" mode of "TRANSMISSION" system indicates less than 0.9V.
- Without CONSULT-III: Drive vehicle for 10 minutes.

OPERATION PROCEDURE

☑ With CONSULT-III

1. Perform [EC-706, "Accelerator Pedal Released Position Learning"](#).
2. Perform [EC-706, "Throttle Valve Closed Position Learning"](#).
3. Start engine and warm it up to normal operating temperature.
4. Check that all items listed under the topic PREPARATION (previously mentioned) are in good order.
5. Select "IDLE AIR VOL LEARN" in "WORK SUPPORT" mode.
6. Touch "START" and wait 20 seconds.
7. Make sure that "CMPLT" is displayed on CONSULT-III screen. If "CMPLT" is not displayed, Idle Air Volume Learning will not be carried out successfully. In this case, find the cause of the incident by referring to the DIAGNOSTIC PROCEDURE below.
8. Rev up the engine two or three times and make sure that idle speed and ignition timing are within the specifications.

ITEM	SPECIFICATION
Idle speed	650 ± 50 rpm (in P or N position)
Ignition timing	12 ± 5° BTDC (in P or N position)

⊗ Without CONSULT-III

NOTE:

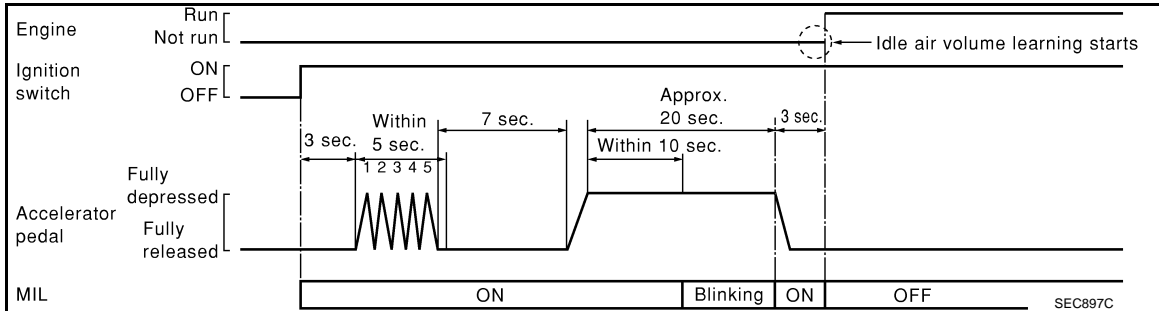
- It is better to count the time accurately with a clock.
 - It is impossible to switch the diagnostic mode when an accelerator pedal position sensor circuit has a malfunction.
1. Perform [EC-706, "Accelerator Pedal Released Position Learning"](#).
 2. Perform [EC-706, "Throttle Valve Closed Position Learning"](#).
 3. Start engine and warm it up to normal operating temperature.

BASIC SERVICE PROCEDURE

[VK45DE]

< SERVICE INFORMATION >

4. Check that all items listed under the topic PREPARATION (previously mentioned) are in good order.
5. Turn ignition switch OFF and wait at least 10 seconds.
6. Confirm that accelerator pedal is fully released, turn ignition switch ON and wait 3 seconds.
7. Repeat the following procedure quickly five times within 5 seconds.
 - a. Fully depress the accelerator pedal.
 - b. Fully release the accelerator pedal.
8. Wait 7 seconds, fully depress the accelerator pedal and keep it for approx. 20 seconds until the MIL stops blinking and turned ON.
9. Fully release the accelerator pedal within 3 seconds after the MIL turned ON.
10. Start engine and let it idle.
11. Wait 20 seconds.



12. Rev up the engine two or three times and make sure that idle speed and ignition timing are within the specifications.

ITEM	SPECIFICATION
Idle speed	650 ± 50 rpm (in P or N position)
Ignition timing	12 ± 5° BTDC (in P or N position)

13. If idle speed and ignition timing are not within the specification, Idle Air Volume Learning will not be carried out successfully. In this case, find the cause of the incident by referring to the Diagnostic Procedure below.

DIAGNOSTIC PROCEDURE

If idle air volume learning cannot be performed successfully, proceed as follows:

1. Check that throttle valve is fully closed.
2. Check PCV valve operation.
3. Check that downstream of throttle valve is free from air leakage.
4. When the above three items check out OK, engine component parts and their installation condition are questionable. Check and eliminate the cause of the incident.
It is useful to perform [EC-755, "Inspection Procedure"](#).
5. If any of the following conditions occur after the engine has started, eliminate the cause of the incident and perform Idle Air Volume Learning all over again:

- Engine stalls.
- Erroneous idle.

Fuel Pressure Check

INFOID:000000002954745

FUEL PRESSURE RELEASE

Ⓟ With CONSULT-III

1. Turn ignition switch ON.
2. Perform "FUEL PRESSURE RELEASE" in "WORK SUPPORT" mode with CONSULT-III.
3. Start engine.
4. After engine stalls, crank it two or three times to release all fuel pressure.
5. Turn ignition switch OFF.

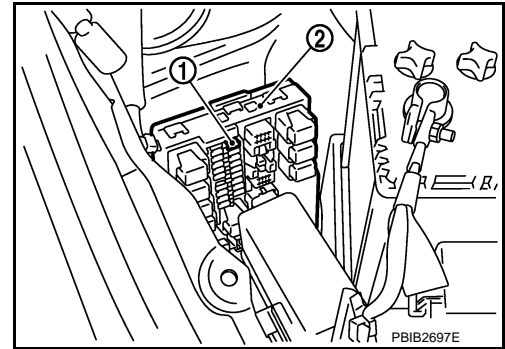
ⓧ Without CONSULT-III

BASIC SERVICE PROCEDURE

[VK45DE]

< SERVICE INFORMATION >

1. Remove fuel pump fuse (1) located in IPDM E/R (2).
2. Start engine.
3. After engine stalls, crank it 2 or 3 times to release all fuel pressure.
4. Turn ignition switch OFF.
5. Reinstall fuel pump fuse after servicing fuel system.



FUEL PRESSURE CHECK

CAUTION:

Before disconnecting fuel line, release fuel pressure from fuel line to eliminate danger.

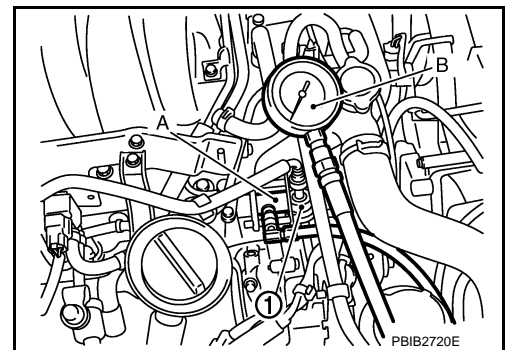
NOTE:

- Prepare pans or saucers under the disconnected fuel line because the fuel may spill out. The fuel pressure cannot be completely released because Y50 models do not have fuel return system.
- Use Fuel Pressure Gauge Kit (J-44321) to check fuel pressure.

1. Release fuel pressure to zero. Refer to "FUEL PRESSURE RELEASE".
2. Install the inline fuel quick disconnect fitting A between fuel damper (1) and fuel tube.
3. Connect the fuel pressure gauge B (quick connect adapter hose) to the inline fuel quick disconnect fitting.
4. Turn ignition switch ON and check for fuel leakage.
5. Start engine and check for fuel leakage.
6. Read the indication of fuel pressure gauge.

At idling: Approximately 350 kPa (3.57 kg/cm², 51 psi)

7. If result is unsatisfactory, go to next step.
8. Check the following.
 - Fuel hoses and fuel tubes for clogging
 - Fuel filter for clogging
 - Fuel pump
 - Fuel pressure regulator for cloggingIf OK, replace fuel level sensor unit, fuel filter and fuel pump assembly.
If NG, repair or replace.



A

EC

C

D

E

F

G

H

I

J

K

L

M

N

O

P

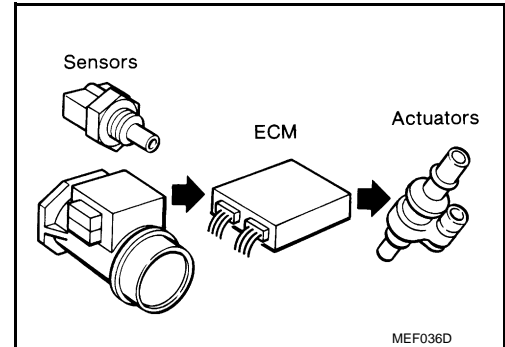
TROUBLE DIAGNOSIS

Trouble Diagnosis Introduction

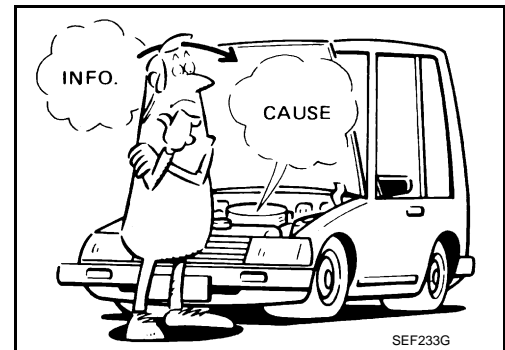
INFOID:00000002954746

INTRODUCTION

The engine has an ECM to control major systems such as fuel control, ignition control, idle air control system, etc. The ECM accepts input signals from sensors and instantly drives actuators. It is essential that both input and output signals are proper and stable. At the same time, it is important that there are no malfunctions such as vacuum leaks, fouled spark plugs, or other malfunctions with the engine.



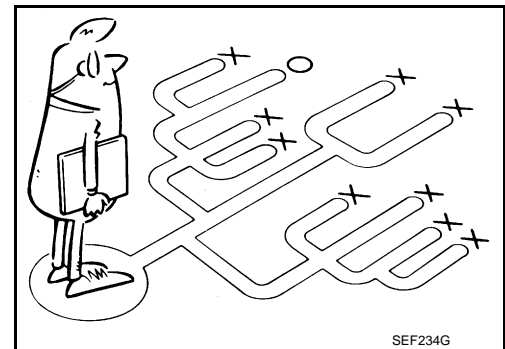
It is much more difficult to diagnose an incident that occurs intermittently rather than continuously. Most intermittent incidents are caused by poor electric connections or improper wiring. In this case, careful checking of suspected circuits may help prevent the replacement of good parts.



A visual check only may not find the cause of the incidents. A road test with CONSULT-III (or GST) or a circuit tester connected should be performed. Follow the Work Flow below.

Before undertaking actual checks, take a few minutes to talk with a customer who approaches with a driveability complaint. The customer can supply good information about such incidents, especially intermittent ones. Find out what symptoms are present and under what conditions they occur. A Diagnostic Worksheet like the example on "Worksheet Sample" should be used.

Start your diagnosis by looking for conventional malfunctions first. This will help troubleshoot driveability malfunctions on an electronically controlled engine vehicle.



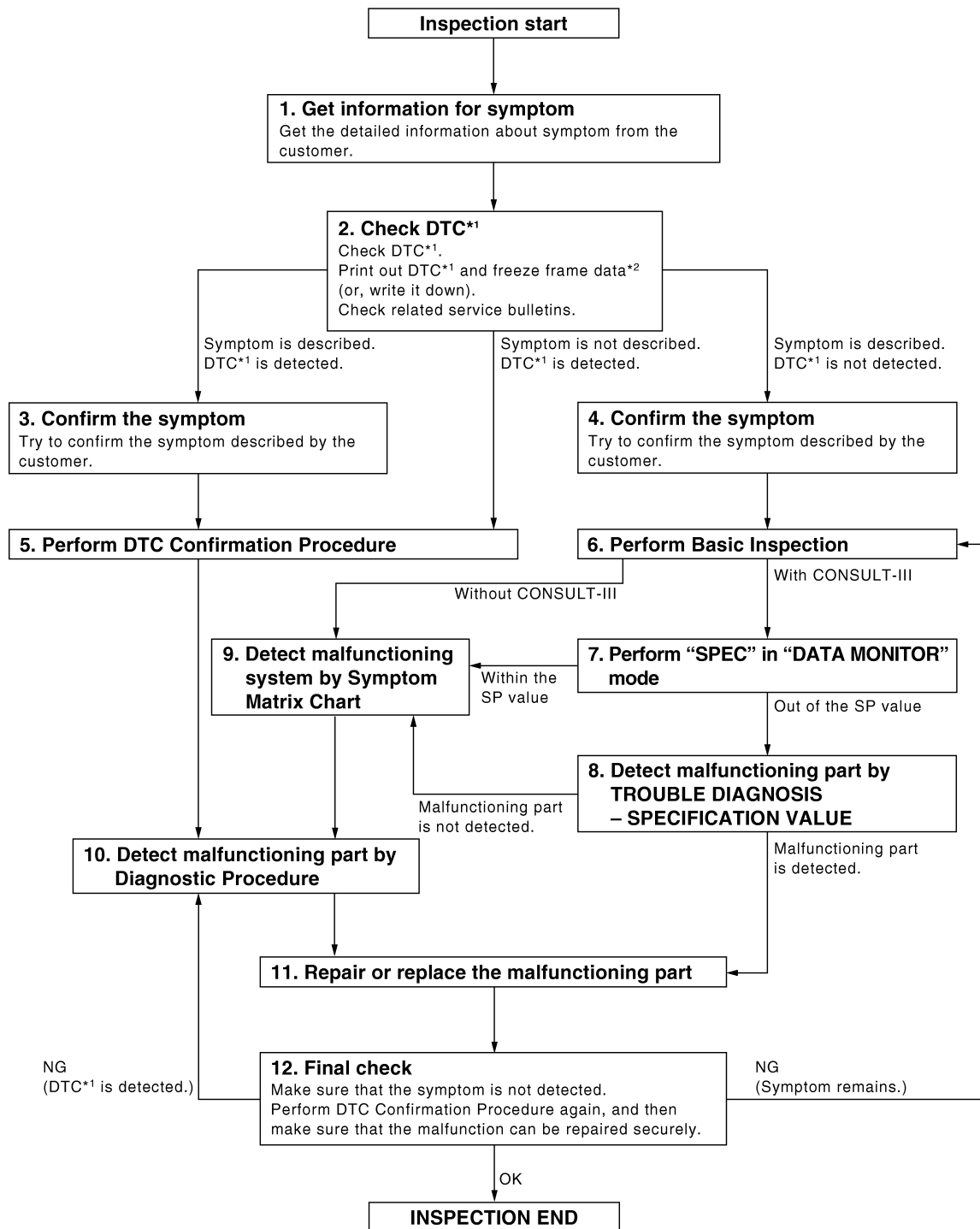
WORK FLOW

TROUBLE DIAGNOSIS

< SERVICE INFORMATION >

[VK45DE]

Overall Sequence



*1: Include 1st trip DTC.

*2: Include 1st trip freeze frame data.

PBIB3456E

Detailed Flow

1.GET INFORMATION FOR SYMPTOM

Get the detailed information from the customer about the symptom (the condition and the environment when the incident/malfunction occurred) using the "DIAGNOSTIC WORKSHEET".

>> GO TO 2.

< SERVICE INFORMATION >

2. CHECK DTC*1

1. Check DTC*1.
2. Perform the following procedure if DTC*1 is displayed.
 - Record DTC*1 and freeze frame data*2. (Print them out with CONSULT-III or GST.)
 - Erase DTC*1. (Refer to "How to Erase DTC" in [EC-677, "Emission-Related Diagnostic Information"](#).)
 - Study the relationship between the cause detected by DTC*1 and the symptom described by the customer. (Symptom Matrix Chart is useful. Refer to [EC-717, "Symptom Matrix Chart"](#).)
3. Check related service bulletins for information.

Is any symptom described and any DTC detected?

Symptom is described, DTC*1 is displayed>>GO TO 3.

Symptom is described, DTC*1 is not displayed>>GO TO 4.

Symptom is not described, DTC*1 is displayed>>GO TO 5.

3. CONFIRM THE SYMPTOM

Try to confirm the symptom described by the customer (except MIL ON).

DIAGNOSIS WORKSHEET is useful to verify the incident.

Verify relation between the symptom and the condition when the symptom is detected.

>> GO TO 5.

4. CONFIRM THE SYMPTOM

Try to confirm the symptom described by the customer.

DIAGNOSIS WORKSHEET is useful to verify the incident.

Verify relation between the symptom and the condition when the symptom is detected.

>> GO TO 6.

5. PERFORM DTC CONFIRMATION PROCEDURE

Perform DTC Confirmation Procedure for the displayed DTC*1, and then check that DTC*1 is detected again.

If two or more DTCs*1 are detected, refer to [EC-714, "DTC Inspection Priority Chart"](#) and determine trouble diagnosis order.

NOTE:

- Freeze frame data*2 is useful if the DTC*1 is not detected.
- Perform Overall Function Check if DTC Confirmation Procedure is not included on Service Manual. This simplified check procedure is an effective alternative though DTC*1 cannot be detected during this check. If the result of Overall Function Check is NG, it is the same as the detection of DTC*1 by DTC Confirmation Procedure.

Is DTC*1 detected?

Yes >> GO TO 10.

No >> Check according to [EC-763, "Diagnosis Procedure"](#).

6. PERFORM BASIC INSPECTION

Perform [EC-702, "Basic Inspection"](#).

With CONSULT-III>>GO TO 7.

Without CONSULT-III>>GO TO 9.

7. PERFORM SPEC IN DATA MONITOR MODE

 With CONSULT-III

Make sure that "MAS A/F SE-B1", "B/FUEL SCHDL", "A/F ALPHA-B1" and "A/F ALPHA-B2" are within the SP value using "SPEC" in "DATA MONITOR" mode with CONSULT-III. Refer to [EC-755, "Inspection Procedure"](#).

Are they within the SP value?

Yes >> GO TO 9.

No >> GO TO 8.

TROUBLE DIAGNOSIS

< SERVICE INFORMATION >

[VK45DE]

8. DETECT MALFUNCTIONING PART BY TROUBLE DIAGNOSIS - SPECIFICATION VALUE

Detect malfunctioning part according to [EC-756, "Diagnosis Procedure"](#).

Is malfunctioning part detected?

Yes >> GO TO 11.

No >> GO TO 9.

9. DETECT MALFUNCTIONING SYSTEM BY SYMPTOM MATRIX CHART

Detect malfunctioning system according to [EC-717, "Symptom Matrix Chart"](#) based on the confirmed symptom in step 4, and determine the trouble diagnosis order based on possible causes and symptom.

>> GO TO 10.

10. DETECT MALFUNCTIONING PART BY DIAGNOSTIC PROCEDURE

Inspect according to Diagnostic Procedure of the system.

NOTE:

The Diagnostic Procedure in EC section described based on open circuit inspection. A short circuit inspection is also required for the circuit check in the Diagnostic Procedure. For details, refer to Circuit Inspection in [GI-26, "How to Perform Efficient Diagnosis for an Electrical Incident"](#).

Is malfunctioning part detected?

Yes >> GO TO 11.

No >> Monitor input data from related sensors or check voltage of related ECM terminals using CONSULT-III. Refer to [EC-751, "CONSULT-III Reference Value in Data Monitor Mode"](#), [EC-733, "ECM Terminal and Reference Value"](#).

11. REPAIR OR REPLACE THE MALFUNCTIONING PART

1. Repair or replace the malfunctioning part.
2. Reconnect parts or connectors disconnected during Diagnostic Procedure again after repair and replacement.
3. Check DTC. If DTC is displayed, erase it, refer to "How to Erase DTC" in [EC-677, "Emission-Related Diagnostic Information"](#).

>> GO TO 12.

12. FINAL CHECK

When DTC was detected in step 2, perform DTC Confirmation Procedure or Overall Function Check again, and then make sure that the malfunction have been repaired securely.

When symptom was described from the customer, refer to confirmed symptom in step 3 or 4, and make sure that the symptom is not detected.

OK or NG

NG (DTC*1 is detected)>>GO TO 10.

NG (Symptom remains)>>GO TO 6.

OK >> 1. Before returning the vehicle to the customer, make sure to erase unnecessary DTC*1 in TCM (Transmission Control Module) and ECM. (Refer to "HOW TO ERASE DTC" in [AT-40, "OBD-II Diagnostic Trouble Code \(DTC\)"](#) and "How to Erase DTC" in [EC-677, "Emission-Related Diagnostic Information"](#).)

2. If the completion of SRT is needed, drive vehicle under the specific driving pattern. Refer to "How to Set SRT Code" in [EC-677, "Emission-Related Diagnostic Information"](#).

3. **INSPECTION END**

*1: Include 1st trip DTC.

*2: Include 1st trip freeze frame data.

DIAGNOSTIC WORKSHEET

Description

TROUBLE DIAGNOSIS

< SERVICE INFORMATION >

[VK45DE]

Priority	Detected items (DTC)	A
1	<ul style="list-style-type: none"> • U1000 U1001 CAN communication line • U1010 CAN communication • P0101 P0102 P0103 Mass air flow sensor • P0112 P0113 P0127 Intake air temperature sensor • P0116 P0117 P0118 P0125 Engine coolant temperature sensor • P0122 P0123 P0222 P0223 P1225 P1226 P2135 Throttle position sensor • P0128 Thermostat function • P0181 P0182 P0183 Fuel tank temperature sensor • P0327 P0328 P0332 P0333 Knock sensor • P0335 Crankshaft position sensor (POS) • P0340 Camshaft position sensor (PHASE) • P0460 P0461 P0462 P0463 Fuel level sensor • P0500 Vehicle speed sensor • P0605 ECM • P0643 Sensor power supply • P0700 TCM • P0705 Transmission range switch • P0850 Transmission range switch • P1550 P1551 P1552 P1553 P1554 Battery current sensor • P1610 - P1615 NATS • P2122 P2123 P2127 P2128 P2138 Accelerator pedal position sensor 	<p>EC</p> <p>C</p> <p>D</p> <p>E</p> <p>F</p>
2	<ul style="list-style-type: none"> • P0031 P0032 P0051 P0052 Air fuel ratio (A/F) sensor 1 heater • P0037 P0038 P0057 P0058 Heated oxygen sensor 2 heater • P0075 P0081 Intake valve timing control solenoid valve • P0130 P0131 P0132 P0133 P0150 P0151 P0152 P0153 P2A00 P2A03 Air fuel ratio (A/F) sensor 1 • P0137 P0138 P0139 P0157 P0158 P0159 Heated oxygen sensor 2 • P0441 EVAP control system purge flow monitoring • P0443 P0444 P0445 EVAP canister purge volume control solenoid valve • P0447 P0448 EVAP canister vent control valve • P0451 P0452 P0453 EVAP control system pressure sensor • P0550 Power steering pressure sensor • P0603 ECM power supply • P0710 P0717 P0720 P0731 P0732 P0733 P0734 P0735 P0740 P0744 P0745 P1730 P1752 P1757 P1762 P1767 P1772 P1774 A/T related sensors, solenoid valves and switches • P1140 P1145 Intake valve timing control position sensor • P1217 Engine over temperature (OVERHEAT) • P1220 Fuel pump control module • P1805 Brake switch • P2100 P2103 Throttle control motor relay • P2101 Electric throttle control function • P2118 Throttle control motor 	<p>G</p> <p>H</p> <p>I</p> <p>J</p> <p>K</p> <p>L</p>
3	<ul style="list-style-type: none"> • P0011 P0021 Intake valve timing control • P0171 P0172 P0174 P0175 Fuel injection system function • P0300 - P0308 Misfire • P0420 P0430 Three way catalyst function • P0442 P0456 EVAP control system (SMALL LEAK, VERY SMALL LEAK) • P0455 EVAP control system (GROSS LEAK) • P0506 P0507 Idle speed control system • P1148 P1168 Closed loop control • P1211 TCS control unit • P1212 TCS communication line • P1421 Cold start control • P1564 ICC steering switch / ASCD steering switch • P1568 ICC command value • P1572 ICC brake switch / ASCD brake switch • P1574 ICC vehicle speed sensor / ASCD vehicle speed sensor • P1715 Input speed sensor • P1800 VIAS control solenoid valve • P2119 Electric throttle control actuator 	<p>M</p> <p>N</p> <p>O</p> <p>P</p>

Fail-Safe Chart

INFOID:000000002954748

When the DTC listed below is detected, the ECM enters fail-safe mode and the MIL lights up.

TROUBLE DIAGNOSIS

< SERVICE INFORMATION >

[VK45DE]

DTC No.	Detected items	Engine operating condition in fail-safe mode								
P0102 P0103	Mass air flow sensor circuit	Engine speed will not rise more than 2,400 rpm due to the fuel cut.								
P0117 P0118	Engine coolant temperature sensor circuit	<p>Engine coolant temperature will be determined by ECM based on the following conditions. CONSULT-III displays the engine coolant temperature decided by ECM.</p> <table border="1" style="width: 100%; border-collapse: collapse;"> <thead> <tr> <th style="width: 50%;">Condition</th> <th style="width: 50%;">Engine coolant temperature decided (CONSULT-III display)</th> </tr> </thead> <tbody> <tr> <td>Just as ignition switch is turned ON or START</td> <td style="text-align: center;">40°C (104°F)</td> </tr> <tr> <td>Approx. 4 minutes or more after engine starting.</td> <td style="text-align: center;">80°C (176°F)</td> </tr> <tr> <td>Except as shown above</td> <td style="text-align: center;">40 - 80°C (104 - 176°F) (Depends on the time)</td> </tr> </tbody> </table> <p>When the fail-safe system for engine coolant temperature sensor is activated, the cooling fan operates while engine is running.</p>	Condition	Engine coolant temperature decided (CONSULT-III display)	Just as ignition switch is turned ON or START	40°C (104°F)	Approx. 4 minutes or more after engine starting.	80°C (176°F)	Except as shown above	40 - 80°C (104 - 176°F) (Depends on the time)
Condition	Engine coolant temperature decided (CONSULT-III display)									
Just as ignition switch is turned ON or START	40°C (104°F)									
Approx. 4 minutes or more after engine starting.	80°C (176°F)									
Except as shown above	40 - 80°C (104 - 176°F) (Depends on the time)									
P0122 P0123 P0222 P0223 P2135	Throttle position sensor	<p>The ECM controls the electric throttle control actuator in regulating the throttle opening in order for the idle position to be within +10 degrees.</p> <p>The ECM regulates the opening speed of the throttle valve to be slower than the normal condition.</p> <p>So, the acceleration will be poor.</p>								
P0643	Sensor power supply	ECM stops the electric throttle control actuator control, throttle valve is maintained at a fixed opening (approx. 5 degrees) by the return spring.								
P2100 P2103	Throttle control motor relay	ECM stops the electric throttle control actuator control, throttle valve is maintained at a fixed opening (approx. 5 degrees) by the return spring.								
P2101	Electric throttle control function	ECM stops the electric throttle control actuator control, throttle valve is maintained at a fixed opening (approx. 5 degrees) by the return spring.								
P2118	Throttle control motor	ECM stops the electric throttle control actuator control, throttle valve is maintained at a fixed opening (approx. 5 degrees) by the return spring.								
P2119	Electric throttle control actuator	<p>(When electric throttle control actuator does not function properly due to the return spring malfunction:)</p> <p>ECM controls the electric throttle actuator by regulating the throttle opening around the idle position. The engine speed will not rise more than 2,000 rpm.</p> <p>(When throttle valve opening angle in fail-safe mode is not in specified range:)</p> <p>ECM controls the electric throttle control actuator by regulating the throttle opening to 20 degrees or less.</p> <p>(When ECM detects the throttle valve is stuck open:)</p> <p>While the vehicle is driving, it slows down gradually by fuel cut. After the vehicle stops, the engine stalls.</p> <p>The engine can restart in N or P position, and engine speed will not exceed 1,000 rpm or more.</p>								
P2122 P2123 P2127 P2128 P2138	Accelerator pedal position sensor	<p>The ECM controls the electric throttle control actuator in regulating the throttle opening in order for the idle position to be within +10 degrees.</p> <p>The ECM regulates the opening speed of the throttle valve to be slower than the normal condition.</p> <p>So, the acceleration will be poor.</p>								

- When there is an open circuit on MIL circuit, the ECM cannot warn the driver by lighting up MIL when there is malfunction on engine control system.
Therefore, when electrical controlled throttle and part of ECM related diagnoses are continuously detected as NG for 5 trips, ECM warns the driver that engine control system malfunctions and MIL circuit is open by means of operating fail-safe function.
The fail-safe function also operates when above diagnoses except MIL circuit are detected and demands the driver to repair the malfunction.

Engine operating condition in fail-safe mode	Engine speed will not rise more than 2,500 rpm due to the fuel cut
--	--

TROUBLE DIAGNOSIS

< SERVICE INFORMATION >

[VK45DE]

Symptom Matrix Chart

INFOID:00000002954749

SYSTEM — BASIC ENGINE CONTROL SYSTEM

		SYMPTOM												Reference page	
		HARD/NO START/RESTART (EXCP. HA)	ENGINE STALL	HESITATION/SURGING/FLAT SPOT	SPARK KNOCK/DETONATION	LACK OF POWER/POOR ACCELERATION	HIGH IDLE/LOW IDLE	ROUGH IDLE/HUNTING	IDLING VIBRATION	SLOW/NO RETURN TO IDLE	OVERHEATS/WATER TEMPERATURE HIGH	EXCESSIVE FUEL CONSUMPTION	EXCESSIVE OIL CONSUMPTION		BATTERY DEAD (UNDER CHARGE)
Warranty symptom code		AA	AB	AC	AD	AE	AF	AG	AH	AJ	AK	AL	AM	HA	
Fuel	Fuel pump circuit	1	1	2	3	2		2	2			3		2	EC-1237
	Fuel pressure regulator system	3	3	4	4	4	4	4	4	4		4			EC-708
	Fuel injector circuit	1	1	2	3	2		2	2			2			EC-1232
	Evaporative emission system	3	3	4	4	4	4	4	4	4	4	4			EC-662
Air	Positive crankcase ventilation system	3	3	4	4	4	4	4	4	4	4	4	1		EC-673
	Incorrect idle speed adjustment						1	1	1	1		1			EC-702
	Electric throttle control actuator	1	1	2	3	3	2	2	2	2		2		2	EC-1175 , EC-1186
Ignition	Incorrect ignition timing adjustment	3	3	1	1	1		1	1			1			EC-702
	Ignition circuit	1	1	2	2	2		2	2			2			EC-1248
Main power supply and ground circuit		2	2	3	3	3		3	3		2	3			EC-764
Mass air flow sensor circuit		1			2										EC-806 , EC-814
Engine coolant temperature sensor circuit					3										
Air fuel ratio (A/F) sensor 1 circuit			1	2	3	2		2	2			2			EC-848 , EC-856 , EC-864 , EC-872 , EC-1212
Throttle position sensor circuit							2			2					EC-833 , EC-941 , EC-1099 , EC-1101 , EC-1199
Accelerator pedal position sensor circuit				3	2	1									EC-1061 , EC-1188 , EC-1193 , EC-1205
Knock sensor circuit				2								3			EC-953
Crankshaft position sensor (POS) circuit		2	2												EC-958
Camshaft position sensor (PHASE) circuit		3	2												EC-963

A
EC
C
D
E
F
G
H
I
J
K
L
M
N
O
P

TROUBLE DIAGNOSIS

< SERVICE INFORMATION >

[VK45DE]

	SYMPTOM													Reference page
	HARD/NO START/RESTART (EXCP. HA)	ENGINE STALL	HESITATION/SURGING/FLAT SPOT	SPARK KNOCK/DETONATION	LACK OF POWER/POOR ACCELERATION	HIGH IDLE/LOW IDLE	ROUGH IDLE/HUNTING	IDLING VIBRATION	SLOW/NO RETURN TO IDLE	OVERHEATS/WATER TEMPERATURE HIGH	EXCESSIVE FUEL CONSUMPTION	EXCESSIVE OIL CONSUMPTION	BATTERY DEAD (UNDER CHARGE)	
Warranty symptom code	AA	AB	AC	AD	AE	AF	AG	AH	AJ	AK	AL	AM	HA	
Vehicle speed signal circuit		2	3		3						3			EC-1044
Power steering pressure sensor circuit		2					3	3						EC-1050
ECM	2	2	3	3	3	3	3	3	3	3	3			EC-1055 , EC-1059
Intake valve timing control solenoid valve circuit		3	2		1	3	2	2	3		3			EC-799
Transmission range switch circuit			3		3		3	3			3			EC-1066
Refrigerant pressure sensor circuit		2				3			3		4			EC-1259
Electrical load signal circuit							3							EC-1230
Air conditioner circuit	2	2	3	3	3	3	3	3	3		3		2	ATC-36
VIAS control solenoid valve circuit					1									EC-1159
ABS actuator and electric unit (control unit)			4											BRC-30

1 - 6: The numbers refer to the order of inspection.

(continued on next page)

SYSTEM — ENGINE MECHANICAL & OTHER

TROUBLE DIAGNOSIS

< SERVICE INFORMATION >

[VK45DE]

		SYMPTOM												Reference page	
		HARD/NO START/RESTART (EXCP. HA)	ENGINE STALL	HESITATION/SURGING/FLAT SPOT	SPARK KNOCK/DETONATION	LACK OF POWER/POOR ACCELERATION	HIGH IDLE/LOW IDLE	ROUGH IDLE/HUNTING	IDLING VIBRATION	SLOW/NO RETURN TO IDLE	OVERHEATS/WATER TEMPERATURE HIGH	EXCESSIVE FUEL CONSUMPTION	EXCESSIVE OIL CONSUMPTION		BATTERY DEAD (UNDER CHARGE)
Warranty symptom code		AA	AB	AC	AD	AE	AF	AG	AH	AJ	AK	AL	AM	HA	
Fuel	Fuel tank	5													FL-10
	Fuel piping			5	5	5		5	5			5			EM-192
	Vapor lock		5												—
	Valve deposit														—
	Poor fuel (Heavy weight gasoline, Low octane)	5		5	5	5		5	5			5			—
Air	Air duct														EM-175
	Air cleaner														EM-175
	Air leakage from air duct (Mass air flow sensor — electric throttle control actuator)		5	5		5		5	5			5			EM-175
	Electric throttle control actuator	5			5		5			5					EM-177
	Air leakage from intake manifold/Collector/Gasket														EM-177
Cranking	Battery	1	1	1		1		1	1					1	SC-4
	Generator circuit														SC-19
	Starter circuit	3										1			SC-8
	Signal plate	6													EM-249
	Transmission range switch	4													AT-103
Engine	Cylinder head														EM-230
	Cylinder head gasket	5	5	5	5	5		5	5		4	5	3		
	Cylinder block														
	Piston												4		
	Piston ring														
	Connecting rod	6	6	6	6	6		6	6			6			EM-249
	Bearing														
	Crankshaft														
Valve mechanism	Timing chain														EM-202
	Camshaft														EM-214
	Intake valve timing control	5	5	5	5	5		5	5			5		EM-214	
	Intake valve														
	Exhaust valve												3		EM-230

A
EC
C
D
E
F
G
H
I
J
K
L
M
N
O
P

TROUBLE DIAGNOSIS

< SERVICE INFORMATION >

[VK45DE]

		SYMPTOM												Reference page	
		HARD/NO START/RESTART (EXCP. HA)	ENGINE STALL	HESITATION/SURGING/FLAT SPOT	SPARK KNOCK/DETONATION	LACK OF POWER/POOR ACCELERATION	HIGH IDLE/LOW IDLE	ROUGH IDLE/HUNTING	IDLING VIBRATION	SLOW/NO RETURN TO IDLE	OVERHEATS/WATER TEMPERATURE HIGH	EXCESSIVE FUEL CONSUMPTION	EXCESSIVE OIL CONSUMPTION		BATTERY DEAD (UNDER CHARGE)
Warranty symptom code		AA	AB	AC	AD	AE	AF	AG	AH	AJ	AK	AL	AM	HA	
Exhaust	Exhaust manifold/Tube/Muffler/Gasket	5	5	5	5	5		5	5			5			EM-181 , EX-3
	Three way catalyst														
Lubrica- tion	Oil pan/Oil strainer/Oil pump/Oil filter/Oil gallery	5	5	5	5	5		5	5			5			EM-185 , LU-27 , LU-26
	Oil level (Low)/Filthy oil														LU-23
Cooling	Radiator/Hose/Radiator filler cap														CO-41 , CO-45
	Thermostat									5					CO-53
	Water pump	5	5	5	5	5		5	5		4	5			CO-51
	Water gallery														CO-37
	Cooling fan														CO-49
	Coolant level (Low)/Contaminated coolant										5				CO-38
IVIS (INFINITI Vehicle Immobilizer System — NATS)		1	1												EC-675 or BL-217

1 - 6: The numbers refer to the order of inspection.

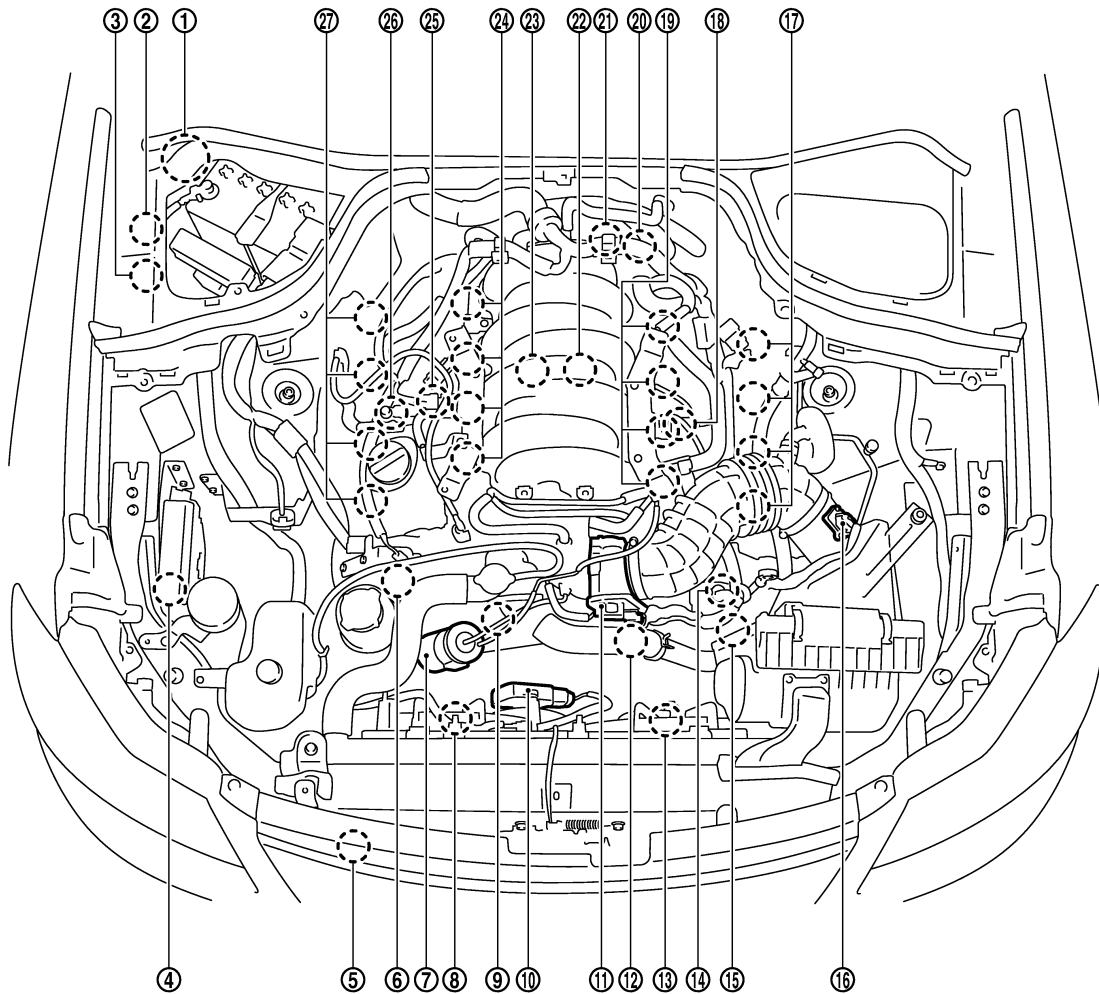
TROUBLE DIAGNOSIS

< SERVICE INFORMATION >

[VK45DE]

Engine Control Component Parts Location

INFOID:00000002954750



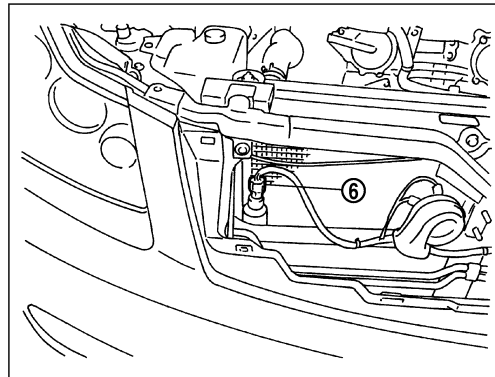
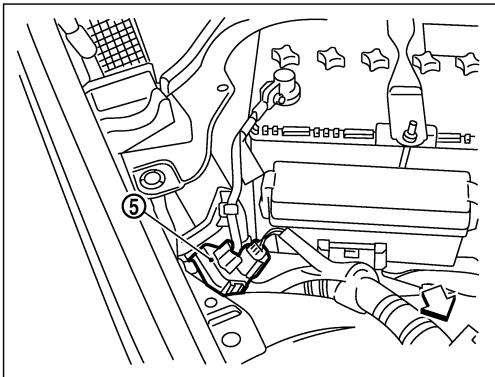
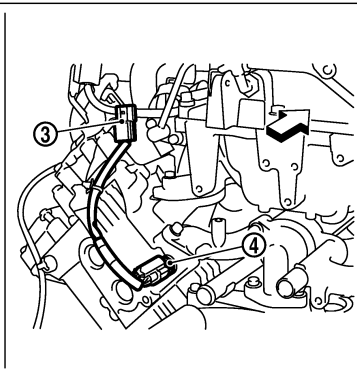
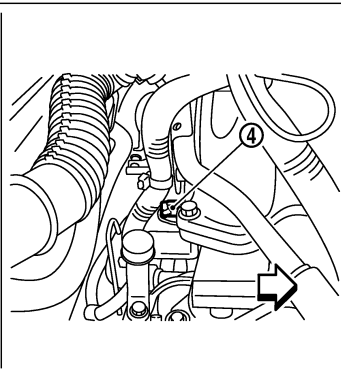
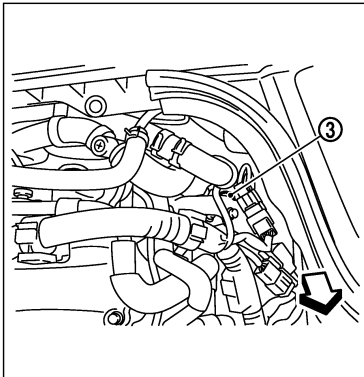
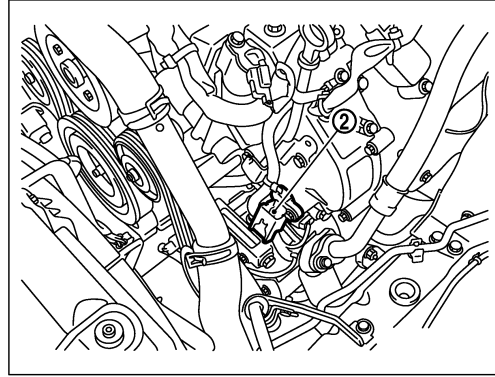
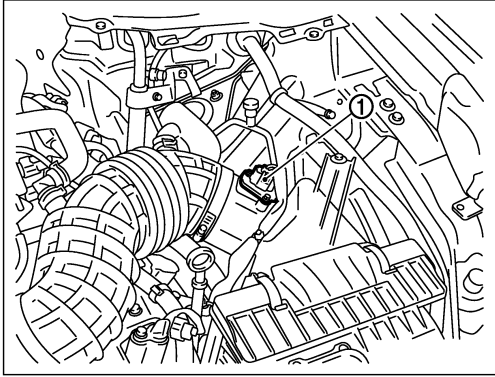
PBIB2674E

- | | | |
|---|---|---|
| 1. IPDM E/R | 2. ICC brake hold relay (ICC models only) | 3. Battery current sensor |
| 4. Cooling fan relay | 5. Refrigerant pressure sensor | 6. Intake valve timing control position sensor (bank 2) |
| 7. Vacuum tank | 8. Cooling fan motor-2 | 9. Intake valve timing control solenoid valve (bank 2) |
| 10. Cooling fan control module | 11. Electric throttle control actuator | 12. Intake valve timing control solenoid valve (bank 1) |
| 13. Cooling fan motor-1 | 14. Intake valve timing control position sensor (bank 1) | 15. Camshaft position sensor (PHASE) |
| 16. Mass air flow sensor (with intake air temperature sensor) | 17. Ignition coil (with power transistor) and spark plug (bank 1) | 18. VIAS control solenoid valve |
| 19. Fuel injector (bank 1) | 20. Engine coolant temperature sensor | 21. Power valve actuator |
| 22. Knock sensor (bank 1) | 23. Knock sensor (bank 2) | 24. Fuel injector (bank 2) |
| 25. EVAP canister purge volume control solenoid valve | 26. EVAP service port | 27. Ignition coil (with power transistor) and spark plug (bank 2) |

TROUBLE DIAGNOSIS

< SERVICE INFORMATION >

[VK45DE]



PBIB2675E

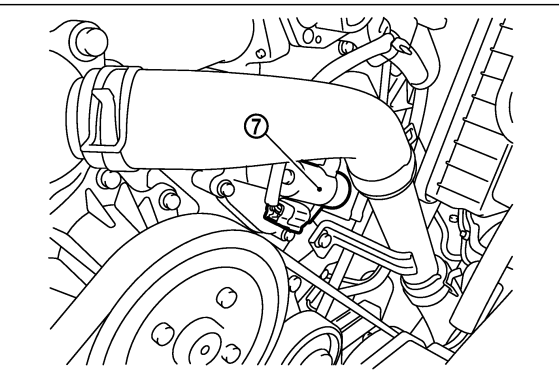
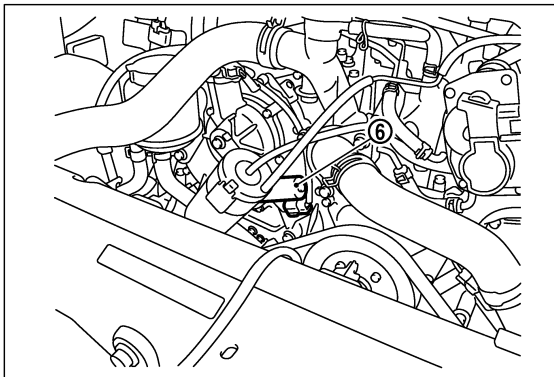
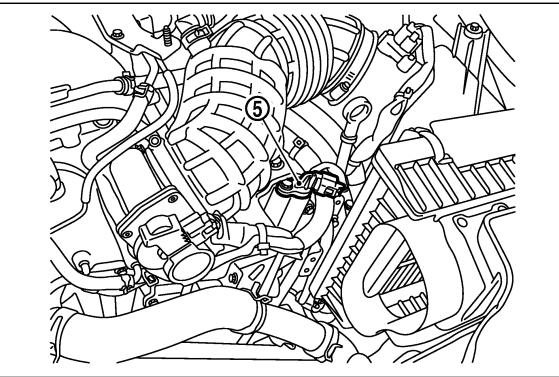
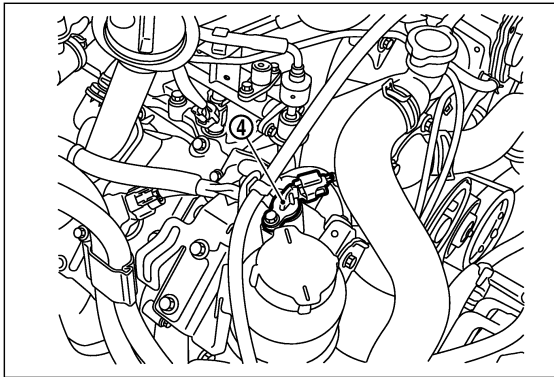
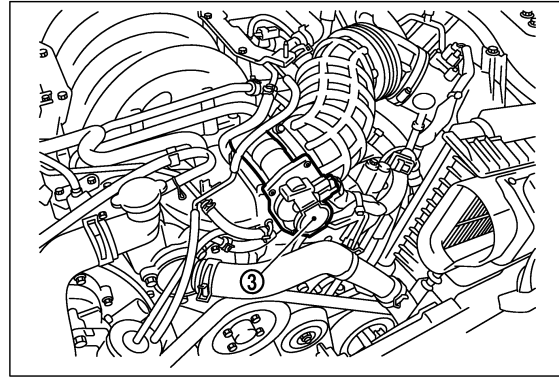
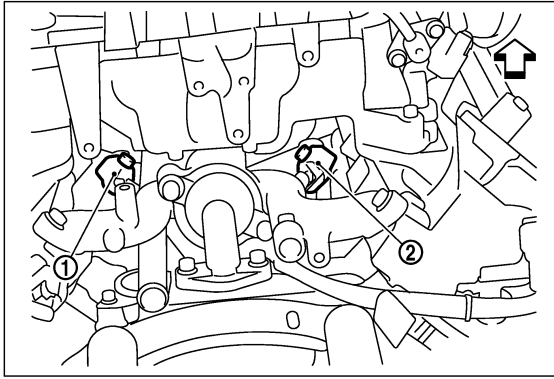
↶ : Vehicle front

- | | | |
|--------------------------------------|-------------------------------------|--|
| 1. Mass air flow sensor | 2. Camshaft position sensor (PHASE) | 3. Engine coolant temperature sensor sub-harness connector |
| 4. Engine coolant temperature sensor | 5. Battery current sensor | 6. Refrigerant pressure sensor |

TROUBLE DIAGNOSIS

< SERVICE INFORMATION >

[VK45DE]



PBIB2676E

⇐ : Vehicle front

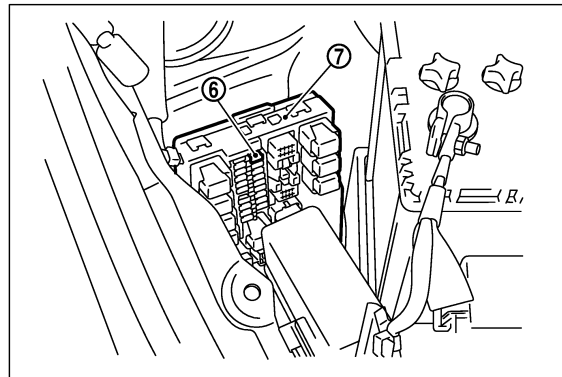
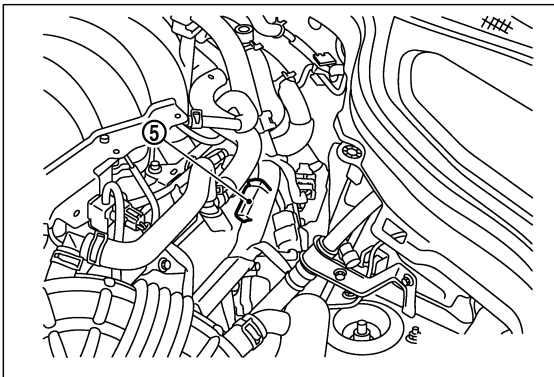
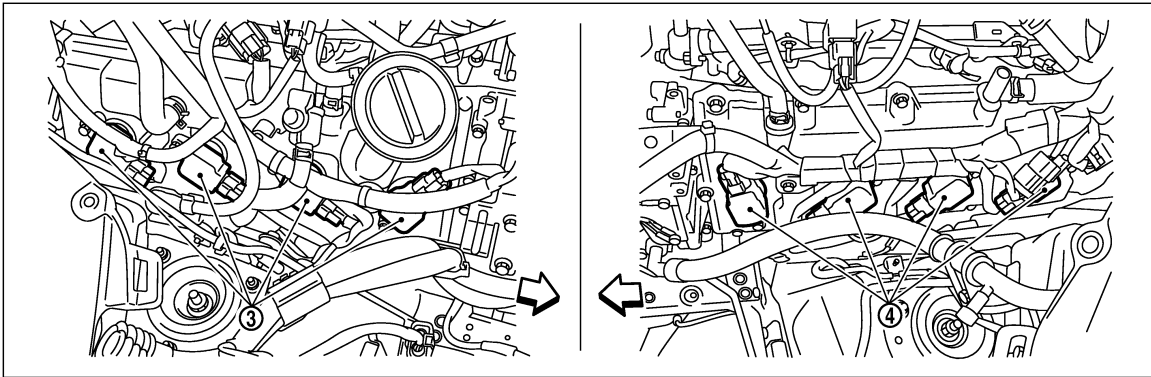
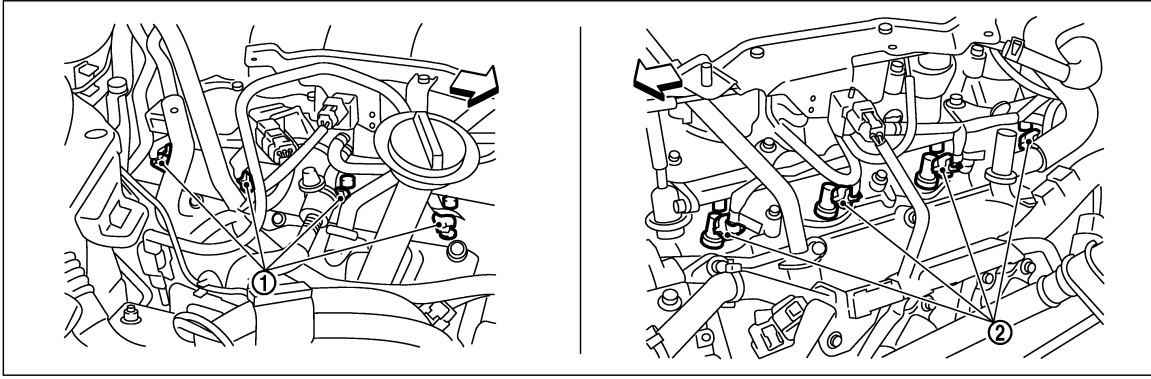
- | | | |
|---|---|--|
| 1. Knock sensor (bank 1) | 2. Knock sensor (bank 2) | 3. Electric throttle control actuator |
| 4. Intake valve timing control position sensor (bank 2) | 5. Intake valve timing control position sensor (bank 1) | 6. Intake valve timing control solenoid valve (bank 2) |
| 7. Intake valve timing control solenoid valve (bank 1) | | |

A
EC
C
D
E
F
G
H
I
J
K
L
M
N
O
P

TROUBLE DIAGNOSIS

< SERVICE INFORMATION >

[VK45DE]



PBIB2677E

↔ : Vehicle front

- | | | |
|---|---------------------------|---|
| 1. Fuel injector (bank 2) | 2. Fuel injector (bank 1) | 3. Ignition coil (with power transistor) (bank 2) |
| 4. Ignition coil (with power transistor) (bank 1) | 5. Condenser | 6. Fuel pump fuse |
| 7. IPDM E/R | | |

TROUBLE DIAGNOSIS

< SERVICE INFORMATION >

[VK45DE]

A

EC

C

D

E

F

G

H

I

J

K

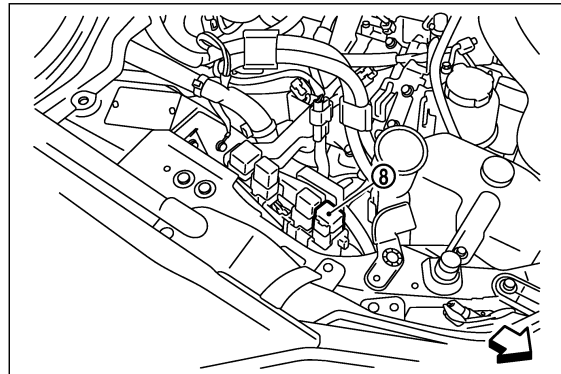
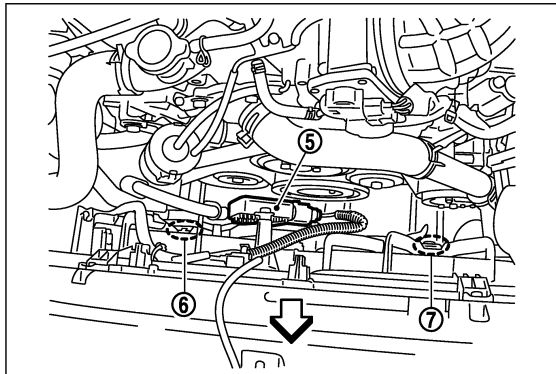
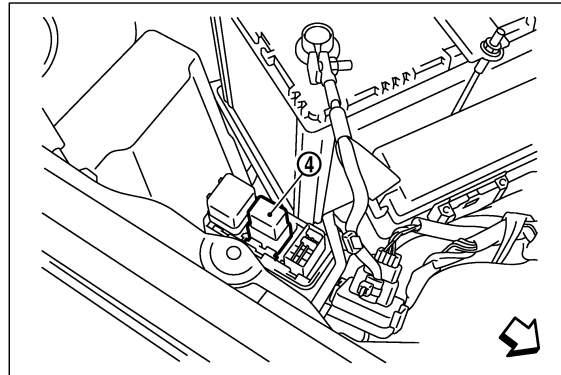
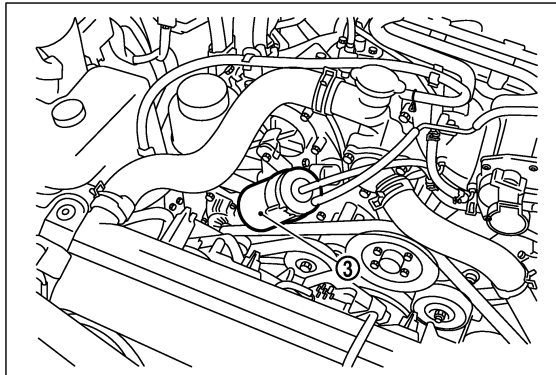
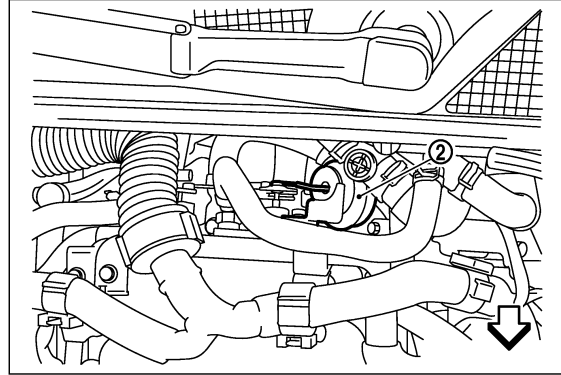
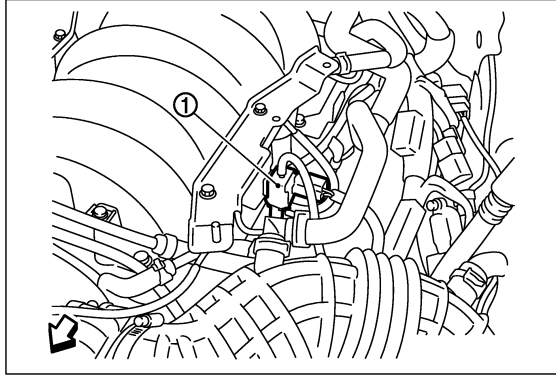
L

M

N

O

P



PBIB3347E

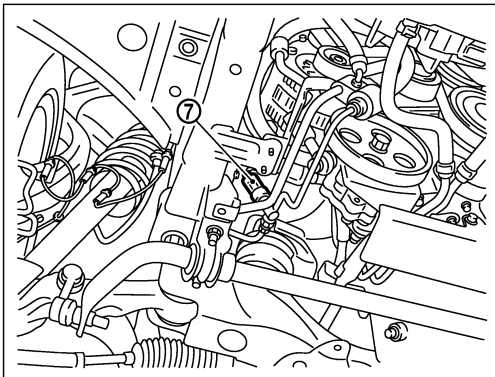
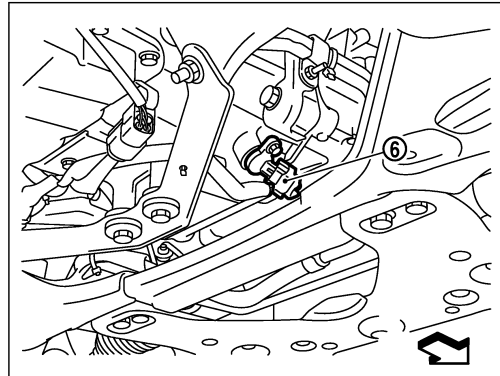
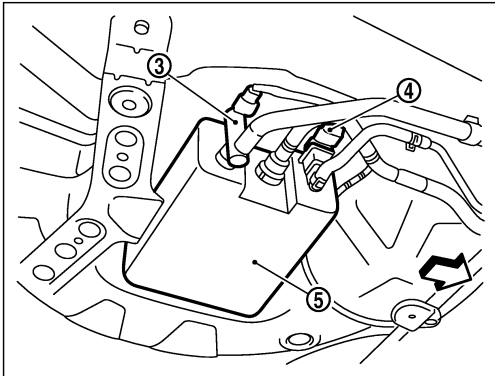
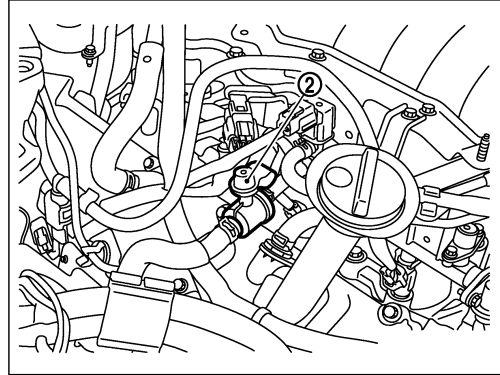
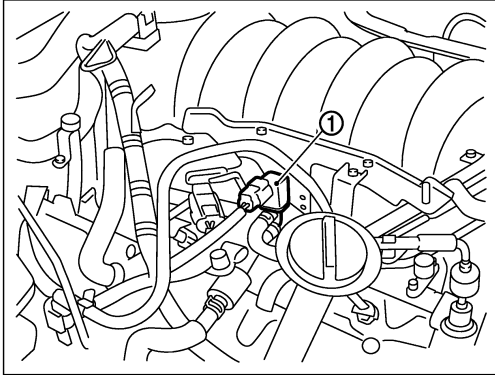
↶ : Vehicle front

- | | | |
|--|-------------------------------|------------------------|
| 1. VAS control solenoid valve | 2. Power valve actuator | 3. Vacuum tank |
| 4. ICC brake hold relay
(ICC models only) | 5. Cooling fan control module | 6. Cooling fan motor-2 |
| 7. Cooling fan motor-1 | 8. Cooling fan relay | |

TROUBLE DIAGNOSIS

< SERVICE INFORMATION >

[VK45DE]



PBIB2679E

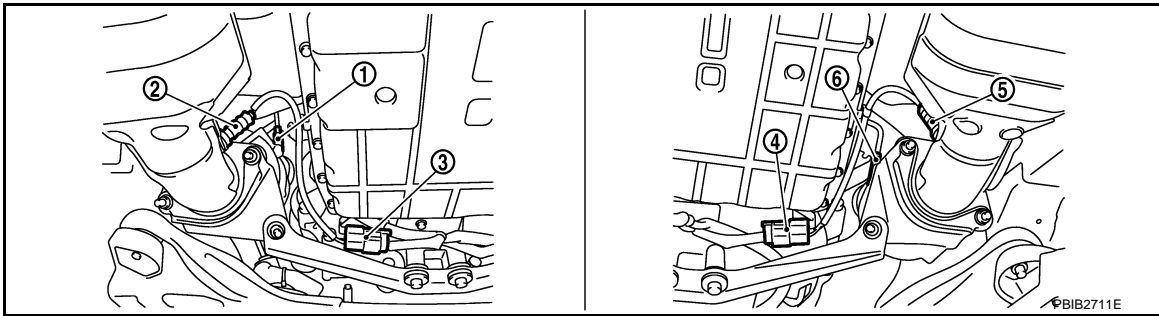
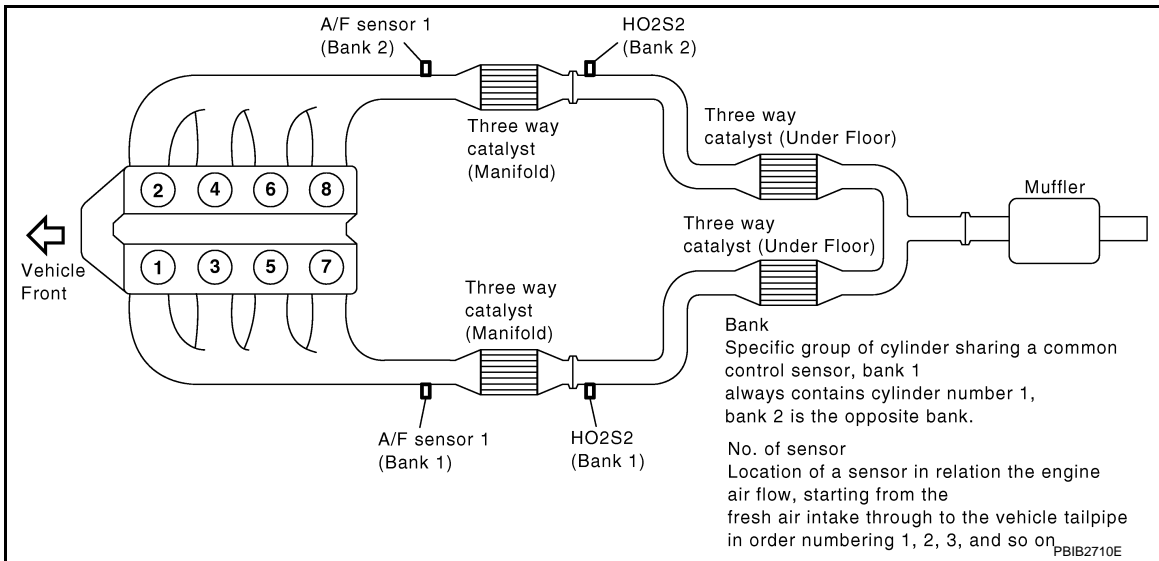
↶ : Vehicle front

- | | | |
|--|-------------------------------------|-------------------------------------|
| 1. EVAP canister purge volume control | 2. EVAP service port solenoid valve | 3. EVAP canister vent control valve |
| 4. EVAP control system pressure sensor | 5. EVAP canister | 6. Crankshaft position sensor (POS) |
| 7. Power steering pressure sensor | | |

TROUBLE DIAGNOSIS

< SERVICE INFORMATION >

[VK45DE]



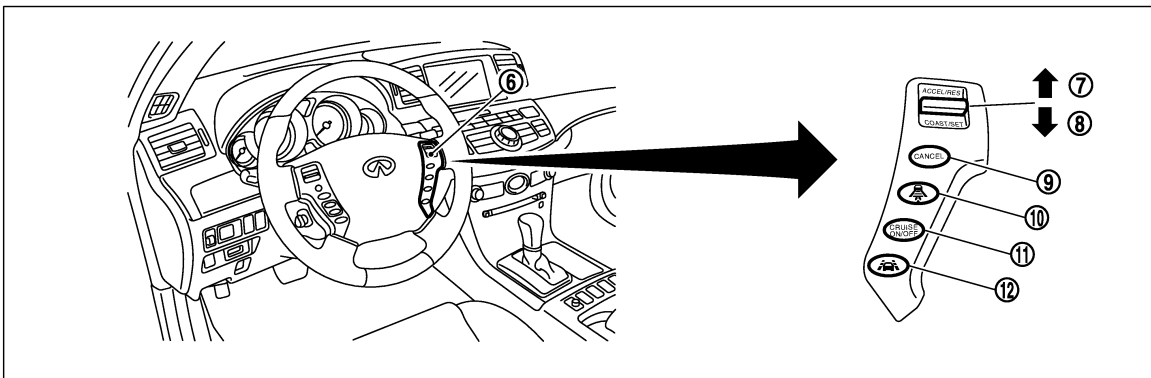
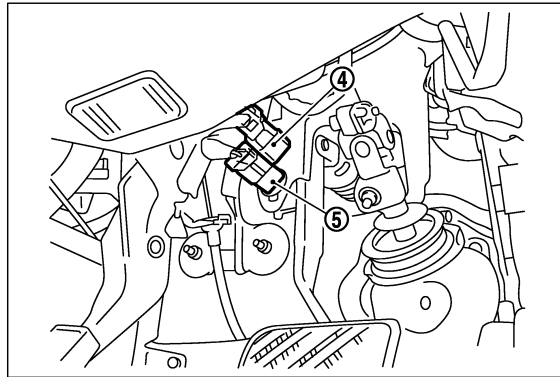
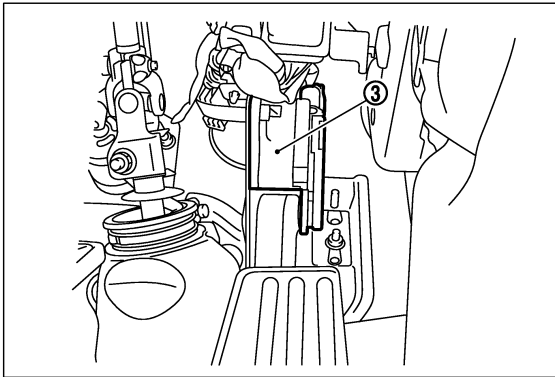
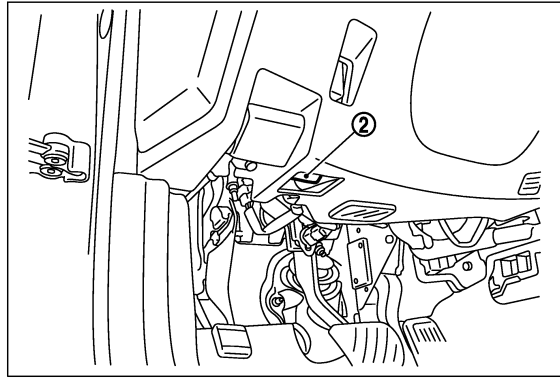
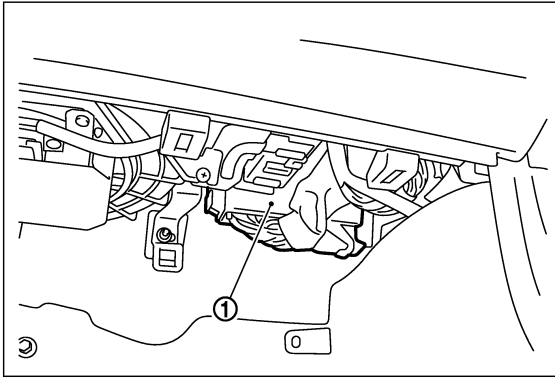
- | | | |
|--|------------------------------------|--|
| 1. Air fuel ratio (A/F) sensor 1 (bank 1) | 2. Heated oxygen sensor 2 (bank 1) | 3. Heated oxygen sensor 2 (bank 1) harness connector |
| 4. Heated oxygen sensor 2 (bank 2) harness connector | 5. Heated oxygen sensor 2 (bank 2) | 6. Air fuel ratio (A/F) sensor 1 (bank 2) |

A
EC
C
D
E
F
G
H
I
J
K
L
M
N
O
P

TROUBLE DIAGNOSIS

< SERVICE INFORMATION >

[VK45DE]



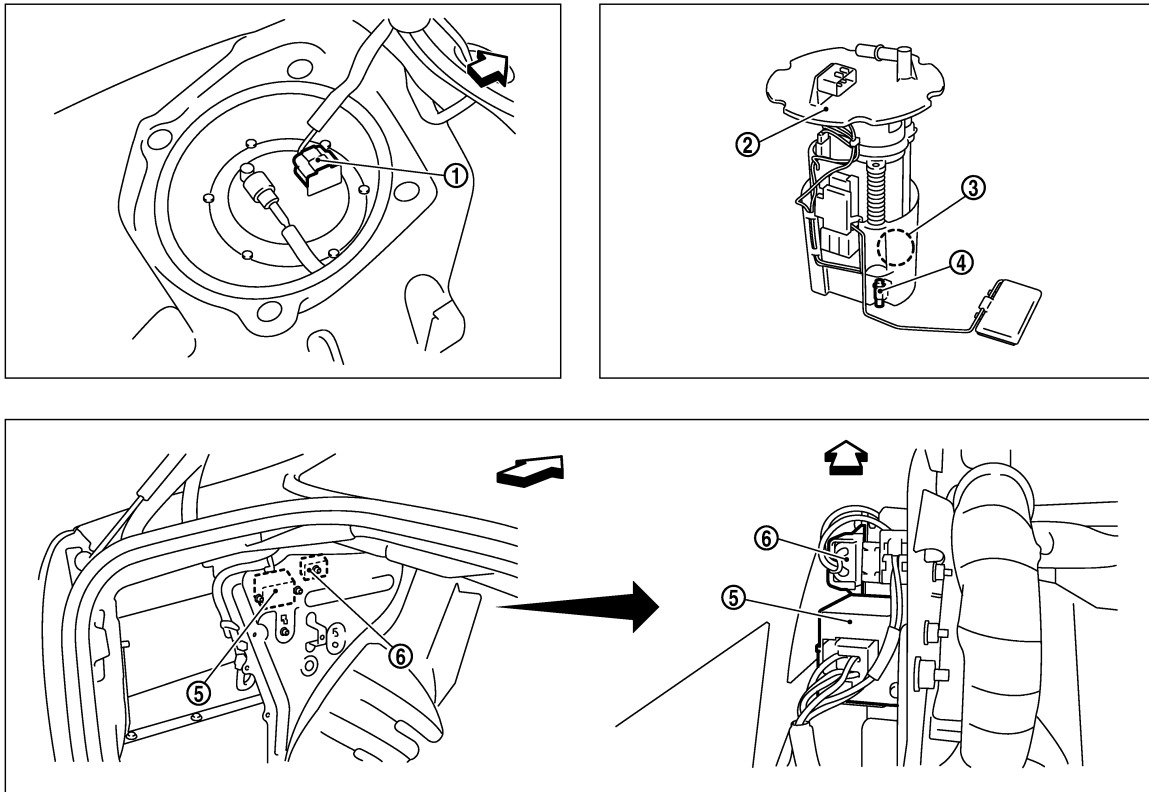
JMBIA1088ZZ

- | | | |
|--|--|--|
| 1. ECM | 2. Data link connector | 3. Accelerator pedal position sensor |
| 4. Stop lamp switch | 5. ICC brake switch
(models with ICC)
ASC D brake switch
(models with ASCD) | 6. ICC steering switch
(models with ICC)
ASC D steering switch
(models with ASCD) |
| 7. RESUME/ACCELERATE switch | 8. SET/COAST switch | 9. CANCEL switch |
| 10. DISTANCE switch
(ICC models only) | 11. MAIN switch | 12. LDP ON switch
(ICC models only) |

TROUBLE DIAGNOSIS

< SERVICE INFORMATION >

[VK45DE]



PBIB2681E

← : Vehicle front

- 1. Fuel level sensor unit and fuel pump harness connector
- 2. Fuel level sensor unit and fuel pump
- 3. Fuel pressure regulator
- 4. Fuel tank temperature sensor
- 5. FPCM
- 6. Dropping resistor

A
EC
C
D
E
F
G
H
I
J
K
L
M
N
O
P

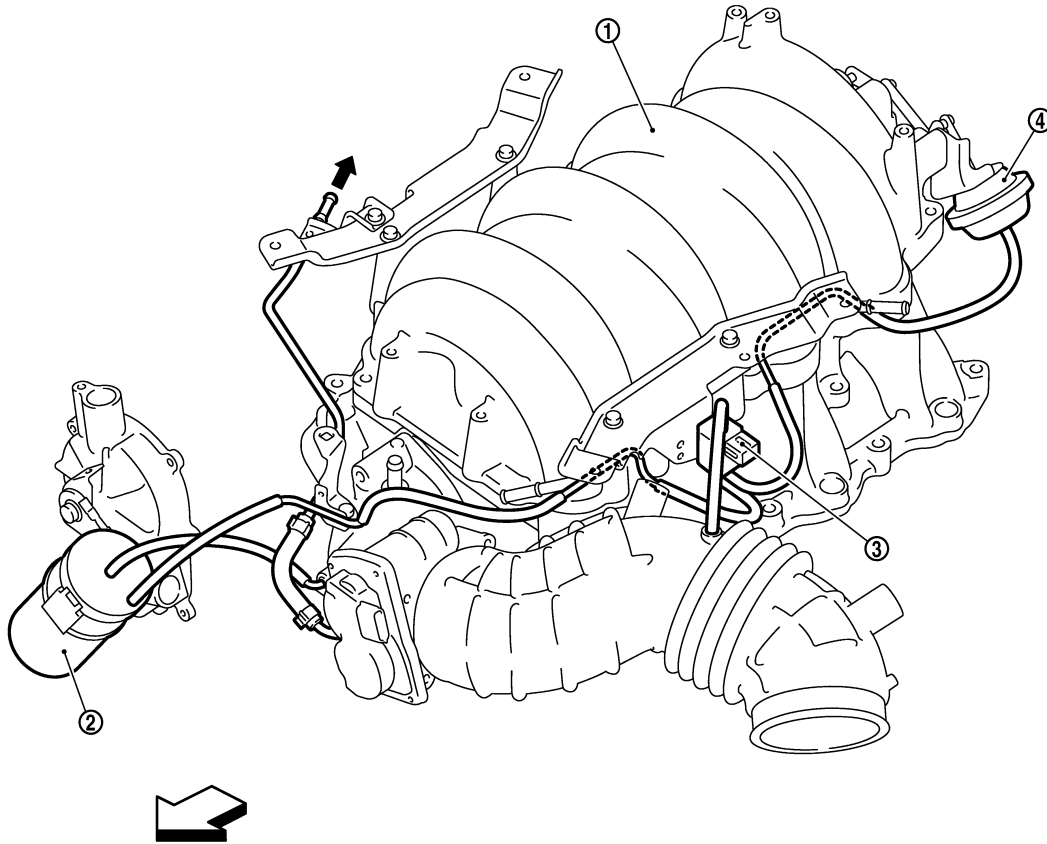
TROUBLE DIAGNOSIS

< SERVICE INFORMATION >

[VK45DE]

Vacuum Hose Drawing

INFOID:00000002954751



PBIB2732E

⇐ : Vehicle front

➡ : To EVAP canister purge volume control solenoid valve

1. Intake manifold collector

2. Vacuum tank

3. VIAS control solenoid valve

4. Power valve actuator

NOTE:

Do not use soapy water or any type of solvent while installing vacuum hoses or purge hoses.

Refer to [EC-653, "Schematic"](#) for Vacuum Control System.

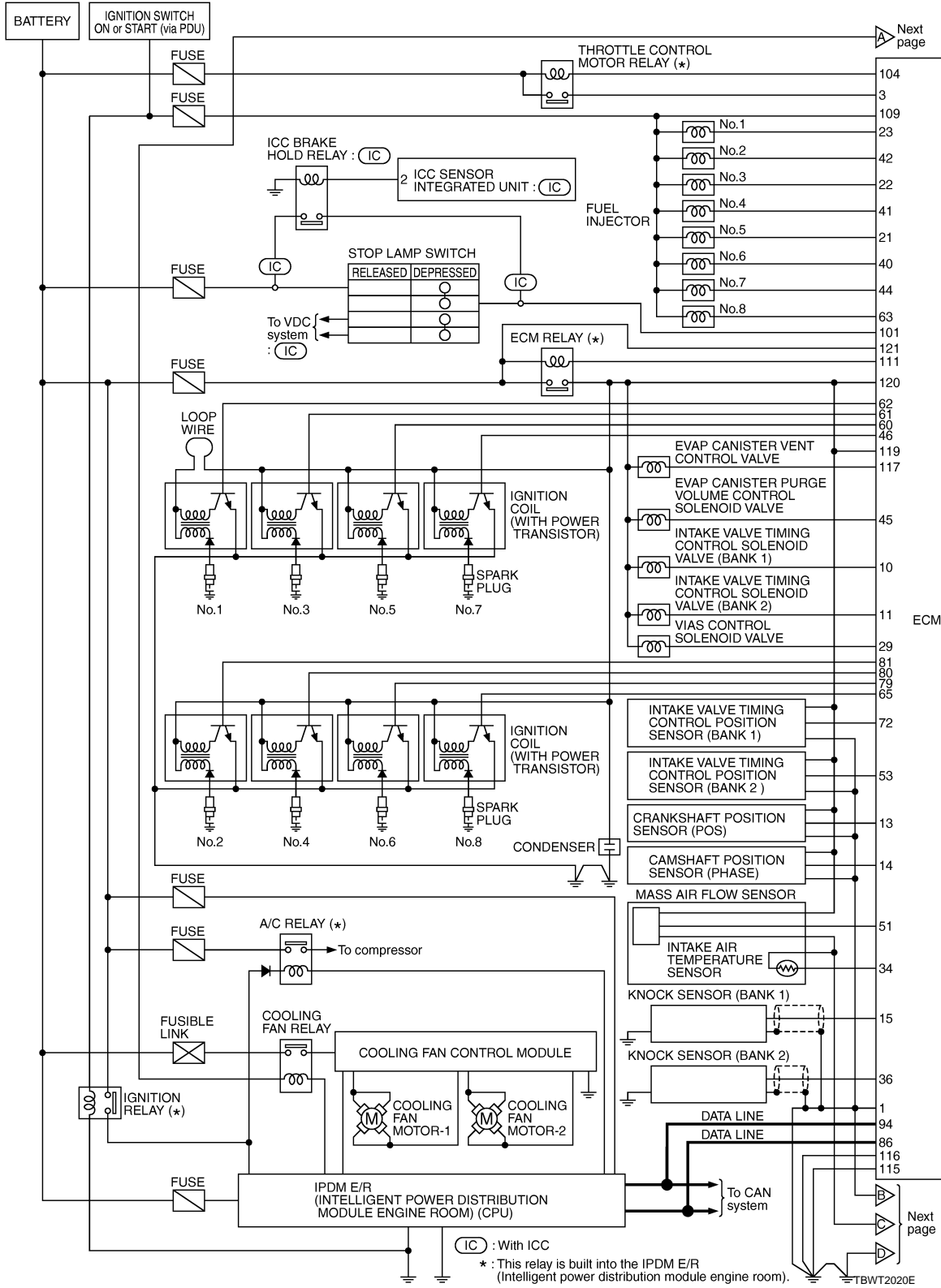
TROUBLE DIAGNOSIS

< SERVICE INFORMATION >

[VK45DE]

INFOID:00000002954752

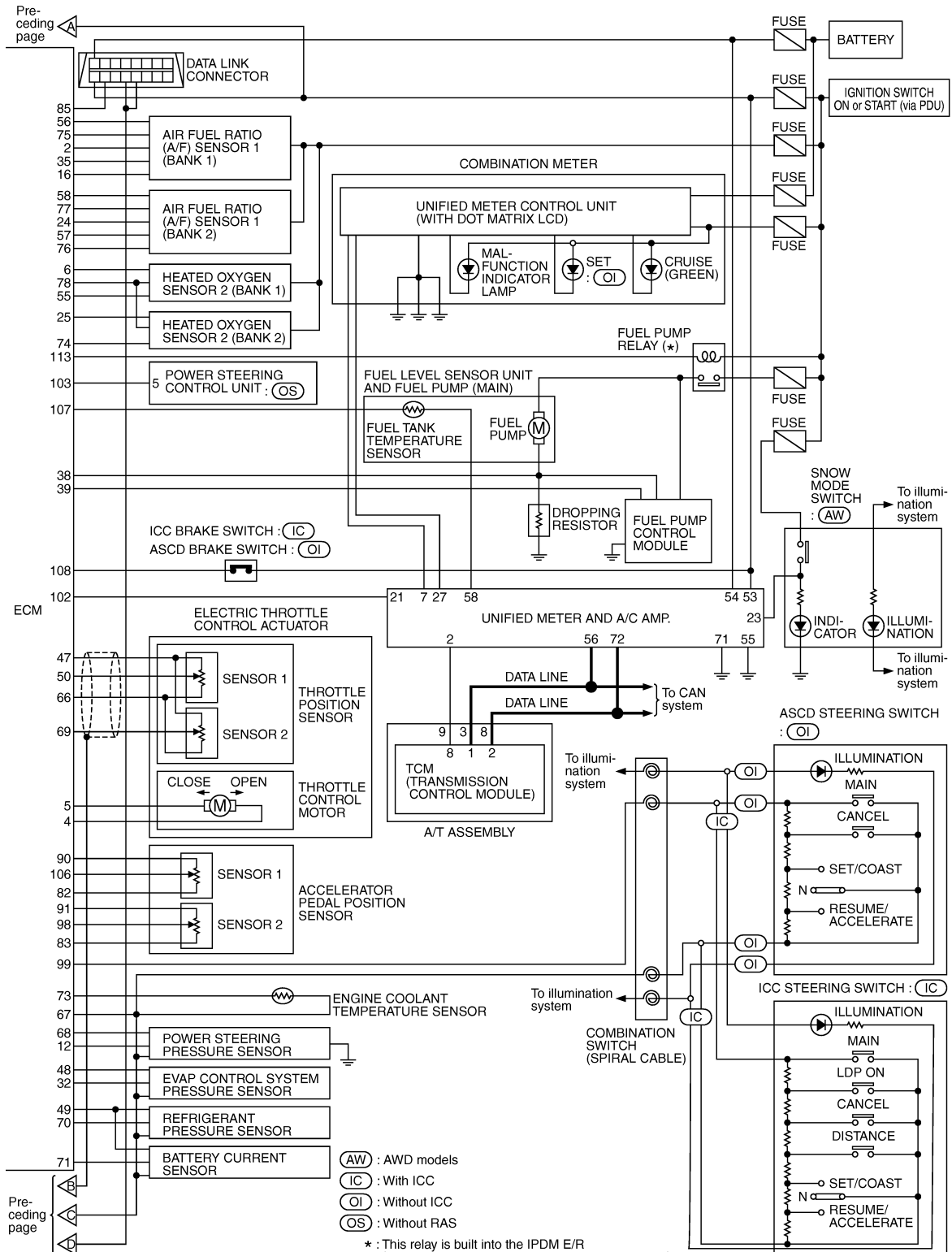
Circuit Diagram



TROUBLE DIAGNOSIS

< SERVICE INFORMATION >

[VK45DE]



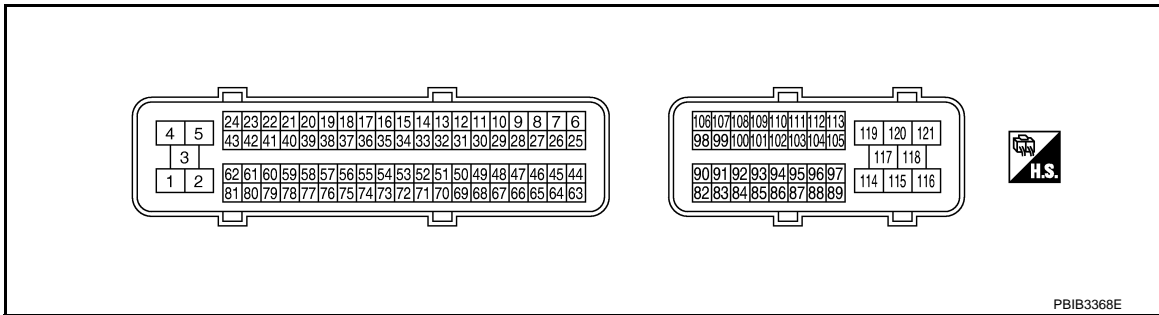
TROUBLE DIAGNOSIS

< SERVICE INFORMATION >

[VK45DE]

ECM Harness Connector Terminal Layout

INFOID:000000002954753



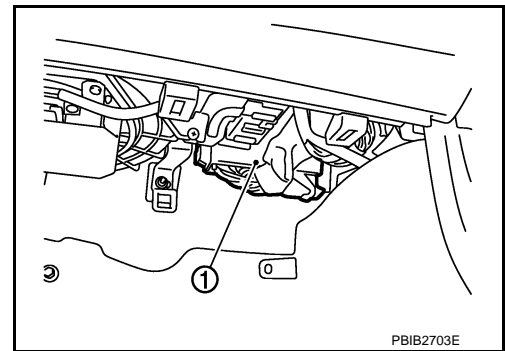
PBIB3368E

ECM Terminal and Reference Value

INFOID:000000002954754

PREPARATION

- ECM (1) is located behind the passenger side instrument lower panel. For this inspection, remove passenger side instrument lower panel.



PBIB2703E

ECM INSPECTION TABLE

Specification data are reference values and are measured between each terminal and ground. Pulse signal is measured by CONSULT-III.

CAUTION:

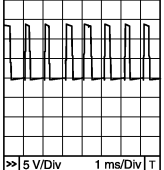
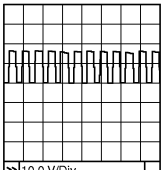
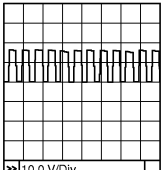
Do not use ECM ground terminals when measuring input/output voltage. Doing so may result in damage to the ECMs transistor. Use a ground other than ECM terminals, such as the ground.

TER-MI-NAL NO.	WIRE COLOR	ITEM	CONDITION	DATA (DC Voltage)
1	B	ECM ground	[Engine is running] • Idle speed	Body ground
2	SB	A/F sensor 1 heater (bank 1)	[Engine is running] • Warm-up condition • Idle speed	Approximately 5V★ 10.0V/Div 10 ms/Div T PBIB1584E
3	R	Throttle control motor relay power supply	[Ignition switch: ON]	BATTERY VOLTAGE (11 - 14V)
4	W	Throttle control motor (Close)	[Ignition switch: ON] • Engine: Stopped • Selector lever: D • Accelerator pedal: Released	0 - 14V★ 5 V/Div 1 ms/Div T PBIB1104E

TROUBLE DIAGNOSIS

< SERVICE INFORMATION >

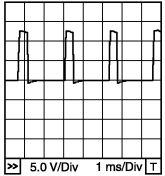
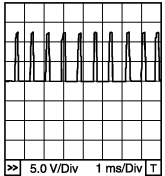
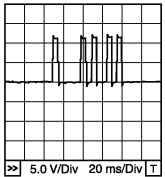
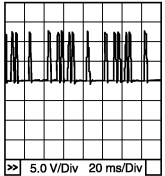
[VK45DE]

TER-MI-NAL NO.	WIRE COLOR	ITEM	CONDITION	DATA (DC Voltage)
5	B	Throttle control motor (Open)	<p>[Ignition switch: ON]</p> <ul style="list-style-type: none"> • Engine: Stopped • Selector lever: D • Accelerator pedal: Fully depressed 	<p>0 - 14V★</p>  <p style="text-align: right; font-size: small;">PBIB1105E</p>
6	R/L	Heated oxygen sensor 2 heater (bank 1)	<p>[Engine is running]</p> <ul style="list-style-type: none"> • Engine speed: Below 3,600 rpm after the following conditions are met - Engine: After warming up - Keeping the engine speed between 3,500 and 4,000 rpm for 1 minute and at idle for 1 minute under no load 	0 - 1.0V
			<p>[Ignition switch: ON]</p> <ul style="list-style-type: none"> • Engine: Stopped <p>[Engine is running]</p> <ul style="list-style-type: none"> • Engine speed: Above 3,600 rpm 	BATTERY VOLTAGE (11 - 14V)
10	W/G	Intake valve timing control solenoid valve (bank 1)	<p>[Engine is running]</p> <ul style="list-style-type: none"> • Warm-up condition • Idle speed 	BATTERY VOLTAGE (11 - 14V)
			<p>[Engine is running]</p> <ul style="list-style-type: none"> • Warm-up condition • Engine speed: 2,000rpm 	<p>7 - 12V★</p>  <p style="text-align: right; font-size: small;">PBIB1790E</p>
11	G/O	Intake valve timing control solenoid valve (bank 2)	<p>[Engine is running]</p> <ul style="list-style-type: none"> • Warm-up condition • Idle speed 	BATTERY VOLTAGE (11 - 14V)
			<p>[Engine is running]</p> <ul style="list-style-type: none"> • Warm-up condition • Engine speed: 2,000rpm 	<p>7 - 12V★</p>  <p style="text-align: right; font-size: small;">PBIB1790E</p>
12	R/G	Power steering pressure sensor	<p>[Engine is running]</p> <ul style="list-style-type: none"> • Steering wheel: Being turned 	0.5 - 4.5V
			<p>[Engine is running]</p> <ul style="list-style-type: none"> • Steering wheel: Not being turned 	0.4 - 0.8V

TROUBLE DIAGNOSIS

< SERVICE INFORMATION >

[VK45DE]

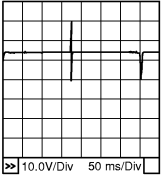
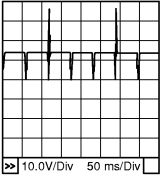
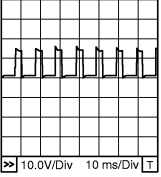
TER-MI-NAL NO.	WIRE COLOR	ITEM	CONDITION	DATA (DC Voltage)
13	W/R	Crankshaft position sensor (POS)	[Engine is running] • Warm-up condition • Idle speed NOTE: The pulse cycle changes depending on rpm at idle	1.0 - 2.0V★  <small>PBIB1041E</small>
			[Engine is running] • Engine speed: 2,000 rpm	1.0 - 2.0V★  <small>PBIB1042E</small>
14	G	Camshaft position sensor (PHASE)	[Engine is running] • Warm-up condition • Idle speed NOTE: The pulse cycle changes depending on rpm at idle	1.0 - 4.0V★  <small>PBIB1039E</small>
			[Engine is running] • Engine speed: 2,000 rpm	1.0 - 4.0V★  <small>PBIB1040E</small>
15	W	Knock sensor (bank 1)	[Engine is running] • Idle speed	Approximately 2.5V
16	W/L	A/F sensor 1 (bank 1)	[Engine is running] • Warm-up condition • Idle speed	Approximately 3.1V
35	GR/L			Approximately 2.6V
56	LG/B			Approximately 2.3V
75	Y			Approximately 2.3V

A
EC
C
D
E
F
G
H
I
J
K
L
M
N
O
P

TROUBLE DIAGNOSIS

< SERVICE INFORMATION >

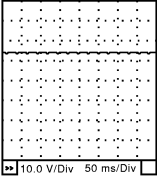
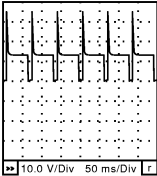
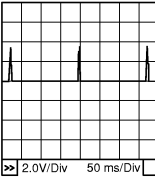
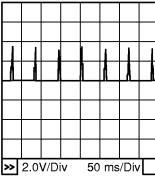
[VK45DE]

TERMINAL NO.	WIRE COLOR	ITEM	CONDITION	DATA (DC Voltage)
21 22 23 40 41 42 44 63	W/B R/Y R/B V/R P/L R/W O G/Y	Fuel injector No. 5 Fuel injector No. 3 Fuel injector No. 1 Fuel injector No. 6 Fuel injector No. 4 Fuel injector No. 2 Fuel injector No. 7 Fuel injector No. 8	<p>[Engine is running]</p> <ul style="list-style-type: none"> • Warm-up condition • Idle speed <p>NOTE: The pulse cycle changes depending on rpm at idle</p>	<p>BATTERY VOLTAGE (11 - 14V)★</p>  <p style="text-align: right;">PBIB0042E</p>
			<p>[Engine is running]</p> <ul style="list-style-type: none"> • Warm-up condition • Engine speed: 2,000 rpm 	<p>BATTERY VOLTAGE (11 - 14V)★</p>  <p style="text-align: right;">PBIB0043E</p>
24	SB	A/F sensor 1 heater (bank 2)	<p>[Engine is running]</p> <ul style="list-style-type: none"> • Warm-up condition • Idle speed 	<p>Approximately 5V★</p>  <p style="text-align: right;">PBIB1584E</p>
25	P/B	Heated oxygen sensor 2 heater (bank 2)	<p>[Engine is running]</p> <ul style="list-style-type: none"> • Engine speed: Below 3,600 rpm after the following conditions are met - Engine: After warming up - Keeping the engine speed between 3,500 and 4,000 rpm for 1 minute and at idle for 1 minute under no load 	0 - 1.0V
			<p>[Ignition switch: ON]</p> <ul style="list-style-type: none"> • Engine: Stopped <p>[Engine is running]</p> <ul style="list-style-type: none"> • Engine speed: Above 3,600 rpm 	BATTERY VOLTAGE (11 - 14V)
29	V	VIAS control solenoid valve	<p>[Engine is running]</p> <ul style="list-style-type: none"> • Selector lever: P or N 	0 - 1.0V
			<p>[Engine is running]</p> <ul style="list-style-type: none"> • Selector lever: D • Engine speed: Below 5,000 rpm 	BATTERY VOLTAGE (11 - 14V)
			<p>[Engine is running]</p> <ul style="list-style-type: none"> • Engine speed: Above 5,000 rpm 	0 - 1.0V
32	R/G	EVAP control system pressure sensor	[Ignition switch: ON]	Approximately 1.8 - 4.8V
34	Y/G	Intake air temperature sensor	[Engine is running]	Approximately 0 - 4.8V Output voltage varies with intake air temperature.
36	W	Knock sensor (bank 2)	<p>[Engine is running]</p> <ul style="list-style-type: none"> • Idle speed 	Approximately 2.5V

TROUBLE DIAGNOSIS

< SERVICE INFORMATION >

[VK45DE]

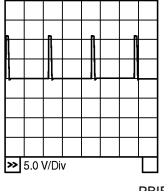
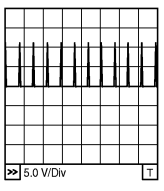
TER-MI-NAL NO.	WIRE COLOR	ITEM	CONDITION	DATA (DC Voltage)
38	G/B	Fuel pump control module (FPCM) check	[When cranking engine]	Approximately 0V
			[Engine is running] • Warm-up condition • Idle speed	4 - 6V
39	B/R	Fuel pump control module (FPCM)	[When cranking engine]	0 - 0.5V
			[Engine is running] • Warm-up condition • Idle speed	8 - 12V
45	V	EVAP canister purge volume control solenoid valve	[Engine is running] • Idle speed • Accelerator pedal: Not depressed even slightly, after engine starting	BATTERY VOLTAGE (11 - 14V)★  SEC990C
			[Engine is running] • Engine speed: About 2,000 rpm (More than 100 seconds after starting engine)	BATTERY VOLTAGE (11 - 14V)★  SEC991C
46 60 61 62 65 79 80 81	L/O V/W P Y/R BR/R GR/R GR/B G/R	Ignition signal No. 7 Ignition signal No. 5 Ignition signal No. 3 Ignition signal No. 1 Ignition signal No. 8 Ignition signal No. 6 Ignition signal No. 4 Ignition signal No. 2	[Engine is running] • Warm-up condition • Idle speed NOTE: The pulse cycle changes depending on rpm at idle	0 - 0.2V★  PBIB0044E
			[Engine is running] • Warm-up condition • Engine speed: 2,000 rpm	0.1 - 0.4V★  PBIB0045E
47	G	Sensor power supply (Throttle position sensor)	[Ignition switch: ON]	Approximately 5V
48	BR	Sensor power supply (EVAP control system pressure sensor)	[Ignition switch: ON]	Approximately 5V
49	B/Y	Sensor power supply (Refrigerant pressure sensor, Battery current sensor)	[Ignition switch: ON]	Approximately 5V

A
EC
C
D
E
F
G
H
I
J
K
L
M
N
O
P

TROUBLE DIAGNOSIS

< SERVICE INFORMATION >

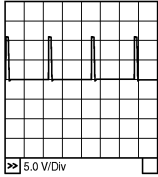
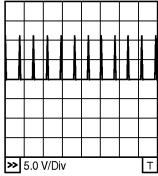
[VK45DE]

TER-MI-NAL NO.	WIRE COLOR	ITEM	CONDITION	DATA (DC Voltage)
50	W	Throttle position sensor 1	[Ignition switch: ON] <ul style="list-style-type: none"> • Engine: Stopped • Selector lever: D • Accelerator pedal: Fully released 	More than 0.36V
			[Ignition switch: ON] <ul style="list-style-type: none"> • Engine: Stopped • Selector lever: D • Accelerator pedal: Fully depressed 	Less than 4.75V
51	W	Mass air flow sensor	[Engine is running] <ul style="list-style-type: none"> • Warm-up condition • Idle speed 	0.9 - 1.2V
			[Engine is running] <ul style="list-style-type: none"> • Warm-up condition • Engine speed: 2,500 rpm 	1.6 - 1.9V
53	LG	Intake valve timing control position sensor (bank 2)	[Engine is running] <ul style="list-style-type: none"> • Warm-up condition • Idle speed 	0 - 1.0V★ 
			[Engine is running] <ul style="list-style-type: none"> • Engine speed: 2,000 rpm 	0 - 1.0V★ 
55	L/R	Heated oxygen sensor 2 (bank 1)	[Engine is running] <ul style="list-style-type: none"> • Revving engine from idle to 3,000 rpm quickly after the following conditions are met. - Engine: After warming-up - Keeping the engine speed between 3,500 and 4,000 rpm for 1 minute and at idle for 1 minute under no load 	0 - Approximately 1.0V
57	BR/W	A/F sensor 1 (bank 2)	[Engine is running] <ul style="list-style-type: none"> • Warm-up condition • Idle speed 	Approximately 2.6V
58	G/O			Approximately 2.3V
76	G/W			Approximately 3.1V
77	GR			Approximately 2.3V
66	B	Sensor ground (Throttle position sensor)	[Engine is running] <ul style="list-style-type: none"> • Warm-up condition • Idle speed 	Approximately 0V
67	B/W	Sensor ground	[Engine is running] <ul style="list-style-type: none"> • Warm-up condition • Idle speed 	Approximately 0V
68	L/Y	Sensor power supply (Power steering pressure sensor)	[Ignition switch: ON]	Approximately 5V

TROUBLE DIAGNOSIS

< SERVICE INFORMATION >

[VK45DE]

TER-MI-NAL NO.	WIRE COLOR	ITEM	CONDITION	DATA (DC Voltage)	
69	R	Throttle position sensor 2	[Ignition switch: ON] <ul style="list-style-type: none"> • Engine: Stopped • Selector lever: D • Accelerator pedal: Fully released 	Less than 4.75V	A
			[Ignition switch: ON] <ul style="list-style-type: none"> • Engine: Stopped • Selector lever: D • Accelerator pedal: Fully depressed 	More than 0.36V	EC
70	L/R	Refrigerant pressure sensor	[Engine is running] <ul style="list-style-type: none"> • Warm-up condition • Both A/C switch and blower fan motor switch: ON (Compressor operates) 	1.0 - 4.0V	C
71	L/R	Battery current sensor	[Engine is running] <ul style="list-style-type: none"> • Battery: Fully charged* • Idle speed 	Approximately 2.6 - 3.5V	D
72	L	Intake valve timing control position sensor (bank 1)	[Engine is running] <ul style="list-style-type: none"> • Warm-up condition • Idle speed 	0 - 1.0V★  PBIB2734E	E
			[Engine is running] <ul style="list-style-type: none"> • Engine speed: 2,000rpm 	0 - 1.0V★  PBIB2735E	F
73	Y/B	Engine coolant temperature sensor	[Engine is running]	Approximately 0 - 4.8V Output voltage varies with engine coolant temperature.	G
74	W	Heated oxygen sensor 2 (bank 2)	[Engine is running] <ul style="list-style-type: none"> • Revving engine from idle to 3,000 rpm quickly after the following conditions are met - Engine: After warming-up - Keeping the engine speed between 3,500 and 4,000 rpm for 1 minute and at idle for 1 minute under no load 	0 - Approximately 1.0V	H
78	B	Sensor ground (Heated oxygen sensor 2)	[Engine is running] <ul style="list-style-type: none"> • Warm-up condition • Idle speed 	Approximately 0V	I
82	W	Sensor ground (APP sensor 1)	[Engine is running] <ul style="list-style-type: none"> • Warm-up condition • Idle speed 	Approximately 0V	J
83	P	Sensor ground (APP sensor 2)	[Engine is running] <ul style="list-style-type: none"> • Warm-up condition • Idle speed 	Approximately 0V	K
85	V	Data link connector	—	—	L
86	P	CAN communication line	—	—	M
90	L	Sensor power supply (APP sensor 1)	[Ignition switch: ON]	Approximately 5V	N

TROUBLE DIAGNOSIS

< SERVICE INFORMATION >

[VK45DE]

TER-MI-NAL NO.	WIRE COLOR	ITEM	CONDITION	DATA (DC Voltage)
91	BR	Sensor power supply (APP sensor 2)	[Ignition switch: ON]	Approximately 5V
94	L	CAN communication line	—	—
98	R	Accelerator pedal position sensor 2	[Ignition switch: ON] • Engine: Stopped • Accelerator pedal: Fully released	0.20 - 0.55V
			[Ignition switch: ON] • Engine: Stopped • Accelerator pedal: Fully depressed	1.85 - 2.40V
99	Y	ICC steering switch (models with ICC system)	[Ignition switch: ON] • ICC steering switch: OFF	Approximately 4.3V
			[Ignition switch: ON] • MAIN switch: Pressed	Approximately 0V
			[Ignition switch: ON] • CANCEL switch: Pressed	Approximately 1.9V
			[Ignition switch: ON] • RESUME/ACCELERATE switch: Pressed	Approximately 3.8V
			[Ignition switch: ON] • SET/COAST switch: Pressed	Approximately 3.3V
			[Ignition switch: ON] • DISTANCE switch: Pressed	Approximately 2.6V
			[Ignition switch: ON] • LDP ON switch: Pressed	Approximately 1.1V
99	Y	ASCD steering switch (models with ASCD system)	[Ignition switch: ON] • ASCD steering switch: OFF	Approximately 4V
			[Ignition switch: ON] • MAIN switch: Pressed	Approximately 0V
			[Ignition switch: ON] • CANCEL switch: Pressed	Approximately 1V
			[Ignition switch: ON] • RESUME/ACCELERATE switch: Pressed	Approximately 3V
			[Ignition switch: ON] • SET/COAST switch: Pressed	Approximately 2V
101	V/R	Stop lamp switch	[Ignition switch: OFF] • Brake pedal: Fully released	Approximately 0V
			[Ignition switch: OFF] • Brake pedal: Slightly depressed	BATTERY VOLTAGE (11 - 14V)
102	G	Transmission range switch	[Ignition switch: ON] • Selector lever: P or N	Approximately 0V
			[Ignition switch: ON] • Selector lever: Except above	BATTERY VOLTAGE (11 - 14V)
104	O	Throttle control motor relay	[Ignition switch: OFF]	BATTERY VOLTAGE (11 - 14V)
			[Ignition switch: ON]	0 - 1.0V
106	LG	Accelerator pedal position sensor 1	[Ignition switch: ON] • Engine stopped • Accelerator pedal: Fully released	0.4 - 1.1V
			[Ignition switch: ON] • Engine stopped • Accelerator pedal: Fully depressed	3.7 - 4.8V

TROUBLE DIAGNOSIS

< SERVICE INFORMATION >

[VK45DE]

TER-MI-NAL NO.	WIRE COLOR	ITEM	CONDITION	DATA (DC Voltage)
107	V/W	Fuel tank temperature sensor	[Engine is running]	Approximately 0 - 4.8V Output voltage varies with fuel tank temperature.
108	BR	ICC brake switch (models with ICC system) ASCDC brake switch (models with ASCDC system)	[Ignition switch: ON] • Brake pedal: Slightly depressed	Approximately 0V
			[Ignition switch: ON] • Brake pedal: Fully released	BATTERY VOLTAGE (11 - 14V)
109	L	Ignition switch	[Ignition switch: OFF]	0V
			[Ignition switch: ON]	BATTERY VOLTAGE (11 - 14V)
111	SB	ECM relay (Self shut-off)	[Engine is running] [Ignition switch: OFF] • For a few seconds after turning ignition switch OFF	0 - 1.5V
			[Ignition switch: OFF] • More than a few seconds after turning ignition switch OFF	BATTERY VOLTAGE (11 - 14V)
113	GR	Fuel pump relay	[Ignition switch: ON] • For 1 second after turning ignition switch ON [Engine is running]	0 - 1.5V
			[Ignition switch: ON] • More than 1 second after turning ignition switch ON	BATTERY VOLTAGE (11 - 14V)
115 116	B B	ECM ground	[Engine is running] • Idle speed	Body ground
117	GR/L	EVAP canister vent control valve	[Ignition switch: ON]	BATTERY VOLTAGE (11 - 14V)
119 120	R R	Power supply for ECM	[Ignition switch: ON]	BATTERY VOLTAGE (11 - 14V)
121	L	Power supply for ECM (Back-up)	[Ignition switch: OFF]	BATTERY VOLTAGE (11 - 14V)

★: Average voltage for pulse signal (Actual pulse signal can be confirmed by oscilloscope.)

*: Before measuring the terminal voltage, confirm that the battery is fully charged. Refer to [SC-4, "How to Handle Battery"](#).

CONSULT-III Function

INFOID:000000002954755

FUNCTION

Diagnostic test mode	Function
ECU Identification	ECM part number can be read.
Self Diagnostic Result	Self-diagnostic results such as 1st trip DTC, DTCs and 1st trip freeze frame data or freeze frame data can be read and erased quickly.*
Data Monitor	Input/Output data in the ECM can be read.
Active Test	Diagnostic Test Mode in which CONSULT-III drives some actuators apart from the ECMs and also shifts some parameters in a specified range.
Work Support	This mode enables a technician to adjust some devices faster and more accurately by following the indications on the CONSULT-III unit.
DTC & SRT CONFIRMATION	The status of system monitoring tests and the self-diagnosis status/result can be confirmed.

*: The following emission-related diagnostic information is cleared when the ECM memory is erased.

- Diagnostic trouble codes
- 1st trip diagnostic trouble codes

TROUBLE DIAGNOSIS

[VK45DE]

< SERVICE INFORMATION >

- Freeze frame data
- 1st trip freeze frame data
- System readiness test (SRT) codes
- Test values

ENGINE CONTROL COMPONENT PARTS/CONTROL SYSTEMS APPLICATION

Item		Direct Diagnostic Mode						
		Work Support	Self Diagnostic Result		Data Monitor	Active Test	DTC & SRT CONFIRMATION	
			DTC*1	FREEZE FRAME DATA*2			SRT STATUS	DTC WORK SUPPORT
ENGINE CONTROL COMPONENT PARTS INPUT	Crankshaft position sensor (POS)		×	×	×			
	Camshaft position sensor (PHASE)		×	×	×			
	Mass air flow sensor		×		×			
	Engine coolant temperature sensor		×	×	×	×		
	Air fuel ratio (A/F) sensor 1		×		×	×	×	
	Heated oxygen sensor 2		×		×	×	×	
	Wheel sensor		×	×	×			
	Accelerator pedal position sensor		×		×			
	Throttle position sensor		×	×	×			
	Fuel tank temperature sensor		×		×	×		
	EVAP control system pressure sensor		×		×			
	Intake air temperature sensor		×	×	×			
	Knock sensor		×					
	Refrigerant pressure sensor				×			
	Closed throttle position switch (accelerator pedal position sensor signal)				×			
	Air conditioner switch				×			
	Transmission range switch		×		×			
	Stop lamp switch		×		×			
	Power steering pressure sensor		×		×			
	Battery voltage				×			
	Load signal				×			
	Intake valve timing control position sensor		×		×			
	Fuel level sensor		×		×			
	Battery current sensor		×		×			
	ICC steering switch		×		×			
	ASCD steering switch		×		×			
ICC brake switch		×		×				
ASCD brake switch		×		×				

TROUBLE DIAGNOSIS

< SERVICE INFORMATION >

[VK45DE]

Item		Direct Diagnostic Mode						
		Work Support	Self Diagnostic Result		Data Monitor	Active Test	DTC & SRT CONFIRMATION	
			DTC*1	FREEZE FRAME DATA*2			SRT STATUS	DTC WORK SUPPORT
ENGINE CONTROL COMPONENT PARTS OUTPUT	Fuel injector				×	×		
	Power transistor (Ignition timing)				×	×		
	Throttle control motor relay		×		×			
	Throttle control motor		×					
	EVAP canister purge volume control solenoid valve		×		×	×		×
	FPCM		×		×	×		
	Air conditioner relay				×			
	Fuel pump relay	×			×	×		
	Cooling fan control module		×		×	×		
	Air fuel ratio (A/F) sensor 1 heater		×		×		×*3	
	Heated oxygen sensor 2 heater		×		×		×*3	
	EVAP canister vent control valve	×	×		×	×		
	Intake valve timing control solenoid valve		×		×	×		
	VIAS control solenoid valve		×		×	×		
	Alternator				×	×		
Calculated load value			×	×				

X: Applicable

*1: This item includes 1st trip DTCs.

*2: This mode includes 1st trip freeze frame data or freeze frame data. The items appear on CONSULT-III screen in freeze frame data mode only if a 1st trip DTC or DTC is detected. For details, refer to [EC-677, "Emission-Related Diagnostic Information"](#).

*3: Always "CMPLT" is displayed.

WORK SUPPORT MODE

Work Item

WORK ITEM	CONDITION	USAGE
FUEL PRESSURE RELEASE	<ul style="list-style-type: none"> FUEL PUMP WILL STOP BY TOUCHING "START" DURING IDLING. CRANK A FEW TIMES AFTER ENGINE STALLS. 	When releasing fuel pressure from fuel line
IDLE AIR VOL LEARN	<ul style="list-style-type: none"> THE IDLE AIR VOLUME THAT KEEPS THE ENGINE WITHIN THE SPECIFIED RANGE IS MEMORIZED IN ECM. 	When learning the idle air volume
SELF-LEARNING CONT	<ul style="list-style-type: none"> THE COEFFICIENT OF SELF-LEARNING CONTROL MIXTURE RATIO RETURNS TO THE ORIGINAL COEFFICIENT. 	When clearing the coefficient of self-learning control value

TROUBLE DIAGNOSIS

< SERVICE INFORMATION >

[VK45DE]

WORK ITEM	CONDITION	USAGE
EVAP SYSTEM CLOSE	<p>CLOSE THE EVAP CANISTER VENT CONTROL VALVE IN ORDER TO MAKE EVAP SYSTEM CLOSE UNDER THE FOLLOWING CONDITIONS.</p> <ul style="list-style-type: none"> • IGN SW ON • ENGINE NOT RUNNING • AMBIENT TEMPERATURE IS ABOVE 0°C (32°F). • NO VACUUM AND NO HIGH PRESSURE IN EVAP SYSTEM • FUEL TANK TEMP. IS MORE THAN 0°C (32°F). • WITHIN 10 MINUTES AFTER STARTING "EVAP SYSTEM CLOSE" • WHEN TRYING TO EXECUTE "EVAP SYSTEM CLOSE" UNDER THE CONDITION EXCEPT ABOVE, CONSULT-III WILL DISCONTINUE IT AND DISPLAY APPROPRIATE INSTRUCTION. <p>NOTE: WHEN STARTING ENGINE, CONSULT-III MAY DISPLAY "BATTERY VOLTAGE IS LOW. CHARGE BATTERY", EVEN IN USING CHARGED BATTERY.</p>	When detecting EVAP vapor leak point of EVAP system
VIN REGISTRATION	<ul style="list-style-type: none"> • IN THIS MODE VIN IS REGISTERED IN ECM 	When registering VIN in ECM
TARGET IDLE RPM ADJ*	<ul style="list-style-type: none"> • IDLE CONDITION 	When setting target idle speed
TARGET IGN TIM ADJ*	<ul style="list-style-type: none"> • IDLE CONDITION 	When adjusting target ignition timing

*: This function is not necessary in the usual service procedure.

SELF DIAGNOSTIC RESULT MODE

Self Diagnostic Item

Regarding items of DTC and 1st trip DTC, refer to [EC-677, "Emission-Related Diagnostic Information"](#).

Freeze Frame Data and 1st Trip Freeze Frame Data

Freeze frame data item*	Description
DIAG TROUBLE CODE [PXXXX]	<ul style="list-style-type: none"> • The engine control component part/control system has a trouble code, it is displayed as PXXXX. (Refer to EC-640, "U1000 - U1010".)
FUEL SYS-B1	<ul style="list-style-type: none"> • "Fuel injection system status" at the moment a malfunction is detected is displayed. • One mode in the following is displayed. Mode2: Open loop due to detected system malfunction Mode3: Open loop due to driving conditions (power enrichment, deceleration enrichment) Mode4: Closed loop - using oxygen sensor(s) as feedback for fuel control Mode5: Open loop - has not yet satisfied condition to go to closed loop
FUEL SYS-B2	
CAL/LD VALUE [%]	<ul style="list-style-type: none"> • The calculated load value at the moment a malfunction is detected is displayed.
COOLANT TEMP [°C] or [°F]	<ul style="list-style-type: none"> • The engine coolant temperature at the moment a malfunction is detected is displayed.
L-FUEL TRM-B1 [%]	<ul style="list-style-type: none"> • "Long-term fuel trim" at the moment a malfunction is detected is displayed. • The long-term fuel trim indicates much more gradual feedback compensation to the base fuel schedule than short-term fuel trim.
L-FUEL TRM-B2 [%]	
S-FUEL TRM-B1 [%]	<ul style="list-style-type: none"> • "Short-term fuel trim" at the moment a malfunction is detected is displayed. • The short-term fuel trim indicates dynamic or instantaneous feedback compensation to the base fuel schedule.
S-FUEL TRM-B2 [%]	
ENGINE SPEED [rpm]	<ul style="list-style-type: none"> • The engine speed at the moment a malfunction is detected is displayed.
VEHICL SPEED [km/h] or [mph]	<ul style="list-style-type: none"> • The vehicle speed at the moment a malfunction is detected is displayed.
ABSOL TH-P/S [%]	<ul style="list-style-type: none"> • The throttle valve opening angle at the moment a malfunction is detected is displayed.
B/FUEL SCHDL [msec]	<ul style="list-style-type: none"> • The base fuel schedule at the moment a malfunction is detected is displayed.

TROUBLE DIAGNOSIS

< SERVICE INFORMATION >

[VK45DE]

Freeze frame data item*	Description
INT/A TEMP SE [°C] or [°F]	<ul style="list-style-type: none"> The intake air temperature at the moment a malfunction is detected is displayed.
INT MANI PRES [kPa]	<ul style="list-style-type: none"> These items are displayed but are not applicable to this model.
FTFMCH1	

*: The items are the same as those of 1st trip freeze frame data.

DATA MONITOR MODE

Monitored Item

x: Applicable

Monitored item	Unit	Description	Remarks
ENG SPEED	rpm	<ul style="list-style-type: none"> Indicates the engine speed computed from the signal of the crankshaft position sensor (POS) and camshaft position sensor (PHASE). 	<ul style="list-style-type: none"> Accuracy becomes poor if engine speed drops below the idle rpm. If the signal is interrupted while the engine is running, an abnormal value may be indicated.
MAS A/F SE-B1	V	<ul style="list-style-type: none"> The signal voltage of the mass air flow sensor is displayed. 	<ul style="list-style-type: none"> When the engine is stopped, a certain value is indicated.
B/FUEL SCHDL	msec	<ul style="list-style-type: none"> "Base fuel schedule" indicates the fuel injection pulse width programmed into ECM, prior to any learned on board correction. 	
A/F ALPHA-B1	%	<ul style="list-style-type: none"> The mean value of the air-fuel ratio feedback correction factor per cycle is indicated. 	<ul style="list-style-type: none"> When the engine is stopped, a certain value is indicated. This data also includes the data for the air-fuel ratio learning control.
A/F ALPHA-B2	%		
COOLAN TEMP/S	°C or °F	<ul style="list-style-type: none"> The engine coolant temperature (determined by the signal voltage of the engine coolant temperature sensor) is displayed. 	<ul style="list-style-type: none"> When the engine coolant temperature sensor is open or short-circuited, ECM enters fail-safe mode. The engine coolant temperature determined by the ECM is displayed.
A/F SEN1 (B1)	V	<ul style="list-style-type: none"> The A/F signal computed from the input signal of the air fuel ratio (A/F) sensor 1 is displayed. 	
A/F SEN1 (B2)	V		
HO2S2 (B1)	×V	<ul style="list-style-type: none"> The signal voltage of the heated oxygen sensor 2 is displayed. 	
HO2S2 (B2)	V		
HO2S2 MNTR (B1)	RICH/LEAN	<ul style="list-style-type: none"> Display of heated oxygen sensor 2 signal: RICH: means the amount of oxygen after three way catalyst is relatively small. LEAN: means the amount of oxygen after three way catalyst is relatively large. 	<ul style="list-style-type: none"> When the engine is stopped, a certain value is indicated.
HO2S2 MNTR (B2)	RICH/LEAN		
VHCL SPEED SE	km/h or mph	<ul style="list-style-type: none"> The vehicle speed computed from the vehicle speed signal sent from combination meter is displayed. 	
BATTERY VOLT	V	<ul style="list-style-type: none"> The power supply voltage of ECM is displayed. 	
ACCEL SEN 1	V	<ul style="list-style-type: none"> The accelerator pedal position sensor signal voltage is displayed. 	<ul style="list-style-type: none"> ACCEL SEN 2 signal is converted by ECM internally. Thus, it differs from ECM terminal voltage signal.
ACCEL SEN 2	V		
TP SEN 1-B1	V	<ul style="list-style-type: none"> The throttle position sensor signal voltage is displayed. 	<ul style="list-style-type: none"> TP SEN 2-B1 signal is converted by ECM internally. Thus, it differs from ECM terminal voltage signal.
TP SEN 2-B1	V		
FUEL T/TMP SE	°C or °F	<ul style="list-style-type: none"> The fuel temperature (determined by the signal voltage of the fuel tank temperature sensor) is displayed. 	
INT/A TEMP SE	°C or °F	<ul style="list-style-type: none"> The intake air temperature (determined by the signal voltage of the intake air temperature sensor) is indicated. 	

TROUBLE DIAGNOSIS

< SERVICE INFORMATION >

[VK45DE]

Monitored item	Unit	Description	Remarks
EVAP SYS PRES	V	<ul style="list-style-type: none"> The signal voltage of EVAP control system pressure sensor is displayed. 	
FPCM DR VOLT	V	<ul style="list-style-type: none"> The voltage between fuel pump and FPCM is displayed. 	
FUEL LEVEL SE	V	<ul style="list-style-type: none"> The signal voltage of the fuel level sensor is displayed. 	
START SIGNAL	ON/OFF	<ul style="list-style-type: none"> Indicates start signal status [ON/OFF] computed by the ECM according to the signals of engine speed and battery voltage. 	<ul style="list-style-type: none"> After starting the engine, [OFF] is displayed regardless of the starter signal.
CLSD THL POS	ON/OFF	<ul style="list-style-type: none"> Indicates idle position [ON/OFF] computed by ECM according to the accelerator pedal position sensor signal. 	
AIR COND SIG	ON/OFF	<ul style="list-style-type: none"> Indicates [ON/OFF] condition of the air conditioner switch as determined by the air conditioner signal. 	
P/N POSI SW	ON/OFF	<ul style="list-style-type: none"> Indicates [ON/OFF] condition from the park/neutral position (PNP) switch signal. 	
PW/ST SIGNAL	ON/OFF	<ul style="list-style-type: none"> [ON/OFF] condition of the power steering system (determined by the signal voltage of the power steering pressure sensor signal) is indicated. 	
LOAD SIGNAL	ON/OFF	<ul style="list-style-type: none"> Indicates [ON/OFF] condition from the electrical load signal. ON: Rear window defogger switch is ON and/or lighting switch is in 2nd position. OFF: Both rear window defogger switch and lighting switch are OFF. 	
IGNITION SW	ON/OFF	<ul style="list-style-type: none"> Indicates [ON/OFF] condition from ignition switch signal. 	
HEATER FAN SW	ON/OFF	<ul style="list-style-type: none"> Indicates [ON/OFF] condition from the heater fan switch signal. 	
BRAKE SW	ON/OFF	<ul style="list-style-type: none"> Indicates [ON/OFF] condition from the stop lamp switch signal. 	
INJ PULSE-B1	msec	<ul style="list-style-type: none"> Indicates the actual fuel injection pulse width compensated by ECM according to the input signals. 	<ul style="list-style-type: none"> When the engine is stopped, a certain computed value is indicated.
INJ PULSE-B2	msec		
IGN TIMING	BTDC	<ul style="list-style-type: none"> Indicates the ignition timing computed by ECM according to the input signals. 	<ul style="list-style-type: none"> When the engine is stopped, a certain value is indicated.
CAL/LD VALUE	%	<ul style="list-style-type: none"> "Calculated load value" indicates the value of the current air flow divided by peak air flow. 	
MASS AIRFLOW	g-m/s	<ul style="list-style-type: none"> Indicates the mass air flow computed by ECM according to the signal voltage of the mass air flow sensor. 	
PURG VOL C/V	%	<ul style="list-style-type: none"> Indicates the EVAP canister purge volume control solenoid valve control value computed by the ECM according to the input signals. The opening becomes larger as the value increases. 	
INT/V TIM (B1)	°CA	<ul style="list-style-type: none"> Indicates [°CA] of intake camshaft advanced angle. 	
INT/V TIM (B2)	°CA		
INT/V SOL (B1)	%	<ul style="list-style-type: none"> The control value of the intake valve timing control solenoid valve (determined by ECM according to the input signals) is indicated. The advance angle becomes larger as the value increases. 	
INT/V SOL (B2)	%		

TROUBLE DIAGNOSIS

< SERVICE INFORMATION >

[VK45DE]

Monitored item	Unit	Description	Remarks
VIAS S/V-1	ON/OFF	<ul style="list-style-type: none"> The control condition of the VIAS control solenoid valve (determined by ECM according to the input signals) is indicated. OFF: VIAS control solenoid valve is not operating. ON: VIAS control solenoid valve is operating. 	A EC
AIR COND RLY	ON/OFF	<ul style="list-style-type: none"> The air conditioner relay control condition (determined by ECM according to the input signals) is indicated. 	C
FUEL PUMP RLY	ON/OFF	<ul style="list-style-type: none"> Indicates the fuel pump relay control condition determined by ECM according to the input signals. 	D
FPCM	HI/LOW	<ul style="list-style-type: none"> The control condition of the fuel pump control module (FPCM) (determined by the ECM according to the input signal) is indicated. 	E
VENT CONT/V	ON/OFF	<ul style="list-style-type: none"> The control condition of the EVAP canister vent control valve (determined by ECM according to the input signals) is indicated. ON: Closed OFF: Open 	F
THRTL RELAY	ON/OFF	<ul style="list-style-type: none"> Indicates the throttle control motor relay control condition determined by the ECM according to the input signals. 	G
HO2S2 HTR (B1)	ON/OFF	<ul style="list-style-type: none"> Indicates [ON/OFF] condition of heated oxygen sensor 2 heater determined by ECM according to the input signals. 	H
HO2S2 HTR (B2)	ON/OFF		
I/P PULLY SPD	rpm	<ul style="list-style-type: none"> Indicates the engine speed computed from the turbine revolution sensor signal. 	I
VEHICLE SPEED	km/h or MPH	<ul style="list-style-type: none"> The vehicle speed computed from the vehicle speed signal sent from TCM is displayed. 	J
IDL A/V LEARN	YET/CM-PLT	<ul style="list-style-type: none"> Display the condition of idle air volume learning YET: Idle air volume learning has not been performed yet. CMPLT: Idle air volume learning has already been performed successfully. 	K
TRVL AFTER MIL	km or mile	<ul style="list-style-type: none"> Distance traveled while MIL is activated. 	L
A/F S1 HTR (B1)	%	<ul style="list-style-type: none"> Air fuel ratio (A/F) sensor 1 heater control value computed by ECM according to the input signals. The current flow to the heater becomes larger as the value increases. 	M
A/F S1 HTR (B2)	%		
AC PRESS SEN	V	<ul style="list-style-type: none"> The signal voltage from the refrigerant pressure sensor is displayed. 	N
VHCL SPEED SE	km/h or mph	<ul style="list-style-type: none"> The vehicle speed computed from the vehicle speed signal sent from combination meter is displayed. 	O
SET VHCL SPD	km/h or mph	<ul style="list-style-type: none"> The preset vehicle speed is displayed. 	P
MAIN SW	ON/OFF	<ul style="list-style-type: none"> Indicates [ON/OFF] condition from MAIN switch signal. 	
CANCEL SW	ON/OFF	<ul style="list-style-type: none"> Indicates [ON/OFF] condition from CANCEL switch signal. 	
RESUME/ACC SW	ON/OFF	<ul style="list-style-type: none"> Indicates [ON/OFF] condition from RESUME/ACCELERATE switch signal. 	
SET SW	ON/OFF	<ul style="list-style-type: none"> Indicates [ON/OFF] condition from SET/COAST switch signal. 	
BRAKE SW1	ON/OFF	<ul style="list-style-type: none"> Indicates [ON/OFF] condition from ASCD brake switch signal. 	

TROUBLE DIAGNOSIS

< SERVICE INFORMATION >

[VK45DE]

Monitored item	Unit	Description	Remarks
BRAKE SW2	ON/OFF	<ul style="list-style-type: none"> Indicates [ON/OFF] condition of stop lamp switch signal. 	
DIST SW	ON/OFF	<ul style="list-style-type: none"> Indicates [ON/OFF] condition from DISTANCE switch signal. 	
CRUISE LAMP	ON/OFF	<ul style="list-style-type: none"> Indicates [ON/OFF] condition of CRUISE lamp determined by the ECM according to the input signals. 	
SET LAMP	ON/OFF	<ul style="list-style-type: none"> Indicates [ON/OFF] condition of SET lamp determined by the ECM according to the input signals. 	
FAN DUTY	%	<ul style="list-style-type: none"> Indicates a command value for cooling fan. The value is calculated by ECM based on input signals. 	
AC EVA TEMP	°C or °F	<ul style="list-style-type: none"> Indicates A/C evaporator temperature sent from "unified meter and A/C amp." 	
AC EVA TARGET	°C or °F	<ul style="list-style-type: none"> Indicates target A/C evaporator temperature sent from "unified meter and A/C amp." 	
ALT DUTY	%	<ul style="list-style-type: none"> Indicates the duty ratio of the power generation command value. The ratio is calculated by ECM based on the battery current sensor signal. 	
BAT CUR SEN	mV	<ul style="list-style-type: none"> The signal voltage of battery current sensor is displayed. 	
ALT DUTY SIG	ON/OFF	<ul style="list-style-type: none"> The control condition of the power generation voltage variable control (determined by ECM according to the input signals) is indicated. ON: Power generation voltage variable control is active. OFF: Power generation voltage variable control is inactive. 	
A/F ADJ-B1	—	<ul style="list-style-type: none"> Indicates the correction factor stored in ECM. The factor is calculated from the difference between the target air/fuel ratio stored in ECM and the air-fuel ratio calculated from air fuel ratio (A/F) sensor 1 signal. 	
A/F ADJ-B2	—		

NOTE:

Any monitored item that does not match the vehicle being diagnosed is deleted from the display automatically.

ACTIVE TEST MODE

Test Item

TEST ITEM	CONDITION	JUDGEMENT	CHECK ITEM (REMEDY)
FUEL INJECTION	<ul style="list-style-type: none"> Engine: Return to the original trouble condition Change the amount of fuel injection using CONSULT-III. 	If trouble symptom disappears, see CHECK ITEM.	<ul style="list-style-type: none"> Harness and connectors Fuel injector Air fuel ratio (A/F) sensor 1
POWER BALANCE	<ul style="list-style-type: none"> Engine: After warming up, idle the engine. A/C switch OFF Selector lever: P or N Cut off each fuel injector signal one at a time using CONSULT-III. 	Engine runs rough or dies.	<ul style="list-style-type: none"> Harness and connectors Compression Fuel injector Power transistor Spark plug Ignition coil
ENG COOLANT TEMP	<ul style="list-style-type: none"> Engine: Return to the original trouble condition Change the engine coolant temperature using CONSULT-III. 	If trouble symptom disappears, see CHECK ITEM.	<ul style="list-style-type: none"> Harness and connectors Engine coolant temperature sensor Fuel injector

TROUBLE DIAGNOSIS

< SERVICE INFORMATION >

[VK45DE]

TEST ITEM	CONDITION	JUDGEMENT	CHECK ITEM (REMEDY)
FUEL PUMP RE-LAY	<ul style="list-style-type: none"> Ignition switch: ON (Engine stopped) Turn the fuel pump relay ON and OFF using CONSULT-III and listen to operating sound. 	Fuel pump relay makes the operating sound.	<ul style="list-style-type: none"> Harness and connectors Fuel pump relay
VIAS S/V-1	<ul style="list-style-type: none"> Ignition switch: ON Turn solenoid valve ON and OFF with CONSULT-III and listen to operating sound. 	Solenoid valve makes an operating sound.	<ul style="list-style-type: none"> Harness and connectors Solenoid valve
PURG VOL CONT/V	<ul style="list-style-type: none"> Engine: After warming up, run engine at 1,500 rpm. Change the EVAP canister purge volume control solenoid valve opening percent using CONSULT-III. 	Engine speed changes according to the opening percent.	<ul style="list-style-type: none"> Harness and connectors Solenoid valve
FUEL/T TEMP SEN	<ul style="list-style-type: none"> Change the fuel tank temperature using CONSULT-III. 		
VENT CONTROL/V	<ul style="list-style-type: none"> Ignition switch: ON (Engine stopped) Turn solenoid valve ON and OFF with the CONSULT-III and listen to operating sound. 	Solenoid valve makes an operating sound.	<ul style="list-style-type: none"> Harness and connectors Solenoid valve
FPCM	<ul style="list-style-type: none"> Engine: Returns to the original trouble condition Select "LOW" and "HI" with CONSULT-III. 	If trouble symptom disappears, see CHECK ITEM.	<ul style="list-style-type: none"> Harness and connectors FPCM
V/T ASSIGN ANGLE	<ul style="list-style-type: none"> Engine: Return to the original trouble condition Change intake valve timing using CONSULT-III. 	If trouble symptom disappears, see CHECK ITEM.	<ul style="list-style-type: none"> Harness and connectors Intake valve timing control solenoid valve
FAN DUTY CONTROL*	<ul style="list-style-type: none"> Ignition switch: ON Change duty ratio using CONSULT-III. 	Cooling fan speed changes.	<ul style="list-style-type: none"> Harness and connectors Cooling fan motor Cooling fan relay Cooling fan control module IPDM E/R
ALTERNATOR DUTY	<ul style="list-style-type: none"> Engine: Idle Change duty ratio using CONSULT-III. 	Battery voltage changes.	<ul style="list-style-type: none"> Harness and connectors IPDM E/R Alternator

*: Leaving cooling fan OFF with CONSULT-III while engine is running may cause the engine to overheat.

DTC & SRT CONFIRMATION MODE

SRT STATUS Mode

For details, refer to "How to Display SRT Status" in [EC-677. "Emission-Related Diagnostic Information"](#).

SRT WORK SUPPORT Mode

This mode enables a technician to drive a vehicle to set the SRT while monitoring the SRT status.

DTC WORK SUPPORT Mode

Test mode	Test item	Corresponding DTC No.	Reference page
EVAPORATIVE SYSTEM	EVP SML LEAK P0442/P1442*	P0442	EC-978
		P0455	EC-1025
	EVP V/S LEAK P0456/P1456*	P0456	EC-1031
	PURG VOL CN/V P1444	P0443	EC-985
	PURG FLOW P0441	P0441	EC-973

TROUBLE DIAGNOSIS

< SERVICE INFORMATION >

[VK45DE]

Test mode	Test item	Corresponding DTC No.	Reference page
A/F SEN1	A/F SEN1 (B1) P1278/P1279	P0133	EC-872
	A/F SEN1 (B1) P1276	P0130	EC-848
	A/F SEN1 (B2) P1288/P1289	P0153	EC-872
	A/F SEN1 (B2) P1286	P0150	EC-848
HO2S2	HO2S2 (B1) P1146	P0138	EC-890
	HO2S2 (B1) P1147	P0137	EC-881
	HO2S2 (B1) P0139	P0139	EC-902
	HO2S2 (B2) P1166	P0158	EC-890
	HO2S2 (B2) P1167	P0157	EC-881
	HO2S2 (B2) P0159	P0159	EC-902

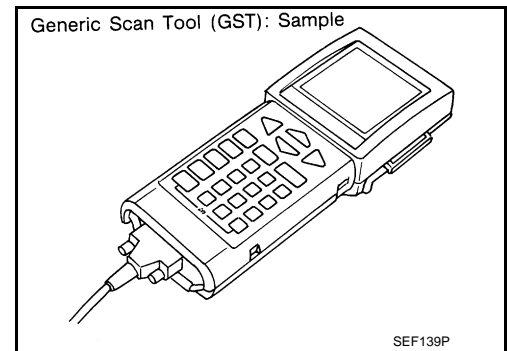
*: DTC P1442 and P1456 does not apply to Y50 models but appears in DTC Work Support Mode screens.

Generic Scan Tool (GST) Function

INFOID:00000002954756

DESCRIPTION

Generic Scan Tool (OBDII scan tool) complying with SAE J1978 has 8 different functions explained below. ISO9141 is used as the protocol. The name "GST" or "Generic Scan Tool" is used in this service manual.



FUNCTION

Diagnostic service		Function
Service \$01	READINESS TESTS	This diagnostic service gains access to current emission-related data values, including analog inputs and outputs, digital inputs and outputs, and system status information.
Service \$02	(FREEZE DATA)	This diagnostic service gains access to emission-related data value which were stored by ECM during the freeze frame. For details, refer to EC-677. "Emission-Related Diagnostic Information" .
Service \$03	DTCs	This diagnostic service gains access to emission-related power train trouble codes which were stored by ECM.
Service \$04	CLEAR DIAG INFO	This diagnostic service can clear all emission-related diagnostic information. This includes: <ul style="list-style-type: none"> • Clear number of diagnostic trouble codes (Service \$01) • Clear diagnostic trouble codes (Service \$03) • Clear trouble code for freeze frame data (Service \$01) • Clear freeze frame data (Service \$02) • Reset status of system monitoring test (Service \$01) • Clear on board monitoring test results (Service \$06 and \$07)
Service \$06	(ON BOARD TESTS)	This diagnostic service accesses the results of on board diagnostic monitoring tests of specific components/systems that are not continuously monitored.
Service \$07	(ON BOARD TESTS)	This diagnostic service enables the off board test drive to obtain test results for emission-related powertrain components/systems that are continuously monitored during normal driving conditions.

TROUBLE DIAGNOSIS

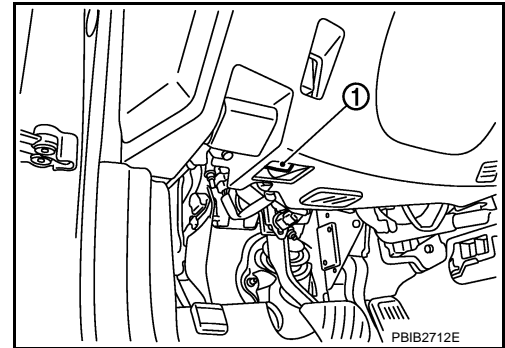
< SERVICE INFORMATION >

[VK45DE]

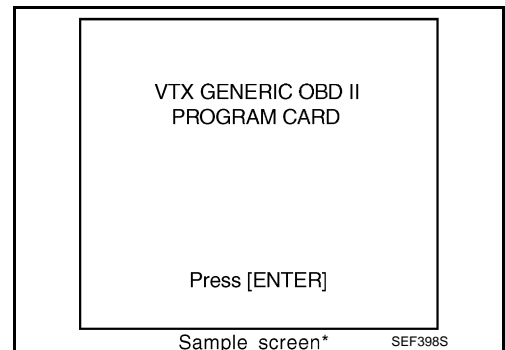
Diagnostic service		Function
Service \$08	—	<p>This diagnostic service can close EVAP system in ignition switch ON position (Engine stopped). When this diagnostic service is performed, EVAP canister vent control valve can be closed.</p> <p>In the following conditions, this diagnostic service cannot function.</p> <ul style="list-style-type: none"> • Low ambient temperature • Low battery voltage • Engine running • Ignition switch OFF • Low fuel temperature • Too much pressure is applied to EVAP system
Service \$09	(CALIBRATION ID)	This diagnostic service enables the off-board test device to request specific vehicle information such as Vehicle Identification Number (VIN) and Calibration IDs.

INSPECTION PROCEDURE

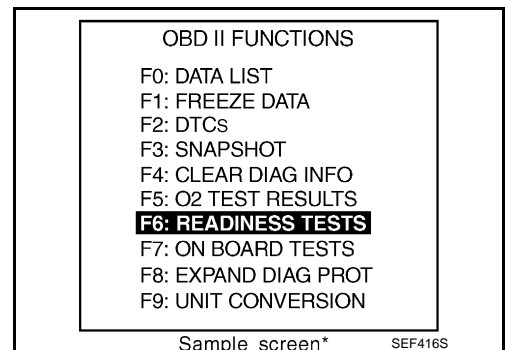
1. Turn ignition switch OFF.
2. Connect GST to data link connector (1), which is located under LH dash panel near the hood opener handle.



3. Turn ignition switch ON.
4. Enter the program according to instruction on the screen or in the operation manual.
(*: Regarding GST screens in this section, sample screens are shown.)



5. Perform each diagnostic service according to each service procedure.
For further information, see the GST Operation Manual of the tool maker.



CONSULT-III Reference Value in Data Monitor Mode

INFOID:000000002954757

Remarks:

- Specification data are reference values.
- Specification data are output/input values which are detected or supplied by the ECM at the connector.

TROUBLE DIAGNOSIS

[VK45DE]

< SERVICE INFORMATION >

* Specification data may not be directly related to their components signals/values/operations.

i.e. Adjust ignition timing with a timing light before monitoring IGN TIMING, because the monitor may show the specification data in spite of the ignition timing not being adjusted to the specification data. This IGN TIMING monitors the data calculated by the ECM according to the signals input from the camshaft position sensor and other ignition timing related sensors.

MONITOR ITEM	CONDITION		SPECIFICATION
ENG SPEED	• Run engine and compare CONSULT-III value with the tachometer indication.		Almost the same speed as the tachometer indication.
MAS A/F SE-B1	See EC-755, "Inspection Procedure" .		
B/FUEL SCHDL	See EC-755, "Inspection Procedure" .		
A/F ALPHA-B1 A/F ALPHA-B2	See EC-755, "Inspection Procedure" .		
COOLAN TEMP/S	• Engine: After warming up		More than 70°C (158°F)
A/F SEN1 (B1) A/F SEN1 (B2)	• Engine: After warming up	Maintaining engine speed at 2,000 rpm	Fluctuates around 1.5 V
HO2S2 (B1) HO2S2 (B2)	• Revving engine from idle to 3,000 rpm quickly after the following conditions are met.		0 - 0.3V ←→ Approx. 0.6 - 1.0V
HO2S2 MNTR (B1) HO2S2 MNTR (B2)	- Engine: After warming up - Keeping the engine speed between 3,500 and 4,000 rpm for 1 minute and at idle for 1 minute under no load		LEAN ←→ RICH
VHCL SPEED SE	• Turn drive wheels and compare CONSULT-III value with the speedometer indication.		Almost the same speed as speedometer indication
BATTERY VOLT	• Ignition switch: ON (Engine stopped)		11 - 14V
ACCEL SEN 1 ACCEL SEN 2*1	• Ignition switch: ON (Engine stopped)	Accelerator pedal: Fully released	0.4 - 1.1V
		Accelerator pedal: Fully depressed	3.7 - 4.8V
TP SEN 1-B1 TP SEN 2-B1*1	• Ignition switch: ON (Engine stopped) • Selector lever: D	Accelerator pedal: Fully released	More than 0.36V
		Accelerator pedal: Fully depressed	Less than 4.75V
EVAP SYS PRES	• Ignition switch: ON		Approx. 1.8 - 4.8V
START SIGNAL	• Ignition switch: ON → START → ON		OFF → ON → OFF
CLSD THL POS	• Ignition switch: ON (Engine stopped)	Accelerator pedal: Fully released	ON
		Accelerator pedal: Slightly depressed	OFF
AIR COND SIG	• Engine: After warming up, idle the engine	Air conditioner switch: OFF	OFF
		Air conditioner switch: ON (Compressor operates.)	ON
P/N POSI SW	• Ignition switch: ON	Selector lever: P or N	ON
		Selector lever: Except above	OFF
PW/ST SIGNAL	• Engine: After warming up, idle the engine	Steering wheel: Not being turned (Forward direction)	OFF
		Steering wheel: Being turned	ON
LOAD SIGNAL	• Ignition switch: ON	Rear window defogger switch: ON and/or Lighting switch: 2ND position	ON
		Rear window defogger switch and lighting switch: OFF	OFF
IGNITION SW	• Ignition switch: ON → OFF → ON		ON → OFF → ON
HEATER FAN SW	• Engine: After warming up, idle the engine	Heater fan switch: ON	ON
		Heater fan switch: OFF	OFF
BRAKE SW	• Ignition switch: ON	Brake pedal: Fully released	OFF
		Brake pedal: Slightly depressed	ON
INJ PULSE-B1 INJ PULSE-B2	• Engine: After warming up • Selector lever: P or N • Air conditioner switch: OFF • No load	Idle	2.0 - 3.0 msec
		2,000 rpm	1.9 - 2.9 msec

TROUBLE DIAGNOSIS

< SERVICE INFORMATION >

[VK45DE]

MONITOR ITEM	CONDITION	SPECIFICATION
IGN TIMING	<ul style="list-style-type: none"> • Engine: After warming up • Selector lever: P or N • Air conditioner switch: OFF • No load 	Idle 7° - 17° BTDC
		2,000 rpm 25° - 45° BTDC
CAL/LD VALUE	<ul style="list-style-type: none"> • Engine: After warming up • Selector lever: P or N • Air conditioner switch: OFF • No load 	Idle 14% - 33%
		2,500 rpm 12% - 25%
MASS AIRFLOW	<ul style="list-style-type: none"> • Engine: After warming up • Selector lever: P or N • Air conditioner switch: OFF • No load 	Idle 2.0 - 6.0 g-m/s
		2,500 rpm 7.0 - 20.0 g-m/s
PURG VOL C/V	<ul style="list-style-type: none"> • Engine: After warming up • Selector lever: P or N • Air conditioner switch: OFF • No load 	Idle (Accelerator pedal: Not depressed even slightly, after engine starting.) 0%
		2,000 rpm —
INT/V TIM (B1) INT/V TIM (B2)	<ul style="list-style-type: none"> • Engine: After warming up • Selector lever: P or N • Air conditioner switch: OFF • No load 	Idle -5° - 5°C
		2,000 rpm Approx. 0° - 20°C
INT/V SOL (B1) INT/V SOL (B2)	<ul style="list-style-type: none"> • Engine: After warming up • Selector lever: P or N • Air conditioner switch: OFF • No load 	Idle 0% - 2%
		2,000 rpm Approx. 25% - 50%
VIAS S/V-1	<ul style="list-style-type: none"> • Selector lever: P or N 	ON
	<ul style="list-style-type: none"> • Engine speed: More than 5,000 rpm 	ON
	<ul style="list-style-type: none"> • Selector lever: Except P or N • Engine speed: Less than 5,000 rpm 	OFF
AIR COND RLY	<ul style="list-style-type: none"> • Engine: After warming up, idle the engine 	Air conditioner switch: OFF OFF
		Air conditioner switch: ON (Compressor operates) ON
FUEL PUMP RLY	<ul style="list-style-type: none"> • For 1 seconds after turning ignition switch: ON • Engine running or cranking 	ON
	<ul style="list-style-type: none"> • Except above 	OFF
FPCM	<ul style="list-style-type: none"> • Engine: Cranking 	HI
	<ul style="list-style-type: none"> • Engine: Idle • Engine coolant temperature: More than 10°C (50°F) 	LOW
VENT CONT/V	<ul style="list-style-type: none"> • Ignition switch: ON 	OFF
THRTL RELAY	<ul style="list-style-type: none"> • Ignition switch: ON 	ON
HO2S2 HTR (B1) HO2S2 HTR (B2)	<ul style="list-style-type: none"> • Engine speed: Below 3,600 rpm after the following conditions are met. <ul style="list-style-type: none"> - Engine: After warming up - Keeping the engine speed between 3,500 and 4,000 rpm for 1 minute and at idle for 1 minute under no load 	ON
	<ul style="list-style-type: none"> • Engine speed: Above 3,600 rpm 	OFF
I/P PULLY SPD	<ul style="list-style-type: none"> • Vehicle speed: More than 20 km/h (12 MPH) 	Almost the same speed as the tachometer indication
VEHICLE SPEED	<ul style="list-style-type: none"> • Turn drive wheels and compare CONSULT-III value with the speedometer indication. 	Almost the same speed as the speedometer indication
TRVL AFTER MIL	<ul style="list-style-type: none"> • Ignition switch: ON 	Vehicle has traveled after MIL has turned ON. 0 - 65,535 km (0 - 40,723 miles)
A/F S1 HTR (B1) A/F S1 HTR (B2)	<ul style="list-style-type: none"> • Engine: After warming up, idle the engine 	0 - 100%
AC PRESS SEN	<ul style="list-style-type: none"> • Engine: Idle • Both A/C switch and blower fan switch: ON (Compressor operates) 	1.0 - 4.0V

A

EC

C

D

E

F

G

H

I

J

K

L

M

N

O

P

TROUBLE DIAGNOSIS

< SERVICE INFORMATION >

[VK45DE]

MONITOR ITEM	CONDITION	SPECIFICATION	
VHCL SPEED SE	<ul style="list-style-type: none"> Turn drive wheels and compare CONSULT-III value with the speedometer indication. 	Almost the same speed as the speedometer indication	
SET VHCL SPD	<ul style="list-style-type: none"> Engine: Running 	ASCD: Operating	
MAIN SW	<ul style="list-style-type: none"> Ignition switch: ON 	MAIN switch: Pressed	ON
		MAIN switch: Released	OFF
CANCEL SW	<ul style="list-style-type: none"> Ignition switch: ON 	CANCEL switch: Pressed	ON
		CANCEL switch: Released	OFF
RESUME/ACC SW	<ul style="list-style-type: none"> Ignition switch: ON 	RESUME/ACCELERATE switch: Pressed	ON
		RESUME/ACCELERATE switch: Released	OFF
SET SW	<ul style="list-style-type: none"> Ignition switch: ON 	SET/COAST switch: Pressed	ON
		SET/COAST switch: Released	OFF
BRAKE SW1 (ICC/ASCD brake switch)	<ul style="list-style-type: none"> Ignition switch: ON 	Brake pedal: Fully released	ON
		Brake pedal: Slightly depressed	OFF
BRAKE SW2 (Stop lamp switch)	<ul style="list-style-type: none"> Ignition switch: ON 	Brake pedal: Fully released	OFF
		Brake pedal: Slightly depressed	ON
DIST SW	<ul style="list-style-type: none"> Ignition switch: ON 	DISTANCE switch: Pressed	ON
		DISTANCE switch: Released	OFF
CRUISE LAMP	<ul style="list-style-type: none"> Ignition switch: ON 	MAIN switch: Pressed at the 1st time → at the 2nd time	ON → OFF
SET LAMP	<ul style="list-style-type: none"> MAIN switch: ON When vehicle speed is between 40 km/h (25 MPH) and 144 km/h (89 MPH) 	ASCD: Operating	ON
		ASCD: Not operating	OFF
FAN DUTY	<ul style="list-style-type: none"> Engine: Running 		0 - 100%
ALT DUTY	<ul style="list-style-type: none"> Engine: Idle 		0 - 80%
BAT CUR SEN	<ul style="list-style-type: none"> Engine speed: Idle Battery: Fully charged*2 Selector lever: P or N Air conditioner switch: OFF No load 		Approx. 2,600 - 3,500mV
ALT DUTY SIG	<ul style="list-style-type: none"> Power generation voltage variable control: Operating 		ON
	<ul style="list-style-type: none"> Power generation voltage variable control: Not operating 		OFF

*1: Accelerator pedal position sensor 2 signal and throttle position sensor 2 signal are converted by ECM internally. Thus, they differ from ECM terminals voltage signal.

*2: Before measuring the terminal voltage, confirm that the battery is fully charged. Refer to [SC-4, "How to Handle Battery"](#).

TROUBLE DIAGNOSIS - SPECIFICATION VALUE

< SERVICE INFORMATION >

[VK45DE]

TROUBLE DIAGNOSIS - SPECIFICATION VALUE

Description

INFOID:000000002954759

The specification (SP) value indicates the tolerance of the value that is displayed in "SPEC" of "DATA MONITOR" mode of CONSULT-III during normal operation of the Engine Control System. When the value in "SPEC" of "DATA MONITOR" mode is within the SP value, the Engine Control System is confirmed OK. When the value in "SPEC" of "DATA MONITOR" mode is NOT within the SP value, the Engine Control System may have one or more malfunctions.

The SP value is used to detect malfunctions that may affect the Engine Control System, but will not light the MIL.

The SP value will be displayed for the following three items:

- B/FUEL SCHDL (The fuel injection pulse width programmed into ECM prior to any learned on board correction)
- A/F ALPHA-B1/B2 (The mean value of air-fuel ratio feedback correction factor per cycle)
- MAS A/F SE-B1 (The signal voltage of the mass air flow sensor)

Testing Condition

INFOID:000000002954760

- Vehicle driven distance: More than 5,000 km (3,107 miles)
- Barometric pressure: 98.3 - 104.3 kPa (1.003 - 1.064 kg/cm², 14.25 - 15.12 psi)
- Atmospheric temperature: 20 - 30°C (68 - 86°F)
- Engine coolant temperature: 75 - 95°C (167 - 203°F)
- Engine speed: Idle
- Transmission: Warmed-up
- After the engine is warmed up to normal operating temperature, drive vehicle until "ATF TEMP SE 1" (A/T fluid temperature sensor signal) in "DATA MONITOR" mode of "TRANSMISSION" indicates more than 60°C (140°F).
- Electrical load: Not applied
- Rear window defogger switch, air conditioner switch, lighting switch are OFF. Steering wheel is straight ahead.

Inspection Procedure

INFOID:000000002954761

NOTE:

Perform "SPEC" of "DATA MONITOR" mode in maximum scale display.

1. Perform [EC-702, "Basic Inspection"](#).
2. Confirm that the testing conditions indicated above are met.
3. Select "B/FUEL SCHDL", "A/F ALPHA-B1", "A/F ALPHA-B2" and "MAS A/F SE-B1" in "SPEC" of "DATA MONITOR" mode with CONSULT-III.
4. Make sure that monitor items are within the SP value.
5. If NG, go to [EC-756, "Diagnosis Procedure"](#).

TROUBLE DIAGNOSIS - SPECIFICATION VALUE

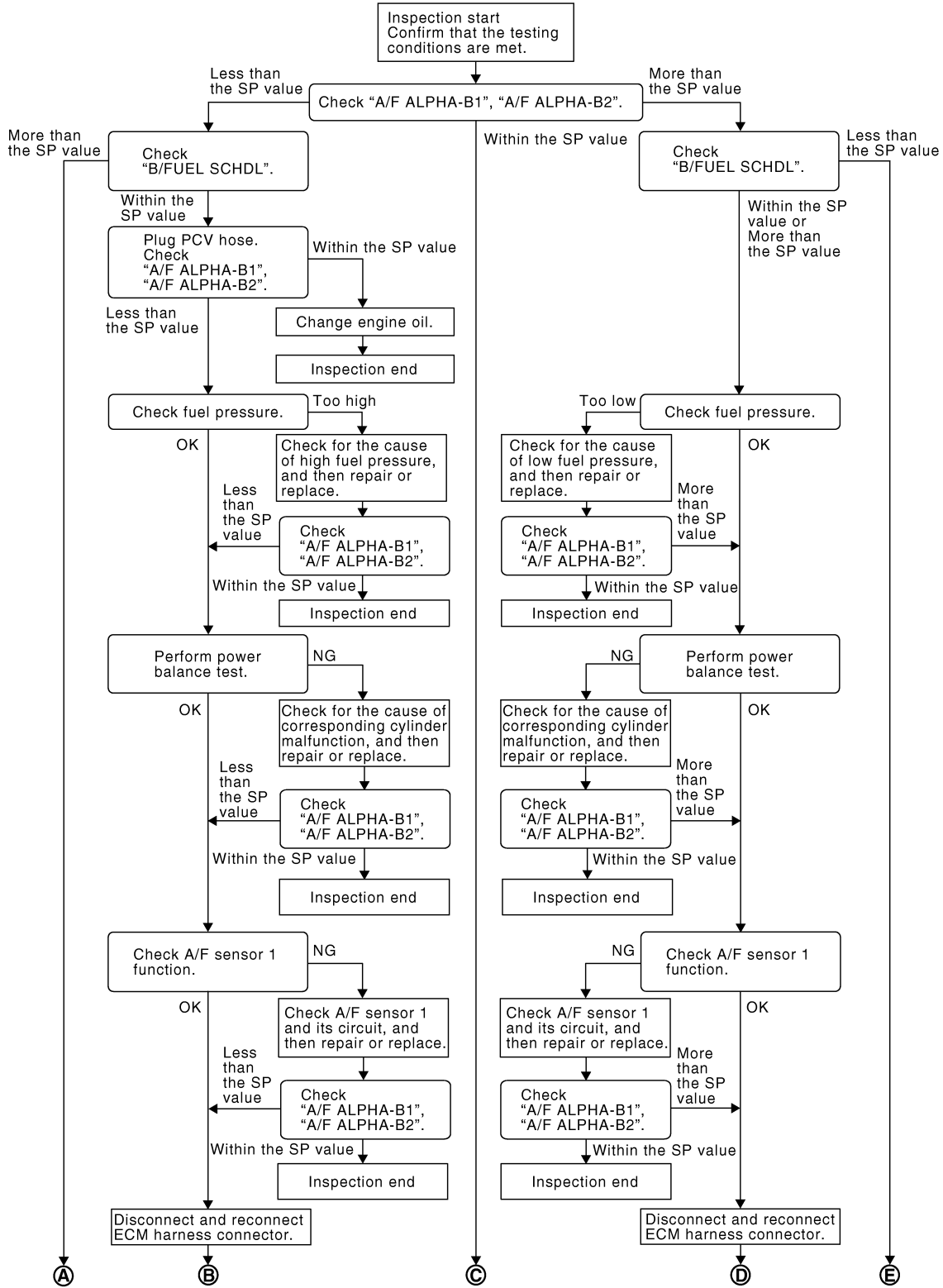
< SERVICE INFORMATION >

[VK45DE]

Diagnosis Procedure

INFOID:00000002954762

OVERALL SEQUENCE

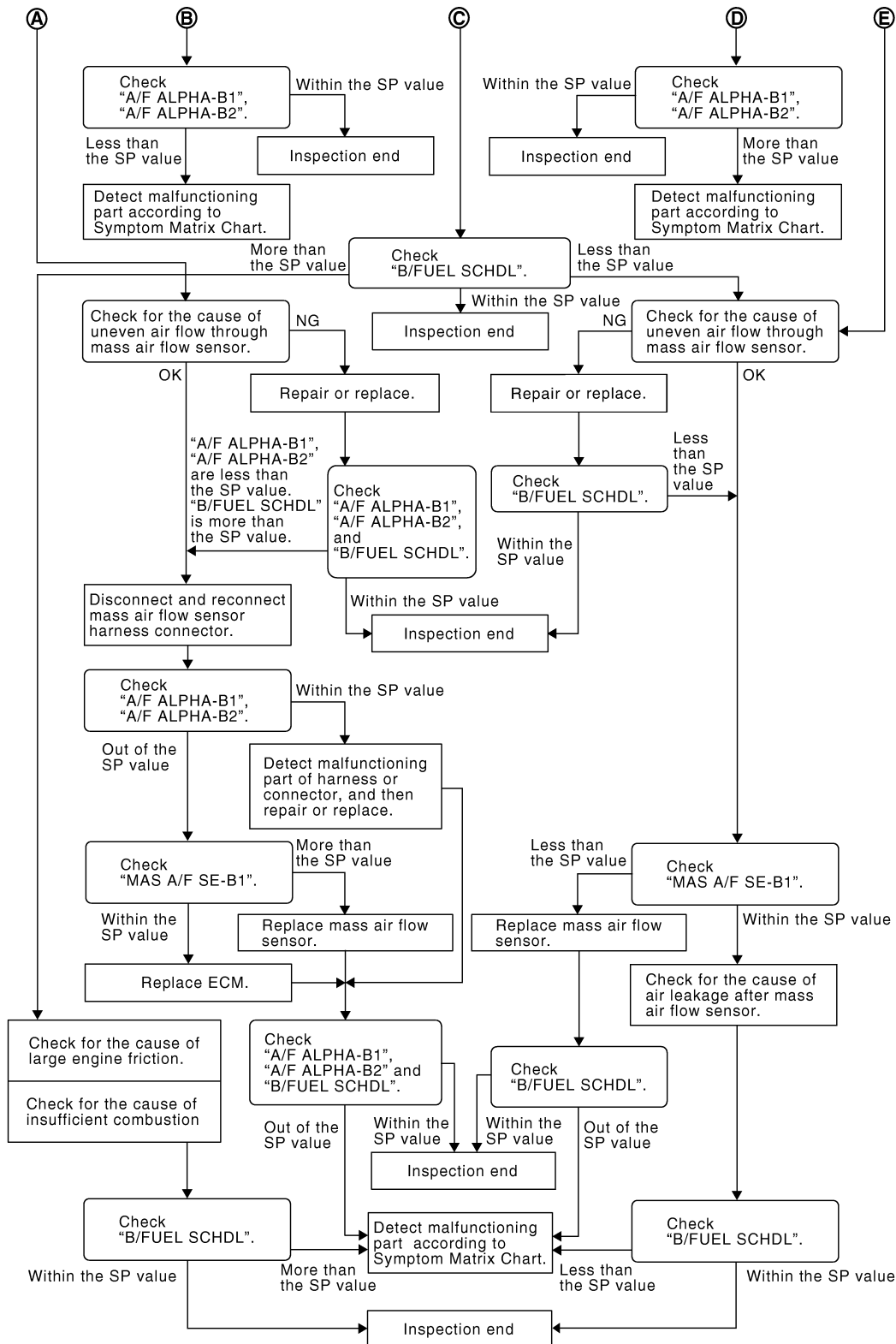


PBIB2268E

TROUBLE DIAGNOSIS - SPECIFICATION VALUE

< SERVICE INFORMATION >

[VK45DE]



PBIB3214E

DETAILED PROCEDURE

1. CHECK "A/F ALPHA-B1", "A/F ALPHA-B2"

1. Start engine.
2. Confirm that the testing conditions are met. Refer to [EC-755, "Testing Condition"](#).
3. Select "A/F ALPHA-B1", "A/F ALPHA-B2" in "SPEC" of "DATA MONITOR" mode, and make sure that the each indication is within the SP value.

NOTE:

TROUBLE DIAGNOSIS - SPECIFICATION VALUE

[VK45DE]

< SERVICE INFORMATION >

Check "A/F ALPHA-B1", "A/F ALPHA-B2" for approximately 1 minute because they may fluctuate. It is NG if the indication is out of the SP value even a little.

OK or NG

OK >> GO TO 17.

NG (Less than the SP value)>>GO TO 2.

NG (More than the SP value)>>GO TO 3.

2.CHECK "B/FUEL SCHDL"

Select "B/FUEL SCHDL" in "SPEC" of "DATA MONITOR" mode, and make sure that the indication is within the SP value.

OK or NG

OK >> GO TO 4.

NG (More than the SP value)>>GO TO 19.

3.CHECK "B/FUEL SCHDL"

Select "B/FUEL SCHDL" in "SPEC" of "DATA MONITOR" mode, and make sure that the indication is within the SP value.

OK or NG

OK >> GO TO 6.

NG (More than the SP value)>>GO TO 6.

NG (Less than the SP value)>>GO TO 25.

4.CHECK "A/F ALPHA-B1", "A/F ALPHA-B2"

1. Stop the engine.
2. Disconnect PCV hose, and then plug it.
3. Start engine.
4. Select "A/F ALPHA-B1", "A/F ALPHA-B2" in "SPEC" of "DATA MONITOR" mode, and make sure that the each indication is within the SP value.

OK or NG

OK >> GO TO 5.

NG >> GO TO 6.

5.CHANGE ENGINE OIL

1. Stop the engine.
2. Change engine oil.

NOTE:

This symptom may occur when a large amount of gasoline is mixed with engine oil because of driving conditions (such as when engine oil temperature does not rise enough since a journey distance is too short during winter). The symptom will not be detected after changing engine oil or changing driving condition.

>> **INSPECTION END**

6.CHECK FUEL PRESSURE

Check fuel pressure. (Refer to [EC-708. "Fuel Pressure Check".](#))

OK or NG

OK >> GO TO 9.

NG (Fuel pressure is too high)>>Replace fuel pressure regulator, refer to [EC-708. "Fuel Pressure Check".](#)
GO TO 8.

NG (Fuel pressure is too low)>>GO TO 7.

7.DETECT MALFUNCTIONING PART

1. Check the following.
 - Clogged and bent fuel hose and fuel tube
 - Clogged fuel filter
 - Fuel pump and its circuit (Refer to [EC-1239. "Diagnosis Procedure".](#))
2. If NG, repair or replace the malfunctioning part. (Refer to [EC-708. "Fuel Pressure Check".](#))
If OK, replace fuel pressure regulator.

TROUBLE DIAGNOSIS - SPECIFICATION VALUE

< SERVICE INFORMATION >

[VK45DE]

>> GO TO 8.

8. CHECK "A/F ALPHA-B1", "A/F ALPHA-B2"

1. Start engine.
2. Select "A/F ALPHA-B1", "A/F ALPHA-B2" in "SPEC" of "DATA MONITOR" mode, and make sure that the each indication is within the SP value.

OK or NG

- OK >> **INSPECTION END**
NG >> GO TO 9.

9. PERFORM POWER BALANCE TEST

1. Perform "POWER BALANCE" in "ACTIVE TEST" mode.
2. Make sure that the each cylinder produces a momentary engine speed drop.

OK or NG

- OK >> GO TO 12.
NG >> GO TO 10.

10. DETECT MALFUNCTIONING PART

1. Check the following.
 - Ignition coil and its circuit (Refer to [EC-1254, "Diagnosis Procedure"](#).)
 - Fuel injector and its circuit (Refer to [EC-1234, "Diagnosis Procedure"](#).)
 - Intake air leakage
 - Low compression pressure (Refer to "CHECKING COMPRESSION PRESSURE" in [EM-230, "On-Vehicle Service"](#).)
2. If NG, repair or replace the malfunctioning part.
If OK, replace fuel injector. (It may be caused by leakage from fuel injector or clogging.)

>> GO TO 11.

11. CHECK "A/F ALPHA-B1", "A/F ALPHA-B2"

1. Start engine.
2. Select "A/F ALPHA-B1", "A/F ALPHA-B2" in "SPEC" of "DATA MONITOR" mode, and make sure that the each indication is within the SP value.

OK or NG

- OK >> **INSPECTION END**
NG >> GO TO 12.

12. CHECK A/F SENSOR 1 FUNCTION

Perform all DTC Confirmation Procedure related with A/F sensor 1.

- For DTC P0130, P0150, refer to [EC-848, "DTC Confirmation Procedure"](#).
- For DTC P0131, P0151, refer to [EC-856, "DTC Confirmation Procedure"](#).
- For DTC P0132, P0152, refer to [EC-864, "DTC Confirmation Procedure"](#).
- For DTC P0133, P0153, refer to [EC-872, "DTC Confirmation Procedure"](#).
- For DTC P2A00, P2A03, refer to [EC-1212, "DTC Confirmation Procedure"](#).

OK or NG

- OK >> GO TO 15.
NG >> GO TO 13.

13. CHECK A/F SENSOR 1 CIRCUIT

Perform Diagnostic Procedure according to corresponding DTC.

>> GO TO 14.

14. CHECK "A/F ALPHA-B1", "A/F ALPHA-B2"

1. Start engine.
2. Select "A/F ALPHA-B1", "A/F ALPHA-B2" in "SPEC" of "DATA MONITOR" mode, and make sure that the each indication is within the SP value.

TROUBLE DIAGNOSIS - SPECIFICATION VALUE

[VK45DE]

< SERVICE INFORMATION >

OK or NG

OK >> **INSPECTION END**
NG >> GO TO 15.

15.DISCONNECT AND RECONNECT ECM HARNESS CONNECTOR

1. Stop the engine.
2. Disconnect ECM harness connector. Check pin terminal and connector for damage, and then reconnect it.

>> GO TO 16.

16.CHECK "A/F ALPHA-B1", "A/F ALPHA-B2"

1. Start engine.
2. Select "A/F ALPHA-B1", "A/F ALPHA-B2" in "SPEC" of "DATA MONITOR" mode, and make sure that the each indication is within the SP value.

OK or NG

OK >> **INSPECTION END**
NG >> Detect malfunctioning part according to [EC-717. "Symptom Matrix Chart"](#).

17.CHECK "B/FUEL SCHDL"

Select "B/FUEL SCHDL" in "SPEC" of "DATA MONITOR" mode, and make sure that the indication is within the SP value.

OK or NG

OK >> **INSPECTION END**
NG (More than the SP value)>>GO TO 18.
NG (Less than the SP value)>>GO TO 25.

18.DETECT MALFUNCTIONING PART

1. Check for the cause of large engine friction. Refer to the following.
 - Engine oil level is too high
 - Engine oil viscosity
 - Belt tension of power steering, alternator, A/C compressor, etc. is excessive
 - Noise from engine
 - Noise from transmission, etc.
2. Check for the cause of insufficient combustion. Refer to the following.
 - Valve clearance malfunction
 - Intake valve timing control function malfunction
 - Camshaft sprocket installation malfunction, etc.

>> Repair or replace malfunctioning part, and then GO TO 30.

19.CHECK INTAKE SYSTEM

Check for the cause of uneven air flow through mass air flow sensor. Refer to the following.

- Crushed air ducts
- Malfunctioning seal of air cleaner element
- Uneven dirt of air cleaner element
- Improper specification of intake air system

OK or NG

OK >> GO TO 21.
NG >> Repair or replace malfunctioning part, and then GO TO 20.

20.CHECK "A/F ALPHA-B1", "A/F ALPHA-B2", AND "B/FUEL SCHDL"

Select "A/F ALPHA-B1", "A/F ALPHA-B2", and "B/FUEL SCHDL" in "SPEC" of "DATA MONITOR" mode, and make sure that the each indication is within the SP value.

OK or NG

OK >> **INSPECTION END**
NG ("B/FUEL SCHDL" is more, "A/F ALPHA-B1", "A/F ALPHA-B2" are less than the SP value)>>GO TO 21.

21.DISCONNECT AND RECONNECT MASS AIR FLOW SENSOR HARNESS CONNECTOR

TROUBLE DIAGNOSIS - SPECIFICATION VALUE

< SERVICE INFORMATION >

[VK45DE]

1. Stop the engine.
2. Disconnect mass air flow sensor harness connector. Check pin terminal and connector for damage and then reconnect it again.

>> GO TO 22.

22.CHECK "A/F ALPHA-B1", "A/F ALPHA-B2"

1. Start engine.
2. Select "A/F ALPHA-B1", "A/F ALPHA-B2" in "SPEC" of "DATA MONITOR" mode, and make sure that the each indication is within the SP value.

OK or NG

- OK >> 1. Detect malfunctioning part of mass air flow sensor circuit and repair it. Refer to [EC-817, "Diagnosis Procedure"](#).
2. GO TO 29.

NG >> GO TO 23.

23.CHECK "MAS A/F SE-B1"

Select "MAS A/F SE-B1" in "SPEC" of "DATA MONITOR" mode, and make sure that the indication is within the SP value.

OK or NG

OK >> GO TO 24.

NG (More than the SP value)>>Replace mass air flow sensor, and then GO TO 29.

24.REPLACE ECM

1. Replace ECM.
2. Perform initialization of IVIS(NATS) system and registration of all IVIS(NATS) ignition key IDs. Refer to [BL-221, "ECM Re-Communicating Function"](#).
3. Perform [EC-706, "VIN Registration"](#).
4. Perform [EC-706, "Accelerator Pedal Released Position Learning"](#).
5. Perform [EC-706, "Throttle Valve Closed Position Learning"](#).
6. Perform [EC-707, "Idle Air Volume Learning"](#).

>> GO TO 29.

25.CHECK INTAKE SYSTEM

Check for the cause of uneven air flow through mass air flow sensor. Refer to the following.

- Crushed air ducts
- Malfunctioning seal of air cleaner element
- Uneven dirt of air cleaner element
- Improper specification of intake air system

OK or NG

OK >> GO TO 27.

NG >> Repair or replace malfunctioning part, and then GO TO 26.

26.CHECK "B/FUEL SCHDL"

Select "B/FUEL SCHDL" in "SPEC" of "DATA MONITOR" mode, and make sure that the indication is within the SP value.

OK or NG

OK >> **INSPECTION END**

NG (Less than the SP value)>>GO TO 27.

27.CHECK "MAS A/F SE-B1"

Select "MAS A/F SE-B1" in "SPEC" of "DATA MONITOR" mode, and make sure that the indication is within the SP value.

OK or NG

OK >> GO TO 28.

NG (Less than the SP value)>>Replace mass air flow sensor, and then GO TO 30.

TROUBLE DIAGNOSIS - SPECIFICATION VALUE

[VK45DE]

< SERVICE INFORMATION >

28.CHECK INTAKE SYSTEM

Check for the cause of air leak after the mass air flow sensor. Refer to the following.

- Disconnection, looseness, and cracks in air duct
- Looseness of oil filler cap
- Disconnection of oil level gauge
- Open stuck, breakage, hose disconnection, or cracks of PCV valve
- Disconnection or cracks of EVAP purge hose, open stuck of EVAP canister purge volume control solenoid valve
- Malfunctioning seal of rocker cover gasket
- Disconnection, looseness, or cracks of hoses, such as vacuum hose, connecting to intake air system parts
- Malfunctioning seal of intake air system, etc.

>> GO TO 30.

29.CHECK "A/F ALPHA-B1", "A/F ALPHA-B2", AND "B/FUEL SCHDL"

Select "A/F ALPHA-B1", "A/F ALPHA-B2", and "B/FUEL SCHDL" in "SPEC" of "DATA MONITOR" mode, and make sure that the each indication is within the SP value.

OK or NG

- OK >> **INSPECTION END**
- NG >> Detect malfunctioning part according to [EC-717, "Symptom Matrix Chart"](#).

30.CHECK "B/FUEL SCHDL"

Select "B/FUEL SCHDL" in "SPEC" of "DATA MONITOR" mode, and then make sure that the indication is within the SP value.

OK or NG

- OK >> **INSPECTION END**
- NG >> Detect malfunctioning part according to [EC-717, "Symptom Matrix Chart"](#).

TROUBLE DIAGNOSIS FOR INTERMITTENT INCIDENT

< SERVICE INFORMATION >

[VK45DE]

TROUBLE DIAGNOSIS FOR INTERMITTENT INCIDENT

Description

INFOID:000000002954763

Intermittent incidents may occur. In many cases, the malfunction resolves itself (the part or circuit function returns to normal without intervention). It is important to realize that the symptoms described in the customer's complaint often do not recur on (1st trip) DTC visits. Realize also that the most frequent cause of intermittent incidents occurrences is poor electrical connections. Because of this, the conditions under which the incident occurred may not be clear. Therefore, circuit checks made as part of the standard diagnostic procedure may not indicate the specific malfunctioning area.

Common Intermittent Incidents Report Situations

STEP in Work Flow	Situation
2	The CONSULT-III is used. The SELF DIAGNOSTIC RESULT screen shows time data other than [0] or [1t].
3 or 4	The symptom described by the customer does not recur.
5	(1st trip) DTC does not appear during the DTC Confirmation Procedure.
10	The Diagnostic Procedure for PXXXX does not indicate the malfunctioning area.

Diagnosis Procedure

INFOID:000000002954764

1.INSPECTION START

Erase (1st trip) DTCs. Refer to "How to Erase DTC" in [EC-677, "Emission-Related Diagnostic Information"](#).

>> GO TO 2.

2.CHECK GROUND TERMINALS

Check ground terminals for corroding or loose connection.
Refer to [EC-769, "Ground Inspection"](#).

OK or NG

OK >> GO TO 3.
NG >> Repair or replace.

3.SEARCH FOR ELECTRICAL INCIDENT

Perform [GI-26, "How to Perform Efficient Diagnosis for an Electrical Incident"](#), "INCIDENT SIMULATION TESTS".

OK or NG

OK >> GO TO 4.
NG >> Repair or replace.

4.CHECK CONNECTOR TERMINALS

Refer to [GI-23, "How to Check Terminal"](#), "HOW TO PROBE CONNECTORS", "How to Check Enlarged Contact Spring of Terminal".

OK or NG

OK >> **INSPECTION END**
NG >> Repair or replace connector.

POWER SUPPLY AND GROUND CIRCUIT

< SERVICE INFORMATION >

[VK45DE]

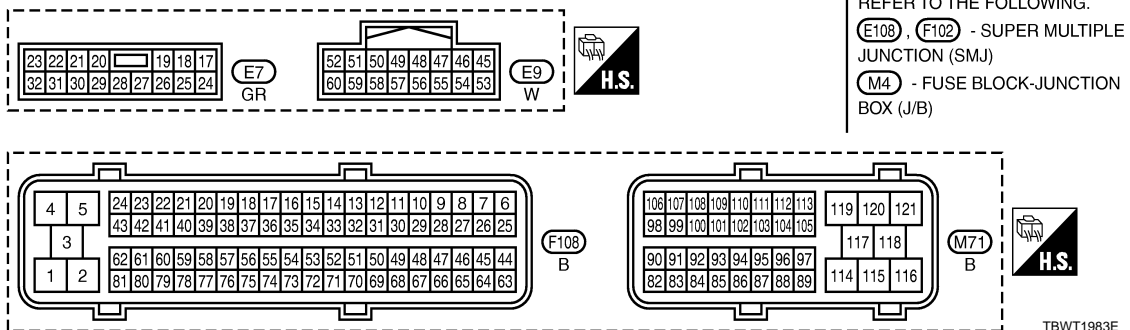
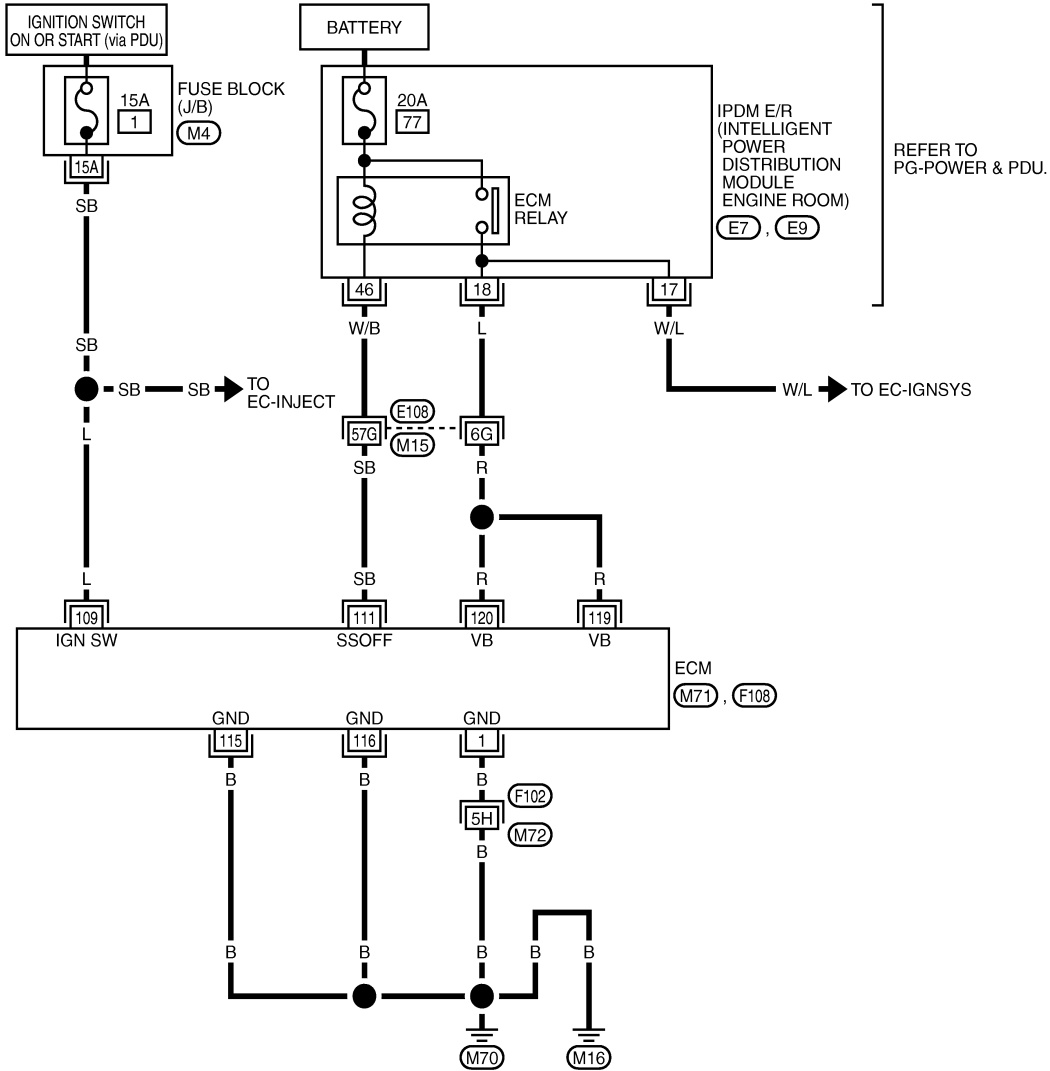
POWER SUPPLY AND GROUND CIRCUIT

Wiring Diagram

INFOID:000000002954765

EC-MAIN-01

— : DETECTABLE LINE FOR DTC
 — : NON-DETECTABLE LINE FOR DTC



Specification data are reference values and are measured between each terminal and ground.

CAUTION:

Do not use ECM ground terminals when measuring input/output voltage. Doing so may result in damage to the ECM's transistor. Use a ground other than ECM terminals, such as the ground.

POWER SUPPLY AND GROUND CIRCUIT

< SERVICE INFORMATION >

[VK45DE]

TER-MI-NAL NO.	WIRE COLOR	ITEM	CONDITION	DATA (DC Voltage)
1	B	ECM ground	[Engine is running] • Idle speed	Body ground
109	L	Ignition switch	[Ignition switch: OFF]	0V
			[Ignition switch: ON]	BATTERY VOLTAGE (11 - 14V)
111	SB	ECM relay (Self shut-off)	[Engine is running] [Ignition switch: OFF] • For a few seconds after turning ignition switch OFF	0 - 1.5V
			[Ignition switch: OFF] • More than a few seconds after turning ignition switch OFF	BATTERY VOLTAGE (11 - 14V)
115 116	B B	ECM ground	[Engine is running] • Idle speed	Body ground
119 120	R R	Power supply for ECM	[Ignition switch: ON]	BATTERY VOLTAGE (11 - 14V)

Diagnosis Procedure

INFOID:000000002954766

1. INSPECTION START

Start engine.

Is engine running?

Yes or No

Yes >> GO TO 8.

No >> GO TO 2.

2. CHECK ECM POWER SUPPLY CIRCUIT-I

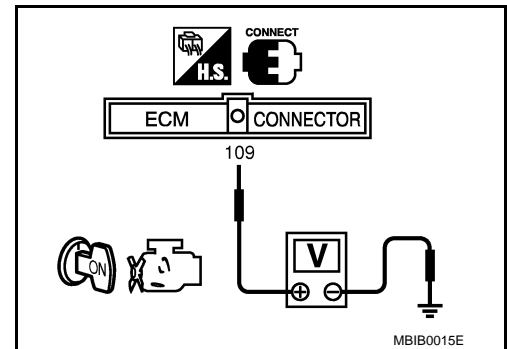
- Turn ignition switch OFF and then ON.
- Check voltage between ECM terminal 109 and ground with CONSULT-III or tester.

Voltage: Battery voltage

OK or NG

OK >> GO TO 4.

NG >> GO TO 3.



3. DETECT MALFUNCTIONING PART

Check the following.

- Fuse block (J/B) connector M4
- 15A fuse
- Harness for open or short between ECM and fuse

>> Repair open circuit or short to ground or short to power in harness or connectors.

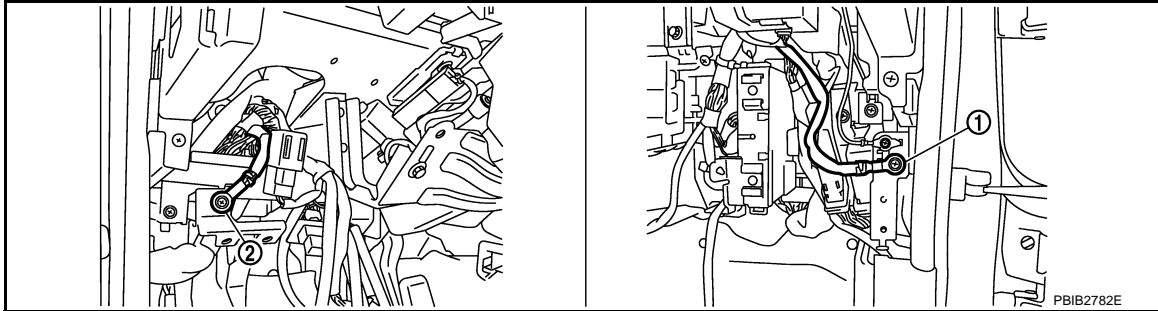
4. CHECK GROUND CONNECTIONS

- Turn ignition switch OFF.
- Loosen and retighten ground screws on the body.
Refer to [EC-769. "Ground Inspection"](#).

POWER SUPPLY AND GROUND CIRCUIT

< SERVICE INFORMATION >

[VK45DE]



1. Body ground M70
2. Body ground M16

OK or NG

- OK >> GO TO 5.
- NG >> Repair or replace ground connections.

5. CHECK ECM GROUND CIRCUIT FOR OPEN AND SHORT-I

1. Disconnect ECM harness connector.
2. Check harness continuity between ECM terminals 1, 115, 116 and ground. Refer to Wiring Diagram.

Continuity should exist.

3. Also check harness for short to power.

OK or NG

- OK >> GO TO 7.
- NG >> GO TO 6.

6. DETECT MALFUNCTIONING PART

Check the following.

- Harness connectors F102, M72
- Harness for open or short between ECM and ground

>> Repair open circuit or short to power in harness or connectors.

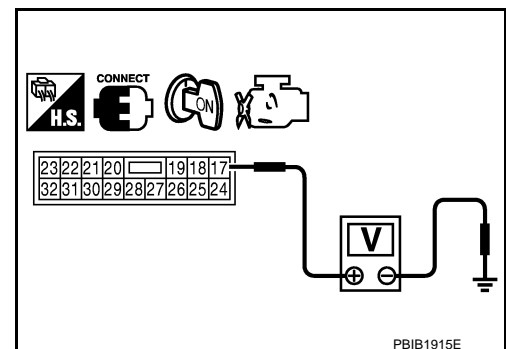
7. CHECK ECM POWER SUPPLY CIRCUIT-II

1. Reconnect ECM harness connector.
2. Turn ignition switch ON.
3. Check voltage between IPDM E/R terminal 17 and ground with CONSULT-III or tester.

Voltage: Battery voltage

OK or NG

- OK >> Go to [EC-1254, "Diagnosis Procedure"](#).
- NG >> GO TO 8.



8. CHECK ECM POWER SUPPLY CIRCUIT-III

1. Turn ignition switch OFF and wait at least 10 seconds.
2. Turn ignition switch ON and then OFF.

POWER SUPPLY AND GROUND CIRCUIT

[VK45DE]

< SERVICE INFORMATION >

3. Check voltage between ECM terminals 119, 120 and ground with CONSULT-III or tester.

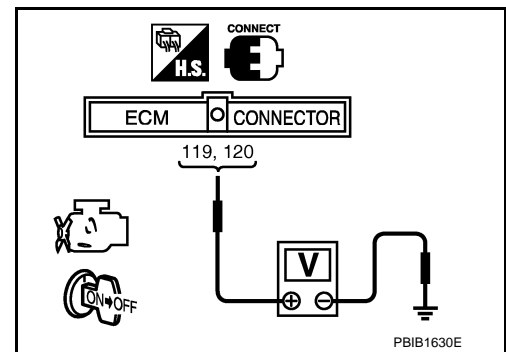
Voltage: After turning ignition switch OFF, battery voltage will exist for a few seconds, then drop approximately 0V.

OK or NG

OK >> GO TO 15.

NG (Battery voltage does not exist.)>>GO TO 9.

NG (Battery voltage exists for more than a few seconds.)>>GO TO 12.



9. CHECK ECM POWER SUPPLY CIRCUIT-IV

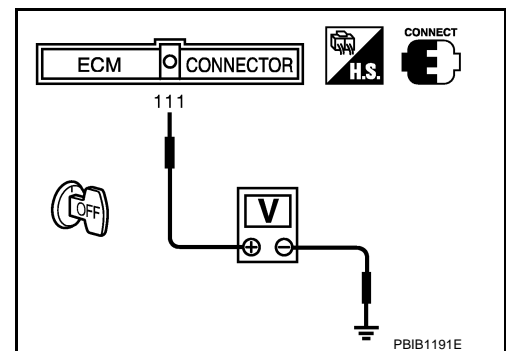
Check voltage between ECM terminal 111 and ground with CONSULT-III or tester.

Voltage: Battery voltage

OK or NG

OK >> GO TO 10.

NG >> GO TO 12.



10. CHECK ECM POWER SUPPLY CIRCUIT-V

1. Disconnect ECM harness connector.
2. Disconnect IPDM E/R harness connector E7.
3. Check harness continuity between ECM terminals 119, 120 and IPDM E/R terminal 18. Refer to Wiring Diagram.

Continuity should exist.

4. Also check harness for short to ground and short to power.

OK or NG

OK >> GO TO 18.

NG >> GO TO 11.

11. DETECT MALFUNCTIONING PART

Check the following.

- Harness or connectors E108, M15
- Harness for open or short between ECM and IPDM E/R

>> Repair open circuit or short to ground or short to power in harness or connectors.

12. CHECK ECM POWER SUPPLY CIRCUIT-VI

1. Disconnect ECM harness connector.
2. Disconnect IPDM E/R harness connector E9.
3. Check harness continuity between ECM terminal 111 and IPDM E/R terminal 46. Refer to Wiring Diagram.

Continuity should exist.

4. Also check harness for short to ground and short to power.

OK or NG

OK >> GO TO 14.

NG >> GO TO 13.

13. DETECT MALFUNCTIONING PART

POWER SUPPLY AND GROUND CIRCUIT

[VK45DE]

< SERVICE INFORMATION >

Check the following.

- Harness or connectors E108, M15
- Harness for open or short between ECM and IPDM E/R

>> Repair open circuit or short to ground or short to power in harness or connectors.

14.CHECK 20A FUSE

1. Disconnect 20A fuse from IPDM E/R.
2. Check 20A fuse.

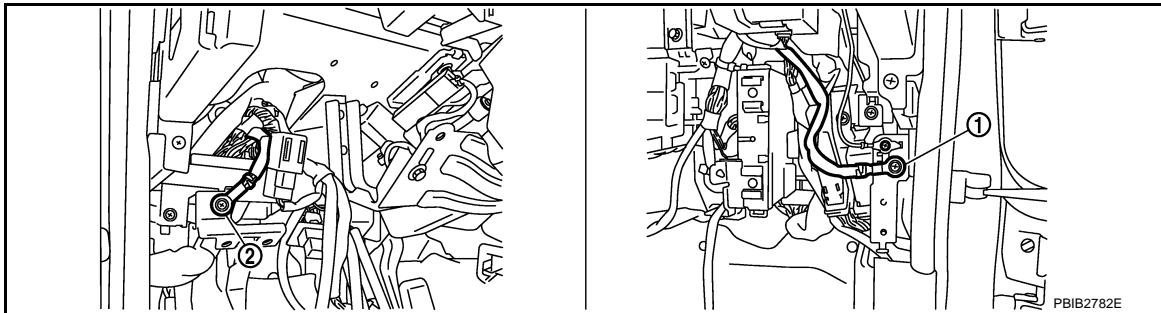
OK or NG

OK >> GO TO 18.

NG >> Replace 20A fuse.

15.CHECK GROUND CONNECTIONS

1. Loosen and retighten ground screws on the body.
Refer to [EC-769, "Ground Inspection"](#).



1. Body ground M70

2. Body ground M16

OK or NG

OK >> GO TO 16.

NG >> Repair or replace ground connections.

16.CHECK ECM GROUND CIRCUIT FOR OPEN AND SHORT-II

1. Disconnect ECM harness connector.
2. Check harness continuity between ECM terminals 1, 115, 116 and ground.
Refer to Wiring Diagram.

Continuity should exist.

3. Also check harness for short to power.

OK or NG

OK >> GO TO 18.

NG >> GO TO 17.

17.DETECT MALFUNCTIONING PART

Check the following.

- Harness or connectors F102, M72
- Harness for open or short between ECM and ground

>> Repair open circuit or short to power in harness or connectors.

18.CHECK INTERMITTENT INCIDENT

Refer to [EC-763, "Diagnosis Procedure"](#).

OK or NG

OK >> Replace IPDM E/R.

NG >> Repair open circuit or short to power in harness or connectors.

POWER SUPPLY AND GROUND CIRCUIT

< SERVICE INFORMATION >

[VK45DE]

Ground Inspection

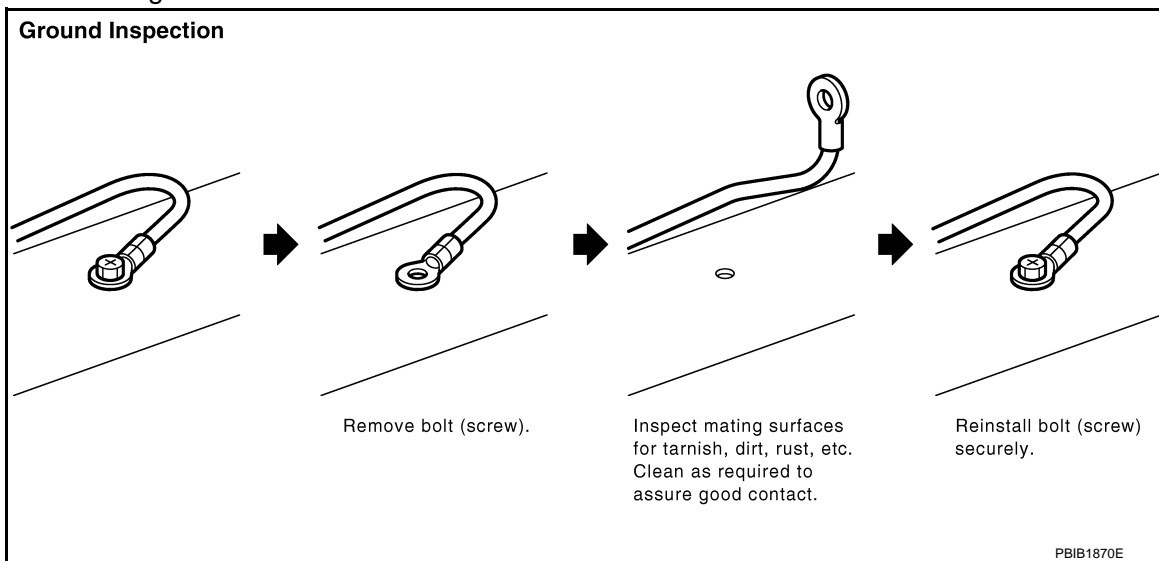
INFOID:00000002954767

Ground connections are very important to the proper operation of electrical and electronic circuits. Ground connections are often exposed to moisture, dirt and other corrosive elements. The corrosion (rust) can become an unwanted resistance. This unwanted resistance can change the way a circuit works.

Electronically controlled circuits are very sensitive to proper grounding. A loose or corroded ground can drastically affect an electronically controlled circuit. A poor or corroded ground can easily affect the circuit. Even when the ground connection looks clean, there can be a thin film of rust on the surface.

When inspecting a ground connection follow these rules:

- Remove the ground bolt or screw.
- Inspect all mating surfaces for tarnish, dirt, rust, etc.
- Clean as required to assure good contact.
- Reinstall bolt or screw securely.
- Inspect for "add-on" accessories which may be interfering with the ground circuit.
- If several wires are crimped into one ground eyelet terminal, check for proper crimps. Make sure all of the wires are clean, securely fastened and providing a good ground path. If multiple wires are cased in one eyelet make sure no ground wires have excess wire insulation.



DTC U1000, U1001 CAN COMMUNICATION LINE

< SERVICE INFORMATION >

[VK45DE]

DTC U1000, U1001 CAN COMMUNICATION LINE

Description

INFOID:000000002954768

CAN (Controller Area Network) is a serial communication line for real time application. It is an on-vehicle multiplex communication line with high data communication speed and excellent error detection ability. Many electronic control units are equipped onto a vehicle, and each control unit shares information and links with other control units during operation (not independent). In CAN communication, control units are connected with 2 communication lines (CAN H line, CAN L line) allowing a high rate of information transmission with less wiring. Each control unit transmits/receives data but selectively reads required data only.

On Board Diagnosis Logic

INFOID:000000002954769

DTC No.	Trouble diagnosis name	DTC detecting condition	Possible cause
U1000*1 1000*1	CAN communication line	When ECM is not transmitting or receiving CAN communication signal of OBD (emission-related diagnosis) for 2 seconds or more.	• Harness or connectors (CAN communication line is open or shorted)
U1001*2 1001*2		When ECM is not transmitting or receiving CAN communication signal other than OBD (emission-related diagnosis) for 2 seconds or more.	

*1: This self-diagnosis has the one trip detection logic.

*2: The MIL will not light up for this diagnosis.

DTC Confirmation Procedure

INFOID:000000002954770

1. Turn ignition switch ON and wait at least 3 seconds.
2. Check 1st trip DTC.
3. If 1st trip DTC is detected, go to [EC-771, "Diagnosis Procedure"](#).

DTC U1000, U1001 CAN COMMUNICATION LINE

[VK45DE]

< SERVICE INFORMATION >

Wiring Diagram

INFOID:000000002954771

EC-CAN-01

A

EC

C

D

E

F

G

H

I

J

K




L

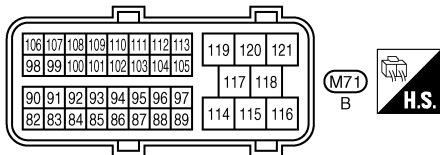
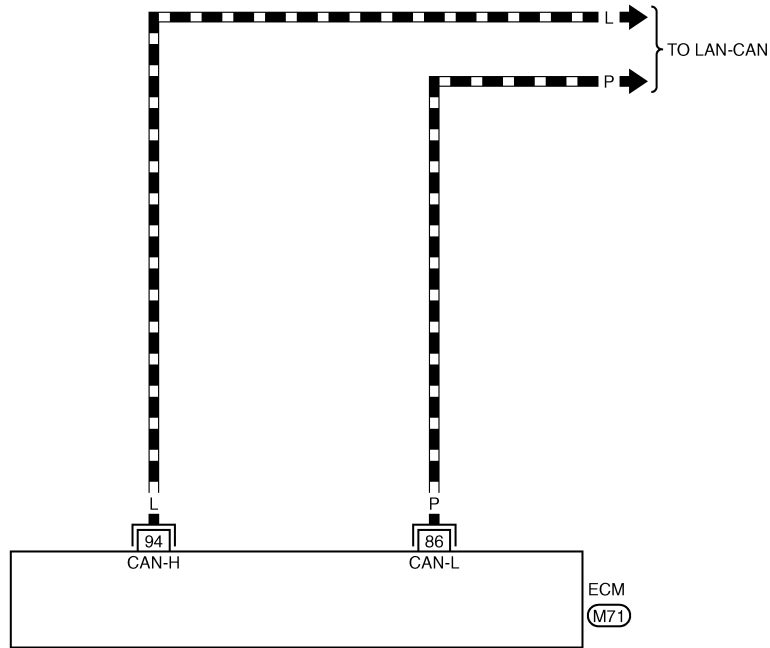
M

N

O

P

-  : DETECTABLE LINE FOR DTC
-  : NON-DETECTABLE LINE FOR DTC
-  : DATA LINE



TBWT1011E

Diagnosis Procedure

Go to [LAN-20, "Trouble Diagnosis Flow Chart"](#).

INFOID:000000002954772

DTC U1010 CAN COMMUNICATION

< SERVICE INFORMATION >

[VK45DE]

DTC U1010 CAN COMMUNICATION

Description

INFOID:000000002954773

CAN (Controller Area Network) is a serial communication line for real time application. It is an on-vehicle multiplex communication line with high data communication speed and excellent error detection ability. Many electronic control units are equipped onto a vehicle, and each control unit shares information and links with other control units during operation (not independent). In CAN communication, control units are connected with 2 communication lines (CAN H line, CAN L line) allowing a high rate of information transmission with less wiring. Each control unit transmits/receives data but selectively reads required data only.

On Board Diagnosis Logic

INFOID:000000002954774

This self-diagnosis has the one trip detection logic.

DTC No.	Trouble diagnosis name	DTC detecting condition	Possible cause
U1010 1010	CAN communication bus	When detecting error during the initial diagnosis of CAN controller of ECM.	• ECM

DTC Confirmation Procedure

INFOID:000000002954775

1. Turn ignition switch ON.
2. Check DTC.
3. If DTC is detected, go to [EC-772, "Diagnosis Procedure"](#).

Diagnosis Procedure

INFOID:000000002954776

1.INSPECTION START

1. Turn ignition switch ON.
2. Erase DTC.
3. **Perform DTC Confirmation Procedure.**
See [EC-772, "DTC Confirmation Procedure"](#).
4. Check DTC.
5. Is DTC U1010 displayed again?

Yes or No

- Yes >> GO TO 2.
No >> **INSPECTION END**

2.REPLACE ECM

1. Replace ECM.
2. Perform initialization of IVIS (NATS) system and registration of all IVIS (NATS) ignition key IDs. Refer to [BL-221, "ECM Re-Communicating Function"](#).
3. Perform [EC-706, "VIN Registration"](#).
4. Perform [EC-706, "Accelerator Pedal Released Position Learning"](#).
5. Perform [EC-706, "Throttle Valve Closed Position Learning"](#).
6. Perform [EC-707, "Idle Air Volume Learning"](#).

>> INSPECTION END

DTC P0011, P0021 IVT CONTROL

< SERVICE INFORMATION >

[VK45DE]

DTC P0011, P0021 IVT CONTROL

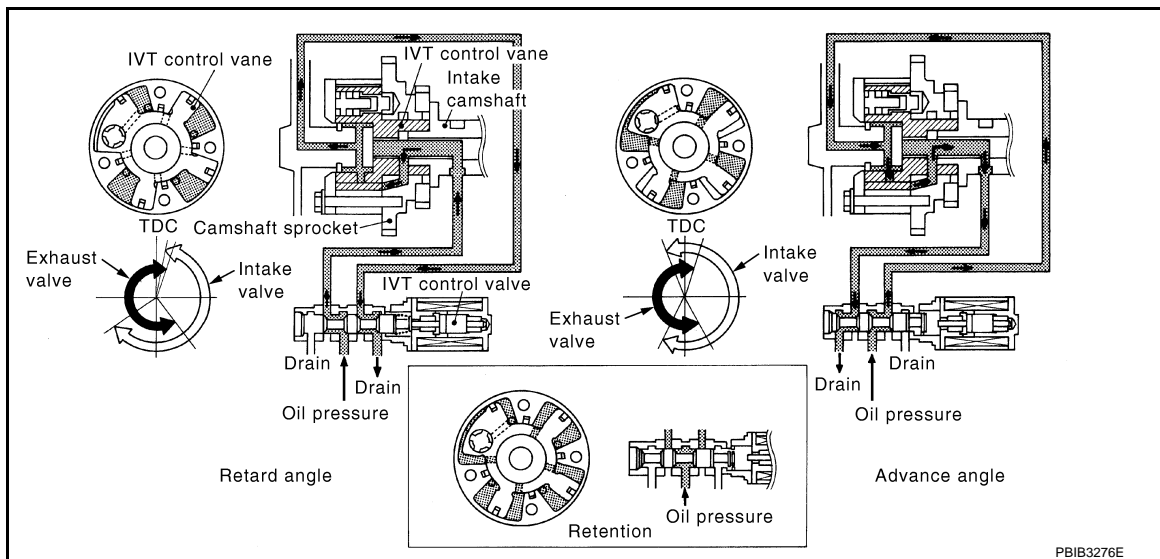
Description

INFOID:000000002954777

SYSTEM DESCRIPTION

Sensor	Input signal to ECM function	ECM	Actuator
Crankshaft position sensor (POS) Camshaft position sensor (PHASE)	Engine speed	Intake valve timing control	Intake valve timing control solenoid valve
Intake valve timing control position sensor	Intake valve timing signal		
Engine coolant temperature sensor	Engine coolant temperature		
Wheel sensor	Vehicle speed*		

*: This signal is sent to the ECM through CAN communication line



This mechanism hydraulically controls cam phases continuously with the fixed operating angle of the intake valve.

The ECM receives signals such as crankshaft position, camshaft position, engine speed, and engine coolant temperature. Then, the ECM sends ON/OFF pulse duty signals to the intake valve timing (IVT) control solenoid valve depending on driving status. This makes it possible to control the shut/open timing of the intake valve to increase engine torque in low/mid speed range and output in high-speed range.

COMPONENT INSPECTION

Intake Valve Timing Control Solenoid Valve

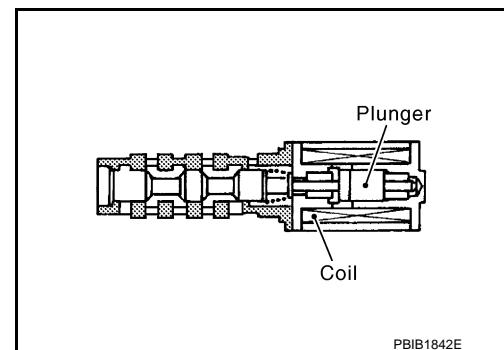
Intake Valve Timing (IVT) control solenoid valve is activated by ON/OFF pulse duty (ratio) signals from the ECM.

The IVT control solenoid valve changes the oil amount and direction of flow through intake valve timing control unit or stops oil flow.

The longer pulse width advances valve angle.

The shorter pulse width retards valve angle.

When ON and OFF pulse widths become equal, the solenoid valve stops oil pressure flow to fix the intake valve angle at the control position.



Intake Valve Timing Control Position Sensor

DTC P0011, P0021 IVT CONTROL

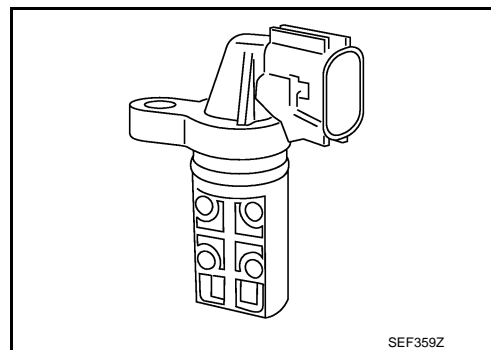
[VK45DE]

< SERVICE INFORMATION >

Intake valve timing control position sensors are located in the front of cylinder heads in both bank 1 and bank 2.

This sensor uses a Hall IC.

The cam position is determined by the intake primary cam sprocket concave (in three places). The ECM provides feedback to the intake valve timing control for appropriate target valve open-close timing according to drive conditions based on detected cam position.



CONSULT-III Reference Value in Data Monitor Mode

INFOID:000000002954778

Specification data are reference values.

MONITOR ITEM	CONDITION	SPECIFICATION
INT/V TIM (B1) INT/V TIM (B2)	<ul style="list-style-type: none"> Engine: After warming up Selector lever: P or N Air conditioner switch: OFF No load 	Idle
		2,000 rpm
INT/V SOL (B1) INT/V SOL (B2)	<ul style="list-style-type: none"> Engine: After warming up Selector lever: P or N Air conditioner switch: OFF No load 	Idle
		2,000 rpm
		-5° - 5°C
		Approx. 0° - 20°C
		0% - 2%
		Approx. 25% - 50%

On Board Diagnosis Logic

INFOID:000000002954779

DTC No.	Trouble diagnosis name	Detecting condition		Possible cause
P0011 0011 (Bank 1)	Intake valve timing control performance	A)	The alignment of the intake valve timing control has been misregistered.	<ul style="list-style-type: none"> Harness or connectors (Intake valve timing control solenoid valve circuit is open or shorted.) Harness or connectors (Intake valve timing control position sensor circuit is open or shorted.) Intake valve timing control solenoid valve Intake valve timing control position sensor Crankshaft position sensor (POS) Camshaft position sensor (PHASE) Accumulation of debris to the signal pick-up portion of the camshaft sprocket Timing chain installation Foreign matter caught in the oil groove for intake valve timing control
P0021 0021 (Bank 2)		B)	There is a gap between angle of target and phase-control angle degree.	

FAIL-SAFE MODE

When the malfunction is detected, the ECM enters fail-safe mode.

Detected items	Engine operating condition in fail-safe mode
Intake valve timing control	The signal is not energized to the solenoid valve and the valve control does not function

DTC Confirmation Procedure

INFOID:000000002954780

CAUTION:

Always drive at a safe speed.

NOTE:

DTC P0011, P0021 IVT CONTROL

[VK45DE]

< SERVICE INFORMATION >

- If DTC P0011 or P0021 is displayed with DTC P0075, P0081, P1140 or P1145, first perform the trouble diagnosis for DTC P0075, P0081 (Refer to [EC-799, "DTC Confirmation Procedure"](#)) or DTC P1140, P1145 (Refer to [EC-1071, "DTC Confirmation Procedure"](#)).
- If DTC Confirmation Procedure has been previously conducted, always turn ignition switch OFF and wait at least 10 seconds before conducting the next test.

TESTING CONDITION:

Before performing the following procedure, confirm that battery voltage is between 10V and 16V at idle.

PROCEDURE FOR MALFUNCTION A

1. Start engine and warm it up to normal operating temperature.
2. Maintain the following conditions for at least 10 consecutive seconds.

Engine speed	More than 2,000 rpm (A constant rotation is maintained.)
Engine coolant temperature	More than 70°C (158°F)
Selector lever	1st or 2nd position
Driving location uphill	Driving vehicle uphill (Increased engine load will help maintain the driving conditions required for this test.)

3. Maintain the following conditions for at least 20 consecutive seconds.

Engine speed	Idle
Engine coolant temperature	More than 70°C (158°F)
Selector lever	P or N position

4. Check 1st trip DTC.
5. If 1st trip DTC is detected, go to [EC-779, "Diagnosis Procedure"](#).

PROCEDURE FOR MALFUNCTION B

1. Start engine and warm it up to normal operating temperature.
2. Maintain the following conditions for at least 10 consecutive seconds.

Engine speed	1,700 - 3,175 rpm (A constant rotation is maintained.)
Engine coolant temperature	70 - 105°C (158 - 221°F)
Selector lever	1st or 2nd position
Driving location uphill	Driving vehicle uphill (Increased engine load will help maintain the driving conditions required for this test.)

3. Check 1st trip DTC.
4. If 1st trip DTC is detected, go to [EC-779, "Diagnosis Procedure"](#).

DTC P0011, P0021 IVT CONTROL

[VK45DE]

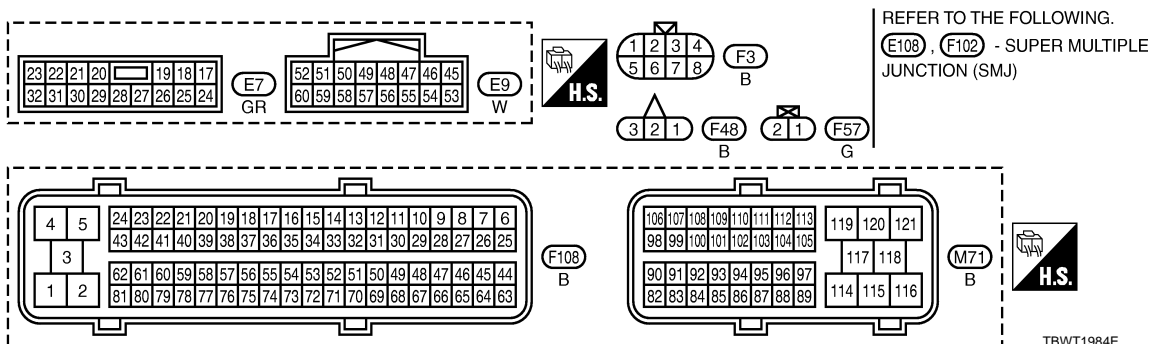
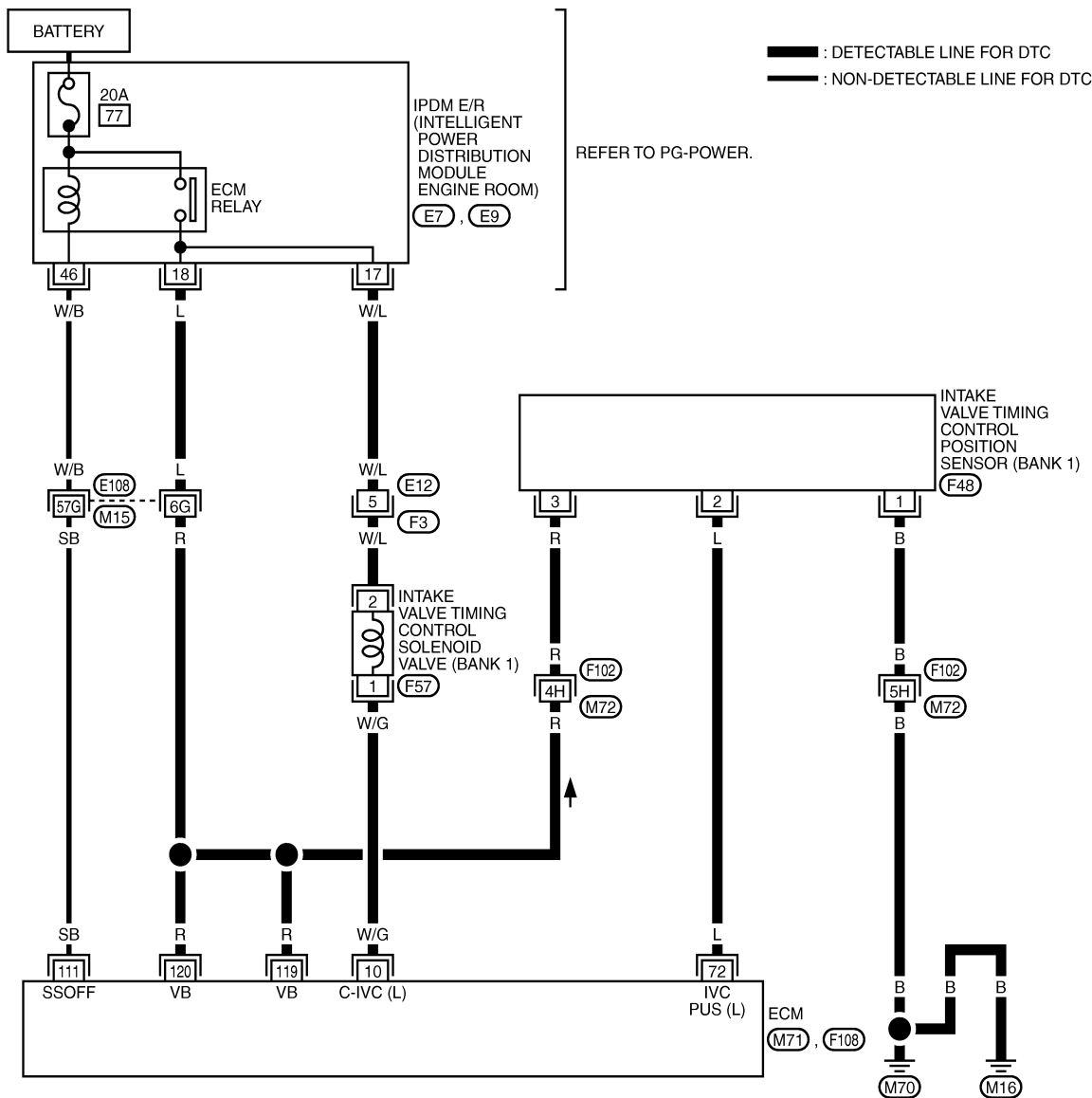
< SERVICE INFORMATION >

Wiring Diagram

INFOID:00000002954781

BANK 1

EC-IVTB1-01



Specification data are reference values and are measured between each terminal and ground. Pulse signal is measured by CONSULT-III.

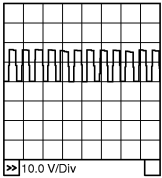
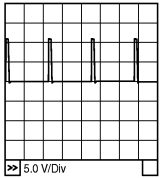
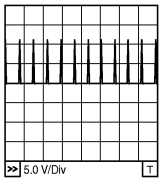
CAUTION:

DTC P0011, P0021 IVT CONTROL

< SERVICE INFORMATION >

[VK45DE]

Do not use ECM ground terminals when measuring input/output voltage. Doing so may result in damage to the ECM's transistor. Use a ground other than ECM terminals, such as the ground.

TER-MI-NAL NO.	WIRE COLOR	ITEM	CONDITION	DATA (DC Voltage)
10	W/G	Intake valve timing control solenoid valve (bank 1)	[Engine is running] • Warm-up condition • Idle speed	BATTERY VOLTAGE (11 - 14V)
			[Engine is running] • Warm-up condition • Engine speed: 2,000rpm	7 - 12V★ 
72	L	Intake valve timing control position sensor (bank 1)	[Engine is running] • Warm-up condition • Idle speed	0 - 1.0V★ 
			[Engine is running] • Engine speed: 2,000rpm	0 - 1.0V★ 
111	SB	ECM relay (Self shut-off)	[Engine is running] [Ignition switch: OFF] • For a few seconds after turning ignition switch OFF	0 - 1.5V
			[Ignition switch: OFF] • More than a few seconds after turning ignition switch OFF	BATTERY VOLTAGE (11 - 14V)
119 120	R R	Power supply for ECM	[Ignition switch: ON]	BATTERY VOLTAGE (11 - 14V)

★: Average voltage for pulse signal (Actual pulse signal can be confirmed by oscilloscope.)

A
EC
C
D
E
F
G
H
I
J
K
L
M
N
O
P

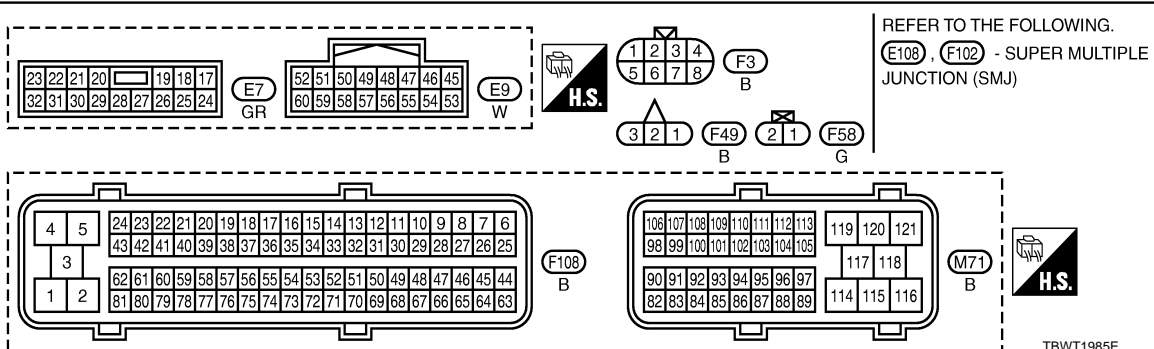
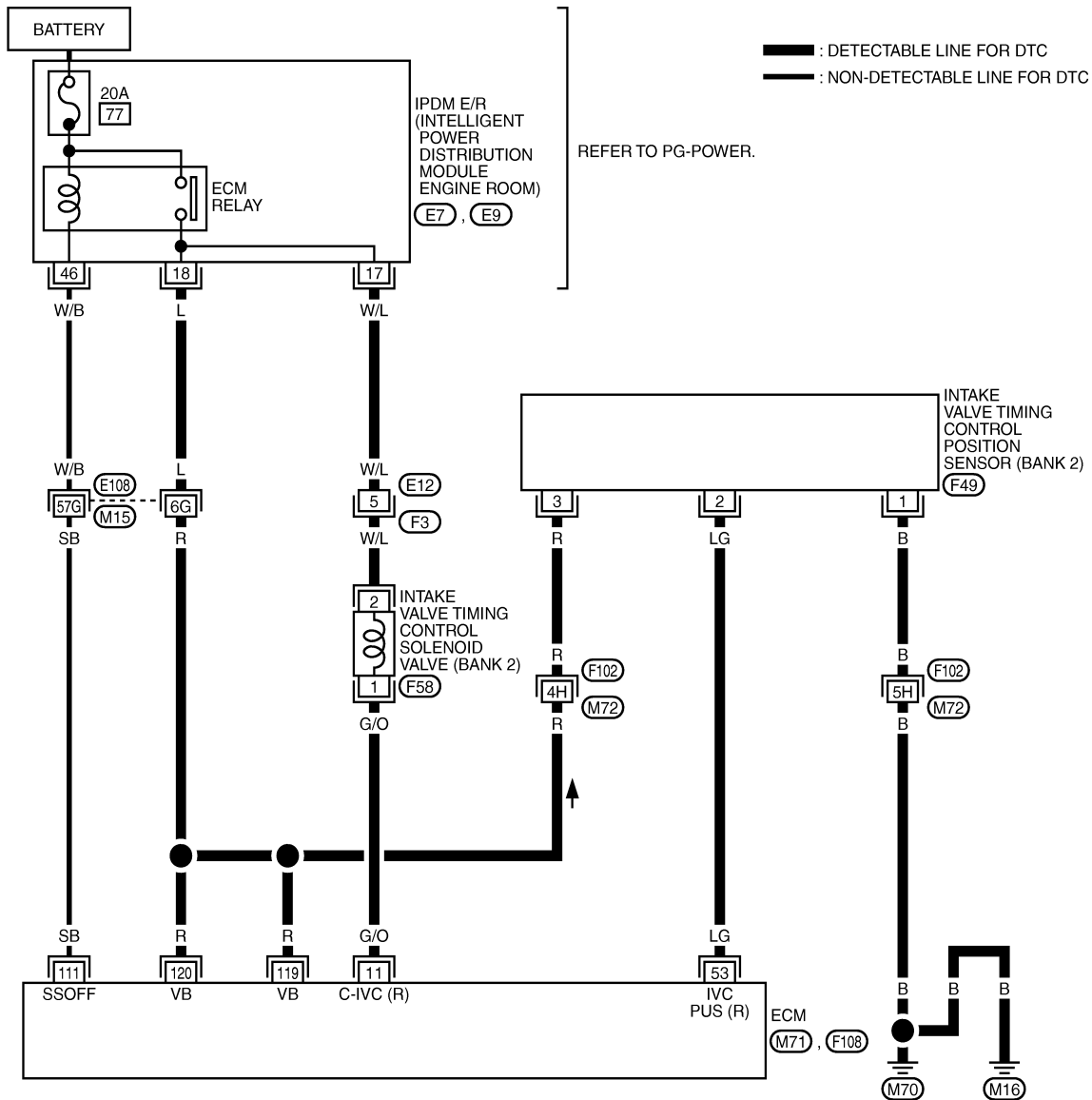
DTC P0011, P0021 IVT CONTROL

[VK45DE]

< SERVICE INFORMATION >

BANK 2

EC-IVTB2-01



Specification data are reference values and are measured between each terminal and ground. Pulse signal is measured by CONSULT-III.

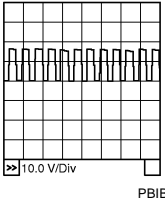
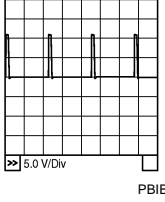
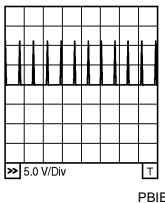
CAUTION:

Do not use ECM ground terminals when measuring input/output voltage. Doing so may result in damage to the ECM's transistor. Use a ground other than ECM terminals, such as the ground.

DTC P0011, P0021 IVT CONTROL

< SERVICE INFORMATION >

[VK45DE]

TER-MI-NAL NO.	WIRE COLOR	ITEM	CONDITION	DATA (DC Voltage)
11	G/O	Intake valve timing control solenoid valve (bank 2)	[Engine is running] • Warm-up condition • Idle speed	BATTERY VOLTAGE (11 - 14V)
			[Engine is running] • Warm-up condition • Engine speed: 2,000rpm	7 - 12V★ 
53	LG	Intake valve timing control position sensor (bank 2)	[Engine is running] • Warm-up condition • Idle speed	0 - 1.0V★ 
			[Engine is running] • Engine speed: 2,000 rpm	0 - 1.0V★ 
111	SB	ECM relay (Self shut-off)	[Engine is running] [Ignition switch: OFF] • For a few seconds after turning ignition switch OFF	0 - 1.5V
			[Ignition switch: OFF] • More than a few seconds after turning ignition switch OFF	BATTERY VOLTAGE (11 - 14V)
119 120	R R	Power supply for ECM	[Ignition switch: ON]	BATTERY VOLTAGE (11 - 14V)

★: Average voltage for pulse signal (Actual pulse signal can be confirmed by oscilloscope.)

Diagnosis Procedure

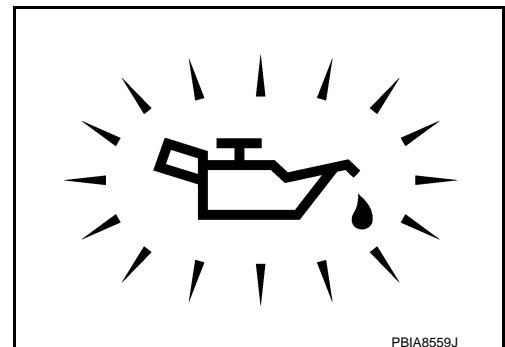
INFOID:000000002954782

1. CHECK OIL PRESSURE WARNING LAMP

1. Start engine.
2. Check oil pressure warning lamp and confirm it is not illuminated.

OK or NG

- OK >> GO TO 2.
 NG >> Go to [LU-23. "Inspection"](#).



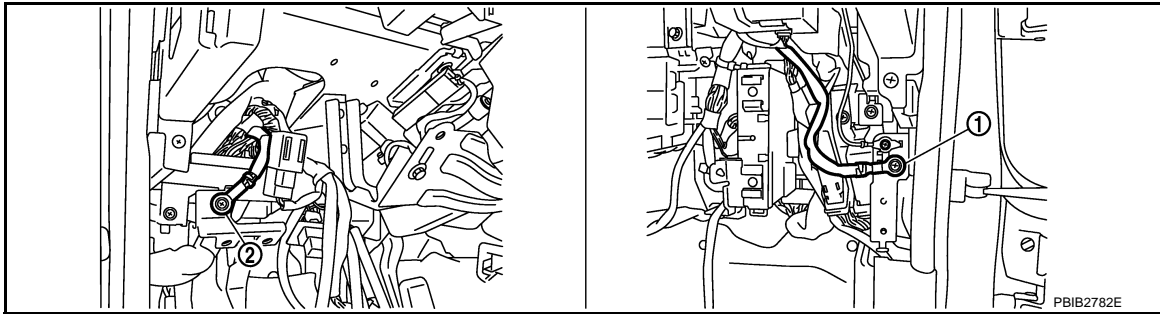
DTC P0011, P0021 IVT CONTROL

[VK45DE]

< SERVICE INFORMATION >

2. CHECK GROUND CONNECTIONS

1. Turn ignition switch OFF.
2. Loosen and retighten ground screws on the body.
Refer to [EC-769](#). "Ground Inspection".



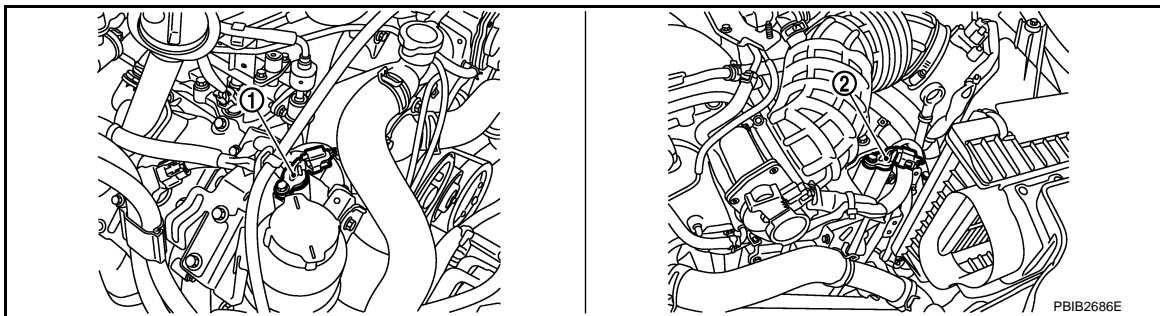
1. Body ground M70
2. Body ground M16

OK or NG

- OK >> GO TO 3.
NG >> Repair or replace ground connections.

3. CHECK INTAKE VALVE TIMING CONTROL POSITION SENSOR POWER SUPPLY CIRCUIT

1. Disconnect intake valve timing control position sensor harness connector.



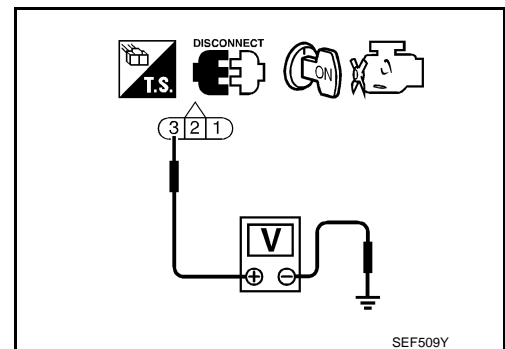
1. Intake valve timing control position sensor (bank 2)
2. Intake valve timing control position sensor (bank 1)

2. Turn ignition switch ON.
3. Check voltage between intake valve timing control position sensor terminal 3 and ground with CONSULT-III or tester.

Voltage: Battery voltage

OK or NG

- OK >> GO TO 5.
NG >> GO TO 4.



4. DETECT MALFUNCTIONING PART

Check the following.

- Harness connectors E108, M15
- Harness connectors F102, M72
- Harness for open or short between intake valve timing control position sensor and ECM
- Harness for open or short between intake valve timing control position sensor and IPDM E/R

DTC P0011, P0021 IVT CONTROL

< SERVICE INFORMATION >

[VK45DE]

>> Repair open circuit or short to ground or short to power in harness or connectors.

5. CHECK INTAKE VALVE TIMING CONTROL POSITION SENSOR GROUND CIRCUIT FOR OPEN AND SHORT

1. Turn ignition switch OFF.
2. Check harness continuity between intake valve timing control position sensor terminal 1 and ground. Refer to Wiring Diagram.

Continuity should exist.

3. Also check harness for short to power.

OK or NG

- OK >> GO TO 7.
- NG >> GO TO 6.

6. DETECT MALFUNCTIONING PART

Check the following.

- Harness connectors F102, M72
- Harness for open or short between intake valve timing control position sensor and ground

>> Repair open circuit or short to power in harness or connectors.

7. CHECK INTAKE VALVE TIMING CONTROL POSITION SENSOR INPUT SIGNAL CIRCUIT FOR OPEN AND SHORT

1. Disconnect ECM harness connector.
2. Check harness continuity between the following;
ECM terminal 72 and intake valve timing control position sensor (bank 1) terminal 2 or
ECM terminal 53 and intake valve timing control position sensor (bank 2) terminal 2.
Refer to Wiring Diagram.

Continuity should exist.

3. Also check harness for short to ground and short to power.

OK or NG

- OK >> GO TO 8.
- NG >> Repair open circuit or short to ground or short to power in harness or connectors.

8. CHECK INTAKE VALVE TIMING CONTROL POSITION SENSOR

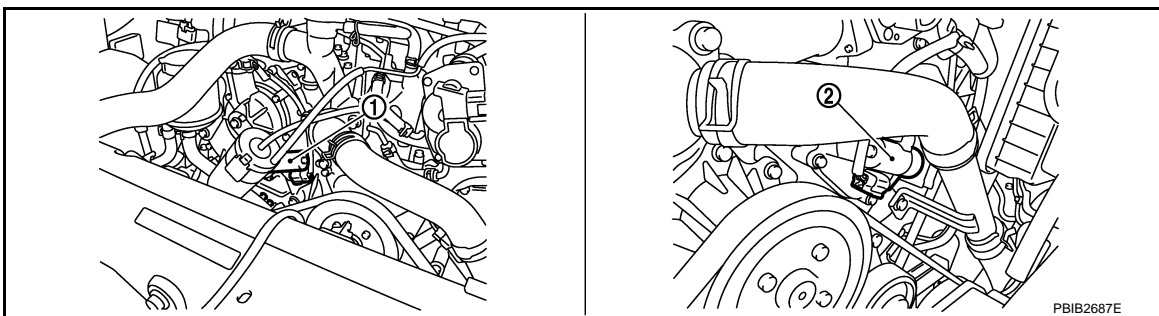
Refer to [EC-783. "Component Inspection"](#).

OK or NG

- OK >> GO TO 9.
- NG >> Replace intake valve timing control position sensor.

9. CHECK INTAKE VALVE TIMING CONTROL SOLENOID VALVE POWER SUPPLY CIRCUIT

1. Reconnect ECM harness connector.
2. Disconnect intake valve timing control solenoid valve harness connector.



1. Intake valve timing control solenoid valve (bank 2)
2. Intake valve timing control solenoid valve (bank 1)

DTC P0011, P0021 IVT CONTROL

[VK45DE]

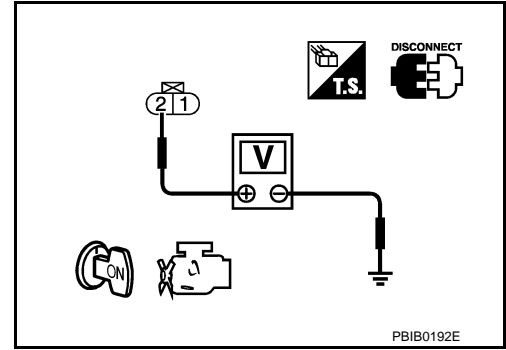
< SERVICE INFORMATION >

- Turn ignition switch ON.
- Check voltage between intake valve timing control solenoid valve terminal 2 and ground with CONSULT-III or tester.

Voltage: Battery voltage

OK or NG

- OK >> GO TO 11.
NG >> GO TO 10.



10. DETECT MALFUNCTIONING PART

Check the following.

- Harness connectors E12, F3
- Harness for open or short between intake valve timing control solenoid valve and IPDM E/R.

>> Repair open circuit or short to ground or short to power in harness or connectors.

11. CHECK INTAKE VALVE TIMING CONTROL SOLENOID VALVE OUTPUT SIGNAL CIRCUIT FOR OPEN AND SHORT

- Disconnect ECM harness connector.
- Check harness continuity between the following;
ECM terminal 10 and intake valve timing control solenoid valve (bank 1) terminal 1 or
ECM terminal 11 and intake valve timing control solenoid valve (bank 2) terminal 1.
Refer to Wiring Diagram.

Continuity should exist.

- Also check harness for short to ground and short to power.

OK or NG

- OK >> GO TO 12.
NG >> Repair open circuit or short to ground or short to power in harness or connectors.

12. CHECK INTAKE VALVE TIMING CONTROL SOLENOID VALVE

Refer to [EC-783, "Component Inspection"](#).

OK or NG

- OK >> GO TO 13.
NG >> Replace intake valve timing control solenoid valve.

13. CHECK CRANKSHAFT POSITION SENSOR (POS)

Refer to [EC-962, "Component Inspection"](#).

OK or NG

- OK >> GO TO 14.
NG >> Replace crankshaft position sensor (POS).

14. CHECK CAMSHAFT POSITION SENSOR (PHASE)

Refer to [EC-967, "Component Inspection"](#).

OK or NG

- OK >> GO TO 15.
NG >> Replace camshaft position sensor (PHASE).

15. CHECK CAMSHAFT SPROCKET

Check accumulation of debris to the signal pick-up portion of the camshaft sprocket. Refer to [EM-214](#).

OK or NG

- OK >> GO TO 16.
NG >> Remove debris and clean the signal pick-up cutout of camshaft sprocket.

DTC P0011, P0021 IVT CONTROL

[VK45DE]

< SERVICE INFORMATION >

16. CHECK TIMING CHAIN INSTALLATION

Check service records for any recent repairs that may cause timing chain misaligned.

Are there any service records that may cause timing chain misaligned?

Yes or No

Yes >> Check timing chain installation. Refer to [EM-202](#).

No >> GO TO 17.

17. CHECK LUBRICATION CIRCUIT

Refer to [EM-214. "Removal and Installation"](#).

OK or NG

OK >> GO TO 18.

NG >> Clean lubrication line.

18. CHECK INTERMITTENT INCIDENT

Refer to [EC-763. "Diagnosis Procedure"](#).

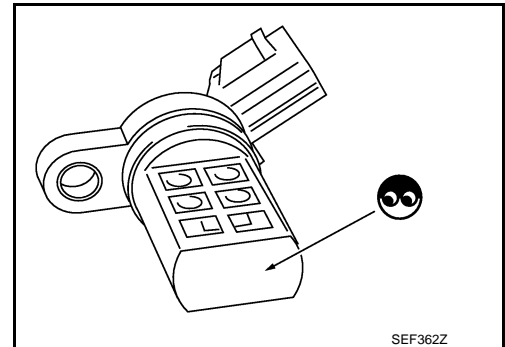
>> **INSPECTION END**

Component Inspection

INFOID:000000002954783

INTAKE VALVE TIMING CONTROL POSITION SENSOR

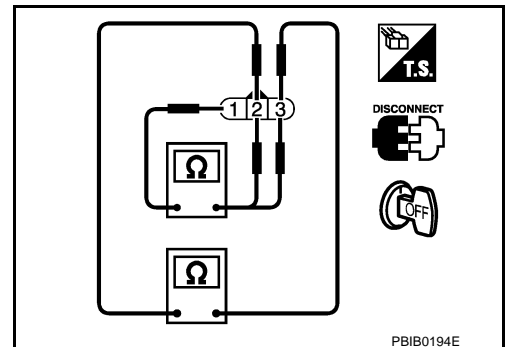
1. Disconnect intake valve timing control position sensor harness connector.
2. Loosen the fixing bolt of the sensor.
3. Remove the sensor.
4. Visually check the sensor for chipping.



5. Check resistance as shown below.

Terminal No. (Polarity)	Resistance Ω [at 25°C (77°F)]
3 (+) - 1 (-)	Except 0 or ∞
2 (+) - 1 (-)	
3 (+) - 2 (-)	

6. If NG, replace intake valve timing control position sensor.



INTAKE VALVE TIMING CONTROL SOLENOID VALVE

1. Disconnect intake valve timing control solenoid valve harness connector.

DTC P0011, P0021 IVT CONTROL

[VK45DE]

< SERVICE INFORMATION >

- Check resistance between intake valve timing control solenoid valve terminals as follows.

Terminals	Resistance
1 and 2	7.0 - 7.5Ω [at 20°C (68°F)]
1 or 2 and ground	∞Ω (Continuity should not exist)

If NG, replace intake valve timing control solenoid valve.
If OK, go to next step.

- Remove intake valve timing control solenoid valve.
- Provide 12V DC between intake valve timing control solenoid valve terminals and then interrupt it. Make sure that the plunger moves as shown in the figure.

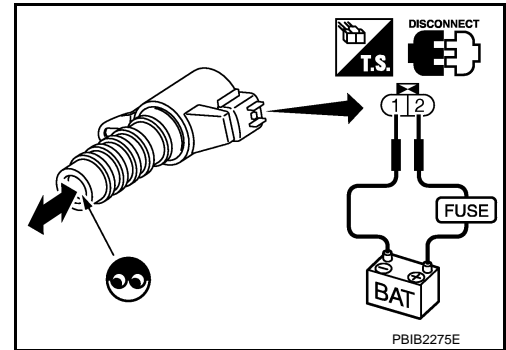
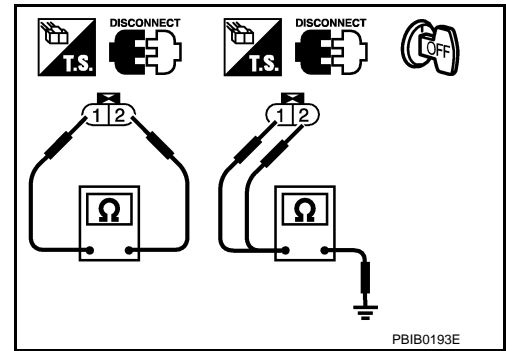
CAUTION:

Do not apply 12V DC continuously for 5 seconds or more. Doing so may result in damage to the coil in intake valve timing control solenoid valve.

If NG, replace intake valve timing control solenoid valve.

NOTE:

Always replace O-ring when intake valve timing control solenoid valve is removed.



Removal and Installation

INTAKE VALVE TIMING CONTROL POSITION SENSOR

Refer to [EM-202](#).

INTAKE VALVE TIMING CONTROL SOLENOID VALVE

Refer to [EM-202](#).

INFOID:000000002954784

DTC P0031, P0032, P0051, P0052 A/F SENSOR 1 HEATER

< SERVICE INFORMATION >

[VK45DE]

DTC P0031, P0032, P0051, P0052 A/F SENSOR 1 HEATER

Description

INFOID:000000002954785

SYSTEM DESCRIPTION

Sensor	Input Signal to ECM	ECM function	Actuator
Camshaft position sensor (PHASE) Crankshaft position sensor (POS)	Engine speed	Air fuel ratio (A/F) sensor 1 heater control	Air fuel ratio (A/F) sensor 1 heater
Mass air flow sensor	Amount of intake air		

The ECM performs ON/OFF duty control of the A/F sensor 1 heater corresponding to the engine operating condition to keep the temperature of A/F sensor 1 element at the specified range.

CONSULT-III Reference Value in Data Monitor Mode

INFOID:000000002954786

Specification data are reference values.

MONITOR ITEM	CONDITION	SPECIFICATION
A/F S1 HTR (B1) A/F S1 HTR (B2)	<ul style="list-style-type: none"> Engine: After warming up, idle the engine 	0 - 100%

On Board Diagnosis Logic

INFOID:000000002954787

DTC No.	Trouble diagnosis name	DTC detecting condition	Possible cause
P0031 0031 (Bank 1)	Air fuel ratio (A/F) sensor 1 heater control circuit low	The current amperage in the A/F sensor 1 heater circuit is out of the normal range. (An excessively low voltage signal is sent to ECM through the A/F sensor 1 heater.)	<ul style="list-style-type: none"> Harness or connectors (The A/F sensor 1 heater circuit is open or shorted.) A/F sensor 1 heater
P0051 0051 (Bank 2)			
P0032 0032 (Bank 1)	Air fuel ratio (A/F) sensor 1 heater control circuit high	The current amperage in the A/F sensor 1 heater circuit is out of the normal range. (An excessively high voltage signal is sent to ECM through the A/F sensor 1 heater.)	<ul style="list-style-type: none"> Harness or connectors (The A/F sensor 1 heater circuit is shorted.) A/F sensor 1 heater
P0052 0052 (Bank 2)			

DTC Confirmation Procedure

INFOID:000000002954788

NOTE:

If DTC Confirmation Procedure has been previously conducted, always turn ignition switch OFF and wait at least 10 seconds before conducting the next test.

TESTING CONDITION:

Before performing the following procedure, confirm that battery voltage is between 11V and 16V at idle.

1. Turn ignition switch ON and wait at least 5 seconds.
2. Check 1st trip DTC.
3. If 1st trip DTC is detected, go to [EC-789, "Diagnosis Procedure"](#).

DTC P0031, P0032, P0051, P0052 A/F SENSOR 1 HEATER

< SERVICE INFORMATION >

[VK45DE]

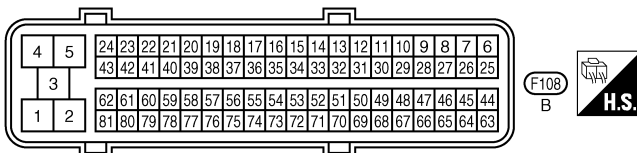
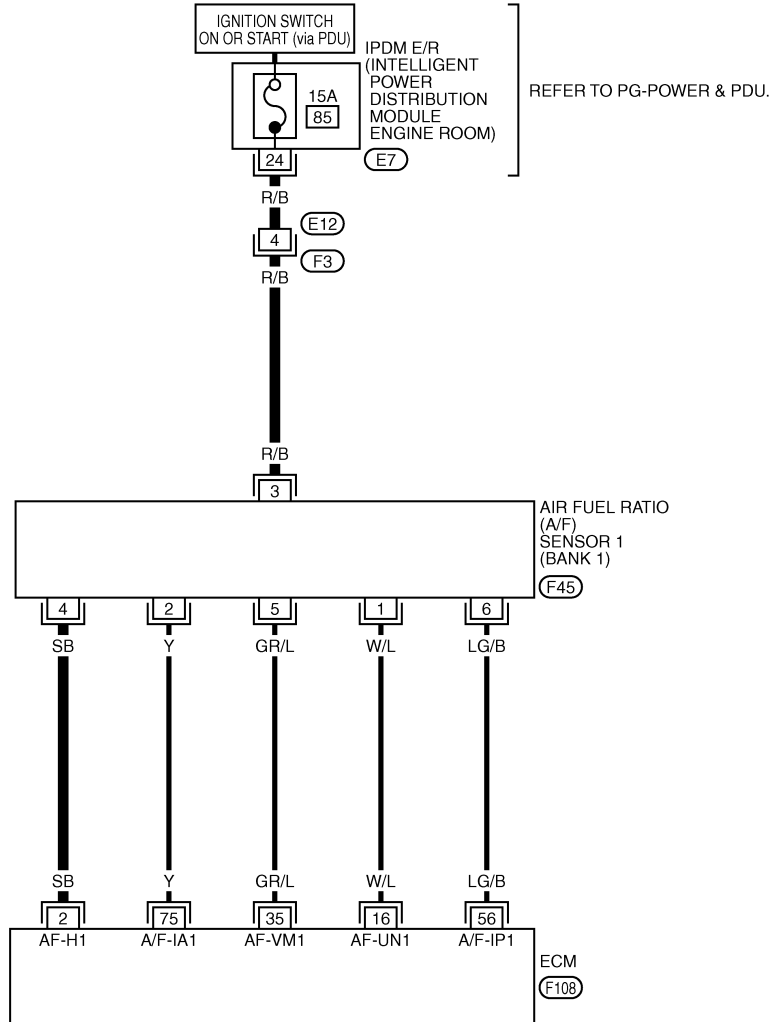
INFOID:00000002954789

Wiring Diagram

BANK 1

EC-AF1HB1-01

— : DETECTABLE LINE FOR DTC
 - - - : NON-DETECTABLE LINE FOR DTC



TBWT1033E

Specification data are reference values and are measured between each terminal and ground. Pulse signal is measured by CONSULT-III.

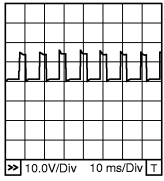
CAUTION:

DTC P0031, P0032, P0051, P0052 A/F SENSOR 1 HEATER

< SERVICE INFORMATION >

[VK45DE]

Do not use ECM ground terminals when measuring input/output voltage. Doing so may result in damage to the ECM's transistor. Use a ground other than ECM terminals, such as the ground.

TER-MI-NAL NO.	WIRE COLOR	ITEM	CONDITION	DATA (DC Voltage)
2	SB	A/F sensor 1 heater (bank 1)	[Engine is running] • Warm-up condition • Idle speed	Approximately 5V★ 
16	W/L	A/F sensor 1 (bank 1)	[Engine is running] • Warm-up condition • Idle speed	Approximately 3.1V
35	GR/L			Approximately 2.6V
56	LG/B			Approximately 2.3V
75	Y			Approximately 2.3V

★: Average voltage for pulse signal (Actual pulse signal can be confirmed by oscilloscope.)

A
EC
C
D
E
F
G
H
I
J
K
L
M
N
O
P

DTC P0031, P0032, P0051, P0052 A/F SENSOR 1 HEATER

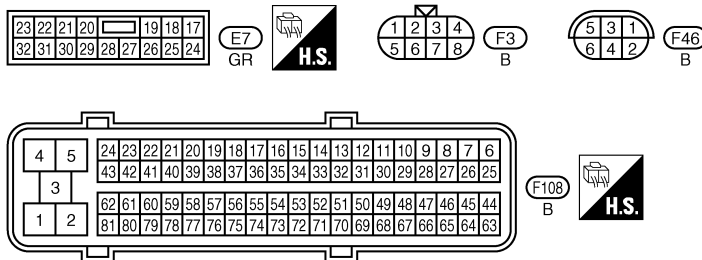
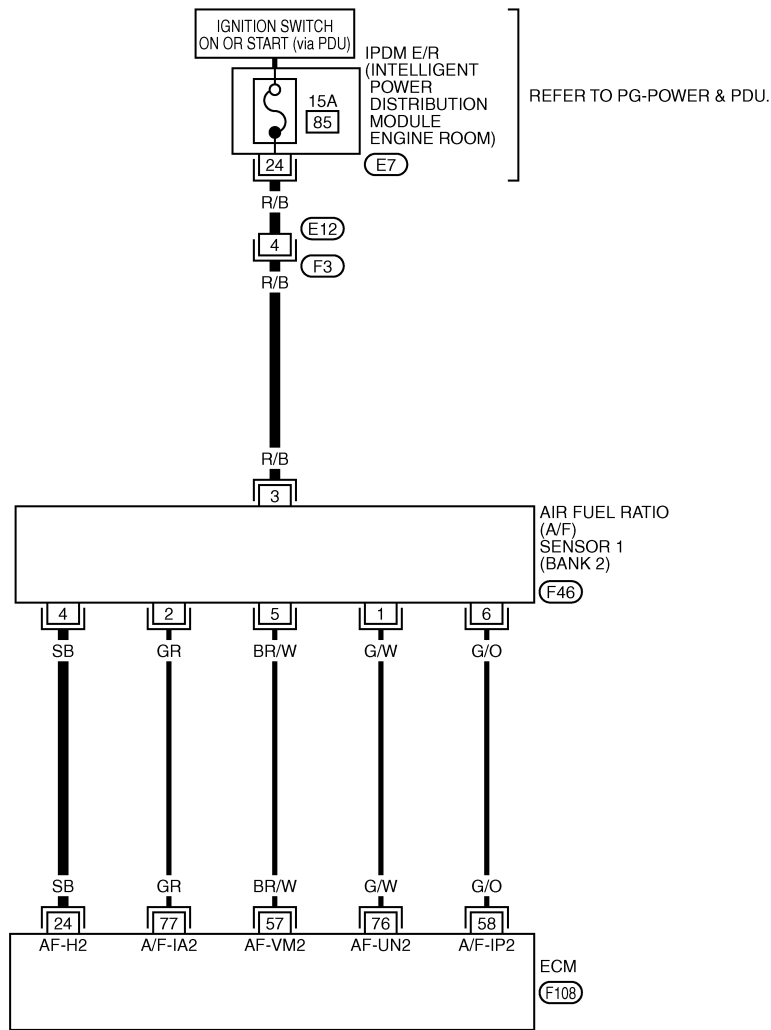
< SERVICE INFORMATION >

[VK45DE]

BANK 2

EC-AF1HB2-01

— : DETECTABLE LINE FOR DTC
 — : NON-DETECTABLE LINE FOR DTC



TBWT1034E

Specification data are reference values and are measured between each terminal and ground. Pulse signal is measured by CONSULT-III.

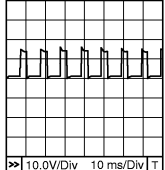
CAUTION:

Do not use ECM ground terminals when measuring input/output voltage. Doing so may result in damage to the ECM's transistor. Use a ground other than ECM terminals, such as the ground.

DTC P0031, P0032, P0051, P0052 A/F SENSOR 1 HEATER

< SERVICE INFORMATION >

[VK45DE]

TER-MI-NAL NO.	WIRE COLOR	ITEM	CONDITION	DATA (DC Voltage)
24	SB	A/F sensor 1 heater (bank 2)	[Engine is running] <ul style="list-style-type: none"> • Warm-up condition • Idle speed 	Approximately 5V★  PBIB1584E
57	BR/W	A/F sensor 1 (bank 2)	[Engine is running] <ul style="list-style-type: none"> • Warm-up condition • Idle speed 	Approximately 2.6V
58	G/O			Approximately 2.3V
76	G/W			Approximately 3.1V
77	GR			Approximately 2.3V

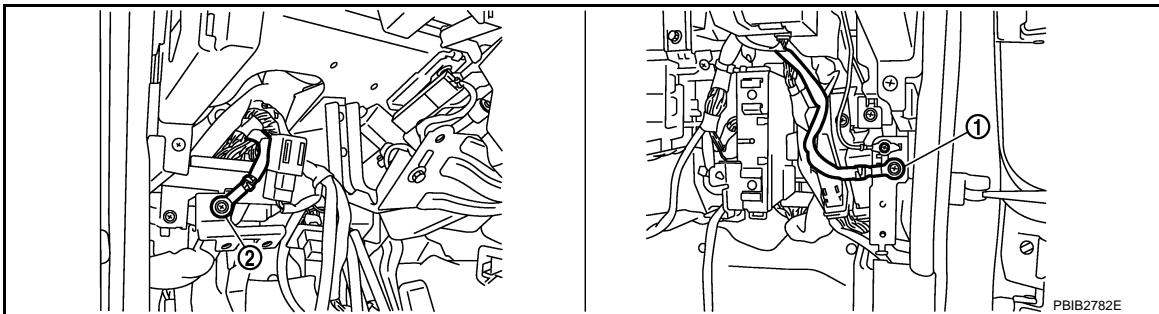
★: Average voltage for pulse signal (Actual pulse signal can be confirmed by oscilloscope.)

Diagnosis Procedure

INFOID:000000002954790

1. CHECK GROUND CONNECTIONS

1. Turn ignition switch OFF.
2. Loosen and retighten ground screws on the body.
Refer to [EC-769, "Ground Inspection"](#).



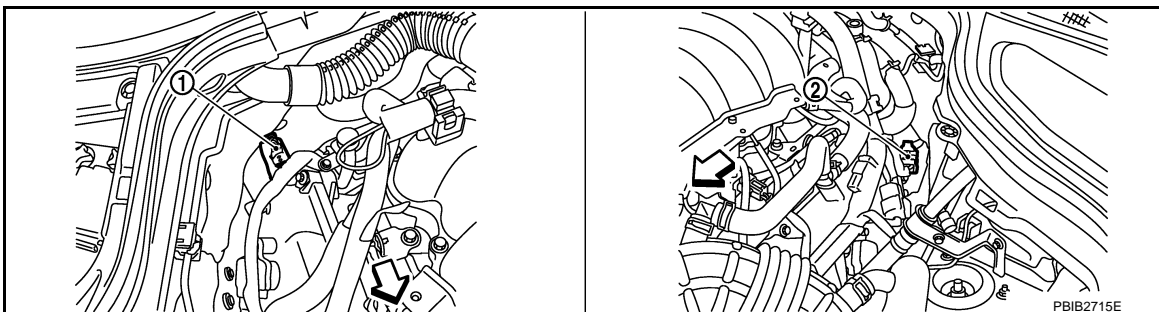
1. Body ground M70
2. Body ground M16

OK or NG

- OK >> GO TO 2.
 NG >> Repair or replace ground connections.

2. CHECK AIR FUEL RATIO (A/F) SENSOR 1 POWER SUPPLY CIRCUIT

1. Disconnect air fuel ratio (A/F) sensor 1 harness connector.



DTC P0031, P0032, P0051, P0052 A/F SENSOR 1 HEATER

[VK45DE]

< SERVICE INFORMATION >

↩ : Vehicle front

1. A/F sensor 1 (bank 2)
harness connector

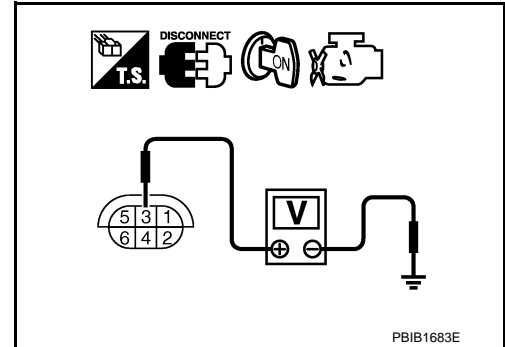
2. A/F sensor 1 (bank 1)
harness connector

2. Turn ignition switch ON.
3. Check voltage between A/F sensor 1 terminal 3 and ground with CONSULT-III or tester.

Voltage: Battery voltage

OK or NG

- OK >> GO TO 4.
NG >> GO TO 3.



3. DETECT MALFUNCTIONING PART

Check the following.

- Harness connectors E12, F3
- IPDM E/R harness connector E7
- 15A fuse
- Harness for open or short between A/F sensor 1 and fuse

>> Repair or replace harness or connectors.

4. CHECK A/F SENSOR 1 HEATER OUTPUT SIGNAL CIRCUIT

1. Turn ignition switch OFF.
2. Disconnect ECM harness connector.
3. Check harness continuity between the following;
ECM terminal 2 and A/F sensor 1 (bank 1) terminal 4 or
ECM terminal 24 and A/F sensor 1 (bank 2) terminal 4.
Refer to Wiring Diagram.

Continuity should exist.

4. Also check harness for short to ground and short to power.

OK or NG

- OK >> GO TO 5.
NG >> Repair open circuit or short to ground or short to power in harness or connectors.

5. CHECK A/F SENSOR 1 HEATER

Refer to [EC-791, "Component Inspection"](#).

OK or NG

- OK >> GO TO 6.
NG >> GO TO 7.

6. CHECK INTERMITTENT INCIDENT

Perform [EC-763, "Diagnosis Procedure"](#).

OK or NG

- OK >> GO TO 7.
NG >> Repair or replace.

7. REPLACE AIR FUEL RATIO (A/F) SENSOR 1

Replace air fuel ratio (A/F) sensor 1.

CAUTION:

- Discard any A/F sensor which has been dropped from a height of more than 0.5 m (19.7 in) onto a hard surface such as a concrete floor; use a new one.
- Before installing new A/F sensor, clean exhaust system threads using Oxygen Sensor Thread Cleaner tool J-43897-18 or J-43897-12 and approved anti-seize lubricant.

DTC P0031, P0032, P0051, P0052 A/F SENSOR 1 HEATER

< SERVICE INFORMATION >

[VK45DE]

>> INSPECTION END

Component Inspection

INFOID:000000002954791

AIR FUEL RATIO (A/F) SENSOR 1 HEATER

Check resistance between terminals 3 and 4.

Resistance: 2.3 - 4.3Ω [at 25°C (77°F)]

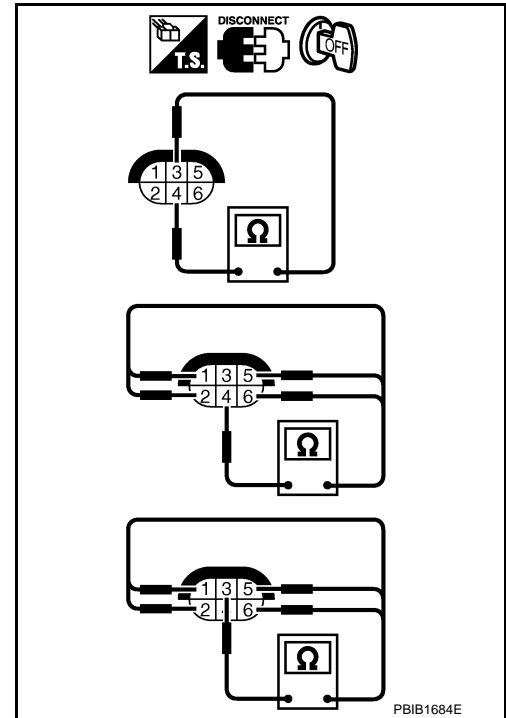
Check continuity between terminals 3 and 1, 2, 5, 6, terminals 4 and 1, 2, 5, 6.

Continuity should not exist.

If NG, replace the A/F sensor 1.

CAUTION:

- Discard any A/F sensor which has been dropped from a height of more than 0.5 m (19.7 in) onto a hard surface such as a concrete floor; use a new one.
- Before installing new A/F sensor, clean exhaust system threads using Heated Oxygen Sensor Thread Cleaner tool J-43897-18 or J-43897-12 and approved anti-seize lubricant.



Removal and Installation

INFOID:000000002954792

AIR FUEL RATIO (A/F) SENSOR 1

Refer to [EM-181](#).

DTC P0037, P0038, P0057, P0058 HO2S2 HEATER

< SERVICE INFORMATION >

[VK45DE]

DTC P0037, P0038, P0057, P0058 HO2S2 HEATER

Description

INFOID:000000002954793

SYSTEM DESCRIPTION

Sensor	Input signal to ECM	ECM function	Actuator
Camshaft position sensor (PHASE) Crankshaft position sensor (POS)	Engine speed	Heated oxygen sensor 2 heater control	Heated oxygen sensor 2 heater
Engine coolant temperature sensor	Engine coolant temperature		
Mass air flow sensor	Amount of intake air		

The ECM performs ON/OFF control of the heated oxygen sensor 2 heater corresponding to the engine speed, amount of intake air and engine coolant temperature.

OPERATION

Engine speed rpm	Heated oxygen sensor 2 heater
Above 3,600	OFF
Below 3,600 rpm after the following conditions are met. <ul style="list-style-type: none">• Engine: After warming up• Keeping the engine speed between 3,500 and 4,000 rpm for 1 minute and at idle for 1 minute under no load	ON

CONSULT-III Reference Value in Data Monitor Mode

INFOID:000000002954794

Specification data are reference values.

MONITOR ITEM	CONDITION	SPECIFICATION
HO2S2 HTR (B1) HO2S2 HTR (B2)	<ul style="list-style-type: none">• Engine speed: Below 3,600 rpm after the following conditions are met.<ul style="list-style-type: none">- Engine: After warming up- Keeping the engine speed between 3,500 and 4,000 rpm for 1 minute and at idle for 1 minute under no load	ON
	<ul style="list-style-type: none">• Engine speed: Above 3,600 rpm	OFF

On Board Diagnosis Logic

INFOID:000000002954795

DTC No.	Trouble diagnosis name	DTC detecting condition	Possible cause
P0037 0037 (Bank 1)	Heated oxygen sensor 2 heater control circuit low	The current amperage in the heated oxygen sensor 2 heater circuit is out of the normal range. (An excessively low voltage signal is sent to ECM through the heated oxygen sensor 2 heater.)	<ul style="list-style-type: none">• Harness or connectors (The heated oxygen sensor 2 heater circuit is open or shorted.)• Heated oxygen sensor 2 heater
P0057 0057 (Bank 2)			
P0038 0038 (Bank 1)	Heated oxygen sensor 2 heater control circuit high	The current amperage in the heated oxygen sensor 2 heater circuit is out of the normal range. (An excessively high voltage signal is sent to ECM through the heated oxygen sensor 2 heater.)	<ul style="list-style-type: none">• Harness or connectors (The heated oxygen sensor 2 heater circuit is shorted.)• Heated oxygen sensor 2 heater
P0058 0058 (Bank 2)			

DTC Confirmation Procedure

INFOID:000000002954796

NOTE:

If DTC Confirmation Procedure has been previously conducted, always turn ignition switch OFF and wait at least 10 seconds before conducting the next test.

TESTING CONDITION:

DTC P0037, P0038, P0057, P0058 HO2S2 HEATER

[VK45DE]

< SERVICE INFORMATION >

Before performing the following procedure, confirm that battery voltage is between 11V and 16V at idle.

1. Turn ignition switch ON and wait at least 5 seconds.
2. Check 1st trip DTC.
3. If 1st trip DTC is detected, go to [EC-796, "Diagnosis Procedure"](#).

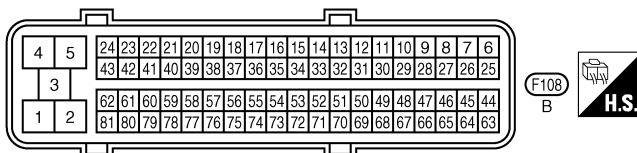
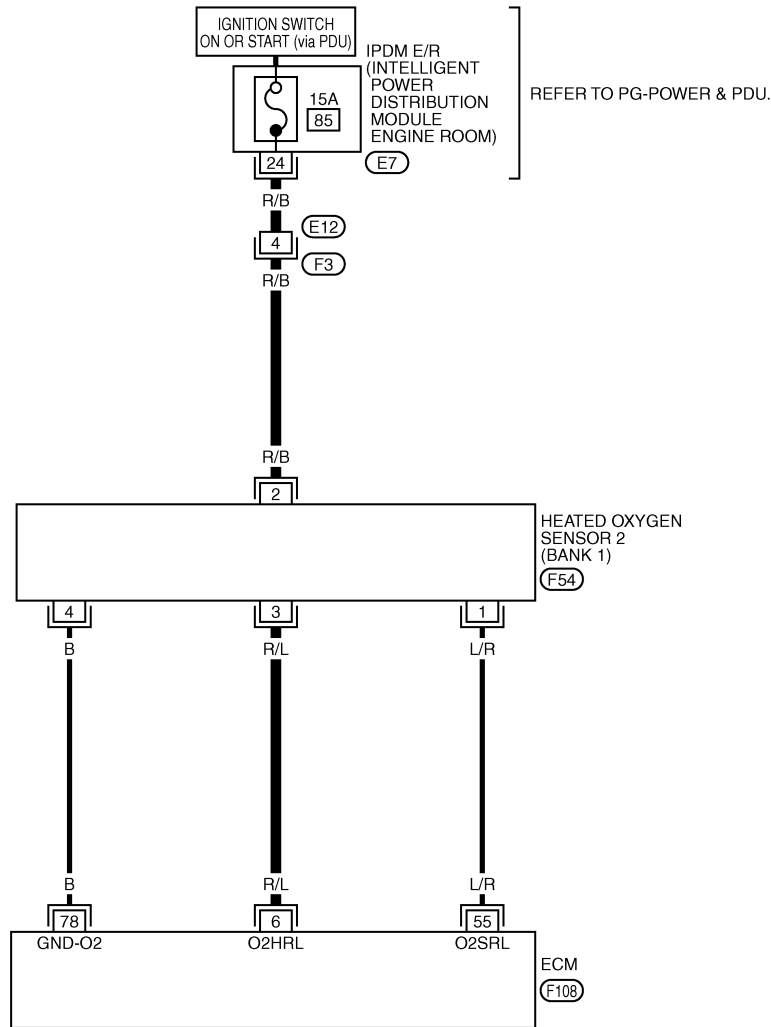
Wiring Diagram

INFOID:000000002954797

BANK 1

EC-O2H2B1-01

— : DETECTABLE LINE FOR DTC
 - - - : NON-DETECTABLE LINE FOR DTC



TBWT1014E

DTC P0037, P0038, P0057, P0058 HO2S2 HEATER

< SERVICE INFORMATION >

[VK45DE]

Specification data are reference values and are measured between each terminal and ground.

CAUTION:

Do not use ECM ground terminals when measuring input/output voltage. Doing so may result in damage to the ECM's transistor. Use a ground other than ECM terminals, such as the ground.

TER- MI- NAL NO.	WIRE COLOR	ITEM	CONDITION	DATA (DC Voltage)
6	R/L	Heated oxygen sensor 2 heater (bank 1)	[Engine is running] <ul style="list-style-type: none"> • Engine speed: Below 3,600 rpm after the following conditions are met - Engine: After warming up - Keeping the engine speed between 3,500 and 4,000 rpm for 1 minute and at idle for 1 minute under no load 	0 - 1.0V
			[Ignition switch: ON] <ul style="list-style-type: none"> • Engine: Stopped [Engine is running] <ul style="list-style-type: none"> • Engine speed: Above 3,600 rpm 	BATTERY VOLTAGE (11 - 14V)
55	L/R	Heated oxygen sensor 2 (bank 1)	[Engine is running] <ul style="list-style-type: none"> • Revving engine from idle to 3,000 rpm quickly after the following conditions are met - Engine: After warming up - Keeping the engine speed between 3,500 and 4,000 rpm for 1 minute and at idle for 1 minute under no load 	0 - Approximately 1.0V
78	B	Sensor ground (Heated oxygen sensor 2)	[Engine is running] <ul style="list-style-type: none"> • Warm-up condition • Idle speed 	Approximately 0V

DTC P0037, P0038, P0057, P0058 HO2S2 HEATER

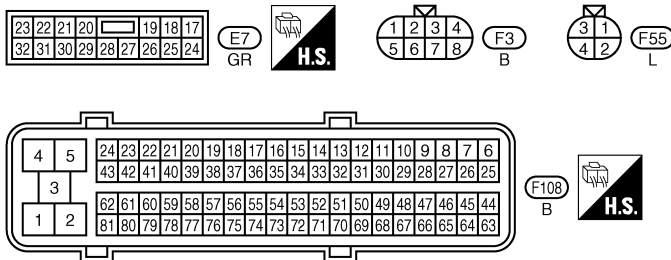
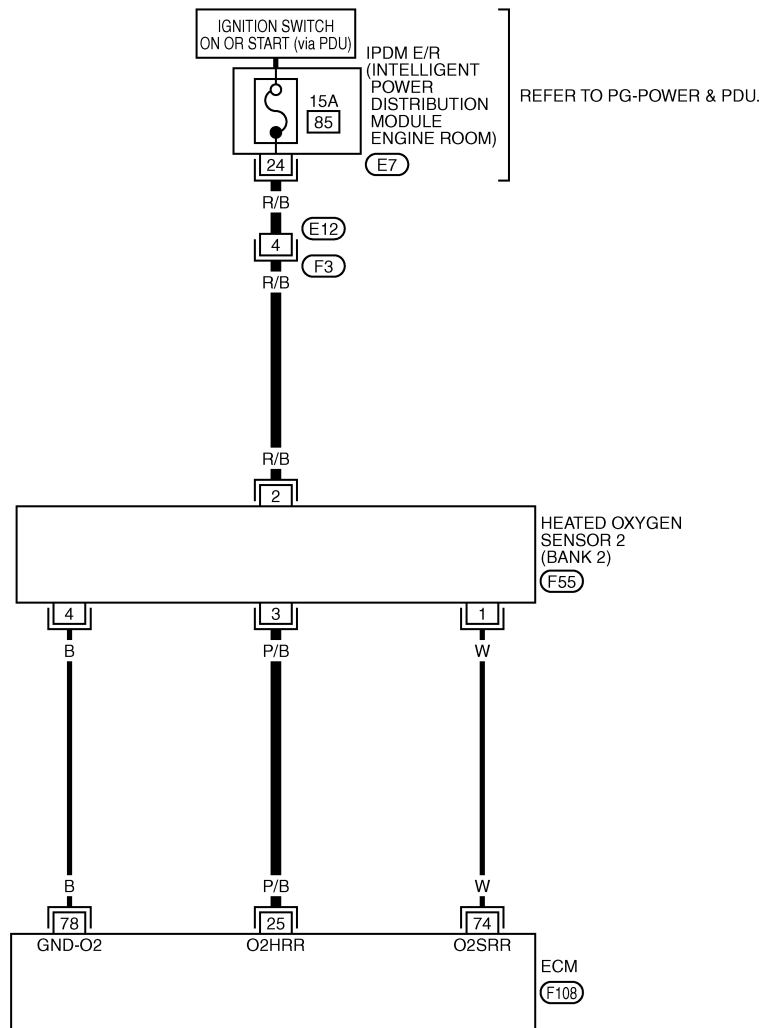
< SERVICE INFORMATION >

[VK45DE]

BANK 2

EC-O2H2B2-01

— : DETECTABLE LINE FOR DTC
 - - - : NON-DETECTABLE LINE FOR DTC



TBWT1015E

Specification data are reference values and are measured between each terminal and ground.

CAUTION:

Do not use ECM ground terminals when measuring input/output voltage. Doing so may result in damage to the ECM's transistor. Use a ground other than ECM terminals, such as the ground.

DTC P0037, P0038, P0057, P0058 HO2S2 HEATER

< SERVICE INFORMATION >

[VK45DE]

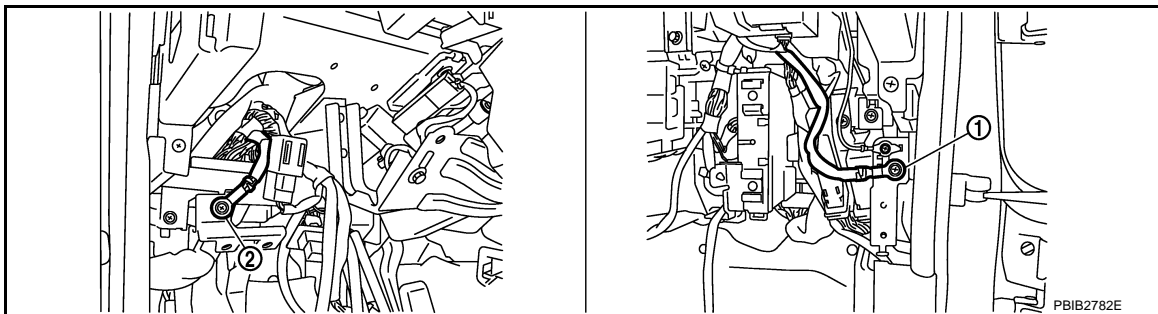
TER-MI-NAL NO.	WIRE COLOR	ITEM	CONDITION	DATA (DC Voltage)
25	P/B	Heated oxygen sensor 2 heater (bank 2)	[Engine is running] <ul style="list-style-type: none"> • Engine speed: Below 3,600 rpm after the following conditions are met - Engine: After warming up - Keeping the engine speed between 3,500 and 4,000 rpm for 1 minute and at idle for 1 minute under no load 	0 - 1.0V
			[Ignition switch: ON] <ul style="list-style-type: none"> • Engine: Stopped [Engine is running] <ul style="list-style-type: none"> • Engine speed: Above 3,600 rpm 	BATTERY VOLTAGE (11 - 14V)
74	W	Heated oxygen sensor 2 (bank 2)	[Engine is running] <ul style="list-style-type: none"> • Revving engine from idle to 3,000 rpm quickly after the following conditions are met - Engine: After warming up - Keeping the engine speed between 3,500 and 4,000 rpm for 1 minute and at idle for 1 minute under no load 	0 - Approximately 1.0V
78	B	Sensor ground (Heated oxygen sensor 2)	[Engine is running] <ul style="list-style-type: none"> • Warm-up condition • Idle speed 	Approximately 0V

Diagnosis Procedure

INFOID:000000002954798

1. CHECK GROUND CONNECTIONS

1. Turn ignition switch OFF.
2. Loosen and retighten ground screws on the body.
Refer to [EC-769, "Ground Inspection"](#).



1. Body ground M70
2. Body ground M16

OK or NG

- OK >> GO TO 2.
 NG >> Repair or replace ground connections.

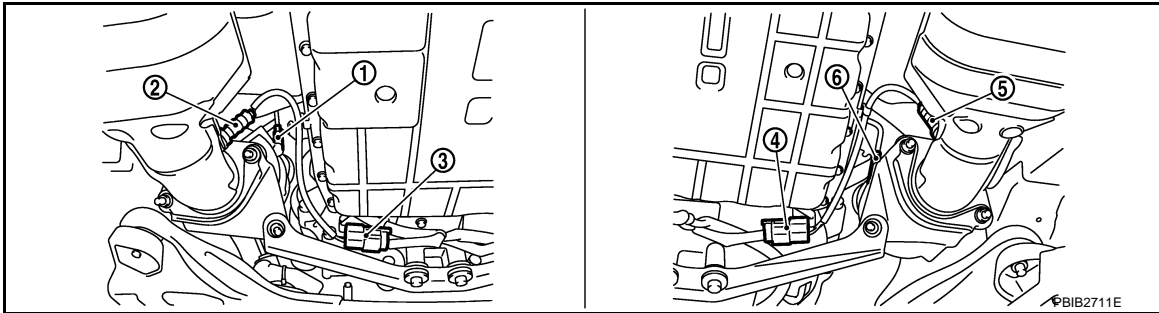
2. CHECK HO2S2 HEATER POWER SUPPLY CIRCUIT

1. Disconnect heated oxygen sensor 2 harness connector.

DTC P0037, P0038, P0057, P0058 HO2S2 HEATER

< SERVICE INFORMATION >

[VK45DE]



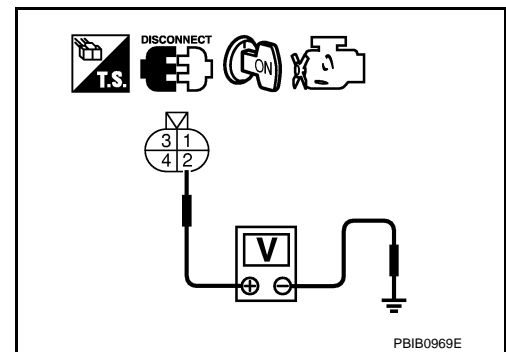
1. Air fuel ratio (A/F) sensor 1 (bank 1)
2. Heated oxygen sensor 2 (bank 1)
3. Heated oxygen sensor 2 (bank 1) harness connector
4. Heated oxygen sensor 2 (bank 2) harness connector
5. Heated oxygen sensor 2 (bank 2)
6. Air fuel ratio (A/F) sensor 1 (bank 2)

2. Turn ignition switch ON.
3. Check voltage between HO2S2 terminal 2 and ground with CONSULT-III or tester.

Voltage: Battery voltage

OK or NG

- OK >> GO TO 4.
- NG >> GO TO 3.



3. DETECT MALFUNCTIONING PART

Check the following.

- Harness connectors E12, F3
- IPDM E/R connector E7
- 15A fuse
- Harness for open or short between heated oxygen sensor 2 and fuse

>> Repair open circuit or short to ground or short to power in harness or connectors.

4. CHECK HO2S2 HEATER OUTPUT SIGNAL CIRCUIT FOR OPEN AND SHORT

1. Turn ignition switch OFF.
2. Disconnect ECM harness connector.
3. Check harness continuity between ECM terminal and HO2S2 terminal as follows. Refer to Wiring Diagram.

DTC	Terminals		Bank
	ECM	Sensor	
P0037, P0038	6	3	1
P0057, P0058	25	3	2

Continuity should exist.

4. Also check harness for short to ground and short to power.

OK or NG

- OK >> GO TO 5.
- NG >> Repair open circuit or short to ground or short to power in harness or connectors.

5. CHECK HEATED OXYGEN SENSOR 2 HEATER

Refer to [EC-798, "Component Inspection"](#).

DTC P0037, P0038, P0057, P0058 HO2S2 HEATER

[VK45DE]

< SERVICE INFORMATION >

OK or NG

OK >> GO TO 6.

NG >> Replace malfunctioning heated oxygen sensor 2.

6. CHECK INTERMITTENT INCIDENT

Refer to [EC-763. "Diagnosis Procedure"](#).

>> **INSPECTION END**

Component Inspection

INFOID:000000002954799

HEATED OXYGEN SENSOR 2 HEATER

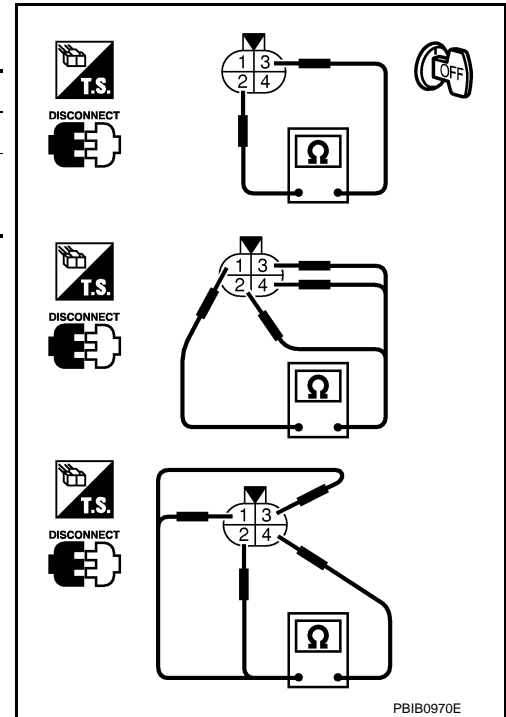
1. Check resistance between HO2S2 terminals as follows.

Terminal No.	Resistance
2 and 3	5.0 - 7.0 Ω [at 25°C (77°F)]
1 and 2, 3, 4	$\infty \Omega$
4 and 1, 2, 3	(Continuity should not exist)

2. If NG, replace heated oxygen sensor 2.

CAUTION:

- Discard any heated oxygen sensor which has been dropped from a height of more than 0.5 m (19.7 in) onto a hard surface such as a concrete floor; use a new one.
- Before installing new oxygen sensor, clean exhaust system threads using Oxygen Sensor Thread Cleaner tool J-43897-18 or J-43897-12 and approved anti-seize lubricant.



Removal and Installation

INFOID:000000002954800

HEATED OXYGEN SENSOR 2

Refer to [EM-181](#).

DTC P0075, P0081 IVT CONTROL SOLENOID VALVE

< SERVICE INFORMATION >

[VK45DE]

DTC P0075, P0081 IVT CONTROL SOLENOID VALVE

Component Description

INFOID:000000002954801

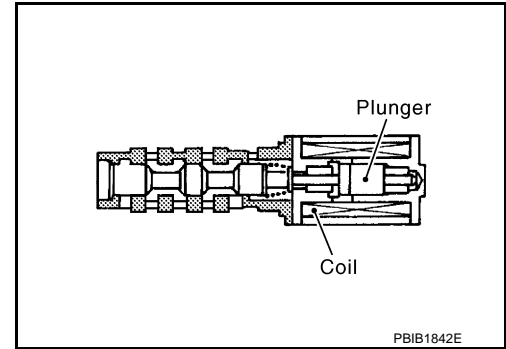
Intake valve timing control solenoid valve is activated by ON/OFF pulse duty (ratio) signals from the ECM.

The intake valve timing control solenoid valve changes the oil amount and direction of flow through intake valve timing control unit or stops oil flow.

The longer pulse width advances valve angle.

The shorter pulse width retards valve angle.

When ON and OFF pulse widths become equal, the solenoid valve stops oil pressure flow to fix the intake valve angle at the control position.



CONSULT-III Reference Value in Data Monitor Mode

INFOID:000000002954802

Specification data are reference values.

MONITOR ITEM	CONDITION	SPECIFICATION
INT/V SOL (B1) INT/V SOL (B2)	<ul style="list-style-type: none">Engine: After warming upSelector lever: P or NAir conditioner switch: OFFNo load	Idle 2,000 rpm
		0% - 2% Approx. 25% - 50%

On Board Diagnosis Logic

INFOID:000000002954803

DTC No.	Trouble diagnosis name	DTC detecting condition	Possible cause
P0075 0075 (Bank 1)	Intake valve timing control solenoid valve circuit	An improper voltage is sent to the ECM through intake valve timing control solenoid valve.	<ul style="list-style-type: none">Harness or connectors (Intake valve timing control solenoid valve circuit is open or shorted.)Intake valve timing control solenoid valve
P0081 0081 (Bank 2)			

DTC Confirmation Procedure

INFOID:000000002954804

NOTE:

If DTC Confirmation Procedure has been previously conducted, always turn ignition switch OFF and wait at least 10 seconds before conducting the next test.

1. Start engine and let it idle for 5 seconds.
2. Check 1st trip DTC.
3. If 1st trip DTC is detected, go to [EC-803, "Diagnosis Procedure"](#).

DTC P0075, P0081 IVT CONTROL SOLENOID VALVE

< SERVICE INFORMATION >

[VK45DE]

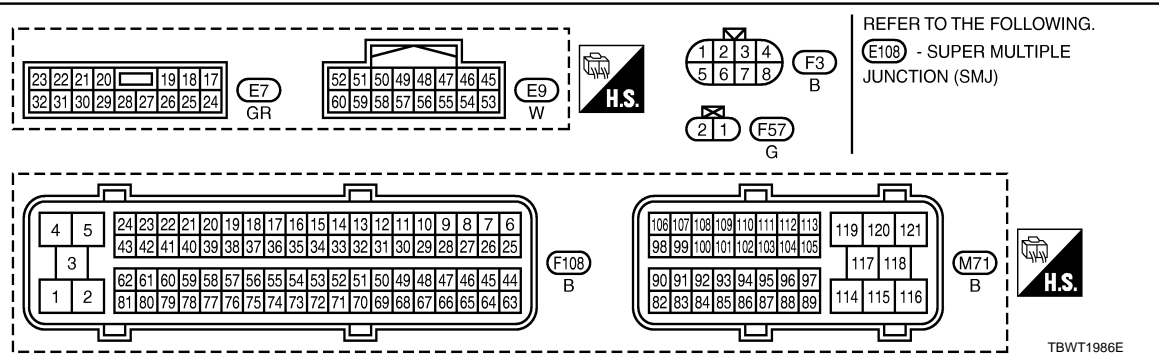
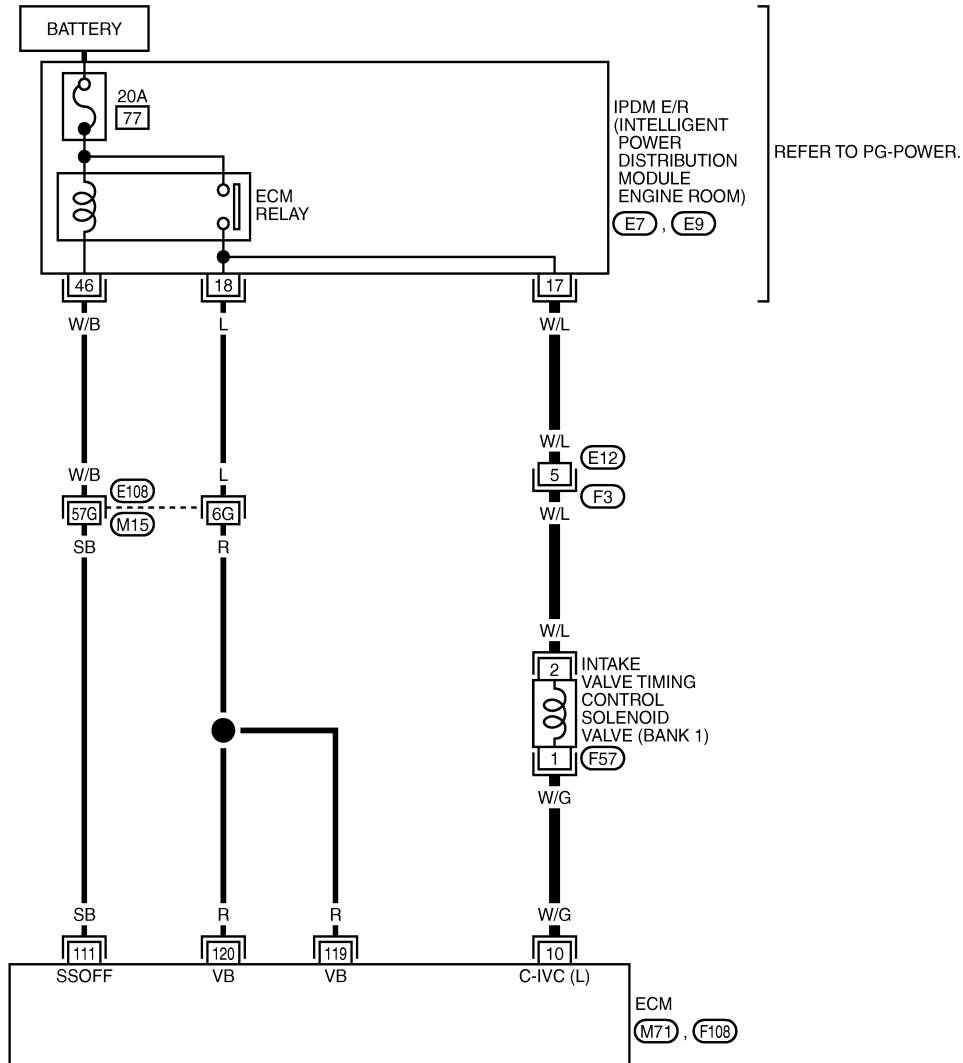
Wiring Diagram

INFOID:00000002954805

BANK 1

EC-IVCB1-01

: DETECTABLE LINE FOR DTC
 : NON-DETECTABLE LINE FOR DTC



Specification data are reference values and are measured between each terminal and ground. Pulse signal is measured by CONSULT-III.

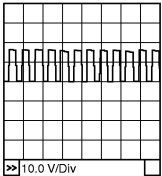
CAUTION:

DTC P0075, P0081 IVT CONTROL SOLENOID VALVE

< SERVICE INFORMATION >

[VK45DE]

Do not use ECM ground terminals when measuring input/output voltage. Doing so may result in damage to the ECM's transistor. Use a ground other than ECM terminals, such as the ground.

TER-MI-NAL NO.	WIRE COLOR	ITEM	CONDITION	DATA (DC Voltage)
10	W/G	Intake valve timing control solenoid valve (bank 1)	[Engine is running] <ul style="list-style-type: none"> • Warm-up condition • Idle speed 	BATTERY VOLTAGE (11 - 14V)
			[Engine is running] <ul style="list-style-type: none"> • Warm-up condition • Engine speed: 2,000rpm 	7 - 12V★ 
111	SB	ECM relay (Self shut-off)	[Engine is running] [Ignition switch: OFF] <ul style="list-style-type: none"> • For a few seconds after turning ignition switch OFF 	0 - 1.5V
			[Ignition switch: OFF] <ul style="list-style-type: none"> • More than a few seconds after turning ignition switch OFF 	BATTERY VOLTAGE (11 - 14V)
119 120	R R	Power supply for ECM	[Ignition switch: ON]	BATTERY VOLTAGE (11 - 14V)

★: Average voltage for pulse signal (Actual pulse signal can be confirmed by oscilloscope.)

A
EC
C
D
E
F
G
H
I
J
K
L
M
N
O
P

DTC P0075, P0081 IVT CONTROL SOLENOID VALVE

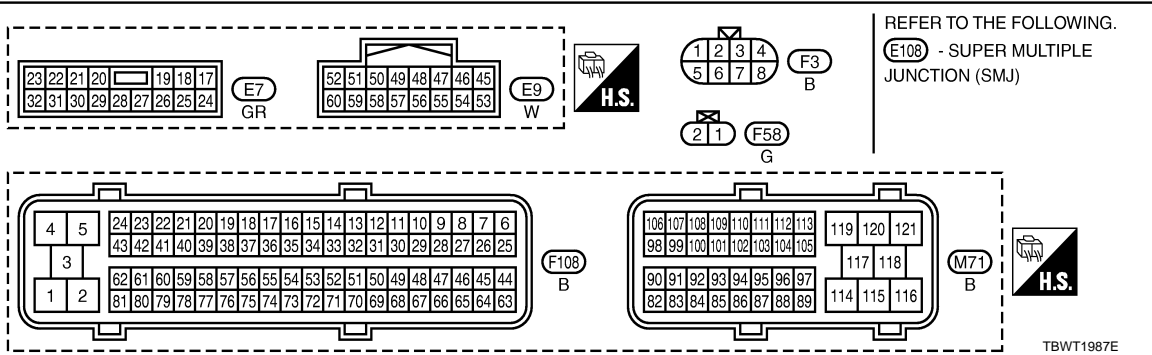
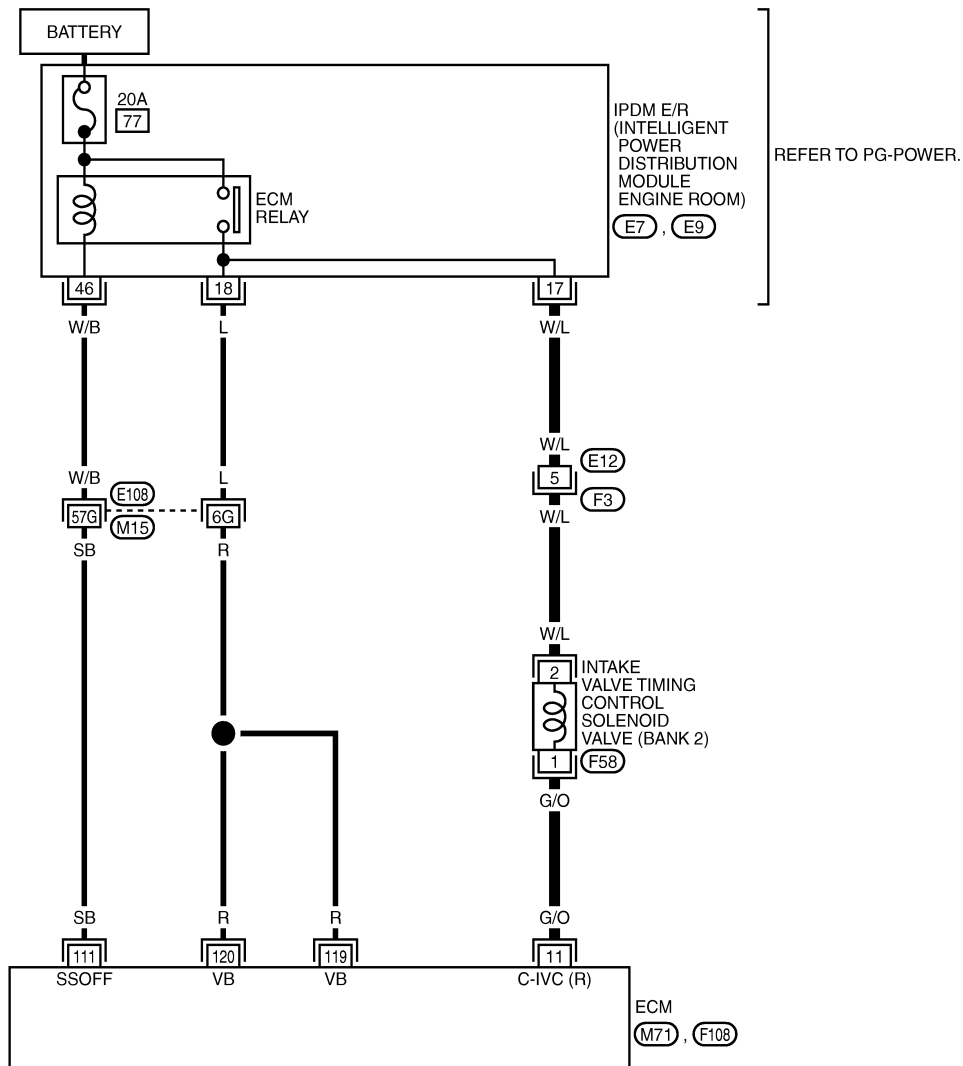
< SERVICE INFORMATION >

[VK45DE]

BANK 2

EC-IVCB2-01

— : DETECTABLE LINE FOR DTC
 - - - : NON-DETECTABLE LINE FOR DTC



Specification data are reference values and are measured between each terminal and ground. Pulse signal is measured by CONSULT-III.

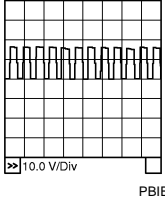
CAUTION:

Do not use ECM ground terminals when measuring input/output voltage. Doing so may result in damage to the ECM's transistor. Use a ground other than ECM terminals, such as the ground.

DTC P0075, P0081 IVT CONTROL SOLENOID VALVE

< SERVICE INFORMATION >

[VK45DE]

TER-MI-NAL NO.	WIRE COLOR	ITEM	CONDITION	DATA (DC Voltage)
11	G/O	Intake valve timing control solenoid valve (bank 2)	[Engine is running] • Warm-up condition • Idle speed	BATTERY VOLTAGE (11 - 14V)
			[Engine is running] • Warm-up condition • Engine speed: 2,000rpm	7 - 12V★ 
111	SB	ECM relay (Self shut-off)	[Engine is running] [Ignition switch: OFF] • For a few seconds after turning ignition switch OFF	0 - 1.5V
			[Ignition switch: OFF] • More than a few seconds after turning ignition switch OFF	BATTERY VOLTAGE (11 - 14V)
119 120	R R	Power supply for ECM	[Ignition switch: ON]	BATTERY VOLTAGE (11 - 14V)

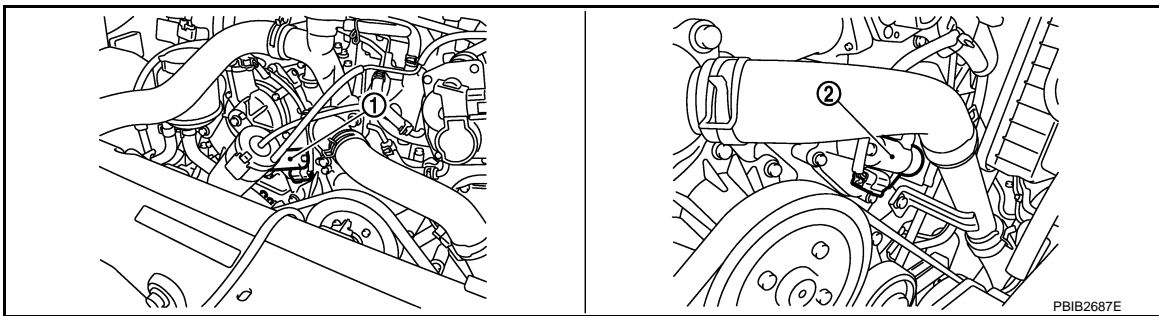
★: Average voltage for pulse signal (Actual pulse signal can be confirmed by oscilloscope.)

Diagnosis Procedure

INFOID:000000002954806

1. CHECK INTAKE VALVE TIMING CONTROL SOLENOID VALVE POWER SUPPLY CIRCUIT

1. Turn ignition switch OFF.
2. Disconnect intake valve timing control solenoid valve harness connector.

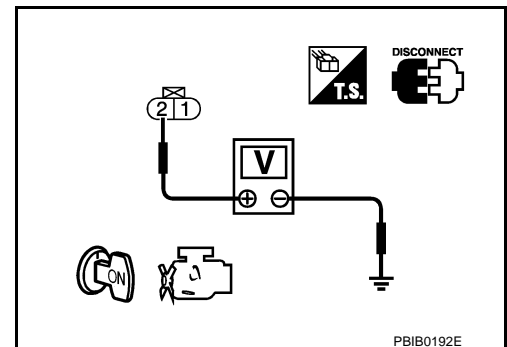


1. Intake valve timing control solenoid valve (bank 2)
2. Intake valve timing control solenoid valve (bank 1)
3. Turn ignition switch ON.
4. Check voltage between intake valve timing control solenoid valve terminal 2 and ground with CONSULT-III or tester.

Voltage: Battery voltage

OK or NG

- OK >> GO TO 3.
NG >> GO TO 2.



DTC P0075, P0081 IVT CONTROL SOLENOID VALVE

< SERVICE INFORMATION >

[VK45DE]

2. DETECT MALFUNCTIONING PART

Check the following.

- Harness connectors E12, F3
- IPDM E/R harness connector E7
- Harness for open or short between intake valve timing control solenoid valve and IPDM E/R

>> Repair open circuit or short to ground or short to power in harness or connectors.

3. CHECK INTAKE VALVE TIMING CONTROL SOLENOID VALVE OUTPUT SIGNAL CIRCUIT FOR OPEN AND SHORT

1. Turn ignition switch OFF.
2. Disconnect ECM harness connector.
3. Check harness continuity between the following;
ECM terminal 10 and intake valve timing control solenoid valve (bank 1) terminal 1 or
ECM terminal 11 and intake valve timing control solenoid valve (bank 2) terminal 1.
Refer to Wiring Diagram.

Continuity should exist.

4. Also check harness for short to ground and short to power.

OK or NG

OK >> GO TO 4.

NG >> Repair open circuit or short to ground or short to power in harness or connectors.

4. CHECK INTAKE VALVE TIMING CONTROL SOLENOID VALVE

Refer to [EC-804, "Component Inspection"](#).

OK or NG

OK >> GO TO 5.

NG >> Replace intake valve timing control solenoid valve.

5. CHECK INTERMITTENT INCIDENT

Refer to [EC-763, "Diagnosis Procedure"](#).

>> **INSPECTION END**

Component Inspection

INFOID:000000002954807

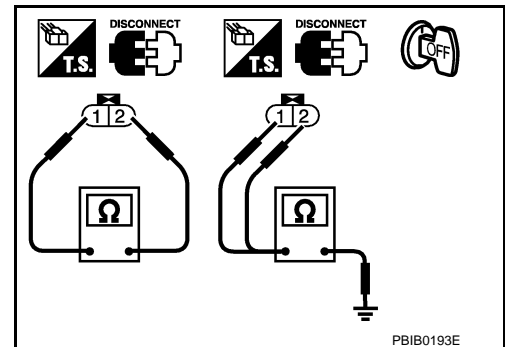
INTAKE VALVE TIMING CONTROL SOLENOID VALVE

1. Disconnect intake valve timing control solenoid valve harness connector.
2. Check resistance between intake valve timing control solenoid valve terminals as follows.

Terminals	Resistance
1 and 2	7.0 - 7.5Ω [at 20°C (68°F)]
1 or 2 and ground	$\infty\Omega$ (Continuity should not exist)

If NG, replace intake valve timing control solenoid valve.
If OK, go to next step.

3. Remove intake valve timing control solenoid valve.



DTC P0075, P0081 IVT CONTROL SOLENOID VALVE

[VK45DE]

< SERVICE INFORMATION >

4. Provide 12V DC between intake valve timing control solenoid valve terminals and then interrupt it. Make sure that the plunger moves as shown in the figure.

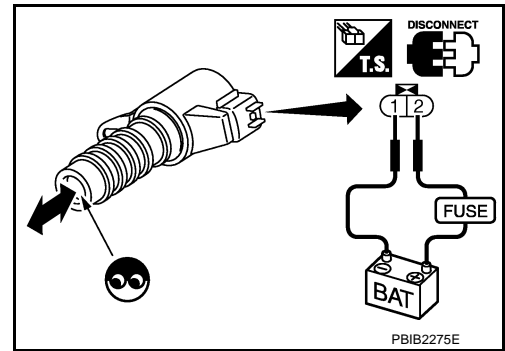
CAUTION:

Do not apply 12V DC continuously for 5 seconds or more. Doing so may result in damage to the coil in intake valve timing control solenoid valve.

If NG, replace intake valve timing control solenoid valve.

NOTE:

Always replace O-ring when intake valve timing control solenoid valve is removed.



INFOID:000000002954808

Removal and Installation

INTAKE VALVE TIMING CONTROL SOLENOID VALVE

Refer to [EM-202](#).

A
EC
C
D
E
F
G
H
I
J
K
L
M
N
O
P

DTC P0101 MAF SENSOR

[VK45DE]

< SERVICE INFORMATION >

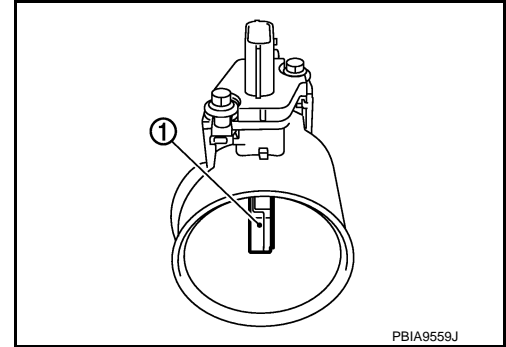
DTC P0101 MAF SENSOR

Component Description

INFOID:000000002954809

The mass air flow sensor (1) is placed in the stream of intake air. It measures the intake flow rate by measuring a part of the entire intake flow. The mass air flow sensor controls the temperature of the hot wire to a certain amount. The heat generated by the hot wire is reduced as the intake air flows around it. The more air, the greater the heat loss.

Therefore, the electric current supplied to hot wire is changed to maintain the temperature of the hot wire as air flow increases. The ECM detects the air flow by means of this current change.



CONSULT-III Reference Value in Data Monitor Mode

INFOID:000000002954810

Specification data are reference values.

MONITOR ITEM	CONDITION	SPECIFICATION
MAS A/F SE-B1	See EC-755, "Inspection Procedure" .	
CAL/LD VALUE	<ul style="list-style-type: none"> Engine: After warming up Selector lever: P or N Air conditioner switch: OFF No load 	Idle 14% - 33%
		2,500 rpm 12% - 25%
MASS AIRFLOW	<ul style="list-style-type: none"> Engine: After warming up Selector lever: P or N Air conditioner switch: OFF No load 	Idle 2.0 - 6.0 g·m/s
		2,500 rpm 7.0 - 20.0 g·m/s

On Board Diagnosis Logic

INFOID:000000002954811

DTC No.	Trouble diagnosis name	DTC detecting condition		Possible cause
P0101 0101	Mass air flow sensor circuit range/performance	A)	A high voltage from the sensor is sent to ECM under light load driving condition.	<ul style="list-style-type: none"> Harness or connectors (The sensor circuit is open or shorted.) Mass air flow sensor EVAP control system pressure sensor Intake air temperature sensor
		B)	A low voltage from the sensor is sent to ECM under heavy load driving condition.	<ul style="list-style-type: none"> Harness or connectors (The sensor circuit is open or shorted.) Intake air leaks Mass air flow sensor EVAP control system pressure sensor Intake air temperature sensor

DTC Confirmation Procedure

INFOID:000000002954812

Perform PROCEDURE FOR MALFUNCTION A first.

If DTC cannot be confirmed, perform PROCEDURE FOR MALFUNCTION B.

NOTE:

If DTC Confirmation Procedure has been previously conducted, always turn ignition switch OFF and wait at least 10 seconds before conducting the next test.

PROCEDURE FOR MALFUNCTION A

NOTE:

DTC P0101 MAF SENSOR

[VK45DE]

< SERVICE INFORMATION >

If engine will not start or stops soon, wait at least 10 seconds with engine stopped (Ignition switch ON) instead of running engine at idle speed.

1. Start engine and warm it up to normal operating temperature.
2. Run engine for at least 10 seconds at idle speed.
3. Check 1st trip DTC.
4. If 1st trip DTC is detected, go to [EC-810, "Diagnosis Procedure"](#).

PROCEDURE FOR MALFUNCTION B

CAUTION:

Always drive vehicle at a safe speed.

NOTE:

Check vehicle specifications and VIN, then select the procedure to be performed. (Refer to the table below.)

Vehicle specification	Vehicle serial number	Procedure
Axle		
2WD	Up to 500994	B-a
	From 500995	B-b
4WD	Up to 551363	B-a
	From 551364	B-b

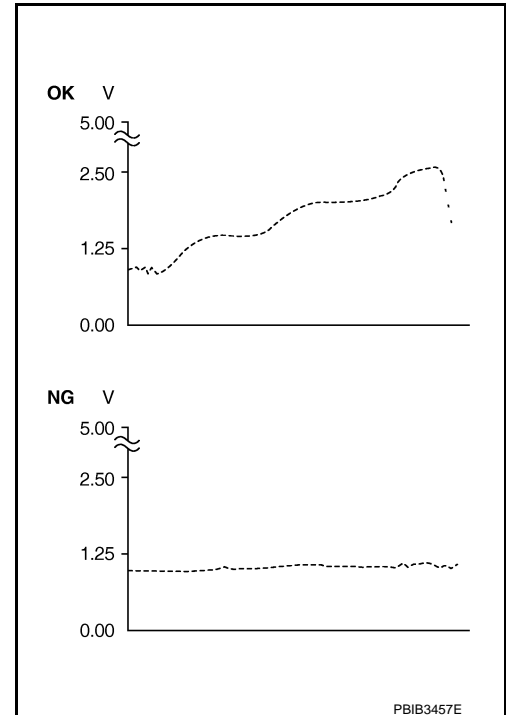
Procedure for Malfunction B-a

Ⓜ WITH CONSULT-III

1. Start engine and warm it up to normal operating temperature.
If engine cannot be started, go to [EC-810, "Diagnosis Procedure"](#).
2. Check the voltage of "MAS A/F SE-B1" in "DATA MONITOR" mode with CONSULT-III.
3. Increases engine speed to about 4,000 rpm.
4. Monitor the linear voltage rise in response to engine speed increases.
If NG, go to [EC-810, "Diagnosis Procedure"](#).
If OK, go to following step.
5. Maintain the following conditions for at least 10 consecutive seconds.

ENG SPEED	More than 2,000 rpm
TP SEN 1-B1	More than 3 V
TP SEN 2-B1	More than 3 V
Selector lever	Suitable position
Driving location	Driving vehicle uphill (Increased engine load) will help maintain the driving conditions required for this test.

6. Check 1st trip DTC.
7. If 1st trip DTC is detected, go to [EC-810, "Diagnosis Procedure"](#).



Procedure for Malfunction B-b

Ⓜ WITH CONSULT-III

1. Start engine and warm it up to normal operating temperature.
If engine cannot be started, go to [EC-810, "Diagnosis Procedure"](#).

DTC P0101 MAF SENSOR

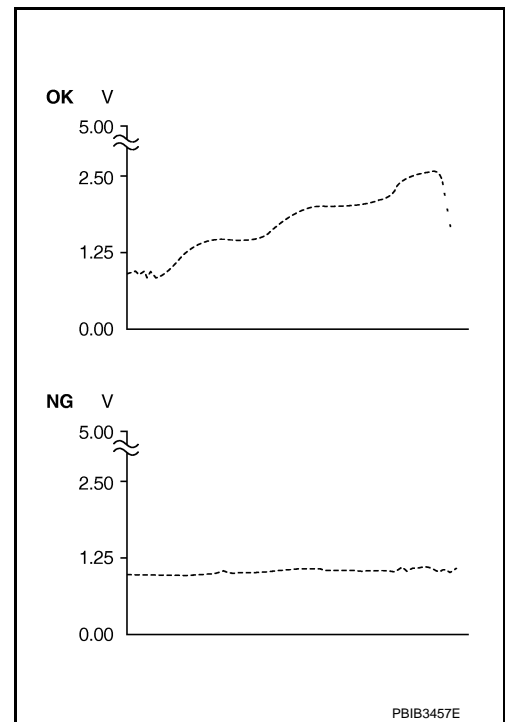
[VK45DE]

< SERVICE INFORMATION >

2. Check the voltage of "MAS A/F SE-B1" in "DATA MONITOR" mode with CONSULT-III.
3. Increases engine speed to about 4,000 rpm.
4. Monitor the linear voltage rise in response to engine speed increases.
If NG, go to [EC-810, "Diagnosis Procedure"](#).
If OK, go to following step.
5. Maintain the following conditions for at least 10 consecutive seconds.

ENG SPEED	More than 2,000 rpm
TP SEN 1-B1	More than 1.5 V
TP SEN 2-B1	More than 1.5 V
Selector lever	Suitable position
Driving location	Driving vehicle uphill (Increased engine load) will help maintain the driving conditions required for this test.

6. Check 1st trip DTC.
7. If 1st trip DTC is detected, go to [EC-810, "Diagnosis Procedure"](#).



PBIB3457E

INFOID:000000002954813

Overall Function Check

PROCEDURE FOR MALFUNCTION B

Use this procedure to check the overall function of the mass air flow sensor circuit. During this check, a 1st trip DTC might not be confirmed.

Ⓢ With GST

1. Start engine and warm it up to normal operating temperature.
2. Select Service \$01 with GST.
3. Check the mass air flow sensor signal with Service \$01.
4. Check for linear mass air flow sensor signal value rise in response to increases to about 4,000 rpm in engine speed.
5. If NG, go to [EC-810, "Diagnosis Procedure"](#).

CALC LOAD	20%
COOLANT TEMP	95°C
SHORT FT #1	2%
LONG FT #1	0%
SHORT FT #2	4%
LONG FT #2	0%
ENGINE SPD	2637RPM
VEHICLE SPD	0MPH
IGN ADVANCE	41.0°
INTAKE AIR	41°C
MAF	14.1gm/sec
THROTTLE POS	3%

SEF534P

DTC P0101 MAF SENSOR

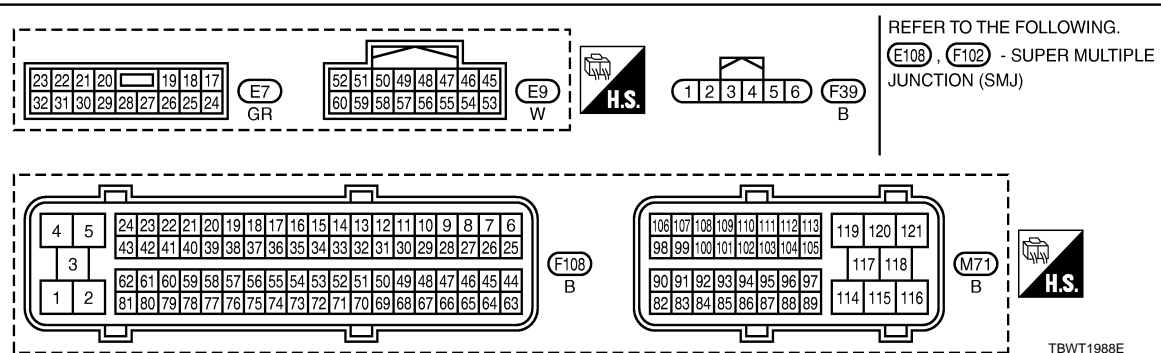
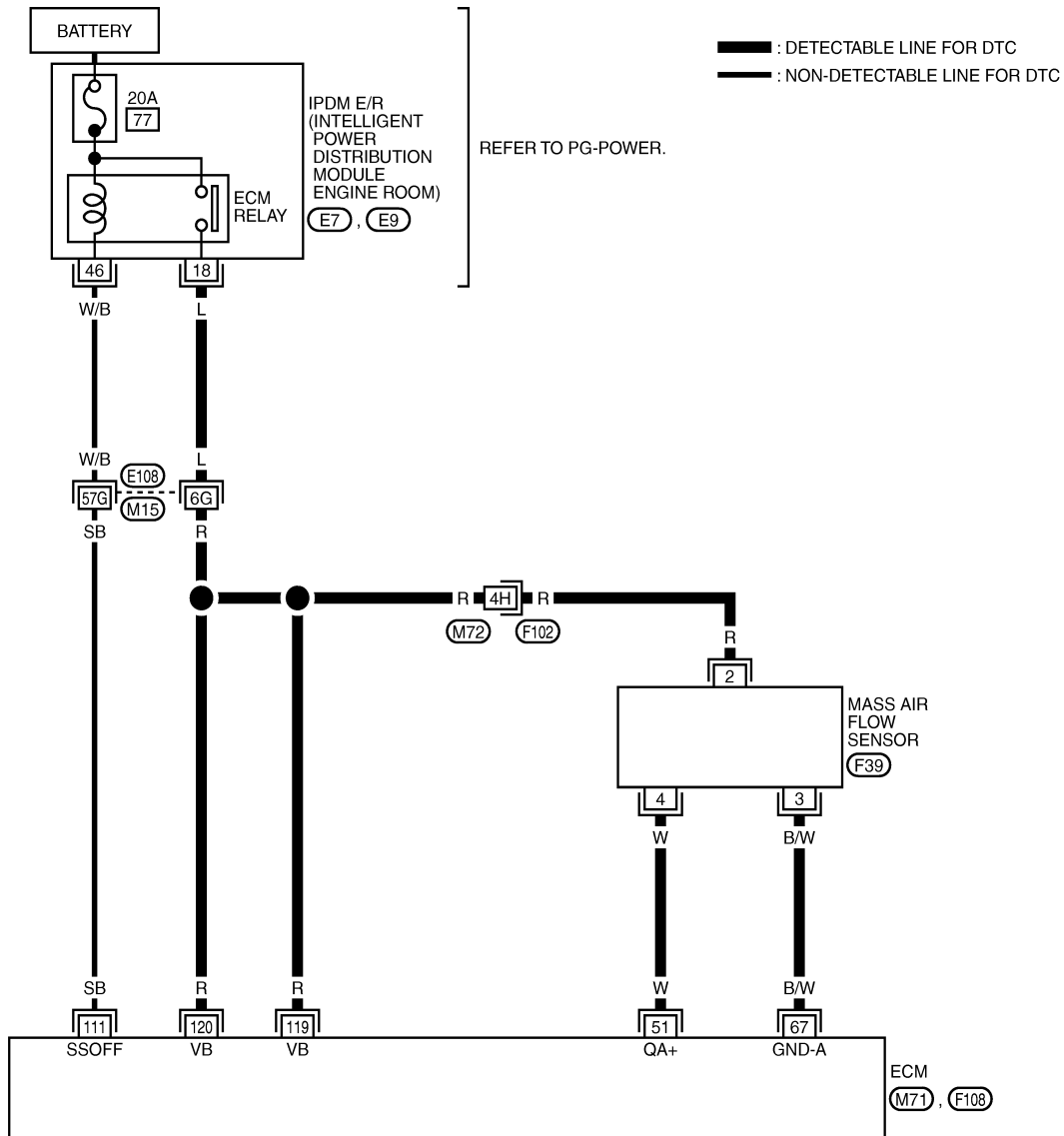
< SERVICE INFORMATION >

[VK45DE]

Wiring Diagram

INFOID:00000002954814

EC-MAFS-01



Specification data are reference values and are measured between each terminal and ground.

CAUTION:

Do not use ECM ground terminals when measuring input/output voltage. Doing so may result in damage to the ECM's transistor. Use a ground other than ECM terminals, such as the ground.

DTC P0101 MAF SENSOR

< SERVICE INFORMATION >

[VK45DE]

TER-MI-NAL NO.	WIRE COLOR	ITEM	CONDITION	DATA (DC Voltage)
51	W	Mass air flow sensor	[Engine is running] • Warm-up condition • Idle speed	0.9 - 1.2V
			[Engine is running] • Warm-up condition • Engine speed: 2,500 rpm	1.6 - 1.9V
67	B/W	Sensor ground (MAF sensor)	[Engine is running] • Warm-up condition • Idle speed	Approximately 0V
111	SB	ECM relay (Self shut-off)	[Engine is running] [Ignition switch: OFF] • For a few seconds after turning ignition switch OFF	0 - 1.5V
			[Ignition switch: OFF] • More than a few seconds after turning ignition switch OFF	BATTERY VOLTAGE (11 - 14V)
119 120	R R	Power supply for ECM	[Ignition switch: ON]	BATTERY VOLTAGE (11 - 14V)

Diagnosis Procedure

INFOID:000000002954815

1. INSPECTION START

Which malfunction (A or B) is duplicated?

A or B

- A >> GO TO 3.
- B >> GO TO 2.

2. CHECK INTAKE SYSTEM

Check the following for connection.

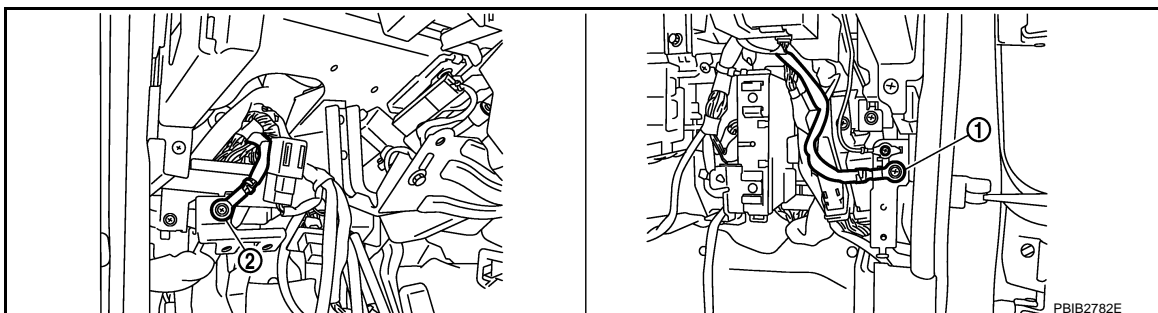
- Air duct
- Vacuum hoses
- Intake air passage between air duct and intake manifold

OK or NG

- OK >> GO TO 3.
- NG >> Reconnect the parts.

3. CHECK GROUND CONNECTIONS

1. Turn ignition switch OFF.
2. Loosen and retighten ground screws on the body.
Refer to [EC-769, "Ground Inspection"](#).



1. Body ground M70

2. Body ground M16

DTC P0101 MAF SENSOR

[VK45DE]

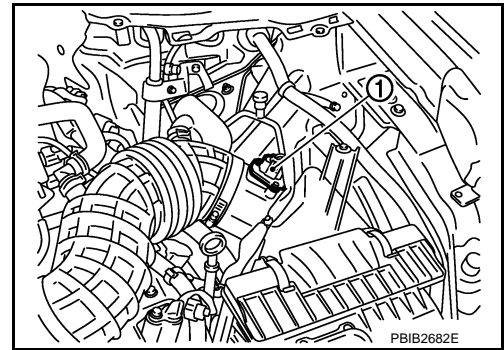
< SERVICE INFORMATION >

OK or NG

- OK >> GO TO 4.
- NG >> Repair or replace ground connections.

4. CHECK MAF SENSOR POWER SUPPLY CIRCUIT

1. Disconnect mass air flow (MAF) sensor (1) harness connector.
2. Turn ignition switch ON.

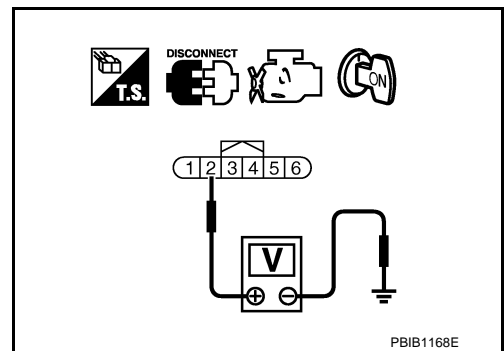


3. Check voltage between MAF sensor terminal 2 and ground with CONSULT-III or tester.

Voltage: Battery voltage

OK or NG

- OK >> GO TO 6.
- NG >> GO TO 5.



5. DETECT MALFUNCTIONING PART

Check the following.

- Harness connectors E108, M15
- Harness connectors M72, F102
- Harness for open or short between mass air flow sensor and ECM
- Harness for open or short between mass air flow sensor and IPDM E/R

>> Repair open circuit or short to ground or short to power in harness or connectors.

6. CHECK MAF SENSOR GROUND CIRCUIT FOR OPEN AND SHORT

1. Turn ignition switch OFF.
2. Disconnect ECM harness connector.
3. Check harness continuity between MAF sensor terminal 3 and ECM terminal 67. Refer to Wiring Diagram.

Continuity should exist.

4. Also check harness for short to ground and short to power.

OK or NG

- OK >> GO TO 7.
- NG >> Repair open circuit or short to ground or short to power in harness or connectors.

7. CHECK MAF SENSOR INPUT SIGNAL CIRCUIT FOR OPEN AND SHORT

1. Check harness continuity between MAF sensor terminal 4 and ECM terminal 51. Refer to Wiring Diagram.

Continuity should exist.

2. Also check harness for short to ground and short to power.

OK or NG

DTC P0101 MAF SENSOR

[VK45DE]

< SERVICE INFORMATION >

- OK >> GO TO 8.
NG >> Repair open circuit or short to ground or short to power in harness or connectors.

8. CHECK INTAKE AIR TEMPERATURE SENSOR

Refer to [EC-824, "Component Inspection"](#).

OK or NG

- OK >> GO TO 9.
NG >> Replace intake air temperature sensor.

9. CHECK EVAP CONTROL SYSTEM PRESSURE SENSOR

Refer to [EC-1010, "Component Inspection"](#).

OK or NG

- OK >> GO TO 10.
NG >> Replace EVAP control system pressure sensor.

10. CHECK MASS AIR FLOW SENSOR

Refer to [EC-812, "Component Inspection"](#).

OK or NG

- OK >> GO TO 11.
NG >> Replace mass air flow sensor.

11. CHECK INTERMITTENT INCIDENT

Refer to [EC-763, "Diagnosis Procedure"](#).

>> **INSPECTION END**

Component Inspection

INFOID:000000002954816

MASS AIR FLOW SENSOR

 With CONSULT-III

1. Reconnect all harness connectors disconnected.
2. Start engine and warm it up to normal operating temperature.
3. Connect CONSULT-III and select "DATA MONITOR" mode.
4. Select "MAS A/F SE-B1" and check indication under the following conditions.

Condition	MAS A/F SE-B1 (V)
Ignition switch ON (Engine stopped.)	Approx. 0.4
Idle (Engine is warmed-up to normal operating temperature.)	0.9 - 1.2
2,500 rpm (Engine is warmed-up to normal operating temperature.)	1.6 - 1.9
Idle to about 4,000 rpm	0.9 - 1.2 to Approx. 2.4*

*: Check for linear voltage rise in response to engine being increased to about 4,000 rpm.

5. If the voltage is out of specification, proceed the following.
 - a. Check for the cause of uneven air flow through mass air flow sensor. Refer to following.
 - Crushed air ducts
 - Malfunctioning seal of air cleaner element
 - Uneven dirt of air cleaner element
 - Improper specification of intake air system parts
 - b. If NG, repair or replace malfunctioning part and perform step 2 to 4 again.
If OK, go to next step.
6. Turn ignition switch OFF.
7. Disconnect mass air flow sensor harness connector and reconnect it again.
8. Perform step 2 to 4 again.

DTC P0101 MAF SENSOR

[VK45DE]

< SERVICE INFORMATION >

9. If NG, clean or replace mass air flow sensor.

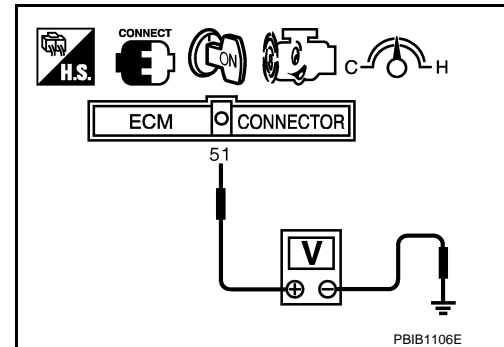
⊗ Without CONSULT-III

1. Reconnect all harness connectors disconnected.
2. Start engine and warm it up to normal operating temperature.
3. Check voltage between ECM terminal 51 (Mass air flow sensor signal) and ground.

Condition	Voltage V
Ignition switch ON (Engine stopped.)	Approx. 0.4
Idle (Engine is warmed-up to normal operating temperature.)	0.9 - 1.2
2,500 rpm (Engine is warmed-up to normal operating temperature.)	1.6 - 1.9
Idle to about 4,000 rpm	0.9 - 1.2 to Approx. 2.4*

*: Check for linear voltage rise in response to engine being increased to about 4,000 rpm.

4. If the voltage is out of specification, proceed the following.
 - a. Check for the cause of uneven air flow through mass air flow sensor. Refer to following.
 - Crushed air ducts
 - Malfunctioning seal of air cleaner element
 - Uneven dirt of air cleaner element
 - Improper specification of intake air system parts
 - b. If NG, repair or replace malfunctioning part and perform step 2 and 3 again. If OK, go to next step.
5. Turn ignition switch OFF.
6. Disconnect mass air flow sensor harness connector and reconnect it again.
7. Perform step 2 and 3 again.
8. If NG, clean or replace mass air flow sensor.



Removal and Installation

INFOID:000000002954817

MASS AIR FLOW SENSOR

Refer to [EM-175](#).

DTC P0102, P0103 MAF SENSOR

< SERVICE INFORMATION >

[VK45DE]

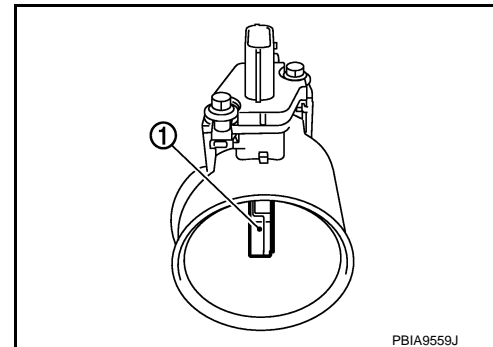
DTC P0102, P0103 MAF SENSOR

Component Description

INFOID:000000002954818

The mass air flow sensor (1) is placed in the stream of intake air. It measures the intake flow rate by measuring a part of the entire intake flow. The mass air flow sensor controls the temperature of the hot wire to a certain amount. The heat generated by the hot wire is reduced as the intake air flows around it. The more air, the greater the heat loss.

Therefore, the electric current supplied to hot wire is changed to maintain the temperature of the hot wire as air flow increases. The ECM detects the air flow by means of this current change.



CONSULT-III Reference Value in Data Monitor Mode

INFOID:000000002954819

Specification data are reference values.

MONITOR ITEM	CONDITION	SPECIFICATION
MAS A/F SE-B1	See EC-755, "Inspection Procedure" .	
CAL/LD VALUE	<ul style="list-style-type: none"> Engine: After warming up Selector lever: P or N Air conditioner switch: OFF No load Idle	14% - 33%
	2,500 rpm	12% - 25%
MASS AIRFLOW	<ul style="list-style-type: none"> Engine: After warming up Selector lever: P or N Air conditioner switch: OFF No load Idle	2.0 - 6.0 g·m/s
	2,500 rpm	7.0 - 20.0 g·m/s

On Board Diagnosis Logic

INFOID:000000002954820

These self-diagnoses have the one trip detection logic.

DTC No.	Trouble diagnosis name	DTC detecting condition	Possible cause
P0102 0102	Mass air flow sensor circuit low input	An excessively low voltage from the sensor is sent to ECM.	<ul style="list-style-type: none"> Harness or connectors (The sensor circuit is open or shorted.) Intake air leaks Mass air flow sensor
P0103 0103	Mass air flow sensor circuit high input	An excessively high voltage from the sensor is sent to ECM.	<ul style="list-style-type: none"> Harness or connectors (The sensor circuit is open or shorted.) Mass air flow sensor

FAIL-SAFE MODE

When the malfunction is detected, the ECM enters fail-safe mode and the MIL lights up.

Detected items	Engine operating condition in fail-safe mode
Mass air flow sensor circuit	Engine speed will not rise more than 2,400 rpm due to the fuel cut.

DTC Confirmation Procedure

INFOID:000000002954821

NOTE:

If DTC Confirmation Procedure has been previously conducted, always turn ignition switch OFF and wait at least 10 seconds before conducting the next test.

PROCEDURE FOR DTC P0102

1. Start engine and wait at least 5 seconds.
2. Check DTC.

DTC P0102, P0103 MAF SENSOR

[VK45DE]

< SERVICE INFORMATION >

3. If DTC is detected, go to [EC-817, "Diagnosis Procedure"](#).

PROCEDURE FOR DTC P0103

1. Turn ignition switch ON and wait at least 5 seconds.
2. Check DTC.
3. If DTC is detected, go to [EC-817, "Diagnosis Procedure"](#).
If DTC is not detected, go to next step.
4. Start engine and wait at least 5 seconds.
5. Check DTC.
6. If DTC is detected, go to [EC-817, "Diagnosis Procedure"](#).

A

EC

C

D

E

F

G

H

I

J

K

L

M

N

O

P

DTC P0102, P0103 MAF SENSOR

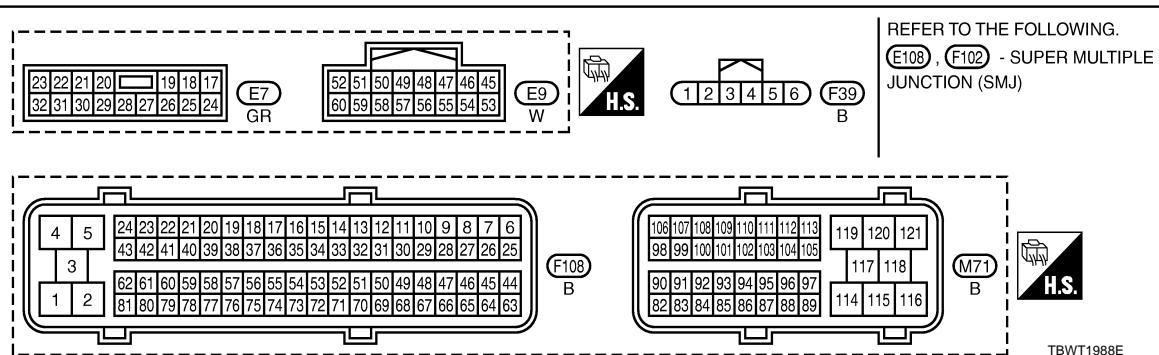
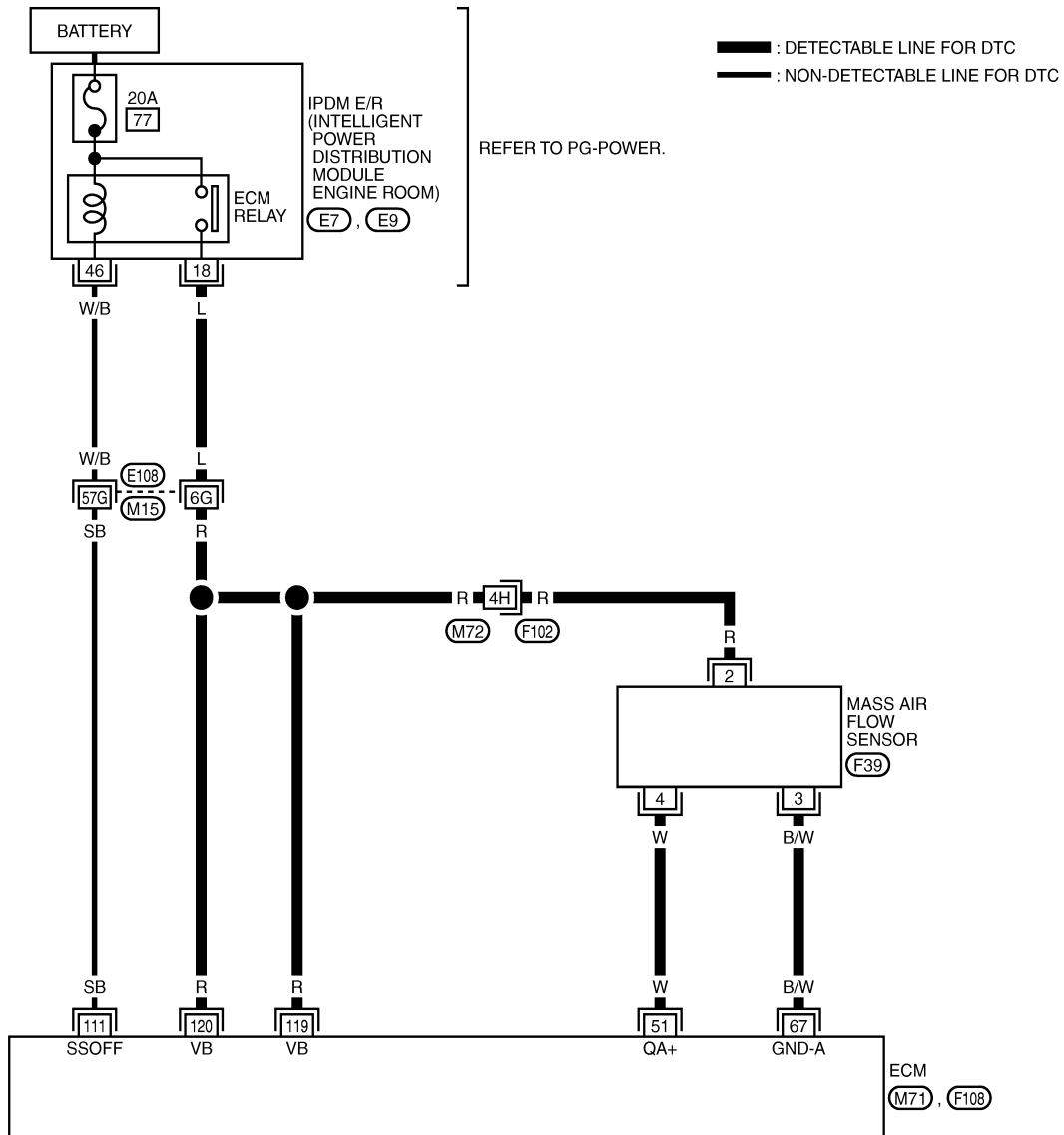
< SERVICE INFORMATION >

[VK45DE]

INFOID:00000002954822

Wiring Diagram

EC-MAFS-01



Specification data are reference values and are measured between each terminal and ground.

CAUTION:

Do not use ECM ground terminals when measuring input/output voltage. Doing so may result in damage to the ECM's transistor. Use a ground other than ECM terminals, such as the ground.

DTC P0102, P0103 MAF SENSOR

< SERVICE INFORMATION >

[VK45DE]

TER-MI-NAL NO.	WIRE COLOR	ITEM	CONDITION	DATA (DC Voltage)
51	W	Mass air flow sensor	[Engine is running] • Warm-up condition • Idle speed	0.9 - 1.2V
			[Engine is running] • Warm-up condition • Engine speed: 2,500 rpm	1.6 - 1.9V
67	B/W	Sensor ground (MAF sensor)	[Engine is running] • Warm-up condition • Idle speed	Approximately 0V
111	SB	ECM relay (Self shut-off)	[Engine is running] [Ignition switch: OFF] • For a few seconds after turning ignition switch OFF	0 - 1.5V
			[Ignition switch: OFF] • More than a few seconds after turning ignition switch OFF	BATTERY VOLTAGE (11 - 14V)
119 120	R R	Power supply for ECM	[Ignition switch: ON]	BATTERY VOLTAGE (11 - 14V)

Diagnosis Procedure

INFOID:000000002954823

1. INSPECTION START

Which malfunction (P0102 or P0103) is duplicated?

P0102 or P0103

- P0102 >> GO TO 2.
- P0103 >> GO TO 3.

2. CHECK INTAKE SYSTEM

Check the following for connection.

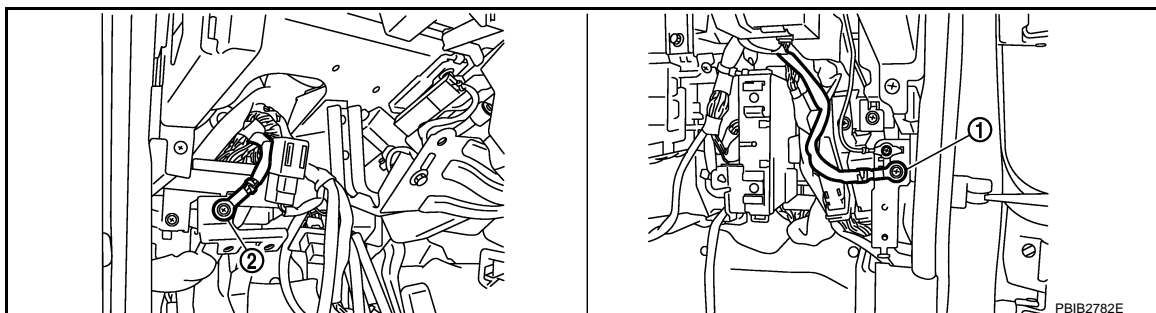
- Air duct
- Vacuum hoses
- Intake air passage between air duct and intake manifold

OK or NG

- OK >> GO TO 3.
- NG >> Reconnect the parts.

3. CHECK GROUND CONNECTIONS

1. Turn ignition switch OFF.
2. Loosen and retighten ground screws on the body.
Refer to [EC-769, "Ground Inspection"](#).



1. Body ground M70

2. Body ground M16

DTC P0102, P0103 MAF SENSOR

[VK45DE]

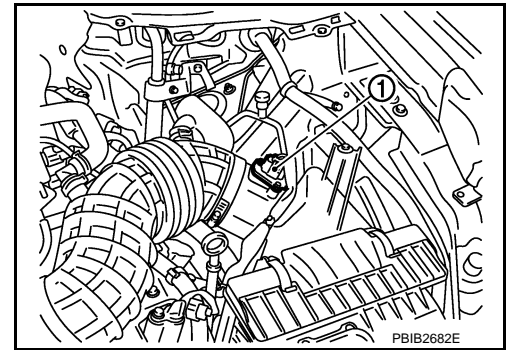
< SERVICE INFORMATION >

OK or NG

- OK >> GO TO 4.
- NG >> Repair or replace ground connections.

4. CHECK MAF SENSOR POWER SUPPLY CIRCUIT

1. Disconnect mass air flow (MAF) sensor (1) harness connector.
2. Turn ignition switch ON.

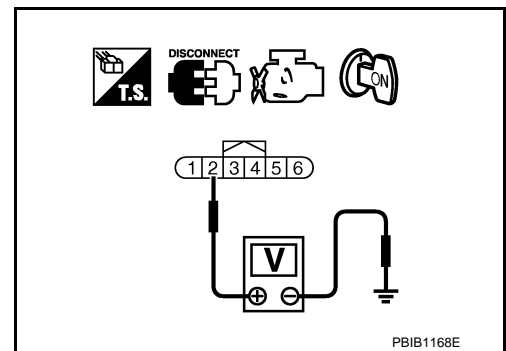


3. Check voltage between MAF sensor terminal 2 and ground with CONSULT-III or tester.

Voltage: Battery voltage

OK or NG

- OK >> GO TO 6.
- NG >> GO TO 5.



5. DETECT MALFUNCTIONING PART

Check the following.

- Harness connectors E108, M15
- Harness connectors M72, F102
- Harness for open or short between mass air flow sensor and ECM
- Harness for open or short between mass air flow sensor and IPDM E/R

>> Repair open circuit or short to ground or short to power in harness or connectors.

6. CHECK MAF SENSOR GROUND CIRCUIT FOR OPEN AND SHORT

1. Turn ignition switch OFF.
2. Disconnect ECM harness connector.
3. Check harness continuity between MAF sensor terminal 3 and ECM terminal 67.
Refer to Wiring Diagram.

Continuity should exist.

4. Also check harness for short to ground and short to power.

OK or NG

- OK >> GO TO 7.
- NG >> Repair open circuit or short to ground or short to power in harness or connectors.

7. CHECK MAF SENSOR INPUT SIGNAL CIRCUIT FOR OPEN AND SHORT

1. Check harness continuity between MAF sensor terminal 4 and ECM terminal 51.
Refer to Wiring Diagram.

Continuity should exist.

2. Also check harness for short to ground and short to power.

OK or NG

DTC P0102, P0103 MAF SENSOR

[VK45DE]

< SERVICE INFORMATION >

- OK >> GO TO 8.
- NG >> Repair open circuit or short to ground or short to power in harness or connectors.

8. CHECK MASS AIR FLOW SENSOR

Refer to [EC-819. "Component Inspection"](#).

OK or NG

- OK >> GO TO 9.
- NG >> Replace mass air flow sensor.

9. CHECK INTERMITTENT INCIDENT

Refer to [EC-763. "Diagnosis Procedure"](#).

>> **INSPECTION END**

Component Inspection

INFOID:000000002954824

MASS AIR FLOW SENSOR

 With CONSULT-III

1. Reconnect all harness connectors disconnected.
2. Start engine and warm it up to normal operating temperature.
3. Connect CONSULT-III and select "DATA MONITOR" mode.
4. Select "MAS A/F SE-B1" and check indication under the following conditions.

Condition	MAS A/F SE-B1 (V)
Ignition switch ON (Engine stopped.)	Approx. 0.4
Idle (Engine is warmed-up to normal operating temperature.)	0.9 - 1.2
2,500 rpm (Engine is warmed-up to normal operating temperature.)	1.6 - 1.9
Idle to about 4,000 rpm	0.9 - 1.2 to Approx. 2.4*

*: Check for linear voltage rise in response to engine being increased to about 4,000 rpm.

5. If the voltage is out of specification, proceed the following.
 - a. Check for the cause of uneven air flow through mass air flow sensor. Refer to following.
 - Crushed air ducts
 - Malfunctioning seal of air cleaner element
 - Uneven dirt of air cleaner element
 - Improper specification of intake air system parts
 - b. If NG, repair or replace malfunctioning part and perform step 2 to 4 again. If OK, go to next step.
6. Turn ignition switch OFF.
7. Disconnect mass air flow sensor harness connector and reconnect it again.
8. Perform step 2 to 4 again.
9. If NG, clean or replace mass air flow sensor.

 Without CONSULT-III

1. Reconnect all harness connectors disconnected.
2. Start engine and warm it up to normal operating temperature.

DTC P0102, P0103 MAF SENSOR

[VK45DE]

< SERVICE INFORMATION >

3. Check voltage between ECM terminal 51 (Mass air flow sensor signal) and ground.

Condition	Voltage V
Ignition switch ON (Engine stopped.)	Approx. 0.4
Idle (Engine is warmed-up to normal operating temperature.)	0.9 - 1.2
2,500 rpm (Engine is warmed-up to normal operating temperature.)	1.6 - 1.9
Idle to about 4,000 rpm	0.9 - 1.2 to Approx. 2.4*

*: Check for linear voltage rise in response to engine being increased to about 4,000 rpm.

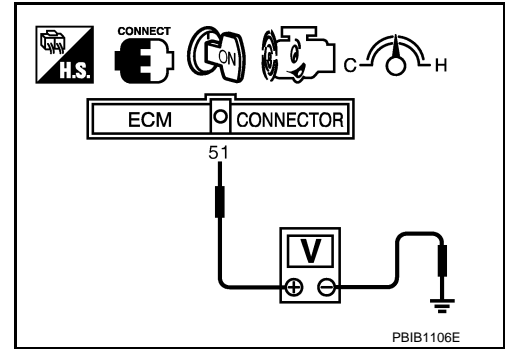
4. If the voltage is out of specification, proceed the following.
 - a. Check for the cause of uneven air flow through mass air flow sensor. Refer to following.
 - Crushed air ducts
 - Malfunctioning seal of air cleaner element
 - Uneven dirt of air cleaner element
 - Improper specification of intake air system parts
 - b. If NG, repair or replace malfunctioning part and perform step 2 and 3 again. If OK, go to next step.
5. Turn ignition switch OFF.
6. Disconnect mass air flow sensor harness connector and reconnect it again.
7. Perform step 2 and 3 again.
8. If NG, clean or replace mass air flow sensor.

Removal and Installation

INFOID:000000002954825

MASS AIR FLOW SENSOR

Refer to [EM-175](#).



DTC P0112, P0113 IAT SENSOR

< SERVICE INFORMATION >

[VK45DE]

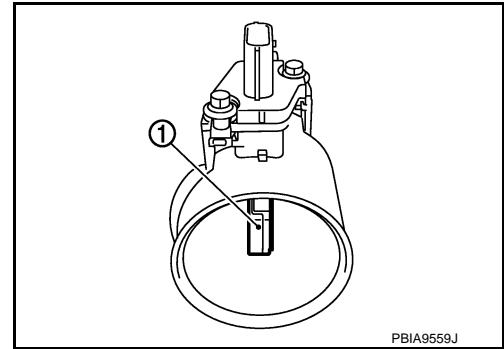
DTC P0112, P0113 IAT SENSOR

Component Description

INFOID:000000002954826

The intake air temperature sensor is built-into mass air flow sensor (1). The sensor detects intake air temperature and transmits a signal to the ECM.

The temperature sensing unit uses a thermistor which is sensitive to the change in temperature. Electrical resistance of the thermistor decreases in response to the temperature rise.



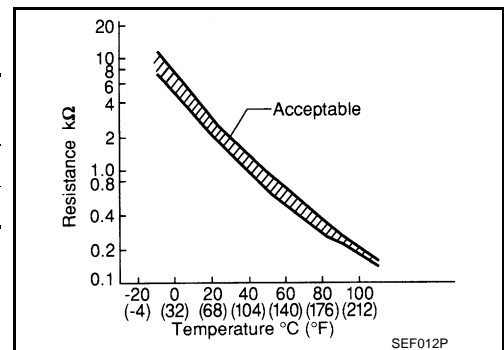
<Reference data>

Intake air temperature °C (°F)	Voltage* V	Resistance kΩ
25 (77)	3.3	1.800 - 2.200
80 (176)	1.2	0.283 - 0.359

*: This data is reference value and is measured between ECM terminal 34 (Intake air temperature sensor) and ground.

CAUTION:

Do not use ECM ground terminals when measuring input/output voltage. Doing so may result in damage to the ECM's transistor. Use a ground other than ECM terminals, such as the ground.



On Board Diagnosis Logic

INFOID:000000002954827

DTC No.	Trouble diagnosis name	DTC detecting condition	Possible cause
P0112 0112	Intake air temperature sensor circuit low input	An excessively low voltage from the sensor is sent to ECM.	<ul style="list-style-type: none"> • Harness or connectors (The sensor circuit is open or shorted.) • Intake air temperature sensor
P0113 0113	Intake air temperature sensor circuit high input	An excessively high voltage from the sensor is sent to ECM.	

DTC Confirmation Procedure

INFOID:000000002954828

NOTE:

If DTC Confirmation Procedure has been previously conducted, always turn ignition switch OFF and wait at least 10 seconds before conducting the next test.

1. Turn ignition switch ON and wait at least 5 seconds.
2. Check 1st trip DTC.
3. If 1st trip DTC is detected, go to [EC-822, "Diagnosis Procedure"](#).

DTC P0112, P0113 IAT SENSOR



[VK45DE]

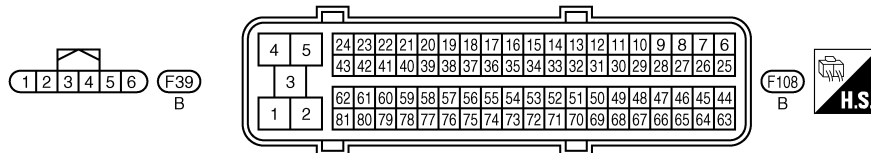
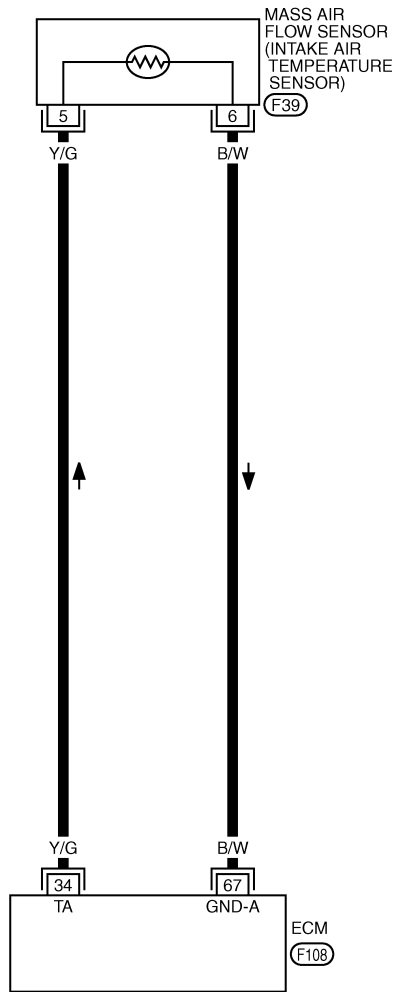
< SERVICE INFORMATION >

INFOID:000000002954829

Wiring Diagram

EC-IATS-01

 : DETECTABLE LINE FOR DTC
 : NON-DETECTABLE LINE FOR DTC



TBWT1017E

Diagnosis Procedure

INFOID:000000002954830

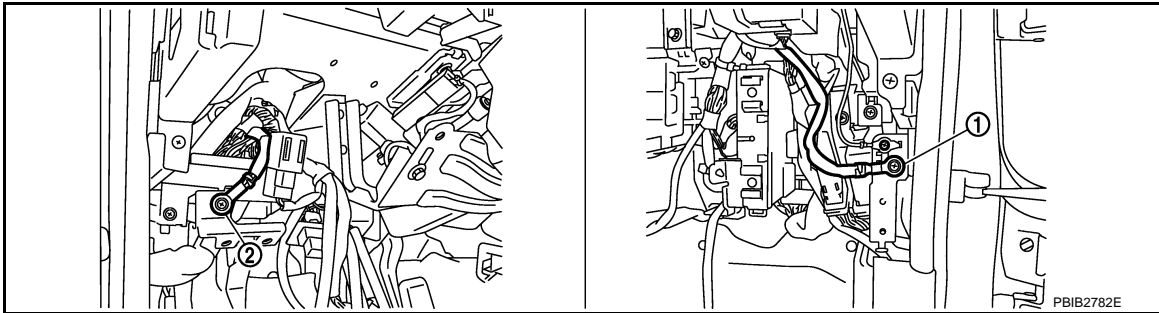
1. CHECK GROUND CONNECTIONS

1. Turn ignition switch OFF.
2. Loosen and retighten ground screws on the body.
Refer to [EC-769, "Ground Inspection"](#).

DTC P0112, P0113 IAT SENSOR

< SERVICE INFORMATION >

[VK45DE]



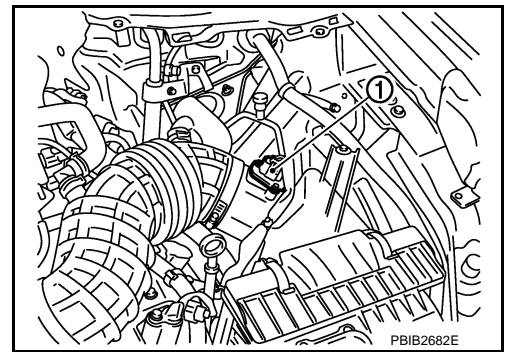
- 1. Body ground M70
- 2. Body ground M16

OK or NG

- OK >> GO TO 2.
- NG >> Repair or replace ground connections.

2. CHECK INTAKE AIR TEMPERATURE SENSOR POWER SUPPLY CIRCUIT

- 1. Disconnect mass air flow sensor (intake air temperature sensor is built-into) (1) harness connector.
- 2. Turn ignition switch ON.

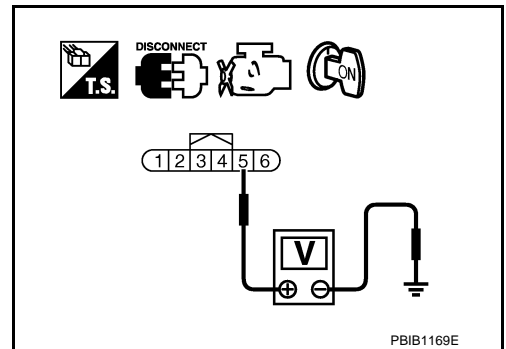


- 3. Check voltage between mass air flow sensor terminal 5 and ground with CONSULT-III or tester.

Voltage: Approximately 5V

OK or NG

- OK >> GO TO 3.
- NG >> Repair open circuit or short to ground or short to power in harness or connectors.



3. CHECK INTAKE AIR TEMPERATURE SENSOR GROUND CIRCUIT FOR OPEN AND SHORT

- 1. Turn ignition switch OFF.
- 2. Disconnect ECM harness connector.
- 3. Check harness continuity between mass air flow sensor terminal 6 and ECM terminal 67. Refer to Wiring Diagram.

Continuity should exist.

- 4. Also check harness for short to ground and short to power.

OK or NG

- OK >> GO TO 4.
- NG >> Repair open circuit or short to ground or short to power in harness or connectors.

4. CHECK INTAKE AIR TEMPERATURE SENSOR

Refer to [EC-824. "Component Inspection"](#).

OK or NG

A
EC
C
D
E
F
G
H
I
J
K
L
M
N
O
P

DTC P0112, P0113 IAT SENSOR

[VK45DE]

< SERVICE INFORMATION >

- OK >> GO TO 5.
- NG >> Replace mass air flow sensor (with intake air temperature sensor).

5. CHECK INTERMITTENT INCIDENT

Refer to [EC-763](#). "Diagnosis Procedure".

>> **INSPECTION END**

Component Inspection

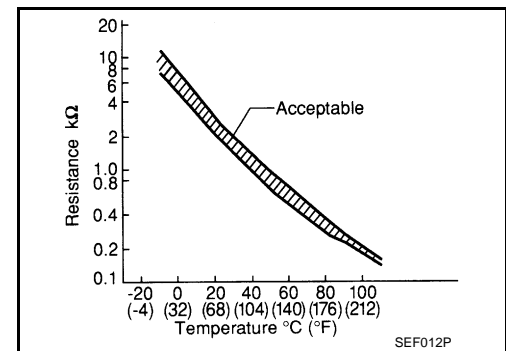
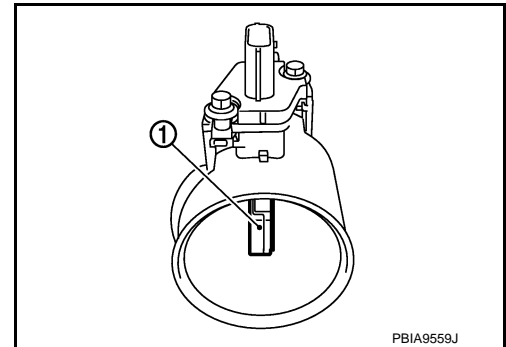
INFOID:000000002954831

INTAKE AIR TEMPERATURE SENSOR

1. Check resistance between mass air flow sensor (1) terminals 5 and 6 under the following conditions.

Intake air temperature °C (°F)	Resistance kΩ
25 (77)	1.800 - 2.200

2. If NG, replace mass air flow sensor (with intake air temperature sensor).



Removal and Installation

INFOID:000000002954832

MASS AIR FLOW SENSOR

Refer to [EM-175](#).

DTC P0116 ECT SENSOR

< SERVICE INFORMATION >

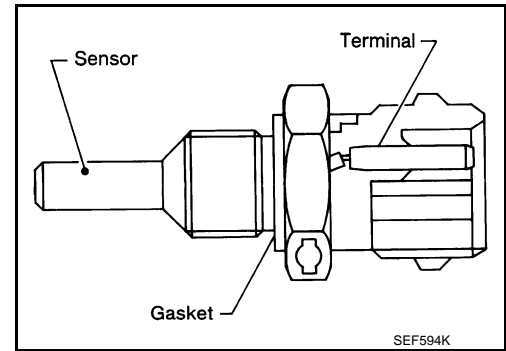
[VK45DE]

DTC P0116 ECT SENSOR

Component Description

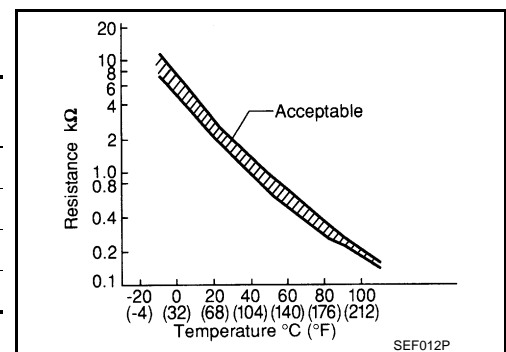
INFOID:000000004933348

The engine coolant temperature sensor is used to detect the engine coolant temperature. The sensor modifies a voltage signal from the ECM. The modified signal returns to the ECM as the engine coolant temperature input. The sensor uses a thermistor which is sensitive to the change in temperature. The electrical resistance of the thermistor decreases as temperature increases.



<Reference data>

Engine coolant temperature °C (°F)	Voltage* V	Resistance kΩ
-10 (14)	4.4	7.0 - 11.4
20 (68)	3.5	2.1 - 2.9
50 (122)	2.2	0.68 - 1.00
90 (194)	0.9	0.236 - 0.260



*: This data is reference value and is measured between ECM terminal 73 (Engine coolant temperature sensor) and ground.

CAUTION:

Do not use ECM ground terminals when measuring input/output voltage. Doing so may result in damage to the ECM's transistor. Use a ground other than ECM terminals, such as the ground.

On Board Diagnosis Logic

INFOID:000000004933336

NOTE:

If DTC P0116 is displayed with P0117 or P0118, first perform the trouble diagnosis for DTC P0117, P0118. Refer to [EC-829, "DTC Confirmation Procedure"](#).

DTC No.	Trouble diagnosis name	DTC detecting condition	Possible cause
P0116 0116	Engine coolant temperature sensor circuit range/performance	Engine coolant temperature signal from engine coolant temperature sensor does not fluctuate, even when some time has passed after starting the engine with pre-warming up condition.	<ul style="list-style-type: none"> • Harness or connectors (High or low resistance in the circuit) • Engine coolant temperature sensor

DTC Confirmation Procedure

INFOID:000000004933337

NOTE:

If DTC Confirmation Procedure has been previously conducted, always turn ignition switch OFF and wait at least 10 seconds before conducting the next test.

TESTING CONDITION:

Before performing the following procedure, do not add fuel.

1. Start engine and warm it up to normal operating temperature.
2. Rev engine up to 2,000 rpm for more than 10 minutes.
3. Move the vehicle to a cool place, then stop engine and turn ignition switch OFF.
4. Check resistance between "fuel level sensor unit and fuel pump" terminals 4 and 5.
5. Soak the vehicle until the resistance between "fuel level sensor unit and fuel pump" terminals 4 and 5 becomes 0.5 kΩ higher than the value measured before soaking.

CAUTION:

Never turn ignition switch ON during soaking time.

DTC P0116 ECT SENSOR

[VK45DE]

< SERVICE INFORMATION >

NOTE:

Soak time changes depending on ambient air temperature. It may take several hours.

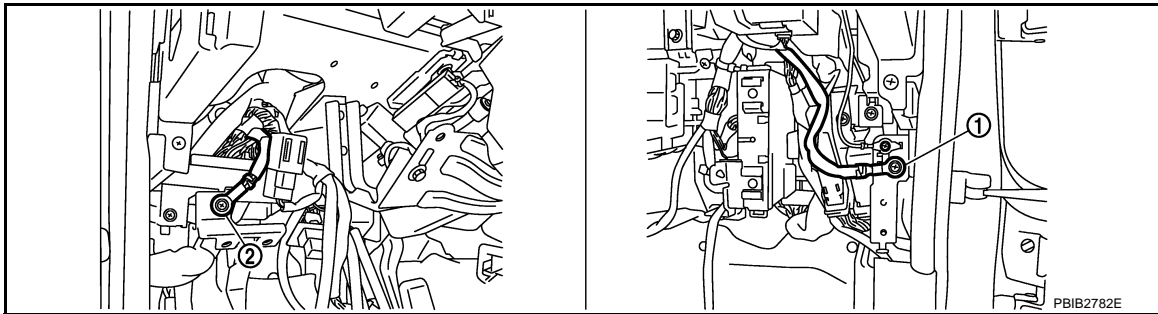
6. Start engine and let it idle for 5 minutes.
7. Check 1st trip DTC.
8. If 1st trip DTC is detected, go to [EC-826, "Diagnosis Procedure"](#).

Diagnosis Procedure

INFOID:000000004933338

1. CHECK GROUND CONNECTIONS

1. Turn ignition switch OFF.
2. Loosen and retighten two ground screws on the body.
Refer to [EC-769, "Ground Inspection"](#).



1. Body ground M70

2. Body ground M16

OK or NG

- OK >> GO TO 2.
- NG >> Repair or replace ground connections.

2. CHECK ENGINE COOLANT TEMPERATURE SENSOR

Refer to [EC-826, "Component Inspection"](#).

OK or NG

- OK >> GO TO 3.
- NG >> Replace engine coolant temperature sensor.

3. CHECK INTERMITTENT INCIDENT

Refer to [EC-763, "Diagnosis Procedure"](#).

Refer to [EC-830, "Wiring Diagram"](#).

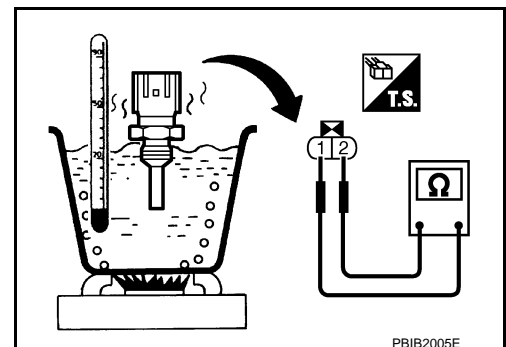
>> **INSPECTION END**

Component Inspection

INFOID:000000004933349

ENGINE COOLANT TEMPERATURE SENSOR

1. Check resistance between engine coolant temperature sensor terminals 1 and 2 as shown in the figure.



PBIB2005E

DTC P0116 ECT SENSOR

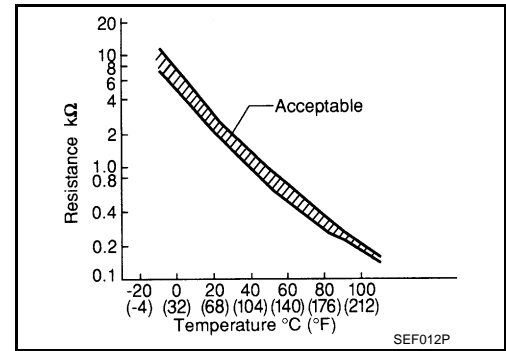
[VK45DE]

< SERVICE INFORMATION >

<Reference data>

Temperature °C (°F)	Resistance kΩ
20 (68)	2.1 - 2.9
50 (122)	0.68 - 1.00
90 (194)	0.236 - 0.260

2. If NG, replace engine coolant temperature sensor.



INFOID:000000004933350

Removal and Installation

ENGINE COOLANT TEMPERATURE SENSOR

Refer to [EM-230](#).

A
EC
C
D
E
F
G
H
I
J
K
L
M
N
O
P

DTC P0117, P0118 ECT SENSOR

< SERVICE INFORMATION >

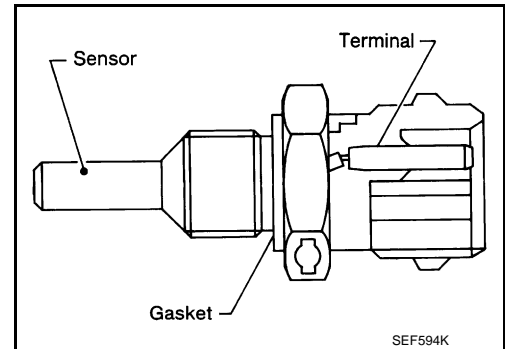
[VK45DE]

DTC P0117, P0118 ECT SENSOR

Component Description

INFOID:000000002954833

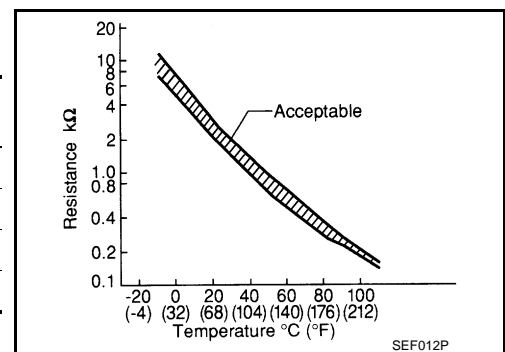
The engine coolant temperature sensor is used to detect the engine coolant temperature. The sensor modifies a voltage signal from the ECM. The modified signal returns to the ECM as the engine coolant temperature input. The sensor uses a thermistor which is sensitive to the change in temperature. The electrical resistance of the thermistor decreases as temperature increases.



<Reference data>

Engine coolant temperature °C (°F)	Voltage* V	Resistance kΩ
-10 (14)	4.4	7.0 - 11.4
20 (68)	3.5	2.1 - 2.9
50 (122)	2.2	0.68 - 1.00
90 (194)	0.9	0.236 - 0.260

*: This data is reference value and is measured between ECM terminal 73 (Engine coolant temperature sensor) and ground.



CAUTION:

Do not use ECM ground terminals when measuring input/output voltage. Doing so may result in damage to the ECM's transistor. Use a ground other than ECM terminals, such as the ground.

On Board Diagnosis Logic

INFOID:000000002954834

These self-diagnoses have the one trip detection logic.

DTC No.	Trouble Diagnosis Name	DTC Detecting Condition	Possible Cause
P0117 0117	Engine coolant temperature sensor circuit low input	An excessively low voltage from the sensor is sent to ECM.	<ul style="list-style-type: none"> • Harness or connectors (The sensor circuit is open or shorted.) • Engine coolant temperature sensor
P0118 0118	Engine coolant temperature sensor circuit high input	An excessively high voltage from the sensor is sent to ECM.	

FAIL-SAFE MODE

When the malfunction is detected, the ECM enters fail-safe mode and the MIL lights up.

Detected items	Engine operating condition in fail-safe mode	
Engine coolant temperature sensor circuit	Engine coolant temperature will be determined by ECM based on the following conditions. CONSULT-III displays the engine coolant temperature decided by ECM.	
	Condition	Engine coolant temperature decided (CONSULT-III display)
	Just as ignition switch is turned ON or START	40°C (104°F)
	Approx. 4 minutes or more after engine starting	80°C (176°F)
	Except as shown above	40 - 80°C (104 - 176°F) (Depends on the time)
When the fail-safe system for engine coolant temperature sensor is activated, the cooling fan operates while engine is running.		

DTC P0117, P0118 ECT SENSOR

< SERVICE INFORMATION >

[VK45DE]

DTC Confirmation Procedure

INFOID:000000002954835

NOTE:

If DTC Confirmation Procedure has been previously conducted, always turn ignition switch OFF and wait at least 10 seconds before conducting the next test.

1. Turn ignition switch ON and wait at least 5 seconds.
2. Check DTC.
3. If DTC is detected, go to [EC-830, "Diagnosis Procedure"](#).

A

EC

C

D

E

F

G

H

I

J

K

L

M

N

O

P

DTC P0117, P0118 ECT SENSOR



[VK45DE]

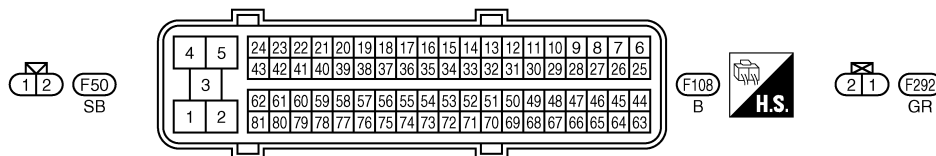
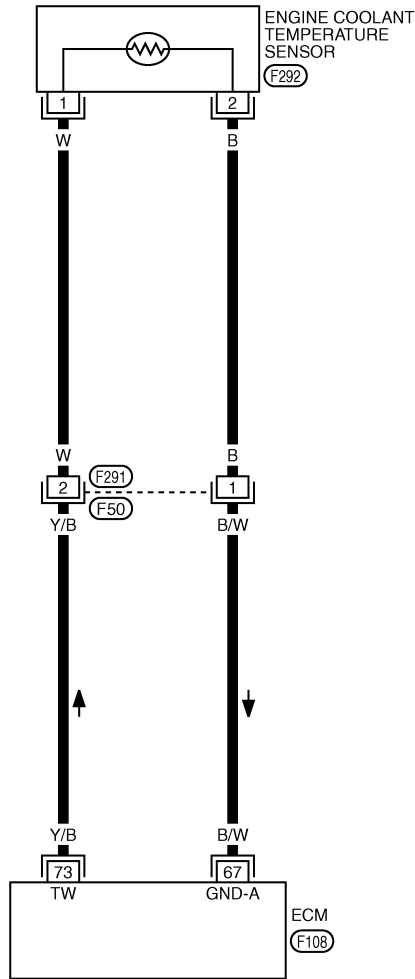
< SERVICE INFORMATION >

INFOID:000000002954836

Wiring Diagram

EC-ECTS-01

 : DETECTABLE LINE FOR DTC
 : NON-DETECTABLE LINE FOR DTC



TBWT1018E

Diagnosis Procedure

INFOID:000000002954837

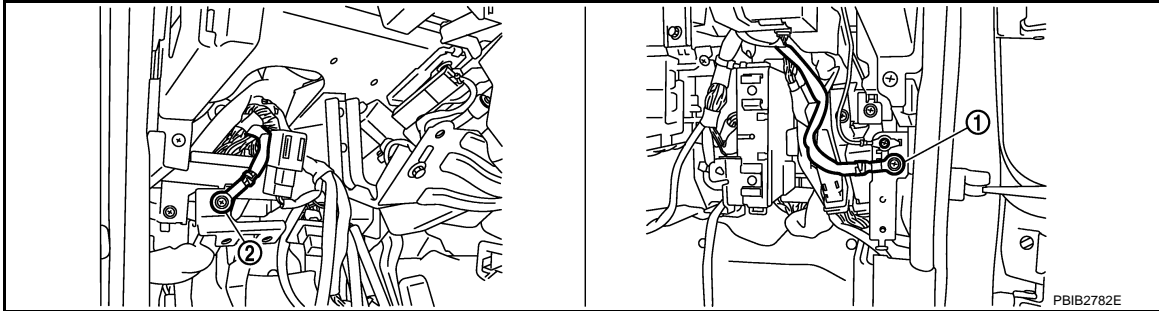
1. CHECK GROUND CONNECTIONS

1. Turn ignition switch OFF.
2. Loosen and retighten ground screws on the body.
Refer to [EC-769, "Ground Inspection"](#).

DTC P0117, P0118 ECT SENSOR

< SERVICE INFORMATION >

[VK45DE]



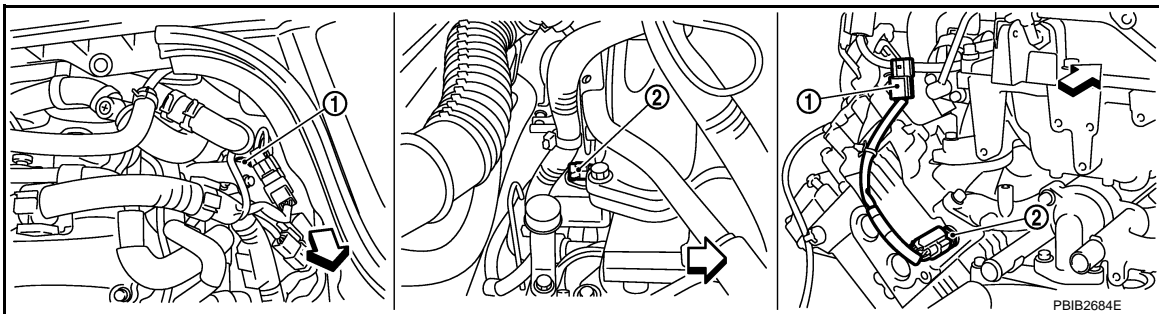
1. Body ground M70
2. Body ground M16

OK or NG

- OK >> GO TO 2.
- NG >> Repair or replace ground connections.

2.CHECK ECT SENSOR POWER SUPPLY CIRCUIT

1. Disconnect engine coolant temperature (ECT) sensor harness connector.



↶ : Vehicle front

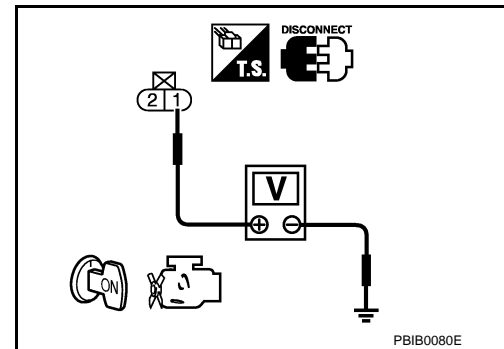
1. Engine coolant temperature sensor
2. Engine coolant temperature sensor sub-harness connector

2. Turn ignition switch ON.
3. Check voltage between ECT sensor terminal 1 and ground with CONSULT-III or tester.

Voltage: Approximately 5V

OK or NG

- OK >> GO TO 4.
- NG >> GO TO 3.



3.DETECT MALFUNCTIONING PART

Check the following.

- Harness connector F291, F50
- Harness for open or short between ECM and engine coolant temperature sensor

>> Repair open circuit or short to ground or short to power in harness or connectors.

4.CHECK ECT SENSOR GROUND CIRCUIT FOR OPEN AND SHORT

1. Turn ignition switch OFF.
2. Disconnect ECM harness connector.
3. Check harness continuity between ECT sensor terminal 2 and ECM terminal 67. Refer to Wiring Diagram.

DTC P0117, P0118 ECT SENSOR

< SERVICE INFORMATION >

[VK45DE]

Continuity should exist.

- Also check harness for short to ground and short to power.

OK or NG

- OK >> GO TO 6.
- NG >> GO TO 5.

5. DETECT MALFUNCTIONING PART

Check the following.

- Harness connector F291, F50
- Harness for open and short between ECT sensor and ECM

>> Repair open circuit or short to ground or short to power in harness or connectors.

6. CHECK ENGINE COOLANT TEMPERATURE SENSOR

Refer to [EC-832. "Component Inspection"](#).

OK or NG

- OK >> GO TO 7.
- NG >> Replace engine coolant temperature sensor.

7. CHECK INTERMITTENT INCIDENT

Refer to [EC-763. "Diagnosis Procedure"](#).

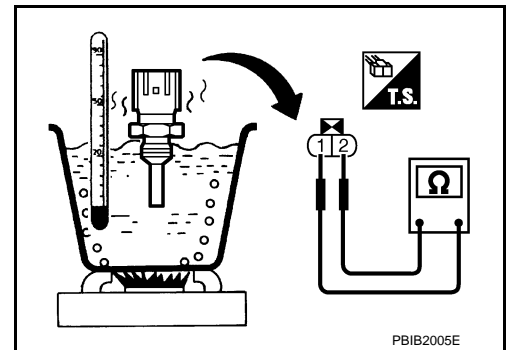
>> **INSPECTION END**

Component Inspection

INFOID:000000002954838

ENGINE COOLANT TEMPERATURE SENSOR

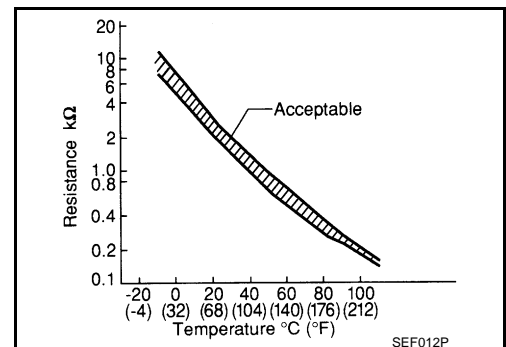
- Check resistance between engine coolant temperature sensor terminals 1 and 2 as shown in the figure.



<Reference data>

Temperature °C (°F)	Resistance kΩ
20 (68)	2.1 - 2.9
50 (122)	0.68 - 1.00
90 (194)	0.236 - 0.260

- If NG, replace engine coolant temperature sensor.



Removal and Installation

INFOID:000000002954839

ENGINE COOLANT TEMPERATURE SENSOR

Refer to [EM-230](#).

DTC P0122, P0123 TP SENSOR

< SERVICE INFORMATION >

[VK45DE]

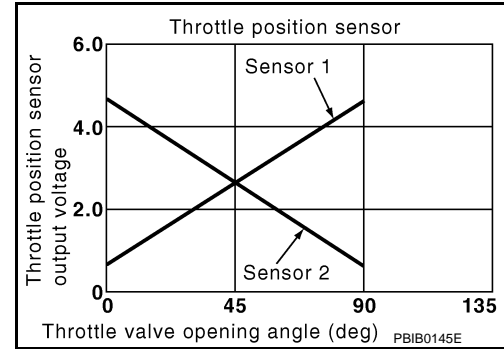
DTC P0122, P0123 TP SENSOR

Component Description

INFOID:000000002954840

Electric throttle control actuator consists of throttle control motor, throttle position sensor, etc. The throttle position sensor responds to the throttle valve movement.

The throttle position sensor has the two sensors. These sensors are a kind of potentiometers which transform the throttle valve position into output voltage, and emit the voltage signal to the ECM. In addition, these sensors detect the opening and closing speed of the throttle valve and feed the voltage signals to the ECM. The ECM judges the current opening angle of the throttle valve from these signals and the ECM controls the throttle control motor to make the throttle valve opening angle properly in response to driving condition.



CONSULT-III Reference Value in Data Monitor Mode

INFOID:000000002954841

Specification data are reference values.

MONITOR ITEM	CONDITION	SPECIFICATION
TP SEN 1-B1 TP SEN 2-B1*	• Ignition switch: ON (Engine stopped) • Selector lever: D Accelerator pedal: Fully released	More than 0.36V
	Accelerator pedal: Fully depressed	Less than 4.75V

*: Throttle position sensor 2 signal is converted by ECM internally. Thus, it differs from ECM terminal voltage signal.

On Board Diagnosis Logic

INFOID:000000002954842

These self-diagnoses have the one trip detection logic.

DTC No.	Trouble diagnosis name	DTC detecting condition	Possible cause
P0122 0122	Throttle position sensor 2 circuit low input	An excessively low voltage from the TP sensor 2 is sent to ECM.	<ul style="list-style-type: none"> • Harness or connectors (TP sensor 2 circuit is open or shorted.) (APP sensor 2 circuit is shorted.) • Electric throttle control actuator (TP sensor 2) • Accelerator pedal position sensor (APP sensor 2)
P0123 0123	Throttle position sensor 2 circuit high input	An excessively high voltage from the TP sensor 2 is sent to ECM.	

FAIL-SAFE MODE

When the malfunction is detected, ECM enters fail-safe mode and the MIL lights up.

Engine operation condition in fail-safe mode

The ECM controls the electric throttle control actuator in regulating the throttle opening in order for the idle position to be within +10 degrees.

The ECM regulates the opening speed of the throttle valve to be slower than the normal condition.

So, the acceleration will be poor.

DTC Confirmation Procedure

INFOID:000000002954843

NOTE:

If DTC Confirmation Procedure has been previously conducted, always turn ignition switch OFF and wait at least 10 seconds before conducting the next test.

TESTING CONDITION:

Before performing the following procedure, confirm that battery voltage is more than 8V at idle.

1. Start engine and let it idle for 1 second.
2. Check DTC.
3. If DTC is detected, go to [EC-835. "Diagnosis Procedure"](#).

DTC P0122, P0123 TP SENSOR

< SERVICE INFORMATION >

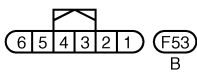
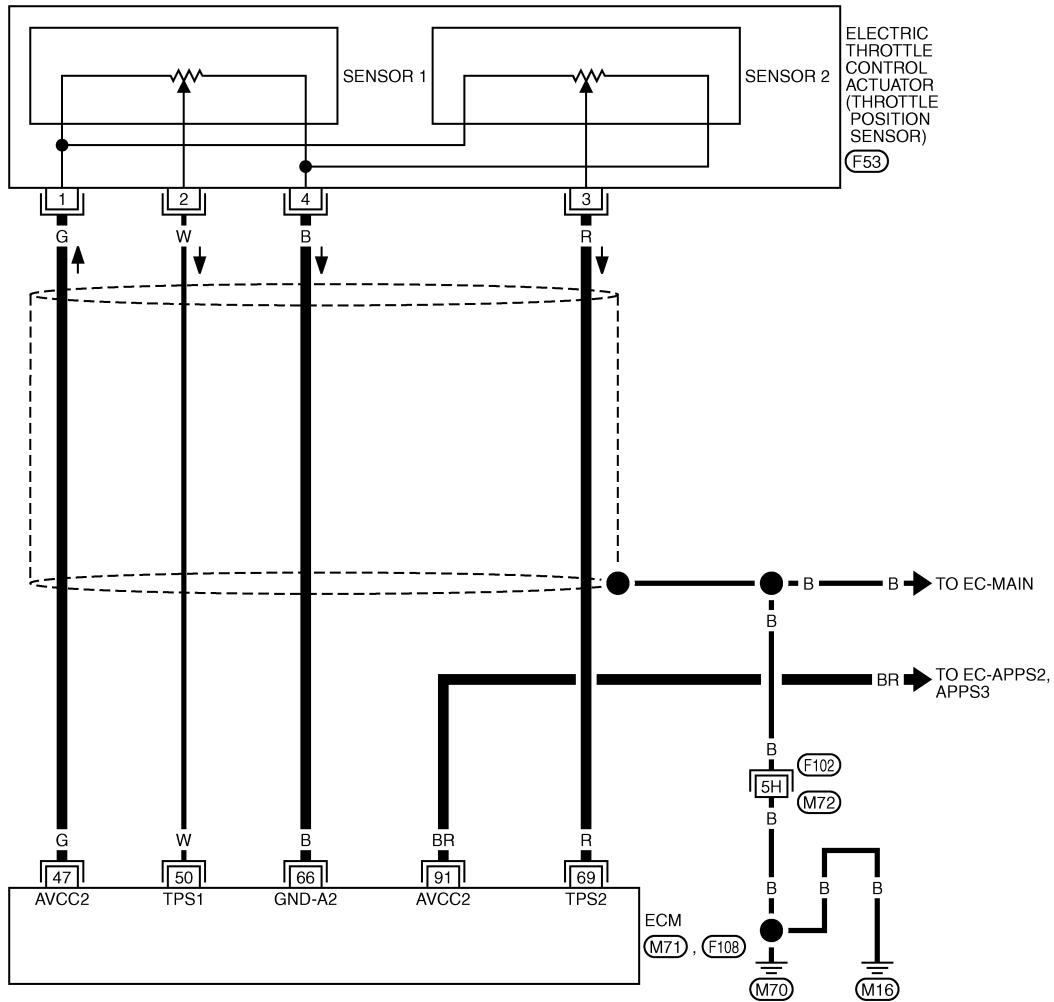
[VK45DE]

INFOID:00000002954844

Wiring Diagram

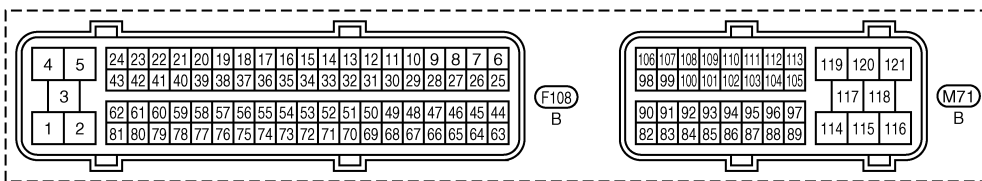
EC-TPS2-01

: DETECTABLE LINE FOR DTC
 : NON-DETECTABLE LINE FOR DTC



REFER TO THE FOLLOWING.

(F102) -SUPER MULTIPLE JUNCTION (SMJ)



TBWT1491E

Specification data are reference values and are measured between each terminal and ground.

CAUTION:

Do not use ECM ground terminals when measuring input/output voltage. Doing so may result in damage to the ECM's transistor. Use a ground other than ECM terminals, such as the ground.

DTC P0122, P0123 TP SENSOR

< SERVICE INFORMATION >

[VK45DE]

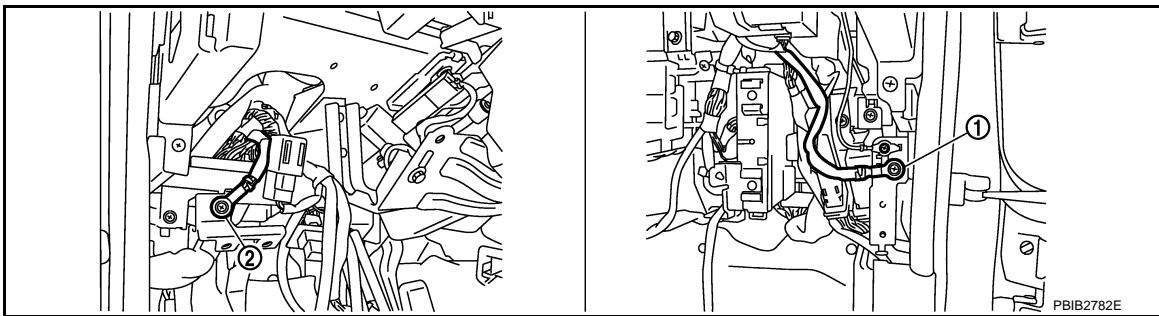
TER-MI-NAL NO.	WIRE COLOR	ITEM	CONDITION	DATA (DC Voltage)
47	G	Sensor power supply (Throttle position sensor)	[Ignition switch: ON]	Approximately 5V
50	W	Throttle position sensor 1	[Ignition switch: ON] • Engine: Stopped • Selector lever: D • Accelerator pedal: Fully released	More than 0.36V
			[Ignition switch: ON] • Engine: Stopped • Selector lever: D • Accelerator pedal: Fully depressed	Less than 4.75V
66	B	Sensor ground (Throttle position sensor)	[Engine is running] • Warm-up condition • Idle speed	Approximately 0V
69	R	Throttle position sensor 2	[Ignition switch: ON] • Engine: Stopped • Selector lever: D • Accelerator pedal: Fully released	Less than 4.75V
			[Ignition switch: ON] • Engine: Stopped • Selector lever: D • Accelerator pedal: Fully depressed	More than 0.36V
91	BR	Sensor power supply (APP sensor 2)	[Ignition switch: ON]	Approximately 5V

Diagnosis Procedure

INFOID:000000002954845

1. CHECK GROUND CONNECTIONS

1. Turn ignition switch OFF.
2. Loosen and retighten ground screws on the body.
Refer to [EC-769. "Ground Inspection"](#).



1. Body ground M70
2. Body ground M16

OK or NG

- OK >> GO TO 2.
 NG >> Repair or replace ground connections.

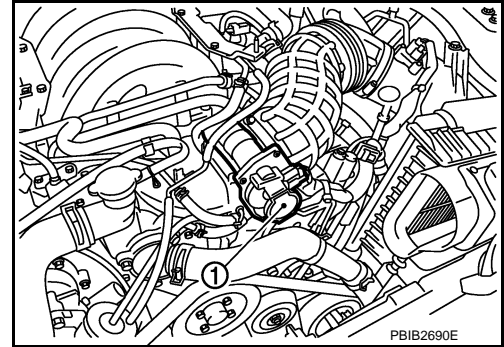
2. CHECK THROTTLE POSITION SENSOR 2 POWER SUPPLY CIRCUIT-I

DTC P0122, P0123 TP SENSOR

[VK45DE]

< SERVICE INFORMATION >

1. Disconnect electric throttle control actuator (1) harness connector.
 - Illustration shows the view with intake air duct removed.
2. Turn ignition switch ON.

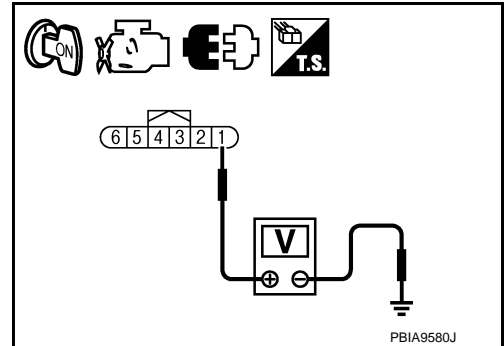


3. Check voltage between electric throttle control actuator terminal 1 and ground with CONSULT-III or tester.

Voltage: Approximately 5V

OK or NG

- OK >> GO TO 7.
NG >> GO TO 3.



3.CHECK THROTTLE POSITION SENSOR 2 POWER SUPPLY CIRCUIT-II

1. Turn ignition switch OFF.
2. Disconnect ECM harness connector.
3. Check harness continuity between electric throttle control actuator terminal 1 and ECM terminal 47. Refer to Wiring Diagram.

Continuity should exist.

OK or NG

- OK >> GO TO 4.
NG >> Repair open circuit.

4.CHECK THROTTLE POSITION SENSOR 2 POWER SUPPLY CIRCUIT-III

Check harness for short to power and short to ground, between the following terminals.

ECM terminal	Sensor terminal	Reference Wiring Diagram
47	Electric throttle control actuator terminal 1	EC-834
91	APP sensor terminal 5	EC-1194

OK or NG

- OK >> GO TO 5.
NG >> Repair short to ground or short to power in harness or connectors.

5.CHECK APP SENSOR

Refer to [EC-1198, "Component Inspection"](#).

OK or NG

- OK >> GO TO 11.
NG >> GO TO 6.

6.REPLACE ACCELERATOR PEDAL ASSEMBLY

1. Replace accelerator pedal assembly.
2. Perform [EC-706, "Accelerator Pedal Released Position Learning"](#).
3. Perform [EC-706, "Throttle Valve Closed Position Learning"](#).
4. Perform [EC-707, "Idle Air Volume Learning"](#).

>> INSPECTION END

7.CHECK THROTTLE POSITION SENSOR 2 GROUND CIRCUIT FOR OPEN AND SHORT

1. Turn ignition switch OFF.
2. Disconnect ECM harness connector.
3. Check harness continuity between electric throttle control actuator terminal 4 and ECM terminal 66. Refer to Wiring Diagram.

Continuity should exist.

4. Also check harness for short to ground and short to power.

OK or NG

OK >> GO TO 8.

NG >> Repair open circuit or short to ground or short to power in harness or connectors.

8.CHECK THROTTLE POSITION SENSOR 2 INPUT SIGNAL CIRCUIT FOR OPEN AND SHORT

1. Check harness continuity between ECM terminal 69 and electric throttle control actuator terminal 3. Refer to Wiring Diagram.

Continuity should exist.

2. Also check harness for short to ground and short to power.

OK or NG

OK >> GO TO 9.

NG >> Repair open circuit or short to ground or short to power in harness or connectors.

9.CHECK THROTTLE POSITION SENSORRefer to [EC-837, "Component Inspection"](#).OK or NG

OK >> GO TO 11.

NG >> GO TO 10.

10.REPLACE ELECTRIC THROTTLE CONTROL ACTUATOR

1. Replace the electric throttle control actuator.
2. Perform [EC-706, "Throttle Valve Closed Position Learning"](#).
3. Perform [EC-707, "Idle Air Volume Learning"](#).

>> INSPECTION END

11.CHECK INTERMITTENT INCIDENTRefer to [EC-763, "Diagnosis Procedure"](#).

>> INSPECTION END

Component Inspection

INFOID:000000002954846

THROTTLE POSITION SENSOR

1. Reconnect all harness connectors disconnected.
2. Perform [EC-706, "Throttle Valve Closed Position Learning"](#).
3. Turn ignition switch ON.
4. Set selector lever to D position.

DTC P0122, P0123 TP SENSOR

[VK45DE]

< SERVICE INFORMATION >

5. Check voltage between ECM terminals 50 (TP sensor 1 signal), 69 (TP sensor 2 signal) and ground under the following conditions.

Terminal	Accelerator pedal	Voltage
50 (Throttle position sensor 1)	Fully released	More than 0.36V
	Fully depressed	Less than 4.75V
69 (Throttle position sensor 2)	Fully released	Less than 4.75V
	Fully depressed	More than 0.36V

6. If NG, replace electric throttle control actuator and go to the next step.

7. Perform [EC-706, "Throttle Valve Closed Position Learning"](#).

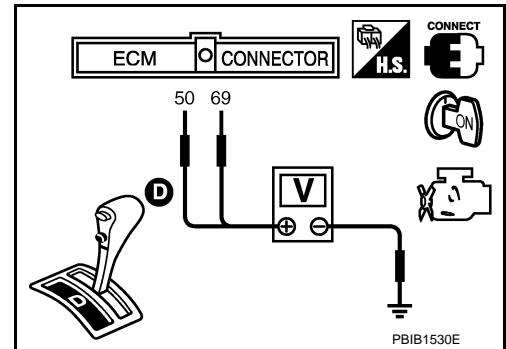
8. Perform [EC-707, "Idle Air Volume Learning"](#).

Removal and Installation

INFOID:000000002954847

ELECTRIC THROTTLE CONTROL ACTUATOR

Refer to [EM-177](#).



DTC P0125 ECT SENSOR

< SERVICE INFORMATION >

[VK45DE]

DTC P0125 ECT SENSOR

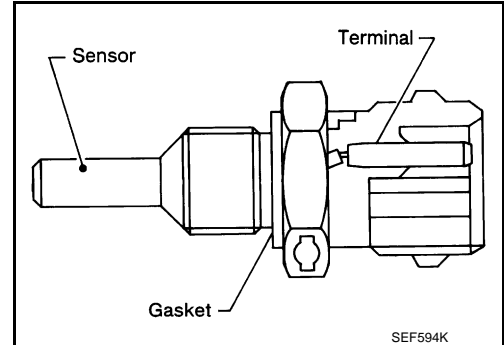
Component Description

INFOID:000000002954848

NOTE:

If DTC P0125 is displayed with P0117 or P0118, first perform the trouble diagnosis for DTC P0117 or P0118. Refer to [EC-829, "DTC Confirmation Procedure"](#).

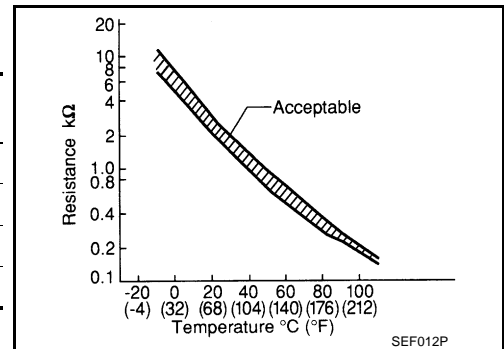
The engine coolant temperature sensor is used to detect the engine coolant temperature. The sensor modifies a voltage signal from the ECM. The modified signal returns to the ECM as the engine coolant temperature input. The sensor uses a thermistor which is sensitive to the change in temperature. The electrical resistance of the thermistor decreases as temperature increases.



<Reference data>

Engine coolant temperature °C (°F)	Voltage* V	Resistance kΩ
-10 (14)	4.4	7.0 - 11.4
20 (68)	3.5	2.1 - 2.9
50 (122)	2.2	0.68 - 1.00
90 (194)	0.9	0.236 - 0.260

*: This data is reference value and is measured between ECM terminal 73 (Engine coolant temperature sensor) and ground.



CAUTION:

Do not use ECM ground terminals when measuring input/output voltage. Doing so may result in damage to the ECM's transistor. Use a ground other than ECM terminals, such as the ground.

On Board Diagnosis Logic

INFOID:000000002954849

DTC No.	Trouble diagnosis name	DTC detecting condition	Possible cause
P0125 0125	Insufficient engine coolant temperature for closed loop fuel control	<ul style="list-style-type: none"> Voltage sent to ECM from the sensor is not practical, even when some time has passed after starting the engine. Engine coolant temperature is insufficient for closed loop fuel control. 	<ul style="list-style-type: none"> Harness or connectors (High resistance in the circuit) Engine coolant temperature sensor Thermostat

DTC Confirmation Procedure

INFOID:000000002954850

CAUTION:

Be careful not to overheat engine.

NOTE:

If DTC Confirmation Procedure has been previously conducted, always turn ignition switch OFF and wait at least 10 seconds before conducting the next test.

④ WITH CONSULT-III

- Turn ignition switch ON.
- Select "DATA MONITOR" mode with CONSULT-III.
- Check that "COOLAN TEMP/S" is above 10°C (50°F).
If it is above 10°C (50°F), the test result will be OK.
If it is below 10°C (50°F), go to following step.

DTC P0125 ECT SENSOR

[VK45DE]

< SERVICE INFORMATION >

- Start engine and run it for 65 minutes at idle speed.
If "COOLANT TEMP/S" increases to more than 10°C (50°F) within 65 minutes, stop engine because the test result will be OK.
- Check 1st trip DTC.
- If 1st trip DTC is detected, go to [EC-840, "Diagnosis Procedure"](#).

Ⓢ WITH GST

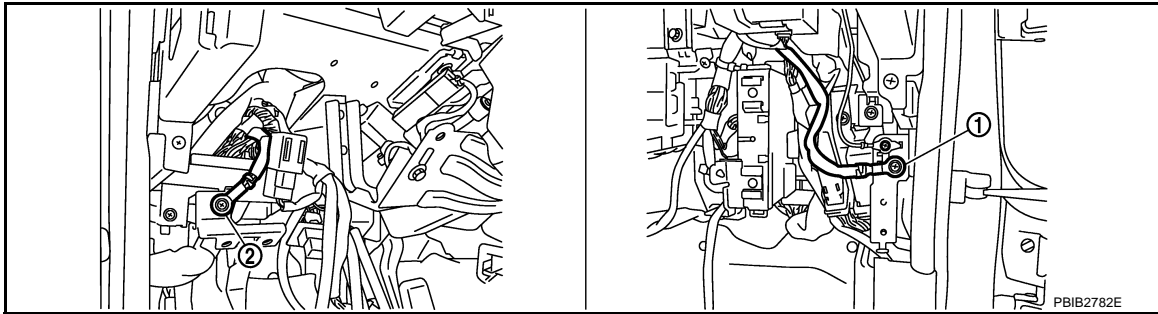
Follow the procedure "WITH CONSULT-III" above.

Diagnosis Procedure

INFOID:000000002954851

1. CHECK GROUND CONNECTIONS

- Turn ignition switch OFF.
- Loosen and retighten ground screws on the body.
Refer to [EC-769, "Ground Inspection"](#).



1. Body ground M70

2. Body ground M16

OK or NG

- OK >> GO TO 2.
- NG >> Repair or replace ground connections.

2. CHECK ENGINE COOLANT TEMPERATURE SENSOR

Refer to [EC-840, "Component Inspection"](#).

OK or NG

- OK >> GO TO 3.
- NG >> Replace engine coolant temperature sensor.

3. CHECK THERMOSTAT OPERATION

When the engine is cold [lower than 70°C (158°F)] condition, grasp lower radiator hose and confirm the engine coolant does not flow.

OK or NG

- OK >> GO TO 4.
- NG >> Repair or replace thermostat. Refer to [CO-53](#).

4. CHECK INTERMITTENT INCIDENT

Refer to [EC-763, "Diagnosis Procedure"](#).

Refer to [EC-830, "Wiring Diagram"](#).

>> **INSPECTION END**

Component Inspection

INFOID:000000002954852

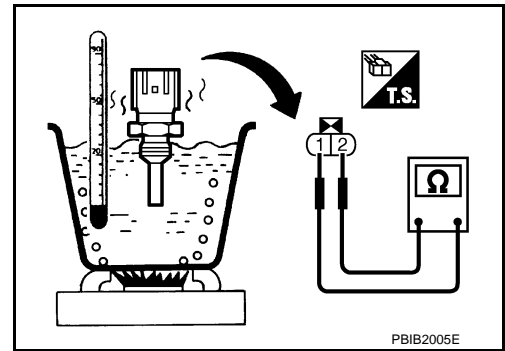
ENGINE COOLANT TEMPERATURE SENSOR

DTC P0125 ECT SENSOR

[VK45DE]

< SERVICE INFORMATION >

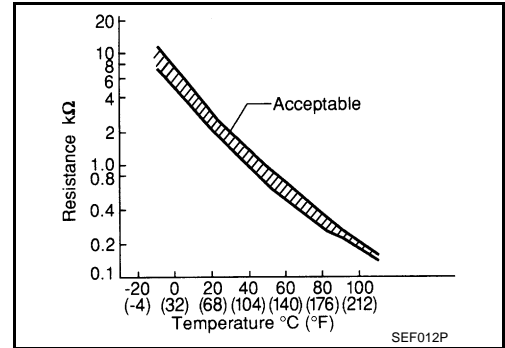
1. Check resistance between engine coolant temperature sensor terminals 1 and 2 as shown in the figure.



<Reference data>

Temperature °C (°F)	Resistance kΩ
20 (68)	2.1 - 2.9
50 (122)	0.68 - 1.00
90 (194)	0.236 - 0.260

2. If NG, replace engine coolant temperature sensor.



INFOID:000000002954853

Removal and Installation

ENGINE COOLANT TEMPERATURE SENSOR

Refer to [CO-53](#).

A
EC
C
D
E
F
G
H
I
J
K
L
M
N
O
P

DTC P0127 IAT SENSOR

[VK45DE]

< SERVICE INFORMATION >

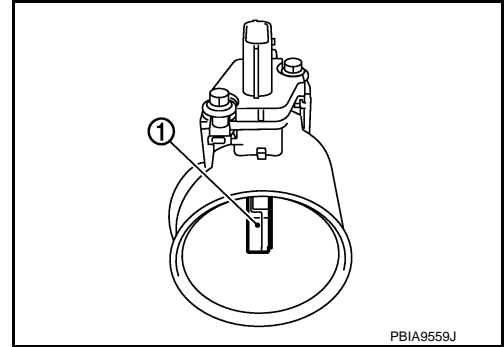
DTC P0127 IAT SENSOR

Component Description

INFOID:000000002954854

The intake air temperature sensor is built-into mass air flow sensor (1). The sensor detects intake air temperature and transmits a signal to the ECM.

The temperature sensing unit uses a thermistor which is sensitive to the change in temperature. Electrical resistance of the thermistor decreases in response to the temperature rise.



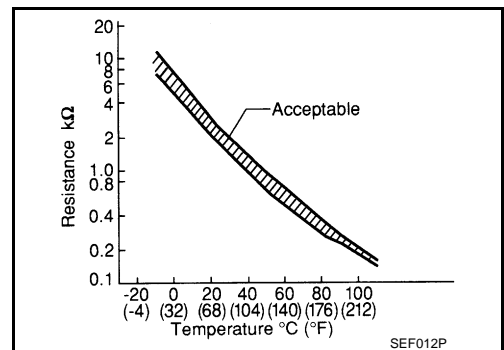
<Reference data>

Intake air temperature °C (°F)	Voltage* V	Resistance kΩ
25 (77)	3.3	1.800 - 2.200
80 (176)	1.2	0.283 - 0.359

*: This data is reference value and is measured between ECM terminal 34 (Intake air temperature sensor) and ground.

CAUTION:

Do not use ECM ground terminals when measuring input/output voltage. Doing so may result in damage to the ECM's transistor. Use a ground other than ECM terminals, such as the ground.



On Board Diagnosis Logic

INFOID:000000002954855

DTC No.	Trouble diagnosis name	DTC detecting condition	Possible cause
P0127 0127	Intake air temperature too high	Rationally incorrect voltage from the sensor is sent to ECM, compared with the voltage signal from engine coolant temperature sensor.	<ul style="list-style-type: none"> • Harness or connectors (The sensor circuit is open or shorted) • Intake air temperature sensor

DTC Confirmation Procedure

INFOID:000000002954856

NOTE:

If DTC Confirmation Procedure has been previously conducted, always turn ignition switch OFF and wait at least 10 seconds before conducting the next test.

CAUTION:

Always drive vehicle at a safe speed.

TESTING CONDITION:

This test may be conducted with the drive wheels lifted in the shop or by driving the vehicle. If a road test is expected to be easier, it is unnecessary to lift the vehicle.

Ⓜ WITH CONSULT-III

- Wait until engine coolant temperature is less than 90°C (194°F)
 - Turn ignition switch ON.
 - Select "DATA MONITOR" mode with CONSULT-III.
 - Check the engine coolant temperature.
 - If the engine coolant temperature is not less than 90°C (194°F), turn ignition switch OFF and cool down engine.
 - Perform the following steps before engine coolant temperature is above 90°C (194°F).
- Turn ignition switch ON.

DTC P0127 IAT SENSOR

[VK45DE]

< SERVICE INFORMATION >

3. Select "DATA MONITOR" mode with CONSULT-III.
4. Start engine.
5. Hold vehicle speed at more than 70 km/h (43 MPH) for 100 consecutive seconds.
6. Check 1st trip DTC.
7. If 1st trip DTC is detected, go to [EC-843, "Diagnosis Procedure"](#).

Ⓢ WITH GST

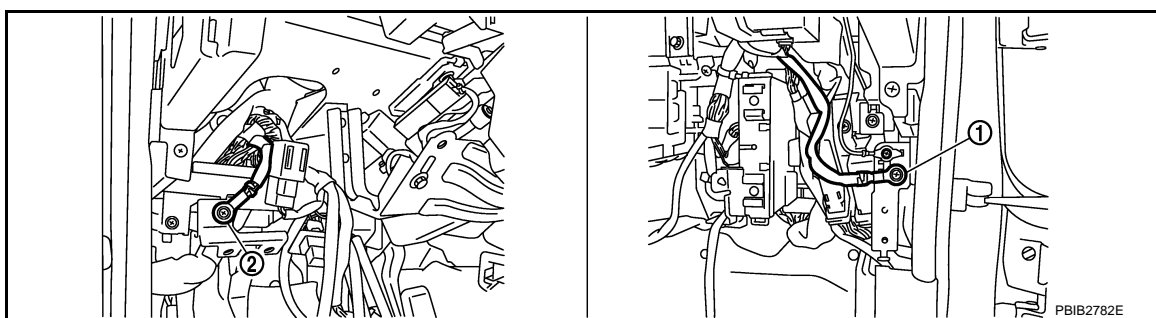
Follow the procedure "WITH CONSULT-III" above.

Diagnosis Procedure

INFOID:000000002954857

1. CHECK GROUND CONNECTIONS

1. Turn ignition switch OFF.
2. Loosen and retighten ground screws on the body.
Refer to [EC-769, "Ground Inspection"](#).



1. Body ground M70

2. Body ground M16

OK or NG

OK >> GO TO 2.

NG >> Repair or replace ground connections.

2. CHECK INTAKE AIR TEMPERATURE SENSOR

Refer to [EC-843, "Component Inspection"](#).

OK or NG

OK >> GO TO 3.

NG >> Replace mass air flow sensor (with intake air temperature sensor).

3. CHECK INTERMITTENT INCIDENT

Refer to [EC-763, "Diagnosis Procedure"](#).

Refer to [EC-822, "Wiring Diagram"](#).

>> **INSPECTION END**

Component Inspection

INFOID:000000002954858

INTAKE AIR TEMPERATURE SENSOR

DTC P0127 IAT SENSOR

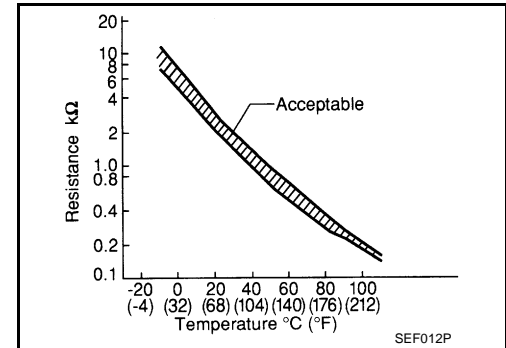
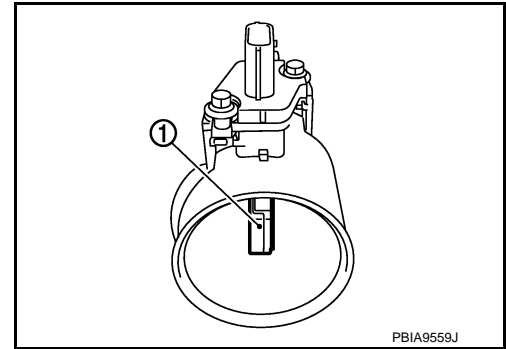
[VK45DE]

< SERVICE INFORMATION >

1. Check resistance between mass air flow sensor (1) terminals 5 and 6 under the following conditions.

Intake air temperature °C (°F)	Resistance kΩ
25 (77)	1.800 - 2.200

2. If NG, replace mass air flow sensor (with intake air temperature sensor).



Removal and Installation

INFOID:000000002954859

MASS AIR FLOW SENSOR

Refer to [EM-175](#).

DTC P0128 THERMOSTAT FUNCTION

< SERVICE INFORMATION >

[VK45DE]

DTC P0128 THERMOSTAT FUNCTION

On Board Diagnosis Logic

INFOID:000000002954860

Engine coolant temperature has not risen enough to open the thermostat even though the engine has run long enough.

This is due to a leak in the seal or the thermostat stuck open.

DTC No.	Trouble diagnosis name	DTC detecting condition	Possible cause
P0128 0128	Thermostat function	The engine coolant temperature does not reach to specified temperature even though the engine has run long enough.	<ul style="list-style-type: none">• Thermostat• Leakage from sealing portion of thermostat• Engine coolant temperature sensor

DTC Confirmation Procedure

INFOID:000000002954861

NOTE:

Check vehicle specifications and VIN, then select the procedure to be performed. (Refer to the table below.)

Vehicle specification	Vehicle serial number	Procedure
Axle		
2WD	Up to 500994	A
	From 500995	B
4WD	Up to 551363	A
	From 551364	B

PROCEDURE A

NOTE:

If DTC Confirmation Procedure has been previously conducted, always turn ignition switch OFF and wait at least 10 seconds before conducting the next test.

TESTING CONDITION:

- For best results, perform at ambient temperature of -10°C (14°F) or higher.
- For best results, perform at engine coolant temperature of -10°C (14°F) to 52°C (126°F).
- Before performing the following procedure, do not fill with the fuel.

Ⓟ With CONSULT-III

1. Turn A/C switch OFF.
2. Turn blower fan switch OFF.
3. Turn ignition switch ON.
4. Select "COOLAN TEMP/S" in "DATA MONITOR" mode with CONSULT-III.
5. Check that the "COOLAN TEMP/S" is below 52°C (126°F).
If it is below 52°C (126°F), go to following step.
If it is above 52°C (126°F), cool down the engine to less than 52°C (126°F). Then go to next steps.
6. Start engine and let it idle for at least 30 minutes.
If "COOLAN TEMP/S" increases to more than 71°C (160°F) within 30 minutes, turn ignition switch OFF because the test result will be OK.
7. Check 1st trip DTC.
8. If 1st trip DTC is detected, go to [EC-846. "Diagnosis Procedure"](#).

Ⓢ With GST

Follow the procedure "With CONSULT-III" above.

PROCEDURE B

NOTE:

If DTC Confirmation Procedure has been previously conducted, always turn ignition switch OFF and wait at least 10 seconds before conducting the next test.

TESTING CONDITION:

- For best results, perform at ambient temperature of -10°C (14°F) or higher.

DTC P0128 THERMOSTAT FUNCTION

[VK45DE]

< SERVICE INFORMATION >

- For best results, perform at engine coolant temperature of -10°C (14°F) to 56°C (133°F).
- Before performing the following procedure, do not fill with the fuel.

With CONSULT-III

1. Turn A/C switch OFF.
2. Turn blower fan switch OFF.
3. Turn ignition switch ON.
4. Select "COOLAN TEMP/S" in "DATA MONITOR" mode with CONSULT-III.
5. Check that the "COOLAN TEMP/S" is below 56°C (133°F).
If it is below 56°C (133°F), go to following step.
If it is above 56°C (133°F), cool down the engine to less than 56°C (133°F). Then go to next steps.
6. Start engine and let it idle for at least 30 minutes.
If "COOLAN TEMP/S" increases to more than 75°C (167°F) within 30 minutes, turn ignition switch OFF because the test result will be OK.
7. Check 1st trip DTC.
8. If 1st trip DTC is detected, go to [EC-846, "Diagnosis Procedure"](#).

With GST

Follow the procedure "With CONSULT-III" above.

Diagnosis Procedure

INFOID:000000002954862

1. CHECK ENGINE COOLANT TEMPERATURE SENSOR

Refer to [EC-846, "Component Inspection"](#).

OK or NG

- OK >> GO TO 2.
- NG >> Replace engine coolant temperature sensor.

2. CHECK THERMOSTAT

Refer to [CO-53, "Removal and Installation"](#).

OK or NG

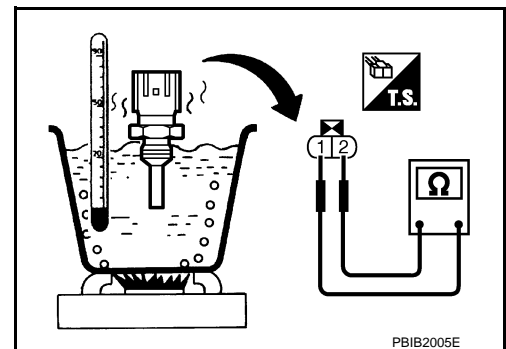
- OK >> **INSPECTION END**
- NG >> Replace thermostat.

Component Inspection

INFOID:000000002954863

ENGINE COOLANT TEMPERATURE SENSOR

1. Check resistance between engine coolant temperature sensor terminals 1 and 2 as shown in the figure.



DTC P0128 THERMOSTAT FUNCTION

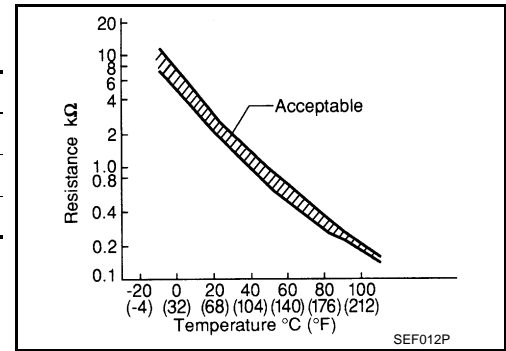
< SERVICE INFORMATION >

[VK45DE]

<Reference data>

Temperature °C (°F)	Resistance kΩ
20 (68)	2.1 - 2.9
50 (122)	0.68 - 1.0
90 (194)	0.236 - 0.260

- If NG, replace engine coolant temperature sensor.



INFOID:000000002954864

Removal and Installation

ENGINE COOLANT TEMPERATURE SENSOR

Refer to [CO-53](#).

A
EC
C
D
E
F
G
H
I
J
K
L
M
N
O
P

DTC P0130, P0150 A/F SENSOR 1

< SERVICE INFORMATION >

[VK45DE]

DTC P0130, P0150 A/F SENSOR 1

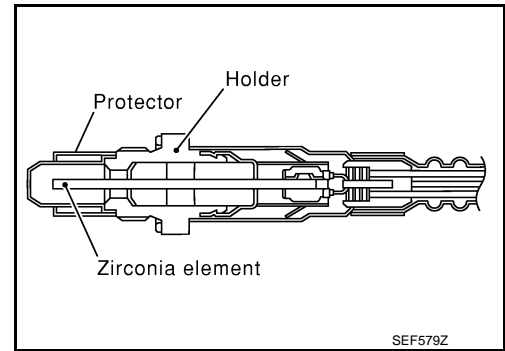
Component Description

INFOID:000000002954865

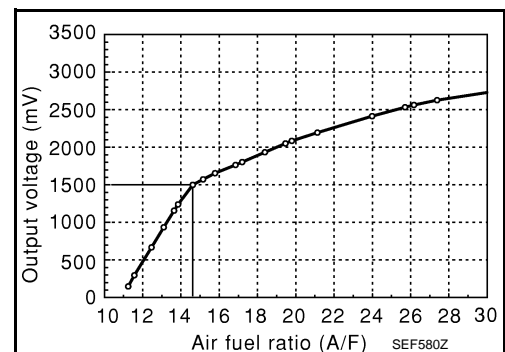
The air fuel ratio (A/F) sensor 1 is a planar dual-cell limit current sensor. The sensor element of the A/F sensor 1 is the combination of a Nernst concentration cell (sensor cell) with an oxygen-pump cell, which transports ions. It has a heater in the element.

The sensor is capable of precise measurement $\lambda = 1$, but also in the lean and rich range. Together with its control electronics, the sensor outputs a clear, continuous signal throughout a wide λ range ($0.7 < \lambda < \text{air}$).

The exhaust gas components diffuse through the diffusion gap at the electrode of the oxygen pump and Nernst concentration cell, where they are brought to thermodynamic balance.



An electronic circuit controls the pump current through the oxygen-pump cell so that the composition of the exhaust gas in the diffusion gap remains constant at $\lambda = 1$. Therefore, the A/F sensor 1 is able to indicate air/fuel ratio by this pumping of current. In addition, a heater is integrated in the sensor to ensure the required operating temperature of 700 - 800°C (1,292 - 1,472°F).



CONSULT-III Reference Value in Data Monitor Mode

INFOID:000000002954866

Specification data are reference values.

MONITOR ITEM	CONDITION		SPECIFICATION
A/F SEN1 (B1) A/F SEN1 (B2)	• Engine: After warming up	Maintaining engine speed at 2,000 rpm	Fluctuates around 1.5 V

On Board Diagnosis Logic

INFOID:000000002954867

To judge the malfunction, the diagnosis checks that the A/F signal computed by ECM from the A/F sensor 1 signal fluctuates according to fuel feedback control.

DTC No.	Trouble diagnosis name	DTC detecting condition	Possible Cause
P0130 0130 (Bank 1)	Air fuel ratio (A/F) sensor 1 circuit	A) The A/F signal computed by ECM from the A/F sensor 1 signal is constantly in the range other than approx. 1.5V.	<ul style="list-style-type: none"> • Harness or connectors [Air fuel ratio (A/F) sensor 1 circuit is open or shorted.] • Air fuel ratio (A/F) sensor 1
P0150 0150 (Bank 2)		B) The A/F signal computed by ECM from the A/F sensor 1 signal is constantly approx. 1.5V.	

DTC Confirmation Procedure

INFOID:000000002954868

Perform **PROCEDURE FOR MALFUNCTION A** first.

If the DTC cannot be confirmed, perform **PROCEDURE FOR MALFUNCTION B**.

NOTE:

If DTC Confirmation Procedure has been previously conducted, always turn ignition switch OFF and wait at least 10 seconds before conducting the next test.

TESTING CONDITION:

Before performing the following procedure, confirm that battery voltage is more than 11V at idle.

PROCEDURE FOR MALFUNCTION A

DTC P0130, P0150 A/F SENSOR 1

[VK45DE]

< SERVICE INFORMATION >

1. Start engine and warm it up to normal operating temperature.
2. Let engine idle for 2 minutes.
3. Check 1st trip DTC.
4. If 1st trip DTC is detected, go to [EC-853, "Diagnosis Procedure"](#).

PROCEDURE FOR MALFUNCTION B

CAUTION:

Always drive vehicle at a safe speed.

WITH CONSULT-III

1. Start engine and warm it up to normal operating temperature.
2. Select "A/F SEN1 (B1)" or "A/F SEN1 (B2)" in "DATA MONITOR" mode with CONSULT-III.
3. Check "A/F SEN1 (B1)" or "A/F SEN1 (B2)" indication.
If the indication is constantly approx. 1.5V and does not fluctuates, go to [EC-853, "Diagnosis Procedure"](#).
If the indication fluctuates around 1.5V, go to next step.
4. Select "A/F SEN1 (B1) P1276" (for DTC P0130) or "A/F SEN1 (B2) P1286" (for DTC P0150) of "A/F SEN1" in "DTC WORK SUPPORT" mode with CONSULT-III.
5. Touch "START".
6. When the following conditions are met, "TESTING" will be displayed on the CONSULT-III screen.

ENG SPEED	1,300 - 3,200 rpm
VHCL SPEED SE	More than 64 km/h (40 MPH)
B/FUEL SCHDL	1.0 - 8.0 msec
Selector lever	D position

If "TESTING" is not displayed after 20 seconds, retry from step 2.

7. Release accelerator pedal fully.
NOTE:
Never apply brake during releasing the accelerator pedal.
8. Make sure that "TESTING" changes to "COMPLETED".
If "TESTING" changed to "OUT OF CONDITION", retry from step 6.
9. Make sure that "OK" is displayed after touching "SELF-DIAG RESULT".
If "NG" is displayed, go to [EC-853, "Diagnosis Procedure"](#).

Overall Function Check

INFOID:000000002954869

Use this procedure to check the overall function of the A/F sensor 1 circuit. During this check, a 1st trip DTC might not be confirmed.

WITH GST

1. Start engine and warm it up to normal operating temperature.
2. Drive the vehicle at a speed of 80 km/h (50 MPH) for a few minutes in the suitable gear position.
3. Set D position, then release the accelerator pedal fully until the vehicle speed decreases to 50 km/h (30 MPH).
NOTE:
Never apply brake during releasing the accelerator pedal.
4. Repeat steps 2 to 3 for five times.
5. Stop the vehicle and turn ignition switch OFF.
6. Wait at least 10 seconds and restart engine.
7. Repeat steps 2 to 3 for five times.
8. Stop the vehicle and connect GST to the vehicle.
9. Make sure that no DTC is displayed.
If the DTC is displayed, go to [EC-853, "Diagnosis Procedure"](#).

DTC P0130, P0150 A/F SENSOR 1

[VK45DE]

< SERVICE INFORMATION >

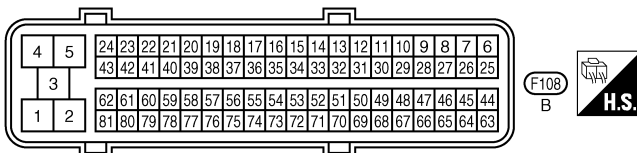
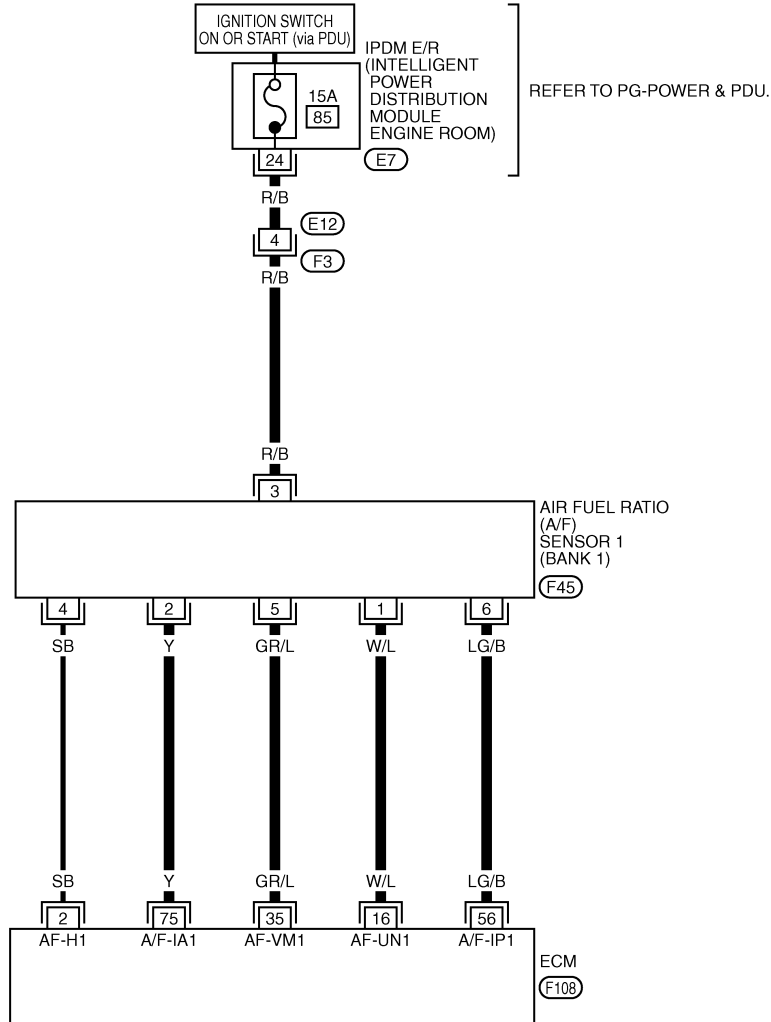
Wiring Diagram

INFOID:00000002954870

BANK 1

EC-AF1B1-01

— : DETECTABLE LINE FOR DTC
 - - - : NON-DETECTABLE LINE FOR DTC



TBWT1046E

Specification data are reference values and are measured between each terminal and ground.
 Pulse signal is measured by CONSULT-III.

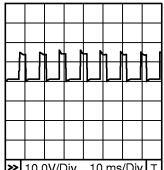
CAUTION:

DTC P0130, P0150 A/F SENSOR 1

< SERVICE INFORMATION >

[VK45DE]

Do not use ECM ground terminals when measuring input/output voltage. Doing so may result in damage to the ECM's transistor. Use a ground other than ECM terminals, such as the ground.

TER-MI-NAL NO.	WIRE COLOR	ITEM	CONDITION	DATA (DC Voltage)
2	SB	A/F sensor 1 heater (bank 1)	[Engine is running] <ul style="list-style-type: none"> • Warm-up condition • Idle speed 	Approximately 5V★ 
16	W/L	A/F sensor 1 (bank 1)	[Engine is running] <ul style="list-style-type: none"> • Warm-up condition • Idle speed 	Approximately 3.1V
35	GR/L			Approximately 2.6V
56	LG/B			Approximately 2.3V
75	Y			Approximately 2.3V

★: Average voltage for pulse signal (Actual pulse signal can be confirmed by oscilloscope.)

A
EC
C
D
E
F
G
H
I
J
K
L
M
N
O
P

DTC P0130, P0150 A/F SENSOR 1

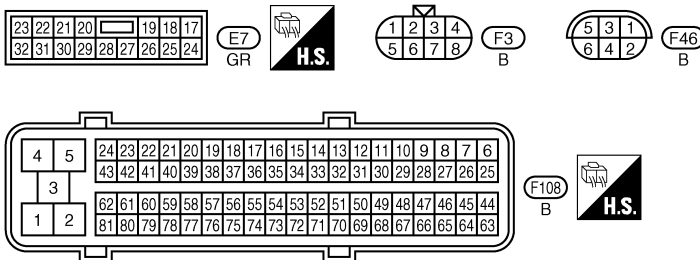
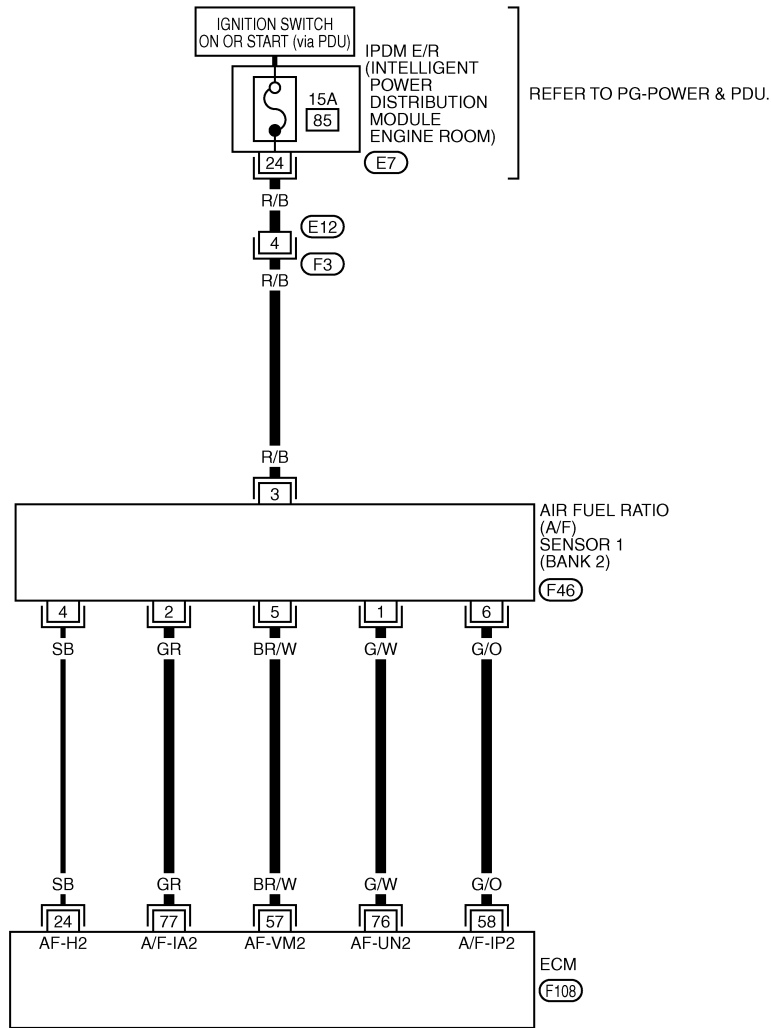
[VK45DE]

< SERVICE INFORMATION >

BANK 2

EC-AF1B2-01

— : DETECTABLE LINE FOR DTC
 - - - : NON-DETECTABLE LINE FOR DTC



TBWT1047E

Specification data are reference values and are measured between each terminal and ground. Pulse signal is measured by CONSULT-III.

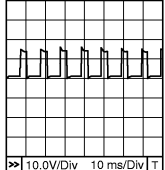
CAUTION:

Do not use ECM ground terminals when measuring input/output voltage. Doing so may result in damage to the ECM's transistor. Use a ground other than ECM terminals, such as the ground.

DTC P0130, P0150 A/F SENSOR 1

< SERVICE INFORMATION >

[VK45DE]

TER-MI-NAL NO.	WIRE COLOR	ITEM	CONDITION	DATA (DC Voltage)
24	SB	A/F sensor 1 heater (bank 2)	[Engine is running] <ul style="list-style-type: none"> • Warm-up condition • Idle speed 	Approximately 5V★ 
57	BR/W	A/F sensor 1 (bank 2)	[Engine is running] <ul style="list-style-type: none"> • Warm-up condition • Idle speed 	Approximately 2.6V
58	G/O			Approximately 2.3V
76	G/W			Approximately 3.1V
77	GR			Approximately 2.3V

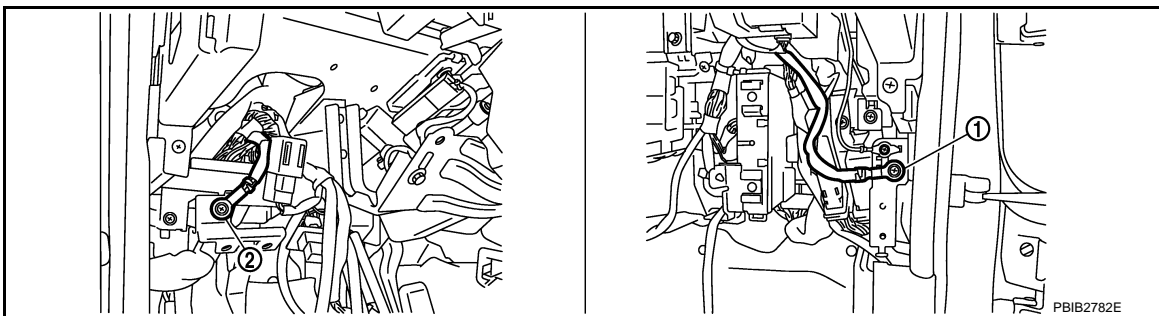
★: Average voltage for pulse signal (Actual pulse signal can be confirmed by oscilloscope.)

Diagnosis Procedure

INFOID:000000002954871

1. CHECK GROUND CONNECTIONS

1. Turn ignition switch OFF.
2. Loosen and retighten ground screws on the body.
Refer to [EC-769, "Ground Inspection"](#).



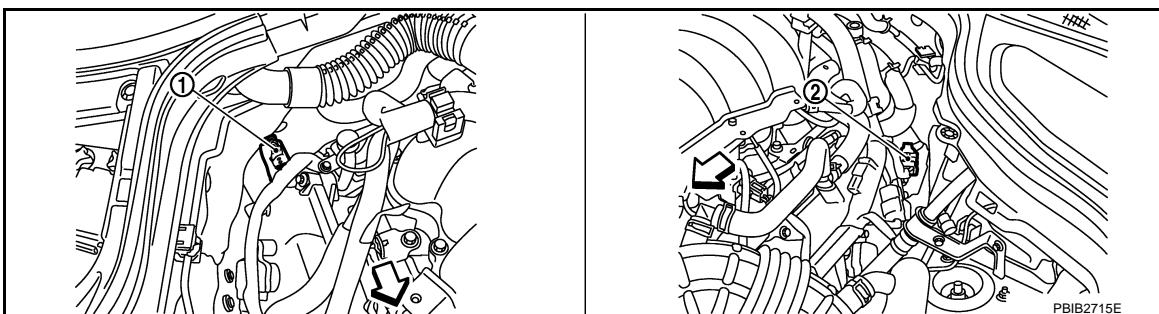
1. Body ground M70
2. Body ground M16

OK or NG

- OK >> GO TO 2.
 NG >> Repair or replace ground connections.

2. CHECK AIR FUEL RATIO (A/F) SENSOR 1 POWER SUPPLY CIRCUIT

1. Disconnect air fuel ratio (A/F) sensor 1 harness connector.



DTC P0130, P0150 A/F SENSOR 1

[VK45DE]

< SERVICE INFORMATION >

↶ : Vehicle front

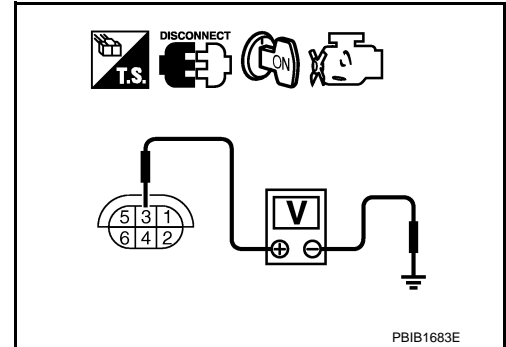
1. A/F sensor 1 (bank 2) harness connector
2. A/F sensor 1 (bank 1) harness connector

2. Turn ignition switch ON.
3. Check voltage between A/F sensor 1 terminal 3 and ground with CONSULT-III or tester.

Voltage: Battery voltage

OK or NG

- OK >> GO TO 4.
NG >> GO TO 3.



3. DETECT MALFUNCTIONING PART

Check the following.

- Harness connectors E12, F3
- IPDM E/R harness connector E7
- 15A fuse
- Harness for open or short between A/F sensor 1 and fuse

>> Repair or replace harness or connectors.

4. CHECK A/F SENSOR 1 INPUT SIGNAL CIRCUIT FOR OPEN AND SHORT

1. Turn ignition switch OFF.
2. Disconnect ECM harness connector.
3. Check harness continuity between A/F sensor 1 terminal and ECM terminal as follows. Refer to Wiring Diagram.

	A/F sensor 1 terminal	ECM terminal
Bank 1	1	16
	2	75
	5	35
	6	56
Bank 2	1	76
	2	77
	5	57
	6	58

Continuity should exist.

4. Check harness continuity between the following terminals and ground. Refer to Wiring Diagram.

Bank 1		Bank 2	
A/F sensor 1 terminal	ECM terminal	A/F sensor 1 terminal	ECM terminal
1	16	1	76
2	75	2	77
5	35	5	57
6	56	6	58

Continuity should not exist.

DTC P0130, P0150 A/F SENSOR 1

[VK45DE]

< SERVICE INFORMATION >

5. Also check harness for short to power.

OK or NG

OK >> GO TO 5.

NG >> Repair open circuit or short to ground or short to power in harness or connectors.

5. CHECK INTERMITTENT INCIDENT

Perform [EC-763, "Diagnosis Procedure"](#).

OK or NG

OK >> GO TO 6.

NG >> Repair or replace.

6. REPLACE AIR FUEL RATIO (A/F) SENSOR 1

Replace malfunctioning air fuel ratio (A/F) sensor 1.

CAUTION:

- Discard any A/F sensor which has been dropped from a height of more than 0.5 m (19.7 in) onto a hard surface such as a concrete floor; use a new one.
- Before installing new A/F sensor, clean exhaust system threads using Oxygen Sensor Thread Cleaner tool J-43897-18 or J-43897-12 and approved anti-seize lubricant.

>> INSPECTION END

Removal and Installation

INFOID:000000002954872

AIR FUEL RATIO (A/F) SENSOR 1

Refer to [EM-181](#).

A
EC
C
D
E
F
G
H
I
J
K
L
M
N
O
P

DTC P0131, P0151 A/F SENSOR 1

< SERVICE INFORMATION >

[VK45DE]

DTC P0131, P0151 A/F SENSOR 1

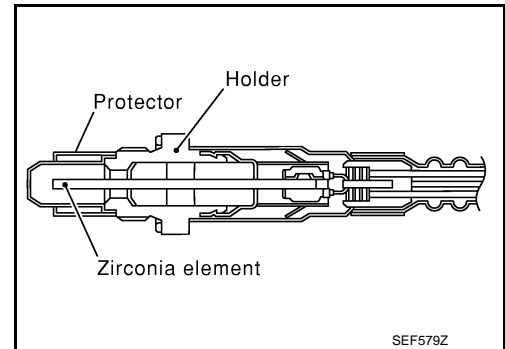
Component Description

INFOID:000000002954873

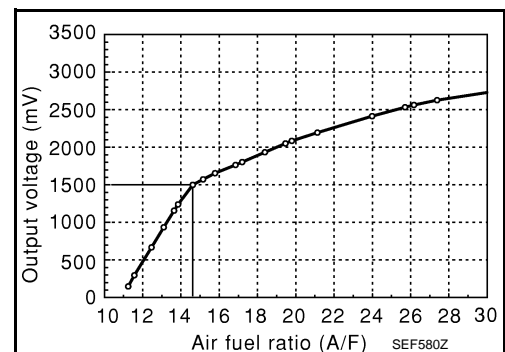
The air fuel ratio (A/F) sensor 1 is a planar dual-cell limit current sensor. The sensor element of the A/F sensor 1 is the combination of a Nernst concentration cell (sensor cell) with an oxygen-pump cell, which transports ions. It has a heater in the element.

The sensor is capable of precise measurement $\lambda = 1$, but also in the lean and rich range. Together with its control electronics, the sensor outputs a clear, continuous signal throughout a wide λ range ($0.7 < \lambda < \text{air}$).

The exhaust gas components diffuse through the diffusion gap at the electrode of the oxygen pump and Nernst concentration cell, where they are brought to thermodynamic balance.



An electronic circuit controls the pump current through the oxygen-pump cell so that the composition of the exhaust gas in the diffusion gap remains constant at $\lambda = 1$. Therefore, the A/F sensor 1 is able to indicate air/fuel ratio by this pumping of current. In addition, a heater is integrated in the sensor to ensure the required operating temperature of 700 - 800°C (1,292 - 1,472°F).



CONSULT-III Reference Value in Data Monitor Mode

INFOID:000000002954874

Specification data are reference values.

MONITOR ITEM	CONDITION		SPECIFICATION
A/F SEN1 (B1) A/F SEN1 (B2)	• Engine: After warming up	Maintaining engine speed at 2,000 rpm	Fluctuates around 1.5 V

On Board Diagnosis Logic

INFOID:000000002954875

To judge the malfunction, the diagnosis checks that the A/F signal computed by ECM from the A/F sensor 1 signal is not inordinately low.

DTC No.	Trouble diagnosis name	DTC detecting condition	Possible Cause
P0131 0131 (Bank 1)	Air fuel ratio (A/F) sensor 1 circuit low voltage	• The A/F signal computed by ECM from the A/F sensor 1 signal is constantly approx. 0V.	<ul style="list-style-type: none"> • Harness or connectors (The A/F sensor 1 circuit is open or shorted.) • A/F sensor 1
P0151 0151 (Bank 2)			

DTC Confirmation Procedure

INFOID:000000002954876

NOTE:

If DTC Confirmation Procedure has been previously conducted, always turn ignition switch OFF and wait at least 10 seconds before conducting the next test.

TESTING CONDITION:

Before performing the following procedure, confirm that battery voltage is more than 10.5V at idle.

Ⓜ WITH CONSULT-III

1. Start engine and warm it up to normal operating temperature.

DTC P0131, P0151 A/F SENSOR 1

[VK45DE]

< SERVICE INFORMATION >

2. Select "A/F SEN1 (B1)" or "A/F SEN1 (B2)" in "DATA MONITOR" mode with CONSULT-III.
3. Check "A/F SEN1 (B1)" or "A/F SEN1 (B2)" indication.
If the indication is constantly approx. 0V, go to [EC-861, "Diagnosis Procedure"](#).
If the indication is not constantly approx. 0V, go to next step.
4. Turn ignition switch OFF, wait at least 10 seconds and then restart engine.
5. Drive and accelerate vehicle to more than 40 km/h (25 MPH) within 20 seconds after restarting engine.
6. Maintain the following conditions for about 20 consecutive seconds.

ENG SPEED	1,000 - 3,200 rpm
VHCL SPEED SE	More than 40 km/h (25 MPH)
B/FUEL SCHDL	1.5 - 9.0 msec
Gear position	Suitable position

NOTE:

- Keep the accelerator pedal as steady as possible during the cruising.
 - If this procedure is not completed within 1 minute after restarting engine at step 4, return to step 4.
7. Check 1st trip DTC.
 8. If 1st trip DTC is displayed, go to [EC-861, "Diagnosis Procedure"](#).

WITH GST

Follow the procedure "WITH CONSULT-III" above.

A
EC
C
D
E
F
G
H
I
J
K
L
M
N
O
P

DTC P0131, P0151 A/F SENSOR 1

[VK45DE]

< SERVICE INFORMATION >

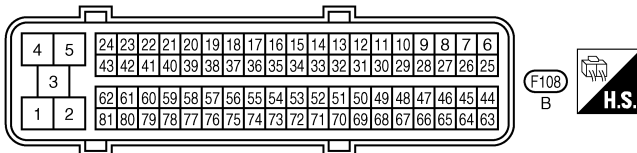
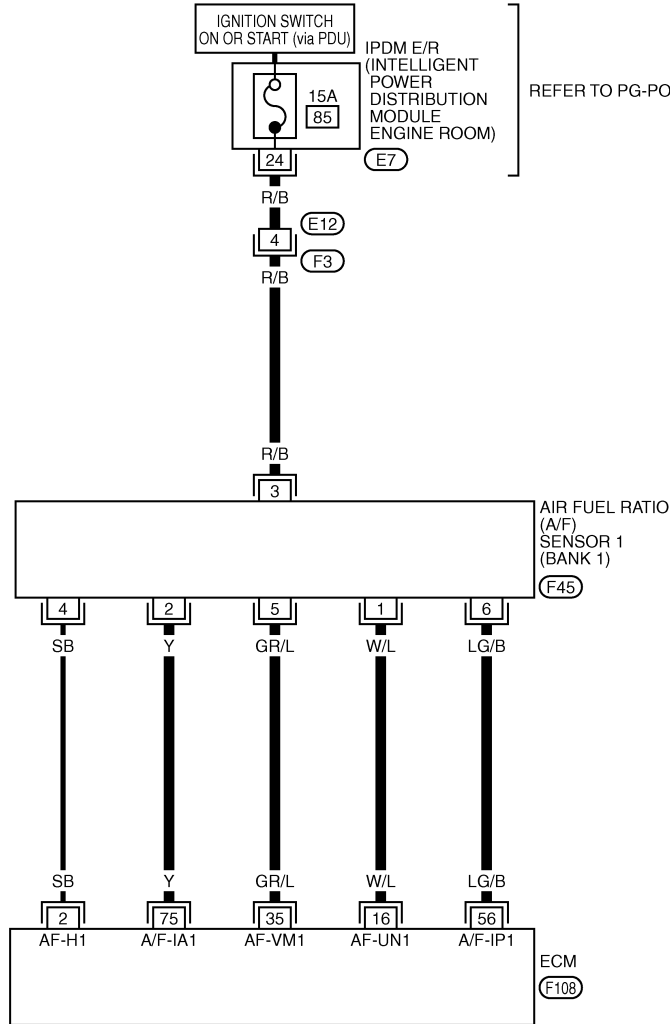
Wiring Diagram

INFOID:00000002954877

BANK 1

EC-AF1B1-01

— : DETECTABLE LINE FOR DTC
 - - - : NON-DETECTABLE LINE FOR DTC



TBWT1046E

Specification data are reference values and are measured between each terminal and ground.
 Pulse signal is measured by CONSULT-III.

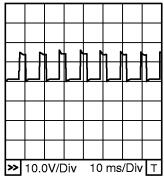
CAUTION:

DTC P0131, P0151 A/F SENSOR 1

< SERVICE INFORMATION >

[VK45DE]

Do not use ECM ground terminals when measuring input/output voltage. Doing so may result in damage to the ECM's transistor. Use a ground other than ECM terminals, such as the ground.

TER-MI-NAL NO.	WIRE COLOR	ITEM	CONDITION	DATA (DC Voltage)
2	SB	A/F sensor 1 heater (bank 1)	[Engine is running] <ul style="list-style-type: none"> • Warm-up condition • Idle speed 	Approximately 5V★ 
16	W/L	A/F sensor 1 (bank 1)	[Engine is running] <ul style="list-style-type: none"> • Warm-up condition • Idle speed 	Approximately 3.1V
35	GR/L			Approximately 2.6V
56	LG/B			Approximately 2.3V
75	Y			Approximately 2.3V

★: Average voltage for pulse signal (Actual pulse signal can be confirmed by oscilloscope.)

A
EC
C
D
E
F
G
H
I
J
K
L
M
N
O
P

DTC P0131, P0151 A/F SENSOR 1

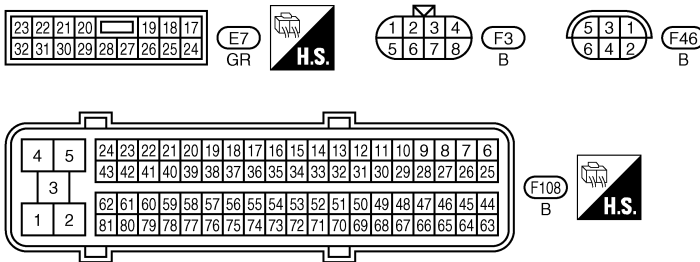
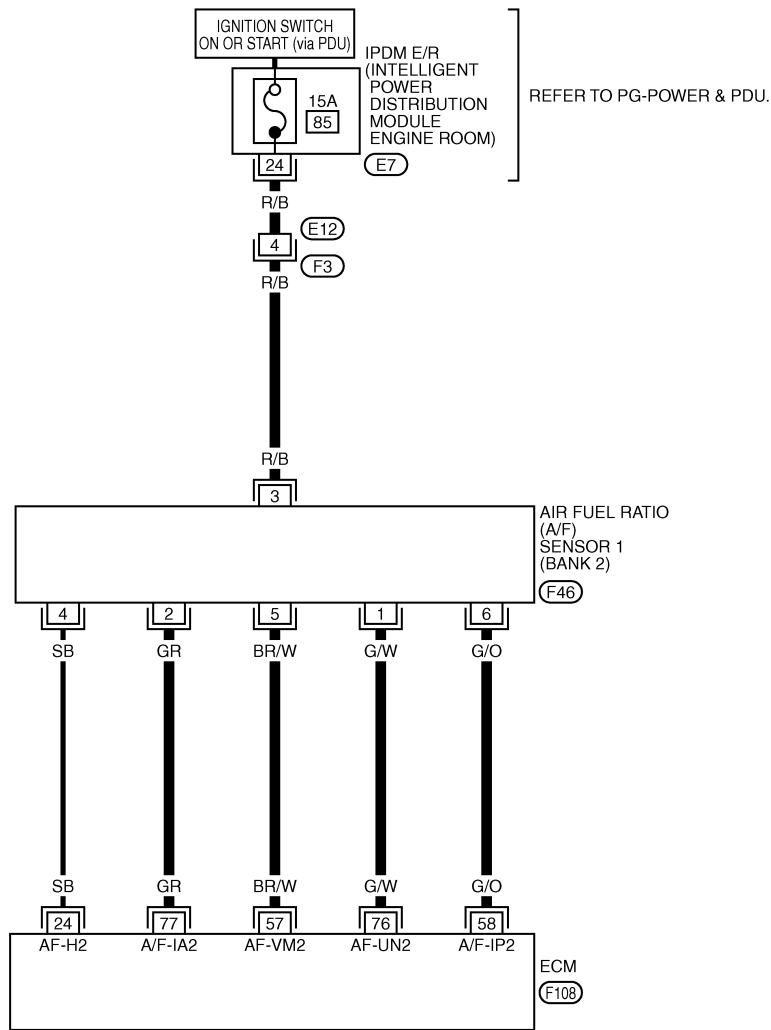
[VK45DE]

< SERVICE INFORMATION >

BANK 2

EC-AF1B2-01

— : DETECTABLE LINE FOR DTC
 - - - : NON-DETECTABLE LINE FOR DTC



TBWT1047E

Specification data are reference values and are measured between each terminal and ground. Pulse signal is measured by CONSULT-III.

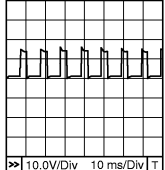
CAUTION:

Do not use ECM ground terminals when measuring input/output voltage. Doing so may result in damage to the ECM's transistor. Use a ground other than ECM terminals, such as the ground.

DTC P0131, P0151 A/F SENSOR 1

< SERVICE INFORMATION >

[VK45DE]

TER-MI-NAL NO.	WIRE COLOR	ITEM	CONDITION	DATA (DC Voltage)
24	SB	A/F sensor 1 heater (bank 2)	[Engine is running] <ul style="list-style-type: none"> • Warm-up condition • Idle speed 	Approximately 5V★ 
57	BR/W	A/F sensor 1 (bank 2)	[Engine is running] <ul style="list-style-type: none"> • Warm-up condition • Idle speed 	Approximately 2.6V
58	G/O			Approximately 2.3V
76	G/W			Approximately 3.1V
77	GR			Approximately 2.3V

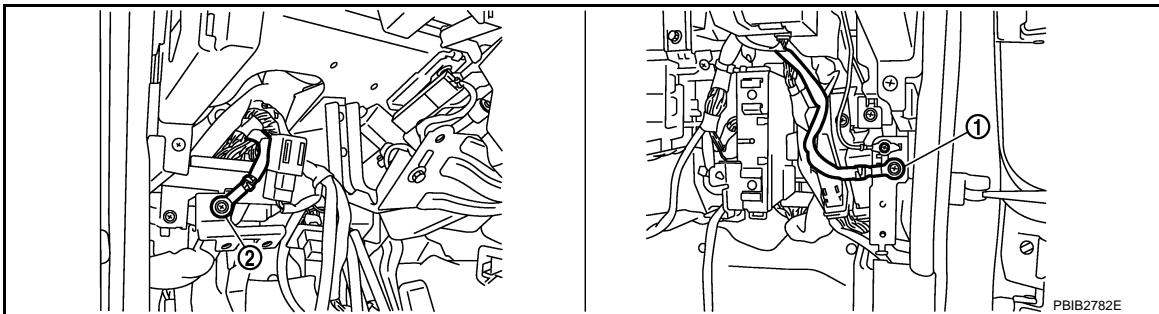
★: Average voltage for pulse signal (Actual pulse signal can be confirmed by oscilloscope.)

Diagnosis Procedure

INFOID:000000002954878

1. CHECK GROUND CONNECTIONS

1. Turn ignition switch OFF.
2. Loosen and retighten ground screws on the body.
Refer to [EC-769, "Ground Inspection"](#).



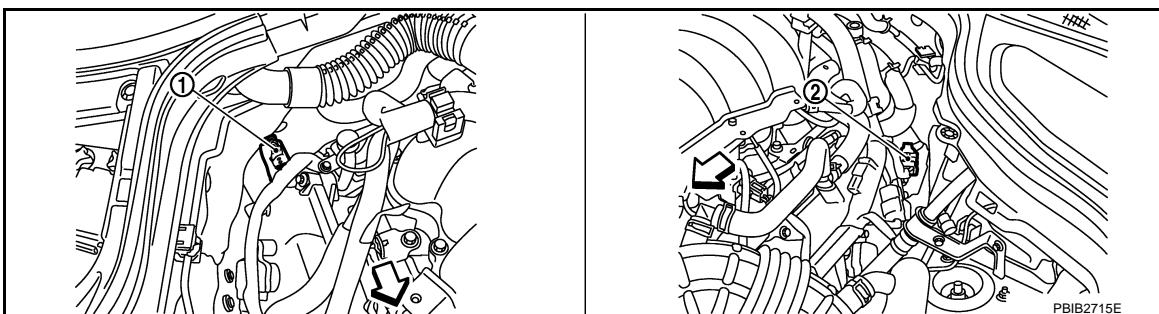
1. Body ground M70
2. Body ground M16

OK or NG

- OK >> GO TO 2.
 NG >> Repair or replace ground connections.

2. CHECK AIR FUEL RATIO (A/F) SENSOR 1 POWER SUPPLY CIRCUIT

1. Disconnect air fuel ratio (A/F) sensor 1 harness connector.



DTC P0131, P0151 A/F SENSOR 1

[VK45DE]

< SERVICE INFORMATION >

↶ : Vehicle front

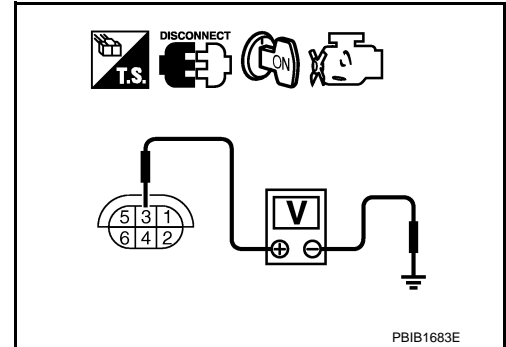
1. A/F sensor 1 (bank 2) harness connector
2. A/F sensor 1 (bank 1) harness connector

2. Turn ignition switch ON.
3. Check voltage between A/F sensor 1 terminal 3 and ground with CONSULT-III or tester.

Voltage: Battery voltage

OK or NG

- OK >> GO TO 4.
NG >> GO TO 3.



3. DETECT MALFUNCTIONING PART

Check the following.

- Harness connectors E12, F3
- IPDM E/R harness connector E7
- 15A fuse
- Harness for open or short between A/F sensor 1 and fuse

>> Repair or replace harness or connectors.

4. CHECK A/F SENSOR 1 INPUT SIGNAL CIRCUIT FOR OPEN AND SHORT

1. Turn ignition switch OFF.
2. Disconnect ECM harness connector.
3. Check harness continuity between A/F sensor 1 terminal and ECM terminal as follows. Refer to Wiring Diagram.

	A/F sensor 1 terminal	ECM terminal
Bank 1	1	16
	2	75
	5	35
	6	56
Bank 2	1	76
	2	77
	5	57
	6	58

Continuity should exist.

4. Check harness continuity between the following terminals and ground. Refer to Wiring Diagram.

Bank 1		Bank 2	
A/F sensor 1 terminal	ECM terminal	A/F sensor 1 terminal	ECM terminal
1	16	1	76
2	75	2	77
5	35	5	57
6	56	6	58

Continuity should not exist.

DTC P0131, P0151 A/F SENSOR 1

[VK45DE]

< SERVICE INFORMATION >

5. Also check harness for short to power.

OK or NG

OK >> GO TO 5.

NG >> Repair open circuit or short to ground or short to power in harness or connectors.

5. CHECK INTERMITTENT INCIDENT

Perform [EC-763, "Diagnosis Procedure"](#).

OK or NG

OK >> GO TO 6.

NG >> Repair or replace.

6. REPLACE AIR FUEL RATIO (A/F) SENSOR 1

Replace malfunctioning air fuel ratio (A/F) sensor 1.

CAUTION:

- Discard any A/F sensor which has been dropped from a height of more than 0.5 m (19.7 in) onto a hard surface such as a concrete floor; use a new one.
- Before installing new A/F sensor, clean exhaust system threads using Oxygen Sensor Thread Cleaner tool J-43897-18 or J-43897-12 and approved anti-seize lubricant.

>> INSPECTION END

Removal and Installation

INFOID:000000002954879

AIR FUEL RATIO (A/F) SENSOR 1

Refer to [EM-181](#).

A
EC
C
D
E
F
G
H
I
J
K
L
M
N
O
P

DTC P0132, P0152 A/F SENSOR 1

< SERVICE INFORMATION >

[VK45DE]

DTC P0132, P0152 A/F SENSOR 1

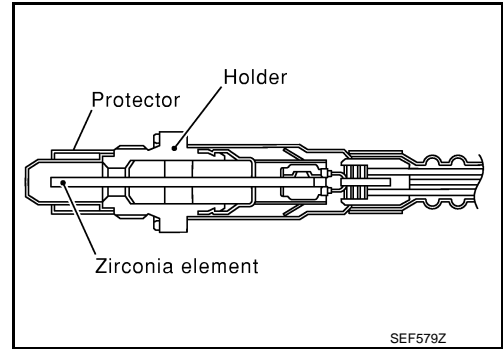
Component Description

INFOID:000000002954880

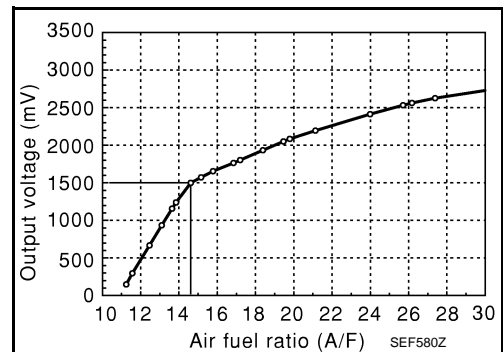
The air fuel ratio (A/F) sensor 1 is a planar dual-cell limit current sensor. The sensor element of the A/F sensor 1 is the combination of a Nernst concentration cell (sensor cell) with an oxygen-pump cell, which transports ions. It has a heater in the element.

The sensor is capable of precise measurement $\lambda = 1$, but also in the lean and rich range. Together with its control electronics, the sensor outputs a clear, continuous signal throughout a wide λ range ($0.7 < \lambda < \text{air}$).

The exhaust gas components diffuse through the diffusion gap at the electrode of the oxygen pump and Nernst concentration cell, where they are brought to thermodynamic balance.



An electronic circuit controls the pump current through the oxygen-pump cell so that the composition of the exhaust gas in the diffusion gap remains constant at $\lambda = 1$. Therefore, the A/F sensor 1 is able to indicate air/fuel ratio by this pumping of current. In addition, a heater is integrated in the sensor to ensure the required operating temperature of 700 - 800°C (1,292 - 1,472°F).



CONSULT-III Reference Value in Data Monitor Mode

INFOID:000000002954881

Specification data are reference values.

MONITOR ITEM	CONDITION		SPECIFICATION
A/F SEN1 (B1) A/F SEN1 (B2)	• Engine: After warming up	Maintaining engine speed at 2,000 rpm	Fluctuates around 1.5 V

On Board Diagnosis Logic

INFOID:000000002954882

To judge the malfunction, the diagnosis checks that the A/F signal computed by ECM from the A/F sensor 1 signal is not inordinately high.

DTC No.	Trouble diagnosis name	DTC detecting condition	Possible Cause
P0132 0132 (Bank 1) P0152 0152 (Bank 2)	Air fuel ratio (A/F) sensor 1 circuit high voltage	• The A/F signal computed by ECM from the A/F sensor 1 signal is constantly approx. 5V.	<ul style="list-style-type: none"> • Harness or connectors (The A/F sensor 1 circuit is open or shorted.) • A/F sensor 1

DTC Confirmation Procedure

INFOID:000000002954883

NOTE:

If DTC Confirmation Procedure has been previously conducted, always turn ignition switch OFF and wait at least 10 seconds before conducting the next test.

TESTING CONDITION:

Before performing the following procedure, confirm that battery voltage is more than 10.5V at idle.

Ⓜ WITH CONSULT-III

1. Start engine and warm it up to normal operating temperature.

DTC P0132, P0152 A/F SENSOR 1

[VK45DE]

< SERVICE INFORMATION >

2. Select "A/F SEN1 (B1)" or "A/F SEN1 (B2)" in "DATA MONITOR" mode with CONSULT-III.
3. Check "A/F SEN1 (B1)" or "A/F SEN1 (B2)" indication.
If the indication is constantly approx. 5V, go to [EC-869. "Diagnosis Procedure"](#).
If the indication is not constantly approx. 5V, go to next step.
4. Turn ignition switch OFF, wait at least 10 seconds and then restart engine.
5. Drive and accelerate vehicle to more than 40 km/h (25 MPH) within 20 seconds after restarting engine.
6. Maintain the following conditions for about 20 consecutive seconds.

ENG SPEED	1,000 - 3,200 rpm
VHCL SPEED SE	More than 40 km/h (25 MPH)
B/FUEL SCHDL	1.5 - 9.0 msec
Gear position	Suitable position

NOTE:

- Keep the accelerator pedal as steady as possible during the cruising.
 - If this procedure is not completed within 1 minute after restarting engine at step 4, return to step 4.
7. Check 1st trip DTC.
 8. If 1st trip DTC is displayed, go to [EC-869. "Diagnosis Procedure"](#).

WITH GST

Follow the procedure "WITH CONSULT-III" above.

A
EC
C
D
E
F
G
H
I
J
K
L
M
N
O
P

DTC P0132, P0152 A/F SENSOR 1

[VK45DE]

< SERVICE INFORMATION >

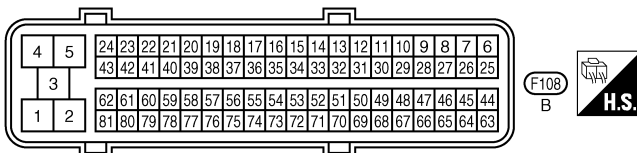
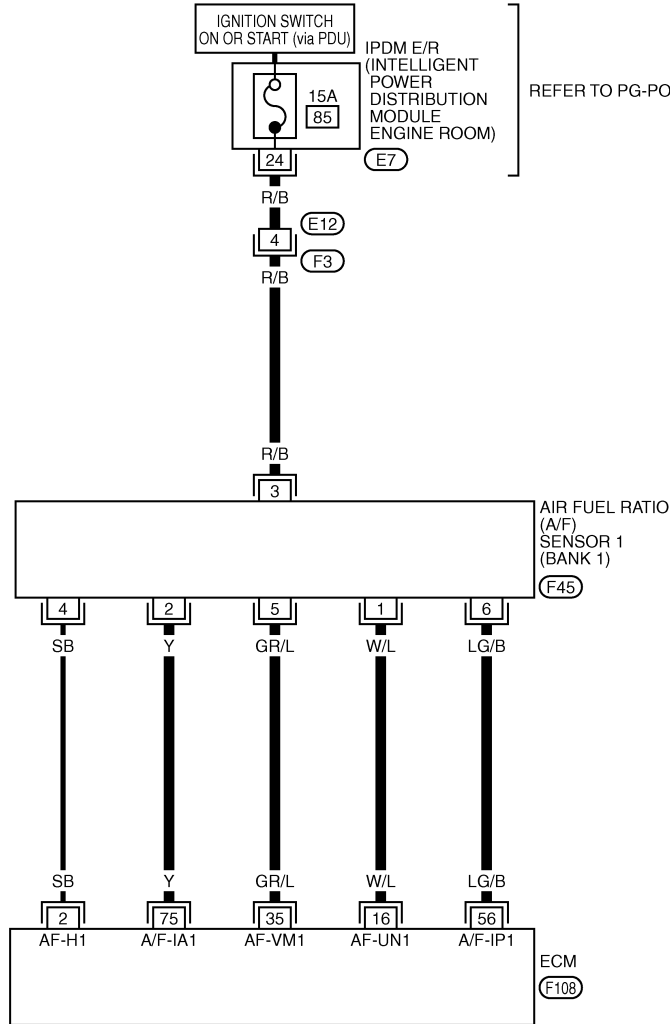
Wiring Diagram

INFOID:00000002954884

BANK 1

EC-AF1B1-01

— : DETECTABLE LINE FOR DTC
 - - - : NON-DETECTABLE LINE FOR DTC



TBWT1046E

Specification data are reference values and are measured between each terminal and ground. Pulse signal is measured by CONSULT-III.

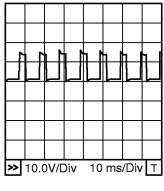
CAUTION:

DTC P0132, P0152 A/F SENSOR 1

< SERVICE INFORMATION >

[VK45DE]

Do not use ECM ground terminals when measuring input/output voltage. Doing so may result in damage to the ECM's transistor. Use a ground other than ECM terminals, such as the ground.

TER-MI-NAL NO.	WIRE COLOR	ITEM	CONDITION	DATA (DC Voltage)
2	SB	A/F sensor 1 heater (bank 1)	[Engine is running] <ul style="list-style-type: none"> • Warm-up condition • Idle speed 	Approximately 5V★ 
16	W/L	A/F sensor 1 (bank 1)	[Engine is running] <ul style="list-style-type: none"> • Warm-up condition • Idle speed 	Approximately 3.1V
35	GR/L			Approximately 2.6V
56	LG/B			Approximately 2.3V
75	Y			Approximately 2.3V

★: Average voltage for pulse signal (Actual pulse signal can be confirmed by oscilloscope.)

A
EC
C
D
E
F
G
H
I
J
K
L
M
N
O
P

DTC P0132, P0152 A/F SENSOR 1

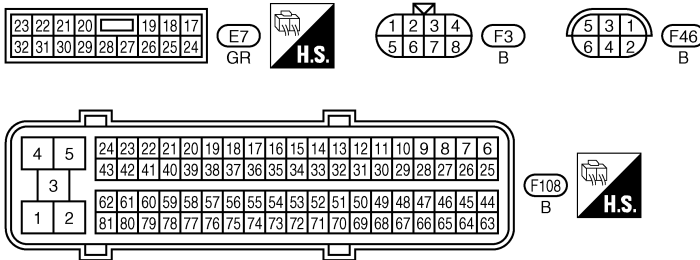
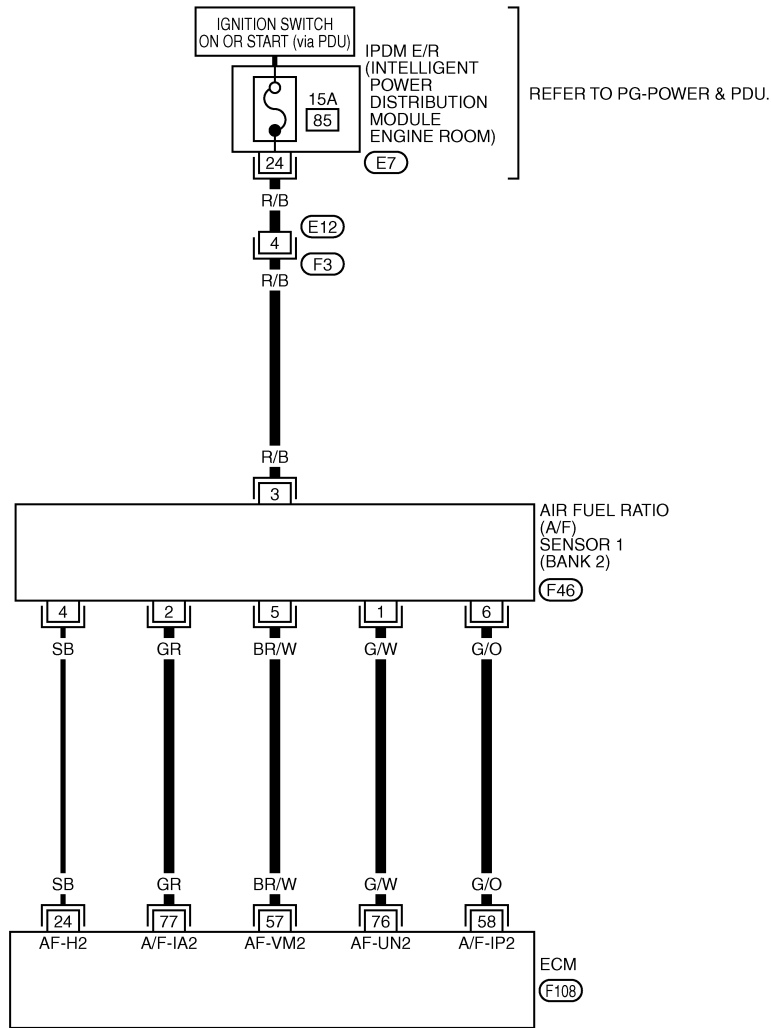
[VK45DE]

< SERVICE INFORMATION >

BANK 2

EC-AF1B2-01

— : DETECTABLE LINE FOR DTC
 - - - : NON-DETECTABLE LINE FOR DTC



TBWT1047E

Specification data are reference values and are measured between each terminal and ground. Pulse signal is measured by CONSULT-III.

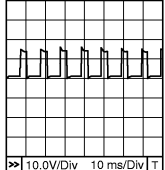
CAUTION:

Do not use ECM ground terminals when measuring input/output voltage. Doing so may result in damage to the ECM's transistor. Use a ground other than ECM terminals, such as the ground.

DTC P0132, P0152 A/F SENSOR 1

< SERVICE INFORMATION >

[VK45DE]

TER-MI-NAL NO.	WIRE COLOR	ITEM	CONDITION	DATA (DC Voltage)
24	SB	A/F sensor 1 heater (bank 2)	[Engine is running] <ul style="list-style-type: none"> • Warm-up condition • Idle speed 	Approximately 5V★  PBIB1584E
57	BR/W	A/F sensor 1 (bank 2)	[Engine is running] <ul style="list-style-type: none"> • Warm-up condition • Idle speed 	Approximately 2.6V
58	G/O			Approximately 2.3V
76	G/W			Approximately 3.1V
77	GR			Approximately 2.3V

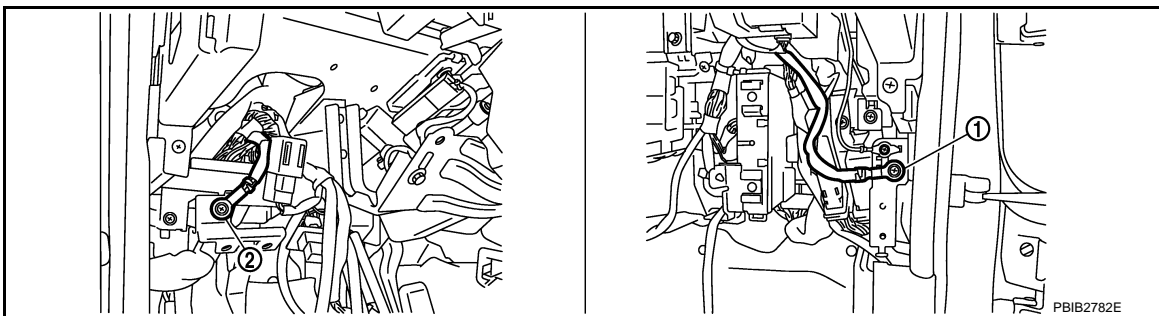
★: Average voltage for pulse signal (Actual pulse signal can be confirmed by oscilloscope.)

Diagnosis Procedure

INFOID:000000002954885

1. CHECK GROUND CONNECTIONS

1. Turn ignition switch OFF.
2. Loosen and retighten ground screws on the body.
Refer to [EC-769, "Ground Inspection"](#).



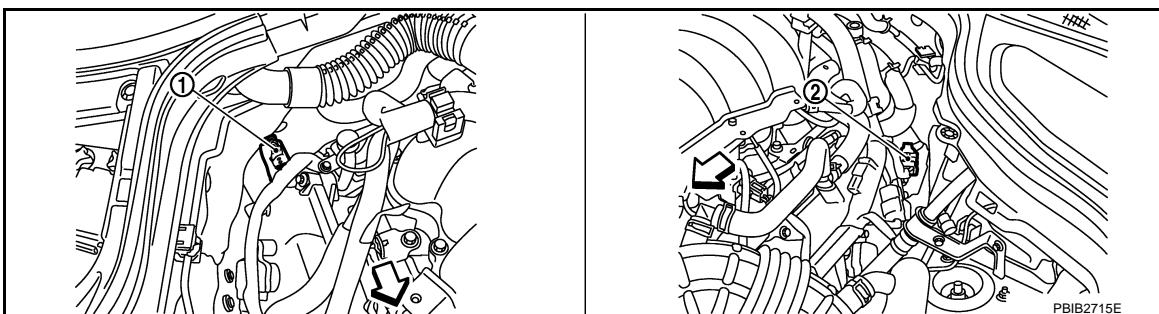
1. Body ground M70
2. Body ground M16

OK or NG

- OK >> GO TO 2.
 NG >> Repair or replace ground connections.

2. CHECK AIR FUEL RATIO (A/F) SENSOR 1 POWER SUPPLY CIRCUIT

1. Disconnect air fuel ratio (A/F) sensor 1 harness connector.



DTC P0132, P0152 A/F SENSOR 1

[VK45DE]

< SERVICE INFORMATION >

↶ : Vehicle front

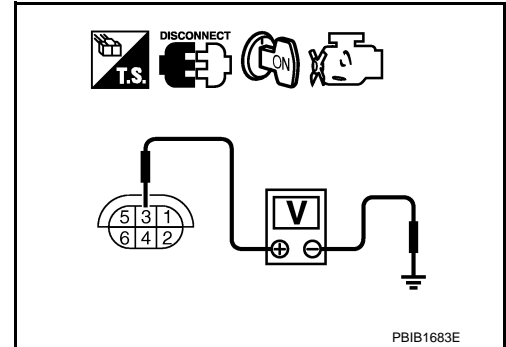
1. A/F sensor 1 (bank 2) harness connector
2. A/F sensor 1 (bank 1) harness connector

2. Turn ignition switch ON.
3. Check voltage between A/F sensor 1 terminal 3 and ground with CONSULT-III or tester.

Voltage: Battery voltage

OK or NG

- OK >> GO TO 4.
NG >> GO TO 3.



3. DETECT MALFUNCTIONING PART

Check the following.

- Harness connectors E12, F3
- IPDM E/R harness connector E7
- 15A fuse
- Harness for open or short between A/F sensor 1 and fuse

>> Repair or replace harness or connectors.

4. CHECK A/F SENSOR 1 INPUT SIGNAL CIRCUIT FOR OPEN AND SHORT

1. Turn ignition switch OFF.
2. Disconnect ECM harness connector.
3. Check harness continuity between A/F sensor 1 terminal and ECM terminal as follows. Refer to Wiring Diagram.

	A/F sensor 1 terminal	ECM terminal
Bank 1	1	16
	2	75
	5	35
	6	56
Bank 2	1	76
	2	77
	5	57
	6	58

Continuity should exist.

4. Check harness continuity between the following terminals and ground. Refer to Wiring Diagram.

Bank 1		Bank 2	
A/F sensor 1 terminal	ECM terminal	A/F sensor 1 terminal	ECM terminal
1	16	1	76
2	75	2	77
5	35	5	57
6	56	6	58

Continuity should not exist.

DTC P0132, P0152 A/F SENSOR 1

[VK45DE]

< SERVICE INFORMATION >

5. Also check harness for short to power.

OK or NG

OK >> GO TO 5.

NG >> Repair open circuit or short to ground or short to power in harness or connectors.

5. CHECK INTERMITTENT INCIDENT

Perform [EC-763, "Diagnosis Procedure"](#).

OK or NG

OK >> GO TO 6.

NG >> Repair or replace.

6. REPLACE AIR FUEL RATIO (A/F) SENSOR 1

Replace malfunctioning air fuel ratio (A/F) sensor 1.

CAUTION:

- Discard any A/F sensor which has been dropped from a height of more than 0.5 m (19.7 in) onto a hard surface such as a concrete floor; use a new one.
- Before installing new A/F sensor, clean exhaust system threads using Oxygen Sensor Thread Cleaner tool J-43897-18 or J-43897-12 and approved anti-seize lubricant.

>> INSPECTION END

Removal and Installation

INFOID:000000002954886

AIR FUEL RATIO (A/F) SENSOR 1

Refer to [EM-181](#).

A
EC
C
D
E
F
G
H
I
J
K
L
M
N
O
P

DTC P0133, P0153 A/F SENSOR 1

< SERVICE INFORMATION >

[VK45DE]

DTC P0133, P0153 A/F SENSOR 1

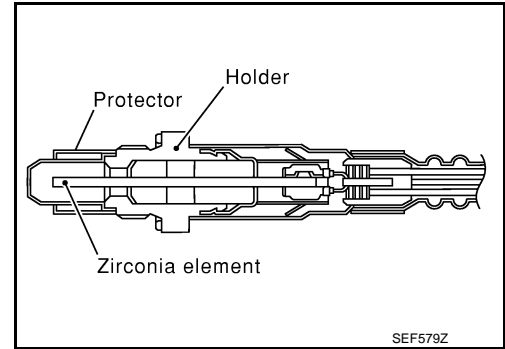
Component Description

INFOID:000000002954887

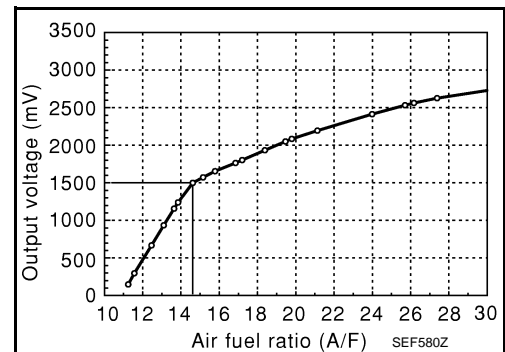
The air fuel ratio (A/F) sensor 1 is a planar dual-cell limit current sensor. The sensor element of the A/F sensor 1 is the combination of a Nernst concentration cell (sensor cell) with an oxygen-pump cell, which transports ions. It has a heater in the element.

The sensor is capable of precise measurement $\lambda = 1$, but also in the lean and rich range. Together with its control electronics, the sensor outputs a clear, continuous signal throughout a wide λ range ($0.7 < \lambda < \text{air}$).

The exhaust gas components diffuse through the diffusion gap at the electrode of the oxygen pump and Nernst concentration cell, where they are brought to thermodynamic balance.



An electronic circuit controls the pump current through the oxygen-pump cell so that the composition of the exhaust gas in the diffusion gap remains constant at $\lambda = 1$. Therefore, the A/F sensor 1 is able to indicate air/fuel ratio by this pumping of current. In addition, a heater is integrated in the sensor to ensure the required operating temperature of 700 - 800°C (1,292 - 1,472°F).



CONSULT-III Reference Value in Data Monitor Mode

INFOID:000000002954888

Specification data are reference values.

MONITOR ITEM	CONDITION		SPECIFICATION
A/F SEN1 (B1) A/F SEN1 (B2)	• Engine: After warming up	Maintaining engine speed at 2,000 rpm	Fluctuates around 1.5 V

On Board Diagnosis Logic

INFOID:000000002954889

To judge the malfunction of A/F sensor 1, this diagnosis measures response time of the A/F signal computed by ECM from the A/F sensor 1 signal. The time is compensated by engine operating (speed and load), fuel feedback control constant, and the A/F sensor 1 temperature index. Judgment is based on whether the compensated time (the A/F signal cycling time index) is inordinately long or not.

DTC No.	Trouble diagnosis name	DTC detecting condition	Possible Cause
P0133 0133 (Bank 1)	Air fuel ratio (A/F) sensor 1 circuit slow response	• The response of the A/F signal computed by ECM from A/F sensor 1 signal takes more than the specified time.	<ul style="list-style-type: none"> • Harness or connectors (The A/F sensor 1 circuit is open or shorted.) • A/F sensor 1 • A/F sensor 1 heater • Fuel pressure • Fuel injector • Intake air leaks • Exhaust gas leaks • PCV • Mass air flow sensor
P0153 0153 (Bank 2)			

DTC Confirmation Procedure

INFOID:000000002954890

NOTE:

If DTC Confirmation Procedure has been previously conducted, always turn ignition switch OFF and wait at least 10 seconds before conducting the next test.

DTC P0133, P0153 A/F SENSOR 1

< SERVICE INFORMATION >

[VK45DE]

TESTING CONDITION:

Before performing the following procedure, confirm that battery voltage is more than 11V at idle.

WITH CONSULT-III

1. Start engine and warm it up to normal operating temperature.
2. Turn ignition switch OFF and wait at least 10 seconds.
3. Start engine and keep the engine speed between 3,500 and 4,000 rpm for at least 1 minute under no load.
4. Let engine idle for 1 minute.
5. Select "A/F SEN1(B1) P1278/P1279" (for DTC P0133) or "A/F SEN1(B2) P1288/P1289" (for DTC P0153) of "A/F SEN1" in "DTC WORK SUPPORT" mode with CONSULT-III.
6. Touch "START".
If "COMPLETED" appears on CONSULT-III screen, go to step 10.
If "COMPLETED" does not appear on CONSULT-III screen, go to the following step.
7. After perform the following procedure, "TESTING" will be displayed on the CONSULT-III screen.
 - a. Increase the engine speed up to 4,000 to 5,000 rpm and keep it for 10 seconds.
 - b. Fully release accelerator pedal and then let engine idle for about 10 seconds.
If "TESTING" is not displayed after 10 seconds, refer to [EC-755, "Inspection Procedure"](#).
8. Wait for about 20 seconds at idle at under the condition that "TESTING" is displayed on the CONSULT-III screen.
9. Make sure that "TESTING" changes to "COMPLETED".
If "TESTING" changed to "OUT OF CONDITION", refer to [EC-755, "Inspection Procedure"](#).
10. Make sure that "OK" is displayed after touching "SELF-DIAG RESULT".
If "NG" is displayed, go to [EC-877, "Diagnosis Procedure"](#).

WITH GST

1. Start engine and warm it up to normal operating temperature.
2. Select Service \$01 with GST.
3. Calculate the total value of "Short term fuel trim" and "Long term fuel trim" indications.
Make sure that the total percentage should be within $\pm 15\%$.
If OK, go to the following step.
If NG, check the following.
 - Intake air leaks
 - Exhaust gas leaks
 - Incorrect fuel pressure
 - Lack of fuel
 - Fuel injector
 - Incorrect PCV hose connection
 - PCV valve
 - Mass air flow sensor
4. Turn ignition switch OFF and wait at least 10 seconds.
5. Start engine and keep the engine speed between 3,500 and 4,000 rpm for at least 1 minute under no load.
6. Let engine idle for 1 minute.
7. Increase the engine speed up to 4,000 to 5,000 rpm and keep it for 10 seconds.
8. Fully release accelerator pedal and then let engine idle for about 1 minute.
9. Check 1st trip DTC.
10. If 1st trip DTC is displayed, go to [EC-877, "Diagnosis Procedure"](#).

DTC P0133, P0153 A/F SENSOR 1

[VK45DE]

< SERVICE INFORMATION >

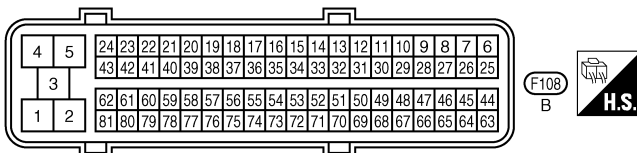
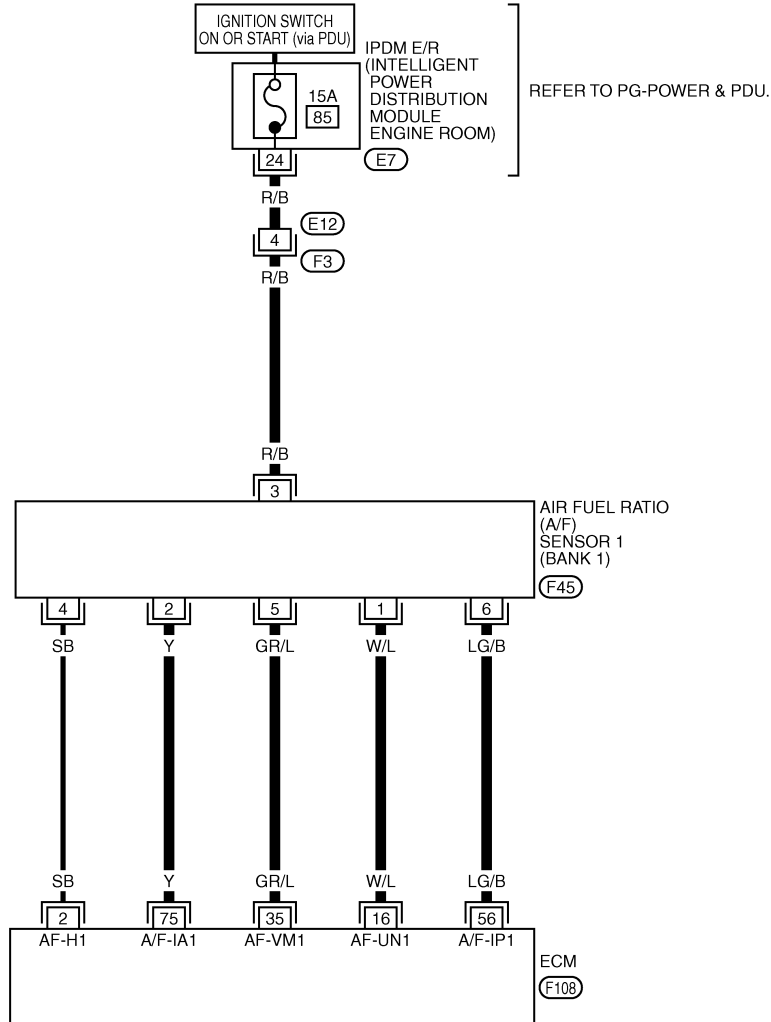
Wiring Diagram

INFOID:00000002954891

BANK 1

EC-AF1B1-01

— : DETECTABLE LINE FOR DTC
 - - - : NON-DETECTABLE LINE FOR DTC



TBWT1046E

Specification data are reference values and are measured between each terminal and ground. Pulse signal is measured by CONSULT-III.

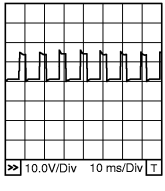
CAUTION:

DTC P0133, P0153 A/F SENSOR 1

< SERVICE INFORMATION >

[VK45DE]

Do not use ECM ground terminals when measuring input/output voltage. Doing so may result in damage to the ECM's transistor. Use a ground other than ECM terminals, such as the ground.

TER-MI-NAL NO.	WIRE COLOR	ITEM	CONDITION	DATA (DC Voltage)
2	SB	A/F sensor 1 heater (bank 1)	[Engine is running] <ul style="list-style-type: none"> • Warm-up condition • Idle speed 	Approximately 5V★ 
16	W/L	A/F sensor 1 (bank 1)	[Engine is running] <ul style="list-style-type: none"> • Warm-up condition • Idle speed 	Approximately 3.1V
35	GR/L			Approximately 2.6V
56	LG/B			Approximately 2.3V
75	Y			Approximately 2.3V

★: Average voltage for pulse signal (Actual pulse signal can be confirmed by oscilloscope.)

A
EC
C
D
E
F
G
H
I
J
K
L
M
N
O
P

DTC P0133, P0153 A/F SENSOR 1

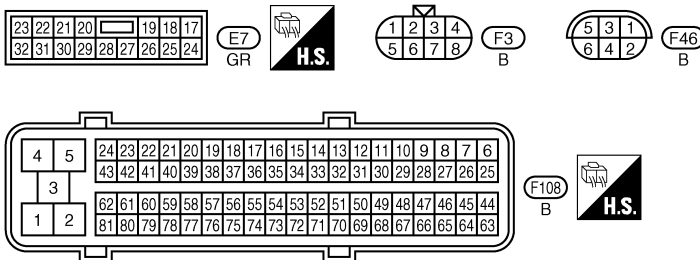
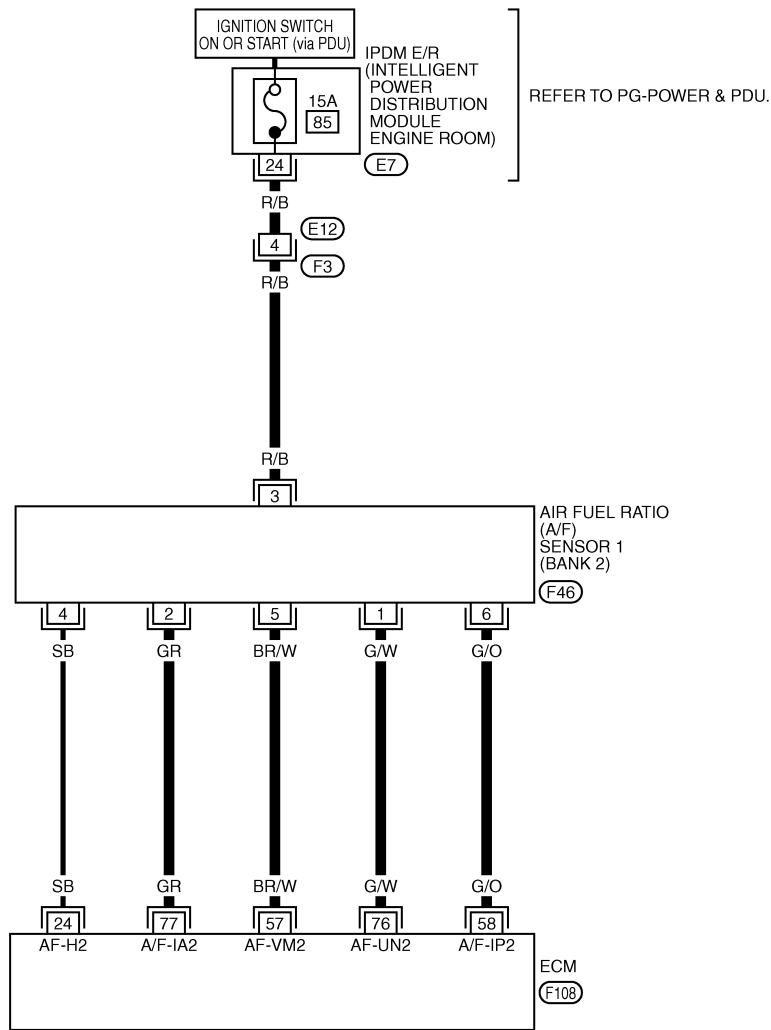
[VK45DE]

< SERVICE INFORMATION >

BANK 2

EC-AF1B2-01

— : DETECTABLE LINE FOR DTC
 - - - : NON-DETECTABLE LINE FOR DTC



TBWT1047E

Specification data are reference values and are measured between each terminal and ground. Pulse signal is measured by CONSULT-III.

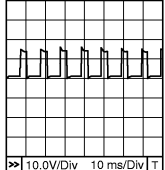
CAUTION:

Do not use ECM ground terminals when measuring input/output voltage. Doing so may result in damage to the ECM's transistor. Use a ground other than ECM terminals, such as the ground.

DTC P0133, P0153 A/F SENSOR 1

< SERVICE INFORMATION >

[VK45DE]

TER-MI-NAL NO.	WIRE COLOR	ITEM	CONDITION	DATA (DC Voltage)
24	SB	A/F sensor 1 heater (bank 2)	[Engine is running] <ul style="list-style-type: none"> • Warm-up condition • Idle speed 	Approximately 5V★ 
57	BR/W	A/F sensor 1 (bank 2)	[Engine is running] <ul style="list-style-type: none"> • Warm-up condition • Idle speed 	Approximately 2.6V
58	G/O			Approximately 2.3V
76	G/W			Approximately 3.1V
77	GR			Approximately 2.3V

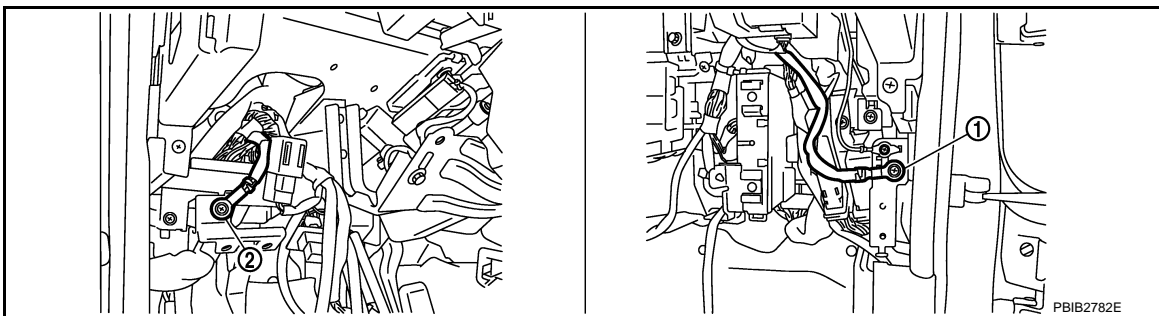
★: Average voltage for pulse signal (Actual pulse signal can be confirmed by oscilloscope.)

Diagnosis Procedure

INFOID:000000002954892

1. CHECK GROUND CONNECTIONS

1. Turn ignition switch OFF.
2. Loosen and retighten ground screws on the body.
Refer to [EC-769, "Ground Inspection"](#).



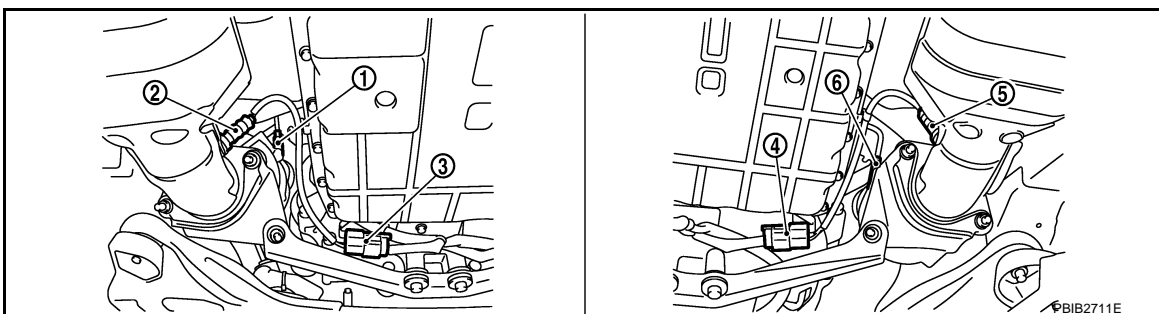
1. Body ground M70
2. Body ground M16

OK or NG

- OK >> GO TO 2.
 NG >> Repair or replace ground connections.

2. RETIGHTEN AIR FUEL RATIO (A/F) SENSOR 1

1. Loosen and retighten the air fuel ratio (A/F) sensor 1.



DTC P0133, P0153 A/F SENSOR 1

[VK45DE]

< SERVICE INFORMATION >

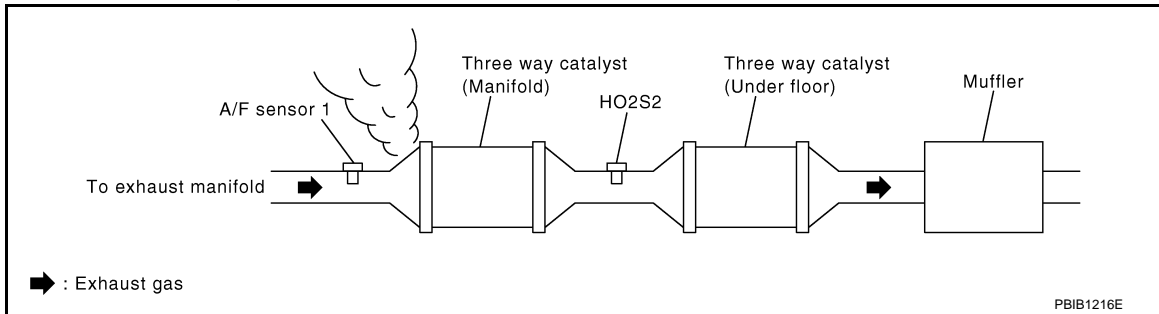
- | | | |
|--|------------------------------------|--|
| 1. A/F sensor 1 (bank 1) | 2. Heated oxygen sensor 2 (bank 1) | 3. Heated oxygen sensor 2 (bank 1) harness connector |
| 4. Heated oxygen sensor 2 (bank 2) harness connector | 5. Heated oxygen sensor 2 (bank 2) | 6. A/F sensor 1 (bank 2) |

Tightening torque: 50 N-m (5.1 kg-m, 37 ft-lb)

>> GO TO 3.

3. CHECK EXHAUST GAS LEAK

1. Start engine and run it at idle.
2. Listen for an exhaust gas leak before three way catalyst (manifold).



OK or NG

- OK >> GO TO 4.
NG >> Repair or replace.

4. CHECK FOR INTAKE AIR LEAK

Listen for an intake air leak after the mass air flow sensor.

OK or NG

- OK >> GO TO 5.
NG >> Repair or replace.

5. CLEAR THE SELF-LEARNING DATA

With CONSULT-III

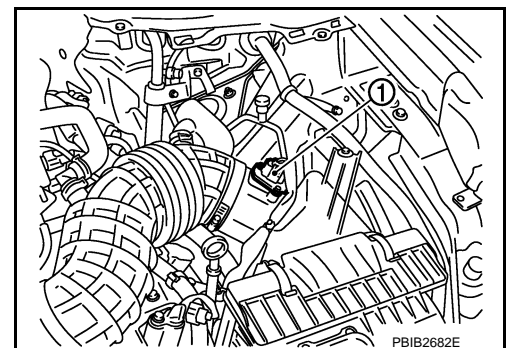
1. Start engine and warm it up to normal operating temperature.
 2. Select "SELF-LEARNING CONT" in "WORK SUPPORT" mode with CONSULT-III.
 3. Clear the self-learning control coefficient by touching "CLEAR" or "START".
 4. Run engine for at least 10 minutes at idle speed.
- Is the 1st trip DTC P0171, P172, P0174 or P0175 detected? Is it difficult to start engine?**

Without CONSULT-III

1. Start engine and warm it up to normal operating temperature.
 2. Turn ignition switch OFF.
 3. Disconnect mass air flow sensor (1) harness connector.
 4. Restart engine and let it idle for at least 5 seconds.
 5. Stop engine and reconnect mass air flow sensor harness connector.
 6. Make sure DTC P0102 is displayed.
 7. Erase the DTC.
 8. Make sure DTC P0000 is displayed.
 9. Run engine for at least 10 minutes at idle speed.
- Is the 1st trip DTC P0171, P0172, P0174 or P0175 detected?
Is it difficult to start engine?**

Yes or No

- Yes >> Perform trouble diagnosis for DTC P0171, P0174 or P0172, P0175. Refer to [EC-918. "Diagnosis Procedure"](#) or [EC-929. "Diagnosis Procedure"](#).
- No >> GO TO 6.



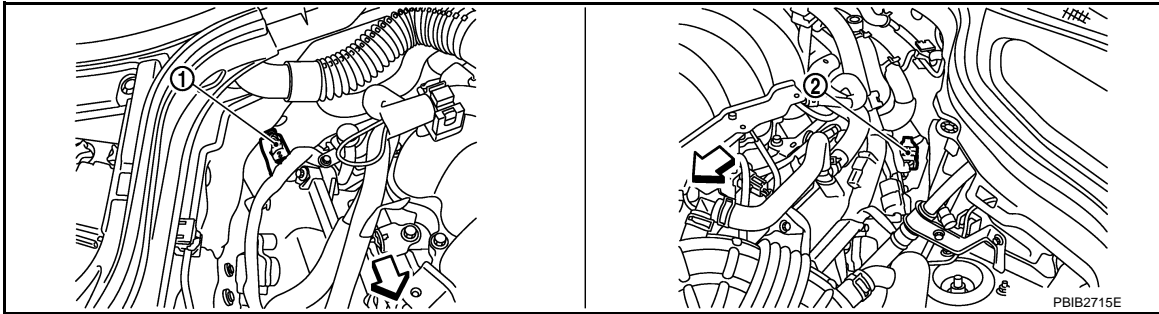
DTC P0133, P0153 A/F SENSOR 1

< SERVICE INFORMATION >

[VK45DE]

6. CHECK A/F SENSOR 1 POWER SUPPLY CIRCUIT

1. Disconnect A/F sensor 1 harness connector.



↶ : Vehicle front

1. A/F sensor 1 (bank 2) harness connector

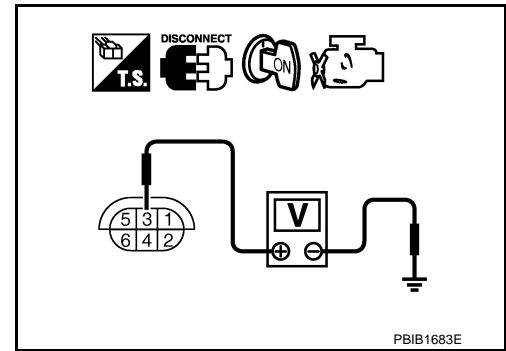
2. A/F sensor 1 (bank 1) harness connector

2. Turn ignition switch ON.
3. Check voltage between A/F sensor 1 terminal 3 and ground with CONSULT-III or tester.

Voltage: Battery voltage

OK or NG

- OK >> GO TO 8.
- NG >> GO TO 7.



7. DETECT MALFUNCTIONING PART

Check the following.

- Harness connectors E12, F3
- IPDM E/R harness connector E7
- 15A fuse
- Harness for open or short between A/F sensor 1 and fuse

>> Repair or replace harness or connectors.

8. CHECK A/F SENSOR 1 INPUT SIGNAL CIRCUIT FOR OPEN AND SHORT

1. Turn ignition switch OFF.
2. Disconnect ECM harness connector.
3. Check harness continuity between A/F sensor 1 terminal and ECM terminal as follows. Refer to Wiring Diagram.

	A/F sensor 1 terminal	ECM terminal
Bank 1	1	16
	2	75
	5	35
	6	56
Bank 2	1	76
	2	77
	5	57
	6	58

Continuity should exist.

DTC P0133, P0153 A/F SENSOR 1

[VK45DE]

< SERVICE INFORMATION >

4. Check harness continuity between the following terminals and ground.
Refer to Wiring Diagram.

Bank 1		Bank 2	
A/F sensor 1 terminal	ECM terminal	A/F sensor 1 terminal	ECM terminal
1	16	1	76
2	75	2	77
5	35	5	57
6	56	6	58

Continuity should not exist.

5. Also check harness for short to power.

OK or NG

OK >> GO TO 9.

NG >> Repair open circuit or short to ground or short to power in harness or connectors.

9. CHECK AIR FUEL RATIO (A/F) SENSOR 1 HEATER

Refer to [EC-791, "Component Inspection"](#).

OK or NG

OK >> GO TO 10.

NG >> GO TO 13.

10. CHECK MASS AIR FLOW SENSOR

Refer to [EC-812, "Component Inspection"](#).

OK or NG

OK >> GO TO 11.

NG >> Replace mass air flow sensor.

11. CHECK PCV VALVE

Refer to [EC-673, "Component Inspection"](#).

OK or NG

OK >> GO TO 12.

NG >> Repair or replace PCV valve.

12. CHECK INTERMITTENT INCIDENT

Perform [EC-763, "Diagnosis Procedure"](#).

OK or NG

OK >> GO TO 13.

NG >> Repair or replace.

13. REPLACE AIR FUEL RATIO (A/F) SENSOR 1

Replace malfunctioning air fuel ratio (A/F) sensor 1.

CAUTION:

- Discard any A/F sensor which has been dropped from a height of more than 0.5 m (19.7 in) onto a hard surface such as a concrete floor; use a new one.
- Before installing new A/F sensor, clean exhaust system threads using Oxygen Sensor Thread Cleaner tool J-43897-18 or J-43897-12 and approved anti-seize lubricant.

>> **INSPECTION END**

Removal and Installation

INFOID:000000002954893

AIR FUEL RATIO (A/F) SENSOR 1

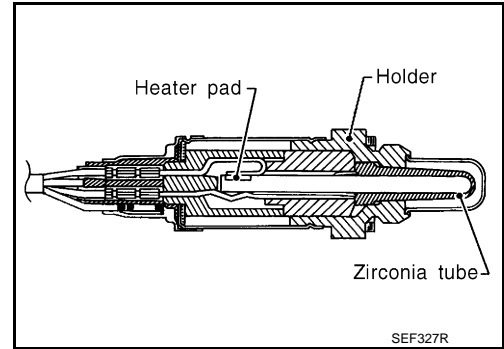
Refer to [EM-181](#).

DTC P0137, P0157 HO2S2

Component Description

INFOID:000000002954894

The heated oxygen sensor 2, after three way catalyst (manifold), monitors the oxygen level in the exhaust gas on each bank. Even if switching characteristics of the air fuel ratio (A/F) sensor 1 are shifted, the air-fuel ratio is controlled to stoichiometric, by the signal from the heated oxygen sensor 2. This sensor is made of ceramic zirconia. The zirconia generates voltage from approximately 1V in richer conditions to 0V in leaner conditions. Under normal conditions the heated oxygen sensor 2 is not used for engine control operation.



CONSULT-III Reference Value in Data Monitor Mode

INFOID:000000002954895

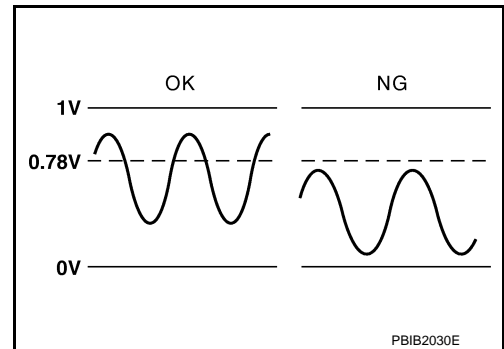
Specification data are reference values.

MONITOR ITEM	CONDITION	SPECIFICATION
HO2S2 (B1) HO2S2 (B2)	Revving engine from idle to 3,000 rpm quickly after the following conditions are met. <ul style="list-style-type: none"> • Engine: After warming up • Keeping the engine speed between 3,500 and 4,000 rpm for 1 minute and at idle for 1 minute under no load 	0 - 0.3V ↔ Approx. 0.6 - 1.0V
HO2S2 MNTR (B1) HO2S2 MNTR (B2)		LEAN ↔ RICH

On Board Diagnosis Logic

INFOID:000000002954896

The heated oxygen sensor 2 has a much longer switching time between rich and lean than the air fuel ratio (A/F) sensor 1. The oxygen storage capacity of the three way catalyst (manifold) causes the longer switching time. To judge the malfunctions of heated oxygen sensor 2, ECM monitors whether the maximum voltage of the sensor is sufficiently high during the various driving condition such as fuel-cut.



DTC No.	Trouble diagnosis name	DTC detecting condition	Possible cause
P0137 0137 (Bank 1)	Heated oxygen sensor 2 circuit low voltage	The maximum voltage from the sensor is not reached to the specified voltage.	<ul style="list-style-type: none"> • Harness or connectors (The sensor circuit is open or shorted) • Heated oxygen sensor 2 • Fuel pressure • Fuel injector • Intake air leaks
P0157 0157 (Bank 2)			

DTC Confirmation Procedure

INFOID:000000002954897

NOTE:

If DTC confirmation Procedure has been previously conducted, always turn ignition switch OFF and wait at least 10 seconds before conducting the next test.

WITH CONSULT-III

TESTING CONDITION:

For better results, perform "DTC WORK SUPPORT" at a temperature of 0 to 30 °C (32 to 86 °F).

1. Start engine and warm it up to the normal operating temperature.

< SERVICE INFORMATION >

2. Turn ignition switch OFF and wait at least 10 seconds.
3. Start engine and keep the engine speed between 3,500 and 4,000 rpm for at least 1 minute under no load.
4. Let engine idle for 1 minute.
5. Select "COOLAN TEMP/S" in "DATA MONITOR" mode with CONSULT-III.
6. Make sure that "COOLAN TEMP/S" indicates more than 70°C (158°F).
If not, warm up engine and go to next step when "COOLAN TEMP/S" indication reaches to 70°C (158°F).
7. Open engine hood.
8. Select "HO2S2 (B1) P1147" (for DTC P0137) or "HO2S2 (B2) P1167" (for DTC P0157) of "HO2S2" in "DTC WORK SUPPORT" mode with CONSULT-III.
9. Follow the instruction of CONSULT-III.

NOTE:

It will take at most 10 minutes until "COMPLETED" is displayed.

10. Make sure that "OK" is displayed after touching "SELF-DIAG RESULTS".
If "NG" is displayed, refer to [EC-886, "Diagnosis Procedure"](#).
If "CAN NOT BE DIAGNOSED" is displayed, perform the following.
 - a. Turn ignition switch OFF and leave the vehicle in a cool place (soak the vehicle).
 - b. Return to step 1.

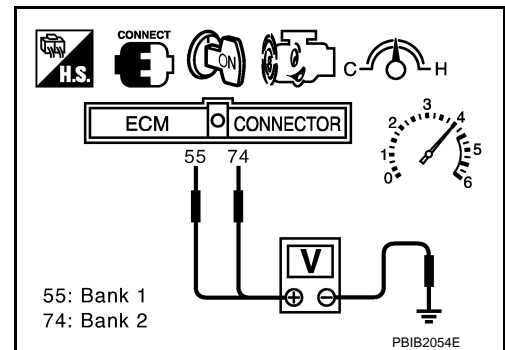
Overall Function Check

INFOID:000000002954898

Use this procedure to check the overall function of the heated oxygen sensor 2 circuit. During this check, a 1st trip DTC might not be confirmed.

Ⓢ WITH GST

1. Start engine and warm it up to the normal operating temperature.
2. Turn ignition switch OFF and wait at least 10 seconds.
3. Start engine and keep the engine speed between 3,500 and 4,000 rpm for at least 1 minute under no load.
4. Let engine idle for 1 minute.
5. Set voltmeter probes between ECM terminal 55 [HO2S2 (B1) signal] or 74 [HO2S2 (B2) signal] and ground.
6. Check the voltage when revving up to 4,000 rpm under no load at least 10 times.
(Depress and release accelerator pedal as soon as possible.)
The voltage should be above 0.78V at least once during this procedure.
If the voltage can be confirmed in step 6, step 7 is not necessary.
7. Keep vehicle at idling for 10 minutes, then check the voltage. Or check the voltage when coasting from 80 km/h (50 MPH) in D position.
The voltage should be above 0.78V at least once during this procedure.
8. If NG, go to [EC-886, "Diagnosis Procedure"](#).



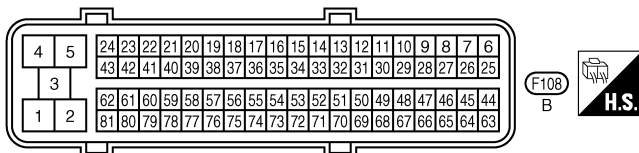
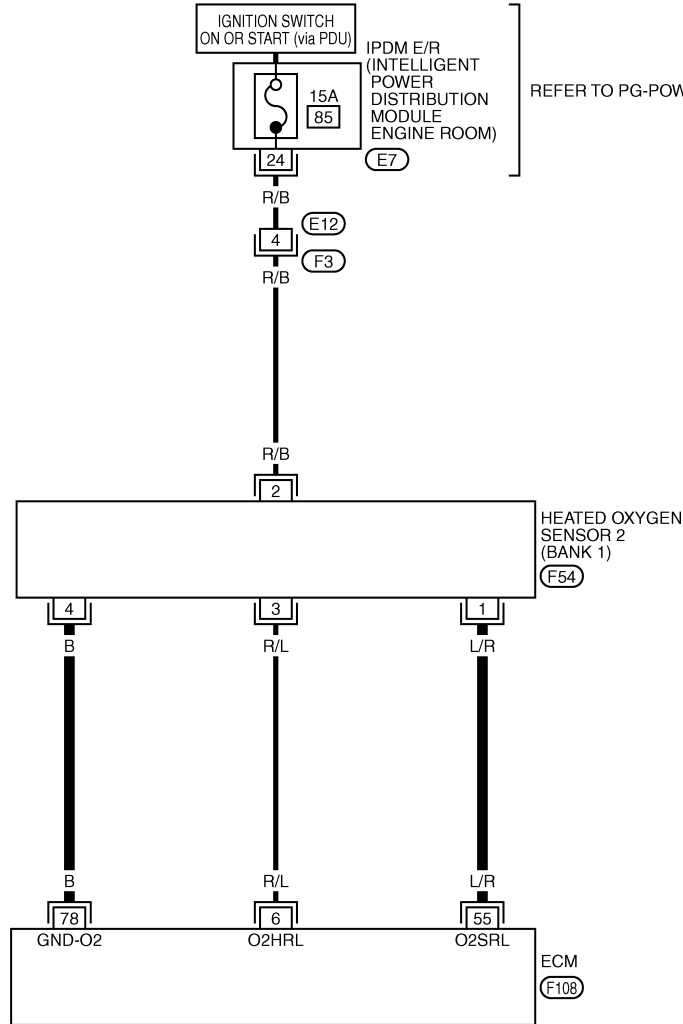
Wiring Diagram

INFOID:000000002954899

BANK 1

EC-O2S2B1-01

— : DETECTABLE LINE FOR DTC
 - - - : NON-DETECTABLE LINE FOR DTC



TBWT1020E

Specification data are reference values and are measured between each terminal and ground.

CAUTION:

Do not use ECM ground terminals when measuring input/output voltage. Doing so may result in damage to the ECM's transistor. Use a ground other than ECM terminals, such as the ground.

DTC P0137, P0157 HO2S2

< SERVICE INFORMATION >

[VK45DE]

TER-MI-NAL NO.	WIRE COLOR	ITEM	CONDITION	DATA (DC Voltage)
6	R/L	Heated oxygen sensor 2 heater (bank 1)	[Engine is running] <ul style="list-style-type: none"> • Engine speed: Below 3,600 rpm after the following conditions are met - Engine: After warming up - Keeping the engine speed between 3,500 and 4,000 rpm for 1 minute and at idle for 1 minute under no load 	0 - 1.0V
			[Ignition switch: ON] <ul style="list-style-type: none"> • Engine: Stopped [Engine is running] <ul style="list-style-type: none"> • Engine speed: Above 3,600 rpm 	BATTERY VOLTAGE (11 - 14V)
55	L/R	Heated oxygen sensor 2 (bank 1)	[Engine is running] <ul style="list-style-type: none"> • Revving engine from idle to 3,000 rpm quickly after the following conditions are met - Engine: After warming up - Keeping the engine speed between 3,500 and 4,000 rpm for 1 minute and at idle for 1 minute under no load 	0 - Approximately 1.0V
78	B	Sensor ground (Heated oxygen sensor 2)	[Engine is running] <ul style="list-style-type: none"> • Warm-up condition • Idle speed 	Approximately 0V

DTC P0137, P0157 HO2S2

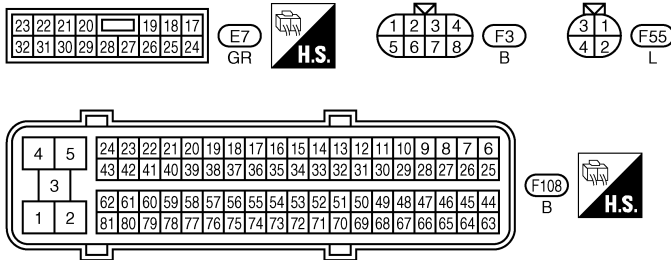
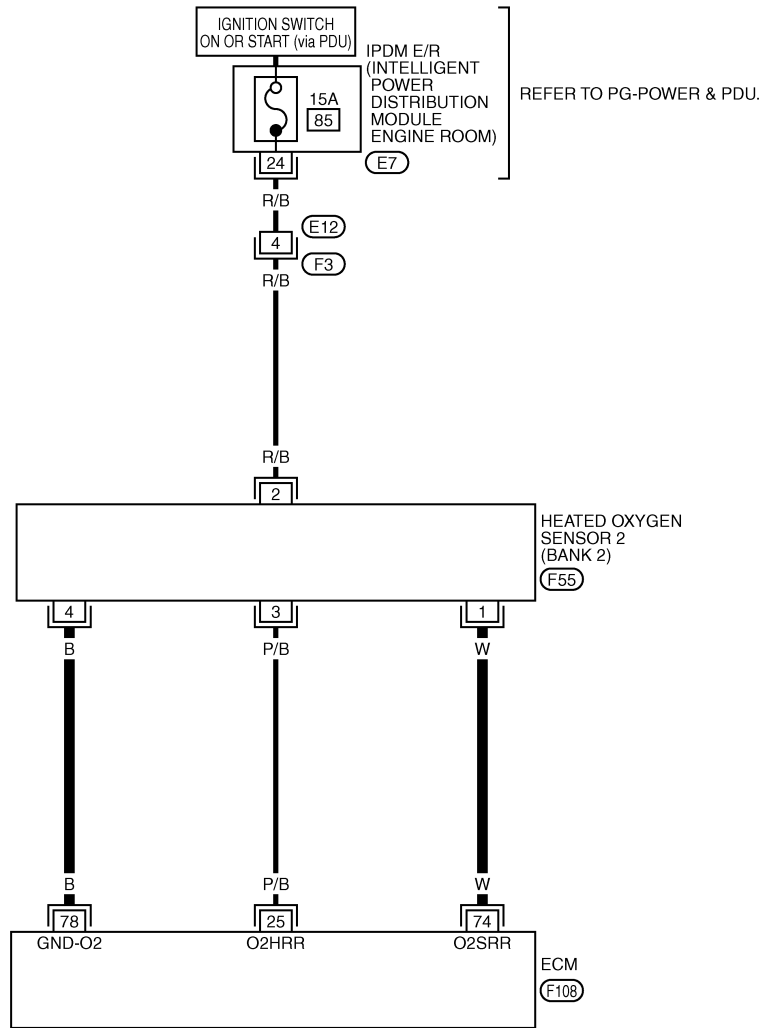
[VK45DE]

< SERVICE INFORMATION >

BANK 2

EC-O2S2B2-01

— : DETECTABLE LINE FOR DTC
 - - - : NON-DETECTABLE LINE FOR DTC



TBWT1021E

Specification data are reference values and are measured between each terminal and ground.

CAUTION:

Do not use ECM ground terminals when measuring input/output voltage. Doing so may result in damage to the ECM's transistor. Use a ground other than ECM terminals, such as the ground.

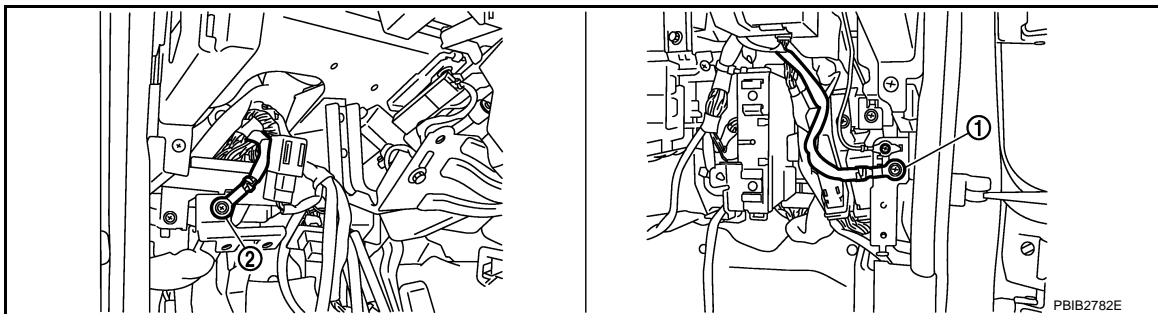
TER-MI-NAL NO.	WIRE COLOR	ITEM	CONDITION	DATA (DC Voltage)
25	P/B	Heated oxygen sensor 2 heater (bank 2)	[Engine is running] <ul style="list-style-type: none"> Engine speed: Below 3,600 rpm after the following conditions are met <ul style="list-style-type: none"> - Engine: After warming up - Keeping the engine speed between 3,500 and 4,000 rpm for 1 minute and at idle for 1 minute under no load 	0 - 1.0V
			[Ignition switch: ON] <ul style="list-style-type: none"> Engine: Stopped [Engine is running] <ul style="list-style-type: none"> Engine speed: Above 3,600 rpm 	BATTERY VOLTAGE (11 - 14V)
74	W	Heated oxygen sensor 2 (bank 2)	[Engine is running] <ul style="list-style-type: none"> Revsing engine from idle to 3,000 rpm quickly after the following conditions are met <ul style="list-style-type: none"> - Engine: After warming up - Keeping the engine speed between 3,500 and 4,000 rpm for 1 minute and at idle for 1 minute under no load 	0 - Approximately 1.0V
78	B	Sensor ground (Heated oxygen sensor 2)	[Engine is running] <ul style="list-style-type: none"> Warm-up condition Idle speed 	Approximately 0V

Diagnosis Procedure

INFOID:000000002954900

1. CHECK GROUND CONNECTIONS

- Turn ignition switch OFF.
- Loosen and retighten ground screws on the body.
Refer to [EC-769, "Ground Inspection"](#).



- Body ground M70
- Body ground M16

OK or NG

- OK >> GO TO 2.
- NG >> Repair or replace ground connections.

2. CLEAR THE SELF-LEARNING DATA

With CONSULT-III

- Start engine and warm it up to normal operating temperature.
- Select "SELF-LEARNING CONT" in "WORK SUPPORT" mode with CONSULT-III.
- Clear the self-learning control coefficient by touching "CLEAR".
- Run engine for at least 10 minutes at idle speed.
Is the 1st trip DTC P0171 or P0174 detected?
Is it difficult to start engine?

Without CONSULT-III

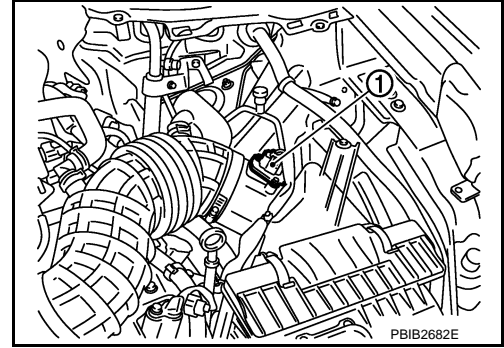
- Start engine and warm it up to normal operating temperature.

DTC P0137, P0157 HO2S2

[VK45DE]

< SERVICE INFORMATION >

2. Turn ignition switch OFF.
 3. Disconnect mass air flow sensor (1) harness connector, and restart and run engine for at least 5 seconds at idle speed.
 4. Stop engine and reconnect mass air flow sensor harness connector.
 5. Make sure DTC P0102 is displayed.
 6. Erase DTC.
 7. Make sure DTC P0000 is displayed.
 8. Run engine for at least 10 minutes at idle speed.
- Is the 1st trip DTC P0171 or P0174 detected?
Is it difficult to start engine?**

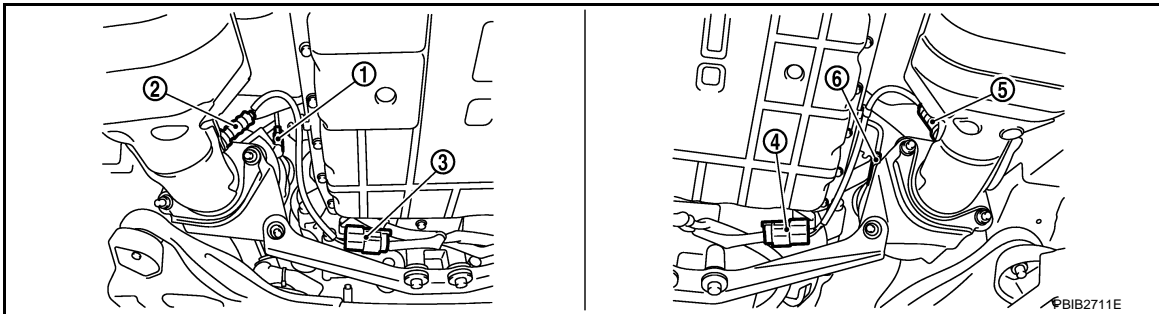


Yes or No

- Yes >> Perform trouble diagnosis for DTC P0171 or P0174.
Refer to [EC-918, "Diagnosis Procedure"](#).
- No >> GO TO 3.

3.CHECK HO2S2 GROUND CIRCUIT FOR OPEN AND SHORT

1. Turn ignition switch OFF.
2. Disconnect heated oxygen sensor 2 harness connector.



1. Air fuel ratio (A/F) sensor 1 (bank 1)
2. Heated oxygen sensor 2 (bank 1)
3. Heated oxygen sensor 2 (bank 1) harness connector
4. Heated oxygen sensor 2 (bank 2) harness connector
5. Heated oxygen sensor 2 (bank 2)
6. Air fuel ratio (A/F) sensor 1 (bank 2)

3. Disconnect ECM harness connector.
4. Check harness continuity between ECM terminal 78 and HO2S2 terminal 4.
Refer to Wiring Diagram.

Continuity should exist.

5. Also check harness for short to ground and short to power.

OK or NG

- OK >> GO TO 4.
- NG >> Repair open circuit or short to ground or short to power in harness or connectors.

4.CHECK HO2S2 INPUT SIGNAL CIRCUIT FOR OPEN AND SHORT

1. Check harness continuity between ECM terminal and HO2S2 terminal as follows.
Refer to Wiring Diagram.

DTC	Terminals		Bank
	ECM	Sensor	
P0137	55	1	1
P0157	74	1	2

Continuity should exist.

2. Check harness continuity between the following terminals and ground.

< SERVICE INFORMATION >

Refer to Wiring Diagram.

DTC	Terminals		Bank
	ECM	Sensor	
P0137	55	1	1
P0157	74	1	2

Continuity should not exist.

3. Also check harness for short to power.

OK or NG

OK >> GO TO 5.

NG >> Repair open circuit or short to ground or short to power in harness or connectors.

5. CHECK HEATED OXYGEN SENSOR 2

Refer to [EC-888, "Component Inspection"](#).

OK or NG

OK >> GO TO 6.

NG >> Replace malfunctioning heated oxygen sensor 2.

6. CHECK INTERMITTENT INCIDENT

Refer to [EC-763, "Diagnosis Procedure"](#).

>> INSPECTION END

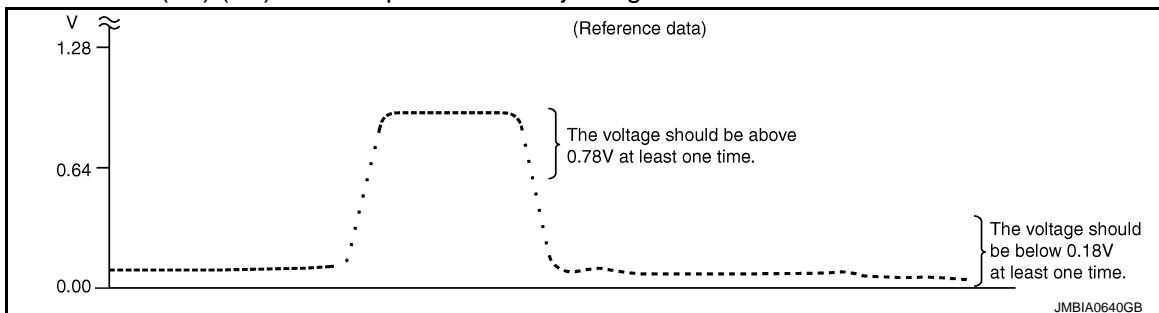
Component Inspection

INFOID:000000002954901

HEATED OXYGEN SENSOR 2

With CONSULT-III

1. Start engine and warm it up to the normal operating temperature.
2. Turn ignition switch OFF and wait at least 10 seconds.
3. Start engine and keep the engine speed between 3,500 and 4,000 rpm for at least 1 minute under no load.
4. Let engine idle for 1 minute.
5. Select "FUEL INJECTION" in "ACTIVE TEST" mode, and select "HO2S2 (B1)/(B2)" as the monitor item with CONSULT-III.
6. Check "HO2S2 (B1)/(B2)" at idle speed when adjusting "FUEL INJECTION" to $\pm 25\%$.



**"HO2S2 (B1)/(B2)" should be above 0.78V at least once when the "FUEL INJECTION" is +25%.
 "HO2S2 (B1)/(B2)" should be below 0.18V at least once when the "FUEL INJECTION" is -25%.**

CAUTION:

- Discard any heated oxygen sensor which has been dropped from a height of more than 0.5 m (19.7 in) onto a hard surface such as a concrete floor; use a new one.
- Before installing new oxygen sensor, clean exhaust system threads using Oxygen Sensor Thread Cleaner tool J-43897-18 or J-43897-12 and approved anti-seize lubricant.

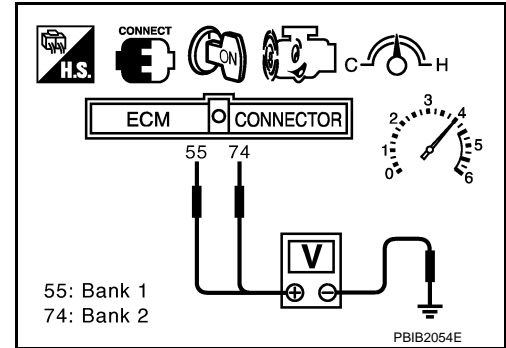
Without CONSULT-III

DTC P0137, P0157 HO2S2

[VK45DE]

< SERVICE INFORMATION >

1. Start engine and warm it up to the normal operating temperature.
2. Turn ignition switch OFF and wait at least 10 seconds.
3. Start engine and keep the engine speed between 3,500 and 4,000 rpm for at least 1 minute under no load.
4. Let engine idle for 1 minute.
5. Set voltmeter probes between ECM terminal 55 [HO2S2 (B1) signal] or 74 [HO2S2 (B2) signal] and ground.
6. Check the voltage when revving up to 4,000 rpm under no load at least 10 times.
(Depress and release accelerator pedal as soon as possible.)
The voltage should be above 0.78V at least once during this procedure.
If the voltage is above 0.78V at step 6, step 7 is not necessary.
7. Keep vehicle at idling for 10 minutes, then check voltage. Or check the voltage when coasting from 80 km/h (50 MPH) in D position.
The voltage should be below 0.18V at least once during this procedure.
8. If NG, replace heated oxygen sensor 2.



CAUTION:

- Discard any heated oxygen sensor which has been dropped from a height of more than 0.5 m (19.7 in) onto a hard surface such as a concrete floor; use a new one.
- Before installing new oxygen sensor, clean exhaust system threads using Oxygen Sensor Thread Cleaner tool J-43897-18 or J-43897-12 and approved anti-seize lubricant.

Removal and Installation

INFOID:00000002954902

HEATED OXYGEN SENSOR 2

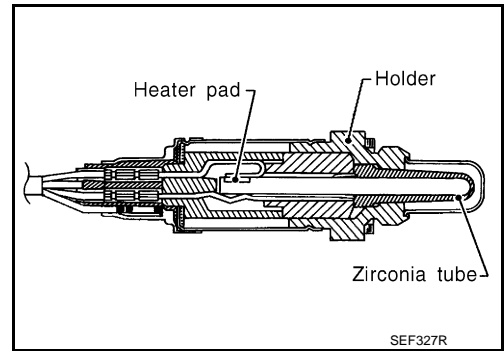
Refer to [EX-3](#).

DTC P0138, P0158 HO2S2

Component Description

INFOID:000000002954903

The heated oxygen sensor 2, after three way catalyst (manifold), monitors the oxygen level in the exhaust gas on each bank. Even if switching characteristics of the air fuel ratio (A/F) sensor 1 are shifted, the air-fuel ratio is controlled to stoichiometric, by the signal from the heated oxygen sensor 2. This sensor is made of ceramic zirconia. The zirconia generates voltage from approximately 1V in richer conditions to 0V in leaner conditions. Under normal conditions the heated oxygen sensor 2 is not used for engine control operation.



CONSULT-III Reference Value in Data Monitor Mode

INFOID:000000002954904

Specification data are reference values.

MONITOR ITEM	CONDITION	SPECIFICATION
HO2S2 (B1) HO2S2 (B2)	Revving engine from idle to 3,000 rpm quickly after the following conditions are met. <ul style="list-style-type: none"> • Engine: After warming up • Keeping the engine speed between 3,500 and 4,000 rpm for 1 minute and at idle for 1 minute under no load 	0 - 0.3V ↔ Approx. 0.6 - 1.0V
HO2S2 MNTR (B1) HO2S2 MNTR (B2)		LEAN ↔ RICH

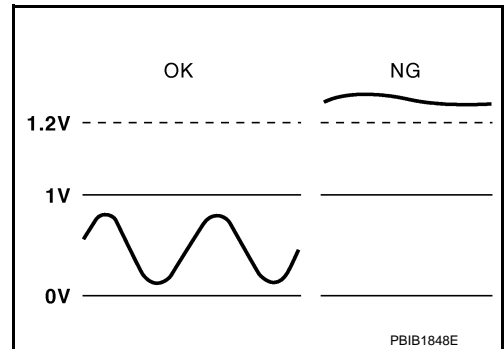
On Board Diagnosis Logic

INFOID:000000002954905

The heated oxygen sensor 2 has a much longer switching time between rich and lean than the air fuel ratio (A/F) sensor 1. The oxygen storage capacity of the three way catalyst (manifold) causes the longer switching time.

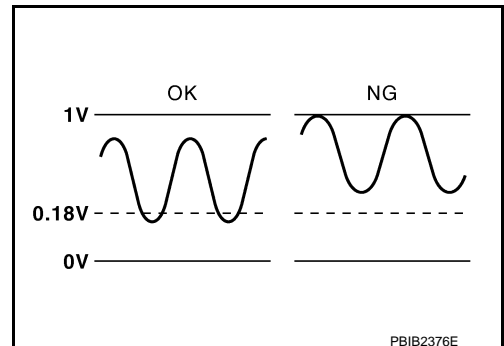
MALFUNCTION A

To judge the malfunctions of heated oxygen sensor 2, ECM monitors whether the voltage is unusually high during the various driving condition such as fuel-cut.



MALFUNCTION B

To judge the malfunctions of heated oxygen sensor 2, ECM monitors whether the minimum voltage of sensor is sufficiently low during the various driving condition such as fuel-cut.



DTC P0138, P0158 HO2S2

< SERVICE INFORMATION >

[VK45DE]

DTC No.	Trouble diagnosis name	DTC detecting condition		Possible cause
P0138 0138 (Bank 1)	Heated oxygen sensor 2 circuit high voltage	A)	An excessively high voltage from the sensor is sent to ECM.	<ul style="list-style-type: none"> • Harness or connectors (The sensor circuit is open or shorted) • Heated oxygen sensor 2
P0158 0158 (Bank 2)		B)	The minimum voltage from the sensor is not reached to the specified voltage.	<ul style="list-style-type: none"> • Harness or connectors (The sensor circuit is open or shorted) • Heated oxygen sensor 2 • Fuel pressure • Fuel injector

DTC Confirmation Procedure

INFOID:000000002954906

Perform PROCEDURE FOR MALFUNCTION A first.

If 1st trip DTC cannot be confirmed, perform PROCEDURE FOR MALFUNCTION B.

NOTE:

If DTC Confirmation Procedure has been previously conducted, always turn ignition switch OFF and wait at least 10 seconds before conducting the next test.

PROCEDURE FOR MALFUNCTION A

1. Start engine and warm it up to the normal operating temperature.
2. Turn ignition switch OFF and wait at least 10 seconds.
3. Start engine and keep the engine speed between 3,500 and 4,000 rpm for at least 1 minute under no load.
4. Let engine idle for 2 minutes.
5. Check 1st trip DTC.
6. If 1st trip DTC is detected, go to [EC-896, "Diagnosis Procedure"](#).

PROCEDURE FOR MALFUNCTION B

Ⓜ With CONSULT-III

TESTING CONDITION:

For better results, perform "DTC WORK SUPPORT" at a temperature of 0 to 30 °C (32 to 86 °F).

1. Start engine and warm it up to the normal operating temperature.
2. Turn ignition switch OFF and wait at least 10 seconds.
3. Start engine and keep the engine speed between 3,500 and 4,000 rpm for at least 1 minute under no load.
4. Let engine idle for 1 minute.
5. Select "COOLAN TEMP/S" in "DATA MONITOR" mode with CONSULT-III.
6. Make sure that "COOLAN TEMP/S" indicates more than 70°C (158°F).
If not, warm up engine and go to next step when "COOLAN TEMP/S" indication reaches to 70°C (158°F).
7. Open engine hood.
8. Select "HO2S2 (B1) P1146" (for DTC P0138) or "HO2S2 (B2) P1166" (for DTC P0158) of "HO2S2" in "DTC WORK SUPPORT" mode with CONSULT-III.
9. Follow the instruction of CONSULT-III.

NOTE:

It will take at most 10 minutes until "COMPLETED" is displayed.

10. Make sure that "OK" is displayed after touching "SELF-DIAG RESULTS".

If "NG" is displayed, refer to [EC-896, "Diagnosis Procedure"](#).

If "CAN NOT BE DIAGNOSED" is displayed, perform the following.

- a. Turn ignition switch OFF and leave the vehicle in a cool place (soak the vehicle).
- b. Return to step 1.

Overall Function Check

INFOID:000000002954907

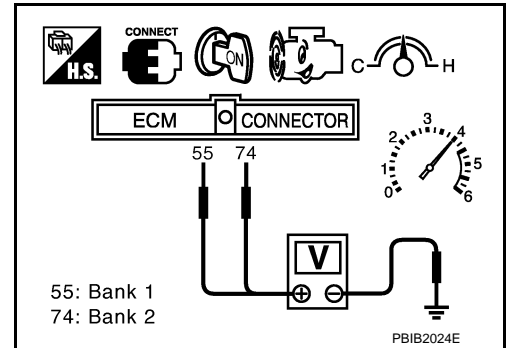
PROCEDURE FOR MALFUNCTION B

Use this procedure to check the overall function of the heated oxygen sensor 2 circuit. During this check, a 1st trip DTC might not be confirmed.

< SERVICE INFORMATION >

 With GST

1. Start engine and warm it up to the normal operating temperature.
2. Turn ignition switch OFF and wait at least 10 seconds.
3. Start engine and keep the engine speed between 3,500 and 4,000 rpm for at least 1 minute under no load.
4. Let engine idle for 1 minute.
5. Set voltmeter probes between ECM terminal 55 [HO2S2 (B1) signal] or 74 [HO2S2 (B2) signal] and ground.
6. Check the voltage when revving up to 4,000 rpm under no load at least 10 times.
(Depress and release accelerator pedal as soon as possible.)
The voltage should be below 0.18V at least once during this procedure.
If the voltage can be confirmed in step 6, step 7 is not necessary.
7. Keep vehicle at idling for 10 minutes, then check the voltage. Or check the voltage when coasting from 80 km/h (50 MPH) in D position.
The voltage should be below 0.18V at least once during this procedure.
8. If NG, go to [EC-896. "Diagnosis Procedure"](#).

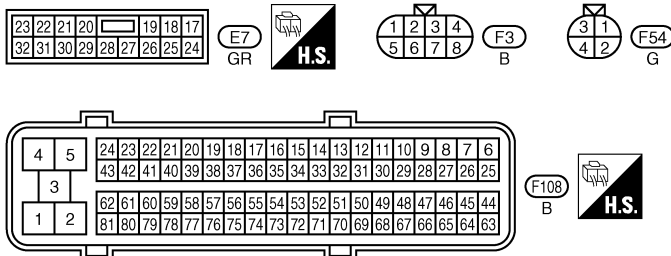
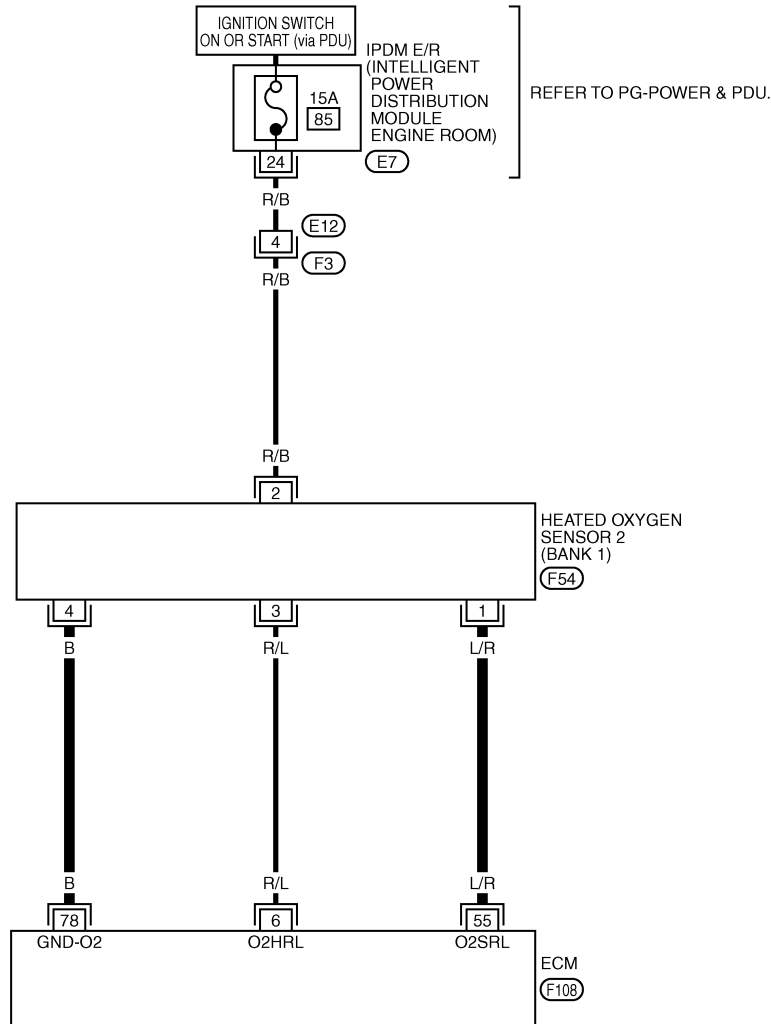


Wiring Diagram

BANK 1

EC-O2S2B1-01

— : DETECTABLE LINE FOR DTC
 — : NON-DETECTABLE LINE FOR DTC



TBWT1020E

Specification data are reference values and are measured between each terminal and ground.

CAUTION:

Do not use ECM ground terminals when measuring input/output voltage. Doing so may result in damage to the ECM's transistor. Use a ground other than ECM terminals, such as the ground.

DTC P0138, P0158 HO2S2

< SERVICE INFORMATION >

[VK45DE]

TER-MI-NAL NO.	WIRE COLOR	ITEM	CONDITION	DATA (DC Voltage)
6	R/L	Heated oxygen sensor 2 heater (bank 1)	[Engine is running] <ul style="list-style-type: none"> • Engine speed: Below 3,600 rpm after the following conditions are met - Engine: After warming up - Keeping the engine speed between 3,500 and 4,000 rpm for 1 minute and at idle for 1 minute under no load 	0 - 1.0V
			[Ignition switch: ON] <ul style="list-style-type: none"> • Engine: Stopped [Engine is running] <ul style="list-style-type: none"> • Engine speed: Above 3,600 rpm 	BATTERY VOLTAGE (11 - 14V)
55	L/R	Heated oxygen sensor 2 (bank 1)	[Engine is running] <ul style="list-style-type: none"> • Revving engine from idle to 3,000 rpm quickly after the following conditions are met - Engine: After warming up - Keeping the engine speed between 3,500 and 4,000 rpm for 1 minute and at idle for 1 minute under no load 	0 - Approximately 1.0V
78	B	Sensor ground (Heated oxygen sensor 2)	[Engine is running] <ul style="list-style-type: none"> • Warm-up condition • Idle speed 	Approximately 0V

DTC P0138, P0158 HO2S2

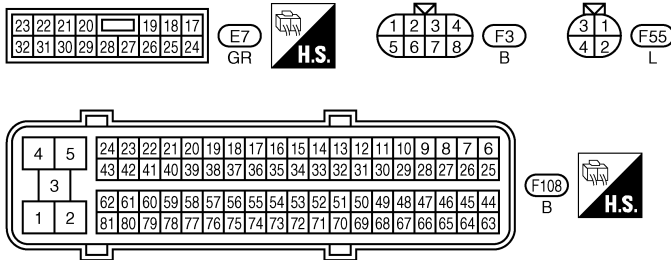
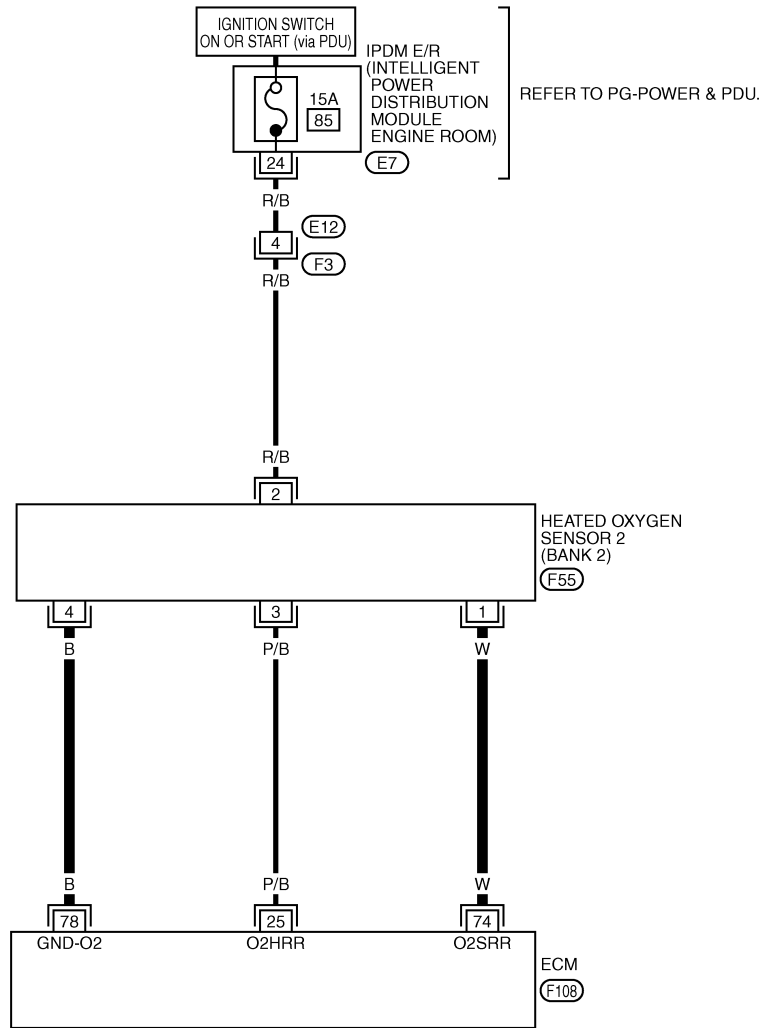
[VK45DE]

< SERVICE INFORMATION >

BANK 2

EC-O2S2B2-01

— : DETECTABLE LINE FOR DTC
 - - - : NON-DETECTABLE LINE FOR DTC



TBWT1021E

Specification data are reference values and are measured between each terminal and ground.

CAUTION:

Do not use ECM ground terminals when measuring input/output voltage. Doing so may result in damage to the ECM's transistor. Use a ground other than ECM terminals, such as the ground.

DTC P0138, P0158 HO2S2

< SERVICE INFORMATION >

[VK45DE]

TER-MI-NAL NO.	WIRE COLOR	ITEM	CONDITION	DATA (DC Voltage)
25	P/B	Heated oxygen sensor 2 heater (bank 2)	[Engine is running] <ul style="list-style-type: none"> • Engine speed: Below 3,600 rpm after the following conditions are met - Engine: After warming up - Keeping the engine speed between 3,500 and 4,000 rpm for 1 minute and at idle for 1 minute under no load 	0 - 1.0V
			[Ignition switch: ON] <ul style="list-style-type: none"> • Engine: Stopped [Engine is running] <ul style="list-style-type: none"> • Engine speed: Above 3,600 rpm 	BATTERY VOLTAGE (11 - 14V)
74	W	Heated oxygen sensor 2 (bank 2)	[Engine is running] <ul style="list-style-type: none"> • Revving engine from idle to 3,000 rpm quickly after the following conditions are met - Engine: After warming up - Keeping the engine speed between 3,500 and 4,000 rpm for 1 minute and at idle for 1 minute under no load 	0 - Approximately 1.0V
78	B	Sensor ground (Heated oxygen sensor 2)	[Engine is running] <ul style="list-style-type: none"> • Warm-up condition • Idle speed 	Approximately 0V

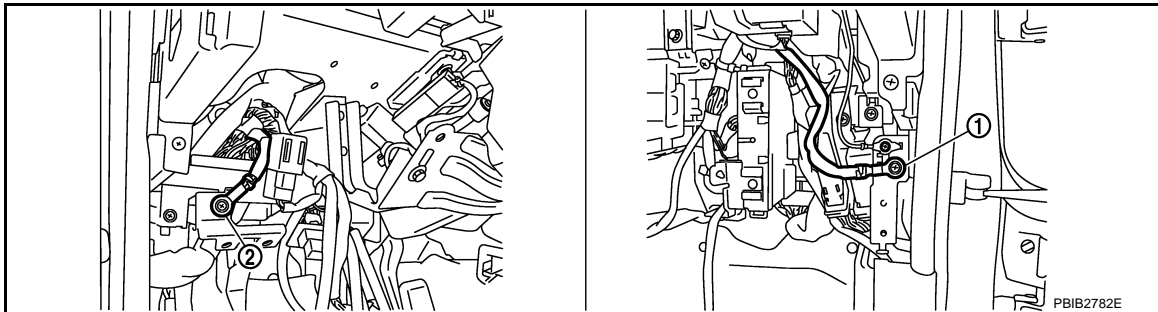
Diagnosis Procedure

INFOID:000000002954909

PROCEDURE FOR MALFUNCTION A

1. CHECK GROUND CONNECTIONS

1. Turn ignition switch OFF.
2. Loosen and retighten ground screws on the body.
Refer to [EC-769, "Ground Inspection"](#).



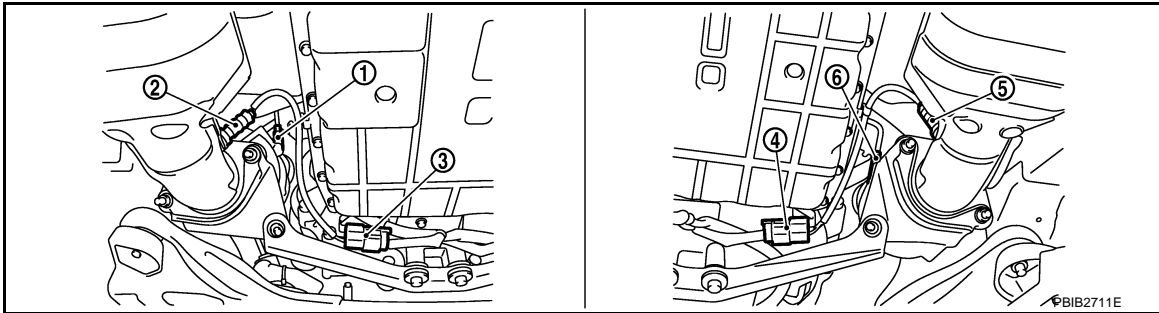
1. Body ground M70
2. Body ground M16

OK or NG

- OK >> GO TO 2.
 NG >> Repair or replace ground connections.

2. CHECK HO2S2 GROUND CIRCUIT FOR OPEN AND SHORT

1. Turn ignition switch OFF.
2. Disconnect heated oxygen sensor 2 harness connector.



- 1. Air fuel ratio (A/F) sensor 1 (bank 1)
- 2. Heated oxygen sensor 2 (bank 1)
- 3. Heated oxygen sensor 2 (bank 1) harness connector
- 4. Heated oxygen sensor 2 (bank 2)
- 5. Heated oxygen sensor 2 (bank 2)
- 6. Air fuel ratio (A/F) sensor 1 (bank 2)

- 3. Disconnect ECM harness connector.
- 4. Check harness continuity between ECM terminal 78 and HO2S2 terminal 4. Refer to Wiring Diagram.

Continuity should exist.

- 5. Also check harness for short to ground and short to power.

OK or NG

OK >> GO TO 3.

NG >> Repair open circuit or short to ground or short to power in harness or connectors.

3.CHECK HO2S2 INPUT SIGNAL CIRCUIT FOR OPEN AND SHORT

- 1. Check harness continuity between ECM terminal and HO2S2 terminal as follows. Refer to Wiring Diagram.

DTC	Terminals		Bank
	ECM	Sensor	
P0138	55	1	1
P0158	74	1	2

Continuity should exist.

- 2. Check harness continuity between the following terminals and ground. Refer to Wiring Diagram.

DTC	Terminals		Bank
	ECM	Sensor	
P0138	55	1	1
P0158	74	1	2

Continuity should not exist.

- 3. Also check harness for short to power.

OK or NG

OK >> GO TO 4.

NG >> Repair open circuit or short to ground or short to power in harness or connectors.

4.CHECK HO2S2 CONNECTOR FOR WATER

Check connectors for water.

Water should not exist.

A
EC
C
D
E
F
G
H
I
J
K
L
M
N
O
P

< SERVICE INFORMATION >

OK or NG

- OK >> GO TO 5.
- NG >> Repair or replace harness or connectors.

5.CHECK HEATED OXYGEN SENSOR 2

Refer to [EC-900, "Component Inspection"](#).

OK or NG

- OK >> GO TO 6.
- NG >> Replace malfunctioning heated oxygen sensor 2.

6.CHECK INTERMITTENT INCIDENT

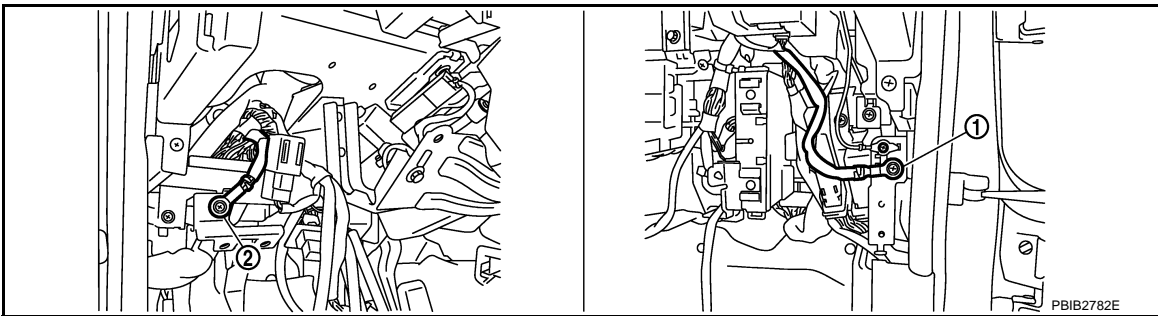
Refer to [EC-763, "Diagnosis Procedure"](#).

>> **INSPECTION END**

PROCEDURE FOR MALFUNCTION B

1.CHECK GROUND CONNECTIONS

1. Turn ignition switch OFF.
2. Loosen and retighten ground screws on the body.
Refer to [EC-769, "Ground Inspection"](#).



1. Body ground M70

2. Body ground M16

OK or NG

- OK >> GO TO 2.
- NG >> Repair or replace ground connections.

2.CLEAR THE SELF-LEARNING DATA**☐ With CONSULT-III**

1. Start engine and warm it up to normal operating temperature.
2. Select "SELF-LEARNING CONT" in "WORK SUPPORT" mode with CONSULT-III.
3. Clear the self-learning control coefficient by touching "CLEAR".
4. Run engine for at least 10 minutes at idle speed.
Is the 1st trip DTC P0172 or P0175 detected?
Is it difficult to start engine?

☒ Without CONSULT-III

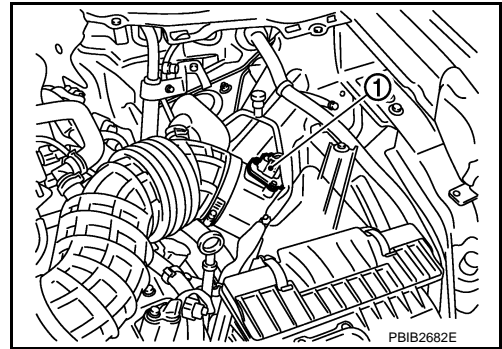
1. Start engine and warm it up to normal operating temperature.
2. Turn ignition switch OFF.

DTC P0138, P0158 HO2S2

[VK45DE]

< SERVICE INFORMATION >

3. Disconnect mass air flow sensor (1) harness connector, and restart and run engine for at least 5 seconds at idle speed.
4. Stop engine and reconnect mass air flow sensor harness connector.
5. Make sure DTC P0102 is displayed.
6. Erase the DTC.
7. Make sure DTC P0000 is displayed.
8. Run engine for at least 10 minutes at idle speed.



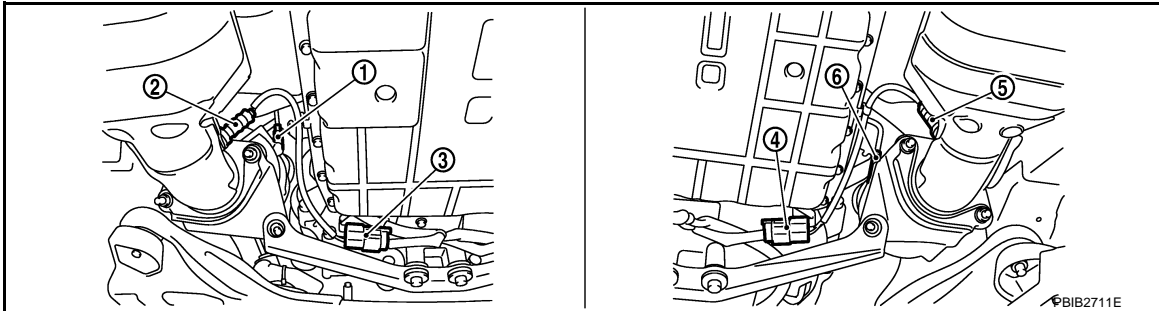
**Is the 1st trip DTC P0172 or P0175 detected?
Is it difficult to start engine?**

Yes or No

- Yes >> Perform trouble diagnosis for DTC P0172, P0175. Refer to [EC-929, "Diagnosis Procedure"](#).
- No >> GO TO 3.

3. CHECK HO2S2 GROUND CIRCUIT FOR OPEN AND SHORT

1. Turn ignition switch OFF.
2. Disconnect heated oxygen sensor 2 harness connector.



1. Air fuel ratio (A/F) sensor 1 (bank 1)
2. Heated oxygen sensor 2 (bank 1)
3. Heated oxygen sensor 2 (bank 1) harness connector
4. Heated oxygen sensor 2 (bank 2) harness connector
5. Heated oxygen sensor 2 (bank 2)
6. Air fuel ratio (A/F) sensor 1 (bank 2)

3. Disconnect ECM harness connector.
4. Check harness continuity between ECM terminal 78 and HO2S2 terminal 4. Refer to Wiring Diagram.

Continuity should exist.

5. Also check harness for short to ground and short to power.

OK or NG

- OK >> GO TO 4.
- NG >> Repair open circuit or short to ground or short to power in harness or connectors.

4. CHECK HO2S2 INPUT SIGNAL CIRCUIT FOR OPEN AND SHORT

1. Check harness continuity between ECM terminal and HO2S2 terminal as follows. Refer to Wiring Diagram.

DTC	Terminals		Bank
	ECM	Sensor	
P0138	55	1	1
P0158	74	1	2

Continuity should exist.

2. Check harness continuity between the following terminals and ground. Refer to Wiring Diagram.

< SERVICE INFORMATION >

DTC	Terminals		Bank
	ECM	Sensor	
P0138	55	1	1
P0158	74	1	2

Continuity should not exist.

3. Also check harness for short to power.

OK or NG

OK >> GO TO 5.

NG >> Repair open circuit or short to ground or short to power in harness or connectors.

5. CHECK HEATED OXYGEN SENSOR 2

Refer to [EC-900, "Component Inspection"](#).

OK or NG

OK >> GO TO 6.

NG >> Replace malfunctioning heated oxygen sensor 2.

6. CHECK INTERMITTENT INCIDENT

Refer to [EC-763, "Diagnosis Procedure"](#).

>> **INSPECTION END**

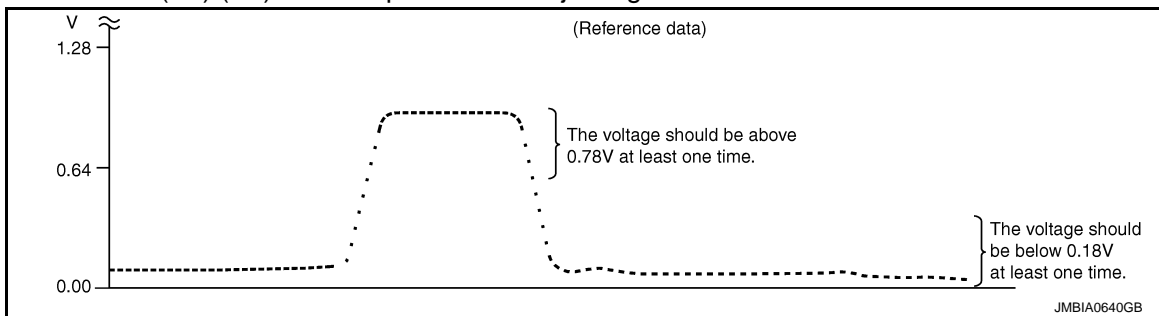
Component Inspection

INFOID:000000002954910

HEATED OXYGEN SENSOR 2

 With CONSULT-III

1. Start engine and warm it up to the normal operating temperature.
2. Turn ignition switch OFF and wait at least 10 seconds.
3. Start engine and keep the engine speed between 3,500 and 4,000 rpm for at least 1 minute under no load.
4. Let engine idle for 1 minute.
5. Select "FUEL INJECTION" in "ACTIVE TEST" mode, and select "HO2S2 (B1)/(B2)" as the monitor item with CONSULT-III.
6. Check "HO2S2 (B1)/(B2)" at idle speed when adjusting "FUEL INJECTION" to $\pm 25\%$.



"HO2S2 (B1)/(B2)" should be above 0.78V at least once when the "FUEL INJECTION" is +25%.

"HO2S2 (B1)/(B2)" should be below 0.18V at least once when the "FUEL INJECTION" is -25%.

CAUTION:

- Discard any heated oxygen sensor which has been dropped from a height of more than 0.5 m (19.7 in) onto a hard surface such as a concrete floor; use a new one.
- Before installing new oxygen sensor, clean exhaust system threads using Oxygen Sensor Thread Cleaner tool J-43897-18 or J-43897-12 and approved anti-seize lubricant.

 Without CONSULT-III

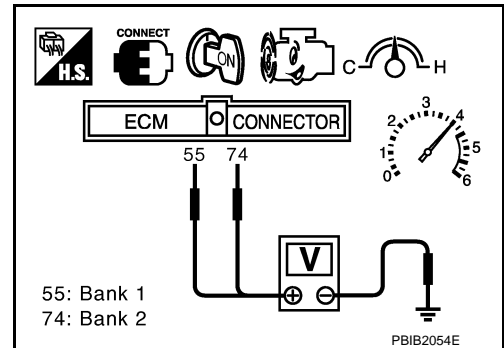
1. Start engine and warm it up to the normal operating temperature.

DTC P0138, P0158 HO2S2

[VK45DE]

< SERVICE INFORMATION >

- Turn ignition switch OFF and wait at least 10 seconds.
- Start engine and keep the engine speed between 3,500 and 4,000 rpm for at least 1 minute under no load.
- Let engine idle for 1 minute.
- Set voltmeter probes between ECM terminal 55 [HO2S2 (B1) signal] or 74 [HO2S2 (B2) signal] and ground.
- Check the voltage when revving up to 4,000 rpm under no load at least 10 times.
(Depress and release accelerator pedal as soon as possible.)
The voltage should be above 0.78V at least once during this procedure.
If the voltage is above 0.78V at step 6, step 7 is not necessary.
- Keep vehicle at idling for 10 minutes, then check voltage. Or check the voltage when coasting from 80 km/h (50 MPH) in D position.
The voltage should be below 0.18V at least once during this procedure.
- If NG, replace heated oxygen sensor 2.



CAUTION:

- Discard any heated oxygen sensor which has been dropped from a height of more than 0.5 m (19.7 in) onto a hard surface such as a concrete floor; use a new one.
- Before installing new oxygen sensor, clean exhaust system threads using Oxygen Sensor Thread Cleaner tool J-43897-18 or J-43897-12 and approved anti-seize lubricant.

Removal and Installation

INFOID:000000002954911

HEATED OXYGEN SENSOR 2

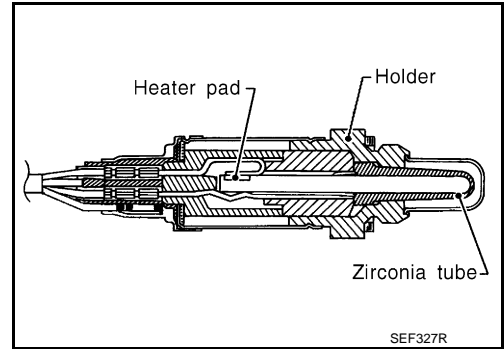
Refer to [EX-3](#).

DTC P0139, P0159 HO2S2

Component Description

INFOID:000000002954912

The heated oxygen sensor 2, after three way catalyst (manifold), monitors the oxygen level in the exhaust gas on each bank. Even if switching characteristics of the air fuel ratio (A/F) sensor 1 are shifted, the air-fuel ratio is controlled to stoichiometric, by the signal from the heated oxygen sensor 2. This sensor is made of ceramic zirconia. The zirconia generates voltage from approximately 1V in richer conditions to 0V in leaner conditions. Under normal conditions the heated oxygen sensor 2 is not used for engine control operation.



CONSULT-III Reference Value in Data Monitor Mode

INFOID:000000002954913

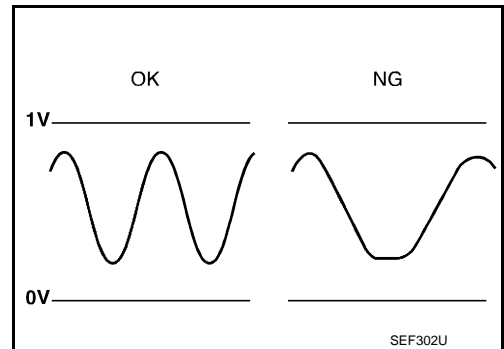
Specification data are reference values.

MONITOR ITEM	CONDITION	SPECIFICATION
HO2S2 (B1) HO2S2 (B2)	Revsing engine from idle up to 3,000 rpm quickly after the following conditions are met.	0 - 0.3V ↔ Approx. 0.6 - 1.0V
HO2S2 MNTR (B1) HO2S2 MNTR (B2)	<ul style="list-style-type: none"> Engine: After warming up Keeping the engine speed between 3,500 and 4,000 rpm for 1 minute and at idle for 1 minute under no load 	LEAN ↔ RICH

On Board Diagnosis Logic

INFOID:000000002954914

The heated oxygen sensor 2 has a much longer switching time between rich and lean than the air fuel ratio (A/F) sensor 1. The oxygen storage capacity of the three way catalyst (manifold) causes the longer switching time. To judge the malfunctions of heated oxygen sensor 2, ECM monitors whether the switching response of the sensor's voltage is faster than specified during the various driving condition such as fuel-cut.



DTC No.	Trouble diagnosis name	DTC detecting condition	Possible cause
P0139 0139 (Bank 1)	Heated oxygen sensor 2 circuit slow response	It takes more time for the sensor to respond between rich and lean than the specified time.	<ul style="list-style-type: none"> Harness or connectors (The sensor circuit is open or shorted) Heated oxygen sensor 2 Fuel pressure Fuel injector Intake air leaks
P0159 0159 (Bank 2)			

DTC Confirmation Procedure

INFOID:000000002954915

NOTE:

If DTC Confirmation Procedure has been previously conducted, always turn ignition switch OFF and wait at least 10 seconds before conducting the next test.

WITH CONSULT-III

TESTING CONDITION:

For better results, perform "DTC WORK SUPPORT" at a temperature of 0 to 30 °C (32 to 86 °F).

1. Start engine and warm it up to the normal operating temperature.

< SERVICE INFORMATION >

2. Turn ignition switch OFF and wait at least 10 seconds.
3. Start engine and keep the engine speed between 3,500 and 4,000 rpm for at least 1 minute under no load.
4. Let engine idle for 1 minute.
5. Select "COOLAN TEMP/S" in "DATA MONITOR" mode with CONSULT-III.
6. Make sure that "COOLAN TEMP/S" indicates more than 70°C (158°F).
If not, warm up engine and go to next step when "COOLAN TEMP/S" indication reaches to 70°C (158°F).
7. Open engine hood.
8. Select "HO2S2 (B1) P0139" or "HO2S2 (B2) P0159" of "HO2S2" in "DTC WORK SUPPORT" mode with CONSULT-III.
9. Follow the instruction of CONSULT-III.
NOTE:
It will take at most 10 minutes until "COMPLETED" is displayed.
10. Make sure that "OK" is displayed after touching "SELF-DIAG RESULTS".
If "NG" is displayed, refer to [EC-907, "Diagnosis Procedure"](#).
If "CAN NOT BE DIAGNOSED" is displayed, perform the following.
 - a. Turn ignition switch OFF and leave the vehicle in a cool place (soak the vehicle).
 - b. Return to step 1.

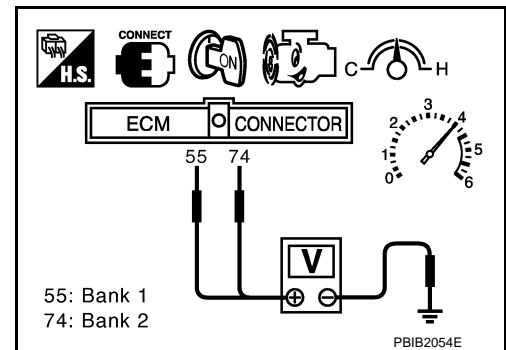
Overall Function Check

INFOID:000000002954916

Use this procedure to check the overall function of the heated oxygen sensor 2 circuit. During this check, a 1st trip DTC might not be confirmed.

 WITH GST

1. Start engine and warm it up to the normal operating temperature.
2. Turn ignition switch OFF and wait at least 10 seconds.
3. Start engine and keep the engine speed between 3,500 and 4,000 rpm for at least 1 minute under no load.
4. Let engine idle for 1 minute.
5. Set voltmeter probes between ECM terminal 55 [HO2S2 (B1) signal] or 74 [HO2S2 (B2) signal] and ground.
6. Check the voltage when revving up to 4,000 rpm under no load at least 10 times.
(Depress and release accelerator pedal as soon as possible.)
A change of voltage should be more than 0.12V for 1 second during this procedure.
If the voltage can be confirmed in step 6, step 7 is not necessary.
7. Keep vehicle at idling for 10 minutes, then check the voltage. Or check the voltage when coasting from 80 km/h (50 MPH) in D position.
A change of voltage should be more than 0.12V for 1 second during this procedure.
8. If NG, go to [EC-907, "Diagnosis Procedure"](#).



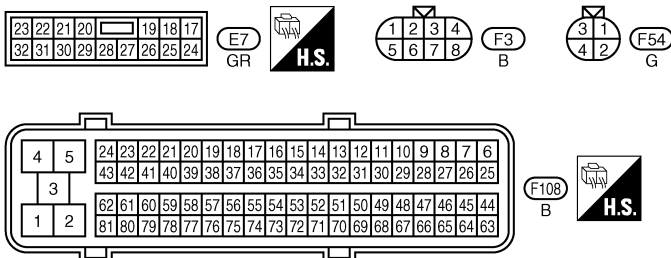
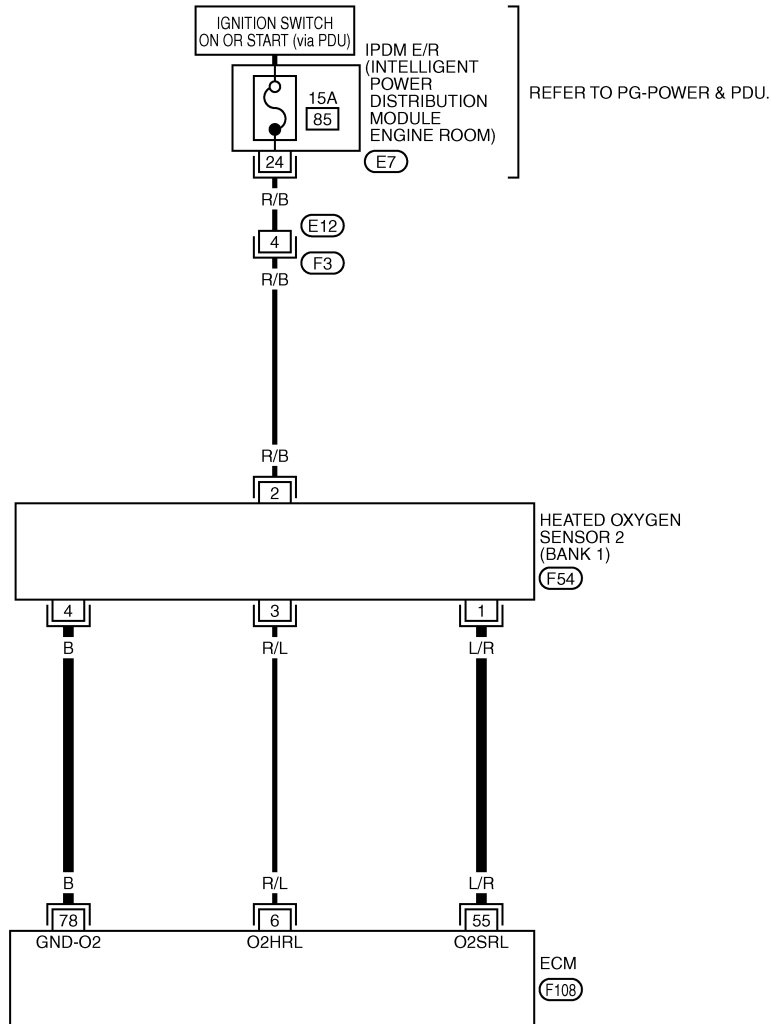
Wiring Diagram

INFOID:000000002954917

BANK 1

EC-O2S2B1-01

— : DETECTABLE LINE FOR DTC
 - - - : NON-DETECTABLE LINE FOR DTC



TBWT1020E

Specification data are reference values and are measured between each terminal and ground.

CAUTION:

Do not use ECM ground terminals when measuring input/output voltage. Doing so may result in damage to the ECM's transistor. Use a ground other than ECM terminals, such as the ground.

DTC P0139, P0159 HO2S2

< SERVICE INFORMATION >

[VK45DE]

TER-MI-NAL NO.	WIRE COLOR	ITEM	CONDITION	DATA (DC Voltage)	
6	R/L	Heated oxygen sensor 2 heater (bank 1)	[Engine is running] <ul style="list-style-type: none"> • Engine speed: Below 3,600 rpm after the following conditions are met - Engine: After warming up - Keeping the engine speed between 3,500 and 4,000 rpm for 1 minute and at idle for 1 minute under no load 	0 - 1.0V	A
			[Ignition switch: ON] <ul style="list-style-type: none"> • Engine: Stopped [Engine is running] <ul style="list-style-type: none"> • Engine speed: Above 3,600 rpm 	BATTERY VOLTAGE (11 - 14V)	EC
55	L/R	Heated oxygen sensor 2 (bank 1)	[Engine is running] <ul style="list-style-type: none"> • Revving engine from idle to 3,000 rpm quickly after the following conditions are met - Engine: After warming up - Keeping the engine speed between 3,500 and 4,000 rpm for 1 minute and at idle for 1 minute under no load 	0 - Approximately 1.0V	C
78	B	Sensor ground (Heated oxygen sensor 2)	[Engine is running] <ul style="list-style-type: none"> • Warm-up condition • Idle speed 	Approximately 0V	D

E
F
G
H
I
J
K
L
M
N
O
P

DTC P0139, P0159 HO2S2

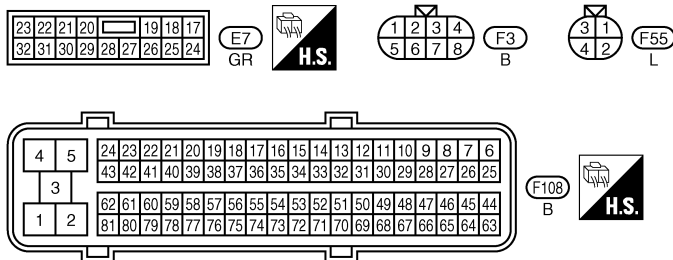
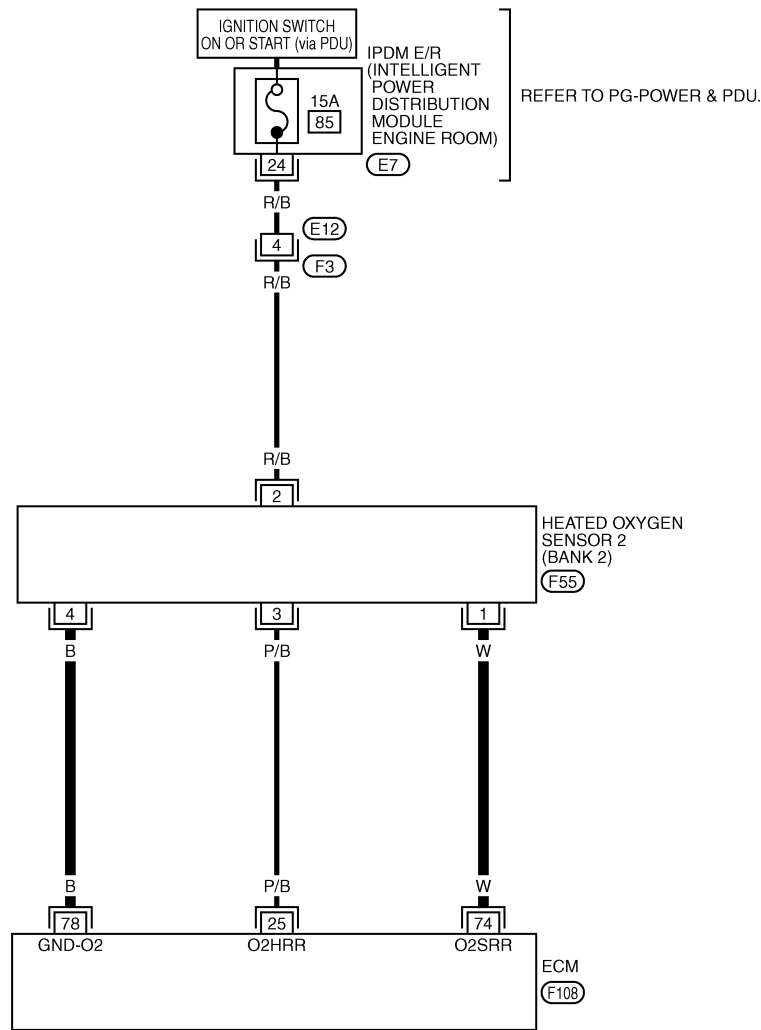
[VK45DE]

< SERVICE INFORMATION >

BANK 2

EC-O2S2B2-01

— : DETECTABLE LINE FOR DTC
 - - - : NON-DETECTABLE LINE FOR DTC



TBWT1021E

Specification data are reference values and are measured between each terminal and ground.

CAUTION:

Do not use ECM ground terminals when measuring input/output voltage. Doing so may result in damage to the ECM's transistor. Use a ground other than ECM terminals, such as the ground.

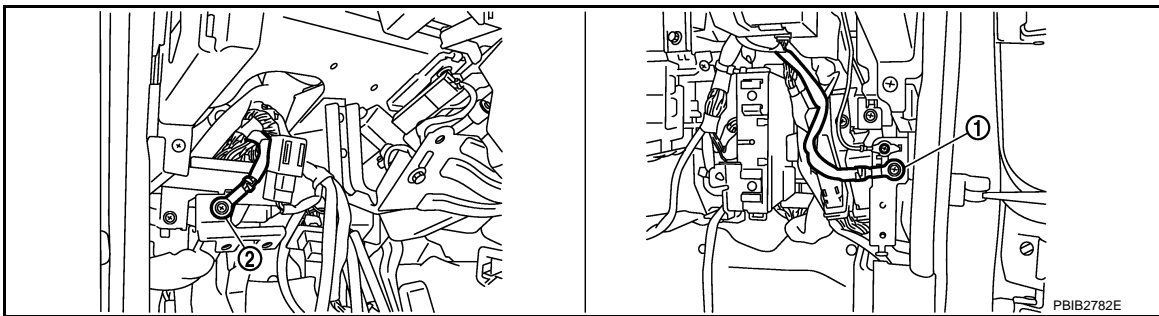
TER-MI-NAL NO.	WIRE COLOR	ITEM	CONDITION	DATA (DC Voltage)
25	P/B	Heated oxygen sensor 2 heater (bank 2)	[Engine is running] <ul style="list-style-type: none"> Engine speed: Below 3,600 rpm after the following conditions are met <ul style="list-style-type: none"> - Engine: After warming up - Keeping the engine speed between 3,500 and 4,000 rpm for 1 minute and at idle for 1 minute under no load 	0 - 1.0V
			[Ignition switch: ON] <ul style="list-style-type: none"> Engine: Stopped [Engine is running] <ul style="list-style-type: none"> Engine speed: Above 3,600 rpm 	BATTERY VOLTAGE (11 - 14V)
74	W	Heated oxygen sensor 2 (bank 2)	[Engine is running] <ul style="list-style-type: none"> Revvng engine from idle to 3,000 rpm quickly after the following conditions are met <ul style="list-style-type: none"> - Engine: After warming up - Keeping the engine speed between 3,500 and 4,000 rpm for 1 minute and at idle for 1 minute under no load 	0 - Approximately 1.0V
78	B	Sensor ground (Heated oxygen sensor 2)	[Engine is running] <ul style="list-style-type: none"> Warm-up condition Idle speed 	Approximately 0V

Diagnosis Procedure

INFOID:000000002954918

1. CHECK GROUND CONNECTIONS

- Turn ignition switch OFF.
- Loosen and retighten ground screws on the body.
Refer to [EC-769, "Ground Inspection"](#).



- Body ground M70
- Body ground M16

OK or NG

- OK >> GO TO 2.
- NG >> Repair or replace ground connections.

2. CLEAR THE SELF-LEARNING DATA

With CONSULT-III

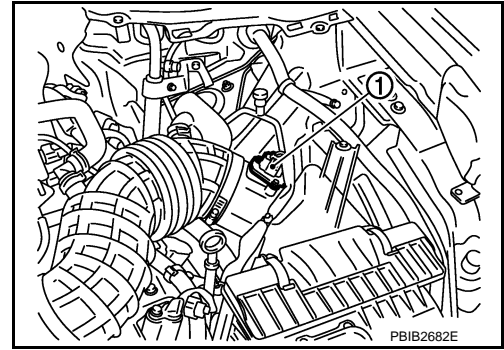
- Start engine and warm it up to normal operating temperature.
- Select "SELF-LEARNING CONT" in "WORK SUPPORT" mode with CONSULT-III.
- Clear the self-learning control coefficient by touching "CLEAR".
- Run engine for at least 10 minutes at idle speed.
Is the 1st trip DTC P0171, P0172, P0174 or P0175 detected?
Is it difficult to start engine?

Without CONSULT-III

- Start engine and warm it up to normal operating temperature.

< SERVICE INFORMATION >

2. Turn ignition switch OFF.
3. Disconnect mass air flow sensor (1) harness connector, and restart and run engine for at least 5 seconds at idle speed.
4. Stop engine and reconnect mass air flow sensor harness connector.
5. Make sure DTC P0102 is displayed.
6. Erase the DTC.
7. Make sure DTC P0000 is displayed.
8. Run engine for at least 10 minutes at idle speed.



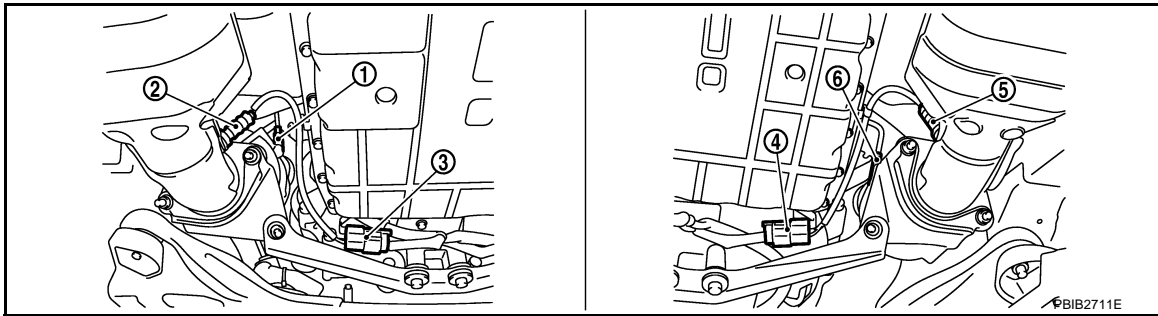
**Is the 1st trip DTC P0171, P0172, P0174 or P0175 detected?
Is it difficult to start engine?**

Yes or No

- Yes >> Perform trouble diagnosis for DTC P0171, P0174 or P0172, P0175. Refer to [EC-918, "Diagnosis Procedure"](#) or [EC-929, "Diagnosis Procedure"](#).
- No >> GO TO 3.

3. CHECK HO2S2 GROUND CIRCUIT FOR OPEN AND SHORT

1. Turn ignition switch OFF.
2. Disconnect heated oxygen sensor 2 harness connector.



- | | | |
|--|------------------------------------|--|
| 1. Air fuel ratio (A/F) sensor 1 (bank 1) | 2. Heated oxygen sensor 2 (bank 1) | 3. Heated oxygen sensor 2 (bank 1) harness connector |
| 4. Heated oxygen sensor 2 (bank 2) harness connector | 5. Heated oxygen sensor 2 (bank 2) | 6. Air fuel ratio (A/F) sensor 1 (bank 2) |

3. Disconnect ECM harness connector.
4. Check harness continuity between ECM terminal 78 and HO2S2 terminal 4. Refer to Wiring Diagram.

Continuity should exist.

5. Also check harness for short to ground and short to power.

OK or NG

- OK >> GO TO 4.
- NG >> Repair open circuit or short to ground or short to power in harness or connectors.

4. CHECK HO2S2 INPUT SIGNAL CIRCUIT FOR OPEN AND SHORT

1. Check harness continuity between ECM terminal and HO2S2 terminal as follows. Refer to Wiring Diagram.

DTC	Terminals		Bank
	ECM	Sensor	
P0139	55	1	1
P0159	74	1	2

Continuity should exist.

2. Check harness continuity between the following terminals and ground.

< SERVICE INFORMATION >

Refer to Wiring Diagram.

DTC	Terminals		Bank
	ECM	Sensor	
P0139	55	1	1
P0159	74	1	2

Continuity should not exist.

3. Also check harness for short to power.

OK or NG

OK >> GO TO 5.

NG >> Repair open circuit or short to ground or short to power in harness or connectors.

5. CHECK HEATED OXYGEN SENSOR 2

Refer to [EC-909, "Component Inspection"](#).

OK or NG

OK >> GO TO 6.

NG >> Replace malfunctioning heated oxygen sensor 2.

6. CHECK INTERMITTENT INCIDENT

Refer to [EC-763, "Diagnosis Procedure"](#).

>> **INSPECTION END**

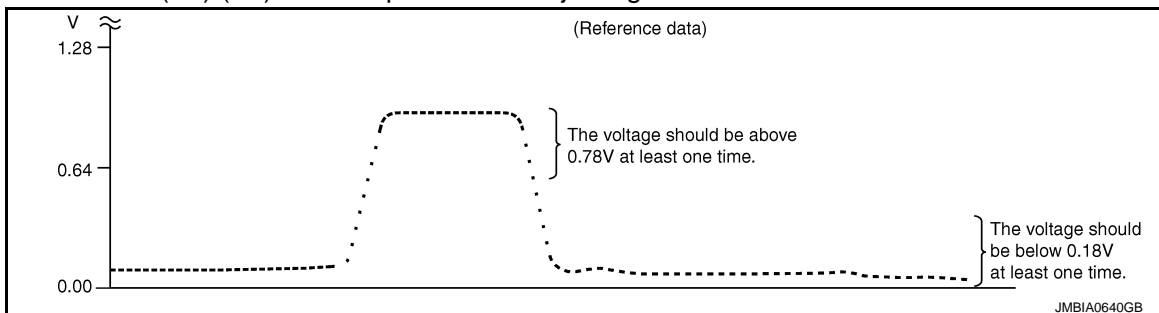
Component Inspection

INFOID:000000002954919

HEATED OXYGEN SENSOR 2

With CONSULT-III

1. Start engine and warm it up to the normal operating temperature.
2. Turn ignition switch OFF and wait at least 10 seconds.
3. Start engine and keep the engine speed between 3,500 and 4,000 rpm for at least 1 minute under no load.
4. Let engine idle for 1 minute.
5. Select "FUEL INJECTION" in "ACTIVE TEST" mode, and select "HO2S2 (B1)/(B2)" as the monitor item with CONSULT-III.
6. Check "HO2S2 (B1)/(B2)" at idle speed when adjusting "FUEL INJECTION" to $\pm 25\%$.



"HO2S2 (B1)/(B2)" should be above 0.78V at least once when the "FUEL INJECTION" is +25%.
 "HO2S2 (B1)/(B2)" should be below 0.18V at least once when the "FUEL INJECTION" is -25%.

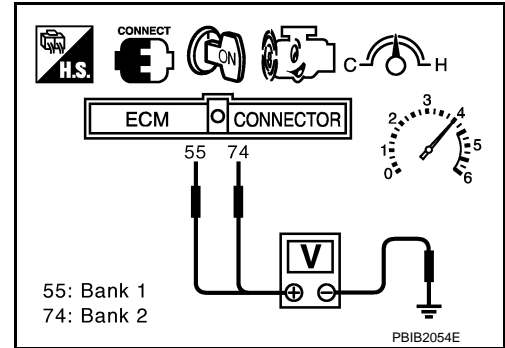
CAUTION:

- Discard any heated oxygen sensor which has been dropped from a height of more than 0.5 m (19.7 in) onto a hard surface such as a concrete floor; use a new one.
- Before installing new oxygen sensor, clean exhaust system threads using Oxygen Sensor Thread Cleaner tool J-43897-18 or J-43897-12 and approved anti-seize lubricant.

Without CONSULT-III

< SERVICE INFORMATION >

1. Start engine and warm it up to the normal operating temperature.
2. Turn ignition switch OFF and wait at least 10 seconds.
3. Start engine and keep the engine speed between 3,500 and 4,000 rpm for at least 1 minute under no load.
4. Let engine idle for 1 minute.
5. Set voltmeter probes between ECM terminal 55 [HO2S2 (B1) signal] or 74 [HO2S2 (B2) signal] and ground.
6. Check the voltage when revving up to 4,000 rpm under no load at least 10 times.
(Depress and release accelerator pedal as soon as possible.)
The voltage should be above 0.78V at least once during this procedure.
If the voltage is above 0.78V at step 6, step 7 is not necessary.
7. Keep vehicle at idling for 10 minutes, then check voltage. Or check the voltage when coasting from 80 km/h (50 MPH) in D position.
The voltage should be below 0.18V at least once during this procedure.
8. If NG, replace heated oxygen sensor 2.

**CAUTION:**

- Discard any heated oxygen sensor which has been dropped from a height of more than 0.5 m (19.7 in) onto a hard surface such as a concrete floor; use a new one.
- Before installing new oxygen sensor, clean exhaust system threads using Oxygen Sensor Thread Cleaner tool J-43897-18 or J-43897-12 and approved anti-seize lubricant.

Removal and Installation

INFOID:000000002954920

HEATED OXYGEN SENSOR 2

Refer to [EX-3](#).

DTC P0171, P0174 FUEL INJECTION SYSTEM FUNCTION

< SERVICE INFORMATION >

[VK45DE]

DTC P0171, P0174 FUEL INJECTION SYSTEM FUNCTION

On Board Diagnosis Logic

INFOID:000000002954921

With the Air/Fuel Mixture Ratio Self-Learning Control, the actual mixture ratio can be brought closely to the theoretical mixture ratio based on the mixture ratio feedback signal from the A/F sensors 1. The ECM calculates the necessary compensation to correct the offset between the actual and the theoretical ratios. In case the amount of the compensation value is extremely large (The actual mixture ratio is too lean.), the ECM judges the condition as the fuel injection system malfunction and lights up the MIL (2 trip detection logic).

Sensor	Input signal to ECM	ECM function	Actuator
A/F sensor 1	Density of oxygen in exhaust gas (Mixture ratio feedback signal)	Fuel injection control	Fuel injector

DTC No.	Trouble diagnosis name	DTC detecting condition	Possible cause
P0171 0171 (Bank 1)	Fuel injection system too lean	<ul style="list-style-type: none"> Fuel injection system does not operate properly. The amount of mixture ratio compensation is too large. (The mixture ratio is too lean.) 	<ul style="list-style-type: none"> Intake air leaks A/F sensor 1 Fuel injector Exhaust gas leaks Incorrect fuel pressure Lack of fuel Mass air flow sensor Incorrect PCV hose connection
P0174 0174 (Bank 2)			

DTC Confirmation Procedure

INFOID:000000002954922

NOTE:

Check vehicle specifications and VIN, then select the procedure to be performed. (Refer to the table below.)

Vehicle specification	Vehicle serial number	Procedure
Axle		
2WD	Up to 500994	A
	From 500995	B
4WD	Up to 551363	A
	From 551364	B

PROCEDURE A

NOTE:

If DTC Confirmation Procedure has been previously conducted, always turn ignition switch OFF and wait at least 10 seconds before conducting the next test.

④ With CONSULT-III

- Start engine and warm it up to normal operating temperature.
- Turn ignition switch OFF and wait at least 10 seconds.
- Turn ignition switch ON and select "SELF-LEARNING CONT" in "WORK SUPPORT" mode with CONSULT-III.
- Clear the self-learning control coefficient by touching "CLEAR".
- Start engine.
If it is difficult to start engine, the fuel injection system has a malfunction. Performing the following procedure is advised.
 - Crank engine while depressing accelerator pedal.
 - If engine starts, go to [EC-918, "Diagnosis Procedure"](#).
If engine does not start, check exhaust and intake air leak visually.
- Keep engine at idle for at least 10 minutes.
- Check 1st trip DTC.
- If 1st trip DTC is detected, go to [EC-918, "Diagnosis Procedure"](#).

DTC P0171, P0174 FUEL INJECTION SYSTEM FUNCTION

[VK45DE]

< SERVICE INFORMATION >

If 1st trip DTC is not detected, performing the following procedure is advised.

- a. Turn ignition switch OFF and wait at least 10 seconds.
- b. Start engine and drive the vehicle under the similar conditions to (1st trip) Freeze Frame Data for 10 minutes. Refer to the table below.

Hold the accelerator pedal as steady as possible.

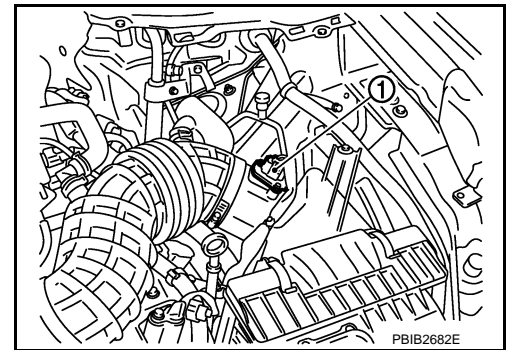
The similar conditions to (1st trip) Freeze Frame Data means the vehicle operation that the following conditions should be satisfied at the same time.

Engine speed	Engine speed in the freeze frame data \pm 400 rpm
Vehicle speed	Vehicle speed in the freeze frame data \pm 10 km/h (6 MPH)
Engine coolant temperature (T) condition	When the freeze frame data shows lower than 70 °C (158 °F), T should be lower than 70 °C (158 °F).
	When the freeze frame data shows higher than or equal to 70 °C (158 °F), T should be higher than or equal to 70 °C (158 °F).

9. Check 1st trip DTC.
10. If 1st trip DTC is detected, go to [EC-918. "Diagnosis Procedure"](#).

With GST

1. Start engine and warm it up to normal operating temperature.
2. Turn ignition switch OFF and wait at least 10 seconds.
3. Disconnect mass air flow sensor (1) harness connector.
4. Restart engine and let it idle for at least 5 seconds.
5. Stop engine and reconnect mass air flow sensor harness connector.
6. Select Service \$03 with GST and make sure DTC P0102 is detected.
7. Select Service \$04 with GST and erase the DTC P0102.
8. Start engine.
If it is difficult to start engine, the fuel injection system has a malfunction.
Performing the following procedure is advised.
- a. Crank engine while depressing accelerator pedal.
- b. If engine starts, go to [EC-918. "Diagnosis Procedure"](#).
If engine does not start, check exhaust and intake air leak visually.
9. Keep engine at idle for at least 10 minutes.
10. Check 1st trip DTC.
11. If 1st trip DTC is detected, go to [EC-918. "Diagnosis Procedure"](#).
If 1st trip DTC is not detected, performing the following procedure is advised.
- a. Turn ignition switch OFF and wait at least 10 seconds.
- b. Start engine and drive the vehicle under the similar conditions to (1st trip) Freeze Frame Data for 10 minutes. Refer to the table below.



The similar conditions to (1st trip) Freeze Frame Data means the vehicle operation that the following conditions should be satisfied at the same time.

Engine speed	Engine speed in the freeze frame data \pm 400 rpm
Vehicle speed	Vehicle speed in the freeze frame data \pm 10 km/h (6 MPH)
Engine coolant temperature (T) condition	When the freeze frame data shows lower than 70 °C (158 °F), T should be lower than 70 °C (158 °F).
	When the freeze frame data shows higher than or equal to 70 °C (158 °F), T should be higher than or equal to 70 °C (158 °F).

DTC P0171, P0174 FUEL INJECTION SYSTEM FUNCTION

< SERVICE INFORMATION >

[VK45DE]

12. Check 1st trip DTC.
13. If 1st trip DTC is detected, go to [EC-918, "Diagnosis Procedure"](#).

PROCEDURE B

NOTE:

If DTC Confirmation Procedure has been previously conducted, always turn ignition switch OFF and wait at least 10 seconds before conducting the next test.

Ⓜ With CONSULT-III

1. Start engine and warm it up to normal operating temperature.
2. Turn ignition switch OFF and wait at least 10 seconds.
3. Turn ignition switch ON and select "SELF-LEARNING CONT" in "WORK SUPPORT" mode with CONSULT-III.
4. Clear the self-learning control coefficient by touching "CLEAR".
5. Start engine.
If it is difficult to start engine, the fuel injection system has a malfunction.
Performing the following procedure is advised.
 - a. Crank engine while depressing accelerator pedal.
 - b. If engine starts, go to [EC-918, "Diagnosis Procedure"](#).
If engine does not start, check exhaust and intake air leak visually.
6. Keep engine at idle for at least 5 minutes.
7. Check 1st trip DTC.
8. If 1st trip DTC is detected, go to [EC-918, "Diagnosis Procedure"](#).
If 1st trip DTC is not detected, performing the following procedure is advised.
 - a. Turn ignition switch OFF and wait at least 10 seconds.
 - b. Start engine and drive the vehicle under the similar conditions to (1st trip) Freeze Frame Data for 5 minutes. Refer to the table below.
Hold the accelerator pedal as steady as possible.

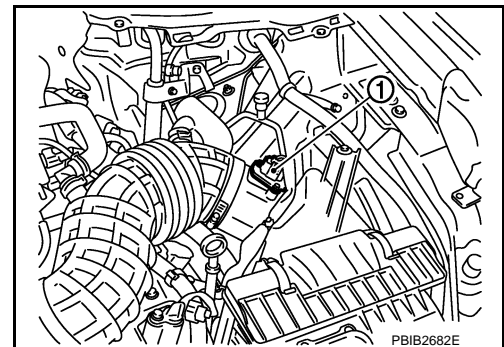
The similar conditions to (1st trip) Freeze Frame Data means the vehicle operation that the following conditions should be satisfied at the same time.

Engine speed	Engine speed in the freeze frame data \pm 400 rpm
Vehicle speed	Vehicle speed in the freeze frame data \pm 10 km/h (6 MPH)
Engine coolant temperature (T) condition	When the freeze frame data shows lower than 70 °C (158 °F), T should be lower than 70 °C (158 °F).
	When the freeze frame data shows higher than or equal to 70 °C (158 °F), T should be higher than or equal to 70 °C (158 °F).

9. Check 1st trip DTC.
10. If 1st trip DTC is detected, go to [EC-918, "Diagnosis Procedure"](#).

Ⓜ With GST

1. Start engine and warm it up to normal operating temperature.
2. Turn ignition switch OFF and wait at least 10 seconds.
3. Disconnect mass air flow sensor (1) harness connector.
4. Restart engine and let it idle for at least 5 seconds.
5. Stop engine and reconnect mass air flow sensor harness connector.
6. Select Service \$03 with GST and make sure DTC P0102 is detected.
7. Select Service \$04 with GST and erase the DTC P0102.
8. Start engine.
If it is difficult to start engine, the fuel injection system has a malfunction.



DTC P0171, P0174 FUEL INJECTION SYSTEM FUNCTION

[VK45DE]

< SERVICE INFORMATION >

Performing the following procedure is advised.

- a. Crank engine while depressing accelerator pedal.
- b. If engine starts, go to [EC-918. "Diagnosis Procedure"](#).
If engine does not start, check exhaust and intake air leak visually.
9. Keep engine at idle for at least 5 minutes.
10. Check 1st trip DTC.
11. If 1st trip DTC is detected, go to [EC-918. "Diagnosis Procedure"](#).
If 1st trip DTC is not detected, performing the following procedure is advised.
 - a. Turn ignition switch OFF and wait at least 10 seconds.
 - b. Start engine and drive the vehicle under the similar conditions to (1st trip) Freeze Frame Data for 5 minutes. Refer to the table below.
Hold the accelerator pedal as steady as possible.

The similar conditions to (1st trip) Freeze Frame Data means the vehicle operation that the following conditions should be satisfied at the same time.

Engine speed	Engine speed in the freeze frame data \pm 400 rpm
Vehicle speed	Vehicle speed in the freeze frame data \pm 10 km/h (6 MPH)
Engine coolant temperature (T) condition	When the freeze frame data shows lower than 70 °C (158 °F), T should be lower than 70 °C (158 °F).
	When the freeze frame data shows higher than or equal to 70 °C (158 °F), T should be higher than or equal to 70 °C (158 °F).

12. Check 1st trip DTC.
13. If 1st trip DTC is detected, go to [EC-918. "Diagnosis Procedure"](#).

DTC P0171, P0174 FUEL INJECTION SYSTEM FUNCTION

< SERVICE INFORMATION >

[VK45DE]

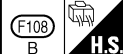
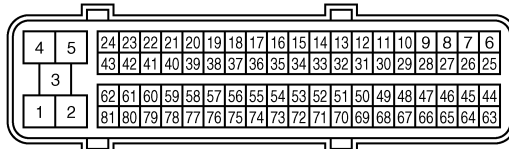
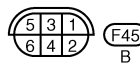
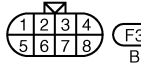
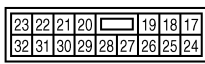
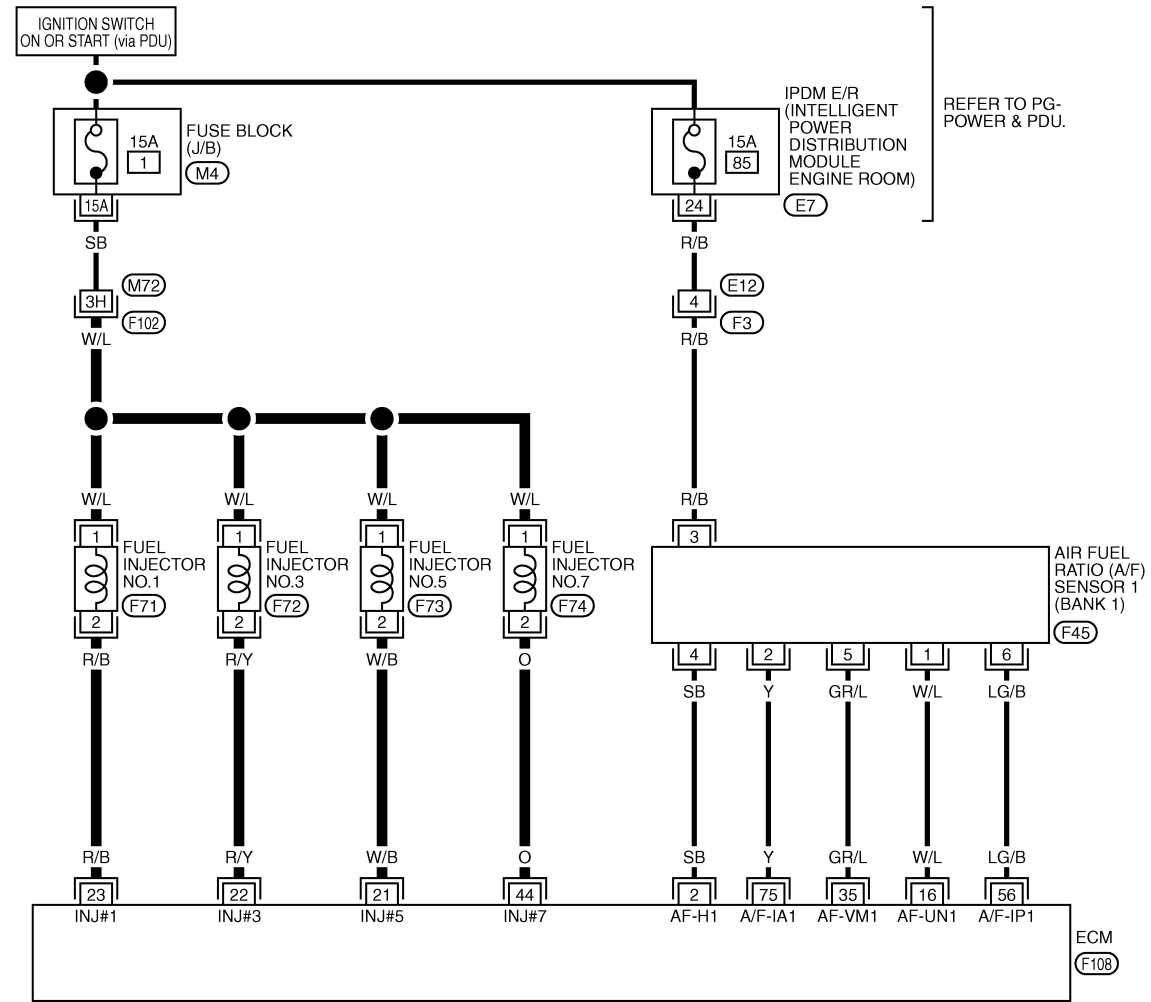
Wiring Diagram

INFOID:000000002954923

BANK 1

EC-FUELB1-01

— : DETECTABLE LINE FOR DTC
 - - - : NON-DETECTABLE LINE FOR DTC



REFER TO THE FOLLOWING.
 (F102) -SUPER MULTIPLE JUNCTION (SMJ)
 (M4) -FUSE BLOCK-JUNCTION BOX (J/B)

TBWT1492E

Specification data are reference values and are measured between each terminal and ground. Pulse signal is measured by CONSULT-III.

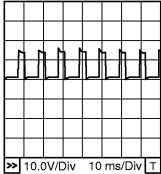
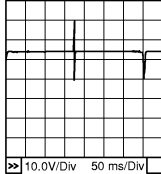
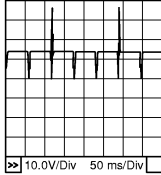
CAUTION:

DTC P0171, P0174 FUEL INJECTION SYSTEM FUNCTION

< SERVICE INFORMATION >

[VK45DE]

Do not use ECM ground terminals when measuring input/output voltage. Doing so may result in damage to the ECM's transistor. Use a ground other than ECM terminals, such as the ground.

TER-MI-NAL NO.	WIRE COLOR	ITEM	CONDITION	DATA (DC Voltage)
2	SB	A/F sensor 1 heater (bank 1)	[Engine is running] <ul style="list-style-type: none"> • Warm-up condition • Idle speed 	Approximately 5V★  <small>PBIB1584E</small>
16	W/L	A/F sensor 1 (bank 1)	[Engine is running] <ul style="list-style-type: none"> • Warm-up condition • Idle speed 	Approximately 3.1V
35	GR/L			Approximately 2.6V
56	LG/B			Approximately 2.3V
75	Y			Approximately 2.3V
21	W/B	Fuel injector No. 5	[Engine is running] <ul style="list-style-type: none"> • Warm-up condition • Idle speed NOTE: The pulse cycle changes depending on rpm at idle	BATTERY VOLTAGE (11 - 14V)★  <small>PBIB0042E</small>
22	R/Y	Fuel injector No. 3		
23	R/B	Fuel injector No. 1		
44	O	Fuel injector No. 7		
			[Engine is running] <ul style="list-style-type: none"> • Warm-up condition • Engine speed: 2,000 rpm 	BATTERY VOLTAGE (11 - 14V)★  <small>PBIB0043E</small>

★: Average voltage for pulse signal (Actual pulse signal can be confirmed by oscilloscope.)

DTC P0171, P0174 FUEL INJECTION SYSTEM FUNCTION

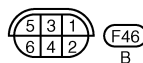
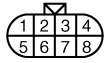
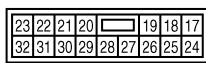
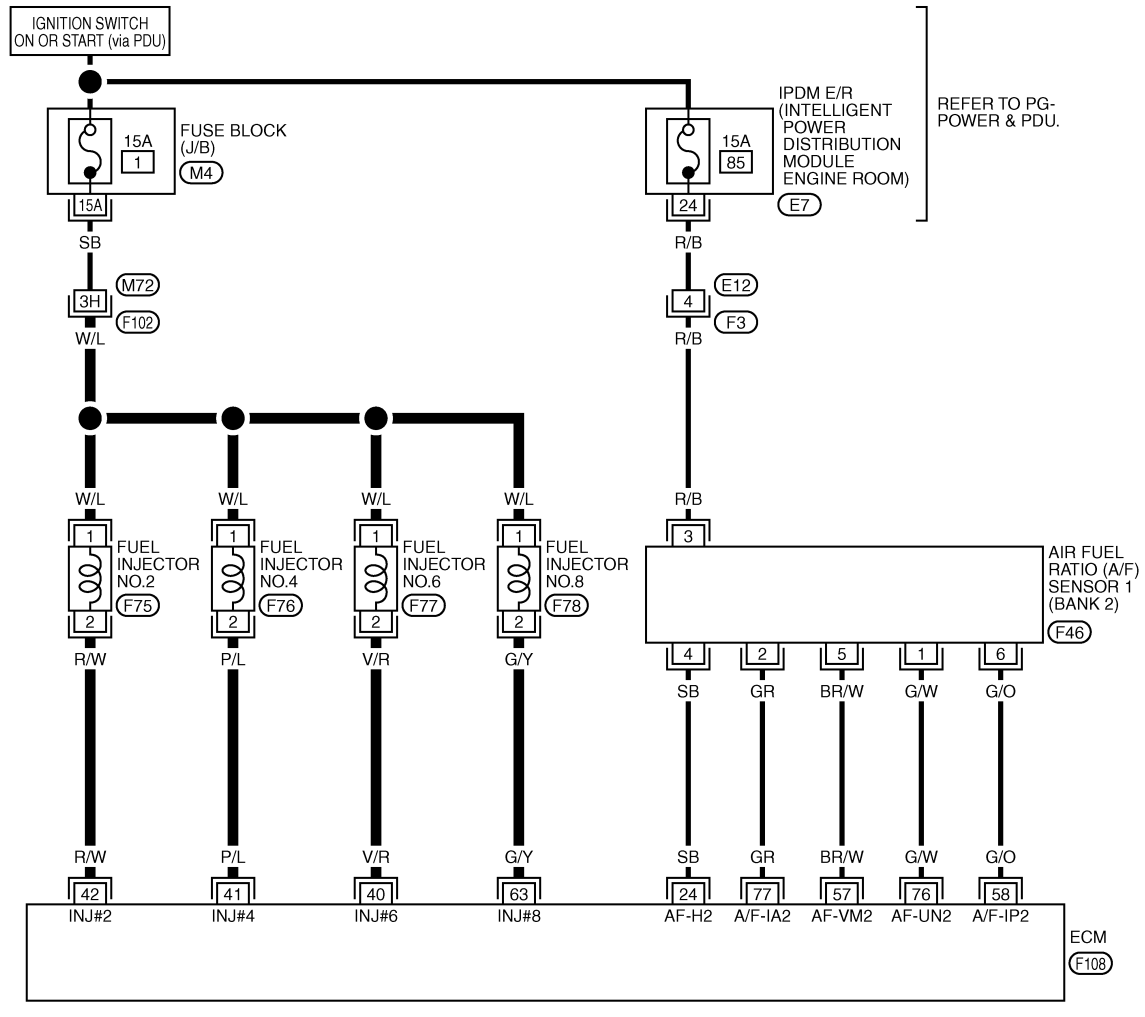
< SERVICE INFORMATION >

[VK45DE]

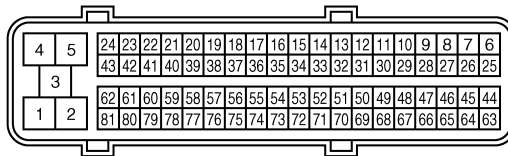
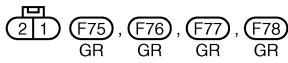
BANK 2

EC-FUEL2-01

— : DETECTABLE LINE FOR DTC
 - - - : NON-DETECTABLE LINE FOR DTC



REFER TO THE FOLLOWING.
 (F102) -SUPER MULTIPLE JUNCTION (SMJ)
 (M4) -FUSE BLOCK-JUNCTION BOX (J/B)



TBWT1493E

Specification data are reference values and are measured between each terminal and ground. Pulse signal is measured by CONSULT-III.

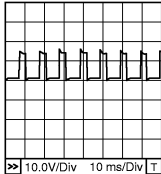
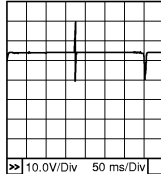
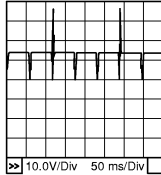
CAUTION:

Do not use ECM ground terminals when measuring input/output voltage. Doing so may result in damage to the ECM's transistor. Use a ground other than ECM terminals, such as the ground.

DTC P0171, P0174 FUEL INJECTION SYSTEM FUNCTION

< SERVICE INFORMATION >

[VK45DE]

TER-MI-NAL NO.	WIRE COLOR	ITEM	CONDITION	DATA (DC Voltage)
24	SB	A/F sensor 1 heater (bank 2)	[Engine is running] • Warm-up condition • Idle speed	Approximately 5V★  PBIB1584E
40 41 42 63	V/R P/L R/W G/Y	Fuel injector No. 6 Fuel injector No. 4 Fuel injector No. 2 Fuel injector No. 8	[Engine is running] • Warm-up condition • Idle speed NOTE: The pulse cycle changes depending on rpm at idle	BATTERY VOLTAGE (11 - 14V)★  PBIB0042E
			[Engine is running] • Warm-up condition • Engine speed: 2,000 rpm	BATTERY VOLTAGE (11 - 14V)★  PBIB0043E
57 58 76 77	BR/W G/O G/W GR	A/F sensor 1 (bank 2)	[Engine is running] • Warm-up condition • Idle speed	Approximately 2.6V Approximately 2.3V Approximately 3.1V Approximately 2.3V

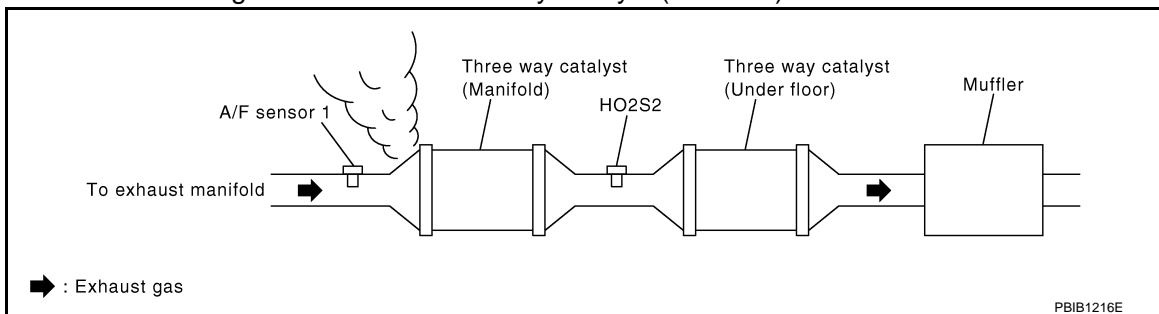
★: Average voltage for pulse signal (Actual pulse signal can be confirmed by oscilloscope.)

Diagnosis Procedure

INFOID:000000002954924

1. CHECK EXHAUST GAS LEAK

1. Start engine and run it at idle.
2. Listen for an exhaust gas leak before three way catalyst (manifold).



OK or NG

- OK >> GO TO 2.
 NG >> Repair or replace.

2. CHECK FOR INTAKE AIR LEAK

DTC P0171, P0174 FUEL INJECTION SYSTEM FUNCTION

[VK45DE]

< SERVICE INFORMATION >

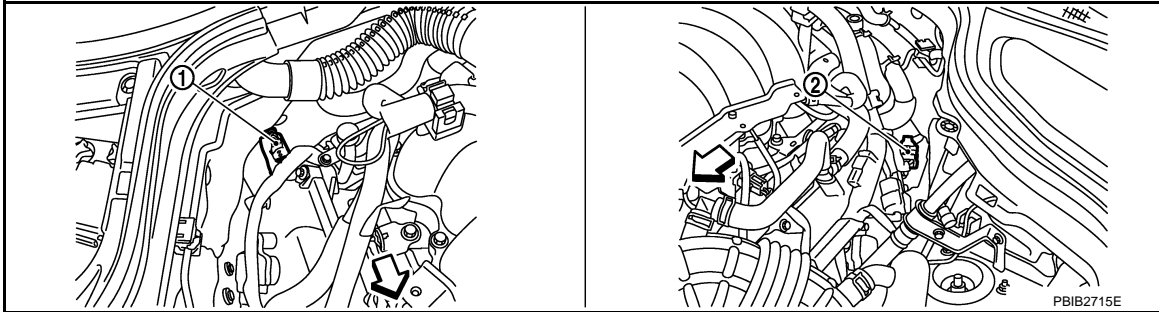
1. Listen for an intake air leak after the mass air flow sensor.
2. Check PCV hose connection.

OK or NG

- OK >> GO TO 3.
 NG >> Repair or replace.

3. CHECK AIR FUEL RATIO (A/F) SENSOR 1 INPUT SIGNAL CIRCUIT

1. Turn ignition switch OFF.
2. Disconnect corresponding air fuel ratio (A/F) sensor 1 harness connector.



↶ : Vehicle front

1. A/F sensor 1 (bank 2)
harness connector

2. A/F sensor 1 (bank 1)
harness connector

3. Disconnect ECM harness connector.
4. Check harness continuity between the following terminals.
Refer to Wiring Diagram.

	A/F sensor 1 terminal	ECM terminal
Bank 1	1	16
	2	75
	5	35
	6	56
Bank 2	1	76
	2	77
	5	57
	6	58

Continuity should exist.

5. Check harness continuity between the following terminals and ground.
Refer to Wiring Diagram.

Bank 1		Bank 2	
A/F sensor 1 terminal	ECM terminal	A/F sensor 1 terminal	ECM terminal
1	16	1	76
2	75	2	77
5	35	5	57
6	56	6	58

Continuity should not exist.

6. Also check harness for short to power.

OK or NG

- OK >> GO TO 4.

DTC P0171, P0174 FUEL INJECTION SYSTEM FUNCTION

[VK45DE]

< SERVICE INFORMATION >

NG >> Repair open circuit or short to ground or short to power in harness or connectors.

4. CHECK FUEL PRESSURE

1. Release fuel pressure to zero. Refer to [EC-708, "Fuel Pressure Check"](#).
2. Install fuel pressure gauge and check fuel pressure. Refer to [EC-708, "Fuel Pressure Check"](#).

At idling: Approximately 350 kPa (3.57 kg/cm², 51 psi)

OK or NG

- OK >> GO TO 6.
NG >> GO TO 5.

5. DETECT MALFUNCTIONING PART

Check the following.

- Fuel pump and circuit (Refer to [EC-1239, "Diagnosis Procedure"](#).)
- Fuel pressure regulator (Refer to [EC-708, "Fuel Pressure Check"](#).)
- Fuel lines
- Fuel filter for clogging

>> Repair or replace.

6. CHECK MASS AIR FLOW SENSOR

 **With CONSULT-III**

1. Install all removed parts.
2. Start engine and warm it up to normal operating temperature.
3. Check "MASS AIR FLOW" in "DATA MONITOR" mode with CONSULT-III.

2.0 - 6.0 g-m/sec: at idling

7.0 - 20.0 g-m/sec: at 2,500 rpm

 **With GST**

1. Install all removed parts.
2. Start engine and warm it up to normal operating temperature.
3. Check mass air flow sensor signal in Service \$01 with GST.

2.0 - 6.0 g-m/sec: at idling

7.0 - 20.0 g-m/sec: at 2,500 rpm

OK or NG

OK (With CONSULT-III)>>GO TO 7.

OK (Without CONSULT-III)>>GO TO 8.

NG >> Check connectors for rusted terminals or loose connections in the mass air flow sensor circuit or grounds. Refer to [EC-810, "Diagnosis Procedure"](#).

7. CHECK FUNCTION OF FUEL INJECTOR

 **With CONSULT-III**

1. Perform "POWER BALANCE" in "ACTIVE TEST" mode with CONSULT-III.
2. Make sure that each circuit produces a momentary engine speed drop.

OK or NG

OK >> GO TO 9.

NG >> Perform trouble diagnosis for fuel injector, refer to [EC-1234, "Diagnosis Procedure"](#).

8. CHECK FUNCTION OF FUEL INJECTOR

 **Without CONSULT-III**

DTC P0171, P0174 FUEL INJECTION SYSTEM FUNCTION

[VK45DE]

< SERVICE INFORMATION >

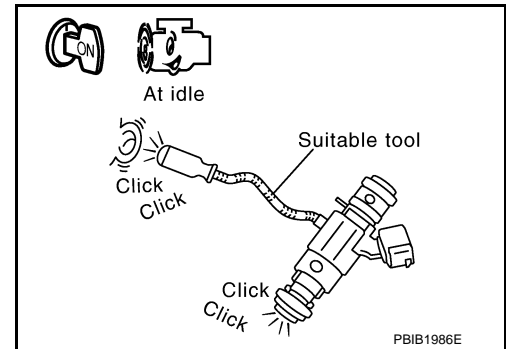
Listen to each fuel injector operating sound.

Operating sound should exist.

OK or NG

OK >> GO TO 9.

NG >> Perform trouble diagnosis for fuel injector, refer to [EC-1234](#). "Diagnosis Procedure".



9. CHECK FUEL INJECTOR

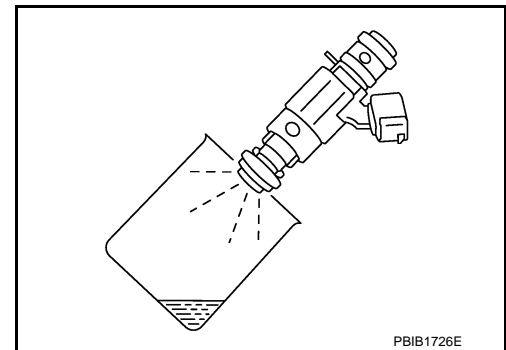
1. Turn ignition switch OFF.
2. Confirm that the engine is cooled down and there are no fire hazards near the vehicle.
3. Disconnect all fuel injector harness connectors.
4. Remove fuel tube assembly. Refer to [EM-192](#).
Keep fuel hose and all fuel injectors connected to fuel tube.
5. For DTC P0171, reconnect fuel injector harness connectors on bank 1.
For DTC P0174, reconnect fuel injector harness connectors on bank 2.
6. Disconnect all ignition coil harness connectors.
7. Prepare pans or saucers under each fuel injector.
8. Crank engine for about 3 seconds.
For DTC P0171, make sure that fuel sprays out from fuel injectors on bank 1.
For DTC P0174, make sure that fuel sprays out from fuel injectors on bank 2.

Fuel should be sprayed evenly for each fuel injector.

OK or NG

OK >> GO TO 10.

NG >> Replace fuel injectors from which fuel does not spray out. Always replace O-ring with new ones.



10. CHECK INTERMITTENT INCIDENT

Refer to [EC-763](#). "Diagnosis Procedure".

>> INSPECTION END

DTC P0172, P0175 FUEL INJECTION SYSTEM FUNCTION

< SERVICE INFORMATION >

[VK45DE]

DTC P0172, P0175 FUEL INJECTION SYSTEM FUNCTION

On Board Diagnosis Logic

INFOID:000000002954925

With the Air/Fuel Mixture Ratio Self-Learning Control, the actual mixture ratio can be brought closely to the theoretical mixture ratio based on the mixture ratio feedback signal from the A/F sensors 1. The ECM calculates the necessary compensation to correct the offset between the actual and the theoretical ratios. In case the amount of the compensation value is extremely large (The actual mixture ratio is too rich.), the ECM judges the condition as the fuel injection system malfunction and lights up the MIL (2 trip detection logic).

Sensor	Input signal to ECM	ECM function	Actuator
A/F sensor 1	Density of oxygen in exhaust gas (Mixture ratio feedback signal)	Fuel injection control	Fuel injector

DTC No.	Trouble diagnosis name	DTC detecting condition	Possible cause
P0172 0172 (Bank 1)	Fuel injection system too rich	<ul style="list-style-type: none"> Fuel injection system does not operate properly. The amount of mixture ratio compensation is too large. (The mixture ratio is too rich.) 	<ul style="list-style-type: none"> A/F sensor 1 Fuel injector Exhaust gas leaks Incorrect fuel pressure Mass air flow sensor
P0175 0175 (Bank 2)			

DTC Confirmation Procedure

INFOID:000000002954926

NOTE:

Check vehicle specifications and VIN, then select the procedure to be performed. (Refer to the table below.)

Vehicle specification	Vehicle serial number	Procedure
Axle		
2WD	Up to 500994	A
	From 500995	B
4WD	Up to 551363	A
	From 551364	B

PROCEDURE A

NOTE:

If DTC Confirmation Procedure has been previously conducted, always turn ignition switch OFF and wait at least 10 seconds before conducting the next test.

④ With CONSULT-III

- Start engine and warm it up to normal operating temperature.
- Turn ignition switch OFF and wait at least 10 seconds.
- Turn ignition switch ON and select "SELF-LEARNING CONT" in "WORK SUPPORT" mode with CONSULT-III.
- Clear the self-learning control coefficient by touching "CLEAR".
- Start engine.
If it is difficult to start engine, the fuel injection system has a malfunction. Performing the following procedure is advised.
 - Crank engine while depressing accelerator pedal.
 - If engine starts, go to [EC-929, "Diagnosis Procedure"](#).
If engine does not start, remove spark plugs and check for fouling, etc.
- Keep engine at idle for at least 10 minutes.
- Check 1st trip DTC.
- If 1st trip DTC is detected, go to [EC-929, "Diagnosis Procedure"](#).
If 1st trip DTC is not detected, performing the following procedure is advised.

DTC P0172, P0175 FUEL INJECTION SYSTEM FUNCTION

< SERVICE INFORMATION >

[VK45DE]

- a. Turn ignition switch OFF and wait at least 10 seconds.
- b. Start engine and drive the vehicle under the similar conditions to (1st trip) Freeze Frame Data for 10 minutes. Refer to the table below.
Hold the accelerator pedal as steady as possible.

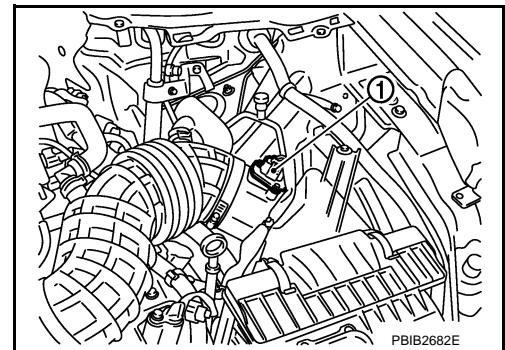
The similar conditions to (1st trip) Freeze Frame Data means the vehicle operation that the following conditions should be satisfied at the same time.

Engine speed	Engine speed in the freeze frame data \pm 400 rpm
Vehicle speed	Vehicle speed in the freeze frame data \pm 10 km/h (6 MPH)
Engine coolant temperature (T) condition	When the freeze frame data shows lower than 70 °C (158 °F), T should be lower than 70 °C (158 °F).
	When the freeze frame data shows higher than or equal to 70 °C (158 °F), T should be higher than or equal to 70 °C (158 °F).

9. Check 1st trip DTC.
10. If 1st trip DTC is detected, go to [EC-929, "Diagnosis Procedure"](#).

 With GST

1. Start engine and warm it up to normal operating temperature.
2. Turn ignition switch OFF and wait at least 10 seconds.
3. Disconnect mass air flow sensor (1) harness connector. Then restart and run engine for at least 5 seconds at idle speed.
4. Stop engine and reconnect mass air flow sensor harness connector.
5. Select Service \$03 with GST and make sure DTC P0102 is detected.
6. Select Service \$04 with GST and erase the DTC P0102.
7. Start engine.
If it is difficult to start engine, the fuel injection system has a malfunction.
Performing the following procedure is advised.
- a. Crank engine while depressing accelerator pedal.
- b. If engine starts, go to [EC-929, "Diagnosis Procedure"](#).
If engine does not start, remove spark plugs and check for fouling, etc.
8. Keep engine at idle for at least 10 minutes.
9. Check 1st trip DTC.
10. If 1st trip DTC is detected, go to [EC-929, "Diagnosis Procedure"](#).
If 1st trip DTC is not detected, performing the following procedure is advised.
- a. Turn ignition switch OFF and wait at least 10 seconds.
- b. Start engine and drive the vehicle under the similar conditions to (1st trip) Freeze Frame Data for 10 minutes. Refer to the table below.
Hold the accelerator pedal as steady as possible.



The similar conditions to (1st trip) Freeze Frame Data means the vehicle operation that the following conditions should be satisfied at the same time.

Engine speed	Engine speed in the freeze frame data \pm 400 rpm
Vehicle speed	Vehicle speed in the freeze frame data \pm 10 km/h (6 MPH)
Engine coolant temperature (T) condition	When the freeze frame data shows lower than 70 °C (158 °F), T should be lower than 70 °C (158 °F).
	When the freeze frame data shows higher than or equal to 70 °C (158 °F), T should be higher than or equal to 70 °C (158 °F).

11. Check 1st trip DTC.

DTC P0172, P0175 FUEL INJECTION SYSTEM FUNCTION

[VK45DE]

< SERVICE INFORMATION >

12. If 1st trip DTC is detected, go to [EC-929, "Diagnosis Procedure"](#).

PROCEDURE B

NOTE:

If DTC Confirmation Procedure has been previously conducted, always turn ignition switch OFF and wait at least 10 seconds before conducting the next test.

Ⓜ With CONSULT-III

1. Start engine and warm it up to normal operating temperature.
2. Turn ignition switch OFF and wait at least 10 seconds.
3. Turn ignition switch ON and select "SELF-LEARNING CONT" in "WORK SUPPORT" mode with CONSULT-III.
4. Clear the self-learning control coefficient by touching "CLEAR".
5. Start engine.
If it is difficult to start engine, the fuel injection system has a malfunction. Performing the following procedure is advised.
 - a. Crank engine while depressing accelerator pedal.
 - b. If engine starts, go to [EC-929, "Diagnosis Procedure"](#).
If engine does not start, remove spark plugs and check for fouling, etc.
6. Keep engine at idle for at least 5 minutes.
7. Check 1st trip DTC.
8. If 1st trip DTC is detected, go to [EC-929, "Diagnosis Procedure"](#).
If 1st trip DTC is not detected, performing the following procedure is advised.
 - a. Turn ignition switch OFF and wait at least 10 seconds.
 - b. Start engine and drive the vehicle under the similar conditions to (1st trip) Freeze Frame Data for 5 minutes. Refer to the table below.

Hold the accelerator pedal as steady as possible.

The similar conditions to (1st trip) Freeze Frame Data means the vehicle operation that the following conditions should be satisfied at the same time.

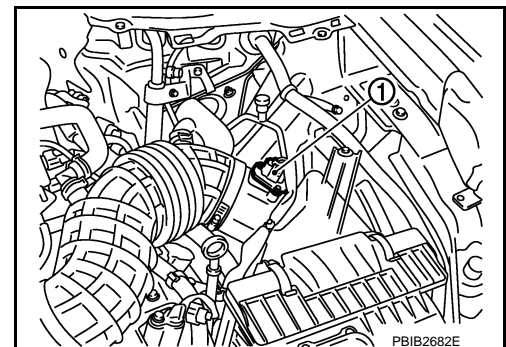
Engine speed	Engine speed in the freeze frame data \pm 400 rpm
Vehicle speed	Vehicle speed in the freeze frame data \pm 10 km/h (6 MPH)
Engine coolant temperature (T) condition	When the freeze frame data shows lower than 70 °C (158 °F), T should be lower than 70 °C (158 °F).
	When the freeze frame data shows higher than or equal to 70 °C (158 °F), T should be higher than or equal to 70 °C (158 °F).

9. Check 1st trip DTC.

10. If 1st trip DTC is detected, go to [EC-929, "Diagnosis Procedure"](#).

Ⓜ With GST

1. Start engine and warm it up to normal operating temperature.
2. Turn ignition switch OFF and wait at least 10 seconds.
3. Disconnect mass air flow sensor (1) harness connector. Then restart and run engine for at least 5 seconds at idle speed.
4. Stop engine and reconnect mass air flow sensor harness connector.
5. Select Service \$03 with GST and make sure DTC P0102 is detected.
6. Select Service \$04 with GST and erase the DTC P0102.
7. Start engine.
If it is difficult to start engine, the fuel injection system has a malfunction. Performing the following procedure is advised.



PBIB2682E

DTC P0172, P0175 FUEL INJECTION SYSTEM FUNCTION

[VK45DE]

< SERVICE INFORMATION >

- a. Crank engine while depressing accelerator pedal.
- b. If engine starts, go to [EC-929, "Diagnosis Procedure"](#).
If engine does not start, remove spark plugs and check for fouling, etc.
8. Keep engine at idle for at least 5 minutes.
9. Check 1st trip DTC.
10. If 1st trip DTC is detected, go to [EC-929, "Diagnosis Procedure"](#).
If 1st trip DTC is not detected, performing the following procedure is advised.
 - a. Turn ignition switch OFF and wait at least 10 seconds.
 - b. Start engine and drive the vehicle under the similar conditions to (1st trip) Freeze Frame Data for 5 minutes. Refer to the table below.
Hold the accelerator pedal as steady as possible.

The similar conditions to (1st trip) Freeze Frame Data means the vehicle operation that the following conditions should be satisfied at the same time.

Engine speed	Engine speed in the freeze frame data \pm 400 rpm
Vehicle speed	Vehicle speed in the freeze frame data \pm 10 km/h (6 MPH)
Engine coolant temperature (T) condition	When the freeze frame data shows lower than 70 °C (158 °F), T should be lower than 70 °C (158 °F).
	When the freeze frame data shows higher than or equal to 70 °C (158 °F), T should be higher than or equal to 70 °C (158 °F).

11. Check 1st trip DTC.
12. If 1st trip DTC is detected, go to [EC-929, "Diagnosis Procedure"](#).

DTC P0172, P0175 FUEL INJECTION SYSTEM FUNCTION

< SERVICE INFORMATION >

[VK45DE]

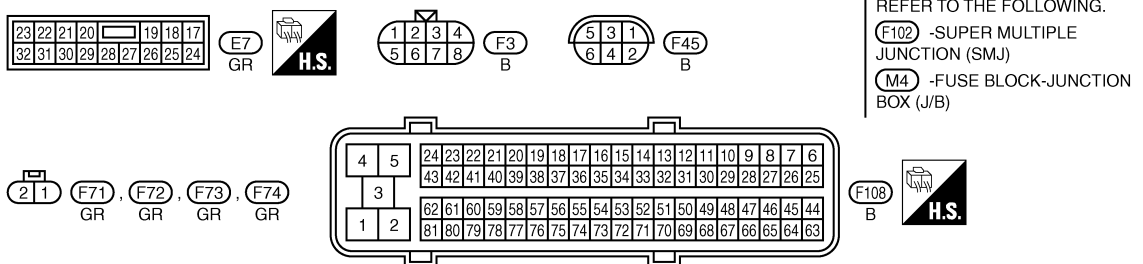
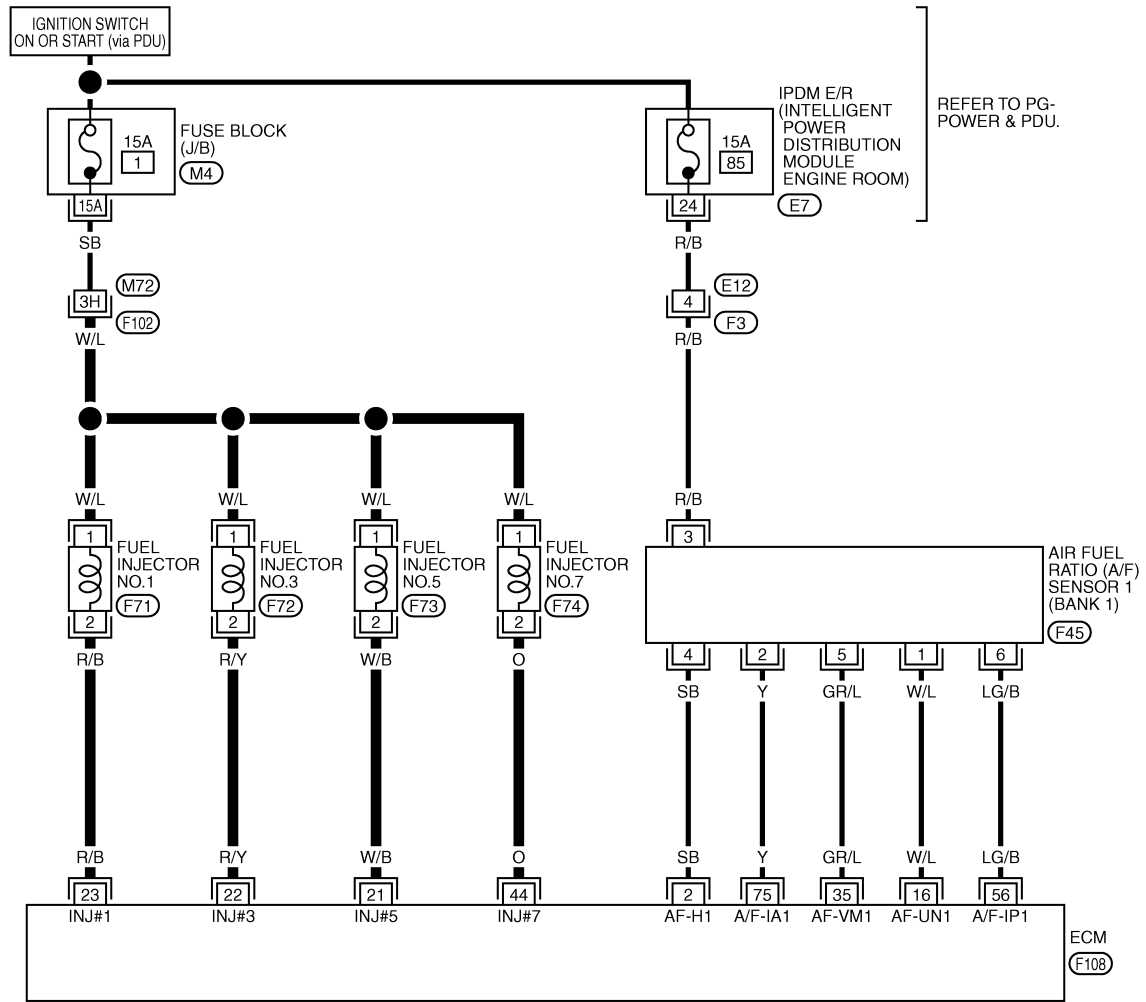
INFOID:000000002954927

Wiring Diagram

BANK 1

EC-FUEL B1-01

— : DETECTABLE LINE FOR DTC
 - - - : NON-DETECTABLE LINE FOR DTC



TBWT1492E

Specification data are reference values and are measured between each terminal and ground. Pulse signal is measured by CONSULT-III.

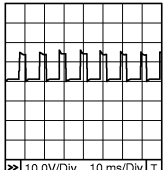
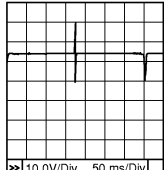
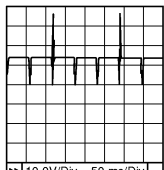
CAUTION:

DTC P0172, P0175 FUEL INJECTION SYSTEM FUNCTION

< SERVICE INFORMATION >

[VK45DE]

Do not use ECM ground terminals when measuring input/output voltage. Doing so may result in damage to the ECM's transistor. Use a ground other than ECM terminals, such as the ground.

TER-MI-NAL NO.	WIRE COLOR	ITEM	CONDITION	DATA (DC Voltage)
2	SB	A/F sensor 1 heater (bank 1)	[Engine is running] <ul style="list-style-type: none"> • Warm-up condition • Idle speed 	Approximately 5V★  <small>PBIB1584E</small>
16	W/L	A/F sensor 1 (bank 1)	[Engine is running] <ul style="list-style-type: none"> • Warm-up condition • Idle speed 	Approximately 3.1V
35	GR/L			Approximately 2.6V
56	LG/B			Approximately 2.3V
75	Y			Approximately 2.3V
21 22 23 44	W/B R/Y R/B O	Fuel injector No. 5 Fuel injector No. 3 Fuel injector No. 1 Fuel injector No. 7	[Engine is running] <ul style="list-style-type: none"> • Warm-up condition • Idle speed NOTE: The pulse cycle changes depending on rpm at idle	BATTERY VOLTAGE (11 - 14V)★  <small>PBIB0042E</small>
			[Engine is running] <ul style="list-style-type: none"> • Warm-up condition • Engine speed: 2,000 rpm 	BATTERY VOLTAGE (11 - 14V)★  <small>PBIB0043E</small>

★: Average voltage for pulse signal (Actual pulse signal can be confirmed by oscilloscope.)

A
EC
C
D
E
F
G
H
I
J
K
L
M
N
O
P

DTC P0172, P0175 FUEL INJECTION SYSTEM FUNCTION

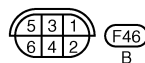
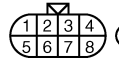
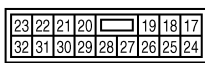
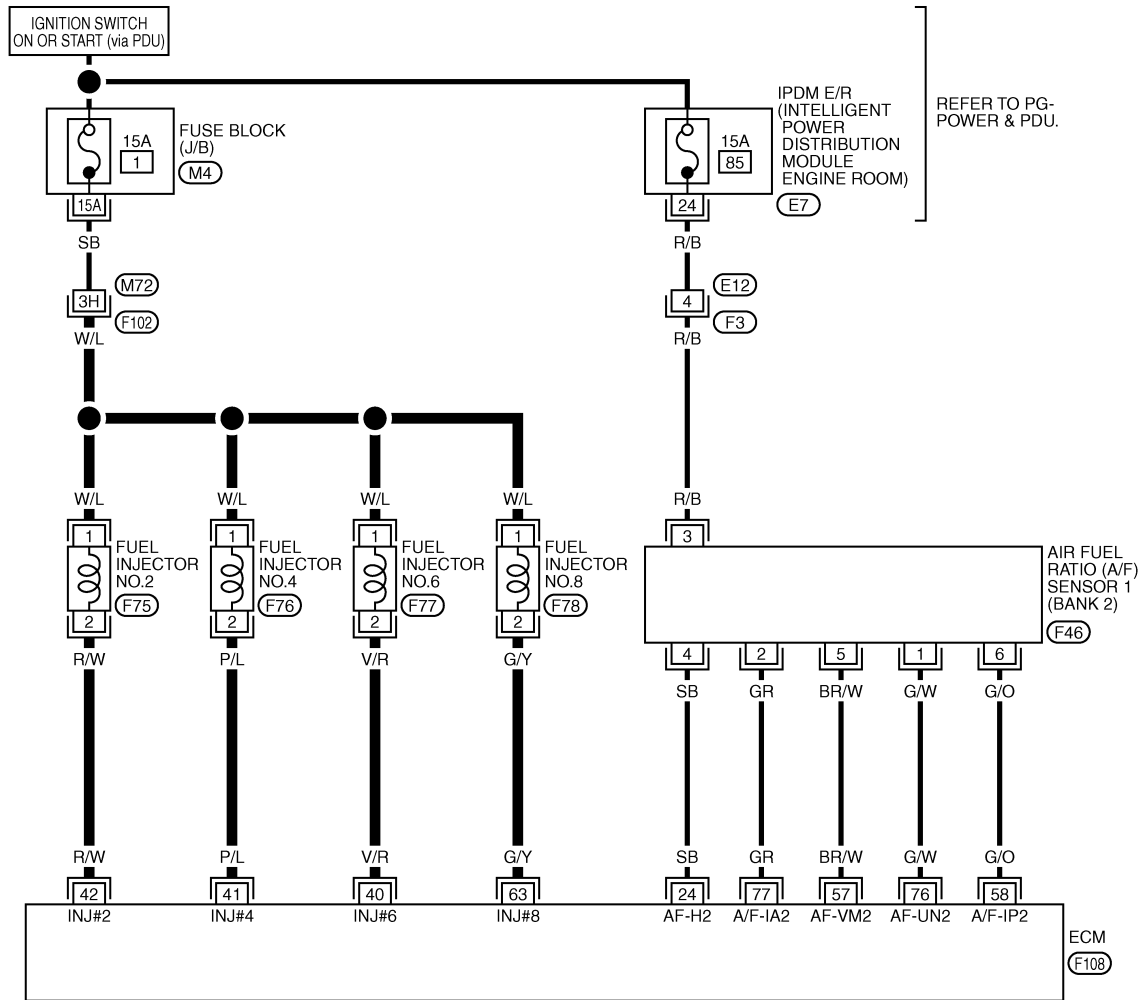
< SERVICE INFORMATION >

[VK45DE]

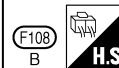
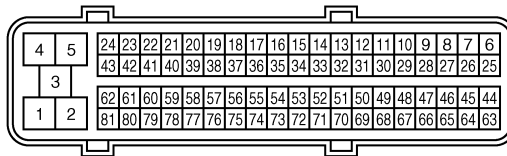
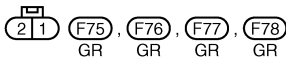
BANK 2

EC-FUEL2-01

— : DETECTABLE LINE FOR DTC
 — : NON-DETECTABLE LINE FOR DTC



REFER TO THE FOLLOWING.
 (F102) -SUPER MULTIPLE JUNCTION (SMJ)
 (M4) -FUSE BLOCK-JUNCTION BOX (J/B)



TBWT1493E

Specification data are reference values and are measured between each terminal and ground. Pulse signal is measured by CONSULT-III.

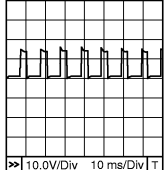
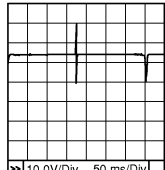
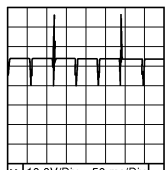
CAUTION:

Do not use ECM ground terminals when measuring input/output voltage. Doing so may result in damage to the ECM's transistor. Use a ground other than ECM terminals, such as the ground.

DTC P0172, P0175 FUEL INJECTION SYSTEM FUNCTION

< SERVICE INFORMATION >

[VK45DE]

TERMINAL NO.	WIRE COLOR	ITEM	CONDITION	DATA (DC Voltage)
24	SB	A/F sensor 1 heater (bank 2)	[Engine is running] • Warm-up condition • Idle speed	Approximately 5V★  <small>10.0V/Div 10 ms/Div</small> PBIB1584E
40 41 42 63	V/R P/L R/W G/Y	Fuel injector No. 6 Fuel injector No. 4 Fuel injector No. 2 Fuel injector No. 8	[Engine is running] • Warm-up condition • Idle speed NOTE: The pulse cycle changes depending on rpm at idle	BATTERY VOLTAGE (11 - 14V)★  <small>10.0V/Div 50 ms/Div</small> PBIB0042E
57 58 76 77	BR/W G/O G/W GR	A/F sensor 1 (bank 2)	[Engine is running] • Warm-up condition • Engine speed: 2,000 rpm • Idle speed	BATTERY VOLTAGE (11 - 14V)★  <small>10.0V/Div 50 ms/Div</small> PBIB0043E
57	BR/W	A/F sensor 1 (bank 2)	[Engine is running] • Warm-up condition • Idle speed	Approximately 2.6V
58	G/O			Approximately 2.3V
76	G/W			Approximately 3.1V
77	GR			Approximately 2.3V

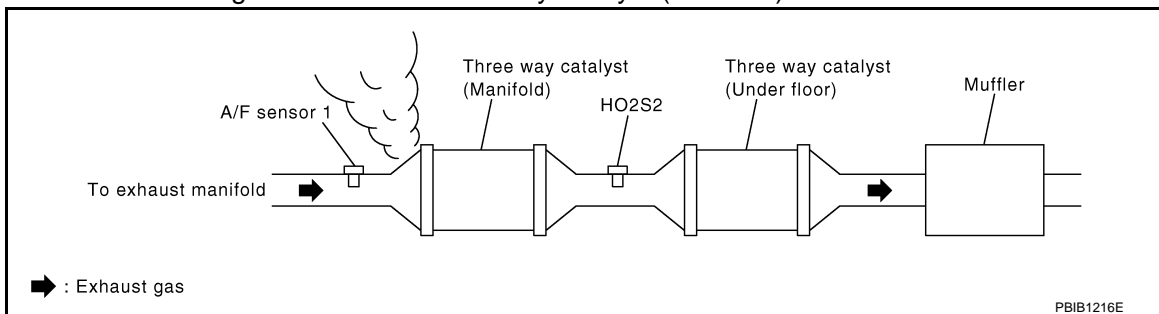
★: Average voltage for pulse signal (Actual pulse signal can be confirmed by oscilloscope.)

Diagnosis Procedure

INFOID:000000002954928

1. CHECK EXHAUST GAS LEAK

1. Start engine and run it at idle.
2. Listen for an exhaust gas leak before three way catalyst (manifold).



OK or NG

- OK >> GO TO 2.
 NG >> Repair or replace.

2. CHECK FOR INTAKE AIR LEAK

DTC P0172, P0175 FUEL INJECTION SYSTEM FUNCTION

[VK45DE]

< SERVICE INFORMATION >

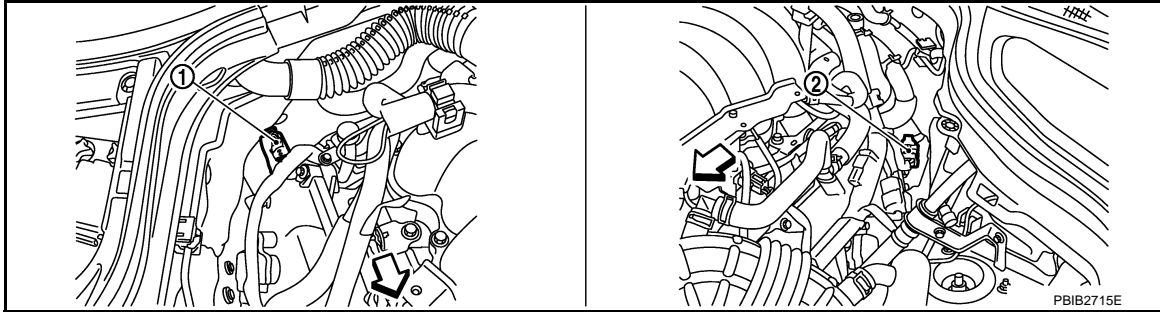
Listen for an intake air leak after the mass air flow sensor.

OK or NG

- OK >> GO TO 3.
- NG >> Repair or replace.

3. CHECK AIR FUEL RATIO (A/F) SENSOR 1 INPUT SIGNAL CIRCUIT

1. Turn ignition switch OFF.
2. Disconnect corresponding air fuel ratio (A/F) sensor 1 harness connector.



↶ : Vehicle front

1. A/F sensor 1 (bank 2)
harness connector

2. A/F sensor 1 (bank 1)
harness connector

3. Disconnect ECM harness connector.
4. Check harness continuity between the following terminals.
Refer to Wiring Diagram.

	A/F sensor 1 terminal	ECM terminal
Bank 1	1	16
	2	75
	5	35
	6	56
Bank 2	1	76
	2	77
	5	57
	6	58

Continuity should exist.

5. Check harness continuity between the following terminals and ground.
Refer to Wiring Diagram.

Bank 1		Bank 2	
A/F sensor 1 terminal	ECM terminal	A/F sensor 1 terminal	ECM terminal
1	16	1	76
2	75	2	77
5	35	5	57
6	56	6	58

Continuity should not exist.

6. Also check harness for short to power.

OK or NG

- OK >> GO TO 4.
- NG >> Repair open circuit or short to ground or short to power in harness or connectors.

DTC P0172, P0175 FUEL INJECTION SYSTEM FUNCTION

< SERVICE INFORMATION >

[VK45DE]

4. CHECK FUEL PRESSURE

1. Release fuel pressure to zero. Refer to [EC-708, "Fuel Pressure Check"](#).
2. Install fuel pressure gauge and check fuel pressure. Refer to [EC-708, "Fuel Pressure Check"](#).

At idling: Approximately 350 kPa (3.57 kg/cm², 51 psi)

OK or NG

- OK >> GO TO 6.
- NG >> GO TO 5.

5. DETECT MALFUNCTIONING PART

Check the following.

- Fuel pump and circuit (Refer to [EC-1239, "Diagnosis Procedure"](#).)
- Fuel pressure regulator (Refer to [EC-708, "Fuel Pressure Check"](#).)

>> Repair or replace.

6. CHECK MASS AIR FLOW SENSOR

 **With CONSULT-III**

1. Install all removed parts.
2. Start engine and warm it up to normal operating temperature.
3. Check "MASS AIR FLOW" in "DATA MONITOR" mode with CONSULT-III.

2.0 - 6.0 g-m/sec: at idling

7.0 - 20.0 g-m/sec: at 2,500 rpm

 **With GST**

1. Install all removed parts.
2. Start engine and warm it up to normal operating temperature.
3. Check mass air flow sensor signal in Service \$01 with GST.

2.0 - 6.0 g-m/sec: at idling

7.0 - 20.0 g-m/sec: at 2,500 rpm

OK or NG

OK (With CONSULT-III) >> GO TO 7.

OK (Without CONSULT-III) >> GO TO 8.

NG >> Check connectors for rusted terminals or loose connections in the mass air flow sensor circuit or grounds. Refer to [EC-810, "Diagnosis Procedure"](#).

7. CHECK FUNCTION OF FUEL INJECTOR

 **With CONSULT-III**

1. Perform "POWER BALANCE" in "ACTIVE TEST" mode with CONSULT-III.
2. Make sure that each circuit produces a momentary engine speed drop.

OK or NG

OK >> GO TO 9.

NG >> Perform trouble diagnosis for fuel injector, refer to [EC-1234, "Diagnosis Procedure"](#).

8. CHECK FUNCTION OF FUEL INJECTOR

 **Without CONSULT-III**

DTC P0172, P0175 FUEL INJECTION SYSTEM FUNCTION

[VK45DE]

< SERVICE INFORMATION >

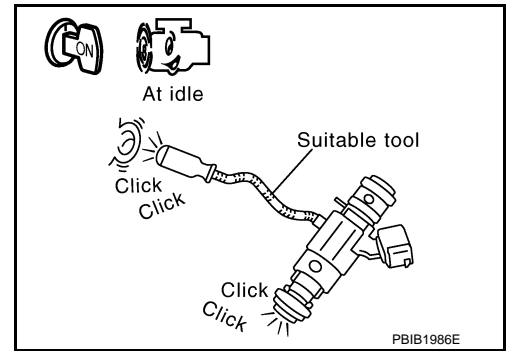
Listen to fuel injector operating sound.

Operating sound should exist.

OK or NG

OK >> GO TO 9.

NG >> Perform trouble diagnosis for fuel injector, refer to [EC-1234](#). "Diagnosis Procedure".



9. CHECK FUEL INJECTOR

1. Remove fuel tube assembly. Refer to [EM-192](#).
Keep fuel hose and all fuel injectors connected to fuel tube.
2. Confirm that the engine is cooled down and there are no fire hazards near the vehicle.
3. Disconnect all fuel injector harness connectors.
4. Disconnect all ignition coil harness connectors.
5. Prepare pans or saucers under each fuel injectors.
6. Crank engine for about 3 seconds.
Make sure fuel does not drip from fuel injector.

OK or NG

OK (Does not drip.)>>GO TO 10.

NG (Drips.)>>Replace the fuel injectors from which fuel is dripping. Always replace O-ring with new one.

10. CHECK INTERMITTENT INCIDENT

Refer to [EC-763](#). "Diagnosis Procedure".

>> INSPECTION END

DTC P0181 FTT SENSOR

< SERVICE INFORMATION >

[VK45DE]

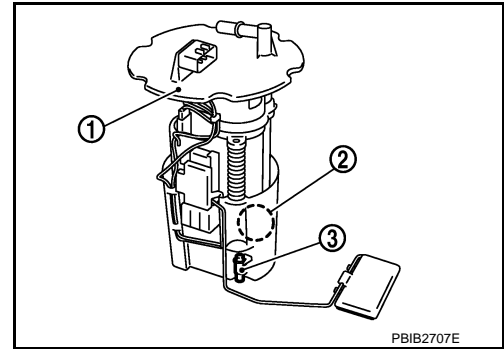
DTC P0181 FTT SENSOR

Component Description

INFOID:000000002954929

The fuel tank temperature sensor (3) is used to detect the fuel temperature inside the fuel tank. The sensor modifies a voltage signal from the ECM. The modified signal returns to the ECM as the fuel temperature input. The sensor uses a thermistor which is sensitive to the change in temperature. The electrical resistance of the thermistor decreases as temperature increases.

- Fuel level sensor unit and fuel pump (1)
- Fuel pressure regulator (2)



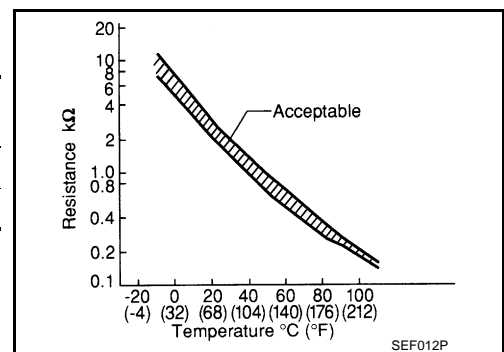
<Reference data>

Fluid temperature °C (°F)	Voltage* V	Resistance kΩ
20 (68)	3.5	2.3 - 2.7
50 (122)	2.2	0.79 - 0.90

*: This data is reference value and is measured between ECM terminal 107 (Fuel tank temperature sensor) and ground.

CAUTION:

Do not use ECM ground terminals when measuring input/output voltage. Doing so may result in damage to the ECM's transistor. Use a ground other than ECM terminals, such as the ground.



On Board Diagnosis Logic

INFOID:000000002954930

DTC No.	Trouble diagnosis name	DTC detecting condition	Possible cause
P0181 0181	Fuel tank temperature sensor circuit range/performance	Rationally incorrect voltage from the sensor is sent to ECM, compared with the voltage signals from engine coolant temperature sensor and intake air temperature sensor.	<ul style="list-style-type: none"> • Harness or connectors (The sensor circuit is open or shorted) • Fuel tank temperature sensor

DTC Confirmation Procedure

INFOID:000000002954931

NOTE:

If DTC Confirmation Procedure has been previously conducted, always turn ignition switch OFF and wait at least 10 seconds before conducting the next test.

Ⓟ WITH CONSULT-III

1. Turn ignition switch ON and wait at least 10 seconds..
2. Check 1st trip DTC.
3. If 1st trip DTC is detected, go to [EC-934. "Diagnosis Procedure"](#).
If 1st trip DTC is not detected, go to the following step.
4. Select "COOLAN TEMP/S" in "DATA MONITOR" mode with CONSULT-III.
5. Check "COOLAN TEMP/S" value.
If "COOLAN TEMP/S" is less than 60°C (140°F), the result will be OK.
If "COOLAN TEMP/S" is above 60°C (140°F), go to the following step.
6. Cool engine down until "COOLAN TEMP/S" is less than 60°C (140°F).
7. Wait at least 10 seconds.
8. Check 1st trip DTC.
9. If 1st trip DTC is detected, go to [EC-934. "Diagnosis Procedure"](#).

DTC P0181 FTT SENSOR

[VK45DE]

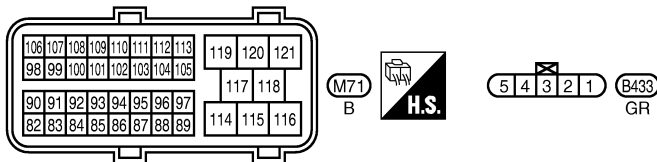
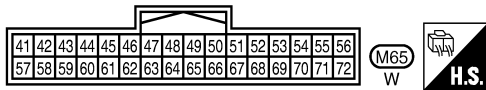
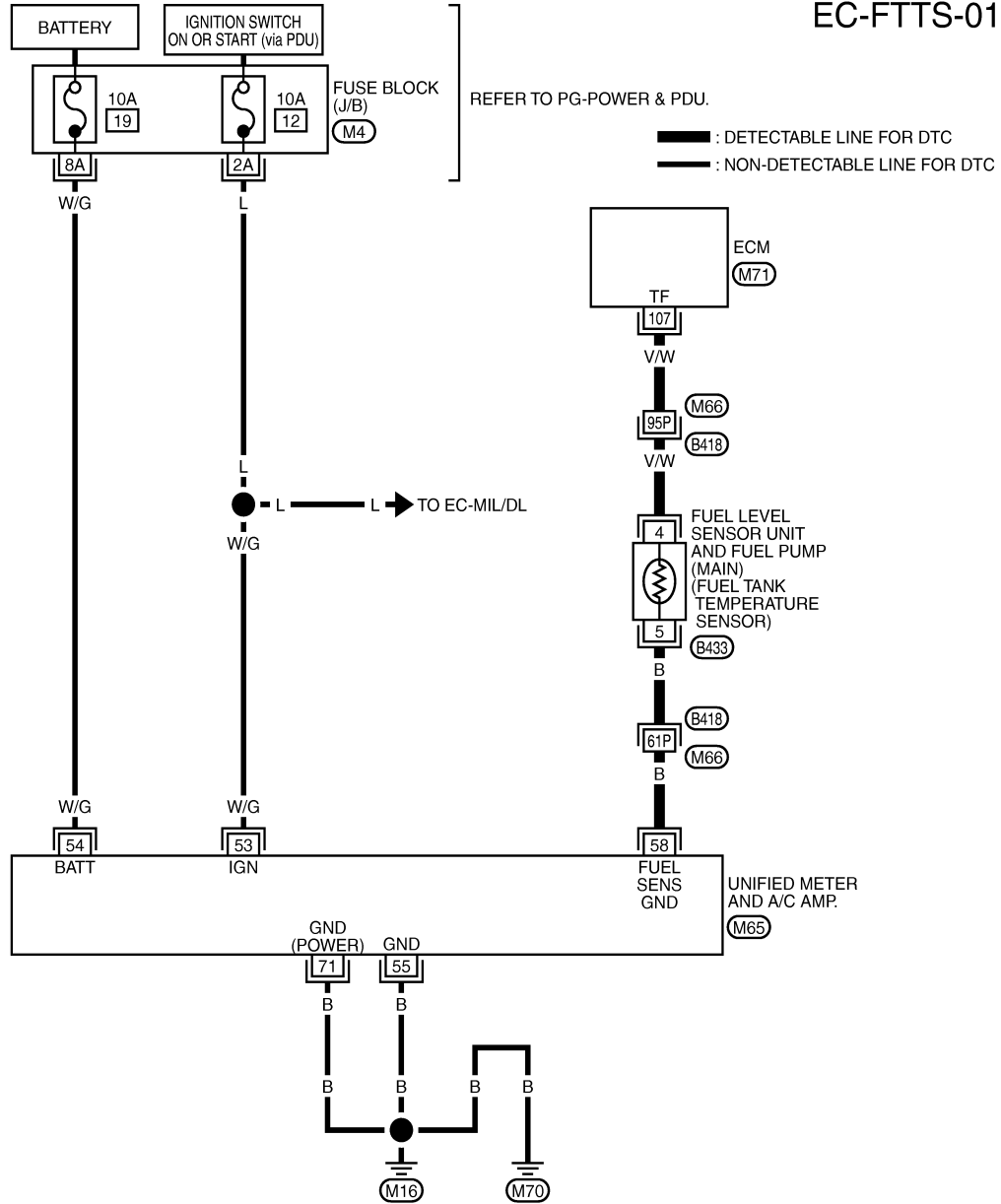
< SERVICE INFORMATION >

WITH GST

Follow the procedure "WITH CONSULT-III" above.

Wiring Diagram

INFOID:000000002954932



REFER TO THE FOLLOWING.

- (B418) - SUPER MULTIPLE JUNCTION (SMJ)
- (M4) - FUSE BLOCK - JUNCTION BOX (J/B)

TBWT1989E

Diagnosis Procedure

1. CHECK GROUND CONNECTIONS

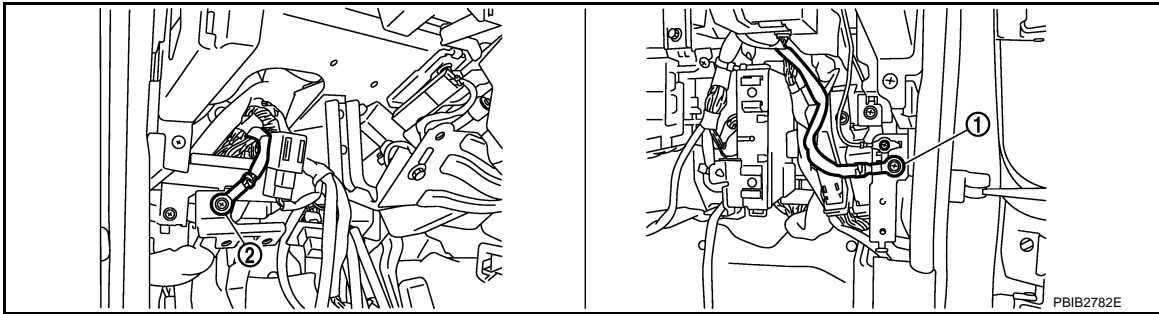
INFOID:000000002954933

DTC P0181 FTT SENSOR

[VK45DE]

< SERVICE INFORMATION >

1. Turn ignition switch OFF.
2. Loosen and retighten ground screws on the body.
Refer to [EC-769. "Ground Inspection"](#).



1. Body ground M70
2. Body ground M16

OK or NG

- OK >> GO TO 2.
NG >> Repair or replace ground connections.

2.CHECK DTC WITH "UNIFIED METER AND A/C AMP."

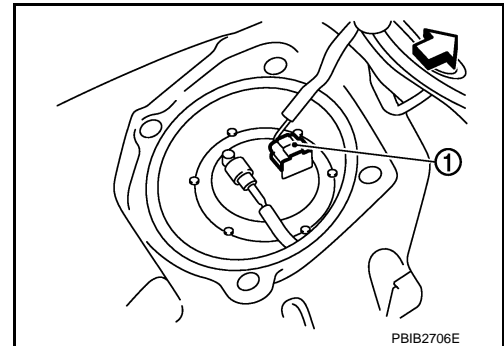
Refer to [DI-27. "CONSULT-III Function \(METER/M&A\)"](#).

OK or NG

- OK >> GO TO 3.
NG >> Go to [DI-22. "Fuel Level Sensor Signal Inspection"](#).

3.CHECK FUEL TANK TEMPERATURE SENSOR POWER SUPPLY CIRCUIT

1. Turn ignition switch OFF.
2. Disconnect "fuel level sensor unit and fuel pump" harness connector (1).
 - Illustration shows the view with rear seat cushion and inspection hole cover (RH) removed.
 - ⇄: Vehicle front
3. Turn ignition switch ON.

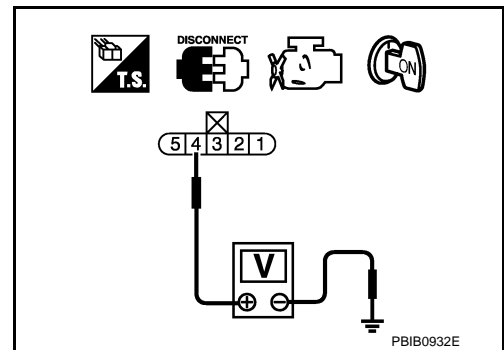


4. Check voltage between "fuel level sensor unit and fuel pump" terminal 4 and ground with CONSULT-III or tester.

Voltage: Approximately 5V

OK or NG

- OK >> GO TO 5.
NG >> GO TO 4.



4.DETECT MALFUNCTIONING PART

Check the following.

- Harness connectors M66, B418
- Harness for open or short between ECM and "fuel level sensor unit and fuel pump"

>> Repair open circuit or short to ground or short to power in harness or connector.

DTC P0181 FTT SENSOR

< SERVICE INFORMATION >

[VK45DE]

5. CHECK FUEL TANK TEMPERATURE SENSOR GROUND CIRCUIT FOR OPEN AND SHORT

1. Turn ignition switch OFF.
2. Disconnect "unified meter and A/C amp." harness connector.
3. Check harness continuity between "fuel level sensor unit and fuel pump" terminal 5 and "unified meter and A/C amp." terminal 58.
Refer to Wiring Diagram.

Continuity should exist.

4. Also check harness for short to ground and short to power.

OK or NG

- OK >> GO TO 7.
NG >> GO TO 6.

6. DETECT MALFUNCTIONING PART

Check the following.

- Harness connectors M66, B418
- Harness for open or short between "fuel level sensor unit and fuel pump" and "unified meter and A/C amp."

>> Repair open circuit or short to ground or short to power in harness or connector.

7. CHECK FUEL TANK TEMPERATURE SENSOR

Refer to [EC-936, "Component Inspection"](#).

OK or NG

- OK >> GO TO 8.
NG >> Replace "fuel level sensor unit and fuel pump".

8. CHECK INTERMITTENT INCIDENT

Refer to [EC-763, "Diagnosis Procedure"](#).

>> **INSPECTION END**

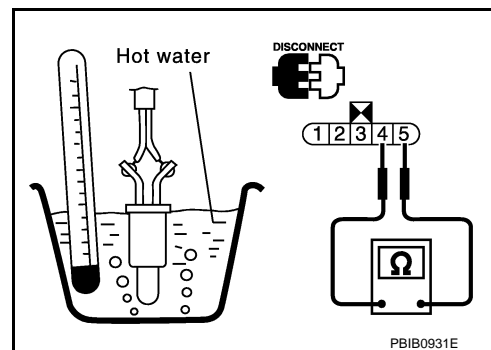
Component Inspection

INFOID:000000002954934

FUEL TANK TEMPERATURE SENSOR

1. Remove fuel level sensor unit.
2. Check resistance between "fuel level sensor unit and fuel pump" terminals 4 and 5 by heating with hot water or heat gun as shown in the figure.

Temperature °C (°F)	Resistance kΩ
20 (68)	2.3 - 2.7
50 (122)	0.79 - 0.90



Removal and Installation

INFOID:000000002954935

FUEL TANK TEMPERATURE SENSOR

Refer to [FL-4](#).

DTC P0182, P0183 FTT SENSOR

< SERVICE INFORMATION >

[VK45DE]

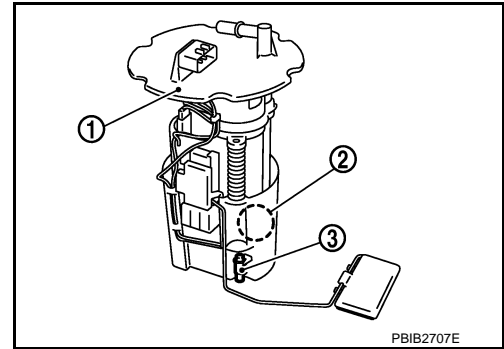
DTC P0182, P0183 FTT SENSOR

Component Description

INFOID:000000002954936

The fuel tank temperature sensor (3) is used to detect the fuel temperature inside the fuel tank. The sensor modifies a voltage signal from the ECM. The modified signal returns to the ECM as the fuel temperature input. The sensor uses a thermistor which is sensitive to the change in temperature. The electrical resistance of the thermistor decreases as temperature increases.

- Fuel level sensor unit and fuel pump (1)
- Fuel pressure regulator (2)



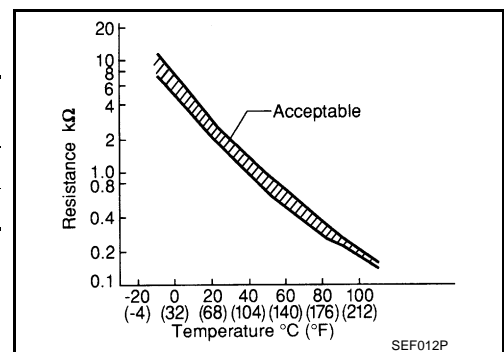
<Reference data>

Fluid temperature °C (°F)	Voltage* V	Resistance kΩ
20 (68)	3.5	2.3 - 2.7
50 (122)	2.2	0.79 - 0.90

*: This data is reference value and is measured between ECM terminal 107 (Fuel tank temperature sensor) and ground.

CAUTION:

Do not use ECM ground terminals when measuring input/output voltage. Doing so may result in damage to the ECM's transistor. Use a ground other than ECM terminals, such as the ground.



On Board Diagnosis Logic

INFOID:000000002954937

DTC No.	Trouble diagnosis name	DTC detecting condition	Possible cause
P0182 0182	Fuel tank temperature sensor circuit low input	An excessively low voltage from the sensor is sent to ECM.	<ul style="list-style-type: none"> • Harness or connectors (The sensor circuit is open or shorted.) • Fuel tank temperature sensor
P0183 0183	Fuel tank temperature sensor circuit high input	An excessively high voltage from the sensor is sent to ECM.	

DTC Confirmation Procedure

INFOID:000000002954938

NOTE:

If DTC Confirmation Procedure has been previously conducted, always turn ignition switch OFF and wait at least 10 seconds before conducting the next test.

1. Turn ignition switch ON and wait at least 5 seconds.
2. Check 1st trip DTC.
3. If 1st trip DTC is detected, go to [EC-938, "Diagnosis Procedure"](#).

DTC P0182, P0183 FTT SENSOR

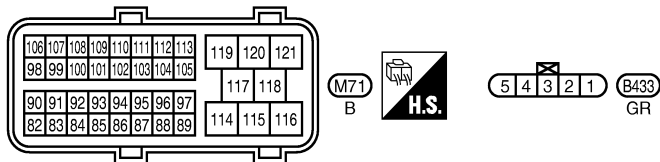
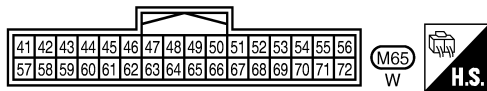
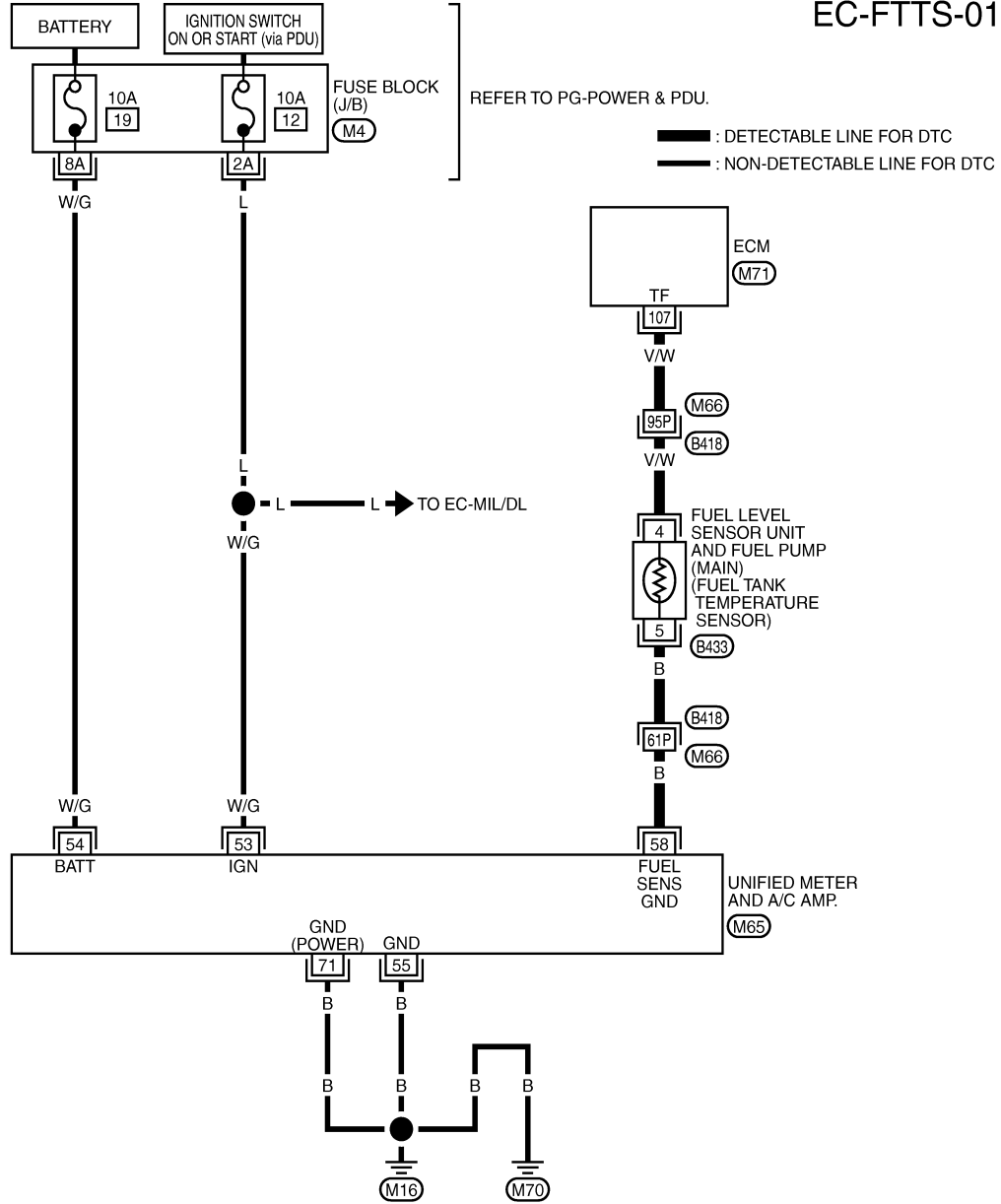
[VK45DE]

< SERVICE INFORMATION >

INFOID:000000002954939

Wiring Diagram

EC-FTTS-01



REFER TO THE FOLLOWING.
 (B418) - SUPER MULTIPLE JUNCTION (SMJ)
 (M4) - FUSE BLOCK - JUNCTION BOX (J/B)

TBWT1989E

Diagnosis Procedure

INFOID:000000002954940

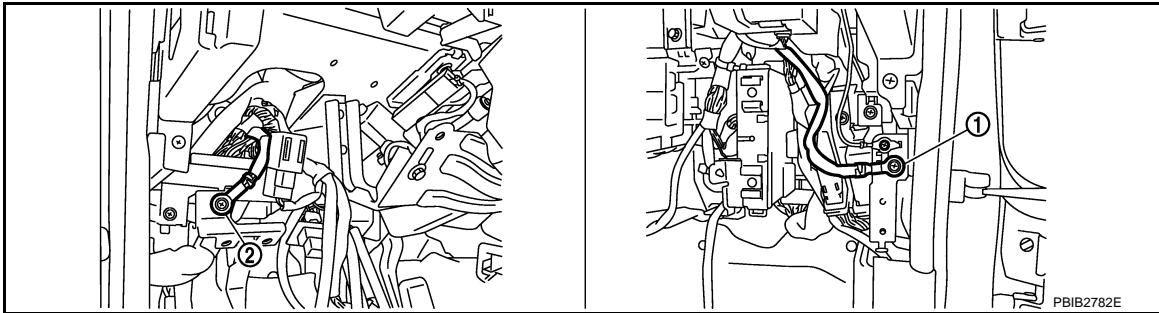
1. CHECK GROUND CONNECTIONS

1. Turn ignition switch OFF.
2. Loosen and retighten ground screws on the body.
 Refer to [EC-769, "Ground Inspection"](#).

DTC P0182, P0183 FTT SENSOR

< SERVICE INFORMATION >

[VK45DE]



1. Body ground M70
2. Body ground M16

OK or NG

- OK >> GO TO 2.
- NG >> Repair or replace ground connections.

2.CHECK DTC WITH "UNIFIED METER AND A/C AMP."

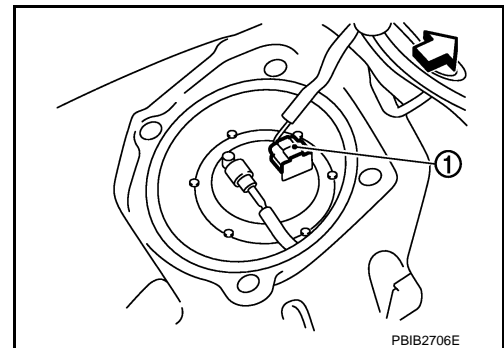
Refer to [DI-27, "CONSULT-III Function \(METER/M&A\)"](#).

OK or NG

- OK >> GO TO 3.
- NG >> Go to [DI-22, "Fuel Level Sensor Signal Inspection"](#).

3.CHECK FUEL TANK TEMPERATURE SENSOR POWER SUPPLY CIRCUIT

1. Turn ignition switch OFF.
2. Disconnect "fuel level sensor unit and fuel pump" harness connector (1).
 - Illustration shows the view with rear seat cushion and inspection hole cover (RH) removed.
 - ⇐: Vehicle front
3. Turn ignition switch ON.

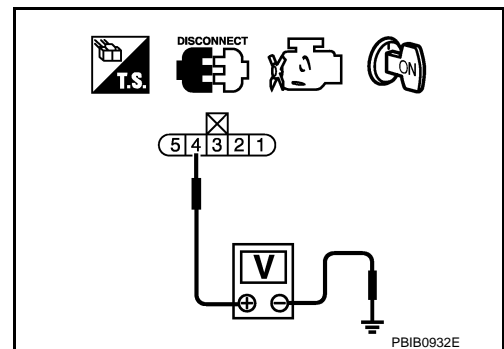


4. Check voltage between "fuel level sensor unit and fuel pump" terminal 4 and ground with CONSULT-III or tester.

Voltage: Approximately 5V

OK or NG

- OK >> GO TO 5.
- NG >> GO TO 4.



4.DETECT MALFUNCTIONING PART

Check the following.

- Harness connectors M66, B418
- Harness for open or short between ECM and "fuel level sensor unit and fuel pump"

>> Repair open circuit or short to ground or short to power in harness or connector.

5.CHECK FUEL TANK TEMPERATURE SENSOR GROUND CIRCUIT FOR OPEN AND SHORT

1. Turn ignition switch OFF.

DTC P0182, P0183 FTT SENSOR

[VK45DE]

< SERVICE INFORMATION >

2. Disconnect "unified meter and A/C amp." harness connector.
3. Check harness continuity between "fuel level sensor unit and fuel pump" terminal 5 and "unified meter and A/C amp." terminal 58.
Refer to Wiring Diagram.

Continuity should exist.

4. Also check harness for short to ground and short to power.

OK or NG

- OK >> GO TO 7.
NG >> GO TO 6.

6. DETECT MALFUNCTIONING PART

Check the following.

- Harness connectors M66, B418
- Harness for open or short between "fuel level sensor unit and fuel pump" and "unified meter and A/C amp."

>> Repair open circuit or short to ground or short to power in harness or connector.

7. CHECK FUEL TANK TEMPERATURE SENSOR

Refer to [EC-940. "Component Inspection"](#).

OK or NG

- OK >> GO TO 8.
NG >> Replace "fuel level sensor unit and fuel pump".

8. CHECK INTERMITTENT INCIDENT

Refer to [EC-763. "Diagnosis Procedure"](#).

>> **INSPECTION END**

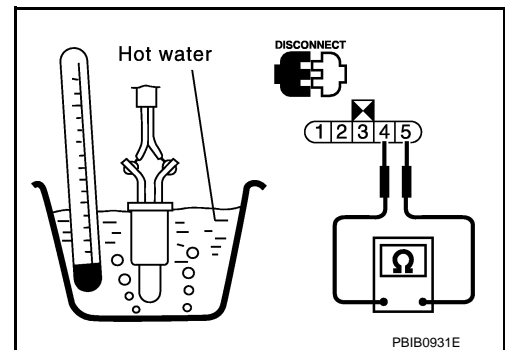
Component Inspection

INFOID:000000002954941

FUEL TANK TEMPERATURE SENSOR

1. Remove fuel level sensor unit.
2. Check resistance between "fuel level sensor unit and fuel pump" terminals 4 and 5 by heating with hot water or heat gun as shown in the figure.

Temperature °C (°F)	Resistance kΩ
20 (68)	2.3 - 2.7
50 (122)	0.79 - 0.90



Removal and Installation

INFOID:000000002954942

FUEL TANK TEMPERATURE SENSOR

Refer to [FL-4](#).

DTC P0222, P0223 TP SENSOR

< SERVICE INFORMATION >

[VK45DE]

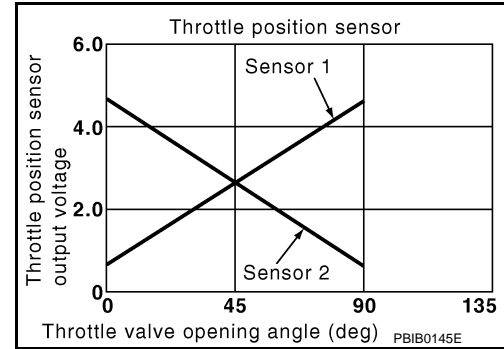
DTC P0222, P0223 TP SENSOR

Component Description

INFOID:000000002954943

Electric throttle control actuator consists of throttle control motor, throttle position sensor, etc. The throttle position sensor responds to the throttle valve movement.

The throttle position sensor has the two sensors. These sensors are a kind of potentiometers which transform the throttle valve position into output voltage, and emit the voltage signal to the ECM. In addition, these sensors detect the opening and closing speed of the throttle valve and feed the voltage signals to the ECM. The ECM judges the current opening angle of the throttle valve from these signals and the ECM controls the throttle control motor to make the throttle valve opening angle properly in response to driving condition.



CONSULT-III Reference Value in Data Monitor Mode

INFOID:000000002954944

Specification data are reference values.

MONITOR ITEM	CONDITION	SPECIFICATION
TP SEN 1-B1 TP SEN 2-B1*	• Ignition switch: ON (Engine stopped) • Selector lever: D Accelerator pedal: Fully released	More than 0.36V
	Accelerator pedal: Fully depressed	Less than 4.75V

*: Throttle position sensor 2 signal is converted by ECM internally. Thus, it differs from ECM terminal voltage signal.

On Board Diagnosis Logic

INFOID:000000002954945

These self-diagnoses have the one trip detection logic.

DTC No.	Trouble diagnosis name	DTC detecting condition	Possible cause
P0222 0222	Throttle position sensor 1 circuit low input	An excessively low voltage from the TP sensor 1 is sent to ECM.	<ul style="list-style-type: none"> • Harness or connectors (TP sensor 1 circuit is open or shorted.) (APP sensor 2 circuit is shorted.) • Electric throttle control actuator (TP sensor 1) • Accelerator pedal position sensor (APP sensor 2)
P0223 0223	Throttle position sensor 1 circuit high input	An excessively high voltage from the TP sensor 1 is sent to ECM.	

FAIL-SAFE MODE

When the malfunction is detected, ECM enters fail-safe mode and the MIL lights up.

Engine operation condition in fail-safe mode

The ECM controls the electric throttle control actuator in regulating the throttle opening in order for the idle position to be within +10 degrees.

The ECM regulates the opening speed of the throttle valve to be slower than the normal condition. So, the acceleration will be poor.

DTC Confirmation Procedure

INFOID:000000002954946

NOTE:

If DTC Confirmation Procedure has been previously conducted, always turn ignition switch OFF and wait at least 10 seconds before conducting the next test.

TESTING CONDITION:

Before performing the following procedure, confirm that battery voltage is more than 8V at idle.

1. Start engine and let it idle for 1 second.
2. Check DTC.
3. If DTC is detected, go to [EC-943, "Diagnosis Procedure"](#).

DTC P0222, P0223 TP SENSOR

< SERVICE INFORMATION >

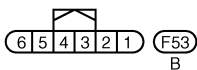
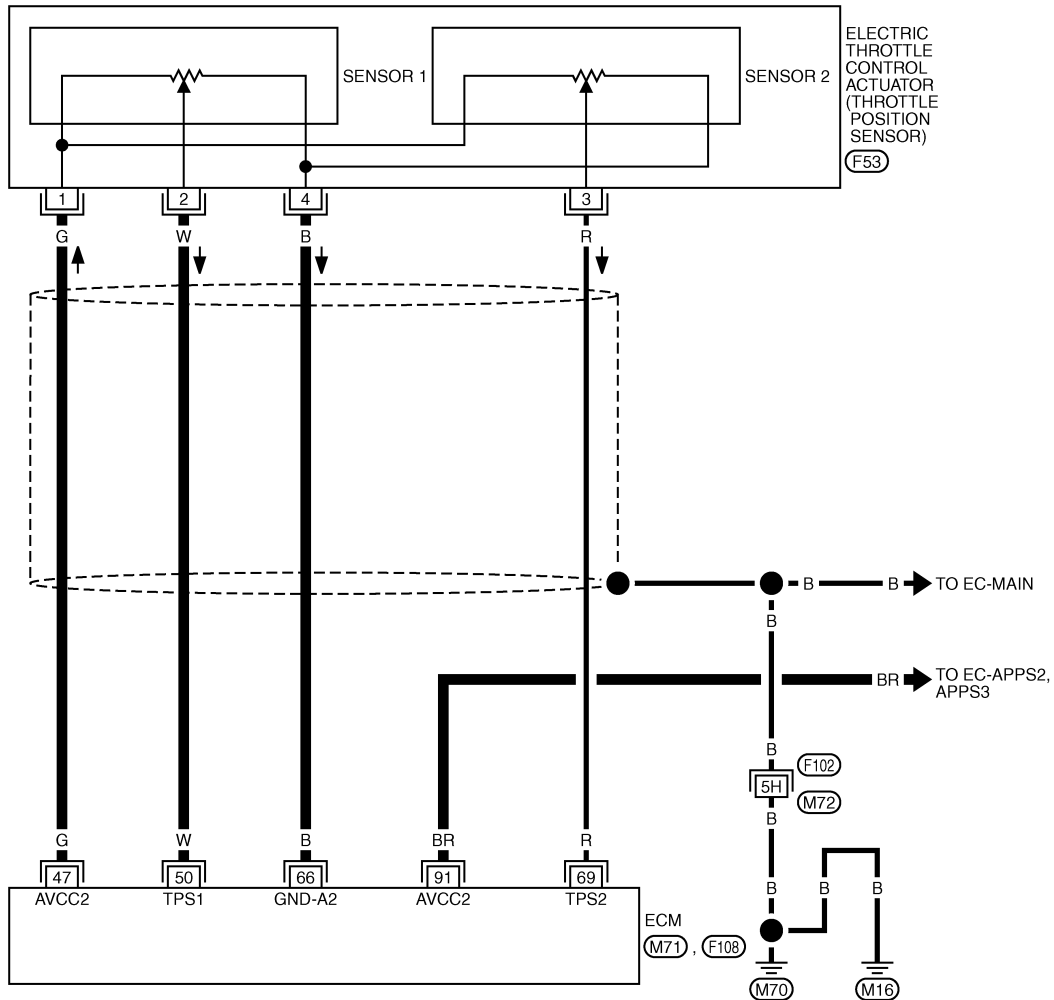
[VK45DE]

INFOID:00000002954947

Wiring Diagram

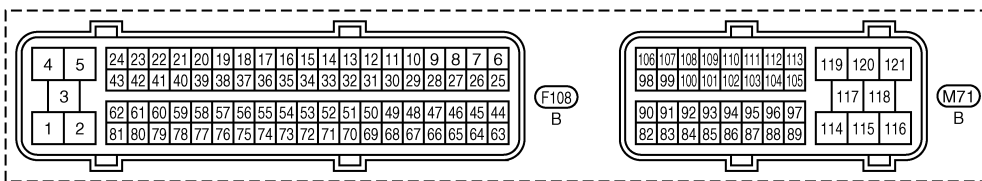
EC-TPS1-01

: DETECTABLE LINE FOR DTC
 : NON-DETECTABLE LINE FOR DTC



REFER TO THE FOLLOWING.

(F102) -SUPER MULTIPLE JUNCTION (SMJ)



TBWT1494E

Specification data are reference values and are measured between each terminal and ground.

CAUTION:

Do not use ECM ground terminals when measuring input/output voltage. Doing so may result in damage to the ECM's transistor. Use a ground other than ECM terminals, such as the ground.

DTC P0222, P0223 TP SENSOR

< SERVICE INFORMATION >

[VK45DE]

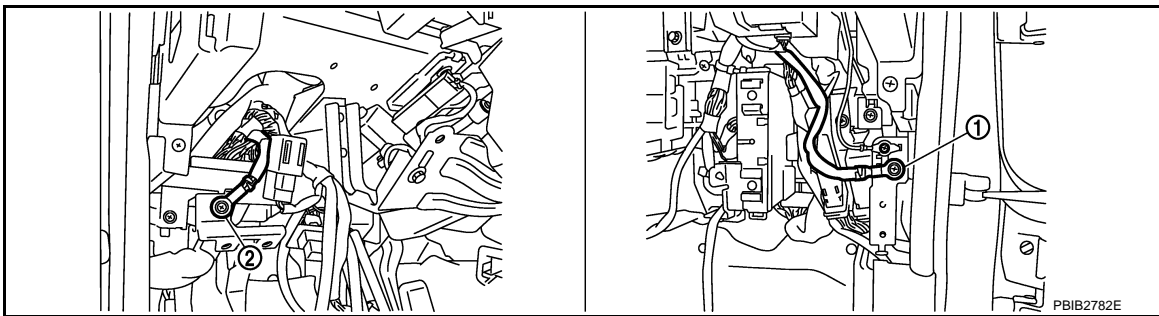
TER-MI-NAL NO.	WIRE COLOR	ITEM	CONDITION	DATA (DC Voltage)
47	G	Sensor power supply (Throttle position sensor)	[Ignition switch: ON]	Approximately 5V
50	W	Throttle position sensor 1	[Ignition switch: ON] • Engine: Stopped • Selector lever: D • Accelerator pedal: Fully released	More than 0.36V
			[Ignition switch: ON] • Engine: Stopped • Selector lever: D • Accelerator pedal: Fully depressed	Less than 4.75V
66	B	Sensor ground (Throttle position sensor)	[Engine is running] • Warm-up condition • Idle speed	Approximately 0V
69	R	Throttle position sensor 2	[Ignition switch: ON] • Engine: Stopped • Selector lever: D • Accelerator pedal: Fully released	Less than 4.75V
			[Ignition switch: ON] • Engine: Stopped • Selector lever: D • Accelerator pedal: Fully depressed	More than 0.36V
91	BR	Sensor power supply (APP sensor 2)	[Ignition switch: ON]	Approximately 5V

Diagnosis Procedure

INFOID:000000002954948

1. CHECK GROUND CONNECTIONS

- Turn ignition switch OFF.
- Loosen and retighten ground screws on the body.
Refer to [EC-769. "Ground Inspection"](#).



- Body ground M70
- Body ground M16

OK or NG

- OK >> GO TO 2.
 NG >> Repair or replace ground connections.

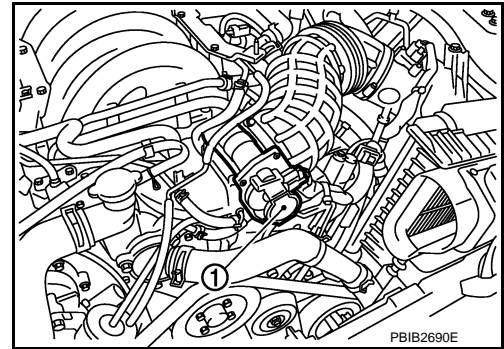
2. CHECK THROTTLE POSITION SENSOR 1 POWER SUPPLY CIRCUIT-I

DTC P0222, P0223 TP SENSOR

[VK45DE]

< SERVICE INFORMATION >

1. Disconnect electric throttle control actuator (1) harness connector.
 - Illustration shows the view with intake air duct removed.
2. Turn ignition switch ON.

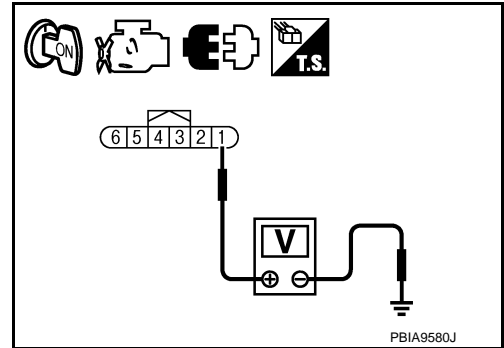


3. Check voltage between electric throttle control actuator terminal 1 and ground with CONSULT-III or tester.

Voltage: Approximately 5V

OK or NG

- OK >> GO TO 7.
NG >> GO TO 3.



3.CHECK THROTTLE POSITION SENSOR 1 POWER SUPPLY CIRCUIT-II

1. Turn ignition switch OFF.
2. Disconnect ECM harness connector.
3. Check harness continuity between electric throttle control actuator terminal 1 and ECM terminal 47. Refer to Wiring Diagram.

Continuity should exist.

OK or NG

- OK >> GO TO 4.
NG >> Repair open circuit.

4.CHECK THROTTLE POSITION SENSOR 1 POWER SUPPLY CIRCUIT-III

Check harness for short to power and short to ground, between the following terminals.

ECM terminal	Sensor terminal	Reference Wiring Diagram
47	Electric throttle control actuator terminal 1	EC-942
91	APP sensor terminal 5	EC-1194

OK or NG

- OK >> GO TO 5.
NG >> Repair short to ground or short to power in harness or connectors.

5.CHECK APP SENSOR

Refer to [EC-1198, "Component Inspection"](#).

OK or NG

- OK >> GO TO 11.
NG >> GO TO 6.

6.REPLACE ACCELERATOR PEDAL ASSEMBLY

1. Replace accelerator pedal assembly.
2. Perform [EC-706, "Accelerator Pedal Released Position Learning"](#).
3. Perform [EC-706, "Throttle Valve Closed Position Learning"](#).
4. Perform [EC-707, "Idle Air Volume Learning"](#).

>> INSPECTION END

7.CHECK THROTTLE POSITION SENSOR 1 GROUND CIRCUIT FOR OPEN AND SHORT

1. Turn ignition switch OFF.
2. Disconnect ECM harness connector.
3. Check harness continuity between electric throttle control actuator terminal 4 and ECM terminal 66. Refer to Wiring Diagram.

Continuity should exist.

4. Also check harness for short to ground and short to power.

OK or NG

OK >> GO TO 8.

NG >> Repair open circuit or short to ground or short to power in harness or connectors.

8.CHECK THROTTLE POSITION SENSOR 1 INPUT SIGNAL CIRCUIT FOR OPEN AND SHORT

1. Check harness continuity between ECM terminal 50 and electric throttle control actuator terminal 2. Refer to Wiring Diagram.

Continuity should exist.

2. Also check harness for short to ground and short to power.

OK or NG

OK >> GO TO 9.

NG >> Repair open circuit or short to ground or short to power in harness or connectors.

9.CHECK THROTTLE POSITION SENSORRefer to [EC-945. "Component Inspection"](#).OK or NG

OK >> GO TO 11.

NG >> GO TO 10.

10.REPLACE ELECTRIC THROTTLE CONTROL ACTUATOR

1. Replace the electric throttle control actuator.
2. Perform [EC-706. "Throttle Valve Closed Position Learning"](#).
3. Perform [EC-707. "Idle Air Volume Learning"](#).

>> INSPECTION END

11.CHECK INTERMITTENT INCIDENTRefer to [EC-763. "Diagnosis Procedure"](#).

>> INSPECTION END

Component Inspection

INFOID:000000002954949

THROTTLE POSITION SENSOR

1. Reconnect all harness connectors disconnected.
2. Perform [EC-706. "Throttle Valve Closed Position Learning"](#).
3. Turn ignition switch ON.
4. Set selector lever to D position.

DTC P0222, P0223 TP SENSOR

[VK45DE]

< SERVICE INFORMATION >

5. Check voltage between ECM terminals 50 (TP sensor 1 signal), 69 (TP sensor 2 signal) and ground under the following conditions.

Terminal	Accelerator pedal	Voltage
50 (Throttle position sensor 1)	Fully released	More than 0.36V
	Fully depressed	Less than 4.75V
69 (Throttle position sensor 2)	Fully released	Less than 4.75V
	Fully depressed	More than 0.36V

6. If NG, replace electric throttle control actuator and go to the next step.

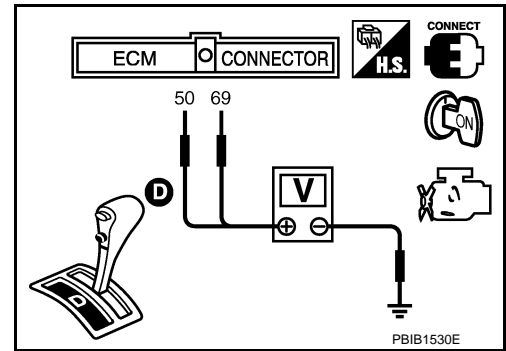
7. Perform [EC-706, "Throttle Valve Closed Position Learning"](#).

8. Perform [EC-707, "Idle Air Volume Learning"](#).

Removal and Installation

ELECTRIC THROTTLE CONTROL ACTUATOR

Refer to [EM-177](#).



INFOID:000000002954950

DTC P0300 - P0308 MULTIPLE CYLINDER MISFIRE, NO. 1 - 8 CYLINDER MISFIRE

< SERVICE INFORMATION >

[VK45DE]

DTC P0300 - P0308 MULTIPLE CYLINDER MISFIRE, NO. 1 - 8 CYLINDER MISFIRE

On Board Diagnosis Logic

INFOID:00000002954951

When a misfire occurs, engine speed will fluctuate. If the engine speed fluctuates enough to cause the crankshaft position (CKP) sensor (POS) signal to vary, ECM can determine that a misfire is occurring.

Sensor	Input signal to ECM	ECM function
Crankshaft position sensor (POS)	Engine speed	On board diagnosis of misfire

The misfire detection logic consists of the following two conditions.

- One Trip Detection Logic (Three Way Catalyst Damage)**
 On the 1st trip that a misfire condition occurs that can damage the three way catalyst (TWC) due to overheating, the MIL will blink.
 When a misfire condition occurs, the ECM monitors the CKP sensor signal every 200 engine revolutions for a change.
 When the misfire condition decreases to a level that will not damage the TWC, the MIL will turn off.
 If another misfire condition occurs that can damage the TWC on a second trip, the MIL will blink.
 When the misfire condition decreases to a level that will not damage the TWC, the MIL will remain on.
 If another misfire condition occurs that can damage the TWC, the MIL will begin to blink again.
- Two Trip Detection Logic (Exhaust quality deterioration)**
 For misfire conditions that will not damage the TWC (but will affect vehicle emissions), the MIL will only light when the misfire is detected on a second trip. During this condition, the ECM monitors the CKP sensor signal every 1,000 engine revolutions.
 A misfire malfunction can be detected on any one cylinder or on multiple cylinders.

DTC No.	Trouble diagnosis name	DTC detecting condition	Possible cause
P0300 0300	Multiple cylinder misfire detected	Multiple cylinder misfire.	<ul style="list-style-type: none"> • Improper spark plug • Insufficient compression • Incorrect fuel pressure • The fuel injector circuit is open or shorted • Fuel injector • Intake air leak • The ignition signal circuit is open or shorted • Lack of fuel • Signal plate • A/F sensor 1 • Incorrect PCV hose connection
P0301 0301	No.1 cylinder misfire detected	No. 1 cylinder misfires.	
P0302 0302	No. 2 cylinder misfire detected	No. 2 cylinder misfires.	
P0303 0303	No. 3 cylinder misfire detected	No. 3 cylinder misfires.	
P0304 0304	No. 4 cylinder misfire detected	No. 4 cylinder misfires.	
P0305 0305	No. 5 cylinder misfire detected	No. 5 cylinder misfires.	
P0306 0306	No. 6 cylinder misfire detected	No. 6 cylinder misfires.	
P0307 0307	No. 7 cylinder misfire detected	No. 7 cylinder misfires.	
P0308 0308	No. 8 cylinder misfire detected	No. 8 cylinder misfires.	

DTC Confirmation Procedure

INFOID:00000002954952

CAUTION:

Always drive vehicle in safe manner according to traffic conditions and obey all traffic laws when driving.

NOTE:

If DTC Confirmation Procedure has been previously conducted, always turn ignition switch OFF and wait at least 10 seconds before conducting the next test.

- Start engine and warm it up to normal operating temperature.
- Turn ignition switch OFF and wait at least 10 seconds.

DTC P0300 - P0308 MULTIPLE CYLINDER MISFIRE, NO. 1 - 8 CYLINDER MISFIRE

[VK45DE]

< SERVICE INFORMATION >

3. Restart engine and let it idle for about 15 minutes.
4. Check 1st trip DTC.
5. If 1st trip DTC is detected, go to [EC-948. "Diagnosis Procedure"](#).

NOTE:

If 1st trip DTC is not detected during above procedure, performing the following procedure is advised.

- a. Turn ignition switch OFF and wait at least 10 seconds.
- b. Start engine and drive the vehicle under the similar conditions to (1st trip) Freeze Frame Data for a certain time. Refer to the table below.

Hold the accelerator pedal as steady as possible.

The similar conditions to (1st trip) Freeze Frame Data means the vehicle operation that the following conditions should be satisfied at the same time.

Engine speed	Engine speed in the freeze frame data \pm 400 rpm
Vehicle speed	Vehicle speed in the freeze frame data \pm 10 km/h (6 MPH)
Engine coolant temperature (T) condition	When the freeze frame data shows lower than 70 °C (158 °F), T should be lower than 70 °C (158 °F).
	When the freeze frame data shows higher than or equal to 70 °C (158 °F), T should be higher than or equal to 70 °C (158 °F).

The time to driving varies according to the engine speed in the freeze frame data.

Engine speed	Time
Around 1,000 rpm	Approximately 10 minutes
Around 2,000 rpm	Approximately 5 minutes
More than 3,000 rpm	Approximately 3.5 minutes

Diagnosis Procedure

INFOID:000000002954953

1. CHECK FOR INTAKE AIR LEAK AND PCV HOSE

1. Start engine and run it at idle speed.
2. Listen for the sound of the intake air leak.
3. Check PCV hose connection.

OK or NG

- OK >> GO TO 2.
NG >> Discover air leak location and repair.

2. CHECK FOR EXHAUST SYSTEM CLOGGING

Stop engine and visually check exhaust tube, three way catalyst and muffler for dents.

OK or NG

- OK (With CONSULT-III)>>GO TO 3.
OK (Without CONSULT-III)>>GO TO 4.
NG >> Repair or replace it.

3. PERFORM POWER BALANCE TEST

Ⓜ With CONSULT-III

1. Start engine and warm it up to normal operating temperature.
2. Perform "POWER BALANCE" in "ACTIVE TEST" mode with CONSULT-III.
3. Is there any cylinder which does not produces a momentary engine speed drop?

Yes or No

- Yes >> GO TO 4.
No >> GO TO 9.

4. CHECK FUNCTION OF FUEL INJECTOR

DTC P0300 - P0308 MULTIPLE CYLINDER MISFIRE, NO. 1 - 8 CYLINDER MISFIRE

< SERVICE INFORMATION >

[VK45DE]

⊗ Without CONSULT-III

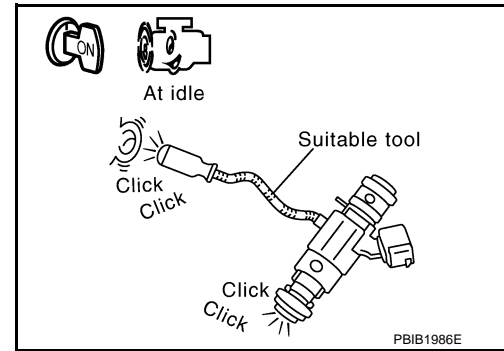
1. Start engine and warm it up to normal operating temperature.
2. Listen to fuel injector operating sound.

Operating sound should exist.

OK or NG

OK >> GO TO 5.

NG >> Perform trouble diagnosis for fuel injector, refer to [EC-1234, "Diagnosis Procedure"](#).



5. CHECK FUNCTION OF IGNITION COIL-I

CAUTION:

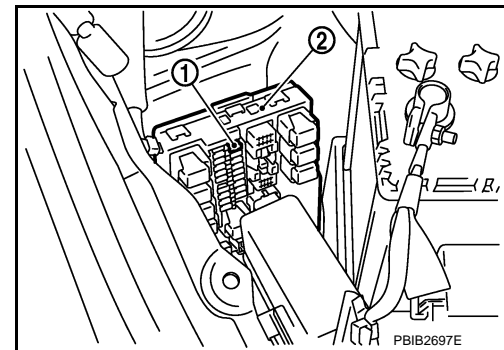
Do the following procedure in the place where ventilation is good without the combustible.

1. Turn ignition switch OFF.
2. Remove fuel pump fuse (1) in IPDM E/R (2) to release fuel pressure.

NOTE:

Do not use CONSULT-III to release fuel pressure, or fuel pressure applies again during the following procedure.

3. Start engine.
4. After engine stalls, crank it two or three times to release all fuel pressure.
5. Turn ignition switch OFF.
6. Remove all ignition coil harness connectors to avoid the electrical discharge from the ignition coils.
7. Remove ignition coil and spark plug of the cylinder to be checked.
8. Crank engine for 5 seconds or more to remove combustion gas in the cylinder.
9. Connect spark plug and harness connector to ignition coil.
10. Fix ignition coil using a rope etc. with gap of 13 - 17 mm between the edge of the spark plug and grounded metal portion as shown in the figure.
11. Crank engine for about 3 seconds, and check whether spark is generated between the spark plug and the grounded metal portion.



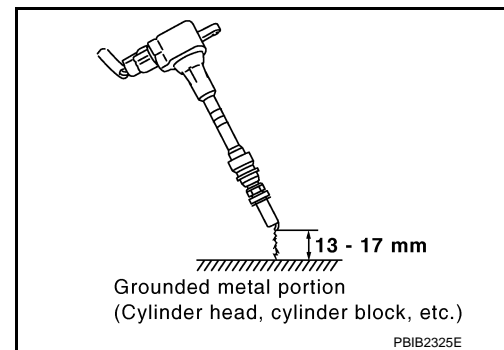
Spark should be generated.

CAUTION:

- Do not approach to the spark plug and the ignition coil within 50cm. Be careful not to get an electrical shock while checking, because the electrical discharge voltage becomes 20kV or more.
- It might cause to damage the ignition coil if the gap of more than 17 mm is taken.

NOTE:

When the gap is less than 13 mm, the spark might be generated even if the coil is malfunctioning.



OK or NG

OK >> GO TO 9.

NG >> GO TO 6.

6. CHECK FUNCTION OF IGNITION COIL-II

1. Turn ignition switch OFF.
2. Disconnect spark plug and connect a known-good spark plug.
3. Crank engine for about 3 seconds, and recheck whether spark is generated between the spark plug and the grounded metal portion.

DTC P0300 - P0308 MULTIPLE CYLINDER MISFIRE, NO. 1 - 8 CYLINDER MISFIRE

< SERVICE INFORMATION >

[VK45DE]

Spark should be generated.

OK or NG

OK >> GO TO 7.

NG >> Check ignition coil, power transistor and their circuits. Refer to [EC-1254, "Diagnosis Procedure"](#).

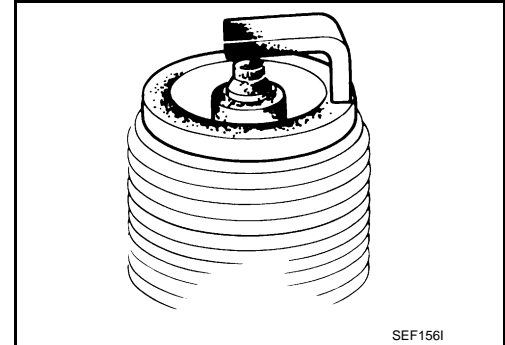
7.CHECK SPARK PLUG

Check the initial spark plug for fouling, etc.

OK or NG

OK >> Replace spark plug(s) with standard type one(s). For spark plug type, refer to [EM-190](#).

NG >> 1. Repair or clean spark plug.
2. GO TO 8.



8.CHECK FUNCTION OF IGNITION COIL-III

1. Reconnect the initial spark plugs.
2. Crank engine for about 3 seconds, and recheck whether spark is generated between the spark plug and the grounded portion.

Spark should be generated.

OK or NG

OK >> **INSPECTION END**

NG >> Replace spark plug(s) with standard type one(s). For spark plug type, refer to [EM-190](#).

9.CHECK COMPRESSION PRESSURE

Check compression pressure. Refer to [EM-230, "On-Vehicle Service"](#).

OK or NG

OK >> GO TO 10.

NG >> Check pistons, piston rings, valves, valve seats and cylinder head gaskets.

10.CHECK FUEL PRESSURE

1. Install all removed parts.
2. Release fuel pressure to zero. Refer to [EC-708, "Fuel Pressure Check"](#).
3. Install fuel pressure gauge and check fuel pressure. Refer to [EC-708, "Fuel Pressure Check"](#).

At idling: Approximately 350 kPa (3.57 kg/cm², 51 psi)

OK or NG

OK >> GO TO 12.

NG >> GO TO 11.

11.DETECT MALFUNCTIONING PART

Check the following.

- Fuel pump and circuit (Refer to [EC-1239, "Diagnosis Procedure"](#).)
- Fuel pressure regulator (Refer to [EC-708, "Fuel Pressure Check"](#).)
- Fuel lines
- Fuel filter for clogging

>> Repair or replace.

12.CHECK IGNITION TIMING

Check the following items. Refer to [EC-702, "Basic Inspection"](#).

DTC P0300 - P0308 MULTIPLE CYLINDER MISFIRE, NO. 1 - 8 CYLINDER MISFIRE

< SERVICE INFORMATION >

[VK45DE]

Items	Specifications
Target idle speed	650 ± 50 rpm (in P or N position)
Ignition timing	12 ± 5° BTDC (in P or N position)

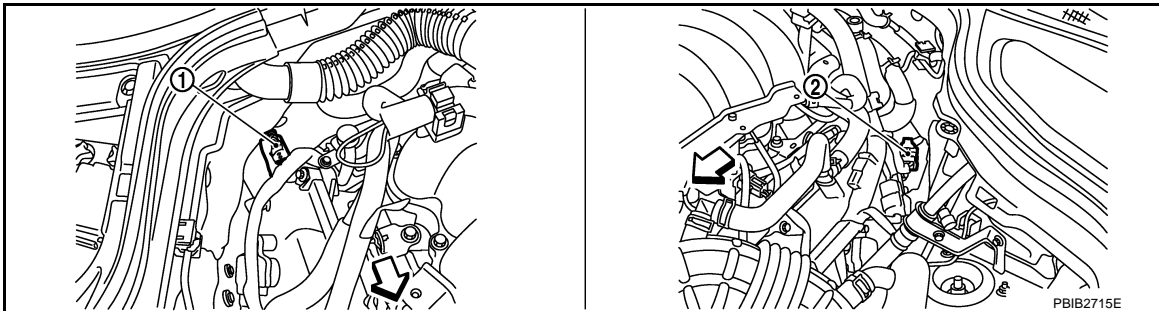
OK or NG

OK >> GO TO 13.

NG >> Follow the [EC-702. "Basic Inspection"](#).

13. CHECK AIR FUEL RATIO (A/F) SENSOR 1 INPUT SIGNAL CIRCUIT

1. Turn ignition switch OFF.
2. Disconnect corresponding air fuel ratio (A/F) sensor 1 harness connector.



↶ : Vehicle front

1. A/F sensor 1 (bank 2) harness connector

2. A/F sensor 1 (bank 1) harness connector

3. Disconnect ECM harness connector.
4. Check harness continuity between the following terminals. Refer to Wiring Diagram.

	A/F sensor 1 terminal	ECM terminal
Bank 1	1	16
	2	75
	5	35
	6	56
Bank 2	1	76
	2	77
	5	57
	6	58

Continuity should exist.

5. Check harness continuity between the following terminals and ground. Refer to Wiring Diagram.

Bank 1		Bank 2	
A/F sensor 1 terminal	ECM terminal	A/F sensor 1 terminal	ECM terminal
1	16	1	76
2	75	2	77
5	35	5	57
6	56	6	58

Continuity should not exist.

DTC P0300 - P0308 MULTIPLE CYLINDER MISFIRE, NO. 1 - 8 CYLINDER MISFIRE

[VK45DE]

< SERVICE INFORMATION >

6. Also check harness for short to power.

OK or NG

OK >> GO TO 14.

NG >> Repair open circuit or short to ground or short to power in harness or connectors.

14. CHECK A/F SENSOR 1 HEATER

Refer to [EC-791, "Component Inspection"](#).

OK or NG

OK >> GO TO 16.

NG >> GO TO 15.

15. REPLACE AIR FUEL RATIO (A/F) SENSOR 1

Replace malfunctioning A/F sensor 1.

CAUTION:

- Discard any A/F sensor which has been dropped from a height of more than 0.5 m (19.7 in) onto a hard surface such as a concrete floor; use a new one.
- Before installing new A/F sensor, clean exhaust system threads using Oxygen Sensor Thread Cleaner tool J-43897-18 or J-43897-12 and approved anti-seize lubricant.

>> INSPECTION END

16. CHECK MASS AIR FLOW SENSOR

Ⓟ With CONSULT-III

1. Start engine and warm it up to normal operating temperature.
2. Check mass air flow sensor signal in "DATA MONITOR" mode with CONSULT-III.

2.0 - 6.0 g-m/sec: at idling

7.0 - 20.0 g-m/sec: at 2,500 rpm

Ⓢ With GST

1. Start engine and warm it up to normal operating temperature.
2. Check mass air flow sensor signal in Service \$01 with GST.

2.0 - 6.0 g-m/sec: at idling

7.0 - 20.0 g-m/sec: at 2,500 rpm

OK or NG

OK >> GO TO 17.

NG >> Check connectors for rusted terminals or loose connections in the mass air flow sensor circuit or ground. Refer to [EC-810, "Diagnosis Procedure"](#).

17. CHECK SYMPTOM MATRIX CHART

Check items on the rough idle symptom in [EC-717, "Symptom Matrix Chart"](#).

OK or NG

OK >> GO TO 18.

NG >> Repair or replace.

18. ERASE THE 1ST TRIP DTC

Some tests may cause a 1st trip DTC to be set.

Erase the 1st trip DTC from the ECM memory after performing the tests.

>> GO TO 19.

19. CHECK INTERMITTENT INCIDENT

Refer to [EC-763, "Diagnosis Procedure"](#).

>> INSPECTION END

DTC P0327, P0328, P0332, P0333 KS

< SERVICE INFORMATION >

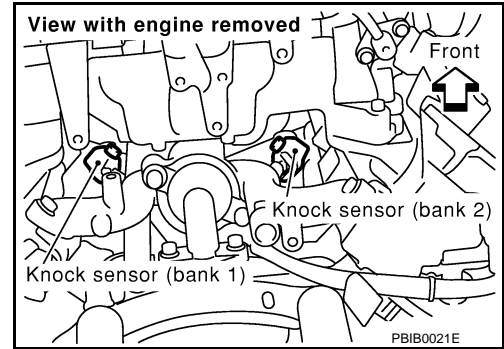
[VK45DE]

DTC P0327, P0328, P0332, P0333 KS

Component Description

INFOID:000000002954954

The knock sensor is attached to the cylinder block. It senses engine knocking using a piezoelectric element. A knocking vibration from the cylinder block is sensed as vibrational pressure. This pressure is converted into a voltage signal and sent to the ECM.



On Board Diagnosis Logic

INFOID:000000002954955

The MIL will not light up for these diagnoses.

DTC No.	Trouble diagnosis name	DTC detecting condition	Possible cause
P0327 0327 (bank 1)	Knock sensor circuit low input	An excessively low voltage from the sensor is sent to ECM.	<ul style="list-style-type: none"> • Harness or connectors (The sensor circuit is open or shorted.) • Knock sensor
P0332 0332 (bank 2)			
P0328 0328 (bank 1)	Knock sensor circuit high input	An excessively high voltage from the sensor is sent to ECM.	
P0333 0333 (bank 2)			

DTC Confirmation Procedure

INFOID:000000002954956

NOTE:

If DTC Confirmation Procedure has been previously conducted, always turn ignition switch OFF and wait at least 10 seconds before conducting the next test.

TESTING CONDITION:

Before performing the following procedure, confirm that battery voltage is more than 10V at idle.

1. Start engine and let it idle for at least 5 seconds.
2. Check 1st trip DTC.
3. If 1st trip DTC is detected, go to [EC-955. "Diagnosis Procedure"](#).

DTC P0327, P0328, P0332, P0333 KS

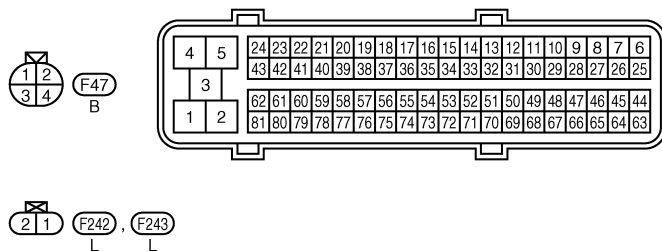
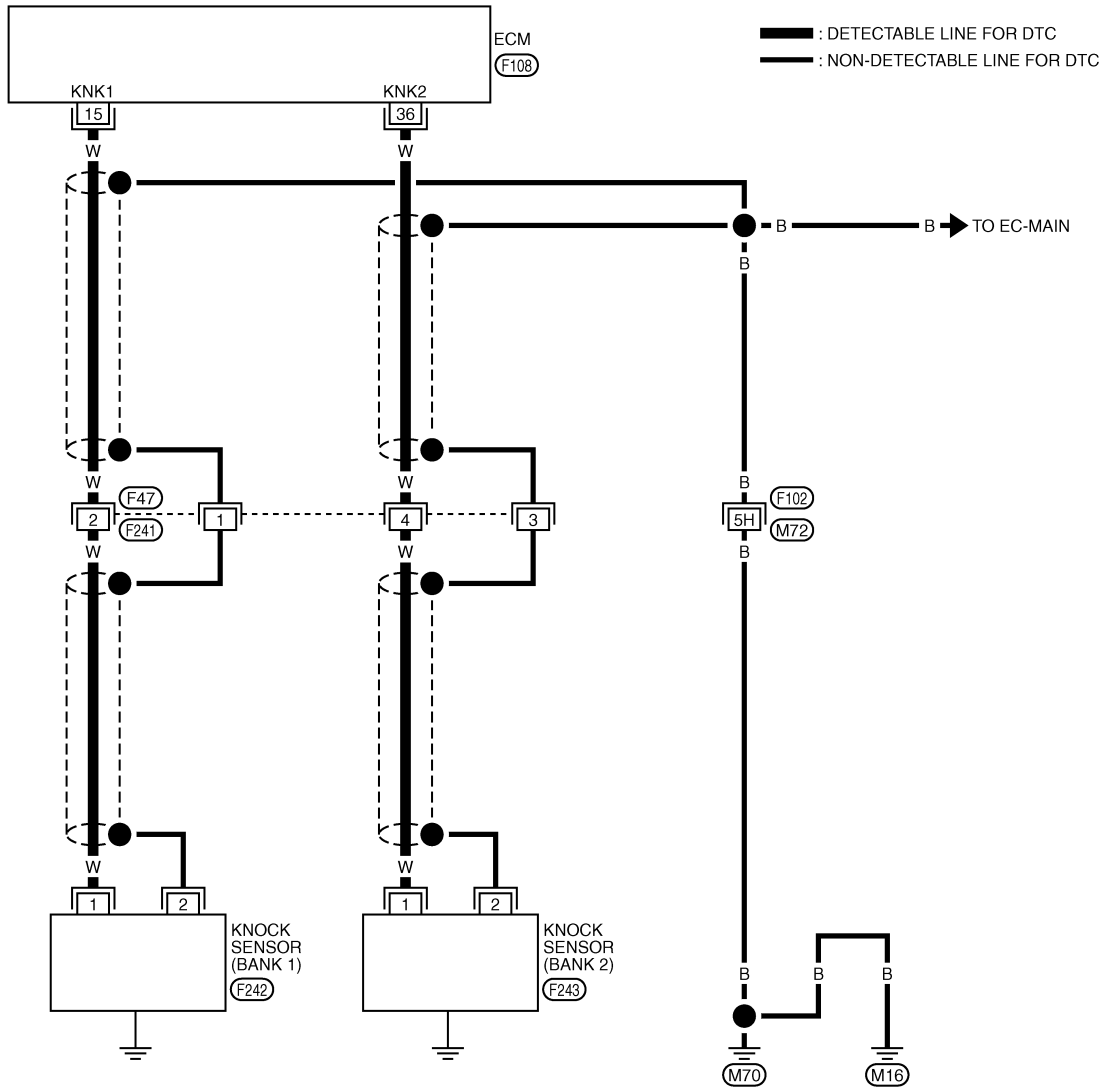
< SERVICE INFORMATION >

[VK45DE]

INFOID:00000002954957

Wiring Diagram

EC-KS-01



REFER TO THE FOLLOWING.

(F102) -SUPER MULTIPLE JUNCTION (SMJ)

TBWT1026E

Specification data are reference values and are measured between each terminal and ground.

CAUTION:

Do not use ECM ground terminals when measuring input/output voltage. Doing so may result in damage to the ECM's transistor. Use a ground other than ECM terminals, such as the ground.

DTC P0327, P0328, P0332, P0333 KS

< SERVICE INFORMATION >

[VK45DE]

TER-MI-NAL NO.	WIRE COLOR	ITEM	CONDITION	DATA (DC Voltage)
15 36	W W	Knock sensor (bank 1) Knock sensor (bank 2)	[Engine is running] <ul style="list-style-type: none">• Idle speed	Approximately 2.5V

Diagnosis Procedure

INFOID:000000002954958

1. CHECK KNOCK SENSOR INPUT SIGNAL CIRCUIT FOR OPEN AND SHORT-I

1. Turn ignition switch OFF.
2. Disconnect ECM harness connector.
3. Check resistance between ECM terminals 15, 36 and ground.
Refer to Wiring Diagram.

NOTE:

It is necessary to use an ohmmeter which can measure more than 10 MΩ.

Resistance: Approximately 532 - 588 kΩ [at 20°C (68°F)]

4. Also check harness for short to ground and short to power.

OK or NG

OK >> GO TO 5.

NG >> GO TO 2.

2. CHECK KNOCK SENSOR INPUT SIGNAL CIRCUIT FOR OPEN AND SHORT-II

1. Disconnect knock sensor harness connector.
2. Check harness continuity between the following;
ECM terminal 15 and knock sensor (bank 1) terminal 1,
ECM terminal 36 and knock sensor (bank 2) terminal 1.
Refer to Wiring Diagram.

Continuity should exist.

3. Also check harness for short to ground and short to power.

OK or NG

OK >> GO TO 4.

NG >> GO TO 3.

3. DETECT MALFUNCTIONING PART

Check the following.

- Harness connectors F47, F241
- Harness for open or short between ECM and knock sensor

>> Repair open circuit or short to ground or short to power in harness or connectors.

4. CHECK KNOCK SENSOR

Refer to [EC-956, "Component Inspection"](#).

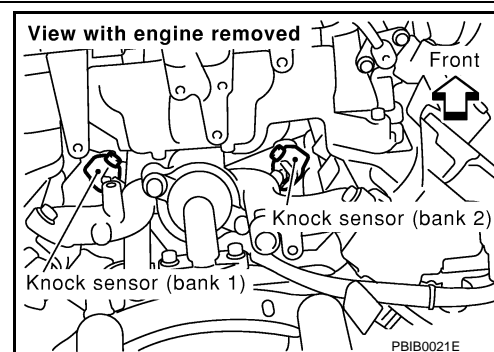
OK or NG

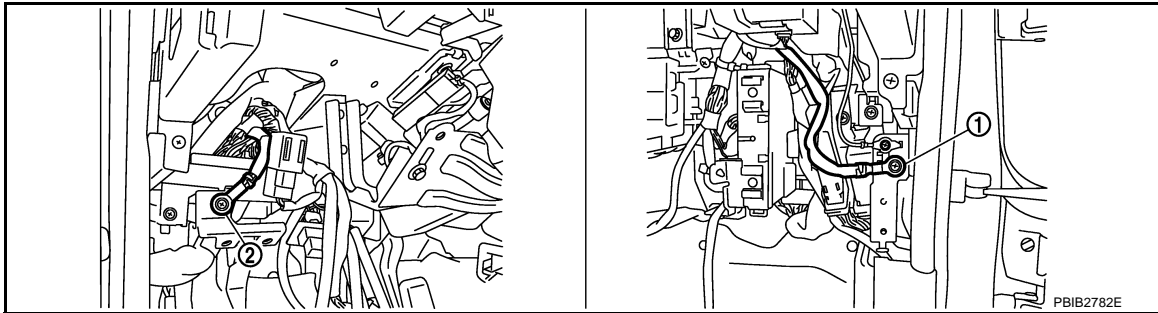
OK >> GO TO 5.

NG >> Replace knock sensor.

5. CHECK GROUND CONNECTIONS

1. Turn ignition switch OFF.
2. Loosen and retighten ground screws on the body.
Refer to [EC-769, "Ground Inspection"](#).





1. Body ground M70
2. Body ground M16

OK or NG

- OK >> GO TO 6.
- NG >> Repair or replace ground connections.

6. CHECK KNOCK SENSOR SHIELD CIRCUIT FOR OPEN AND SHORT

1. Disconnect knock sensor harness connector.
2. Check harness continuity between knock sensor terminal 2 and ground. Refer to Wiring Diagram.

Continuity should exist.

3. Also check harness for short to power.

OK or NG

- OK >> GO TO 8.
- NG >> GO TO 7.

7. DETECT MALFUNCTIONING PART

Check the following.

- Harness connectors F47, F241
- Harness connectors F102, M72
- Harness for open or short between knock sensor terminal 2 and ground

>> Repair open circuit or short to power in harness or connectors.

8. CHECK INTERMITTENT INCIDENT

Refer to [EC-763, "Diagnosis Procedure"](#).

>> **INSPECTION END**

Component Inspection

INFOID:000000002954959

KNOCK SENSOR

Check resistance between knock sensor terminal 1 and ground.

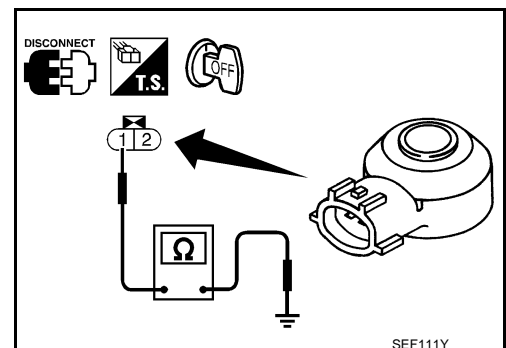
NOTE:

It is necessary to use an ohmmeter which can measure more than 10 MΩ.

Resistance: Approximately 532 - 588 kΩ [at 20°C (68°F)]

CAUTION:

Do not use any knock sensors that have been dropped or physically damaged. Use only new ones.



DTC P0327, P0328, P0332, P0333 KS

< SERVICE INFORMATION >

[VK45DE]

Removal and Installation

INFOID:000000002954960

KNOCK SENSOR

Refer to [EM-249](#).

A

EC

C

D

E

F

G

H

I

J

K

L

M

N

O

P

DTC P0335 CKP SENSOR (POS)

< SERVICE INFORMATION >

[VK45DE]

DTC P0335 CKP SENSOR (POS)

Component Description

INFOID:000000002954961

The crankshaft position sensor (POS) is located on the A/T converter housing facing the gear teeth (cogs) of the signal plate. It detects the fluctuation of the engine revolution.

The sensor consists of a permanent magnet and Hall IC.

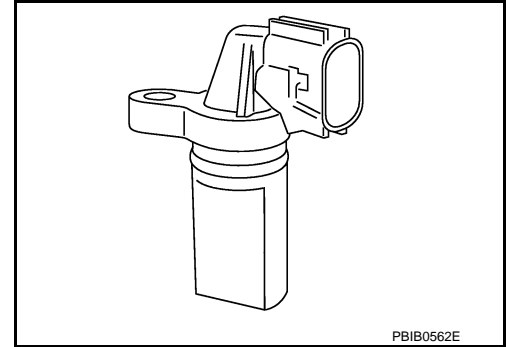
When the engine is running, the high and low parts of the teeth cause the gap with the sensor to change.

The changing gap causes the magnetic field near the sensor to change.

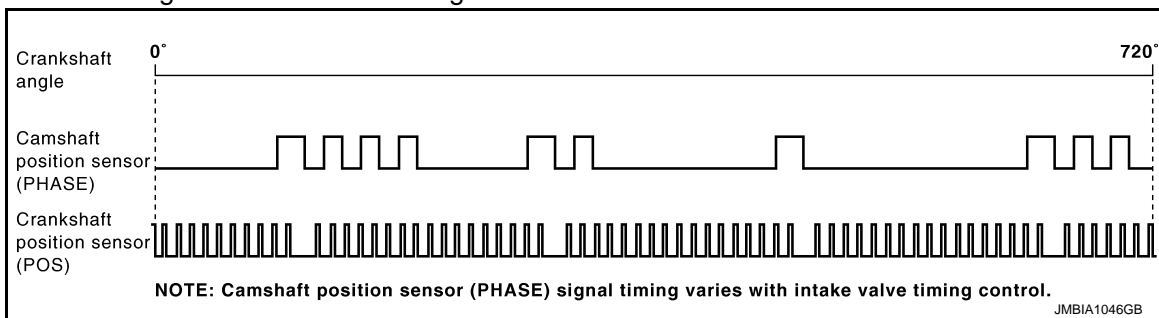
Due to the changing magnetic field, the voltage from the sensor changes.

The ECM receives the voltage signal and detects the fluctuation of the engine revolution.

ECM receives the signals as shown in the figure.



PBIB0562E



JMBIA1046GB

CONSULT-III Reference Value in Data Monitor Mode

INFOID:000000002954962

Specification data are reference values.

MONITOR ITEM	CONDITION	SPECIFICATION
ENG SPEED	<ul style="list-style-type: none"> Run engine and compare CONSULT-III value with the tachometer indication. 	Almost the same speed as the tachometer indication.

On Board Diagnosis Logic

INFOID:000000002954963

DTC No.	Trouble diagnosis name	DTC detecting condition	Possible cause
P0335 0335	Crankshaft position sensor (POS) circuit	<ul style="list-style-type: none"> The crankshaft position sensor (POS) signal is not detected by the ECM during the first few seconds of engine cranking. The proper pulse signal from the crankshaft position sensor (POS) is not sent to ECM while the engine is running. The crankshaft position sensor (POS) signal is not in the normal pattern during engine running. 	<ul style="list-style-type: none"> Harness or connectors (The sensor circuit is open or shorted) Crankshaft position sensor (POS) Signal plate

DTC Confirmation Procedure

INFOID:000000002954964

NOTE:

If DTC Confirmation Procedure has been previously conducted, always turn ignition switch OFF and wait at least 10 seconds before conducting the next test.

TESTING CONDITION:

Before performing the following procedure, confirm that battery voltage is more than 10.5V with ignition switch ON.

1. Crank engine for at least 2 seconds and run it for at least 5 seconds at idle speed.
2. Check 1st trip DTC.

DTC P0335 CKP SENSOR (POS)

[VK45DE]

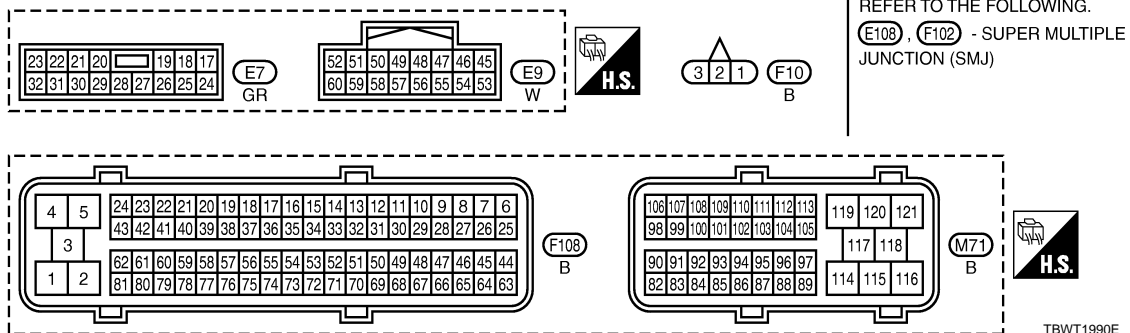
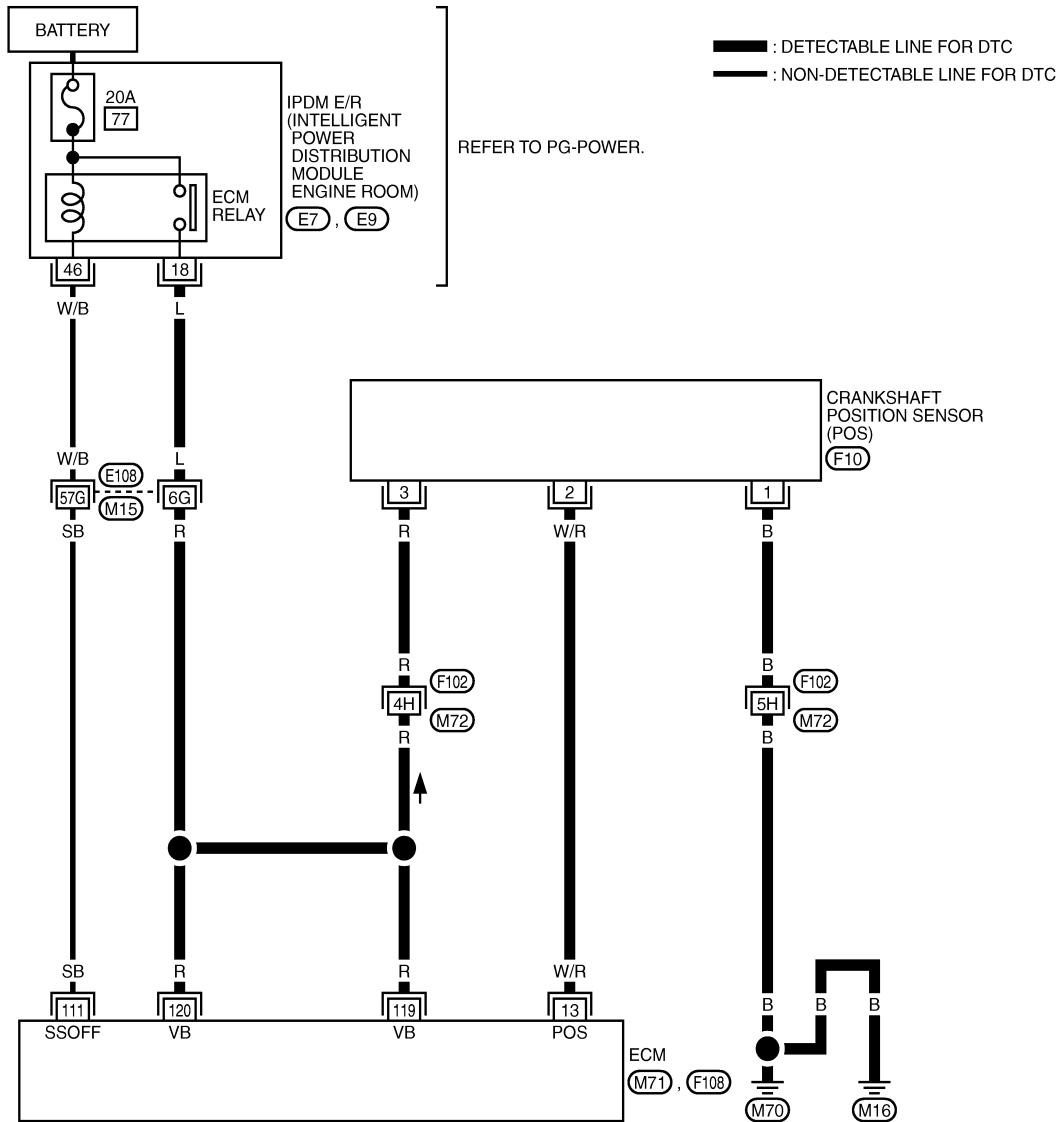
< SERVICE INFORMATION >

3. If 1st trip DTC is detected, go to [EC-960. "Diagnosis Procedure"](#).

Wiring Diagram

INFOID:000000002954965

EC-POS-01



Specification data are reference values and are measured between each terminal and ground. Pulse signal is measured by CONSULT-III.

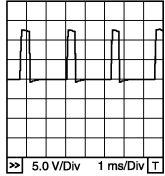
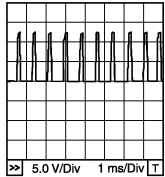
CAUTION:

DTC P0335 CKP SENSOR (POS)

< SERVICE INFORMATION >

[VK45DE]

Do not use ECM ground terminals when measuring input/output voltage. Doing so may result in damage to the ECM's transistor. Use a ground other than ECM terminals, such as the ground.

TER-MI-NAL NO.	WIRE COLOR	ITEM	CONDITION	DATA (DC Voltage)
13	W/R	Crankshaft position sensor (POS)	[Engine is running] <ul style="list-style-type: none"> • Warm-up condition • Idle speed NOTE: The pulse cycle changes depending on rpm at idle	1.0 - 2.0V★  <small>PBIB1041E</small>
			[Engine is running] <ul style="list-style-type: none"> • Engine speed: 2,000 rpm 	1.0 - 2.0V★  <small>PBIB1042E</small>
111	SB	ECM relay (Self shut-off)	[Engine is running] [Ignition switch: OFF] <ul style="list-style-type: none"> • For a few seconds after turning ignition switch OFF 	0 - 1.5V
			[Ignition switch: OFF] <ul style="list-style-type: none"> • More than a few seconds after turning ignition switch OFF 	BATTERY VOLTAGE (11 - 14V)
119 120	R R	Power supply for ECM	[Ignition switch: ON]	BATTERY VOLTAGE (11 - 14V)

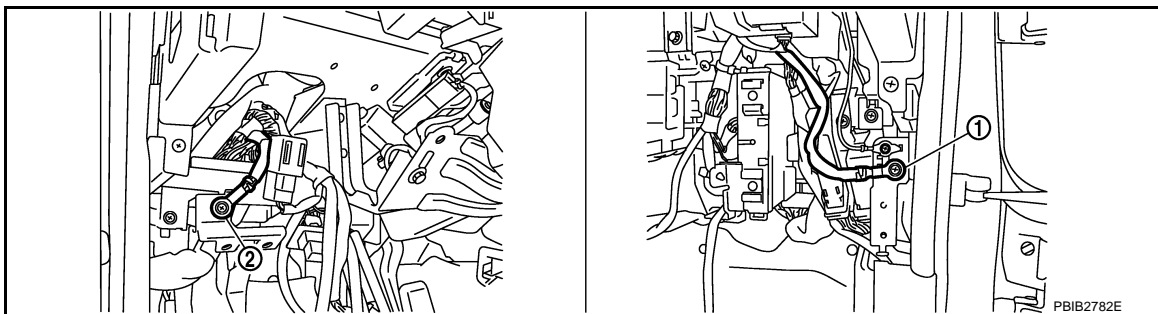
★: Average voltage for pulse signal (Actual pulse signal can be confirmed by oscilloscope.)

Diagnosis Procedure

INFOID:000000002954966

1. CHECK GROUND CONNECTIONS

1. Turn ignition switch OFF.
2. Loosen and retighten ground screws on the body.
Refer to [EC-769. "Ground Inspection"](#).



1. Body ground M70
2. Body ground M16

OK or NG

- OK >> GO TO 2.
- NG >> Repair or replace ground connections.

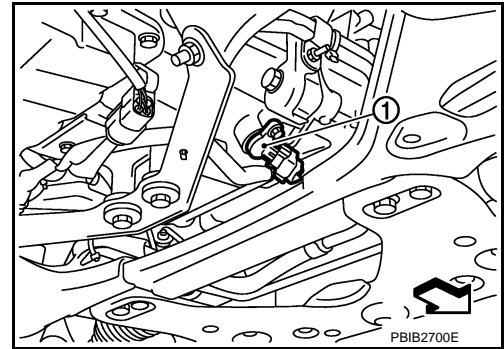
2. CHECK CRANKSHAFT POSITION (CKP) SENSOR (POS) POWER SUPPLY CIRCUIT

DTC P0335 CKP SENSOR (POS)

[VK45DE]

< SERVICE INFORMATION >

1. Disconnect crankshaft position (CKP) sensor (POS) (1) harness connector.
 - Illustration shows the view from under the vehicle.
 - ⇐: Vehicle front
2. Turn ignition switch ON.

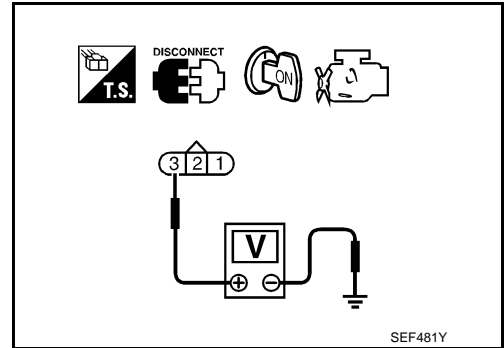


3. Check voltage between CKP sensor (POS) terminal 3 and ground with CONSULT-III or tester.

Voltage: Battery voltage

OK or NG

- OK >> GO TO 4.
- NG >> GO TO 3.



3. DETECT MALFUNCTIONING PART

Check the following.

- Harness connectors E108, M15
- Harness connectors F102, M72
- Harness for open or short between crankshaft position sensor (POS) and ECM
- Harness for open or short between crankshaft position sensor (POS) and IPDM E/R

>> Repair open circuit or short to ground or short to power in harness or connectors.

4. CHECK CKP SENSOR (POS) GROUND CIRCUIT FOR OPEN AND SHORT

1. Turn ignition switch OFF.
2. Check harness continuity between CKP sensor (POS) terminal 1 and ground. Refer to Wiring Diagram.

Continuity should exist.

3. Also check harness for short to power.

OK or NG

- OK >> GO TO 6.
- NG >> GO TO 5.

5. DETECT MALFUNCTIONING PART

Check the following.

- Harness connectors F102, M72
- Harness for open or short between crankshaft position sensor (POS) and ground

>> Repair open circuit or short to power in harness or connectors.

6. CHECK CKP SENSOR (POS) INPUT SIGNAL CIRCUIT FOR OPEN AND SHORT

1. Disconnect ECM harness connector.
2. Check harness continuity between ECM terminal 13 and CKP sensor (POS) terminal 2. Refer to Wiring Diagram.

Continuity should exist.

DTC P0335 CKP SENSOR (POS)

[VK45DE]

< SERVICE INFORMATION >

3. Also check harness for short to ground and short to power.

OK or NG

OK >> GO TO 7.

NG >> Repair open circuit or short to ground or short to power in harness or connectors.

7. CHECK CRANKSHAFT POSITION SENSOR (POS)

Refer to [EC-962, "Component Inspection"](#).

OK or NG

OK >> GO TO 8.

NG >> Replace crankshaft position sensor (POS).

8. CHECK GEAR TOOTH

Visually check for chipping signal plate gear tooth.

OK or NG

OK >> GO TO 9.

NG >> Replace the signal plate.

9. CHECK INTERMITTENT INCIDENT

Refer to [EC-763, "Diagnosis Procedure"](#).

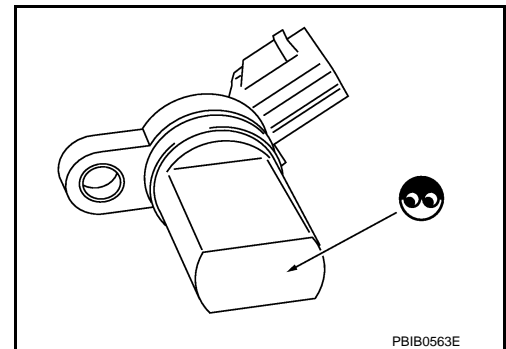
>> **INSPECTION END**

Component Inspection

INFOID:000000002954967

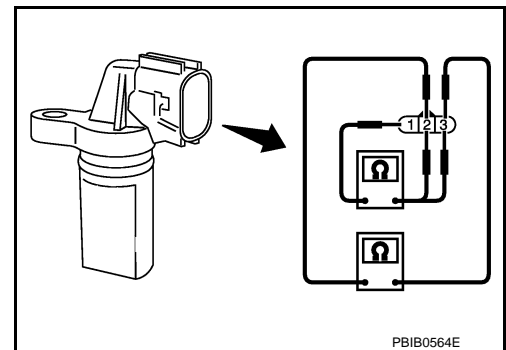
CRANKSHAFT POSITION SENSOR (POS)

1. Loosen the fixing bolt of the sensor.
2. Disconnect crankshaft position sensor (POS) harness connector.
3. Remove the sensor.
4. Visually check the sensor for chipping.



5. Check resistance as shown in the figure.

Terminal No. (Polarity)	Resistance Ω [at 25°C (77°F)]
1 (+) - 2 (-)	Except 0 or ∞
1 (+) - 3 (-)	
2 (+) - 3 (-)	



Removal and Installation

INFOID:000000002954968

CRANKSHAFT POSITION SENSOR (POS)

Refer to [EM-185](#).

DTC P0340 CAMSHAFT POSITION (CMP) SENSOR (PHASE)

< SERVICE INFORMATION >

[VK45DE]

DTC P0340 CAMSHAFT POSITION (CMP) SENSOR (PHASE)

Component Description

INFOID:000000002954969

The camshaft position sensor (PHASE) senses the protrusion of exhaust valve cam sprocket to identify a particular cylinder. The camshaft position sensor (PHASE) senses the piston position. When the crankshaft position sensor (POS) system becomes inoperative, the camshaft position sensor (PHASE) provides various controls of engine parts instead, utilizing timing of cylinder identification signals.

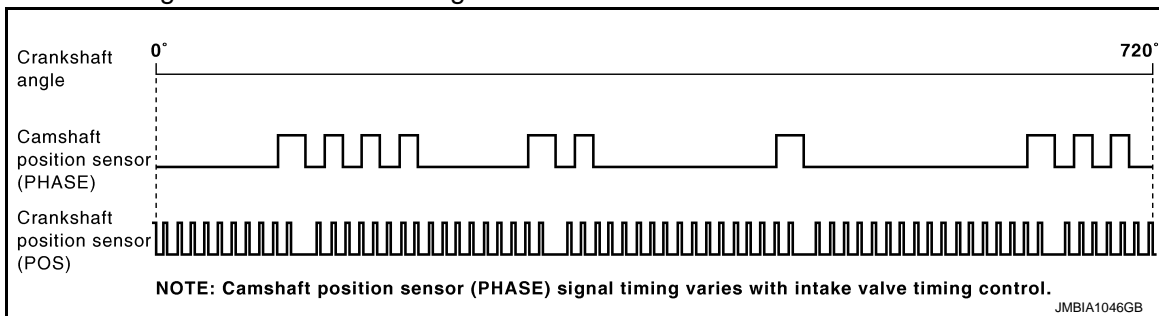
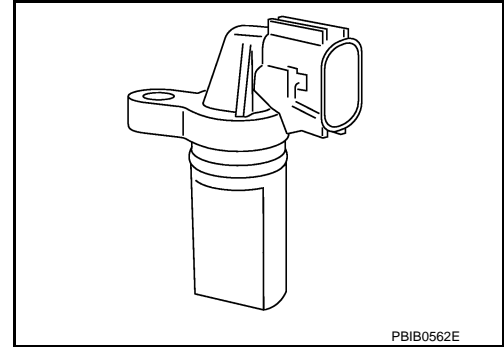
The sensor consists of a permanent magnet and Hall IC.

When engine is running, the high and low parts of the teeth cause the gap with the sensor to change.

The changing gap causes the magnetic field near the sensor to change.

Due to the changing magnetic field, the voltage from the sensor changes.

ECM receives the signals as shown in the figure.



On Board Diagnosis Logic

INFOID:000000002954970

DTC No.	Trouble diagnosis name	DTC detecting condition	Possible cause
P0340 0340	Camshaft position sensor (PHASE) circuit	<ul style="list-style-type: none"> The cylinder No. signal is not sent to ECM for the first few seconds during engine cranking. The cylinder No. signal is not sent to ECM during engine running. The cylinder No. signal is not in the normal pattern during engine running. 	<ul style="list-style-type: none"> Harness or connectors (The sensor circuit is open or shorted) Camshaft position sensor (PHASE) Camshaft sprocket (EXH) Starter motor (Refer to SC-8.) Starting system circuit (Refer to SC-8.) Dead (Weak) battery

DTC Confirmation Procedure

INFOID:000000002954971

NOTE:

If DTC Confirmation Procedure has been previously conducted, always turn ignition switch OFF and wait at least 10 seconds before conducting the next test.

TESTING CONDITION:

Before performing the following procedure, confirm that battery voltage is more than 10.5V with ignition switch ON.

1. Crank engine for at least 2 seconds and run it for at least 5 seconds at idle speed.
2. Check 1st trip DTC.
3. If 1st trip DTC is detected, go to [EC-965. "Diagnosis Procedure"](#).
If 1st trip DTC is not detected, go to next step.
4. Maintaining engine speed at more than 800 rpm for at least 5 seconds.
5. Check 1st trip DTC.
6. If 1st trip DTC is detected, go to [EC-965. "Diagnosis Procedure"](#).

DTC P0340 CAMSHAFT POSITION (CMP) SENSOR (PHASE)

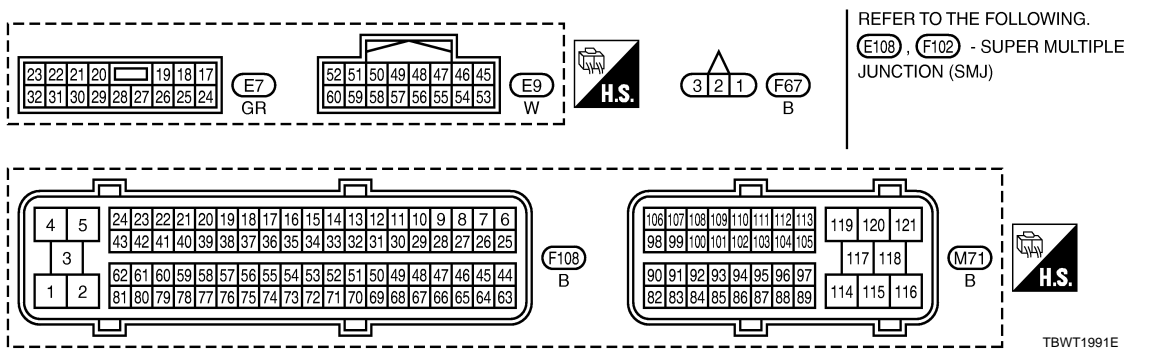
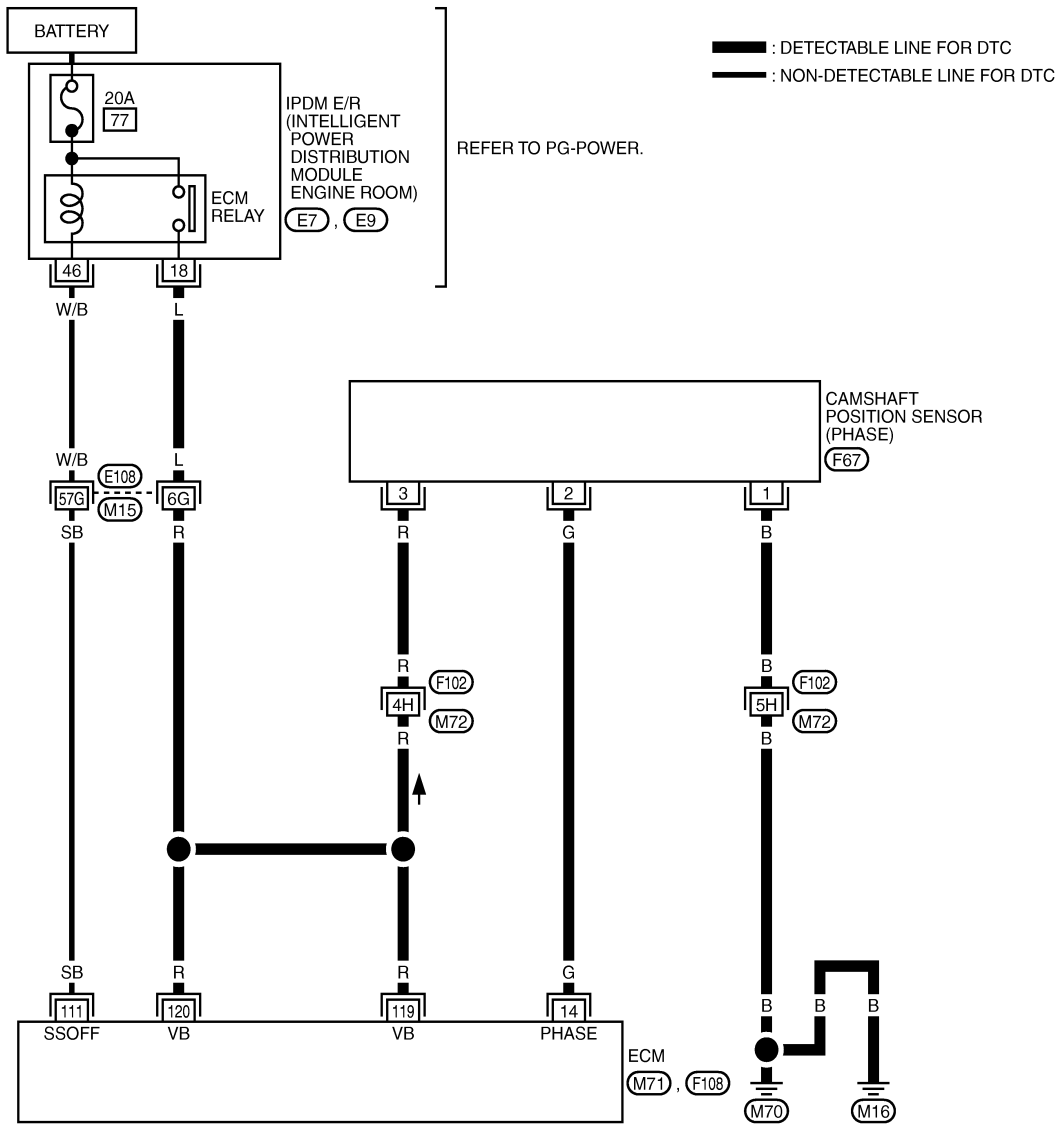
< SERVICE INFORMATION >

[VK45DE]

Wiring Diagram

INFOID:00000002954972

EC-PHASE-01



Specification data are reference values and are measured between each terminal and ground.
 Pulse signal is measured by CONSULT-III.

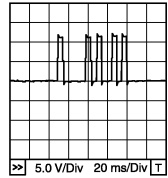
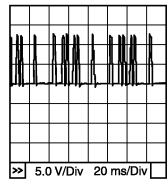
CAUTION:

DTC P0340 CAMSHAFT POSITION (CMP) SENSOR (PHASE)

< SERVICE INFORMATION >

[VK45DE]

Do not use ECM ground terminals when measuring input/output voltage. Doing so may result in damage to the ECM's transistor. Use a ground other than ECM terminals, such as the ground.

TER-MI-NAL NO.	WIRE COLOR	ITEM	CONDITION	DATA (DC Voltage)
14	G	Camshaft position sensor (PHASE)	[Engine is running] <ul style="list-style-type: none"> • Warm-up condition • Idle speed NOTE: The pulse cycle changes depending on rpm at idle	1.0 - 4.0V★ 
			[Engine is running] <ul style="list-style-type: none"> • Engine speed: 2,000 rpm 	1.0 - 4.0V★ 
111	SB	ECM relay (Self shut-off)	[Engine is running] [Ignition switch: OFF] <ul style="list-style-type: none"> • For a few seconds after turning ignition switch OFF 	0 - 1.5V
			[Ignition switch: OFF] <ul style="list-style-type: none"> • More than a few seconds after turning ignition switch OFF 	BATTERY VOLTAGE (11 - 14V)
119 120	R R	Power supply for ECM	[Ignition switch: ON]	BATTERY VOLTAGE (11 - 14V)

★: Average voltage for pulse signal (Actual pulse signal can be confirmed by oscilloscope.)

Diagnosis Procedure

INFOID:000000002954973

1. CHECK STARTING SYSTEM

Turn ignition switch to START position.

Does the engine turn over?

Does the starter motor operate?

Yes or No

Yes >> GO TO 2.

No >> Check starting system. (Refer to [SC-8](#).)

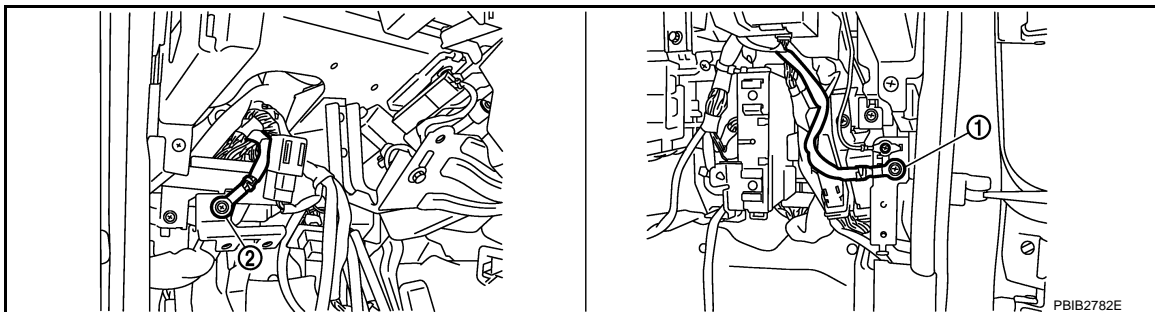
2. CHECK GROUND CONNECTIONS

1. Turn ignition switch OFF.
2. Loosen and retighten ground screws on the body.
Refer to [EC-769](#). "Ground Inspection".

DTC P0340 CAMSHAFT POSITION (CMP) SENSOR (PHASE)

< SERVICE INFORMATION >

[VK45DE]



1. Body ground M70


2. Body ground M16

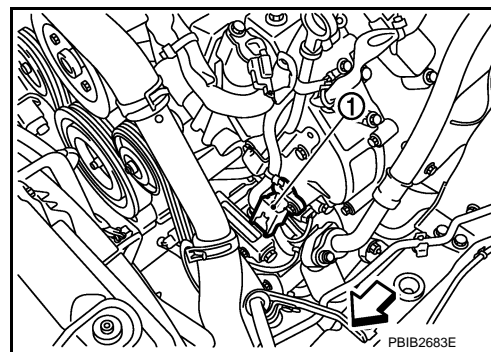
OK or NG

OK >> GO TO 3.

NG >> Repair or replace ground connections.

3. CHECK CAMSHAFT POSITION (CMP) SENSOR (PHASE) POWER SUPPLY CIRCUIT

1. Disconnect camshaft position (CMP) sensor (PHASE) (1) harness connector.
 - Illustration shows the view with intake air duct removed.
 - : Vehicle front
2. Turn ignition switch ON.



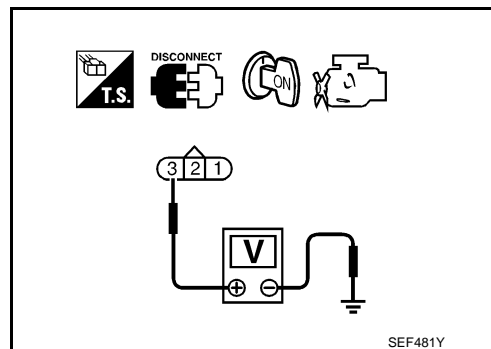
3. Check voltage between CMP sensor (PHASE) terminal 3 and ground with CONSULT-III or tester.

Voltage: Battery voltage

OK or NG

OK >> GO TO 5.

NG >> GO TO 4.



4. DETECT MALFUNCTIONING PART

Check the following.

- Harness connectors E108, M15
- Harness connectors F102, M72
- Harness for open or short between camshaft position sensor (PHASE) and ECM
- Harness for open or short between camshaft position sensor (PHASE) and IPDM E/R

>> Repair open circuit or short to ground or short to power in harness or connectors.

5. CHECK CMP SENSOR (PHASE) GROUND CIRCUIT FOR OPEN AND SHORT

1. Turn ignition switch OFF.
2. Check harness continuity between CMP sensor (PHASE) terminal 1 and ground. Refer to Wiring Diagram.

Continuity should exist.

3. Also check harness for short to power.

DTC P0340 CAMSHAFT POSITION (CMP) SENSOR (PHASE)

< SERVICE INFORMATION >

[VK45DE]

OK or NG

- OK >> GO TO 7.
- NG >> GO TO 6.

6. DETECT MALFUNCTIONING PART

Check the following.

- Harness connectors F102, M72
- Harness for open or short between CMP sensor (PHASE) and ground

>> Repair open circuit or short to power in harness or connectors.

7. CHECK CMP SENSOR (PHASE) INPUT SIGNAL CIRCUIT FOR OPEN AND SHORT

1. Disconnect ECM harness connector.
2. Check harness continuity between ECM terminal 14 and CMP sensor (PHASE) terminal 2. Refer to Wiring Diagram.

Continuity should exist.

3. Also check harness for short to ground and short to power.

OK or NG

- OK >> GO TO 8.
- NG >> Repair open circuit or short to ground or short to power in harness or connectors.

8. CHECK CAMSHAFT POSITION SENSOR (PHASE)

Refer to [EC-967. "Component Inspection"](#).

OK or NG

- OK >> GO TO 9.
- NG >> Replace camshaft position sensor (PHASE).

9. CHECK CAMSHAFT SPROCKET (EXH)

Visually check camshaft sprocket (EXH) for chipping.

OK or NG

- OK >> GO TO 10.
- NG >> Replace camshaft sprocket (exhaust).

10. CHECK INTERMITTENT INCIDENT

Refer to [EC-763. "Diagnosis Procedure"](#).

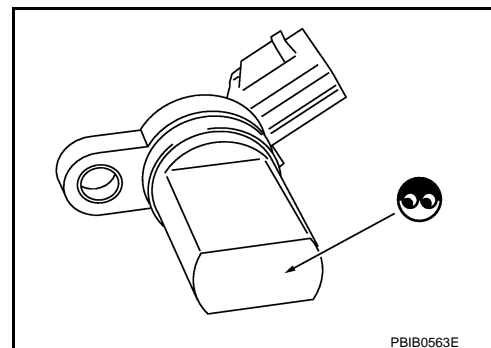
>> **INSPECTION END**

Component Inspection

INFOID:000000002954974

CAMSHAFT POSITION SENSOR (PHASE)

1. Loosen the fixing bolt of the sensor.
2. Disconnect camshaft position sensor (PHASE) harness connector.
3. Remove the sensor.
4. Visually check the sensor for chipping.



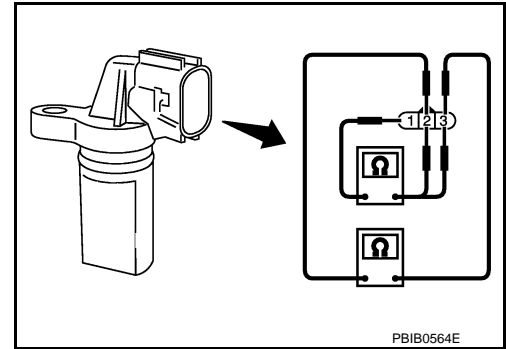
DTC P0340 CAMSHAFT POSITION (CMP) SENSOR (PHASE)

< SERVICE INFORMATION >

[VK45DE]

5. Check resistance as shown in the figure.

Terminal No. (Polarity)	Resistance Ω [at 25°C (77°F)]
3(+) - 1 (-)	Except 0 or ∞
2 (+) - 1 (-)	
3 (+) - 2 (-)	



INFOID:000000002954975

Removal and Installation

CAMSHAFT POSITION SENSOR (PHASE)

Refer to [EM-214](#).

DTC P0420, P0430 THREE WAY CATALYST FUNCTION

< SERVICE INFORMATION >

[VK45DE]

DTC P0420, P0430 THREE WAY CATALYST FUNCTION

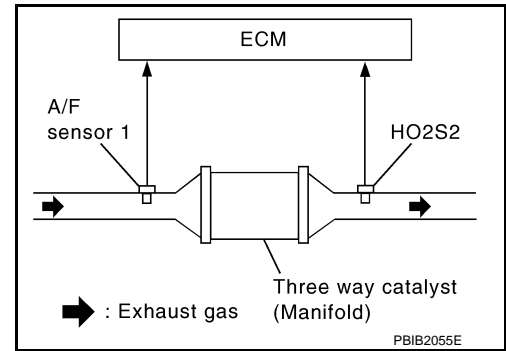
On Board Diagnosis Logic

INFOID:000000002954976

The ECM monitors the switching frequency ratio of air fuel ratio (A/F) sensor 1 and heated oxygen sensor 2.

A three way catalyst (manifold) with high oxygen storage capacity will indicate a low switching frequency of heated oxygen sensor 2. As oxygen storage capacity decreases, the heated oxygen sensor 2 switching frequency will increase.

When the frequency ratio of A/F sensor 1 and heated oxygen sensor 2 approaches a specified limit value, the three way catalyst (manifold) malfunction is diagnosed.



DTC No.	Trouble diagnosis name	DTC detecting condition	Possible cause
P0420 0420 (Bank 1)	Catalyst system efficiency below threshold	<ul style="list-style-type: none"> • Three way catalyst (manifold) does not operate properly. • Three way catalyst (manifold) does not have enough oxygen storage capacity. 	<ul style="list-style-type: none"> • Three way catalyst (manifold) • Exhaust tube • Intake air leaks • Fuel injector • Fuel injector leaks • Spark plug • Improper ignition timing
P0430 0430 (Bank 2)			

DTC Confirmation Procedure

INFOID:000000002954977

NOTE:

If DTC Confirmation Procedure has been previously conducted, always turn ignition switch OFF and wait at least 10 seconds before conducting the next test.

WITH CONSULT-III

TESTING CONDITION:

Do not hold engine speed for more than the specified minutes below.

1. Start engine and warm it up to the normal operating temperature.
2. Turn ignition switch OFF and wait at least 10 seconds.
3. Start engine and keep the engine speed between 3,500 and 4,000 rpm for at least 1 minute under no load.
4. Let engine idle for 1 minute.
5. Select "COOLAN TEMP/S" in "DATA MONITOR" mode with CONSULT-III.
6. Make sure that "COOLAN TEMP/S" indicates more than 70°C (158°F).
If not, warm up engine and go to next step when "COOLAN TEMP/S" indication reaches to 70°C (158°F).
7. Open engine hood.
8. Select "DTC & SRT CONFIRMATION" then "SRT WORK SUPPORT" mode with CONSULT-III.
9. Rev engine up to 2,000 to 3,000 rpm and hold it for 3 consecutive minutes, then release the accelerator pedal completely.
If "INCMP" of "CATALYST" changed to "CMPLT", go to step 12.
10. Wait 5 seconds at idle.
11. Rev engine up to 2,000 to 3,000 rpm and maintain it until "INCMP" of "CATALYST" changes to "CMPLT" (It will take approximately 5 minutes).
If not "CMPLT", stop engine and cool it down to less than 70°C (158°F) and then retest from step 1.
12. Check 1st trip DTC.
13. If 1st trip DTC is detected, go to [EC-970. "Diagnosis Procedure"](#).

DTC P0420, P0430 THREE WAY CATALYST FUNCTION

< SERVICE INFORMATION >

[VK45DE]

INFOID:000000002954978

Overall Function Check

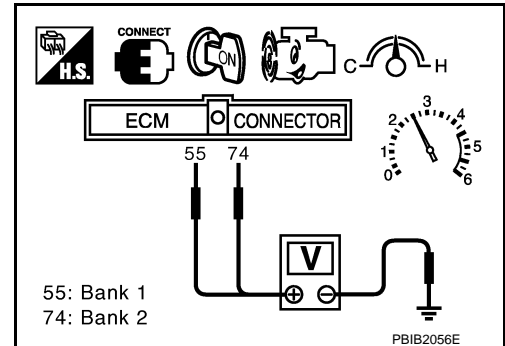
Use this procedure to check the overall function of the three way catalyst (manifold). During this check, a 1st trip DTC might not be confirmed.

WITH GST

1. Start engine and warm it up to the normal operating temperature.
2. Turn ignition switch OFF and wait at least 10 seconds.
3. Start engine and keep the engine speed between 3,500 and 4,000 rpm for at least 1 minute under no load.
4. Let engine idle for 1 minute.
5. Open engine hood.
6. Set voltmeter probe between ECM terminal 55 [HO2S2 (bank 1) signal] and ground, ECM terminal 74 [HO2S2 (bank 2) signal] and ground.
7. Keep engine speed at 2,500 rpm constant under no load.
8. Make sure that the voltage does not vary for more than 5 seconds.

If the voltage fluctuation cycle takes less than 5 seconds, go to [EC-970. "Diagnosis Procedure"](#).

- 1 cycle: 0.6 - 1.0 → 0 - 0.3 → 0.6 - 1.0



INFOID:000000002954979

Diagnosis Procedure

1. CHECK EXHAUST SYSTEM

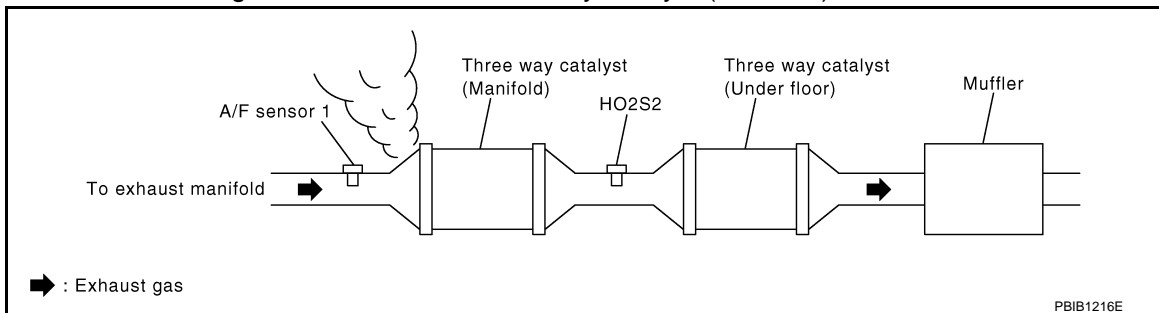
Visually check exhaust tubes and muffler for dent.

OK or NG

- OK >> GO TO 2.
- NG >> Repair or replace.

2. CHECK EXHAUST GAS LEAK

1. Start engine and run it at idle.
2. Listen for an exhaust gas leak before the three way catalyst (manifold).



OK or NG

- OK >> GO TO 3.
- NG >> Repair or replace.

3. CHECK INTAKE AIR LEAK

Listen for an intake air leak after the mass air flow sensor.

OK or NG

- OK >> GO TO 4.
- NG >> Repair or replace.

4. CHECK IGNITION TIMING

Check the following items. Refer to [EC-702. "Basic Inspection"](#).

DTC P0420, P0430 THREE WAY CATALYST FUNCTION

< SERVICE INFORMATION >

[VK45DE]

Items	Specifications
Target idle speed	650 ± 50 rpm (in P or N position)
Ignition timing	12 ± 5° BTDC (in P or N position)

OK or NG

- OK >> GO TO 5.
- NG >> Follow the [EC-702, "Basic Inspection"](#).

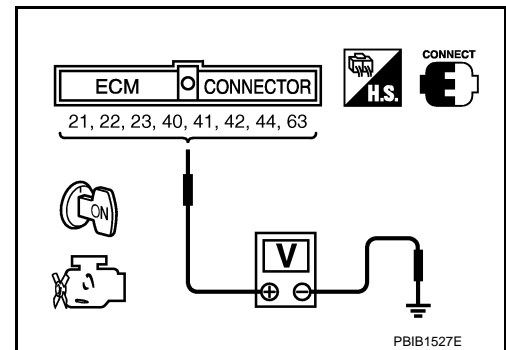
5. CHECK FUEL INJECTORS

1. Stop engine and then turn ignition switch ON.
2. Check voltage between ECM terminals 21, 22, 23, 40, 41, 42, 44, 63 and ground with CONSULT-III or tester.
Refer to Wiring Diagram for fuel injectors, [EC-1233, "Wiring Diagram"](#).

Battery voltage should exist.

OK or NG

- OK >> GO TO 6.
- NG >> Perform [EC-1234, "Diagnosis Procedure"](#).



6. CHECK FUNCTION OF IGNITION COIL-I

CAUTION:

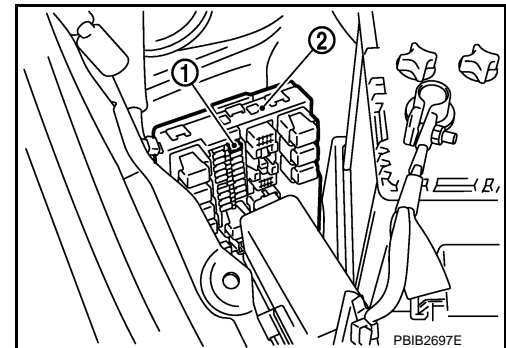
Do the following procedure in the place where ventilation is good without the combustible.

1. Turn ignition switch OFF.
2. Remove fuel pump fuse (1) in IPDM E/R (2) to release fuel pressure.

NOTE:

Do not use CONSULT-III to release fuel pressure, or fuel pressure applies again during the following procedure.

3. Start engine.
4. After engine stalls, crank it two or three times to release all fuel pressure.
5. Turn ignition switch OFF.
6. Remove all ignition coil harness connectors to avoid the electrical discharge from the ignition coils.
7. Remove ignition coil and spark plug of the cylinder to be checked.
8. Crank engine for 5 seconds or more to remove combustion gas in the cylinder.
9. Connect spark plug and harness connector to ignition coil.
10. Fix ignition coil using a rope etc. with gap of 13 - 17 mm between the edge of the spark plug and grounded metal portion as shown in the figure.
11. Crank engine for about 3 seconds, and check whether spark is generated between the spark plug and the grounded metal portion.



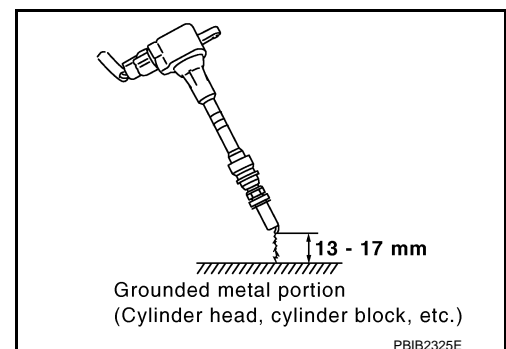
Spark should be generated.

CAUTION:

- Do not approach to the spark plug and the ignition coil within 50cm. Be careful not to get an electrical shock while checking, because the electrical discharge voltage becomes 20kV or more.
- It might cause to damage the ignition coil if the gap of more than 17 mm is taken.

NOTE:

When the gap is less than 13 mm, the spark might be generated even if the coil is malfunctioning.



OK or NG

DTC P0420, P0430 THREE WAY CATALYST FUNCTION

< SERVICE INFORMATION >

[VK45DE]

- OK >> GO TO 10.
- NG >> GO TO 7.

7. CHECK FUNCTION OF IGNITION COIL-II

1. Turn ignition switch OFF.
2. Disconnect spark plug and connect a known-good spark plug.
3. Crank engine for about 3 seconds, and recheck whether spark is generated between the spark plug and the grounded metal portion.

Spark should be generated.

OK or NG

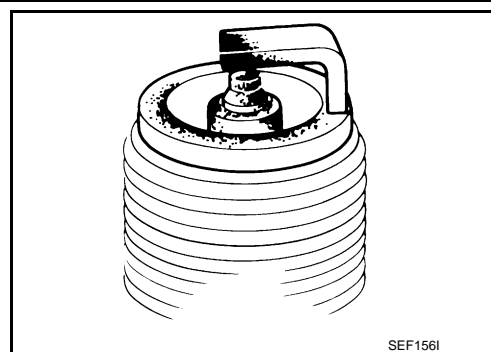
- OK >> GO TO 8.
- NG >> Check ignition coil, power transistor and their circuits. Refer to [EC-1254, "Diagnosis Procedure"](#).

8. CHECK SPARK PLUG

Check the initial spark plug for fouling, etc.

OK or NG

- OK >> Replace spark plug(s) with standard type one(s). For spark plug type, refer to [EM-190](#).
- NG >> 1. Repair or clean spark plug.
2. GO TO 9.



9. CHECK FUNCTION OF IGNITION COIL-III

1. Reconnect the initial spark plugs.
2. Crank engine for about 3 seconds, and recheck whether spark is generated between the spark plug and the grounded portion.

Spark should be generated.

OK or NG

- OK >> **INSPECTION END**
- NG >> Replace spark plug(s) with standard type one(s). For spark plug type, refer to [EM-190](#).

10. CHECK FUEL INJECTOR

1. Turn ignition switch OFF.
2. Remove fuel tube assembly.
Refer to [EM-192](#).
Keep fuel hose and all fuel injectors connected to fuel tube.
3. Disconnect all ignition coil harness connectors.
4. Reconnect all fuel injector harness connectors disconnected.
5. Turn ignition switch ON.
Make sure fuel does not drip from fuel injector.

OK or NG

- OK (Does not drip.)>>GO TO 11.
- NG (Drips.)>>Replace the fuel injector(s) from which fuel is dripping.

11. CHECK INTERMITTENT INCIDENT

Refer to [EC-763, "Diagnosis Procedure"](#).

Trouble is fixed.>>**INSPECTION END**

Trouble is not fixed.>>Replace three way catalyst assembly.

DTC P0441 EVAP CONTROL SYSTEM

< SERVICE INFORMATION >

[VK45DE]

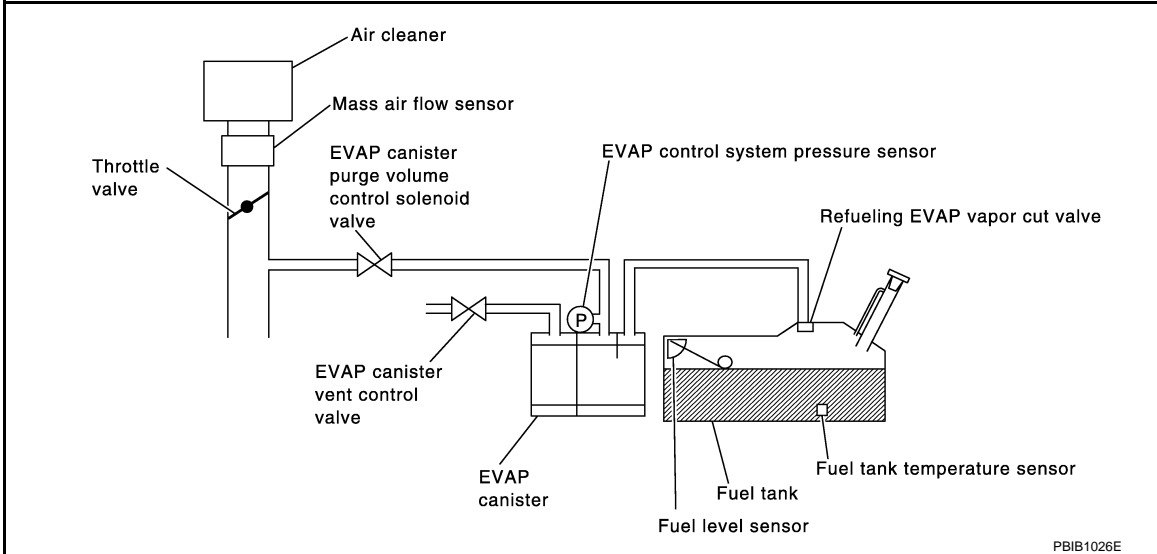
DTC P0441 EVAP CONTROL SYSTEM

System Description

INFOID:000000002954980

NOTE:

If DTC P0441 is displayed with other DTC such as P2122, P2123, P2127, P2128 or P2138, first perform trouble diagnosis for other DTC.



In this evaporative emission (EVAP) control system, purge flow occurs during non-closed throttle conditions. Purge volume is related to air intake volume. Under normal purge conditions (non-closed throttle), the EVAP canister purge volume control solenoid valve is open to admit purge flow. Purge flow exposes the EVAP control system pressure sensor to intake manifold vacuum.

On Board Diagnosis Logic

INFOID:000000002954981

Under normal conditions (non-closed throttle), sensor output voltage indicates if pressure drop and purge flow are adequate. If not, a malfunction is determined.

DTC No.	Trouble diagnosis name	DTC detecting condition	Possible cause
P0441 0441	EVAP control system incorrect purge flow	EVAP control system does not operate properly, EVAP control system has a leak between intake manifold and EVAP control system pressure sensor.	<ul style="list-style-type: none"> • EVAP canister purge volume control solenoid valve stuck closed • EVAP control system pressure sensor and the circuit • Loose, disconnected or improper connection of rubber tube • Blocked rubber tube • Cracked EVAP canister • EVAP canister purge volume control solenoid valve circuit • Accelerator pedal position sensor • Blocked purge port • EVAP canister vent control valve

DTC Confirmation Procedure

INFOID:000000002954982

CAUTION:

Always drive vehicle at a safe speed.

NOTE:

If DTC Confirmation Procedure has been previously conducted, always turn ignition switch OFF and wait at least 10 seconds before conducting the next test.

TESTING CONDITION:

Always perform test at a temperature of 5°C (41°F) or more.

ⓐ WITH CONSULT-III

1. Start engine and warm it up to normal operating temperature.

DTC P0441 EVAP CONTROL SYSTEM

[VK45DE]

< SERVICE INFORMATION >

2. Turn ignition switch OFF and wait at least 10 seconds.
3. Start engine and let it idle for at least 70 seconds.
4. Select "PURG FLOW P0441" of "EVAPORATIVE SYSTEM" in "DTC WORK SUPPORT" mode with CONSULT-III.
5. Touch "START".
If "COMPLETED" is displayed, go to step 7.
6. When the following conditions are met, "TESTING" will be displayed on the CONSULT-III screen. Maintain the conditions continuously until "TESTING" changes to "COMPLETED". (It will take at least 35 seconds.)

Selector lever	Suitable position
VHCL SPEED SE	32 - 120 km/h (20 - 75 MPH)
ENG SPEED	500 - 3,000 rpm
B/FUEL SCHDL	1.0 - 10.0 msec
COOLAN TEMP/S	70 - 100°C (158 - 212°F)

If "TESTING" is not changed for a long time, retry from step 2.

7. Make sure that "OK" is displayed after touching "SELF-DIAG RESULTS". If "NG" is displayed, refer to [EC-974. "Diagnosis Procedure"](#).

Overall Function Check

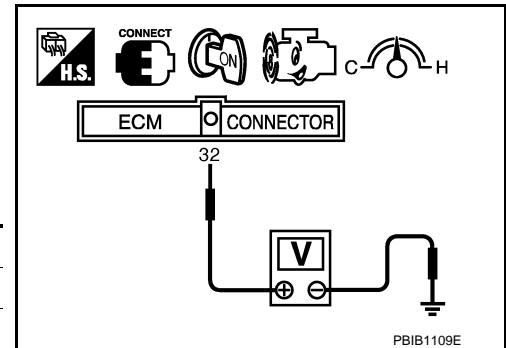
INFOID:000000002954983

Use this procedure to check the overall monitoring function of the EVAP control system purge flow monitoring. During this check, a 1st trip DTC might not be confirmed.

Ⓢ WITH GST

1. Lift up drive wheels.
2. Start engine (VDC switch OFF) and warm it up to normal operating temperature.
3. Turn ignition switch OFF, wait at least 10 seconds.
4. Start engine and wait at least 70 seconds.
5. Set voltmeter probes to ECM terminals 32 (EVAP control system pressure sensor signal) and ground.
6. Check EVAP control system pressure sensor value at idle speed and note it.
7. Establish and maintain the following conditions for at least 1 minute.

Air conditioner switch	ON
Headlamp switch	ON
Rear window defogger switch	ON
Engine speed	Approx. 3,000 rpm
Gear position	Any position other than P, N or R



PBIB1109E

8. Verify that EVAP control system pressure sensor value stays 0.1V less than the value at idle speed (measured at step 6) for at least 1 second.
9. If NG, go to [EC-974. "Diagnosis Procedure"](#).

Diagnosis Procedure

INFOID:000000002954984

1. CHECK EVAP CANISTER

1. Turn ignition switch OFF.
2. Check EVAP canister for cracks.

OK or NG

- OK (With CONSULT-III)>>GO TO 2.
- OK (Without CONSULT-III)>>GO TO 3.
- NG >> Replace EVAP canister.

2. CHECK PURGE FLOW

Ⓢ With CONSULT-III

DTC P0441 EVAP CONTROL SYSTEM

[VK45DE]

< SERVICE INFORMATION >

1. Disconnect vacuum hose connected to EVAP canister purge volume control solenoid valve at EVAP service port and install vacuum gauge. For the location of EVAP service port, refer to [EC-662, "Description"](#).
2. Start engine and let it idle.
3. Select "PURG VOL CONT/V" in "ACTIVE TEST" mode with CONSULT-III.
4. Rev engine up to 2,000 rpm.
5. Touch "Qd" and "Qu" on CONSULT-III screen to adjust "PURG VOL CONT/V" opening and check vacuum existence.

PURG VOL CONT/V	Vacuum
100%	Should exist.
0%	Should not exist.

OK or NG

OK >> GO TO 7.

NG >> GO TO 4.

3. CHECK PURGE FLOW

⊗ Without CONSULT-III

1. Start engine and warm it up to normal operating temperature.
2. Stop engine.
3. Disconnect vacuum hose connected to EVAP canister purge volume control solenoid valve at EVAP service port and install vacuum gauge. For the location of EVAP service port, refer to [EC-662, "Description"](#).
4. Start engine and let it idle.
Do not depress accelerator pedal even slightly.
5. Check vacuum gauge indication before 60 seconds passed after starting engine.

Vacuum should not exist.

6. Revving engine up to 2,000rpm after 100 seconds passed after starting engine.

Vacuum should exist.

OK or NG

OK >> GO TO 7.

NG >> GO TO 4.

4. CHECK EVAP PURGE LINE

1. Turn ignition switch OFF.
2. Check EVAP purge line for improper connection or disconnection.
Refer to [EC-662, "Description"](#).

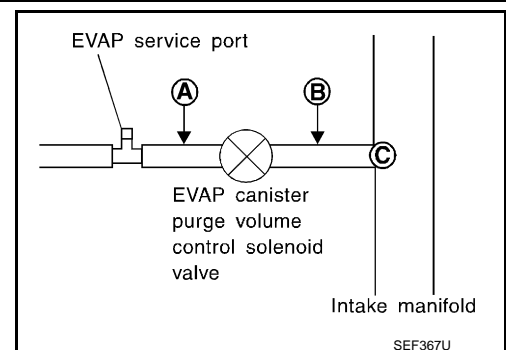
OK or NG

OK >> GO TO 5.

NG >> Repair it.

5. CHECK EVAP PURGE HOSE AND PURGE PORT

1. Disconnect purge hoses connected to EVAP service port (A) and EVAP canister purge volume control solenoid valve (B).
2. Blow air into each hose and EVAP purge port (C).



DTC P0441 EVAP CONTROL SYSTEM

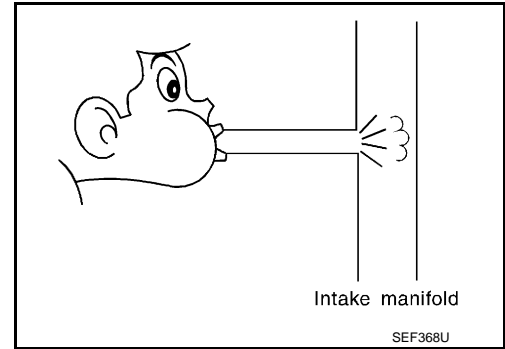
[VK45DE]

< SERVICE INFORMATION >

3. Check that air flows freely.

OK or NG

- OK (With CONSULT-III)>>GO TO 6.
- OK (Without CONSULT-III)>>GO TO 7.
- NG >> Repair or clean hoses and/or purge port.



6. CHECK EVAP CANISTER PURGE VOLUME CONTROL SOLENOID VALVE

With CONSULT-III

1. Start engine.
2. Perform "PURG VOL CONT/V" in "ACTIVE TEST" mode with CONSULT-III. Check that engine speed varies according to the valve opening.

OK or NG

- OK >> GO TO 8.
- NG >> GO TO 7.

7. CHECK EVAP CANISTER PURGE VOLUME CONTROL SOLENOID VALVE

Refer to [EC-997, "Component Inspection"](#).

OK or NG

- OK >> GO TO 8.
- NG >> Replace EVAP canister purge volume control solenoid valve.

8. CHECK EVAP CONTROL SYSTEM PRESSURE SENSOR CONNECTOR

1. Disconnect EVAP control system pressure sensor harness connector.
2. Check connectors for water.

Water should not exist.

OK or NG

- OK >> GO TO 9.
- NG >> Replace EVAP control system pressure sensor.

9. CHECK EVAP CONTROL SYSTEM PRESSURE SENSOR FUNCTION

Refer to [EC-1012, "DTC Confirmation Procedure"](#) for DTC P0452, [EC-1018, "DTC Confirmation Procedure"](#) for DTC P0453.

OK or NG

- OK >> GO TO 10.
- NG >> Replace EVAP control system pressure sensor.

10. CHECK RUBBER TUBE FOR CLOGGING

1. Disconnect rubber tube connected to EVAP canister vent control valve.
2. Check the rubber tube for clogging.

OK or NG

- OK >> GO TO 11.
- NG >> Clean the rubber tube using an air blower.

11. CHECK EVAP CANISTER VENT CONTROL VALVE

Refer to [EC-1002, "Component Inspection"](#).

OK or NG

- OK >> GO TO 12.
- NG >> Replace EVAP canister vent control valve.

12. CHECK EVAP PURGE LINE

DTC P0441 EVAP CONTROL SYSTEM

[VK45DE]

< SERVICE INFORMATION >

Inspect EVAP purge line (pipe and rubber tube). Check for evidence of leaks.

Refer to [EC-662, "Description"](#).

OK or NG

OK >> GO TO 13.

NG >> Replace it.

13.CLEAN EVAP PURGE LINE

Clean EVAP purge line (pipe and rubber tube) using air blower.

>> GO TO 14.

14.CHECK INTERMITTENT INCIDENT

Refer to [EC-763, "Diagnosis Procedure"](#).

>> **INSPECTION END**

A

EC

C

D

E

F

G

H

I

J

K

L

M

N

O

P

DTC P0442 EVAP CONTROL SYSTEM

< SERVICE INFORMATION >

[VK45DE]

DTC P0442 EVAP CONTROL SYSTEM

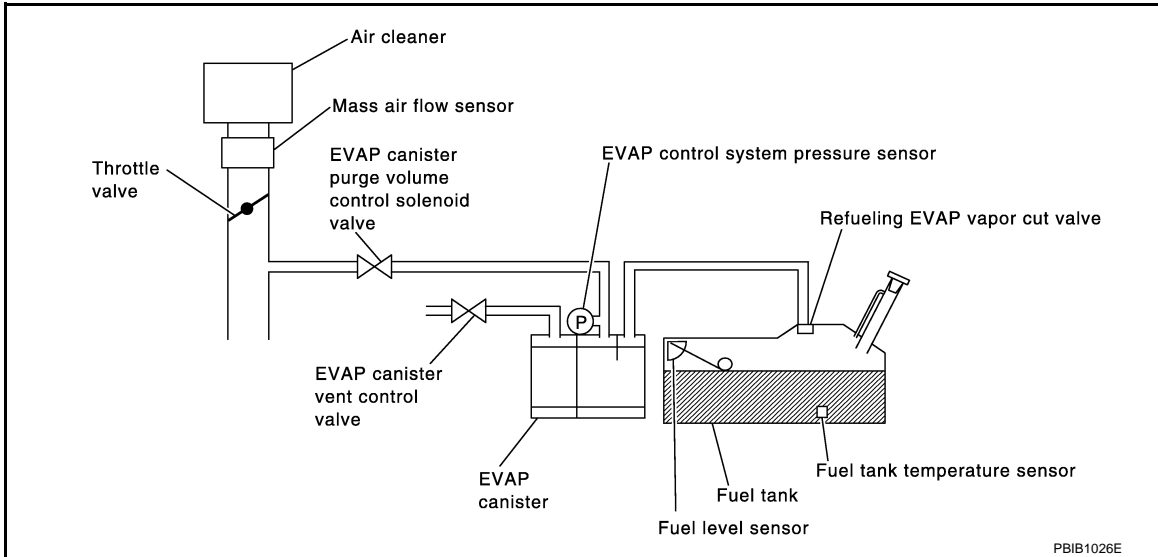
On Board Diagnosis Logic

INFOID:000000002954985

This diagnosis detects leaks in the EVAP purge line using engine intake manifold vacuum.

If pressure does not increase, the ECM will check for leaks in the line between the fuel tank and EVAP canister purge volume control solenoid valve, under the following "Vacuum test" conditions.

The EVAP canister vent control valve is closed to shut the EVAP purge line off. The EVAP canister purge volume control solenoid valve will then be opened to depressurize the EVAP purge line using intake manifold vacuum. After this occurs, the EVAP canister purge volume control solenoid valve will be closed.



DTC No.	Trouble diagnosis name	DTC detecting condition	Possible cause
P0442 0442	EVAP control system small leak detected (negative pressure)	EVAP control system has a leak, EVAP control system does not operate properly.	<ul style="list-style-type: none"> • Incorrect fuel tank vacuum relief valve • Incorrect fuel filler cap used • Fuel filler cap remains open or fails to close. • Foreign matter caught in fuel filler cap. • Leak is in line between intake manifold and EVAP canister purge volume control solenoid valve. • Foreign matter caught in EVAP canister vent control valve. • EVAP canister or fuel tank leaks • EVAP purge line (pipe and rubber tube) leaks • EVAP purge line rubber tube bent • Loose or disconnected rubber tube • EVAP canister vent control valve and the circuit • EVAP canister purge volume control solenoid valve and the circuit • Fuel tank temperature sensor • O-ring of EVAP canister vent control valve is missing or damaged • EVAP canister is saturated with water • EVAP control system pressure sensor • Fuel level sensor and the circuit • Refueling EVAP vapor cut valve • ORVR system leaks

CAUTION:

- Use only a genuine NISSAN fuel filler cap as a replacement. If an incorrect fuel filler cap is used, the MIL may come on.
- If the fuel filler cap is not tightened properly, the MIL may come on.
- Use only a genuine NISSAN rubber tube as a replacement.

DTC Confirmation Procedure

INFOID:000000002954986

NOTE:

DTC P0442 EVAP CONTROL SYSTEM

[VK45DE]

< SERVICE INFORMATION >

- If DTC Confirmation Procedure has been previously conducted, always turn ignition switch OFF and wait at least 10 seconds before conducting the next test.

TESTING CONDITION:

- Perform "DTC WORK SUPPORT" when the fuel level is between 1/4 and 3/4 full, and vehicle is placed on flat level surface.
- Always perform test at a temperature of 0 to 30°C (32 to 86°F).

④ WITH CONSULT-III

1. Turn ignition switch ON.
2. Turn ignition switch OFF and wait at least 10 seconds.
3. Turn ignition switch ON and select "DATA MONITOR" mode with CONSULT-III.
4. Make sure that the following conditions are met.
COOLAN TEMP/S: 0 - 70°C (32 - 158°F)
INT/A TEMP SE: 0 - 30°C (32 - 86°F)
5. Select "EVAP SML LEAK P0442/P1442" of "EVAPORATIVE SYSTEM" in "DTC WORK SUPPORT" mode with CONSULT-III.
Follow the instruction displayed.
NOTE:
If the engine speed cannot be maintained within the range displayed on the CONSULT-III screen, go to [EC-702, "Basic Inspection"](#).
6. Make sure that "OK" is displayed.
If "NG" is displayed, refer to [EC-979, "Diagnosis Procedure"](#).
NOTE:
Make sure that EVAP hoses are connected to EVAP canister purge volume control solenoid valve properly.

④ WITH GST

NOTE:

Be sure to read the explanation of [EC-677, "Emission-Related Diagnostic Information"](#) before driving vehicle.

1. Start engine.
2. Drive vehicle according to [EC-677, "Emission-Related Diagnostic Information"](#).
3. Stop vehicle.
4. Turn ignition switch OFF, wait at least 10 seconds and then turn ON.
5. Select Service \$07 with GST.
 - If P0442 is displayed on the screen, go to [EC-979, "Diagnosis Procedure"](#).
 - If P0441 is displayed on the screen, go to [EC-974, "Diagnosis Procedure"](#).

Diagnosis Procedure

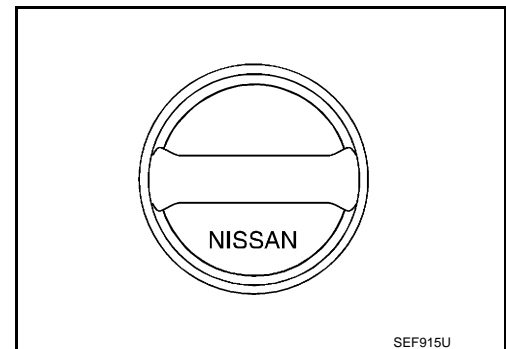
INFOID:000000002954987

1. CHECK FUEL FILLER CAP DESIGN

1. Turn ignition switch OFF.
2. Check for genuine NISSAN fuel filler cap design.

OK or NG

- OK >> GO TO 2.
NG >> Replace with genuine NISSAN fuel filler cap.



2. CHECK FUEL FILLER CAP INSTALLATION

Check that the cap is tightened properly by rotating the cap clockwise.

OK or NG

- OK >> GO TO 3.
NG >> 1. Open fuel filler cap, then clean cap and fuel filler neck threads using air blower.
2. Retighten until ratcheting sound is heard.

DTC P0442 EVAP CONTROL SYSTEM

[VK45DE]

< SERVICE INFORMATION >

3. CHECK FUEL FILLER CAP FUNCTION

Check for air releasing sound while opening the fuel filler cap.

OK or NG

- OK >> GO TO 5.
- NG >> GO TO 4.

4. CHECK FUEL TANK VACUUM RELIEF VALVE

Refer to [EC-664, "Component Inspection"](#).

OK or NG

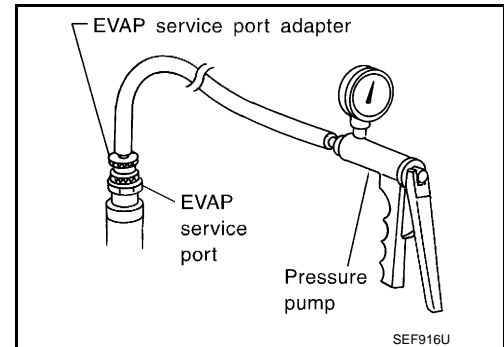
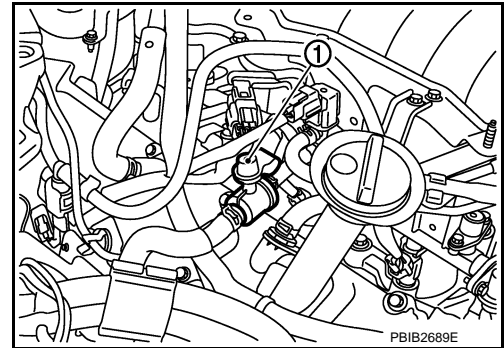
- OK >> GO TO 5.
- NG >> Replace fuel filler cap with a genuine one.

5. INSTALL THE PRESSURE PUMP

To locate the EVAP leak, install EVAP service port adapter and pressure pump to EVAP service port (1) securely.

NOTE:

Improper installation of the EVAP service port adapter to the EVAP service port may cause leaking.



- With CONSULT-III >> GO TO 6.
- Without CONSULT-III >> GO TO 7.

6. CHECK FOR EVAP LEAK

With CONSULT-III

1. Turn ignition switch ON.
2. Select "EVAP SYSTEM CLOSE" of "WORK SUPPORT" mode with CONSULT-III.
3. Touch "START" and apply pressure into the EVAP line until the pressure indicator reaches the middle of the bar graph.

CAUTION:

- Never use compressed air or a high pressure pump.
- Do not exceed 4.12 kPa (0.042 kg/cm², 0.6 psi) of pressure in the system.

DTC P0442 EVAP CONTROL SYSTEM

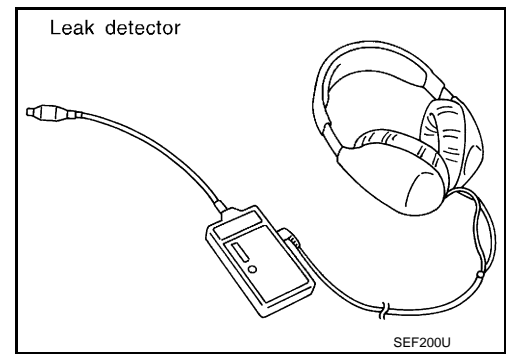
[VK45DE]

< SERVICE INFORMATION >

- Using EVAP leak detector, locate the EVAP leak. For the leak detector, refer to the instruction manual for more details. Refer to [EC-662. "Description"](#).

OK or NG

- OK >> GO TO 8.
NG >> Repair or replace.



7. CHECK FOR EVAP LEAK

⊗ Without CONSULT-III

- Turn ignition switch OFF.
- Apply 12 volts DC to EVAP canister vent control valve (1). The valve will close. (Continue to apply 12 volts until the end of test.)
 - Illustration shows the view from under the vehicle
 - ↔: Vehicle front
 - EVAP canister (2)
 - EVAP control system pressure sensor (3)
- Pressurize the EVAP line using pressure pump with 1.3 to 2.7 kPa (0.013 to 0.028 kg/cm², 0.019 to 0.039 psi), then remove pump and EVAP service port adapter.

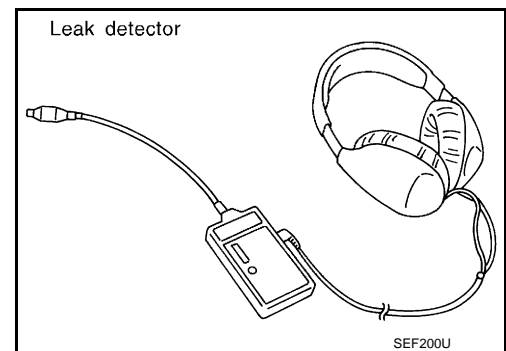
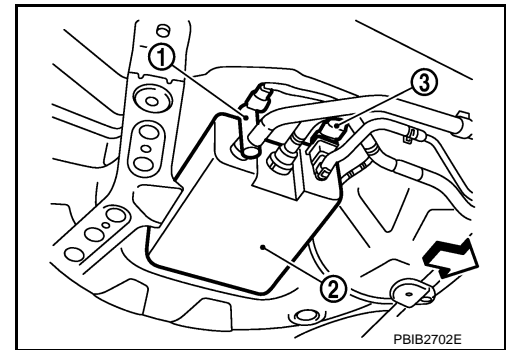
CAUTION:

- Never use compressed air or a high pressure pump.
- Do not exceed 4.12 kPa (0.042 kg/cm², 0.6 psi) of pressure in the system.

- Using EVAP leak detector, locate the EVAP leak. For the leak detector, refer to the instruction manual for more details. Refer to [EC-662. "Description"](#).

OK or NG

- OK >> GO TO 8.
NG >> Repair or replace.



8. CHECK EVAP CANISTER VENT CONTROL VALVE

Check the following.

- EVAP canister vent control valve is installed properly. Refer to [EC-666. "Removal and Installation"](#).
- EVAP canister vent control valve. Refer to [EC-1002. "Component Inspection"](#).

OK or NG

- OK >> GO TO 9.
NG >> Repair or replace EVAP canister vent control valve and O-ring.

9. CHECK IF EVAP CANISTER SATURATED WITH WATER

- Remove EVAP canister with EVAP canister vent control valve and EVAP control system pressure sensor attached.

DTC P0442 EVAP CONTROL SYSTEM

[VK45DE]

< SERVICE INFORMATION >

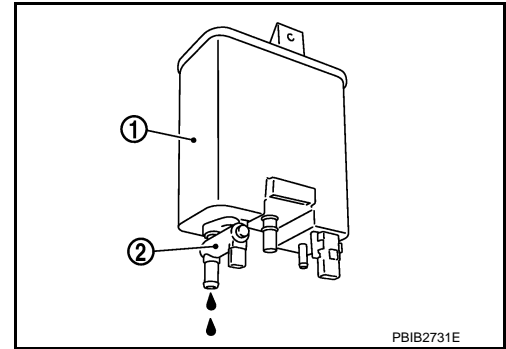
2. Does water drain from the EVAP canister (1)?
 - EVAP canister vent control valve (2)

Yes or No

Yes >> GO TO 10.

No (With CONSULT-III)>>GO TO 12.

No (Without CONSULT-III)>>GO TO 13.



10. CHECK EVAP CANISTER

Weigh the EVAP canister with the EVAP canister vent control valve and EVAP control system pressure sensor attached.

The weight should be less than 2.0 kg (4.4 lb).

OK or NG

OK (With CONSULT-III)>>GO TO 12.

OK (Without CONSULT-III)>>GO TO 13.

NG >> GO TO 11.

11. DETECT MALFUNCTIONING PART

Check the following.

- EVAP canister for damage
- EVAP hose between EVAP canister and vehicle frame for clogging or poor connection

>> Repair hose or replace EVAP canister.

12. CHECK EVAP CANISTER PURGE VOLUME CONTROL SOLENOID VALVE OPERATION

With CONSULT-III

1. Disconnect vacuum hose to EVAP canister purge volume control solenoid valve at EVAP service port.
2. Start engine.
3. Perform "PURG VOL CONT/V" in "ACTIVE TEST" mode.
4. Touch "Qu" on CONSULT-III screen to increase "PURG VOL CONT/V" opening to 100%.
5. Check vacuum hose for vacuum when revving engine up to 2,000 rpm.

OK or NG

OK >> GO TO 15.

NG >> GO TO 14.

13. CHECK EVAP CANISTER PURGE VOLUME CONTROL SOLENOID VALVE OPERATION

Without CONSULT-III

1. Start engine and warm it up to normal operating temperature.
2. Stop engine.
3. Disconnect vacuum hose to EVAP canister purge volume control solenoid valve at EVAP service port.
4. Start engine and let it idle for at least 80 seconds.
5. Check vacuum hose for vacuum when revving engine up to 2,000 rpm.

Vacuum should exist.

OK or NG

OK >> GO TO 15.

NG >> GO TO 14.

14. CHECK VACUUM HOSE

Check vacuum hoses for clogging or disconnection. Refer to [EC-730, "Vacuum Hose Drawing"](#).

OK or NG

OK >> GO TO 15.

NG >> Repair or reconnect the hose.

DTC P0442 EVAP CONTROL SYSTEM

[VK45DE]

< SERVICE INFORMATION >

15. CHECK EVAP CANISTER PURGE VOLUME CONTROL SOLENOID VALVE

Refer to [EC-997. "Component Inspection"](#).

OK or NG

OK >> GO TO 16.

NG >> Replace EVAP canister purge volume control solenoid valve.

16. CHECK FUEL TANK TEMPERATURE SENSOR

Refer to [EC-936. "Component Inspection"](#).

OK or NG

OK >> GO TO 17.

NG >> Replace fuel level sensor unit.

17. CHECK EVAP CONTROL SYSTEM PRESSURE SENSOR

Refer to [EC-1017. "Component Inspection"](#).

OK or NG

OK >> GO TO 18.

NG >> Replace EVAP control system pressure sensor.

18. CHECK EVAP PURGE LINE

Check EVAP purge line (pipe, rubber tube, fuel tank and EVAP canister) for cracks or improper connection.

Refer to [EC-662. "Description"](#).

OK or NG

OK >> GO TO 19.

NG >> Repair or reconnect the hose.

19. CLEAN EVAP PURGE LINE

Clean EVAP purge line (pipe and rubber tube) using air blower.

>> GO TO 20.

20. CHECK EVAP/ORVR LINE

Check EVAP/ORVR line between EVAP canister and fuel tank for clogging, kink, looseness and improper connection. For location, refer to [EC-668](#).

OK or NG

OK >> GO TO 21.

NG >> Repair or replace hoses and tubes.

21. CHECK RECIRCULATION LINE

Check recirculation line between filler neck tube and fuel tank for clogging, kink, cracks, looseness and improper connection.

OK or NG

OK >> GO TO 22.

NG >> Repair or replace hose, tube or filler neck tube.

22. CHECK REFUELING EVAP VAPOR CUT VALVE

Refer to [EC-670. "Component Inspection"](#).

OK or NG

OK >> GO TO 23.

NG >> Replace refueling EVAP vapor cut valve with fuel tank.

23. CHECK FUEL LEVEL SENSOR

Refer to [DI-24. "Electrical Component Inspection"](#).

OK or NG

OK >> GO TO 24.

NG >> Replace fuel level sensor unit.

A

EC

C

D

E

F

G

H

I

J

K

L

M

N

O

P

DTC P0442 EVAP CONTROL SYSTEM

< SERVICE INFORMATION >

[VK45DE]

24.CHECK INTERMITTENT INCIDENT

Refer to [EC-763. "Diagnosis Procedure"](#).

>> INSPECTION END

DTC P0443 EVAP CANISTER PURGE VOLUME CONTROL SOLENOID VALVE

< SERVICE INFORMATION >

[VK45DE]

DTC P0443 EVAP CANISTER PURGE VOLUME CONTROL SOLENOID VALVE

Description

INFOID:000000002954988

SYSTEM DESCRIPTION

Sensor	Input signal to ECM	ECM function	Actuator
Crankshaft position sensor (POS) Camshaft position sensor (PHASE)	Engine speed*1	EVAP canister purge flow control	EVAP canister purge volume control solenoid valve
Mass air flow sensor	Amount of intake air		
Engine coolant temperature sensor	Engine coolant temperature		
Battery	Battery voltage*1		
Throttle position sensor	Throttle position		
Accelerator pedal position sensor	Accelerator pedal position		
Air fuel ratio (A/F) sensor 1	Density of oxygen in exhaust gas (Mixture ratio feedback signal)		
Fuel tank temperature sensor	Fuel temperature in fuel tank		
Wheel sensor	Vehicle speed*2		

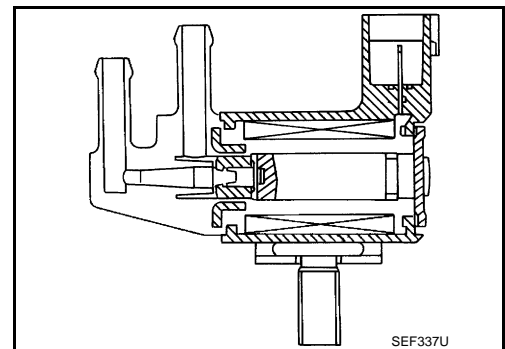
*1: ECM determines the start signal status by the signals of engine speed and battery voltage.

*2: This signal is sent to the ECM through CAN communication line.

This system controls flow rate of fuel vapor from the EVAP canister. The opening of the vapor by-pass passage in the EVAP canister purge volume control solenoid valve changes to control the flow rate. The EVAP canister purge volume control solenoid valve repeats ON/OFF operation according to the signal sent from the ECM. The opening of the valve varies for optimum engine control. The optimum value stored in the ECM is determined by considering various engine conditions. When the engine is operating, the flow rate of fuel vapor from the EVAP canister is regulated as the air flow changes.

COMPONENT DESCRIPTION

The EVAP canister purge volume control solenoid valve uses a ON/OFF duty to control the flow rate of fuel vapor from the EVAP canister. The EVAP canister purge volume control solenoid valve is moved by ON/OFF pulses from the ECM. The longer the ON pulse, the greater the amount of fuel vapor that will flow through the valve.



CONSULT-III Reference Value in Data Monitor Mode

INFOID:000000002954989

Specification data are reference values.

MONITOR ITEM	CONDITION	SPECIFICATION
PURG VOL C/V	<ul style="list-style-type: none"> Engine: After warming up Selector lever: P or N Air conditioner switch: OFF No load 	Idle (Accelerator pedal: Not depressed even slightly, after engine starting.) 0%
		2,000 rpm —

DTC P0443 EVAP CANISTER PURGE VOLUME CONTROL SOLENOID VALVE

< SERVICE INFORMATION >

[VK45DE]

On Board Diagnosis Logic

INFOID:000000002954990

DTC No.	Trouble diagnosis name	DTC detecting condition	Possible cause
P0443 0443	EVAP canister purge volume control solenoid valve	The canister purge flow is detected during the specified driving conditions, even when EVAP canister purge volume control solenoid valve is completely closed.	<ul style="list-style-type: none">• EVAP control system pressure sensor• EVAP canister purge volume control solenoid valve (The valve is stuck open.)• EVAP canister vent control valve• EVAP canister• Hoses (Hoses are connected incorrectly or clogged.)

DTC Confirmation Procedure

INFOID:000000002954991

NOTE:

If DTC Confirmation Procedure has been previously conducted, always turn ignition switch OFF and wait at least 10 seconds before conducting the next test.

TESTING CONDITION:

Always perform test at a temperature of 5°C (41°F) or more.

WITH CONSULT-III

1. Start engine and warm it up to normal operating temperature.
2. Turn ignition switch OFF and wait at least 10 seconds.
3. Turn ignition switch ON.
4. Select "PURG VOL CN/V P1444" of "EVAPORATIVE SYSTEM" in "DTC WORK SUPPORT" mode with CONSULT-III.
5. Touch "START".
6. Start engine and let it idle until "TESTING" on CONSULT-III changes to "COMPLETED". (It will take approximately 10 seconds.)
If "TESTING" is not displayed after 5 minutes, retry from step 2.
7. Make sure that "OK" is displayed after touching "SELF-DIAG RESULTS". If "NG" is displayed, refer to [EC-988. "Diagnosis Procedure"](#).

WITH GST

1. Start engine and warm it up to normal operating temperature.
2. Turn ignition switch OFF and wait at least 10 seconds.
3. Start engine and let it idle for at least 20 seconds.
4. Check 1st trip DTC.
5. If 1st trip DTC is detected, go to [EC-988. "Diagnosis Procedure"](#).

DTC P0443 EVAP CANISTER PURGE VOLUME CONTROL SOLENOID VALVE

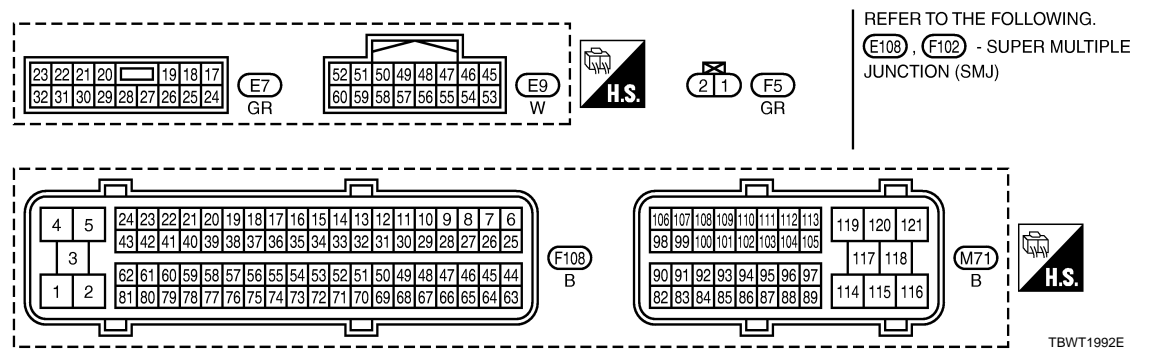
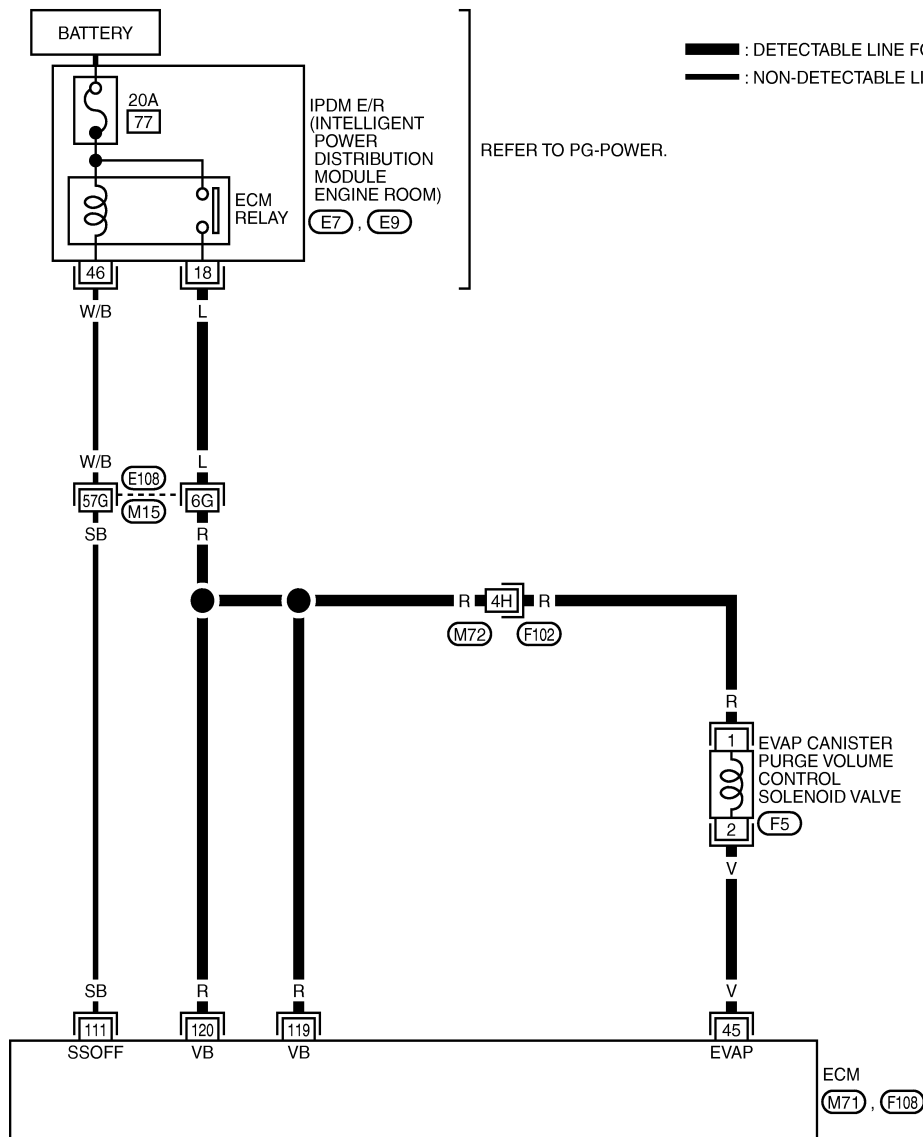
< SERVICE INFORMATION >

[VK45DE]

INFOID:00000002954992

Wiring Diagram

EC-PGC/V-01



Specification data are reference values and are measured between each terminal and ground. Pulse signal is measured by CONSULT-III.

CAUTION:

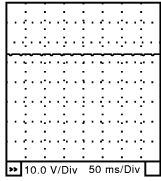
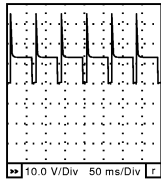
Do not use ECM ground terminals when measuring input/output voltage. Doing so may result in damage to the ECM's transistor. Use a ground other than ECM terminals, such as the ground.

A
 EC
 C
 D
 E
 F
 G
 H
 I
 J
 K
 L
 M
 N
 O
 P

DTC P0443 EVAP CANISTER PURGE VOLUME CONTROL SOLENOID VALVE

< SERVICE INFORMATION >

[VK45DE]

TER-MI-NAL NO.	WIRE COLOR	ITEM	CONDITION	DATA (DC Voltage)
45	V	EVAP canister purge volume control solenoid valve	[Engine is running] <ul style="list-style-type: none"> • Idle speed • Accelerator pedal: Not depressed even slightly, after engine starting 	BATTERY VOLTAGE (11 - 14V) [★]  SEC990C
			[Engine is running] <ul style="list-style-type: none"> • Engine speed: About 2,000 rpm (More than 100 seconds after starting engine) 	BATTERY VOLTAGE (11 - 14V) [★]  SEC991C
111	SB	ECM relay (Self shut-off)	[Engine is running] [Ignition switch: OFF] <ul style="list-style-type: none"> • For a few seconds after turning ignition switch OFF 	0 - 1.5V
			[Ignition switch: OFF] <ul style="list-style-type: none"> • More than a few seconds after turning ignition switch OFF 	BATTERY VOLTAGE (11 - 14V)
119 120	R R	Power supply for ECM	[Ignition switch: ON]	BATTERY VOLTAGE (11 - 14V)

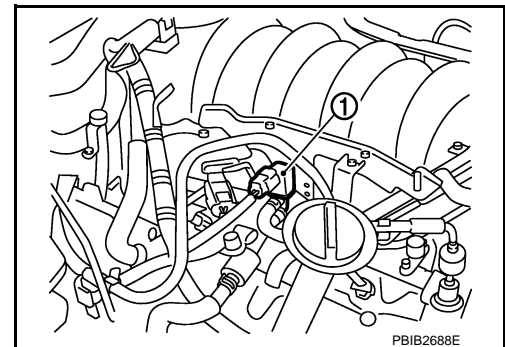
★: Average voltage for pulse signal (Actual pulse signal can be confirmed by oscilloscope.)

Diagnosis Procedure

INFOID:000000002954993

1. CHECK EVAP CANISTER PURGE VOLUME CONTROL SOLENOID VALVE POWER SUPPLY CIRCUIT

1. Turn ignition switch OFF.
2. Disconnect EVAP canister purge volume control solenoid valve (1) harness connector.
3. Turn ignition switch ON.



DTC P0443 EVAP CANISTER PURGE VOLUME CONTROL SOLENOID VALVE

[VK45DE]

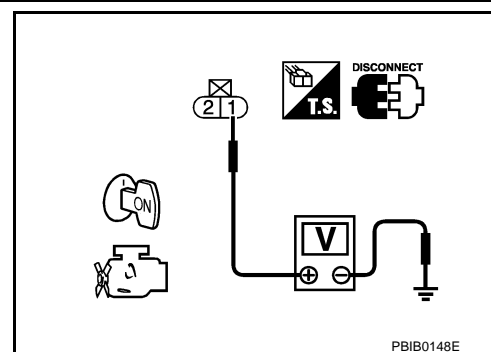
< SERVICE INFORMATION >

4. Check voltage between EVAP canister purge volume control solenoid valve terminal 1 and ground with CONSULT-III or tester.

Voltage: Battery voltage

OK or NG

- OK >> GO TO 3.
- NG >> GO TO 2.



2. DETECT MALFUNCTIONING PART

Check the following.

- Harness connectors E108, M15
- Harness connectors M72, F102
- IPDM E/R harness connector E7
- Harness for open or short between EVAP canister purge volume control solenoid valve and IPDM E/R
- Harness for open or short between EVAP canister purge volume control solenoid valve and ECM

>> Repair open circuit or short to ground or short to power in harness or connectors.

3. CHECK EVAP CANISTER PURGE VOLUME CONTROL SOLENOID VALVE OUTPUT SIGNAL CIRCUIT FOR OPEN AND SHORT

1. Turn ignition switch OFF.
2. Disconnect ECM harness connector.
3. Check harness continuity between ECM terminal 45 and EVAP canister purge volume control solenoid valve terminal 2. Refer to Wiring Diagram.

Continuity should exist.

4. Also check harness for short to ground and short to power.

OK or NG

- OK >> GO TO 4.
- NG >> Repair open circuit or short to ground or short to power in harness or connectors.

4. CHECK EVAP CONTROL SYSTEM PRESSURE SENSOR CONNECTOR

1. Disconnect EVAP control system pressure sensor harness connector.
2. Check connectors for water.

Water should not exist.

OK or NG

- OK >> GO TO 5.
- NG >> Replace EVAP control system pressure sensor.

5. CHECK EVAP CONTROL SYSTEM PRESSURE SENSOR

Refer to [EC-1017, "Component Inspection"](#).

OK or NG

- OK (With CONSULT-III) >> GO TO 6.
- OK (Without CONSULT-III) >> GO TO 7.
- NG >> Replace EVAP control system pressure sensor.

6. CHECK EVAP CANISTER PURGE VOLUME CONTROL SOLENOID VALVE

With CONSULT-III

1. Turn ignition switch OFF.
2. Reconnect harness connectors disconnected.
3. Start engine.
4. Perform "PURG VOL CONT/V" in "ACTIVE TEST" mode with CONSULT-III. Check that engine speed varies according to the valve opening.

DTC P0443 EVAP CANISTER PURGE VOLUME CONTROL SOLENOID VALVE

[VK45DE]

< SERVICE INFORMATION >

OK or NG

- OK >> GO TO 8.
- NG >> GO TO 7.

7. CHECK EVAP CANISTER PURGE VOLUME CONTROL SOLENOID VALVE

Refer to [EC-991. "Component Inspection"](#).

OK or NG

- OK >> GO TO 8.
- NG >> Replace EVAP canister purge volume control solenoid valve.

8. CHECK RUBBER TUBE FOR CLOGGING

1. Disconnect rubber tube connected to EVAP canister vent control valve.
2. Check the rubber tube for clogging.

OK or NG

- OK >> GO TO 9.
- NG >> Clean the rubber tube using an air blower.

9. CHECK EVAP CANISTER VENT CONTROL VALVE

Refer to [EC-1002. "Component Inspection"](#).

OK or NG

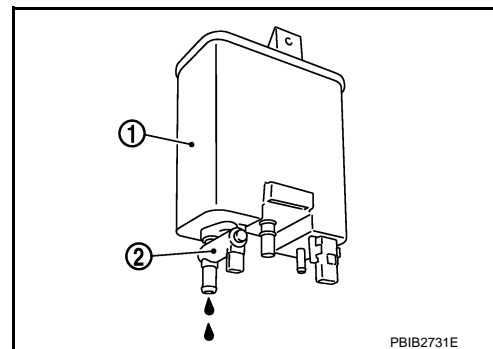
- OK >> GO TO 10.
- NG >> Replace EVAP canister vent control valve.

10. CHECK IF EVAP CANISTER SATURATED WITH WATER

1. Remove EVAP canister with EVAP canister vent control valve and EVAP control system pressure sensor attached.
2. Does water drain from the EVAP canister (1)?
 - EVAP canister vent control valve (2)

Yes or No

- Yes >> GO TO 11.
- No >> GO TO 13.



11. CHECK EVAP CANISTER

Weigh the EVAP canister with the EVAP canister vent control valve and EVAP control system pressure sensor attached.

The weight should be less than 2.0 kg (4.4 lb).

OK or NG

- OK >> GO TO 13.
- NG >> GO TO 12.

12. DETECT MALFUNCTIONING PART

Check the following.

- EVAP canister for damage
- EVAP hose between EVAP canister and vehicle frame for clogging or poor connection

>> Repair hose or replace EVAP canister.

13. CHECK INTERMITTENT INCIDENT

Refer to [EC-763. "Diagnosis Procedure"](#).

>> **INSPECTION END**

DTC P0443 EVAP CANISTER PURGE VOLUME CONTROL SOLENOID VALVE

< SERVICE INFORMATION >

[VK45DE]

Component Inspection

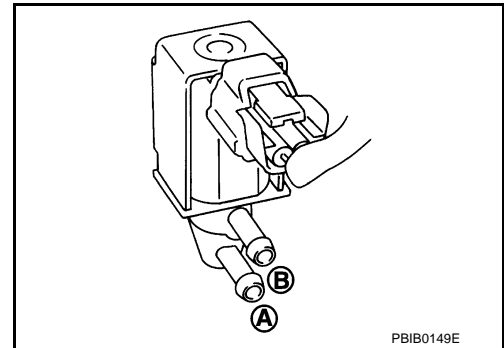
INFOID:000000002954994

EVAP CANISTER PURGE VOLUME CONTROL SOLENOID VALVE

④ With CONSULT-III

Check air passage continuity of EVAP canister purge volume control solenoid valve under the following conditions.

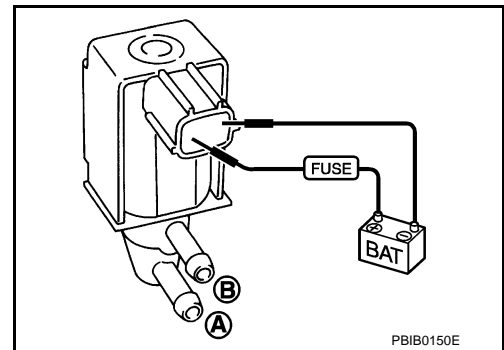
Condition (PURG VOL CONT/V value)	Air passage continuity between (A) and (B)
100%	Yes
0%	No



⊗ Without CONSULT-III

Check air passage continuity of EVAP canister purge volume control solenoid valve under the following conditions.

Condition	Air passage continuity between (A) and (B)
12V direct current supply between terminals 1 and 2	Yes
No supply	No



Removal and Installation

INFOID:000000002954995

EVAP CANISTER PURGE VOLUME CONTROL SOLENOID VALVE

Refer to [EM-177](#).

A
EC
C
D
E
F
G
H
I
J
K
L
M
N
O
P

DTC P0444, P0445 EVAP CANISTER PURGE VOLUME CONTROL SOLENOID VALVE

< SERVICE INFORMATION >

[VK45DE]

DTC P0444, P0445 EVAP CANISTER PURGE VOLUME CONTROL SOLENOID VALVE

Description

INFOID:000000002954996

SYSTEM DESCRIPTION

Sensor	Input signal to ECM	ECM function	Actuator
Crankshaft position sensor (POS) Camshaft position sensor (PHASE)	Engine speed*1	EVAP canister purge flow control	EVAP canister purge volume control solenoid valve
Mass air flow sensor	Amount of intake air		
Engine coolant temperature sensor	Engine coolant temperature		
Battery	Battery voltage*1		
Throttle position sensor	Throttle position		
Accelerator pedal position sensor	Accelerator pedal position		
Air fuel ratio (A/F) sensor 1	Density of oxygen in exhaust gas (Mixture ratio feedback signal)		
Fuel tank temperature sensor	Fuel temperature in fuel tank		
Wheel sensor	Vehicle speed*2		

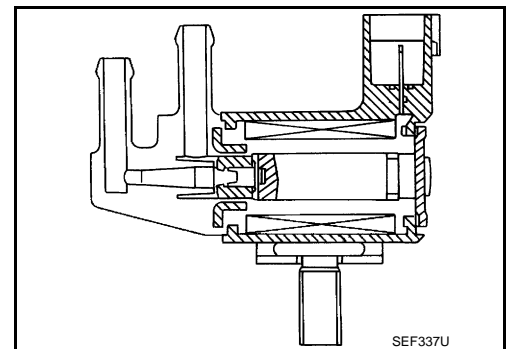
*1: ECM determines the start signal status by the signals of engine speed and battery voltage.

*2: This signal is sent to the ECM through CAN communication line.

This system controls flow rate of fuel vapor from the EVAP canister. The opening of the vapor by-pass passage in the EVAP canister purge volume control solenoid valve changes to control the flow rate. The EVAP canister purge volume control solenoid valve repeats ON/OFF operation according to the signal sent from the ECM. The opening of the valve varies for optimum engine control. The optimum value stored in the ECM is determined by considering various engine conditions. When the engine is operating, the flow rate of fuel vapor from the EVAP canister is regulated as the air flow changes.

COMPONENT DESCRIPTION

The EVAP canister purge volume control solenoid valve uses a ON/OFF duty to control the flow rate of fuel vapor from the EVAP canister. The EVAP canister purge volume control solenoid valve is moved by ON/OFF pulses from the ECM. The longer the ON pulse, the greater the amount of fuel vapor that will flow through the valve.



CONSULT-III Reference Value in Data Monitor Mode

INFOID:000000002954997

Specification data are reference values.

MONITOR ITEM	CONDITION	SPECIFICATION
PURG VOL C/V	<ul style="list-style-type: none"> • Engine: After warming up • Selector lever: P or N • Air conditioner switch: OFF • No load 	Idle (Accelerator pedal: Not depressed even slightly, after engine starting.)
		2,000 rpm

DTC P0444, P0445 EVAP CANISTER PURGE VOLUME CONTROL SOLENOID VALVE

< SERVICE INFORMATION >

[VK45DE]

On Board Diagnosis Logic

INFOID:000000002954998

DTC No.	Trouble diagnosis name	DTC detecting condition	Possible cause
P0444 0444	EVAP canister purge volume control solenoid valve circuit open	An excessively low voltage signal is sent to ECM through the valve	<ul style="list-style-type: none"> • Harness or connectors (The solenoid valve circuit is open or shorted.) • EVAP canister purge volume control solenoid valve
P0445 0445	EVAP canister purge volume control solenoid valve circuit shorted	An excessively high voltage signal is sent to ECM through the valve	<ul style="list-style-type: none"> • Harness or connectors (The solenoid valve circuit is shorted.) • EVAP canister purge volume control solenoid valve

DTC Confirmation Procedure

INFOID:000000002954999

NOTE:

If DTC Confirmation Procedure has been previously conducted, always turn ignition switch OFF and wait at least 10 seconds before conducting the next test.

TESTING CONDITION:

Before performing the following procedure, confirm battery voltage is more than 11V at idle.

1. Start engine and let it idle for at least 13 seconds.
2. Check 1st trip DTC.
3. If 1st trip DTC is detected, go to [EC-995, "Diagnosis Procedure"](#).

A
EC
C
D
E
F
G
H
I
J
K
L
M
N
O
P

DTC P0444, P0445 EVAP CANISTER PURGE VOLUME CONTROL SOLENOID VALVE

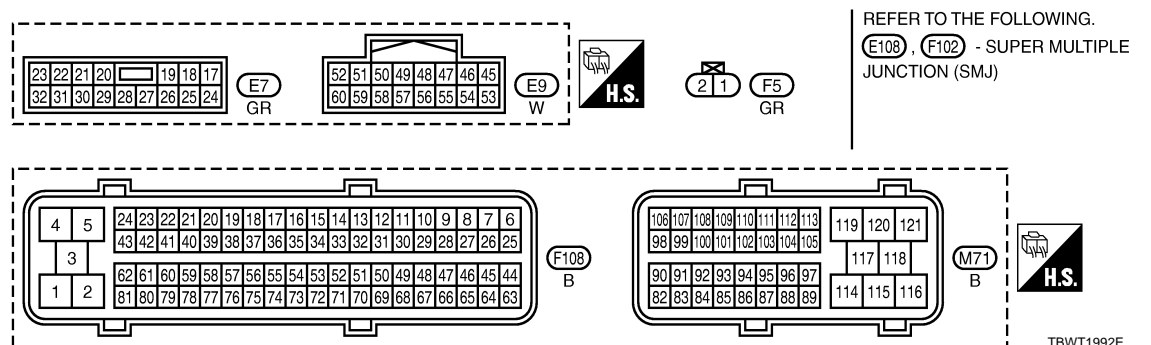
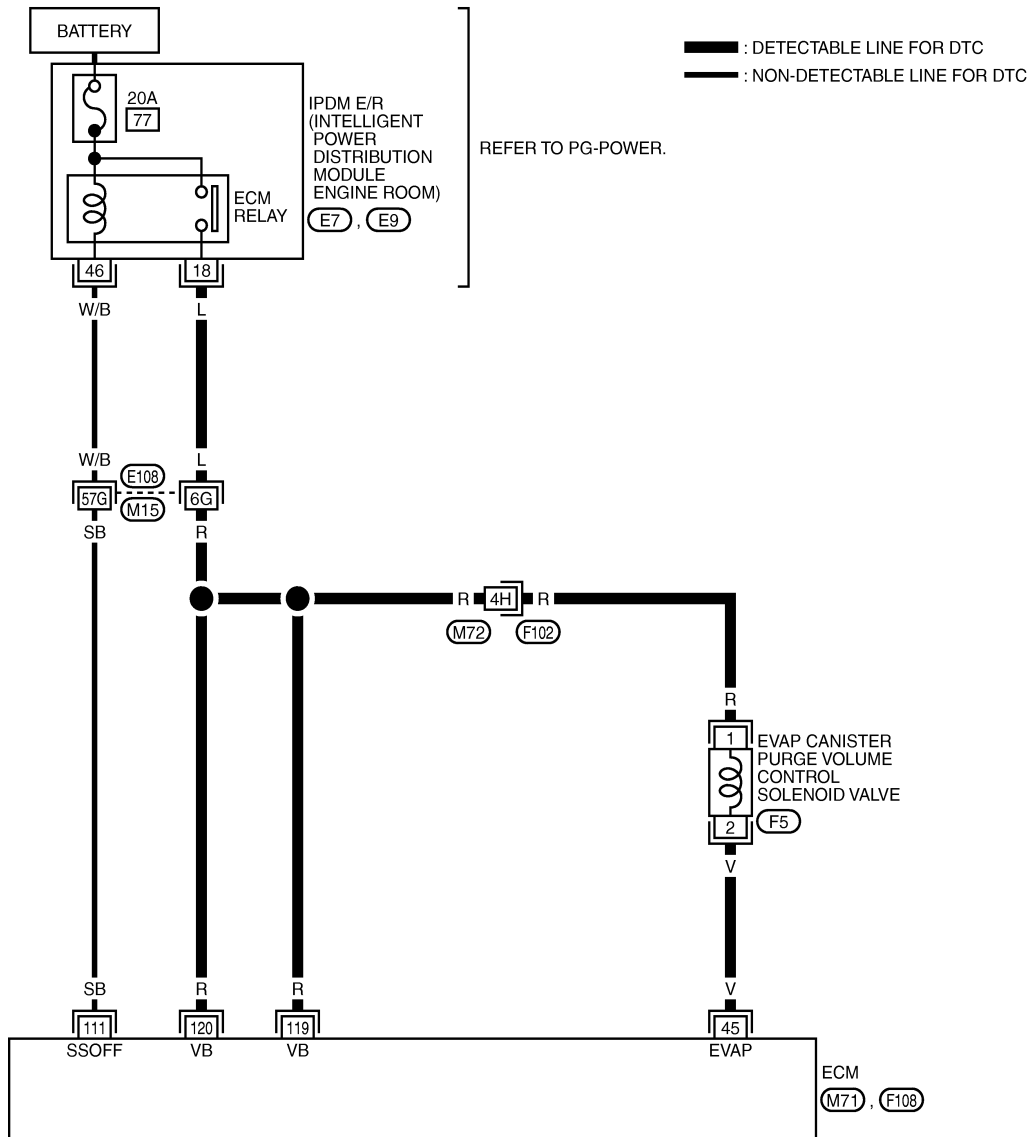
< SERVICE INFORMATION >

[VK45DE]

INFOID:00000002955000

Wiring Diagram

EC-PGC/V-01



Specification data are reference values and are measured between each terminal and ground. Pulse signal is measured by CONSULT-III.

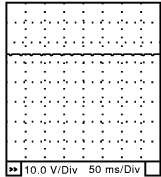
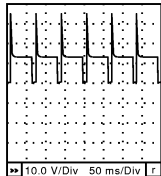
CAUTION:

DTC P0444, P0445 EVAP CANISTER PURGE VOLUME CONTROL SOLENOID VALVE

< SERVICE INFORMATION >

[VK45DE]

Do not use ECM ground terminals when measuring input/output voltage. Doing so may result in damage to the ECM's transistor. Use a ground other than ECM terminals, such as the ground.

TER-MI-NAL NO.	WIRE COLOR	ITEM	CONDITION	DATA (DC Voltage)
45	V	EVAP canister purge volume control solenoid valve	[Engine is running] <ul style="list-style-type: none"> • Idle speed • Accelerator pedal: Not depressed even slightly, after engine starting 	BATTERY VOLTAGE (11 - 14V) [★]  <small>SEC990C</small>
			[Engine is running] <ul style="list-style-type: none"> • Engine speed: About 2,000 rpm (More than 100 seconds after starting engine) 	BATTERY VOLTAGE (11 - 14V) [★]  <small>SEC991C</small>
111	SB	ECM relay (Self shut-off)	[Engine is running] [Ignition switch: OFF] <ul style="list-style-type: none"> • For a few seconds after turning ignition switch OFF 	0 - 1.5V
			[Ignition switch: OFF] <ul style="list-style-type: none"> • More than a few seconds after turning ignition switch OFF 	BATTERY VOLTAGE (11 - 14V)
119 120	R R	Power supply for ECM	[Ignition switch: ON]	BATTERY VOLTAGE (11 - 14V)

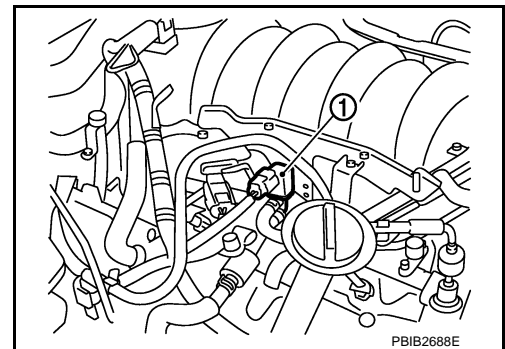
★: Average voltage for pulse signal (Actual pulse signal can be confirmed by oscilloscope.)

Diagnosis Procedure

INFOID:000000002955001

1. CHECK EVAP CANISTER PURGE VOLUME CONTROL SOLENOID VALVE POWER SUPPLY CIRCUIT

1. Turn ignition switch OFF.
2. Disconnect EVAP canister purge volume control solenoid valve (1) harness connector.
3. Turn ignition switch ON.



DTC P0444, P0445 EVAP CANISTER PURGE VOLUME CONTROL SOLENOID VALVE

[VK45DE]

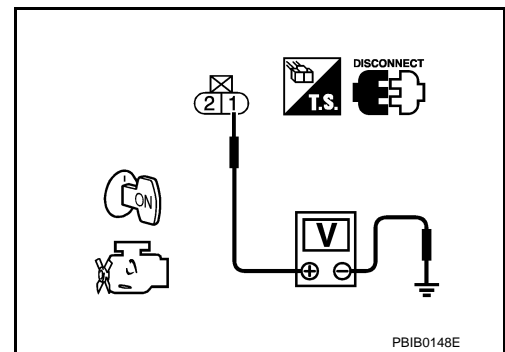
< SERVICE INFORMATION >

4. Check voltage between EVAP canister purge volume control solenoid valve terminal 1 and ground with CONSULT-III or tester.

Voltage: Battery voltage

OK or NG

- OK >> GO TO 3.
- NG >> GO TO 2.



2. DETECT MALFUNCTIONING PART

Check the following.

- Harness connectors E108, M15
- Harness connectors M72, F102
- IPDM E/R harness connector E7
- Harness for open or short between EVAP canister purge volume control solenoid valve and IPDM E/R
- Harness for open or short between EVAP canister purge volume control solenoid valve and ECM

>> Repair open circuit or short to ground or short to power in harness or connectors.

3. CHECK EVAP CANISTER PURGE VOLUME CONTROL SOLENOID VALVE OUTPUT SIGNAL CIRCUIT FOR OPEN AND SHORT

1. Turn ignition switch OFF.
2. Disconnect ECM harness connector.
3. Check harness continuity between ECM terminal 45 and EVAP canister purge volume control solenoid valve terminal 2. Refer to Wiring Diagram.

Continuity should exist.

4. Also check harness for short to ground and short to power.

OK or NG

- OK (With CONSULT-III) >> GO TO 4.
- OK (Without CONSULT-III) >> GO TO 5.
- NG >> Repair open circuit or short to ground or short to power in harness or connectors.

4. CHECK EVAP CANISTER PURGE VOLUME CONTROL SOLENOID VALVE OPERATION

Ⓟ With CONSULT-III

1. Reconnect all harness connectors disconnected.
2. Start engine.
3. Perform "PURG VOL CONT/V" in "ACTIVE TEST" mode with CONSULT-III. Check that engine speed varies according to the valve opening.

OK or NG

- OK >> GO TO 6.
- NG >> GO TO 5.

5. CHECK EVAP CANISTER PURGE VOLUME CONTROL SOLENOID VALVE

Refer to [EC-997, "Component Inspection"](#).

OK or NG

- OK >> GO TO 6.
- NG >> Replace EVAP canister purge volume control solenoid valve.

6. CHECK INTERMITTENT INCIDENT

Refer to [EC-763, "Diagnosis Procedure"](#).

>> **INSPECTION END**

DTC P0444, P0445 EVAP CANISTER PURGE VOLUME CONTROL SOLENOID VALVE

[VK45DE]

< SERVICE INFORMATION >

Component Inspection

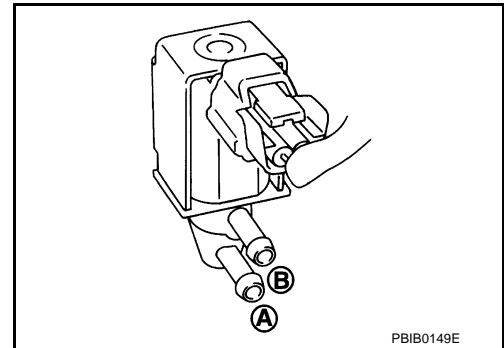
INFOID:000000002955002

EVAP CANISTER PURGE VOLUME CONTROL SOLENOID VALVE

☑ With CONSULT-III

Check air passage continuity of EVAP canister purge volume control solenoid valve under the following conditions.

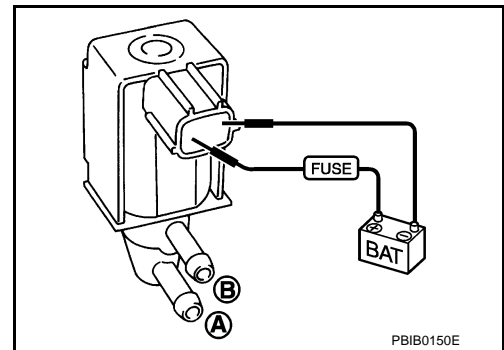
Condition (PURG VOL CONT/V value)	Air passage continuity between (A) and (B)
100%	Yes
0%	No



☒ Without CONSULT-III

Check air passage continuity of EVAP canister purge volume control solenoid valve under the following conditions.

Condition	Air passage continuity between (A) and (B)
12V direct current supply between terminals 1 and 2	Yes
No supply	No



Removal and Installation

INFOID:000000002955003

EVAP CANISTER PURGE VOLUME CONTROL SOLENOID VALVE

Refer to [EM-177](#).

A
EC
C
D
E
F
G
H
I
J
K
L
M
N
O
P

DTC P0447 EVAP CANISTER VENT CONTROL VALVE

< SERVICE INFORMATION >

[VK45DE]

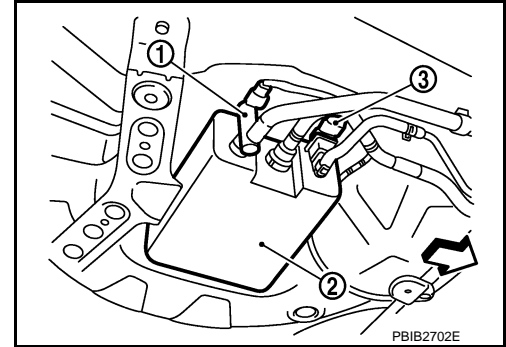
DTC P0447 EVAP CANISTER VENT CONTROL VALVE

Component Description

INFOID:000000002955004

The EVAP canister vent control valve (1) is located on the EVAP canister (2) and is used to seal the canister vent.

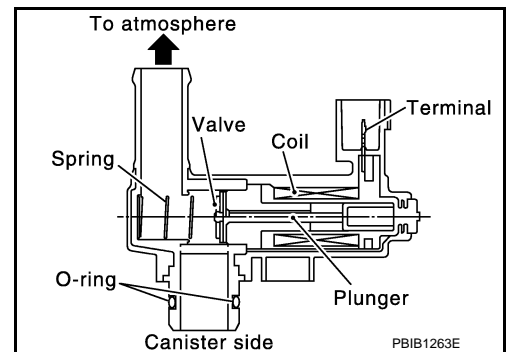
- Illustration shows the view from under the vehicle.
- ⇐: Vehicle front
- EVAP control system pressure sensor (3)



This solenoid valve responds to signals from the ECM. When the ECM sends an ON signal, the coil in the solenoid valve is energized. A plunger will then move to seal the canister vent. The ability to seal the vent is necessary for the on board diagnosis of other evaporative emission control system components.

This solenoid valve is used only for diagnosis, and usually remains opened.

When the vent is closed, under normal purge conditions, the evaporative emission control system is depressurized and allows EVAP control system diagnosis.



CONSULT-III Reference Value in Data Monitor Mode

INFOID:000000002955005

Specification data are reference values.

MONITOR ITEM	CONDITION	SPECIFICATION
VENT CONT/V	• Ignition switch: ON	OFF

On Board Diagnosis Logic

INFOID:000000002955006

DTC No.	Trouble diagnosis name	DTC detecting condition	Possible cause
P0447 0447	EVAP canister vent control valve circuit open	An improper voltage signal is sent to ECM through EVAP canister vent control valve.	<ul style="list-style-type: none"> • Harness or connectors (The valve circuit is open or shorted.) • EVAP canister vent control valve

DTC Confirmation Procedure

INFOID:000000002955007

NOTE:

If DTC Confirmation Procedure has been previously conducted, always turn ignition switch OFF and wait at least 10 seconds before conducting the next test.

TESTING CONDITION:

Before performing the following procedure, confirm battery voltage is more than 11V at idle.

1. Start engine and wait at least 8 seconds.
2. Check 1st trip DTC.
3. If 1st trip DTC is detected, go to [EC-1000. "Diagnosis Procedure"](#).

DTC P0447 EVAP CANISTER VENT CONTROL VALVE

< SERVICE INFORMATION >

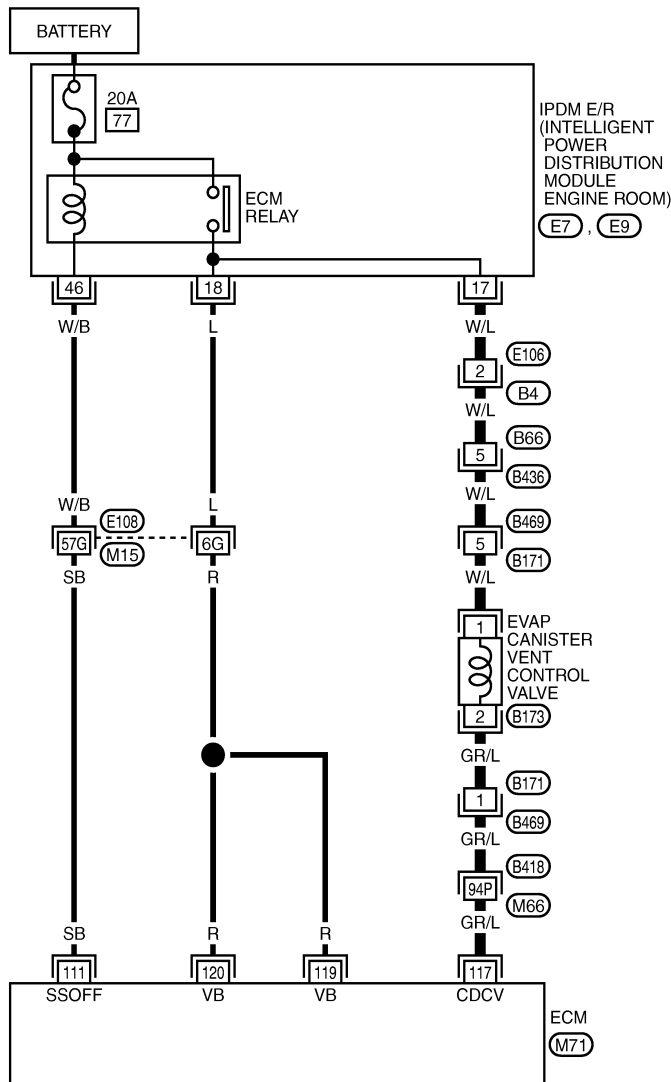
[VK45DE]

INFOID:000000002955008

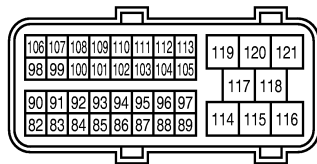
Wiring Diagram

EC-VENT/V-01

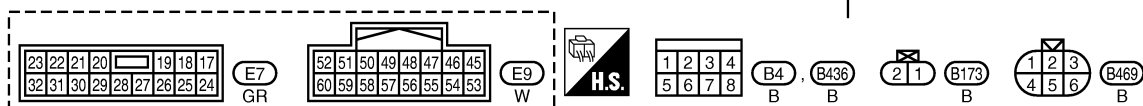
: DETECTABLE LINE FOR DTC
 : NON-DETECTABLE LINE FOR DTC



REFER TO PG-POWER.



REFER TO THE FOLLOWING.
 (E108), (B418) - SUPER MULTIPLE JUNCTION (SMJ)



TBWT1993E

Specification data are reference values and are measured between each terminal and ground.

CAUTION:

Do not use ECM ground terminals when measuring input/output voltage. Doing so may result in damage to the ECM's transistor. Use a ground other than ECM terminals, such as the ground.

DTC P0447 EVAP CANISTER VENT CONTROL VALVE

< SERVICE INFORMATION >

[VK45DE]

TER-MI-NAL NO.	WIRE COLOR	ITEM	CONDITION	DATA (DC Voltage)
111	SB	ECM relay (Self shut-off)	[Engine is running] [Ignition switch: OFF] <ul style="list-style-type: none">For a few seconds after turning ignition switch OFF	0 - 1.5V
			[Ignition switch: OFF] <ul style="list-style-type: none">More than a few seconds after turning ignition switch OFF	BATTERY VOLTAGE (11 - 14V)
117	GR/L	EVAP canister vent control valve	[Ignition switch: ON]	BATTERY VOLTAGE (11 - 14V)
119 120	R R	Power supply for ECM	[Ignition switch: ON]	BATTERY VOLTAGE (11 - 14V)

Diagnosis Procedure

INFOID:000000002955009

1. INSPECTION START

Do you have CONSULT-III?

Yes or No

- Yes >> GO TO 2.
- No >> GO TO 3.

2. CHECK EVAP CANISTER VENT CONTROL VALVE CIRCUIT

Ⓟ With CONSULT-III

- Turn ignition switch OFF and then turn ON.
- Select "VENT CONTROL/V" in "ACTIVE TEST" mode with CONSULT-III.
- Touch "ON/OFF" on CONSULT-III screen.
- Check for operating sound of the valve.

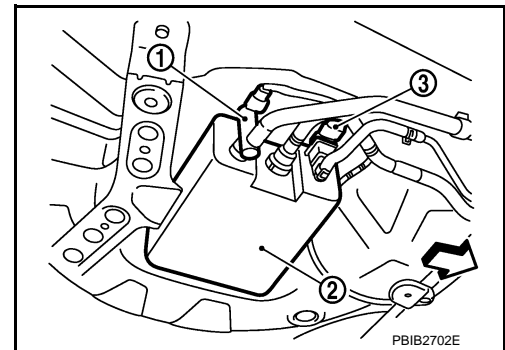
Clicking noise should be heard.

OK or NG

- OK >> GO TO 7.
- NG >> GO TO 3.

3. CHECK EVAP CANISTER VENT CONTROL VALVE POWER SUPPLY CIRCUIT

- Turn ignition switch OFF.
- Disconnect EVAP canister vent control valve (1) harness connector.
 - Illustration shows the view from under the vehicle.
 - ↔: Vehicle front
 - EVAP canister (2)
 - EVAP control system pressure sensor (3)
- Turn ignition switch ON.



DTC P0447 EVAP CANISTER VENT CONTROL VALVE

[VK45DE]

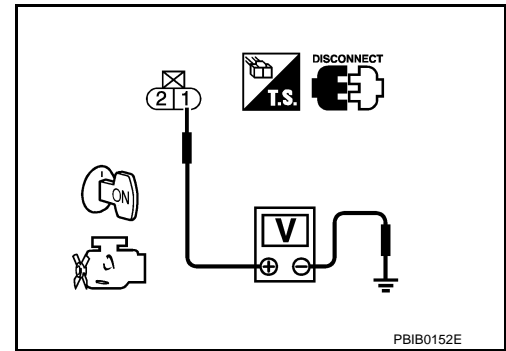
< SERVICE INFORMATION >

4. Check voltage between EVAP canister vent control valve terminal 1 and ground with CONSULT-III or tester.

Voltage: Battery voltage

OK or NG

- OK >> GO TO 5.
- NG >> GO TO 4.



4. DETECT MALFUNCTIONING PART

Check the following.

- Harness connectors E106, B4
- Harness connectors B66, B436
- Harness connectors B469, B171
- IPDM E/R harness connector E7
- Harness for open or short between EVAP canister vent control valve and IPDM E/R

>> Repair open circuit or short to ground or short to power in harness or connectors.

5. CHECK EVAP CANISTER VENT CONTROL VALVE OUTPUT SIGNAL CIRCUIT FOR OPEN AND SHORT

1. Turn ignition switch OFF.
2. Disconnect ECM harness connector.
3. Check harness continuity between ECM terminal 117 and EVAP canister vent control valve terminal 2. Refer to Wiring Diagram.

Continuity should exist.

4. Also check harness for short to ground and short to power.

OK or NG

- OK >> GO TO 7.
- NG >> GO TO 6.

6. DETECT MALFUNCTIONING PART

Check the following.

- Harness connectors B171, B469
- Harness connectors B418, M66
- Harness for open or short between EVAP canister vent control valve and ECM

>> Repair open circuit or short to ground or short to power in harness or connectors.

7. CHECK RUBBER TUBE FOR CLOGGING

1. Disconnect rubber tube connected to EVAP canister vent control valve.
2. Check the rubber tube for clogging.

OK or NG

- OK >> GO TO 8.
- NG >> Clean the rubber tube using an air blower.

8. CHECK EVAP CANISTER VENT CONTROL VALVE

Refer to [EC-1002. "Component Inspection"](#).

OK or NG

- OK >> GO TO 9.
- NG >> Replace EVAP canister vent control valve.

9. CHECK INTERMITTENT INCIDENT

Refer to [EC-763. "Diagnosis Procedure"](#).

DTC P0447 EVAP CANISTER VENT CONTROL VALVE

< SERVICE INFORMATION >

[VK45DE]

>> INSPECTION END

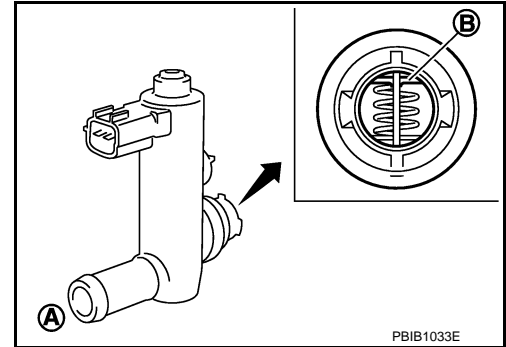
Component Inspection

INFOID:000000002955010

EVAP CANISTER VENT CONTROL VALVE

Ⓟ With CONSULT-III

1. Remove EVAP canister vent control valve from EVAP canister.
2. Check portion (B) of EVAP canister vent control valve for being rusted.
If NG, replace EVAP canister vent control valve.
If OK, go to next step.
3. Reconnect harness connectors disconnected.
4. Turn ignition switch ON.
5. Perform "VENT CONTROL/V" in "ACTIVE TEST" mode.
6. Check air passage continuity and operation delay time.
Make sure new O-ring is installed properly.



Condition VENT CONTROL/V	Air passage continuity between (A) and (B)
ON	No
OFF	Yes

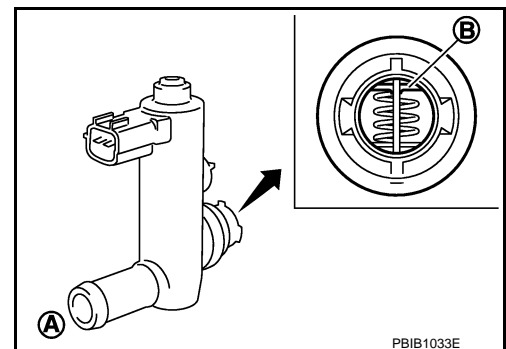
Operation takes less than 1 second.

If NG, replace EVAP canister vent control valve.
If OK, go to next step.

7. Clean the air passage [portion (A) to (B)] of EVAP canister vent control valve using an air blower.
8. Perform step 6 again.

ⓧ Without CONSULT-III

1. Remove EVAP canister vent control valve from EVAP canister.
2. Check portion (B) of EVAP canister vent control valve for being rusted.



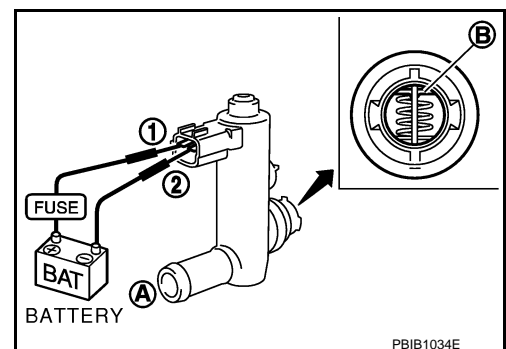
3. Check air passage continuity and operation delay time under the following conditions.
Make sure new O-ring is installed properly.

Condition	Air passage continuity between (A) and (B)
12V direct current supply between terminals (1) and (2)	No
OFF	Yes

Operation takes less than 1 second.

If NG, replace EVAP canister vent control valve.
If OK, go to next step.

4. Clean the air passage [portion (A) to (B)] of EVAP canister vent control valve using an air blower.
5. Perform step 3 again.



DTC P0448 EVAP CANISTER VENT CONTROL VALVE

< SERVICE INFORMATION >

[VK45DE]

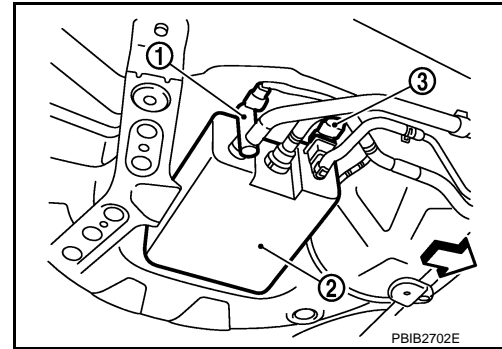
DTC P0448 EVAP CANISTER VENT CONTROL VALVE

Component Description

INFOID:000000002955011

The EVAP canister vent control valve (1) is located on the EVAP canister (2) and is used to seal the canister vent.

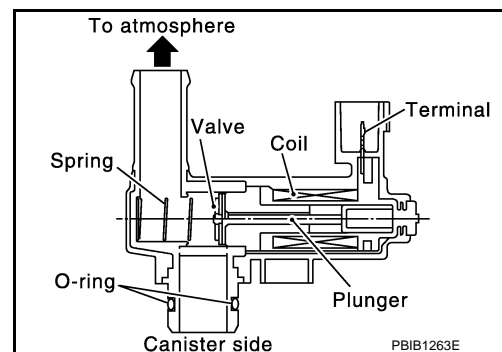
- Illustration shows the view from under the vehicle.
- ⇐: Vehicle front
- EVAP control system pressure sensor (3)



This solenoid valve responds to signals from the ECM. When the ECM sends an ON signal, the coil in the solenoid valve is energized. A plunger will then move to seal the canister vent. The ability to seal the vent is necessary for the on board diagnosis of other evaporative emission control system components.

This solenoid valve is used only for diagnosis, and usually remains opened.

When the vent is closed, under normal purge conditions, the evaporative emission control system is depressurized and allows EVAP control system diagnosis.



CONSULT-III Reference Value in Data Monitor Mode

INFOID:000000002955012

Specification data are reference values.

MONITOR ITEM	CONDITION	SPECIFICATION
VENT CONT/V	• Ignition switch: ON	OFF

On Board Diagnosis Logic

INFOID:000000002955013

DTC No.	Trouble diagnosis name	DTC detecting condition	Possible cause
P0448 0448	EVAP canister vent control valve close	EVAP canister vent control valve remains closed under specified driving conditions.	<ul style="list-style-type: none"> • EVAP canister vent control valve • EVAP control system pressure sensor and the circuit • Blocked rubber tube to EVAP canister vent control valve • EVAP canister is saturated with water

DTC Confirmation Procedure

INFOID:000000002955014

NOTE:

If DTC Confirmation Procedure has been previously conducted, always turn ignition switch OFF and wait at least 10 seconds before conducting the next test.

1. Turn ignition switch ON and wait at least 5 seconds.
2. Turn ignition switch OFF and wait at least 10 seconds.
3. Start engine and let it idle for at least 1 minute.
4. Repeat next procedures 3 times.
 - a. Increase the engine speed up to 3,000 to 3,500 rpm and keep it for 2 minutes and 50 seconds to 3 minutes.

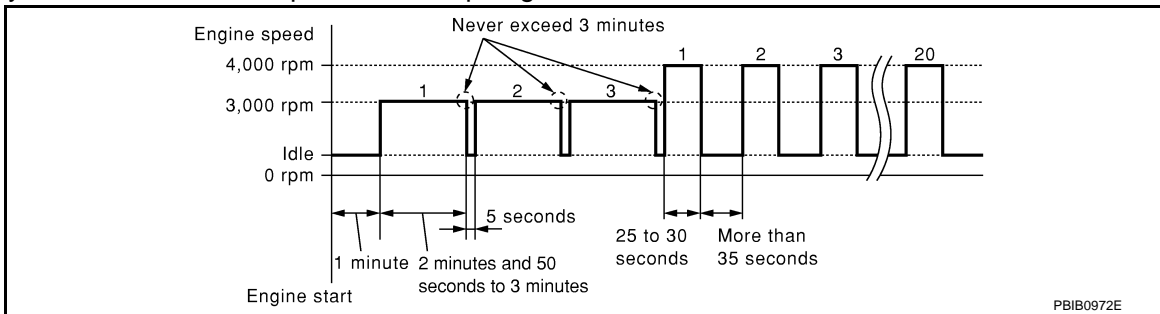
Never exceed 3 minutes.

DTC P0448 EVAP CANISTER VENT CONTROL VALVE

[VK45DE]

< SERVICE INFORMATION >

- b. Fully released accelerator pedal and keep engine idle for about 5 seconds.
5. Check 1st trip DTC.
6. If 1st trip DTC is detected, go to [EC-1006, "Diagnosis Procedure"](#).
If 1st trip DTC is not detected, go to the next step.
7. Repeat next procedure 20 times.
 - a. Quickly increase the engine speed up to 4,000 to 4,500 rpm or more and keep it for 25 to 30 seconds.
 - b. Fully released accelerator pedal and keep engine idle for at least 35 seconds.



8. Check 1st trip DTC.
9. If 1st trip DTC is detected, go to [EC-1006, "Diagnosis Procedure"](#).

DTC P0448 EVAP CANISTER VENT CONTROL VALVE

< SERVICE INFORMATION >

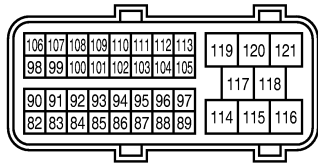
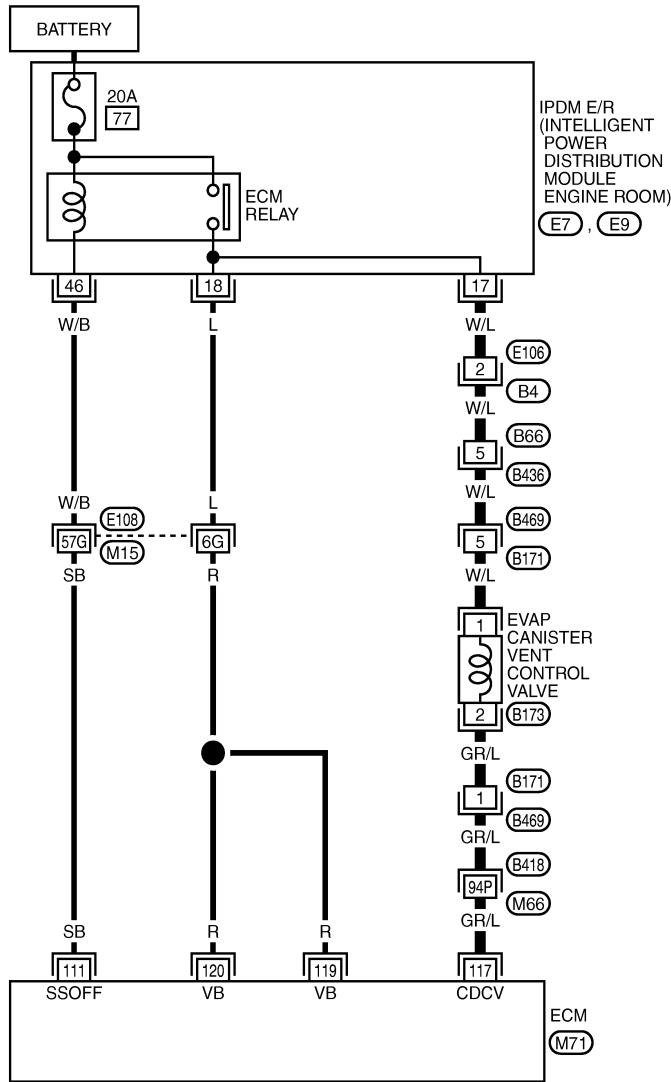
[VK45DE]

INFOID:000000002955015

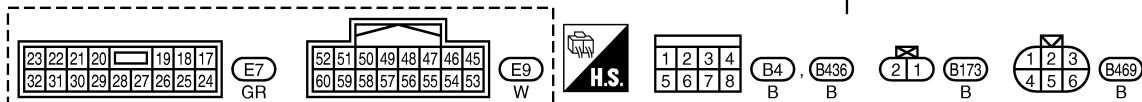
Wiring Diagram

EC-VENT/V-01

— : DETECTABLE LINE FOR DTC
 — : NON-DETECTABLE LINE FOR DTC



REFER TO THE FOLLOWING.
 (E108, B418) - SUPER MULTIPLE JUNCTION (SMJ)



Specification data are reference values and are measured between each terminal and ground.

CAUTION:

Do not use ECM ground terminals when measuring input/output voltage. Doing so may result in damage to the ECM's transistor. Use a ground other than ECM terminals, such as the ground.

DTC P0448 EVAP CANISTER VENT CONTROL VALVE

< SERVICE INFORMATION >

[VK45DE]

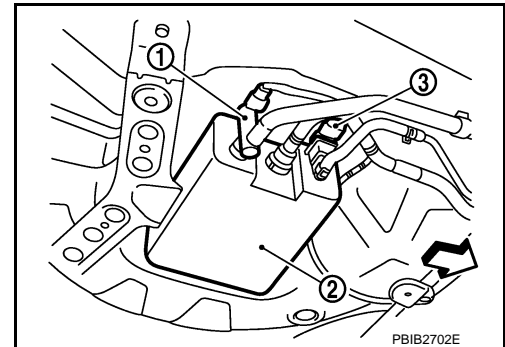
TER-MI-NAL NO.	WIRE COLOR	ITEM	CONDITION	DATA (DC Voltage)
111	SB	ECM relay (Self shut-off)	[Engine is running] [Ignition switch: OFF] <ul style="list-style-type: none">For a few seconds after turning ignition switch OFF	0 - 1.5V
			[Ignition switch: OFF] <ul style="list-style-type: none">More than a few seconds after turning ignition switch OFF	BATTERY VOLTAGE (11 - 14V)
117	GR/L	EVAP canister vent control valve	[Ignition switch: ON]	BATTERY VOLTAGE (11 - 14V)
119 120	R R	Power supply for ECM	[Ignition switch: ON]	BATTERY VOLTAGE (11 - 14V)

Diagnosis Procedure

INFOID:000000002955016

1. CHECK RUBBER TUBE

- Turn ignition switch OFF.
- Disconnect rubber tube connected to EVAP canister vent control valve (1).
 - Illustration shows the view from under the vehicle.
 - ←: Vehicle front
 - EVAP canister (2)
 - EVAP control system pressure sensor (3)
- Check the rubber tube for clogging.



OK or NG

- OK >> GO TO 2.
NG >> Clean rubber tube using an air blower.

2. CHECK EVAP CANISTER VENT CONTROL VALVE

Refer to [EC-1007, "Component Inspection"](#).

OK or NG

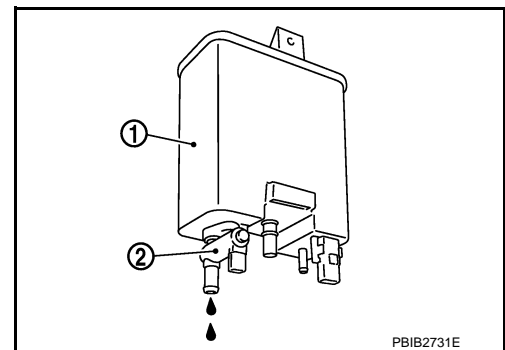
- OK >> GO TO 3.
NG >> Replace EVAP canister vent control valve.

3. CHECK IF EVAP CANISTER SATURATED WITH WATER

- Remove EVAP canister with EVAP canister vent control valve and EVAP control system pressure sensor attached.
- Check if water will drain from the EVAP canister (1).
 - EVAP canister vent control valve (2)

Yes or No

- Yes >> GO TO 4.
No >> GO TO 6.



4. CHECK EVAP CANISTER

Weigh the EVAP canister with the EVAP canister vent control valve and EVAP control system pressure sensor attached.

The weight should be less than 2.0 kg (4.4 lb).

DTC P0448 EVAP CANISTER VENT CONTROL VALVE

[VK45DE]

< SERVICE INFORMATION >

OK or NG

- OK >> GO TO 6.
- NG >> GO TO 5.

5. DETECT MALFUNCTIONING PART

Check the following.

- EVAP canister for damage
- EVAP hose between EVAP canister and vehicle frame for clogging or poor connection

>> Repair hose or replace EVAP canister.

6. CHECK EVAP CONTROL SYSTEM PRESSURE SENSOR CONNECTOR

1. Disconnect EVAP control system pressure sensor harness connector.
2. Check connectors for water.

Water should not exist.

OK or NG

- OK >> GO TO 7.
- NG >> Replace EVAP control system pressure sensor.

7. CHECK EVAP CONTROL SYSTEM PRESSURE SENSOR

Refer to [EC-1017, "Component Inspection"](#).

OK or NG

- OK >> GO TO 8.
- NG >> Replace EVAP control system pressure sensor.

8. CHECK INTERMITTENT INCIDENT

Refer to [EC-763, "Diagnosis Procedure"](#).

>> **INSPECTION END**

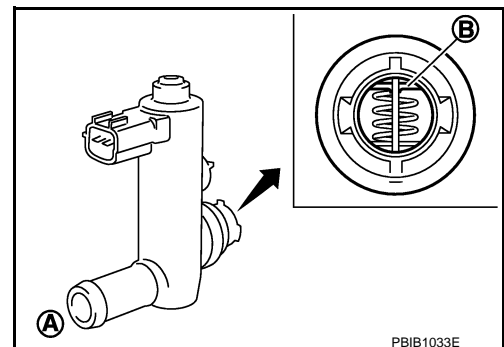
Component Inspection

INFOID:000000002955017

EVAP CANISTER VENT CONTROL VALVE

④ With CONSULT-III

1. Remove EVAP canister vent control valve from EVAP canister.
2. Check portion (B) of EVAP canister vent control valve for being rusted.
If NG, replace EVAP canister vent control valve.
If OK, go to next step.
3. Reconnect harness connectors disconnected.
4. Turn ignition switch ON.
5. Perform "VENT CONTROL/V" in "ACTIVE TEST" mode.
6. Check air passage continuity and operation delay time.
Make sure new O-ring is installed properly.



Condition VENT CONTROL/V	Air passage continuity between (A) and (B)
ON	No
OFF	Yes

Operation takes less than 1 second.

If NG, replace EVAP canister vent control valve.
If OK, go to next step.

7. Clean the air passage [portion (A) to (B)] of EVAP canister vent control valve using an air blower.
8. Perform step 6 again.

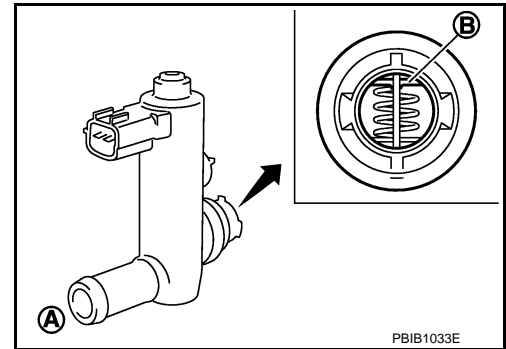
DTC P0448 EVAP CANISTER VENT CONTROL VALVE

[VK45DE]

< SERVICE INFORMATION >

⊗ Without CONSULT-III

1. Remove EVAP canister vent control valve from EVAP canister.
2. Check portion (B) of EVAP canister vent control valve for being rusted.



3. Check air passage continuity and operation delay time under the following conditions.
Make sure new O-ring is installed properly.

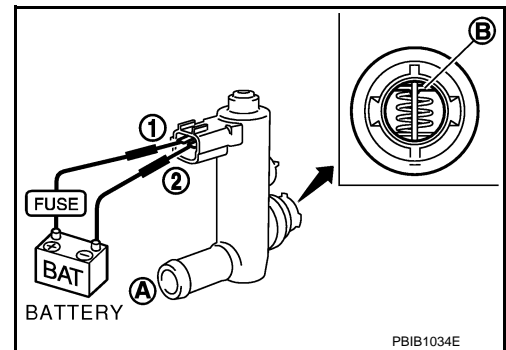
Condition	Air passage continuity between (A) and (B)
12V direct current supply between terminals (1) and (2)	No
OFF	Yes

Operation takes less than 1 second.

If NG, replace EVAP canister vent control valve.

If OK, go to next step.

4. Clean the air passage [portion (A) to (B)] of EVAP canister vent control valve using an air blower.
5. Perform step 3 again.



DTC P0451 EVAP CONTROL SYSTEM PRESSURE SENSOR

< SERVICE INFORMATION >

[VK45DE]

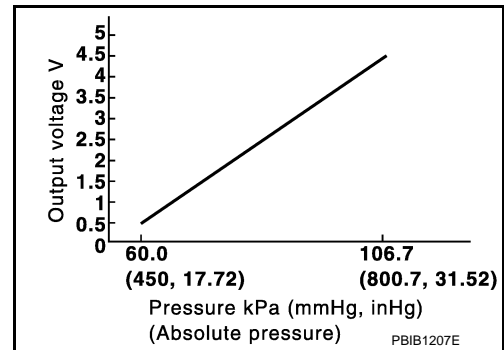
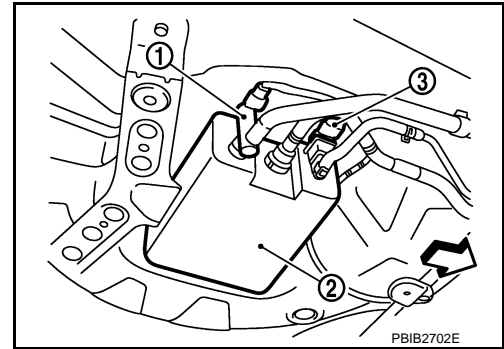
DTC P0451 EVAP CONTROL SYSTEM PRESSURE SENSOR

Component Description

INFOID:000000002955018

The EVAP control system pressure sensor (3) detects pressure in the purge line. The sensor output voltage to the ECM increases as pressure increases.

- Illustration shows the view from under the vehicle.
- ⇐: Vehicle front
- EVAP canister vent control valve (1)
- EVAP canister (2)



CONSULT-III Reference Value in Data Monitor Mode

INFOID:000000002955019

Specification data are reference values.

MONITOR ITEM	CONDITION	SPECIFICATION
EVAP SYS PRES	• Ignition switch: ON	Approx. 1.8 - 4.8V

On Board Diagnosis Logic

INFOID:000000002955020

NOTE:

If DTC P0451 is displayed with DTC P0643, first perform the trouble diagnosis for DTC P0643. Refer to [EC-1061](#).

DTC No.	Trouble diagnosis name	DTC detecting condition	Possible cause
P0451 0451	EVAP control system pressure sensor performance	ECM detects a sloshing signal from the EVAP control system pressure sensor	<ul style="list-style-type: none"> • Harness or connectors • EVAP control system pressure sensor

DTC Confirmation Procedure

INFOID:000000002955021

NOTE:

If DTC Confirmation Procedure has been previously conducted, always turn ignition switch OFF and wait at least 10 seconds before conducting the next test.

1. Turn ignition switch OFF and wait at least 10 seconds.
2. Start engine and wait at least 40 seconds.

NOTE:

Do not depress accelerator pedal even slightly.

3. Check 1st trip DTC.
4. If 1st trip DTC is detected, go to [EC-1010, "Diagnosis Procedure"](#).

DTC P0451 EVAP CONTROL SYSTEM PRESSURE SENSOR

< SERVICE INFORMATION >

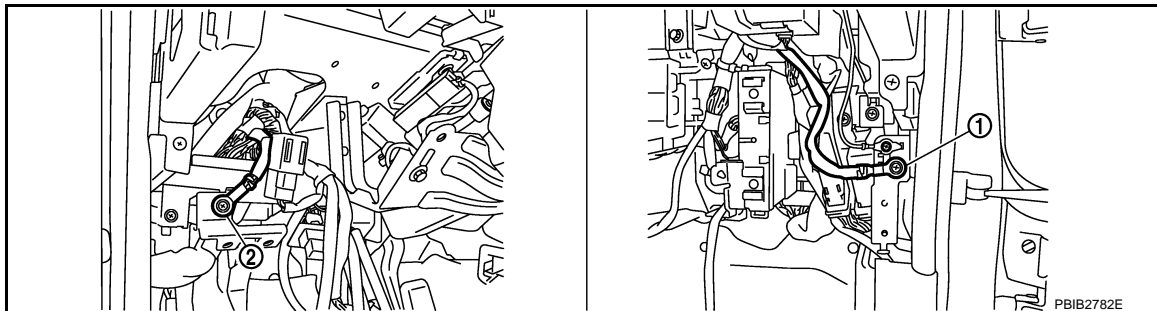
[VK45DE]

Diagnosis Procedure

INFOID:000000002955022

1. CHECK GROUND CONNECTIONS

1. Turn ignition switch OFF.
2. Loosen and retighten ground screws on the body.
Refer to [EC-769. "Ground Inspection"](#).



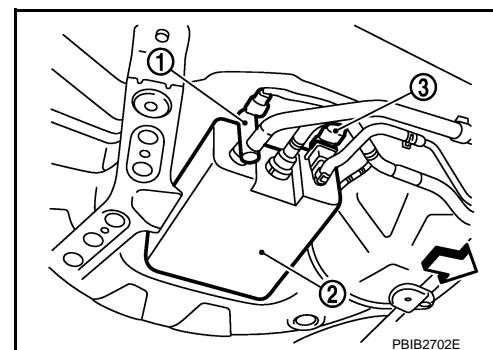
1. Body ground M70
2. Body ground M16

OK or NG

- OK >> GO TO 2.
NG >> Repair or replace ground connections.

2. CHECK EVAP CONTROL SYSTEM PRESSURE SENSOR CONNECTOR FOR WATER

1. Disconnect EVAP control system pressure sensor (3) harness connector.
 - Illustration shows the view from under the vehicle.
 - ↔: Vehicle front
 - EVAP canister vent control valve (1)
 - EVAP canister (2)
2. Check sensor harness connector for water.



Water should not exist.

OK or NG

- OK >> GO TO 3.
NG >> Repair or replace harness connector.

3. CHECK EVAP CONTROL SYSTEM PRESSURE SENSOR

Refer to [EC-1010. "Component Inspection"](#).

OK or NG

- OK >> GO TO 4.
NG >> Replace EVAP control system pressure sensor.

4. CHECK INTERMITTENT INCIDENT

Refer to [EC-763. "Diagnosis Procedure"](#).

For Wiring Diagram, refer to [EC-1014. "Wiring Diagram"](#).

>> **INSPECTION END**

Component Inspection

INFOID:000000002955023

EVAP CONTROL SYSTEM PRESSURE SENSOR

1. Remove EVAP control system pressure sensor with its harness connector connected from EVAP canister.
Always replace O-ring with a new one.
2. Install a vacuum pump to EVAP control system pressure sensor.

DTC P0451 EVAP CONTROL SYSTEM PRESSURE SENSOR

[VK45DE]

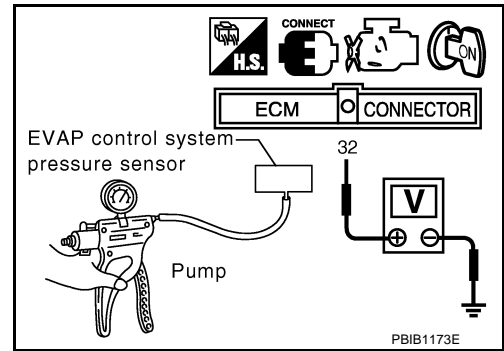
< SERVICE INFORMATION >

- Turn ignition switch ON and check output voltage between ECM terminal 32 and ground under the following conditions.

Applied vacuum kPa (kg/cm ² , psi)	Voltage V
Not applied	1.8 - 4.8
-26.7 (-0.272, -3.87)	2.1 to 2.5V lower than above value

CAUTION:

- Always calibrate the vacuum pump gauge when using it.
 - Do not apply vacuum below -93.3 kPa (-0.952 kg/cm², -13.53 psi) or pressure over 101.3 kPa (1.033 kg/cm², 14.69 psi).
- If NG, replace EVAP control system pressure sensor.



A
EC
C
D
E
F
G
H
I
J
K
L
M
N
O
P

DTC P0452 EVAP CONTROL SYSTEM PRESSURE SENSOR

< SERVICE INFORMATION >

[VK45DE]

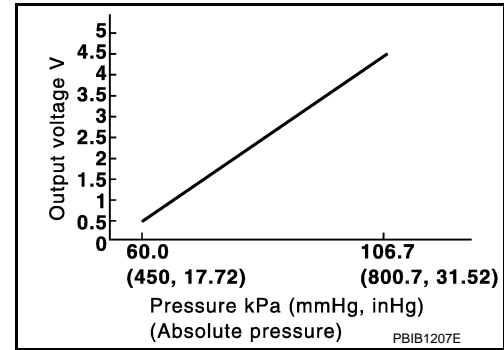
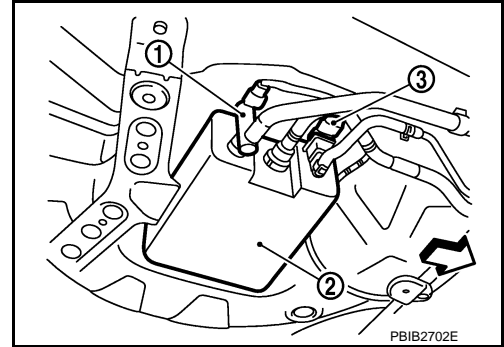
DTC P0452 EVAP CONTROL SYSTEM PRESSURE SENSOR

Component Description

INFOID:000000002955024

The EVAP control system pressure sensor (3) detects pressure in the purge line. The sensor output voltage to the ECM increases as pressure increases.

- Illustration shows the view from under the vehicle.
- ⇐: Vehicle front
- EVAP canister vent control valve (1)
- EVAP canister (2)



CONSULT-III Reference Value in Data Monitor Mode

INFOID:000000002955025

Specification data are reference values.

MONITOR ITEM	CONDITION	SPECIFICATION
EVAP SYS PRES	• Ignition switch: ON	Approx. 1.8 - 4.8V

On Board Diagnosis Logic

INFOID:000000002955026

NOTE:

If DTC P0452 is displayed with DTC P0643, first perform the trouble diagnosis for DTC P0643. Refer to [EC-1061](#).

DTC No.	Trouble diagnosis name	DTC detecting condition	Possible cause
P0452 0452	EVAP control system pressure sensor low input	An excessively low voltage from the sensor is sent to ECM.	<ul style="list-style-type: none"> • Harness or connectors (The sensor circuit is open or shorted.) • EVAP control system pressure sensor

DTC Confirmation Procedure

INFOID:000000002955027

NOTE:

If DTC Confirmation Procedure has been previously conducted, always turn ignition switch OFF and wait at least 10 seconds before conducting the next test.

TESTING CONDITION:

Always perform test at a temperature of 5°C (41°F) or more.

Ⓟ WITH CONSULT-III

1. Start engine and warm it up to normal operating temperature.
2. Turn ignition switch OFF and wait at least 10 seconds.
3. Turn ignition switch ON.
4. Select "DATA MONITOR" mode with CONSULT-III.

DTC P0452 EVAP CONTROL SYSTEM PRESSURE SENSOR

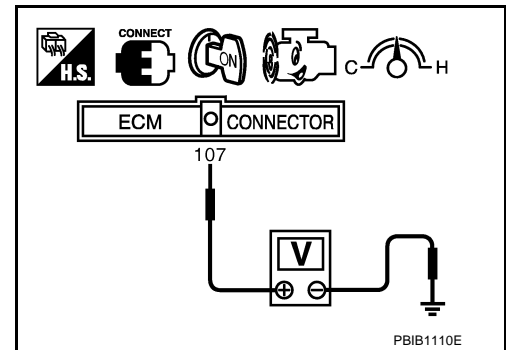
[VK45DE]

< SERVICE INFORMATION >

5. Make sure that "FUEL T/TMP SE" is more than 0°C (32°F).
6. Start engine and wait at least 20 seconds.
7. Check 1st trip DTC.
8. If 1st trip DTC is detected, go to [EC-1015. "Diagnosis Procedure"](#).

WITH GST

1. Start engine and warm it up to normal operating temperature.
2. Check that voltage between ECM terminal 107 (Fuel tank temperature sensor signal) and ground is less than 4.2V.
3. Turn ignition switch OFF and wait at least 10 seconds.
4. Start engine and wait at least 20 seconds.
5. Check 1st trip DTC.
6. If 1st trip DTC is detected, go to [EC-1015. "Diagnosis Procedure"](#).



A

EC

C

D

E

F

G

H

I

J

K

L

M

N

O

P

DTC P0452 EVAP CONTROL SYSTEM PRESSURE SENSOR

< SERVICE INFORMATION >

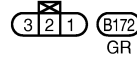
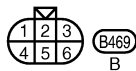
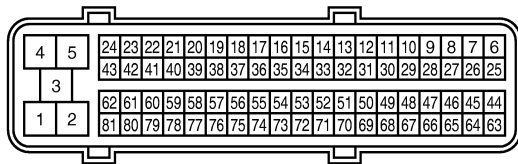
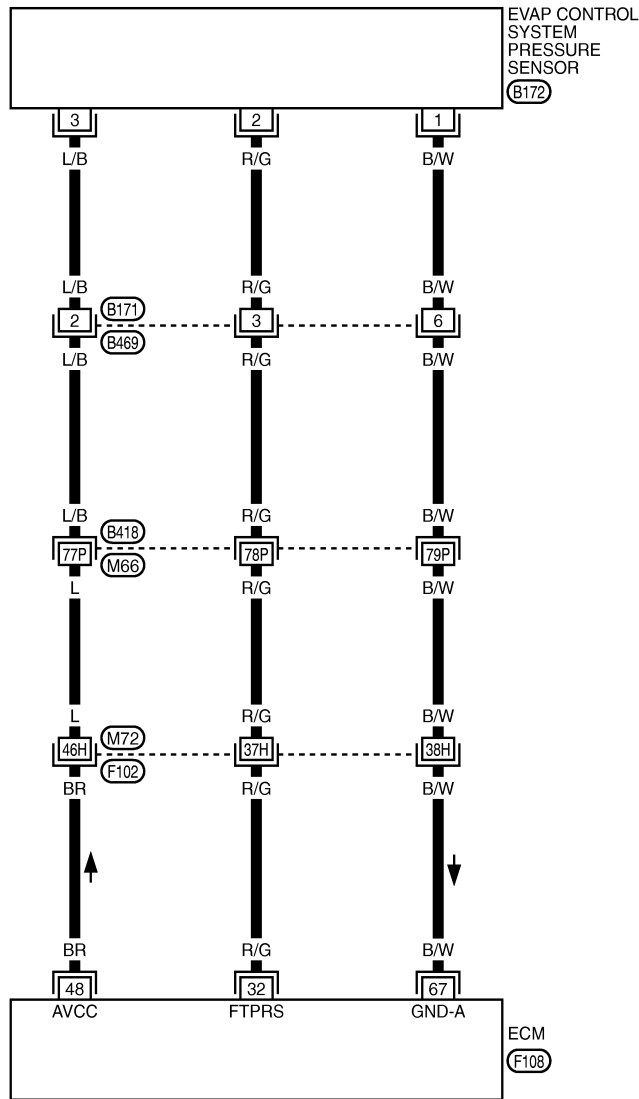
[VK45DE]

Wiring Diagram

INFOID:00000002955028

EC-PRE/SE-01

: DETECTABLE LINE FOR DTC
 : NON-DETECTABLE LINE FOR DTC



REFER TO THE FOLLOWING.
 (F102), (B418) - SUPER MULTIPLE JUNCTION (SMJ)

TBWT1994E

Specification data are reference values and are measured between each terminal and ground.

CAUTION:

Do not use ECM ground terminals when measuring input/output voltage. Doing so may result in damage to the ECM's transistor. Use a ground other than ECM terminals, such as the ground.

DTC P0452 EVAP CONTROL SYSTEM PRESSURE SENSOR

< SERVICE INFORMATION >

[VK45DE]

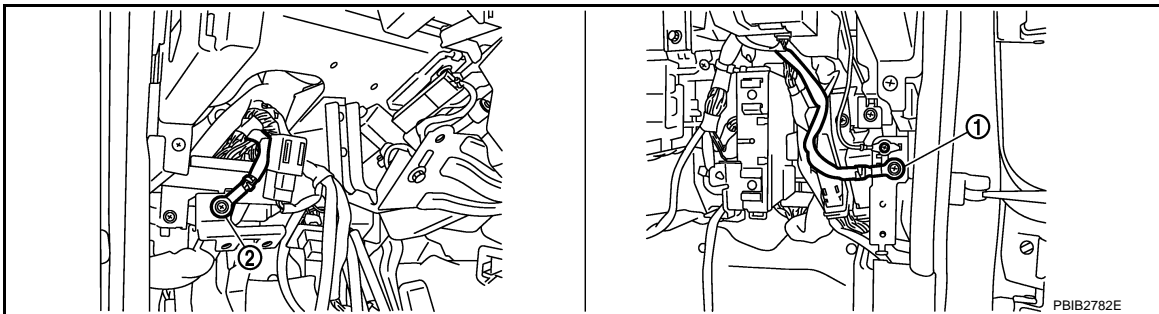
TER-MI-NAL NO.	WIRE COLOR	ITEM	CONDITION	DATA (DC Voltage)
32	R/G	EVAP control system pressure sensor	[Ignition switch: ON]	Approximately 1.8 - 4.8V
48	BR	Sensor power supply (EVAP control system pressure sensor)	[Ignition switch: ON]	Approximately 5V
67	B/W	Sensor ground (EVAP control system pressure sensor)	[Engine is running] • Warm-up condition • Idle speed	Approximately 0V

Diagnosis Procedure

INFOID:000000002955029

1. CHECK GROUND CONNECTIONS

1. Turn ignition switch OFF.
2. Loosen and retighten ground screws on the body.
Refer to [EC-769, "Ground Inspection"](#).



1. Body ground M70

2. Body ground M16

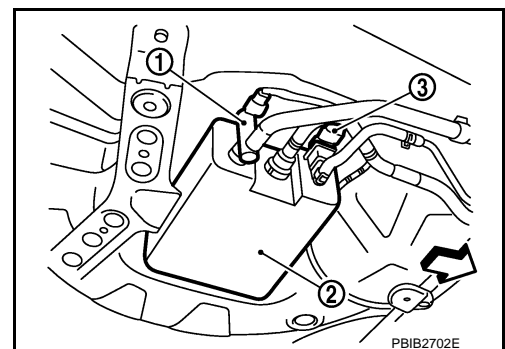
OK or NG

OK >> GO TO 2.

NG >> Repair or replace ground connections.

2. CHECK CONNECTOR

1. Disconnect EVAP control system pressure sensor (3) harness connector.
 - Illustration shows the view from under the vehicle.
 - ⇐: Vehicle front
 - EVAP canister vent control valve (1)
 - EVAP canister (2)
2. Check sensor harness connector for water.



Water should not exist.

OK or NG

OK >> GO TO 3.

NG >> Repair or replace harness connector.

3. CHECK EVAP CONTROL SYSTEM PRESSURE SENSOR POWER SUPPLY CIRCUIT

1. Turn ignition switch ON.

DTC P0452 EVAP CONTROL SYSTEM PRESSURE SENSOR

[VK45DE]

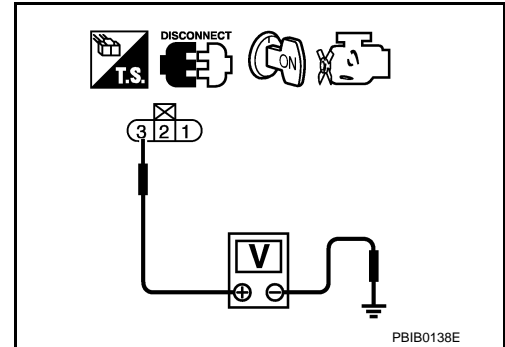
< SERVICE INFORMATION >

2. Check voltage between EVAP control system pressure sensor terminal 3 and ground with CONSULT-III or tester.

Voltage: Approximately 5V

OK or NG

- OK >> GO TO 5.
NG >> GO TO 4.



4. DETECT MALFUNCTIONING PART

Check the following.

- Harness connectors B171, B469
- Harness connectors B418, M66
- Harness connectors M72, F102
- Harness for open or short between EVAP control system pressure sensor and ECM

>> Repair open circuit or short to ground or short to power in harness or connectors.

5. CHECK EVAP CONTROL SYSTEM PRESSURE SENSOR GROUND CIRCUIT FOR OPEN AND SHORT

1. Turn ignition switch OFF.
2. Disconnect ECM harness connector.
3. Check harness continuity between EVAP control system pressure sensor terminal 1 and ECM terminal 67.
Refer to Wiring Diagram.

Continuity should exist.

4. Also check harness for short to ground and short to power.

OK or NG

- OK >> GO TO 7.
NG >> GO TO 6.

6. DETECT MALFUNCTIONING PART

Check the following.

- Harness connectors B171, B469
- Harness connectors B418, M66
- Harness connectors M72, F102
- Harness for open or short between EVAP control system pressure sensor and ECM

>> Repair open circuit or short to ground or short to power in harness or connectors.

7. CHECK EVAP CONTROL SYSTEM PRESSURE SENSOR INPUT SIGNAL CIRCUIT FOR OPEN AND SHORT

1. Check harness continuity between ECM terminal 32 and EVAP control system pressure sensor terminal 2.
Refer to Wiring Diagram.

Continuity should exist.

2. Also check harness for short to ground and short to power.

OK or NG

- OK >> GO TO 9.
NG >> GO TO 8.

8. DETECT MALFUNCTIONING PART

Check the following.

DTC P0452 EVAP CONTROL SYSTEM PRESSURE SENSOR

[VK45DE]

< SERVICE INFORMATION >

- Harness connectors B171, B469
- Harness connectors B418, M66
- Harness connectors M72, F102
- Harness for open or short between EVAP control system pressure sensor and ECM

>> Repair open circuit or short to ground or short to power in harness or connectors.

9. CHECK EVAP CONTROL SYSTEM PRESSURE SENSOR

Refer to [EC-1017. "Component Inspection"](#).

OK or NG

OK >> GO TO 10.

NG >> Replace EVAP control system pressure sensor.

10. CHECK INTERMITTENT INCIDENT

Refer to [EC-763. "Diagnosis Procedure"](#).

>> **INSPECTION END**

Component Inspection

INFOID:000000002955030

EVAP CONTROL SYSTEM PRESSURE SENSOR

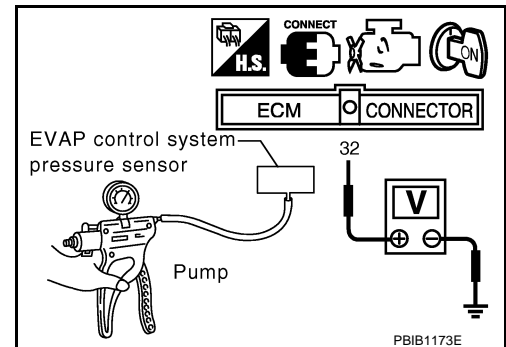
1. Remove EVAP control system pressure sensor with its harness connector connected from EVAP canister.
Always replace O-ring with a new one.
2. Install a vacuum pump to EVAP control system pressure sensor.
3. Turn ignition switch ON and check output voltage between ECM terminal 32 and ground under the following conditions.

Applied vacuum kPa (kg/cm ² , psi)	Voltage V
Not applied	1.8 - 4.8
-26.7 (-0.272, -3.87)	2.1 to 2.5V lower than above value

CAUTION:

- **Always calibrate the vacuum pump gauge when using it.**
- **Do not apply vacuum below -93.3 kPa (-0.952 kg/cm², -13.53 psi) or pressure over 101.3 kPa (1.033 kg/cm², 14.69 psi).**

4. If NG, replace EVAP control system pressure sensor.



PBIB1173E

DTC P0453 EVAP CONTROL SYSTEM PRESSURE SENSOR

< SERVICE INFORMATION >

[VK45DE]

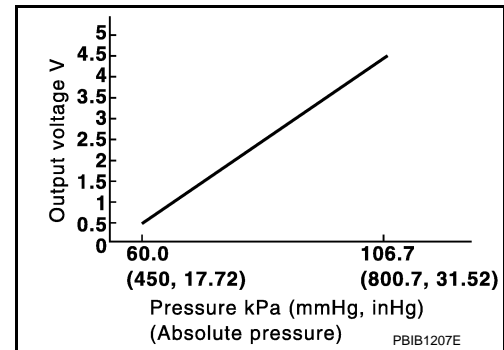
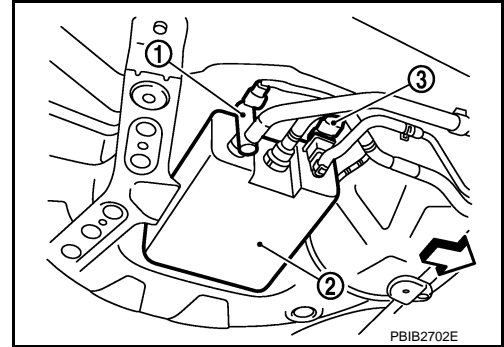
DTC P0453 EVAP CONTROL SYSTEM PRESSURE SENSOR

Component Description

INFOID:000000002955031

The EVAP control system pressure sensor (3) detects pressure in the purge line. The sensor output voltage to the ECM increases as pressure increases.

- Illustration shows the view from under the vehicle.
- ⇐: Vehicle front
- EVAP canister vent control valve (1)
- EVAP canister (2)



CONSULT-III Reference Value in Data Monitor Mode

INFOID:000000002955032

Specification data are reference values.

MONITOR ITEM	CONDITION	SPECIFICATION
EVAP SYS PRES	• Ignition switch: ON	Approx. 1.8 - 4.8V

On Board Diagnosis Logic

INFOID:000000002955033

NOTE:

If DTC P0453 is displayed with DTC P0643, first perform the trouble diagnosis for DTC P0643. Refer to [EC-1061](#).

DTC No.	Trouble diagnosis name	DTC detecting condition	Possible cause
P0453 0453	EVAP control system pressure sensor high input	An excessively high voltage from the sensor is sent to ECM.	<ul style="list-style-type: none"> • Harness or connectors (The sensor circuit is open or shorted.) • EVAP control system pressure sensor • EVAP canister vent control valve • EVAP canister • Rubber hose from EVAP canister vent control valve to vehicle frame

DTC Confirmation Procedure

INFOID:000000002955034

NOTE:

If DTC Confirmation Procedure has been previously conducted, always turn ignition switch OFF and wait at least 10 seconds before conducting the next test.

TESTING CONDITION:

Always perform test at a temperature of 5°C (41°F) or more.

Ⓟ WITH CONSULT-III

1. Start engine and warm it up to normal operating temperature.

DTC P0453 EVAP CONTROL SYSTEM PRESSURE SENSOR

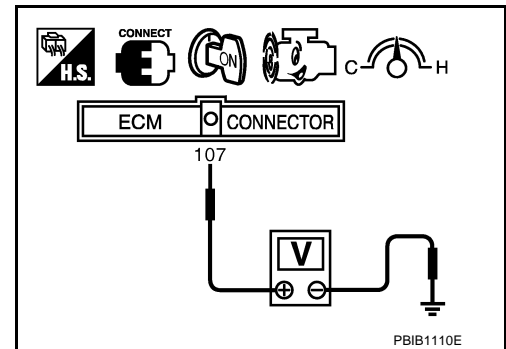
[VK45DE]

< SERVICE INFORMATION >

2. Turn ignition switch OFF and wait at least 10 seconds.
3. Turn ignition switch ON.
4. Select "DATA MONITOR" mode with CONSULT-III.
5. Make sure that "FUEL T/TMP SE" is more than 0°C (32°F).
6. Start engine and wait at least 20 seconds.
7. Check 1st trip DTC.
8. If 1st trip DTC is detected, go to [EC-1021, "Diagnosis Procedure"](#).

WITH GST

1. Start engine and warm it up to normal operating temperature.
2. Check that voltage between ECM terminal 107 (Fuel tank temperature sensor signal) and ground is less than 4.2V.
3. Turn ignition switch OFF and wait at least 10 seconds.
4. Start engine and wait at least 20 seconds.
5. Check 1st trip DTC.
6. If 1st trip DTC is detected, go to [EC-1021, "Diagnosis Procedure"](#).



A

EC

C

D

E

F

G

H

I

J

K

L

M

N

O

P

DTC P0453 EVAP CONTROL SYSTEM PRESSURE SENSOR

< SERVICE INFORMATION >

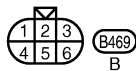
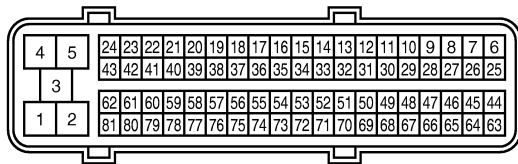
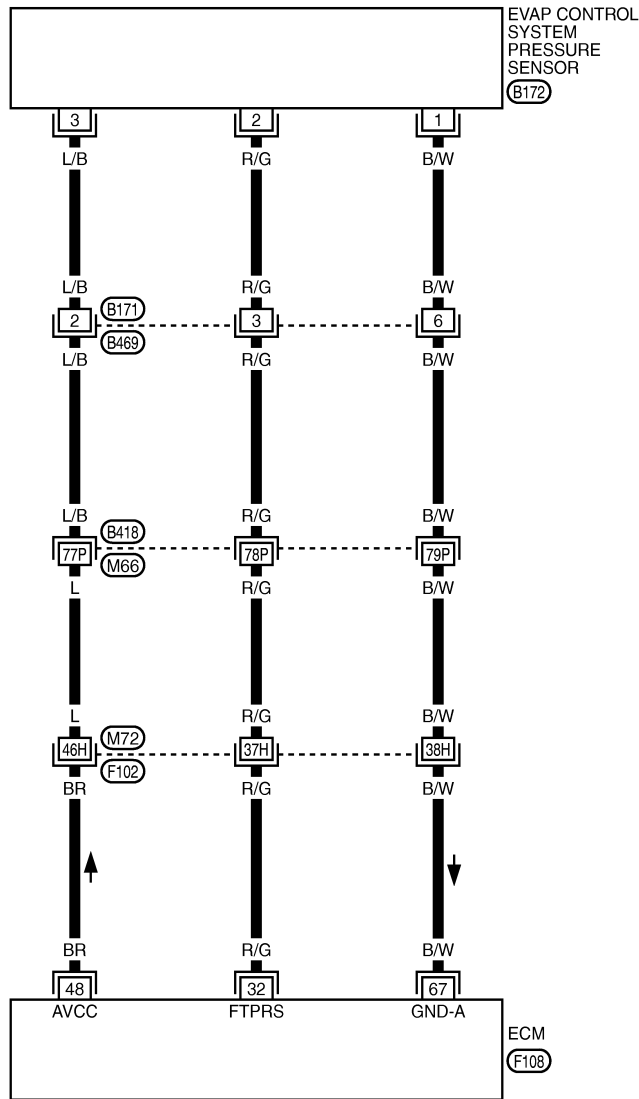
[VK45DE]

INFOID:00000002955035

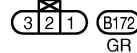
Wiring Diagram

EC-PRE/SE-01

: DETECTABLE LINE FOR DTC
 : NON-DETECTABLE LINE FOR DTC



REFER TO THE FOLLOWING.
 (F102), (B418) - SUPER MULTIPLE JUNCTION (SMJ)



TBWT1994E

Specification data are reference values and are measured between each terminal and ground.

CAUTION:

Do not use ECM ground terminals when measuring input/output voltage. Doing so may result in damage to the ECM's transistor. Use a ground other than ECM terminals, such as the ground.

DTC P0453 EVAP CONTROL SYSTEM PRESSURE SENSOR

< SERVICE INFORMATION >

[VK45DE]

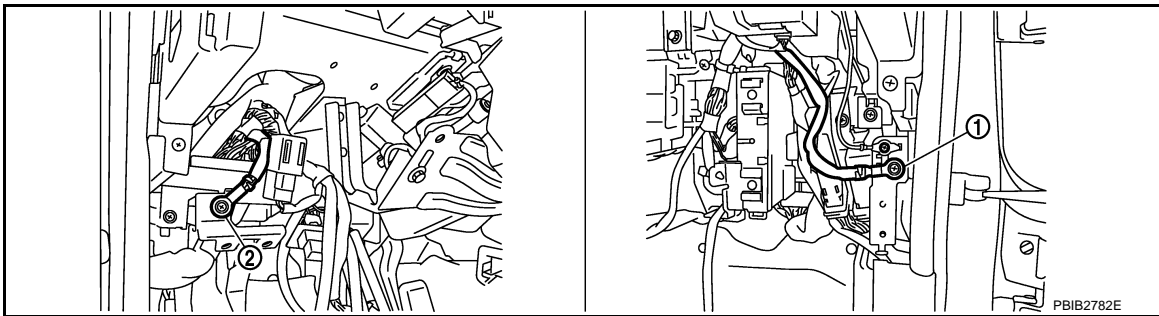
TER-MI-NAL NO.	WIRE COLOR	ITEM	CONDITION	DATA (DC Voltage)
32	R/G	EVAP control system pressure sensor	[Ignition switch: ON]	Approximately 1.8 - 4.8V
48	BR	Sensor power supply (EVAP control system pressure sensor)	[Ignition switch: ON]	Approximately 5V
67	B/W	Sensor ground (EVAP control system pressure sensor)	[Engine is running] • Warm-up condition • Idle speed	Approximately 0V

Diagnosis Procedure

INFOID:000000002955036

1. CHECK GROUND CONNECTIONS

1. Turn ignition switch OFF.
2. Loosen and retighten ground screws on the body.
Refer to [EC-769, "Ground Inspection"](#).



1. Body ground M70

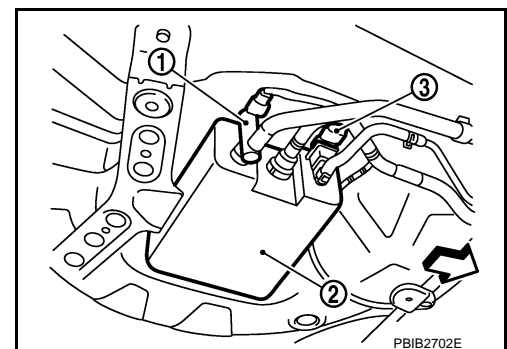
2. Body ground M16

OK or NG

- OK >> GO TO 2.
NG >> Repair or replace ground connections.

2. CHECK CONNECTOR

1. Disconnect EVAP control system pressure sensor (3) harness connector.
 - Illustration shows the view from under the vehicle.
 - ⇐: Vehicle front
 - EVAP canister vent control valve (1)
 - EVAP canister (2)
2. Check sensor harness connector for water.



Water should not exist.

OK or NG

- OK >> GO TO 3.
NG >> Repair or replace harness connector.

3. CHECK EVAP CONTROL SYSTEM PRESSURE SENSOR POWER SUPPLY CIRCUIT

1. Turn ignition switch ON.

DTC P0453 EVAP CONTROL SYSTEM PRESSURE SENSOR

[VK45DE]

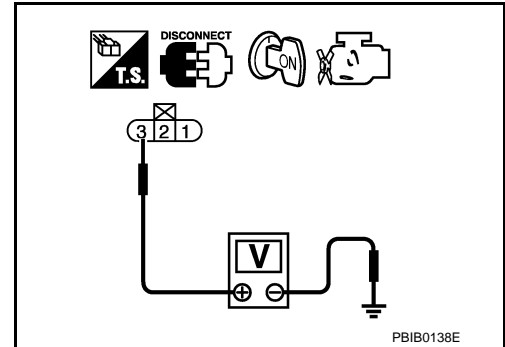
< SERVICE INFORMATION >

2. Check voltage between EVAP control system pressure sensor terminal 3 and ground with CONSULT-III or tester.

Voltage: Approximately 5V

OK or NG

- OK >> GO TO 5.
- NG >> GO TO 4.



4. DETECT MALFUNCTIONING PART

Check the following.

- Harness connectors B171, B469
- Harness connectors B418, M66
- Harness connectors M72, F102
- Harness for open or short between EVAP control system pressure sensor and ECM

>> Repair open circuit or short to ground or short to power in harness or connectors.

5. CHECK EVAP CONTROL SYSTEM PRESSURE SENSOR GROUND CIRCUIT FOR OPEN AND SHORT

1. Turn ignition switch OFF.
2. Disconnect ECM harness connector.
3. Check harness continuity between EVAP control system pressure sensor terminal 1 and ECM terminal 67.
Refer to Wiring Diagram.

Continuity should exist.

4. Also check harness for short to ground and short to power.

OK or NG

- OK >> GO TO 7.
- NG >> GO TO 6.

6. DETECT MALFUNCTIONING PART

Check the following.

- Harness connectors B171, B469
- Harness connectors B418, M66
- Harness connectors M72, F102
- Harness for open or short between EVAP control system pressure sensor and ECM

>> Repair open circuit or short to ground or short to power in harness or connectors.

7. CHECK EVAP CONTROL SYSTEM PRESSURE SENSOR INPUT SIGNAL CIRCUIT FOR OPEN AND SHORT

1. Check harness continuity between ECM terminal 32 and EVAP control system pressure sensor terminal 2.
Refer to Wiring Diagram.

Continuity should exist.

2. Also check harness for short to ground and short to power.

OK or NG

- OK >> GO TO 9.
- NG >> GO TO 8.

8. DETECT MALFUNCTIONING PART

Check the following.

DTC P0453 EVAP CONTROL SYSTEM PRESSURE SENSOR

[VK45DE]

< SERVICE INFORMATION >

- Harness connectors B171, B469
- Harness connectors B418, M66
- Harness connectors M72, F102
- Harness for open or short between EVAP control system pressure sensor and ECM

>> Repair open circuit or short to ground or short to power in harness or connectors.

9. CHECK RUBBER TUBE

1. Disconnect rubber tube connected to EVAP canister vent control valve.
2. Check the rubber tube for clogging, vent or kinked.

OK or NG

OK >> GO TO 10.

NG >> Clean the rubber tube using an air blower, repair or replace rubber tube.

10. CHECK EVAP CANISTER VENT CONTROL VALVE

Refer to [EC-1002. "Component Inspection"](#).

OK or NG

OK >> GO TO 11.

NG >> Replace EVAP canister vent control valve.

11. CHECK EVAP CONTROL SYSTEM PRESSURE SENSOR

Refer to [EC-1024. "Component Inspection"](#).

OK or NG

OK >> GO TO 12.

NG >> Replace EVAP control system pressure sensor.

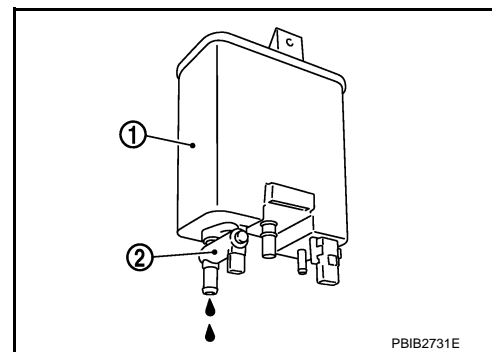
12. CHECK IF EVAP CANISTER SATURATED WITH WATER

1. Remove EVAP canister with EVAP canister vent control valve and EVAP control system pressure sensor attached.
2. Check if water will drain from the EVAP canister (1).
 - EVAP canister vent control valve (2)

Yes or No

Yes >> GO TO 13.

No >> GO TO 15.



13. CHECK EVAP CANISTER

Weigh the EVAP canister with the EVAP canister vent control valve and EVAP control system pressure sensor attached.

The weight should be less than 2.0 kg (4.4 lb).

OK or NG

OK >> GO TO 15.

NG >> GO TO 14.

14. DETECT MALFUNCTIONING PART

Check the following.

- EVAP canister for damage
- EVAP hose between EVAP canister and vehicle frame for clogging or poor connection

>> Repair hose or replace EVAP canister.

15. CHECK INTERMITTENT INCIDENT

Refer to [EC-763. "Diagnosis Procedure"](#).

DTC P0453 EVAP CONTROL SYSTEM PRESSURE SENSOR

< SERVICE INFORMATION >

[VK45DE]

>> INSPECTION END

Component Inspection

INFOID:000000002955037

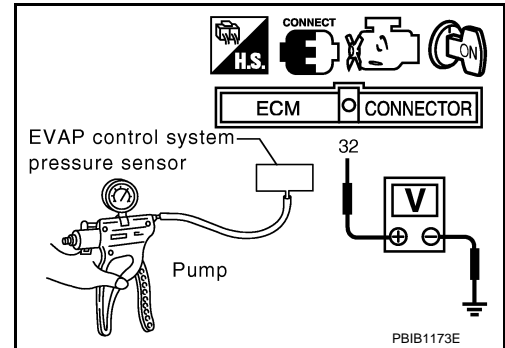
EVAP CONTROL SYSTEM PRESSURE SENSOR

1. Remove EVAP control system pressure sensor with its harness connector connected from EVAP canister.
Always replace O-ring with a new one.
2. Install a vacuum pump to EVAP control system pressure sensor.
3. Turn ignition switch ON and check output voltage between ECM terminal 32 and ground under the following conditions.

Applied vacuum kPa (kg/cm ² , psi)	Voltage V
Not applied	1.8 - 4.8
-26.7 (-0.272, -3.87)	2.1 to 2.5V lower than above value

CAUTION:

- Always calibrate the vacuum pump gauge when using it.
 - Do not apply vacuum below -93.3 kPa (-0.952 kg/cm², -13.53 psi) or pressure over 101.3 kPa (1.033 kg/cm², 14.69 psi).
4. If NG, replace EVAP control system pressure sensor.



DTC P0455 EVAP CONTROL SYSTEM

< SERVICE INFORMATION >

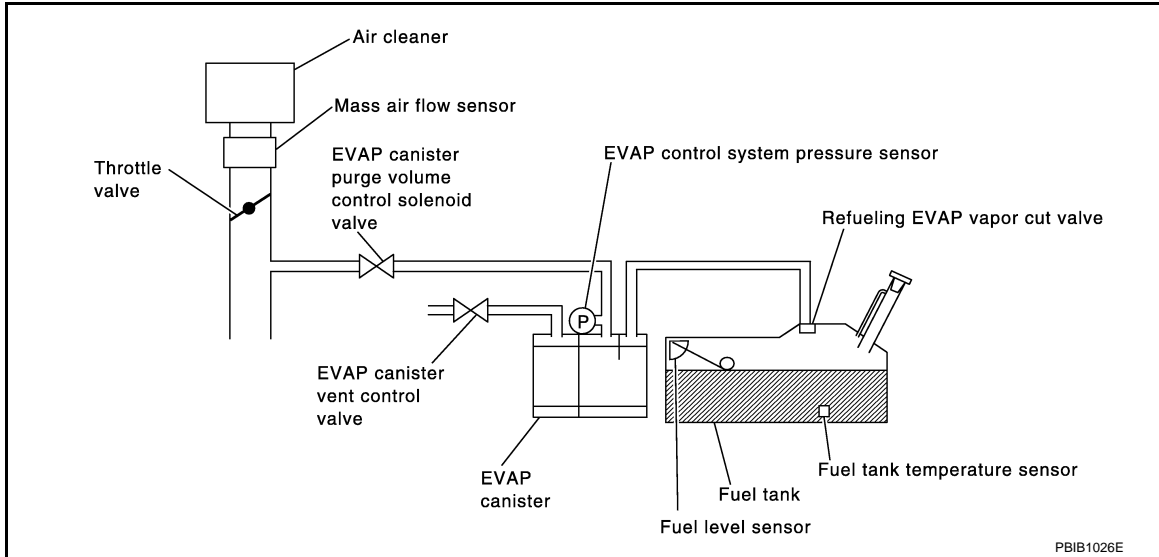
[VK45DE]

DTC P0455 EVAP CONTROL SYSTEM

On Board Diagnosis Logic

INFOID:000000002955038

This diagnosis detects a very large leak (fuel filler cap fell off etc.) in EVAP system between the fuel tank and EVAP canister purge volume control solenoid valve.



DTC No.	Trouble diagnosis name	DTC detecting condition	Possible cause
P0455 0455	EVAP control system gross leak detected	EVAP control system has a very large leak such as fuel filler cap fell off, EVAP control system does not operate properly.	<ul style="list-style-type: none"> Fuel filler cap remains open or fails to close. Incorrect fuel tank vacuum relief valve Incorrect fuel filler cap used Foreign matter caught in fuel filler cap. Leak is in line between intake manifold and EVAP canister purge volume control solenoid valve. Foreign matter caught in EVAP canister vent control valve. EVAP canister or fuel tank leaks EVAP purge line (pipe and rubber tube) leaks EVAP purge line rubber tube bent. Loose or disconnected rubber tube EVAP canister vent control valve and the circuit EVAP canister purge volume control solenoid valve and the circuit Fuel tank temperature sensor O-ring of EVAP canister vent control valve is missing or damaged. EVAP control system pressure sensor Refueling EVAP vapor cut valve ORVR system leaks

CAUTION:

- Use only a genuine NISSAN fuel filler cap as a replacement. If an incorrect fuel filler cap is used, the MIL may come on.
- If the fuel filler cap is not tightened properly, the MIL may come on.
- Use only a genuine NISSAN rubber tube as a replacement.

DTC Confirmation Procedure

INFOID:000000002955039

CAUTION:

Never remove fuel filler cap during the DTC Confirmation Procedure.

NOTE:

DTC P0455 EVAP CONTROL SYSTEM

[VK45DE]

< SERVICE INFORMATION >

- **Make sure that EVAP hoses are connected to EVAP canister purge volume control solenoid valve properly.**
- If DTC Confirmation Procedure has been previously conducted, always turn ignition switch OFF and wait at least 10 seconds before conducting the next test.

TESTING CONDITION:

- **Perform “DTC WORK SUPPORT” when the fuel level is between 1/4 and 3/4 full, and vehicle is placed on flat level surface.**
- **Open engine hood before conducting the following procedures.**

Ⓜ WITH CONSULT-III

1. Tighten fuel filler cap securely until ratcheting sound is heard.
2. Turn ignition switch ON.
3. Turn ignition switch OFF and wait at least 10 seconds.
4. Turn ignition switch ON and select “DATA MONITOR” mode with CONSULT-III.
5. Make sure that the following conditions are met.
COOLAN TEMP/S: 0 - 70°C (32 - 158°F)
INT/A TEMP SE: 0 - 60°C (32 - 140°F)
6. Select “EVAP SML LEAK P0442/P1442” of “EVAPORATIVE SYSTEM” in “DTC WORK SUPPORT” mode with CONSULT-III.
Follow the instruction displayed.
NOTE:
If the engine speed cannot be maintained within the range displayed on the CONSULT-III screen, go to [EC-702. "Basic Inspection"](#).
7. Make sure that “OK” is displayed.
If “NG” is displayed, select “SELF-DIAG RESULTS” mode and make sure that “EVAP GROSS LEAK [P0455]” is displayed. If it is displayed, refer to [EC-1026. "Diagnosis Procedure"](#).
If P0442 is displayed, perform Diagnostic Procedure for DTC P0442, refer to [EC-979. "Diagnosis Procedure"](#).

Ⓜ WITH GST

NOTE:

Be sure to read the explanation of [EC-677. "Emission-Related Diagnostic Information"](#) before driving vehicle.

1. Start engine.
2. Drive vehicle according to [EC-677. "Emission-Related Diagnostic Information"](#).
3. Stop vehicle.
4. Turn ignition switch OFF, wait at least 10 seconds and then turn ON.
5. Check 1st trip DTC.
6. If P0455 is displayed, go to [EC-1026. "Diagnosis Procedure"](#).
If P0442 is displayed, go to [EC-979. "Diagnosis Procedure"](#).
If P0441 is displayed, go to [EC-974. "Diagnosis Procedure"](#).

Diagnosis Procedure

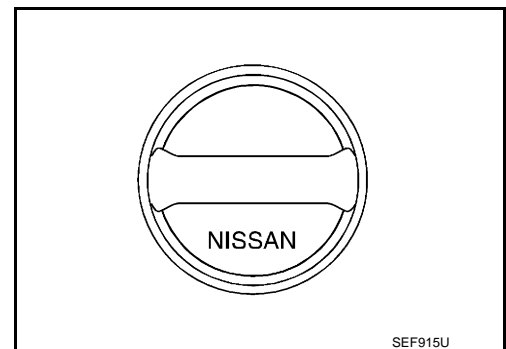
INFOID:000000002955040

1. CHECK FUEL FILLER CAP DESIGN

1. Turn ignition switch OFF.
2. Check for genuine NISSAN fuel filler cap design.

OK or NG

- OK >> GO TO 2.
NG >> Replace with genuine NISSAN fuel filler cap.



2. CHECK FUEL FILLER CAP INSTALLATION

DTC P0455 EVAP CONTROL SYSTEM

[VK45DE]

< SERVICE INFORMATION >

Check that the cap is tightened properly by rotating the cap clockwise.

OK or NG

OK >> GO TO 3.

NG >> 1. Open fuel filler cap, then clean cap and fuel filler neck threads using air blower.
2. Retighten until ratcheting sound is heard.

3.CHECK FUEL FILLER CAP FUNCTION

Check for air releasing sound while opening the fuel filler cap.

OK or NG

OK >> GO TO 5.

NG >> GO TO 4.

4.CHECK FUEL TANK VACUUM RELIEF VALVE

Refer to [EC-664. "Component Inspection"](#).

OK or NG

OK >> GO TO 5.

NG >> Replace fuel filler cap with a genuine one.

5.CHECK EVAP PURGE LINE

Check EVAP purge line (pipe, rubber tube, fuel tank and EVAP canister) for cracks, improper connection or disconnection.

Refer to [EC-662. "Description"](#).

OK or NG

OK >> GO TO 6.

NG >> Repair or reconnect the hose.

6.CLEAN EVAP PURGE LINE

Clean EVAP purge line (pipe and rubber tube) using air blower.

>> GO TO 7.

7.CHECK EVAP CANISTER VENT CONTROL VALVE

Check the following.

- EVAP canister vent control valve is installed properly.
Refer to [EC-666. "Removal and Installation"](#).
- EVAP canister vent control valve.
Refer to [EC-1002. "Component Inspection"](#).

OK or NG

OK >> GO TO 8.

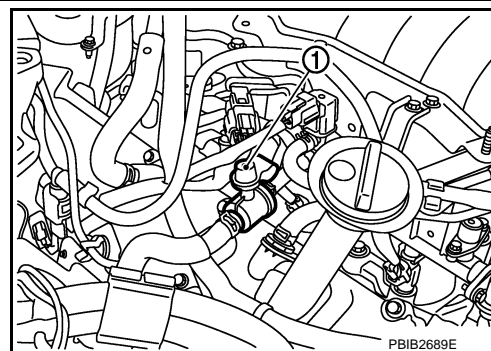
NG >> Repair or replace EVAP canister vent control valve and O-ring.

8.INSTALL THE PRESSURE PUMP

To locate the EVAP leak, install EVAP service port adapter and pressure pump to EVAP service port (1) securely.

NOTE:

Improper installation of the EVAP service port adapter to the EVAP service port may cause leaking.

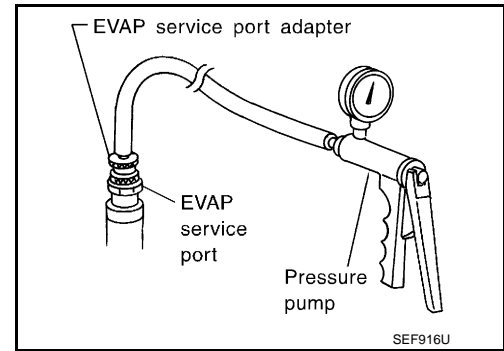


PBIB2689E

DTC P0455 EVAP CONTROL SYSTEM

< SERVICE INFORMATION >

[VK45DE]



With CONSULT-III>>GO TO 9.
Without CONSULT-III>>GO TO 10.

9. CHECK FOR EVAP LEAK

With CONSULT-III

1. Turn ignition switch ON.
2. Select "EVAP SYSTEM CLOSE" of "WORK SUPPORT" mode with CONSULT-III.
3. Touch "START" and apply pressure into the EVAP line until the pressure indicator reaches the middle of the bar graph.

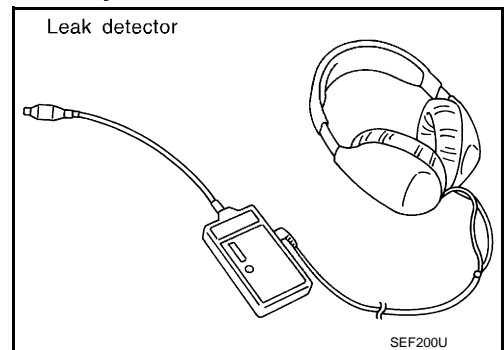
CAUTION:

- Do not use compressed air or a high pressure pump.
- Do not exceed 4.12 kPa (0.042 kg/cm², 0.6 psi) of pressure in the system.

4. Using EVAP leak detector, locate the EVAP leak. For the leak detector, refer to the instruction manual for more details.
Refer to [EC-662](#). "Description".

OK or NG

- OK >> GO TO 11.
NG >> Repair or replace.



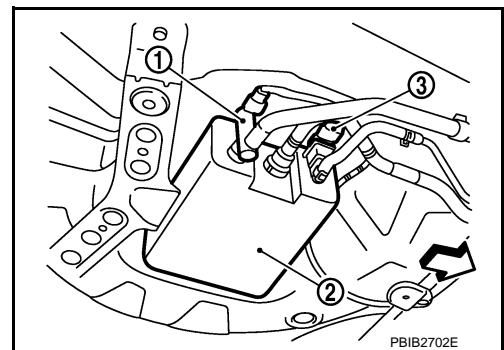
10. CHECK FOR EVAP LEAK

Without CONSULT-III

1. Turn ignition switch OFF.
2. Apply 12 volts DC to EVAP canister vent control valve (1). The valve will close. (Continue to apply 12 volts until the end of test.)
 - Illustration shows the view from under the vehicle
 - ⇐: Vehicle front
 - EVAP canister (2)
 - EVAP control system pressure sensor (3)
3. Pressurize the EVAP line using pressure pump with 1.3 to 2.7 kPa (0.0133 to 0.028 kg/cm², 0.019 to 0.039 psi), then remove pump and EVAP service port adapter.

CAUTION:

- Do not use compressed air or a high pressure pump.
- Do not exceed 4.12 kPa (0.042 kg/cm², 0.6 psi) of pressure in the system.



DTC P0455 EVAP CONTROL SYSTEM

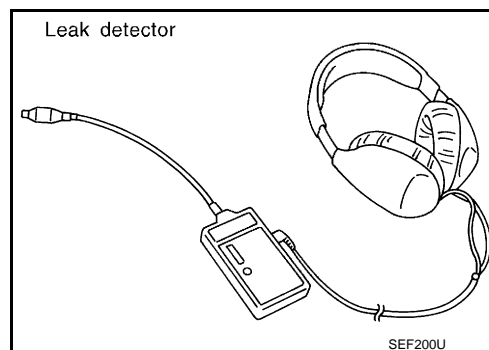
[VK45DE]

< SERVICE INFORMATION >

- Using EVAP leak detector, locate the EVAP leak. For the leak detector, refer to the instruction manual for more details. Refer to [EC-662. "Description"](#).

OK or NG

- OK >> GO TO 12.
- NG >> Repair or replace.



11. CHECK EVAP CANISTER PURGE VOLUME CONTROL SOLENOID VALVE OPERATION

With CONSULT-III

- Disconnect vacuum hose to EVAP canister purge volume control solenoid valve at EVAP service port.
- Start engine.
- Perform "PURG VOL CONT/V" in "ACTIVE TEST" mode.
- Touch "Qu" on CONSULT-III screen to increase "PURG VOL CONT/V" opening to 100%.
- Check vacuum hose for vacuum when revving engine up to 2,000 rpm.

OK or NG

- OK >> GO TO 14.
- NG >> GO TO 13.

12. CHECK EVAP CANISTER PURGE VOLUME CONTROL SOLENOID VALVE OPERATION

Without CONSULT-III

- Start engine and warm it up to normal operating temperature.
- Stop engine.
- Disconnect vacuum hose to EVAP canister purge volume control solenoid valve at EVAP service port.
- Start engine and let it idle for at least 80 seconds.
- Check vacuum hose for vacuum when revving engine up to 2,000 rpm.

Vacuum should exist.

OK or NG

- OK >> GO TO 15.
- NG >> GO TO 13.

13. CHECK VACUUM HOSE

Check vacuum hoses for clogging or disconnection. Refer to [EC-730. "Vacuum Hose Drawing"](#).

OK or NG

- OK (With CONSULT-III) >> GO TO 14.
- OK (Without CONSULT-III) >> GO TO 15.
- NG >> Repair or reconnect the hose.

14. CHECK EVAP CANISTER PURGE VOLUME CONTROL SOLENOID VALVE

With CONSULT-III

- Start engine.
- Perform "PURG VOL CONT/V" in "ACTIVE TEST" mode with CONSULT-III. Check that engine speed varies according to the valve opening.

OK or NG

- OK >> GO TO 16.
- NG >> GO TO 15.

15. CHECK EVAP CANISTER PURGE VOLUME CONTROL SOLENOID VALVE

Refer to [EC-997. "Component Inspection"](#).

OK or NG

- OK >> GO TO 16.
- NG >> Replace EVAP canister purge volume control solenoid valve.

DTC P0455 EVAP CONTROL SYSTEM

[VK45DE]

< SERVICE INFORMATION >

16.CHECK FUEL TANK TEMPERATURE SENSOR

Refer to [EC-936, "Component Inspection"](#).

OK or NG

OK >> GO TO 17.

NG >> Replace fuel level sensor unit.

17.CHECK EVAP CONTROL SYSTEM PRESSURE SENSOR

Refer to [EC-1017, "Component Inspection"](#).

OK or NG

OK >> GO TO 18.

NG >> Replace EVAP control system pressure sensor.

18.CHECK EVAP/ORVR LINE

Check EVAP/ORVR line between EVAP canister and fuel tank for clogging, kink, looseness and improper connection. For location, refer to [EC-668](#).

OK or NG

OK >> GO TO 19.

NG >> Repair or replace hoses and tubes.

19.CHECK RECIRCULATION LINE

Check recirculation line between filler neck tube and fuel tank for clogging, kink, cracks, looseness and improper connection.

OK or NG

OK >> GO TO 20.

NG >> Repair or replace hose, tube or filler neck tube.

20.CHECK REFUELING EVAP VAPOR CUT VALVE

Refer to [EC-670, "Component Inspection"](#).

OK or NG

OK >> GO TO 21.

NG >> Replace refueling EVAP vapor cut valve with fuel tank.

21.CHECK INTERMITTENT INCIDENT

Refer to [EC-763, "Diagnosis Procedure"](#).

>> **INSPECTION END**

DTC P0456 EVAP CONTROL SYSTEM

< SERVICE INFORMATION >

[VK45DE]

DTC P0456 EVAP CONTROL SYSTEM

On Board Diagnosis Logic

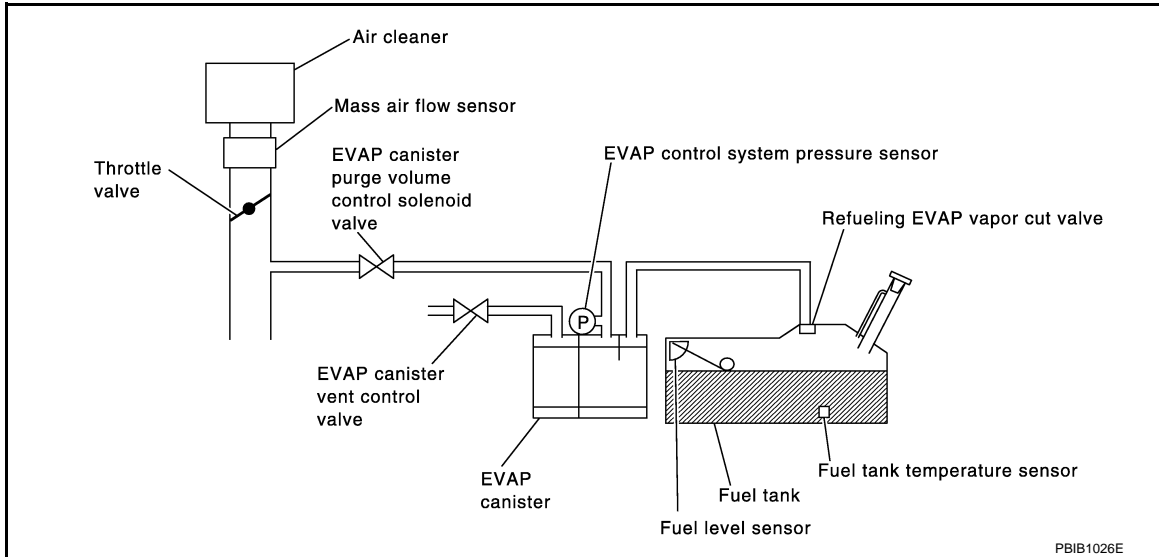
INFOID:00000002955041

This diagnosis detects very small leaks in the EVAP line between fuel tank and EVAP canister purge volume control solenoid valve, using the intake manifold vacuum in the same way as conventional EVAP small leak diagnosis.

If ECM judges a leak which corresponds to a very small leak, the very small leak P0456 will be detected.

If ECM judges a leak equivalent to a small leak, EVAP small leak P0442 will be detected.

If ECM judges there are no leaks, the diagnosis will be OK.



DTC No.	Trouble diagnosis name	DTC detecting condition	Possible cause
P0456 0456	Evaporative emission control system very small leak (negative pressure check)	<ul style="list-style-type: none"> • EVAP system has a very small leak. • EVAP system does not operate properly. 	<ul style="list-style-type: none"> • Incorrect fuel tank vacuum relief valve • Incorrect fuel filler cap used • Fuel filler cap remains open or fails to close. • Foreign matter caught in fuel filler cap. • Leak is in line between intake manifold and EVAP canister purge volume control solenoid valve. • Foreign matter caught in EVAP canister vent control valve. • EVAP canister or fuel tank leaks • EVAP purge line (pipe and rubber tube) leaks • EVAP purge line rubber tube bent • Loose or disconnected rubber tube • EVAP canister vent control valve and the circuit • EVAP canister purge volume control solenoid valve and the circuit • Fuel tank temperature sensor • O-ring of EVAP canister vent control valve is missing or damaged • EVAP canister is saturated with water • EVAP control system pressure sensor • Refueling EVAP vapor cut valve • ORVR system leaks • Fuel level sensor and the circuit • Foreign matter caught in EVAP canister purge volume control solenoid valve

CAUTION:

- Use only a genuine NISSAN fuel filler cap as a replacement. If an incorrect fuel filler cap is used, the MIL may come on.
- If the fuel filler cap is not tightened properly, the MIL may come on.
- Use only a genuine NISSAN rubber tube as a replacement.

DTC P0456 EVAP CONTROL SYSTEM

[VK45DE]

< SERVICE INFORMATION >

DTC Confirmation Procedure

INFOID:00000002955042

NOTE:

- If DTC P0456 is displayed with P0442, first perform trouble diagnosis for DTC P0456.
- After repair, make sure that the hoses and clips are installed properly.
- If DTC Confirmation Procedure has been previously conducted, always turn ignition switch OFF and wait at least 10 seconds before conducting the next test.

TESTING CONDITION:

- Open engine hood before conducting following procedure.
- If any of following conditions are met just before the DTC confirmation procedure, leave the vehicle for more than 1 hour.
 - Fuel filler cap is removed.
 - Fuel is refilled or drained.
 - EVAP component parts is/are removed.
- Before performing the following procedure, confirm that battery voltage is more than 11V at idle.

Ⓜ WITH CONSULT-III

1. Turn ignition switch ON and select "DATA MONITOR" mode with CONSULT-III.
2. Make sure the following conditions are met.
 - FUEL LEVEL SE: 0.25 - 1.4V**
 - COOLAN TEMP/S: 0 - 32°C (32 - 90°F)**
 - FUEL T/TMP SE: 0 - 35°C (32 - 95°F)**
 - INT/A TEMP SE: More than 0°C (32°F)**If NG, turn ignition switch OFF and leave the vehicle in a cool place (soak the vehicle) or refilling/draining fuel until the output voltage condition of the "FUEL LEVEL SE" meets within the range above and leave the vehicle for more than 1 hour. Then start from step 1.
3. Turn ignition switch OFF and wait at least 10 seconds.
4. Turn ignition switch ON.
5. Select "EVAP V/S LEAK P0456/P1456" of "EVAPORATIVE SYSTEM" in "DTC WORK SUPPORT" mode with CONSULT-III.
Follow the instruction displayed.
6. Make sure that "OK" is displayed.
If "NG" is displayed, refer to [EC-1033, "Diagnosis Procedure"](#).

NOTE:

- If the engine speed cannot be maintained within the range displayed on CONSULT-III screen, go to [EC-702, "Basic Inspection"](#).
- Make sure that EVAP hoses are connected to EVAP canister purge volume control solenoid valve properly.

Overall Function Check

INFOID:00000002955043

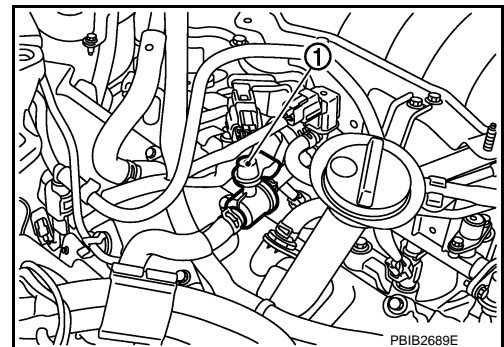
Ⓜ WITH GST

Use this procedure to check the overall function of the EVAP very small leak function. During this check, a 1st trip DTC might not be confirmed.

CAUTION:

- Do not use compressed air, doing so may damage the EVAP system.
- Do not start engine.
- Do not exceeded 4.12 kPa (0.042 kg/cm², 0.6 psi).

1. Attach the EVAP service port adapter securely to the EVAP service port (1).



PBIB2689E

DTC P0456 EVAP CONTROL SYSTEM

[VK45DE]

< SERVICE INFORMATION >

2. Set the pressure pump and a hose.
3. Also set a vacuum gauge via 3-way connector and a hose.
4. Turn ignition switch ON.
5. Connect GST and select Service \$08.
6. Using Service \$08 control the EVAP canister vent control valve (close).
7. Apply pressure and make sure the following conditions are satisfied.

Pressure to be applied: 2.7 kPa (0.028 kg/cm², 0.39 psi)

Time to be waited after the pressure drawn in to the EVAP system and the pressure to be dropped: 60 seconds and the pressure should not be dropped more than 0.4 kPa (0.004 kg/cm², 0.06 psi).

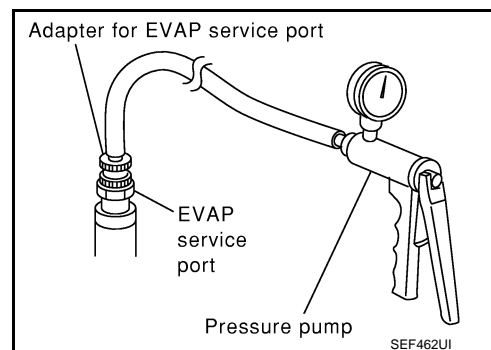
If NG, go to [EC-1033, "Diagnosis Procedure"](#).

If OK, go to next step.

8. Disconnect GST.
9. Start engine and warm it up to normal operating temperature.
10. Turn ignition switch OFF and wait at least 10 seconds.
11. Restart engine and let it idle for 90 seconds.
12. Keep engine speed at 2,000 rpm for 30 seconds.
13. Turn ignition switch OFF.

NOTE:

For more information, refer to GST instruction manual.



Diagnosis Procedure

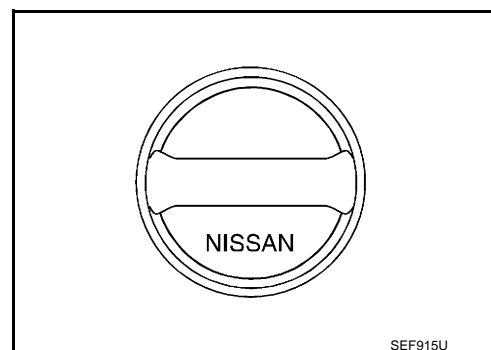
INFOID:000000002955044

1. CHECK FUEL FILLER CAP DESIGN

1. Turn ignition switch OFF.
2. Check for genuine NISSAN fuel filler cap design.

OK or NG

- OK >> GO TO 2.
- NG >> Replace with genuine NISSAN fuel filler cap.



2. CHECK FUEL FILLER CAP INSTALLATION

Check that the cap is tightened properly by rotating the cap clockwise.

OK or NG

- OK >> GO TO 3.
- NG >> 1. Open fuel filler cap, then clean cap and fuel filler neck threads using air blower.
2. Retighten until ratcheting sound is heard.

3. CHECK FUEL FILLER CAP FUNCTION

Check for air releasing sound while opening the fuel filler cap.

OK or NG

- OK >> GO TO 5.
- NG >> GO TO 4.

4. CHECK FUEL TANK VACUUM RELIEF VALVE

Refer to [EC-664, "Component Inspection"](#).

OK or NG

- OK >> GO TO 5.
- NG >> Replace fuel filler cap with a genuine one.

DTC P0456 EVAP CONTROL SYSTEM

[VK45DE]

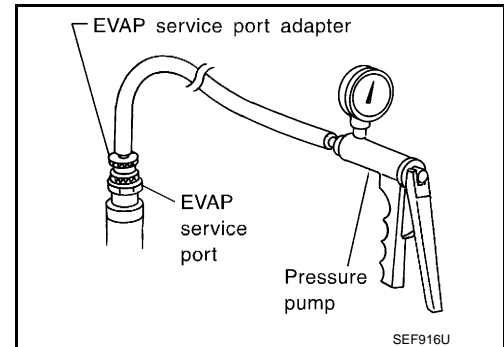
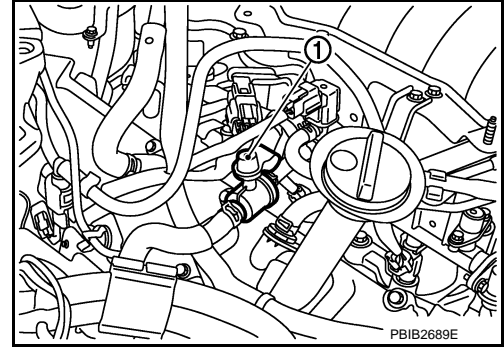
< SERVICE INFORMATION >

5. INSTALL THE PRESSURE PUMP

To locate the EVAP leak, install EVAP service port adapter and pressure pump to EVAP service port (1) securely.

NOTE:

Improper installation of the EVAP service port adapter to the EVAP service port may cause leaking.



With CONSULT-III>>GO TO 6.
Without CONSULT-III>>GO TO 7.

6. CHECK FOR EVAP LEAK

With CONSULT-III

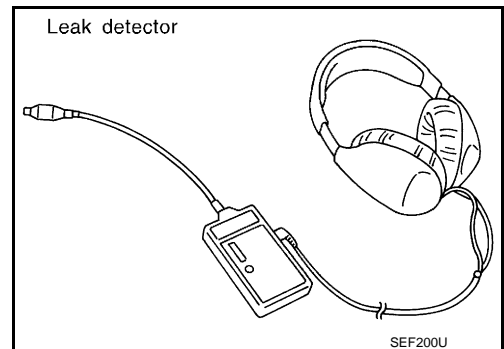
1. Turn ignition switch ON.
2. Select "EVAP SYSTEM CLOSE" of "WORK SUPPORT" mode with CONSULT-III.
3. Touch "START" and apply pressure into the EVAP line until the pressure indicator reaches the middle of the bar graph.

CAUTION:

- Do not use compressed air or a high pressure pump.
 - Do not exceed 4.12 kPa (0.042 kg/cm², 0.6 psi) of pressure in the system.
4. Using EVAP leak detector, locate the EVAP leak. For the leak detector, refer to the instruction manual for more details. Refer to [EC-662, "Description"](#).

OK or NG

- OK >> GO TO 8.
NG >> Repair or replace.



7. CHECK FOR EVAP LEAK

Without CONSULT-III

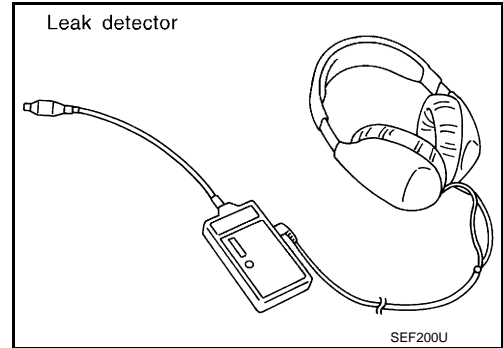
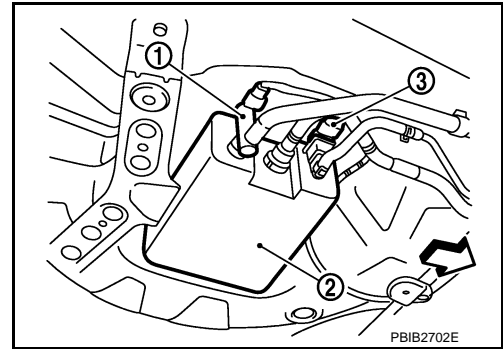
1. Turn ignition switch OFF.

DTC P0456 EVAP CONTROL SYSTEM

[VK45DE]

< SERVICE INFORMATION >

- Apply 12 volts DC to EVAP canister vent control valve (1). The valve will close. (Continue to apply 12 volts until the end of test.)
 - Illustration shows the view from under the vehicle
 - ⇐: Vehicle front
 - EVAP canister (2)
 - EVAP control system pressure sensor (3)
- Pressurize the EVAP line using pressure pump with 1.3 to 2.7 kPa (0.0133 to 0.028 kg/cm², 0.019 to 0.039 psi), then remove pump and EVAP service port adapter.
CAUTION:
 - Do not use compressed air or a high pressure pump.
 - Do not exceed 4.12 kPa (0.042 kg/cm², 0.6 psi) of pressure in the system.
- Using EVAP leak detector, locate the EVAP leak. For the leak detector, refer to the instruction manual for more details. Refer to [EC-662, "Description"](#).



OK or NG

- OK >> GO TO 8.
NG >> Repair or replace.

8. CHECK EVAP CANISTER VENT CONTROL VALVE

Check the following.

- EVAP canister vent control valve is installed properly.
Refer to [EC-666, "Removal and Installation"](#).
- EVAP canister vent control valve.
Refer to [EC-1002, "Component Inspection"](#).

OK or NG

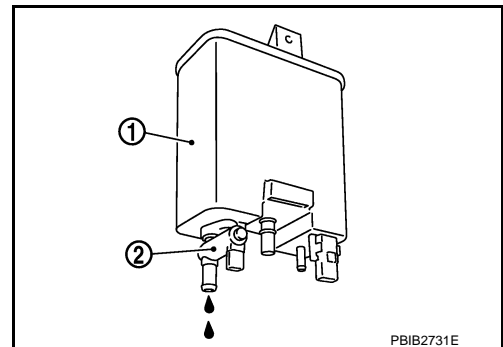
- OK >> GO TO 9.
NG >> Repair or replace EVAP canister vent control valve and O-ring.

9. CHECK IF EVAP CANISTER SATURATED WITH WATER

- Remove EVAP canister with EVAP canister vent control valve and EVAP control system pressure sensor attached.
- Does water drain from the EVAP canister?
 - EVAP canister (1)
 - EVAP canister vent control valve (2)

Yes or No

- Yes >> GO TO 10.
No (With CONSULT-III) >> GO TO 12.
No (Without CONSULT-III) >> GO TO 13.



10. CHECK EVAP CANISTER

Weigh the EVAP canister with the EVAP canister vent control valve and EVAP control system pressure sensor attached.

The weight should be less than 2.0 kg (4.4 lb).

OK or NG

- OK (With CONSULT-III) >> GO TO 12.
OK (Without CONSULT-III) >> GO TO 13.
NG >> GO TO 11.

DTC P0456 EVAP CONTROL SYSTEM

[VK45DE]

< SERVICE INFORMATION >

11. DETECT MALFUNCTIONING PART

Check the following.

- EVAP canister for damage
- EVAP hose between EVAP canister and vehicle frame for clogging or poor connection

>> Repair hose or replace EVAP canister.

12. CHECK EVAP CANISTER PURGE VOLUME CONTROL SOLENOID VALVE OPERATION

With CONSULT-III

1. Disconnect vacuum hose to EVAP canister purge volume control solenoid valve at EVAP service port.
2. Start engine.
3. Perform "PURG VOL CONT/V" in "ACTIVE TEST" mode.
4. Touch "Qu" on CONSULT-III screen to increase "PURG VOL CONT/V" opening to 100%.
5. Check vacuum hose for vacuum when revving engine up to 2,000 rpm.

OK or NG

- OK >> GO TO 15.
NG >> GO TO 14.

13. CHECK EVAP CANISTER PURGE VOLUME CONTROL SOLENOID VALVE OPERATION

Without CONSULT-III

1. Start engine and warm it up to normal operating temperature.
2. Stop engine.
3. Disconnect vacuum hose to EVAP canister purge volume control solenoid valve at EVAP service port.
4. Start engine and let it idle for at least 80 seconds.
5. Check vacuum hose for vacuum when revving engine up to 2,000 rpm.

Vacuum should exist.

OK or NG

- OK >> GO TO 15.
NG >> GO TO 14.

14. CHECK VACUUM HOSE

Check vacuum hoses for clogging or disconnection. Refer to [EC-730, "Vacuum Hose Drawing"](#).

OK or NG

- OK >> GO TO 15.
NG >> Repair or reconnect the hose.

15. CHECK EVAP CANISTER PURGE VOLUME CONTROL SOLENOID VALVE

Refer to [EC-997, "Component Inspection"](#).

OK or NG

- OK >> GO TO 16.
NG >> Replace EVAP canister purge volume control solenoid valve.

16. CHECK FUEL TANK TEMPERATURE SENSOR

Refer to [EC-936, "Component Inspection"](#).

OK or NG

- OK >> GO TO 17.
NG >> Replace fuel level sensor unit.

17. CHECK EVAP CONTROL SYSTEM PRESSURE SENSOR

Refer to [EC-1017, "Component Inspection"](#).

OK or NG

- OK >> GO TO 18.
NG >> Replace EVAP control system pressure sensor.

18. CHECK EVAP PURGE LINE

DTC P0456 EVAP CONTROL SYSTEM

[VK45DE]

< SERVICE INFORMATION >

Check EVAP purge line (pipe, rubber tube, fuel tank and EVAP canister) for cracks or improper connection. Refer to [EC-662. "Description"](#).

OK or NG

- OK >> GO TO 19.
- NG >> Repair or reconnect the hose.

19. CLEAN EVAP PURGE LINE

Clean EVAP purge line (pipe and rubber tube) using air blower.

>> GO TO 20.

20. CHECK EVAP/ORVR LINE

Check EVAP/ORVR line between EVAP canister and fuel tank for clogging, kink, looseness and improper connection. For location, refer to [EC-668](#).

OK or NG

- OK >> GO TO 21.
- NG >> Repair or replace hoses and tubes.

21. CHECK RECIRCULATION LINE

Check recirculation line between filler neck tube and fuel tank for clogging, kink, cracks, looseness and improper connection.

OK or NG

- OK >> GO TO 22.
- NG >> Repair or replace hose, tube or filler neck tube.

22. CHECK REFUELING EVAP VAPOR CUT VALVE

Refer to [EC-670. "Component Inspection"](#).

OK or NG

- OK >> GO TO 23.
- NG >> Replace refueling EVAP vapor cut valve with fuel tank.

23. CHECK FUEL LEVEL SENSOR

Refer to [DI-24. "Electrical Component Inspection"](#).

OK or NG

- OK >> GO TO 24.
- NG >> Replace fuel level sensor unit.

24. CHECK INTERMITTENT INCIDENT

Refer to [EC-763. "Diagnosis Procedure"](#).

>> **INSPECTION END**

A
EC
C
D
E
F
G
H
I
J
K
L
M
N
O
P

DTC P0460 FUEL LEVEL SENSOR

< SERVICE INFORMATION >

[VK45DE]

DTC P0460 FUEL LEVEL SENSOR

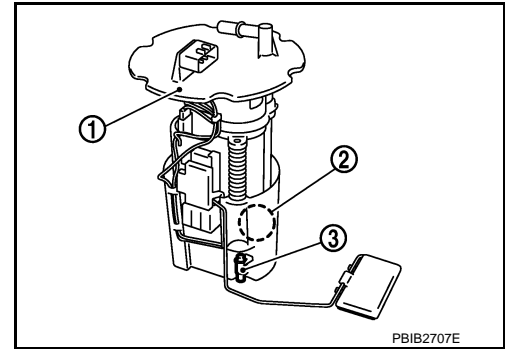
Component Description

INFOID:000000002955045

The fuel level sensor is mounted in the fuel level sensor unit. The sensor detects a fuel level in the fuel tank and transmits a signal to the “unified meter and A/C amp.”. The “unified meter and A/C amp.” sends the fuel level sensor signal to the ECM through CAN communication line.

It consists of two parts, one is mechanical float and the other is variable resistor. Fuel level sensor output voltage changes depending on the movement of the fuel mechanical float.

- Fuel level sensor unit and fuel pump (1)
- Fuel pressure regulator (2)
- Fuel tank temperature sensor (3)



On Board Diagnosis Logic

INFOID:000000002955046

NOTE:

- If DTC P0460 is displayed with DTC U1000 or U1001, first perform the trouble diagnosis for DTC U1000, U1001. Refer to [EC-770, "DTC Confirmation Procedure"](#).
- If DTC P0460 is displayed with DTC U1010, first perform the trouble diagnosis for DTC U1010. Refer to [EC-772, "DTC Confirmation Procedure"](#).

When the vehicle is parked, naturally the fuel level in the fuel tank is stable. It means that output signal of the fuel level sensor does not change. If ECM senses sloshing signal from the sensor, fuel level sensor malfunction is detected.

DTC No.	Trouble diagnosis name	DTC detecting condition	Possible cause
P0460 0460	Fuel level sensor circuit noise	Even though the vehicle is parked, a signal being varied is sent from the fuel level sensor to ECM.	<ul style="list-style-type: none">• Harness or connectors (The CAN communication line is open or shorted)• Harness or connectors (The sensor circuit is open or shorted)• Unified meter and A/C amp.• Fuel level sensor

DTC Confirmation Procedure

INFOID:000000002955047

NOTE:

If DTC Confirmation Procedure has been previously conducted, always turn ignition switch OFF and wait at least 10 seconds before conducting the next test.

1. Start engine and wait maximum of 2 consecutive minutes.
2. Check 1st trip DTC.
3. If 1st trip DTC is detected, go to [EC-1038, "Diagnosis Procedure"](#).

Diagnosis Procedure

INFOID:000000002955048

1. CHECK DTC WITH “UNIFIED METER AND A/C AMP.”

Refer to [DI-27, "CONSULT-III Function \(METER/M&A\)"](#).

OK or NG

OK >> GO TO 2.

NG >> Go to [DI-22, "Fuel Level Sensor Signal Inspection"](#).

2. CHECK INTERMITTENT INCIDENT

Refer to [EC-763, "Diagnosis Procedure"](#).

>> INSPECTION END

DTC P0460 FUEL LEVEL SENSOR

< SERVICE INFORMATION >

[VK45DE]

Removal and Installation

INFOID:000000002955049

FUEL LEVEL SENSOR

Refer to [FL-4](#)

A

EC

C

D

E

F

G

H

I

J

K

L

M

N

O

P

DTC P0461 FUEL LEVEL SENSOR

< SERVICE INFORMATION >

[VK45DE]

DTC P0461 FUEL LEVEL SENSOR

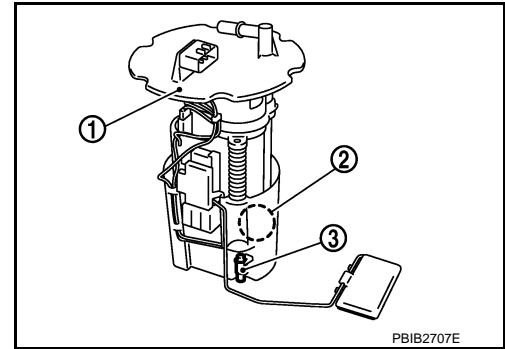
Component Description

INFOID:000000002955050

The fuel level sensor is mounted in the fuel level sensor unit. The sensor detects a fuel level in the fuel tank and transmits a signal to the “unified meter and A/C amp.”. The “unified meter and A/C amp.” sends the fuel level sensor signal to the ECM through CAN communication line.

It consists of two parts, one is mechanical float and the other is variable resistor. Fuel level sensor output voltage changes depending on the movement of the fuel mechanical float.

- Fuel level sensor unit and fuel pump (1)
- Fuel pressure regulator (2)
- Fuel tank temperature sensor (3)



On Board Diagnosis Logic

INFOID:000000002955051

NOTE:

- If DTC P0461 is displayed with DTC U1000 or U1001, first perform the trouble diagnosis for DTC U1000, U1001. Refer to [EC-770, "DTC Confirmation Procedure"](#).
- If DTC P0461 is displayed with DTC U1010, first perform the trouble diagnosis for DTC U1010. Refer to [EC-772, "DTC Confirmation Procedure"](#).

Driving long distances naturally affect fuel gauge level.

This diagnosis detects the fuel gauge malfunction of the gauge not moving even after a long distance has been driven.

DTC No.	Trouble diagnosis name	DTC detecting condition	Possible cause
P0461 0461	Fuel level sensor circuit range/performance	The output signal of the fuel level sensor does not change within the specified range even though the vehicle has been driven a long distance.	<ul style="list-style-type: none">• Harness or connectors (The CAN communication line is open or shorted)• Harness or connectors (The sensor circuit is open or shorted)• Unified meter and A/C amp.• Fuel level sensor

Overall Function Check

INFOID:000000002955052

Use this procedure to check the overall function of the fuel level sensor function. During this check, a 1st trip DTC might not be confirmed.

WARNING:

When performing following procedure, be sure to observe the handling of the fuel. Refer to [FL-10](#).

TESTING CONDITION:

Before starting overall function check, preparation of draining fuel and refilling fuel is required.

Ⓜ WITH CONSULT-III

NOTE:

Start from step 10, if it is possible to confirm that the fuel cannot be drained by 30 ℓ (7-7/8 US gal, 6-5/8 Imp gal) in advance.

1. Prepare a fuel container and a spare hose.
2. Release fuel pressure from fuel line, refer to [EC-708, "Fuel Pressure Check"](#).
3. Remove the fuel feed hose on the fuel level sensor unit.
4. Connect a spare fuel hose where the fuel feed hose was removed.
5. Turn ignition switch OFF and wait at least 10 seconds then turn ON.
6. Select “FUEL LEVEL SE” in “DATA MONITOR” mode with CONSULT-III.
7. Check “FUEL LEVEL SE” output voltage and note it.
8. Select “FUEL PUMP RELAY” in “ACTIVE TEST” mode with CONSULT-III.
9. Touch “ON” and drain fuel approximately 30 ℓ (7-7/8 US gal, 6-5/8 Imp gal) and stop it.
10. Check “FUEL LEVEL SE” output voltage and note it.
11. Fill fuel into the fuel tank for 30 ℓ (7-7/8 US gal, 6-5/8 Imp gal).
12. Check “FUEL LEVEL SE” output voltage and note it.

DTC P0461 FUEL LEVEL SENSOR

[VK45DE]

< SERVICE INFORMATION >

13. Confirm whether the voltage changes more than 0.03V during step 7 to 10 and 10 to 12.

If NG, go to [EC-1041, "Diagnosis Procedure"](#).

 WITH GST

NOTE:

Start from step 8, if it is possible to confirm that the fuel cannot be drained by 30 ℓ (7-7/8 US gal, 6-5/8 Imp gal) in advance.

1. Prepare a fuel container and a spare hose.
2. Release fuel pressure from fuel line. Refer to [EC-708, "Fuel Pressure Check"](#).
3. Remove the fuel feed hose on the fuel level sensor unit.
4. Connect a spare fuel hose where the fuel feed hose was removed.
5. Turn ignition switch ON.
6. Drain fuel by 30 ℓ (7-7/8 US gal, 6-5/8 Imp gal) from the fuel tank using proper equipment.
7. Confirm that the fuel gauge indication varies.
8. Fill fuel into the fuel tank for 30 ℓ (7-7/8 US gal, 6-5/8 Imp gal).
9. Confirm that the fuel gauge indication varies.
10. If NG, go to [EC-1041, "Diagnosis Procedure"](#).

Diagnosis Procedure

INFOID:000000002955053

1.CHECK DTC WITH "UNIFIED METER AND A/C AMP."

Refer to [DI-27, "CONSULT-III Function \(METER/M&A\)"](#).

OK or NG

OK >> GO TO 2.

NG >> Go to [DI-22, "Fuel Level Sensor Signal Inspection"](#).

2.CHECK INTERMITTENT INCIDENT

Refer to [EC-763, "Diagnosis Procedure"](#).

>> **INSPECTION END**

Removal and Installation

INFOID:000000002955054

FUEL LEVEL SENSOR

Refer to [FL-4](#).

A
EC
C
D
E
F
G
H
I
J
K
L
M
N
O
P

DTC P0462, P0463 FUEL LEVEL SENSOR CIRCUIT

< SERVICE INFORMATION >

[VK45DE]

DTC P0462, P0463 FUEL LEVEL SENSOR CIRCUIT

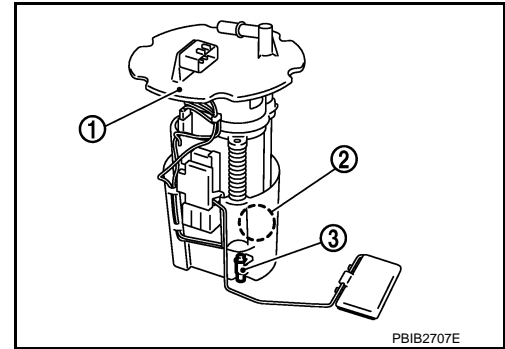
Component Description

INFOID:000000002955055

The fuel level sensor is mounted in the fuel level sensor unit. The sensor detects a fuel level in the fuel tank and transmits a signal to the “unified meter and A/C amp.”. The “unified meter and A/C amp.” sends the fuel level sensor signal to the ECM through CAN communication line.

It consists of two parts, one is mechanical float and the other is variable resistor. Fuel level sensor output voltage changes depending on the movement of the fuel mechanical float.

- Fuel level sensor unit and fuel pump (1)
- Fuel pressure regulator (2)
- Fuel tank temperature sensor (3)



On Board Diagnosis Logic

INFOID:000000002955056

NOTE:

- If DTC P0462 or P0463 is displayed with DTC U1000 or U1001, first perform the trouble diagnosis for DTC U1000, U1001. Refer to [EC-770, "DTC Confirmation Procedure"](#).
- If DTC P0462 or P0463 is displayed with DTC U1010, first perform the trouble diagnosis for DTC U1010. Refer to [EC-772, "DTC Confirmation Procedure"](#).

This diagnosis indicates the former, to detect open or short circuit malfunction.

DTC No.	Trouble diagnosis name	DTC detecting condition	Possible cause
P0462 0462	Fuel level sensor circuit low input	An excessively low voltage from the sensor is sent to ECM.	<ul style="list-style-type: none">• Harness or connectors (The CAN communication line is open or shorted)• Harness or connectors (The sensor circuit is open or shorted)• Unified meter and A/C amp.• Fuel level sensor
P0463 0463	Fuel level sensor circuit high input	An excessively high voltage from the sensor is sent to ECM.	

DTC Confirmation Procedure

INFOID:000000002955057

NOTE:

If DTC Confirmation Procedure has been previously conducted, always turn ignition switch OFF and wait at least 10 seconds before conducting the next test.

TESTING CONDITION:

Before performing the following procedure, confirm that battery voltage is more than 11V at ignition switch ON.

1. Turn ignition switch ON and wait at least 5 seconds.
2. Check 1st trip DTC.
3. If 1st trip DTC is detected, go to [EC-1042, "Diagnosis Procedure"](#).

Diagnosis Procedure

INFOID:000000002955058

1. CHECK DTC WITH “UNIFIED METER AND A/C AMP.”

Refer to [DI-27, "CONSULT-III Function \(METER/M&A\)"](#).

OK or NG

- OK >> GO TO 2.
- NG >> Go to [DI-22, "Fuel Level Sensor Signal Inspection"](#).

2. CHECK INTERMITTENT INCIDENT

Refer to [EC-763, "Diagnosis Procedure"](#).

>> INSPECTION END

DTC P0462, P0463 FUEL LEVEL SENSOR CIRCUIT

< SERVICE INFORMATION >

[VK45DE]

Removal and Installation

INFOID:000000002955059

FUEL LEVEL SENSOR

Refer to [FL-4](#).

A

EC

C

D

E

F

G

H

I

J

K

L

M

N

O

P

DTC P0500 VSS

[VK45DE]

< SERVICE INFORMATION >

DTC P0500 VSS

Description

INFOID:000000002955060

NOTE:

- If DTC P0500 is displayed with DTC U1000 or U1001, first perform the trouble diagnosis for DTC U1000, U1001. Refer to [EC-770, "DTC Confirmation Procedure"](#).
- If DTC P0500 is displayed with DTC U1010, first perform the trouble diagnosis for DTC U1010. Refer to [EC-772, "DTC Confirmation Procedure"](#).

The vehicle speed signal is sent to the "unified meter and A/C amp." from the "ABS actuator and electric unit (control unit)" by CAN communication line. The "unified meter and A/C amp." then sends a signal to the ECM by CAN communication line.

On Board Diagnosis Logic

INFOID:000000002955061

DTC No.	Trouble diagnosis name	DTC detecting condition	Possible cause
P0500 0500	Vehicle speed sensor	The almost 0 km/h (0 MPH) signal from vehicle speed sensor is sent to ECM even when vehicle is being driven.	<ul style="list-style-type: none">• Harness or connectors (The CAN communication line is open or shorted)• Harness or connectors (The vehicle speed signal circuit is open or shorted)• Wheel sensor• Unified meter and A/C amp.• ABS actuator and electric unit (control unit)

DTC Confirmation Procedure

INFOID:000000002955062

CAUTION:

Always drive vehicle at a safe speed.

NOTE:

If DTC Confirmation Procedure has been previously conducted, always turn ignition switch OFF and wait at least 10 seconds before conducting the next test.

TESTING CONDITION:

Steps 1 and 2 may be conducted with the drive wheels lifted in the shop or by driving the vehicle. If a road test is expected to be easier, it is unnecessary to lift the vehicle.

④ WITH CONSULT-III

1. Start engine (VDC switch OFF).
2. Read "VHCL SPEED SE" in "DATA MONITOR" mode with CONSULT-III. The vehicle speed on CONSULT-III should exceed 10 km/h (6 MPH) when rotating wheels with suitable gear position.
If NG, go to [EC-1045, "Diagnosis Procedure"](#).
If OK, go to following step.
3. Select "DATA MONITOR" mode with CONSULT-III.
4. Warm engine up to normal operating temperature.
5. Maintain the following conditions for at least 50 consecutive seconds.

ENG SPEED	More than 1,550 rpm
COOLAN TEMP/S	More than 70°C (158°F)
B/FUEL SCHDL	5.4 - 31.8 msec
Selector lever	Except P or N position
PW/ST SIGNAL	OFF

6. Check 1st trip DTC.
7. If 1st trip DTC is detected, go to [EC-1045, "Diagnosis Procedure"](#).

Overall Function Check

INFOID:000000002955063

Use this procedure to check the overall function of the vehicle speed sensor circuit. During this check, a 1st trip DTC might not be confirmed.

WITH GST

1. Lift up drive wheels.
2. Start engine.
3. Read vehicle speed sensor signal in Service \$01 with GST.
The vehicle speed sensor on GST should be able to exceed 10 km/h (6 MPH) when rotating wheels with suitable gear position.
4. If NG, go to [EC-1045, "Diagnosis Procedure"](#).

Diagnosis Procedure

INFOID:000000002955064

1. CHECK DTC WITH "ABS ACTUATOR AND ELECTRIC UNIT (CONTROL UNIT)"

Refer to [BRC-30, "CONSULT-III Function \(ABS\)"](#).

OK or NG

- OK >> GO TO 2.
- NG >> Repair or replace.

2. CHECK DTC WITH "UNIFIED METER AND A/C AMP."

Refer to [DI-6](#).

>> **INSPECTION END**

A
EC
C
D
E
F
G
H
I
J
K
L
M
N
O
P

DTC P0506 ISC SYSTEM

Description

INFOID:000000002955065

NOTE:

If DTC P0506 is displayed with other DTC, first perform the trouble diagnosis for the other DTC.

The ECM controls the engine idle speed to a specified level through the fine adjustment of the air, which is let into the intake manifold, by operating the electric throttle control actuator. The operating of the throttle valve is varied to allow for optimum control of the engine idling speed. The crankshaft position sensor (POS) detects the actual engine speed and sends a signal to the ECM.

The ECM controls the electric throttle control actuator so that the engine speed coincides with the target value memorized in the ECM. The target engine speed is the lowest speed at which the engine can operate steadily. The optimum value stored in the ECM is determined by taking into consideration various engine conditions, such as during warming up, deceleration, and engine load (air conditioner, power steering and cooling fan operation, etc.).

On Board Diagnosis Logic

INFOID:000000002955066

DTC No.	Trouble diagnosis name	DTC detecting condition	Possible cause
P0506 0506	Idle speed control system RPM lower than expected	The idle speed is less than the target idle speed by 100 rpm or more.	<ul style="list-style-type: none"> • Electric throttle control actuator • Intake air leak

DTC Confirmation Procedure

INFOID:000000002955067

NOTE:

- If DTC Confirmation Procedure has been previously conducted, always turn ignition switch OFF and wait at least 10 seconds before conducting the next test.
- **If the target idle speed is out of the specified value, perform [EC-707, "Idle Air Volume Learning"](#), before conducting DTC Confirmation Procedure. For the target idle speed, refer to the [EC-1278, "Idle Speed and Ignition Timing"](#).**

TESTING CONDITION:

- Before performing the following procedure, confirm that battery voltage is more than 11V at idle.
- Always perform the test at a temperature above $-10^{\circ}\text{C}(14^{\circ}\text{F})$.

1. Open engine hood.
2. Start engine and warm it up to normal operating temperature.
3. Turn ignition switch OFF and wait at least 10 seconds.
4. Start engine and run it for at least 1 minute at idle speed.
5. Check 1st trip DTC.
6. If 1st trip DTC is detected, go to [EC-1046, "Diagnosis Procedure"](#).

Diagnosis Procedure

INFOID:000000002955068

1. CHECK INTAKE AIR LEAK

1. Start engine and let it idle.
2. Listen for an intake air leak after the mass air flow sensor.

OK or NG

- OK >> GO TO 2.
NG >> Discover air leak location and repair.

2. REPLACE ECM

1. Stop engine.
2. Replace ECM.
3. Perform initialization of IVIS (NATS) system and registration of all IVIS (NATS) ignition key IDs. Refer to [BL-221, "ECM Re-Communicating Function"](#).
4. Perform [EC-706, "VIN Registration"](#).
5. Perform [EC-706, "Accelerator Pedal Released Position Learning"](#).
6. Perform [EC-706, "Throttle Valve Closed Position Learning"](#).

DTC P0506 ISC SYSTEM

< SERVICE INFORMATION >

[VK45DE]

7. Perform [EC-707. "Idle Air Volume Learning"](#).

>> INSPECTION END

A

EC

C

D

E

F

G

H

I

J

K

L

M

N

O

P

DTC P0507 ISC SYSTEM

Description

INFOID:000000002955069

NOTE:

If DTC P0507 is displayed with other DTC, first perform the trouble diagnosis for the other DTC.

The ECM controls the engine idle speed to a specified level through the fine adjustment of the air, which is let into the intake manifold, by operating the electric throttle control actuator. The operating of the throttle valve is varied to allow for optimum control of the engine idling speed. The crankshaft position sensor (POS) detects the actual engine speed and sends a signal to the ECM.

The ECM controls the electric throttle control actuator so that the engine speed coincides with the target value memorized in the ECM. The target engine speed is the lowest speed at which the engine can operate steadily. The optimum value stored in the ECM is determined by taking into consideration various engine conditions, such as during warming up, deceleration, and engine load (air conditioner, power steering and cooling fan operation, etc.).

On Board Diagnosis Logic

INFOID:000000002955070

DTC No.	Trouble diagnosis name	DTC detecting condition	Possible cause
P0507 0507	Idle speed control system RPM higher than expected	The idle speed is more than the target idle speed by 200 rpm or more.	<ul style="list-style-type: none"> • Electric throttle control actuator • Intake air leak • PCV system

DTC Confirmation Procedure

INFOID:000000002955071

NOTE:

- If DTC Confirmation Procedure has been previously conducted, always turn ignition switch OFF and wait at least 10 seconds before conducting the next test.
- **If the target idle speed is out of the specified value, perform [EC-707, "Idle Air Volume Learning"](#), before conducting DTC Confirmation Procedure. For the target idle speed, refer to the [EC-1278, "Idle Speed and Ignition Timing"](#).**

TESTING CONDITION:

- Before performing the following procedure, confirm that battery voltage is more than 11V at idle.
 - Always perform the test at a temperature above -10°C(14°F).
1. Open engine hood.
 2. Start engine and warm it up to normal operating temperature.
 3. Turn ignition switch OFF and wait at least 10 seconds.
 4. Start engine and run it for at least 1 minute at idle speed.
 5. Check 1st trip DTC.
 6. If 1st trip DTC is detected, go to [EC-1048, "Diagnosis Procedure"](#).

Diagnosis Procedure

INFOID:000000002955072

1.CHECK PCV HOSE CONNECTION

Confirm that PCV hose is connected correctly.

OK or NG

- OK >> GO TO 2.
- NG >> Repair or replace.

2.CHECK INTAKE AIR LEAK

1. Start engine and let it idle.
2. Listen for an intake air leak after the mass air flow sensor.

OK or NG

- OK >> GO TO 3.
- NG >> Discover air leak location and repair.

3.REPLACE ECM

DTC P0507 ISC SYSTEM

[VK45DE]

< SERVICE INFORMATION >

1. Stop engine.
2. Replace ECM.
3. Perform initialization of IVIS (NATS) system and registration of all IVIS (NATS) ignition key IDs. Refer to [BL-221, "ECM Re-Communicating Function"](#).
4. Perform [EC-706, "VIN Registration"](#).
5. Perform [EC-706, "Accelerator Pedal Released Position Learning"](#).
6. Perform [EC-706, "Throttle Valve Closed Position Learning"](#).
7. Perform [EC-707, "Idle Air Volume Learning"](#).

A

EC

C

>> INSPECTION END

D

E

F

G

H

I

J

K

L

M

N

O

P

DTC P0550 PSP SENSOR

[VK45DE]

< SERVICE INFORMATION >

DTC P0550 PSP SENSOR

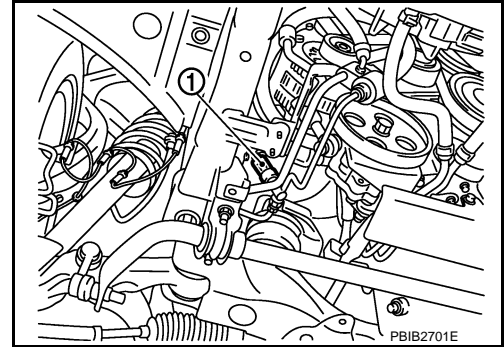
Component Description

INFOID:000000002955073

Power steering pressure (PSP) sensor (1) is installed to the power steering high-pressure tube and detects a power steering load.

- Illustration shows the view from under the vehicle.

This sensor is a potentiometer which transforms the power steering load into output voltage, and emits the voltage signal to the ECM. The ECM controls the electric throttle control actuator and adjusts the throttle valve opening angle to increase the engine speed and adjusts the idle speed for the increased load.



CONSULT-III Reference Value in Data Monitor Mode

INFOID:000000002955074

Specification data are reference values.

MONITOR ITEM	CONDITION	SPECIFICATION
PW/ST SIGNAL	• Engine: After warming up, idle the engine	Steering wheel: Not being turned OFF
		Steering wheel: Being turned ON

On Board Diagnosis Logic

INFOID:000000002955075

The MIL will not light up for this diagnosis.

NOTE:

If DTC P0550 is displayed with DTC P0643, first perform the trouble diagnosis for DTC P0643. Refer to [EC-1061, "DTC Confirmation Procedure"](#).

DTC No.	Trouble diagnosis name	DTC detecting condition	Possible cause
P0550 0550	Power steering pressure sensor circuit	An excessively low or high voltage from the sensor is sent to ECM.	<ul style="list-style-type: none">• Harness or connectors (The sensor circuit is open or shorted)• Power steering pressure sensor

DTC Confirmation Procedure

INFOID:000000002955076

NOTE:

If DTC Confirmation Procedure has been previously conducted, always turn ignition switch OFF and wait at least 10 seconds before conducting the next test.

1. Start engine and let it idle for at least 5 seconds.
2. Check 1st trip DTC.
3. If 1st trip DTC is detected, go to [EC-1052, "Diagnosis Procedure"](#).

DTC P0550 PSP SENSOR

< SERVICE INFORMATION >

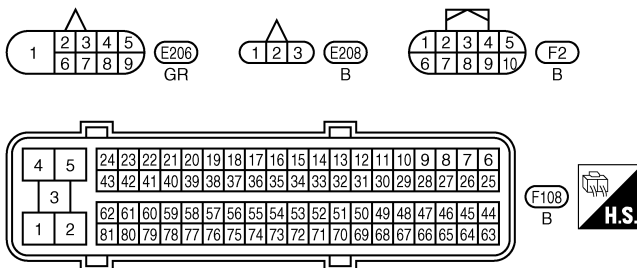
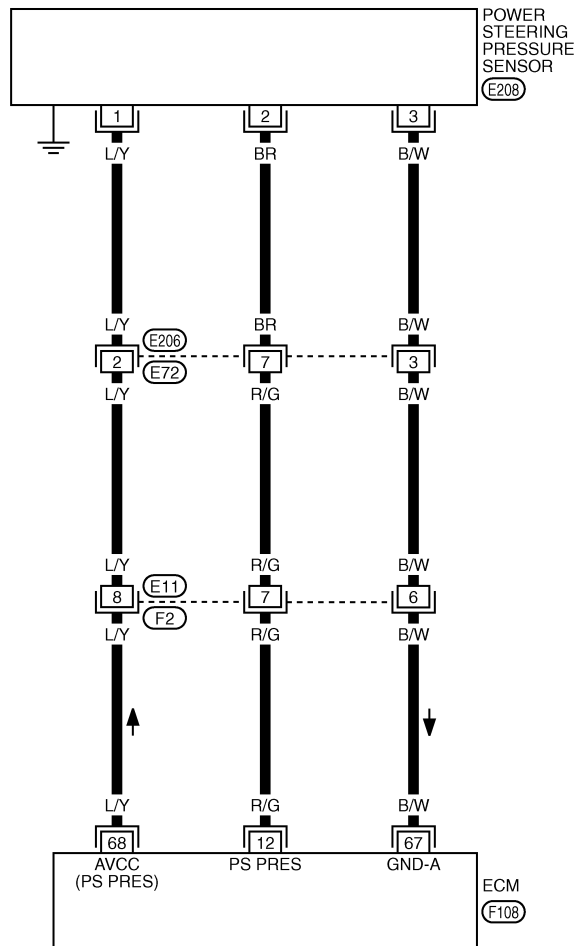
[VK45DE]

INFOID:000000002955077

Wiring Diagram

EC-PS/SEN-01

— : DETECTABLE LINE FOR DTC
 - - - : NON-DETECTABLE LINE FOR DTC



TBWT1032E

Specification data are reference values and are measured between each terminal and ground.

CAUTION:

Do not use ECM ground terminals when measuring input/output voltage. Doing so may result in damage to the ECM's transistor. Use a ground other than ECM terminals, such as the ground.

DTC P0550 PSP SENSOR

[VK45DE]

< SERVICE INFORMATION >

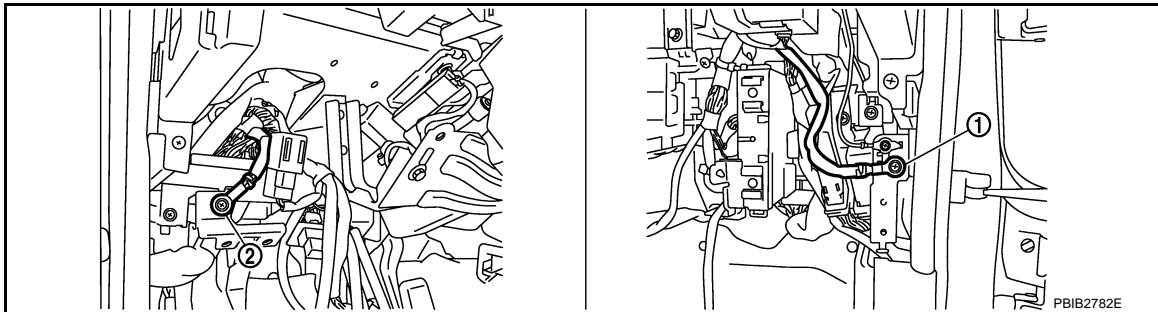
TER-MI-NAL NO.	WIRE COLOR	ITEM	CONDITION	DATA (DC Voltage)
12	R/G	Power steering pressure sensor	[Engine is running] • Steering wheel: Being turned	0.5 - 4.5V
			[Engine is running] • Steering wheel: Not being turned	0.4 - 0.8V
67	B/W	Sensor ground (Power steering pressure sensor)	[Engine is running] • Warm-up condition • Idle speed	Approximately 0V
68	L/Y	Sensor power supply (Power steering pressure sensor)	[Ignition switch: ON]	Approximately 5V

Diagnosis Procedure

INFOID:000000002955078

1. CHECK GROUND CONNECTIONS

1. Turn ignition switch OFF.
2. Loosen and retighten ground screws on the body.
Refer to [EC-769. "Ground Inspection"](#).



1. Body ground M70

2. Body ground M16

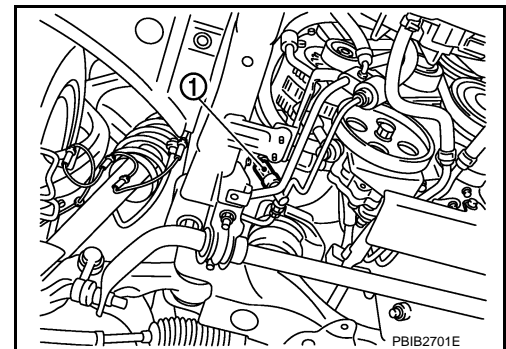
OK or NG

OK >> GO TO 2.

NG >> Repair or replace ground connections.

2. CHECK PSP SENSOR POWER SUPPLY CIRCUIT

1. Disconnect PSP sensor (1) harness connector.
- Illustration shows the view from under the vehicle.
2. Turn ignition switch ON.



DTC P0550 PSP SENSOR

[VK45DE]

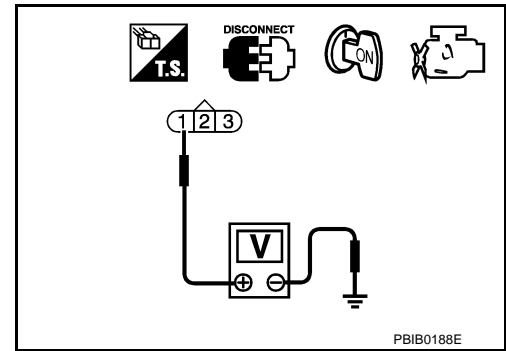
< SERVICE INFORMATION >

3. Check voltage between PSP sensor terminal 1 and ground with CONSULT-III or tester.

Voltage: Approximately 5V

OK or NG

- OK >> GO TO 4.
- NG >> GO TO 3.



3. DETECT MALFUNCTIONING PART

Check the following.

- Harness connectors E206, E72
- Harness connectors E11, F2
- Harness for open or short between power steering pressure sensor and ECM

>> Repair open circuit or short to ground or short to power in harness or connectors.

4. CHECK PSP SENSOR GROUND CIRCUIT FOR OPEN AND SHORT

1. Turn ignition switch OFF.
2. Disconnect ECM harness connector.
3. Check harness continuity between PSP sensor terminal 3 and ECM terminal 67.
Refer to Wiring Diagram.

Continuity should exist.

4. Also check harness for short to ground and short to power.

OK or NG

- OK >> GO TO 6.
- NG >> GO TO 5.

5. DETECT MALFUNCTIONING PART

Check the following.

- Harness connectors E206, E72
- Harness connectors E11, F2
- Harness for open or short between power steering pressure sensor and ECM

>> Repair open circuit or short to ground short to power in harness or connectors.

6. CHECK PSP SENSOR INPUT SIGNAL CIRCUIT FOR OPEN AND SHORT

1. Check harness continuity between ECM terminal 12 and PSP sensor terminal 2.
Refer to Wiring Diagram.

Continuity should exist.

2. Also check harness for short to ground and short to power.

OK or NG

- OK >> GO TO 8.
- NG >> GO TO 7.

7. DETECT MALFUNCTIONING PART

Check the following.

- Harness connectors E206, E72
- Harness connectors E11, F2
- Harness for open or short between power steering pressure sensor and ECM

>> Repair open circuit or short to ground or short to power in harness or connectors.

DTC P0550 PSP SENSOR

[VK45DE]

< SERVICE INFORMATION >

8. CHECK PSP SENSOR

Refer to [EC-1054, "Component Inspection"](#).

OK or NG

OK >> GO TO 9.

NG >> Replace PSP sensor.

9. CHECK INTERMITTENT INCIDENT

Refer to [EC-763, "Diagnosis Procedure"](#).

>> **INSPECTION END**

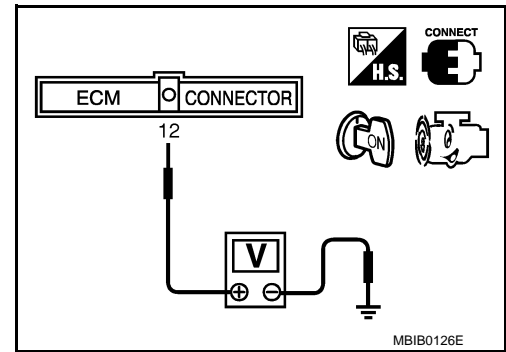
Component Inspection

INFOID:000000002955079

POWER STEERING PRESSURE SENSOR

1. Reconnect all harness connectors disconnected.
2. Start engine and let it idle.
3. Check voltage between ECM terminal 12 and ground under the following conditions.

Condition	Voltage
Steering wheel: Being turned.	0.5 - 4.5V
Steering wheel: Not being turned.	0.4 - 0.8V



INFOID:000000002955080

Removal and Installation

POWER STEERING PRESSURE SENSOR

Refer to [PS-36](#).

DTC P0603 ECM POWER SUPPLY

< SERVICE INFORMATION >

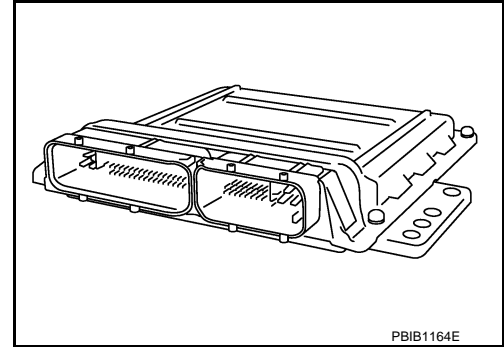
[VK45DE]

DTC P0603 ECM POWER SUPPLY

Component Description

INFOID:000000002955081

Battery voltage is supplied to the ECM even when the ignition switch is turned OFF for the ECM memory function of the DTC memory, the air-fuel ratio feedback compensation value memory, the idle air volume learning value memory, etc.



On Board Diagnosis Logic

INFOID:000000002955082

DTC No.	Trouble diagnosis name	DTC detecting condition	Possible cause
P0603 0603	ECM power supply circuit	ECM back-up RAM system does not function properly.	<ul style="list-style-type: none">• Harness or connectors [ECM power supply (back-up) circuit is open or shorted.]• ECM

DTC Confirmation Procedure

INFOID:000000002955083

NOTE:

If DTC Confirmation Procedure has been previously conducted, always turn ignition switch OFF and wait at least 10 seconds before conducting the next test.

1. Turn ignition switch ON and wait at least 1 second.
2. Start engine and let it idle for 1 second.
3. Turn ignition switch OFF, wait at least 10 seconds and then turn ON.
4. Repeat steps 3 and 4 for four times.
5. Check 1st trip DTC.
6. If 1st trip DTC is detected, go to [EC-1057. "Diagnosis Procedure"](#).

DTC P0603 ECM POWER SUPPLY



[VK45DE]

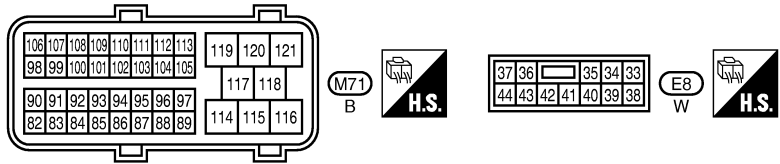
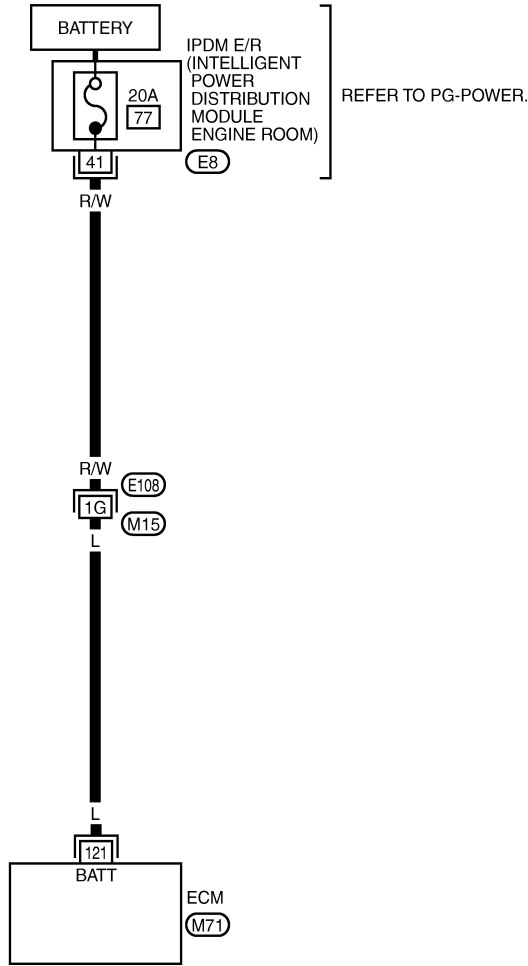
< SERVICE INFORMATION >

Wiring Diagram


INFOID:00000002955084

EC-ECM/PW-01

 : DETECTABLE LINE FOR DTC
 : NON-DETECTABLE LINE FOR DTC



REFER TO THE FOLLOWING.

 - SUPER MULTIPLE JUNCTION (SMJ)

TBWT1995E

Specification data are reference values and are measured between each terminal and ground.

CAUTION:

Do not use ECM ground terminals when measuring input/output voltage. Doing so may result in damage to the ECM's transistor. Use a ground other than ECM terminals, such as the ground.

DTC P0603 ECM POWER SUPPLY

[VK45DE]

< SERVICE INFORMATION >

TER-MI-NAL NO.	WIRE COLOR	ITEM	CONDITION	DATA (DC Voltage)
121	L	Power supply for ECM (Back-up)	[Ignition switch: OFF]	BATTERY VOLTAGE (11 - 14V)

Diagnosis Procedure

INFOID:00000002955085

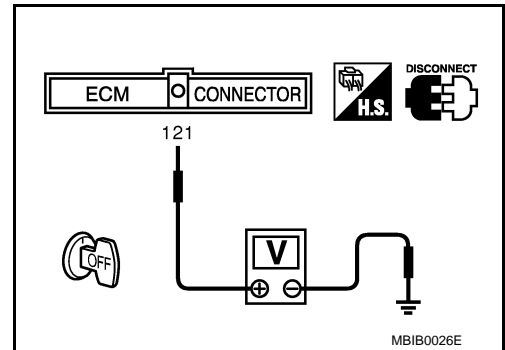
1. CHECK ECM POWER SUPPLY

1. Turn ignition switch OFF.
2. Disconnect ECM harness connector.
3. Check voltage between ECM terminal 121 and ground with CONSULT-III or tester.

Voltage: Battery voltage

OK or NG

- OK >> GO TO 3.
NG >> GO TO 2.



2. DETECT MALFUNCTIONING PART

Check the following.

- Harness connectors E108, M15
- 20A fuse
- IPDM E/R harness connector E8
- Harness for open or short between ECM and battery

>> Repair or replace harness or connectors.

3. CHECK INTERMITTENT INCIDENT

Refer to [EC-763, "Diagnosis Procedure"](#).

OK or NG

- OK >> GO TO 4.
NG >> Repair or replace harness or connectors.

4. PERFORM DTC CONFIRMATION PROCEDURE

1. Turn ignition switch ON.
2. Erase DTC.
3. **Perform DTC Confirmation Procedure.**
See [EC-1055, "DTC Confirmation Procedure"](#).
4. Is the 1st trip DTC P0603 displayed again?

Yes or No

- Yes >> GO TO 5.
No >> **INSPECTION END**

5. REPLACE ECM

1. Replace ECM.
2. Perform initialization of IVIS (NATS) system and registration of all IVIS (NATS) ignition key IDs. Refer to [BL-221, "ECM Re-Communicating Function"](#).
3. Perform [EC-706, "VIN Registration"](#).
4. Perform [EC-706, "Accelerator Pedal Released Position Learning"](#).
5. Perform [EC-706, "Throttle Valve Closed Position Learning"](#).
6. Perform [EC-707, "Idle Air Volume Learning"](#).

DTC P0603 ECM POWER SUPPLY

< SERVICE INFORMATION >

[VK45DE]

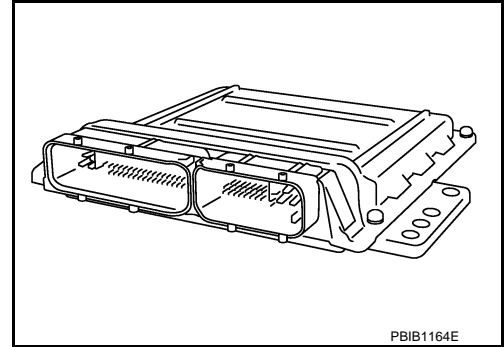
>> INSPECTION END

DTC P0605 ECM

Component Description

INFOID:000000002955086

The ECM consists of a microcomputer and connectors for signal input and output and for power supply. The ECM controls the engine.



On Board Diagnosis Logic

INFOID:000000002955087

This self-diagnosis has one or two trip detection logic.

DTC No.	Trouble diagnosis name	DTC detecting condition		Possible cause
P0605 0605	Engine control module	A)	ECM calculation function is malfunctioning.	• ECM
		B)	ECM EEP-ROM system is malfunctioning.	
		C)	ECM self shut-off function is malfunctioning.	

FAIL-SAFE MODE

ECM enters fail-safe mode when the malfunction A is detected.

Detected items	Engine operation condition in fail-safe mode
Malfunction A	<ul style="list-style-type: none"> ECM stops the electric throttle control actuator control, throttle valve is maintained at a fixed opening (approx. 5 degrees) by the return spring. ECM deactivates ASCD operation.

DTC Confirmation Procedure

INFOID:000000002955088

Perform PROCEDURE FOR MALFUNCTION A first. If the 1st trip DTC cannot be confirmed, perform PROCEDURE FOR MALFUNCTION B. If there is no malfunction on PROCEDURE FOR MALFUNCTION B, perform PROCEDURE FOR MALFUNCTION C.

NOTE:

If DTC Confirmation Procedure has been previously conducted, always turn ignition switch OFF and wait at least 10 seconds before conducting the next test.

PROCEDURE FOR MALFUNCTION A

1. Turn ignition switch ON.
2. Check 1st trip DTC.
3. If 1st trip DTC is detected, go to [EC-1060. "Diagnosis Procedure"](#).

PROCEDURE FOR MALFUNCTION B

1. Turn ignition switch ON and wait at least 1 second.
2. Turn ignition switch OFF, wait at least 10 seconds, and then turn ON.
3. Check 1st trip DTC.
4. If 1st trip DTC is detected, go to [EC-1060. "Diagnosis Procedure"](#).

PROCEDURE FOR MALFUNCTION C

1. Turn ignition switch ON and wait at least 1 second.
2. Turn ignition switch OFF, wait at least 10 seconds, and then turn ON.
3. Repeat step 3 for 32 times.

< SERVICE INFORMATION >

4. Check 1st trip DTC.
5. If 1st trip DTC is detected, go to [EC-1060, "Diagnosis Procedure"](#).

Diagnosis Procedure

INFOID:000000002955089

1.INSPECTION START

1. Turn ignition switch ON.
2. Erase DTC.
3. **Perform DTC Confirmation Procedure.**
See [EC-1059, "DTC Confirmation Procedure"](#).
4. Is the 1st trip DTC P0605 displayed again?

Yes or No

- Yes >> GO TO 2.
No >> **INSPECTION END**

2.REPLACE ECM

1. Replace ECM.
2. Perform initialization of IVIS (NATS) system and registration of all IVIS (NATS) ignition key IDs. Refer to [BL-221, "ECM Re-Communicating Function"](#).
3. Perform [EC-706, "VIN Registration"](#).
4. Perform [EC-706, "Accelerator Pedal Released Position Learning"](#).
5. Perform [EC-706, "Throttle Valve Closed Position Learning"](#).
6. Perform [EC-707, "Idle Air Volume Learning"](#).

>> **INSPECTION END**

DTC P0643 SENSOR POWER SUPPLY

< SERVICE INFORMATION >

[VK45DE]

DTC P0643 SENSOR POWER SUPPLY

On Board Diagnosis Logic

INFOID:000000002955090

This self-diagnosis has the one trip detection logic.

DTC No.	Trouble diagnosis name	DTC detecting condition	Possible cause
P0643 0643	Sensor power supply circuit short	ECM detects a voltage of power source for sensor is excessively low or high.	<ul style="list-style-type: none">• Harness or connectors (APP sensor 1 circuit is shorted.) (EVAP control system pressure sensor is shorted.) (Refrigerant pressure sensor circuit is short- ed.) (PSP sensor circuit is shorted.) (Battery current sensor circuit is shorted.)• Accelerator pedal position sensor• EVAP control system pressure sensor• Refrigerant pressure sensor• Power steering pressure sensor• Battery current sensor

FAIL-SAFE MODE

When the malfunction is detected, ECM enters fail-safe mode and the MIL lights up.

Engine operation condition in fail-safe mode

ECM stops the electric throttle control actuator control, throttle valve is maintained at a fixed opening (approx. 5 degrees) by the return spring.

DTC Confirmation Procedure

INFOID:000000002955091

NOTE:

If DTC Confirmation Procedure has been previously conducted, always turn ignition switch OFF and wait at least 10 seconds before conducting the next test.

TESTING CONDITION:

Before performing the following procedure, confirm that battery voltage is more than 10V at idle.

1. Start engine and let it idle for 1 second.
2. Check DTC.
3. If DTC is detected, go to [EC-1063, "Diagnosis Procedure"](#).

DTC P0643 SENSOR POWER SUPPLY

< SERVICE INFORMATION >

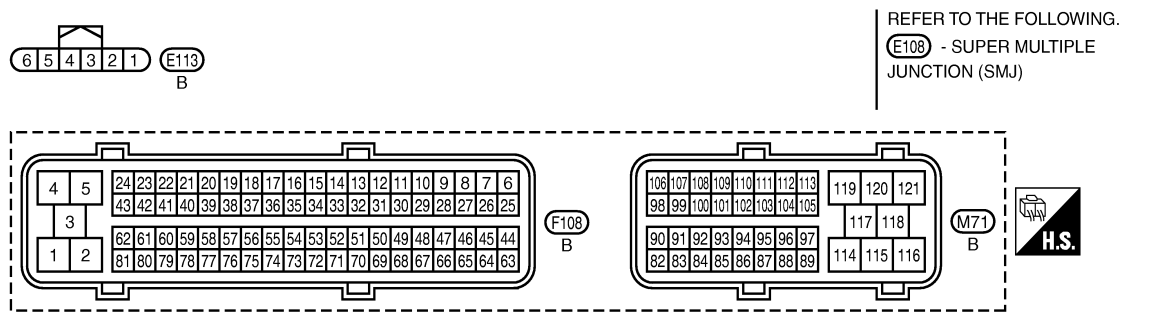
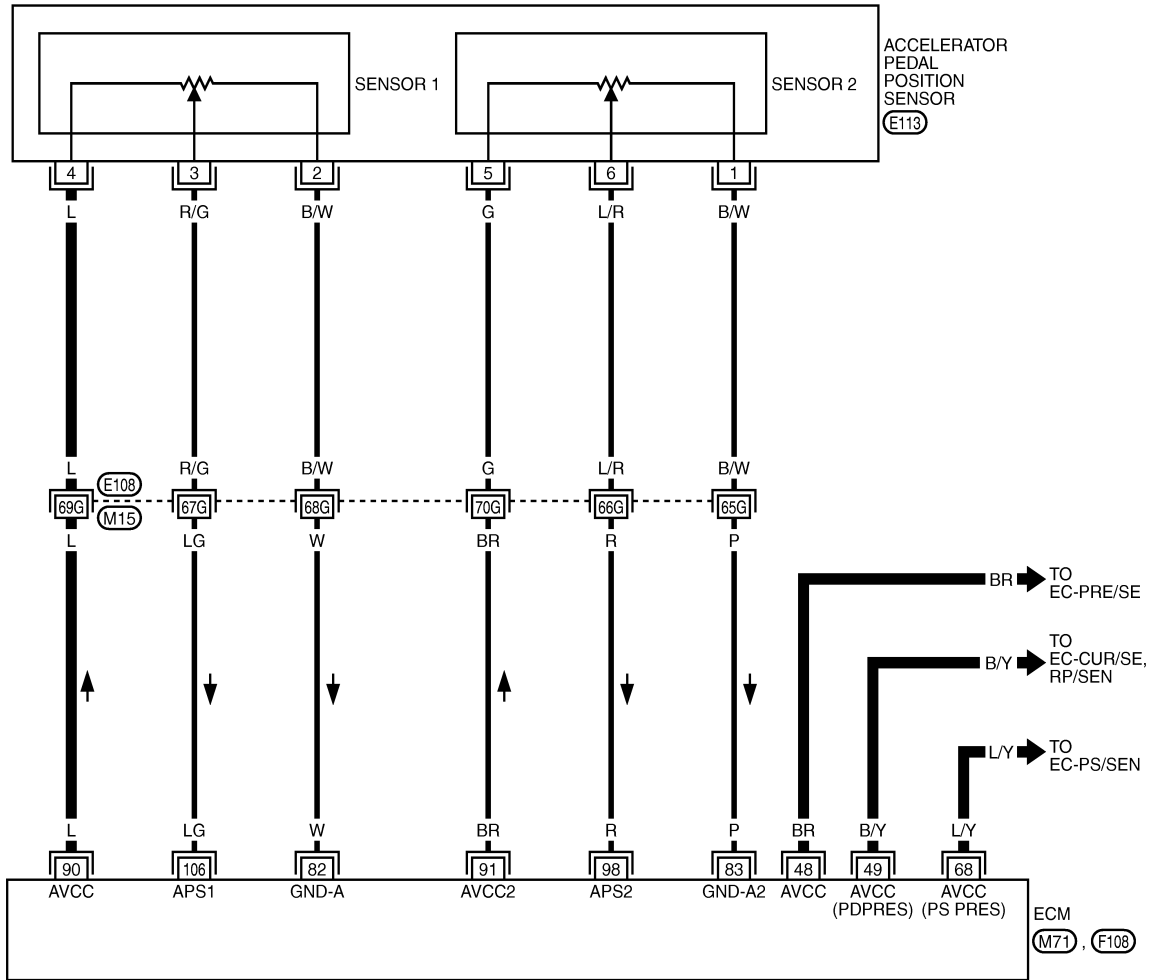
[VK45DE]

INFOID:00000002955092

Wiring Diagram

EC-SEN/PW-01

: DETECTABLE LINE FOR DTC
 : NON-DETECTABLE LINE FOR DTC



TBWT1996E

Specification data are reference values and are measured between each terminal and ground.

CAUTION:

Do not use ECM ground terminals when measuring input/output voltage. Doing so may result in damage to the ECM's transistor. Use a ground other than ECM terminals, such as the ground.

DTC P0643 SENSOR POWER SUPPLY

< SERVICE INFORMATION >

[VK45DE]

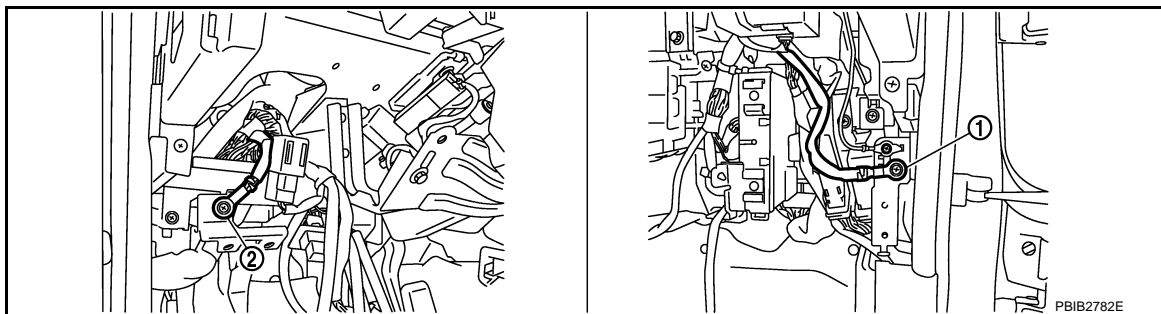
TER-MI-NAL NO.	WIRE COLOR	ITEM	CONDITION	DATA (DC Voltage)
48	BR	Sensor power supply (EVAP control system pressure sensor)	[Ignition switch: ON]	Approximately 5V
49	B/Y	Sensor power supply (Refrigerant pressure sensor, Battery current sensor)	[Ignition switch: ON]	Approximately 5V
68	L/Y	Sensor power supply (Power steering pressure sensor)	[Ignition switch: ON]	Approximately 5V
82	W	Sensor ground (APP sensor 1)	[Engine is running] • Warm-up condition • Idle speed	Approximately 0V
83	P	Sensor ground (APP sensor 2)	[Engine is running] • Warm-up condition • Idle speed	Approximately 0V
90	L	Sensor power supply (APP sensor 1)	[Ignition switch: ON]	Approximately 5V
91	BR	Sensor power supply (APP sensor 2)	[Ignition switch: ON]	Approximately 5V
98	R	Accelerator pedal position sensor 2	[Ignition switch: ON] • Engine stopped • Accelerator pedal: Fully released	0.20 - 0.55V
			[Ignition switch: ON] • Engine: Stopped • Accelerator pedal: Fully depressed	1.85 - 2.40V
106	LG	Accelerator pedal position sensor 1	[Ignition switch: ON] • Engine: Stopped • Accelerator pedal: Fully released	0.4 - 1.1V
			[Ignition switch: ON] • Engine: Stopped • Accelerator pedal: Fully depressed	3.7 - 4.8V

Diagnosis Procedure

INFOID:000000002955093

1. CHECK GROUND CONNECTIONS

1. Turn ignition switch OFF.
2. Loosen and retighten ground screws on the body.
Refer to [EC-769, "Ground Inspection"](#).



1. Body ground M70

2. Body ground M16

OK or NG

OK >> GO TO 2.

DTC P0643 SENSOR POWER SUPPLY

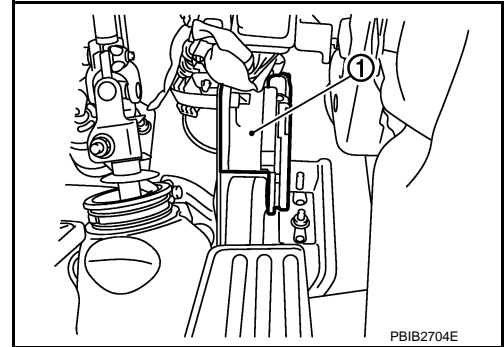
[VK45DE]

< SERVICE INFORMATION >

NG >> Repair or replace ground connections.

2. CHECK ACCELERATOR PEDAL POSITION SENSOR 1 POWER SUPPLY CIRCUIT

1. Disconnect accelerator pedal position (APP) sensor (1) harness connector.
2. Turn ignition switch ON.

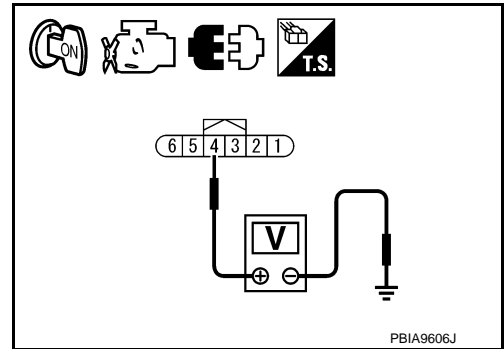


3. Check voltage between APP sensor terminal 4 and ground with CONSULT-III or tester.

Voltage: Approximately 5V

OK or NG

- OK >> GO TO 5.
NG >> GO TO 3.



3. CHECK SENSOR POWER SUPPLY CIRCUITS

Check harness for short to power and short to ground, between the following terminals.

ECM terminal	Sensor terminal	Reference Wiring Diagram
90	APP sensor terminal 4	EC-1062
48	EVAP control system pressure sensor terminal 3	EC-1014
49	Refrigerant pressure sensor terminal 1	EC-1260
	Battery current sensor terminal 1	EC-1106
68	PSP sensor terminal 1	EC-1051

OK or NG

- OK >> GO TO 4.
NG >> Repair short to ground or short to power in harness or connectors.

4. CHECK COMPONENTS

Check the following.

- EVAP control system pressure sensor (Refer to [EC-1017, "Component Inspection"](#).)
- Refrigerant pressure sensor (Refer to [ATC-82, "Magnet Clutch Circuit"](#).)
- Battery current sensor (Refer to [EC-1109, "Component Inspection"](#).)
- Power steering pressure sensor (Refer to [EC-1054, "Component Inspection"](#).)

OK or NG

- OK >> GO TO 7.
NG >> Replace malfunctioning component.

5. CHECK APP SENSOR

Refer to [EC-1192, "Component Inspection"](#).

OK or NG

- OK >> GO TO 7.
NG >> GO TO 6.

DTC P0643 SENSOR POWER SUPPLY

< SERVICE INFORMATION >

[VK45DE]

6. REPLACE ACCELERATOR PEDAL ASSEMBLY

1. Replace accelerator pedal assembly.
2. Perform [EC-706, "Accelerator Pedal Released Position Learning"](#).
3. Perform [EC-706, "Throttle Valve Closed Position Learning"](#).
4. Perform [EC-707, "Idle Air Volume Learning"](#).

>> INSPECTION END

7. CHECK INTERMITTENT INCIDENT

Refer to [EC-763, "Diagnosis Procedure"](#).

>> INSPECTION END

A

EC

C

D

E

F

G

H

I

J

K

L

M

N

O

P

DTC P0850 PNP SWITCH

[VK45DE]

< SERVICE INFORMATION >

DTC P0850 PNP SWITCH

Component Description

INFOID:000000002955094

When the selector lever position is P or N, transmission range switch is ON.
ECM detects the position because the continuity of the line (the ON signal) exists.

CONSULT-III Reference Value in Data Monitor Mode

INFOID:000000002955095

Specification data are reference values.

MONITOR ITEM	CONDITION		SPECIFICATION
P/N POSI SW	• Ignition switch: ON	Selector lever: P or N	ON
		Selector lever: Except above	OFF

On Board Diagnosis Logic

INFOID:000000002955096

DTC No.	Trouble diagnosis name	DTC detecting condition	Possible cause
P0850 0850	Park/neutral position switch	The signal of the transmission range switch is not changed in the process of engine starting and driving.	<ul style="list-style-type: none">• Harness or connectors [The transmission range switch circuit is open or shorted.]• Transmission range switch• Unified meter and A/C amp.• TCM

DTC Confirmation Procedure

INFOID:000000002955097

CAUTION:

Always drive vehicle at a safe speed.

NOTE:

If DTC Confirmation Procedure has been previously conducted, always turn ignition switch OFF and wait at least 10 seconds before conducting the next test.

④ WITH CONSULT-III

1. Turn ignition switch ON.
2. Select "P/N POSI SW" in "DATA MONITOR" mode with CONSULT-III. Then check the "P/N POSI SW" signal under the following conditions.

Position (Selector lever)	Known-good signal
N or P position	ON
Except above position	OFF

If NG, go to [EC-1069, "Diagnosis Procedure"](#).

If OK, go to the following step.

3. Start engine and warm it up to normal operating temperature.
4. Maintain the following conditions for at least 50 consecutive seconds.

ENG SPEED	1,300 - 6,375 rpm
COOLAN TEMP/S	More than 70°C (158°F)
B/FUEL SCHDL	3.0 - 31.8 msec
VHCL SPEED SE	More than 64 km/h (40 MPH)
Selector lever	Suitable position

5. Check 1st trip DTC.
6. If 1st trip DTC is detected, go to [EC-1069, "Diagnosis Procedure"](#).

DTC P0850 PNP SWITCH

[VK45DE]

< SERVICE INFORMATION >

Overall Function Check

INFOID:000000002955098

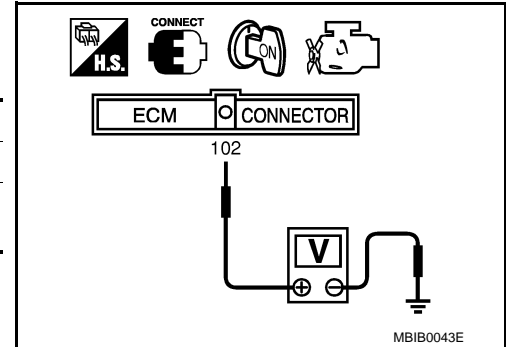
Use this procedure to check the overall function of the transmission range switch circuit. During this check, a 1st trip DTC might not be confirmed.

WITH GST

1. Turn ignition switch ON.
2. Check voltage between ECM terminal 102 (PNP signal) and ground under the following conditions.

Position (Selector lever)	Voltage (Known good data)
P or N position	Approx. 0V
Except above position	BATTERY VOLTAGE (11 - 14V)

3. If NG, go to [EC-1069. "Diagnosis Procedure"](#).



A
EC
C
D
E
F
G
H
I
J
K
L
M
N
O
P

DTC P0850 PNP SWITCH

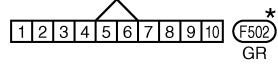
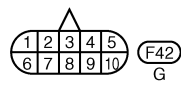
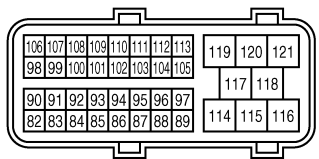
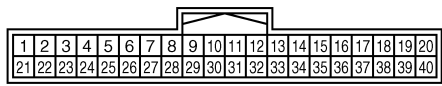
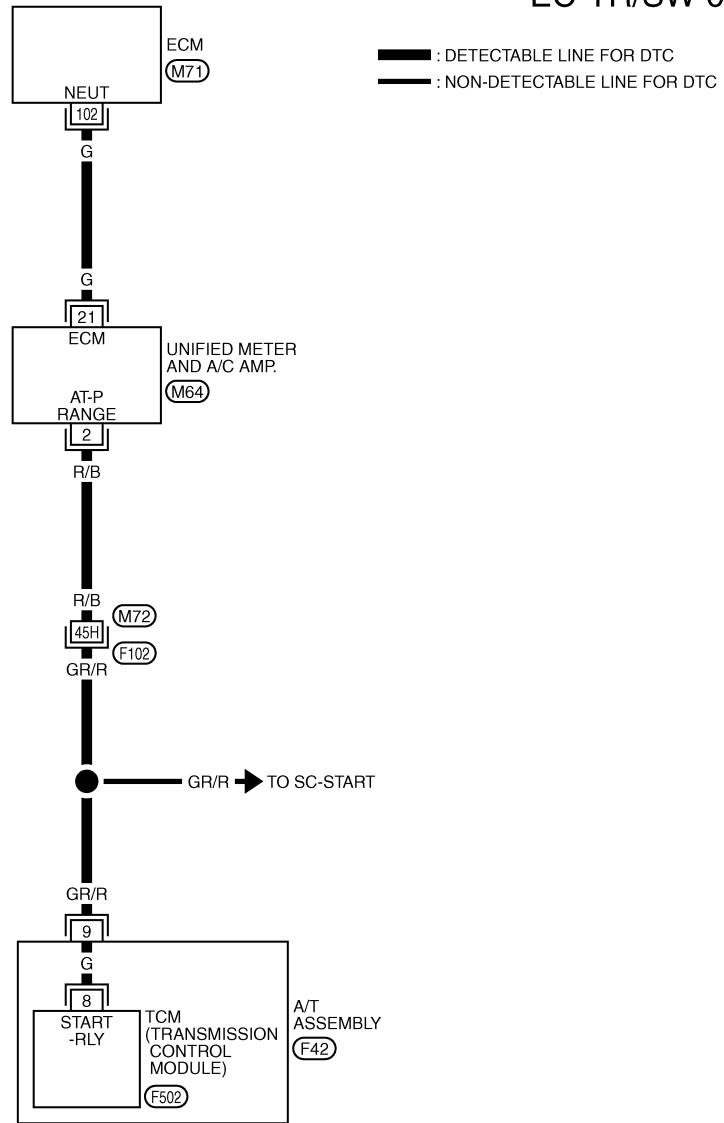
< SERVICE INFORMATION >

[VK45DE]

Wiring Diagram

INFOID:00000002955099

EC-TR/SW-01



REFER TO THE FOLLOWING.
 (F102) -SUPER MULTIPLE JUNCTION (SMJ)

*: THIS CONNECTOR IS NOT SHOWN IN "HARNESS LAYOUT", PG SECTION.

TBWT1052E

Specification data are reference values and are measured between each terminal and ground.
CAUTION:
 Do not use ECM ground terminals when measuring input/output voltage. Doing so may result in damage to the ECM's transistor. Use a ground other than ECM terminals, such as the ground.

DTC P0850 PNP SWITCH

< SERVICE INFORMATION >

[VK45DE]

TER-MI-NAL NO.	WIRE COLOR	ITEM	CONDITION	DATA (DC Voltage)
102	G	Transmission range switch	[Ignition switch: ON] • Selector lever: P or N	Approximately 0V
			[Ignition switch: ON] • Selector lever: Except above	BATTERY VOLTAGE (11 - 14V)

Diagnosis Procedure

INFOID:000000002955100

1.CHECK DTC WITH TCM

Refer to [AT-40, "OBD-II Diagnostic Trouble Code \(DTC\)"](#).

OK or NG

- OK >> GO TO 2.
- NG >> Repair or replace.

2.CHECK STARTING SYSTEM

Turn ignition switch OFF, then turn it to START.

Does starter motor operate?

Yes or No

- Yes >> GO TO 3.
- No >> Refer to [SC-8](#).

3.CHECK PNP INPUT SIGNAL CIRCUIT FOR OPEN AND SHORT-I

1. Turn ignition switch OFF.
2. Disconnect A/T assembly harness connector.
3. Disconnect "unified meter and A/C amp." harness connector.
4. Check harness continuity between A/T assembly terminal 9 and "unified meter and A/C amp." terminal 2. Refer to Wiring Diagram.

Continuity should exist.

5. Also check harness for short to ground and short to power.

OK or NG

- OK >> GO TO 5.
- NG >> GO TO 4.

4.DETECT MALFUNCTIONING PART

Check the following.

- Harness connectors M72, F102
- Harness for open or short between A/T assembly and "unified meter and A/C amp."

>> Repair open circuit or short to ground or short to power in harness or connectors.

5.CHECK PNP INPUT SIGNAL CIRCUIT FOR OPEN AND SHORT-II

1. Disconnect ECM harness connector.
2. Check harness continuity between ECM terminal 102 and "unified meter and A/C amp." terminal 21. Refer to Wiring Diagram.

Continuity should exist.

3. Also check harness for short to ground and short to power.

OK or NG

- OK >> GO TO 6.
- NG >> Repair open circuit or short to ground or short to power in harness or connectors.

6.CHECK PNP INPUT SIGNAL CIRCUIT FOR OPEN AND SHORT-III

DTC P0850 PNP SWITCH

[VK45DE]

< SERVICE INFORMATION >

1. Check harness continuity between A/T assembly terminal 9 and TCM terminal 8.
Refer to [AT-98](#).

Continuity should exist.

2. Also check harness for short to ground and short to power.

OK or NG

OK >> GO TO 7.

NG >> Repair open circuit or short to ground or short to power in harness or connectors.

7.CHECK INTERMITTENT INCIDENT

Refer to [EC-763](#), "Diagnosis Procedure".

OK or NG

OK >> GO TO 8.

NG >> Repair or replace.

8.REPLACE "UNIFIED METER AND A/C AMP."

Refer to [DI-26](#).

>> INSPECTION END

DTC P1140, P1145 IVT CONTROL POSITION SENSOR

< SERVICE INFORMATION >

[VK45DE]

DTC P1140, P1145 IVT CONTROL POSITION SENSOR

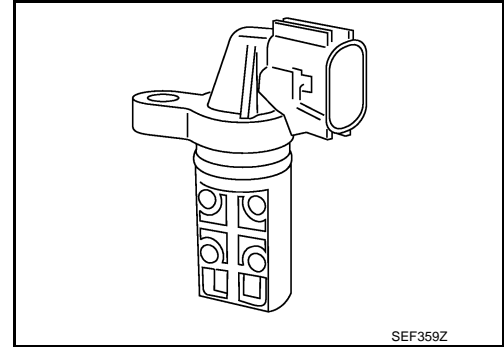
Component Description

INFOID:000000002955101

Intake valve timing control position sensors are located in the front of cylinder heads in both bank 1 and bank 2.

This sensor uses a Hall IC.

The cam position is determined by the intake primary cam sprocket concave (in four places). The ECM provides feedback to the intake valve timing control for appropriate target valve open-close timing according to drive conditions based on detected cam position.



SEF359Z

CONSULT-III Reference Value in Data Monitor Mode

INFOID:000000002955102

Specification data are reference values.

MONITOR ITEM	CONDITION		SPECIFICATION
INT/V TIM (B1) INT/V TIM (B2)	<ul style="list-style-type: none"> Engine: After warming up Selector lever: P or N Air conditioner switch: OFF No load 	Idle	-5° - 5°C
		2,000 rpm	Approx. 0° - 20°C

On Board Diagnosis Logic

INFOID:000000002955103

DTC No.	Trouble diagnosis name	DTC detecting condition	Possible cause
P1140 1140 (bank 1)	Intake valve timing control position sensor circuit	An excessively high or low voltage from the sensor is sent to ECM.	<ul style="list-style-type: none"> Harness or connectors (Intake valve timing control position sensor circuit is open or shorted) Intake valve timing control position sensor Crankshaft position sensor (POS) Camshaft position sensor (PHASE) Accumulation of debris to the signal pick-up portion of the camshaft sprocket
P1145 1145 (bank 2)			

DTC Confirmation Procedure

INFOID:000000002955104

NOTE:

If DTC Confirmation Procedure has been previously conducted, always turn ignition switch OFF and wait at least 10 seconds before conducting the next test.

1. Start engine and let it idle for 10 seconds.
2. Check 1st trip DTC.
3. If 1st trip DTC is detected, go to [EC-1075. "Diagnosis Procedure"](#).

DTC P1140, P1145 IVT CONTROL POSITION SENSOR

< SERVICE INFORMATION >

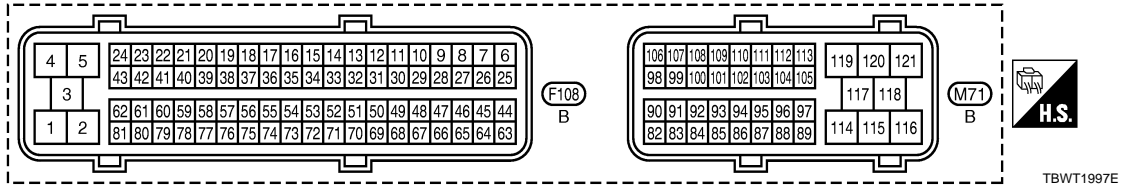
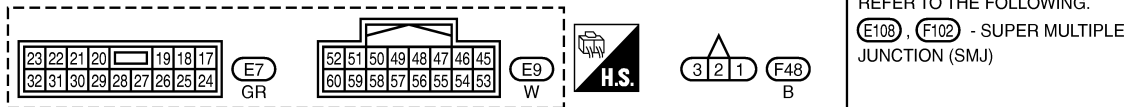
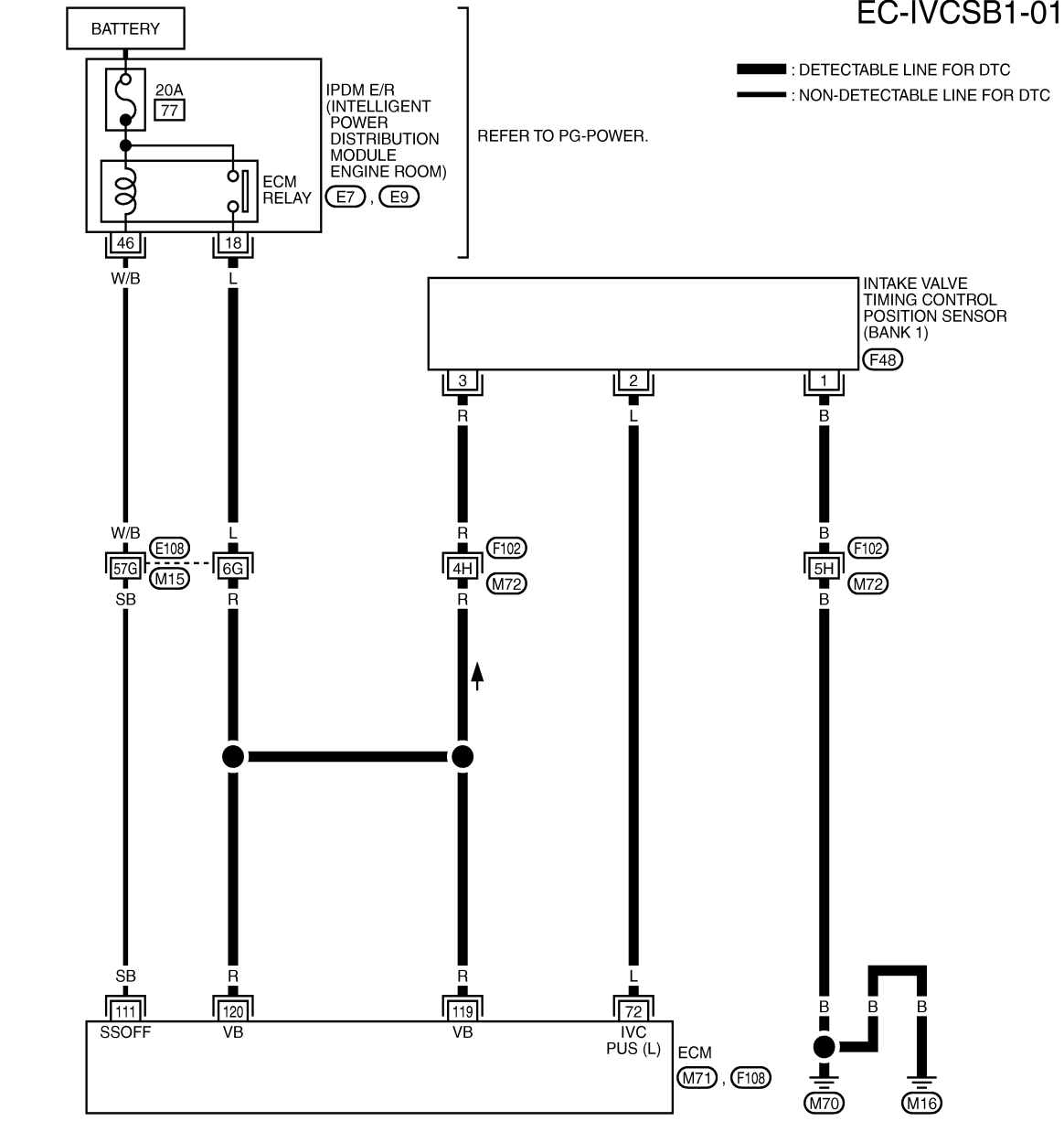
[VK45DE]

INFOID:00000002955105

Wiring Diagram

BANK 1

EC-IVCSB1-01



TBWT1997E

Specification data are reference values and are measured between each terminal and ground. Pulse signal is measured by CONSULT-III.

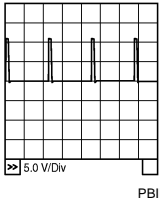
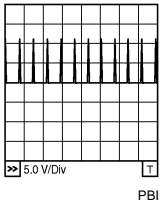
CAUTION:

DTC P1140, P1145 IVT CONTROL POSITION SENSOR

< SERVICE INFORMATION >

[VK45DE]

Do not use ECM ground terminals when measuring input/output voltage. Doing so may result in damage to the ECM's transistor. Use a ground other than ECM terminals, such as the ground.

TER-MI-NAL NO.	WIRE COLOR	ITEM	CONDITION	DATA (DC Voltage)
72	L	Intake valve timing control position sensor (bank 1)	[Engine is running] <ul style="list-style-type: none"> • Warm-up condition • Idle speed 	0 - 1.0V★ 
			[Engine is running] <ul style="list-style-type: none"> • Engine speed: 2,000rpm 	0 - 1.0V★ 
111	SB	ECM relay (Self shut-off)	[Engine is running] [Ignition switch: OFF] <ul style="list-style-type: none"> • For a few seconds after turning ignition switch OFF 	0 - 1.5V
			[Ignition switch: OFF] <ul style="list-style-type: none"> • More than a few seconds after turning ignition switch OFF 	BATTERY VOLTAGE (11 - 14V)
119 120	R R	Power supply for ECM	[Ignition switch: ON]	BATTERY VOLTAGE (11 - 14V)

★: Average voltage for pulse signal (Actual pulse signal can be confirmed by oscilloscope.)

A
EC
C
D
E
F
G
H
I
J
K
L
M
N
O
P

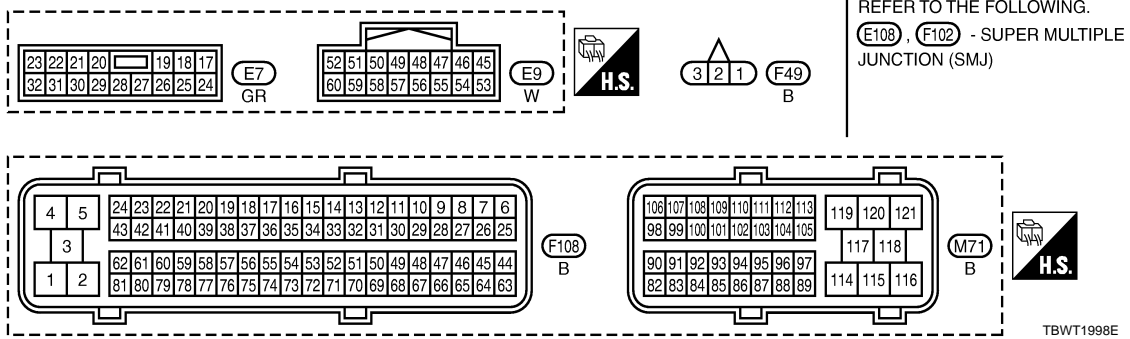
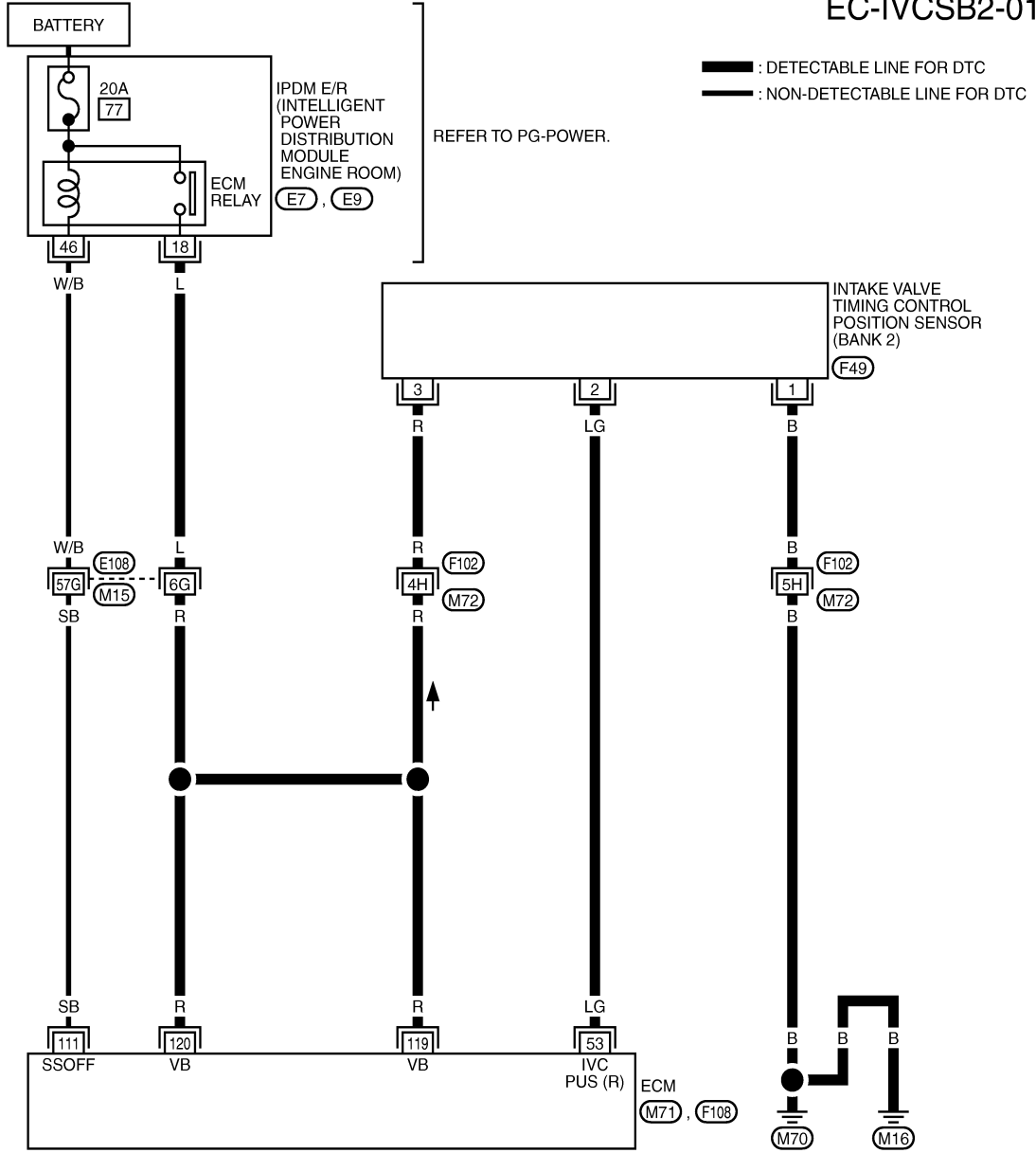
DTC P1140, P1145 IVT CONTROL POSITION SENSOR

< SERVICE INFORMATION >

[VK45DE]

BANK 2

EC-IVCSB2-01



Specification data are reference values and are measured between each terminal and ground. Pulse signal is measured by CONSULT-III.

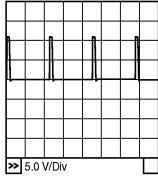
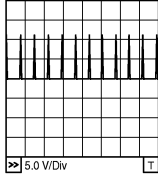
CAUTION:

Do not use ECM ground terminals when measuring input/output voltage. Doing so may result in damage to the ECM's transistor. Use a ground other than ECM terminals, such as the ground.

DTC P1140, P1145 IVT CONTROL POSITION SENSOR

< SERVICE INFORMATION >

[VK45DE]

TER-MI-NAL NO.	WIRE COLOR	ITEM	CONDITION	DATA (DC Voltage)
53	LG	Intake valve timing control position sensor (bank 2)	[Engine is running] • Warm-up condition • Idle speed	0 - 1.0V★ 
			[Engine is running] • Engine speed: 2,000 rpm	0 - 1.0V★ 
111	SB	ECM relay (Self shut-off)	[Engine is running] [Ignition switch: OFF] • For a few seconds after turning ignition switch OFF	0 - 1.5V
			[Ignition switch: OFF] • More than a few seconds after turning ignition switch OFF	BATTERY VOLTAGE (11 - 14V)
119 120	R R	Power supply for ECM	[Ignition switch: ON]	BATTERY VOLTAGE (11 - 14V)

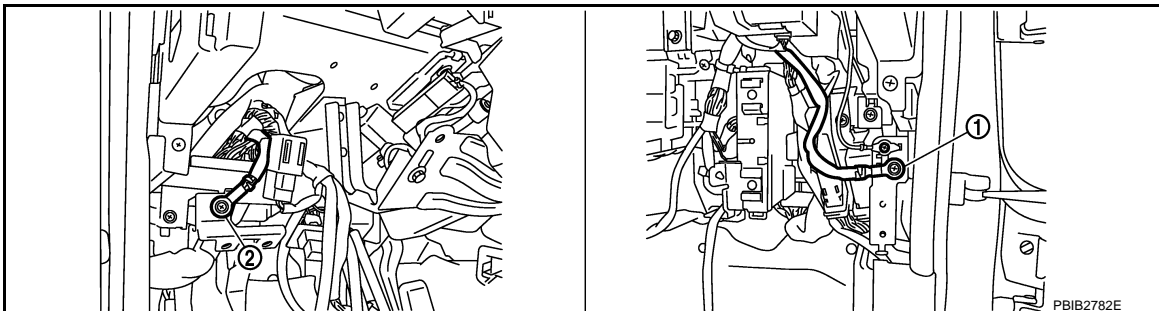
★: Average voltage for pulse signal (Actual pulse signal can be confirmed by oscilloscope.)

Diagnosis Procedure

INFOID:000000002955106

1. CHECK GROUND CONNECTIONS

1. Turn ignition switch OFF.
2. Loosen and retighten ground screws on the body.
Refer to [EC-769, "Ground Inspection"](#).



1. Body ground M70
2. Body ground M16

OK or NG

- OK >> GO TO 2.
- NG >> Repair or replace ground connections.

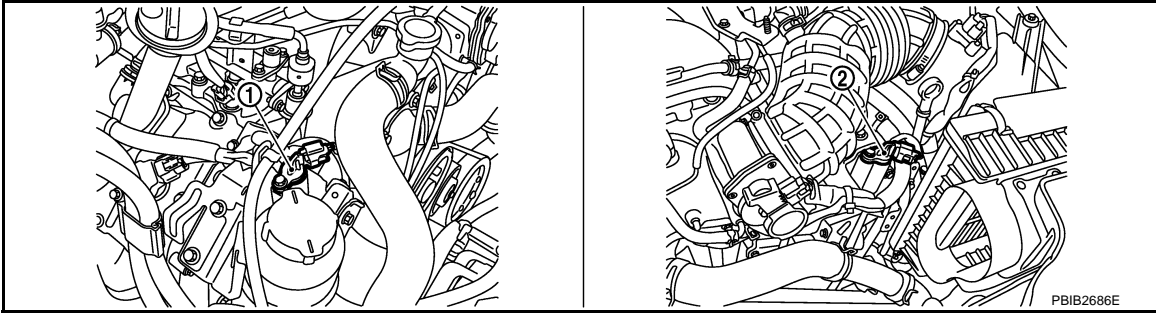
2. CHECK INTAKE VALVE TIMING CONTROL POSITION SENSOR POWER SUPPLY CIRCUIT

1. Disconnect intake valve timing control position sensor harness connector.

DTC P1140, P1145 IVT CONTROL POSITION SENSOR

< SERVICE INFORMATION >

[VK45DE]



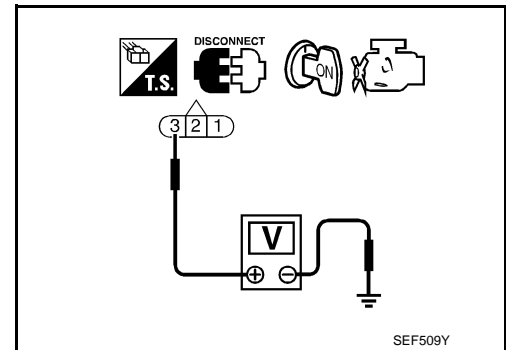
1. Intake valve timing control position sensor (bank 2)
2. Intake valve timing control position sensor (bank 1)

2. Turn ignition switch ON.
3. Check voltage between intake valve timing control position sensor terminal 3 and ground with CONSULT-III or tester.

Voltage: Battery voltage

OK or NG

- OK >> GO TO 4.
- NG >> GO TO 3.



3. DETECT MALFUNCTIONING PART

Check the following.

- Harness connectors E108, M15
- Harness connectors F102, M72
- Harness for open or short between intake valve timing control position sensor and IPDM E/R
- Harness for open or short between intake valve timing control position sensor and ECM

>> Repair open circuit or short to ground or short to power in harness or connectors.

4. CHECK INTAKE VALVE TIMING CONTROL POSITION SENSOR GROUND CIRCUIT FOR OPEN AND SHORT

1. Turn ignition switch OFF.
2. Check harness continuity between intake valve timing control position sensor terminal 1 and ground. Refer to Wiring Diagram.

Continuity should exist.

3. Also check harness for short to power.

OK or NG

- OK >> GO TO 6.
- NG >> GO TO 5.

5. DETECT MALFUNCTIONING PART

Check the following.

- Harness connectors F102, M72
- Harness for open or short between intake valve timing control position sensor and ground

>> Repair open circuit or short to power in harness or connectors.

6. CHECK INTAKE VALVE TIMING CONTROL POSITION SENSOR INPUT SIGNAL CIRCUIT FOR OPEN AND SHORT

1. Disconnect ECM harness connector.

DTC P1140, P1145 IVT CONTROL POSITION SENSOR

[VK45DE]

< SERVICE INFORMATION >

2. Check harness continuity between the following;
ECM terminal 72 and intake valve timing control position sensor (bank 1) terminal 2 or
ECM terminal 53 and intake valve timing control position sensor (bank 2) terminal 2.
Refer to Wiring Diagram.

Continuity should exist.

3. Also check harness for short to ground and short to power.

OK or NG

OK >> GO TO 7.

NG >> Repair open circuit or short to ground or short to power in harness or connectors.

7. CHECK INTAKE VALVE TIMING CONTROL POSITION SENSOR

Refer to [EC-1077, "Component Inspection"](#).

OK or NG

OK >> GO TO 8.

NG >> Replace intake valve timing control position sensor.

8. CHECK CRANKSHAFT POSITION SENSOR (POS)

Refer to [EC-962, "Component Inspection"](#).

OK or NG

OK >> GO TO 9.

NG >> Replace crankshaft position sensor (POS).

9. CHECK CAMSHAFT POSITION SENSOR (PHASE)

Refer to [EC-967, "Component Inspection"](#).

OK or NG

OK >> GO TO 10.

NG >> Replace camshaft position sensor (PHASE).

10. CHECK CAMSHAFT SPROCKET

Check accumulation of debris to the signal pick-up portion of the camshaft sprocket. Refer to [EM-202](#).

OK or NG

OK >> GO TO 11.

NG >> Remove debris and clean the signal pick-up cutout of camshaft sprocket.

11. CHECK INTERMITTENT INCIDENT

Refer to [EC-763, "Diagnosis Procedure"](#).

>> INSPECTION END

Component Inspection

INFOID:000000002955107

INTAKE VALVE TIMING CONTROL POSITION SENSOR

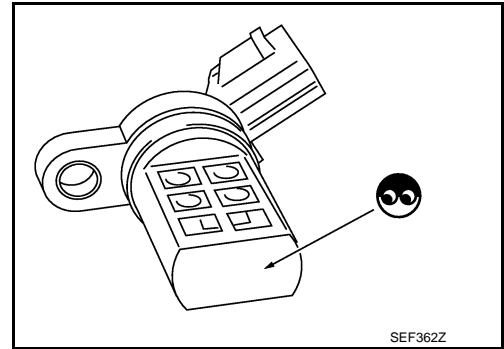
1. Disconnect intake valve timing control position sensor harness connector.
2. Loosen the fixing bolt of the sensor.
3. Remove the sensor.

DTC P1140, P1145 IVT CONTROL POSITION SENSOR

< SERVICE INFORMATION >

[VK45DE]

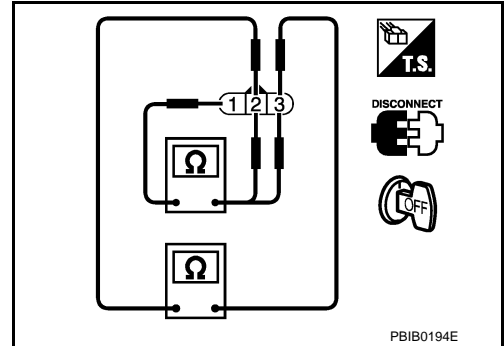
4. Visually check the sensor for chipping.



5. Check resistance as shown below.

Terminal No. (Polarity)	Resistance Ω [at 25°C (77°F)]
3 (+) - 1 (-)	Except 0 or ∞
2 (+) - 1 (-)	
3 (+) - 2 (-)	

6. If NG, replace intake valve timing control position sensor.



INFOID:000000002955108

Removal and Installation

INTAKE VALVE TIMING CONTROL POSITION SENSOR

Refer to [EM-202](#).

DTC P1148, P1168 CLOSED LOOP CONTROL

< SERVICE INFORMATION >

[VK45DE]

DTC P1148, P1168 CLOSED LOOP CONTROL

On Board Diagnosis Logic

INFOID:000000002955109

These self-diagnoses have the one trip detection logic.

DTC No.	Trouble diagnosis name	DTC detecting condition	Possible cause
P1148 1148 (Bank 1)	Closed loop control function	The closed loop control function for bank 1 does not operate even when vehicle is driving in the specified condition.	<ul style="list-style-type: none">• Harness or connectors (The A/F sensor 1 circuit is open or shorted.)• A/F sensor 1• A/F sensor 1 heater
P1168 1168 (Bank 2)		The closed loop control function for bank 2 does not operate even when vehicle is driving in the specified condition.	

NOTE:

DTC P1148 or P1168 is displayed with another DTC for A/F sensor 1. Perform the trouble diagnosis for the corresponding DTC.

A
EC
C
D
E
F
G
H
I
J
K
L
M
N
O
P

DTC P1211 TCS CONTROL UNIT

< SERVICE INFORMATION >

[VK45DE]

DTC P1211 TCS CONTROL UNIT

Description

INFOID:000000002955110

The malfunction information related to TCS is transferred through the CAN communication line from “ABS actuator and electric unit (control unit)” to ECM.

Be sure to erase the malfunction information such as DTC not only for “ABS actuator and electric unit (control unit)” but also for ECM after TCS related repair.

On Board Diagnosis Logic

INFOID:000000002955111

Freeze frame data is not stored in the ECM for this self-diagnosis. The MIL will not light up for this self-diagnosis.

DTC No.	Trouble diagnosis name	DTC detecting condition	Possible cause
P1211 1211	TCS control unit	ECM receives a malfunction information from “ABS actuator electric unit (control unit)”	<ul style="list-style-type: none">• ABS actuator and electric unit (control unit)• TCS related parts

DTC Confirmation Procedure

INFOID:000000002955112

TESTING CONDITION:

Before performing the following procedure, confirm that battery voltage is more than 10.5V at idle.

1. Start engine and let it idle for at least 60 seconds.
2. Check 1st trip DTC.
3. If 1st trip DTC is detected, go to [EC-1080, "Diagnosis Procedure"](#).

Diagnosis Procedure

INFOID:000000002955113

Go to [BRC-30, "CONSULT-III Function \(ABS\)"](#).

DTC P1212 TCS COMMUNICATION LINE

< SERVICE INFORMATION >

[VK45DE]

DTC P1212 TCS COMMUNICATION LINE

Description

INFOID:000000002955114

NOTE:

- If DTC P1212 is displayed with DTC U1000 or U1001, first perform the trouble diagnosis for DTC U1000, U1001. Refer to [EC-770, "DTC Confirmation Procedure"](#).
- If DTC P1212 is displayed with DTC U1010, first perform the trouble diagnosis for DTC U1010. Refer to [EC-772, "DTC Confirmation Procedure"](#).

This CAN communication line is used to control the smooth engine operation during the TCS operation. Pulse signals are exchanged between ECM and "ABS actuator and electric unit (control unit)".

Be sure to erase the malfunction information such as DTC not only for "ABS actuator and electric unit (control unit)" but also for ECM after TCS related repair.

On Board Diagnosis Logic

INFOID:000000002955115

Freeze frame data is not stored in the ECM for this self-diagnosis. The MIL will not light up for this self-diagnosis.

DTC No.	Trouble diagnosis name	DTC detecting condition	Possible cause
P1212 1212	TCS communication line	ECM can not receive the information from "ABS actuator and electric unit (control unit)" continuously.	<ul style="list-style-type: none">• Harness or connectors (The CAN communication line is open or shorted.)• ABS actuator and electric unit (control unit)• Dead (Weak) battery

DTC Confirmation Procedure

INFOID:000000002955116

TESTING CONDITION:

Before performing the following procedure, confirm that battery voltage is more than 10.5V at idle.

1. Start engine and let it idle for at least 10 seconds.
2. Check 1st trip DTC.
3. If 1st trip DTC is detected, go to [EC-1081, "Diagnosis Procedure"](#).

Diagnosis Procedure

INFOID:000000002955117

Go to [BRC-30, "CONSULT-III Function \(ABS\)"](#).

DTC P1217 ENGINE OVER TEMPERATURE

< SERVICE INFORMATION >

[VK45DE]

DTC P1217 ENGINE OVER TEMPERATURE

Description

INFOID:000000002955118

SYSTEM DESCRIPTION

NOTE:

- If DTC P1217 is displayed with DTC U1000 or U1001, first perform the trouble diagnosis for DTC U1000, U1001. Refer to [EC-770, "DTC Confirmation Procedure"](#).
- If DTC P1217 is displayed with DTC U1010, first perform the trouble diagnosis for DTC U1010. Refer to [EC-772, "DTC Confirmation Procedure"](#).

Cooling Fan Control

Sensor	Input signal to ECM	ECM function	Actuator
Crankshaft position sensor (POS) Camshaft position sensor (PHASE)	Engine speed*1	Cooling fan control	<ul style="list-style-type: none"> • IPDM E/R • Cooling fan relay • Cooling fan control module
Battery	Battery voltage*1		
Wheel sensor	Vehicle speed*2		
Engine coolant temperature sensor	Engine coolant temperature		
Air conditioner switch	Air conditioner ON signal*2		
Refrigerant pressure sensor	Refrigerant pressure		
Unified meter and A/C amp.	Target A/C evaporator temperature*2		
Intake sensor	A/C evaporator temperature*2		

*1: The ECM determines the start signal status by the signals of engine speed and battery voltage.

*2: This signal is sent to ECM through CAN communication line.

ECM controls cooling fan speed corresponding to vehicle speed, engine coolant temperature, air conditioner ON signal, refrigerant pressure, target A/C evaporator temperature and A/C evaporator temperature.

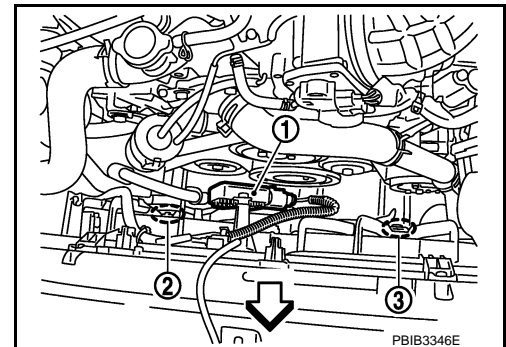
Cooling fan control signal is sent to IPDM E/R from ECM by CAN communication line. Then, IPDM E/R sends ON/OFF pulse duty signal to cooling fan control module. Corresponding to this ON/OFF pulse duty signal, cooling fan control module gives cooling fan motor operating voltage to cooling fan motors. Cooling fan speed is controlled by duty cycle of cooling fan motor operating voltage sent from cooling fan control module.

COMPONENT DESCRIPTION

Cooling Fan Control Module

Cooling fan control module (1) receives ON/OFF pulse duty signal from IPDM E/R. Corresponding to this ON/OFF pulse duty signal, cooling fan control module sends cooling fan motor operating voltage to cooling fan motor. The revolution speed of cooling fan motor is controlled by duty cycle of the voltage.

- ↙: Vehicle front
- Cooling fan motor-2 (2)
- Cooling fan motor-1 (3)



Cooling Fan Motor

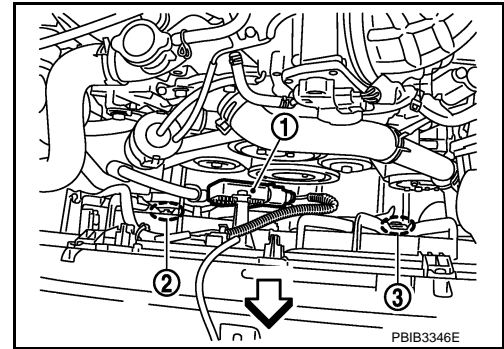
DTC P1217 ENGINE OVER TEMPERATURE

[VK45DE]

< SERVICE INFORMATION >

Cooling fan motor receives cooling fan motor operating voltage from cooling fan control module (1). The revolution speed of cooling fan motor is controlled by duty cycle of the voltage.

- ⇐: Vehicle front
- Cooling fan motor-2 (2)
- Cooling fan motor-1 (3)



CONSULT-III Reference Value in Data Monitor Mode

INFOID:000000002955119

Specification data are reference values.

MONITOR ITEM	CONDITION	SPECIFICATION
FAN DUTY	• Engine: Running	0 - 100%

On Board Diagnosis Logic

INFOID:000000002955120

If the cooling fan or another component in the cooling system malfunctions, engine coolant temperature will rise.

When the engine coolant temperature reaches an abnormally high temperature condition, a malfunction is indicated.

This self-diagnosis has the one trip detection logic.

DTC No.	Trouble diagnosis name	DTC detecting condition	Possible cause
P1217 1217	Engine over temperature (Overheat)	<ul style="list-style-type: none"> • Cooling fan does not operate properly (Overheat). • Cooling fan system does not operate properly (Overheat). • Engine coolant was not added to the system using the proper filling method. • Engine coolant is not within the specified range. 	<ul style="list-style-type: none"> • Harness or connectors (The cooling fan circuit is open or shorted.) • IPDM E/R • Cooling fan control module • Cooling fan motor • Radiator hose • Radiator • Radiator cap • Water pump • Thermostat • Water control valve <p>For more information, refer to EC-1090, "Main 13 Causes of Overheating".</p>

CAUTION:

When a malfunction is indicated, be sure to replace the coolant. Refer to [CO-38](#), "[Changing Engine Coolant](#)". Also, replace the engine oil. Refer to [LU-24](#), "[Changing Engine Oil](#)".

1. Fill radiator with coolant up to specified level with a filling speed of 2 liters per minute. Be sure to use coolant with the proper mixture ratio. Refer to [MA-10](#), "[Anti-Freeze Coolant Mixture Ratio](#)".
2. After refilling coolant, run engine to ensure that no water-flow noise is emitted.

Overall Function Check

INFOID:000000002955121

Use this procedure to check the overall function of the cooling fan. During this check, a DTC might not be confirmed.

WARNING:

Never remove the radiator cap when the engine is hot. Serious burns could be caused by high pressure fluid escaping from the radiator.

Wrap a thick cloth around cap. Carefully remove the cap by turning it a quarter turn to allow built-up pressure to escape. Then turn the cap all the way off.

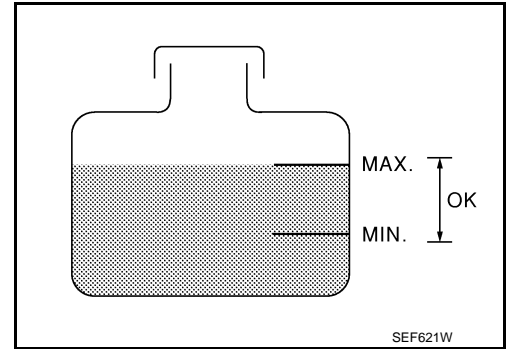
📖 WITH CONSULT-III

DTC P1217 ENGINE OVER TEMPERATURE

[VK45DE]

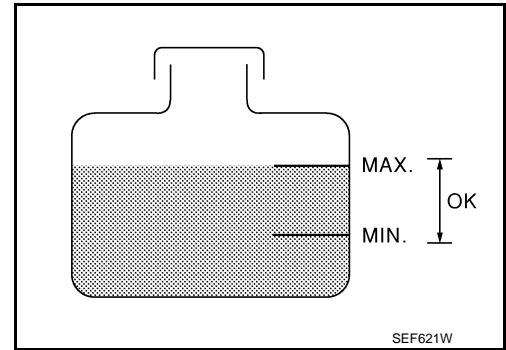
< SERVICE INFORMATION >

1. Check the coolant level in the reservoir tank and radiator.
Allow engine to cool before checking coolant level.
If the coolant level in the reservoir tank and/or radiator is below the proper range, skip the following steps and go to [EC-1086](#), "[Diagnosis Procedure](#)".
2. Confirm whether customer filled the coolant or not. If customer filled the coolant, skip the following steps and go to [EC-1086](#), "[Diagnosis Procedure](#)".
3. Turn ignition switch ON.
4. Perform "FAN DUTY CONTROL" in "ACTIVE TEST" mode with CONSULT-III.
5. Make sure that cooling fan speed varies according to the percent.
6. If the results are NG, go to [EC-1086](#), "[Diagnosis Procedure](#)".



Ⓜ WITH GST

1. Check the coolant level in the reservoir tank and radiator.
Allow engine to cool before checking coolant level.
If the coolant level in the reservoir tank and/or radiator is below the proper range, skip the following steps and go to [EC-1086](#), "[Diagnosis Procedure](#)".
2. Confirm whether customer filled the coolant or not. If customer filled the coolant, skip the following steps and go to [EC-1086](#), "[Diagnosis Procedure](#)".
3. Perform IPDM E/R auto active test and check cooling fan motors operation, refer to [PG-22](#), "[Auto Active Test](#)".
4. If NG, go to [EC-1086](#), "[Diagnosis Procedure](#)".



DTC P1217 ENGINE OVER TEMPERATURE

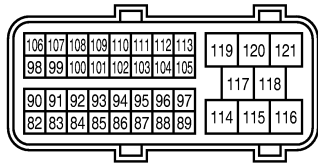
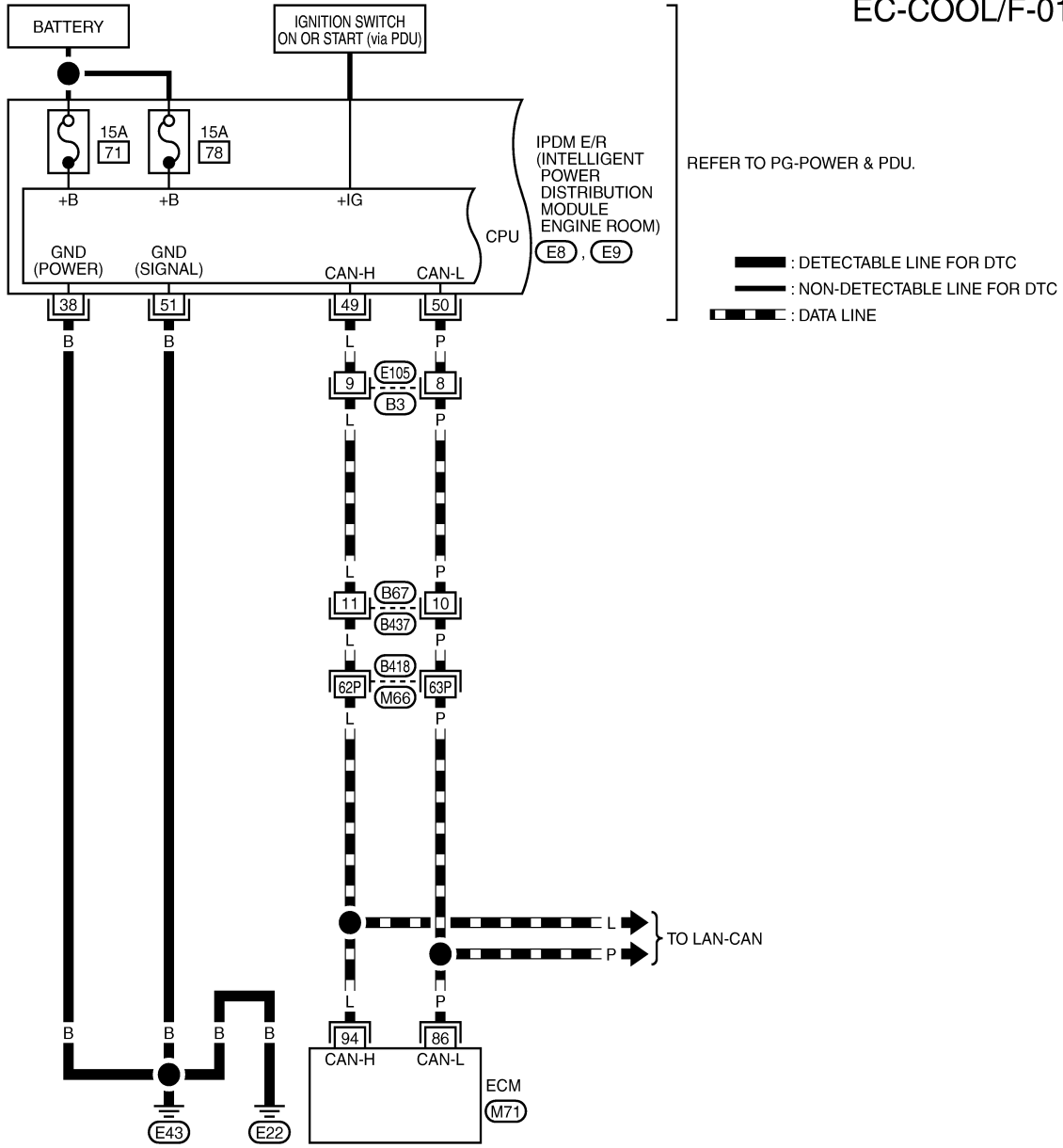
< SERVICE INFORMATION >

[VK45DE]

Wiring Diagram

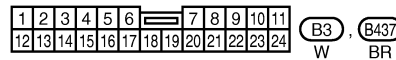
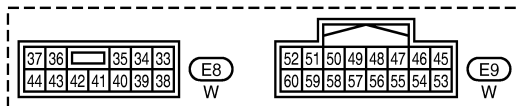
INFOID:00000002955122

EC-COOL/F-01



REFER TO THE FOLLOWING.

B418 - SUPER MULTIPLE JUNCTION (SMJ)

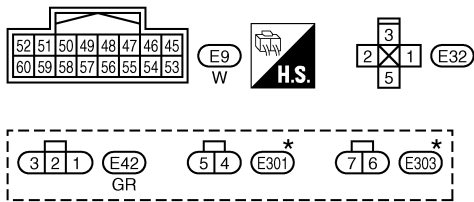
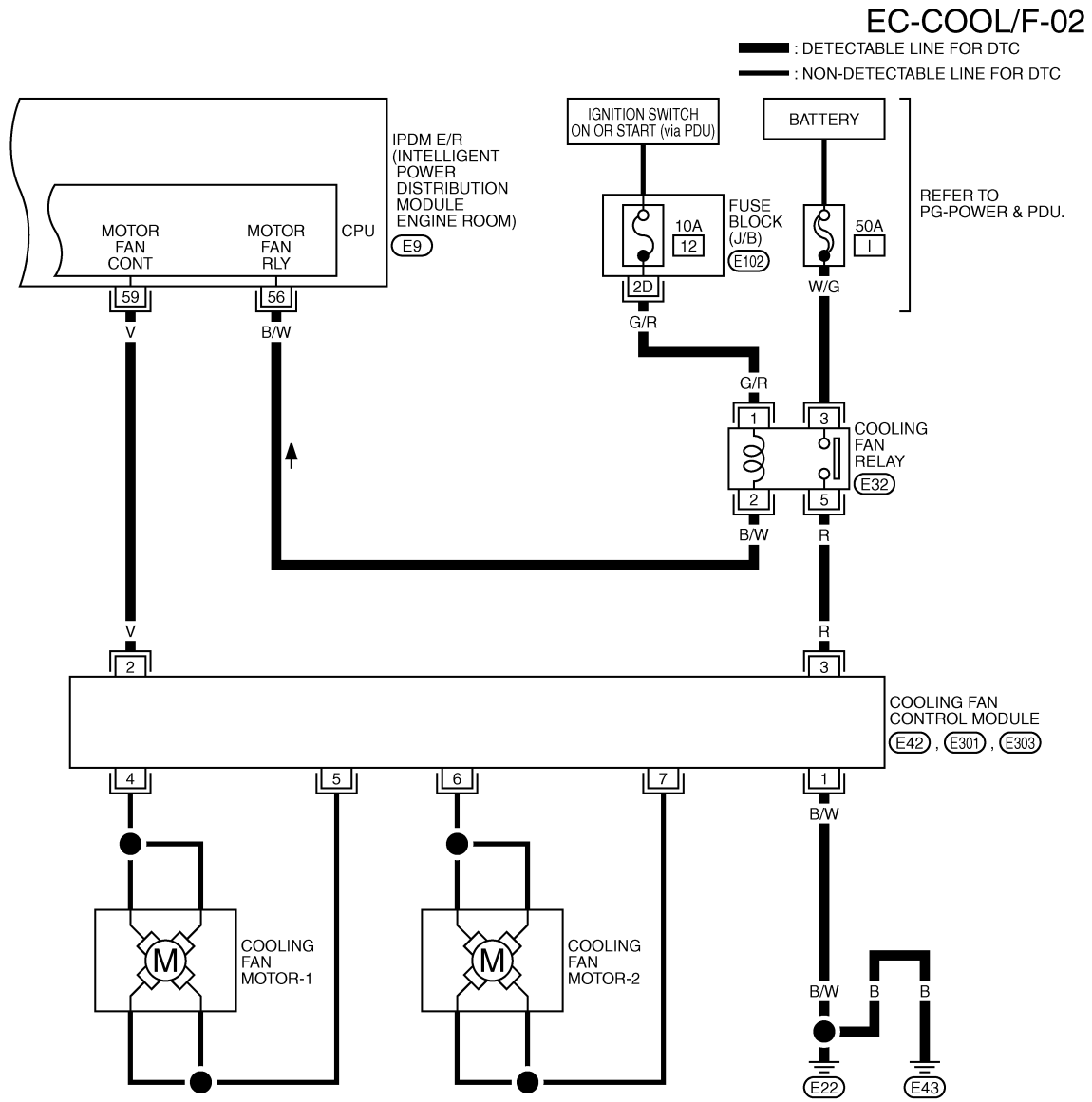


TBWT1999E

DTC P1217 ENGINE OVER TEMPERATURE

< SERVICE INFORMATION >

[VK45DE]



*: THIS CONNECTOR IS NOT SHOWN IN "HARNESS LAYOUT", PG SECTION.

REFER TO THE FOLLOWING.
 (E102) - FUSE BLOCK-JUNCTION BOX (J/B)

TBWT1497E
 INFOID:000000002955123

Diagnosis Procedure

1. CHECK COOLING FAN OPERATION

With CONSULT-III

1. Turn ignition switch ON.
2. Perform "FAN DUTY CONTROL" in "ACTIVE TEST" mode with CONSULT-III.
3. Make sure that cooling fan speed varies according to the percent.

DTC P1217 ENGINE OVER TEMPERATURE

[VK45DE]

< SERVICE INFORMATION >

⊗ Without CONSULT-III

1. Perform IPDM E/R auto active test and check cooling fan motors operation, refer to [PG-22. "Auto Active Test"](#).
2. Make sure that cooling fan operates.

OK or NG

- OK >> GO TO 2.
- NG >> GO TO 6.

2.CHECK COOLING SYSTEM FOR LEAK

Apply pressure to the cooling system with a tester, and check if the pressure drops.

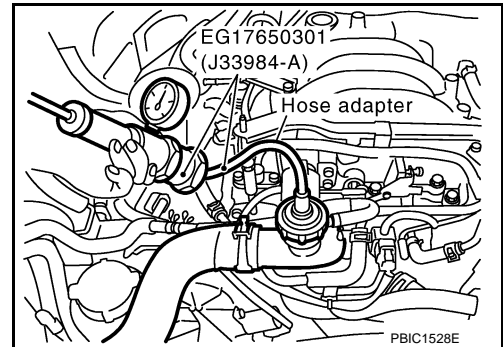
Testing pressure: 157 kPa (1.6 kg/cm², 23 psi)

CAUTION:

Higher than the specified pressure may cause radiator damage. Pressure should not drop.

OK or NG

- OK >> GO TO 3.
- NG >> Check the following for leak. Refer to [CO-38. "Inspection"](#).
 - Hose
 - Radiator
 - Water pump



3.CHECK RADIATOR CAP

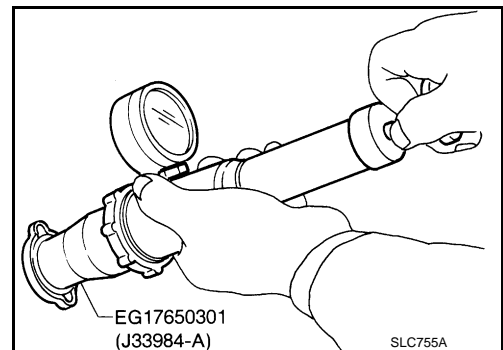
Apply pressure to cap with a tester.

Radiator cap relief pressure:

59 - 98 kPa (0.6 - 1.0 kg/cm², 9 - 14 psi)

OK or NG

- OK >> GO TO 4.
- NG >> Replace radiator cap.



4.CHECK THERMOSTAT

Check the following.

- Thermostat. (Refer to [CO-53.](#))
- Water control valve. (Refer to [CO-53.](#))
- Engine coolant temperature sensor. (Refer to [EC-832. "Component Inspection"](#).)

OK or NG

- OK >> GO TO 5.
- NG >> Replace malfunctioning component.

5.CHECK MAIN 13 CAUSES

If the cause cannot be isolated, go to [EC-1090. "Main 13 Causes of Overheating"](#).

>> **INSPECTION END**

6.CHECK COOLING FAN CONTROL MODULE POWER SUPPLY CIRCUIT-I

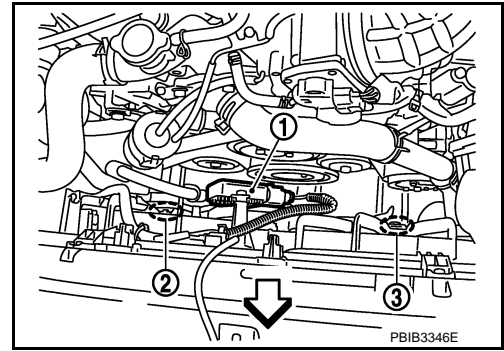
1. Turn ignition switch OFF.

DTC P1217 ENGINE OVER TEMPERATURE

[VK45DE]

< SERVICE INFORMATION >

2. Disconnect cooling fan control module (1) harness connector E42.
 - ⇐: Vehicle front
 - Cooling fan motor-2 (2)
 - Cooling fan motor-1 (3)
3. Turn ignition switch ON.

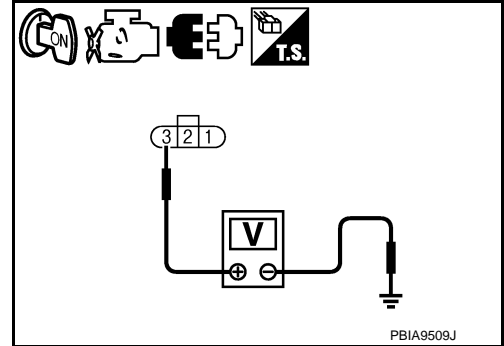


4. Check voltage between cooling fan control module terminal 3 and ground with CONSULT-III or tester.

Voltage: Battery voltage

OK or NG

- OK >> GO TO 7.
- NG >> GO TO 12.



7. CHECK COOLING FAN CONTROL MODULE GROUND CIRCUIT

1. Turn ignition switch OFF.
2. Check harness continuity between cooling fan control module terminal 1 and ground. Refer to wiring diagram.

Continuity should exist.

3. Also check harness for short to power.

OK or NG

- OK >> GO TO 8.
- NG >> Repair open circuit or short to power in harness or connectors.

8. CHECK IPDM E/R GROUND CIRCUIT

1. Disconnect IPDM E/R harness connector E8, E9.
2. Check harness continuity between IPDM E/R terminal 38, 51 and ground. Refer to wiring diagram.

Continuity should exist.

3. Also check harness for short to power.

OK or NG

- OK >> GO TO 9.
- NG >> Repair open circuit or short to power in harness or connectors.

9. CHECK COOLING FAN CONTROL SIGNAL CIRCUIT

1. Check harness continuity between IPDM E/R terminal 59 and cooling fan control module terminal 2. Refer to wiring diagram.

Continuity should exist.

2. Also check harness for short to ground and short to power.

OK or NG

- OK >> GO TO 10.
- NG >> Repair open circuit or short to ground or short to power in harness or connectors.

10. CHECK COOLING FAN CONTROL MODULE OUTPUT SIGNAL CIRCUIT

DTC P1217 ENGINE OVER TEMPERATURE

[VK45DE]

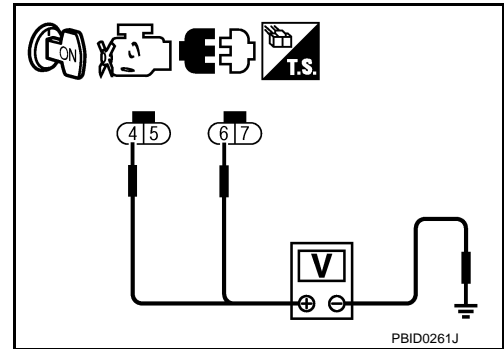
< SERVICE INFORMATION >

1. Reconnect all harness connectors disconnected.
2. Disconnect cooling fan control module harness connectors E301, E303.
3. Turn ignition switch ON.
4. Check voltage between cooling fan control module terminals 4, 6 and ground with CONSULT-III or tester.

Voltage: Battery voltage

OK or NG

- OK >> GO TO 11.
NG >> Replace cooling fan control module.



11. CHECK COOLING FAN MOTORS -1 AND -2

Refer to [EC-1091, "Component Inspection"](#).

OK or NG

- OK >> GO TO 16.
NG >> Replace cooling fan motor.

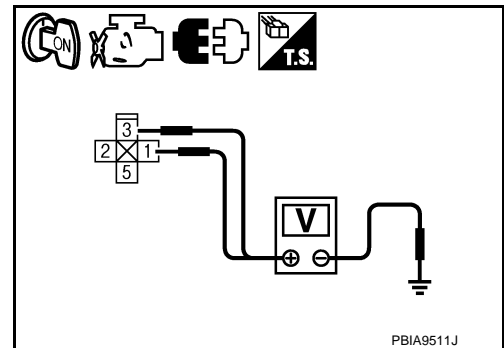
12. CHECK COOLING FAN CONTROL MODULE POWER SUPPLY CIRCUIT-II

1. Turn ignition switch OFF.
2. Disconnect cooling fan relay.
3. Turn ignition switch ON.
4. Check voltage between cooling fan relay terminals 1, 3 and ground with CONSULT-III or tester.

Voltage: Battery voltage

OK or NG

- OK >> GO TO 14.
NG >> GO TO 13.



13. DETECT MALFUNCTIONING PART

Check the following.

- 10A fuse
- Fuse block (J/B) connector E102
- 50A fusible link
- Harness for open or short between cooling fan relay and fuse
- Harness for open or short between cooling fan relay and battery

>> Repair open circuit or short to ground or short to power in harness or connectors.

14. CHECK COOLING FAN CONTROL MODULE POWER SUPPLY CIRCUIT-III

1. Turn ignition switch OFF.
2. Disconnect IPDM E/R harness connector E9.
3. Check harness continuity between the following;
Cooling fan relay terminal 2 and IPDM E/R terminal 56,
Cooling fan relay terminal 5 and cooling fan control module terminal 3.
Refer to wiring diagram.

Continuity should exist.

4. Also check harness for short to ground and short to power.

OK or NG

DTC P1217 ENGINE OVER TEMPERATURE

[VK45DE]

< SERVICE INFORMATION >

- OK >> GO TO 15.
- NG >> Repair open circuit or short to ground or short to power in harness or connectors.

15. CHECK COOLING FAN RELAY

Refer to [EC-1091](#), "Component Inspection".

OK or NG

- OK >> GO TO 16.
- NG >> Replace cooling fan relay.

16. CHECK INTERMITTENT INCIDENT

Perform [EC-763](#), "Diagnosis Procedure".

OK or NG

- OK >> Replace IPDM E/R. Refer to [PG-19](#).
- NG >> Repair or replace harness connectors.

Main 13 Causes of Overheating

INFOID:000000002955124

Engine	Step	Inspection item	Equipment	Standard	Reference page
OFF	1	<ul style="list-style-type: none"> • Blocked radiator • Blocked condenser • Blocked radiator grille • Blocked bumper 	• Visual	No blocking	—
	2	• Coolant mixture	• Coolant tester	50 - 50% coolant mixture	MA-10
	3	• Coolant level	• Visual	Coolant up to MAX level in reservoir tank and radiator filler neck	CO-38
	4	• Radiator cap	• Pressure tester	59 - 98 kPa (0.6 - 1.0 kg/cm ² , 9 - 14 psi) (Limit)	CO-43
ON*2	5	• Coolant leaks	• Visual	No leaks	CO-38
ON*2	6	• Thermostat	• Touch the upper and lower radiator hoses	Both hoses should be hot	CO-53
ON*1	7	• Cooling fan	• CONSULT-III	Operating	See trouble diagnosis for DTC P1217 (EC-1082).
OFF	8	• Combustion gas leak	• Color checker chemical tester 4 Gas analyzer	Negative	—
ON*3	9	• Coolant temperature gauge	• Visual	Gauge less than 3/4 when driving	—
		• Coolant overflow to reservoir tank	• Visual	No overflow during driving and idling	CO-38
OFF*4	10	• Coolant return from reservoir tank to radiator	• Visual	Should be initial level in reservoir tank	CO-38
OFF	11	• Water control valve	• Remove and inspect the valve	Within the specified value	CO-53
OFF	12	• Cylinder head	• Straight gauge feeler gauge	0.1 mm (0.004 in) Maximum distortion (warping)	EM-230
	13	• Cylinder block and pistons	• Visual	No scuffing on cylinder walls or piston	EM-249

*1: Turn the ignition switch ON.

*2: Engine running at 3,000 rpm for 10 minutes.

*3: Drive at 90 km/h (55 MPH) for 30 minutes and then let idle for 10 minutes.

*4: After 60 minutes of cool down time.

For more information, refer to [CO-35](#).

DTC P1217 ENGINE OVER TEMPERATURE

[VK45DE]

< SERVICE INFORMATION >

INFOID:000000002955125

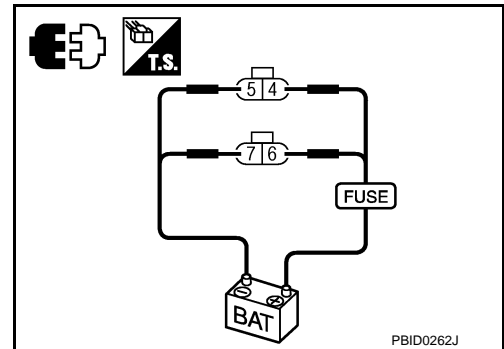
Component Inspection

COOLING FAN MOTORS -1 AND -2

1. Disconnect cooling fan control module harness connectors.
2. Supply cooling fan control module terminals with battery voltage and check operation.

Cooling fan motor	Terminals	
	(+)	(-)
1	4	5
2	6	7

Make sure that cooling fan operates.
If NG, replace cooling fan motor.

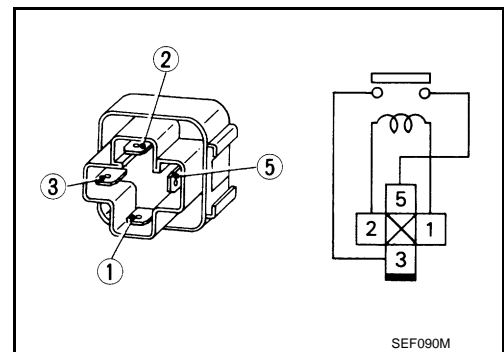


COOLING FAN RELAY

1. Disconnect cooling fan relay harness connector.
2. Check continuity between terminals 3 and 5 under the following conditions.

Conditions	Continuity
12V direct current supply between terminals 1 and 2	Yes
No current supply	No

If NG, replace cooling fan relay.



A
EC
C
D
E
F
G
H
I
J
K
L
M
N
O
P

DTC P1220 FUEL PUMP CONTROL MODULE (FPCM)

< SERVICE INFORMATION >

[VK45DE]

DTC P1220 FUEL PUMP CONTROL MODULE (FPCM)

Description

INFOID:000000002955126

SYSTEM DESCRIPTION

Sensor	Input Signal to ECM	ECM function	Actuator
Crankshaft position sensor (POS) Camshaft position sensor (PHASE)	Engine speed*	Fuel pump control	Fuel pump control module (FPCM)
Mass air flow sensor	Amount of intake air		
Engine coolant temperature sensor	Engine coolant temperature		
Battery	Battery voltage*		

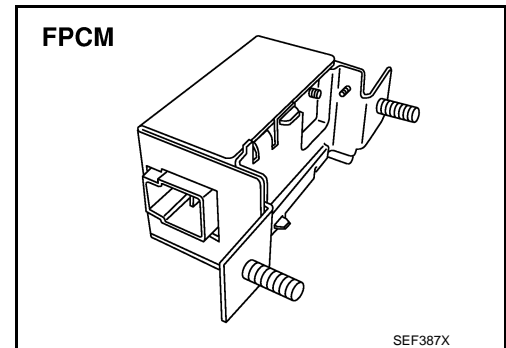
*: ECM determines the start signal status by the signals of engine speed and battery voltage.

This system controls the fuel pump operation. The amount of fuel flow delivered from the fuel pump is altered between two flow rates by the FPCM operation. The FPCM determines the voltage supplied to the fuel pump (and therefore fuel flow) according to the following conditions.

Conditions	Amount of fuel flow	Supplied voltage
<ul style="list-style-type: none"> Engine cranking Engine coolant temperature is below 10°C (50°F). Engine is running under heavy load and high speed conditions 	high	Battery voltage (11 - 14V)
Except the above	low	Approximately 8V

COMPONENT DESCRIPTION

The FPCM adjusts the voltage supplied to the fuel pump to control the amount of fuel flow. When the FPCM increases the voltage supplied to the fuel pump, the fuel flow is increased. When the FPCM decreases the voltage, the fuel flow is decreased.



CONSULT-III Reference Value in Data Monitor Mode

INFOID:000000002955127

Specification data are reference values.

MONITOR ITEM	CONDITION	SPECIFICATION
FPCM	• Engine: Cranking	HI
	• Engine: Idle	LOW
	• Engine coolant temperature: More than 10°C (50°F)	

On Board Diagnosis Logic

INFOID:000000002955128

DTC No.	Trouble diagnosis name	DTC detecting condition	Possible cause
P1220 1220	Fuel pump control module (FPCM)	An improper voltage signal from the FPCM, which is supplied to a point between the fuel pump and the dropping resistor, is detected by ECM.	<ul style="list-style-type: none"> Harness or connectors (FPCM circuit is shorted.) Dropping resistor FPCM

DTC Confirmation Procedure

INFOID:000000002955129

CAUTION:

DTC P1220 FUEL PUMP CONTROL MODULE (FPCM)

< SERVICE INFORMATION >

[VK45DE]

Always drive vehicle at a safe speed.

NOTE:

If DTC Confirmation Procedure has been previously conducted, always turn ignition switch OFF and wait at least 10 seconds before conducting the next test.

TESTING CONDITION:

Before performing the following procedure, confirm that battery voltage is more than 11V with ignition switch ON.

 WITH CONSULT-III

1. Turn ignition switch ON and select "DATA MONITOR" mode with CONSULT-III.
2. Make sure that "COOLAN TEMP/S" indicates less than 70°C (158°F). If not, cool down the engine.
3. Start engine.
4. Hold vehicle at the following conditions for 12 seconds.

ENG SPEED	1,375 - 3,475 rpm
VHCL SPEED SE	More than 70 km/h (43 MPH)
B/FUEL SCHDL	1.5 - 23.0 msec
Selector lever	Suitable position

5. Check 1st trip DTC.
6. If 1st trip DTC is detected, go to [EC-1095, "Diagnosis Procedure"](#).

 WITH GST

Follow the procedure "WITH CONSULT-III" above.

A
EC
C
D
E
F
G
H
I
J
K
L
M
N
O
P

DTC P1220 FUEL PUMP CONTROL MODULE (FPCM)

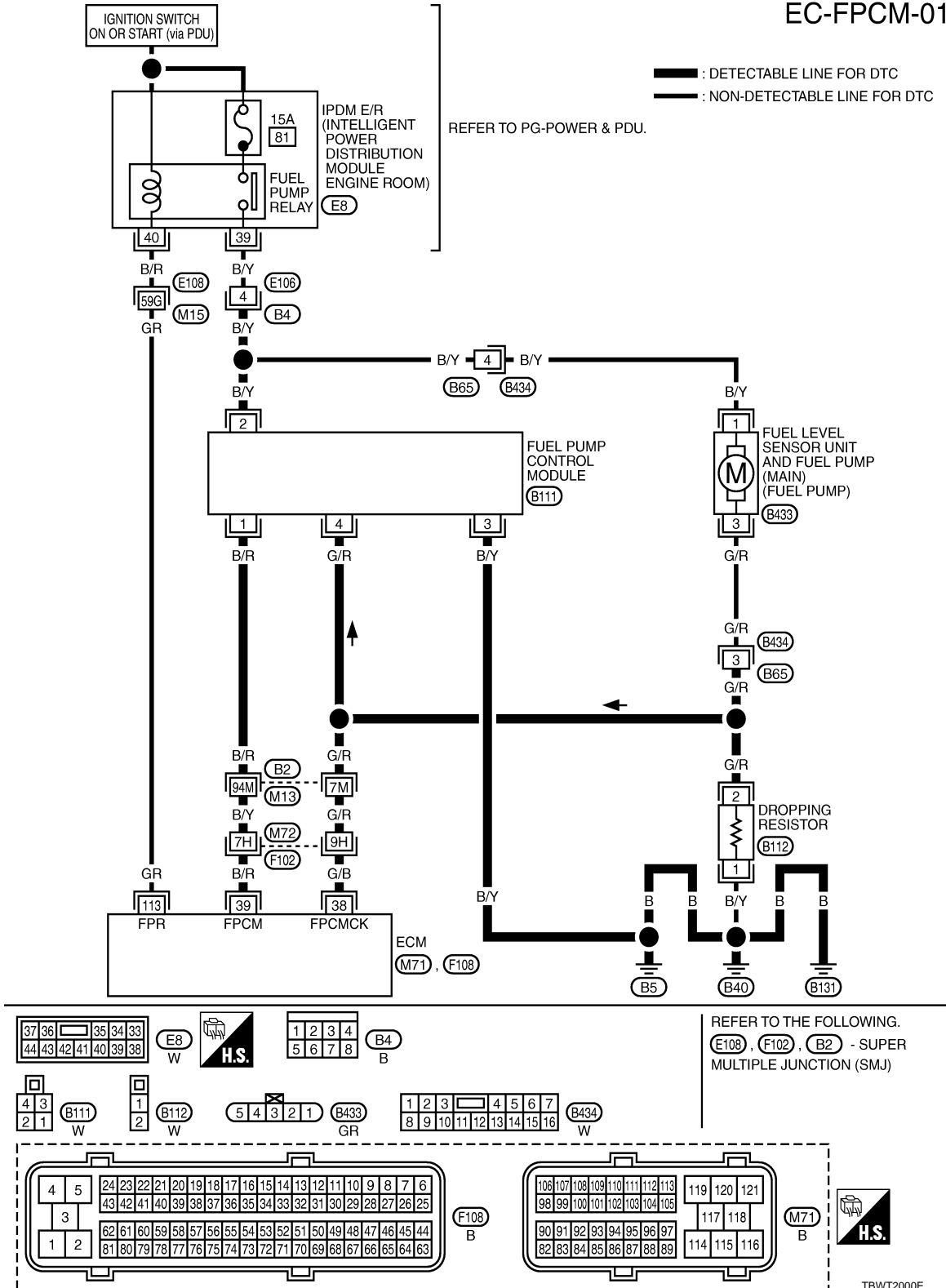
< SERVICE INFORMATION >

[VK45DE]

Wiring Diagram

INFOID:00000002955130

EC-FPCM-01



Specification data are reference values and are measured between each terminal and ground.

CAUTION:

Do not use ECM ground terminals when measuring input/output voltage. Doing so may result in damage to the ECM's transistor. Use a ground other than ECM terminals, such as the ground.

DTC P1220 FUEL PUMP CONTROL MODULE (FPCM)

< SERVICE INFORMATION >

[VK45DE]

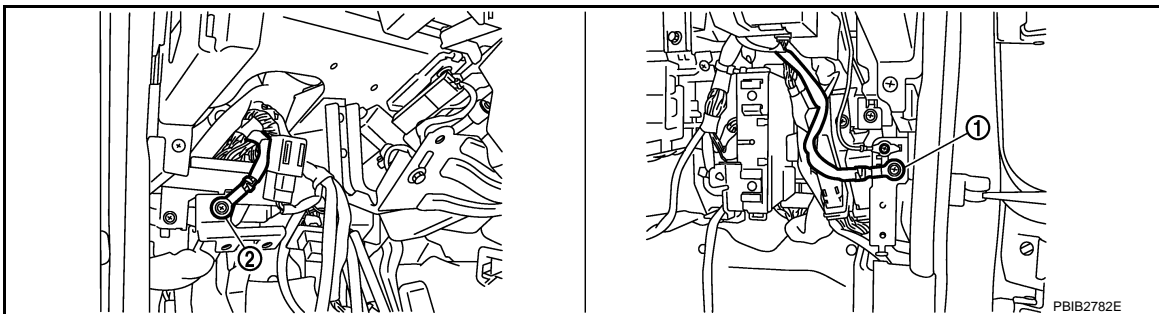
TERMINAL NO.	WIRE COLOR	ITEM	CONDITION	DATA (DC Voltage)
38	G/B	Fuel pump control module (FPCM) check	[When cranking engine]	Approximately 0V
			[Engine is running] • Warm-up condition • Idle speed	4 - 6V
39	B/R	Fuel pump control module (FPCM)	[When cranking engine]	0 - 0.5V
			[Engine is running] • Warm-up condition • Idle speed	8 - 12V
113	GR	Fuel pump relay	[Ignition switch: ON] • For 1 second after turning ignition switch ON	0 - 1.5V
			[Engine is running] [Ignition switch: ON] • More than 1 second after turning ignition switch ON	BATTERY VOLTAGE (11 - 14V)

Diagnosis Procedure

INFOID:000000002955131

1. CHECK GROUND CONNECTIONS

1. Turn ignition switch OFF.
2. Loosen and retighten ground screws on the body.
Refer to [EC-769, "Ground Inspection"](#).



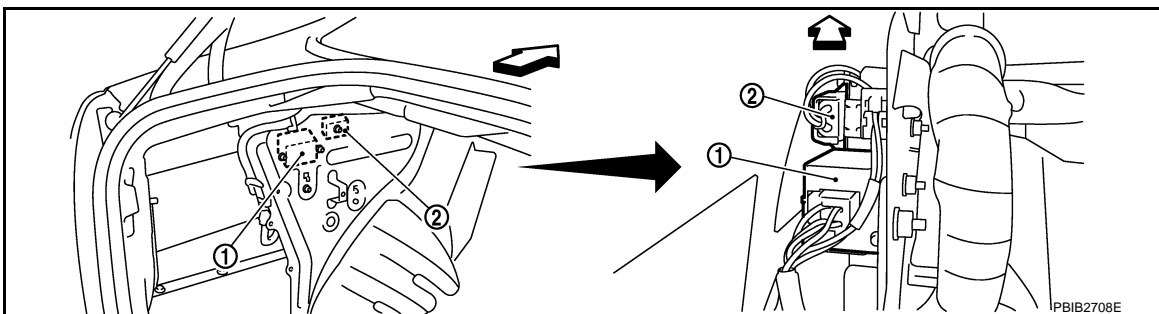
1. Body ground M70
2. Body ground M16

OK or NG

- OK >> GO TO 2.
NG >> Repair or replace ground connections.

2. CHECK FPCM POWER SUPPLY CIRCUIT

1. Disconnect fuel pump control module (FPCM) harness connector.



↶ : Vehicle front

1. FPCM

2. Dropping resistor

DTC P1220 FUEL PUMP CONTROL MODULE (FPCM)

[VK45DE]

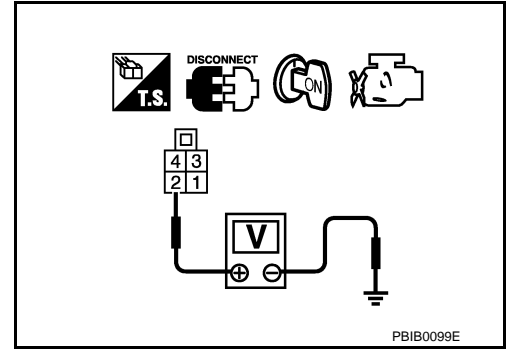
< SERVICE INFORMATION >

- Turn ignition switch ON.
- Check voltage between FPCM terminal 2 and ground with CONSULT-III or tester.

Voltage: Battery voltage

OK or NG

- OK >> GO TO 4.
NG >> GO TO 3.



3. DETECT MALFUNCTIONING PART

Check the following.

- Harness connectors E106, B4
- Harness for open or short between FPCM and harness connector B4

>> Repair open circuit or short to ground or short to power in harness or connectors.

4. CHECK FPCM GROUND CIRCUIT-I FOR OPEN AND SHORT

- Turn ignition switch OFF.
- Check harness continuity between FPCM terminal 3 and ground. Refer to Wiring Diagram.

Continuity should exist.

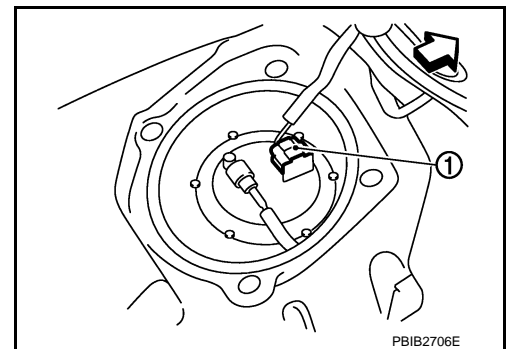
- Also check harness for short to power.

OK or NG

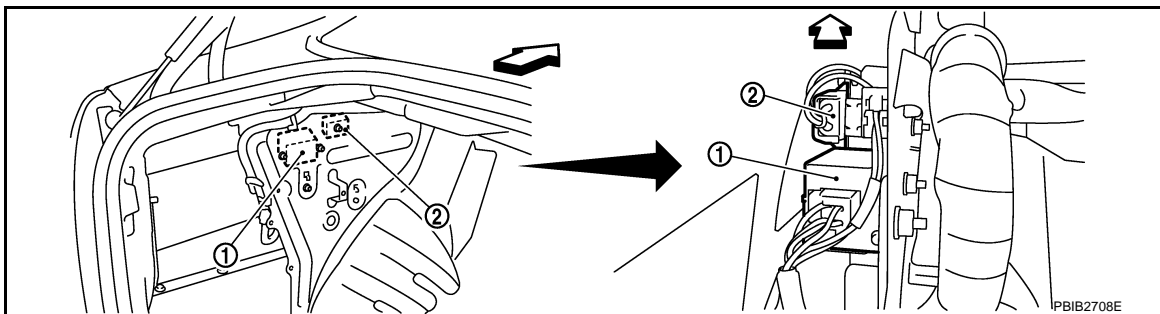
- OK >> GO TO 5.
NG >> Repair open circuit or short to power in harness or connectors.

5. CHECK FPCM GROUND CIRCUIT-II FOR OPEN AND SHORT

- Disconnect "fuel level sensor unit and fuel pump" harness connector (1).
 - Illustration shows the view with rear seat cushion and inspection hole cover (RH) removed.
 - ↶: Vehicle front



- Disconnect dropping resistor harness connector.



↶ : Vehicle front

1. FPCM

2. Dropping resistor

DTC P1220 FUEL PUMP CONTROL MODULE (FPCM)

[VK45DE]

< SERVICE INFORMATION >

3. Check harness continuity between the following;
“fuel level sensor unit and fuel pump” terminal 3 and dropping resistor terminal 2,
FPCM terminal 4 and dropping resistor terminal 2.
Refer to Wiring Diagram.

Continuity should exist.

4. Check harness continuity between the following;
“fuel level sensor and fuel pump” terminal 3 and ground,
FPCM terminal 4 and ground.
Refer to Wiring Diagram.

Continuity should not exist.

5. Also check harness for short to power.

OK or NG

- OK >> GO TO 7.
- NG >> GO TO 6.

6. DETECT MALFUNCTIONING PART

Check the following.

- Harness connectors B434, B65
- Harness for open or short between “fuel level sensor unit and fuel pump” and dropping resistor
- Harness for open or short between FPCM and dropping resistor
- Harness for open or short between “fuel level sensor unit and fuel pump” and ground
- Harness for open or short between FPCM and ground

>> Repair open circuit or short to ground or short to power in harness or connectors.

7. CHECK FPCM INPUT SIGNAL CIRCUIT FOR OPEN AND SHORT

1. Disconnect ECM harness connector.
2. Check harness continuity between ECM terminal 38 and FPCM terminal 4.
Refer to Wiring Diagram.

Continuity should exist.

3. Check harness continuity between ECM terminal 38 and ground.
Refer to Wiring Diagram.

Continuity should not exist.

4. Also check harness for short to power.

OK or NG

- OK >> GO TO 9.
- NG >> GO TO 8.

8. DETECT MALFUNCTIONING PART

Check the following.

- Harness connectors B2, M13
- Harness connectors M72, F102
- Harness for open or short between ECM and FPCM

>> Repair open circuit or short to ground or short to power in harness or connectors.

9. CHECK FPCM OUTPUT SIGNAL CIRCUIT FOR OPEN AND SHORT

1. Check harness continuity between ECM terminal 39 and FPCM terminal 1.
Refer to Wiring Diagram.

Continuity should exist.

2. Also check harness for short to ground and short to power.

DTC P1220 FUEL PUMP CONTROL MODULE (FPCM)

[VK45DE]

< SERVICE INFORMATION >

OK or NG

- OK >> GO TO 11.
- NG >> GO TO 10.

10. DETECT MALFUNCTIONING PART

Check the following.

- Harness connectors B2, M13
- Harness connectors M72, F102
- Harness for open or short between ECM and FPCM

>> Repair open circuit or short to ground or short to power in harness or connectors.

11. CHECK FPCM

Refer to [EC-1098, "Component Inspection"](#).

OK or NG

- OK >> GO TO 12.
- NG >> Replace FPCM.

12. CHECK INTERMITTENT INCIDENT

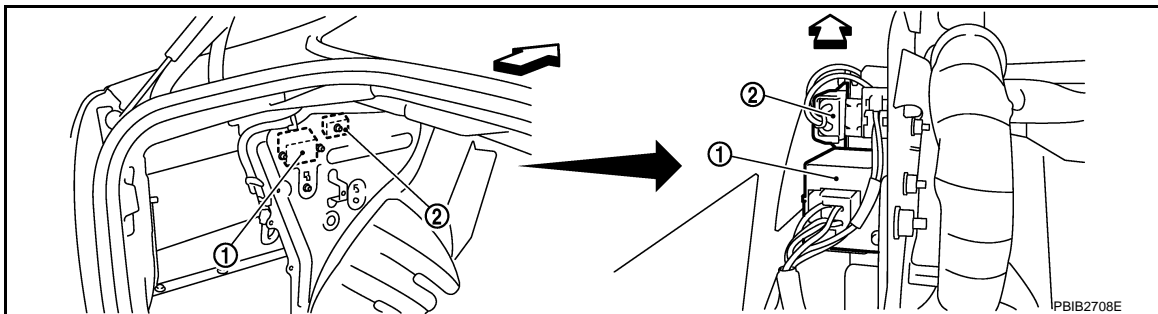
Refer to [EC-763, "Diagnosis Procedure"](#).

>> **INSPECTION END**

Component Inspection

INFOID:000000002955132

FUEL PUMP CONTROL MODULE



↶ : Vehicle front

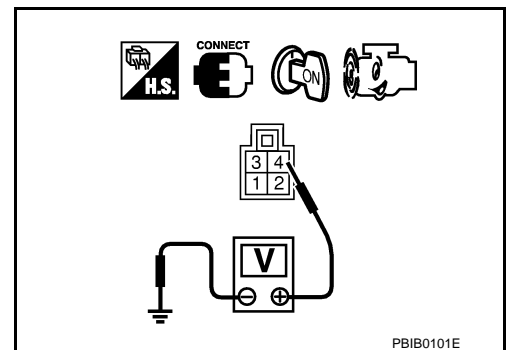
1. FPCM

2. Dropping resistor

1. Start engine and warm it up to normal operating temperature.
2. Turn ignition switch OFF and wait at least 10 seconds.
3. Check voltage between FPCM terminal 4 and ground under the following conditions.

Condition	Voltage
When engine cranking	Approx. 0V
After starting engine	Approx. 5V

4. If NG, replace fuel pump control module.



PBIB0101E

DTC P1225 TP SENSOR

< SERVICE INFORMATION >

[VK45DE]

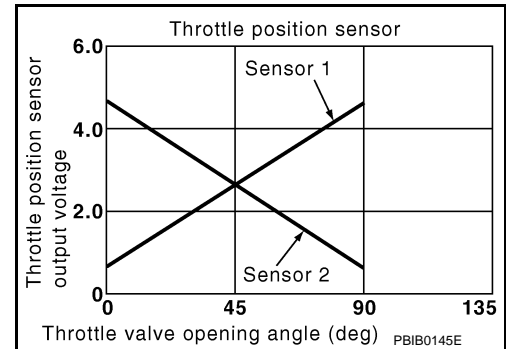
DTC P1225 TP SENSOR

Component Description

INFOID:000000002955133

Electric throttle control actuator consists of throttle control motor, throttle position sensor, etc. The throttle position sensor responds to the throttle valve movement.

The throttle position sensor has the two sensors. These sensors are a kind of potentiometers which transform the throttle valve position into output voltage, and emit the voltage signal to the ECM. In addition, these sensors detect the opening and closing speed of the throttle valve and feed the voltage signals to the ECM. The ECM judges the current opening angle of the throttle valve from these signals and the ECM controls the throttle control motor to make the throttle valve opening angle properly in response to driving condition.



On Board Diagnosis Logic

INFOID:000000002955134

The MIL will not light up for this diagnosis.

DTC No.	Trouble diagnosis name	DTC detecting condition	Possible cause
P1225 1225	Closed throttle position learning performance	Closed throttle position learning value is excessively low.	• Electric throttle control actuator (TP sensor 1 and 2)

DTC Confirmation Procedure

INFOID:000000002955135

NOTE:

If DTC Confirmation Procedure has been previously conducted, always turn ignition switch OFF and wait at least 10 seconds before conducting the next test.

TESTING CONDITION:

Before performing the following procedure, confirm that battery voltage is more than 10V at idle.

1. Turn ignition switch ON.
2. Turn ignition switch OFF, wait at least 10 seconds.
3. Turn ignition switch ON.
4. Check 1st trip DTC.
5. If 1st trip DTC is detected, go to [EC-1099, "Diagnosis Procedure"](#).

Diagnosis Procedure

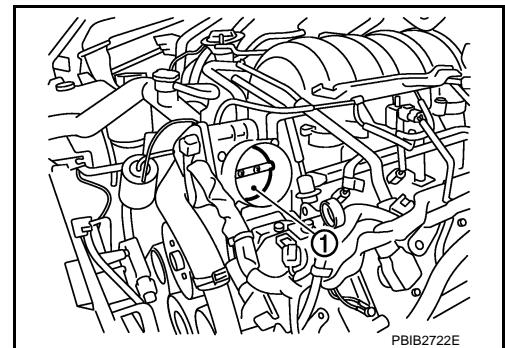
INFOID:000000002955136

1. CHECK ELECTRIC THROTTLE CONTROL ACTUATOR VISUALLY

1. Turn ignition switch OFF.
2. Remove the intake air duct.
3. Check if foreign matter is caught between the throttle valve (1) and the housing.
 - This illustration shows the view with intake air duct removed.

OK or NG

- OK >> GO TO 2.
- NG >> Remove the foreign matter and clean the electric throttle control actuator inside.



2. REPLACE ELECTRIC THROTTLE CONTROL ACTUATOR

1. Replace the electric throttle control actuator.
2. Perform [EC-706, "Throttle Valve Closed Position Learning"](#).
3. Perform [EC-707, "Idle Air Volume Learning"](#).

DTC P1225 TP SENSOR

< SERVICE INFORMATION >

[VK45DE]

>> **INSPECTION END**

Removal and Installation

INFOID:000000002955137

ELECTRIC THROTTLE CONTROL ACTUATOR

Refer to [EM-177](#).

DTC P1226 TP SENSOR

< SERVICE INFORMATION >

[VK45DE]

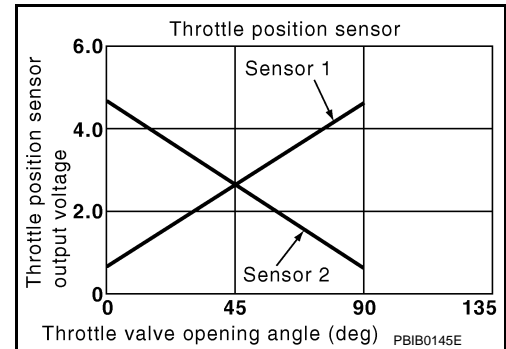
DTC P1226 TP SENSOR

Component Description

INFOID:000000002955138

Electric throttle control actuator consists of throttle control motor, throttle position sensor, etc. The throttle position sensor responds to the throttle valve movement.

The throttle position sensor has the two sensors. These sensors are a kind of potentiometers which transform the throttle valve position into output voltage, and emit the voltage signal to the ECM. In addition, these sensors detect the opening and closing speed of the throttle valve and feed the voltage signals to the ECM. The ECM judges the current opening angle of the throttle valve from these signals and the ECM controls the throttle control motor to make the throttle valve opening angle properly in response to driving condition.



On Board Diagnosis Logic

INFOID:000000002955139

The MIL will not light up for this diagnosis.

DTC No.	Trouble diagnosis name	DTC detecting condition	Possible cause
P1226 1226	Closed throttle position learning performance	Closed throttle position learning is not performed successfully, repeatedly.	• Electric throttle control actuator (TP sensor 1 and 2)

DTC Confirmation Procedure

INFOID:000000002955140

NOTE:

If DTC Confirmation Procedure has been previously conducted, always turn ignition switch OFF and wait at least 10 seconds before conducting the next test.

TESTING CONDITION:

Before performing the following procedure, confirm that battery voltage is more than 10V at idle.

1. Turn ignition switch ON.
2. Turn ignition switch OFF, wait at least 10 seconds.
3. Turn ignition switch ON.
4. Repeat steps 2 and 3 for 32 times.
5. Check 1st trip DTC.
6. If 1st trip DTC is detected, go to [EC-1101, "Diagnosis Procedure"](#).

Diagnosis Procedure

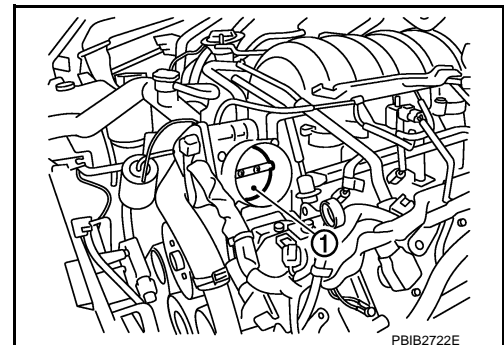
INFOID:000000002955141

1. CHECK ELECTRIC THROTTLE CONTROL ACTUATOR VISUALLY

1. Turn ignition switch OFF.
2. Remove the intake air duct.
3. Check if foreign matter is caught between the throttle valve (1) and the housing.
 - This illustration shows the view with intake air duct removed.

OK or NG

- OK >> GO TO 2.
- NG >> Remove the foreign matter and clean the electric throttle control actuator inside.



2. REPLACE ELECTRIC THROTTLE CONTROL ACTUATOR

1. Replace the electric throttle control actuator.
2. Perform [EC-706, "Throttle Valve Closed Position Learning"](#).

DTC P1226 TP SENSOR

< SERVICE INFORMATION >

[VK45DE]

3. Perform [EC-707, "Idle Air Volume Learning"](#).

>> **INSPECTION END**

Removal and Installation

INFOID:000000002955142

ELECTRIC THROTTLE CONTROL ACTUATOR

Refer to [EM-177](#).

DTC P1421 COLD START CONTROL

< SERVICE INFORMATION >

[VK45DE]

DTC P1421 COLD START CONTROL

Description

INFOID:000000003356537

ECM controls ignition timing and engine idle speed when engine is started with prewarming up condition. This control promotes the activation of three way catalyst by heating the catalyst and reduces emissions.

On Board Diagnosis Logic

INFOID:000000003356538

DTC No.	Trouble diagnosis name	DTC detecting condition	Possible cause
P1421 1421	Cold start emission reduction strategy monitoring	ECM does not control ignition timing and engine idle speed properly when engine is started with prewarming up condition.	<ul style="list-style-type: none">Lack of intake air volumeFuel injection systemECM

DTC Confirmation Procedure

INFOID:000000003356539

NOTE:

- If DTC Confirmation Procedure has been previously conducted, always turn ignition switch OFF and wait at least 10 seconds before conducting the next test.
- If DTC P1421 is displayed with other DTC, first perform the trouble diagnosis for other DTC.

TESTING CONDITION:

Before performing the following procedure, confirm that battery voltage is more than 11V at idle.

Ⓟ WITH CONSULT-III

- Turn ignition switch OFF and wait at least 10 seconds.
- Turn ignition switch ON.
- Select "DATA MONITOR" mode with CONSULT-III.
- Check that the "COOLAN TEMP/S" indication is between 4°C (39°F) and 36°C (97°F).
If "COOLAN TEMP/S" indication is within the specified value, go to the following step.
If "COOLAN TEMP/S" indication is out of the specified value, cool engine down or warm engine up and go to step 1.
- Start engine and let it idle for 5 minutes.
- Check 1st trip DTC.
- If 1st trip DTC is detected, go to [EC-1103. "Diagnosis Procedure"](#).

Ⓢ WITH GST

Follow the procedure "WITH CONSULT-III" above.

Diagnosis Procedure

INFOID:000000003356540

1.PERFORM IDLE AIR VOLUME LEARNING

Perform [EC-82. "Idle Air Volume Learning"](#).

Is Idle Air Volume Learning carried out successfully?

Yes or No

Yes >> GO TO 2.

No >> Follow the instruction of Idle Air Volume Learning.

2.CHECK INTAKE SYSTEM

Check for the cause of intake air volume lacking. Refer to the following.

- Crushed intake air passage
- Intake air passage clogging

OK or NG

OK >> GO TO 3.

NG >> Repair or replace malfunctioning part

3.CHECK FUEL INJECTION SYSTEM FUNCTION

DTC P1421 COLD START CONTROL

[VK45DE]

< SERVICE INFORMATION >

Perform [EC-280, "DTC Confirmation Procedure"](#) in DTC P0171, P0174 FUEL INJECTION SYSTEM FUNCTION.

OK or NG

OK >> GO TO 4.

NG >> Go to [EC-287, "Diagnosis Procedure"](#).

4. PERFORM DTC CONFIRMATION PROCEDURE

Ⓟ **With CONSULT-III**

1. Turn ignition switch ON.
2. Erase DTC.
3. **Perform DTC Confirmation Procedure.**
See [EC-1103, "DTC Confirmation Procedure"](#).
4. Is the 1st trip DTC P1421 displayed again?

Yes or No

Yes >> GO TO 5.

No >> **INSPECTION END**

5. REPLACE ECM

1. Replace ECM.
2. Perform initialization of IVIS (NATS) system and registration of all IVIS (NATS) ignition key IDs.
Refer to [BL-221, "ECM Re-Communicating Function"](#).
3. Perform [EC-81, "VIN Registration"](#).
4. Perform [EC-82, "Accelerator Pedal Released Position Learning"](#).
5. Perform [EC-82, "Throttle Valve Closed Position Learning"](#).
6. Perform [EC-82, "Idle Air Volume Learning"](#).

>> **INSPECTION END**

DTC P1550 BATTERY CURRENT SENSOR

< SERVICE INFORMATION >

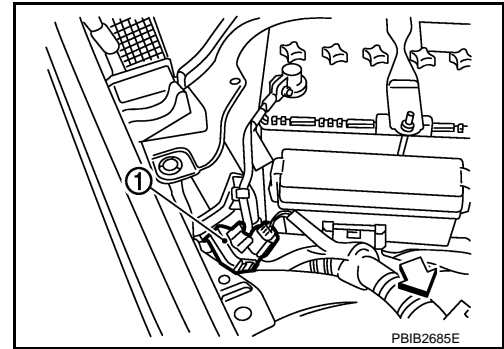
[VK45DE]

DTC P1550 BATTERY CURRENT SENSOR

Component Description

INFOID:000000002955143

The power generation voltage variable control enables fuel consumption to be decreased by reducing the engine load which is caused by the power generation of the generator. The battery current sensor (1) is installed to the battery cable at the negative terminal. The sensor measures the charging/discharging current of the battery. Based on the sensor signal, ECM judges whether or not the power generation voltage variable control is performed. When performing the power generation voltage variable control, ECM calculates the target power generation voltage based on the sensor signal. And ECM sends the calculated value as the power generation command value to IPDM E/R. For the details of the power generation voltage variable control, refer to SC section.



PBIB2685E

CAUTION:

Do not connect the electrical component or the ground wire directly to the battery terminal. The connection causes the malfunction of the power generation voltage variable control, and then the battery discharge may occur.

CONSULT-III Reference Value in Data Monitor Mode

INFOID:000000002955144

Specification data are reference values.

MONITOR ITEM	CONDITION	SPECIFICATION
BAT CUR SEN	<ul style="list-style-type: none">• Engine speed: Idle• Battery: Fully charged*• Selector lever: P or N• Air conditioner switch: OFF• No load	Approx. 2,600 - 3,500mV

*: Before measuring the terminal voltage, confirm that the battery is fully charged. Refer to [SC-4, "How to Handle Battery"](#).

On Board Diagnosis Logic

INFOID:000000002955145

The MIL will not light up for this diagnosis.

NOTE:

If DTC P1550 is displayed with DTC P0643, first perform the trouble diagnosis for DTC P0643. Refer to [EC-1061, "DTC Confirmation Procedure"](#).

DTC No.	Trouble diagnosis name	DTC detecting condition	Possible cause
P1550 1550	Battery current sensor circuit range/performance	The output voltage of the battery current sensor remains within the specified range while engine is running.	<ul style="list-style-type: none">• Harness or connectors (The sensor circuit is open or shorted.)• Battery current sensor

DTC Confirmation Procedure

INFOID:000000002955146

If DTC Confirmation Procedure has been previously conducted, always turn ignition switch OFF and wait at least 10 seconds before conducting the next test.

TESTING CONDITION:

Before performing the following procedure, confirm that battery voltage is more than 8V at idle.

1. Start engine and wait at least 10 seconds.
2. Check 1st trip DTC.
3. If 1st trip DTC is detected, go to [EC-1107, "Diagnosis Procedure"](#).

DTC P1550 BATTERY CURRENT SENSOR

[VK45DE]

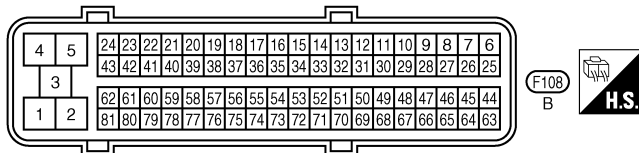
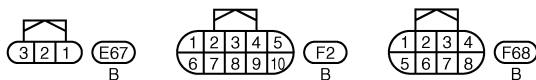
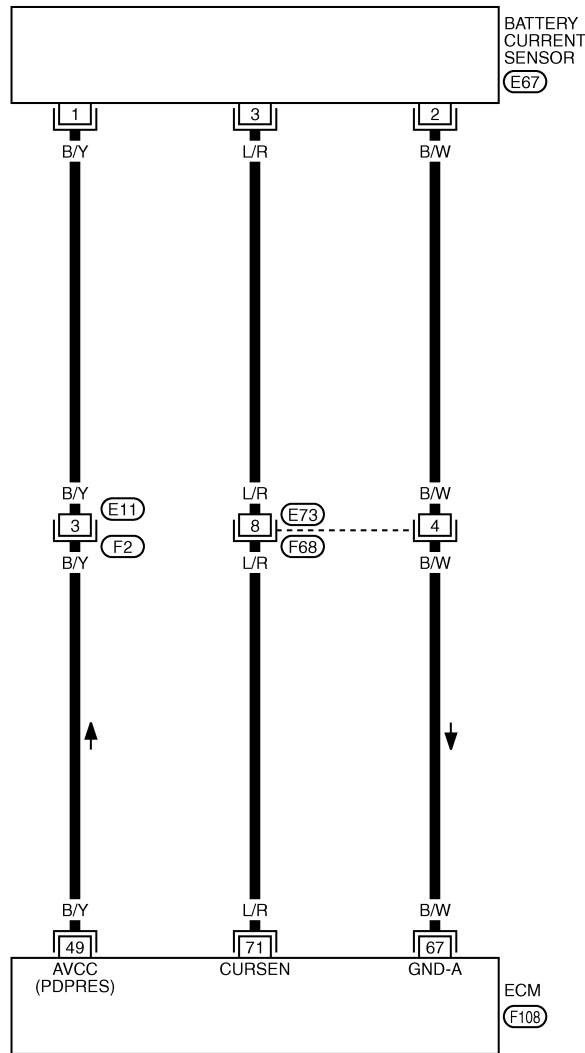
< SERVICE INFORMATION >

INFOID:000000002955147

Wiring Diagram

EC-CUR/SE-01

: DETECTABLE LINE FOR DTC
 : NON-DETECTABLE LINE FOR DTC



TBWT1064E

Specification data are reference values and are measured between each terminal and ground.

CAUTION:

Do not use ECM ground terminals when measuring input/output voltage. Doing so may result in damage to the ECM's transistor. Use a ground other than ECM terminals, such as the ground.

DTC P1550 BATTERY CURRENT SENSOR

[VK45DE]

< SERVICE INFORMATION >

TER-MI-NAL NO.	WIRE COLOR	ITEM	CONDITION	DATA (DC Voltage)
49	B/Y	Sensor power supply (Battery current sensor)	[Ignition switch: ON]	Approximately 5V
67	B/W	Sensor ground (Battery current sensor)	[Engine is running] • Warm-up condition • Idle speed	Approximately 0V
71	L/R	Battery current sensor	[Engine is running] • Battery: Fully charged* • Idle speed	Approximately 2.6 - 3.5V

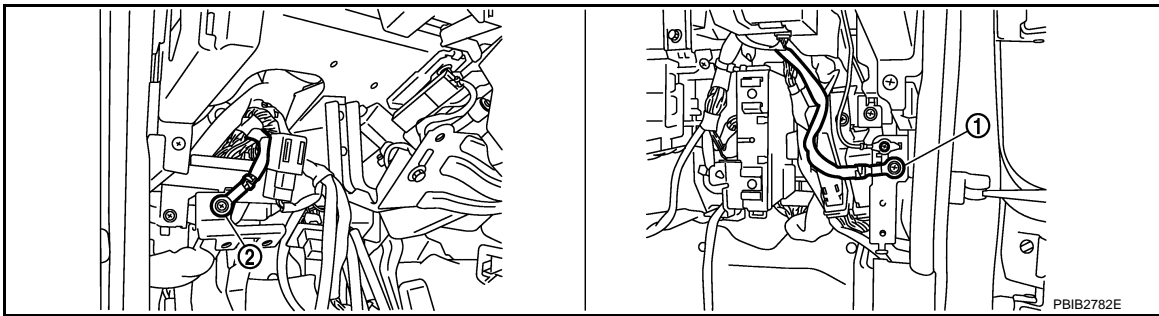
*: Before measuring the terminal voltage, confirm that the battery is fully charged. Refer to [SC-4, "How to Handle Battery"](#).

Diagnosis Procedure

INFOID:000000002955148

1. CHECK GROUND CONNECTIONS

1. Turn ignition switch OFF.
2. Loosen and retighten ground screws on the body.
Refer to [EC-769, "Ground Inspection"](#).



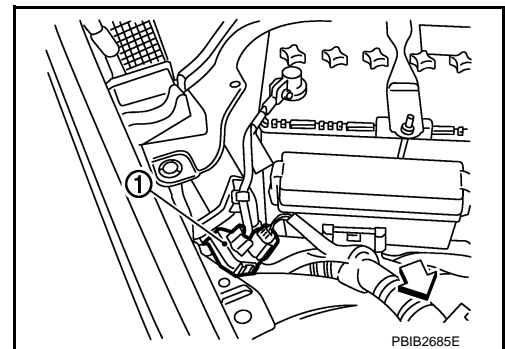
1. Body ground M70
2. Body ground M16

OK or NG

- OK >> GO TO 2.
NG >> Repair or replace ground connections.

2. CHECK BATTERY CURRENT SENSOR POWER SUPPLY CIRCUIT

1. Disconnect battery current sensor (1) harness connector.
2. Turn ignition switch ON.



DTC P1550 BATTERY CURRENT SENSOR

[VK45DE]

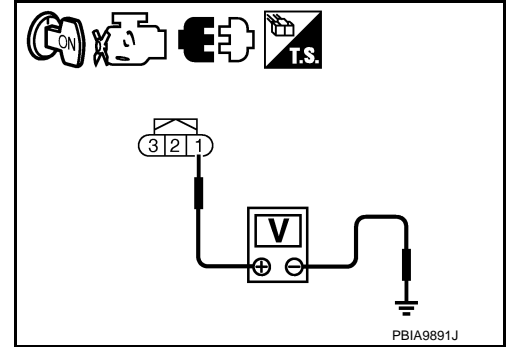
< SERVICE INFORMATION >

3. Check voltage between battery current sensor terminal 1 and ground with CONSULT-III or tester.

Voltage: Approximately 5V

OK or NG

- OK >> GO TO 4.
- NG >> GO TO 3.



3. DETECT MALFUNCTIONING PART

Check the following.

- Harness connectors E11, F2
- Harness for open or short between battery current sensor and ECM

>> Repair open circuit or short to ground or short to power in harness or connectors.

4. CHECK BATTERY CURRENT SENSOR GROUND CIRCUIT FOR OPEN AND SHORT

1. Turn ignition switch OFF.
2. Disconnect ECM harness connector.
3. Check harness continuity between battery current sensor terminal 2 and ECM terminal 67. Refer to Wiring Diagram.

Continuity should exist.

4. Also check harness for short to ground and short to power.

OK or NG

- OK >> GO TO 6.
- NG >> GO TO 5.

5. DETECT MALFUNCTIONING PART

Check the following.

- Harness connectors E73, F68
- Harness for open or short between battery current sensor and ECM

>> Repair open circuit or short to ground or short to power in harness or connectors.

6. CHECK BATTERY CURRENT SENSOR INPUT SIGNAL CIRCUIT FOR OPEN AND SHORT

1. Check harness continuity between battery current sensor terminal 3 and ECM terminal 71. Refer to Wiring Diagram.

Continuity should exist.

2. Also check harness for short to ground and short to power.

OK or NG

- OK >> GO TO 8.
- NG >> GO TO 7.

7. DETECT MALFUNCTIONING PART

Check the following.

- Harness connectors E73, F68
- Harness for open or short between battery current sensor and ECM

>> Repair open circuit or short to ground or short to power in harness or connectors.

8. CHECK BATTERY CURRENT SENSOR

Refer to [EC-1109, "Component Inspection"](#).

DTC P1550 BATTERY CURRENT SENSOR

[VK45DE]

< SERVICE INFORMATION >

OK or NG

OK >> GO TO 9.

NG >> Replace battery negative cable assembly.

9. CHECK INTERMITTENT INCIDENT


Refer to [EC-763. "Diagnosis Procedure"](#).

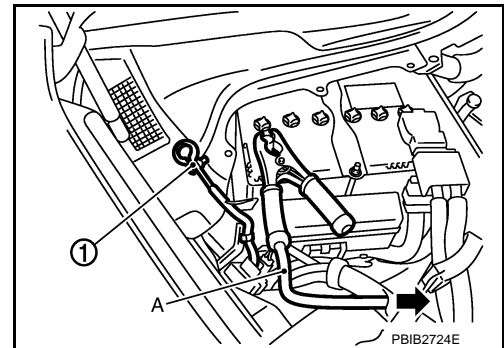
>> INSPECTION END

Component Inspection

INFOID:000000002955149

BATTERY CURRENT SENSOR

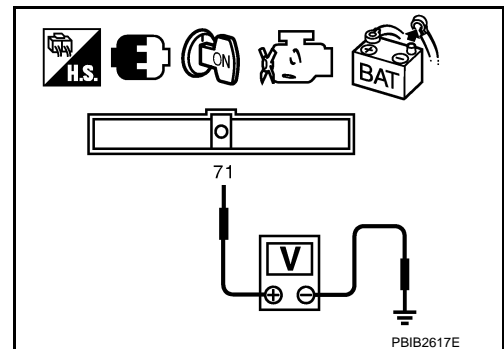
1. Reconnect harness connectors disconnected.
2. Disconnect battery negative cable (1).
 - : To body ground
3. Install jumper cable A between battery negative terminal and body ground.
4. Turn ignition switch ON.



5. Check voltage between ECM terminal 71 (battery current sensor signal) and ground.

Voltage: Approximately 2.5V

6. If NG, replace battery negative cable assembly.



DTC P1551, P1552 BATTERY CURRENT SENSOR

< SERVICE INFORMATION >

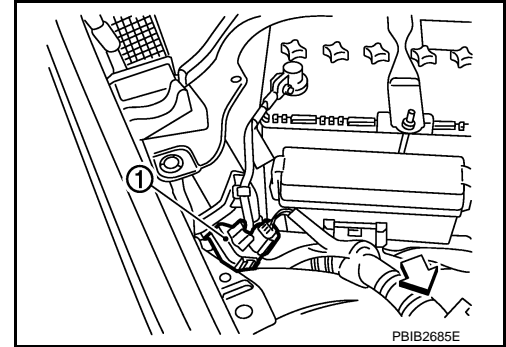
[VK45DE]

DTC P1551, P1552 BATTERY CURRENT SENSOR

Component Description

INFOID:000000002955150

The power generation voltage variable control enables fuel consumption to be decreased by reducing the engine load which is caused by the power generation of the generator. The battery current sensor (1) is installed to the battery cable at the negative terminal. The sensor measures the charging/discharging current of the battery. Based on the sensor signal, ECM judges whether or not the power generation voltage variable control is performed. When performing the power generation voltage variable control, ECM calculates the target power generation voltage based on the sensor signal. And ECM sends the calculated value as the power generation command value to IPDM E/R. For the details of the power generation voltage variable control, refer to SC section.



PBIB2685E

CAUTION:

Do not connect the electrical component or the ground wire directly to the battery terminal. The connection causes the malfunction of the power generation voltage variable control, and then the battery discharge may occur.

CONSULT-III Reference Value in Data Monitor Mode

INFOID:000000002955151

Specification data are reference values.

MONITOR ITEM	CONDITION	SPECIFICATION
BAT CUR SEN	<ul style="list-style-type: none">• Engine speed: Idle• Battery: Fully charged*• Selector lever: P or N• Air conditioner switch: OFF• No load	Approx. 2,600 - 3,500mV

*: Before measuring the terminal voltage, confirm that the battery is fully charged. Refer to [SC-4, "How to Handle Battery"](#).

On Board Diagnosis Logic

INFOID:000000002955152

The MIL will not light up for these diagnoses.

NOTE:

If DTC P1551 or P1552 is displayed with DTC P0643, first perform the trouble diagnosis for DTC P0643. Refer to [EC-1061, "DTC Confirmation Procedure"](#).

DTC No.	Trouble diagnosis name	DTC detecting condition	Possible cause
P1551 1551	Battery current sensor circuit low input	An excessively low voltage from the sensor is sent to ECM.	<ul style="list-style-type: none">• Harness or connectors (The sensor circuit is open or shorted.)• Battery current sensor
P1552 1552	Battery current sensor circuit high input	An excessively high voltage from the sensor is sent to ECM.	

DTC Confirmation Procedure

INFOID:000000002955153

If DTC Confirmation Procedure has been previously conducted, always turn ignition switch OFF and wait at least 10 seconds before conducting the next test.

TESTING CONDITION:

Before performing the following procedure, confirm that battery voltage is more than 8V with ignition switch ON

1. Turn ignition switch ON and wait at least 10 seconds.
2. Check 1st trip DTC.
3. If 1st trip DTC is detected, go to [EC-1112, "Diagnosis Procedure"](#).

DTC P1551, P1552 BATTERY CURRENT SENSOR

< SERVICE INFORMATION >

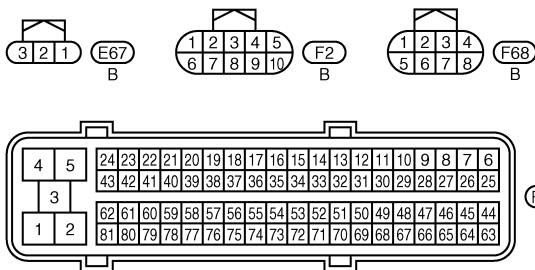
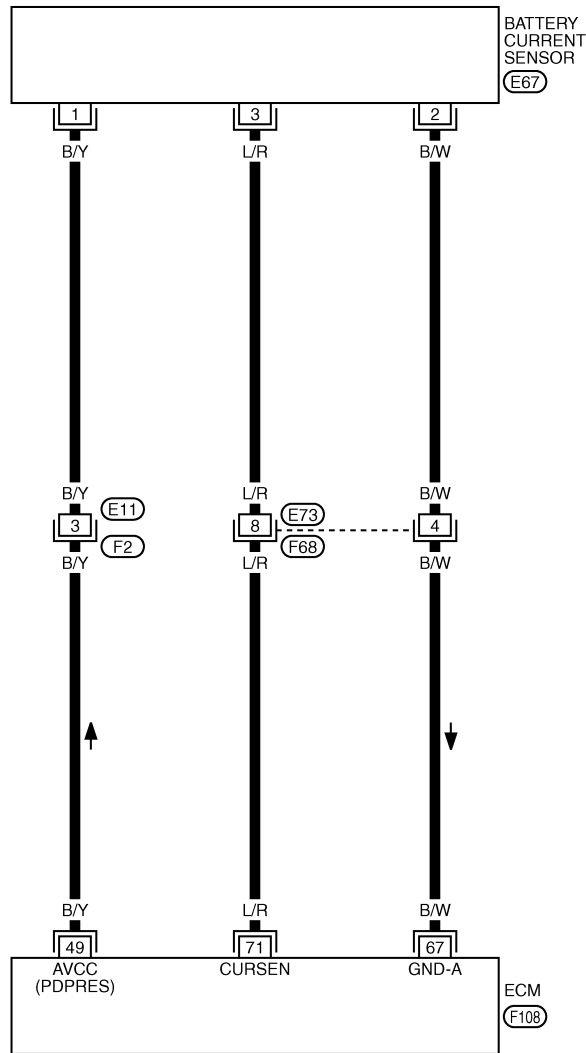
[VK45DE]

INFOID:000000002955154

Wiring Diagram

EC-CUR/SE-01

— : DETECTABLE LINE FOR DTC
 — : NON-DETECTABLE LINE FOR DTC



TBWT1064E

Specification data are reference values and are measured between each terminal and ground.

CAUTION:

Do not use ECM ground terminals when measuring input/output voltage. Doing so may result in damage to the ECM's transistor. Use a ground other than ECM terminals, such as the ground.

DTC P1551, P1552 BATTERY CURRENT SENSOR

< SERVICE INFORMATION >

[VK45DE]

TER-MI-NAL NO.	WIRE COLOR	ITEM	CONDITION	DATA (DC Voltage)
49	B/Y	Sensor power supply (Battery current sensor)	[Ignition switch: ON]	Approximately 5V
67	B/W	Sensor ground (Battery current sensor)	[Engine is running] <ul style="list-style-type: none">• Warm-up condition• Idle speed	Approximately 0V
71	L/R	Battery current sensor	[Engine is running] <ul style="list-style-type: none">• Battery: Fully charged*• Idle speed	Approximately 2.6 - 3.5V

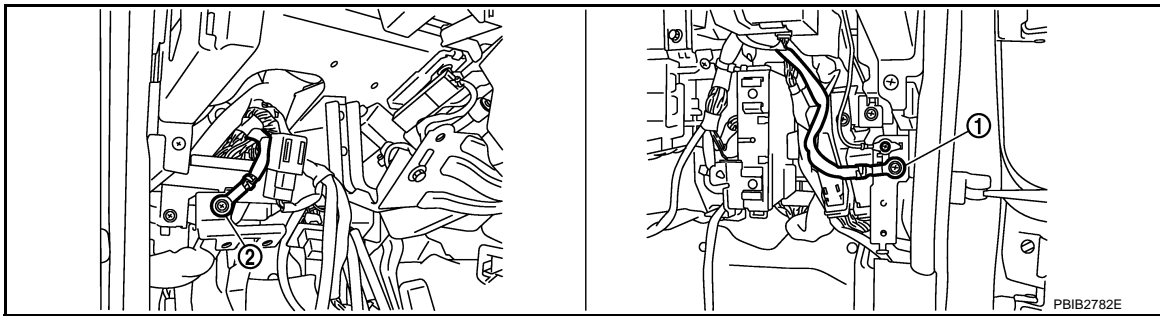
*: Before measuring the terminal voltage, confirm that the battery is fully charged. Refer to [SC-4. "How to Handle Battery"](#).

Diagnosis Procedure

INFOID:000000002955155

1. CHECK GROUND CONNECTIONS

1. Turn ignition switch OFF.
2. Loosen and retighten ground screws on the body.
Refer to [EC-769. "Ground Inspection"](#).



1. Body ground M70

2. Body ground M16

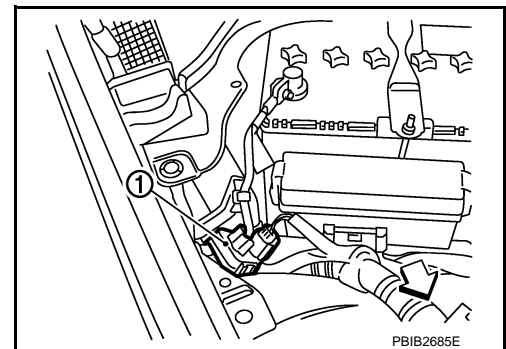
OK or NG

OK >> GO TO 2.

NG >> Repair or replace ground connections.

2. CHECK BATTERY CURRENT SENSOR POWER SUPPLY CIRCUIT

1. Disconnect battery current sensor (1) harness connector.
2. Turn ignition switch ON.



DTC P1551, P1552 BATTERY CURRENT SENSOR

[VK45DE]

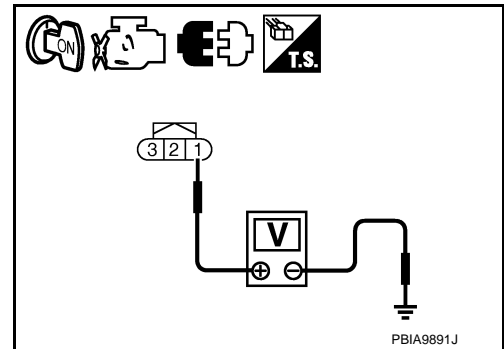
< SERVICE INFORMATION >

3. Check voltage between battery current sensor terminal 1 and ground with CONSULT-III or tester.

Voltage: Approximately 5V

OK or NG

- OK >> GO TO 4.
- NG >> GO TO 3.



3. DETECT MALFUNCTIONING PART

Check the following.

- Harness connectors E11, F2
- Harness for open or short between battery current sensor and ECM

>> Repair open circuit or short to ground or short to power in harness or connectors.

4. CHECK BATTERY CURRENT SENSOR GROUND CIRCUIT FOR OPEN AND SHORT

1. Turn ignition switch OFF.
2. Disconnect ECM harness connector.
3. Check harness continuity between battery current sensor terminal 2 and ECM terminal 67. Refer to Wiring Diagram.

Continuity should exist.

4. Also check harness for short to ground and short to power.

OK or NG

- OK >> GO TO 6.
- NG >> GO TO 5.

5. DETECT MALFUNCTIONING PART

Check the following.

- Harness connectors E73, F68
- Harness for open or short between battery current sensor and ECM

>> Repair open circuit or short to ground or short to power in harness or connectors.

6. CHECK BATTERY CURRENT SENSOR INPUT SIGNAL CIRCUIT FOR OPEN AND SHORT

1. Check harness continuity between battery current sensor terminal 3 and ECM terminal 71. Refer to Wiring Diagram.

Continuity should exist.

2. Also check harness for short to ground and short to power.

OK or NG

- OK >> GO TO 8.
- NG >> GO TO 7.

7. DETECT MALFUNCTIONING PART

Check the following.

- Harness connectors E73, F68
- Harness for open or short between battery current sensor and ECM

>> Repair open circuit or short to ground or short to power in harness or connectors.

8. CHECK BATTERY CURRENT SENSOR

Refer to [EC-1114, "Component Inspection"](#).

DTC P1551, P1552 BATTERY CURRENT SENSOR

[VK45DE]

< SERVICE INFORMATION >

OK or NG

- OK >> GO TO 9.
- NG >> Replace battery negative cable assembly.

9. CHECK INTERMITTENT INCIDENT

Refer to [EC-763. "Diagnosis Procedure"](#).

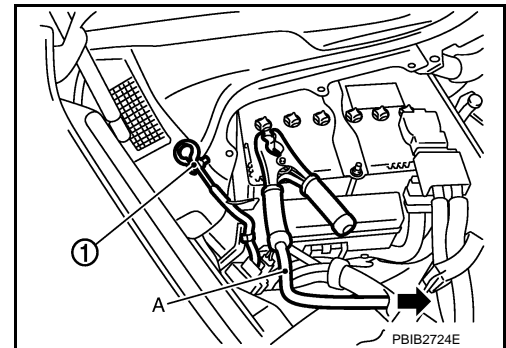
>> INSPECTION END

Component Inspection

INFOID:000000002955156

BATTERY CURRENT SENSOR

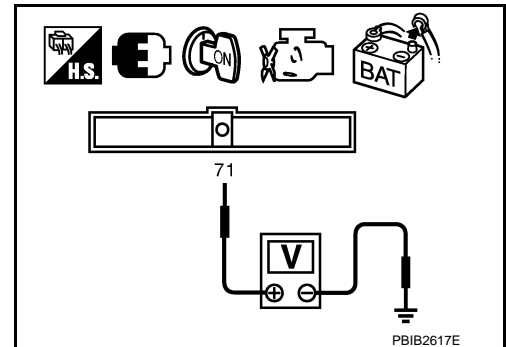
1. Reconnect harness connectors disconnected.
2. Disconnect battery negative cable (1).
 - ←: To body ground
3. Install jumper cable A between battery negative terminal and body ground.
4. Turn ignition switch ON.



5. Check voltage between ECM terminal 71 (battery current sensor signal) and ground.

Voltage: Approximately 2.5V

6. If NG, replace battery negative cable assembly.



DTC P1553 BATTERY CURRENT SENSOR

< SERVICE INFORMATION >

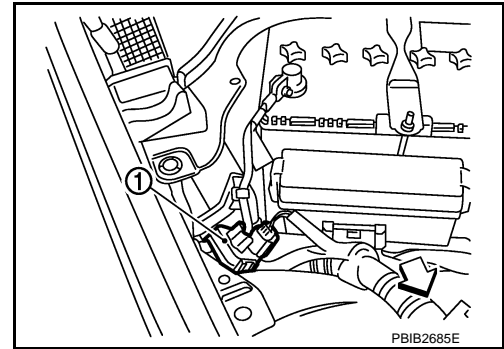
[VK45DE]

DTC P1553 BATTERY CURRENT SENSOR

Component Description

INFOID:000000002955157

The power generation voltage variable control enables fuel consumption to be decreased by reducing the engine load which is caused by the power generation of the generator. The battery current sensor (1) is installed to the battery cable at the negative terminal. The sensor measures the charging/discharging current of the battery. Based on the sensor signal, ECM judges whether or not the power generation voltage variable control is performed. When performing the power generation voltage variable control, ECM calculates the target power generation voltage based on the sensor signal. And ECM sends the calculated value as the power generation command value to IPDM E/R. For the details of the power generation voltage variable control, refer to SC section.



CAUTION:

Do not connect the electrical component or the ground wire directly to the battery terminal. The connection causes the malfunction of the power generation voltage variable control, and then the battery discharge may occur.

CONSULT-III Reference Value in Data Monitor Mode

INFOID:000000002955158

Specification data are reference values.

MONITOR ITEM	CONDITION	SPECIFICATION
BAT CUR SEN	<ul style="list-style-type: none"> • Engine speed: Idle • Battery: Fully charged* • Selector lever: P or N • Air conditioner switch: OFF • No load 	Approx. 2,600 - 3,500mV

*: Before measuring the terminal voltage, confirm that the battery is fully charged. Refer to [SC-4, "How to Handle Battery"](#).

On Board Diagnosis Logic

INFOID:000000002955159

The MIL will not light up for this diagnosis.

NOTE:

If DTC P1553 is displayed with DTC P0643, first perform the trouble diagnosis for DTC P0643. Refer to [EC-1061, "DTC Confirmation Procedure"](#).

DTC No.	Trouble diagnosis name	DTC detecting condition	Possible cause
P1553 1553	Battery current sensor performance	The signal voltage transmitted from the sensor to ECM is higher than the amount of the maximum power generation.	<ul style="list-style-type: none"> • Harness or connectors (The sensor circuit is open or shorted.) • Battery current sensor

DTC Confirmation Procedure

INFOID:000000002955160

If DTC Confirmation Procedure has been previously conducted, always turn ignition switch OFF and wait at least 10 seconds before conducting the next test.

TESTING CONDITION:

Before performing the following procedure, confirm that battery voltage is more than 8V at idle.

1. Start engine and wait at least 10 seconds.
2. Check 1st trip DTC.
3. If 1st trip DTC is detected, go to [EC-1117, "Diagnosis Procedure"](#).

DTC P1553 BATTERY CURRENT SENSOR



[VK45DE]

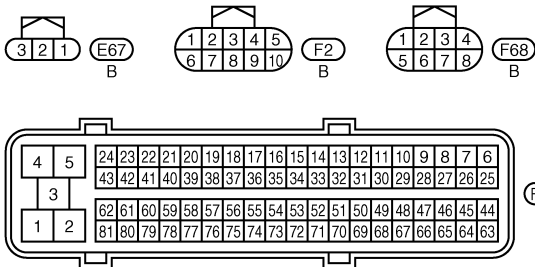
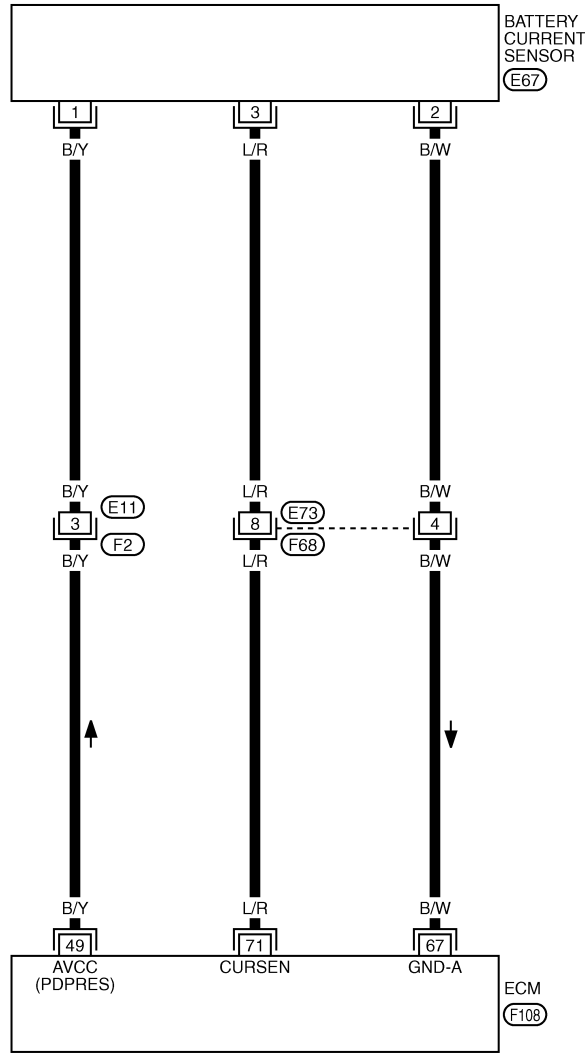
< SERVICE INFORMATION >

INFOID:000000002955161

Wiring Diagram

EC-CUR/SE-01

 : DETECTABLE LINE FOR DTC
 : NON-DETECTABLE LINE FOR DTC



TBWT1064E

Specification data are reference values and are measured between each terminal and ground.

CAUTION:

Do not use ECM ground terminals when measuring input/output voltage. Doing so may result in damage to the ECM's transistor. Use a ground other than ECM terminals, such as the ground.

DTC P1553 BATTERY CURRENT SENSOR

< SERVICE INFORMATION >

[VK45DE]

TER-MI-NAL NO.	WIRE COLOR	ITEM	CONDITION	DATA (DC Voltage)
49	B/Y	Sensor power supply (Battery current sensor)	[Ignition switch: ON]	Approximately 5V
67	B/W	Sensor ground (Battery current sensor)	[Engine is running] • Warm-up condition • Idle speed	Approximately 0V
71	L/R	Battery current sensor	[Engine is running] • Battery: Fully charged* • Idle speed	Approximately 2.6 - 3.5V

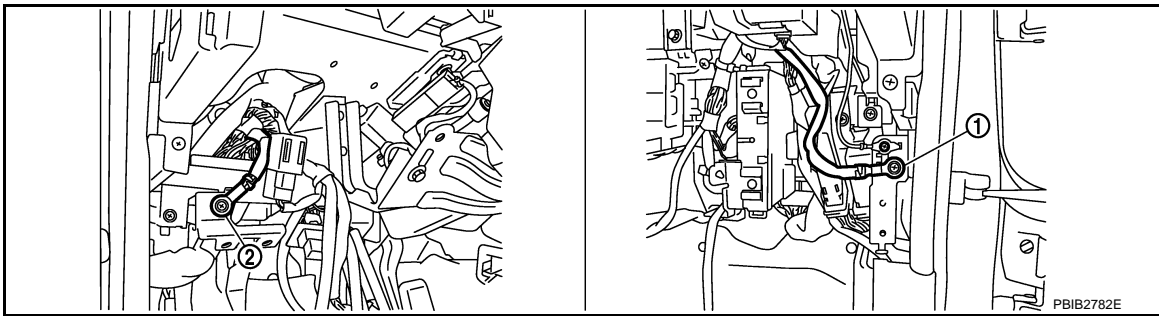
*: Before measuring the terminal voltage, confirm that the battery is fully charged. Refer to [SC-4, "How to Handle Battery"](#).

Diagnosis Procedure

INFOID:000000002955162

1. CHECK GROUND CONNECTIONS

1. Turn ignition switch OFF.
2. Loosen and retighten ground screws on the body.
Refer to [EC-769, "Ground Inspection"](#).



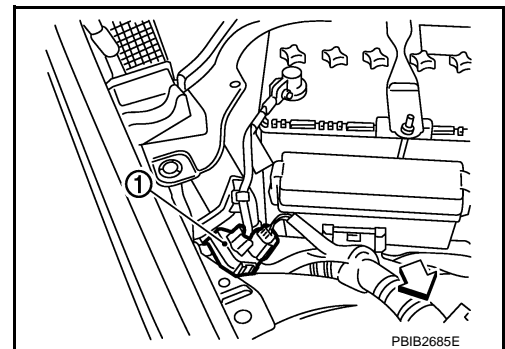
1. Body ground M70
2. Body ground M16

OK or NG

- OK >> GO TO 2.
NG >> Repair or replace ground connections.

2. CHECK BATTERY CURRENT SENSOR POWER SUPPLY CIRCUIT

1. Disconnect battery current sensor (1) harness connector.
2. Turn ignition switch ON.



DTC P1553 BATTERY CURRENT SENSOR

[VK45DE]

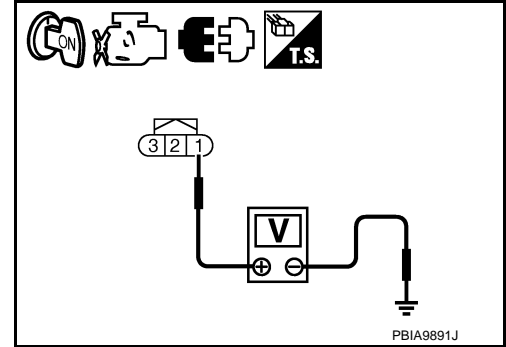
< SERVICE INFORMATION >

3. Check voltage between battery current sensor terminal 1 and ground with CONSULT-III or tester.

Voltage: Approximately 5V

OK or NG

- OK >> GO TO 4.
- NG >> GO TO 3.



3. DETECT MALFUNCTIONING PART

Check the following.

- Harness connectors E11, F2
- Harness for open or short between battery current sensor and ECM

>> Repair open circuit or short to ground or short to power in harness or connectors.

4. CHECK BATTERY CURRENT SENSOR GROUND CIRCUIT FOR OPEN AND SHORT

1. Turn ignition switch OFF.
2. Disconnect ECM harness connector.
3. Check harness continuity between battery current sensor terminal 2 and ECM terminal 67. Refer to Wiring Diagram.

Continuity should exist.

4. Also check harness for short to ground and short to power.

OK or NG

- OK >> GO TO 6.
- NG >> GO TO 5.

5. DETECT MALFUNCTIONING PART

Check the following.

- Harness connectors E73, F68
- Harness for open or short between battery current sensor and ECM

>> Repair open circuit or short to ground or short to power in harness or connectors.

6. CHECK BATTERY CURRENT SENSOR INPUT SIGNAL CIRCUIT FOR OPEN AND SHORT

1. Check harness continuity between battery current sensor terminal 3 and ECM terminal 71. Refer to Wiring Diagram.

Continuity should exist.

2. Also check harness for short to ground and short to power.

OK or NG

- OK >> GO TO 8.
- NG >> GO TO 7.

7. DETECT MALFUNCTIONING PART

Check the following.

- Harness connectors E73, F68
- Harness for open or short between battery current sensor and ECM

>> Repair open circuit or short to ground or short to power in harness or connectors.

8. CHECK BATTERY CURRENT SENSOR

Refer to [EC-1119, "Component Inspection"](#).

DTC P1553 BATTERY CURRENT SENSOR

[VK45DE]

< SERVICE INFORMATION >

OK or NG

- OK >> GO TO 9.
- NG >> Replace battery negative cable assembly.

9. CHECK INTERMITTENT INCIDENT

Refer to [EC-763. "Diagnosis Procedure"](#).

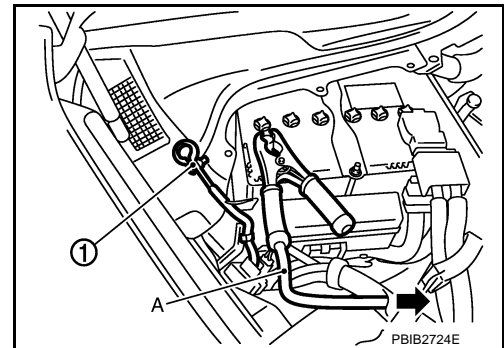
>> INSPECTION END

Component Inspection

INFOID:000000002955163

BATTERY CURRENT SENSOR

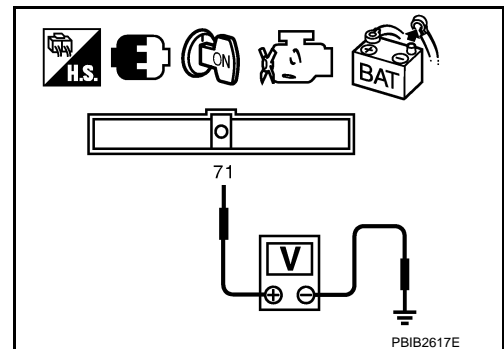
1. Reconnect harness connectors disconnected.
2. Disconnect battery negative cable (1).
 - : To body ground
3. Install jumper cable A between battery negative terminal and body ground.
4. Turn ignition switch ON.



5. Check voltage between ECM terminal 71 (battery current sensor signal) and ground.

Voltage: Approximately 2.5V

6. If NG, replace battery negative cable assembly.



DTC P1554 BATTERY CURRENT SENSOR

< SERVICE INFORMATION >

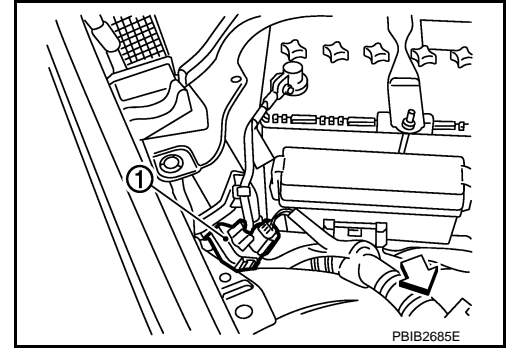
[VK45DE]

DTC P1554 BATTERY CURRENT SENSOR

Component Description

INFOID:000000002955164

The power generation voltage variable control enables fuel consumption to be decreased by reducing the engine load which is caused by the power generation of the generator. The battery current sensor (1) is installed to the battery cable at the negative terminal of the battery. Based on the sensor signal, ECM judges whether or not the power generation voltage variable control is performed. When performing the power generation voltage variable control, ECM calculates the target power generation voltage based on the sensor signal. And ECM sends the calculated value as the power generation command value to IPDM E/R. For the details of the power generation voltage variable control, refer to SC section.



PBIB2685E

CAUTION:

Do not connect the electrical component or the ground wire directly to the battery terminal. The connection causes the malfunction of the power generation voltage variable control, and then the battery discharge may occur.

CONSULT-III Reference Value in Data Monitor Mode

INFOID:000000002955165

Specification data are reference values.

MONITOR ITEM	CONDITION	SPECIFICATION
BAT CUR SEN	<ul style="list-style-type: none">• Engine speed: Idle• Battery: Fully charged*• Selector lever: P or N• Air conditioner switch: OFF• No load	Approx. 2,600 - 3,500mV

*: Before measuring the terminal voltage, confirm that the battery is fully charged. Refer to [SC-4, "How to Handle Battery"](#).

On Board Diagnosis Logic

INFOID:000000002955166

The MIL will not light up for this diagnosis.

NOTE:

If DTC P1554 is displayed with DTC P0643, first perform the trouble diagnosis for DTC P0643. Refer to [EC-1061, "DTC Confirmation Procedure"](#).

DTC No.	Trouble diagnosis name	DTC detecting condition	Possible cause
P1554 1554	Battery current sensor performance	The output voltage of the battery current sensor is lower than the specified value while the battery voltage is high enough.	<ul style="list-style-type: none">• Harness or connectors (The sensor circuit is open or shorted.)• Battery current sensor

Overall Function Check

INFOID:000000002955167

Use this procedure to check the overall function of the battery current sensor circuit. During this check, a 1st trip DTC might not be confirmed.

TESTING CONDITION:

- Before performing the following procedure, confirm that battery voltage is more than 12.8V at idle.
- Before performing the following procedure, confirm that all load switches and A/C switch are turned OFF.

④ WITH CONSULT-III

1. Start engine and let it idle.
2. Select "BAT CUR SEN" in "DATA MONITOR" mode with CONSULT-III.
3. Check "BAT CUR SEN" indication for 10 seconds.
"BAT CUR SEN" should be above 2,300mV at least once.
4. If NG, go to [EC-1123, "Diagnosis Procedure"](#).

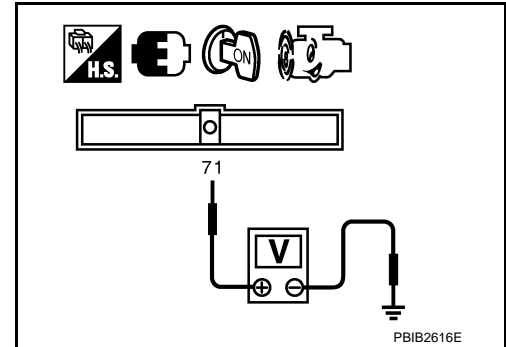
DTC P1554 BATTERY CURRENT SENSOR

[VK45DE]

< SERVICE INFORMATION >

WITH GST

1. Start engine and let it idle.
2. Check voltage between ECM terminal 71 (battery current sensor signal) and ground for 10 seconds.
The voltage should be above 2.3V at least once.
3. If NG, go to [EC-1123, "Diagnosis Procedure"](#).



A

EC

C

D

E

F

G

H

I

J

K

L

M

N

O

P

DTC P1554 BATTERY CURRENT SENSOR

[VK45DE]

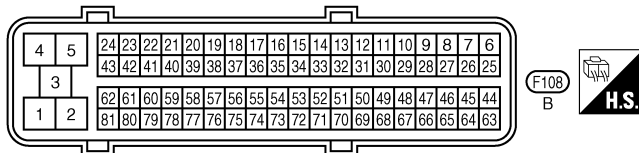
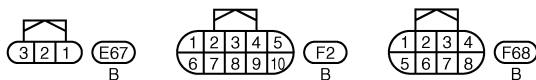
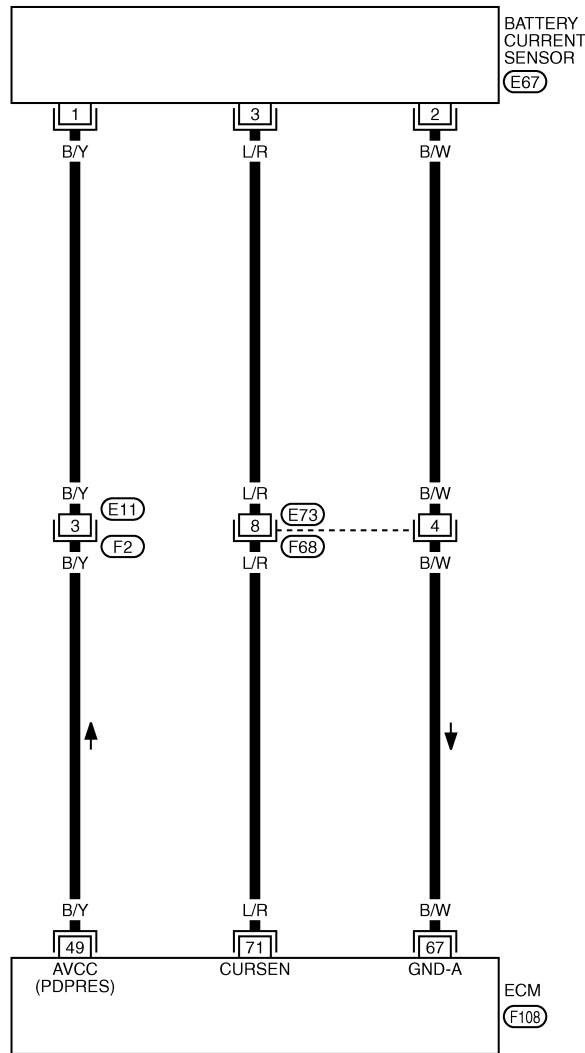
< SERVICE INFORMATION >

INFOID:000000002955168

Wiring Diagram

EC-CUR/SE-01

: DETECTABLE LINE FOR DTC
 : NON-DETECTABLE LINE FOR DTC



TBWT1064E

Specification data are reference values and are measured between each terminal and ground.

CAUTION:

Do not use ECM ground terminals when measuring input/output voltage. Doing so may result in damage to the ECM's transistor. Use a ground other than ECM terminals, such as the ground.

DTC P1554 BATTERY CURRENT SENSOR

[VK45DE]

< SERVICE INFORMATION >

TER-MI-NAL NO.	WIRE COLOR	ITEM	CONDITION	DATA (DC Voltage)
49	B/Y	Sensor power supply (Battery current sensor)	[Ignition switch: ON]	Approximately 5V
67	B/W	Sensor ground (Battery current sensor)	[Engine is running] • Warm-up condition • Idle speed	Approximately 0V
71	L/R	Battery current sensor	[Engine is running] • Battery: Fully charged* • Idle speed	Approximately 2.6 - 3.5V

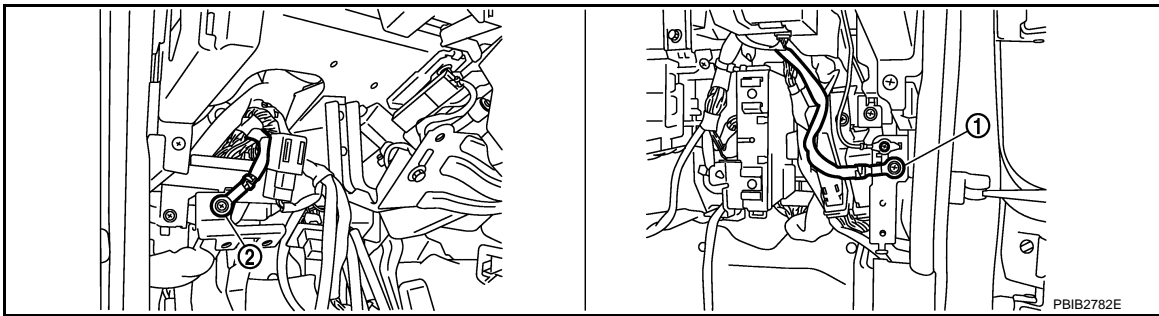
*: Before measuring the terminal voltage, confirm that the battery is fully charged. Refer to [SC-4, "How to Handle Battery"](#).

Diagnosis Procedure

INFOID:000000002955169

1. CHECK GROUND CONNECTIONS

1. Turn ignition switch OFF.
2. Loosen and retighten ground screws on the body.
Refer to [EC-769, "Ground Inspection"](#).



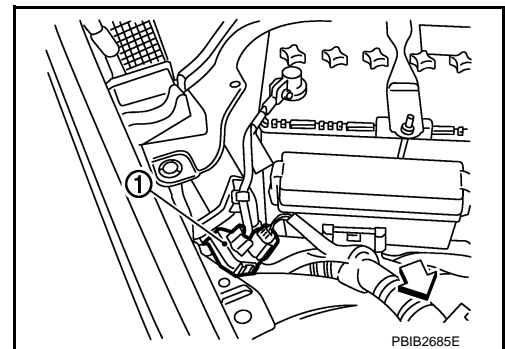
1. Body ground M70
2. Body ground M16

OK or NG

- OK >> GO TO 2.
NG >> Repair or replace ground connections.

2. CHECK BATTERY CURRENT SENSOR POWER SUPPLY CIRCUIT

1. Disconnect battery current sensor (1) harness connector.
2. Turn ignition switch ON.



DTC P1554 BATTERY CURRENT SENSOR

[VK45DE]

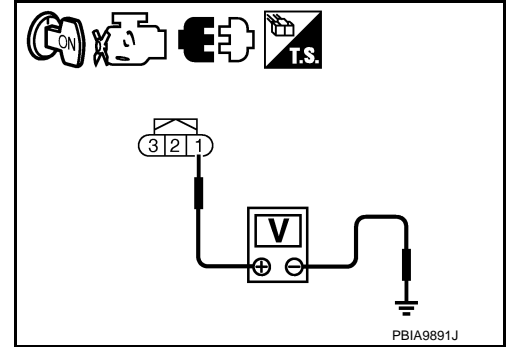
< SERVICE INFORMATION >

3. Check voltage between battery current sensor terminal 1 and ground with CONSULT-III or tester.

Voltage: Approximately 5V

OK or NG

- OK >> GO TO 4.
- NG >> GO TO 3.



3. DETECT MALFUNCTIONING PART

Check the following.

- Harness connectors E11, F2
- Harness for open or short between battery current sensor and ECM

>> Repair open circuit or short to ground or short to power in harness or connectors.

4. CHECK BATTERY CURRENT SENSOR GROUND CIRCUIT FOR OPEN AND SHORT

1. Turn ignition switch OFF.
2. Disconnect ECM harness connector.
3. Check harness continuity between battery current sensor terminal 2 and ECM terminal 67. Refer to Wiring Diagram.

Continuity should exist.

4. Also check harness for short to ground and short to power.

OK or NG

- OK >> GO TO 6.
- NG >> GO TO 5.

5. DETECT MALFUNCTIONING PART

Check the following.

- Harness connectors E73, F68
- Harness for open or short between battery current sensor and ECM

>> Repair open circuit or short to ground or short to power in harness or connectors.

6. CHECK BATTERY CURRENT SENSOR INPUT SIGNAL CIRCUIT FOR OPEN AND SHORT

1. Check harness continuity between battery current sensor terminal 3 and ECM terminal 71. Refer to Wiring Diagram.

Continuity should exist.

2. Also check harness for short to ground and short to power.

OK or NG

- OK >> GO TO 8.
- NG >> GO TO 7.

7. DETECT MALFUNCTIONING PART

Check the following.

- Harness connectors E73, F68
- Harness for open or short between battery current sensor and ECM

>> Repair open circuit or short to ground or short to power in harness or connectors.

8. CHECK BATTERY CURRENT SENSOR

Refer to [EC-1125, "Component Inspection"](#).

DTC P1554 BATTERY CURRENT SENSOR

[VK45DE]

< SERVICE INFORMATION >

OK or NG

- OK >> GO TO 9.
- NG >> Replace battery negative cable assembly.

9. CHECK INTERMITTENT INCIDENT


Refer to [EC-763. "Diagnosis Procedure"](#).

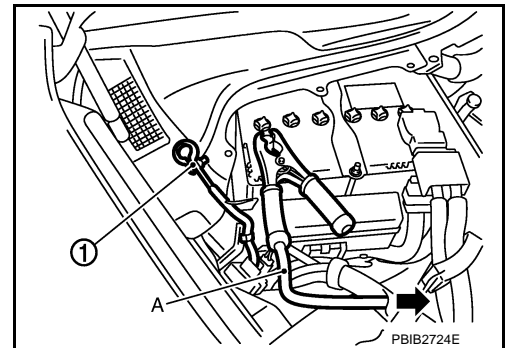
>> INSPECTION END

Component Inspection

INFOID:000000002955170

BATTERY CURRENT SENSOR

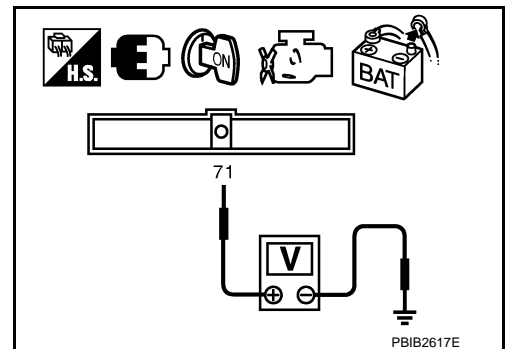
1. Reconnect harness connectors disconnected.
2. Disconnect battery negative cable (1).
 - : To body ground
3. Install jumper cable A between battery negative terminal and body ground.
4. Turn ignition switch ON.



5. Check voltage between ECM terminal 71 (battery current sensor signal) and ground.

Voltage: Approximately 2.5V

6. If NG, replace battery negative cable assembly.



A
EC
C
D
E
F
G
H
I
J
K
L
M
N
O
P

DTC P1564 ICC STEERING SWITCH

[VK45DE]

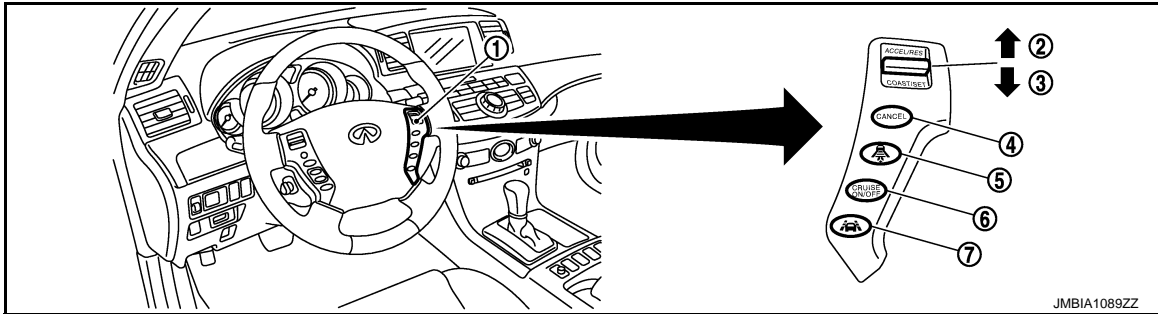
< SERVICE INFORMATION >

DTC P1564 ICC STEERING SWITCH

Component Description

INFOID:000000002955171

ICC steering switch has variant values of electrical resistance for each button. ECM reads voltage variation of switch, and determines which button is operated. Refer to [ACS-9](#) for the ICC function.



- | | | |
|-------------------------|-----------------------------|---------------------|
| 1. ASCD steering switch | 2. RESUME/ACCELERATE switch | 3. SET/COAST switch |
| 4. CANCEL switch | 5. DISTANCE switch | 6. MAIN switch |
| 7. LDP ON switch | | |

CONSULT-III Reference Value in Data Monitor Mode

INFOID:000000002955172

Specification data are reference values.

MONITOR ITEM	CONDITION		SPECIFICATION
MAIN SW	• Ignition switch: ON	MAIN switch: Pressed	ON
		MAIN switch: Released	OFF
CANCEL SW	• Ignition switch: ON	CANCEL switch: Pressed	ON
		CANCEL switch: Released	OFF
RESUME/ACC SW	• Ignition switch: ON	RESUME/ACCELERATE switch: Pressed	ON
		RESUME/ACCELERATE switch: Released	OFF
SET SW	• Ignition switch: ON	SET/COAST switch: Pressed	ON
		SET/COAST switch: Released	OFF
DIST SW	• Ignition switch: ON	DISTANCE switch: Pressed	ON
		DISTANCE switch: Released	OFF

On Board Diagnosis Logic

INFOID:000000002955173

**This self-diagnosis has the one trip detection logic.
The MIL will not light up for this diagnosis.**

NOTE:

If DTC P1564 is displayed with DTC P0605, first perform the trouble diagnosis for DTC P0605. Refer to [EC-1059, "DTC Confirmation Procedure"](#).

DTC No.	Trouble diagnosis name	DTC detecting condition	Possible cause
P1564 1564	ICC steering switch	<ul style="list-style-type: none"> An excessively high voltage signal from the ICC steering switch is sent to ECM. ECM detects that input signal from the ICC steering switch is out of the specified range. ECM detects that the ICC steering switch is stuck ON. 	<ul style="list-style-type: none"> Harness or connectors (The switch circuit is open or shorted.) ICC steering switch ECM

DTC P1564 ICC STEERING SWITCH

< SERVICE INFORMATION >

[VK45DE]

DTC Confirmation Procedure

INFOID:000000002955174

NOTE:

If DTC Confirmation Procedure has been previously conducted, always turn ignition switch OFF and wait at least 10 seconds before conducting the next test.

1. Turn ignition switch ON and wait at least 10 seconds.
2. Press MAIN switch for at least 10 seconds, then release it and wait at least 10 seconds.
3. Press CANCEL switch for at least 10 seconds, then release it and wait at least 10 seconds.
4. Press RESUME/ACCELERATE switch for at least 10 seconds, then release it and wait at least 10 seconds.
5. Press SET/COAST switch for at least 10 seconds, then release it and wait at least 10 seconds.
6. Press DISTANCE switch for at least 10 seconds, then release it and wait at least 10 seconds.
7. Press LDP ON switch for at least 10 seconds, then release it and wait at least 10 seconds.
8. Check DTC.
9. If DTC is detected, go to [EC-1129, "Diagnosis Procedure"](#).

A

EC

C

D

E

F

G

H

I

J

K

L

M

N

O

P

DTC P1564 ICC STEERING SWITCH

< SERVICE INFORMATION >

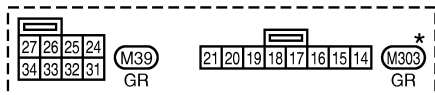
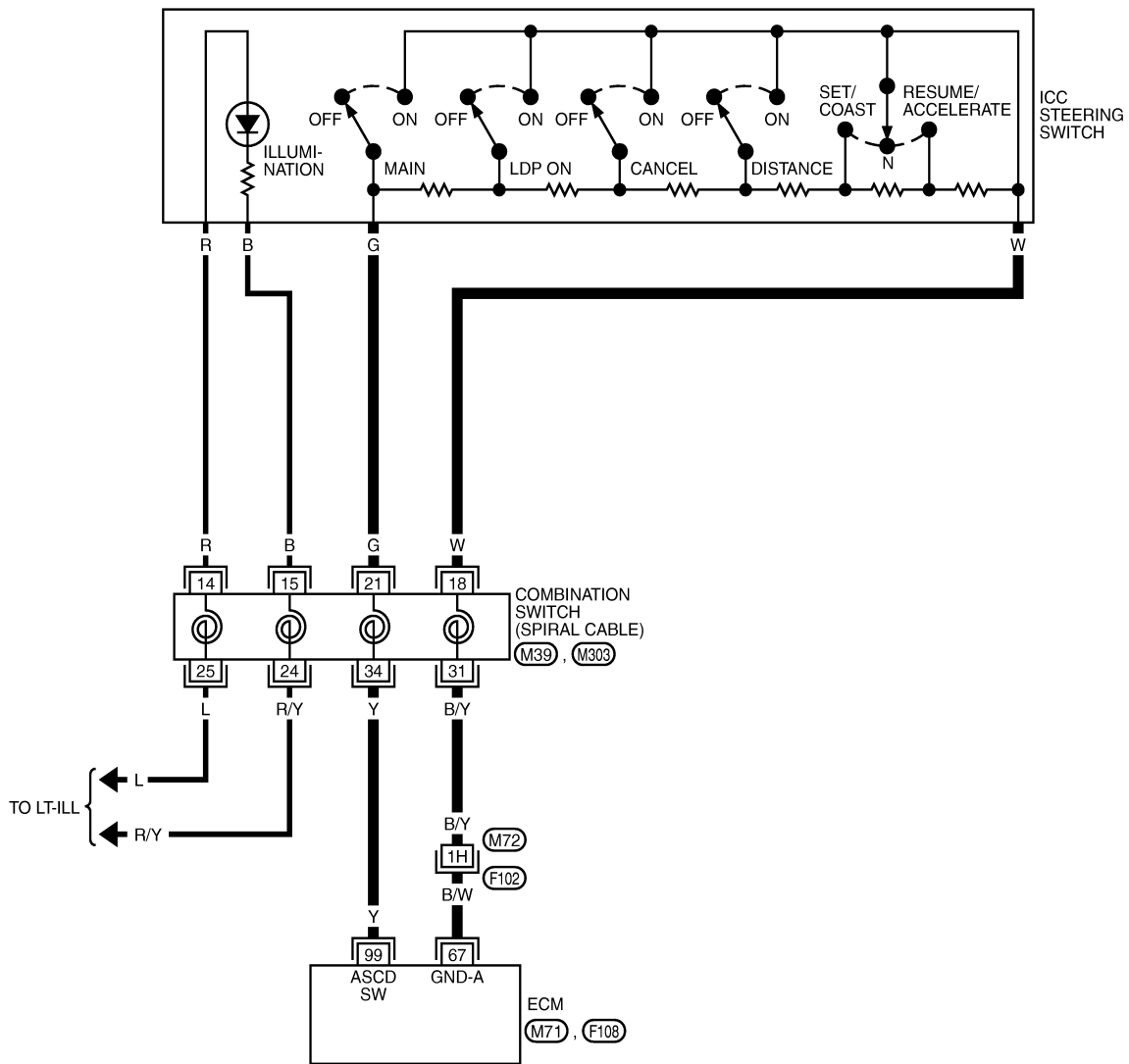
[VK45DE]

INFOID:00000002955175

Wiring Diagram

EC-ICC/SW-01

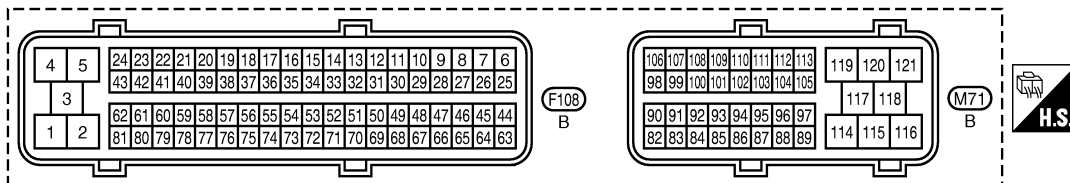
— : DETECTABLE LINE FOR DTC
 — : NON-DETECTABLE LINE FOR DTC



*: THIS CONNECTOR IS NOT SHOWN IN "HARNESS LAYOUT", PG SECTION.

REFER TO THE FOLLOWING.

F102 - SUPER MULTIPLE JUNCTION (SMJ)



TBWT2001E

Specification data are reference values and are measured between each terminal and ground.

CAUTION:

Do not use ECM ground terminals when measuring input/output voltage. Doing so may result in damage to the ECM's transistor. Use a ground other than ECM terminals, such as the ground.

DTC P1564 ICC STEERING SWITCH

< SERVICE INFORMATION >

[VK45DE]

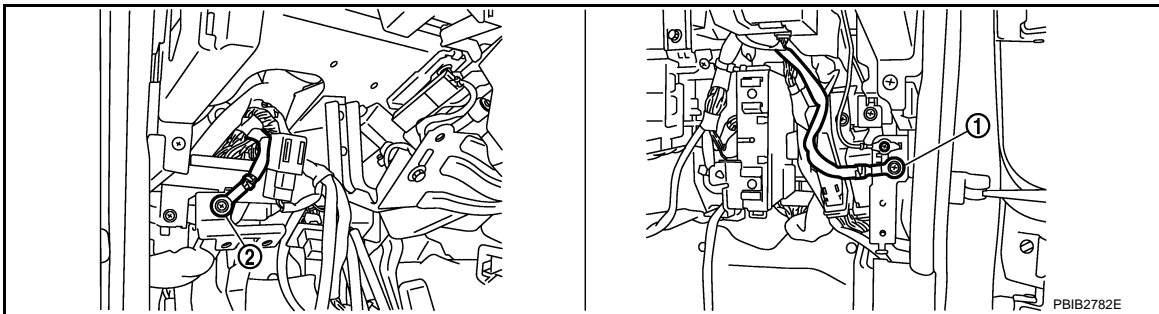
TER-MI-NAL NO.	WIRE COLOR	ITEM	CONDITION	DATA (DC Voltage)
67	B/W	Sensor ground (ICC steering switch)	[Engine is running] • Warm-up condition • Idle speed	Approximately 0V
99	Y	ICC steering switch	[Ignition switch: ON] • ICC steering switch: OFF	Approximately 4.3V
			[Ignition switch: ON] • MAIN switch: Pressed	Approximately 0V
			[Ignition switch: ON] • CANCEL switch: Pressed	Approximately 1.9V
			[Ignition switch: ON] • RESUME/ACCELERATE switch: Pressed	Approximately 3.8V
			[Ignition switch: ON] • SET/COAST switch: Pressed	Approximately 3.3V
			[Ignition switch: ON] • DISTANCE switch: Pressed	Approximately 2.6V
			[Ignition switch: ON] • LDP ON switch: Pressed	Approximately 1.1V

Diagnosis Procedure

INFOID:000000002955176

1. CHECK GROUND CONNECTIONS

1. Turn ignition switch OFF.
2. Loosen and retighten ground screws on the body.
Refer to [EC-769, "Ground Inspection"](#).



1. Body ground M70

2. Body ground M16

OK or NG

- OK >> GO TO 2.
 NG >> Repair or replace ground connections.

2. CHECK ICC STEERING SWITCH CIRCUIT

1. Turn ignition switch ON.

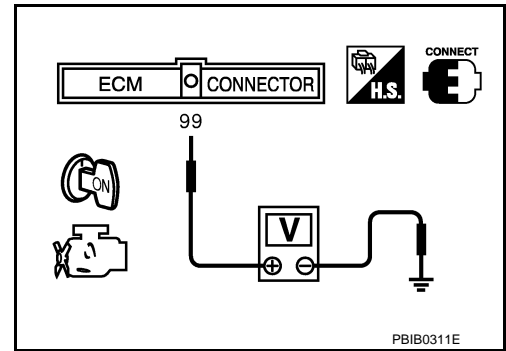
DTC P1564 ICC STEERING SWITCH

[VK45DE]

< SERVICE INFORMATION >

2. Check voltage between ECM terminal 99 and ground with pressing each button.

Switch	Condition	Voltage [V]
MAIN switch	Pressed	Approx. 0
	Released	Approx. 4.3
CANCEL switch	Pressed	Approx. 1.9
	Released	Approx. 4.3
RESUME/ACCELERATE switch	Pressed	Approx. 3.8
	Released	Approx. 4.3
SET/COAST switch	Pressed	Approx. 3.3
	Released	Approx. 4.3
DISTANCE switch	Pressed	Approx. 2.6
	Released	Approx. 4.3
LDP ON switch	Pressed	Approx. 1.1
	Released	Approx. 4.3



OK or NG

- OK >> GO TO 8.
- NG >> GO TO 3.

3. CHECK ICC STEERING SWITCH GROUND CIRCUIT FOR OPEN AND SHORT

1. Turn ignition switch OFF.
2. Disconnect ECM harness connector.
3. Disconnect combination switch harness connector M303.
4. Check harness continuity between combination switch terminal 18 and ECM terminal 67. Refer to Wiring Diagram.

Continuity should exist.

5. Also check harness for short to ground and short to power.

OK or NG

- OK >> GO TO 5.
- NG >> GO TO 4.

4. DETECT MALFUNCTIONING PART

Check the following.

- Harness connectors M72, F102
- Combination switch (spiral cable)
- Harness for open and short between ECM and combination switch

>> Repair open circuit or short to ground or short to power in harness or connectors.

5. CHECK ICC STEERING SWITCH INPUT SIGNAL CIRCUIT FOR OPEN AND SHORT

1. Check harness continuity between ECM terminal 99 and combination switch terminal 21. Refer to Wiring Diagram.

Continuity should exist.

2. Also check harness for short to ground and short to power.

OK or NG

- OK >> GO TO 7.
- NG >> GO TO 6.

6. DETECT MALFUNCTIONING PART

Check the following.

DTC P1564 ICC STEERING SWITCH

[VK45DE]

< SERVICE INFORMATION >

- Combination switch (spiral cable)
- Harness for open and short between ECM and combination switch

>> Repair open circuit or short to ground or short to power in harness or connectors.

7. CHECK ICC STEERING SWITCH

Refer to [EC-1131, "Component Inspection"](#).

OK or NG

- OK >> GO TO 8.
- NG >> Replace ICC steering switch.

8. CHECK INTERMITTENT INCIDENT

Refer to [EC-763, "Diagnosis Procedure"](#).

>> **INSPECTION END**

Component Inspection

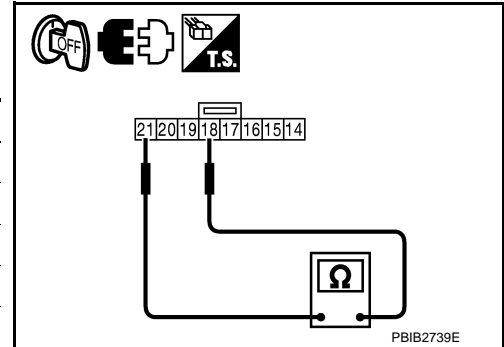
INFOID:000000002955177

ICC STEERING SWITCH

1. Disconnect combination switch (spiral cable) harness connector M303.
2. Check continuity between combination switch terminals 18 and 21 with pushing each switch.

Switch	Condition	Resistance [Ω]
MAIN switch	Pressed	Approx. 0
	Released	Approx. 5,410
CANCEL switch	Pressed	Approx. 610
	Released	Approx. 5,410
RESUME/ACCELERATE switch	Pressed	Approx. 3,000
	Released	Approx. 5,410
SET/COAST switch	Pressed	Approx. 1,800
	Released	Approx. 5,410
DISTANCE switch	Pressed	Approx. 1090
	Released	Approx. 5,410
LDP ON switch	Pressed	Approx. 270
	Released	Approx. 5,410

If NG, replace ICC steering switch.



DTC P1564 ASCD STEERING SWITCH

< SERVICE INFORMATION >

[VK45DE]

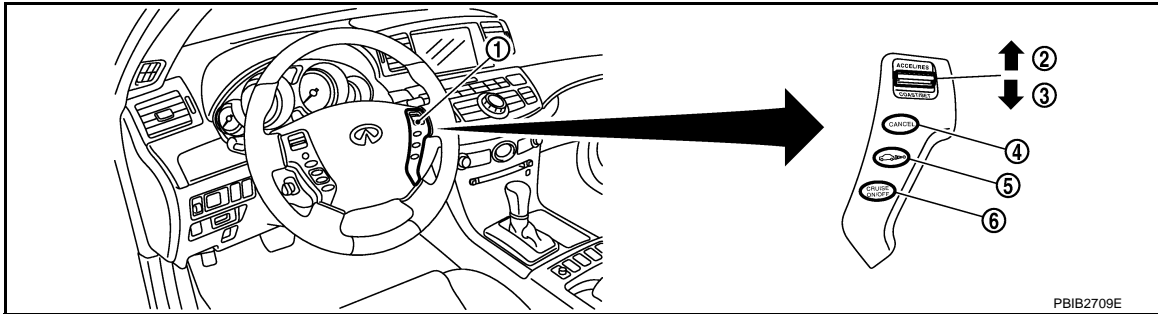
DTC P1564 ASCD STEERING SWITCH

Component Description

INFOID:000000002955178

ASCD steering switch has variant values of electrical resistance for each button. ECM reads voltage variation of switch, and determines which button is operated.

Refer to [EC-659, "System Description"](#) for the ASCD function.



- | | | |
|-------------------------|--------------------------------------|---------------------|
| 1. ASCD steering switch | 2. RESUME/ACCELERATE switch | 3. SET/COAST switch |
| 4. CANCEL switch | 5. DISTANCE switch (Models with ICC) | 6. MAIN switch |

CONSULT-III Reference Value in Data Monitor Mode

INFOID:000000002955179

Specification data are reference values.

MONITOR ITEM	CONDITION		SPECIFICATION
MAIN SW	• Ignition switch: ON	MAIN switch: Pressed	ON
		MAIN switch: Released	OFF
CANCEL SW	• Ignition switch: ON	CANCEL switch: Pressed	ON
		CANCEL switch: Released	OFF
RESUME/ACC SW	• Ignition switch: ON	RESUME/ACCELERATE switch: Pressed	ON
		RESUME/ACCELERATE switch: Released	OFF
SET SW	• Ignition switch: ON	SET/COAST switch: Pressed	ON
		SET/COAST switch: Released	OFF

On Board Diagnosis Logic

INFOID:000000002955180

This self-diagnosis has the one trip detection logic.

The MIL will not light up for this diagnosis.

NOTE:

If DTC P1564 is displayed with DTC P0605, first perform the trouble diagnosis for DTC P0605. Refer to [EC-1059, "DTC Confirmation Procedure"](#).

DTC No.	Trouble diagnosis name	DTC detecting condition	Possible cause
P1564 1564	ASCD steering switch	<ul style="list-style-type: none"> An excessively high voltage signal from the ASCD steering switch is sent to ECM. ECM detects that input signal from the ASCD steering switch is out of the specified range. ECM detects that the ASCD steering switch is stuck ON. 	<ul style="list-style-type: none"> Harness or connectors (The switch circuit is open or shorted.) ASCD steering switch ECM

DTC Confirmation Procedure

INFOID:000000002955181

NOTE:

DTC P1564 ASCD STEERING SWITCH

[VK45DE]

< SERVICE INFORMATION >

If DTC Confirmation Procedure has been previously conducted, always turn ignition switch OFF and wait at least 10 seconds before conducting the next test.

1. Turn ignition switch ON and wait at least 10 seconds.
2. Press MAIN switch for at least 10 seconds, then release it and wait at least 10 seconds.
3. Press CANCEL switch for at least 10 seconds, then release it and wait at least 10 seconds.
4. Press RESUME/ACCELERATE switch for at least 10 seconds, then release it and wait at least 10 seconds.
5. Press SET/COAST switch for at least 10 seconds, then release it and wait at least 10 seconds.
6. Check DTC.
7. If DTC is detected, go to [EC-1135, "Diagnosis Procedure"](#).

A

EC

C

D

E

F

G

H

I

J

K

L

M

N

O

P

DTC P1564 ASCD STEERING SWITCH

< SERVICE INFORMATION >

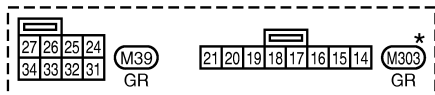
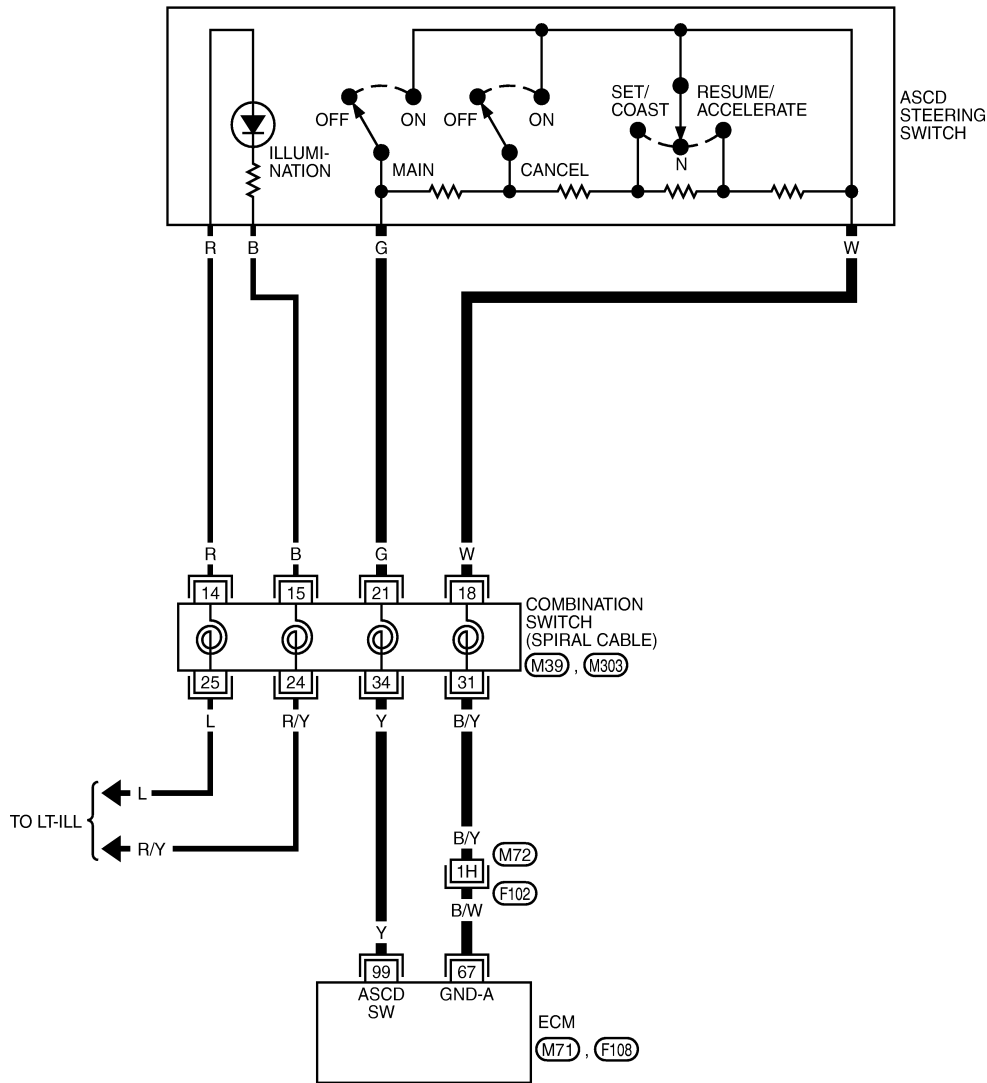
[VK45DE]

INFOID:00000002955182

Wiring Diagram

EC-ASC/SW-01

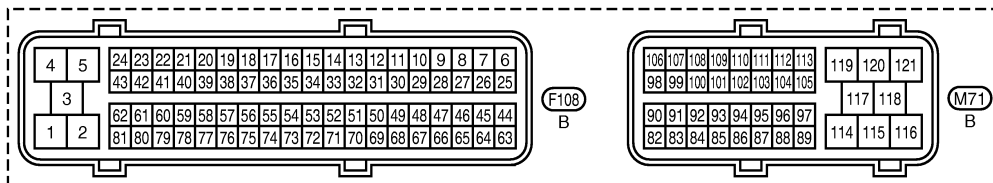
— : DETECTABLE LINE FOR DTC
 — : NON-DETECTABLE LINE FOR DTC



*: THIS CONNECTOR IS NOT SHOWN IN "HARNESS LAYOUT", PG SECTION.

REFER TO THE FOLLOWING.

F102 - SUPER MULTIPLE JUNCTION (SMJ)



TBWT2002E

Specification data are reference values and are measured between each terminal and ground.

CAUTION:

Do not use ECM ground terminals when measuring input/output voltage. Doing so may result in damage to the ECM's transistor. Use a ground other than ECM terminals, such as the ground.

DTC P1564 ASCD STEERING SWITCH

< SERVICE INFORMATION >

[VK45DE]

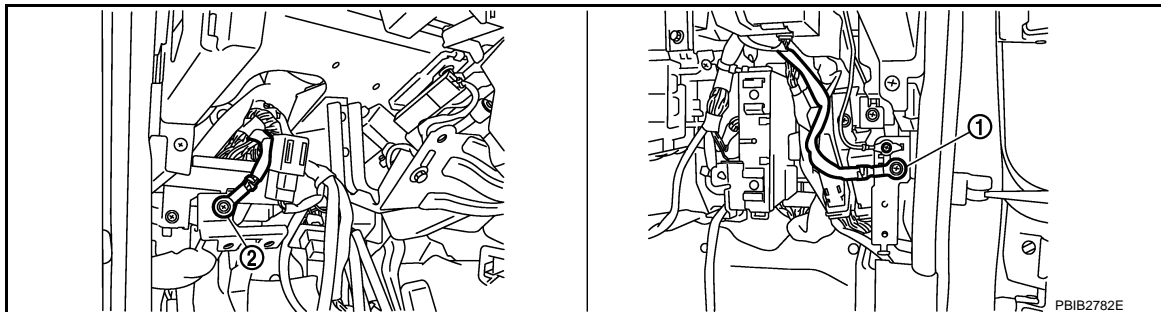
TER-MI-NAL NO.	WIRE COLOR	ITEM	CONDITION	DATA (DC Voltage)
67	B/W	Sensor ground (ASCD steering switch)	[Engine is running] • Warm-up condition • Idle speed	Approximately 0V
99	Y	ASCD steering switch	[Ignition switch: ON] • ASCD steering switch: OFF	Approximately 4V
			[Ignition switch: ON] • MAIN switch: Pressed	Approximately 0V
			[Ignition switch: ON] • CANCEL switch: Pressed	Approximately 1V
			[Ignition switch: ON] • RESUME/ACCELERATE switch: Pressed	Approximately 3V
			[Ignition switch: ON] • SET/COAST switch: Pressed	Approximately 2V

Diagnosis Procedure

INFOID:000000002955183

1. CHECK GROUND CONNECTIONS

1. Turn ignition switch OFF.
2. Loosen and retighten ground screws on the body.
Refer to [EC-769, "Ground Inspection"](#).



1. Body ground M70
2. Body ground M16

OK or NG

- OK >> GO TO 2.
NG >> Repair or replace ground connections.

2. CHECK ASCD STEERING SWITCH CIRCUIT

Ⓜ With CONSULT-III

1. Turn ignition switch ON.
2. Select "MAIN SW", "CANCEL SW", "RESUME/ACC SW" and "SET SW" in "DATA MONITOR" mode with CONSULT-III.
3. Check each item indication under the following conditions.

Switch	Monitor item	Condition	Indication
MAIN switch	MAIN SW	Pressed	ON
		Released	OFF
CANCEL switch	CANCEL SW	Pressed	ON
		Released	OFF

DTC P1564 ASCD STEERING SWITCH

[VK45DE]

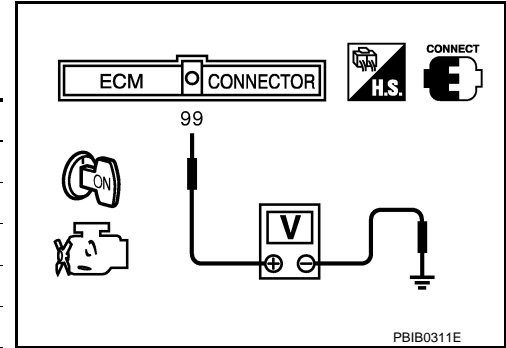
< SERVICE INFORMATION >

Switch	Monitor item	Condition	Indication
RESUME/ACCELERATE switch	RESUME/ACC SW	Pressed	ON
		Released	OFF
SET/COAST switch	SET SW	Pressed	ON
		Released	OFF

⊗ Without CONSULT-III

- Turn ignition switch ON.
- Check voltage between ECM terminal 99 and ground with pressing each button.

Switch	Condition	Voltage [V]
MAIN switch	Pressed	Approx. 0
	Released	Approx. 4
CANCEL switch	Pressed	Approx. 1
	Released	Approx. 4
RESUME/ACCELERATE switch	Pressed	Approx. 3
	Released	Approx. 4
SET/COAST switch	Pressed	Approx. 2
	Released	Approx. 4



OK or NG

- OK >> GO TO 8.
 NG >> GO TO 3.

3. CHECK ASCD STEERING SWITCH GROUND CIRCUIT FOR OPEN AND SHORT

- Turn ignition switch OFF.
- Disconnect ECM harness connector.
- Disconnect combination switch harness connector M303.
- Check harness continuity between combination switch terminal 18 and ECM terminal 67. Refer to Wiring Diagram.

Continuity should exist.

- Also check harness for short to ground and short to power.

OK or NG

- OK >> GO TO 5.
 NG >> GO TO 4.

4. DETECT MALFUNCTIONING PART

Check the following.

- Harness connectors M72, F102
- Combination switch (spiral cable)
- Harness for open and short between ECM and combination switch

>> Repair open circuit or short to ground or short to power in harness or connectors.

5. CHECK ASCD STEERING SWITCH INPUT SIGNAL CIRCUIT FOR OPEN AND SHORT

- Check harness continuity between ECM terminal 99 and combination switch terminal 21. Refer to Wiring Diagram.

Continuity should exist.

- Also check harness for short to ground and short to power.

OK or NG

DTC P1564 ASCD STEERING SWITCH

[VK45DE]

< SERVICE INFORMATION >

- OK >> GO TO 7.
- NG >> GO TO 6.

6. DETECT MALFUNCTIONING PART

Check the following.

- Combination switch (spiral cable)
- Harness for open and short between ECM and combination switch

>> Repair open circuit or short to ground or short to power in harness or connectors.

7. CHECK ASCD STEERING SWITCH

Refer to [EC-1137, "Component Inspection"](#).

OK or NG

- OK >> GO TO 8.
- NG >> Replace ASCD steering switch.

8. CHECK INTERMITTENT INCIDENT

Refer to [EC-763, "Diagnosis Procedure"](#).

>> **INSPECTION END**

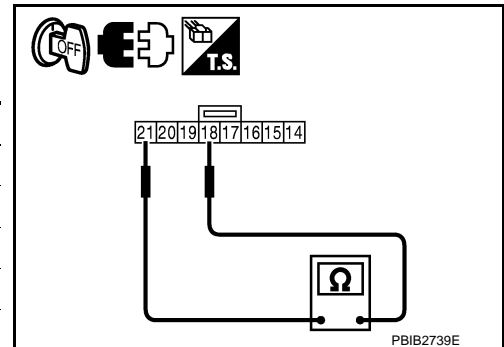
Component Inspection

INFOID:000000002955184

ASCD STEERING SWITCH

1. Disconnect combination switch (spiral cable) harness connector M303.
2. Check continuity between combination switch terminals 18 and 21 with pushing each switch.

Switch	Condition	Resistance [Ω]
MAIN switch	Pressed	Approx. 0
	Released	Approx. 4,000
CANCEL switch	Pressed	Approx. 250
	Released	Approx. 4,000
RESUME/ACCELERATE switch	Pressed	Approx. 1,480
	Released	Approx. 4,000
SET/COAST switch	Pressed	Approx. 660
	Released	Approx. 4,000



DTC P1568 ICC FUNCTION

< SERVICE INFORMATION >

[VK45DE]

DTC P1568 ICC FUNCTION

On Board Diagnosis Logic

INFOID:000000002955185

This self-diagnosis has the one trip detection logic.

The MIL will not light up for this diagnosis.

NOTE:

- If DTC P1568 is displayed with DTC U1000 or U1001, first perform the trouble diagnosis for DTC U1000, U1001. Refer to [EC-770, "DTC Confirmation Procedure"](#).
- If DTC P1568 is displayed with DTC U1010, first perform the trouble diagnosis for DTC U1010. Refer to [EC-772, "DTC Confirmation Procedure"](#).
- If DTC P1568 is displayed with DTC P0605, first perform the trouble diagnosis for DTC P0605. Refer to [EC-1059, "DTC Confirmation Procedure"](#).

DTC No.	Trouble Diagnosis Name	DTC Detecting Condition	Possible Cause
P1568 1568	ICC function	ECM detects a difference between signals from ICC unit is out of specified range.	<ul style="list-style-type: none">• Harness or connectors (The CAN communication line is open or shorted.)• ICC sensor integrated unit• ECM

DTC Confirmation Procedure

INFOID:000000002955186

CAUTION:

Always drive vehicle at a safe speed.

NOTE:

If DTC Confirmation Procedure has been previously conducted, always turn ignition switch OFF and wait at least 10 seconds before conducting the next test.

TESTING CONDITION:

Step 4 may be conducted with the drive wheels lifted in the shop or by driving the vehicle. If a road test is expected to be easier, it is unnecessary to lift the vehicle.

1. Turn ignition switch ON.
2. Press MAIN switch on ICC steering switch.
3. Drive the vehicle at more than 40 km/h (25 MPH).
4. Press SET/COAST switch.
5. Check DTC.
6. If DTC is detected, go to [EC-1138, "Diagnosis Procedure"](#).

Diagnosis Procedure

INFOID:000000002955187

1. REPLACE ICC SENSOR INTEGRATED UNIT

1. Replace ICC sensor integrated unit.
2. Perform [ACS-14](#).
3. Check DTC of ICC sensor integrated unit. Refer to [ACS-40](#).

>> INSPECTION END

DTC P1572 ICC BRAKE SWITCH

< SERVICE INFORMATION >

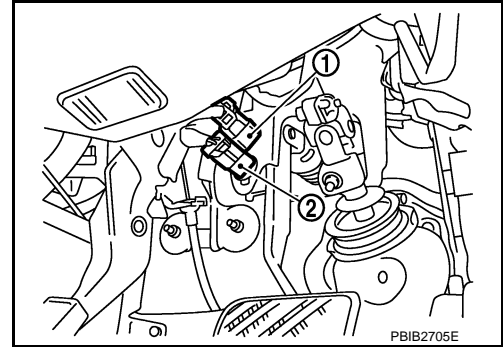
[VK45DE]

DTC P1572 ICC BRAKE SWITCH

Component Description

INFOID:000000002955188

When the brake pedal is depressed, ICC brake switch (2) is turned OFF and stop lamp switch (1) is turned ON. ECM detects the state of the brake pedal by this input of two kinds (ON/OFF signal). Refer to [ACS-9](#) for the ICC function.



CONSULT-III Reference Value in Data Monitor Mode

INFOID:000000002955189

Specification data are reference values.

MONITOR ITEM	CONDITION	SPECIFICATION	
BRAKE SW1 (ICC brake switch)	• Ignition switch: ON	Brake pedal: Fully released	ON
		Brake pedal: Slightly depressed	OFF
BRAKE SW2 (Stop lamp switch)	• Ignition switch: ON	Brake pedal: Fully released	OFF
		Brake pedal: Slightly depressed	ON

On Board Diagnosis Logic

INFOID:000000002955190

**This diagnosis has the one trip detection logic.
The MIL will not light up for this diagnosis.**

NOTE:

- If DTC P1572 is displayed with DTC P0605, first perform the trouble diagnosis for DTC P0605. Refer to [EC-1059, "DTC Confirmation Procedure"](#).
- This self-diagnosis has the one trip detection logic. When malfunction A is detected, DTC is not stored in ECM memory. And in that case, 1st trip DTC and 1st trip freeze frame data are displayed. 1st trip DTC is erased when ignition switch OFF. And even when malfunction A is detected in two consecutive trips, DTC is not stored in ECM memory.

DTC No.	Trouble diagnosis name	DTC detecting condition	Possible cause
P1572 1572	ICC brake switch	A) When the vehicle speed is above 30 km/h (19MPH), ON signals from the stop lamp switch and the ICC brake switch are sent to ECM at the same time.	<ul style="list-style-type: none"> • Harness or connectors (The stop lamp switch circuit is shorted.) • Harness or connectors (The ICC brake switch circuit is shorted.)
		B) ICC brake switch signal is not sent to ECM for extremely long time while the vehicle is driving	<ul style="list-style-type: none"> • Stop lamp switch • ICC brake switch • ICC brake hold relay • Incorrect stop lamp switch installation • Incorrect ICC brake switch installation • ECM

DTC Confirmation Procedure

INFOID:000000002955191

CAUTION:

Always drive vehicle at a safe speed.

NOTE:

- If DTC Confirmation Procedure has been previously conducted, always turn ignition switch OFF and wait at least 10 seconds before conducting the next test.
- Procedure for malfunction B is not described here. It takes extremely long time to complete procedure for malfunction B. By performing procedure for malfunction A, the incident that causes malfunction B can be detected.

DTC P1572 ICC BRAKE SWITCH

[VK45DE]

< SERVICE INFORMATION >

TESTING CONDITION:

Steps 3 and 6 may be conducted with the drive wheels lifted in the shop or by driving the vehicle. If a road test is expected to be easier, it is unnecessary to lift the vehicle.

1. Start engine (VDC switch OFF).
2. Press MAIN switch and make sure that CRUISE lamp lights up.
3. Drive the vehicle for at least 5 consecutive seconds under the following conditions.

Vehicle speed	More than 30 km/h (19 MPH)
Selector lever	Suitable position

4. Check 1st trip DTC.
5. If 1st trip DTC is detected, go to [EC-1142, "Diagnosis Procedure"](#).
If 1st trip DTC is not detected, go to the following step.
6. Drive the vehicle for at least 5 consecutive seconds under the following conditions.

Vehicle speed	More than 30 km/h (19 MPH)
Selector lever	Suitable position
Driving location	Depress the brake pedal for more than five seconds so as not to come off from the above-mentioned vehicle speed.

7. Check 1st trip DTC.
8. If 1st trip DTC is detected, go to [EC-1142, "Diagnosis Procedure"](#).

DTC P1572 ICC BRAKE SWITCH

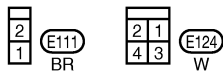
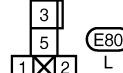
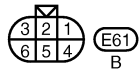
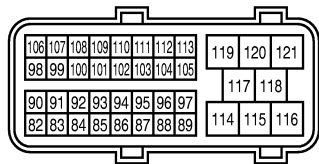
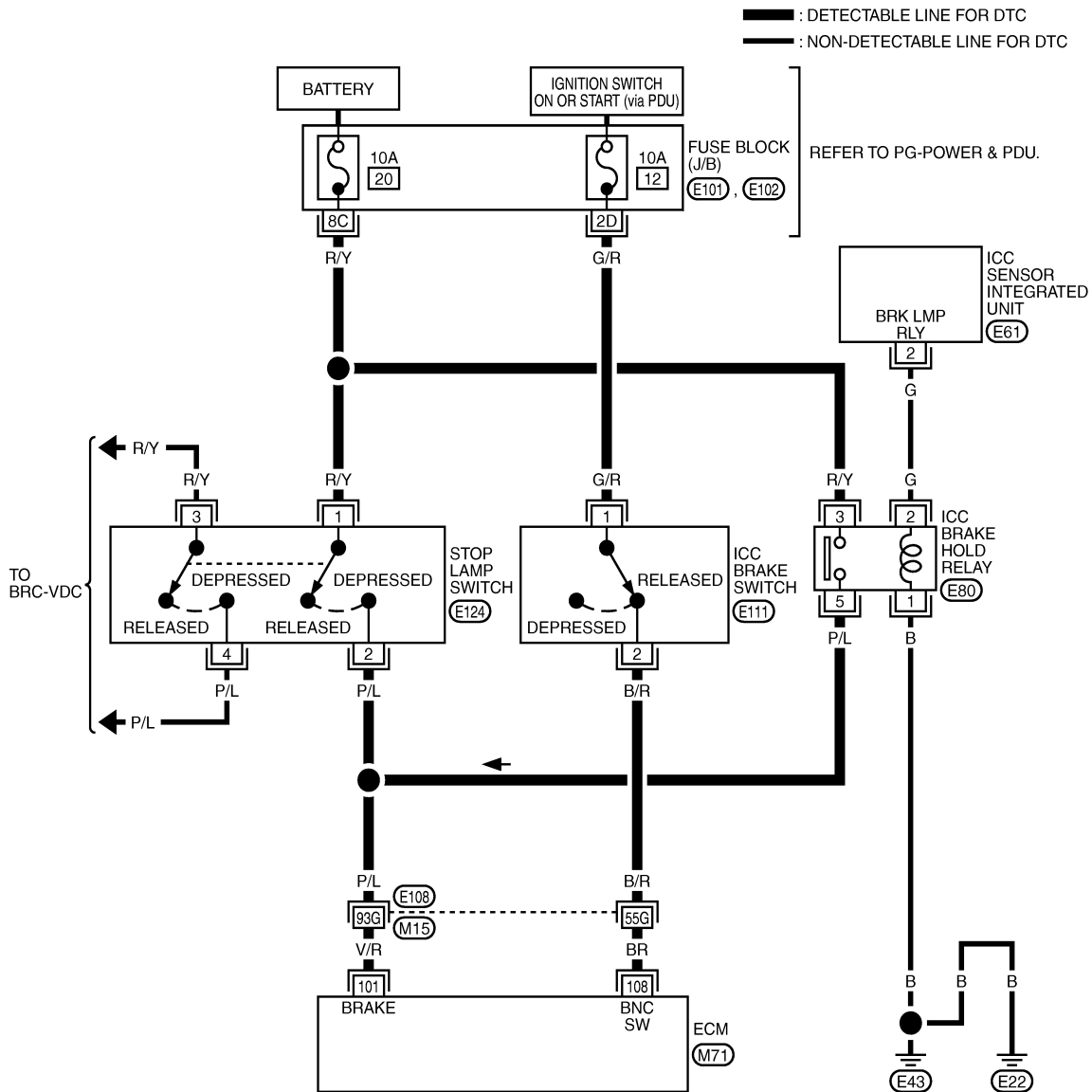
< SERVICE INFORMATION >

[VK45DE]

Wiring Diagram

INFOID:00000002955192

EC-ICC/BS-01



REFER TO THE FOLLOWING.

- (E108) - SUPER MULTIPLE JUNCTION (SMJ)
- (E101), (E102) - FUSE BLOCK - JUNCTION BOX (J/B)

TBWT2003E

Specification data are reference values and are measured between each terminal and ground.

CAUTION:

Do not use ECM ground terminals when measuring input/output voltage. Doing so may result in damage to the ECM's transistor. Use a ground other than ECM terminals, such as the ground.

DTC P1572 ICC BRAKE SWITCH

< SERVICE INFORMATION >

[VK45DE]

TER-MI-NAL NO.	WIRE COLOR	ITEM	CONDITION	DATA (DC Voltage)
101	V/R	Stop lamp switch	[Ignition switch: OFF] • Brake pedal: Fully released	Approximately 0V
			[Ignition switch: OFF] • Brake pedal: Slightly depressed	BATTERY VOLTAGE (11 - 14V)
108	BR	ICC brake switch	[Ignition switch: ON] • Brake pedal: Slightly depressed	Approximately 0V
			[Ignition switch: ON] • Brake pedal: Fully released	BATTERY VOLTAGE (11 - 14V)

Diagnosis Procedure

INFOID:000000002955193

1. CHECK OVERALL FUNCTION-I

With CONSULT-III

1. Turn ignition switch ON.
2. Select "BRAKE SW1" in "DATA MONITOR" mode with CONSULT-III.
3. Check "BRAKE SW1" indication under the following conditions.

CONDITION	INDICATION
Brake pedal: Slightly depressed	OFF
Brake pedal: Fully released	ON

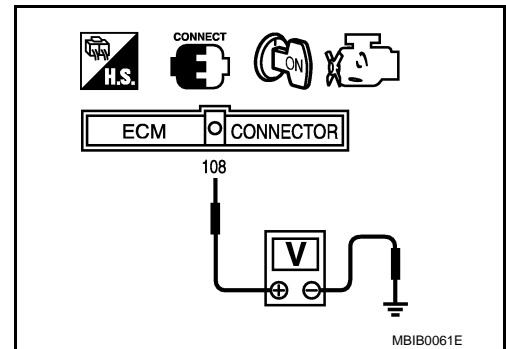
Without CONSULT-III

1. Turn ignition switch ON.
2. Check voltage between ECM terminal 108 and ground under the following conditions.

CONDITION	VOLTAGE
Brake pedal: Slightly depressed	Approximately 0V
Brake pedal: Fully released	Battery voltage

OK or NG

- OK >> GO TO 2.
 NG >> GO TO 3.



2. CHECK OVERALL FUNCTION-II

With CONSULT-III

Check "BRAKE SW2" indication in "DATA MONITOR" mode.

CONDITION	INDICATION
Brake pedal: Fully released	OFF
Brake pedal: Slightly depressed	ON

Without CONSULT-III

DTC P1572 ICC BRAKE SWITCH

[VK45DE]

< SERVICE INFORMATION >

Check voltage between ECM terminal 101 and ground under the following conditions.

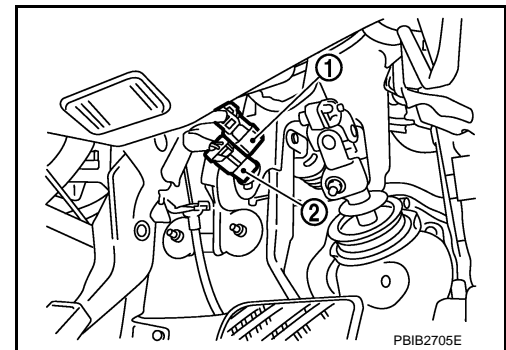
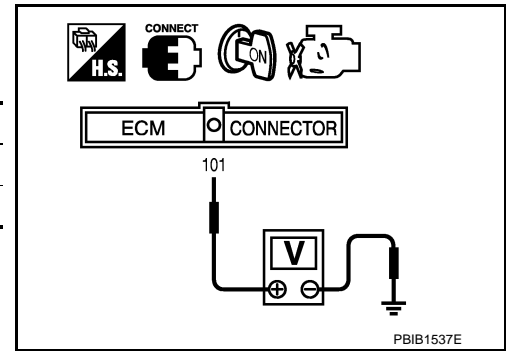
CONDITION	VOLTAGE
Brake pedal: Fully released	Approximately 0V
Brake pedal: Slightly depressed	Battery voltage

OK or NG

- OK >> GO TO 15.
- NG >> GO TO 8.

3. CHECK ICC BRAKE SWITCH POWER SUPPLY CIRCUIT

1. Turn ignition switch OFF.
2. Disconnect ICC brake switch (2) harness connector.
 - Stop lamp switch (1)
3. Turn ignition switch ON.

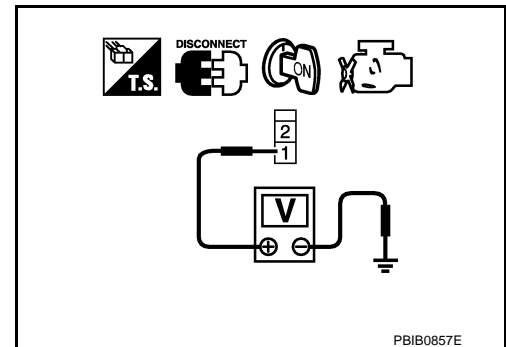


4. Check voltage between ICC brake switch terminal 1 and ground with CONSULT-III or tester.

Voltage: Battery voltage

OK or NG

- OK >> GO TO 5.
- NG >> GO TO 4.



4. DETECT MALFUNCTIONING PART

Check the following.

- Fuse block (J/B) connector E102
- 10A fuse
- Harness for open or short between ICC brake switch and fuse

>> Repair open circuit or short to ground or short to power in harness or connectors.

5. CHECK ICC BRAKE SWITCH INPUT SIGNAL CIRCUIT FOR OPEN AND SHORT

1. Turn ignition switch OFF.
2. Disconnect ECM harness connector.
3. Check harness continuity between ICC brake switch terminal 2 and ECM terminal 108.
Refer Wiring Diagram.

Continuity should exist.

4. Also check harness for short to ground and short to power.

OK or NG

- OK >> GO TO 7.
- NG >> GO TO 6.

DTC P1572 ICC BRAKE SWITCH

[VK45DE]

< SERVICE INFORMATION >

6. DETECT MALFUNCTIONING PART

Check the following.

- Harness connectors E108, M15
- Harness for open or short between ICC brake switch and ECM

>> Repair open circuit or short to ground or short to power in harness or connectors.

7. CHECK ICC BRAKE SWITCH

Refer to [EC-1146. "Component Inspection"](#).

OK or NG

OK >> GO TO 15.

NG >> Replace ICC brake switch.

8. CHECK DTC WITH ICC SENSOR INTEGRATED UNIT

Refer to [ACS-40](#).

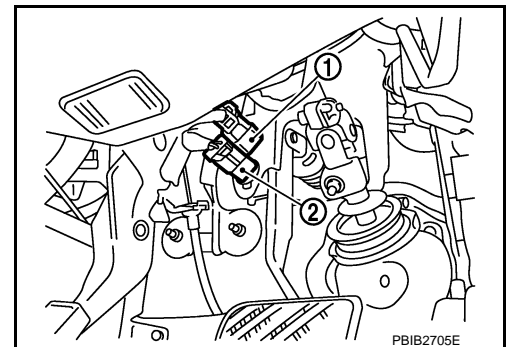
OK or NG

OK >> GO TO 9.

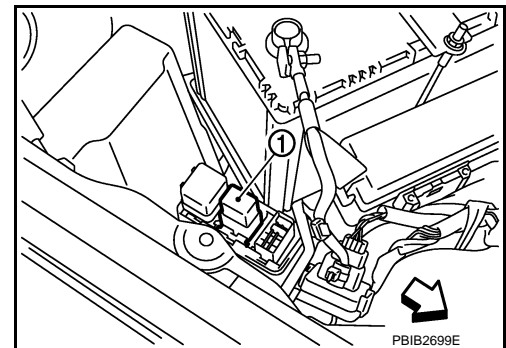
NG >> Repair or replace.

9. CHECK STOP LAMP SWITCH POWER SUPPLY CIRCUIT

1. Turn ignition switch OFF.
2. Disconnect stop lamp switch (1) harness connector.
 - ICC brake switch (2)

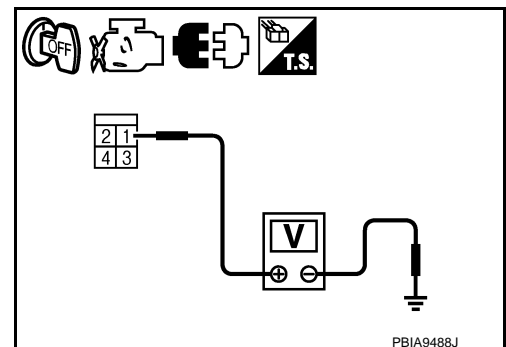


3. Disconnect ICC brake hold relay (1) harness connector.
 - ↵: Vehicle front



4. Check voltage between stop lamp switch terminal 1 and ground with CONSULT-III or tester.

Voltage: Battery voltage



DTC P1572 ICC BRAKE SWITCH

[VK45DE]

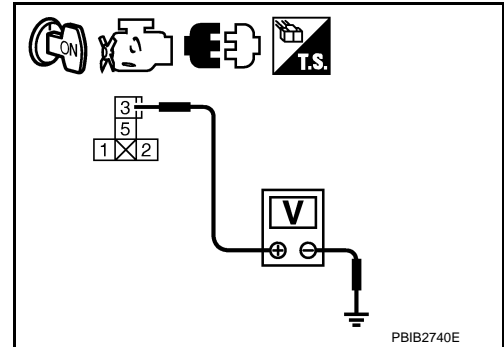
< SERVICE INFORMATION >

5. Check voltage between ICC brake hold relay terminal 3 and ground with CONSULT-III or tester.

Voltage: Battery voltage

OK or NG

- OK >> GO TO 11.
- NG >> GO TO 10.



10. DETECT MALFUNCTIONING PART

Check the following.

- Fuse block (J/B) connector E101
- 10A fuse
- Harness for open or short between battery and stop lamp switch
- Harness for open or short between battery and ICC brake hold relay

>> Repair open circuit or short to ground or short to power in harness or connectors.

11. CHECK STOP LAMP SWITCH INPUT SIGNAL CIRCUIT FOR OPEN AND SHORT

1. Disconnect ECM harness connector.
2. Check harness continuity between the following;
ECM terminal 101 and stop lamp switch terminal 2,
ECM terminal 101 and ICC brake hold relay terminal 5.
Refer to Wiring Diagram.

Continuity should exist.

3. Also check harness for short to ground and short to power.

OK or NG

- OK >> GO TO 13.
- NG >> GO TO 12.

12. DETECT MALFUNCTIONING PART

Check the following.

- Harness connectors E108, M15
- Harness for open or short between ECM and stop lamp switch
- Harness for open or short between ECM and ICC brake hold relay

>> Repair open circuit or short to ground or short to power in harness or connectors.

13. CHECK STOP LAMP SWITCH

Refer to [EC-1146, "Component Inspection"](#).

OK or NG

- OK >> GO TO 14.
- NG >> Replace stop lamp switch.

14. CHECK ICC BRAKE HOLD RELAY

Refer to [EC-1146, "Component Inspection"](#).

- OK >> GO TO 15.
- NG >> Replace ICC brake hold relay.

15. CHECK INTERMITTENT INCIDENT

Refer to [EC-763, "Diagnosis Procedure"](#).

DTC P1572 ICC BRAKE SWITCH

[VK45DE]

< SERVICE INFORMATION >

>> INSPECTION END

INFOID:000000002955194

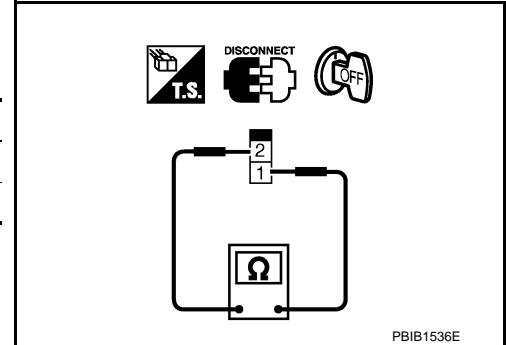
Component Inspection

ICC BRAKE SWITCH

1. Turn ignition switch OFF.
2. Disconnect ICC brake switch harness connector.
3. Check continuity between ICC brake switch terminals 1 and 2 under the following conditions.

Condition	Continuity
Brake pedal: Fully released	Should exist
Brake pedal: Slightly depressed	Should not exist

4. If NG, adjust ICC brake switch installation, refer to [BR-6](#), and perform step 3 again.

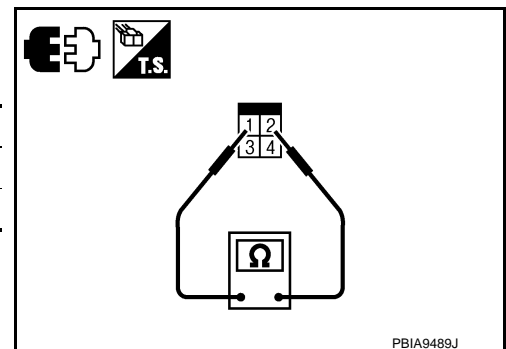


STOP LAMP SWITCH

1. Turn ignition switch OFF.
2. Disconnect stop lamp switch harness connector.
3. Check continuity between stop lamp switch terminals 1 and 2 under the following conditions.

Condition	Continuity
Brake pedal: Fully released	Should not exist
Brake pedal: Slightly depressed	Should exist

4. If NG, adjust stop lamp switch installation, refer to [BR-6](#), and perform step 3 again.

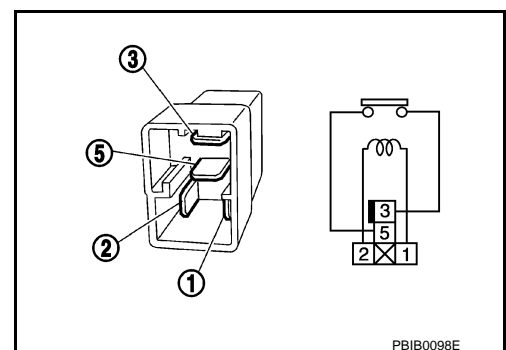


ICC BRAKE HOLD RELAY

1. Check continuity between ICC brake hold relay terminals 3 and 5 under the following conditions.

Condition	Continuity
12V direct current supply between terminals 1 and 2	Should not exist
No current supply	Should exist

2. If NG, replace ICC brake hold relay.



DTC P1572 ASCD BRAKE SWITCH

< SERVICE INFORMATION >

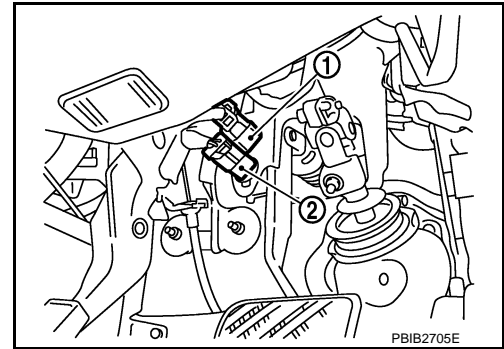
[VK45DE]

DTC P1572 ASCD BRAKE SWITCH

Component Description

INFOID:000000002955195

When the brake pedal is depressed, ASCD brake switch (2) is turned OFF and stop lamp switch (1) is turned ON. ECM detects the state of the brake pedal by this input of two kinds (ON/OFF signal). Refer to [EC-659, "System Description"](#) for the ASCD function.



CONSULT-III Reference Value in Data Monitor Mode

INFOID:000000002955196

Specification data are reference values.

MONITOR ITEM	CONDITION	SPECIFICATION	
BRAKE SW1 (ASCD brake switch)	• Ignition switch: ON	Brake pedal: Fully released	ON
		Brake pedal: Slightly depressed	OFF
BRAKE SW2 (Stop lamp switch)	• Ignition switch: ON	Brake pedal: Fully released	OFF
		Brake pedal: Slightly depressed	ON

On Board Diagnosis Logic

INFOID:000000002955197

This self-diagnosis has the one trip detection logic.

The MIL will not light up for this diagnosis.

NOTE:

- If DTC P1572 is displayed with DTC P0605, first perform the trouble diagnosis for DTC P0605. Refer to [EC-1059, "DTC Confirmation Procedure"](#).
- This self-diagnosis has the one trip detection logic. When malfunction A is detected, DTC is not stored in ECM memory. And in that case, 1st trip DTC and 1st trip freeze frame data are displayed. 1st trip DTC is erased when ignition switch OFF. And even when malfunction A is detected in two consecutive trips, DTC is not stored in ECM memory.

DTC No.	Trouble diagnosis name	DTC detecting condition	Possible cause
P1572 1572	ASCD brake switch	A) When the vehicle speed is above 30 km/h (19 MPH), ON signals from the stop lamp switch and the ASCD brake switch are sent to the ECM at the same time.	<ul style="list-style-type: none"> • Harness or connectors (The stop lamp switch circuit is shorted.) • Harness or connectors (The ASCD brake switch circuit is shorted.)
		B) ASCD brake switch signal is not sent to ECM for extremely long time while the vehicle is driving.	<ul style="list-style-type: none"> • Stop lamp switch • ASCD brake switch • Incorrect stop lamp switch installation • Incorrect ASCD brake switch installation • ECM

DTC Confirmation Procedure

INFOID:000000002955198

CAUTION:

Always drive vehicle at a safe speed.

NOTE:

- If DTC Confirmation Procedure has been previously conducted, always turn ignition switch OFF and wait at least 10 seconds before conducting the next test.
- Procedure for malfunction B is not described here. It takes extremely long time to complete procedure for malfunction B. By performing procedure for malfunction A, the incident that causes malfunction B can be detected.

DTC P1572 ASCD BRAKE SWITCH

[VK45DE]

< SERVICE INFORMATION >

TESTING CONDITION:

Steps 4 and 5 may be conducted with the drive wheels lifted in the shop or by driving the vehicle. If a road test is expected to be easier, it is unnecessary to lift the vehicle.

1. Start engine (VDC switch OFF).
2. Press MAIN switch and make sure that CRUISE lamp lights up.
3. Drive the vehicle for at least 5 consecutive seconds under the following conditions.

Vehicle speed	More than 30 km/h (19 MPH)
Selector lever	Suitable position

4. Check 1st trip DTC.
5. If 1st trip DTC is detected, go to [EC-1150. "Diagnosis Procedure"](#).
If 1st trip DTC is not detected, go to the following step.
6. Drive the vehicle for at least 5 consecutive seconds under the following conditions.

Vehicle speed	More than 30 km/h (19 MPH)
Selector lever	Suitable position
Driving location	Depress the brake pedal for more than five seconds so as not to come off from the above-mentioned vehicle speed.

7. Check 1st trip DTC.
8. If 1st trip DTC is detected, go to [EC-1150. "Diagnosis Procedure"](#).

DTC P1572 ASCD BRAKE SWITCH

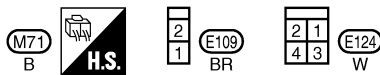
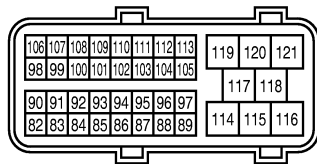
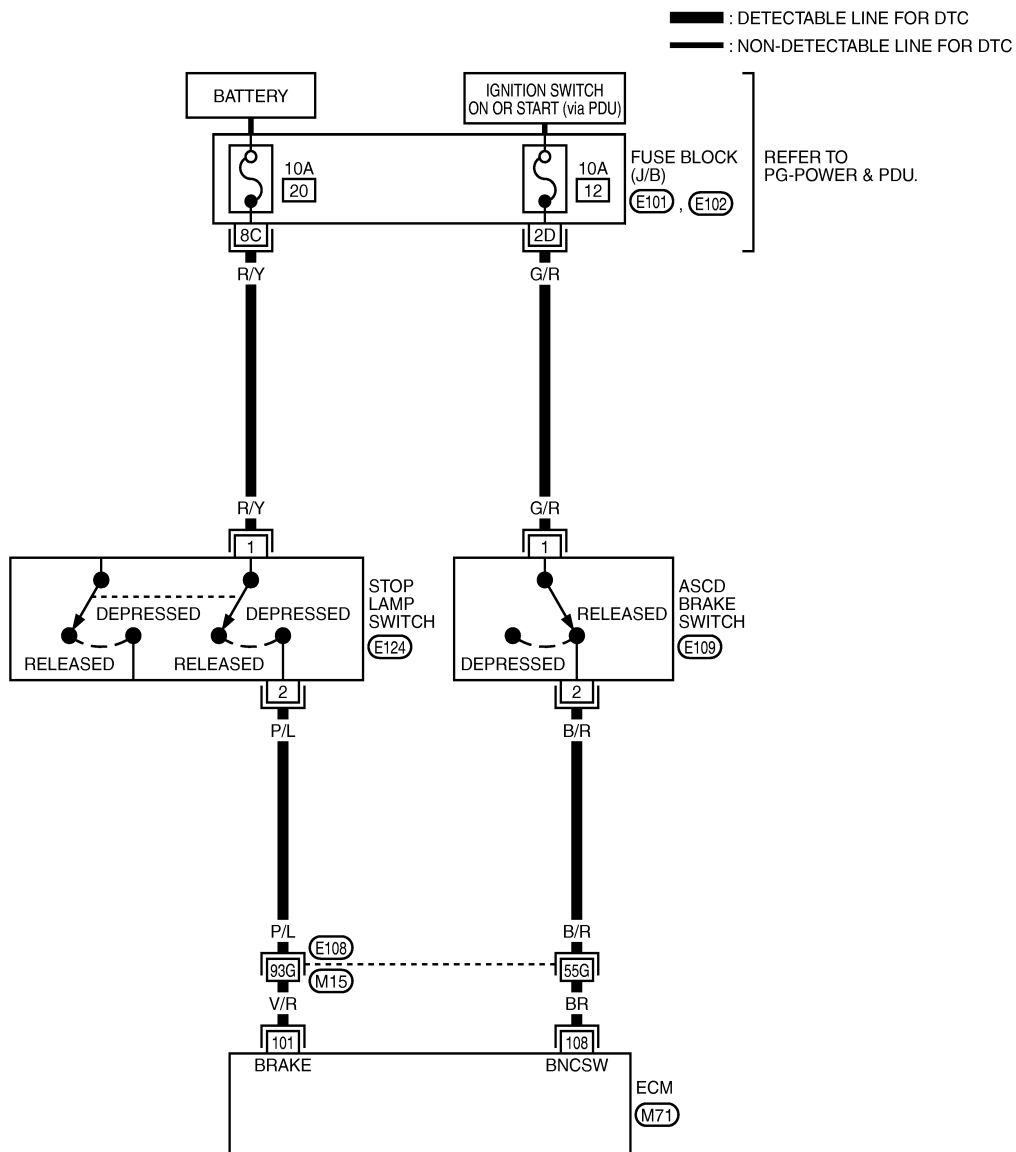
< SERVICE INFORMATION >

[VK45DE]

INFOID:00000002955199

Wiring Diagram

EC-ASC/BS-01



REFER TO THE FOLLOWING.
 (E108) - SUPER MULTIPLE JUNCTION (SMJ)
 (E101), (E102) - FUSE BLOCK - JUNCTION BOX (J/B)

TBWT2004E

Specification data are reference values and are measured between each terminal and ground.

CAUTION:

Do not use ECM ground terminals when measuring input/output voltage. Doing so may result in damage to the ECM's transistor. Use a ground other than ECM terminals, such as the ground.

DTC P1572 ASCD BRAKE SWITCH

< SERVICE INFORMATION >

[VK45DE]

TER-MI-NAL NO.	WIRE COLOR	ITEM	CONDITION	DATA (DC Voltage)
101	V/R	Stop lamp switch	[Ignition switch: OFF] • Brake pedal: Fully released	Approximately 0V
			[Ignition switch: OFF] • Brake pedal: Slightly depressed	BATTERY VOLTAGE (11 - 14V)
108	BR	ASCD brake switch	[Ignition switch: ON] • Brake pedal: Slightly depressed	Approximately 0V
			[Ignition switch: ON] • Brake pedal: Fully released	BATTERY VOLTAGE (11 - 14V)

Diagnosis Procedure

INFOID:000000002955200

1. CHECK OVERALL FUNCTION-I

④ With CONSULT-III

1. Turn ignition switch ON.
2. Select "BRAKE SW1" in "DATA MONITOR" mode with CONSULT-III.
3. Check "BRAKE SW1" indication under the following conditions.

CONDITION	INDICATION
Brake pedal: Slightly depressed	OFF
Brake pedal: Fully released	ON

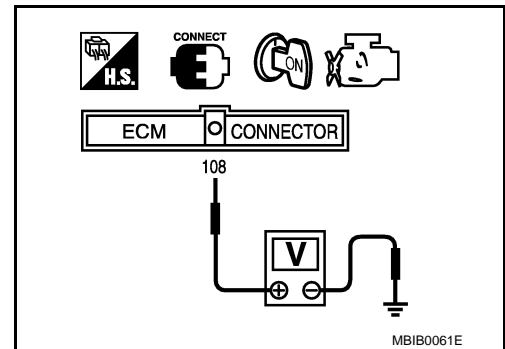
⊗ Without CONSULT-III

1. Turn ignition switch ON.
2. Check voltage between ECM terminal 108 and ground under the following conditions.

CONDITION	VOLTAGE
Brake pedal: Slightly depressed	Approximately 0V
Brake pedal: Fully released	Battery voltage

OK or NG

- OK >> GO TO 2.
 NG >> GO TO 3.



2. CHECK OVERALL FUNCTION-II

④ With CONSULT-III

Check "BRAKE SW2" indication in "DATA MONITOR" mode.

CONDITION	INDICATION
Brake pedal: Fully released	OFF
Brake pedal: Slightly depressed	ON

⊗ Without CONSULT-III

Check voltage between ECM terminal 101 and ground under the following conditions.

DTC P1572 ASCD BRAKE SWITCH

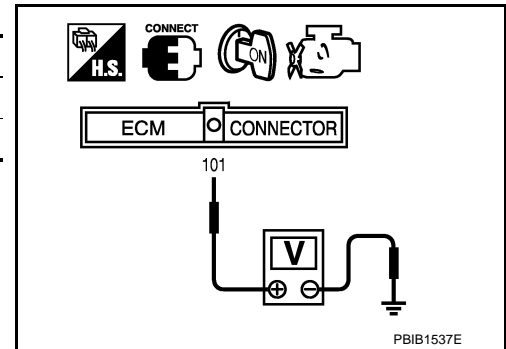
[VK45DE]

< SERVICE INFORMATION >

CONDITION	VOLTAGE
Brake pedal: Fully released	Approximately 0V
Brake pedal: Slightly depressed	Battery voltage

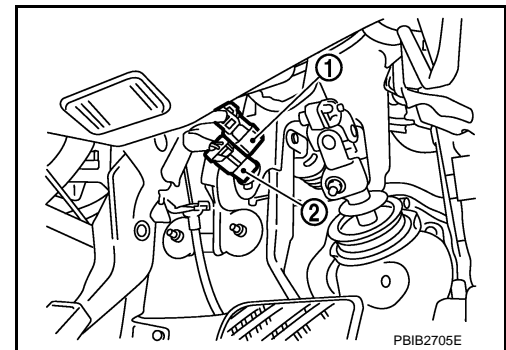
OK or NG

- OK >> GO TO 13.
- NG >> GO TO 8.



3. CHECK ASCD BRAKE SWITCH POWER SUPPLY CIRCUIT

1. Turn ignition switch OFF.
2. Disconnect ASCD brake switch (2) harness connector.
 - Stop lamp switch (1)
3. Turn ignition switch ON.

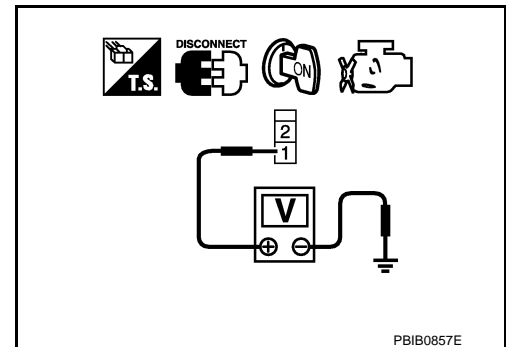


4. Check voltage between ASCD brake switch terminal 1 and ground with CONSULT-III or tester.

Voltage: Battery voltage

OK or NG

- OK >> GO TO 5.
- NG >> GO TO 4.



4. DETECT MALFUNCTIONING PART

Check the following.

- Fuse block (J/B) connector E102
- 10A fuse
- Harness for open or short between ASCD brake switch and fuse

>> Repair open circuit or short to ground or short to power in harness or connectors.

5. CHECK ASCD BRAKE SWITCH INPUT SIGNAL CIRCUIT FOR OPEN AND SHORT

1. Turn ignition switch OFF.
2. Disconnect ECM harness connector.
3. Check harness continuity between ECM terminal 108 and ASCD brake switch terminal 2. Refer to Wiring Diagram.

Continuity should exist.

4. Also check harness for short to ground and short to power.

OK or NG

- OK >> GO TO 7.
- NG >> GO TO 6.

DTC P1572 ASCD BRAKE SWITCH

[VK45DE]

< SERVICE INFORMATION >

6. DETECT MALFUNCTIONING PART

Check the following.

- Harness connectors E108, M15
- Harness for open or short between ECM and ASCD brake switch

>> Repair open circuit or short to ground or short to power in harness or connectors.

7. CHECK ASCD BRAKE SWITCH

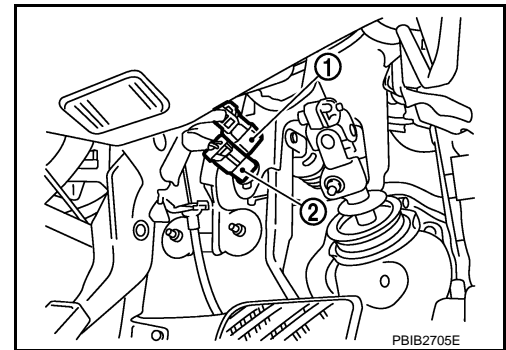
Refer to [EC-1153. "Component Inspection"](#)

OK or NG

- OK >> GO TO 13.
- NG >> Replace ASCD brake switch.

8. CHECK STOP LAMP SWITCH POWER SUPPLY CIRCUIT

1. Turn ignition switch OFF.
2. Disconnect stop lamp switch (1) harness connector.
 - ASCD brake switch (2)

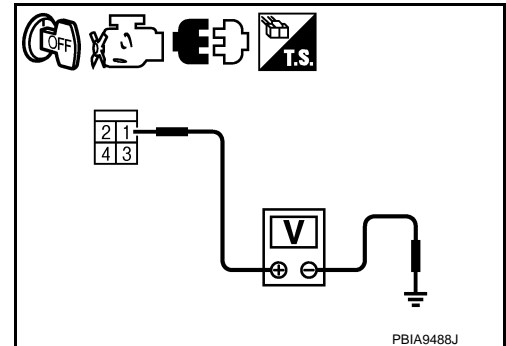


3. Check voltage between stop lamp switch terminal 1 and ground with CONSULT -III or tester.

Voltage: Battery voltage

OK or NG

- OK >> GO TO 10.
- NG >> GO TO 9.



9. DETECT MALFUNCTIONING PART

Check the following.

- Fuse block (J/B) connector E101
- 10A fuse
- Harness for open or short between stop lamp switch and battery

>> Repair open circuit or short to ground or short to power in harness or connectors.

10. CHECK STOP LAMP SWITCH INPUT SIGNAL CIRCUIT FOR OPEN AND SHORT

1. Disconnect ECM harness connector.
2. Check harness continuity between ECM terminal 101 and stop lamp switch terminal 2. Refer to Wiring Diagram.

Continuity should exist.

3. Also check harness for short to ground and short to power.

OK or NG

- OK >> GO TO 12.

DTC P1572 ASCD BRAKE SWITCH

[VK45DE]

< SERVICE INFORMATION >

NG >> GO TO 11.

11. DETECT MALFUNCTIONING PART

Check the following.

- Harness connectors E108, M15
- Harness for open or short between ECM and stop lamp switch

>> Repair open circuit or short to ground or short to power in harness or connectors.

12. CHECK STOP LAMP SWITCH

Refer to [EC-1153. "Component Inspection"](#)

OK or NG

OK >> GO TO 13.

NG >> Replace stop lamp switch.

13. CHECK INTERMITTENT INCIDENT

Refer to [EC-763. "Diagnosis Procedure"](#).

>> **INSPECTION END**

Component Inspection

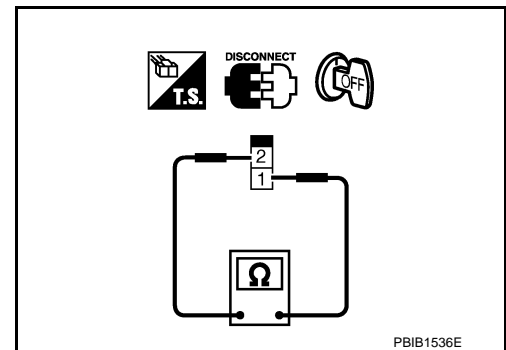
INFOID:000000002955201

ASC D BRAKE SWITCH

1. Turn ignition switch OFF.
2. Disconnect ASCD brake switch harness connector.
3. Check continuity between ASCD brake switch terminals 1 and 2 under the following conditions.

Condition	Continuity
Brake pedal: Fully released	Should exist
Brake pedal: Slightly depressed	Should not exist

4. If NG, adjust ASCD brake switch installation, refer to [BR-6](#), and perform step 3 again.

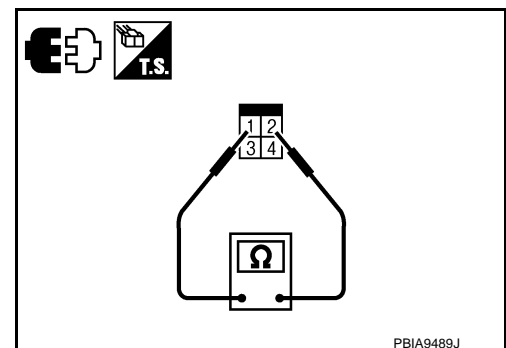


STOP LAMP SWITCH

1. Turn ignition switch OFF.
2. Disconnect stop lamp switch harness connector.
3. Check continuity between stop lamp switch terminals 1 and 2 under the following conditions.

Condition	Continuity
Brake pedal: Fully released	Should not exist
Brake pedal: Slightly depressed	Should exist

4. If NG, adjust stop lamp switch installation, refer to [BR-6](#), and perform step 3 again.



DTC P1574 ICC VEHICLE SPEED SENSOR

[VK45DE]

< SERVICE INFORMATION >

DTC P1574 ICC VEHICLE SPEED SENSOR

Component Description

INFOID:000000002955202

The ECM receives two vehicle speed signals via CAN communication line. One is sent from “unified meter and A/C amp.”, and the other is from TCM (Transmission control module). The ECM uses these signals for ICC control. Refer to [ACS-9](#) for ICC functions.

On Board Diagnosis Logic

INFOID:000000002955203

This self-diagnosis has the one trip detection logic.

The MIL will not light up for this diagnosis.

NOTE:

- If DTC P1574 is displayed with DTC U1000, U1001, first perform the trouble diagnosis for DTC U1000, U1001. Refer to [EC-770, "DTC Confirmation Procedure"](#).
- If DTC P1574 is displayed with DTC U1010, first perform the trouble diagnosis for DTC U1010. Refer to [EC-772, "DTC Confirmation Procedure"](#).
- If DTC P1574 is displayed with DTC P0500, first perform the trouble diagnosis for DTC P0500. Refer to [EC-1044, "DTC Confirmation Procedure"](#).
- If DTC P1574 is displayed with DTC P0605, first perform the trouble diagnosis for DTC P0605. Refer to [EC-1059, "DTC Confirmation Procedure"](#).

DTC No.	Trouble diagnosis name	DTC detecting condition	Possible cause
P1574 1574	ICC vehicle speed sensor	ECM detects a difference between two vehicle speed signals is out of the specified range.	<ul style="list-style-type: none">• Harness or connectors (The CAN communication line is open or shorted.)• Unified meter and A/C amp.• ABS actuator and electric unit (control unit)• Wheel sensor• TCM• ECM

DTC Confirmation Procedure

INFOID:000000002955204

CAUTION:

Always drive vehicle at a safe speed.

NOTE:

If DTC Confirmation Procedure has been previously conducted, always turn ignition switch OFF and wait at least 10 seconds before conducting the next test.

TESTING CONDITION:

Step 3 may be conducted with the drive wheels lifted in the shop or by driving the vehicle. If a road test is expected to be easier, it is unnecessary to lift the vehicle.

1. Start engine (VDC switch OFF).
2. Drive the vehicle at more than 40 km/h (25MPH).
3. Check DTC.
4. If DTC is detected, go to [EC-1154, "Diagnosis Procedure"](#).

Diagnosis Procedure

INFOID:000000002955205

1.CHECK DTC WITH TCM

Check DTC with TCM. Refer to [AT-40, "OBD-II Diagnostic Trouble Code \(DTC\)"](#).

OK or NG

- OK >> GO TO 2.
- NG >> Perform trouble shooting relevant to DTC indicated.

2.CHECK DTC WITH “ABS ACTUATOR AND ELECTRIC UNIT (CONTROL UNIT)”

Refer to [BRC-30, "CONSULT-III Function \(ABS\)"](#).

OK or NG

- OK >> GO TO 3.

DTC P1574 ICC VEHICLE SPEED SENSOR

[VK45DE]

< SERVICE INFORMATION >

NG >> Repair or replace.

3.CHECK DTC WITH "UNIFIED METER AND A/C AMP."

Check combination meter function.

Refer to [DI-26](#).

>> INSPECTION END

A

EC

C

D

E

F

G

H

I

J

K

L

M

N

O

P

DTC P1574 ASCD VEHICLE SPEED SENSOR

[VK45DE]

< SERVICE INFORMATION >

DTC P1574 ASCD VEHICLE SPEED SENSOR

Component Description

INFOID:000000002955206

The ECM receives two vehicle speed sensor signals via CAN communication line. One is sent from “unified meter and A/C amp.”, and the other is from TCM (Transmission control module). The ECM uses these signals for ASCD control. Refer to [EC-659, "System Description"](#) for ASCD functions.

On Board Diagnosis Logic

INFOID:000000002955207

This self-diagnosis has the one trip detection logic.

The MIL will not light up for this diagnosis.

NOTE:

- If DTC P1574 is displayed with DTC U1000, U1001, first perform the trouble diagnosis for DTC U1000, U1001. Refer to [EC-770, "DTC Confirmation Procedure"](#).
- If DTC P1574 is displayed with DTC U1010, first perform the trouble diagnosis for DTC U1010. Refer to [EC-772, "DTC Confirmation Procedure"](#).
- If DTC P1574 is displayed with DTC P0500, first perform the trouble diagnosis for DTC P0500. Refer to [EC-1044, "DTC Confirmation Procedure"](#).
- If DTC P1574 is displayed with DTC P0605, first perform the trouble diagnosis for DTC P0605. Refer to [EC-1059, "DTC Confirmation Procedure"](#).

DTC No.	Trouble diagnosis name	DTC detecting condition	Possible cause
P1574 1574	ASCD vehicle speed sensor	ECM detects a difference between two vehicle speed signals is out of the specified range.	<ul style="list-style-type: none">• Harness or connectors (The CAN communication line is open or shorted.)• Unified meter and A/C amp.• ABS actuator and electric unit (control unit)• Wheel sensor• TCM• ECM

DTC Confirmation Procedure

INFOID:000000002955208

CAUTION:

Always drive vehicle at a safe speed.

NOTE:

If DTC Confirmation Procedure has been previously conducted, always turn ignition switch OFF and wait at least 10 seconds before conducting the next test.

TESTING CONDITION:

Step 3 may be conducted with the drive wheels lifted in the shop or by driving the vehicle. If a road test is expected to be easier, it is unnecessary to lift the vehicle.

1. Start engine (VDC switch OFF).
2. Drive the vehicle at more than 40 km/h (25 MPH).
3. Check DTC.
4. If DTC is detected, go to [EC-1156, "Diagnosis Procedure"](#).

Diagnosis Procedure

INFOID:000000002955209

1.CHECK DTC WITH TCM

Check DTC with TCM. Refer to [AT-40, "OBD-II Diagnostic Trouble Code \(DTC\)"](#).

OK or NG

- OK >> GO TO 2.
- NG >> Perform trouble shooting relevant to DTC indicated.

2.CHECK DTC WITH “ABS ACTUATOR AND ELECTRIC UNIT (CONTROL UNIT)”

Refer to [BRC-30, "CONSULT-III Function \(ABS\)"](#).

OK or NG

- OK >> GO TO 3.

DTC P1574 ASCD VEHICLE SPEED SENSOR

[VK45DE]

< SERVICE INFORMATION >

NG >> Repair or replace.

3.CHECK DTC WITH "UNIFIED METER AND A/C AMP."

Refer to [DI-26](#).

>> **INSPECTION END**

A

EC

C

D

E

F

G

H

I

J

K

L

M

N

O

P

DTC P1715 INPUT SPEED SENSOR

[VK45DE]

< SERVICE INFORMATION >

DTC P1715 INPUT SPEED SENSOR

Description

INFOID:000000002955210

ECM receives Input speed sensor signal from TCM through CAN communication line. ECM uses this signal for engine control.

CONSULT-III Reference Value in Data Monitor Mode

INFOID:000000002955211

Specification data are reference values.

MONITOR ITEM	CONDITION	SPECIFICATION
I/P PULLY SPD	• Vehicle speed: More than 20 km/h (12MPH)	Almost the same speed as the tachometer indication

On Board Diagnosis Logic

INFOID:000000002955212

NOTE:

- If DTC P1715 is displayed with DTC U1000, U1001 first perform the trouble diagnosis for DTC U1000, U1001. Refer to [EC-770, "DTC Confirmation Procedure"](#).
- If DTC P1715 is displayed with DTC U1010, first perform the trouble diagnosis for DTC U1010. Refer to [EC-772, "DTC Confirmation Procedure"](#).
- If DTC P1715 is displayed with DTC P0605, first perform the trouble diagnosis for DTC P0605. Refer to [EC-1059, "DTC Confirmation Procedure"](#).
- If DTC P1715 is displayed with DTC P0335, first perform the trouble diagnosis for DTC P0335. Refer to [EC-958, "DTC Confirmation Procedure"](#).
- If DTC P1715 is displayed with DTC P0340, first perform the trouble diagnosis for DTC P0340. Refer to [EC-963, "DTC Confirmation Procedure"](#).

The MIL will not light up for this diagnosis.

DTC No.	Trouble diagnosis name	DTC detecting condition	Possible cause
P1715 1715	Input speed sensor (TCM output)	Input speed sensor signal is different from the theoretical value calculated by ECM from revolution sensor signal and engine rpm signal.	<ul style="list-style-type: none">• Harness or connectors (The CAN communication line is open or shorted)• Harness or connectors (Input speed sensor circuit is open or shorted)• TCM

Diagnosis Procedure

INFOID:000000002955213

1. CHECK DTC WITH TCM

Check DTC with TCM. Refer to [AT-40](#).

OK or NG

OK >> GO TO 2.

NG >> Perform trouble shooting relevant to DTC indicated.

2. REPLACE TCM

Replace TCM. Refer to [AT-43](#).

>> INSPECTION END

DTC P1800 VIAS CONTROL SOLENOID VALVE

< SERVICE INFORMATION >

[VK45DE]

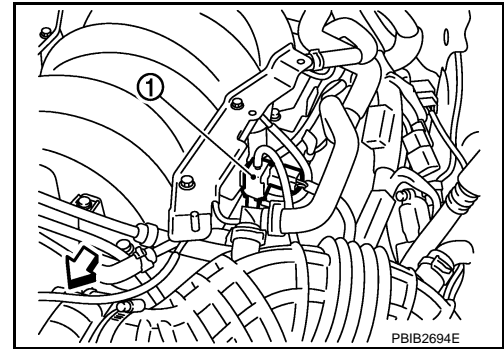
DTC P1800 VIAS CONTROL SOLENOID VALVE

Component Description

INFOID:000000002955214

The VIAS control solenoid valve (1) cuts the intake manifold vacuum signal for power valve actuator. It responds to ON/OFF signals from the ECM. When the solenoid is off, the vacuum signal from the intake manifold is cut. When the ECM sends an ON signal the coil pulls the plunger downward and feeds the vacuum signal to the power valve actuator.

- ⇐: Vehicle front



CONSULT-III Reference Value in Data Monitor Mode

INFOID:000000002955216

Specification data are reference values.

MONITOR ITEM	CONDITION	SPECIFICATION
VIAS SV-1	<ul style="list-style-type: none">• Selector lever: P or N• Engine speed: More than 5,000 rpm	ON
	<ul style="list-style-type: none">• Selector lever: Except P or N• Engine speed: Less than 5,000 rpm	OFF

On Board Diagnosis Logic

INFOID:000000002955216

The MIL will not light up for this self-diagnosis.

DTC No.	Trouble diagnosis name	DTC detecting condition	Possible cause
P1800 1800	VIAS control solenoid valve circuit	An excessively low or high voltage signal is sent to ECM through the valve	<ul style="list-style-type: none">• Harness or connectors (The solenoid valve circuit is open or shorted.)• VIAS control solenoid valve

DTC Confirmation Procedure

INFOID:000000002955217

NOTE:

If DTC Confirmation Procedure has been previously conducted, always turn ignition switch OFF and wait at least 10 seconds before conducting the next test.

TESTING CONDITION:

Before performing the following procedure, confirm that battery voltage is between 11V at idle.

1. Start engine and let it idle for at least 5 seconds.
2. Check 1st trip DTC.
3. If 1st trip DTC is detected, go to [EC-1161, "Diagnosis Procedure"](#).

DTC P1800 VIAS CONTROL SOLENOID VALVE

< SERVICE INFORMATION >

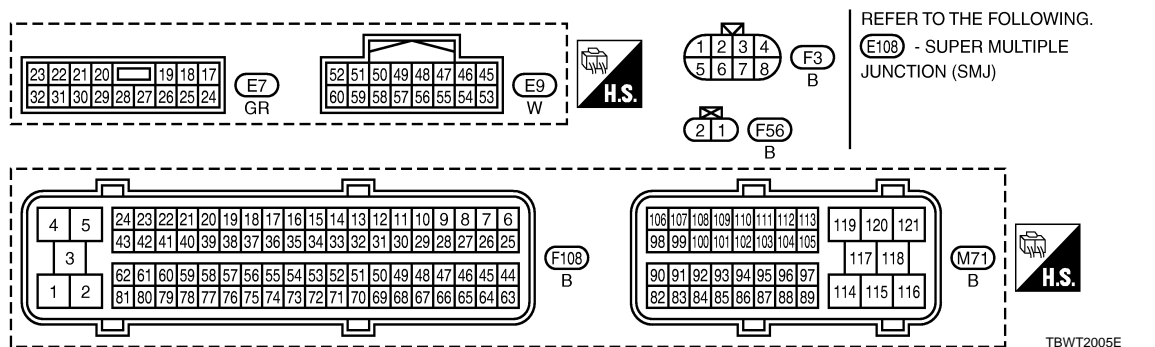
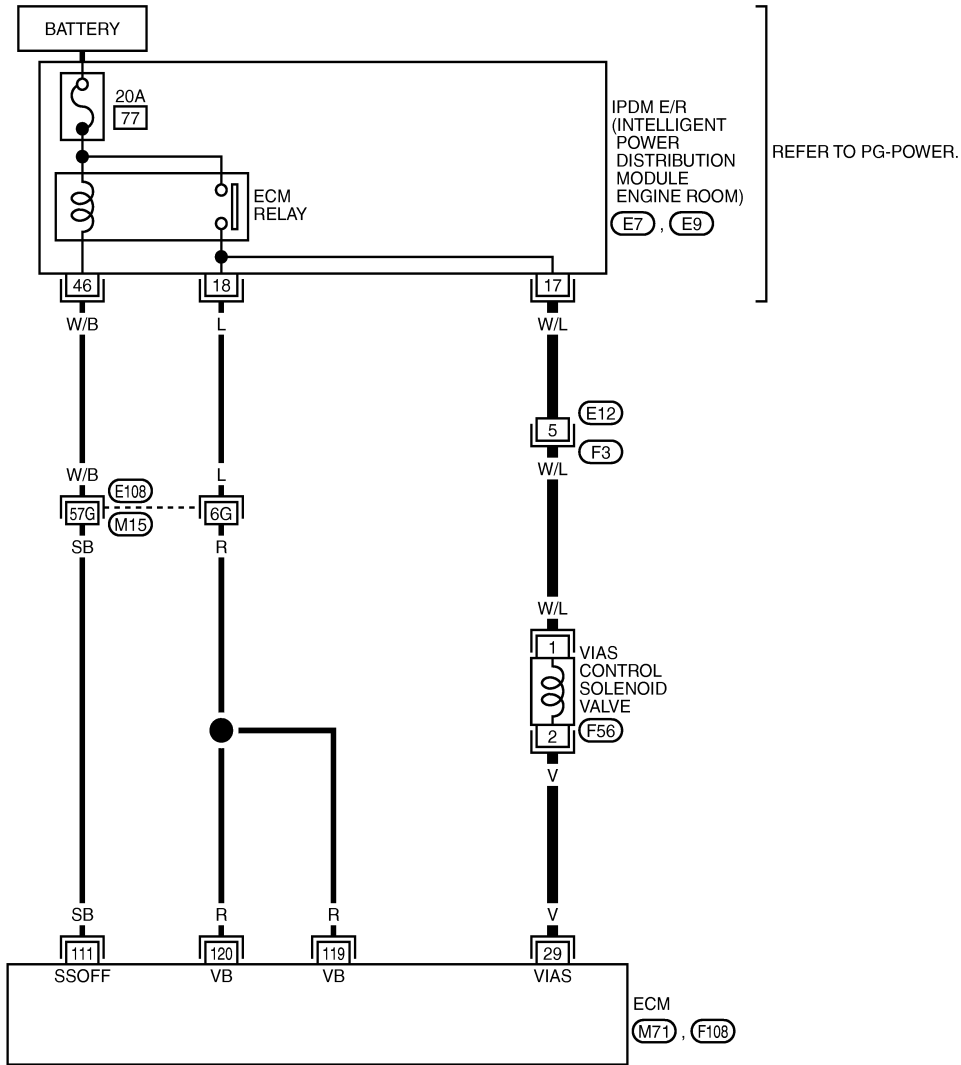
[VK45DE]

INFOID:00000002955218

Wiring Diagram

EC-VIAS/V-01

: DETECTABLE LINE FOR DTC
 : NON-DETECTABLE LINE FOR DTC



Specification data are reference values and are measured between each terminal and ground.

CAUTION:

Do not use ECM ground terminals when measuring input/output voltage. Doing so may result in damage to the ECM's transistor. Use a ground other than ECM terminals, such as the ground.

DTC P1800 VIAS CONTROL SOLENOID VALVE

< SERVICE INFORMATION >

[VK45DE]

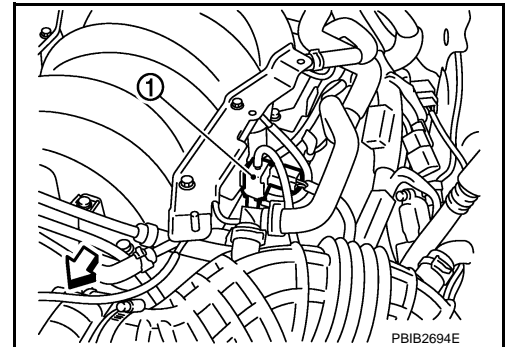
TER-MI-NAL NO.	WIRE COLOR	ITEM	CONDITION	DATA (DC Voltage)
29	V	VIAS control solenoid valve	[Engine is running] • Selector lever: P or N	0 - 1.0V
			[Engine is running] • Selector lever: D • Engine speed: Below 5,000 rpm	BATTERY VOLTAGE (11 - 14V)
			[Engine is running] • Engine speed: Above 5,000 rpm	0 - 1.0V
111	SB	ECM relay (Self shut-off)	[Engine is running] [Ignition switch: OFF] • For a few seconds after turning ignition switch OFF	0 - 1.5V
			[Ignition switch: OFF] • More than a few seconds after turning ignition switch OFF	BATTERY VOLTAGE (11 - 14V)
119 120	R R	Power supply for ECM	[Ignition switch: ON]	BATTERY VOLTAGE (11 - 14V)

Diagnosis Procedure

INFOID:000000002955219

1. CHECK VIAS CONTROL SOLENOID VALVE POWER SUPPLY CIRCUIT

- Turn ignition switch OFF.
- Disconnect VIAS control solenoid (1) valve harness connector.
 - ↔: Vehicle front
- Turn ignition switch ON.

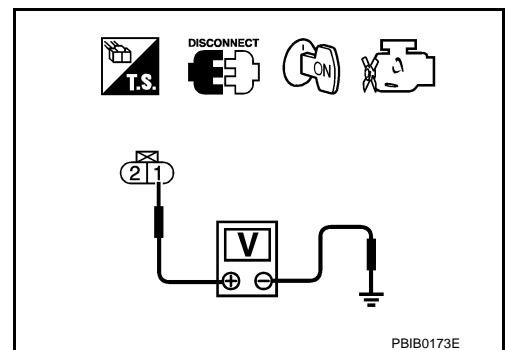


- Check voltage between terminal 1 and ground with CONSULT-III or tester.

Voltage: Battery voltage

OK or NG

- OK >> GO TO 3.
- NG >> GO TO 2.



2. DETECT MALFUNCTIONING PART

Check the following.

- Harness connectors E12, F3
- Harness for open or short between VIAS control solenoid valve and IPDM E/R

>> Repair harness or connectors.

3. CHECK VIAS CONTROL SOLENOID VALVE OUTPUT SIGNAL CIRCUIT FOR OPEN AND SHORT

DTC P1800 VIAS CONTROL SOLENOID VALVE

[VK45DE]

< SERVICE INFORMATION >

1. Turn ignition switch OFF.
2. Disconnect ECM harness connector.
3. Check harness continuity between ECM terminal 29 and VIAS control solenoid valve terminal 2.
Refer to Wiring Diagram.

Continuity should exist.

4. Also check harness for short to ground and short to power.

OK or NG

OK >> GO TO 4.

NG >> Repair open circuit or short to ground or short to power in harness or connectors.

4. CHECK VIAS CONTROL SOLENOID VALVE

Refer to [EC-1162, "Component Inspection"](#).

OK or NG

OK >> GO TO 5.

NG >> Replace VIAS control solenoid valve.

5. CHECK INTERMITTENT INCIDENT

Refer to [EC-763, "Diagnosis Procedure"](#).

>> **INSPECTION END**

Component Inspection

INFOID:000000002955220

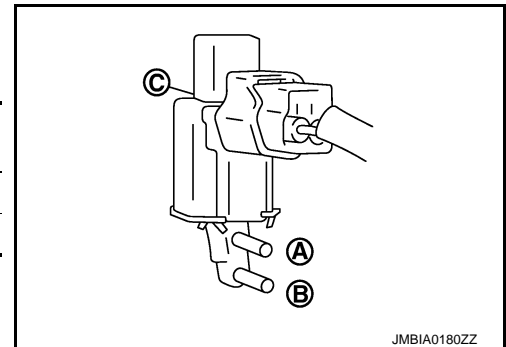
VIAS CONTROL SOLENOID VALVE

Ⓟ With CONSULT-III

1. Reconnect harness connectors disconnected.
2. Turn ignition switch ON.
3. Perform "VIAS S/V-1" in "ACTIVE TEST" mode.
4. Check air passage continuity and operation delay time under the following conditions.

Condition VIAS S/V-1	Air passage continuity between (A) and (B)	Air passage continuity between (A) and (C)
ON	Yes	No
OFF	No	Yes

Operation takes less than 1 second.

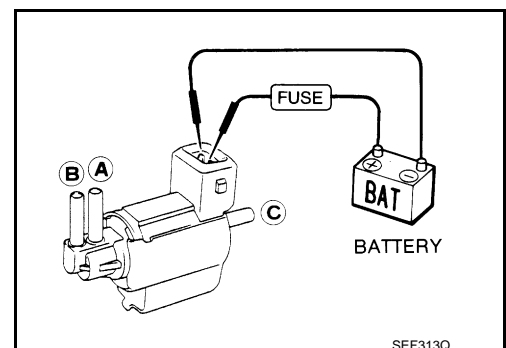


ⓧ Without CONSULT-III

Check air passage continuity and operation delay time under the following conditions.

Condition	Air passage continuity between (A) and (B)	Air passage continuity between (A) and (C)
12V direct current supply between terminals 1 and 2	Yes	No
No supply	No	Yes

Operation takes less than 1 second.



Removal and Installation

INFOID:000000002955221

VIAS CONTROL SOLENOID VALVE

DTC P1800 VIAS CONTROL SOLENOID VALVE

< SERVICE INFORMATION >

[VK45DE]

Refer to [EM-177](#).

A

EC

C

D

E

F

G

H

I

J

K

L

M

N

O

P

DTC P1805 BRAKE SWITCH

< SERVICE INFORMATION >

[VK45DE]

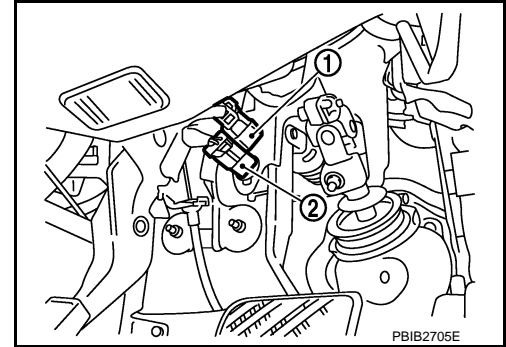
DTC P1805 BRAKE SWITCH

Component Description

INFOID:000000002955222

Brake switch signal is applied to the ECM through the stop lamp switch (1) when the brake pedal is depressed. This signal is used mainly to decrease the engine speed when the vehicle is driving.

- ICC brake switch (models with ICC) (2)
- ASCD brake switch (models with ASCD) (2)



CONSULT-III Reference Value in Data Monitor Mode

INFOID:000000002955223

Specification data are reference values.

MONITOR ITEM	CONDITION	SPECIFICATION	
BRAKE SW	• Ignition switch: ON	Brake pedal: Fully released	OFF
		Brake pedal: Slightly depressed	ON

On Board Diagnosis Logic

INFOID:000000002955224

The MIL will not light up for this diagnosis.

DTC No.	Trouble diagnosis name	DTC detecting condition	Possible cause
P1805 1805	Brake switch	A brake switch signal is not sent to ECM for extremely long time while the vehicle is driving.	<ul style="list-style-type: none">• Harness or connectors (Stop lamp switch circuit is open or shorted.)• Stop lamp switch

FAIL-SAFE MODE

When the malfunction is detected, ECM enters fail-safe mode.

Engine operating condition in fail-safe mode	
ECM controls the electric throttle control actuator by regulating the throttle opening to a small range. Therefore, acceleration will be poor.	
Vehicle condition	Driving condition
When engine is idling	Normal
When accelerating	Poor acceleration

DTC Confirmation Procedure

INFOID:000000002955225

1. Turn ignition switch ON.
2. Fully depress the brake pedal for at least 5 seconds.
3. Erase the DTC.
4. Check 1st trip DTC.
5. If 1st trip DTC is detected, go to [EC-1166, "Diagnosis Procedure"](#).

DTC P1805 BRAKE SWITCH

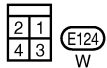
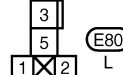
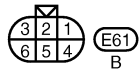
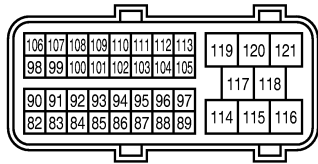
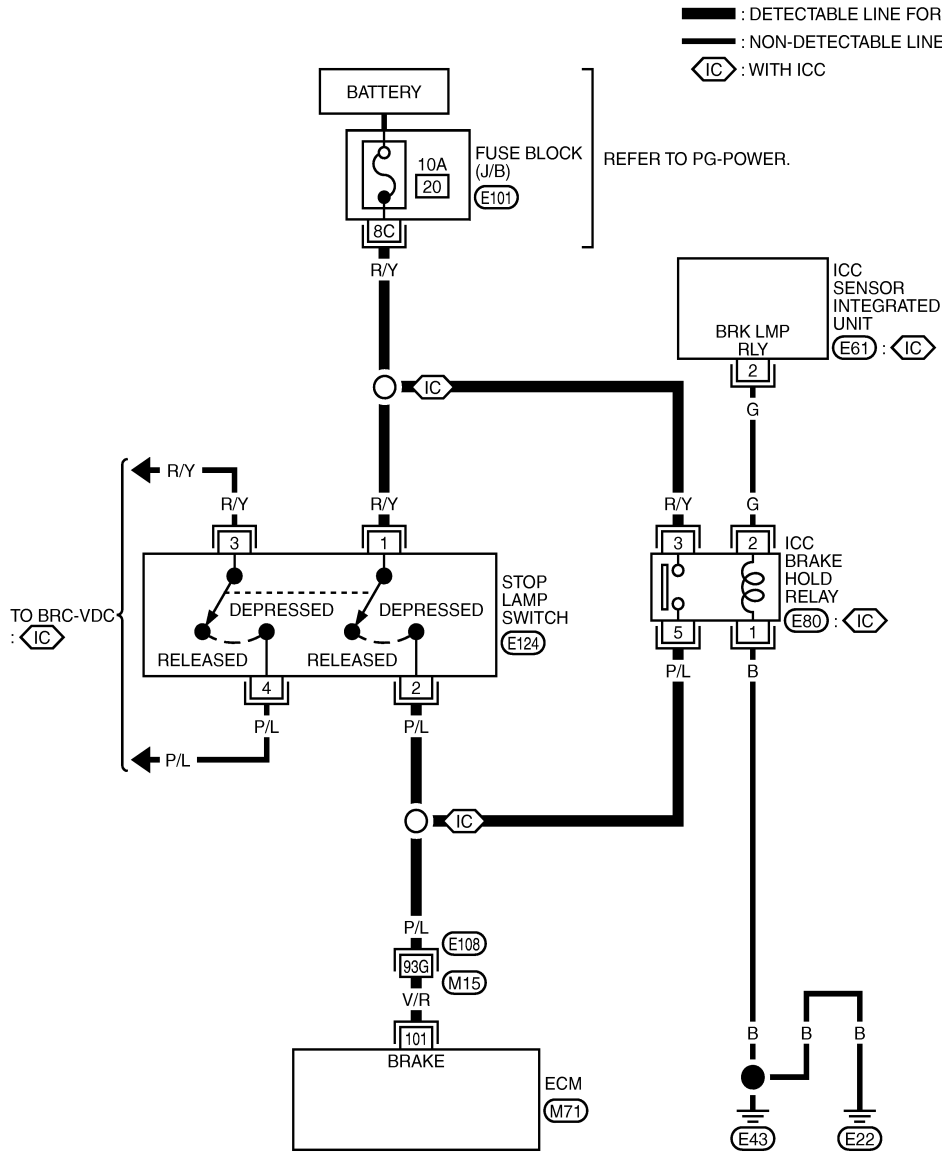
< SERVICE INFORMATION >

[VK45DE]

Wiring Diagram

INFOID:000000002955226

EC-BRK/SW-01



REFER TO THE FOLLOWING.

- (E108) - SUPER MULTIPLE JUNCTION (SMJ)
- (E101) - FUSE BLOCK - JUNCTION BOX (J/B)

TBWT2006E

Specification data are reference values and are measured between each terminal and ground.

CAUTION:

Do not use ECM ground terminals when measuring input/output voltage. Doing so may result in damage to the ECM's transistor. Use a ground other than ECM terminals, such as the ground.

DTC P1805 BRAKE SWITCH

[VK45DE]

< SERVICE INFORMATION >

TER-MI-NAL NO.	WIRE COLOR	ITEM	CONDITION	DATA (DC Voltage)
101	V/R	Stop lamp switch	[Ignition switch: OFF] • Brake pedal: Fully released	Approximately 0V
			[Ignition switch: OFF] • Brake pedal: Slightly depressed	BATTERY VOLTAGE (11 - 14V)

Diagnosis Procedure

INFOID:000000002955227

ICC MODELS

1. CHECK DTC WITH ICC SENSOR INTEGRATED UNIT

Refer to [ACS-40](#).

OK or NG

- OK >> GO TO 2.
- NG >> Repair or replace.

2. CHECK STOP LAMP SWITCH CIRCUIT

1. Turn ignition switch OFF.
2. Check the stop lamp when depressing and releasing the brake pedal.

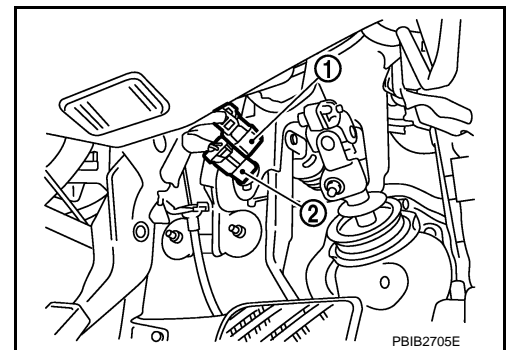
Brake pedal	Stop lamp
Fully released	Not illuminated
Slightly depressed	Illuminated

OK or NG

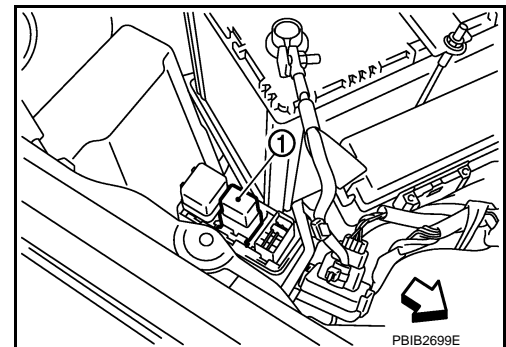
- OK >> GO TO 5.
- NG >> GO TO 3.

3. CHECK STOP LAMP SWITCH POWER SUPPLY CIRCUIT

1. Disconnect stop lamp switch (1) harness connector.
- ICC brake switch (2)



2. Disconnect ICC brake hold relay (1) harness connector.
- ←: Vehicle front



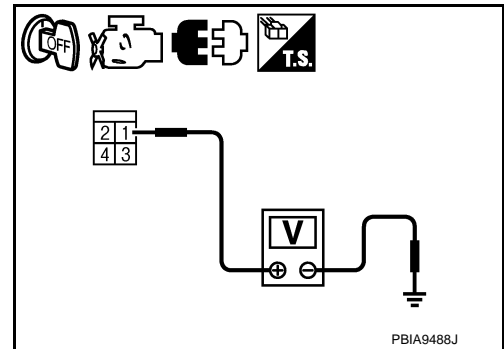
DTC P1805 BRAKE SWITCH

[VK45DE]

< SERVICE INFORMATION >

3. Check voltage between stop lamp switch terminal 1 and ground with CONSULT-III or tester.

Voltage: Battery voltage

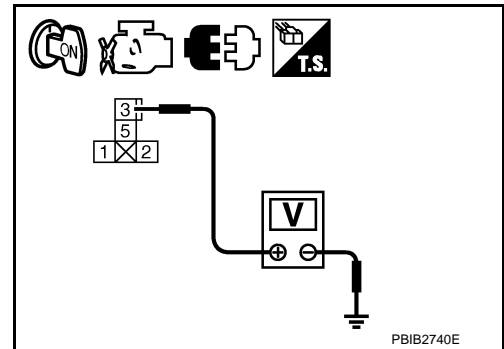


4. Check voltage between ICC brake hold relay terminal 3 and ground with CONSULT-III or tester.

Voltage: Battery voltage

OK or NG

- OK >> GO TO 5.
- NG >> GO TO 4.



4. DETECT MALFUNCTIONING PART

Check the following.

- Fuse block (J/B) connector E101
- 10A fuse
- Harness for open or short between battery and stop lamp switch
- Harness for open or short between battery and ICC brake hold relay

>> Repair open circuit or short to ground or short to power in harness or connectors.

5. CHECK STOP LAMP SWITCH INPUT SIGNAL CIRCUIT FOR OPEN AND SHORT

1. Disconnect ECM harness connector.
2. Check harness continuity between the following;
ECM terminal 101 and stop lamp switch terminal 2,
ECM terminal 101 and ICC brake hold relay terminal 5.
Refer to Wiring Diagram.

Continuity should exist.

3. Also check harness for short to ground and short to power.

OK or NG

- OK >> GO TO 7.
- NG >> GO TO 6.

6. DETECT MALFUNCTIONING PART

Check the following.

- Harness connectors E108, M15
- Harness for open or short between ECM and stop lamp switch
- Harness for open or short between ECM and ICC brake hold relay

>> Repair open circuit or short to ground or short to power in harness or connectors.

7. CHECK STOP LAMP SWITCH

Refer to [EC-1169, "Component Inspection"](#).

OK or NG

- OK >> GO TO 8.

DTC P1805 BRAKE SWITCH

[VK45DE]

< SERVICE INFORMATION >

NG >> Replace stop lamp switch.

8.CHECK ICC BRAKE HOLD RELAY

Refer to [EC-1169, "Component Inspection"](#).

OK >> GO TO 9.

NG >> Replace ICC brake hold relay.

9.CHECK INTERMITTENT INCIDENT

Refer to [EC-763, "Diagnosis Procedure"](#).

>> **INSPECTION END**

ASCD MODELS

1.CHECK STOP LAMP SWITCH CIRCUIT

1. Turn ignition switch OFF.
2. Check the stop lamp when depressing and releasing the brake pedal.

Brake pedal	Stop lamp
Fully released	Not illuminated
Slightly depressed	Illuminated

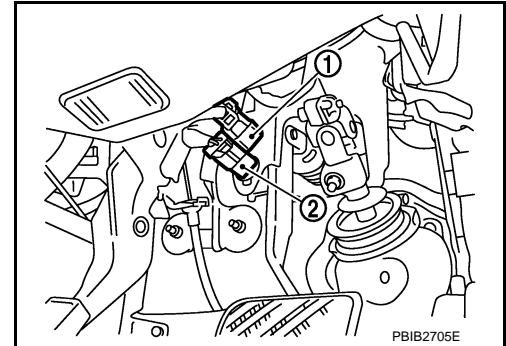
OK or NG

OK >> GO TO 4.

NG >> GO TO 2.

2.CHECK STOP LAMP SWITCH POWER SUPPLY CIRCUIT

1. Disconnect stop lamp switch (1) harness connector.
- ASCD brake switch (2)



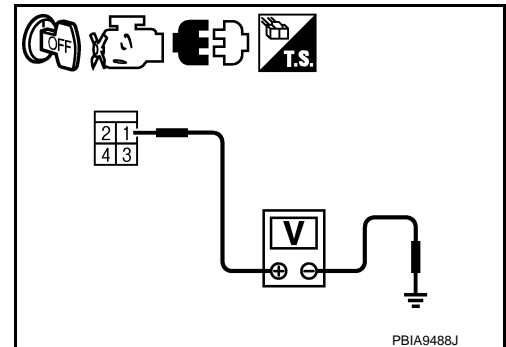
2. Check voltage between stop lamp switch terminal 1 and ground with CONSULT-III or tester.

Voltage: Battery voltage

OK or NG

OK >> GO TO 4.

NG >> GO TO 3.



3.DETECT MALFUNCTIONING PART

Check the following.

- Fuse block (J/B) connector E101
- 10A fuse
- Harness for open or short between stop lamp switch and battery

DTC P1805 BRAKE SWITCH

[VK45DE]

< SERVICE INFORMATION >

>> Repair open circuit or short to ground or short to power in harness or connectors.

4. CHECK STOP LAMP SWITCH INPUT SIGNAL CIRCUIT FOR OPEN AND SHORT

1. Disconnect ECM harness connector.
2. Check harness continuity between ECM terminal 101 and stop lamp switch terminal 2. Refer to Wiring Diagram.

Continuity should exist.

3. Also check harness for short to ground and short to power.

OK or NG

- OK >> GO TO 6.
- NG >> GO TO 5.

5. DETECT MALFUNCTIONING PART

Check the following.

- Harness connectors E108, M15
- Harness for open or short between ECM and stop lamp switch

>> Repair open circuit or short to ground or short to power in harness or connectors.

6. CHECK STOP LAMP SWITCH

Refer to [EC-1169, "Component Inspection"](#).

OK or NG

- OK >> GO TO 7.
- NG >> Replace stop lamp switch.

7. CHECK INTERMITTENT INCIDENT

Refer to [EC-763, "Diagnosis Procedure"](#).

>> **INSPECTION END**

Component Inspection

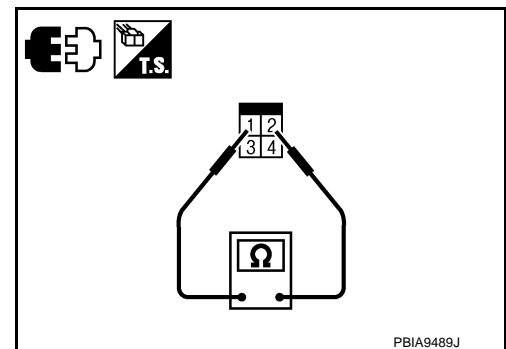
INFOID:000000002955228

STOP LAMP SWITCH

1. Turn ignition switch OFF.
2. Disconnect stop lamp switch harness connector.
3. Check continuity between stop lamp switch terminals 1 and 2 under the following conditions.

Condition	Continuity
Brake pedal: Fully released	Should not exist
Brake pedal: Slightly depressed	Should exist

4. If NG, adjust stop lamp switch installation, refer to [BR-6](#), and perform step 3 again.



ICC BRAKE HOLD RELAY

DTC P1805 BRAKE SWITCH

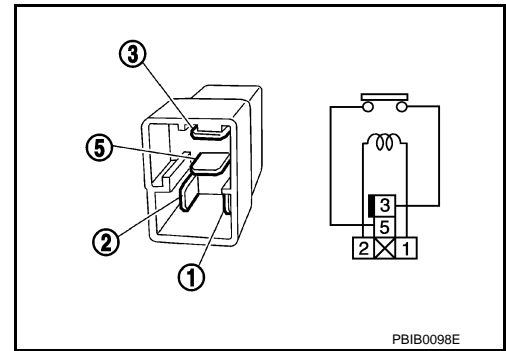
[VK45DE]

< SERVICE INFORMATION >

1. Check continuity between ICC brake hold relay terminals 3 and 5 under the following conditions.

Condition	Continuity
12V direct current supply between terminals 1 and 2	Should not exist
No current supply	Should exist

2. If NG, replace ICC brake hold relay.



DTC P2100, P2103 THROTTLE CONTROL MOTOR RELAY

< SERVICE INFORMATION >

[VK45DE]

DTC P2100, P2103 THROTTLE CONTROL MOTOR RELAY

Component Description

INFOID:000000002955229

Power supply for the throttle control motor is provided to the ECM via throttle control motor relay. The throttle control motor relay is ON/OFF controlled by the ECM. When the ignition switch is turned ON, the ECM sends an ON signal to throttle control motor relay and battery voltage is provided to the ECM. When the ignition switch is turned OFF, the ECM sends an OFF signal to throttle control motor relay and battery voltage is not provided to the ECM.

CONSULT-III Reference Value in Data Monitor Mode

INFOID:000000002955230

Specification data are reference values.

MONITOR ITEM	CONDITION	SPECIFICATION
THRTL RELAY	• Ignition switch: ON	ON

On Board Diagnosis Logic

INFOID:000000002955231

These self-diagnoses have the one trip detection logic.

DTC No.	Trouble diagnosis name	DTC detecting condition	Possible cause
P2100 2100	Throttle control motor relay circuit open	ECM detects a voltage of power source for throttle control motor is excessively low.	<ul style="list-style-type: none">• Harness or connectors (Throttle control motor relay circuit is open)• Throttle control motor relay
P2103 2103	Throttle control motor relay circuit short	ECM detect the throttle control motor relay is stuck ON.	<ul style="list-style-type: none">• Harness or connectors (Throttle control motor relay circuit is shorted)• Throttle control motor relay

FAIL-SAFE MODE

When the malfunction is detected, ECM enters fail-safe mode and the MIL lights up.

Engine operating condition in fail-safe mode

ECM stops the electric throttle control actuator control, throttle valve is maintained at a fixed opening (approx. 5 degrees) by the return spring.

DTC Confirmation Procedure

INFOID:000000002955232

NOTE:

If DTC Confirmation Procedure has been previously conducted, always turn ignition switch OFF and wait at least 10 seconds before conducting the next test.

PROCEDURE FOR DTC P2100

1. Turn ignition switch ON and wait at least 2 seconds.
2. Start engine and let it idle for 5 seconds.
3. Check DTC.
4. If DTC is detected, go to [EC-1173, "Diagnosis Procedure"](#).

PROCEDURE FOR DTC P2103

TESTING CONDITION:

Before performing the following procedure, confirm that battery voltage is more than 8V.

1. Turn ignition switch ON and wait at least 1 second.
2. Check DTC.
3. If DTC is detected, go to [EC-1173, "Diagnosis Procedure"](#).

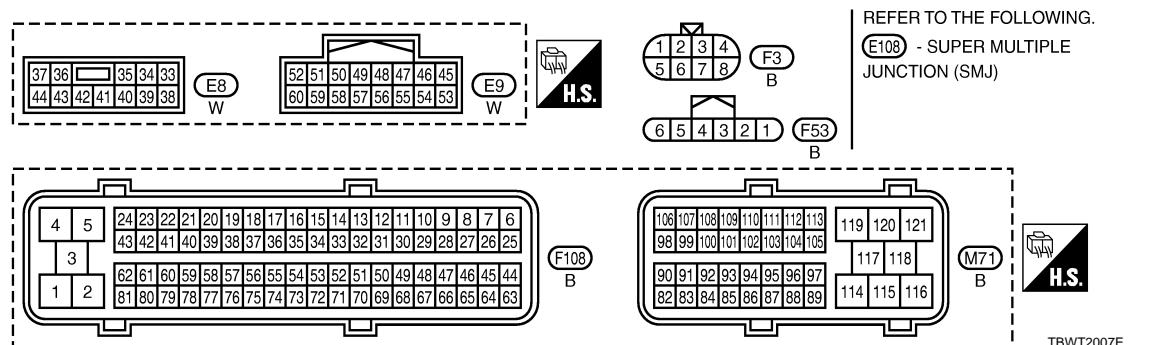
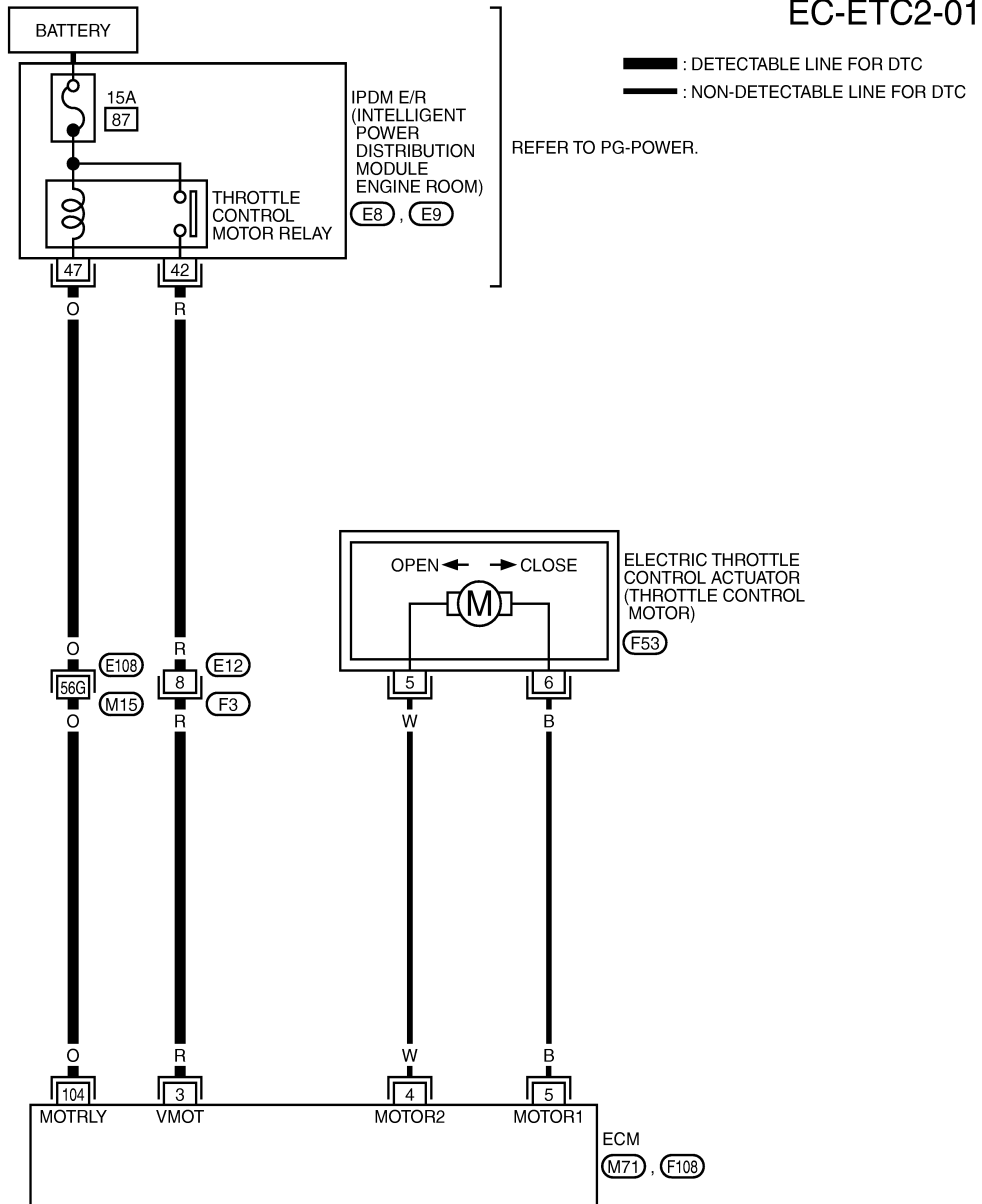
DTC P2100, P2103 THROTTLE CONTROL MOTOR RELAY

< SERVICE INFORMATION >

[VK45DE]

Wiring Diagram

INFOID:00000002955233



Specification data are reference values and are measured between each terminal and ground. Pulse signal is measured by CONSULT-III.

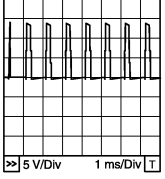
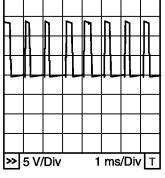
CAUTION:

Do not use ECM ground terminals when measuring input/output voltage. Doing so may result in damage to the ECM's transistor. Use a ground other than ECM terminals, such as the ground.

DTC P2100, P2103 THROTTLE CONTROL MOTOR RELAY

< SERVICE INFORMATION >

[VK45DE]

TER-MI-NAL NO.	WIRE COLOR	ITEM	CONDITION	DATA (DC Voltage)
3	R	Throttle control motor relay power supply	[Ignition switch: ON]	BATTERY VOLTAGE (11 - 14V)
4	W	Throttle control motor (Close)	[Ignition switch: ON] • Engine: Stopped • Selector lever: D • Accelerator pedal: Released	0 - 14V★  PBIB1104E
5	B	Throttle control motor (Open)	[Ignition switch: ON] • Engine: Stopped • Selector lever: D • Accelerator pedal: Fully depressed	0 - 14V★  PBIB1105E
104	O	Throttle control motor relay	[Ignition switch: OFF]	BATTERY VOLTAGE (11 - 14V)
			[Ignition switch: ON]	0 - 1.0V

★: Average voltage for pulse signal (Actual pulse signal can be confirmed by oscilloscope.)

Diagnosis Procedure

INFOID:000000002955234

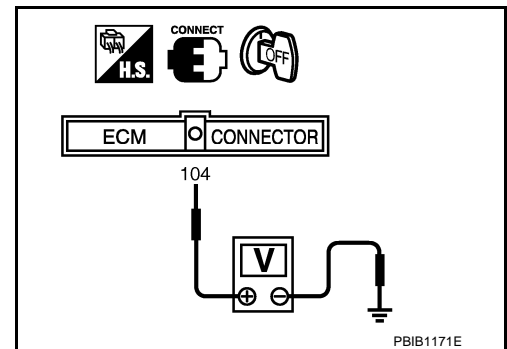
1. CHECK THROTTLE CONTROL MOTOR RELAY POWER SUPPLY CIRCUIT-I

- Turn ignition switch OFF.
- Check voltage between ECM terminal 104 and ground with CONSULT-III or tester.

Voltage: Battery voltage

OK or NG

- OK >> GO TO 5.
NG >> GO TO 2.



2. CHECK THROTTLE CONTROL MOTOR RELAY POWER SUPPLY CIRCUIT-II

- Disconnect ECM harness connector.
- Disconnect IPDM E/R harness connector E9.
- Check continuity between ECM terminal 104 and IPDM E/R terminal 47. Refer to Wiring Diagram.

Continuity should exist.

- Also check harness for short to ground and short to power.

OK or NG

- OK >> GO TO 4.
NG >> GO TO 3.

3. DETECT MALFUNCTIONING PART

DTC P2100, P2103 THROTTLE CONTROL MOTOR RELAY

[VK45DE]

< SERVICE INFORMATION >

Check the following.

- Harness connectors E108, M15
- Harness for open or short between ECM and IPDM E/R

>> Repair open circuit or short to ground or short to power in harness or connectors.

4.CHECK FUSE

1. Disconnect 15A fuse.
2. Check 15A fuse for blown.

OK or NG

- OK >> GO TO 8.
- NG >> Replace 15A fuse.

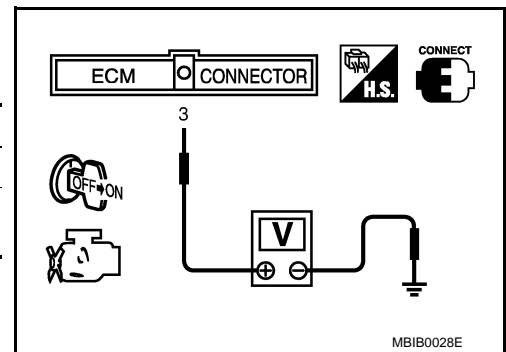
5.CHECK THROTTLE CONTROL MOTOR RELAY INPUT SIGNAL CIRCUIT-I

1. Check voltage between ECM terminal 3 and ground under the following conditions with CONSULT-III or tester.

Ignition switch	Voltage
OFF	Approximately 0V
ON	Battery voltage (11 - 14V)

OK or NG

- OK >> GO TO 8.
- NG >> GO TO 6.



6.CHECK THROTTLE CONTROL MOTOR RELAY INPUT SIGNAL CIRCUIT-II

1. Turn ignition switch OFF.
2. Disconnect ECM harness connector.
3. Disconnect IPDM E/R harness connector E8.
4. Check continuity between ECM terminal 3 and IPDM E/R terminal 42.
Refer to Wiring Diagram.

Continuity should exist.

5. Also check harness for short to ground and short to power.

OK or NG

- OK >> GO TO 8.
- NG >> GO TO 7.

7.DETECT MALFUNCTIONING PART

Check the following.

- Harness connectors E12, F3
- Harness for open or short between ECM and IPDM E/R

>> Repair open circuit or short to ground or short to power in harness or connectors.

8.CHECK INTERMITTENT INCIDENT

Refer to [EC-763. "Diagnosis Procedure"](#).

OK or NG

- OK >> Replace IPDM E/R. Refer to [PG-19](#).
- NG >> Repair or replace harness or connectors.

DTC P2101 ELECTRIC THROTTLE CONTROL FUNCTION

< SERVICE INFORMATION >

[VK45DE]

DTC P2101 ELECTRIC THROTTLE CONTROL FUNCTION

Description

INFOID:000000002955235

NOTE:

If DTC P2101 is displayed with DTC P2100 or P2119, first perform the trouble diagnosis for DTC P2100 or P2119. Refer to [EC-1171, "DTC Confirmation Procedure"](#) or [EC-1186, "DTC Confirmation Procedure"](#).

Electric throttle control actuator consists of throttle control motor, throttle position sensor, etc.

The throttle control motor is operated by the ECM and it opens and closes the throttle valve.

The current opening angle of the throttle valve is detected by the throttle position sensor and it provides feedback to the ECM to control the throttle control motor to make the throttle valve opening angle properly in response to driving condition.

On Board Diagnosis Logic

INFOID:000000002955236

This self-diagnosis has the one trip detection logic.

DTC No.	Trouble diagnosis name	DTC detecting condition	Possible cause
P2101 2101	Electric throttle control performance	Electric throttle control function does not operate properly.	<ul style="list-style-type: none">• Harness or connectors (Throttle control motor circuit is open or shorted)• Electric throttle control actuator

FAIL-SAFE MODE

When the malfunction is detected, ECM enters fail-safe mode and the MIL lights up.

Engine operating condition in fail-safe mode

ECM stops the electric throttle control actuator control, throttle valve is maintained at a fixed opening (approx. 5 degrees) by the return spring.

DTC Confirmation Procedure

INFOID:000000002955237

NOTE:

If DTC Confirmation Procedure has been previously conducted, always turn ignition switch OFF and wait at least 10 seconds before conducting the next test.

TESTING CONDITION:

Before performing the following procedure, confirm that battery voltage is more than 11V when engine is running.

1. Turn ignition switch ON and wait at least 2 seconds.
2. Start engine and let it idle for 5 seconds.
3. Check DTC.
4. If DTC is detected, go to [EC-1177, "Diagnosis Procedure"](#).

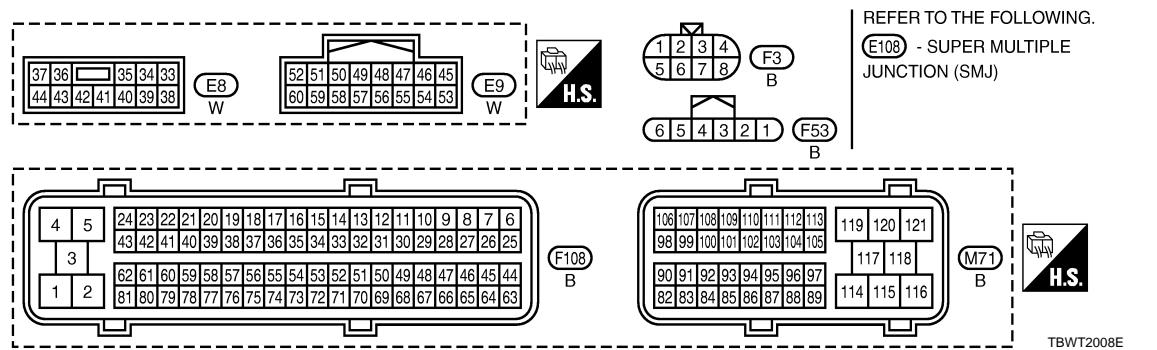
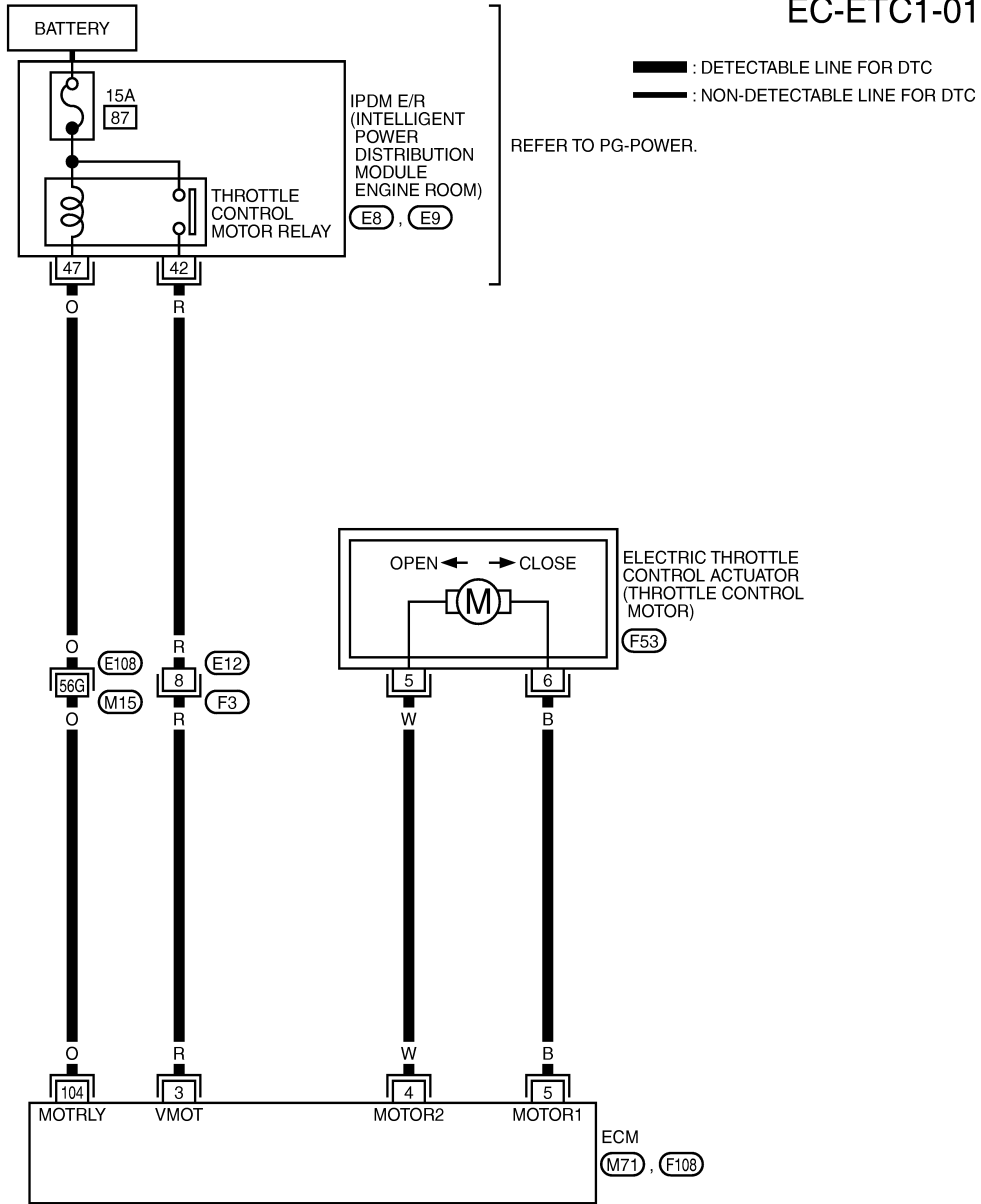
DTC P2101 ELECTRIC THROTTLE CONTROL FUNCTION

< SERVICE INFORMATION >

[VK45DE]

Wiring Diagram

INFOID:00000002955238



Specification data are reference values and are measured between each terminal and ground. Pulse signal is measured by CONSULT-III.

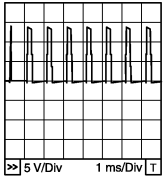
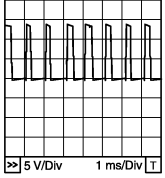
CAUTION:

DTC P2101 ELECTRIC THROTTLE CONTROL FUNCTION

[VK45DE]

< SERVICE INFORMATION >

Do not use ECM ground terminals when measuring input/output voltage. Doing so may result in damage to the ECM's transistor. Use a ground other than ECM terminals, such as the ground.

TER-MI-NAL NO.	WIRE COLOR	ITEM	CONDITION	DATA (DC Voltage)
3	R	Throttle control motor relay power supply	[Ignition switch: ON]	BATTERY VOLTAGE (11 - 14V)
4	W	Throttle control motor (Close)	[Ignition switch: ON] • Engine: Stopped • Selector lever: D • Accelerator pedal: Released	0 - 14V★  PBIB1104E
5	B	Throttle control motor (Open)	[Ignition switch: ON] • Engine: Stopped • Selector lever: D • Accelerator pedal: Fully depressed	0 - 14V★  PBIB1105E
104	O	Throttle control motor relay	[Ignition switch: OFF]	BATTERY VOLTAGE (11 - 14V)
			[Ignition switch: ON]	0 - 1.0V

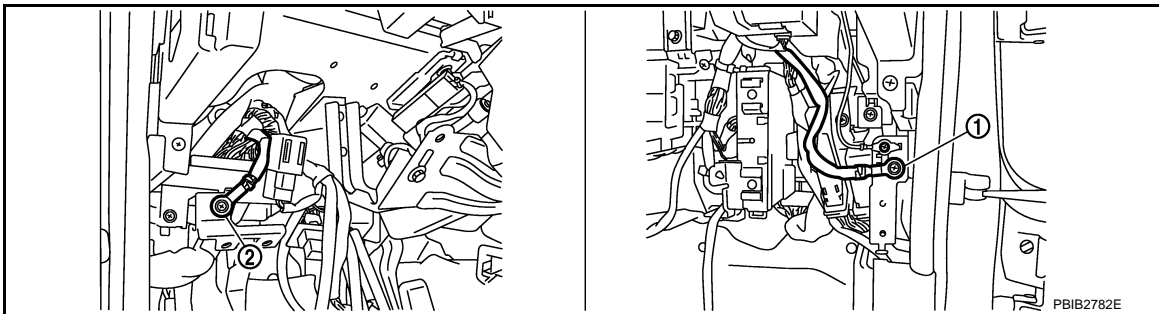
★: Average voltage for pulse signal (Actual pulse signal can be confirmed by oscilloscope.)

Diagnosis Procedure

INFOID:000000002955239

1. CHECK GROUND CONNECTIONS

1. Turn ignition switch OFF.
2. Loosen and retighten ground screws on the body.
Refer to [EC-769, "Ground Inspection"](#).



1. Body ground M70

2. Body ground M16

OK or NG

OK >> GO TO 2.

NG >> Repair or replace ground connections.

2. CHECK THROTTLE CONTROL MOTOR RELAY INPUT SIGNAL CIRCUIT-I

DTC P2101 ELECTRIC THROTTLE CONTROL FUNCTION

[VK45DE]

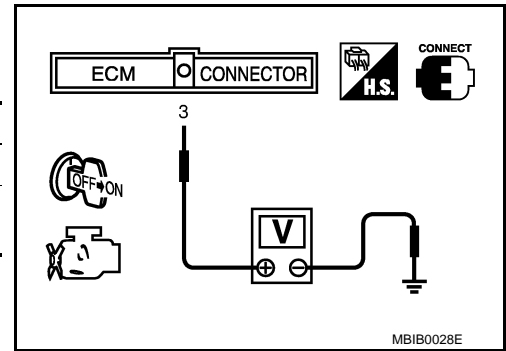
< SERVICE INFORMATION >

Check voltage between ECM terminal 3 and ground under the following conditions with CONSULT-III or tester.

Ignition switch	Voltage
OFF	Approximately 0V
ON	Battery voltage (11 - 14V)

OK or NG

- OK >> GO TO 10.
- NG >> GO TO 3.



3. CHECK THROTTLE CONTROL MOTOR RELAY INPUT SIGNAL CIRCUIT-II

1. Turn ignition switch OFF.
2. Disconnect ECM harness connector.
3. Disconnect IPDM E/R harness connector E8.
4. Check harness continuity between ECM terminal 3 and IPDM E/R terminal 42. Refer to Wiring Diagram.

Continuity should exist.

5. Also check harness for short to ground and short to power.

OK or NG

- OK >> GO TO 5.
- NG >> GO TO 4.

4. DETECT MALFUNCTIONING PART

Check the following.

- Harness connectors E12, F3
- Harness for open or short between ECM and IPDM E/R

>> Repair open circuit or short to ground or short to power in harness or connectors.

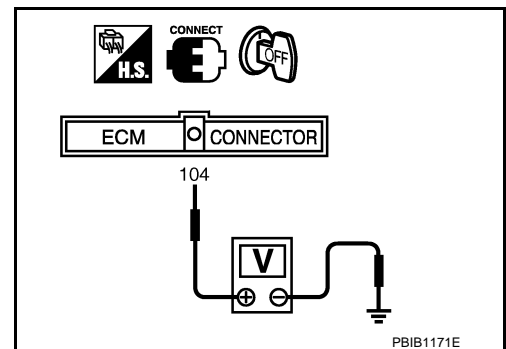
5. CHECK THROTTLE CONTROL MOTOR RELAY POWER SUPPLY CIRCUIT-I

1. Reconnect all harness connectors disconnected.
2. Turn ignition switch OFF.
3. Check voltage between ECM terminal 104 and ground with CONSULT-III or tester.

Voltage: Battery voltage

OK or NG

- OK >> GO TO 9.
- NG >> GO TO 6.



6. CHECK THROTTLE CONTROL MOTOR RELAY POWER SUPPLY CIRCUIT-II

1. Disconnect ECM harness connector.
2. Disconnect IPDM E/R harness connector E9.
3. Check harness continuity between ECM terminal 104 and IPDM E/R terminal 47. Refer to Wiring Diagram.

Continuity should exist.

4. Also check harness for short to ground and short to power.

OK or NG

- OK >> GO TO 8.

DTC P2101 ELECTRIC THROTTLE CONTROL FUNCTION

[VK45DE]

< SERVICE INFORMATION >

NG >> GO TO 7.

7. DETECT MALFUNCTIONING PART

Check the following.

- Harness connectors E108, M15
- Harness for open or short between ECM and IPDM E/R

>> Repair open circuit or short to ground or short to power in harness or connectors.

8. CHECK FUSE

1. Disconnect 15A fuse.
2. Check 15A fuse for blown.

OK or NG

OK >> GO TO 9.

NG >> Replace 15A fuse.

9. CHECK INTERMITTENT INCIDENT

Refer to [EC-763. "Diagnosis Procedure"](#).

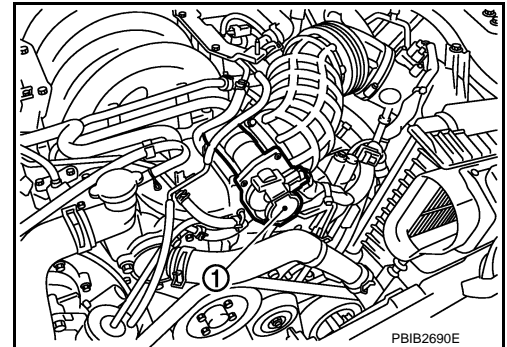
OK or NG

OK >> Replace IPDM E/R. Refer to [PG-19](#).

NG >> Repair or replace harness or connectors.

10. CHECK THROTTLE CONTROL MOTOR OUTPUT SIGNAL CIRCUIT FOR OPEN OR SHORT

1. Turn ignition switch OFF.
2. Disconnect electric throttle control actuator (1) harness connector.
 - Illustration shows the view with intake air duct removed.
3. Disconnect ECM harness connector.
4. Check harness continuity between the following terminals. Refer to Wiring Diagram.



Electric throttle control actuator terminal	ECM terminal	Continuity
5	5	Should not exist.
	4	Should exist.
6	5	Should exist.
	4	Should not exist.

5. Also check harness for short to ground and short to power.

OK or NG

OK >> GO TO 11.

NG >> Repair or replace.

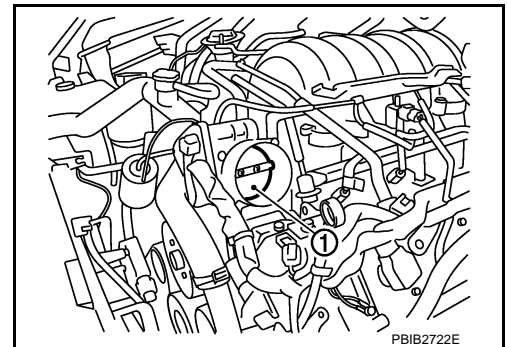
11. CHECK ELECTRIC THROTTLE CONTROL ACTUATOR VISUALLY

1. Remove the intake air duct.
2. Check if foreign matter is caught between the throttle valve (1) and the housing.
 - This illustration shows the view with intake air removed.

OK or NG

OK >> GO TO 12.

NG >> Remove the foreign matter and clean the electric throttle control actuator inside.



12. CHECK THROTTLE CONTROL MOTOR

DTC P2101 ELECTRIC THROTTLE CONTROL FUNCTION

[VK45DE]

< SERVICE INFORMATION >

Refer to [EC-1180, "Component Inspection"](#).

OK or NG

- OK >> GO TO 13.
- NG >> GO TO 14.

13. CHECK INTERMITTENT INCIDENT

Refer to [EC-763, "Diagnosis Procedure"](#).

OK or NG

- OK >> GO TO 14.
- NG >> Repair or replace harness or connectors.

14. REPLACE ELECTRIC THROTTLE CONTROL ACTUATOR

1. Replace the electric throttle control actuator.
2. Perform [EC-706, "Throttle Valve Closed Position Learning"](#).
3. Perform [EC-707, "Idle Air Volume Learning"](#).

>> **INSPECTION END**

Component Inspection

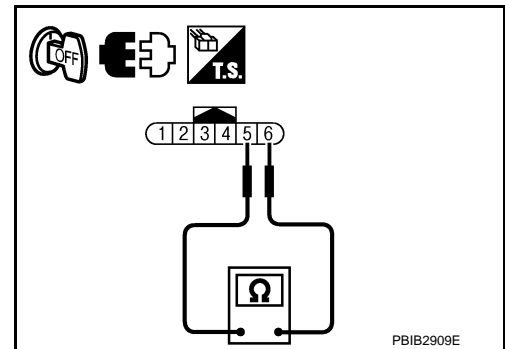
INFOID:000000002955240

THROTTLE CONTROL MOTOR

1. Disconnect electric throttle control actuator harness connector.
2. Check resistance between terminals 5 and 6.

Resistance: Approximately 1 - 15 Ω [at 25 °C (77°F)]

3. If NG, replace electric throttle control actuator and go to next step.
4. Perform [EC-706, "Throttle Valve Closed Position Learning"](#).
5. Perform [EC-707, "Idle Air Volume Learning"](#).



INFOID:000000002955241

Removal and Installation

ELECTRIC THROTTLE CONTROL ACTUATOR

Refer to [EM-177](#).

DTC P2118 THROTTLE CONTROL MOTOR

< SERVICE INFORMATION >

[VK45DE]

DTC P2118 THROTTLE CONTROL MOTOR

Component Description

INFOID:000000002955242

The throttle control motor is operated by the ECM and it opens and closes the throttle valve. The current opening angle of the throttle valve is detected by the throttle position sensor and it provides feedback to the ECM to control the throttle control motor to make the throttle valve opening angle properly in response to driving condition.

On Board Diagnosis Logic

INFOID:000000002955243

This self-diagnosis has the one trip detection logic.

DTC No.	Trouble diagnosis name	DTC detecting condition	Possible cause
P2118 2118	Throttle control motor circuit short	ECM detects short in both circuits between ECM and throttle control motor.	<ul style="list-style-type: none">• Harness or connectors (Throttle control motor circuit is shorted.)• Electric throttle control actuator (Throttle control motor)

FAIL-SAFE MODE

When the malfunction is detected, ECM enters fail-safe mode and the MIL lights up.

Engine operating condition in fail-safe mode

ECM stops the electric throttle control actuator control, throttle valve is maintained at a fixed opening (approx. 5 degrees) by the return spring.

DTC Confirmation Procedure

INFOID:000000002955244

NOTE:

If DTC Confirmation Procedure has been previously conducted, always turn ignition switch OFF and wait at least 10 seconds before conducting the next test.

1. Turn ignition switch ON and wait at least 2 seconds.
2. Start engine and let it idle for 5 seconds.
3. Check DTC.
4. If DTC is detected, go to [EC-1183. "Diagnosis Procedure"](#).

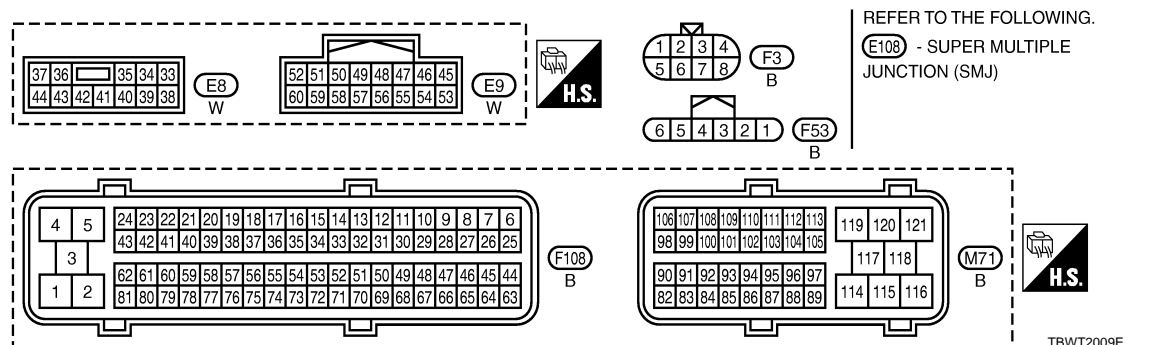
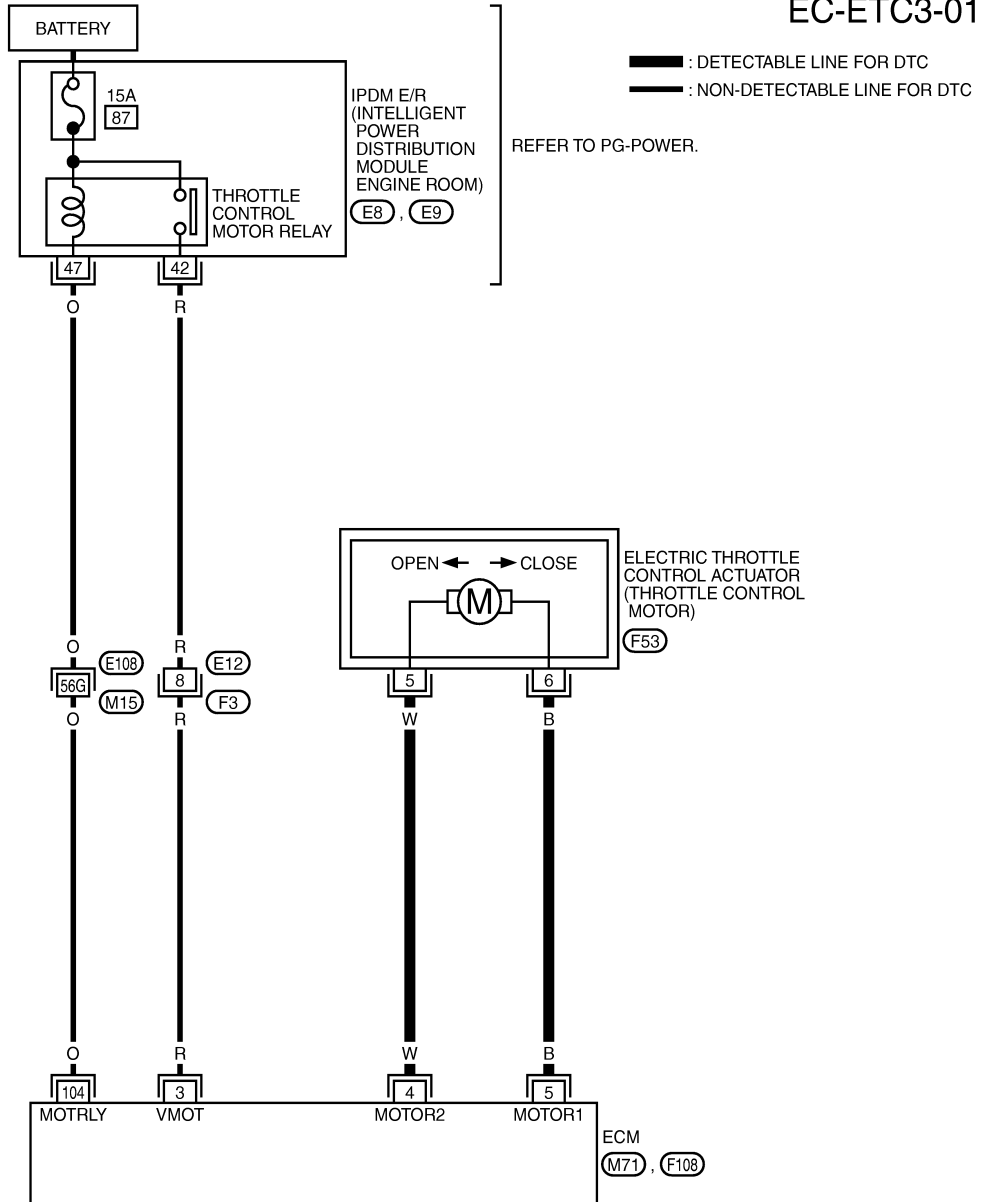
DTC P2118 THROTTLE CONTROL MOTOR

< SERVICE INFORMATION >

[VK45DE]

INFOID:00000002955245

Wiring Diagram



Specification data are reference values and are measured between each terminal and ground. Pulse signal is measured by CONSULT-III.

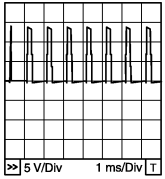
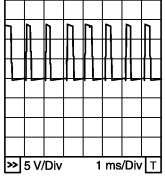
CAUTION:

DTC P2118 THROTTLE CONTROL MOTOR

[VK45DE]

< SERVICE INFORMATION >

Do not use ECM ground terminals when measuring input/output voltage. Doing so may result in damage to the ECM's transistor. Use a ground other than ECM terminals, such as the ground.

TER-MI-NAL NO.	WIRE COLOR	ITEM	CONDITION	DATA (DC Voltage)
3	R	Throttle control motor relay power supply	[Ignition switch: ON]	BATTERY VOLTAGE (11 - 14V)
4	W	Throttle control motor (Close)	[Ignition switch: ON] • Engine: Stopped • Selector lever: D • Accelerator pedal: Released	0 - 14V★  PBIB1104E
5	B	Throttle control motor (Open)	[Ignition switch: ON] • Engine: Stopped • Selector lever: D • Accelerator pedal: Fully depressed	0 - 14V★  PBIB1105E
104	O	Throttle control motor relay	[Ignition switch: OFF]	BATTERY VOLTAGE (11 - 14V)
			[Ignition switch: ON]	0 - 1.0V

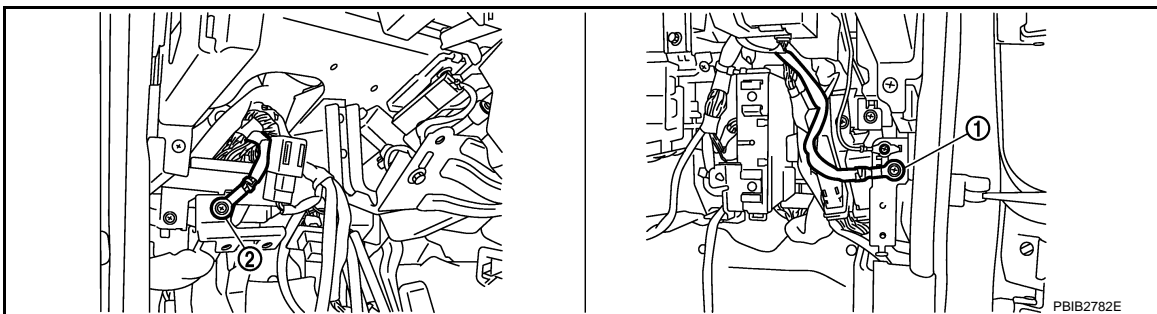
★: Average voltage for pulse signal (Actual pulse signal can be confirmed by oscilloscope.)

Diagnosis Procedure

INFOID:000000002955246

1. CHECK GROUND CONNECTIONS

1. Turn ignition switch OFF.
2. Loosen and retighten ground screws on the body.
Refer to [EC-769, "Ground Inspection"](#).



1. Body ground M70

2. Body ground M16

OK or NG

- OK >> GO TO 2.
NG >> Repair or replace ground connections.

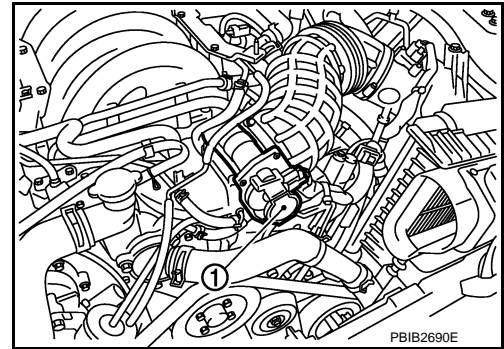
2. CHECK THROTTLE CONTROL MOTOR OUTPUT SIGNAL CIRCUIT FOR OPEN AND SHORT

DTC P2118 THROTTLE CONTROL MOTOR

[VK45DE]

< SERVICE INFORMATION >

1. Disconnect electric throttle control actuator (1) harness connector.
- Illustration shows the view with intake air duct removed.
2. Disconnect ECM harness connector.
3. Check harness continuity between the following terminals.
Refer to Wiring Diagram.



Electric throttle control actuator terminal	ECM terminal	Continuity
5	5	Should not exist.
	4	Should exist.
6	5	Should exist.
	4	Should not exist.

4. Also check harness for short to ground and short to power.

OK or NG

- OK >> GO TO 3.
NG >> Repair or replace.

3.CHECK THROTTLE CONTROL MOTOR

Refer to [EC-1184, "Component Inspection"](#).

OK or NG

- OK >> GO TO 4.
NG >> GO TO 5.

4.CHECK INTERMITTENT INCIDENT

Refer to [EC-763, "Diagnosis Procedure"](#).

OK or NG

- OK >> GO TO 5.
NG >> Repair or replace harness or connectors.

5.REPLACE ELECTRIC THROTTLE CONTROL ACTUATOR

1. Replace the electric throttle control actuator.
2. Perform [EC-706, "Throttle Valve Closed Position Learning"](#).
3. Perform [EC-707, "Idle Air Volume Learning"](#).

>> **INSPECTION END**

Component Inspection

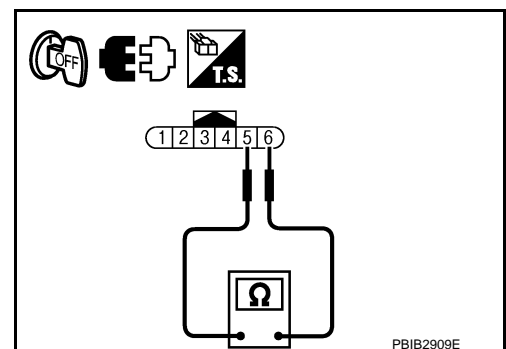
INFOID:000000002955247

THROTTLE CONTROL MOTOR

1. Disconnect electric throttle control actuator harness connector.
2. Check resistance between terminals 5 and 6.

Resistance: Approximately 1 - 15 Ω [at 25 °C (77°F)]

3. If NG, replace electric throttle control actuator and go to next step.
4. Perform [EC-706, "Throttle Valve Closed Position Learning"](#).
5. Perform [EC-707, "Idle Air Volume Learning"](#).



Removal and Installation

INFOID:000000002955248

ELECTRIC THROTTLE CONTROL ACTUATOR

DTC P2118 THROTTLE CONTROL MOTOR

< SERVICE INFORMATION >

[VK45DE]

Refer to [EM-177](#).

A

EC

C

D

E

F

G

H

I

J

K

L

M

N

O

P

DTC P2119 ELECTRIC THROTTLE CONTROL ACTUATOR

< SERVICE INFORMATION >

[VK45DE]

DTC P2119 ELECTRIC THROTTLE CONTROL ACTUATOR

Component Description

INFOID:000000002955249

Electric throttle control actuator consists of throttle control motor, throttle position sensor, etc. The throttle control motor is operated by the ECM and it opens and closes the throttle valve. The throttle position sensor detects the throttle valve position, and the opening and closing speed of the throttle valve and feeds the voltage signals to the ECM. The ECM judges the current opening angle of the throttle valve from these signals and the ECM controls the throttle control motor to make the throttle valve opening angle properly in response to driving condition.

On Board Diagnosis Logic

INFOID:000000002955250

This self-diagnosis has one trip detection logic.

DTC No.	Trouble diagnosis name	DTC detecting condition		Possible cause
P2119 2119	Electric throttle control actuator	A)	Electric throttle control actuator does not function properly due to the return spring malfunction.	• Electric throttle control actuator
		B)	Throttle valve opening angle in fail-safe mode is not in specified range.	
		C)	ECM detect the throttle valve is stuck open.	

FAIL-SAFE MODE

When the malfunction is detected, ECM enters fail-safe mode and the MIL lights up.

Detected items	Engine operating condition in fail-safe mode
Malfunction A	The ECM controls the electric throttle actuator by regulating the throttle opening around the idle position. The engine speed will not rise more than 2,000 rpm.
Malfunction B	ECM controls the electric throttle control actuator by regulating the throttle opening to 20 degrees or less.
Malfunction C	While the vehicle is driving, it slows down gradually by fuel cut. After the vehicle stops, the engine stalls. The engine can restart in N or P position, and engine speed will not exceed 1,000 rpm or more.

DTC Confirmation Procedure

INFOID:000000002955251

NOTE:

- Perform **PROCEDURE FOR MALFUNCTION A AND B** first. If the DTC cannot be confirmed, perform **PROCEDURE FOR MALFUNCTION C**.
- If DTC Confirmation Procedure has been previously conducted, always turn ignition switch OFF and wait at least 10 seconds before conducting the next test.

PROCEDURE FOR MALFUNCTION A AND B

1. Turn ignition switch ON and wait at least 1 second.
2. Shift selector lever to D position and wait at least 3 seconds.
3. Shift selector lever to P position.
4. Turn ignition switch OFF and wait at least 10 seconds.
5. Turn ignition switch ON and wait at least 1 second.
6. Shift selector lever to D position and wait at least 3 seconds.
7. Shift selector lever to P position.
8. Turn ignition switch OFF, wait at least 10 seconds, and then turn ON.
9. Check DTC.
10. If DTC is detected, go to [EC-1187. "Diagnosis Procedure"](#).

PROCEDURE FOR MALFUNCTION C

1. Turn ignition switch ON and wait at least 1 second.
2. Shift selector lever to D position and wait at least 3 seconds.
3. Shift selector lever to P position.

DTC P2119 ELECTRIC THROTTLE CONTROL ACTUATOR

[VK45DE]

< SERVICE INFORMATION >

4. Start engine and let it idle for 3 seconds.
5. Check DTC.
6. If DTC is detected, go to [EC-1187, "Diagnosis Procedure"](#).

Diagnosis Procedure

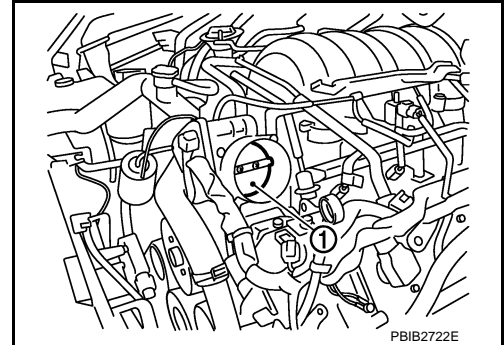
INFOID:000000002955252

1. CHECK ELECTRIC THROTTLE CONTROL ACTUATOR VISUALLY

1. Remove the intake air duct.
2. Check if foreign matter is caught between the throttle valve (1) and the housing.
 - This illustration shows the view with intake air removed.

OK or NG

- OK >> GO TO 2.
NG >> Remove the foreign matter and clean the electric throttle control actuator inside.



2. REPLACE ELECTRIC THROTTLE CONTROL ACTUATOR

1. Replace the electric throttle control actuator.
2. Perform [EC-706, "Throttle Valve Closed Position Learning"](#).
3. Perform [EC-707, "Idle Air Volume Learning"](#).

>> INSPECTION END

DTC P2122, P2123 APP SENSOR

< SERVICE INFORMATION >

[VK45DE]

DTC P2122, P2123 APP SENSOR

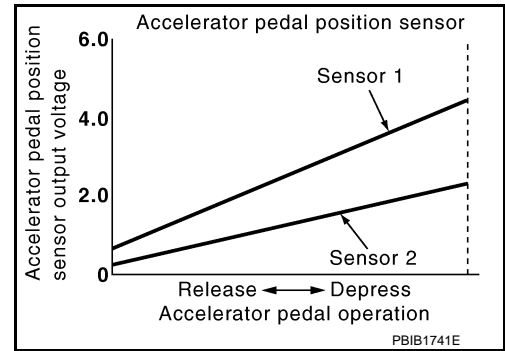
Component Description

INFOID:000000002955253

The accelerator pedal position sensor is installed on the upper end of the accelerator pedal assembly. The sensor detects the accelerator position and sends a signal to the ECM.

Accelerator pedal position sensor has two sensors. These sensors are a kind of potentiometers which transform the accelerator pedal position into output voltage, and emit the voltage signal to the ECM. In addition, these sensors detect the opening and closing speed of the accelerator pedal and feed the voltage signals to the ECM. The ECM judges the current opening angle of the accelerator pedal from these signals and controls the throttle control motor based on these signals.

Idle position of the accelerator pedal is determined by the ECM receiving the signal from the accelerator pedal position sensor. The ECM uses this signal for the engine operation such as fuel cut.



CONSULT-III Reference Value in Data Monitor Mode

INFOID:000000002955254

Specification data are reference values.

MONITOR ITEM	CONDITION		SPECIFICATION
ACCEL SEN 1 ACCEL SEN 2*	• Ignition switch: ON (Engine stopped)	Accelerator pedal: Fully released	0.4 - 1.1V
		Accelerator pedal: Fully depressed	3.7 - 4.8V
CLSD THL POS	• Ignition switch: ON (Engine stopped)	Accelerator pedal: Fully released	ON
		Accelerator pedal: Slightly depressed	OFF

*: Accelerator pedal position sensor 2 signal is converted by ECM internally. Thus, it differs from ECM terminal voltage.

On Board Diagnosis Logic

INFOID:000000002955255

These self-diagnoses have the one trip detection logic.

NOTE:

If DTC P2122 or P2123 is displayed with DTC P0643, first perform the trouble diagnosis for DTC P0643. Refer to [EC-1061, "DTC Confirmation Procedure"](#).

DTC No.	Trouble diagnosis name	DTC detecting condition	Possible cause
P2122 2122	Accelerator pedal position sensor 1 circuit low input	An excessively low voltage from the APP sensor 1 is sent to ECM.	<ul style="list-style-type: none"> • Harness or connectors (APP sensor 1 circuit is open or shorted.) • Accelerator pedal position sensor (APP sensor 1)
P2123 2123	Accelerator pedal position sensor 1 circuit high input	An excessively high voltage from the APP sensor 1 is sent to ECM.	

FAIL-SAFE MODE

When the malfunction is detected, ECM enters fail-safe mode and the MIL lights up.

Engine operating condition in fail-safe mode

The ECM controls the electric throttle control actuator in regulating the throttle opening in order for the idle position to be within +10 degrees.

The ECM regulates the opening speed of the throttle valve to be slower than the normal condition.

So, the acceleration will be poor.

DTC Confirmation Procedure

INFOID:000000002955256

NOTE:

If DTC Confirmation Procedure has been previously conducted, always turn ignition switch OFF and wait at least 10 seconds before conducting the next test.

TESTING CONDITION:

Before performing the following procedure, confirm that battery voltage is more than 8V at idle.

DTC P2122, P2123 APP SENSOR

[VK45DE]

< SERVICE INFORMATION >

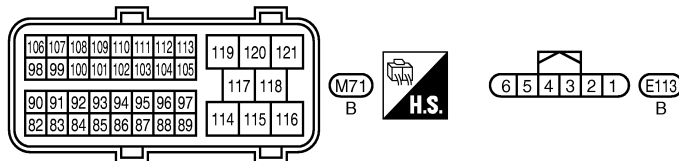
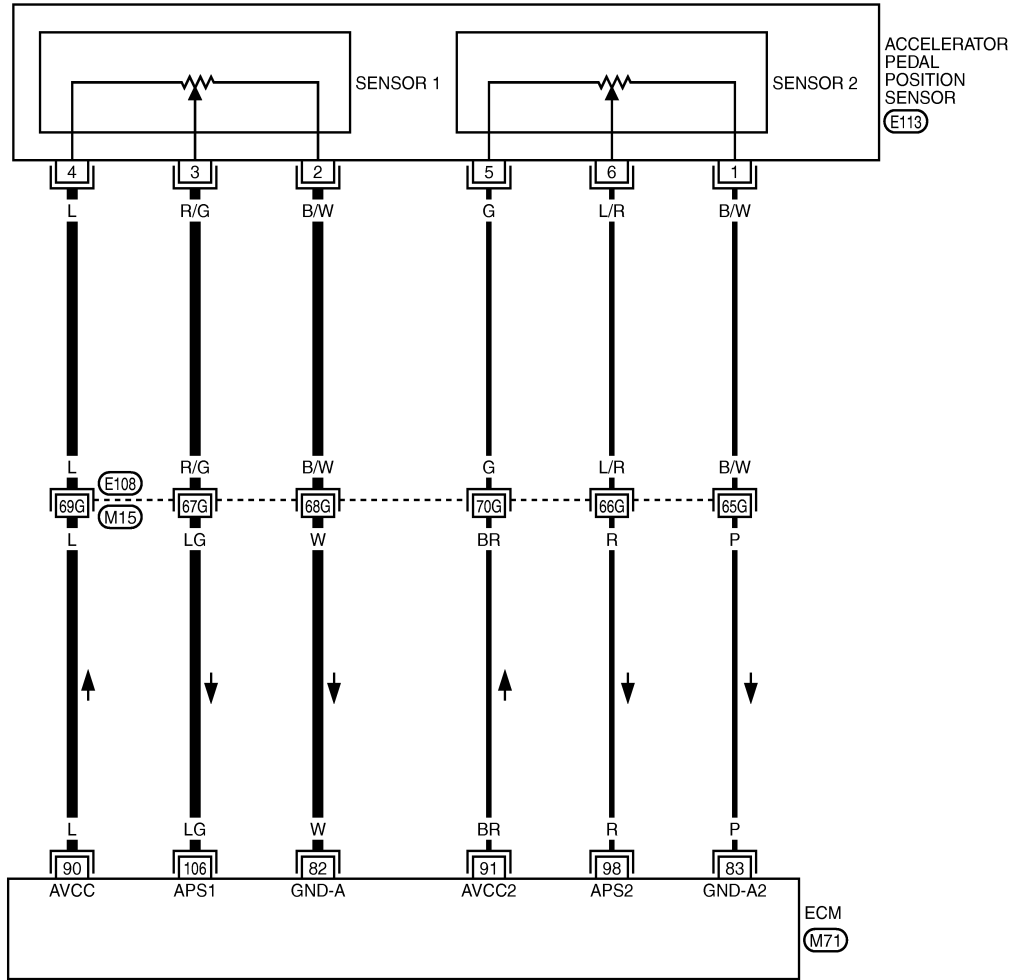
1. Start engine and let it idle for 1 second.
2. Check DTC.
3. If DTC is detected, go to [EC-1190, "Diagnosis Procedure"](#).

Wiring Diagram

INFOID:000000002955257

EC-APPS1-01

: DETECTABLE LINE FOR DTC
 : NON-DETECTABLE LINE FOR DTC



REFER TO THE FOLLOWING.
 (E108) - SUPER MULTIPLE JUNCTION (SMJ)

TBWT2010E

Specification data are reference values and are measured between each terminal and ground.

CAUTION:

DTC P2122, P2123 APP SENSOR

< SERVICE INFORMATION >

[VK45DE]

Do not use ECM ground terminals when measuring input/output voltage. Doing so may result in damage to the ECM's transistor. Use a ground other than ECM terminals, such as the ground.

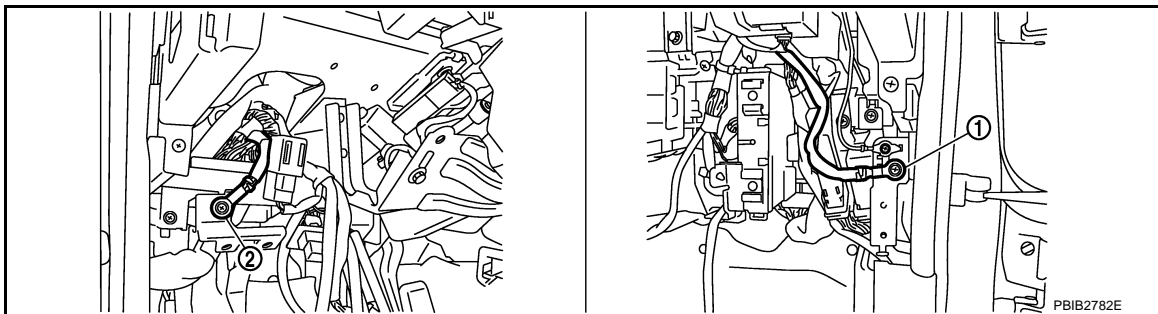
TER-MI-NAL NO.	WIRE COLOR	ITEM	CONDITION	DATA (DC Voltage)
82	W	Sensor ground (APP sensor 1)	[Engine is running] • Warm-up condition • Idle speed	Approximately 0V
83	P	Sensor ground (APP sensor 2)	[Engine is running] • Warm-up condition • Idle speed	Approximately 0V
90	L	Sensor power supply (APP sensor 1)	[Ignition switch: ON]	Approximately 5V
91	BR	Sensor power supply (APP sensor 2)	[Ignition switch: ON]	Approximately 5V
98	R	Accelerator pedal position sensor 2	[Ignition switch: ON] • Engine: Stopped • Accelerator pedal: Fully released	0.20 - 0.55V
			[Ignition switch: ON] • Engine: Stopped • Accelerator pedal: Fully depressed	1.85 - 2.40V
106	LG	Accelerator pedal position sensor 1	[Ignition switch: ON] • Engine: Stopped • Accelerator pedal: Fully released	0.4 - 1.1V
			[Ignition switch: ON] • Engine: Stopped • Accelerator pedal: Fully depressed	3.7 - 4.8V

Diagnosis Procedure

INFOID:000000002955258

1. CHECK GROUND CONNECTIONS

1. Turn ignition switch OFF.
2. Loosen and retighten ground screws on the body.
Refer to [EC-769, "Ground Inspection"](#).



1. Body ground M70

2. Body ground M16

OK or NG

OK >> GO TO 2.

NG >> Repair or replace ground connections.

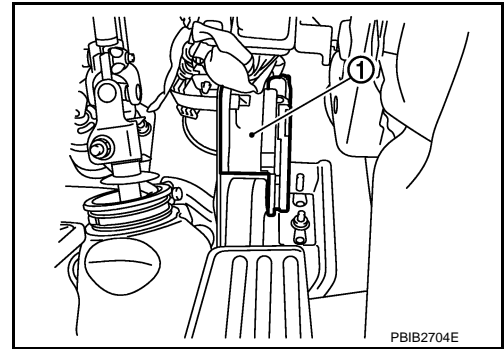
2. CHECK APP SENSOR 1 POWER SUPPLY CIRCUIT

DTC P2122, P2123 APP SENSOR

[VK45DE]

< SERVICE INFORMATION >

1. Disconnect accelerator pedal position (APP) sensor (1) harness connector.
2. Turn ignition switch ON.

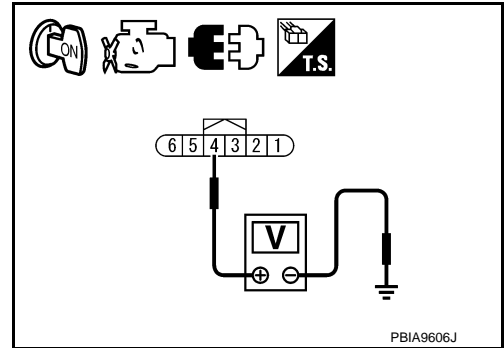


3. Check voltage between APP sensor terminal 4 and ground with CONSULT-III or tester.

Voltage: Approximately 5V

OK or NG

- OK >> GO TO 4.
NG >> GO TO 3.



3. DETECT MALFUNCTIONING PART

Check the following.

- Harness connectors E108, M15
- Harness for open or short between ECM and accelerator pedal position sensor

>> Repair open circuit or short to ground or short to power in harness or connectors.

4. CHECK APP SENSOR 1 GROUND CIRCUIT FOR OPEN AND SHORT

1. Turn ignition switch OFF.
2. Disconnect ECM harness connector.
3. Check harness continuity between APP sensor terminal 2 and ECM terminal 82. Refer to Wiring Diagram.

Continuity should exist.

4. Also check harness for short to ground and short to power.

OK or NG

- OK >> GO TO 6.
NG >> GO TO 5.

5. DETECT MALFUNCTIONING PART

Check the following.

- Harness connectors E108, M15
- Harness for open or short between ECM and accelerator pedal position sensor

>> Repair open circuit or short to ground or short to power in harness or connectors.

6. CHECK APP SENSOR INPUT SIGNAL CIRCUIT FOR OPEN AND SHORT

1. Check harness continuity between ECM terminal 106 and APP sensor terminal 3. Refer to Wiring Diagram.

Continuity should exist.

2. Also check harness for short to ground and short to power.

OK or NG

A
EC
C
D
E
F
G
H
I
J
K
L
M
N
O
P

DTC P2122, P2123 APP SENSOR

[VK45DE]

< SERVICE INFORMATION >

- OK >> GO TO 8.
- NG >> GO TO 7.

7. DETECT MALFUNCTIONING PART

Check the following.

- Harness connectors E108, M15
- Harness for open or short between ECM and accelerator pedal position sensor

>> Repair open circuit or short to ground or short to power in harness or connectors.

8. CHECK APP SENSOR

Refer to [EC-1192, "Component Inspection"](#).

OK or NG

- OK >> GO TO 10.
- NG >> GO TO 9.

9. REPLACE ACCELERATOR PEDAL ASSEMBLY

1. Replace accelerator pedal assembly.
2. Perform [EC-706, "Accelerator Pedal Released Position Learning"](#).
3. Perform [EC-706, "Throttle Valve Closed Position Learning"](#).
4. Perform [EC-707, "Idle Air Volume Learning"](#).

>> **INSPECTION END**

10. CHECK INTERMITTENT INCIDENT

Refer to [EC-763, "Diagnosis Procedure"](#).

>> **INSPECTION END**

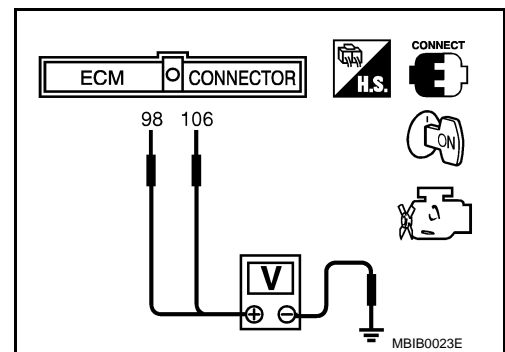
Component Inspection

INFOID:000000002955259

ACCELERATOR PEDAL POSITION SENSOR

1. Reconnect all harness connectors disconnected.
2. Turn ignition switch ON.
3. Check voltage between ECM terminals 106 (APP sensor 1 signal), 98 (APP sensor 2 signal) and ground under the following conditions.

Terminal	Accelerator pedal	Voltage
106 (Accelerator pedal position sensor 1)	Fully released	0.4 - 1.1V
	Fully depressed	3.7 - 4.8V
98 (Accelerator pedal position sensor 2)	Fully released	0.20 - 0.55V
	Fully depressed	1.85 - 2.40V



4. If NG, replace accelerator pedal assembly and go to next step.
5. Perform [EC-706, "Accelerator Pedal Released Position Learning"](#).
6. Perform [EC-706, "Throttle Valve Closed Position Learning"](#).
7. Perform [EC-707, "Idle Air Volume Learning"](#).

Removal and Installation

INFOID:000000002955260

ACCELERATOR PEDAL

Refer to [ACC-3](#).

DTC P2127, P2128 APP SENSOR

< SERVICE INFORMATION >

[VK45DE]

DTC P2127, P2128 APP SENSOR

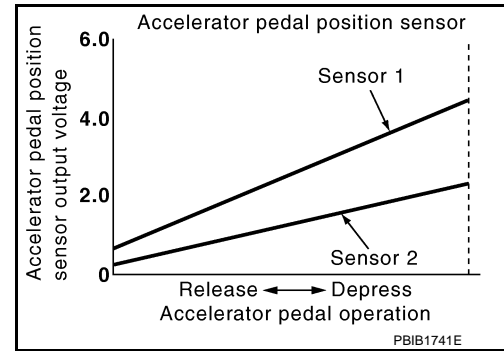
Component Description

INFOID:000000002955261

The accelerator pedal position sensor is installed on the upper end of the accelerator pedal assembly. The sensor detects the accelerator position and sends a signal to the ECM.

Accelerator pedal position sensor has two sensors. These sensors are a kind of potentiometers which transform the accelerator pedal position into output voltage, and emit the voltage signal to the ECM. In addition, these sensors detect the opening and closing speed of the accelerator pedal and feed the voltage signals to the ECM. The ECM judges the current opening angle of the accelerator pedal from these signals and controls the throttle control motor based on these signals.

Idle position of the accelerator pedal is determined by the ECM receiving the signal from the accelerator pedal position sensor. The ECM uses this signal for the engine operation such as fuel cut.



CONSULT-III Reference Value in Data Monitor Mode

INFOID:000000002955262

Specification data are reference values.

MONITOR ITEM	CONDITION	SPECIFICATION
ACCEL SEN 1 ACCEL SEN 2*	• Ignition switch: ON (Engine stopped) Accelerator pedal: Fully released	0.4 - 1.1V
	Accelerator pedal: Fully depressed	3.7 - 4.8V
CLSD THL POS	• Ignition switch: ON (Engine stopped) Accelerator pedal: Fully released	ON
	Accelerator pedal: Slightly depressed	OFF

*: Accelerator pedal position sensor 2 signal is converted by ECM internally. Thus, it differs from ECM terminal voltage.

On Board Diagnosis Logic

INFOID:000000002955263

These self-diagnoses have the one trip detection logic.

DTC No.	Trouble diagnosis name	DTC detecting condition	Possible cause
P2127 2127	Accelerator pedal position sensor 2 circuit low input	An excessively low voltage from the APP sensor 2 is sent to ECM.	<ul style="list-style-type: none"> • Harness or connectors (APP sensor 2 circuit is open or shorted.) (TP sensor circuit is shorted.) • Accelerator pedal position sensor (APP sensor 2) • Electric throttle control actuator (TP sensor 1 and 2)
P2128 2128	Accelerator pedal position sensor 2 circuit high input	An excessively high voltage from the APP sensor 2 is sent to ECM.	

FAIL-SAFE MODE

When the malfunction is detected, ECM enters fail-safe mode and the MIL lights up.

Engine operating condition in fail-safe mode

The ECM controls the electric throttle control actuator in regulating the throttle opening in order for the idle position to be within +10 degrees.

The ECM regulates the opening speed of the throttle valve to be slower than the normal condition. So, the acceleration will be poor.

DTC Confirmation Procedure

INFOID:000000002955264

NOTE:

If DTC Confirmation Procedure has been previously conducted, always turn ignition switch OFF and wait at least 10 seconds before conducting the next test.

TESTING CONDITION:

Before performing the following procedure, confirm that battery voltage is more than 8V at idle.

DTC P2127, P2128 APP SENSOR

[VK45DE]

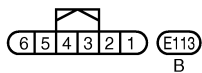
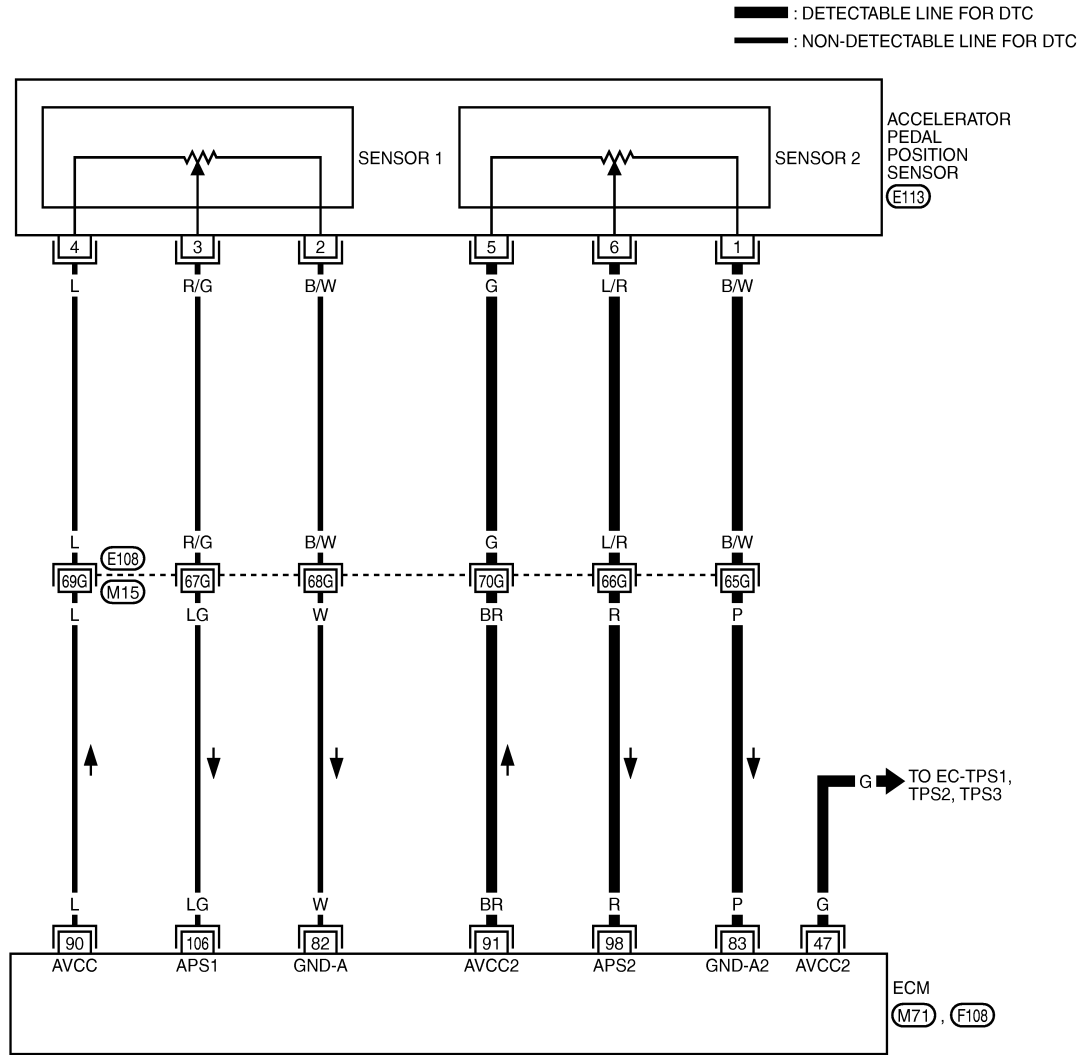
< SERVICE INFORMATION >

1. Start engine and let it idle for 1 second.
2. Check DTC.
3. If DTC is detected, go to [EC-1195. "Diagnosis Procedure"](#).

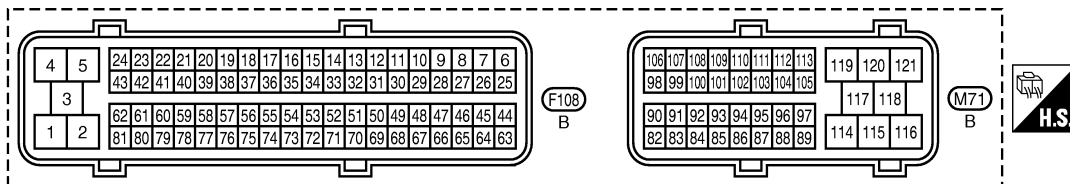
Wiring Diagram

INFOID:000000002955265

EC-APPS2-01



REFER TO THE FOLLOWING.
 (E108) - SUPER MULTIPLE JUNCTION (SMJ)



TBWT2011E

Specification data are reference values and are measured between each terminal and ground.

CAUTION:

DTC P2127, P2128 APP SENSOR

< SERVICE INFORMATION >

[VK45DE]

Do not use ECM ground terminals when measuring input/output voltage. Doing so may result in damage to the ECM's transistor. Use a ground other than ECM terminals, such as the ground.

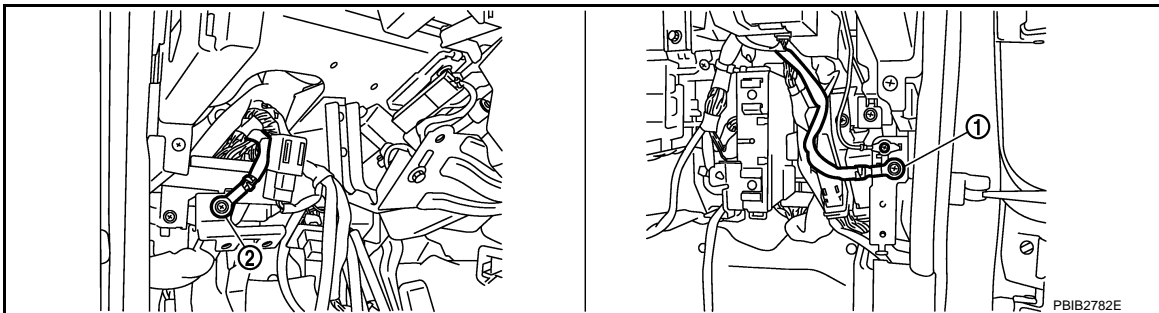
TER-MI-NAL NO.	WIRE COLOR	ITEM	CONDITION	DATA (DC Voltage)
47	G	Sensor power supply (Throttle position sensor)	[Ignition switch: ON]	Approximately 5V
82	W	Sensor ground (APP sensor 1)	[Engine is running] • Warm-up condition • Idle speed	Approximately 0V
83	P	Sensor ground (APP sensor 2)	[Engine is running] • Warm-up condition • Idle speed	Approximately 0V
90	L	Sensor power supply (APP sensor 1)	[Ignition switch: ON]	Approximately 5V
91	BR	Sensor power supply (APP sensor 2)	[Ignition switch: ON]	Approximately 5V
98	R	Accelerator pedal position sensor 2	[Ignition switch: ON] • Engine: Stopped • Accelerator pedal: Fully released	0.20 - 0.55V
			[Ignition switch: ON] • Engine: Stopped • Accelerator pedal: Fully depressed	1.85 - 2.40V
106	LG	Accelerator pedal position sensor 1	[Ignition switch: ON] • Engine: Stopped • Accelerator pedal: Fully released	0.4 - 1.1V
			[Ignition switch: ON] • Engine: Stopped • Accelerator pedal: Fully depressed	3.7 - 4.8V

Diagnosis Procedure

INFOID:000000002955266

1. CHECK GROUND CONNECTIONS

1. Turn ignition switch OFF.
2. Loosen and retighten ground screws on the body.
Refer to [EC-769, "Ground Inspection"](#).



1. Body ground M70
2. Body ground M16

OK or NG

- OK >> GO TO 2.
 NG >> Repair or replace ground connections.

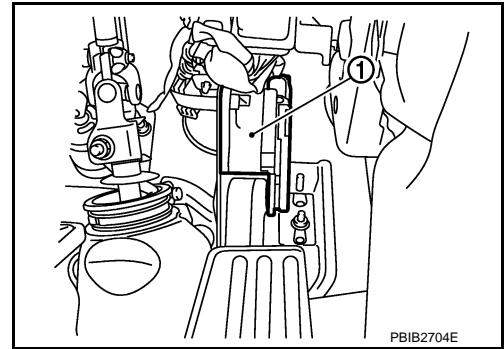
2. CHECK APP SENSOR 2 POWER SUPPLY CIRCUIT-I

DTC P2127, P2128 APP SENSOR

[VK45DE]

< SERVICE INFORMATION >

1. Disconnect accelerator pedal position (APP) sensor (1) harness connector.
2. Turn ignition switch ON.

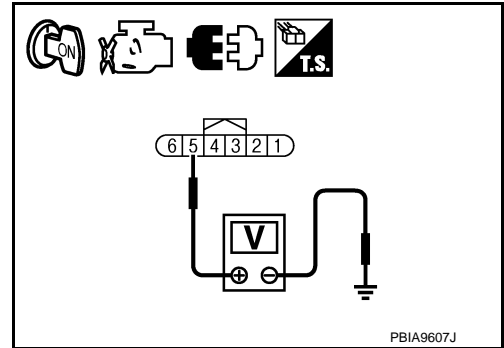


3. Check voltage between APP sensor terminal 5 and ground with CONSULT-III or tester.

Voltage: Approximately 5V

OK or NG

- OK >> GO TO 8.
NG >> GO TO 3.



3.CHECK APP SENSOR 2 POWER SUPPLY CIRCUIT-II

1. Turn ignition switch OFF.
2. Disconnect ECM harness connector.
3. Check harness continuity between APP sensor terminal 5 and ECM terminal 91. Refer to Wiring Diagram.

Continuity should exist.

OK or NG

- OK >> GO TO 5.
NG >> GO TO 4.

4.DETECT MALFUNCTIONING PART

Check the following.

- Harness connectors E108, M15
- Harness for open or short between ECM and accelerator pedal position sensor

>> Repair open circuit.

5.CHECK APP SENSOR 2 POWER SUPPLY CIRCUIT-III

Check harness for short to power and short to ground, between the following terminals.

ECM terminal	Sensor terminal	Reference Wiring Diagram
91	APP sensor terminal 5	EC-1194
47	Electric throttle control actuator terminal 1	EC-834

OK or NG

- OK >> GO TO 6.
NG >> Repair short to ground or short to power in harness or connectors.

6.CHECK THROTTLE POSITION SENSOR

Refer to [EC-837, "Component Inspection"](#).

OK or NG

- OK >> GO TO 14.

DTC P2127, P2128 APP SENSOR

[VK45DE]

< SERVICE INFORMATION >

NG >> GO TO 7.

7. REPLACE ELECTRIC THROTTLE CONTROL ACTUATOR

1. Replace the electric throttle control actuator.
2. Perform [EC-706, "Throttle Valve Closed Position Learning"](#).
3. Perform [EC-707, "Idle Air Volume Learning"](#).

>> **INSPECTION END**

8. CHECK APP SENSOR 2 GROUND CIRCUIT FOR OPEN AND SHORT

1. Turn ignition switch OFF.
2. Disconnect ECM harness connector.
3. Check harness continuity between APP sensor terminal 1 and ECM terminal 83.
Refer to Wiring Diagram.

Continuity should exist.

4. Also check harness for short to ground and short to power.

OK or NG

OK >> GO TO 10.
NG >> GO TO 9.

9. DETECT MALFUNCTIONING PART

Check the following.

- Harness connectors E108, M15
- Harness for open or short between ECM and accelerator pedal position sensor

>> Repair open circuit or short to ground or short to power in harness or connectors.

10. CHECK APP SENSOR 2 INPUT SIGNAL CIRCUIT FOR OPEN AND SHORT

1. Check harness continuity between ECM terminal 98 and APP sensor terminal 6.
Refer to Wiring Diagram.

Continuity should exist.

2. Also check harness for short to ground and short to power.

OK or NG

OK >> GO TO 12.
NG >> GO TO 11.

11. DETECT MALFUNCTIONING PART

Check the following.

- Harness connectors E108, M15
- Harness for open or short between ECM and accelerator pedal position sensor

>> Repair open circuit or short to ground or short to power in harness or connectors.

12. CHECK APP SENSOR

Refer to [EC-1198, "Component Inspection"](#).

OK or NG

OK >> GO TO 14.
NG >> GO TO 13.

13. REPLACE ACCELERATOR PEDAL ASSEMBLY

1. Replace accelerator pedal assembly.
2. Perform [EC-706, "Accelerator Pedal Released Position Learning"](#).
3. Perform [EC-706, "Throttle Valve Closed Position Learning"](#).
4. Perform [EC-707, "Idle Air Volume Learning"](#).

DTC P2127, P2128 APP SENSOR

[VK45DE]

< SERVICE INFORMATION >

>> INSPECTION END

14. CHECK INTERMITTENT INCIDENT

Refer to [EC-763, "Diagnosis Procedure"](#).

>> INSPECTION END

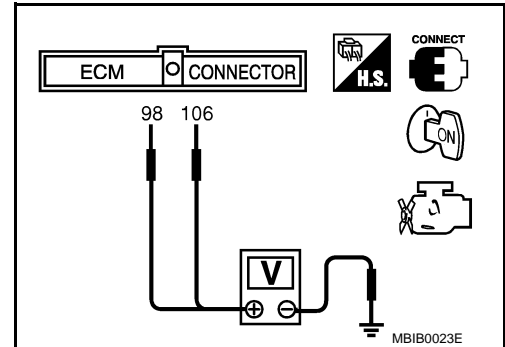
Component Inspection

INFOID:000000002955267

ACCELERATOR PEDAL POSITION SENSOR

1. Reconnect all harness connectors disconnected.
2. Turn ignition switch ON.
3. Check voltage between ECM terminals 106 (APP sensor 1 signal), 98 (APP sensor 2 signal) and ground under the following conditions.

Terminal	Accelerator pedal	Voltage
106 (Accelerator pedal position sensor 1)	Fully released	0.4 - 1.1V
	Fully depressed	3.7 - 4.8V
98 (Accelerator pedal position sensor 2)	Fully released	0.20 - 0.55V
	Fully depressed	1.85 - 2.40V



4. If NG, replace accelerator pedal assembly and go to next step.
5. Perform [EC-706, "Accelerator Pedal Released Position Learning"](#).
6. Perform [EC-706, "Throttle Valve Closed Position Learning"](#).
7. Perform [EC-707, "Idle Air Volume Learning"](#).

Removal and Installation

INFOID:000000002955268

ACCELERATOR PEDAL

Refer to [ACC-3](#).

DTC P2135 TP SENSOR

< SERVICE INFORMATION >

[VK45DE]

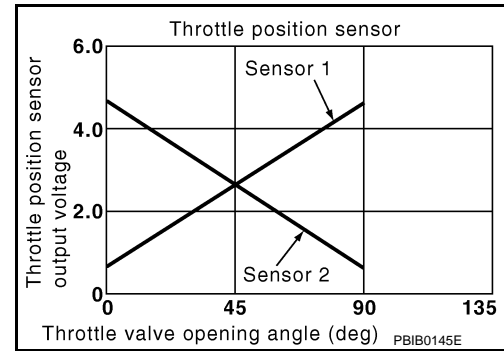
DTC P2135 TP SENSOR

Component Description

INFOID:000000002955269

Electric throttle control actuator consists of throttle control motor, throttle position sensor, etc. The throttle position sensor responds to the throttle valve movement.

The throttle position sensor has the two sensors. These sensors are a kind of potentiometers which transform the throttle valve position into output voltage, and emit the voltage signal to the ECM. In addition, these sensors detect the opening and closing speed of the throttle valve and feed the voltage signals to the ECM. The ECM judges the current opening angle of the throttle valve from these signals and the ECM controls the throttle control motor to make the throttle valve opening angle properly in response to driving condition.



CONSULT-III Reference Value in Data Monitor Mode

INFOID:000000002955270

Specification data are reference values.

MONITOR ITEM	CONDITION	SPECIFICATION
TP SEN 1-B1 TP SEN 2-B1*	• Ignition switch: ON (Engine stopped) • Selector lever: D Accelerator pedal: Fully released	More than 0.36V
	Accelerator pedal: Fully depressed	Less than 4.75V

*: Throttle position sensor 2 signal is converted by ECM internally. Thus, it differs from ECM terminal voltage signal.

On Board Diagnosis Logic

INFOID:000000002955271

This self-diagnosis has the one trip detection logic.

DTC No.	Trouble diagnosis name	DTC detecting condition	Possible cause
P2135 2135	Throttle position sensor circuit range/performance	Rationally incorrect voltage is sent to ECM compared with the signals from TP sensor 1 and TP sensor 2.	<ul style="list-style-type: none"> • Harness or connector (TP sensor 1 and 2 circuit is open or shorted.) (APP sensor 2 circuit is shorted.) • Electric throttle control actuator (TP sensor 1 and 2) • Accelerator pedal position sensor (APP sensor 2)

FAIL-SAFE MODE

When the malfunction is detected, ECM enters fail-safe mode and the MIL lights up.

Engine operation condition in fail-safe mode

The ECM controls the electric throttle control actuator in regulating the throttle opening in order for the idle position to be within +10 degrees.

The ECM regulates the opening speed of the throttle valve to be slower than the normal condition.

So, the acceleration will be poor.

DTC Confirmation Procedure

INFOID:000000002955272

NOTE:

If DTC Confirmation Procedure has been previously conducted, always turn ignition switch OFF and wait at least 10 seconds before conducting the next test.

TESTING CONDITION:

Before performing the following procedure, confirm that battery voltage is more than 10V at idle.

1. Start engine and let it idle for 1 second.
2. Check DTC.
3. If DTC is detected, go to [EC-1201, "Diagnosis Procedure"](#).

DTC P2135 TP SENSOR

< SERVICE INFORMATION >

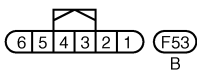
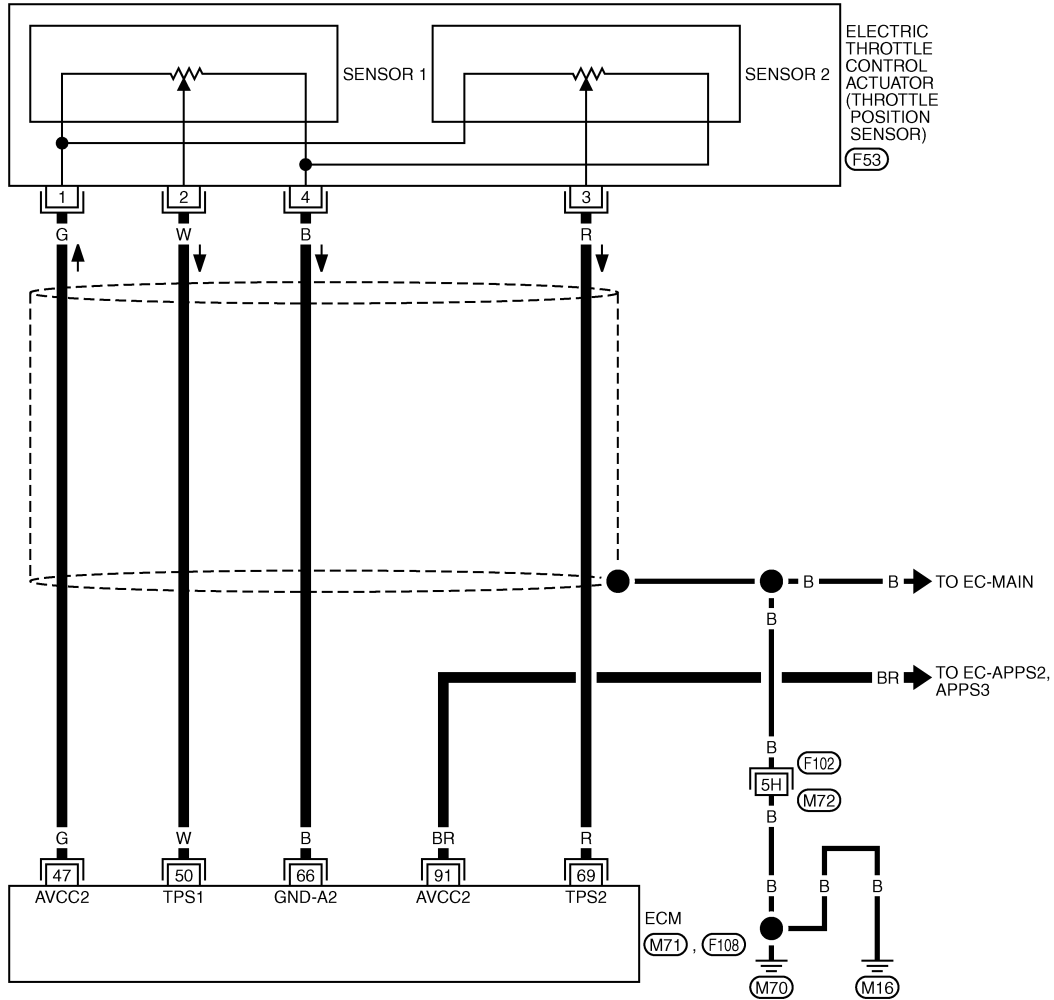
[VK45DE]

Wiring Diagram

INFOID:00000002955273

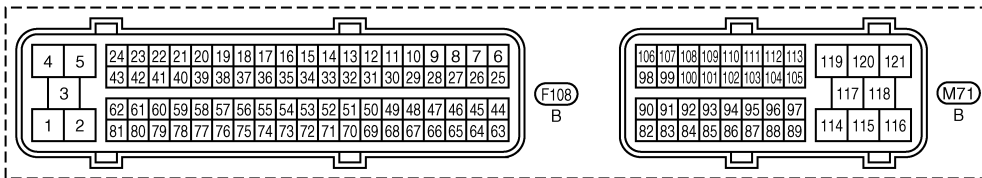
EC-TPS3-01

— : DETECTABLE LINE FOR DTC
 - - - : NON-DETECTABLE LINE FOR DTC



REFER TO THE FOLLOWING.

(F102) -SUPER MULTIPLE JUNCTION (SMJ)



TBWT1503E

Specification data are reference values and are measured between each terminal and ground.

CAUTION:

Do not use ECM ground terminals when measuring input/output voltage. Doing so may result in damage to the ECM's transistor. Use a ground other than ECM terminals, such as the ground.

DTC P2135 TP SENSOR

< SERVICE INFORMATION >

[VK45DE]

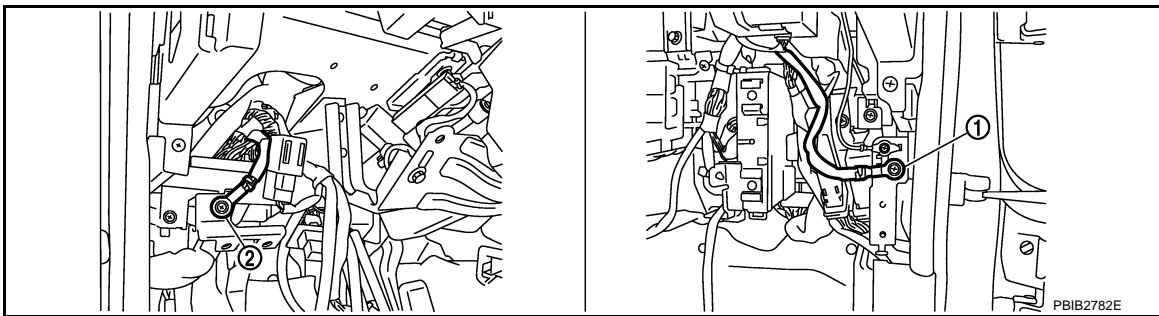
TER-MI-NAL NO.	WIRE COLOR	ITEM	CONDITION	DATA (DC Voltage)
47	G	Sensor power supply (Throttle position sensor)	[Ignition switch: ON]	Approximately 5V
50	W	Throttle position sensor 1	[Ignition switch: ON] • Engine: Stopped • Selector lever: D • Accelerator pedal: Fully released	More than 0.36V
			[Ignition switch: ON] • Engine: Stopped • Selector lever: D • Accelerator pedal: Fully depressed	Less than 4.75V
66	B	Sensor ground (Throttle position sensor)	[Engine is running] • Warm-up condition • Idle speed	Approximately 0V
69	R	Throttle position sensor 2	[Ignition switch: ON] • Engine: Stopped • Selector lever: D • Accelerator pedal: Fully released	Less than 4.75V
			[Ignition switch: ON] • Engine: Stopped • Selector lever: D • Accelerator pedal: Fully depressed	More than 0.36V
91	BR	Sensor power supply (APP sensor 2)	[Ignition switch: ON]	Approximately 5V

Diagnosis Procedure

INFOID:000000002955274

1. CHECK GROUND CONNECTIONS

1. Turn ignition switch OFF.
2. Loosen and retighten ground screws on the body.
Refer to [EC-769. "Ground Inspection"](#).



1. Body ground M70
2. Body ground M16

OK or NG

- OK >> GO TO 2.
 NG >> Repair or replace ground connections.

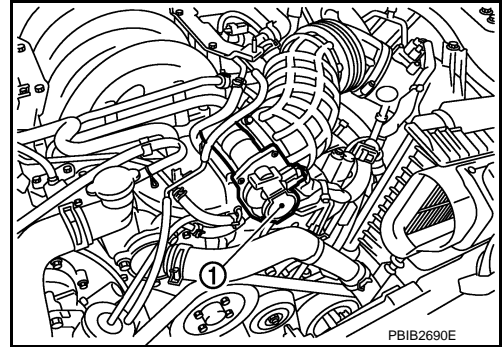
2. CHECK THROTTLE POSITION SENSOR POWER SUPPLY CIRCUIT-I

DTC P2135 TP SENSOR

[VK45DE]

< SERVICE INFORMATION >

1. Disconnect electric throttle control actuator (1) harness connector.
 - Illustration shows the view with intake air duct removed.
2. Turn ignition switch ON.

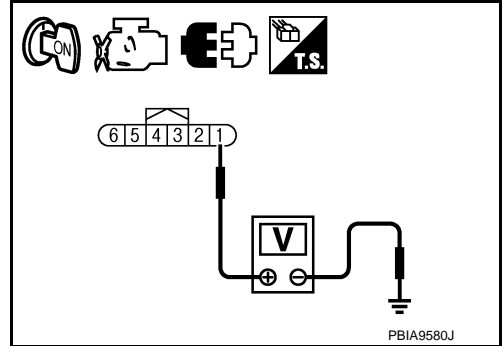


3. Check voltage between electric throttle control actuator terminal 1 and ground with CONSULT-III or tester.

Voltage: Approximately 5V

OK or NG

- OK >> GO TO 7.
NG >> GO TO 3.



3.CHECK THROTTLE POSITION SENSOR POWER SUPPLY CIRCUIT-II

1. Turn ignition switch OFF.
2. Disconnect ECM harness connector.
3. Check harness continuity between electric throttle control actuator terminal 1 and ECM terminal 47. Refer to Wiring Diagram.

Continuity should exist.

OK or NG

- OK >> GO TO 4.
NG >> Repair open circuit.

4.CHECK THROTTLE POSITION SENSOR POWER SUPPLY CIRCUIT-III

Check harness for short to power and short to ground, between the following terminals.

ECM terminal	Sensor terminal	Reference Wiring Diagram
47	Electric throttle control actuator terminal 1	EC-1200
91	APP sensor terminal 5	EC-1194

OK or NG

- OK >> GO TO 5.
NG >> Repair short to ground or short to power in harness or connectors.

5.CHECK APP SENSOR

Refer to [EC-1198, "Component Inspection"](#).

OK or NG

- OK >> GO TO 11.
NG >> GO TO 6.

6.REPLACE ACCELERATOR PEDAL ASSEMBLY

1. Replace accelerator pedal assembly.
2. Perform [EC-706, "Accelerator Pedal Released Position Learning"](#).
3. Perform [EC-706, "Throttle Valve Closed Position Learning"](#).
4. Perform [EC-707, "Idle Air Volume Learning"](#).

>> INSPECTION END

7. CHECK THROTTLE POSITION SENSOR GROUND CIRCUIT FOR OPEN AND SHORT

1. Turn ignition switch OFF.
2. Disconnect ECM harness connector.
3. Check harness continuity between electric throttle control actuator terminal 4 and ECM terminal 66. Refer to Wiring Diagram.

Continuity should exist.

4. Also check harness for short to ground and short to power.

OK or NG

OK >> GO TO 8.

NG >> Repair open circuit or short to ground or short to power in harness or connectors.

8. CHECK THROTTLE POSITION SENSOR INPUT SIGNAL CIRCUIT FOR OPEN AND SHORT

1. Check harness continuity between ECM terminal 50 and electric throttle control actuator terminal 2, ECM terminal 69 and electric throttle control actuator terminal 3. Refer to Wiring Diagram.

Continuity should exist.

2. Also check harness for short to ground and short to power.

OK or NG

OK >> GO TO 9.

NG >> Repair open circuit or short to ground or short to power in harness or connectors.

9. CHECK THROTTLE POSITION SENSORRefer to [EC-1203, "Component Inspection"](#).OK or NG

OK >> GO TO 11.

NG >> GO TO 10.

10. REPLACE ELECTRIC THROTTLE CONTROL ACTUATOR

1. Replace the electric throttle control actuator.
2. Perform [EC-706, "Throttle Valve Closed Position Learning"](#).
3. Perform [EC-707, "Idle Air Volume Learning"](#).

>> INSPECTION END

11. CHECK INTERMITTENT INCIDENTRefer to [EC-763, "Diagnosis Procedure"](#).

>> INSPECTION END

Component Inspection

INFOID:000000002955275

THROTTLE POSITION SENSOR

1. Reconnect all harness connectors disconnected.
2. Perform [EC-706, "Throttle Valve Closed Position Learning"](#).
3. Turn ignition switch ON.
4. Set selector lever to D position.

DTC P2135 TP SENSOR

[VK45DE]

< SERVICE INFORMATION >

5. Check voltage between ECM terminals 50 (TP sensor 1 signal), 69 (TP sensor 2 signal) and ground under the following conditions.

Terminal	Accelerator pedal	Voltage
50 (Throttle position sensor 1)	Fully released	More than 0.36V
	Fully depressed	Less than 4.75V
69 (Throttle position sensor 2)	Fully released	Less than 4.75V
	Fully depressed	More than 0.36V

6. If NG, replace electric throttle control actuator and go to the next step.

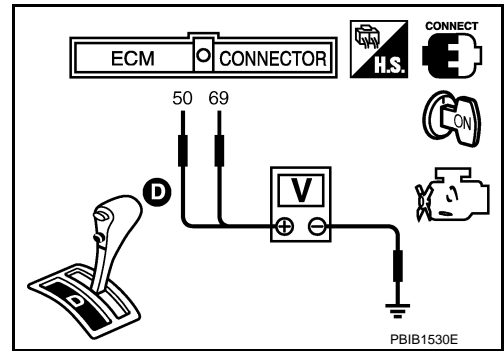
7. Perform [EC-706, "Throttle Valve Closed Position Learning"](#).

8. Perform [EC-707, "Idle Air Volume Learning"](#).

Removal and Installation

ELECTRIC THROTTLE CONTROL ACTUATOR

Refer to [EM-177](#).



INFOID:000000002955276

DTC P2138 APP SENSOR

< SERVICE INFORMATION >

[VK45DE]

DTC P2138 APP SENSOR

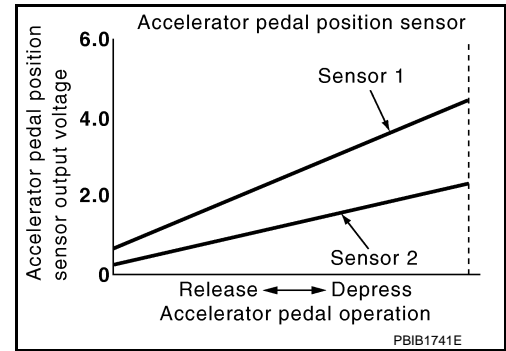
Component Description

INFOID:000000002955277

The accelerator pedal position sensor is installed on the upper end of the accelerator pedal assembly. The sensor detects the accelerator position and sends a signal to the ECM.

Accelerator pedal position sensor has two sensors. These sensors are a kind of potentiometers which transform the accelerator pedal position into output voltage, and emit the voltage signal to the ECM. In addition, these sensors detect the opening and closing speed of the accelerator pedal and feed the voltage signals to the ECM. The ECM judges the current opening angle of the accelerator pedal from these signals and controls the throttle control motor based on these signals.

Idle position of the accelerator pedal is determined by the ECM receiving the signal from the accelerator pedal position sensor. The ECM uses this signal for the engine operation such as fuel cut.



CONSULT-III Reference Value in Data Monitor Mode

INFOID:000000002955278

Specification data are reference values.

MONITOR ITEM	CONDITION		SPECIFICATION
ACCEL SEN 1 ACCEL SEN 2*	• Ignition switch: ON (Engine stopped)	Accelerator pedal: Fully released	0.4 - 1.1V
		Accelerator pedal: Fully depressed	3.7 - 4.8V
CLSD THL POS	• Ignition switch: ON (Engine stopped)	Accelerator pedal: Fully released	ON
		Accelerator pedal: Slightly depressed	OFF

*: Accelerator pedal position sensor 2 signal is converted by ECM internally. Thus, it differs from ECM terminal voltage.

On Board Diagnosis Logic

INFOID:000000002955279

This self-diagnosis has the one trip detection logic.

NOTE:

If DTC P2138 is displayed with DTC P0643, first perform the trouble diagnosis for DTC P0643. Refer to [EC-1061, "DTC Confirmation Procedure"](#).

DTC No.	Trouble diagnosis name	DTC detecting condition	Possible cause
P2138 2138	Accelerator pedal position sensor circuit range/performance	Rationally incorrect voltage is sent to ECM compared with the signals from APP sensor 1 and APP sensor 2.	<ul style="list-style-type: none"> • Harness or connector (APP sensor 1 and 2 circuit is open or shorted.) (TP sensor circuit is shorted.) • Accelerator pedal position sensor (APP sensor 1 and 2) • Electric throttle control actuator (TP sensor 1 and 2)

FAIL-SAFE MODE

When the malfunction is detected, ECM enters fail-safe mode and the MIL lights up.

Engine operating condition in fail-safe mode

The ECM controls the electric throttle control actuator in regulating the throttle opening in order for the idle position to be within +10 degrees.

The ECM regulates the opening speed of the throttle valve to be slower than the normal condition.

So, the acceleration will be poor.

DTC Confirmation Procedure

INFOID:000000002955280

NOTE:

DTC P2138 APP SENSOR

[VK45DE]

< SERVICE INFORMATION >

If DTC Confirmation Procedure has been previously conducted, always turn ignition switch OFF and wait at least 10 seconds before conducting the next test.

TESTING CONDITION:

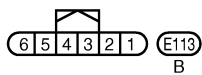
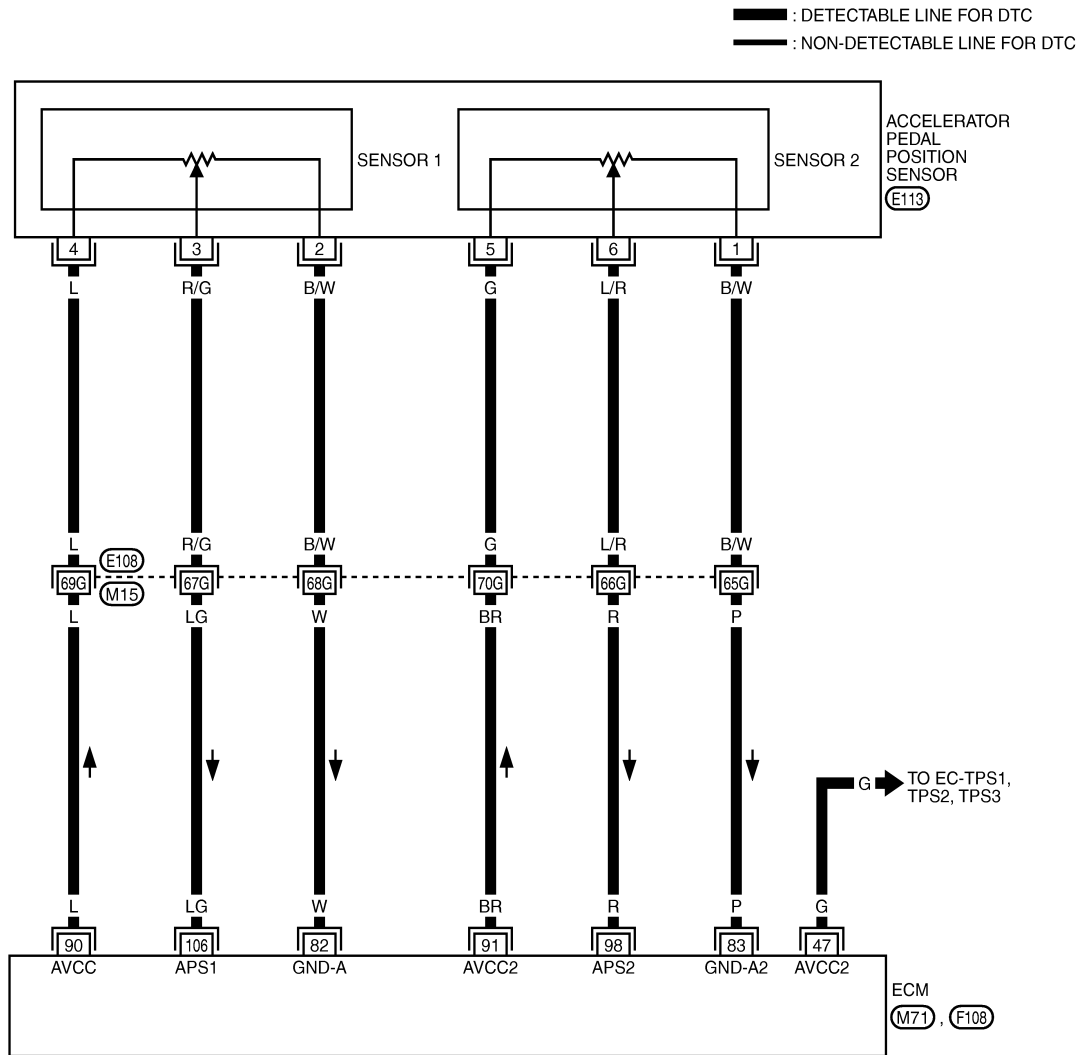
Before performing the following procedure, confirm that battery voltage is more than 8V at idle.

1. Start engine and let it idle for 1 second.
2. Check DTC.
3. If DTC is detected, go to [EC-1207. "Diagnosis Procedure"](#).

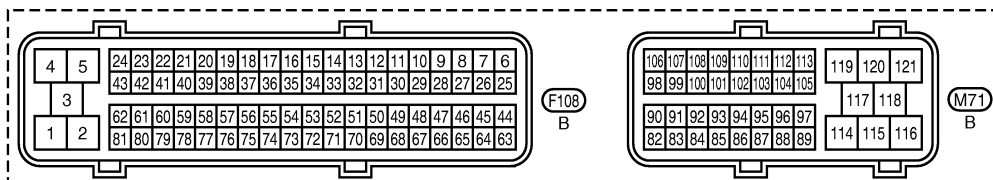
Wiring Diagram

INFOID:000000002955281

EC-APPS3-01



REFER TO THE FOLLOWING.
 (E108) - SUPER MULTIPLE JUNCTION (SMJ)



TBWT2012E

DTC P2138 APP SENSOR

< SERVICE INFORMATION >

[VK45DE]

Specification data are reference values and are measured between each terminal and ground.

CAUTION:

Do not use ECM ground terminals when measuring input/output voltage. Doing so may result in damage to the ECM's transistor. Use a ground other than ECM terminals, such as the ground.

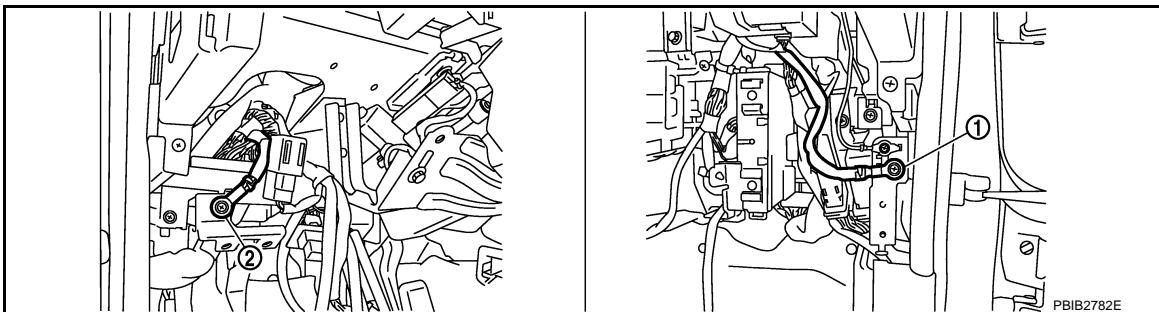
TERMINAL NO.	WIRE COLOR	ITEM	CONDITION	DATA (DC Voltage)
47	G	Sensor power supply (Throttle position sensor)	[Ignition switch: ON]	Approximately 5V
82	W	Sensor ground (APP sensor 1)	[Engine is running] • Warm-up condition • Idle speed	Approximately 0V
83	P	Sensor ground (APP sensor 2)	[Engine is running] • Warm-up condition • Idle speed	Approximately 0V
90	L	Sensor power supply (APP sensor 1)	[Ignition switch: ON]	Approximately 5V
91	BR	Sensor power supply (APP sensor 2)	[Ignition switch: ON]	Approximately 5V
98	R	Accelerator pedal position sensor 2	[Ignition switch: ON] • Engine: Stopped • Accelerator pedal: Fully released	0.20 - 0.55V
			[Ignition switch: ON] • Engine: Stopped • Accelerator pedal: Fully depressed	1.85 - 2.40V
106	LG	Accelerator pedal position sensor 1	[Ignition switch: ON] • Engine: Stopped • Accelerator pedal: Fully released	0.4 - 1.1V
			[Ignition switch: ON] • Engine: Stopped • Accelerator pedal: Fully depressed	3.7 - 4.8V

Diagnosis Procedure

INFOID:000000002955282

1. CHECK GROUND CONNECTIONS

1. Turn ignition switch OFF.
2. Loosen and retighten ground screws on the body.
Refer to [EC-769, "Ground Inspection"](#).



1. Body ground M70
2. Body ground M16

OK or NG

- OK >> GO TO 2.
- NG >> Repair or replace ground connections.

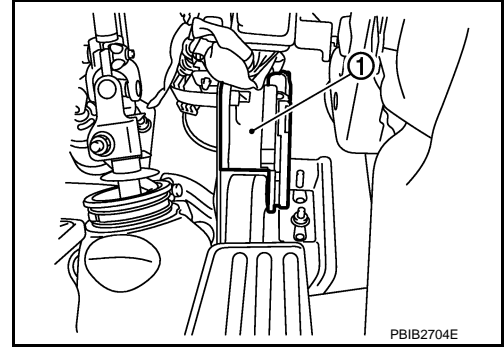
DTC P2138 APP SENSOR

[VK45DE]

< SERVICE INFORMATION >

2. CHECK APP SENSOR 1 POWER SUPPLY CIRCUIT

1. Disconnect accelerator pedal position (APP) sensor (1) harness connector.
2. Turn ignition switch ON.

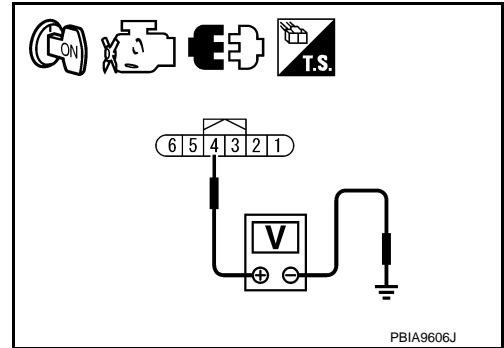


3. Check voltage between APP sensor terminal 4 and ground with CONSULT-III or tester.

Voltage: Approximately 5V

OK or NG

- OK >> GO TO 4.
- NG >> GO TO 3.



3. DETECT MALFUNCTIONING PART

Check the following.

- Harness connectors E108, M15
- Harness for open or short between ECM and accelerator pedal position sensor

>> Repair open circuit or short to ground or short to power in harness or connectors.

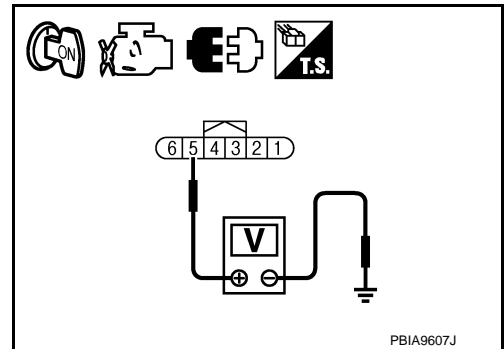
4. CHECK APP SENSOR 2 POWER SUPPLY CIRCUIT-I

1. Turn ignition switch ON.
2. Check voltage between APP sensor terminal 5 and ground with CONSULT-III or tester.

Voltage: Approximately 5V

OK or NG

- OK >> GO TO 10.
- NG >> GO TO 5.



5. CHECK APP SENSOR 2 POWER SUPPLY CIRCUIT-II

1. Turn ignition switch OFF.
2. Disconnect ECM harness connector.
3. Check harness continuity between APP sensor terminal 5 and ECM terminal 91. Refer to Wiring Diagram.

Continuity should exist.

OK or NG

- OK >> GO TO 7.
- NG >> GO TO 6.

DTC P2138 APP SENSOR

[VK45DE]

< SERVICE INFORMATION >

6. DETECT MALFUNCTIONING PART

Check the following.

- Harness connectors E108, M15
- Harness for open or short between ECM and accelerator pedal position sensor

>> Repair open circuit.

7. CHECK APP SENSOR 2 POWER SUPPLY CIRCUIT-III

Check harness for short to power and short to ground, between the following terminals.

ECM terminal	Sensor terminal	Reference Wiring Diagram
91	APP sensor terminal 4	EC-1206
47	Electric throttle control actuator terminal 1	EC-1200

OK or NG

OK >> GO TO 8.

NG >> Repair short to ground or short to power in harness or connectors.

8. CHECK THROTTLE POSITION SENSOR

Refer to [EC-1203, "Component Inspection"](#).

OK or NG

OK >> GO TO 16.

NG >> GO TO 9.

9. REPLACE ELECTRIC THROTTLE CONTROL ACTUATOR

1. Replace the electric throttle control actuator.
2. Perform [EC-706, "Throttle Valve Closed Position Learning"](#).
3. Perform [EC-707, "Idle Air Volume Learning"](#).

>> **INSPECTION END**

10. CHECK APP SENSOR GROUND CIRCUIT FOR OPEN AND SHORT

1. Turn ignition switch OFF.
2. Disconnect ECM harness connector.
3. Check harness continuity between APP sensor terminal 2 and ECM terminal 82, APP sensor terminal 1 and ECM terminal 83.
Refer to Wiring Diagram.

Continuity should exist.

4. Also check harness for short to ground and short to power.

OK or NG

OK >> GO TO 12.

NG >> GO TO 11.

11. DETECT MALFUNCTIONING PART

Check the following.

- Harness connectors E108, M15
- Harness for open or short between ECM and accelerator pedal position sensor

>> Repair open circuit or short to ground or short to power in harness or connectors.

12. CHECK APP SENSOR INPUT SIGNAL CIRCUIT FOR OPEN AND SHORT

1. Check harness continuity between ECM terminal 106 and APP sensor terminal 3, ECM terminal 98 and APP sensor terminal 6.
Refer to Wiring Diagram.

Continuity should exist.

2. Also check harness for short to ground and short to power.

OK or NG

- OK >> GO TO 14.
- NG >> GO TO 13.

13. DETECT MALFUNCTIONING PART

Check the following.

- Harness connectors E108, M15
- Harness for open or short between ECM and accelerator pedal position sensor

>> Repair open circuit or short to ground or short to power in harness or connectors.

14. CHECK APP SENSOR

Refer to [EC-1210, "Component Inspection"](#).

OK or NG

- OK >> GO TO 16.
- NG >> GO TO 15.

15. REPLACE ACCELERATOR PEDAL ASSEMBLY

1. Replace accelerator pedal assembly.
2. Perform [EC-706, "Accelerator Pedal Released Position Learning"](#).
3. Perform [EC-706, "Throttle Valve Closed Position Learning"](#).
4. Perform [EC-707, "Idle Air Volume Learning"](#).

>> **INSPECTION END**

16. CHECK INTERMITTENT INCIDENT

Refer to [EC-763, "Diagnosis Procedure"](#).

>> **INSPECTION END**

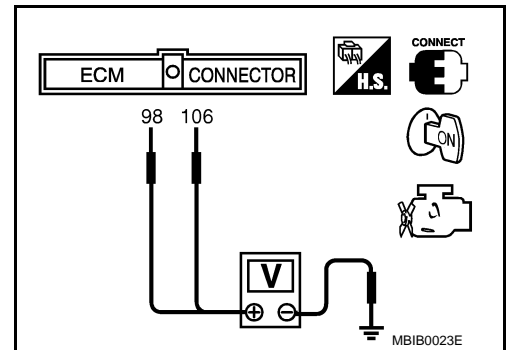
Component Inspection

INFOID:00000002955283

ACCELERATOR PEDAL POSITION SENSOR

1. Reconnect all harness connectors disconnected.
2. Turn ignition switch ON.
3. Check voltage between ECM terminals 106 (APP sensor 1 signal), 98 (APP sensor 2 signal) and ground under the following conditions.

Terminal	Accelerator pedal	Voltage
106 (Accelerator pedal position sensor 1)	Fully released	0.4 - 1.1V
	Fully depressed	3.7 - 4.8V
98 (Accelerator pedal position sensor 2)	Fully released	0.20 - 0.55V
	Fully depressed	1.85 - 2.40V



4. If NG, replace accelerator pedal assembly and go to next step.
5. Perform [EC-706, "Accelerator Pedal Released Position Learning"](#).
6. Perform [EC-706, "Throttle Valve Closed Position Learning"](#).
7. Perform [EC-707, "Idle Air Volume Learning"](#).

DTC P2138 APP SENSOR

< SERVICE INFORMATION >

[VK45DE]

Removal and Installation

INFOID:000000002955284

ACCELERATOR PEDAL

Refer to [ACC-3](#).

A

EC

C

D

E

F

G

H

I

J

K

L

M

N

O

P

DTC P2A00, P2A03 A/F SENSOR 1

< SERVICE INFORMATION >

[VK45DE]

DTC P2A00, P2A03 A/F SENSOR 1

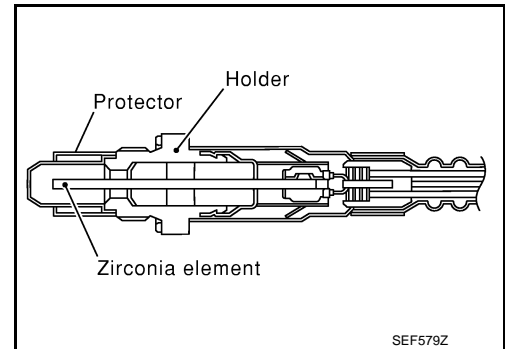
Component Description

INFOID:000000002955285

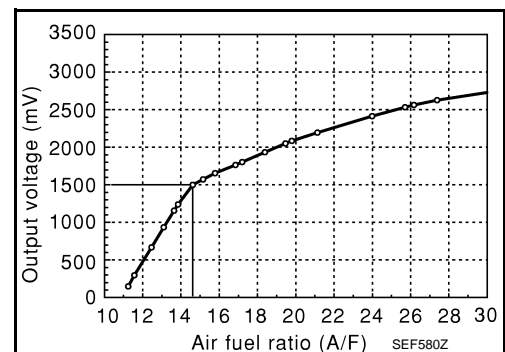
The air fuel ratio (A/F) sensor 1 is a planar dual-cell limit current sensor. The sensor element of the A/F sensor 1 is the combination of a Nernst concentration cell (sensor cell) with an oxygen-pump cell, which transports ions. It has a heater in the element.

The sensor is capable of precise measurement $\lambda = 1$, but also in the lean and rich range. Together with its control electronics, the sensor outputs a clear, continuous signal throughout a wide λ range ($0.7 < \lambda < \text{air}$).

The exhaust gas components diffuse through the diffusion gap at the electrode of the oxygen pump and Nernst concentration cell, where they are brought to thermodynamic balance.



An electronic circuit controls the pump current through the oxygen-pump cell so that the composition of the exhaust gas in the diffusion gap remains constant at $\lambda = 1$. Therefore, the A/F sensor 1 is able to indicate air/fuel ratio by this pumping of current. In addition, a heater is integrated in the sensor to ensure the required operating temperature of 700 - 800°C (1,292 - 1,472°F).



CONSULT-III Reference Value in Data Monitor Mode

INFOID:000000002955286

Specification data are reference values.

MONITOR ITEM	CONDITION		SPECIFICATION
A/F SEN1 (B1) A/F SEN1 (B2)	• Engine: After warming up	Maintaining engine speed at 2,000 rpm	Fluctuates around 1.5 V

On Board Diagnosis Logic

INFOID:000000002955287

To judge the malfunction, the A/F signal computed by ECM from the A/F sensor 1 signal is monitored not to be shifted to LEAN side or RICH side.

DTC No.	Trouble diagnosis name	DTC detecting condition	Possible Cause
P2A00 2A00 (Bank 1)	Air fuel ratio (A/F) sensor 1 circuit range/performance	<ul style="list-style-type: none"> The output voltage computed by ECM from the A/F sensor 1 signal is shifted to the lean side for a specified period. The A/F signal computed by ECM from the A/F sensor 1 signal is shifted to the rich side for a specified period. 	<ul style="list-style-type: none"> A/F sensor 1 A/F sensor 1 heater Fuel pressure Fuel injector Intake air leaks
P2A03 2A03 (Bank 2)			

DTC Confirmation Procedure

INFOID:000000002955288

NOTE:

If DTC Confirmation Procedure has been previously conducted, always turn ignition switch OFF and wait at least 10 seconds before conducting the next test.

TESTING CONDITION:

Before performing the following procedure, confirm that battery voltage is more than 11V at idle.

Ⓜ WITH CONSULT-III

1. Start engine and warm it up to normal operating temperature.

DTC P2A00, P2A03 A/F SENSOR 1

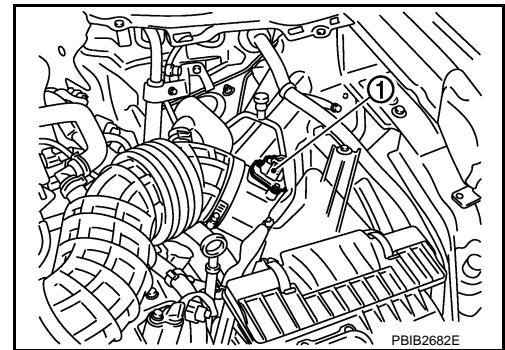
[VK45DE]

< SERVICE INFORMATION >

2. Turn ignition switch OFF and wait at least 10 seconds.
3. Turn ignition switch ON and select "SELF-LEARNING CONT" in "WORK SUPPORT" mode with CONSULT-III.
4. Clear the self-learning coefficient by touching "CLEAR".
5. Turn ignition switch OFF and wait at least 10 seconds.
6. Start engine and keep the engine speed between 3,500 and 4,000 rpm for 1 minute under no load.
7. Let engine idle for 1 minute.
8. Keep engine speed between 2,500 and 3,000 rpm for 20 minutes.
9. Check 1st trip DTC.
10. If 1st trip DTC is detected, go to [EC-1217. "Diagnosis Procedure"](#).

WITH GST

1. Start engine and warm it up to normal operating temperature.
2. Turn ignition switch OFF and wait at least 10 seconds.
3. Disconnect mass air flow sensor (1) harness connector.
4. Start engine and let it idle for at least 5 seconds.
5. Stop engine and reconnect mass air flow sensor harness connector.
6. Select Service \$03 with GST and make sure that DTC P0102 is detected.
7. Select Service \$04 with GST and erase the DTC P0102.
8. Start engine and keep the engine speed between 3,500 and 4,000 rpm for 1 minute under no load.
9. Let engine idle for 1 minute.
10. Keep engine speed between 2,500 and 3,000 rpm for 20 minutes.
11. Check 1st trip DTC.
12. If 1st trip DTC is detected, go to [EC-1217. "Diagnosis Procedure"](#).



A
EC
C
D
E
F
G
H
I
J
K
L
M
N
O
P

DTC P2A00, P2A03 A/F SENSOR 1

[VK45DE]

< SERVICE INFORMATION >

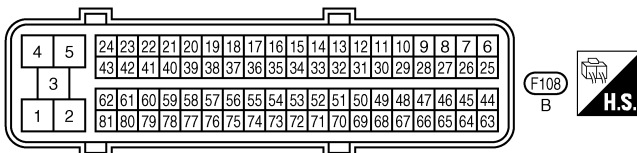
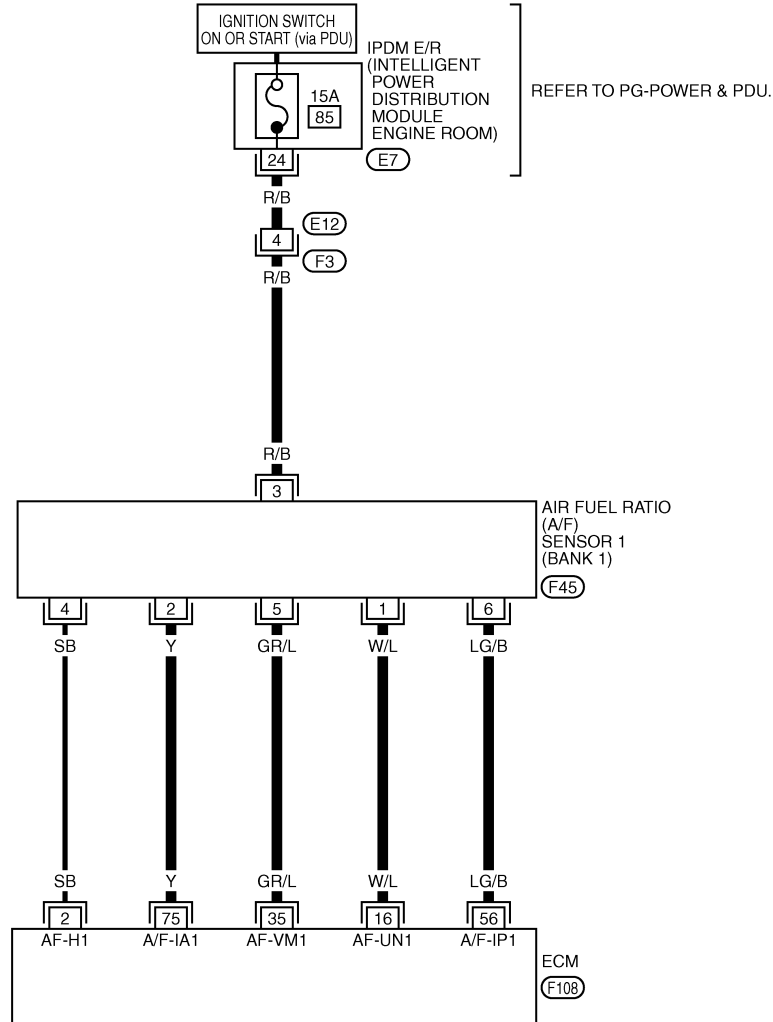
Wiring Diagram

INFOID:00000002955289

BANK 1

EC-AF1B1-01

— : DETECTABLE LINE FOR DTC
 - - - : NON-DETECTABLE LINE FOR DTC



TBWT1046E

Specification data are reference values and are measured between each terminal and ground. Pulse signal is measured by CONSULT-III.

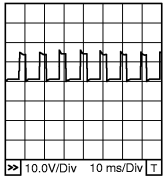
CAUTION:

DTC P2A00, P2A03 A/F SENSOR 1

< SERVICE INFORMATION >

[VK45DE]

Do not use ECM ground terminals when measuring input/output voltage. Doing so may result in damage to the ECM's transistor. Use a ground other than ECM terminals, such as the ground.

TER-MI-NAL NO.	WIRE COLOR	ITEM	CONDITION	DATA (DC Voltage)
2	SB	A/F sensor 1 heater (bank 1)	[Engine is running] <ul style="list-style-type: none"> • Warm-up condition • Idle speed 	Approximately 5V★ 
16	W/L	A/F sensor 1 (bank 1)	[Engine is running] <ul style="list-style-type: none"> • Warm-up condition • Idle speed 	Approximately 3.1V
35	GR/L			Approximately 2.6V
56	LG/B			Approximately 2.3V
75	Y			Approximately 2.3V

★: Average voltage for pulse signal (Actual pulse signal can be confirmed by oscilloscope.)

A
EC
C
D
E
F
G
H
I
J
K
L
M
N
O
P

DTC P2A00, P2A03 A/F SENSOR 1

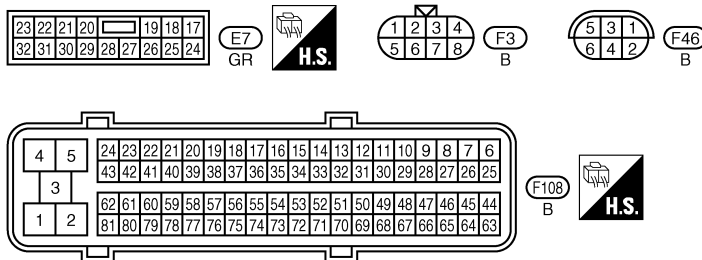
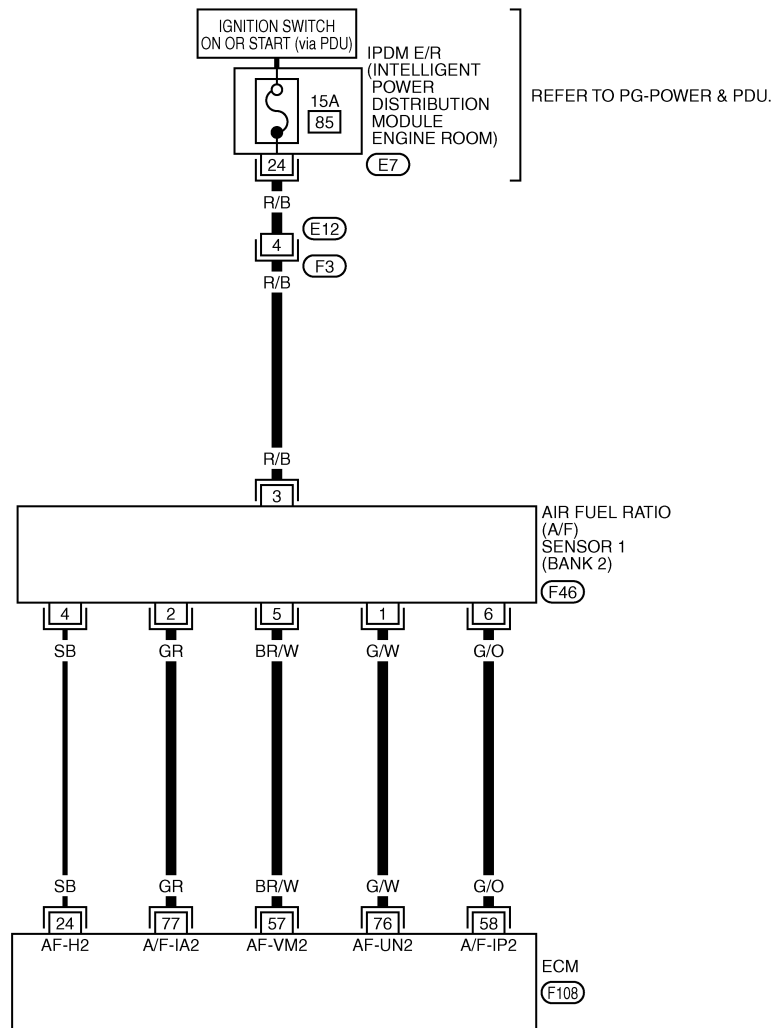
[VK45DE]

< SERVICE INFORMATION >

BANK 2

EC-AF1B2-01

— : DETECTABLE LINE FOR DTC
 - - - : NON-DETECTABLE LINE FOR DTC



TBWT1047E

Specification data are reference values and are measured between each terminal and ground. Pulse signal is measured by CONSULT-III.

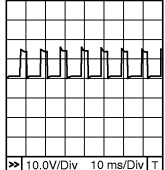
CAUTION:

Do not use ECM ground terminals when measuring input/output voltage. Doing so may result in damage to the ECM's transistor. Use a ground other than ECM terminals, such as the ground.

DTC P2A00, P2A03 A/F SENSOR 1

< SERVICE INFORMATION >

[VK45DE]

TER-MI-NAL NO.	WIRE COLOR	ITEM	CONDITION	DATA (DC Voltage)
24	SB	A/F sensor 1 heater (bank 2)	[Engine is running] <ul style="list-style-type: none"> • Warm-up condition • Idle speed 	Approximately 5V★ 
57	BR/W	A/F sensor 1 (bank 2)	[Engine is running] <ul style="list-style-type: none"> • Warm-up condition • Idle speed 	Approximately 2.6V
58	G/O			Approximately 2.3V
76	G/W			Approximately 3.1V
77	GR			Approximately 2.3V

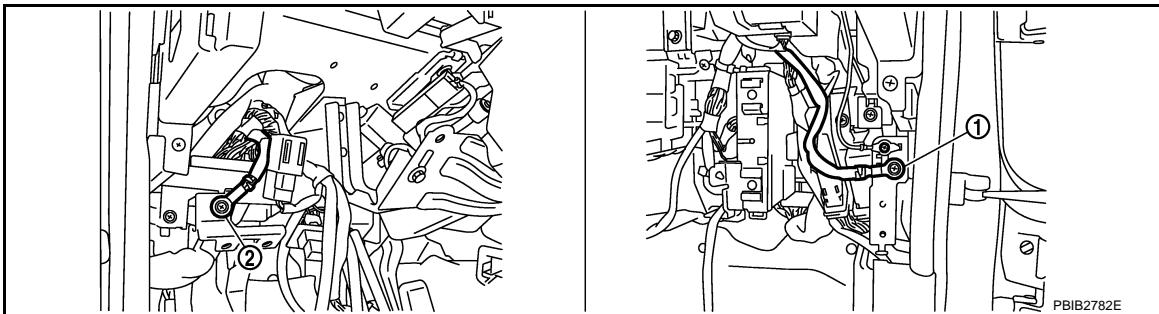
★: Average voltage for pulse signal (Actual pulse signal can be confirmed by oscilloscope.)

Diagnosis Procedure

INFOID:000000002955290

1. CHECK GROUND CONNECTIONS

1. Turn ignition switch OFF.
2. Loosen and retighten ground screws on the body.
Refer to [EC-769, "Ground Inspection"](#).



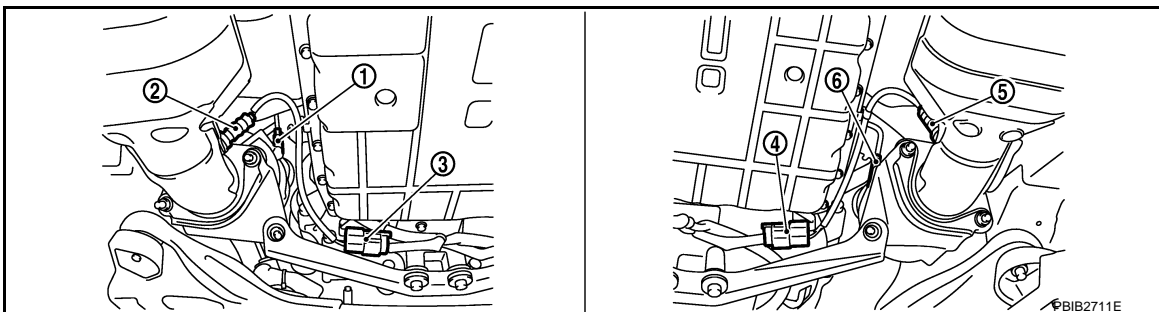
1. Body ground M70
2. Body ground M16

OK or NG

- OK >> GO TO 2.
 NG >> Repair or replace ground connections.

2. RETIGHTEN AIR FUEL RATIO (A/F) SENSOR 1

1. Loosen and retighten the air fuel ratio (A/F) sensor 1.



DTC P2A00, P2A03 A/F SENSOR 1

[VK45DE]

< SERVICE INFORMATION >

- | | | |
|--|------------------------------------|--|
| 1. A/F sensor 1 (bank 1) | 2. Heated oxygen sensor 2 (bank 1) | 3. Heated oxygen sensor 2 (bank 1) harness connector |
| 4. Heated oxygen sensor 2 (bank 2) harness connector | 5. Heated oxygen sensor 2 (bank 2) | 6. A/F sensor 1 (bank 2) |

Tightening torque: 50 N-m (5.1 kg-m, 37 ft-lb)

>> GO TO 3.

3. CHECK FOR INTAKE AIR LEAK

1. Start engine and run it at idle.
2. Listen for an intake air leak after the mass air flow sensor.

OK or NG

- OK >> GO TO 4.
NG >> Repair or replace.

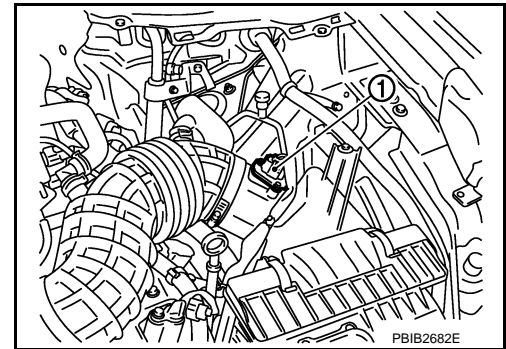
4. CLEAR THE SELF-LEARNING DATA

With CONSULT-III

1. Start engine and warm it up to normal operating temperature.
2. Select "SELF-LEARNING CONT" in "WORK SUPPORT" mode with CONSULT-III.
3. Clear the self-learning control coefficient by touching "CLEAR".
4. Run engine for at least 10 minutes at idle speed.
**Is the 1st trip DTC P0171, P0172, P0174 or P0175 detected?
Is it difficult to start engine?**

Without CONSULT-III

1. Start engine and warm it up to normal operating temperature.
2. Turn ignition switch OFF.
3. Disconnect mass air flow sensor (1) harness connector.
4. Restart engine and let it idle for at least 5 seconds.
5. Stop engine and reconnect mass air flow sensor harness connector.
6. Make sure DTC P0102 is displayed.
7. Erase the DTC memory. Refer to "How to Erase DTC" in [EC-677. "Emission-Related Diagnostic Information"](#).
8. Make sure DTC P0000 is displayed.
9. Run engine for at least 10 minutes at idle speed.
**Is the 1st trip DTC P0171, P0172, P0174 or P0175 detected?
Is it difficult to start engine?**

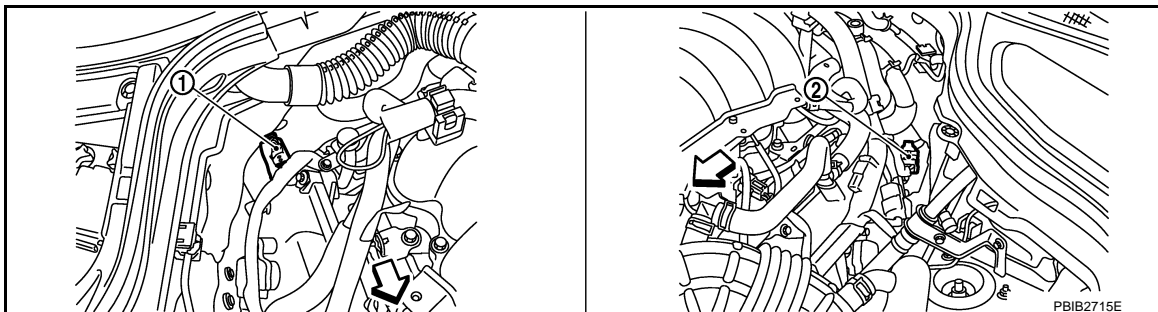


Yes or No

- Yes >> Perform trouble diagnosis for DTC P0171, P0174 or P0172, P0175. Refer to [EC-911. "DTC Confirmation Procedure"](#) or [EC-922. "DTC Confirmation Procedure"](#).
No >> GO TO 5.

5. CHECK HARNESS CONNECTOR

1. Turn ignition switch OFF.
2. Disconnect A/F sensor 1 harness connector.



DTC P2A00, P2A03 A/F SENSOR 1

[VK45DE]

< SERVICE INFORMATION >

↶ : Vehicle front

1. A/F sensor 1 (bank 2)
harness connector

2. A/F sensor 1 (bank 1)
harness connector

3. Check harness connector for water.

Water should not exit.

OK or NG

OK >> GO TO 6.

NG >> Repair or replace harness connector.

6.CHECK A/F SENSOR 1 POWER SUPPLY CIRCUIT

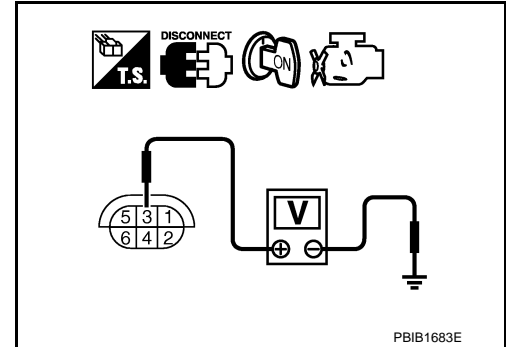
- Turn ignition switch ON.
- Check voltage between A/F sensor 1 terminal 3 and ground with CONSULT-III or tester.

Voltage: Battery voltage

OK or NG

OK >> GO TO 8.

NG >> GO TO 7.



7.DETECT MALFUNCTIONING PART

Check the following.

- Harness connectors E12, F3
- IPDM E/R harness connector E7
- 15A fuse
- Harness for open or short between A/F sensor 1 and fuse

>> Repair or replace harness or connectors.

8.CHECK A/F SENSOR 1 INPUT SIGNAL CIRCUIT FOR OPEN AND SHORT

- Turn ignition switch OFF.
- Disconnect ECM harness connector.
- Check harness continuity between A/F sensor 1 terminal and ECM terminal as follows.
Refer to Wiring Diagram.

	A/F sensor 1 terminal	ECM terminal
Bank 1	1	16
	2	75
	5	35
	6	56
Bank 2	1	76
	2	77
	5	57
	6	58

Continuity should exist.

- Check harness continuity between the following terminals and ground.
Refer to Wiring Diagram.

DTC P2A00, P2A03 A/F SENSOR 1

[VK45DE]

< SERVICE INFORMATION >

Bank 1		Bank 2	
A/F sensor 1 terminal	ECM terminal	A/F sensor 1 terminal	ECM terminal
1	16	1	76
2	75	2	77
5	35	5	57
6	56	6	58

Continuity should not exist.

5. Also check harness for short to power.

OK or NG

OK >> GO TO 9.

NG >> Repair open circuit or short to ground or short to power in harness or connectors.

9. CHECK A/F SENSOR 1 HEATER

Refer to [EC-791, "Component Inspection"](#).

OK or NG

OK >> GO TO 10.

NG >> GO TO 11.

10. CHECK INTERMITTENT INCIDENT

Perform [EC-763, "Diagnosis Procedure"](#).

OK or NG

OK >> GO TO 11.

NG >> Repair or replace.

11. REPLACE AIR FUEL RATIO (A/F) SENSOR 1

Replace malfunctioning air fuel ratio (A/F) sensor 1.

CAUTION:

- Discard any A/F sensor which has been dropped from a height of more than 0.5 m (19.7 in) onto a hard surface such as a concrete floor; use a new one.
- Before installing new A/F sensor, clean exhaust system threads using Oxygen Sensor Thread Cleaner tool J-43897-18 or J-43897-12 and approved anti-seize lubricant.

>> GO TO 12.

12. CONFIRM A/F ADJUSTMENT DATA

1. Turn ignition switch ON.
2. Select "A/F ADJ-B1" and "A/F ADJ-B2" in "DATA MONITOR" mode with CONSULT-III.
3. Make sure that "0.000" is displayed on CONSULT-III screen.

OK or NG

OK >> **INSPECTION END**

NG >> GO TO 13.

13. CLEAR A/F ADJUSTMENT DATA

 **With CONSULT-III**

1. Start engine and warm it up to normal operating temperature.
2. Select "SELF-LEARNING CONT" in "WORK SUPPORT" mode with CONSULT-III.
3. Clear the self-learning control coefficient by touching "CLEAR".

 **Without CONSULT-III**

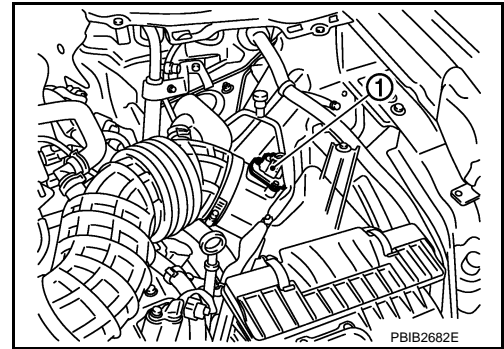
1. Start engine and warm it up to normal operating temperature.
2. Turn ignition switch OFF.

DTC P2A00, P2A03 A/F SENSOR 1

[VK45DE]

< SERVICE INFORMATION >

3. Disconnect mass air flow sensor (1) harness connector.
4. Restart engine and let it idle for at least 5 seconds.
5. Stop engine and reconnect mass air flow sensor harness connector.
6. Make sure DTC P0102 is displayed.
7. Erase the DTC memory. Refer to "How to Erase DTC" in [EC-677. "Emission-Related Diagnostic Information"](#).
8. Make sure DTC P0000 is displayed.



>> GO TO 14.

14. CONFIRM A/F ADJUSTMENT DATA

1. Turn ignition switch OFF and then ON.
2. Select "A/F ADJ-B1" and "A/F ADJ-B2" in "DATA MONITOR" mode with CONSULT-III.
3. Make sure that "0.000" is displayed on CONSULT-III screen.

>> INSPECTION END

Removal and Installation

INFOID:000000002955291

AIR FUEL RATIO (A/F) SENSOR 1

Refer to [EM-181](#).

A
EC
C
D
E
F
G
H
I
J
K
L
M
N
O
P

ASC D BRAKE SWITCH

< SERVICE INFORMATION >

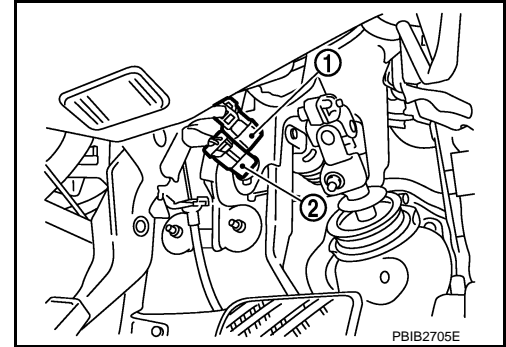
[VK45DE]

ASC D BRAKE SWITCH

Component Description

INFOID:000000002955292

When the brake pedal is depressed, ASC D brake switch (2) is turned OFF and stop lamp switch (1) is turned ON. ECM detects the state of the brake pedal by this input of two kinds (ON/OFF signal). Refer to [EC-659, "System Description"](#) for the ASC D function.



CONSULT-III Reference Value in Data Monitor Mode

INFOID:000000002955293

Specification data are reference values.

MONITOR ITEM	CONDITION		SPECIFICATION
BRAKE SW1 (ASC D brake switch)	• Ignition switch: ON	Brake pedal: Fully released	ON
		Brake pedal: Slightly depressed	OFF
BRAKE SW2 (Stop lamp switch)	• Ignition switch: ON	Brake pedal: Fully released	OFF
		Brake pedal: Slightly depressed	ON

ASC D BRAKE SWITCH

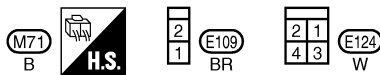
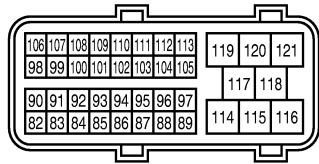
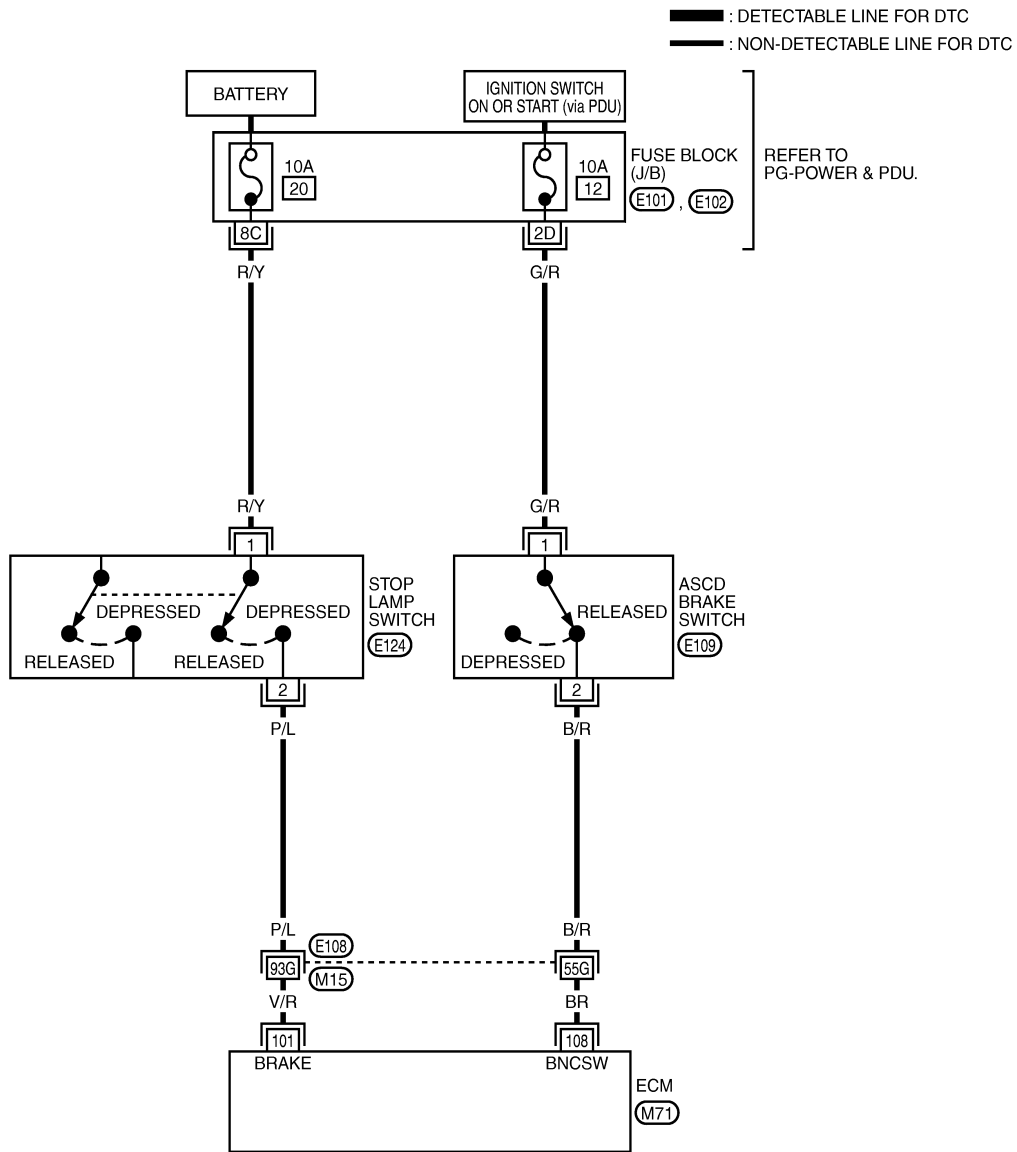
< SERVICE INFORMATION >

[VK45DE]

Wiring Diagram

INFOID:00000002955294

EC-ASCBOF-01



REFER TO THE FOLLOWING.

- (E108) - SUPER MULTIPLE JUNCTION (SMJ)
- (E101), (E102) - FUSE BLOCK - JUNCTION BOX (J/B)

TBWT2013E

Specification data are reference values and are measured between each terminal and ground.

CAUTION:

Do not use ECM ground terminals when measuring input/output voltage. Doing so may result in damage to the ECM's transistor. Use a ground other than ECM terminals, such as the ground.

ASCD BRAKE SWITCH

< SERVICE INFORMATION >

[VK45DE]

TER-MI-NAL NO.	WIRE COLOR	ITEM	CONDITION	DATA (DC Voltage)
101	V/R	Stop lamp switch	[Ignition switch: OFF] • Brake pedal: Fully released	Approximately 0V
			[Ignition switch: OFF] • Brake pedal: Slightly depressed	BATTERY VOLTAGE (11 - 14V)
108	BR	ASCD brake switch	[Ignition switch: ON] • Brake pedal: Slightly depressed	Approximately 0V
			[Ignition switch: ON] • Brake pedal: Fully released	BATTERY VOLTAGE (11 - 14V)

Diagnosis Procedure

INFOID:000000002955295

1. CHECK OVERALL FUNCTION-I

④ With CONSULT-III

- Turn ignition switch ON.
- Select "BRAKE SW1" in "DATA MONITOR" mode with CONSULT-III.
- Check "BRAKE SW1" indication under the following conditions.

CONDITION	INDICATION
Brake pedal: Slightly depressed	OFF
Brake pedal: Fully released	ON

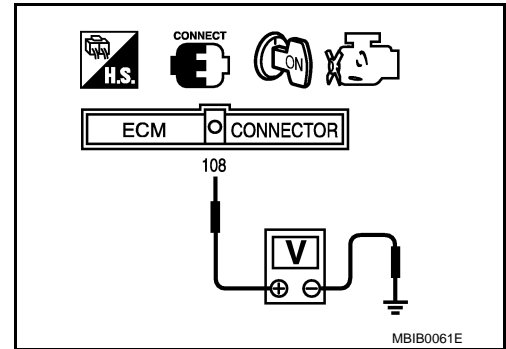
⊗ Without CONSULT-III

- Turn ignition switch ON.
- Check voltage between ECM terminal 108 and ground under the following conditions.

CONDITION	VOLTAGE
Brake pedal: Slightly depressed	Approximately 0V
Brake pedal: Fully released	Battery voltage

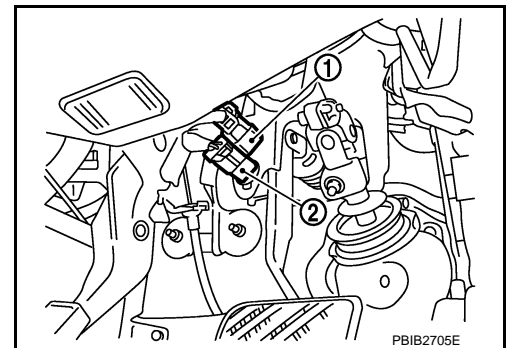
OK or NG

- OK >> **INSPECTION END**
 NG >> GO TO 2.



2. CHECK ASCD BRAKE SWITCH POWER SUPPLY CIRCUIT

- Turn ignition switch OFF.
- Disconnect ASCD brake switch (2) harness connector.
 - Stop lamp switch (1)
- Turn ignition switch ON.



ASCD BRAKE SWITCH

[VK45DE]

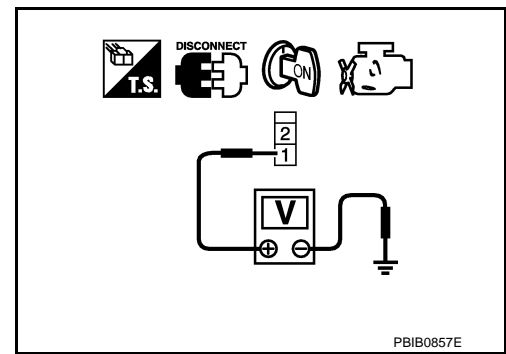
< SERVICE INFORMATION >

4. Check voltage between ASCD brake switch terminal 1 and ground with CONSULT-III or tester.

Voltage: Battery voltage

OK or NG

- OK >> GO TO 4.
- NG >> GO TO 3.



3. DETECT MALFUNCTIONING PART

Check the following.

- Fuse block (J/B) connector E102
- 10A fuse
- Harness for open or short between ASCD brake switch and fuse

>> Repair open circuit or short to ground or short to power in harness or connectors.

4. CHECK ASCD BRAKE SWITCH INPUT SIGNAL CIRCUIT FOR OPEN AND SHORT

1. Turn ignition switch OFF.
2. Disconnect ECM harness connector.
3. Check harness continuity between ECM terminal 108 and ASCD brake switch terminal 2. Refer to Wiring Diagram.

Continuity should exist.

4. Also check harness for short to ground and short to power.

OK or NG

- OK >> GO TO 6.
- NG >> GO TO 5.

5. DETECT MALFUNCTIONING PART

Check the following.

- Harness connectors E108, M15
- Harness for open or short between ECM and ASCD brake switch

>> Repair open circuit or short to ground or short to power in harness or connectors.

6. CHECK ASCD BRAKE SWITCH

Refer to [EC-1153, "Component Inspection"](#)

OK or NG

- OK >> GO TO 7.
- NG >> Replace ASCD brake switch.

7. CHECK INTERMITTENT INCIDENT

Refer to [EC-763, "Diagnosis Procedure"](#).

>> **INSPECTION END**

Component Inspection

INFOID:000000002955296

ASCD BRAKE SWITCH

1. Turn ignition switch OFF.
2. Disconnect ASCD brake switch harness connector.

ASCD BRAKE SWITCH

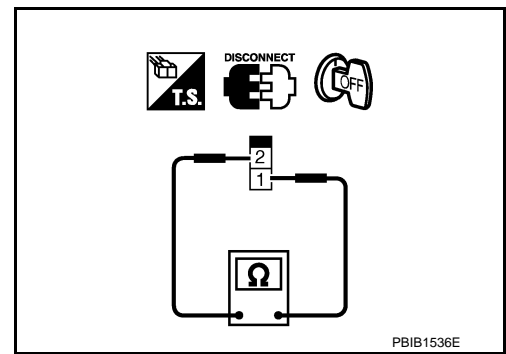
[VK45DE]

< SERVICE INFORMATION >

3. Check continuity between ASCD brake switch terminals 1 and 2 under the following conditions.

Condition	Continuity
Brake pedal: Fully released	Should exist
Brake pedal: Slightly depressed	Should not exist

4. If NG, adjust ASCD brake switch installation, refer to [BR-6](#), and perform step 3 again.



ASC D INDICATOR

< SERVICE INFORMATION >

[VK45DE]

ASC D INDICATOR

Component Description

INFOID:000000002955297

ASC D indicator lamp illuminates to indicate ASC D operation status. Lamp has two indicators, CRUISE and SET, and is integrated in combination meter.

CRUISE lamp illuminates when MAIN switch on ASC D steering switch is turned ON to indicated that ASC D system is ready for operation.

SET lamp illuminates when following conditions are met.

- CRUISE lamp is illuminated.
- SET/COAST switch on ASC D steering switch is turned ON while vehicle speed is within the range of ASC D setting.

SET lamp remains lit during ASC D control.

Refer to [EC-659. "System Description"](#) for the ASC D function.

CONSULT-III Reference Value in Data Monitor Mode

INFOID:000000002955298

Specification data are reference values.

MONITOR ITEM	CONDITION		SPECIFICATION
CRUISE LAMP	<ul style="list-style-type: none">• Ignition switch: ON	MAIN switch: Pressed at the 1st time → at the 2nd time	ON → OFF
SET LAMP	<ul style="list-style-type: none">• MAIN switch: ON• Vehicle speed: Between 40 km/h (25 MPH) and 144 km/h (89 MPH)	ASC D: Operating	ON
		ASC D: Not operating	OFF

A
EC
C
D
E
F
G
H
I
J
K
L
M
N
O
P

ASC D INDICATOR

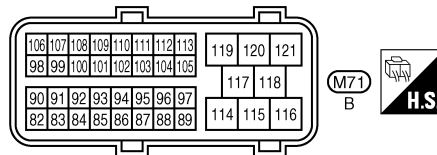
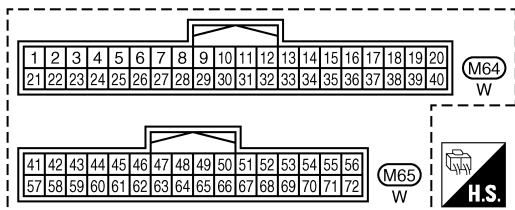
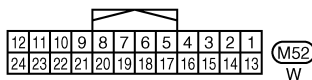
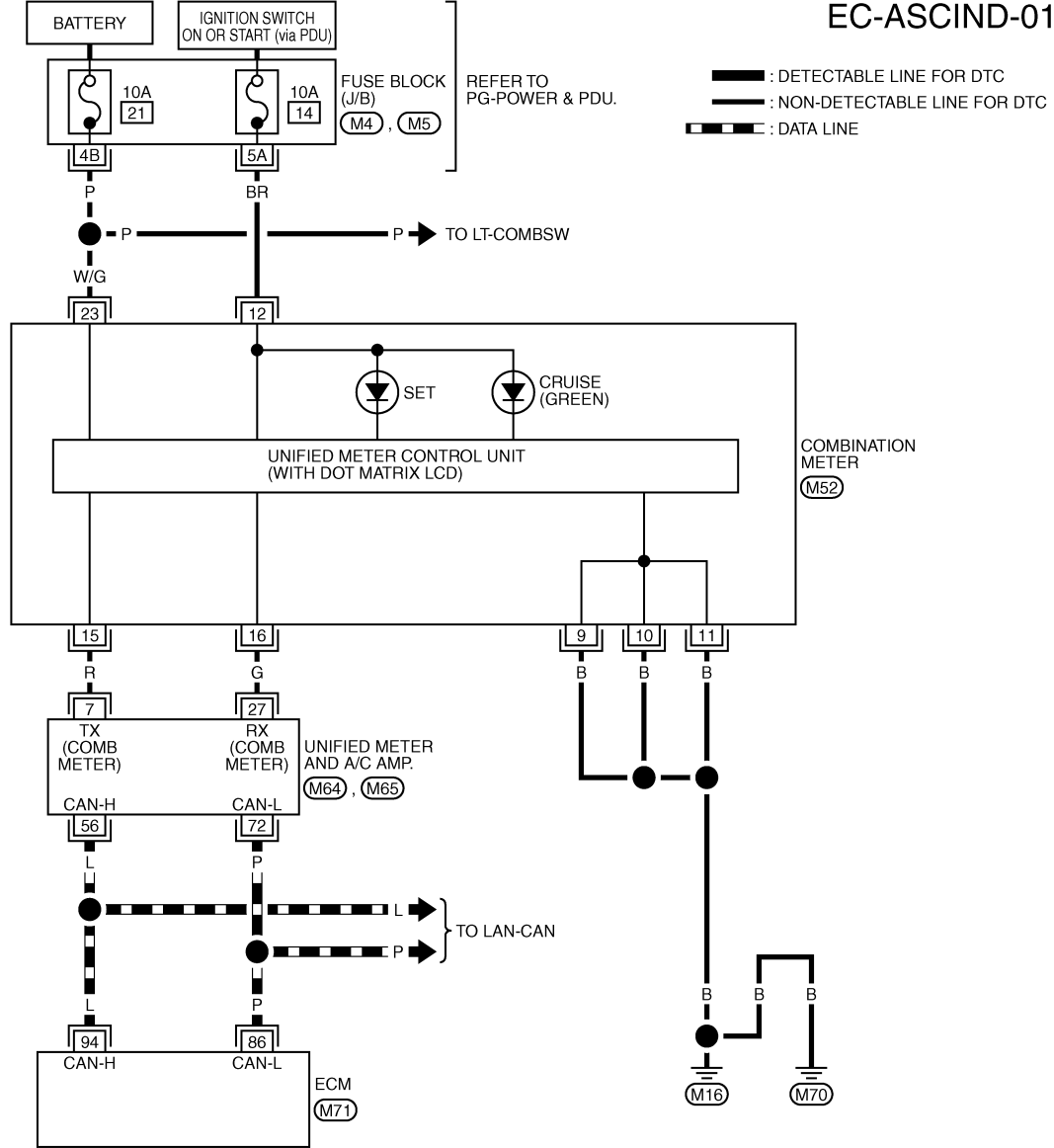
[VK45DE]

< SERVICE INFORMATION >

INFOID:000000002955299

Wiring Diagram

EC-ASCIND-01



REFER TO THE FOLLOWING.

M4, M5 - FUSE BLOCK-JUNCTION BOX (J/B)

TBWT1507E

Diagnosis Procedure

INFOID:000000002955300

1. CHECK OVERALL FUNCTION

Check ASCD indicator under the following conditions.

ASCD INDICATOR

< SERVICE INFORMATION >

[VK45DE]

ASCD INDICATOR	CONDITION		SPECIFICATION
CRUISE LAMP	<ul style="list-style-type: none"> Ignition switch: ON 	<ul style="list-style-type: none"> MAIN switch: Pressed at the 1st time → at the 2nd time 	ON → OFF
SET LAMP	<ul style="list-style-type: none"> MAIN switch: ON Vehicle speed: Between 40 km/h (25 MPH) and 144 km/h (89 MPH) 	<ul style="list-style-type: none"> ASCD: Operating 	ON
		<ul style="list-style-type: none"> ASCD: Not operating 	OFF

OK or NG

OK >> **INSPECTION END**

NG >> GO TO 2.

2.CHECK DTC

Check that DTC U1000 or U1001 is not displayed.

OK or NG

OK >> GO TO 3.

NG >> Perform trouble diagnosis for DTC U1000, U1001. Refer to [EC-771, "Diagnosis Procedure"](#).

3.CHECK DTC WITH "UNIFIED METER AND A/C AMP."

Refer to [DI-27, "CONSULT-III Function \(METER/M&A\)"](#).

OK or NG

OK >> GO TO 4.

NG >> Go to [DI-30, "DTC \[B2202\] Meter Communication Circuit"](#).

4.CHECK INTERMITTENT INCIDENT

Refer to [EC-763, "Diagnosis Procedure"](#).

>> **INSPECTION END**

A
EC
C
D
E
F
G
H
I
J
K
L
M
N
O
P

ELECTRICAL LOAD SIGNAL

< SERVICE INFORMATION >

[VK45DE]

ELECTRICAL LOAD SIGNAL

Description

INFOID:000000002955301

The electrical load signal (Headlamp switch signal, rear window defogger switch signal, heater fan switch signal, etc.) is transferred through the CAN communication line from BCM to ECM via IPDM E/R.

CONSULT-III Reference Value in Data Monitor Mode

INFOID:000000002955302

Specification data are reference values.

MONITOR ITEM	CONDITION		SPECIFICATION
LOAD SIGNAL	• Ignition switch: ON	Rear window defogger switch: ON and/or Lighting switch: 2ND position	ON
		Rear window defogger switch and lighting switch: OFF	OFF
HEATER FAN SW	• Engine: After warming up, idle the engine	Heater fan switch: ON	ON
		Heater fan switch: OFF	OFF

Diagnosis Procedure

INFOID:000000002955303

1. CHECK LOAD SIGNAL CIRCUIT OVERALL FUNCTION-I

1. Turn ignition switch ON.
2. Select "DATA MONITOR" mode with CONSULT-III.
3. Select "LOAD SIGNAL" and check indication under the following conditions.

Condition	Indication
Rear window defogger switch: ON	ON
Rear window defogger switch: OFF	OFF

OK or NG

- OK >> GO TO 2.
NG >> GO TO 4.

2. CHECK LOAD SIGNAL CIRCUIT OVERALL FUNCTION-II

Check "LOAD SIGNAL" indication under the following conditions.

Condition	Indication
Lighting switch: ON at 2nd position	ON
Lighting switch: OFF	OFF

OK or NG

- OK >> GO TO 3.
NG >> GO TO 5.

3. CHECK HEATER FAN SIGNAL CIRCUIT OVERALL FUNCTION

Select "HEATER FAN SW" and check indication under the following conditions.

Condition	Indication
Heater fan control switch: ON	ON
Heater fan control switch: OFF	OFF

OK or NG

- OK >> **INSPECTION END**
NG >> GO TO 6.

ELECTRICAL LOAD SIGNAL

< SERVICE INFORMATION >

[VK45DE]

4.CHECK REAR WINDOW DEFOGGER SYSTEM

Refer to [GW-64](#).

A

>> INSPECTION END

5.CHECK HEADLAMP SYSTEM

Refer to [LT-34](#), [LT-6](#) or [LT-63](#).

C

>> INSPECTION END

6.CHECK HEATER FAN CONTROL SYSTEM

Refer to [ATC-36](#).

D

>> INSPECTION END

E

F

G

H

I

J

K

L

M

N

O

P

EC

FUEL INJECTOR

< SERVICE INFORMATION >

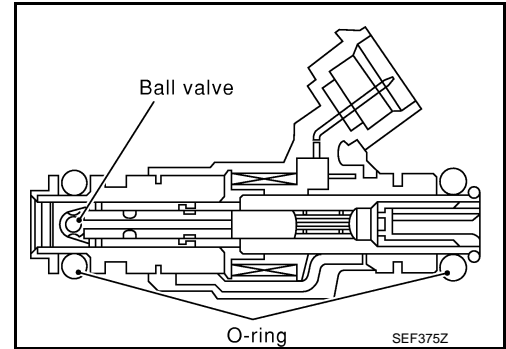
[VK45DE]

FUEL INJECTOR

Component Description

INFOID:000000002955304

The fuel injector is a small, precise solenoid valve. When the ECM supplies a ground to the fuel injector circuit, the coil in the fuel injector is energized. The energized coil pulls the ball valve back and allows fuel to flow through the fuel injector into the intake manifold. The amount of fuel injected depends upon the injection pulse duration. Pulse duration is the length of time the fuel injector remains open. The ECM controls the injection pulse duration based on engine fuel needs.



CONSULT-III Reference Value in Data Monitor Mode

INFOID:000000002955305

Specification data are reference values.

MONITOR ITEM	CONDITION	SPECIFICATION
B/FUEL SCHDL	See EC-755, "Inspection Procedure" .	
INJ PULSE-B1 INJ PULSE-B2	<ul style="list-style-type: none">• Engine: After warming up• Selector lever: P or N• Air conditioner switch: OFF• No load	Idle 2,000 rpm
		2.0 - 3.0 msec 1.9 - 2.9 msec

FUEL INJECTOR

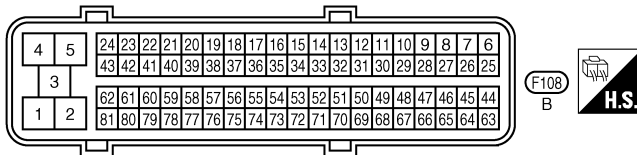
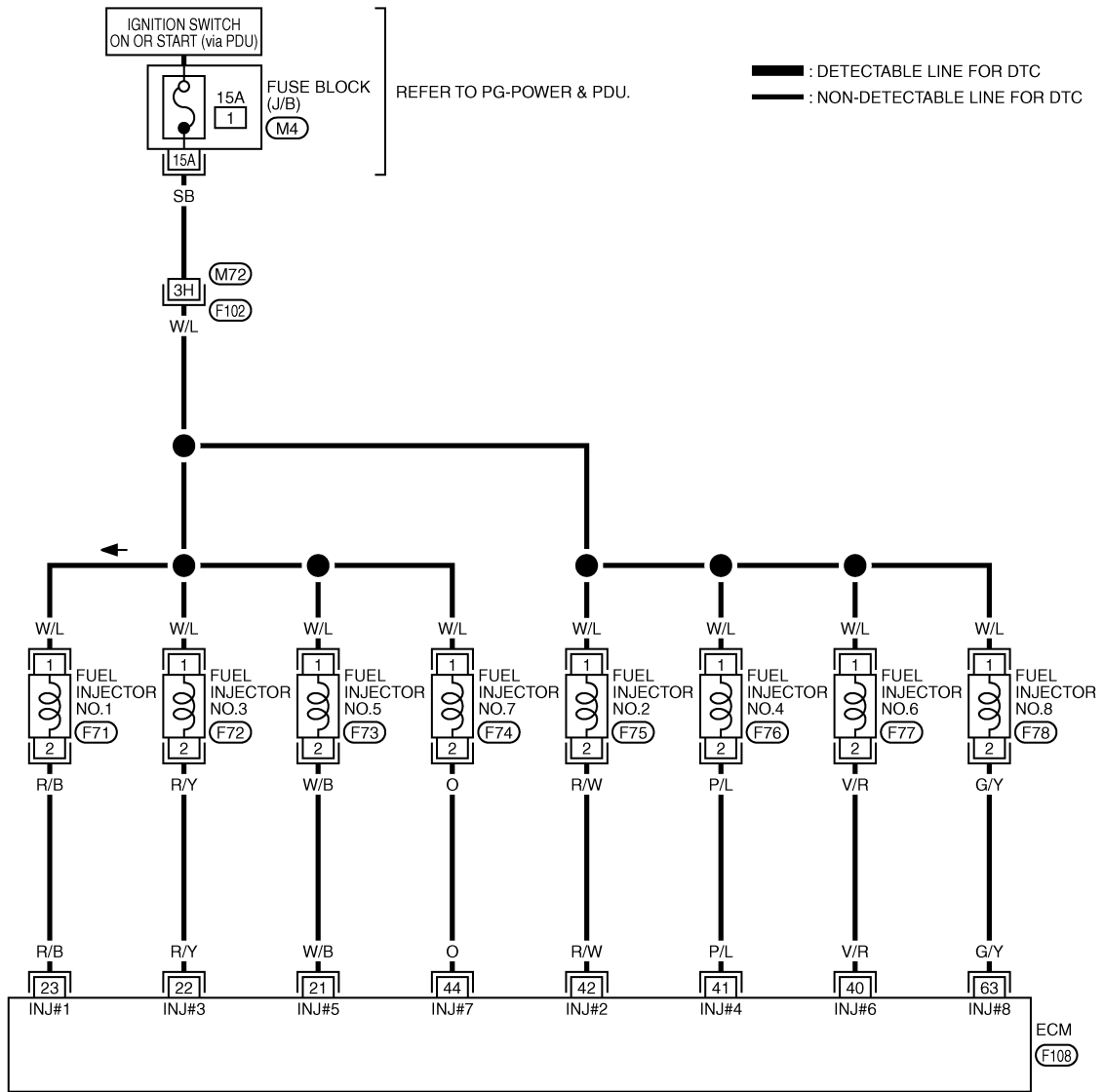
< SERVICE INFORMATION >

[VK45DE]

Wiring Diagram

INFOID:00000002955306

EC-INJECT-01



REFER TO THE FOLLOWING.

(F102) -SUPER MULTIPLE JUNCTION (SMJ)

(M4) -FUSE BLOCK-JUNCTION BOX (J/B)

TBWT1505E

Specification data are reference values and are measured between each terminal and ground. Pulse signal is measured by CONSULT-III.

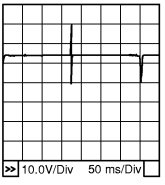
CAUTION:

FUEL INJECTOR

[VK45DE]

< SERVICE INFORMATION >

Do not use ECM ground terminals when measuring input/output voltage. Doing so may result in damage to the ECM's transistor. Use a ground other than ECM terminals, such as the ground.

TER-MI-NAL NO.	WIRE COLOR	ITEM	CONDITION	DATA (DC Voltage)
21	W/B	Fuel injector No. 5	[Engine is running] • Warm-up condition • Idle speed NOTE: The pulse cycle changes depending on rpm at idle	BATTERY VOLTAGE (11 - 14V) [★]  PBIB0042E
22	R/Y	Fuel injector No. 3		
23	R/B	Fuel injector No. 1		
40	V/R	Fuel injector No. 6		
41	P/L	Fuel injector No. 4		
42	R/W	Fuel injector No. 2		
44	O	Fuel injector No. 7		
63	G/Y	Fuel injector No. 8		

★: Average voltage for pulse signal (Actual pulse signal can be confirmed by oscilloscope.)

Diagnosis Procedure

INFOID:000000002955307

1. INSPECTION START

Turn ignition switch to START.

Is any cylinder ignited?

Yes or No

Yes >> GO TO 2.

No >> GO TO 3.

2. CHECK OVERALL FUNCTION

With CONSULT-III

1. Start engine.
2. Perform "POWER BALANCE" in "ACTIVE TEST" mode with CONSULT-III.
3. Make sure that each circuit produces a momentary engine speed drop.

Without CONSULT-III

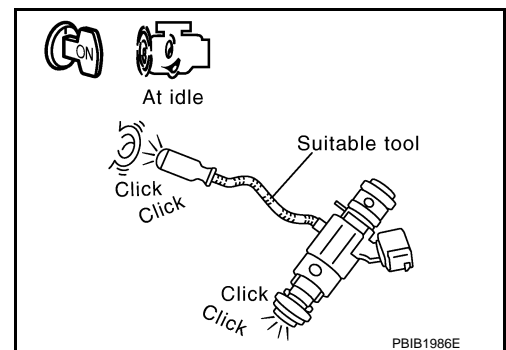
1. Start engine.
2. Listen to each fuel injector operating sound.

Operating sound should exist.

OK or NG

OK >> **INSPECTION END**

NG >> GO TO 3.



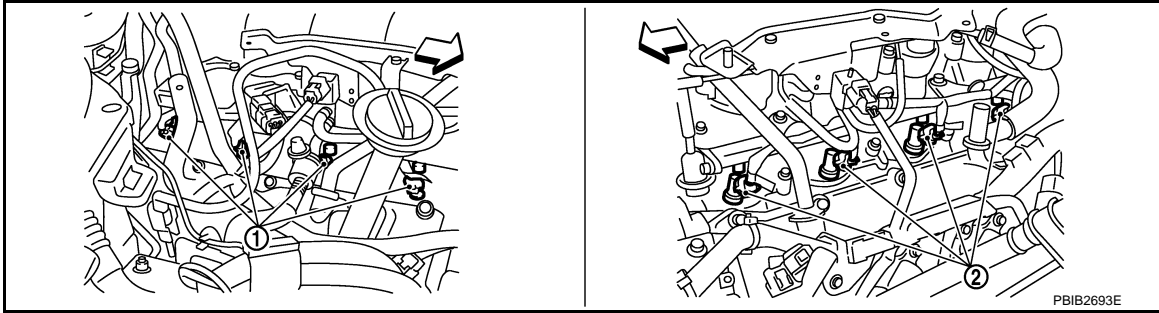
3. CHECK FUEL INJECTOR POWER SUPPLY CIRCUIT

1. Turn ignition switch OFF.
2. Disconnect fuel injector harness connectors.

FUEL INJECTOR

< SERVICE INFORMATION >

[VK45DE]



↶ : Vehicle front

1. Fuel injector (bank 2)

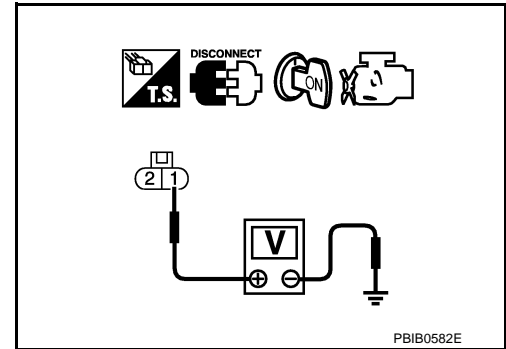
2. Fuel injector (bank 1)

3. Turn ignition switch ON.
4. Check voltage between fuel injector terminal 1 and ground with CONSULT-III or tester.

Voltage: Battery voltage

OK or NG

- OK >> GO TO 5.
- NG >> GO TO 4.



4. DETECT MALFUNCTIONING PART

Check the following.

- Harness connectors M72, F102
- Fuse block (J/B) connector M4
- 15A fuse
- Harness for open or short between fuel injector and fuse

>> Repair open circuit or short to ground or short to power in harness or connectors.

5. CHECK FUEL INJECTOR OUTPUT SIGNAL CIRCUIT FOR OPEN AND SHORT

1. Turn ignition switch OFF.
2. Disconnect ECM harness connector.
3. Check harness continuity between ECM terminals 21, 22, 23, 40, 41, 42, 44, 63 and fuel injector terminal 2. Refer to Wiring Diagram.

Continuity should exist.

4. Also check harness for short to ground and short to power.

OK or NG

- OK >> GO TO 6.
- NG >> Repair open circuit or short to ground or short to power in harness or connectors.

6. CHECK FUEL INJECTOR

Refer to [EC-1236. "Component Inspection"](#).

OK or NG

- OK >> GO TO 7.
- NG >> Replace fuel injector.

7. CHECK INTERMITTENT INCIDENT

Refer to [EC-763. "Diagnosis Procedure"](#).

>> INSPECTION END

FUEL INJECTOR

[VK45DE]

< SERVICE INFORMATION >

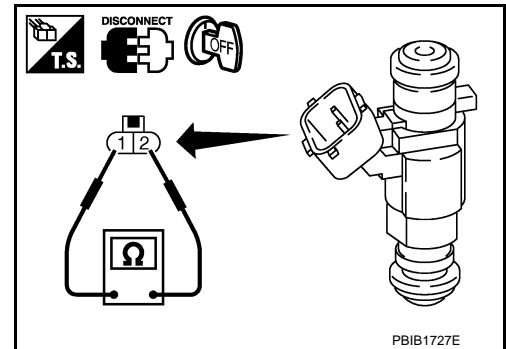
Component Inspection

INFOID:000000002955308

FUEL INJECTOR

1. Disconnect fuel injector harness connector.
2. Check resistance between terminals as shown in the figure.

Resistance: 13.5 - 17.5Ω [at 10 - 60°C (50 - 140°F)]



INFOID:000000002955309

Removal and Installation

FUEL INJECTOR

Refer to [EM-192](#).

FUEL PUMP

< SERVICE INFORMATION >

[VK45DE]

FUEL PUMP

Description

INFOID:000000002955310

SYSTEM DESCRIPTION

Sensor	Input signal to ECM	ECM Function	Actuator
Crankshaft position sensor (POS) Camshaft position sensor (PHASE)	Engine speed*	Fuel pump control	Fuel pump relay
Battery	Battery voltage*		

*: ECM determines the start signal status by the signals of engine speed and battery voltage.

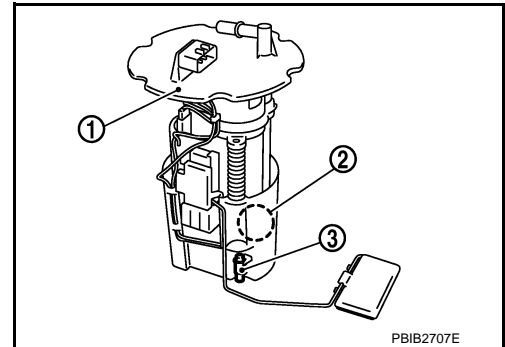
The ECM activates the fuel pump for several seconds after the ignition switch is turned ON to improve engine startability. If the ECM receives a engine speed signal from the camshaft position sensor (PHASE), it knows that the engine is rotating, and causes the pump to operate. If the engine speed signal is not received when the ignition switch is ON, the engine stalls. The ECM stops pump operation and prevents battery discharging, thereby improving safety. The ECM does not directly drive the fuel pump. It controls the ON/OFF fuel pump relay, which in turn controls the fuel pump.

Condition	Fuel pump operation
Ignition switch is turned to ON.	Operates for 1 second.
Engine running and cranking	Operates.
When engine is stopped	Stops in 1.5 seconds.
Except as shown above	Stops.

COMPONENT DESCRIPTION

A turbine type design fuel pump is used in the fuel tank.

- Fuel level sensor unit and fuel pump (1)
- Fuel pressure regulator (2)
- Fuel tank temperature sensor (3)



CONSULT-III Reference Value in Data Monitor Mode

INFOID:000000002955311

Specification data are reference values.

MONITOR ITEM	CONDITION	SPECIFICATION
FUEL PUMP RLY	<ul style="list-style-type: none"> • For 1 seconds after turning ignition switch: ON • Engine running or cranking 	ON
	<ul style="list-style-type: none"> • Except above 	OFF

FUEL PUMP

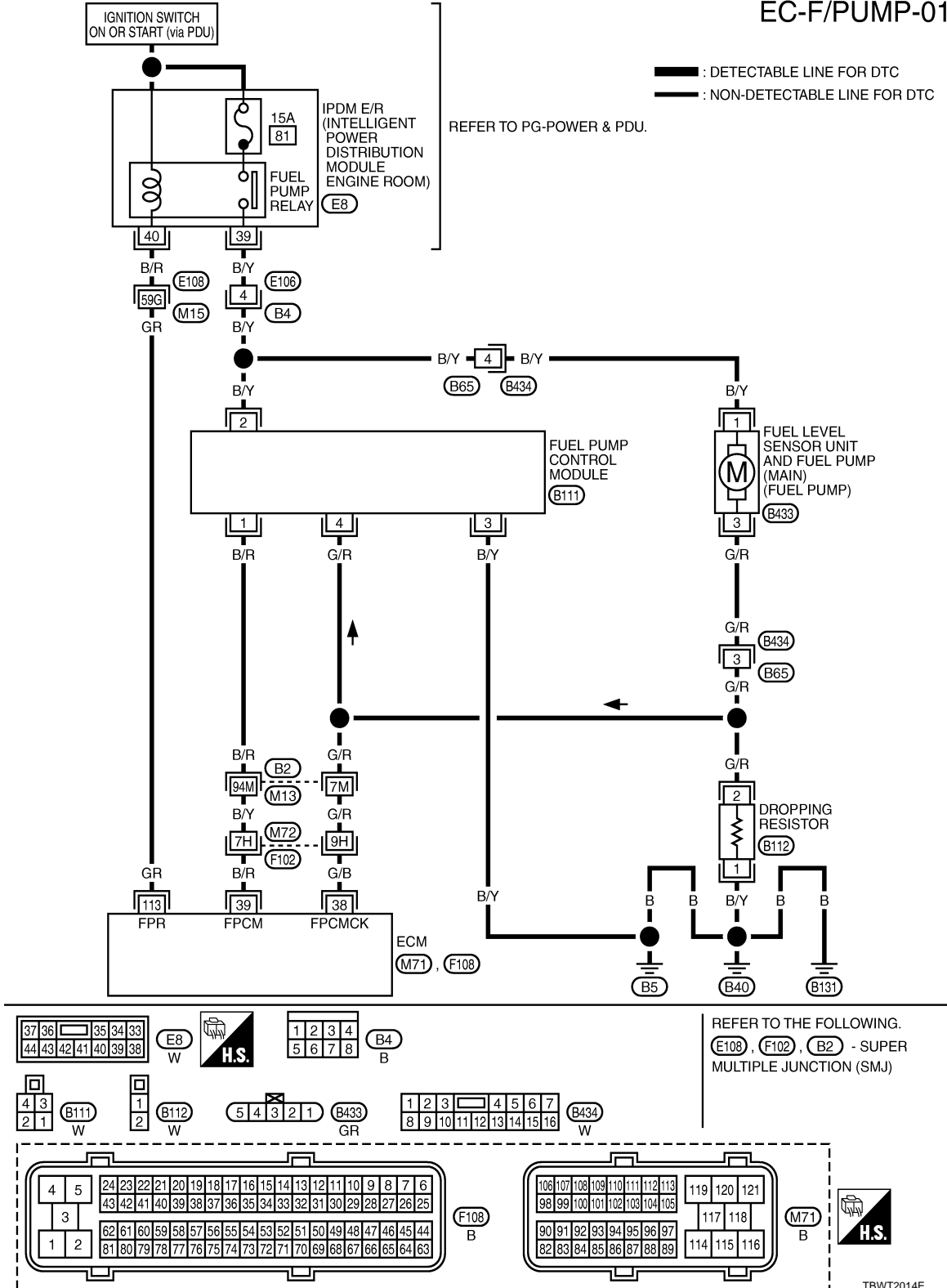
< SERVICE INFORMATION >

[VK45DE]

Wiring Diagram

INFOID:000000002955312

EC-F/PUMP-01



TBWT2014E

Specification data are reference values and are measured between each terminal and ground.

CAUTION:

Do not use ECM ground terminals when measuring input/output voltage. Doing so may result in damage to the ECM's transistor. Use a ground other than ECM terminals, such as the ground.

FUEL PUMP

< SERVICE INFORMATION >

[VK45DE]

TER-MI-NAL NO.	WIRE COLOR	ITEM	CONDITION	DATA (DC Voltage)
38	G/B	Fuel pump control module (FPCM) check	[When cranking engine]	Approximately 0V
			[Engine is running] • Warm-up condition • Idle speed	4 - 6V
39	B/R	Fuel pump control module (FPCM)	[When cranking engine]	0 - 0.5V
			[Engine is running] • Warm-up condition • Idle speed	8 - 12V
113	GR	Fuel pump relay	[Ignition switch: ON] • For 1 second after turning ignition switch ON	0 - 1.5V
			[Engine is running] [Ignition switch: ON] • More than 1 second after turning ignition switch ON	BATTERY VOLTAGE (11 - 14V)

Diagnosis Procedure

INFOID:000000002955313

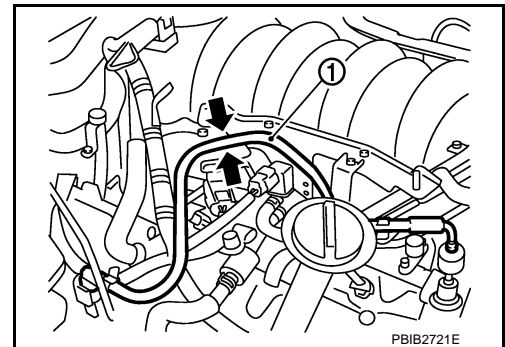
1. CHECK OVERALL FUNCTION

1. Turn ignition switch ON.
2. Pinch fuel feed hose (1) with two fingers.

Fuel pressure pulsation should be felt on the fuel feed hose for 1 second after ignition switch is turned ON.

OK or NG

- OK >> **INSPECTION END**
 NG >> GO TO 2.



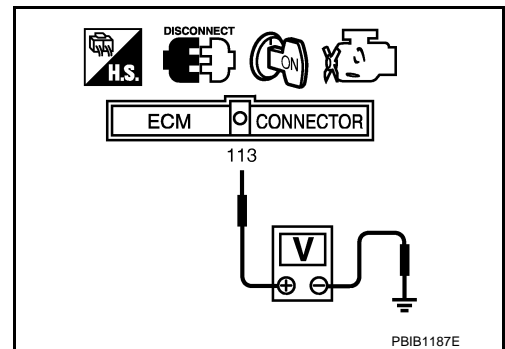
2. CHECK FUEL PUMP POWER SUPPLY CIRCUIT-I

1. Turn ignition switch OFF.
2. Disconnect ECM harness connector.
3. Turn ignition switch ON.
4. Check voltage between ECM terminal 113 and ground with CONSULT-III or tester.

Voltage: Battery voltage

OK or NG

- OK >> GO TO 5.
 NG >> GO TO 3.



3. CHECK FUEL PUMP POWER SUPPLY CIRCUIT-II

FUEL PUMP

[VK45DE]

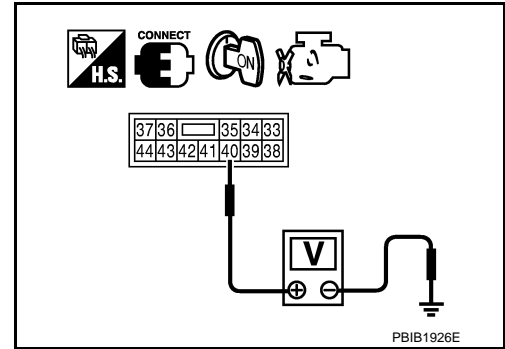
< SERVICE INFORMATION >

Check voltage between IPDM E/R terminal 40 and ground with CONSULT-III or tester.

Voltage: Battery voltage

OK or NG

- OK >> GO TO 4.
- NG >> GO TO 11.



4. DETECT MALFUNCTIONING PART

Check the following.

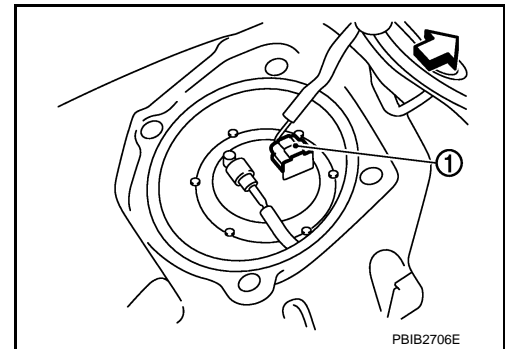
- Harness connectors E108, M15
- Harness for open or short between IPDM E/R and ECM

>> Repair open circuit or short to ground or short to power in harness or connectors.

5. CHECK FUEL PUMP POWER SUPPLY CIRCUIT

1. Turn ignition switch OFF.
2. Reconnect all harness connectors disconnected.
3. Disconnect "fuel level sensor unit and fuel pump" harness connector (1).
 - Illustration shows the view with rear seat cushion and inspection hole cover (RH) removed.
 - ↙: Vehicle front
4. Turn ignition switch ON.
5. Check voltage between "fuel level sensor unit and fuel pump" terminal 1 and ground with CONSULT-III or tester.

Voltage: Battery voltage should exist for 1 second after ignition switch is turned ON.



OK or NG

- OK >> GO TO 7.
- NG >> GO TO 6.

6. DETECT MALFUNCTIONING PART

Check the following.

- Harness connectors E106, B4
- Harness connectors B65, B434
- IPDM E/R connector E8
- 15A fuse
- Harness for open or short between IPDM E/R and condenser

>> Repair open circuit or short to ground or short to power in harness or connectors.

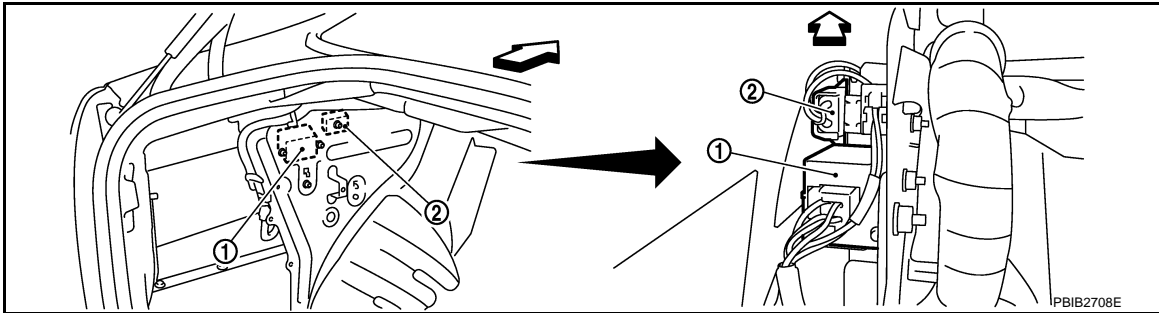
7. CHECK FUEL PUMP GROUND CIRCUIT

1. Turn ignition switch OFF.
2. Disconnect dropping resistor harness connector.

FUEL PUMP

< SERVICE INFORMATION >

[VK45DE]



← : Vehicle front

1. FPCM

2. Dropping resistor

3. Check harness continuity between “fuel level sensor unit and fuel pump” terminal 3 and dropping resistor terminal 2, dropping resistor terminal 1 and ground.
Refer to Wiring Diagram.

Continuity should exist.

4. Also check harness for short to ground and short to power.

OK or NG

OK >> GO TO 9.

NG >> GO TO 8.

8. DETECT MALFUNCTIONING PART

Check the following.

- Harness connectors B65, B434
- Harness for open or short between “fuel level sensor unit and fuel pump” and dropping resistor
- Harness for open or short between dropping resistor and ground

>> Repair open circuit or short to ground or short to power in harness or connectors.

9. CHECK DROPPING RESISTOR

Refer to [EC-1241, "Component Inspection"](#).

OK or NG

OK >> GO TO 10.

NG >> Replace dropping resistor.

10. CHECK FUEL PUMP

Refer to [EC-1241, "Component Inspection"](#).

OK or NG

OK >> GO TO 11.

NG >> Replace fuel pump.

11. CHECK INTERMITTENT INCIDENT

Refer to [EC-763, "Diagnosis Procedure"](#).

OK or NG

OK >> Replace IPDM E/R.

NG >> Repair or replace harness or connectors.

Component Inspection

INFOID:000000002955314

FUEL PUMP

1. Turn ignition switch OFF.
2. Disconnect “fuel level sensor unit and fuel pump” harness connector.

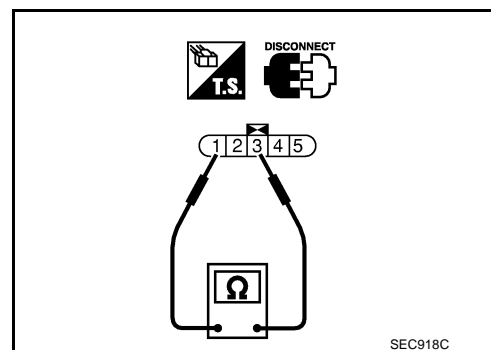
FUEL PUMP

[VK45DE]

< SERVICE INFORMATION >

3. Check resistance between "fuel level sensor unit and fuel pump" terminals 1 and 3.

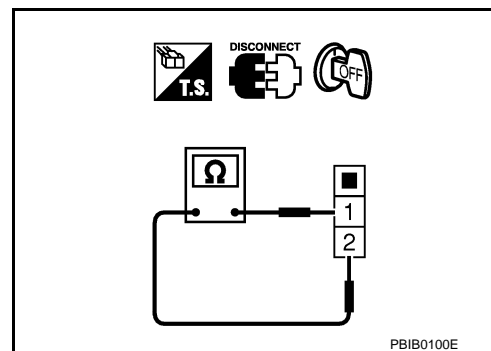
Resistance: 0.2 - 5.0Ω [at 25°C (77°F)]



DROPPING RESISTOR

1. Turn ignition switch OFF.
2. Disconnect dropping resistor harness connector.
3. Check resistance between dropping resistor terminals 1 and 2.

Resistance: Approximately 0.9Ω [at 20°C (68°F)]



Removal and Installation

INFOID:000000002955315

FUEL PUMP

Refer to [FL-4](#).

ICC BRAKE SWITCH

[VK45DE]

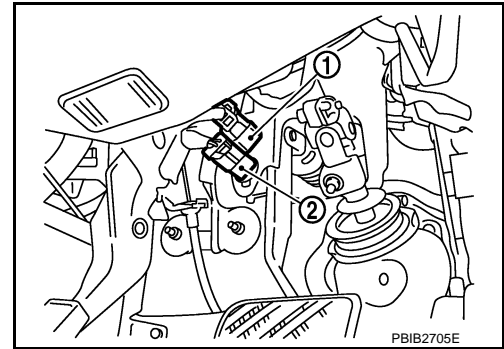
< SERVICE INFORMATION >

ICC BRAKE SWITCH

Component Description

INFOID:000000002955316

When the brake pedal is depressed, ICC brake switch (2) is turned OFF and stop lamp switch (1) is turned ON. ECM detects the state of the brake pedal by this input of two kinds (ON/OFF signal). Refer to [ACS-9](#) for the ICC function.



CONSULT-III Reference Value in Data Monitor Mode

INFOID:000000002955317

Specification data are reference values.

MONITOR ITEM	CONDITION	SPECIFICATION	
BRAKE SW1 (ICC brake switch)	• Ignition switch: ON	Brake pedal: Fully released	ON
		Brake pedal: Slightly depressed	OFF
BRAKE SW2 (Stop lamp switch)	• Ignition switch: ON	Brake pedal: Fully released	OFF
		Brake pedal: Slightly depressed	ON

ICC BRAKE SWITCH

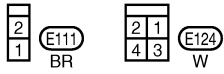
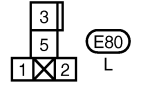
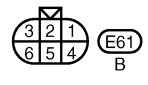
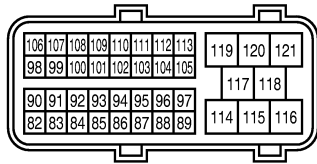
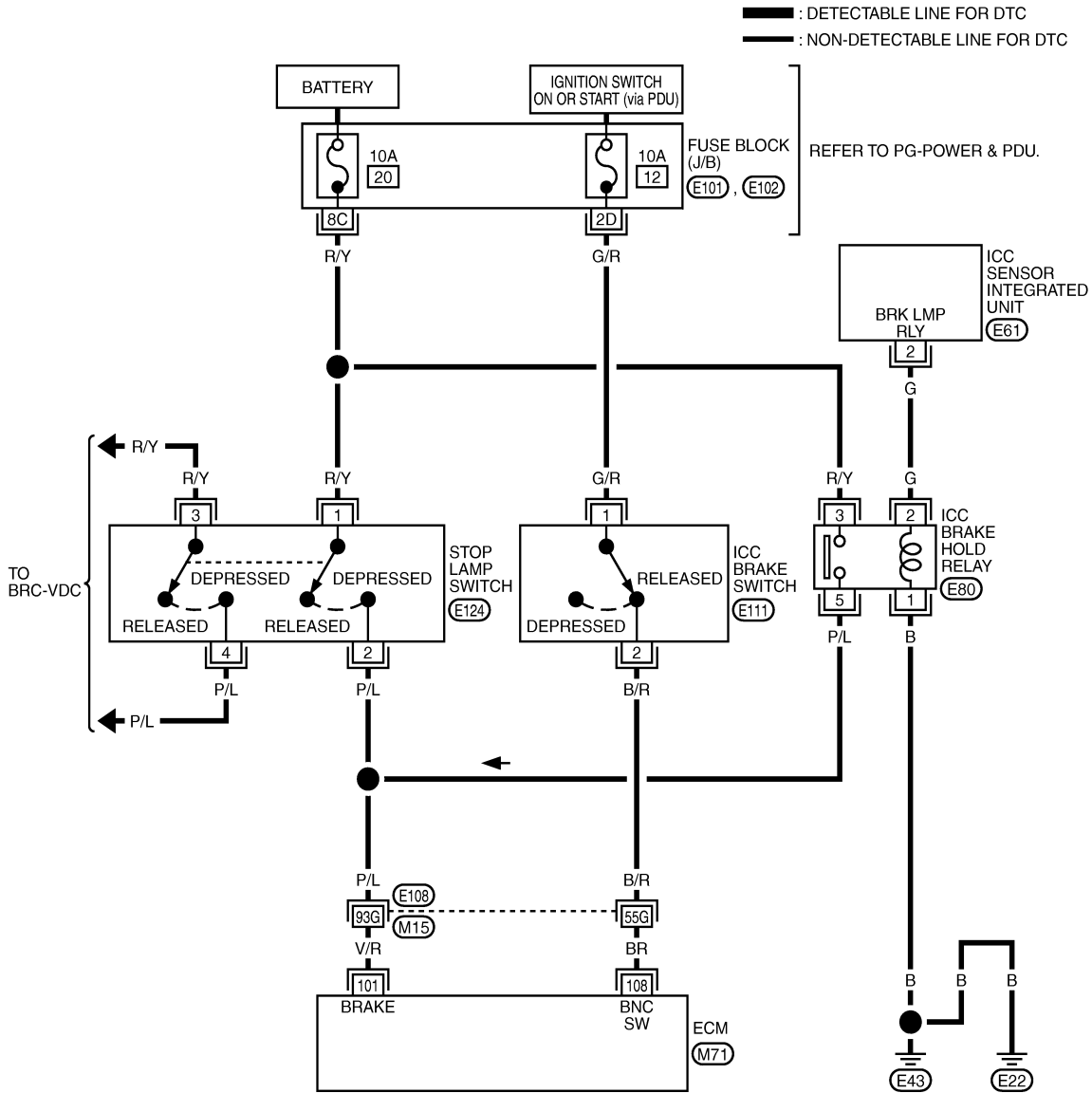
< SERVICE INFORMATION >

[VK45DE]

Wiring Diagram

INFOID:00000002955318

EC-ICCBOF-01



REFER TO THE FOLLOWING.

- (E108) - SUPER MULTIPLE JUNCTION (SMJ)
- (E101), (E102) - FUSE BLOCK - JUNCTION BOX (J/B)

TBWT2015E

Specification data are reference values and are measured between each terminal and ground.

CAUTION:

Do not use ECM ground terminals when measuring input/output voltage. Doing so may result in damage to the ECM's transistor. Use a ground other than ECM terminals, such as the ground.

ICC BRAKE SWITCH

< SERVICE INFORMATION >

[VK45DE]

TER-MI-NAL NO.	WIRE COLOR	ITEM	CONDITION	DATA (DC Voltage)
101	V/R	Stop lamp switch	[Ignition switch: OFF] • Brake pedal: Fully released	Approximately 0V
			[Ignition switch: OFF] • Brake pedal: Slightly depressed	BATTERY VOLTAGE (11 - 14V)
108	BR	ICC brake switch	[Ignition switch: ON] • Brake pedal: Slightly depressed	Approximately 0V
			[Ignition switch: ON] • Brake pedal: Fully released	BATTERY VOLTAGE (11 - 14V)

Diagnosis Procedure

INFOID:000000002955319

1. CHECK OVERALL FUNCTION-I

☑ With CONSULT-III

- Turn ignition switch ON.
- Select "BRAKE SW1" in "DATA MONITOR" mode with CONSULT-III.
- Check "BRAKE SW1" indication under the following conditions.

CONDITION	INDICATION
Brake pedal: Slightly depressed	OFF
Brake pedal: Fully released	ON

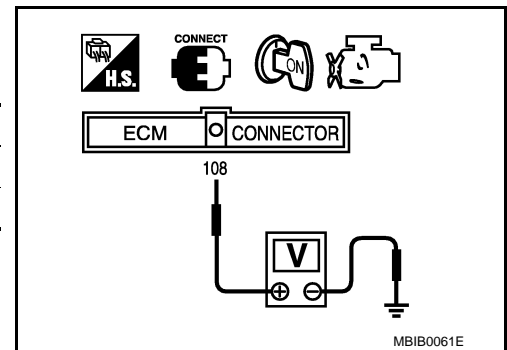
☒ Without CONSULT-III

- Turn ignition switch ON.
- Check voltage between ECM terminal 108 and ground under the following conditions.

CONDITION	VOLTAGE
Brake pedal: Slightly depressed	Approximately 0V
Brake pedal: Fully released	Battery voltage

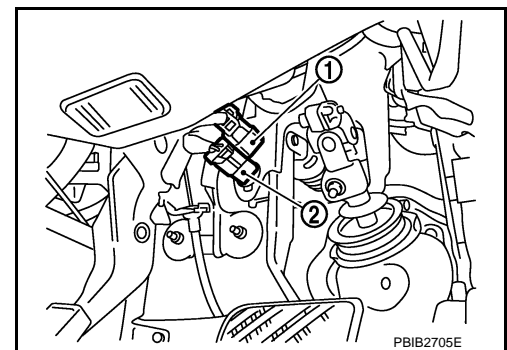
OK or NG

- OK >> **INSPECTION END**
 NG >> GO TO 2.



2. CHECK ICC BRAKE SWITCH POWER SUPPLY CIRCUIT

- Turn ignition switch OFF.
- Disconnect ICC brake switch (2) harness connector.
 - Stop lamp switch (1)
- Turn ignition switch ON.



ICC BRAKE SWITCH

[VK45DE]

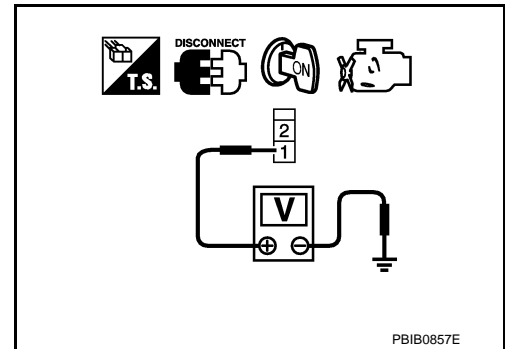
< SERVICE INFORMATION >

4. Check voltage between ICC brake switch terminal 1 and ground with CONSULT-III or tester.

Voltage: Battery voltage

OK or NG

- OK >> GO TO 4.
NG >> GO TO 3.



3. DETECT MALFUNCTIONING PART

Check the following.

- Fuse block (J/B) connector E102
- 10A fuse
- Harness for open or short between ICC brake switch and fuse

>> Repair open circuit or short to ground or short to power in harness or connectors.

4. CHECK ICC BRAKE SWITCH INPUT SIGNAL CIRCUIT FOR OPEN AND SHORT

1. Turn ignition switch OFF.
2. Disconnect ECM harness connector.
3. Check harness continuity between ICC brake switch terminal 2 and ECM terminal 108. Refer Wiring Diagram.

Continuity should exist.

4. Also check harness for short to ground and short to power.

OK or NG

- OK >> GO TO 6.
NG >> GO TO 5.

5. DETECT MALFUNCTIONING PART

Check the following.

- Harness connectors E108, M15
- Harness for open or short between ICC brake switch and ECM

>> Repair open circuit or short to ground or short to power in harness or connectors.

6. CHECK ICC BRAKE SWITCH

Refer to [EC-1246, "Component Inspection"](#).

OK or NG

- OK >> GO TO 7.
NG >> Replace ICC brake switch.

7. CHECK INTERMITTENT INCIDENT

Refer to [EC-763, "Diagnosis Procedure"](#).

>> **INSPECTION END**

Component Inspection

INFOID:000000002955320

ICC BRAKE SWITCH

1. Turn ignition switch OFF.
2. Disconnect ICC brake switch harness connector.

ICC BRAKE SWITCH

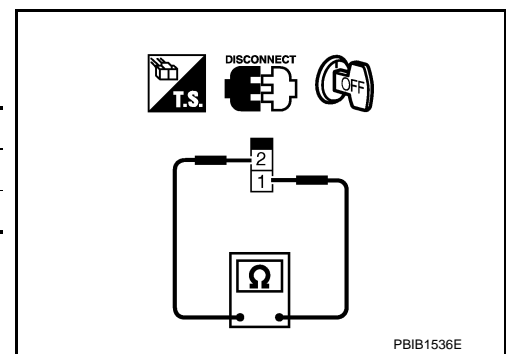
[VK45DE]

< SERVICE INFORMATION >

3. Check continuity between ICC brake switch terminals 1 and 2 under the following conditions.

Condition	Continuity
Brake pedal: Fully released	Should exist
Brake pedal: Slightly depressed	Should not exist

4. If NG, adjust ICC brake switch installation, refer to [BR-6](#), and perform step 3 again.



A

EC

C

D

E

F

G

H

I

J

K

L

M

N

O

P

IGNITION SIGNAL

< SERVICE INFORMATION >

[VK45DE]

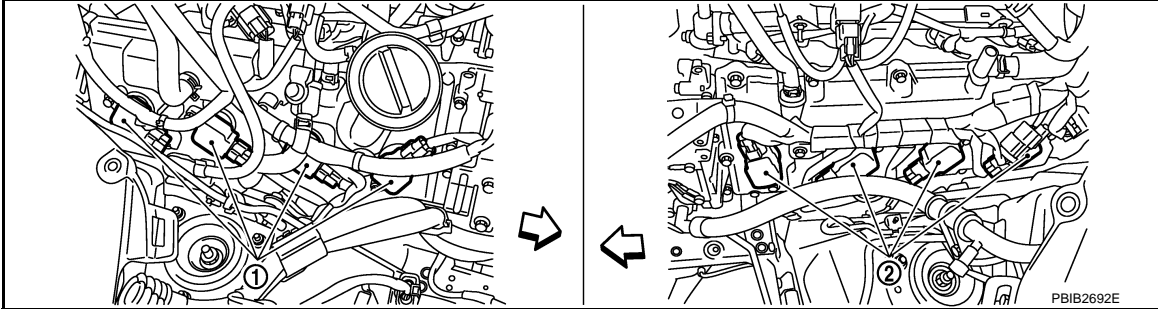
IGNITION SIGNAL

Component Description

INFOID:000000002955321

IGNITION COIL & POWER TRANSISTOR

The ignition signal from the ECM is sent to and amplified by the power transistor. The power transistor turns ON and OFF the ignition coil primary circuit. This ON/OFF operation induces the proper high voltage in the coil secondary circuit.



← : Vehicle front

1. Ignition coil (with power transistor)
(bank 2)

2. Ignition coil (with power transistor)
(bank 1)

IGNITION SIGNAL

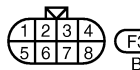
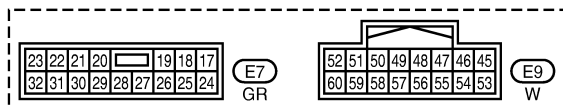
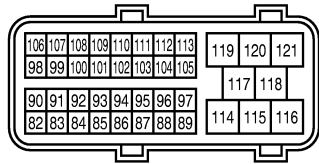
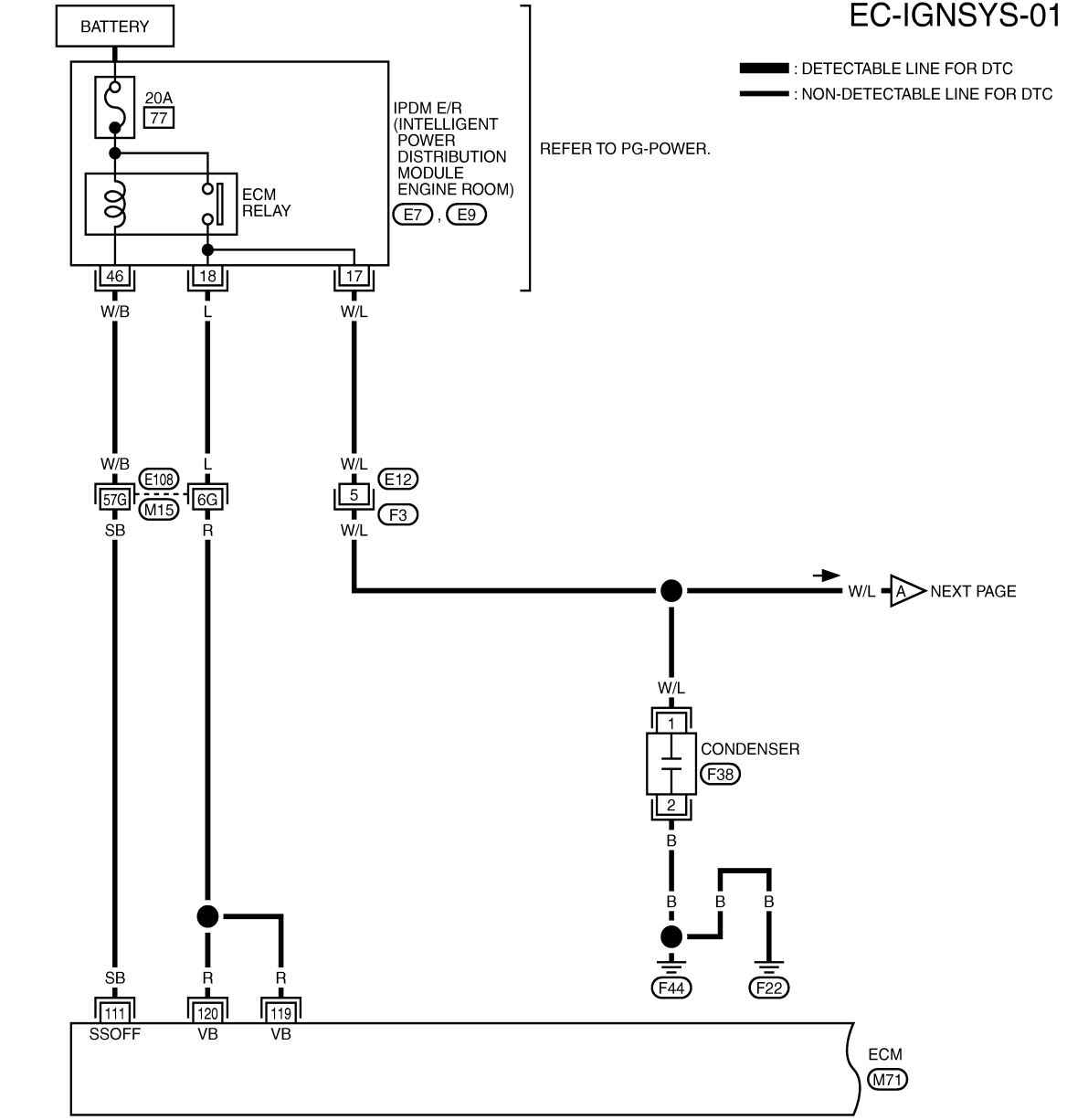
< SERVICE INFORMATION >

[VK45DE]

Wiring Diagram

INFOID:000000002955322

EC-IGNSYS-01



TBWT2016E

Specification data are reference values and are measured between each terminal and ground.

CAUTION:

Do not use ECM ground terminals when measuring input/output voltage. Doing so may result in damage to the ECM's transistor. Use a ground other than ECM terminals, such as the ground.

IGNITION SIGNAL

< SERVICE INFORMATION >

[VK45DE]

TER- MI- NAL NO.	WIRE COLOR	ITEM	CONDITION	DATA (DC Voltage)
111	SB	ECM relay (Self shut-off)	[Engine is running] [Ignition switch: OFF] <ul style="list-style-type: none"> • For a few seconds after turning ignition switch OFF 	0 - 1.5V
			[Ignition switch: OFF] <ul style="list-style-type: none"> • More than a few seconds after turning ignition switch OFF 	BATTERY VOLTAGE (11 - 14V)
119 120	R R	Power supply for ECM	[Ignition switch: ON]	BATTERY VOLTAGE (11 - 14V)

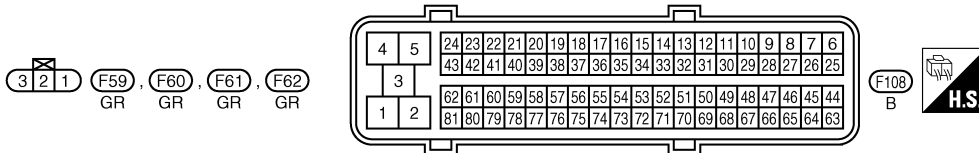
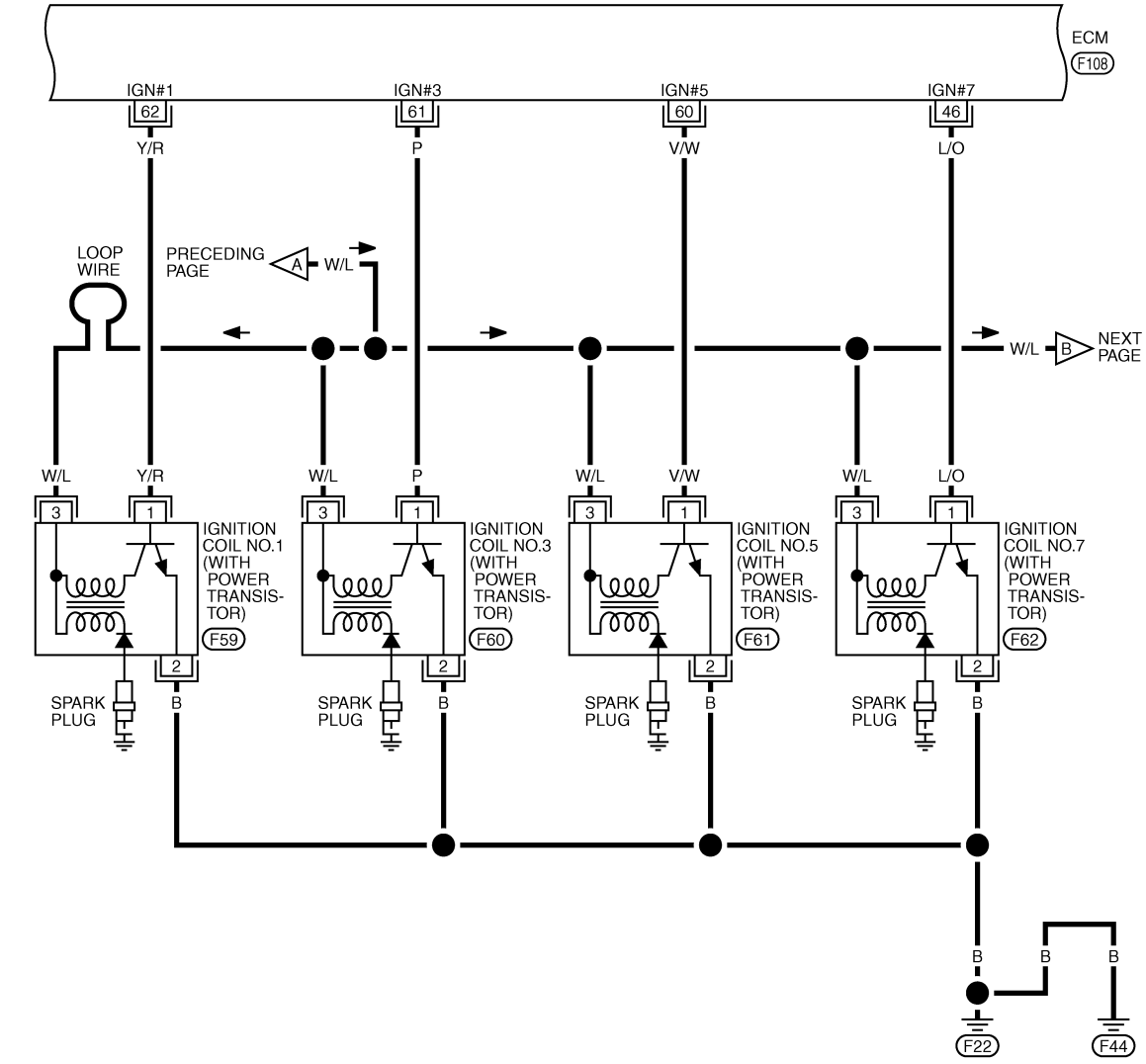
IGNITION SIGNAL

< SERVICE INFORMATION >

[VK45DE]

EC-IGNSYS-02

— : DETECTABLE LINE FOR DTC
 - - - : NON-DETECTABLE LINE FOR DTC



TBWT1062E

Specification data are reference values and are measured between each terminal and ground. Pulse signal is measured by CONSULT-III.

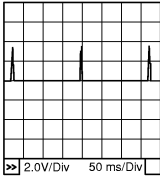
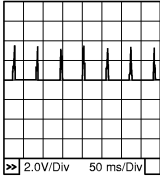
CAUTION:

Do not use ECM ground terminals when measuring input/output voltage. Doing so may result in damage to the ECM's transistor. Use a ground other than ECM terminals, such as the ground.

IGNITION SIGNAL

< SERVICE INFORMATION >

[VK45DE]

TER-MI-NAL NO.	WIRE COLOR	ITEM	CONDITION	DATA (DC Voltage)
46 60 61 62	L/O V/W P Y/R	Ignition signal No. 7 Ignition signal No. 5 Ignition signal No. 3 Ignition signal No. 1	<p>[Engine is running]</p> <ul style="list-style-type: none"> • Warm-up condition • Idle speed <p>NOTE: The pulse cycle changes depending on rpm at idle</p>	<p>0 - 0.2V★</p>  <p style="text-align: right; font-size: small;">PBIB0044E</p>
			<p>[Engine is running]</p> <ul style="list-style-type: none"> • Warm-up condition • Engine speed: 2,000 rpm 	<p>0.1 - 0.4V★</p>  <p style="text-align: right; font-size: small;">PBIB0045E</p>

★: Average voltage for pulse signal (Actual pulse signal can be confirmed by oscilloscope.)

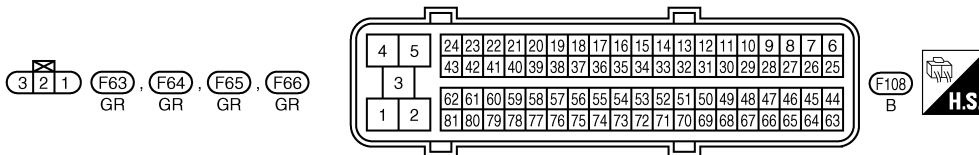
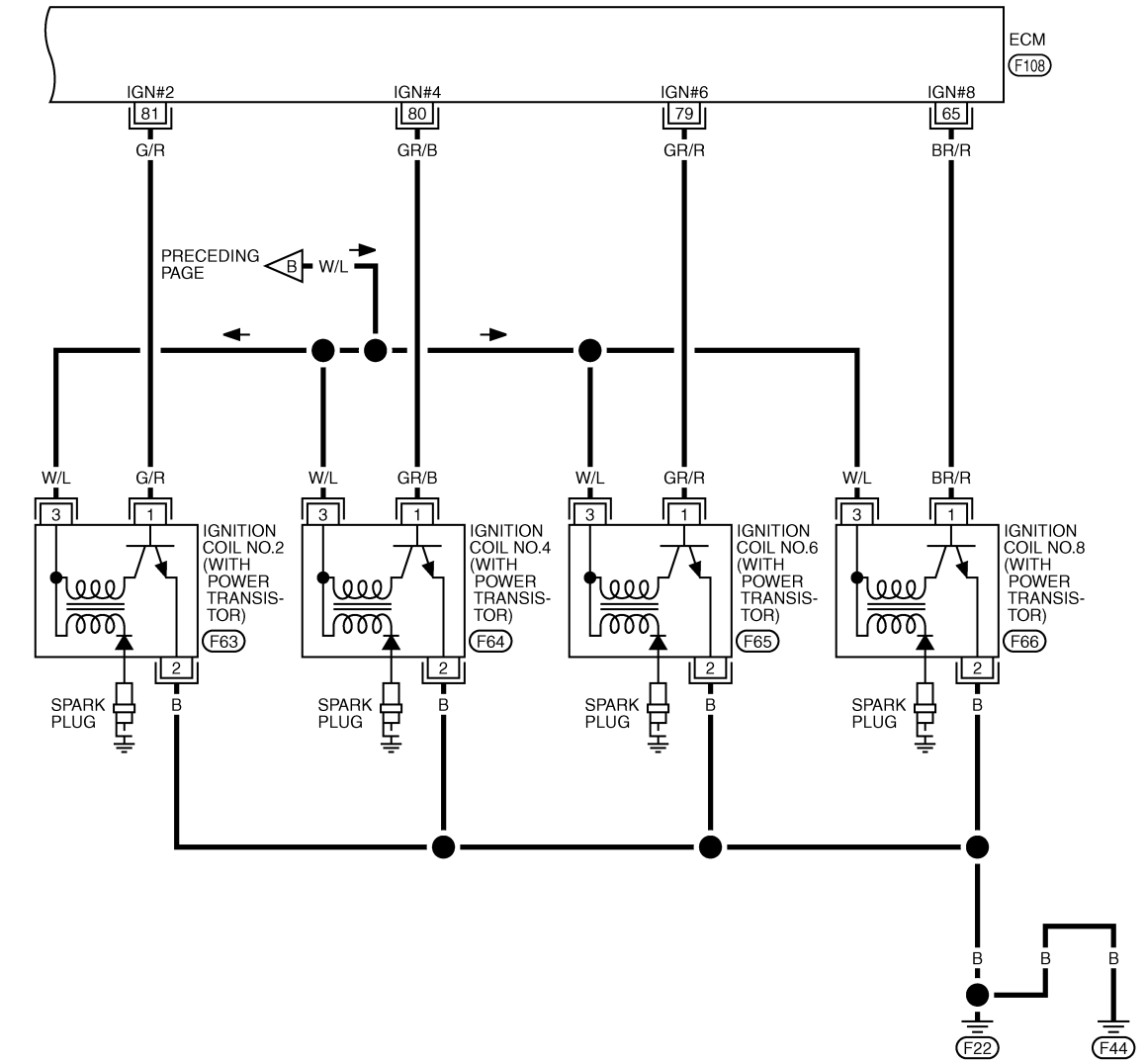
IGNITION SIGNAL

< SERVICE INFORMATION >

[VK45DE]

EC-IGNSYS-03

— : DETECTABLE LINE FOR DTC
 - - - : NON-DETECTABLE LINE FOR DTC



TBWT1063E

Specification data are reference values and are measured between each terminal and ground. Pulse signal is measured by CONSULT-III.

CAUTION:

Do not use ECM ground terminals when measuring input/output voltage. Doing so may result in damage to the ECM's transistor. Use a ground other than ECM terminals, such as the ground.

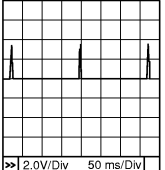
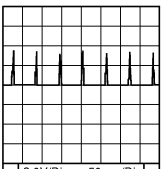
A
 C
 D
 E
 F
 G
 H
 I
 J
 K
 L
 M
 N
 O
 P

EC

IGNITION SIGNAL

< SERVICE INFORMATION >

[VK45DE]

TER-MI-NAL NO.	WIRE COLOR	ITEM	CONDITION	DATA (DC Voltage)	
65	BR/R	Ignition signal No. 8	[Engine is running] • Warm-up condition • Idle speed NOTE: The pulse cycle changes depending on rpm at idle	0 - 0.2V★  PBIB0044E	
79	GR/R	Ignition signal No. 6		[Engine is running] • Warm-up condition • Engine speed: 2,000 rpm	0.1 - 0.4V★  PBIB0045E
80	GR/B	Ignition signal No. 4			
81	G/R	Ignition signal No. 2			

★: Average voltage for pulse signal (Actual pulse signal can be confirmed by oscilloscope.)

Diagnosis Procedure

INFOID:000000002955323

1. CHECK ENGINE START

Turn ignition switch OFF, and restart engine.

Is engine running?

Yes or No

- Yes (With CONSULT-III)>>GO TO 2.
- Yes (Without CONSULT-III)>>GO TO 3.
- No >> GO TO 4.

2. CHECK OVERALL FUNCTION

With CONSULT-III

1. Perform "POWER BALANCE" in "ACTIVE TEST" mode with CONSULT-III.
2. Make sure that each circuit produces a momentary engine speed drop.

OK or NG

- OK >> **INSPECTION END**
- NG >> GO TO 10.

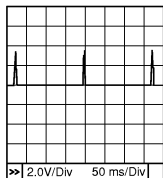
3. CHECK OVERALL FUNCTION

Without CONSULT-III

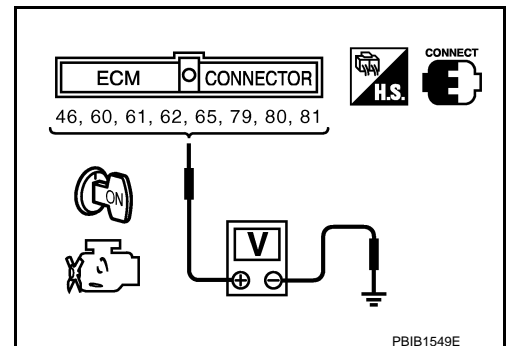
1. Let engine idle.
2. Read the voltage signal between ECM terminals 46, 60, 61, 62, 65, 79, 80, 81 and ground with an oscilloscope.
3. Verify that the oscilloscope screen shows the signal wave as shown below.

NOTE:

The pulse cycle changes depending on rpm at idle.



PBIB0044E



PBIB1549E

OK or NG

IGNITION SIGNAL

[VK45DE]

< SERVICE INFORMATION >

- OK >> **INSPECTION END**
- NG >> GO TO 10.

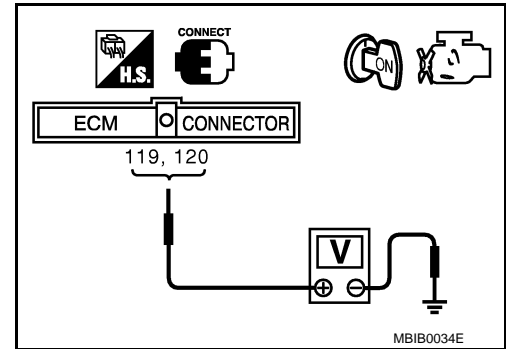
4.CHECK IGNITION COIL POWER SUPPLY CIRCUIT-I

1. Turn ignition switch OFF, wait at least 10 seconds and then turn ON.
2. Check voltage between ECM terminals 119, 120 and ground with CONSULT-III or tester.

Voltage: Battery voltage

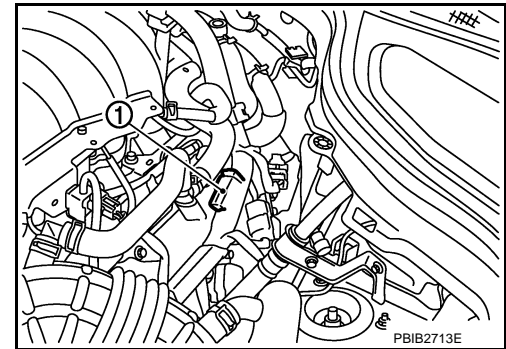
OK or NG

- OK >> GO TO 5.
- NG >> Go to [EC-765. "Diagnosis Procedure"](#).



5.CHECK IGNITION COIL POWER SUPPLY CIRCUIT-II

1. Turn ignition switch OFF.
2. Disconnect condenser (1) harness connector.
3. Turn ignition switch ON.

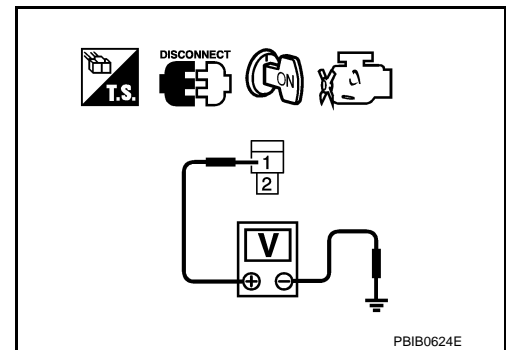


4. Check voltage between condenser terminal 1 and ground with CONSULT-III or tester.

Voltage: Battery voltage

OK or NG

- OK >> GO TO 8.
- NG >> GO TO 6.



6.CHECK IGNITION COIL POWER SUPPLY CIRCUIT-III

1. Turn ignition switch OFF.
2. Disconnect IPDM E/R harness connector E7.
3. Check harness continuity between IPDM E/R terminal 17 and condenser terminal 1. Refer to Wiring Diagram.

Continuity should exist.

4. Also check harness for short to ground and short to power.

OK or NG

- OK >> Go to [EC-765. "Diagnosis Procedure"](#).
- NG >> GO TO 7.

7.DETECT MALFUNCTIONING PART

Check the following.

- Harness connectors E12, F3

IGNITION SIGNAL

[VK45DE]

< SERVICE INFORMATION >

- Harness for open or short between IPDM E/R and condenser

>> Repair open circuit or short to ground or short to power in harness or connectors.

8. CHECK CONDENSER GROUND CIRCUIT FOR OPEN AND SHORT

1. Turn ignition switch OFF.
2. Check harness continuity between condenser terminal 2 and ground.
Refer to Wiring Diagram.

Continuity should exist.

3. Also check harness for short to power.

OK or NG

OK >> GO TO 9.

NG >> Repair open circuit or short to power in harness or connectors.

9. CHECK CONDENSER

Refer to [EC-1257. "Component Inspection"](#)

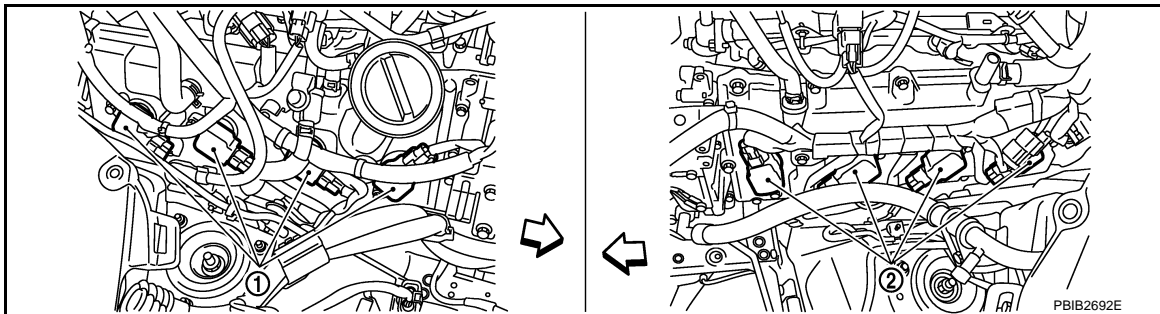
OK or NG

OK >> GO TO 10.

NG >> Replace condenser.

10. CHECK IGNITION COIL POWER SUPPLY CIRCUIT-IV

1. Turn ignition switch OFF.
2. Reconnect all harness connectors disconnected.
3. Disconnect ignition coil harness connector.



↖ : Vehicle front

1. Ignition coil (with power transistor)
(bank 2)

2. Ignition coil (with power transistor)
(bank 1)

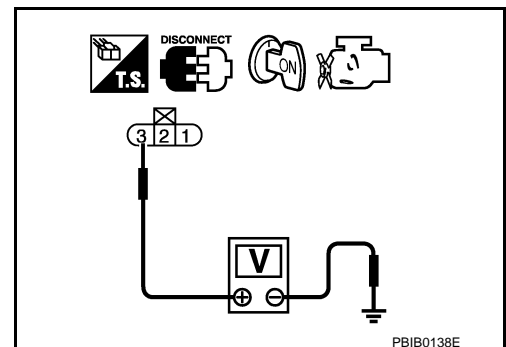
4. Turn ignition switch ON.
5. Check voltage between ignition coil terminal 3 and ground with CONSULT-III or tester.

Voltage: Battery voltage

OK or NG

OK >> GO TO 12.

NG >> GO TO 11.



11. DETECT MALFUNCTIONING PART

Check the following.

- Harness connector F3
- Harness for open or short between ignition coil and harness connector F3

IGNITION SIGNAL

< SERVICE INFORMATION >

[VK45DE]

>> Repair or replace harness or connectors.

12.CHECK IGNITION COIL GROUND CIRCUIT FOR OPEN AND SHORT

1. Turn ignition switch OFF.
2. Check harness continuity between ignition coil terminal 2 and ground.
Refer to Wiring Diagram.

Continuity should exist.

3. Also check harness for short to power.

OK or NG

OK >> GO TO 13.

NG >> Repair open circuit or short to power in harness or connectors.

13.CHECK IGNITION COIL OUTPUT SIGNAL CIRCUIT FOR OPEN AND SHORT

1. Disconnect ECM harness connector.
2. Check harness continuity between ECM terminals 46, 60, 61, 62, 65, 79, 80, 81 and ignition coil terminal 1. Refer to Wiring Diagram.

Continuity should exist.

3. Also check harness for short to ground and short to power.

OK or NG

OK >> GO TO 14.

NG >> Repair open circuit or short to ground or short to power in harness or connectors.

14.CHECK IGNITION COIL WITH POWER TRANSISTOR

Refer to [EC-1257. "Component Inspection"](#).

OK or NG

OK >> GO TO 15.

NG >> Replace ignition coil with power transistor.

15.CHECK INTERMITTENT INCIDENT

Refer to [EC-763. "Diagnosis Procedure"](#).

>> **INSPECTION END**

Component Inspection

INFOID:000000002955324

IGNITION COIL WITH POWER TRANSISTOR

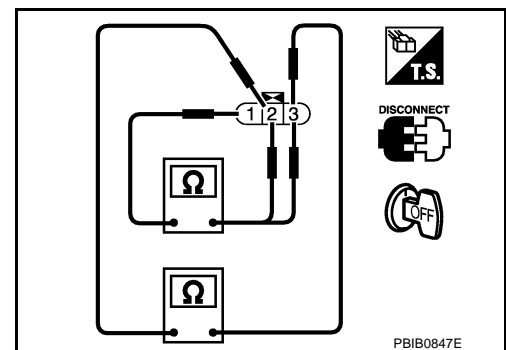
CAUTION:

Do the following procedure in the place where ventilation is good without the combustible.

1. Turn ignition switch OFF.
2. Disconnect ignition coil harness connector.
3. Check resistance between ignition coil terminals as follows.

Terminal No. (Polarity)	Resistance Ω [at 25°C (77°F)]
1 and 2	Except 0 or ∞
1 and 3	Except 0
2 and 3	

4. If NG, replace ignition coil with power transistor.
If OK, go to next step.
5. Turn ignition switch OFF.
6. Reconnect all harness connectors disconnected.



IGNITION SIGNAL

[VK45DE]

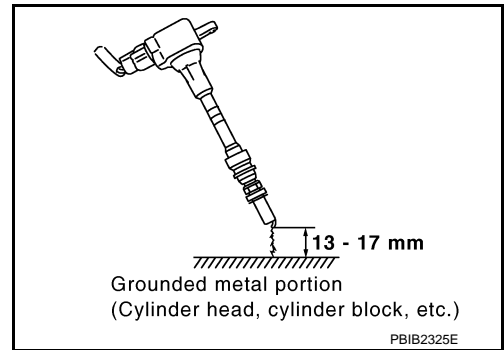
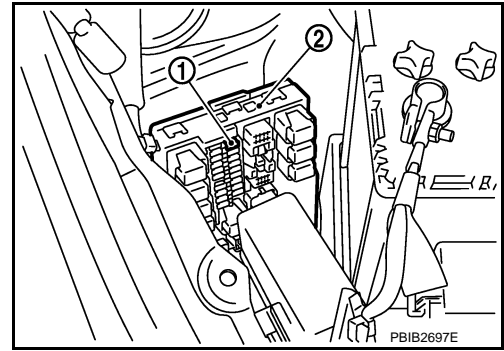
< SERVICE INFORMATION >

7. Remove fuel pump fuse (1) in IPDM E/R (2) to release fuel pressure.

NOTE:

Do not use CONSULT-III to release fuel pressure, or fuel pressure applies again during the following procedure.

8. Start engine.
9. After engine stalls, crank it two or three times to release all fuel pressure.
10. Turn ignition switch OFF.
11. Remove all ignition coil harness connectors to avoid the electrical discharge from the ignition coils.
12. Remove ignition coil and spark plug of the cylinder to be checked.
13. Crank engine for 5 seconds or more to remove combustion gas in the cylinder.
14. Connect spark plug and harness connector to ignition coil.
15. Fix ignition coil using a rope etc. with gap of 13 - 17 mm between the edge of the spark plug and grounded metal portion as shown in the figure.
16. Crank engine for about 3 seconds, and check whether spark is generated between the spark plug and the grounded metal portion.



Spark should be generated.

CAUTION:

- Do not approach to the spark plug and the ignition coil within 50cm. Be careful not to get an electrical shock while checking, because the electrical discharge voltage becomes 20kV or more.
- It might cause to damage the ignition coil if the gap of more than 17 mm is taken.

NOTE:

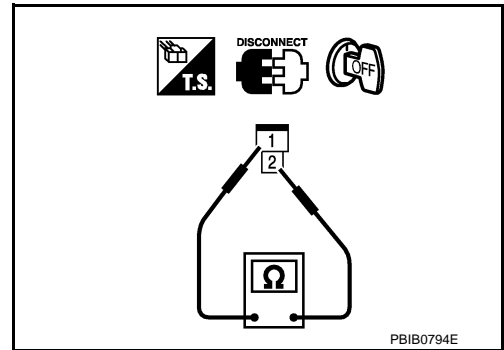
When the gap is less than 13 mm, the spark might be generated even if the coil is malfunctioning.

17. If NG, replace ignition coil with power transistor.

CONDENSER

1. Turn ignition switch OFF.
2. Disconnect condenser harness connector.
3. Check resistance between condenser terminals 1 and 2.

Resistance: Above 1 MΩ [at 25°C (77°F)]



Removal and Installation

INFOID:000000002955325

IGNITION COIL WITH POWER TRANSISTOR

Refer to [EM-189](#).

REFRIGERANT PRESSURE SENSOR

< SERVICE INFORMATION >

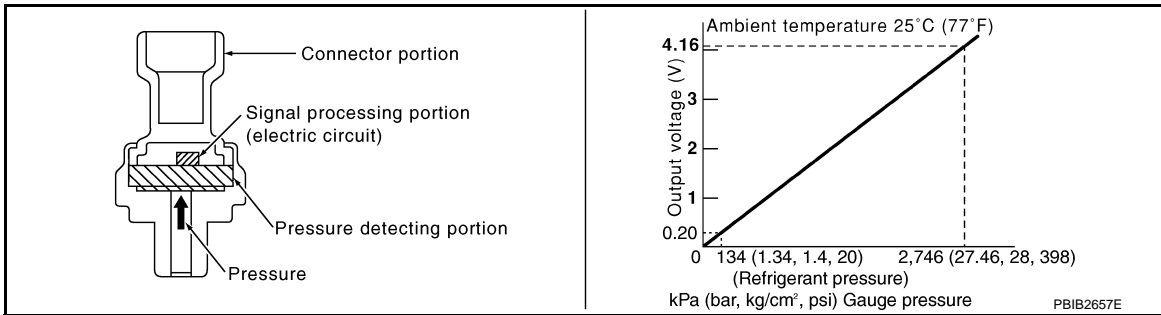
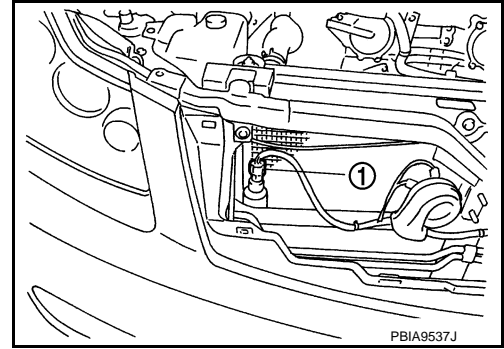
[VK45DE]

REFRIGERANT PRESSURE SENSOR

Component Description

INFOID:000000002955326

The refrigerant pressure sensor (1) is installed at the condenser of the air conditioner system. The sensor uses an electrostatic volume pressure transducer to convert refrigerant pressure to voltage. The voltage signal is sent to ECM, and ECM controls cooling fan system.



REFRIGERANT PRESSURE SENSOR

< SERVICE INFORMATION >

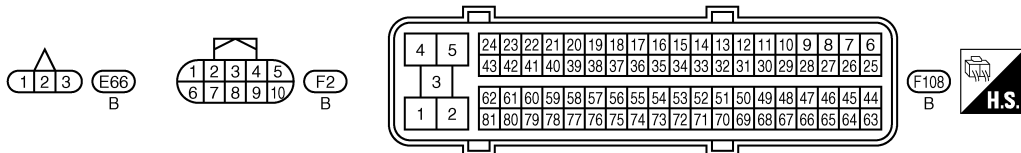
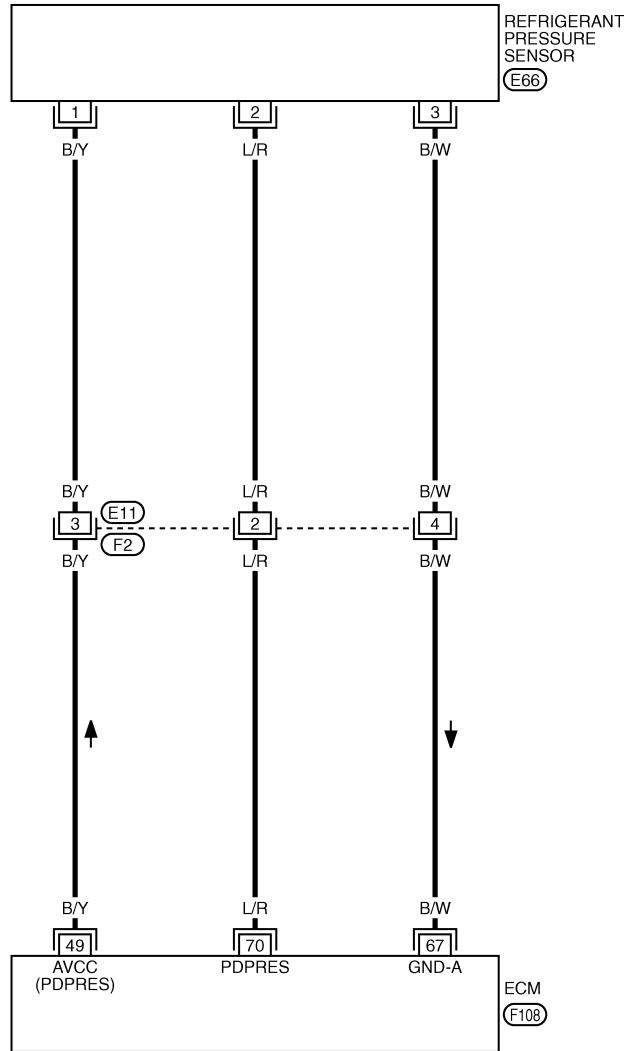
[VK45DE]

INFOID:00000002955327

Wiring Diagram

EC-RP/SEN-01

— : DETECTABLE LINE FOR DTC
 — : NON-DETECTABLE LINE FOR DTC



TBWT1067E

Specification data are reference values and are measured between each terminal and ground.

CAUTION:

Do not use ECM ground terminals when measuring input/output voltage. Doing so may result in damage to the ECM's transistor. Use a ground other than ECM terminals, such as the ground.

REFRIGERANT PRESSURE SENSOR

< SERVICE INFORMATION >

[VK45DE]

TER-MI-NAL NO.	WIRE COLOR	ITEM	CONDITION	DATA (DC Voltage)
49	B/Y	Sensor power supply (Refrigerant pressure sensor)	[Ignition switch: ON]	Approximately 5V
67	B/W	Sensor ground (Refrigerant pressure sensor)	[Engine is running] • Warm-up condition • Idle speed	Approximately 0V
70	L/R	Refrigerant pressure sensor	[Engine is running] • Warm-up condition • Both A/C switch and blower fan motor switch: ON (Compressor operates)	1.0 - 4.0V

Diagnosis Procedure

INFOID:000000002955328

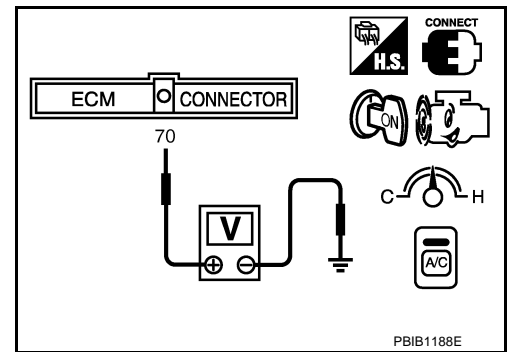
1. CHECK REFRIGERANT PRESSURE SENSOR OVERALL FUNCTION

1. Start engine and warm it up to normal operating temperature.
2. Turn A/C switch and blower fan switch ON.
3. Check voltage between ECM terminal 70 and ground with CONSULT-III or tester.

Voltage: 1.0 - 4.0V

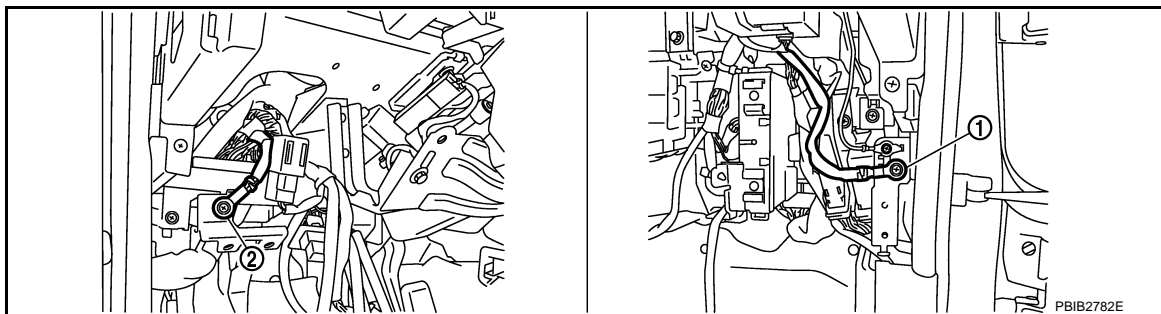
OK or NG

- OK >> **INSPECTION END**
 NG >> GO TO 2.



2. CHECK GROUND CONNECTIONS

1. Turn A/C switch and blower fan switch OFF.
2. Turn ignition switch OFF.
3. Loosen and retighten ground screws on the body.
Refer to [EC-769. "Ground Inspection"](#).



1. Body ground M70 2. Body ground M16

OK or NG

- OK >> GO TO 3.
 NG >> Repair or replace ground connections.

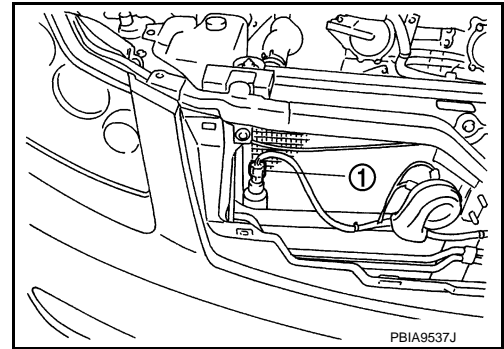
3. CHECK REFRIGERANT PRESSURE SENSOR POWER SUPPLY CIRCUIT

REFRIGERANT PRESSURE SENSOR

[VK45DE]

< SERVICE INFORMATION >

1. Disconnect refrigerant pressure sensor (1) harness connector.
2. Turn ignition switch ON.

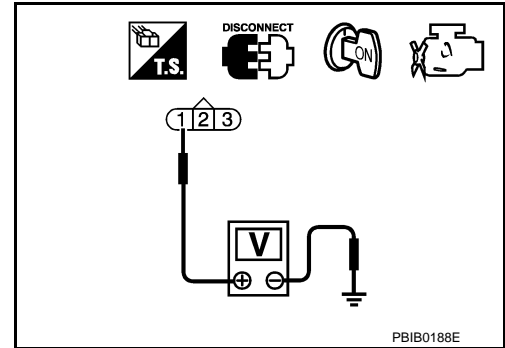


3. Check voltage between refrigerant pressure sensor terminal 1 and ground with CONSULT-III or tester.

Voltage: Approximately 5V

OK or NG

- OK >> GO TO 5.
- NG >> GO TO 4.



4. DETECT MALFUNCTIONING PART

Check the following.

- Harness connectors E11, F2
- Harness for open or short between ECM and refrigerant pressure sensor

>> Repair open circuit or short to ground or short to power in harness or connectors.

5. CHECK REFRIGERANT PRESSURE SENSOR GROUND CIRCUIT FOR OPEN AND SHORT

1. Turn ignition switch OFF.
2. Disconnect ECM harness connector.
3. Check harness continuity between refrigerant pressure sensor terminal 3 and ECM terminal 67. Refer to Wiring Diagram.

Continuity should exist.

4. Also check harness for short to ground and short to power.

OK or NG

- OK >> GO TO 7.
- NG >> GO TO 6.

6. DETECT MALFUNCTIONING PART

Check the following.

- Harness connectors E11, F2
- Harness for open or short between ECM and refrigerant pressure sensor

>> Repair open circuit or short to ground or short to power in harness or connectors.

7. CHECK REFRIGERANT PRESSURE SENSOR INPUT SIGNAL CIRCUIT FOR OPEN AND SHORT

1. Check harness continuity between ECM terminal 70 and refrigerant pressure sensor terminal 2. Refer to Wiring Diagram.

Continuity should exist.

2. Also check harness for short to ground and short to power.

OK or NG

REFRIGERANT PRESSURE SENSOR

[VK45DE]

< SERVICE INFORMATION >

- OK >> GO TO 9.
- NG >> GO TO 8.

8. DETECT MALFUNCTIONING PART

Check the following.

- Harness connectors E11, F2
- Harness for open or short between ECM and refrigerant pressure sensor

>> Repair open circuit or short to ground or short to power in harness or connectors.

9. CHECK INTERMITTENT INCIDENT

Refer to [EC-763, "Diagnosis Procedure"](#).

OK or NG

- OK >> Replace refrigerant pressure sensor.
- NG >> Repair or replace.

Removal and Installation

INFOID:000000002955329

REFRIGERANT PRESSURE SENSOR

Refer to [ATC-151, "Removal and Installation of Refrigerant Pressure Sensor"](#).

A
EC
C
D
E
F
G
H
I
J
K
L
M
N
O
P

SNOW MODE SWITCH

[VK45DE]

< SERVICE INFORMATION >

SNOW MODE SWITCH

Description

INFOID:000000003356931

NOTE:

If DTC U1000 or U1001 are displayed, first perform the trouble diagnosis for DTC U1000, U1001.

Refer to [EC-770, "DTC Confirmation Procedure"](#).

If DTC U1010 is displayed, first perform the trouble diagnosis for DTC U1010.

Refer to [EC-772, "DTC Confirmation Procedure"](#).

The snow mode switch signal is sent to the "unified meter and A/C amp." from the snow mode switch. The "unified meter and A/C amp." then sends the signal to the ECM by CAN communication line.

The snow mode is used for driving or starting the vehicle on snowy roads or slippery areas. If the snow mode is activated, the vehicle speed will not be accelerated immediately than your original pedal in due to avoid the vehicle slip. In other words, ECM controls the rapid engine torque change by controlling the electric throttle control actuator operating speed.

CONSULT-III Reference Value in Data Monitor Mode

INFOID:000000003356932

MONITOR ITEM	CONDITION		SPECIFICATION
SNOW MODE SW	• Ignition switch: ON	SNOW MODE SW: ON	ON
		SNOW MODE SW: OFF	OFF

SNOW MODE SWITCH

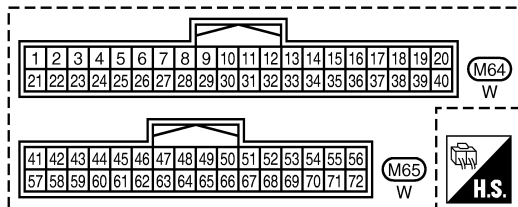
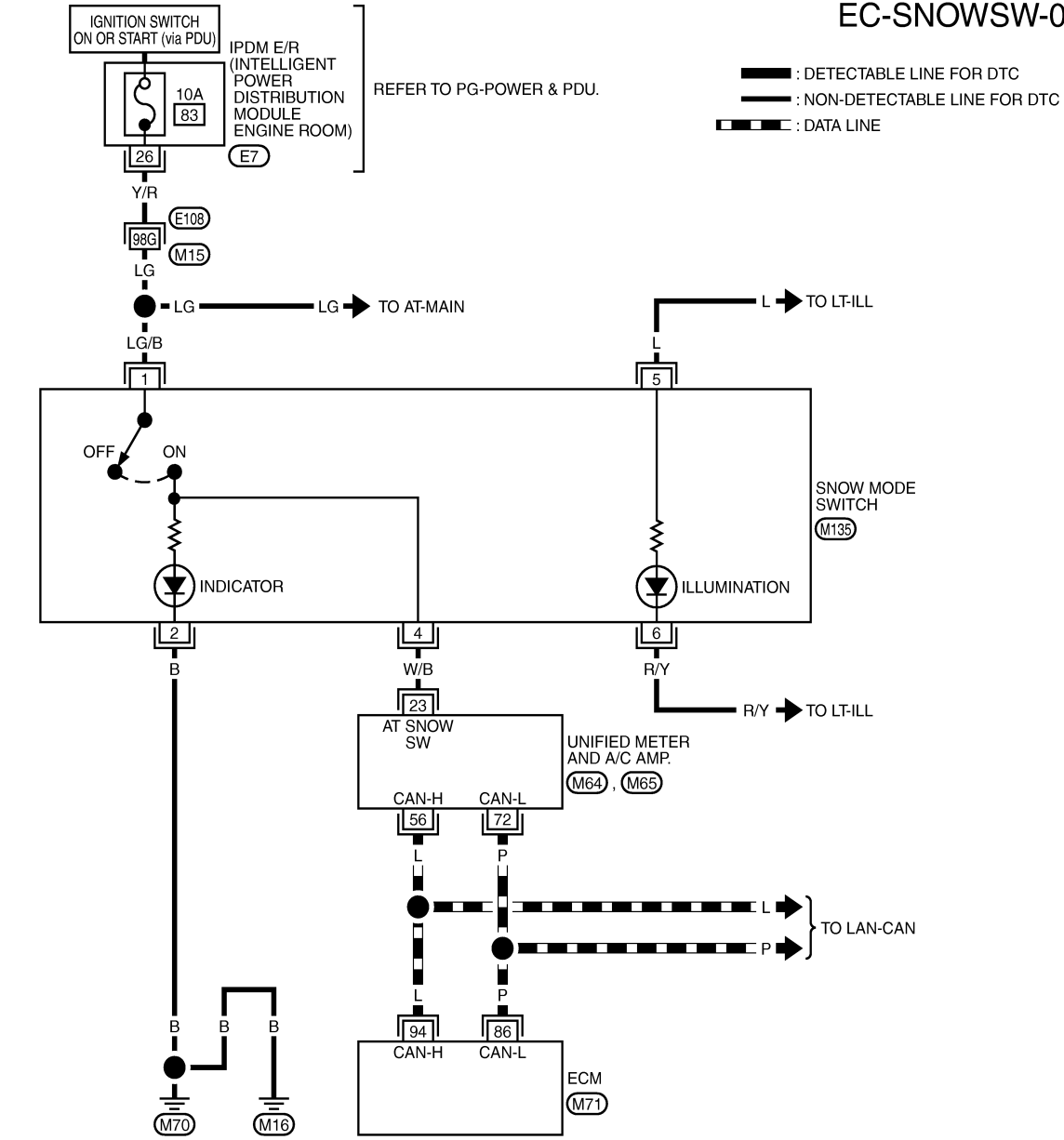
< SERVICE INFORMATION >

[VK45DE]

INFOID:000000003356933

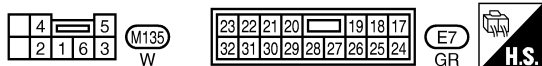
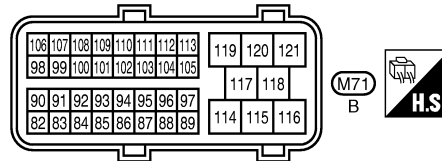
Wiring Diagram

EC-SNOWSW-01



REFER TO THE FOLLOWING.

(E108) - SUPER MULTIPLE JUNCTION (SMJ)



TBWT2018E

Diagnosis Procedure

INFOID:000000003356934

1. CHECK SNOW MODE SWITCH OVERALL FUNCTION-I

1. Turn ignition switch ON.
2. Select "SNOW MODE SW" in "DATA MONITOR" mode with CONSULT-III.
3. Check "SNOW MODE SW" indication under the following conditions.

SNOW MODE SWITCH

[VK45DE]

< SERVICE INFORMATION >

CONDITION	INDICATION
Snow mode switch: ON	ON
Snow mode switch: OFF	OFF

OK or NG

- OK >> GO TO 2.
- NG >> GO TO 3.

2.CHECK SNOW MODE SWITCH OVERALL FUNCTION-II

1. Turn ignition switch ON.
2. Start engine.
3. Check the snow mode indicator in the snow mode switch under the following condition.

CONDITION	INDICATION
Snow mode switch: ON	ON
Snow mode switch: OFF	OFF

OK or NG

- OK >> **INSPECTION END**
- NG >> GO TO 7.

3.CHECK DTC WITH "UNIFIED METER AND A/C AMP."

Refer to [DI-27, "CONSULT-III Function \(METER/M&A\)"](#).

OK or NG

- OK >> GO TO 4.
- NG >> Follow the instruction of [DI-27, "CONSULT-III Function \(METER/M&A\)"](#).

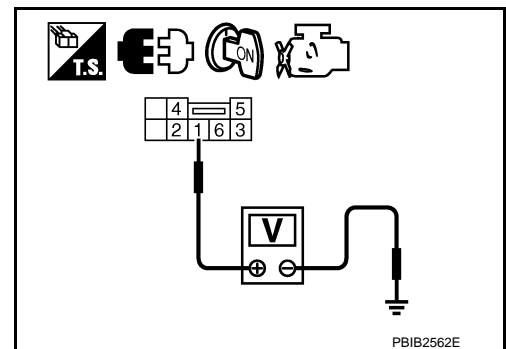
4.CHECK SNOW MODE SWITCH POWER SUPPLY CIRCUIT

1. Turn ignition switch OFF.
2. Disconnect snow mode switch harness connector.
3. Turn ignition switch ON.
4. Check voltage between snow mode switch terminal 1 and ground with CONSULT-III or tester.

Voltage: Battery voltage.

OK or NG

- OK >> GO TO 6.
- NG >> GO TO 5.



5.DETECT MALFUNCTIONING PART

Check the following.

- Harness connectors E108, M15
- IPDM E/R harness connector E7
- 10A fuse
- Harness for open or short between snow mode switch and fuse.

>> Repair open circuit or short to ground or short to power in harness or connectors.

6.CHECK SNOW MODE SWITCH INPUT SIGNAL CIRCUIT FOR OPEN AND SHORT

1. Turn ignition switch OFF.
2. Disconnect "unified meter and A/C amp." harness connector.
3. Check harness continuity between snow mode switch terminal 4 and "unified meter and A/C amp." terminal 23. Refer to Wiring Diagram.

SNOW MODE SWITCH

< SERVICE INFORMATION >

[VK45DE]

Continuity should exist.

4. Also check harness for short to ground and short to power.

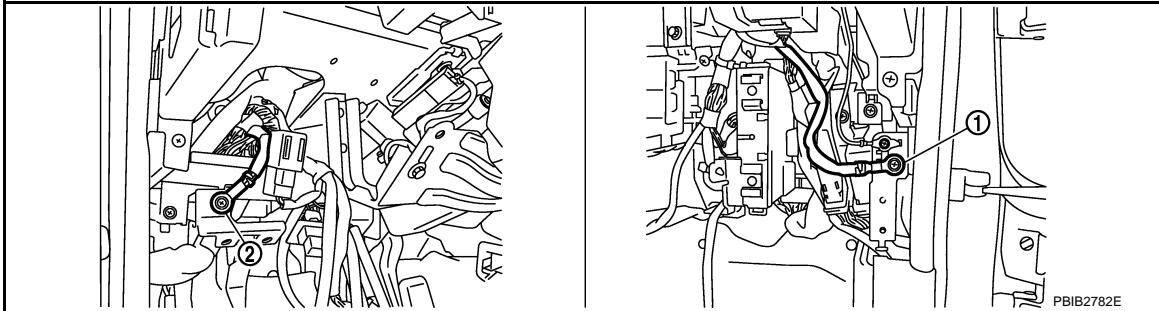
OK or NG

OK >> GO TO 9.

NG >> Repair open circuit or short to ground or short to power in harness or connectors.

7. CHECK GROUND CONNECTIONS

1. Turn ignition switch OFF.
2. Loosen and retighten two ground screws on the body.
Refer to [EC-146, "Ground Inspection"](#).



1. Body ground M70

2. Body ground M16

OK or NG

OK >> GO TO 8.

NG >> Repair or replace ground connections.

8. CHECK SNOW MODE INDICATOR LAMP GROUND CIRCUIT FOR OPEN AND SHORT

1. Check harness continuity between snow mode switch terminal 2 and ground.
Refer to Wiring Diagram.

Continuity should exist.

2. Also check harness for short to power.

OK or NG

OK >> GO TO 9.

NG >> Repair open circuit or short to power in harness or connectors.

9. CHECK SNOW MODE SWITCH

Refer to [EC-1267, "Component Inspection"](#).

OK or NG

OK >> GO TO 10.

NG >> Replace snow mode switch.

10. CHECK INTERMITTENT INCIDENT

Refer to [EC-763, "Diagnosis Procedure"](#).

>> **INSPECTION END**

Component Inspection

SNOW MODE SWITCH

INFOID:000000003356935

SNOW MODE SWITCH

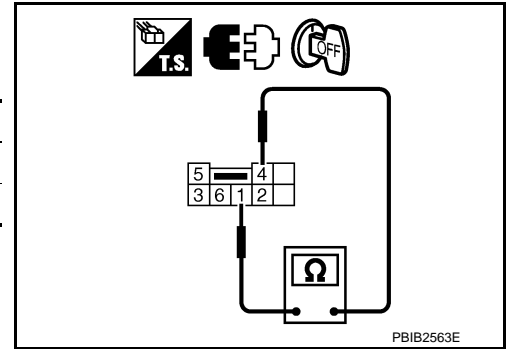
[VK45DE]

< SERVICE INFORMATION >

1. Check continuity between snow mode switch terminals 1 and 4 under the following conditions.

CONDITION	CONTINUITY
Snow mode switch: ON	Should exist
Snow mode switch: OFF	Should not exist

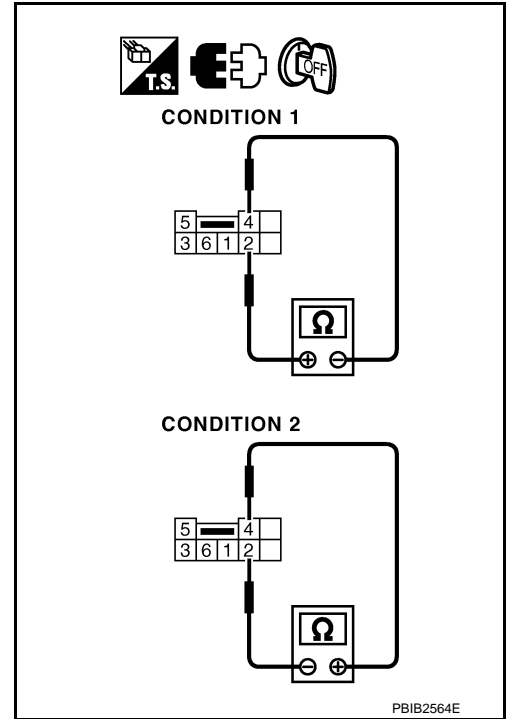
2. If NG, replace snow mode switch.
If OK, go to following step.



3. Check continuity between snow mode switch terminals 2 and 4 under the following conditions.

CONDITION	CONTINUITY
1	Should exist.
2	Should not exist.

4. If NG, replace snow mode switch.



VIAS

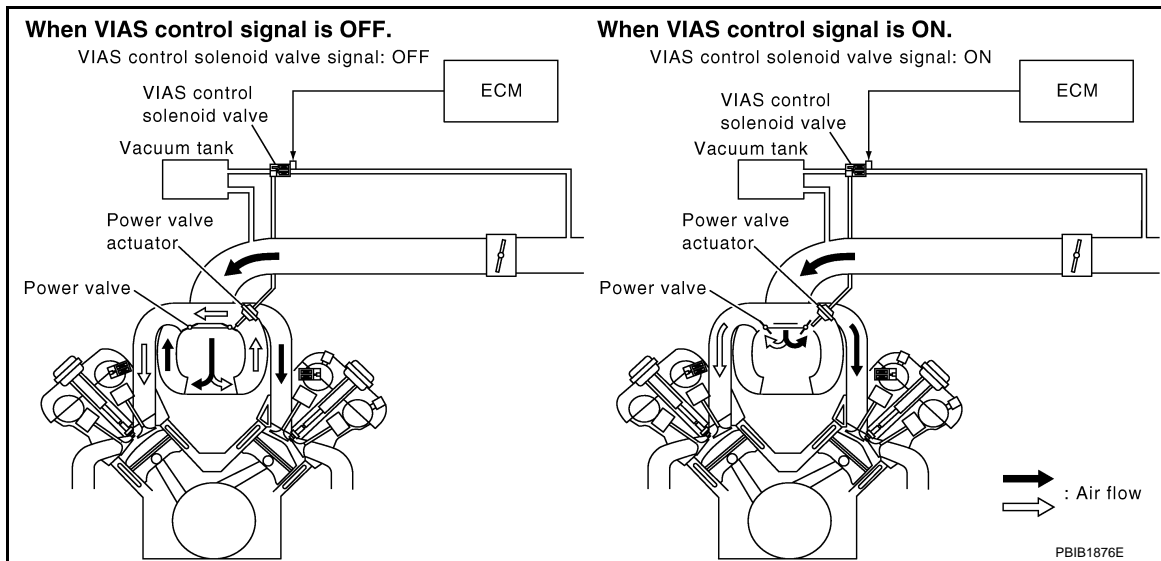
Description

INFOID:000000002955330

SYSTEM DESCRIPTION

Sensor	Input signal to ECM	ECM function	Actuator
Crankshaft position sensor (POS) Camshaft position sensor (PHASE)	Engine speed*	VIAS control	VIAS control solenoid valve
Mass air flow sensor	Amount of intake air		
Throttle position sensor	Throttle position		
Accelerator pedal position sensor	Accelerator pedal position		
Battery	Battery voltage*		
Engine coolant temperature sensor	Engine coolant temperature		

*: The ECM determines the start signal status by the signals of engine speed and battery voltage.



When the engine is running at low or medium speed, the power valve is fully closed. Under this condition, the effective suction port length is equivalent to the total length of the intake manifold collector's suction port including the intake valve. This long suction port provides increased air intake which results in improved suction efficiency and higher torque generation.

The surge tank and one-way valve are provided. When engine is running at high speed, the ECM sends the signal to the VIAS control solenoid valve. This signal introduces the intake manifold vacuum into the power valve actuator and therefore opens the power valve to two suction passages together in the collector.

Under this condition, the effective port length is equivalent to the length of the suction port provided independently for each cylinder. This shortened port length results in enhanced engine output with reduced suction resistance under high speeds.

The power valve is always open regardless of the engine speed when gear position is in N or P.

COMPONENT DESCRIPTION

Power Valve

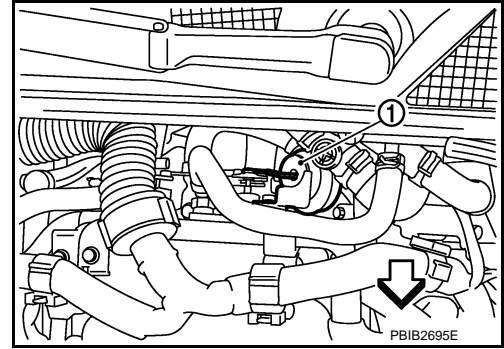
VIAS

[VK45DE]

< SERVICE INFORMATION >

The power valve is installed in intake manifold collector and used to control the suction passage of the variable induction air control system. It is set in the fully closed or fully opened position by the power valve actuator (1) operated by the vacuum stored in the surge tank. The vacuum in the surge tank is controlled by the VIAS control solenoid valve.

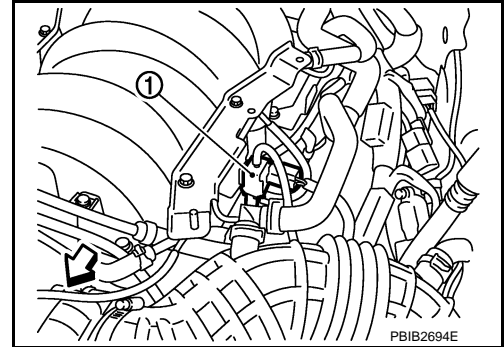
- ⇐: Vehicle front



VIAS Control Solenoid Valve

The VIAS control solenoid valve (1) cuts the intake manifold vacuum signal for power valve actuator. It responds to ON/OFF signals from the ECM. When the solenoid is off, the vacuum signal from the intake manifold is cut. When the ECM sends an ON signal the coil pulls the plunger downward and feeds the vacuum signal to the power valve actuator.

- ⇐: Vehicle front



CONSULT-III Reference Value in Data Monitor Mode

INFOID:000000002955331

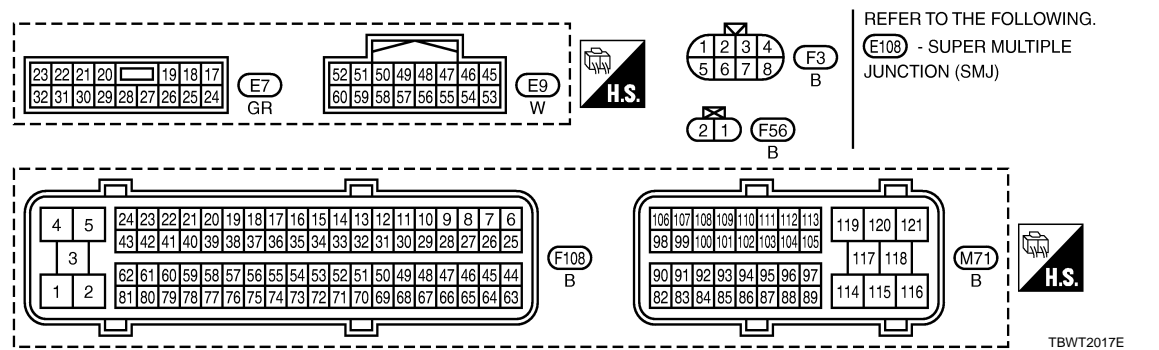
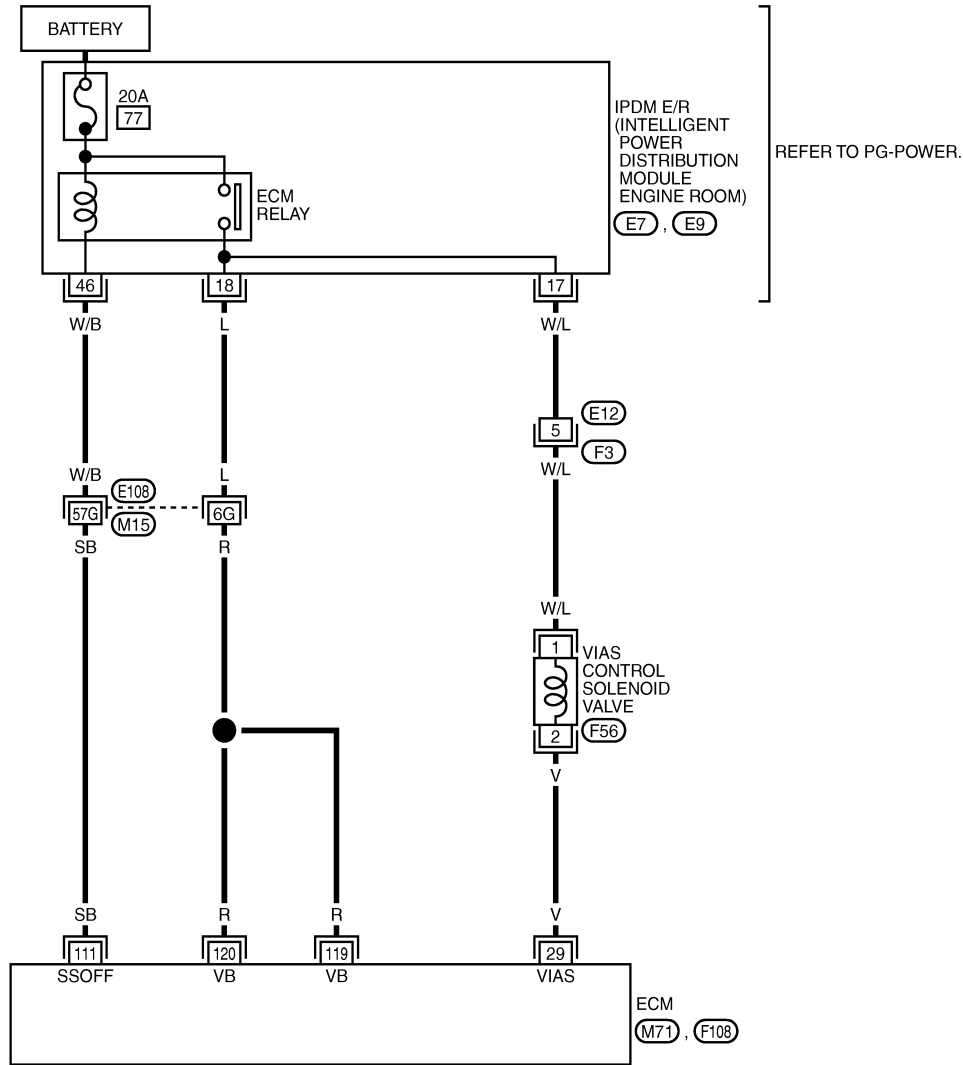
MONITOR ITEM	CONDITION	SPECIFICATION
VIAS S/V-1	<ul style="list-style-type: none"> • Selector lever: P or N • Engine speed: More than 5,000 rpm 	ON
	<ul style="list-style-type: none"> • Selector lever: Except P or N • Engine speed: Less than 5,000 rpm 	OFF

Wiring Diagram

INFOID:000000002955332

EC-VIAS-01

— : DETECTABLE LINE FOR DTC
 — : NON-DETECTABLE LINE FOR DTC



Specification data are reference values and are measured between each terminal and ground.

CAUTION:

Do not use ECM ground terminals when measuring input/output voltage. Doing so may result in damage to the ECM's transistor. Use a ground other than ECM terminals, such as the ground.

TER-MI-NAL NO.	WIRE COLOR	ITEM	CONDITION	DATA (DC Voltage)
29	V	VIAS control solenoid valve	[Engine is running] • Selector lever: P or N	0 - 1.0V
			[Engine is running] • Selector lever: D • Engine speed: Below 5,000 rpm	BATTERY VOLTAGE (11 - 14V)
			[Engine is running] • Engine speed: Above 5,000 rpm	0 - 1.0V
111	SB	ECM relay (Self shut-off)	[Engine is running] [Ignition switch: OFF] • For a few seconds after turning ignition switch OFF	0 - 1.5V
			[Ignition switch: OFF] • More than a few seconds after turning ignition switch OFF	BATTERY VOLTAGE (11 - 14V)
119 120	R R	Power supply for ECM	[Ignition switch: ON]	BATTERY VOLTAGE (11 - 14V)

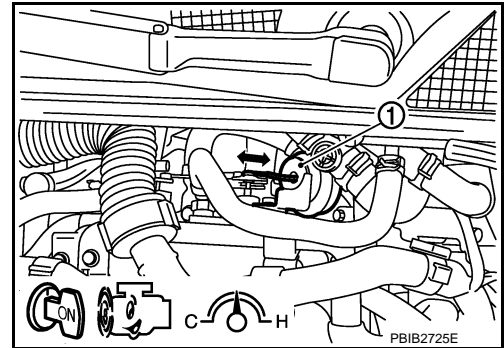
Diagnosis Procedure

INFOID:000000002955333

1. CHECK OVERALL FUNCTION

Ⓟ With CONSULT-III

1. Start engine and warm it up to normal operating temperature.
2. Perform "VIAS S/V-1" in "ACTIVE TEST" mode with CONSULT-III.
3. Turn VIAS control solenoid valve ON and OFF, and make sure that power valve actuator (1) rod moves.

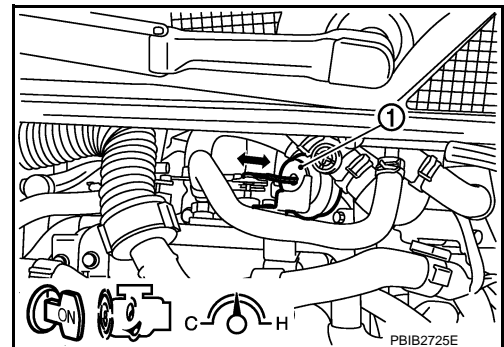


ⓧ Without CONSULT-III

1. Lift up the vehicle.
2. Start engine and warm it up to normal operating temperature.
3. Make sure that power valve actuator (1) rod moves when changing the gear position to N and D alternately.

OK or NG

- OK >> **INSPECTION END**
- NG (With CONSULT-III)>>GO TO 2.
- NG (Without CONSULT-III)>>GO TO 3.



2. CHECK VACUUM EXISTENCE

Ⓟ With CONSULT-III

1. Stop engine and disconnect vacuum hose connected to power valve actuator.

< SERVICE INFORMATION >

2. Start engine and let it idle.
3. Perform "VIAS S/V-1" in "ACTIVE TEST" mode with CONSULT-III.
4. Turn VIAS control solenoid valve ON and OFF, and check vacuum existence under the following conditions.

VIAS S/V-1	Vacuum
ON	Should exist.
OFF	Should not exist.

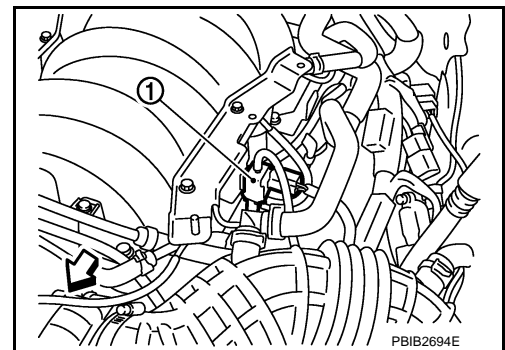
OK or NG

- OK >> Repair or replace power valve actuator.
- NG >> GO TO 4.

3.CHECK VACUUM EXISTENCE

⊗ Without CONSULT-III

1. Stop engine and disconnect vacuum hose connected to power valve actuator.
2. Disconnect VIAS control solenoid valve (1) harness connector.
 - ↖: Vehicle front
3. Start engine and let it idle.



4. Apply 12V of direct current between VIAS control solenoid valve terminals 1 and 2.
5. Check vacuum existence under the following conditions.

Condition	Vacuum
12V direct current supply	Should exist.
No supply	Should not exist.

OK or NG

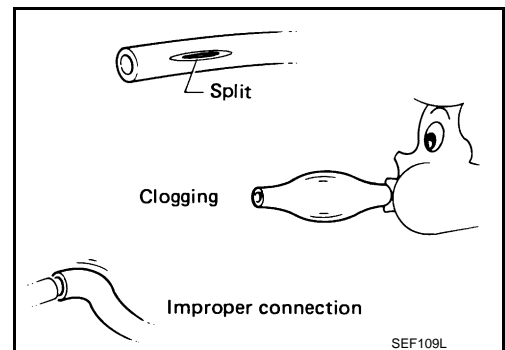
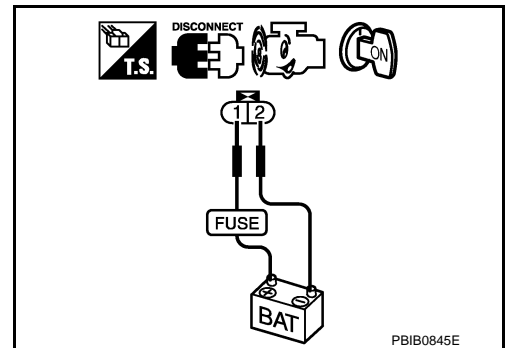
- OK >> Repair or replace power valve actuator.
- NG >> GO TO 4.

4.CHECK VACUUM HOSE

1. Stop engine.
2. Check hoses and tubes between intake manifold and power valve actuator for crack, clogging, improper connection or disconnection. Refer to [EC-730, "Vacuum Hose Drawing"](#).

OK or NG

- OK >> GO TO 5.
- NG >> Repair hoses or tubes.



5.CHECK VACUUM TANK

Refer to [EC-1275, "Component Inspection"](#).

OK or NG

- OK >> GO TO 6.

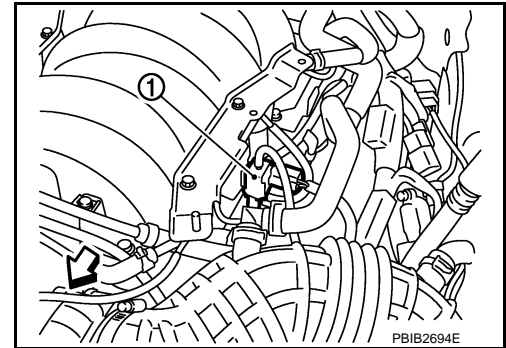
A
EC
C
D
E
F
G
H
I
J
K
L
M
N
O
P

< SERVICE INFORMATION >

NG >> Replace vacuum tank.

6. CHECK VIAS CONTROL SOLENOID VALVE POWER SUPPLY CIRCUIT

1. Turn ignition switch OFF.
2. Disconnect VIAS control solenoid valve (1) harness connector.
 - ⇐: Vehicle front
3. Turn ignition switch ON.

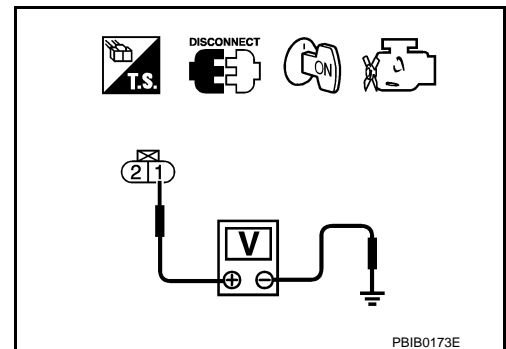


4. Check voltage between VIAS control solenoid valve terminal 1 and ground with CONSULT-III or tester.

Voltage: Battery voltage

OK or NG

- OK >> GO TO 8.
- NG >> GO TO 7.



7. DETECT MALFUNCTIONING PART

Check the following.

- Harness connectors E12, F3
- Harness continuity between IPDM E/R and VIAS control solenoid valve

>> Repair open circuit or short to ground or short to power in harness or connectors.

8. CHECK VIAS CONTROL SOLENOID VALVE OUTPUT SIGNAL CIRCUIT FOR OPEN AND SHORT

1. Turn ignition switch OFF.
2. Disconnect ECM harness connector.
3. Check harness continuity between ECM terminal 29 and VIAS control solenoid valve terminal 2. Refer to Wiring Diagram.

Continuity should exist.

4. Also check harness for short to ground and short to power.

OK or NG

- OK >> GO TO 9.
- NG >> Repair open circuit or short to ground or short to power in harness or connectors.

9. CHECK VIAS CONTROL SOLENOID VALVE

Refer to [EC-1275, "Component Inspection"](#).

OK or NG

- OK >> GO TO 10.
- NG >> Replace VIAS control solenoid valve.

10. CHECK INTERMITTENT INCIDENT

Refer to [EC-763, "Diagnosis Procedure"](#).

>> **INSPECTION END**

Component Inspection

INFOID:000000002955334

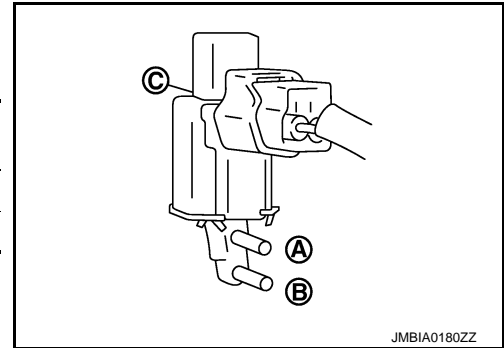
VIAS CONTROL SOLENOID VALVE

④ With CONSULT-III

1. Reconnect harness connectors disconnected.
2. Turn ignition switch ON.
3. Perform "VIAS S/V-1" in "ACTIVE TEST" mode.
4. Check air passage continuity and operation delay time under the following conditions.

Condition VIAS S/V-1	Air passage continuity between (A) and (B)	Air passage continuity between (A) and (C)
ON	Yes	No
OFF	No	Yes

Operation takes less than 1 second.

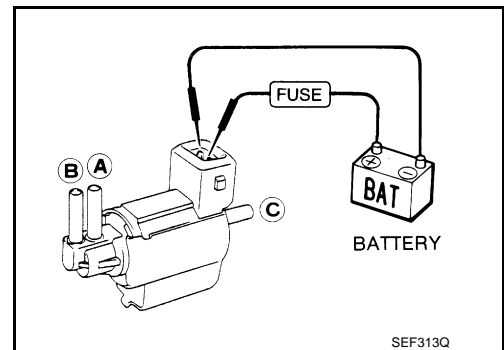


⊗ Without CONSULT-III

Check air passage continuity and operation delay time under the following conditions.

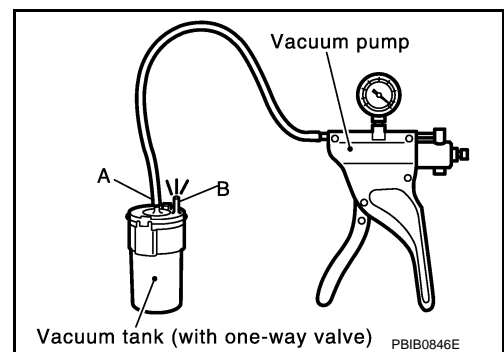
Condition	Air passage continuity between (A) and (B)	Air passage continuity between (A) and (C)
12V direct current supply between terminals 1 and 2	Yes	No
No supply	No	Yes

Operation takes less than 1 second.



VACUUM TANK

1. Disconnect vacuum hose connected to vacuum tank.
2. Connect a vacuum pump to the port A of vacuum tank.
3. Apply vacuum and make sure that vacuum exists at the port B.



Removal and Installation

INFOID:000000002955335

VIAS CONTROL SOLENOID VALVE

Refer to [EM-177](#).

A
EC
C
D
E
F
G
H
I
J
K
L
M
N
O
P

MIL AND DATA LINK CONNECTOR

< SERVICE INFORMATION >

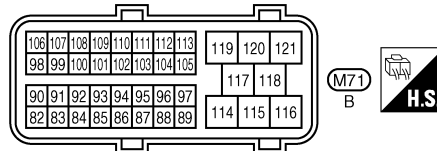
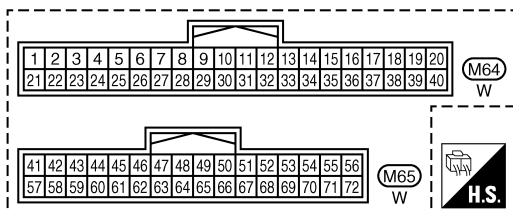
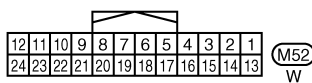
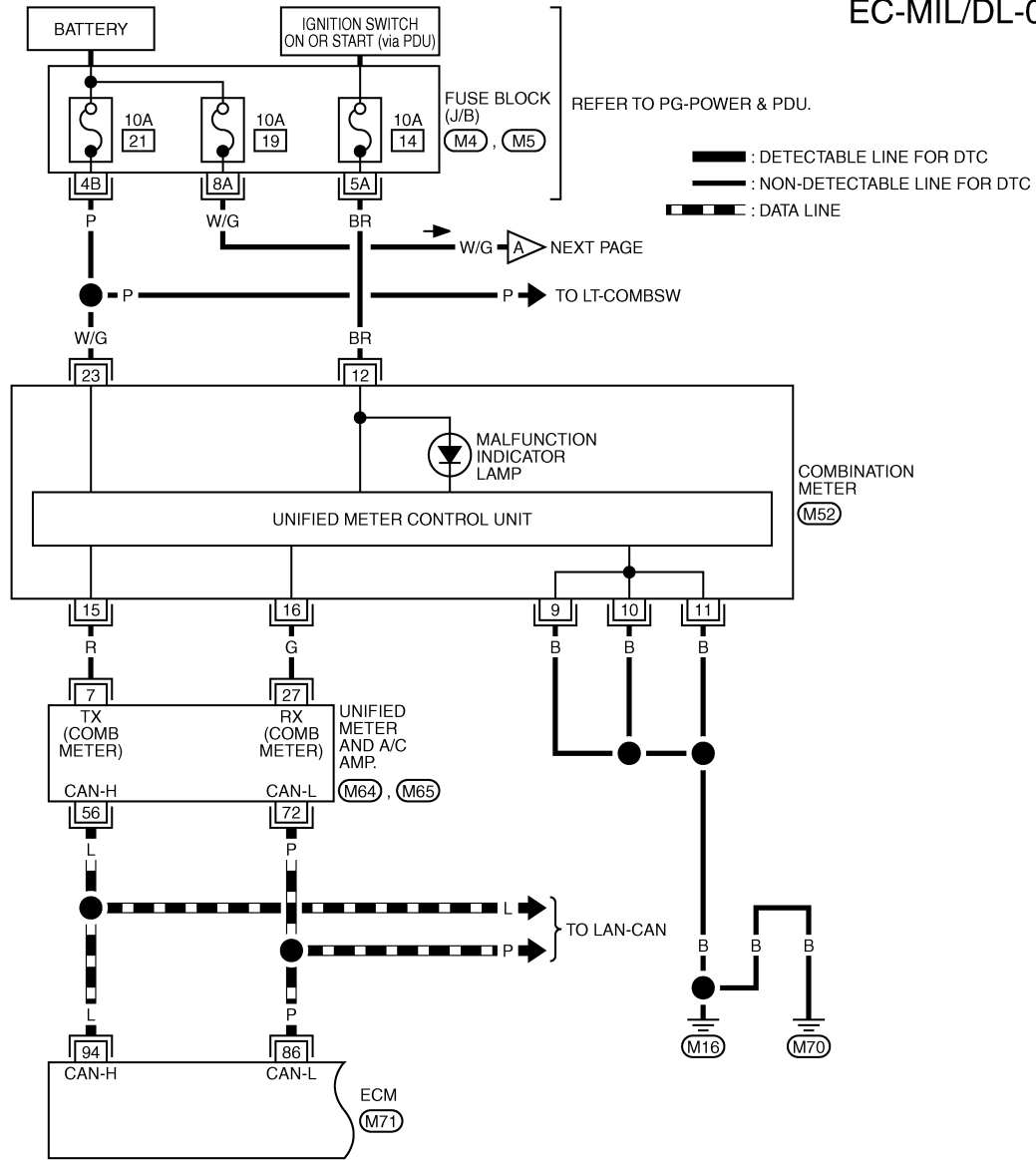
[VK45DE]

MIL AND DATA LINK CONNECTOR

Wiring Diagram

INFOID:000000002955336

EC-MIL/DL-01



REFER TO THE FOLLOWING.

M4, M5 - FUSE BLOCK-JUNCTION BOX (J/B)

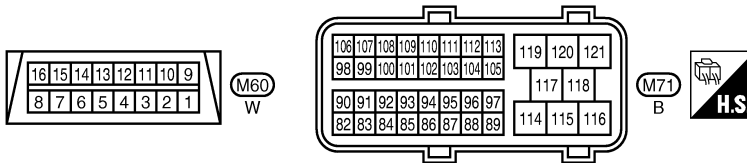
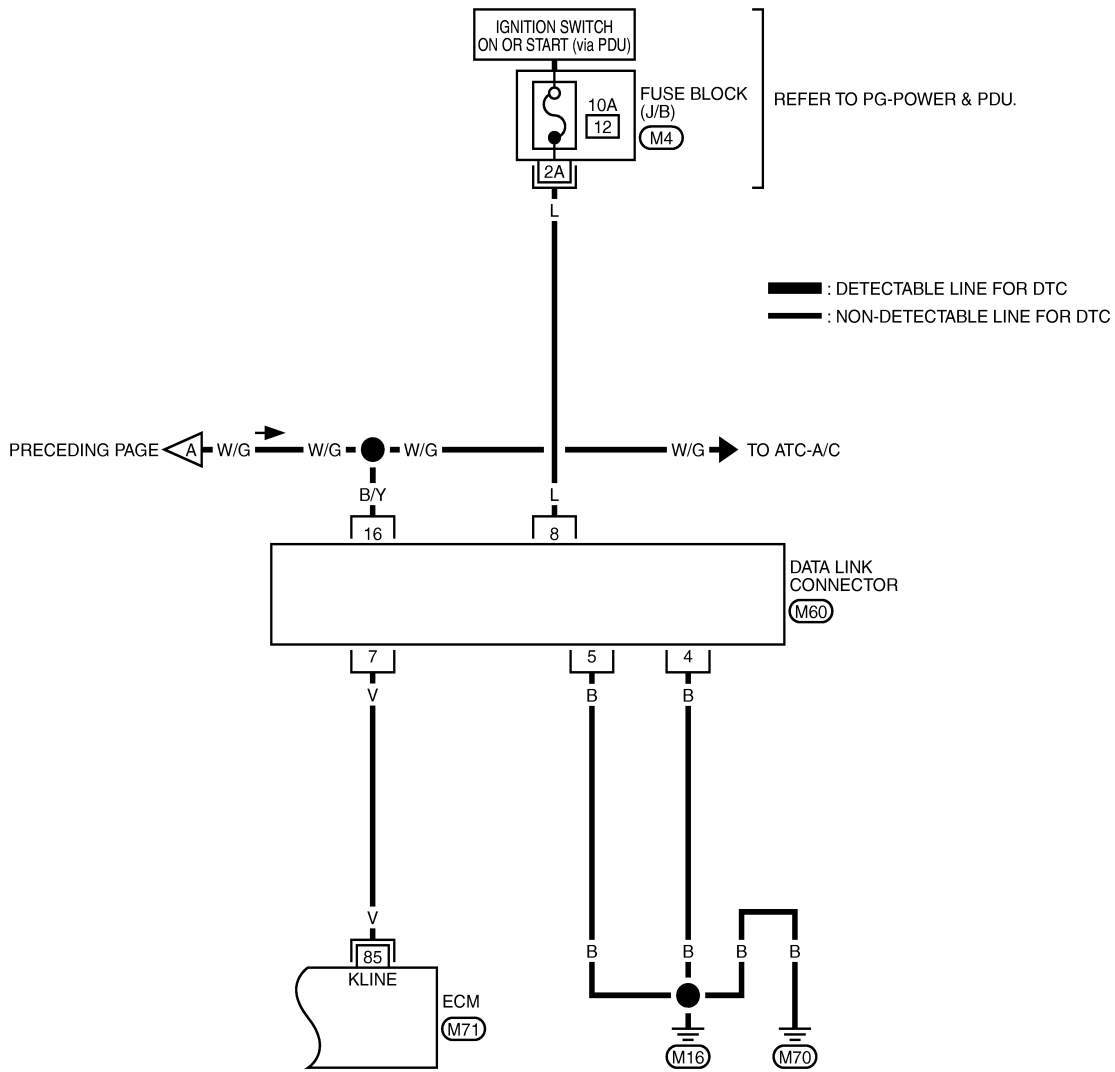
TBWT1508E

MIL AND DATA LINK CONNECTOR

< SERVICE INFORMATION >

[VK45DE]

EC-MIL/DL-02



REFER TO THE FOLLOWING.
 (M4) - FUSE BLOCK - JUNCTION BOX (J/B)

TBWT2019E

SERVICE DATA AND SPECIFICATIONS (SDS)

< SERVICE INFORMATION >

[VK45DE]

SERVICE DATA AND SPECIFICATIONS (SDS)

Fuel Pressure

INFOID:000000002955337

Fuel pressure at idling kPa (kg/cm ² , psi)	Approximately 350 (3.57, 51)
--	------------------------------

Idle Speed and Ignition Timing

INFOID:000000002955338

Target idle speed	No load* (in P or N position)	650 ± 50 rpm
Air conditioner: ON	In P or N position	650 rpm or more
Ignition timing	In P or N position	12° ± 5° BTDC

*: Under the following conditions:

- Air conditioner switch: OFF
- Electric load: OFF (Lights, heater fan & rear window defogger)
- Steering wheel: Kept in straight-ahead position

Calculated Load Value

INFOID:000000002955339

Condition	Calculated load value% (Using CONSULT-III or GST)
At idle	14 - 33
At 2,500 rpm	12 - 25

Mass Air Flow Sensor

INFOID:000000002955340

Supply voltage	Battery voltage (11 - 14V)
Output voltage at idle	0.9 - 1.2V*
Mass air flow (Using CONSULT-III or GST)	2.0 - 6.0 g-m/sec at idle* 7.0 - 20.0 g-m/sec at 2,500 rpm*

*: Engine is warmed up to normal operating temperature and running under no load.

Intake Air Temperature Sensor

INFOID:000000002955341

Temperature °C (°F)	Resistance kΩ
25 (77)	1.800 - 2.200

Engine Coolant Temperature Sensor

INFOID:000000002955342

Temperature °C (°F)	Resistance kΩ
20 (68)	2.1 - 2.9
50 (122)	0.68 - 1.00
90 (194)	0.236 - 0.260

Fuel Tank Temperature Sensor

INFOID:000000002955343

Temperature °C (°F)	Resistance kΩ
20 (68)	2.3 - 2.7
50 (122)	0.79 - 0.90

SERVICE DATA AND SPECIFICATIONS (SDS)

[VK45DE]

< SERVICE INFORMATION >

Crankshaft Position Sensor (POS)

INFOID:000000002955344

Refer to [EC-962](#). "Component Inspection".

Camshaft Position Sensor (PHASE)

INFOID:000000002955345

Refer to [EC-967](#). "Component Inspection".

A/F Sensor 1 Heater

INFOID:000000002955346

Resistance [at 25°C (77°F)]	2.3 - 4.3Ω
-----------------------------	------------

Heated Oxygen Sensor 2 Heater

INFOID:000000002955347

Resistance [at 25°C (77°F)]	5.0 - 7.0Ω
-----------------------------	------------

Throttle Control Motor

INFOID:000000002955348

Resistance [at 25°C (77°F)]	Approximately 1 - 15Ω
-----------------------------	-----------------------

Fuel Injector

INFOID:000000002955349

Resistance [at 10 - 60°C (50 - 140°F)]	13.5 - 17.5Ω
--	--------------

Fuel Pump

INFOID:000000002955350

Resistance [at 25°C (77°F)]	0.2 - 5.0Ω
-----------------------------	------------