

SECTION **SRS**

SUPPLEMENTAL RESTRAINT SYSTEM (SRS)

A
B
C
D
E
F
G
H
I
J
K
L
M
N
O
P

CONTENTS

<p>SERVICE INFORMATION 2</p> <p>DTC INDEX 2</p> <p style="padding-left: 20px;">B1001-B10152</p> <p style="padding-left: 20px;">B1017-B10312</p> <p style="padding-left: 20px;">B1033-B10473</p> <p style="padding-left: 20px;">B1049-B10633</p> <p style="padding-left: 20px;">B1065-B10794</p> <p style="padding-left: 20px;">B1081-B11114</p> <p style="padding-left: 20px;">B1113-B11275</p> <p style="padding-left: 20px;">B1129-B11435</p> <p style="padding-left: 20px;">B1145-B12105</p> <p>PRECAUTIONS 7</p> <p style="padding-left: 20px;">Precaution for Supplemental Restraint System (SRS) "AIR BAG" and "SEAT BELT PRE-TENSIONER"7</p> <p style="padding-left: 20px;">Precaution for SRS "AIR BAG" and "SEAT BELT PRE-TENSIONER" Service7</p> <p style="padding-left: 20px;">Occupant Classification System Precaution7</p> <p>PREPARATION 8</p> <p style="padding-left: 20px;">Commercial Service Tool8</p> <p>SUPPLEMENTAL RESTRAINT SYSTEM (SRS) 9</p> <p style="padding-left: 20px;">SRS Configuration9</p> <p style="padding-left: 20px;">Front Seat Belt Pre-tensioner with Load Limiter10</p> <p style="padding-left: 20px;">Front Side Air Bag10</p> <p style="padding-left: 20px;">Side Curtain Air Bag10</p> <p style="padding-left: 20px;">Occupant Classification System (OCS)10</p> <p style="padding-left: 20px;">Passenger Air Bag Status Condition11</p> <p style="padding-left: 20px;">Component Parts of Occupant Classification System11</p> <p style="padding-left: 20px;">Passenger Seatbelt Warning System11</p> <p>TROUBLE DIAGNOSIS12</p> <p style="padding-left: 20px;">Trouble Diagnosis Introduction12</p> <p style="padding-left: 20px;">Component Parts Location14</p> <p style="padding-left: 20px;">Schematic15</p> <p style="padding-left: 20px;">Wiring Diagram - SRS -16</p>	<p style="padding-left: 20px;">CONSULT-III Function20</p> <p style="padding-left: 20px;">Self-Diagnosis Function (Without CONSULT-III)21</p> <p style="padding-left: 20px;">SRS Operation Check (USER MODE)22</p> <p style="padding-left: 20px;">Trouble Diagnosis with CONSULT-III23</p> <p style="padding-left: 20px;">Trouble Diagnosis without CONSULT-III27</p> <p style="padding-left: 20px;">Trouble Diagnosis: "AIR BAG" Warning Lamp Does Not Turn OFF31</p> <p style="padding-left: 20px;">Trouble Diagnosis: "AIR BAG" Warning Lamp Does Not Turn ON31</p> <p style="padding-left: 20px;">Trouble Diagnosis: Passenger Seat belt Warning System32</p> <p>DRIVER AIR BAG MODULE33</p> <p style="padding-left: 20px;">Removal and Installation33</p> <p>SPIRAL CABLE35</p> <p style="padding-left: 20px;">Removal and Installation35</p> <p>FRONT PASSENGER AIR BAG MODULE37</p> <p style="padding-left: 20px;">Removal and Installation37</p> <p>SIDE CURTAIN AIR BAG MODULE38</p> <p style="padding-left: 20px;">Removal and Installation38</p> <p>CRASH ZONE SENSOR40</p> <p style="padding-left: 20px;">Removal and Installation40</p> <p>SIDE AIR BAG (SATELLITE) SENSOR41</p> <p style="padding-left: 20px;">Removal and Installation41</p> <p>FRONT SEAT BELT PRE-TENSIONER42</p> <p style="padding-left: 20px;">Removal and Installation42</p> <p>DIAGNOSIS SENSOR UNIT43</p> <p style="padding-left: 20px;">Removal and Installation43</p> <p>OCCUPANT CLASSIFICATION SYSTEM CONTROL UNIT44</p> <p style="padding-left: 20px;">Removal and Installation44</p> <p>COLLISION DIAGNOSIS45</p> <p style="padding-left: 20px;">For Frontal Collision45</p> <p style="padding-left: 20px;">For Side Collision46</p>
--	--

SRS

DTC INDEX

< SERVICE INFORMATION >

SERVICE INFORMATION

DTC INDEX

B1001-B1015

INFOID:000000003343511

DTC	Items (CONSULT screen terms)	Reference
B1001	CONTROL UNIT	SRS-23, "Trouble Diagnosis with CONSULT-III"
B1002		
B1003		
B1004		
B1005		
B1006		
B1007		
B1008		
B1009		
B1010		
B1011		
B1012		
B1013		
B1014		
B1015		

B1017-B1031

INFOID:000000003343512

DTC	Items (CONSULT screen terms)	Reference
B1017	OCCUPANT SENSOR C/U	SRS-23, "Trouble Diagnosis with CONSULT-III"
B1018	OCCUPANT SENS	
B1019	BELT TENSION SENS	
B1020	OCCUPANT SENSOR C/U	
B1021		
B1022	OCCUPANT SENS C/U	
B1023	PASS A/B INDCTR CKT	
B1026	CONTROL UNIT	
B1027		
B1028		
B1029		
B1030		
B1031		

DTC INDEX

< SERVICE INFORMATION >

B1033-B1047

INFOID:000000003343513

DTC	Items (CONSULT screen terms)	Reference
B1033	CRASH ZONE SENSOR	SRS-23, "Trouble Diagnosis with CONSULT-III"
B1034		
B1035		
B1036		
B1038		
B1040		
B1042	CONTROL UNIT	
B1043		
B1044		
B1045		
B1046		
B1047		

A
B
C
D
E
F

B1049-B1063

INFOID:000000003343514

DTC	Items (CONSULT screen terms)	Reference
B1049	DRIVER AIR BAG MODULE	SRS-23, "Trouble Diagnosis with CONSULT-III"
B1050		
B1051		
B1052		
B1054		
B1055		
B1056		
B1057	CONTROL UNIT	
B1058		
B1059		
B1060		
B1061		
B1062		
B1063		

G

SRS

I
J
K
L
M
N
O
P

DTC INDEX

< SERVICE INFORMATION >

B1065-B1079

INFOID:000000003343515

DTC	Items (CONSULT screen terms)	Reference
B1065	ASSIST A/B MODULE	SRS-23, "Trouble Diagnosis with CONSULT-III"
B1066		
B1067		
B1068		
B1070		
B1071		
B1072		
B1073		
B1074	CONTROL UNIT	
B1075		
B1076		
B1077		
B1078		
B1079		

B1081-B1111

INFOID:000000003343516

DTC	Items (CONSULT screen terms)	Reference
B1081	PRE-TEN FRONT RH	SRS-23, "Trouble Diagnosis with CONSULT-III"
B1082		
B1083		
B1084		
B1086	PRE-TEN FRONT LH	
B1087		
B1088		
B1089		
B1106	CONTROL UNIT	
B1107		
B1108		
B1109		
B1110		
B1111		

DTC INDEX

< SERVICE INFORMATION >

B1113-B1127

INFOID:000000003343517

DTC	Items (CONSULT screen terms)	Reference
B1113	SATELLITE SENS RH	SRS-23, "Trouble Diagnosis with CONSULT-III"
B1114		
B1115		
B1116		
B1118	SATELLITE SENS LH	
B1119		
B1120		
B1121		
B1122	CONTROL UNIT	
B1123		
B1124		
B1125		
B1126		
B1127		

A
B
C
D
E
F
G

B1129-B1143

INFOID:000000003343518

SRS

DTC	Items (CONSULT screen terms)	Reference
B1129	SIDE MODULE RH	SRS-23, "Trouble Diagnosis with CONSULT-III"
B1130		
B1131		
B1132		
B1134	SIDE MODULE LH	
B1135		
B1136		
B1137		
B1138	CONTROL UNIT	
B1139		
B1140		
B1141		
B1142		
B1143		

I
J
K
L
M
N

B1145-B1210

INFOID:000000003343519

O
P

DTC INDEX

< SERVICE INFORMATION >

DTC	Items (CONSULT screen terms)	Reference
B1145	CURTAIN MODULE RH	SRS-23, "Trouble Diagnosis with CONSULT-III"
B1146		
B1147		
B1148		
B1150	CURTAIN MODULE LH	
B1151		
B1152		
B1153		
B1202	CONTROL UNIT	
B1203		
B1204		
B1205		
B1206		
B1207		
B1209	FRONTAL COLLISION	
B1210	SIDE COLLISIONJ	

PRECAUTIONS

< SERVICE INFORMATION >

PRECAUTIONS

Precaution for Supplemental Restraint System (SRS) "AIR BAG" and "SEAT BELT PRE-TENSIONER"

INFOID:000000003034990

The Supplemental Restraint System such as "AIR BAG" and "SEAT BELT PRE-TENSIONER", used along with a front seat belt, helps to reduce the risk or severity of injury to the driver and front passenger for certain types of collision. This system includes seat belt switch inputs and dual stage front air bag modules. The SRS system uses the seat belt switches to determine the front air bag deployment, and may only deploy one front air bag, depending on the severity of a collision and whether the front occupants are belted or unbelted. Information necessary to service the system safely is included in the "SUPPLEMENTAL RESTRAINT SYSTEM" and "SEAT BELTS" of this Service Manual.

WARNING:

- To avoid rendering the SRS inoperative, which could increase the risk of personal injury or death in the event of a collision which would result in air bag inflation, all maintenance must be performed by an authorized NISSAN/INFINITI dealer.
- Improper maintenance, including incorrect removal and installation of the SRS, can lead to personal injury caused by unintentional activation of the system. For removal of Spiral Cable and Air Bag Module, see the "SUPPLEMENTAL RESTRAINT SYSTEM".
- Do not use electrical test equipment on any circuit related to the SRS unless instructed to in this Service Manual. SRS wiring harnesses can be identified by yellow and/or orange harnesses or harness connectors.

PRECAUTIONS WHEN USING POWER TOOLS (AIR OR ELECTRIC) AND HAMMERS

WARNING:

- When working near the Air Bag Diagnosis Sensor Unit or other Air Bag System sensors with the ignition ON or engine running, DO NOT use air or electric power tools or strike near the sensor(s) with a hammer. Heavy vibration could activate the sensor(s) and deploy the air bag(s), possibly causing serious injury.
- When using air or electric power tools or hammers, always switch the ignition OFF, disconnect the battery, and wait at least 3 minutes before performing any service.

Precaution for SRS "AIR BAG" and "SEAT BELT PRE-TENSIONER" Service

INFOID:000000002956065

- Do not use electrical test equipment to check SRS circuits unless instructed to in this Service Manual.
- Before servicing the SRS, turn ignition switch OFF, disconnect both battery cables and wait at least 3 minutes.
For approximately 3 minutes after the cables are removed, it is still possible for the air bag and seat belt pretensioner to deploy. Therefore, do not work on any SRS connectors or wires until at least 3 minutes have passed.
- Diagnosis sensor unit must always be installed with their arrow marks "←" pointing towards the front of the vehicle for proper operation. Also check diagnosis sensor unit for cracks, deformities or rust before installation and replace as required.
- The spiral cable must be aligned with the neutral position since its rotations are limited. Do not turn steering wheel and column after removal of steering gear.
- Handle air bag module carefully. Always place driver and front passenger air bag modules with the pad side facing upward and seat mounted front side air bag module standing with the stud bolt side facing down.
- Conduct self-diagnosis to check entire SRS for proper function after replacing any components.
- After air bag inflates, the front instrument panel assembly should be replaced if damaged.
- Always replace instrument panel pad following front passenger air bag deployment.

Occupant Classification System Precaution

INFOID:000000002956066

Replace occupant classification system control unit and passenger front seat cushion as an assembly. Refer to [SE-145. "Passenger's Seat Component"](#).

A
B
C
D
E
F
G
SRS
I
J
K
L
M
N
O
P

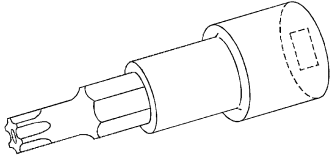
PREPARATION

< SERVICE INFORMATION >

PREPARATION

Commercial Service Tool

INFOID:000000002956067

Tool name	Description
<p data-bbox="181 457 451 485">Tamper resistant TORX bit</p>  <p data-bbox="820 569 878 588">S-NT757</p>	<p data-bbox="1026 457 1403 485">Removal tool of driver air bag module</p>

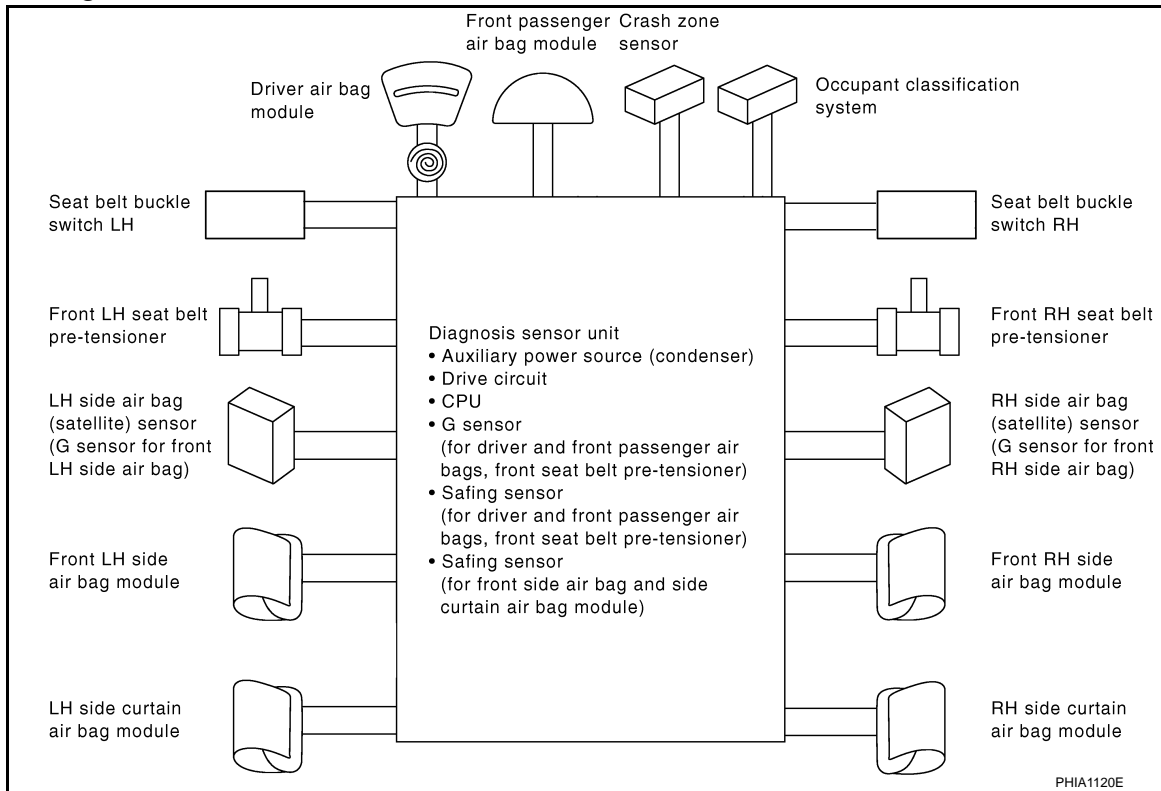
SUPPLEMENTAL RESTRAINT SYSTEM (SRS)

< SERVICE INFORMATION >

SUPPLEMENTAL RESTRAINT SYSTEM (SRS)

SRS Configuration

INFOID:000000002956068



A
B
C
D
E
F
G
SRS
I
J
K
L
M
N
O
P

The air bag deploys if the diagnosis sensor unit activates while the ignition switch is in the ON or START position.

The collision modes for which supplemental restraint systems are activated are different among the SRS systems. For example, the driver air bag module and front passenger air bag module are activated in a frontal collision but not in a side collision.

SRS configurations which are activated for some collision modes are as follows;

SRS configuration	Frontal collision	Left side collision	Right side collision
Driver air bag module	×	—	—
Front passenger air bag module	×	—	—
Front LH seat belt pre-tensioner	×	—	—
Front RH seat belt pre-tensioner	×	—	—
Front LH side air bag module	—	×	—
Front RH side air bag module	—	—	×
LH side curtain air bag module	—	×	—
RH side curtain air bag module	—	—	×

SUPPLEMENTAL RESTRAINT SYSTEM (SRS)

< SERVICE INFORMATION >

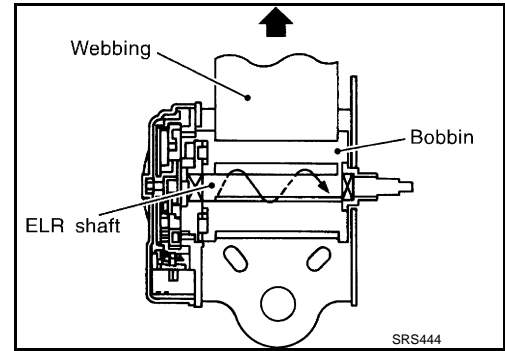
Front Seat Belt Pre-tensioner with Load Limiter

INFOID:000000002956069

The seat belt pre-tensioner system with load limiter is installed for both the driver's seat and the front passenger's seat. It operates simultaneously with the SRS air bag system in the event of a frontal collision with an impact exceeding a specified level.

When the frontal collision with an impact exceeding a specified level occurs, seat belt slack resulting from clothing or other factors is immediately taken up by the pre-tensioner. Vehicle passengers are securely restrained.

When passengers in a vehicle are thrown forward in a collision and the restraining force of the seat belt exceeds a specified level, the load limiter permits the specified extension of the seat belt by the twisting of the ELR shaft, and a relaxation of the chest-area seat belt web tension while maintaining force.

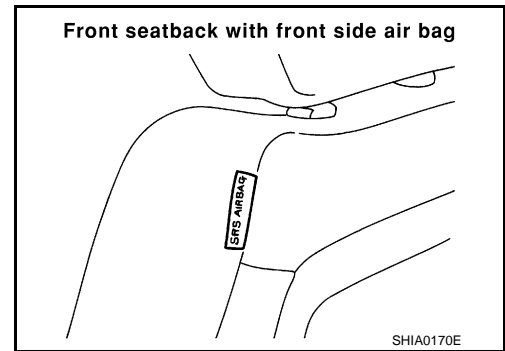


Front Side Air Bag

INFOID:000000002956070

Front side air bag is built-in type.

The front seatback with built-in type side air bag have the labels as shown.



Side Curtain Air Bag

INFOID:000000002956071

The side curtain air bags have the labels as shown.



Occupant Classification System (OCS)

INFOID:000000002956072

The occupant classification system identifies different size occupants, out of position occupants, and detects if child seat is present in the front passenger seat. The occupant classification system receives inputs from the occupant classification sensor (located inside the passenger seat cushion assembly) and belt tension sensor (part of the passenger front seat belt assembly and located at the belt anchor location). Depending on classification of passenger, the occupant classification system sends a signal to the diagnosis sensor unit. The diagnosis sensor unit uses this signal to determine full, partial, or non deployment of passenger front air bag in the event of a collision. Depending on the signal received, the diagnosis sensor unit can disable the passenger front air bag completely.

NOTE:

In case of customer concern, CONSULT-III can be used to confirm the passenger air bag status (readiness).

SUPPLEMENTAL RESTRAINT SYSTEM (SRS)

< SERVICE INFORMATION >

Passenger Air Bag Status Condition

INFOID:000000002956073

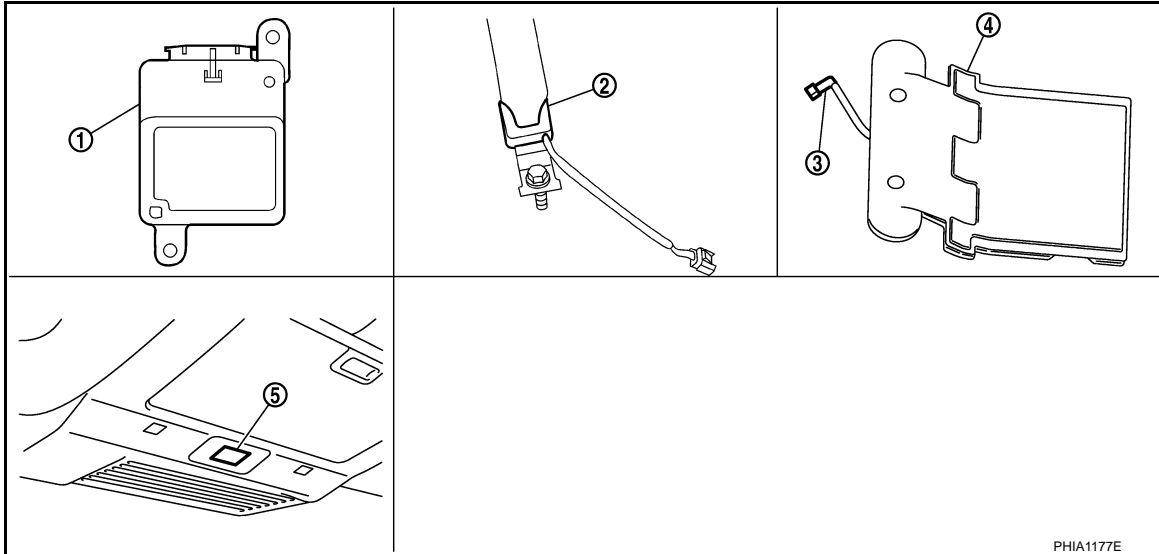
Front Passenger Seat (Condition)	PASS AIR BAG OFF Indicator (Status)	Passenger Air Bag Status (Readiness)	CONSULT-III Display
Seat occupied	OFF	Active (enabled)	ON
seat occupiedNOTE	ON	Deactivated (disabled)	OFF
Seat empty	OFF	Deactivated (disabled)	OFF

NOTE:

Passenger does not meet Occupant Classification System specifications for passenger air bag activation.

Component Parts of Occupant Classification System

INFOID:000000002956074



1. Occupant classification system control unit
2. Belt tension sensor
3. Seat pressure sensor
4. Bladder
5. Front passenger air bag OFF indicator (Cut-off telltaile)

Passenger Seatbelt Warning System

INFOID:000000002956075

SYSTEM DESCRIPTION

This system warns when passenger seatbelt is not fasten.

This system is composed of the following items.

- Seatbelt warning lamp.
- Seatbelt buckle switch (passenger side).
- Air bag diagnosis sensor unit.
- Occupant classification system.

Seatbelt warning lamp is used for both driver seatbelt warning and passenger seatbelt warning. Seatbelt warning lamp turns ON when all conditions below are met.

- Driver seatbelt is fastened.
- Occupant is on passenger seat.
- Passenger seatbelt is not fasten.

TROUBLE DIAGNOSIS

< SERVICE INFORMATION >

TROUBLE DIAGNOSIS

Trouble Diagnosis Introduction

INFOID:00000002956076

CAUTION:

- Do not use electrical test equipment on any circuit related to the SRS unless instructed in this Service Manual. SRS wiring harnesses can be identified by yellow and/or orange harnesses or harness connectors.
- Do not repair, splice or modify the SRS wiring harness. If the harness is damaged, replace it with a new one.
- Keep ground portion clean.

DIAGNOSIS FUNCTION

The SRS self-diagnosis results can be read by using air bag warning lamp and/or CONSULT-III.

The User mode is exclusively prepared for the customer (driver). This mode warns the driver of a system malfunction through the operation of the air bag warning lamp.

The Diagnosis mode allows the technician to locate and inspect the malfunctioning part.

The mode applications for the "AIR BAG" warning lamp and CONSULT-III are as follows:

	User mode	Diagnosis mode	Display type
Air bag warning lamp	X	X	ON/OFF operation
CONSULT-III	—	X	Monitoring

HOW TO PERFORM TROUBLE DIAGNOSIS FOR QUICK AND ACCURATE REPAIR

A good understanding of the malfunction conditions can make troubleshooting faster and more accurate.

In general, each customer feels differently about a malfunction. It is important to fully understand the symptoms or conditions for a customer complaint.

Information from Customer

WHAT..... Vehicle model

WHEN..... Date, Frequencies

WHERE..... Road conditions

HOW..... Operating conditions, Symptoms

Preliminary Check

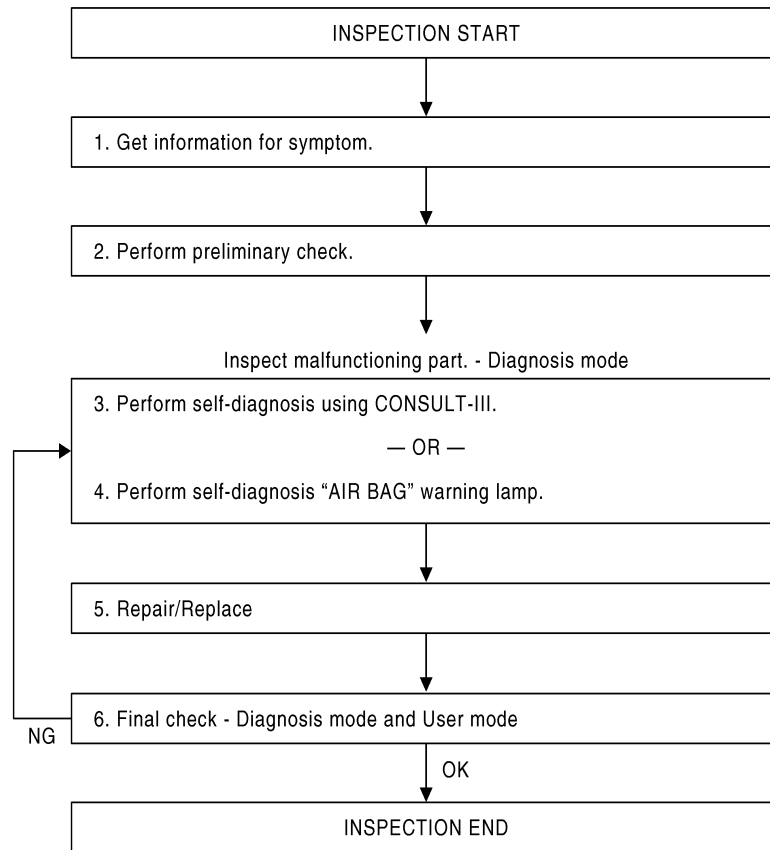
Check that the following parts are in good order.

- Battery (Refer to [SC-4, "How to Handle Battery"](#).)
- Fuse (Refer to [SRS-16, "Wiring Diagram - SRS -"](#).)
- System component-to-harness connections

WORK FLOW

TROUBLE DIAGNOSIS

< SERVICE INFORMATION >



A
B
C
D
E
F
G
I
J

SRS

JMHIA0027GB

DETAILED FLOW

1.GET INFORMATION FOR SYMPTOM

Get the detailed information from the customer about the symptom.

>> GO TO 2.

2.PERFORM PRELIMINARY CHECK

At the beginning of inspection, confirm the condition of power supply circuit, check that the battery is charged and fuses and fusible links are not blown.

Is power supply circuit normal?

YES >> GO TO 3 or GO TO 4.

NO >> Repair or replace the battery and fuse/fusible links.

3.PERFORM SELF-DIAGNOSIS USING "CONSULT-III" (WITH CONSULT-III)

Check the screen of CONSULT-III.

Is malfunctioning part displayed on CONSULT-III?

YES >> GO TO 5.

NO >> Repeat DTC confirmation with diagnostic procedure.

4.PERFORM SELF-DIAGNOSIS "AIR BAG" WARNING LAMP (WITHOUT CONSULT-III)

Check the warning lamp status.

K
L
M
N
O
P

TROUBLE DIAGNOSIS

< SERVICE INFORMATION >

Is malfunctioning part detected?

- YES >> GO TO 5.
NO >> Repeat DTC confirmation with diagnostic procedure.

5. REPAIR OR REPLACE

Repair or replace the malfunctioning part.

After the malfunctioning is repaired, erase the self-diagnostic result. Refer to [SRS-20, "CONSULT-III Function"](#).

>> GO TO 6.

6. FINAL CHECK DIAGNOSIS MODE AND USER MODE

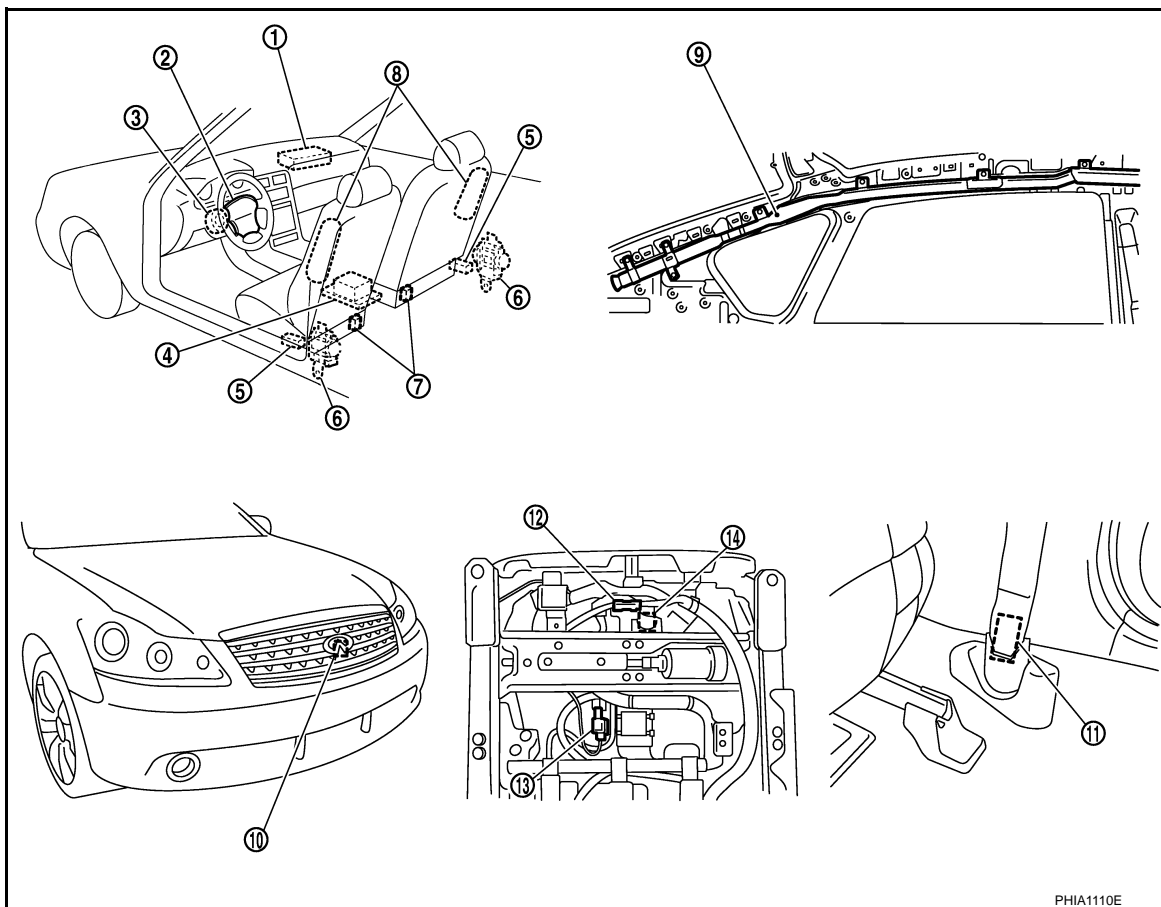
Check the screen of CONSULT-III and/or Air bag warning lamp status.

Are the malfunctions corrected?

- YES >> **INSPECTION END.**
NO >> GO TO 3 or GO TO 4.

Component Parts Location

INFOID:000000002956077



PHIA1110E

- | | | |
|------------------------------------|---|--|
| 1. Front passenger air bag module | 2. Driver air bag module | 3. Spiral cable |
| 4. Diagnosis sensor unit | 5. Side air bag (Satellite) sensor (RH/LH) | 6. Front seat belt pre-tensioner (RH/LH) |
| 7. Seat belt buckle switch (RH/LH) | 8. Front side air bag module (RH/LH) | 9. Side curtain air bag module |
| 10. Crash zone sensor | 11. Belt tension sensor | 12. Belt tension sensor connector * |
| 13. Seat pressure sensor * | 14. Occupant classification system control unit * | |

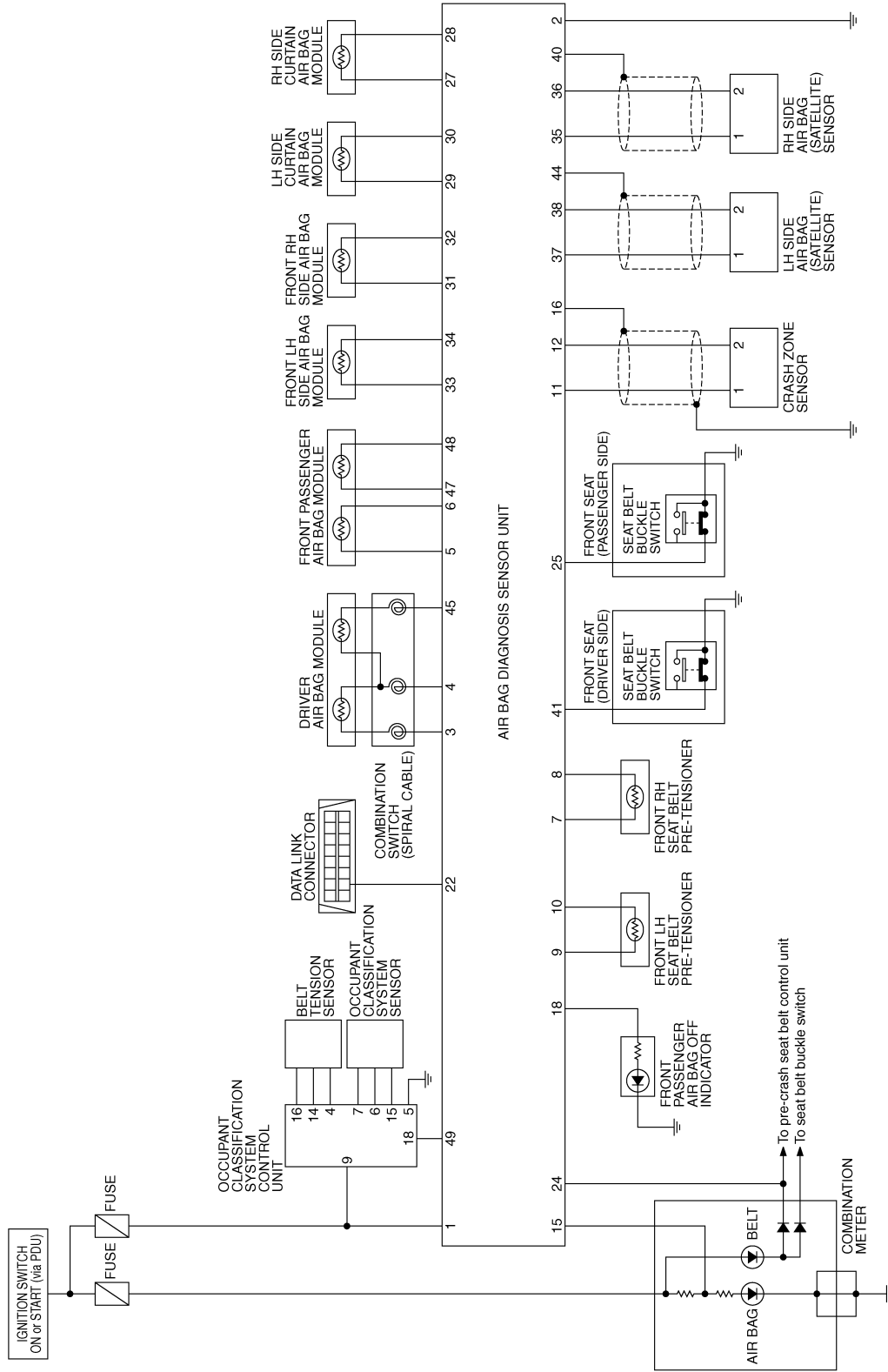
*: The bottom of front passenger seat

TROUBLE DIAGNOSIS

< SERVICE INFORMATION >

Schematic

INFOID:000000002956078



THWT0225E

A
B
C
D
E
F
G
H
I
J
K
L
M
N
O
P

SRS

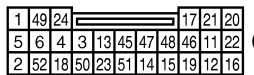
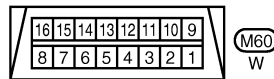
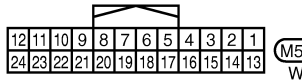
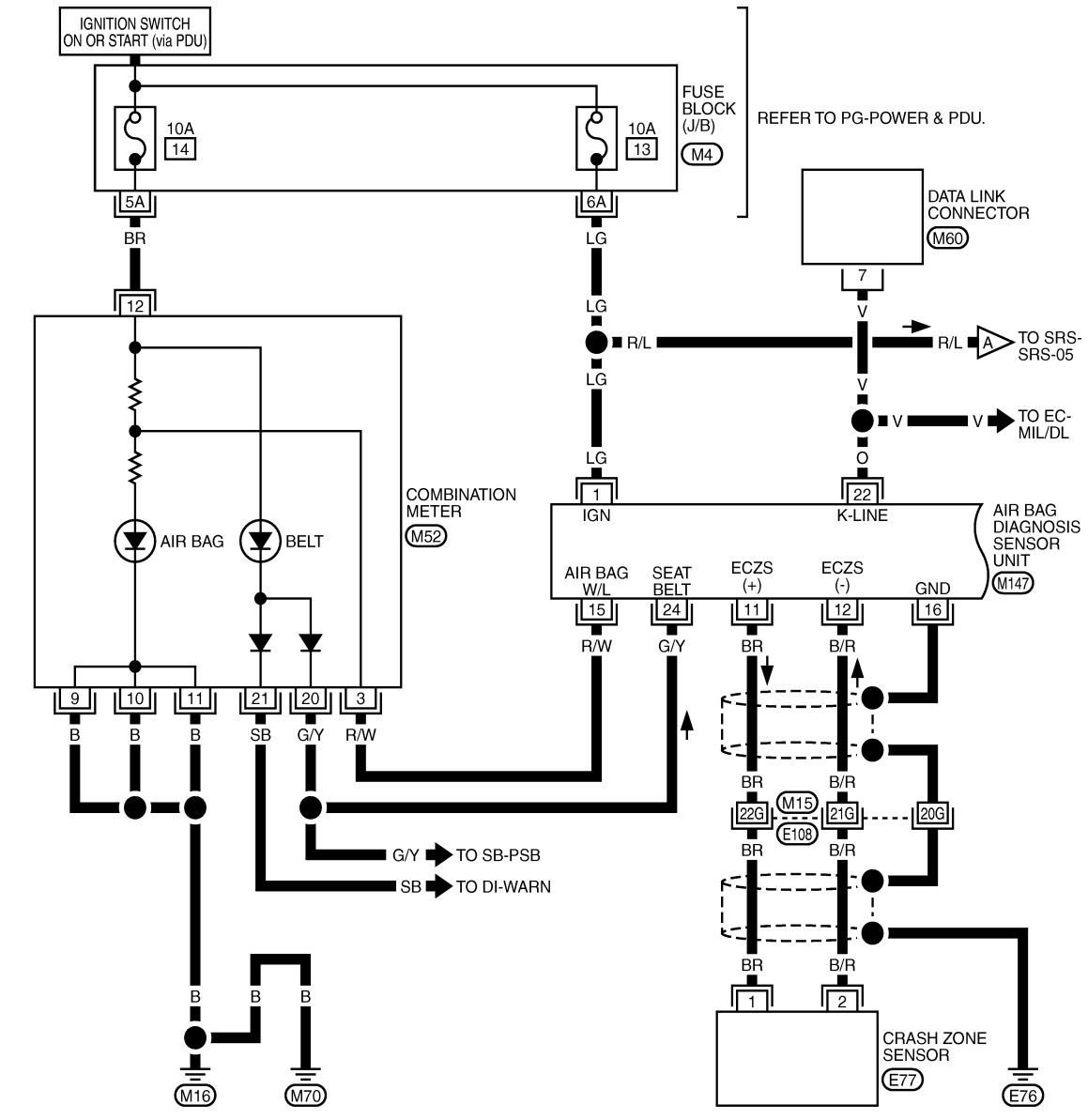
TROUBLE DIAGNOSIS

< SERVICE INFORMATION >

Wiring Diagram - SRS -

INFOID:00000002956079

SRS-SRS-01



REFER TO THE FOLLOWING.

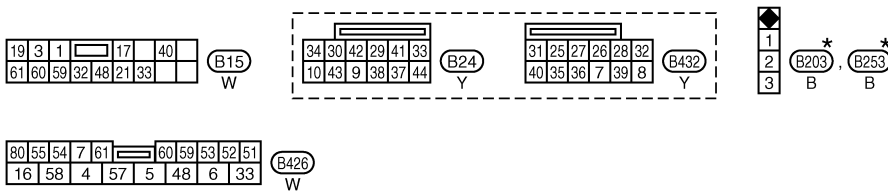
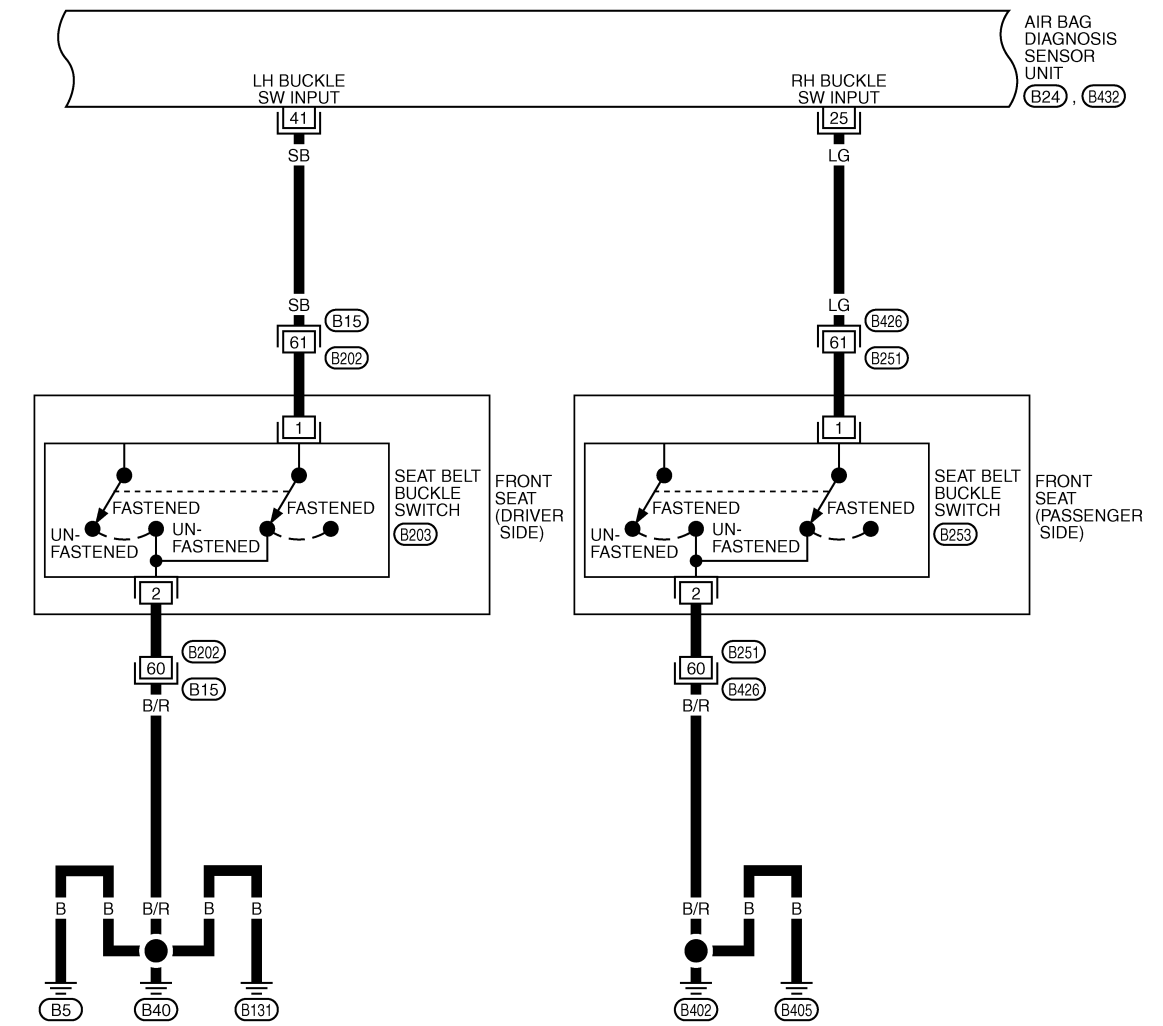
- (E108) - SUPER MULTIPLE JUNCTION (SMJ)
- (M4) - FUSE BLOCK - JUNCTION BOX (J/B)

THWT0315E

TROUBLE DIAGNOSIS

< SERVICE INFORMATION >

SRS-SRS-02



*: THIS CONNECTOR IS NOT SHOWN IN "HARNESS LAYOUT", PG SECTION.

THWT0227E

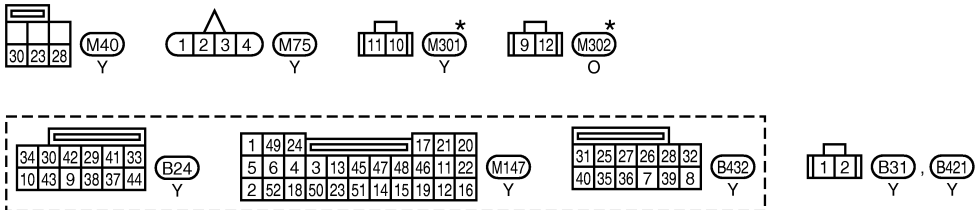
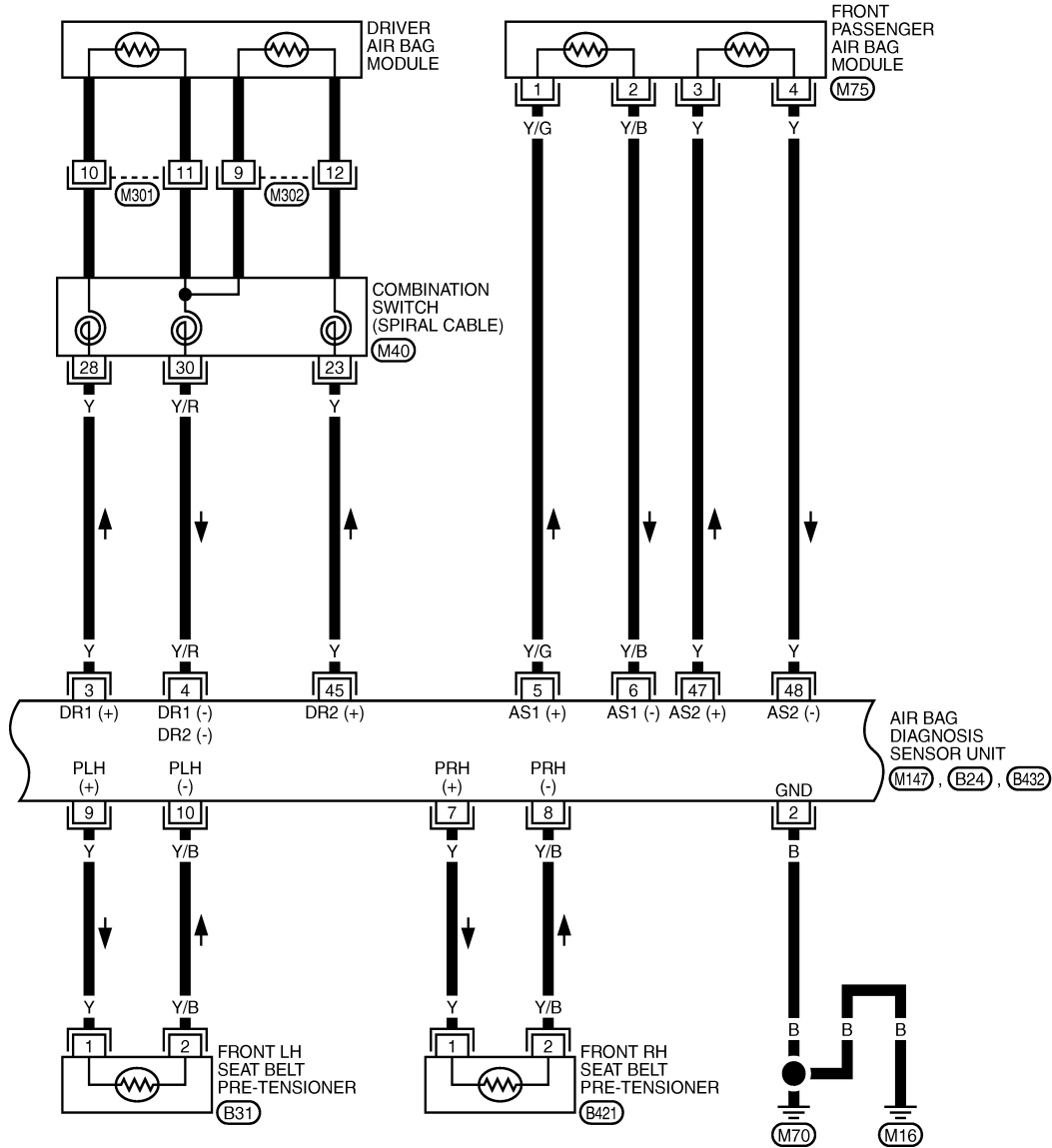
A
B
C
D
E
F
G
H
I
J
K
L
M
N
O
P

SRS

TROUBLE DIAGNOSIS

< SERVICE INFORMATION >

SRS-SRS-03



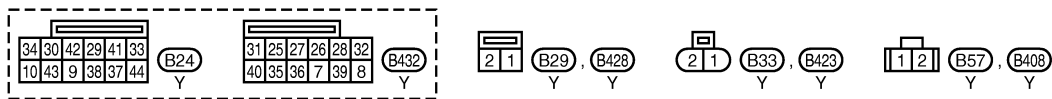
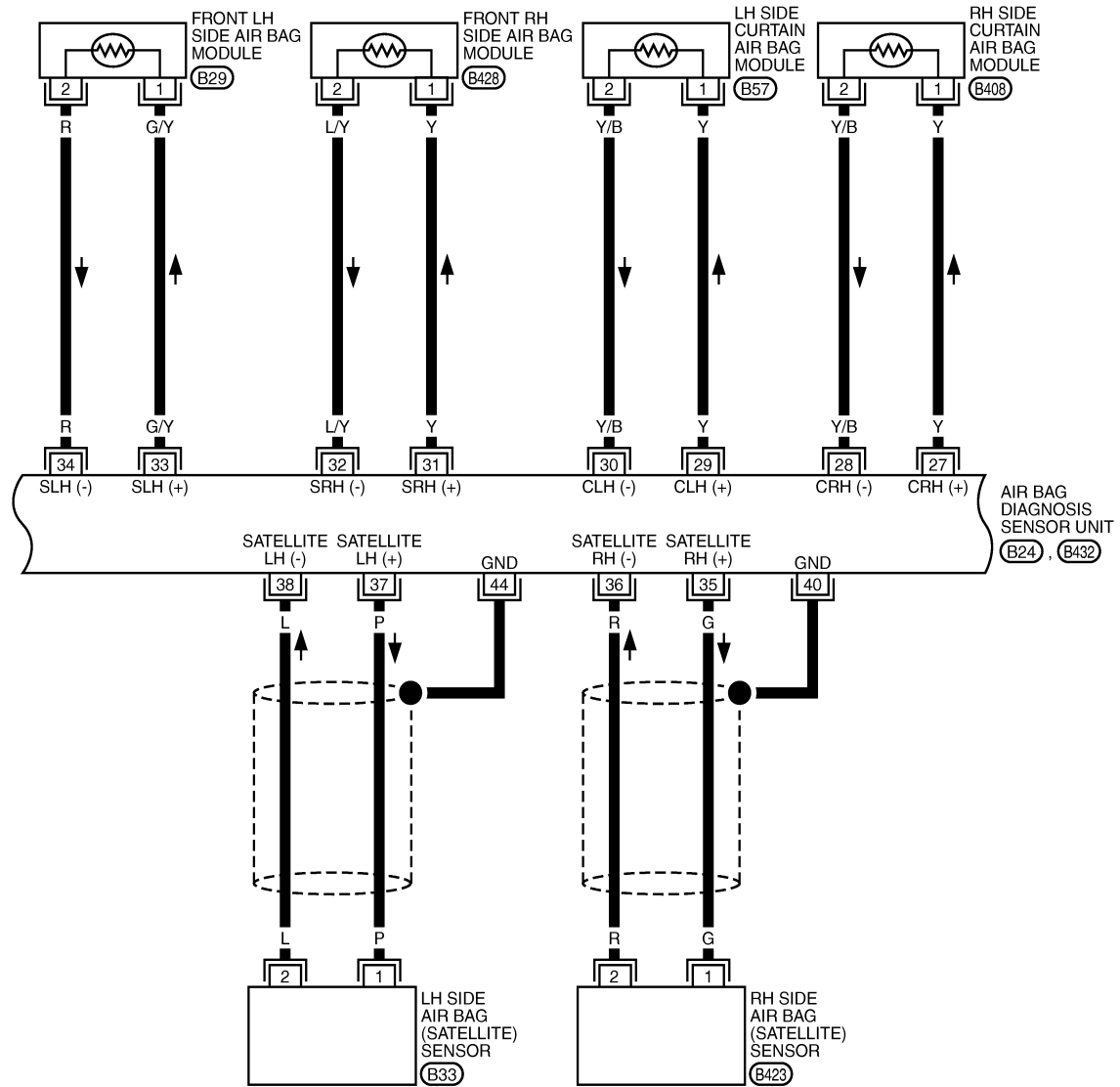
*: THIS CONNECTOR IS NOT SHOWN IN "HARNESS LAYOUT", PG SECTION.

THWT0318E

TROUBLE DIAGNOSIS

< SERVICE INFORMATION >

SRS-SRS-04



THWT0316E

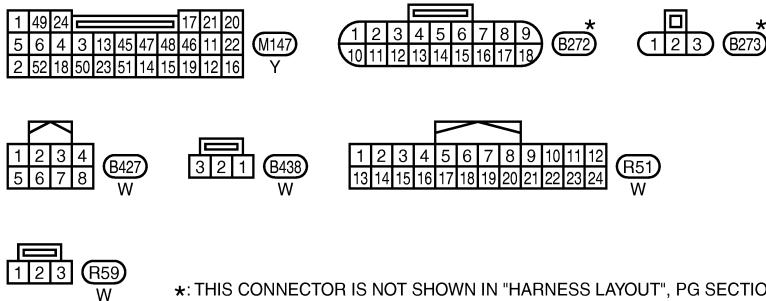
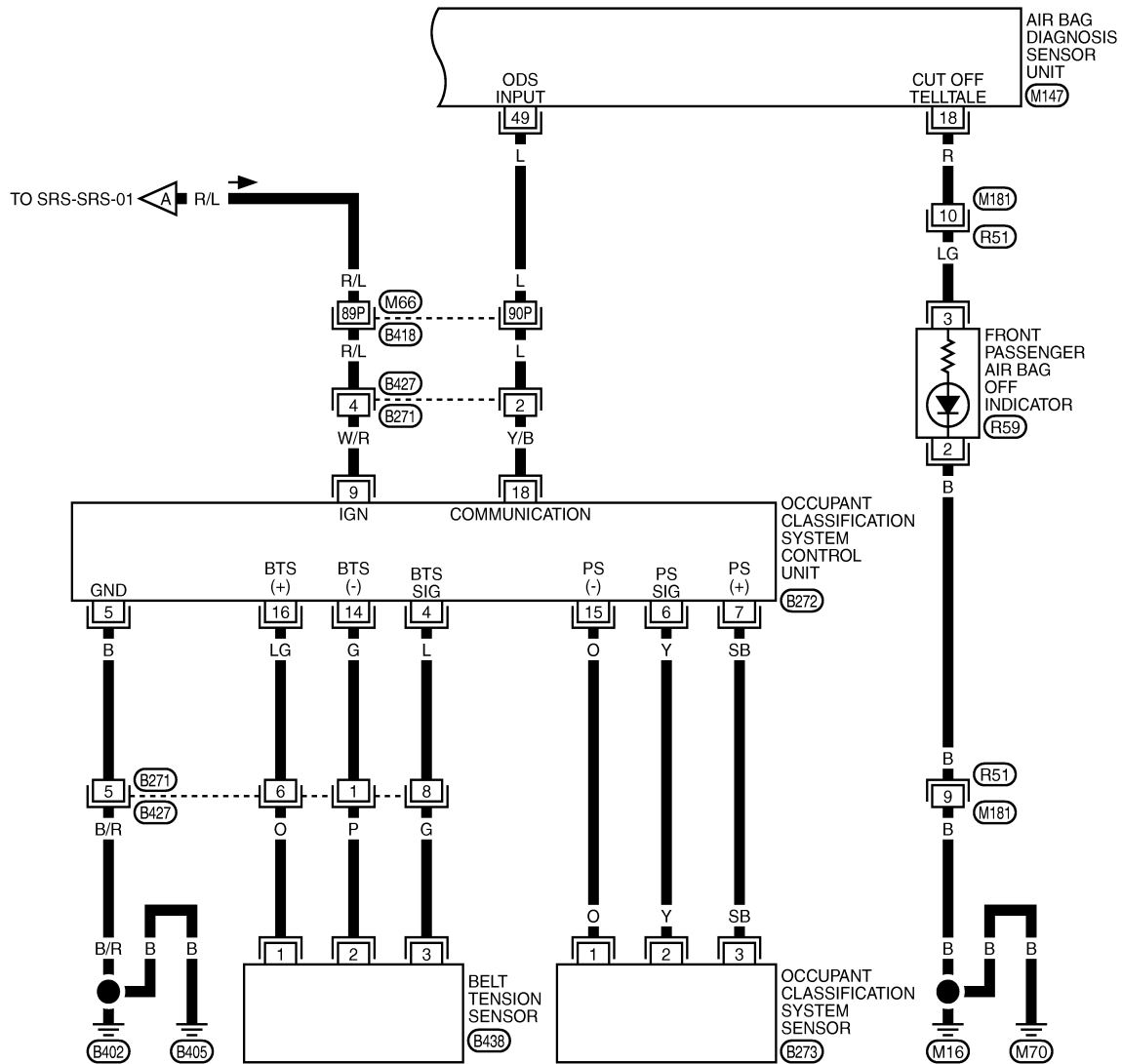
A
B
C
D
E
F
G
H
I
J
K
L
M
N
O
P

SRS

TROUBLE DIAGNOSIS

< SERVICE INFORMATION >

SRS-SRS-05



REFER TO THE FOLLOWING.

(B418) - SUPER MULTIPLE JUNCTION (SMJ)

THWT0317E

INFOID:000000003343484

CONSULT-III Function

DIAGNOSIS MODE FOR CONSULT-III

- "SELF-DIAG [CURRENT]"
A current self-diagnostic results (also indicated by the number of warning lamp flashes in the Diagnosis mode) is displayed on the CONSULT-III screen in real time. This refers to a malfunctioning part requiring repairs.
- "SELF-DIAG [PAST]"

TROUBLE DIAGNOSIS

< SERVICE INFORMATION >

Self-diagnostic results previously stored in the memory are displayed on the CONSULT-III screen. The stored results are not erased until memory erasing is performed.

- “TROUBLE DIAG RECORD”

With TROUBLE DIAG RECORD, diagnostic results previously erased by a reset operation can be displayed on the CONSULT-III screen.

- “ECU DISCRIMINATED NO.”

The diagnosis sensor unit for each vehicle model is assigned with its own, individual classification number. This number will be displayed on the CONSULT-III screen, as shown. When replacing the diagnosis sensor unit, refer to the part number for the compatibility. After installation, replacement with a correct unit can be checked by confirming this classification number on the CONSULT-III screen.

After repair, make sure the discriminated number of diagnosis sensor unit installed to vehicle are same. Refer to [SRS-43, "Removal and Installation"](#).

Ⓟ HOW TO CHANGE SELF-DIAGNOSIS MODE WITH CONSULT-III

From User Mode to Diagnosis Mode

After selecting “AIR BAG” on the “SELECT SYSTEM” screen, User mode automatically changes to Diagnosis mode.

From Diagnosis Mode to User Mode

To return to User mode from Diagnosis mode, touch “BACK” key of CONSULT-III until “SELECT SYSTEM” appears, then diagnosis mode automatically changes to User mode.

HOW TO ERASE SELF-DIAGNOSTIC RESULTS

- “SELF-DIAG [CURRENT]”

A current self-diagnostic result is displayed on the CONSULT-III screen in real time.

After the malfunction is repaired completely, no malfunction is detected on “SELF-DIAG [CURRENT]”.

- “SELF-DIAG [PAST]”

Return to the “SELF-DIAG [CURRENT]” CONSULT-III screen by touching “BACK” key of CONSULT-III and select “SELF-DIAG [CURRENT]” in SELECT DIAG MODE. Touch “ERASE” in “SELF-DIAG [CURRENT]” mode.

NOTE:

If the memory of the malfunction in “SELF-DIAG [PAST]” is not erased, the User mode shows the system malfunction by the operation of the warning lamp even if the malfunction is repaired completely.

- “TROUBLE DIAG RECORD”

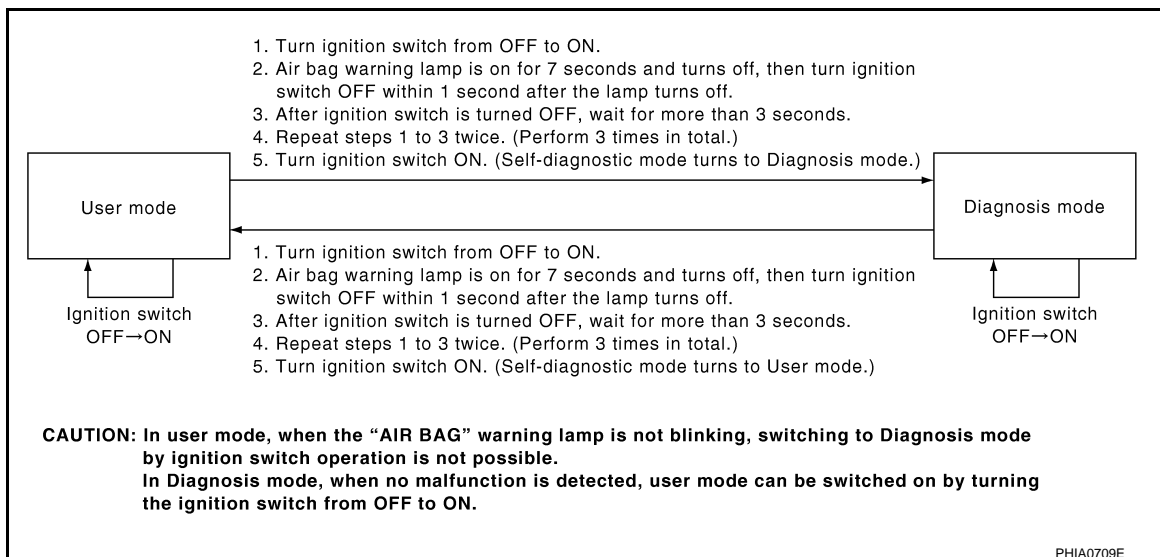
The memory of “TROUBLE DIAG RECORD” cannot be erased.

Self-Diagnosis Function (Without CONSULT-III)

INFOID:000000003343485

- The reading of these results is accomplished “User mode” and “Diagnosis mode”.
- After a malfunction is repaired, turn ignition switch ON. Diagnosis mode returns to the User mode. At that time, the self-diagnostic result is cleared.

HOW TO CHANGE SELF-DIAGNOSTIC MODE WITHOUT CONSULT-III



TROUBLE DIAGNOSIS

< SERVICE INFORMATION >

HOW TO ERASE SELF-DIAGNOSTIC RESULTS

After a malfunction is repaired, turn the ignition switch OFF for at least one second, then back ON. Diagnosis mode returns to the User mode. At that time, the self-diagnostic results are cleared.

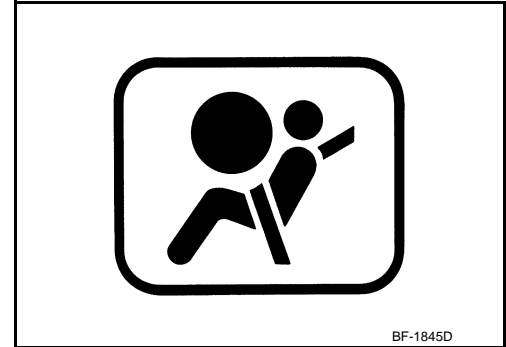
SRS Operation Check (USER MODE)

INFOID:000000003343486

DIAGNOSTIC PROCEDURE

Checking Air Bag Operation by Using "AIR BAG" Warning Lamp—User Mode

1. Turn ignition switch from OFF to ON, and make sure that the air bag warning lamp blinks.
2. Compare the SRS air bag warning lamp blinking pattern with the examples.

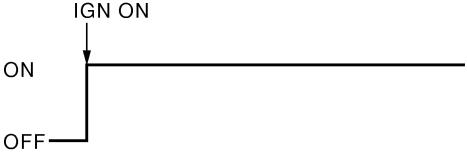




Warning lamp examples

"AIR BAG" warning lamp operation-User mode-	SRS condition	Reference item
<p>SHIA0011E</p>	<ul style="list-style-type: none"> • No malfunction is detected. • No further action is necessary. 	—
<p>SHIA0012E</p>	<ul style="list-style-type: none"> • The system is malfunctioning and needs to be repaired as indicated. 	Go to SRS-27, "Trouble Diagnosis without CONSULT-III" .

TROUBLE DIAGNOSIS

< SERVICE INFORMATION >

"AIR BAG" warning lamp operation-User mode-	SRS condition	Reference item
 <p>SHIA0013E</p>	<ul style="list-style-type: none"> Air bag is deployed. Seat belt pre-tensioner is deployed. 	Go to SRS-45, "For Frontal Collision" .
 <p>SHIA0014E</p>	<ul style="list-style-type: none"> Diagnosis sensor unit is malfunctioning. Air bag power supply circuit is malfunctioning. SRS air bag warning lamp circuit is malfunctioning. 	Go to SRS-31, "Trouble Diagnosis: "AIR BAG" Warning Lamp Does Not Turn OFF" .
 <p>SHIA0014E</p>	<ul style="list-style-type: none"> Diagnosis sensor unit is malfunctioning. Air bag warning lamp circuit is malfunctioning. 	Go to SRS-31, "Trouble Diagnosis: "AIR BAG" Warning Lamp Does Not Turn ON" .

A
B
C
D
E
F
G

SRS

Trouble Diagnosis with CONSULT-III

INFOID:000000003343487

DIAGNOSTIC PROCEDURE

Diagnosis mode	Description
SELF-DIAG RESULT	The self-diagnosis result is displayed. SELF-DIAG [CURRENT], [PAST], RECORRD.
ECU DISCRIMINATED No.	The parts number of diagnosis sensor unit is displayed.

I
J
K

DTC No. Index ("SELF-DIAG [CURRENT]" "SELF-DIAG [PAST]" or TROUBLE DIAG RECORD)

Diagnostic item	Explanation	Repair order "Recheck SRS at each replacement"
NO DTC IS DETECTED.	When malfunction is indicated by the "AIR BAG" warning lamp in User mode.	<ul style="list-style-type: none"> Low battery voltage (Less than 9V) Self-diagnostic results "SELF-DIAG [PAST]" (previously stored in the memory) might not be erased after repair. Intermittent malfunction has been detected in the past.
	• No malfunction is detected.	—
CONTROL UNIT [B1001-B1015]	• Diagnosis sensor unit is malfunctioning.	Replace diagnosis sensor unit.
OCCUPANT SENS C/U [UNIT FAIL] [B1017] [B1020] [B1021]	• Trouble occurs in Occupant Classification System-CU.	Replace passenger side seat cushion assembly.
OCCUPANT SENS [UNIT FAIL] [B1018]	• Trouble occurs in Occupant Classification System-SENS.	Replace passenger side seat cushion assembly.

L
M
N
O
P

TROUBLE DIAGNOSIS

< SERVICE INFORMATION >

Diagnostic item	Explanation	Repair order "Recheck SRS at each replacement"
BELT TENSION SENS [UNIT FAIL] [B1019]	<ul style="list-style-type: none"> Belt tension sensor circuit between belt tension sensor and occupant classification system control unit, or diagnosis sensor unit is malfunctioning. 	<ol style="list-style-type: none"> Visually check the wiring harness connection. Replace the harness if it has visible damage. Replace front seat belt (passenger side) assembly. Replace front passenger seat cushion/occupant classification system control unit assembly.
OCCUPANT SENS C/U [COMM FAIL] [B1022]	<ul style="list-style-type: none"> Trouble occurs in Occupant Classification System-CU, circuit of Occupant Classification System-CU—Diagnosis Sensor Unit or Diagnosis Sensor Unit. 	<ol style="list-style-type: none"> Visually check the wiring harness connection. Replace the harness if it has visible damage. Replace passenger side seat cushion assembly. Replace the diagnosis sensor unit.
PASS A/B INDCTR CKT [B1023]	<ul style="list-style-type: none"> Cutoff telltale circuit is open or shorted to grand or the circuits are shorted each other. 	<ol style="list-style-type: none"> Visually check the wiring harness connection. Replace the harness if it has visible damage. Replace cutoff telltale. Replace the diagnosis sensor unit.
CONTROL UNIT [B1026-B1031]	<ul style="list-style-type: none"> Diagnosis sensor unit is malfunctioning. 	Replace diagnosis sensor unit.
CRASH ZONE SEN [UNIT FAIL] [B1033] [B1034] CRASH ZONE SEN [COMM FAIL] [B1035] CRASH ZONE SEN [UNMATCH] [B1036] [OPEN/UPR-VB-SHORT] [B1038] [SHORT/UPR-GND-SHORT] [B1040]	<ul style="list-style-type: none"> Crash zone sensor 	<ol style="list-style-type: none"> Visually check the wiring harness connection. Replace the harness if it has visible damage. Replace the crash zone sensor. Replace the diagnosis sensor unit.
CONTROL UNIT [B1042-B1047]	<ul style="list-style-type: none"> Diagnosis sensor unit is malfunctioning. 	Replace diagnosis sensor unit.

TROUBLE DIAGNOSIS

< SERVICE INFORMATION >

Diagnostic item	Explanation	Repair order "Recheck SRS at each replacement"	A
DRIVER AIRBAG MODULE [OPEN] [B1049] [B1054]	<ul style="list-style-type: none"> Driver air bag module circuit is open (including the spiral cable). 	<ol style="list-style-type: none"> 1. Visually check the wiring harness connection. 2. Replace the harness if it has visible damage. 3. Replace driver air bag module. 4. Replace the spiral cable. 5. Replace the diagnosis sensor unit. 	B
DRIVER AIRBAG MODULE [VB-SHORT] [B1050] [B1055]	<ul style="list-style-type: none"> Driver air bag module circuit is shorted to a power supply circuit (including the spiral cable). 		C
DRIVER AIRBAG MODULE [GND-SHORT] [B1051] [B1056]	<ul style="list-style-type: none"> Driver air bag module circuit is shorted to ground (including the spiral cable). 		D
DRIVER AIRBAG MODULE [SHORT] [B1052] [B1057]	<ul style="list-style-type: none"> Driver air bag module circuit is shorted between lines. 		E
CONTROL UNIT [B1058-B1063]	<ul style="list-style-type: none"> Diagnosis sensor unit is malfunctioning. 	Replace diagnosis sensor unit.	F
ASSIST A/B MODULE [VB-SHORT] [B1065] [B1070]	<ul style="list-style-type: none"> Front passenger air bag module circuit is shorted to a power supply circuit. 	<ol style="list-style-type: none"> 1. Visually check the wiring harness connection. 2. Replace the harness if it has visible damage. 3. Replace front passenger air bag module. 4. Replace the diagnosis sensor unit. 	G
ASSIST A/B MODULE [OPEN] [B1066] [B1071]	<ul style="list-style-type: none"> Front passenger air bag module circuit is open. 		I
ASSIST A/B MODULE [GND-SHORT] [B1067] [B1072]	<ul style="list-style-type: none"> Front passenger air bag module circuit is shorted to ground. 		J
ASSIST A/B MODULE [SHORT] [B1068] [B1073]	<ul style="list-style-type: none"> Front passenger air bag module circuit is shorted between lines. 		K
CONTROL UNIT [B1074-B1079]	<ul style="list-style-type: none"> Diagnosis sensor unit is malfunctioning. 	Replace diagnosis sensor unit.	L
PRE-TEN FRONT RH [OPEN] [B1081]	<ul style="list-style-type: none"> Front RH pre-tensioner circuit is shorted to a power supply circuit. 	<ol style="list-style-type: none"> 1. Visually check the wiring harness connections. 2. Replace the harness if it has visible damage. 3. Replace front RH seat belt. 4. Replace the diagnosis sensor unit. 	M
PRE-TEN FRONT RH [VB-SHORT] [B1082]	<ul style="list-style-type: none"> Front RH pre-tensioner is shorted to a power supply circuit. 		N
PRE-TEN FRONT RH [GND-SHORT] [B1083]	<ul style="list-style-type: none"> Front RH pre-tensioner circuit is shorted to ground. 		O
PRE-TEN FRONT RH [SHORT] [B1084]	<ul style="list-style-type: none"> Front RH pre-tensioner circuit is shorted between lines. 		P

SRS

TROUBLE DIAGNOSIS

< SERVICE INFORMATION >

Diagnostic item	Explanation	Repair order "Recheck SRS at each replacement"
PRE-TEN FRONT LH [OPEN] [B1086]	<ul style="list-style-type: none"> Front LH pre-tensioner circuit is open. 	<ol style="list-style-type: none"> 1. Visually check the wiring harness connections. 2. Replace the harness if it has visible damage. 3. Replace front LH seat belt. 4. Replace the diagnosis sensor unit.
PRE-TEN FRONT LH [VB-SHORT] [B1087]	<ul style="list-style-type: none"> Front LH pre-tensioner circuit is shorted to a power supply circuit. 	
PRE-TEN FRONT LH [GND-SHORT] [B1088]	<ul style="list-style-type: none"> Front LH pre-tensioner circuit is shorted to ground. 	
PRE-TEN FRONT LH [SHORT] [B1089]	<ul style="list-style-type: none"> Front LH pre-tensioner circuit is shorted between lines. 	
CONTROL UNIT [B1106-B1111]	<ul style="list-style-type: none"> Diagnosis sensor unit is malfunctioning. 	Replace diagnosis sensor unit.
SATELLITE SENS RH [UNIT FAIL] [B1113] [B1114] SATELLITE SENS RH [COMM FAIL] [B1115] SATELLITE SENS RH [UNMATCH] [B1116]	<ul style="list-style-type: none"> RH side air bag (Satellite) sensor 	<ol style="list-style-type: none"> 1. Visually check the wiring harness connection. 2. Replace the harness if it has visible damage. 3. Replace the RH side air bag (Satellite) sensor. 4. Replace the diagnosis sensor unit.
SATELLITE SENS LH [UNIT FAIL] [B1118] [B1119] SATELLITE SENS LH [COMM FAIL] [B1120] SATELLITE SENS LH [UNMATCH] [B1121]	<ul style="list-style-type: none"> LH side air bag (Satellite) sensor 	<ol style="list-style-type: none"> 1. Visually check the wiring harness connection. 2. Replace the harness if it has visible damage. 3. Replace the LH side air bag (Satellite) sensor. 4. Replace the diagnosis sensor unit.
CONTROL UNIT [B1122-B1127]	<ul style="list-style-type: none"> Diagnosis sensor unit is malfunctioning. 	Replace diagnosis sensor unit.
SIDE MODULE RH [OPEN] [B1129]	<ul style="list-style-type: none"> Front RH side air bag module circuit is open. 	<ol style="list-style-type: none"> 1. Visually check the wiring harness connection. 2. Replace the harness if it has visible damage. 3. Replace front RH setback assembly (front RH side air bag module). 4. Replace the diagnosis sensor unit.
SIDE MODULE RH [VB-SHORT] [B1130]	<ul style="list-style-type: none"> Front RH side air bag module circuit is shorted to some power supply circuit. 	
SIDE MODULE RH [GND-SHORT] [B1131]	<ul style="list-style-type: none"> Front RH side air bag module circuit is shorted to ground. 	
SIDE MODULE RH [SHORT] [B1132]	<ul style="list-style-type: none"> Front RH side air bag module circuit is shorted between lines. 	

TROUBLE DIAGNOSIS

< SERVICE INFORMATION >

Diagnostic item	Explanation	Repair order "Recheck SRS at each replacement"	A
SIDE MODULE LH [OPEN] [B1134]	• Front LH side air bag module circuit is open.	<ol style="list-style-type: none"> 1. Visually check the wiring harness connection. 2. Replace the harness if it has visible damage. 3. Replace front LH setback assembly (front LH side air bag module). 4. Replace the diagnosis sensor unit. 	B
SIDE MODULE LH [VB-SHORT] [B1135]	• Front LH side air bag module circuit is shorted to a power supply circuit.		C
SIDE MODULE LH [GND-SHORT] [B1136]	• Front LH side air bag module circuit is shorted to ground.		D
SIDE MODULE LH [SHORT] [B1137]	• Front LH side air bag module circuit is shorted between lines.		E
CONTROL UNIT [B1138-B1143]	• Diagnosis sensor unit is malfunctioning.	Replace diagnosis sensor unit.	F
CURTAIN MODULE RH [OPEN] [B1145]	• RH side curtain air bag module circuit is open.	<ol style="list-style-type: none"> 1. Visually check the wiring harness connection. 2. Replace the harness if it has visible damage. 3. Replace RH side curtain air bag module. 4. Replace the diagnosis sensor unit. 	G
CURTAIN MODULE RH [VB-SHORT] [B1146]	• RH side curtain air bag module circuit is shorted to a power supply circuit.		I
CURTAIN MODULE RH [GND-SHORT] [B1147]	• RH side curtain air bag module circuit is shorted to ground.		J
CURTAIN MODULE RH [SHORT] [B1148]	• RH side curtain air bag module circuit is shorted between lines.		K
CURTAIN MODULE LH [OPEN] [B1150]	• LH side curtain air bag module circuit is open.	<ol style="list-style-type: none"> 1. Visually check the wiring harness connection. 2. Replace the harness if it has visible damage. 3. Replace LH side curtain air bag module. 4. Replace the diagnosis sensor unit. 	L
CURTAIN MODULE LH [VB-SHORT] [B1151]	• LH side curtain air bag module circuit is shorted to some power supply circuits.		M
CURTAIN MODULE LH [GND-SHORT] [B1152]	• LH side curtain air bag module circuit is shorted to ground.		N
CURTAIN MODULE LH [SHORT] [B1153]	• LH side curtain air bag module circuit is shorted between lines.		O
CONTROL UNIT [B1202-B1207]	• Diagnosis sensor unit is malfunctioning.	Replace the diagnosis sensor unit.	P
FRONTAL COLLISION DETECTION [B1209]	• Seat belt pre-tensioner and front air bag are deployed.	Go to SRS-45. "For Frontal Collision" .	
SIDE COLLISION DE- TECTION [B1210]	• Side air bag and curtain air bag is deployed.	Go to SRS-46. "For Side Collision" .	

NOTE:

Follow the procedures in numerical order when repairing malfunctioning parts. Confirm whether malfunction is eliminated using air bag warning lamp or CONSULT-III each time repair is finished. If malfunction is still observed, proceed to the next step. When malfunction is eliminated, further repair work is not required.

Trouble Diagnosis without CONSULT-III

INFOID:000000003343488

DIAGNOSTIC PROCEDURE

TROUBLE DIAGNOSIS

< SERVICE INFORMATION >

Inspecting SRS Malfunctioning Parts by Using "AIR BAG" Warning Lamp — Diagnosis Mode

NOTE:

SRS will not enter Diagnosis mode if no malfunction is detected in User mode.

1. Turn ignition switch ON.
2. After "AIR BAG" warning lamp lights for 7 seconds, turn ignition switch OFF within 1 second.
3. Wait more than 3 seconds.
4. Repeat the steps 1 to 3 two times.
5. Turn ignition switch ON.

SRS is now in Diagnosis mode.

"AIR BAG" warning lamp operates in Diagnosis mode as follows:

WARNING LAMP FLASH CODE CHART

<Diagnosis results (previously stored in the memory) might not be erased after repair or intermittent malfunctions have been detected in the past.>	
Flash pattern a through b are repeated. IGN ON 	Repair order 1. Erase memory. (Once key switch is turned from OFF to ON, TROUBLE DIAG RECORD will be erased.)
PHIA0532E	
<Diagnosis sensor unit>	
Flash pattern a through d are repeated. d: Seven flashes indicate malfunctioning diagnosis sensor unit circuit. 	Repair order 1. Visually check the wiring harness connections. 2. Replace the harness if it has visible damage. 3. Replace the diagnosis sensor unit. 4. Replace the related harness.
SHIA0028E	
<Occupant classification system>	
Flash pattern a through d are repeated. d: Five flashes indicate malfunctioning OCS control unit. 	Repair order 1. Visually check the wiring harness connection. 2. Replace the harness if it has visible damage. 3. Replace front passenger seat cushion and occupant classification system control unit as an assembly. 4. Replace the diagnosis sensor unit.
PHIA1242E	
<Front passenger air bag off indicator>	
Flash pattern a through d are repeated. d: Eleven flashes indicate malfunctioning front passenger air bag off indicator. 	Repair order 1. Visually check the wiring harness connection. 2. Replace the harness if it has visible damage. 3. Replace front passenger air bag off indicator unit. 4. Replace the diagnosis sensor unit. 5. Replace the related harness.
PHIA1243E	

TROUBLE DIAGNOSIS

< SERVICE INFORMATION >

<Crash zone sensor>	
Flash pattern	Repair order
<p>a through d are repeated. d: Six flashes indicate malfunctioning crash zone sensor circuit.</p>	<ol style="list-style-type: none"> 1. Visually check the wiring harness connection. 2. Replace the harness if it has visible damage. 3. Replace the crash zone sensor. 4. Replace the diagnosis sensor unit. 5. Replace the related harness.

SHIA0083E

<Driver air bag module>	
Flash pattern	Repair order
<p>a through d are repeated. d: Two flashes indicate malfunctioning driver air bag module circuit.</p>	<ol style="list-style-type: none"> 1. Visually check the wiring harness connection. 2. Replace the harness if it has visible damage. 3. Replace the spiral cable. 4. Replace the related harness.

PHIA1233E

<Front passenger air bag module>	
Flash pattern	Repair order
<p>a through d are repeated. d: Eight flashes indicate malfunctioning front passenger air bag module circuit.</p>	<ol style="list-style-type: none"> 1. Visually check the wiring harness connection. 2. Replace the harness if it has visible damage. 3. Replace the related harness.

PHIA1234E

<Front RH seat belt pre-tensioner>	
Flash pattern	Repair order
<p>a through d are repeated. d: One flash indicates malfunctioning front RH seat belt pre-tensioner circuit.</p>	<ol style="list-style-type: none"> 1. Visually check the wiring harness connections. 2. Replace the harness if it has visible damage. 3. Replace the related harness.

PHIA1235E

<Front LH seat belt pre-tensioner>	
Flash pattern	Repair order
<p>a through d are repeated. d: Three flashes indicate malfunctioning front LH seat belt pre-tensioner circuit.</p>	<ol style="list-style-type: none"> 1. Visually check the wiring harness connections. 2. Replace the harness if it has visible damage. 3. Replace the related harness.

PHIA1236E

A

B

C

D

E

F

G

SRS

I

J

K

L

M

N

O

P

TROUBLE DIAGNOSIS

< SERVICE INFORMATION >

<RH side air bag (Satellite) sensor>	
<p>Flash pattern</p> <p>a through f are repeated. f: Three flashes indicate malfunctioning RH side air bag (Satellite) sensor circuit.</p>	<p>Repair order</p> <ol style="list-style-type: none"> 1. Visually check the wiring harness connection. 2. Replace the harness if it has visible damage. 3. Replace the RH side air bag (Satellite) sensor. 4. Replace the diagnosis sensor unit. 5. Replace the related harness.
	SHIA0032E
<LH side air bag (Satellite) sensor>	
<p>Flash pattern</p> <p>a through f are repeated. f: Four flashes indicate malfunctioning LH side air bag (Satellite) sensor.</p>	<p>Repair order</p> <ol style="list-style-type: none"> 1. Visually check the wiring harness connection. 2. Replace the harness if it has visible damage. 3. Replace the LH side air bag (Satellite) sensor. 4. Replace the diagnosis sensor unit. 5. Replace the related harness.
	SHIA0033E
<Front RH side air bag module>	
<p>Flash pattern</p> <p>a through f are repeated. f: One flash indicates malfunctioning front RH side air bag module circuit.</p>	<p>Repair order</p> <ol style="list-style-type: none"> 1. Visually check the wiring harness connection. 2. Replace the harness if it has visible damage. 3. Replace the related harness.
	PHIA1237E
<Front LH side air bag module>	
<p>Flash pattern</p> <p>a through f are repeated. f: Two flashes indicate malfunctioning front LH side air bag module circuit.</p>	<p>Repair order</p> <ol style="list-style-type: none"> 1. Visually check the wiring harness connection. 2. Replace the harness if it has visible damage. 3. Replace the related harness.
	PHIA1238E
<RH side curtain air bag module>	
<p>Flash pattern</p> <p>a through f are repeated. f: Five flashes indicate malfunctioning RH side curtain air bag module circuit.</p>	<p>Repair order</p> <ol style="list-style-type: none"> 1. Visually check the wiring harness connection. 2. Replace the harness if it has visible damage. 3. Replace the related harness.
	PHIA1240E

TROUBLE DIAGNOSIS

< SERVICE INFORMATION >

<LH side curtain air bag module>	
Flash pattern	Repair order
<p>a through f are repeated. f: Six flashes indicate malfunctioning LH side curtain air bag module circuit.</p>	<ol style="list-style-type: none"> 1. Visually check the wiring harness connection. 2. Replace the harness if it has visible damage. 3. Replace the related harness.

Trouble Diagnosis: "AIR BAG" Warning Lamp Does Not Turn OFF

INFOID:000000003343489

DIAGNOSTIC PROCEDURE

1.CHECK FRONT AIR BAG MODULE

Check the deployment of front air bag module.

Is air bag module deployed?

- YES >> Refer to [SRS-45, "For Frontal Collision"](#) or [SRS-46, "For Side Collision"](#).
NO >> GO TO 2.

2.CHECK AIR BAG FUSE

Check 10A fuse [No.13, located in fuse block (J/B)].

Refer to [PG-18, "Fuse"](#).

Is the inspection result normal?

- YES >> GO TO 4.
NO >> GO TO 3.

3.CHECK AIR BAG FUSE AGAIN

Replace air bag fuse and turn ignition switch ON.

Did the air bag fuse blow again?

- YES >> Repair or replace main harness.
NO >> **INSPECTION END**

4.CHECK DIAGNOSIS SENSOR UNIT

Check the screen of CONSULT-III.

Is the inspection result normal?

- YES >> GO TO 5.
NO >> Replace diagnosis sensor unit.

5.CHECK HARNESS CONNECTION

Check harness connection between warning lamp and diagnosis sensor unit.

Is the inspection result normal?

- YES >> Check the intermittent incident.
NO >> Replace wiring harness connector.

Trouble Diagnosis: "AIR BAG" Warning Lamp Does Not Turn ON

INFOID:000000003343490

DIAGNOSTIC PROCEDURE

1.CHECK METER FUSE

Check the meter fuse. Refer to [PG-18, "Fuse"](#).

Check 10A fuse [No.14, located in fuse block (J/B)] normal?

- YES >> GO TO 3.
NO >> GO TO 2.

2.CHECK "METER" FUSE AGAIN

Replace 10A fuse [No.14, located in fuse block (J/B)] and turn ignition switch ON.

TROUBLE DIAGNOSIS

< SERVICE INFORMATION >

Does the meter fuse blow again?

- YES >> Repair or replace the related harness.
NO >> **INSPECTION END**

3.CHECK HARNESS CONNECTION BETWEEN DIAGNOSIS SENSOR UNIT AND COMBINATION METER

Disconnect diagnosis sensor unit connector and turn ignition switch ON.

Does air bag warning lamp turn ON?

- YES >> Replace diagnosis sensor unit.
NO >> Replace combination meter assembly.

Trouble Diagnosis: Passenger Seat belt Warning System

INFOID:000000003343491

1.CHECK THE SYSTEM 1

Check seat belt warning lamp function.

Seat belt warning lamp turns ON in the following conditions.

- Driver seat belt is fastened.
- Occupant is on passenger seat.
- Passenger seat belt is not fasten.

Is the inspection result normal?

- YES >> GO TO 2.
NO >> Check the followings.
- Harness between air bag diagnosis sensor unit and combination meter.
 - Seat belt buckle switch (passenger side) circuit.
 - Seat belt buckle switch (passenger side).
- If these are OK, replace air bag diagnosis sensor unit.

2.CHECK THE SYSTEM 2

Check seat belt warning lamp function.

Seat belt warning lamp turns OFF in the following conditions.

- Driver seat belt is fastened.
- Occupant is on passenger seat.
- Passenger seat belt is fastened.

Is the inspection result normal?

- YES >> System is OK.
NO >> Check the followings.
- Sea tbelt buckle switch (passenger side) circuit.
 - Seat belt buckle switch (passenger side).
- If these are OK, replace air bag diagnosis sensor unit.

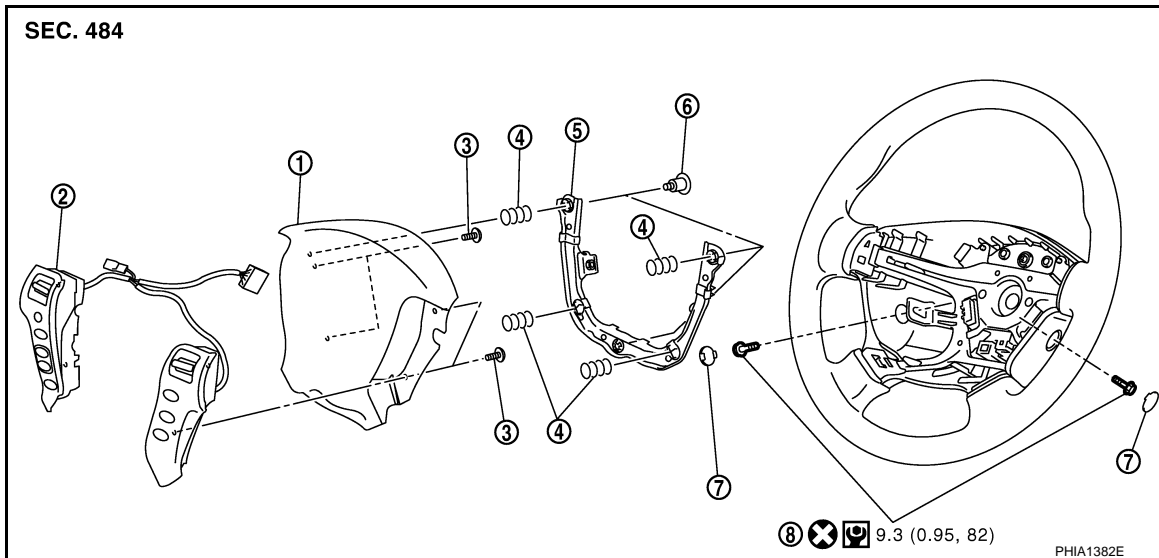
DRIVER AIR BAG MODULE

< SERVICE INFORMATION >

DRIVER AIR BAG MODULE

Removal and Installation

INFOID:000000002956088



- | | | |
|--------------------------|---------------------------|----------|
| 1. Driver air bag module | 2. Steering switch | 3. Screw |
| 4. Spring | 5. Bracket | 6. Screw |
| 7. Side lid (left/right) | 8. TORX bolt (left/right) | |

SRS

REMOVAL

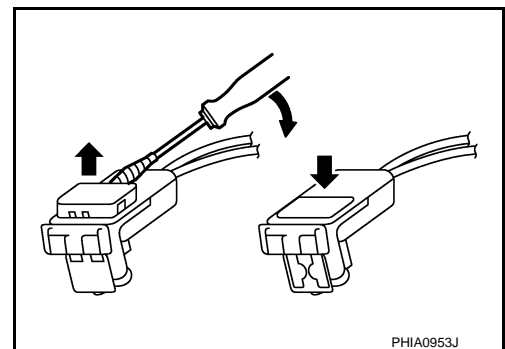
CAUTION:

- Before servicing, turn ignition switch OFF, disconnect both battery terminals and wait 3 minutes or more.
- Never use air tools or electric tools for servicing.
- Always work from the side of air bag module. Never work from the front of it.
- Always place air bag module with pad side facing upward.
- Never use old TORX bolts after removal, replace with new bolts.
- Never make an impact to the air bag module by dropping etc. Replace the air bag module if it has been dropped or sustained an impact.

1. Remove the side lids (left/right).
2. Remove the driver air bag module.
 - Using Tamper resistant TORX bit, remove the TORX bolts at left and right.
 - Disconnect the harness connector with the driver air bag module rassed a bit.

NOTE:

- For installing/removing driver air bag harness connector, insert thin screwdriver wrapped in tape into notch, lift lock and remove connector.
- Install connector with lock raised, and push lock into connector.
- After installing the connector, check that the lock is pushed securely into it.



3. Remove the screws then remove the steering switch.

INSTALLATION

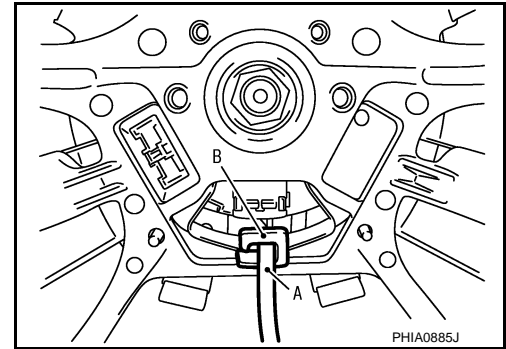
Install in the reverse order of removal.

CAUTION:

DRIVER AIR BAG MODULE

< SERVICE INFORMATION >

- Fix the air bag module harness (shown as A in the figure) to the harness fixing hook (shown as B in the figure).



- Be careful not to damage the harness while installing.
- Tighten the special bolts after exactly adjusting the centers of fixing holes on the air bag module side and the steering wheel side. If the holes are misaligned, the bolt threads are damaged and the module is not installed securely.
- In case that malfunction is detected by the air bag warning lamp, reset by the self-diagnosis function and delete the memory by CONSULT-III.
- In case that malfunction is still detected after the above operation, perform self-diagnosis to repair malfunctions.
- After the work is completed, check that no system malfunction is detected by air bag warning lamp. Refer to [SRS-22. "SRS Operation Check \(USER MODE\)"](#).

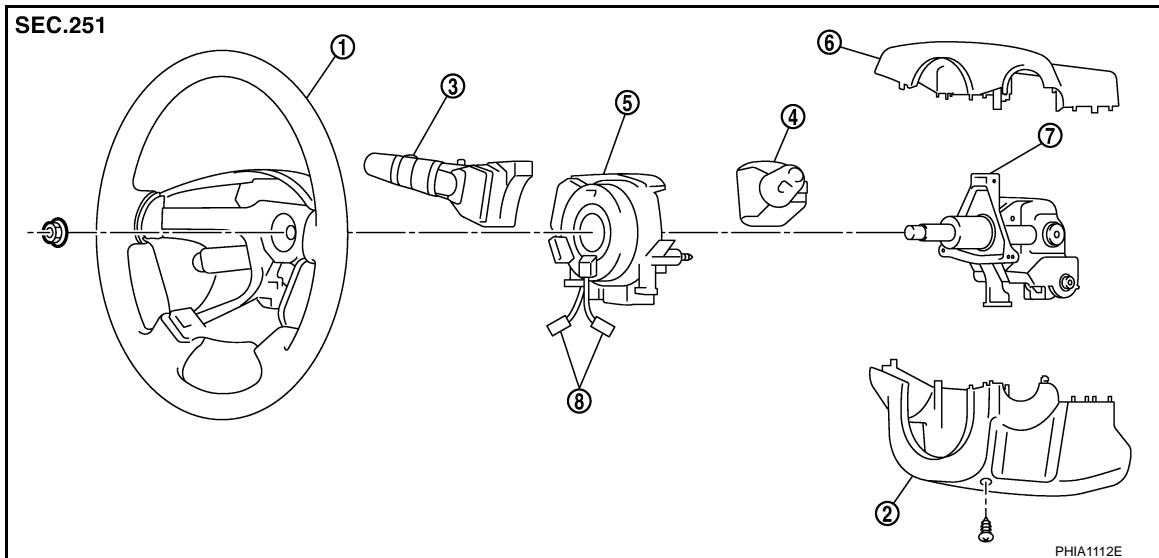
SPIRAL CABLE

< SERVICE INFORMATION >

SPIRAL CABLE

Removal and Installation

INFOID:000000002956089



- | | | |
|-----------------------------|--------------------------------------|----------------------------------|
| 1. Steering wheel | 2. Steering column cover (lower) | 3. Light and turn signal switch |
| 4. Wiper washer switch | 5. Spiral cable | 6. Steering column cover (upper) |
| 7. Steering column assembly | 8. Driver air bag harness connectors | |

REMOVAL

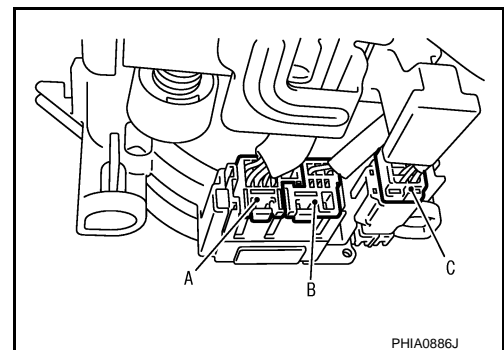
CAUTION:

- Before servicing, turn ignition switch OFF, disconnect both battery terminals and wait 3 minutes or more.
- Never use air tools or electric tools for servicing.
- Never disassemble the spiral cable.
- Never use oil, grease, detergent or water to come in contact with the spiral cable.
- Never make an impact to the spiral cable by dropping etc. Replace the spiral cable if it has been dropped or sustained an impact.

1. Remove the air bag module. Refer to [SRS-33. "Removal and Installation"](#).
2. Remove the steering wheel. Refer to [PS-10. "Removal and Installation"](#).
3. Remove the steering column cover (upper/lower).
4. Remove the wiper washer switch, then remove light and turn signal switch from the spiral cable.
5. Remove the spiral cable.
 - Disconnect the horn switch connector (shown as A in the figure).
 - Disconnect the spiral cable connector (shown as B in the figure).
 - Loosen the spiral cable fixing screws.
 - Shift the spiral cable forward a bit while pushing the pawl located above the spiral cable.
 - Disconnect the steering wheel switch connector (shown as C in the figure).

NOTE:

Disconnect the spiral cable connector after disconnecting the horn switch connector.



INSTALLATION

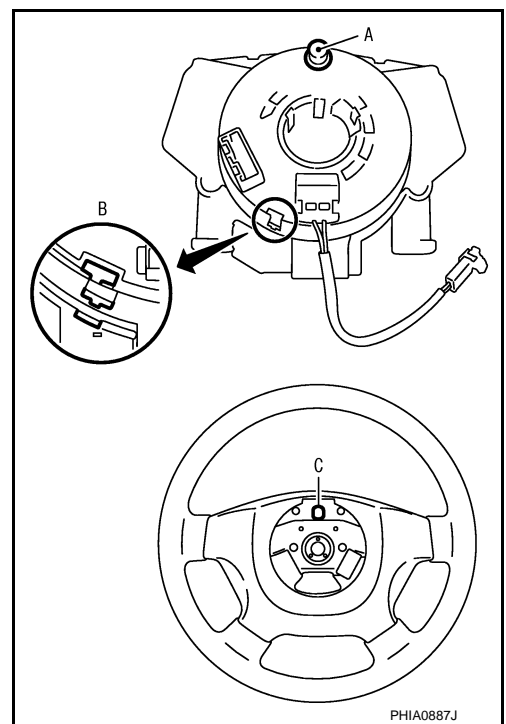
Install in the reverse order of removal.

CAUTION:

SPIRAL CABLE

< SERVICE INFORMATION >

- The spiral cable may snap by steering operation if the cable is installed in an improper position.
- The neutral position is set as follows.
Turn quietly the spiral cable clockwise to the end position. Then turn it counterclockwise (about 2 and half turns) and stop turning at the point on which the stopper insertion holes are in the same position.
The service part is installed in the neutral position by the stopper and can be set without adjusting after the stopper is removed.
- Never turn the spiral cable rashly and also beyond the limit number of turns. (These will cause cable snap.)
- Adjust the spiral cable locating pin (showed as A in the figure) to the steering wheel locating pin hole (showed as C in the figure).
- Secure the air bag harness with the harness fixing hook.
- In case that malfunction is detected by the air bag warning lamp, reset by the self-diagnosis function and delete the memory by CONSULT-III.
- In case that malfunction is still detected after the above operation, perform self-diagnosis to repair malfunctions.
- After the work is completed, check that no system malfunction is detected by air bag warning lamp. Refer to [SRS-22, "SRS Operation Check \(USER MODE\)"](#).



FRONT PASSENGER AIR BAG MODULE

< SERVICE INFORMATION >

FRONT PASSENGER AIR BAG MODULE

Removal and Installation

INFOID:00000002956090

REMOVAL

CAUTION:

- Before servicing, turn ignition switch OFF, disconnect both battery terminals and wait at least 3 minutes.
- Never use air tools or electric tools for servicing.
- Always work from the side of air bag module. Never work from the front of it.
- Always place air bag module with pad side facing upward.
- Never use old fixing bolts after removal, replace with new bolts.
- Never make an impact to the air bag module by dropping etc. Replace the air bag module if it has been dropped or sustained an impact.

1. Remove the instrument panel & pad assemblies. Refer to [IP-12, "INSTRUMENT PANEL : Removal and Installation"](#).

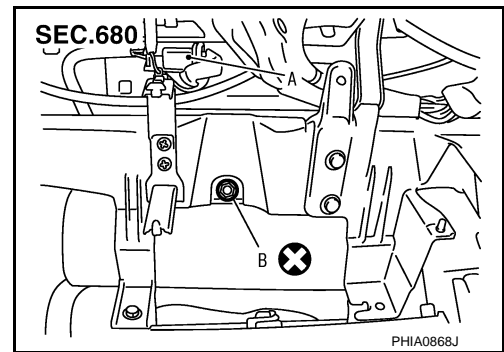
NOTE:

The figure shows installed condition of the front passenger air bag module. (Under view of the module installed without glove box cover.)

Passenger air bag module connector-A

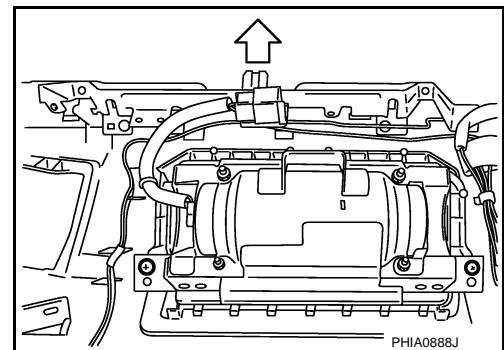
Passenger air bag module fixing bolt-B

 **Fixing bolt** :  **24.5 N·m (2.5 kg·m, 18 ft·lb)**



2. Remove the front passenger air bag module from the instrument panel & pad assemblies.

- Remove the 2 screws.
- Remove the air bag from the rear side hook. (← shows the backward direction of the vehicle.)



INSTALLATION

Install in the reverse order of removal.

CAUTION:

- Be careful not to damage the harness while installing.
- In case that malfunction is detected by the air bag warning lamp, reset by the self-diagnosis function and delete the memory by **CONSULT-III**.
- In case that malfunction is still detected after the above operation, perform self-diagnosis to repair malfunctions.
- After the work is completed, check that no system malfunction is detected by air bag warning lamp. Refer to [SRS-22, "SRS Operation Check \(USER MODE\)"](#).

A
B
C
D
E
F
G
SRS
I
J
K
L
M
N
O
P

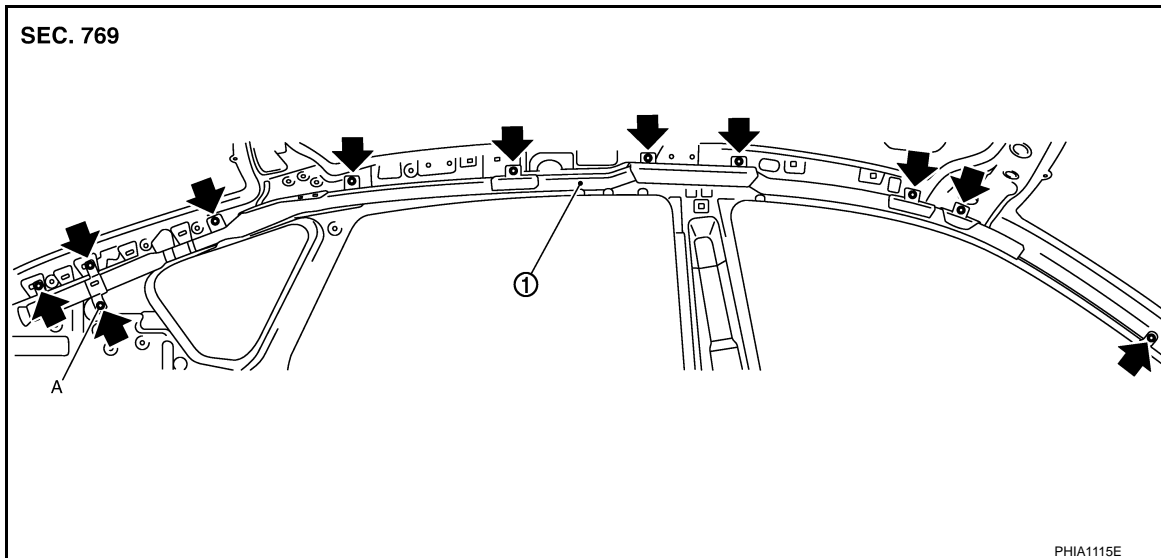
SIDE CURTAIN AIR BAG MODULE

< SERVICE INFORMATION >

SIDE CURTAIN AIR BAG MODULE

Removal and Installation

INFOID:000000002956091



1. Side curtain air bag module A Ground bolt

REMOVAL

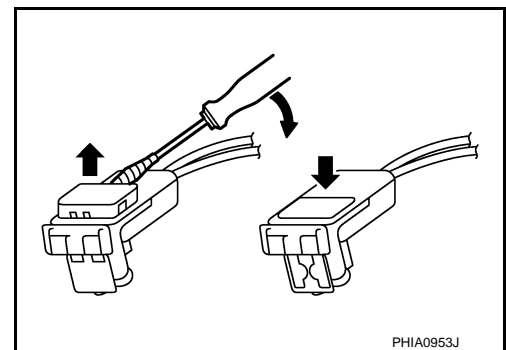
CAUTION:

- Before servicing, turn ignition switch OFF, disconnect both battery terminals and wait 3 minutes or more.
- Never use air tools or electric tools for servicing.
- Leave the curtain air bag module with air bag deployment side facing upward.
- Never make an impact to the air bag module by dropping etc. Replace the air bag module if it has been dropped or sustained an impact.

1. Remove the curtain air bag module.
 - Remove the headlining. Refer to [EI-62. "Removal and Installation"](#).
 - Remove the side curtain air bag module connector.

NOTE:

- For installing / removing side curtain air bag harness connector, insert thin screwdriver wrapped in tape into notch, lift lock and remove connector.
- Install connector with lock raised, and push lock into connector.
- After installing the connector, make sure that the lock is pushed securely into it.



- Remove the curtain air bag module fixing bolts, then remove the ground bolt.

- Fixing bolt (←) : 10.8 N·m (1.1 kg-m, 8 ft-lb)
- Ground bolt A : 10.8 N·m (1.1 kg-m, 8 ft-lb)

INSTALLATION

Install in the reverse order of removal.

CAUTION:

SIDE CURTAIN AIR BAG MODULE

< SERVICE INFORMATION >

- Be careful not to damage the air bag harness.
- In case that malfunction is detected by the air bag warning lamp, reset by the self-diagnosis function and delete the memory by CONSULT-III.
- In case that malfunction is still detected after the above operation, perform self-diagnosis to repair malfunctions.
- After the work is completed, check that no system malfunction is detected by air bag warning lamp. Refer to [SRS-22, "SRS Operation Check \(USER MODE\)"](#).

A

B

C

D

E

F

G

SRS

I

J

K

L

M

N

O

P

CRASH ZONE SENSOR

< SERVICE INFORMATION >

CRASH ZONE SENSOR

Removal and Installation

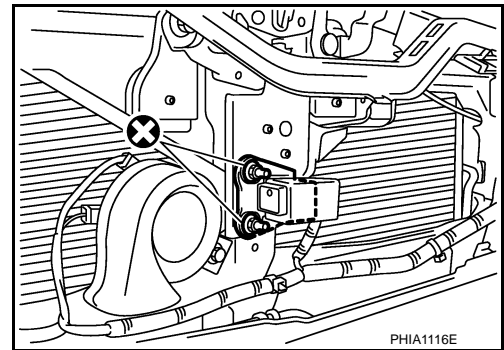
INFOID:00000002956092

REMOVAL

CAUTION:

- Before servicing, turn ignition switch OFF, disconnect both battery terminals and wait 3 minutes or more.
 - Never use air tools or electric tools for servicing.
 - Never use old fixing nuts after removal, replace with new nuts.
 - Never make an impact to the crash zone sensor by dropping etc. Replace the crash zone sensor if it has been dropped or sustained an impact.
 - Replace the crash zone sensor of deployed SRS driver air bag and deployed SRS front passenger air bag.
1. Remove the crash zone sensor.
 - Remove the front grille. Refer to [EI-27, "Component Parts Location"](#).
 - Remove the crash zone sensor fixing nuts.

⊗ Fixing nut :  10.8 N-m (1.1 kg-m, 8 ft-lb)



- Disconnect the crash zone sensor harness connector.

INSTALLATION

Install in the reverse order of removal.

CAUTION:

- Be careful not to damage the crash zone sensor harness.
- In case that malfunction is detected by the air bag warning lamp, reset by the self-diagnosis function and delete the memory by CONSULT-III.
- In case that malfunction is still detected after the above operation, perform self-diagnosis to repair malfunctions.
- After the work is completed, check that no system malfunction is detected by air bag warning lamp. Refer to [SRS-22, "SRS Operation Check \(USER MODE\)"](#).

SIDE AIR BAG (SATELLITE) SENSOR

< SERVICE INFORMATION >

SIDE AIR BAG (SATELLITE) SENSOR

Removal and Installation

INFOID:00000002956093

REMOVAL

CAUTION:

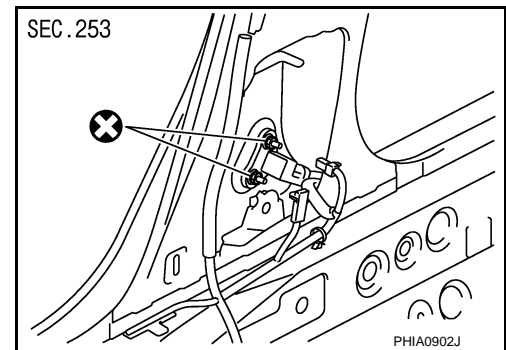
- Before servicing, turn ignition switch OFF, disconnect both battery terminals and wait 3 minutes or more.
- Never use air tools or electric tools for servicing.
- Never use old fixing nuts after removal, replace with new nuts.
- Never make an impact to the side air bag (satellite) sensor by dropping etc. Replace the side air bag (satellite) sensor if it has been dropped or sustained an impact.
- Replace the satellite sensor of deployed SRS front side air bag and deployed SRS side curtain air bag.

1. Remove the side air bag (Satellite) sensor.

- Remove front seat belt. Refer to [SB-27. "Removal and Installation of Front Seat Belt"](#).
- Remove fixing nuts, then remove side air bag (Satellite) sensor.

⊗ Fixing nut :  10.8 N·m (1.1 kg·m, 8 ft·lb)

- Disconnect the side air bag (Satellite) sensor harness connector.



INSTALLATION

Install in the reverse order of removal.

CAUTION:

- Be careful not to damage the satellite sensor harness.
- In case that malfunction is detected by the air bag warning lamp, reset by the self-diagnosis function and delete the memory by CONSULT-III.
- In case that malfunction is still detected after the above operation, perform self-diagnosis to repair malfunctions.
- After the work is completed, check that no system malfunction is detected by air bag warning lamp. Refer to [SRS-22. "SRS Operation Check \(USER MODE\)"](#).

FRONT SEAT BELT PRE-TENSIONER

< SERVICE INFORMATION >

FRONT SEAT BELT PRE-TENSIONER

Removal and Installation

INFOID:000000002956094

For removal and installation procedures, refer to [SB-27. "Removal and Installation of Front Seat Belt"](#).

DIAGNOSIS SENSOR UNIT

< SERVICE INFORMATION >

DIAGNOSIS SENSOR UNIT

Removal and Installation

INFOID:00000002956095

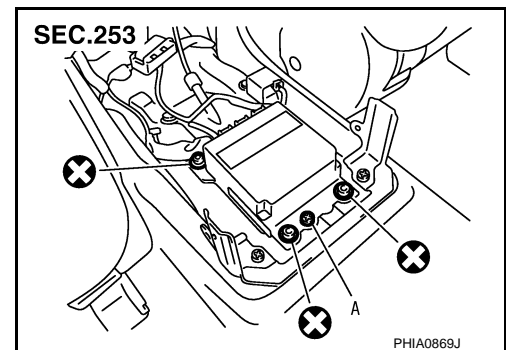
REMOVAL

CAUTION:

- Before servicing, turn ignition switch OFF, disconnect both battery terminals and wait 3 minutes or more.
 - Before disconnecting the air bag sensor unit harness connector, be sure to disconnect the each harness connector of the air bag module and pre-tensioner seat belt to prevent air bag deployment by static electricity and pre-tensioner seat belt operation.
 - Never use air tools or electric tools for servicing.
 - Never use old fixing bolts after removal, replace with new bolts.
 - Never make an impact to the diagnosis sensor unit by dropping etc. Replace the diagnosis sensor unit if it has been dropped or sustained an impact.
 - Replace the diagnosis sensor unit of deployed SRS air bag and deployed SRS front seat belt pre-tensioner.
 - When replacing the air bag diagnosis sensor unit, always check with the parts department for the latest parts information. Installing an incorrect air bag diagnosis sensor unit may or may not cause the air bag warning lamp to illuminate and may cause incorrect deployment of the supplemental air bags and seat belt pre-tensioners in a collision resulting in serious personal injury or death.
1. Always check the air bag diagnosis sensor unit ECU discriminated number (identification number) using CONSULT-III.
 2. Remove the diagnosis sensor unit.
 - Disconnect each connector of all air bag modules and pre-tensioner seat belts.
 - Remove the center console assembly. Refer to [IP-12. "INSTRUMENT PANEL : Removal and Installation"](#).
 - Disconnect diagnosis sensor unit harness connector.
 - Remove hex bolts and ground bolt, then remove the diagnosis sensor unit.

Hex bolts :  24.5 N·m (2.5 kg-m, 18 ft-lb)

Ground bolt A :  6.9 N·m (0.7kg-m, 61 in-lb)



INSTALLATION

Install air bag diagnosis sensor unit in the reverse order of removal.

CAUTION:

- Be careful not to damage the diagnosis sensor harness.
- In case that malfunction is detected by the air bag warning lamp, reset by the self-diagnosis function and delete the memory by CONSULT-III.
- In case that malfunction is still detected after the above operation, perform self-diagnosis to repair malfunctions.
- After the work is completed, check that no system malfunction is detected by air bag warning lamp. Refer to [SRS-22. "SRS Operation Check \(USER MODE\)"](#).
- After replacing the air bag diagnosis sensor unit, confirm using CONSULT-III that the ECU discriminated number (identification number) of the new replacement air bag sensor unit matches the ECU discriminated number (identification number) of the replaced (old) air bag diagnosis sensor unit.

NOTE:

If the ECU discriminated number of the new replacement air bag diagnosis sensor unit differs from the ECU discriminated number of the replaced air bag diagnosis sensor unit, reconfirm the parts information and verify that the correct air bag diagnosis sensor unit was installed.

OCCUPANT CLASSIFICATION SYSTEM CONTROL UNIT

< SERVICE INFORMATION >

OCCUPANT CLASSIFICATION SYSTEM CONTROL UNIT

Removal and Installation

INFOID:000000002956096

The occupant classification system control unit, seat pressure sensor, and bladder are an integral part of the front passenger seat cushion and are replaced as an assembly. Refer to [SE-145. "Passenger's Seat Component"](#).

COLLISION DIAGNOSIS

< SERVICE INFORMATION >

COLLISION DIAGNOSIS

For Frontal Collision

INFOID:00000002956097

To repair the SRS, perform the following steps.

When SRS (except the front side air bag and sidecurtain air bag modules) is activated in a collision:

1. Replace the diagnosis sensor unit.
2. Remove the air bag modules (except the front side air bag modules and side curtain air bag modules), crash zone sensor assembly, bracket and seat belt pre-tensioner assemblies.
3. Check the SRS components using the table below:
 - Replace any SRS components showing visible signs of damage (dents, cracks and deformation).
4. Install new air bag modules (except the front side air bag modules and side curtain air bag modules) crash zone sensor assembly, bracket and seat belt pre-tensioner assemblies.
5. Conduct self-diagnosis using CONSULT-III or air bag warning lamp. Refer to [SRS-22. "SRS Operation Check \(USER MODE\)"](#) for details. Ensure entire SRS operates properly.

When SRS is not activated in a collision:

1. Check the SRS components using the table below:
 - Replace any SRS components showing visible signs of damage (dents, cracks and deformation).
2. Conduct self-diagnosis using CONSULT-III or air bag warning lamp. Refer to [SRS-22. "SRS Operation Check \(USER MODE\)"](#) for details. Ensure entire SRS operates properly.

When only one front air bag module is activated in a collision:

1. Replace the following components:
 - Diagnosis sensor unit
 - Crash zone sensor
 - Activated front air bag and seat belt pre-tensioner.
2. Check the other SRS components using the table below (Refer to "SRS is NOT activated").
 - Replace any SRS components showing visible signs of damage (dents, cracks and deformation).
3. Conduct self-diagnosis using CONSULT-III or air bag warning lamp. Refer to [SRS-22. "SRS Operation Check \(USER MODE\)"](#) for details. Ensure entire SRS operates properly.

Only one front air bag may inflate a crash, depending on the crash severity and whether the front occupants are belted or unbelted. This does not indicate improper performance of the system. Perform self-diagnosis to check that the entire SRS operates properly.

SRS INSPECTION (FOR FRONTAL COLLISION)

Part	SRS is activated	SRS is NOT activated
Driver airbag module	If the Driver airbag has deployed: REPLACE. Install with new fasteners.	If the Driver air bag has NOT been activated: [same text as in current manual]
Passenger front airbag module	If the Passenger front airbag has deployed: REPLACE. Install with new fasteners.	If the Passenger front air bag has NOT been activated: [same text as in current manual]
Crash zone sensor	If any of the front airbags or seat belt pre-tensioners have been activated: REPLACE the crash zone sensor and bracket with new fasteners.	If the front airbags or seat belt pre-tensioners have NOT been activated: [same text as in current manual]
Seat belt pre-tensioner assemblies	If the driver or passenger Seat belt pre-tensioner has been activated: REPLACE the seat belt pre-tensioner assemblies with new fasteners.	If the pre-tensioners have NOT been activated: [same text as in current manual]
Diagnosis sensor unit	If any of the SRS components have been activated: REPLACE the Diagnosis sensor unit. Install with new fasteners.	If none of the SRS components have been activated: [same text as in current manual]
Steering wheel	[same text as in current manual]	

COLLISION DIAGNOSIS

< SERVICE INFORMATION >

Part	SRS is activated	SRS is NOT activated
Spiral cable	If the Driver airbag has deployed: REPLACE the spiral cable.	If the Driver airbag has not deployed: [same text as in current manual]
Harness and connectors	<ol style="list-style-type: none"> 1. Check connectors for poor connection, damage, and terminals for deformities. 2. Check harness for binding, chafing, cuts, or deformities. 3. If no damage is found, reinstall the harness and connectors. 4. If damaged—REPLACE damaged section of harness. Do not repair, splice or modify any SRS harness. 	
Instrument panel	<ol style="list-style-type: none"> 1. Visually check instrument panel for damage. 2. If no damage is found, reinstall the instrument panel. 3. If damaged—REPLACE the instrument panel with bolts. 	

For Side Collision

INFOID:000000002956098

WHEN THE SIDE AIR BAG IS ACTIVATED IN THE SIDE COLLISION:

1. Replace the following components:
 - All parts of front seatback (including front seatback frame) with front side air bag module (on the side on which front side air bag is activated)
 - Curtain air bag module (on the side on which side curtain airbag is activated)
 - Diagnosis sensor unit
 - Satellite sensor (on the side on which side air bag and side curtain air bag is activated)
2. Check the SRS components and the related parts using the following table.
 - Replace any SRS components and the related parts showing visible signs of damage (dents, cracks, deformation).
3. Conduct self-diagnosis using CONSULT-III or air bag warning lamp. Refer to [SRS-22, "SRS Operation Check \(USER MODE\)"](#). Ensure entire SRS operates properly.

WHEN SRS IS NOT ACTIVATED IN THE SIDE COLLISION:

1. Check the SRS components and the related parts using the following table.
 - Replace any SRS components and the related parts showing visible signs of damage (dents, cracks, deformation).
2. Conduct self-diagnosis using CONSULT-III or air bag warning lamp. Refer to [SRS-22, "SRS Operation Check \(USER MODE\)"](#). Ensure entire SRS operates properly.

SRS INSPECTION (FOR SIDE COLLISION)

Part	Front side air bag and side curtain air bag is activated	Front side air bag and side curtain air bag is NOT activated
LH or RH side curtain air bag module	REPLACE the side curtain air bag module. (Repair the center pillar inner, etc. before installing new one if damaged.)	<ol style="list-style-type: none"> 1. Check for visible signs of damage (dents, tears, deformation) of the center pillar on the collision side. 2. If damaged— Remove the LH or RH side curtain air bag module. 3. Check for visible signs of damaged (tears etc.) of the LH or RH side curtain air bag module. 4. Check harness and connectors for damage, and terminals for deformities. 5. If no damage is found, reinstall the LH or RH side curtain air bag module with new bolts. 6. If damaged—REPLACE the LH or RH side curtain air bag module with new bolts.
Front LH or RH side air bag module	REPLACE all parts of seatback with deployed front side air bag module.	<ol style="list-style-type: none"> 1. Check for visible signs of damage (dents, tears, deformation) of the seatback on the collision side. 2. Check harness and connectors for damage, and terminals for deformities. 3. If damaged—REPLACE the front seatback assembly.

COLLISION DIAGNOSIS

< SERVICE INFORMATION >

Part	Front side air bag and side curtain air bag is activated	Front side air bag and side curtain air bag is NOT activated	A
LH or RH side air bag (Satellite) sensor	REPLACE the side air bag (Satellite) sensor on the collision side with new nuts. (Repair the center pillar inner, etc. before installing new one if damaged.)	<ol style="list-style-type: none"> 1. Remove the LH or RH side air bag (Satellite) sensor on the collision side. Check harness connectors for damage, terminals for deformities, and harness for binding. 2. Check for visible signs of damage (dents, cracks, deformation) of the LH or RH side air bag (Satellite) sensor. 3. Install the LH or RH side air bag (Satellite) sensor to check fit. 4. If no damage is found, reinstall the LH or RH side air bag (Satellite) sensor with new nuts. 5. If damaged—REPLACE the LH or RH side air bag (Satellite) sensor with new nuts. 	B C D
Diagnosis sensor unit	REPLACE the diagnosis sensor unit with the new bolts.	<ol style="list-style-type: none"> 1. Check case and bracket for dents, cracks or deformities. 2. Check connectors for damage, and terminals for deformities. 3. If no damage is found, reinstall the diagnosis sensor unit with new bolts and ground bolt. 4. If damaged—REPLACE the diagnosis sensor unit with new bolts and ground bolt. 	E
Seat belt pre-tensioner assembly	<ol style="list-style-type: none"> 1. Check if the seat belt can be extended smoothly. If the seat belt cannot be extended smoothly, - Check for deformities of the center pillar inner. - If the center pillar inner has no damage, REPLACE the seat belt pre-tensioner assembly. 2. Remove the seat belt pre-tensioner assembly on the collision side. Check harness cover and connectors for damage, terminals for deformities, and harness for binding. 3. Check for visible signs of damage (dents, cracks, deformation) of the seat belt pre-tensioner assembly. 4. Check seat belt adjuster for damage. 5. If no damage is found, reinstall the seat belt pre-tensioner assembly. 6. If damaged—REPLACE the seat belt pre-tensioner assembly with new bolts. 		F G
Seat with front side air bag	REPLACE all parts of front seatback (including front seatback frame)	<ol style="list-style-type: none"> 1. Visually check the seat on the collision side. 2. Remove the seat on the collision side and check the following for damage and deformities. - Harness, connectors and terminals - Frame and recliner (for front and rear seat), and also adjuster and slides (for front seat) 3. If no damage is found, reinstall the seat. 4. If damaged—REPLACE the damaged seat parts using new bolts. 	I J
Center inner pillar	<ol style="list-style-type: none"> 1. Check the center inner pillar on the collision side for damage (dents, cracks, deformation). 2. If damaged—REPAIR the center inner pillar. 		K
Trim/headlining	<ol style="list-style-type: none"> 1. Check for visible signs of damage (dents, cracks, deformation) of the interior trim on the collision side. 2. If damaged—REPLACE the damaged trim parts. 		L

SRS

P