

**SECTION BR**  
**BRAKE SYSTEM**

A  
B  
C  
D  
E  
BR  
G  
H  
I  
J  
K  
L  
M  
N  
O  
P

**CONTENTS**

<b>SERVICE INFORMATION</b> .....	<b>2</b>	<b>BRAKE BOOSTER</b> .....	<b>17</b>
<b>PRECAUTIONS</b> .....	<b>2</b>	On-Board Inspection and Service .....	17
Precaution for Supplemental Restraint System (SRS) "AIR BAG" and "SEAT BELT PRE-TEN- SIONER" .....	2	Removal and Installation .....	17
Precaution for Procedure without Cowl Top Cover.....	2	<b>VACUUM LINES</b> .....	<b>19</b>
Precaution for Brake System .....	2	Component .....	19
<b>PREPARATION</b> .....	<b>4</b>	Removal and Installation .....	19
Commercial Service Tool .....	4	Inspection .....	20
<b>NOISE, VIBRATION AND HARSHNESS (NVH) TROUBLESHOOTING</b> .....	<b>5</b>	<b>FRONT DISC BRAKE</b> .....	<b>21</b>
NVH Troubleshooting Chart .....	5	On-Board Inspection .....	21
<b>BRAKE PEDAL</b> .....	<b>6</b>	Component .....	21
Inspection and Adjustment .....	6	Removal and Installation of Brake Pad .....	22
Removal and Installation .....	6	Removal and Installation of Brake Caliper Assem- bly .....	22
<b>BRAKE FLUID</b> .....	<b>9</b>	Disassembly and Assembly of Brake Caliper As- sembly .....	23
On-Board Inspection .....	9	<b>REAR DISC BRAKE</b> .....	<b>27</b>
Checking Brake Line .....	9	On-Board Inspection .....	27
Drain and Refill .....	9	Component .....	27
Bleeding Brake System .....	10	Removal and Installation of Brake Pad .....	28
<b>BRAKE TUBE AND HOSE</b> .....	<b>11</b>	Removal and Installation of Brake Caliper Assem- bly .....	28
Hydraulic Circuit .....	11	Disassembly and Assembly of Brake Caliper As- sembly .....	29
Removal and Installation of Front Brake Tube and Brake Hose .....	12	<b>SERVICE DATA AND SPECIFICATIONS (SDS)</b> .....	<b>33</b>
Removal and Installation of Rear Brake Tube and Brake Hose .....	12	General Specification .....	33
Inspection after Installation .....	13	Brake Pedal .....	33
<b>BRAKE MASTER CYLINDER</b> .....	<b>14</b>	Brake Booster .....	33
On-Board Inspection .....	14	Check Valve .....	33
Removal and Installation .....	14	Front Disc Brake .....	33
Disassembly and Assembly .....	14	Rear Disc Brake .....	33

# PRECAUTIONS

< SERVICE INFORMATION >

## SERVICE INFORMATION

### PRECAUTIONS

#### Precaution for Supplemental Restraint System (SRS) "AIR BAG" and "SEAT BELT PRE-TENSIONER"

INFOID:000000005213749

The Supplemental Restraint System such as "AIR BAG" and "SEAT BELT PRE-TENSIONER", used along with a front seat belt, helps to reduce the risk or severity of injury to the driver and front passenger for certain types of collision. This system includes seat belt switch inputs and dual stage front air bag modules. The SRS system uses the seat belt switches to determine the front air bag deployment, and may only deploy one front air bag, depending on the severity of a collision and whether the front occupants are belted or unbelted. Information necessary to service the system safely is included in the "SUPPLEMENTAL RESTRAINT SYSTEM" and "SEAT BELTS" of this Service Manual.

#### **WARNING:**

- To avoid rendering the SRS inoperative, which could increase the risk of personal injury or death in the event of a collision which would result in air bag inflation, all maintenance must be performed by an authorized NISSAN/INFINITI dealer.
- Improper maintenance, including incorrect removal and installation of the SRS, can lead to personal injury caused by unintentional activation of the system. For removal of Spiral Cable and Air Bag Module, see the "SUPPLEMENTAL RESTRAINT SYSTEM".
- Do not use electrical test equipment on any circuit related to the SRS unless instructed to in this Service Manual. SRS wiring harnesses can be identified by yellow and/or orange harnesses or harness connectors.

#### PRECAUTIONS WHEN USING POWER TOOLS (AIR OR ELECTRIC) AND HAMMERS

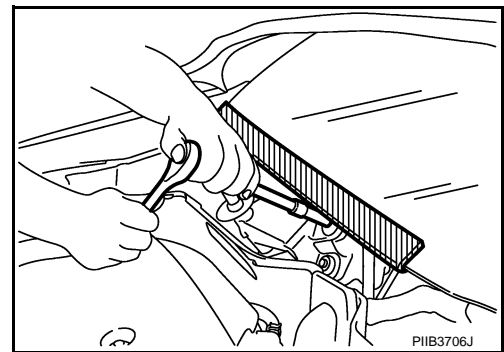
#### **WARNING:**

- When working near the Air Bag Diagnosis Sensor Unit or other Air Bag System sensors with the ignition ON or engine running, DO NOT use air or electric power tools or strike near the sensor(s) with a hammer. Heavy vibration could activate the sensor(s) and deploy the air bag(s), possibly causing serious injury.
- When using air or electric power tools or hammers, always switch the ignition OFF, disconnect the battery, and wait at least 3 minutes before performing any service.

#### Precaution for Procedure without Cowl Top Cover

INFOID:000000004454799

When performing the procedure after removing cowl top cover, cover the lower end of windshield with urethane, etc.



#### Precaution for Brake System

INFOID:000000004160246

- Clean dust on front brake and rear brake with a vacuum dust collector. Do not blow with compressed air.
- Recommended fluid is brake fluid "DOT 3". Refer to [MA-9. "Fluids and Lubricants"](#).
- Never reuse drained brake fluid.
- Be careful not to splash brake fluid on painted areas; it may cause paint damage. If brake fluid is splashed on painted areas, wash it away with water immediately.
- Use clean brake fluid, to clean or wash all parts of master cylinder and disc brake caliper, etc.
- Never use mineral oils such as gasoline or kerosene. They will ruin rubber parts of the hydraulic system.

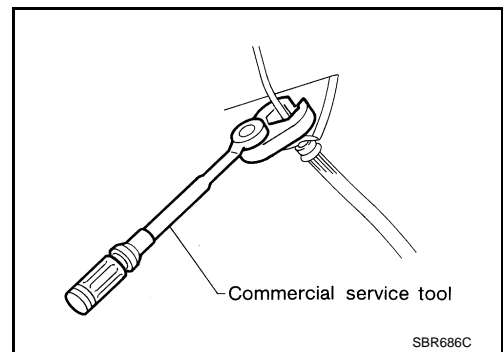
## PRECAUTIONS

### < SERVICE INFORMATION >

- Use flare nut torque wrench when installing brake tube.
- When installing brake tube and hose, be sure to check torque.
- Before working, turn ignition switch OFF and disconnect connectors of ABS actuator and electric unit (control unit) or battery cable from the negative terminal.
- Burnish the brake contact surfaces after refinishing or replacing rotors, after replacing pads, or if a soft pedal occurs at very low mileage. Refer to [BR-23. "Disassembly and Assembly of Brake Caliper Assembly"](#) (front disc brake), [BR-29. "Disassembly and Assembly of Brake Caliper Assembly"](#) (rear disc brake).

#### **WARNING:**

- Clean brake pads and shoes with a waste cloth, then wipe with a dust collector.



A

B

C

D

E

BR

G

H

I

J

K

L

M

N

O

P

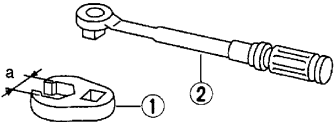
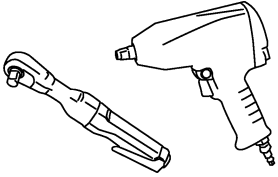

# PREPARATION

< SERVICE INFORMATION >

## PREPARATION

### Commercial Service Tool

INFOID:000000004160247

Tool name	Description
<p>1. Flare nut crowfoot a:10 mm (0.39 in) / 12 mm (0.47 in)</p> <p>2. Torque wrench</p>  <p>NT360</p>	<p>Installing each brake tube and hose</p>
<p>Power tool</p>  <p>PBIC0190E</p>	<p>Loosening bolts and nuts</p>
<p>Pin punch Tip diameter: 4 mm (0.16in) dia.</p>  <p>ZZA0515D</p>	<p>Removing and installing reservoir tank pin</p>

# NOISE, VIBRATION AND HARSHNESS (NVH) TROUBLESHOOTING

< SERVICE INFORMATION >

## NOISE, VIBRATION AND HARSHNESS (NVH) TROUBLESHOOTING

### NVH Troubleshooting Chart

INFOID:000000004160248

Use the chart below to find the cause of the symptom. If necessary, repair or replace these parts.

Symptom	BRAKE	Possible cause and SUSPECTED PARTS														Reference page				
		Pads - damaged	Pads - uneven wear	Shims damaged	Rotor imbalance	Rotor damage	Rotor runout	Rotor deformation	Rotor deflection	Rotor rust	Rotor thickness variation	Drum out of round	PROPELLER SHAFT	DIFFERENTIAL	AXLE AND SUSPENSION		TIRES	ROAD WHEEL	DRIVE SHAFT	STEERING
	Noise	x	x	x																BR-21, BR-27
	Shake				x															BR-21, BR-27
	Shimmy, Judder				x	x	x	x	x											BR-21, BR-27
																				—
																				—
																				BR-23, BR-29
																				—
																				BR-23, BR-29
																				—
																				NVH in PR section
																				NVH in FFD and RFD section
																				NVH in FAX, RAX and FSU, RSU section
																				NVH in WT section
																				NVH in WT section
																				NVH in FAX and RAX section
																				NVH in PS section

x: Applicable

A  
B  
C  
D  
E  
BR  
G  
H  
I  
J  
K  
L  
M  
N  
O  
P

# BRAKE PEDAL

< SERVICE INFORMATION >

## BRAKE PEDAL

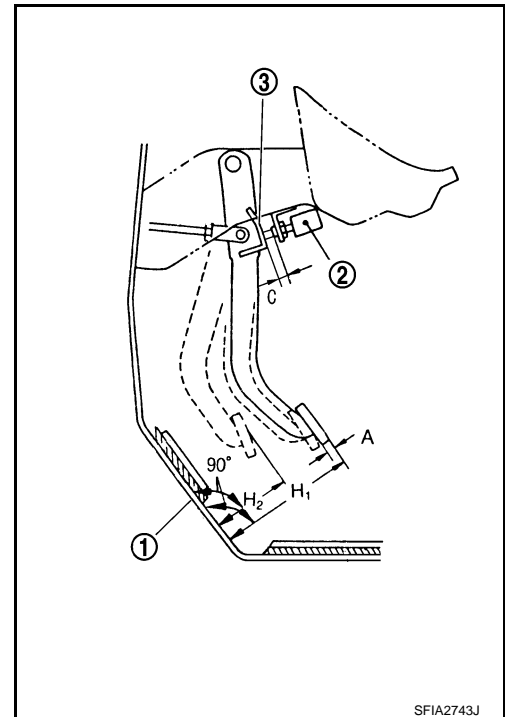
### Inspection and Adjustment

INFOID:000000004160249

Play and clearance inspection between brake pedal and floor panel with pedal depressed.

- Check brake pedal play.
- Check brake pedal height from dash lower panel (1).
- Adjust height referring to the following specifications.

H1	Brake pedal height [from dash lower panel (1) top surface]	157 – 167 mm (6.18 – 6.57 in)
H2	Depressed brake pedal height [under a force of 490 N (50 kg, 110 lb) with engine running]	90 mm (3.54 in) or more
C	Clearance between threaded end of the stop lamp switch/brake switch (2) and bracket (3)	0.74 – 1.96 mm (0.0291 – 0.0772 in)
A	Pedal play	3 – 11 mm (0.12 – 0.43 in)



SFIA2743J

### ADJUSTMENT

1. Loosen stop lamp switch and brake switch by turning it counter-clockwise by 45°.
2. Loosen lock nut (A) on the input rod to rotate input rod for adjusting brake pedal height to the specified one, and tighten lock nut (A). Refer to [BR-17. "Removal and Installation"](#).

**CAUTION:**

**Make sure the threaded end of input rod stays inside clevis.**

3. With the pedal pulled and held by hand, press stop lamp switch and brake switch until its threaded end contacts stopper.
4. With the threaded end of the stop lamp switch and brake switch contacting the bracket, rotate the switch clockwise by 45° to secure.

**CAUTION:**

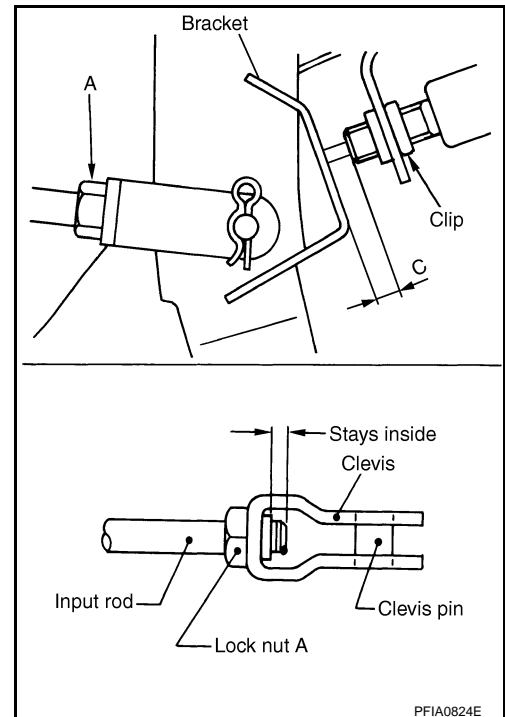
**Make sure that the clearance "C" between bracket and end of stop lamp switch and brake switch is within the standard.**

5. Check pedal play.

**CAUTION:**

**Make sure that stop lamps goes off when pedal is released.**

6. Start engine to check brake pedal depression height when depressed. Refer to "Inspection and Adjustment".



PFIA0824E

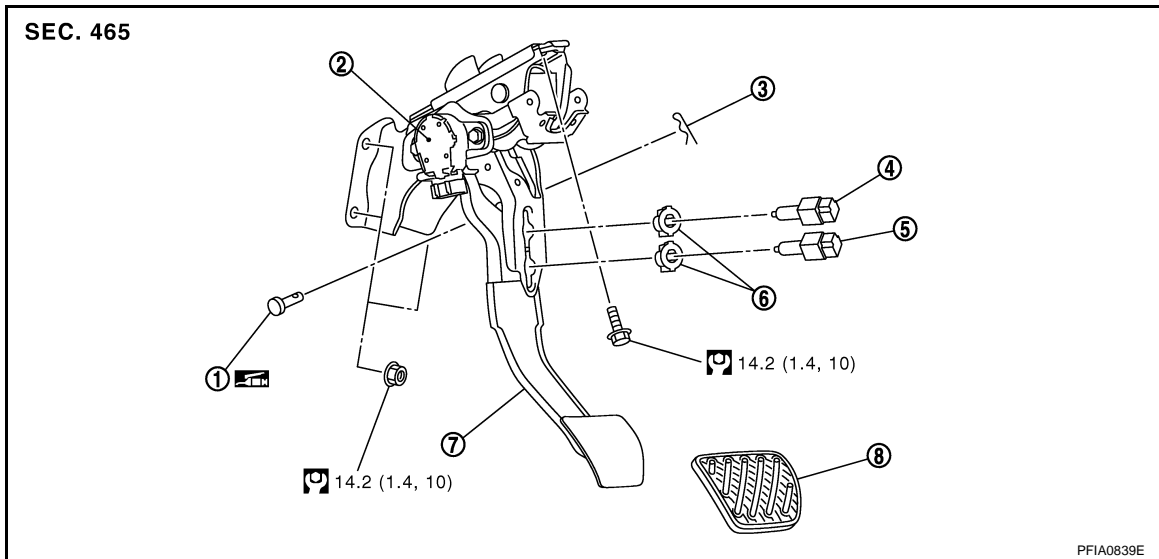
### Removal and Installation

INFOID:000000004160250

### COMPONENTS

# BRAKE PEDAL

< SERVICE INFORMATION >



- |                         |                              |             |
|-------------------------|------------------------------|-------------|
| 1. Clevis pin           | 2. Brake pedal stroke sensor | 3. Snap pin |
| 4. Stop lamp switch     | 5. Brake switch              | 6. Clip     |
| 7. Brake pedal assembly | 8. Brake pedal pad           |             |

Refer to [GI-9, "Component"](#) and the followings for the symbols in the figure.

: Apply Multi-purpose grease.

## NOTE:

Clevis pin can be installed from both left and right.

## REMOVAL

1. Remove instrument driver lower panel. Refer to [IP-12](#).
2. Remove steering column assembly. Refer to [PS-12](#).
3. Disconnect stop lamp switch and brake switch connector.
4. Remove stop lamp switch and brake switch from brake pedal assembly.
5. Disconnect brake pedal stroke sensor connector.

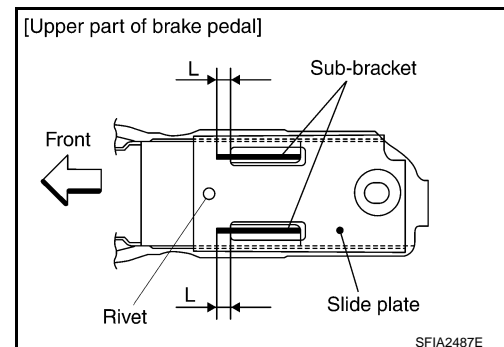
### CAUTION:

**Brake pedal stroke sensor is not detachable. Do not detach it.**

6. Remove snap pin and clevis pin from clevis of brake booster.
7. Remove brake pedal assembly mounting nuts. Pull brake booster toward engine room to the extent that does not deform brake tube.
8. Remove brake booster clevis from input rod.
9. Remove mounting bolt and then remove brake pedal assembly from vehicle.

## INSPECTION AFTER REMOVAL

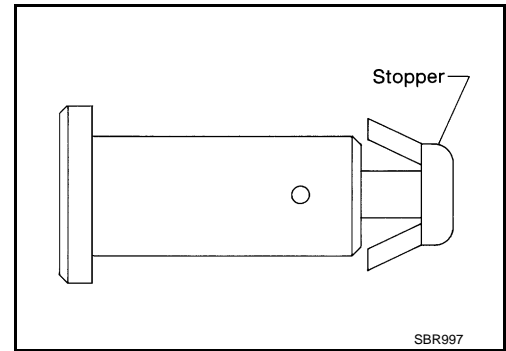
- Check the items below. If any is found, replace brake pedal assembly.
  - Check brake pedal upper rivet for deformation.
  - Make sure that joint length "L" of sub-bracket and sliding plate is 5 mm (0.197 in) or more.
  - Check brake pedal for bend, damage, and cracks on the welded parts.



## BRAKE PEDAL

### < SERVICE INFORMATION >

- Check clevis pin and plastic stopper for damage and deformation. If any is found, replace clevis pin.



### INSTALLATION

Installation is the reverse order of removal. Tightening torques for brake pedal assembly mounting nuts and bolt are referred to "COMPONENTS". Tightening torque for lock nut is referred to [BR-17, "Removal and Installation"](#).

- Adjust brake pedal height after installing brake pedal assembly to vehicle. Refer to [BR-6, "Inspection and Adjustment"](#).



# BRAKE FLUID

< SERVICE INFORMATION >

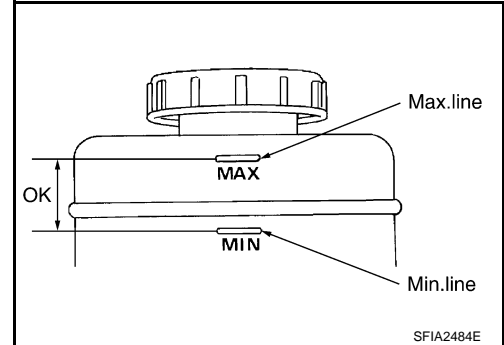
## BRAKE FLUID

### On-Board Inspection

INFOID:000000004160251

#### CHECKING BRAKE FLUID LEVEL

- Make sure that a brake fluid level in reservoir tank is within the standard (between MAX and MIN lines).
- Visually check around reservoir tank for fluid leakage.
- If the level is excessively low, check brake system for leakage.
- Release parking brake pedal and see if brake warning lamp goes off. If not, check brake system for fluid leakage.



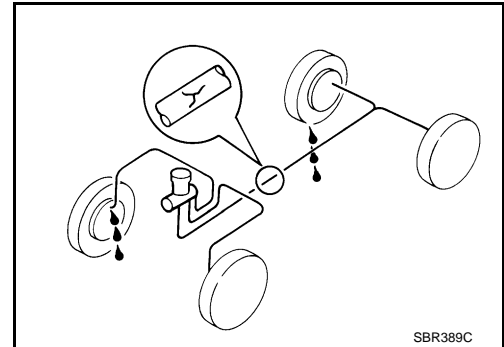
### Checking Brake Line

INFOID:000000004160252

#### CAUTION:

**If leakage occurs around joints, retighten or, if necessary, replace damaged parts.**

1. Check brake line (tubes and hoses) for cracks, deterioration or other damage. Replace any damaged parts.
2. Check for oil leakage by fully depressing brake pedal while engine is running.



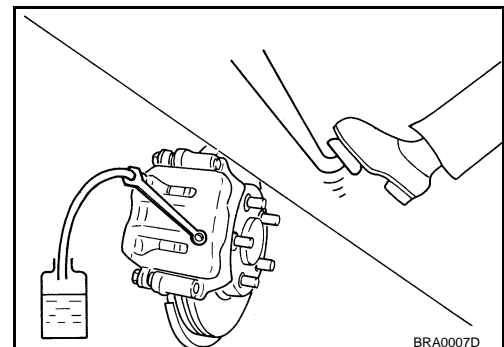
### Drain and Refill

INFOID:000000004160253

#### CAUTION:

- Refill with new brake fluid "DOT 3".
- Never reuse drained brake fluid.
- Be careful not to splash brake fluid on painted areas; it may cause paint damage. If brake fluid is splashed on painted areas, wash it away with water immediately.
- Before working, disconnect connectors of ABS actuator and electric unit (control unit) or battery cable from the negative terminal.

1. Connect a vinyl tube to bleed valve.
2. Depress brake pedal, loosen bleed valve, and gradually remove brake fluid.

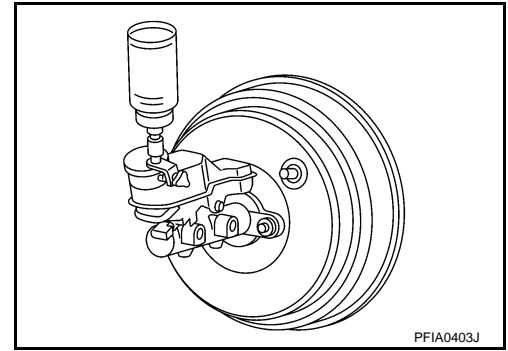


A  
B  
C  
D  
E  
BR  
G  
H  
I  
J  
K  
L  
M  
N  
O  
P

# BRAKE FLUID

## < SERVICE INFORMATION >

3. Make sure there is no foreign material in the reservoir tank, and refill with new brake fluid.
4. Loosen bleed valve, depress brake pedal slowly to full stroke and then release it. Repeat the procedure every 2 or 3 seconds until the new brake fluid comes out, then close the bleed valve while depressing the pedal. Repeat the same work for each wheel.
5. Bleed air. Refer to [BR-10, "Bleeding Brake System"](#).



## Bleeding Brake System

INFOID:000000004160254

### CAUTION:

- While bleeding, pay attention to master cylinder fluid level.
  - Before working, disconnect connectors of ABS actuator and electric unit (control unit) or battery cable from the negative terminal.
1. Connect a vinyl tube to rear right brake caliper bleed valve.
  2. Fully depress brake pedal 4 or 5 times.
  3. With brake pedal depressed, loosen bleed valve to bleed air in brake line, and then tighten it immediately.
  4. Repeat steps 2 and 3 until all of the air is out of the brake line.
  5. Tighten the bleed valve to the specified torque. Refer to front disc brake: [BR-21, "Component"](#), rear disc brake: [BR-27, "Component"](#).
  6. From step 1 to 5, with master cylinder reservoir tank filled at least half way, bleed air from brake hydraulic line bleed valves in the following order:  
Rear right brake → Front left brake → Rear left brake → Front right brake

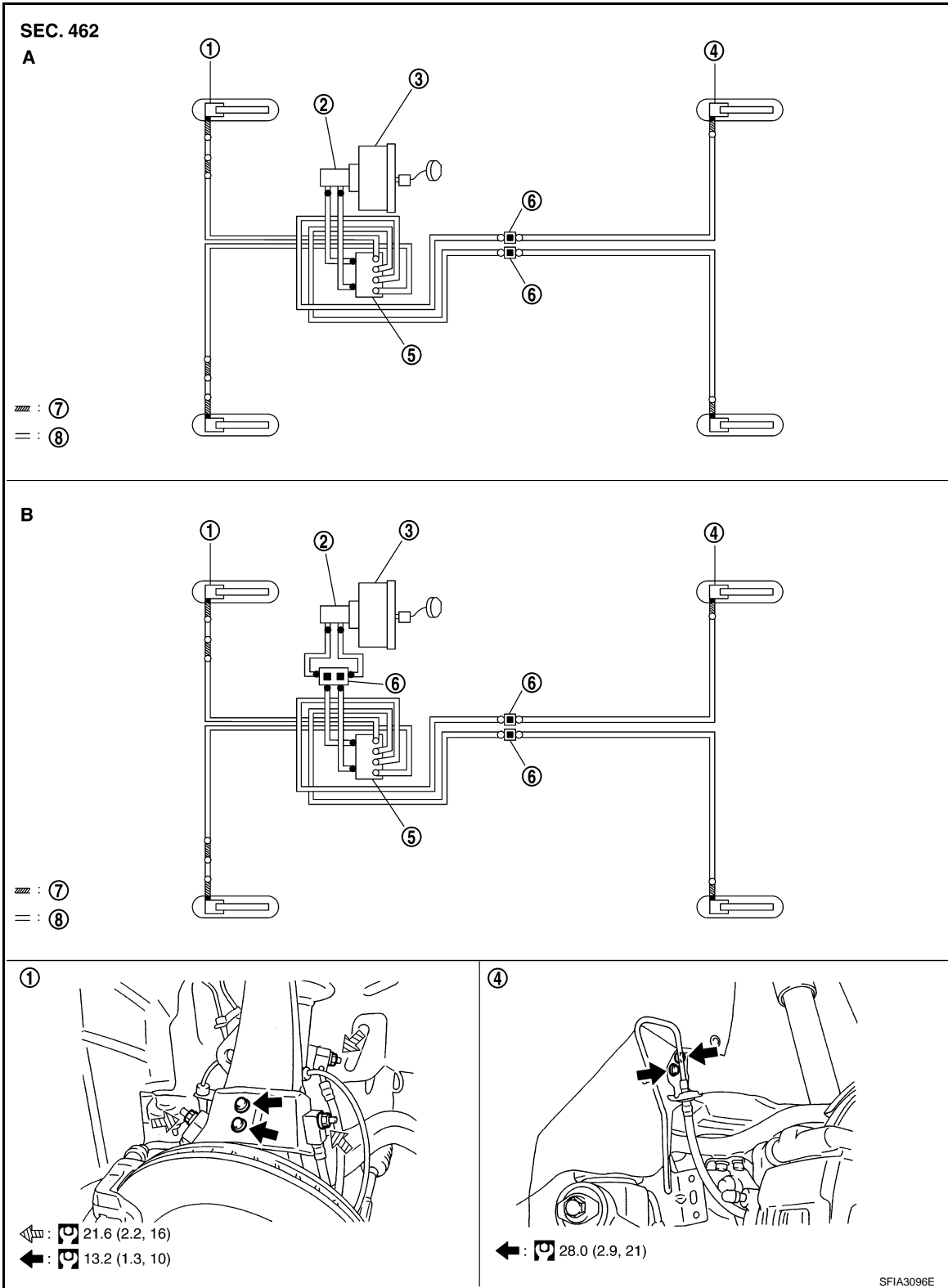
# BRAKE TUBE AND HOSE

< SERVICE INFORMATION >

## BRAKE TUBE AND HOSE

### Hydraulic Circuit

INFOID:000000004160255



A. Without ICC  
2. Master cylinder


B. With ICC  
3. Brake booster


1. Front disc brake  
4. Rear disc brake


# BRAKE TUBE AND HOSE

## < SERVICE INFORMATION >

5. ABS actuator and electric unit (control unit)
6. Connector
7. Brake hose
8. Brake tube

● : Flare nut : 18.2 N·m (1.9 kg·m, 13 ft·lb)

○ : Flare nut : 16.2 N·m (1.7 kg·m, 12 ft·lb)

■ : Union bolt : 18.2 N·m (1.9 kg·m, 13 ft·lb)

▣ : Connector mounting bolt : 7.0 N·m (0.7 kg·m, 62 in·lb)

Refer to [GI-9, "Component"](#), for the symbols in the figure.

### CAUTION:

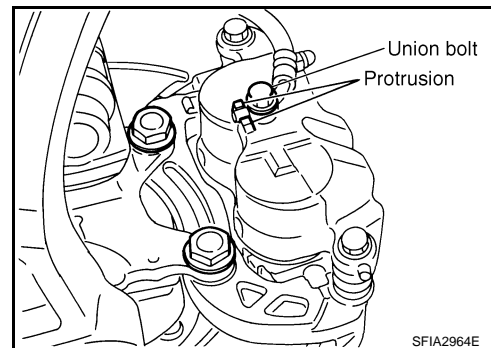
- All brake hoses and tubes must be free from excessive bending, twisting and pulling.
- Make sure that there is no interference with other parts when turning steering both clockwise and counterclockwise.
- Brake tubes and hoses are an important safety part. Always disassemble the parts and retighten their fittings, if a brake fluid leak is detected. Replace applicable part with a new one, if damaged part is detected.
- Be careful not to splash brake fluid on painted areas; it may cause paint damage. If brake fluid is splashed on painted areas, wash it away with water immediately.
- Cover the open end of brake tubes and hoses when disconnecting to prevent entrance of dirt.
- Refill with new brake fluid "DOT 3".
- Never reuse drained brake fluid.

## Removal and Installation of Front Brake Tube and Brake Hose

INFOID:000000004160256

### REMOVAL

1. Drain brake fluid. Refer to [BR-9, "Drain and Refill"](#).
2. Disconnect brake hose from brake tube, using a flare nut wrench.
3. Remove union bolt and remove brake hose from caliper assembly.
4. Remove lock plate and remove brake hose from vehicle.



### INSTALLATION

1. Assemble the union bolt and copper washer to the brake hose.  
**CAUTION:**  
**Do not reuse copper washer.**
2. Install brake hose by aligning with the protrusion on brake caliper assembly, and tighten union bolt to the specified torque. Refer to [BR-11, "Hydraulic Circuit"](#).
3. Connect brake hose to brake tube, partially tighten flare nut by hand as much as possible, then secure it to the bracket with lock plate.
4. Using a flare nut torque wrench, tighten flare nut to the specified torque. Refer to [BR-11, "Hydraulic Circuit"](#).
5. Refill brake fluid and bleed air. Refer to [BR-10, "Bleeding Brake System"](#).

## Removal and Installation of Rear Brake Tube and Brake Hose

INFOID:000000004160257

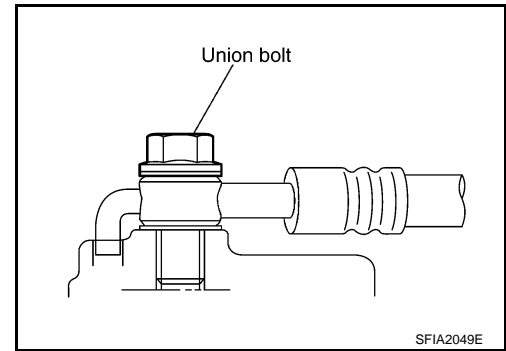
### REMOVAL

1. Drain brake fluid. Refer to [BR-9, "Drain and Refill"](#).
2. Disconnect brake hose from brake tube, using a flare nut wrench.

# BRAKE TUBE AND HOSE

## < SERVICE INFORMATION >

3. Remove union bolts, and then remove brake hose from brake caliper assembly.
4. Remove lock plate and then remove brake hose from vehicle.



## INSTALLATION

1. Assemble the union bolt and copper washer to the brake hose.  
**CAUTION:**  
**Do not reuse copper washer.**
2. Attach L-shape metal fitting of the brake hose to brake caliper assembly positioning hole, and then tighten union bolt to the specified torque. Refer to [BR-11. "Hydraulic Circuit"](#).
3. Connect brake hose to brake tube, partially tighten flare nut by hand as much as possible, then secure it to the bracket with lock plate.
4. Using a flare nut torque wrench, tighten flare nut to the specified torque. Refer to [BR-11. "Hydraulic Circuit"](#).
5. Refill brake fluid and bleed air. Refer to [BR-10. "Bleeding Brake System"](#).

## Inspection after Installation

INFOID:000000004160258

### **CAUTION:**

**Brake tubes and hoses are important safety parts. Always disassemble the parts and retighten their fittings, if a brake fluid leak is detected. Replace applicable part with a new one, if damaged part is detected.**

1. Check brake lines (tubes and hoses) and connections for fluid leakage, damage, twists, deformation, contacts with other parts, and loose connections. Replace any damage parts.
2. While depressing brake pedal under a force of 785 N (80 kg, 177 lb) with engine running for approximately 5 seconds, then check each part for fluid leakage.

# BRAKE MASTER CYLINDER

< SERVICE INFORMATION >

## BRAKE MASTER CYLINDER

### On-Board Inspection

INFOID:000000004160259

#### LEAK INSPECTION

- Check for leaking in a master cylinder installation surface, a reservoir tank installation surface, and brake tube connections.

### Removal and Installation

INFOID:000000004160260

#### CAUTION:

- Be careful not to splash brake fluid on painted areas; it may cause paint damage. If brake fluid is splashed on painted areas, wash it away with water immediately.
- Never scratch the piston of master cylinder when installing/removing because the piston is exposed. Check if any dust is not on the piston, and wash with brake fluid if needed.
- Hold cylinder body when handing master cylinder. Never hold the piston because the piston might be detached if pulled strongly.

#### REMOVAL

1. Drain brake fluid. Refer to [BR-9, "Drain and Refill"](#).
2. Disconnect brake fluid level switch harness connector.
3. Disconnect master cylinder brake tubes, using a flare nut wrench.
4. Remove master cylinder mounting nuts and remove master cylinder assembly from vehicle.

#### INSTALLATION

#### CAUTION:

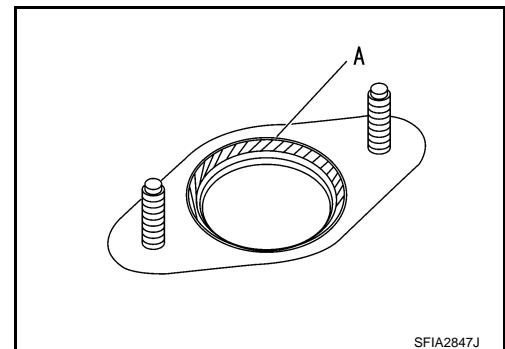
- Refill with new brake fluid "DOT 3".
- Never reuse drained brake fluid.

1. Installation is in the reverse order of removal.

#### CAUTION:

Apply silicone grease to brake booster (to "A" position in the figure) when installing master cylinder to brake booster.

2. Tighten brake tube flare nut to the specified torque using a flare nut torque wrench. Refer to [BR-11, "Hydraulic Circuit"](#).
3. Refill with new brake fluid and bleed air. Refer to [BR-10, "Bleeding Brake System"](#).



SFIA2847J

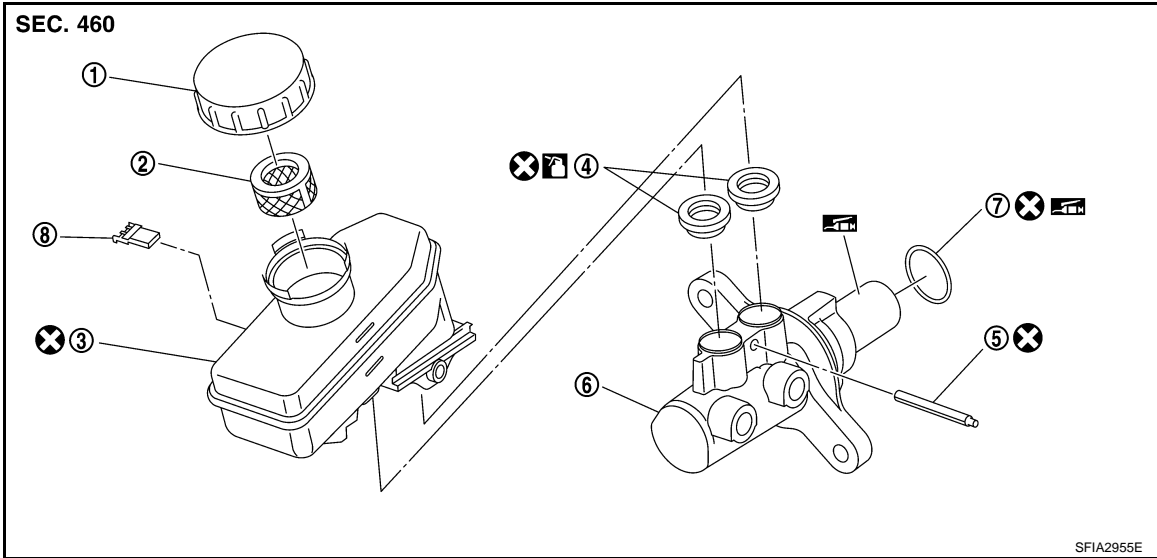
### Disassembly and Assembly

INFOID:000000004160261

#### COMPONENTS

# BRAKE MASTER CYLINDER


< SERVICE INFORMATION >



- |                  |                                       |                             |
|------------------|---------------------------------------|-----------------------------|
| 1. Reservoir cap | 2. Oil strainer                       | 3. Reservoir tank           |
| 4. Grommet       | 5. Pin                                | 6. Master cylinder assembly |
| 7. O-ring        | 8. Brake fluid level switch connector |                             |

Refer to [GI-9, "Component"](#) and the followings for the symbols in the figure.

 : Apply PBC (Poly Butyl Cuprysil) grease or silicone-based grease.

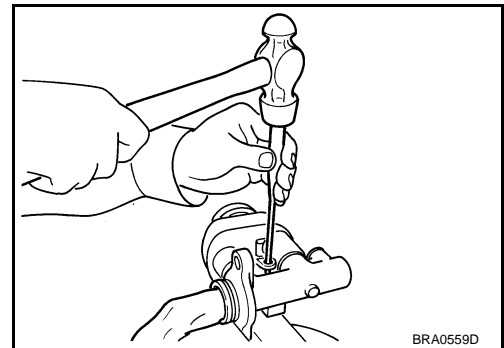
 : Apply brake fluid.

## DISASSEMBLY

### CAUTION:

- Master cylinder cannot be disassembled.
- Remove reservoir tank only when absolutely necessary.
- When securing master cylinder assembly in a vise, be sure not to over-tighten.
- When securing in a vise use copper plates or cloth to protect the flange.

1. Using a pin punch [commercial service tool: diameter approximately 4 mm (0.16 in)], remove mounting pin on reservoir tank.
2. Remove reservoir tank and grommet from cylinder body.



## ASSEMBLY

### CAUTION:

- Never use mineral oils such as kerosene, gasoline during the cleaning and assembly process.
- Do not drop parts. If a part is dropped, do not use it.

1. Apply brake fluid to the grommet and attach it to the cylinder body.

### CAUTION:

**Do not reuse grommet.**

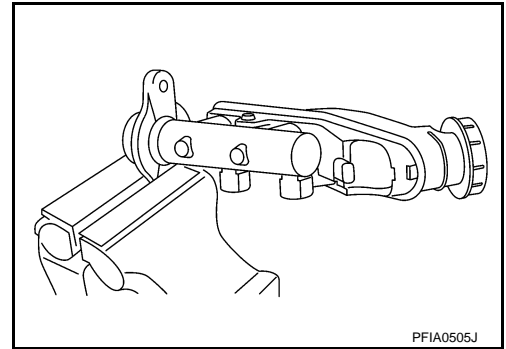
2. Install reservoir tank onto the cylinder body.

A  
B  
C  
D  
E  
BR  
G  
H  
I  
J  
K  
L  
M  
N  
O  
P

## BRAKE MASTER CYLINDER

### < SERVICE INFORMATION >

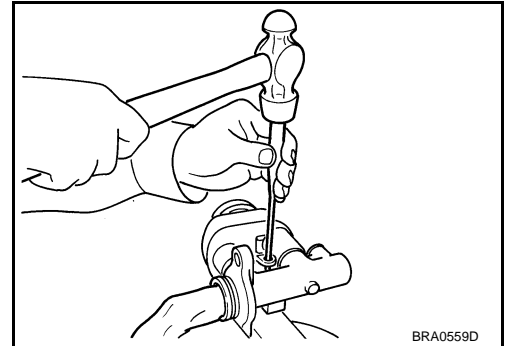
- Secure master cylinder assembly into a vise with a chamfered pin insert hole on cylinder body facing upward.



- Tilt reservoir tank as shown in the figure and insert mounting pin. Return reservoir tank to a upright position when mounting pin passes through the pinhole in the cylinder body. Push the mounting pin to the opposite pinhole of the reservoir tank so that it is the same conditions as the insertion side.

**CAUTION:**

- Be sure to fix the flange part with the brake tube installation side of cylinder body up.
- Do not reuse mounting pin.





# BRAKE BOOSTER

< SERVICE INFORMATION >

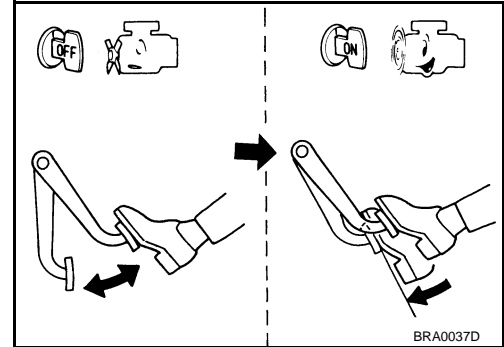
## BRAKE BOOSTER

### On-Board Inspection and Service

INFOID:000000004160262

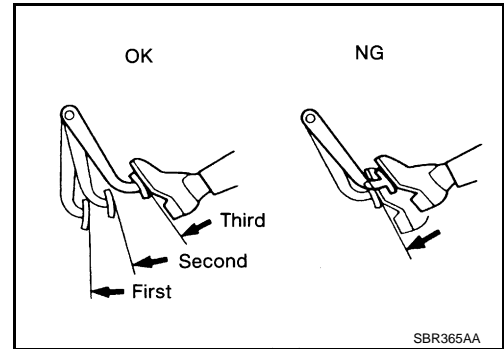
#### OPERATION CHECK

With engine stopped, change vacuum to atmospheric pressure by depressing brake pedal several times. Then with brake pedal fully depressed, start engine and when vacuum pressure reaches the standard, make sure that clearance between brake pedal and floor panel decreases.



#### AIR TIGHT CHECK

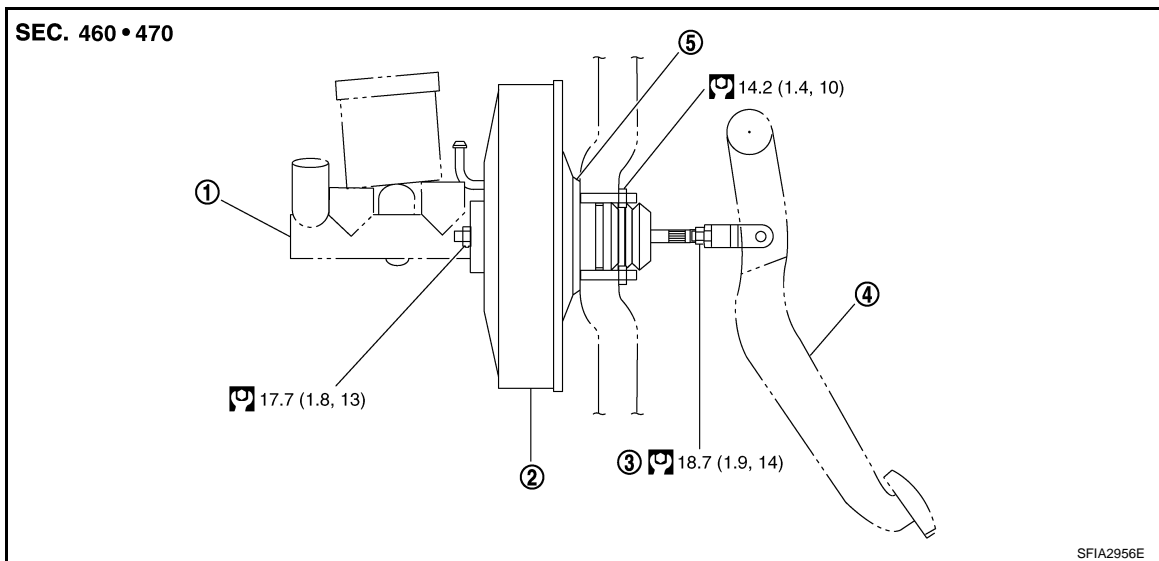
- Run engine at idle for approximately 1 minute, and stop it after applying vacuum to booster. Depress brake pedal normally to change vacuum to atmospheric pressure. Make sure that distance at intervals of 5 seconds between brake pedal and floor panel gradually increases.
- Depress brake pedal while engine is running, and stop engine with pedal depressed. The pedal stroke should not change after holding pedal down for 30 seconds.



### Removal and Installation

INFOID:000000004160263

#### COMPONENTS



1. Master cylinder assembly
2. Brake booster
3. Lock nut
4. Brake pedal
5. Gasket

Refer to [GI-9, "Component"](#), for the symbols in the figure.

#### CAUTION:

- Be careful not to deform or bend brake tube while removing and installing brake booster.
- Replace clevis pin if it is damaged.

# BRAKE BOOSTER

## < SERVICE INFORMATION >

- **Be careful not to damage brake booster stud bolt threads. If brake booster is tilted during installation, the dash panel may damage the threads.**

### INSPECTION BEFORE REMOVAL

Air Tight

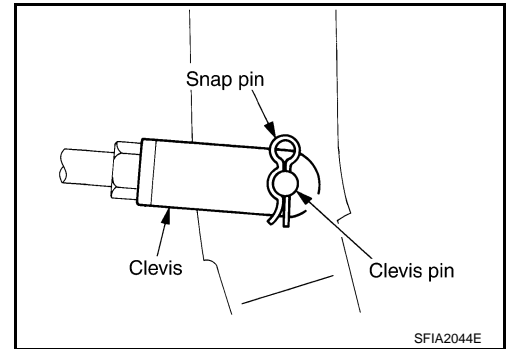
#### **CAUTION:**

**Check the air tight condition when the master cylinder and the brake booster is installed.**

1. With a handy vacuum pump, apply vacuum pressure of  $-66.7$  kPa ( $-500$  mmHg,  $-19.70$  inHg) to the brake booster.
2. If the air tight condition cannot be maintained, perform the following operation.
  - a. Check the no dirt and dust are present on the brake booster and brake master cylinder mating faces. Clean it if necessary.
  - b. Check O-ring on the master cylinder. If anything is found, replace the O-ring.
  - c. Check the air tight condition again. If the condition still cannot be maintained, replace the brake booster.

### REMOVAL

1. Remove cowl top. Refer to [EI-30, "Component Parts Location"](#).
2. Remove brake master cylinder. Refer to [BR-14, "Removal and Installation"](#).
3. Disconnect front left brake tube from ABS actuator and electric unit (control unit). Refer to [BR-11, "Hydraulic Circuit"](#).
4. Remove vacuum hose from brake booster. Refer to [BR-19, "Component"](#).
5. Remove snap pin and clevis pin from inside vehicle.
6. Remove nuts on brake booster and brake pedal assembly.
7. Remove brake booster from dash panel in engine room side.



### INSTALLATION

1. Loosen lock nut to adjust input rod length so that length "B" (in the figure) satisfies the specified value.

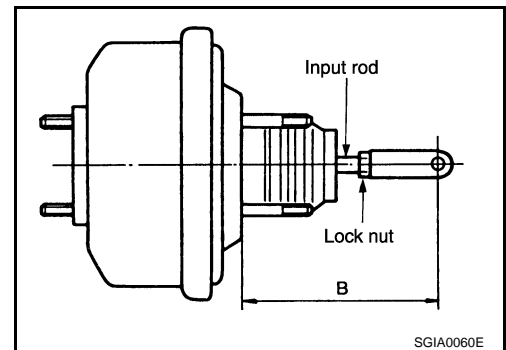
**Length "B" : 125 mm (4.92 in)**

2. After adjusting "B", temporarily tighten lock nut to install booster assembly to vehicle. At this time, make sure that a gasket between booster assembly and dash panel is installed.

#### **CAUTION:**

**Always install gasket between brake booster and dash panel.**

3. Connect brake pedal with clevis of input rod.
4. Install brake pedal bracket mounting nuts and bolt, and tighten them to the specified torque. Refer to [BR-6, "Removal and Installation"](#).
5. Install vacuum hose into brake booster. Refer to [BR-19, "Removal and Installation"](#).
6. Install master cylinder to brake booster. Refer to [BR-14, "Removal and Installation"](#).
7. Adjust the brake pedal height and the play of the brake pedal. Refer to [BR-6, "Inspection and Adjustment"](#).
8. Tighten lock nut of input rod to the specified torque. Refer to "COMPONENTS".
9. Connect front left brake tube to ABS actuator and electric unit (control unit). Refer to [BR-11, "Hydraulic Circuit"](#).
10. Install cowl top. Refer to [EI-30, "Component Parts Location"](#).
11. Refill new brake fluid and bleed air. Refer to [BR-10, "Bleeding Brake System"](#).



# VACUUM LINES

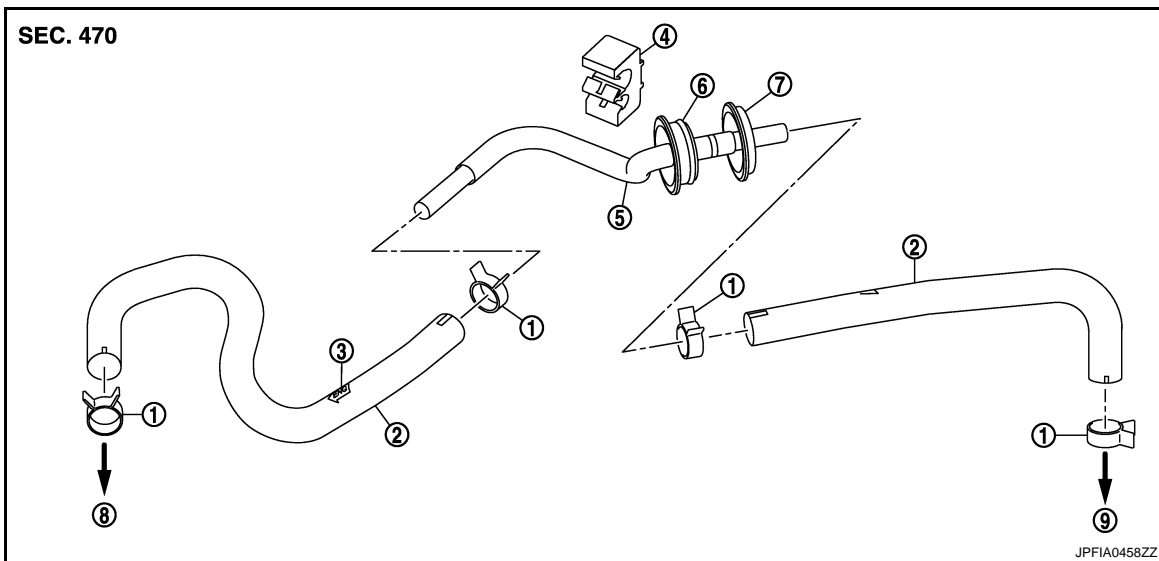
< SERVICE INFORMATION >

## VACUUM LINES

### Component

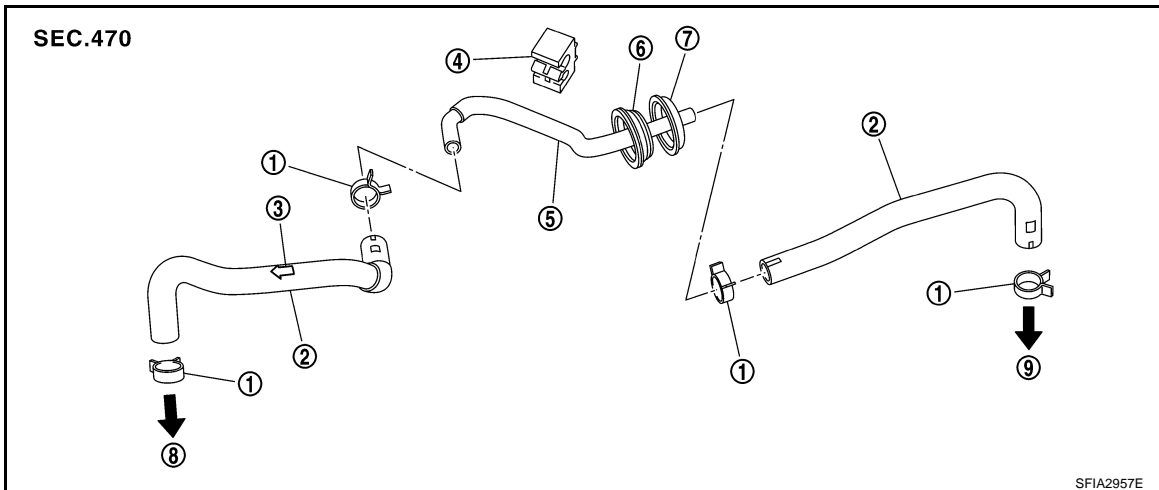
INFOID:000000004160264

#### VQ35HR ENGINE MODELS



- |                            |                        |   |
|----------------------------|------------------------|---|
| 1. Clamp                   | 2. Vacuum hose         | 3. Engine direction indicator stamp<br>(Built in check valve) |
| 4. Clip                    | 5. Vacuum piping       | 6. Grommet (Vacuum hose side)                                 |
| 7. Grommet (Cowl top side) | 8. For intake manifold | 9. For brake booster  |

#### VK45DE ENGINE MODELS



- |                            |                        |   |
|----------------------------|------------------------|---|
| 1. Clamp                   | 2. Vacuum hose         | 3. Engine direction indicator stamp<br>(Built in check valve) |
| 4. Clip                    | 5. Vacuum piping       | 6. Grommet (Vacuum hose side)                                 |
| 7. Grommet (Cowl top side) | 8. For intake manifold | 9. For brake booster  |

### Removal and Installation

INFOID:000000004160265

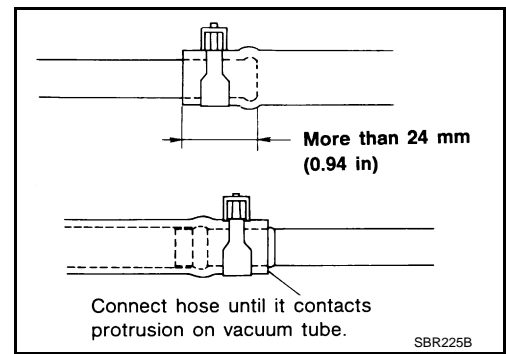
**CAUTION:**

A  
B  
C  
D  
E  
BR  
G  
H  
I  
J  
K  
L  
M  
N  
O  
P

# VACUUM LINES

## < SERVICE INFORMATION >

- Because vacuum hose contains a check valve, it must be installed in the correct position. Refer to the stamp to confirm correct installation. Brake booster will not operate normally if the hose is installed in the wrong direction.
- Insert vacuum hose at least 24 mm (0.95 in).
- Do not use lubricating oil during assembly.



INFOID:000000004160266

## Inspection

### VISUAL INSPECTION

Check for correct assembly, damage and deterioration.

### CHECK VALVE INSPECTION

Airtightness Inspection

Use a handy vacuum pump to check.

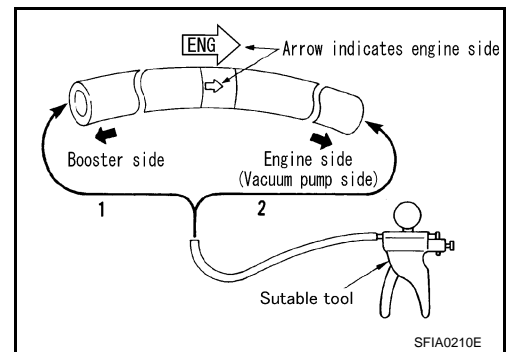
#### When connected to the booster side (1):

Vacuum should decrease within 1.3 kPa (10 mm-Hg, 0.39 inHg) for 15 seconds under a vacuum of –66.7 kPa (–500 mmHg, –19.69 inHg).

#### When connected to the engine side (2):

Vacuum should not exist.

- Replace vacuum hose assembly if vacuum hose and check valve are malfunctioning.



# FRONT DISC BRAKE

< SERVICE INFORMATION >

## FRONT DISC BRAKE

### On-Board Inspection

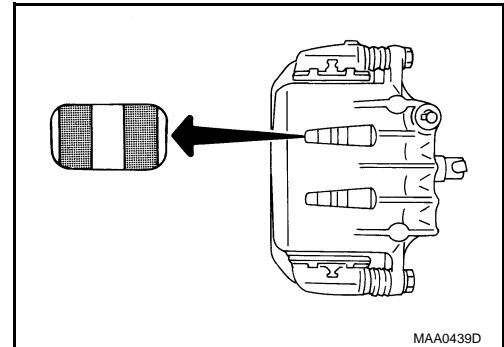
INFOID:000000004160267

### PAD WEAR INSPECTION

- Check pad thickness from an inspection hole on cylinder body. Check using a scale if necessary.

**Standard thickness : 11.0 mm (0.433 in)**

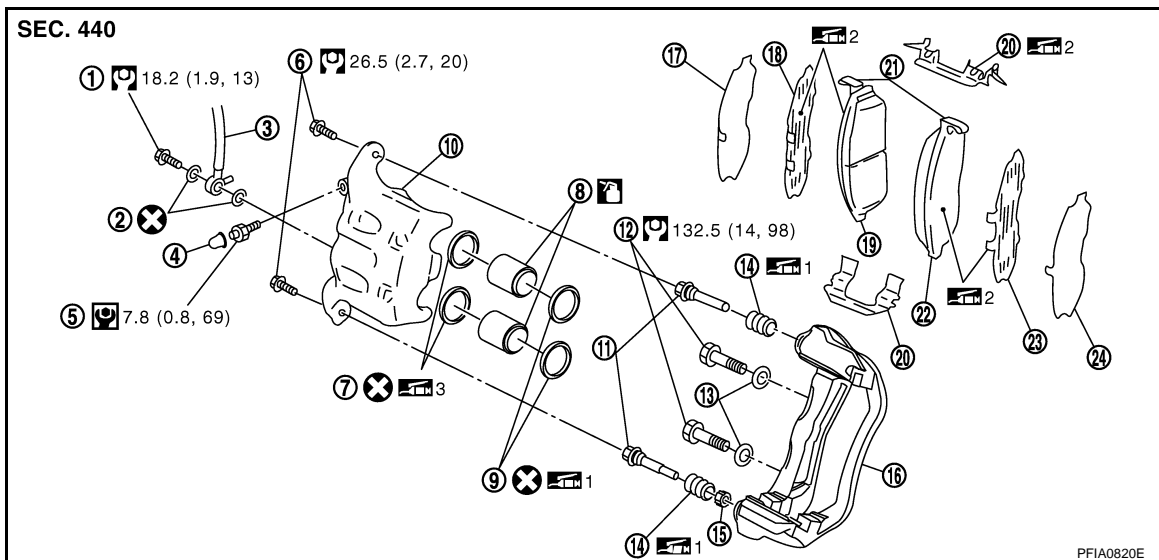
**Repair limit thickness : 2.0 mm (0.079 in)**



MAA0439D

### Component

INFOID:000000004160268



- |                   |                      |                                 |
|-------------------|----------------------|---------------------------------|
| 1. Union bolt     | 2. Copper washer     | 3. Brake hose                   |
| 4. Cap            | 5. Bleed valve       | 6. Sliding pin bolt             |
| 7. Piston seal    | 8. Piston            | 9. Piston boot                  |
| 10. Cylinder body | 11. Sliding pin      | 12. Torque member mounting bolt |
| 13. Washer        | 14. Sliding pin boot | 15. Bushing                     |
| 16. Torque member | 17. Inner shim cover | 18. Inner shim                  |
| 19. Inner pad     | 20. Pad retainer     | 21. Pad wear sensor             |
| 22. Outer pad     | 23. Outer shim       | 24. Outer shim cover            |

Refer to [GI-9, "Component"](#) and the followings for the symbols in the figure.

1: Apply rubber grease.

2: Apply PBC (Poly Butyl Cuprysil) grease or silicone-based grease.

3: Apply polyglycol ether based lubricant.

: Apply brake fluid.

### WARNING:

Clean dust on caliper and brake pad with a vacuum dust collector to minimize the hazard of air borne particles or other materials.

### CAUTION:

# FRONT DISC BRAKE

## < SERVICE INFORMATION >

- While removing cylinder body, do not depress brake pedal because piston will pop out.
- It is not necessary to remove bolts on torque member and brake hose except for disassembly or replacement of caliper assembly. In this case, hang cylinder body with a wire so as not to stretch brake hose.
- Do not damage piston boot.
- If any shim is subject to serious corrosion, replace it with a new one.
- Always replace shim and shim cover as a set when replacing brake pads.
- Keep rotor free from brake fluid.
- Burnish the brake pads and disc rotor mutually contacting surfaces, after refinishing or replacing rotors, after replacing pads, or if a soft pedal occurs at very low mileage. Refer to [BR-23, "Disassembly and Assembly of Brake Caliper Assembly"](#).

## Removal and Installation of Brake Pad

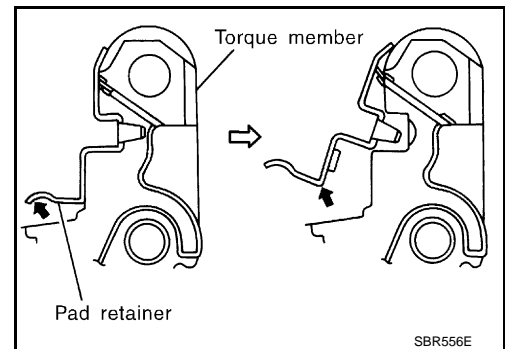
INFOID:000000004160269

### REMOVAL

1. Remove tires from vehicle with power tool.
2. Remove lower sliding pin bolt.
3. Hang cylinder body with a wire, and remove pads, pad retainers, shims, and shim covers from torque member.

#### CAUTION:

- When removing the pad retainer from the torque member, lift it in the direction indicated by the arrow in the figure so that it does not deform.
- Remember each position of the removed brake pads.

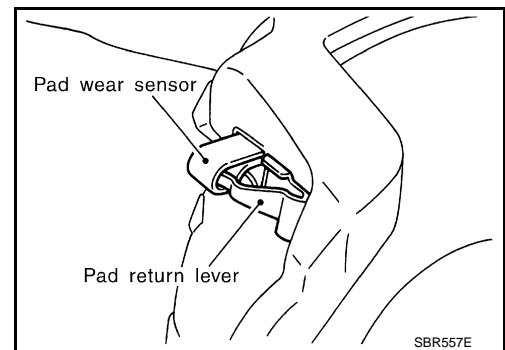


### INSTALLATION

1. Apply PBC (Poly Butyl Cuprysil) grease or silicone-based grease to between pad and shim. Install shim, shim cover, to pad.
2. Apply PBC (Poly Butyl Cuprysil) grease or silicone-based grease to between pad retainer and pad. Install pad retainers and pads to torque member.

#### CAUTION:

- Securely assemble pad retainers so that they are not being lifted up from torque member.
- Both inner and outer pads have a pad return system on the pad retainer. Install pad return lever securely to pad wear sensor.



3. Install cylinder body to torque member.

#### CAUTION:

In the case of replacing a pad with new one, check a brake fluid level in the reservoir tank because brake fluid returns to master cylinder reservoir tank when pressing piston in.

#### NOTE:

Use a disc brake piston tool (commercial service tool) to easily press piston.

4. Install lower sliding pin bolt, and tighten it to the specified torque. Refer to [BR-21, "Component"](#).
5. Check front disc brake for drag.
6. Install tires to vehicle.

## Removal and Installation of Brake Caliper Assembly

INFOID:000000004160270

### REMOVAL

1. Remove tires from vehicle with power tool.
2. Fasten disc rotor using wheel nut.
3. Drain brake fluid. Refer to [BR-9, "Drain and Refill"](#).

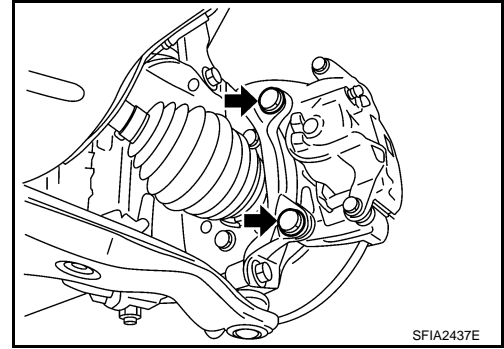
# FRONT DISC BRAKE

## < SERVICE INFORMATION >

4. Remove union bolt, and then disconnect brake hose from caliper assembly.
5. Remove torque member mounting bolts, and remove brake caliper assembly.

**CAUTION:**

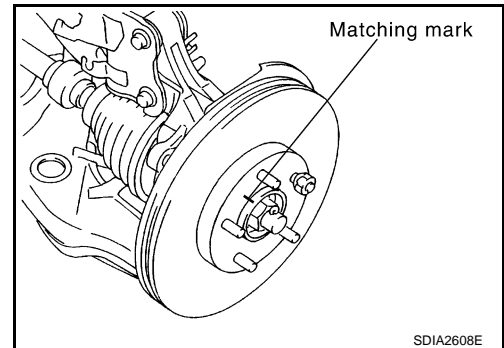
**Do not drop brake pad.**



6. Remove disc rotor.

**CAUTION:**

**Put matching marks on wheel hub assembly and disc rotor, if it is necessary to remove disc rotor.**



## INSTALLATION

**CAUTION:**

- Refill with new brake fluid "DOT 3".
- Never reuse drained brake fluid.

1. Install disc rotor.

**CAUTION:**

**Put alignment marks on disc rotor and wheel hub at the time of removal when reusing disc rotor.**

2. Install brake caliper assembly to vehicle, and tighten torque member mounting bolts to the specified torque. Refer to [BR-21, "Component"](#).

**CAUTION:**

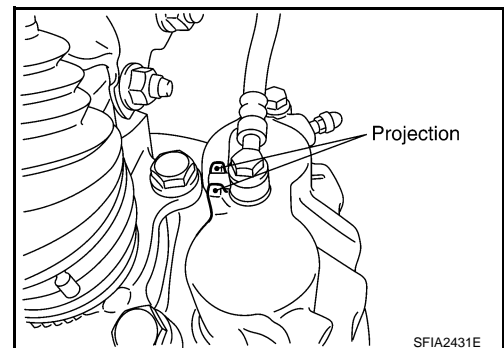
**Do not allow oil or any moisture on all contact surfaces between steering knuckle and caliper assembly, bolts, and washer.**

3. Install brake hose to brake caliper assembly, and tighten union bolts to the specified torque. Refer to [BR-12, "Removal and Installation of Front Brake Tube and Brake Hose"](#).

4. Refill with new brake fluid and bleed air. Refer to [BR-10, "Bleeding Brake System"](#).

5. Check front disc brake for drag.

6. Install tires to vehicle.



## Disassembly and Assembly of Brake Caliper Assembly

INFOID:000000004160271

**NOTE:**

Do not remove torque member, pads, shims, shim covers, and pad retainers when disassembling and assembling cylinder body assembly.

## DISASSEMBLY

1. Remove sliding pin bolt, and then remove cylinder body from torque member.

**CAUTION:**

**Do not drop pads, shims, shim covers and pad retainers from torque member.**

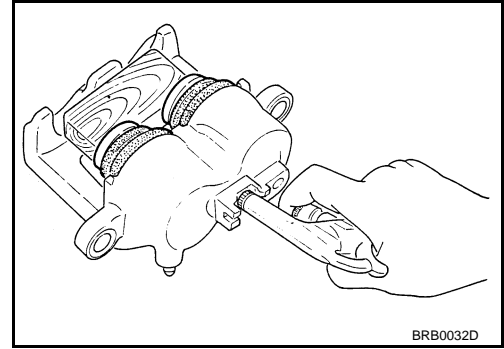
# FRONT DISC BRAKE

## < SERVICE INFORMATION >

2. Remove sliding pins and sliding pin boots from torque member.
3. Place a wooden block as shown in the figure, and blow air from union bolt mounting hole to remove pistons and piston boots.

**CAUTION:**

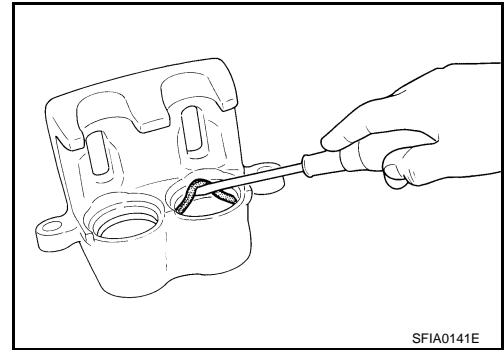
**Do not get fingers caught in the pistons.**



4. Remove piston seal from cylinder body using a flat-bladed screwdriver.

**CAUTION:**

**Be careful not to damage a cylinder inner wall.**



## INSPECTION AFTER DISASSEMBLY

### Cylinder Body

Check the inner wall of cylinder for corrosion, wear, and damage. If a malfunction is detected, replace cylinder body.

**CAUTION:**

**Clean cylinder body using new brake fluid. Never use mineral oils such as gasoline or kerosene.**

### Torque Member

Check torque member for wear, cracks, and damage. Replace if there are.

### Piston

Check the piston surface for corrosion, wear, and damage. If a malfunction is detected, replace applicable part.

**CAUTION:**

**A piston sliding surface is plated. Do not polish with sandpaper.**

### Sliding Pin, Sliding Pin Bolt, and Sliding Pin Boot

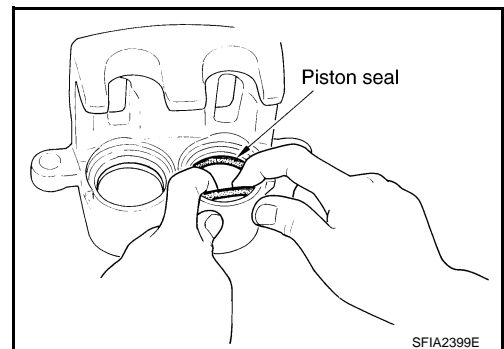
Check sliding pin, sliding pin bolt, and sliding pin boot for wear, damage, and cracks. Replace if there are.

## ASSEMBLY

1. Apply polyglycol ether based lubricant to piston seal, and install them to cylinder body.

**CAUTION:**

**Do not reuse piston seal.**





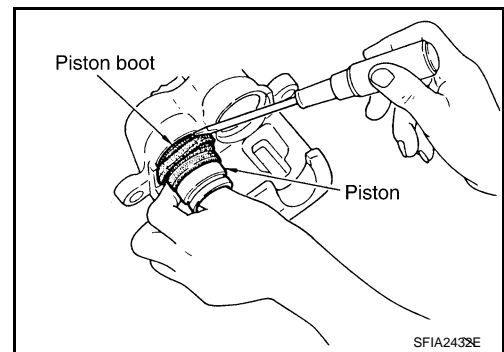
# FRONT DISC BRAKE

## < SERVICE INFORMATION >

2. Apply rubber grease to piston boot. Cover the piston end with piston boot, and then install cylinder side lip on piston boot securely into a groove on cylinder body.

**CAUTION:**

**Do not reuse piston boot.**

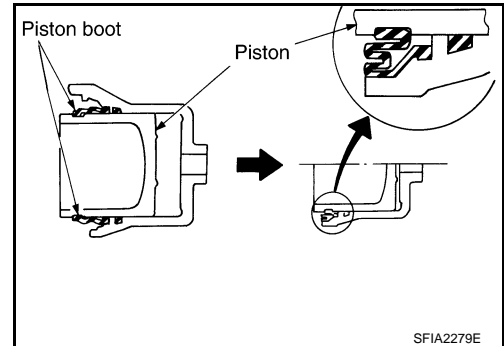


3. Apply brake fluid to piston. Push piston into cylinder body by hand and push piston boot piston-side lip into the piston groove.

**CAUTION:**

**Press the piston evenly and vary the pressing point to prevent cylinder inner wall from being rubbed.**

4. Install sliding pins and sliding pin boots to torque member.



5. Install torque member to steering knuckle, and tighten mounting bolts to the specified torque. Refer to [BR-21, "Component"](#).

**CAUTION:**

**Do not allow oil or any moisture on all contact surfaces between steering knuckle and brake caliper assembly.**

6. Press in piston until pads can be installed, and then install cylinder body to torque member.
7. Tighten sliding pin bolts to the specified torque. Refer to [BR-21, "Component"](#).

## DISC ROTOR INSPECTION

### Visual Inspection

Check surface of disc rotor for uneven wear, cracks, and serious damage. Replace if there are.

### Runout Inspection

1. Fix disc rotor to wheel hub using wheel nuts (2 or more positions).
2. Inspect runout using a dial gauge. [Measured at 10 mm (0.39 in) inside the disc edge.]

**Runout limit : 0.035 mm (0.0014 in)**  
**(with it attached to the vehicle)**

**NOTE:**

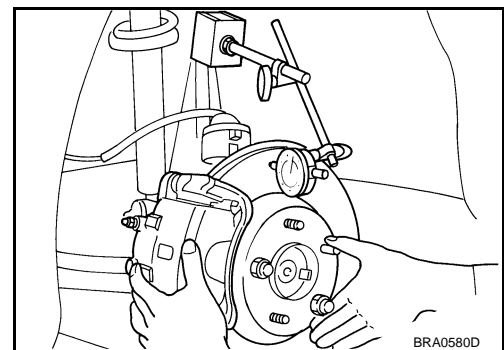
Before measuring, make sure that wheel bearing axial end play is within the specification. Refer to [FAX-6, "On-Vehicle Inspection"](#).

3. When runout exceeds limit value, displace mounting positions of disc rotor by one hole. And then find a position of the minimum value for runout.
4. Refinish the disc rotor if the runout is outside the limit even after performing the above operation. [When refinishing, use the Pro-Cut PEM On-Car brake Lathe (Tool No. 38-PFM90.5) or equivalent.]

**CAUTION:**

- Check in advance that the thickness of the disc rotor is wear limit + 0.3 mm (0.12 in) or more.
- If the thickness is less than wear limit + 0.3 mm (0.12 in), replace the disc rotor.

**Wear limit : 26.0 mm (1.024 in)**



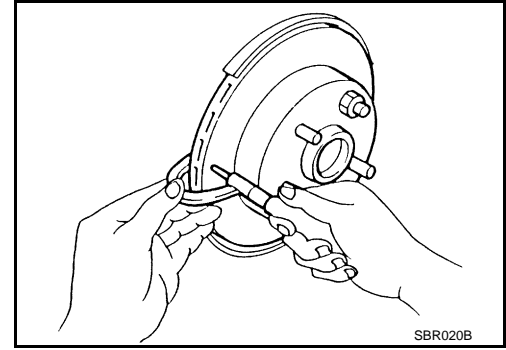
## FRONT DISC BRAKE

### < SERVICE INFORMATION >

#### Thickness Inspection

Check thickness of the disc rotor using a micrometer. Replace disc rotor if thickness is under the wear limit.

<b>Standard thickness</b>	<b>: 28.0 mm (1.102 in)</b>
<b>Wear limit</b>	<b>: 26.0 mm (1.024 in)</b>
<b>Thickness variation (Measured at 8 positions)</b>	<b>: 0.015 mm (0.0006 in)</b>



#### BRAKE BURNISHING PROCEDURE

Burnish contact surfaces between disc rotors and pads according to following procedure after refinishing or replacing rotors, after replacing pads, or if a soft pedal occurs at very low mileage.

#### **CAUTION:**

- **Be careful of vehicle speed because the brake does not operate easily until pad and disc rotor are securely fitted.**
  - **Only perform this procedure under safe road and traffic conditions. Use extreme caution.**
1. Drive vehicle on straight, flat road.
  2. Depress brake pedal with the power to stop vehicle within 3 to 5 seconds until the vehicle stops.
  3. Drive without depressing brake for a few minutes to cool the brake.
  4. Repeat steps 1 to 3 until pad and disc rotor are securely fitted.

# REAR DISC BRAKE

< SERVICE INFORMATION >

## REAR DISC BRAKE

### On-Board Inspection

INFOID:000000004160272

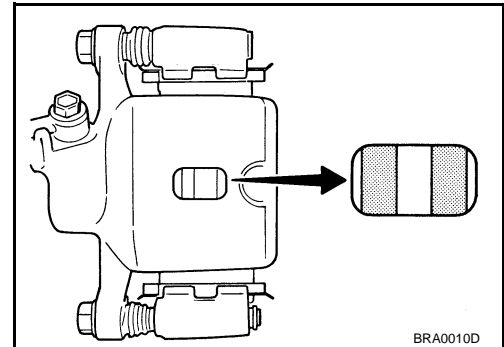
### PAD WEAR INSPECTION

- Check pad thickness from an inspection hole on cylinder body. Check using a scale if necessary.

#### Standard

**Standard thickness : 8.5 mm (0.335 in)**

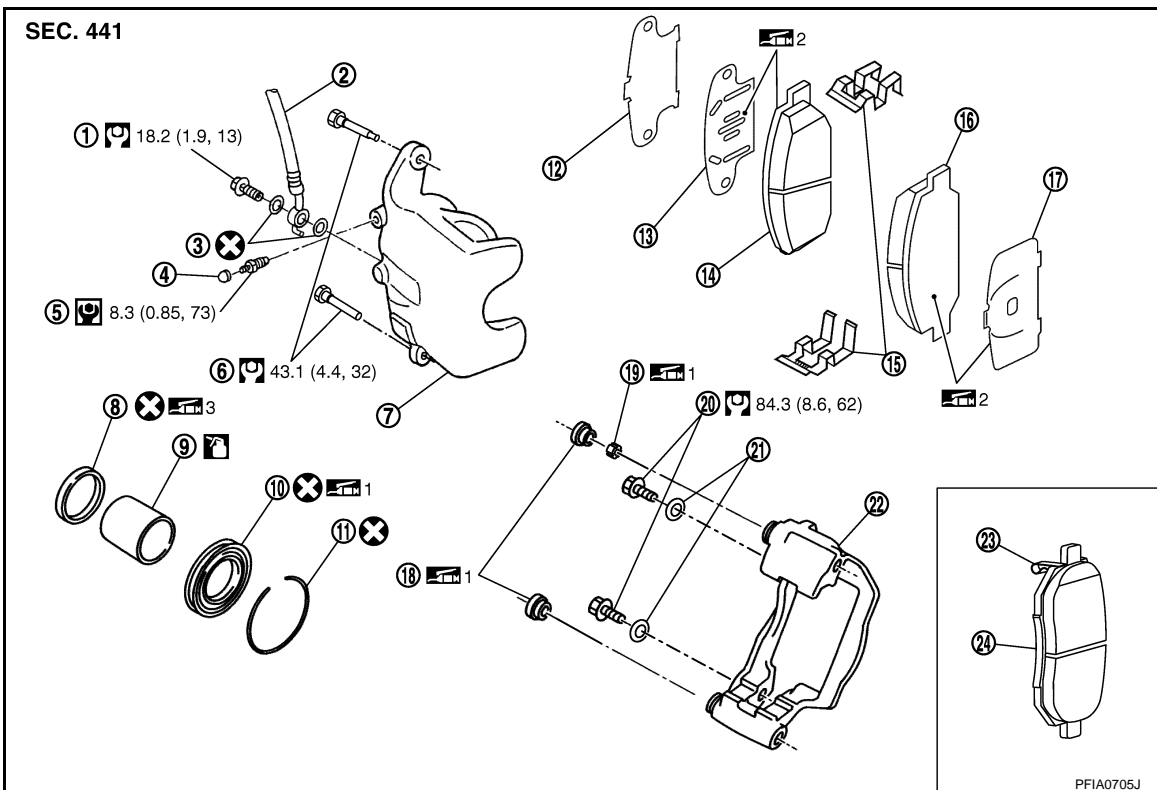
**Repair limit thickness : 2.0 mm (0.079 in)**



BRA0010D

### Component

INFOID:000000004160273



- |                   |                                 |                      |
|-------------------|---------------------------------|----------------------|
| 1. Union bolt     | 2. Brake hose                   | 3. Copper washer     |
| 4. Cap            | 5. Bleed valve                  | 6. Sliding pin bolt  |
| 7. Cylinder body  | 8. Piston seal                  | 9. Piston            |
| 10. Piston boot   | 11. Retaining ring              | 12. Inner shim cover |
| 13. Inner shim    | 14. Inner pad                   | 15. Pad retainer     |
| 16. Outer pad     | 17. Outer shim                  | 18. Sliding pin boot |
| 19. Bushing       | 20. Torque member mounting bolt | 21. Washer           |
| 22. Torque member | 23. Pad wear sensor*            | 24. Inner pad        |




\*: Some vehicles has pad wear sensor only for one side.

Refer to [GI-9, "Component"](#) and the followings for the symbols in the figure.

1: Apply rubber grease.

# REAR DISC BRAKE

## < SERVICE INFORMATION >

-  2: Apply PBC (Poly Butyl Cuprysil) grease or silicone-based grease.
-  3: Apply polyglycol ether based lubricant.
-  : Apply brake fluid.

### WARNING:

Clean dust on caliper and brake pad with a vacuum dust collector to minimize the hazard of air borne particles or other materials.

### CAUTION:

- While removing cylinder body, do not depress brake pedal because piston will pop out.
- It is not necessary to remove bolts on torque member and brake hose except for disassembly or replacement of caliper assembly. In this case, hang cylinder body with a wire so as not to stretch brake hose.
- Do not damage piston boot.
- If any shim is subject to serious corrosion, replace it with a new one.
- Always replace shim and shim covers as a set when replacing brake pads.
- Keep rotor free from brake fluid.
- Burnish the brake pads and disc rotor mutually contacting surfaces after refinishing or replacing rotors, after replacing pads, or if a soft pedal occurs at very low mileage. Refer to [BR-29, "Disassembly and Assembly of Brake Caliper Assembly"](#).

## Removal and Installation of Brake Pad

INFOID:000000004160274

### REMOVAL

1. Remove tires from vehicle with power tool.
2. Remove lower sliding pin bolt.
3. Hang cylinder body with a wire, and remove pads, pad retainers, shims, and shim cover from torque member.

### CAUTION:

- Deform pad retainer when removing pad retainer from torque member.
- Remember each position of the removed brake pads.

### INSTALLATION

1. Apply PBC (Poly Butyl Cuprysil) grease or silicone-based grease to between pad and shim. Install inner shim, inner shim cover to inner pad, and outer shim to outer pad.
2. Install pad retainers and pads to torque member.
3. Press in piston until pads can be installed, and then install cylinder body to torque member.

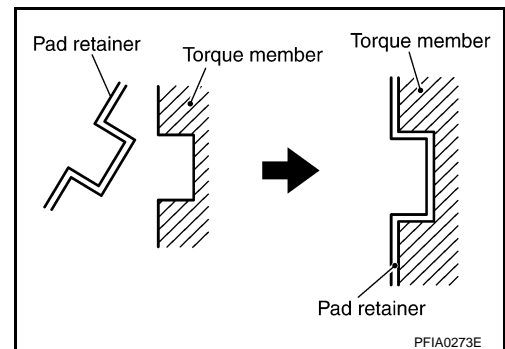
### CAUTION:

In the case of replacing a pad with new one, check a brake fluid level in the reservoir tank because brake fluid returns to master cylinder reservoir tank when pressing piston in.

### NOTE:

Use a disc brake piston tool (commercial service tool) to easily press piston.

4. Install upper sliding pin bolt and tighten to the specified torque. Refer to [BR-27, "Component"](#).
5. Check rear disc brake for drag.
6. Install tires to vehicle.



## Removal and Installation of Brake Caliper Assembly

INFOID:000000004160275

### REMOVAL

1. Remove tires from vehicle with power tool.
2. Fasten disc rotor using wheel nut.
3. Drain brake fluid. Refer to [BR-9, "Drain and Refill"](#).

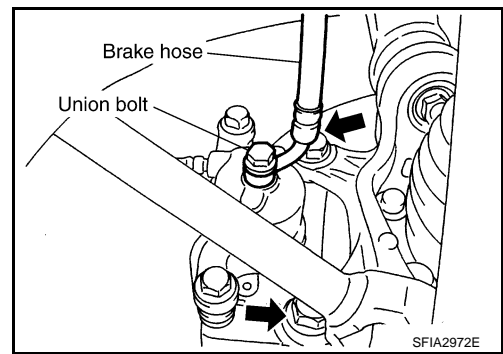
# REAR DISC BRAKE

## < SERVICE INFORMATION >

4. Remove union bolt and then disconnect brake hose from caliper assembly.
5. Remove torque member mounting, bolts, and remove brake caliper assembly.

**CAUTION:**

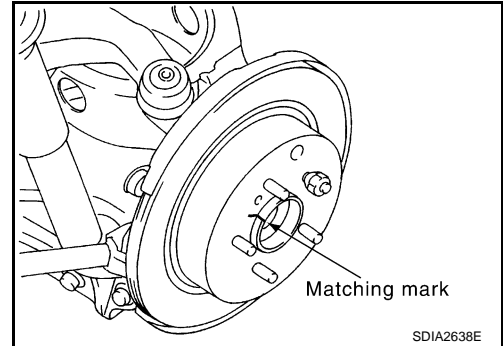
**Do not drop brake pad.**



6. Remove disc rotor.

**CAUTION:**

**Put matching marks on wheel hub assembly and disc rotor, if it necessary to remove disc rotor.**



## INSTALLATION

**CAUTION:**

- Refill with new brake fluid "DOT 3".
- Never reuse drained brake fluid.

1. Install disc rotor.

**CAUTION:**

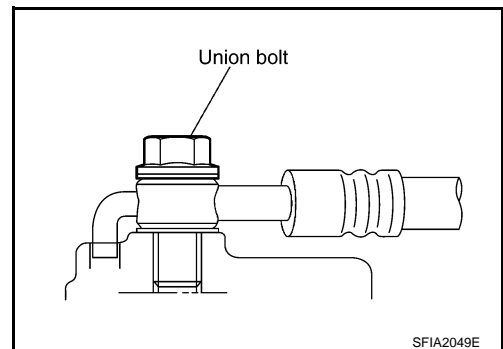
**Alignment marks of disc rotor and wheel hub put at the time of removal when reusing disc rotor.**

2. Install brake caliper assembly vehicle, and tighten torque member mounting bolts to the specified torque. Refer to [BR-27, "Component"](#).

**CAUTION:**

**Before installing caliper assembly, wipe off oil and moisture on all mounting surfaces of rear axle and caliper assembly and threads, bolts and washers.**

3. Install L-shaped pin of brake hose and then tighten union bolt to the specified torque. Refer to [BR-12, "Removal and Installation of Rear Brake Tube and Brake Hose"](#).
4. Refill with new brake fluid and bleed air. Refer to [BR-10, "Bleeding Brake System"](#).
5. Check rear disc brake for drag.
6. Install tires to vehicle.



## Disassembly and Assembly of Brake Caliper Assembly

INFOID:000000004160276

**NOTE:**

Do not remove torque member, pads, shims, shim cover, and pad retainers when disassembling and assembling cylinder body assembly.

### DISASSEMBLY

1. Remove sliding pin bolt, and then remove cylinder body from torque member.

**CAUTION:**

**Do not drop pads, shims, shim cover and pad retainers from torque member.**

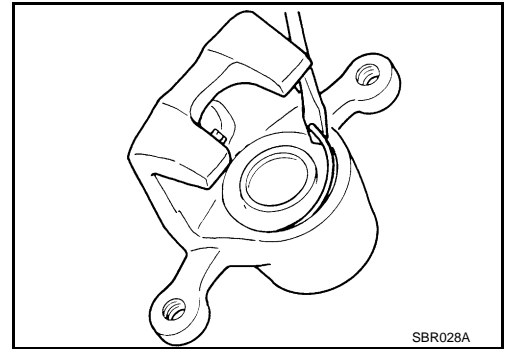
2. Remove sliding pin boots from torque member.

A  
B  
C  
D  
E  
BR  
G  
H  
I  
J  
K  
L  
M  
N  
O  
P

## REAR DISC BRAKE

### < SERVICE INFORMATION >

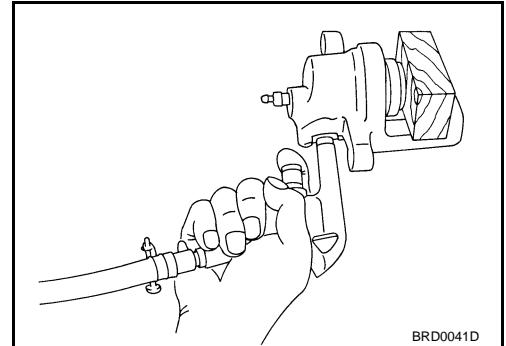
3. Remove retaining ring from cylinder body using a flat-bladed screwdriver as shown in the figure.



4. Place a wooden block as shown in the figure, and blow air from union bolt mounting hole to remove piston and piston boot.

**CAUTION:**

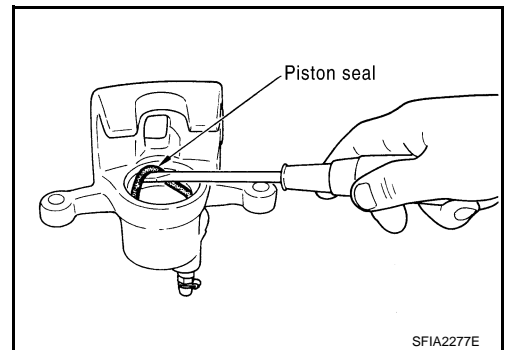
**Do not get fingers caught in the piston.**



5. Remove piston seal from cylinder body using a flat-bladed screwdriver.

**CAUTION:**

**Be careful not to damage a cylinder inner wall.**



### INSPECTION AFTER DISASSEMBLY

#### Cylinder Body

Check the inner wall of cylinder for corrosion, wear, and damage. If a malfunction is detected, replace cylinder body.

**CAUTION:**

**Clean cylinder body using new brake fluid. Never use mineral oils such as gasoline or kerosene.**

#### Torque Member

Check torque member for wear, cracks, and damage. Replace if there are.

#### Piston

Check the piston surface for corrosion, wear, and damage. If a malfunction is detected, replace applicable part.

**CAUTION:**

**A piston sliding surface is plated. Do not polish with sandpaper.**

#### Sliding Pin Bolt, Sliding Pin Boot

Check sliding pin bolt and sliding pin boot for wear, damage, and cracks. Replace if there are.

### ASSEMBLY

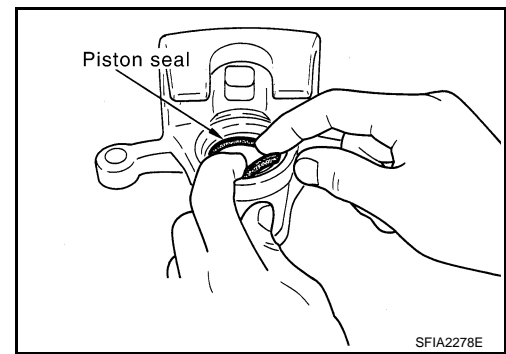
# REAR DISC BRAKE

## < SERVICE INFORMATION >

1. Apply polyglycol ether based lubricant to piston seal, and install them to cylinder body.

**CAUTION:**

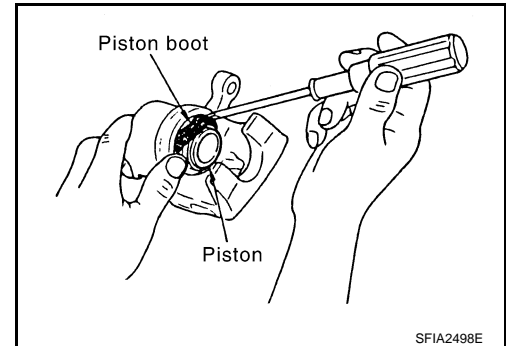
**Do not reuse piston seal.**



2. Apply rubber grease to piston boot. Cover the piston end with the piston boot, and then install cylinder side lip on the piston boot securely into the groove on cylinder body.

**CAUTION:**

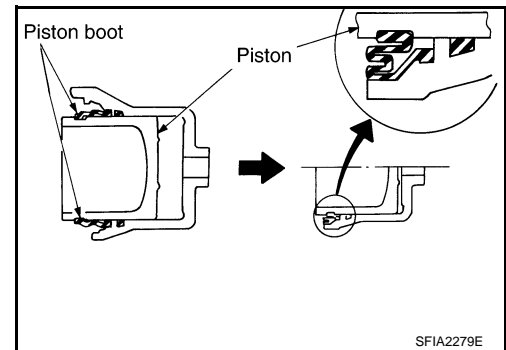
**Do not reuse piston boot.**



3. Apply brake fluid to piston. Push piston into cylinder body by hand and push piston boot piston side lip into the piston groove.

**CAUTION:**

**Press the piston evenly and vary the pressing point to prevent cylinder inner wall from being rubbed.**



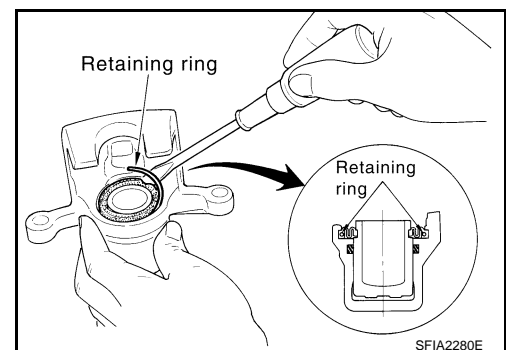
4. Secure piston boot with retaining ring.

**CAUTION:**

- **Make sure that boot is securely engaged in the groove on cylinder body.**
- **Do not reuse retainer ring.**

5. Install sliding pin boot to torque member.

6. Install the cylinder body to torque member, and then tighten sliding pin bolt to the specified torque. Refer to [BR-27. "Component"](#).



## DISC ROTOR INSPECTION

### Visual Inspection

Check surface of disc rotor for uneven wear, cracks, and serious damage. Replace if there are.

### Runout Inspection

A  
B  
C  
D  
E  
BR  
G  
H  
I  
J  
K  
L  
M  
N  
O  
P

# REAR DISC BRAKE

## < SERVICE INFORMATION >

1. Fix disc rotor to wheel hub using wheel nuts (2 or more positions).
2. Inspect runout using dial gauge. [Measured at 10 mm (0.39 in) inside disc edge.]

**Runout limit : 0.055 mm (0.0022 in)**  
**(With it attached to the vehicle)**

### NOTE:

Before measuring, make sure that wheel bearing axial end play is within the specification. Refer to [RAX-5, "On-Vehicle Inspection"](#).

3. When runout exceeds limit value, displace mounting positions of disc rotor by one hole. And then find a position of the minimum value for runout.
4. Refinish the disc rotor if the runout is outside the limit even after performing the above operation. [When refinishing, use the Pro-Cut PEM On-Car brake Lathe (Tool No. 38-PFM90.5) or equivalent.]

### CAUTION:

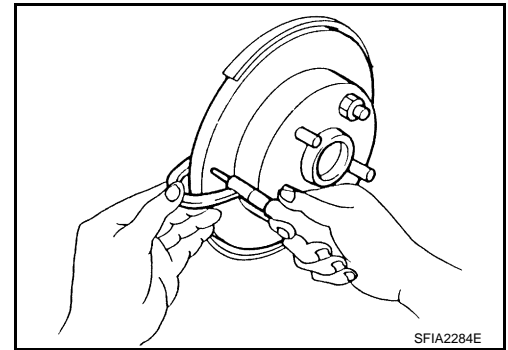
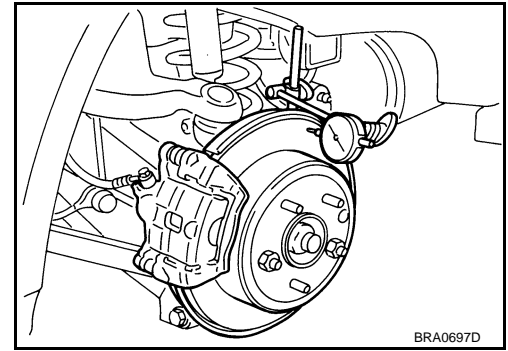
- Check in advance that the thickness of the disc rotor is wear limit + 0.3 mm (0.12 in) or more.
- If the thickness is less than wear limit + 0.3 mm (0.12 in), replace the disc rotor.

**Wear limit : 14.0 mm (0.551 in)**

### Thickness Inspection

Check the thickness of the disc rotor using a micrometer. Replace disc rotor if the thickness is under the wear limit.

**Standard thickness : 16.0 mm (0.631 in)**  
**Wear limit : 14.0 mm (0.551 in)**  
**Thickness variation : 0.015 mm (0.0006in)**  
**(Measured at 8 positions)**



## BRAKE BURNISHING PROCEDURE

Burnish contact surfaces between disc rotors and pads according to following procedure after refinishing or replacing rotors, after replacing pads, or if a soft pedal occurs at very low mileage.

### CAUTION:

- Be careful of vehicle speed because the brake does not operate easily until pad and disc rotor are securely fitted.
  - Only perform this procedure under safe road and traffic conditions. Use extreme caution.
1. Drive the vehicle on a straight, flat road.
  2. Depress brake pedal with the power to stop vehicle within 3 to 5 seconds until the vehicle stops.
  3. Drive without depressing brake for a few minutes to cool the brake.
  4. Repeat steps 1 to 3 until pad and disc rotor are securely fitted.



# SERVICE DATA AND SPECIFICATIONS (SDS)

< SERVICE INFORMATION >

## SERVICE DATA AND SPECIFICATIONS (SDS)

### General Specification

INFOID:0000000004160277

Unit: mm (in)

Front brake	Cylinder bore diameter	45.0 (1.772) × 2
	Pad length × width × thickness	132.0 × 50.0 × 11.0 (5.20 × 1.969 × 0.433)
	Rotor outer diameter × thickness	320 × 28 (12.60 × 1.10)
Rear brake	Cylinder bore diameter	42.86 (1.687)
	Pad length × width × thickness	83.0 × 31.9 × 8.5 (3.268 × 1.256 × 0.335)
	Rotor outer diameter × thickness	308 × 16 (12.13 × 0.63)
Master cylinder	Cylinder bore diameter	25.4 (1)
Control valve	Valve model	Electric brake force distribution
Brake booster	Diaphragm diameter	255 (10)
Recommended brake fluid		DOT 3

### Brake Pedal

INFOID:0000000004160278

Unit: mm (in)

Brake pedal height (from dash lower panel top surface)	157 – 167 (6.18 – 6.57)
Depressed pedal height [under a force of 490 N (50 kg, 110 lb) with engine running]	90 (3.54) or more
Clearance between threaded end of the stop lamp switch/brake switch and bracket	0.74 – 1.96 (0.0291 – 0.0772)
Pedal play	3 – 11 (0.12 – 0.43)

### Brake Booster

INFOID:0000000004160279

#### VACUUM TYPE

Unit: mm (in)

Input rod installation standard dimension	125 (4.92)
---	------------

### Check Valve

INFOID:0000000004160280

Vacuum leakage [at vacuum of – 66.7 kPa (– 500 mmHg, – 19.69 inHg)]	Within 1.3 kPa (10 mmHg, 0.39 inHg) of vacuum for 15 seconds
--	--

### Front Disc Brake

INFOID:0000000004160281

Unit: mm (in)

Brake pad	Standard thickness	11.0 (0.433)
	Repair limit thickness	2.0 (0.079)
Disc rotor	Standard thickness	28.0 (1.102)
	Wear limit	26.0 (1.024)
	Thickness variation (measured at 8 positions)	0.015 (0.0006)
	Runout limit (with it attached to the vehicle)	0.035 (0.0014)

### Rear Disc Brake

INFOID:0000000004160282

Unit: mm (in)

Brake pad	Standard thickness	8.5 (0.335)
	Repair limit thickness	2.0 (0.079)

## SERVICE DATA AND SPECIFICATIONS (SDS)

### < SERVICE INFORMATION >

Disc rotor	Standard thickness	16.0 (0.631)
	Wear limit	14.0 (0.551)
	Thickness variation (measured at 8 positions)	0.015 (0.0006)
	Runout limit (with it attached to the vehicle)	0.055 (0.0022)