

**SECTION** **EI**  
**EXTERIOR & INTERIOR**

A  
B  
C  
D  
E  
F  
G  
H  
EI  
J  
K  
L  
M  
N  
O  
P

**CONTENTS**

<b>SERVICE INFORMATION</b> .....	<b>3</b>	<b>FRONT GRILLE</b> .....	<b>28</b>
<b>PRECAUTIONS</b> .....	<b>3</b>	Component Parts Location .....	28
Precaution for Supplemental Restraint System (SRS) "AIR BAG" and "SEAT BELT PRE-TENSIONER" .....	3	Removal and Installation .....	28
Precaution Necessary for Steering Wheel Rotation after Battery Disconnect .....	3	<b>HOOD TOP MOLDING</b> .....	<b>29</b>
Precaution for Procedure without Cowl Top Cover.....	4	Component Parts Location .....	29
Precaution for Work .....	4	Removal and Installation .....	29
<b>PREPARATION</b> .....	<b>5</b>	<b>COWL TOP</b> .....	<b>30</b>
Special Service Tool .....	5	Component Parts Location .....	30
Commercial Service Tool .....	5	Removal and Installation .....	30
<b>SQUEAK AND RATTLE TROUBLE DIAGNOSES</b> .....	<b>6</b>	<b>FENDER PROTECTOR</b> .....	<b>32</b>
Work Flow .....	6	<b>FENDER PROTECTOR</b> .....	<b>32</b>
Inspection Procedure .....	8	FENDER PROTECTOR : Component Parts Location .....	32
Diagnostic Worksheet .....	10	FENDER PROTECTOR : Removal and Installation .....	32
<b>CLIP LIST</b> .....	<b>12</b>	<b>REAR WHEEL HOUSE PROTECTOR</b> .....	<b>32</b>
Clip List .....	12	REAR WHEEL HOUSE PROTECTOR : Component Parts Location .....	33
<b>FRONT BUMPER</b> .....	<b>13</b>	REAR WHEEL HOUSE PROTECTOR : Rear Wheel House Protector .....	33
<b>STANDARD TYPE</b> .....	<b>13</b>	<b>CENTER MUD GUARD</b> .....	<b>34</b>
STANDARD TYPE : Component Parts Location ....	13	Component Parts Location .....	34
STANDARD TYPE : Removal and Installation .....	14	Removal and Installation .....	34
<b>SPORTS TYPE</b> .....	<b>17</b>	<b>FLOOR SIDE FAIRING</b> .....	<b>36</b>
SPORTS TYPE : Component Parts Location .....	17	Component Parts Location .....	36
SPORTS TYPE : Removal and Installation .....	18	Removal and Installation .....	36
<b>REAR BUMPER</b> .....	<b>21</b>	<b>ROOF SIDE MOLDING</b> .....	<b>37</b>
<b>STANDARD TYPE</b> .....	<b>21</b>	Component Parts Location .....	37
STANDARD TYPE : Component Parts Location ....	21	Removal and Installation .....	37
STANDARD TYPE : Removal and Installation .....	22	<b>DOOR SASH MOLDING</b> .....	<b>39</b>
<b>SPORTS TYPE</b> .....	<b>24</b>	Component Parts Location .....	39
SPORTS TYPE : Component Parts Location .....	25	Removal and Installation .....	39
SPORTS TYPE : Removal and Installation .....	26	<b>DOOR OUTSIDE MOLDING</b> .....	<b>41</b>

Component Parts Location .....	41	Rear Window Sunshade .....	54
Removal and Installation .....	41		
<b>SIDE GUARD MOLDING .....</b>	<b>43</b>	<b>SUNSHADE .....</b>	<b>55</b>
Component Parts Location .....	43	Component Parts and Harness Connector Location .....	55
Removal and Installation .....	43	Schematic .....	56
<b>DOOR PARTING SEAL .....</b>	<b>44</b>	Wiring Diagram - SHADE - .....	57
Component Parts Location .....	44	Terminal and Reference Value for Rear Sunshade Unit .....	59
Removal and Installation .....	44		
<b>TRUNK LID FINISHER .....</b>	<b>45</b>	<b>FLOOR TRIM .....</b>	<b>61</b>
Component Parts Location .....	45	Component Parts Location .....	61
Removal and Installation .....	45	Removal and Installation .....	61
<b>DOOR FINISHER .....</b>	<b>46</b>	<b>HEADLINING .....</b>	<b>63</b>
Component Parts Location .....	46	Component Parts Location .....	63
Removal and Installation .....	46	Removal and Installation .....	63
<b>BODY SIDE TRIM .....</b>	<b>49</b>	<b>TRUNK ROOM TRIM .....</b>	<b>66</b>
Component Parts Location .....	49	Component Parts Location .....	66
Removal and Installation .....	49	Removal and Installation .....	66
<b>REAR PARCEL SHELF FINISHER .....</b>	<b>53</b>	<b>TRUNK LID TRIM .....</b>	<b>68</b>
Component Parts Location .....	53	Component Parts Location .....	68
Removal and Installation .....	53	Removal and Installation .....	68

# PRECAUTIONS

< SERVICE INFORMATION >

## SERVICE INFORMATION

### PRECAUTIONS

#### Precaution for Supplemental Restraint System (SRS) "AIR BAG" and "SEAT BELT PRE-TENSIONER"

INFOID:000000005213828

The Supplemental Restraint System such as "AIR BAG" and "SEAT BELT PRE-TENSIONER", used along with a front seat belt, helps to reduce the risk or severity of injury to the driver and front passenger for certain types of collision. This system includes seat belt switch inputs and dual stage front air bag modules. The SRS system uses the seat belt switches to determine the front air bag deployment, and may only deploy one front air bag, depending on the severity of a collision and whether the front occupants are belted or unbelted. Information necessary to service the system safely is included in the "SUPPLEMENTAL RESTRAINT SYSTEM" and "SEAT BELTS" of this Service Manual.

#### **WARNING:**

- To avoid rendering the SRS inoperative, which could increase the risk of personal injury or death in the event of a collision which would result in air bag inflation, all maintenance must be performed by an authorized NISSAN/INFINITI dealer.
- Improper maintenance, including incorrect removal and installation of the SRS, can lead to personal injury caused by unintentional activation of the system. For removal of Spiral Cable and Air Bag Module, see the "SUPPLEMENTAL RESTRAINT SYSTEM".
- Do not use electrical test equipment on any circuit related to the SRS unless instructed to in this Service Manual. SRS wiring harnesses can be identified by yellow and/or orange harnesses or harness connectors.

#### PRECAUTIONS WHEN USING POWER TOOLS (AIR OR ELECTRIC) AND HAMMERS

#### **WARNING:**

- When working near the Air Bag Diagnosis Sensor Unit or other Air Bag System sensors with the ignition ON or engine running, DO NOT use air or electric power tools or strike near the sensor(s) with a hammer. Heavy vibration could activate the sensor(s) and deploy the air bag(s), possibly causing serious injury.
- When using air or electric power tools or hammers, always switch the ignition OFF, disconnect the battery, and wait at least 3 minutes before performing any service.

#### Precaution Necessary for Steering Wheel Rotation after Battery Disconnect

INFOID:000000004158385

#### **NOTE:**

- Before removing and installing any control units, first turn the push-button ignition switch to the LOCK position, then disconnect both battery cables.
- After finishing work, confirm that all control unit connectors are connected properly, then re-connect both battery cables.
- Always use CONSULT-III to perform self-diagnosis as a part of each function inspection after finishing work. If a DTC is detected, perform trouble diagnosis according to self-diagnosis results.

For vehicle with steering lock unit, if the battery is disconnected or discharged, the steering wheel will lock and cannot be turned.

If turning the steering wheel is required with the battery disconnected or discharged, follow the operation procedure below before starting the repair operation.

#### OPERATION PROCEDURE

1. Connect both battery cables.

#### **NOTE:**

Supply power using jumper cables if battery is discharged.

2. Turn the push-button ignition switch to ACC position.  
(At this time, the steering lock will be released.)
3. Disconnect both battery cables. The steering lock will remain released with both battery cables disconnected and the steering wheel can be turned.
4. Perform the necessary repair operation.

# PRECAUTIONS

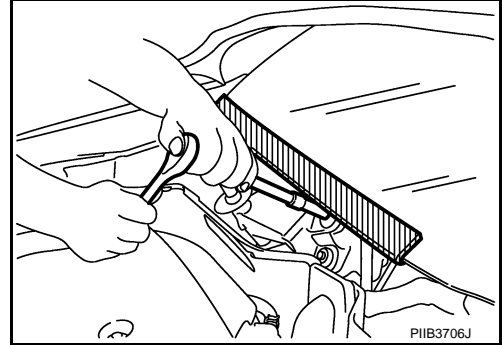
## < SERVICE INFORMATION >

5. When the repair work is completed, re-connect both battery cables. With the brake pedal released, turn the push-button ignition switch from ACC position to ON position, then to LOCK position. (The steering wheel will lock when the push-button ignition switch is turned to LOCK position.)
6. Perform self-diagnosis check of all control units using CONSULT-III.

### Precaution for Procedure without Cowl Top Cover

INFOID:000000004158386

When performing the procedure after removing cowl top cover, cover the lower end of windshield with urethane, etc.



### Precaution for Work

INFOID:000000004158387

- After removing and installing the opening/closing parts, be sure to carry out fitting adjustments to check their operation.
- Check the lubrication level, damage, and wear of each part. If necessary, grease or replace it.

# PREPARATION

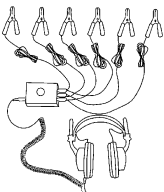

< SERVICE INFORMATION >

## PREPARATION

### Special Service Tool

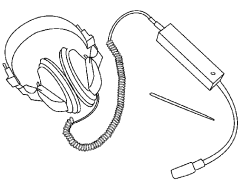
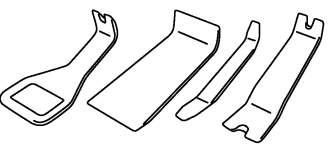

INFOID:000000004158388

The actual shapes of Kent-Moore tools may differ from those of special service tools illustrated here.

Tool number (Kent-Moore No.) Tool name	Description
<p>(J-39570) Chassis ear</p>  <p>SIIA0993E</p>	<p>Location the noise</p>
<p>(J-43980) NISSAN Squeak and Rattle Kit</p>  <p>SIIA0994E</p>	<p>Repairing the cause of noise</p>

### Commercial Service Tool

INFOID:000000004158389

Tool name	Description
<p>Engine ear</p>  <p>SIIA0995E</p>	<p>Location the noise</p>
<p>Remover tool</p>  <p>PIIB7923J</p>	<p>Remove clip, pawl, metal clip</p>
<p>Power tool</p>  <p>PIIB1407E</p>	

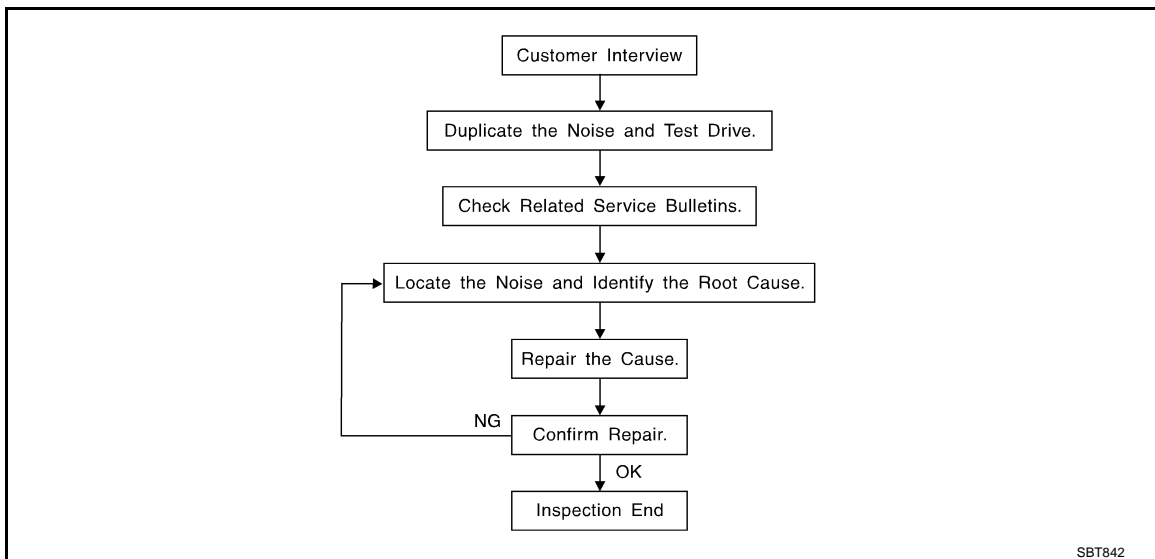
# SQUEAK AND RATTLE TROUBLE DIAGNOSES

< SERVICE INFORMATION >

## SQUEAK AND RATTLE TROUBLE DIAGNOSES

### Work Flow

INFOID:000000004158390



### CUSTOMER INTERVIEW

Interview the customer if possible, to determine the conditions that exist when the noise occurs. Use the Diagnostic Worksheet during the interview to document the facts and conditions when the noise occurs and any of customer's comments; refer to [EI-10, "Diagnostic Worksheet"](#). This information is necessary to duplicate the conditions that exist when the noise occurs.

- The customer may not be able to provide a detailed description or the location of the noise. Attempt to obtain all the facts and conditions that exist when the noise occurs (or does not occur).
- If there is more than one noise in the vehicle, perform a diagnosis and repair the noise that the customer is concerned about. This can be accomplished by performing a cruise test on the vehicle with the customer.
- After identifying the type of noise, isolate the noise in terms of its characteristics. The noise characteristics are provided so the customer, service adviser and technician are all speaking the same language when defining the noise.
- Squeak – (Like tennis shoes on a clean floor)  
Squeak characteristics include the light contact/fast movement/brought on by road conditions/hard surfaces = higher pitch noise/softer surfaces = lower pitch noises/edge to surface = chirping
- Creak – (Like walking on an old wooden floor)  
Creak characteristics include firm contact/slow movement/twisting with a rotational movement/pitch dependent on materials/often brought on by activity.
- Rattle – (Like shaking a baby rattle)  
Rattle characteristics include the fast repeated contact/vibration or similar movement/loose parts/missing clip or fastener/incorrect clearance.
- Knock – (Like a knock on a door)  
Knock characteristics include hollow sounding/sometimes repeating/often brought on by driver action.
- Tick – (Like a clock second hand)  
Tick characteristics include gentle contacting of light materials/loose components/can be caused by driver action or road conditions.
- Thump – (Heavy, muffled knock noise)  
Thump characteristics include softer knock/dead sound often brought on by activity.
- Buzz – (Like a bumblebee)  
Buzz characteristics include high frequency rattle/firm contact.
- Often the degree of acceptable noise level will vary depending up on the person. A noise that you may judge as acceptable may be very irritating to the customer.
- Weather conditions, especially humidity and temperature, may have a great effect on noise level.

### DUPLICATE THE NOISE AND TEST DRIVE

If possible, drive the vehicle with the customer until the noise is duplicated. Note any additional information on the Diagnostic Worksheet regarding the conditions or location of the noise. This information can be used to duplicate the same conditions when you confirm the repair.

# SQUEAK AND RATTLE TROUBLE DIAGNOSES

## < SERVICE INFORMATION >

If the noise can be duplicated easily during the test drive, to help identify the source of the noise, try to duplicate the noise with the vehicle stopped by doing one or all of the following:

- 1) Close a door.
  - 2) Tap or push/pull around the area where the noise appears to be coming from.
  - 3) Rev the engine.
  - 4) Use a floor jack to recreate vehicle "twist".
  - 5) At idle, apply engine load (electrical load, half-clutch on M/T models, drive position on A/T models).
  - 6) Raise the vehicle on a hoist and hit a tire with a rubber hammer.
- Drive the vehicle and attempt to duplicate the conditions the customer states exist when the noise occurs.
  - If it is difficult to duplicate the noise, drive the vehicle slowly on an undulating or rough road to stress the vehicle body.

## CHECK RELATED SERVICE BULLETINS

After verifying the customer concern or symptom, check ASIST for Technical Service Bulletins (TSBs) related to that concern or symptom.

If a TSB relates to the symptom, follow the procedure to repair the noise.

## LOCATE THE NOISE AND IDENTIFY THE ROOT CAUSE

1. Narrow down the noise to a general area. To help pinpoint the source of the noise, use a listening tool (Chassis Ear: J-39570, Engine Ear and mechanics stethoscope).
2. Narrow down the noise to a more specific area and identify the cause of the noise by:
  - Removing the components in the area that you suspect the noise is coming from.  
Do not use too much force when removing clips and fasteners, otherwise clips and fastener can be broken or lost during the repair, resulting in the creation of new noise.
  - Tapping or pushing/pulling the component that you suspect is causing the noise.  
Do not tap or push/pull the component with excessive force, otherwise the noise will be eliminated only temporarily.
  - Feeling for a vibration with your hand by touching the component(s) that you suspect is (are) causing the noise.
  - Placing a piece of paper between components that you suspect are causing the noise.
  - Looking for loose components and contact marks.  
Refer to [EI-8. "Inspection Procedure"](#).

## REPAIR THE CAUSE

- If the cause is a loose component, tighten the component securely.
- If the cause is insufficient clearance between components:
  - Separate components by repositioning or loosening and retightening the component, if possible.
  - Insulate components with a suitable insulator such as urethane pads, foam blocks, felt cloth tape or urethane tape. A Nissan Squeak and Rattle Kit (J-43980) is available through your authorized Nissan Parts Department.

### **CAUTION:**

**Do not use excessive force as many components are constructed of plastic and may be damaged.**

### **NOTE:**

Always check with the Parts Department for the latest parts information.

The following materials are contained in the Nissan Squeak and Rattle Kit (J-43980). Each item can be ordered separately as needed.

URETHANE PADS [1.5 mm (0.059 in) thick]

Insulates connectors, harness, etc.

76268-9E005: 100 × 135 mm (3.94 × 5.31 in)/76884-71L01: 60 × 85 mm (2.36 × 3.35 in)/76884-71L02: 15 × 25 mm (0.59 × 0.98 in)

INSULATOR (Foam blocks)

Insulates components from contact. Can be used to fill space behind a panel.

73982-9E000: 45 mm (1.77 in) thick, 50 × 50 mm (1.97 × 1.97 in)/73982-

50Y00: 10 mm (0.39 in) thick, 50 × 50 mm (1.97 × 1.97 in)

INSULATOR (Light foam block)

80845-71L00: 30 mm (1.18 in) thick, 30 × 50 mm (1.18 × 1.97in)

FELT CLOTHTAPE

Used to insulate where movement does not occur. Ideal for instrument panel applications.

68370-4B000: 15 × 25 mm (0.59 × 0.98 in) pad/68239-13E00: 5 mm (0.20 in) wide tape roll

The following materials, not found in the kit, can also be used to repair squeaks and rattles.

UHMW (TEFLON) TAPE

# SQUEAK AND RATTLE TROUBLE DIAGNOSES

## < SERVICE INFORMATION >

---

Insulates where slight movement is present. Ideal for instrument panel applications.

### SILICONE GREASE

Used in place of UHMW tape that will be visible or not fit. Will only last a few months.

### SILICONE SPRAY

Use when grease cannot be applied.

### DUCT TAPE

Use to eliminate movement.

## CONFIRM THE REPAIR

Confirm that the cause of a noise is repaired by test driving the vehicle. Operate the vehicle under the same conditions as when the noise originally occurred. Refer to the notes on the Diagnostic Worksheet.

## Inspection Procedure

INFOID:000000004158391

Refer to Table of Contents for specific component removal and installation information.

## INSTRUMENT PANEL

Most incidents are caused by contact and movement between:

1. The cluster lid A and instrument panel
2. Acrylic lens and combination meter housing
3. Instrument panel to front pillar garnish
4. Instrument panel to windshield
5. Instrument panel mounting pins
6. Wiring harnesses behind the combination meter
7. A/C defroster duct and duct joint

These incidents can usually be located by tapping or moving the components to duplicate the noise or by pressing on the components while driving to stop the noise. Most of these incidents can be repaired by applying felt cloth tape or silicon spray (in hard to reach areas). Urethane pads can be used to insulate wiring harness.

### **CAUTION:**

**Do not use silicone spray to isolate a squeak or rattle. If you saturate the area with silicone, you will not be able to recheck the repair.**

## CENTER CONSOLE

Components to pay attention to include:

1. Shifter assembly cover to finisher
2. A/C control unit and cluster lid C
3. Wiring harnesses behind audio and A/C control unit

The instrument panel repair and isolation procedures also apply to the center console.

## DOORS

Pay attention to the:

1. Finisher and inner panel making a slapping noise
2. Inside handle escutcheon to door finisher
3. Wiring harnesses tapping
4. Door striker out of alignment causing a popping noise on starts and stops

Tapping or moving the components or pressing on them while driving to duplicate the conditions can isolate many of these incidents. You can usually insulate the areas with felt cloth tape or insulator foam blocks from the Nissan Squeak and Rattle Kit (J-43980) to repair the noise.

## TRUNK

Trunk noises are often caused by a loose jack or loose items put into the trunk by the owner.

In addition look for:

1. Trunk lid dumpers out of adjustment
2. Trunk lid striker out of adjustment
3. The trunk lid torsion bars knocking together
4. A loose license plate or bracket



# SQUEAK AND RATTLE TROUBLE DIAGNOSES

## < SERVICE INFORMATION >

Most of these incidents can be repaired by adjusting, securing or insulating the item(s) or component(s) causing the noise.

### SUNROOF/HEADLINING

Noises in the sunroof/headlining area can often be traced to one of the following:

1. Sunroof lid, rail, linkage or seals making a rattle or light knocking noise
2. Sunvisor shaft shaking in the holder
3. Front or rear windshield touching headlining and squeaking

Again, pressing on the components to stop the noise while duplicating the conditions can isolate most of these incidents. Repairs usually consist of insulating with felt cloth tape.

### SEATS

When isolating seat noise it's important to note the position the seat is in and the load placed on the seat when the noise is present. These conditions should be duplicated when verifying and isolating the cause of the noise.

Cause of seat noise include:

1. Headrest rods and holder
2. A squeak between the seat pad cushion and frame
3. The rear seatback lock and bracket

These noises can be isolated by moving or pressing on the suspected components while duplicating the conditions under which the noise occurs. Most of these incidents can be repaired by repositioning the component or applying urethane tape to the contact area.

### UNDERHOOD

Some interior noise may be caused by components under the hood or on the engine wall. The noise is then transmitted into the passenger compartment.

Causes of transmitted underhood noise include:

1. Any component mounted to the engine wall
2. Components that pass through the engine wall
3. Engine wall mounts and connectors
4. Loose radiator mounting pins
5. Hood bumpers out of adjustment
6. Hood striker out of adjustment

These noises can be difficult to isolate since they cannot be reached from the interior of the vehicle. The best method is to secure, move or insulate one component at a time and test drive the vehicle. Also, engine RPM or load can be changed to isolate the noise. Repairs can usually be made by moving, adjusting, securing, or insulating the component causing the noise.

A  
B  
C  
D  
E  
F  
G  
H  
EI  
J  
K  
L  
M  
N  
O  
P

# SQUEAK AND RATTLE TROUBLE DIAGNOSES

< SERVICE INFORMATION >

## Diagnostic Worksheet

INFOID:000000004158392



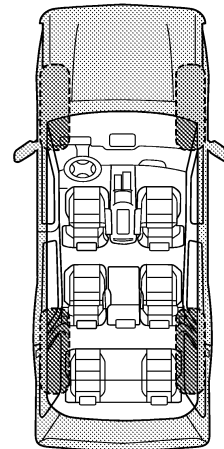
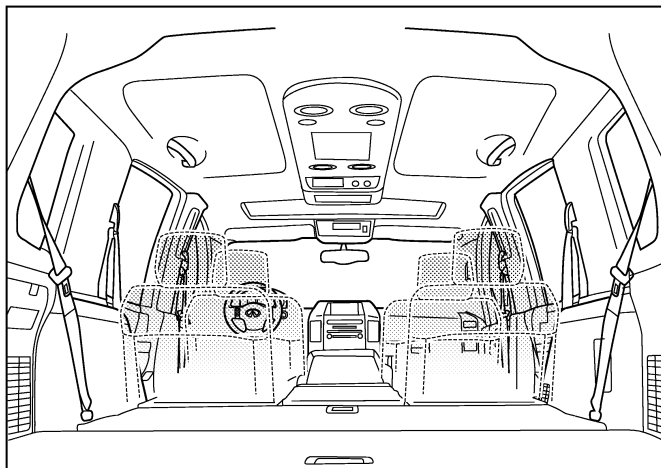
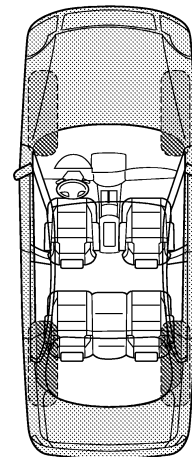
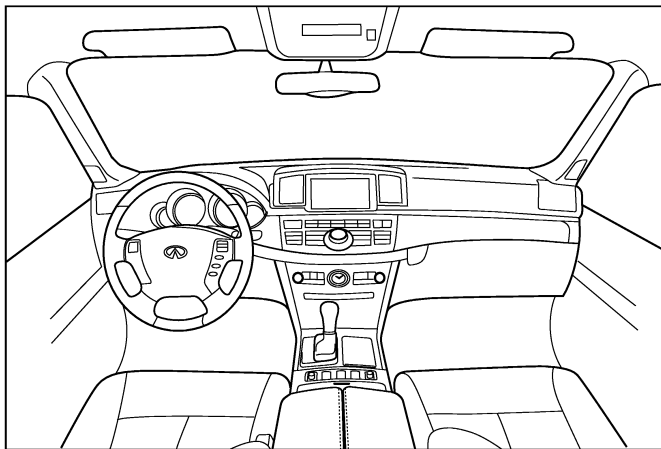
### SQUEAK & RATTLE DIAGNOSTIC WORKSHEET

Dear Infiniti Customer:

We are concerned about your satisfaction with your Infiniti vehicle. Repairing a squeak or rattle sometimes can be very difficult. To help us fix your Infiniti right the first time, please take a moment to note the area of the vehicle where the squeak or rattle occurs and under what conditions. You may be asked to take a test drive with a service consultant or technician to ensure we confirm the noise you are hearing.

#### I. WHERE DOES THE NOISE COME FROM? (circle the area of the vehicle)

The illustrations are for reference only, and may not reflect the actual configuration of your vehicle.



Continue to page 2 of the worksheet and briefly describe the location of the noise or rattle. In addition, please indicate the conditions which are present when the noise occurs.

PIIB8741E

# SQUEAK AND RATTLE TROUBLE DIAGNOSES

< SERVICE INFORMATION >

## SQUEAK & RATTLE DIAGNOSTIC WORKSHEET - page 2

Briefly describe the location where the noise occurs:

---

---

### II. WHEN DOES IT OCCUR? (please check the boxes that apply)

- |   |  |
|---|--|
| <input type="checkbox"/> anytime                      | <input type="checkbox"/> after sitting out in the rain |
| <input type="checkbox"/> 1st time in the morning      | <input type="checkbox"/> when it is raining or wet     |
| <input type="checkbox"/> only when it is cold outside | <input type="checkbox"/> dry or dusty conditions       |
| <input type="checkbox"/> only when it is hot outside  | <input type="checkbox"/> other:                        |

### III. WHEN DRIVING:

- through driveways
- over rough roads
- over speed bumps
- only about \_\_\_\_ mph
- on acceleration
- coming to a stop
- on turns: left, right or either (circle)
- with passengers or cargo
- other: \_\_\_\_\_
- after driving \_\_\_\_ miles or \_\_\_\_ minutes

### IV. WHAT TYPE OF NOISE

- squeak (like tennis shoes on a clean floor)
- creak (like walking on an old wooden floor)
- rattle (like shaking a baby rattle)
- knock (like a knock at the door)
- tick (like a clock second hand)
- thump (heavy, muffled knock noise)
- buzz (like a bumble bee)

### TO BE COMPLETED BY DEALERSHIP PERSONNEL

#### Test Drive Notes:

---

---

---

	YES	NO	Initials of person performing
Vehicle test driven with customer	<input type="checkbox"/>	<input type="checkbox"/>	_____
- Noise verified on test drive	<input type="checkbox"/>	<input type="checkbox"/>	_____
- Noise source located and repaired	<input type="checkbox"/>	<input type="checkbox"/>	_____
- Follow up test drive performed to confirm repair	<input type="checkbox"/>	<input type="checkbox"/>	_____

VIN: \_\_\_\_\_ Customer Name: \_\_\_\_\_  
W.O.# \_\_\_\_\_ Date: \_\_\_\_\_

This form must be attached to Work Order

PIIB8742E



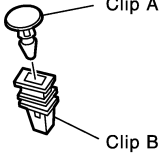
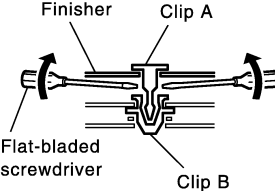

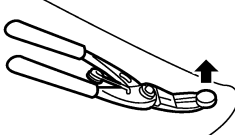
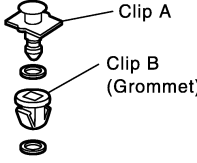
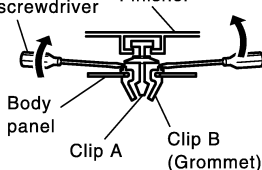
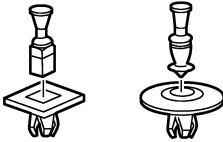
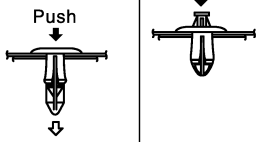
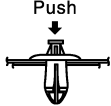
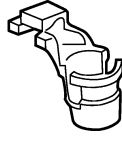
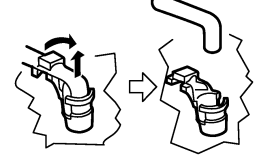
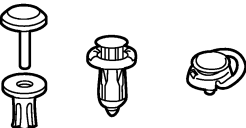
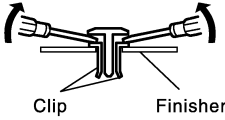
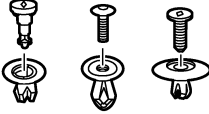

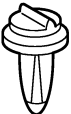
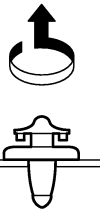
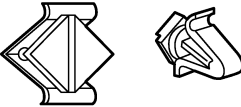

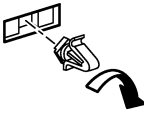

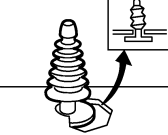
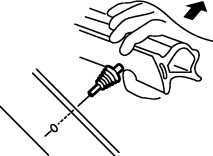

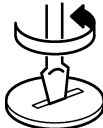
# CLIP LIST

< SERVICE INFORMATION >

## CLIP LIST

### Clip List

INFOID:000000005874561

Shapes	Removal & Installation	Shapes	Removal & Installation
	<p><b>Removal:</b> Remove by bending up with flat-bladed screwdrivers or clip remover.</p> 		<p><b>Removal:</b></p> 
	 <p><b>Removal:</b> Remove with a clip remover.</p>		<p><b>Removal:</b></p> 
	<p><b>Removal:</b> Push center pin to catching position. (Do not remove center pin by hitting it.)</p>  <p><b>Installation:</b></p> 		<p><b>Removal:</b> Holder portion of clip must be spread out to remove rod.</p> 
	<p><b>Removal:</b> Remove by bending up with flat-bladed screwdrivers or clip remover.</p> 		<p><b>Removal:</b></p> <ol style="list-style-type: none"> <li>1. Screw out with a Phillips screwdriver.</li> <li>2. Remove female portion with flat-bladed screwdriver.</li> </ol> 
	<p><b>Removal:</b></p> 		<p><b>Removal:</b></p>  <p><b>Installation:</b></p>  <p><b>Removal:</b></p> 
	<p><b>Removal:</b></p> 		<p><b>Removal:</b></p> 

JMJIA3734GB

# FRONT BUMPER

< SERVICE INFORMATION >

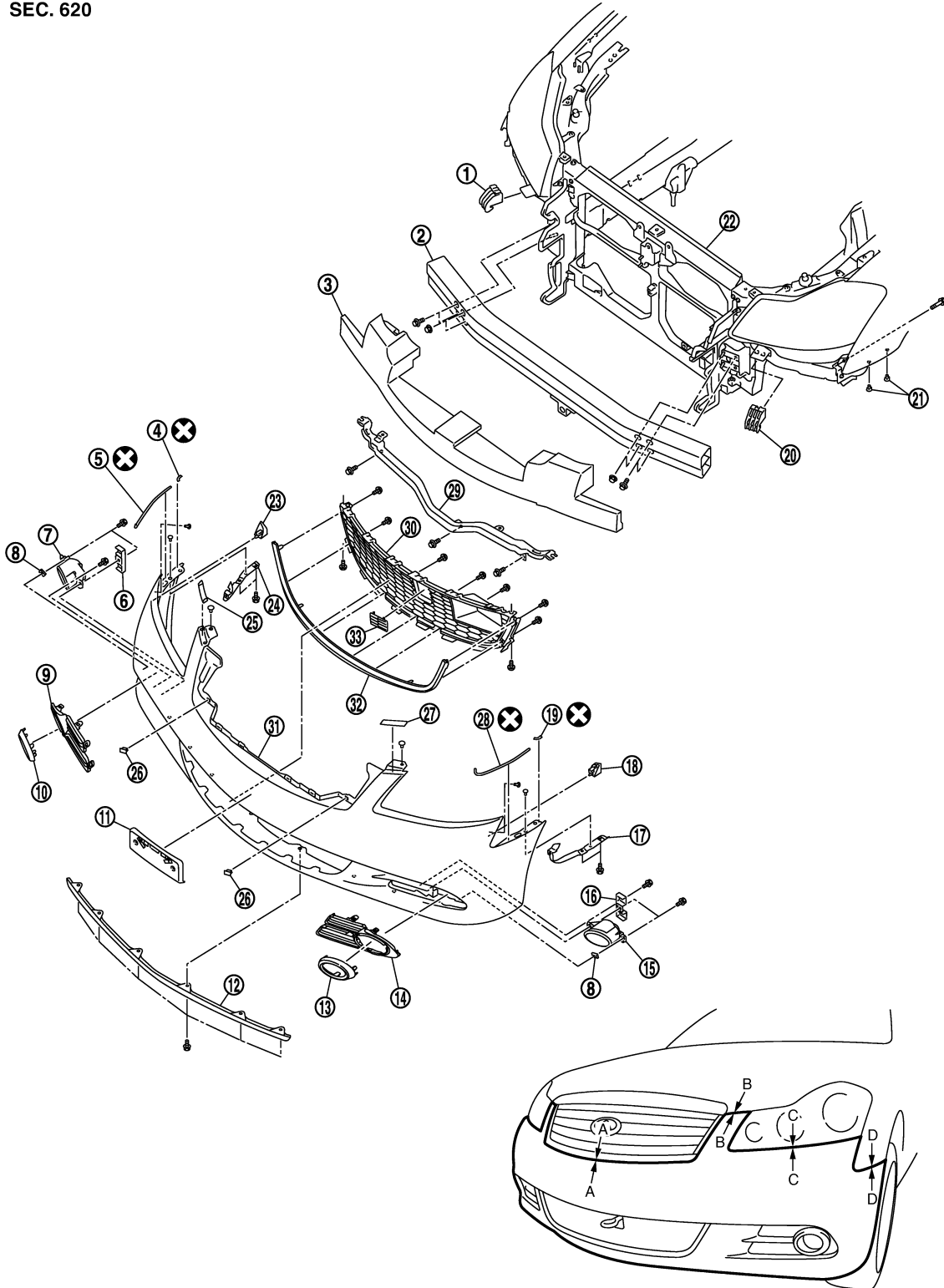
## FRONT BUMPER STANDARD TYPE

### STANDARD TYPE : Component Parts Location

INFOID:000000004158393

Standard Type

SEC. 620



A  
B  
C  
D  
E  
F  
G  
H  
EI  
J  
K  
L  
M  
N  
O  
P

JMKIA1739ZZ

# FRONT BUMPER

## < SERVICE INFORMATION >

- |                                      |                                 |                                  |
|--------------------------------------|---------------------------------|----------------------------------|
| 1. Bumper clip (RH)                  | 2. Bumper reinforcement         | 3. Energy absorber               |
| 4. Bumper side spacer (RH)           | 5. Bumper spacer (RH)           | 6. Front fog lamp bracket (RH)   |
| 7. Front fog lamp (RH)               | 8. J-nut                        | 9. Front bumper finisher (RH)    |
| 10. Front bumper finisher molding RH | 11. License plate bracket       | 12. Front air spoiler            |
| 13. Front bumper finisher molding LH | 14. Front bumper finisher (LH)  | 15. Front fog lamp (LH)          |
| 16. Front fog lamp bracket (LH)      | 17. Bumper side bracket B (LH)  | 18. Bumper side bracket A (LH)   |
| 19. Bumper side spacer (LH)          | 20. Bumper clip (LH)            | 21. Grommet                      |
| 22. Front body complete              | 23. Bumper side bracket A (RH)  | 24. Bumper side bracket B (RH)   |
| 25. Front hood seal (RH)             | 26. Grommet                     | 27. Front hood seal (LH)         |
| 28. Bumper spacer (LH)               | 29. Front bumper upper retainer | 30. Front bumper grille assembly |
| 31. Front bumper fascia assembly     | 32. Front Bumper grille molding | 33. Bumper bracket cover         |

Refer to [GI-9, "Component"](#) for symbols in the figure.

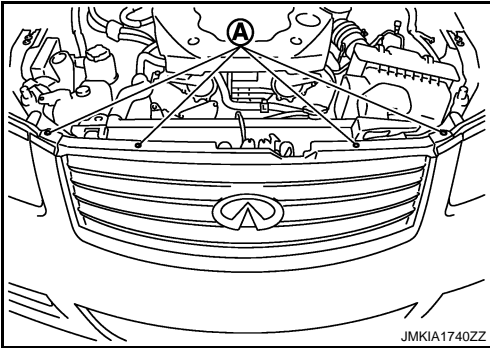
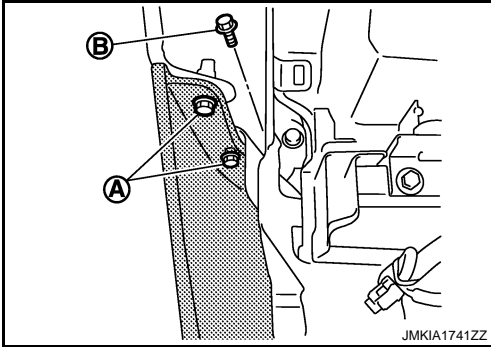
## STANDARD TYPE : Removal and Installation

INFOID:000000004158394

### CAUTION:

**Bumper fascia is made of resin. Do not apply strong force to it, and be careful to prevent contact with oil.**

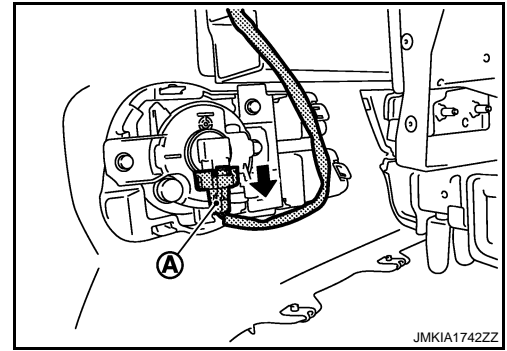
### REMOVAL

1. Fully open hood assembly.
  2. Remove air duct (inlet).
    - VQ35HR engine models: Refer to [EM-17, "Component"](#).
    - VK45DE engine models: Refer to [EM-172, "Component"](#).
  3. Remove clips (A) of bumper fascia upper side.
- 
4. Remove screws of front air spoiler and remove front air spoiler.
5. Remove bolts of front under cover and then remove under cover. Refer to [EI-36, "Component Parts Location"](#).
6. Remove front side of fender protector (LH/RH). Refer to [EI-32, "FENDER PROTECTOR : Removal and Installation"](#).
7. Remove screws (A) of bumper fascia left/right side.
8. Remove bolts (B) of bumper fascia left/right side.
- 

# FRONT BUMPER

## < SERVICE INFORMATION >

- Disconnect fog lamp harness connectors (A) (LH/RH).



- Pull back bumper fascia, and then remove bumper fascia.

**CAUTION:**

**When removing bumper fascia, 2 workers are required so as to prevent it from dropping.**

- Remove the following parts after removing bumper fascia.
  - Front grille. Refer to [EI-28, "Component Parts Location"](#).
  - Front fog lamp assembly (LH/RH). Refer to [LT-150, "SPORTS TYPE : Removal and Installation"](#).
  - Front bumper grille
  - Front bumper finisher (LH/RH)
  - License plate bracket
  - Bumper side bracket (LH/RH)
- Remove bumper energy absorber.
- Remove bumper reinforcement mounting nuts, and remove bumper reinforcement with power tool.

## INSTALLATION

Install in the reverse order of removal.

**NOTE:**

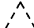
After installing, perform fitting adjustment.

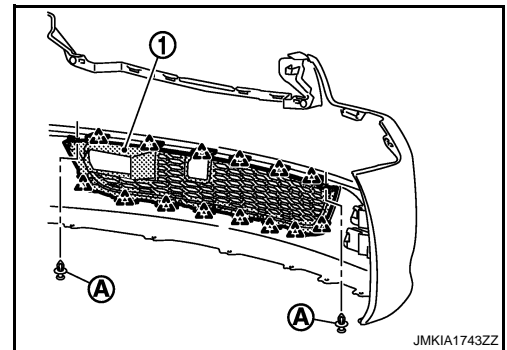
Portion		Clearance
Front bumper – Front grille	A – A	0.5 – 3.0 mm (0.020 – 0.118 in)
Front bumper – Hood	B – B	1.3 – 5.7 mm (0.051 – 0.110 in)
Front bumper – Headlamp	C – C	0.5 – 3.0 mm (0.020 – 0.118 in)
Front bumper – Front fender	D – D	0.0 – 0.5 mm (0.000 – 0.020 in)

## Removal and Installation of Front Bumper Grille

### REMOVAL

- Remove front bumper fascia.
- Remove front bumper grille fixing clips (A).
- Disengage front bumper grille (1) fixing pawls, and then remove front bumper grille (1).

 : Pawl



### INSTALLATION

Install in the reverse order of removal.

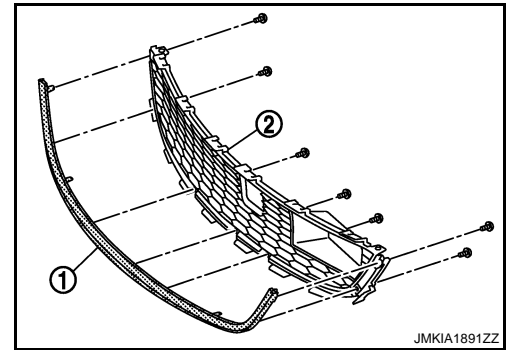
## Removal and Installation of Front Bumper Grille Molding

# FRONT BUMPER

## < SERVICE INFORMATION >

### REMOVAL

1. Remove front bumper fascia.
2. Remove front bumper grille (2).
3. Disengage front bumper grille molding (1) fixing screws, and then remove front bumper grille molding (1).




### INSTALLATION

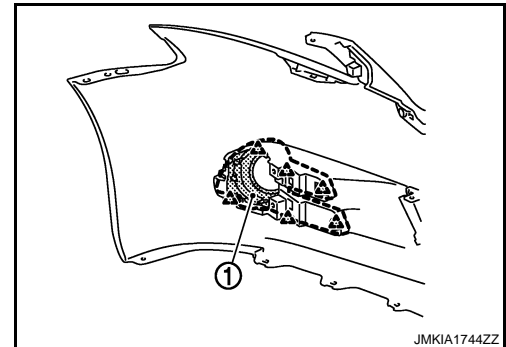
Install in the reverse order of removal.

### Removal and Installation of Front Bumper Finisher

#### REMOVAL

1. Remove bolts of front under cover and then remove under cover. Refer to [EI-36, "Component Parts Location"](#).
2. Remove front side of fender protector. Refer to [EI-32, "FENDER PROTECTOR : Removal and Installation"](#).
3. Disengage front bumper finisher (1) fixing pawls, and then remove front bumper finisher (1).

 : Pawl




### INSTALLATION

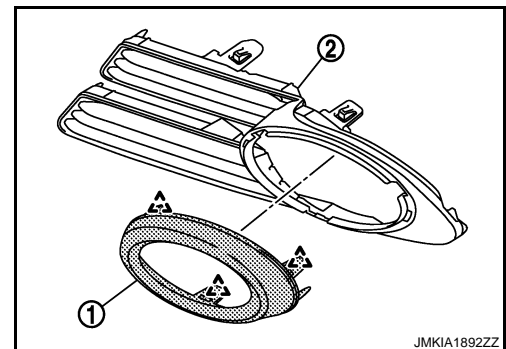
Install in the reverse order of removal.

### Removal and Installation of Front Bumper Finisher Molding

#### REMOVAL

1. Remove front bumper finisher (2).
2. Disengage front bumper finisher molding (1) fixing pawls, and then remove front bumper finisher molding (1).

 : Pawl



### INSTALLATION

Install in the reverse order of removal.



# FRONT BUMPER

< SERVICE INFORMATION >

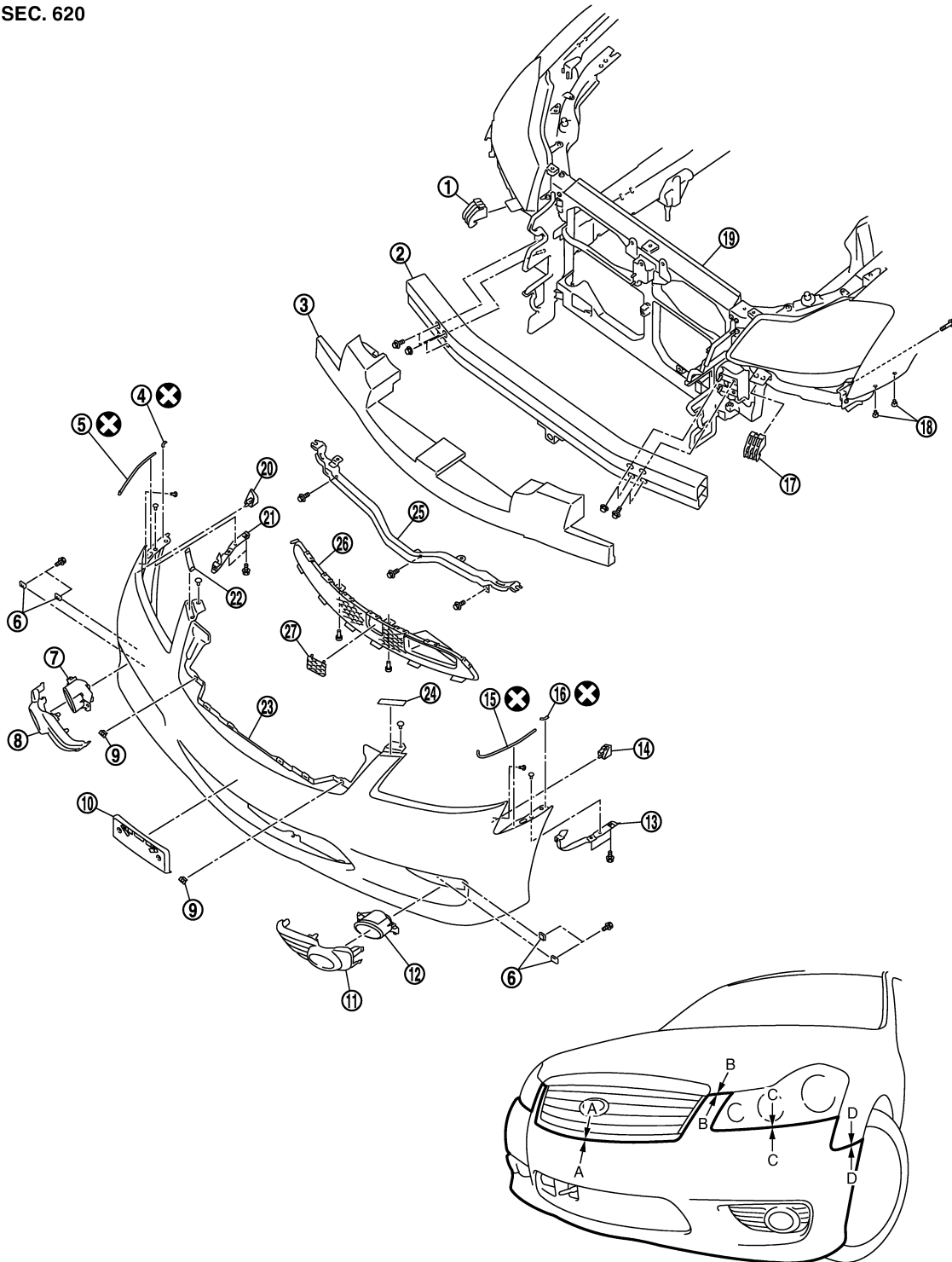
SPORTS TYPE

SPORTS TYPE : Component Parts Location

INFOID:000000004158395

Sports Type

SEC. 620



A  
B  
C  
D  
E  
F  
G  
H  
EI  
J  
K  
L  
M  
N  
O  
P

- 1. Bumper clip (RH)
- 4. Bumper side spacer (RH)

- 2. Bumper reinforcement
- 5. Bumper spacer (RH)

- 3. Energy absorber
- 6. J-nut

JMKIA1738ZZ

# FRONT BUMPER

## < SERVICE INFORMATION >

- |                                 |                                  |                                  |
|---------------------------------|----------------------------------|----------------------------------|
| 7. Front fog lamp assembly (RH) | 8. Front bumper finisher (RH)    | 9. Grommet                       |
| 10. License plate bracket       | 11. Front bumper finisher (LH)   | 12. Front fog lamp assembly (LH) |
| 13. Bumper side bracket B (LH)  | 14. Bumper side bracket A (LH)   | 15. Bumper spacer (LH)           |
| 16. Bumper side spacer (LH)     | 17. Bumper clip (LH)             | 18. Grommet                      |
| 19. Front body complete         | 20. Bumper side bracket A (RH)   | 21. Bumper side bracket B (RH)   |
| 22. Front hood seal (RH)        | 23. Front bumper fascia assembly | 24. Front hood seal (LH)         |
| 25. Front bumper upper retainer | 26. Front bumper grille assembly | 27. Bumper bracket cover         |

Refer to [GI-9. "Component"](#) for symbols in the figure.

## SPORTS TYPE : Removal and Installation

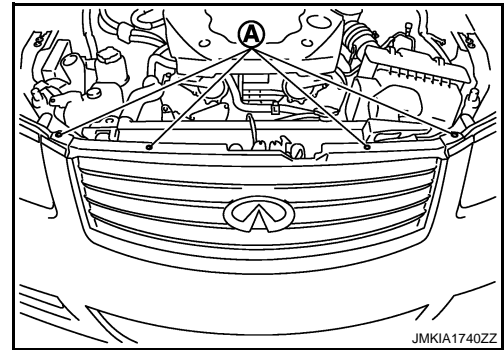
INFOID:000000004158396

### CAUTION:

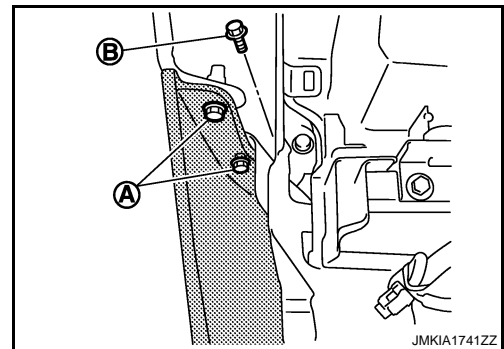
**Bumper fascia is made of resin. Do not apply strong force to it, and be careful to prevent contact with oil.**

### REMOVAL

1. Fully open hood assembly.
2. Remove air duct (inlet).
  - VQ35HR engine models: Refer to [EM-17. "Component"](#).
  - VK45DE engine models: Refer to [EM-172. "Component"](#).
3. Remove clips (A) of bumper fascia upper side.



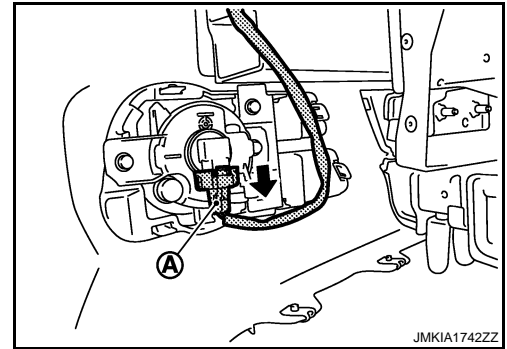
4. Remove bolts of front under cover and then remove under cover. Refer to [EI-36. "Component Parts Location"](#).
5. Remove front side of fender protector (LH/RH). Refer to [EI-32. "FENDER PROTECTOR : Removal and Installation"](#).
6. Remove screws (A) of bumper fascia left/right side.
7. Remove bolts (B) of bumper fascia left/right side.



# FRONT BUMPER

## < SERVICE INFORMATION >

- Disconnect fog lamp harness connectors (A) (LH/RH).



- Pull back bumper fascia, and then remove bumper fascia.

**CAUTION:**

**When removing bumper fascia, 2 workers are required so as to prevent it from dropping.**

- Remove the following parts after removing bumper fascia.
  - Front grille. Refer to [EI-28, "Component Parts Location"](#).
  - Front fog lamp assembly (LH/RH). Refer to [LT-150, "SPORTS TYPE : Removal and Installation"](#).
  - Front bumper grille
  - Front bumper finisher (LH/RH)
  - License plate bracket
  - Bumper side bracket (LH/RH)
- Remove bumper energy absorber.
- Remove bumper reinforcement mounting nuts, and remove bumper reinforcement with power tool.

## INSTALLATION

Install in the reverse order of removal.

**NOTE:**

After installing, perform fitting adjustment.

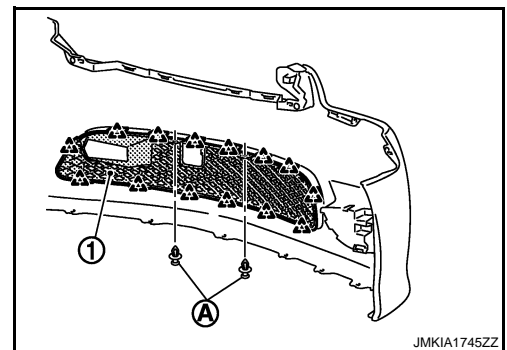
Portion		Clearance
Front bumper – Front grille	A – A	0.5 – 3.0 mm (0.020 – 0.118 in)
Front bumper – Hood	B – B	1.3 – 5.7 mm (0.051 – 0.110 in)
Front bumper – Headlamp	C – C	0.5 – 3.0 mm (0.020 – 0.118 in)
Front bumper – Front fender	D – D	0.0 – 0.5 mm (0.000 – 0.020 in)

## Removal and Installation of Front Bumper Grille

### REMOVAL

- Remove front bumper fascia.
- Remove front bumper grille fixing clips (A).
- Disengage front bumper grille (1) fixing pawls, and then remove front bumper grille (1).

: Pawl



### INSTALLATION

Install in the reverse order of removal.

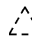
## Removal and Installation of Front Bumper Finisher

### REMOVAL

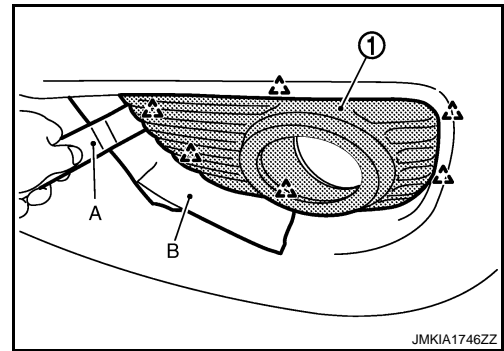
## FRONT BUMPER

### < SERVICE INFORMATION >

1. Apply protection tape (B) around outer circumference of front bumper finisher (1).
2. Disengage front bumper finisher (1) fixing pawls with remover tool (A).
3. Remove front bumper finisher (1).

 : Pawl

**CAUTION:**  
Be careful not to damage the body.



### INSTALLATION

Install in the reverse order of removal.

# REAR BUMPER

< SERVICE INFORMATION >

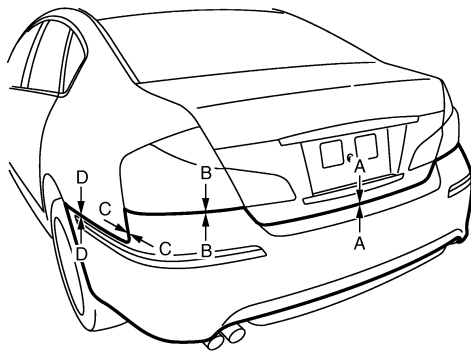
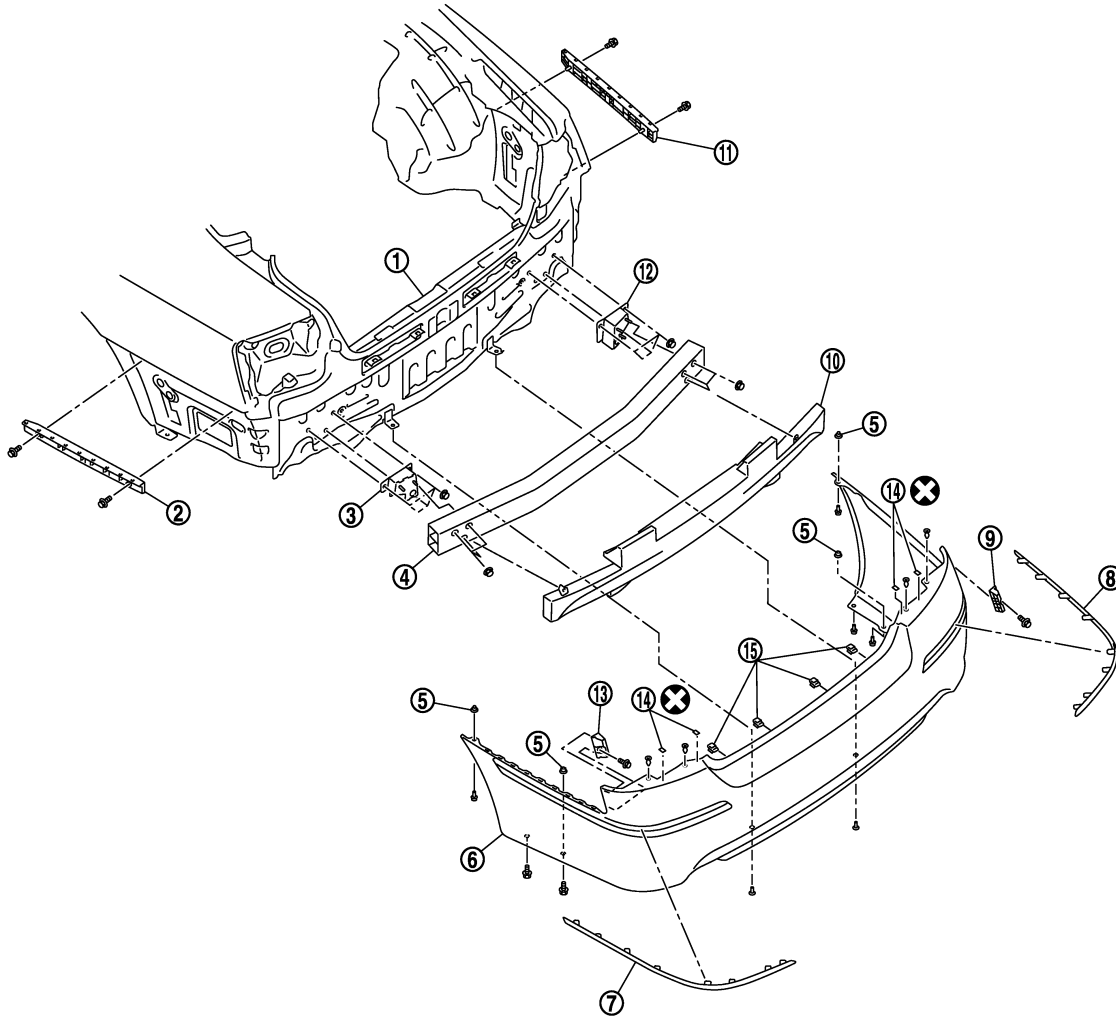
## REAR BUMPER STANDARD TYPE

### STANDARD TYPE : Component Parts Location

INFOID:000000004158397

Standard Type

SEC. 850



A  
B  
C  
D  
E  
F  
G  
H  
EI  
J  
K  
L  
M  
N  
O  
P

JMKIA1747ZZ

# REAR BUMPER

## < SERVICE INFORMATION >

- |                              |                              |                                |
|------------------------------|------------------------------|--------------------------------|
| 1. Rear body assembly        | 2. Bumper side bracket A LH  | 3. Bumper stay LH              |
| 4. Bumper reinforcement      | 5. Grommet                   | 6. Rear bumper fascia assembly |
| 7. Rear bumper molding LH    | 8. Rear bumper molding RH    | 9. Bumper side bracket B RH    |
| 10. Energy absorber          | 11. Bumper side bracket A RH | 12. Bumper stay RH             |
| 13. Bumper side bracket B LH | 14. Rear bumper protector    | 15. Bumper clip                |

Refer to [GI-9, "Component"](#) for symbols in the figure.

## STANDARD TYPE : Removal and Installation

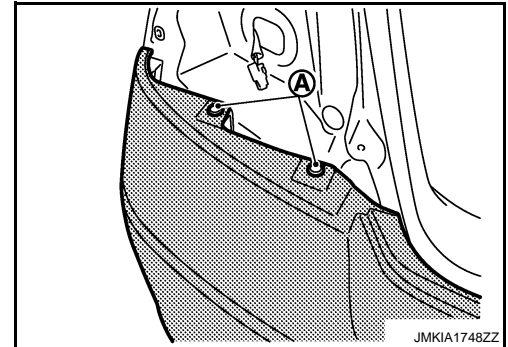
INFOID:000000004158398

### CAUTION:

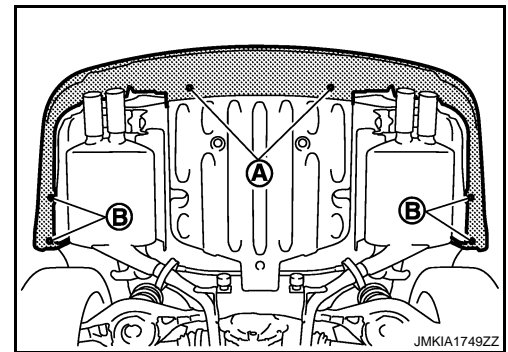
**Bumper fascia is made of resin. Do not apply strong force to it, and be careful to prevent contact with oil.**

### REMOVAL

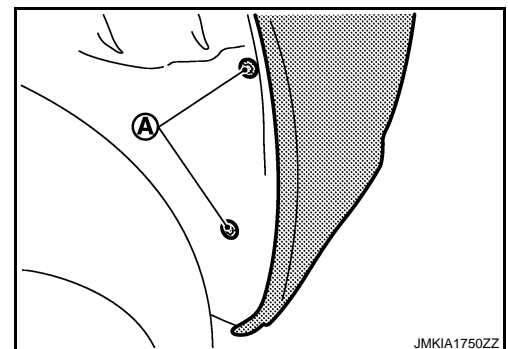
1. Fully open trunk lid assembly.
2. Remove rear combination lamp (LH/RH). Refer to [LT-200, "Removal and Installation"](#).
3. Remove clips (A) located under rear combination lamp (LH/RH).



4. Remove clips (A) of rear bumper fascia under side.
5. Remove screws (B) of rear bumper fascia under side.



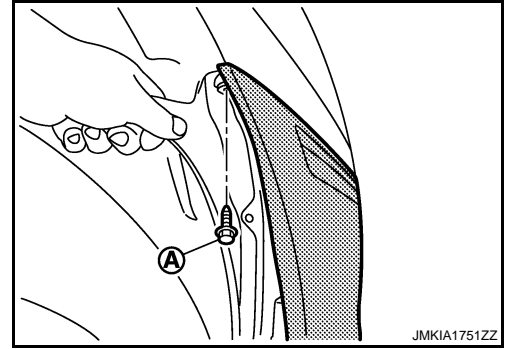
6. Remove clips (A) of rear wheel house protector rear end (LH/RH).




# REAR BUMPER

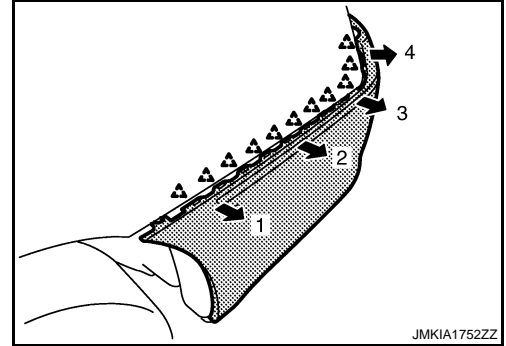
## < SERVICE INFORMATION >

7. Remove screws (A) of rear bumper fascia left/right side.



8. Pull to release rear bumper from bumper side bracket.

 : Pawl



9. Remove bumper clip from rear bumper fascia upper side, and then pull out rear bumper fascia toward rear of vehicle.

10. Remove rear bumper fascia assembly.

**CAUTION:**

**When removing bumper fascia, 2 workers are required so as to prevent it from dropping.**

11. Remove the following parts after removing rear bumper fascia assembly.

- Rear bumper molding (LH/RH)
- Bumper side bracket A (LH/RH)
- Bumper side bracket B (LH/RH)

12. Remove bumper energy absorber.

13. Remove bumper reinforcement mounting nuts and bumper reinforcement with power tool.

### INSTALLATION

Install in the reverse order of removal.

**NOTE:**

After installing, perform fitting adjustment.

Portion		Clearance
Rear bumper – Trunk lid	A – A	2.4 – 6.6 mm (0.094 – 0.260 in)
Rear bumper – Rear combination lamp	B – B	0.2 – 2.8 mm (0.008 – 0.110 in)
Rear bumper – Rear fender	C – C	0.0 – 0.5 mm (0.000 – 0.020 in)
Rear bumper – Rear fender	D – D	0.0 – 0.5 mm (0.000 – 0.020 in)

### Removal and Installation of Rear Bumper Molding

#### REMOVAL


1. Remove rear bumper fascia assembly.

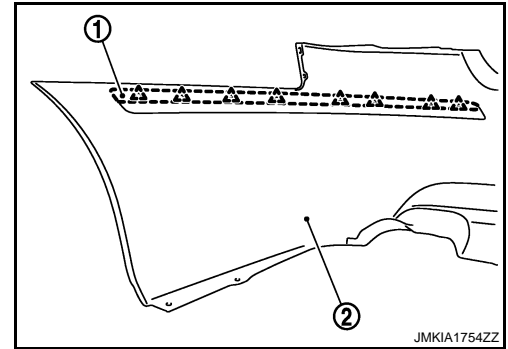
A  
B  
C  
D  
E  
F  
G  
H  
EI  
J  
K  
L  
M  
N  
O  
P

## REAR BUMPER

### < SERVICE INFORMATION >

2. Disengage the joint between rear bumper fascia assembly (2) and rear bumper molding (1), and then remove rear bumper molding (1).

 : Pawl



### INSTALLATION

Install in the reverse order of removal.

### SPORTS TYPE



# REAR BUMPER

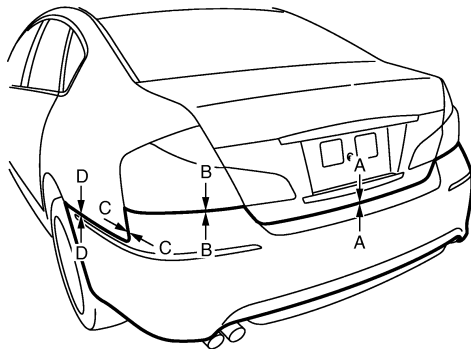
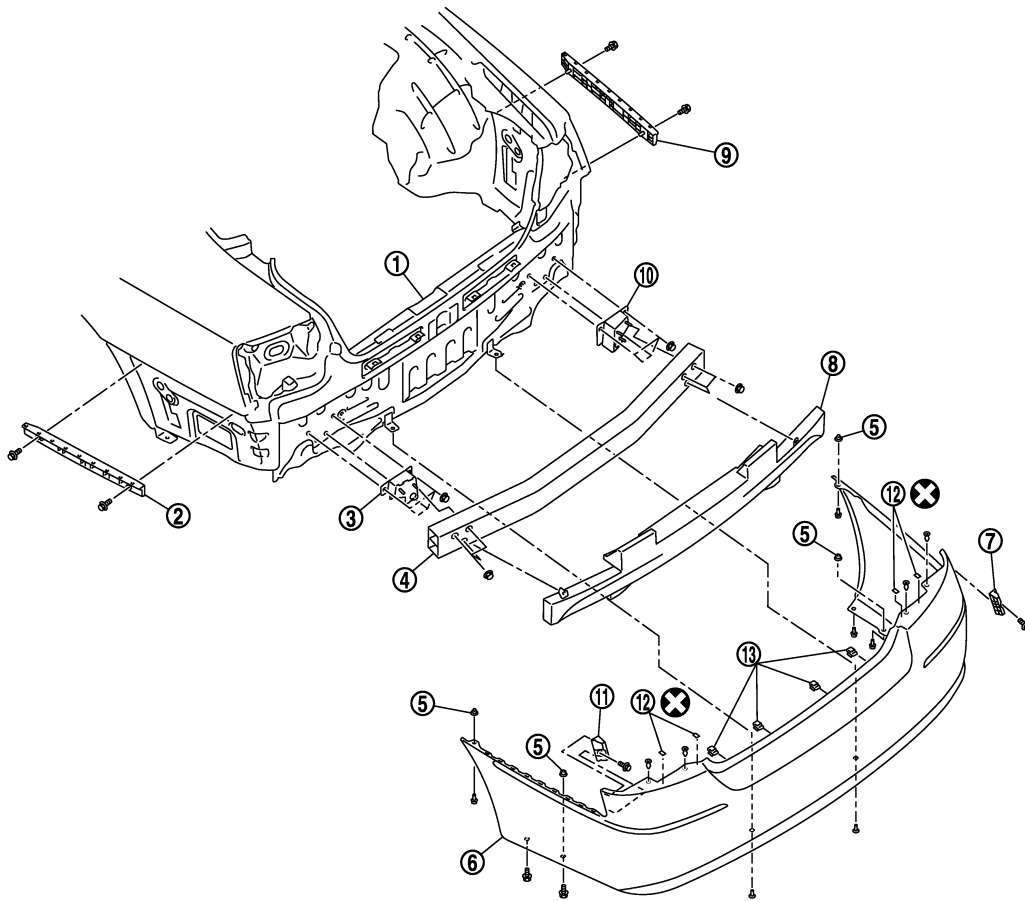
< SERVICE INFORMATION >

## SPORTS TYPE : Component Parts Location

INFOID:000000004158399

Sports Type

SEC. 850



- |                             |                             |                                |
|-----------------------------|-----------------------------|--------------------------------|
| 1. Rear body assembly       | 2. Bumper side bracket A LH | 3. Bumper stay LH              |
| 4. Bumper reinforcement     | 5. Grommet                  | 6. Rear bumper fascia assembly |
| 7. Bumper side bracket B RH | 8. Energy absorber          | 9. Bumper side bracket A RH    |

JMKIA1893ZZ

A  
B  
C  
D  
E  
F  
G  
H  
EI  
J  
K  
L  
M  
N  
O  
P

# REAR BUMPER

## < SERVICE INFORMATION >

- |                    |                              |                           |
|--------------------|------------------------------|---------------------------|
| 10. Bumper stay RH | 11. Bumper side bracket B LH | 12. Rear bumper protector |
| 13. Bumper clip    |                              |                           |

Refer to [GI-9, "Component"](#) for symbols in the figure.

## SPORTS TYPE : Removal and Installation

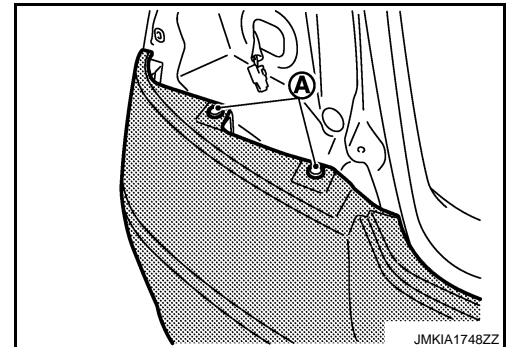
INFOID:000000004158400

### CAUTION:

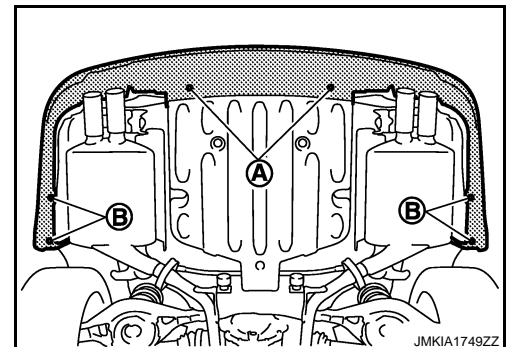
Bumper fascia is made of resin. Do not apply strong force to it, and be careful to prevent contact with oil.

### REMOVAL

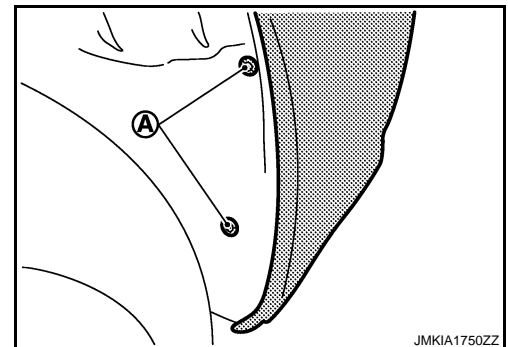
1. Fully open trunk lid assembly.
2. Remove rear combination lamp (LH/RH). Refer to [LT-200, "Removal and Installation"](#).
3. Remove clips (A) located under rear combination lamp (LH/RH).



4. Remove clips (A) of rear bumper fascia under side.
5. Remove screws (B) of rear bumper fascia under side.



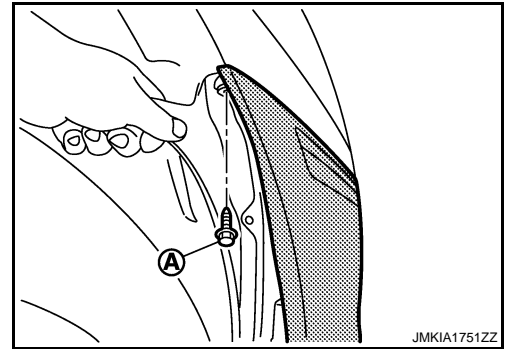
6. Remove clips (A) of rear wheel house protector rear end (LH/RH).




# REAR BUMPER

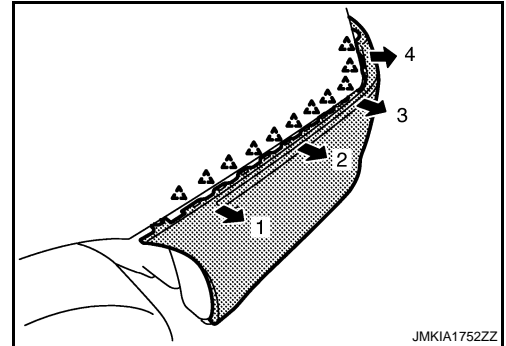
## < SERVICE INFORMATION >

7. Remove screws (A) of rear bumper fascia left/right side.



8. Pull to release rear bumper from bumper side bracket.

 : Pawl



9. Remove bumper clip from rear bumper fascia upper side, and then pull out rear bumper fascia toward rear of vehicle.

10. Remove rear bumper fascia assembly.

**CAUTION:**

**When removing bumper fascia, 2 workers are required so as to prevent it from dropping.**

11. Remove the following parts after removing rear bumper fascia assembly.

- Bumper side bracket A (LH/RH)
- Bumper side bracket B (LH/RH)

12. Remove bumper energy absorber.

13. Remove bumper reinforcement mounting nuts and bumper reinforcement with power tool.

### INSTALLATION

Install in the reverse order of removal.

**NOTE:**

After installing, perform fitting adjustment.

Portion		Clearance
Rear bumper – Trunk lid	A – A	2.4 – 6.6 mm (0.094 – 0.260 in)
Rear bumper – Rear combination lamp	B – B	0.2 – 2.8 mm (0.008 – 0.110 in)
Rear bumper – Rear fender	C – C	0.0 – 0.5 mm (0.000 – 0.020 in)
Rear bumper – Rear fender	D – D	0.0 – 0.5 mm (0.000 – 0.020 in)

A  
B  
C  
D  
E  
F  
G  
H  
EI  
J  
K  
L  
M  
N  
O  
P

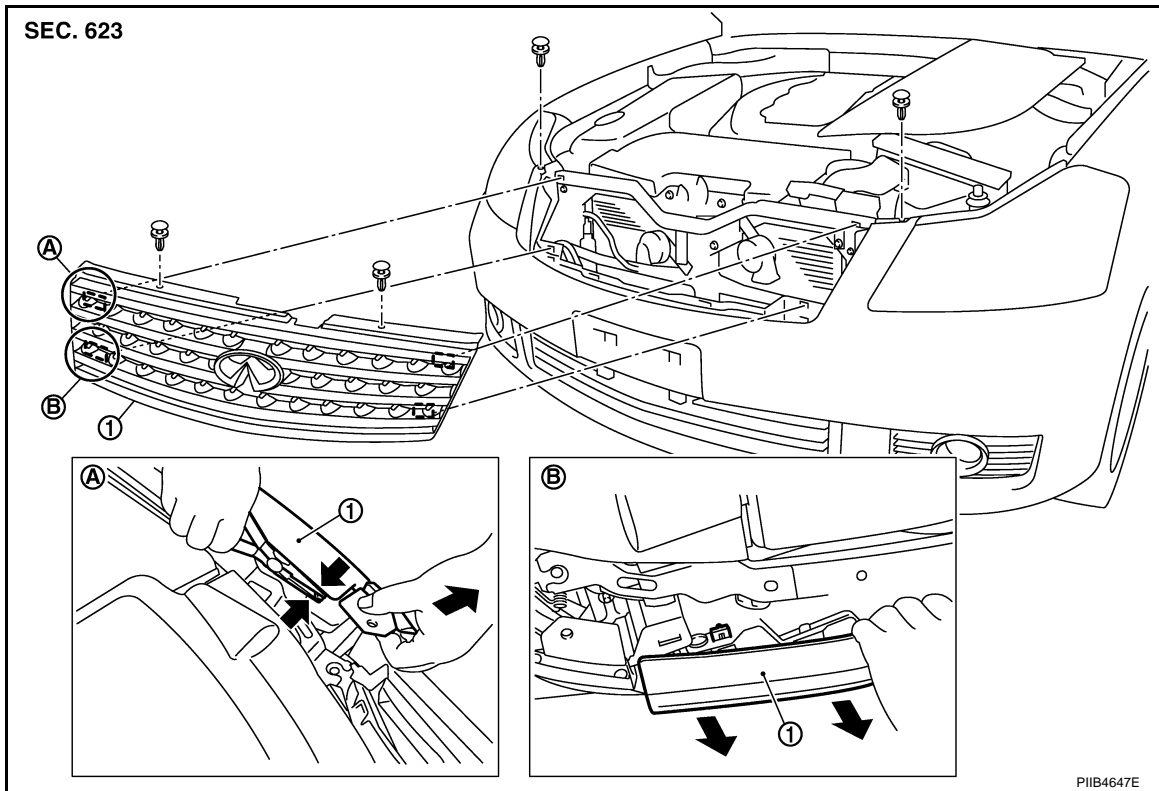
# FRONT GRILLE

< SERVICE INFORMATION >

## FRONT GRILLE

### Component Parts Location

INFOID:000000004158401



1. Front grille

### Removal and Installation

INFOID:000000004158402

#### **CAUTION:**

**Apply protection tape around outer circumference of front grille (bumper fascia side).**

#### REMOVAL

1. Fully open hood assembly.
2. Remove air duct (inlet).
  - VQ35HR: Refer to [EM-17, "Component"](#).
  - VK45DE: Refer to [EM-172, "Component"](#).
3. Remove plastic clip from upper surface of the front grille.
4. Remove plastic clip from front bumper upper side (convex part).
5. Pull front grille frontward. Disengage upper side plastic clip joint from back of front grille using pliers. (Figure to illustration A.)
6. Pull front grille out toward vehicle front. (Figure to illustration B.)

#### **NOTE:**

Plastic clips of front grille lower are engaged strongly. Strong power is necessary to disengage them. (When it is not easy to disengage them, disengage the joint of lower side clip using a screwdriver while pulling the front grille frontward.)

#### INSTALLATION

Install in the reverse order of removal.

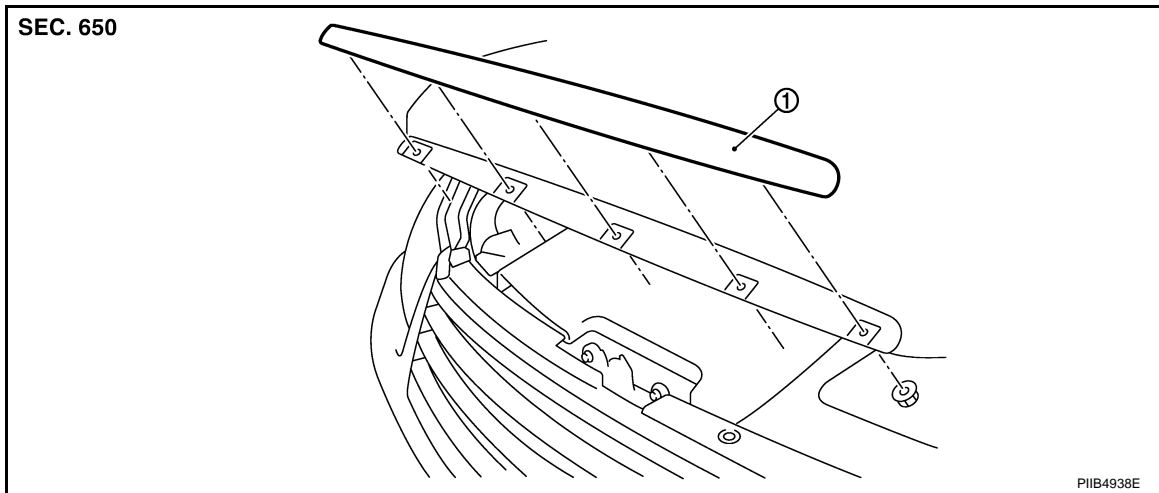
# HOOD TOP MOLDING

< SERVICE INFORMATION >

## HOOD TOP MOLDING

### Component Parts Location

INFOID:000000004158403



1. Hood top molding

### Removal and Installation

INFOID:000000004158404

#### REMOVAL


1. Open hood fully.
2. Remove nuts of hood top molding.
3. Remove hood top molding assembly.

#### INSTALLATION

Install in the reverse order of removal.

#### **CAUTION:**

**Note that hood might be distorted when nuts is tightened too much.**

 : 1.4 – 2.1 N·m (0.15 – 0.21 Kg-m, 13 – 18 in-lb)

A  
B  
C  
D  
E  
F  
G  
H  
EI  
J  
K  
L  
M  
N  
O  
P

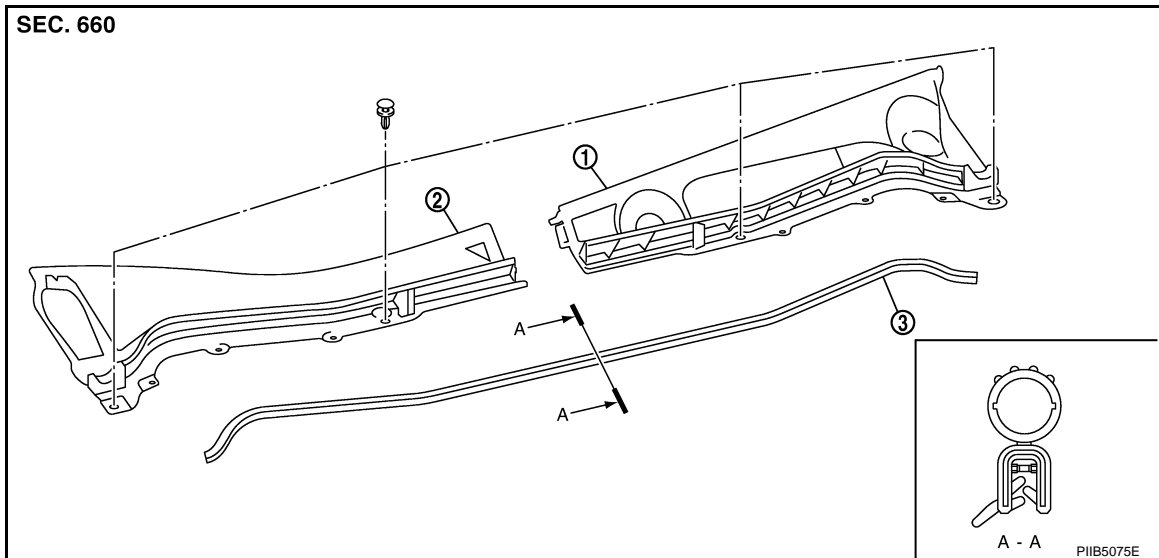
# COWL TOP

< SERVICE INFORMATION >

## COWL TOP

### Component Parts Location

INFOID:000000004158405



1. Cowl top cover (LH)

2. Cowl top cover (RH)

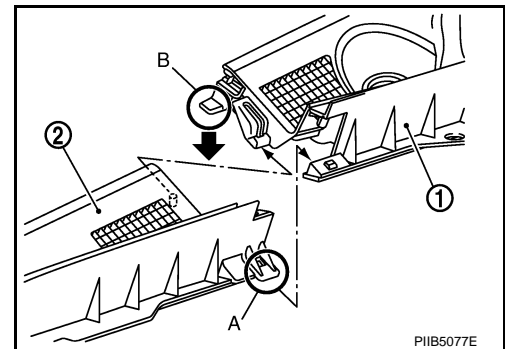
3. Cowl top seal rubber

### Removal and Installation

INFOID:000000004158406

#### REMOVAL

1. Remove front wiper arm (LH/RH) from vehicle. Refer to [WW-30, "Removal and Installation of Front Wiper Arms, Adjustment of Wiper Arms Stop Location"](#).
2. Remove engine room cover (LH/RH), battery cover and brake master cylinder cover.
  - VQ35HR engine models: Refer to [EM-17, "Component"](#).
  - VK45DE engine models: Refer to [EM-168, "Component"](#).
3. Remove cowl top seal rubber.
4. Remove cowl top cover mounting clips (LH/RH).
5. Plastic pawl A is pull up and cowl top cover RH (2) is removed ahead of vehicles.
6. Plastic pawl B is push down and cowl top cover LH (1) is removed ahead of vehicles.



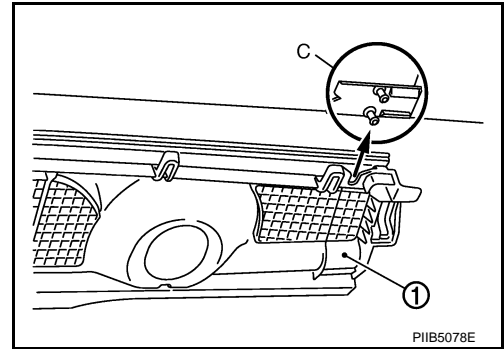
#### INSTALLATION

Note the following, and install in the reverse order of removal.

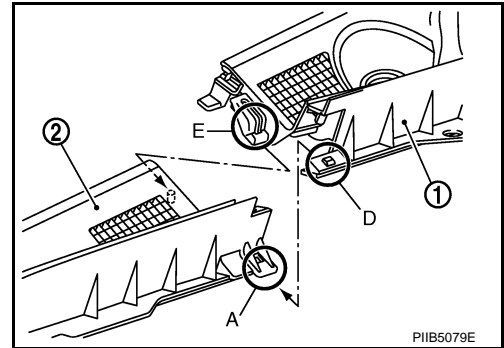
## COWL TOP

### < SERVICE INFORMATION >

- Install cowl top cover LH (1) with C (pin from front windshield glass) aligned with concave part.



- Slide the pin while aligning with the concave part of E.
- Engage the joint of plastic pawl of A with D, and then assemble cowl top covers LH (1) and RH (2).



### **CAUTION:**

After installing, perform adjustment of wiper arm. Refer to [WW-30, "Removal and Installation of Front Wiper Arms, Adjustment of Wiper Arms Stop Location"](#).

A  
B  
C  
D  
E  
F  
G  
H  
EI  
J  
K  
L  
M  
N  
O  
P

# FENDER PROTECTOR

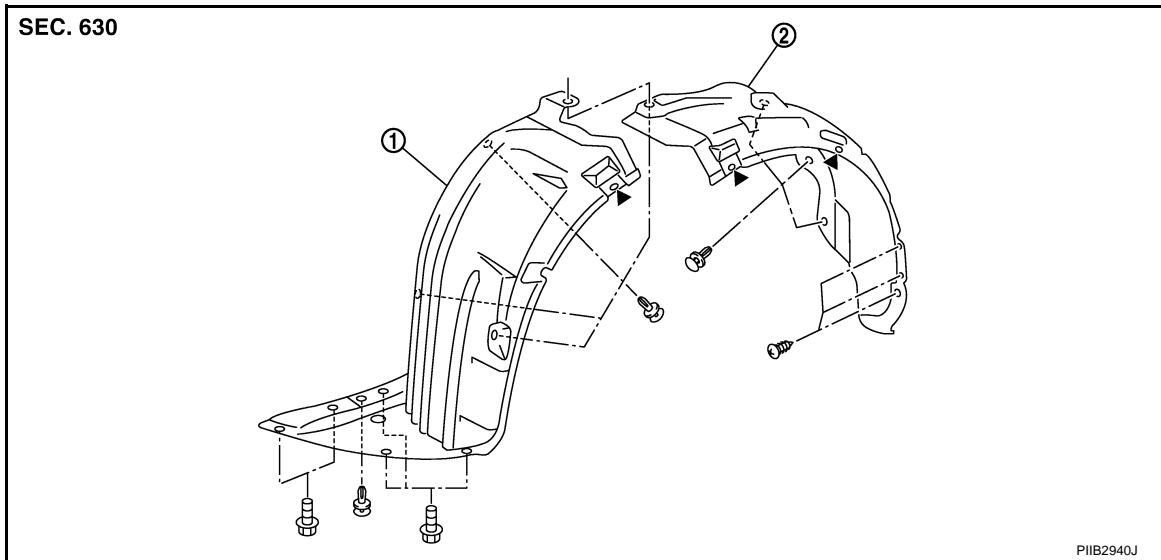
< SERVICE INFORMATION >

## FENDER PROTECTOR

## FENDER PROTECTOR

## FENDER PROTECTOR : Component Parts Location

INFOID:000000004158407



1. Fender protector (front)

2. Fender protector (rear)

## FENDER PROTECTOR : Removal and Installation

INFOID:000000004158408

### REMOVAL

1. Remove rear end screw of fender protector (rear).
2. Remove clips of fender protector (rear).
3. Remove plastic clamp from wheelhouse arches, and then remove fender protector (rear) from wheel house.
4. Remove screws of front under cover.
5. Remove front end screw of fender protector (front).
6. Remove front end clip of fender protector (front).
7. Remove fender protector (front) from wheel house.

### INSTALLATION

Install in the reverse order of removal.

## REAR WHEEL HOUSE PROTECTOR

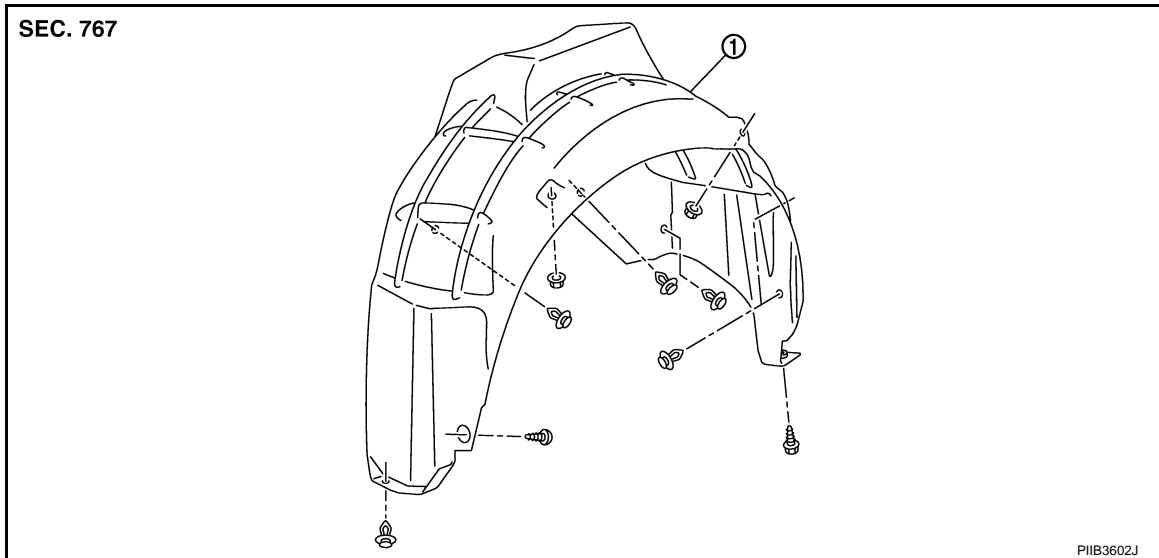


# FENDER PROTECTOR

< SERVICE INFORMATION >

## REAR WHEEL HOUSE PROTECTOR : Component Parts Location

INFOID:000000004158409



1. Rear wheel house protector

## REAR WHEEL HOUSE PROTECTOR : Rear Wheel House Protector

INFOID:000000004158410

### REMOVAL

1. Remove screw of rear portion wheel house protector. (rear bumper side)
2. Remove screw of front portion wheel house protector. (center mud guard side)
3. Remove clips of wheel house protector.
4. Remove resin nuts of arch portion wheel house protector and remove rear wheel house protector.

### INSTALLATION

Install in reverse order of removal.

A  
B  
C  
D  
E  
F  
G  
H  
I  
J  
K  
L  
M  
N  
O  
P

EI

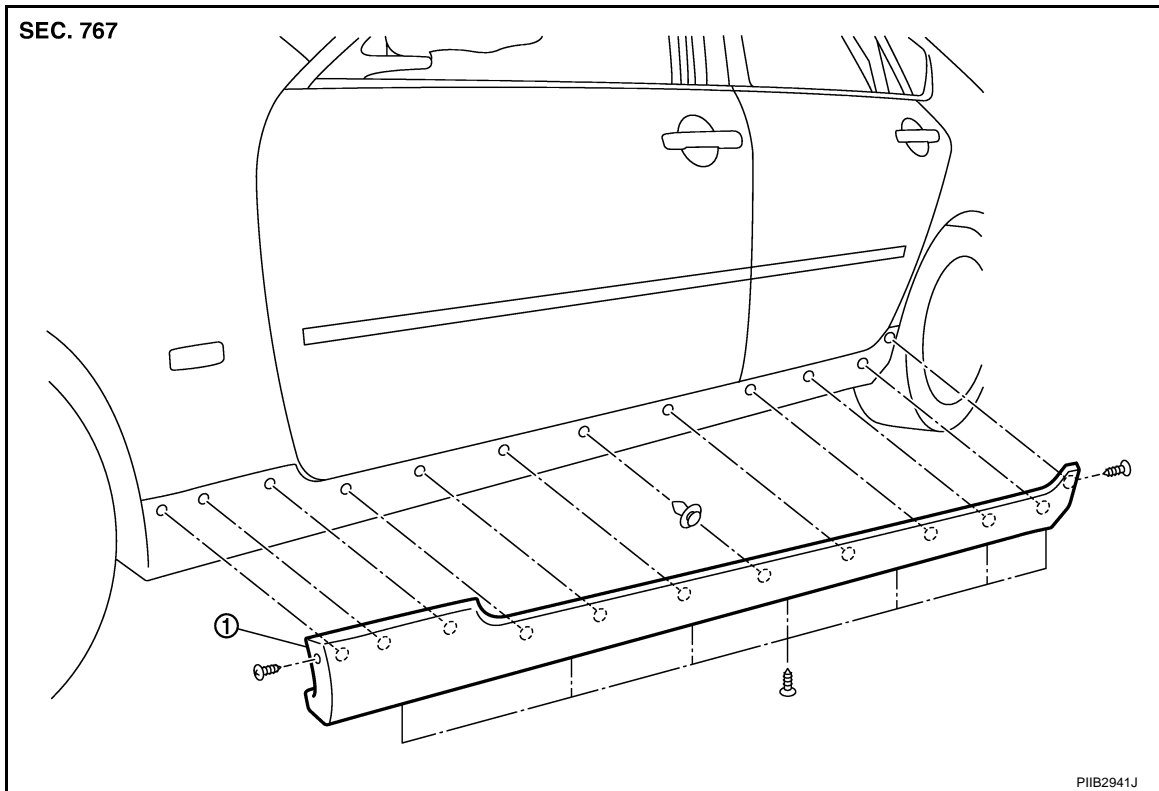
# CENTER MUD GUARD

< SERVICE INFORMATION >

## CENTER MUD GUARD

### Component Parts Location

INFOID:000000004158411



1. Center mud guard

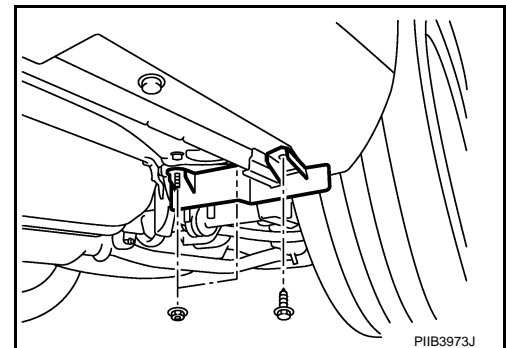
○ : Clip

### Removal and Installation

INFOID:000000004158412

#### REMOVAL

1. Remove screw and nuts of wind deflector and remove wind deflector.



2. Remove screws of mudguard front/rear side.
3. Remove screws of mudguard lower side.
4. Fully open front door and rear door.
5. Remove clips from back of mudguard using remover tool.
6. Remove center mudguard from body side.

#### INSTALLATION

Install in the reverse order of removal.

**CAUTION:**

# CENTER MUD GUARD

< SERVICE INFORMATION >

**When installing center mud guard, make sure that clips are securely fitted in panel holes on body, and then press them in.**

A

B

C

D

E

F

G

H

**EI**

J

K

L

M

N

O

P

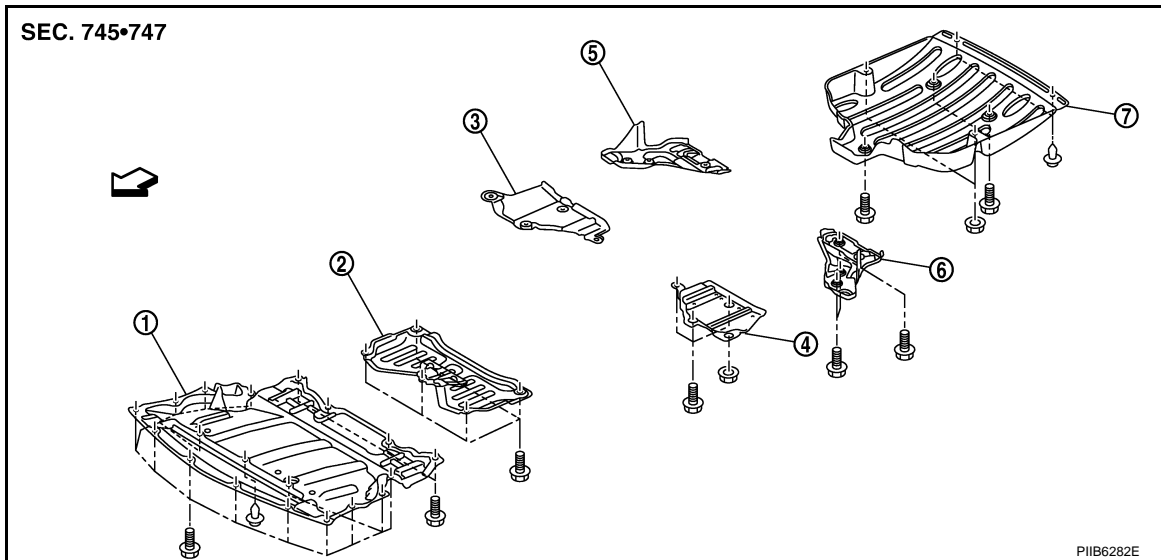
# FLOOR SIDE FAIRING

< SERVICE INFORMATION >

## FLOOR SIDE FAIRING

### Component Parts Location

INFOID:000000004158413



- |                         |                                    |                                    |
|-------------------------|------------------------------------|------------------------------------|
| 1. Engine under cover   | 2. Front under cover               | 3. Floor under cover RH            |
| 4. Floor under cover LH | 5. Rear under cover RH (V8 models) | 6. Rear under cover LH (V8 models) |
| 7. Rear diffuser        |                                    |                                    |

### Removal and Installation

INFOID:000000004158414

#### REMOVAL

##### Engine Under Cover

1. Remove engine under cover mounting bolts and clip.
2. Remove engine under cover.

##### Front Under Cover

1. Remove front under cover mounting bolts.
2. Remove front under cover.

##### Floor Under Cover

1. Remove floor under cover mounting bolts, nuts and clips.
2. Remove floor under cover.

##### Rear Under Cover

1. Remove rear under cover mounting bolts.
2. Remove rear under cover.

##### Rear Diffuser

1. Remove rear diffuser mounting bolts, nuts and clips.
2. Remove rear diffuser.

#### INSTALLATION

Install in the reverse order of removal.

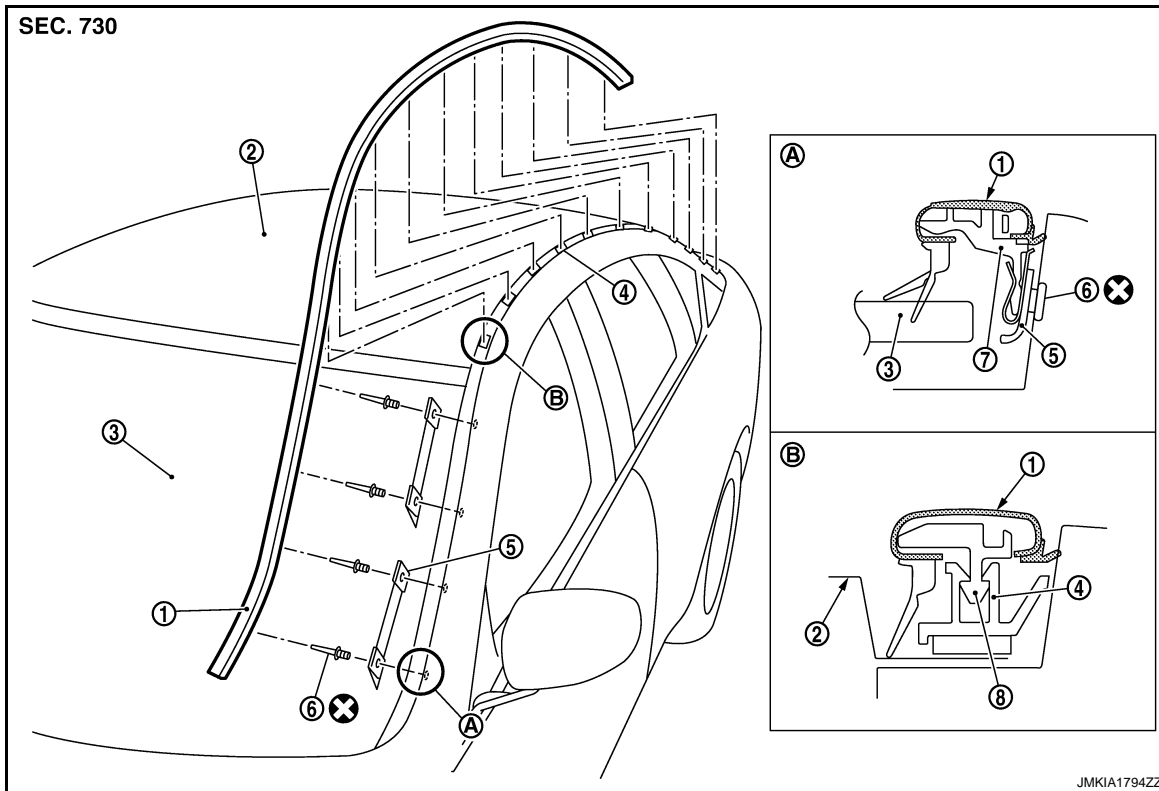
# ROOF SIDE MOLDING

< SERVICE INFORMATION >

## ROOF SIDE MOLDING

### Component Parts Location

INFOID:000000004158415



- |                        |                         |                     |
|------------------------|-------------------------|---------------------|
| 1. Roof side molding   | 2. Roof outer panel     | 3. Windshield glass |
| 4. Clip (body side)    | 5. Molding fastener     | 6. Rivet            |
| 7. Clip (molding side) | 8. Body side outer clip |                     |

Refer to [GI-9, "Component"](#) for symbols in the figure.

### Removal and Installation

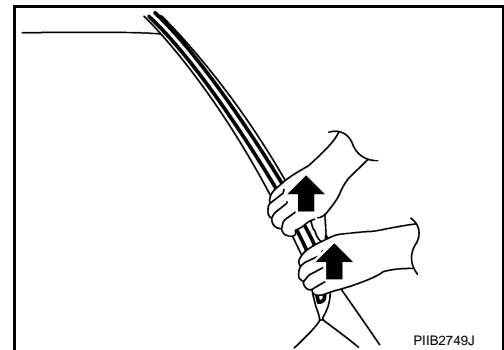
INFOID:000000004158416

#### REMOVAL

1. Apply protective tape around roof side molding.
2. Disengage clips while pinching molding from rear end of rear window to front end of front window, and then remove roof side molding.

**CAUTION:**

Front and rear ends of roof side molding are placed under the body side. Pull them out after disengaging plastic clip joints.



**NOTE:**

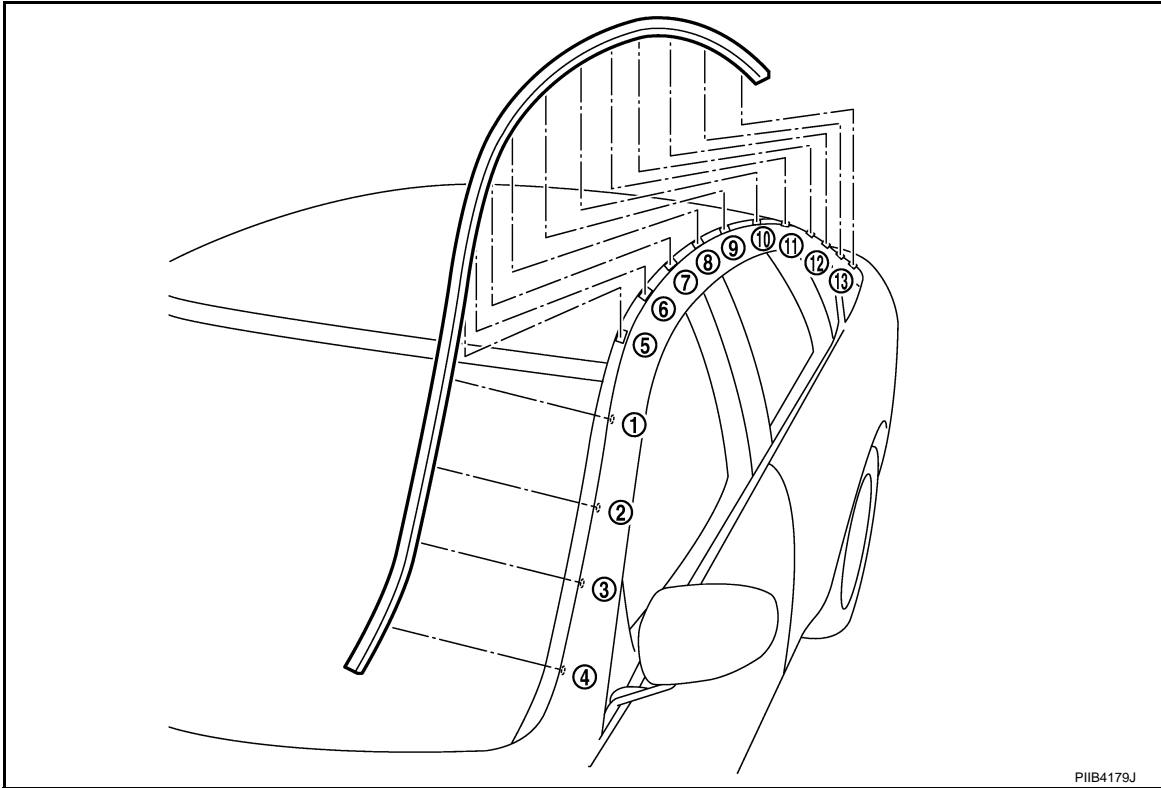
- Molding fasteners of front windshield glass and rear window glass are secured with rivet. Remove and install front windshield glass and rear window glass when replacing the molding fasteners.
- Heat adhesive tape interface using a dryer, and then peel roof side molding clips (body side) using long-nose pliers.

A  
B  
C  
D  
E  
F  
G  
H  
EI  
J  
K  
L  
M  
N  
O  
P

## ROOF SIDE MOLDING

< SERVICE INFORMATION >

### INSTALLATION



PIIB4179J

1. Place roof side molding on roof groove, and then insert the end into front fender.
2. Align roof side molding clips (molding side) (2),(3), and (4) of front pillar with fastener position, and then insert roof side molding clip (molding side) (1).
3. Insert roof side molding clips (molding side) of front pillar in order of (2) to (4) into molding fastener.
4. Insert body side outer clips of roof in the order of (5) to (9).
5. Insert rear end of roof side molding into trunk lid.
6. Temporarily set roof side molding clips (molding side) of rear pillar on fasteners and insert them in the order of (10) to (13).

#### **CAUTION:**

**Be careful not to damage the body.**

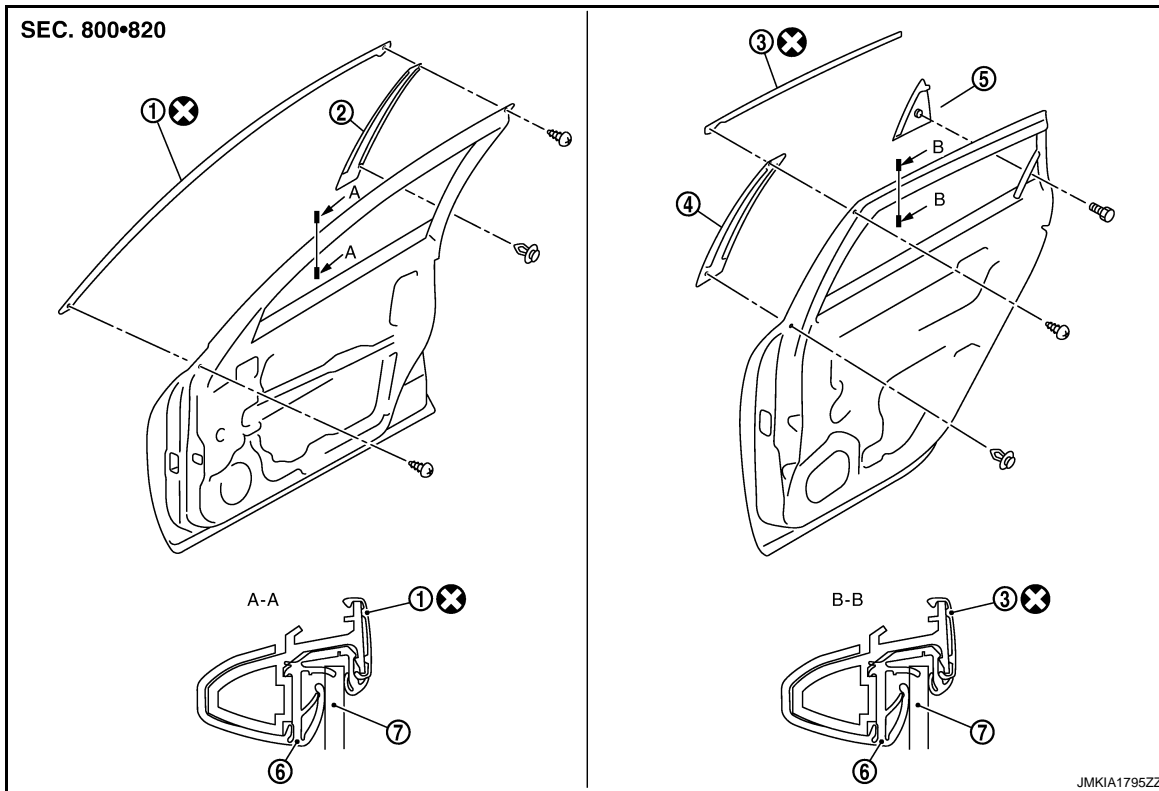
# DOOR SASH MOLDING

< SERVICE INFORMATION >

## DOOR SASH MOLDING

### Component Parts Location

INFOID:000000004158417



- |                               |                                |                           |
|-------------------------------|--------------------------------|---------------------------|
| 1. Front door sash molding    | 2. Front door sash outer cover | 3. Rear door sash molding |
| 4. Rear door sash outer cover | 5. Rear door corner cover      | 6. Door glass run         |
| 7. Door glass                 |                                |                           |

Refer to [GI-9, "Component"](#) for symbols in the figure.

## Removal and Installation

INFOID:000000004158418

### REMOVAL

#### Front Door Sash Molding

1. Remove front door weather-strip. Refer to [BL-175, "Door Weatherstrip"](#).
2. Release roof portion of glass run.
3. Remove screw of front door sash molding.
4. Remove door sash molding connection between door panel and molding from glass run side and remove molding.

#### Rear Door Sash Molding

1. Remove rear door weather-strip. Refer to [BL-175, "Door Weatherstrip"](#).
2. Release roof portion of glass run.
3. Remove screw of rear door sash molding.
4. Remove door sash molding connection between door panel and molding from glass run side and remove molding (front).

#### Door Sash Outer Cover

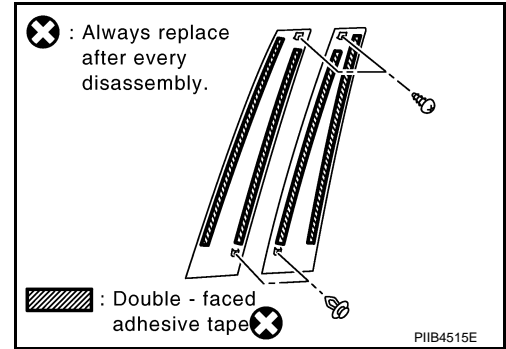
A  
B  
C  
D  
E  
F  
G  
H  
EI

J  
K  
L  
M  
N  
O  
P

# DOOR SASH MOLDING

## < SERVICE INFORMATION >

1. Remove front door weather-strip, rear door weather-strip. Refer to
2. Remove double-faced adhesive tape with (wide) plastic spatula and remove door sash outer cover.



### Rear Door Corner Cover

1. Remove rear door finisher. Refer to [EI-46, "Removal and Installation"](#).
2. Remove rear door sash cover inner. Refer to [EI-46, "Removal and Installation"](#).
3. Remove bolts of rear door corner cover and remove rear door corner cover.

### INSTALLATION

Install in the reverse order of removal.

#### NOTE:

If door sash outer cover is reused, remove double-faced adhesive tape from molding and body sides, clean the applied area, and then install the parts shown in the figure into the body after applying new double-sided tape to it.

#### CAUTION:

- Do not let air between contact surfaces when installing.
- To secure contact, do not wash vehicle within 24 hours after installation.



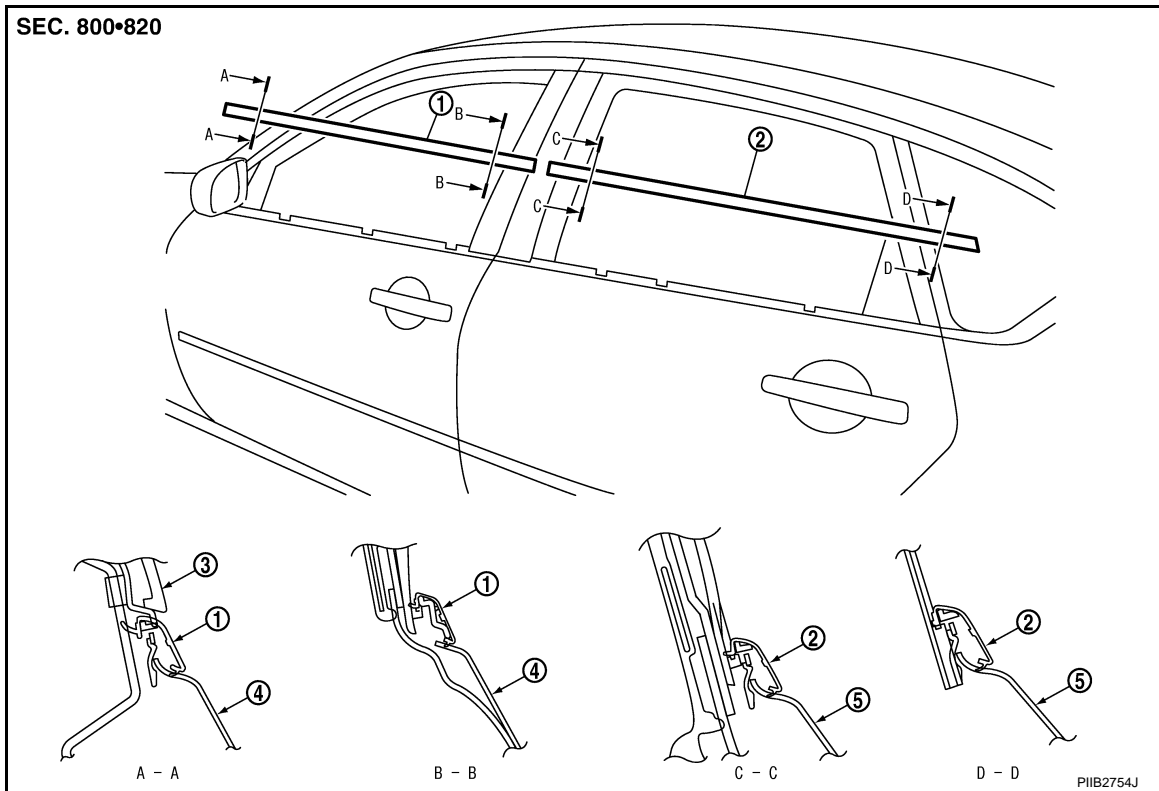
# DOOR OUTSIDE MOLDING

< SERVICE INFORMATION >

## DOOR OUTSIDE MOLDING

### Component Parts Location

INFOID:000000004158419



1. Door outside molding (front)
2. Door outside molding (rear)
3. Door mirror
4. Front door outer
5. Rear door outer

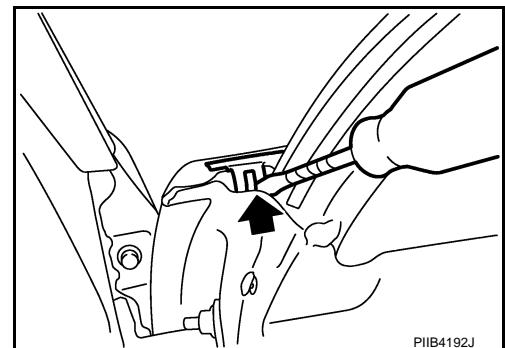
### Removal and Installation

INFOID:000000004158420

#### REMOVAL

##### Front Door Outside Molding

1. Fully open door window.
2. Remove door trim. Refer to [EI-46, "Removal and Installation"](#).
3. Remove front door sash cover inner. Refer to [EI-46, "Removal and Installation"](#).
4. Disconnect harness connector for tweeter (with tweeter). Refer to [AV-1071, "Exploded View"](#).
5. Remove door mirror. Refer to [GW-107, "Removal and Installation"](#).
6. Disengage pawls by inserting a screwdriver to front and rear of pawl intergrated with cap.



7. Remove door outside molding while pulling up molding using plastic spatula after disengaging.

**CAUTION:**

## DOOR OUTSIDE MOLDING

### < SERVICE INFORMATION >

---

- **Be careful not to apply excessive force when removing because it is easy to deform parts.**
- **After removal, visually inspect molding, and if it is deformed, replace it with new molding.**

#### Rear Door Outside Molding

1. Fully open door window.
2. Remove door trim. Refer to [EI-46, "Removal and Installation"](#).
3. Remove rear door sash cover inner. Refer to [EI-46, "Removal and Installation"](#).
4. Disengage pawls by inserting a screwdriver to front and rear of pawl integrated with cap.
5. Remove door outside molding while pulling up molding using plastic spatula after disengaging.

#### **CAUTION:**

- **Be careful not to apply excessive force when removing because it is easy to deform parts.**
- **After removal, visually inspect molding, and if it is deformed, replace it with new molding.**

#### INSTALLATION

Install in the reverse order of removal.

#### **NOTE:**

Molding rear end is flush with door sash rear end when installing.

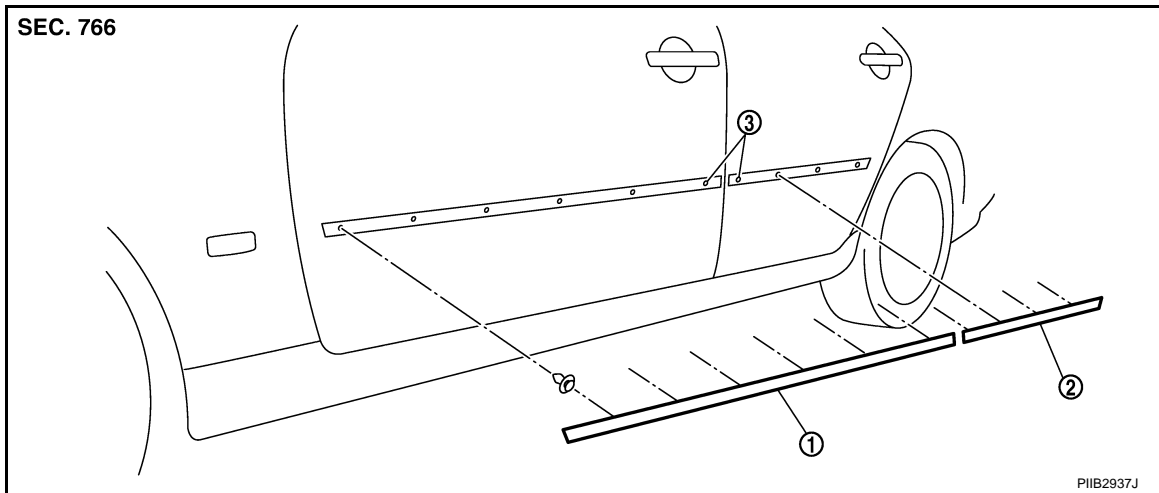
# SIDE GUARD MOLDING

< SERVICE INFORMATION >

## SIDE GUARD MOLDING

### Component Parts Location

INFOID:000000004158421



1. Side guard molding (front)
2. Side guard molding (rear)
3. Specified holes

### Removal and Installation

INFOID:000000004158422

#### REMOVAL

1. Apply masking tape around outer circumference of side guard molding.
2. Remove double-faced adhesive tapes with (wide) resin spatula. Disengage clips and remove side guard molding (front / rear).

#### INSTALLATION

1. Remove double-faced adhesive tape remaining on vehicle.
2. Clean contact surface of vehicle (to side guard molding), and install side guard molding to specified holes.

#### NOTE:

To re-use side guard molding, follow above steps 1 and 2 as well; clean surface after removing double-faced adhesive tape, apply new double-faced adhesive tape and then install side guard molding to vehicle.

#### CAUTION:

- Do not let air between contact surfaces when installing.
- To secure contact, do not wash vehicle within 24 hours after installation.

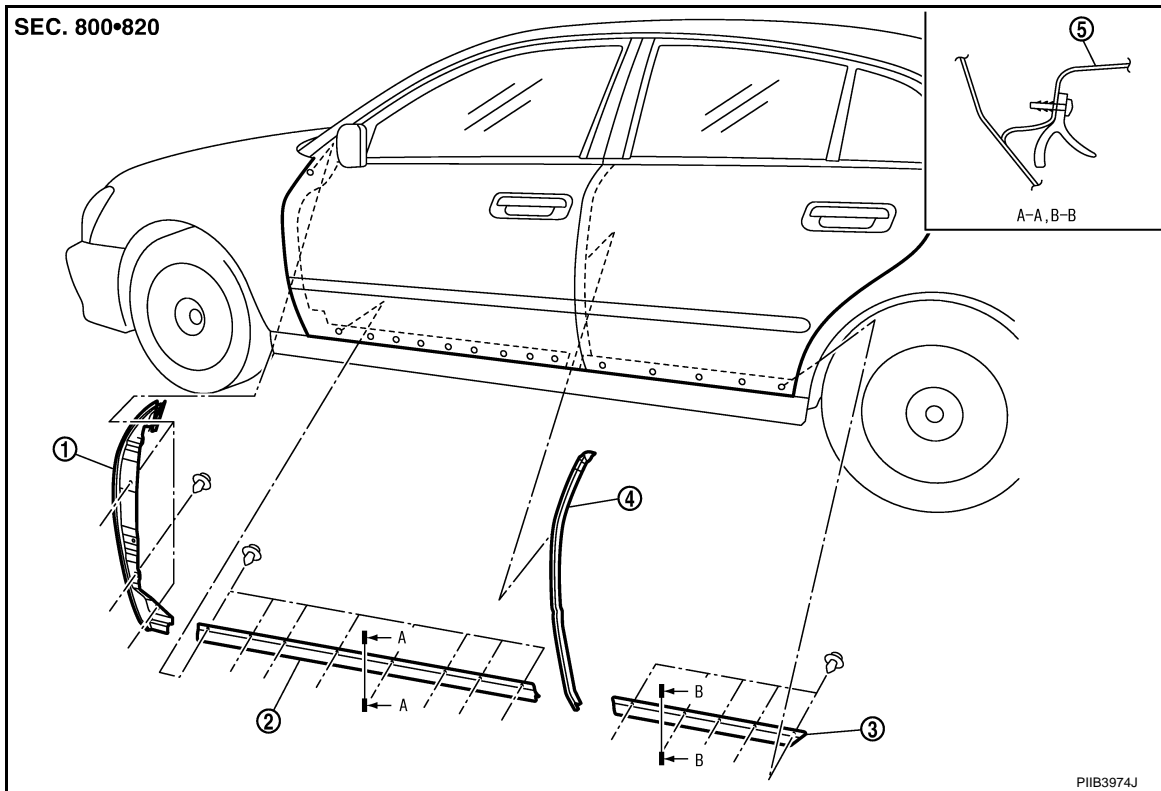
# DOOR PARTING SEAL

< SERVICE INFORMATION >

## DOOR PARTING SEAL

### Component Parts Location

INFOID:000000004158423



1. Front door parting seal (front side)
2. Front door parting seal (lower side)
3. Rear door parting seal (lower side)
4. Rear door parting seal (front side)
5. Door inner panel

### Removal and Installation

INFOID:000000004158424

#### FRONT DOOR PARTING SEAL

##### Removal

1. Fully open front door.
2. Remove front door parting seal (front side) mounting plastic clips.
3. Disengage the joint between front door parting seal (front side) and front door panel, and then remove front door parting seal (front side).
4. Disengage front door parting seal (lower side) mounting plastic clips, and then remove front door parting seal (lower side).

##### Installation

Install in the reverse order of removal.

#### REAR DOOR PARTING SEAL

##### Removal

1. Fully open rear door.
2. Disengage the joint between rear door parting seal (front side) and rear door panel, and then remove rear door parting seal (front side).
3. Disengage rear door parting seal (lower side) mounting plastic clips, and then remove rear door parting seal (lower side).

##### Installation

Install in the reverse order of removal.

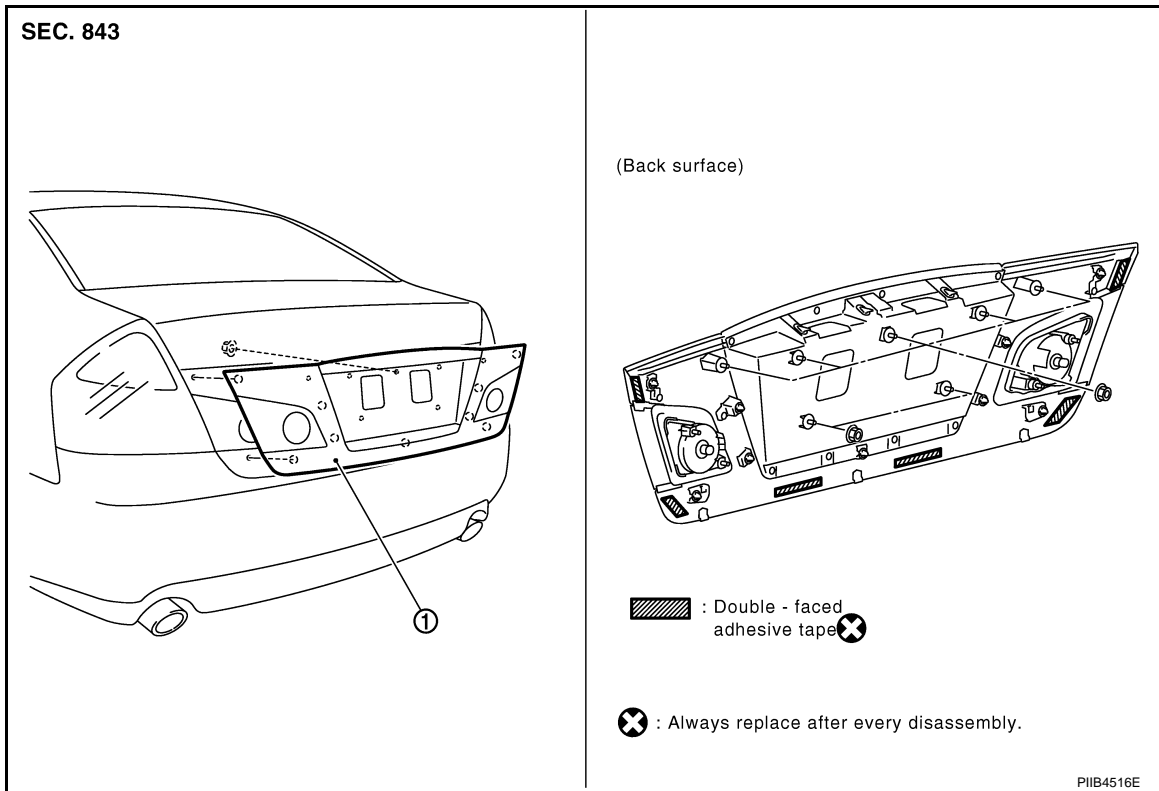
# TRUNK LID FINISHER

< SERVICE INFORMATION >

## TRUNK LID FINISHER

### Component Parts Location

INFOID:000000004158425



1. Trunk lid finisher outer

### Removal and Installation

INFOID:000000004158426

#### REMOVAL

1. Fully open trunk lid.
2. Remove trunk lid finisher inner. Refer to [EI-66, "Removal and Installation"](#).
3. Remove trunk lid finisher upper mounting nuts.
4. Disconnect back lamp, license lamp and trunk opener switch harness connector.
5. Remove double-faced adhesive tapes with (wide) plastic spatula. Disconnect clips and remove trunk lid finisher outer.

#### INSTALLATION

Install in the reverse order of removal.

#### CAUTION:

- Replace double-faced adhesive tape on back of finisher with a new tape if trunk lid finisher outer is reused.
- Remove double-faced adhesive tape remaining on body and back of finisher using double-faced adhesive tape remover when removing finisher outer.
- Install after cleaning adhesive parts of body side and back of finisher outer.
- Do not wash the vehicle with in 24 hours after installing so as to keep adhesive.

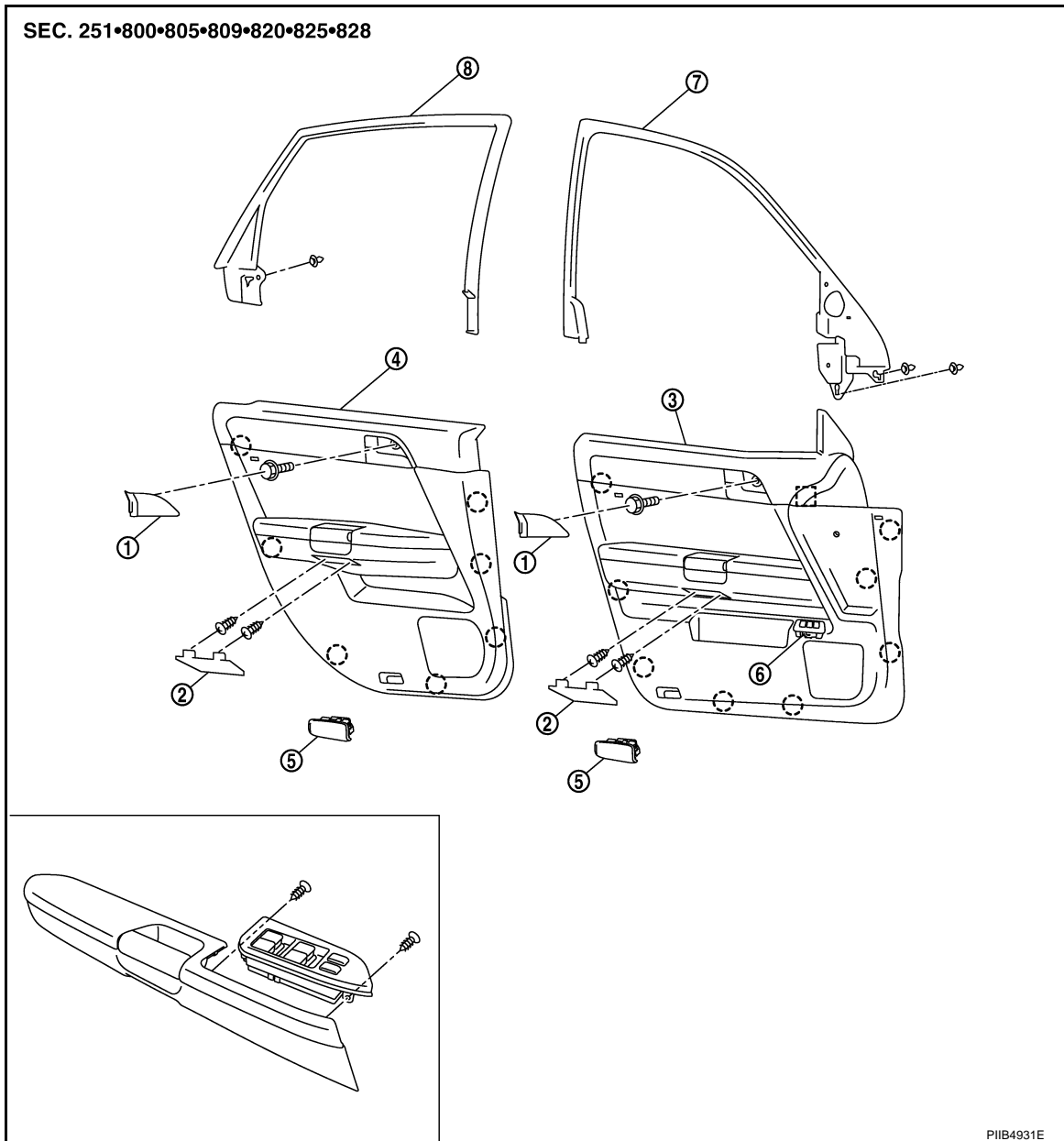
# DOOR FINISHER

< SERVICE INFORMATION >

## DOOR FINISHER

### Component Parts Location

INFOID:000000004158427



- |                                |                               |                        |
|--------------------------------|-------------------------------|------------------------|
| 1. Inside handle escutcheon    | 2. Armrest finisher           | 3. Front door finisher |
| 4. Rear door finisher          | 5. Step lamp                  | 6. Seat memory switch  |
| 7. Front door sash cover inner | 8. Rear door sash cover inner |                        |

○ : Clip

□ : Metal clip

## Removal and Installation

INFOID:000000004158428

### REMOVAL

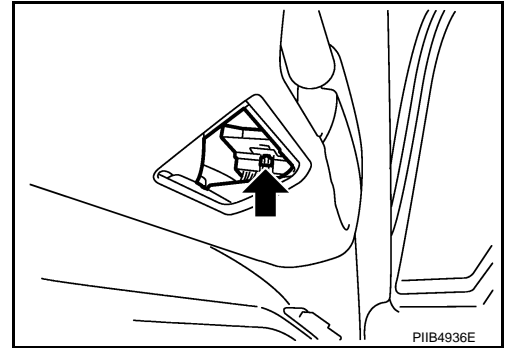
#### FRONT AND REAR DOOR FINISHER

1. Fully open door window.
2. Remove inside handle escutcheon and remove screw.

# DOOR FINISHER

## < SERVICE INFORMATION >

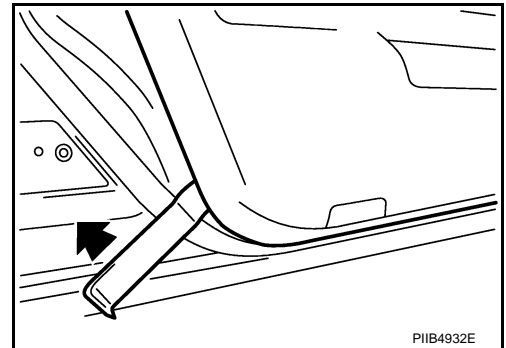
3. Remove arm rest finisher.
4. Remove screw of armrest finisher portion.
5. Insert a thin screwdriver from the armrest finisher opening and lift the lock of the power window switch harness connector.



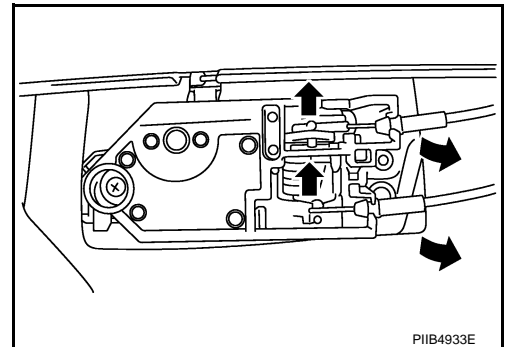
6. Insert a clip clamp remover into clips on door finisher, and disengage clips.

**CAUTION:**

Insert a clip clamp remover into the part shown by the arrow (between the clips and the body side panel). Remove door finisher.



7. Disconnect harness connector for step lamp.
8. Pull up door finisher and pull out toward vehicle inside, and then disconnect inside handle cable and lock knob cable from door finisher.



9. Disconnect harness connector for power window switch, seat memory switch.
10. Remove door finisher.
11. Remove the following parts after removing door finisher.
  - Inside handle assembly
  - Armrest
  - Seat memory switch
  - Power window switch
  - Step lamp

## FRONT DOOR SASH COVER INNER


1. Remove front door finisher.

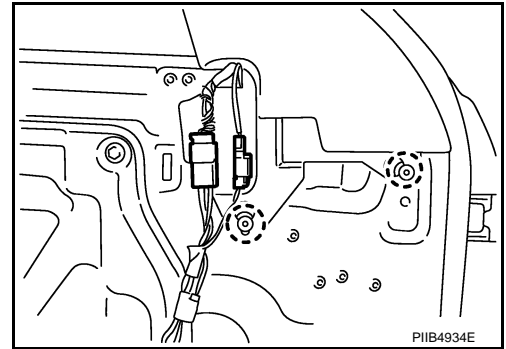
A  
B  
C  
D  
E  
F  
G  
H  
EI  
J  
K  
L  
M  
N  
O  
P

## DOOR FINISHER

### < SERVICE INFORMATION >

2. Disconnect harness connector for door mirror and tweeter.
3. Remove clips of front door sash cover inner.


 : Clip

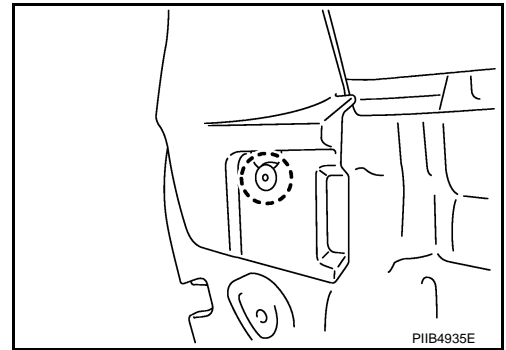


4. Remove front door sash cover inner.

### REAR DOOR SASH COVER INNER

1. Remove rear door finisher.
2. Remove clip of rear door sash cover inner.

 : Clip



3. Remove rear door sash cover inner.

### INSTALLATION

Install in the reverse order of removal.

#### **CAUTION:**

**When installing door finisher, make sure that clips are securely fitted in panel holes on body, and then press them in.**



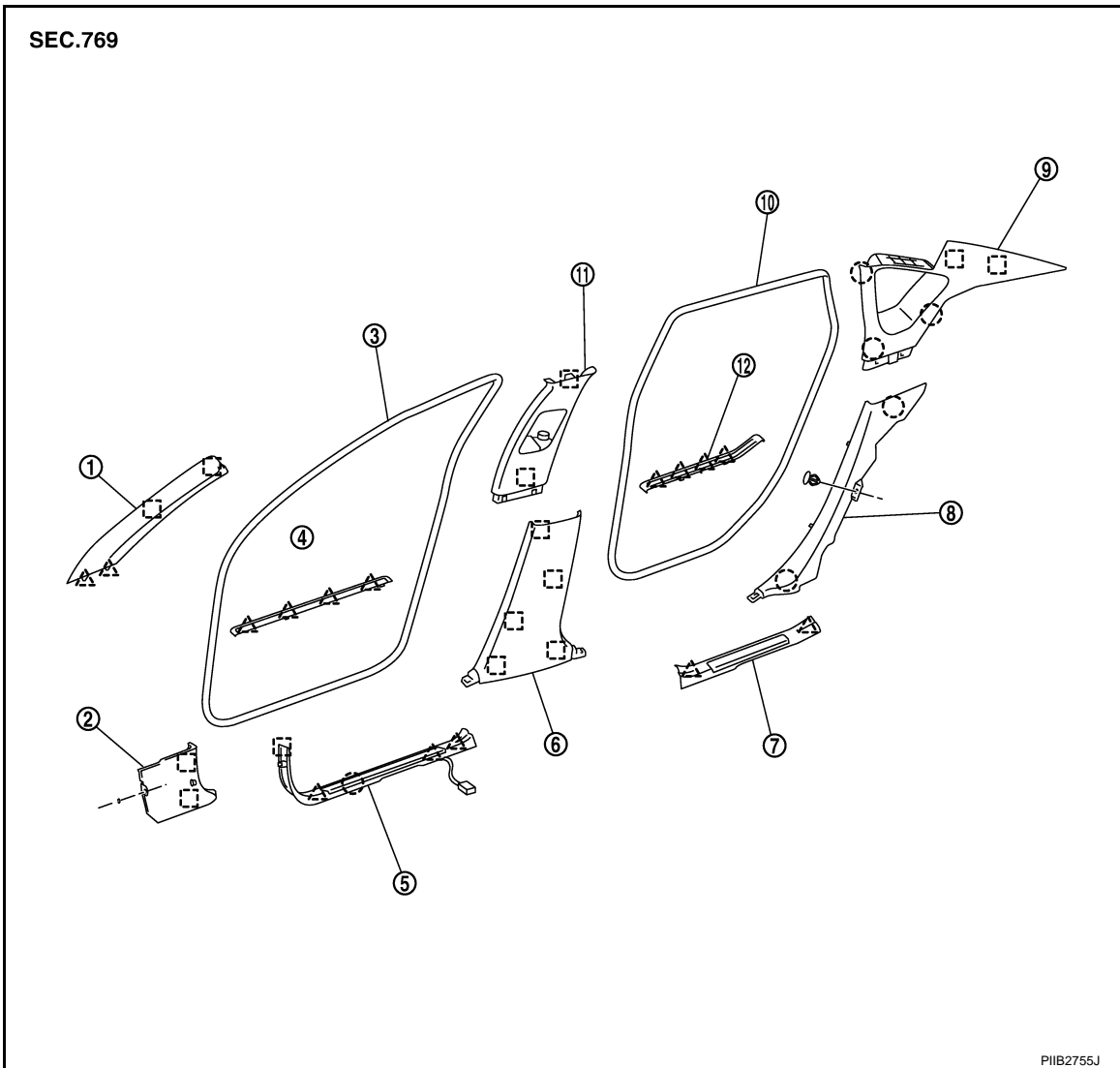
# BODY SIDE TRIM

< SERVICE INFORMATION >

## BODY SIDE TRIM

### Component Parts Location

INFOID:000000004158429



- |                              |                                 |                                |
|------------------------------|---------------------------------|--------------------------------|
| 1. Front pillar garnish      | 2. Dash side finisher           | 3. Front body side welt        |
| 4. Front kicking plate outer | 5. Front kicking plate inner    | 6. Center pillar lower garnish |
| 7. Rear kicking plate inner  | 8. Rear wheel house garnish     | 9. Rear pillar finisher        |
| 10. Rear body side welt      | 11. Center pillar upper garnish | 12. Rear kicking plate outer   |

- : Clip  
 △ : Pawl  
 □ : Metal clip

### Removal and Installation

INFOID:000000004158430

#### CAUTION:

- Wrap the tip of flat-bladed screwdriver with a cloth when removing metal clips from garnishes.
- Be careful not to damage the body.

#### REMOVAL

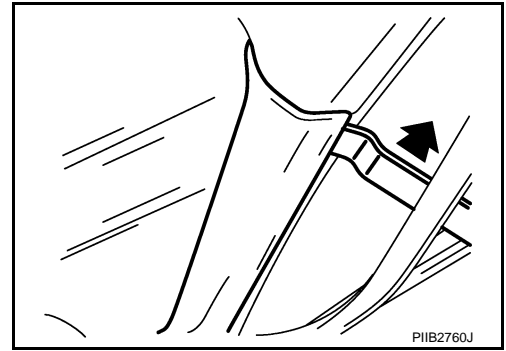
Front Pillar Garnish

A  
B  
C  
D  
E  
F  
G  
H  
EI  
J  
K  
L  
M  
N  
O  
P

## BODY SIDE TRIM

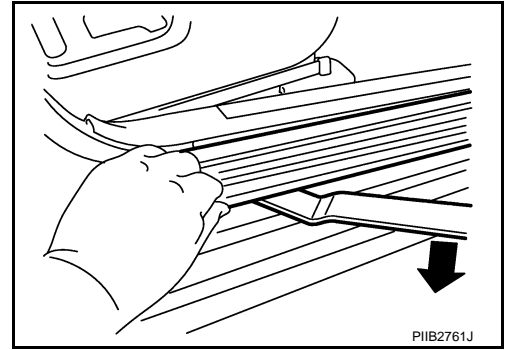
### < SERVICE INFORMATION >

Remove pillar garnish mounting clips with remover tool, and then remove pillar garnish.



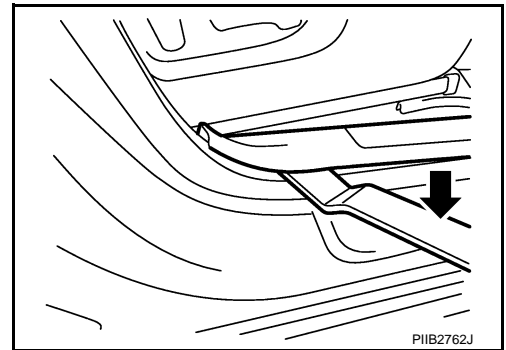
### Front Kicking Plate Outer

Remove front kicking plate outer mounting clips using a clip clamp remover, and then remove kicking plate outer.



### Front Kicking Plate Inner

1. Remove front kicking plate inner mounting clips using a clip clamp remover.
2. Disconnect kicking plate illumination harness connector.
3. Remove front kicking plate inner.

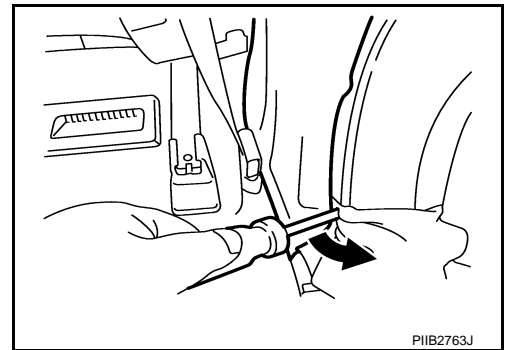


### Front Body Side Welt

1. Remove center pillar lower garnish.
2. Remove center kicking plate inner.
3. Remove front body side welt.

### Center Pillar Lower Garnish

Remove center pillar lower garnish mounting clips using a screwdriver, and then remove center pillar lower garnish.



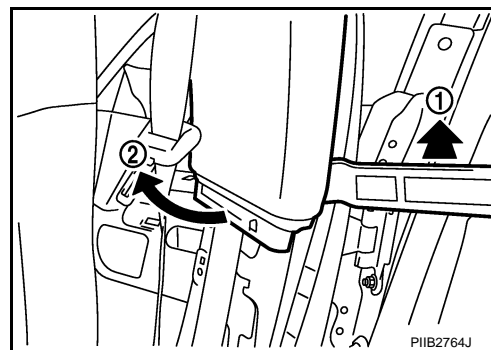
### Center Pillar Upper Garnish

1. Remove center pillar lower garnish.
2. Remove front seat belt floor anchor bolt and front seat belt shoulder anchor bolt. Refer to [SB-27](#), "[Removal and Installation of Front Seat Belt](#)".

## BODY SIDE TRIM

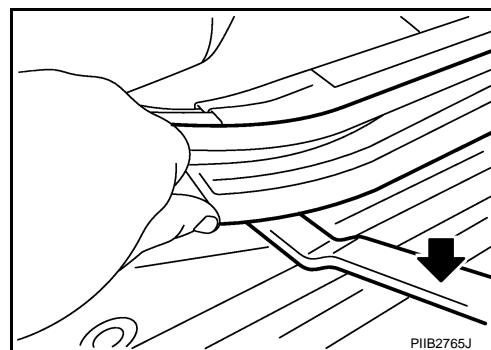
### < SERVICE INFORMATION >

3. Remove front body side welt and rear body side welt.
4. Remove center pillar upper garnish mounting clips using a screwdriver, and then remove center pillar upper garnish.



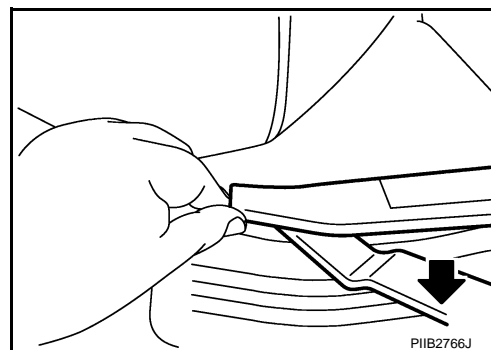
#### Rear Kicking Plate Outer

Remove rear kicking plate outer mounting clips using a clip clamp remover, and then remove kicking plate outer.



#### Rear Kicking Plate Inner

1. Remove rear seat cushion. Refer to [SE-155, "Removal and Installation"](#).
2. Remove kicking plate inner mounting clips using a clip clamp remover, and then remove kicking plate inner.



#### Rear Body Side Welt

1. Remove center pillar lower garnish.
2. Remove rear seat cushion. Refer to [SE-155, "Removal and Installation"](#).
3. Remove rear kicking plate inner.
4. Remove rear body side welt.

#### Rear Wheel House Garnish

1. Remove rear seat cushion and rear seatback. Refer to [SE-155, "Removal and Installation"](#).
2. Remove rear body side welt.
3. Remove clip of rear wheel house garnish.
4. Remove rear wheel house garnish.

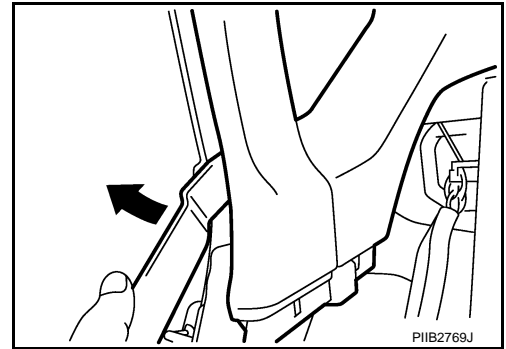
#### Rear Pillar Finisher

1. Remove rear seat cushion and rear seatback. Refer to [SE-155, "Removal and Installation"](#).
2. Remove rear seat belt floor anchor bolt. Refer to [SB-29, "Removal and Installation of Rear Seat Belt"](#).
3. Remove rear kicking plate inner.
4. Remove rear wheel house garnish.

## BODY SIDE TRIM

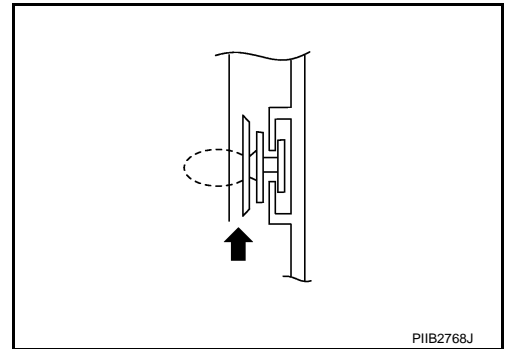
### < SERVICE INFORMATION >

5. Remove pillar finisher mounting clips using a screwdriver, and then remove pillar finisher.



### **CAUTION:**

Insert a clip clamp remover wrapped with a shop cloth or clip clamp remover into the part shown by the arrow (between the clips and the body side panel). Remove clips.



### INSTALLATION

Install in the reverse order of removal.

### **CAUTION:**

When installing door finisher, check that clips are securely fitted in panel holes on body, and then press them in.

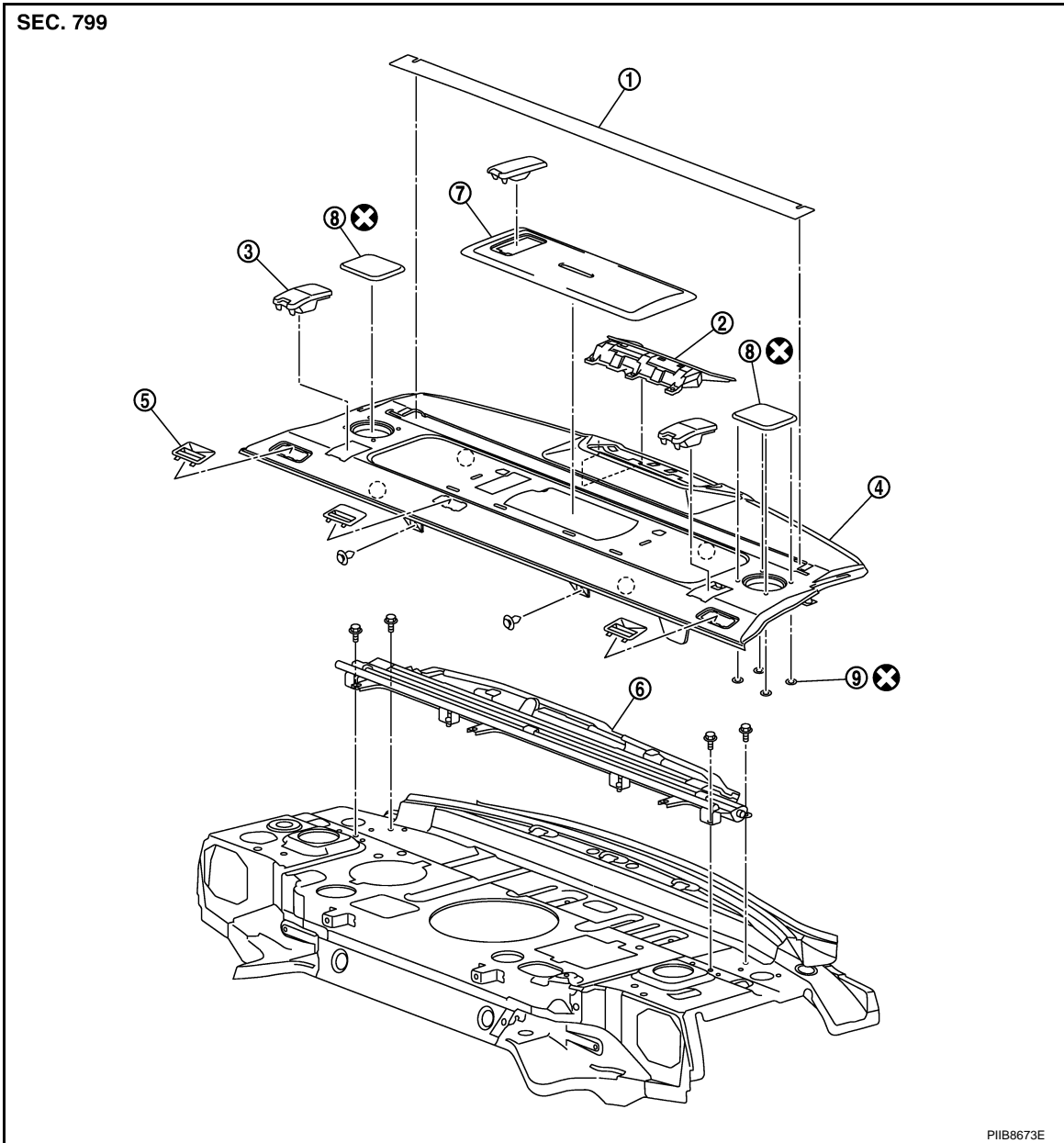
# REAR PARCEL SHELF FINISHER

< SERVICE INFORMATION >

## REAR PARCEL SHELF FINISHER

### Component Parts Location

INFOID:000000004158431



- |                               |   |                         |
|-------------------------------|---|-------------------------|
| 1. Rear parcel shelf lid      | 2. High-mounted stop lamp               | 3. Child anchor cover   |
| 4. Rear parcel shelf finisher | 5. Rear seat belt shoulder anchor cover | 6. Rear window sunshade |
| 7. Woofer grille              | 8. Rear speaker grille                  | 9. Push on nut          |

○ : Clip

Refer to [GI-9, "Component"](#) for symbols in the figure.

### Removal and Installation

INFOID:000000004158432

#### REMOVAL

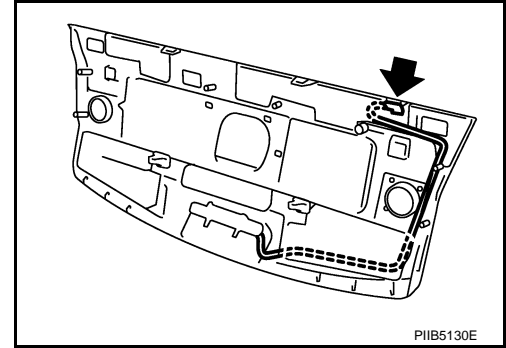
1. Remove rear seatback and rear seat cushion. Refer to [SE-155, "Removal and Installation"](#).
2. Remove rear seat belt floor anchor bolt and rear seat belt shoulder anchor bolt. Refer to [SB-29, "Removal and Installation of Rear Seat Belt"](#).

A  
B  
C  
D  
E  
F  
G  
H  
EI  
J  
K  
L  
M  
N  
O  
P

## REAR PARCEL SHELF FINISHER

### < SERVICE INFORMATION >

3. Disengage child anchor cover front pawls, and then pull out child anchor cover (LH/RH center) toward front of vehicle. (Models with rear window sunshade)
4. Remove rear kicking plate inner, rear wheelhouse garnish, rear pillar finisher. Refer to [EI-49. "Removal and Installation"](#).
5. Disconnect high-mounted stop lamp harness connector from front side of rear parcel shelf finisher. (Models with rear window sunshade)



6. Remove rear parcel shelf finisher mounting clip using a clip clamp remover.
7. Remove the following parts after removing rear parcel shelf finisher.
  - High-mounted stop lamp
  - High-mounted stop lamp harness
  - Rear speaker grille
  - Woofer grille (Models with woofer)

### INSTALLATION

Install in the reverse order of removal.

#### **CAUTION:**

**When installing rear parcel shelf finisher, check that clips are securely fitted in panel holes on body, and then press them in.**

## Rear Window Sunshade

INFOID:000000004158433

### REMOVAL AND INSTALLATION

#### **CAUTION:**

**Be careful not to damage the rear window glass.**

#### Removal

1. Remove rear parcel shelf finisher. Refer to [EI-53](#).
2. Disconnect rear window sunshade harness connector.
3. Remove rear window sunshade mounting bolts.
4. Lift up rear window sunshade and pull out locating pin from body side panel hole, and then remove rear window sunshade.

#### Installation

Install in the reverse order of removal.

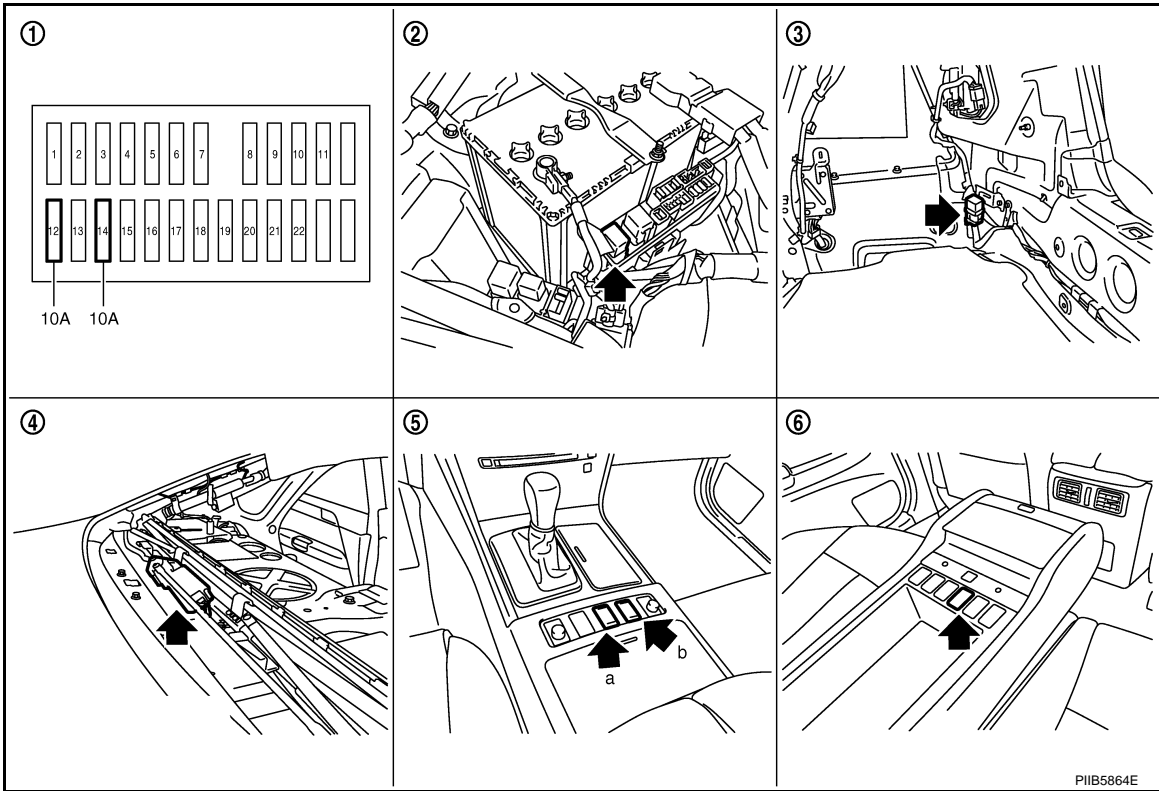
# SUNSHADE

< SERVICE INFORMATION >

## SUNSHADE

### Component Parts and Harness Connector Location

INFOID:000000004158434



- |  |   |  |
|--|---|--|
| 1. Fuse block (J/B)  | 2. Back-up lamp relay E19   | 3. Rear sunshade cancel relay B141<br>(View with the trunk side finisher RH removed) |
| 4. Rear sunshade unit (With built-in motor) B474<br>(View with the rear parcel shelf finisher removed) | 5. a: Rear sunshade front switch M137<br>b: Rear control cancel switch M151 | 6. Rear sunshade rear switch B557  |

A  
B  
C  
D  
E  
F  
G  
H  
EI  
J  
K  
L  
M  
N  
O  
P

# SUNSHADE

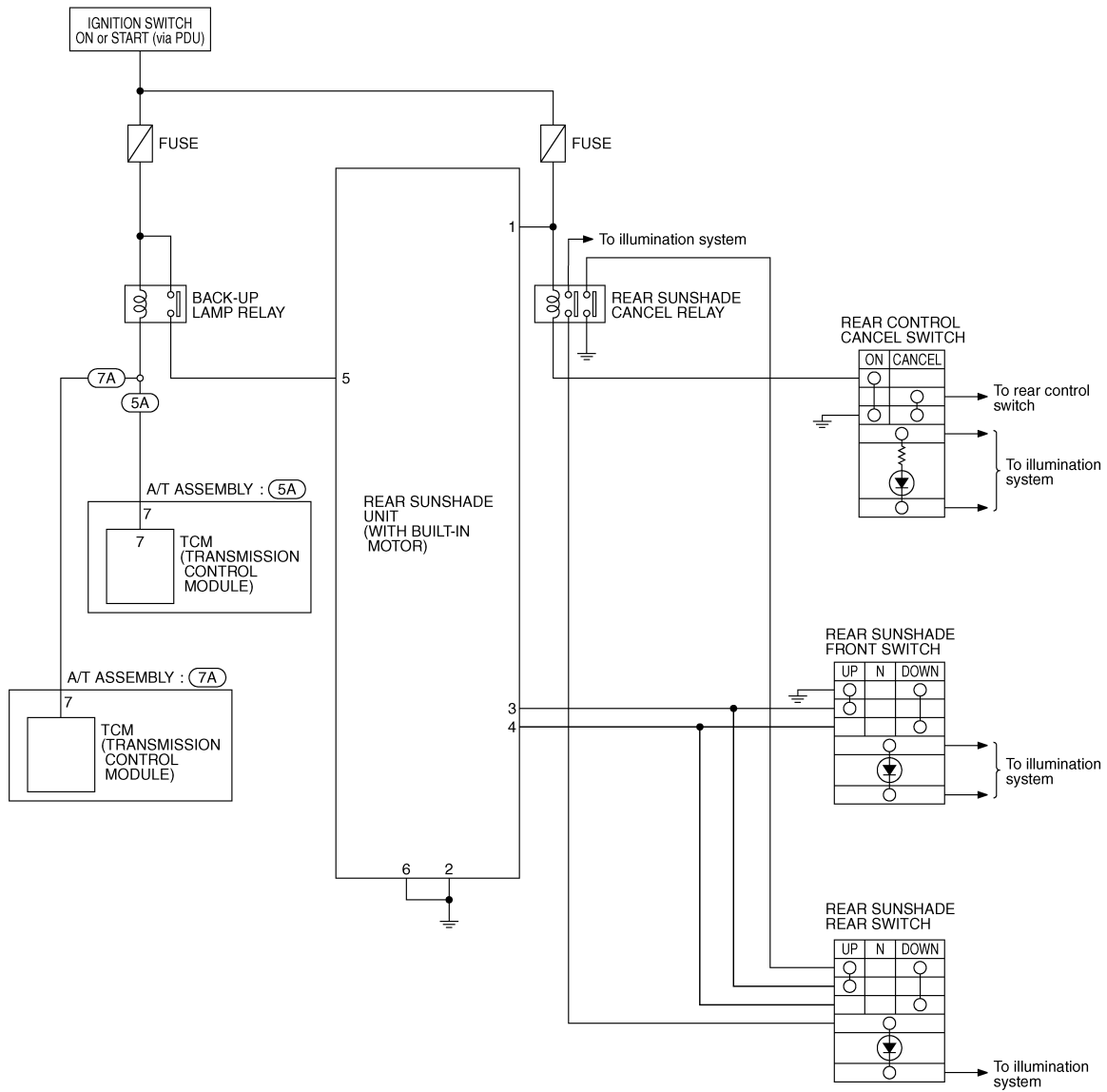
< SERVICE INFORMATION >

## Schematic

INFOID:000000004158435

(5A) : With 5-speed automatic transmission

(7A) : With 7-speed automatic transmission



TIWT3171E



# SUNSHADE

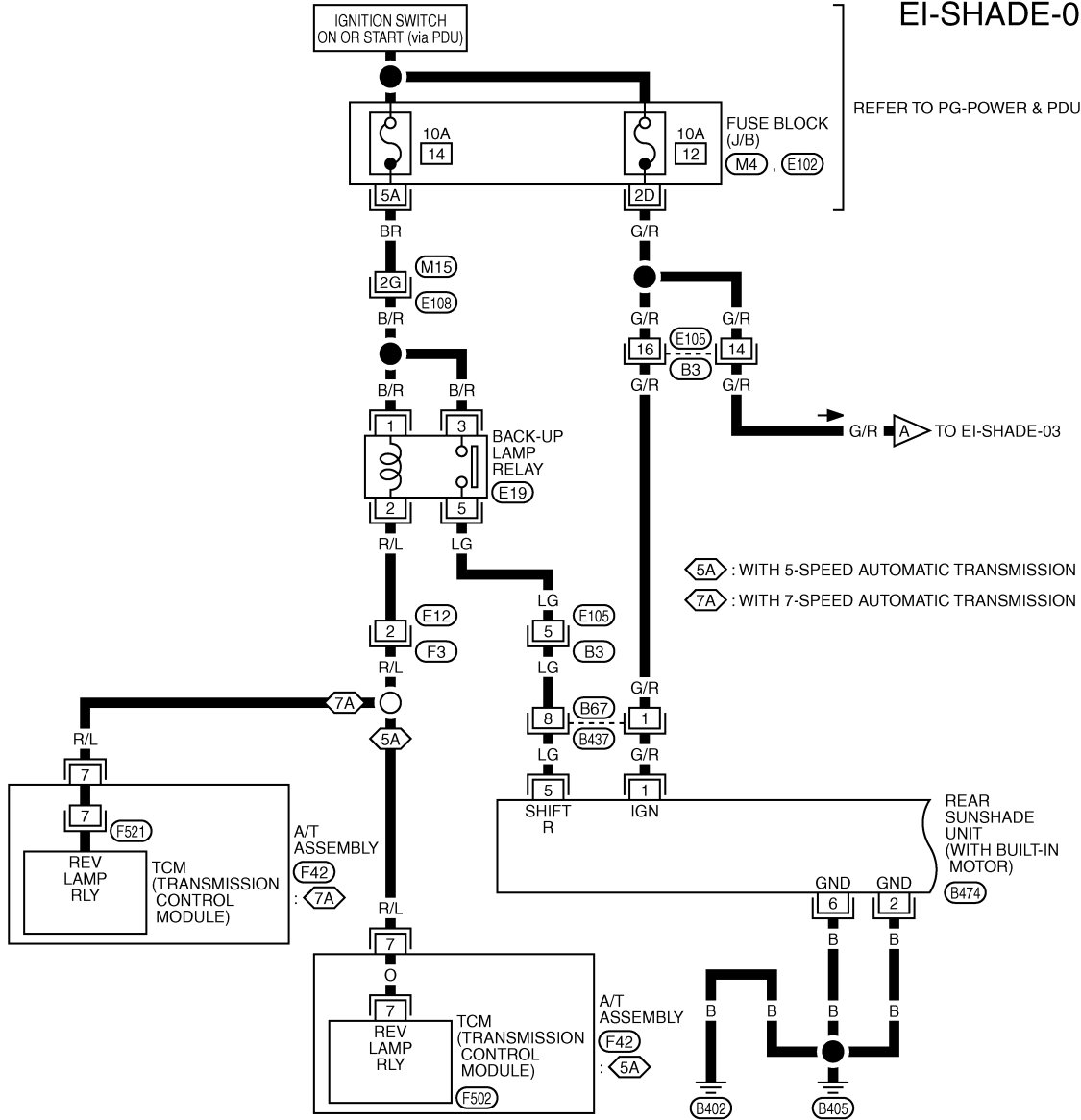
< SERVICE INFORMATION >

## Wiring Diagram - SHADE -

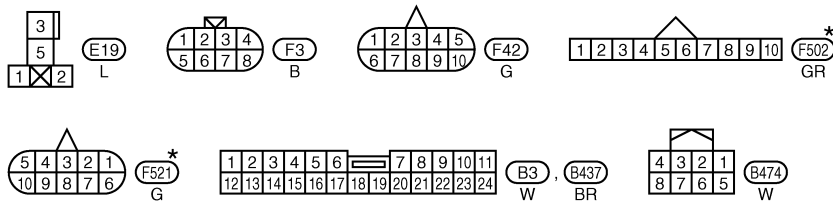
INFOID:000000004158436

### EI-SHADE-01

REFER TO PG-POWER & PDU.



5A : WITH 5-SPEED AUTOMATIC TRANSMISSION  
 7A : WITH 7-SPEED AUTOMATIC TRANSMISSION



\*: THIS CONNECTOR IS NOT SHOWN IN "HARNESS LAYOUT", PG SECTION.

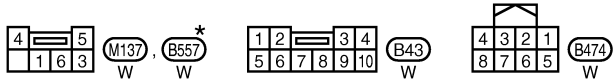
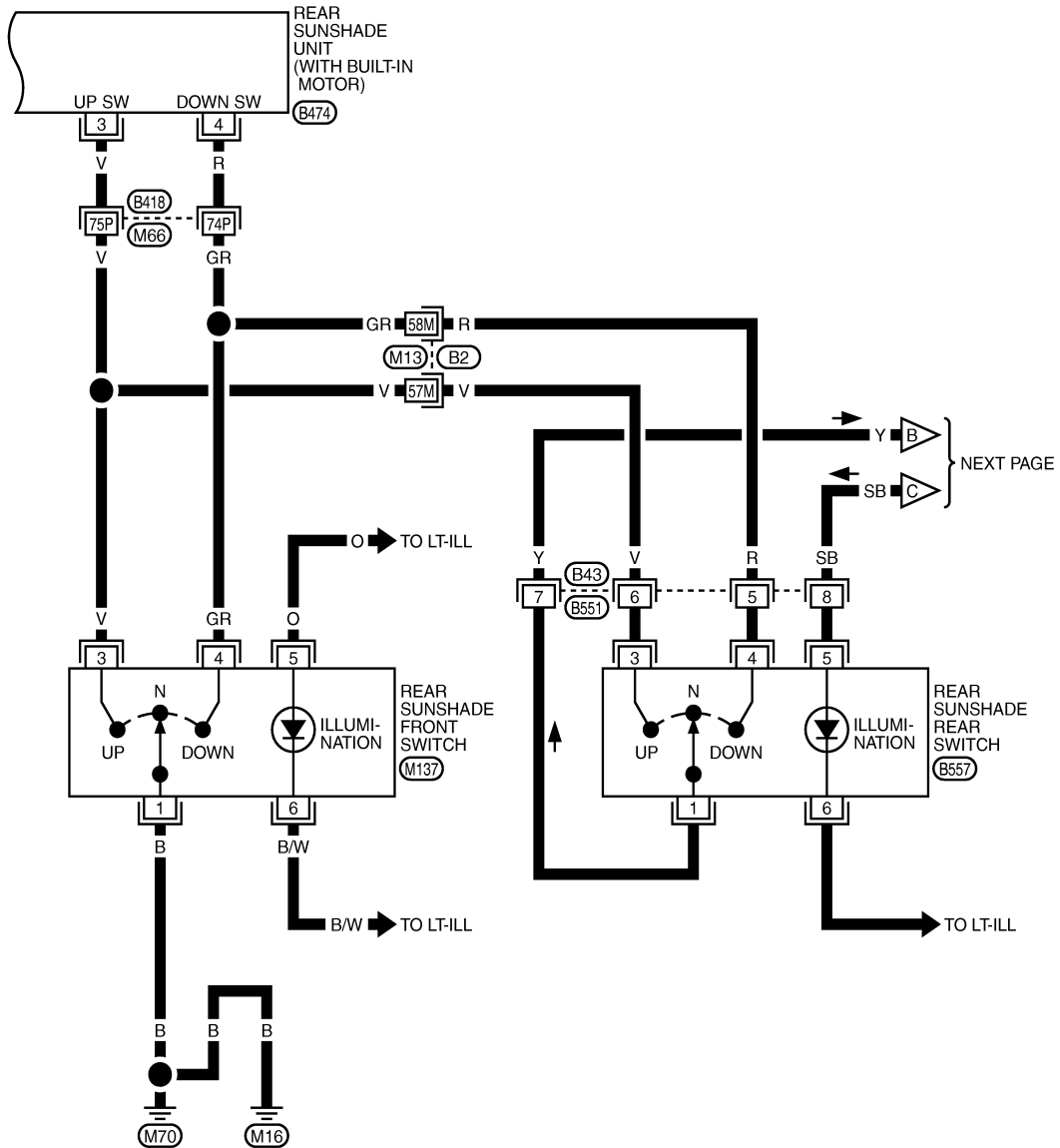
REFER TO THE FOLLOWING.  
 E108 -SUPER MULTIPLE JUNCTION (SMJ)  
 M4, E102 -FUSE BLOCK-JUNCTION BOX (J/B)

TIWT3172E

# SUNSHADE

< SERVICE INFORMATION >

EI-SHADE-02



REFER TO THE FOLLOWING.  
 (B2), (B418) - SUPER MULTIPLE JUNCTION (SMJ)

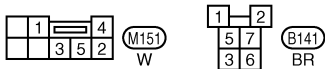
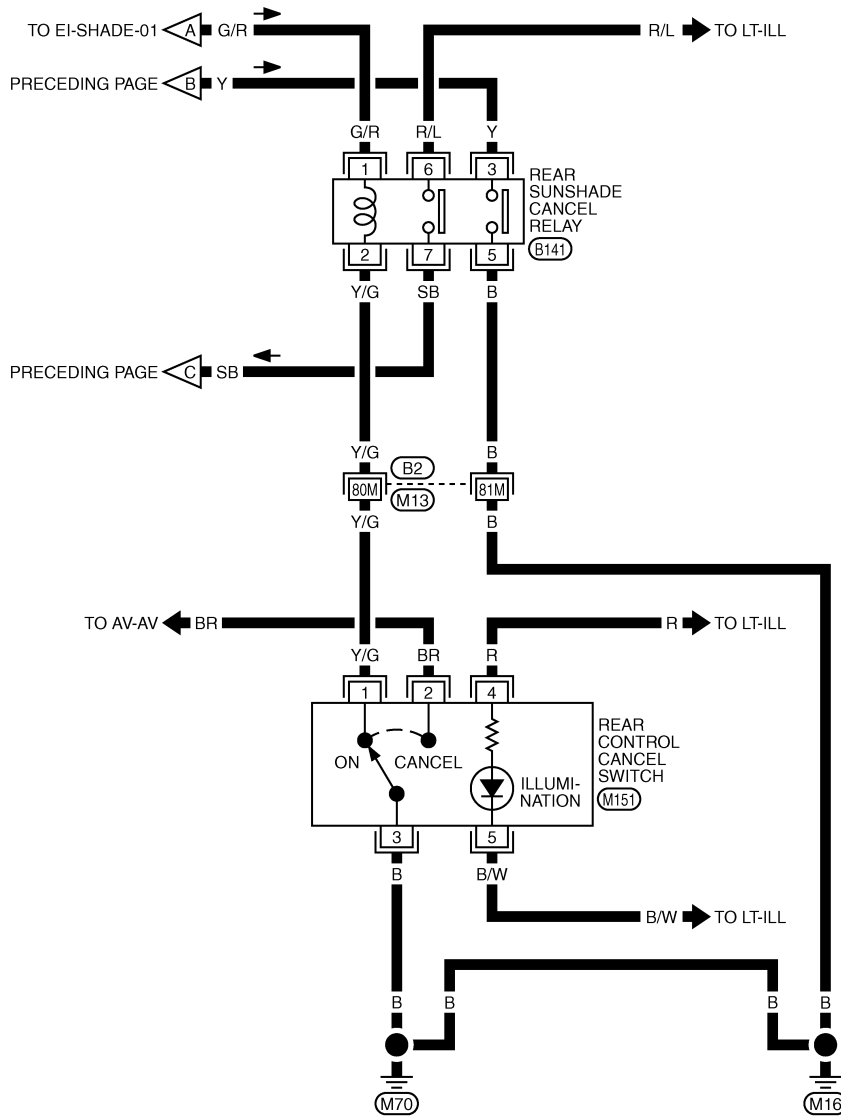
\*: THIS CONNECTOR IS NOT SHOWN IN "HARNESS LAYOUT", PG SECTION.

TIWT2650E

# SUNSHADE

< SERVICE INFORMATION >

EI-SHADE-03



REFER TO THE FOLLOWING.  
 (B2) -SUPER MULTIPLE JUNCTION (SMJ)

TIWT3173E

INFOID:000000004158437

## Terminal and Reference Value for Rear Sunshade Unit

Terminal	Wire color	Item	Condition	Voltage (V) (Approx.)
1	G/R	Ignition switch (ON or START)	Ignition switch is ON or START position	Battery voltage
2	B	Ground	—	0

# SUNSHADE

## < SERVICE INFORMATION >

3	V	Rear sunshade UP signal	Rear sunshade front or rear switch operates UP position and rear control cancel switch operates ON position	0
			Other than above	Battery voltage
4	R	Rear sunshade DOWN signal	Rear sunshade front or rear switch operates DOWN position and rear control cancel switch operates ON position	0
			Other than above	Battery voltage
5*	LG	Shift R position signal	When A/T shift lever is R position	Battery voltage
			When A/T shift lever is other than R position	0
6*	B	Ground	—	0

\*: These terminals are not used for rear sunshade control.

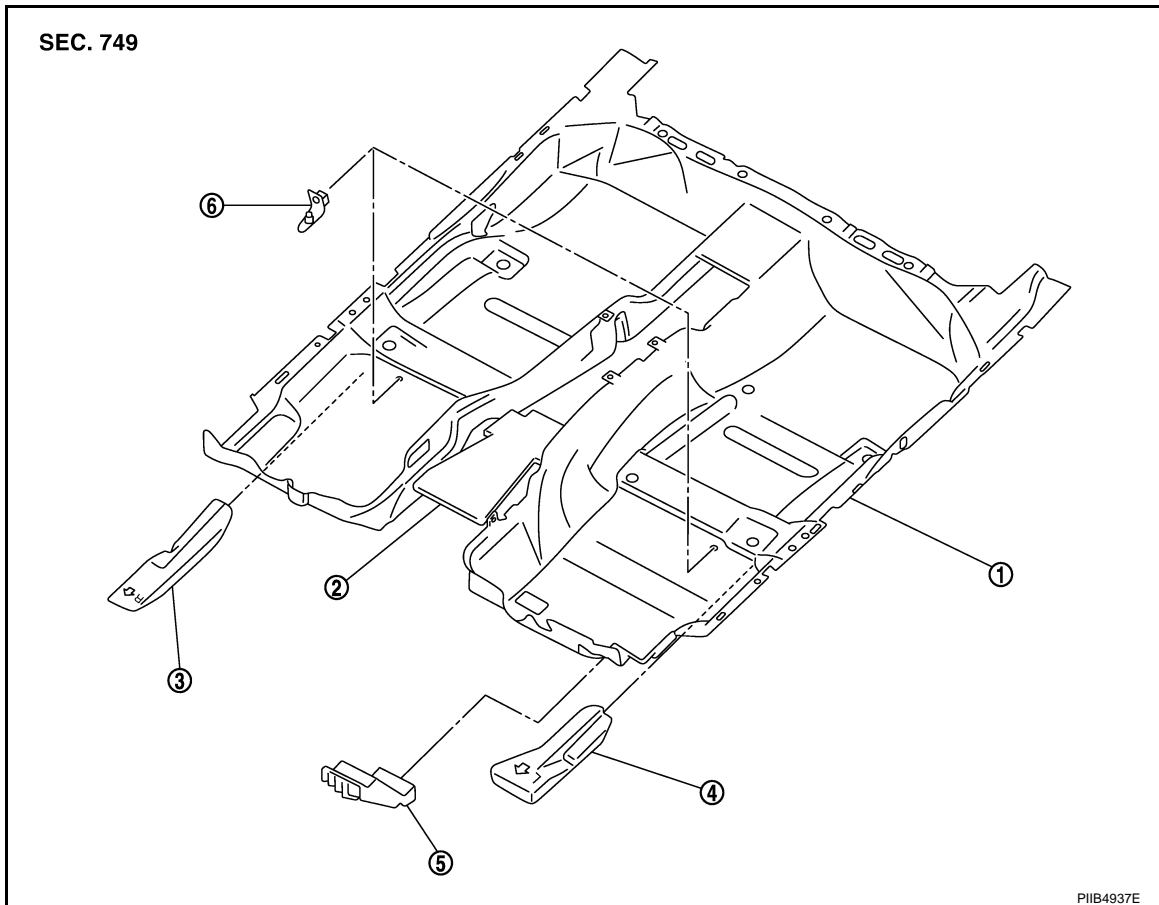
# FLOOR TRIM

< SERVICE INFORMATION >

## FLOOR TRIM

### Component Parts Location

INFOID:000000004158438



- |                |              |                |
|----------------|--------------|----------------|
| 1. Floor trim  | 2. Insulator | 3. Spacer (RH) |
| 4. Spacer (LH) | 5. Footrest  | 6. Floor hook  |

### Removal and Installation

INFOID:000000004158439

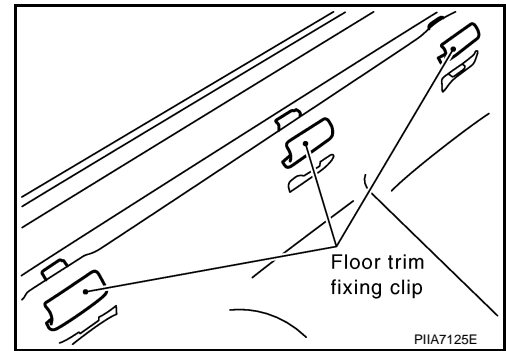
#### REMOVAL

1. Remove front seat assembly (LH/RH). Refer to [SE-147, "Removal and Installation"](#).
2. Remove rear seat cushion assembly. Refer to [SE-155, "Removal and Installation"](#).
3. Remove accelerator pedal pad. Refer to [ACC-3, "Removal and Installation"](#).
4. Remove rear floor grille and foot grille. Refer to [ATC-128, "Removal and Installation"](#).
5. Remove front seat belt floor anchor bolt (LH/RH). Refer to [SB-27, "Removal and Installation of Front Seat Belt"](#).
6. Remove center console. Refer to [IP-12, "INSTRUMENT PANEL : Component Parts Location"](#).
7. Remove instrument driver lower panel and instrument passenger lower cover. Refer to [IP-12, "INSTRUMENT PANEL : Component Parts Location"](#).
8. Remove floor hook.
9. Remove dash side finisher, front kicking plate inner, center pillar lower garnish, and rear kicking plate inner, front body side welt (LH/RH), rear body side welt (LH/RH), rear wheel house garnish. Refer to [EI-49, "Removal and Installation"](#).

## FLOOR TRIM

### < SERVICE INFORMATION >

10. Remove floor carpet from carpet clips and remove floor carpet.



### INSTALLATION

Install in the reverse order of removal.

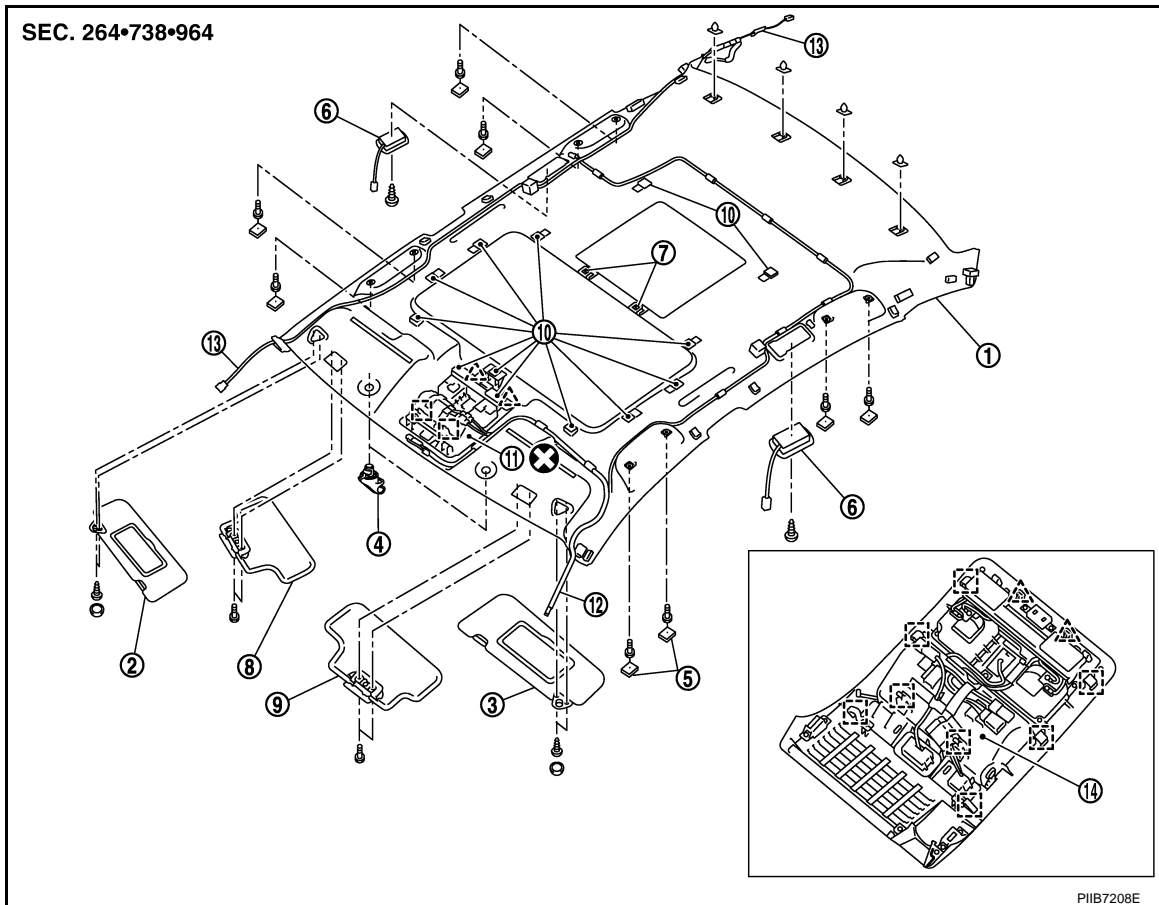
# HEADLINING

< SERVICE INFORMATION >

## HEADLINING

### Component Parts Location

INFOID:000000004158440



- |                             |   |                           |
|-----------------------------|---|---------------------------|
| 1. Headlining assembly      | 2. Sun-visor (RH)                       | 3. Sun-visor (LH)         |
| 4. Sun-visor holder         | 5. Clip                                 | 6. Personal lamp          |
| 7. Clip holder              | 8. Dual-visor (RH)                      | 9. Dual-visor (LH)        |
| 10. Dual lock fastener      | 11. Map lamp assembly                   | 12. Roof harness assembly |
| 13. Antenna feeder assembly | 14. Map lamp assembly (with LDW system) |                           |

- △ : Pawl  
□ : Metal clip

Refer to [GI-9, "Component"](#) for symbols in the figure.

### Removal and Installation

INFOID:000000004158441

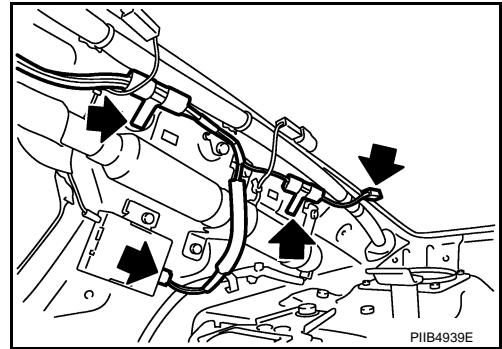
#### REMOVAL

1. Remove front pillar garnish (LH/RH). Refer to [EI-49, "Removal and Installation"](#).
2. Remove roof harness and antenna feeder securing clip using a clip clamp remover after removing front pillar garnish (LH/RH), and then disconnect roof harness and antenna feeder connectors.
3. Remove rear seat cushion and seatback. Refer to [SE-153, "Bench Seat Component"](#).
4. Remove front kicking plate inner, center pillar lower garnish, center pillar upper garnish, front body side welt, rear kicking plate inner, rear wheelhouse garnish, rear pillar finisher, rear body side welt. Refer to [EI-49, "Removal and Installation"](#).

# HEADLINING

## < SERVICE INFORMATION >

5. Disconnect antenna feeder connectors of antenna amplifier and sub-antenna feeder after removing rear pillar finisher (LH), and then remove antenna feeder securing clip using a remover.

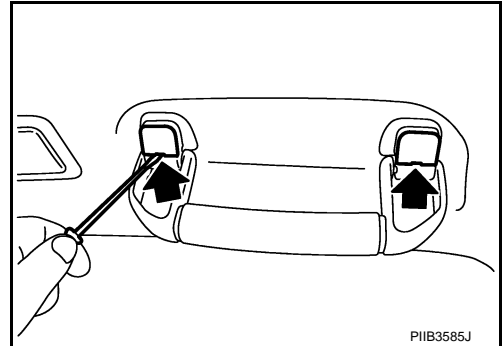


6. Models with sunroof: Remove mounting plastic clips of front assistance grip (LH/RH) and rear assistance grip (LH/RH), and then remove bolts.

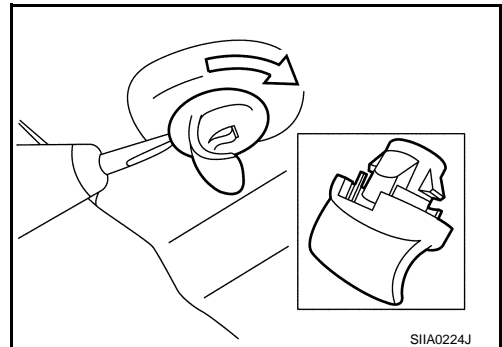
Models with standard roof: Remove mounting plastic clips of front assistance grip (LH) and rear assistance grip (LH/RH).

**CAUTION:**

- Always use SST, and attach a cloth to protect from damage.
- Assistance grip is crimped from back of headlining. Remove it by disengaging the crimping area of back of lamp after removing headlining from the vehicle.



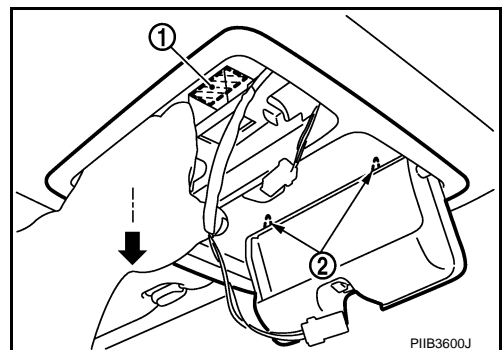
7. Remove screws on personal lamp (in coat hanger hook).
8. Remove rear display unit. (models with mobile entertainment system) Refer to [AV-1065. "Exploded View"](#).
9. Remove sun visor bracket cover and mounting screws, and then remove sun visors (LH/RH).
- NOTE:**  
Disconnect vanity mirror illumination harness connector when removing sun visor.
10. Remove screws of dual-visor, and then remove dual-visor (LH/RH).
11. Insert a screwdriver into the sun visor holder cutout and rotate 90 degrees to remove sun visor holder (LH/RH).



12. Remove map lamp assembly. (models with LDW system)
13. Remove passenger seat assembly. Refer to [SE-144. "Driver's Seat Component"](#).
14. Using a removal tool, remove body side mounting plastic clip from rear side of headlining.
15. Pull map lamp assembly toward vehicle lower, and disengage dual-lock fastener (1) and metal clips (2). (models without LDW system)

**CAUTION:**

Map lamp assembly is crimped from back of headlining. Remove it by disengaging the crimping area of back of map lamp assembly after removing headlining from the vehicle.

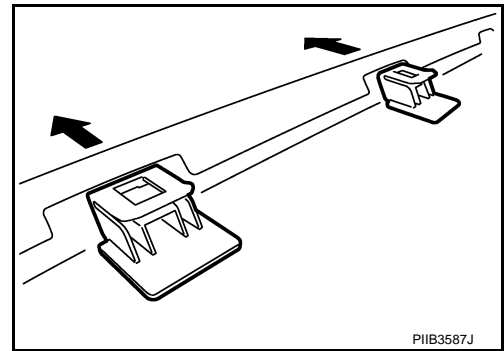




# HEADLINING

## < SERVICE INFORMATION >

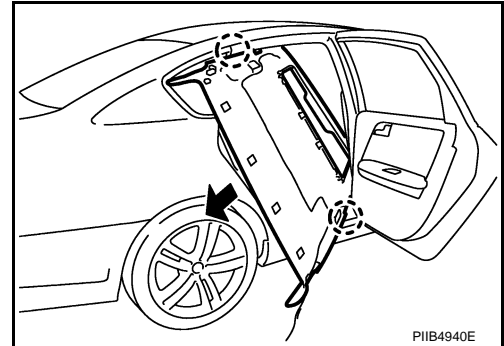
16. Remove dual lock fastener around the sunroof opening, and then disengage hooks (rear of roof opening on back of headlining) by sliding the headlining toward vehicle front.



17. Remove headlining from front door left opening.

**CAUTION:**

- When removing, 2 workers are required. (1 for each front and rear of headlining)
- Cover center console finisher upper surface with a shop cloth so as to prevent it from being damaged.
- Set A/T selector lever to D position, and make a space to remove front end of headlining right side.
- Do not bend headlining when removing.



18. Remove the following parts after removing headlining.

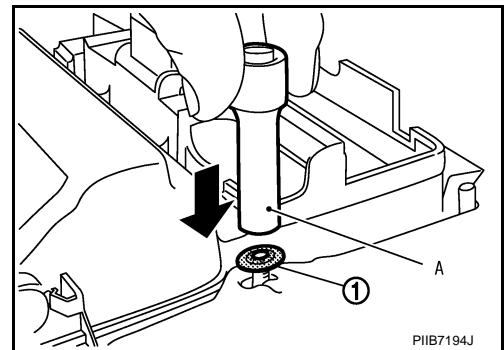
- Personal lamp (LH/RH). Refer to [LT-222. "Personal Lamp"](#).
- Map lamp assembly (without LDW system). Refer to [LT-222. "Map Lamp"](#).
- Assistance grip assembly.
- Roof harness assembly.
- Antenna feeder assembly.

## INSTALLATION

Install in the reverse order of removal.

**CAUTION:**

- Install headlining assembly after inserting clips to clip holder of headlining rear end.
- Do not bend headlining when installing.
- When installing the map lamp assembly (new unit) or assist grip assembly (new unit), use tools like drafter or deep socket A to eliminate the gap between the headlining and the above new units while the push on nuts (1).



A  
B  
C  
D  
E  
F  
G  
H  
EI  
J  
K  
L  
M  
N  
O  
P

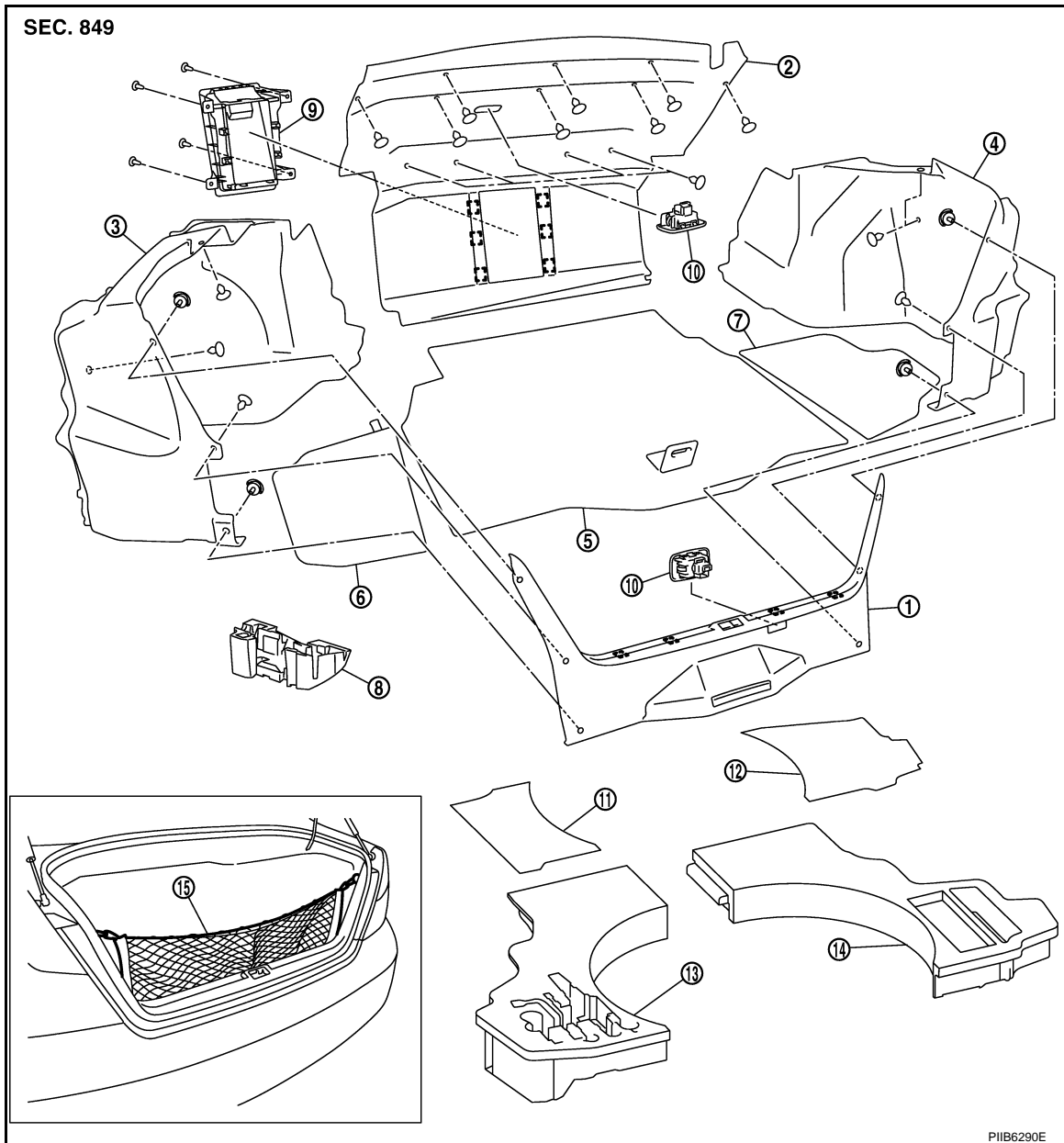
# TRUNK ROOM TRIM

< SERVICE INFORMATION >

## TRUNK ROOM TRIM

### Component Parts Location

INFOID:000000004158442



- |   |   |                             |
|---|---|-----------------------------|
| 1. Trunk rear plate                               | 2. Trunk front finisher                           | 3. Trunk side finisher (LH) |
| 4. Trunk side finisher (RH)                       | 5. Trunk floor carpet                             | 6. Trunk floor carpet (LH)  |
| 7. Trunk floor carpet (RH)                        | 8. Trunk side box<br>(for temper tire models)     | 9. Rear seatback finisher   |
| 10. Trunk room lamp                               | 11. Trunk floor felt (LH)                         | 12. Trunk floor felt (RH)   |
| 13. Trunk floor spacer (LH)<br>(for sport models) | 14. Trunk floor spacer (RH)<br>(for sport models) | 15. Trunk net               |

 : Metal clip

## Removal and Installation

INFOID:000000004158443

### REMOVAL

1. Fully open trunk lid assembly.

## TRUNK ROOM TRIM

### < SERVICE INFORMATION >

---

2. Remove trunk floor carpet. A
3. Remove trunk side box. (for temper tire models) A
4. Remove trunk floor spacer (LH/RH). (for sport models) A
5. Remove trunk room lamp of trunk rear plate, and disconnect trunk room lamp connector. B
6. Remove trunk rear plate mounting clips, and the remove trunk rear plate. B
7. Remove trunk side finisher mounting clips, and the remove trunk side finisher (LH/RH). B
8. Remove rear seatback and rear seat cushion. Refer to [SE-153. "Bench Seat Component"](#). C
9. Remove rear seatback finisher mounting clips, and the remove rear seatback finisher. C
10. Remove trunk room lamp of trunk front finisher, and disconnect trunk room lamp connector. D
11. Remove trunk front finisher mounting clips, and the trunk front finisher. D

### INSTALLATION

Install in the reverse order of removal.

E  
F  
G  
H  
EI  
J  
K  
L  
M  
N  
O  
P

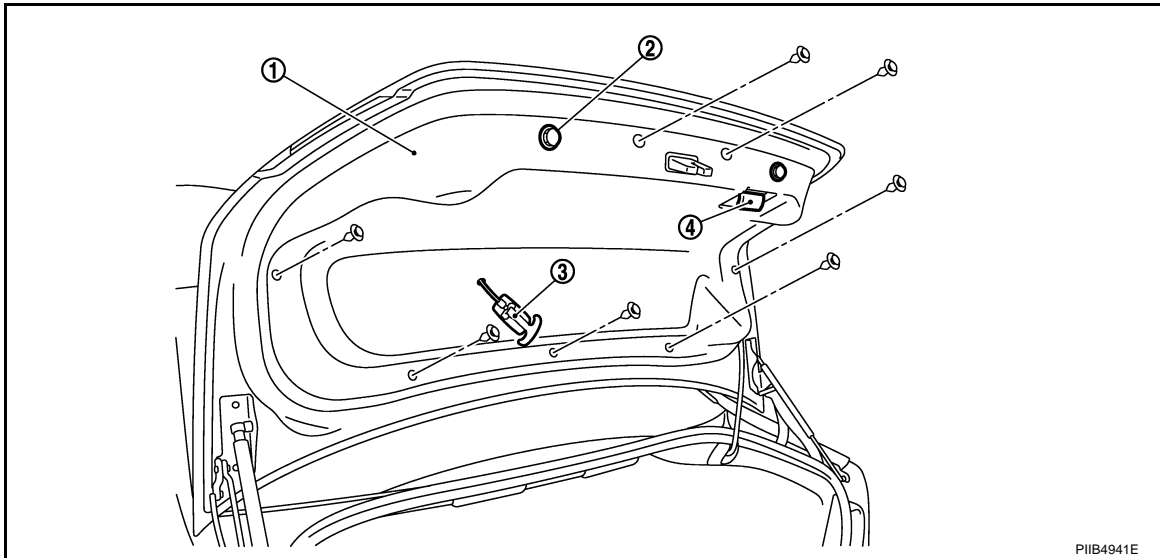
# TRUNK LID TRIM

< SERVICE INFORMATION >

## TRUNK LID TRIM

### Component Parts Location

INFOID:000000004158444



- |                             |                            |                     |
|-----------------------------|----------------------------|---------------------|
| 1. Trunk lid finisher inner | 2. Trunk lid bumper rubber | 3. Emergency handle |
| 4. Trunk lid pull handle    |                            |                     |

### Removal and Installation

INFOID:000000004158445

#### REMOVAL

1. Fully open trunk lid assembly.
2. Remove trunk lid bumper rubber.
3. Remove screws of trunk lid pull handle, and then remove trunk lid pull handle.
4. Remove clips of trunk lid finisher.
5. Remove trunk lid emergency handle holder.
6. Remove trunk lid finisher inner.

#### INSTALLATION

Install in the reverse order of removal.