

SECTION IP
INSTRUMENT PANEL

A
 B
 C
 D
 E
 F
 G
 H
IP
 J
 K
 L
 M
 N
 O
 P

CONTENTS

SERVICE INFORMATION	INSTRUMENT PANEL	
PRECAUTIONS	INSTRUMENT PANEL : Component Parts Location	
Precaution for Supplemental Restraint System (SRS) "AIR BAG" and "SEAT BELT PRE-TENSIONER"	INSTRUMENT PANEL : Removal and Installation...13	
Precaution Necessary for Steering Wheel Rotation after Battery Disconnect	CLUSTER LID A	
Precaution	CLUSTER LID A : Component Parts Location	
PREPARATION	CLUSTER LID A : Removal and Installation	
Special Service Tools	CLUSTER LID C	
Commercial Service Tools	CLUSTER LID C : Component Parts Location	
SQUEAK AND RATTLE TROUBLE DIAGNOSES	CLUSTER LID C : Removal and Installation	
Work Flow	GLOVE BOX	
Inspection Procedure	GLOVE BOX : Component Parts Location	
Diagnostic Worksheet	GLOVE BOX : Removal and Installation	
CLIP LIST	CENTER CONSOLE ASSEMBLY	
Clip List	CENTER CONSOLE	
INSTRUMENT PANEL ASSEMBLY	CENTER CONSOLE : Component Parts Location...22	
	CENTER CONSOLE : Disassembly and Assembly	

PRECAUTIONS

< SERVICE INFORMATION >

SERVICE INFORMATION

PRECAUTIONS

Precaution for Supplemental Restraint System (SRS) "AIR BAG" and "SEAT BELT PRE-TENSIONER"

INFOID:000000005213922

The Supplemental Restraint System such as "AIR BAG" and "SEAT BELT PRE-TENSIONER", used along with a front seat belt, helps to reduce the risk or severity of injury to the driver and front passenger for certain types of collision. This system includes seat belt switch inputs and dual stage front air bag modules. The SRS system uses the seat belt switches to determine the front air bag deployment, and may only deploy one front air bag, depending on the severity of a collision and whether the front occupants are belted or unbelted. Information necessary to service the system safely is included in the "SUPPLEMENTAL RESTRAINT SYSTEM" and "SEAT BELTS" of this Service Manual.

WARNING:

- To avoid rendering the SRS inoperative, which could increase the risk of personal injury or death in the event of a collision which would result in air bag inflation, all maintenance must be performed by an authorized NISSAN/INFINITI dealer.
- Improper maintenance, including incorrect removal and installation of the SRS, can lead to personal injury caused by unintentional activation of the system. For removal of Spiral Cable and Air Bag Module, see the "SUPPLEMENTAL RESTRAINT SYSTEM".
- Do not use electrical test equipment on any circuit related to the SRS unless instructed to in this Service Manual. SRS wiring harnesses can be identified by yellow and/or orange harnesses or harness connectors.

PRECAUTIONS WHEN USING POWER TOOLS (AIR OR ELECTRIC) AND HAMMERS

WARNING:

- When working near the Air Bag Diagnosis Sensor Unit or other Air Bag System sensors with the ignition ON or engine running, DO NOT use air or electric power tools or strike near the sensor(s) with a hammer. Heavy vibration could activate the sensor(s) and deploy the air bag(s), possibly causing serious injury.
- When using air or electric power tools or hammers, always switch the ignition OFF, disconnect the battery, and wait at least 3 minutes before performing any service.

Precaution Necessary for Steering Wheel Rotation after Battery Disconnect

INFOID:000000004155540

NOTE:

- Before removing and installing any control units, first turn the push-button ignition switch to the LOCK position, then disconnect both battery cables.
- After finishing work, confirm that all control unit connectors are connected properly, then re-connect both battery cables.
- Always use CONSULT-III to perform self-diagnosis as a part of each function inspection after finishing work. If a DTC is detected, perform trouble diagnosis according to self-diagnosis results.

For vehicle with steering lock unit, if the battery is disconnected or discharged, the steering wheel will lock and cannot be turned.

If turning the steering wheel is required with the battery disconnected or discharged, follow the operation procedure below before starting the repair operation.

OPERATION PROCEDURE

1. Connect both battery cables.

NOTE:

Supply power using jumper cables if battery is discharged.

2. Turn the push-button ignition switch to ACC position.
(At this time, the steering lock will be released.)
3. Disconnect both battery cables. The steering lock will remain released with both battery cables disconnected and the steering wheel can be turned.
4. Perform the necessary repair operation.

PRECAUTIONS

< SERVICE INFORMATION >

5. When the repair work is completed, re-connect both battery cables. With the brake pedal released, turn the push-button ignition switch from ACC position to ON position, then to LOCK position. (The steering wheel will lock when the push-button ignition switch is turned to LOCK position.)
6. Perform self-diagnosis check of all control units using CONSULT-III.

Precaution

INFOID:000000004155541

- Disconnect both battery cables in advance.
- Disconnect air bag system line in advance.
- Never tamper with or force air bag lid open, as this may adversely affect air bag performance.
- Be careful not to scratch pad and other parts.
- When removing or disassembling any part, be careful not to damage or deform it. Protect parts, which may get in the way with cloth.
- When removing parts with a screwdriver or other tool, protect parts by wrapping them with vinyl or tape.
- Keep removed parts protected with cloth.
- If a clip is deformed or damaged, replace it.
- If an un reusable part is removed, replace it with a new one.
- Tighten bolts and nuts firmly to the specified torque.
- After re-assembly has been completed, make sure each part functions correctly.
- Remove stains in the following way.

Water-soluble stains:

Dip a soft cloth in warm water, and then squeeze it tightly. After wiping the stain, wipe with a soft dry cloth.

Oil stain:

Dissolve a synthetic detergent in warm water (density of 2 to 3% or less), dip the cloth, then clean off the stain with the cloth. Next, dip the cloth in fresh water and squeeze it tightly. Then clean off the detergent completely. Then wipe the area with a soft dry cloth.

- Never use any organic solvent, such as thinner or benzine.

A
B
C
D
E
F
G
H
IP
J
K
L
M
N
O
P



PREPARATION

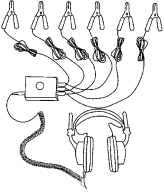
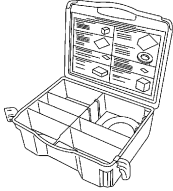
< SERVICE INFORMATION >

PREPARATION

Special Service Tools

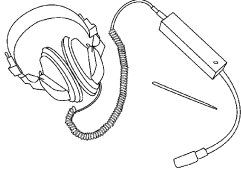
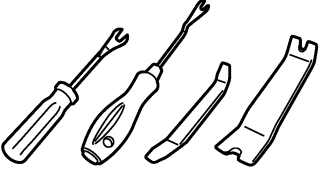

INFOID:000000004493258

The actual shapes of Kent-Moore tools may differ from those of special service tools illustrated here.

Tool number (Kent-Moore No.) Tool name	Description
<p>(J-39570) Chassis ear</p>  <p>SIIA0993E</p>	<p>Locates the noise</p>
<p>(J-43980) NISSAN Squeak and Rattle Kit</p>  <p>SIIA0994E</p>	<p>Repairs the cause of noise</p>

Commercial Service Tools

INFOID:000000004493259

Tool name	Description
<p>Engine ear</p>  <p>SIIA0995E</p>	<p>Locates the noise</p>
<p>Remover tool</p>  <p>JMKIA3050ZZ</p>	<p>Removes clips, pawls and metal clips</p>
<p>Power tool</p>  <p>PIIB1407E</p>	

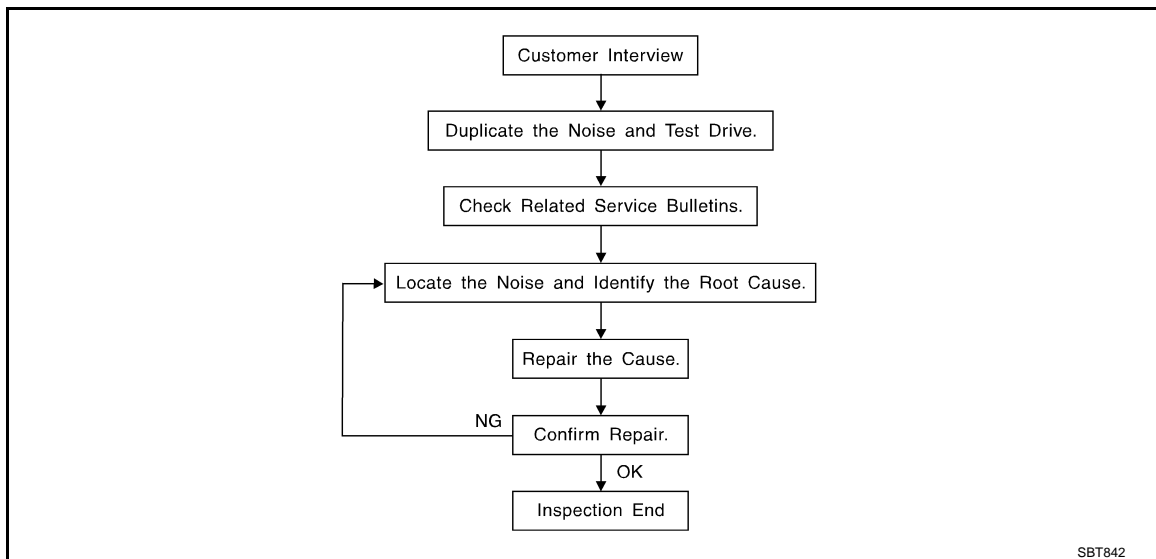
SQUEAK AND RATTLE TROUBLE DIAGNOSES

< SERVICE INFORMATION >

SQUEAK AND RATTLE TROUBLE DIAGNOSES

Work Flow

INFOID:000000004492352



CUSTOMER INTERVIEW

Interview the customer if possible, to determine the conditions that exist when the noise occurs. Use the Diagnostic Worksheet during the interview to document the facts and conditions when the noise occurs and any of customer's comments; refer to [IP-9, "Diagnostic Worksheet"](#). This information is necessary to duplicate the conditions that exist when the noise occurs.

- The customer may not be able to provide a detailed description or the location of the noise. Attempt to obtain all the facts and conditions that exist when the noise occurs (or does not occur).
- If there is more than one noise in the vehicle, perform a diagnosis and repair the noise that the customer is concerned about. This can be accomplished by performing a cruise test on the vehicle with the customer.
- After identifying the type of noise, isolate the noise in terms of its characteristics. The noise characteristics are provided so the customer, service adviser and technician are all speaking the same language when defining the noise.
- Squeak – (Like tennis shoes on a clean floor)
Squeak characteristics include the light contact/fast movement/brought on by road conditions/hard surfaces = higher pitch noise/softer surfaces = lower pitch noises/edge to surface = chirping
- Creak – (Like walking on an old wooden floor)
Creak characteristics include firm contact/slow movement/twisting with a rotational movement/pitch dependent on materials/often brought on by activity.
- Rattle – (Like shaking a baby rattle)
Rattle characteristics include the fast repeated contact/vibration or similar movement/loose parts/missing clip or fastener/incorrect clearance.
- Knock – (Like a knock on a door)
Knock characteristics include hollow sounding/sometimes repeating/often brought on by driver action.
- Tick – (Like a clock second hand)
Tick characteristics include gentle contacting of light materials/loose components/can be caused by driver action or road conditions.
- Thump – (Heavy, muffled knock noise)
Thump characteristics include softer knock/dead sound often brought on by activity.
- Buzz – (Like a bumblebee)
Buzz characteristics include high frequency rattle/firm contact.
- Often the degree of acceptable noise level will vary depending up on the person. A noise that a technician may judge as acceptable may be very irritating to the customer.
- Weather conditions, especially humidity and temperature, may have a great effect on noise level.

DUPLICATE THE NOISE AND TEST DRIVE

If possible, drive the vehicle with the customer until the noise is duplicated. Note any additional information on the Diagnostic Worksheet regarding the conditions or location of the noise. This information can be used to duplicate the same conditions when the repair is reconfirmed.

SQUEAK AND RATTLE TROUBLE DIAGNOSES

< SERVICE INFORMATION >

If the noise can be duplicated easily during the test drive, to help identify the source of the noise, try to duplicate the noise with the vehicle stopped by doing one or all of the following:

- 1) Close a door.
 - 2) Tap or push/pull around the area where the noise appears to be coming from.
 - 3) Rev the engine.
 - 4) Use a floor jack to recreate vehicle "twist".
 - 5) At idle, apply engine load (electrical load, half-clutch on M/T models, drive position on A/T models).
 - 6) Raise the vehicle on a hoist and hit a tire with a rubber hammer.
- Drive the vehicle and attempt to duplicate the conditions the customer states exist when the noise occurs.
 - If it is difficult to duplicate the noise, drive the vehicle slowly on an undulating or rough road to stress the vehicle body.

CHECK RELATED SERVICE BULLETINS

After verifying the customer concern or symptom, check ASIST for Technical Service Bulletins (TSBs) related to that concern or symptom.

If a TSB relates to the symptom, follow the procedure to repair the noise.

LOCATE THE NOISE AND IDENTIFY THE ROOT CAUSE

1. Narrow down the noise to a general area. To help pinpoint the source of the noise, use a listening tool (Chassis ear: J-39570, Engine ear and mechanics stethoscope).
2. Narrow down the noise to a more specific area and identify the cause of the noise by:
 - Removing the components in the area that is are suspected to be the cause of the noise.
Do not use too much force when removing clips and fasteners, otherwise clips and fastener can be broken or lost during the repair, resulting in the creation of new noise.
 - Tapping or pushing/pulling the component that is are suspected to be the cause of the noise.
Do not tap or push/pull the component with excessive force, otherwise the noise will be eliminated only temporarily.
 - Feeling for a vibration by hand by touching the component(s) that is are suspected to be the cause of the noise.
 - Placing a piece of paper between components that are suspected to be the cause of the noise.
 - Looking for loose components and contact marks.
Refer to [IP-7, "Inspection Procedure"](#).

REPAIR THE CAUSE

- If the cause is a loose component, tighten the component securely.
- If the cause is insufficient clearance between components:
 - Separate components by repositioning or loosening and retightening the component, if possible.
 - Insulate components with a suitable insulator such as urethane pads, foam blocks, felt cloth tape or urethane tape. A Nissan Squeak and Rattle Kit (J-43980) is available through the authorized Nissan Parts Department.

CAUTION:

Never use excessive force as many components are constructed of plastic and may be damaged.

NOTE:

Always check with the Parts Department for the latest parts information.

The following materials are contained in the Nissan Squeak and Rattle Kit (J-43980). Each item can be ordered separately as needed.

URETHANE PADS [1.5 mm (0.059 in) thick]

Insulates connectors, harness, etc.

- 76268-9E005: 100 × 135 mm (3.937 × 5.315 in)
- 76884-71L01: 60 × 85 mm (2.362 × 3.346 in)
- 76884-71L02: 15 × 25 mm (0.591 × 0.984 in)

INSULATOR (Foam blocks)

Insulates components from contact. Can be used to fill space behind a panel.

- 73982-9E000: 45 mm (1.772 in) thick, 50 × 50 mm (1.969 × 1.969 in)
- 73982-50Y00: 10 mm (0.394 in) thick, 50 × 50 mm (1.969 × 1.969 in)

INSULATOR (Light foam block)

80845-71L00: 30 mm (1.18 in) thick, 30 × 50 mm (1.181 × 1.969in)

FELT CLOTHTAPE

Used to insulate where movement does not occur. Ideal for instrument panel applications.

- 68370-4B000: 15 × 25 mm (0.591 × 0.984 in) pad
- 68239-13E00: 5 mm (0.197 in) wide tape roll

SQUEAK AND RATTLE TROUBLE DIAGNOSES

< SERVICE INFORMATION >

The following materials, not found in the kit, can also be used to repair squeaks and rattles.

UHMW (TEFLON) TAPE

Insulates where slight movement is present. Ideal for instrument panel applications.

SILICONE GREASE

Used in place of UHMW tape that is be visible or does not fit. Will only last a few months.

SILICONE SPRAY

Used when grease cannot be applied.

DUCT TAPE

Used to eliminate movement.

CONFIRM THE REPAIR

Confirm that the cause of a noise is repaired by test driving the vehicle. Operate the vehicle under the same conditions as when the noise originally occurred. Refer to the notes on the Diagnostic Worksheet.

Inspection Procedure

INFOID:000000004492353

Refer to Table of Contents for specific component removal and installation information.

INSTRUMENT PANEL

Most incidents are caused by contact and movement between:

1. The cluster lid A and instrument panel
2. Acrylic lens and combination meter housing
3. Instrument panel to front pillar garnish
4. Instrument panel to windshield
5. Instrument panel mounting pins
6. Wiring harnesses behind the combination meter
7. A/C defroster duct and duct joint

These incidents can usually be located by tapping or moving the components to duplicate the noise or by pressing on the components while driving to stop the noise. Most of these incidents can be repaired by applying felt cloth tape or silicon spray (in hard to reach areas). Urethane pads can be used to insulate wiring harness.

CAUTION:

Never use silicone spray to isolate a squeak or rattle. If the area is saturated with silicone, the recheck of repair becomes impossible.

CENTER CONSOLE

Components to pay attention to include:

1. Shifter assembly cover to finisher
2. A/C control unit and cluster lid C
3. Wiring harnesses behind audio and A/C control unit

The instrument panel repair and isolation procedures also apply to the center console.

DOORS

Pay attention to the following:

1. Finisher and inner panel making a slapping noise
2. Inside handle escutcheon to door finisher
3. Wiring harnesses tapping
4. Door striker out of alignment causing a popping noise on starts and stops

Tapping or moving the components or pressing on them while driving to duplicate the conditions can isolate many of these incidents. The areas can usually be insulated with felt cloth tape or insulator foam blocks from the Nissan Squeak and Rattle Kit (J-43980) to repair the noise.

TRUNK

Trunk noises are often caused by a loose jack or loose items put into the trunk by the customer.

In addition look for the following:

1. Trunk lid dumpers out of adjustment
2. Trunk lid striker out of adjustment
3. The trunk lid torsion bars knocking together

SQUEAK AND RATTLE TROUBLE DIAGNOSES

< SERVICE INFORMATION >

4. A loose license plate or bracket

Most of these incidents can be repaired by adjusting, securing or insulating the item(s) or component(s) causing the noise.

SUNROOF/HEADLINING

Noises in the sunroof/headlining area can often be traced to one of the following:

1. Sunroof lid, rail, linkage or seals making a rattle or light knocking noise
2. Sunvisor shaft shaking in the holder
3. Front or rear windshield touching headlining and squeaking

Again, pressing on the components to stop the noise while duplicating the conditions can isolate most of these incidents. Repairs usually consist of insulating with felt cloth tape.

SEATS

When isolating seat noise it's important to note the position the seats in and the load placed on the seat when the noise occurs. These conditions should be duplicated when verifying and isolating the cause of the noise.

Cause of seat noise include:

1. Headrest rods and holder
2. A squeak between the seat pad cushion and frame
3. The rear seatback lock and bracket

These noises can be isolated by moving or pressing on the suspected components while duplicating the conditions under which the noise occurs. Most of these incidents can be repaired by repositioning the component or applying urethane tape to the contact area.

UNDERHOOD

Some interior noise may be caused by components under the hood or on the engine wall. The noise is then transmitted into the passenger compartment.

Causes of transmitted underhood noise include:

1. Any component mounted to the engine wall
2. Components that pass through the engine wall
3. Engine wall mounts and connectors
4. Loose radiator mounting pins
5. Hood bumpers out of adjustment
6. Hood striker out of adjustment

These noises can be difficult to isolate since they cannot be reached from the interior of the vehicle. The best method is to secure, move or insulate one component at a time and test drive the vehicle. Also, engine RPM or load can be changed to isolate the noise. Repairs can usually be made by moving, adjusting, securing, or insulating the component causing the noise.

SQUEAK AND RATTLE TROUBLE DIAGNOSES

< SERVICE INFORMATION >

Diagnostic Worksheet

INFOID:000000004155546



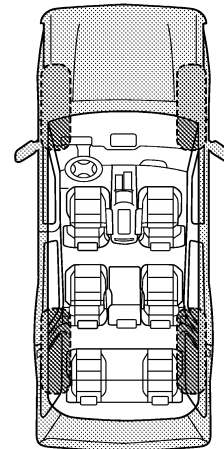
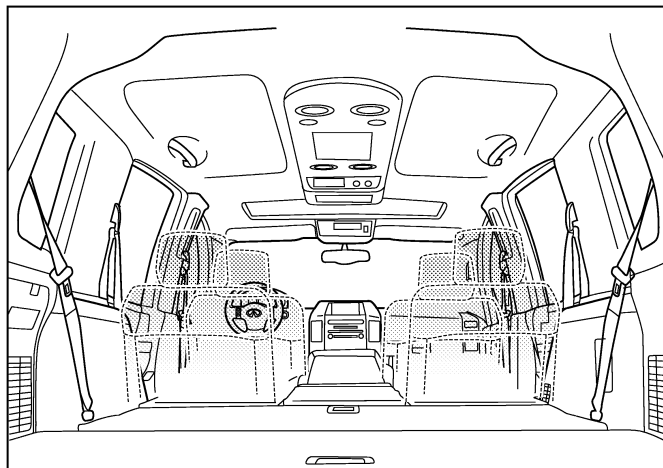
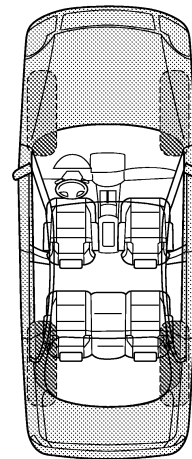
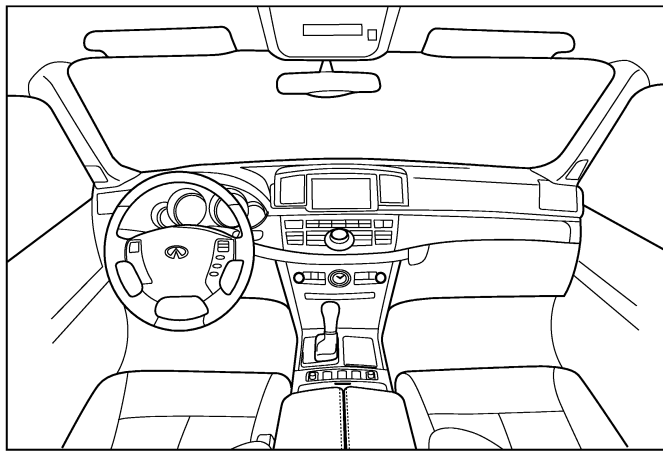
SQUEAK & RATTLE DIAGNOSTIC WORKSHEET

Dear Infiniti Customer:

We are concerned about your satisfaction with your Infiniti vehicle. Repairing a squeak or rattle sometimes can be very difficult. To help us fix your Infiniti right the first time, please take a moment to note the area of the vehicle where the squeak or rattle occurs and under what conditions. You may be asked to take a test drive with a service consultant or technician to ensure we confirm the noise you are hearing.

I. WHERE DOES THE NOISE COME FROM? (circle the area of the vehicle)

The illustrations are for reference only, and may not reflect the actual configuration of your vehicle.



Continue to page 2 of the worksheet and briefly describe the location of the noise or rattle. In addition, please indicate the conditions which are present when the noise occurs.

PIIB8741E

A
B
C
D
E
F
G
H
IP
J
K
L
M
N
O
P

SQUEAK AND RATTLE TROUBLE DIAGNOSES

< SERVICE INFORMATION >

SQUEAK & RATTLE DIAGNOSTIC WORKSHEET - page 2

Briefly describe the location where the noise occurs:

II. WHEN DOES IT OCCUR? (please check the boxes that apply)

- | | |
|---|--|
| <input type="checkbox"/> anytime | <input type="checkbox"/> after sitting out in the rain |
| <input type="checkbox"/> 1st time in the morning | <input type="checkbox"/> when it is raining or wet |
| <input type="checkbox"/> only when it is cold outside | <input type="checkbox"/> dry or dusty conditions |
| <input type="checkbox"/> only when it is hot outside | <input type="checkbox"/> other: |

III. WHEN DRIVING:

- through driveways
- over rough roads
- over speed bumps
- only about ____ mph
- on acceleration
- coming to a stop
- on turns: left, right or either (circle)
- with passengers or cargo
- other: _____
- after driving ____ miles or ____ minutes

IV. WHAT TYPE OF NOISE

- squeak (like tennis shoes on a clean floor)
- creak (like walking on an old wooden floor)
- rattle (like shaking a baby rattle)
- knock (like a knock at the door)
- tick (like a clock second hand)
- thump (heavy, muffled knock noise)
- buzz (like a bumble bee)

TO BE COMPLETED BY DEALERSHIP PERSONNEL

Test Drive Notes:

	YES	NO	Initials of person performing
Vehicle test driven with customer	<input type="checkbox"/>	<input type="checkbox"/>	_____
- Noise verified on test drive	<input type="checkbox"/>	<input type="checkbox"/>	_____
- Noise source located and repaired	<input type="checkbox"/>	<input type="checkbox"/>	_____
- Follow up test drive performed to confirm repair	<input type="checkbox"/>	<input type="checkbox"/>	_____

VIN: _____ Customer Name: _____
W.O.# _____ Date: _____

This form must be attached to Work Order

PIIB8742E

CLIP LIST

< SERVICE INFORMATION >

CLIP LIST

Clip List

INFOID:000000005874562

Shapes	Removal & Installation	Shapes	Removal & Installation
	<p>Removal: Remove by bending up with flat-bladed screwdrivers or clip remover.</p>		<p>Removal:</p>
	<p>Removal: Remove with a clip remover.</p>		<p>Removal:</p>
	<p>Removal: Push center pin to catching position. (Do not remove center pin by hitting it.)</p> <p>Installation:</p>		<p>Removal: Holder portion of clip must be spread out to remove rod.</p>
	<p>Removal: Remove by bending up with flat-bladed screwdrivers or clip remover.</p>		<p>Removal:</p> <ol style="list-style-type: none"> Screw out with a Phillips screwdriver. Remove female portion with flat-bladed screwdriver.
	<p>Removal:</p>		<p>Removal:</p> <p>Rotate 45° to remove.</p> <p>Installation:</p>
	<p>Removal:</p>		<p>Removal:</p>

JMJIA3734GB

A
B
C
D
E
F
G
H
IP
J
K
L
M
N
O
P

INSTRUMENT PANEL ASSEMBLY

< SERVICE INFORMATION >

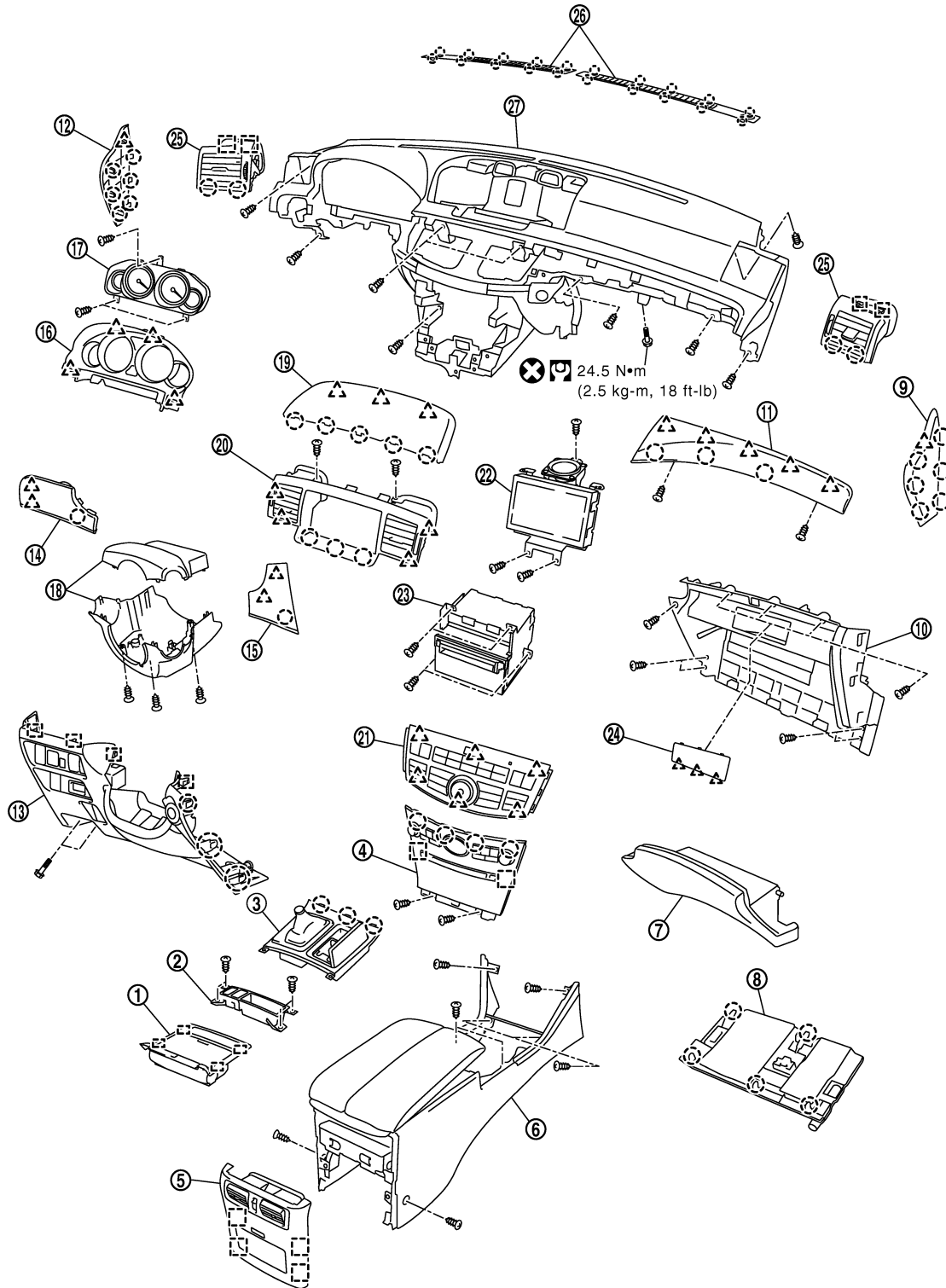
INSTRUMENT PANEL ASSEMBLY

INSTRUMENT PANEL

INSTRUMENT PANEL : Component Parts Location

INFOID:000000004155547

SEC. 248•251•280•487•680•685•969





JMJIA1309ZZ

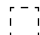
INSTRUMENT PANEL ASSEMBLY

< SERVICE INFORMATION >

- | | | |
|-----------------------------------|-------------------------------------|---------------------------------|
| 1. Cup holder | 2. Switch finisher | 3. A/T console finisher |
| 4. Cluster lid C | 5. Console rear finisher | 6. Center console |
| 7. Glove box | 8. Instrument passenger lower cover | 9. Instrument side finisher RH |
| 10. Glove box cover | 11. Instrument finisher B | 12. Instrument side finisher LH |
| 13. Instrument driver lower panel | 14. Instrument finisher A | 15. Instrument finisher C |
| 16. Cluster lid A | 17. Combination meter | 18. Steering column cover |
| 19. Upper ventilator grille | 20. Center ventilator grille | 21. Multifunction switch |
| 22. Front display unit | 23. AV control unit | 24. Glove box mask |
| 25. Side ventilator grille RH/LH | 26. Front defroster grille | 27. Instrument panel & pad |

 : Pawl

 : Clip

 : Metal clip

Refer to [GI-9, "Component"](#) for symbols in the figure.

INSTRUMENT PANEL : Removal and Installation

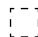
INFOID:000000004155548

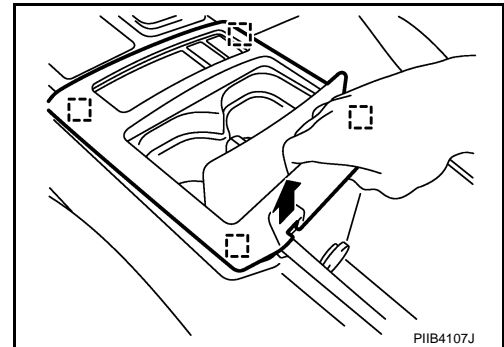
CAUTION:

When removing, always use a remover tool that is made of plastic.


REMOVAL

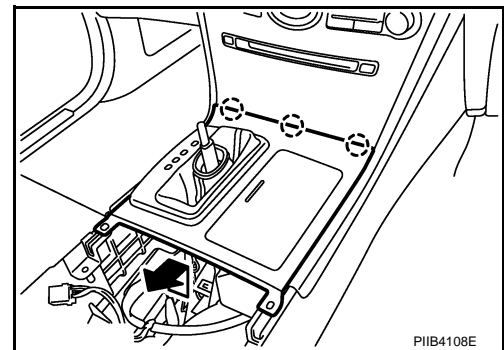
1. Remove cup holder.
 - Pull up to remove cup holder.

 : Metal clip



2. Remove switch finisher.
 - Remove switch finisher fixing screws.
 - Disconnect harness connector.
3. Remove A/T console finisher.
 - Place the selector lever in [D] position.
 - Remove selector lever knob.
 - Refer to [AT-205, "A/T Shift Selector Removal and Installation"](#).
 - Lift up backside and pull back.
 - Disconnect harness connectors.

 : Pawl



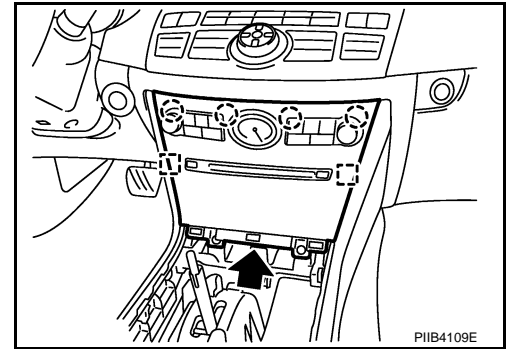
INSTRUMENT PANEL ASSEMBLY

< SERVICE INFORMATION >

4. Remove cluster lid C.
 - Remove cluster lid C fixing screws.
 - Pull back cluster lid C.
 - Disconnect harness connectors.

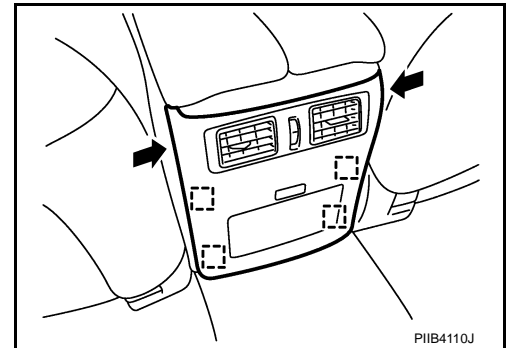
○ : Pawl

□ : Metal clip



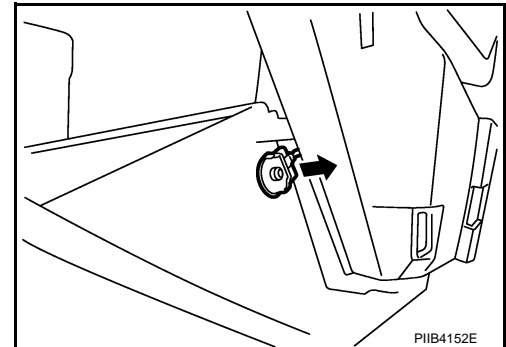
5. Remove console rear finisher.
 - Insert a remover into upper space of console rear finisher.
 - Pull back console rear finisher.

□ : Metal clip



6. Remove center console fixing screws with power tool.
 - Pull up center console.
 - Disconnect harness connector.

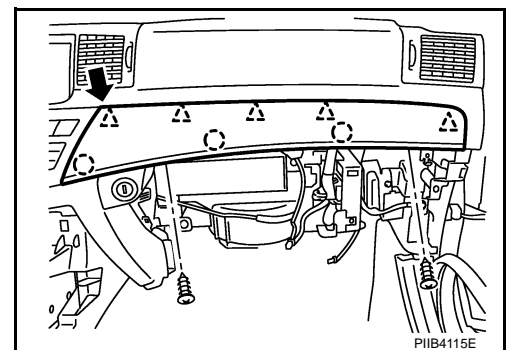
7. Remove glove box.
 - Remove damper pin to left side.
 - Pull up glove box.



8. Remove instrument passenger lower cover.
 - Pull downward, disengaged pawls.
 - Pull back instrument passenger lower cover.
 - Disconnect harness connector.
9. Remove instrument side finisher (RH).
 - Insert a remover into lower space.
 - Pull the instrument side finisher (RH) crosswise.
10. Remove glove box cover with power tool.
11. Remove instrument finisher B.
 - Remove instrument finisher B fixing screws.
 - Insert a remover into right space.

○ : Pawl

△ : Clip



INSTRUMENT PANEL ASSEMBLY

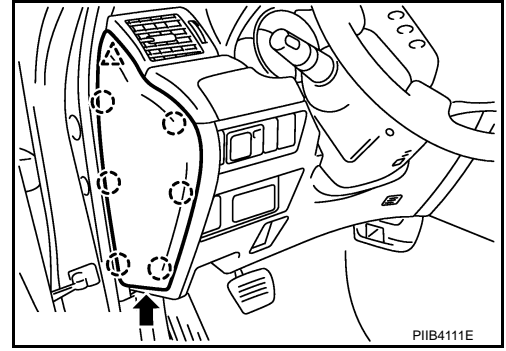
< SERVICE INFORMATION >

12. Remove front pillar garnish (LH/RH). Refer to [EI-49, "Component Parts Location"](#).

13. Remove instrument side finisher (LH).
- Insert a remover into lower space.
 - Pull the instrument side finisher (LH) crosswise.

○ : Pawl

△ : Clip

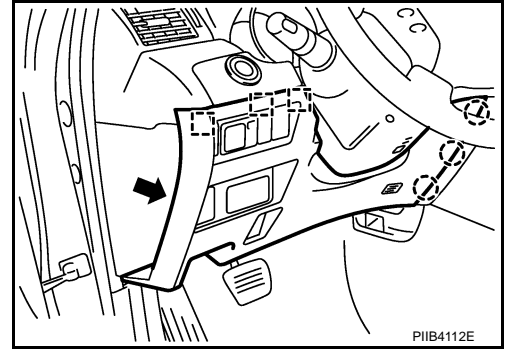


14. Remove instrument driver lower panel.

- Remove hood opener mounting bolt. Refer to [BL-18, "Removal and Installation of Hood Lock Control"](#).
- Pull back.
- Disconnect harness connectors.

○ : Pawl

□ : Metal clip

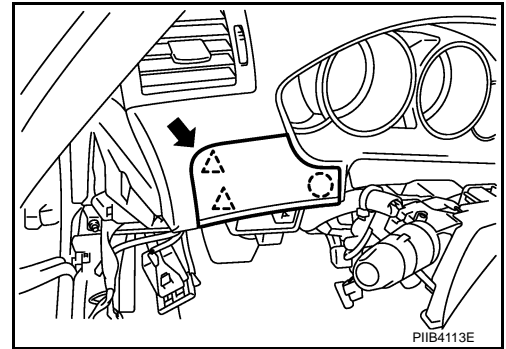


15. Remove instrument finisher A.

- Insert a remover into upper space.
- Pull back instrument finisher A.

○ : Pawl

△ : Clip

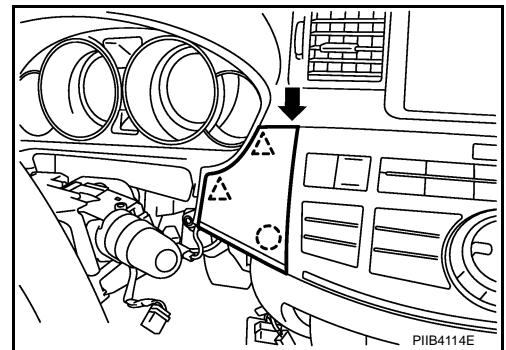


16. Remove instrument finisher C.

- Insert a remover into upper space.
- Pull back instrument finisher C.

○ : Pawl

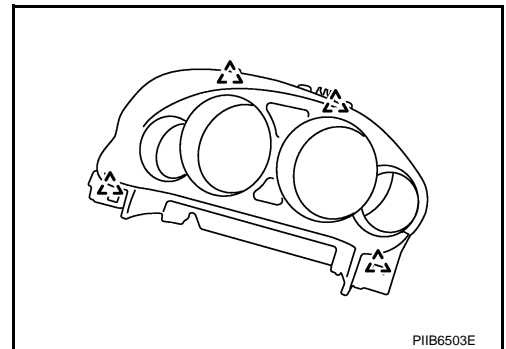
△ : Clip



17. Remove cluster lid A

- Pull back.

△ : Clip



A
B
C
D
E
F
G
H
IP
J
K
L
M
N
O
P

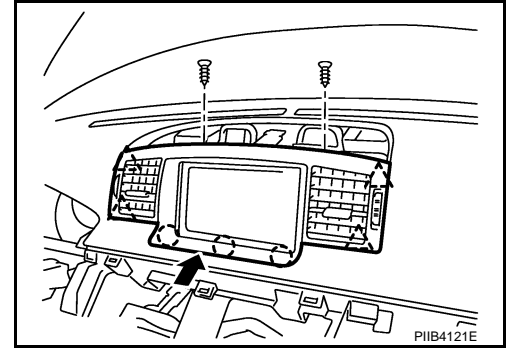
INSTRUMENT PANEL ASSEMBLY

< SERVICE INFORMATION >

18. Remove combination meter. Refer to [DI-25, "Removal and Installation of Combination Meter"](#).
19. Remove steering column cover with power tool.
20. Remove upper ventilator grille. Refer to [ATC-128](#).
21. Remove center ventilator grille.
 - Remove center ventilator grille fixing screws.
 - Insert a remover into rear lower space.
 - Pull up.

○ : Pawl

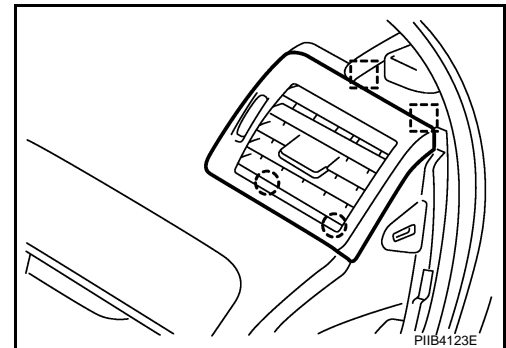
△ : Clip



22. Remove multifunction switch. Refer to [AV-1077, "Removal and Installation"](#).
23. Remove front display unit. Refer to [AV-1065, "Removal and Installation"](#).
24. Remove AV control unit. Refer to [AV-1064, "Removal and Installation"](#).
25. Remove front passenger air bag module mounting bolt and disconnect harness connector. Refer to [SRS-38, "Removal and Installation"](#).
26. Remove side ventilator grille (RH/LH).
 - Insert a remover into lower space.
 - Pull back.

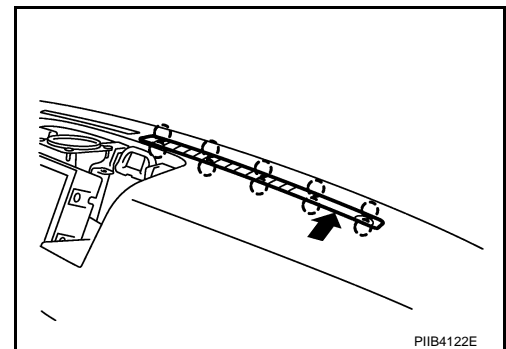
○ : Pawl

□ : Metal clip



27. Remove front defroster grille.
 - Insert a remover into back space.
 - Pull up front defroster grille.
 - Disconnect harness connector.

○ : Pawl



28. Remove instrument panel assembly fixing screws, and then remove instrument panel assembly.

CAUTION:

When removing instrument panel, 2 workers are required so as to prevent it from dropping.

INSTALLATION

Install in the reverse order of removal.

CAUTION:

- To install, confirm locating pins on back of instrument panel are completely inserted into holes on vehicle.
- Never leave harness stuck when installing.

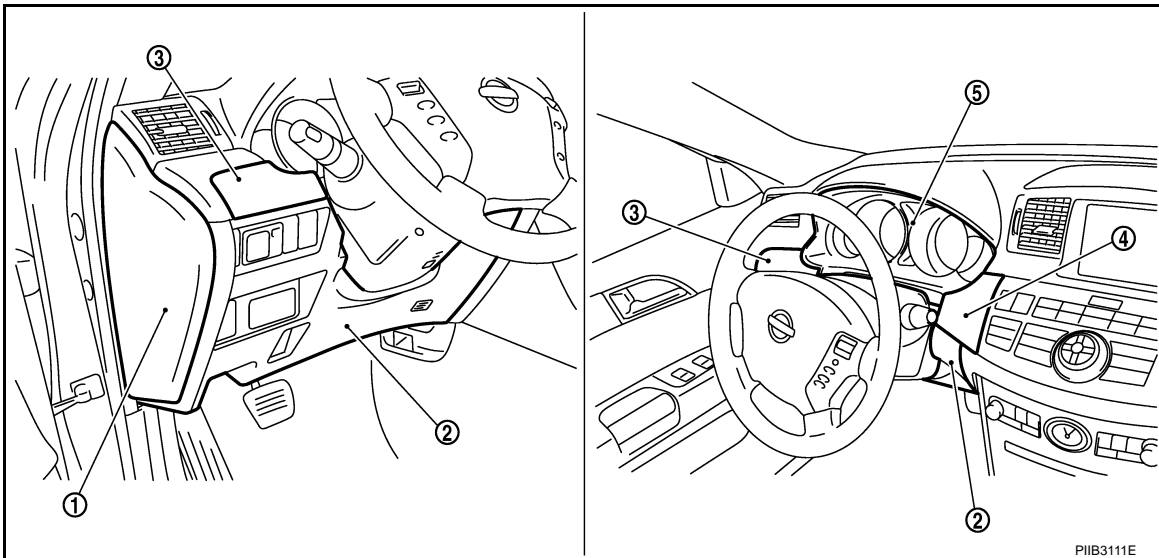
CLUSTER LID A

INSTRUMENT PANEL ASSEMBLY

< SERVICE INFORMATION >

CLUSTER LID A : Component Parts Location

INFOID:000000004155549



- | | | |
|----------------------------------|----------------------------------|--------------------------|
| 1. Instrument side finisher (LH) | 2. Instrument driver lower panel | 3. Instrument finisher A |
| 4. Instrument finisher C | 5. Cluster lid A | |

NOTE:

When removing cluster lid A assembly, take steps in the illustration shown by the number below.

CLUSTER LID A : Removal and Installation



INFOID:000000004155550

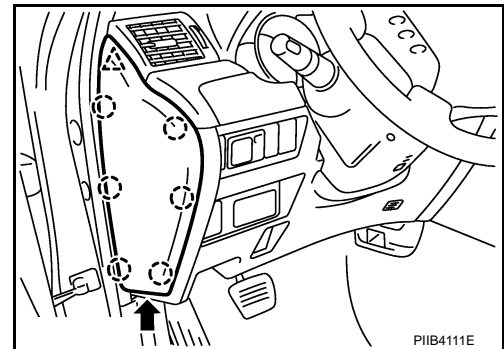
CAUTION:

When removing, always use a remover tool that is made of plastic.



REMOVAL

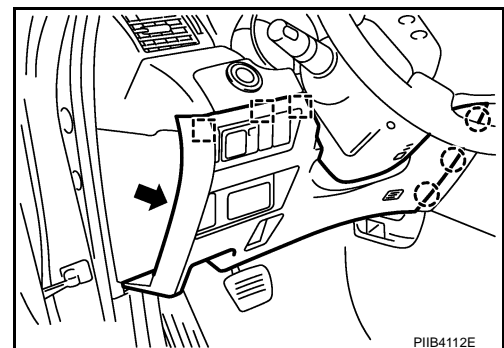
- Remove instrument side finisher LH.
 - Insert a remover into lower space.
 - Pull the instrument side finisher LH crosswise.

-  : Pawl
-  : Clip



- Remove instrument driver lower panel.
 - Remove hood opener mounting bolt. Refer to [BL-18, "Removal and Installation of Hood Lock Control"](#).
 - Pull back.
 - Disconnect harness connectors.

-  : Pawl
-  : Metal clip



A
B
C
D
E
F
G
H
IP
J
K
L
M
N
O
P

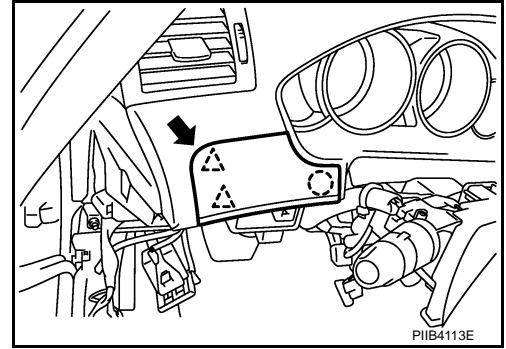
INSTRUMENT PANEL ASSEMBLY

< SERVICE INFORMATION >

3. Remove instrument finisher A.
 - Insert a remover into upper space.
 - Pull back instrument finisher A.

○ : Pawl

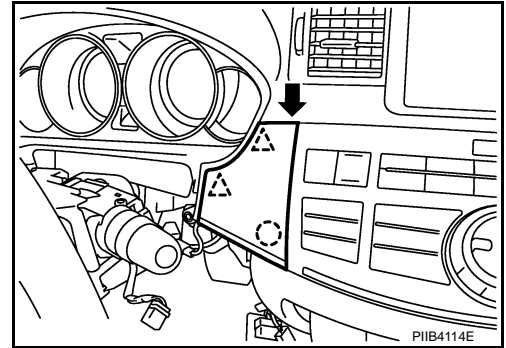
△ : Clip



4. Remove instrument finisher C.
 - Insert a remover into upper space.
 - Pull back instrument finisher C.

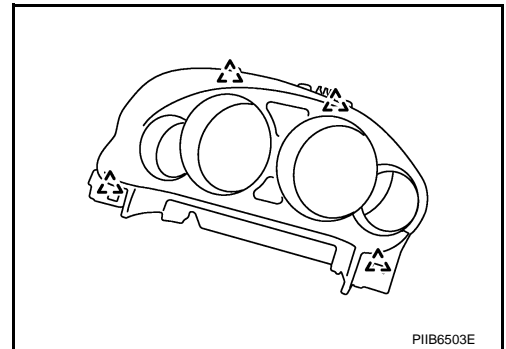
○ : Pawl

△ : Clip



5. Remove cluster lid A.
 - Pull back.

△ : Clip



INSTALLATION

Install in the reverse order of removal.

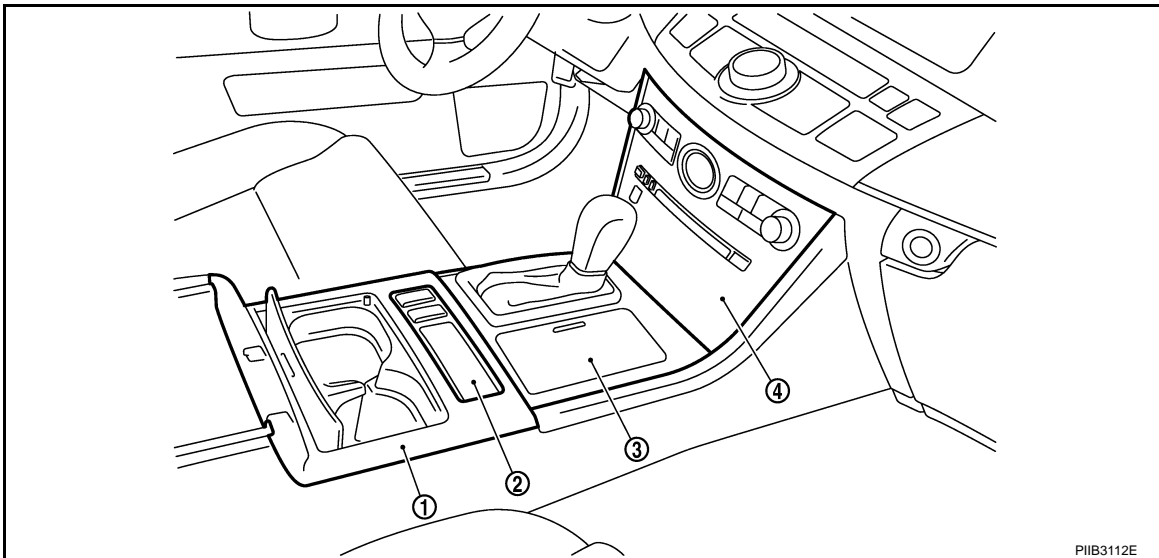
CLUSTER LID C

INSTRUMENT PANEL ASSEMBLY

< SERVICE INFORMATION >

CLUSTER LID C : Component Parts Location

INFOID:000000004155551



1. Cup holder
2. Switch finisher
3. A/T console finisher
4. Cluster lid C

NOTE:

When removing cluster lid C assembly, take steps in the illustration shown by the number below.

CLUSTER LID C : Removal and Installation

INFOID:000000004155552

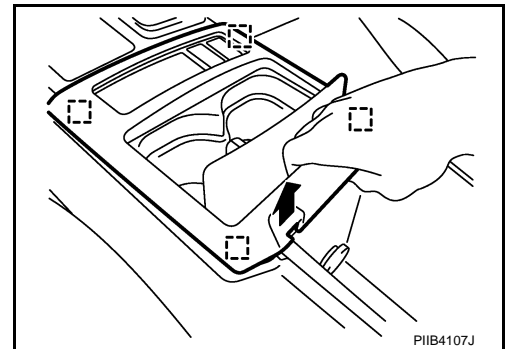
CAUTION:

When removing, always use a remover tool that is made of plastic.


REMOVAL

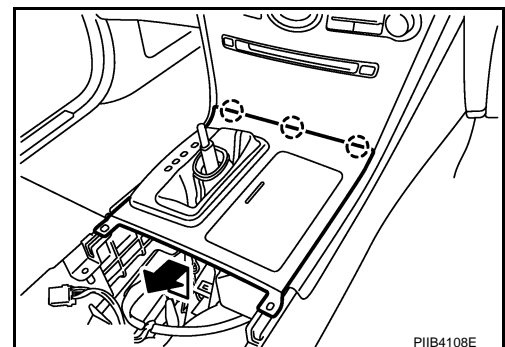
1. Remove cup holder.
 - Pull up to remove cup holder.

 : Metal clip



2. Remove switch finisher.
 - Remove switch finisher fixing screws.
 - Disconnect harness connectors.
3. Remove A/T console finisher.
 - Place the selector lever in [D] position.
 - Remove selector lever knob. Refer to [AT-205, "A/T Shift Selector Removal and Installation"](#).
 - Lift up backside and pull back.
 - Disconnect harness connectors.

 : Pawl



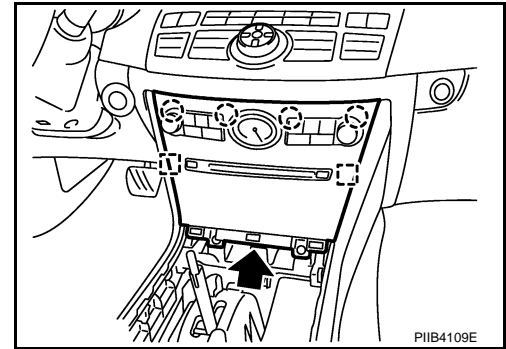
INSTRUMENT PANEL ASSEMBLY

< SERVICE INFORMATION >

4. Remove cluster lid C.
 - Remove cluster lid C fixing screws.
 - Pull back.
 - Disconnect harness connectors.

○ : Pawl

□ : Metal clip



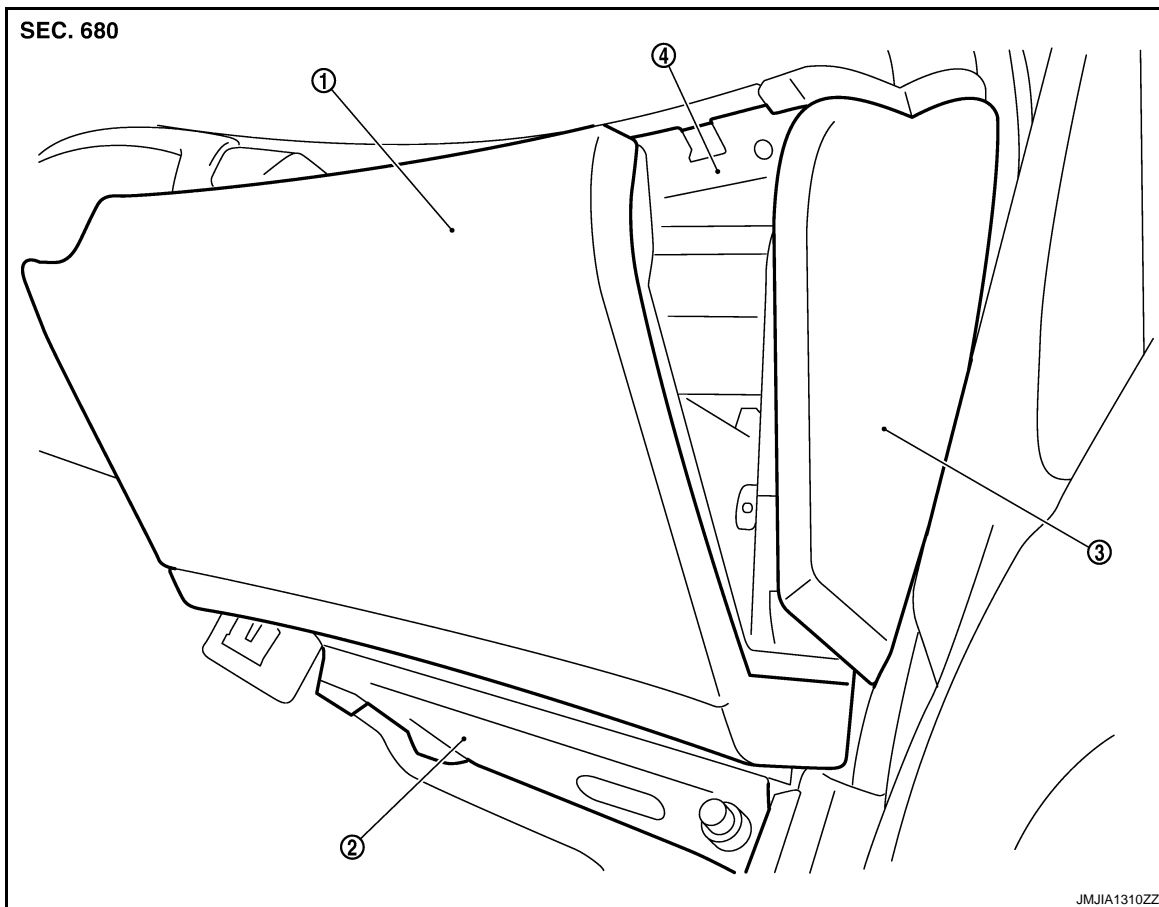
INSTALLATION

Install in the reverse order of removal.

GLOVE BOX

GLOVE BOX : Component Parts Location

INFOID:000000004155553



1. Glove box lid
2. Instrument passenger lower cover
3. Instrument side finisher RH
4. Glove box cover

GLOVE BOX : Removal and Installation

INFOID:000000004155554

CAUTION:

When removing, always use a remover tool that is made of plastic.

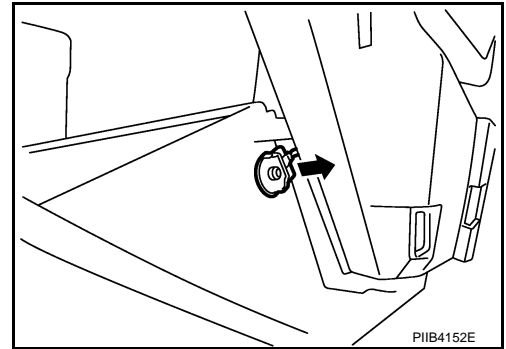
REMOVAL

1. Remove glove box.
 - Remove damper pin to left side.

INSTRUMENT PANEL ASSEMBLY

< SERVICE INFORMATION >

- Pull up glove box.



2. Remove instrument passenger lower cover.
 - Pull downward, disengaged pawls.
 - Pull back instrument passenger lower cover.
 - Disconnect harness connector.
3. Remove instrument side finisher RH.
 - Insert a remover into lower space.
 - Pull the instrument side finisher RH crosswise.
4. Remove glove box cover fixing screws with power tool.

INSTALLATION

Install in the reverse order of removal.

A
B
C
D
E
F
G
H
IP
J
K
L
M
N
O
P

CENTER CONSOLE ASSEMBLY

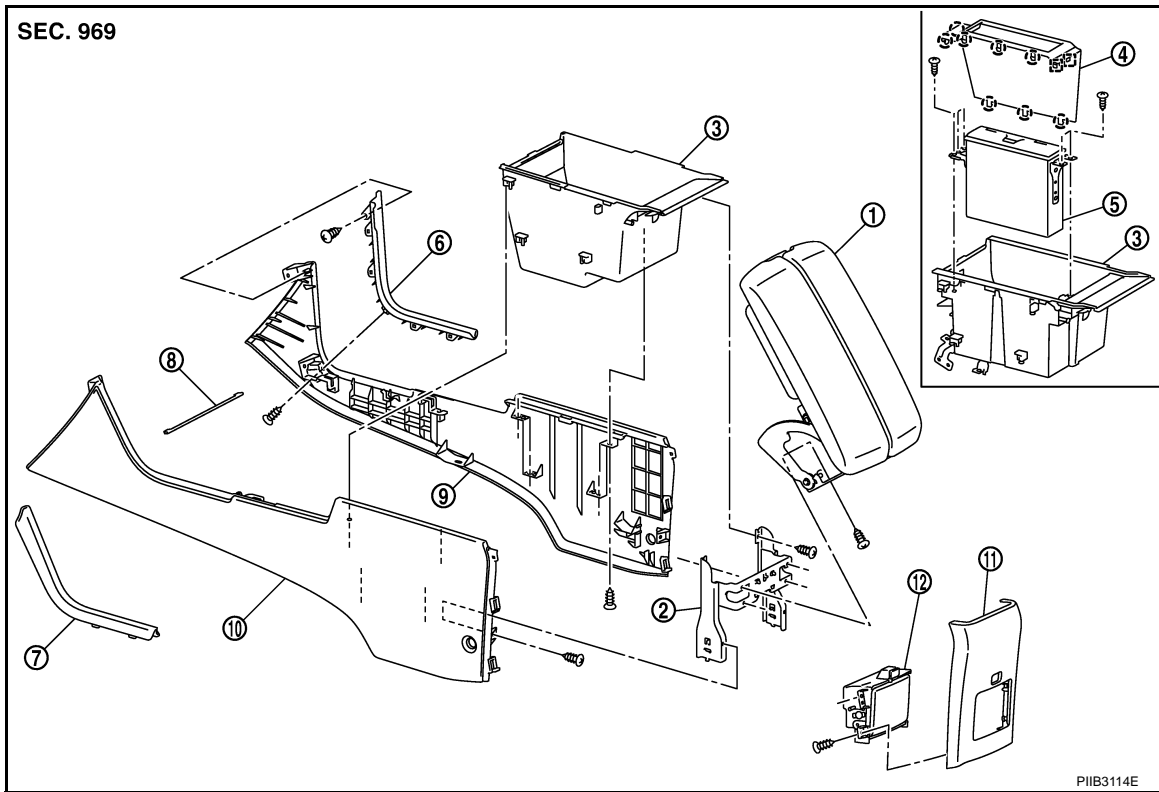
< SERVICE INFORMATION >

CENTER CONSOLE ASSEMBLY

CENTER CONSOLE

CENTER CONSOLE : Component Parts Location

INFOID:00000000415555



- | | | |
|--------------------------------|---------------------------|----------------------------|
| 1. Console lid | 2. Rear console bracket | 3. Console box |
| 4. DVD pocket cover (with DVD) | 5. DVD player (with DVD) | 6. Cluster lid finisher RH |
| 7. Cluster lid finisher LH | 8. Front console bracket | 9. Console pad RH |
| 10. Console pad LH | 11. Console rear finisher | 12. Rear pocket |

- : Pawl
□ : Metal clip

CENTER CONSOLE : Disassembly and Assembly

INFOID:00000000415556

CAUTION:

When disassembling, always use a remover tool that is made of plastic.

DISASSEMBLY

1. Remove console lid.
2. Remove rear console bracket.
3. Remove console box.
4. Remove DVD pocket cover from console box. (with DVD)
5. Remove DVD player from console box. (with DVD) Refer to [AV-498. "Removal and Installation"](#).
6. Remove console lid finisher (RH/LH).
7. Remove console pad (RH/LH) from front console bracket.
8. Remove rear pocket from console rear finisher.

ASSEMBLY

Assemble in the reverse order of disassembly.