

SECTION **BCS**

BODY CONTROL SYSTEM

A
B
C
D
E
F
G
H
I
J
K
L

CONTENTS

<p>PRECAUTION 3</p> <p>PRECAUTIONS 3 Precaution for Supplemental Restraint System (SRS) "AIR BAG" and "SEAT BELT PRE-TENSIONER"3</p> <p>SYSTEM DESCRIPTION 4</p> <p>COMPONENT PARTS 4</p> <p>BODY CONTROL SYSTEM4 BODY CONTROL SYSTEM : Component Parts Location4</p> <p>POWER CONSUMPTION CONTROL SYSTEM4 POWER CONSUMPTION CONTROL SYSTEM : Component Parts Location4</p> <p>SYSTEM 5</p> <p>BODY CONTROL SYSTEM5 BODY CONTROL SYSTEM : System Description.....5</p> <p>COMBINATION SWITCH READING SYSTEM6 COMBINATION SWITCH READING SYSTEM : System Diagram6 COMBINATION SWITCH READING SYSTEM : System Description6</p> <p>SIGNAL BUFFER SYSTEM9 SIGNAL BUFFER SYSTEM : System Diagram 10 SIGNAL BUFFER SYSTEM : System Description... 10</p> <p>POWER CONSUMPTION CONTROL SYSTEM11 POWER CONSUMPTION CONTROL SYSTEM : System Diagram 11 POWER CONSUMPTION CONTROL SYSTEM : System Description 11</p> <p>DIAGNOSIS SYSTEM (BCM)13</p> <p>COMMON ITEM 13</p>	<p> COMMON ITEM : CONSULT-III Function (BCM - COMMON ITEM)13</p> <p>DOOR LOCK14 DOOR LOCK : CONSULT-III Function (BCM - DOOR LOCK) 14</p> <p>REAR WINDOW DEFOGGER15 REAR WINDOW DEFOGGER : CONSULT-III Function (BCM - REAR DEFOGGER)16</p> <p>BUZZER16 BUZZER : CONSULT-III Function (BCM - BUZZER)16</p> <p>INT LAMP16 INT LAMP : CONSULT-III Function (BCM - INT LAMP)17</p> <p>HEADLAMP18 HEADLAMP : CONSULT-III Function (BCM - HEAD LAMP)18</p> <p>WIPER21 WIPER : CONSULT-III Function (BCM - WIPER)...21</p> <p>FLASHER22 FLASHER : CONSULT-III Function (BCM - FLASHER)22</p> <p>INTELLIGENT KEY23 INTELLIGENT KEY : CONSULT-III Function (BCM - INTELLIGENT KEY)23</p> <p>COMB SW26 COMB SW : CONSULT-III Function (BCM - COMB SW)26</p> <p>BCM27 BCM : CONSULT-III Function (BCM - BCM)27</p> <p>IMMU27 IMMU : CONSULT-III Function (BCM - IMMU)27</p>
---	--

BCS

N
O
P

BATTERY SAVER	28	DTC/CIRCUIT DIAGNOSIS	68
BATTERY SAVER : CONSULT-III Function (BCM - BATTERY SAVER)	28	U1000 CAN COMM	68
TRUNK	29	Description	68
TRUNK : CONSULT-III Function (BCM - TRUNK)..	29	DTC Logic	68
THEFT ALM	29	Diagnosis Procedure	68
THEFT ALM : CONSULT-III Function (BCM - THEFT)	29	U1010 CONTROL UNIT (CAN)	69
RETAINED PWR	30	DTC Logic	69
RETAINED PWR : CONSULT-III Function (BCM - RETAINED PWR)	30	Diagnosis Procedure	69
SIGNAL BUFFER	30	U0415 VEHICLE SPEED	70
SIGNAL BUFFER : CONSULT-III Function (BCM - SIGNAL BUFFER)	31	Description	70
ECU DIAGNOSIS INFORMATION	32	DTC Logic	70
BCM	32	Diagnosis Procedure	70
Reference Value	32	B2562 LOW VOLTAGE	71
Fail-safe	52	DTC Logic	71
DTC Inspection Priority Chart	54	Diagnosis Procedure	71
DTC Index	55	B26E7 TPMS CAN COMM	72
WIRING DIAGRAM	58	DTC Logic	72
BCM	58	Diagnosis Procedure	72
Wiring Diagram	58	POWER SUPPLY AND GROUND CIRCUIT	73
BASIC INSPECTION	65	Diagnosis Procedure	73
INSPECTION AND ADJUSTMENT	65	COMBINATION SWITCH OUTPUT CIRCUIT ...	74
ADDITIONAL SERVICE WHEN REPLACING		Diagnosis Procedure	74
CONTROL UNIT (BCM)	65	COMBINATION SWITCH INPUT CIRCUIT	76
ADDITIONAL SERVICE WHEN REPLACING		Diagnosis Procedure	76
CONTROL UNIT (BCM) : Description	65	SYMPTOM DIAGNOSIS	78
ADDITIONAL SERVICE WHEN REPLACING		COMBINATION SWITCH SYSTEM SYMP-	
CONTROL UNIT (BCM) : Special Repair Re- quirement	65	TOMS	78
CONFIGURATION (BCM)	65	Symptom Table	78
CONFIGURATION (BCM) : Description	65	REMOVAL AND INSTALLATION	79
CONFIGURATION (BCM) : Special Repair Re- quirement	66	BCM	79
CONFIGURATION (BCM) : Configuration list	66	Removal and Installation	79
		COMBINATION SWITCH	80
		Exploded View	80
		Removal and Installation	80

PRECAUTIONS

< PRECAUTION >

PRECAUTION

PRECAUTIONS

Precaution for Supplemental Restraint System (SRS) "AIR BAG" and "SEAT BELT PRE-TENSIONER"

INFOID:000000006059519

The Supplemental Restraint System such as "AIR BAG" and "SEAT BELT PRE-TENSIONER", used along with a front seat belt, helps to reduce the risk or severity of injury to the driver and front passenger for certain types of collision. This system includes seat belt switch inputs and dual stage front air bag modules. The SRS system uses the seat belt switches to determine the front air bag deployment, and may only deploy one front air bag, depending on the severity of a collision and whether the front occupants are belted or unbelted. Information necessary to service the system safely is included in the "SRS AIR BAG" and "SEAT BELT" of this Service Manual.

WARNING:

- To avoid rendering the SRS inoperative, which could increase the risk of personal injury or death in the event of a collision that would result in air bag inflation, all maintenance must be performed by an authorized NISSAN/INFINITI dealer.
- Improper maintenance, including incorrect removal and installation of the SRS, can lead to personal injury caused by unintentional activation of the system. For removal of Spiral Cable and Air Bag Module, see the "SRS AIR BAG".
- Do not use electrical test equipment on any circuit related to the SRS unless instructed to in this Service Manual. SRS wiring harnesses can be identified by yellow and/or orange harnesses or harness connectors.

PRECAUTIONS WHEN USING POWER TOOLS (AIR OR ELECTRIC) AND HAMMERS

WARNING:

- When working near the Air Bag Diagnosis Sensor Unit or other Air Bag System sensors with the ignition ON or engine running, DO NOT use air or electric power tools or strike near the sensor(s) with a hammer. Heavy vibration could activate the sensor(s) and deploy the air bag(s), possibly causing serious injury.
- When using air or electric power tools or hammers, always switch the ignition OFF, disconnect the battery, and wait at least 3 minutes before performing any service.

A
B
C
D
E
F
G
H
I
J
K
L
N
O
P

BCS

COMPONENT PARTS

< SYSTEM DESCRIPTION >

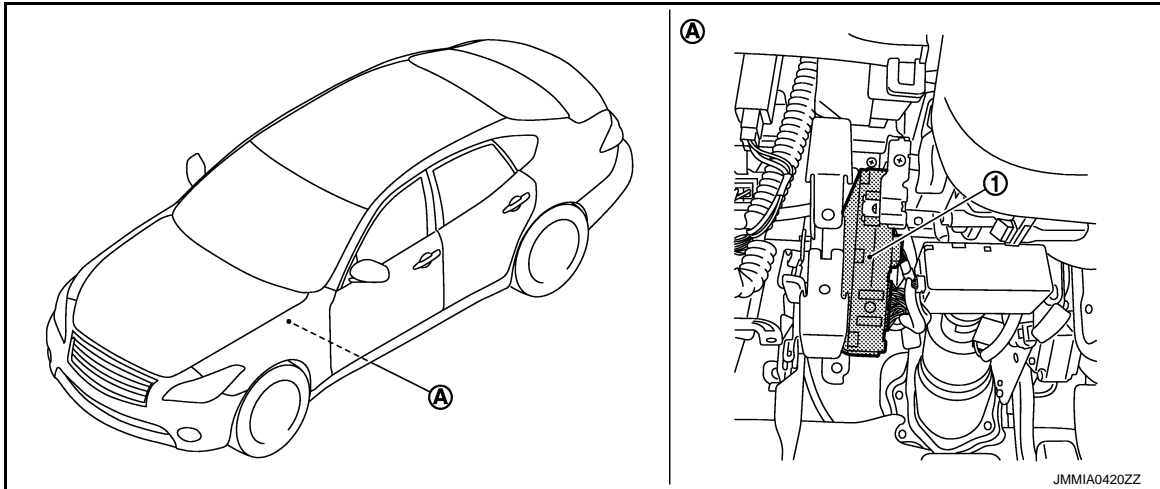
SYSTEM DESCRIPTION

COMPONENT PARTS

BODY CONTROL SYSTEM

BODY CONTROL SYSTEM : Component Parts Location

INFOID:000000006059520

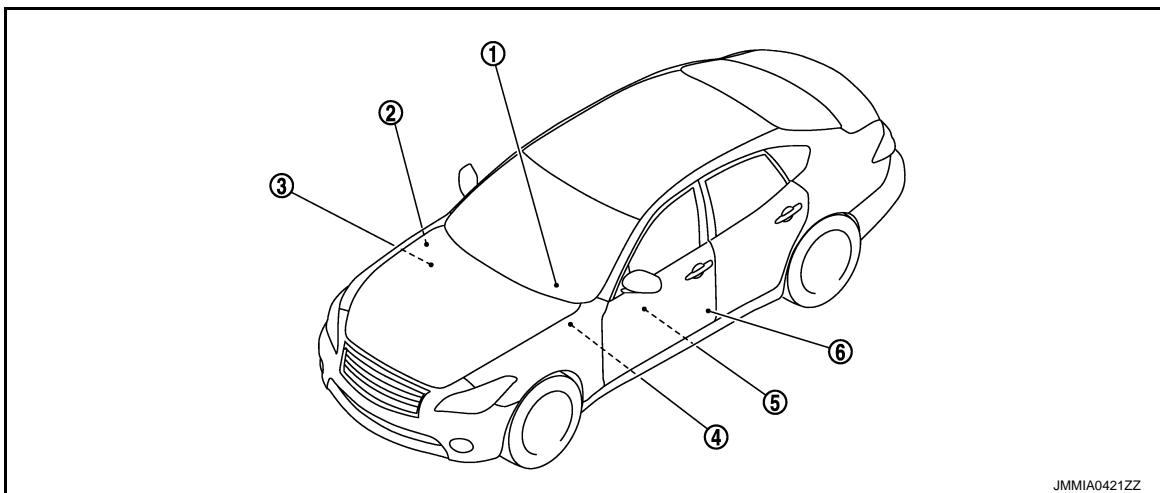


1. BCM
- A. Behind of instrument lower panel LH

POWER CONSUMPTION CONTROL SYSTEM

POWER CONSUMPTION CONTROL SYSTEM : Component Parts Location

INFOID:000000006059521



1. Combination meter
2. IPDM E/R
Refer to [PCS-5, "IPDM E/R : Component Parts Location"](#).
3. CAN gateway
Refer to [LAN-130, "Component Parts Location"](#).
4. BCM
Refer to [BCS-4, "BODY CONTROL SYSTEM : Component Parts Location"](#).
5. Driver seat control unit
Refer to [ADP-6, "Component Parts Location"](#).
6. Pre-crash seat belt control unit (driver side)
Refer to [SBC-5, "Component Parts Location"](#).

SYSTEM

< SYSTEM DESCRIPTION >

SYSTEM

BODY CONTROL SYSTEM

BODY CONTROL SYSTEM : System Description

INFOID:000000006059522

OUTLINE

- BCM (Body Control Module) controls the various electrical components. It inputs the information required to the control from CAN communication and the signal received from each switch and sensor.
- BCM has combination switch reading function for reading the operation status of combination switches (light, turn signal, wiper and washer) in addition to a function for controlling the operation of various electrical components. It also has the signal transmission function as the passed point of signal and the power saving control function that reduces the power consumption with the ignition switch OFF.
- BCM is equipped with the diagnosis function that performs the diagnosis with CONSULT-III and various settings.

BCM CONTROL FUNCTION LIST

System	Reference
Combination switch reading system	BCS-6. "COMBINATION SWITCH READING SYSTEM : System Diagram"
Signal buffer system	BCS-10. "SIGNAL BUFFER SYSTEM : System Diagram"
Power consumption control system	BCS-11. "POWER CONSUMPTION CONTROL SYSTEM : System Diagram"
Auto light system	<ul style="list-style-type: none"> • EXL-13. "AUTO LIGHT SYSTEM (WITHOUT DTRL) : System Diagram" (Without daytime running light system) • EXL-15. "AUTO LIGHT SYSTEM (WITH DTRL) : System Diagram" (With daytime running light system)
Turn signal and hazard warning lamp system	EXL-20. "TURN SIGNAL AND HAZARD WARNING LAMP SYSTEM : System Diagram"
Headlamp system	<ul style="list-style-type: none"> • EXL-11. "HEADLAMP SYSTEM (WITHOUT DTRL) : System Diagram" (Without daytime running light system) • EXL-12. "HEADLAMP SYSTEM (WITH DTRL) : System Diagram" (With daytime running light system)
Parking, license plate, side maker and tail lamps system	<ul style="list-style-type: none"> • EXL-20. "PARKING, LICENSE PLATE, SIDE MARKER AND TAIL LAMP SYSTEM (WITHOUT DTRL) : System Diagram" (Without daytime running light system) • EXL-21. "PARKING, LICENSE PLATE, SIDE MARKER AND TAIL LAMP SYSTEM (WITH DTRL) : System Diagram" (With daytime running light system)
Front fog lamp system	EXL-19. "FRONT FOG LAMP SYSTEM : System Diagram"
Exterior lamp battery saver system	EXL-23. "EXTERIOR LAMP BATTERY SAVER SYSTEM : System Diagram"
Daytime running light system	EXL-16. "DAYTIME RUNNING LIGHT SYSTEM : System Diagram"
Interior room lamp control system	INL-7. "INTERIOR ROOM LAMP CONTROL SYSTEM : System Diagram"
Interior room lamp battery saver system	INL-10. "INTERIOR ROOM LAMP BATTERY SAVER SYSTEM : System Diagram"
Front wiper and washer system	WW-7. "FRONT WIPER AND WASHER SYSTEM : System Diagram"
Automatic air conditioner	<ul style="list-style-type: none"> • HAC-19. "AUTOMATIC AIR CONDITIONING SYSTEM (WITH FOREST AIR) : System Diagram" (With Forest Air system) • HAC-26. "AUTOMATIC AIR CONDITIONING SYSTEM (WITHOUT FOREST AIR) : System Diagram" (Without Forest Air system)
Warning chime system	WCS-6. "WARNING CHIME SYSTEM : System Diagram"
Power door lock system	DLK-12. "System Diagram"

SYSTEM

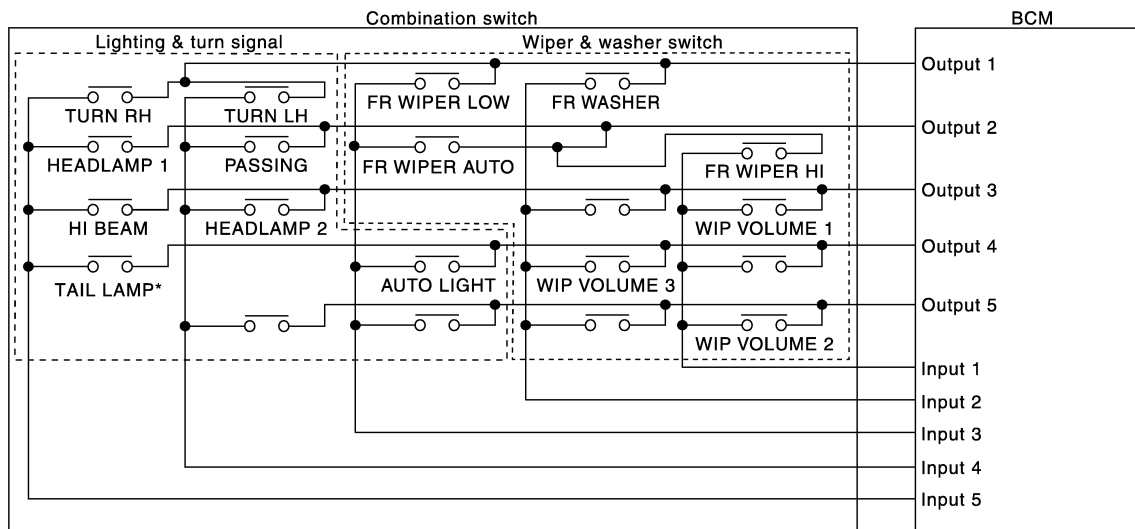
< SYSTEM DESCRIPTION >

System	Reference
Infiniti Vehicle Immobilizer System (IVIS) - NATS	SEC-15. "INFINITI VEHICLE IMMOBILIZER SYSTEM-NATS : System Diagram"
Vehicle security system	SEC-18. "VEHICLE SECURITY SYSTEM : System Diagram"
Threat warning alarm Panic alarm	
Rear window defogger system	DEF-6. "System Diagram"
Intelligent Key system/engine start system	DLK-14. "INTELLIGENT KEY SYSTEM : System Diagram"
Trunk lid opener system	DLK-28. "System Diagram"
Power window system	PWC-7. "System Diagram"
Retained accessory power (RAP) system	PWC-7. "System Description"

COMBINATION SWITCH READING SYSTEM

COMBINATION SWITCH READING SYSTEM : System Diagram

INFOID:000000006059523



JMMIA0422GB

NOTE:

*: TAIL LAMP switch links lighting switch 1ST and 2ND positions.

COMBINATION SWITCH READING SYSTEM : System Description

INFOID:000000006059524

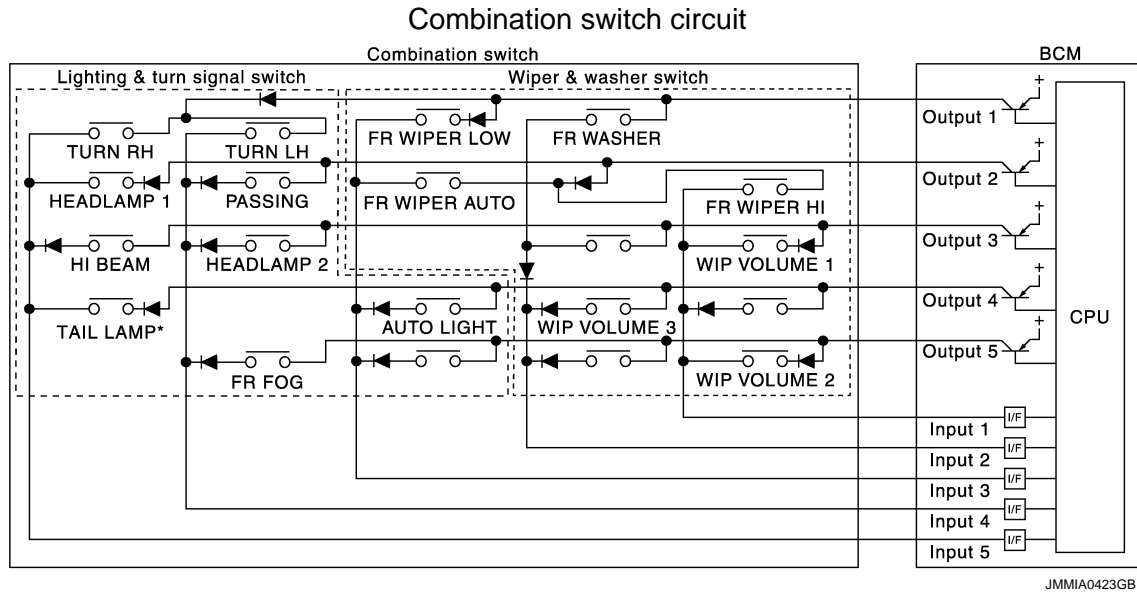
OUTLINE

- BCM reads the status of the combination switch (light, turn signal, wiper and washer) and recognizes the status of each switch.
- BCM has a combination of 5 output terminals (OUTPUT 1 - 5) and 5 input terminals (INPUT 1 - 5). It reads a maximum of 20 switch status.

COMBINATION SWITCH MATRIX

SYSTEM

< SYSTEM DESCRIPTION >



NOTE:

*: TAIL LAMP switch links lighting switch 1ST and 2ND positions.

Combination switch INPUT-OUTPUT system list

System	INPUT 1	INPUT 2	INPUT 3	INPUT 4	INPUT 5
OUTPUT 1	—	FR WASHER	FR WIPER LOW	TURN LH	TURN RH
OUTPUT 2	FR WIPER HI	—	FR WIPER AUTO	PASSING	HEADLAMP 1
OUTPUT 3	WIP VOLUME 1	—	—	HEADLAMP 2	HI BEAM
OUTPUT 4	—	WIP VOLUME 3	AUTO LIGHT	—	TAIL LAMP
OUTPUT 5	WIP VOLUME 2	—	—	FR FOG	—

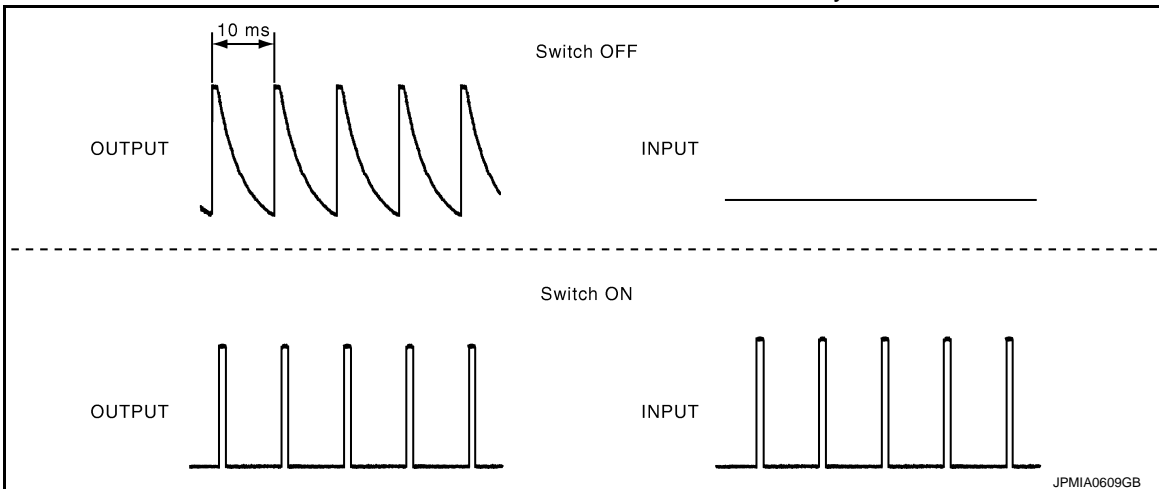
NOTE:

Headlamp has a dual system switch.

COMBINATION SWITCH READING FUNCTION

Description

- BCM reads the status of the combination switch at 10 ms interval normally.



NOTE:

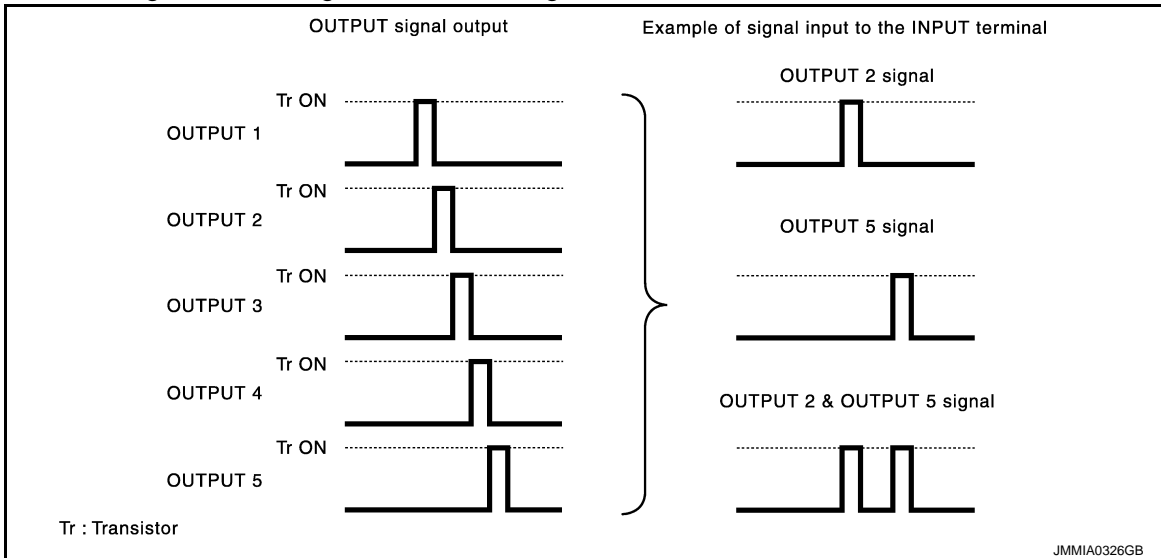
BCM reads the status of the combination switch at 60 ms interval when BCM is controlled at low power consumption control mode.

- BCM operates as follows and judges the status of the combination switch.
 - It operates the transistor on OUTPUT side in the following order: OUTPUT 1 → 2 → 3 → 4 → 5, and outputs voltage waveform.

SYSTEM

< SYSTEM DESCRIPTION >

- The voltage waveform of OUTPUT corresponding to the formed circuit is input into the interface on INPUT side if any (1 or more) switches are ON.
- It reads this change of the voltage as the status signal of the combination switch.

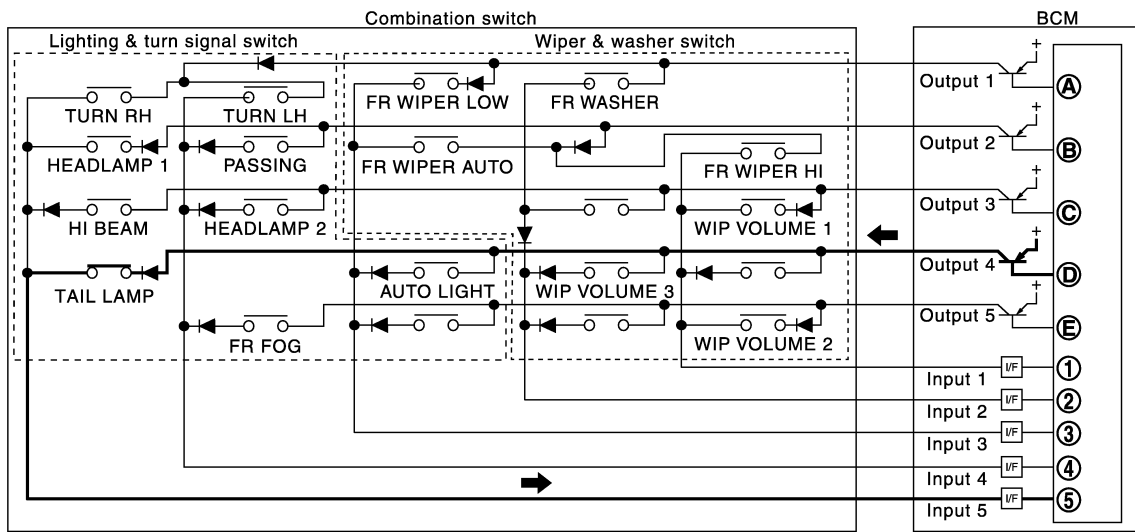


Operation Example

In the following operation example, the combination of the status signals of the combination switch is replaced as follows: INPUT 1 - 5 to "1 - 5" and OUTPUT 1 - 5 to "A - E".

Example 1: When a switch (TAIL LAMP switch) is turned ON

- The circuit between OUTPUT 4 and INPUT 5 is formed when the TAIL LAMP switch is turned ON.



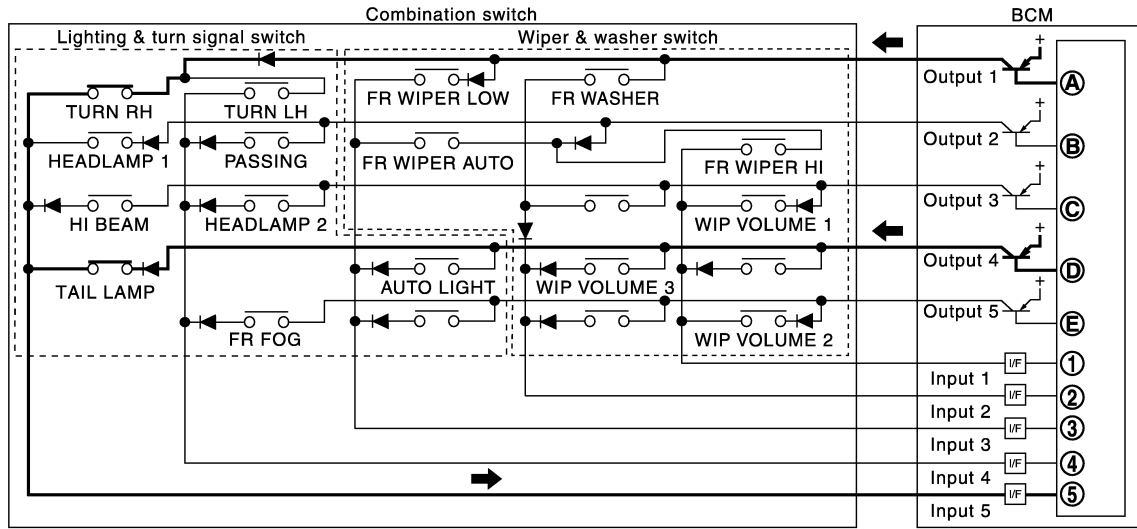
- BCM detects the combination switch status signal "5D" when the signal of OUTPUT 4 is input to INPUT 5.
- BCM judges that the TAIL LAMP switch is ON when the signal "5D" is detected.

Example 2: When some switches (TURN RH switch, TAIL LAMP switch) are turned ON

SYSTEM

< SYSTEM DESCRIPTION >

- The circuits between OUTPUT 1 and INPUT 5 and between OUTPUT 4 and INPUT 5 are formed when the TURN RH switch and TAIL LAMP switch are turned ON.



JMMIA0425GB

- BCM detects the combination switch status signal "5AD" when the signals of OUTPUT 1 and OUTPUT 4 are input to INPUT 5.
- BCM judges that the TURN RH switch and TAIL LAMP switch are ON when the signal "5AD" is detected.

WIPER VOLUME DIAL POSITION

BCM judges the wiper volume dial 1 - 7 by the status of WIP VOLUME 1, 2 and 3 switches.

Wiper volume dial position	Switch status		
	WIP VOLUME 1	WIP VOLUME 2	WIP VOLUME 3
1	ON	ON	ON
2	ON	ON	OFF
3	ON	OFF	OFF
4	OFF	OFF	OFF
5	OFF	OFF	ON
6	OFF	ON	ON
7	OFF	ON	OFF

NOTE:

For details of wiper volume dial position, refer to [WW-7. "FRONT WIPER AND WASHER SYSTEM : System Description"](#).

SIGNAL BUFFER SYSTEM

A
B
C
D
E
F
G
H
I
J
K
L
N
O
P

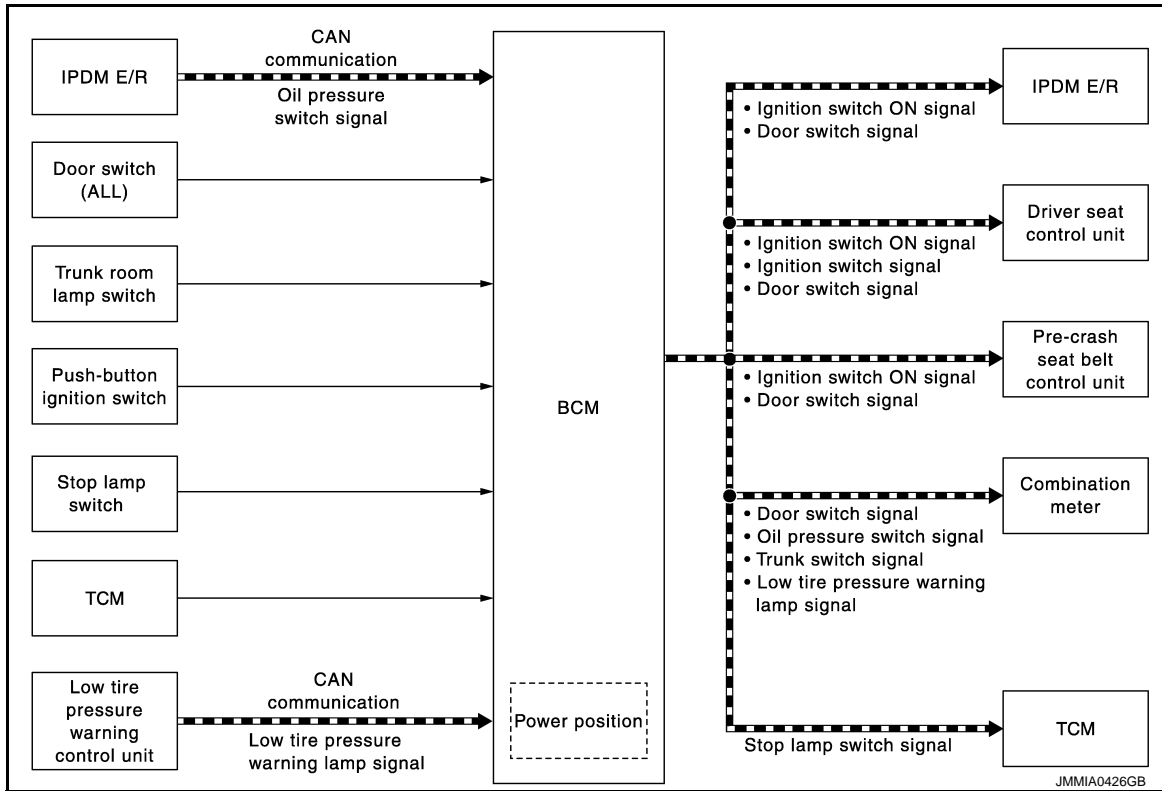
BCS

SYSTEM

< SYSTEM DESCRIPTION >

SIGNAL BUFFER SYSTEM : System Diagram

INFOID:000000006059525



SIGNAL BUFFER SYSTEM : System Description

INFOID:000000006059526

OUTLINE

BCM has the signal transmission function that outputs/transmits each input/received signal to each unit.

Signal transmission function list

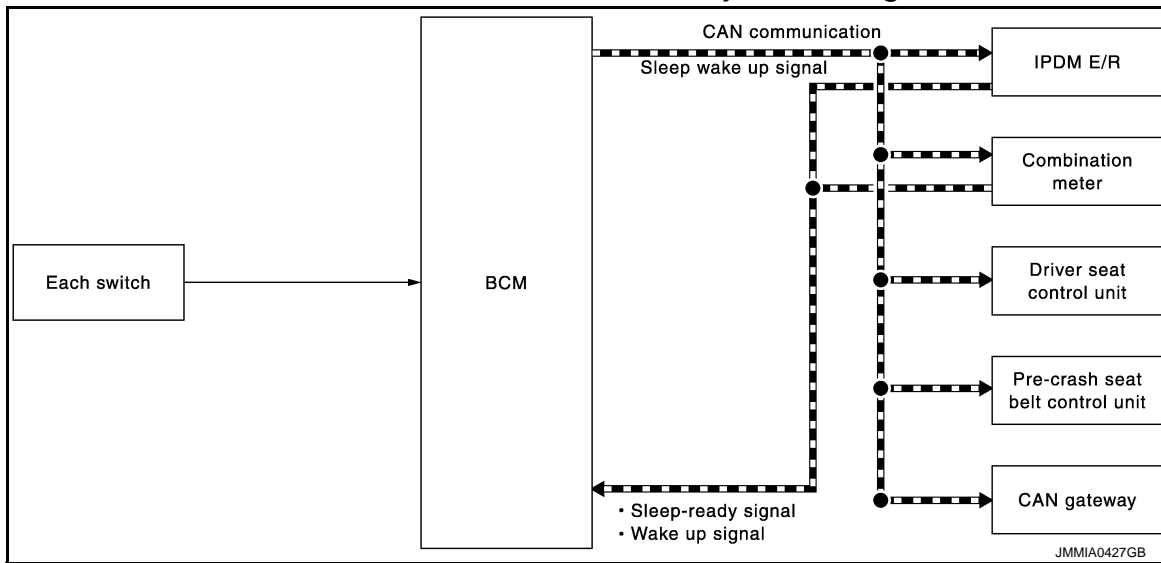
Signal name	Input	Output	Description
<ul style="list-style-type: none"> Ignition switch ON signal Ignition switch signal 	Push-button ignition switch (Push switch)	<ul style="list-style-type: none"> IPDM E/R (CAN) Driver seat control unit (CAN) Pre-crash seat belt control unit (CAN) 	Inputs the push-button ignition switch (push switch) signal and transmits the ignition switch status judged with BCM via CAN communication.
Door switch signal	Any door switch	<ul style="list-style-type: none"> Combination meter (CAN) IPDM E/R (CAN) Driver seat control unit (CAN) Pre-crash seat belt control unit (CAN) 	Inputs the door switch signal and transmits it via CAN communication.
Trunk switch signal	Trunk room lamp switch	Combination meter (CAN)	Inputs the trunk room lamp switch signal and transmits trunk switch signal via CAN communication.
Oil pressure switch signal	IPDM E/R (CAN)	Combination meter (CAN)	Transmits the received oil pressure switch signal via CAN communication.
Stop lamp switch signal	Stop lamp switch	TCM (CAN)	Inputs the stop lamp switch 1 signal and stop lamp switch 2 signal, and transmits it via CAN communication.
Low tire pressure warning lamp signal	Low tire pressure warning control unit (CAN)	Combination meter (CAN)	Transmits the received low tire pressure warning signal via CAN communication.

SYSTEM

< SYSTEM DESCRIPTION >

POWER CONSUMPTION CONTROL SYSTEM

POWER CONSUMPTION CONTROL SYSTEM : System Diagram



POWER CONSUMPTION CONTROL SYSTEM : System Description

INFOID:000000006059528

OUTLINE

- BCM incorporates a power saving control function that reduces the power consumption according to the vehicle status.
- BCM switches the status (control mode) by itself with the power saving control function. It performs the sleep request to each unit (IPDM E/R, combination meter, driver seat control unit, pre-crash seat belt control unit and CAN gateway) that operates with the ignition switch OFF.

Normal mode (wake-up)

- CAN communication is normally performed with other units
- Each control with BCM is operating properly

CAN communication sleep mode (CAN sleep)

- CAN transmission is stopped
- Control with BCM only is operating

Low power consumption mode (BCM sleep)

- Low power consumption control is active
- CAN transmission is stopped

LOW POWER CONSUMPTION CONTROL WITH BCM

BCM reduces the power consumption with the following operation in the low power consumption mode.

- The reading interval of the each switches changes from 10 ms interval to 60 ms interval.

Sleep mode activation

- BCM receives the sleep-ready signal (ready) from IPDM E/R and combination meter via CAN communication.
- BCM transmits the sleep wake up signal (sleep) to each unit when all of the CAN sleep conditions are fulfilled.
- Each unit stops the transmission of CAN communication with the sleep wake up signal. BCM is in CAN communication sleep mode.
- BCM is in the low power consumption mode and perform the low power consumption control when all of the BCM sleep conditions are fulfilled with CAN sleep condition.

A
B
C
D
E
F
G
H
I
J
K
L
N
O
P

BCS

SYSTEM

< SYSTEM DESCRIPTION >

Sleep condition

CAN sleep condition	BCM sleep condition
<ul style="list-style-type: none"> • Receiving the sleep-ready signal (ready) from all units • Ignition switch: OFF • Vehicle security system and panic alarm: Not operation • Warning chime: Not operation • Intelligent Key system buzzer: Not operation • Trunk room lamp switch status: No change • Stop lamp switch: OFF • ICC brake hold relay (with ICC): OFF • Turn signal indicator lamp: Not operation • Exterior lamp: OFF • Door lock status: No change • CONSULT-III communication status: Not communication • Meter display signal: Non-transmission • Door switch status: No change • Rear window defogger: OFF • Driver door lock status: No change 	<ul style="list-style-type: none"> • Interior room lamp battery saver: Time out • RAP system: OFF • Infiniti Vehicle Immobilizer System (IVIS) - NATS: Not operation • Remote keyless entry receiver communication status: No communication • LOCK indicator lamp: Not operation • ACC indicator lamp: Not operation • ON indicator lamp: Not operation

Wake-up operation

- BCM transmits sleep wake up signal (wake up) to each unit when any condition listed below is established, and then goes into normal mode from low power consumption mode.
- Each unit starts transmissions with CAN communication by receiving sleep wake up signals. Each unit transmit wake up signals to BCM with CAN communication to convey the start of CAN communication.

Wake-up condition

Wake-up condition
<ul style="list-style-type: none"> • Receiving the sleep-ready signal (Not-ready) from any units • Push-button ignition switch (push switch): OFF → ON • Hazard switch: ON • HI BEAM switch: OFF → ON, ON → OFF • PASSING switch: OFF → ON, ON → OFF • HEADLAMP 1 switch: OFF → ON, ON → OFF • HEADLAMP 2 switch: OFF → ON, ON → OFF • TAIL LAMP switch: OFF → ON • FR FOG switch: OFF → ON, ON → OFF • TURN RH: OFF → ON, ON → OFF • TURN LH: OFF → ON, ON → OFF • Driver door switch: OFF → ON, ON → OFF • Passenger door switch: OFF → ON, ON → OFF • Rear RH door switch: OFF → ON, ON → OFF • Rear LH door switch: OFF → ON, ON → OFF • Trunk room lamp switch: OFF → ON, ON → OFF • Driver door request switch: OFF → ON • Passenger door request switch: OFF → ON • Trunk lid opener request switch: OFF → ON • Trunk lid opener switch: OFF → ON • Stop lamp switch: ON • ICC brake hold relay (with ICC): ON • Remote keyless entry receiver communication: Receiving • Front door lock assembly (driver side) (unlock sensor): OFF → ON, ON → OFF

DIAGNOSIS SYSTEM (BCM)

< SYSTEM DESCRIPTION >

DIAGNOSIS SYSTEM (BCM)

COMMON ITEM

COMMON ITEM : CONSULT-III Function (BCM - COMMON ITEM)

INFOID:000000006059529

APPLICATION ITEM

CONSULT-III performs the following functions via CAN communication with BCM.

Diagnosis mode	Function Description
Work Support	Changes the setting for each system function.
Self Diagnostic Result	Displays the diagnosis results judged by BCM.
CAN Diag Support Monitor	Monitors the reception status of CAN communication viewed from BCM. Refer to CONSULT-III operation manual.
Data Monitor	The BCM input/output signals are displayed.
Active Test	The signals used to activate each device are forcibly supplied from BCM.
Ecu Identification	The BCM part number is displayed.
Configuration	<ul style="list-style-type: none"> Read and save the vehicle specification. Write the vehicle specification when replacing BCM.

SYSTEM APPLICATION

BCM can perform the following functions for each system.

NOTE:

It can perform the diagnosis modes except the following for all sub system selection items.

x: Applicable item

System	Sub system selection item	Diagnosis mode		
		Work Support	Data Monitor	Active Test
Door lock	DOOR LOCK	x	x	x
Rear window defogger	REAR DEFOGGER		x	x
Warning chime	BUZZER		x	x
Interior room lamp timer	INT LAMP	x	x	x
Exterior lamp	HEAD LAMP	x	x	x
Wiper and washer	WIPER	x	x	x
Turn signal and hazard warning lamps	FLASHER	x	x	x
—	AIR CONDITONER*		x	x
<ul style="list-style-type: none"> Intelligent Key system Engine start system 	INTELLIGENT KEY	x	x	x
Combination switch	COMB SW		x	
Body control system	BCM	x		
IVIS - NATS	IMMU	x	x	x
Interior room lamp battery saver	BATTERY SAVER	x	x	x
Trunk lid open	TRUNK		x	
Vehicle security system	THEFT ALM	x	x	x
RAP system	RETAINED PWR		x	
Signal buffer system	SIGNAL BUFFER		x	x

*: This item is not used.

FREEZE FRAME DATA (FFD)

The BCM records the following vehicle condition at the time a particular DTC is detected, and displays on CONSULT-III.

DIAGNOSIS SYSTEM (BCM)

< SYSTEM DESCRIPTION >

CONSULT screen item	Indication/Unit	Description	
Vehicle Speed	km/h	Vehicle speed of the moment a particular DTC is detected	
Odo/Trip Meter	km	Total mileage (Odometer value) of the moment a particular DTC is detected	
Vehicle Condition	SLEEP>LOCK	Power position status of the moment a particular DTC is detected	While turning BCM status from low power consumption mode to normal mode (Power supply position is "LOCK")
	SLEEP>OFF		While turning BCM status from low power consumption mode to normal mode (Power supply position is "OFF".)
	LOCK>ACC		While turning power supply position from "LOCK" to "ACC"
	ACC>ON		While turning power supply position from "ACC" to "IGN"
	RUN>ACC		While turning power supply position from "RUN" to "ACC" (Vehicle is stopping and selector lever is except P position.)
	CRANK>RUN		While turning power supply position from "CRANKING" to "RUN" (From cranking up the engine to run it)
	RUN>URGENT		While turning power supply position from "RUN" to "ACC" (Emergency stop operation)
	ACC>OFF		While turning power supply position from "ACC" to "OFF"
	OFF>LOCK		While turning power supply position from "OFF" to "LOCK"
	OFF>ACC		While turning power supply position from "OFF" to "ACC"
	ON>CRANK		While turning power supply position from "IGN" to "CRANKING"
	OFF>SLEEP		While turning BCM status from normal mode (Power supply position is "OFF".) to low power consumption mode
	LOCK>SLEEP		While turning BCM status from normal mode (Power supply position is "LOCK".) to low power consumption mode
	LOCK		Power supply position is "LOCK" (Ignition switch OFF with steering is locked.)
	OFF		Power supply position is "OFF" (Ignition switch OFF with steering is unlocked.)
	ACC		Power supply position is "ACC" (Ignition switch ACC)
	ON		Power supply position is "IGN" (Ignition switch ON with engine stopped)
ENGINE RUN	Power supply position is "RUN" (Ignition switch ON with engine running)		
CRANKING	Power supply position is "CRANKING" (At engine cranking)		
IGN Counter	0 - 39	<p>The number of times that ignition switch is turned ON after DTC is detected</p> <ul style="list-style-type: none"> • The number is 0 when a malfunction is detected now. • The number increases like 1 → 2 → 3...38 → 39 after returning to the normal condition whenever ignition switch OFF → ON. • The number is fixed to 39 until the self-diagnosis results are erased if it is over 39. 	

DOOR LOCK

DOOR LOCK : CONSULT-III Function (BCM - DOOR LOCK)

INFOID:000000006134053

BCM CONSULT-III FUNCTION

CONSULT-III performs the following functions via CAN communication with BCM.

WORK SUPPORT

DIAGNOSIS SYSTEM (BCM)

< SYSTEM DESCRIPTION >

Monitor item	Description
DOOR LOCK-UNLOCK SET	Selective unlock function mode can be changed to operation with this mode <ul style="list-style-type: none"> • On: Operate • Off: Non-operation
AUTOMATIC DOOR LOCK SELECT	Automatic door lock function mode can be selected from the following in this mode <ul style="list-style-type: none"> • VH SPD: All doors are locked when vehicle speed more than 24 km/h (15MPH) • P RANGE: All doors are locked when shifting the selector lever from P position to other than the P position
AUTOMATIC DOOR UNLOCK SELECT	Automatic door unlock function mode can be selected from the following in the mode <ul style="list-style-type: none"> • MODE 1: All doors are unlocked when the power supply position is changed from ON to OFF • MODE 2: All doors are unlocked when shifting the selector lever from any position other than the P to P position • MODE 3: Driver side door is unlocked when the power supply position is changed from ON to OFF • MODE 4: Driver side door is unlocked when shifting the selector lever from any position other than the P to P position • MODE 5: This item is displayed, but cannot be used • MODE 6: This item is displayed, but cannot be used
AUTOMATIC LOCK/UNLOCK SET	Automatic door lock/unlock function mode can be selected from the following in this mode <ul style="list-style-type: none"> • Off: Non-operational • Unlock Only: Door unlock operation only • Lock Only: Door lock operation only • Lock/Unlock: Lock and unlock operation

DATA MONITOR

Monitor Item	Contents
REQ SW-DR	Indicated [On/Off] condition of door request switch (driver side)
REQ SW-AS	Indicated [On/Off] condition of door request switch (passenger side)
REQ SW-BD/TR	Indicated [On/Off] condition of trunk lid opener request switch
DOOR SW-DR	Indicated [On/Off] condition of front door switch (driver side)
DOOR SW-AS	Indicated [On/Off] condition of front door switch (passenger side)
DOOR SW-RR	Indicated [On/Off] condition of rear door switch RH
DOOR SW-RL	Indicated [On/Off] condition of rear door switch LH
DOOR SW-BK	NOTE: This item is displayed, but cannot be monitored
CDL LOCK SW	Indicated [On/Off] condition of lock signal from door lock unlock switch
CDL UNLOCK SW	Indicated [On/Off] condition of unlock signal from door lock unlock switch
KEY CYL LK-SW	Indicated [On/Off] condition of lock signal from door key cylinder switch
KEY CYL UN-SW	Indicated [On/Off] condition of unlock signal from door key cylinder switch

ACTIVE TEST

Test item	Description
DOOR LOCK	This test is able to check door lock/unlock operation <ul style="list-style-type: none"> • The all door lock actuators are locked when "ALL LOCK" on CONSULT-III screen is touched • The all door lock actuators are unlocked when "ALL UNLK" on CONSULT-III screen is touched • The front door lock actuator (driver side) is unlocked when "DR UNLK" on CONSULT-III screen is touched • The front door lock actuator (passenger side) is unlocked when "AS UNLK" on CONSULT- III screen is touched • The door lock actuator (other) is unlocked when "OTR ULK" on CONSULT-III screen is touched

REAR WINDOW DEFOGGER

DIAGNOSIS SYSTEM (BCM)

< SYSTEM DESCRIPTION >

REAR WINDOW DEFOGGER : CONSULT-III Function (BCM - REAR DEFOGGER)

INFOID:000000006134059

Data monitor

Monitor Item	Description
REAR DEF SW	This is displayed even when it is not equipped.
PUSH SW	Indicates [ON/OFF] condition of push switch.

ACTIVE TEST

Test Item	Description
REAR DEFOGGER	This test is able to check rear window defogger operation. Rear window defogger operates when "ON" on CONSULT-III screen is touched.

BUZZER

BUZZER : CONSULT-III Function (BCM - BUZZER)

INFOID:000000006134065

CONSULT-III APPLICATION ITEMS

Test item	Diagnosis mode	Description
BUZZER	Data Monitor	Displays BCM input data in real time.
	Active Test	Operation of electrical loads can be checked by sending driving signal to them.

DATA MONITOR

Display item [Unit]	Description
PUSH SW [On/Off]	Status of push-button ignition switch judged by BCM.
UNLK SEN-DR [On/Off]	Status of unlock sensor judged by BCM.
VEH SPEED 1 [km/h]	Value of vehicle speed signal received from combination meter with CAN communication line.
TAIL LAMP SW [On/Off]	Status of lighting switch judged by BCM using the combination switch readout function.
FR FOG SW [On/Off]	Status of front fog lamp switch judged by BCM using the combination switch readout function.
DOOR SW-DR [On/Off]	Status of driver side door switch judged by BCM.
CDL LOCK SW [On/Off]	Status of door lock unlock switch judged by BCM.

ACTIVE TEST

Display item [Unit]	Description
SEAT BELT WARN TEST	The seat belt warning chime operation can be checked by operating the relevant function (On/Off).
LIGHT WARN ALM	The light warning chime operation can be checked by operating the relevant function (On/Off).

INT LAMP

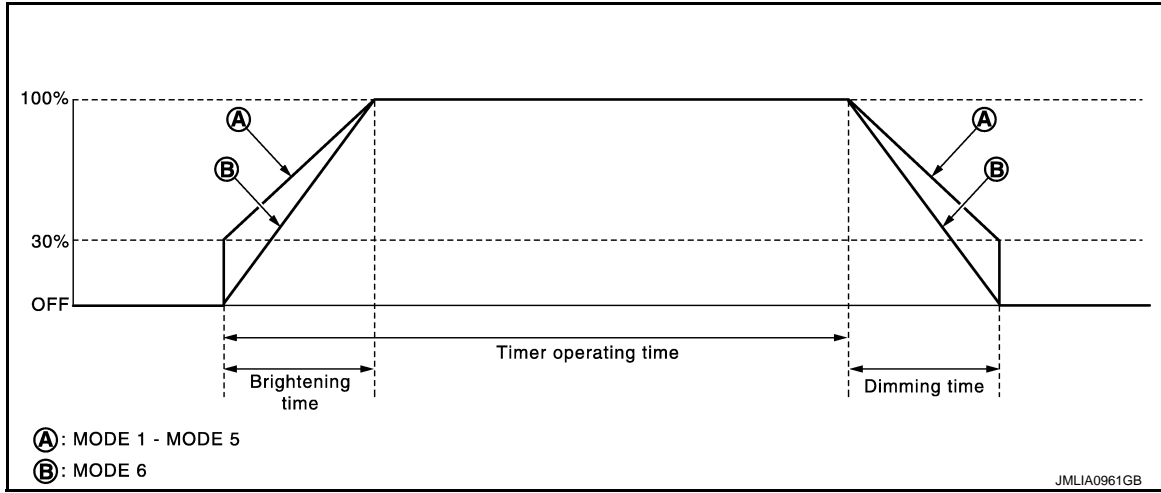
DIAGNOSIS SYSTEM (BCM)

< SYSTEM DESCRIPTION >

INT LAMP : CONSULT-III Function (BCM - INT LAMP)

INFOID:000000006134060

WORK SUPPORT



Service item	Setting item	Setting
SET I/L D-UNLCK INTCON	On*	With the interior room lamp timer function
	Off	Without the interior room lamp timer function
ROOM LAMP TIMER SET	MODE 2	7.5 sec.
	MODE 3*	15 sec.
	MODE 4	30 sec.
ROOM LAMP ON TIME SET	MODE 1	0.5 sec.
	MODE 2	1 sec.
	MODE 3	2 sec.
	MODE 4	3 sec.
	MODE 5	0 sec.
	MODE 6*	Gradually brightens from 0% to 100% brightness in 1 second.
ROOM LAMP OFF TIME SET	MODE 1	0.5 sec.
	MODE 2	1 sec.
	MODE 3	2 sec.
	MODE 4	3 sec.
	MODE 5	0 sec.
	MODE 6*	Gradually dims from 100% to 0% in 1 second.
R LAMP TIMER LOGIC SET	MODE 1*	Interior room lamp timer activates with synchronizing all doors.
	MODE 2	Interior room lamp timer activates with synchronizing the driver door only.

*: Factory setting

DATA MONITOR

Monitor item [Unit]	Description
REQ SW-DR [On/Off]	The switch status input from request switch (driver side)
REQ SW-AS [On/Off]	The switch status input from request switch (passenger side)

DIAGNOSIS SYSTEM (BCM)

< SYSTEM DESCRIPTION >

Monitor item [Unit]	Description
REQ SW-RR [On/Off]	NOTE: The item is indicated, but not monitored.
REQ SW-RL [On/Off]	
PUSH SW [On/Off]	Push switch status received from Intelligent Key unit via CAN communication
UNLK SEN -DR [On/Off]	Driver door unlock status input from unlock sensor
DOOR SW-DR [On/Off]	The switch status input from front door switch (driver side)
DOOR SW-AS [On/Off]	The switch status input from front door switch (passenger side)
DOOR SW-RR [On/Off]	The switch status input from rear door switch RH
DOOR SW- RL [On/Off]	The switch status input from rear door switch LH
DOOR SW- BK [On/Off]	NOTE: The item is indicated, but not monitored.
CDL LOCK SW [On/Off]	Lock switch status input from door lock and unlock switch
CDL UNLOCK SW [On/Off]	Unlock switch status input from door lock and unlock switch
KEY CYL LK-SW [On/Off]	Lock switch status received from key cylinder lock/unlock switch
KEY CYL UN-SW [On/Off]	Unlock switch status received from key cylinder lock/unlock switch
TRNK/HAT MNTR [On/Off]	The switch status input from trunk room lamp switch
RKE-LOCK [On/Off]	Lock signal status received from remote keyless entry receiver
RKE-UNLOCK [On/Off]	Unlock signal status received from remote keyless entry receiver

ACTIVE TEST

Test item	Operation	Description
INT LAMP	On	Outputs the interior room lamp control signal to turn the interior room lamps ON. [Map lamp, personal lamp, foot lamp (when applicable lamps switch is in DOOR position.)]
	Off	Stops the interior room lamp control signal to turn the interior room lamps OFF.
STEP LAMP TEST	On	Outputs the step lamp control signal to turn the step lamps ON.
	Off	Stops the step lamp control signal to turn the step lamps ON.

HEADLAMP

HEADLAMP : CONSULT-III Function (BCM - HEAD LAMP)

INFOID:000000006134062

WORK SUPPORT

DIAGNOSIS SYSTEM (BCM)

< SYSTEM DESCRIPTION >

Service item	Setting item	Setting
CUSTOM A/LIGHT SETTING	MODE 1*	Normal
	MODE 2	More sensitive setting than normal setting (Turns ON earlier than normal operation.)
	MODE 3	More sensitive setting than MODE 2 (Turns ON earlier than MODE 2.)
	MODE 4	Less sensitive setting than normal setting (Turns ON later than normal operation.)
AUTO LIGHT LOGIC SET*	MODE 1*	With twilight ON custom & with wiper INT, LO and HI
	MODE 2	With twilight ON custom & with wiper LO and HI
	MODE 3	With twilight ON custom & without
	MODE 4	Without twilight ON custom & with wiper INT, LO and HI
	MODE 5	Without twilight ON custom & with wiper LO and HI
	MODE 6	Without twilight ON custom & without
BATTERY SAVER SET	On*	With the exterior lamp battery saver function
	Off	Without the exterior lamp battery saver function
ILL DELAY SET	MODE 1*	45 sec.
	MODE 2	Without the function
	MODE 3	30 sec.
	MODE 4	60 sec.
	MODE 5	90 sec.
	MODE 6	120 sec.
	MODE 7	150 sec.
	MODE 8	180 sec.

*: Factory setting

*: For models with daytime running light system, this item is not displayed.

DATA MONITOR

Monitor item [Unit]	Description
PUSH SW [On/Off]	The switch status input from push-button ignition switch
ENGINE STATE [Stop/Stall/Crank/Run]	The engine status received from ECM via CAN communication
VEH SPEED 1 [km/h]	The value of the vehicle speed received from combination meter via CAN communication

A
B
C
D
E
F
G
H
I
J
K
L
N
O
P

BCS

DIAGNOSIS SYSTEM (BCM)

< SYSTEM DESCRIPTION >

Monitor item [Unit]	Description
TURN SIGNAL R [On/Off]	Each switch status that BCM judges from the combination switch reading function
TURN SIGNAL L [On/Off]	
TAIL LAMP SW [On/Off]	
HI BEAM SW [On/Off]	
HEAD LAMP SW1 [On/Off]	
HEAD LAMP SW2 [On/Off]	
PASSING SW [On/Off]	
AUTO LIGHT SW [On/Off]	
FR FOG SW [On/Off]	
RR FOG SW [On/Off]	NOTE: The item is indicated, but not monitored.
DOOR SW-DR [On/Off]	The switch status input from front door switch (driver side)
DOOR SW-AS [On/Off]	The switch status input from front door switch (passenger side)
DOOR SW-RR [On/Off]	The switch status input from rear door switch RH
DOOR SW- RL [On/Off]	The switch status input from rear door switch LH
DOOR SW-BK [On/Off]	NOTE: The item is indicated, but not monitored.
OPTICAL SENSOR [On/Off]	The sensor status input from optical sensor
OPTICAL SEN (DTCT) [V]	The value of outside brightness voltage input from the optical sensor
OPTICAL SEN (FLIT) [V]	The sensor outside brightness voltage filtered by BCM.

ACTIVE TEST

Test item	Operation	Description
TAIL LAMP	On	Transmits the position light request signal to IPDM E/R via CAN communication to turn the tail lamp ON.
	Off	Stops the tail lamp request signal transmission.
HEAD LAMP	Hi	Transmits the high beam request signal via CAN communication to turn the headlamp (HI).
	Low	Transmits the low beam request signal via CAN communication to turn the headlamp (LO).
	Off	Stops the high & low beam request signal transmission.
FR FOG LAMP	On	Transmits the front fog lights request signal to IPDM E/R via CAN communication to turn the front fog lamp ON.
	Off	Stops the front fog lights request signal transmission.

DIAGNOSIS SYSTEM (BCM)

< SYSTEM DESCRIPTION >

Test item	Operation	Description
RR FOG LAMP	On	NOTE: The item is indicated, but cannot be tested.
	Off	
DAYTIME RUNNING LIGHT*	On	Transmits the daytime running light request signal via CAN communication to turn the headlamp (LO), parking, license plate, side marker and tail lamps ON.
	Off	Stop the daytime running light request signal transmission.
ILL DIM SIGNAL	On	<ul style="list-style-type: none"> Transmits the dimmer signal to combination meter via CAN communication and dims combination meter. Transmits the dimmer signal to AV control unit and dims display.
	Off	Stops the dimmer signal transmission.

*: For models without daytime running light system, This item is displayed but active test is not operated.

WIPER

WIPER : CONSULT-III Function (BCM - WIPER)

INFOID:000000006134064

WORK SUPPORT

Service item	Setting item	Description	
RAIN SEN WIP FUNC SET	On*	With rain sensor (Front wiper intermittent time linked with the rain sensor, vehicle speed, and AUTO dial position)	The setting of front wiper AUTO operation can be changed
	Off	Without rain sensor (Front wiper intermittent time linked with the vehicle speed and AUTO dial position)	
DROP WIPE FUNC SET	MODE1	Front wiper drop wipe OFF	The setting of drop wipe operation can be changed
	MODE2*	Front wiper drop wipe ON	
	MODE3	The same setting as MODE1	
	MODE4	The same setting as MODE2	

*: Factory setting

DATA MONITOR

Monitor Item [Unit]	Description
PUSH SW [Off/On]	The switch status input from push-button ignition switch.
VEH SPEED 1 [km/h]	Displays the value of the vehicle speed signal received from combination meter via CAN communication.
FR WIPER HI [Off/On]	Status of each switch judged by BCM using the combination switch reading function
FR WIPER LOW [Off/On]	
FR WASHER SW [Off/On]	
FR WIPER INT [Off/On]	
FR WIPER STOP [Off/On]	Displays the status of the front wiper position signal received from IPDM E/R via CAN communication.
INT VOLUME [1 - 7]	Status of each switch judged by BCM using the combination switch reading function

DIAGNOSIS SYSTEM (BCM)

< SYSTEM DESCRIPTION >

Monitor Item [Unit]	Description
H/L WASH SW [Off/On]	NOTE: This item is indicated, but not monitored
RAIN SENSOR [OFF/LOW/HIGH/SPLASH/NG]	Request signal from rain sensor detected by BCM is displayed

ACTIVE TEST

Test item	Operation	Description
FR WIPER	Hi	Transmits the front wiper request signal (HI) to IPDM E/R via CAN communication to operate the front wiper HI operation.
	Lo	Transmits the front wiper request signal (LO) to IPDM E/R via CAN communication to operate the front wiper LO operation.
	INT	Transmits the front wiper request signal (INT) to IPDM E/R via CAN communication to operate the front wiper INT operation.
	Off	Stops transmitting the front wiper request signal to stop the front wiper operation.

FLASHER

FLASHER : CONSULT-III Function (BCM - FLASHER)

INFOID:000000006134063

WORK SUPPORT

Service item	Setting item	Setting
HAZARD ANSWER BACK	Lock Only	With locking only
	Unlock Only	With unlocking only
	Lock&Unlock*	With locking/unlocking
	Off	Without the function
		Sets the hazard warning lamp answer back function when the door is lock/unlock with the request switch or the key fob.

*: Factory setting

DATA MONITOR

Monitor item [Unit]	Description
REQ SW-DR [On/Off]	The switch status input from the request switch (driver side)
REQ SW-AS [On/Off]	The switch status input from the request switch (passenger side)
PUSH SW [On/Off]	The switch status input from the push-button ignition switch
TURN SIGNAL R [On/Off]	Each switch status that BCM detects from the combination switch reading function
TURN SIGNAL L [On/Off]	
HAZARD SW [On/Off]	The switch status input from the hazard switch
RKE-LOCK [On/Off]	Lock signal status received from the remote keyless entry receiver
RKE-UNLOCK [On/Off]	Unlock signal status received from the remote keyless entry receiver
RKE-PANIC [On/Off]	Panic alarm signal status received from the remote keyless entry receiver

ACTIVE TEST

DIAGNOSIS SYSTEM (BCM)

< SYSTEM DESCRIPTION >

Test item	Operation	Description
FLASHER	RH	Outputs the voltage to blink the right side turn signal lamps.
	LH	Outputs the voltage to blink the left side turn signal lamps.
	Off	Stops the voltage to turn the turn signal lamps OFF.

INTELLIGENT KEY

INTELLIGENT KEY : CONSULT-III Function (BCM - INTELLIGENT KEY)

INFOID:000000006134054

WORK SUPPORT

Monitor item	Description
INSIDE ANT DIAGNOSIS	This function allows inside key antenna self-diagnosis
LOCK/UNLOCK BY I-KEY	Door lock/unlock function by door request switch mode can be changed to operation in this mode <ul style="list-style-type: none"> On: Operate Off: Non-operation
ENGINE START BY I-KEY	Engine start function mode can be changed to operation with this mode <ul style="list-style-type: none"> On: Operate Off: Non-operation
TRUNK/GLASS HATCH OPEN	Buzzer reminder function mode by trunk lid opener request switch and Intelligent Key can be changed to operation with this mode <ul style="list-style-type: none"> On: Operate Off: Non-operation
PANIC ALARM SET	Panic alarm button pressing time on Intelligent Key remote control button can be selected from the following with this mode <ul style="list-style-type: none"> MODE 1: 0.5 sec MODE 2: Non-operation MODE 3: 1.5 sec
TRUNK OPEN DELAY	Trunk button pressing on Intelligent Key can be selected as per the following in this mode. <ul style="list-style-type: none"> MODE 1: Press and hold MODE 2: Press twice MODE 3: Press and hold, or press twice
LO- BATT OF KEY FOB WARN	Intelligent Key low battery warning mode can be changed to operation with this mode <ul style="list-style-type: none"> On: Operate Off: Non-operation
ANTI KEY LOCK IN FUNCTI	Key reminder function mode can be changed to operation with this mode <ul style="list-style-type: none"> On: Operate Off: Non-operation
HAZARD ANSWER BACK	Hazard reminder function mode by door request switch and Intelligent Key button can be selected from the following with this mode <ul style="list-style-type: none"> Lock Only: Door lock operation only Unlock Only: Door unlock operation only Lock/Unlock: Lock and unlock operation Off: Non-operation
ANS BACK I-KEY LOCK	Buzzer reminder function (lock operation) mode by door request switch can be selected from the following with this mode <ul style="list-style-type: none"> Horn Chirp: Sound horn Buzzer: Sound Intelligent Key warning buzzer Off: Non-operation
ANS BACK I-KEY UNLOCK	Buzzer reminder function (unlock operation) mode by door request switch can be changed to operation with this mode <ul style="list-style-type: none"> On: Operate Off: Non-operation
SHORT CRANKING OUTPUT	Starter motor can operate during the times below <ul style="list-style-type: none"> 70 msec 100 msec 200 msec

DIAGNOSIS SYSTEM (BCM)

< SYSTEM DESCRIPTION >

Monitor item	Description
CONFIRM KEY FOB ID	It can be checked whether Intelligent Key ID code is registered or not in this mode
AUTO LOCK SET	Auto door lock operation time can be changed in this mode <ul style="list-style-type: none"> • MODE 1: OFF • MODE 2: 30 sec • MODE 3: 1 minute • MODE 4: 2 minutes • MODE 5: 3 minutes • MODE 6: 4 minutes • MODE 7: 5 minutes
HORN WITH KEYLESS LOCK	Horn reminder function mode by Intelligent Key button can be selected from the following with this mode <ul style="list-style-type: none"> • On: Operate • Off: Non-operation
PW DOWN SET	Unlock button pressing time on Intelligent Key button can be selected from the following with this mode <ul style="list-style-type: none"> • MODE 1: 3 sec • MODE 2: Non-operation • MODE 3: 5 sec
WELCOME LIGHT SELECT	Welcome light function mode can be selected from the following with this mode <ul style="list-style-type: none"> • Puddle/Outside Handle • Room lamp • Head & Tail Lamps (this item is displayed, but cannot be used) • Heart Beat
WELCOME LIGHT OP SET	Welcome light function mode can be changed to operation with this mode <ul style="list-style-type: none"> • On: Operate • Off: Non-operation
INTELLIGENT KEY SETUP	Intelligent Key interlock function mode can be changed to operation with this mode <ul style="list-style-type: none"> • On: Operate • Off: Non-operation

SELF-DIAG RESULT

Refer to [BCS-55, "DTC Index"](#).

DATA MONITOR

Monitor Item	Condition
REQ SW -DR	Indicates [On/Off] condition of door request switch (driver side)
REQ SW -AS	Indicates [On/Off] condition of door request switch (passenger side)
REQ SW -BD/TR	Indicates [On/Off] condition of trunk lid opener request switch
PUSH SW	Indicates [On/Off] condition of push-button ignition switch
CLUTCH SW	NOTE: This item is displayed, but cannot be monitored
BRAKE SW 1	Indicates [On/Off]* condition of stop lamp switch power supply
BRAKE SW 2	Indicates [On/Off] condition of stop lamp switch
DETE/CANCL SW	Indicates [On/Off] condition of P position
SFT PN/N SW	Indicates [On/Off] condition of P or N position
S/L -LOCK	Indicates [On/Off] condition of steering lock unit (LOCK)
S/L -UNLOCK	Indicates [On/Off] condition of steering lock unit (UNLOCK)
S/L RELAY -F/B	Indicates [On/Off] condition of steering lock relay
UNLK SEN -DR	Indicates [On/Off] condition of driver door UNLOCK status
PUSH SW -IPDM	Indicates [On/Off] condition of push-button ignition switch
IGN RLY1 -F/B	Indicates [On/Off] condition of ignition relay 1
DETE SW -IPDM	Indicates [On/Off] condition of P position
SFT PN -IPDM	Indicates [On/Off] condition of P or N position

DIAGNOSIS SYSTEM (BCM)

< SYSTEM DESCRIPTION >

Monitor Item	Condition
SFT P -MET	Indicates [On/Off] condition of P position
SFT N -MET	Indicates [On/Off] condition of N position
ENGINE STATE	Indicates [Stop/Stall/Crank/Run] condition of engine states
S/L LOCK-IPDM	Indicates [On/Off] condition of steering lock unit (LOCK)
S/L UNLK-IPDM	Indicates [On/Off] condition of steering lock unit (UNLOCK)
S/L RELAY-REQ	Indicates [On/Off] condition of steering lock relay
VEH SPEED 1	Display the vehicle speed signal received from combination meter by numerical value [Km/h]
VEH SPEED 2	Display the vehicle speed signal received from ABS or VDC or TCM by numerical value [Km/h]
DOOR STAT-DR	Indicates [LOCK/READY/UNLK] condition of driver side door status
DOOR STAT-AS	Indicates [LOCK/READY/UNLK] condition of passenger side door status
ID OK FLAG	Indicates [Set/Reset] condition of key ID
PRMT ENG STRT	Indicates [Set/Reset] condition of engine start possibility
PRMT RKE STRT	NOTE: This item is displayed, but cannot be monitored
TRNK/HAT MNTR	Indicates [On/Off] condition of trunk room lamp switch
RKE-LOCK	Indicates [On/Off] condition of LOCK signal from Intelligent Key
RKE-UNLOCK	Indicates [On/Off] condition of UNLOCK signal from Intelligent Key
RKE-TR/BD	Indicates [On/Off] condition of trunk open signal from Intelligent Key
RKE-PANIC	Indicates [On/Off] condition of panic alarm button of Intelligent Key
RKE-MODE CHG	Indicates [On/Off] condition of MODE CHANGE signal from Intelligent Key
RKE OPE COUN1	When remote keyless entry receiver receives the signal transmitted while operating on Intelligent Key, the numerical value start changing
RKE OPE COUN2	NOTE: This item is displayed, but cannot be monitored

*: OFF is displayed when brake pedal is depressed while brake switch power supply is OFF.

ACTIVE TEST

Test item	Description
BATTERY SAVER	This test is able to check interior room lamp operation <ul style="list-style-type: none"> • On: Operate • Off: Non-operation
OUTSIDE BUZZER	This test is able to check Intelligent Key warning buzzer operation <ul style="list-style-type: none"> • On: Operate • Off: Non-operation
INSIDE BUZZER	This test is able to check warning chime in combination meter operation <ul style="list-style-type: none"> • Take Out: Take away warning chime sounds when CONSULT-III screen is touched • Key: Key warning chime sounds when CONSULT-III screen is touched • Knob: OFF position warning chime sounds when CONSULT-III screen is touched • Off: Non-operation
INDICATOR	This test is able to check warning lamp operation <ul style="list-style-type: none"> • KEY ON: "KEY" Warning lamp illuminates when CONSULT-III screen is touched • KEY IND: "KEY" Warning lamp blinks when CONSULT-III screen is touched • Off: Non-operation
INT LAMP	This test is able to check interior room lamp operation <ul style="list-style-type: none"> • On: Operate • Off: Non-operation

DIAGNOSIS SYSTEM (BCM)

< SYSTEM DESCRIPTION >

Test item	Description
LCD	<p>This test is able to check meter display information</p> <ul style="list-style-type: none"> • Engine start information displays when "BP N" on CONSULT-III screen is touched • Engine start information displays when "BP I" on CONSULT-III screen is touched • Key ID warning displays when "ID NG" on CONSULT-III screen is touched • Steering lock information displays when "ROTAT" on CONSULT-III screen is touched • P position warning displays when "SFT P" on CONSULT-III screen is touched • INSR: This item is displayed, but cannot be monitored • BATT: This item is displayed, but cannot be monitored • Take away through window warning displays when "NO KY" on CONSULT-III screen is touched • Take away warning display when "OUTKEY" on CONSULT-III screen is touched • OFF position warning display when "LK WN" on CONSULT-III screen is touched
FLASHER	<p>This test is able to check hazard warning lamp operation</p> <p>The hazard warning lamps are activated after "LH/RH/Off" on CONSULT-III screen is touched</p>
P RANGE	<p>This test is able to check AT shift selector power supply</p> <ul style="list-style-type: none"> • On: Operate • Off: Non-operation
ENGINE SW ILLUMI	<p>This test is able to check push-ignition switch illumination operation</p> <p>Push-ignition switch illumination illuminates when "ON" on CONSULT-III screen is touched</p>
LOCK INDICATOR	<p>This test is able to check LOCK indicator (push-button ignition switch) operation</p> <ul style="list-style-type: none"> • On: Operate • Off: Non-operation
ACC INDICATOR	<p>This test is able to check ACC indicator (push-button ignition switch) operation</p> <ul style="list-style-type: none"> • On: Operate • Off: Non-operation
IGNITION ON IND	<p>This test is able to check ON indicator (push-button ignition switch) operation</p> <ul style="list-style-type: none"> • On: Operate • Off: Non-operation
HORN	<p>This test is able to check horn operation</p> <ul style="list-style-type: none"> • On: Operate • Off: Non-operation
TRUNK/BACK DOOR	<p>This test is able to check trunk lid open operation</p> <ul style="list-style-type: none"> • Open: Operate
INTELLIGENT KEY LINK	<p>This test is able to check Intelligent Key interlock function</p> <ul style="list-style-type: none"> • ID No1: BCM transmits Intelligent Key ID No1 to each control unit • ID No2: BCM transmits Intelligent Key ID No2 to each control unit
INTELLIGENT KEY LINK (CAN)	<p>This test is able to check Intelligent Key interlock function</p> <ul style="list-style-type: none"> • Off: Non-operation • ID No1: BCM transmits Intelligent Key ID No1 to each control unit via CAN communication line • ID No2: BCM transmits Intelligent Key ID No2 to each control unit via CAN communication line • ID No3: BCM transmits Intelligent Key ID No3 to each control unit via CAN communication line • ID No4: BCM transmits Intelligent Key ID No4 to each control unit via CAN communication line • ID No5: This item is displayed, but cannot be used

COMB SW

COMB SW : CONSULT-III Function (BCM - COMB SW)

INFOID:000000006059530

DATA MONITOR

Monitor item [UNIT]	Description
FR WIPER HI [Off/On]	Displays the status of the FR WIPER HI switch in combination switch judged by BCM with the combination switch reading function.
FR WIPER LOW [Off/On]	Displays the status of the FR WIPER LOW switch in combination switch judged by BCM with the combination switch reading function.

DIAGNOSIS SYSTEM (BCM)

< SYSTEM DESCRIPTION >

Monitor item [UNIT]	Description
FR WASHER SW [Off/On]	Displays the status of the FR WASHER switch in combination switch judged by BCM with the combination switch reading function.
FR WIPER INT [Off/On]	Displays the status of the FR WIPER AUTO switch in combination switch judged by BCM with the combination switch reading function.
INT VOLUME [1 - 7]	Displays the status of wiper volume dial position judged by BCM with the combination switch reading function.
TURN SIGNAL R [Off/On]	Displays the status of the TURN RH switch in combination switch judged by BCM with the combination switch reading function.
TURN SIGNAL L [Off/On]	Displays the status of the TURN LH switch in combination switch judged by BCM with the combination switch reading function.
TAIL LAMP SW [Off/On]	Displays the status of the TAIL LAMP switch in combination switch judged by BCM with the combination switch reading function.
HI BEAM SW [Off/On]	Displays the status of the HI BEAM switch in combination switch judged by BCM with the combination switch reading function.
HEAD LAMP SW 1 [Off/On]	Displays the status of the HEADLAMP 1 switch in combination switch judged by BCM with the combination switch reading function.
HEAD LAMP SW 2 [Off/On]	Displays the status of the HEADLAMP 2 switch in combination switch judged by BCM with the combination switch reading function.
PASSING SW [Off/On]	Displays the status of the PASSING switch in combination switch judged by BCM with the combination switch reading function.
AUTO LIGHT SW [Off/On]	Displays the status of the AUTO LIGHT switch in combination switch judged by BCM with the combination switch reading function.
FR FOG SW [Off/On]	Displays the status of the FR FOG switch in combination switch judged by BCM with the combination switch reading function.
RR FOG SW [Off/On]	NOTE: The item is indicated, but not monitored.

BCM

BCM : CONSULT-III Function (BCM - BCM)

INFOID:000000006059531

WORK SUPPORT

Item	Description
RESET SETTING VALUE	Return a value set with Work Support of each system to a default value in factory shipment.

IMMU

IMMU : CONSULT-III Function (BCM - IMMU)

INFOID:000000006134057

DATA MONITOR

Monitor item	Content
CONFIRM ID ALL	Indicates [YET] at all time. Switches to [DONE] when a registered Intelligent Key backside is contacted to push-button ignition switch.
CONFIRM ID4	
CONFIRM ID3	
CONFIRM ID2	
CONFIRM ID1	
TP 4	Indicates the number of IDs that are registered.
TP 3	
TP 2	
TP 1	

DIAGNOSIS SYSTEM (BCM)

< SYSTEM DESCRIPTION >

Monitor item	Content
PUSH SW	Indicates [ON/OFF] condition of push-button ignition switch.
KEY SW-SLOT	NOTE: This is displayed even when it is not equipped.

ACTIVE TEST

Test item	Description
THEFT IND	This test is able to check security indicator lamp operation. Security indicator lamp is turned on when "ON" on CONSULT-III screen touched.

WORK SUPPORT

Service item	Description
CONFIRM DONGLE ID	It is possible to check that dongle unit is applied to the vehicle.

BATTERY SAVER

BATTERY SAVER : CONSULT-III Function (BCM - BATTERY SAVER)

INFOID:000000006134061

WORK SUPPORT

Service item	Setting item	Setting
ROOM LAMP TIMER SET	MODE 1*	30 min. Sets the interior room lamp battery saver timer operating time.
	MODE 2	60 min.
BATTERY SAVER SET	On*	With the exterior lamp battery saver function
	Off	Without the exterior lamp battery saver function

*:Factory setting

DATA MONITOR

Monitor item [Unit]	Description
REQ SW-DR [On/Off]	The switch status input from request switch (driver side)
REQ SW-AS [On/Off]	The switch status input from front request switch (passenger side)
REQ SW-RR [On/Off]	NOTE: The item is indicated, but not monitored.
REQ SW-RL [On/Off]	
PUSH SW [On/Off]	Push switch status received from Intelligent Key unit by CAN communication
UNLK SEN-DR [On/Off]	Driver door unlock status input from unlock sensor
DOOR SW-DR [On/Off]	The switch status input from front door switch (driver side)
DOOR SW-AS [On/Off]	The switch status input from front door switch (passenger side)
DOOR SW-RR [On/Off]	The switch status input from rear door switch RH
DOOR SW- RL [On/Off]	The switch status input from rear door switch LH
DOOR SW- BK [On/Off]	NOTE: The item is indicated, but not monitored.

DIAGNOSIS SYSTEM (BCM)

< SYSTEM DESCRIPTION >

Monitor item [Unit]	Description
CDL LOCK SW [On/Off]	Lock switch status input from door lock and unlock switch
CDL UNLOCK SW [On/Off]	Unlock switch status input from door lock and unlock switch
KEY CYL LK-SW [On/Off]	Lock switch status received from key cylinder lock/unlock switch
KEY CYL UN-SW [On/Off]	Unlock switch status received from key cylinder lock/unlock switch
TRNK/HAT MNTR [On/Off]	The switch status input from trunk room lamp switch
RKE-LOCK [On/Off]	Lock signal status received from remote keyless entry receiver
RKE-UNLOCK [On/Off]	Unlock signal status received from remote keyless entry receiver

ACTIVE TEST

Test item	Operation	Description
BATTERY SAVER	Off	Cuts the interior room lamp power supply to turn interior room lamps OFF.
	On	Outputs the interior room lamp power supply to turn interior room lamps ON.*

*: Each lamp switch is in ON position.

TRUNK

TRUNK : CONSULT-III Function (BCM - TRUNK)

INFOID:000000006134055

DATA MONITOR

Monitor Item	Contents
PUSH SW	Indicates [On/Off] condition of push switch
UNLK SEN -DR	Indicates [On/Off] condition of unlock sensor
VEH SPEED 1	Indicates [Km/h] condition of vehicle speed signal from combination meter
KEY CYL SW-TR	Indicates [On/Off] condition of trunk key cylinder switch
TR CANCEL SW	Indicates [On/Off] condition of trunk lid opener cancel switch
TR/BD OPEN SW	Indicates [Km/h] condition of trunk lid opener switch
TRNK/HAT MNTR	Indicates [On/Off] condition of trunk room lamp switch
RKE-TR/BD	Indicates [On/Off] condition of trunk open signal from Intelligent Key

THEFT ALM

THEFT ALM : CONSULT-III Function (BCM - THEFT)

INFOID:000000006134056

DATA MONITOR

Monitored Item	Description
REQ SW -DR	Indicates [ON/OFF] condition of door request switch (driver side).
REQ SW -AS	Indicates [ON/OFF] condition of door request switch (passenger side).
REQ SW -RR	NOTE: This is displayed even when it is not equipped.
REQ SW -RL	NOTE: This is displayed even when it is not equipped.
REQ SW -BD/TR	Indicates [ON/OFF] condition of trunk lid opener request switch.

DIAGNOSIS SYSTEM (BCM)

< SYSTEM DESCRIPTION >

Monitored Item	Description
PUSH SW	Indicates [ON/OFF] condition of push-button ignition switch
UNLK SEN -DR	Indicates [ON/OFF] condition of driver door UNLOCK status.
DOOR SW-DR	Indicates [ON/OFF] condition of front door switch (driver side).
DOOR SW-AS	Indicates [ON/OFF] condition of front door switch (passenger side).
DOOR SW-RR	Indicates [ON/OFF] condition of rear door switch RH.
DOOR SW-RL	Indicates [ON/OFF] condition of rear door switch LH.
DOOR SW-BK	NOTE: This is displayed even when it is not equipped.
CDL LOCK SW	Indicates [ON/OFF] condition of lock signal from door lock and unlock switch.
CDL UNLOCK SW	Indicates [ON/OFF] condition of unlock signal from door lock and unlock switch.
KEY CYL LK-SW	Indicates [ON/OFF] condition of lock signal from door key cylinder switch.
KEY CYL UN-SW	Indicates [ON/OFF] condition of unlock signal from door key cylinder switch.
KEY CYL SW-TR	Indicates [ON/OFF] condition of trunk lid open signal from trunk key cylinder switch.
TR/BD OPEN SW	Indicates [ON/OFF] condition of trunk lid opener switch.
TRNK/HAT MNTR	Indicates [ON/OFF] condition of trunk loom lamp switch.
RKE-LOCK	Indicates [ON/OFF] condition of LOCK signal from Intelligent Key.
RKE-UNLOCK	Indicates [ON/OFF] condition of UNLOCK signal from Intelligent Key.
RKE-TR/BD	Indicates [ON/OFF] condition of TRUNK OPEN signal from Intelligent Key.

WORK SUPPORT

Test Item	Description
SECURITY ALARM SET	This mode is able to confirm and change vehicle security system (theft warning alarm) ON-OFF setting.
THEFT ALM TRG	The switch which activated vehicle security system (theft warning alarm) is recorded. This mode is able to confirm and erase the record of theft warning alarm. The trigger data can be erased by touching "CLEAR" on CONSULT-III screen.

ACTIVE TEST

Test Item	Description
THEFT IND	This test is able to check security indicator lamp operation. The lamp is turned on when "ON" on CONSULT-III screen is touched.
VEHICLE SECURITY HORN	This test is able to check vehicle security horn operation. The horns are activated for 0.5 seconds after "ON" on CONSULT-III screen is touched.
HEADLAMP(HI)	This test is able to check headlamps operation. The headlamps are activated for 0.5 seconds after "ON" on CONSULT-III screen is touched.
FLASHER	This test is able to check hazard warning lamp operation. The hazard warning lamps are activated after "ON" on CONSULT-III screen is touched.

RETAINED PWR

RETAINED PWR : CONSULT-III Function (BCM - RETAINED PWR)

INFOID:000000006134058

Data monitor

Monitor Item	Description
DOOR SW-DR	Indicates [ON/OFF] condition of driver side door switch.
DOOR SW-AS	Indicates [ON/OFF] condition of passenger side door switch.

SIGNAL BUFFER

DIAGNOSIS SYSTEM (BCM)

< SYSTEM DESCRIPTION >

SIGNAL BUFFER : CONSULT-III Function (BCM - SIGNAL BUFFER)

INFOID:000000006059532

DATA MONITOR

Monitor item [UNIT]	Description
PUSH SW [Off/On]	Displays the status of the push-button ignition switch (push switch) judged by BCM.

ACTIVE TEST

Test item	Operation	Description
OIL PRESSURE SW	Off	OFF
	On	BCM transmits the oil pressure switch signal to the combination meter via CAN communication, which illuminates the oil pressure warning lamp in the combination meter.

A
B
C
D
E
F
G
H
I
J
K
L

BCS

N
O
P

BCM

< ECU DIAGNOSIS INFORMATION >

ECU DIAGNOSIS INFORMATION

BCM

Reference Value

INFOID:000000006059533

VALUES ON THE DIAGNOSIS TOOL

CONSULT-III MONITOR ITEM

Monitor Item	Condition	Value/Status
FR WIPER HI	Other than front wiper switch HI	Off
	Front wiper switch HI	On
FR WIPER LOW	Other than front wiper switch LO	Off
	Front wiper switch LO	On
FR WASHER SW	Front washer switch OFF	Off
	Front washer switch ON	On
FR WIPER INT	Other than front wiper switch INT/AUTO	Off
	Front wiper switch INT/AUTO	On
FR WIPER STOP	Front wiper is not in STOP position	Off
	Front wiper is in STOP position	On
INT VOLUME	Wiper volume dial is in a dial position 1 - 7	Wiper volume dial position
TURN SIGNAL R	Other than turn signal switch RH	Off
	Turn signal switch RH	On
TURN SIGNAL L	Other than turn signal switch LH	Off
	Turn signal switch LH	On
TAIL LAMP SW	Other than lighting switch 1ST and 2ND	Off
	Lighting switch 1ST or 2ND	On
HI BEAM SW	Other than lighting switch HI	Off
	Lighting switch HI	On
HEAD LAMP SW 1	Other than lighting switch 2ND	Off
	Lighting switch 2ND	On
HEAD LAMP SW 2	Other than lighting switch 2ND	Off
	Lighting switch 2ND	On
PASSING SW	Other than lighting switch PASS	Off
	Lighting switch PASS	On
AUTO LIGHT SW	Other than lighting switch AUTO	Off
	Lighting switch AUTO	On
FR FOG SW	Front fog lamp switch OFF	Off
	Front fog lamp switch ON	On
RR FOG SW	NOTE: The item is indicated, but not monitored.	Off
DOOR SW-DR	Driver door closed	Off
	Driver door opened	On
DOOR SW-AS	Passenger door closed	Off
	Passenger door opened	On
DOOR SW-RR	Rear RH door closed	Off
	Rear RH door opened	On

BCM

< ECU DIAGNOSIS INFORMATION >

Monitor Item	Condition	Value/Status	
DOOR SW-RL	Rear LH door closed	Off	A
	Rear LH door opened	On	
DOOR SW-BK	NOTE: The item is indicated, but not monitored.	Off	B
CDL LOCK SW	Other than power door lock switch LOCK	Off	C
	Power door lock switch LOCK	On	
CDL UNLOCK SW	Other than power door lock switch UNLOCK	Off	D
	Power door lock switch UNLOCK	On	
KEY CYL LK-SW	Other than driver door key cylinder LOCK position	Off	E
	Driver door key cylinder LOCK position	On	
KEY CYL UN-SW	Other than driver door key cylinder UNLOCK position	Off	F
	Driver door key cylinder UNLOCK position	On	
KEY CYL SW-TR	Trunk key cylinder switch OFF position	Off	G
	Trunk key cylinder switch ON (TRUNK OPEN) position	On	
HAZARD SW	Hazard switch is OFF	Off	H
	Hazard switch is ON	On	
REAR DEF SW	Rear window defogger switch OFF	Off	I
	Rear window defogger switch ON	On	
TR CANCEL SW	Trunk lid opener cancel switch OFF	Off	J
	Trunk lid opener cancel switch ON	On	
TR/BD OPEN SW	Trunk lid opener switch OFF	Off	K
	While the trunk lid opener switch is turned ON	On	
TRNK/HAT MNTR	Trunk lid closed	Off	L
	Trunk lid opened	On	
FAN ON SIG	NOTE: The item is indicated, but not monitored.	Off	
AIR COND SW	NOTE: The item is indicated, but not monitored.	Off	
RKE-LOCK	LOCK button of the key is not pressed	Off	BCS
	LOCK button of the key is pressed	On	
RKE-UNLOCK	UNLOCK button of the key is not pressed	Off	N
	UNLOCK button of the key is pressed	On	
RKE-TR/BD	TRUNK OPEN button of the key is not pressed	Off	O
	TRUNK OPEN button of the key is pressed	On	
RKE-PANIC	PANIC button of the key is not pressed	Off	P
	PANIC button of the key is pressed	On	
RKE-MODE CHG	LOCK/UNLOCK button of the key is not pressed and held simultaneously	Off	
	LOCK/UNLOCK button of the key is pressed and held simultaneously	On	
SHOCK SENSOR	Air bag signal (NORMAL) is detected.	NOMAL	
	Air bag signal (AIR BAG OPEN) is detected.	On	
	Air bag signal is not detected.	Off	
OPTI SEN (DTCT)	Bright outside of the vehicle	Close to 5 V	
	Dark outside of the vehicle	Close to 0 V	
OPTI SEN (FILT)	Bright outside of the vehicle (Lighting switch AUTO)	Close to 5 V	
	Dark outside of the vehicle (Lighting switch AUTO)	Close to 1.50 V	

BCM

< ECU DIAGNOSIS INFORMATION >

Monitor Item	Condition	Value/Status
OPTICAL SENSOR	NOTE: The item is indicated, but not monitored.	Off
RAIN SENSOR	No rain (or very light rain)	Off
	Light rain	LOW
	Heavy rain	HIGH
	When liquid is splashed on the front window	SPLSH
	Rain sensor internal error	NG
REQ SW -DR	Driver door request switch is not pressed	Off
	Driver door request switch is pressed	On
REQ SW -AS	Passenger door request switch is not pressed	Off
	Passenger door request switch is pressed	On
REQ SW -RR	NOTE: The item is indicated, but not monitored.	Off
REQ SW -RL	NOTE: The item is indicated, but not monitored.	Off
REQ SW -BD/TR	Back door request switch is not pressed	Off
	Back door request switch is pressed	On
PUSH SW	Push-button ignition switch (push switch) is not pressed	Off
	Push-button ignition switch (push switch) is pressed	On
CLUCH SW	NOTE: The item is indicated, but not monitored.	Off
BRAKE SW 1	The brake pedal is not depressed	Off
	The brake pedal is depressed	On
BRAKE SW 2	The brake pedal is depressed when No. 7 fuse is blown	Off
	The brake pedal is not depressed when No. 7 fuse is blown, or No. 7 fuse is normal	On
DETE/CANCL SW	Selector lever in P position	Off
	Selector lever in any position other than P	On
SFT PN/N SW	Selector lever in any position other than P and N	Off
	Selector lever in P or N position	On
S/L -LOCK	Steering is locked	Off
	Steering is unlocked	On
S/L -UNLOCK	Steering is unlocked	Off
	Steering is locked	On
S/L RELAY-F/B	Steering is unlocked	Off
	Steering is locked	On
UNLK SEN -DR	Driver door is locked	Off
	Driver door is unlocked	On
PUSH SW -IPDM	Push-button ignition switch (push-switch) is not pressed	Off
	Push-button ignition switch (push-switch) is pressed	On
IGN RLY1 -F/B	Ignition switch in OFF or ACC position	Off
	Ignition switch in ON position	On
DETE SW -IPDM	Selector lever in any position other than P	Off
	Selector lever in P position	On
SFT PN -IPDM	Selector lever in any position other than P and N	Off
	Selector lever in P or N position	On

BCM

< ECU DIAGNOSIS INFORMATION >

Monitor Item	Condition	Value/Status	
SFT P -MET	Selector lever in any position other than P	Off	A
	Selector lever in P position	On	
SFT N -MET	Selector lever in any position other than N	Off	B
	Selector lever in N position	On	
ENGINE STATE	Engine stopped	Stop	C
	While the engine stalls	Stall	
	At engine cranking	Crank	D
	Engine running	Run	
S/L LOCK-IPDM	Steering is locked	Off	E
	Steering is unlocked	On	
S/L UNLK-IPDM	Steering is unlocked	Off	F
	Steering is locked	On	
S/L RELAY-REQ	Steering is unlocked	Off	G
	Steering is locked	On	
VEH SPEED 1	While driving	Equivalent to speedometer reading	H
VEH SPEED 2	While driving	Equivalent to speedometer reading	
DOOR STAT-DR	Driver door is locked	LOCK	I
	Wait with selective UNLOCK operation (60 seconds)	READY	
	Driver door is unlocked	UNLOCK	
DOOR STAT-AS	Passenger door is locked	LOCK	J
	Wait with selective UNLOCK operation (60 seconds)	READY	
	Passenger door is unlocked	UNLOCK	
ID OK FLAG	Steering is locked	Reset	K
	Steering is unlocked	Set	
PRMT ENG STRT	The engine start is prohibited	Reset	L
	The engine start is permitted	Set	
PRMT RKE STRT	NOTE: The item is indicated, but not monitored.	Reset	
RKE OPE COUN1	During the operation of the key	Operation frequency of the key	BCS
RKE OPE COUN2	NOTE: The item is indicated, but not monitored.	—	
CONFIRM ID ALL	The key ID that the key slot receives is not recognized by any key ID registered to BCM.	Yet	N
	The key ID that the key slot receives is recognized by any key ID registered to BCM.	Done	
CONFIRM ID4	The key ID that the key slot receives is not recognized by the fourth key ID registered to BCM.	Yet	O
	The key ID that the key slot receives is recognized by the fourth key ID registered to BCM.	Done	
CONFIRM ID3	The key ID that the key slot receives is not recognized by the third key ID registered to BCM.	Yet	P
	The key ID that the key slot receives is recognized by the third key ID registered to BCM.	Done	

BCM

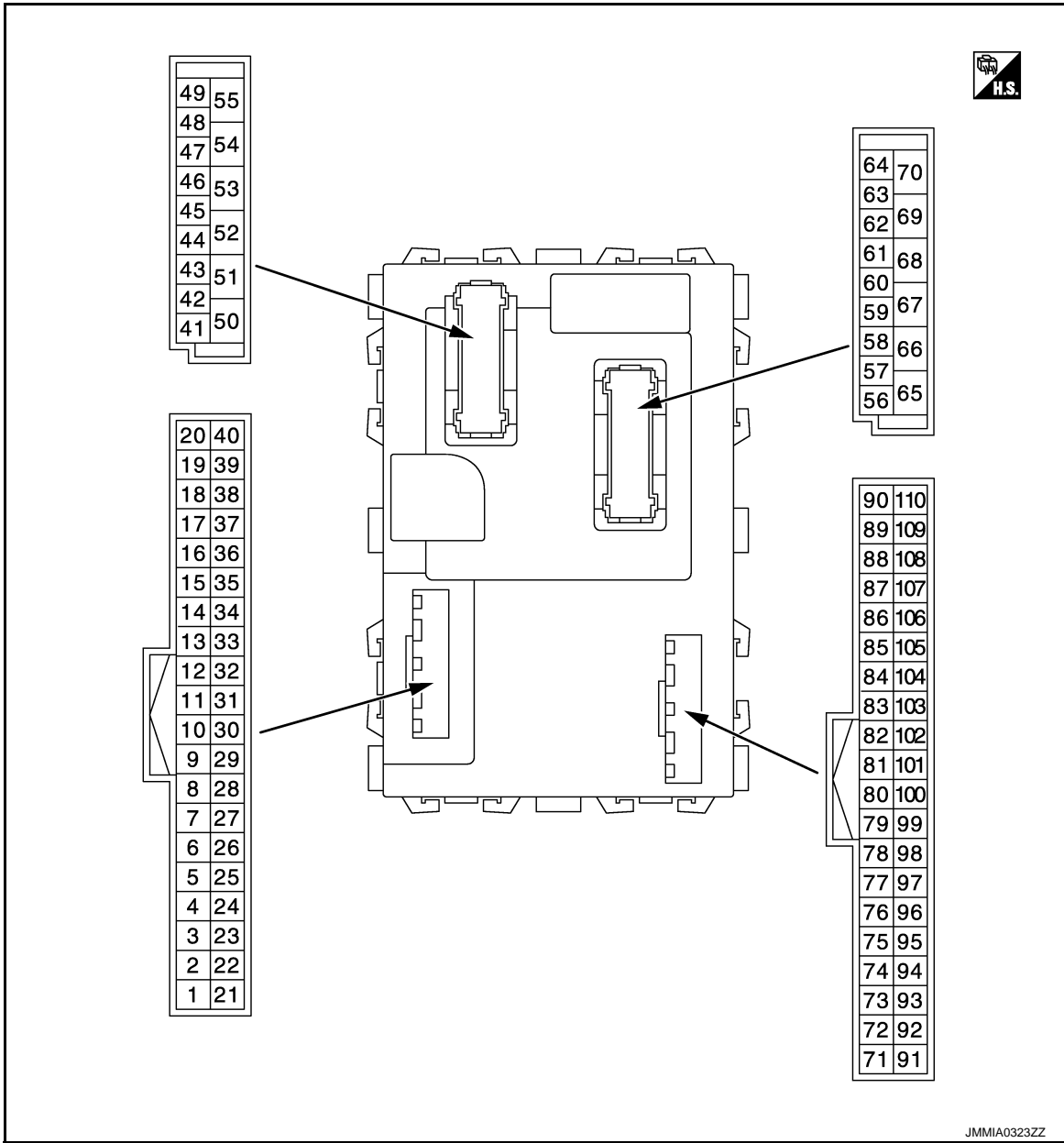
< ECU DIAGNOSIS INFORMATION >

Monitor Item	Condition	Value/Status
CONFIRM ID2	The key ID that the key slot receives is not recognized by the second key ID registered to BCM.	Yet
	The key ID that the key slot receives is recognized by the second key ID registered to BCM.	Done
CONFIRM ID1	The key ID that the key slot receives is not recognized by the first key ID registered to BCM.	Yet
	The key ID that the key slot receives is recognized by the first key ID registered to BCM.	Done
NOT REGISTERED	BCM detects registered key ID, or BCM does not detect key ID.	ID OK
	BCM detects non-registration key ID.	ID NG
TP 4	The ID of fourth key is not registered to BCM	Yet
	The ID of fourth key is registered to BCM	Done
TP 3	The ID of third key is not registered to BCM	Yet
	The ID of third key is registered to BCM	Done
TP 2	The ID of second key is not registered to BCM	Yet
	The ID of second key is registered to BCM	Done
TP 1	The ID of first key is not registered to BCM	Yet
	The ID of first key is registered to BCM	Done
BUZZER	Tire pressure warning alarm is not sounding	Off
	Tire pressure warning alarm is sounding	On

BCM

< ECU DIAGNOSIS INFORMATION >

TERMINAL LAYOUT



PHYSICAL VALUES

Terminal No. (Wire color)		Description		Condition		Value (Approx.)
+	-	Signal name	Input/ Output			
1 (G)	Ground	Rear window defogger relay control	Input	Rear window defogger	OFF	Battery voltage
					ON	0 V

A
B
C
D
E
F
G
H
I
J
K
L

BCS

N

O

P

BCM

< ECU DIAGNOSIS INFORMATION >

Terminal No. (Wire color)		Description		Condition	Value (Approx.)	
+	-	Signal name	Input/ Output			
2 (BG)	Ground	Combination switch INPUT 5	Input	Combination switch (Wiper volume dial 4)	All switches OFF	0 V
					Turn signal switch RH	
					Lighting switch HI	
					Lighting switch 1ST	
					Lighting switch 2ND	
3 (SB)	Ground	Combination switch INPUT 4	Input	Combination switch (Wiper volume dial 4)	All switches OFF	0 V
					Turn signal switch LH	
					Lighting switch PASS	
					Lighting switch 2ND	
					Front fog lamp switch ON	
4 (L)	Ground	Combination switch INPUT 3	Input	Combination switch (Wiper volume dial 4)	All switches OFF	0 V
					Front wiper switch LO	
					Front wiper switch MIST	
					Front wiper switch AUTO	
					Lighting switch AUTO	

BCM

< ECU DIAGNOSIS INFORMATION >

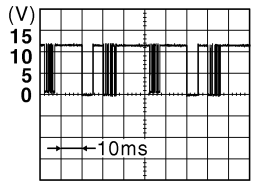
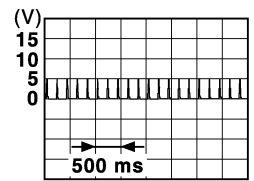
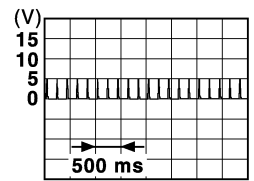
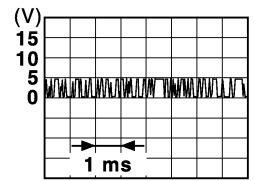
Terminal No. (Wire color)		Description		Condition	Value (Approx.)	
+	-	Signal name	Input/ Output			
5 (G)	Ground	Combination switch INPUT 2	Input	Combination switch	All switches OFF (Wiper volume dial 4)	0 V
					Front washer switch (Wiper volume dial 4)	
Any of the condition below with all switches OFF					1.0 V	
<ul style="list-style-type: none"> Wiper volume dial 1 Wiper volume dial 5 Wiper volume dial 6 						
6 (P)	Ground	Combination switch INPUT 1	Input	Combination switch	All switches OFF (Wiper volume dial 4)	0 V
					Front wiper switch HI (Wiper volume dial 4)	
					Wiper volume dial 3 (All switches OFF)	
					Any of the condition below with all switches OFF	
<ul style="list-style-type: none"> Wiper volume dial 1 Wiper volume dial 2 					1.9 V	
Any of the condition below with all switches OFF						
<ul style="list-style-type: none"> Wiper volume dial 6 Wiper volume dial 7 						0.8 V
8 (V)	Ground	Power window switch communica- tion	Input/ Output	Ignition switch ON		
					9.0 - 10 V	
9 (P)	Ground	Stop lamp switch 1	Input	Stop lamp switch	OFF (Brake pedal is not depressed)	0 V
					ON (Brake pedal is de- pressed)	Battery voltage

A
B
C
D
E
F
G
H
I
J
K
L
N
O
P

BCS

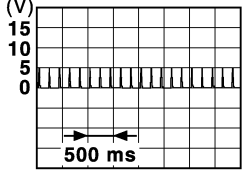
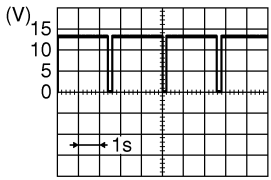
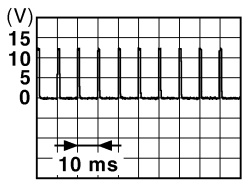
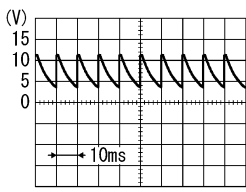
BCM

< ECU DIAGNOSIS INFORMATION >

Terminal No. (Wire color)		Description		Condition	Value (Approx.)								
+	-	Signal name	Input/ Output										
11 (R)	Ground	Rain sensor serial link	Input/ Output	Ignition switch OFF	12 V								
				Ignition switch ON	 <p style="text-align: right; font-size: small;">JPMIA0156GB</p>								
14 (W)	Ground	Optical sensor	Input	Ignition switch ON	<table border="1"> <tr> <td>When bright outside of the vehicle</td> <td>Close to 5 V</td> </tr> <tr> <td>When dark outside of the vehicle</td> <td>Close to 0 V</td> </tr> </table>	When bright outside of the vehicle	Close to 5 V	When dark outside of the vehicle	Close to 0 V				
				When bright outside of the vehicle	Close to 5 V								
When dark outside of the vehicle	Close to 0 V												
16 (SB)	Ground	Dimmer signal	Output	Ignition switch ON	<table border="1"> <tr> <td>Either of the following conditions</td> <td>0 V</td> </tr> <tr> <td>• Lighting switch OFF</td> <td></td> </tr> <tr> <td>• The area around the vehicle is bright (Shine a light on the optical sensor)</td> <td></td> </tr> <tr> <td>The area around the vehicle is dark (Block the light from the optical sensor)</td> <td>12 V</td> </tr> </table>	Either of the following conditions	0 V	• Lighting switch OFF		• The area around the vehicle is bright (Shine a light on the optical sensor)		The area around the vehicle is dark (Block the light from the optical sensor)	12 V
				Either of the following conditions	0 V								
• Lighting switch OFF													
• The area around the vehicle is bright (Shine a light on the optical sensor)													
The area around the vehicle is dark (Block the light from the optical sensor)	12 V												
17 (Y)	Ground	Sensor power supply	Output	Ignition switch	<table border="1"> <tr> <td>OFF, ACC</td> <td>0 V</td> </tr> <tr> <td>ON</td> <td>5 V</td> </tr> </table>	OFF, ACC	0 V	ON	5 V				
				OFF, ACC	0 V								
ON	5 V												
18 (B)	Ground	Receiver and sensor ground	Input	Ignition switch ON	0 V								
19 (R)	Ground	Remote keyless entry receiver power supply	Output	Ignition switch OFF	 <p style="text-align: right; font-size: small;">JMKIA3838GB</p>								
20 (BR)	Ground	Remote keyless entry receiver communication	Input	Waiting	 <p style="text-align: right; font-size: small;">JMKIA3838GB</p>								
				Signal receiving	 <p style="text-align: right; font-size: small;">JMKIA3841GB</p>								
21 (P)	Ground	NATS antenna amp.	Input/ Output	During waiting	<table border="1"> <tr> <td>Ignition switch is pressed while inserting the key into the key slot.</td> <td>Just after pressing ignition switch. Pointer of tester should move.</td> </tr> </table>	Ignition switch is pressed while inserting the key into the key slot.	Just after pressing ignition switch. Pointer of tester should move.						
Ignition switch is pressed while inserting the key into the key slot.	Just after pressing ignition switch. Pointer of tester should move.												

BCM

< ECU DIAGNOSIS INFORMATION >

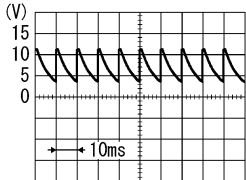
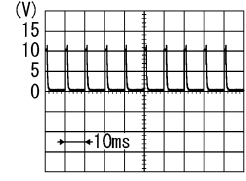
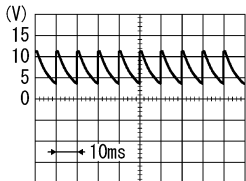
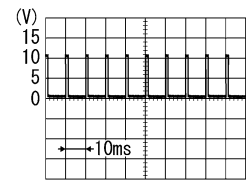
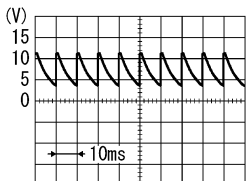
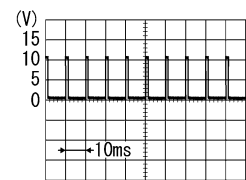
Terminal No. (Wire color)		Description		Condition	Value (Approx.)		
		Signal name	Input/ Output				
+	-						
22 (GR)	Ground	Remote keyless entry receiver RSSI	Input	Waiting	0 V		
				Signal receiving	 <p style="text-align: right; font-size: small;">JMKIA3838GB</p>		
23 (G)	Ground	Security indicator lamp	Output	Security indicator lamp	ON	0 V	
				Blinking (Ignition switch OFF)	 <p style="text-align: right; font-size: small;">JPMIA0590GB</p>	12.0 V	
				OFF	Battery voltage		
24 (L)	Ground	Dongle link	Input/ Output	Ignition switch OFF	5 V		
25 (G)	Ground	NATS antenna amp.	Input/ Output	During waiting	Ignition switch is pressed while inserting the key into the key slot. Just after pressing ignition switch. Pointer of tester should move.		
26 (GR)	Ground	Intelligent Key identification	Output	Ignition switch OFF → ON, after unlocking door by 1st key registered to BCM	5 V		
				Ignition switch OFF → ON, after unlocking door by 2nd key registered to BCM	0 V		
29 (G)	Ground	Hazard switch	Input	Hazard switch	OFF	12 V	
				ON	0 V		
30 (BG)	Ground	Trunk lid opener switch	Input	Trunk lid opener switch	Pressed	0 V	
				Not pressed	 <p style="text-align: right; font-size: small;">JPMIA0012GB</p>	1.0 - 1.5 V	
31 (W)	Ground	Front door lock assembly driver side (Unlock sensor)	Input	Driver door	LOCK status (Unlock sensor switch OFF)	 <p style="text-align: right; font-size: small;">PKIB4960J</p>	7.0 - 8.0 V
				UNLOCK status (Unlock sensor switch ON)	0 V		

A
B
C
D
E
F
G
H
I
J
K
L
N
O
P

BCS

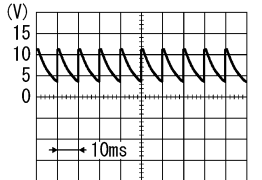
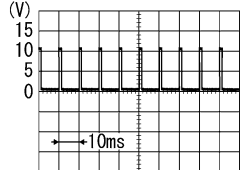
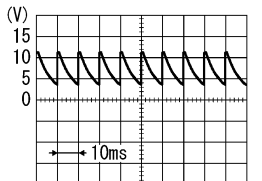
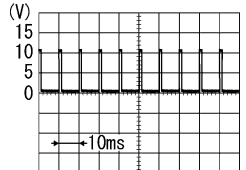
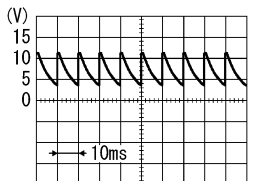
BCM

< ECU DIAGNOSIS INFORMATION >

Terminal No. (Wire color)		Description		Condition	Value (Approx.)
+	-	Signal name	Input/ Output		
32 (BR)	Ground	Combination switch OUTPUT 5	Output	Combination switch	All switches OFF (Wiper volume dial 4)  <small>PKIB4960J</small> 7.0 - 8.0 V
					Front fog lamp switch ON (Wiper volume dial 4) Any of the condition below with all switches OFF <ul style="list-style-type: none"> • Wiper volume dial 1 • Wiper volume dial 2 • Wiper volume dial 6 • Wiper volume dial 7  <small>PKIB4956J</small> 1.0 V
33 (R)	Ground	Combination switch OUTPUT 4	Output	Combination switch	All switches OFF (Wiper volume dial 4)  <small>PKIB4960J</small> 7.0 - 8.0 V
					Lighting switch 1ST (Wiper volume dial 4) Lighting switch AUTO (Wiper volume dial 4) Any of the condition below with all switches OFF <ul style="list-style-type: none"> • Wiper volume dial 1 • Wiper volume dial 5 • Wiper volume dial 6  <small>PKIB4958J</small> 1.2 V
34 (V)	Ground	Combination switch OUTPUT 3	Output	Combination switch	All switches OFF (Wiper volume dial 4)  <small>PKIB4960J</small> 7.0 - 8.0 V
					Lighting switch 2ND (Wiper volume dial 4) Lighting switch HI (Wiper volume dial 4) Any of the condition below with all switches OFF <ul style="list-style-type: none"> • Wiper volume dial 1 • Wiper volume dial 2 • Wiper volume dial 3  <small>PKIB4958J</small> 1.2 V

BCM

< ECU DIAGNOSIS INFORMATION >

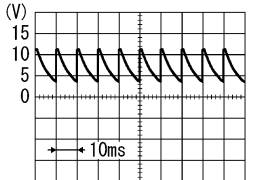
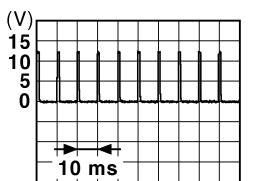
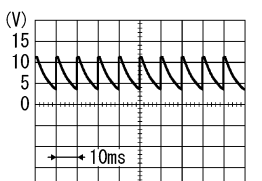
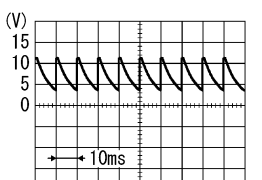
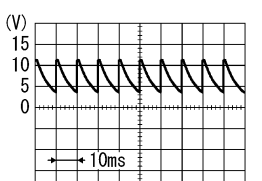
Terminal No. (Wire color)		Description		Condition	Value (Approx.)	
		Signal name	Input/ Output			
+	-					
35 (Y)	Ground	Combination switch OUTPUT 2	Output	Combination switch (Wiper volume dial 4)	All switches OFF	 <p style="text-align: center;">7.0 - 8.0 V</p>
					Lighting switch 2ND	 <p style="text-align: center;">1.2 V</p>
					Lighting switch PASS	
					Front wiper switch AUTO	
Front wiper switch HI						
36 (LG)	Ground	Combination switch OUTPUT 1	Output	Combination switch (Wiper volume dial 4)	All switches OFF	 <p style="text-align: center;">7.0 - 8.0 V</p>
					Turn signal switch RH	 <p style="text-align: center;">1.2 V</p>
					Turn signal switch LH	
					Front wiper switch LO	
					Front wiper switch MIST	
Front washer switch ON						
37 (R)	Ground	P position	Input	Selector lever	P position	0 V
					Any position other than P	12 V
39 (L)	Ground	CAN-H	Input/ Output	—	—	
40 (P)	Ground	CAN-L	Input/ Output	—	—	
41 (W)	Ground	Trunk key cylinder switch	Input	Trunk key cylin- der switch	OFF	 <p style="text-align: center;">7.0 - 8.0 V</p>
					ON (TRUNK OPEN)	0 V

A
B
C
D
E
F
G
H
I
J
K
L
N
O
P

BCS

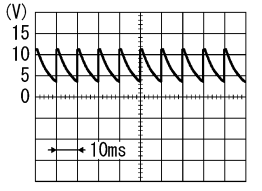
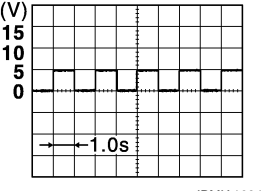
BCM

< ECU DIAGNOSIS INFORMATION >

Terminal No. (Wire color)		Description		Condition	Value (Approx.)
+	-	Signal name	Input/ Output		
42 (R)	Ground	Trunk room lamp switch	Input	Trunk room lamp switch	 <p style="text-align: right; font-size: small;">PKIB4960J</p> <p style="text-align: center;">7.0 - 8.0 V</p>
				OFF (When trunk lid closed)	0 V
44 (V)	Ground	Trunk lid opener cancel switch	Input	Trunk lid opener cancel switch	 <p style="text-align: right; font-size: small;">JPMA0012GB</p> <p style="text-align: center;">0.5 - 1.5 V</p>
				CANCEL	0 V
45 (GR)	Ground	Passenger door switch	Input	Passenger door switch	 <p style="text-align: right; font-size: small;">PKIB4960J</p> <p style="text-align: center;">7.0 - 8.0 V</p>
				OFF (When passenger door closed)	0 V
46 (BR)	Ground	Rear RH door switch	Input	Rear RH door switch	 <p style="text-align: right; font-size: small;">PKIB4960J</p> <p style="text-align: center;">7.0 - 8.0 V</p>
				OFF (When rear RH door closed)	0 V
47 (LG)	Ground	Driver door switch	Input	Driver door switch	 <p style="text-align: right; font-size: small;">PKIB4960J</p> <p style="text-align: center;">7.0 - 8.0 V</p>
				OFF (When driver door closed)	0 V
				ON (When driver door opened)	0 V

BCM

< ECU DIAGNOSIS INFORMATION >

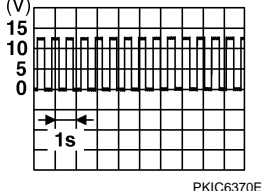
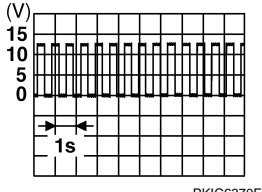
Terminal No. (Wire color)		Description		Condition		Value (Approx.)
+	-	Signal name	Input/ Output			
48 (P)	Ground	Rear LH door switch	Input	Rear LH door switch	OFF (When rear LH door closed)	 7.0 - 8.0 V
					ON (When rear door LH opened)	0 V
49 (SB)	Ground	Trunk room lamp	Output	Trunk room lamp	OFF	12 V
					ON	0 V
51 (BG)	Ground	Trunk lid opener request switch	Input	Trunk lid opener request switch	ON (Pressed)	0 V
					OFF (Not pressed)	12 V
53 (LG)	Ground	Trunk lid open	Output	Trunk lid	OFF (Not pressed)	0 V
					ON (Pressed)	12 V
55 (BR)	Ground	Rear door UNLOCK	Output	Rear door	UNLOCK (Actuator is activated)	12 V
					Other than UNLOCK (Actuator is not activated)	0 V
56 (R)	Ground	Interior room lamp power supply	Output	Interior room lamp battery saver is activated. (Cuts the interior room lamp power supply)	0 V	
				Interior room lamp battery saver is not activated. (Outputs the interior room lamp power supply)	12 V	
57 (R)	Ground	Battery power supply	Input	Ignition switch OFF	Battery voltage	
58 (L)	Ground	Air bag signal	Input	Ignition switch	OFF	5 V
					ON	 2.5 V
59 (G)	Ground	Passenger door UNLOCK	Output	Passenger door	UNLOCK (Actuator is activated)	12 V
					Other than UNLOCK (Actuator is not activated)	0 V

A
B
C
D
E
F
G
H
I
J
K
L
N
O
P

BCS

BCM

< ECU DIAGNOSIS INFORMATION >

Terminal No. (Wire color)		Description		Condition		Value (Approx.)
+	-	Signal name	Input/ Output			
60 (G)	Ground	Turn signal LH	Output	Ignition switch ON	Turn signal switch OFF	0 V
					Turn signal switch LH	 6.0 V
61 (V)	Ground	Turn signal RH	Output	Ignition switch ON	Turn signal switch OFF	0 V
					Turn signal switch RH	 6.0 V
62 (V)	Ground	Step lamp control	Output	Step lamp	ON	0 V
					OFF	12 V
63 (L)	Ground	Interior room lamp timer control	Output	Interior room lamp	OFF	12 V
					ON	0 V
65 (V)	Ground	All doors, fuel lid LOCK	Output	All doors, fuel lid	LOCK (Actuator is activated)	12 V
					Other then LOCK (Actuator is not activated)	0 V
66 (LG)	Ground	Driver door, fuel lid UNLOCK	Output	Driver door, fuel lid	UNLOCK (Actuator is activated)	12 V
					Other then UNLOCK (Actuator is not activated)	0 V
67 (B)	Ground	Ground	Output	Ignition switch ON	0 V	
68 (BG)	Ground	P/W power supply (IGN)	Output	Ignition switch ON	12 V	
69 (Y)	Ground	P/W power supply (BAT)	Output	Ignition switch OFF	12 V	
70 (W)	Ground	Battery power supply	Input	Ignition switch OFF	Battery voltage	
72 (B)	Ground	Outside handle lamp control	Output	outside handle lamp	OFF	12 V
					ON	0 V
73 (V)	Ground	ON indicator lamp	Output	Ignition switch	OFF (LOCK indicator is not illuminated)	Battery voltage
					ON	0 V
75 (G)	Ground	Driver door request switch	Input	Driver door re- quest switch	ON (Pressed)	0 V
					OFF (Not pressed)	12 V
76 (SB)	Ground	Passenger door re- quest switch	Input	Passenger door request switch	ON (Pressed)	0 V
					OFF (Not pressed)	12 V

BCM

< ECU DIAGNOSIS INFORMATION >

Terminal No. (Wire color)		Description		Condition	Value (Approx.)
+	-	Signal name	Input/ Output		
78 (BR)	Ground	Driver door antenna (+)	Output	When Intelligent Key is not in the antenna detec- tion area	<p style="text-align: right; font-size: small;">JMkia3838GB</p>
				When the driver door request switch is operat- ed with ignition switch OFF	<p style="text-align: right; font-size: small;">JMkia3839GB</p>
79 (SB)	Ground	Driver door antenna (-)	Output	When Intelligent Key is not in the antenna detec- tion area	<p style="text-align: right; font-size: small;">JMkia3838GB</p>
				When the driver door request switch is operat- ed with ignition switch OFF	<p style="text-align: right; font-size: small;">JMkia3839GB</p>
80 (LG)	Ground	Passenger door an- tenna (+)	Output	When Intelligent Key is not in the antenna detec- tion area	<p style="text-align: right; font-size: small;">JMkia3838GB</p>
				When the pas- senger door re- quest switch is operated with ignition switch OFF	<p style="text-align: right; font-size: small;">JMkia3839GB</p>

A
B
C
D
E
F
G
H
I
J
K
L

BCS

N
O
P

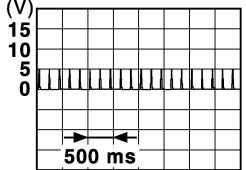
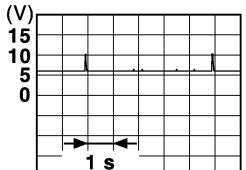
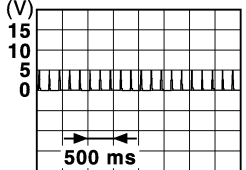
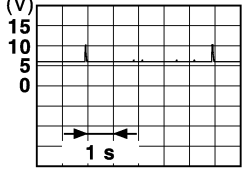
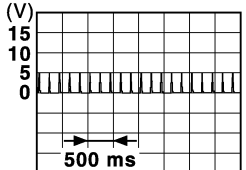
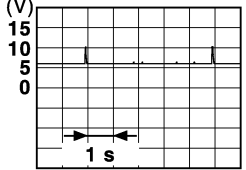
BCM

< ECU DIAGNOSIS INFORMATION >

Terminal No. (Wire color)		Description		Condition	Value (Approx.)
+	-	Signal name	Input/ Output		
81 (V)	Ground	Passenger door antenna (-)	Output	When Intelligent Key is not in the antenna detection area	<p style="text-align: right; font-size: small;">JMKIA3838GB</p>
				When the passenger door request switch is operated with ignition switch OFF	<p style="text-align: right; font-size: small;">JMKIA3839GB</p>
82 (V)	Ground	Rear bumper antenna (+)	Output	When Intelligent Key is not in the antenna detection area	<p style="text-align: right; font-size: small;">JMKIA3838GB</p>
				When the trunk lid opener request switch is operated with ignition switch OFF	<p style="text-align: right; font-size: small;">JMKIA3839GB</p>
83 (SB)	Ground	Rear bumper antenna (-)	Output	When Intelligent Key is not in the antenna detection area	<p style="text-align: right; font-size: small;">JMKIA3838GB</p>
				When the trunk lid opener request switch is operated with ignition switch OFF	<p style="text-align: right; font-size: small;">JMKIA3839GB</p>

BCM

< ECU DIAGNOSIS INFORMATION >

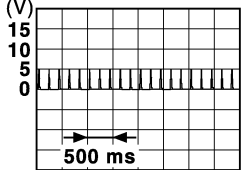
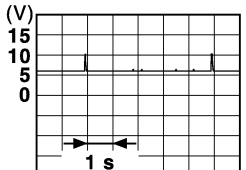
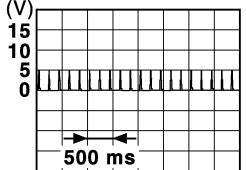
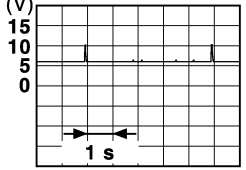
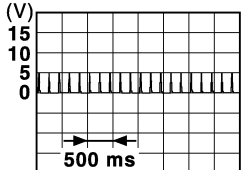
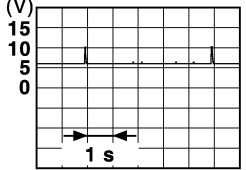
Terminal No. (Wire color)		Description		Condition	Value (Approx.)
+	-	Signal name	Input/ Output		
84 (BR)	Ground	Room antenna 1 (+) (Instrument center)	Output	Ignition switch OFF	 <p style="text-align: right; font-size: small;">JMKIA3838GB</p>
				When Intelligent Key is in the antenna detection area	 <p style="text-align: right; font-size: small;">JMKIA3839GB</p>
85 (Y)	Ground	Room antenna 1 (-) (Instrument center)	Output	Ignition switch OFF	 <p style="text-align: right; font-size: small;">JMKIA3838GB</p>
				When Intelligent Key is in the antenna detection area	 <p style="text-align: right; font-size: small;">JMKIA3839GB</p>
86 (R)	Ground	Room antenna 2 (+) (Console)	Output	Ignition switch OFF	 <p style="text-align: right; font-size: small;">JMKIA3838GB</p>
				When Intelligent Key is in the antenna detection area	 <p style="text-align: right; font-size: small;">JMKIA3839GB</p>

A
B
C
D
E
F
G
H
I
J
K
L
N
O
P

BCS

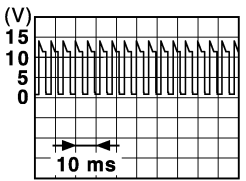
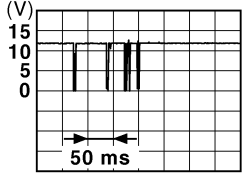
BCM

< ECU DIAGNOSIS INFORMATION >

Terminal No. (Wire color)		Description		Condition	Value (Approx.)
+	-	Signal name	Input/ Output		
87 (G)	Ground	Room antenna 2 (-) (Console)	Output	Ignition switch OFF	When Intelligent Key is not in the antenna detec- tion area  <p style="text-align: right; font-size: small;">JMKIA3838GB</p>
					When Intelligent Key is in the antenna detection area  <p style="text-align: right; font-size: small;">JMKIA3839GB</p>
88 (V)	Ground	Trunk room antenna (+)	Output	Ignition switch OFF	When Intelligent Key is not in the antenna detec- tion area  <p style="text-align: right; font-size: small;">JMKIA3838GB</p>
					When Intelligent Key is in the antenna detection area  <p style="text-align: right; font-size: small;">JMKIA3839GB</p>
89 (SB)	Ground	Trunk room antenna (-)	Output	Ignition switch OFF	When Intelligent Key is not in the antenna detec- tion area  <p style="text-align: right; font-size: small;">JMKIA3838GB</p>
					When Intelligent Key is in the antenna detection area  <p style="text-align: right; font-size: small;">JMKIA3839GB</p>

BCM

< ECU DIAGNOSIS INFORMATION >

Terminal No. (Wire color)		Description		Condition	Value (Approx.)				
+	-	Signal name	Input/ Output						
90 (R)	Ground	Push-button ignition switch illumination power supply	Output	Push-button ignition switch illumination	ON 12 V				
				OFF 0 V					
91 (GR)	Ground	LOCK indicator lamp	Output	LOCK indicator lamp	OFF (Ignition switch OFF) Battery voltage				
				ON 0 V					
92 (B)	Ground	Push-button ignition switch illumination ground	Output	Tail lamp	OFF 0 V				
					ON 0 V				
					<p>NOTE: When the illumination brightening/dimming level is in the neutral position</p>  <p style="text-align: right; font-size: small;">JPMIA1554GB</p> <p style="text-align: center;">6.0 - 7.0 V</p>				
93 (V)	Ground	Intelligent Key warning buzzer	Output	Intelligent Key warning buzzer	Sounding 0 V				
				Not sounding 12 V					
94 (Y)	Ground	Steering lock unit communication	Input/ Output	Steering lock	LOCK status 12 V				
					 <p style="text-align: right; font-size: small;">JMKIA0066GB</p>				
					For 15 seconds after UNLOCK 12 V				
					15 seconds or later after UNLOCK 0 V				
95 (W)	Ground	Steering lock unit power supply	Output	Ignition switch	OFF or ACC 12 V				
				ON 0 V					
96 (SB)	Ground	Accessory relay control	Output	Ignition switch	OFF 0 V				
				ACC or ON 12 V					
97 (SB)	Ground	Starter relay control	Output	Ignition switch ON	When selector lever is in P or N position 12 V				
				When selector lever is not in P or N position 0 V					
98 (B)	Ground	Ignition relay (IPDM E/R) control	Output	Ignition switch	OFF or ACC 12 V				
				ON 0 V					
99 (R)	Ground	Ignition relay (F/B) control	Output	Ignition switch	OFF or ACC 0 V				
				ON 12 V					
100 (BR)	Ground	Push-button ignition switch (push switch)	Input	Push-button ignition switch (push switch)	Pressed 0 V				
				Not pressed 12 V					
102 (BR)	Ground	P/N position	Input	Selector lever	P or N position 12 V				
				Except P and N positions 0 V					

A
B
C
D
E
F
G
H
I
J
K
L

BCS

N

O

P

BCM

< ECU DIAGNOSIS INFORMATION >

Terminal No. (Wire color)		Description		Condition		Value (Approx.)
+	-	Signal name	Input/ Output			
104 (GR)	Ground	A/T shift selector (detention switch) power supply	Output	Ignition switch ON		12 V
105 (R)	Ground	Stop lamp switch 2	Input	Ignition switch OFF		Battery voltage
106 (B)	Ground	Blower relay control	Output	Ignition switch	OFF or ACC	0 V
					ON	12 V
107 (L)	Ground	Steering lock condi- tion No. 1	Input	Steering lock	LOCK status	0 V
					UNLOCK status	12 V
108 (P)	Ground	Steering lock condi- tion No. 2	Input	Steering lock	LOCK status	12 V
					UNLOCK status	0 V
109 (Y)	Ground	ACC indicator lamp	Output	Ignition switch	OFF (LOCK indicator is not illuminated)	Battery voltage
					ACC	0 V

Fail-safe

INFOID:000000006059534

FAIL-SAFE CONTROL BY DTC

BCM performs fail-safe control when any DTC are detected.

Display contents of CONSULT	Fail-safe	Cancellation
B2013: ID DISCORD BCM-S/L	Inhibit engine cranking	When communication between BCM and steering lock unit are commu- nicated normally.
B2014: CHAIN OF S/L-BCM	Inhibit engine cranking	When communication between BCM and steering lock unit are commu- nicated normally.
B2192: ID DISCORD BCM-ECM	Inhibit engine cranking	Erase DTC
B2193: CHAIN OF BCM-ECM	Inhibit engine cranking	Erase DTC
B2195: ANTI-SCANNING	Inhibit engine cranking	Ignition switch ON → OFF
B2196: DONGLE NG	Inhibit engine cranking	Erase DTC
B2198: NATS ANTENNA AMP	Inhibit engine cranking	Erase DTC
B2557: VEHICLE SPEED	Inhibit steering lock	When the following CAN signal status (vehicle speed signal) becomes consistent <ul style="list-style-type: none"> • Vehicle speed signal (ABS) • Vehicle speed signal (Meter)
B2601: SHIFT POSITION	Inhibit steering lock	500 ms after the following signal reception status becomes consistent <ul style="list-style-type: none"> • P position switch signal • P range signal (CAN)
B2602: SHIFT POSITION	Inhibit steering lock	5 seconds after the following BCM recognition conditions are fulfilled <ul style="list-style-type: none"> • Ignition switch is in the ON position • P position switch signal: Except P position (battery voltage) • Vehicle speed: 4 km/h (2.5 MPH) or more
B2603: SHIFT POSI STATUS	Inhibit steering lock	500 ms after any of the following BCM recognition conditions are fulfilled <ul style="list-style-type: none"> • Status 1 <ul style="list-style-type: none"> - Ignition switch is in the ON position - P position switch signal: Except P position (12 V) - P/N position signal: Except P and N positions (0 V) • Status 2 <ul style="list-style-type: none"> - Ignition switch is in the ON position - P position switch signal: P position (0 V) - P/N position signal: P or N positions (12 V)

BCM

< ECU DIAGNOSIS INFORMATION >

Display contents of CONSULT	Fail-safe	Cancellation	
B2604: PNP/CLUTCH SW	Inhibit steering lock	500 ms after any of the following BCM recognition conditions are fulfilled <ul style="list-style-type: none"> • Status 1 - Ignition switch is in the ON position - P/N position signal: P or N position (12 V) - Shift position signal (CAN): P or N position • Status 2 - Ignition switch is in the ON position - P/N position signal: Except P and N positions (0 V) - Shift position signal (CAN): Except P and N position 	A B C
B2605: PNP/CLUTCH SW	Inhibit steering lock	500 ms after any of the following BCM recognition conditions are fulfilled <ul style="list-style-type: none"> • Status 1 - Power position: IGN - P/N position signal: Except P and N positions (0 V) - Interlock/PNP switch signal (CAN): OFF • Status 2 - Ignition switch is in the ON position - P/N position signal: P or N position (12 V) - Interlock/PNP switch signal (CAN): ON 	D E
B2608: STARTER RELAY	Inhibit engine cranking	500 ms after the following signal communication status becomes consistent <ul style="list-style-type: none"> • Starter motor relay control signal • Starter relay status signal (CAN) 	F G
B2609: S/L STATUS	<ul style="list-style-type: none"> • Inhibit engine cranking • Inhibit steering lock 	When the following steering lock conditions agree <ul style="list-style-type: none"> • BCM steering lock control status • Steering lock condition No. 1 signal status • Steering lock condition No. 2 signal status 	H
B260B: STEERING LOCK UNIT	Inhibit steering lock	Erase DTC	
B260D: STEERING LOCK UNIT	Inhibit steering lock	Erase DTC	I
B260F: ENG STATE SIG LOST	Inhibit engine cranking	When any of the following conditions are fulfilled <ul style="list-style-type: none"> • Power position changes to ACC • Receives engine status signal (CAN) 	J
B2612: S/L STATUS	<ul style="list-style-type: none"> • Inhibit engine cranking • Inhibit steering lock 	When any of the following conditions are fulfilled <ul style="list-style-type: none"> • Steering lock unit status signal (CAN) is received normally • The BCM steering lock control status matches the steering lock status recognized by the steering lock unit status signal (CAN from IPDM E/R) 	K
B2619: BCM	Inhibit engine cranking	1 second after the steering lock unit power supply output control inside BCM becomes normal	L
B26EF: STRG LCK RELAY OFF	Inhibit engine cranking	When the following conditions are fulfilled <ul style="list-style-type: none"> • Steering lock relay signal (CAN): ON • Steering lock unit status signal (CAN): ON 	BCS
B26F0: STRG LCK RELAY ON	Inhibit engine cranking	When the following conditions are fulfilled <ul style="list-style-type: none"> • Steering lock relay signal (CAN): OFF • Steering lock unit status signal (CAN): OFF 	
B26F1: IGN RELAY OFF	Inhibit engine cranking	When the following conditions are fulfilled <ul style="list-style-type: none"> • Ignition switch ON signal (CAN: Transmitted from BCM): ON • Ignition switch ON signal (CAN: Transmitted from IPDM E/R): ON 	N
B26F2: IGN RELAY ON	Inhibit engine cranking	When the following conditions are fulfilled <ul style="list-style-type: none"> • Ignition switch ON signal (CAN: Transmitted from BCM): OFF • Ignition switch ON signal (CAN: Transmitted from IPDM E/R): OFF 	O
B26F3: START CONT RLY ON	Inhibit engine cranking	When the following conditions are fulfilled <ul style="list-style-type: none"> • Starter control relay signal (CAN: Transmitted from BCM): OFF • Starter control relay signal (CAN: Transmitted from IPDM E/R): OFF 	P
B26F4: START CONT RLY OFF	Inhibit engine cranking	When the following conditions are fulfilled <ul style="list-style-type: none"> • Starter control relay signal (CAN: Transmitted from BCM): ON • Starter control relay signal (CAN: Transmitted from IPDM E/R): ON 	

BCM

< ECU DIAGNOSIS INFORMATION >

Display contents of CONSULT	Fail-safe	Cancellation
B26F7: BCM	Inhibit engine cranking by Intelligent Key system	When room antenna and luggage room antenna functions normally
U0415: VEHICLE SPEED	Inhibit steering lock	When vehicle speed signal (Meter) (CAN) is received normally

FAIL-SAFE CONTROL BY RAIN SENSOR MALFUNCTION

BCM detects the light and rain sensor serial link error and the rain sensor malfunction.

BCM controls the following fail-safe when rain sensor has a malfunction.

- Front wiper switch AUTO and sensing rain drop: The condition just before the activation of fail-safe is maintained until the front wiper switch is turned OFF.
- Front wiper switch AUTO and not sensing rain drop: Front wiper is LO operation until the front wiper switch is turned off.

FAIL-SAFE CONTROL OF COMBINATION SWITCH READING FUNCTION CAUSED BY LOW POWER SUPPLY VOLTAGE

If voltage of battery power supply lower, BCM maintains combination switch reading to the status when input voltage is less than approximately 9 V.

NOTE:

When voltage of battery power supply is approximately 9 V or more, combination switch reading function returns to normal operation.

DTC Inspection Priority Chart

INFOID:000000006059535

If some DTCs are displayed at the same time, perform inspections one by one based on the following priority chart.

Priority	DTC
1	B2562: LOW VOLTAGE
2	<ul style="list-style-type: none">• U1000: CAN COMM• U1010: CONTROL UNIT (CAN)
3	<ul style="list-style-type: none">• B2192: ID DISCORD BCM-ECM• B2193: CHAIN OF BCM-ECM• B2195: ANTI-SCANNING• B2196: DONGLE NG• B2198: NATS ANTENNA AMP

BCM

< ECU DIAGNOSIS INFORMATION >

Priority	DTC	A
4	<ul style="list-style-type: none"> • B2013: ID DISCORD BCM-S/L • B2014: CHAIN OF S/L-BCM • B2555: STOP LAMP • B2556: PUSH-BTN IGN SW • B2557: VEHICLE SPEED • B2601: SHIFT POSITION • B2602: SHIFT POSITION • B2603: SHIFT POSI STATUS • B2604: PNP/CLUTCH SW • B2605: PNP/CLUTCH SW • B2608: STARTER RELAY • B2609: S/L STATUS • B260B: STEERING LOCK UNIT • B260C: STEERING LOCK UNIT • B260D: STEERING LOCK UNIT • B260F: ENG STATE SIG LOST • B2612: S/L STATUS • B2614: BCM • B2615: BCM • B2616: BCM • B2618: BCM • B2619: BCM • B261A: PUSH-BTN IGN SW • B26E9: LOCK MALFUNCTION • B26EF: STRG LCK RELAY OFF • B26F0: STRG LCK RELAY ON • B26F1: IGN RELAY OFF • B26F2: IGN RELAY ON • B26F3: START CONT RLY ON • B26F4: START CONT RLY OFF • B26F5: STRG LCK STS SW • B26F6: BCM • B26F7: BCM • B26FC: KEY REGISTRATION • U0415: VEHICLE SPEED 	B C D E F G H I J
5	<ul style="list-style-type: none"> • B2621: INSIDE ANTENNA • B2622: INSIDE ANTENNA • B2623: INSIDE ANTENNA 	K
6	<ul style="list-style-type: none"> • B2626: OUTSIDE ANTENNA • B2627: OUTSIDE ANTENNA • B2628: OUTSIDE ANTENNA 	L
7	B26E7: TPMS CAN COMM	

DTC Index

INFOID:000000006059536

BCS

NOTE:

The details of time display are as follows.

- CRNT: A malfunction is detected now.
- PAST: A malfunction was detected in the past.

IGN counter is displayed on Freeze Frame Data. For details of Freeze Frame Data, refer to [BCS-13. "COMMON ITEM : CONSULT-III Function \(BCM - COMMON ITEM\)"](#).

CONSULT display	Fail-safe	Freeze Frame Data •Vehicle Speed •Odo/Trip Meter •Vehicle Condition	Intelligent Key warn- ing lamp ON	Reference page	P
No DTC is detected. further testing may be required.	—	—	—	—	
U1000: CAN COMM	—	—	—	BCS-68	
U1010: CONTROL UNIT (CAN)	—	—	—	BCS-69	

BCM

< ECU DIAGNOSIS INFORMATION >

CONSULT display	Fail-safe	Freeze Frame Data •Vehicle Speed •Odo/Trip Meter •Vehicle Condition	Intelligent Key warn- ing lamp ON	Reference page
U0415: VEHICLE SPEED	×	—	×	BCS-70
B2013: ID DISCORD BCM-S/L	×	×	×	SEC-73
B2014: CHAIN OF S/L-BCM	×	×	×	SEC-74
B2192: ID DISCORD BCM-ECM	×	—	—	SEC-63
B2193: CHAIN OF BCM-ECM	×	—	—	SEC-65
B2195: ANTI-SCANNING	×	—	—	SEC-66
B2196: DONGLE NG	×	—	—	SEC-67
B2198: NATS ANTENNA AMP	×	—	—	SEC-69
B2555: STOP LAMP	—	×	×	SEC-77
B2556: PUSH-BTN IGN SW	—	×	×	SEC-80
B2557: VEHICLE SPEED	×	×	×	SEC-82
B2562: LOW VOLTAGE	—	×	—	BCS-71
B2601: SHIFT POSITION	×	×	×	SEC-83
B2602: SHIFT POSITION	×	×	×	SEC-86
B2603: SHIFT POSI STATUS	×	×	×	SEC-89
B2604: PNP/CLUTCH SW	×	×	×	SEC-93
B2605: PNP/CLUTCH SW	×	×	×	SEC-95
B2608: STARTER RELAY	×	×	×	SEC-97
B2609: S/L STATUS	×	×	×	SEC-99
B260B: STEERING LOCK UNIT	×	×	×	SEC-102
B260C: STEERING LOCK UNIT	—	×	×	SEC-103
B260D: STEERING LOCK UNIT	×	×	×	SEC-104
B260F: ENG STATE SIG LOST	×	×	×	SEC-105
B2612: S/L STATUS	×	×	×	SEC-106
B2614: BCM	—	×	×	PCS-61
B2615: BCM	—	×	×	PCS-64
B2616: BCM	—	×	×	PCS-66
B2618: BCM	—	×	×	PCS-68
B2619: BCM	×	×	×	SEC-109
B261A: PUSH-BTN IGN SW	—	×	×	PCS-69
B2621: INSIDE ANTENNA	—	×	—	DLK-60
B2622: INSIDE ANTENNA	—	×	—	DLK-62
B2623: INSIDE ANTENNA	—	×	—	DLK-64
B2626: OUTSIDE ANTENNA	—	×	—	DLK-66
B2627: OUTSIDE ANTENNA	—	×	—	DLK-68
B2628: OUTSIDE ANTENNA	—	×	—	DLK-70
B26E7: TPMS CAN COMM	—	—	—	BCS-72
B26E9: LOCK MALFUNCTION	—	×	× (Turn ON for 15 sec- onds)	SEC-110
B26EF: STRG LCK RELAY OFF	×	×	×	SEC-111
B26F0: STRG LCK RELAY ON	×	×	×	SEC-113
B26F1: IGN RELAY OFF	×	×	×	PCS-71
B26F2: IGN RELAY ON	×	×	×	PCS-73

BCM

< ECU DIAGNOSIS INFORMATION >

CONSULT display	Fail-safe	Freeze Frame Data •Vehicle Speed •Odo/Trip Meter •Vehicle Condition	Intelligent Key warn- ing lamp ON	Reference page
B26F3: START CONT RLY ON	×	×	×	SEC-115
B26F4: START CONT RLY OFF	×	×	×	SEC-116
B26F5: STRG LCK STS SW	—	×	×	SEC-117
B26F6: BCM	—	×	×	PCS-75
B26F7: BCM	×	×	×	SEC-120
B26FC: KEY REGISTRATION	—	×	×	SEC-121

A
B
C
D

E

F

G

H

I

J

K

L

BCS

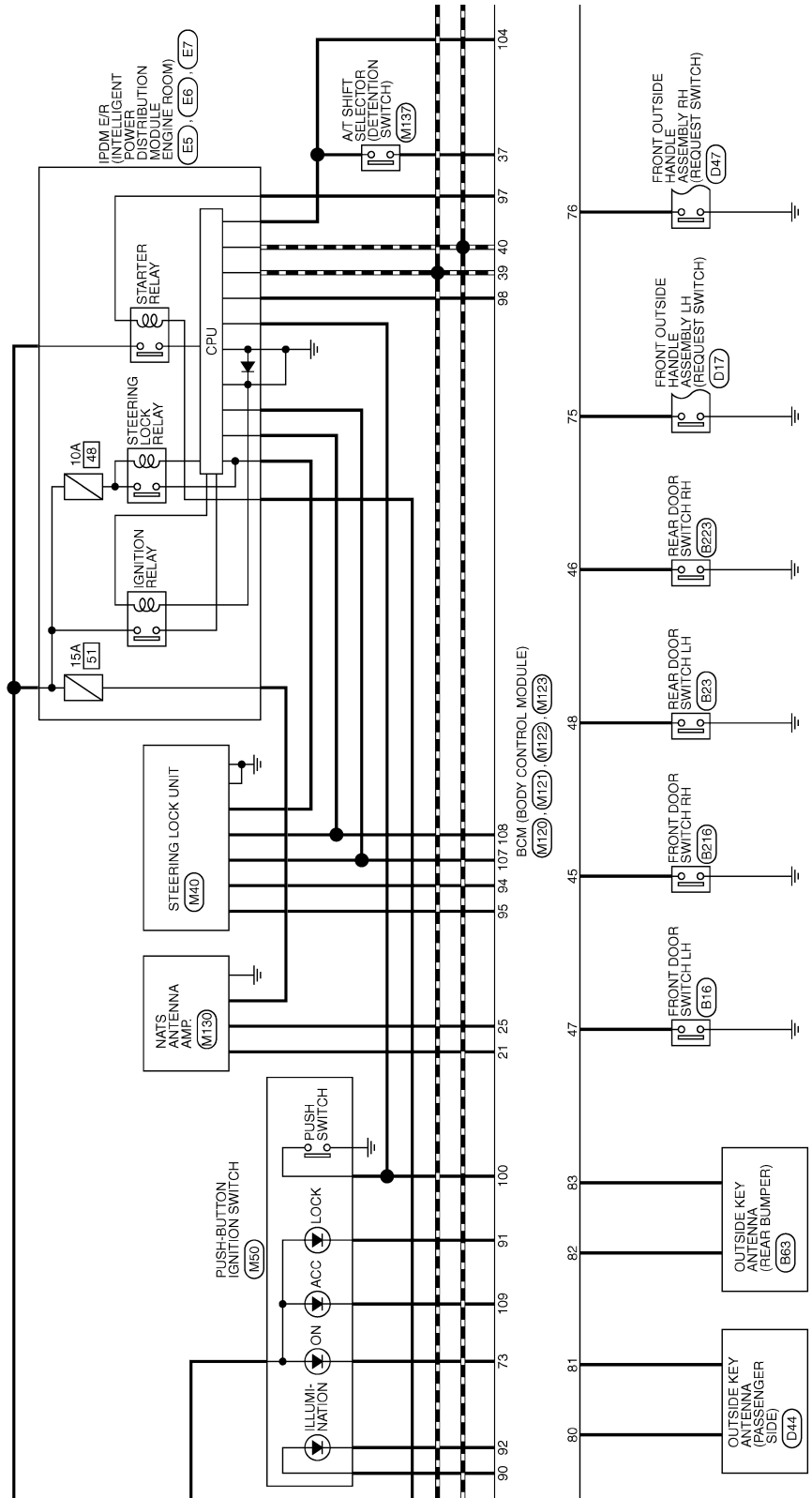
N

O

P

BCM

< WIRING DIAGRAM >

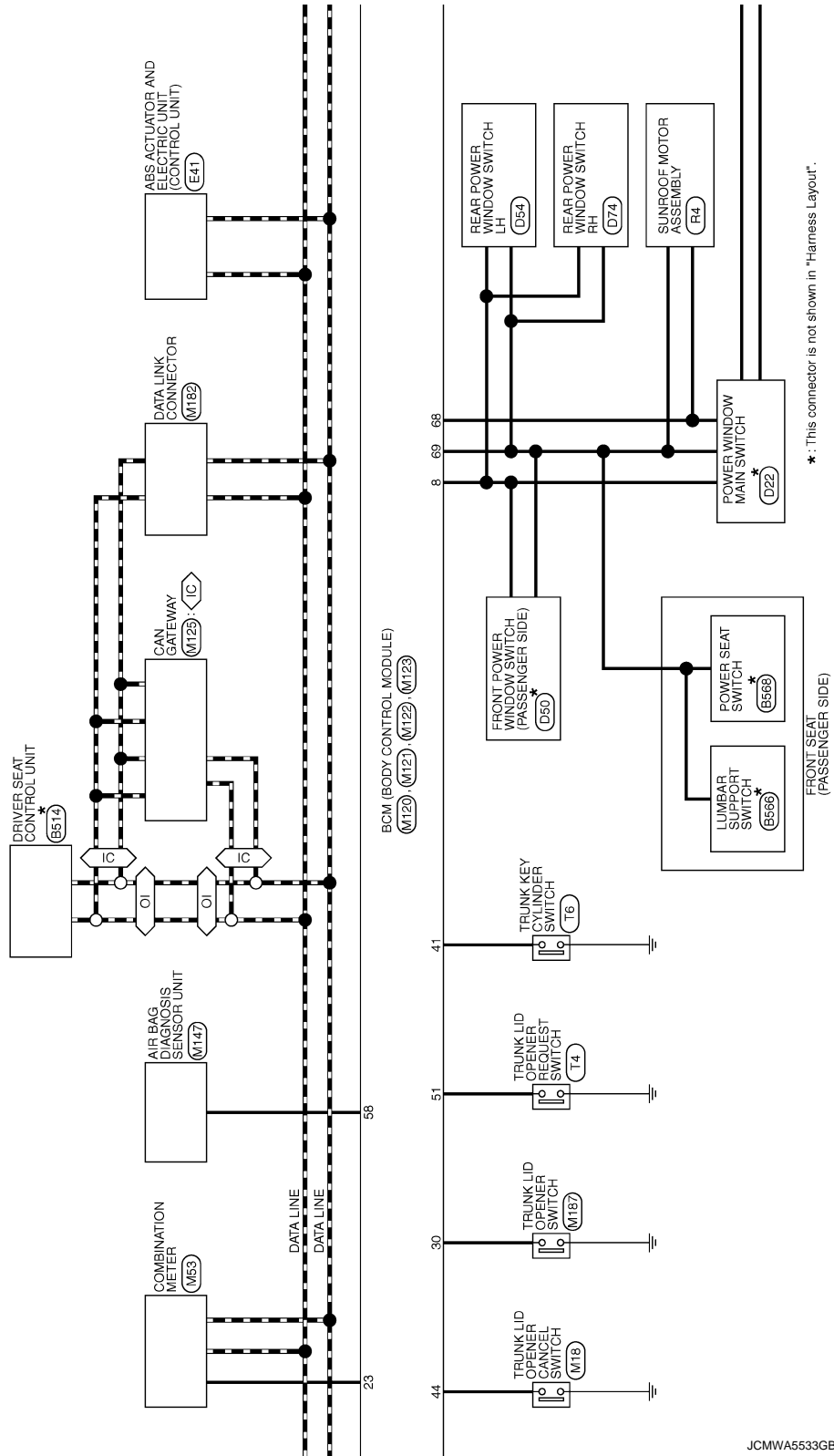


A
B
C
D
E
F
G
H
I
J
K
L
N
O
P

BCS

JCMWA5532GB

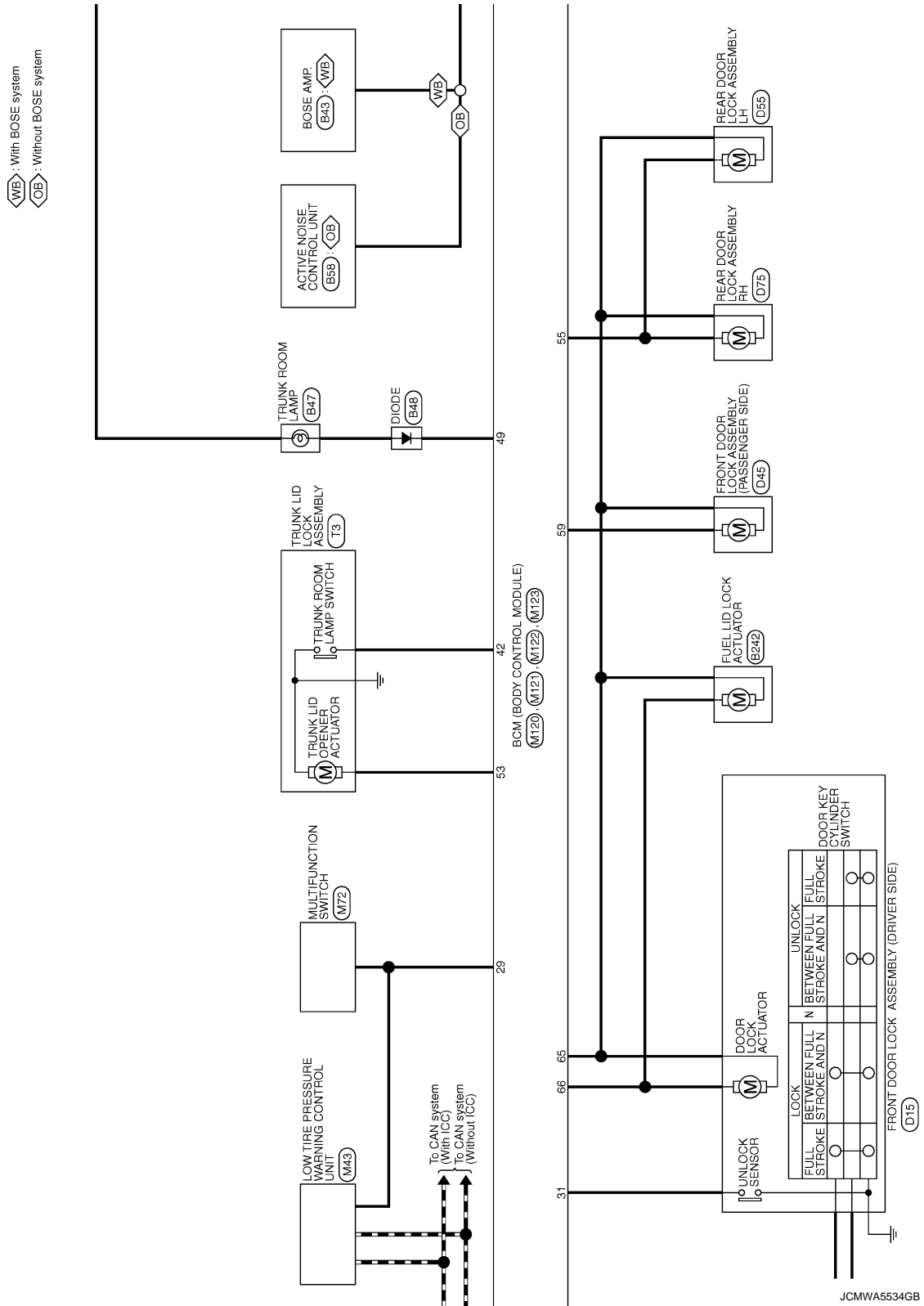
< IC > : With ICC
 < OI > : Without ICC



JCMWA5533GB

BCM

< WIRING DIAGRAM >

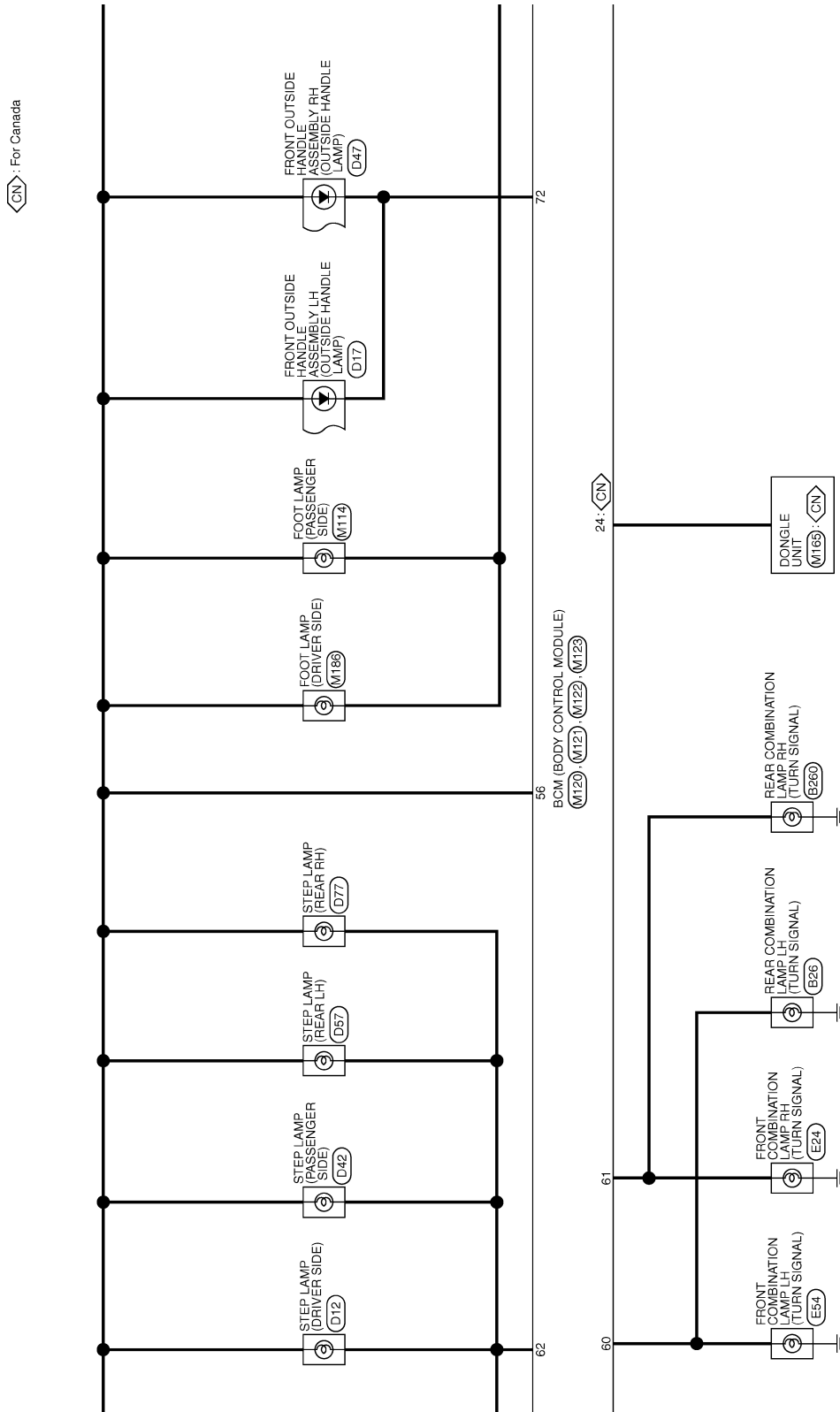


A
B
C
D
E
F
G
H
I
J
K
L
N
O
P

BCS

BCM

< WIRING DIAGRAM >

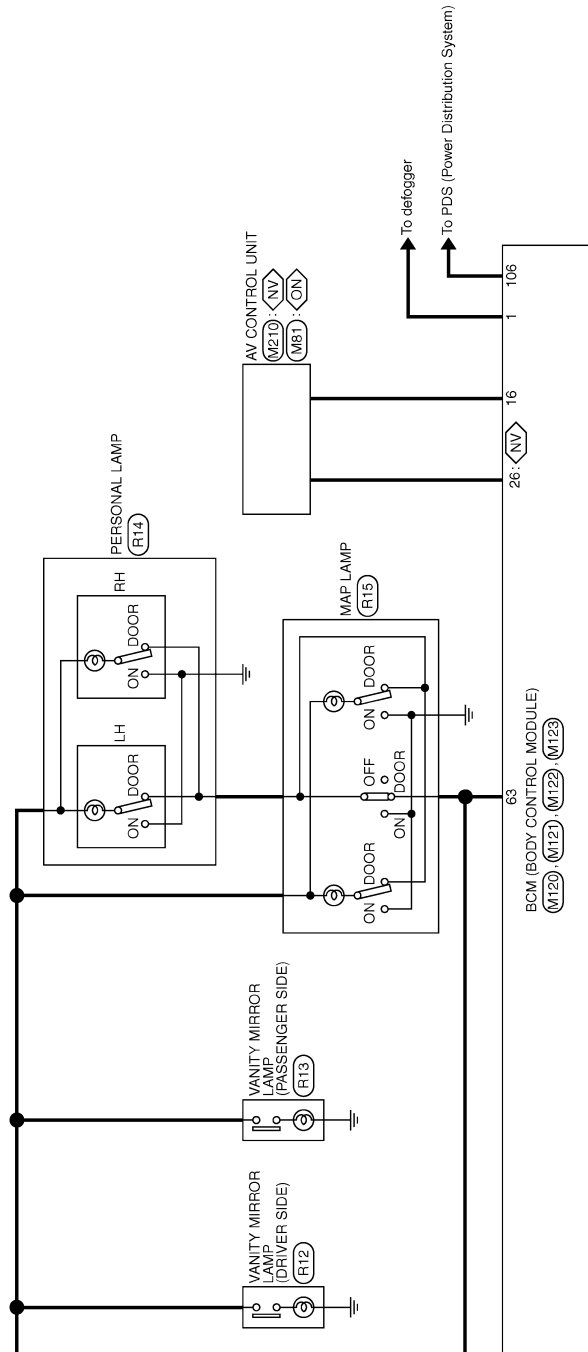


JCMWA5535GB

BCM

< WIRING DIAGRAM >

NV : With NAVI
ON : Without NAVI



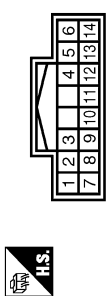
JCMWA5536GB

A
B
C
D
E
F
G
H
I
J
K
L
M
N
O
P

BCS

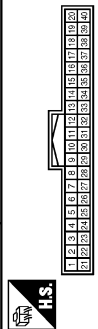
BCM (BODY CONTROL MODULE)

Connector No.	M33
Connector Name	COMBINATION SWITCH
Connector Type	TH10FW-NH



Terminal No.	Color of Wire	Signal Name [Specification]
1	W	FR WASHER (-)
2	SB	OUTPUT 4
5	L	OUTPUT 3
6	B	GND
7	V	INPUT 3
8	BG	OUTPUT 5
9	Y	INPUT 2
10	R	INPUT 4
11	LG	INPUT 1
12	P	OUTPUT 1
13	BR	INPUT 5
14	G	OUTPUT 2

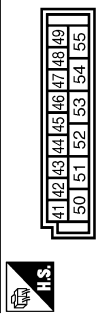
Connector No.	M120
Connector Name	BCM (BODY CONTROL MODULE)
Connector Type	TH00FB-NH



Terminal No.	Color of Wire	Signal Name [Specification]
1	G	RR WINDOW DEFG RLY CONT
2	BG	COMBI SW INPUT 5
3	SB	COMBI SW INPUT 4
4	L	COMBI SW INPUT 3
5	G	COMBI SW INPUT 2
6	P	COMBI SW INPUT 1
8	V	POWER WINDOW SW COMM
9	P	STOP LAMP SW 1
11	R	RAIN SENSOR SERIAL LINK
14	W	OPTICAL SENSOR

Terminal No.	Color of Wire	Signal Name [Specification]
16	SB	DIMMER SIGNAL
17	Y	SENSOR PWR SPLY
18	B	RECEIVER / SENSOR GND
19	R	RECEIVER PWR SPLY
20	BR	KYLS ENT RECEIVER COMM
21	P	KYLS ENT AMP
22	GR	KYLS ENT RECEIVER PESSI
23	G	SECURITY IND CONT
24	L	DONGLE LINK
25	G	KYLS ANT AMP
26	GR	I-KEY IDENTIFICATION
29	G	HAZARD SW
30	BG	TR LID OPNR SW
31	W	DR DOOR UNLOCK SENSOR
32	BR	COMBI SW OUTPUT 5
33	R	COMBI SW OUTPUT 4
34	V	COMBI SW OUTPUT 3
35	Y	COMBI SW OUTPUT 2
36	LG	COMBI SW OUTPUT 1
37	R	P POSITION
39	L	CAN-H
40	P	CAN-L

Connector No.	M121
Connector Name	BCM (BODY CONTROL MODULE)
Connector Type	FEA00FB-FHA6-SA



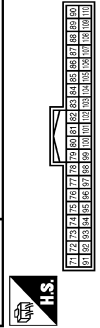
Terminal No.	Color of Wire	Signal Name [Specification]
41	W	TR KEY CYLINDER SW
42	R	TR ROOM LAMP SW
44	V	TR LID OP CANCEL SW
45	GR	PASSENGER DOOR SW
46	BR	REAR RH DOOR SW
47	LG	DRIVER DOOR SW
48	P	REAR LH DOOR SW
49	SB	TR ROOM LAMP CONT
51	BG	TR LID OPEN REG SW
53	LG	TR LID OPEN OUTPUT
55	BR	RR DOOR UNLK OUTPUT

Connector No.	M122
Connector Name	BCM (BODY CONTROL MODULE)
Connector Type	FEA00FW-FHA6-SA



Terminal No.	Color of Wire	Signal Name [Specification]
56	R	INT ROOM LAMP PWR SPLY
57	R	BAT (FUSE)
58	L	AIR BAG
59	G	PASS DOOR UNLK OUTPUT
60	G	TURN SIG LH OUTPUT
61	V	TURN SIG RH OUTPUT
62	V	STEP LAMP CONT
63	L	ROOM LAMP TIMER CONT
65	V	ALL DOOR FL LID LOCK OUTPUT
66	LG	DR DOOR FL LID UNLK OUTPUT
67	B	GND
68	BG	PW PWB SPLY (IGN)
69	Y	PW PWB SPLY (BAT)
70	W	BAT (7/L)

Connector No.	M123
Connector Name	BCM (BODY CONTROL MODULE)
Connector Type	TH40FW-NH



Terminal No.	Color of Wire	Signal Name [Specification]
72	B	OUTS HD LAMP OUTPUT
73	V	ON IND
75	G	DR DOOR REG SW
76	SB	PASS DOOR REG SW
78	BR	DRIVER DOOR ANT+
79	SB	DRIVER DOOR ANT-
80	LG	PASSENGER DOOR ANT+
81	V	PASSENGER DOOR ANT-

82	V	REAR EMPR ANT+
83	SB	REAR EMPR ANT-
84	BR	ROOM ANT+
85	Y	ROOM ANT-
86	B	ROOM ANT2+
87	C	ROOM ANT2-
88	V	TRUNK ROOM ANT+
89	SB	TRUNK ROOM ANT-
90	R	PUSH-BTN IGN SW ILL PWR
91	GR	LOCK IND
92	B	PUSH-BTN IGN SW ILL GND
93	V	I-KEY WARN BUZZER
94	Y	S/L UNIT COMM
95	W	S/L UNIT PWR SPLY
96	W	ACC RELAY CONT
97	SB	STARTER RELAY CONT
98	B	IGN RELAY (PDM E/R) CONT
99	R	IGN RELAY (F/B) CONT
100	BR	PUSH SW
102	BR	P/N POSITION
104	GR	A/T SHIFT SELECT PWR SPLY
105	R	STOP LAMP SW 2
106	B	BLWR RELAY CONT
107	L	S/L CONDITION1
108	P	S/L CONDITION2
109	Y	ACC IND

INSPECTION AND ADJUSTMENT

< BASIC INSPECTION >

BASIC INSPECTION

INSPECTION AND ADJUSTMENT

ADDITIONAL SERVICE WHEN REPLACING CONTROL UNIT (BCM)

ADDITIONAL SERVICE WHEN REPLACING CONTROL UNIT (BCM) : Description

INFOID:000000006059538

BEFORE REPLACEMENT

When replacing BCM, save or print current vehicle specification with CONSULT-III configuration before replacement.

NOTE:

If "READ CONFIGURATION" can not be used, use the "WRITE CONFIGURATION - Manual selection" after replacing BCM.

AFTER REPLACEMENT

CAUTION:

- When replacing BCM, you must perform "WRITE CONFIGURATION" with CONSULT-III.
- Complete the procedure of "WRITE CONFIGURATION" in order.
- If you set incorrect "WRITE CONFIGURATION", incidents might occur.
- Configuration is different for each vehicle model. Confirm configuration of each vehicle model.
- When replacing BCM, perform the system initialization (NATS).

ADDITIONAL SERVICE WHEN REPLACING CONTROL UNIT (BCM) : Special Repair Requirement

INFOID:000000006059539

1. SAVING VEHICLE SPECIFICATION

CONSULT-III Configuration

Perform "READ CONFIGURATION" to save or print current vehicle specification. Refer to [BCS-65, "CONFIGURATION \(BCM\) : Description"](#).

NOTE:

If "READ CONFIGURATION" can not be used, use the "WRITE CONFIGURATION - Manual selection" after replacing BCM.

>> GO TO 2.

2. REPLACE BCM

Replace BCM. Refer to [BCS-79, "Removal and Installation"](#).

>> GO TO 3.

3. WRITING VEHICLE SPECIFICATION

CONSULT-III Configuration

Perform "WRITE CONFIGURATION - Config file" or "WRITE CONFIGURATION - Manual selection" to write vehicle specification. Refer to [BCS-66, "CONFIGURATION \(BCM\) : Special Repair Requirement"](#).

>> GO TO 4.

4. INITIALIZE BCM (NATS)

Perform BCM initialization. (NATS)

>> WORK END

CONFIGURATION (BCM)

CONFIGURATION (BCM) : Description

INFOID:000000006059540

Vehicle specification needs to be written with CONSULT-III because it is not written after replacing BCM.

A
B
C
D
E
F
G
H
I
J
K
L

BCS

N
O
P

INSPECTION AND ADJUSTMENT

< BASIC INSPECTION >

Configuration has three functions as follows

Function	Description
READ CONFIGURATION	<ul style="list-style-type: none">• Reads the vehicle configuration of current BCM.• Saves the read vehicle configuration.
WRITE CONFIGURATION - Manual selection	Writes the vehicle configuration with manual selection.
WRITE CONFIGURATION - Config file	Writes the vehicle configuration with saved data.

CAUTION:

- When replacing BCM, you must perform “WRITE CONFIGURATION” with CONSULT-III.
- Complete the procedure of “WRITE CONFIGURATION” in order.
- If you set incorrect “WRITE CONFIGURATION”, incidents might occur.
- Configuration is different for each vehicle model. Confirm configuration of each vehicle model.
- Never perform “WRITE CONFIGURATION” except for new BCM.

CONFIGURATION (BCM) : Special Repair Requirement

INFOID:000000006059541

1. WRITING MODE SELECTION

ⓅCONSULT-III Configuration
Select “CONFIGURATION” of BCM.

When writing saved data>>GO TO 2.
When writing manually>>GO TO 3.

2. PERFORM “WRITE CONFIGURATION - CONFIG FILE”

ⓅCONSULT-III Configuration
Perform “WRITE CONFIGURATION - Config file”.

>> WORK END

3. PERFORM “WRITE CONFIGURATION - MANUAL SELECTION”

- ⓅCONSULT-III Configuration
1. Select “WRITE CONFIGURATION - Manual selection”.
 2. Identify the correct model and configuration list. Refer to [BCS-66. “CONFIGURATION \(BCM\) : Configuration list”](#).
 3. Confirm and/or change setting value for each item.
CAUTION:
Thoroughly read and understand the vehicle specification. Incorrect settings may result in abnormal control of ECU.
 4. Select “SETTING”.
CAUTION:
Make sure to select “SETTING” even if the indicated configuration of brand new BCM is same as the desirable configuration. If not, configuration which is set automatically by selecting vehicle model can not be memorized.
 5. When “COMMAND FINISHED”, select “END”.

>> GO TO 4.

4. OPERATION CHECK

Confirm that each function controlled by BCM operates normally.

>> WORK END

CONFIGURATION (BCM) : Configuration list

INFOID:000000006059542

CAUTION:

INSPECTION AND ADJUSTMENT

< BASIC INSPECTION >

Thoroughly read and understand the vehicle specification. Incorrect settings may result in abnormal control of ECU.

SETTING ITEM		NOTE
Items	Setting value	
REAR WIPER	WITHOUT	—
A/LIGHT LOGIC	MODE2 ↔ MODE4	<ul style="list-style-type: none">• MODE2: For Canada• MODE4: Except for Canada

↔: Items which confirm vehicle specifications

A
B
C
D
E
F
G
H
I
J
K
L
N
O
P

BCS

U1000 CAN COMM

< DTC/CIRCUIT DIAGNOSIS >

DTC/CIRCUIT DIAGNOSIS

U1000 CAN COMM

Description

INFOID:000000006059543

CAN (Controller Area Network) is a serial communication line for real time applications. It is an on-vehicle multiplex communication line with high data communication speed and excellent error detection ability. Modern vehicle is equipped with many electronic control unit, and each control unit shares information and links with other control units during operation (not independent). In CAN communication, control units are connected with 2 communication lines (CAN H-line, CAN L-line) allowing a high rate of information transmission with less wiring. Each control unit transmits/receives data but selectively reads required data only.

CAN Communication Signal Chart. Refer to [LAN-35, "CAN COMMUNICATION SYSTEM : CAN Communication Signal Chart"](#).

DTC Logic

INFOID:000000006059544

DTC DETECTION LOGIC

DTC	CONSULT-III display description	DTC Detection Condition	Possible cause
U1000	CAN COMM	When BCM cannot communicate CAN communication signal continuously for 2 seconds or more.	CAN communication system

Diagnosis Procedure

INFOID:000000006059545

1. PERFORM SELF DIAGNOSTIC

1. Turn ignition switch ON and wait for 2 seconds or more.
2. Check "Self Diagnostic Result" of BCM.

Is DTC "U1000" displayed?

- YES >> Refer to [LAN-25, "Trouble Diagnosis Flow Chart"](#).
NO >> Refer to [GI-38, "Intermittent Incident"](#).

U1010 CONTROL UNIT (CAN)

< DTC/CIRCUIT DIAGNOSIS >

U1010 CONTROL UNIT (CAN)

DTC Logic

INFOID:000000006059546

DTC DETECTION LOGIC

DTC	CONSULT-III display description	DTC Detection Condition	Possible cause
U1010	CONTROL UNIT (CAN)	BCM detected internal CAN communication circuit malfunction.	BCM

Diagnosis Procedure

INFOID:000000006059547

1. REPLACE BCM

When DTC "U1010" is detected, replace BCM.

>> Replace BCM. Refer to [BCS-79. "Removal and Installation"](#).

A
B
C
D
E
F
G
H
I
J
K
L

BCS

N
O
P

U0415 VEHICLE SPEED

< DTC/CIRCUIT DIAGNOSIS >

U0415 VEHICLE SPEED

Description

INFOID:000000006059548

U0415 is displayed if any unusual condition is present in the reception status of the vehicle speed signal from the ABS actuator and electric unit (control unit).

DTC Logic

INFOID:000000006059549

DTC DETECTION LOGIC

DTC	CONSULT-III display description	DTC Detection Condition	Probable cause
U0415	VEHICLE SPEED	When the vehicle speed signal received from the ABS actuator and electric unit (control unit) remains abnormal for 2 seconds or more.	<ul style="list-style-type: none">• ABS actuator and electric unit (control unit)• BCM

DTC CONFIRMATION PROCEDURE

1. DTC CONFIRMATION

1. Erase the DTC.
2. Turn ignition switch OFF.
3. Perform the "Self Diagnostic Result" of BCM with CONSULT-III, when passed 2 seconds or more after the ignition switch is turned ON.

Is any DTC detected?

- YES >> Refer to [BCS-70, "Diagnosis Procedure"](#).
NO >> INSPECTION END

Diagnosis Procedure

INFOID:000000006059550

1. ABS ACTUATOR AND ELECTRIC UNIT (CONTROL UNIT) SELF-DIAG RESULTS

Perform "Self-Diagnostic Result" of ABS actuator and electric unit (control unit) with CONSULT-III. Refer to [BRC-41, "CONSULT-III Function"](#).

Is any DTC detected?

- YES >> Repair or replace the malfunctioning part.
NO >> Replace BCM. Refer to [BCS-79, "Removal and Installation"](#).

B2562 LOW VOLTAGE

< DTC/CIRCUIT DIAGNOSIS >

B2562 LOW VOLTAGE

DTC Logic

INFOID:000000006059551

DTC DETECTION LOGIC

DTC	CONSULT-III display description	DTC Detection Condition	Possible cause
B2562	LOW VOLTAGE	When the power supply voltage to BCM remains less than 8.8 V for 120 seconds or more	Harness or connector (power supply circuit)

DTC CONFIRMATION PROCEDURE

1. DTC CONFIRMATION

1. Erase DTC.
2. Turn ignition switch OFF.
3. Perform the "Self Diagnostic Result" of BCM with CONSULT-III, when passed 120 seconds or more after the ignition switch is turned ON.

Is any DTC detected?

- YES >> Refer to [BCS-71, "Diagnosis Procedure"](#).
NO >> INSPECTION END

Diagnosis Procedure

INFOID:000000006059552

1. CHECK POWER SUPPLY CIRCUIT

Check BCM power supply circuit. Refer to [BCS-73, "Diagnosis Procedure"](#).

Is the circuit normal?

- YES >> Replace BCM. Refer to [BCS-79, "Removal and Installation"](#).
NO >> Repair the malfunctioning part.

A
B
C
D
E
F
G
H
I
J
K
L

BCS

N
O
P

B26E7 TPMS CAN COMM

< DTC/CIRCUIT DIAGNOSIS >

B26E7 TPMS CAN COMM

DTC Logic

INFOID:000000006059553

DTC DETECTION LOGIC

DTC	CONSULT-III display description	DTC Detection Condition	Probable cause
B26E7	TPMS CAN COMM	When ignition switch is ON, BCM cannot received CAN communication signal from low tire pressure warning control unit.	<ul style="list-style-type: none">• CAN communication system• Low tire pressure warning control unit• BCM

DTC CONFIRMATION PROCEDURE

1. DTC CONFIRMATION

1. Erase the DTC.
2. Turn ignition switch OFF.
3. Perform the "Self Diagnostic Result" of BCM with CONSULT-III, when passed 2 seconds or more after the ignition switch is turned ON.

Is any DTC detected?

- YES >> Refer to [BCS-72, "Diagnosis Procedure"](#).
NO >> INSPECTION END

Diagnosis Procedure

INFOID:000000006059554

NOTE:

If DTC "B26E7" detected along with DTC "U1000", first diagnose the DTC "U1000". Refer to [BCS-68, "Diagnosis Procedure"](#).

1. LOW TIRE PRESSURE WARNING CONTROL UNIT SELF DIAGNOSTIC RESULT

Perform "Self Diagnostic Result" of low tire pressure warning control unit with CONSULT-III. Refer to [WT-12, "CONSULT-III Function"](#).

Is any DTC detected?

- YES >> GO TO 2.
NO >> GO TO 4.

2. LOW TIRE PRESSURE WARNING CONTROL UNIT DIAGNOSIS

Perform low tire pressure warning control unit component diagnosis of detected DTC. Refer to [WT-18, "DTC Index"](#).

>> GO TO 3.

3. BCM SELF DIAGNOSTIC RESULT

Erase DTC of BCM, and perform "Self Diagnostic Result" again.

Is DTC "B26E7" detected?

- YES >> Replace BCM. Refer to [BCS-79, "Removal and Installation"](#).
NO >> INSPECTION END

4. REPLACE LOW TIRE PRESSURE WARNING CONTROL UNIT TEMPORARILY

Remove low tire pressure warning control unit, and install normal low tire pressure warning control unit.

>> GO TO 5.

5. BCM SELF-DIAGNOSTIC RESULT

Erase DTC of BCM, and perform "Self Diagnostic Result" of BCM again.

Is DTC "B26E7" detected?

- YES >> Replace BCM. Refer to [BCS-79, "Removal and Installation"](#).
NO >> Replace low tire pressure warning control unit. Refer to [WT-70, "Removal and Installation"](#).

POWER SUPPLY AND GROUND CIRCUIT

< DTC/CIRCUIT DIAGNOSIS >

POWER SUPPLY AND GROUND CIRCUIT

Diagnosis Procedure

INFOID:000000006059555

1.CHECK FUSE AND FUSIBLE LINK

Check that the following fuse and fusible link are not blown.

Signal name	Fuse and fusible link No.
Battery power supply	L
	11

Is the fuse fusing?

- YES >> Replace the blown fuse or fusible link after repairing the affected circuit if a fuse or fusible link is blown.
NO >> GO TO 2.

2.CHECK POWER SUPPLY CIRCUIT

1. Turn ignition switch OFF.
2. Disconnect BCM connectors.
3. Check voltage between BCM harness connector and ground.

Terminals		Voltage (Approx.)
(+)	(-)	
BCM		Ground Battery voltage
Connector	Terminal	
M122	70	
	57	

Is the measurement value normal?

- YES >> GO TO 3.
NO >> Repair harness or connector.

3.CHECK GROUND CIRCUIT

Check continuity between BCM harness connector and ground.

BCM		Ground	Continuity
Connector	Terminal		
M122	67		Existed

Does continuity exist?

- YES >> INSPECTION END
NO >> Repair harness or connector.

A
B
C
D
E
F
G
H
I
J
K
L
N
O
P

BCS

COMBINATION SWITCH OUTPUT CIRCUIT

< DTC/CIRCUIT DIAGNOSIS >

COMBINATION SWITCH OUTPUT CIRCUIT

Diagnosis Procedure

INFOID:000000006059556

1. CHECK OUTPUT 1 - 5 CIRCUIT FOR OPEN

1. Turn ignition switch OFF.
2. Disconnect BCM and combination switch connectors.
3. Check continuity between BCM harness connector and combination switch harness connector.

System	BCM		Combination switch		Continuity
	Connector	Terminal	Connector	Terminal	
OUTPUT 1	M120	36	M33	11	Existed
OUTPUT 2		35		9	
OUTPUT 3		34		7	
OUTPUT 4		33		10	
OUTPUT 5		32		13	

Does continuity exist?

- YES >> GO TO 2.
 NO >> Repair harnesses or connectors.

2. CHECK OUTPUT 1 - 5 CIRCUIT FOR SHORT

Check for continuity between BCM harness connector and ground.

System	BCM		Continuity
	Connector	Terminal	
OUTPUT 1	M120	36	Ground
OUTPUT 2		35	
OUTPUT 3		34	
OUTPUT 4		33	
OUTPUT 5		32	

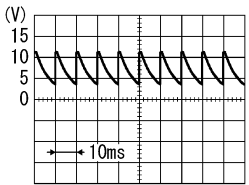
Does continuity exist?

- YES >> Repair harnesses or connectors.
 NO >> GO TO 3.

3. CHECK BCM OUTPUT VOLTAGE

1. Connect BCM connector.
2. Check voltage between BCM harness connector and ground.

System	Terminals		Voltage (Approx.)	
	(+)			(-)
	BCM			
	Connector	Terminal		
OUTPUT 1	M120	36	Ground	
OUTPUT 2		35		
OUTPUT 3		34		
OUTPUT 4		33		
OUTPUT 5		32		



7.0 - 8.0 V

Is the measurement value normal?

COMBINATION SWITCH OUTPUT CIRCUIT

< DTC/CIRCUIT DIAGNOSIS >

YES >> Replace combination switch.

NO >> Replace BCM. Refer to [BCS-79, "Removal and Installation"](#).

A

B

C

D

E

F

G

H

I

J

K

L

BCS

N

O

P

COMBINATION SWITCH INPUT CIRCUIT

< DTC/CIRCUIT DIAGNOSIS >

COMBINATION SWITCH INPUT CIRCUIT

Diagnosis Procedure

INFOID:000000006059557

1. CHECK INPUT 1 - 5 CIRCUIT FOR OPEN

1. Turn ignition switch OFF.
2. Disconnect BCM and combination switch connectors.
3. Check continuity between BCM harness connector and combination switch harness connector.

System	BCM		Combination switch		Continuity
	Connector	Terminal	Connector	Terminal	
INPUT 1	M120	6	M33	12	Existed
INPUT 2		5		14	
INPUT 3		4		5	
INPUT 4		3		2	
INPUT 5		2		8	

Does continuity exist?

- YES >> GO TO 2.
 NO >> Repair harnesses or connectors.

2. CHECK INPUT 1 - 5 CIRCUIT FOR SHORT

Check for continuity between BCM harness connector and ground.

System	BCM		Ground	Continuity
	Connector	Terminal		
INPUT 1	M120	6	Ground	Not existed
INPUT 2		5		
INPUT 3		4		
INPUT 4		3		
INPUT 5		2		

Does continuity exist?

- YES >> Repair harnesses or connectors.
 NO >> GO TO 3.

3. CHECK BCM INPUT SIGNAL

1. Connect BCM and combination switch connectors.
2. Turn ON any switch in the system that is malfunction.
3. Check voltage between BCM harness connector and ground.

System	Terminals		Voltage (Approx.)
	(+)	(-)	
	BCM		
	Connector	Terminal	
INPUT 1	M120	6	Ground
INPUT 2		5	
INPUT 3		4	
INPUT 4		3	
INPUT 5		2	

Is the measurement value normal?

- Yes >> Replace BCM. Refer to [BCS-79. "Removal and Installation"](#).

COMBINATION SWITCH INPUT CIRCUIT

< DTC/CIRCUIT DIAGNOSIS >

No >> Replace combination switch.

A

B

C

D

E

F

G

H

I

J

K

L

BCS

N

O

P

COMBINATION SWITCH SYSTEM SYMPTOMS

< SYMPTOM DIAGNOSIS >

SYMPTOM DIAGNOSIS

COMBINATION SWITCH SYSTEM SYMPTOMS

Symptom Table

INFOID:000000006059558

1. Perform "Data Monitor" of CONSULT-III to check for any malfunctioning item.
2. Check the malfunction combinations.

Data monitor item														Malfunction item: ×
FR WIPER HI	FR WIPER LOW	FR WASHER SW	FR WIPER INT	INT VOLUME	TURN SIGNAL R	TURN SIGNAL L	TAIL LAMP SW	HI BEAM SW	HEAD LAMP SW 1	HEAD LAMP SW 2	PASSING SW	AUTO LIGHT SW	FR FOG SW	Malfunction combination
	×	×			×	×								A
×			×						×		×			B
				×				×		×				C
				×			×					×		D
				×									×	E
×				×										F
		×		×										G
	×		×									×		H
						×				×	×		×	I
					×		×	×	×					J
All Items														K
If only one item is detected or the item is not applicable to the combinations A to K														L

3. Identify the malfunctioning part from the agreed combination and repair or replace the part.

Malfunction combination	Malfunctioning part	Repair or replace
A	Combination switch OUTPUT 1 circuit	Inspect the combination switch output circuit applicable to the malfunctioning part. Refer to BCS-74, "Diagnosis Procedure" .
B	Combination switch OUTPUT 2 circuit	
C	Combination switch OUTPUT 3 circuit	
D	Combination switch OUTPUT 4 circuit	
E	Combination switch OUTPUT 5 circuit	
F	Combination switch INPUT 1 circuit	Inspect the combination switch input circuit applicable to the malfunctioning part. Refer to BCS-76, "Diagnosis Procedure" .
G	Combination switch INPUT 2 circuit	
H	Combination switch INPUT 3 circuit	
I	Combination switch INPUT 4 circuit	
J	Combination switch INPUT 5 circuit	
K	BCM	Replace BCM. Refer to BCS-79, "Removal and Installation" .
L	Combination switch	Replace combination switch.

BCM

< REMOVAL AND INSTALLATION >

REMOVAL AND INSTALLATION

BCM

Removal and Installation

INFOID:000000006059559

CAUTION:

Before replacing BCM, perform "READ CONFIGURATION" to save or print current vehicle specification. Refer to [BCS-65, "ADDITIONAL SERVICE WHEN REPLACING CONTROL UNIT \(BCM\) : Description"](#).

REMOVAL

1. Remove knee protector. Refer to [IP-13, "Removal and Installation"](#).
2. Remove screws.
3. Remove BCM and disconnect the connectors.

INSTALLATION

Install in the reverse order of removal.

CAUTION:

- Be sure to perform "WRITE CONFIGURATION" when replacing BCM.
- Be sure to perform the system initialization (NATS) when replacing BCM. Refer to [BCS-65, "ADDITIONAL SERVICE WHEN REPLACING CONTROL UNIT \(BCM\) : Special Repair Requirement"](#).

A
B
C
D
E
F
G
H
I
J
K
L
N
O
P

BCS

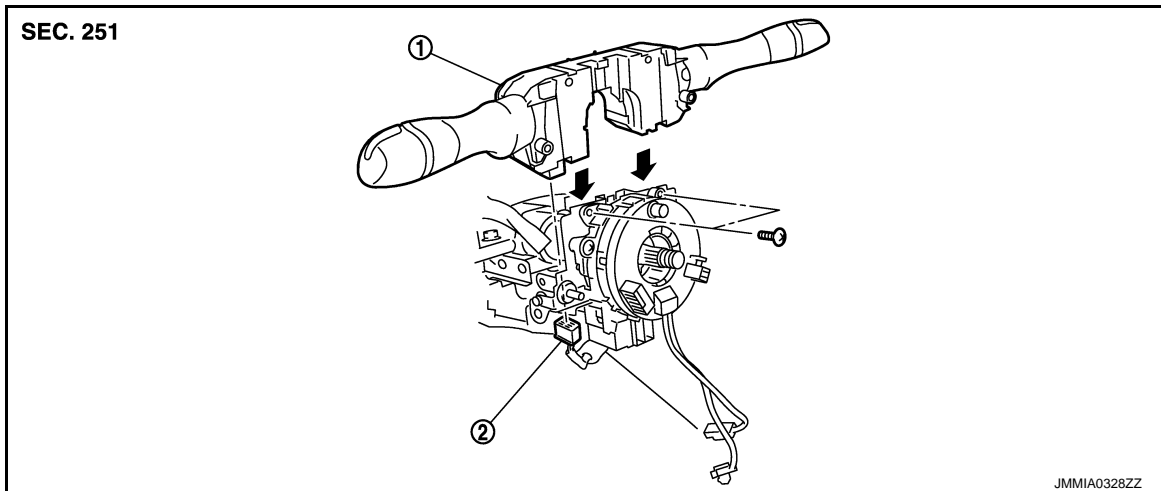
COMBINATION SWITCH

< REMOVAL AND INSTALLATION >

COMBINATION SWITCH

Exploded View

INFOID:000000006059560



1. Combination switch

2. Combination switch connector

Removal and Installation

INFOID:000000006059561

REMOVAL

1. Remove steering column cover. Refer to [IP-13. "Removal and Installation"](#).
2. Remove screws.
3. Disconnect the connector.
4. Pull up the combination switch to remove it.

INSTALLATION

Install in the reverse order of removal.