

SECTION **DLN**
DRIVELINE

A
B
C

DLN

CONTENTS

E

TRANSFER: ETX13C		ECU DIAGNOSIS INFORMATION	21	F
PRECAUTION	6	AWD CONTROL UNIT	21	G
PRECAUTIONS	6	Reference Value	21	
Precaution for Supplemental Restraint System (SRS) "AIR BAG" and "SEAT BELT PRE-TENSIONER"	6	Fail-safe	22	H
Precaution Necessary for Steering Wheel Rotation after Battery Disconnect	6	Protection Function	23	
Service Notice or Precautions for Transfer	7	DTC Inspection Priority Chart	23	
PREPARATION	8	DTC Index	23	
PREPARATION	8	WIRING DIAGRAM	24	I
Special Service Tools	8	AWD SYSTEM	24	
Commercial Service Tools	9	Wiring Diagram	24	J
SYSTEM DESCRIPTION	11	BASIC INSPECTION	30	K
COMPONENT PARTS	11	DIAGNOSIS AND REPAIR WORK FLOW	30	
Component Parts Location	11	Work Flow	30	L
Component Description	12	Diagnostic Work Sheet	31	
AWD Control Unit	12	DTC/CIRCUIT DIAGNOSIS	33	M
AWD Solenoid	12	C1201 AWD CONTROL UNIT	33	
Transfer Fluid Temperature Sensor	12	DTC Logic	33	N
Electric Controlled Coupling	13	Diagnosis Procedure	33	
STRUCTURE AND OPERATION	14	C1203 ABS ACTUATOR AND ELECTRIC UNIT (CONTROL UNIT)	34	O
Sectional View	14	DTC Logic	34	
Operation Description	14	Diagnosis Procedure	34	P
SYSTEM	16	C1204 AWD SOLENOID	35	
AWD SYSTEM	16	DTC Logic	35	
AWD SYSTEM : System Description	16	Diagnosis Procedure	35	
AWD SYSTEM : Fail-safe	17	Component Inspection	37	
AWD SYSTEM : Protection Function	17	C1205 AWD ACTUATOR RELAY	38	
DIAGNOSIS SYSTEM (AWD CONTROL UNIT)	19	DTC Logic	38	
CONSULT-III Function	19	Diagnosis Procedure	38	
		C1210 ECM	39	
		DTC Logic	39	
		Diagnosis Procedure	39	

P1804 TRANSFER CONTROL UNIT	40	PERIODIC MAINTENANCE	58
DTC Logic	40	TRANSFER FLUID	58
Diagnosis Procedure	40	Inspection	58
P1809 TRANSFER CONTROL UNIT	41	Draining	58
DTC Logic	41	Refilling	58
Diagnosis Procedure	41	REMOVAL AND INSTALLATION	59
P1826 TRANSFER FLUID TEMPERATURE ...	42	AWD CONTROL UNIT	59
DTC Logic	42	Removal and Installation	59
Diagnosis Procedure	42	FRONT OIL SEAL	60
Component Inspection	43	Exploded View	60
U1000 CAN COMM CIRCUIT	45	Removal and Installation	60
Description	45	REAR OIL SEAL	61
DTC Logic	45	Exploded View	61
Diagnosis Procedure	45	Removal and Installation	61
U1010 CONTROL UNIT (CAN)	46	UNIT REMOVAL AND INSTALLATION	64
Description	46	TRANSFER ASSEMBLY	64
DTC Logic	46	VQ37VHR	64
Diagnosis Procedure	46	VQ37VHR : Exploded View	64
POWER SUPPLY AND GROUND CIRCUIT	47	VQ37VHR : Removal and Installation	64
Diagnosis Procedure	47	VK56VD	65
AWD WARNING LAMP	50	VK56VD : Exploded View	66
Component Function Check	50	VK56VD : Removal and Installation	66
Diagnosis Procedure	50	UNIT DISASSEMBLY AND ASSEMBLY ...	68
SYMPTOM DIAGNOSIS	51	FRONT CASE AND REAR CASE	68
AWD WARNING LAMP DOES NOT TURN ON		Exploded View	68
.....	51	Disassembly	69
Description	51	Assembly	72
Diagnosis Procedure	51	Inspection	76
AWD WARNING LAMP DOES NOT TURN OFF		MAIN SHAFT	78
.....	52	Exploded View	78
Description	52	Disassembly	79
Description	52	Assembly	80
HEAVY TIGHT-CORNER BRAKING SYMPTOM OCCURS	53	Inspection	81
Description	53	FRONT DRIVE SHAFT AND DRIVE CHAIN	83
Diagnosis Procedure	53	Exploded View	83
VEHICLE DOES NOT ENTER AWD MODE	54	Disassembly	84
Description	54	Assembly	84
Diagnosis Procedure	54	Inspection	85
AWD WARNING LAMP BLINKS QUICKLY	55	SERVICE DATA AND SPECIFICATIONS (SDS)	87
Description	55	SERVICE DATA AND SPECIFICATIONS (SDS)	87
AWD WARNING LAMP BLINKS SLOWLY	56	General Specifications	87
Description	56	FRONT PROPELLER SHAFT: 2S56A	
Diagnosis Procedure	56	PREPARATION	88
NOISE, VIBRATION AND HARSHNESS (NVH) TROUBLESHOOTING	57		
NVH Troubleshooting Chart	57		

PREPARATION	88	SERVICE DATA AND SPECIFICATIONS (SDS)	104	A
Commercial Service Tools	88			
SYMPTOM DIAGNOSIS	89	SERVICE DATA AND SPECIFICATIONS (SDS)	104	B
NOISE, VIBRATION AND HARSHNESS (NVH) TROUBLESHOOTING	89	General Specifications	104	
NVH Troubleshooting Chart	89	Propeller Shaft Runout	104	
PERIODIC MAINTENANCE	90	Journal Axial Play	104	C
FRONT PROPELLER SHAFT	90	REAR PROPELLER SHAFT: 3F80A-R		
Inspection	90	PREPARATION	105	DLN
REMOVAL AND INSTALLATION	91	PREPARATION	105	
FRONT PROPELLER SHAFT	91	Commercial Service Tools	105	
VQ37VHR	91	SYMPTOM DIAGNOSIS	106	E
VQ37VHR : Exploded View	91	NOISE, VIBRATION AND HARSHNESS (NVH) TROUBLESHOOTING	106	F
VQ37VHR : Removal and Installation	91	NVH Troubleshooting Chart	106	
VQ37VHR : Inspection	92	PERIODIC MAINTENANCE	107	G
VK56VD	93	REAR PROPELLER SHAFT	107	H
VK56VD : Exploded View	93	Inspection	107	
VK56VD : Removal and Installation	93	REMOVAL AND INSTALLATION	108	I
VK56VD : Inspection	94	REAR PROPELLER SHAFT	108	J
SERVICE DATA AND SPECIFICATIONS (SDS)	96	Exploded View	108	
SERVICE DATA AND SPECIFICATIONS (SDS)	96	Removal and Installation	108	
General Specifications	96	Inspection	110	K
Propeller Shaft Runout	96	SERVICE DATA AND SPECIFICATIONS (SDS)	112	L
Journal Axial Play	96	SERVICE DATA AND SPECIFICATIONS (SDS)	112	M
REAR PROPELLER SHAFT: 3S80A-R		General Specifications	112	
PREPARATION	97	Propeller Shaft Runout	112	
PREPARATION	97	Journal Axial Play	112	N
Commercial Service Tools	97	FRONT FINAL DRIVE: F160A		
SYMPTOM DIAGNOSIS	98	PRECAUTION	113	O
NOISE, VIBRATION AND HARSHNESS (NVH) TROUBLESHOOTING	98	PRECAUTIONS	113	
NVH Troubleshooting Chart	98	Precaution Necessary for Steering Wheel Rotation after Battery Disconnect	113	
PERIODIC MAINTENANCE	99	Service Notice or Precations for Front Final Drive	113	
REAR PROPELLER SHAFT	99	PREPARATION	114	P
Inspection	99	PREPARATION	114	
REMOVAL AND INSTALLATION	100	Special Service Tools	114	
REAR PROPELLER SHAFT	100	Commercial Service Tools	116	
Exploded View	100	SYSTEM DESCRIPTION	118	
Removal and Installation	101	STRUCTURE AND OPERATION	118	
Inspection	103	Sectional View	118	

SYMPTOM DIAGNOSIS	119	SERVICE DATA AND SPECIFICATIONS (SDS)	157
NOISE, VIBRATION AND HARSHNESS (NVH) TROUBLESHOOTING	119	General Specifications	157
NVH Troubleshooting Chart	119	Drive Gear Runout	157
PERIODIC MAINTENANCE	120	Differential Side Gear Clearance	157
FRONT DIFFERENTIAL GEAR OIL	120	Preload Torque	157
Inspection	120	Backlash	157
Draining	120	Companion Frange Runout	157
Refilling	120	REAR FINAL DRIVE: R200	
REMOVAL AND INSTALLATION	121	PRECAUTION	158
SIDE OIL SEAL	121	PRECAUTIONS	158
RIGHT SIDE	121	Service Notice or Precations for Rear Final Drive. 158	
RIGHT SIDE : Exploded View	121	PREPARATION	159
RIGHT SIDE : Removal and Installation	122	PREPARATION	159
LEFT SIDE	122	Special Service Tools	159
LEFT SIDE : Exploded View	122	Commercial Service Tools	161
LEFT SIDE : Removal and Installation	123	SYSTEM DESCRIPTION	163
UNIT REMOVAL AND INSTALLATION ...	125	STRUCTURE AND OPERATION	163
FRONT FINAL DRIVE ASSEMBLY	125	Sectional View	163
VQ37VHR	125	SYMPTOM DIAGNOSIS	164
VQ37VHR : Exploded View	125	NOISE, VIBRATION AND HARSHNESS (NVH) TROUBLESHOOTING	164
VQ37VHR : Removal and Installation	125	NVH Troubleshooting Chart	164
VK56VD	126	PERIODIC MAINTENANCE	165
VK56VD : Exploded View	126	REAR DIFFERENTIAL GEAR OIL	165
VK56VD : Removal and Installation	127	Inspection	165
UNIT DISASSEMBLY AND ASSEMBLY ..	128	Draining	165
SIDE SHAFT	128	Refilling	165
Exploded View	128	REMOVAL AND INSTALLATION	166
Disassembly	130	FRONT OIL SEAL	166
Assembly	131	Exploded View	166
Inspection	131	Removal and Installation	166
DIFFERENTIAL ASSEMBLY	132	SIDE OIL SEAL	170
Exploded View	132	Exploded View	170
Disassembly	134	Removal and Installation	170
Assembly	137	UNIT REMOVAL AND INSTALLATION ...	171
Adjustment	141	REAR FINAL DRIVE ASSEMBLY	171
Inspection	146	Exploded View	171
DRIVE PINION	148	Removal and Installation	171
Exploded View	148	UNIT DISASSEMBLY AND ASSEMBLY ..	173
Disassembly	150	DIFFERENTIAL ASSEMBLY	173
Assembly	152	Exploded View	173
Adjustment	154	Disassembly	174
Inspection	156	Assembly	176
SERVICE DATA AND SPECIFICATIONS (SDS)	157	Adjustment	180

Inspection	184	Draining	204	
DRIVE PINION	186	Refilling	204	A
Exploded View	186	REMOVAL AND INSTALLATION	205	
Disassembly	187	FRONT OIL SEAL	205	B
Assembly	188	Exploded View	205	
Adjustment	190	Removal and Installation	205	C
Inspection	193	SIDE OIL SEAL	209	
SERVICE DATA AND SPECIFICATIONS		Exploded View	209	
(SDS)	195	Removal and Installation	209	DLN
SERVICE DATA AND SPECIFICATIONS		UNIT REMOVAL AND INSTALLATION ...	210	
(SDS)	195	REAR FINAL DRIVE ASSEMBLY	210	E
General Specifications	195	Exploded View	210	
Drive Gear Runout	195	Removal and Installation	210	F
Differential Side Gear Clearance	195	UNIT DISASSEMBLY AND ASSEMBLY .	212	
Preload Torque	195	DIFFERENTIAL ASSEMBLY	212	G
Backlash	195	Exploded View	212	
REAR FINAL DRIVE: R208		Disassembly	213	H
PRECAUTION	196	Assembly	215	
PRECAUTIONS	196	Adjustment	218	I
Service Notice or Precautions for Rear Final Drive.	196	Inspection	222	J
PREPARATION	197	DRIVE PINION	223	
PREPARATION	197	Exploded View	223	
Special Service Tools	197	Disassembly	224	
Commercial Service Tools	199	Assembly	225	
SYSTEM DESCRIPTION	201	Adjustment	228	
STRUCTURE AND OPERATION	201	Inspection	229	K
Sectional View	201	SERVICE DATA AND SPECIFICATIONS		
SYMPTOM DIAGNOSIS	202	(SDS)	231	
NOISE, VIBRATION AND HARSHNESS		SERVICE DATA AND SPECIFICATIONS		
(NVH) TROUBLESHOOTING	202	(SDS)	231	L
NVH Troubleshooting Chart	202	General Specifications	231	
PERIODIC MAINTENANCE	204	Drive Gear Runout	231	
REAR DIFFERENTIAL GEAR OIL	204	Differential Side Gear Clearance	231	M
Inspection	204	Preload Torque	231	
		Backlash	231	N
				O
				P

PRECAUTION

PRECAUTIONS

Precaution for Supplemental Restraint System (SRS) "AIR BAG" and "SEAT BELT PRE-TENSIONER"

INFOID:000000006046078

The Supplemental Restraint System such as "AIR BAG" and "SEAT BELT PRE-TENSIONER", used along with a front seat belt, helps to reduce the risk or severity of injury to the driver and front passenger for certain types of collision. This system includes seat belt switch inputs and dual stage front air bag modules. The SRS system uses the seat belt switches to determine the front air bag deployment, and may only deploy one front air bag, depending on the severity of a collision and whether the front occupants are belted or unbelted. Information necessary to service the system safely is included in the "SRS AIR BAG" and "SEAT BELT" of this Service Manual.

WARNING:

- To avoid rendering the SRS inoperative, which could increase the risk of personal injury or death in the event of a collision that would result in air bag inflation, all maintenance must be performed by an authorized NISSAN/INFINITI dealer.
- Improper maintenance, including incorrect removal and installation of the SRS, can lead to personal injury caused by unintentional activation of the system. For removal of Spiral Cable and Air Bag Module, see the "SRS AIR BAG".
- Do not use electrical test equipment on any circuit related to the SRS unless instructed to in this Service Manual. SRS wiring harnesses can be identified by yellow and/or orange harnesses or harness connectors.

PRECAUTIONS WHEN USING POWER TOOLS (AIR OR ELECTRIC) AND HAMMERS

WARNING:

- When working near the Air Bag Diagnosis Sensor Unit or other Air Bag System sensors with the ignition ON or engine running, DO NOT use air or electric power tools or strike near the sensor(s) with a hammer. Heavy vibration could activate the sensor(s) and deploy the air bag(s), possibly causing serious injury.
- When using air or electric power tools or hammers, always switch the ignition OFF, disconnect the battery, and wait at least 3 minutes before performing any service.

Precaution Necessary for Steering Wheel Rotation after Battery Disconnect

INFOID:000000006046079

NOTE:

- Before removing and installing any control units, first turn the push-button ignition switch to the LOCK position, then disconnect both battery cables.
- After finishing work, confirm that all control unit connectors are connected properly, then re-connect both battery cables.
- Always use CONSULT-III to perform self-diagnosis as a part of each function inspection after finishing work. If a DTC is detected, perform trouble diagnosis according to self-diagnosis results.

For vehicle with steering lock unit, if the battery is disconnected or discharged, the steering wheel will lock and cannot be turned.

If turning the steering wheel is required with the battery disconnected or discharged, follow the operation procedure below before starting the repair operation.

OPERATION PROCEDURE

1. Connect both battery cables.

NOTE:

Supply power using jumper cables if battery is discharged.

2. Turn the push-button ignition switch to ACC position.
(At this time, the steering lock will be released.)
3. Disconnect both battery cables. The steering lock will remain released with both battery cables disconnected and the steering wheel can be turned.
4. Perform the necessary repair operation.

PRECAUTIONS

< PRECAUTION >

[TRANSFER: ETX13C]

5. When the repair work is completed, re-connect both battery cables. With the brake pedal released, turn the push-button ignition switch from ACC position to ON position, then to LOCK position. (The steering wheel will lock when the push-button ignition switch is turned to LOCK position.)
6. Perform self-diagnosis check of all control units using CONSULT-III.

Service Notice or Precautions for Transfer

INFOID:000000006044511

- Never reuse transfer fluid, once it has been drained.
- Check the fluid level or replace the fluid only with the vehicle parked on level ground.
- During removal or installation, keep inside of transfer clear of dust or dirt.
- Replace all tires at the same time. Always use tires of the proper size and the same brand and pattern. Fitting improper size and unusually worn tires applies excessive force to vehicle mechanism and can cause longitudinal vibration.
- Disassembly should be done in a clean work area, it is preferable to work in dustproof area.
- Before proceeding with disassembly, thoroughly clean the transfer. It is important to prevent the internal parts from becoming contaminated by dirt or other foreign matter.
- All parts should be carefully cleaned with a general purpose, non-flammable solvent before inspection or reassembly.
- Check for the correct installation status prior to removal or disassembly. If matching marks are required, be certain they do not interfere with the function of the parts when applied.
- Check appearance of the disassembled parts for damage, deformation, and unusual wear. Replace them with a new ones if necessary.
- Gaskets, seals and O-rings should be replaced any time the transfer is disassembled.
- In principle, tighten bolts or nuts gradually in several steps working diagonally from inside to outside. If tightening sequence is specified, use it.
- Observe the specified torque when assembling.
- Clean and flush the parts sufficiently and blow-dry them.
- Be careful not to damage sliding surfaces and mating surfaces.
- Clean inner parts with lint-free cloth or towels. Do not use cotton work gloves and rags to prevent adhering fibers.

A
B
C
DLN
E
F
G
H
I
J
K
L
M
N
O
P

PREPARATION

< PREPARATION >

[TRANSFER: ETX13C]

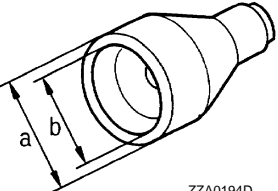
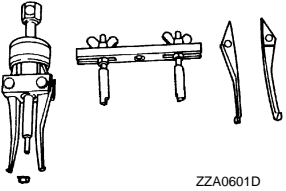
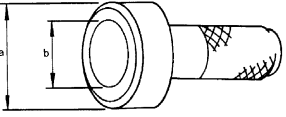
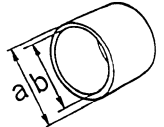
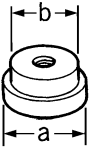
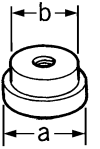
PREPARATION

PREPARATION

Special Service Tools

INFOID:000000006044512

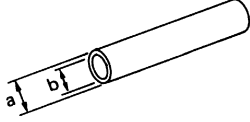
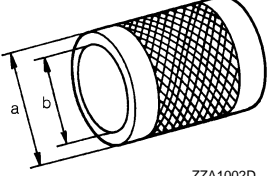
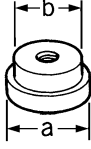
The actual shapes of Kent-Moore tools may differ from those of special service tools illustrated here.

Tool number (Kent-Moore No.) Tool name	Description
<p>ST27862000 (—) Drift a: 62.5 mm (2.461 in) dia. b: 42 mm (1.65 in) dia.</p>  <p style="text-align: center;">ZZA0194D</p>	Installing front oil seal
<p>KV381054S0 (J-34286) Puller</p>  <p style="text-align: center;">ZZA0601D</p>	Removing rear oil seal
<p>ST30720000 (J-25405) Drift a: 77 mm (3.03 in) dia. b: 55.5 mm (2.185 in) dia.</p>  <p style="text-align: center;">ZZA0811D</p>	<ul style="list-style-type: none"> • Installing rear oil seal • Installing main shaft oil seal
<p>KV40104830 (—) Drift a: 70 mm (2.76 in) dia. b: 63.5 mm (2.500 in) dia.</p>  <p style="text-align: center;">ZZA1003D</p>	Installing rear oil seal
<p>ST33052000 (—) Drift a: 28 mm (1.10 in) dia. b: 22 mm (0.87 in) dia.</p>  <p style="text-align: center;">ZZA1000D</p>	Removing main shaft assembly
<p>ST35321000 (—) Drift a: 49 mm (1.93 in) dia. b: 41 mm (1.61 in) dia.</p>  <p style="text-align: center;">ZZA1000D</p>	Installing main shaft assembly

PREPARATION

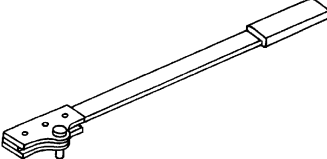
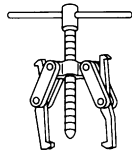
< PREPARATION >

[TRANSFER: ETX13C]

Tool number (Kent-Moore No.) Tool name	Description	
ST31214000 (J-25269-B) Drift a: 34 mm (1.34 in) dia. b: 25.5 mm (1.004 in) dia.		A B C
ZZA0534D	<ul style="list-style-type: none"> • Removing front drive shaft front bearing • Removing front drive shaft rear bearing 	
ST33200000 (J-26082) Drift a: 60 mm (2.36 in) dia. b: 44.5 mm (1.752 in) dia.		DLN E F
ZZA1002D	Installing front drive shaft front bearing	
KV38104010 (—) Drift a: 67 mm (2.64 in) dia. b: 49 mm (1.93 in) dia.		G H
ZZA1000D	Installing front drive shaft rear bearing	

Commercial Service Tools

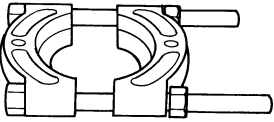
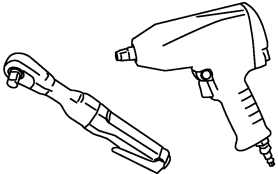
INFOID:000000006044513

Tool name	Description	
Flange wrench		I J K L
NT771	Removing and installing self-lock nut	
Puller		M N O
NT077	Removing companion flange	
		P

PREPARATION

< PREPARATION >

[TRANSFER: ETX13C]

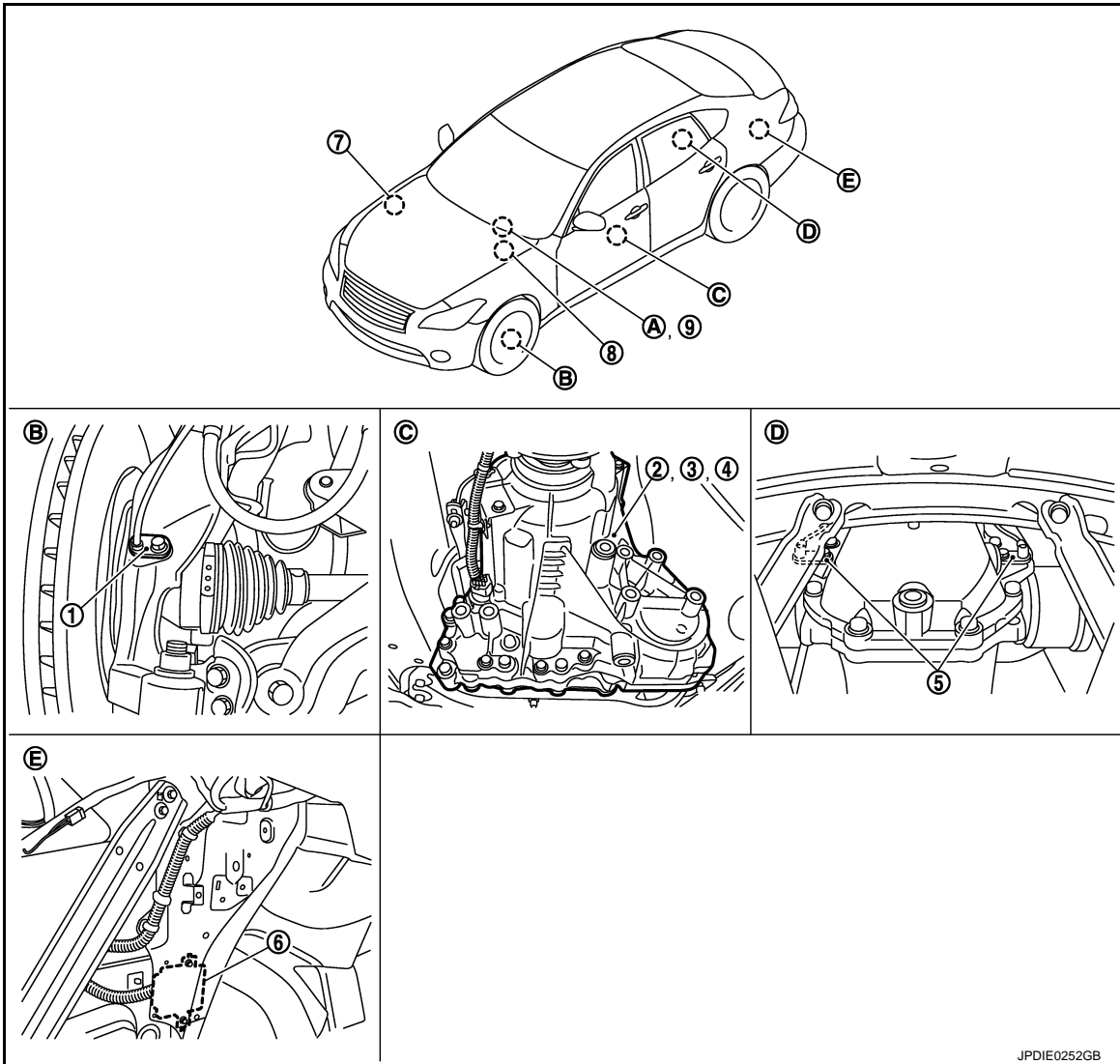
Tool name	Description
<p data-bbox="164 302 256 327">Replacer</p>  <p data-bbox="829 415 894 432">ZZB0823D</p>	<ul data-bbox="1011 289 1430 344" style="list-style-type: none">• Removing front drive shaft front bearing• Removing front drive shaft rear bearing
<p data-bbox="164 554 272 579">Power tool</p>  <p data-bbox="829 663 899 680">PBIC0190E</p>	<p data-bbox="1011 554 1263 579">Loosening bolts and nuts</p>

SYSTEM DESCRIPTION

COMPONENT PARTS

Component Parts Location

INFOID:000000006044516



- | | | |
|--|---|---|
| 1. Front wheel sensor | 2. AWD solenoid (inside transfer) | 3. Transfer fluid temperature sensor (inside transfer) |
| 4. Electric controlled coupling (inside transfer) | 5. Rear wheel sensor | 6. AWD control unit |
| 7. ECM
Refer to EC-24. "ENGINE CONTROL SYSTEM : Component Parts Location" (VQ37VHR), EC-548. "ENGINE CONTROL SYSTEM : Component Parts Location" (VK56VD). | 8. ABS actuator and electric unit (control unit)
Refer to BRC-10. "Component Parts Location" . | 9. Combination meter
Refer to MWI-6. "METER SYSTEM : Component Parts Location" . |
| A. AWD warning lamp (in combination meter) | B. Steering knuckle | C. Transfer assembly |
| D. Rear final drive assembly | E. Inside the rear trunk side finisher (left) | |

A
B
C
DLN
E
F
G
H
I
J
K
L
M
N
O
P

COMPONENT PARTS

< SYSTEM DESCRIPTION >

[TRANSFER: ETX13C]

Component Description

INFOID:000000006044517

Component parts	Reference/Function
AWD control unit	DLN-12, "AWD Control Unit"
Wheel sensor	BRC-12, "Wheel Sensor and Sensor Rotor"
AWD solenoid	DLN-12, "AWD Solenoid"
Transfer fluid temperature sensor	DLN-12, "Transfer Fluid Temperature Sensor"
Electric controlled coupling	DLN-13, "Electric Controlled Coupling"
AWD warning lamp	DLN-16, "AWD SYSTEM : System Description"
ABS actuator and electric unit (control unit)	BRC-15, "System Description"
ECM	EC-44, "ENGINE CONTROL SYSTEM : System Description" (VQ37VHR), EC-569, "ENGINE CONTROL SYSTEM : System Description" (VK56VD)
Combination meter	MWI-9, "METER SYSTEM : System Description"

AWD Control Unit

INFOID:000000006044518

- AWD control unit controls driving force distribution by signals from each sensor from rear wheel driving mode (0:100) to 4-wheel driving mode (50:50).
- Rear wheel driving conditions is available by fail-safe function if malfunction is detected in AWD system.

AWD ACTUATOR RELAY

AWD actuator relay is integrated with AWD control unit, and supplies AWD solenoid with voltage.

AWD Solenoid

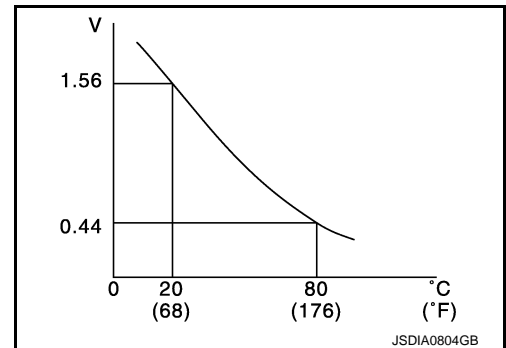
INFOID:000000006044519

AWD solenoid is integrated with electric controlled coupling, and controls electric controlled coupling by command current from AWD control unit.

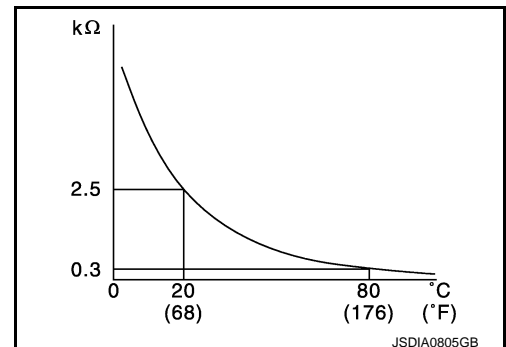
Transfer Fluid Temperature Sensor

INFOID:000000006044520

- Transfer fluid temperature sensor is integrated with electric controlled coupling.
- Transfer fluid temperature sensor detects the transfer fluid temperature and transmits a signal to AWD control unit.



- The electrical resistance of the sensor decreases as temperature increases.



COMPONENT PARTS

< SYSTEM DESCRIPTION >

[TRANSFER: ETX13C]

Electric Controlled Coupling

INFOID:000000006044521

Electric controlled coupling is integrated with transfer and transmits driving force to rear final drive. For operation, refer to [DLN-14, "Operation Description"](#).

A

B

C

DLN

E

F

G

H

I

J

K

L

M

N

O

P

STRUCTURE AND OPERATION

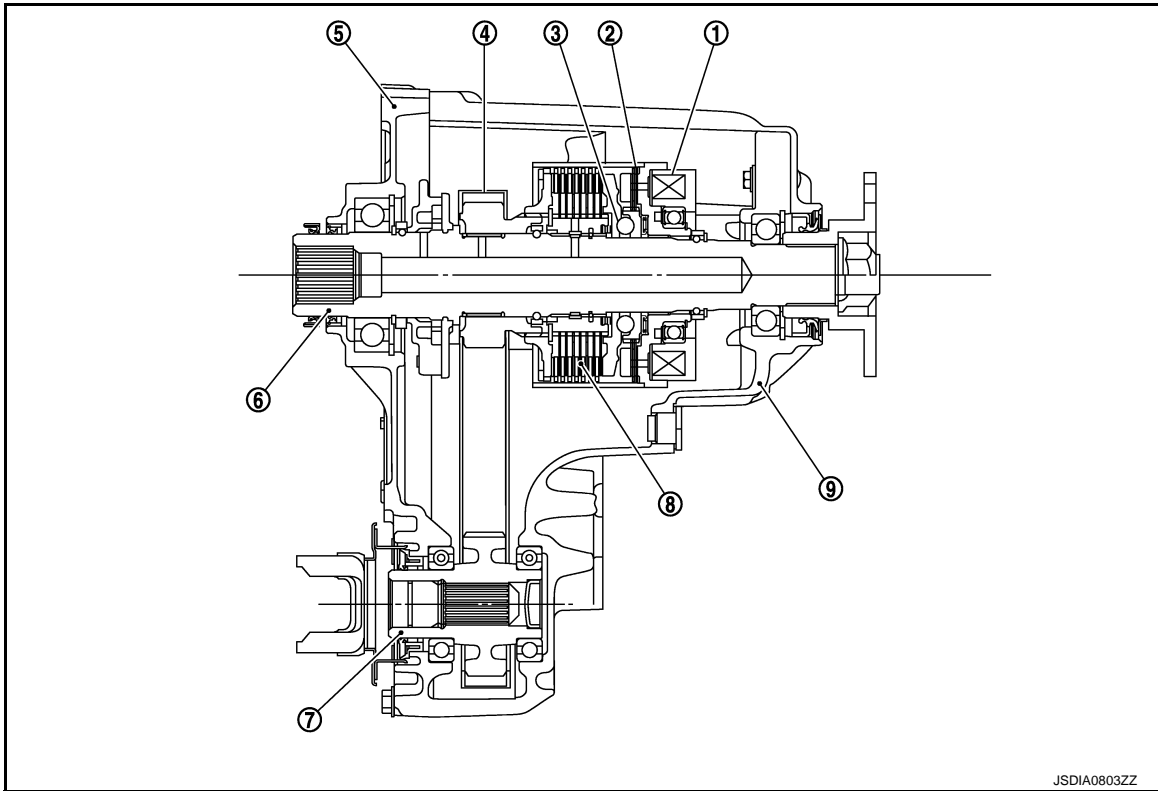
< SYSTEM DESCRIPTION >

[TRANSFER: ETX13C]

STRUCTURE AND OPERATION

Sectional View

INFOID:000000006044522



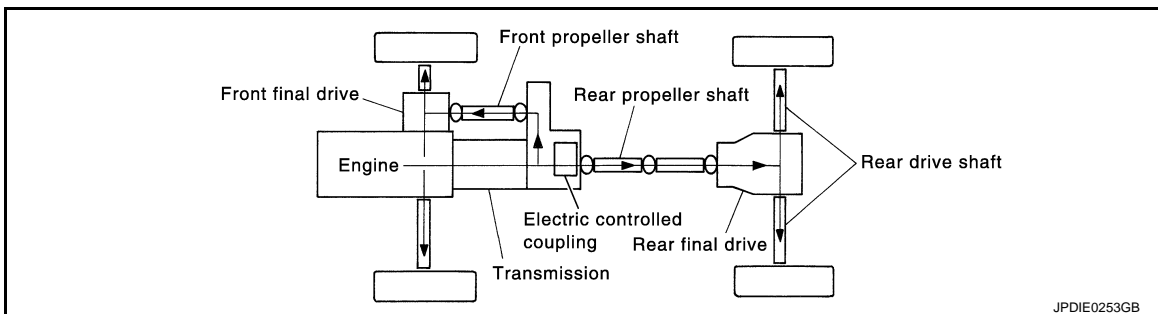
JSDIA0803ZZ

- | | | |
|----------------------|-------------------|---------------|
| 1. Electromagnet | 2. Control clutch | 3. Cam |
| 4. Drive chain | 5. Front case | 6. Main shaft |
| 7. Front drive shaft | 8. Main clutch | 9. Rear case |

Operation Description

INFOID:000000006044523

POWER TRANSFER DIAGRAM



JPDIE0253GB

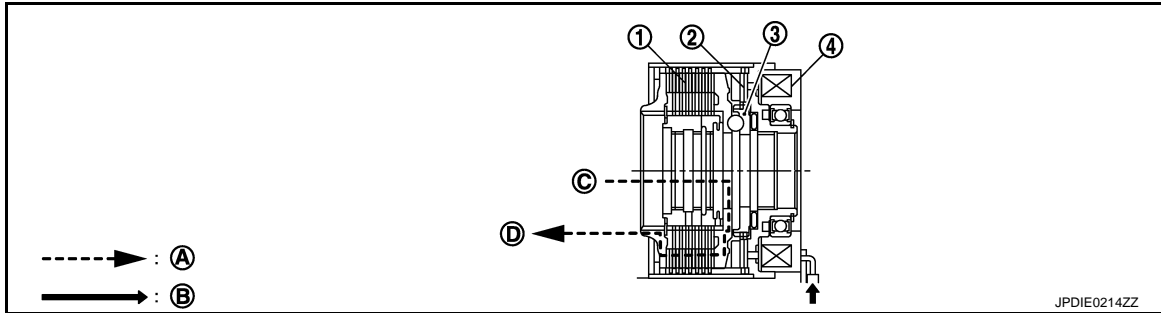
OPERATION PRINCIPLE

ELECTRIC CONTROLLED COUPLING

STRUCTURE AND OPERATION

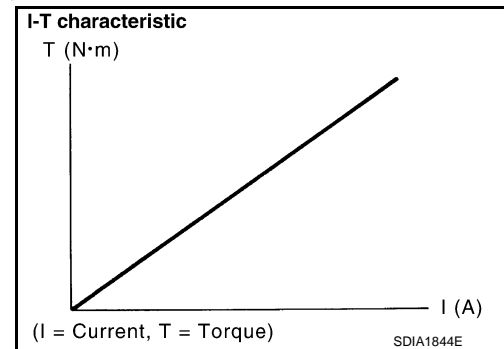
< SYSTEM DESCRIPTION >

[TRANSFER: ETX13C]



- | | | |
|-----------------------------|--|-----------------------------------|
| 1. Main clutch | 2. Control clutch | 3. Cam |
| 4. Electromagnet | | |
| A. Torque flow | B. Current commanded from AWD control unit | C. From transmission control unit |
| D. To front propeller shaft | | |

1. AWD control unit supplies command current to electric controlled coupling (AWD solenoid).
2. Control clutch is engaged by electromagnet and torque is detected in control clutch.
3. The cam operates in response to control clutch torque and applies pressure to main clutch.
4. Main clutch transmits torque to front wheels according to pressing power.
 - Transmission torque to front wheels is determined according to command current.



A
B
C
DLN
E
F
G
H
I
J
K
L
M
N
O
P

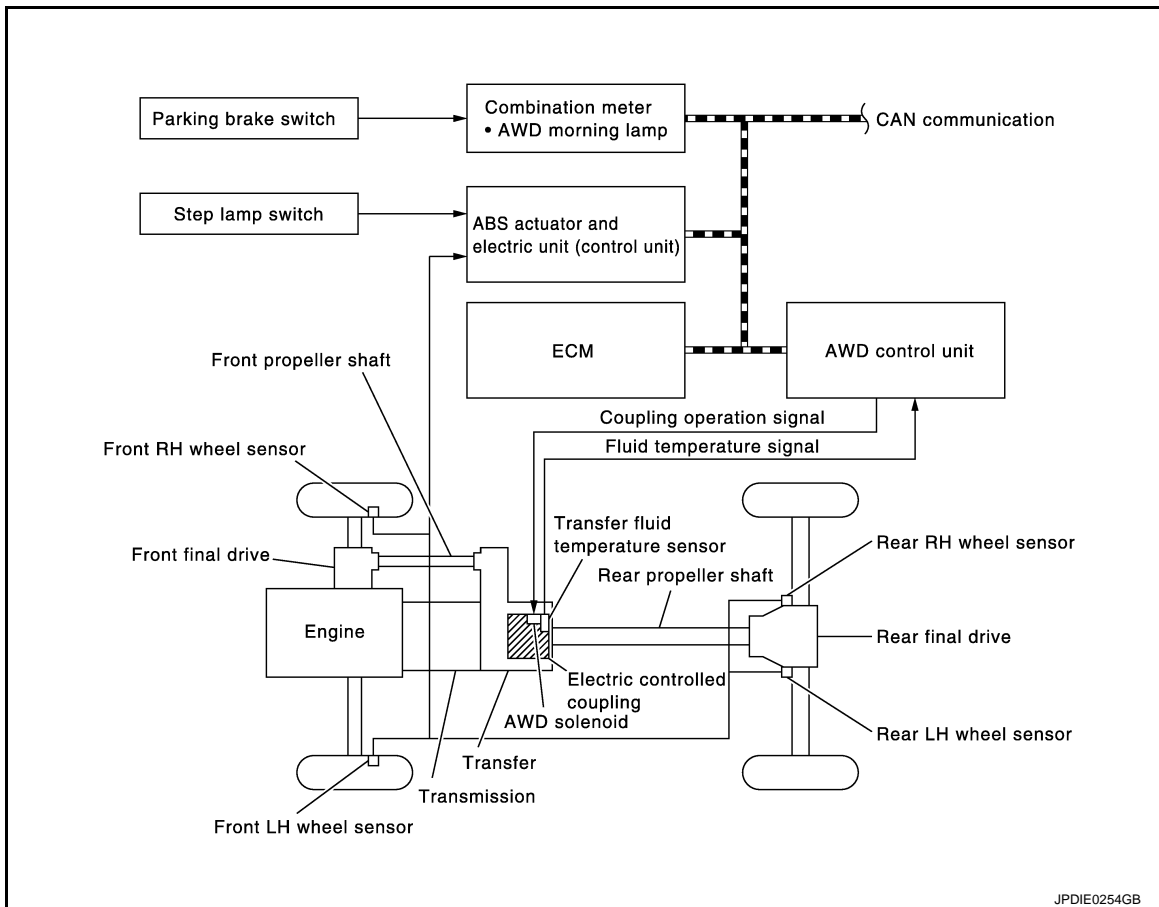
SYSTEM AWD SYSTEM

AWD SYSTEM : System Description

INFOID:000000006044524

- Pressing force of multiple disc clutch is controlled by electric control. Driving torque distribution of front and rear wheels changes automatically between approximately 0 : 100 (Rear wheel drive) and 50 : 50 (AWD) to have an optimized torque distribution adapted to road condition change.
- In accordance with fail-safe function, when system is malfunctioning, AWD control stops, and the system becomes rear wheel drive. Refer to [DLN-17, "AWD SYSTEM : Fail-safe"](#).
- When a high load status continues for electric controlled coupling, AWD control temporarily becomes rear wheel drive, according to protection function. Refer to [DLN-17, "AWD SYSTEM : Protection Function"](#).

SYSTEM DIAGRAM



INPUT/OUTPUT SIGNAL

It transmits/receives each signal from the following control unit via CAN communication line.

Component parts	Signal item
ABS actuator and electric unit (control unit)	Transmits the following signals to AWD control unit via CAN communication. <ul style="list-style-type: none"> • Vehicle speed signal • Stop lamp switch signal (brake signal)
ECM	Transmits the following signals to AWD control unit via CAN communication. <ul style="list-style-type: none"> • Accelerator pedal position signal • Engine speed signal
Combination meter	Transmits conditions of parking brake switch to AWD control unit via CAN communication.
	Receive AWD warning lamp signal from AWD control unit via CAN communication.

OPERATION CHARACTERISTIC

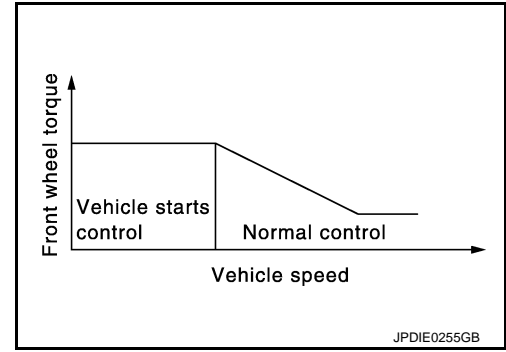
SYSTEM

< SYSTEM DESCRIPTION >

[TRANSFER: ETX13C]

VEHICLE STARTS CONTROL

- At the start, torque distribution for front and rear wheels is fixed by electric control and stable start is achieved.
- Makes possible stable driving, with no wheel spin, on snowy roads or other slippery surfaces.



NORMAL CONTROL

- On roads which do not require AWD, it contributes to improved fuel economy by driving in conditions close to rear-wheel drive and it results in better fuel efficiency and provides FR-like steering characteristics.
- When spin occurs on rear wheel, distribute optimum torque to front wheel and keep stable driving.
- The vehicle cornering status is judged according to information from each sensor, and the optimum torque is distributed to front wheels for preventing tight cornering/braking symptom.

AWD WARNING LAMP INDICATION CONDITION

- Turns ON when there is a malfunction in AWD system. AWD warning lamp indicates the vehicle is in fail-safe mode.
- Also turns ON when ignition switch is turned ON, for the purpose of lamp check. Turns OFF approximately for 1 second after the engine starts if system is normal.

AWD WARNING LAMP INDICATION

Condition	AWD warning lamp
Lamp check	Turns ON when ignition switch is turned ON. (Turns OFF approx. 1 second after the engine start.)
AWD system malfunction	ON
Protection function is activated due to heavy load to electric controlled coupling. (AWD system is not malfunctioning and AWD system changes to rear wheel drive.)	Quick blinking: 2 times/second (Blinking in approx. 1 minute and then turning OFF)
Large difference in diameter of front/rear tires	Slow blinking: 1 time/2 seconds (Continuing to blink until turning ignition switch OFF)
Other than above (system normal)	OFF

CAUTION:

AWD warning lamp also turns ON due to data reception error, CAN communication error etc.

AWD SYSTEM : Fail-safe

INFOID:000000006046107

- If any malfunction occurs in AWD electrical system, and control unit detects the malfunction, AWD warning lamp on combination meter turns ON to indicate system malfunction.
- When AWD warning lamp is ON, vehicle changes to rear-wheel drive or shifts to 4-wheel drive (front-wheels still have some driving torque)

AWD SYSTEM : Protection Function

INFOID:000000006046108

AWD system activates its protection function (shuts down AWD system temporarily) if AWD system detects high load continuously or the front wheel tire size differs from the rear tire size. (AWD system is automatically restored if AWD system no longer detects any overload or the tire size difference is eliminated.)

DTC	Warning lamp	Error area and root cause	Contents of protection function
—	Blinking ^{*1}	Transfer assembly in protection mode. It is not malfunction. (Internal temperature rise of electronic controlled coupling)	Shuts down AWD system temporarily
—	Blinking ^{*2}	Malfunction in each tire or different tire diameter	

SYSTEM

< SYSTEM DESCRIPTION >

[TRANSFER: ETX13C]

*1: Quick blinking: 2 times/second (blinking for approximately 1 minute and then turned OFF)

*2: Slow blinking: 1 time/2 seconds (continuing to blink until ignition switch is turned OFF)

NOTE:

- If the warning lamp blinks slowly during driving but remains OFF after the engine is restarted, the system is normal. If it again blinks slowly after driving for some time, vehicle must be inspected.
- When there is a difference of revolution speed between the front and rear wheel the shift occasionally changes to direct 4-wheel driving conditions automatically. This is not a malfunction.

DIAGNOSIS SYSTEM (AWD CONTROL UNIT)

< SYSTEM DESCRIPTION >

[TRANSFER: ETX13C]

DIAGNOSIS SYSTEM (AWD CONTROL UNIT)

CONSULT-III Function

INFOID:000000006044528

APPLICATION ITEMS

CONSULT-III can display each diagnostic item using the diagnostic test modes as follows.

Diagnostic test mode	Function
ECU Identification	AWD control unit part number can be read.
Self Diagnostic Result	Self-diagnostic results and freeze frame data can be read and erased quickly.*
Data Monitor	Input/Output data in the AWD control unit can be read.
Active Test	Diagnostic Test Mode in which CONSULT-III drives some actuators apart from the AWD control unit and also shifts some parameters in a specified range.

* : The following diagnosis information is erased by erasing.

- DTC
- Freeze frame data (FFD)

ECU IDENTIFICATION

AWD control unit part number can be read.

SELF DIAGNOSTIC RESULT

Refer to [DLN-23, "DTC Index"](#).

When "PRNT" is displayed on self-diagnosis result.

- The system is presently malfunctioning.

When "PAST" is displayed on self-diagnosis result.

- System malfunction in the past is detected, but the system is presently normal.

FREEZE FRAME DATA (FFD)

The following vehicle status is recorded when DTC is detected and is displayed on CONSULT-III.

Item name	Display item
IGN COUNTER (0 ~ 39)	<p>The number of times that ignition switch is turned ON after the DTC is detected is displayed.</p> <ul style="list-style-type: none"> • When "0" is displayed : It indicates that the system is presently malfunctioning. • When except "0" is displayed : It indicates that system malfunction in the past is detected, but the system is presently normal. <p>NOTE: Each time when ignition switch is turned OFF to ON, numerical number increases in 1→2→3...38→39. When the operation number of times exceeds 39, the number do not increase and "39" is displayed until self-diagnosis is erased.</p>

DATA MONITOR

Monitor item (Unit)	Remarks
STOP LAMP SW [On/Off]	Stop lamp switch signal status via CAN communication line is displayed.
ENG SPEED SIG [Run/Stop]	Engine status is displayed.
ETS ACTUATOR [On/Off]	Operating condition of AWD actuator relay (integrated in AWD control unit) is displayed.
4WD WARN LAMP [On/Off]	Control status of AWD warning lamp is displayed.
4WD MODE SW [##] ^{*1}	Mode switch is not equipped, but displayed.
4WD MODE MON [AUTO]	Control status of AWD is displayed.
DIS-TIRE MONI [mm]	Improper size tire installed condition is displayed.
P BRAKE SW [On/Off]	Parking brake switch signal status via CAN communication line is displayed.
BATTERY VOLT [V]	Power supply voltage for AWD control unit
THRTL POS SEN [%]	Throttle opening status is displayed.
ETS SOLENOID [A]	Monitored value of current at AWD solenoid

DIAGNOSIS SYSTEM (AWD CONTROL UNIT)

< SYSTEM DESCRIPTION >

[TRANSFER: ETX13C]

Monitor item (Unit)	Remarks
FR RH SENSOR [km/h] or [mph]	Wheel speed calculated by front RH wheel sensor signal is displayed.
FR LH SENSOR [km/h] or [mph]	Wheel speed calculated by front LH wheel sensor signal is displayed.
RR RH SENSOR [km/h] or [mph]	Wheel speed calculated by rear RH wheel sensor signal is displayed.
RR LH SENSOR [km/h] or [mph]	Wheel speed calculated by rear LH wheel sensor signal is displayed.

*1: It is not setting, but it is displayed.

ACTIVE TEST

Use this mode to determine and identify the details of a malfunction based on self-diagnostic results or data monitor. AWD control unit gives drive signal to actuator with receiving command from CONSULT-III to check operation of actuator.

Test item	Condition	Description
ETS S/V (Detects AWD solenoid)	<ul style="list-style-type: none">• Vehicle stopped• Engine running• No DTC detected	<p>Change command current value to AWD solenoid, and then change driving mode. (Monitor value is normal if it is within approx. $\pm 10\%$ of command value.)</p> <ul style="list-style-type: none">• Qu: Increase current value in increments of 0.2 A• Qd: Decrease current value in increments of 0.2 A• UP: Increase current value in increments of 0.02 A• DOWN: Decrease current value in increments of 0.02 A

CAUTION:

Never energize continuously for a long time.

AWD CONTROL UNIT

< ECU DIAGNOSIS INFORMATION >

[TRANSFER: ETX13C]

ECU DIAGNOSIS INFORMATION

AWD CONTROL UNIT

Reference Value

INFOID:000000006044529

VALUES ON THE DIAGNOSIS TOOL

Monitor item	Condition	Value/Status
STOP LAMP SW	Brake pedal: Depressed	On
	Brake pedal: Released	Off
ENG SPEED SIG	Engine stopped (Engine speed: Less than 400 rpm)	Stop
	Engine running (Engine speed: 400 rpm or more)	Run
ETS ACTUATOR	Engine stopped (Ignition switch: ON)	Off
	Engine running	On
4WD WARN LAMP	AWD warning lamp: ON	On
	AWD warning lamp: OFF	Off
4WD MODE SW*1	Always	##
4WD MODE MON	Engine running	AUTO
DIS-TIRE MONI	Vehicle running with normal size tire installed	0 – 4 mm
	Vehicle running with improper size tire installed (Front/rear tire size difference, wear condition)	4 – 8 mm, 8 – mm
P BRAKE SW	Parking brake operated	On
	Parking brake not operated	Off
BATTERY VOLT	Always	Battery voltage
THRTL POS SEN	When depressing accelerator pedal (Value rises gradually in response to throttle position.)	0 – 100%
ETS SOLENOID	Engine running • At idle speed	Approx. 0.000 A
	Engine running • 3,000 rpm or more constant	Approx. 0.000 – 0.500 A*2
FR RH SENSOR	Vehicle stopped	0.00 km/h (0.00 mph)
	Vehicle running CAUTION: Check air pressure of tire under standard condition.	Approx. equal to the indication on speedometer (Inside of ±10%)
FR LH SENSOR	Vehicle stopped	0.00 km/h (0.00 mph)
	Vehicle running CAUTION: Check air pressure of tire under standard condition.	Approx. equal to the indication on speedometer (Inside of ±10%)
RR RH SENSOR	Vehicle stopped	0.00 km/h (0.00 mph)
	Vehicle running CAUTION: Check air pressure of tire under standard condition.	Approx. equal to the indication on speedometer (Inside of ±10%)
RR LH SENSOR	Vehicle stopped	0.00 km/h (0.00 mph)
	Vehicle running CAUTION: Check air pressure of tire under standard condition.	Approx. equal to the indication on speedometer (Inside of ±10%)

*1: It is not setting, but it is displayed.

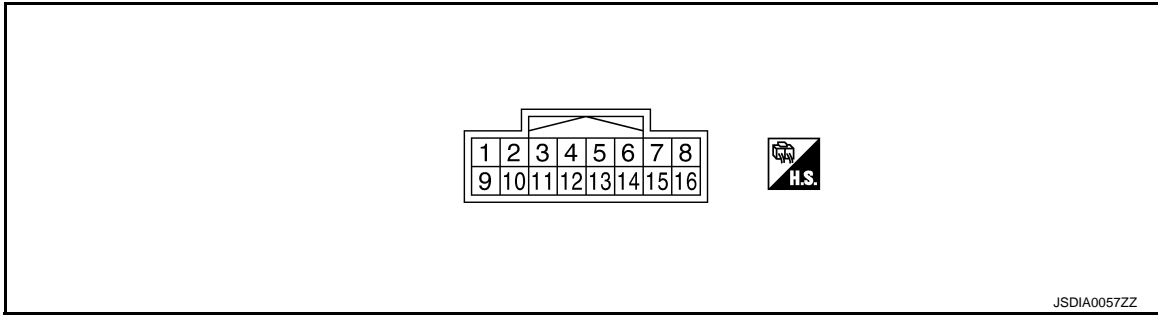
*2: The values are changed by throttle opening and engine speed.

AWD CONTROL UNIT

< ECU DIAGNOSIS INFORMATION >

[TRANSFER: ETX13C]

TERMINAL LAYOUT



PHYSICAL VALUES

Terminal No. (Wire color)		Description		Condition	Value (Approx.)
+	-	Signal name	Input/ Output		
1 (BR)	Ground	AWD solenoid power supply	Output	Engine speed: At idle	0 V
				Engine speed: 3,000 rpm or more constant	3.1 V*
2 (R)	Ground	AWD solenoid ground	Input	Engine speed: At idle	0 V
				Engine speed: 3,000 rpm or more constant	0 V
3 (W)	Ground	Transfer fluid temperature sensor ground	Input	Always	0 V
7 (Y)	Ground	Ignition switch	Input	Ignition switch: ON	Battery voltage
				Ignition switch: OFF	0 V
8 (L)	—	CAN-H	Input/ Output	—	—
9 (SB)	Ground	Power supply (AWD solenoid)	Input	Always	Battery voltage
10 (B/Y)	Ground	Ground	—	Always	0 V
11 (B/Y)	Ground	Ground	—	Always	0 V
13 (LG)	Ground	Transfer fluid temperature sensor power supply	Output	Transfer temperature: 20°C (68°F)	1.56 V
				Transfer temperature: 80°C (176°F)	0.44 V
15 (G)	Ground	Power supply (AWD control unit)	Input	Always	Battery voltage
16 (P)	—	CAN-L	Input/ Output	—	—

*: The values are changed by throttle opening and engine speed.

CAUTION:

When using circuit tester to measure voltage for inspection, be sure not to extend forcibly any connector terminals.

Fail-safe

INFOID:000000006044530

- If any malfunction occurs in AWD electrical system, and control unit detects the malfunction, AWD warning lamp on combination meter turns ON to indicate system malfunction.
- When AWD warning lamp is ON, vehicle changes to rear-wheel drive or shifts to 4-wheel drive (front-wheels still have some driving torque)

AWD CONTROL UNIT

< ECU DIAGNOSIS INFORMATION >

[TRANSFER: ETX13C]

Protection Function

INFOID:000000006044531

AWD system activates its protection function (shuts down AWD system temporarily) if AWD system detects high load continuously or the front wheel tire size differs from the rear tire size. (AWD system is automatically restored if AWD system no longer detects any overload or the tire size difference is eliminated.)

DTC	Warning lamp	Error area and root cause	Contents of protection function
—	Blinking*1	Transfer assembly in protection mode. It is not malfunction. (Internal temperature rise of electronic controlled coupling)	Shuts down AWD system temporarily
—	Blinking*2	Malfunction in each tire or different tire diameter	

*1: Quick blinking: 2 times/second (blinking for approximately 1 minute and then turned OFF)

*2: Slow blinking: 1 time/2 seconds (continuing to blink until ignition switch is turned OFF)

NOTE:

- If the warning lamp blinks slowly during driving but remains OFF after the engine is restarted, the system is normal. If it again blinks slowly after driving for some time, vehicle must be inspected.
- When there is a difference of revolution speed between the front and rear wheel the shift occasionally changes to direct 4-wheel driving conditions automatically. This is not a malfunction.

DTC Inspection Priority Chart

INFOID:000000006044532

If some DTCs are displayed at the same time, perform inspections one by one based on the following priority chart.

Priority	Detected items (DTC)
1	<ul style="list-style-type: none"> • U1000 CAN COMM CIRCUIT • U1010 CONTROL UNIT (CAN)
2	<ul style="list-style-type: none"> • C1201 CONTROLLER FAILURE • C1205 4WD ACTUATOR RLY • P1804 CONTROL UNIT 3 • P1809 CONTROL UNIT 4
3	<ul style="list-style-type: none"> • C1203 ABS SYSTEM • C1210 ENGINE SIGNAL 1
4	<ul style="list-style-type: none"> • C1204 4WD SOLENOID • P1826 OIL TEMP SEN

DTC Index

INFOID:000000006044533

DTC	Display Items	Reference
C1201	CONTROLLER FAILURE	DLN-33, "DTC Logic"
C1203	ABS SYSTEM	DLN-34, "DTC Logic"
C1204	4WD SOLENOID	DLN-35, "DTC Logic"
C1205	4WD ACTUATOR RLY	DLN-38, "DTC Logic"
C1210	ENGINE SIGNAL 1	DLN-39, "DTC Logic"
P1804	CONTROL UNIT 3	DLN-40, "DTC Logic"
P1809	CONTROL UNIT 4	DLN-41, "DTC Logic"
P1826	OIL TEMP SEN	DLN-42, "DTC Logic"
U1000	CAN COMM CIRCUIT	DLN-45, "DTC Logic"
U1010	CONTROL UNIT (CAN)	DLN-46, "DTC Logic"

NOTE:

If some DTCs are displayed at the same time, refer to [DLN-23, "DTC Inspection Priority Chart"](#).

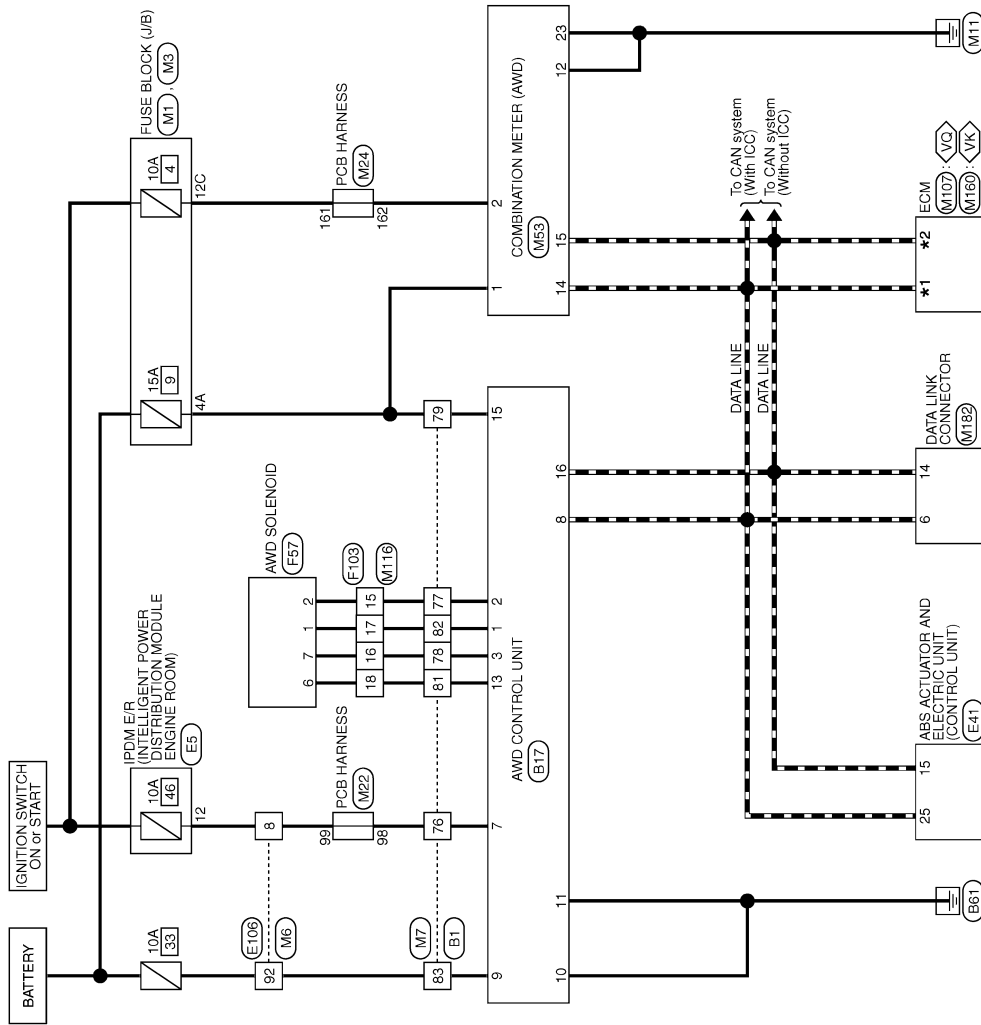
WIRING DIAGRAM

AWD SYSTEM

Wiring Diagram

INFOID:000000006044534

- ◊VQ◊ : With VQ engine
- ◊VK◊ : With VK engine
- *1 114: ◊VQ◊
- *2 113: ◊VK◊
- 151: ◊VK◊



AWD SYSTEM

2010/02/03

JCDWA0616GB

AWD SYSTEM

< WIRING DIAGRAM >

[TRANSFER: ETX13C]

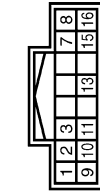
AWD SYSTEM

Connector No.	B1
Connector Name	WIRE TO WIRE
Connector Type	TH80PW-CST6-TM4



Terminal No.	Color of Wire	Signal Name [Specification]
1	R	
2	W	
4	LG	
5	P	
6	V	
7	GR	
8	Y	
9	LG	
10	V	
11	GR	[With Climate controlled seat]
12	B	[With heated seat]
13	GR	[With Climate controlled seat]
14	BR	
15	O	
16	V	
17	B	
18	R	
19	W	
20	R	
21	B	
22	LG	
23	V	
24	Y	
25	G	
26	GR	
27	SE	
28	P	[With Pre-crash seat belt system]
29	L/O	[Without Pre-crash seat belt system]
30	W/L	[With Pre-crash seat belt system]
31	W/L	[Without Pre-crash seat belt system]
32	SHIELD	
33	L	
34	R	
35	R	
36	G	

Connector No.	B17
Connector Name	AWD CONTROL UNIT
Connector Type	TH16FW-NH



Terminal No.	Color of Wire	Signal Name [Specification]
1	BR	AWD SOL (+)
2	R	AWD SOL (-)
3	W	OIL TEMP (-)
7	Y	IGN
8	L	CAN-H
9	SB	AWD SOL BAT
10	B/Y	GND
11	B/Y	GND
13	LG	OIL TEMP (+)
15	G	VIP
16	P	CAN-L

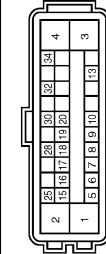
Connector No.	E5
Connector Name	BROKE R INTELLIGENT POWER DISTRIBUTION MODULE (BROKE-FCM)
Connector Type	TH20PW-CST2-MM-IV



Terminal No.	Color of Wire	Signal Name [Specification]
4	W	
5	P	
6	R	
7	Y	
8	L	
10	V	
11	B	
12	G	
13	GR	
16	V	
18	Y	

22	BR	
23	SB	
24	O	
25	LG	
30	BR	
31	W	
32	L	
34	P	
36	GR	

Connector No.	E41
Connector Name	ABS ACTUATOR AND ELECTRIC UNIT (CONTROL UNIT)
Connector Type	SAZ30PE-SJZ4-U



Terminal No.	Color of Wire	Signal Name [Specification]
1	B/W	ECU/GND
2	B	MOTOR/GND
3	Y	SOLENOID/POWER
4	G	MOTOR/POWER
5	SB	STOP LAMP SW
6	Y	CANM2(-)
7	W	Rr-LH SENSIGNAL
8	G	Rr-LH SENSIGNAL
9	BR	Fr-LH SENSIGNAL
10	B	Fr-LH SENSIGNAL
13	LG	VAC SENSIGNAL
15	P	CAN-L
16	B	CANM2(+)
17	Y	Rr-RH SENSIGNAL
18	BR	Rr-RH SENSIGNAL
19	SB	Fr-LH SENSIGNAL
20	O	CAN-H
25	L	VAC SENSIGNAL
28	V	VDC OFF SW
30	R	VAC SENSIGNAL
32	SHIELD	
34	G	IGN/POWER

JCDWA0617GB

A B C DLN E F G H I J K L M N O P

AWD SYSTEM

< WIRING DIAGRAM >

[TRANSFER: ETX13C]

AWD SYSTEM

Connector No.	E106
Connector Name	WIRE TO WIRE
Connector Type	TH80FW-C518-TM4



Terminal No.	Color of Wire	Signal Name [Specification]
1	P	
2	W	
3	SB	
4	LG	
5	O	
7	GR	
8	G	
9	Y	
10	BR	
11	SB	
12	V	
13	GR	
14	GR	
15	V	
16	Y	
17	GR	
18	V	
20	BR	
21	P	
22	L	
23	P	
27	SHIELD	
28	L/O	
29	W/L	
31	BR	
32	G	
33	O	
34	Y	
40	BR	
41	BR	
42	L	
43	P	
44	W	
45	L	
46	GR	
47	V	
48	G	
49	O	

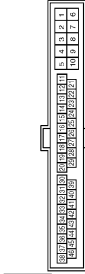
50	LG	
60	W	
61	G	
62	Y	
63	BR	
64	B	
65	Y	
66	R	
67	SB	
77	O	
78	SB	
80	G	
81	R	
82	SB	
83	GR	
84	Y	
85	Y	
86	L	
87	V	
88	BR	
89	LG	
90	W	
91	W	
92	P	
93	LG	
94	BR	
95	W	
96	W	
97	R	
98	Y	
99	V	
100	V	

Connector No.	F57
Connector Name	AWD SOLENOID
Connector Type	FK08FB



Terminal No.	Color of Wire	Signal Name [Specification]
1	GR	
2	R	
6	LG	
7	W	

Connector No.	F103
Connector Name	WIRE TO WIRE
Connector Type	TK38FW-MS10



Terminal No.	Color of Wire	Signal Name [Specification]
2	L	
3	G	
4	B	
4	B	[With VK engine]
4	R	[With VQ engine]
5	B	[With VK engine]
5	B	[With VQ engine]
7	LG	
8	Y	
9	W	[With VK engine]
9	SB	[With VQ engine]
10	BR	[With VK engine]
10	V	[With VQ engine]
11	L	
12	P	
13	V	
14	SB	
15	R	
16	W	
17	GR	
18	LG	
21	LG	
22	B	
23	G	
24	BR	
25	O	

Connector No.	M1
Connector Name	FUSE BLOCK (J/B)
Connector Type	NS06FW-M2



Terminal No.	Color of Wire	Signal Name [Specification]
1A	R	
2A	W	
3A	Y	
4A	W	
5A	V	
6A	Y	
8A	Y	

Connector No.	M3
Connector Name	FUSE BLOCK (J/B)
Connector Type	NS12FW-GS



Terminal No.	Color of Wire	Signal Name [Specification]
6C	R	
7C	B	
9C	L	
10C	LG	
11C	LG	
12C	BG	

AWD SYSTEM

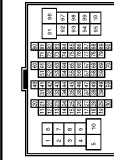
< WIRING DIAGRAM >

[TRANSFER: ETX13C]

A
B
C
DLN
E
F
G
H
I
J
K
L
M
N
O
P

AWD SYSTEM

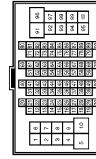
Connector No.	IM6
Connector Name	WIRE TO WIRE
Connector Type	TH80MM-CS16-TM4



Terminal No.	Color of Wire	Signal Name [Specification]
1	W	
2	W	
3	SB	
4	LG	
5	W	
7	BG	
8	G	
9	Y	
10	W	
11	R	
12	R	
13	LG	
14	L	
15	V	
16	B	
17	GR	
18	V	
20	SB	
21	BR	
22	L	
23	P	
27	SHIELD	
28	V	
29	SB	
31	BG	
32	P	
33	R	
34	BG	
40	BR	
41	BR	
42	L	
43	P	
44	BR	
45	Y	
46	BG	
47	V	
48	G	
49	BG	

50	W	
50	GR	
61	B	
62	LG	
63	BR	
64	L	
65	R	
66	P	
67	L	
77	B	
78	V	
80	G	
81	L	
82	B	
83	BG	
84	SB	
85	Y	
86	L	
87	V	
88	V	
89	LG	
90	BG	
91	W	
92	BG	
93	G	
94	Y	
95	W	
96	R	
97	SB	
98	R	
99	W	
100	L	

Connector No.	IM7
Connector Name	WIRE TO WIRE
Connector Type	TH80MM-CS16-TM4



Terminal No.	Color of Wire	Signal Name [Specification]
1	G	
2	L	
4	BR	
5	P	

62	BR	
63	W	
66	R	
67	V	
68	LG	
69	SB	
70	V	
72	L	
73	P	
74	L	
75	P	
76	G	
77	Y	
78	W	
79	SB	
81	LG	
82	BR	
83	BG	
84	B	
85	W	
86	G	
87	R	
88	G	
91	W	
92	G	
96	W	
97	BG	
98	Y	
99	LG	

6	W	
7	G	
8	Y	
9	G	
10	V	
11	V	- [With Climate controlled seat] - [With heated seat]
12	P	- [With Climate controlled seat] - [With heated seat]
13	GR	
14	BR	
15	GR	
16	V	
17	BG	- [With ICC]
17	B	- [Without ICC]
18	L	
19	W	
20	R	
21	B	
22	LG	
23	W	
24	V	
25	G	
26	BR	
27	SB	
28	P	
29	L	
30	SHIELD	
32	L	
33	P	
34	L	
35	P	
36	BG	
37	SB	
40	SHIELD	
41	SB	
42	V	
45	W	
47	L	
48	LG	
49	BR	
50	V	
51	V	
52	P	
53	BG	
56	SB	
57	B	
58	LG	
59	Y	
60	GR	
61	B	
62	LG	

AWD SYSTEM

< WIRING DIAGRAM >

[TRANSFER: ETX13C]

AWD SYSTEM

Connector No.	M22
Connector Name	PCB HARNESS
Connector Type	TH40PE-NH



1	2	3	4	5	6	7	8	9	10	11	12	13	14	15	16	17	18	19	20	21	22	23	24	25	26	27	28	29	30	31	32	33	34	35	36	37	38	39	40	41	42	43	44	45	46	47	48	49	50
---	---	---	---	---	---	---	---	---	----	----	----	----	----	----	----	----	----	----	----	----	----	----	----	----	----	----	----	----	----	----	----	----	----	----	----	----	----	----	----	----	----	----	----	----	----	----	----	----	----

Terminal No.	Color of Wire	Signal Name [Specification]
81	L	
82	P	
83	B	
84	B	
85	B	
86	B	
87	B	
88	B	
89	Y	
91	V	
92	V	
93	B	
94	B	
95	LG	
96	BR	
97	G	
98	G	
99	G	
100	G	
101	L	
102	P	
103	B	
104	BR	
105	R	
107	Y	
108	Y	
109	BR	
110	Y	
112	B	
113	P	
114	L	
116	B	
117	B	
118	B	
119	G	
120	V	

Connector No.	M24
Connector Name	PCB HARNESS
Connector Type	TH40PE-NH



1	2	3	4	5	6	7	8	9	10	11	12	13	14	15	16	17	18	19	20	21	22	23	24	25	26	27	28	29	30	31	32	33	34	35	36	37	38	39	40	41	42	43	44	45	46	47	48	49	50
---	---	---	---	---	---	---	---	---	----	----	----	----	----	----	----	----	----	----	----	----	----	----	----	----	----	----	----	----	----	----	----	----	----	----	----	----	----	----	----	----	----	----	----	----	----	----	----	----	----

Terminal No.	Color of Wire	Signal Name [Specification]
161	BG	
162	BG	
163	G	
164	V	
165	V	
166	R	
167	LG	
168	R	
169	R	
170	B	
172	B	
174	W	
175	B	
176	L	
177	P	
178	Y	
179	L	
180	LG	
182	BR	
183	G	
184	V	
185	P	
185	V	
186	R	
187	L	
188	Y	
189	B	
190	V	
191	G	
192	B	
193	SB	
194	BR	
198	R	
199	B	
200	SB	

Connector No.	M53
Connector Name	COMBINATION METER
Connector Type	TH40PE-NH



1	2	3	4	5	6	7	8	9	10	11	12	13	14	15	16	17	18	19	20	21	22	23	24	25	26	27	28	29	30	31	32	33	34	35	36	37	38	39	40	41	42	43	44	45	46	47	48	49	50
---	---	---	---	---	---	---	---	---	----	----	----	----	----	----	----	----	----	----	----	----	----	----	----	----	----	----	----	----	----	----	----	----	----	----	----	----	----	----	----	----	----	----	----	----	----	----	----	----	----

Terminal No.	Color of Wire	Signal Name [Specification]
1	W	BATTERY POWER SUPPLY
2	BG	IGNITION SIGNAL
3	GR	VEHICLE SPEED SIGNAL (2-PULSE)
4	R	VEHICLE SPEED SIGNAL (8-PULSE)
5	B	ILLUMINATION CONTROL SIGNAL
6	B	METER CONTROL SWITCH GROUND
7	SB	ENTER SWITCH SIGNAL
8	LG	SELECT SWITCH SIGNAL
9	G	ILLUMINATION CONTROL SWITCH SIGNAL (+)
10	GR	ILLUMINATION CONTROL SWITCH SIGNAL (-)
11	L	TRIP RESET SWITCH SIGNAL
12	B	GROUND
14	L	CAN-H
15	P	CAN-L
16	R	AIR BAG SIGNAL
22	B	GROUND
24	B	FUEL LEVEL SENSOR GROUND
25	W	ALTERNATOR SIGNAL
26	V	PARKING BRAKE SWITCH SIGNAL
27	V	BRAKE FLUID LEVEL SWITCH SIGNAL
28	G	SECURITY SIGNAL
29	L	WASHER LEVEL SWITCH SIGNAL
32	G	PADDLE SHIFTER SHIFT DOWN SIGNAL
33	BG	PADDLE SHIFTER SHIFT UP SIGNAL
34	G	FUEL LEVEL SENSOR SIGNAL
35	W	SEAT BELT BUCKLE SWITCH SIGNAL (DRIVER SIDE)
36	G	PASSENGER SEAT BELT WARNING SIGNAL
37	G	NON-MANUAL MODE SIGNAL
38	V	MANUAL MODE SHIFT DOWN SIGNAL
39	L	MANUAL MODE SHIFT UP SIGNAL
40	W	MANUAL MODE SIGNAL

Connector No.	M107
Connector Name	ECM
Connector Type	RH24EGV-R28-R-RH-Z



1	2	3	4	5	6	7	8	9	10	11	12	13	14	15	16	17	18	19	20	21	22	23	24	25	26	27	28	29	30	31	32	33	34	35	36	37	38	39	40	41	42	43	44	45	46	47	48	49	50
---	---	---	---	---	---	---	---	---	----	----	----	----	----	----	----	----	----	----	----	----	----	----	----	----	----	----	----	----	----	----	----	----	----	----	----	----	----	----	----	----	----	----	----	----	----	----	----	----	----

Terminal No.	Color of Wire	Signal Name [Specification]
97	R	APSI
98	Y	APSZ
99	G	AVCC1-APST
100	W	GND1-APST
101	SB	ASCD SW
102	P	FTPRES
103	L	AVCC2-APSZ
104	B	GND-APSZ [With ICC]
104	B	GND-APSZ [Without ICC]
105	LG	PDPRES
106	P	TF
107	BG	AVCC2 PDPRES/FTPRES
108	Y	GND ASCD SW
109	BR	NEUT-H
110	V	TACHO
112	V	GND1 PDPRES/FTPRES
113	P	VEHCAN-L1
114	L	VEHCAN-H1
117	V	K-LINE
121	G	CDCV
122	P	BRAKE
123	B	GND
124	B	GND
125	SB	VBR
126	BR	BNC SW
127	B	GND
128	B	GND

AWD SYSTEM

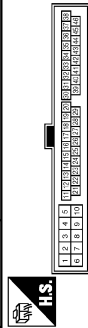
< WIRING DIAGRAM >

[TRANSFER: ETX13C]

A
B
C
DLN
E
F
G
H
I
J
K
L
M
N
O
P

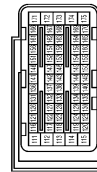
AWD SYSTEM

Connector No.	M116
Connector Name	WIRE TO WIRE
Connector Type	TK36M4-MS10



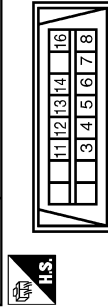
Terminal No.	Color of Wire	Signal Name [Specification]
1	SB	-
2	SB	-
3	Y	-
4	B	- [With VK engine]
5	B	- [With VO engine]
6	W	-
7	W	-
8	Y	-
9	W	- [With VK engine]
10	SB	- [With VO engine]
11	SE	-
12	L	-
13	V	-
14	R	-
15	Y	-
16	SB	-
17	BR	-
18	LG	-
21	LG	-
22	B	-
23	W	-
24	W	-
25	BG	-

Connector No.	M160
Connector Name	ECM
Connector Type	MAB55FB-MEB10-LH



Terminal No.	Color of Wire	Signal Name [Specification]
111	W	FUEL INJECTOR DRIVER POWER SUPPLY
112	W	VIN/UZA
114	W	ECM GROUND
115	B	ECM GROUND
120	G	EVAP CANISTER VENT CONTROL VALVE
122	V	VEHICLE ACTIVATION MOTOR (FOR DRIVER SEAT, VEHICLE CONTROLS, MODELS)
123	BG	THROTTLE CONTROL MOTOR RELAY
125	P	FUEL PUMP CONTROL MODULE (FCM)
126	Y	ACCELERATOR PEDAL POSITION SENSOR 2
128	SB	ASC/D STEERING SWITCH
128	SB	ICC STEERING SWITCH
129	BR	SENSOR GROUND [WITH ICC]
129	B	SENSOR GROUND [WITHOUT ICC]
130	Y	SENSOR GROUND
131	L	SENSOR POWER SUPPLY
133	BG	SENSOR POWER SUPPLY
134	P	FUEL TEMPERATURE SENSOR
136	R	ACCELERATOR PEDAL POSITION SENSOR 1
137	G	SENSOR POWER SUPPLY
138	P	BATTERY CURRENT SENSOR
139	BG	BATTERY TEMPERATURE SENSOR
140	W	SENSOR GROUND
141	G	IGNITION SWITCH
142	GR	FUEL PUMP CONTROL MODULE (FCM) CHECK
143	P	FUEL TANK PRESSURE SENSOR
144	LG	REFRIGERANT PRESSURE SENSOR
146	L	CAN COMMUNICATION LINE
147	BR	ASC/D BRAKE SWITCH [WITHOUT ICC]
147	BR	ICC BRAKE SWITCH [WITH ICC]
150	V	SENSOR GROUND
151	P	CAN COMMUNICATION LINE
156	W	POWER SUPPLY FOR ECM (BACK-UP)
158	P	STOP LAMP SWITCH
161	Y	ECM COMMUNICATION LINE
163	W	ECM RELAY (SELF SHUT-OFF)
166	BG	ECM COMMUNICATION LINE
169	V	ENGINE SPEED SIGNAL OUTPUT
171	SB	POWER SUPPLY FOR ECM
172	SB	POWER SUPPLY FOR ECM
173	R	THROTTLE CONTROL MOTOR POWER SUPPLY
174	B	ECM GROUND
175	B	ECM GROUND

Connector No.	M182
Connector Name	DATA LINK CONNECTOR
Connector Type	BD16FW



Terminal No.	Color of Wire	Signal Name [Specification]
3	LG	-
4	B	-
5	B	-
6	L	-
7	V	-
8	LG	-
11	SB	-
12	P	-
13	L	-
14	P	-
16	W	-

JCDWA0621GB

BASIC INSPECTION

DIAGNOSIS AND REPAIR WORK FLOW

Work Flow

INFOID:000000006044535

DETAILED FLOW

1. INTERVIEW FROM THE CUSTOMER

Clarify customer complaints before inspection. First of all, perform an interview utilizing [DLN-31, "Diagnostic Work Sheet"](#) and reproduce symptoms as well as fully understand it. Ask customer about his/her complaints carefully. Check symptoms by driving vehicle with customer, if necessary.

CAUTION:

Customers are not professional. Never guess easily like “maybe the customer means that...,” or “maybe the customer mentions this symptom”.

>> GO TO 2.

2. CHECK SYMPTOM

Reproduce the symptom that is indicated by the customer, based on the information from the customer obtained by interview. Also check that the symptom is not caused by protection function. Refer to [DLN-23, "Protection Function"](#).

CAUTION:

When the symptom is caused by normal operation, fully inspect each portion and obtain the understanding of customer that the symptom is not caused by a malfunction.

>> GO TO 3.

3. PERFORM SELF-DIAGNOSIS

 **With CONSULT-III**

Perform self-diagnosis for “ALL MODE AWD/4WD”.

Is any DTC detected?

YES >> Record or print self-diagnosis results. GO TO 4.

NO >> GO TO 6.

4. RECHECK SYMPTOM

 **With CONSULT-III**

1. Erase self-diagnostic results for “ALL MODE AWD/4WD”.

2. Perform DTC confirmation procedures for the error detected system.

NOTE:

If some DTCs are detected at the same time, determine the order for performing the diagnosis based on [DLN-23, "DTC Inspection Priority Chart"](#).

Is any DTC detected?

YES >> GO TO 5.

NO >> Check harness and connectors based on the information obtained by interview. Refer to [GI-38, "Intermittent Incident"](#).

5. REPAIR OR REPLACE ERROR-DETECTED PARTS

- Repair or replace error-detected parts.
- Reconnect part or connector after repairing or replacing.
- When DTC is detected, erase self-diagnostic results for “ALL MODE AWD/4WD”.

>> GO TO 7.

6. IDENTIFY ERROR-DETECTED SYSTEM BY SYMPTOM DIAGNOSIS

Estimate error-detected system based on symptom diagnosis and perform inspection.

Can the error-detected system be identified?

DIAGNOSIS AND REPAIR WORK FLOW

< BASIC INSPECTION >

[TRANSFER: ETX13C]

Interview sheet

Customer name	MR/MS	Registration number		Initial year registration	
		Vehicle type		VIN	
Storage date		Engine		Mileage	km (Mile)
Other conditions					

Memo

DTC/CIRCUIT DIAGNOSIS

C1201 AWD CONTROL UNIT

DTC Logic

INFOID:000000006044537

DTC DETECTION LOGIC

DTC	Display item	Malfunction detected condition	Possible cause
C1201	CONTROLLER FAILURE	Malfunction has occurred inside AWD control unit.	Internal malfunction of AWD control unit

A
B
C
DLN

DTC CONFIRMATION PROCEDURE

1. DTC REPRODUCTION PROCEDURE

With CONSULT-III

1. Turn the ignition switch OFF to ON.
2. Perform self-diagnosis for "ALL MODE AWD/4WD".

Is DTC "C1201" detected?

- YES >> Proceed to diagnosis procedure. Refer to [DLN-33, "Diagnosis Procedure"](#).
 NO >> INSPECTION END

Diagnosis Procedure

INFOID:000000006044538

1. PERFORM SELF-DIAGNOSIS

With CONSULT-III

1. Erase self-diagnostic results for "ALL MODE AWD/4WD".
2. Turn the ignition switch OFF, and then wait 10 seconds or more.
3. Perform self-diagnosis for "ALL MODE AWD/4WD".

Is DTC "C1201" detected?

- YES >> Replace AWD control unit. Refer to [DLN-59, "Removal and Installation"](#).
 NO >> Check AWD control unit pin terminals for damage or loose connection with harness connector. If any items are damaged, repair or replace error-detected parts.

E
F
G
H
I
J
K
L
M
N
O
P

C1203 ABS ACTUATOR AND ELECTRIC UNIT (CONTROL UNIT)

< DTC/CIRCUIT DIAGNOSIS >

[TRANSFER: ETX13C]

C1203 ABS ACTUATOR AND ELECTRIC UNIT (CONTROL UNIT)

DTC Logic

INFOID:000000006044540

DTC DETECTION LOGIC

DTC	Display items	Malfunction detected condition	Possible cause
C1203	ABS SYSTEM	Malfunction related to wheel sensor has been detected by ABS actuator and electric unit (control unit).	ABS malfunction <ul style="list-style-type: none">Vehicle speed signal error

DTC CONFIRMATION PROCEDURE

1. DTC REPRODUCTION PROCEDURE

With CONSULT-III

- Start the engine and drive at 30 km/h (19 MPH) or more for approximately 1 minute.
- Perform self-diagnosis for "ALL MODE AWD/4WD".

Is DTC "C1203" detected?

- YES >> Proceed to diagnosis procedure. Refer to [DLN-34, "Diagnosis Procedure"](#).
NO >> INSPECTION END

Diagnosis Procedure

INFOID:000000006044541

1. PERFORM ABS ACTUATOR AND ELECTRIC UNIT (CONTROL UNIT) SELF-DIAGNOSIS

With CONSULT-III

Perform self-diagnosis for "ABS".

Is any DTC detected?

- YES >> Check the DTC.
NO >> GO TO 2.

2. ERASE SELF-DIAGNOSTIC RESULT

With CONSULT-III

- Erase self-diagnostic results for "ALL MODE AWD/4WD".
- Start the engine and drive vehicle at 30 km/h (19 MPH) or more for approximately 1 minute.
- Check that ABS warning lamp turns OFF.
- Perform self-diagnosis for "ALL MODE AWD/4WD".

Does ABS warning lamp turn OFF?

- YES >> GO TO 3.
NO >> Perform trouble diagnosis for ABS warning lamp system. Refer to [BRC-126, "Diagnosis Procedure"](#).

3. CHECK TERMINALS AND HARNESS CONNECTORS

Check AWD control unit pin terminals for damage or loose connection with harness connector.

Is inspection result normal?

- YES >> After turning the ignition switch OFF, perform DTC confirmation procedure again. When DTC "C1203" is detected, Replace AWD control unit. Refer to [DLN-59, "Removal and Installation"](#).
NO >> Repair or replace error-detected parts.

C1204 AWD SOLENOID

< DTC/CIRCUIT DIAGNOSIS >

[TRANSFER: ETX13C]

C1204 AWD SOLENOID

DTC Logic

INFOID:000000006044542

DTC DETECTION LOGIC

DTC	Display items	Malfunction detected condition	Possible cause
C1204	4WD SOLENOID	Malfunction related to AWD solenoid has been detected.	<ul style="list-style-type: none"> Internal malfunction of electronic controlled coupling Malfunction of AWD solenoid power supply circuit (open or short) Malfunction of AWD solenoid command current

A
B
C
DLN

DTC CONFIRMATION PROCEDURE

1. DTC REPRODUCTION PROCEDURE

With CONSULT-III

- Turn the ignition switch OFF to ON.
- Perform self-diagnosis for "ALL MODE AWD/4WD".

Is DTC "C1204" detected?

- YES >> Proceed to diagnosis procedure. Refer to [DLN-35, "Diagnosis Procedure"](#).
 NO >> INSPECTION END

Diagnosis Procedure

INFOID:000000006044543

1. CHECK AWD SOLENOID POWER SUPPLY (1)

- Turn the ignition switch OFF.
- Disconnect AWD control unit harness connector.
- Check the voltage between AWD control unit harness connector and ground.

AWD control unit		—	Voltage
Connector	Terminal		
B17	9	Ground	Battery voltage

- Turn the ignition switch OFF.
CAUTION:
Never start the engine.
- Check the voltage between AWD control unit harness connector and ground.

AWD control unit		—	Voltage
Connector	Terminal		
B17	9	Ground	Battery voltage

Is the inspection result normal?

- YES >> GO TO 3.
 NO >> GO TO 2.

2. CHECK AWD SOLENOID POWER SUPPLY (2)

- Turn the ignition switch OFF.
- Check the 10A fuse (#33)
- Check the harness for open or short between AWD control unit harness connector No.9 terminal and 10A (#33).

Is the inspection result normal?

- YES >> Perform the trouble diagnosis for power supply circuit. Refer to [PG-11, "Wiring Diagram - BATTERY POWER SUPPLY -"](#).
 NO >> Repair or replace error-detected parts.

C1204 AWD SOLENOID

[TRANSFER: ETX13C]

< DTC/CIRCUIT DIAGNOSIS >

3. CHECK AWD CONTROL UNIT GROUND

Check the continuity between AWD control unit harness connector and ground.

AWD control unit		—	Continuity
Connector	Terminal		
B17	10	Ground	Existed
	11		

Is the inspection result normal?

YES >> GO TO 4.

NO >> Repair or replace error-detected parts.

4. CHECK AWD SOLENOID CIRCUIT (1)

Check the resistance between AWD control unit terminals.

AWD control unit			Resistance (Approx.)
Terminal	Terminal		
B17	1	2	2.45 Ω

Is the inspection result normal?

YES >> GO TO 7.

NO >> GO TO 5.

5. CHECK AWD SOLENOID CIRCUIT (2)

1. Disconnect AWD solenoid harness connector.
2. Check the continuity between AWD control unit harness connector and AWD solenoid harness connector.

AWD control unit		AWD solenoid		Continuity
Connector	Terminal	Connector	Terminal	
B17	1	F57	1	Existed
	2		2	

3. Check the continuity between AWD control unit harness connector and the ground.

AWD control unit		—	Continuity
Connector	Terminal		
B17	1	Ground	Not existed
	2		

Is the inspection result normal?

YES >> GO TO 6.

NO >> Repair or replace error-detected parts.

6. CHECK AWD SOLENOID

Check AWD solenoid. Refer to [DLN-37. "Component Inspection"](#).

Is the inspection result normal?

YES >> GO TO 7.

NO >> AWD solenoid is malfunctioning. Replace electric controlled coupling. Refer to [DLN-78. "Exploded View"](#).

7. CHECK TERMINALS AND HARNESS CONNECTORS

- Check AWD control unit pin terminals for damage or loose connection with harness connector.
- Check AWD solenoid pin terminals for damage or loose connection with harness connector.

Is the inspection result normal?

YES >> Replace AWD control unit. Refer to [DLN-59. "Removal and Installation"](#).

C1204 AWD SOLENOID

< DTC/CIRCUIT DIAGNOSIS >

[TRANSFER: ETX13C]

NO >> Repair or replace error-detected parts.

Component Inspection

INFOID:000000006044544

1. CHECK AWD SOLENOID

1. Turn the ignition switch OFF.
2. Disconnect AWD solenoid harness connector.
3. Check the resistance between AWD solenoid connector terminals.

AWD solenoid		Resistance (Approx.)
Terminal		
1	2	2.45 Ω

Is the inspection result normal?

YES >> INSPECTION END

NO >> AWD solenoid is malfunctioning. Replace electric controlled coupling. Refer to [DLN-78, "Exploded View"](#).

A
B
C
DLN
E
F
G
H
I
J
K
L
M
N
O
P

C1205 AWD ACTUATOR RELAY

< DTC/CIRCUIT DIAGNOSIS >

[TRANSFER: ETX13C]

C1205 AWD ACTUATOR RELAY

DTC Logic

INFOID:000000006044545

DTC DETECTION LOGIC

DTC	Display item	Malfunction detected condition	Possible cause
C1205	4WD ACTUATOR RLY	Malfunction has been detected from AWD actuator relay integrated with AWD control unit, or malfunction related to AWD solenoid has been detected.	Internal malfunction of AWD control unit

DTC CONFIRMATION PROCEDURE

1. DTC REPRODUCTION PROCEDURE

With CONSULT-III

1. Turn the ignition switch OFF to ON.
2. Perform self-diagnosis for "ALL MODE AWD/4WD".

Is DTC "C1205" detected?

- YES >> Proceed to diagnosis procedure. Refer to [DLN-38. "Diagnosis Procedure"](#).
NO >> INSPECTION END

Diagnosis Procedure

INFOID:000000006044546

1. PERFORM SELF-DIAGNOSIS

With CONSULT-III

1. Erase self-diagnostic results for "ALL MODE AWD/4WD".
2. Turn ignition switch OFF, and wait 10 seconds or more.
3. Perform self-diagnosis for "ALL MODE AWD/4WD".

Is DTC "C1205" detected?

- YES >> Replace AWD control unit. Refer to [DLN-59. "Removal and Installation"](#).
NO >> Check AWD control unit pin terminals for damage or loose connection with harness connector. If any items are damaged, repair or replace error-detected parts.

C1210 ECM

DTC Logic

INFOID:000000006044548

DTC DETECTION LOGIC

DTC	Display item	Malfunction detected condition	Possible cause
C1210	ENGINE SIGNAL 1	Malfunction related to engine signal has been detected.	Malfunction of engine control system

DTC CONFIRMATION PROCEDURE

1. DTC REPRODUCTION PROCEDURE

With CONSULT-III

1. Start the engine. Drive the vehicle for a while.
2. Perform self-diagnosis for "ALL MODE AWD/4WD".

Is DTC "C1210" detected?

- YES >> Proceed to diagnosis procedure. Refer to [DLN-39, "Diagnosis Procedure"](#).
- NO >> INSPECTION END

Diagnosis Procedure

INFOID:000000006044549

1. PERFORM ECM SELF-DIAGNOSIS

With CONSULT-III

Perform self-diagnosis for "ENGINE".

Is any DTC detected?

- YES >> Check the DTC.
- NO >> GO TO 2.

2. ERASE SELF-DIAGNOSTIC RESULT

With CONSULT-III

1. Erase self-diagnostic results for "ALL MODE AWD/4WD".
2. Turn the ignition switch OFF.
3. Start the engine. Drive the vehicle for a while.
4. Check that malfunction indicator lamp (MIL) turns OFF.

Does malfunction indicator lamp (MIL) turn OFF?

- YES >> GO TO 3.
- NO >> Perform trouble diagnosis for malfunction indicator lamp (MIL) system. Refer to [EC-516, "Diagnosis Procedure"](#).

3. CHECK TERMINALS AND HARNESS CONNECTORS

Check AWD control unit pin terminals for damage or loose connection with harness connector.

Is inspection result normal?

- YES >> After turning the ignition switch OFF, perform DTC confirmation procedure again. When DTC "C1210" is detected, Replace AWD control unit. Refer to [DLN-59, "Removal and Installation"](#).
- NO >> Repair or replace error-detected parts.

P1804 TRANSFER CONTROL UNIT

< DTC/CIRCUIT DIAGNOSIS >

[TRANSFER: ETX13C]

P1804 TRANSFER CONTROL UNIT

DTC Logic

INFOID:000000006044550

DTC DETECTION LOGIC

DTC	Display item	Malfunction detected condition	Possible cause
P1804	CONTROL UNIT 3	Malfunction has occurred inside AWD control unit.	Malfunction is detected in the memory (EEPROM) system of transfer control unit.

DTC CONFIRMATION PROCEDURE

1. DTC REPRODUCTION PROCEDURE

With CONSULT-III

1. Turn the ignition switch ON.
2. Perform self-diagnosis for "ALL MODE AWD/4WD".

Is DTC "P1804" detected?

- YES >> Proceed to diagnosis procedure. Refer to [DLN-40, "Diagnosis Procedure"](#).
NO >> INSPECTION END.

Diagnosis Procedure

INFOID:000000006044551

1. REPLACE AWD CONTROL UNIT

CAUTION:

Replace AWD control unit when DTC "P1804" is detected simultaneously with other items.

>> Replace AWD control unit. Refer [DLN-59, "Removal and Installation"](#).

P1809 TRANSFER CONTROL UNIT

< DTC/CIRCUIT DIAGNOSIS >

[TRANSFER: ETX13C]

P1809 TRANSFER CONTROL UNIT

DTC Logic

INFOID:000000006044552

DTC DETECTION LOGIC

DTC	Display item	Malfunction detected condition	Possible cause
P1809	CONTROL UNIT 4	Malfunction has occurred inside AWD control unit.	AD converter system of transfer control unit is malfunctioning.

DTC CONFIRMATION PROCEDURE

1. DTC REPRODUCTION PROCEDURE

With CONSULT-III

1. Turn the ignition switch ON.
2. Perform self-diagnosis for "ALL MODE AWD/4WD".

Is DTC "P1809" detected?

- YES >> Proceed to diagnosis procedure. Refer to [DLN-41, "Diagnosis Procedure"](#).
NO >> INSPECTION END.

Diagnosis Procedure

INFOID:000000006044553

1. REPLACE AWD CONTROL UNIT

CAUTION:

Replace AWD control unit when DTC "P1809" is detected simultaneously with other items.

>> Replace AWD control unit. Refer [DLN-59, "Removal and Installation"](#).

P1826 TRANSFER FLUID TEMPERATURE

< DTC/CIRCUIT DIAGNOSIS >

[TRANSFER: ETX13C]

P1826 TRANSFER FLUID TEMPERATURE

DTC Logic

INFOID:000000006044554

DTC DETECTION LOGIC

DTC	Display item	Malfunction detected condition	Possible cause
P1826	OIL TEMP SEN	Transfer fluid temperature sensor voltage condition is continued 0 V or more than 2.45 V for several seconds.	<ul style="list-style-type: none">Malfunction of transfer fluid temperature sensor or transfer fluid temperature sensor circuit.Malfunction of AWD control unit.

DTC CONFIRMATION PROCEDURE

1. DTC REPRODUCTION PROCEDURE

With CONSULT-III

- Turn the ignition switch ON.
- Perform self-diagnosis for "ALL MODE AWD/4WD".

Is DTC "P1826" detected?

- YES >> Proceed to diagnosis procedure. Refer to [DLN-42. "Diagnosis Procedure"](#).
NO >> INSPECTION END.

Diagnosis Procedure

INFOID:000000006044555

1. CHECK TRANSFER FLUID TEMPERATURE SENSOR SIGNAL (1)

- Turn the ignition switch OFF.
- Disconnect AWD solenoid harness connector.
- Turn the ignition switch ON.
- Check the voltage between AWD solenoid harness connector terminals.

AWD solenoid			Voltage (Approx.)
Connector	Terminal		
F57	6	7	2.5 V

Is the inspection result normal?

- YES >> GO TO 2.
NO >> GO TO 3.

2. CHECK TRANSFER FLUID TEMPERATURE SENSOR

Check transfer fluid temperature sensor. Refer to [DLN-43. "Component Inspection"](#).

Is the inspection result normal?

- YES >> GO TO 6.
NO >> AWD solenoid is malfunctioning. Replace electric controlled coupling. Refer to [DLN-78. "Exploded View"](#).

3. CHECK TRANSFER FLUID TEMPERATURE SENSOR SIGNAL (2)

Check the voltage between AWD solenoid harness connector and ground.

AWD solenoid		—	Voltage (Approx.)
Connector	Terminal		
F57	6	Ground	2.5 V

Is the inspection result normal?

- YES >> GO TO 4.
NO >> GO TO 5.

4. CHECK AWD CONTROL UNIT GROUND

P1826 TRANSFER FLUID TEMPERATURE

< DTC/CIRCUIT DIAGNOSIS >

[TRANSFER: ETX13C]

1. Turn the ignition switch OFF.
2. Disconnect AWD control unit harness connector.
3. Check the continuity between AWD control unit harness connector and ground.

AWD control unit		—	Continuity
Connector	Terminal		
B17	10	Ground	Existed
	11		

Is the inspection result normal?

YES >> GO TO 5.

NO >> Repair or replace error-detected parts.

5.CHECK TRANSFER FLUID TEMPERATURE SENSOR CIRCUIT

1. Turn the ignition switch OFF.
2. Disconnect AWD control unit harness connector.
3. Check the continuity between AWD control unit harness connector and AWD solenoid harness connector.

AWD control unit		AWD solenoid		Continuity
Connector	Terminal	Connector	Terminal	
B17	13	F57	6	Existed
	3		7	

4. Check the continuity between AWD control unit harness connector and the ground.

AWD control unit		—	Continuity
Connector	Terminal		
B17	13	Ground	Not existed
	3		

Is the inspection result normal?

YES >> GO TO 2.

NO >> Repair or replace error-detected parts.

6.CHECK TERMINALS AND HARNESS CONNECTORS

- Check AWD control unit pin terminals for damage or loose connection with harness connector.
- Check transfer fluid temperature sensor pin terminals for damage or loose connection with harness connector.

Is the inspection result normal?

YES >> Replace AWD control unit. Refer to [DLN-59, "Removal and Installation"](#).

NO >> Repair or replace error-detected parts.

Component Inspection

INFOID:000000006044556

1.CHECK TRANSFER FLUID TEMPERATURE SENSOR

1. Turn ignition switch OFF.
2. Disconnect AWD solenoid harness connector.
3. Check resistance between AWD solenoid connector terminals.

AWD solenoid		Condition	Resistance (Approx.)
Terminal			
6	7	20°C (68°F)	2.5 kΩ
		80°C (176°F)	0.3 kΩ

Is inspection result normal?

YES >> INSPECTION END

A
B
C
DLN
E
F
G
H
I
J
K
L
M
N
O
P

P1826 TRANSFER FLUID TEMPERATURE

< DTC/CIRCUIT DIAGNOSIS >

[TRANSFER: ETX13C]

NO >> Transfer fluid temperature sensor is malfunctioning. Replace electric controlled coupling. Refer to [DLN-78, "Exploded View"](#).

U1000 CAN COMM CIRCUIT

< DTC/CIRCUIT DIAGNOSIS >

[TRANSFER: ETX13C]

U1000 CAN COMM CIRCUIT

Description

INFOID:000000006044557

CAN (Controller Area Network) is a serial communication line for real time application. It is an on-vehicle multiplex communication line with high data communication speed and excellent error detection ability. Many electronic control units are equipped onto a vehicle, and each control unit shares information and links with other control units during operation (not independent). In CAN communication, control units are connected with 2 communication lines (CAN-H line, CAN-L line) allowing a high rate of information transmission with less wiring. Each control unit communicate data but selectively reads required data only.

DTC Logic

INFOID:000000006044558

DTC DETECTION LOGIC

DTC	Display item	Malfunction detected condition	Possible cause
U1000	CAN COMM CIRCUIT	AWD control unit is not transmitting/receiving CAN communication signal for 2 seconds or more.	CAN communication error

DTC CONFIRMATION PROCEDURE

1. DTC REPRODUCTION PROCEDURE

With CONSULT-III

1. Turn the ignition switch OFF to ON.
2. Perform self-diagnosis for "ALL MODE AWD/4WD".

Is DTC "U1000" detected?

- YES >> Proceed to diagnosis procedure. Refer to [DLN-45, "Diagnosis Procedure"](#).
NO >> INSPECTION END

Diagnosis Procedure

INFOID:000000006044559

1. PERFORM SELF-DIAGNOSIS

With CONSULT-III

Perform self-diagnosis for "ALL MODE AWD/4WD".

Is DTC "U1000" detected?

- YES >> CAN specification chart. Refer to [LAN-25, "Trouble Diagnosis Flow Chart"](#).
NO >> INSPECTION END

U1010 CONTROL UNIT (CAN)

[TRANSFER: ETX13C]

< DTC/CIRCUIT DIAGNOSIS >

U1010 CONTROL UNIT (CAN)

Description

INFOID:000000006044560

CAN (Controller Area Network) is a serial communication line for real time application. It is an on-vehicle multiplex communication line with high data communication speed and excellent error detection ability. Many electronic control units are equipped onto a vehicle, and each control unit shares information and links with other control units during operation (not independent). In CAN communication, control units are connected with 2 communication lines (CAN-H line, CAN-L line) allowing a high rate of information transmission with less wiring. Each control unit communicate data but selectively reads required data only.

DTC Logic

INFOID:000000006044561

DTC DETECTION LOGIC

DTC	Display item	Malfunction detected condition	Possible cause
U1010	CONTROL UNIT (CAN)	Detecting error during the initial diagnosis of CAN controller of AWD control unit.	Internal malfunction of AWD control unit

DTC CONFIRMATION PROCEDURE

1. DTC REPRODUCTION PROCEDURE

Ⓔ With CONSULT-III

1. Turn the ignition switch OFF to ON.
2. Perform self-diagnosis for "ALL MODE AWD/4WD".

Is DTC "U1010" detected?

- YES >> Proceed to diagnosis procedure. Refer to [DLN-46, "Diagnosis Procedure"](#).
NO >> INSPECTION END

Diagnosis Procedure

INFOID:000000006044562

1. CHECK AWD CONTROL UNIT

Check AWD control unit harness connector for disconnection and deformation.

Is the inspection result normal?

- YES >> Replace AWD control unit. Refer to [DLN-59, "Removal and Installation"](#).
NO >> Repair or replace error-detected parts.

POWER SUPPLY AND GROUND CIRCUIT

< DTC/CIRCUIT DIAGNOSIS >

[TRANSFER: ETX13C]

POWER SUPPLY AND GROUND CIRCUIT

Diagnosis Procedure

INFOID:000000006044564

1. CHECK AWD CONTROL UNIT POWER SUPPLY (1)

1. Turn the ignition switch OFF.
2. Disconnect AWD control unit harness connector.
3. Check the voltage between AWD control unit harness connector and ground.

AWD control unit		—	Voltage (Approx.)
Connector	Terminal		
B17	7	Ground	0 V

4. Turn the ignition switch ON.
CAUTION:
Never start the engine.
5. Check the voltage between AWD control unit harness connector and ground.

AWD control unit		—	Voltage
Connector	Terminal		
B17	7	Ground	Battery voltage

Is the inspection result normal?

- YES >> GO TO 3.
NO >> GO TO 2.

2. CHECK AWD CONTROL UNIT POWER SUPPLY (2)

1. Turn the ignition switch OFF.
2. Check the 10A fuse (#46).
3. Disconnect IPDM E/R harness connector.
4. Check the continuity between AWD control unit harness connector and IPDM E/R harness connector.

AWD control unit		IPDM E/R		Continuity
Connector	Terminal	Connector	Terminal	
B17	7	E5	12	Existed

5. Check the continuity between AWD control unit harness connector and the ground.

AWD control unit		—	Continuity
Connector	Terminal		
B17	7	Ground	Not existed

Is the inspection result normal?

- YES >> Perform the trouble diagnosis for ignition power supply circuit. Refer to [PG-84, "Wiring Diagram - IGNITION POWER SUPPLY -"](#).
- NO >> Repair or replace error-detected parts.

3. CHECK AWD CONTROL UNIT POWER SUPPLY (3)

1. Turn the ignition switch OFF.
2. Check the voltage between AWD control unit harness connector and ground.

AWD control unit		—	Voltage (Approx.)
Connector	Terminal		
B17	15	Ground	Battery voltage

3. Turn the ignition switch ON.
CAUTION:

A
B
C
DLN
E
F
G
H
I
J
K
L
M
N
O
P

POWER SUPPLY AND GROUND CIRCUIT

< DTC/CIRCUIT DIAGNOSIS >

[TRANSFER: ETX13C]

Never start the engine.

4. Check the voltage between AWD control unit harness connector and ground.

AWD control unit		—	Voltage
Connector	Terminal		
B17	15	Ground	Battery voltage

Is the inspection result normal?

YES >> GO TO 5.

NO >> GO TO 4.

4.CHECK AWD CONTROL UNIT POWER SUPPLY (4)

1. Turn the ignition switch OFF.
2. Check the 15A fuse (#9).
3. Disconnect fuse block (J/B) harness connector.
4. Check the continuity between AWD control unit harness connector and fuse block (J/B).

AWD control unit		Fuse block (J/B)		Continuity
Connector	Terminal	Connector	Terminal	
B17	15	M1	4A	Existed

5. Check the continuity between AWD control unit harness connector and the ground.

AWD control unit		—	Continuity
Connector	Terminal		
B17	15	Ground	Not existed

Is the inspection result normal?

YES >> Perform the trouble diagnosis for power supply circuit. Refer to [PG-11, "Wiring Diagram - BATTERY POWER SUPPLY -"](#).

NO >> Repair or replace error-detected parts.

5.CHECK AWD SOLENOID POWER SUPPLY (1)

1. Turn the ignition switch OFF.
2. Disconnect AWD solenoid harness connector.
3. Check the voltage between AWD control unit harness connector and ground.

AWD control unit		—	Voltage
Connector	Terminal		
B17	9	Ground	Battery voltage

4. Turn the ignition switch ON.

CAUTION:

Never start the engine.

5. Check the voltage between AWD control unit harness connector and ground.

AWD control unit		—	Voltage
Connector	Terminal		
B17	9	Ground	Battery voltage

Is the inspection result normal?

YES >> GO TO 7.

NO >> GO TO 6.

6.CHECK AWD SOLENOID POWER SUPPLY (2)

1. Turn the ignition switch OFF.
2. Check the 10A fuse (#33).

POWER SUPPLY AND GROUND CIRCUIT

< DTC/CIRCUIT DIAGNOSIS >

[TRANSFER: ETX13C]

3. Check the harness for open or short between AWD control unit harness connector No.9 terminal and fuse box.

Is the inspection result normal?

YES >> Perform the trouble diagnosis for power supply circuit. Refer to [PG-11, "Wiring Diagram - BATTERY POWER SUPPLY -"](#).

NO >> Repair or replace error-detected parts.

7. CHECK AWD CONTROL UNIT GROUND

1. Turn the ignition switch OFF.
2. Check the continuity between AWD control unit harness connector and ground.

AWD control unit		—	Continuity
Connector	Terminal		
B17	10	Ground	Existed
	11		

Is the inspection result normal?

YES >> INSPECTION END

NO >> Repair or replace error-detected parts.

A
B
C
DLN
E
F
G
H
I
J
K
L
M
N
O
P

AWD WARNING LAMP

Component Function Check

INFOID:000000006044565

1. CHECK AWD WARNING LAMP FUNCTION

1. Turn the ignition switch ON.
2. Check that AWD warning lamp lights up.

Is the inspection result normal?

- YES >> INSPECTION END
 NO >> Proceed to diagnosis procedure. Refer to [DLN-50, "Diagnosis Procedure"](#).

Diagnosis Procedure

INFOID:000000006044566

1. CHECK POWER SUPPLY AND GROUND CIRCUIT

Perform the trouble diagnosis for power supply and ground circuit. Refer to [DLN-47, "Diagnosis Procedure"](#).

Is the inspection result normal?

- YES >> GO TO 2.
 NO >> Repair or replace the error-detected parts.

2. PERFORM SELF-DIAGNOSIS

 **With CONSULT-III**

Perform self-diagnosis for "ALL MODE AWD/4WD".

Is any DTC detected?

- YES >> Check the DTC. Refer to [DLN-23, "DTC Index"](#).
 NO >> GO TO 3.

3. CHECK AWD WARNING LAMP SIGNAL

 **With CONSULT-III**

1. Turn the ignition switch ON.

CAUTION:

Never start the engine.

2. Check "4WD WARN LAMP" of CONSULT-III "DATA MONITOR" for "ALL MODE AWD/4WD".

Does the item on "DATA MONITOR" indicate "On"?

- YES >> Perform the trouble diagnosis for combination meter power supply circuit. Refer to [MWI-70, "COMBINATION METER : Diagnosis Procedure"](#).
 NO >> Replace AWD control unit. Refer to [DLN-59, "Removal and Installation"](#).

AWD WARNING LAMP DOES NOT TURN ON

< SYMPTOM DIAGNOSIS >

[TRANSFER: ETX13C]

SYMPTOM DIAGNOSIS

AWD WARNING LAMP DOES NOT TURN ON

Description

INFOID:000000006044567

AWD warning lamp does not turn ON when the ignition switch is turned to ON.

Diagnosis Procedure

INFOID:000000006044568

1. CHECK AWD WARNING LAMP

Perform the trouble diagnosis for AWD warning lamp. Refer to [DLN-50. "Diagnosis Procedure"](#).

Is the inspection result normal?

- YES >> Check each harness connector pin terminal for malfunction or disconnection.
- NO >> Repair or replace the error-detected parts.

A
B
C
DLN
E
F
G
H
I
J
K
L
M
N
O
P

AWD WARNING LAMP DOES NOT TURN OFF

< SYMPTOM DIAGNOSIS >

[TRANSFER: ETX13C]

AWD WARNING LAMP DOES NOT TURN OFF

Description

INFOID:000000006044569

AWD warning lamp does not turn OFF several seconds after the engine started.

Description

INFOID:000000006044570

1.PERFORM SELF-DIAGNOSIS

With CONSULT-III

Perform self-diagnosis for "ALL MODE AWD/4WD".

Is any DTC detected?

YES >> Check the DTC. Refer to [DLN-23, "DTC Index"](#).

NO >> GO TO 2.

2.CHECK AWD WARNING LAMP

Perform the trouble diagnosis of the AWD warning lamp. Refer to [DLN-50, "Diagnosis Procedure"](#).

Is the inspection result normal?

YES >> Check each harness connector pin terminal for malfunction or disconnection.

NO >> Repair or replace the error-detected parts.

HEAVY TIGHT-CORNER BRAKING SYMPTOM OCCURS

< SYMPTOM DIAGNOSIS >

[TRANSFER: ETX13C]

HEAVY TIGHT-CORNER BRAKING SYMPTOM OCCURS

Description

INFOID:000000006044571

Heavy tight-corner braking symptom occurs when the vehicle is driven and the steering wheel is turned fully to either side after the engine is started.

NOTE:

Light tight-corner braking symptom may occur depending on driving conditions. This is not malfunction.

Diagnosis Procedure

INFOID:000000006044572

1. PERFORM ECM SELF-DIAGNOSIS

With CONSULT-III

Perform self-diagnosis for "ENGINE".

Is any DTC detected?

YES >> Check the DTC.

NO >> GO TO 2.

2. PERFORM SELF-DIAGNOSIS

With CONSULT-III

Perform self-diagnosis for "ALL MODE AWD/4WD".

Is DTC "U1000" detected?

YES >> CAN specification chart. Refer to [DLN-45, "Diagnosis Procedure"](#).

NO >> GO TO 3.

3. CHECK TRANSFER FLUID TEMPERATURE SENSOR

Perform the trouble diagnosis of the transfer fluid temperature sensor. Refer to [DLN-42, "Diagnosis Procedure"](#).

Is the inspection result normal?

YES >> GO TO 4.

NO >> Repair or replace the error-detected parts.

4. CHECK AWD SOLENOID

Perform the trouble diagnosis of the AWD solenoid. Refer to [DLN-35, "Diagnosis Procedure"](#).

Is the inspection result normal?

YES >> GO TO 5.

NO >> Repair or replace the error-detected parts.

5. CHECK ELECTRIC CONTROLLED COUPLING

1. Turn the ignition switch OFF.
2. Set the transmission to neutral. Release the parking brake.
3. Lift up the vehicle.
4. Rotate the rear propeller shaft.
5. Hold the front propeller shaft lightly.

Does the front propeller shaft rotate?

YES >> Replace electric controlled coupling for mechanical malfunction (clutch sticking etc.). Refer to [DLN-78, "Exploded View"](#).

NO >> Check each harness connector pin terminal for disconnection.

A
B
C
DLN
E
F
G
H
I
J
K
L
M
N
O
P

VEHICLE DOES NOT ENTER AWD MODE

< SYMPTOM DIAGNOSIS >

[TRANSFER: ETX13C]

VEHICLE DOES NOT ENTER AWD MODE

Description

INFOID:000000006044573

Vehicle does not enter 4-wheel drive mode even though AWD warning lamp turned to OFF.

Diagnosis Procedure

INFOID:000000006044574

1. CHECK AWD WARNING LAMP

Turn the ignition switch ON.

Does AWD warning lamp turn ON?

YES >> GO TO 2.

NO >> Proceed to diagnosis procedure. Refer to [DLN-51, "Diagnosis Procedure"](#).

2. CRUISE TEST

Drive the vehicle for a period of time.

Does any symptom occur?

YES >> Replace electric controlled coupling for mechanical malfunction (mechanical engagement of clutch is not possible). Refer to [DLN-78, "Exploded View"](#).

NO >> Check each harness connector pin terminal for disconnection.

AWD WARNING LAMP BLINKS QUICKLY

< SYMPTOM DIAGNOSIS >

[TRANSFER: ETX13C]

AWD WARNING LAMP BLINKS QUICKLY

Description

INFOID:000000006044575

While driving, AWD warning lamp blinks 2 times in 1 second and it turns OFF after 1 minute.

NOTE:

- This symptom protects drivetrain parts when a heavy load is applied to the electric controlled coupling and multiple disc clutch temperature increases. Also, optional distribution of torque sometimes becomes rigid before lamp blinks quickly. Both cases are not malfunction. Refer to [DLN-23. "Protection Function"](#).
- When this symptom occurs, stop vehicle and allow it to idle for some times. Blinking will stop and system will be restored.

A
B
C
DLN
E
F
G
H
I
J
K
L
M
N
O
P

AWD WARNING LAMP BLINKS SLOWLY

< SYMPTOM DIAGNOSIS >

[TRANSFER: ETX13C]

AWD WARNING LAMP BLINKS SLOWLY

Description

INFOID:000000006044576

AWD warning lamp blinks at approximately 2 seconds intervals while driving.

Diagnosis Procedure

INFOID:000000006044577

1.CHECK TIRE

Check the following.

- Tire pressure
- Wear condition
- Front and rear tire size (There is no difference between front and rear tires.)

Is the inspection result normal?

YES >> GO TO 2.

NO >> Repair or replace error-detected parts. And then, drive the vehicle at speed of 20 km/h (12 MPH) or more for 5 seconds or more. Improper size information is initialized accordingly.

2.CHECK INPUT SIGNAL OF TIRE DIAMETER

 **With CONSULT-III**

1. Start the engine.
2. Drive at 20 km/h (12 MPH) or more for approximately 4 minutes.
3. Check "DIS-TIRE MONI" of CONSULT-III "DATA MONITOR" for "ALL MODE AWD/4WD".

Does the item on "DATA MONITOR" indicate "0 - 4 mm"?

YES >> INSPECTION END

NO >> GO TO 3.

3.TERMINAL INSPECTION

Check AWD control unit harness connector for disconnection.

Is the inspection result normal?

YES >> Replace AWD control unit. Refer to [DLN-59, "Removal and Installation"](#).

NO >> Repair or replace the error-detected parts.

NOISE, VIBRATION AND HARSHNESS (NVH) TROUBLESHOOTING

< SYMPTOM DIAGNOSIS >

[TRANSFER: ETX13C]

NOISE, VIBRATION AND HARSHNESS (NVH) TROUBLESHOOTING

NVH Troubleshooting Chart

INFOID:000000006109628

Use the chart below to find the cause of the symptom. The numbers indicate the order of the inspection. If necessary, repair or replace these parts.

Reference		DLN-58. "Inspection"			DLN-68. "Exploded View"	DLN-68. "Exploded View"	DLN-81. "Inspection"	DLN-81. "Inspection"	DLN-76. "Inspection"
SUSPECTED PARTS (Possible cause)	TRANSFER FLUID (Level low)	TRANSFER FLUID (Wrong)	TRANSFER FLUID (Level too high)	LIQUID GASKET (Damaged)	OIL SEAL (Worn or damaged)	GEAR (Worn or damaged)	BEARING (Worn or damaged)	TRANSFER CASE (Damaged)	
Symptom	Noise	1	2			3	3	3	
	Transfer fluid leakage		4	1	2	2			3

A
B
C
DLN
E
F
G
H
I
J
K
L
M
N
O
P

PERIODIC MAINTENANCE

TRANSFER FLUID

Inspection

INFOID:000000006044578

FLUID LEAKAGE

Check transfer surrounding area (oil seal, drain plug, and filler plug etc.) for fluid leakage.

FLUID LEVEL

1. Remove filler plug (1) and gasket. Then check that fluid is filled up from mounting hole for the filler plug.

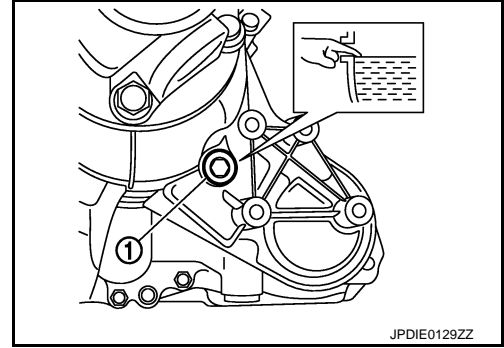
CAUTION:

Never start engine while checking fluid level.

2. Set a new gasket onto filler plug, and install it on transfer and tighten to the specified torque. Refer to [DLN-68, "Exploded View"](#).

CAUTION:

Never reuse gasket.



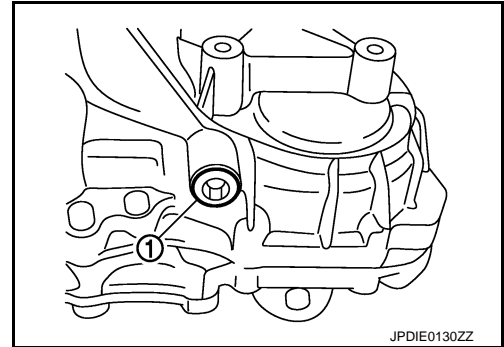
Draining

INFOID:000000006044579

1. Run the vehicle to warm up the transfer unit sufficiently.
2. Stop the engine, and remove the drain plug (1) to drain the transfer fluid.
3. Set a new gasket onto the drain plug, and install it on the transfer and tighten to the specified torque. Refer to [DLN-68, "Exploded View"](#).

CAUTION:

Never reuse gasket.



Refilling

INFOID:000000006044580

1. Remove filler plug (1) and gasket. Then fill fluid up to mounting hole for the filler plug.

Fluid and viscosity

: Refer to [MA-12, "Fluids and Lubricants"](#).

Fluid capacity

: Refer to [DLN-87, "General Specifications"](#).

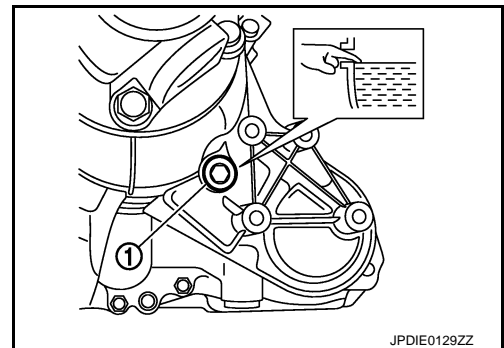
CAUTION:

Carefully fill the fluid. (Fill up for approximately 3 minutes.)

2. Leave the vehicle for 3 minutes, and check the fluid level again.
3. Set a new gasket onto filler plug, and install it on transfer and tighten to the specified torque. Refer to [DLN-68, "Exploded View"](#).

CAUTION:

Never reuse gasket.



REMOVAL AND INSTALLATION

AWD CONTROL UNIT

Removal and Installation

INFOID:000000006044581

REMOVAL

1. Turn the ignition switch OFF.
2. Remove trunk side finisher LH. Refer to [JNT-54. "TRUNK SIDE FINISHER : Removal and Installation"](#).
3. Disconnect AWD control unit harness connector.
4. Remove AWD control unit mounting nuts.
5. Remove AWD control unit.

INSTALLATION

Install in the reverse order of removal.

A

B

C

DLN

E

F

G

H

I

J

K

L

M

N

O

P

FRONT OIL SEAL

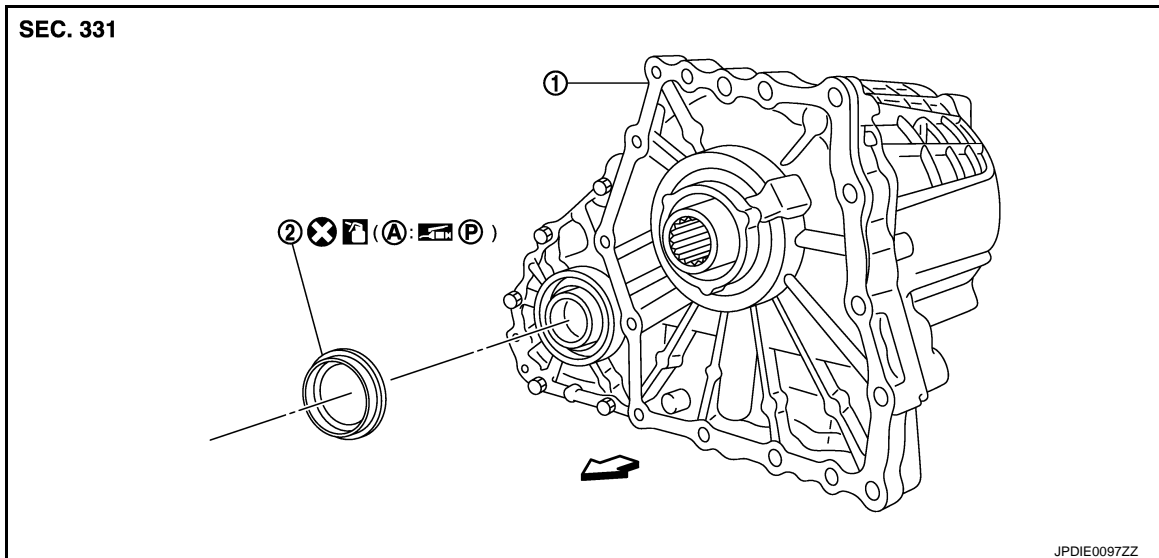
< REMOVAL AND INSTALLATION >

[TRANSFER: ETX13C]

FRONT OIL SEAL

Exploded View

INFOID:000000006044582



1. Transfer assembly 2. Front oil seal

A. Oil seal lip

↔: Vehicle front

: Apply transfer fluid. Refer to [MA-12, "Fluids and Lubricants"](#).

: Apply petroleum jelly.

Refer to [GI-4, "Components"](#) for symbols not described above.

Removal and Installation

INFOID:000000006044583

REMOVAL

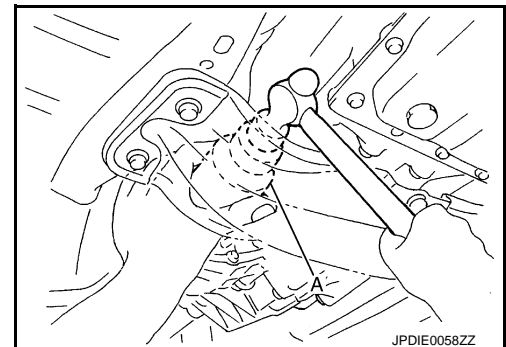
1. Remove the drain plug to drain the transfer fluid. Refer to [DLN-58, "Draining"](#).
2. Remove the front propeller shaft. Refer to [DLN-91, "VQ37VHR : Removal and Installation"](#) (VQ37VHR), [DLN-93, "VK56VD : Removal and Installation"](#) (VK56VD).
3. Remove front oil seal.

CAUTION:

Never damage the front case and front drive shaft.

INSTALLATION

1. Apply transfer fluid to outside of front oil seal, install it with a drift (A) [SST: ST27862000 (—)] until the end face of front case.
CAUTION:
 - **Never reuse front oil seal.**
 - **Apply petroleum jelly to oil seal lip.**
 - **When installing, never incline front oil seal.**
2. Install front propeller shaft. Refer to [DLN-91, "VQ37VHR : Removal and Installation"](#) (VQ37VHR), [DLN-93, "VK56VD : Removal and Installation"](#) (VK56VD).
3. Fill with new transfer fluid, check fluid level and for fluid leakage. Refer to [DLN-58, "Inspection"](#).



REAR OIL SEAL

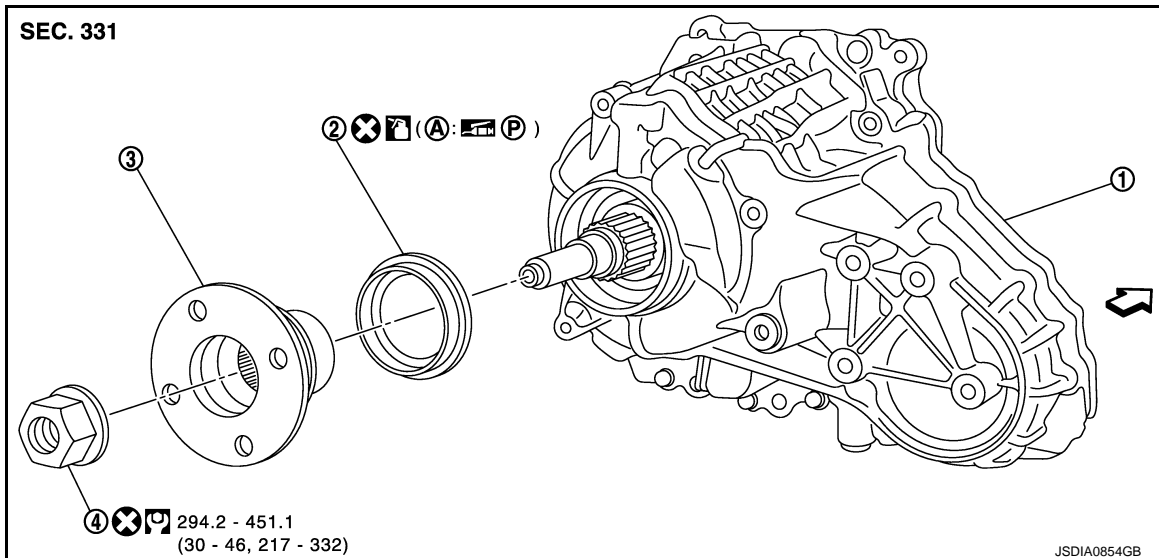
< REMOVAL AND INSTALLATION >

[TRANSFER: ETX13C]

REAR OIL SEAL

Exploded View

INFOID:000000006044584



- 1. Transfer assembly
- 2. Rear oil seal
- 3. Companion flange
- 4. Self-lock nut
- A. Oil seal lip

⇐: Vehicle front

: Apply transfer fluid. Refer to [MA-12. "Fluids and Lubricants"](#).

: Apply petroleum jelly.

Refer to [GI-4. "Components"](#) for symbols not described above.

Removal and Installation

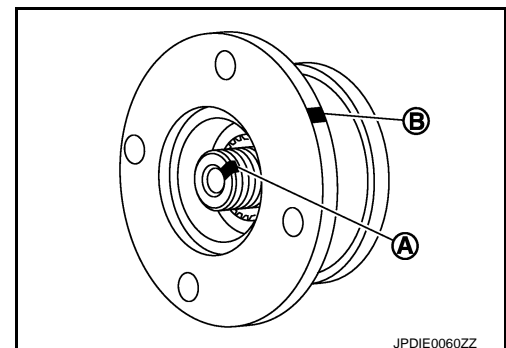
INFOID:000000006044585

REMOVAL

1. Remove the rear propeller shaft. Refer to [DLN-108. "Removal and Installation"](#).
2. Remove self-lock nut of companion flange with a flange wrench (commercial service tool).
3. Put matching mark (A) on the end of the main shaft. The mark should be in line with the mark (B) on the companion flange.

CAUTION:

For matching mark, use paint. Never damage main shaft.



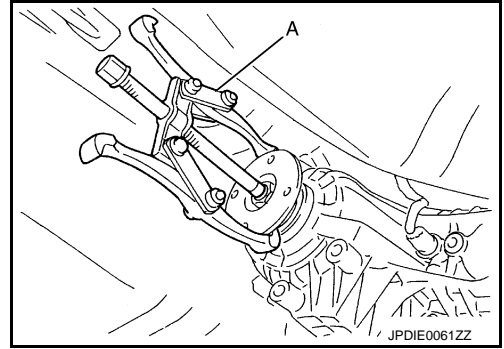
REAR OIL SEAL

< REMOVAL AND INSTALLATION >

[TRANSFER: ETX13C]

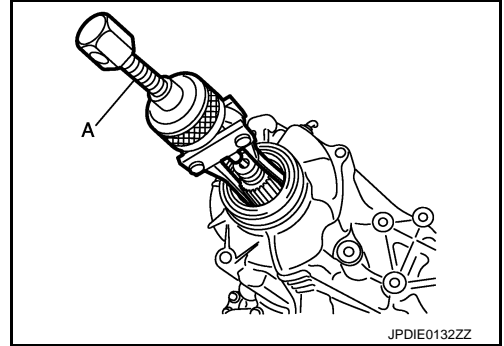
4. Remove the companion flange with a puller (A) (commercial service tool).

CAUTION:
Never damage the companion flange.



5. Remove the rear oil seal with the puller (A) [SST: KV381054S0 (J-34286)].

CAUTION:
Never damage the rear case.



INSTALLATION

1. Apply transfer fluid to rear oil seal, install it with the drifts within the dimension (L) shown as follows.

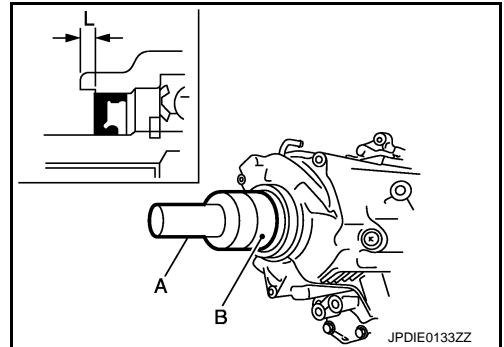
A : Drift [SST: ST30720000 (J-25405)]

B : Drift [SST: KV40104830 (—)]

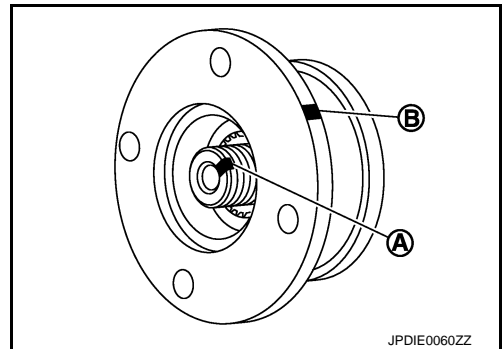
L : 6.7 – 7.3 mm (0.264 – 0.287 in)

CAUTION:

- Never reuse rear oil seal.
- Apply petroleum jelly to oil seal lip.
- When installing, never incline rear oil seal.



2. Align the matching mark (A) of main shaft with the mark (B) of companion flange, then install the companion flange.



REAR OIL SEAL

< REMOVAL AND INSTALLATION >

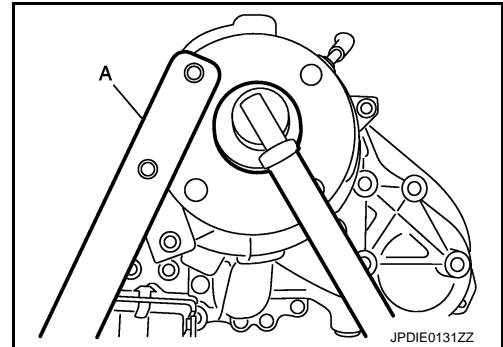
[TRANSFER: ETX13C]

- Using a flange wrench (A) (commercial service tool), install the self-lock nut of companion flange and tighten to the specified torque. Refer to [DLN-68, "Exploded View"](#).

CAUTION:

Never reuse self-lock nut.

- Install the rear propeller shaft. Refer to [DLN-108, "Removal and Installation"](#).
- Check fluid level. Refer to [DLN-58, "Inspection"](#).



A
B
C

DLN

E
F
G
H
I
J
K
L
M
N
O
P

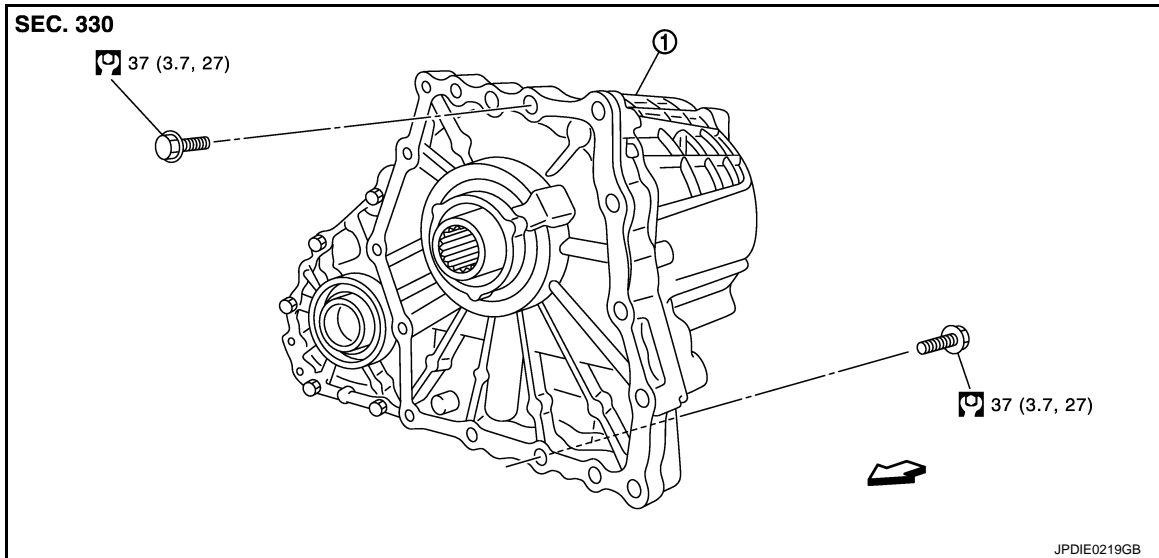
UNIT REMOVAL AND INSTALLATION

TRANSFER ASSEMBLY

VQ37VHR

VQ37VHR : Exploded View

INFOID:000000006044586



1. Transfer assembly

↶: Vehicle front

Refer to [GI-4, "Components"](#) for symbols in the figure.

VQ37VHR : Removal and Installation

INFOID:000000006044587

REMOVAL

1. Remove rear propeller shaft. Refer to [DLN-108, "Removal and Installation"](#).
2. Remove front propeller shaft. Refer to [DLN-91, "VQ37VHR : Removal and Installation"](#).
3. Disconnect AWD solenoid harness connector and separate harness from transfer assembly.
4. Remove transfer breather hose.
5. Remove control rod. Refer to [TM-177, "AWD : Removal and Installation"](#).
6. Support transfer assembly and transmission assembly with a jack.
CAUTION:
Secure transfer assembly and transmission assembly to a jack.
7. Remove rear engine mounting member and engine mounting insulator with power tool. Refer to [EM-76, "AWD : Removal and Installation"](#).
8. Lower jack to the position where the top transfer mounting bolts can be removed.
9. Remove transfer mounting bolts with power tool and separate transfer from transmission.

INSTALLATION

Note the following, and install in the reverse order of removal.

TRANSFER ASSEMBLY

< UNIT REMOVAL AND INSTALLATION >

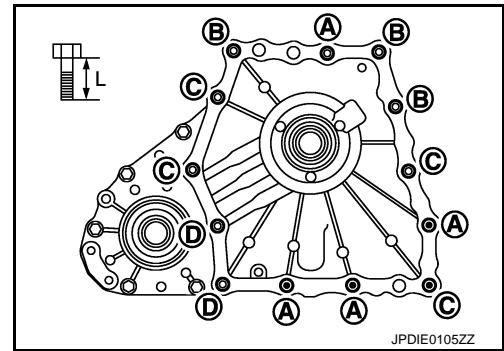
[TRANSFER: ETX13C]

- When installing the transfer to the transmission, install the mounting bolts following the standard below, tighten bolts to the specified torque.

Bolt No.	A	B	C	D
Quantity	4	3	4	2
Bolt length " L " mm (in)	75 (2.95)	45 (1.77)	40 (1.57)	30 (1.18)

●:Transfer to transmission.

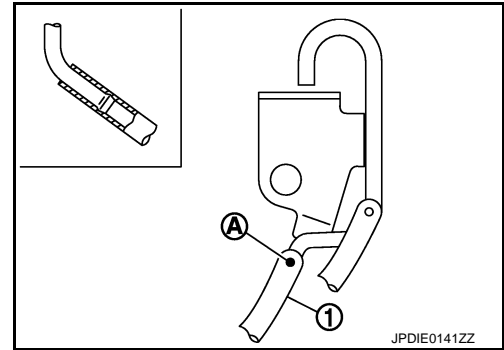
○:Transmission to transfer.



A
B
C

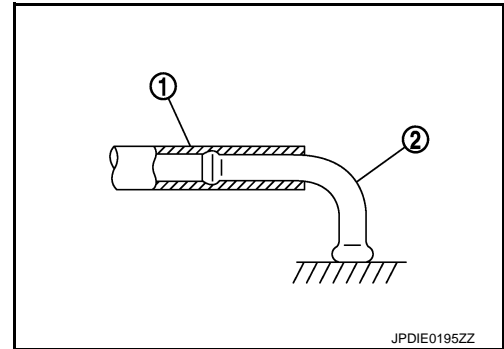
DLN

- When installing transfer breather hose, make sure there are no pinched or restricted areas on the transfer breather hose caused by bending or winding.
- Set transfer breather hose (1) of transmission side with the paint mark (A) facing upward, and insert breather hose to breather tube until hose end reaches the tube bend R portion.



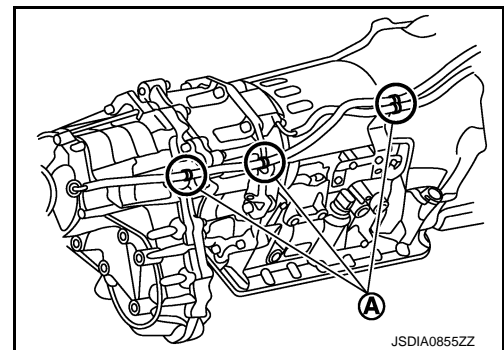
E
F
G
H

- Be sure to insert air breather hose (1) of transfer side to air breather tube (2) until hose end reaches the tube bend R portion.



I
J
K
L

- Be sure to fix air breather hose in (A) parts of transmission and transfer.
- After the installation, check the fluid level, fluid leakage and the A/T positions. Refer to [DLN-58, "Inspection"](#).



M
N
O
P

VK56VD

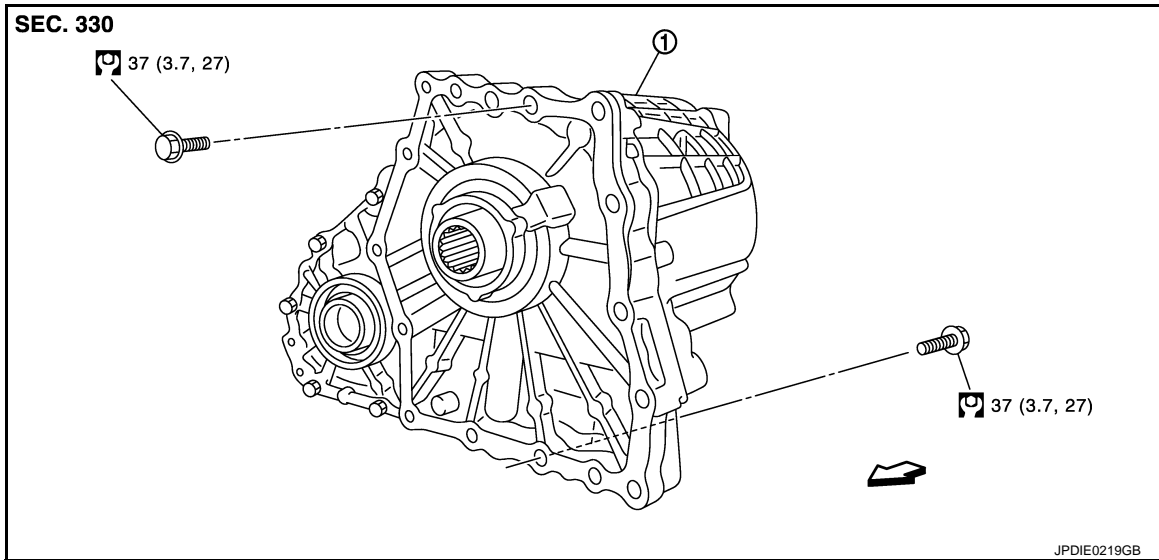
TRANSFER ASSEMBLY

< UNIT REMOVAL AND INSTALLATION >

[TRANSFER: ETX13C]

VK56VD : Exploded View

INFOID:000000006046399



1. Transfer assembly

◀: Vehicle front

Refer to [GI-4, "Components"](#) for symbols in the figure.

VK56VD : Removal and Installation

INFOID:000000006046398

REMOVAL

1. Remove transmission assembly from the vehicle. Refer to [TM-206, "VK56VD \(AWD\) : Removal and Installation"](#).
2. Remove transfer air breather hose.
3. Remove rear engine mounting member and engine mounting insulator with power tool. Refer to [EM-216, "AWD : Removal and Installation"](#).
4. Support transfer assembly with a jack.
5. Remove transfer mounting bolts with power tool and separate transfer from transmission.

CAUTION:

Secure transfer assembly and transmission assembly to a jack.

INSTALLATION

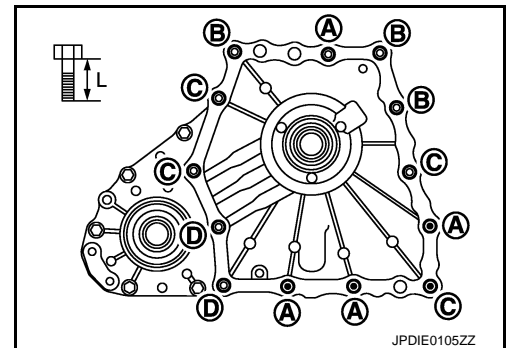
Note the following, and install in the reverse order of removal.

- When installing the transfer to the transmission, install the mounting bolts following the standard below, tighten bolts to the specified torque.

Bolt No.	A	B	C	D
Quantity	4	3	4	2
Bolt length " L " mm (in)	75 (2.95)	45 (1.77)	40 (1.57)	30 (1.18)

●: Transfer to transmission.

○: Transmission to transfer.



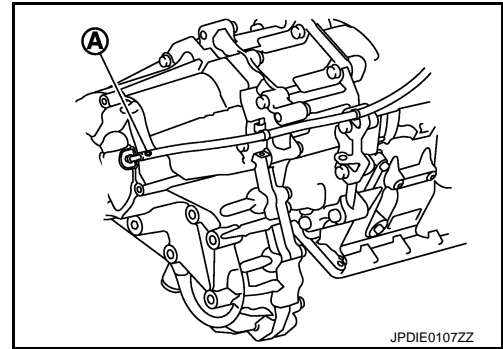
- When installing transfer air breather hose, make sure there are no pinched or restricted areas on the transfer air breather hose caused by bending or winding.

TRANSFER ASSEMBLY

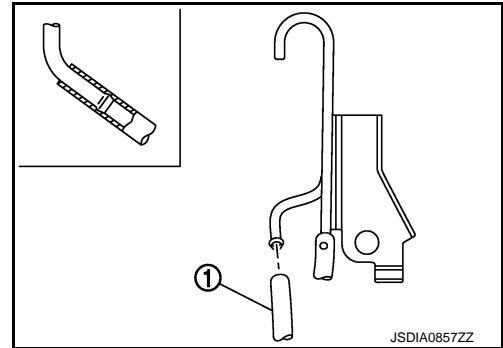
< UNIT REMOVAL AND INSTALLATION >

[TRANSFER: ETX13C]

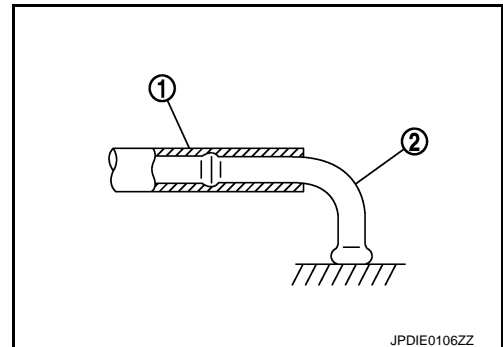
- Set transfer air breather hose with the paint mark (A) facing upward.



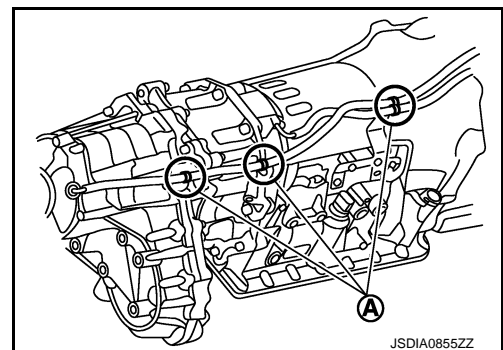
- Be sure to insert air breather hose (1) of transmission side to air breather tube until hose end reaches the tube bend R portion.



- Be sure to insert air breather hose (1) of transfer side to air breather tube (2) until hose end reaches the tube bend R portion.



- Be sure to fix air breather hose in (A) parts of transmission and transfer.
- After the installation, check the fluid level, fluid leakage and the A/T positions. Refer to [DLN-58, "Inspection"](#).



A
B
C
DLN
E
F
G
H
I
J
K
L
M
N
O
P

FRONT CASE AND REAR CASE

< UNIT DISASSEMBLY AND ASSEMBLY >

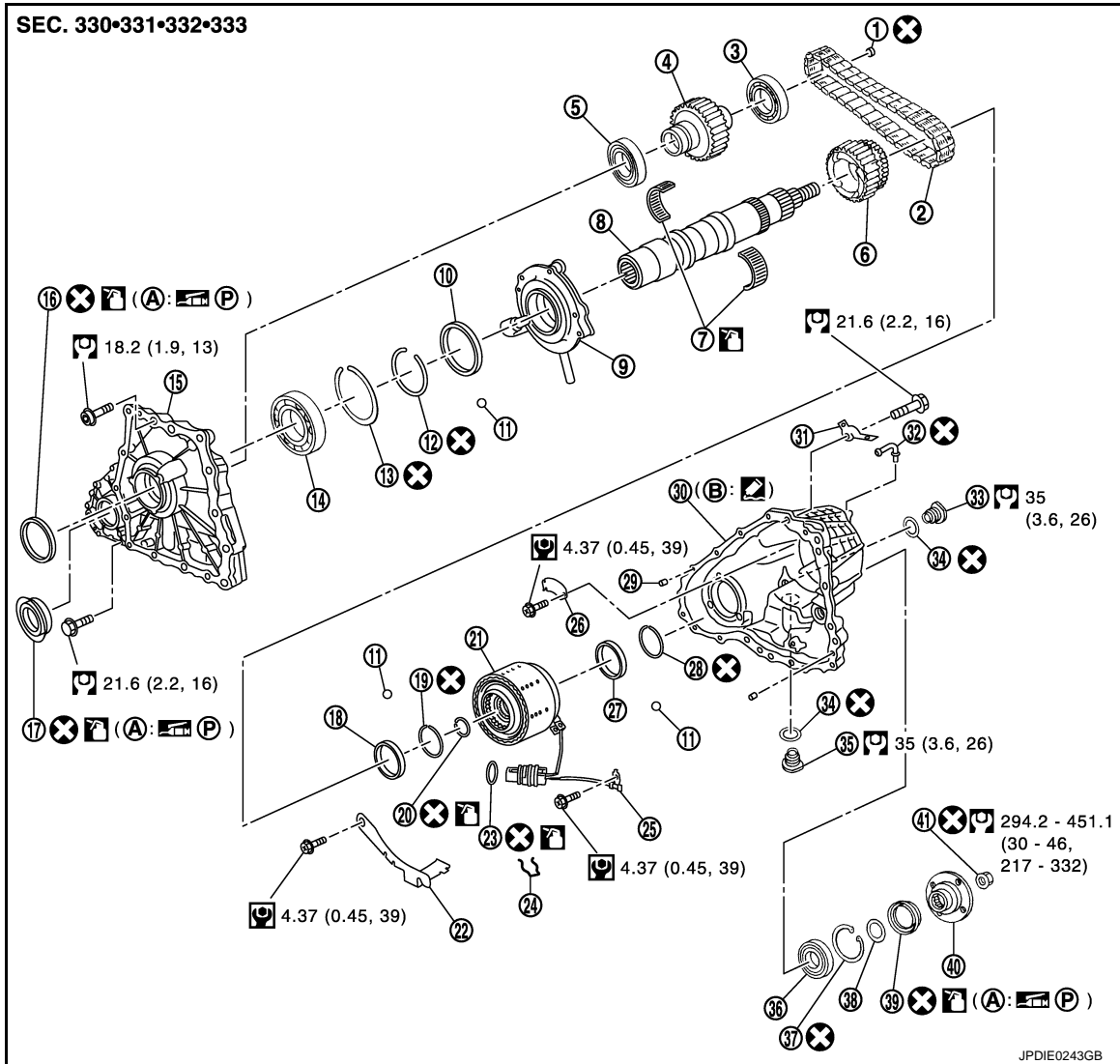
[TRANSFER: ETX13C]

UNIT DISASSEMBLY AND ASSEMBLY

FRONT CASE AND REAR CASE

Exploded View

INFOID:000000006044588





- | | | |
|---------------------------------------|------------------------------------|-----------------------------------|
| 1. Plug | 2. Drive chain | 3. Front drive shaft rear bearing |
| 4. Front drive shaft | 5. Front drive shaft front bearing | 6. Sprocket |
| 7. Needle bearing | 8. Main shaft | 9. Oil pump |
| 10. Spacer | 11. Steel ball | 12. Snap ring |
| 13. Snap ring | 14. Main shaft bearing | 15. Front case |
| 16. Main shaft oil seal | 17. Front oil seal | 18. Spacer |
| 19. Snap ring | 20. Circlip | 21. Electric controlled coupling |
| 22. Oil cover | 23. O-ring | 24. Retainer |
| 25. Transfer fluid temperature sensor | 26. Baffle plate | 27. Spacer |
| 28. Snap ring | 29. Dowel pin | 30. Rear case |
| 31. Harness bracket | 32. Breather tube | 33. Filler plug |
| 34. Gasket | 35. Drain plug | 36. Rear bearing |
| 37. Snap ring | 38. Spacer | 39. Rear oil seal |
| 40. Companion flange | 41. Self-lock nut | |
| A. Oil seal lip | B. Matching surface | |


FRONT CASE AND REAR CASE

< UNIT DISASSEMBLY AND ASSEMBLY >

[TRANSFER: ETX13C]

 Apply Genuine Anaerobic Liquid Gasket or equivalent. Refer to [GI-18, "Recommended Chemical Products and Sealants"](#).

 Apply petroleum jelly.

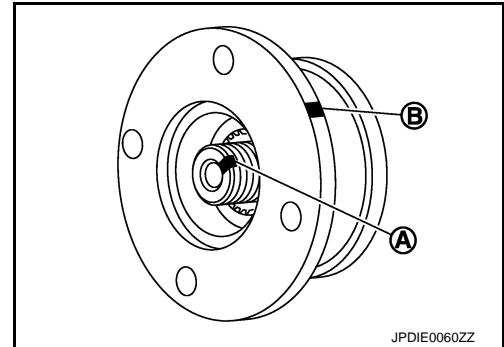
 Apply transfer fluid. Refer to [MA-12, "Fluids and Lubricants"](#).

Refer to [GI-4, "Components"](#) for symbols not described above.

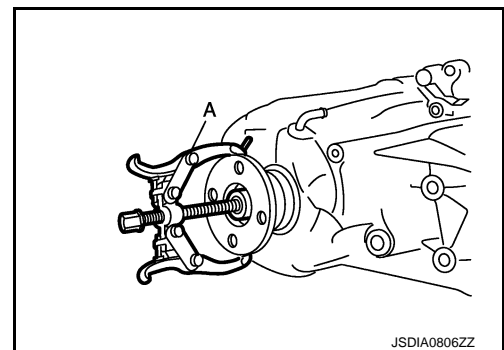
Disassembly

INFOID:000000006044589

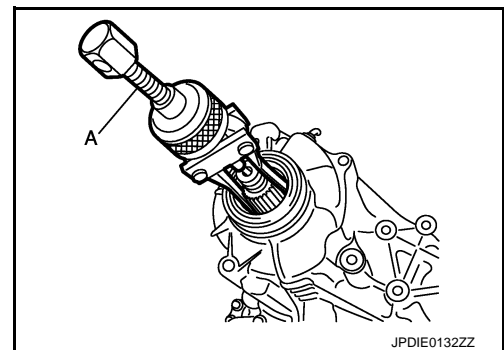
1. Remove drain plug and filler plug.
2. Remove harness brackets.
3. Remove main shaft oil seal from front case.
CAUTION:
Never damage the front case and main shaft.
4. Remove front oil seal from front case.
CAUTION:
Never damage the front case and front drive shaft.
5. Remove self-lock nut.
6. Put a matching mark (A) on the end of main shaft. The mark should be in line with the mark (B) on the companion flange.
CAUTION:
For the matching mark, use paint. Never damage main shaft.



7. Remove companion flange with a puller (A) (commercial service tool).
CAUTION:
Never damage the companion flange.



8. Remove rear oil seal from rear case with the puller (A) [SST:KV381054S0 (J-34286)].
CAUTION:
Never damage the rear case.
9. Remove spacer from main shaft.



A
B
C
DLN
E
F
G
H
I
J
K
L
M
N
O
P

FRONT CASE AND REAR CASE

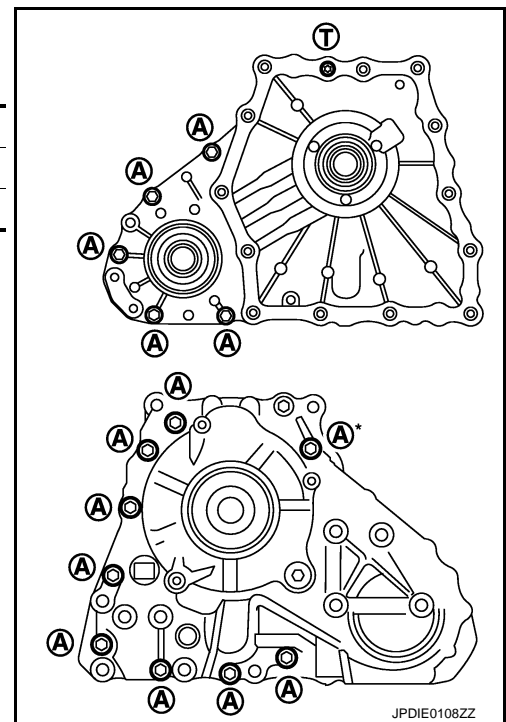
< UNIT DISASSEMBLY AND ASSEMBLY >

[TRANSFER: ETX13C]

10. Remove front case and rear case fixing bolts, then remove harness bracket.

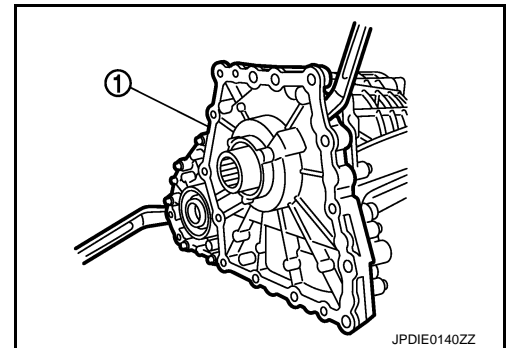
Bolts symbol	Quantity
A	14
T (TORX bolt)	1

*: With harness bracket.



11. Remove front case (1) from rear case by levering it up with a suitable tool.

CAUTION:
Never damage the mating surface.

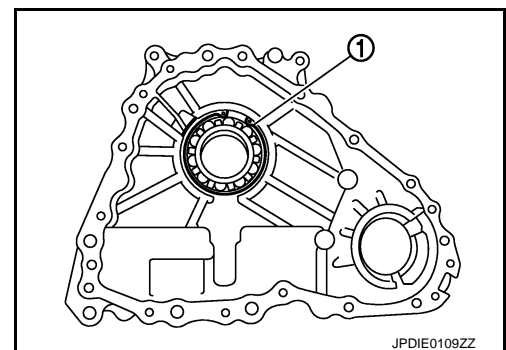


12. Remove snap ring (1) from front case.

CAUTION:
Never damage front case.

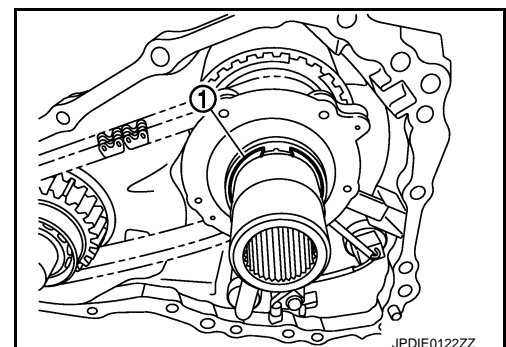
13. Remove main shaft bearing from front case.

CAUTION:
Never use tools. Always remove by hand.



14. Remove snap ring (1) from main shaft.

CAUTION:
Never damage main shaft.



FRONT CASE AND REAR CASE

< UNIT DISASSEMBLY AND ASSEMBLY >

[TRANSFER: ETX13C]

15. Remove spacer (1) and steel ball (2) from main shaft.

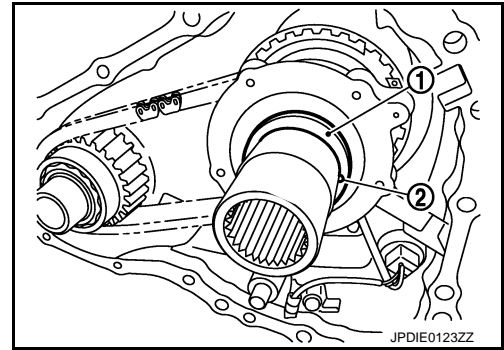
CAUTION:

Be careful not to drop the steel ball.

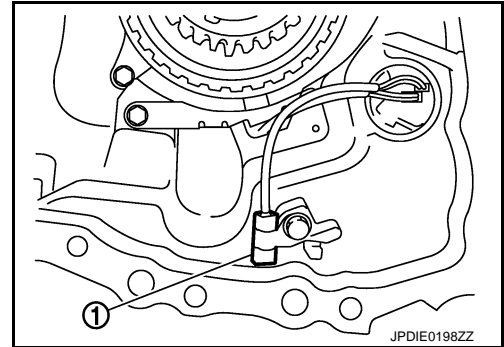
16. Remove Oil pump from main shaft.
17. Remove drive chain and front drive shaft.

CAUTION:

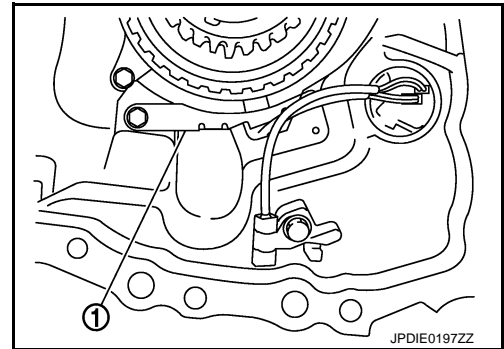
Never use tools. Always remove by hand.



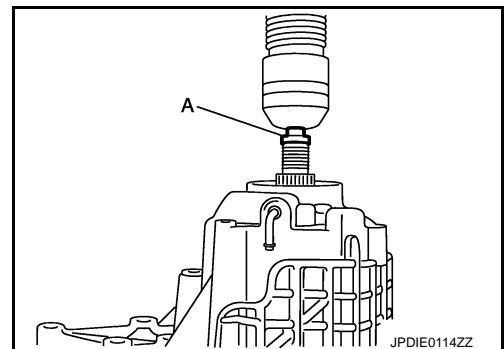
18. Remove transfer fluid temperature sensor bolt from rear case. And then, remove transfer fluid temperature sensor (1).



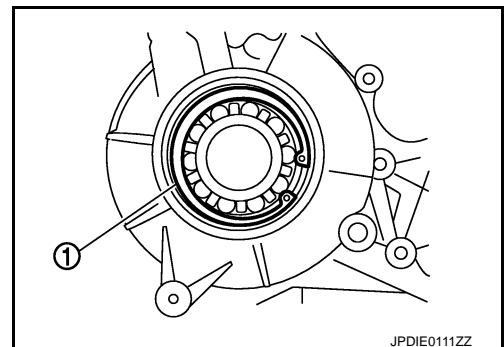
19. Remove oil cover bolts from rear case. And then, remove oil cover (1).
20. Remove retainer from AWD solenoid harness connector.
21. Remove AWD solenoid harness connector from rear case.
22. Remove O-ring from AWD solenoid harness connector.



23. Remove main shaft assembly from rear case with the drift (A) [SST: ST33052000 (—)].



24. Remove snap ring (1) from rear case.
25. Remove rear bearing from rear case.
CAUTION:
Never use tools. Always remove by hand.



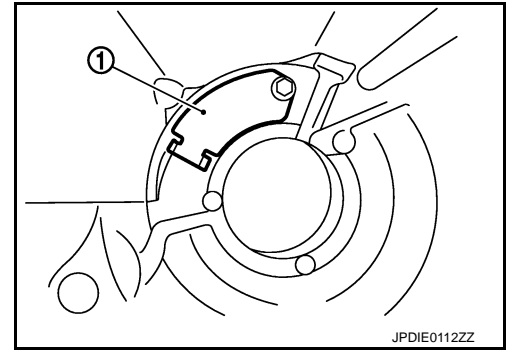
A
B
C
DLN
E
F
G
H
I
J
K
L
M
N
O
P

FRONT CASE AND REAR CASE

< UNIT DISASSEMBLY AND ASSEMBLY >

[TRANSFER: ETX13C]

26. Remove baffle plate (1) from rear case.
27. Remove breather tube from rear case.
28. Perform inspection after disassembly. Refer to [DLN-76. "Inspection"](#).



Assembly

INFOID:000000006044590

1. Install breather tube to rear case within the angle (A) shown as follows.

Angle (A) : 80 – 100°

CAUTION:

Never reuse breather tube.

2. Install baffle plate to rear case.
3. Install rear bearing to rear case.

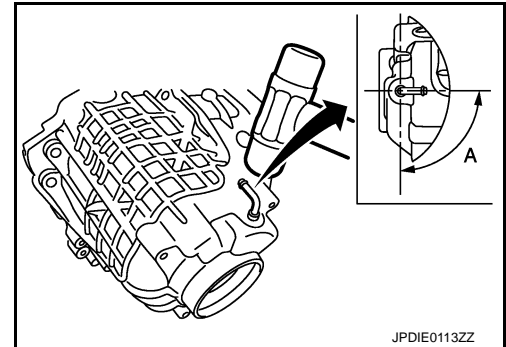
CAUTION:

Never use tools. Always install by hand.

4. Install snap ring (1) to rear case.

CAUTION:

Never reuse snap ring.



5. Install main shaft assembly to rear case with the drift (A) [SST: ST35321000 (—)].

CAUTION:

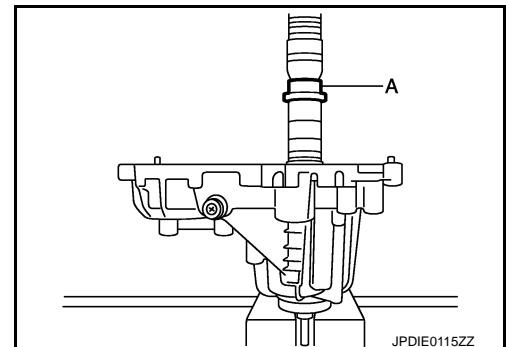
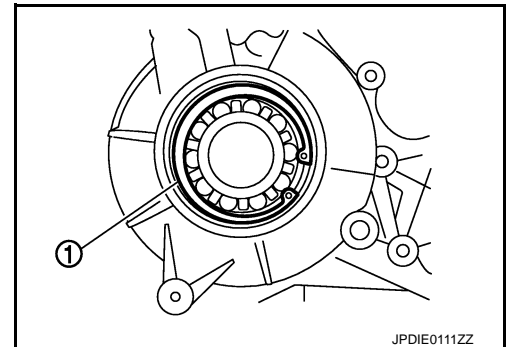
Apply transfer fluid to the sliding surface of main shaft and needle bearing.

6. Install O-ring to AWD solenoid harness connector.

CAUTION:

- **Never reuse O-ring.**
- **Apply transfer fluid to O-ring.**

7. Install AWD solenoid harness connector into rear case.
8. Install retainer to AWD solenoid harness connector.

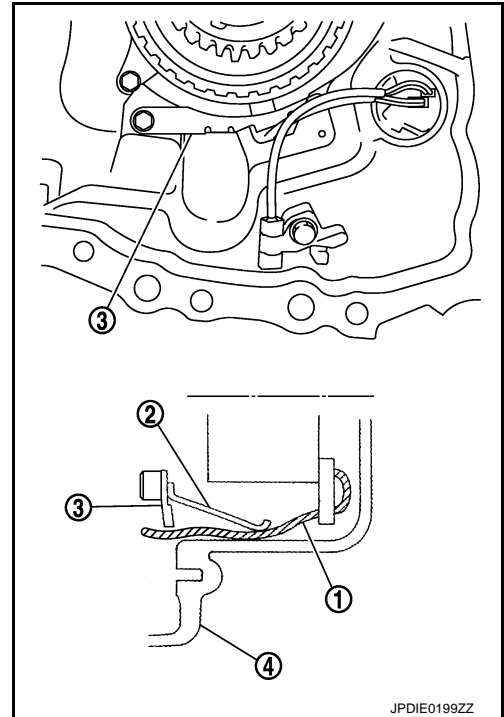


FRONT CASE AND REAR CASE

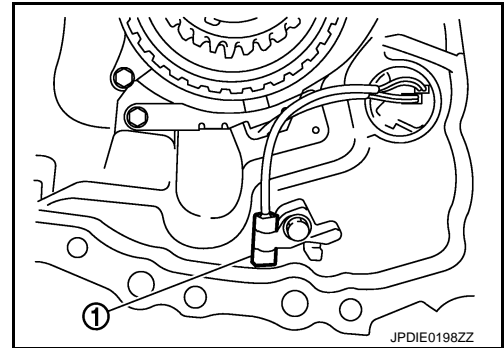
< UNIT DISASSEMBLY AND ASSEMBLY >

[TRANSFER: ETX13C]

9. Hold electric controlled coupling harness (1) with oil cover hold plate (2), install oil cover (3) to rear case (4).



10. Install transfer fluid temperature sensor (1) to rear case.



11. Set drive chain to front drive shaft.

CAUTION:

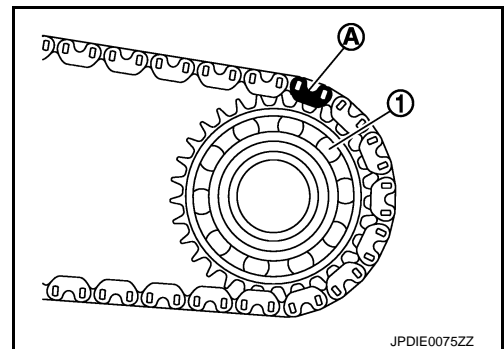
Identification mark (A) of drive chain should be in the side of front bearing (1) of front drive shaft.

12. Install drive chain to main shaft, and then install front drive shaft.

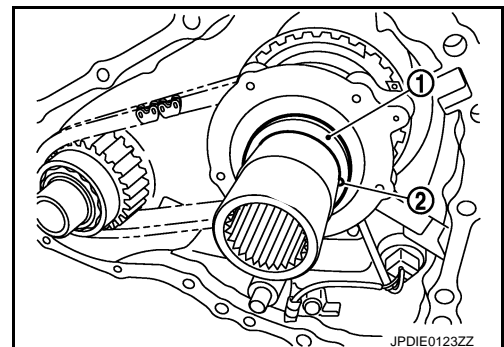
CAUTION:

Never use tools. Always install by hand.

13. Install oil pump to main shaft.



14. Install spacer (1) and steel ball (2) to main shaft.



A
B
C
DLN
E
F
G
H
I
J
K
L
M
N
O
P

FRONT CASE AND REAR CASE

< UNIT DISASSEMBLY AND ASSEMBLY >

[TRANSFER: ETX13C]

15. Install snap ring (1) to main shaft.

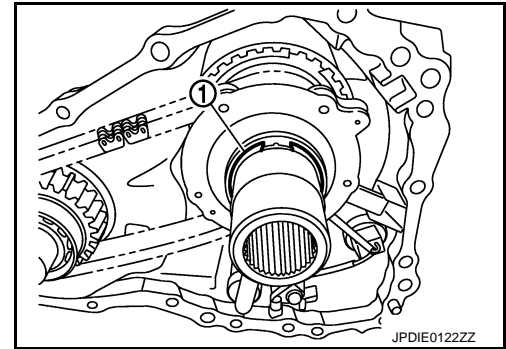
CAUTION:

- Never reuse snap ring.
- Never damage main shaft.

16. Install main shaft bearing to front case.

CAUTION:

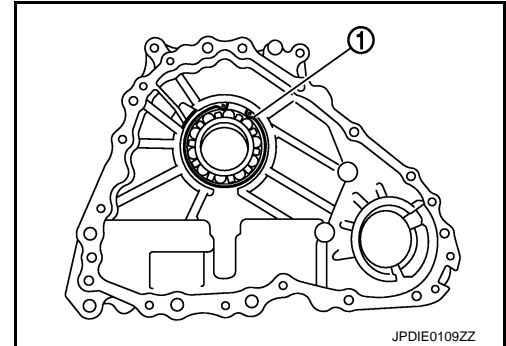
Never use tools. Always install by hand.



17. Install snap ring (1) to front case.

CAUTION:

- Never reuse snap ring.
- Never damage front case.



18. Apply liquid gasket (1) to mating surface of rear case. Use Genuine Anaerobic Liquid Gasket or equivalent. Refer to [GI-18. "Recommended Chemical Products and Sealants"](#).

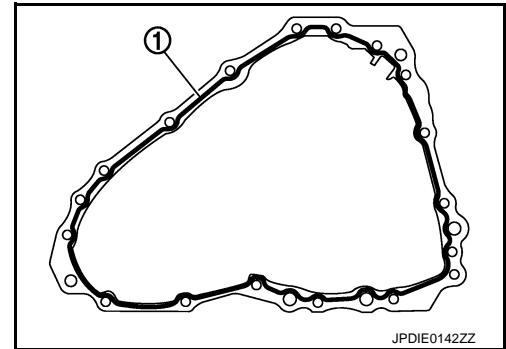
CAUTION:

Remove old sealant adhering to mounting surfaces. Also remove any moisture, oil, or foreign material adhering to application and mounting surfaces.

19. Set front case to rear case.

CAUTION:

Never damage the mating surface transmission side.



20. Tighten front case and rear case fixing bolts.

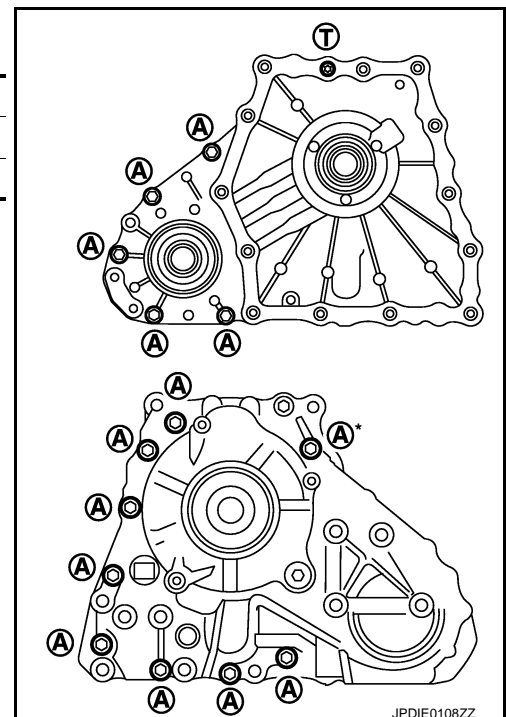
Bolts symbol	Quantity
A	14
T (TORX bolt)	1

*: With harness bracket.

21. Install spacer to main shaft.

CAUTION:

Apply transfer fluid to spacer.



FRONT CASE AND REAR CASE

< UNIT DISASSEMBLY AND ASSEMBLY >

[TRANSFER: ETX13C]

22. Apply transfer fluid to outside of rear oil seal, and install rear oil seal to rear case with the drifts within the dimension (L) shown as follows.

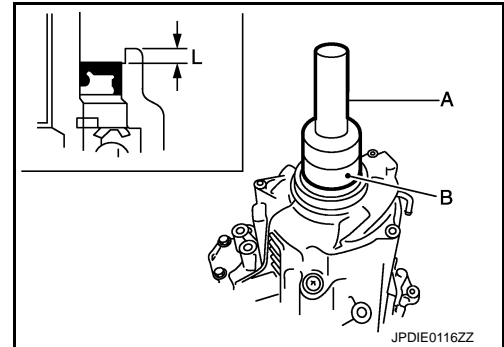
A : Drift [SST: ST30720000 (J-25405)]

B : Drift [SST: KV40104830 (—)]

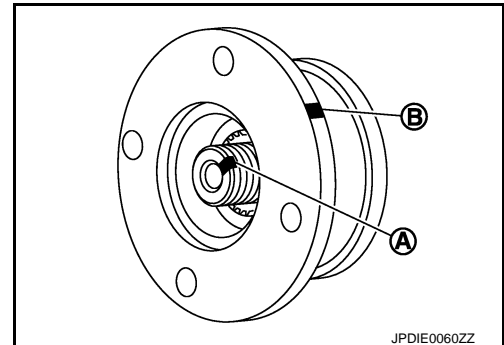
L : 6.7 – 7.3 mm (0.264 – 0.287 in)

CAUTION:

- Never reuse rear oil seal.
- Apply petroleum jelly to oil seal lip.
- When installing, never incline rear oil seal.



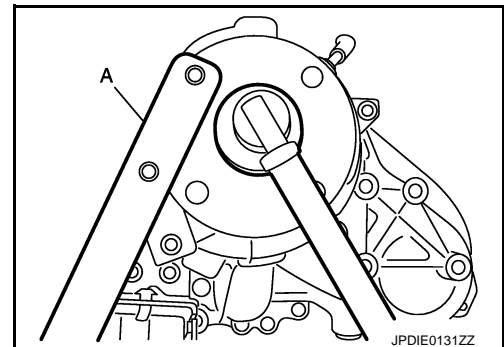
23. Install companion flange while aligning the matching mark (A) of main shaft with the mark (B) of companion flange.



24. Tighten self-lock nut to the specified torque with flange wrench (A) (commercial service tool).

CAUTION:

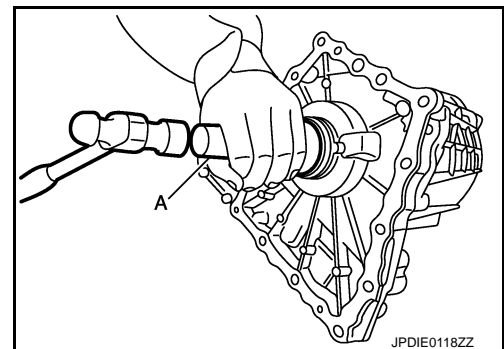
Never reuse self-lock nut.



25. Apply transfer fluid to outside of main shaft oil seal, and install main shaft oil seal until it is flush with the end face of front case with the drift (A) [SST: ST30720000 (J-25405)].

CAUTION:

- Never reuse main shaft oil seal.
- Apply petroleum jelly to oil seal lip.
- When installing, never incline main shaft oil seal.



A
B
C
DLN
E
F
G
H
I
J
K
L
M
N
O
P

FRONT CASE AND REAR CASE

< UNIT DISASSEMBLY AND ASSEMBLY >

[TRANSFER: ETX13C]

26. Apply transfer fluid to outside of front oil seal, and install front oil seal until it is flush with the end face of front case with the drift (A) [SST: ST27862000 (—)].

CAUTION:

- Never reuse front oil seal.
- Apply petroleum jelly to oil seal lip.
- When installing, never incline front oil seal.

27. Set gasket to drain plug. Install it to rear case.

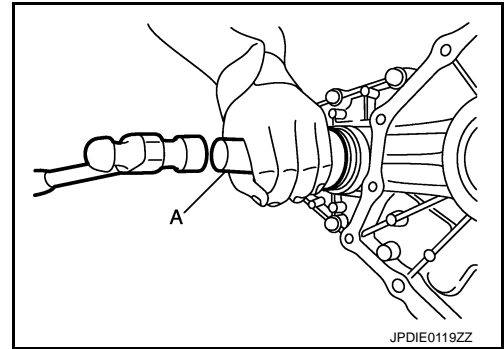
CAUTION:

Never reuse gasket.

28. Set gasket to filler plug. Install it to rear case.

CAUTION:

- Never reuse gasket.
- After oil is filled, tighten filler plug to specified torque.



Inspection

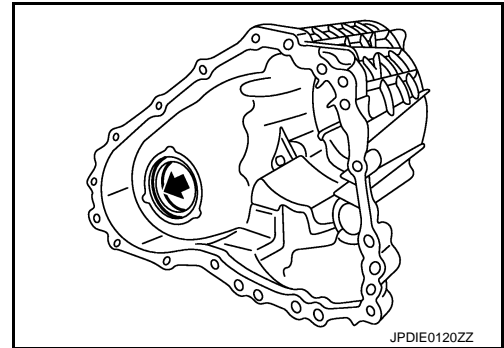
INFOID:000000006044591

INSPECTION AFTER DISASSEMBLY

Check items below. If necessary, replace them with new ones.

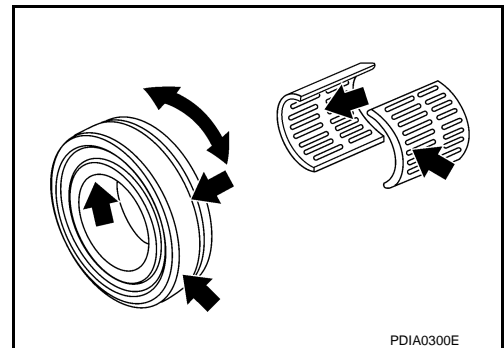
Cases

- Contact surfaces of bearing for wear, damage, etc.
- Damage and cracks of case.



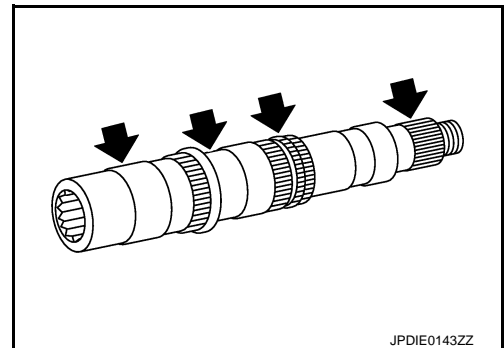
Bearing

Damage and rough rotation of bearing.



Shaft

Damage, peeling, dent, uneven wear, bending, etc. of shaft.



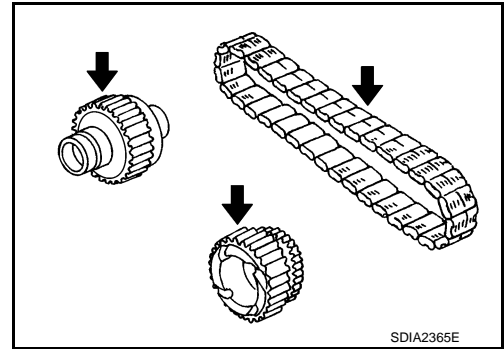
Gears and Chain

FRONT CASE AND REAR CASE

< UNIT DISASSEMBLY AND ASSEMBLY >

[TRANSFER: ETX13C]

- Excessive wear, damage, peeling, etc. of gear and chain.
- Cracks, damage, wear, etc of drive chain.



A
B
C

DLN

E
F
G
H
I
J
K
L
M
N
O
P

MAIN SHAFT

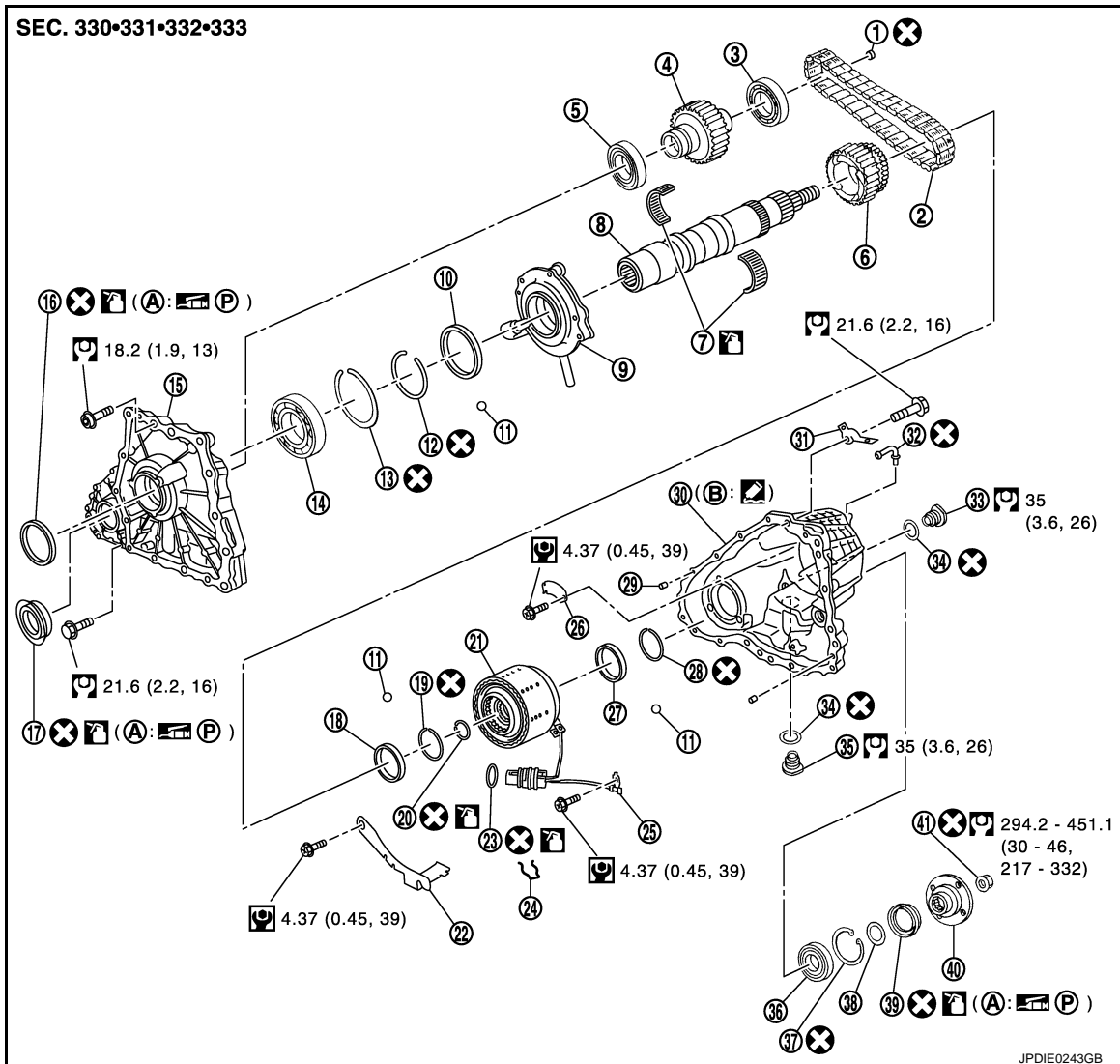
< UNIT DISASSEMBLY AND ASSEMBLY >

[TRANSFER: ETX13C]


MAIN SHAFT

Exploded View

INFOID:00000006044592



- | | | |
|---------------------------------------|------------------------------------|-----------------------------------|
| 1. Plug | 2. Drive chain | 3. Front drive shaft rear bearing |
| 4. Front drive shaft | 5. Front drive shaft front bearing | 6. Sprocket |
| 7. Needle bearing | 8. Main shaft | 9. Oil pump |
| 10. Spacer | 11. Steel ball | 12. Snap ring |
| 13. Snap ring | 14. Main shaft bearing | 15. Front case |
| 16. Main shaft oil seal | 17. Front oil seal | 18. Spacer |
| 19. Snap ring | 20. Circlip | 21. Electric controlled coupling |
| 22. Oil cover | 23. O-ring | 24. Retainer |
| 25. Transfer fluid temperature sensor | 26. Baffle plate | 27. Spacer |
| 28. Snap ring | 29. Dowel pin | 30. Rear case |
| 31. Harness bracket | 32. Breather tube | 33. Filler plug |
| 34. Gasket | 35. Drain plug | 36. Rear bearing |
| 37. Snap ring | 38. Spacer | 39. Rear oil seal |
| 40. Companion flange | 41. Self-lock nut | |
| A. Oil seal lip | B. Matching surface | |


: Apply Genuine Anaerobic Liquid Gasket or equivalent. Refer to [GI-18, "Recommended Chemical Products and Sealants"](#).

MAIN SHAFT

< UNIT DISASSEMBLY AND ASSEMBLY >

[TRANSFER: ETX13C]

: Apply petroleum jelly.

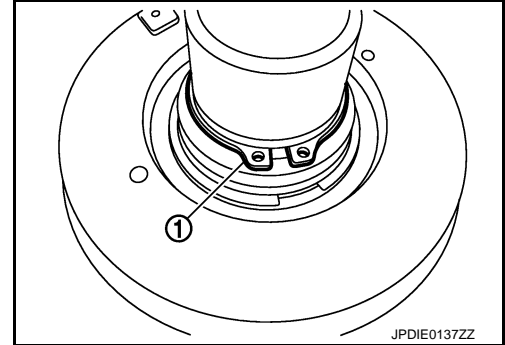
: Apply transfer fluid. Refer to [MA-12. "Fluids and Lubricants"](#).

Refer to [GI-4. "Components"](#) for symbols not described above.

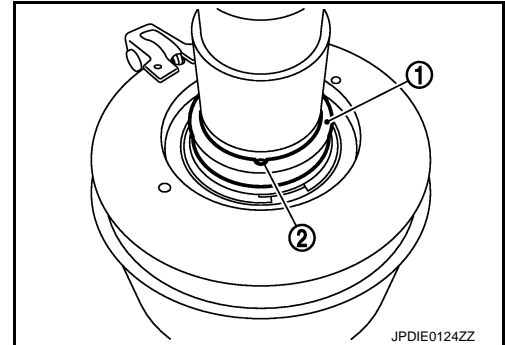
Disassembly

INFOID:000000006044593

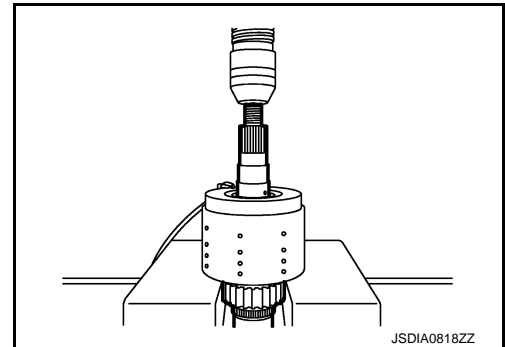
1. Separate front case and rear case, then remove main shaft assembly. Refer to [DLN-69. "Disassembly"](#).
2. Remove snap ring (1) from main shaft.



3. Remove spacer (1) and steel ball (2) from main shaft.
CAUTION:
Be careful not to drop the steel ball.



4. Using a press, remove electric controlled coupling from main shaft.



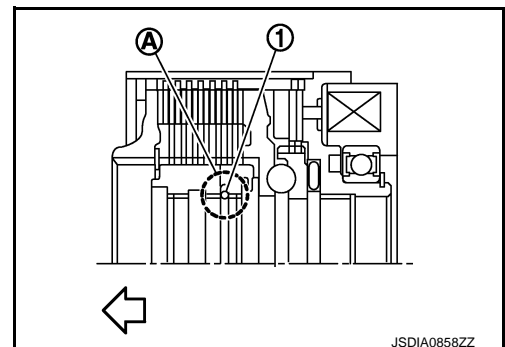
5. Remove circlip (1) from notch (A) of electric controlled coupling.

: Front side

CAUTION:

- Never remove the circlip from the electric controlled coupling rear side.
- Never damage electric control coupling spline, bush, etc.

6. Remove snap ring from main shaft.



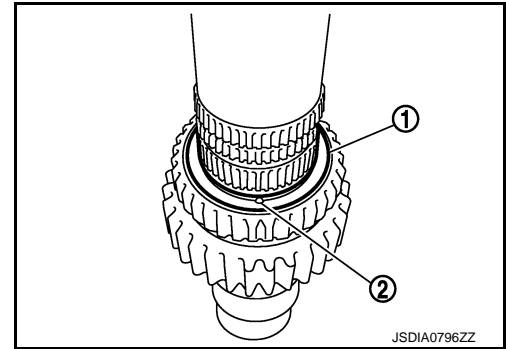
A
B
C
DLN
E
F
G
H
I
J
K
L
M
N
O
P

MAIN SHAFT

< UNIT DISASSEMBLY AND ASSEMBLY >

[TRANSFER: ETX13C]

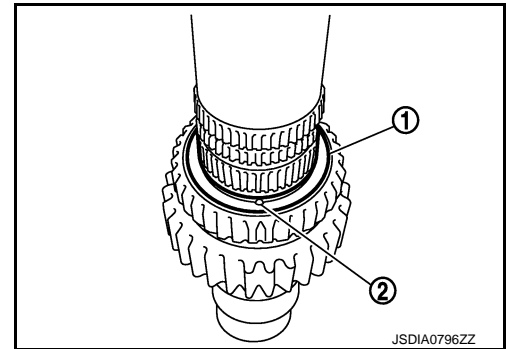
- Remove spacer (1) and steel ball (2) from main shaft.
CAUTION:
Be careful not to drop the steel ball.
- Remove sprocket from main shaft.
- Remove needle bearing from main shaft.
- Perform inspection after disassembly. Refer to [DLN-81, "Inspection"](#).



INFOID:000000006044594

Assembly

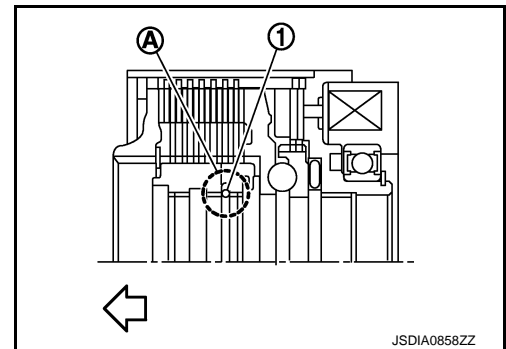
- Install needle bearing to main shaft.
CAUTION:
Apply transfer fluid to the periphery of needle bearing.
- Install sprocket to main shaft.
- Install spacer (1) and steel ball (2) to main shaft.
CAUTION:
Be careful not to drop the steel ball.
- Install snap ring to main shaft.
CAUTION:
Never reuse snap ring.
- Install circlip (1) to notch (A) of the electric controlled coupling.



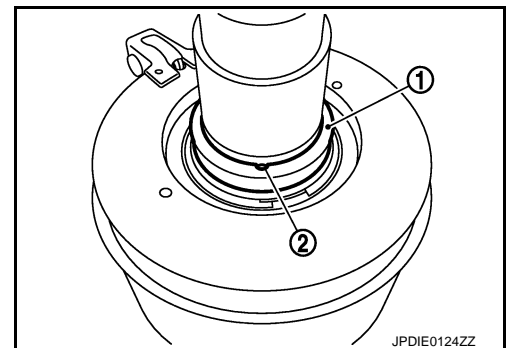
⇐:Front side

CAUTION:

- Never install the circlip to the notches other than notch (A).
- Never install the circlip from the electric controlled coupling rear side.
- Never reduce the outer diameter of circlip to less than 43.2 mm (1.701 in).
- Never damage electric control coupling spline, bush, etc.
- Never reuse circlip.



- Install electric controlled coupling to main shaft.
CAUTION:
Securely insert it until locked.
- Install spacer (1) and steel ball (2) to main shaft.
CAUTION:
Be careful not to drop the steel ball.

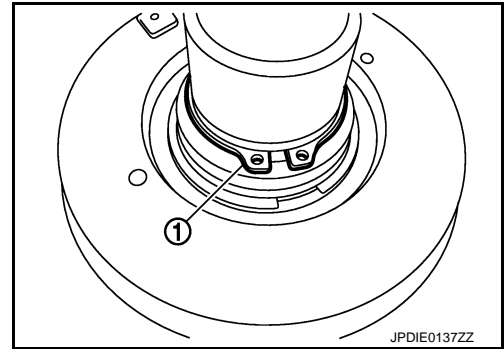


MAIN SHAFT

< UNIT DISASSEMBLY AND ASSEMBLY >

[TRANSFER: ETX13C]

8. Install snap ring (1) to main shaft.
CAUTION:
Never reuse snap ring.
9. Install main shaft assembly to rear case, then install front case and rear case. Refer to [DLN-72. "Assembly"](#).



INFOID:000000006044595

A
B
C

DLN

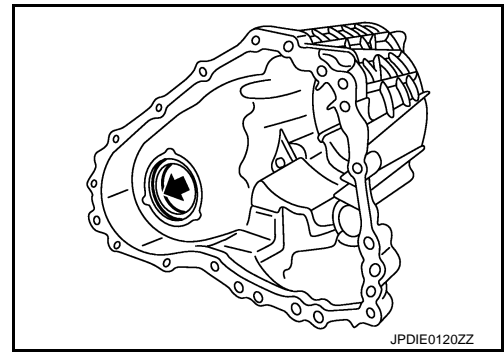
Inspection

INSPECTION AFTER DISASSEMBLY

Check items below. If necessary, replace them with new ones.

Cases

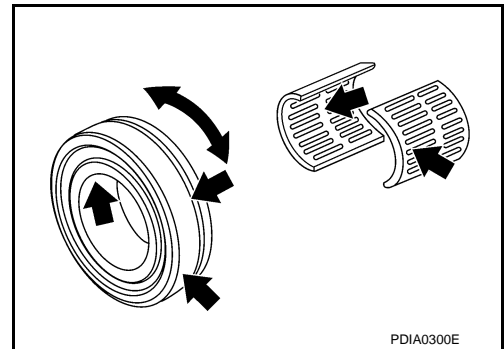
- Contact surfaces of bearing for wear, damage, etc.
- Damage and cracks of case.



E
F
G
H
I

Bearing

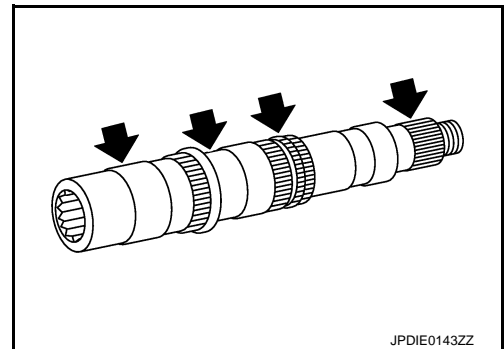
Damage and rough rotation of bearing.



J
K
L
M

Shaft

Damage, peeling, dent, uneven wear, bending, etc. of shaft.



N
O
P

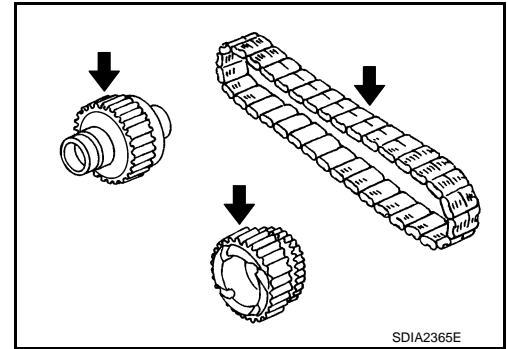
Gears and Chain

MAIN SHAFT

< UNIT DISASSEMBLY AND ASSEMBLY >

[TRANSFER: ETX13C]

- Excessive wear, damage, peeling, etc. of gear and chain.
- Cracks, damage, wear, etc of drive chain.



FRONT DRIVE SHAFT AND DRIVE CHAIN

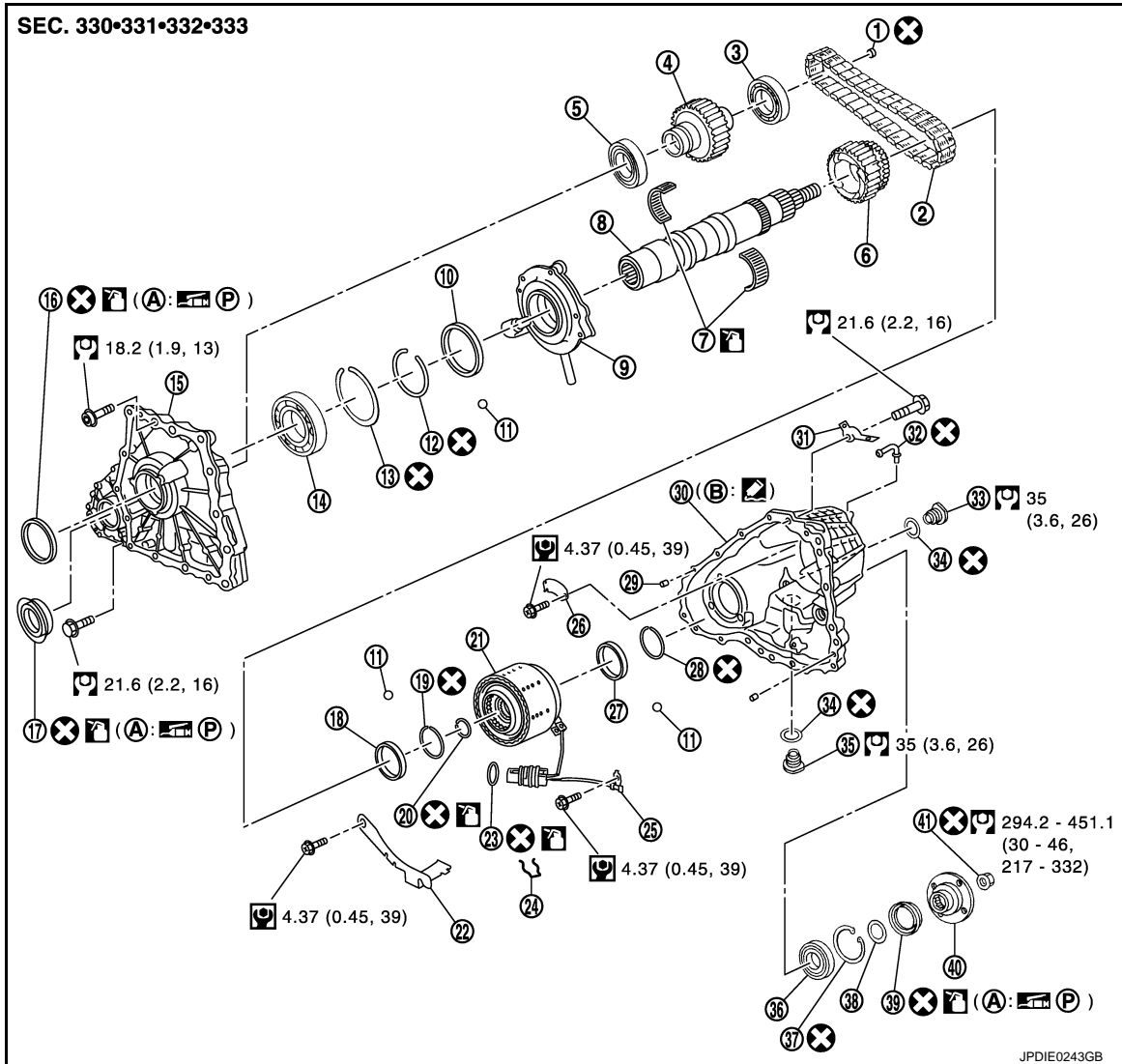
< UNIT DISASSEMBLY AND ASSEMBLY >

[TRANSFER: ETX13C]

FRONT DRIVE SHAFT AND DRIVE CHAIN

Exploded View

INFOID:000000006044596




- | | | |
|---------------------------------------|------------------------------------|-----------------------------------|
| 1. Plug | 2. Drive chain | 3. Front drive shaft rear bearing |
| 4. Front drive shaft | 5. Front drive shaft front bearing | 6. Sprocket |
| 7. Needle bearing | 8. Main shaft | 9. Oil pump |
| 10. Spacer | 11. Steel ball | 12. Snap ring |
| 13. Snap ring | 14. Main shaft bearing | 15. Front case |
| 16. Main shaft oil seal | 17. Front oil seal | 18. Spacer |
| 19. Snap ring | 20. Circlip | 21. Electric controlled coupling |
| 22. Oil cover | 23. O-ring | 24. Retainer |
| 25. Transfer fluid temperature sensor | 26. Baffle plate | 27. Spacer |
| 28. Snap ring | 29. Dowel pin | 30. Rear case |
| 31. Harness bracket | 32. Breather tube | 33. Filler plug |
| 34. Gasket | 35. Drain plug | 36. Rear bearing |
| 37. Snap ring | 38. Spacer | 39. Rear oil seal |
| 40. Companion flange | 41. Self-lock nut | |
- A. Oil seal lip
B. Matching surface


Apply Genuine Anaerobic Liquid Gasket or equivalent. Refer to [GI-18, "Recommended Chemical Products and Sealants"](#).

FRONT DRIVE SHAFT AND DRIVE CHAIN

< UNIT DISASSEMBLY AND ASSEMBLY >

[TRANSFER: ETX13C]

: Apply petroleum jelly.

: Apply transfer fluid. Refer to [MA-12, "Fluids and Lubricants"](#).

Refer to [GI-4, "Components"](#) for symbols not described above.

Disassembly

INFOID:000000006044597

1. Separate front case and rear case. Refer to [DLN-69, "Disassembly"](#).
2. Remove drive chain and front drive shaft.

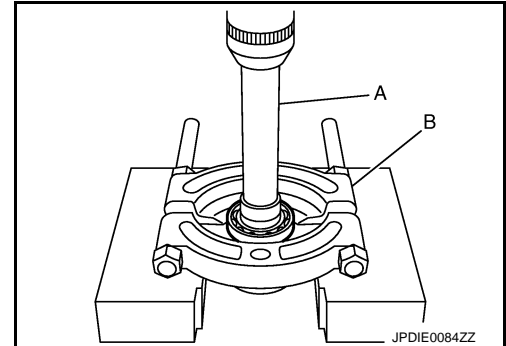
CAUTION:

Never use tools. Always remove by hand.

3. Remove front drive shaft front bearing with the drift (A) and replacer (B).

A: Drift [SST: ST31214000 (J-25269-B)]

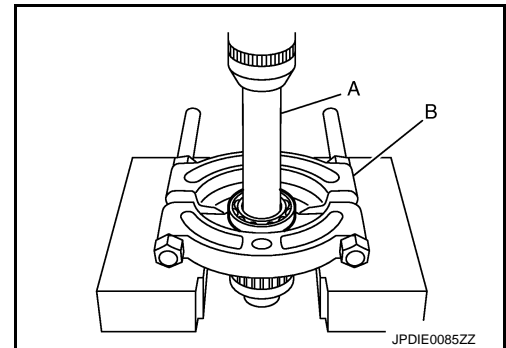
B: replacer (commercial service tool)



4. Remove front drive shaft rear bearing with the drift (A) and replacer (B).

A: Drift [SST: ST31214000 (J-25269-B)]

B: replacer (commercial service tool)



5. Remove plug from front drive shaft.

6. Perform inspection after disassembly. Refer to [DLN-85, "Inspection"](#).

Assembly

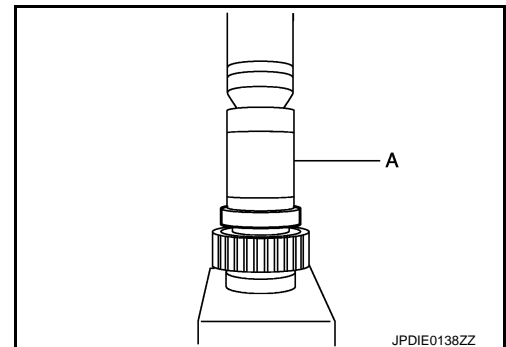
INFOID:000000006044598

1. Install plug to front drive shaft.

CAUTION:

Never reuse plug.

2. Install front drive shaft front bearing with the drift (A) [SST: ST33200000 (J-26082)].

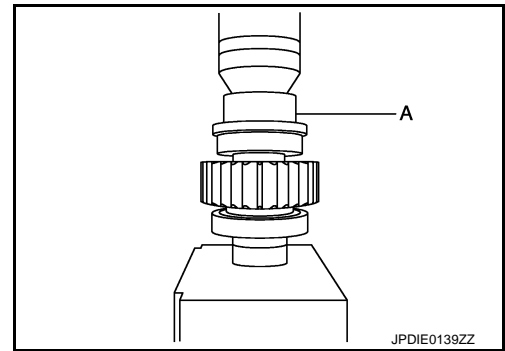


FRONT DRIVE SHAFT AND DRIVE CHAIN

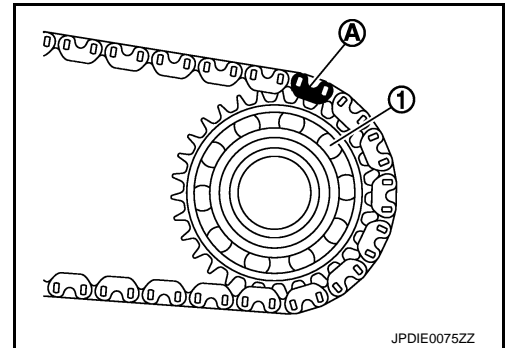
< UNIT DISASSEMBLY AND ASSEMBLY >

[TRANSFER: ETX13C]

3. Install front drive shaft rear bearing with the drift (A) [SST: KV38104010 (—)].



4. Set drive chain to front drive shaft.
CAUTION:
Identification mark (A) of drive chain should be in the side of front bearing (1) of front drive shaft.
5. Install drive chain to main shaft, and then install front drive shaft.
CAUTION:
Never use tools. Always install by hand.
6. Install front case to rear case. Refer to [DLN-72, "Assembly"](#).



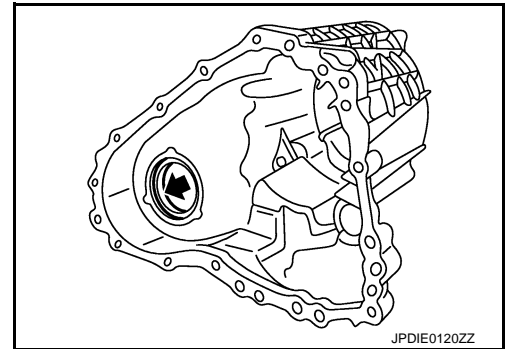
Inspection

INSPECTION AFTER DISASSEMBLY

Check items below. If necessary, replace them with new ones.

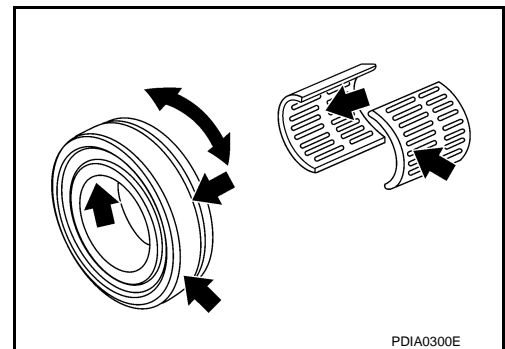
Cases

- Contact surfaces of bearing for wear, damage, etc.
- Damage and cracks of case.



Bearing

Damage and rough rotation of bearing.



Shaft

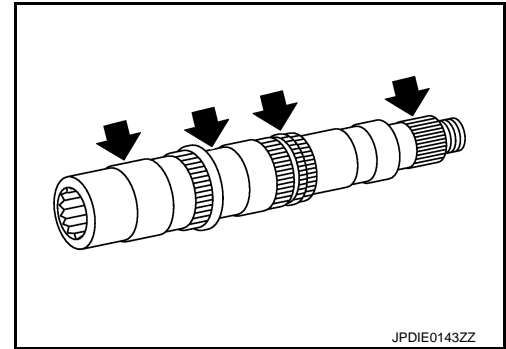
A
B
C
DLN
E
F
G
H
I
J
K
L
M
N
O
P

FRONT DRIVE SHAFT AND DRIVE CHAIN

< UNIT DISASSEMBLY AND ASSEMBLY >

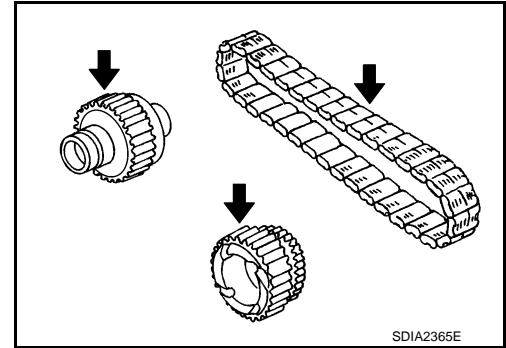
[TRANSFER: ETX13C]

Damage, peeling, dent, uneven wear, bending, etc. of shaft.



Gears and Chain

- Excessive wear, damage, peeling, etc. of gear and chain.
- Cracks, damage, wear, etc of drive chain.



SERVICE DATA AND SPECIFICATIONS (SDS)

< SERVICE DATA AND SPECIFICATIONS (SDS)

[TRANSFER: ETX13C]

SERVICE DATA AND SPECIFICATIONS (SDS)

SERVICE DATA AND SPECIFICATIONS (SDS)

General Specifications

INFOID:000000006044600

Applied model	AWD	
	VQ37VHR	VK56VD
Transfer model	A/T	
	ETX13C	
Fluid capacity (Approx.)	<i>ℓ</i> (US pt, Imp pt)	1.0 (2-1/8, 1-3/4)

A

B

C

DLN

E

F

G

H

I

J

K

L

M

N

O

P

PREPARATION

< PREPARATION >

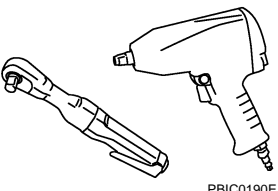
[FRONT PROPELLER SHAFT: 2S56A]

PREPARATION

PREPARATION

Commercial Service Tools

INFOID:000000006113384

Tool name	Description
Power tool 	Loosening bolts and nuts

NOISE, VIBRATION AND HARSHNESS (NVH) TROUBLESHOOTING

< SYMPTOM DIAGNOSIS >

[FRONT PROPELLER SHAFT: 2S56A]

SYMPTOM DIAGNOSIS

NOISE, VIBRATION AND HARSHNESS (NVH) TROUBLESHOOTING

NVH Troubleshooting Chart

INFOID:000000006109629

Use the chart below to find the cause of the symptom. If necessary, repair or replace these parts.

Symptom		Possible cause and SUSPECTED PARTS													
		DLN-90, "Inspection"	—	—	—	—	DLN-90, "Inspection"	DLN-90, "Inspection"	NVH in DLN section.	NVH in FAX, RAX, FSU and RSU section.	NVH in WT section.	NVH in WT section.	NVH in RAX section.	NVH in BR section.	NVH in ST section.
Reference	Noise	x	x	x	x	x	x	x	x	x	x	x	x	x	x
	Shake		x			x				x	x	x	x	x	x
	Vibration	x	x	x	x	x	x	x		x	x	x		x	x

x: Applicable

A
B
C
DLN
E
F
G
H
I
J
K
L
M
N
O
P

FRONT PROPELLER SHAFT

< PERIODIC MAINTENANCE >

[FRONT PROPELLER SHAFT: 2S56A]

PERIODIC MAINTENANCE

FRONT PROPELLER SHAFT

Inspection

INFOID:000000006044605

NOISE

Check the propeller shaft tube surface for dents or cracks. If damaged, replace propeller shaft assembly.

VIBRATION

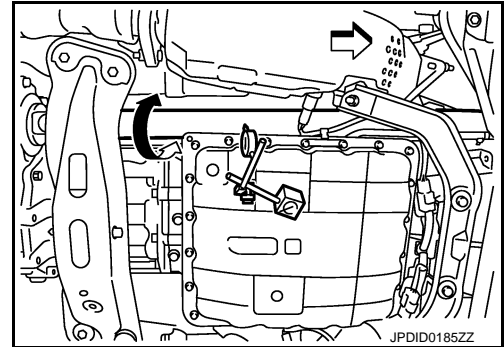
If vibration is present at high speed, inspect propeller shaft runout first.

1. With a dial indicator, measure propeller shaft runout at runout measuring points by rotating final drive companion flange with hands.

←: Vehicle front

Propeller shaft runout : Refer to [DLN-96, "Propeller Shaft Runout"](#).

2. If runout still exceeds specifications, separate propeller shaft at final drive companion flange; then rotate companion flange 90, 180, 270 degrees and install propeller shaft.
3. Check runout again. If runout still exceeds specifications, replace propeller shaft assembly.
4. Check the vibration by driving vehicle.



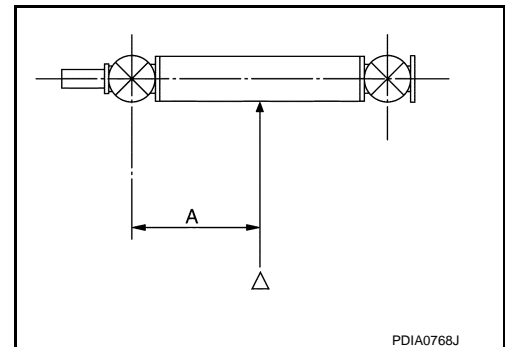
RUNOUT MEASURING POINT

Propeller shaft runout measuring point (Point "Δ").

Dimension A

VQ37VHR : 381.5 mm (15.02 in)

VK56VD : 386.5 mm (15.22 in)



FRONT PROPELLER SHAFT

< REMOVAL AND INSTALLATION >

[FRONT PROPELLER SHAFT: 2S56A]

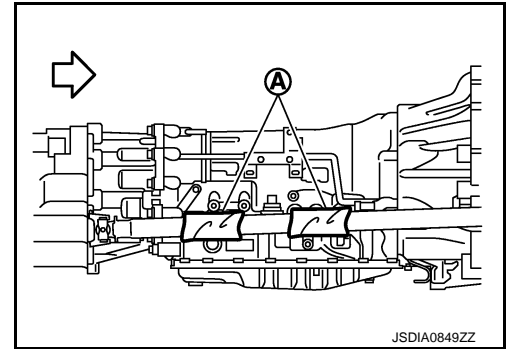
8. Remove propeller shaft assembly from the front final drive and transfer.

⇐: Vehicle front

CAUTION:

- Never damage the transfer front oil seal.
- Wrap transmission interference area (A) with shop cloth or equivalent to protect propeller shaft from breakage.

9. Remove propeller shaft assembly from O-ring.
10. Perform inspection after removal. Refer to [DLN-92, "VQ37VHR : Inspection"](#).



INSTALLATION

Note the following, and install in the reverse order of removal.

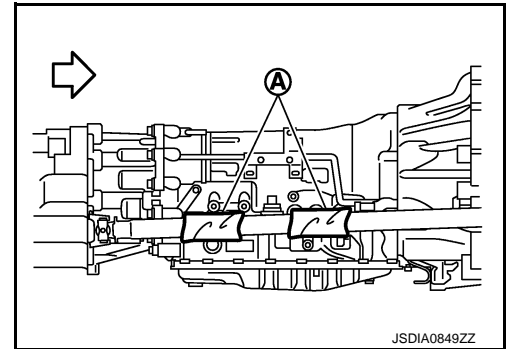
- Align matching mark to install propeller shaft assembly to final drive companion flange.
- After assembly, perform a driving test to check propeller shaft vibration. If vibration occurred, separate propeller shaft from final drive. Reinstall companion flange after rotating it by 90, 180, 270 degrees. Then perform driving test and check propeller shaft vibration again at each point.

CAUTION:

- Never damage the transfer front oil seal.
- Wrap power steering piping interference area with shop cloth or equivalent to protect power steering piping from breakage.
- Wrap transmission interference area (A) with shop cloth or equivalent to protect propeller shaft from breakage.

⇐: Vehicle front

- Never reuse O-ring.
- Apply multi-purpose grease onto O-ring.



VQ37VHR : Inspection

INFOID:000000006044608

INSPECTION AFTER REMOVAL

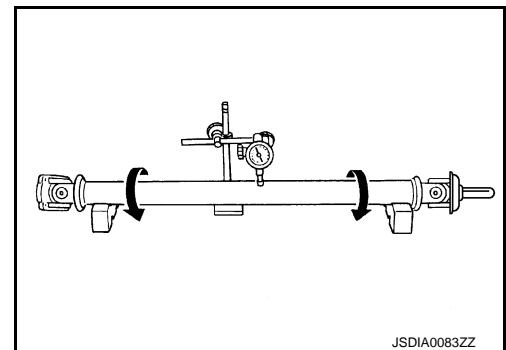
Appearance

Check propeller shaft for bend and damage. If damage is detected, replace propeller shaft assembly.

Propeller Shaft Runout

Check propeller shaft runout at measuring point with a dial indicator. If runout exceeds specifications, replace propeller shaft assembly. For measuring point, refer to [DLN-90, "Inspection"](#).

Propeller shaft runout : Refer to [DLN-96, "Propeller Shaft Runout"](#).



Journal Axial Play

FRONT PROPELLER SHAFT

< REMOVAL AND INSTALLATION >

[FRONT PROPELLER SHAFT: 2S56A]

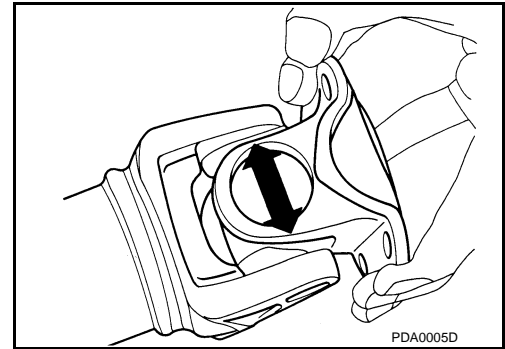
As shown in the figure, while fixing yoke on one side, check axial play of joint. If it is outside the standard, replace propeller shaft assembly.

Journal axial play

: Refer to [DLN-96, "Journal Axial Play"](#).

CAUTION:

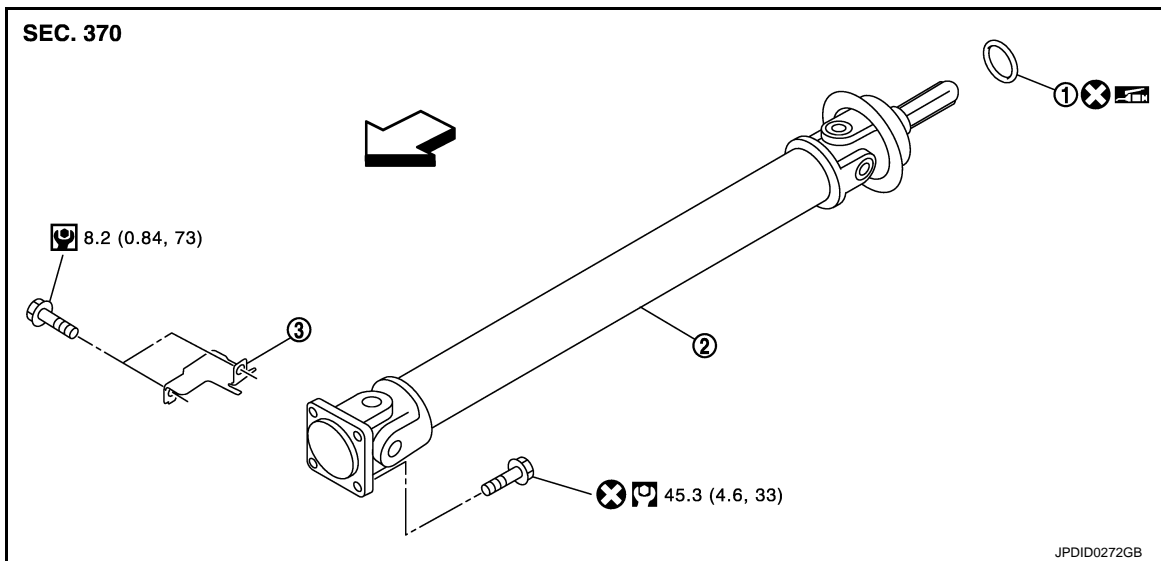
Never disassemble joints.



VK56VD

VK56VD : Exploded View

INFOID:000000006113555



1. O-ring

2. Propeller shaft assembly

3. Heat bracket

: Apply multi-purpose grease.

: Vehicle front

Refer to [GI-4, "Components"](#) for symbols not described above.

VK56VD : Removal and Installation

INFOID:000000006113556

REMOVAL

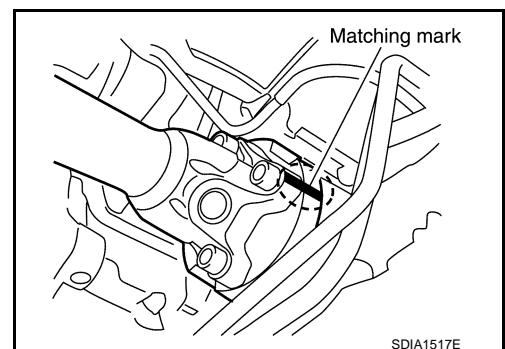
1. Shift the transmission to the neutral position, and then release the parking brake.
2. Remove engine undercover with a power tool.
3. Remove exhaust front tube and three-way catalyst. Refer to [EX-7, "VK56VD : Removal and Installation"](#).
4. Put matching mark onto propeller shaft flange yoke and final drive companion flange.

CAUTION:

For matching mark, use paint. Never damage propeller shaft flange and final drive companion flange.

5. Remove heat insulator.
6. Remove the propeller shaft assembly fixing bolts.
7. Hang steering hydraulic line not to interfere with work. Refer to [ST-81, "AWD : Exploded View"](#).

CAUTION:



FRONT PROPELLER SHAFT

< REMOVAL AND INSTALLATION >

[FRONT PROPELLER SHAFT: 2S56A]

Wrap power steering piping interference area with shop cloth or equivalent to protect power steering piping from breakage.

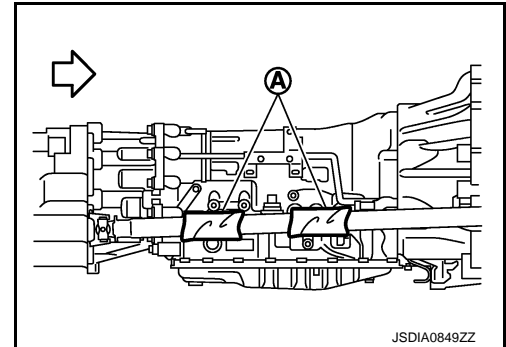
8. Remove propeller shaft assembly from the front final drive and transfer.

⇐: Vehicle front

CAUTION:

- Never damage the transfer front oil seal.
- Wrap transmission interference area (A) with shop cloth or equivalent to protect propeller shaft from breakage.

9. Remove propeller shaft assembly from O-ring.
10. Remove heat bracket.
11. Perform inspection after removal. Refer to [DLN-94. "VK56VD : Inspection"](#).



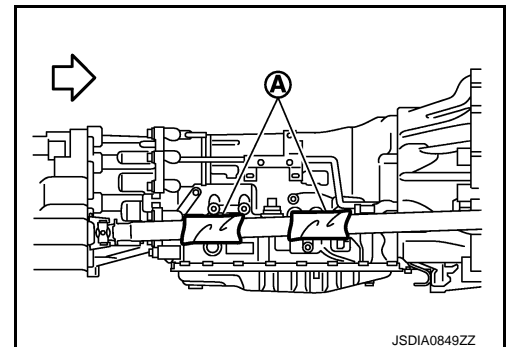
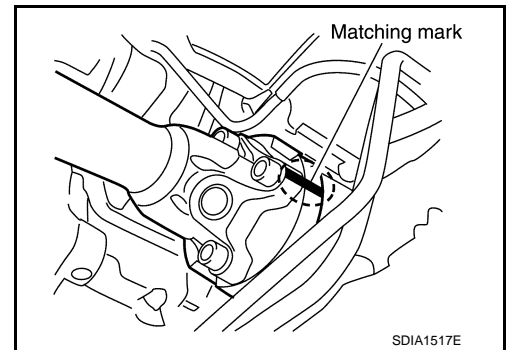
INSTALLATION

Note the following, and install in the reverse order of removal.

- Align matching mark to install propeller shaft assembly to final drive companion flange.
- After assembly, perform a driving test to check propeller shaft vibration. If vibration occurred, separate propeller shaft from final drive. Reinstall companion flange after rotating it by 90, 180, 270 degrees. Then perform driving test and check propeller shaft vibration again at each point.

CAUTION:

- Never damage the transfer front oil seal.
- Wrap power steering piping interference area with shop cloth or equivalent to protect power steering piping from breakage.
- Wrap transmission interference area (A) with shop cloth or equivalent to protect propeller shaft from breakage.
- Never reuse O-ring.
- Apply multi-purpose grease onto O-ring.



VK56VD : Inspection

INFOID:000000006113557

INSPECTION AFTER REMOVAL

Appearance

Check propeller shaft for bend and damage. If damage is detected, replace propeller shaft assembly.

Propeller Shaft Runout

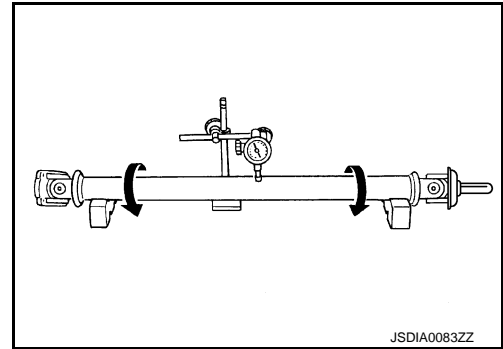
FRONT PROPELLER SHAFT

< REMOVAL AND INSTALLATION >

[FRONT PROPELLER SHAFT: 2S56A]

Check propeller shaft runout at measuring point with a dial indicator. If runout exceeds specifications, replace propeller shaft assembly. For measuring point, refer to [DLN-90, "Inspection"](#).

Propeller shaft runout : Refer to [DLN-96, "Propeller Shaft Runout"](#).

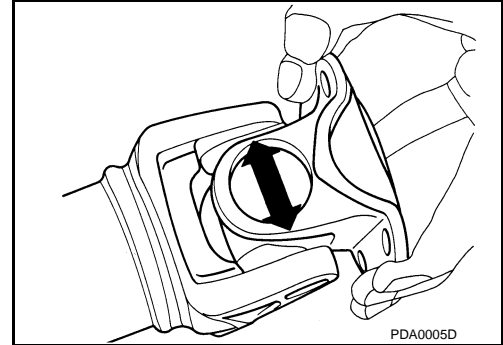


Journal Axial Play

As shown in the figure, while fixing yoke on one side, check axial play of joint. If it is outside the standard, replace propeller shaft assembly.

Journal axial play : Refer to [DLN-96, "Journal Axial Play"](#).

CAUTION:
Never disassemble joints.



A
B
C
DLN
E
F
G
H
I
J
K
L
M
N
O
P

SERVICE DATA AND SPECIFICATIONS (SDS)

< SERVICE DATA AND SPECIFICATIONS (SDS)

[FRONT PROPELLER SHAFT: 2S56A]

SERVICE DATA AND SPECIFICATIONS (SDS)

SERVICE DATA AND SPECIFICATIONS (SDS)

General Specifications

INFOID:000000006046400

Applied model	AWD	
	VQ37VHR	VK56VD
	A/T	
Propeller shaft model	2S56A	
Number of joints	2	
Type of journal bearings (Non-disassembly type)	Shell type	
Coupling method with transfer	Sleeve type	
Coupling method with front final drive	Flange type	
Shaft length (Spider to spider)	763 mm (30.04 in)	773 mm (30.43 in)
Shaft outer diameter	42.7 mm (1.681 in)	

Propeller Shaft Runout

INFOID:000000006044609

Unit: mm (in)

Item	Limit
Propeller shaft runout	0.8 (0.031)

Journal Axial Play

INFOID:000000006044610

Unit: mm (in)

Item	Standard
Journal axial play	0 (0)

PREPARATION

< PREPARATION >

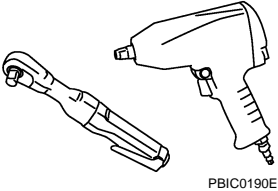
[REAR PROPELLER SHAFT: 3S80A-R]

PREPARATION

PREPARATION

Commercial Service Tools

INFOID:000000006113385

Tool name	Description
Power tool  PBIC0190E	Loosening bolts and nuts

A

B

C

DLN

E

F

G

H

I

J

K

L

M

N

O

P

NOISE, VIBRATION AND HARSHNESS (NVH) TROUBLESHOOTING

< SYMPTOM DIAGNOSIS >

[REAR PROPELLER SHAFT: 3S80A-R]

SYMPTOM DIAGNOSIS

NOISE, VIBRATION AND HARSHNESS (NVH) TROUBLESHOOTING

NVH Troubleshooting Chart

INFOID:000000006109630

Use the chart below to find the cause of the symptom. If necessary, repair or replace these parts.

Symptom		Possible cause and SUSPECTED PARTS													
		Uneven rotating torque	Center bearing improper installation	Excessive center bearing axial end play	Center bearing mounting (insulator) cracks, damage or deterioration	Excessive joint angle	Rotation imbalance	Excessive runout	DIFFERENTIAL	AXLE AND SUSPENSION	TIRE	ROAD WHEEL	DRIVE SHAFT	BRAKE	STEERING
Reference	Noise	×	×	×	×	×	×	×	×	×	×	×	×	×	×
	Shake		×			×				×	×	×	×	×	×
	Vibration	×	×	×	×	×	×	×		×	×	×			×
		DLN-99, "Inspection"	DLN-103, "Inspection"	—	DLN-103, "Inspection"	—	DLN-103, "Inspection"	DLN-103, "Inspection"	NVH in DLN section.	NVH in FAX, RAX, FSU and RSU section.	NVH in WT section.	NVH in WT section.	NVH in RAX section.	NVH in BR section.	NVH in ST section.

×: Applicable

REAR PROPELLER SHAFT

< PERIODIC MAINTENANCE >

[REAR PROPELLER SHAFT: 3S80A-R]

PERIODIC MAINTENANCE

REAR PROPELLER SHAFT

Inspection

INFOID:000000006044615

NOISE

- Check the propeller shaft tube surface for dents or cracks. If damaged, replace propeller shaft assembly.
- If center bearing is noisy or damaged, replace propeller shaft assembly.

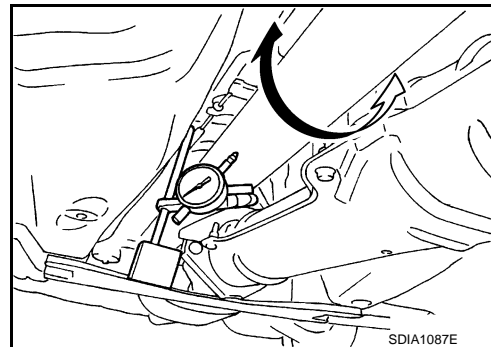
VIBRATION

If vibration is present at high speed, inspect propeller shaft runout first.

1. With a dial indicator, measure propeller shaft runout at runout measuring points by rotating final drive companion flange with hands.

Propeller shaft runout : Refer to [DLN-104, "Propeller Shaft Runout"](#).

2. If runout still exceeds specifications, separate propeller shaft at final drive companion flange; then rotate companion flange 120, 240 degrees and install propeller shaft.
3. Check runout again. If runout still exceeds specifications, replace propeller shaft assembly.
4. Check the vibration by driving vehicle.



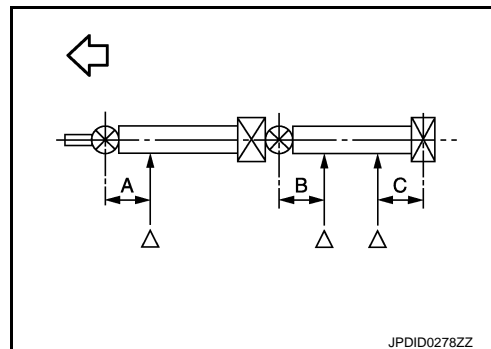
RUNOUT MEASURING POINT

Propeller shaft runout measuring point (Point "△").

←: Vehicle front

Dimension

- A** : 172 mm (6.77 in)
B : 172 mm (6.77 in)
C : 172 mm (6.77 in)



A
B
C
DLN
E
F
G
H
I
J
K
L
M
N
O
P

REAR PROPELLER SHAFT

< REMOVAL AND INSTALLATION >

[REAR PROPELLER SHAFT: 3S80A-R]

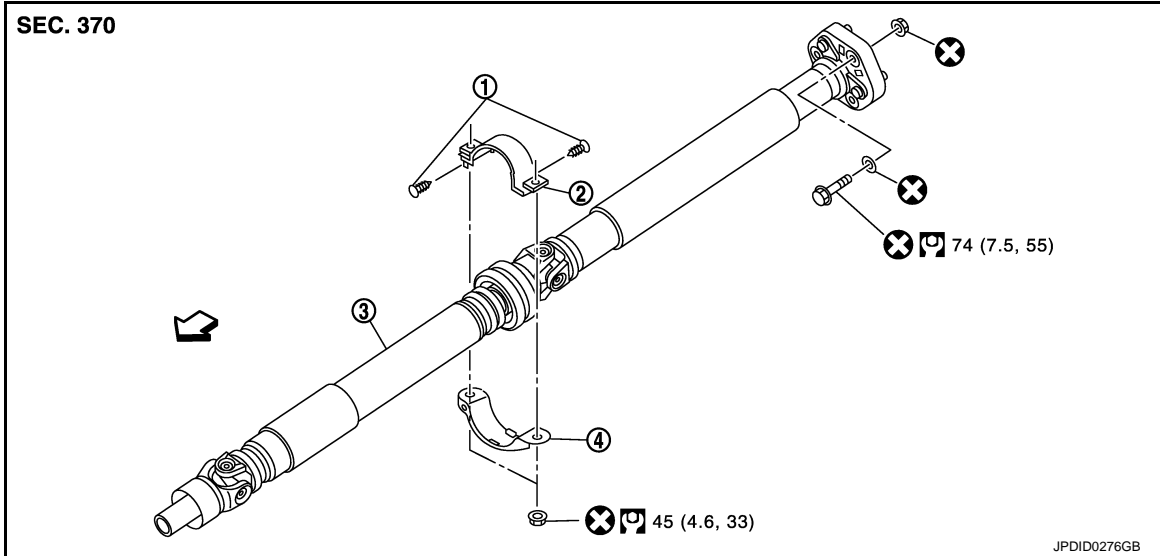
REMOVAL AND INSTALLATION

REAR PROPELLER SHAFT

Exploded View

INFOID:000000006044616

VQ37VHR

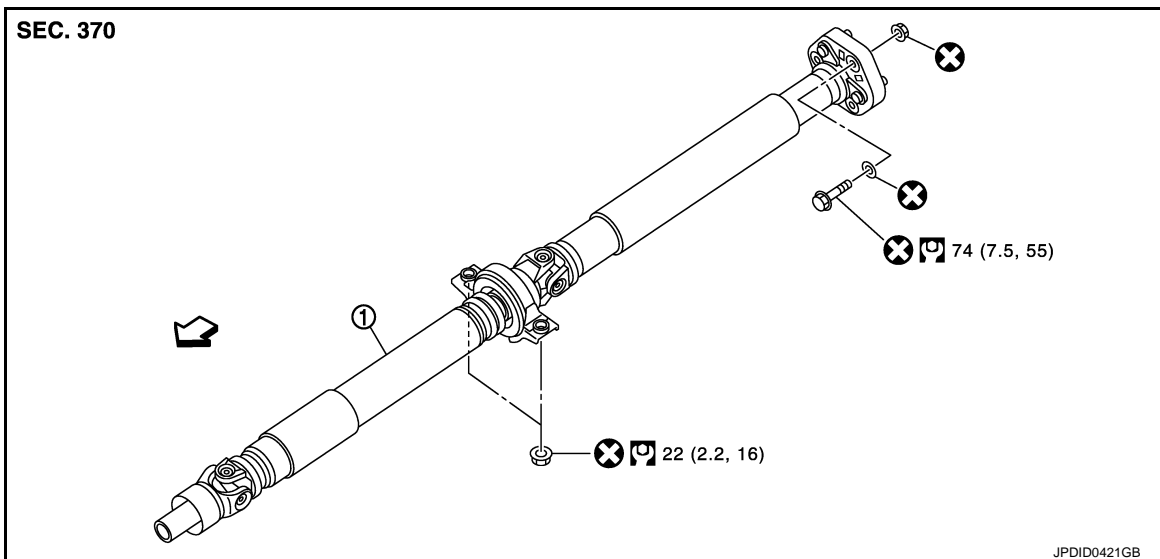


1. Clip
2. Center bearing mounting bracket (upper)
3. Propeller shaft assembly
4. Center bearing mounting bracket (lower)

↩: Vehicle front

Refer to [GI-4. "Components"](#) for symbols in the figure.

VK56VD



1. Propeller shaft assembly

↩: Vehicle front

Refer to [GI-4. "Components"](#) for symbols in the figure.

REAR PROPELLER SHAFT

< REMOVAL AND INSTALLATION >

[REAR PROPELLER SHAFT: 3S80A-R]

INFOID:000000006044617

Removal and Installation

REMOVAL

1. Shift the transmission to the neutral position, and then release the parking brake.
2. Remove the center muffler with power tool. Refer to [EX-6, "VQ37VHR : Removal and Installation"](#) (VQ37VHR), [EX-7, "VK56VD : Removal and Installation"](#) (VK56VD).

3. Remove the heat insulator.
4. Put matching marks (A) on propeller shaft rubber coupling and final drive companion flange.

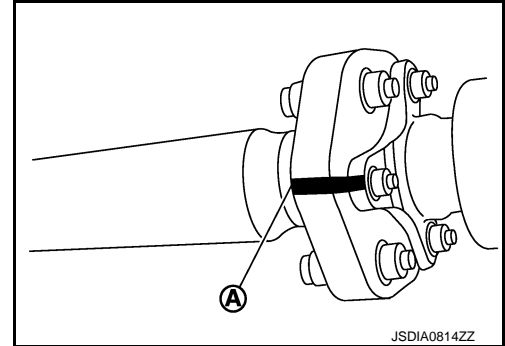
CAUTION:

For matching marks, use paint. Never damage propeller shaft rubber coupling and final drive companion flange.

5. Loosen mounting nuts of center bearing mounting bracket.

NOTE:

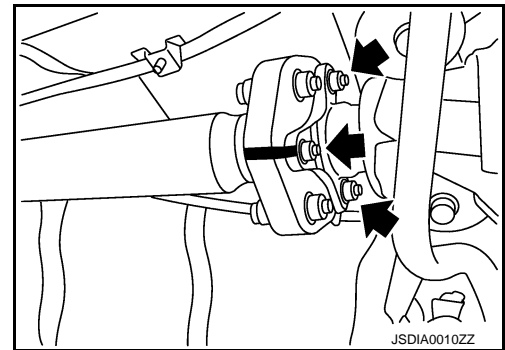
Tighten mounting nuts temporarily.



6. Remove propeller shaft assembly fixing bolts and nuts (←).

CAUTION:

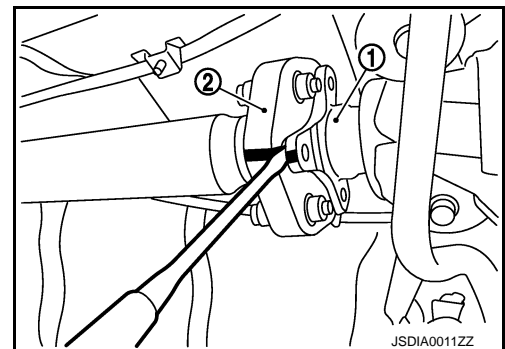
Never remove the rubber coupling from the propeller shaft assembly.



7. Slightly separate the rubber coupling (1) from the final drive companion flange (2).

CAUTION:

Never damage the final drive companion flange and rubber coupling.



8. Remove center bearing mounting bracket fixing nuts.

CAUTION:

- The angle (A) is third axis rubber coupling (1) forms with the final drive companion flange (2). Never bend rubber coupling above the angle (A).

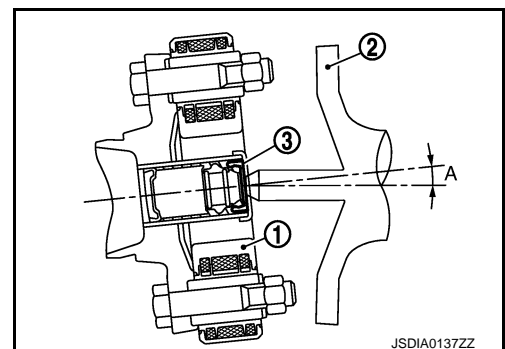
A : 0 - 4°

- Never damage the grease seal (3).
- Never damage the rubber coupling.

9. Slide the propeller shaft in the vehicle forward direction slightly. Separate the propeller shaft from the final drive companion flange.

CAUTION:

- Never bend rubber coupling above the angle that is third axis rubber coupling forms with the final drive companion flange.



A
B
C
DLN
E
F
G
H
I
J
K
L
M
N
O
P

REAR PROPELLER SHAFT

[REAR PROPELLER SHAFT: 3S80A-R]

< REMOVAL AND INSTALLATION >

- Never damage the grease seal.
- Never damage the rubber coupling.

10. Remove the propeller shaft assembly from the vehicle.

CAUTION:

Never damage the rear oil seal of transmission.

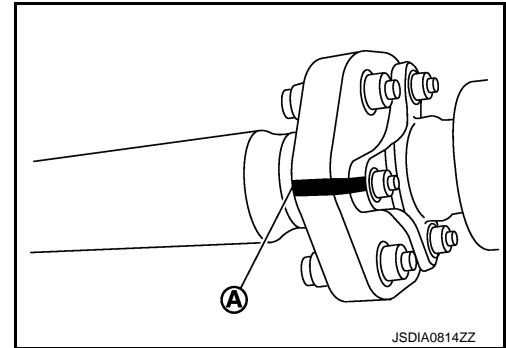
11. Remove clip and center bearing mounting bracket (upper/lower). (VQ37VHR)

12. Perform inspection after removal. Refer to [DLN-103. "Inspection"](#).

INSTALLATION

Note the following, and install in the reverse order of removal.

- When installing propeller shaft assembly to transmission, never damage the rear oil seal of transmission.
- Align matching marks (A) to install propeller shaft rubber coupling to final drive companion flange.

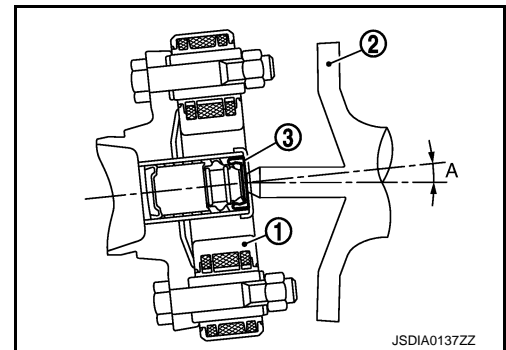


CAUTION:

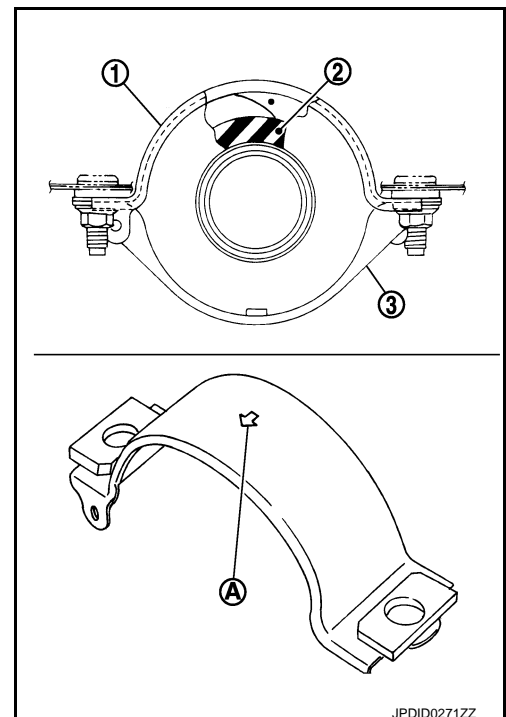
- The angle (A) is third axis rubber coupling (1) forms with the final drive companion flange (2). Never bend rubber coupling above the angle (A).

A : 0 - 4°

- Never damage the grease seal (3).
- Never damage the rubber coupling.
- Never damage the rear oil seal of transmission.
- Never damage the rubber coupling, protect it with a shop towel or equivalent.



- Install center bearing mounting bracket (upper) (1) with its arrow mark (A) facing forward. (VQ37VHR)
- Adjust position of center bearing mounting bracket (upper), center bearing mounting bracket (lower) (2) sliding back and forth to prevent play in thrust direction of center bearing insulator (3). Install center bearing mounting bracket (upper/lower) to vehicle. (VQ37VHR)
- After assembly, perform a driving test to check propeller shaft vibration. If vibration occurred, separate propeller shaft from final drive. Reinstall companion flange after rotating it by 120, 240 degrees. Then perform driving test and check propeller shaft vibration again at each point.



REAR PROPELLER SHAFT

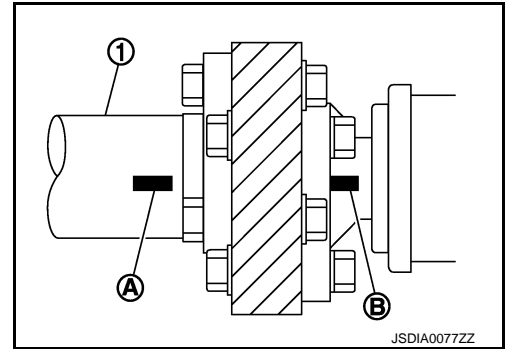
< REMOVAL AND INSTALLATION >

[REAR PROPELLER SHAFT: 3S80A-R]

- If propeller shaft or final drive has been replaced, connect them as follows:
- Install the propeller shaft (1) while aligning its matching mark (A) with the matching mark (B) on the joint as close as possible.

CAUTION:

Never damage rubber coupling.



A
B
C

DLN

INFOID:000000006044618

Inspection

INSPECTION AFTER REMOVAL

Appearance

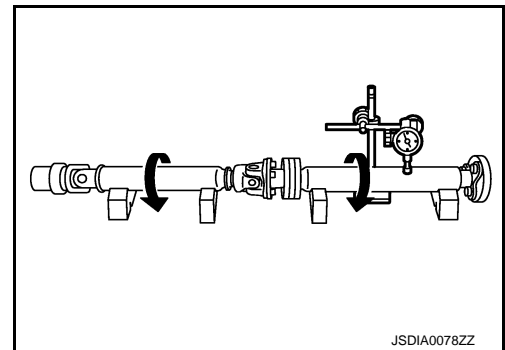
Check propeller shaft for bend and damage. If damage is detected, replace propeller shaft assembly.

Propeller Shaft Runout

Check propeller shaft runout at measuring points with a dial indicator. If runout exceeds specifications, replace propeller shaft assembly. For measuring point, refer to [DLN-99, "Inspection"](#)

Propeller shaft runout

: Refer to [DLN-104, "Propeller Shaft Runout"](#).



E
F
G

H
I

Journal Axial Play

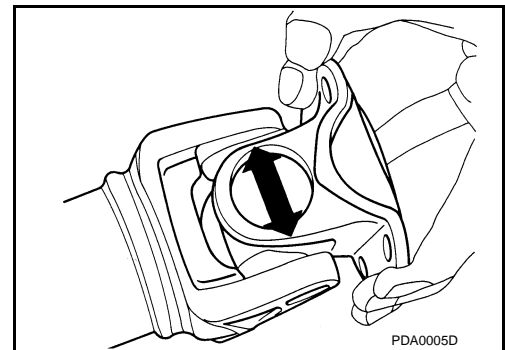
As shown in the figure, while fixing yoke on one side, check axial play of joint. If it is outside the standard, replace propeller shaft assembly.

Journal axial play

: Refer to [DLN-104, "Journal Axial Play"](#).

CAUTION:

Never disassemble joints.



J
K
L

M

Center Bearing

Check center bearing for noise and damage. If noise or damage is detected, replace propeller shaft assembly.

CAUTION:

Never disassemble center bearing.

N
O

P

SERVICE DATA AND SPECIFICATIONS (SDS)

< SERVICE DATA AND SPECIFICATIONS (SDS)

[REAR PROPELLER SHAFT: 3S80A-R]

SERVICE DATA AND SPECIFICATIONS (SDS)

SERVICE DATA AND SPECIFICATIONS (SDS)

General Specifications

INFOID:000000006046401

Applied model		2WD	
		VQ37VHR	VK56VD
		A/T	
Propeller shaft model		3S80A-R	
Number of joints		3	
Type of journal bearings (Non-disassembly type)	1st joint	Shell type	
	2nd joint	Shell type	
	3rd joint	Rubber coupling type	
Coupling method with transmission		Sleeve type	
Coupling method with rear final drive		Rubber coupling type	
Shaft length	1st (Spider to spider)	774 mm (30.47 in)	724 mm (28.50 in)
	2nd (Spider to rubber coupling center)	745 mm (29.33 in)	
Shaft outer diameter	1st	75.0 mm (2.953 in)	
	2nd	65.0 mm (2.559 in)	

Propeller Shaft Runout

INFOID:000000006044619

Unit: mm (in)

Item	Limit
Propeller shaft runout	0.8 (0.031)

Journal Axial Play

INFOID:000000006044620

Unit: mm (in)

Item	Standard
Journal axial play	0 (0)

PREPARATION

< PREPARATION >

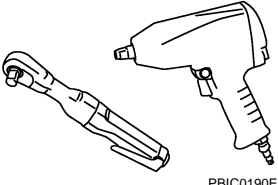
[REAR PROPELLER SHAFT: 3F80A-R]

PREPARATION

PREPARATION

Commercial Service Tools

INFOID:000000006113386

Tool name	Description
Power tool  PBIC0190E	Loosening bolts and nuts

A

B

C

DLN

E

F

G

H

I

J

K

L

M

N

O

P

NOISE, VIBRATION AND HARSHNESS (NVH) TROUBLESHOOTING

< SYMPTOM DIAGNOSIS >

[REAR PROPELLER SHAFT: 3F80A-R]

SYMPTOM DIAGNOSIS

NOISE, VIBRATION AND HARSHNESS (NVH) TROUBLESHOOTING

NVH Troubleshooting Chart

INFOID:000000006109631

Use the chart below to find the cause of the symptom. If necessary, repair or replace these parts.

Symptom		Possible cause and SUSPECTED PARTS													
		Uneven rotating torque	Center bearing improper installation	Excessive center bearing axial end play	Center bearing mounting (insulator) cracks, damage or deterioration	Excessive joint angle	Rotation imbalance	Excessive runout	DIFFERENTIAL	AXLE AND SUSPENSION	TIRE	ROAD WHEEL	DRIVE SHAFT	BRAKE	STEERING
Reference	Noise	x	x	x	x	x	x	x	x	x	x	x	x	x	x
	Shake		x			x				x	x	x	x	x	x
	Vibration	x	x	x	x	x	x	x		x		x			x
Reference		DLN-107, "Inspection"	DLN-110, "Inspection"	—	DLN-110, "Inspection"	—	DLN-107, "Inspection"	DLN-107, "Inspection"	NVH in DLN section.	NVH in FAX, RAX, FSU and RSU section.	NVH in WT section.	NVH in WT section.	NVH in RAX section.	NVH in BR section.	NVH in ST section.

x: Applicable

REAR PROPELLER SHAFT

< PERIODIC MAINTENANCE >

[REAR PROPELLER SHAFT: 3F80A-R]

PERIODIC MAINTENANCE

REAR PROPELLER SHAFT

Inspection

INFOID:000000006044625

NOISE

- Check the propeller shaft tube surface for dents or cracks. If damaged, replace propeller shaft assembly.
- If center bearing is noisy or damaged, replace propeller shaft assembly.

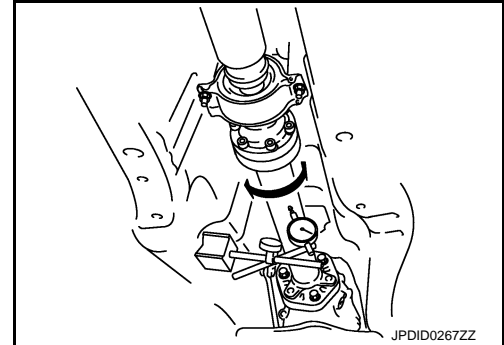
VIBRATION

If vibration is present at high speed, inspect propeller shaft runout first.

1. With a dial indicator, measure propeller shaft runout at runout measuring points by rotating final drive companion flange with hands.

Propeller shaft runout : Refer to [DLN-112, "Propeller Shaft Runout"](#).

2. If runout still exceeds specifications, separate propeller shaft at final drive companion flange, then rotate companion flange 60, 120, 180, 240, 300 degrees and install propeller shaft.
3. Check runout again. If runout still exceeds specifications, replace propeller shaft assembly.
4. Check the vibration by driving vehicle.



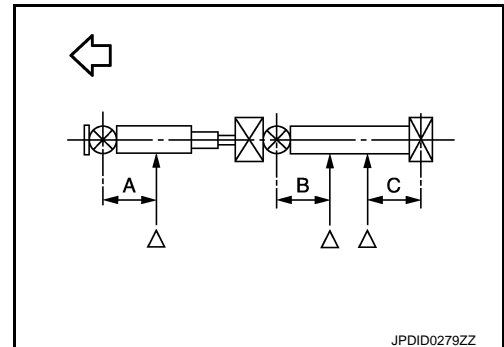
RUNOUT MEASURING POINT

Propeller shaft runout measuring point (Point "△").

←: Vehicle front

Dimension

- A** : 192 mm (7.56 in)
B : 172 mm (6.77 in)
C : 172 mm (6.77 in)



A
B
C
DLN
E
F
G
H
I
J
K
L
M
N
O
P

REAR PROPELLER SHAFT

< REMOVAL AND INSTALLATION >

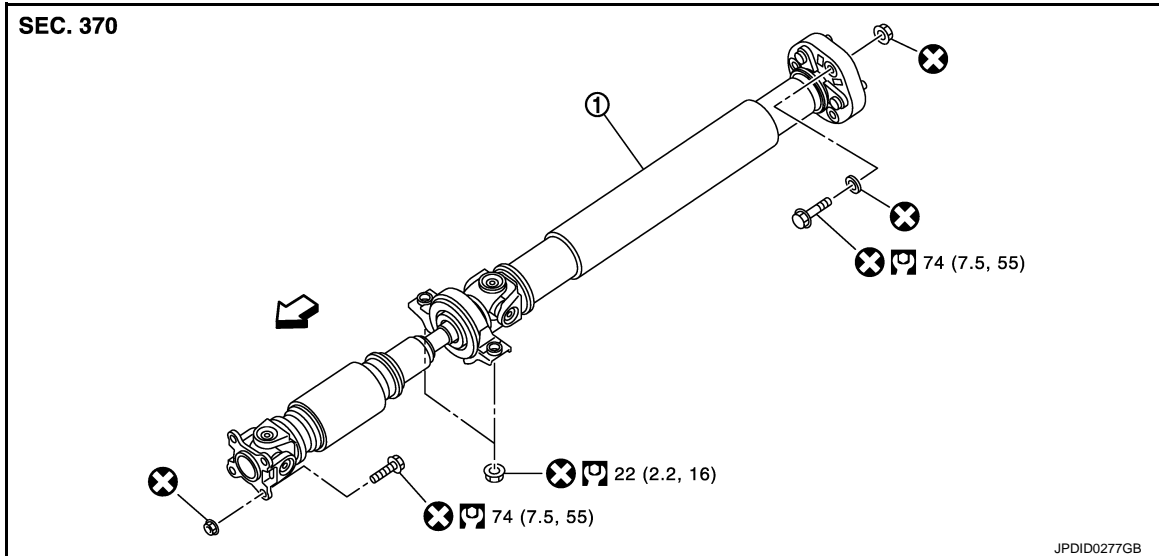
[REAR PROPELLER SHAFT: 3F80A-R]

REMOVAL AND INSTALLATION

REAR PROPELLER SHAFT

Exploded View

INFOID:000000006044626



1. Propeller shaft assembly

↔: Vehicle front

Refer to [GI-4, "Components"](#) for symbols in the figure.

Removal and Installation

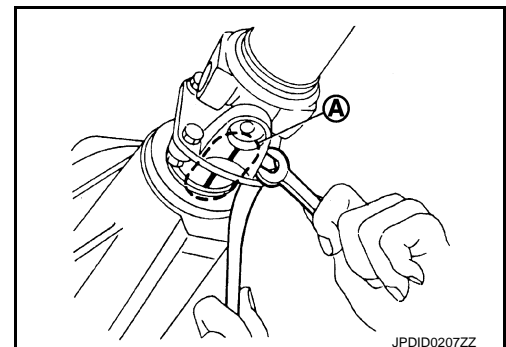
INFOID:000000006044627

REMOVAL

1. Shift the transmission to the neutral position, and then release the parking brake.
2. Remove the center muffler and exhaust front tube with power tool. Refer to [EX-6, "VQ37VHR : Removal and Installation"](#) (VQ37VHR), [EX-7, "VK56VD : Removal and Installation"](#) (VK56VD).
3. Remove the heat insulator.
4. Put matching marks (A) on propeller shaft flange yoke and transfer companion flange.

CAUTION:

For matching marks, use paint. Never damage propeller shaft flange yoke and transfer companion flange.



REAR PROPELLER SHAFT

< REMOVAL AND INSTALLATION >

[REAR PROPELLER SHAFT: 3F80A-R]

5. Put matching marks (A) on propeller shaft rubber coupling and final drive companion flange.

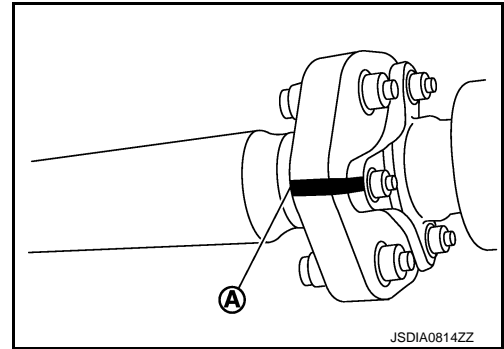
CAUTION:

For matching marks, use paint. Never damage propeller shaft rubber coupling and final drive companion flange.

6. Loosen mounting nuts of center bearing mounting brackets (upper/lower).

NOTE:

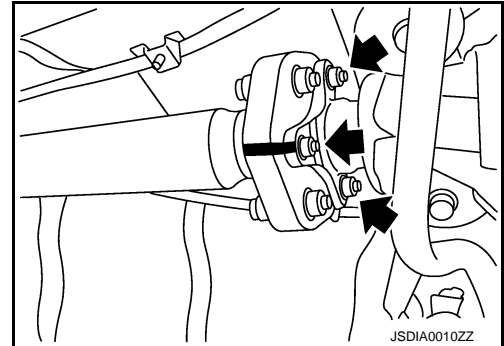
Tighten mounting nuts temporarily.



7. Remove propeller shaft assembly fixing bolts and nuts (←).

CAUTION:

Never remove the rubber coupling from the propeller shaft assembly.

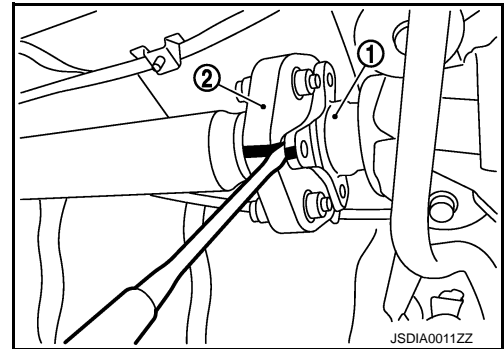


8. Slightly separate the rubber coupling (1) from the final drive companion flange (2).

CAUTION:

Never damage the final drive companion flange and rubber coupling.

9. Remove propeller shaft assembly fixing bolts and nuts, and separate propeller shaft assembly from transfer companion flange.



10. Remove center bearing mounting bracket fixing nuts.

CAUTION:

• **The angle (A) is third axis rubber coupling (1) forms with the final drive companion flange (2). Never bend rubber coupling above the angle (A).**

A : 0-4°

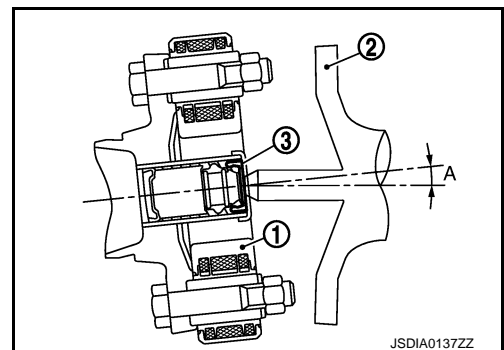
- **Never damage the grease seal (3).**
- **Never damage the rubber coupling.**

11. Slide the propeller shaft in the vehicle forward direction slightly. Separate the propeller shaft from the final drive companion flange.

CAUTION:

- **Never bend rubber coupling above the angle that is third axis rubber coupling forms with the final drive companion flange.**
- **Never damage the grease seal.**
- **Never damage the rubber coupling.**

12. Perform inspection after removal. Refer to [DLN-110, "Inspection"](#).



INSTALLATION

Note the following, and install in the reverse order of removal.

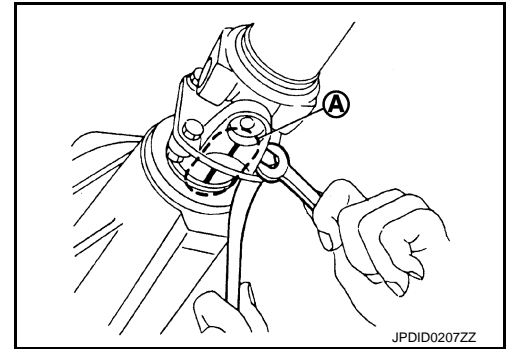
A
B
C
DLN
E
F
G
H
I
J
K
L
M
N
O
P

REAR PROPELLER SHAFT

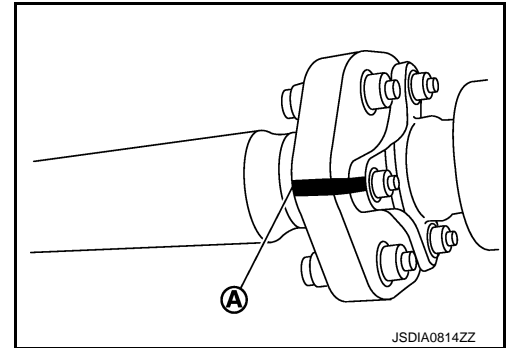
< REMOVAL AND INSTALLATION >

[REAR PROPELLER SHAFT: 3F80A-R]

- Align matching marks (A) to install propeller shaft flange yoke and transfer companion flange.



- Align matching marks (A) to install propeller shaft rubber coupling to final drive companion flange.

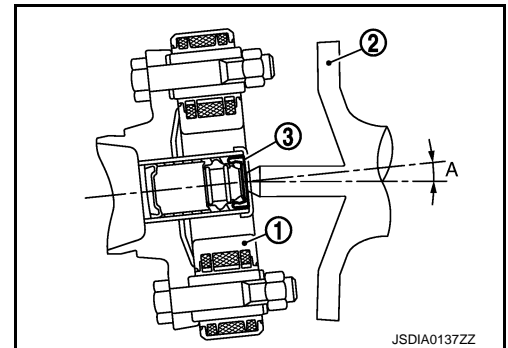


CAUTION:

- The angle (A) is third axis rubber coupling (1) forms with the final drive companion flange (2). Never bend rubber coupling above the angle (A).

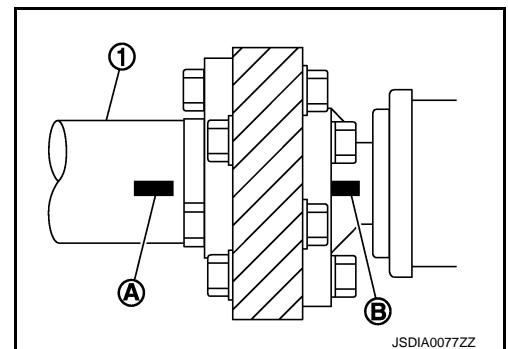
A : 0-4°

- Never damage the grease seal (3).
- Never damage the rubber coupling.
- Never damage the rear oil seal of transmission.
- Never damage the rubber coupling, protect it with a shop towel or equivalent.
- After assembly, perform a driving test to check propeller shaft vibration. If vibration occurred, separate propeller shaft from final drive. Reinstall companion flange after rotating it by 120, 240 degrees. Then perform driving test and check propeller shaft vibration again at each point.
- If propeller shaft or final drive has been replaced, connect them as follows:
 - Install the propeller shaft (1) while aligning its matching mark (A) with the matching mark (B) on the joint as close as possible.



CAUTION:

Never damage rubber coupling.



Inspection

INFOID:00000006044628

INSPECTION AFTER REMOVAL

Appearance

Check propeller shaft for bend and damage. If damage is detected, replace propeller shaft assembly.

Propeller Shaft Runout

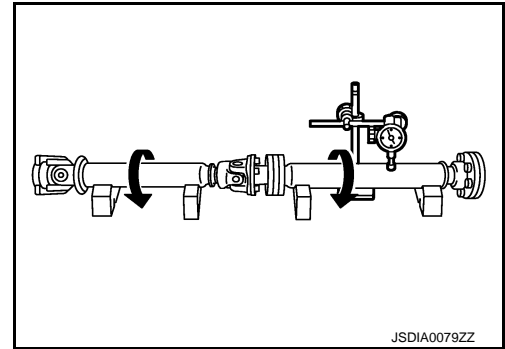
REAR PROPELLER SHAFT

< REMOVAL AND INSTALLATION >

[REAR PROPELLER SHAFT: 3F80A-R]

Check propeller shaft runout at measuring points with a dial indicator. If runout exceeds specifications, replace propeller shaft assembly. For measuring point, refer to [DLN-107. "Inspection"](#).

Propeller shaft runout : Refer to [DLN-112. "Propeller Shaft Runout"](#).

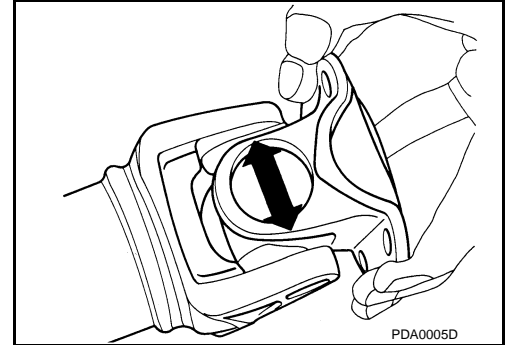


Journal Axial Play

As shown in the figure, while fixing yoke on one side, check axial play of joint. If it is outside the standard, replace propeller shaft assembly.

Standard Journal axial play : Refer to [DLN-112. "Journal Axial Play"](#).

CAUTION:
Never disassemble joints.



Center Bearing

Check center bearing for noise and damage. If noise or damage is detected, replace propeller shaft assembly.

CAUTION:
Never disassemble center bearing.

A
B
C
DLN
E
F
G
H
I
J
K
L
M
N
O
P

SERVICE DATA AND SPECIFICATIONS (SDS)

< SERVICE DATA AND SPECIFICATIONS (SDS)

[REAR PROPELLER SHAFT: 3F80A-R]

SERVICE DATA AND SPECIFICATIONS (SDS)

SERVICE DATA AND SPECIFICATIONS (SDS)

General Specifications

INFOID:000000006046402

Applied model		AWD	
		VQ37VHR	VK56VD
		A/T	
Propeller shaft model		3F80A-R	
Number of joints		3	
Type of journal bearings (Non-disassembly type)	1st joint	Shell type	
	2nd joint	Shell type	
	3rd joint	Rubber coupling type	
Coupling method with transmission		Flange type	
Coupling method with rear final drive		Rubber coupling type	
Shaft length	1st (Spider to spider)	492 mm (19.37 in)	
	2nd (Spider to rubber coupling center)	765 mm (30.12 in)	
Shaft outer diameter	1st	75.0 mm (2.953 in)	
	2nd	65.0 mm (2.559 in)	

Propeller Shaft Runout

INFOID:000000006044629

Unit: mm (in)

Item	Limit
Propeller shaft runout	0.8 (0.031)

Journal Axial Play

INFOID:000000006044630

Unit: mm (in)

Item	Standard
Journal axial play	0 (0)

PRECAUTION

PRECAUTIONS

Precaution Necessary for Steering Wheel Rotation after Battery Disconnect

INFOID:000000006046105

NOTE:

- Before removing and installing any control units, first turn the push-button ignition switch to the LOCK position, then disconnect both battery cables.
- After finishing work, confirm that all control unit connectors are connected properly, then re-connect both battery cables.
- Always use CONSULT-III to perform self-diagnosis as a part of each function inspection after finishing work. If a DTC is detected, perform trouble diagnosis according to self-diagnosis results.

For vehicle with steering lock unit, if the battery is disconnected or discharged, the steering wheel will lock and cannot be turned.

If turning the steering wheel is required with the battery disconnected or discharged, follow the operation procedure below before starting the repair operation.

OPERATION PROCEDURE

1. Connect both battery cables.
 - NOTE:**
Supply power using jumper cables if battery is discharged.
2. Turn the push-button ignition switch to ACC position.
(At this time, the steering lock will be released.)
3. Disconnect both battery cables. The steering lock will remain released with both battery cables disconnected and the steering wheel can be turned.
4. Perform the necessary repair operation.
5. When the repair work is completed, re-connect both battery cables. With the brake pedal released, turn the push-button ignition switch from ACC position to ON position, then to LOCK position. (The steering wheel will lock when the push-button ignition switch is turned to LOCK position.)
6. Perform self-diagnosis check of all control units using CONSULT-III.

Service Notice or Precations for Front Final Drive

INFOID:000000006044632

CAUTION:

- Check for the correct installation status prior to removal or disassembly. If matching marks are required, be certain they never interfere with the function of the parts when applied.
- Overhaul should be done in a clean work area, it is preferable to work in dustproof area.
- Before disassembly, using steam or white gasoline, completely remove sand and mud from the exterior of the unit, preventing them from entering into the unit during disassembly or assembly.
- Check appearance of the disassembled parts for damage, deformation, and unusual wear. Replace them with a new ones if necessary.
- Gaskets, seals and O-rings should be replaced any time when the unit is disassembled.
- In principle, tighten bolts or nuts gradually in several steps working diagonally from inside to outside. If tightening sequence is specified, observe it.
- Clean and flush the parts sufficiently and blow-dry them.
- Be careful not to damage sliding surfaces and mating surfaces.
- When applying sealant, remove the old sealant from the mounting surface; then remove any moisture, oil, and foreign materials from the application and mounting surfaces.
- Always use shop paper for cleaning the inside of components.
- Avoid using cotton gloves or shop rags to prevent entering of lint.
- During assembly, observe the specified tightening torque, and apply new gear oil, petroleum jelly, or multi-purpose grease as specified for each vehicle, if necessary.

NOTE:

Front oil seal cannot be replaced on vehicle, because there is not enough room.

A

B

C

DLN

E

F

G

H

I

J

K

L

M

N

O

P

PREPARATION

< PREPARATION >

[FRONT FINAL DRIVE: F160A]

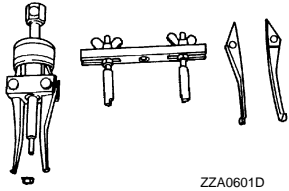
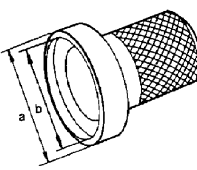
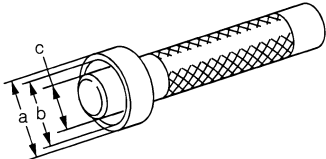
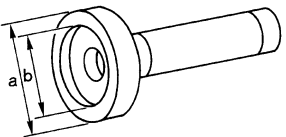
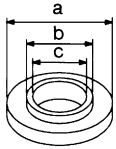
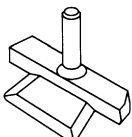
PREPARATION

PREPARATION

Special Service Tools

INFOID:000000006044633

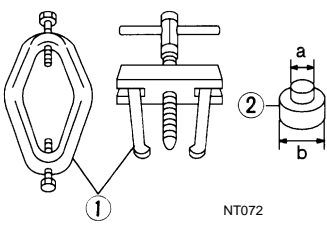
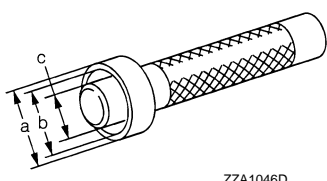
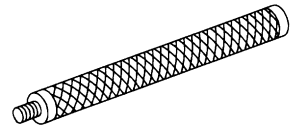
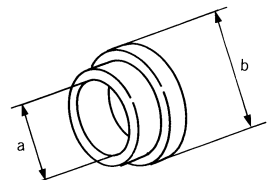
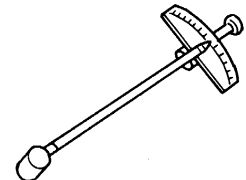
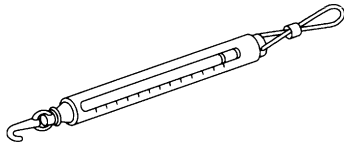
The actual shapes of Kent-Moore tools may differ from those of special service tools illustrated here.

Tool number (Kent-Moore No.) Tool name	Description
KV381054S0 (J-34286) Puller	 <p style="text-align: center;">ZZA0601D</p> <ul style="list-style-type: none"> • Removing side oil seal (right side) • Removing side bearing outer race
ST33400001 (J-26082) Drift a: 60 mm (2.36 in) dia. b: 47 mm (1.85 in) dia.	 <p style="text-align: center;">ZZA0702D</p> <ul style="list-style-type: none"> • Installing side oil seal (right side) • Installing front oil seal
KV38102100 (J-25803-01) Drift a: 44 mm (1.73 in) dia. b: 36 mm (1.42 in) dia. c: 24.5 mm (0.965 in) dia.	 <p style="text-align: center;">ZZA1046D</p> <p>Installing side oil seal (left side)</p>
KV38100200 (—) Drift a: 65 mm (2.56 in) dia. b: 49 mm (1.93 in) dia.	 <p style="text-align: center;">ZZA1143D</p> <p>Installing side shaft oil seal</p>
ST30032000 (J-26010-01) Drift a: 80 mm (3.15 in) dia. b: 38 mm (1.50 in) dia. c: 31 mm (1.22 in) dia.	 <p style="text-align: center;">S-NT107</p> <ul style="list-style-type: none"> • Installing side shaft • Installing pinion rear bearing inner race
KV10111100 (J-37228) Seal cutter	 <p style="text-align: center;">S-NT046</p> <p>Removing carrier cover</p>

PREPARATION

< PREPARATION >

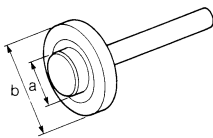
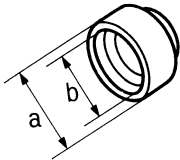
[FRONT FINAL DRIVE: F160A]

Tool number (Kent-Moore No.) Tool name	Description	
ST3306S001 (J-22888-D) Differential side bearing puller set 1: ST33051001 (J-22888-20) Puller 2: ST33061000 (J-8107-2) Base a: 28.5 mm (1.122 in) dia. b: 38 mm (1.50 in) dia.	 Removing and installing side bearing inner race	A B C DLN
ST33230000 (J-25805-01) Drift a: 51 mm (2.01 in) dia. b: 41 mm (1.61 in) dia. c: 28.5 mm (1.122 in) dia.	 Installing side bearing inner race	E F
ST30611000 (J-25742-1) Drift bar	 Installing side bearing outer race (Use with KV31103000)	G H I
KV31103000 (J-38982) Drift a: 49 mm (1.93 in) dia. b: 70 mm (2.76 in) dia.	 Installing side bearing outer race	J K
ST3127S000 (J-25765-A) Preload gauge	 Measuring pinion bearing preload and total preload	L M
(J-8129) Spring gauge	 Measuring turning torque	N O P

PREPARATION

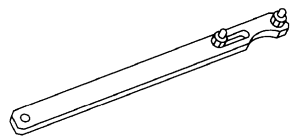
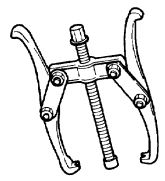
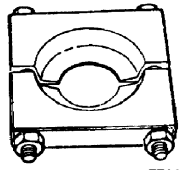
< PREPARATION >

[FRONT FINAL DRIVE: F160A]

Tool number (Kent-Moore No.) Tool name		Description
ST37820000 (—) Drift a: 39 mm (1.54 in) dia. b: 72 mm (2.83 in) dia.	 <p style="text-align: center; font-size: small;">ZZA0836D</p>	Installing pinion front and rear bearing outer race
KV38102510 (—) Drift a: 71 mm (2.80 in) dia. b: 65 mm (2.56 in) dia.	 <p style="text-align: center; font-size: small;">ZZA0838D</p>	Installing front oil seal

Commercial Service Tools

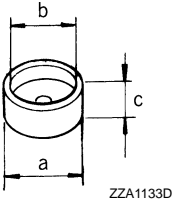
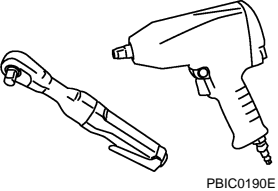
INFOID:000000006044634

Tool name		Description
Flange wrench	 <p style="text-align: center; font-size: x-small;">NT035</p>	Removing and installing drive pinion lock nut
Puller	 <p style="text-align: center; font-size: x-small;">ZZA0119D</p>	Removing companion flange
Replacer	 <p style="text-align: center; font-size: x-small;">ZZA0700D</p>	Removing pinion rear bearing inner race

PREPARATION

< PREPARATION >

[FRONT FINAL DRIVE: F160A]

Tool name	Description
<p>Spacer a: 60 mm (2.36 in) dia. b: 36 mm (1.42 in) dia. c: 30 mm (1.18 in)</p> 	<p>Installing pinion front bearing inner race</p>
<p>Power tool</p> 	<p>Loosening bolts and nuts</p>

A
B
C
DLN
E
F
G
H
I
J
K
L
M
N
O
P

STRUCTURE AND OPERATION

< SYSTEM DESCRIPTION >

[FRONT FINAL DRIVE: F160A]

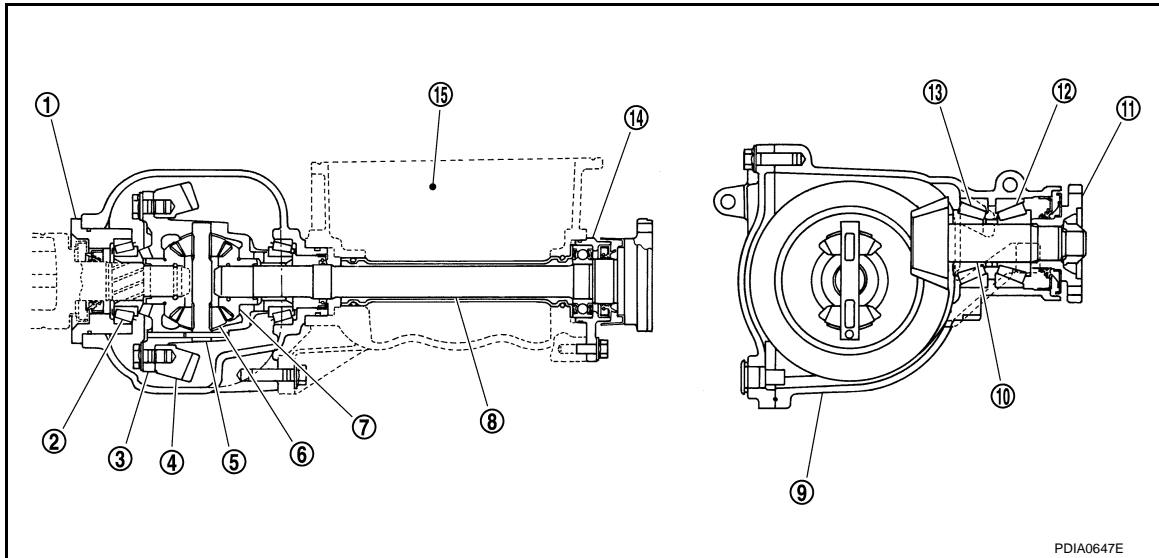
SYSTEM DESCRIPTION

STRUCTURE AND OPERATION

Sectional View

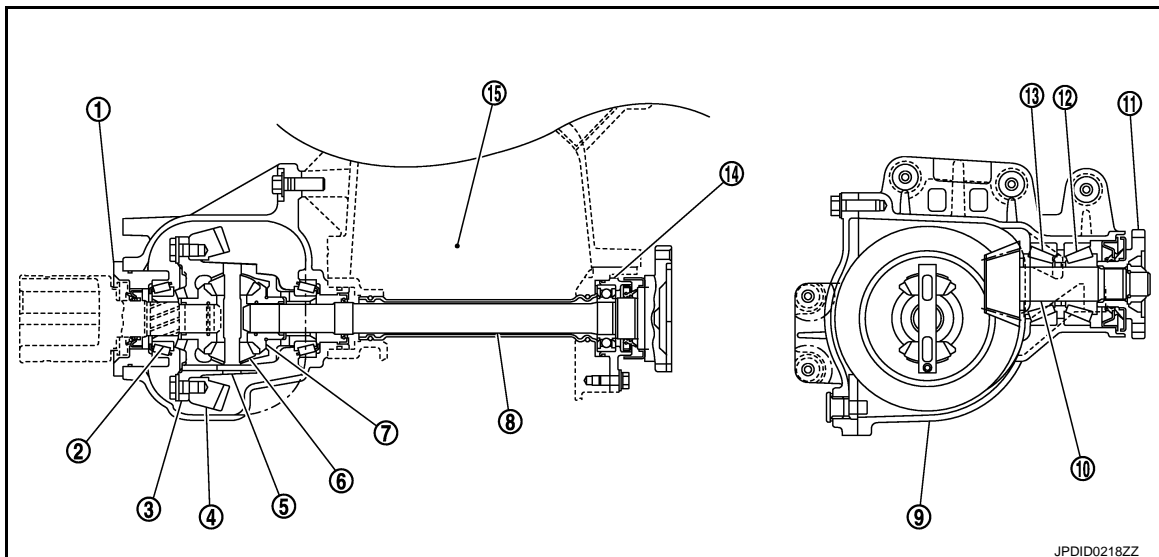
INFOID:000000006044637

VQ37VHR



- | | | |
|-------------------------|-----------------------------|--------------------------|
| 1. Side retainer | 2. Side bearing | 3. Differential case |
| 4. Drive gear | 5. Pinion mate shaft | 6. Pinion mate gear |
| 7. Side gear | 8. Side shaft | 9. Gear carrier |
| 10. Drive pinion | 11. Companion flange | 12. Pinion front bearing |
| 13. Pinion rear bearing | 14. Extension tube retainer | 15. Engine assembly |

VK56VD



- | | | |
|-------------------------|-----------------------------|--------------------------|
| 1. Side retainer | 2. Side bearing | 3. Differential case |
| 4. Drive gear | 5. Pinion mate shaft | 6. Pinion mate gear |
| 7. Side gear | 8. Side shaft | 9. Gear carrier |
| 10. Drive pinion | 11. Companion flange | 12. Pinion front bearing |
| 13. Pinion rear bearing | 14. Extension tube retainer | 15. Engine assembly |

NOISE, VIBRATION AND HARSHNESS (NVH) TROUBLESHOOTING

< SYMPTOM DIAGNOSIS >

[FRONT FINAL DRIVE: F160A]

SYMPTOM DIAGNOSIS

NOISE, VIBRATION AND HARSHNESS (NVH) TROUBLESHOOTING

NVH Troubleshooting Chart

INFOID:000000006109632

Use the chart below to find the cause of the symptom. If necessary, repair or replace these parts.

Symptom		Possible cause and SUSPECTED PARTS											Reference	
Noise	x	x	x	x	x	x	x	x	x	x	x	x	x	DLN-146, "Inspection"
		x	x	x	x	x	x	x	x	x	x	x	x	DLN-141, "Adjustment"
		x	x	x	x	x	x	x	x	x	x	x	x	DLN-146, "Inspection"
		x	x	x	x	x	x	x	x	x	x	x	x	DLN-141, "Adjustment"
		x	x	x	x	x	x	x	x	x	x	x	x	DLN-141, "Adjustment"
		x	x	x	x	x	x	x	x	x	x	x	x	DLN-120, "Inspection"
		x	x	x	x	x	x	x	x	x	x	x	x	NVH in DLN section.
		x	x	x	x	x	x	x	x	x	x	x	x	NVH in FAX, RAX, FSU and RSU sections.
		x	x	x	x	x	x	x	x	x	x	x	x	NVH in WT section.
		x	x	x	x	x	x	x	x	x	x	x	x	NVH in WT section.
		x	x	x	x	x	x	x	x	x	x	x	x	NVH in FAX and RAX section.
x	x	x	x	x	x	x	x	x	x	x	x	NVH in BR section.		
x	x	x	x	x	x	x	x	x	x	x	x	NVH in ST section.		

x: Applicable

A
B
C
DLN
E
F
G
H
I
J
K
L
M
N
O
P

FRONT DIFFERENTIAL GEAR OIL

< PERIODIC MAINTENANCE >

[FRONT FINAL DRIVE: F160A]

PERIODIC MAINTENANCE

FRONT DIFFERENTIAL GEAR OIL

Inspection

INFOID:000000006044638

OIL LEAKAGE

Make sure that oil is not leaking from final drive assembly or around it.

OIL LEVEL

- Remove filler plug (1) and check oil level from filler plug mounting hole as shown in the figure.

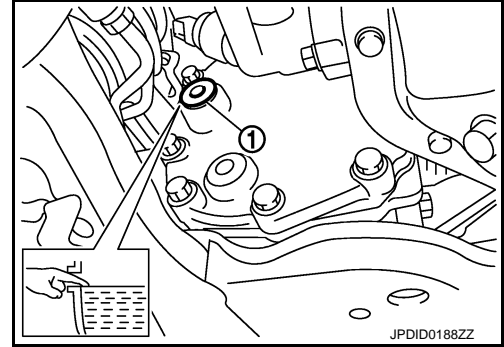
CAUTION:

Never start engine while checking oil level.

- Set a gasket on filler plug (1) and install it on final drive assembly. Refer to [DLN-132, "Exploded View"](#).

CAUTION:

Never reuse gasket.



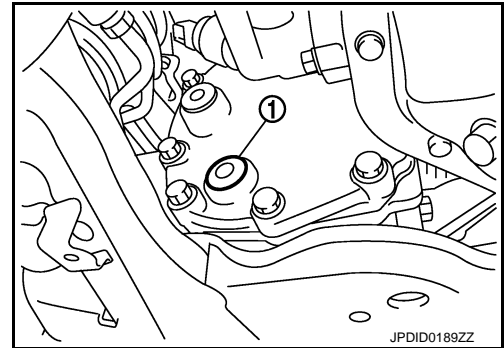
Draining

INFOID:000000006044639

- Stop engine.
- Remove drain plug (1) and drain gear oil.
- Set a gasket on drain plug (1) and install it to final drive assembly and tighten to the specified torque. Refer to [DLN-132, "Exploded View"](#).

CAUTION:

Never reuse gasket.



Refilling

INFOID:000000006044640

- Remove filler plug (1). Fill with new gear oil until oil level reaches the specified level near filler plug mounting hole.

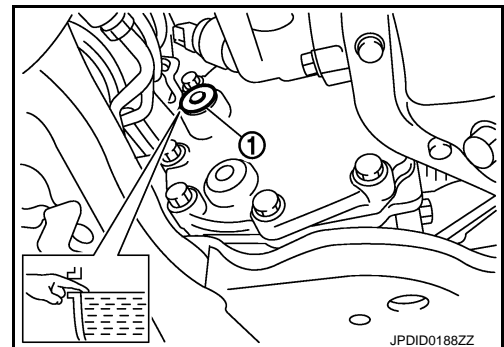
Oil grade and Viscosity : Refer to [MA-12, "Fluids and Lubricants"](#).

Oil capacity : Refer to [DLN-157, "General Specifications"](#).

- After refilling oil, check oil level. Set a gasket to filler plug (1), then install it to final drive assembly. Refer to [DLN-132, "Exploded View"](#).

CAUTION:

Never reuse gasket.



SIDE OIL SEAL

< REMOVAL AND INSTALLATION >

[FRONT FINAL DRIVE: F160A]

REMOVAL AND INSTALLATION

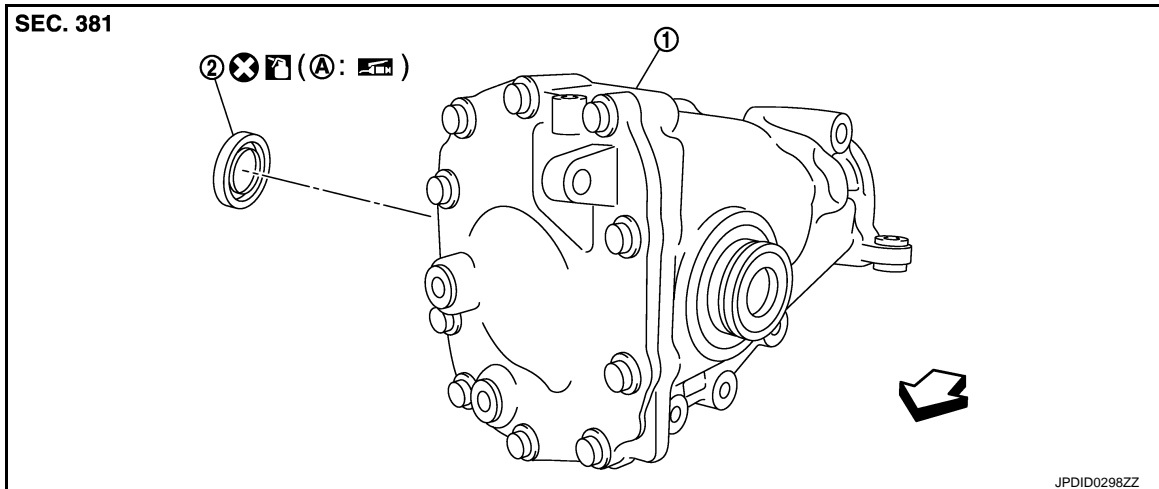
SIDE OIL SEAL

RIGHT SIDE

RIGHT SIDE : Exploded View

INFOID:000000006044641

VQ37VHR



1. Front final drive assembly
2. Side oil seal (right side)

A: Oil seal lip

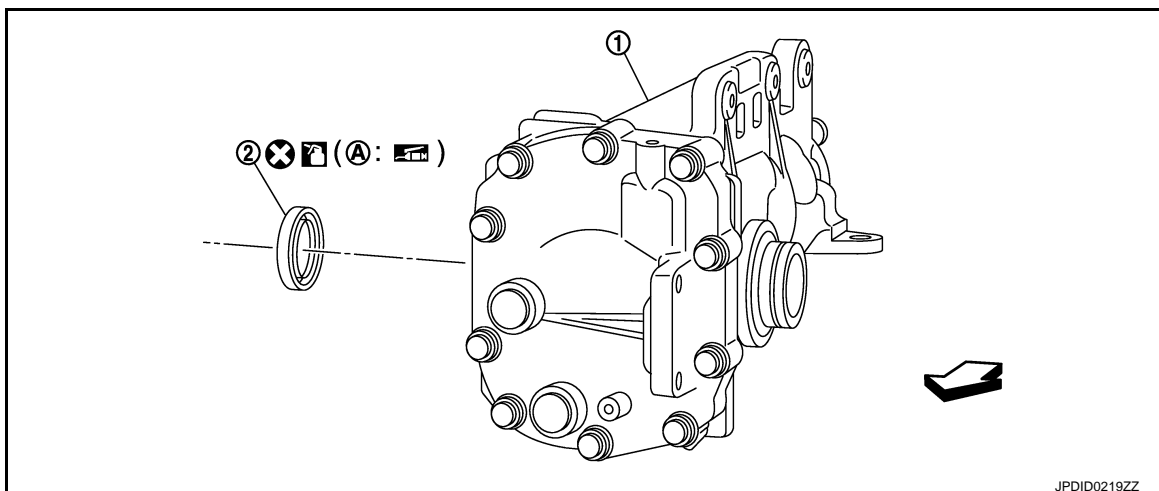
⇐: Vehicle front

⊠: Apply gear oil.

⊠: Apply multi-purpose grease.

Refer to [GI-4, "Components"](#) for symbols not described above.

VK56VD



1. Front final drive assembly
2. Side oil seal (right side)

A: Oil seal lip


⇐: Vehicle front


A
B
C
DLN
E
F
G
H
I
J
K
L
M
N
O
P

SIDE OIL SEAL

< REMOVAL AND INSTALLATION >

[FRONT FINAL DRIVE: F160A]

: Apply gear oil.

: Apply multi-purpose grease.

Refer to [GI-4, "Components"](#) for symbols not described above.

RIGHT SIDE : Removal and Installation

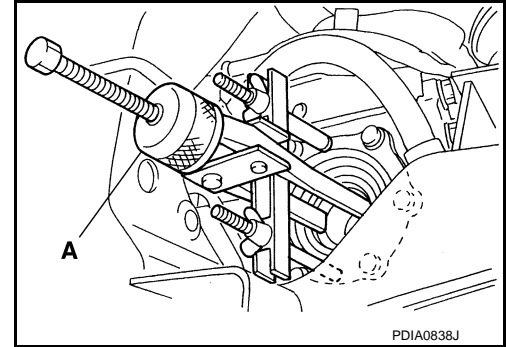
INFOID:00000006044642

REMOVAL

1. Remove the front drive shaft. Refer to [FAX-26, "RIGHT SIDE : Removal and Installation"](#).
2. Remove the side oil seal using a puller (A) [SST: KV381054S0 (J-34286)].

CAUTION:

Never damage gear carrier.



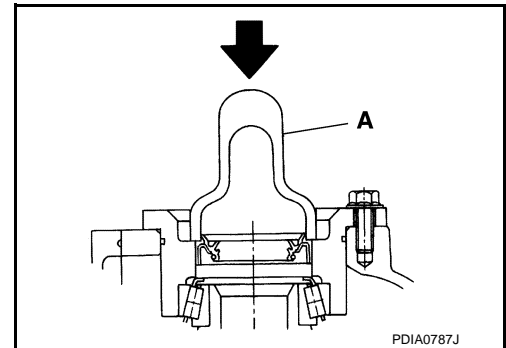
INSTALLATION

1. Using the drift (A) [SST: ST33400001 (J-26082)], press-fit side oil seal so that its surface comes face-to-face with the end surface of the side retainer.

CAUTION:

- Apply multi-purpose grease to sealing lips of side oil seal.
- Never reuse oil seal.
- When installing, never incline oil seal.

2. Install the front drive shaft. Refer to [FAX-26, "RIGHT SIDE : Removal and Installation"](#).
3. When oil leaks while removing, check oil level after the installation. Refer to [DLN-120, "Inspection"](#).

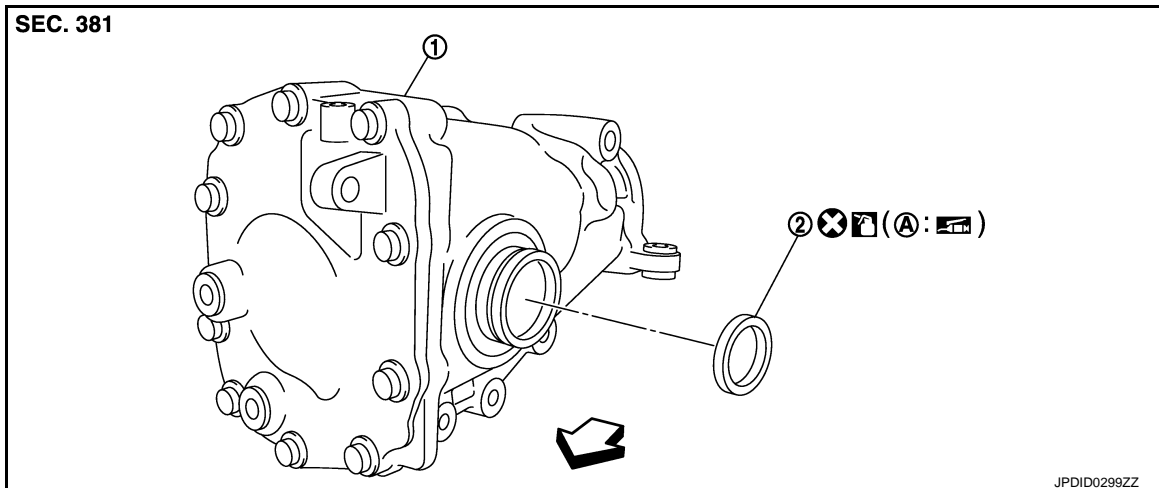


LEFT SIDE

LEFT SIDE : Exploded View

INFOID:00000006044643

VQ37VHR



1. Front final drive assembly


2. Side oil seal (left side)


SIDE OIL SEAL

< REMOVAL AND INSTALLATION >

[FRONT FINAL DRIVE: F160A]

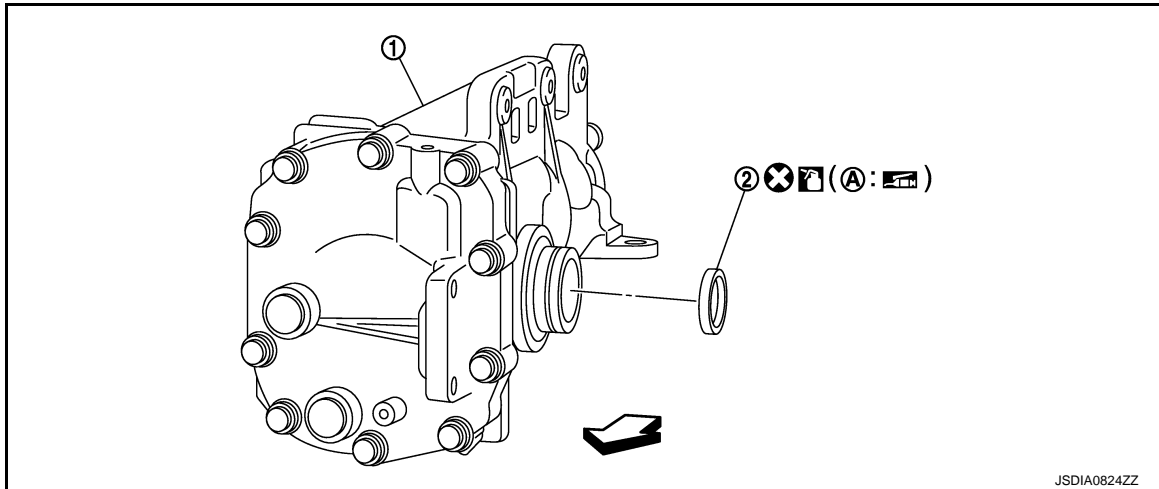
- A: Oil seal lip
⇐: Vehicle front

: Apply gear oil.

: Apply multi-purpose grease.


Refer to [GI-4. "Components"](#) for symbols not described above.


VK56VD



1. Front final drive assembly 2. Side oil seal (left side)

- A: Oil seal lip
⇐: Vehicle front

: Apply gear oil.

: Apply multi-purpose grease.

Refer to [GI-4. "Components"](#) for symbols not described above.

LEFT SIDE : Removal and Installation

INFOID:000000006044644

REMOVAL

1. Remove the front final drive assembly from vehicle with power tool. Refer to [DLN-125. "VQ37VHR : Removal and Installation"](#) (VQ37VHR), [DLN-127. "VK56VD : Removal and Installation"](#) (VK56VD).

NOTE:

Left side oil seal is attached to engine assembly. Replace it after removing front final drive assembly from vehicle.

2. Remove the side oil seal using a flat-bladed screwdriver.

CAUTION:

Never damage gear carrier.

INSTALLATION

1. Apply multi-purpose grease to sealing lips of side oil seal.

SIDE OIL SEAL

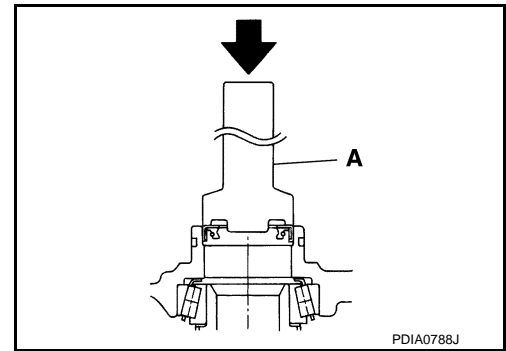
< REMOVAL AND INSTALLATION >

[FRONT FINAL DRIVE: F160A]

- Using the drift (A) [SST: KV38102100 (J-25803-01)], press-fit side oil seal so that its surface comes face-to-face with the end surface of the gear carrier.

CAUTION:

- Never reuse oil seal.
 - When installing, never incline oil seal.
- Install the front final drive assembly on vehicle. Refer to [DLN-125, "VQ37VHR : Removal and Installation"](#) (VQ37VHR), [DLN-127, "VK56VD : Removal and Installation"](#) (VK56VD).
 - When oil leaks while removing, check oil level after the installation. Refer to [DLN-120, "Inspection"](#).



FRONT FINAL DRIVE ASSEMBLY

< UNIT REMOVAL AND INSTALLATION >

[FRONT FINAL DRIVE: F160A]

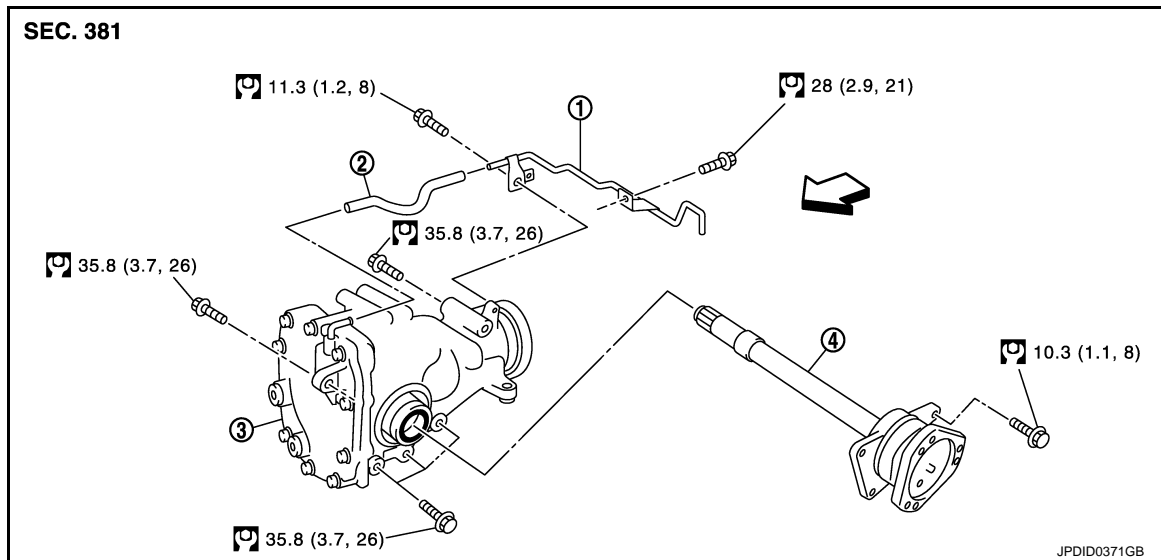
UNIT REMOVAL AND INSTALLATION

FRONT FINAL DRIVE ASSEMBLY

VQ37VHR

VQ37VHR : Exploded View

INFOID:000000006044645



1. Breather tube
2. Breather hose
3. Front final drive assembly
4. Side shaft

↔: Vehicle front

Refer to [GI-4, "Components"](#) for symbols in the figure.

VQ37VHR : Removal and Installation

INFOID:000000006044646

REMOVAL

1. Remove front cross bar. Refer to [FSU-39, "Removal and Installation"](#).
2. Separate front propeller shaft from front final drive. Refer to [DLN-91, "VQ37VHR : Removal and Installation"](#).
3. Remove front drive shaft. Refer to [FAX-25, "LEFT SIDE : Removal and Installation"](#) (left side), [FAX-26, "RIGHT SIDE : Removal and Installation"](#) (right side).
4. Remove side shaft. Refer to [DLN-125, "VQ37VHR : Removal and Installation"](#).
5. Separate the lower joint from the steering gear assembly. Refer to [ST-39, "WITHOUT 4WAS : Removal and Installation"](#) (without 4WAS), [ST-41, "WITH 4WAS : Removal and Installation"](#) (with 4WAS)
6. Remove air duct (RH) and air cleaner case (RH). Refer to [EM-29, "Removal and Installation"](#).
7. Loosen the engine mounting insulator (RH) mounting nut (upper side) Refer to [EM-76, "AWD : Exploded View"](#).
8. Remove three way catalyst (bank 1). Refer to [EX-6, "VQ37VHR : Removal and Installation"](#).
9. Remove exhaust manifold (bank 1). Refer to [EM-36, "Removal and Installation"](#).
10. Remove stabilizer clamp. Refer to [FSU-38, "Removal and Installation"](#).
11. Remove oil filter bracket. Refer to [LU-12, "Removal and Installation"](#).
12. Remove alternator. Refer to [CHG-29, "VQ37VHR : Removal and Installation \(AWD\)"](#).
13. Loosen transverse link (RH) mounting bolt (front side). Refer to [FSU-34, "Removal and Installation"](#).
14. Set a suitable jack to engine assembly.
15. Remove breather tube and breather hose.

FRONT FINAL DRIVE ASSEMBLY

< UNIT REMOVAL AND INSTALLATION >

[FRONT FINAL DRIVE: F160A]

16. Remove engine mounting bracket (RH), engine mounting bracket (RH) (lower) and engine mounting insulator (RH) Refer to [EM-76, "AWD : Removal and Installation"](#).
17. Incline engine assembly.
18. Remove bracket of A/T fluid cooler tube. Refer to [TM-190, "VQ37VHR \(AWD\) : Removal and Installation"](#).
19. Remove heat bracket. Refer to [DLN-91, "VQ37VHR : Exploded View"](#).
20. Remove front final drive assembly.

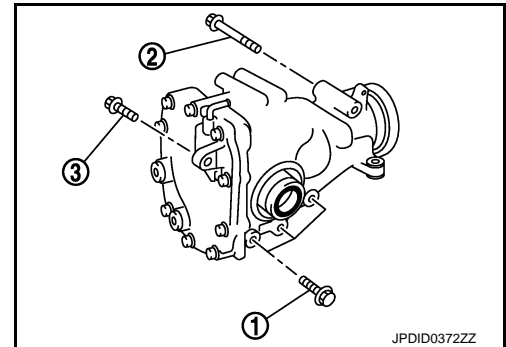
INSTALLATION

Note the following, install in the reverse order of removal.

- When installing the side shaft, apply multi-purpose grease to contact surface of side shaft and side shaft oil seal.
- Tighten mounting bolts in the order described below when installing front final drive assembly: side of gear carrier (1), upper side of gear carrier (2), part of carrier cover (3).

CAUTION:

Align the mating faces of gear carrier and oil pan for installation.

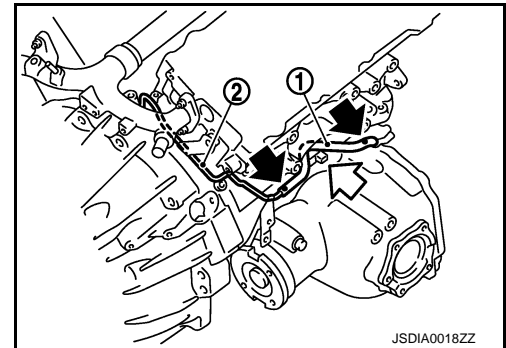


- Install breather hose (1) and tube (2) as shown in the figure.

CAUTION:

Make sure there are no pinched or restricted areas on the breather hose caused by bending or winding when installing it.

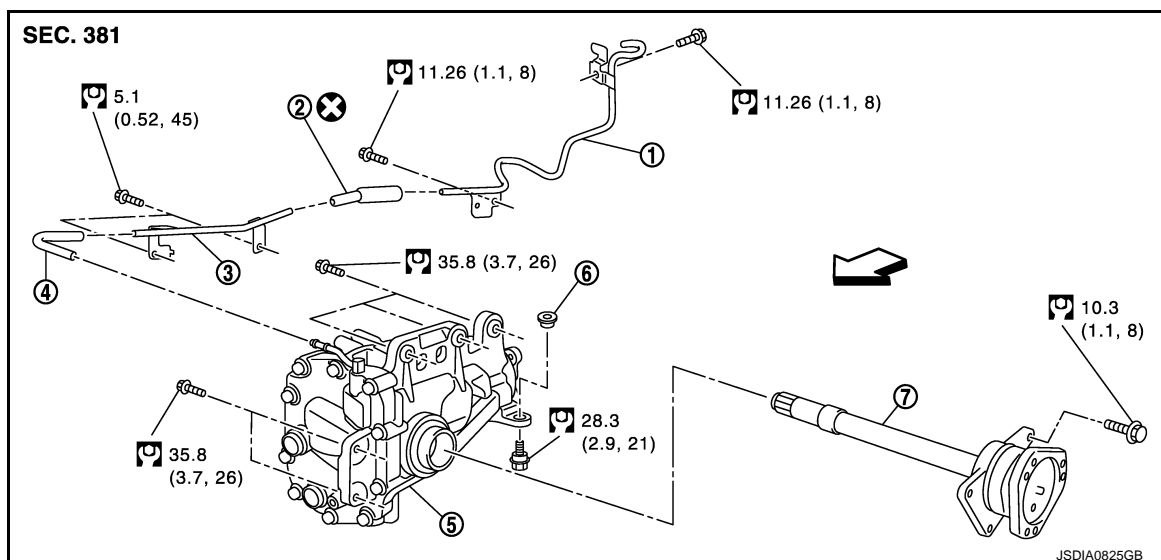
- Make sure the paint mark facing up (←).
- Securely install the hose until it seats the rounded portion of the tube. (←) (front final drive assembly side).
- Securely install the hose until it to paint mark of the tube. (←) (vehicle rear side).
- Face the bend of the breather hose (↔) to the engine.
- When oil leaks while removing final drive assembly, check oil level after the installation. Refer to [DLN-120, "Inspection"](#).



VK56VD

VK56VD : Exploded View

INFOID:000000006046429



FRONT FINAL DRIVE ASSEMBLY

< UNIT REMOVAL AND INSTALLATION >

[FRONT FINAL DRIVE: F160A]

- | | | |
|------------------|-------------------------------|------------------|
| 1. Breather tube | 2. Breather hose | 3. Breather tube |
| 4. Breather hose | 5. Front final drive assembly | 6. Bushing |
| 7. Side shaft | | |

⇐: Vehicle front

Refer to [GI-4. "Components"](#) for symbols in the figure.

VK56VD : Removal and Installation

INFOID:000000006046430

REMOVAL

1. Remove engine assembly from the vehicle. Refer to [EM-216. "AWD : Removal and Installation"](#).
2. Separate engine assembly and suspension member.
3. Remove air breather hose and tube.
4. Remove side shaft. Refer to [DLN-128. "Exploded View"](#).
5. Remove final drive assembly mounting bolts with power tool and separate front final drive assembly from engine.

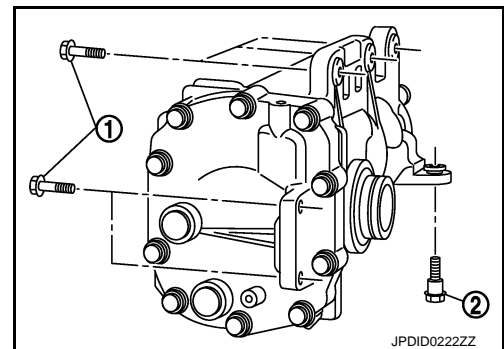
INSTALLATION

Note the following, install in the reverse order of removal.

- When installing the side shaft, apply multi-purpose grease to contact surface of side shaft and side shaft oil seal.
- Tighten mounting bolts in the order described below when installing front final drive assembly: side of gear carrier (1), lower part of gear carrier (2).

CAUTION:

Align the mating faces of gear carrier and oil pan for installation.



- When installing breather hose and tube, refer to the figure.

CAUTION:

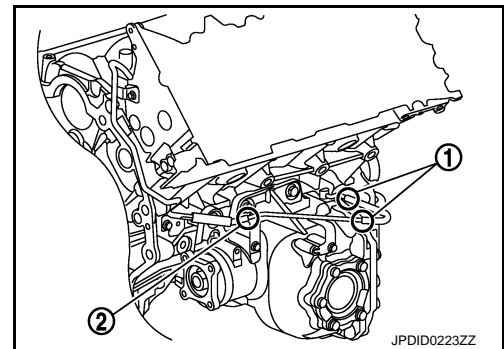
Make sure there are no pinched or restricted areas on the breather hose caused by bending or winding when installing it.

- Securely install the hose until it seats the spool position (1) of the tube (front final drive assembly side).
- Be sure to insert transfer air breather hose into breather tube until hose end reaches the breather tube bracket (2) (vehicle rear side).

CAUTION:

Never reuse air breather hose (vehicle rear side).

- When oil leaks while removing final drive assembly, check oil level after the installation. Refer to [DLN-120. "Inspection"](#).



SIDE SHAFT

< UNIT DISASSEMBLY AND ASSEMBLY >

[FRONT FINAL DRIVE: F160A]

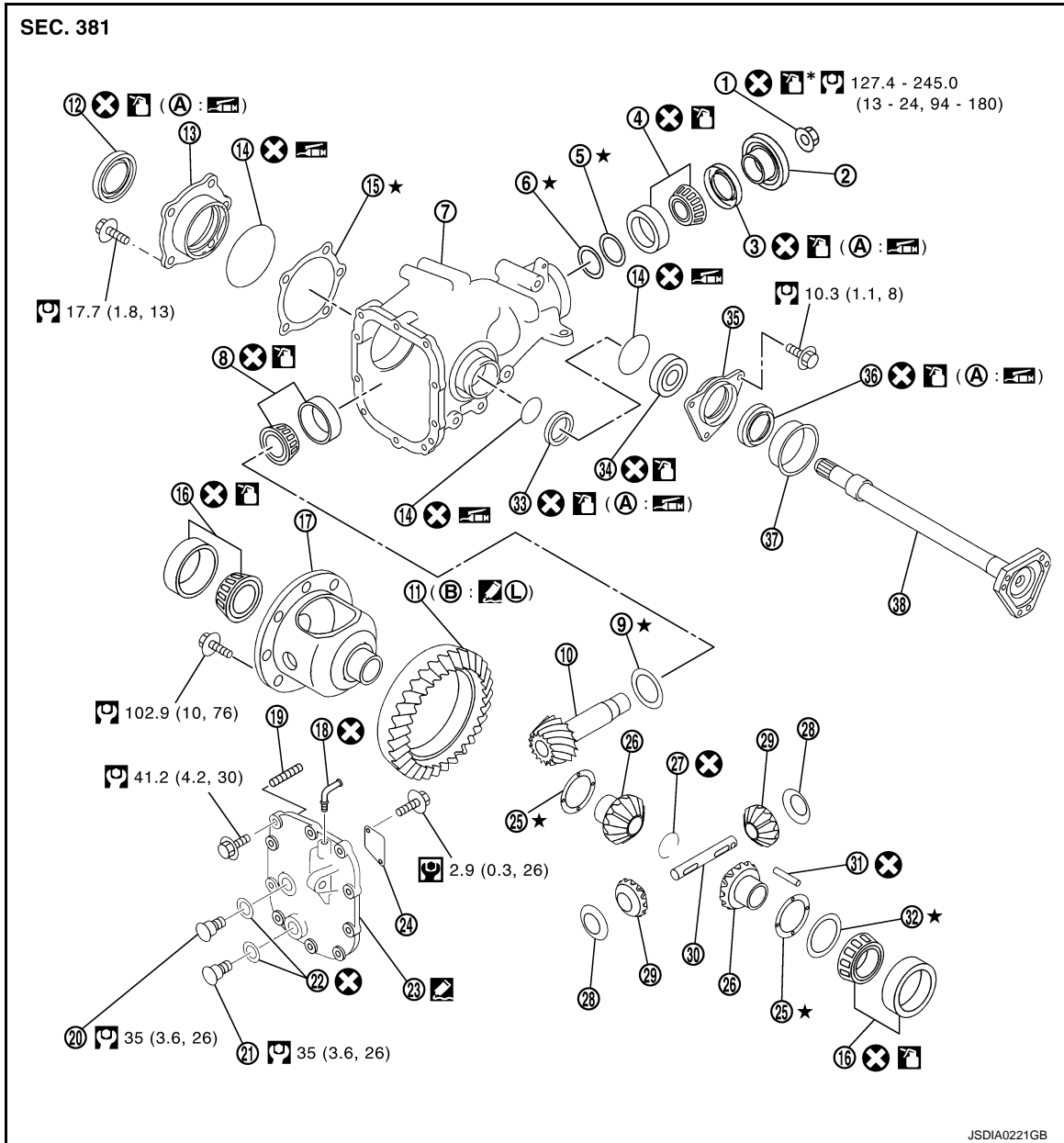
UNIT DISASSEMBLY AND ASSEMBLY

SIDE SHAFT

Exploded View

INFOID:000000006044647

VQ37VHR



- | | | |
|-----------------------------|--|-----------------------------------|
| 1. Drive pinion lock nut | 2. Companion flange | 3. Front oil seal |
| 4. Pinion front bearing | 5. Drive pinion bearing adjusting washer | 6. Drive pinion adjusting washer |
| 7. Gear carrier | 8. Pinion rear bearing | 9. Pinion height adjusting washer |
| 10. Drive pinion | 11. Drive gear | 12. Side oil seal (right side) |
| 13. Side retainer | 14. O-ring | 15. Side bearing adjusting shim |
| 16. Side bearing | 17. Differential case | 18. Breather connector |
| 19. Dowel pin | 20. Filler plug | 21. Drain plug |
| 22. Gasket | 23. Carrier cover | 24. Gear oil defense |
| 25. Side gear thrust washer | 26. Side gear | 27. Circular clip |

SIDE SHAFT

< UNIT DISASSEMBLY AND ASSEMBLY >

[FRONT FINAL DRIVE: F160A]

- | | | |
|-------------------------------|-----------------------------------|-------------------------------|
| 28. Pinion mate thrust washer | 29. Pinion mate gear | 30. Pinion mate shaft |
| 31. Lock pin | 32. Side bearing adjusting washer | 33. Side oil seal (left side) |
| 34. Side shaft bearing | 35. Extension tube retainer | 36. Side shaft oil seal |
| 37. Dust seal | 38. Side shaft | |
- A: Oil seal lip
B: Screw hole

: Apply gear oil.

: Apply anti-corrosion oil.

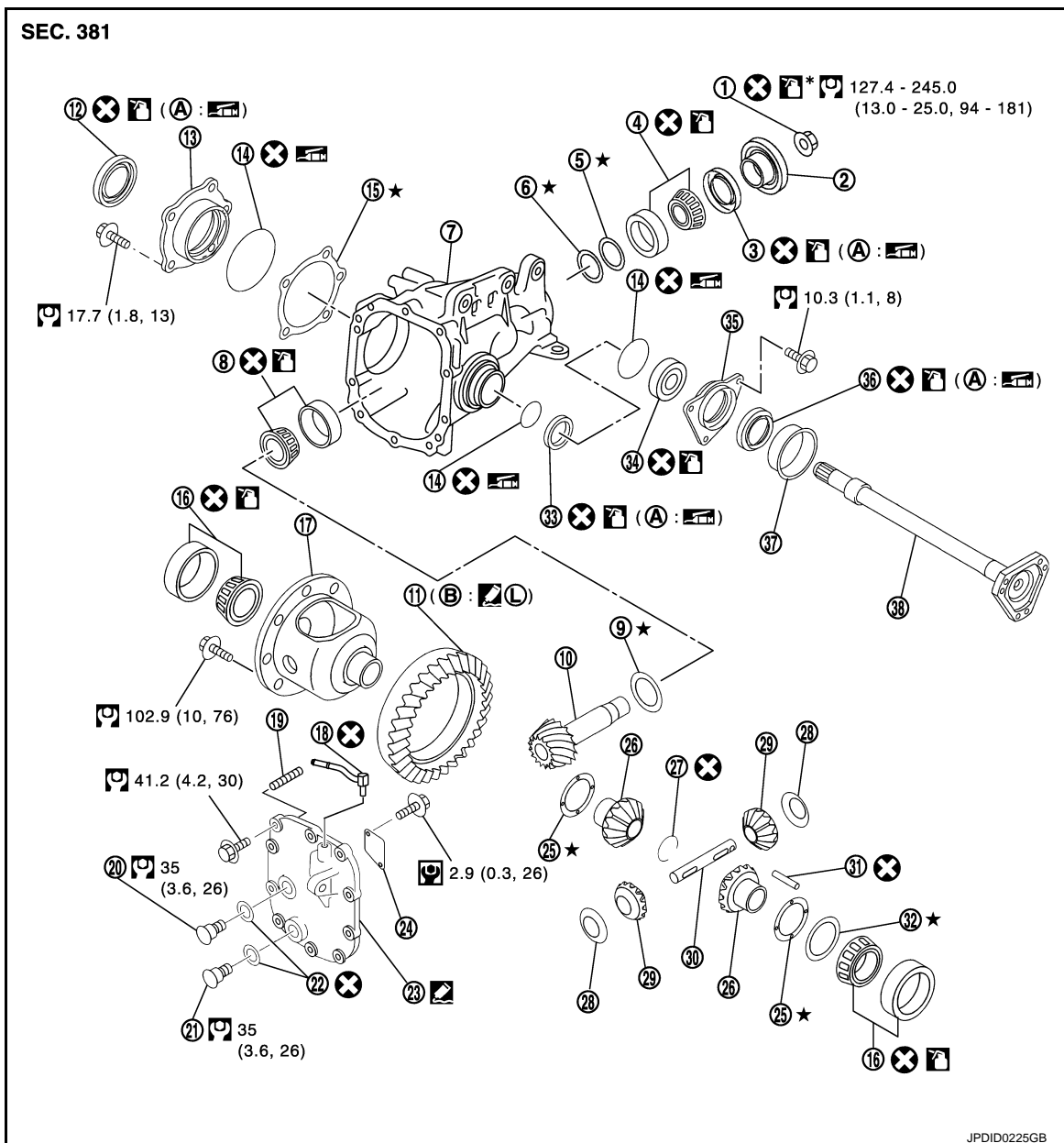
: Apply multi-purpose grease.

: Apply Genuine Silicone RTV or equivalent. Refer to [GI-18, "Recommended Chemical Products and Sealants"](#).

: Apply Genuine Medium Strength Thread Locking Sealant or equivalent. Refer to [GI-18, "Recommended Chemical Products and Sealants"](#).

Refer to [GI-4, "Components"](#) for symbols not described above.

VK56VD




SIDE SHAFT

< UNIT DISASSEMBLY AND ASSEMBLY >

[FRONT FINAL DRIVE: F160A]


- | | | |
|-------------------------------|--|-----------------------------------|
| 1. Drive pinion lock nut | 2. Companion flange | 3. Front oil seal |
| 4. Pinion front bearing | 5. Drive pinion bearing adjusting washer | 6. Drive pinion adjusting washer |
| 7. Gear carrier | 8. Pinion rear bearing | 9. Pinion height adjusting washer |
| 10. Drive pinion | 11. Drive gear | 12. Side oil seal (right side) |
| 13. Side retainer | 14. O-ring | 15. Side bearing adjusting shim |
| 16. Side bearing | 17. Differential case | 18. Breather connector |
| 19. Dowel pin | 20. Filler plug | 21. Drain plug |
| 22. Gasket | 23. Carrier cover | 24. Gear oil defense |
| 25. Side gear thrust washer | 26. Side gear | 27. Circular clip |
| 28. Pinion mate thrust washer | 29. Pinion mate gear | 30. Pinion mate shaft |
| 31. Lock pin | 32. Side bearing adjusting washer | 33. Side oil seal (left side) |
| 34. Side shaft bearing | 35. Extension tube retainer | 36. Side shaft oil seal |
| 37. Dust seal | 38. Side shaft | |
| A: Oil seal lip | B: Screw hole | |

: Apply gear oil.

*: Apply anti-corrosion oil.

: Apply multi-purpose grease.

: Apply Genuine Silicone RTV or equivalent. Refer to [GI-18, "Recommended Chemical Products and Sealants"](#).

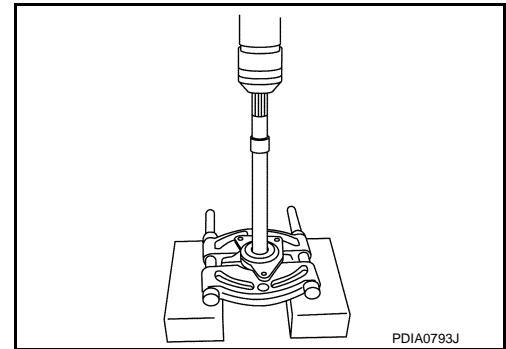
L: Apply Genuine Medium Strength Thread Locking Sealant or equivalent. Refer to [GI-18, "Recommended Chemical Products and Sealants"](#).

Refer to [GI-4, "Components"](#) for symbols not described above.

Disassembly

INFOID:000000006044648

1. Hold extension tube retainer with puller (commercial service tool), then press out side shaft using a press.
2. Remove dust seal from side shaft.



3. Remove side shaft oil seal (1) from extension tube retainer with a suitable tool.
CAUTION:
Never damage extension tube retainer.
4. Remove side shaft bearing from extension tube retainer.
5. Remove O-ring from extension tube retainer.
6. Perform inspection after disassembly. Refer to [DLN-131, "Inspection"](#).

SIDE SHAFT

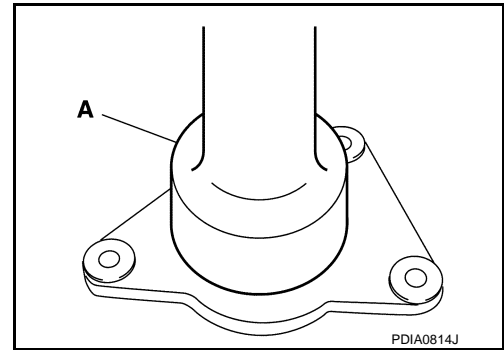
< UNIT DISASSEMBLY AND ASSEMBLY >

[FRONT FINAL DRIVE: F160A]

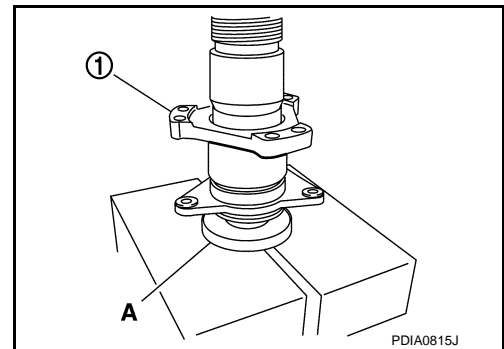
Assembly

INFOID:000000006044649

- Using the drift (A) [SST: KV38100200 (—)], install side shaft oil seal.
CAUTION:
 - **Never reuse oil seal.**
 - **When installing, never incline oil seal.**
 - **Apply multi-purpose grease onto oil seal lips, and gear oil onto the circumference of oil seal.**
- Install dust seal.



- Support side shaft bearing with the drift (A) [SST: ST30032000 (J-26010-01)], then press side shaft (1) into the side shaft bearing using a press.
- Apply multi-purpose grease to O-ring, and install it to extension tube retainer.
CAUTION:
 - **Never reuse O-ring.**



Inspection

INFOID:000000006044650

INSPECTION AFTER DISASSEMBLY

Drive Gear and Drive Pinion

- Clean up the disassembled parts.
- If the gear teeth never mesh or line-up correctly, determine the cause and adjust or replace as necessary.
- If the gears are worn, cracked, damaged, pitted or chipped (by friction) noticeably, replace with new drive gear and drive pinion as a set.

Bearing

- Clean up the disassembled parts.
- If any chipped (by friction), pitted, worn, rusted or scratched marks, or unusual noise from the bearing is observed, replace as a bearing assembly (as a new set).

Side Gear and Pinion Mate Gear

- Clean up the disassembled parts.
- If any cracks or damage on the surface of the tooth is found, replace.
- If any worn or chipped mark on the contact sides of the thrust washer is found, replace.

Side Gear Thrust Washer and Pinion Mate Thrust Washer

- Clean up the disassembled parts.
- If it is chipped (by friction), damaged, or unusually worn, replace.

Oil Seal

- Whenever disassembled, replace.
- If wear, deterioration of adherence (sealing force lips), or damage is detected on the lips, replace them.

Differential Case

- Clean up the disassembled parts.
- If any wear or crack on the contact sides of the differential case is found, replace.

Companion Flange

- Clean up the disassembled parts.
- If any chipped mark [about 0.1 mm, (0.004 in)] or other damage on the contact sides of the lips of the companion flange is found, replace.

A
B
C
DLN
E
F
G
H
I
J
K
L
M
N
O
P

DIFFERENTIAL ASSEMBLY

< UNIT DISASSEMBLY AND ASSEMBLY >

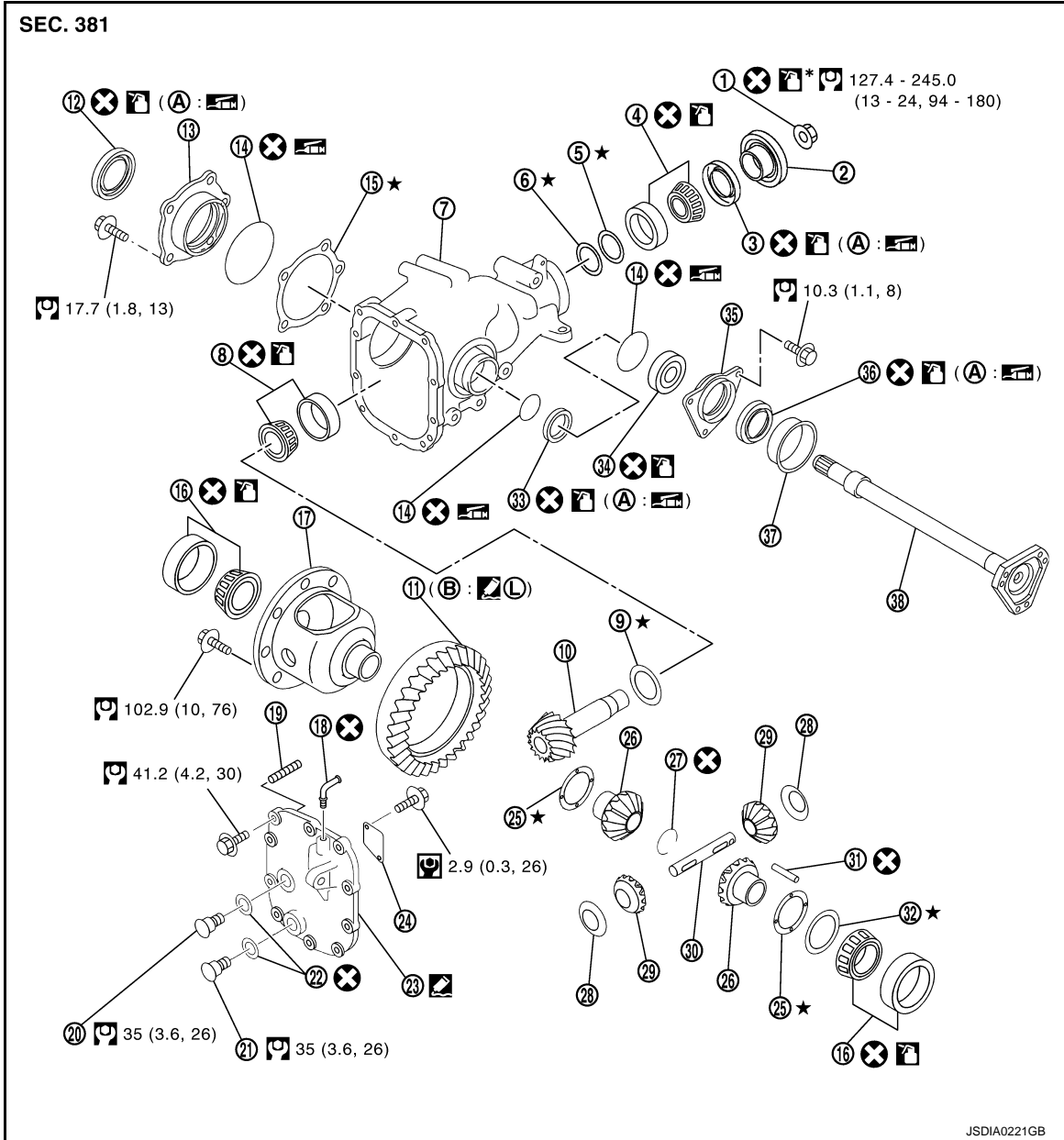
[FRONT FINAL DRIVE: F160A]

DIFFERENTIAL ASSEMBLY

Exploded View

INFOID:00000006044651

VQ37VHR



JSDIA0221GB

- | | | |
|-------------------------------|--|-----------------------------------|
| 1. Drive pinion lock nut | 2. Companion flange | 3. Front oil seal |
| 4. Pinion front bearing | 5. Drive pinion bearing adjusting washer | 6. Drive pinion adjusting washer |
| 7. Gear carrier | 8. Pinion rear bearing | 9. Pinion height adjusting washer |
| 10. Drive pinion | 11. Drive gear | 12. Side oil seal (right side) |
| 13. Side retainer | 14. O-ring | 15. Side bearing adjusting shim |
| 16. Side bearing | 17. Differential case | 18. Breather connector |
| 19. Dowel pin | 20. Filler plug | 21. Drain plug |
| 22. Gasket | 23. Carrier cover | 24. Gear oil defense |
| 25. Side gear thrust washer | 26. Side gear | 27. Circular clip |
| 28. Pinion mate thrust washer | 29. Pinion mate gear | 30. Pinion mate shaft |

DIFFERENTIAL ASSEMBLY

< UNIT DISASSEMBLY AND ASSEMBLY >

[FRONT FINAL DRIVE: F160A]

- | | | |
|------------------------|-----------------------------------|-------------------------------|
| 31. Lock pin | 32. Side bearing adjusting washer | 33. Side oil seal (left side) |
| 34. Side shaft bearing | 35. Extension tube retainer | 36. Side shaft oil seal |
| 37. Dust seal | 38. Side shaft | |
| A: Oil seal lip | B: Screw hole | |

: Apply gear oil.

: Apply anti-corrosion oil.

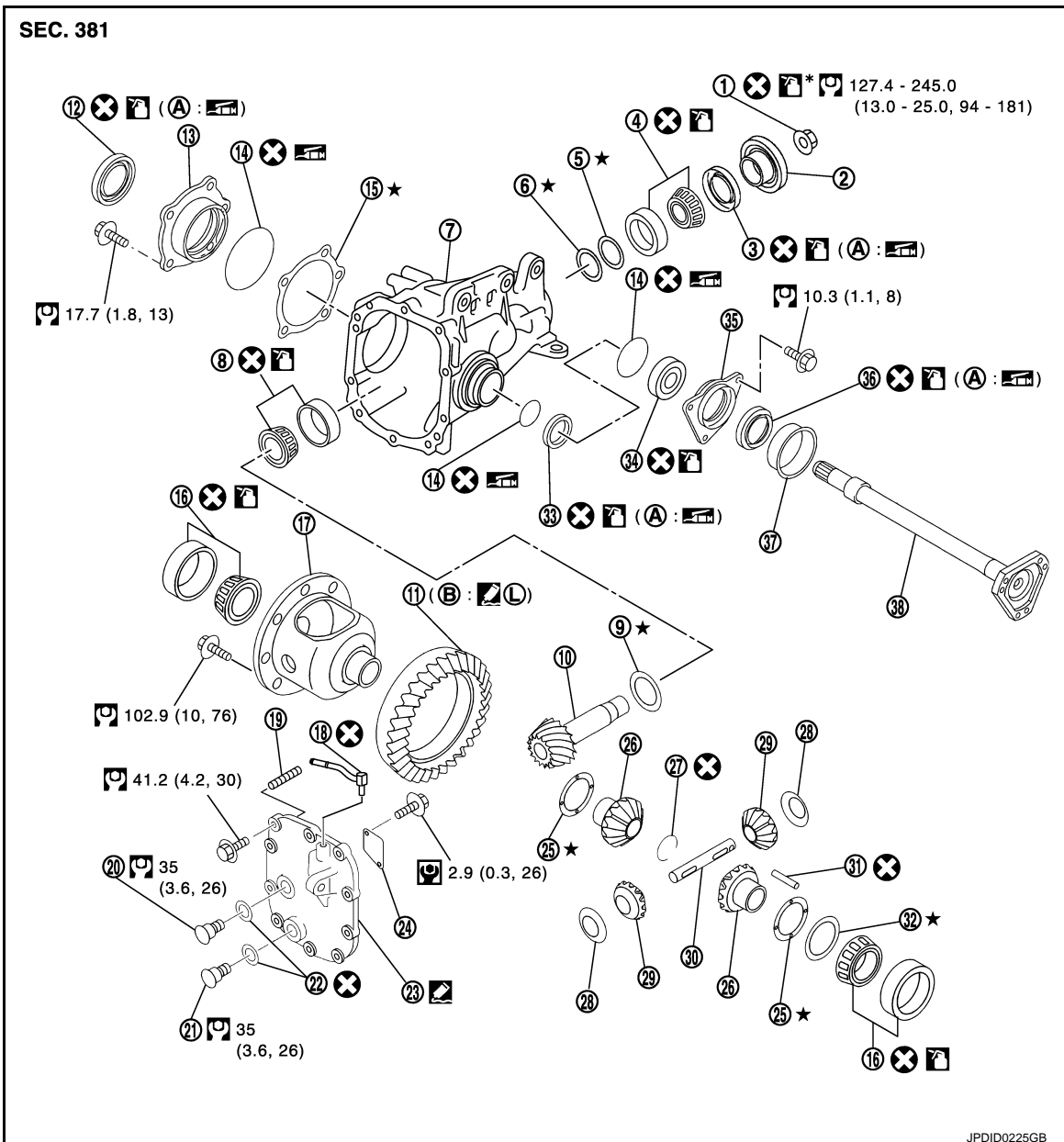
: Apply multi-purpose grease.

: Apply Genuine Silicone RTV or equivalent. Refer to [GI-18, "Recommended Chemical Products and Sealants"](#).

: Apply Genuine Medium Strength Thread Locking Sealant or equivalent. Refer to [GI-18, "Recommended Chemical Products and Sealants"](#).

Refer to [GI-4, "Components"](#) for symbols not described above.

VK56VD




DIFFERENTIAL ASSEMBLY


< UNIT DISASSEMBLY AND ASSEMBLY >

[FRONT FINAL DRIVE: F160A]


- | | | |
|-------------------------------|--|-----------------------------------|
| 1. Drive pinion lock nut | 2. Companion flange | 3. Front oil seal |
| 4. Pinion front bearing | 5. Drive pinion bearing adjusting washer | 6. Drive pinion adjusting washer |
| 7. Gear carrier | 8. Pinion rear bearing | 9. Pinion height adjusting washer |
| 10. Drive pinion | 11. Drive gear | 12. Side oil seal (right side) |
| 13. Side retainer | 14. O-ring | 15. Side bearing adjusting shim |
| 16. Side bearing | 17. Differential case | 18. Breather connector |
| 19. Dowel pin | 20. Filler plug | 21. Drain plug |
| 22. Gasket | 23. Carrier cover | 24. Gear oil defense |
| 25. Side gear thrust washer | 26. Side gear | 27. Circular clip |
| 28. Pinion mate thrust washer | 29. Pinion mate gear | 30. Pinion mate shaft |
| 31. Lock pin | 32. Side bearing adjusting washer | 33. Side oil seal (left side) |
| 34. Side shaft bearing | 35. Extension tube retainer | 36. Side shaft oil seal |
| 37. Dust seal | 38. Side shaft | |
| A: Oil seal lip | B: Screw hole | |

: Apply gear oil.

*: Apply anti-corrosion oil.

: Apply multi-purpose grease.

: Apply Genuine Silicone RTV or equivalent. Refer to [GI-18, "Recommended Chemical Products and Sealants"](#).

L: Apply Genuine Medium Strength Thread Locking Sealant or equivalent. Refer to [GI-18, "Recommended Chemical Products and Sealants"](#).

Refer to [GI-4, "Components"](#) for symbols not described above.

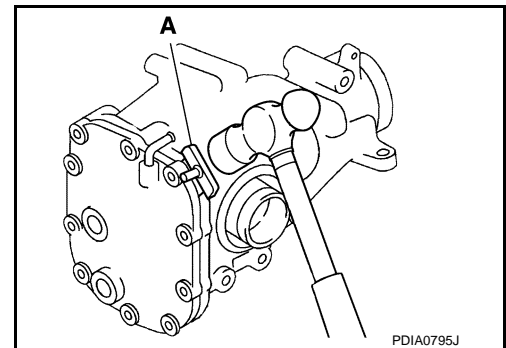
Disassembly

INFOID:000000006044652

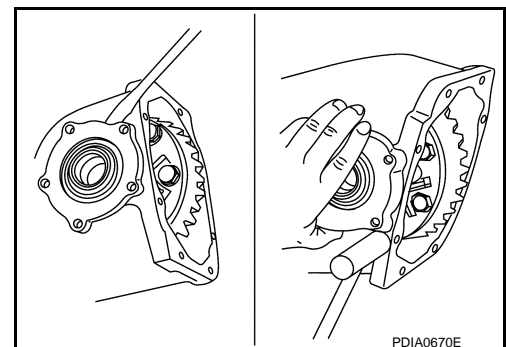
1. Drain gear oil, if necessary.
2. Remove carrier cover mounting bolts.
3. Remove carrier cover to insert the seal cutter (A) [SST: KV10111100 (J-37228)] between gear carrier and carrier cover.

CAUTION:

- Never damage the mating surface.
- Never insert flat-bladed screwdriver, this may damage the mating surface.



4. Remove side retainer.
5. Remove side bearing adjusting shim.
6. Remove O-ring from side retainer.

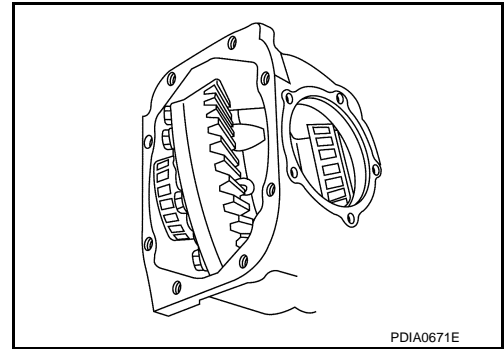


DIFFERENTIAL ASSEMBLY

< UNIT DISASSEMBLY AND ASSEMBLY >

[FRONT FINAL DRIVE: F160A]

7. Remove differential case assembly from gear carrier.



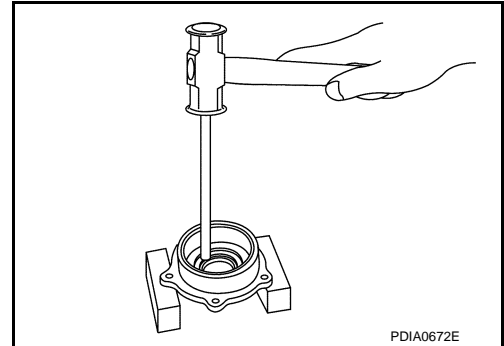
A

B

C

DLN

8. Remove side oil seal (right side) from side retainer.



E

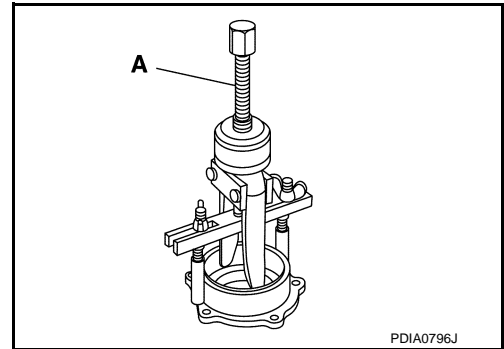
F

G

9. Remove side bearing outer race with puller (A) [SST: KV381054S0 (J-34286)].

10. Remove O-ring from gear carrier.

11. Remove side oil seal (left side) from gear carrier.



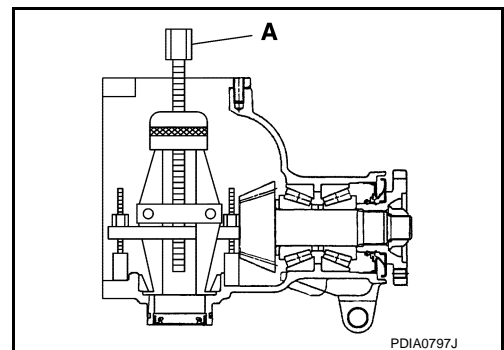
H

I

J

K

12. Remove side bearing outer race with puller (A) [SST: KV381054S0 (J-34286)].



L

M

N

O

P

DIFFERENTIAL ASSEMBLY

< UNIT DISASSEMBLY AND ASSEMBLY >

[FRONT FINAL DRIVE: F160A]

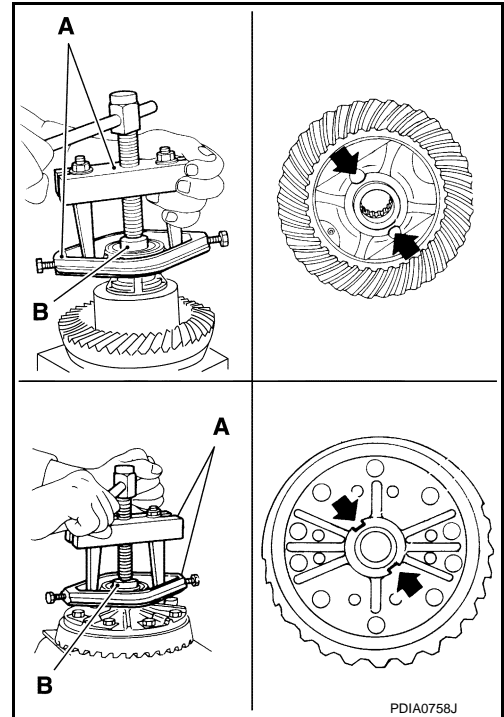
13. Remove side bearing inner race.
To prevent damage to bearing, engage puller jaws in groove (←).

A: Puller [SST: ST33051001 (J-22888-20)]

B: Base [SST: ST33061000 (J-8107-2)]

CAUTION:

- To prevent damage to the side bearing and drive gear, place copper plates between these parts and vise.
- It is not necessary to remove side bearing inner race except if it is replaced.



14. For proper reinstallation, paint matching marks on one differential case assembly.

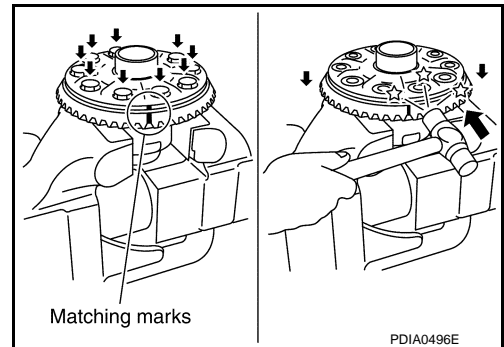
CAUTION:

For matching marks, use paint. Never damage differential case and drive gear.

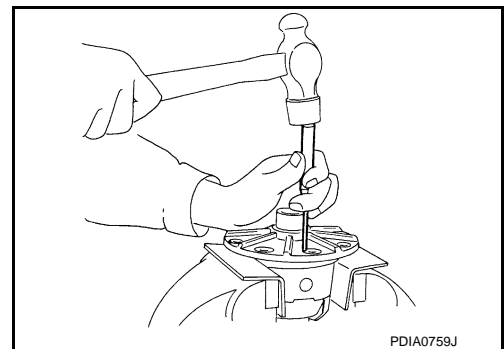
15. Remove drive gear mounting bolts.
16. Tap drive gear off differential case assembly with a soft hammer.

CAUTION:

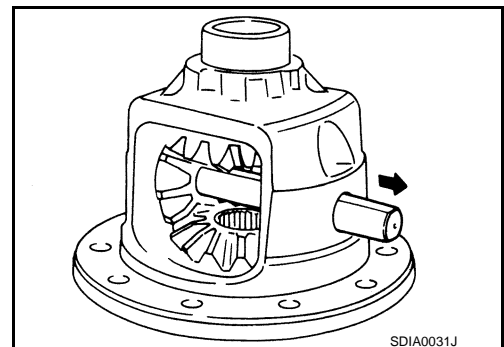
Tap evenly all around to keep drive gear from bending.



17. Remove lock pin of pinion mate shaft with a punch from drive gear side.



18. Remove pinion mate shaft.

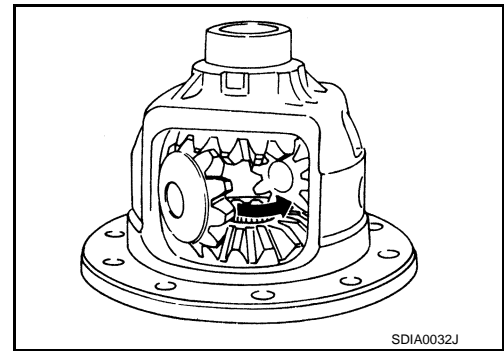


DIFFERENTIAL ASSEMBLY

< UNIT DISASSEMBLY AND ASSEMBLY >

[FRONT FINAL DRIVE: F160A]

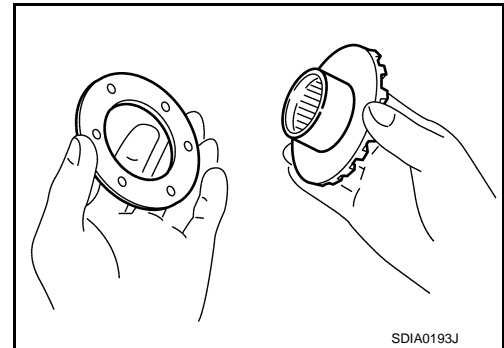
19. Turn pinion mate gear, then remove pinion mate gears, pinion mate thrust washers, side gears and side gear thrust washers from differential case.
20. Perform inspection after disassembly. Refer to [DLN-146](#), "[Inspection](#)".



INFOID:000000006044653

Assembly

1. Install side gear thrust washers with the same thickness as the ones installed prior to disassembly or reinstall the old ones on the side gears.

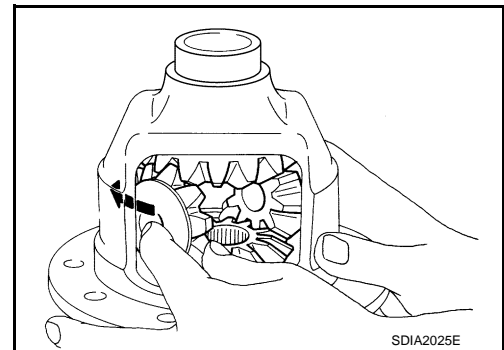


2. Install side gears and thrust washers into differential case.

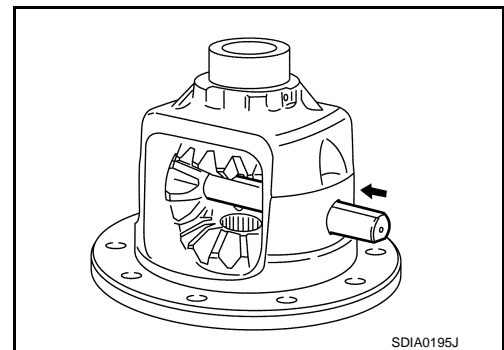
CAUTION:

- Never reuse circular clip.
- Make sure that the circular clip is installed to side gear (side retainer side).

3. Align 2 pinion mate gears in diagonally opposite positions, then rotate and install them into differential case after installing thrust washer to pinion mate gear.



4. Align the lock pin holes on differential case with shaft, and install pinion mate shaft.



5. Measure side gear end play. If necessary, select the appropriate side gear thrust washers.

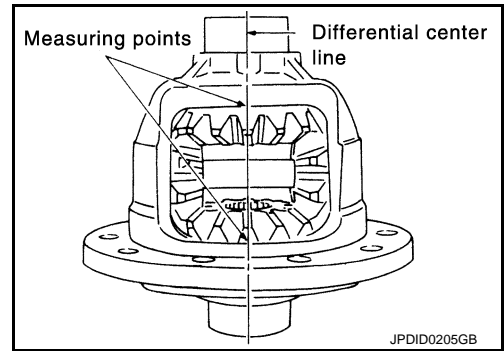
A
B
C
DLN
E
F
G
H
I
J
K
L
M
N
O
P

DIFFERENTIAL ASSEMBLY

< UNIT DISASSEMBLY AND ASSEMBLY >

[FRONT FINAL DRIVE: F160A]

- a. Place differential case straight up so that side gear to be measured comes upward.



- b. Using feeler gauge, measure the clearance between side gear back and differential case at 3 different points, while rotating side gear. Average the 3 readings, and then measure the clearance of the other side as well.

Side gear back clearance : Refer to [DLN-157, "Differential Side Gear Clearance"](#).

CAUTION:

To prevent side gear from tilting, insert feeler gauges with the same thickness from both sides.

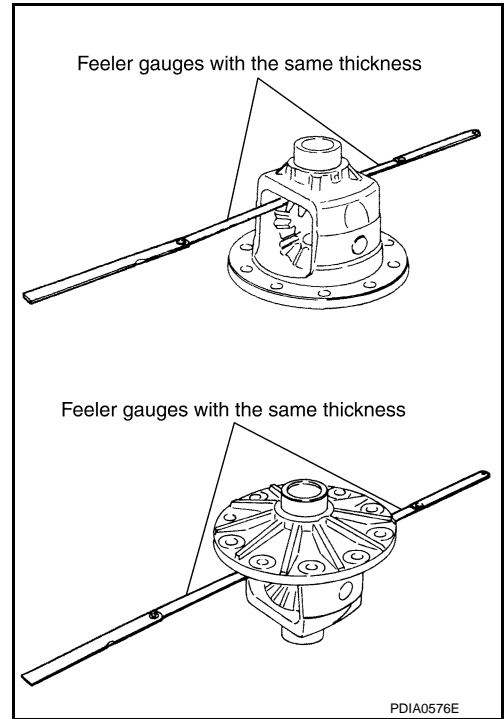
- c. If the back clearance is outside the specification, use a thicker/thinner side gear thrust washer to adjust. For selecting thrust washer, refer to the latest parts information.

When the back clearance is large: Use a thicker thrust washer.

When the back clearance is small: Use a thinner thrust washer.

CAUTION:

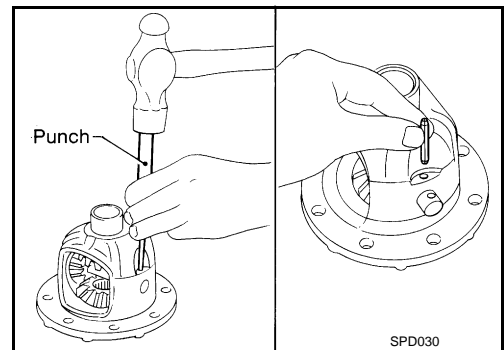
Select a side gear thrust washer for right and left individually.



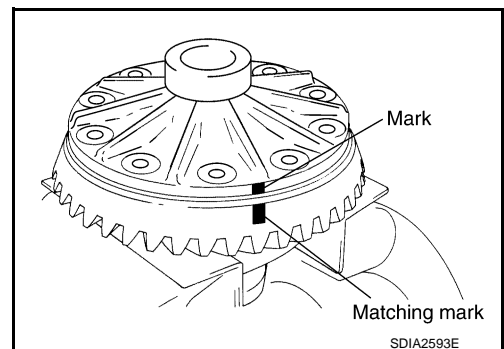
6. Drive a lock pin into pinion mate shaft, using a punch. Make sure lock pin is flush with differential case.

CAUTION:

Never reuse lock pin.



7. Align the matching mark of drive gear with the mark of differential case, then place drive gear.



DIFFERENTIAL ASSEMBLY

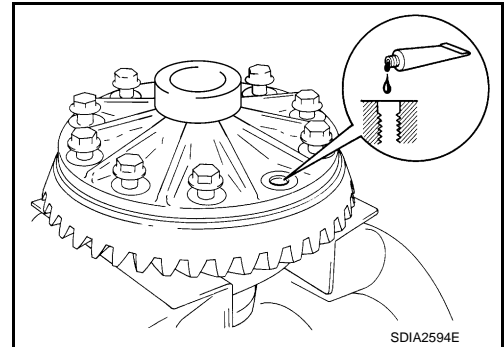
< UNIT DISASSEMBLY AND ASSEMBLY >

[FRONT FINAL DRIVE: F160A]

8. Apply thread locking sealant into the thread hole of drive gear.
- Use **Genuine Medium Strength Thread Locking Sealant or equivalent. Refer to GI-18, "Recommended Chemical Products and Sealants".**

CAUTION:

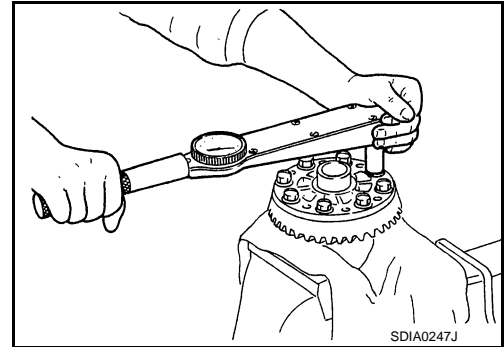
Drive gear back and threaded holes must be cleaned and decreased sufficiently.



9. Install drive gear on the mounting bolts.

CAUTION:

Tighten bolts in a crisscross fashion.



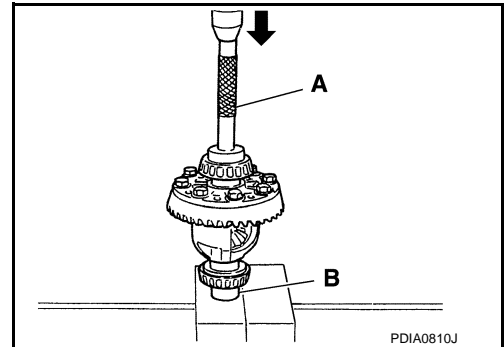
10. Press side bearing inner races to differential case, using the drift and the base.

A: Drift [SST: ST33230000 (J-25805-01)]

B: Base [SST: ST33061000 (J-8107-2)]

CAUTION:

Never reuse side bearing inner race.



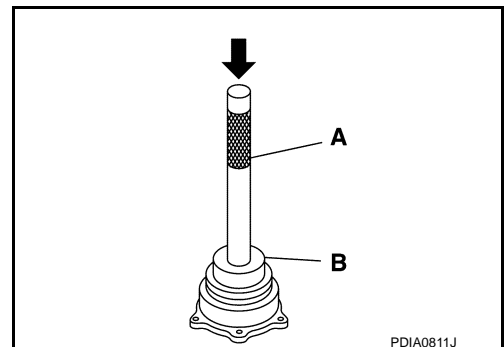
11. Press-fit side bearing outer race into side retainer with the drift and the drift bar.

A: Drift bar [SST: ST30611000 (J-25742-1)]

B: Drift [SST: KV31103000 (J-38982)]

CAUTION:

- At first, using a hammer, tap bearing outer race until it becomes flat to side retainer.
- Never reuse side bearing outer race.



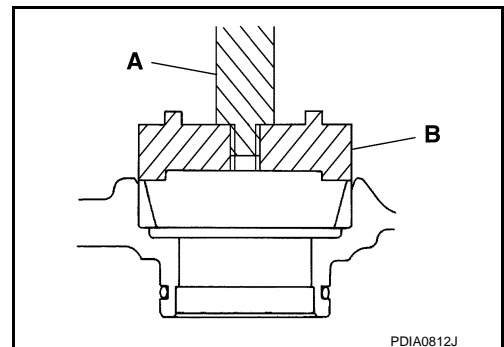
12. Press-fit side bearing outer race into gear carrier with the drift and the drift bar.

A: Drift bar [SST: ST30611000 (J-25742-1)]

B: Drift [SST: KV31103000 (J-38982)]

CAUTION:

- At first, using a hammer, tap bearing outer race until it becomes flat to gear carrier.
- Never reuse side bearing outer race.



A

B

C

DLN

E

F

G

H

I

J

K

L

M

N

O

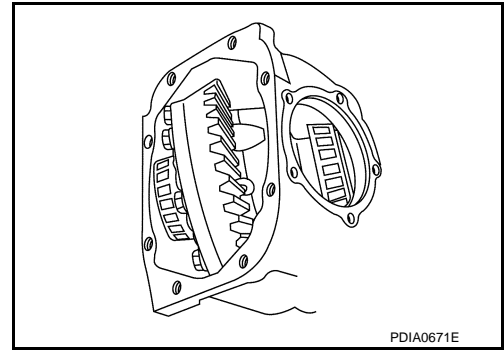
P

DIFFERENTIAL ASSEMBLY

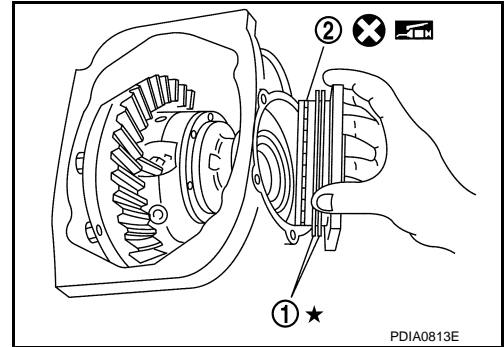
< UNIT DISASSEMBLY AND ASSEMBLY >

[FRONT FINAL DRIVE: F160A]

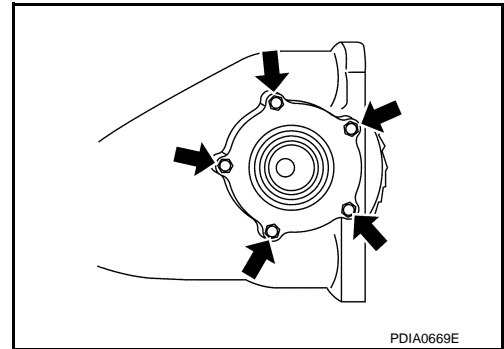
13. Place the differential case assembly into gear carrier.
14. Measure side bearing preload. If necessary, select the appropriate side bearing adjusting shim. Refer to [DLN-141, "Adjustment"](#).



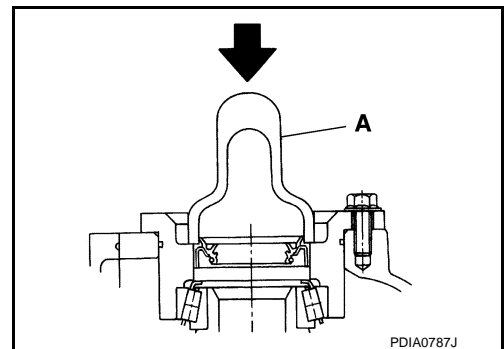
15. Install selected side bearing adjusting shim (1). Refer to [DLN-141, "Adjustment"](#).
16. Apply multi-purpose grease to O-ring (2), and install it to side retainer.
CAUTION:
Never reuse O-ring.
17. Install side retainer assembly to gear carrier.



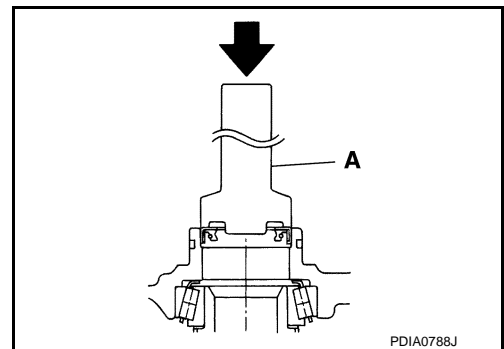
18. Install side retainer mounting bolts.



19. Using the drift (A) [SST: ST33400001 (J-26082)], press-fit side oil seal so that its surface comes face-to-face with the end surface of the side retainer.
CAUTION:
 - Never reuse oil seal.
 - When installing, never incline oil seal.
 - Apply multi-purpose grease onto oil seal lips, and gear oil onto the circumference of oil seal.



20. Using the drift (A) [SST: KV38102100 (J-25803-01)], press-fit side oil seal so that its surface comes face-to-face with the end surface of gear carrier.
CAUTION:
 - Never reuse oil seal.
 - When installing, never incline oil seal.
 - Apply multi-purpose grease onto oil seal lips, and gear oil onto the circumference of oil seal.



21. Apply multi-purpose grease to O-ring, and install it to gear carrier.
CAUTION:

DIFFERENTIAL ASSEMBLY

< UNIT DISASSEMBLY AND ASSEMBLY >

[FRONT FINAL DRIVE: F160A]

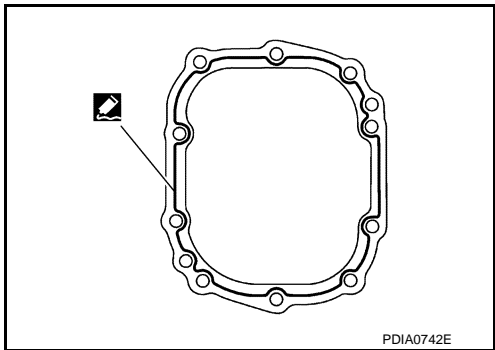
Never reuse O-ring.

22. Check and adjust drive gear runout, tooth contact, drive gear to drive pinion backlash, and total preload torque. Refer to [DLN-141, "Adjustment"](#).
Recheck above items. Readjust as described above, if necessary.

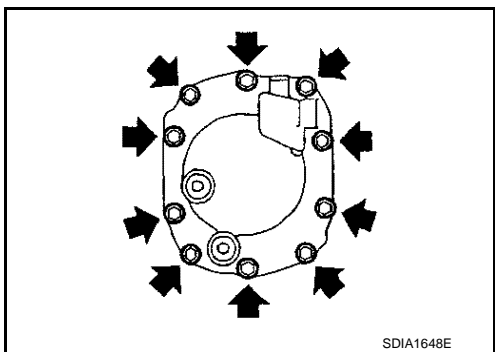
23. Apply sealant to mating surface of carrier cover.
• **Use Genuine Silicone RTV or equivalent. Refer to [GI-18, "Recommended Chemical Products and Sealants"](#).**

CAUTION:

Remove old sealant adhering to mounting surfaces. Also remove any moisture, oil, or foreign material adhering to application and mounting surfaces.



24. Install carrier cover on gear carrier and tighten mounting bolts.

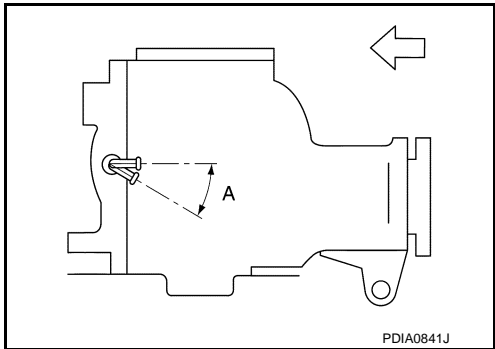


25. Set breather connector angle (A) as shown in the figure.

• VQ37VHR

←: Vehicle front

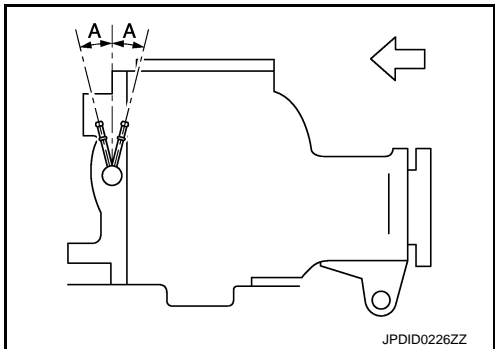
A : 0 – 30°



• VK56VD

←: Vehicle front

A : 0 – 15°



Adjustment

TOTAL PRELOAD TORQUE

• Before inspection and adjustment, drain gear oil.

1. Rotate drive pinion back and forth 2 to 3 times to check for unusual noise and rotation malfunction.

A
B
C
DLN
E
F
G
H
I
J
K
L
M
N
O
P

DIFFERENTIAL ASSEMBLY

< UNIT DISASSEMBLY AND ASSEMBLY >

[FRONT FINAL DRIVE: F160A]

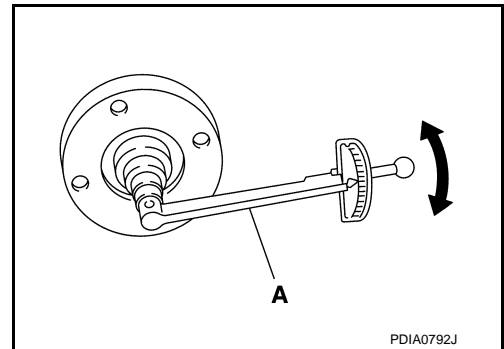
2. Rotate drive pinion at least 20 times to check for smooth operation of the bearing.
3. Measure total preload with preload gauge (A) [SST: ST3127S000 (J-25765-A)].

Total preload torque : Refer to [DLN-157, "Preload Torque"](#).

NOTE:

Total preload torque = Pinion bearing preload torque + Side bearing preload torque

- If measured value is out of the specification, disassemble it to check and adjust each part. Adjust the pinion bearing preload and side bearing preload. Adjust the pinion bearing preload first, then adjust the side bearing preload.



When the preload torque is large

On pinion bearings: Decrease the drive pinion bearing adjusting washer and drive pinion adjusting washer thickness. For selecting adjusting washer, refer to the latest parts information.

On side bearings: Increase the side bearing adjusting shim thickness. For selecting adjusting washer, refer to the latest parts information.

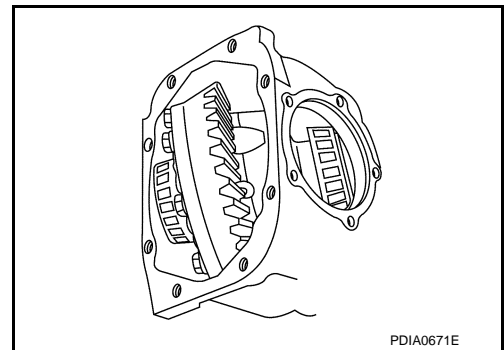
When the preload torque is small

On pinion bearings: Increase the drive pinion bearing adjusting washer and drive pinion adjusting washer thickness. For selecting adjusting washer, refer to the latest parts information.

On side bearings: Decrease the side bearing adjusting shim thickness. For selecting adjusting washer, refer to the latest parts information.

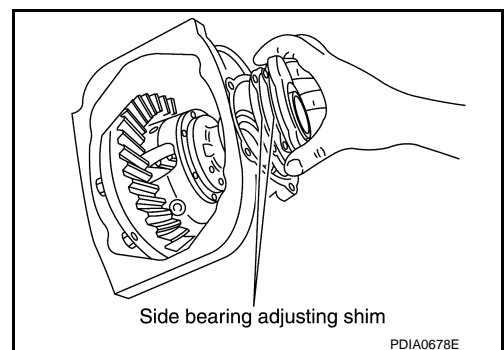
SIDE BEARING PRELOAD

- Before inspection and adjustment, drain gear oil.
1. Remove carrier cover and side retainer. Refer to [DLN-134, "Disassembly"](#).
 2. Make sure all parts are clean. Also, make sure the bearings are well lubricated with gear oil.
 3. Place the differential case assembly into gear carrier.



4. Install side bearing adjusting shim before disassembling or shim which thickness is the same as the one before disassembling.
5. Install side retainer assembly to gear carrier.

CAUTION:
Never install O-ring.

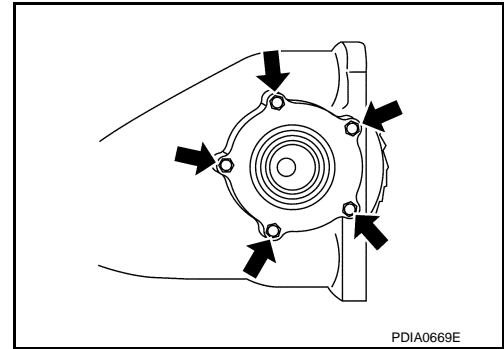


DIFFERENTIAL ASSEMBLY

< UNIT DISASSEMBLY AND ASSEMBLY >

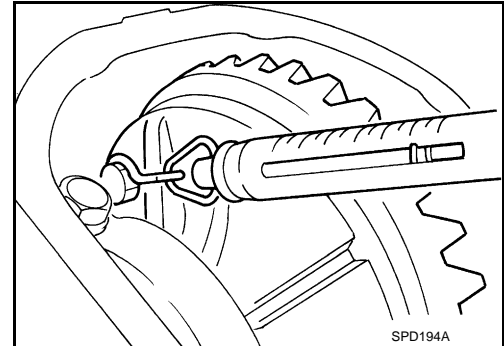
[FRONT FINAL DRIVE: F160A]

6. Install side retainer mounting bolts to the specified torque.



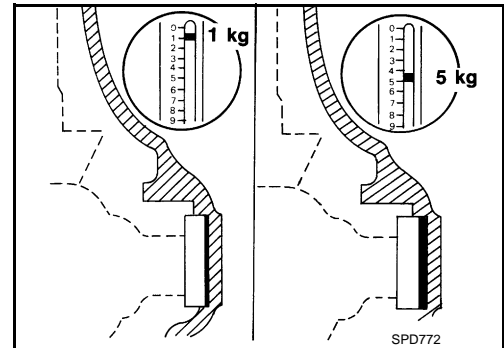
7. Measure the turning torque of the gear carrier at the drive gear mounting bolts with a spring gauge [SST: — (J-8129)].

Specification : 34.2 – 39.2 N (3.5 – 4.0 kg, 7.7 – 8.8 lb) of pulling force at the drive gear bolt



8. If the turning torque is outside the specification, use a thicker/thinner side bearing adjusting shim to adjust. For selecting adjusting washer, refer to the latest parts information.

If the turning torque is less than the specified range:
Decrease the side bearing adjusting shim thickness.
If the turning torque is greater than the specification:
Increase the side bearing adjusting shim thickness.



9. Record the total amount of shim thickness required for the correct carrier side bearing preload.

DRIVE GEAR RUNOUT

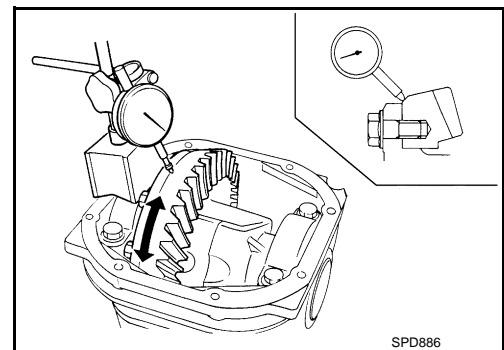
1. Remove carrier cover. Refer to [DLN-134, "Disassembly"](#).
2. Fit a dial indicator to the drive gear back face.
3. Rotate the drive gear to measure runout.

Drive gear runout : Refer to [DLN-157, "Drive Gear Runout"](#).

- If the runout is outside of the repair limit, check drive gear assembly condition; foreign material may be caught between drive gear and differential case, or differential case or drive gear may be deformed, etc.

CAUTION:

Replace drive gear and drive pinion gear as a set.



TOOTH CONTACT

Before inspection and adjustment, drain gear oil.

1. Remove carrier cover. Refer to [DLN-134, "Disassembly"](#).

A
B
C
DLN
E
F
G
H
I
J
K
L
M
N
O
P

DIFFERENTIAL ASSEMBLY

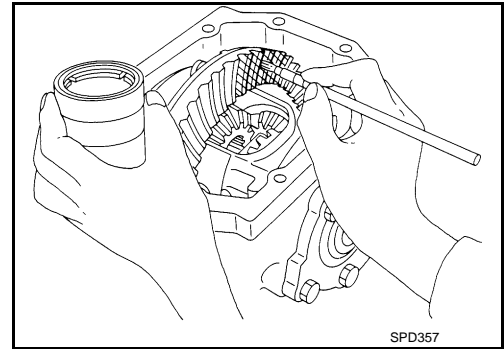
< UNIT DISASSEMBLY AND ASSEMBLY >

[FRONT FINAL DRIVE: F160A]

2. Apply red lead to drive gear.

CAUTION:

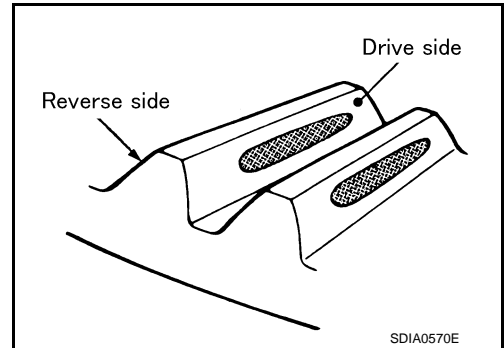
Apply red lead to both the faces of 3 to 4 gears at 4 locations evenly spaced on drive gear.



3. Rotate drive gear back and forth several times, check drive pinion gear to drive gear tooth contact.

CAUTION:

Check tooth contact on drive side and reverse side.



DIFFERENTIAL ASSEMBLY

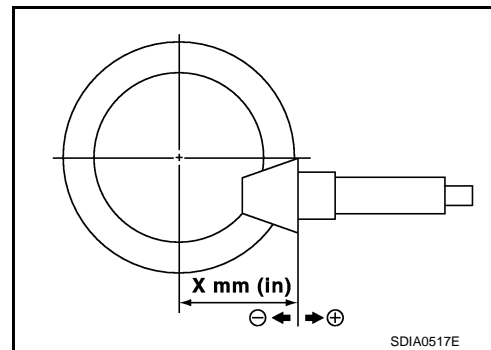
< UNIT DISASSEMBLY AND ASSEMBLY >

[FRONT FINAL DRIVE: F160A]

Tooth contact pattern				Pinion height adjusting washer selection value [mm (in)]	Adjustment requirement (Yes/No)
Back side		Drive side			
Heel side	Toe side	Toe side	Heel side		
				+0.15 (+0.0059)	Yes
				+0.12 (+0.0047)	
				+0.09 (+0.0035)	
				+0.06 (+0.0024)	No
				+0.03 (+0.0012)	
				0	
				-0.03 (-0.0012)	
				-0.06 (-0.0024)	
				-0.09 (-0.0035)	
				-0.12 (-0.0047)	Yes
				-0.15 (-0.0059)	

PDIA0667E

4. If tooth contact is improperly adjusted, follow the procedure below to adjust the pinion height [dimension (X)].

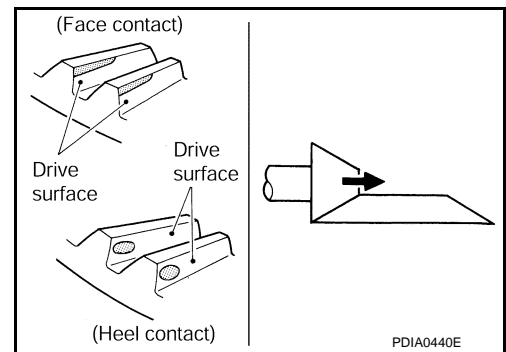


DIFFERENTIAL ASSEMBLY

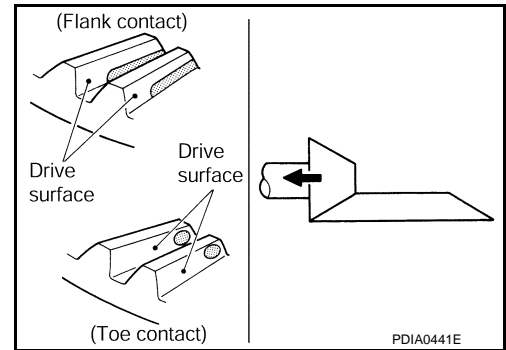
< UNIT DISASSEMBLY AND ASSEMBLY >

[FRONT FINAL DRIVE: F160A]

- If the tooth contact is near the face (face contact), or near the heel (heel contact), thicken pinion height adjusting washers to move drive pinion closer to drive gear.
For selecting adjusting washer, refer to the latest parts information.



- If the tooth contact is near the flank (flank contact), or near the toe (toe contact), thin pinion height adjusting washers to move drive pinion farther from drive gear.
For selecting adjusting washer, refer to the latest parts information.



BACKLASH

Before inspection and adjustment, drain gear oil.

1. Remove carrier cover. Refer to [DLN-134, "Disassembly"](#).
2. Fit a dial indicator to the drive gear face to measure the backlash.

Backlash : Refer to [DLN-157, "Backlash"](#).

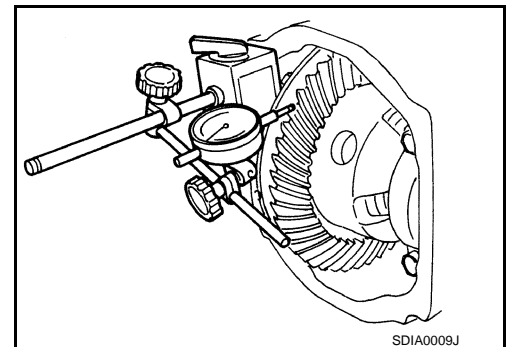
- If the backlash is outside of the specified value, change the thickness of side bearing adjusting washer.

When the backlash is large:

**Decrease side bearing adjusting washer thickness.
For selecting adjusting washer, refer to the latest parts information.**

When the backlash is small:

Increase side bearing adjusting washer thickness. For selecting adjusting washer, refer to the latest parts information.



Inspection

INFOID:000000006044655

INSPECTION AFTER DISASSEMBLY

Drive Gear and Drive Pinion

- Clean up the disassembled parts.
- If the gear teeth never mesh or line-up correctly, determine the cause and adjust or replace as necessary.
- If the gears are worn, cracked, damaged, pitted or chipped (by friction) noticeably, replace with new drive gear and drive pinion as a set.

Bearing

- Clean up the disassembled parts.
- If any chipped (by friction), pitted, worn, rusted or scratched marks, or unusual noise from the bearing is observed, replace as a bearing assembly (as a new set).

DIFFERENTIAL ASSEMBLY

< UNIT DISASSEMBLY AND ASSEMBLY >

[FRONT FINAL DRIVE: F160A]

Side Gear and Pinion Mate Gear

- Clean up the disassembled parts.
- If any cracks or damage on the surface of the tooth is found, replace.
- If any worn or chipped mark on the contact sides of the thrust washer is found, replace.

A

Side Gear Thrust Washer and Pinion Mate Thrust Washer

- Clean up the disassembled parts.
- If it is chipped (by friction), damaged, or unusually worn, replace.

B

Oil Seal

- Whenever disassembled, replace.
- If wear, deterioration of adherence (sealing force lips), or damage is detected on the lips, replace them.

C

Differential Case

- Clean up the disassembled parts.
- If any wear or crack on the contact sides of the differential case is found, replace.

DLN

Companion Flange

- Clean up the disassembled parts.
- If any chipped mark [about 0.1 mm, (0.004 in)] or other damage on the contact sides of the lips of the companion flange is found, replace.

E

F

G

H

I

J

K

L

M

N

O

P

DRIVE PINION

< UNIT DISASSEMBLY AND ASSEMBLY >

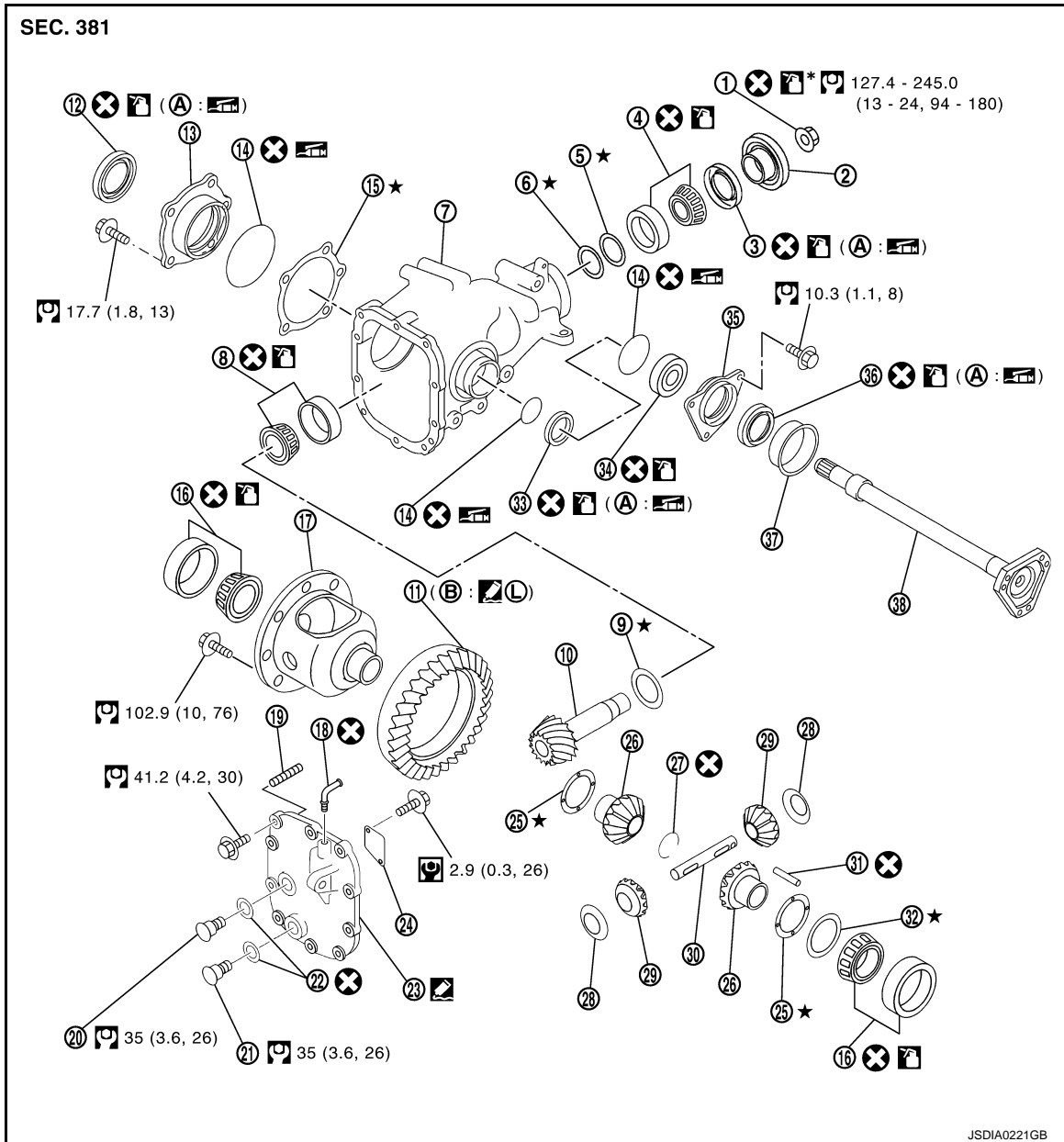
[FRONT FINAL DRIVE: F160A]

DRIVE PINION

Exploded View

INFOID:00000006044656

VQ37VHR



- | | | |
|-------------------------------|--|-----------------------------------|
| 1. Drive pinion lock nut | 2. Companion flange | 3. Front oil seal |
| 4. Pinion front bearing | 5. Drive pinion bearing adjusting washer | 6. Drive pinion adjusting washer |
| 7. Gear carrier | 8. Pinion rear bearing | 9. Pinion height adjusting washer |
| 10. Drive pinion | 11. Drive gear | 12. Side oil seal (right side) |
| 13. Side retainer | 14. O-ring | 15. Side bearing adjusting shim |
| 16. Side bearing | 17. Differential case | 18. Breather connector |
| 19. Dowel pin | 20. Filler plug | 21. Drain plug |
| 22. Gasket | 23. Carrier cover | 24. Gear oil defense |
| 25. Side gear thrust washer | 26. Side gear | 27. Circular clip |
| 28. Pinion mate thrust washer | 29. Pinion mate gear | 30. Pinion mate shaft |

DRIVE PINION

< UNIT DISASSEMBLY AND ASSEMBLY >

[FRONT FINAL DRIVE: F160A]

- | | | |
|------------------------|-----------------------------------|-------------------------------|
| 31. Lock pin | 32. Side bearing adjusting washer | 33. Side oil seal (left side) |
| 34. Side shaft bearing | 35. Extension tube retainer | 36. Side shaft oil seal |
| 37. Dust seal | 38. Side shaft | |
| A: Oil seal lip | B: Screw hole | |

: Apply gear oil.

: Apply anti-corrosion oil.

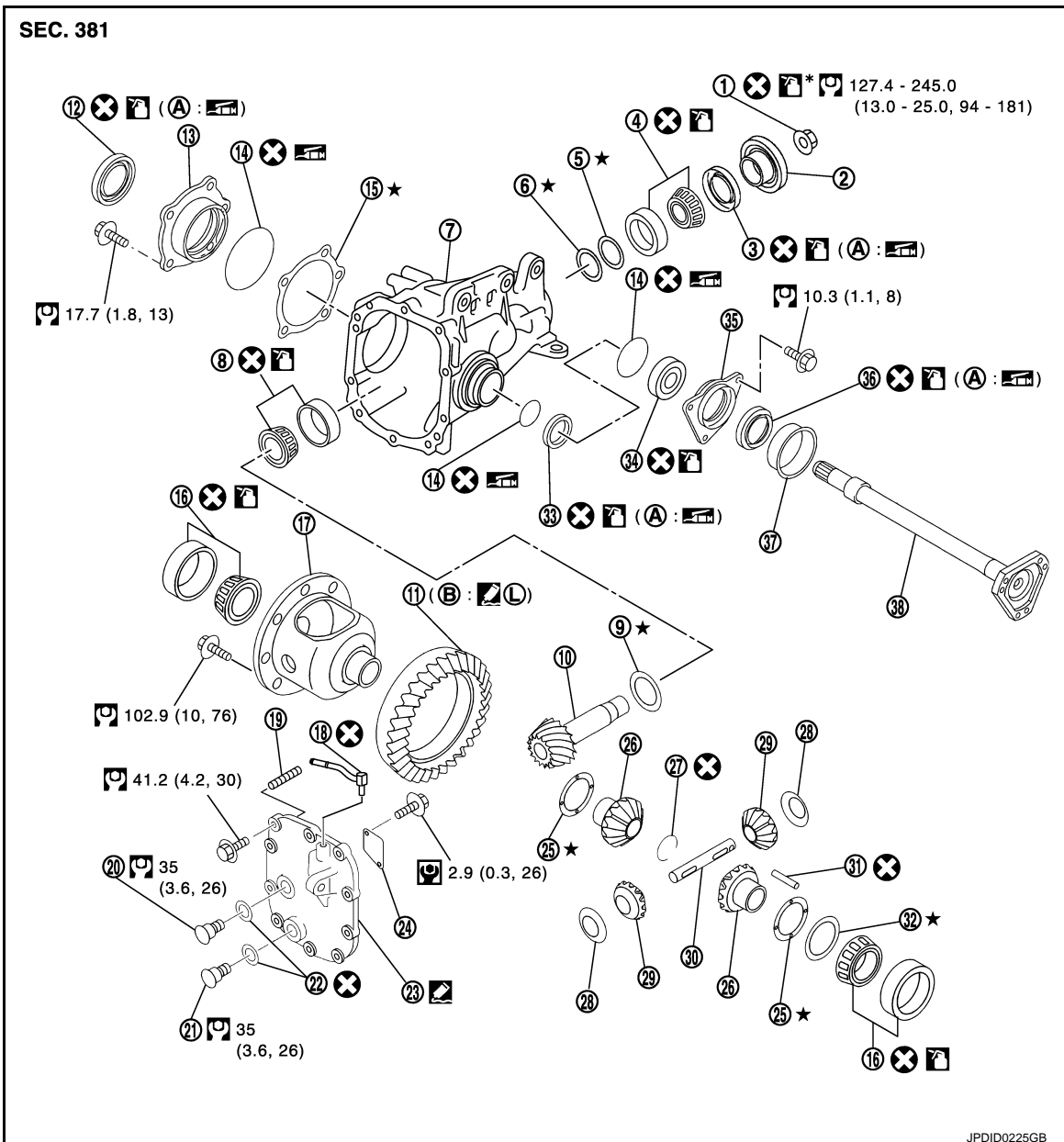
: Apply multi-purpose grease.

: Apply Genuine Silicone RTV or equivalent. Refer to [GI-18, "Recommended Chemical Products and Sealants"](#).

: Apply Genuine Medium Strength Thread Locking Sealant or equivalent. Refer to [GI-18, "Recommended Chemical Products and Sealants"](#).

Refer to [GI-4, "Components"](#) for symbols not described above.

VK56VD





DRIVE PINION


< UNIT DISASSEMBLY AND ASSEMBLY >

[FRONT FINAL DRIVE: F160A]


- | | | |
|-------------------------------|--|-----------------------------------|
| 1. Drive pinion lock nut | 2. Companion flange | 3. Front oil seal |
| 4. Pinion front bearing | 5. Drive pinion bearing adjusting washer | 6. Drive pinion adjusting washer |
| 7. Gear carrier | 8. Pinion rear bearing | 9. Pinion height adjusting washer |
| 10. Drive pinion | 11. Drive gear | 12. Side oil seal (right side) |
| 13. Side retainer | 14. O-ring | 15. Side bearing adjusting shim |
| 16. Side bearing | 17. Differential case | 18. Breather connector |
| 19. Dowel pin | 20. Filler plug | 21. Drain plug |
| 22. Gasket | 23. Carrier cover | 24. Gear oil defense |
| 25. Side gear thrust washer | 26. Side gear | 27. Circular clip |
| 28. Pinion mate thrust washer | 29. Pinion mate gear | 30. Pinion mate shaft |
| 31. Lock pin | 32. Side bearing adjusting washer | 33. Side oil seal (left side) |
| 34. Side shaft bearing | 35. Extension tube retainer | 36. Side shaft oil seal |
| 37. Dust seal | 38. Side shaft | |
| A: Oil seal lip | B: Screw hole | |

: Apply gear oil.

*: Apply anti-corrosion oil.

: Apply multi-purpose grease.

: Apply Genuine Silicone RTV or equivalent. Refer to [GI-18, "Recommended Chemical Products and Sealants"](#).

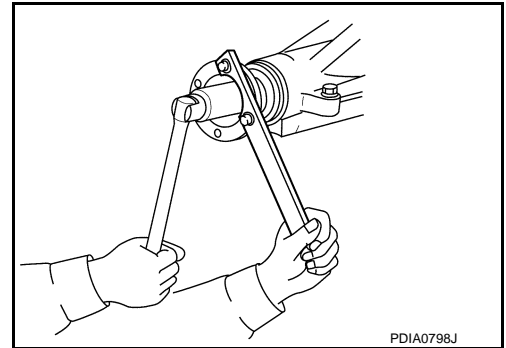
L: Apply Genuine Medium Strength Thread Locking Sealant or equivalent. Refer to [GI-18, "Recommended Chemical Products and Sealants"](#).

Refer to [GI-4, "Components"](#) for symbols not described above.

Disassembly

INFOID:000000006044657

1. Remove differential case assembly. Refer to [DLN-134, "Disassembly"](#).
2. Remove drive pinion lock nut with a flange wrench.



3. Put matching mark (B) on the end of drive pinion. The matching mark should be in line with the matching mark (A) on companion flange (1).

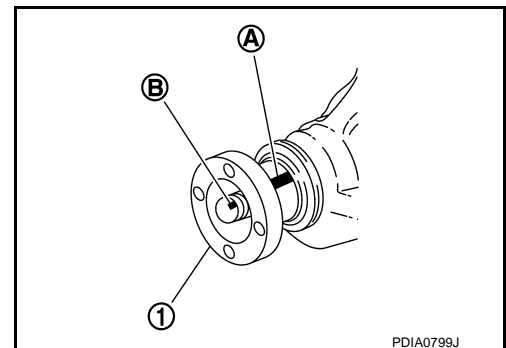
CAUTION:

For matching mark, use paint. Never damage companion flange and drive pinion.

NOTE:

The matching mark (A) on the final drive companion flange (1) indicates the maximum vertical runout position.

When replacing companion flange, matching mark is not necessary.

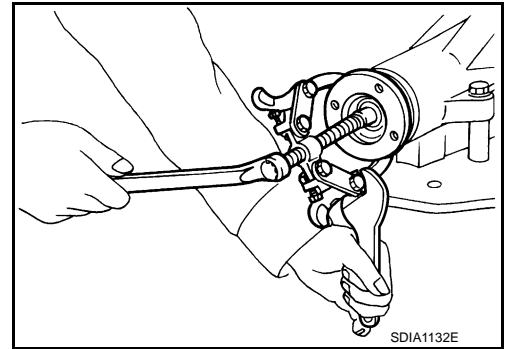


DRIVE PINION

< UNIT DISASSEMBLY AND ASSEMBLY >

[FRONT FINAL DRIVE: F160A]

4. Remove companion flange using the suitable puller.

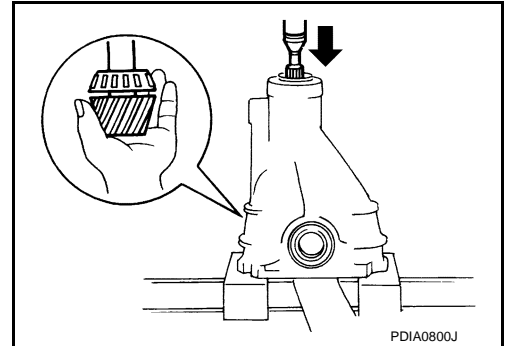


5. Press drive pinion assembly out of gear carrier.

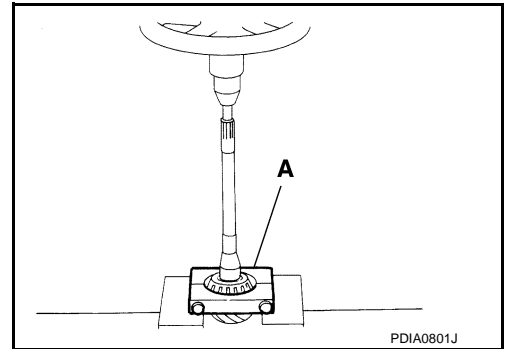
CAUTION:

Never drop drive pinion assembly.

6. Remove front oil seal.
7. Remove pinion front bearing inner race.
8. Remove drive pinion bearing adjusting washer and drive pinion adjusting washer.



9. Remove pinion rear bearing inner race and pinion height adjusting washer with replacer (A) (commercial service tool).

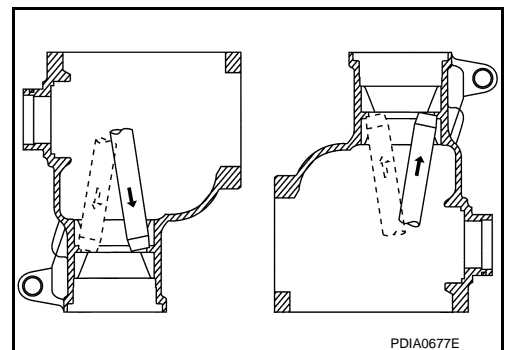


10. Tap pinion front/rear bearing outer races uniformly a brass rod or equivalent to removed.

CAUTION:

Never damage gear carrier.

11. Perform inspection after disassembly. Refer to [DLN-156](#). "[Inspection](#)".



A
B
C
DLN
E
F
G
H
I
J
K
L
M
N
O
P

DRIVE PINION

< UNIT DISASSEMBLY AND ASSEMBLY >

[FRONT FINAL DRIVE: F160A]

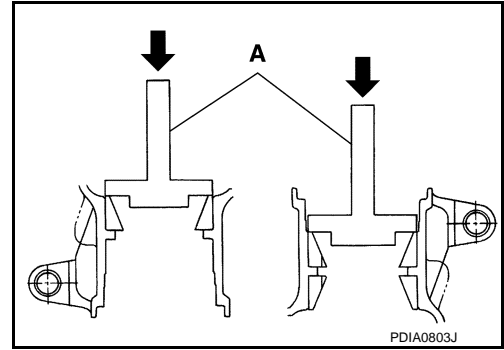
INFOID:00000006044658

Assembly

1. Install pinion front and rear bearing outer races using drift (A) [SST: ST37820000 (—)].

CAUTION:

- At first, using a hammer, tap bearing outer race until it becomes flat to gear carrier.
- Never reuse pinion front and rear bearing outer race.



2. Temporarily install pinion height adjusting washer (1).

When hypoid gear set has been replaced

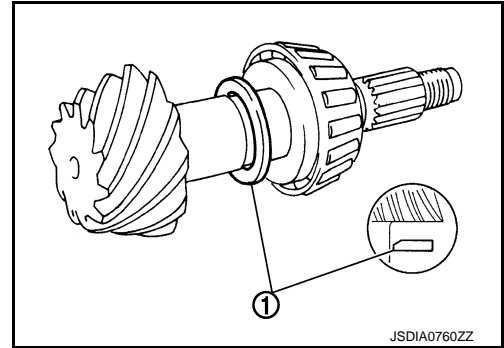
- Select pinion height adjusting washer. Refer to [DLN-154](#), "Adjustment".

When hypoid gear set has been reused

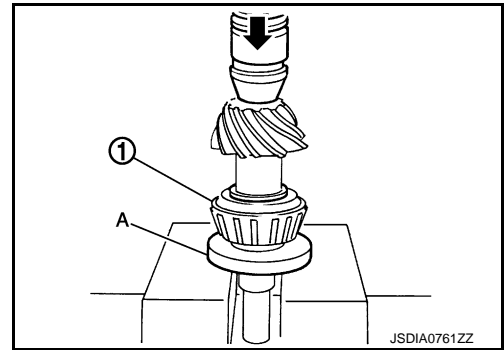
- Temporarily install the removed pinion height adjusting washer or same thickness washer to drive pinion.

CAUTION:

- Pay attention to the direction of pinion height adjusting washer. (Assemble as shown in the figure.)
- Never reuse pinion rear bearing inner race.



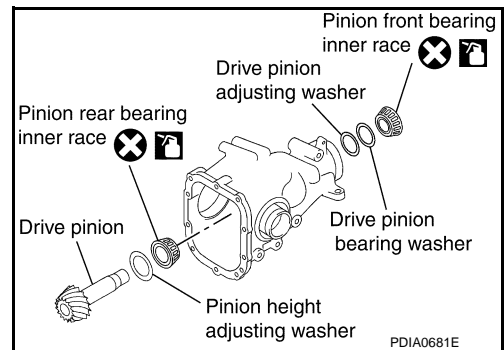
3. Install pinion rear bearing inner race (1) to drive pinion with the drift (A) [SST: ST30032000 (J-26010-01)].



4. Temporarily assemble removed drive pinion adjusting washer and drive pinion bearing adjusting washer or same thickness of them to drive pinion.
5. Apply gear oil to pinion rear bearing, and assemble drive pinion into gear carrier.
6. Apply gear oil to pinion front bearing, and assemble pinion front bearing inner race to drive pinion assembly.

CAUTION:

- Never reuse pinion front bearing inner race.

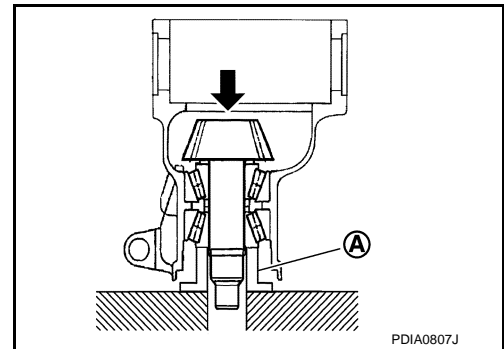


DRIVE PINION

< UNIT DISASSEMBLY AND ASSEMBLY >

[FRONT FINAL DRIVE: F160A]

- Using suitable spacer (A), press the pinion front bearing inner race to drive pinion as far as drive pinion nut can be tightened.
- Adjust pinion bearing preload. If necessary, select the appropriate drive pinion adjusting washer and drive pinion bearing adjusting washer. Refer to [DLN-154, "Adjustment"](#).



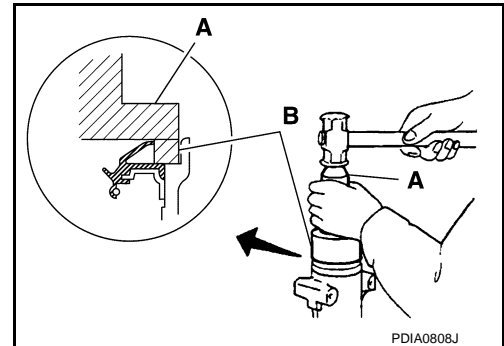
- Using the drifts, install front oil seal as shown in figure.

A: Drift [SST: ST33400001 (J-26082)]

B: Drift [SST: KV38102510 (—)]

CAUTION:

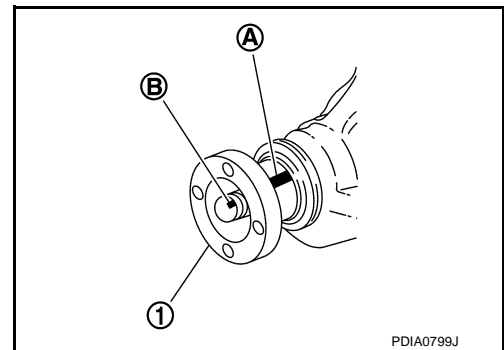
- Never reuse oil seal.
- When installing, never incline oil seal.
- Apply multi-purpose grease onto oil seal lips, and gear oil onto the circumference of oil seal.



- Install companion flange (1).

NOTE:

When reusing drive pinion, align the matching mark (B) of drive pinion with the matching mark (A) of companion flange, and then install companion flange (1).



- Apply anti-corrosion oil to the thread and seat of new drive pinion lock nut, and temporarily tighten drive pinion lock nut to drive pinion.

CAUTION:

Never reuse drive pinion lock nut.

- Tighten to drive pinion lock nut, while adjusting pinion bearing preload torque.

A: Preload gauge [SST: ST3127S000 (J-25765-A)]

Pinion bearing preload : Refer to [DLN-157, "Pre-load Torque"](#).

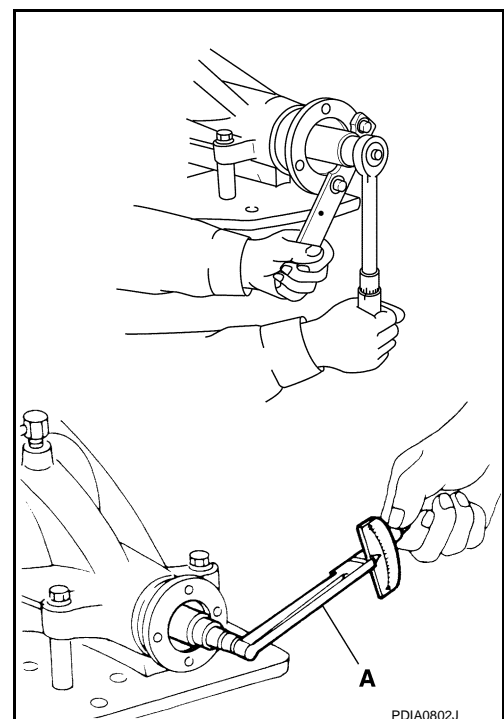
CAUTION:

- Adjust to the lower limit of the drive pinion lock nut tightening torque first.
- After adjustment, rotate drive pinion back and forth 2 to 3 times to check for unusual noise, rotation malfunction, and other malfunctions.

- Install differential case assembly. Refer to [DLN-137, "Assembly"](#).

CAUTION:

Never install carrier cover yet.



DRIVE PINION

< UNIT DISASSEMBLY AND ASSEMBLY >

[FRONT FINAL DRIVE: F160A]

14. Check and adjust drive gear runout, tooth contact, drive gear to drive pinion backlash, and companion flange runout. Refer to [DLN-141, "Adjustment"](#) and [DLN-154, "Adjustment"](#).
Recheck above items. Readjust the above description, if necessary.
15. Check total preload torque. Refer to [DLN-141, "Adjustment"](#).
16. Install carrier cover. Refer to [DLN-137, "Assembly"](#).

Adjustment

INFOID:000000006044659

PINION GEAR HEIGHT

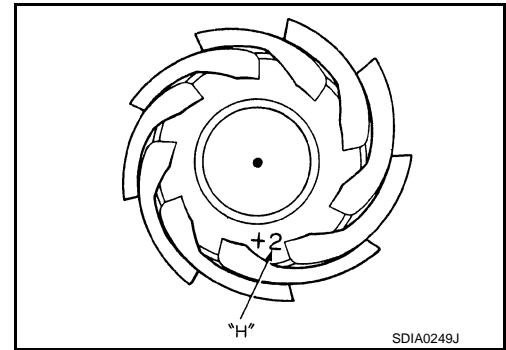
If the hypoid gear set has been replaced, select the pinion height adjusting washer.

1. Use the formula below to calculate pinion height adjusting washer thickness.

Washer selection equation:

$$T = T_0 + (t_1 - t_2)$$

- T:** Correct washer thickness
T₀: Removed washer thickness
t₁: Old drive pinion head letter "H × 0.01"
("H": machined tolerance 1/100 mm × 100)
t₂: New drive pinion head letter "H × 0.01"
("H": machined tolerance 1/100 mm × 100)



Example:

$$T = 3.21 + [(2 \times 0.01) - (-1 \times 0.01)] = 3.24$$

- T₀:** 3.21
t₁: +2
t₂: -1

2. Select the proper pinion height adjusting washer. For selecting adjusting washer, refer to the latest parts information.
If unable to find a washer of desired thickness, use a washer with thickness closest to the calculated value.

Example:

Calculated value... T = 3.22 mm

Used washer... T = 3.21 mm

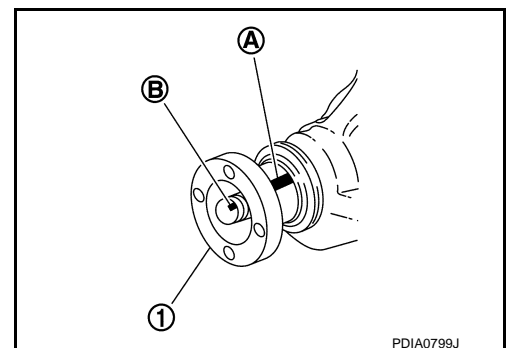
PINION BEARING PRELOAD

Assemble the drive pinion parts if they are disassembled. Refer to [DLN-152, "Assembly"](#).

1. Make sure all parts are clean. Also, make sure the bearings are well lubricated with gear oil.
2. Install companion flange (1).

NOTE:

When reusing drive pinion, align the matching mark (B) of drive pinion with the matching mark (A) of companion flange, and then install companion flange (1).



DRIVE PINION

< UNIT DISASSEMBLY AND ASSEMBLY >

[FRONT FINAL DRIVE: F160A]

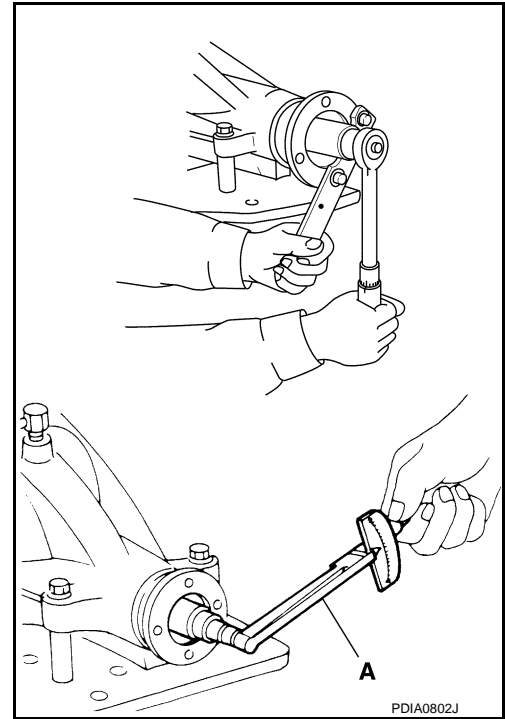
- Temporarily tighten removed drive pinion lock nut to drive pinion.
NOTE:
Use removed drive pinion lock nut only for the preload measurement.
- Rotate drive pinion at least 20 times to check for smooth operation of the bearing.
- Tighten to drive pinion lock nut, while adjust pinion bearing preload torque.

A: Preload gauge [SST: ST3127S000 (J-25765-A)]

Pinion bearing preload : Refer to [DLN-157, "Pre-load Torque"](#).

CAUTION:

- Adjust to the lower limit of the drive pinion lock nut tightening torque first.
 - After adjustment, rotate drive pinion back and forth 2 to 3 times to check for unusual noise, rotation malfunction, and other malfunctions.
- If the pinion bearing preload torque is outside the specification, use a thicker/thinner drive pinion bearing adjusting washer and drive pinion adjusting washer to adjust.



When the preload torque is large:

Decrease the drive pinion bearing adjusting washer and drive pinion adjusting washer thickness. For selecting adjusting washer, refer to the latest parts information.

When the preload is small:

Increase the drive pinion bearing adjusting washer and drive pinion adjusting washer thickness. For selecting adjusting washer, refer to the latest parts information.

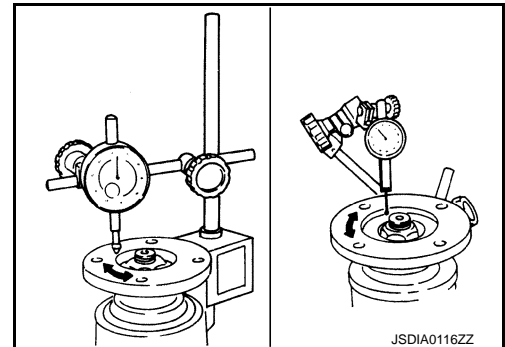
- Remove companion flange, after adjustment.

COMPANION FLANGE RUNOUT

- Fit a dial indicator onto the companion flange face (inner side of the propeller shaft mounting bolt holes).
- Rotate companion flange to check for runout.

Companion flange runout : Refer to [DLN-157, "Companion Frange Runout"](#).

- Fit a test indicator to the inner side of companion flange (socket diameter).
- Rotate companion flange to check for runout.



Companion flange runout : Refer to [DLN-157, "Companion Frange Runout"](#).

- If the runout value is outside the runout limit, follow the procedure below to adjust.
 - Check for runout while changing the phase between companion flange and drive pinion by 90° step, and search for the position where the runout is the minimum.
 - If the runout value is still outside of the limit after the phase has been changed, possible cause will be an assembly malfunction of drive pinion and pinion bearing and malfunction of pinion bearing. Check for these items and repair if necessary.
 - If the runout value is still outside of the limit after the check and repair, replace companion flange.

Inspection

INFOID:00000006044660

INSPECTION AFTER DISASSEMBLY

Drive Gear and Drive Pinion

- Clean up the disassembled parts.
- If the gear teeth never mesh or line-up correctly, determine the cause and adjust or replace as necessary.
- If the gears are worn, cracked, damaged, pitted or chipped (by friction) noticeably, replace with new drive gear and drive pinion as a set.

Bearing

- Clean up the disassembled parts.
- If any chipped (by friction), pitted, worn, rusted or scratched marks, or unusual noise from the bearing is observed, replace as a bearing assembly (as a new set).

Side Gear and Pinion Mate Gear

- Clean up the disassembled parts.
- If any cracks or damage on the surface of the tooth is found, replace.
- If any worn or chipped mark on the contact sides of the thrust washer is found, replace.

Side Gear Thrust Washer and Pinion Mate Thrust Washer

- Clean up the disassembled parts.
- If it is chipped (by friction), damaged, or unusually worn, replace.

Oil Seal

- Whenever disassembled, replace.
- If wear, deterioration of adherence (sealing force lips), or damage is detected on the lips, replace them.

Differential Case

- Clean up the disassembled parts.
- If any wear or crack on the contact sides of the differential case is found, replace.

Companion Flange

- Clean up the disassembled parts.
- If any chipped mark [about 0.1 mm, (0.004 in)] or other damage on the contact sides of the lips of the companion flange is found, replace.

SERVICE DATA AND SPECIFICATIONS (SDS)

< SERVICE DATA AND SPECIFICATIONS (SDS)

[FRONT FINAL DRIVE: F160A]

SERVICE DATA AND SPECIFICATIONS (SDS)

SERVICE DATA AND SPECIFICATIONS (SDS)

General Specifications

INFOID:000000006044661

		AWD	
Applied model		VQ37VHR	VK56VD
		A/T	
Final drive model		F160A	
Gear ratio		3.357	2.611
Number of teeth (Drive gear/Drive pinion)		47/14	47/18
Oil capacity (Approx.)	ℓ (US pt, Imp pt)	0.65 (1-3/8, 1-1/8)	
Number of pinion gears		2	
Drive pinion adjustment spacer type		Solid	

Drive Gear Runout

INFOID:000000006044662

Unit: mm (in)

Item	Limit
Drive gear back face runout	0.05 (0.0020)

Differential Side Gear Clearance

INFOID:000000006044663

Unit: mm (in)

Item	Standard
Side gear backlash (Clearance between side gear and differential case)	0.2 (0.008) or less (Each gear should rotate smoothly without excessive resistance during differential motion.)

Preload Torque

INFOID:000000006044664

Unit: N-m (kg-m, in-lb)

Item	Standard
Pinion bearing (P1)	0.78 – 1.57 (0.08 – 0.16, 7 – 13)
Side bearing (P2)	0.78 – 1.08 (0.08 – 0.11, 7 – 9)
Side bearing to pinion bearing (Total preload) (Total preload = P1 + P2)	1.56 – 2.65 (0.16 – 0.27, 14 – 23)

Backlash

INFOID:000000006044665

Unit: mm (in)

Item	Standard
Drive gear to drive pinion gear	0.10 – 0.15 (0.0039 – 0.0059)

Companion Frange Runout

INFOID:000000006044666

Unit: mm (in)

Item	Limit
Companion flange face runout	0.18 (0.0071)
Inner side of the companion flange runout	0.13 (0.0051)

PRECAUTION

PRECAUTIONS

Service Notice or Precations for Rear Final Drive

INFOID:000000006044667

- Check for the correct installation status prior to removal or disassembly. If matching marks are required, be certain they never interfere with the function of the parts when applied.
- Overhaul should be done in a clean work area, it is preferable to work in dustproof area.
- Before disassembly, using steam or white gasoline, completely remove sand and mud from the exterior of the unit, preventing them from entering into the unit during disassembly or assembly.
- Check appearance of the disassembled parts for damage, deformation, and unusual wear. Replace them with a new ones if necessary.
- Gaskets, seals and O-rings should be replaced any time when the unit is disassembled.
- In principle, tighten bolts or nuts gradually in several steps working diagonally from inside to outside. If tightening sequence is specified, observe it.
- Clean and flush the parts sufficiently and blow-dry them.
- Be careful not to damage sliding surfaces and mating surfaces.
- When applying sealant, remove the old sealant from the mounting surface; then remove any moisture, oil, and foreign materials from the application and mounting surfaces.
- Always use shop paper for cleaning the inside of components.
- Never use cotton gloves or shop rags to prevent entering of lint.
- During assembly, observe the specified tightening torque, and apply new gear oil, petroleum jelly, or multi-purpose grease as specified for each vehicle, if necessary.

PREPARATION

< PREPARATION >

[REAR FINAL DRIVE: R200]

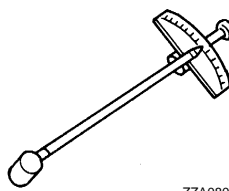
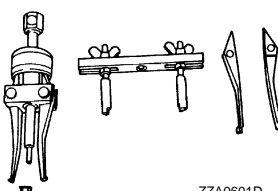
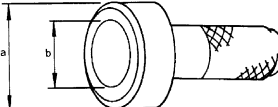
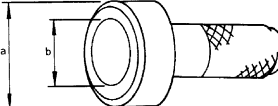
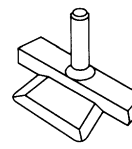
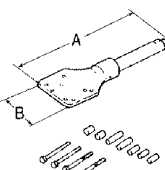
PREPARATION

PREPARATION

Special Service Tools

INFOID:000000006044668

The actual shapes of Kent-Moore tools may differ from those of special service tools illustrated here.

Tool number (Kent-Moore No.) Tool name	Description
<p>ST3127S000 (J-25765-A) Preload gauge</p>  <p style="text-align: center;">ZZA0806D</p>	<p>Measuring pinion bearing preload and total preload</p>
<p>KV381054S0 (J-34286) Puller</p>  <p style="text-align: center;">ZZA0601D</p>	<p>Removing front oil seal</p>
<p>ST30720000 (J-25405) Drift a: 77 mm (3.03 in) dia. b: 55.5 mm (2.185 in) dia.</p>  <p style="text-align: center;">ZZA0811D</p>	<ul style="list-style-type: none"> • Installing front oil seal • Installing pinion rear bearing outer race
<p>ST35271000 (J-26091) Drift a: 72 mm (2.83 in) dia. b: 63 mm (2.48 in) dia.</p>  <p style="text-align: center;">ZZA0811D</p>	<p>Installing side oil seal</p>
<p>KV10111100 (J-37228) Seal cutter</p>  <p style="text-align: center;">S-NT046</p>	<p>Removing rear cover</p>
<p>KV38100800 (J-25604-01) Attachment A: 541 mm (21.30 in) B: 200 mm (7.87 in)</p>  <p style="text-align: center;">SDIA0267E</p>	<p>Fixing unit assembly</p>

A

B

C

DLN

E

F

G

H

I

J

K

L

M

N

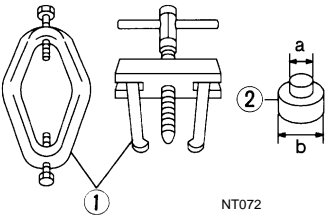
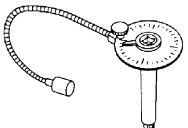
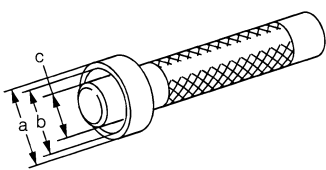
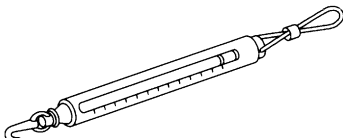
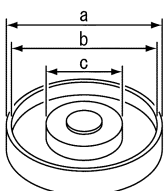
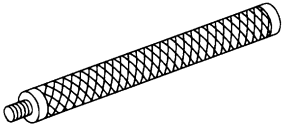
O

P

PREPARATION

< PREPARATION >

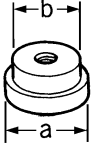
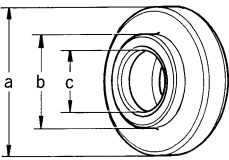


[REAR FINAL DRIVE: R200]

Tool number (Kent-Moore No.) Tool name	Description
<p>ST3306S001 (J-22888-D) Differential side bearing puller set 1: ST33051001 (J-22888-20) Puller 2: ST33061000 (J-8107-2) Base a: 28.5 mm (1.122 in) dia. b: 38 mm (1.50 in) dia.</p>	 <p style="text-align: center;">NT072</p> <p>Removing and installing side bearing inner race</p>
<p>KV10112100 (BT-8653-A) Angle wrench</p>	 <p style="text-align: center;">ZZA0120D</p> <p>Tightening the drive gear mounting bolt</p>
<p>KV38100300 (J-25523) Drift a: 54 mm (2.13 in) dia. b: 46 mm (1.81 in) dia. c: 32 mm (1.26 in) dia.</p>	 <p style="text-align: center;">ZZA1046D</p> <p>Installing side bearing inner race</p>
<p>(J-8129) Spring gauge</p>	 <p style="text-align: center;">NT127</p> <p>Measuring turning torque</p>
<p>KV40105230 (—) Drift a: 92 mm (3.62 in) dia. b: 86 mm (3.39 in) dia. c: 45 mm (1.77 in) dia.</p>	 <p style="text-align: center;">PDIA0591E</p> <p>Installing pinion rear bearing outer race</p>
<p>ST30611000 (J-25742-1) Drift bar</p>	 <p style="text-align: center;">S-NT090</p> <p>Installing pinion front bearing outer race (Use with ST30613000)</p>

PREPARATION

< PREPARATION >

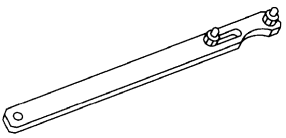
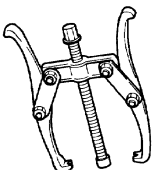
[REAR FINAL DRIVE: R200]

Tool number (Kent-Moore No.) Tool name	Description	
ST30613000 (J-25742-3) Drift a: 72 mm (2.83 in) dia. b: 48 mm (1.89 in) dia.		ZZA1000D
ST30901000 (J-26010-01) Drift a: 79 mm (3.11 in) dia. b: 45 mm (1.77 in) dia. c: 35.2 mm (1.386 in) dia.		ZZA0978D
(J-34309) Differential shim selector tool		NT134
(J-25269-4) Side bearing disc (2 Req'd)		NT136

A
B
C
DLN

Commercial Service Tools

INFOID:000000006044669


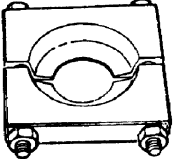
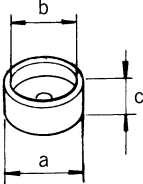
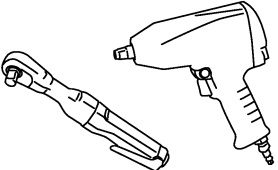
Tool name	Description	
Flange wrench		NT035
Puller		ZZA0119D

E
F
G
H
I
J
K
L
M
N
O
P

PREPARATION

< PREPARATION >

[REAR FINAL DRIVE: R200]

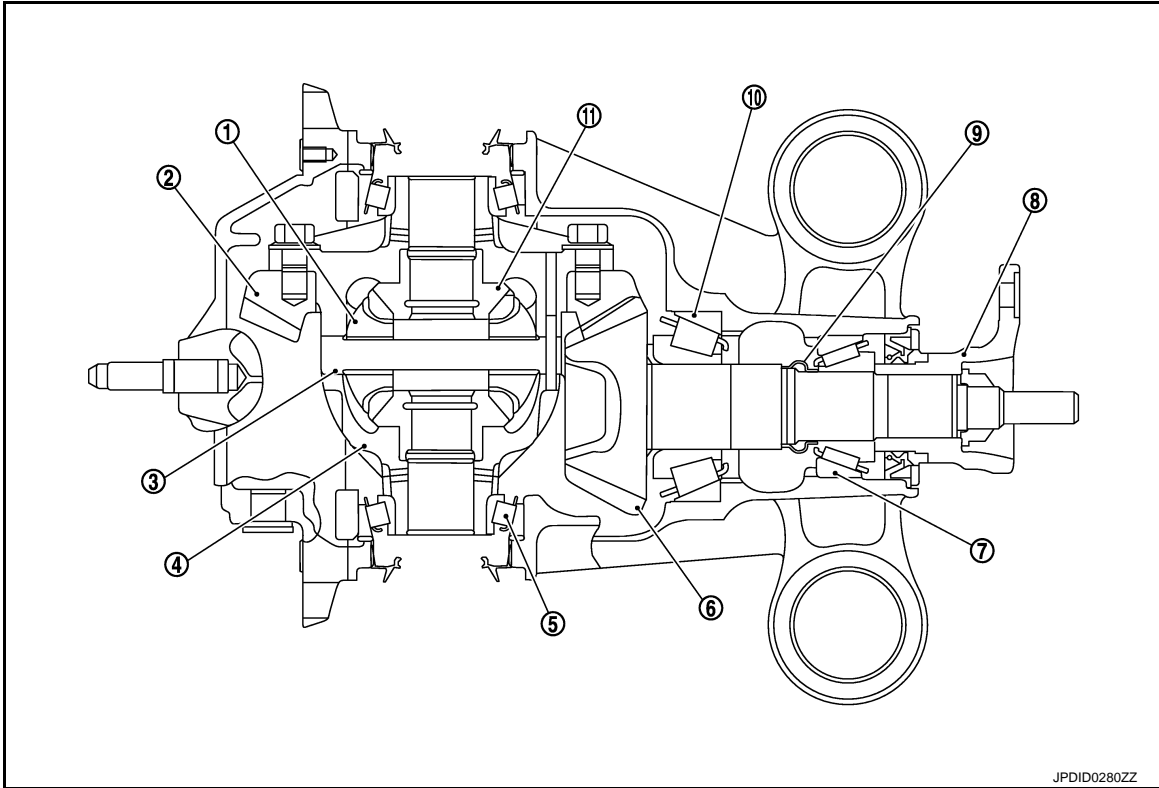
Tool name		Description
Sliding hammer	 NT125	Removing differential case assembly
Replacer	 ZZA0700D	Removing pinion rear bearing inner race
Spacer a: 60 mm (2.36 in) dia. b: 36 mm (1.42 in) dia. c: 30 mm (1.18 in)	 ZZA1133D	Installing pinion front bearing inner race
Power tool	 PBIC0190E	Loosening bolts and nuts

SYSTEM DESCRIPTION

STRUCTURE AND OPERATION

Sectional View

INFOID:000000006044672



- | | | |
|-------------------------|---------------------|-----------------------|
| 1. Pinion mate gear | 2. Drive gear | 3. Pinion mate shaft |
| 4. Differential case | 5. Side bearing | 6. Drive pinion |
| 7. Pinion front bearing | 8. Companion flange | 9. Collapsible spacer |
| 10. Pinion rear bearing | 11. Side gear | |

A
B
C
DLN
E
F
G
H
I
J
K
L
M
N
O
P

NOISE, VIBRATION AND HARSHNESS (NVH) TROUBLESHOOTING

< SYMPTOM DIAGNOSIS >

[REAR FINAL DRIVE: R200]

SYMPTOM DIAGNOSIS

NOISE, VIBRATION AND HARSHNESS (NVH) TROUBLESHOOTING

NVH Troubleshooting Chart

INFOID:000000006109633

Use the chart below to find the cause of the symptom. If necessary, repair or replace these parts.

Symptom		Possible cause and SUSPECTED PARTS												
	Noise	x	x	x	x	x	x	x	x	x	x	x	x	x
Reference		DLN-184. "Inspection"	DLN-180. "Adjustment"	DLN-184. "Inspection"	DLN-180. "Adjustment"	DLN-180. "Adjustment"	DLN-165. "Inspection"	NVH in DLN section.	NVH in FAX, RAX, FSU and RSU sections.	NVH in WT section.	NVH in WT section.	NVH in RAX and RAX section.	NVH in BR section.	NVH in ST section.
		Gear tooth rough	Gear contact improper	Tooth surfaces worn	Backlash incorrect	Companion flange excessive runout	Gear oil improper	PROPELLER SHAFT	AXLE AND SUSPENSION	TIRE	ROAD WHEEL	DRIVE SHAFT	BRAKE	STEERING

x: Applicable

PERIODIC MAINTENANCE

REAR DIFFERENTIAL GEAR OIL

Inspection

INFOID:000000006044673

OIL LEAKAGE

- Make sure that oil is not leaking from final drive assembly or around it.

OIL LEVEL

- Remove filler plug (1) and check oil level from filler plug mounting hole as shown in the figure.

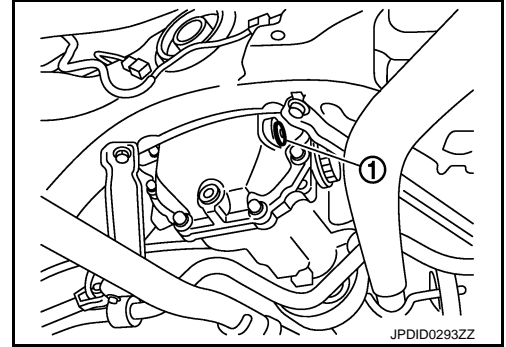
CAUTION:

Never start engine while checking oil level.

- Set a gasket on filler plug (1) and install it on final drive assembly. Refer to [DLN-173, "Exploded View"](#).

CAUTION:

Never reuse gasket.



JPDID0293ZZ

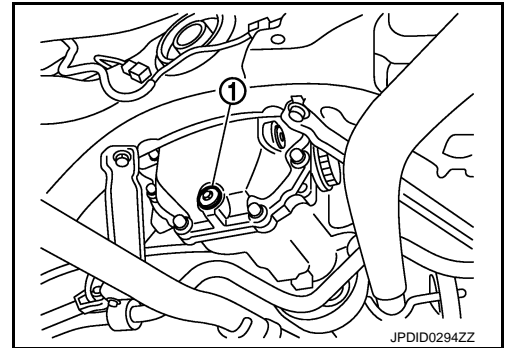
Draining

INFOID:000000006044674

1. Stop engine.
2. Remove drain plug (1) and drain gear oil.
3. Set a gasket on drain plug (1) and install it to final drive assembly and tighten to the specified torque. Refer to [DLN-173, "Exploded View"](#).

CAUTION:

Never reuse gasket.



JPDID0294ZZ

Refilling

INFOID:000000006044675

1. Remove filler plug (1). Fill with new gear oil until oil level reaches the specified level near filler plug mounting hole.

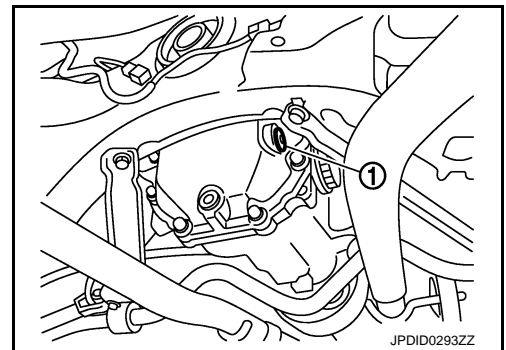
Oil grade and viscosity : Refer to [MA-12, "Fluids and Lubricants"](#).

Oil capacity : Refer to [DLN-195, "General Specifications"](#).

2. After refilling oil, check oil level. Set a gasket to filler plug (1), then install it to final drive assembly. Refer to [DLN-173, "Exploded View"](#).

CAUTION:

Never reuse gasket.



JPDID0293ZZ

A
B
C
DLN
E
F
G
H
I
J
K
L
M
N
O
P

FRONT OIL SEAL

< REMOVAL AND INSTALLATION >

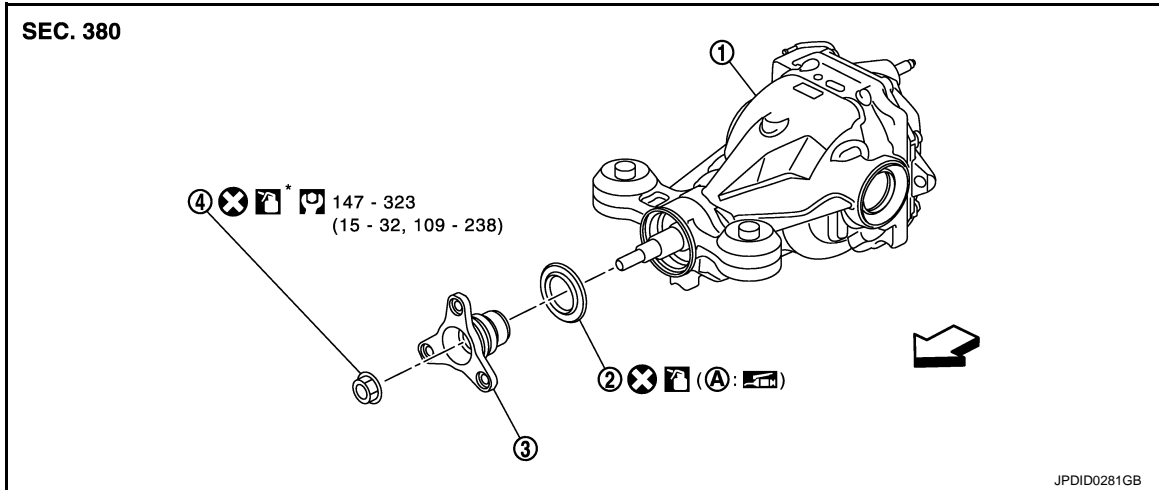
[REAR FINAL DRIVE: R200]

REMOVAL AND INSTALLATION

FRONT OIL SEAL

Exploded View

INFOID:000000006044676



- 1. Final drive assembly
- 2. Front oil seal
- 3. Companion flange
- 4. Drive pinion lock nut
- A. Oil seal lip

↔: Vehicle front

: Apply gear oil.

: Apply anti-corrosion oil.

Refer to [GI-4, "Components"](#) for symbols not described above.

Removal and Installation

INFOID:000000006044677

CAUTION:

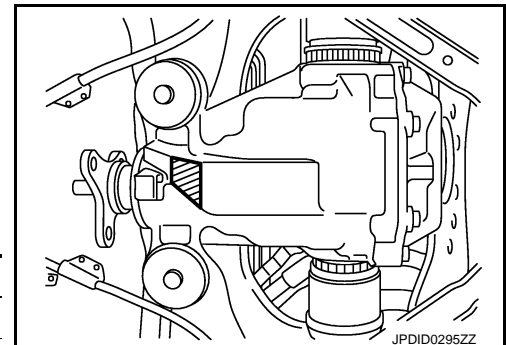
Verify identification stamp of replacement frequency put in the lower part of gear carrier to determine replacement for collapsible spacer when replacing front oil seal. Refer to "Identification stamp of replacement frequency of front oil seal". If collapsible spacer replacement is necessary, remove final drive assembly and disassemble it to replace front oil seal and collapsible spacer. Refer to [DLN-171, "Removal and Installation"](#) and [DLN-187, "Disassembly"](#).

NOTE:

The reuse of collapsible spacer is prohibited in principle. However, it is reusable on a one-time basis only in cases when replacing front oil seal.

Identification stamp of replacement frequency of front oil seal

- The diagonally shaded area in the figure shows stamping point for replacement frequency of front oil seal.
- The following table shows if collapsible spacer replacement is needed before replacing front oil seal. When collapsible spacer replacement is required, disassemble final drive assembly to replace collapsible spacer and front oil seal. Refer to [DLN-187, "Disassembly"](#).



Stamp	collapsible spacer replacement
No stamp	Not required
"0" or "0" on the far right of stamp	Required
"01" or "1" on the far right of stamp	Not required

FRONT OIL SEAL

< REMOVAL AND INSTALLATION >

[REAR FINAL DRIVE: R200]

CAUTION:

Make a stamping after replacing front oil seal.

- After replacing front oil seal, make a stamping on the stamping point in accordance with the table below in order to identify replacement frequency.

CAUTION:

Make a stamping from left to right.

Stamp before stamping	Stamping on the far right	Stamping
No stamp	0	0
"0" (Front oil seal was replaced once.)	1	01
"01" (Collapsible spacer and front oil seal were replaced last time.)	0	010
"0" is on the far right. (Only front oil seal was replaced last time.)	1	...01
"1" is on the far right. (Collapsible spacer and front oil seal were replaced last time.)	0	...010

1. Make a judgment if a collapsible spacer replacement is required.
2. Drain gear oil. Refer to [DLN-165, "Draining"](#).
3. Remove final drive assembly. Refer to [DLN-171, "Removal and Installation"](#).

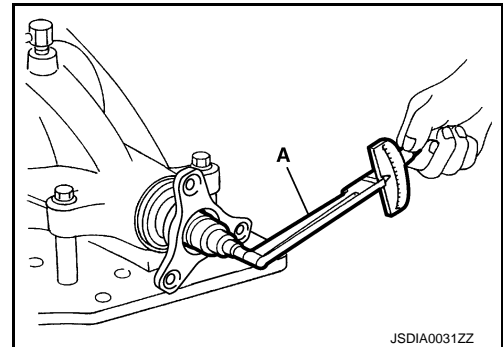
NOTE:

- It is necessary to separate the rear drive shaft from final drive to measure the total preload.
- It is necessary to remove final drive assembly to separate the rear drive shaft from final drive.

4. Measure the total preload with the preload gauge (A) [SST: ST3127S000 (J-25765-A)].

NOTE:

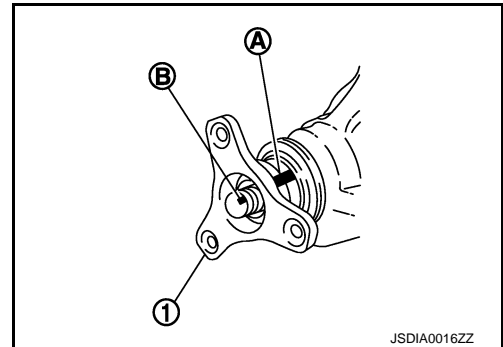
Record the preload measurement.



5. Put matching mark (B) on the end of the drive pinion. The matching mark (B) should be in line with the matching mark (A) on companion flange (1).

CAUTION:

For matching mark, use paint. Never damage companion flange and drive pinion.



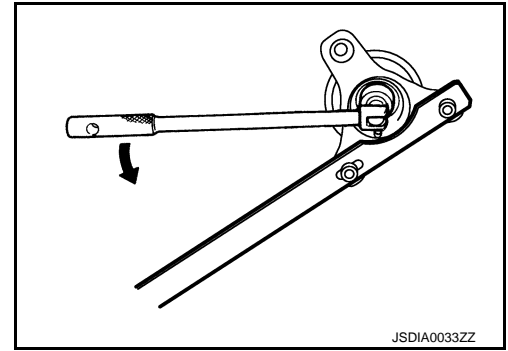
A
B
C
DLN
E
F
G
H
I
J
K
L
M
N
O
P

FRONT OIL SEAL

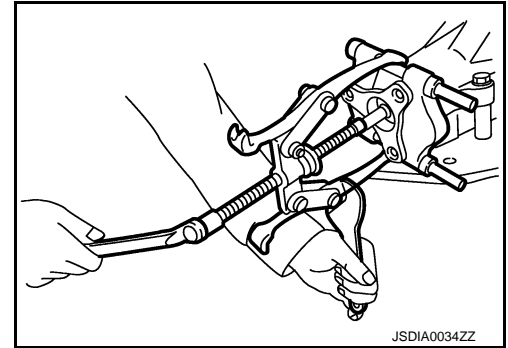
< REMOVAL AND INSTALLATION >

[REAR FINAL DRIVE: R200]

6. Remove drive pinion lock nut using the flange wrench. (commercial service tool)



7. Remove companion flange using pullers (commercial service tool).
8. Remove front oil seal using the puller [SST: KV381054S0 (J-34286)].

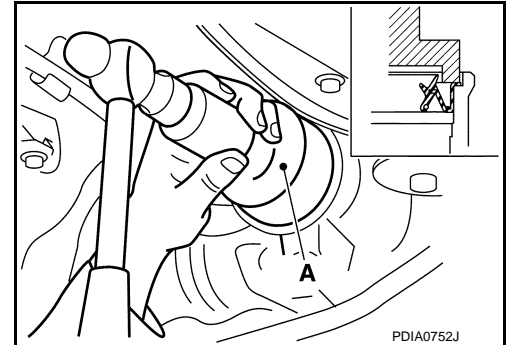


INSTALLATION

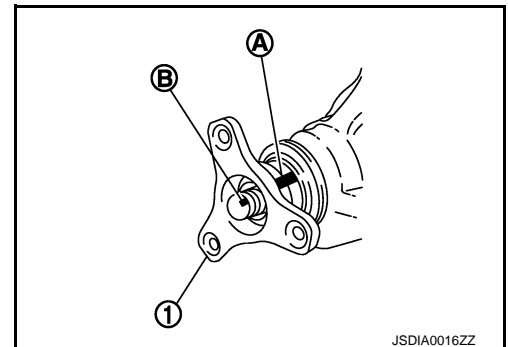
1. Apply multi-purpose grease to front oil seal lips.
2. Install front oil seal using the drift (A) [SST: ST30720000 (J-25405)] as shown in figure.

CAUTION:

- Never reuse oil seal.
- Never incline oil seal when installing.



3. Align the matching mark (B) of drive pinion with the matching mark (A) of companion flange (1), and then install the companion flange (1).



FRONT OIL SEAL

< REMOVAL AND INSTALLATION >

[REAR FINAL DRIVE: R200]

4. Apply anti-corrosion oil to the thread and seat of new drive pinion lock nut, and temporarily tighten drive pinion lock nut to drive pinion, using flange wrench (commercial service tool).

CAUTION:

Never reuse drive pinion lock nut.

5. Tighten drive pinion lock nut within the limits of specified torque so as to keep the pinion bearing preload within a standard values, using preload gauge (A) [SST: ST3127S000 (J-25765-A)].

Total preload torque : A value that add 0.1 – 0.4 N·m (0.01 – 0.04 kg·m, 0.1 – 0.3 in·lb) to the measured value before removing.

CAUTION:

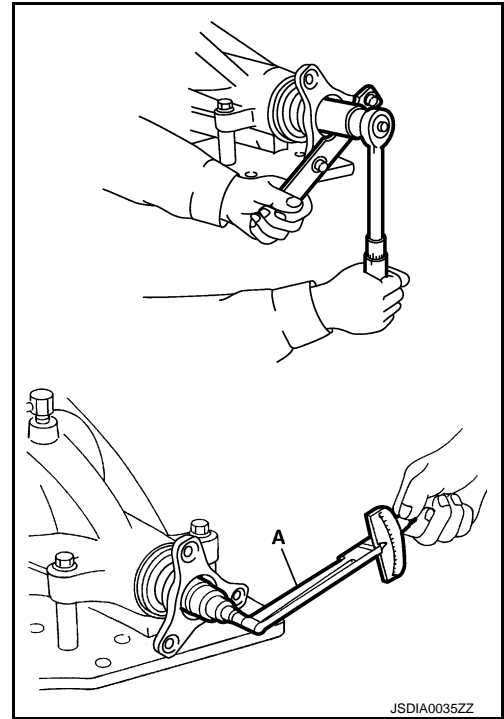
- Adjust to the lower limit of the drive pinion lock nut tightening torque first.
- If the preload torque exceeds the specified value, replace collapsible spacer and tighten it again to adjust. Never loosen drive pinion lock nut to adjust the preload torque.

6. Make a stamping for identification of front oil seal replacement frequency. Refer to "Identification stamp of replacement frequency of front oil seal".

CAUTION:

Make a stamping after replacing front oil seal.

7. Install final drive assembly. Refer to [DLN-171, "Removal and Installation"](#).
8. Refill gear oil to the final drive and check oil level. Refer to [DLN-165, "Refilling"](#).
9. Check the final drive for oil leakage. Refer to [DLN-165, "Inspection"](#).



A

B

C

DLN

E

F

G

H

I

J

K

L

M

N

O

P

SIDE OIL SEAL

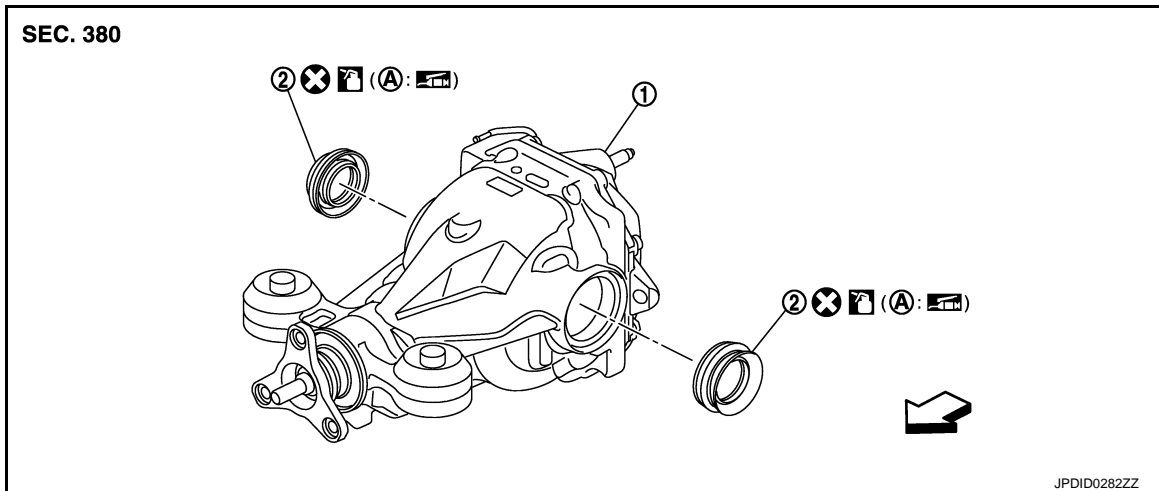
< REMOVAL AND INSTALLATION >

[REAR FINAL DRIVE: R200]

SIDE OIL SEAL


Exploded View

INFOID:000000006044678



1. Final drive assembly
2. Side oil seal
- A. Oil seal lip

←: Vehicle front

: Apply gear oil.

Refer to [GI-4, "Components"](#) for symbols not described above.

Removal and Installation

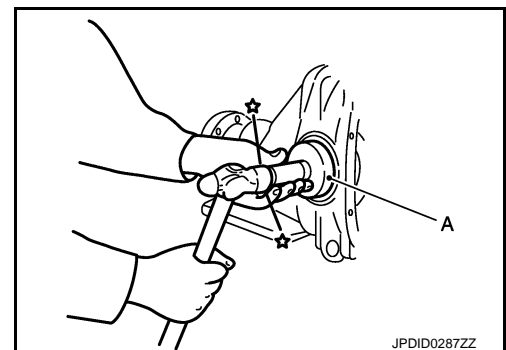
INFOID:000000006044679

REMOVAL

1. Remove final drive assembly. Refer to [DLN-171, "Removal and Installation"](#).
NOTE:
It is necessary to remove final drive assembly to remove the rear drive shaft.
2. Remove side oil seal, using a suitable tool.
CAUTION:
Never damage gear carrier.

INSTALLATION

1. Apply multi-purpose grease to side oil seal lips.
2. Install side oil seal until it becomes flush with the case end, using the drift (A) [SST: ST35271000 (J-26091)].
CAUTION:
 - Never reuse oil seal.
 - When installing, never incline oil seal.
3. Install final drive assembly. Refer to [DLN-171, "Removal and Installation"](#).
4. When oil leaks while removing, check oil level after the installation. Refer to [DLN-165, "Inspection"](#).



REAR FINAL DRIVE ASSEMBLY

< UNIT REMOVAL AND INSTALLATION >

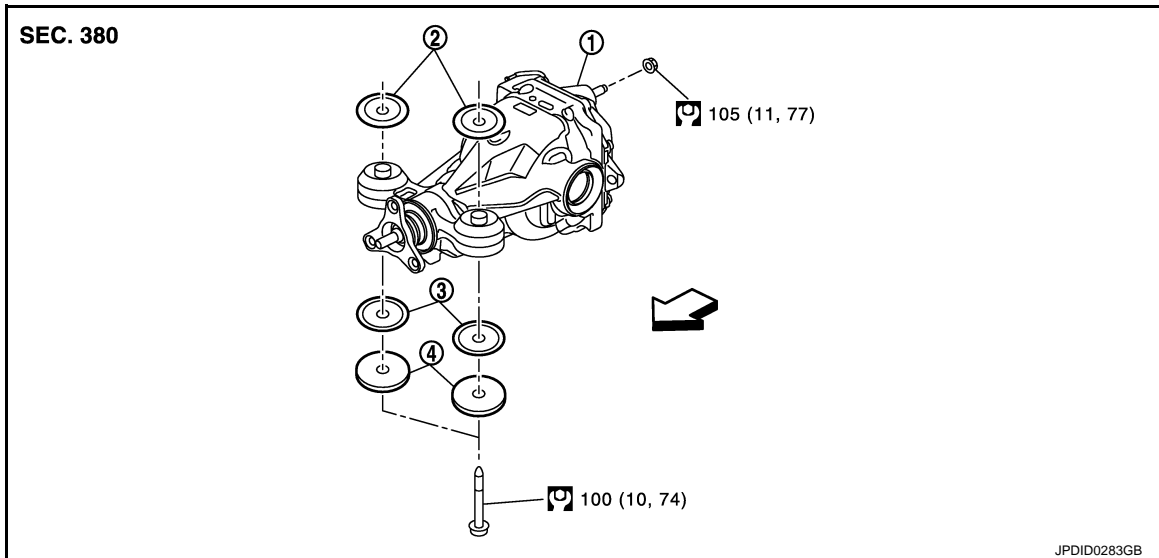
[REAR FINAL DRIVE: R200]

UNIT REMOVAL AND INSTALLATION

REAR FINAL DRIVE ASSEMBLY

Exploded View

INFOID:000000006044680



1. Rear final drive assembly
2. Upper stopper
3. Lower stopper
4. Washer

↔: Vehicle front

Refer to [GI-4, "Components"](#) for symbols in the figure.

Removal and Installation

INFOID:000000006044681

REMOVAL

1. Remove center muffler with a power tool. Refer to [EX-6, "VQ37VHR : Removal and Installation"](#).
2. Remove stabilizer bar with a power tool. Refer to [RSU-21, "Removal and Installation"](#).
3. Remove rear propeller shaft from the final drive. Refer to [DLN-101, "Removal and Installation"](#) (2WD), [DLN-108, "Removal and Installation"](#) (AWD).
4. Remove rear suspension member stay. Refer to [RSU-22, "Removal and Installation"](#).
5. Separate drive shaft from final drive. Refer to [RAX-12, "Removal and Installation"](#).
6. Remove breather hose from the final drive.
7. Set a suitable jack to rear final drive assembly.

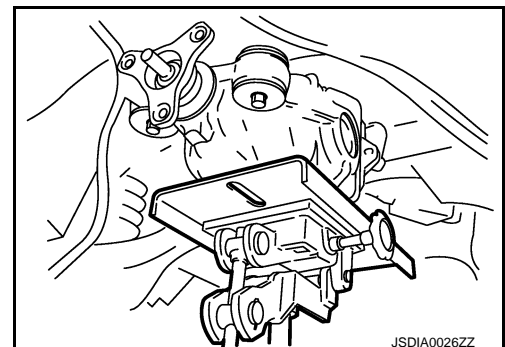
CAUTION:

Never place a jack on the rear cover (aluminum case).

8. Remove rear wheel sensor. Refer to [BRC-138, "REAR WHEEL SENSOR : Removal and Installation"](#).
9. Remove 4WAS rear actuator with a power tool. Refer to [STC-187, "Removal and Installation"](#). (with 4WAS)
10. Remove the mounting bolts and nuts connecting to the suspension member with a power tool. And then, remove rear final drive assembly.

CAUTION:

Secure rear final drive assembly to suitable jack while removing it.



INSTALLATION

Note the following, and installation is in the reverse order of removal.

REAR FINAL DRIVE ASSEMBLY

< UNIT REMOVAL AND INSTALLATION >

[REAR FINAL DRIVE: R200]

- If install the drive shaft to final drive, remove wheel hub rock nut. Refer to [RAX-12. "Removal and Installation"](#).
- Check that there are no pinched or restricted areas on the breather hose caused by bending or winding when installing it.
- Install the breather hose (1) to breather connector until dimension (A) shown as follows.

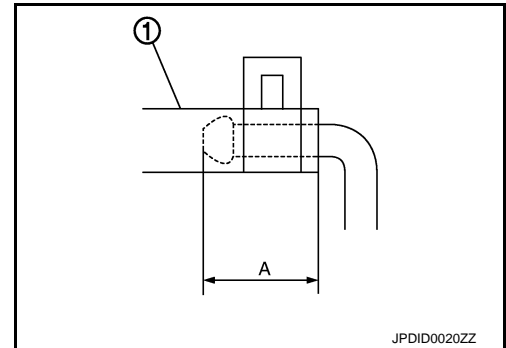
A:

Final drive side : 20 mm (0.79 in)

Suspension member side : 20 mm (0.79 in)

CAUTION:

- **Never reuse hose clamp.**
- **Install the hose clamp at the final drive side, with the tab facing upward.**
- **Install the hose clamp at the suspension member side, with the tab facing downward.**
- If remove breather connector, install breather hose (1) as shown in the figure.



⇐: Vehicle front

Suspension member side

- Insert the plug (2) to the (A) position in suspension member (4).
- Insert the tube end to center hole of the plug.
- Insert the projection to (B) position in suspension member.
- Be sure to fix the breather hose by the trim clip (3).

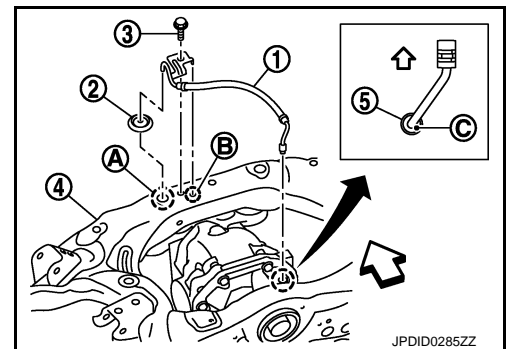
Final drive side

- Install metal connector (5) to rear cover with paint mark (C) facing vehicle rear.

CAUTION:

Never reuse the plug, trim clip and metal connector.

- When oil leaks while removing final drive assembly, check oil level after the installation. Refer to [DLN-165. "Inspection"](#).



DIFFERENTIAL ASSEMBLY

< UNIT DISASSEMBLY AND ASSEMBLY >

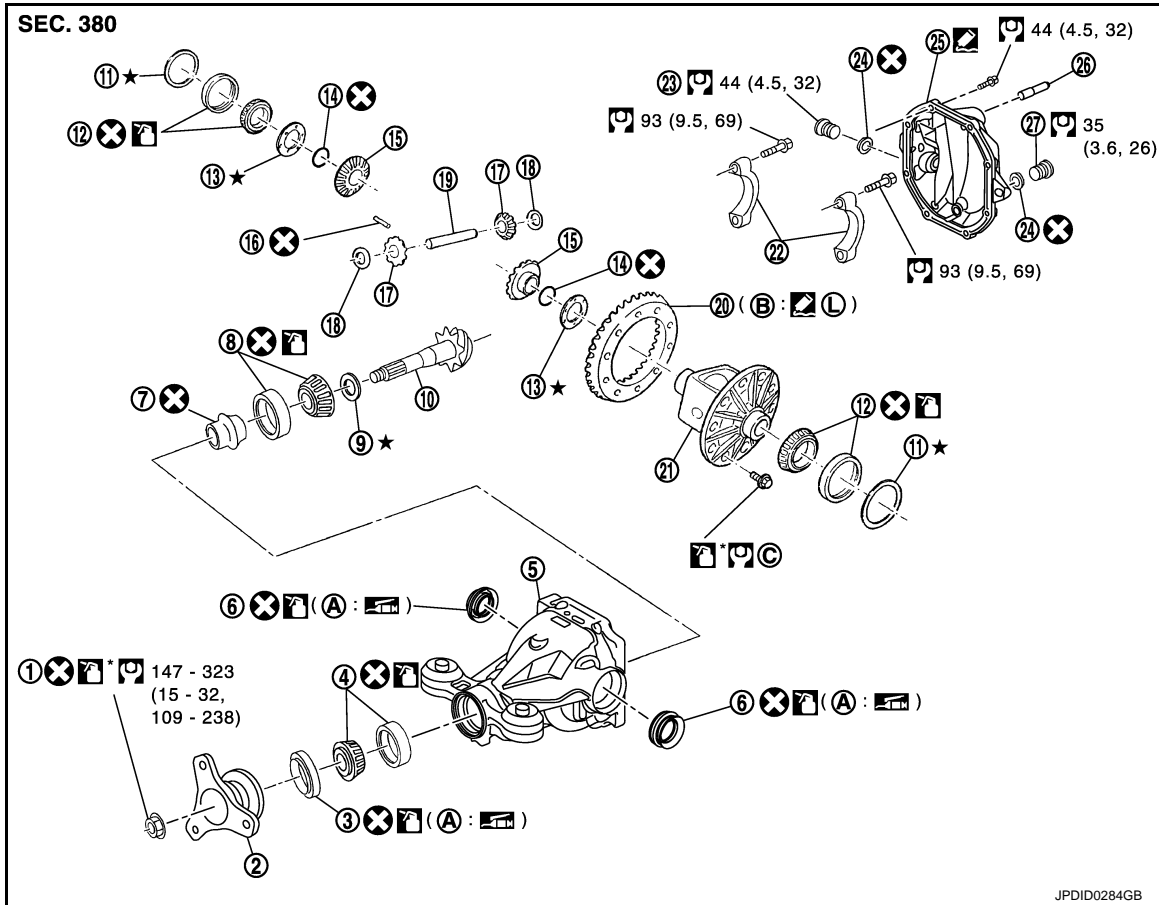
[REAR FINAL DRIVE: R200]

UNIT DISASSEMBLY AND ASSEMBLY

DIFFERENTIAL ASSEMBLY

Exploded View

INFOID:000000006044682



- | | | |
|-----------------------------|-----------------------------------|-----------------------------------|
| 1. Drive pinion lock nut | 2. Companion flange | 3. Front oil seal |
| 4. Pinion front bearing | 5. Gear carrier | 6. Side oil seal |
| 7. Collapsible spacer | 8. Pinion rear bearing | 9. Pinion height adjusting washer |
| 10. Drive pinion | 11. Side bearing adjusting washer | 12. Side bearing |
| 13. Side gear thrust washer | 14. Circular clip | 15. Side gear |
| 16. Lock pin | 17. Pinion mate gear | 18. Pinion mate thrust washer |
| 19. Pinion mate shaft | 20. Drive gear | 21. Differential case |
| 22. Bearing cap | 23. Filler plug | 24. Gasket |
| 25. Rear cover | 26. Stud bolt | 27. Drain plug |
- A. Oil seal lip
B. Screw hole
C. Comply with the assembly procedure when tightening. Refer to [DLN-176, "Assembly"](#).

: Apply gear oil.

: Apply anti-corrosion oil.

: Apply Genuine Silicone RTV or equivalent. Refer to [GI-18, "Recommended Chemical Products and Sealants"](#).

: Apply Genuine High Strength Thread Locking Sealant or equivalent. Refer to [GI-18, "Recommended Chemical Products and Sealants"](#).

Refer to [GI-4, "Components"](#) for symbols not described above.

DIFFERENTIAL ASSEMBLY

< UNIT DISASSEMBLY AND ASSEMBLY >

[REAR FINAL DRIVE: R200]

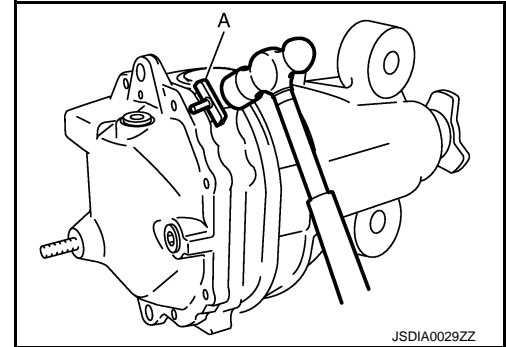
INFOID:00000006044683

Disassembly

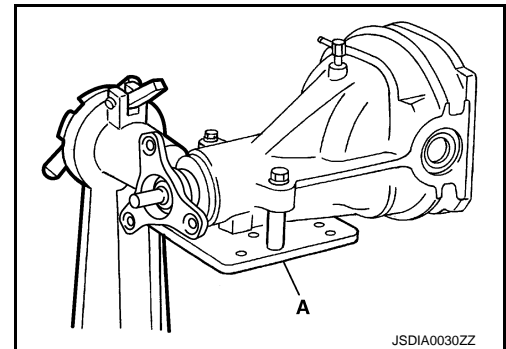
1. Drain gear oil, if necessary.
2. Remove rear cover mounting bolts.
3. Remove rear cover to insert the seal cutter (A) [SST: KV10111100 (J-37228)] between gear carrier and rear cover.

CAUTION:

- Never damage the mating surface.
- Never insert flat-bladed screwdriver, this may damage the mating surface.



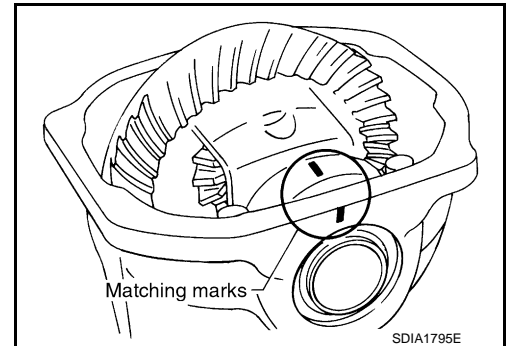
4. Using two 45 mm (1.77 in) spacers, mount carrier on the attachment (A) [SST: KV38100800 (J-25604-01)].



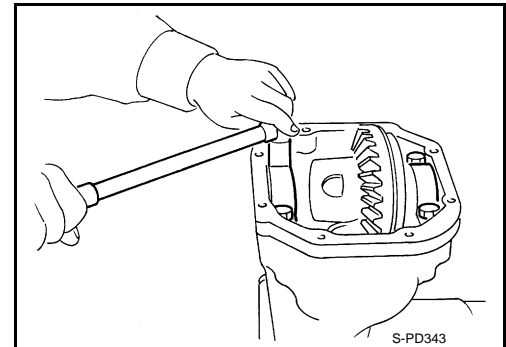
5. For proper reinstallation, paint matching marks on one side of the bearing cap.

CAUTION:

- For matching marks, use paint. Never damage bearing caps and gear carrier.
- Bearing caps are manufactured as integral molding. Use the matching marks to them in their original positions.



6. Remove bearing caps.

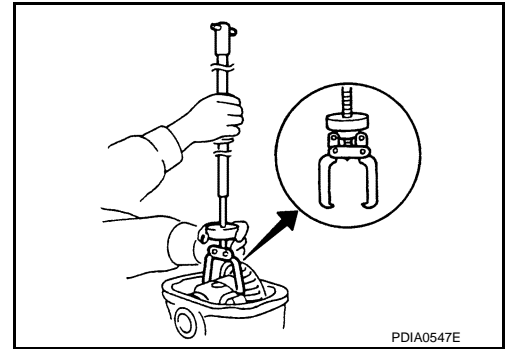


DIFFERENTIAL ASSEMBLY

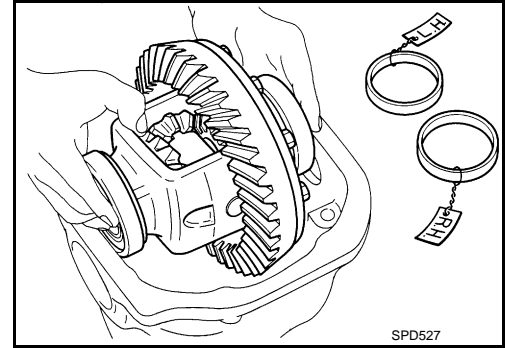
< UNIT DISASSEMBLY AND ASSEMBLY >

[REAR FINAL DRIVE: R200]

7. Lift differential case assembly out with a sliding hammer (commercial service tool).



- Keep side bearing outer races together with inner race. Never mix them up. Also, keep side bearing adjusting washers together with bearings.



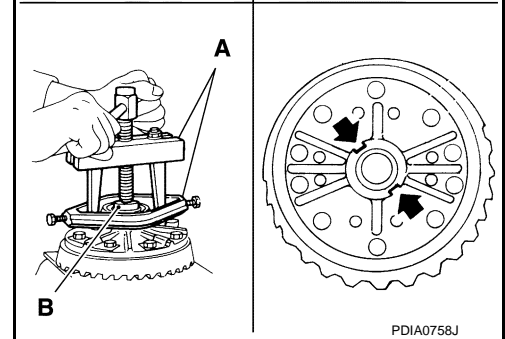
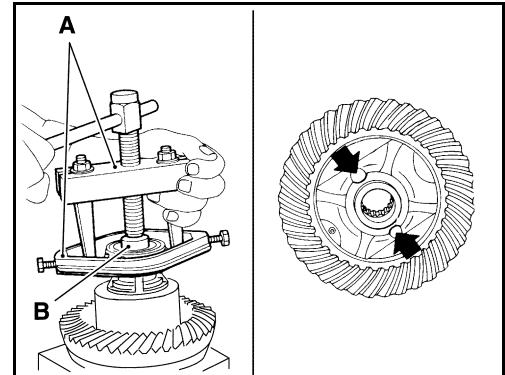
8. Remove side bearing inner race. To prevent damage to bearing, engage puller jaws in groove (←).

A : Puller [SST: ST33051001 (J-22888-20)]

B : Base [SST: ST33061000 (J-8107-2)]

CAUTION:

- To prevent damage to the side bearing and drive gear, place copper plates between these parts and vise.
- It is not necessary to remove side bearing inner race except when it is replaced.

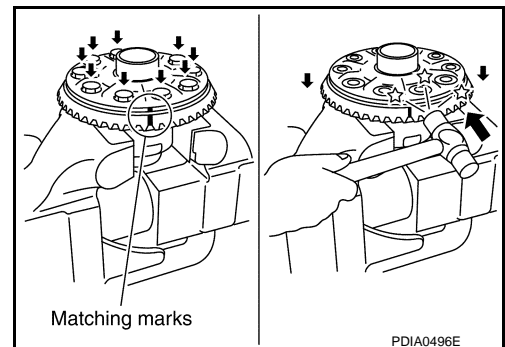


9. For proper reinstallation, paint matching marks on one differential case assembly.

CAUTION:

For matching marks, use paint. Never damage differential case and drive gear.

10. Remove drive gear from differential case assembly.



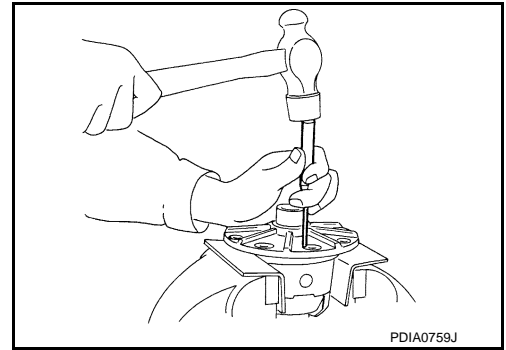
A
B
C
DLN
E
F
G
H
I
J
K
L
M
N
O
P

DIFFERENTIAL ASSEMBLY

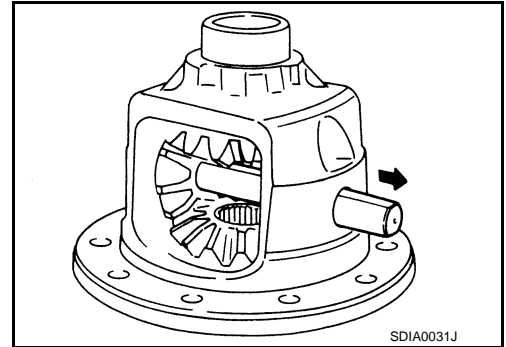
< UNIT DISASSEMBLY AND ASSEMBLY >

[REAR FINAL DRIVE: R200]

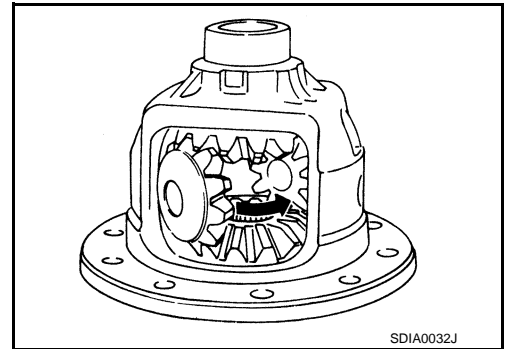
11. Remove lock pin of pinion mate shaft with a punch from drive gear side.



12. Remove pinion mate shaft.

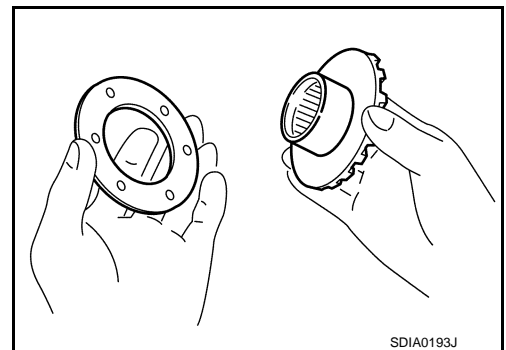


13. Turn pinion mate gear, then remove pinion mate gear, pinion mate thrust washer, side gear and side gear thrust washer from differential case.
14. Remove circular clip from side gear.
CAUTION:
Never damage side gear.
15. Perform inspection after disassembly. Refer to [DLN-184](#), "[Inspection](#)".



Assembly

1. Install circular clip to side gear.
CAUTION:
Never damage side gear.
2. Install side gear thrust washers with the same thickness as the ones installed prior to disassembly or reinstall the old ones on the side gears.



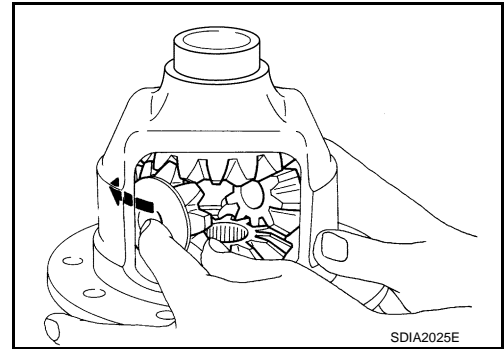
INFOID:000000006044684

DIFFERENTIAL ASSEMBLY

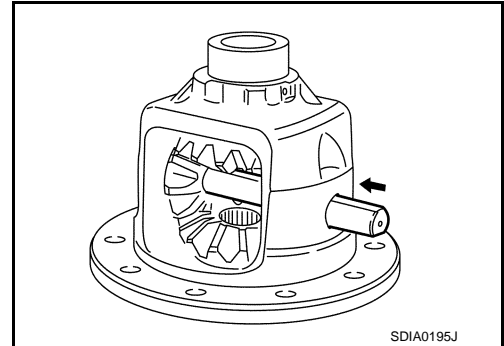
< UNIT DISASSEMBLY AND ASSEMBLY >

[REAR FINAL DRIVE: R200]

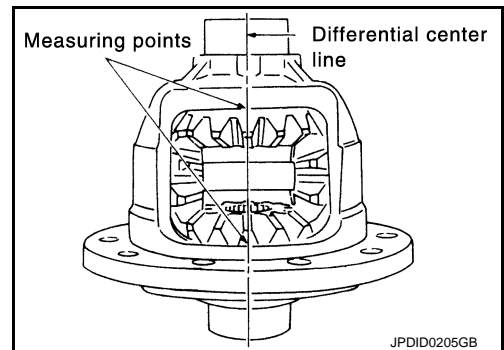
3. Install side gears and thrust washers into differential case.
CAUTION:
Make sure that the circular clip is installed to side gears.
4. Align 2 pinion mate gears in diagonally opposite positions, then rotate and install them into differential case after installing thrust washer to pinion mate gear.



5. Align the lock pin holes on differential case with shaft, and install pinion mate shaft.



6. Measure side gear end play. If necessary, select the appropriate side gear thrust washers.
 - a. Place differential case straight up so that side gear to be measured comes upward.



A
B
C
DLN
E
F
G
H
I
J
K
L
M
N
O
P

DIFFERENTIAL ASSEMBLY

< UNIT DISASSEMBLY AND ASSEMBLY >

[REAR FINAL DRIVE: R200]

- b. Using feeler gauge, measure the clearance between side gear back and differential case at 3 different points, while rotating side gear. Average the 3 readings, and then measure the clearance of the other side as well.

Side gear back clearance : Refer to [DLN-195, "Differential Side Gear Clearance"](#).

CAUTION:

To prevent side gear from tilting, insert feeler gauges with the same thickness from both sides.

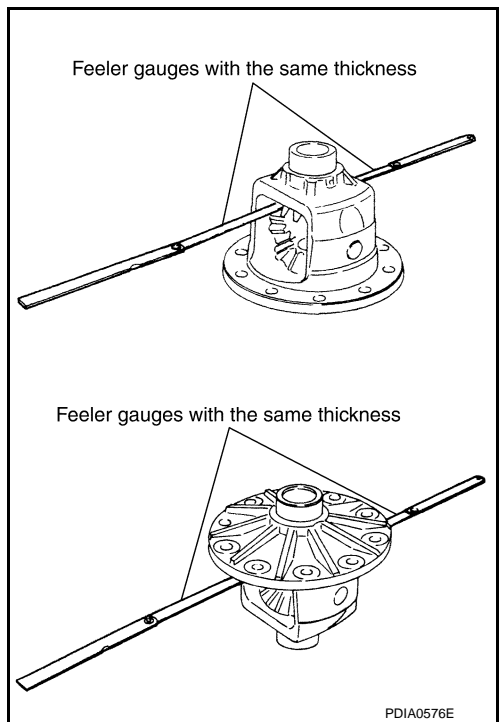
- If the back clearance is outside the specification, use a thicker/thinner side gear thrust washer to adjust. For selecting thrust washer, refer to the latest parts information.

When the back clearance is large: Use a thicker thrust washer.

When the back clearance is small: Use a thinner thrust washer.

CAUTION:

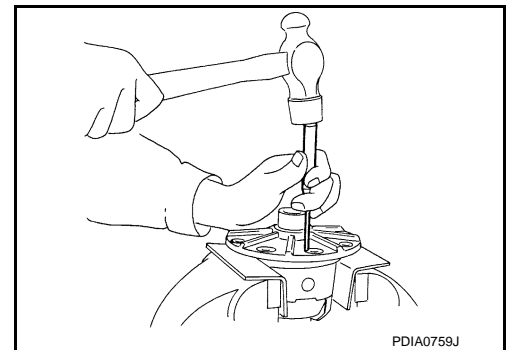
Select a side gear thrust washer for right and left individually.



7. Drive a lock pin into pinion mate shaft, using a punch. Make sure lock pin is flush with differential case.

CAUTION:

Never reuse lock pin.



8. Apply thread locking sealant into the thread hole of drive gear. Use Genuine High Strength Thread Locking Sealant or equivalent. Refer to [GI-18, "Recommended Chemical Products and Sealants"](#).

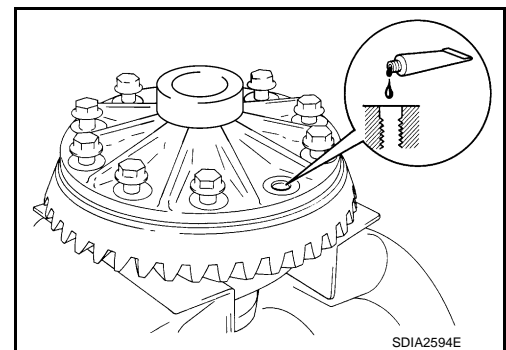
CAUTION:

Clean and degrees drive gear back and threaded holes sufficiently.

9. Install the drive gear to differential case.

CAUTION:

Align the matching mark of differential case and drive gear.



10. Tighten the mounting bolts with the following procedure.

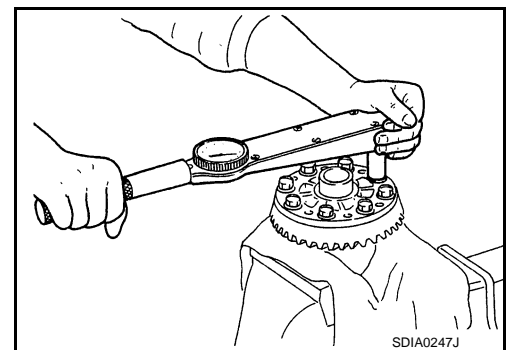
CAUTION:

Apply anti-corrosion oil to the thread and seat of mounting bolts.

- a. Tighten the bolts in a crisscross fashion to the specified torque.

Drive gear mounting bolts tightening torque : 78.5 N•m (8.0 kg-m, 58 ft-lb)

- b. Tighten the bolts additionally to the specified angle.



DIFFERENTIAL ASSEMBLY

< UNIT DISASSEMBLY AND ASSEMBLY >

[REAR FINAL DRIVE: R200]

Drive gear mounting : 31 to 36 degree
bolts tightening angle

CAUTION:

Check the tightening angle using the angle wrench [SST: KV10112100 (BT-8653-A)]. Never make judgment by visual inspection.

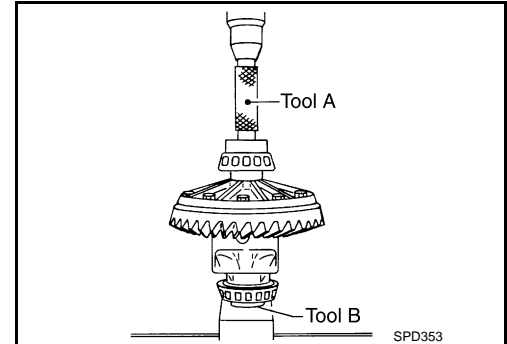
11. Press side bearing inner races to differential case, using the drift and the base.

A : Puller [SST: KV38100300 (J-25523)]

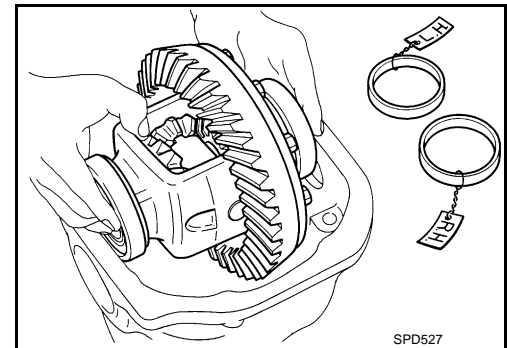
B : Base [SST: ST33061000 (J-8107-2)]

CAUTION:

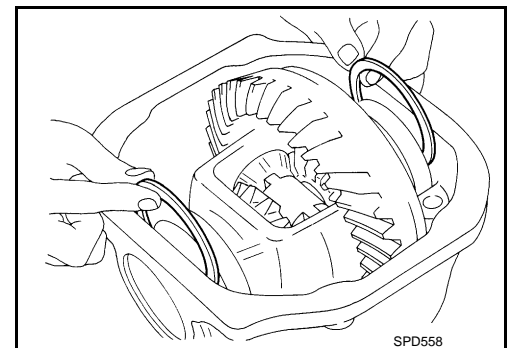
Never reuse side bearing inner race.



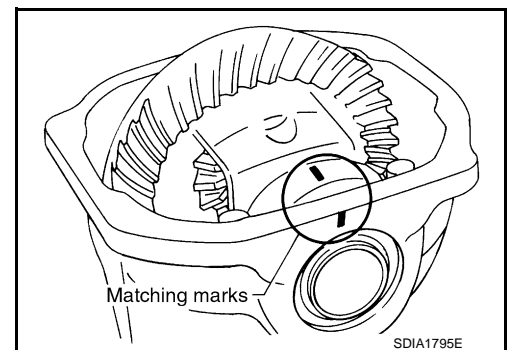
12. Install differential case assembly with side bearing outer races into gear carrier.
13. Measure side bearing preload. If necessary, select the appropriate side bearing adjusting washers. Refer to [DLN-180, "Adjustment"](#).



14. Insert selected left and right side bearing adjusting washers in place between side bearings and gear carrier. Refer to [DLN-180, "Adjustment"](#).



15. Align matching marks on bearing cap with that on gear carrier.
16. Install bearing caps and tighten bearing cap mounting bolts.



A
B
C
DLN
E
F
G
H
I
J
K
L
M
N
O
P

DIFFERENTIAL ASSEMBLY

< UNIT DISASSEMBLY AND ASSEMBLY >

[REAR FINAL DRIVE: R200]

17. Using the drift (A) [SST: ST35271000 (J-26091)], drive side oil seals until it becomes flush with the case end.

CAUTION:

- Never reuse oil seal.
- When installing, never incline oil seal.
- Apply multi-purpose grease onto oil seal lips, and gear oil onto the circumference of oil seal.

18. Check and adjust drive gear runout, tooth contact, drive gear to drive pinion backlash, and total preload torque. Refer to [DLN-180. "Adjustment"](#).

Recheck above items. Readjust the above description, if necessary.

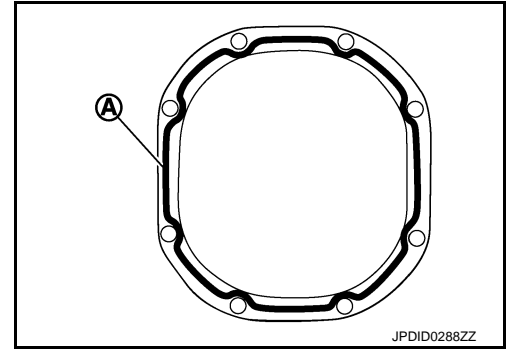
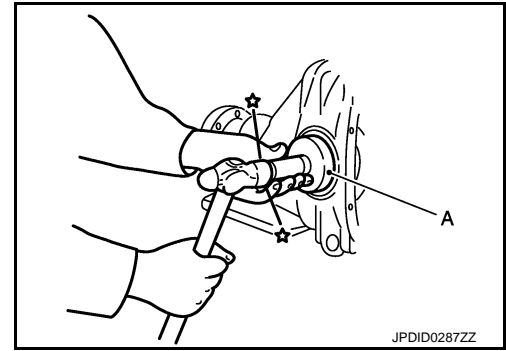
19. Apply sealant (A) to mating surface of rear cover.

- Use Genuine Silicone RTV or equivalent. Refer to [GI-18. "Recommended Chemical Products and Sealants"](#).

CAUTION:

Remove old sealant adhering to mounting surfaces. Also remove any moisture, oil, or foreign material adhering to application and mounting surfaces.

20. Install rear cover on gear carrier and tighten mounting bolts.



Adjustment

INFOID:000000006044685

TOTAL PRELOAD TORQUE

Before inspection and adjustment, drain gear oil.

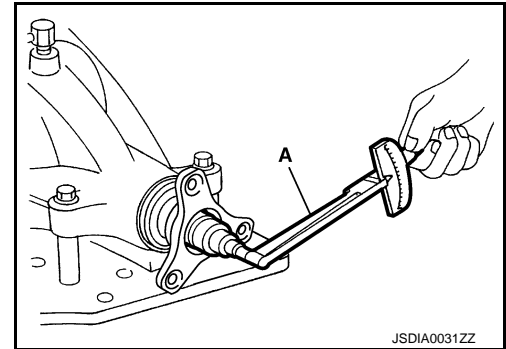
1. Secure final drive assembly onto an attachment [SST: KV38100800 (J-25604-01)].
2. Rotate drive pinion back and forth 2 to 3 times to check for unusual noise and rotation malfunction.
3. Rotate drive pinion at least 20 times to check for smooth operation of the bearing.
4. Measure total preload with the preload gauge (A) [SST: ST3127S000 (J-25765-A)].

Total preload torque : Refer to [DLN-195. "Preload Torque"](#).

NOTE:

Total preload torque = Pinion bearing preload torque + Side bearing preload torque

- If measured value is out of the specification, disassemble it to check and adjust each part. Adjust the pinion bearing preload and side bearing preload. Adjust the pinion bearing preload first, then adjust the side bearing preload.



When the preload torque is large

On pinion bearings: Replace the collapsible spacer.

On side bearings: Use thinner side bearing adjusting washers by the same amount to each side. For selecting adjusting washer, refer to the latest parts information.

When the preload is small

On pinion bearings: Tighten the drive pinion lock nut.

On side bearings: Use thicker side bearing adjusting washers by the same amount to each side. For selecting adjusting washer, refer to the latest parts information.

DIFFERENTIAL ASSEMBLY

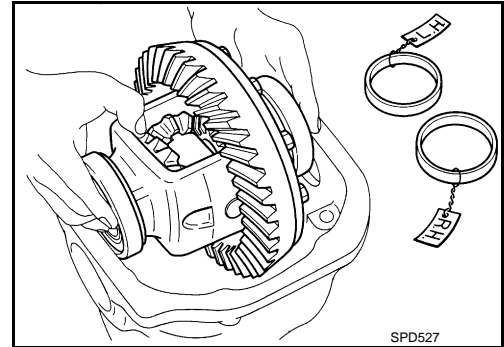
< UNIT DISASSEMBLY AND ASSEMBLY >

[REAR FINAL DRIVE: R200]

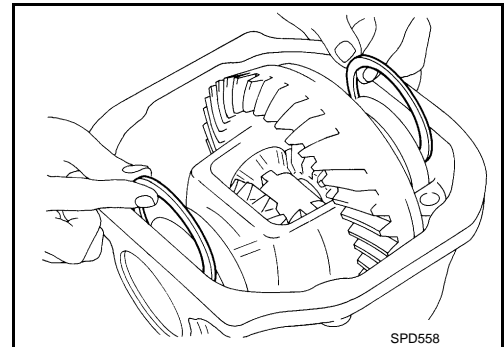
SIDE BEARING PRELOAD

Before inspection and adjustment, drain gear oil.

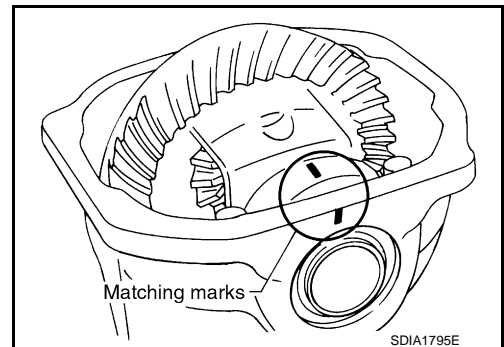
1. Remove rear cover. Refer to [DLN-174, "Disassembly"](#).
2. Make sure all parts are clean. Also, make sure the bearings are well lubricated with gear oil.
3. Place the differential case, with side bearings and bearing races installed, into gear carrier.



4. Insert left and right original side bearing adjusting washers in place between side bearings and gear carrier.



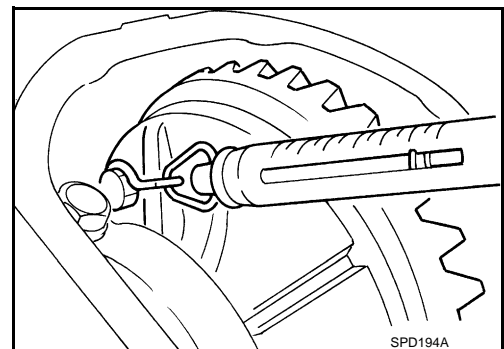
5. Install bearing caps in their correct locations and tighten bearing cap mounting bolts.
6. Turn the carrier several times to seat the bearings.



7. Measure the turning torque of the carrier at the drive gear mounting bolts with a spring gauge [SST: — (J-8129)].

Specification

: 34.2 – 39.2 N (3.5 – 4.0 kg,
7.7 – 8.8 lb) of pulling force
at the drive gear bolt



A
B
C
DLN
E
F
G
H
I
J
K
L
M
N
O
P

DIFFERENTIAL ASSEMBLY

< UNIT DISASSEMBLY AND ASSEMBLY >

[REAR FINAL DRIVE: R200]

8. If the turning torque is outside the specification, use a thicker/thinner side bearing adjusting washer to adjust. For selecting adjusting washer, refer to the latest parts information.

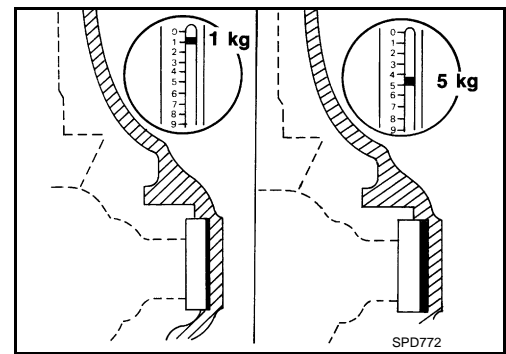
If the turning torque is less than the specified range: Use a thicker thrust washer.

If the turning torque is greater than the specification: Use a thinner thrust washer.

CAUTION:

Select a side bearing adjusting washer for right and left individually.

9. Record the total amount of washer thickness required for the correct carrier side bearing preload.



DRIVE GEAR RUNOUT

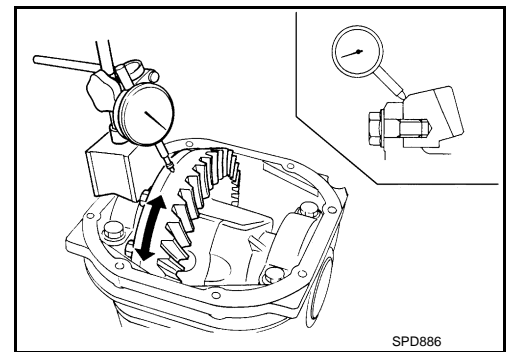
1. Remove rear cover. Refer to [DLN-174, "Disassembly"](#).
2. Fit a dial indicator to the drive gear back face.
3. Rotate the drive gear to measure runout.

Drive gear runout : Refer to [DLN-195, "Drive Gear Runout"](#).

- If the runout is outside of the repair limit, check drive gear assembly condition; foreign material may be caught between drive gear and differential case, or differential case or drive gear may be deformed, etc.

CAUTION:

Replace drive gear and drive pinion gear as a set.



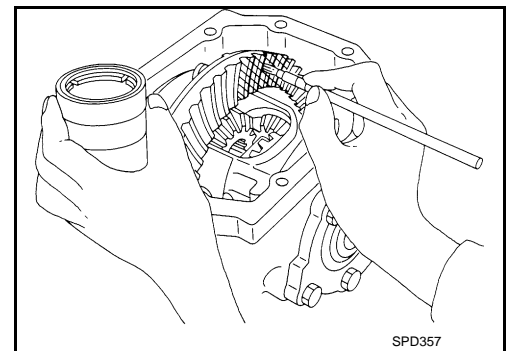
TOOTH CONTACT

Before inspection and adjustment, drain gear oil.

1. Remove rear cover. Refer to [DLN-174, "Disassembly"](#).
2. Apply red lead to drive gear.

CAUTION:

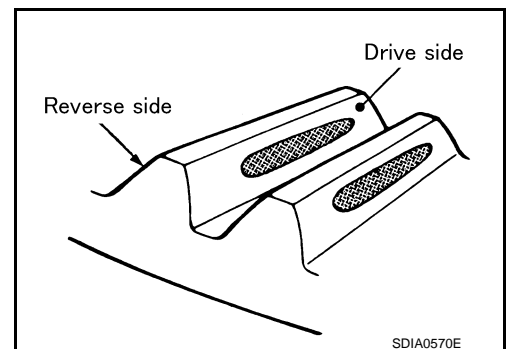
Apply red lead to both the faces of 3 to 4 gears at 4 locations evenly spaced on drive gear.



3. Rotate drive gear back and forth several times, check drive pinion gear to drive gear tooth contact.

CAUTION:







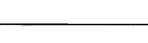
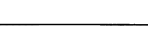






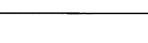
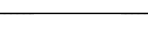


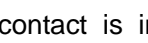
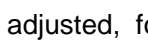
Check tooth contact on drive side and reverse side.



DIFFERENTIAL ASSEMBLY

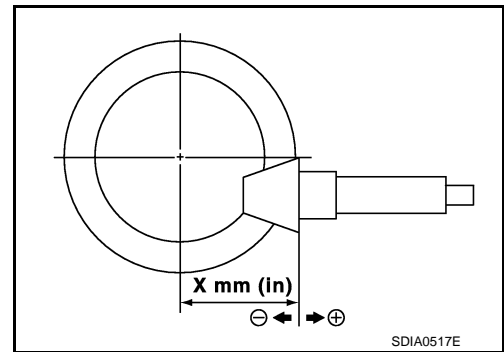
< UNIT DISASSEMBLY AND ASSEMBLY >

[REAR FINAL DRIVE: R200]

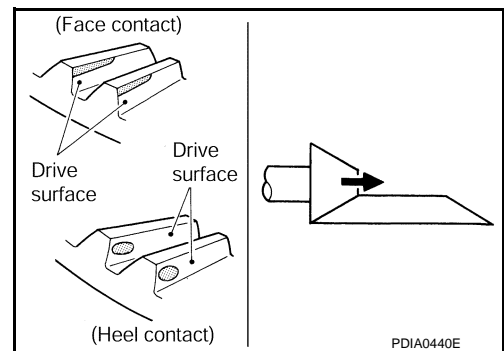
Tooth contact condition		Pinion height adjusting washer selection valve [mm (in)]	Adjustment (Yes/No)	Possible cause	
Drive side	Back side				
Heel side 	Toe side 	↑ Thicker	Yes	Occurrence of noise and scoring sound in all speed ranges.	
Toe side 	Heel side 				+0.09 (+0.0035)
Heel side 	Toe side 				+0.06 (+0.0024)
Toe side 	Heel side 	↓ Thinner	No	-	
Heel side 	Toe side 				+0.03 (+0.0012)
Toe side 	Heel side 				0
Heel side 	Toe side 				-0.03 (-0.0012)
Toe side 	Heel side 				-0.06 (-0.0024)
Heel side 	Toe side 		Yes	Occurrence of noise at constant speed and decreasing speed.	
Toe side 	Heel side 		Yes	Occurrence of noise and scoring sound in all speed ranges.	

SDIA0207E

4. If tooth contact is improperly adjusted, follow the procedure below to adjust the pinion height [dimension (X)].



- If the tooth contact is near the face (face contact), or near the heel (heel contact), thicken pinion height adjusting washers to move drive pinion closer to drive gear. For selecting adjusting washer, refer to the latest parts information.



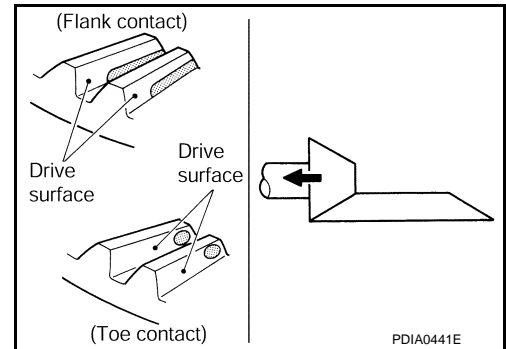
A
B
C
DLN
E
F
G
H
I
J
K
L
M
N
O
P

DIFFERENTIAL ASSEMBLY

< UNIT DISASSEMBLY AND ASSEMBLY >

[REAR FINAL DRIVE: R200]

- If the tooth contact is near the flank (flank contact), or near the toe (toe contact), thin pinion height adjusting washers to move drive pinion farther from drive gear.
For selecting adjusting washer, refer to the latest parts information.



BACKLASH

Before inspection and adjustment, drain gear oil.

1. Remove rear cover. Refer to [DLN-174, "Disassembly"](#).
2. Fit a dial indicator to the drive gear face to measure the backlash.

Backlash : Refer to [DLN-195, "Backlash"](#).

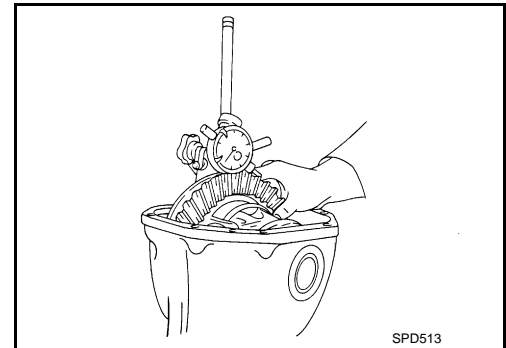
- If the backlash is outside of the specified value, change the thickness of side bearing adjusting washer.

When the backlash is large:

Make drive gear back side adjusting washer thicker, and drive gear tooth side adjusting washer thinner by the same amount. For selecting adjusting washer, refer to the latest parts information.

When the backlash is small:

Make drive gear back side adjusting washer thinner, and drive gear tooth side adjusting washer thicker by the same amount. For selecting adjusting washer, refer to the latest parts information.



CAUTION:

Never change the total amount of washers as it changes the bearing preload.

Inspection

INFOID:000000006044686

INSPECTION AFTER DISASSEMBLY

Drive Gear and Drive Pinion

- Clean up the disassembled parts.
- If the gear teeth never mesh or line-up correctly, determine the cause and adjust or replace as necessary.
- If the gears are worn, cracked, damaged, pitted or chipped (by friction) noticeably, replace with new drive gear and drive pinion as a set.

Bearing

- Clean up the disassembled parts.
- If any chipped (by friction), pitted, worn, rusted or scratched marks, or unusual noise from the bearing is observed, replace as a bearing assembly (as a new set).

Side Gear and Pinion Mate Gear

- Clean up the disassembled parts.
- If any cracks or damage on the surface of the tooth is found, replace.
- If any worn or chipped mark on the contact sides of the thrust washer is found, replace.

Side Gear Thrust Washer and Pinion Mate Thrust Washer

- Clean up the disassembled parts.
- If it is chipped (by friction), damaged, or unusually worn, replace.

DIFFERENTIAL ASSEMBLY

< UNIT DISASSEMBLY AND ASSEMBLY >

[REAR FINAL DRIVE: R200]

Oil Seal

- Whenever disassembled, replace.
- If wear, deterioration of adherence (sealing force lips), or damage is detected on the lips, replace them.

A

Differential Case

- Clean up the disassembled parts.
- If any wear or crack on the contact sides of the differential case is found, replace.

B

Companion Flange

- Clean up the disassembled parts.
- If any chipped mark [about 0.1 mm, (0.004 in)] or other damage on the contact sides of the lips of the companion flange is found, replace.

C

DLN

E

F

G

H

I

J

K

L

M

N

O

P

DRIVE PINION

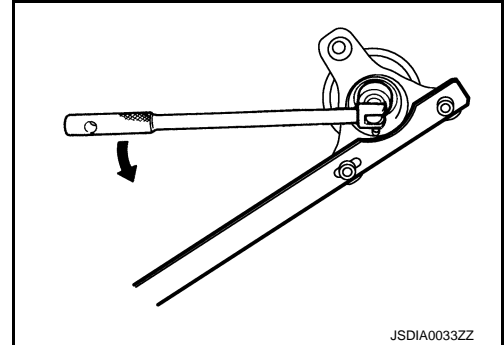
< UNIT DISASSEMBLY AND ASSEMBLY >

[REAR FINAL DRIVE: R200]

INFOID:000000006044688

Disassembly

1. Remove differential case assembly. Refer to [DLN-174. "Disassembly"](#).
2. Remove drive pinion lock nut with the flange wrench.



3. Put matching mark (B) on the end of drive pinion. The matching mark should be in line with the matching mark (A) on companion flange (1).

CAUTION:

For matching mark, use paint. Never damage companion flange and drive pinion.

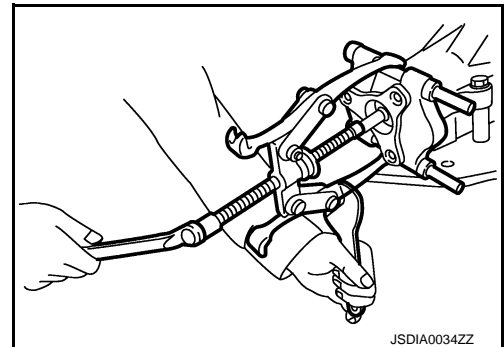
NOTE:

The matching mark on the final drive companion flange indicates the maximum vertical runout position.

When replacing companion flange, matching mark is not necessary.



4. Remove companion flange using the pullers (commercial service tool).

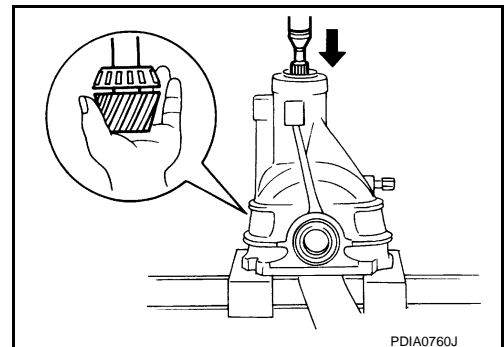


5. Press drive pinion assembly out of gear carrier.

CAUTION:

Never drop drive pinion assembly.

6. Remove front oil seal.
7. Remove pinion front bearing inner race.
8. Remove collapsible spacer.



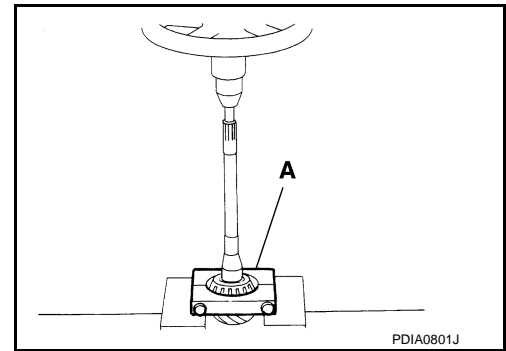
A
B
C
DLN
E
F
G
H
I
J
K
L
M
N
O
P

DRIVE PINION

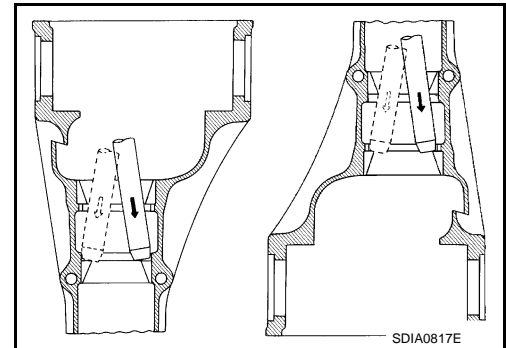
< UNIT DISASSEMBLY AND ASSEMBLY >

[REAR FINAL DRIVE: R200]

9. Remove pinion rear bearing inner race and pinion height adjusting washer with the replacer (A) (commercial service tool).



10. Remove pinion height adjusting washer.
11. Tap pinion front/rear bearing outer races uniformly using a brass rod or equivalent to remove them.
- CAUTION:**
Never damage gear carrier.
12. Perform inspection after disassembly. Refer to [DLN-193](#), "[Inspection](#)".



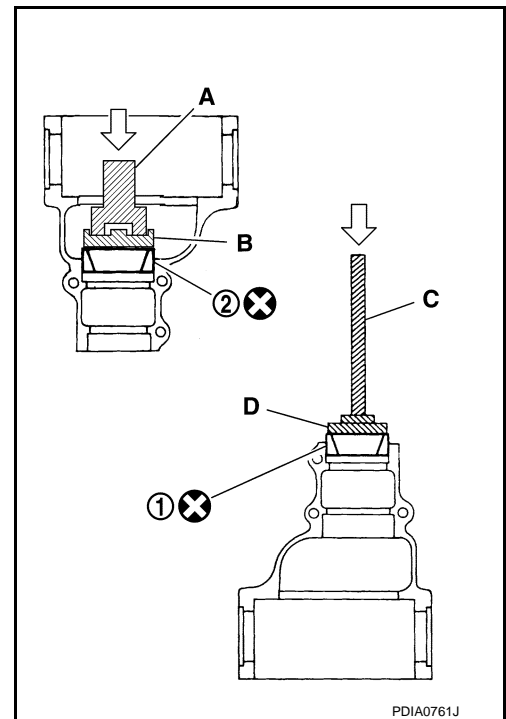
Assembly

1. Install front bearing outer race (1) and rear bearing outer race (2) using drifts.

- A : Drift [SST: ST30720000 (J-25405)]
B : Drift [SST: KV40105230 (—)]
C : Drift bar [SST: ST30611000 (J-25742-1)]
D : Drift [SST: ST30613000 (J-25742-3)]

CAUTION:

- At first, using a hammer, tap bearing outer race until it becomes flat to gear carrier.
 - Never reuse pinion front and rear bearing outer race.
2. Select drive pinion height adjusting washer. Refer to [DLN-190](#), "[Adjustment](#)".



INFOID:000000006044689

DRIVE PINION

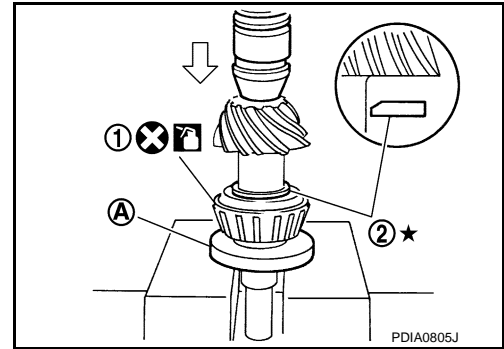
< UNIT DISASSEMBLY AND ASSEMBLY >

[REAR FINAL DRIVE: R200]

3. Install selected drive pinion height adjusting washer (2) to drive pinion. Press pinion rear bearing inner race (1) to it, using drift (A) [SST: ST30901000 (J-26010-01)].

CAUTION:

- Be careful of the direction of pinion height adjusting washer. (Assemble as shown in the figure.)
- Never reuse pinion rear bearing inner race.



4. Assemble collapsible spacer to drive pinion.

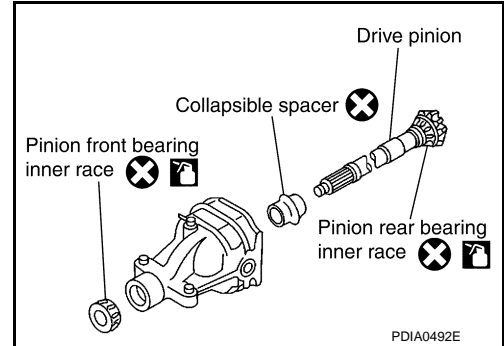
CAUTION:

Never reuse collapsible spacer.

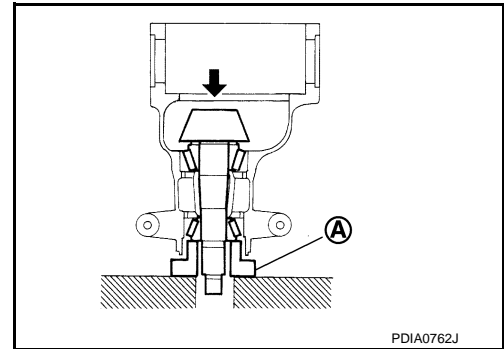
5. Apply gear oil to pinion rear bearing, and assemble drive pinion into gear carrier.
6. Apply gear oil to pinion front bearing, and assemble pinion front bearing inner race to drive pinion assembly.

CAUTION:

Never reuse pinion front bearing inner race.



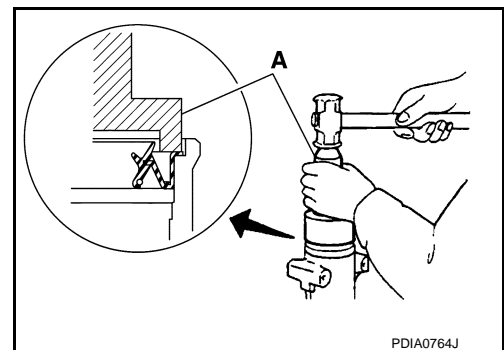
7. Using suitable spacer (A) (commercial service tool), press the pinion front bearing inner race to drive pinion as far as drive pinion nut can be tightened.



8. Using the drift (A) [SST: ST30720000 (J-25405)], install front oil seal as shown in figure.

CAUTION:

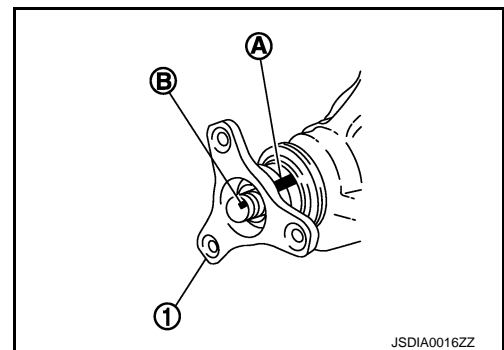
- Never reuse oil seal.
- When installing, never incline oil seal.
- Apply multi-purpose grease onto oil seal lips, and gear oil onto the circumference of oil seal.



9. Install companion flange (1).

NOTE:

When reusing drive pinion, align the matching mark (B) of drive pinion with the matching mark (A) of companion flange, and then install companion flange (1).



A
B
C
DLN
E
F
G
H
I
J
K
L
M
N
O
P

DRIVE PINION

< UNIT DISASSEMBLY AND ASSEMBLY >

[REAR FINAL DRIVE: R200]

10. Apply anti-corrosion oil to the thread and seat of drive pinion lock nut, and temporarily tighten drive pinion lock nut to drive pinion.

CAUTION:

Never reuse drive pinion lock nut.

11. Adjust to the drive pinion lock nut tightening torque and pinion bearing preload torque.

A : Preload gauge [SST: ST3127S000 (J-25765-A)]

Pinion bearing preload : Refer to [DLN-195, "Pre-load Torque"](#).

CAUTION:

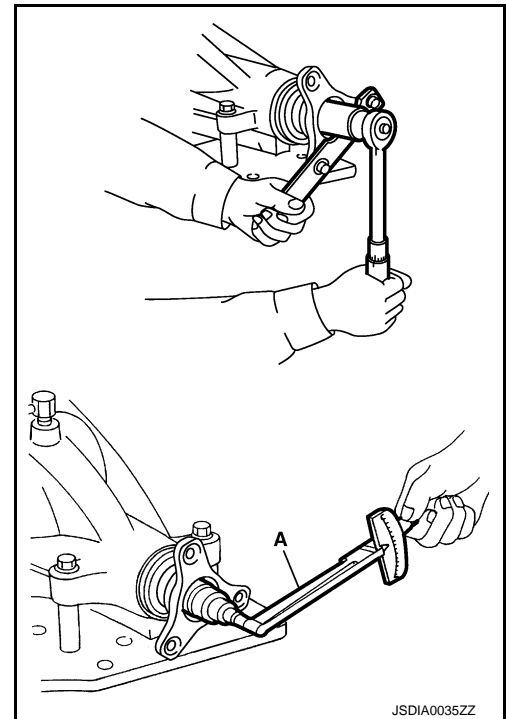
- Adjust to the lower limit of the drive pinion lock nut tightening torque first.
- If the preload torque exceeds the specified value, replace collapsible spacer and tighten it again to adjust. Never loosen drive pinion lock nut to adjust the preload torque.
- After adjustment, rotate drive pinion back and forth 2 to 3 times to check for unusual noise, rotation malfunction, and other malfunctions.

12. Install differential case assembly. Refer to [DLN-176, "Assembly"](#).

CAUTION:

Never install rear cover at this timing.

13. Check and adjust drive gear runout, tooth contact and drive gear to drive pinion backlash. Refer to [DLN-180, "Adjustment"](#) and [DLN-190, "Adjustment"](#).
Recheck above items. Readjust the above description, if necessary.
14. Check total preload torque. Refer to [DLN-180, "Adjustment"](#).
15. Install rear cover. Refer to [DLN-176, "Assembly"](#).

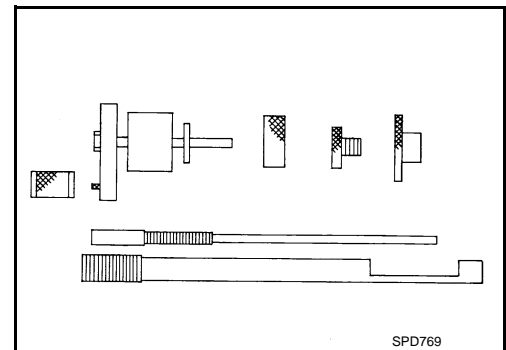


Adjustment

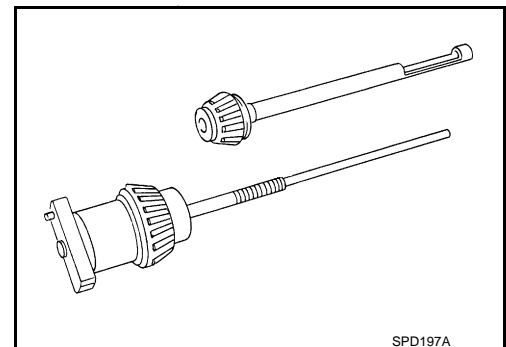
INFOID:000000006044690

PINION GEAR HEIGHT

1. Make sure all parts are clean and that the bearings are well lubricated.
2. Assemble the pinion gear bearings into the differential shim selector tool [SST: — (J-34309)].



- **Pinion front bearing;** make sure the J-34309-3 pinion front bearing seat is secured tightly against the J-34309-2 gauge anvil. Then turn the pinion front bearing pilot, J-34309-5, to secure the bearing in its proper position.
- **Pinion rear bearing;** the pinion rear bearing pilot, J-34309-8, is used to center the pinion rear bearing only. The pinion rear bearing locking seat, J-34309-4, is used to lock the bearing to the assembly.
- **Installation of J-34309-9 and J-34309-16;** place a suitable 2.5 mm (0.098 in) thick plain washer between J-34309-9 and



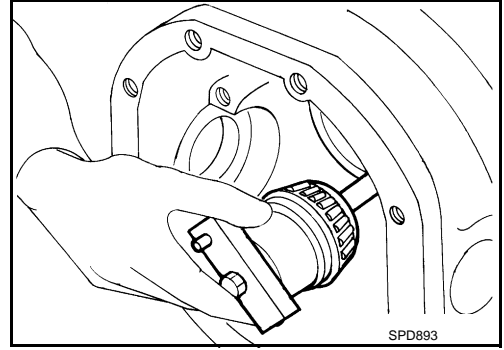
DRIVE PINION

< UNIT DISASSEMBLY AND ASSEMBLY >

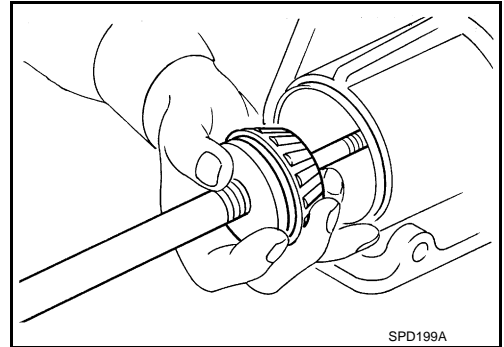
[REAR FINAL DRIVE: R200]

J-34309-16. Both surfaces of J-34309-9 and J-34309-16 must be parallel with a clearance of 2.5 mm (0.098 in).

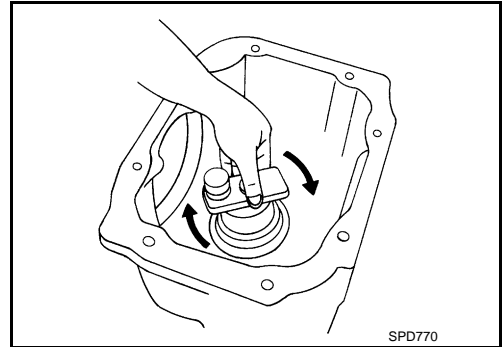
3. Install the pinion rear bearing inner race into gear carrier. Then place the pinion preload shim selector tool, J-34309-1, gauge screw assembly.



4. Assemble the pinion front bearing inner race and the J-34309-2 gauge anvil. Assemble them together with the J-34309-1 gauge screw in gear carrier. Make sure that the pinion height gauge plate, J-34309-16, turns a full 360 degrees. Tighten the two sections together by hand.

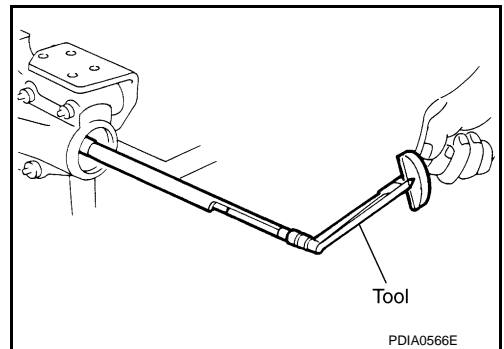


5. Turn the assembly several times to seat the bearings.



6. Measure the turning torque at the end of the J-34309-2 gauge anvil using preload gauge [SST: ST3127S000 (J-25765-A)].

Turning torque specification : 1.0 – 1.3 N·m (0.11 – 0.13 kg·m, 9 – 11 in·lb)



A
B
C
DLN
E
F
G
H
I
J
K
L
M
N
O
P

DRIVE PINION

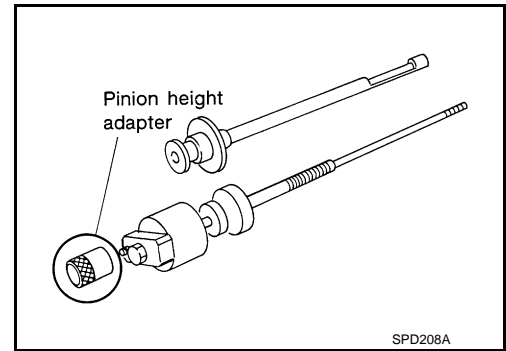
< UNIT DISASSEMBLY AND ASSEMBLY >

[REAR FINAL DRIVE: R200]

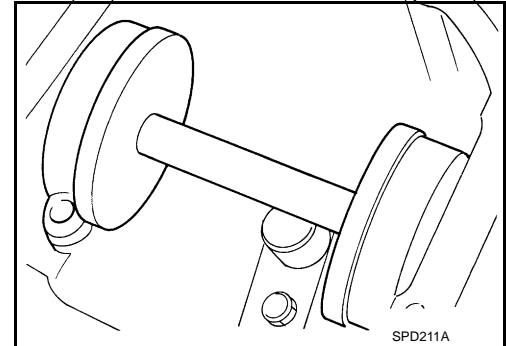
7. Place the J-34309-11 "R200A" pinion height adapter onto the gauge plate and tighten it by hand.

CAUTION:

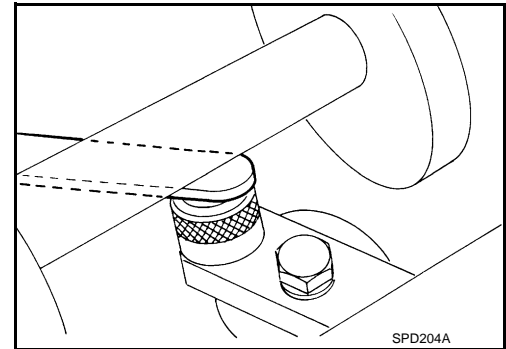
Make sure all machined surfaces are clean.



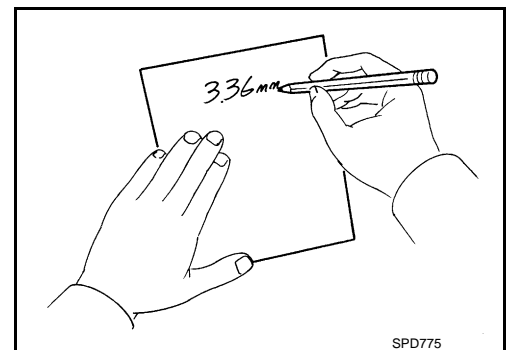
8. Position the side bearing discs, J-25269-4, and arbor firmly into the side bearing bores. Install the bearing caps and tighten bearing cap mounting bolts to the specified torque. Refer to [DLN-186, "Exploded View"](#).



9. Select the correct standard pinion height adjusting washer thickness. Select by using a standard gauge of 3 mm (0.12 in) and J-34309-101 feeler gauge. Measure the distance between the J-34309-11 pinion height adapter including the standard gauge and the arbor.

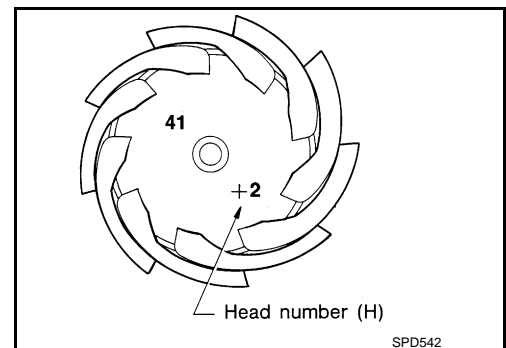


10. Write down exact measurement (the value of feeler gauge).



11. Correct the pinion height washer size by referring to the "pinion head number".

There are two numbers painted on the drive pinion. The first one refers to the drive pinion and drive gear as a matched set. This number should be the same as the number on the drive gear. The second number is the "pinion head height number". It refers to the ideal pinion height from standard for quietest operation. Use the following chart to determine the correct pinion height washer.



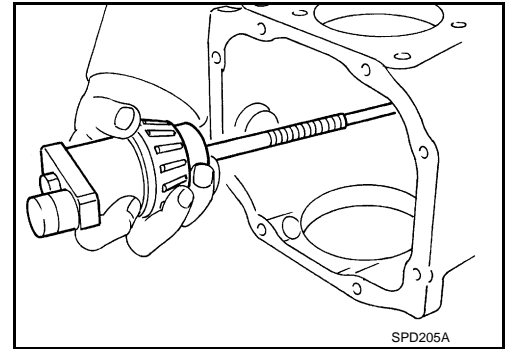
DRIVE PINION

< UNIT DISASSEMBLY AND ASSEMBLY >

[REAR FINAL DRIVE: R200]

Pinion head height number	Add or remove from the standard pinion height adjusting washer thickness measurement
-6	Add 0.06 mm (0.0024 in)
-5	Add 0.05 mm (0.0020 in)
-4	Add 0.04 mm (0.0016 in)
-3	Add 0.03 mm (0.0012 in)
-2	Add 0.02 mm (0.0008 in)
-1	Add 0.01 mm (0.0004 in)
0	Use the selected washer thickness
+1	Subtract 0.01 mm (0.0004 in)
+2	Subtract 0.02 mm (0.0008 in)
+3	Subtract 0.03 mm (0.0012 in)
+4	Subtract 0.04 mm (0.0016 in)
+5	Subtract 0.05 mm (0.0020 in)
+6	Subtract 0.06 mm (0.0024 in)

12. Select the correct pinion height adjusting washer. For selecting adjusting washer, refer to the latest parts information.
13. Remove the J-34309 differential shim selector tool from the final drive housing. Then disassemble to retrieve the pinion bearings.



INFOID:000000006044691

Inspection

INSPECTION AFTER DISASSEMBLY

Drive Gear and Drive Pinion

- Clean up the disassembled parts.
- If the gear teeth never mesh or line-up correctly, determine the cause and adjust or replace as necessary.
- If the gears are worn, cracked, damaged, pitted or chipped (by friction) noticeably, replace with new drive gear and drive pinion as a set.

Bearing

- Clean up the disassembled parts.
- If any chipped (by friction), pitted, worn, rusted or scratched marks, or unusual noise from the bearing is observed, replace as a bearing assembly (as a new set).

Side Gear and Pinion Mate Gear

- Clean up the disassembled parts.
- If any cracks or damage on the surface of the tooth is found, replace.
- If any worn or chipped mark on the contact sides of the thrust washer is found, replace.

Side Gear Thrust Washer and Pinion Mate Thrust Washer

- Clean up the disassembled parts.
- If it is chipped (by friction), damaged, or unusually worn, replace.

Oil Seal

- Whenever disassembled, replace.
- If wear, deterioration of adherence (sealing force lips), or damage is detected on the lips, replace them.

Differential Case

- Clean up the disassembled parts.
- If any wear or crack on the contact sides of the differential case is found, replace.

Companion Flange

- Clean up the disassembled parts.

A

B

C

DLN

E

F

G

H

I

J

K

L

M

N

O

P

DRIVE PINION

< UNIT DISASSEMBLY AND ASSEMBLY >

[REAR FINAL DRIVE: R200]

- If any chipped mark [about 0.1 mm, (0.004 in)] or other damage on the contact sides of the lips of the companion flange is found, replace.

SERVICE DATA AND SPECIFICATIONS (SDS)

< SERVICE DATA AND SPECIFICATIONS (SDS)

[REAR FINAL DRIVE: R200]

SERVICE DATA AND SPECIFICATIONS (SDS)

SERVICE DATA AND SPECIFICATIONS (SDS)

General Specifications

INFOID:000000006044692

	2WD	AWD
Applied model	VQ37VHR	
	A/T	
Final drive model	R200	
Gear ratio	3.357	
Number of teeth (Drive gear/Drive pinion)	47/14	
Oil capacity (Approx.)	ℓ (US pt, Imp pt)	
	1.4 (3, 2-1/2)	
Number of pinion gears	2	
Drive pinion adjustment spacer type	Collapsible	

Drive Gear Runout

INFOID:000000006044693

Unit: mm (in)

Item	Limit
Drive gear back face runout	0.05 (0.0020)

Differential Side Gear Clearance

INFOID:000000006044694

Unit: mm (in)

Item	Standard
Side gear backlash (Clearance between side gear and differential case)	0.20 (0.0079) or less (Each gear should rotate smoothly without excessive resistance during differential motion.)

Preload Torque

INFOID:000000006044695

Unit: N·m (kg·m, in·lb)

Item	Standard
Pinion bearing (P1)	2.65 – 3.23 (0.27 – 0.32, 24 – 28)
Side bearing (P2)	0.20 – 0.52 (0.02 – 0.05, 2 – 4)
Side bearing to pinion bearing (Total preload) (Total preload = P1 + P2)	2.85 – 3.75 (0.29 – 0.38, 26 – 33)

Backlash

INFOID:000000006044696

Unit: mm (in)

Item	Standard
Drive gear to drive pinion gear	0.10 – 0.15 (0.0039 – 0.0059)

PRECAUTION

PRECAUTIONS

Service Notice or Precations for Rear Final Drive

INFOID:000000006044796

- Check for the correct installation status prior to removal or disassembly. If matching marks are required, be certain they never interfere with the function of the parts when applied.
- Overhaul should be done in a clean work area, it is preferable to work in dustproof area.
- Before disassembly, using steam or white gasoline, completely remove sand and mud from the exterior of the unit, preventing them from entering into the unit during disassembly or assembly.
- Check appearance of the disassembled parts for damage, deformation, and unusual wear. Replace them with a new ones if necessary.
- Gaskets, seals and O-rings should be replaced any time when the unit is disassembled.
- In principle, tighten bolts or nuts gradually in several steps working diagonally from inside to outside. If tightening sequence is specified, observe it.
- Clean and flush the parts sufficiently and blow-dry them.
- Be careful not to damage sliding surfaces and mating surfaces.
- When applying sealant, remove the old sealant from the mounting surface; then remove any moisture, oil, and foreign materials from the application and mounting surfaces.
- Always use shop paper for cleaning the inside of components.
- Never use cotton gloves or shop rags to prevent entering of lint.
- During assembly, observe the specified tightening torque, and apply new gear oil, petroleum jelly, or multi-purpose grease as specified for each vehicle, if necessary.

PREPARATION

< PREPARATION >

[REAR FINAL DRIVE: R208]

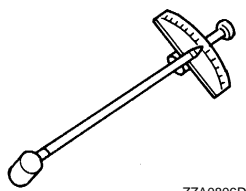
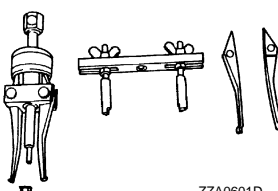
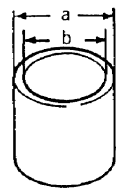
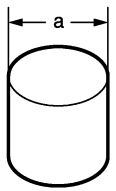

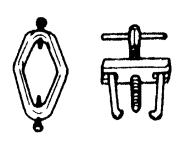
PREPARATION

PREPARATION

Special Service Tools

INFOID:000000006044797

The actual shapes of Kent-Moore tools may differ from those of special service tools illustrated here.

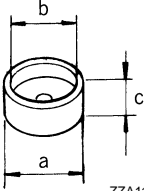
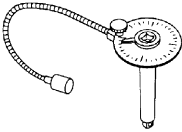
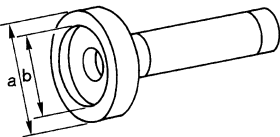
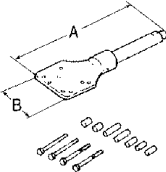
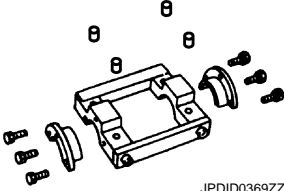
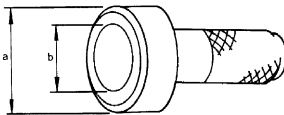
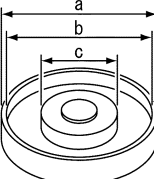
Tool number (Kent-Moore No.) Tool name	Description
ST3127S000 (J-25765-A) Preload gauge	 <p style="text-align: center;">ZZA0806D</p> Measuring pinion bearing preload and total preload
KV381054S0 (J-34286) Puller	 <p style="text-align: center;">ZZA0601D</p> Removing front oil seal
KV40104710 (—) Drift a: 57 mm (2.24 in) dia. b: 47 mm (1.85 in) dia.	 <p style="text-align: center;">ZZA0832D</p> <ul style="list-style-type: none"> • Installing front oil seal • Installing side oil seal
KV38109220 (—) Drift a: 77.9 mm (3.067 in) dia.	 <p style="text-align: center;">JPDID0368ZZ</p> <ul style="list-style-type: none"> • Removing and Installing rear cover • Removing and Installing differential case
KV38109210 (—) Base tube a: 77.9 mm (3.067 in) dia. b: 58 mm (2.28 in) dia.	 <p style="text-align: center;">ZZA0832D</p> <ul style="list-style-type: none"> • Removing and Installing rear cover • Removing and Installing differential case
ST33051001 (J-22888-20) Puller	 <p style="text-align: center;">PDIA0747J</p> Removing side bearing inner race

A
B
C
DLN
E
F
G
H
I
J
K
L
M
N
O
P

PREPARATION

< PREPARATION >

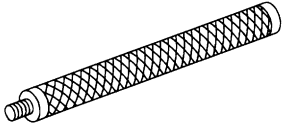
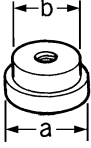
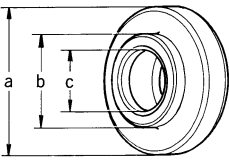
[REAR FINAL DRIVE: R208]

Tool number (Kent-Moore No.) Tool name	Description	
KV40104810 (—) Attachment A: 49 mm (1.93 in) B: 42 mm (1.65 in) C: 25 mm (0.98 in)	 <p style="text-align: center; font-size: small;">ZZA1133D</p>	Removing and installing side bearing inner race
KV10112100 (BT-8653-A) Angle wrench	 <p style="text-align: center; font-size: small;">ZZA0120D</p>	Tightening the drive gear mounting bolt
KV38100200 (J-26233) Drift a: 65 mm (2.56 in) dia. b: 49 mm (1.93 in) dia.	 <p style="text-align: center; font-size: small;">ZZA1143D</p>	Installing side bearing inner race
KV38100800 (J-25604-01) Attachment A: 541 mm (21.30 in) B: 200 mm (7.87 in)	 <p style="text-align: center; font-size: small;">SDIA0267E</p>	Fixing unit assembly
KV381091S0 (—) Dummy cover set	 <p style="text-align: center; font-size: small;">JPDID0369ZZ</p>	<ul style="list-style-type: none"> Checking backlash Checking drive gear runout Checking tooth contact
ST30720000 (J-25405) Drift a: 77 mm (3.03 in) dia. b: 55.5 mm (2.185 in) dia.	 <p style="text-align: center; font-size: small;">ZZA0811D</p>	Installing pinion rear bearing outer race
KV40105230 (—) Drift a: 92 mm (3.62 in) dia. b: 86 mm (3.39 in) dia. c: 45 mm (1.77 in) dia.	 <p style="text-align: center; font-size: small;">PDIA0591E</p>	Installing pinion rear bearing outer race

PREPARATION

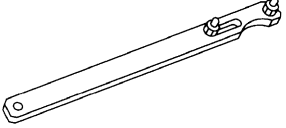
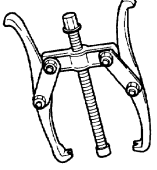
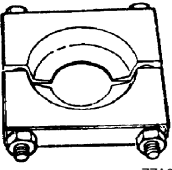
< PREPARATION >

[REAR FINAL DRIVE: R208]

Tool number (Kent-Moore No.) Tool name	Description	
ST30611000 (J-25742-1) Drift bar	 Installing pinion front bearing outer race (Use with ST30613000)	A B C
ST30621000 (J-25742-5) Drift a: 79 mm (3.11 in) dia. b: 59 mm (2.32 in) dia.	 Installing pinion front bearing outer race	DLN E F
ST30901000 (J-26010-01) Drift a: 79 mm (3.11 in) dia. b: 45 mm (1.77 in) dia. c: 35.2 mm (1.386 in) dia.	 Installing pinion rear bearing inner race	G H

Commercial Service Tools

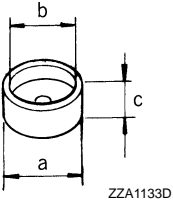
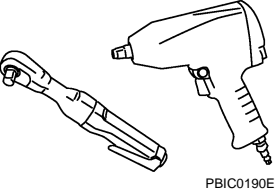
INFOID:000000006044798

Tool name	Description	
Flange wrench	 Removing and installing drive pinion lock nut	J K L
Puller	 Removing companion flange	M N
Replacer	 Removing pinion rear bearing inner race	O P

PREPARATION

< PREPARATION >

[REAR FINAL DRIVE: R208]

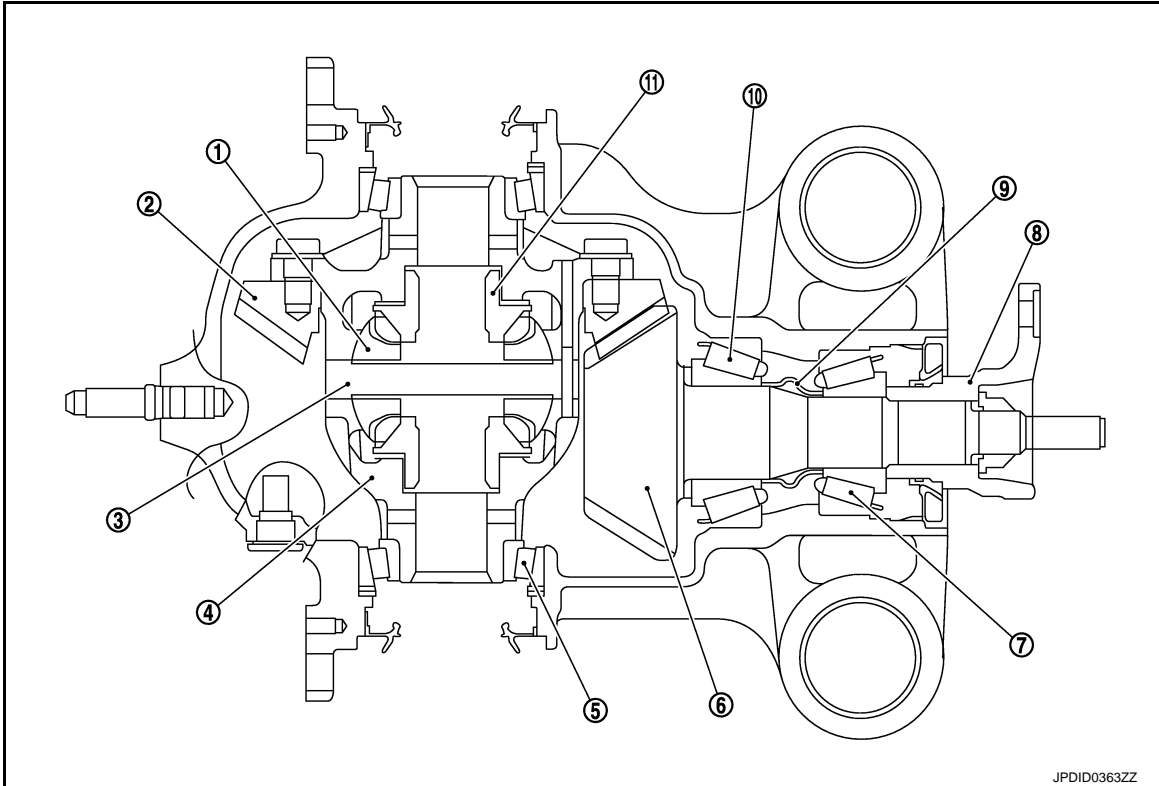
Tool name	Description
<p>Spacer a: 60 mm (2.36 in) dia. b: 36 mm (1.42 in) dia. c: 30 mm (1.18 in)</p>  <p>ZZA1133D</p>	<p>Installing pinion front bearing inner race</p>
<p>Power tool</p>  <p>PBIC0190E</p>	<p>Loosening bolts and nuts</p>

SYSTEM DESCRIPTION

STRUCTURE AND OPERATION

Sectional View

INFOID:000000006044801



- | | | |
|-------------------------|---------------------|-----------------------|
| 1. Pinion mate gear | 2. Drive gear | 3. Pinion mate shaft |
| 4. Differential case | 5. Side bearing | 6. Drive pinion |
| 7. Pinion front bearing | 8. Companion flange | 9. Collapsible spacer |
| 10. Pinion rear bearing | 11. Side gear | |

A
B
C
DLN
E
F
G
H
I
J
K
L
M
N
O
P

NOISE, VIBRATION AND HARSHNESS (NVH) TROUBLESHOOTING

< SYMPTOM DIAGNOSIS >

[REAR FINAL DRIVE: R208]

SYMPTOM DIAGNOSIS

NOISE, VIBRATION AND HARSHNESS (NVH) TROUBLESHOOTING

NVH Troubleshooting Chart

INFOID:000000006109634

2WD

Use the chart below to find the cause of the symptom. If necessary, repair or replace these parts.

Reference	Possible cause and SUSPECTED PARTS	Symptom	Noise
DLN-222. "Inspection"	Gear tooth rough	x	x
DLN-218. "Adjustment"	Gear contact improper	x	x
DLN-218. "Adjustment"	Tooth surfaces worn	x	x
DLN-218. "Adjustment"	Backlash incorrect	x	x
DLN-218. "Adjustment"	Companion flange excessive runout	x	x
DLN-204. "Inspection"	Gear oil improper	x	x
NVH in DLN section.	PROPELLER SHAFT	x	x
NVH in FAX, RAX, FSU and RSU sections.	AXLE AND SUSPENSION	x	x
NVH in WT section.	TIRE	x	x
NVH in WT section.	ROAD WHEEL	x	x
NVH in RAX section.	DRIVE SHAFT	x	x
NVH in BR section.	BRAKE	x	x
NVH in ST section.	STEERING	x	x

x: Applicable

AWD

PERIODIC MAINTENANCE

REAR DIFFERENTIAL GEAR OIL

Inspection

INFOID:000000006044802

OIL LEAKAGE

- Make sure that oil is not leaking from final drive assembly or around it.

OIL LEVEL

- Remove filler plug (1) and check oil level from filler plug mounting hole as shown in the figure.

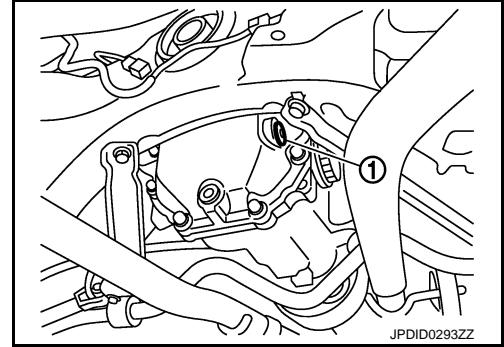
CAUTION:

Never start engine while checking oil level.

- Set a gasket on filler plug (1) and install it on final drive assembly. Refer to [DLN-212, "Exploded View"](#).

CAUTION:

Never reuse gasket.



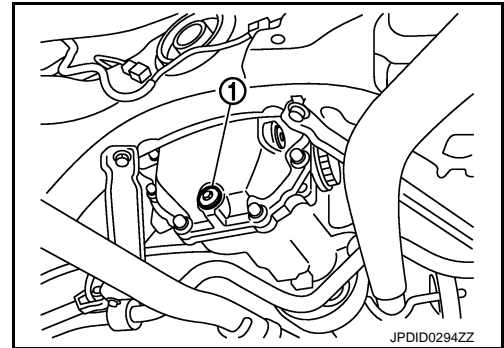
Draining

INFOID:000000006044803

1. Stop engine.
2. Remove drain plug (1) and drain gear oil.
3. Set a gasket on drain plug (1) and install it to final drive assembly and tighten to the specified torque. Refer to [DLN-212, "Exploded View"](#).

CAUTION:

Never reuse gasket.



Refilling

INFOID:000000006044804

1. Remove filler plug (1). Fill with new gear oil until oil level reaches the specified level near filler plug mounting hole.

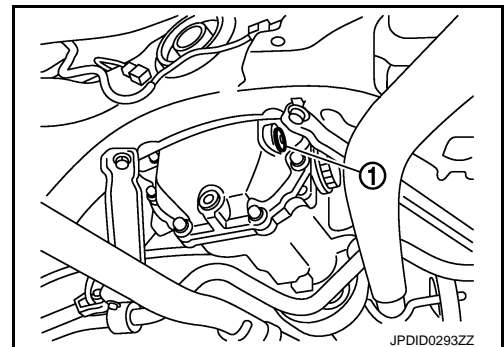
Oil grade and viscosity : Refer to [MA-12, "Fluids and Lubricants"](#).

Oil capacity : Refer to [DLN-231, "General Specifications"](#).

2. After refilling oil, check oil level. Set a gasket to filler plug (1), then install it to final drive assembly. Refer to [DLN-212, "Exploded View"](#).

CAUTION:

Never reuse gasket.



FRONT OIL SEAL

< REMOVAL AND INSTALLATION >

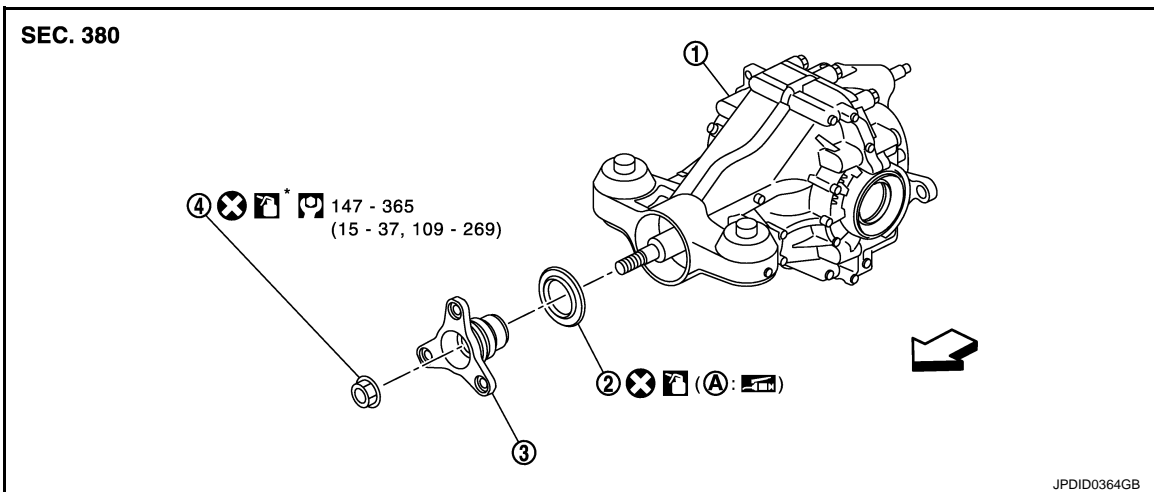
[REAR FINAL DRIVE: R208]

REMOVAL AND INSTALLATION

FRONT OIL SEAL

Exploded View

INFOID:000000006044805



- 1. Final drive assembly
- 2. Front oil seal
- 3. Companion flange
- 4. Drive pinion lock nut
- A. Oil seal lip

↔: Vehicle front

: Apply gear oil.

: Apply anti-corrosion oil.

Refer to [GL-4, "Components"](#) for symbols not described above.

Removal and Installation

INFOID:000000006044806

REMOVAL

CAUTION:

Verify identification stamp of replacement frequency put in the lower part of gear carrier to determine replacement for collapsible spacer when replacing front oil seal. Refer to "Identification stamp of replacement frequency of front oil seal". If collapsible spacer replacement is necessary, remove final drive assembly and disassemble it to replace front oil seal and collapsible spacer. Refer to [DLN-210, "Removal and Installation"](#) and [DLN-224, "Disassembly"](#).

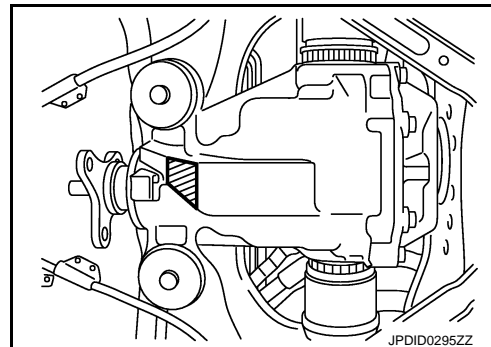
NOTE:

The reuse of collapsible spacer is prohibited in principle. However, it is reusable on a one-time basis only in cases when replacing front oil seal.

Identification stamp of replacement frequency of front oil seal

- The diagonally shaded area in the figure shows stamping point for replacement frequency of front oil seal.
 - The following table shows if collapsible spacer replacement is needed before replacing front oil seal.
- When collapsible spacer replacement is required, disassemble final drive assembly to replace collapsible spacer and front oil seal. Refer to [DLN-224, "Disassembly"](#).

Stamp	collapsible spacer replacement
No stamp	Not required



FRONT OIL SEAL

< REMOVAL AND INSTALLATION >

[REAR FINAL DRIVE: R208]

Stamp	collapsible spacer replacement
"0" or "0" on the far right of stamp	Required
"01" or "1" on the far right of stamp	Not required

CAUTION:

Make a stamping after replacing front oil seal.

- After replacing front oil seal, make a stamping on the stamping point in accordance with the table below in order to identify replacement frequency.

CAUTION:

Make a stamping from left to right.

Stamp before stamping	Stamping on the far right	Stamping
No stamp	0	0
"0" (Front oil seal was replaced once.)	1	01
"01" (Collapsible spacer and front oil seal were replaced last time.)	0	010
"0" is on the far right. (Only front oil seal was replaced last time.)	1	...01
"1" is on the far right. (Collapsible spacer and front oil seal were replaced last time.)	0	...010

1. Make a judgment if a collapsible spacer replacement is required.
2. Drain gear oil. Refer to [DLN-204. "Draining"](#).
3. Remove final drive assembly. Refer to [DLN-210. "Removal and Installation"](#).

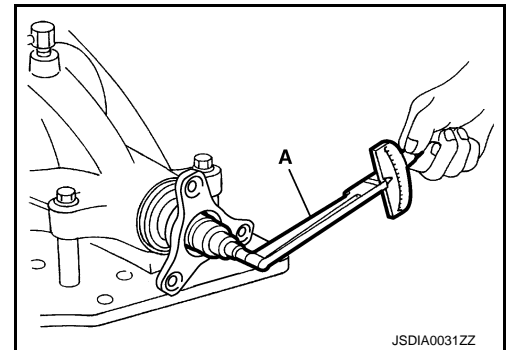
NOTE:

- It is necessary to separate the rear drive shaft from final drive to measure the total preload.
- It is necessary to remove final drive assembly to separate the rear drive shaft from final drive.

4. Measure the total preload with the preload gauge (A) [SST: ST3127S000 (J-25765-A)].

NOTE:

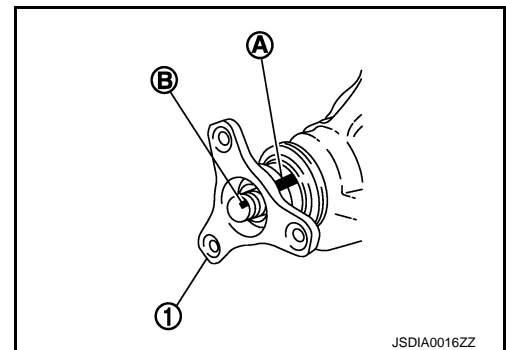
Record the preload measurement.



5. Put matching mark (B) on the end of the drive pinion. The matching mark (B) should be in line with the matching mark (A) on companion flange (1).

CAUTION:

For matching mark, use paint. Never damage companion flange and drive pinion.

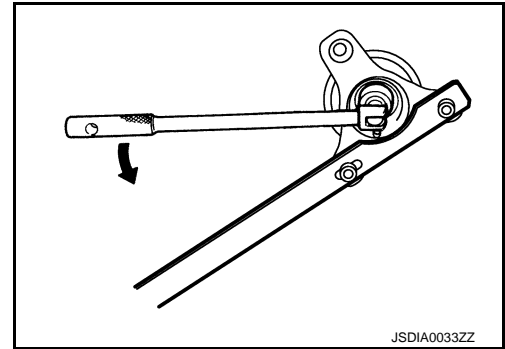


FRONT OIL SEAL

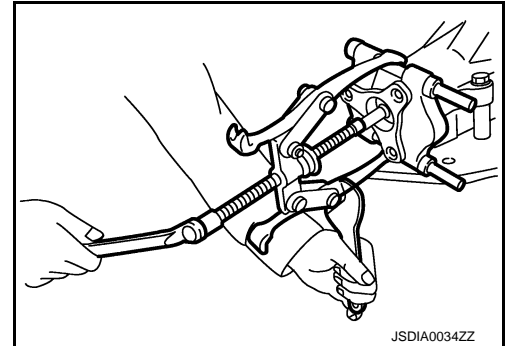
< REMOVAL AND INSTALLATION >

[REAR FINAL DRIVE: R208]

6. Remove drive pinion lock nut using the flange wrench. (commercial service tool)



7. Remove companion flange using pullers (commercial service tool).
8. Remove front oil seal using the puller [SST: KV381054S0 (J-34286)].

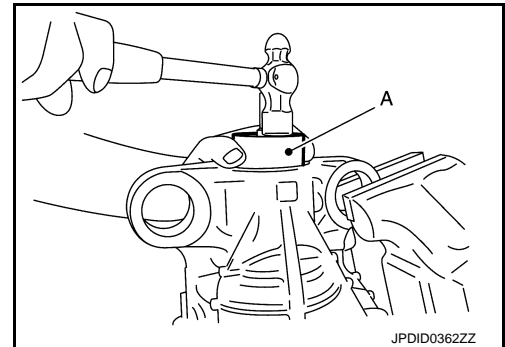


INSTALLATION

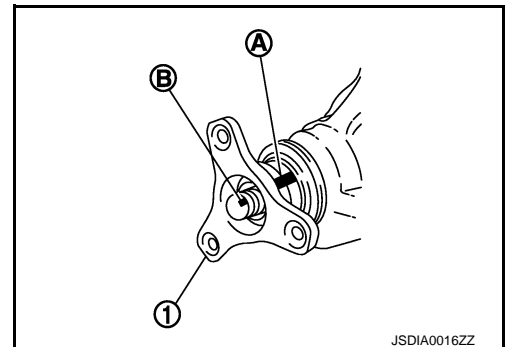
1. Apply multi-purpose grease to front oil seal lips.
2. Install front oil seal using the drift (A) [SST: KV40104710 (—)] as shown in figure.

CAUTION:

- Never reuse oil seal.
- Never incline oil seal when installing.



3. Align the matching mark (B) of drive pinion with the matching mark (A) of companion flange (1), and then install the companion flange (1).



A
B
C
DLN
E
F
G
H
I
J
K
L
M
N
O
P

FRONT OIL SEAL

< REMOVAL AND INSTALLATION >

[REAR FINAL DRIVE: R208]

4. Apply anti-corrosion oil to the thread and seat of new drive pinion lock nut, and temporarily tighten drive pinion lock nut to drive pinion, using flange wrench (commercial service tool).

CAUTION:

Never reuse drive pinion lock nut.

5. Tighten drive pinion lock nut within the limits of specified torque so as to keep the pinion bearing preload within a standard values, using preload gauge (A) [SST: ST3127S000 (J-25765-A)].

Total preload torque : A value that add 0.1 – 0.4 N·m (0.01 – 0.04 kg·m, 0.1 – 0.3 in·lb) to the measured value before removing.

CAUTION:

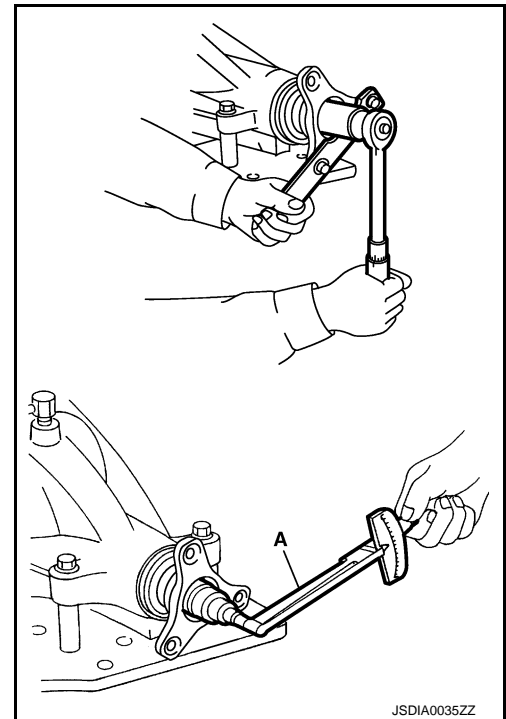
- Adjust to the lower limit of the drive pinion lock nut tightening torque first.
- If the preload torque exceeds the specified value, replace collapsible spacer and tighten it again to adjust. Never loosen drive pinion lock nut to adjust the preload torque.

6. Make a stamping for identification of front oil seal replacement frequency. Refer to "Identification stamp of replacement frequency of front oil seal".

CAUTION:

Make a stamping after replacing front oil seal.

7. Install final drive assembly. Refer to [DLN-210, "Removal and Installation"](#).
8. Refill gear oil to the final drive and check oil level. Refer to [DLN-204, "Refilling"](#).
9. Check the final drive for oil leakage. Refer to [DLN-204, "Inspection"](#).



SIDE OIL SEAL

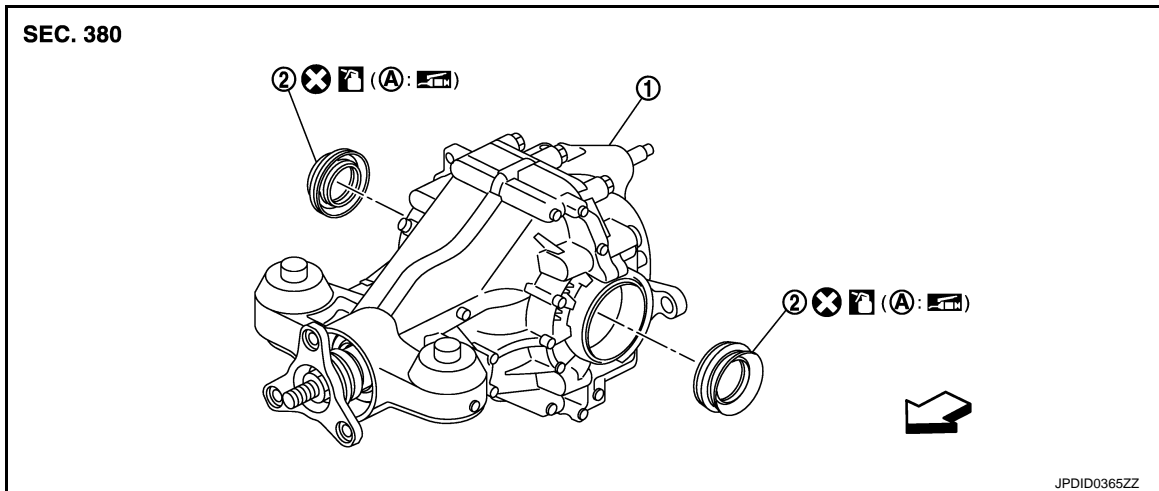
< REMOVAL AND INSTALLATION >

[REAR FINAL DRIVE: R208]

SIDE OIL SEAL

Exploded View

INFOID:000000006044807



1. Final drive assembly
2. Side oil seal
A. Oil seal lip

⇐: Vehicle front

: Apply gear oil.

Refer to [GI-4. "Components"](#) for symbols not described above.

Removal and Installation

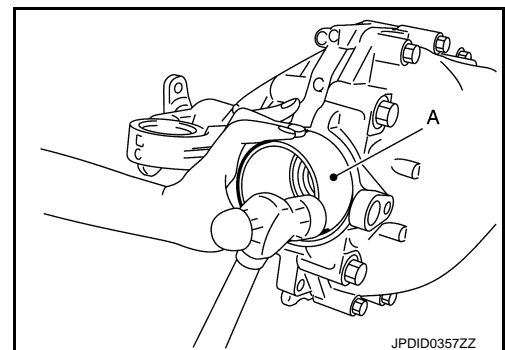
INFOID:000000006044808

REMOVAL

1. Remove final drive assembly. Refer to [DLN-210. "Removal and Installation"](#).
NOTE:
It is necessary to remove final drive assembly to remove the rear drive shaft.
2. Remove side oil seal, using a suitable tool.
CAUTION:
Never damage gear carrier.

INSTALLATION

1. Apply multi-purpose grease to side oil seal lips.
2. Install side oil seal until it becomes flush with the case end, using the drift (A) [SST: KV40104710 (—)].
CAUTION:
 - **Never reuse oil seal.**
 - **When installing, never incline oil seal.**
3. Install final drive assembly. Refer to [DLN-210. "Removal and Installation"](#).
4. When oil leaks while removing, check oil level after the installation. Refer to [DLN-204. "Inspection"](#).



REAR FINAL DRIVE ASSEMBLY

< UNIT REMOVAL AND INSTALLATION >

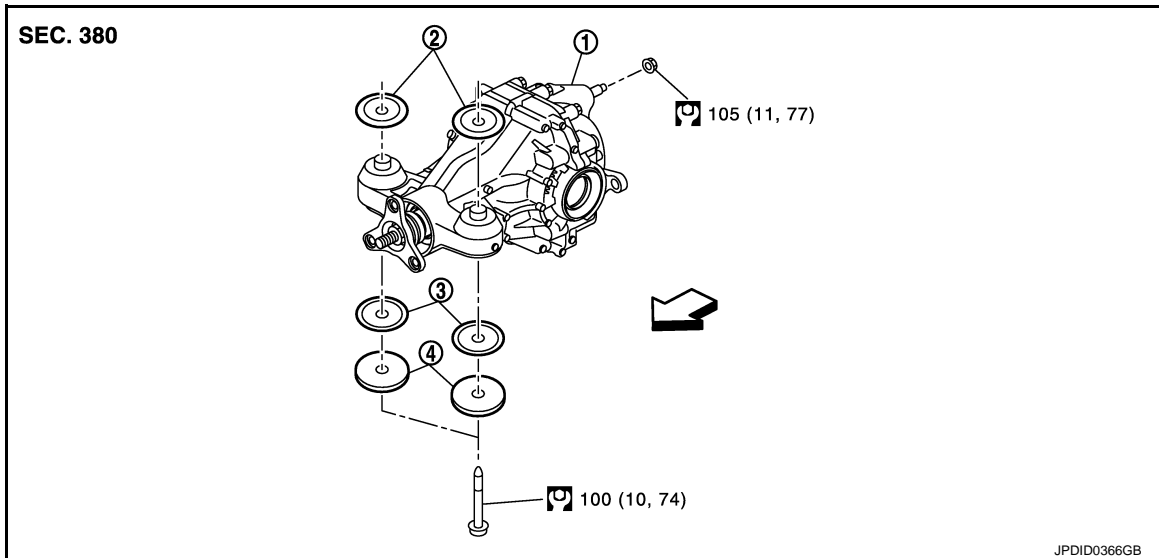
[REAR FINAL DRIVE: R208]

UNIT REMOVAL AND INSTALLATION

REAR FINAL DRIVE ASSEMBLY

Exploded View

INFOID:000000006044809



1. Rear final drive assembly
2. Upper stopper
3. Lower stopper
4. Washer

↔: Vehicle front

Refer to [GI-4, "Components"](#) for symbols in the figure.

Removal and Installation

INFOID:000000006044810

REMOVAL

1. Remove center muffler with a power tool. Refer to [EX-7, "VK56VD : Removal and Installation"](#).
2. Remove stabilizer bar with a power tool. Refer to [RSU-21, "Removal and Installation"](#). (with stabilizer bar)
3. Remove rear propeller shaft from the final drive. Refer to [DLN-101, "Removal and Installation"](#) (2WD), [DLN-108, "Removal and Installation"](#) (AWD).
4. Remove rear suspension member stay. Refer to [RSU-22, "Removal and Installation"](#).
5. Separate drive shaft from final drive. Refer to [RAX-12, "Removal and Installation"](#).
6. Remove breather hose from the final drive.
7. Set a suitable jack to rear final drive assembly.

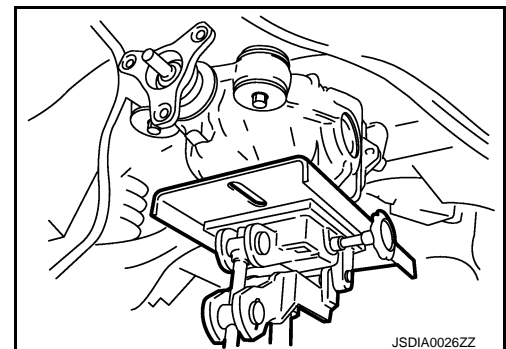
CAUTION:

Never place a jack on the rear cover (aluminum case).

8. Remove rear wheel sensor. Refer to [BRC-138, "REAR WHEEL SENSOR : Removal and Installation"](#).
9. Remove 4WAS rear actuator with a power tool. Refer to [STC-187, "Removal and Installation"](#). (with 4WAS)
10. Remove the mounting bolts and nuts connecting to the suspension member with a power tool. And then, remove rear final drive assembly.

CAUTION:

Secure rear final drive assembly to suitable jack while removing it.



INSTALLATION

Note the following, and installation is in the reverse order of removal.

REAR FINAL DRIVE ASSEMBLY

< UNIT REMOVAL AND INSTALLATION >

[REAR FINAL DRIVE: R208]

- If install the drive shaft to final drive, remove wheel hub rock nut. Refer to [RAX-12](#), "[Removal and Installation](#)".
- Check that there are no pinched or restricted areas on the breather hose caused by bending or winding when installing it.
- Install the breather hose (1) to breather connector until dimension (A) shown as follows.

A:

Final drive side : 20 mm (0.79 in)

Suspension member side : 20 mm (0.79 in)

CAUTION:

- **Never reuse hose clamp.**
- **Install the hose clamp at the final drive side, with the tab facing upward.**
- If remove breather connector, install breather hose (1) as shown in the figure.

↔ : Vehicle front

Suspension member side

- Insert the plug (2) to the (A) position in suspension member (4).
- Insert the tube end to center hole of the plug.
- Insert the projection to (B) position in suspension member.
- Be sure to fix the breather hose by the trim clip (3).

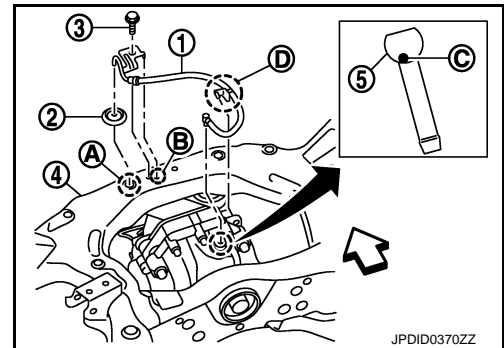
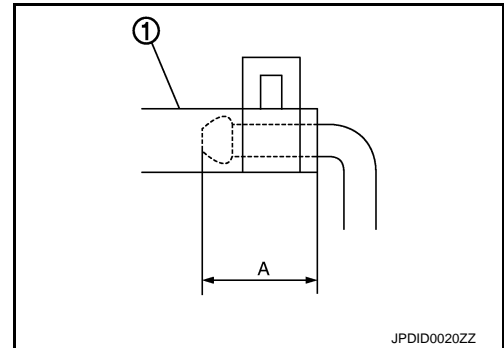
Final drive side

- Install metal connector (5) to rear cover with paint mark (C) facing vehicle rear.
- Be sure to fix the breather hose in (D) position by the clip.

CAUTION:

Never reuse the plug, trim clip, metal connector and clip.

- When oil leaks while removing final drive assembly, check oil level after the installation. Refer to [DLN-204](#), "[Inspection](#)".



A
B
C
DLN
E
F
G
H
I
J
K
L
M
N
O
P

DIFFERENTIAL ASSEMBLY

< UNIT DISASSEMBLY AND ASSEMBLY >

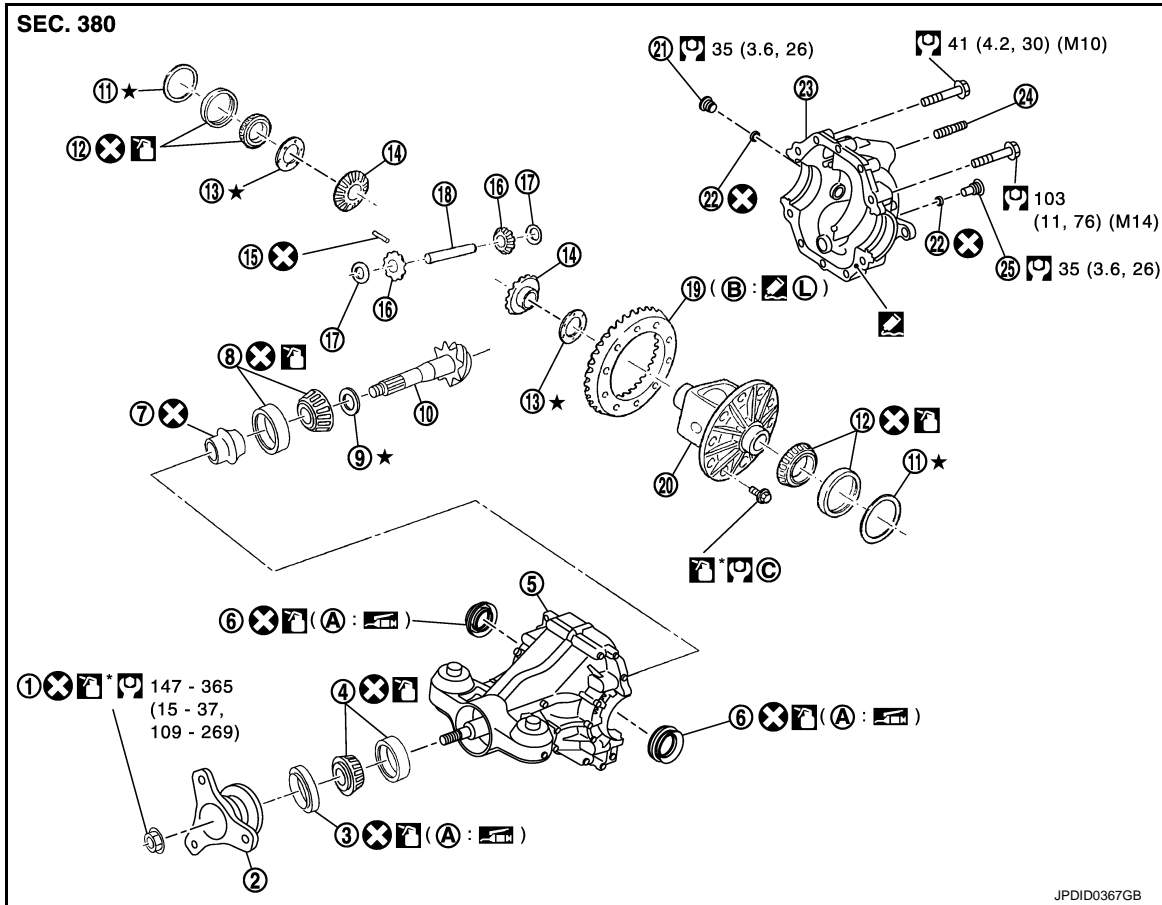
[REAR FINAL DRIVE: R208]

UNIT DISASSEMBLY AND ASSEMBLY

DIFFERENTIAL ASSEMBLY

Exploded View

INFOID:000000006044811



- | | | |
|-----------------------------|-----------------------------------|-----------------------------------|
| 1. Drive pinion lock nut | 2. Companion flange | 3. Front oil seal |
| 4. Pinion front bearing | 5. Gear carrier | 6. Side oil seal |
| 7. Collapsible spacer | 8. Pinion rear bearing | 9. Pinion height adjusting washer |
| 10. Drive pinion | 11. Side bearing adjusting washer | 12. Side bearing |
| 13. Side gear thrust washer | 14. Side gear | 15. Lock pin |
| 16. Pinion mate gear | 17. Pinion mate thrust washer | 18. Pinion mate shaft |
| 19. Drive gear | 20. Differential case | 21. Filler plug |
| 22. Gasket | 23. Rear cover | 24. Stud bolt |
| 25. Drain plug | | |
- A. Oil seal lip B. Screw hole C. Comply with the assembly procedure when tightening. Refer to [DLN-215, "Assembly"](#).

: Apply gear oil.

: Apply anti-corrosion oil.

: Apply Genuine Silicone RTV or equivalent. Refer to [GI-18, "Recommended Chemical Products and Sealants"](#).

: Apply Genuine High Strength Thread Locking Sealant or equivalent. Refer to [GI-18, "Recommended Chemical Products and Sealants"](#).

Refer to [GI-4, "Components"](#) for symbols not described above.

DIFFERENTIAL ASSEMBLY

< UNIT DISASSEMBLY AND ASSEMBLY >

[REAR FINAL DRIVE: R208]

Disassembly

INFOID:000000006044812

1. Drain gear oil, if necessary.
2. Remove the side oil seal, using a suitable tool.
CAUTION:
Never damage gear carrier and rear cover.
3. Remove rear cover mounting bolts.
4. Set drift (A) and base tube (B) to the right and left side bearing adjusting washers individually. Press differential case assembly with side bearing to remove gear carrier assembly and rear cover assembly.

A : Drift [SST:KV38109220 (—)]

B : Base tube [SST:KV38109210 (—)]

CAUTION:

The pressure shall be as low as possible to remove gear carrier assembly and rear cover assembly. The maximum pressure shall be 10 kN (1 ton, 1.1 US ton, 1.0 Imp ton).

NOTE:

Differential case assembly, side bearings, and adjusting washers are compressed and integrated in gear carrier and rear cover.

5. Remove side bearing adjusting washers and side bearing outer races.

CAUTION:

Mark the side bearing adjusting washers so that the original mounting positions (right/left) can be identified later.

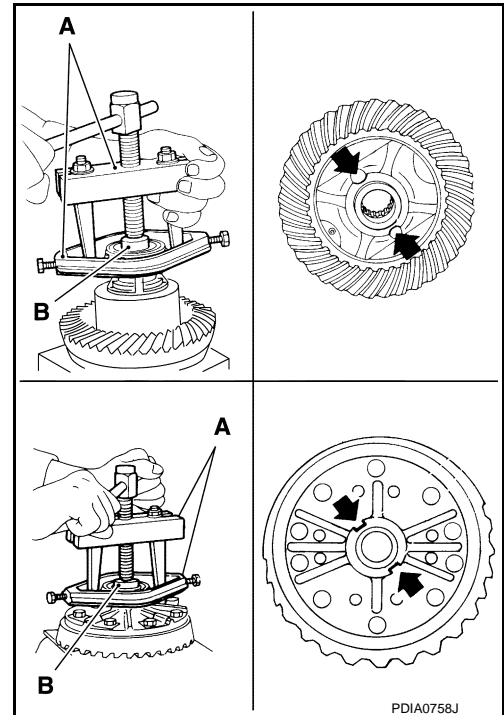
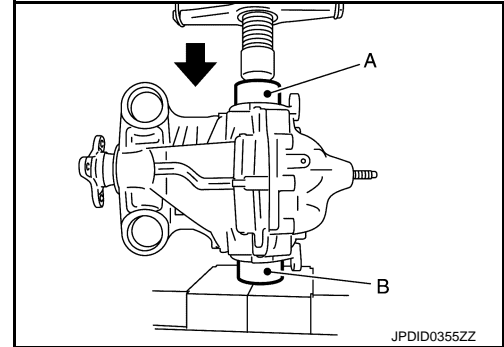
6. Remove side bearing inner races, using puller (A) and the adaptor (B).
To prevent damage to bearing, engage puller jaws in groove (←).

A : Puller [SST: ST33051001 (J-22888-20)]

B : Adaptor [SST: KV40104840 (—)]

CAUTION:

- To prevent damage to the side bearing and drive gear, place copper plates between these parts and vise.
- It is not necessary to remove side bearing inner race except when it is replaced.



A
B
C
DLN
E
F
G
H
I
J
K
L
M
N
O
P

DIFFERENTIAL ASSEMBLY

< UNIT DISASSEMBLY AND ASSEMBLY >

[REAR FINAL DRIVE: R208]

7. For proper reinstallation, paint matching marks on one differential case assembly.

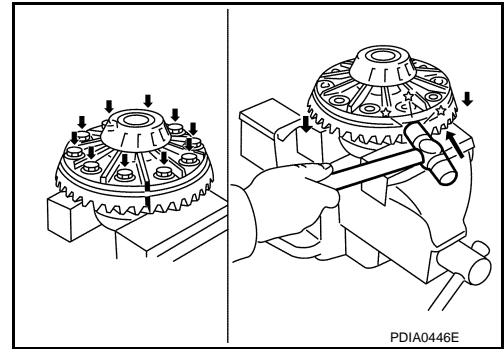
CAUTION:

For matching marks, use paint. Never damage differential case and drive gear.

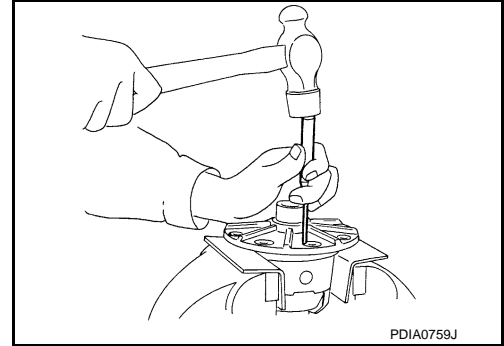
8. Remove drive gear mounting bolts.
9. Tap drive gear off differential case assembly with a soft hammer.

CAUTION:

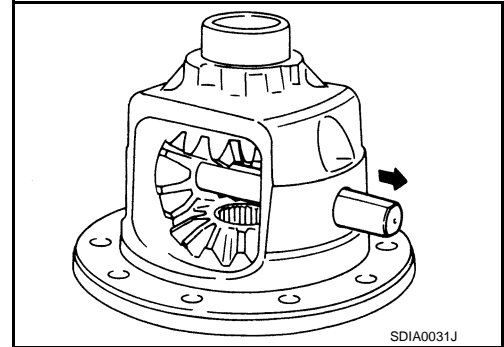
Tap evenly all around to keep drive gear from bending.



10. Remove lock pin of pinion mate shaft with a punch from drive gear side.

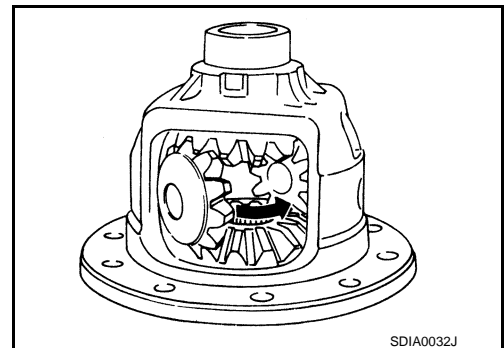


11. Remove pinion mate shaft.



12. Turn pinion mate gear, then remove pinion mate gear, pinion mate thrust washer, side gear and side gear thrust washer from differential case.

13. Perform inspection after disassembly. Refer to [DLN-222](#), "[Inspection](#)".



DIFFERENTIAL ASSEMBLY

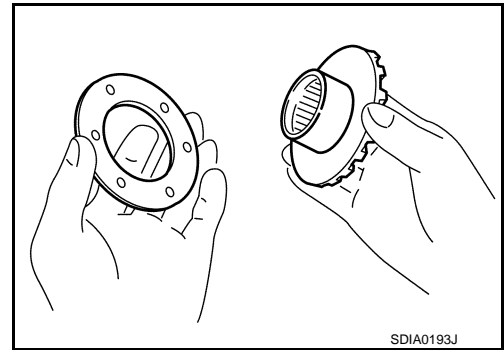
< UNIT DISASSEMBLY AND ASSEMBLY >

[REAR FINAL DRIVE: R208]

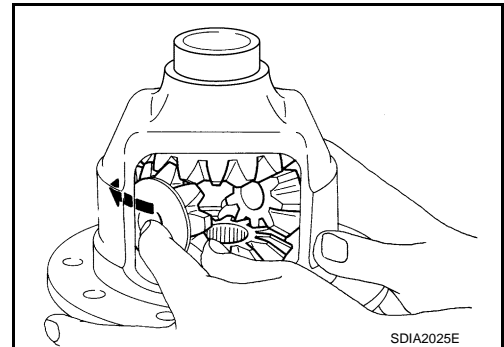
INFOID:000000006044813

Assembly

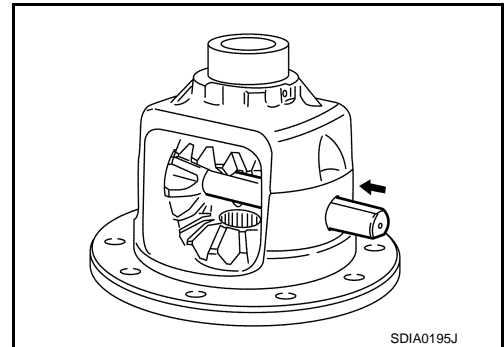
1. Install side gear thrust washers with the same thickness as the ones installed prior to disassembly or reinstall the old ones on the side gears.



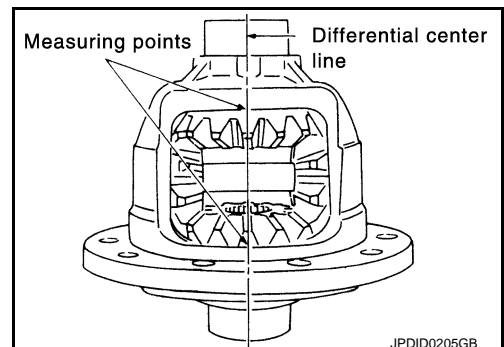
2. Install side gears and thrust washers into differential case.
3. Align 2 pinion mate gears in diagonally opposite positions, then rotate and install them into differential case after installing thrust washer to pinion mate gear.



4. Align the lock pin holes on differential case with shaft, and install pinion mate shaft.



5. Measure side gear end play. If necessary, select the appropriate side gear thrust washers.
 - a. Place differential case straight up so that side gear to be measured comes upward.



A
B
C
DLN
E
F
G
H
I
J
K
L
M
N
O
P

DIFFERENTIAL ASSEMBLY

< UNIT DISASSEMBLY AND ASSEMBLY >

[REAR FINAL DRIVE: R208]

- b. Using feeler gauge, measure the clearance between side gear back and differential case at 3 different points, while rotating side gear. Average the 3 readings, and then measure the clearance of the other side as well.

Side gear back clearance : Refer to [DLN-231, "Differential Side Gear Clearance"](#).

CAUTION:

To prevent side gear from tilting, insert feeler gauges with the same thickness from both sides.

- If the back clearance is outside the specification, use a thicker/thinner side gear thrust washer to adjust. For selecting thrust washer, refer to the latest parts information.

When the back clearance is large: Use a thicker thrust washer.

When the back clearance is small: Use a thinner thrust washer.

CAUTION:

Select a side gear thrust washer for right and left individually.

6. Drive a lock pin into pinion mate shaft, using a punch.

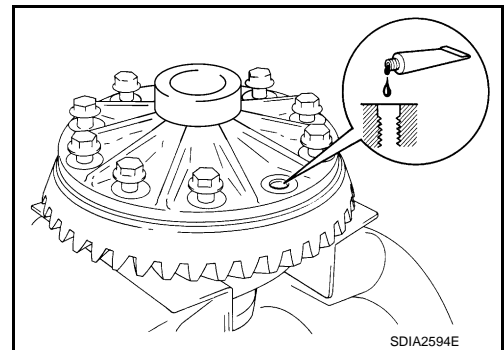
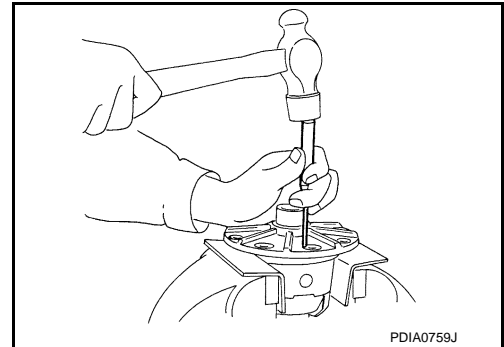
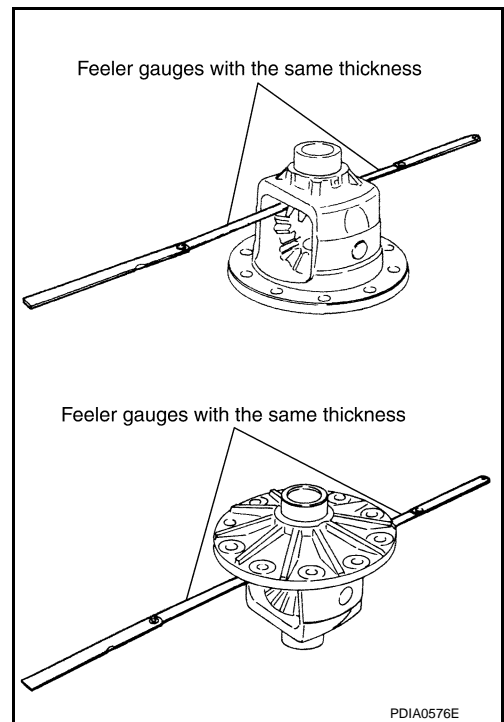
CAUTION:
Never reuse lock pin.

7. Apply thread locking sealant into the thread hole of drive gear. Use Genuine High Strength Thread Locking Sealant or equivalent. Refer to [GI-18, "Recommended Chemical Products and Sealants"](#).

CAUTION:
Clean and degrease drive gear back and threaded holes sufficiently.

8. Install the drive gear to differential case.

CAUTION:
Align the matching mark of differential case and drive gear.



DIFFERENTIAL ASSEMBLY

< UNIT DISASSEMBLY AND ASSEMBLY >

[REAR FINAL DRIVE: R208]

9. Tighten the mounting bolts with the following procedure.

CAUTION:

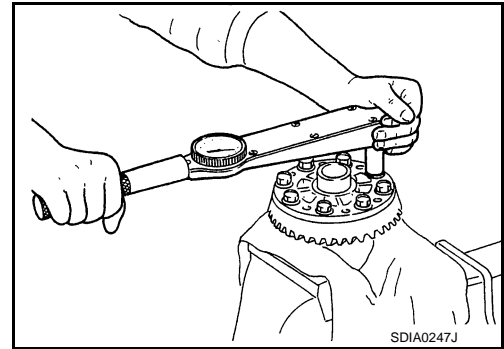
Apply anti-corrosion oil to the thread and seat of mounting bolts.

- a. Tighten the bolts in a crisscross fashion to the specified torque.

Drive gear mounting bolts tightening torque : 78.5 N•m (8.0 kg-m, 58 ft-lb)

- b. Tighten the bolts additionally to the specified angle.

Drive gear mounting bolts tightening angle : 31 to 36 degree



CAUTION:

Check the tightening angle using the angle wrench [SST: KV10112100 (BT-8653-A)]. Never make judgment by visual inspection.

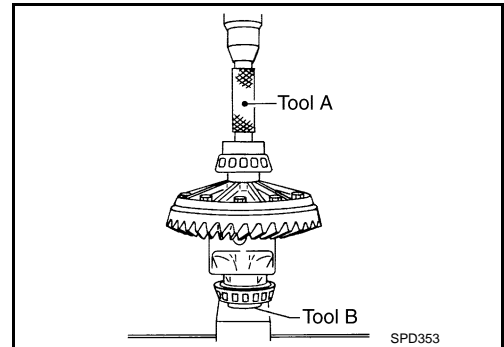
10. Press side bearing inner races to differential case, using the drift (A) and the adaptor (B).

A : Drift [SST: KV38100200 (J-26233)]

B : Adaptor [SST: KV40104840 (—)]

CAUTION:

Never reuse side bearing inner race.



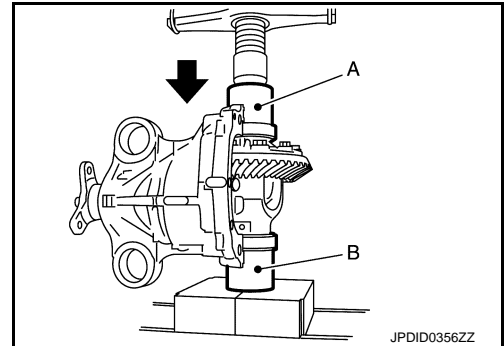
11. Set the drifts (A) and base tube (B) to the right and left side bearing adjusting washers individually. Compress differential case assembly and side bearing to install gear carrier assembly to differential case assembly.

A : Drift [SST:KV38109220 (—)]

B : Base tube [SST:KV38109210 (—)]

CAUTION:

- The drift shall be placed on the center of the adjusting washers.
- The pressure shall be as low as possible to install differential assembly into gear carrier assembly. The maximum pressure shall be 10 kN (1 ton, 1.1 US ton, 1.0 Imp ton).
- If the adjusting washers are installed by tapping, the gear carrier may be damaged. Avoid tapping.



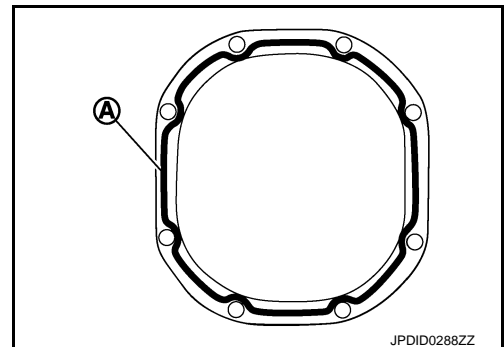
12. Install dummy cover set [SST: 381091S0 (—)], check and adjust drive gear runout, tooth contact, backlash, and total preload torque. Refer to [DLN-218, "Adjustment"](#).

13. Remove dummy cover set.

14. Apply liquid gasket (A) to mating surface of rear cover. Overlap both ends of the bead for at least 3 mm (0.12 in). Use Genuine Silicone RTV or equivalent. Refer to [GI-18, "Recommended Chemical Products and Sealants"](#).

CAUTION:

Remove old gasket adhering to the mounting surfaces. Also remove any moisture, oil, or foreign material adhering to the mounting surfaces.



DIFFERENTIAL ASSEMBLY

< UNIT DISASSEMBLY AND ASSEMBLY >

[REAR FINAL DRIVE: R208]

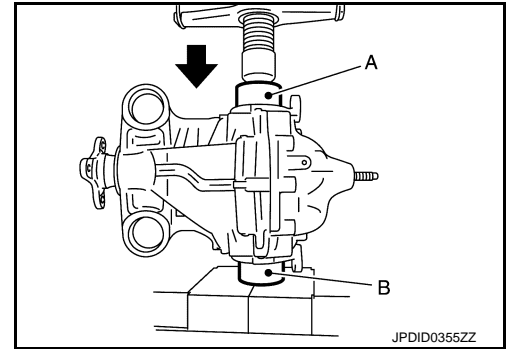
15. Set the drift (A) and base tube (B) to the right and left side bearing adjusting washers individually. Compress differential case assembly and side bearing to install rear cover.

A : Drift [SST:KV38109220 (—)]

B : Base tube [SST:KV38109210 (—)]

CAUTION:

- The drift shall be placed on the center of the adjusting washers.
- The pressure shall be as low as possible to install the rear cover. The maximum pressure shall be 10 kN (1 ton, 1.0 Imp ton).
- If rear cover is forced in by tapping, rear cover may be damaged by adjusting washers. Avoid tapping.

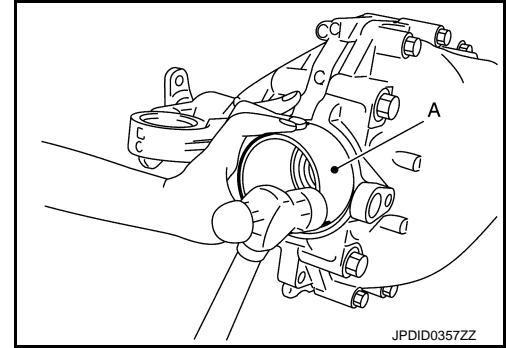


16. Tighten rear cover mounting bolts to the specified torque.
17. Using the drift [SST: KV40104710 (—)], drive side oil seals until it becomes flush with the carrier end.

CAUTION:

- Never reuse oil seals.
- When installing, do not incline oil seals.
- Apply multi-purpose grease onto oil seal lips, and gear oil onto the circumference of oil seal.

18. Check total preload torque. Refer to [DLN-218, "Adjustment"](#).



Adjustment

INFOID:000000006044814

TOTAL PRELOAD TORQUE

Before inspection and adjustment, drain gear oil.

1. Secure final drive assembly onto an attachment [SST: KV38100800 (J-25604-01)].
2. Rotate drive pinion back and forth 2 to 3 times to check for unusual noise and rotation malfunction.
3. Rotate drive pinion at least 20 times to check for smooth operation of the bearing.
4. Measure total preload with the preload gauge (A) [SST: ST3127S000 (J-25765-A)].

Standard

Total preload torque : Refer to [DLN-231, "Preload Torque"](#).

NOTE:

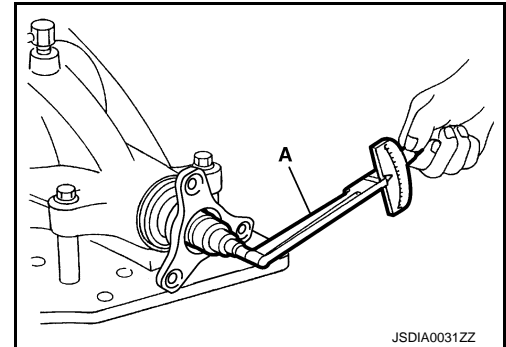
Total preload torque = Pinion bearing preload torque + Side bearing preload torque

- If measured value is out of the specification, disassemble it to check and adjust each part. Adjust the pinion bearing preload and side bearing preload.
Adjust the pinion bearing preload first, then adjust the side bearing preload.

When the preload torque is large

On pinion bearings: Replace the collapsible spacer.

On side bearings: Use thinner side bearing adjusting washers by the same amount to each side. For selecting adjusting washer, refer to the latest parts information.



DIFFERENTIAL ASSEMBLY

< UNIT DISASSEMBLY AND ASSEMBLY >

[REAR FINAL DRIVE: R208]

When the preload is small

On pinion bearings: Tighten the drive pinion lock nut.

On side bearings: Use thicker side bearing adjusting washers by the same amount to each side. For selecting adjusting washer, refer to the latest parts information.

DRIVE GEAR RUNOUT

1. Remove rear cover. Refer to [DLN-213, "Disassembly"](#).
2. Following the procedure below, install a dummy cover set [SST: KV381091S0 (—)] to gear carrier.
 - a. Temporarily tighten dummy cover to gear carrier.
 - b. Position colors and dummy cover spacers to dummy cover.
 - c. Tighten rear cover mounting bolts to the specified torque with colors. Refer to [DLN-212, "Exploded View"](#).
 - d. Tighten dummy cover spacer mounting bolts evenly to the specified torque.

Tightening torque : 5.9 N·m(0.6 kg-m)

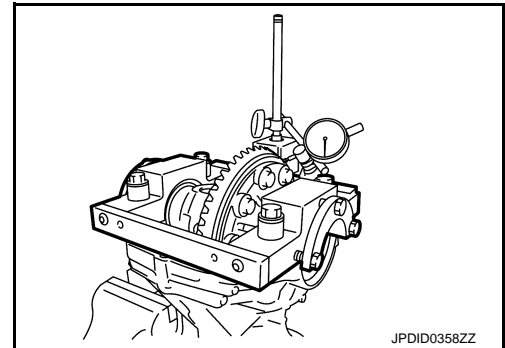
3. Fit a dial indicator to the drive gear back face.
4. Rotate the drive gear to measure runout.

Drive gear back face runout : Refer to [DLN-231, "Drive Gear Runout"](#).

- If the runout is outside of the repair limit, check drive gear assembly condition; foreign material may be caught between drive gear and differential case, or differential case or drive gear may be deformed, etc.

CAUTION:

Replace drive gear and drive pinion as a set.



TOOTH CONTACT

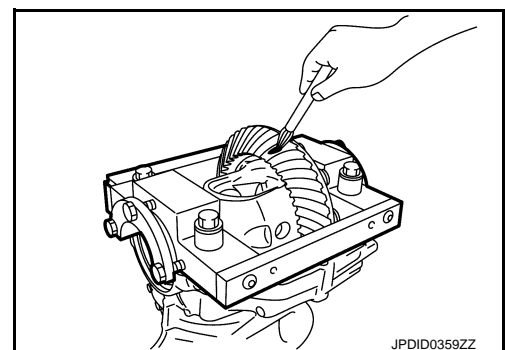
1. Remove rear cover. Refer to [DLN-213, "Disassembly"](#).
2. Following the procedure below, install a dummy cover set [SST: KV381091S0 (—)] to gear carrier.
 - a. Temporarily tighten dummy cover to gear carrier.
 - b. Position colors and dummy cover spacers to dummy cover.
 - c. Tighten rear cover mounting bolts to the specified torque with colors. Refer to [DLN-212, "Exploded View"](#).
 - d. Tighten dummy cover spacer mounting bolts evenly to the specified torque.

Tightening torque : 5.9 N·m(0.6 kg-m)

3. Apply red lead to drive gear.

CAUTION:

Apply red lead to both the faces of 3 to 4 gears at 4 locations evenly spaced on drive gear.



DIFFERENTIAL ASSEMBLY

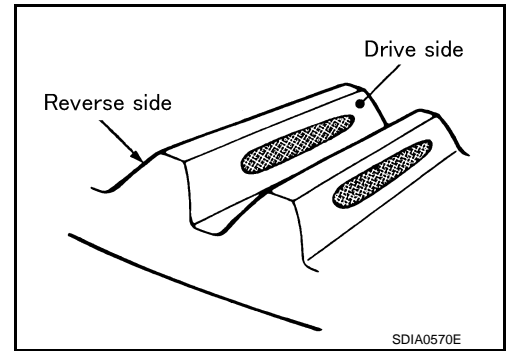
< UNIT DISASSEMBLY AND ASSEMBLY >

[REAR FINAL DRIVE: R208]

4. Rotate drive gear back and forth several times, check drive pinion gear to drive gear tooth contact.

CAUTION:

Check tooth contact on drive side and reverse side.

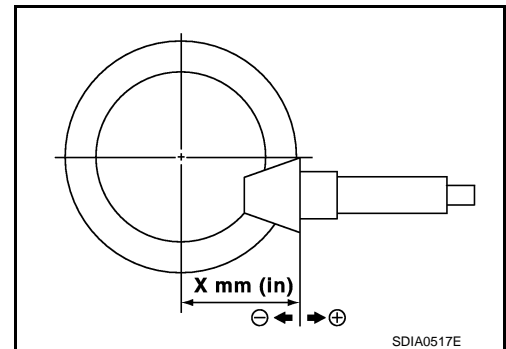


Tooth Contact Judgment Guide

Tooth contact condition		Pinion height adjusting washer selection valve [mm (in)]	Adjustment (Yes/No)	Possible cause	
Drive side	Back side				
Heel side Toe side 	Toe side Heel side 	↑ Thicker	Yes	Occurrence of noise and scoring sound in all speed ranges.	
					+0.09 (+0.0035)
					+0.06 (+0.0024)
		↓ Thinner	No	-	
					+0.03 (+0.0012)
					0
					-0.03 (-0.0012)
			Yes	Occurrence of noise at constant speed and decreasing speed.	
					-0.06 (-0.0024)
				Occurrence of noise and scoring sound in all speed ranges.	

SDIA0207E

5. If tooth contact is improperly adjusted, follow the procedure below to adjust the pinion height (dimension X).



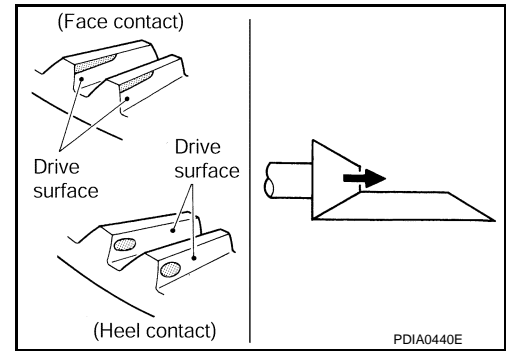
SDIA0517E

DIFFERENTIAL ASSEMBLY

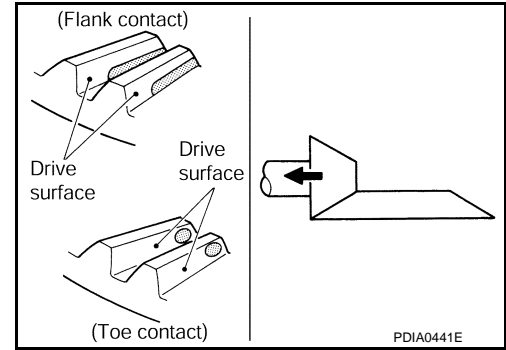
< UNIT DISASSEMBLY AND ASSEMBLY >

[REAR FINAL DRIVE: R208]

- If the tooth contact is near the face (face contact), or near the heel (heel contact), thicken drive pinion height adjusting washer to move drive pinion closer to drive gear. For selecting adjusting washer, refer to the latest parts information.



- If the tooth contact is near the flank (flank contact), or near the toe (toe contact), thin drive pinion height adjusting washer to move drive pinion farther from drive gear. For selecting adjusting washer, refer to the latest parts information.



BACKLASH

1. Remove rear cover. Refer to [DLN-213, "Disassembly"](#).
2. Following the procedure below, install a dummy cover set [SST: KV381091S0 (—)] to gear carrier.
 - a. Temporarily tighten dummy cover to gear carrier.
 - b. Position colors and dummy cover spacers to dummy cover.
 - c. Tighten rear cover mounting bolts to the specified torque with colors. Refer to [DLN-212, "Exploded View"](#).
 - d. Tighten dummy cover spacer mounting bolts evenly to the specified torque.

Tightening torque : 5.9 N·m(0.6 kg·m)

3. Fit a dial indicator to the drive gear face to measure the backlash.

Backlash : Refer to [DLN-231, "Backlash"](#).

- If the backlash is outside of the specified value, change the thickness of side bearing adjusting washers.

When the backlash is large:

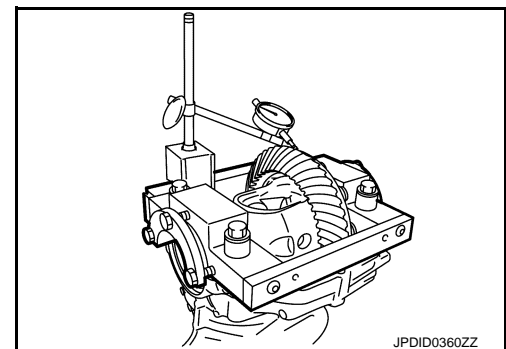
Make drive gear back side adjusting washer thicker, and drive gear tooth side adjusting washer thinner by the same amount. For selecting adjusting washer, refer to the latest parts information.

When the backlash is small:

Make drive gear back side adjusting washer thinner, and drive gear tooth side adjusting washer thicker by the same amount. For selecting adjusting washer, refer to the latest parts information.

CAUTION:

Never change the total amount of washers as it changes the bearing preload.



Inspection

INFOID:00000006044815

INSPECTION AFTER DISASSEMBLY

Drive Gear and Drive Pinion

- Clean up the disassembled parts.
- If the gear teeth never mesh or line-up correctly, determine the cause and adjust or replace as necessary.
- If the gears are worn, cracked, damaged, pitted or chipped (by friction) noticeably, replace with new drive gear and drive pinion as a set.

Bearing

- Clean up the disassembled parts.
- If any chipped (by friction), pitted, worn, rusted or scratched marks, or unusual noise from the bearing is observed, replace as a bearing assembly (as a new set).

Side Gear and Pinion Mate Gear

- Clean up the disassembled parts.
- If any cracks or damage on the surface of the tooth is found, replace.
- If any worn or chipped mark on the contact sides of the thrust washer is found, replace.

Side Gear Thrust Washer and Pinion Mate Thrust Washer

- Clean up the disassembled parts.
- If it is chipped (by friction), damaged, or unusually worn, replace.

Oil Seal

- Whenever disassembled, replace.
- If wear, deterioration of adherence (sealing force lips), or damage is detected on the lips, replace them.

Differential Case

- Clean up the disassembled parts.
- If any wear or crack on the contact sides of the differential case is found, replace.

Companion Flange

- Clean up the disassembled parts.
- If any chipped mark [about 0.1 mm, (0.004 in)] or other damage on the contact sides of the lips of the companion flange is found, replace.

DRIVE PINION

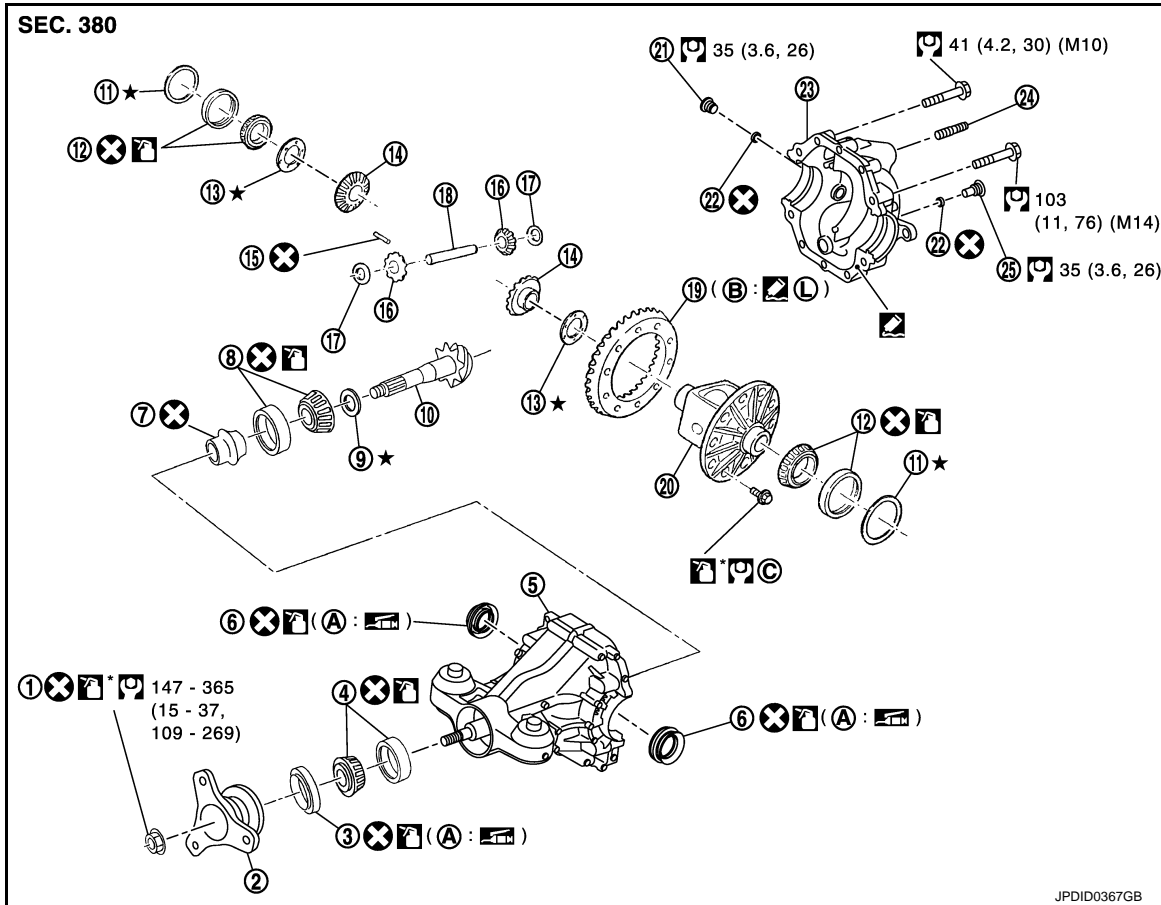
< UNIT DISASSEMBLY AND ASSEMBLY >

[REAR FINAL DRIVE: R208]

DRIVE PINION

Exploded View

INFOID:000000006044816



- | | | |
|-----------------------------|-----------------------------------|-----------------------------------|
| 1. Drive pinion lock nut | 2. Companion flange | 3. Front oil seal |
| 4. Pinion front bearing | 5. Gear carrier | 6. Side oil seal |
| 7. Collapsible spacer | 8. Pinion rear bearing | 9. Pinion height adjusting washer |
| 10. Drive pinion | 11. Side bearing adjusting washer | 12. Side bearing |
| 13. Side gear thrust washer | 14. Side gear | 15. Lock pin |
| 16. Pinion mate gear | 17. Pinion mate thrust washer | 18. Pinion mate shaft |
| 19. Drive gear | 20. Differential case | 21. Filler plug |
| 22. Gasket | 23. Rear cover | 24. Stud bolt |
| 25. Drain plug | | |
- A. Oil seal lip B. Screw hole C. Comply with the assembly procedure when tightening. Refer to [DLN-215, "Assembly"](#).

: Apply gear oil.

: Apply anti-corrosion oil.

: Apply Genuine Silicone RTV or equivalent. Refer to [GI-18, "Recommended Chemical Products and Sealants"](#).

: Apply Genuine High Strength Thread Locking Sealant or equivalent. Refer to [GI-18, "Recommended Chemical Products and Sealants"](#).

Refer to [GI-4, "Components"](#) for symbols not described above.

DRIVE PINION

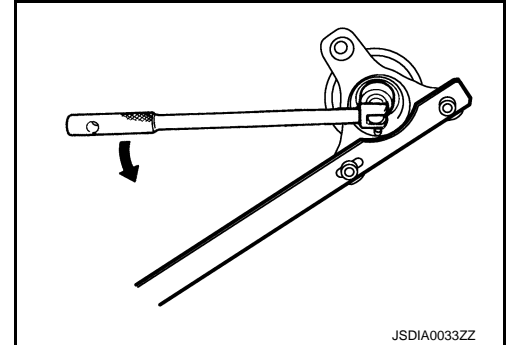
< UNIT DISASSEMBLY AND ASSEMBLY >

[REAR FINAL DRIVE: R208]

INFOID:00000006044817

Disassembly

1. Remove differential case assembly. Refer to [DLN-213](#), "Disassembly".
2. Remove drive pinion lock nut with the flange wrench (commercial service tool).



3. Put matching mark (B) on the end of drive pinion. The matching mark should be in line with the matching mark (A) on companion flange (1).

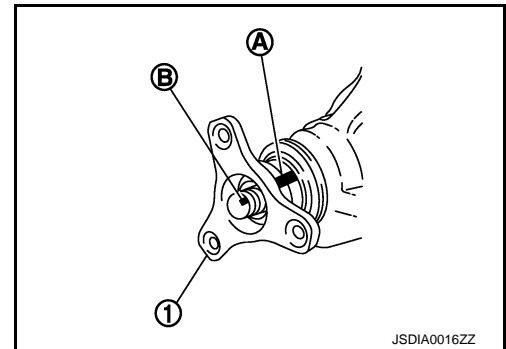
CAUTION:

For matching mark, use paint. Never damage companion flange and drive pinion.

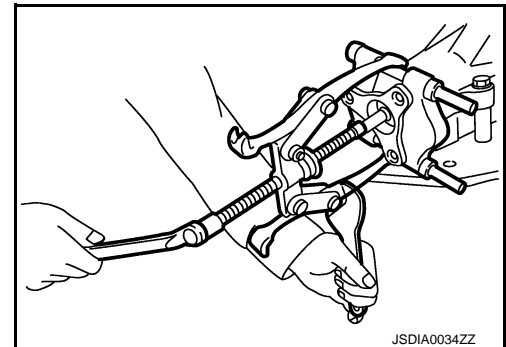
NOTE:

The matching mark on the final drive companion flange indicates the maximum vertical runout position.

When replacing companion flange, matching mark is not necessary.



4. Remove companion flange using the suitable pullers (commercial service tool).

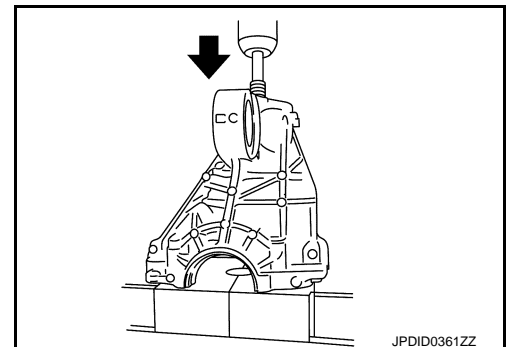


5. Press drive pinion assembly out of gear carrier.

CAUTION:

Never drop drive pinion assembly.

6. Remove front oil seal.
7. Remove pinion front bearing inner race.
8. Remove collapsible spacer.

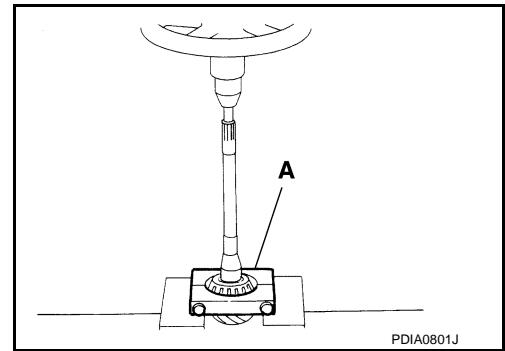


DRIVE PINION

< UNIT DISASSEMBLY AND ASSEMBLY >

[REAR FINAL DRIVE: R208]

9. Remove pinion rear bearing inner race and pinion height adjusting washer with the replacer (A) (commercial service tool).

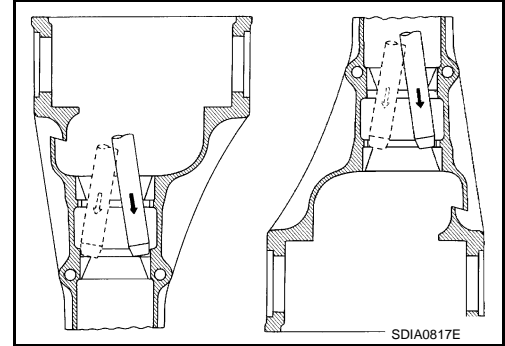


10. Tap pinion front/rear bearing outer races uniformly using a brass rod or equivalent to remove them.

CAUTION:

Never damage gear carrier.

11. Perform inspection after disassembly. Refer to [DLN-229](#), "[Inspection](#)".



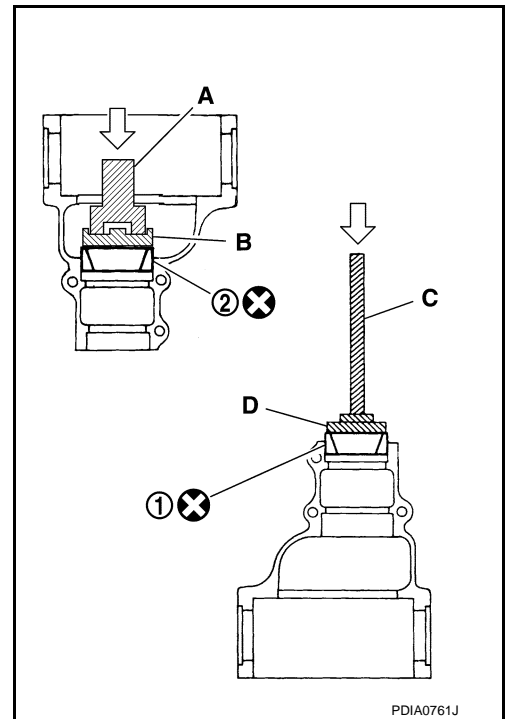
Assembly

1. Install front bearing outer race (1) and rear bearing outer race (2) using drifts.

- A : Drift [SST: ST30720000 (J-25405)]
- B : Drift [SST: KV40105230 (—)]
- C : Drift bar [SST: ST30611000 (J-25742-1)]
- D : Drift [SST: ST30621000 (J-25742-5)]

CAUTION:

- At first, using a hammer, tap bearing outer race until it becomes flat to gear carrier.
- Never reuse pinion front and rear bearing outer race.



DRIVE PINION

< UNIT DISASSEMBLY AND ASSEMBLY >

[REAR FINAL DRIVE: R208]

2. Temporarily install pinion height adjusting washer (1).

When hypoid gear set has been replaced

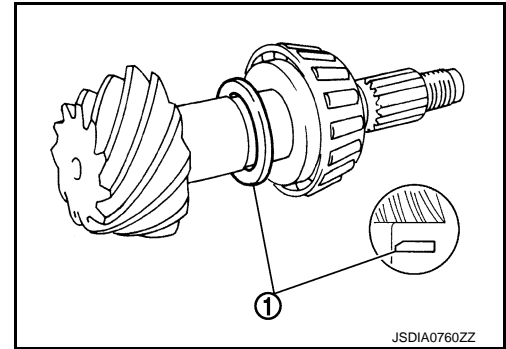
- Select pinion height adjusting washer. Refer to [DLN-228](#), "Adjustment".

When hypoid gear set has been reused

- Temporarily install the removed pinion height adjusting washer or same thickness washer to drive pinion.

CAUTION:

Pay attention to the direction of pinion height adjusting washer. (Assemble as shown in the figure.)



3. Install pinion rear bearing inner race (1) to drive pinion with the drift (A) [SST: ST30901000 (J-26010-01)].

CAUTION:

Never reuse pinion rear bearing inner race.

4. Check and adjust the tooth contact and back lash of drive gear and drive pinion following the procedure below.

- a. Assemble drive pinion into gear carrier.

CAUTION:

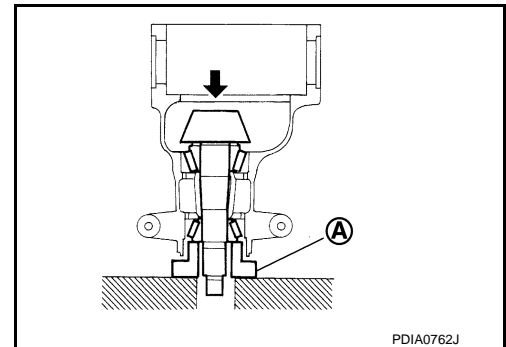
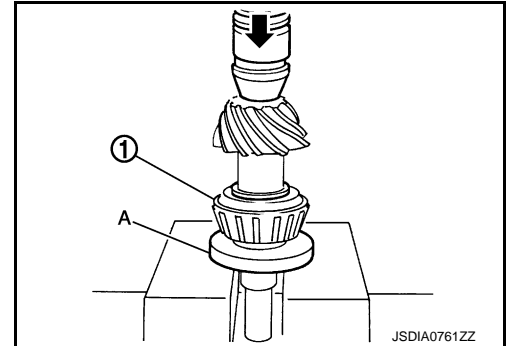
- **Never assemble a collapsible spacer.**
- **Apply gear oil to pinion rear bearing.**

- b. Assemble pinion front bearing inner race to drive pinion assembly.

CAUTION:

- **Never reuse pinion front bearing inner race.**
- **Apply gear oil to pinion front bearing.**

- c. Using suitable spacer (A) (commercial service tool), press the pinion front bearing inner race to drive pinion as far as drive pinion nut can be tightened.



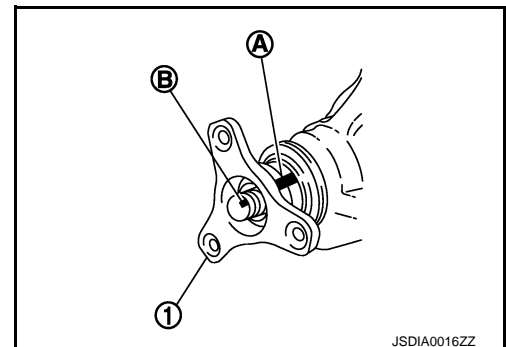
- d. Install companion flange (1).

CAUTION:

Never assemble front oil seal.

NOTE:

When reusing drive pinion, align the matching mark (B) of drive pinion with the matching mark (A) of companion flange, and then install companion flange (1).



DRIVE PINION

< UNIT DISASSEMBLY AND ASSEMBLY >

[REAR FINAL DRIVE: R208]

- e. Temporarily tighten removed drive pinion nut to drive pinion using flange wrench (commercial service tool).
- NOTE:**
Use removed drive pinion nut only for the preload measurement.
- f. Rotate drive pinion more than 20 times to adjust bearing.
 - g. Tighten to drive pinion lock nut using flange wrench (commercial service tool), while adjusting pinion bearing preload torque using preload gauge (A) [SST: 3127S000 (J-25765-A)].

Pinion bearing preload (without oil seal) : 1.0 - 1.3 N·m (0.11 – 0.13 kg·m, 9 – 11 in·lb)

CAUTION:

Drive pinion lock nut is tightened with no collapsible spacer. Be careful not to overtighten it. While measuring the preload, tighten it by 5° to 10°.

- h. Assemble removed drive side bearing adjusting washer or same thickness of it and install differential case assembly. Refer to [DLN-215, "Assembly"](#).

CAUTION:

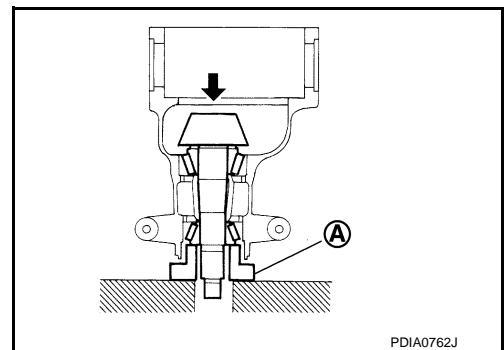
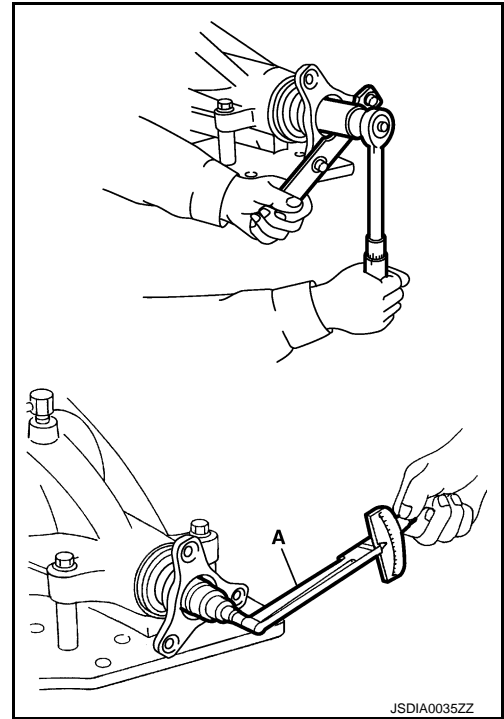
Apply differential gear oil to the side bearings.

- i. Check and adjust tooth contact, drive gear to drive pinion backlash. Refer to [DLN-218, "Adjustment"](#).
- j. Remove differential case assembly.
- k. Remove companion flange.
- l. Remove drive pinion assembly from gear carrier.
- m. Remove pinion front bearing inner race.
- 5. Assemble collapsible spacer.

CAUTION:

Never reuse collapsible spacer.

- 6. Assemble drive pinion into gear carrier.
- CAUTION:**
Apply gear oil to pinion rear bearing.
- 7. Assemble pinion front bearing inner race to drive pinion assembly.
- CAUTION:**
- Never reuse pinion front bearing inner race.
 - Apply gear oil to pinion front bearing.
- 8. Using suitable spacer (A) (commercial service tool), press the pinion front bearing inner race to drive pinion as far as drive pinion nut can be tightened.



A
B
C
DLN
E
F
G
H
I
J
K
L
M
N
O
P

DRIVE PINION

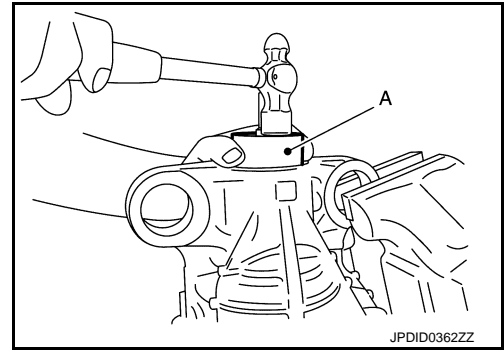
< UNIT DISASSEMBLY AND ASSEMBLY >

[REAR FINAL DRIVE: R208]

9. Install front oil seal as shown in figure with the drift (A) [SST: KV40104710 (—)].

CAUTION:

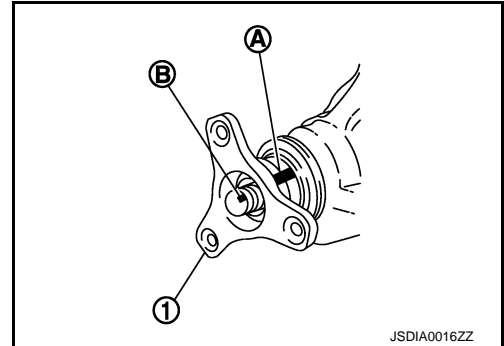
- Never reuse oil seal.
- When installing, never incline oil seal.
- Apply multi-purpose grease onto oil seal lips, and gear oil onto the circumference of oil seal.



10. Install companion flange (1).

NOTE:

When reusing drive pinion, align the matching mark (B) of drive pinion with the matching mark (A) of companion flange, and then install companion flange (1).



11. Apply anti-corrosion oil to the thread and seat of drive pinion lock nut, and temporarily tighten drive pinion lock nut to drive pinion, using flange wrench (commercial service tool).

CAUTION:

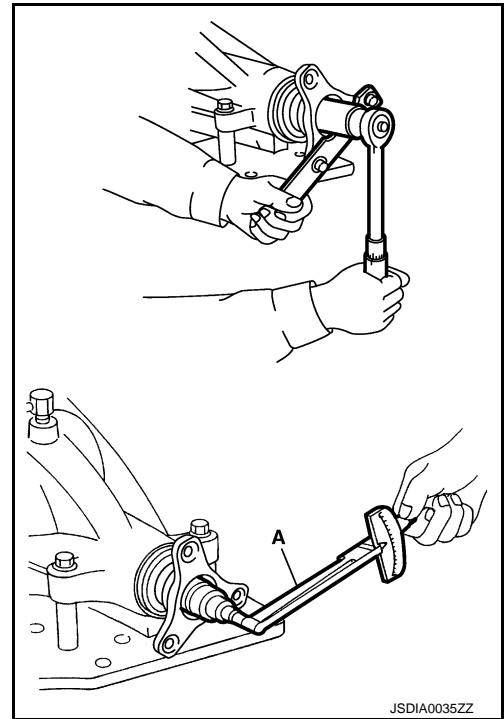
Never reuse drive pinion lock nut.

12. Adjust to the drive pinion lock nut tightening torque and pinion bearing preload torque, using preload gauge (A) [SST: ST3127S000 (J-25765-A)].

Pinion bearing preload : Refer to [DLN-231, "Pre-load Torque"](#)

CAUTION:

- Adjust to the lower limit of the drive pinion lock nut tightening torque first.
- If the preload torque exceeds the specified value, replace collapsible spacer and tighten it again to adjust. Never loosen drive pinion lock nut to adjust the preload torque.
- After adjustment, rotate drive pinion back and forth 2 to 3 times to check for unusual noise, rotation malfunction, and other malfunctions.



13. Install differential case assembly. Refer to [DLN-215, "Assembly"](#).

CAUTION:

Never install rear cover at this timing.

14. Check and adjust drive gear runout, tooth contact, and drive gear to drive pinion backlash. Refer to [DLN-218, "Adjustment"](#).
15. Check total preload torque. Refer to [DLN-218, "Adjustment"](#).
16. Install rear cover. Refer to [DLN-215, "Assembly"](#).

Adjustment

INFOID:00000006044819

PINION GEAR HEIGHT

If the hypoid gear set has been replaced, select the pinion height adjusting washer.

DRIVE PINION

< UNIT DISASSEMBLY AND ASSEMBLY >

[REAR FINAL DRIVE: R208]

1. Use the formula below to calculate pinion height adjusting washer thickness.

Washer selection equation:

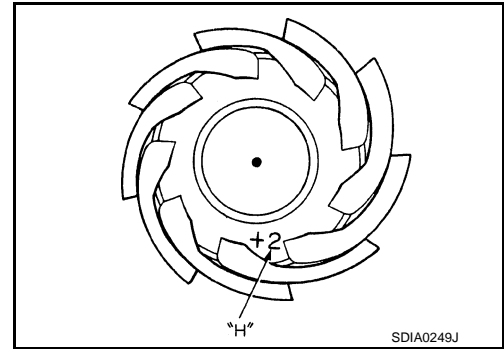
$$T = T_0 + (t_1 - t_2)$$

T: Correct washer thickness

T₀: Removed washer thickness

t₁: Old drive pinion head letter "H × 0.01"
("H": machined tolerance 1/100 mm × 100)

t₂: New drive pinion head letter "H × 0.01"
("H": machined tolerance 1/100 mm × 100)



Example:

$$T = 3.21 + [(2 \times 0.01) - (-1 \times 0.01)] = 3.24$$

T₀: 3.21

t₁: +2

t₂: -1

2. Select the proper pinion height adjusting washer. For selecting adjusting washer, refer to the latest parts information.

CAUTION:

If unable to find a washer of desired thickness, use a washer with thickness closest to the calculated value.

Example:

Calculated value... T = 3.22 mm

Used washer... T = 3.21 mm

Inspection

INFOID:000000006044820

INSPECTION AFTER DISASSEMBLY

Drive Gear and Drive Pinion

- Clean up the disassembled parts.
- If the gear teeth never mesh or line-up correctly, determine the cause and adjust or replace as necessary.
- If the gears are worn, cracked, damaged, pitted or chipped (by friction) noticeably, replace with new drive gear and drive pinion as a set.

Bearing

- Clean up the disassembled parts.
- If any chipped (by friction), pitted, worn, rusted or scratched marks, or unusual noise from the bearing is observed, replace as a bearing assembly (as a new set).

Side Gear and Pinion Mate Gear

- Clean up the disassembled parts.
- If any cracks or damage on the surface of the tooth is found, replace.
- If any worn or chipped mark on the contact sides of the thrust washer is found, replace.

Side Gear Thrust Washer and Pinion Mate Thrust Washer

- Clean up the disassembled parts.
- If it is chipped (by friction), damaged, or unusually worn, replace.

Oil Seal

- Whenever disassembled, replace.
- If wear, deterioration of adherence (sealing force lips), or damage is detected on the lips, replace them.

Differential Case

- Clean up the disassembled parts.
- If any wear or crack on the contact sides of the differential case is found, replace.

A
B
C
DLN

E
F
G
H
I
J
K
L
M
N
O
P

DRIVE PINION

< UNIT DISASSEMBLY AND ASSEMBLY >

[REAR FINAL DRIVE: R208]

Companion Flange

- Clean up the disassembled parts.
- If any chipped mark [about 0.1 mm, (0.004 in)] or other damage on the contact sides of the lips of the companion flange is found, replace.

SERVICE DATA AND SPECIFICATIONS (SDS)

< SERVICE DATA AND SPECIFICATIONS (SDS)

[REAR FINAL DRIVE: R208]

SERVICE DATA AND SPECIFICATIONS (SDS)

SERVICE DATA AND SPECIFICATIONS (SDS)

General Specifications

INFOID:000000006044821

	2WD	AWD
Applied model	VQ56VD	
	A/T	
Final drive model	R208	
Gear ratio	2.611	
Number of teeth (Drive gear/Drive pinion)	47/18	
Oil capacity (Approx.) ℓ (US pt, Imp pt)	1.15 (2-3/8, 2)	
Number of pinion gears	2	
Drive pinion adjustment spacer type	Collapsible	

Drive Gear Runout

INFOID:000000006044822

Unit: mm (in)

Item	Limit
Drive gear back face runout	0.05 (0.0020)

Differential Side Gear Clearance

INFOID:000000006044823

Unit: mm (in)

Item	Standard
Side gear backlash (Clearance between side gear and differential case)	0.10 (0.004) or less (Each gear should rotate smoothly without excessive resistance during differential motion.)

Preload Torque

INFOID:000000006044824

Unit: N·m (kg·m, in·lb)

Item	Standard
Pinion bearing (P1)	1.16 – 1.86 (1.12 – 0.18, 11 – 16)
Side bearing (P2)	0.58 – 0.81 (0.06 – 0.08, 6 – 7)
Side bearing to pinion bearing (Total preload) (Total preload = P1 + P2)	1.74 – 2.67 (0.18 – 0.278, 16 – 23)

Backlash

INFOID:000000006044825

Unit: mm (in)

Item	Standard
Drive gear to drive pinion gear	0.10 – 0.15 (0.0039 – 0.0059)