

A

FL

C

SECTION **FL**

FUEL SYSTEM

CONTENTS

<p>PRECAUTION 2</p> <p>PRECAUTIONS 2</p> <p style="padding-left: 20px;">General Precautions2</p> <p>PREPARATION 3</p> <p>PREPARATION 3</p> <p style="padding-left: 20px;">Commercial Service Tools3</p> <p>PERIODIC MAINTENANCE 4</p> <p>FUEL SYSTEM 4</p> <p style="padding-left: 20px;">Inspection4</p> <p style="padding-left: 20px;">Quick Connector4</p> <p>REMOVAL AND INSTALLATION 5</p> <p>FUEL LEVEL SENSOR UNIT, FUEL FILTER AND FUEL PUMP ASSEMBLY 5</p> <p style="padding-left: 20px;">Exploded View5</p> <p style="padding-left: 20px;">Removal and Installation6</p> <p style="padding-left: 20px;">Disassembly and Assembly8</p> <p style="padding-left: 20px;">Inspection9</p>	<p>FUEL TANK10</p> <p style="padding-left: 20px;">Exploded View10</p> <p style="padding-left: 20px;">Removal and Installation10</p> <p style="padding-left: 20px;">Inspection12</p> <p>EVAP CANISTER13</p> <p style="padding-left: 20px;">Exploded View13</p> <p>VQ37VHR13</p> <p style="padding-left: 20px;">VQ37VHR : Hydraulic Layout13</p> <p>VK56VD15</p> <p style="padding-left: 20px;">VK56VD : Hydraulic Layout15</p> <p style="padding-left: 20px;">Removal and Installation16</p> <p style="padding-left: 20px;">Disassembly and Assembly16</p> <p style="padding-left: 20px;">Inspection16</p> <p>SERVICE DATA AND SPECIFICATIONS (SDS)17</p> <p>SERVICE DATA AND SPECIFICATIONS (SDS)17</p> <p style="padding-left: 20px;">Fuel Tank17</p>	<p>F</p> <p>G</p> <p>H</p> <p>I</p> <p>J</p> <p>K</p> <p>L</p> <p>M</p> <p>N</p> <p>O</p> <p>P</p>
--	--	--

PRECAUTIONS

< PRECAUTION >

PRECAUTION

PRECAUTIONS

General Precautions

INFOID:000000006889145

WARNING:

When replacing fuel line parts, be sure to observe the following.

- Put a “CAUTION: FLAMMABLE” sign in the workshop.
- Be sure to work in a well ventilated area and furnish workshop with a CO2 fire extinguisher.
- Never smoke while servicing fuel system. Keep open flames and sparks away from the work area.

CAUTION:

- Use gasoline required by the regulations for octane number. Refer to [GI-28, "Fuel"](#).
- Before removing fuel line parts, perform out the following procedures:
 - Put drained fuel in an explosion-proof container and put the lid on securely. Keep the container in safe area.
 - Release fuel pressure from the fuel lines. Refer to [EC-158, "Work Procedure"](#) (VQ37VHR FOR USA AND CANADA), [EC-667, "Work Procedure"](#) (VQ37VHR FOR MEXICO), [EC-1127, "Work Procedure"](#) (VK56VD FOR USA AND CANADA), [EC-1692, "Work Procedure"](#) (VK56VD FOR MEXICO).
 - Disconnect the battery cable from the negative terminal.
- Always replace O-ring and clamps with new ones.
- Never kink or twist tubes when they are being installed.
- Never tighten hose clamps excessively to avoid damaging hoses.
- After installing tubes, check there is no fuel leakage at connections in the following steps.
 - Apply fuel pressure to fuel lines with turning ignition switch “ON” (with engine stopped). Then check for fuel leakage at connections.
 - Start engine and rev it up and check for fuel leakage at connections.
- Use only a genuine NISSAN fuel filler cap as a replacement. If an incorrect fuel filler cap is used, the “MIL” may come on.
- For servicing “Evaporative Emission System” parts, refer to [EC-540, "Inspection"](#) (VQ37VHR FOR USA AND CANADA), [EC-977, "Inspection"](#) (VQ37VHR FOR MEXICO), [EC-1550, "Inspection"](#) (VK56VD FOR USA AND CANADA), [EC-2011, "Inspection"](#) (VK56VD FOR MEXICO).
- For servicing “On Board Refueling Vapor Recovery (ORVR)” parts, refer to [EC-56, "On Board Refueling Vapor Recovery \(ORVR\)"](#) (VQ37VHR FOR USA AND CANADA), [EC-571, "On Board Refueling Vapor Recovery \(ORVR\)"](#) (VQ37VHR FOR MEXICO), [EC-1010, "On Board Refueling Vapor Recovery \(ORVR\)"](#) (VK56VD FOR USA AND CANADA), [EC-1584, "On Board Refueling Vapor Recovery \(ORVR\)"](#) (VK56VD FOR MEXICO).

PREPARATION

< PREPARATION >

PREPARATION

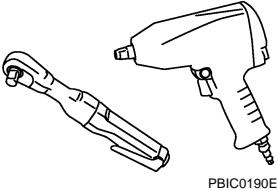
PREPARATION

Commercial Service Tools

INFOID:000000006889146

A

FL

Tool name	Description
<p data-bbox="162 411 272 438">Power tool</p>  <p data-bbox="828 630 901 646">PBIC0190E</p>	<p data-bbox="1015 411 1263 438">Loosening nuts and bolts</p>

C

D

E

F

G

H

I

J

K

L

M

N

O

P

FUEL SYSTEM

< PERIODIC MAINTENANCE >

PERIODIC MAINTENANCE

FUEL SYSTEM

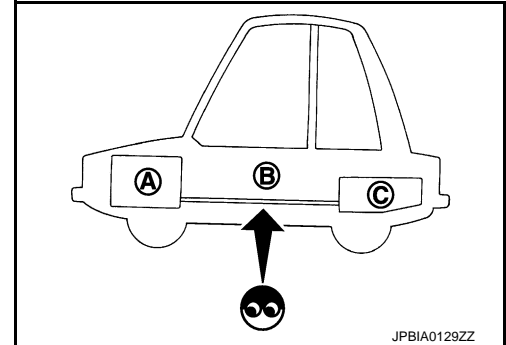
Inspection

INFOID:000000006889147

Inspect fuel lines, fuel filler cap and fuel tank for improper attachment, leakage, cracks, damage, loose connections, chafing or deterioration.

- A : Engine
- B : Fuel line
- C : Fuel tank

If necessary, repair or replace damaged parts.



Quick Connector

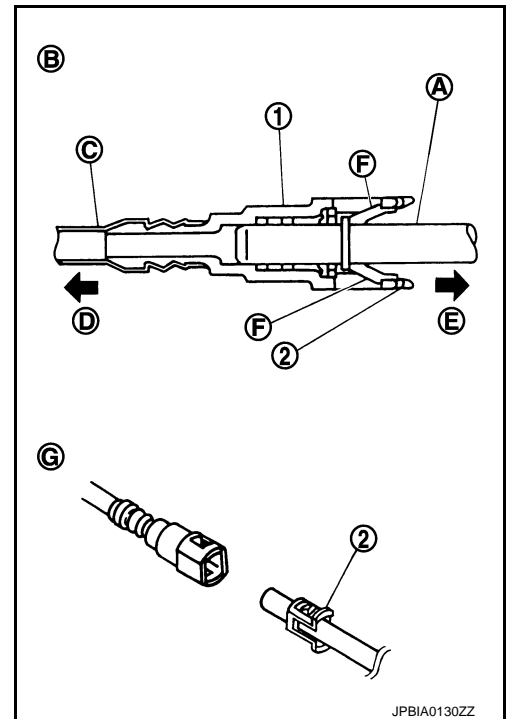
INFOID:000000006889148

CAUTION:

- After connecting fuel tube quick connectors, check quick connectors are secure.

- 1 : Quick connector
- 2 : Retainer
- A : Hard tube (or the equivalent)
- B : Connection (cross-section)
- C : Resin tube
- D : To under floor fuel line
- E : To fuel tank
- F : Tab
- G : Disconnection

- Ensure that connector and resin tube never contact any adjacent parts.



FUEL LEVEL SENSOR UNIT, FUEL FILTER AND FUEL PUMP ASSEMBLY

< REMOVAL AND INSTALLATION >

REMOVAL AND INSTALLATION

FUEL LEVEL SENSOR UNIT, FUEL FILTER AND FUEL PUMP ASSEMBLY

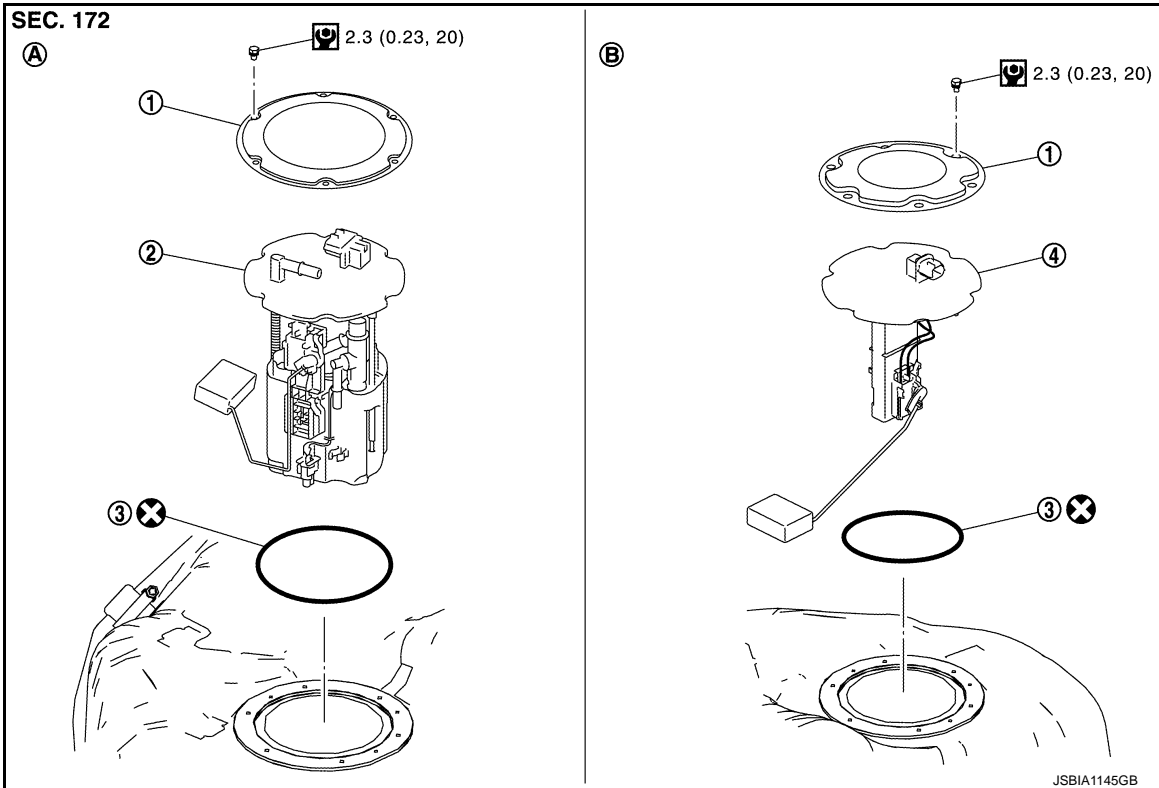
Exploded View

INFOID:000000006889149

A

FL

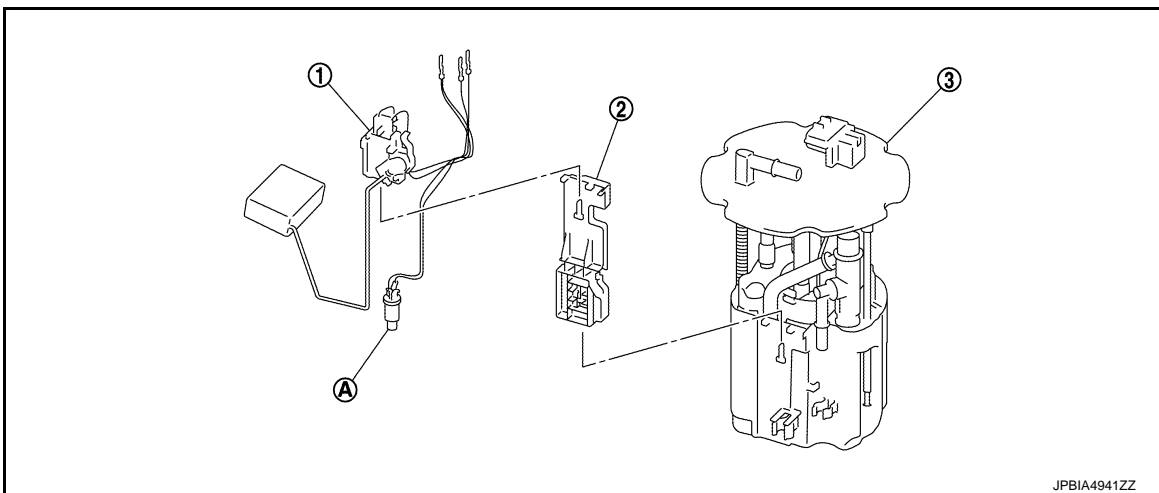
REMONVAL



- 1. Retainer
 - 2. Main fuel level sensor unit, fuel filter and fuel pump assembly
 - 3. O-ring
 - 4. Sub fuel level sensor unit
- A. Right side B. Left side

Refer to [GI-4, "Components"](#) for symbols in the figure.

DISASSEMBLY



C

D

E

F

G

H

I

J

K

L

M

N

O

P

FUEL LEVEL SENSOR UNIT, FUEL FILTER AND FUEL PUMP ASSEMBLY

< REMOVAL AND INSTALLATION >

1. Main fuel level sensor unit
 2. Adapter
 3. Fuel filter and fuel pump assembly
- A. Fuel temperature sensor

NOTE:

Sub fuel level sensor unit cannot be disassembled and should be replaced as a unit.

Removal and Installation

INFOID:000000006889150

WARNING:

Read "General Precautions" when working on the fuel system. Refer to [FL-2, "General Precautions"](#).

REMOVAL

1. Check fuel level on a level ground. If the fuel level is 7/8 of the fuel tank (full or nearly full), draw appropriate amount of fuel from the fuel tank.

Guideline: Draw approximately 20 liters (5-1/4 US gal) from a full-tank condition.

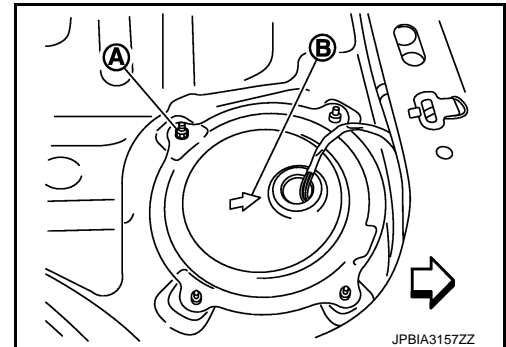
- In the event of malfunction in fuel pump, insert a hose measuring 20mm (0.79 in) in diameter into the filler opening to draw approximately 20 liters (5-1/4 US gal) fuel.
2. Release the fuel pressure from the fuel lines. Refer to [EC-158, "Work Procedure"](#) (VQ37VHR FOR USA AND CANADA), [EC-667, "Work Procedure"](#) (VQ37VHR FOR MEXICO), [EC-1127, "Work Procedure"](#) (VK56VD FOR USA AND CANADA), [EC-1692, "Work Procedure"](#) (VK56VD FOR MEXICO).
 3. Open fuel filler lid.
 4. Open filler cap and release the pressure inside fuel tank.
 5. Remove rear seat cushion. Refer to [SE-92, "Exploded View"](#).
 6. Peel off floor carpet.
 7. Remove mounting nuts (A), and then inspection hole cover.

B : Direction mark

⇐ : Vehicle front

Right side : Main fuel level sensor unit, fuel filter, and fuel pump assembly

Left side : Sub fuel level sensor unit



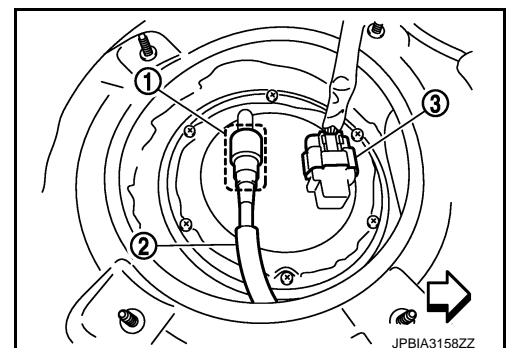
8. Disconnect harness connector (3) and fuel feed tube (2).

1 : Quick connector

⇐ : Vehicle front

NOTE:

- Fuel does not return to the fuel tank.
- The sub fuel level sensor unit includes a harness connector only.
- Figure shows main fuel level sensor unit, fuel filter and fuel pump assembly side of fuel tank.



Disconnect quick connector as follows:

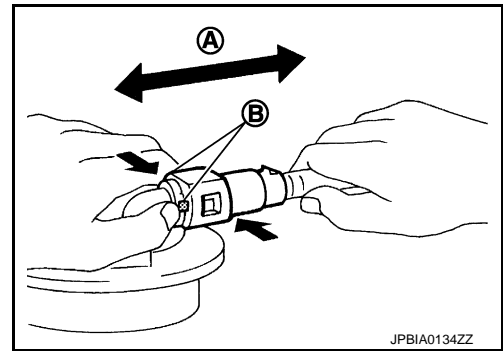
FUEL LEVEL SENSOR UNIT, FUEL FILTER AND FUEL PUMP ASSEMBLY

< REMOVAL AND INSTALLATION >

- Hold the sides of connector, push in tabs and pull out fuel feed tube.

A : Pull
B : Push in tabs

- If quick connector sticks to tube of main fuel level sensor unit, push and pull quick connector several times until they start to move. Then disconnect them by pulling.



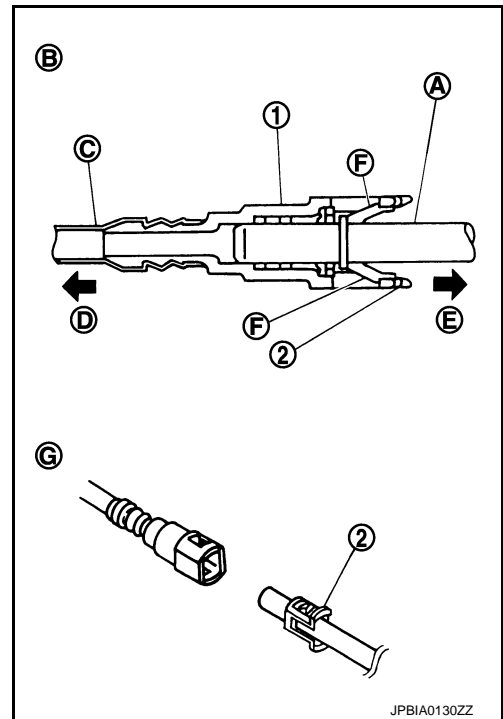
CAUTION:

- Quick connector (1) can be disconnected when the tabs (F) are completely depressed. Never twist it more than necessary.

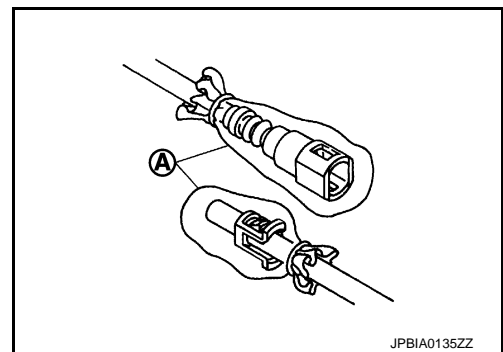
B : Connection (Cross-section)
D : To under floor fuel line
E : To fuel tank
G : Disconnection

- Never use any tools to disconnected quick connector.
- Keep resin tube (C) away from heat. Be especially careful when welding near the resin tube.
- Prevent acid liquid such as battery electrolyte, etc. from getting on resin tube.
- Never bend or twist resin tube during installation and disconnection.
- Never remove the remaining retainer (2) on hard tube (or the equivalent) (A) except when resin tube or retainer is replaced.
- When resin tube or hard tube (or the equivalent) is replaced, also replace retainer with new one.

Retainer color : Green



- To keep the connecting portion clean and to avoid damage and foreign materials, cover them completely with plastic bags (A) or something similar.



9. Remove main fuel level sensor unit, fuel filter and fuel pump assembly, and sub fuel level sensor unit as follows:

CAUTION:

- Never bend float arm during removal.
- Avoid impacts such as falling when handling components.

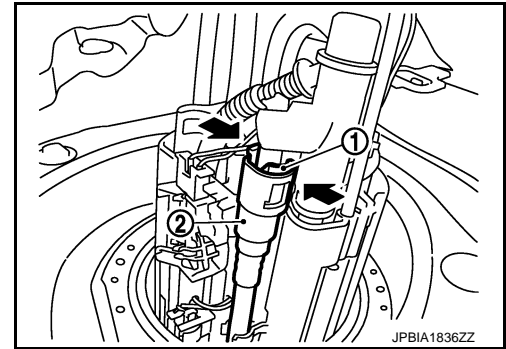
- a. Removal of main fuel level sensor unit, fuel filter and fuel pump assembly:

- i. Remove retainer.
- ii. Raise main fuel level sensor unit, fuel filter and fuel pump assembly, and disconnect quick connector as follows:

FUEL LEVEL SENSOR UNIT, FUEL FILTER AND FUEL PUMP ASSEMBLY

< REMOVAL AND INSTALLATION >

- Push in tabs (1) and pull out fuel tube (2).
- b. Removal of sub fuel level sensor unit:
 - i. Remove retainer.
 - ii. Raise and release sub fuel level sensor unit to remove.



INSTALLATION

Note the following, and install in the reverse order of removal.

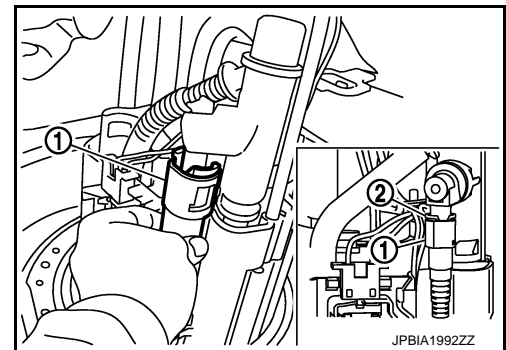
CAUTION:

Do not reuse O-rings.

Fuel hose

- When installing fuel hose connector (1), refer to “Quick Connector”.

2 : Retainer



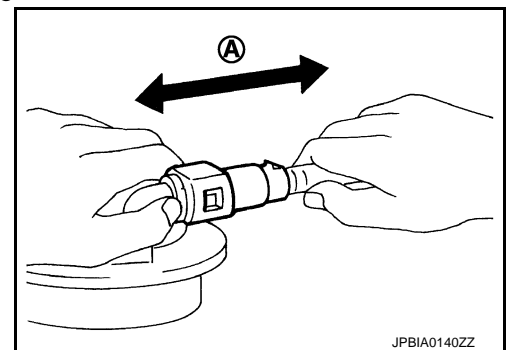
Quick Connector

- Connect quick connector as follows:

1. Check the connection for damage or any foreign materials.
2. Align the connector with the tube, then insert the connector straight into the tube until a click sound is heard.
3. After connecting, check that the connection is secure by following method.
 - Pull the tube and the connector to check they are securely connected.

A : Pull

- Visually confirm that the two retainer tabs are connected to the connector.



Disassembly and Assembly

INFOID:000000006889151

DISASSEMBLY

CAUTION:

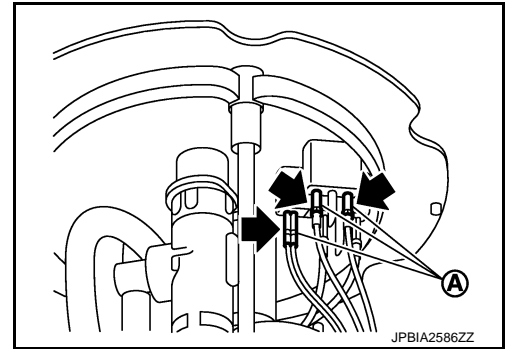
Sub fuel level sensor unit cannot be disassembled and should be replaced as a unit.

Remove main fuel level sensor unit as follows:

FUEL LEVEL SENSOR UNIT, FUEL FILTER AND FUEL PUMP ASSEMBLY

< REMOVAL AND INSTALLATION >

1. Disconnect harness connector (A).
 - a. Hold connector by fingers and push stopper release tab.
 - b. Pull it out connector.



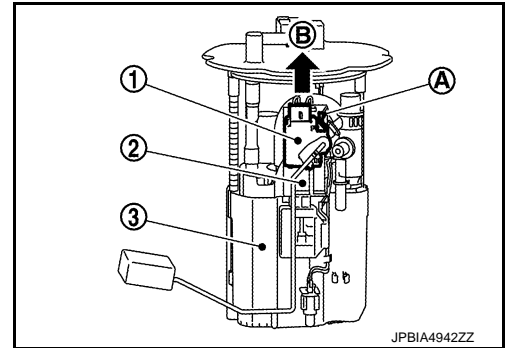
2. Remove main fuel level sensor unit (1) from adapter (2) as follows:

3 : Fuel filter and fuel pump assembly

- a. Push in tab (A) to release the lock.
- b. After fixing tabs are disengaged, slide main fuel level sensor unit out in direction shown by the arrow (B).

CAUTION:

- Be careful not to damage the main fuel level sensor unit.
- Never disassemble fuel filter and fuel pump assembly.



3. Remove adapter from the fuel filter and fuel pump assembly, if necessary, in the same procedure used in removing main fuel level sensor unit.

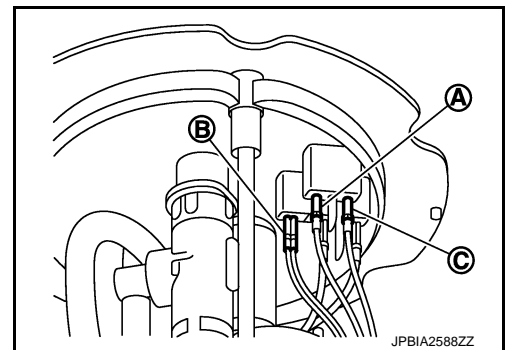
ASSEMBLY

CAUTION:

Sub fuel level sensor unit cannot be disassembled and should be replaced as a unit.

Note to the following, and install in the reverse order of removal.

1. Check for damage of main fuel level sensor unit installation position on the side of adapter.
2. Slide main fuel level sensor unit until it aligns to installation groove, then insert it until it stops.
 - After inserting, apply force in reverse direction (removal direction) to ensure it cannot be pulled out.
3. Connect the white (A), black (B), and red (C) harnesses so that they are in the positions shown in the figure.
 - Securely insert harness connector until it stops.



Inspection

INFOID:0000000006889152

INSPECTION AFTER INSTALLATION

Use the following procedure to check for fuel leakage.

1. Turn ignition switch "ON" (with engine stopped), then check connections for leakage by applying fuel pressure to fuel piping.
2. Start engine and let it idle and check there are no fuel leakage at the fuel system connections.

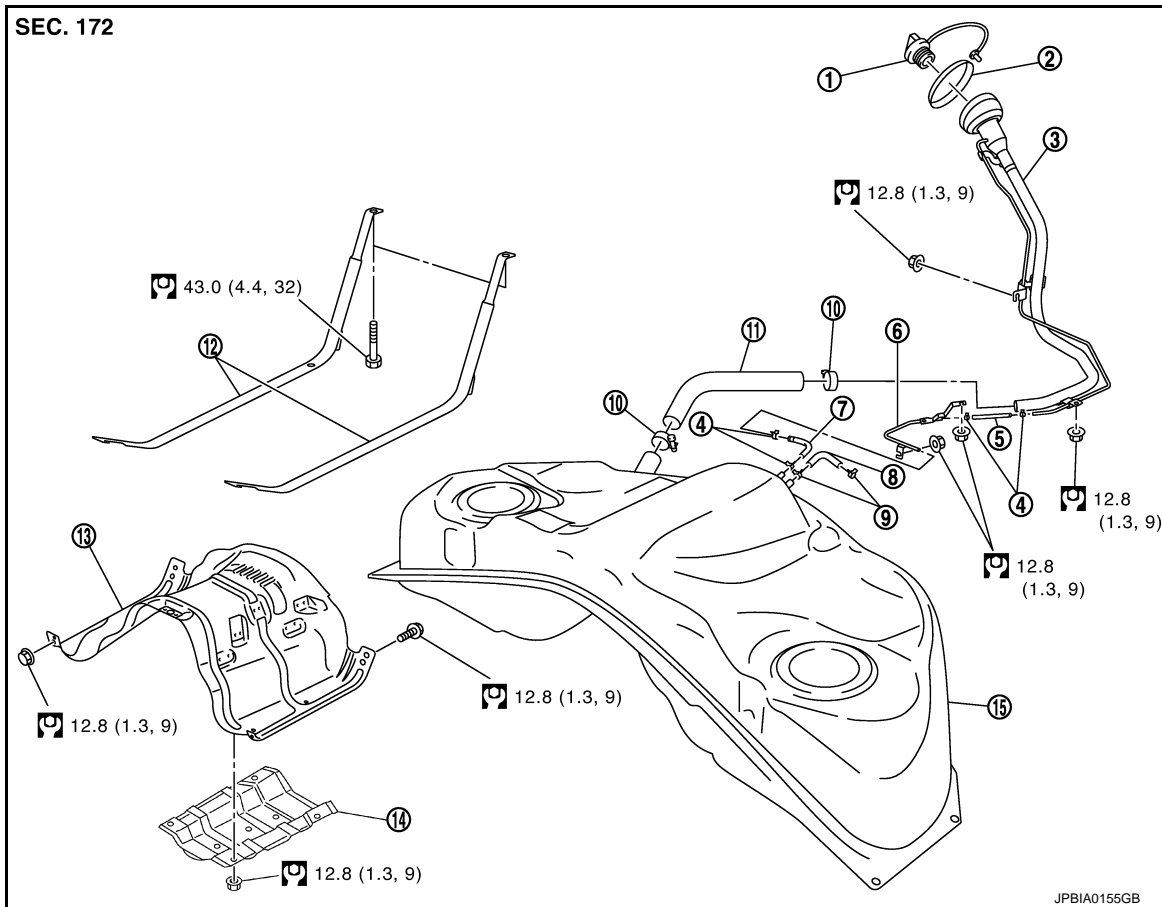
FUEL TANK

< REMOVAL AND INSTALLATION >

FUEL TANK

Exploded View

INFOID:000000006889153



- | | | |
|-------------------------|----------------------|-----------------------------|
| 1. Fuel filler cap | 2. Grommet | 3. Fuel filler tube |
| 4. Clamp | 5. EVAP hose | 6. EVAP tube |
| 7. EVAP hose | 8. Vent hose | 9. Clamp |
| 10. Clamp | 11. Fuel filler hose | 12. Fuel tank mounting band |
| 13. Fuel tank protector | 14. Insulator | 15. Fuel tank |

Refer to [GI-4, "Components"](#) for to symbols in the figure.

Removal and Installation

INFOID:000000006889154

WARNING:

Be sure to read "General Precautions" when working on the fuel system. Refer to [FL-2, "General Precautions"](#).

REMOVAL

- Drain fuel from fuel tank if necessary. Refer to [FL-10, "Exploded View"](#).
 - Perform work on level place.
1. Perform steps 2 to 7 of "REMOVAL" in "FUEL LEVEL SENSOR UNIT, FUEL FILTER AND FUEL PUMP ASSEMBLY" on main and sub fuel level sensor units. Refer to [FL-5, "Exploded View"](#).
 2. Remove center muffler and main muffler. Refer to [EX-5, "VQ37VHR : Exploded View"](#) (VQ37VHR models), [EX-7, "VK56VD : Exploded View"](#) (VK56VD models).
 3. Remove propeller shaft. Refer to [DLN-97, "Exploded View"](#) (2WD models) or [DLN-106, "Exploded View"](#) (AWD models).
 4. Remove parking rear brake cables. Refer to [PB-6, "Exploded View"](#).

FUEL TANK

< REMOVAL AND INSTALLATION >

5. Remove rear suspension assembly. Refer to [RSU-21. "Exploded View"](#).

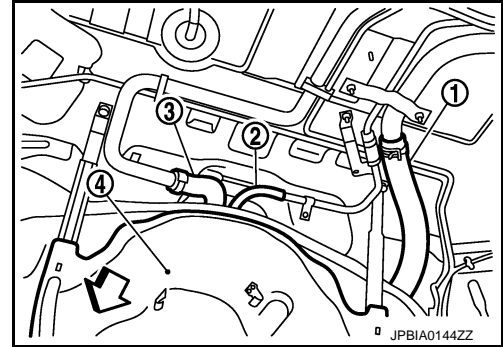
NOTE:

For this service, drive shaft, final drive, and rear suspension member are required not to be separate one another during removal.

6. Disconnect fuel filler hose (1), EVAP hose (2), and vent hose (3) at fuel tank side.

4 : Fuel tank protector

↔ : Vehicle front

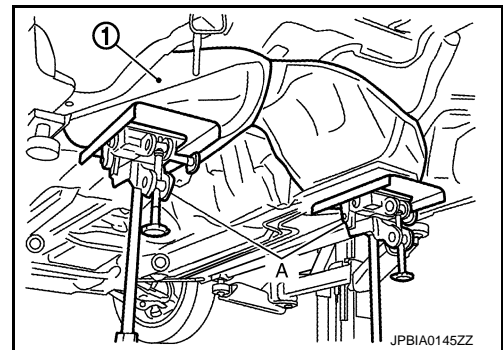


7. Remove fuel tank protector.

8. Support the lower part of fuel tank (1) with transmission jack (A).

CAUTION:

Support the position that fuel tank mounting bands never engage.



9. Remove fuel tank mounting bands.

10. Supporting with hands, descend transmission jack carefully, and remove fuel tank.

CAUTION:

- Check that all connection points have been disconnected.
- Confirm there is no interference with vehicle.

11. Remove fuel filler tube if necessary.

INSTALLATION

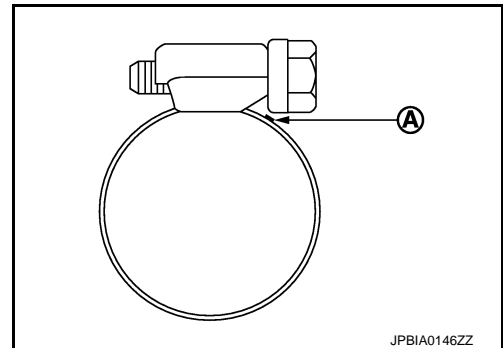
Note the following, and install in the reverse order of removal.

- Surely clamp fuel hoses and insert hose to the length below.

Fuel filler hose : 35 mm (1.38 in)

The other hoses : 25 mm (0.98 in)

- Be sure hose clamp is not placed on swelled area of fuel tube.
- Tighten the clamp hand with the top mark (A) until the mark is on the bolt head flange.



- To connect quick connector, refer to [FL-4. "Quick Connector"](#).

FUEL TANK

< REMOVAL AND INSTALLATION >

Inspection

INFOID:000000006889155

INSPECTION AFTER INSTALLATION

Use the following procedure to check for fuel leakage.

1. Turn ignition switch "ON" (with engine stopped), and check connections for leakage by applying fuel pressure to fuel piping.
 2. Start engine and rev it up and check there are no fuel leakage at the fuel system tube and hose connections.
- After removing/installing rear suspension assembly, check to adjust wheel alignment and then, adjust neutral position of steering angle sensor. Refer to [RSU-6. "Inspection"](#) and [ST-12. "Inspection"](#).

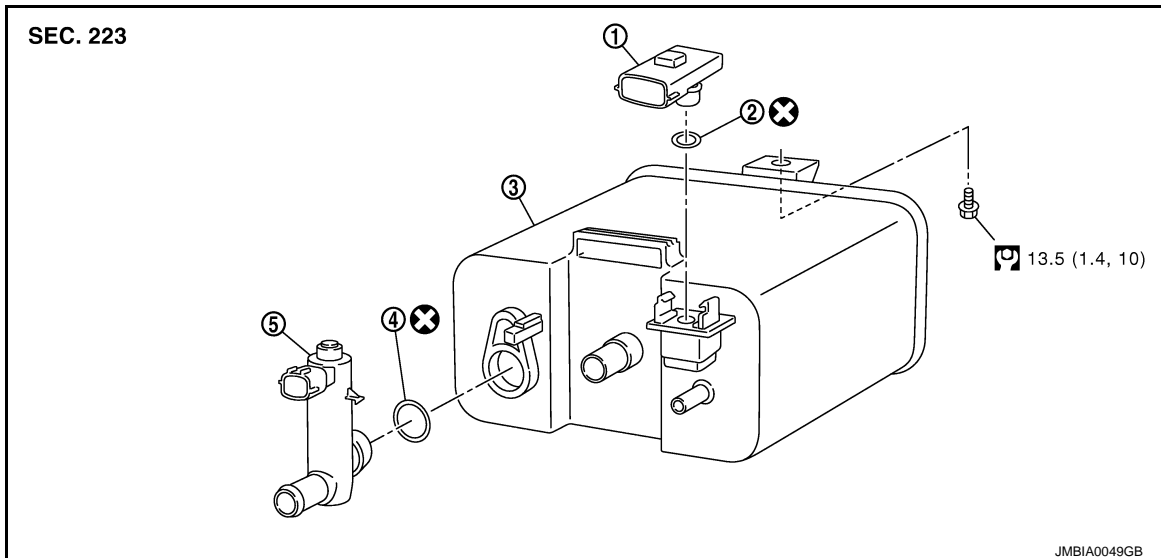
EVAP CANISTER

< REMOVAL AND INSTALLATION >

EVAP CANISTER

Exploded View

INFOID:000000007202688



- 1. EVAP control system pressure sensor
- 2. O-ring
- 3. EVAP canister
- 4. O-ring
- 5. EVAP canister vent control valve

Refer to [GI-3, "Contents"](#) for symbols not described on the above.

VQ37VHR

VQ37VHR : Hydraulic Layout

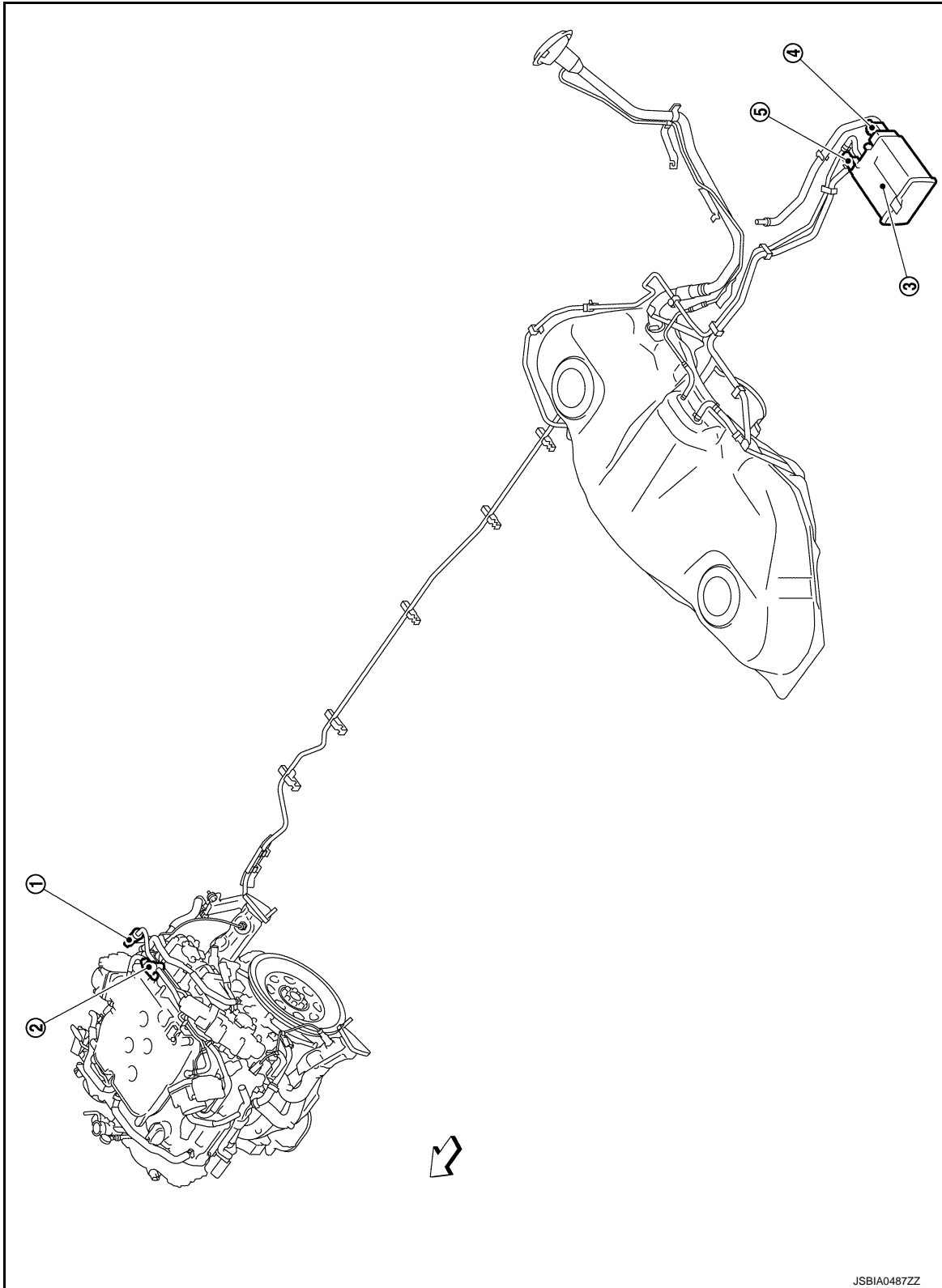
INFOID:000000007202689

EVAPORATIVE EMISSION LINE DRAWING

A
FL
C
D
E
F
G
H
I
J
K
L
M
N
O
P

EVAP CANISTER

< REMOVAL AND INSTALLATION >



JSBIA0487ZZ

- | | | |
|-------------------------------------|--|---------------------------------|
| 1. EVAP service port | 2. EVAP canister purge volume control | 3. EVAP canister solenoid valve |
| 4. EVAP canister vent control valve | 5. EVAP control system pressure sensor | |

↙ : Vehicle front

NOTE:

EVAP CANISTER

< REMOVAL AND INSTALLATION >

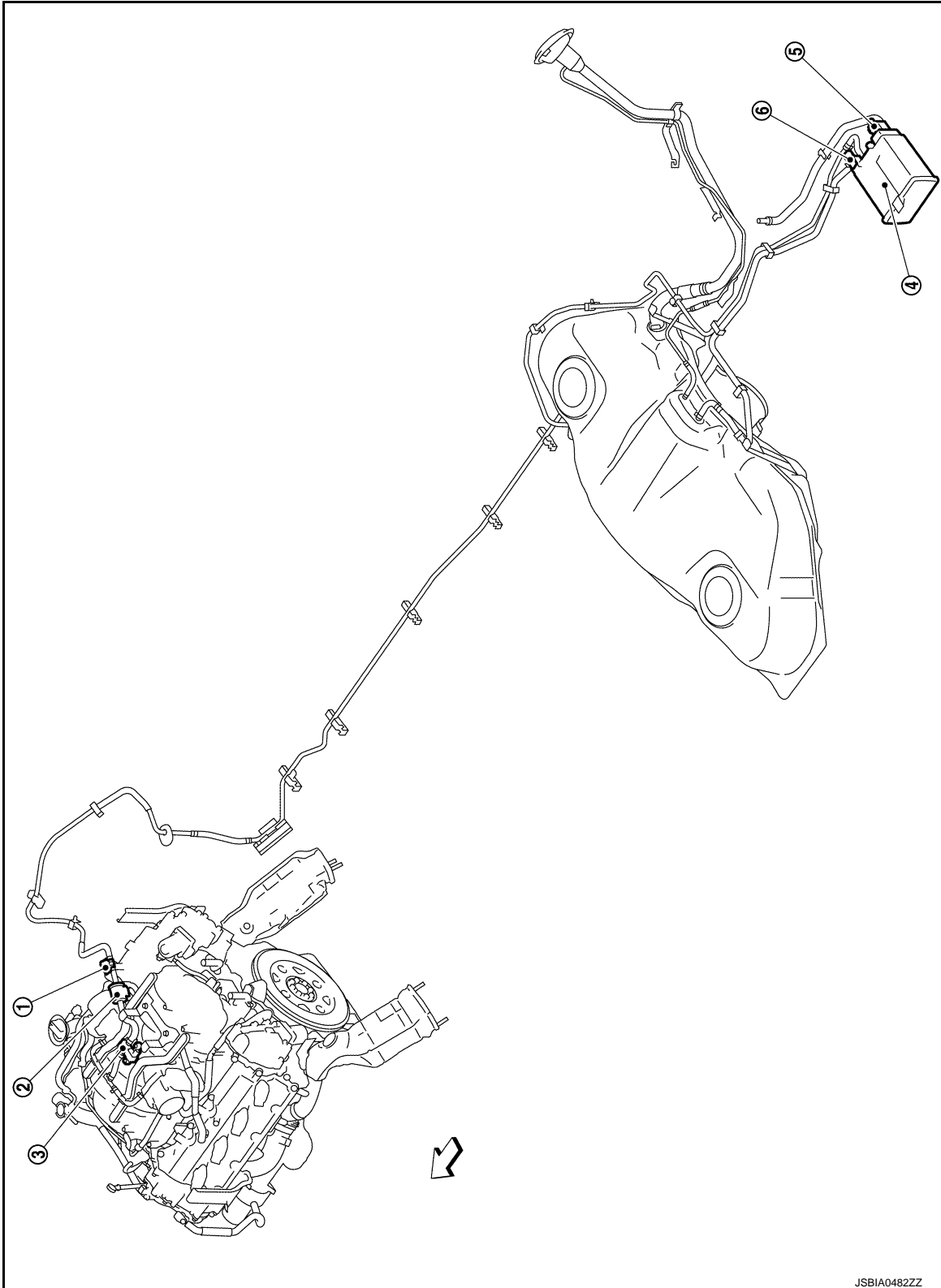
Do not use soapy water or any type of solvent while installing vacuum hose or purge hoses.

VK56VD

VK56VD : Hydraulic Layout

INFOID:000000007202694

EVAPORATIVE EMISSION LINE DRAWING



JSBIA0482ZZ

A

FL

C

D

E

F

G

H

I

J

K

L

M

N

O

P

EVAP CANISTER

< REMOVAL AND INSTALLATION >

1. EVAP service port
2. EVAP purge resonator
3. EVAP canister purge volume control solenoid valve
4. EVAP canister
5. EVAP canister vent control valve
6. EVAP control system pressure sensor

↩ : Vehicle front

NOTE:

Do not use soapy water or any type of solvent while installing vacuum hose or purge hoses.

Removal and Installation

INFOID:000000007202690

REMOVAL

1. Remove the rear diffuser. Refer to [EXT-29, "REAR DIFFUSER : Removal and Installation"](#).
2. Disconnect harness connectors (EVAP control system pressure and EVAP canister vent control valve) and EVAP canister hoses.
3. Remove EVAP canister fixing bolt.
4. Remove EVAP canister.

NOTE:

The EVAP canister vent control valve and EVAP control system pressure sensor can be removed without removing the EVAP canister.

INSTALLATION

Install in the reverse order of removal.

NOTE:

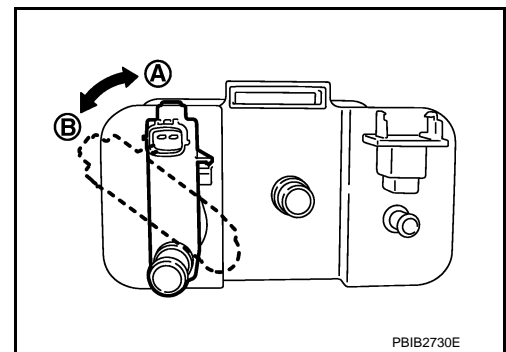
Tighten EVAP canister fixing bolt to the specified torque.

Disassembly and Assembly

INFOID:000000007202691

DISASSEMBLY

1. Disengage the pawl and turn EVAP canister vent control valve counterclockwise.
 - Lock (A)
 - Unlock (B)
2. Remove the EVAP canister vent control valve.
3. Remove the EVAP control system pressure sensor.



ASSEMBLY

Assemble in the reverse order of disassembly.

CAUTION:

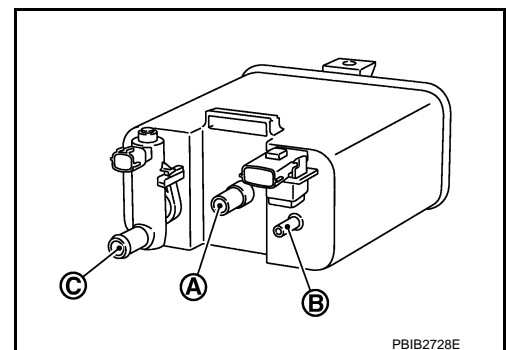
Always replace O-ring with a new one.

Inspection

INFOID:000000007202692

Check EVAP canister as per the following:

1. Block port (B).
2. Blow air into port (A) and check that it flows freely out of port (C).
3. Release blocked port (B).
4. Apply vacuum pressure to port (B) and check that vacuum pressure exists at the ports (A) and (C).
5. Block port (A) and (B).
6. Apply pressure to port (C) and check that there is no leakage.



SERVICE DATA AND SPECIFICATIONS (SDS)

< SERVICE DATA AND SPECIFICATIONS (SDS)

SERVICE DATA AND SPECIFICATIONS (SDS)

SERVICE DATA AND SPECIFICATIONS (SDS)

Fuel Tank

INFOID:000000006889156

A

FL

Standard and Limit

Fuel tank capacity	Approx. 75.6 ℓ (20 US gal, 16-5/8 Imp gal)
Fuel recommendation	Refer to GI-28, "Fuel"

C

D

E

F

G

H

I

J

K

L

M

N

O

P