

SECTION **SBC**

SEAT BELT CONTROL SYSTEM

A
B
C
D
E
F
G
SBC
I
J
K
L
M
N
O
P

CONTENTS

<p>PRECAUTION 3</p> <p>PRECAUTIONS 3</p> <p style="padding-left: 20px;">Precaution for Supplemental Restraint System (SRS) "AIR BAG" and "SEAT BELT PRE-TENSIONER"3</p> <p style="padding-left: 20px;">Precaution for Seat Belt Service3</p> <p>SYSTEM DESCRIPTION 5</p> <p>COMPONENT PARTS 5</p> <p>PRE-CRASH SEAT BELT SYSTEM5</p> <p style="padding-left: 20px;">PRE-CRASH SEAT BELT SYSTEM : Component Parts Location5</p> <p style="padding-left: 20px;">PRE-CRASH SEAT BELT SYSTEM : Component Description5</p> <p>SEAT BELT WARNING LAMP SYSTEM6</p> <p style="padding-left: 20px;">SEAT BELT WARNING LAMP SYSTEM : Component Parts Location6</p> <p style="padding-left: 20px;">SEAT BELT WARNING LAMP SYSTEM : Component Description7</p> <p>SYSTEM 8</p> <p>PRE-CRASH SEAT BELT SYSTEM8</p> <p style="padding-left: 20px;">PRE-CRASH SEAT BELT SYSTEM : System Diagram8</p> <p style="padding-left: 20px;">PRE-CRASH SEAT BELT SYSTEM : System Description8</p> <p style="padding-left: 20px;">PRE-CRASH SEAT BELT SYSTEM : Fail Safe9</p> <p>SEAT BELT WARNING LAMP SYSTEM 11</p> <p style="padding-left: 20px;">SEAT BELT WARNING LAMP SYSTEM : System Diagram 11</p> <p style="padding-left: 20px;">SEAT BELT WARNING LAMP SYSTEM : System Description 12</p> <p>DIAGNOSIS SYSTEM (PRE-CRASH SEAT BELT)13</p> <p style="padding-left: 20px;">CONSULT Function 13</p>	<p>ECU DIAGNOSIS INFORMATION15</p> <p>PRE-CRASH SEAT BELT CONTROL UNIT (DRIVER SIDE) 15</p> <p style="padding-left: 20px;">Reference Value15</p> <p style="padding-left: 20px;">Fail Safe16</p> <p style="padding-left: 20px;">DTC Index17</p> <p>PRE-CRASH SEAT BELT CONTROL UNIT (PASSENGER SIDE) 19</p> <p style="padding-left: 20px;">Reference Value19</p> <p style="padding-left: 20px;">Fail Safe19</p> <p>DIAGNOSIS SENSOR UNIT21</p> <p style="padding-left: 20px;">List of ECU Reference21</p> <p>WIRING DIAGRAM 22</p> <p>PRE-CRASH SEAT BELT CONTROL UNIT22</p> <p style="padding-left: 20px;">Wiring Diagram22</p> <p>SEAT BELT WARNING SYSTEM23</p> <p style="padding-left: 20px;">Wiring Diagram23</p> <p>BASIC INSPECTION 24</p> <p>DIAGNOSIS AND REPAIR WORKFLOW24</p> <p style="padding-left: 20px;">Work Flow24</p> <p>DTC/CIRCUIT DIAGNOSIS 27</p> <p>U1000 CAN COMM CIRCUIT 27</p> <p style="padding-left: 20px;">Description27</p> <p style="padding-left: 20px;">DTC Logic27</p> <p>U0126 ST ANG SEN SIG 28</p> <p style="padding-left: 20px;">Description28</p> <p style="padding-left: 20px;">DTC Logic28</p> <p style="padding-left: 20px;">Diagnosis Procedure28</p> <p>U0428 STRG ANGL CAL 29</p> <p style="padding-left: 20px;">Description29</p> <p style="padding-left: 20px;">DTC Logic29</p>
---	---

Diagnosis Procedure	29	POWER SUPPLY AND GROUND CIRCUIT	46
B2451 SEAT BLT MTR DR CIRC	30	Diagnosis Procedure	46
DTC Logic	30	SEAT BELT BUCKLE SWITCH (DRIVER	
Diagnosis Procedure	30	SIDE)	47
B2452 SEAT BLT MTR AS CIRC	31	Description	47
DTC Logic	31	Component Function Check	47
Diagnosis Procedure	31	Diagnosis Procedure	47
B2453 BR STROKE SEN CIRC	32	Component Inspection (Belt Buckle Switch)	48
DTC Logic	32	SEAT BELT BUCKLE SWITCH (PASSEN-	
Diagnosis Procedure	32	GER SIDE)	49
Component Inspection	33	Description	49
B2454 SEAT BLT PWR DR CIRC	35	Component Function Check	49
DTC Logic	35	Diagnosis Procedure	49
Diagnosis Procedure	35	Component Inspection (Belt Buckle Switch)	50
B2455 CONTROL UNIT DR	36	SEAT BELT WARNING LAMP CIRCUIT	51
DTC Logic	36	Component Function Check	51
Diagnosis Procedure	36	Diagnosis Procedure	51
B2456 SEAT BLT PWR AS	37	Component Inspection [Seat Belt Buckle Switch	
DTC Logic	37	(Passenger Side)]	52
Diagnosis Procedure	37	SYMPTOM DIAGNOSIS	54
B2457 CONTROL UNIT AS	39	PRE-CRASH SEAT BELT DOSE NOT OPER-	
DTC Logic	39	ATE	54
Diagnosis Procedure	39	BOTH SIDES	54
B2458 LOCAL COMM	40	BOTH SIDES : Diagnosis Procedure	54
DTC Logic	40	DRIVER SIDE	54
Diagnosis Procedure	40	DRIVER SIDE : Diagnosis Procedure	54
B2461 VHCL SPEED SIGNAL	42	PASSENGER SIDE	54
Description	42	PASSENGER SIDE : Diagnosis Procedure	54
DTC Logic	42	SEAT BELT WARNING LAMP DOES NOT	
Diagnosis Procedure	42	TURN OFF	55
B2466 DR/AS CONTROL UNIT	43	Diagnosis Procedure	55
DTC Logic	43	SEAT BELT WARNING LAMP DOES NOT	
Diagnosis Procedure	43	TURN ON	56
B2470 SYS HEAT PROTC DR	44	Diagnosis Procedure	56
Description	44	REMOVAL AND INSTALLATION	57
DTC Logic	44	BRAKE PEDAL STROKE SENSOR	57
Diagnosis Procedure	44	Exploded View	57
B2471 SYS HEAT PROTC AS	45	Removal and Installation	57
Description	45	PRE-CRASH SEAT BELT CONTROL UNIT	58
DTC Logic	45	Exploded View	58
Diagnosis Procedure	45	Removal and Installation	58

PRECAUTIONS

< PRECAUTION >

PRECAUTION

PRECAUTIONS

Precaution for Supplemental Restraint System (SRS) "AIR BAG" and "SEAT BELT PRE-TENSIONER"

INFOID:000000006883802

The Supplemental Restraint System such as "AIR BAG" and "SEAT BELT PRE-TENSIONER", used along with a front seat belt, helps to reduce the risk or severity of injury to the driver and front passenger for certain types of collision. This system includes seat belt switch inputs and dual stage front air bag modules. The SRS system uses the seat belt switches to determine the front air bag deployment, and may only deploy one front air bag, depending on the severity of a collision and whether the front occupants are belted or unbelted. Information necessary to service the system safely is included in the "SRS AIR BAG" and "SEAT BELT" of this Service Manual.

WARNING:

- To avoid rendering the SRS inoperative, which could increase the risk of personal injury or death in the event of a collision which would result in air bag inflation, all maintenance must be performed by an authorized NISSAN/INFINITI dealer.
- Improper maintenance, including incorrect removal and installation of the SRS, can lead to personal injury caused by unintentional activation of the system. For removal of Spiral Cable and Air Bag Module, see the "SRS AIR BAG".
- Do not use electrical test equipment on any circuit related to the SRS unless instructed to in this Service Manual. SRS wiring harnesses can be identified by yellow and/or orange harnesses or harness connectors.

PRECAUTIONS WHEN USING POWER TOOLS (AIR OR ELECTRIC) AND HAMMERS

WARNING:

- When working near the Air Bag Diagnosis Sensor Unit or other Air Bag System sensors with the ignition ON or engine running, DO NOT use air or electric power tools or strike near the sensor(s) with a hammer. Heavy vibration could activate the sensor(s) and deploy the air bag(s), possibly causing serious injury.
- When using air or electric power tools or hammers, always switch the ignition OFF, disconnect the battery, and wait at least 3 minutes before performing any service.

Precaution for Seat Belt Service

INFOID:000000006883803

CAUTION:

- Before removing the seat belt pre-tensioner assembly, turn the ignition switch off, disconnect the both battery cables and wait at least 3 minutes.
- Do not use electrical test equipment for seat belt pre-tensioner connector.
- After replacing or reinstalling seat belt pre-tensioner assembly, or reconnecting front seat belt pre-tensioner connector, check the system function. Refer to [SRC-12, "Description"](#).
- Do not use disassemble buckle or seat belt assembly.
- Replace anchor bolts if they are deformed or worn out.
- Never oil tongue and buckle.
- If any component of seat belt assembly is questionable, do not repair. Replace the whole seat belt assembly.
- If webbing is cut, frayed, or damaged, replace seat belt assembly.
- When replacing seat belt assembly, use a genuine NISSAN seat belt assembly.

AFTER A COLLISION

WARNING:

Inspect all seat belt assemblies including retractors and attaching hardware after any collision. NISSAN recommends that all seat belt assemblies in use during a collision be replaced unless the collision was minor and the belts show no damage and continue to operate properly. Failure to do so could result in serious personal injury in an accident. Seat belt assemblies not in use during a collision should also be replaced if either damage or improper operation is noted. Seat belt pre-tensioner should be replaced even if the seat belts are not in use during a frontal collision in which the air bags are deployed.

Replace any seat belt assembly (including anchor bolts) if:

PRECAUTIONS

< PRECAUTION >

- The seat belt was in use at the time of a collision (except for minor collisions and the belts, retractors and buckles show no damage and continue to operate properly).
- The seat belt was damaged in an accident. (i.e. torn webbing, bent retractor or guide).
- The seat belt attaching point was damaged in an accident. Inspect the seat belt attaching area for damage or distortion and repair as necessary before installing a new seat belt assembly.
- Anchor bolts are deformed or worn out.
- The seat belt pre-tensioner should be replaced even if the seat belts are not in use during the collision in which the air bags are deployed.

COMPONENT PARTS

< SYSTEM DESCRIPTION >

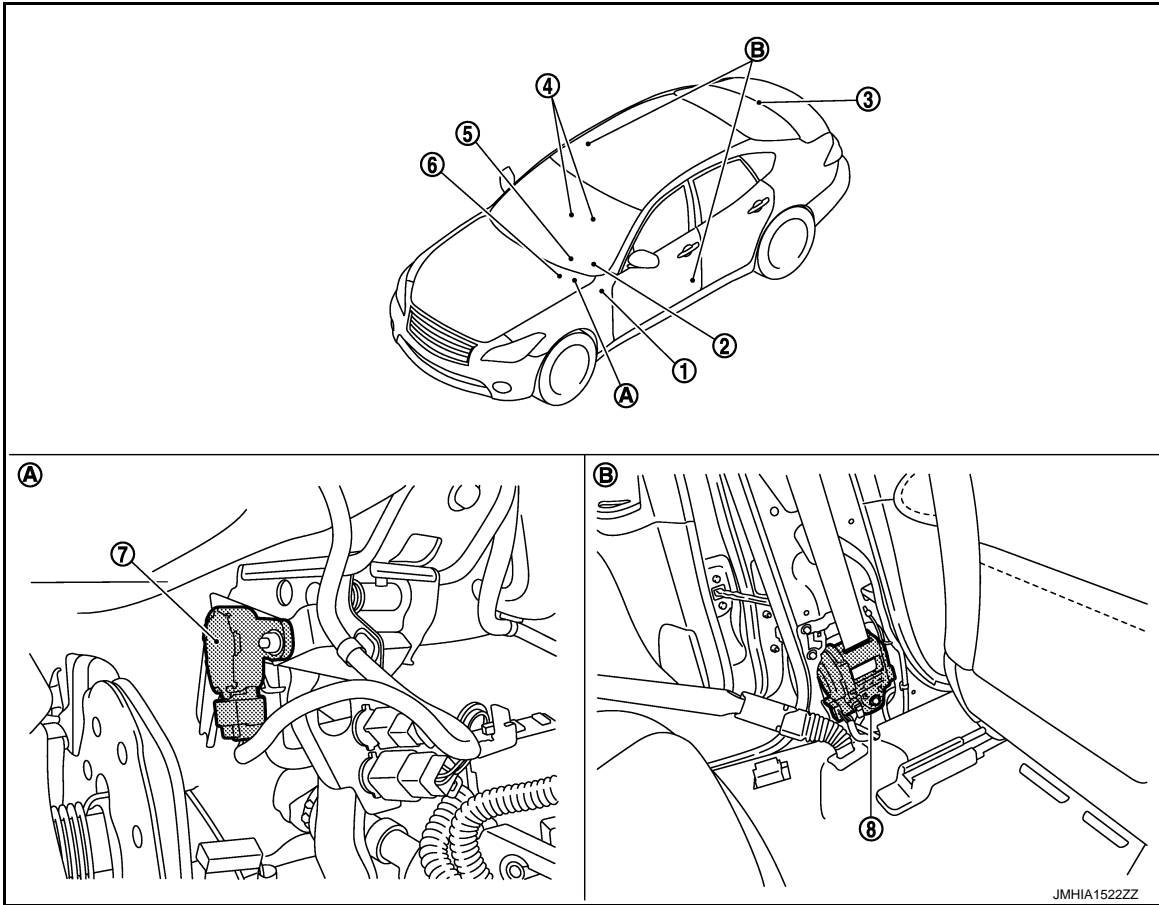
SYSTEM DESCRIPTION

COMPONENT PARTS

PRE-CRASH SEAT BELT SYSTEM

PRE-CRASH SEAT BELT SYSTEM : Component Parts Location

INFOID:000000006883804



A
B
C
D
E
F
G

SBC

I
J
K
L
M
N

O
P

- | | | |
|--|--|--|
| 1. BCM | 2. Combination meter | 3. ADAS control unit |
| 4. Seat belt buckle switch | 5. Steering angle sensor | 6. ABS actuator and electric unit (control unit) |
| 7. Brake pedal stroke sensor | 8. Pre-crash seat belt control unit (driver side) | |
| A. View with instrument driver lower cover removed | B. View with center pillar lower garnish removed (driver side) | |

PRE-CRASH SEAT BELT SYSTEM : Component Description

INFOID:000000006883805

Component	Function
Pre-crash seat belt control unit (driver side)	<ul style="list-style-type: none"> Total control of pre-crash seat belt system is operated according to transmit signal. Driver seat belt retractor integrates pre-crash seat belt control unit (driver side), driver seat belt motor, and tension reducer. Seat belt motor operates each operation of pull, return, and hold.
Pre-crash seat belt control unit (passenger side)	<ul style="list-style-type: none"> Control of passenger pre-crash seat belt is operated according to transmit signal. Passenger seat belt retractor integrates pre-crash seat belt control unit (driver seat), driver seat belt motor, and tension reducer. Seat belt motor operates each operation of pull, return, and hold.

COMPONENT PARTS

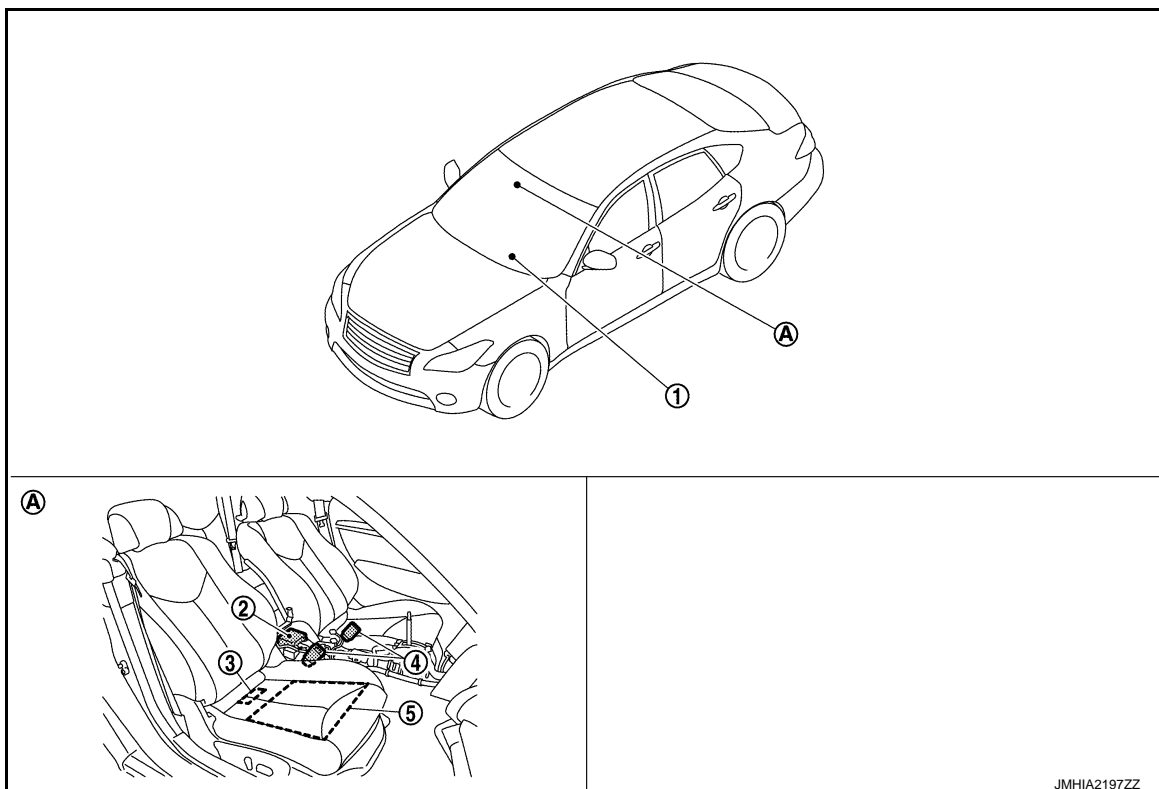
< SYSTEM DESCRIPTION >

Component	Function
Brake pedal stroke sensor	<ul style="list-style-type: none"> It changes voltage according to brake pedal depressed amount and sends the signal to pre-crash seat belt control unit. There are 2 signals (brake pedal stroke sensor 1 and 2) sent from the brake pedal stroke sensor. Pre-crash seat belt control unit judges the stroke amount and the speed of the brake pedal according to the voltage of the signal sent by each side.
Seat belt buckle switch (driver side)	<ul style="list-style-type: none"> Fastening or not fastening of seat belt is judged. This judgment is used for control of driver pre-crash seat belt system. Seat belt warning lamp on combination meter turns ON when seat belt is not fastened while ignition switch is ON. The seat belt buckle switch is installed in the seat belt buckle.
Seat belt buckle switch (passenger side)	<ul style="list-style-type: none"> Fastening or not fastening of seat belt is judged. This judgment is used to control passenger pre-crash seat belt system. Control of passenger seat tension reducer is operated by ON/OFF of seat belt buckle switch. The seat belt buckle switch is installed in the seat belt buckle.
Combination meter	<ul style="list-style-type: none"> Transmits vehicle speed signal to pre-crash seat belt control unit (driver side). Turns the seat belt warning lamp ON when the seat belt is unfastened.
ADAS control unit	Intelligent brake assistance operation signal is received from ADAS control unit via CAN communication.
Steering angle sensor	Steering angle sensor signal, steering angle speed signal, steering angle sensor neutral position adjustment completion signal, and steering angle sensor malfunction signal are received via CAN communication.
BCM	Ignition ON signal, sleep/wakeup signal, and door switch signal are received from BCM via CAN communication.
ABS actuator and electric unit (control unit)	ABS operation signal is received from ABS actuator and electric unit (control unit) via CAN communication.

SEAT BELT WARNING LAMP SYSTEM

SEAT BELT WARNING LAMP SYSTEM : Component Parts Location

INFOID:000000007773726



JMHIA2197ZZ

COMPONENT PARTS

< SYSTEM DESCRIPTION >

- | | | | |
|---|--|--|---|
| 1. Combination meter
Refer to MWI-6. "METER SYSTEM : Component Parts Location" . | 2. Air bag diagnosis sensor unit | 3. Occupant classification system control unit | A |
| 4. Seat belt buckle switch LH/RH | 5. Occupant classification system sensor | | B |
| A. View with center console assembly removed | | | C |

SEAT BELT WARNING LAMP SYSTEM : Component Description

INFOID:000000007773733

Component parts	Outline of function
Seat belt buckle switch (Driver side)	Detects if the seat belt buckle switch (driver side) is fastened or unfastened
Seat belt buckle switch (Passenger side)	Detects if the seat belt buckle switch (passenger side) is fastened or unfastened
Seat belt warning lamp	Turns the seat belt warning lamp ON when the seat belt is unfastened
Occupant Classification System control unit	Judges the passenger seat condition based on the information from Occupant Classification System control unit
Occupant Classification System seat sensor	Detects if the passenger seat is empty or occupied
Air bag diagnosis sensor unit	Turns ON seat belt warning lamp based on the information from Occupant Classification System control unit

SBC

I

J

K

L

M

N

O

P

SYSTEM

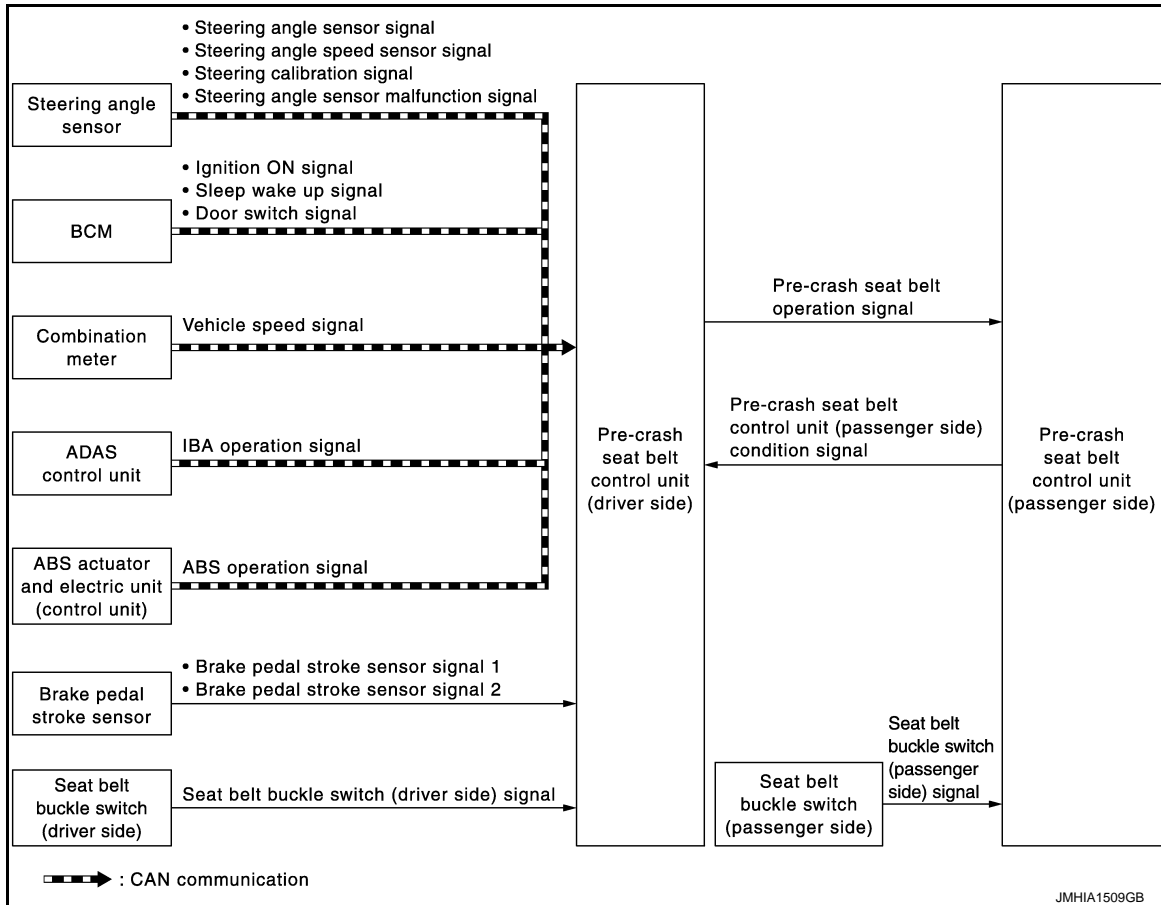
< SYSTEM DESCRIPTION >

SYSTEM

PRE-CRASH SEAT BELT SYSTEM

PRE-CRASH SEAT BELT SYSTEM : System Diagram

INFOID:000000006883806



PRE-CRASH SEAT BELT SYSTEM : System Description

INFOID:000000006883807

- Pre-crash seat belt system integrates control unit and motor in driver and passenger seat belt retractors.
- Provides a sense of ease when pre-crash seat belt control unit judges the emergency braking operation, the intelligent brake assistance operating status, the continuous ABS operating status, the emergency steering wheel operation, or the lateral slippage status during cornering. The motor immediately retracts the seat belt and suppresses change in occupant posture.
- Even in a situation where a collision is unavoidable, effects of other safety devices, like the air bag, are maximized and damages are reduced.
- Motor retracts seat belt when unfastening and extracts seat belt when fastening to reduce the feeling of pressure. (comfort function)

FUNCTION DESCRIPTION

Pre-crash seat belt system operates under the following conditions.

- During emergency brake operation
- When ABS continuously operates
- When intelligent brake assistance operates
- When lateral slippage during cornering occurs
- When steering wheel is rotated for emergency
- When comfort function operates

OPERATION CONDITION

Operation while driving

- Operation start and stop conditions of pre-crash seat belt system are as shown in the following table.
- The activation and deactivation conditions of pre-crash seat belt are as per the following.

SYSTEM

< SYSTEM DESCRIPTION >

Operation item	Operation start condition	Operation stop condition	
During emergency brake operation	<ul style="list-style-type: none"> Vehicle speed is 15 km/h (9 MPH) or more Emergency braking status is detected 	<ul style="list-style-type: none"> During acceleration When stopped 	A
When ABS continuously operates	<ul style="list-style-type: none"> ABS continuously operates for 2 seconds or more Brake pedal is in depressed state 		B
When intelligent brake assistance operates	System detects that intelligent brake assistance is in operating status	2 seconds after operation start	C
When lateral slippage during cornering occurs	<ul style="list-style-type: none"> Vehicle speed is 30 km/h (19 MPH) or more System detects that the vehicle is in lateral slippage state System detects that the vehicle is driving on a curve 	<ul style="list-style-type: none"> Vehicle stopped 1 second or more after maintaining steering wheel angle in straight driving state 	D
When steering wheel is rotated for emergency	<ul style="list-style-type: none"> Vehicle speed is 60 km/h (36 MPH) or more Steering wheel angle is 90 degrees or more System detects that steering wheel is rotated for emergency 		E

NOTE:

For details of intelligent brake assist system. Refer to [BRC-159. "INTELLIGENT BRAKE ASSIST : System Description"](#).

Comfort function

- Seat belt is retracted and the looseness is reduced in the state as shown in the following table.
- Operation start and stop conditions of pre-crash seat belt system are as shown in the following table.

Operation item	Activating condition	Deactivating condition	
Door open	<ul style="list-style-type: none"> Seat belt is in not fastened state Door is operated to open from closed Vehicle stopped 	<ul style="list-style-type: none"> Seat belt retract is complete 13 seconds after start retracting 	I
Seat belt is fastened	<ul style="list-style-type: none"> When door is closed Seat belt is fastened 	<ul style="list-style-type: none"> Seat belt is unfastened 1 second after operation 	J
Seat belt is release	Seat belt is unfastened	<ul style="list-style-type: none"> Seat belt retract is complete 10 seconds after start retracting 	K

Operation Prohibition Condition

Pre-crash seat belt system does not operate in the following conditions.

- When seat belt is not fastened (only the seat belt that is not fastened does not operate)
- When motor is overheat due to contentious operation*1
- When the system is in fail-safe mode

*1: System operation is temporarily deactivated to avoid overheating, when comfort function is continuously operated (18 times or more) during a short period of time by fastening and unfastening seat belts or opening and closing doors.

MALFUNCTION WARNING

When system malfunction is detected, comfort function is deactivated to warn customer of system malfunction.

PRE-CRASH SEAT BELT SYSTEM : Fail Safe

INFOID:000000006883808

When a system malfunction is detected, deactivates a part of the system or all functions depending on the malfunctioning part.

When the malfunction condition recovers to the normal condition, the system returns to the normal operation.

DRIVER SIDE

Display contents of CONSULT	Fail-safe
B2451:SEAT BLT MTR DR CIRC	Fully deactivates the whole operation.
B2452:SEAT BLT MTR AS CIRC	Deactivates a part of comfort function.

SYSTEM

< SYSTEM DESCRIPTION >

Display contents of CONSULT	Fail-safe
B2453:BR_STROKE_SEN_CIRC	Stops the operation in the conditions as per the following. <ul style="list-style-type: none"> • During emergency brake operation • When ABS continuously operates • A part of comfort function
B2454:SEAT BLT PWR DR CIRC	Fully deactivates the whole operation.
B2455:CONTROL UNIT DR	Stops the operation in the conditions as per the following. *1 <ul style="list-style-type: none"> • During emergency brake operation • When ABS continuously operates • When lateral slippage during cornering occurs • When Intelligent brake assistance operates • When steering wheel is rotated for emergency • A part or the whole comfort function
B2456:SEAT BLT PWR AS	Deactivates a part of comfort function.
B2457:CONTROL UNIT AS	Deactivates a part of comfort function.
B2458:LOCAL COMM	Deactivates a part of comfort function.
B2461:VHCL SPEED SIGNAL	Stops the operation in the conditions as per the following. <ul style="list-style-type: none"> • During emergency brake operation • When ABS continuously operates • When lateral slippage during cornering occurs • When steering wheel is rotated for emergency • When comfort function operates
B2466:DR/AS CONTROL UNIT	Deactivates a part of comfort function.
B2470:SYS HEAT PROTC DR	<ul style="list-style-type: none"> • Fully deactivates the whole operation. • Operation return - 1 time operation becomes possible after approximately 30 seconds - Returns to the initial condition after approximately 8 minutes
U0126:STRG ANG SEN SIG	Stops the operation in the conditions as per the following. <ul style="list-style-type: none"> • When lateral slippage during cornering occurs • When steering wheel is rotated for emergency • A part of comfort function
U0428:STRG ANGL CAL	Stops the operation in the conditions as per the following. <ul style="list-style-type: none"> • When lateral slippage during cornering occurs • When steering wheel is rotated for emergency • A part of comfort function
U1000:CAN communication circuit	Stops the operation in the conditions as per the following. *1 <ul style="list-style-type: none"> • During emergency brake operation • When ABS continuously operates • When lateral slippage during cornering occurs • When Intelligent brake assistance operates • When steering wheel is rotated for emergency • A part or the whole comfort function

*1: The deactivation mode differs depending on the internal malfunctioning condition of control unit

PASSENGER SIDE

Display contents of CONSULT	Fail-safe
B2452:SEAT BLT MTR DR CIRC	Fully deactivates the whole operation.
B2453:BR_STROKE_SEN_CIRC	Stops the operation in the conditions as per the following. <ul style="list-style-type: none"> • During emergency brake operation • When ABS continuously operates
B2455:CONTROL UNIT DR	Stops the operation in the conditions as per the following. *1 <ul style="list-style-type: none"> • During emergency brake operation • When ABS continuously operates • When lateral slippage during cornering occurs • When Intelligent brake assistance operates • When steering wheel is rotated for emergency • A part or the whole comfort function

SYSTEM

< SYSTEM DESCRIPTION >

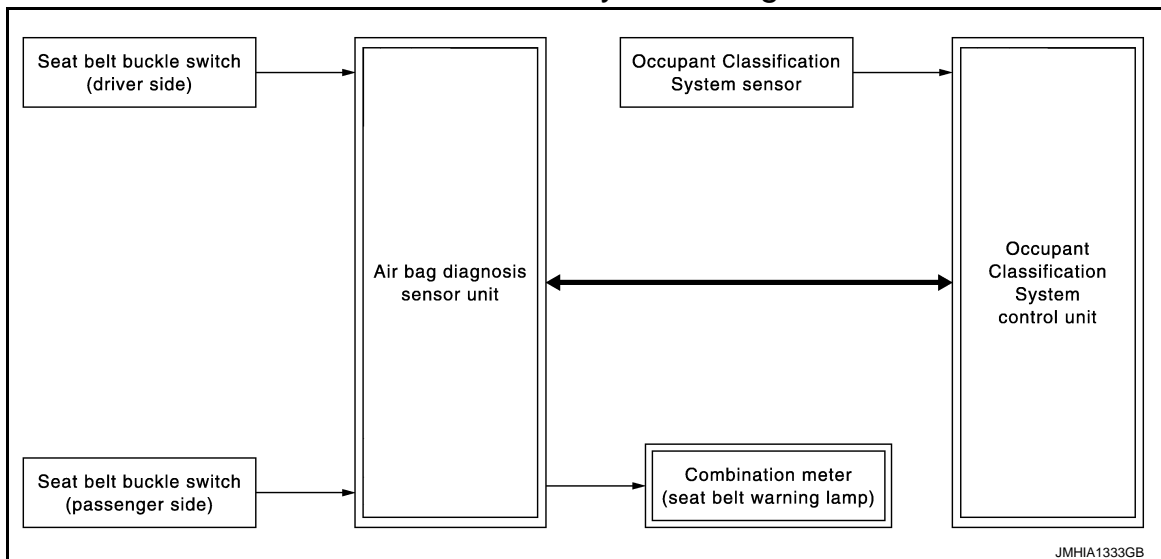
Display contents of CONSULT	Fail-safe
B2456:SEAT BLT PWR AS	Fully deactivates the whole operation.
B2457:CONTROL UNIT AS	Fully deactivates the whole operation. *1
B2458:LOCAL COMM	Fully deactivates the whole operation. *1
B2461:VHCL SPEED SIGNAL	Stops the operation in the conditions as per the following. <ul style="list-style-type: none"> • During emergency brake operation • When ABS continuously operates • When lateral slippage during cornering occurs • When steering wheel is rotated for emergency • A part or the whole comfort function
B2466:DR/AS CONTROL UNIT	Stops the operation in the conditions as per the following. *1 <ul style="list-style-type: none"> • During emergency brake operation • When ABS continuously operates • When lateral slippage during cornering occurs • When Intelligent brake assistance operates • When steering wheel is rotated for emergency • A part or the whole comfort function
B2471:SYS HEAT PROTC AS	<ul style="list-style-type: none"> • Fully deactivates the whole operation. • Operation return <ul style="list-style-type: none"> - 1 time operation becomes possible after approximately 30 seconds - Returns to the initial condition after approximately 8 minutes
U0126:STRG ANG SEN SIG	Stops the operation in the conditions as per the following. <ul style="list-style-type: none"> • When lateral slippage during cornering occurs • When steering wheel is rotated for emergency
U0428:STRG ANGL CAL	Stops the operation in the conditions as per the following. <ul style="list-style-type: none"> • When lateral slippage during cornering occurs • When steering wheel is rotated for emergency
U1000:CAN communication circuit	Stops the operation in the conditions as per the following. *1 <ul style="list-style-type: none"> • During emergency brake operation • When ABS continuously operates • When lateral slippage during cornering occurs • When Intelligent brake assistance operates • When steering wheel is rotated for emergency • A part or the whole comfort function

*1: The deactivation mode differs depending on the internal malfunctioning condition of control unit

SEAT BELT WARNING LAMP SYSTEM

SEAT BELT WARNING LAMP SYSTEM : System Diagram

INFOID:00000000773653



SYSTEM

< SYSTEM DESCRIPTION >

SEAT BELT WARNING LAMP SYSTEM : System Description

INFOID:000000007773654

- Turns ON seat belt warning lamp, when the Occupant Classification System judges adult or child in the front passenger seat and the passenger seat belt buckle switch is OFF.
- Operation of air bag diagnosis sensor unit when air bag diagnosis sensor unit receives information from Occupant Classification System.
- In addition, seat belt warning lamp illuminates, when the driver side seat belt is not fasten. This does not relate to the air bag diagnosis sensor unit.
- For driver seat belt function, refer to [MWI-36, "Reference Value"](#).

Status (front passenger seat)	Seat belt warning lamp (When front passenger seat is unbuckled)
Empty	OFF
An object	OFF
Child/ child-seat	ON
Adult	ON
Malfunction	OFF

DIAGNOSIS SYSTEM (PRE-CRASH SEAT BELT)

< SYSTEM DESCRIPTION >

DIAGNOSIS SYSTEM (PRE-CRASH SEAT BELT)

CONSULT Function

INFOID:000000006883809

Diagnosis for pre-crash seat belt system can be performed using CONSULT.

APPLICATION ITEM

Part to be diagnosed	Diagnosis Mode	Function description
Pre-crash seat belt	Self-diagnosis Results	<ul style="list-style-type: none">Displays data recorded when a malfunction is detected.Can print out the display.Erases DTC recorded in memory.
	Data Monitor	Displays input data for pre-crash seat belt control unit in real time.
	Work Support	Changes the setting for each system function.
	CAN DIAG SUPPORT MNTR	Monitors communication status of CAN communication.
	ECU Identification	Displays pre-crash seat belt control unit part number.

SELF-DIAGNOSIS RESULTS

Refer to [SBC-17. "DTC Index"](#).

CAUTION:

When malfunctions are detected in several systems, including the CAN communication [U1000], troubleshoot the CAN communication [U1000].

ERASING SELF-DIAGNOSIS RESULTS

- SELF-DIAGNOSIS RESULTS
Current "SELF-DIAG RESULTS" are displayed. (If all suspect circuits have been repaired, "NO DTC" is displayed.)
- SELF-DIAG RESULTS [MEMORY]
Resume trouble diagnosis item selection screen, confirm "SELF-DIAG RESULTS", and then touch ERASE MEMORY.

DATA MONITOR

Monitor item	Contents
BUCKLE SW RH	Indicates [ON/OFF] condition of seat belt buckle switch (RH).
BUCKLE SW LH	Indicates [ON/OFF] condition of seat belt buckle switch (LH).
VEHICLE DISTANCE	Indicates [ON/OFF] condition of intelligent brake assist signal.
IGN SW	Indicates [ON/OFF] condition of ignition switch.
FR DOOR SW RH	Indicates [Close/Open] condition of front door switch (RH).
FR DOOR SW LH	Indicates [Close/Open] condition of front door switch (LH).
ABS ACTIVATING	Indicates [ON/OFF] condition of ABS activating.
VHCL SPEED	Indicates [Km/h] vehicle speed signal.
BRK PEDAL SNSR1	Indicates [V] voltage of brake pedal stroke sensor 1 signal.
BRK PEDAL SNSR2	Indicates [V] voltage of brake pedal stroke sensor 2 signal.
STRG ANGLE	Indicates [deg] steering angle signal.
STRG ANGLE SPEED	Indicates [deg/s] steering angle speed signal.
HEAT PROTC RH	Indicates [ON/OFF] condition of heat protection (RH).
HEAT PROTC LH	Indicates [ON/OFF] condition of heat protection (LH).

WORK SUPPORT

DIAGNOSIS SYSTEM (PRE-CRASH SEAT BELT)

< SYSTEM DESCRIPTION >

Monitor item	Description
DOOR OPENING RETRACT RETRY	Changes the number of times for the seat belt retract retry when the door opens.

PRE-CRASH SEAT BELT CONTROL UNIT (DRIVER SIDE)

< ECU DIAGNOSIS INFORMATION >

ECU DIAGNOSIS INFORMATION

PRE-CRASH SEAT BELT CONTROL UNIT (DRIVER SIDE)

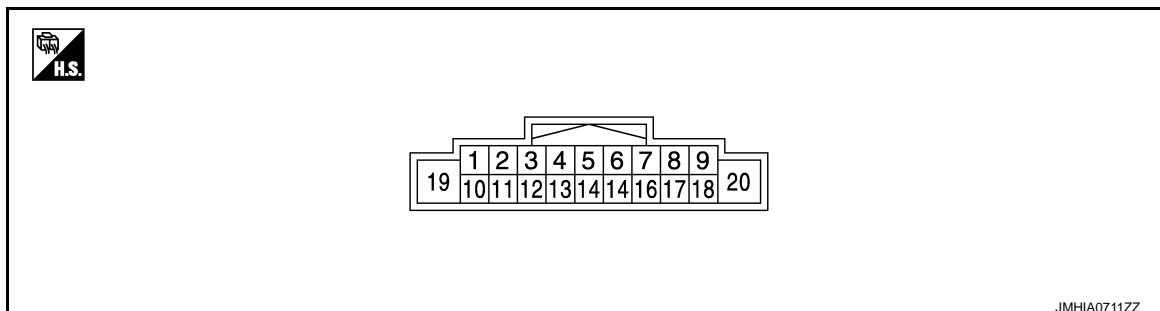
Reference Value

INFOID:000000006883810

VALUES ON THE DIAGNOSIS TOOL
CONSULT MONITOR ITEM

Monitor item	Condition	Value/Status (Approx.)
BUCKLE SW RH	RH seat belt is not fastened	OFF
	RH seat belt is fastened	ON
BUCKLE SW LH	RH seat belt is not fastened	OFF
	RH seat belt is fastened	ON
VEHICLE DISTANCE	Not activated	OFF
	Activated	ON
IGN SW	Ignition switch OFF	OFF
	Ignition switch ON	ON
FR DOOR SW RH	LH door close	CLOSE
	LH door open	OPEN
FR DOOR SW LH	RH door close	CLOSE
	RH door open	OPEN
ABS ACTIVATING	ABS not activating	OFF
	ABS activating	ON
VHCL SPEED	While driving	Equivalent speedometer reading (km/h)
BRK PEDAL SNSR1	Brake released → depressed	(1 V → 4 V)
BRK PEDAL SNSR2	Brake released → depressed	(4 V → 1V)
STRG ANGLE	Steering wheel: 0° (Neutral)	±2.5 (deg)
	Steering wheel: 90° (Turned right)	+90 (deg)
	Steering wheel: 90° (Turned left)	-90 (deg)
STRG ANGLE SPEED	Ignition switch ON	Depending on steering angle speed (deg/s)
HEAT PROTC RH	RH heat protection is not activated	OFF
	RH heat protection is activated	ON
HEAT PROTC LH	LH heat protection is not activated	OFF
	LH heat protection is activated	ON

TERMINAL LAYOUT



PHYSICAL VALUES

PRE-CRASH SEAT BELT CONTROL UNIT (DRIVER SIDE)

< ECU DIAGNOSIS INFORMATION >

Terminal No. (Wire color)		Description		Condition	Value*1 (Approx.)
+	-	Signal name	Input/ Output		
1 (V)	GND	Power supply	Input	—	Battery voltage
2 (G)	GND	Brake pedal stroke sensor signal 1	Input	Brake released → de- pressed	1V→4V
4 (R)	GND	CAN-L	Input/ Output	—	—
6 (LG)	GND	Seat belt buckle switch signal	Input	Seat belt is fastened	0 V
				Seat belt is unfastened	5 V
8 (BR)	GND	Local Communication Line 2	Input/ Output	IGN ON	5 V
9 (-)	GND	Shield	—	—	—
10 (R)	GND	Brake pedal stroke sensor power circuit	Output	IGN ON	5 V
12 (B)	GND	Brake pedal stroke sensor signal 2	Input	Brake released → de- pressed	4V→1V
14 (L)	GND	CAN-H	Input/ Output	—	—
16 (Y)	GND	Local Communication Line 1	Input/ Output	—	—
17 (W)	GND	Brake pedal stroke sensor ground circuit	Input	—	0 V
18 (B)	GND	GND	Output	—	0 V
19 (Y)	GND	Motor drive circuit power supply	Input	—	Battery voltage
20 (B)	GND	Motor drive circuit ground	Output	—	0 V

*1: Perform the measurement while connecting the control unit and the harness.

Fail Safe

INFOID:000000006883811

When a system malfunction is detected, deactivates a part of the system or all functions depending on the malfunctioning part.

When the malfunction condition recovers to the normal condition, the system returns to the normal operation.

Display contents of CONSULT	Fail-safe
B2451:SEAT BLT MTR DR CIRC	Fully deactivates the whole operation.
B2452:SEAT BLT MTR AS CIRC	Deactivates a part of comfort function.
B2453:BR_STROKE_SEN_CIRC	Stops the operation in the conditions as per the following. <ul style="list-style-type: none"> • During emergency brake operation • When ABS continuously operates • A part of comfort function
B2454:SEAT BLT PWR DR CIRC	Fully deactivates the whole operation.

PRE-CRASH SEAT BELT CONTROL UNIT (DRIVER SIDE)

< ECU DIAGNOSIS INFORMATION >

Display contents of CONSULT	Fail-safe
B2455:CONTROL UNIT DR	Stops the operation in the conditions as per the following. *1 <ul style="list-style-type: none"> • During emergency brake operation • When ABS continuously operates • When lateral slippage during cornering occurs • When Intelligent brake assistance operates • When steering wheel is rotated for emergency • A part or the whole comfort function
B2456:SEAT BLT PWR AS	Deactivates a part of comfort function.
B2457:CONTROL UNIT AS	Deactivates a part of comfort function.
B2458:LOCAL COMM	Deactivates a part of comfort function.
B2461:VHCL SPEED SIGNAL	Stops the operation in the conditions as per the following. <ul style="list-style-type: none"> • During emergency brake operation • When ABS continuously operates • When lateral slippage during cornering occurs • When steering wheel is rotated for emergency • When comfort function operates
B2466:DR/AS CONTROL UNIT	Deactivates a part of comfort function.
B2470:SYS HEAT PROTC DR	<ul style="list-style-type: none"> • Fully deactivates the whole operation. • Operation return - 1 time operation becomes possible after approximately 30 seconds - Returns to the initial condition after approximately 8 minutes
U0126:STRG ANG SEN SIG	Stops the operation in the conditions as per the following. <ul style="list-style-type: none"> • When lateral slippage during cornering occurs • When steering wheel is rotated for emergency • A part of comfort function
U0428:STRG ANGL CAL	Stops the operation in the conditions as per the following. <ul style="list-style-type: none"> • When lateral slippage during cornering occurs • When steering wheel is rotated for emergency • A part of comfort function
U1000:CAN communication circuit	Stops the operation in the conditions as per the following. *1 <ul style="list-style-type: none"> • During emergency brake operation • When ABS continuously operates • When lateral slippage during cornering occurs • When Intelligent brake assistance operates • When steering wheel is rotated for emergency • A part or the whole comfort function

*1: The deactivation mode differs depending on the internal malfunctioning condition of control unit

DTC Index

INFOID:000000006883812

DISPLAY ITEM LIST (PRE-CRASH SEAT BELT)

DTC	Trouble diagnosis name (CONSULT display)	DTC detection condition	Reference
U1000	CAN COMM CIRCUIT	Pre-crash seat belt control unit cannot transmit and receive CAN communication signal for 2 seconds or more	SBC-27
B2451	SEAT BLT MTR DR CIRC	<ul style="list-style-type: none"> • Motor or control unit malfunction • Seat belt motor circuit is shorted or open 	SBC-30
B2452	SEAT BLT MTR AS CIRC	<ul style="list-style-type: none"> • Motor or control unit malfunction • Seat belt motor circuit is shorted or open 	SBC-31
B2453	BR_STROKE_SEN_CIRC	<ul style="list-style-type: none"> • Brake pedal stroke sensor malfunction • Brake pedal stroke sensor circuit is short 	SBC-32
B2454	SEAT BLT PWR DR CIRC	Motor power supply circuit is shorted or open	SBC-35
B2455	CONTROL UNIT DR	Malfunction in pre-crash seat belt control unit	SBC-36
B2456	SEAT BLT PWR AS CIRC	Motor power supply circuit is shorted or open	SBC-37

PRE-CRASH SEAT BELT CONTROL UNIT (DRIVER SIDE)

< ECU DIAGNOSIS INFORMATION >

DTC	Trouble diagnosis name (CONSULT display)	DTC detection condition	Reference
B2457	CONTROL UNIT AS	Malfunction in pre-crash seat belt control unit	SBC-39
B2458	LOCAL COMM	Local communication line shorted or open	SBC-40
B2461	VHCL SPEED SIGNAL	Vehicle speed signal malfunction is received	SBC-42
B2466	DR/AS CONTROL UNIT	Control unit is out of the vehicle specification	SBC-43
B2470	SYS HEAT PROTC DR	Deactivation for cooling to prevent system heating due to continuous operation	SBC-44
B2471	SYS HEAT PROTC AS	Deactivation for cooling to prevent system heating due to continuous operation	SBC-45
U0126	STRG ANG SEN SIG	Steering angle sensor malfunction is received	SBC-28
U0428	STRG ANGL CAL	Steering angle sensor calibration incomplete signal is received	SBC-29

PRE-CRASH SEAT BELT CONTROL UNIT (PASSENGER SIDE)

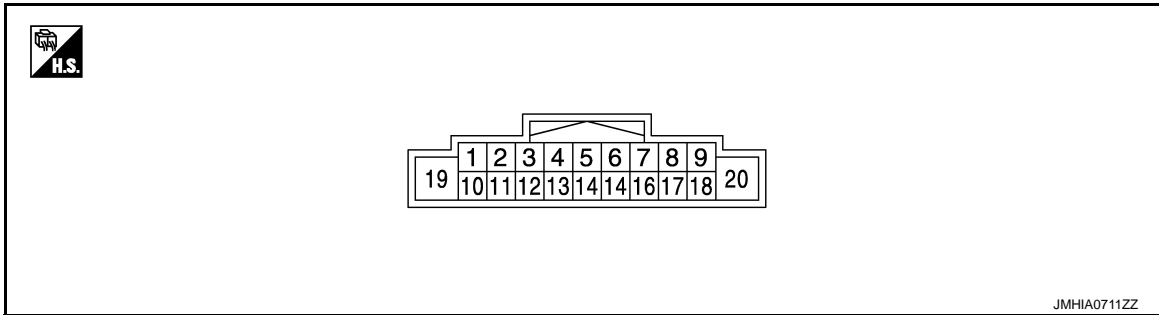
< ECU DIAGNOSIS INFORMATION >

PRE-CRASH SEAT BELT CONTROL UNIT (PASSENGER SIDE)

Reference Value

INFOID:000000007794951

TERMINAL LAYOUT



PHYSICAL VALUES

Terminal No. (Wire color)		Description		Condition	Value*1 (Approx.)
+	-	Signal name	Input/ Output		
1 (P)	GND	Power supply	Input	—	Battery voltage
6 (G)	GND	Seat belt buckle switch signal	Input	Seat belt is fastened	0 V
				Seat belt is unfastened	5 V
8 (V)	GND	Local Communication Line 2	Input/ Output	IGN ON	5 V
16 (LG)	GND	Local Communication Line 1	Input/ Output	—	—
18 (B)	GND	GND	Output	—	0 V
19 (W)	GND	Motor passenger circuit power supply	Input	—	Battery voltage
20 (B)	GND	Motor passenger circuit ground	Output	—	0 V

*1: Perform the measurement while connecting the control unit and the harness.

Fail Safe

INFOID:000000007794966

When a system malfunction is detected, deactivates a part of the system or all functions depending on the malfunctioning part.

When the malfunction condition recovers to the normal condition, the system returns to the normal operation.

Display contents of CONSULT	Fail-safe
B2452:SEAT BLT MTR DR CIRC	Fully deactivates the whole operation.
B2453:BR_STROKE_SEN_CIRC	Stops the operation in the conditions as per the following. <ul style="list-style-type: none"> • During emergency brake operation • When ABS continuously operates
B2455:CONTROL UNIT DR	Stops the operation in the conditions as per the following. *1 <ul style="list-style-type: none"> • During emergency brake operation • When ABS continuously operates • When lateral slippage during cornering occurs • When Intelligent brake assistance operates • When steering wheel is rotated for emergency • A part or the whole comfort function
B2456:SEAT BLT PWR AS	Fully deactivates the whole operation.

PRE-CRASH SEAT BELT CONTROL UNIT (PASSENGER SIDE)

< ECU DIAGNOSIS INFORMATION >

Display contents of CONSULT	Fail-safe
B2457:CONTROL UNIT AS	Fully deactivates the whole operation. *1
B2458:LOCAL COMM	Fully deactivates the whole operation. *1
B2461:VHCL SPEED SIGNAL	Stops the operation in the conditions as per the following. <ul style="list-style-type: none"> • During emergency brake operation • When ABS continuously operates • When lateral slippage during cornering occurs • When steering wheel is rotated for emergency • A part or the whole comfort function
B2466:DR/AS CONTROL UNIT	Stops the operation in the conditions as per the following. *1 <ul style="list-style-type: none"> • During emergency brake operation • When ABS continuously operates • When lateral slippage during cornering occurs • When Intelligent brake assistance operates • When steering wheel is rotated for emergency • A part or the whole comfort function
B2471:SYS HEAT PROTC AS	<ul style="list-style-type: none"> • Fully deactivates the whole operation. • Operation return - 1 time operation becomes possible after approximately 30 seconds - Returns to the initial condition after approximately 8 minutes
U0126:STRG ANG SEN SIG	Stops the operation in the conditions as per the following. <ul style="list-style-type: none"> • When lateral slippage during cornering occurs • When steering wheel is rotated for emergency
U0428:STRG ANGL CAL	Stops the operation in the conditions as per the following. <ul style="list-style-type: none"> • When lateral slippage during cornering occurs • When steering wheel is rotated for emergency
U1000:CAN communication circuit	Stops the operation in the conditions as per the following. *1 <ul style="list-style-type: none"> • During emergency brake operation • When ABS continuously operates • When lateral slippage during cornering occurs • When Intelligent brake assistance operates • When steering wheel is rotated for emergency • A part or the whole comfort function

*1: The deactivation mode differs depending on the internal malfunctioning condition of control unit

DIAGNOSIS SENSOR UNIT

< ECU DIAGNOSIS INFORMATION >

DIAGNOSIS SENSOR UNIT

List of ECU Reference

INFOID:000000007773668

ECU	Reference
AIR BAG DIAGNOSIS SENSOR UNIT	SRC-18, "DTC Index"

A

B

C

D

E

F

G

SBC

I

J

K

L

M

N

O

P

PRE-CRASH SEAT BELT CONTROL UNIT

< WIRING DIAGRAM >

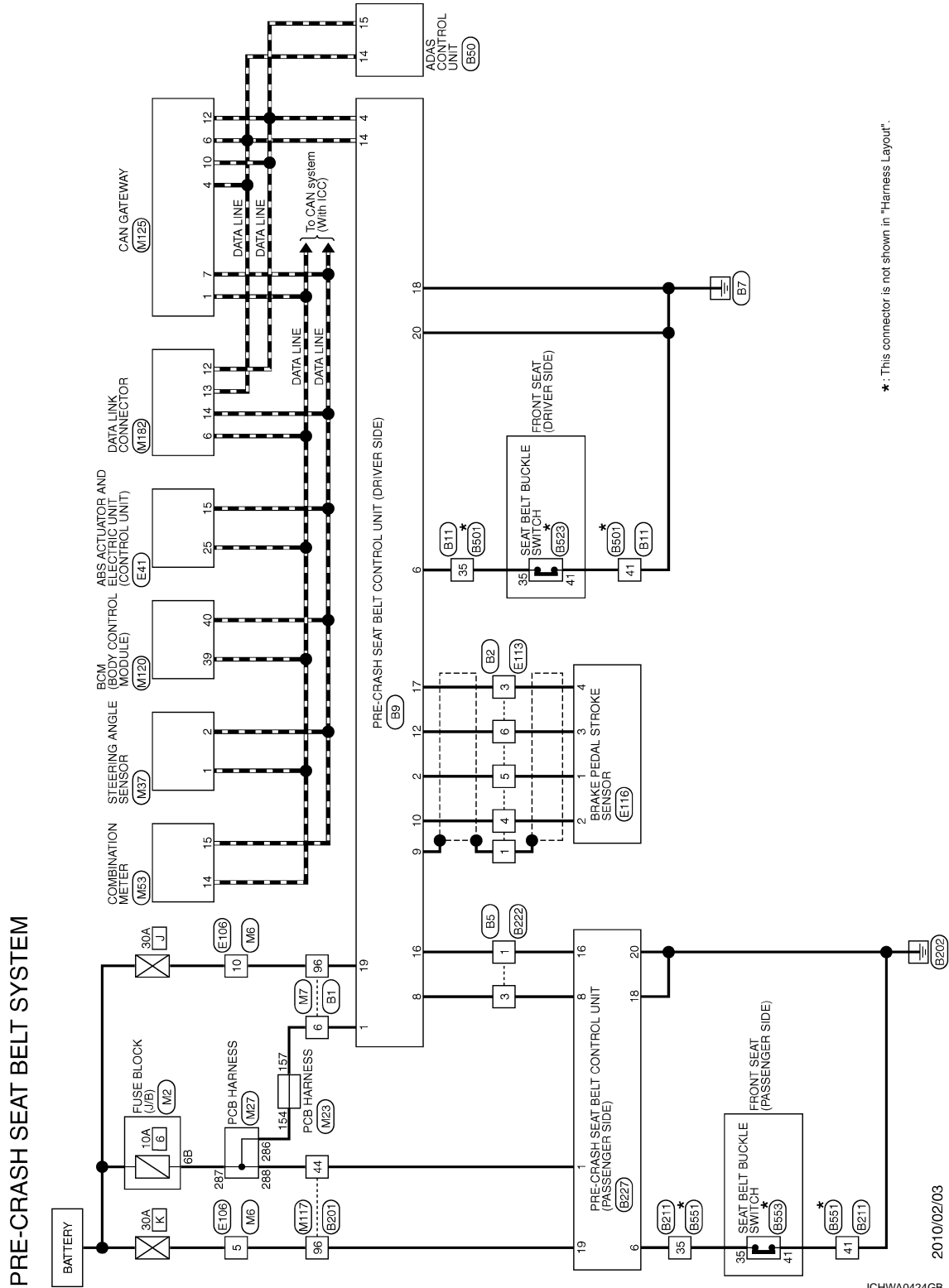
WIRING DIAGRAM

PRE-CRASH SEAT BELT CONTROL UNIT

Wiring Diagram

INFOID:000000006883813

For connector terminal arrangements, harness layouts, and alphabets in a ◊ (option abbreviation; if not described in wiring diagram), refer to [GI-12. "Connector Information"](#).



*: This connector is not shown in "Harness Layout".

JCHWA0424GB

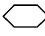
SEAT BELT WARNING SYSTEM

< WIRING DIAGRAM >

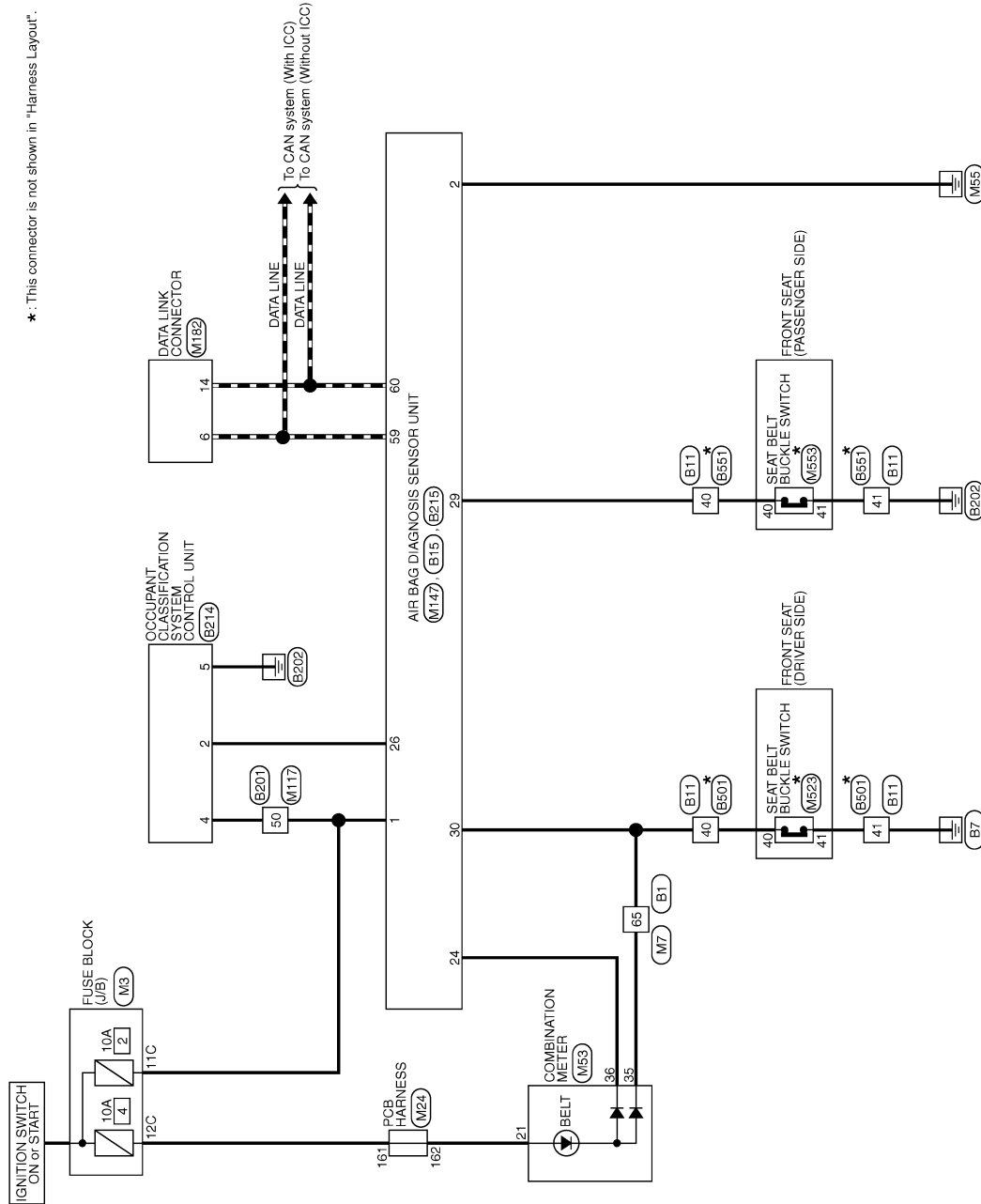
SEAT BELT WARNING SYSTEM

Wiring Diagram

INFOID:000000007773662

For connector terminal arrangements, harness layouts, and alphabets in a  (option abbreviation; if not described in wiring diagram), refer to [GI-12, "Connector Information"](#).

SEAT BELT WARNING SYSTEM



*: This connector is not shown in "Harness Layout".

A
B
C
D
E
F
G
H
I
J
K
L
M
N
O
P

SBC

2011/07/19

JRHWC0110GB

DIAGNOSIS AND REPAIR WORKFLOW

< BASIC INSPECTION >

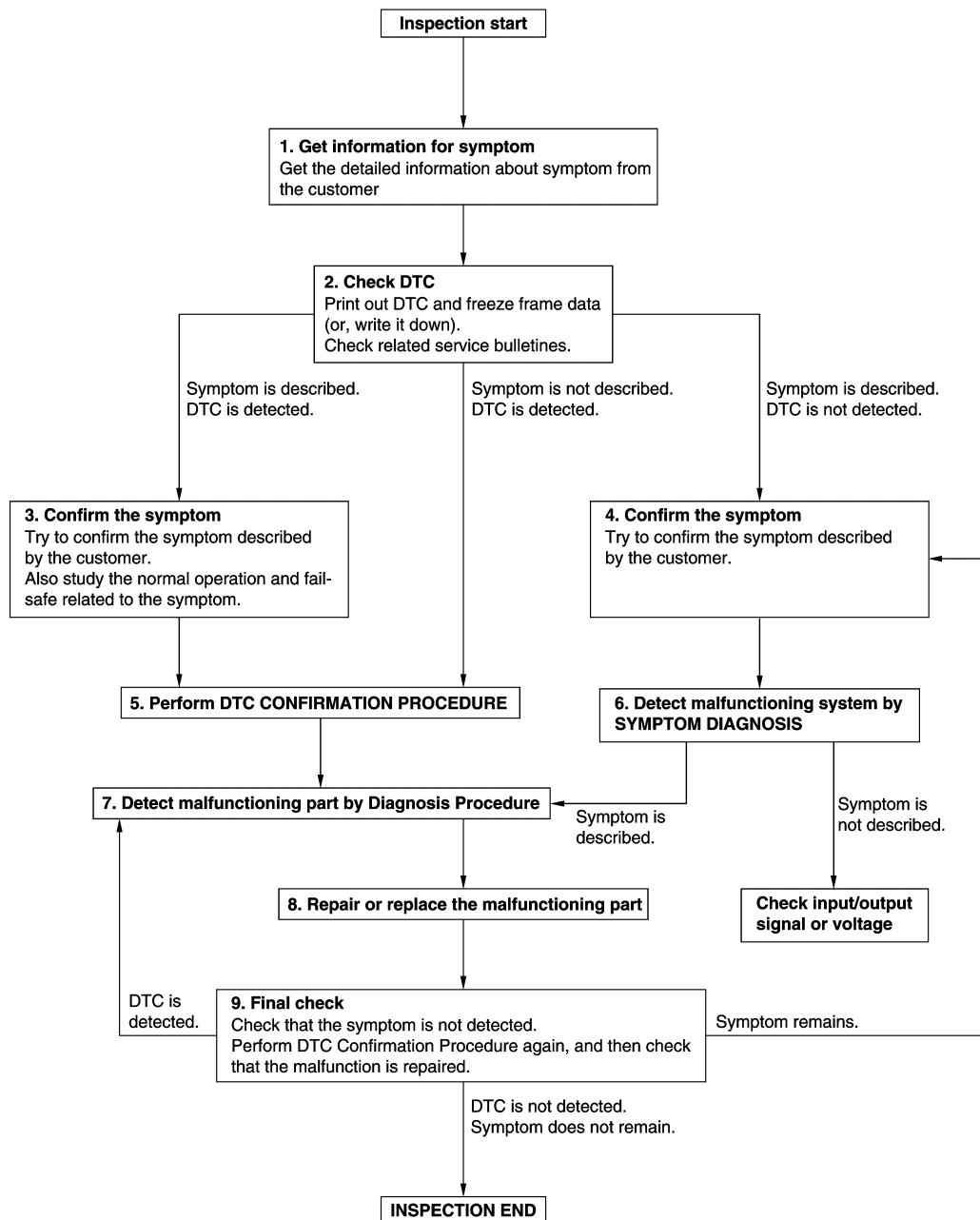
BASIC INSPECTION

DIAGNOSIS AND REPAIR WORKFLOW

Work Flow

INFOID:000000007794967

OVERALL SEQUENCE



JMKIA8652GB

DETAILED FLOW

DIAGNOSIS AND REPAIR WORKFLOW

< BASIC INSPECTION >

1.GET INFORMATION FOR SYMPTOM

1. Get detailed information from the customer about the symptom (the condition and the environment when the incident/malfunction occurs).
2. Check operation condition of the function that is malfunctioning.

>> GO TO 2.

2.CHECK DTC

1. Check DTC.
2. Perform the following procedure if DTC is detected.
 - Record DTC and freeze frame data (Print them out using CONSULT.)
 - Erase DTC.
 - Study the relationship between the cause detected by DTC and the symptom described by the customer.
3. Check related service bulletins for information.

Are any symptoms described and any DTC detected?

Symptom is described, DTC is detected>>GO TO 3.

Symptom is described, DTC is not detected>>GO TO 4.

Symptom is not described, DTC is detected>>GO TO 5.

3.CONFIRM THE SYMPTOM

Try to confirm the symptom described by the customer.

Also study the normal operation and fail-safe related to the symptom.

Verify relation between the symptom and the condition when the symptom is detected.

>> GO TO 5.

4.CONFIRM THE SYMPTOM

Try to confirm the symptom described by the customer.

Verify relation between the symptom and the condition when the symptom is detected.

>> GO TO 6.

5.PERFORM DTC CONFIRMATION PROCEDURE

Perform DTC CONFIRMATION PROCEDURE for the detected DTC, and then check that DTC is detected again. At this time, always connect CONSULT to the vehicle, and check self diagnostic results in real time.

NOTE:

- Freeze frame data is useful if the DTC is not detected.
- Perform Component Function Check if DTC CONFIRMATION PROCEDURE is not included on Service Manual. This simplified check procedure is an effective alternative though DTC cannot be detected during this check.

If the result of Component Function Check is NG, it is the same as the detection of DTC by DTC CONFIRMATION PROCEDURE.

Is DTC detected?

YES >> GO TO 7.

NO >> Check according to [GI-44. "Intermittent Incident"](#).

6.DETECT MALFUNCTIONING SYSTEM BY SYMPTOM DIAGNOSIS

Detect malfunctioning system according to SYMPTOM DIAGNOSIS based on the confirmed symptom in step 4, and determine the trouble diagnosis order based on possible causes and symptom.

Is the symptom described?

YES >> GO TO 7.

NO >> Monitor input data from related sensors or check voltage of related module terminals using CONSULT.

7.DETECT MALFUNCTIONING PART BY DIAGNOSIS PROCEDURE

Inspect according to Diagnosis Procedure of the system.

Is malfunctioning part detected?

A

B

C

D

E

F

G

SBC

I

J

K

L

M

N

O

P

DIAGNOSIS AND REPAIR WORKFLOW

< BASIC INSPECTION >

YES >> GO TO 8.

NO >> Check according to [GI-44, "Intermittent Incident"](#).

8. REPAIR OR REPLACE THE MALFUNCTIONING PART

1. Repair or replace the malfunctioning part.
2. Reconnect parts or connectors disconnected during Diagnosis Procedure again after repair and replacement.
3. Check DTC. If DTC is detected, erase it.

>> GO TO 9.

9. FINAL CHECK

When DTC is detected in step 2, perform DTC CONFIRMATION PROCEDURE again, and then check that the malfunction is repaired securely.

When symptom is described by the customer, refer to confirmed symptom in step 3 or 4, and check that the symptom is not detected.

Is DTC detected and does symptom remain?

YES-1 >> DTC is detected: GO TO 7.

YES-2 >> Symptom remains: GO TO 4.

NO >> Before returning the vehicle to the customer, always erase DTC.

U1000 CAN COMM CIRCUIT

< DTC/CIRCUIT DIAGNOSIS >

DTC/CIRCUIT DIAGNOSIS

U1000 CAN COMM CIRCUIT

Description

INFOID:0000000006883815

- CAN (Controller Area Network) is a serial communication line for real time applications. It is an on board multiplex communication line with high data communication speed and excellent error detection ability. A modern vehicle is equipped with many ECMs, and each control unit shares information and links with other control units during operation (not independent). In CAN communication, two control units are connected with two communication lines (CAN H-line, CAN L-line) allowing a high rate of information transmission with less wiring. Each control unit transmits/receives data but selectively reads required data only.
- It transmits the vehicle status to pre-crash seat belt control unit using the CAN communication system.
- It consists of CAN system (unified meter and A/C amp., ICC sensor, BCM, steering angle sensor).
- Refer to [LAN-34. "CAN COMMUNICATION SYSTEM : CAN System Specification Chart"](#) in LAN section for CAN communication unit (2WD).

DTC Logic

INFOID:0000000006883816

DTC DETECTION LOGIC

DTC No.	Self-diagnosis item	DTC Detection Condition	Possible causes
U1000	CAN communication circuit	Pre-crash seat belt control unit cannot transmit and receive CAN communication system for 2 seconds or more.	<ul style="list-style-type: none">• Harness or connectors (CAN communication line is open or shorted)

SBC

DTC CONFIRMATION PROCEDURE

1. SELF-DIAGNOSIS WITH PRE-CRASH SEAT BELT CONTROL UNIT

1. Turn ignition switch ON and wait for 2 seconds or more.
2. Check "Self-diagnostic result" with CONSULT.

Is any DTC detected?

- YES >> Refer to [LAN-34. "CAN COMMUNICATION SYSTEM : CAN System Specification Chart"](#) in LAN section for CAN communication or CAN system.
- NO >> CAN communication system is normal.

U0126 ST ANG SEN SIG

< DTC/CIRCUIT DIAGNOSIS >

U0126 ST ANG SEN SIG

Description

INFOID:00000000688317

Inputs the steering angle signal from steering angle sensor via CAN communication.

DTC Logic

INFOID:00000000688318

DTC DETECTION LOGIC

NOTE:

If DTC U0126 is displayed with DTC U1000, first perform the trouble diagnosis for DTC U1000. Refer to [SBC-27, "DTC Logic"](#).

DTC No.	Self-diagnosis item	DTC Detection Condition	Possible causes
U0126	ST ANG SEN SIG	Receipt of a malfunction signal of Steering angle signal	Steering angle sensor

DTC CONFIRMATION PROCEDURE

1. SELF-DIAGNOSIS WITH PRE-CRASH SEAT BELT CONTROL UNIT

1. Turn ignition switch ON.
2. Check "Self-diagnostic result" with CONSULT.

Is DTC detected?

- YES >> Refer to [SBC-28, "Diagnosis Procedure"](#).
NO >> INSPECTION END

Diagnosis Procedure

INFOID:00000000688319

1. CHECK DTC WITH "ABS ACTUATOR AND ELECTRIC UNIT (CONTROL UNIT)"

Check "Self-diagnostic result" for "ABS" with CONSULT. Refer to [BRC-40, "CONSULT Function"](#).

Is DTC detected?

- YES >> Repair or replace malfunctioning parts.
NO >> GO TO 2.

2. CHECK INTERMITTENT INCIDENT

Refer to [GI-44, "Intermittent Incident"](#).

>> INSPECTION END

U0428 STRG ANGL CAL

< DTC/CIRCUIT DIAGNOSIS >

U0428 STRG ANGL CAL

Description

INFOID:000000006883820

Inputs the steering calibration incomplete signal from steering angle sensor via CAN communication.

DTC Logic

INFOID:000000006883821

DTC DETECTION LOGIC

NOTE:

If DTC U0428 is displayed with DTC U0126, first perform the trouble diagnosis for DTC U0126. Refer to [SBC-28, "DTC Logic"](#).

DTC No.	Self-diagnosis item	DTC Detection Condition	Possible causes
U0428	STRG ANGL CAL	Receipt of the calibration incomplete signal	Steering angle sensor calibration incomplete

DTC CONFIRMATION PROCEDURE

1. SELF-DIAGNOSIS WITH PRE-CRASH SEAT BELT CONTROL UNIT

1. Turn ignition switch ON.
2. Check "Self-diagnostic result" with CONSULT.

Is DTC detected?

- YES >> Refer to [SBC-29, "Diagnosis Procedure"](#).
NO >> INSPECTION END

Diagnosis Procedure

INFOID:000000006883822

1. CHECK DTC WITH "ABS ACTUATOR AND ELECTRIC UNIT (CONTROL UNIT)"

Check "Self-diagnostic result" for "ABS" with CONSULT. Refer to [BRC-40, "CONSULT Function"](#).

Is DTC detected?

- YES >> Repair or replace malfunctioning parts.
NO >> GO TO 2.

2. CHECK INTERMITTENT INCIDENT

Refer to [GI-44, "Intermittent Incident"](#).

>> INSPECTION END

A
B
C
D
E
F
G
SBC
I
J
K
L
M
N
O
P

B2451 SEAT BLT MTR DR CIRC

< DTC/CIRCUIT DIAGNOSIS >

B2451 SEAT BLT MTR DR CIRC

DTC Logic

INFOID:000000006883823

DTC DETECTION LOGIC

DTC No.	Self-diagnosis item	DTC Detection Condition	Possible causes
B2451	SEAT BLT MTR DR CIRC	Circuit of seat belt motor (driver side) is open or shorted	Pre-crash seat belt control unit (driver side)

DTC CONFIRMATION PROCEDURE

1.SELF-DIAGNOSIS WITH PRE-CRASH SEAT BELT CONTROL UNIT

1. Turn ignition switch ON.
2. Check "Self-diagnostic result" with CONSULT.

Is DTC detected?

- YES >> Refer to [SBC-30, "Diagnosis Procedure"](#).
NO >> Driver side pre-crash seat belt motor system is normal.

Diagnosis Procedure

INFOID:000000006883824

1.INSPECTION START

1. Check "Self-diagnostic result" with CONSULT.
2. Touch "ERASE".
3. Perform DTC Confirmation Procedure.
See [SBC-30, "DTC Logic"](#).

Is DTC B2451 displayed again?

- YES >> Replace pre-crash seat belt control unit (driver side).
NO >> GO TO 2.

2.CHECK INTERMITTENT INCIDENT

Refer to [GI-44, "Intermittent Incident"](#).

>> INSPECTION END

B2452 SEAT BLT MTR AS CIRC

< DTC/CIRCUIT DIAGNOSIS >

B2452 SEAT BLT MTR AS CIRC

DTC Logic

INFOID:000000006883825

DTC DETECTION LOGIC

DTC No.	Self-diagnosis item	DTC Detection Condition	Possible causes
B2452	SEAT BLT MTR AS CIRC	Circuit of seat belt motor (passenger side) is open or shorted	Pre-crash seat belt control unit (passenger side)

DTC REPRODUCTION PROCEDURE

1.SELF-DIAGNOSIS WITH PRE-CRASH SEAT BELT CONTROL UNIT

1. Turn ignition switch ON.
2. Check "Self-diagnostic result" with CONSULT.

Is DTC detected?

- YES >> Refer to [SBC-31, "Diagnosis Procedure"](#).
- NO >> Passenger side pre-crash seat belt motor system is normal.

Diagnosis Procedure

INFOID:000000006883826

1.INSPECTION START

1. Check "Self-diagnostic result" with CONSULT.
2. Touch "ERASE".
3. Perform DTC Confirmation Procedure.
See [SBC-31, "DTC Logic"](#).

Is DTC B2452 displayed again?

- YES >> Replace pre-crash seat belt control unit (passenger side).
- NO >> GO TO 2.

2.CHECK INTERMITTENT INCIDENT

Refer to [GI-44, "Intermittent Incident"](#).

>> INSPECTION END

A
B
C
D
E
F
G
I
J
K
L
M
N
O
P

SBC

B2453 BR STROKE SEN CIRC

< DTC/CIRCUIT DIAGNOSIS >

B2453 BR STROKE SEN CIRC

DTC Logic

INFOID:000000006883827

DTC DETECTION LOGIC

DTC No.	Self-diagnosis item	DTC Detection Condition	Possible causes
B2453	BR STROKE SEN CIRC	Circuit of brake pedal stroke sensor output is open or shorted	<ul style="list-style-type: none"> Harness or connectors (The sensor circuit is open or shorted) Pre-crash seat belt control unit (driver side) Brake pedal stroke sensor

DTC CONFIRMATION PROCEDURE

1. SELF-DIAGNOSIS WITH PRE-CRASH SEAT BELT CONTROL UNIT

- Turn ignition switch ON.
- Check "Self-diagnostic result" with CONSULT.

Is DTC detected?

- YES >> Refer to [SBC-32, "Diagnosis Procedure"](#).
 NO >> INSPECTION END

Diagnosis Procedure

INFOID:000000006883828

1. CHECK PRE-CRASH SEAT BELT CONTROL UNIT INPUT SIGNAL

- Turn ignition switch ON.
- Select "BRK PEDAL SNSR1" and "BRK PEDAL SNSR2" in "DATA MONITOR" mode with CONSULT.
- Check "BRK PEDAL SNSR1" and "BRK PEDAL SNSR2" indication under the following conditions.

Monitor item	Condition	Voltage (V) (Approx.)
BRK PEDAL SNSR1	Brake released → depressed	1 → 4
BRK PEDAL SNSR2		4 → 1

Is the inspection result normal?

- YES >> GO TO 6.
 NO >> GO TO 2.

2. CHECK BRAKE PEDAL STROKE SENSOR POWER SUPPLY

- Turn ignition switch OFF.
- Disconnect brake pedal stroke sensor connector.
- Check voltage between brake pedal stroke sensor harness connector and ground.

Brake pedal stroke sensor		Ground	Voltage (V) (Approx.)
Connector	Terminal		
E116	2		5

Is the inspection result normal?

- YES >> GO TO 4.
 NO >> GO TO 3.

3. CHECK BRAKE PEDAL STROKE SENSOR POWER SUPPLY CIRCUIT

- Disconnect pre-crash seat belt control unit (driver side) connector.
- Check continuity between pre-crash seat belt control unit (driver side) harness connector and brake pedal stroke sensor harness connector.

Pre-crash seat belt control unit (driver side)		Brake pedal stroke sensor		Continuity
Connector	Terminal	Connector	Terminal	
B9	10	E116	2	Existed

B2453 BR STROKE SEN CIRC

< DTC/CIRCUIT DIAGNOSIS >

3. Check continuity between pre-crash seat belt control unit (driver side) and ground.

Pre-crash seat belt control unit (driver side)		Ground	Continuity
Connector	Terminal		
B9	10		Not existed

Is the inspection result normal?

- YES >> Replace pre-crash seat belt control unit (driver side). Refer to [SBC-58. "Removal and Installation"](#).
NO >> Repair or replace harness or connector.

4.CHECK BRAKE PEDAL STROKE SENSOR CIRCUIT

1. Disconnect pre-crash seat belt control unit (driver side) connector.
2. Check continuity between pre-crash seat belt control unit (driver side) harness connector and brake pedal stroke sensor harness connector.

Pre-crash seat belt control unit (driver side)		Brake pedal stroke sensor		Continuity
Connector	Terminal	Connector	Terminal	
B9	2	E116	1	Existed
	12		3	
	17		4	

3. Check continuity between pre-crash seat belt control unit harness connector (driver side) and ground.

Pre-crash seat belt control unit (driver side)		Ground	Continuity
Connector	Terminal		
B9	2		Not existed
	12		
	17		

Is the inspection result normal?

- YES >> GO TO 5.
NO >> Repair or replace harness or connector.

5.CHECK BRAKE PEDAL STROKE SENSOR

Refer to [SBC-33. "Component Inspection"](#).

Is the inspection result normal?

- YES >> GO TO 6.
NO >> Replace brake pedal stroke sensor. Refer to [SBC-57. "Removal and Installation"](#).

6.CHECK INTERMITTENT INCIDENT

Refer to [GI-44. "Intermittent Incident"](#).

>> INSPECTION END

Component Inspection

INFOID:000000006883829

COMPONENT PARTS INSPECTION

1.CHECK BRAKE PEDAL STROKE SENSOR

1. Turn ignition switch OFF.
2. Disconnect brake pedal stroke sensor connector.
3. Check resistance between brake pedal stroke sensor terminal as per the following.

B2453 BR STROKE SEN CIRC

< DTC/CIRCUIT DIAGNOSIS >

Brake pedal stroke sensor		Condition	Resistance (k Ω) (Approx.)
Terminal			
2	1	Brake released → depressed	1.0 → 0.2
	3		0.2 → 1.0

Is the inspection result normal?

YES >> INSPECTION END

NO >> Replace brake pedal stroke sensor. Refer to [SBC-57, "Removal and Installation"](#).

B2454 SEAT BLT PWR DR CIRC

< DTC/CIRCUIT DIAGNOSIS >

B2454 SEAT BLT PWR DR CIRC

DTC Logic

INFOID:000000006883830

DTC DETECTION LOGIC

DTC No.	Self-diagnosis item	DTC Detection Condition	Possible causes
B2454	SEAT BLT PWR DR CIRC	Seat belt motor (driver side) power supply circuit is open or shorted	<ul style="list-style-type: none">• Harness or connectors [Pre-crash seat belt control unit (driver side) circuit is open or shorted]• Pre-crash seat belt control unit (driver side)

DTC CONFIRMATION PROCEDURE

1.SELF-DIAGNOSIS WITH PRE-CRASH SEAT BELT CONTROL UNIT

1. Turn ignition switch ON.
2. Check "Self-diagnostic result" with CONSULT.

Is DTC detected?

- YES >> Refer to [SBC-35, "Diagnosis Procedure"](#).
NO >> INSPECTION END

Diagnosis Procedure

INFOID:000000006883831

1.CHECK FUSE

1. Turn ignition switch OFF.
2. Check 30 A fusible link (Letter J).

Is the inspection result normal?

- YES >> GO TO 2.
NO >> Replace the blown fusible link after repairing the affected circuit if a fuse is blown.

2.CHECK PRE-CRASH SEAT BELT MOTOR POWER SUPPLY

1. Disconnect pre-crash seat belt control unit (driver side) connector.
2. Check voltage between pre-crash seat belt control unit (driver side) harness connector and ground.

Pre-crash seat belt control unit (driver side)		Ground	Voltage (V)
Connector	Terminal		Battery voltage
B9	19		

Is the inspection result normal?

- YES >> GO TO 3.
NO >> Repair or replace harness or connector.

3.CHECK INTERMITTENT INCIDENT

Refer to [GI-44, "Intermittent Incident"](#).

>> INSPECTION END

B2455 CONTROL UNIT DR

< DTC/CIRCUIT DIAGNOSIS >

B2455 CONTROL UNIT DR

DTC Logic

INFOID:000000006883832

DTC DETECTION LOGIC

DTC No.	Self-diagnosis item	DTC Detection Condition	Possible causes
B2455	CONTROL UNIT DR	Pre-crash seat belt control unit (driver side) internal circuit malfunction	Pre-crash seat belt control unit (driver side)

DTC CONFIRMATION PROCEDURE

1. SELF-DIAGNOSIS WITH PRE-CRASH SEAT BELT CONTROL UNIT

1. Turn ignition switch ON.
2. Check "Self-diagnostic result" with CONSULT.

Is DTC detected?

- YES >> Refer to [SBC-36, "Diagnosis Procedure"](#).
NO >> INSPECTION END

Diagnosis Procedure

INFOID:000000006883833

1. INSPECTION START

1. Check "Self-diagnostic result" with CONSULT.
2. Touch "ERASE".
3. Perform DTC Confirmation Procedure.
See [SBC-36, "DTC Logic"](#).

Is DTC B2455 displayed again?

- YES >> Replace pre-crash seat belt control unit (driver side).
NO >> GO TO 2.

2. CHECK INTERMITTENT INCIDENT

Refer to [GI-44, "Intermittent Incident"](#).

>> INSPECTION END

B2456 SEAT BLT PWR AS

< DTC/CIRCUIT DIAGNOSIS >

B2456 SEAT BLT PWR AS

DTC Logic

INFOID:000000006883834

DTC DETECTION LOGIC

DTC No.	Self-diagnosis item	DTC Detection Condition	Possible causes
B2456	SEAT BLT PWR AS	Pre-crash seat belt control unit (passenger side) power supply circuit is open or shorted	<ul style="list-style-type: none"> Harness or connectors [Pre-crash seat belt control unit (passenger side) circuit is open or shorted] Pre-crash seat belt control unit (passenger side)

DTC CONFIRMATION PROCEDURE

1.SELF-DIAGNOSIS WITH PRE-CRASH SEAT BELT CONTROL UNIT

- Turn ignition switch ON.
- Check "Self-diagnostic result" with CONSULT.

Is DTC detected?

- YES >> Refer to [SBC-37, "Diagnosis Procedure"](#).
 NO >> INSPECTION END

Diagnosis Procedure

INFOID:000000006883835

1.CHECK FUSE AND FUSIBLE LINK

Check that the following fusible link is not blown.

Terminal No.	Signal name	Fusible link No.
19	Battery power supply	K

Is the inspection result normal?

- YES >> GO TO 2.
 NO >> Replace the blown fusible link after repairing the affected circuit if a fuse or fusible link is blown.

2.CHECK PRE-CRASH SEAT BELT MOTOR POWER SUPPLY

- Turn ignition switch OFF.
- Disconnect pre-crash seat belt control unit (passenger side) connector.
- Check voltage between pre-crash seat belt control unit (passenger side) harness connector and ground.

Pre-crash seat belt control unit (passenger side)		Ground	Voltage (V) (Approx.)
Connector	Terminal		Battery voltage
B227	19		

Is the inspection result normal?

- YES >> GO TO 3.
 NO >> Repair or replace harness between pre-crash seat belt control unit (passenger side) and fusible link.

3.CHECK SELF DIAGNOSTIC RESULT

- Connect pre-crash seat belt control unit (passenger side) connector.
- Turn ignition switch ON.
- Check "Self-diagnostic result" with CONSULT.
- Touch "ERASE".
- Perform DTC Confirmation Procedure.
See [SBC-37, "DTC Logic"](#).

Is DTC B2456 displayed again?

- YES >> Replace pre-crash seat belt control unit (passenger side).
 NO >> GO TO 4.

B2456 SEAT BLT PWR AS

< DTC/CIRCUIT DIAGNOSIS >

4.CHECK INTERMITTENT INCIDENT

Refer to [GI-44, "Intermittent Incident"](#).

>> INSPECTION END

B2457 CONTROL UNIT AS

< DTC/CIRCUIT DIAGNOSIS >

B2457 CONTROL UNIT AS

DTC Logic

INFOID:000000006883836

DTC DETECTION LOGIC

DTC No.	Self-diagnosis item	DTC Detection Condition	Possible causes
B2457	CONTROL UNIT AS	Pre-crash seat belt control unit (passenger side) internal circuit malfunction	Pre-crash seat belt control unit (passenger side)

DTC CONFIRMATION PROCEDURE

1.SELF-DIAGNOSIS WITH PRE-CRASH SEAT BELT CONTROL UNIT

1. Turn ignition switch ON.
2. Check "Self-diagnostic result" with CONSULT.

Is DTC detected?

- YES >> Refer to [SBC-39, "Diagnosis Procedure"](#).
NO >> INSPECTION END

Diagnosis Procedure

INFOID:000000006883837

1..INSPECTION START

1. Check "Self-diagnostic result" with CONSULT.
2. Touch "ERASE".
3. Perform DTC Confirmation Procedure.
See [SBC-39, "DTC Logic"](#).

Is DTC B2457 displayed again?

- YES >> Replace pre-crash seat belt control unit (passenger side).
NO >> GO TO 2.

2.CHECK INTERMITTENT INCIDENT

Refer to [GI-44, "Intermittent Incident"](#).

>> INSPECTION END

A
B
C
D
E
F
G
I
J
K
L
M
N
O
P

SBC

B2458 LOCAL COMM

< DTC/CIRCUIT DIAGNOSIS >

B2458 LOCAL COMM

DTC Logic

INFOID:000000006883838

DTC DETECTION LOGIC

DTC No.	Self-diagnosis item	DTC Detection Condition	Possible causes
B2458	LOCAL COMM	Receipt of a malfunction signal between pre-crash seat belt control unit (driver side) and pre-crash seat belt control unit (passenger side)	<ul style="list-style-type: none"> Harness or connectors [The pre-crash seat belt control unit (driver side) and pre-crash seat belt (passenger side) circuit is open or shorted] Pre-crash seat belt control unit (driver side) Pre-crash seat belt control (passenger side)

DTC CONFIRMATION PROCEDURE

1. SELF-DIAGNOSIS WITH PRE-CRASH SEAT BELT CONTROL UNIT

- Turn ignition switch ON.
- Check "Self-diagnostic result" with CONSULT.

Is DTC detected?

- YES >> Refer to [SBC-40, "Diagnosis Procedure"](#).
 NO >> INSPECT IN END

Diagnosis Procedure

INFOID:000000006883839

1. CHECK PRE-CRASH-SEAT BELT CONTROL UNIT (PASSENGER SIDE)

Check pre-crash seat belt control unit (passenger side) power supply. Refer to [SBC-37, "Diagnosis Procedure"](#).

Is the inspection result normal?

- YES >> GO TO 2.
 NO >> Repair or replace harness between pre-crash seat belt control unit (passenger side) connector and fusible link.

2. CHECK LOCAL COMMUNICATION LINE CIRCUIT

- Turn ignition switch OFF.
- Disconnect pre-crash seat belt control unit (driver side and passenger side) connectors.
- Check continuity between local communication line harness connectors.

Pre-crash seat belt control unit (driver side)		Pre-crash seat belt control unit (passenger side)		Continuity
Connector	Terminal	Connector	Terminal	
B9	8	B227	8	Existed
	16		16	

- Check continuity between pre-crash seat belt control unit (driver side) harness connector and ground.

Pre-crash seat belt control unit (driver side)		Ground	Continuity
Connector	Terminal		
B9	8		Not existed
	16		

Is the inspection result normal?

- YES >> GO TO 3.
 NO >> Repair or replace local communication line.

3. REPLACE PRE-CRASH SEAT BELT CONTROL UNIT (PASSENGER SIDE)

- Replace pre-crash seat belt control unit (passenger side)
- Check "Self-diagnostic result" with CONSULT.

Is DTC detected?

B2458 LOCAL COMM

< DTC/CIRCUIT DIAGNOSIS >

YES >> GO TO 4.

NO >> INSPECTION END

4. REPLACE PRE-CRASH SEAT BELT CONTROL UNIT (DRIVER SIDE)

1. Replace pre-crash seat belt control unit (driver side)

2. Check "Self-diagnostic result" with CONSULT.

Is DTC detected?

YES >> GO TO 5.

NO >> INSPECTION END

5. CHECK INTERMITTENT INCIDENT

Refer to [GI-44, "Intermittent Incident"](#).

>> INSPECTION END

A

B

C

D

E

F

G

SBC

I

J

K

L

M

N

O

P

B2461 VHCL SPEED SIGNAL

< DTC/CIRCUIT DIAGNOSIS >

B2461 VHCL SPEED SIGNAL

Description

INFOID:000000006883840

Inputs the vehicle speed signal from combination meter via CAN communication.

DTC Logic

INFOID:000000006883841

DTC DETECTION LOGIC

NOTE:

If DTC B2461 is displayed with DTC U1000, first perform the trouble diagnosis for DTC U1000. Refer to [SBC-27. "DTC Logic"](#).

DTC No.	Self-diagnosis item	DTC Detection Condition	Possible causes
B2461	VHCL SPEED SIGNAL	Receipt of a malfunction signal of the vehicle speed signal	Combination meter

DTC CONFIRMATION PROCEDURE

1. SELF-DIAGNOSIS WITH PRE-CRASH SEAT BELT CONTROL UNIT

1. Turn ignition switch ON.
2. Check "Self-diagnostic result" with CONSULT.

Is DTC detected?

- YES >> Refer to [SBC-42. "Diagnosis Procedure"](#).
NO >> INSPECTION END

Diagnosis Procedure

INFOID:000000006883842

1. CHECK DTC WITH "UNIFIED METER AND A/C AMP."

Check "Self-diagnostic result" for "METER/M&A" with CONSULT. Refer to [MWI-31. "CONSULT Function"](#).

Is DTC detected?

- YES >> Repair or replace malfunctioning parts.
NO >> GO TO 2.

2. CHECK INTERMITTENT INCIDENT

Refer to [GI-44. "Intermittent Incident"](#).

>> INSPECTION END

B2466 DR/AS CONTROL UNIT

< DTC/CIRCUIT DIAGNOSIS >

B2466 DR/AS CONTROL UNIT

DTC Logic

INFOID:000000006883843

DTC DETECTION LOGIC

DTC No.	Self-diagnosis item	DTC Detection Condition	Possible causes
B2466	DR/AS CONTROL UNIT	Pre-crash seat belt control unit is out of the vehicle specification	<ul style="list-style-type: none">• Pre-crash seat belt control unit (driver side)• Pre-crash seat belt control unit (passenger side)

DTC CONFIRMATION PROCEDURE

1.SELF-DIAGNOSIS WITH PRE-CRASH SEAT BELT CONTROL UNIT

1. Turn ignition switch ON.
2. Check "Self-diagnostic result" with CONSULT.

Is DTC detected?

- YES >> Refer to [SBC-43, "Diagnosis Procedure"](#).
NO >> INSPECTION END

Diagnosis Procedure

INFOID:000000006883844

1.CHECK THE VEHICLE SPECIFICATION

Check the part number.

Does the part application fit to the vehicle specification?

- YES >> GO TO 2.
NO >> Replace the malfunction parts.

2.CHECK INTERMITTENT INCIDENT

Refer to [GI-44, "Intermittent Incident"](#).

>> INSPECTION END

A
B
C
D
E
F
G
I
J
K
L
M
N
O
P

SBC

B2470 SYS HEAT PROTC DR

< DTC/CIRCUIT DIAGNOSIS >

B2470 SYS HEAT PROTC DR

Description

INFOID:000000006883845

When fastening and unfastening seat belt or opening and closing door is repeated continuously for a short period of time, the system temporarily deactivates the retracting function of seat belt to prevent excessive heating. The system recovers automatically.

DTC Logic

INFOID:000000006883846

DTC DETECTION LOGIC

DTC No.	Self-diagnosis item	DTC Detection Condition	Possible causes
B2470	SYS HEAT PROTC DR	Deactivates to prevent excessive heating	Belt retracting function activates continuously in a short period of time.

DTC CONFIRMATION PROCEDURE

1. SELF-DIAGNOSIS WITH PRE-CRASH SEAT BELT CONTROL UNIT

1. Turn ignition switch ON.
2. Check "Self-diagnostic result" with CONSULT.

Is DTC detected?

- YES >> Refer to [SBC-44, "Diagnosis Procedure"](#).
NO >> INSPECTION END

Diagnosis Procedure

INFOID:000000006883847

1. CHECK THE VEHICLE CONDITION WITH CONSULT DATA MONITOR

1. Check "HEAT PROTC LH" of DATA MONITOR.
2. Wait until "OFF" appears.
3. Perform the self-diagnosis, after performing the check.
4. Touch "ERASE".
5. Perform DTC Confirmation Procedure.
See [SBC-44, "DTC Logic"](#).

Is DTC B2470 displayed again?

- YES >> GO TO 2.
NO >> INSPECTION END

2. CHECK INTERMITTENT INCIDENT

Refer to [GI-44, "Intermittent Incident"](#).

>> INSPECTION END

B2471 SYS HEAT PROTC AS

< DTC/CIRCUIT DIAGNOSIS >

B2471 SYS HEAT PROTC AS

Description

INFOID:000000006883848

When fastening and unfastening seat belt or opening and closing door is repeated continuously for a short period of time, the system temporarily deactivates the retracting function of seat belt to prevent excessive heating. The system recovers automatically.

DTC Logic

INFOID:000000006883849

DTC DETECTION LOGIC

DTC No.	Self-diagnosis item	DTC Detection Condition	Possible causes
B2471	SYS HEAT PROTC AS	Deactivates to prevent excessive heating	Belt retracting function activates continuously in the short period of time

DTC CONFIRMATION PROCEDURE

1. SELF-DIAGNOSIS WITH PRE-CRASH SEAT BELT CONTROL UNIT

1. Turn ignition switch ON.
2. Check "Self-diagnostic result" with CONSULT.

Is DTC detected?

- YES >> Refer to [SBC-45, "Diagnosis Procedure"](#).
NO >> INSPECTION END

Diagnosis Procedure

INFOID:000000006883850

SBC

1. CHECK THE VEHICLE CONDITION WITH CONSULT DATA MONITOR

1. Check "HEAT PROTC RH" of DATA MONITOR.
2. Wait until "OFF" appears.
3. Perform the self-diagnosis, after performing the check.
4. Touch "ERASE".
5. Perform DTC Confirmation Procedure.
See [SBC-45, "DTC Logic"](#).

Is DTC B2471 displayed again?

- YES >> GO TO 2.
NO >> INSPECTION END

2. CHECK INTERMITTENT INCIDENT

Refer to [GI-44, "Intermittent Incident"](#).

>> INSPECTION END

POWER SUPPLY AND GROUND CIRCUIT

< DTC/CIRCUIT DIAGNOSIS >

POWER SUPPLY AND GROUND CIRCUIT

Diagnosis Procedure

INFOID:000000006883851

1. CHECK FUSE AND FUSIBLE LINK

Check that the following fuse is not blown.

Terminal No.		Signal name	Fuse No.
Driver side	1	Battery power supply	6
Passenger side			

Is the fuse blown?

YES >> Replace the blown fuse after repairing the affected circuit if a fuse is blown.

NO >> GO TO 2.

2. CHECK POWER SUPPLY CIRCUIT

1. Turn ignition switch OFF.
2. Disconnect pre-crash seat belt control unit (driver side and passenger side) connectors.
3. Check voltage between harness pre-crash seat belt control unit (driver side and passenger side) connector and ground.

Pre-crash seat belt control unit (driver side and passenger side)		Ground	Voltage (V) (Approx.)
Connector	Terminal		
B9	1		Battery voltage
B227			

Is the measurement value normal?

YES >> GO TO 3.

NO >> Repair or replace harness.

3. CHECK GROUND CIRCUIT

Check continuity between pre-crash seat belt control unit (driver side and passenger side) harness connector and ground.

Pre-crash seat belt control unit (driver side and passenger side)		Ground	Continuity
Connector	Terminal		
B9	18		Existed
	20		
B227	18		
	20		

Does continuity exist?

YES >> INSPECTION END

NO >> Repair or replace harness.

SEAT BELT BUCKLE SWITCH (DRIVER SIDE)

< DTC/CIRCUIT DIAGNOSIS >

SEAT BELT BUCKLE SWITCH (DRIVER SIDE)

Description

INFOID:000000006883852

- Performs the control of tension reducer according to the seat belt buckle switch ON/OFF.
- Detects whether or not the seat belt is fastened when the ignition switch turns ON. If the seat belt is not fastened, illuminates the seat belt warning lamp on the combination meter.
- The seat belt buckle switch is installed in the seat belt buckle.

Component Function Check

INFOID:000000006883853

1. CHECK PRE-CRASH SEAT BELT CONTROL UNIT INPUT SIGNAL

 With CONSULT

When checking "BUCKLE SW LH" on DATA MONITOR screen, check that ON/OFF display changes synchronized with the insertion operation to the seat belt buckle.

Monitor item	Condition
BUCKLE SW LH	When driver side seat belt is not fastened: OFF
	When driver side seat belt is fastened: ON

Is the inspection result normal?

- YES >> Seat belt buckle switch (driver side) circuit is normal.
 NO >> Refer to [SBC-47, "Diagnosis Procedure"](#).

Diagnosis Procedure

INFOID:000000006883854

SBC

1. CHECK PRE-CRASH SEAT BELT CONTROL UNIT INPUT SIGNAL

Check that voltage between seat belt buckle switch (driver side) and ground.

(+)		(-)	Condition	Voltage (V) (Approx.)
Seat belt buckle switch (driver side) Connector	Terminal			
B523	35	Ground	When driver side seat belt is not fastened	5
			When driver side seat belt is fastened	0

Is the inspection result normal?

- YES >> Seat belt buckle switch (driver side) circuit is normal.
 NO >> GO TO 2.

2. CHECK SEAT BELT BUCKLE SWITCH (DRIVER SIDE) CIRCUIT

1. Turn ignition switch OFF.
2. Disconnect pre-crash seat belt control unit (driver side) connector and seat belt buckle switch (driver side) connector.
3. Check continuity between pre-crash seat belt control unit (driver side) and seat belt buckle switch (driver side).

Pre-crash seat belt control unit (driver side)		Seat belt buckle switch (driver side)		Continuity
Connector	Terminal	Connector	Terminal	
B9	6	B523	35	Existed

4. Check continuity between pre-crash seat belt control unit (driver side) and ground.

Pre-crash seat belt control unit (driver side)		Ground	Continuity
Connector	Terminal		
B9	6		Not existed

SEAT BELT BUCKLE SWITCH (DRIVER SIDE)

< DTC/CIRCUIT DIAGNOSIS >

Is the inspection result normal?

YES >> GO TO 3.

NO >> Repair or replace harness between pre-crash seat belt control unit (driver side) and seat belt buckle switch (driver side).

3. CHECK SEAT BELT BUCKLE SWITCH GROUND CIRCUIT

Check continuity between seat belt buckle switch (driver side) and ground.

Seat belt buckle switch (driver side)		Ground	Continuity
Connector	Terminal		
B523	41		Existed

Is the inspection result normal?

YES >> GO TO 4.

NO >> Repair or replace harness between seat belt buckle switch and ground.

4. CHECK SEAT BELT BUCKLE SWITCH (DRIVER SIDE)

Check seat belt buckle switch (driver side). Refer to [SBC-48, "Component Inspection \(Belt Buckle Switch\)"](#).

Is the inspection result normal?

YES >> Replace pre-crash seat belt control unit (driver side).

NO >> Replace seat belt buckle switch (driver side).

Component Inspection (Belt Buckle Switch)

INFOID:000000006883855

1. CHECK SEAT BELT BUCKLE SWITCH (DRIVER SIDE)

1. Turn ignition switch OFF.
2. Disconnect seat belt buckle switch connector.
3. Check continuity of seat belt buckle (driver side).

Seat belt buckle switch (driver side)		Condition	Continuity
Terminal			
35	41	When driver side seat belt is not fastened	Not existed
		When driver side seat belt is fastened	Existed

Is the inspection result normal?

YES >> INSPECTION END

NO >> Replace seat belt buckle switch (driver side).

SEAT BELT BUCKLE SWITCH (PASSENGER SIDE)

< DTC/CIRCUIT DIAGNOSIS >

SEAT BELT BUCKLE SWITCH (PASSENGER SIDE)

Description

INFOID:000000006883856

- Performs the control of tension reducer according to the seat belt buckle switch ON/OFF.
- Detects whether or not the seat belt is fastened when the ignition switch turns ON. If the seat belt switch is not fastened, illuminates the seat belt warning lamp on the combination meter.
- The seat belt buckle switch is installed in the seat belt buckle.

Component Function Check

INFOID:000000006883857

1. CHECK PRE-CRASH SEAT BELT CONTROL UNIT INPUT SIGNAL

Ⓜ With CONSULT

When checking "BUCKLE SW RH" on DATA MONITOR screen, check that ON/OFF display changes are synchronized with the insertion operation to the seat belt buckle.

Monitor item	Condition
BUCKLE SW RH	When driver side seat belt is not fastened: OFF
	When driver side seat belt is fastened: ON

Is the inspection result normal?

YES >> Seat belt buckle switch (passenger side) circuit is normal.

NO >> Refer to [SBC-49, "Diagnosis Procedure"](#).

Diagnosis Procedure

INFOID:000000006883858

SBC

1. CHECK PRE-CRASH SEAT BELT CONTROL UNIT INPUT SIGNAL

Check that voltage between seat belt buckle switch (passenger side) and ground.

(+)		(-)	Condition	Voltage (V) (Approx.)
Seat belt buckle switch (passenger side) Connector	Terminal			
B553	35	Ground	When driver side seat belt is not fastened	5
			When driver side seat belt is fastened	0

Is the inspection result normal?

YES >> Seat belt buckle switch (passenger side) circuit is normal.

NO >> GO TO 2.

2. CHECK SEAT BELT BUCKLE (PASSENGER SIDE) SWITCH CIRCUIT

1. Turn ignition switch OFF.
2. Disconnect pre-crash seat belt control unit (passenger side) connector and seat belt buckle switch (passenger side) connector.
3. Check continuity between pre-crash seat belt control unit (passenger side) and seat belt buckle switch (passenger side).

Pre-crash seat belt control unit (passenger side)		Seat belt buckle switch (passenger side)		Continuity
Connector	Terminal	Connector	Terminal	
B227	6	B553	35	Existed

4. Check continuity between pre-crash seat belt control unit (passenger side) and ground.

Pre-crash seat belt control unit (passenger side)		Ground	Continuity
Connector	Terminal		
B227	6		Not existed

SEAT BELT BUCKLE SWITCH (PASSENGER SIDE)

< DTC/CIRCUIT DIAGNOSIS >

Is the inspection result normal?

YES >> GO TO 3.

NO >> Repair or replace harness between pre-crash seat belt control unit (passenger side) and seat belt buckle switch (passenger side).

3.CHECK SEAT BELT BUCKLE SWITCH GROUND CIRCUIT

Check continuity between seat belt buckle switch (passenger side) and ground.

Seat belt buckle switch (passenger side)		Ground	Continuity
Connector	Terminal		
B553	41		Existed

Is the inspection result normal?

YES >> GO TO 4.

NO >> Repair or replace harness between seat belt buckle switch and ground.

4.CHECK SEAT BELT BUCKLE SWITCH (PASSENGER SIDE)

Check seat belt buckle switch (passenger side). Refer to [SBC-50, "Component Inspection \(Belt Buckle Switch\)"](#).

Is the inspection result normal?

YES >> Replace pre-crash seat belt control unit (passenger side).

NO >> Replace seat belt buckle switch (passenger side).

Component Inspection (Belt Buckle Switch)

INFOID:000000006883859

1.CHECK SEAT BELT BUCKLE SWITCH (PASSENGER SIDE)

1. Turn ignition switch OFF.
2. Disconnect seat belt buckle switch connector.
3. Check continuity of seat belt buckle (passenger side).

Seat belt buckle switch (passenger side)		Condition	Continuity
Terminal			
35	41	When driver side seat belt is not fastened	Not existed
		When driver side seat belt is fastened	Existed

Is the inspection result normal?

YES >> INSPECTION END

NO >> Replace seat belt buckle switch (passenger side).

SEAT BELT WARNING LAMP CIRCUIT

< DTC/CIRCUIT DIAGNOSIS >

SEAT BELT WARNING LAMP CIRCUIT

Component Function Check

INFOID:000000007773669

1. CHECK SEAT BELT WARNING LAMP FUNCTION-I

1. Turn ignition switch ON.
2. Check seat belt warning lamp function.

Condition	Seat belt warning lamp
Seat belt (driver side) is fastened	Not illuminated
Seat belt (driver side) is unfastened	Illuminated

Is the inspection results normal?

YES >> GO TO 2.

NO >> Check combination meter circuit. Refer to [MWI-51, "Work flow"](#).

2. CHECK SEAT BELT WARNING LAMP FUNCTION-II

1. Sits in the passenger seat.
2. Fasten the seat belt (passenger side).
3. Check seat belt warning lamp function.

Condition	Seat belt warning lamp
Seat belt (passenger side) is fastened	Not illuminated
Seat belt (passenger side) is unfastened	Illuminated

Is the inspection results normal?

YES >> Seat belt warning lamp circuit is normal.

NO >> Check seat belt warning lamp circuit. Refer to [SBC-51, "Diagnosis Procedure"](#).

Diagnosis Procedure

INFOID:000000007773670

WARNING:

- Before servicing, turn ignition switch OFF, disconnect battery negative terminal and wait at least 3 minutes. (To discharge backup capacitor.)
- Never use unspecified tester or other measuring device.

1. CHECK SEAT BELT BUCKLE SWITCH (PASSENGER SIDE) CIRCUIT-I

1. Turn ignition switch OFF.
2. Disconnect air bag diagnosis sensor unit harness connector and seat belt buckle switch (passenger side) harness connector.
3. Check continuity between air bag diagnosis sensor unit harness connector and seat belt buckle switch (passenger side) harness connector.

Air bag diagnosis sensor unit		Seat belt buckle switch (passenger side)		Continuity
Connector	Terminal	Connector	Terminal	
B215	29	B553	40	Existed

4. Check continuity between air bag diagnosis sensor unit harness connector and ground.

Air bag diagnosis sensor unit		Ground	Continuity
Connector	Terminal		
B215	29		Not existed

Is the inspection result normal?

YES >> GO TO 2.

NO >> Replace harness or connector.

2. CHECK SEAT BELT BUCKLE SWITCH (PASSENGER SIDE) CIRCUIT-II

Check continuity between seat belt buckle switch (passenger side) harness connector and ground.

SEAT BELT WARNING LAMP CIRCUIT

< DTC/CIRCUIT DIAGNOSIS >

Seat belt buckle switch (passenger side)		Ground	Continuity
Connector	Terminal		
B553	41		Existed

Is the inspection result normal?

- YES >> GO TO 3.
NO >> Repair or replace harness or connector.

3.CHECK SEAT BELT BUCKLE SWITCH (PASSENGER SIDE)

Check seat belt buckle switch (passenger side).

Refer to [SBC-52, "Component Inspection \[Seat Belt Buckle Switch \(Passenger Side\)\]"](#).

Is the inspection result normal?

- YES >> GO TO 4.
NO >> Replace seat belt buckle (passenger side). Refer to [SE-84, "Removal and Installation"](#).

4.CHECK SEAT BELT WARNING LAMP CIRCUIT

1. Disconnect combination meter harness connector.
2. Check continuity between air bag diagnosis sensor unit harness connector and combination meter harness connector.

Air bag diagnosis sensor unit		Combination meter		Continuity
Connector	Terminal	Connector	Terminal	
M147	24	M53	36	Existed

3. Check continuity between seat belt warning unit and ground.

Air bag diagnosis sensor unit		Ground	Continuity
Connector	Terminal		
M147	24		Not existed

Is the inspection results normal?

- YES >> GO TO 5.
NO >> Replace harness or connector.

5.CHECK COMBINATION METER POWER SUPPLY AND GROUND CIRCUIT

Check combination meter power supply and ground circuit.

Refer to [MWI-59, "COMBINATION METER : Diagnosis Procedure"](#).

Is the inspection result normal?

- YES >> GO TO 6.
NO >> Repair or replace harness or connector.

6.REPLACE COMBINATION METER

Replace combination meter.

Refer to [MWI-79, "Removal and Installation"](#).

Is the inspection result normal?

- YES >> INSPECTION END
NO >> Replace air bag diagnosis sensor unit. Refer to [SR-25, "Removal and Installation"](#).

Component Inspection [Seat Belt Buckle Switch (Passenger Side)]

INFOID:000000007773671

1.CHECK SEAT BELT BUCKLE SWITCH (PASSENGER SIDE)

1. Turn ignition switch OFF.
2. Disconnect seat belt buckle switch (passenger side) harness connector.
3. Check continuity between seat belt buckle switch (passenger side) terminals.

SEAT BELT WARNING LAMP CIRCUIT

< DTC/CIRCUIT DIAGNOSIS >

Seat belt buckle switch (passenger side)		Condition	Continuity
Terminal			
40	41	When passenger side seat belt is fastened	Not existed
		When passenger side seat belt is not fastened	Existed

Is the inspection result normal?

YES >> INSPECTION END

NO >> Replace seat belt buckle (passenger side). Refer to [SE-84, "Removal and Installation"](#).

A
B
C
D
E
F
G
I
J
K
L
M
N
O
P

SBC

PRE-CRASH SEAT BELT DOSE NOT OPERATE

< SYMPTOM DIAGNOSIS >

SYMPTOM DIAGNOSIS

PRE-CRASH SEAT BELT DOSE NOT OPERATE BOTH SIDES

BOTH SIDES : Diagnosis Procedure

INFOID:000000006883860

1. CHECK POWER SUPPLY AND GROUND CIRCUIT

Check power supply and ground circuit. Refer to [SBC-46, "Diagnosis Procedure"](#)

Is the inspection result normal?

YES >> GO TO 2.

NO >> Repair or replace the malfunctioning parts.

2. CONFIRM THE OPERATION

Confirm the operation again.

Is the inspection result normal?

YES >> Check intermittent incident. Refer to [GI-44, "Intermittent Incident"](#).

NO >> GO TO 1.

DRIVER SIDE

DRIVER SIDE : Diagnosis Procedure

INFOID:000000006883861

1. CHECK SEAT BELT BUCKLE SWITCH (DRIVER SIDE)

Check seat belt buckle switch (driver side). Refer to [SBC-47, "Component Function Check"](#)

Is the inspection result normal?

YES >> GO TO 2.

NO >> Repair or replace the malfunctioning parts.

2. CONFIRM THE OPERATION

Confirm the operation again.

Is the inspection result normal?

YES >> Check intermittent incident. Refer to [GI-44, "Intermittent Incident"](#).

NO >> GO TO 1.

PASSENGER SIDE

PASSENGER SIDE : Diagnosis Procedure

INFOID:000000006883862

1. CHECK POWER SUPPLY AND GROUND CIRCUIT

Check power supply and ground circuit. Refer to [SBC-46, "Diagnosis Procedure"](#)

Is the inspection result normal?

YES >> GO TO 2.

NO >> Repair or replace the malfunctioning parts.

2. CHECK SEAT BELT BUCKLE SWITCH (PASSENGER SIDE)

Check seat belt buckle switch (passenger side). Refer to [SBC-49, "Component Function Check"](#)

Is the inspection result normal?

YES >> GO TO 3.

NO >> Repair or replace the malfunctioning parts.

3. CONFIRM THE OPERATION

Confirm the operation again.

Is the inspection result normal?

YES >> Check intermittent incident. Refer to [GI-44, "Intermittent Incident"](#).

NO >> GO TO 1.

SEAT BELT WARNING LAMP DOES NOT TURN OFF

< SYMPTOM DIAGNOSIS >

SEAT BELT WARNING LAMP DOES NOT TURN OFF

Diagnosis Procedure

INFOID:000000007773672

1. CHECK SEAT BELT WARNING LAMP CIRCUIT

Check seat belt warning lamp circuit. Refer to [SBC-51, "Component Function Check"](#).

Is the inspection result normal?

YES >> GO TO 2.

NO >> Repair or replace the malfunctioning parts.

2. CONFIRM THE OPERATION

Confirm the operation again.

Is the inspection result normal?

YES >> Check intermittent incident. Refer to [GI-44, "Intermittent Incident"](#).

NO >> GO TO 1.

A
B
C
D
E
F
G
I
J
K
L
M
N
O
P

SBC

SEAT BELT WARNING LAMP DOES NOT TURN ON

< SYMPTOM DIAGNOSIS >

SEAT BELT WARNING LAMP DOES NOT TURN ON

Diagnosis Procedure

INFOID:000000007773673

1. CHECK SEAT BELT WARNING LAMP CIRCUIT

Check seat belt warning lamp circuit. Refer to [SBC-51, "Component Function Check"](#).

Is the inspection result normal?

- YES >> GO TO 2.
- NO >> Repair or replace the malfunctioning parts.

2. CONFIRM THE OPERATION

Confirm the operation again.

Is the inspection result normal?

- YES >> Check intermittent incident. Refer to [GI-44, "Intermittent Incident"](#).
- NO >> GO TO 1.

BRAKE PEDAL STROKE SENSOR

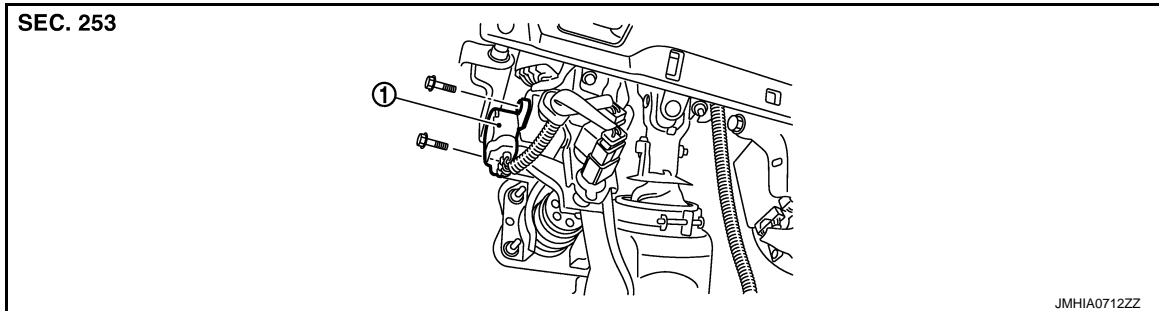
< REMOVAL AND INSTALLATION >

REMOVAL AND INSTALLATION

BRAKE PEDAL STROKE SENSOR

Exploded View

INFOID:0000000006883863



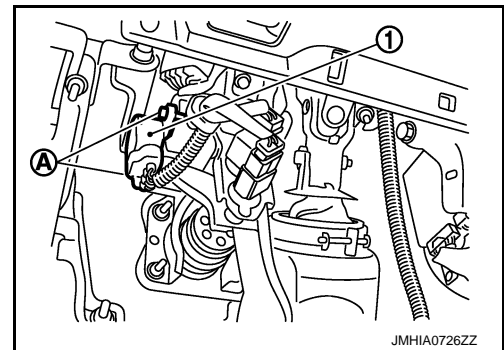
1. Brake pedal stroke sensor

Removal and Installation

INFOID:0000000006883864

REMOVAL

1. Remove the instrument panel lower cover LH. Refer to [IP-13, "Removal and Installation"](#).
2. Disconnect the brake pedal stroke sensor connector.
3. Remove the screws (A).
4. Remove the brake pedal stroke sensor (1).



INSTALLATION

Install in the reverse order of removal.

PRE-CRASH SEAT BELT CONTROL UNIT

< REMOVAL AND INSTALLATION >

PRE-CRASH SEAT BELT CONTROL UNIT

Exploded View

INFOID:000000006883865

Refer to [SB-5. "SEAT BELT RETRACTOR : Exploded View"](#).

Removal and Installation

INFOID:000000006883866

For removal and installation procedures, refer to [SB-7. "SEAT BELT RETRACTOR : Removal and Installation"](#).