

SEC

SECTION

SECURITY CONTROL SYSTEM

A
B
C
D
E
F
G
H
I
J
L
M
N
O
P

CONTENTS

WITH INTELLIGENT KEY SYSTEM	
PRECAUTION	SYSTEM12
PRECAUTIONS	INTELLIGENT KEY SYSTEM/ENGINE START
Precaution for Supplemental Restraint System (SRS) "AIR BAG" and "SEAT BELT PRE-TENSIONER"	FUNCTION
Precautions Necessary for Steering Wheel Rotation After Battery Disconnection	INTELLIGENT KEY SYSTEM/ENGINE START FUNCTION : System Diagram
Precaution for Procedure without Cowl Top Cover.....	INTELLIGENT KEY SYSTEM/ENGINE START FUNCTION : System Description
SYSTEM DESCRIPTION	INFINITI VEHICLE IMMOBILIZER SYSTEM-NATS ...15
COMPONENT PARTS	INFINITI VEHICLE IMMOBILIZER SYSTEM-NATS : System Diagram
Component Parts Location	INFINITI VEHICLE IMMOBILIZER SYSTEM-NATS : System Description
Component Description	VEHICLE SECURITY SYSTEM18
A/T Shift Selector (Detention Switch)	VEHICLE SECURITY SYSTEM : System Diagram
BCM	VEHICLE SECURITY SYSTEM : System Description
ECM	DIAGNOSIS SYSTEM (BCM)22
IPDM E/R	COMMON ITEM
NATS Antenna Amp.	COMMON ITEM : CONSULT Function (BCM - COMMON ITEM)
TCM	INTELLIGENT KEY23
Combination Meter	INTELLIGENT KEY : CONSULT Function (BCM - INTELLIGENT KEY)
Door Switch	THEFT ALM27
Hood Switch	THEFT ALM : CONSULT Function (BCM - THEFT)
Inside Key Antenna	IMMU28
Intelligent Key	IMMU : CONSULT Function (BCM - IMMU)
Push-button Ignition Switch	DIAGNOSIS SYSTEM (IPDM E/R)30
Remote Keyless Entry Receiver	CONSULT Function (IPDM E/R)
Security Indicator Lamp	ECU DIAGNOSIS INFORMATION32
Starter Control Relay	BCM, IPDM E/R
Starter Relay	
Steering Lock Relay	
Steering Lock Unit	
Stop Lamp Switch	
Transmission Range Switch	
Trunk Key Cylinder Switch	
Trunk Room Lamp Switch	
Vehicle Information Display	



List of ECU Reference	32	B2013 STEERING LOCK UNIT	57
WIRING DIAGRAM	33	DTC Logic	57
SECURITY CONTROL SYSTEM	33	Diagnosis Procedure	57
Wiring Diagram	33	B2014 CHAIN OF STRG-IMMU	58
BASIC INSPECTION	36	DTC Logic	58
DIAGNOSIS AND REPAIR WORK FLOW	36	Diagnosis Procedure	58
Work Flow	36	B2555 STOP LAMP	61
ADDITIONAL SERVICE WHEN REPLACING		DTC Logic	61
CONTROL UNIT	39	Diagnosis Procedure	61
ECM	39	Component Inspection	62
ECM : Description	39	B2556 PUSH-BUTTON IGNITION SWITCH	64
ECM : Work Procedure	39	DTC Logic	64
BCM	39	Diagnosis Procedure	64
BCM : Description	39	Component Inspection	65
BCM : Work Procedure	39	B2557 VEHICLE SPEED	66
DTC/CIRCUIT DIAGNOSIS	41	DTC Logic	66
P1610 LOCK MODE	41	Diagnosis Procedure	66
Description	41	B2601 SHIFT POSITION	67
DTC Logic	41	DTC Logic	67
Diagnosis Procedure	41	Diagnosis Procedure	67
P1611 ID DISCORD, IMMU-ECM	42	Component Inspection	69
DTC Logic	42	B2602 SHIFT POSITION	70
Diagnosis Procedure	42	DTC Logic	70
P1612 CHAIN OF ECM-IMMU	43	Diagnosis Procedure	70
DTC Logic	43	Component Inspection	71
Diagnosis Procedure	43	B2603 SHIFT POSITION	73
P1614 CHAIN OF IMMU-KEY	44	DTC Logic	73
DTC Logic	44	Diagnosis Procedure	73
Diagnosis Procedure	44	Component Inspection	75
B2192 ID DISCORD, IMMU-ECM	48	B2604 SHIFT POSITION	77
DTC Logic	48	DTC Logic	77
Diagnosis Procedure	48	Diagnosis Procedure	77
B2193 CHAIN OF ECM-IMMU	49	B2605 SHIFT POSITION	79
DTC Logic	49	DTC Logic	79
Diagnosis Procedure	49	Diagnosis Procedure	79
B2195 ANTI-SCANNING	50	B2608 STARTER RELAY	81
DTC Logic	50	DTC Logic	81
Diagnosis Procedure	50	Diagnosis Procedure	81
B2196 DONGLE UNIT	51	B2609 STEERING STATUS	83
Description	51	DTC Logic	83
DTC Logic	51	Diagnosis Procedure	83
Diagnosis Procedure	51	B260B STEERING LOCK UNIT	86
B2198 NATS ANTENNA AMP.	53	DTC Logic	86
DTC Logic	53	Diagnosis Procedure	86
Diagnosis Procedure	53	B260C STEERING LOCK UNIT	87
		DTC Logic	87
		Diagnosis Procedure	87
		B260D STEERING LOCK UNIT	88

DTC Logic	88	Diagnosis Procedure	110	
Diagnosis Procedure	88			A
B260F ENGINE STATUS	89	B210C STARTER CONTROL RELAY	111	
Description	89	DTC Logic	111	B
DTC Logic	89	Diagnosis Procedure	111	
Diagnosis Procedure	89	B210D STARTER RELAY	112	C
B2612 STEERING STATUS	90	DTC Logic	112	
DTC Logic	90	Diagnosis Procedure	112	
Diagnosis Procedure	90	B210E STARTER RELAY	113	D
B2619 BCM	93	DTC Logic	113	
DTC Logic	93	Diagnosis Procedure	113	
Diagnosis Procedure	93	B210F SHIFT POSITION/CLUTCH INTER-LOCK SWITCH	115	E
B26E9 STEERING STATUS	94	DTC Logic	115	
DTC Logic	94	Diagnosis Procedure	115	
Diagnosis Procedure	94	B2110 SHIFT POSITION/CLUTCH INTER-LOCK SWITCH	117	F
B26EF STEERING LOCK RELAY	95	DTC Logic	117	
DTC Logic	95	Diagnosis Procedure	117	G
Diagnosis Procedure	95	HEADLAMP FUNCTION	119	
B26F0 STEERING LOCK RELAY	97	Component Function Check	119	H
DTC Logic	97	Diagnosis Procedure	119	
Diagnosis Procedure	97	HOOD SWITCH	120	I
B26F3 STARTER CONTROL RELAY	99	Component Function Check	120	
DTC Logic	99	Diagnosis Procedure	120	
Diagnosis Procedure	99	Component Inspection	121	J
B26F4 STARTER CONTROL RELAY	100	HORN FUNCTION	122	
DTC Logic	100	Component Function Check	122	
Diagnosis Procedure	100	Diagnosis Procedure	122	
B26F5 STEERING LOCK STATUS SWITCH ..	101	SECURITY INDICATOR LAMP	124	SEC
DTC Logic	101	Component Function Check	124	
Diagnosis Procedure	101	Diagnosis Procedure	124	
B26F7 BCM	104	TRUNK KEY CYLINDER SWITCH	126	L
DTC Logic	104	Component Function Check	126	
Diagnosis Procedure	104	Diagnosis Procedure	126	
B26FC KEY REGISTRATION	105	Component Inspection	127	M
DTC Logic	105	SYMPTOM DIAGNOSIS	128	
Diagnosis Procedure	105	ENGINE DOES NOT START WHEN INTELLI- GENT KEY IS INSIDE OF VEHICLE	128	N
B2108 STEERING LOCK RELAY	106	Description	128	O
DTC Logic	106	Diagnosis Procedure	128	
Diagnosis Procedure	106	STEERING DOES NOT LOCK	129	P
B2109 STEERING LOCK RELAY	107	Description	129	
DTC Logic	107	Diagnosis Procedure	129	
Diagnosis Procedure	107	SECURITY INDICATOR LAMP DOES NOT TURN ON OR BLINK	130	
B210A STEERING LOCK UNIT	108	Description	130	
DTC Logic	108	Diagnosis Procedure	130	
Diagnosis Procedure	108			
B210B STARTER CONTROL RELAY	110			
DTC Logic	110			

VEHICLE SECURITY SYSTEM CANNOT BE SET	131	Description	134
		Diagnosis Procedure	134
INTELLIGENT KEY	131	PANIC ALARM FUNCTION DOES NOT OPERATE	135
INTELLIGENT KEY : Description	131	Description	135
INTELLIGENT KEY : Diagnosis Procedure	131	Diagnosis Procedure	135
DOOR REQUEST SWITCH	131	REMOVAL AND INSTALLATION	136
DOOR REQUEST SWITCH : Description	131	NATS ANTENNA AMP.	136
DOOR REQUEST SWITCH : Diagnosis Procedure	132	Removal and Installation	136
DOOR KEY CYLINDER	132	PUSH-BUTTON IGNITION SWITCH	137
DOOR KEY CYLINDER : Description	132	Exploded View	137
DOOR KEY CYLINDER : Diagnosis Procedure	132	Removal and Installation	137
VEHICLE SECURITY ALARM DOES NOT ACTIVATE	134		

PRECAUTION

PRECAUTIONS

Precaution for Supplemental Restraint System (SRS) "AIR BAG" and "SEAT BELT PRE-TENSIONER"

INFOID:000000007202143

The Supplemental Restraint System such as "AIR BAG" and "SEAT BELT PRE-TENSIONER", used along with a front seat belt, helps to reduce the risk or severity of injury to the driver and front passenger for certain types of collision. This system includes seat belt switch inputs and dual stage front air bag modules. The SRS system uses the seat belt switches to determine the front air bag deployment, and may only deploy one front air bag, depending on the severity of a collision and whether the front occupants are belted or unbelted. Information necessary to service the system safely is included in the "SRS AIR BAG" and "SEAT BELT" of this Service Manual.

WARNING:

Always observe the following items for preventing accidental activation.

- To avoid rendering the SRS inoperative, which could increase the risk of personal injury or death in the event of a collision that would result in air bag inflation, all maintenance must be performed by an authorized NISSAN/INFINITI dealer.
- Improper maintenance, including incorrect removal and installation of the SRS, can lead to personal injury caused by unintentional activation of the system. For removal of Spiral Cable and Air Bag Module, see "SRS AIR BAG".
- Never use electrical test equipment on any circuit related to the SRS unless instructed to in this Service Manual. SRS wiring harnesses can be identified by yellow and/or orange harnesses or harness connectors.

PRECAUTIONS WHEN USING POWER TOOLS (AIR OR ELECTRIC) AND HAMMERS

WARNING:

Always observe the following items for preventing accidental activation.

- When working near the Air Bag Diagnosis Sensor Unit or other Air Bag System sensors with the ignition ON or engine running, never use air or electric power tools or strike near the sensor(s) with a hammer. Heavy vibration could activate the sensor(s) and deploy the air bag(s), possibly causing serious injury.
- When using air or electric power tools or hammers, always switch the ignition OFF, disconnect the battery, and wait at least 3 minutes before performing any service.

Precautions Necessary for Steering Wheel Rotation After Battery Disconnection

INFOID:000000007202150

CAUTION:

Comply with the following cautions to prevent any error and malfunction.

- Before removing and installing any control units, first turn the ignition switch to the LOCK position, then disconnect both battery cables.
- After finishing work, confirm that all control unit connectors are connected properly, then re-connect both battery cables.
- Always use CONSULT to perform self-diagnosis as a part of each function inspection after finishing work. If a DTC is detected, perform trouble diagnosis according to self-diagnosis results.

For vehicle with steering lock unit, if the battery is disconnected or discharged, the steering wheel will lock and cannot be turned.

If turning the steering wheel is required with the battery disconnected or discharged, follow the operation procedure below before starting the repair operation.

OPERATION PROCEDURE

1. Connect both battery cables.

NOTE:

Supply power using jumper cables if battery is discharged.

2. Turn the ignition switch to ACC position.
(At this time, the steering lock will be released.)
3. Disconnect both battery cables. The steering lock will remain released with both battery cables disconnected and the steering wheel can be turned.

A
B
C
D
E
F
G
H
I
J
L
M
N
O
P

SEC

PRECAUTIONS

[WITH INTELLIGENT KEY SYSTEM]

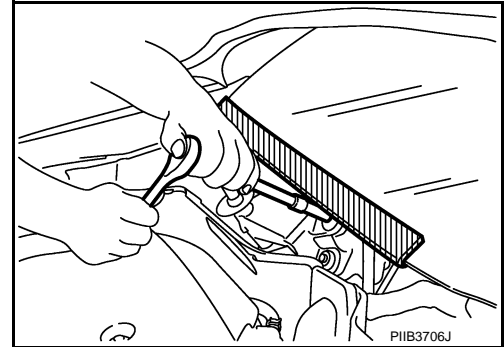
< PRECAUTION >

4. Perform the necessary repair operation.
5. When the repair work is completed, re-connect both battery cables. With the brake pedal released, turn the ignition switch from ACC position to ON position, then to LOCK position. (The steering wheel will lock when the ignition switch is turned to LOCK position.)
6. Perform self-diagnosis check of all control units using CONSULT.

Precaution for Procedure without Cowl Top Cover

INFOID:000000007202156

When performing the procedure after removing cowl top cover, cover the lower end of windshield with urethane, etc to prevent damage to windshield.



COMPONENT PARTS

< SYSTEM DESCRIPTION >

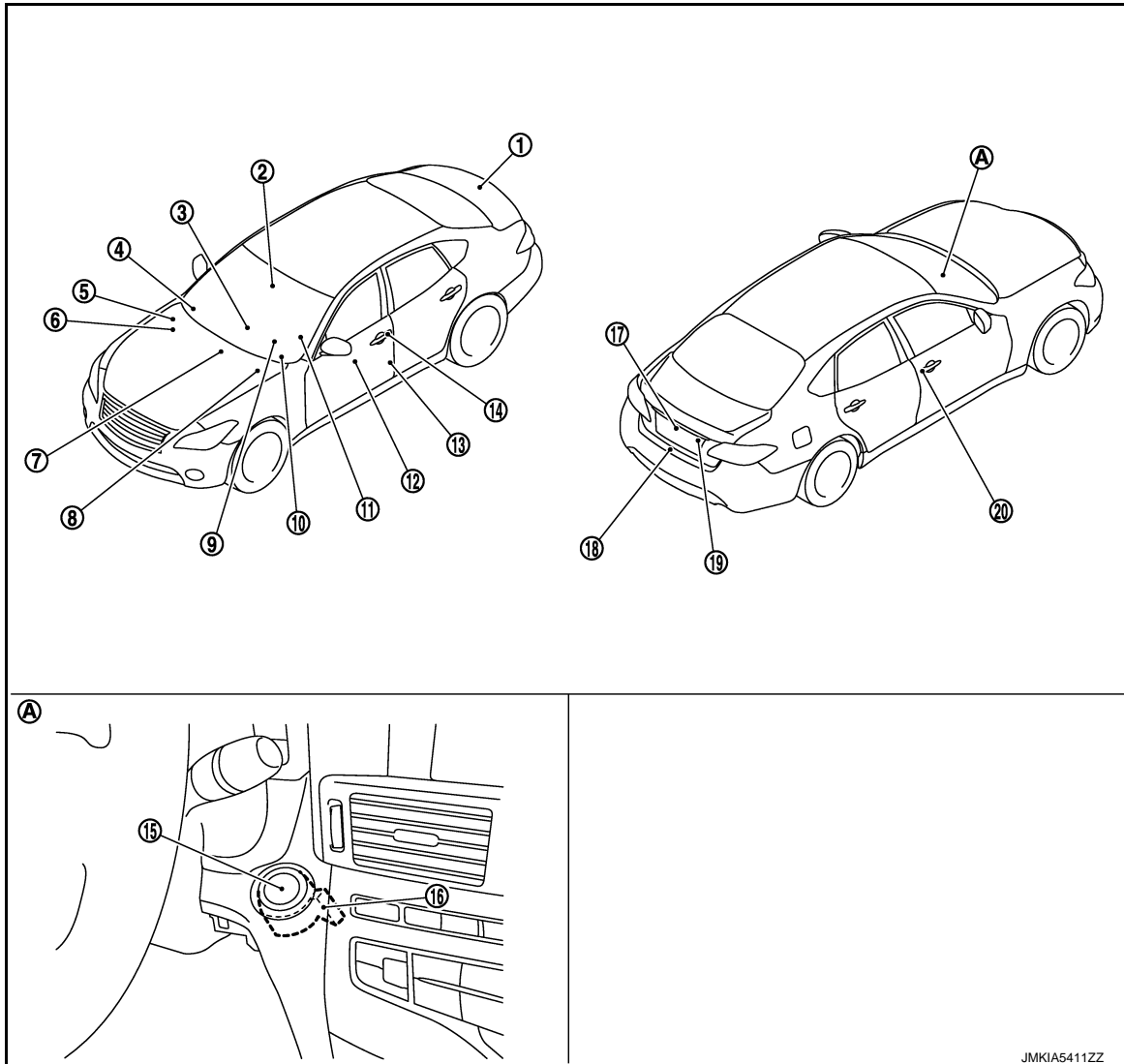
[WITH INTELLIGENT KEY SYSTEM]

SYSTEM DESCRIPTION

COMPONENT PARTS

Component Parts Location

INFOID:000000006887991



1. Inside key antenna (trunk room)
Refer to [DLK-10, "DOOR LOCK SYSTEM : Component Parts Location"](#).
2. Inside key antenna (console)
Refer to [DLK-10, "DOOR LOCK SYSTEM : Component Parts Location"](#).
3. Inside key antenna (instrument center)
Refer to [DLK-10, "DOOR LOCK SYSTEM : Component Parts Location"](#).
4. Remote keyless entry receiver
Refer to [DLK-10, "DOOR LOCK SYSTEM : Component Parts Location"](#).
5. IPDM E/R
Refer to [PCS-5, "IPDM E/R : Component Parts Location"](#).
6. ECM
Refer to [EC-38, "ENGINE CONTROL SYSTEM : Component Parts Location"](#) (VQ37VHR).
Refer to [EC-990, "ENGINE CONTROL SYSTEM : Component Parts Location"](#) (VK56VD).

A
B
C
D
E
F
G
H
I
J
L
M
N
O
P

SEC

COMPONENT PARTS

< SYSTEM DESCRIPTION >

[WITH INTELLIGENT KEY SYSTEM]

- | | | |
|--|--|---|
| <p>7. Stop lamp switch
Refer to EC-38, "ENGINE CONTROL SYSTEM : Component Parts Location" (VQ37VHR).
Refer to EC-990, "ENGINE CONTROL SYSTEM : Component Parts Location" (VK56VD).</p> <p>10. BCM
Refer to BCS-4, "BODY CONTROL SYSTEM : Component Parts Location".</p> <p>13. Front door switch LH</p> <p>16. NATS antenna amp.</p> <p>19. Trunk key cylinder switch</p> <p>A. Behind push-button ignition switch</p> | <p>8. ABS actuator and electric unit (control unit)
Refer to BRC-9, "Component Parts Location".</p> <p>11. TCM
Refer to TM-10, "A/T CONTROL SYSTEM : Component Parts Location".</p> <p>14. Front outside handle assembly LH (request switch)</p> <p>17. Trunk lid opener request switch</p> <p>20. Front outside handle assembly RH (request switch)</p> | <p>9. Combination meter
Refer to MWI-6, "METER SYSTEM : Component Parts Location".</p> <p>12. Power window main switch (door lock and unlock switch)</p> <p>15. Push-button ignition switch</p> <p>18. Trunk lid lock assembly (trunk room lamp switch)</p> |
|--|--|---|

Component Description

INFOID:000000006887992

Component	Reference
A/T shift selector (detention switch)	SEC-9
BCM	SEC-9
ECM	SEC-9
IPDM E/R	SEC-9
NATS antenna amp.	SEC-9
TCM	SEC-9
Combination meter	SEC-9
Door lock and unlock switch	DLK-12
Door request switch	DLK-12
Door switch	SEC-10
Hood switch	SEC-10
Inside key antenna	SEC-10
Intelligent Key	SEC-10
Push-button ignition switch	SEC-10
Remote keyless entry receiver	SEC-10
Security indicator lamp	SEC-10
Starter control relay	SEC-10
Starter relay	SEC-10
Steering lock relay (Models with steering lock unit)	SEC-10
Steering lock unit (Models with steering lock unit)	SEC-10
Stop lamp switch	SEC-11
Transmission range switch	SEC-11
Trunk key cylinder switch	SEC-11
Trunk lid opener request switch	DLK-12
Trunk room lamp switch	SEC-11
Vehicle information display	SEC-11

COMPONENT PARTS

< SYSTEM DESCRIPTION >

[WITH INTELLIGENT KEY SYSTEM]

A/T Shift Selector (Detention Switch)

INFOID:000000006887993

Detention switch detects that A/T shift selector is in the P position, and then transmits the signal to BCM and IPDM E/R.

BCM confirms the A/T shift selector position with the following 5 signals.

- P position signal from A/T shift selector (detention switch)
- P/N position signal from TCM
- P position signal from IPDM E/R (CAN)
- P/N position signal from IPDM E/R (CAN)
- P/N position signal from TCM (CAN)

IPDM E/R confirms the A/T shift selector position with the following 3 signals.

- P position signal from A/T shift selector (detention switch)
- P/N position signal from TCM
- P/N position signal from BCM (CAN)

BCM

INFOID:000000006887994

BCM controls INTELLIGENT KEY SYSTEM (ENGINE START FUNCTION), IVIS (NATS) and VEHICLE SECURITY SYSTEM.

BCM performs the ID verification between BCM and Intelligent Key when the Intelligent Key is carried into the detection area of inside key antenna, and push-button ignition switch is pressed. If the ID verification result is OK, push-button ignition switch operation is available.

Then, when the power supply position is turned ON, BCM performs ID verification between BCM and ECM. If the ID verification result is OK, ECM can start engine.

ECM

INFOID:000000006887995

ECM controls the engine.

When power supply position is turned ON, BCM starts communication with ECM and performs the ID verification between BCM and ECM.

If the verification result is OK, the engine can start. If the verification result is NG, the engine can not start.

IPDM E/R

INFOID:000000006887996

IPDM E/R has steering lock relay (Models with steering lock unit), starter relay and starter control relay inside. Steering lock relay is used for the steering lock/unlock function. Starter relay and starter control relay are used for the engine starting function. IPDM E/R controls these relays while communicating with BCM.

NATS Antenna Amp.

INFOID:000000006887997

The ID verification is performed between BCM and transponder in Intelligent Key via NATS antenna amp. when Intelligent Key backside is contacted to push-button ignition switch in case that Intelligent Key battery is discharged. If the ID verification result is OK, the release of steering lock (Models with steering lock unit), and the operation of starting engine are available.

TCM

INFOID:000000006887998

TCM transmits the shift position signal (P/N position) to BCM and IPDM E/R. Also TCM transmits the P/N position signal to BCM by CAN communication.

BCM confirms the A/T shift selector position with the following 5 signals.

- P position signal from A/T shift selector (detention switch)
- P/N position signal from TCM
- P position signal from IPDM E/R (CAN)
- P/N position signal from IPDM E/R (CAN)
- P/N position signal from TCM (CAN)

IPDM E/R confirms the A/T shift selector position with the following 3 signals.

- P position signal from A/T shift selector (detention switch)
- P/N position signal from TCM
- P/N position signal from BCM (CAN)

Combination Meter

INFOID:000000006887999

Combination meter transmits the vehicle speed signal to BCM via CAN communication.

A
B
C
D
E
F
G
H
I
J
L
M
N
O
P

SEC

COMPONENT PARTS

< SYSTEM DESCRIPTION >

[WITH INTELLIGENT KEY SYSTEM]

BCM also receives the vehicle speed signal from ABS actuator and electric unit (control unit) via CAN communication. BCM compares both signals to detect the vehicle speed.

Door Switch

INFOID:000000006888000

Door switch detects door open/closed conditions and then transmits ON/OFF signal to BCM.

Hood Switch

INFOID:000000006888001

Hood switch detects hood open/closed conditions, and then transmits ON/OFF signal to IPDM E/R. IPDM E/R transmits hood switch signal to BCM via CAN communication.

Inside Key Antenna

INFOID:000000006888002

Inside key antenna detects whether Intelligent Key is inside the vehicle, and transmits the signal to BCM. Three inside key antennas are installed in the instrument center, console and trunk room.

Intelligent Key

INFOID:000000006888003

Each Intelligent key has an individual electronic ID, and transmits the ID signal by request from BCM. Carrying the Intelligent Key whose ID is registered in BCM, the driver can perform door lock/unlock operation and push-button ignition switch operation.

Push-button Ignition Switch

INFOID:000000006888004

Push-button ignition switch detects that push-button is pressed, and then transmits the signal to BCM. BCM changes the power supply position with the operation of push-button ignition switch. BCM maintains the power supply position status while push-button is not operated.

Remote Keyless Entry Receiver

INFOID:000000006888005

Remote keyless entry receiver receives each button operation signal and electronic key ID signal from Intelligent Key, and then transmits the signal to BCM.

Security Indicator Lamp

INFOID:000000006888006

Security indicator lamp is located on combination meter. Security indicator lamp blinks when power supply position is any position other than ON to warn that IVIS (NATS) is on board.

Starter Control Relay

INFOID:000000006888007

Starter control relay and starter relay are used for the engine starting function. Both relays are integrated in IPDM E/R. Starter relay is controlled by BCM, and starter control relay is controlled by IPDM E/R while communicating with BCM. IPDM E/R transmits starter relay and starter control relay status signal to BCM via CAN communication.

Starter Relay

INFOID:000000006888008

Starter control relay and starter relay are used for the engine starting function. Both relays are integrated in IPDM E/R. Starter relay is controlled by BCM, and starter control relay is controlled by IPDM E/R while communicating with BCM. IPDM E/R transmits starter relay and starter control relay status signal to BCM via CAN communication.

Steering Lock Relay

INFOID:000000006888009

Steering lock relay is integrated in IPDM E/R, and supplies power source to steering lock unit. When IPDM E/R receives the steering lock relay ON request signal from BCM, IPDM E/R turns ON steering lock relay and then transmits the steering lock relay condition signal to BCM.

Steering Lock Unit

INFOID:000000006888010

Steering lock unit performs steering lock/unlock operation on request from BCM, and power source is supplied from steering lock relay controlled by IPDM E/R.

COMPONENT PARTS

[WITH INTELLIGENT KEY SYSTEM]

< SYSTEM DESCRIPTION >

When push-button ignition switch is pressed while the Intelligent Key is inside the vehicle, BCM performs the ID verification with steering lock unit. Steering lock unit releases the steering lock based on the result of the ID verification.

Steering lock unit has 2 switches (steering lock status switch and steering unlock status switch) inside. BCM judges the steering lock/unlock condition by comparing these switch signals and steering lock unit status signal transmitted from IPDM E/R via CAN communication.

Stop Lamp Switch

INFOID:000000006888011

Stop lamp switch detects that brake pedal is depressed, and then transmits ON/OFF signal to BCM.

Transmission Range Switch

INFOID:000000006888012

Transmission range switch is integrated in A/T assembly, and detects the A/T shift selector position.

TCM receives the transmission range switch signal and then transmits the P/N position signal to BCM and IPDM E/R.

BCM confirms the A/T shift selector position with the following 5 signals.

- P position signal from A/T shift selector (detention switch)
- P/N position signal from TCM
- P position signal from IPDM E/R (CAN)
- P/N position signal from IPDM E/R (CAN)
- P/N position signal from TCM (CAN)

IPDM E/R confirms the A/T shift selector position with the following 3 signals.

- P position signal from A/T shift selector (detention switch)
- P/N position signal from TCM
- P/N position signal from BCM (CAN)

Trunk Key Cylinder Switch

INFOID:000000006888013

Trunk key cylinder switch detects trunk key cylinder operation condition and then transmits ON (trunk lid open)/OFF (not operated) signal to BCM. BCM uses this signal input to judge whether trunk lid is opened by the authorized means or not for the vehicle security system.

Trunk Room Lamp Switch

INFOID:000000006888014

Trunk room lamp switch detects trunk lid open/closed conditions, and then transmits ON/OFF signal to BCM.

Vehicle Information Display

INFOID:000000006888015

Vehicle information display is integrated in combination meter.

Various information and warnings regarding to the Intelligent Key System are displayed.

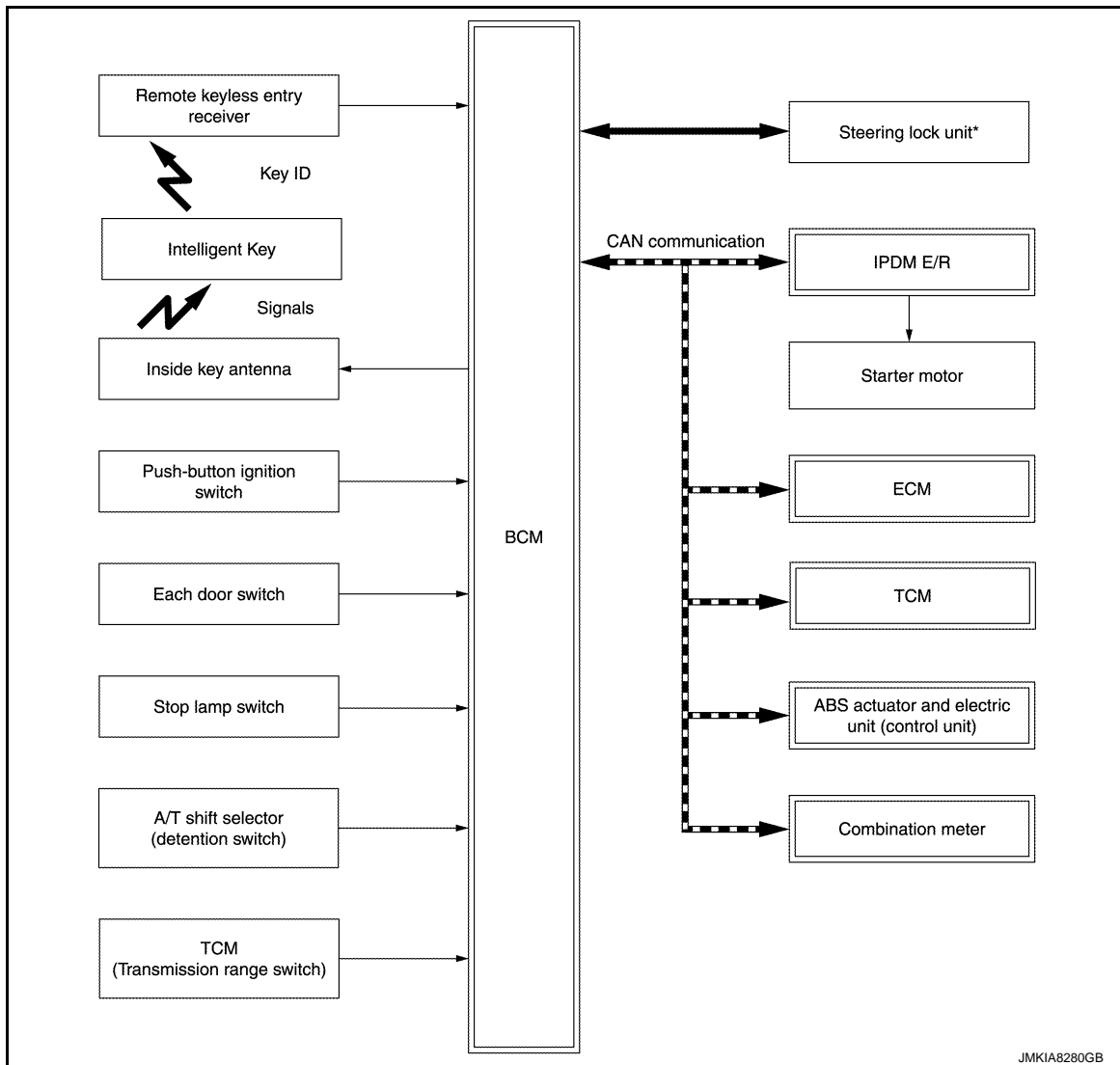
A
B
C
D
E
F
G
H
I
J
SEC
L
M
N
O
P

SYSTEM

INTELLIGENT KEY SYSTEM/ENGINE START FUNCTION

INTELLIGENT KEY SYSTEM/ENGINE START FUNCTION : System Diagram

INFOID:000000006888016



*: Models with steering lock unit

INTELLIGENT KEY SYSTEM/ENGINE START FUNCTION : System Description

INFOID:000000006888017

SYSTEM DESCRIPTION

- The engine start function of Intelligent Key system makes it possible to start and stop the engine without using the key, based on the electronic ID verification. The electronic ID verification is performed between BCM and Intelligent Key when the push-button ignition switch is pressed while the Intelligent Key is within the detection area of inside key antenna.

NOTE:

The driver should carry the Intelligent Key at all times.

- Intelligent Key has 2 IDs (Intelligent Key ID and NATS ID). It can perform the door lock/unlock operation and the push-button ignition switch operation when the registered Intelligent Key is carried.
- When Intelligent Key battery is discharged, engine can be started by operating push-button ignition switch after contacting Intelligent Key backside to push-button ignition switch. At that time, NATS ID verification is performed.
- If the ID is successfully verified, when push-button ignition switch is pressed, steering lock is released (Models with steering lock unit) and the engine can be started.

SYSTEM

< SYSTEM DESCRIPTION >

[WITH INTELLIGENT KEY SYSTEM]

- Up to 4 Intelligent Keys can be registered (Including the standard Intelligent Key) upon request from the customer.

NOTE:

Refer to [DLK-15. "INTELLIGENT KEY SYSTEM : System Description"](#) for any functions other than engine start function of Intelligent Key system.

PRECAUTIONS FOR INTELLIGENT KEY SYSTEM

The transponder (the chip for NATS ID verification) is integrated into the Intelligent Key. (For the conventional models, it is integrated into the mechanical key.) Therefore, ID verification cannot be performed by mechanical key only.

In that case, NATS ID verification can be performed when Intelligent Key backside is contacted to push-button ignition switch. If verification result is OK, engine can be started.

OPERATION WHEN INTELLIGENT KEY IS CARRIED

Models with steering lock unit

1. When the push-button ignition switch is pressed, the BCM activates the inside key antenna and transmits the request signal to the Intelligent Key.
2. The Intelligent Key receives the request signal and transmits the Intelligent Key ID signal to the BCM.
3. BCM receives the Intelligent Key ID signal via remote keyless entry receiver and verifies it with the registered ID.
4. BCM transmits the unlock signal to steering lock unit and IPDM E/R if the verification results are OK.
5. IPDM E/R turns the steering lock relay ON to supply power source to the steering lock unit.
6. The steering lock releases.
7. BCM transmits the power supply stop signal to IPDM E/R when detecting that the steering lock is in the unlock condition.
8. IPDM E/R turns the steering lock relay OFF to stop power supply to the steering lock unit.
9. BCM turns ACC relay ON and transmits the ignition power supply ON signal to IPDM E/R.
10. IPDM E/R turns the ignition relay ON to start the ignition power supply.
11. BCM detects that the selector lever position and brake pedal operating condition.
12. BCM transmits the starter request signal to IPDM E/R and turns the starter relay in IPDM E/R ON if BCM judges that the engine start condition is satisfied.
13. IPDM E/R turns the starter control relay ON when receiving the starter request signal.
14. Power source is supplied to the starter motor through the starter relay and the starter control relay.

CAUTION:

If a malfunction is detected in the Intelligent Key system, the “KEY” warning lamp in the combination meter illuminates. At that time, the engine cannot be started.

15. When BCM receives feedback signal from ECM indicating that the engine is started, the BCM transmits a stop signal to IPDM E/R and stops cranking by turning OFF the starter motor relay. (If engine start is unsuccessful, cranking stops automatically within 5 seconds.)

CAUTION:

When the Intelligent Key is carried outside of the vehicle (inside key antenna detection area) while the power supply is in the ACC or ON position, even if the engine start condition* is satisfied, the engine cannot be started.

*: For the engine start condition, refer to “POWER SUPPLY POSITION CHANGE TABLE BY PUSH-BUTTON IGNITION SWITCH OPERATION”.

Models without steering lock unit

1. When the push-button ignition switch is pressed, the BCM activates the inside key antenna and transmits the request signal to the Intelligent Key.
2. The Intelligent Key receives the request signal and transmits the Intelligent Key ID signal to the BCM.
3. BCM receives the Intelligent Key ID signal via remote keyless entry receiver and verifies it with the registered ID.
4. BCM turns ACC relay ON and transmits the ignition power supply ON signal to IPDM E/R if the verification results are OK.
5. IPDM E/R turns the ignition relay ON to start the ignition power supply.
6. BCM detects that the selector lever position and brake pedal operating condition.

SYSTEM

< SYSTEM DESCRIPTION >

[WITH INTELLIGENT KEY SYSTEM]

7. BCM transmits the starter request signal to IPDM E/R and turns the starter relay in IPDM E/R ON if BCM judges that the engine start condition is satisfied.
8. IPDM E/R turns the starter control relay ON when receiving the starter request signal.
9. Power source is supplied to the starter motor through the starter relay and the starter control relay.
CAUTION:
If a malfunction is detected in the Intelligent Key system, the “KEY” warning lamp in the combination meter illuminates. At that time, the engine cannot be started.
10. When BCM receives feedback signal from ECM indicating that the engine is started, the BCM transmits a stop signal to IPDM E/R and stops cranking by turning OFF the starter motor relay. (If engine start is unsuccessful, cranking stops automatically within 5 seconds.)
CAUTION:
When the Intelligent Key is carried outside of the vehicle (inside key antenna detection area) while the power supply is in the ACC or ON position, even if the engine start condition* is satisfied, the engine cannot be started.

*: For the engine start condition, refer to “POWER SUPPLY POSITION CHANGE TABLE BY PUSH-BUTTON IGNITION SWITCH OPERATION”.

OPERATION RANGE

Engine can be started when Intelligent Key is inside the vehicle. However, sometimes engine may not start when Intelligent Key is on instrument panel or in glove box.

ENGINE START OPERATION WHEN INTELLIGENT KEY IS CONTACTED TO PUSH-BUTTON IGNITION SWITCH

When Intelligent Key battery is discharged, NATS ID verification between transponder in Intelligent Key and BCM is performed when Intelligent Key backside is contacted to push-button ignition switch. If the verification result is OK, engine can be started.

STEERING LOCK OPERATION (Models with steering lock unit)

Steering is locked by steering lock unit when any of the following conditions is met.

- When ignition switch is in the OFF position, selector lever is in the P position, and any of the following conditions is met.
 - Closing door
 - Opening door
 - Door is locked using door request switch
 - Door is locked using Intelligent Key
- When BCM power consumption control system is released by meeting any of the following conditions.
 - Opening any door
 - Operating door lock using door request switch
 - Operating door lock using Intelligent Key

POWER SUPPLY POSITION CHANGE TABLE BY PUSH-BUTTON IGNITION SWITCH OPERATION

The power supply position changing operation can be performed with the following operations.

NOTE:

- When an Intelligent Key is within the detection area of inside key antenna and when Intelligent Key backside is contacted to push-button ignition switch, it is equivalent to the operations below.
- When starting the engine, the BCM monitors under the engine start conditions,
 - Brake pedal operating condition
 - Selector lever position
 - Vehicle speed

Vehicle speed: less than 4 km/h (2.5 MPH)

Power supply position	Engine start/stop condition		Push-button ignition switch operation frequency
	Selector lever	Brake pedal operation condition	
LOCK → ACC	—	Not depressed	1
LOCK → ACC → ON	—	Not depressed	2
LOCK → ACC → ON → OFF	—	Not depressed	3

SYSTEM

< SYSTEM DESCRIPTION >

[WITH INTELLIGENT KEY SYSTEM]

Power supply position	Engine start/stop condition		Push-button ignition switch operation frequency
	Selector lever	Brake pedal operation condition	
LOCK → START ACC → START ON → START	P or N position	Depressed	1
Engine is running → OFF	—	—	1

Vehicle speed: 4 km/h (2.5 MPH) or more

Power supply position	Engine start/stop condition		Push-button ignition switch operation frequency
	Selector lever	Brake pedal operation condition	
Engine is running → ACC	—	—	Emergency stop operation
Engine stall return operation while driving	N position	Not depressed	1

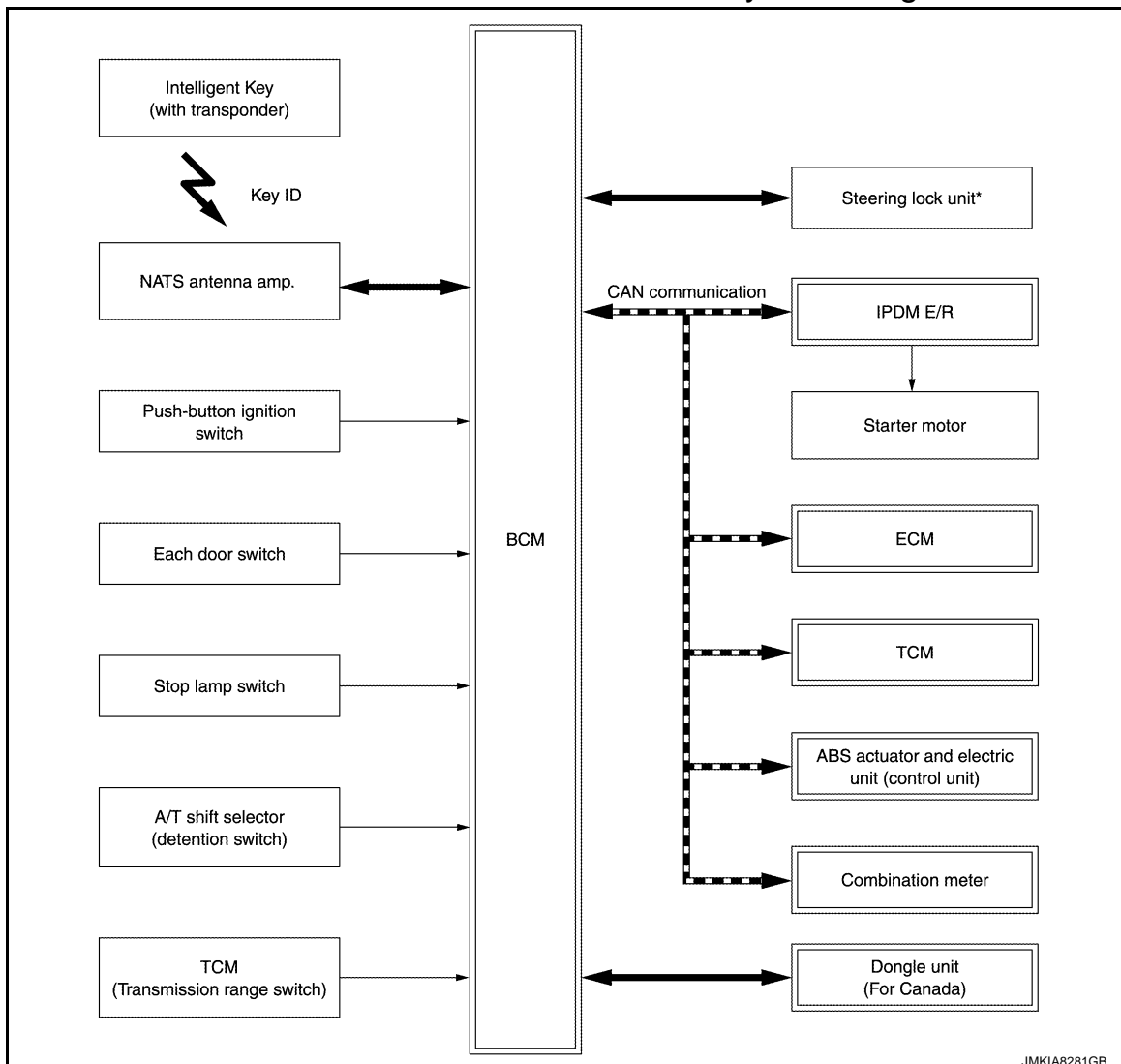
Emergency stop operation

- Press and hold the push-button ignition switch for 2 seconds or more.
- Press the push-button ignition switch 3 times or more within 1.5 seconds.

INFINITI VEHICLE IMMOBILIZER SYSTEM-NATS

INFINITI VEHICLE IMMOBILIZER SYSTEM-NATS : System Diagram

INFOID:000000006888018



*: Models with steering lock unit

A
B
C
D
E
F
G
H
I
J
L
M
N
O
P

SEC

INFINITI VEHICLE IMMOBILIZER SYSTEM-NATS : System Description

INFOID:00000006888019

SYSTEM DESCRIPTION

- The IVIS (NATS) is an anti-theft system that registers an Intelligent Key ID to the vehicle (BCM) and prevents the engine from being started by an unregistered Intelligent Key. It has higher protection against auto theft involving the duplication of mechanical keys.
- The ignition key integrated in the Intelligent Key cannot start the engine. When the Intelligent Key battery is discharged, the IVIS (NATS) ID verification is performed between the transponder integrated with Intelligent Key and BCM via NATS antenna amp. when the Intelligent Key backside is contacted to push-button ignition switch. If the verification result is OK, the engine start operation can be performed by the push-button ignition switch operation.
- Security indicator lamp is located on combination meter, and always blinks when the power supply position is any position other than ON to warn that the vehicle is equipped with IVIS (NATS).
- Up to 4 Intelligent Keys can be registered (including the standard ignition key) upon request from the owner.
- When replacing ECM, BCM, steering lock unit (Models with steering lock unit) or Intelligent Key, the specified procedure (Initialization and registration) using CONSULT is necessary.
- Possible symptom of IVIS (NATS) malfunction is "Engine does not start". However, this symptom also occurs because of other than IVIS (NATS) malfunction, so start the trouble diagnosis according to [SEC-36. "Work Flow"](#).
- If ECM other than genuine part is installed, the engine cannot be started. For ECM replacement procedure, refer to [EC-144. "Work Procedure"](#) (VQ37VHR) or [EC-1117. "Work Procedure"](#) (VK56VD).

PRECAUTIONS FOR KEY REGISTRATION

- The ID registration is a procedure that erases the current IVIS (NATS) ID once, and then reregisters a new ID. Therefore before starting the registration operation, collect all registered Intelligent Keys from the customer.
- When registering the Intelligent Key, perform only one procedure to simultaneously register both ID [IVIS (NATS) ID and Intelligent Key ID].

SECURITY INDICATOR LAMP

- Security indicator lamp warns that the vehicle is equipped with IVIS (NATS).
- Security indicator lamp always blinks when the power supply position is any position other than ON.

NOTE:

Because security indicator lamp is highly efficient, the battery is barely affected.

ENGINE START OPERATION WHEN INTELLIGENT KEY IS CONTACTED TO PUSH-BUTTON IGNITION SWITCH

Models with steering lock unit

1. When brake pedal is depressed while selector lever is in the P position, BCM activates NATS antenna amp. that is located behind push-button ignition switch.
2. When Intelligent Key (transponder built-in) backside is contacted to push-button ignition switch, BCM starts IVIS (NATS) ID verification between BCM and Intelligent Key (transponder built-in) via NATS antenna amp.
3. When IVIS (NATS) ID verification result is OK, buzzer in combination meter sounds and BCM transmits the result to ECM.
4. When push-button ignition switch is pressed, BCM transmits steering unlock signal to steering lock unit and IPDM E/R.
5. IPDM E/R turns steering lock relay ON to supply power source to the steering lock unit.
6. The steering lock is released.
7. BCM transmits the power supply stop signal to IPDM E/R when detecting that the steering lock is in the unlock position.
8. IPDM E/R turns steering lock relay OFF to stop power supply to the steering lock unit.
9. BCM turns ACC relay ON and transmits ignition power supply ON signal to IPDM E/R.
10. IPDM E/R turns the ignition relay ON to start the ignition power supply.
11. BCM detects that the selector lever position is P or N.
12. BCM transmits starter request signal to IPDM E/R and turns the starter relay in IPDM E/R ON if BCM judges that the engine start condition* is satisfied.

SYSTEM

[WITH INTELLIGENT KEY SYSTEM]

< SYSTEM DESCRIPTION >

13. IPDM E/R turns the starter control relay ON when receiving the starter request signal.
14. Power source is supplied to the starter motor through the starter relay and the starter control relay.
15. When BCM receives feedback signal from ECM indicating that the engine is started, BCM transmits a stop signal to IPDM E/R and stops cranking by turning off the starter motor relay. (If engine start is unsuccessful, cranking stops automatically within 5 seconds.)

*: For the engine start condition, refer to "POWER SUPPLY POSITION CHANGE TABLE BY PUSH-BUTTON IGNITION SWITCH OPERATION" below.

Models without steering lock unit

1. When brake pedal is depressed while selector lever is in the P position, BCM activates NATS antenna amp. that is located behind push-button ignition switch.
2. When Intelligent Key (transponder built-in) backside is contacted to push-button ignition switch, BCM starts IVIS (NATS) ID verification between BCM and Intelligent Key (transponder built-in) via NATS antenna amp.
3. When IVIS (NATS) ID verification result is OK, buzzer in combination meter sounds and BCM transmits the result to ECM.
4. When push-button ignition switch is pressed, BCM turns ACC relay ON and transmits ignition power supply ON signal to IPDM E/R.
5. IPDM E/R turns the ignition relay ON to start the ignition power supply.
6. BCM detects that the selector lever position is P or N.
7. BCM transmits starter request signal to IPDM E/R and turns the starter relay in IPDM E/R ON if BCM judges that the engine start condition* is satisfied.
8. IPDM E/R turns the starter control relay ON when receiving the starter request signal.
9. Power source is supplied to the starter motor through the starter relay and the starter control relay.
10. When BCM receives feedback signal from ECM indicating that the engine is started, BCM transmits a stop signal to IPDM E/R and stops cranking by turning off the starter motor relay. (If engine start is unsuccessful, cranking stops automatically within 5 seconds.)

*: For the engine start condition, refer to "POWER SUPPLY POSITION CHANGE TABLE BY PUSH-BUTTON IGNITION SWITCH OPERATION" below.

POWER SUPPLY POSITION CHANGE TABLE BY PUSH-BUTTON IGNITION SWITCH OPERATION

The power supply position changing operation can be performed with the following operations.

NOTE:

- When an Intelligent Key is within the detection area of inside key antenna and when Intelligent Key backside is contacted to push-button ignition switch, it is equivalent to the operations below.
- When starting the engine, the BCM monitors under the engine start conditions,
 - Brake pedal operating condition
 - Selector lever position
 - Vehicle speed

Vehicle speed: less than 4 km/h (2.5 MPH)

Power supply position	Engine start/stop condition		Push-button ignition switch operation frequency
	Selector lever	Brake pedal operation condition	
LOCK → ACC	—	Not depressed	1
LOCK → ACC → ON	—	Not depressed	2
LOCK → ACC → ON → OFF	—	Not depressed	3
LOCK → START ACC → START ON → START	P or N position	Depressed	1
Engine is running → OFF	—	—	1

Vehicle speed: 4 km/h (2.5 MPH) or more

A
B
C
D
E
F
G
H
I
J

SEC

L
M
N
O
P

SYSTEM

< SYSTEM DESCRIPTION >

[WITH INTELLIGENT KEY SYSTEM]

Power supply position	Engine start/stop condition		Push-button ignition switch operation frequency
	Selector lever	Brake pedal operation condition	
Engine is running → ACC	—	—	Emergency stop operation
Engine stall return operation while driving	N position	Not depressed	1

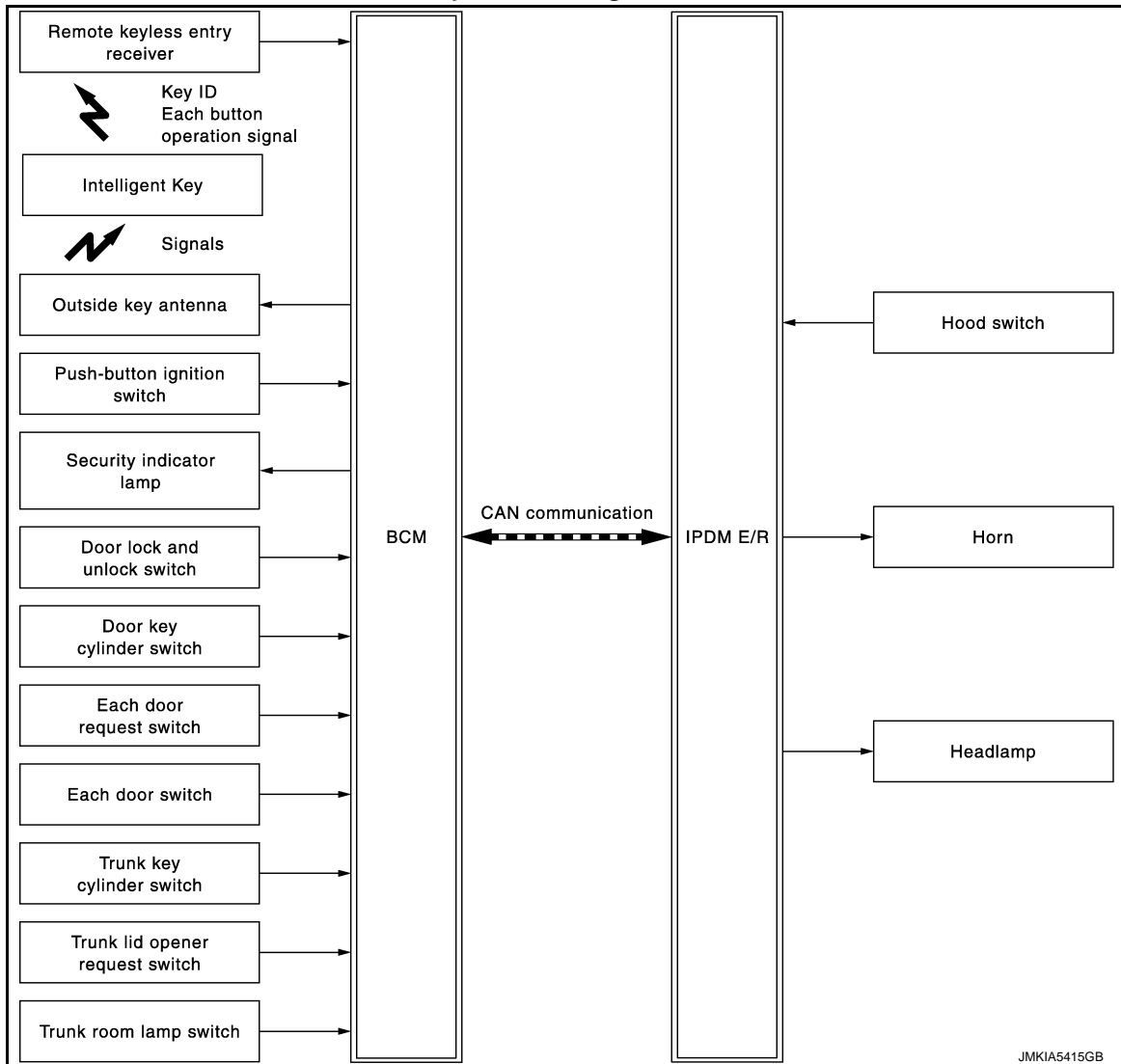
Emergency stop operation

- Press and hold the push-button ignition switch for 2 seconds or more.
- Press the push-button ignition switch 3 times or more within 1.5 seconds.

VEHICLE SECURITY SYSTEM

VEHICLE SECURITY SYSTEM : System Diagram

INFOID:000000006888020



VEHICLE SECURITY SYSTEM : System Description

INFOID:000000006888021

- The vehicle security system has two alarm functions (theft warning alarm and panic alarm), and reduces the possibility of a theft or mischief by activating horns and headlamps intermittently.
- The panic alarm does not start when the theft warning alarm is activating, and the panic alarm stops when the theft warning alarm is activated.
 The priority of the functions are as per the following.

SYSTEM

< SYSTEM DESCRIPTION >

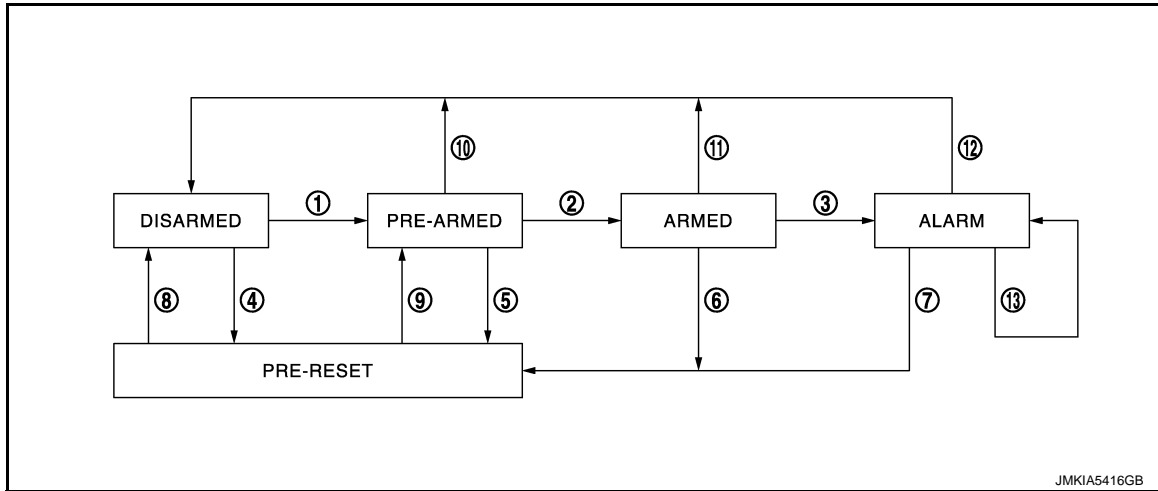
[WITH INTELLIGENT KEY SYSTEM]

Priority	Function
1	Theft warning alarm
2	Panic alarm

THEFT WARNING ALARM

- The theft warning alarm function activates horns and headlamps intermittently when BCM detects that any door, hood or trunk lid is opened by unauthorized means, while the system is in the ARMED state.
- Security indicator lamp on combination meter always blinks when power supply position is any position other than ON. Security indicator lamp blinking warns that the vehicle is equipped with a vehicle security system.

Operation Flow



No.	System state	Switching condition					
1	DISARMED to PRE-ARMED	When all conditions of A and one condition of B is satisfied.	<table border="1" style="width: 100%; border-collapse: collapse;"> <thead> <tr> <th style="width: 50%;">A</th> <th style="width: 50%;">B</th> </tr> </thead> <tbody> <tr> <td> <ul style="list-style-type: none"> • Power supply position: OFF/LOCK • All doors: Closed • Hood: Closed • Trunk lid: Closed </td> <td> All doors are locked by: <ul style="list-style-type: none"> • Door key cylinder LOCK switch • LOCK button of Intelligent Key • Door request switch </td> </tr> </tbody> </table>	A	B	<ul style="list-style-type: none"> • Power supply position: OFF/LOCK • All doors: Closed • Hood: Closed • Trunk lid: Closed 	All doors are locked by: <ul style="list-style-type: none"> • Door key cylinder LOCK switch • LOCK button of Intelligent Key • Door request switch
A	B						
<ul style="list-style-type: none"> • Power supply position: OFF/LOCK • All doors: Closed • Hood: Closed • Trunk lid: Closed 	All doors are locked by: <ul style="list-style-type: none"> • Door key cylinder LOCK switch • LOCK button of Intelligent Key • Door request switch 						
2	PRE-ARMED to ARMED	When none of the following conditions are satisfied for 30 seconds.	<ul style="list-style-type: none"> • Power supply position: ACC/ON/CRANKING/RUN • Door key cylinder UNLOCK switch: ON • UNLOCK button of Intelligent Key: ON • Door request switch: ON • UNLOCK switch of door lock and unlock switch: ON • Any door: Open • Hood: Open • Trunk lid: Open 				
3	ARMED to ALARM	When one condition of A and one condition of B are satisfied.	<table border="1" style="width: 100%; border-collapse: collapse;"> <thead> <tr> <th style="width: 50%;">A</th> <th style="width: 50%;">B</th> </tr> </thead> <tbody> <tr> <td>Intelligent Key: Not used</td> <td> <ul style="list-style-type: none"> • Any door: Open • Hood: Open • Trunk lid: Open </td> </tr> </tbody> </table>	A	B	Intelligent Key: Not used	<ul style="list-style-type: none"> • Any door: Open • Hood: Open • Trunk lid: Open
A	B						
Intelligent Key: Not used	<ul style="list-style-type: none"> • Any door: Open • Hood: Open • Trunk lid: Open 						
4	DISARMED to PRE-RESET	When all conditions of A and one condition of B is satisfied.	<table border="1" style="width: 100%; border-collapse: collapse;"> <thead> <tr> <th style="width: 50%;">A</th> <th style="width: 50%;">B</th> </tr> </thead> <tbody> <tr> <td> <ul style="list-style-type: none"> • Power supply position: OFF/LOCK • All doors: Closed • Hood and/or Trunk lid: Open </td> <td> All doors are locked by: <ul style="list-style-type: none"> • Door key cylinder LOCK switch • LOCK button of Intelligent Key • Door request switch </td> </tr> </tbody> </table>	A	B	<ul style="list-style-type: none"> • Power supply position: OFF/LOCK • All doors: Closed • Hood and/or Trunk lid: Open 	All doors are locked by: <ul style="list-style-type: none"> • Door key cylinder LOCK switch • LOCK button of Intelligent Key • Door request switch
A	B						
<ul style="list-style-type: none"> • Power supply position: OFF/LOCK • All doors: Closed • Hood and/or Trunk lid: Open 	All doors are locked by: <ul style="list-style-type: none"> • Door key cylinder LOCK switch • LOCK button of Intelligent Key • Door request switch 						
5	PRE-ARMED to PRE-RESET	When one of the following conditions is satisfied.	<ul style="list-style-type: none"> • Hood: Open • Trunk lid: Open 				
6	ARMED to PRE-RESET	When one of the following conditions is satisfied.	<ul style="list-style-type: none"> • Trunk key cylinder switch: ON • Trunk lid opener request switch: ON • TRUNK OPEN button of Intelligent Key: ON 				
7	ALARM to PRE-RESET						

A
B
C
D
E
F
G
H
I
J
L
M
N
O
P

SEC

SYSTEM

< SYSTEM DESCRIPTION >

[WITH INTELLIGENT KEY SYSTEM]

No.	System state	Switching condition					
8	PRE-RESET to DISARMED	When one of the following conditions is satisfied.	<ul style="list-style-type: none"> • Power supply position: ACC/ON/CRANKING/RUN • Door key cylinder UNLOCK switch: ON • UNLOCK button of Intelligent Key: ON • Door request switch: ON • UNLOCK switch of door lock and unlock switch: ON • Any door: Open 				
9	PRE-RESET to PRE-ARMED	When all conditions of A are satisfied, and all conditions of B are satisfied.	<table style="width: 100%; border-collapse: collapse;"> <thead> <tr> <th style="width: 50%; text-align: center;">A</th> <th style="width: 50%; text-align: center;">B</th> </tr> </thead> <tbody> <tr> <td style="vertical-align: top;"> <ul style="list-style-type: none"> • Power supply position: OFF/LOCK • All doors: Closed </td> <td style="vertical-align: top;"> <ul style="list-style-type: none"> • Hood: Closed • Trunk lid: Closed </td> </tr> </tbody> </table>	A	B	<ul style="list-style-type: none"> • Power supply position: OFF/LOCK • All doors: Closed 	<ul style="list-style-type: none"> • Hood: Closed • Trunk lid: Closed
A	B						
<ul style="list-style-type: none"> • Power supply position: OFF/LOCK • All doors: Closed 	<ul style="list-style-type: none"> • Hood: Closed • Trunk lid: Closed 						
10	PRE-ARMED to DISARMED	When one of the following condition is satisfied.	<ul style="list-style-type: none"> • Power supply position: ACC/ON/CRANKING/RUN • Door key cylinder UNLOCK switch: ON • UNLOCK button of Intelligent Key: ON • Door request switch: ON • Any door: Open 				
11	ARMED to DISARMED	When one of the following condition is satisfied.	<ul style="list-style-type: none"> • Power supply position: ACC/ON/CRANKING/RUN • Door key cylinder UNLOCK switch: ON • UNLOCK button of Intelligent Key: ON • Door request switch: ON 				
12	ALARM to DISARMED						
13	RE-ALARM	When one of the following condition is satisfied after the ALARM operation is finished.	<ul style="list-style-type: none"> • Any door: Open • Hood: Open • Trunk lid: Open 				

NOTE:

- BCM ignores the door key cylinder UNLOCK switch signal input for 1 second after the door key cylinder LOCK switch signal input.
- To lock/unlock all doors or trunk lid by operating remote controller button of Intelligent Key or door/trunk lid request switch, Intelligent Key must be within the detection area of outside key antenna. For details, refer to [DLK-16, "DOOR LOCK FUNCTION : System Description"](#).

DISARMED Phase

The vehicle security system is not set in the DISARMED phase. The vehicle security system stays in this phase while any door is open, because it is assumed that the owner is inside or nearby the vehicle. Security indicator lamp blinks every 2.4 seconds.

When the vehicle security system is reset, each phase switches to the DISARMED phase directly.

PRE-ARMED Phase

The PRE-ARMED phase is the transient state between the DISARMED phase and the ARMED phase. This phase is maintained for 30 seconds, so that the owner can reset the setting due to a mis-operation. This phase switches to the ARMED phase when vehicle conditions are not changed for 30 seconds. Security indicator lamp illuminates while being in this phase.

To reset the PRE-ARMED phase, refer to the switching condition of No. 10 in the table above.

ARMED Phase

The vehicle security system is set, and BCM monitors all necessary inputs. If any door, hood, or trunk lid is opened without using Intelligent Key or mechanical key, vehicle security system switches to the ALARM phase. Security indicator lamp blinks every 2.4 seconds.

If the theft warning alarm is activated irregularly when the customer opened trunk lid using mechanical key, trunk key cylinder switch circuit might have a malfunction. Check the switch circuit. Refer to [SEC-126, "Component Function Check"](#).

To reset the ARMED phase, refer to the switching condition of No. 11 in the table above.

ALARM Phase

BCM transmits "Theft Warning Horn Request" signal and "High Beam Request" signal intermittently to IPDM E/R via CAN communication. In this phase, horns and headlamps are activated intermittently for approximately 50 seconds to warn that the vehicle is accessed by unauthorized means. ON/OFF timings of horns and headlamps are synchronized. After 50 seconds, the vehicle security system returns to the ARMED phase. At this time, if BCM still detects unauthorized access to the vehicle, the system is switched to the ALARM phase again. This RE-ALARM operation is carried out a maximum of 2 times.

To cancel the ALARM operation, refer to the switching condition of No. 12 in the table above.

NOTE:

If a battery terminal is disconnected during the ALARM phase, theft warning alarm stops. But when the battery terminal is reconnected, theft warning alarm is activated again.

SYSTEM

< SYSTEM DESCRIPTION >

[WITH INTELLIGENT KEY SYSTEM]

PRE-RESET Phase

The PRE-RESET phase is the transient state between each phase and DISARMED phase. If only the condition of hood or trunk lid is not satisfied, the system switches to the PRE-RESET phase. Then, when any condition is changed, the system switches to the DISARMED phase or PRE-ARMED phase.

PANIC ALARM

- The panic alarm function activates horns and headlamps intermittently when the owner presses the PANIC ALARM button of Intelligent Key outside the vehicle while the power supply position is OFF or LOCK.
- When BCM receives panic alarm signal from Intelligent Key, BCM transmits "Theft Warning Horn Request" signal and "High Beam Request" signal intermittently to IPDM E/R via CAN communication. To prevent the activation due to mis-operation of Intelligent Key by owner, the panic alarm function is activated when BCM receives the signal for 0.4 - 0.6 seconds.
- Panic alarm operation is maintained for 25 seconds.
- Panic alarm operation is cancelled when BCM receives one of the following signals.
 - LOCK button of Intelligent Key: ON
 - UNLOCK button of Intelligent Key: ON
 - TRUNK OPEN button of Intelligent Key: ON
 - PANIC ALARM button of Intelligent Key: Long pressed
 - Any door request switch: ON

A
B
C
D
E
F
G
H
I
J
L
M
N
O
P

SEC

DIAGNOSIS SYSTEM (BCM)

[WITH INTELLIGENT KEY SYSTEM]

< SYSTEM DESCRIPTION >

DIAGNOSIS SYSTEM (BCM)

COMMON ITEM

COMMON ITEM : CONSULT Function (BCM - COMMON ITEM)

INFOID:000000007216437

APPLICATION ITEM

CONSULT performs the following functions via CAN communication with BCM.

Diagnosis mode	Function Description
Work Support	Changes the setting for each system function.
Self Diagnostic Result	Displays the diagnosis results judged by BCM.
CAN Diag Support Monitor	Monitors the reception status of CAN communication viewed from BCM.
Data Monitor	The BCM input/output signals are displayed.
Active Test	The signals used to activate each device are forcibly supplied from BCM.
Ecu Identification	The BCM part number is displayed.
Configuration	<ul style="list-style-type: none"> Read and save the vehicle specification. Write the vehicle specification when replacing BCM.

SYSTEM APPLICATION

BCM can perform the following functions for each system.

NOTE:

It can perform the diagnosis modes except the following for all sub system selection items.

×: Applicable item

System	Sub system selection item	Diagnosis mode		
		Work Support	Data Monitor	Active Test
Door lock	DOOR LOCK	×	×	×
Rear window defogger	REAR DEFOGGER		×	×
Warning chime	BUZZER		×	×
Interior room lamp timer	INT LAMP	×	×	×
Exterior lamp	HEAD LAMP	×	×	×
Wiper and washer	WIPER	×	×	×
Turn signal and hazard warning lamps	FLASHER	×	×	×
—	AIR CONDITONER*		×	×
<ul style="list-style-type: none"> Intelligent Key system Engine start system 	INTELLIGENT KEY	×	×	×
Combination switch	COMB SW		×	
Body control system	BCM	×		
IVIS - NATS	IMMU	×	×	×
Interior room lamp battery saver	BATTERY SAVER	×	×	×
Trunk lid open	TRUNK		×	
Vehicle security system	THEFT ALM	×	×	×
RAP system	RETAINED PWR		×	
Signal buffer system	SIGNAL BUFFER		×	×
—	AIR PRESSURE MONITOR*	×	×	×

*: This item is not used.

FREEZE FRAME DATA (FFD)

The BCM records the following vehicle condition at the time a particular DTC is detected, and displays on CONSULT.

DIAGNOSIS SYSTEM (BCM)

[WITH INTELLIGENT KEY SYSTEM]

< SYSTEM DESCRIPTION >

CONSULT screen item	Indication/Unit	Description	
Vehicle Speed	km/h	Vehicle speed of the moment a particular DTC is detected	
Odo/Trip Meter	km	Total mileage (Odometer value) of the moment a particular DTC is detected	
Vehicle Condition	SLEEP>LOCK	Power position status of the moment a particular DTC is detected	While turning BCM status from low power consumption mode to normal mode (Power supply position is "LOCK"*)
	SLEEP>OFF		While turning BCM status from low power consumption mode to normal mode (Power supply position is "OFF".)
	LOCK>ACC		While turning power supply position from "LOCK" *to "ACC"
	ACC>ON		While turning power supply position from "ACC" to "IGN"
	RUN>ACC		While turning power supply position from "RUN" to "ACC" (Vehicle is stopping and selector lever is except P position.)
	CRANK>RUN		While turning power supply position from "CRANKING" to "RUN" (From cranking up the engine to run it)
	RUN>URGENT		While turning power supply position from "RUN" to "ACC" (Emergency stop operation)
	ACC>OFF		While turning power supply position from "ACC" to "OFF"
	OFF>LOCK		While turning power supply position from "OFF" to "LOCK"*
	OFF>ACC		While turning power supply position from "OFF" to "ACC"
	ON>CRANK		While turning power supply position from "IGN" to "CRANKING"
	OFF>SLEEP		While turning BCM status from normal mode (Power supply position is "OFF".) to low power consumption mode
	LOCK>SLEEP		While turning BCM status from normal mode (Power supply position is "LOCK"*.) to low power consumption mode
	LOCK		Power supply position is "LOCK" (Ignition switch OFF with steering is locked.)*
	OFF		Power supply position is "OFF" (Ignition switch OFF with steering is unlocked.)
	ACC		Power supply position is "ACC" (Ignition switch ACC)
ON	Power supply position is "IGN" (Ignition switch ON with engine stopped)		
ENGINE RUN	Power supply position is "RUN" (Ignition switch ON with engine running)		
CRANKING	Power supply position is "CRANKING" (At engine cranking)		
IGN Counter	0 - 39	The number of times that ignition switch is turned ON after DTC is detected <ul style="list-style-type: none"> • The number is 0 when a malfunction is detected now. • The number increases like 1 → 2 → 3...38 → 39 after returning to the normal condition whenever ignition switch OFF → ON. • The number is fixed to 39 until the self-diagnosis results are erased if it is over 39. 	

NOTE:

*: For models without steering lock unit, power supply position changes from "OFF" to "LOCK" when steering lock conditions are satisfied.

INTELLIGENT KEY

INTELLIGENT KEY : CONSULT Function (BCM - INTELLIGENT KEY)

INFOID:000000007216438

WORK SUPPORT

DIAGNOSIS SYSTEM (BCM)

[WITH INTELLIGENT KEY SYSTEM]

< SYSTEM DESCRIPTION >

Monitor item	Description
INSIDE ANT DIAGNOSIS	This function allows inside key antenna self-diagnosis
LOCK/UNLOCK BY I-KEY	Door lock/unlock function by door request switch mode can be changed to operation in this mode <ul style="list-style-type: none"> • On: Operate • Off: Non-operation
ENGINE START BY I-KEY	Engine start function mode can be changed to operation with this mode <ul style="list-style-type: none"> • On: Operate • Off: Non-operation
TRUNK/GLASS HATCH OPEN	Buzzer reminder function mode by trunk lid opener request switch and Intelligent Key can be changed to operation with this mode <ul style="list-style-type: none"> • On: Operate • Off: Non-operation
PANIC ALARM SET	Panic alarm button pressing time on Intelligent Key remote control button can be selected from the following with this mode <ul style="list-style-type: none"> • MODE 1: 0.5 sec • MODE 2: Non-operation • MODE 3: 1.5 sec
TRUNK OPEN DELAY	Trunk button pressing on Intelligent Key can be selected as per the following in this mode. <ul style="list-style-type: none"> • MODE 1: Press and hold • MODE 2: Press twice • MODE 3: Press and hold, or press twice
LO- BATT OF KEY FOB WARN	Intelligent Key low battery warning mode can be changed to operation with this mode <ul style="list-style-type: none"> • On: Operate • Off: Non-operation
ANTI KEY LOCK IN FUNCTI	Key reminder function mode can be changed to operation with this mode <ul style="list-style-type: none"> • On: Operate • Off: Non-operation
HAZARD ANSWER BACK	Hazard reminder function mode by door request switch and Intelligent Key button can be selected from the following with this mode <ul style="list-style-type: none"> • Lock Only: Door lock operation only • Unlock Only: Door unlock operation only • Lock/Unlock: Lock and unlock operation • Off: Non-operation
ANS BACK I-KEY LOCK	Buzzer reminder function (lock operation) mode by door request switch can be selected from the following with this mode <ul style="list-style-type: none"> • Horn Chirp: Sound horn • Buzzer: Sound Intelligent Key warning buzzer • Off: Non-operation
ANS BACK I-KEY UNLOCK	Buzzer reminder function (unlock operation) mode by door request switch can be changed to operation with this mode <ul style="list-style-type: none"> • On: Operate • Off: Non-operation
SHORT CRANKING OUTPUT	Starter motor can operate during the times below <ul style="list-style-type: none"> • 70 msec • 100 msec • 200 msec
CONFIRM KEY FOB ID	It can be checked whether Intelligent Key ID code is registered or not in this mode
AUTO LOCK SET	Auto door lock operation time can be changed in this mode <ul style="list-style-type: none"> • MODE 1: OFF • MODE 2: 30 sec • MODE 3: 1 minute • MODE 4: 2 minutes • MODE 5: 3 minutes • MODE 6: 4 minutes • MODE 7: 5 minutes

DIAGNOSIS SYSTEM (BCM)

[WITH INTELLIGENT KEY SYSTEM]

< SYSTEM DESCRIPTION >

Monitor item	Description
HORN WITH KEYLESS LOCK	Horn reminder function mode by Intelligent Key button can be selected from the following with this mode <ul style="list-style-type: none"> • On: Operate • Off: Non-operation
PW DOWN SET	Unlock button pressing time on Intelligent Key button can be selected from the following with this mode <ul style="list-style-type: none"> • MODE 1: 3 sec • MODE 2: Non-operation • MODE 3: 5 sec
WELCOME LIGHT SELECT	Welcome light function mode can be selected from the following with this mode <ul style="list-style-type: none"> • Puddle/Outside Handle • Room lamp • Head & Tail Lamps (this item is displayed, but cannot be used) • Heart Beat
WELCOME LIGHT OP SET	Welcome light function mode can be changed to operation with this mode <ul style="list-style-type: none"> • On: Operate • Off: Non-operation
INTELLIGENT KEY SETUP	Intelligent Key interlock function mode can be changed to operation with this mode <ul style="list-style-type: none"> • On: Operate • Off: Non-operation

SELF-DIAG RESULT

Refer to [BCS-57, "DTC Index"](#).

DATA MONITOR

Monitor Item	Condition
REQ SW -DR	Indicates [On/Off] condition of door request switch (driver side)
REQ SW -AS	Indicates [On/Off] condition of door request switch (passenger side)
REQ SW -BD/TR	Indicates [On/Off] condition of trunk lid opener request switch
PUSH SW	Indicates [On/Off] condition of push-button ignition switch
CLUTCH SW	NOTE: This item is displayed, but cannot be monitored
BRAKE SW 1	Indicates [On/Off]* condition of stop lamp switch power supply
BRAKE SW 2	Indicates [On/Off] condition of stop lamp switch
DETE/CANCL SW	Indicates [On/Off] condition of P position
SFT PN/N SW	Indicates [On/Off] condition of P or N position
S/L -LOCK	Indicates [On/Off] condition of steering lock unit (LOCK) NOTE: For models without steering lock unit, this item is not monitored.
S/L -UNLOCK	Indicates [On/Off] condition of steering lock unit (UNLOCK) NOTE: For models without steering lock unit, this item is not monitored.
S/L RELAY -F/B	Indicates [On/Off] condition of steering lock relay NOTE: For models without steering lock unit, this item is not monitored.
UNLK SEN -DR	Indicates [On/Off] condition of driver door UNLOCK status
PUSH SW -IPDM	Indicates [On/Off] condition of push-button ignition switch
IGN RLY1 -F/B	Indicates [On/Off] condition of ignition relay 1
DETE SW -IPDM	Indicates [On/Off] condition of P position
SFT PN -IPDM	Indicates [On/Off] condition of P or N position
SFT P -MET	Indicates [On/Off] condition of P position
SFT N -MET	Indicates [On/Off] condition of N position

DIAGNOSIS SYSTEM (BCM)

[WITH INTELLIGENT KEY SYSTEM]

< SYSTEM DESCRIPTION >

Monitor Item	Condition
ENGINE STATE	Indicates [Stop/Stall/Crank/Run] condition of engine states
S/L LOCK-IPDM	Indicates [On/Off] condition of steering lock unit (LOCK) NOTE: For models without steering lock unit, this item is not monitored.
S/L UNLK-IPDM	Indicates [On/Off] condition of steering lock unit (UNLOCK) NOTE: For models without steering lock unit, this item is not monitored.
S/L RELAY-REQ	Indicates [On/Off] condition of steering lock relay NOTE: For models without steering lock unit, this item is not monitored.
VEH SPEED 1	Display the vehicle speed signal received from combination meter by numerical value [Km/h]
VEH SPEED 2	Display the vehicle speed signal received from ABS or VDC or TCM by numerical value [Km/h]
DOOR STAT-DR	Indicates [LOCK/READY/UNLK] condition of driver side door status
DOOR STAT-AS	Indicates [LOCK/READY/UNLK] condition of passenger side door status
ID OK FLAG	Indicates [Set/Reset] condition of key ID
PRMT ENG STRT	Indicates [Set/Reset] condition of engine start possibility
PRMT RKE STRT	NOTE: This item is displayed, but cannot be monitored
TRNK/HAT MNTR	Indicates [On/Off] condition of trunk room lamp switch
RKE-LOCK	Indicates [On/Off] condition of LOCK signal from Intelligent Key
RKE-UNLOCK	Indicates [On/Off] condition of UNLOCK signal from Intelligent Key
RKE-TR/BD	Indicates [On/Off] condition of trunk open signal from Intelligent Key
RKE-PANIC	Indicates [On/Off] condition of panic alarm button of Intelligent Key
RKE-MODE CHG	Indicates [On/Off] condition of MODE CHANGE signal from Intelligent Key
RKE OPE COUN1	When remote keyless entry receiver receives the signal transmitted while operating on Intelligent Key, the numerical value start changing
RKE OPE COUN2	NOTE: This item is displayed, but cannot be monitored

*: OFF is displayed when brake pedal is depressed while brake switch power supply is OFF.

ACTIVE TEST

Test item	Description
BATTERY SAVER	This test is able to check interior room lamp operation <ul style="list-style-type: none"> • On: Operate • Off: Non-operation
OUTSIDE BUZZER	This test is able to check Intelligent Key warning buzzer operation <ul style="list-style-type: none"> • On: Operate • Off: Non-operation
INSIDE BUZZER	This test is able to check warning chime in combination meter operation <ul style="list-style-type: none"> • Take Out: Take away warning chime sounds when CONSULT screen is touched • Key: Key warning chime sounds when CONSULT screen is touched • Knob: OFF position warning chime sounds when CONSULT screen is touched • Off: Non-operation
INDICATOR	This test is able to check warning lamp operation <ul style="list-style-type: none"> • KEY ON: "KEY" Warning lamp illuminates when CONSULT screen is touched • KEY IND: "KEY" Warning lamp blinks when CONSULT screen is touched • Off: Non-operation
INT LAMP	This test is able to check interior room lamp operation <ul style="list-style-type: none"> • On: Operate • Off: Non-operation

DIAGNOSIS SYSTEM (BCM)

[WITH INTELLIGENT KEY SYSTEM]

< SYSTEM DESCRIPTION >

Test item	Description	
LCD	<p>This test is able to check meter display information</p> <ul style="list-style-type: none"> • Engine start information displays when "BP N" on CONSULT screen is touched • Engine start information displays when "BP I" on CONSULT screen is touched • Key ID warning displays when "ID NG" on CONSULT screen is touched • Steering lock information displays when "ROTAT" on CONSULT screen is touched <p>NOTE: For models without steering lock unit, "ROTAT" is displayed, but cannot be tested.</p> <ul style="list-style-type: none"> • P position warning displays when "SFT P" on CONSULT screen is touched • INSRT: This item is displayed, but cannot be monitored • BATT: This item is displayed, but cannot be monitored • Take away through window warning displays when "NO KY" on CONSULT screen is touched • Take away warning display when "OUTKEY" on CONSULT screen is touched • OFF position warning display when "LK WN" on CONSULT screen is touched 	A B C D
FLASHER	<p>This test is able to check hazard warning lamp operation</p> <p>The hazard warning lamps are activated after "LH/RH/Off" on CONSULT screen is touched</p>	E
P RANGE	<p>This test is able to check AT shift selector power supply</p> <ul style="list-style-type: none"> • On: Operate • Off: Non-operation 	F
ENGINE SW ILLUMI	<p>This test is able to check push-ignition switch illumination operation</p> <p>Push-ignition switch illumination illuminates when "ON" on CONSULT screen is touched</p>	G
LOCK INDICATOR	<p>This test is able to check LOCK indicator (push-button ignition switch) operation</p> <ul style="list-style-type: none"> • On: Operate • Off: Non-operation 	H
ACC INDICATOR	<p>This test is able to check ACC indicator (push-button ignition switch) operation</p> <ul style="list-style-type: none"> • On: Operate • Off: Non-operation 	I
IGNITION ON IND	<p>This test is able to check ON indicator (push-button ignition switch) operation</p> <ul style="list-style-type: none"> • On: Operate • Off: Non-operation 	J
HORN	<p>This test is able to check horn operation</p> <ul style="list-style-type: none"> • On: Operate • Off: Non-operation 	K
TRUNK/BACK DOOR	<p>This test is able to check trunk lid open operation</p> <ul style="list-style-type: none"> • Open: Operate 	L SEC
INTELLIGENT KEY LINK	<p>This test is able to check Intelligent Key interlock function</p> <ul style="list-style-type: none"> • ID No1: BCM transmits Intelligent Key ID No1 to each control unit • ID No2: BCM transmits Intelligent Key ID No2 to each control unit 	M
INTELLIGENT KEY LINK (CAN)	<p>This test is able to check Intelligent Key interlock function</p> <ul style="list-style-type: none"> • Off: Non-operation • ID No1: BCM transmits Intelligent Key ID No1 to each control unit via CAN communication line • ID No2: BCM transmits Intelligent Key ID No2 to each control unit via CAN communication line • ID No3: BCM transmits Intelligent Key ID No3 to each control unit via CAN communication line • ID No4: BCM transmits Intelligent Key ID No4 to each control unit via CAN communication line • ID No5: This item is displayed, but cannot be used 	N O

THEFT ALM

THEFT ALM : CONSULT Function (BCM - THEFT)

INFOID:000000006888024

DATA MONITOR

Monitored Item	Description
REQ SW -DR	Indicates [ON/OFF] condition of door request switch (driver side).
REQ SW -AS	Indicates [ON/OFF] condition of door request switch (passenger side).

DIAGNOSIS SYSTEM (BCM)

[WITH INTELLIGENT KEY SYSTEM]

< SYSTEM DESCRIPTION >

Monitored Item	Description
REQ SW -RR	NOTE: This is displayed even when it is not equipped.
REQ SW -RL	NOTE: This is displayed even when it is not equipped.
REQ SW -BD/TR	Indicates [ON/OFF] condition of trunk lid opener request switch.
PUSH SW	Indicates [ON/OFF] condition of push-button ignition switch
UNLK SEN -DR	Indicates [ON/OFF] condition of driver door UNLOCK status.
DOOR SW-DR	Indicates [ON/OFF] condition of front door switch (driver side).
DOOR SW-AS	Indicates [ON/OFF] condition of front door switch (passenger side).
DOOR SW-RR	Indicates [ON/OFF] condition of rear door switch RH.
DOOR SW-RL	Indicates [ON/OFF] condition of rear door switch LH.
DOOR SW-BK	NOTE: This is displayed even when it is not equipped.
CDL LOCK SW	Indicates [ON/OFF] condition of lock signal from door lock and unlock switch.
CDL UNLOCK SW	Indicates [ON/OFF] condition of unlock signal from door lock and unlock switch.
KEY CYL LK-SW	Indicates [ON/OFF] condition of lock signal from door key cylinder switch.
KEY CYL UN-SW	Indicates [ON/OFF] condition of unlock signal from door key cylinder switch.
KEY CYL SW-TR	Indicates [ON/OFF] condition of trunk lid open signal from trunk key cylinder switch.
TR/BD OPEN SW	Indicates [ON/OFF] condition of trunk lid opener switch.
TRNK/HAT MNTR	Indicates [ON/OFF] condition of trunk loom lamp switch.
RKE-LOCK	Indicates [ON/OFF] condition of LOCK signal from Intelligent Key.
RKE-UNLOCK	Indicates [ON/OFF] condition of UNLOCK signal from Intelligent Key.
RKE-TR/BD	Indicates [ON/OFF] condition of TRUNK OPEN signal from Intelligent Key.

WORK SUPPORT

Test Item	Description
SECURITY ALARM SET	This mode is able to confirm and change vehicle security system (theft warning alarm) ON-OFF setting.
THEFT ALM TRG	The switch which activated vehicle security system (theft warning alarm) is recorded. This mode is able to confirm and erase the record of theft warning alarm. The trigger data can be erased by touching "CLEAR" on CONSULT screen.

ACTIVE TEST

Test Item	Description
THEFT IND	This test is able to check security indicator lamp operation. The lamp is turned on when "ON" on CONSULT screen is touched.
VEHICLE SECURITY HORN	This test is able to check vehicle security horn operation. The horns are activated for 0.5 seconds after "ON" on CONSULT screen is touched.
HEADLAMP(HI)	This test is able to check headlamps operation. The headlamps are activated for 0.5 seconds after "ON" on CONSULT screen is touched.
FLASHER	This test is able to check hazard warning lamp operation. The hazard warning lamps are activated after "ON" on CONSULT screen is touched.

IMMU

IMMU : CONSULT Function (BCM - IMMU)

INFOID:000000006888025

DATA MONITOR

DIAGNOSIS SYSTEM (BCM)

[WITH INTELLIGENT KEY SYSTEM]

< SYSTEM DESCRIPTION >

Monitor item	Content
CONFIRM ID ALL	Indicates [YET] at all time. Switches to [DONE] when a registered Intelligent Key backside is contacted to push-button ignition switch.
CONFIRM ID4	
CONFIRM ID3	
CONFIRM ID2	
CONFIRM ID1	
TP 4	Indicates the number of IDs that are registered.
TP 3	
TP 2	
TP 1	
PUSH SW	Indicates [ON/OFF] condition of push-button ignition switch.
KEY SW-SLOT	NOTE: This is displayed even when it is not equipped.

ACTIVE TEST

Test item	Description
THEFT IND	This test is able to check security indicator lamp operation. Security indicator lamp is turned on when "ON" on CONSULT screen touched.

WORK SUPPORT

Service item	Description
CONFIRM DONGLE ID	It is possible to check that dongle unit is applied to the vehicle.

A
B
C
D
E
F
G
H
I
J
L
M
N
O
P

SEC

DIAGNOSIS SYSTEM (IPDM E/R)

[WITH INTELLIGENT KEY SYSTEM]

< SYSTEM DESCRIPTION >

DIAGNOSIS SYSTEM (IPDM E/R)

CONSULT Function (IPDM E/R)

INFOID:000000007202118

APPLICATION ITEM

CONSULT performs the following functions via CAN communication with IPDM E/R.

Diagnosis mode	Description
Ecu Identification	Allows confirmation of IPDM E/R part number.
Self Diagnostic Result	Displays the diagnosis results judged by IPDM E/R.
Data Monitor	Displays the real-time input/output data from IPDM E/R input/output data.
Active Test	IPDM E/R can provide a drive signal to electronic components to check their operations.
CAN Diag Support Monitor	The results of transmit/receive diagnosis of CAN communication can be read.

SELF DIAGNOSTIC RESULT

Refer to [PCS-25. "DTC Index"](#).

DATA MONITOR

Monitor item

Monitor Item [Unit]	MAIN SIG- NALS	Description
RAD FAN REQ [%]	×	Displays the value of the cooling fan speed signal received from ECM via CAN communication.
AC COMP REQ [Off/On]	×	Displays the status of the A/C compressor request signal received from ECM via CAN communication.
TAIL&CLR REQ [Off/On]	×	Displays the status of the position light request signal received from BCM via CAN communication.
HL LO REQ [Off/On]	×	Displays the status of the low beam request signal received from BCM via CAN communication.
HL HI REQ [Off/On]	×	Displays the status of the high beam request signal received from BCM via CAN communication.
FR FOG REQ [Off/On]	×	Displays the status of the front fog light request signal received from BCM via CAN communication.
FR WIP REQ [Stop/1LOW/Low/Hi]	×	Displays the status of the front wiper request signal received from BCM via CAN communication.
WIP AUTO STOP [STOP P/ACT P]	×	Displays the status of the front wiper stop position signal judged by IPDM E/R.
WIP PROT [Off/BLOCK]	×	Displays the status of the front wiper fail-safe operation judged by IPDM E/R.
IGN RLY1 -REQ [Off/On]		Displays the status of the ignition switch ON signal received from BCM via CAN communication.
IGN RLY [Off/On]	×	Displays the status of the ignition relay judged by IPDM E/R.
PUSH SW [Off/On]		Displays the status of the push-button ignition switch judged by IPDM E/R.
INTER/NP SW [Off/On]		Displays the status of the shift position judged by IPDM E/R.
ST RLY CONT [Off/On]		Displays the status of the starter relay status signal received from BCM via CAN communication.
IHBT RLY -REQ [Off/On]		Displays the status of the starter control relay signal received from BCM via CAN communication.
ST/INHI RLY [Off/ ST /INHI/UNKWN]		Displays the status of the starter relay and starter control relay judged by IPDM E/R.

DIAGNOSIS SYSTEM (IPDM E/R)

< SYSTEM DESCRIPTION >

[WITH INTELLIGENT KEY SYSTEM]

Monitor Item [Unit]	MAIN SIG- NALS	Description
DETENT SW [Off/On]		Displays the status of the A/T shift selector (detention switch) judged by IPDM E/R.
S/L RLY -REQ [Off/On]		Displays the status of the steering lock relay request received from BCM via CAN communication. NOTE: For models without steering lock unit, this item is not monitored.
S/L STATE [LOCK/UNLOCK/UNKWN]		Displays the status of the steering lock judged by IPDM E/R. NOTE: For models without steering lock unit, this item is not monitored.
DTRL REQ [Off/On]		Displays the status of the daytime running light request signal received from BCM via CAN communication. NOTE: This item is monitored only on the vehicle with daytime running light system.
OIL P SW [Open/Close]		Displays the status of the oil pressure switch judged by IPDM E/R. NOTE: This item is monitored only on the vehicle with VQ37VHR engine models.
HOOD SW [Off/On]		Displays the status of the hood switch judged by IPDM E/R.
HL WASHER REQ [Off/On]		NOTE: This item is indicated, but not monitored.
THFT HRN REQ [Off/On]		Displays the status of the theft warning horn request signal received from BCM via CAN communication.
HORN CHIRP [Off/On]		Displays the status of the horn reminder signal received from BCM via CAN communication.
CRNRNG LMP REQ [Off/On]		NOTE: This item is indicated, but not monitored.

ACTIVE TEST

Test item

Test item	Operation	Description
CORNERING LAMP	Off	NOTE: This item is indicated, but cannot be tested.
	LH	
	RH	
HORN	On	Operates horn relay for 20 ms.
FRONT WIPER	Off	OFF
	Lo	Operates the front wiper relay.
	Hi	Operates the front wiper relay and front wiper high relay.
MOTOR FAN	1	OFF
	2	Transmits 50% pulse duty signal (PWM signal) to the cooling fan control module.
	3	Transmits 75% pulse duty signal (PWM signal) to the cooling fan control module.
	4	Transmits 100% pulse duty signal (PWM signal) to the cooling fan control module.
HEAD LAMP WASHER	On	NOTE: This item is indicated, but cannot be tested.
EXTERNAL LAMPS	Off	OFF
	TAIL	Operates the tail lamp relay and the daytime running light relay.
	Lo	Operates the headlamp low relay.
	Hi	Operates the headlamp low relay and ON/OFF the headlamp high relay at 1 second intervals.
	Fog	Operates the front fog lamp relay.

ECU DIAGNOSIS INFORMATION

BCM, IPDM E/R

List of ECU Reference

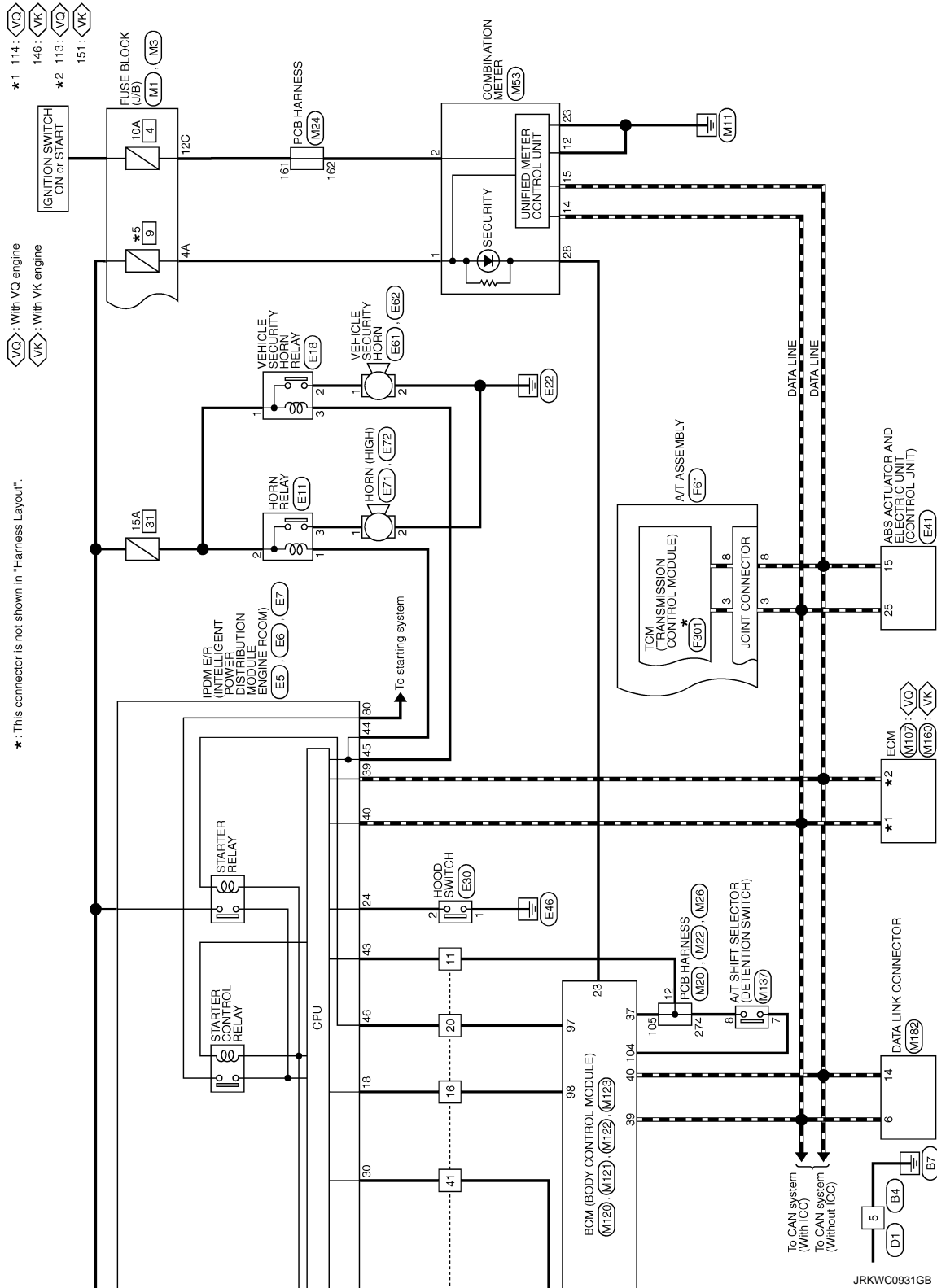
INFOID:000000006888027

ECU		Reference
BCM	Reference Value	BCS-34, "Reference Value"
	Fail-safe	BCS-54, "Fail-safe"
	DTC Inspection Priority Chart	BCS-56, "DTC Inspection Priority Chart"
	DTC Index	BCS-57, "DTC Index"
IPDM E/R	Reference Value	PCS-17, "Reference Value"
	Fail-safe	PCS-24, "Fail-safe"
	DTC Index	PCS-25, "DTC Index"

SECURITY CONTROL SYSTEM

[WITH INTELLIGENT KEY SYSTEM]

< WIRING DIAGRAM >



A
B
C
D
E
F
G
H
I
J
K
L
M
N
O
P

SEC

DIAGNOSIS AND REPAIR WORK FLOW

< BASIC INSPECTION >

[WITH INTELLIGENT KEY SYSTEM]

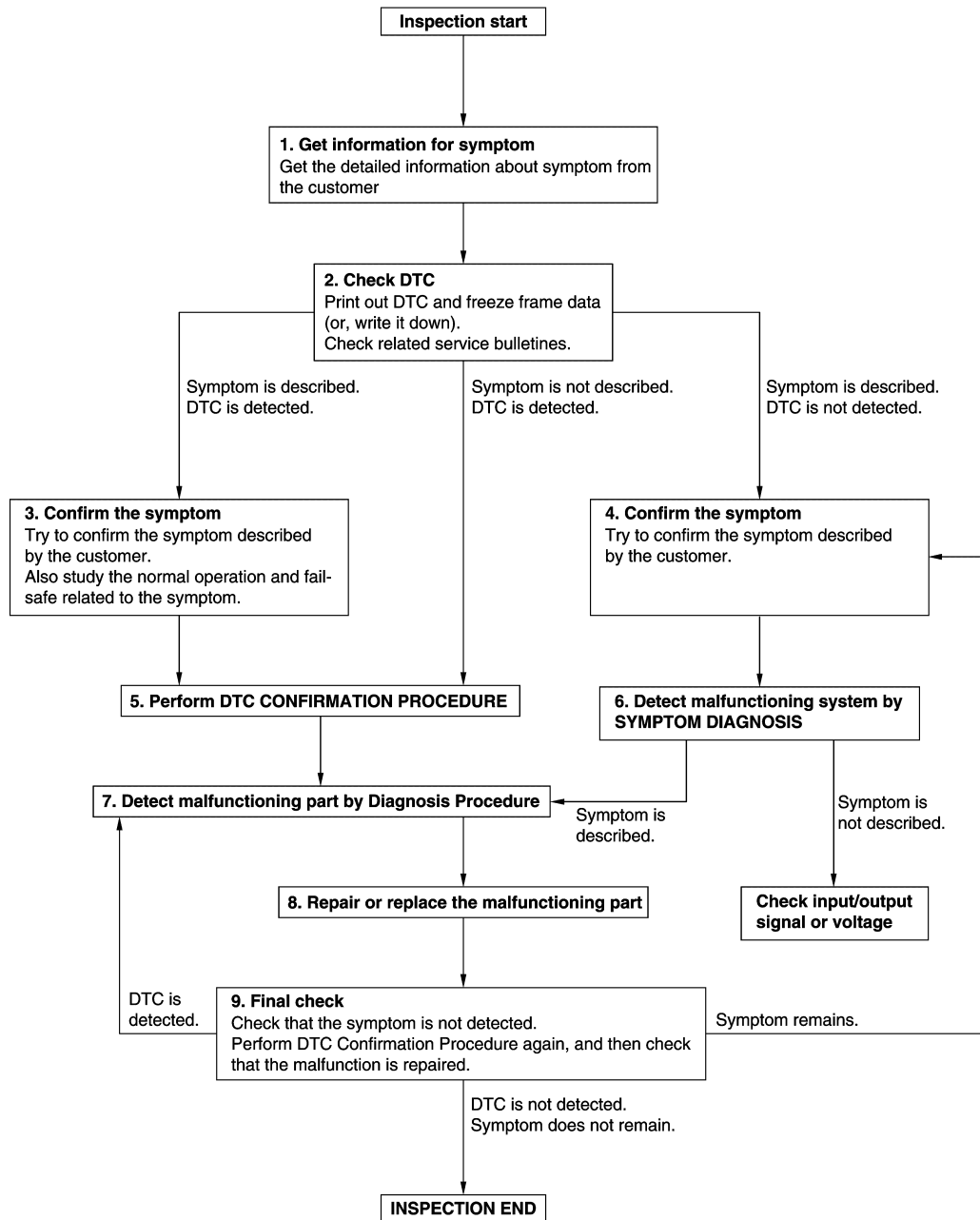
BASIC INSPECTION

DIAGNOSIS AND REPAIR WORK FLOW

Work Flow

INFOID:000000007798063

OVERALL SEQUENCE



JMKIA8652GB

DETAILED FLOW

Revision: 2013 September

SEC-36

2012 M

DIAGNOSIS AND REPAIR WORK FLOW

[WITH INTELLIGENT KEY SYSTEM]

< BASIC INSPECTION >

1. GET INFORMATION FOR SYMPTOM

1. Get detailed information from the customer about the symptom (the condition and the environment when the incident/malfunction occurs).
2. Check operation condition of the function that is malfunctioning.

>> GO TO 2.

2. CHECK DTC

1. Check DTC.
2. Perform the following procedure if DTC is detected.
 - Record DTC and freeze frame data (Print them out using CONSULT.)
 - Erase DTC.
 - Study the relationship between the cause detected by DTC and the symptom described by the customer.
3. Check related service bulletins for information.

Are any symptoms described and any DTC detected?

Symptom is described, DTC is detected>>GO TO 3.

Symptom is described, DTC is not detected>>GO TO 4.

Symptom is not described, DTC is detected>>GO TO 5.

3. CONFIRM THE SYMPTOM

Try to confirm the symptom described by the customer.

Also study the normal operation and fail-safe related to the symptom.

Verify relation between the symptom and the condition when the symptom is detected.

>> GO TO 5.

4. CONFIRM THE SYMPTOM

Try to confirm the symptom described by the customer.

Verify relation between the symptom and the condition when the symptom is detected.

>> GO TO 6.

5. PERFORM DTC CONFIRMATION PROCEDURE

Perform DTC CONFIRMATION PROCEDURE for the detected DTC, and then check that DTC is detected again. At this time, always connect CONSULT to the vehicle, and check self diagnostic results in real time. If two or more DTCs are detected, refer to [BCS-56. "DTC Inspection Priority Chart"](#) and determine trouble diagnosis order.

NOTE:

- Freeze frame data is useful if the DTC is not detected.
- Perform Component Function Check if DTC CONFIRMATION PROCEDURE is not included on Service Manual. This simplified check procedure is an effective alternative though DTC cannot be detected during this check.

If the result of Component Function Check is NG, it is the same as the detection of DTC by DTC CONFIRMATION PROCEDURE.

Is DTC detected?

YES >> GO TO 7.

NO >> Check according to [GI-44. "Intermittent Incident"](#).

6. DETECT MALFUNCTIONING SYSTEM BY SYMPTOM DIAGNOSIS

Detect malfunctioning system according to SYMPTOM DIAGNOSIS based on the confirmed symptom in step 4, and determine the trouble diagnosis order based on possible causes and symptom.

Is the symptom described?

YES >> GO TO 7.

NO >> Monitor input data from related sensors or check voltage of related module terminals using CONSULT.

7. DETECT MALFUNCTIONING PART BY DIAGNOSIS PROCEDURE

A
B
C
D
E
F
G
H
I
J
L
M
N
O
P

SEC

DIAGNOSIS AND REPAIR WORK FLOW

[WITH INTELLIGENT KEY SYSTEM]

< BASIC INSPECTION >

Inspect according to Diagnosis Procedure of the system.

Is malfunctioning part detected?

YES >> GO TO 8.

NO >> Check according to [GI-44. "Intermittent Incident"](#).

8. REPAIR OR REPLACE THE MALFUNCTIONING PART

1. Repair or replace the malfunctioning part.
2. Reconnect parts or connectors disconnected during Diagnosis Procedure again after repair and replacement.
3. Check DTC. If DTC is detected, erase it.

>> GO TO 9.

9. FINAL CHECK

When DTC is detected in step 2, perform DTC CONFIRMATION PROCEDURE again, and then check that the malfunction is repaired securely.

When symptom is described by the customer, refer to confirmed symptom in step 3 or 4, and check that the symptom is not detected.

Is DTC detected and does symptom remain?

YES-1 >> DTC is detected: GO TO 7.

YES-2 >> Symptom remains: GO TO 4.

NO >> Before returning the vehicle to the customer, always erase DTC.

ADDITIONAL SERVICE WHEN REPLACING CONTROL UNIT

< BASIC INSPECTION >

[WITH INTELLIGENT KEY SYSTEM]

ADDITIONAL SERVICE WHEN REPLACING CONTROL UNIT

ECM

ECM : Description

INFOID:000000006888030

Performing the following procedure can automatically activate recommunication of ECM and BCM, but only when the ECM is replaced with a new one*.

*: New one means a virgin ECM that has never been energized on-board.

(In this step, initialization procedure by CONSULT is not necessary)

NOTE:

- When registering new Key IDs or replacing the ECM that is not brand new, refer to CONSULT Operation Manual NATS-IVIS/NVIS.
- If multiple keys are attached to the key holder, separate them before beginning work.
- Distinguish keys with unregistered key IDs from those with registered IDs.

ECM : Work Procedure

INFOID:000000006888031

1.PERFORM ECM RECOMMUNICATING FUNCTION

1. Install ECM.
2. Contact backside of registered Intelligent key* to push-button ignition switch, then turn power supply position to ON.
*: To perform this step, use the key that is used before performing ECM replacement.
3. Maintain power supply position in the ON position for at least 5 seconds.
4. Turn power supply position to OFF.
5. Check that the engine starts.

>> GO TO 2.

2.PERFORM ADDITIONAL SERVICE WHEN REPLACING ECM

Perform the following procedure.

- VQ37VHR: [EC-144, "Work Procedure"](#)
- VK56VD: [EC-1117, "Work Procedure"](#)

>> END

BCM

BCM : Description

INFOID:000000007215669

BEFORE REPLACEMENT

When replacing BCM, save or print current vehicle specification with CONSULT configuration before replacement.

NOTE:

If "READ CONFIGURATION" can not be used, use the "WRITE CONFIGURATION - Manual selection" after replacing BCM.

AFTER REPLACEMENT

CAUTION:

When replacing BCM, always perform "WRITE CONFIGURATION" with CONSULT. Or not doing so, BCM control function does not operate normally.

- Complete the procedure of "WRITE CONFIGURATION" in order.
- Configuration is different for each vehicle model. Confirm configuration of each vehicle model.
- If you set incorrect "WRITE CONFIGURATION", incidents might occur.

NOTE:

When replacing BCM, perform the system initialization (NATS) (if equipped).

BCM : Work Procedure

INFOID:000000007215670

1.SAVING VEHICLE SPECIFICATION

A

B

C

D

E

F

G

H

I

J

SEC

L

M

N

O

P

ADDITIONAL SERVICE WHEN REPLACING CONTROL UNIT

< BASIC INSPECTION >

[WITH INTELLIGENT KEY SYSTEM]

ⓈCONSULT Configuration

Perform "READ CONFIGURATION" to save or print current vehicle specification. Refer to [BCS-67. "CONFIGURATION \(BCM\) : Description"](#).

NOTE:

If "READ CONFIGURATION" can not be used, use the "WRITE CONFIGURATION - Manual selection" after replacing BCM.

>> GO TO 2.

2.REPLACE BCM

Replace BCM. Refer to [BCS-82, "Removal and Installation"](#).

>> GO TO 3.

3.WRITING VEHICLE SPECIFICATION

ⓈCONSULT Configuration

Perform "WRITE CONFIGURATION - Config file" or "WRITE CONFIGURATION - Manual selection" to write vehicle specification. Refer to [BCS-67. "CONFIGURATION \(BCM\) : Work Procedure"](#).

>> GO TO 4.

4.INITIALIZE BCM (NATS) (IF EQUIPPED)

Perform BCM initialization. (NATS)

>> WORK END

DTC/CIRCUIT DIAGNOSIS

P1610 LOCK MODE

Description

INFOID:000000006888034

ECM forcibly switches to the mode that inhibits engine start, when engine start operation is performed 5 times or more while communication between ECM and BCM is not normal.

DTC Logic

INFOID:000000006888035

DTC DETECTION LOGIC

NOTE:

If DTC P1610 is displayed with other DTC (for BCM or ENGINE), first perform the trouble diagnosis for other DTC.

DTC No.	Trouble diagnosis name	DTC detecting condition	Possible cause
P1610	LOCK MODE	When ECM detects a communication malfunction between ECM and BCM 5 times or more.	—

DTC CONFIRMATION PROCEDURE

1. PERFORM DTC CONFIRMATION PROCEDURE

1. Turn ignition switch ON.
2. Check DTC in "Self Diagnostic Result" mode of "ENGINE" using CONSULT.

Is DTC detected?

- YES >> Go to [SEC-41. "Diagnosis Procedure"](#).
- NO >> INSPECTION END

Diagnosis Procedure

INFOID:000000006888036

1. CHECK ENGINE START FUNCTION

1. Check that DTC except for DTC P1610 is not detected.
If detected, erase the DTC after fixing.
2. Turn ignition switch OFF.
3. Contact the registered Intelligent Key backside to push-button ignition switch and wait 5 seconds.
4. Turn ignition switch ON.
5. Turn ignition switch OFF and wait 5 seconds.
6. Repeat steps 3 and 5 twice (a total of 3 times).
7. Check that engine can start.

>> INSPECTION END



P1611 ID DISCORD, IMMUECM

< DTC/CIRCUIT DIAGNOSIS >

[WITH INTELLIGENT KEY SYSTEM]

P1611 ID DISCORD, IMMUECM

DTC Logic

INFOID:000000006888037

DTC DETECTION LOGIC

NOTE:

- If DTC P1611 is displayed with DTC U1000 (for BCM), first perform the trouble diagnosis for DTC U1000. Refer to [BCS-70, "DTC Logic"](#).
- If DTC P1611 is displayed with DTC U1010 (for BCM), first perform the trouble diagnosis for DTC U1010. Refer to [BCS-71, "DTC Logic"](#).

DTC No.	Trouble diagnosis name	DTC detecting condition	Possible cause
P1611	ID DISCORD, IMMUECM	The ID verification results between BCM and ECM are NG.	<ul style="list-style-type: none">• Harness or connectors (The CAN communication line is open or shorted.)• BCM• ECM

DTC CONFIRMATION PROCEDURE

1.PERFORM DTC CONFIRMATION PROCEDURE

1. Turn ignition switch ON.
2. Check DTC in "Self Diagnostic Result" mode of "ENGINE" using CONSULT.

Is DTC detected?

- YES >> Go to [SEC-42, "Diagnosis Procedure"](#).
NO >> INSPECTION END

Diagnosis Procedure

INFOID:000000006888038

1.PERFORM INITIALIZATION

Perform initialization of BCM and reregistration of all Intelligent Keys using CONSULT.

Can the system be initialized and can the engine be started with reregistered Intelligent Key?

- YES >> INSPECTION END
NO >> GO TO 2.

2.CHECK SELF DIAGNOSTIC RESULT

1. Select "Self Diagnostic Result" mode of "ENGINE" using CONSULT.
2. Erase DTC.
3. Perform DTC CONFIRMATION PROCEDURE for DTC P1611. Refer to [SEC-42, "DTC Logic"](#).

Is DTC detected?

- YES >> GO TO 3.
NO >> INSPECTION END

3.REPLACE BCM

1. Replace BCM. Refer to [BCS-82, "Removal and Installation"](#).
2. Perform initialization of BCM and registration of all Intelligent Keys using CONSULT.

Can the system be initialized and can the engine be started with registered Intelligent Key?

- YES >> INSPECTION END
NO >> GO TO 4.

4.REPLACE ECM

1. Replace ECM. Refer to [EC-543, "Removal and Installation"](#) (VQ37VHR), [EC-1553, "Removal and Installation"](#) (VK56VD).
2. Perform "ADDITIONAL SERVICE WHEN REPLACING ECM". Refer to [EC-144, "Work Procedure"](#) (VQ37VHR), [EC-1117, "Work Procedure"](#) (VK56VD).

>> INSPECTION END

P1612 CHAIN OF ECM-IMMU

[WITH INTELLIGENT KEY SYSTEM]

< DTC/CIRCUIT DIAGNOSIS >

P1612 CHAIN OF ECM-IMMU

DTC Logic

INFOID:000000006888039

DTC DETECTION LOGIC

NOTE:

- If DTC P1612 is displayed with DTC U1000 (for BCM), first perform the trouble diagnosis for DTC U1000. Refer to [BCS-70, "DTC Logic"](#).
- If DTC P1612 is displayed with DTC U1010 (for BCM), first perform the trouble diagnosis for DTC U1010. Refer to [BCS-71, "DTC Logic"](#).

DTC No.	Trouble diagnosis name	DTC detecting condition	Possible cause
P1612	CHAIN OF ECM-IMMU	Inactive communication between ECM and BCM	<ul style="list-style-type: none">• Harness or connectors (The CAN communication line is open or shorted.)• BCM• ECM

DTC CONFIRMATION PROCEDURE

1. PERFORM DTC CONFIRMATION PROCEDURE

1. Turn ignition switch ON.
2. Check DTC in "Self Diagnostic Result" mode of "ENGINE" using CONSULT.

Is DTC detected?

- YES >> Go to [SEC-43, "Diagnosis Procedure"](#).
NO >> INSPECTION END

Diagnosis Procedure

INFOID:000000006888040

1. REPLACE BCM

1. Replace BCM. Refer to [BCS-82, "Removal and Installation"](#).
2. Perform initialization of BCM and registration of all Intelligent Keys using CONSULT.

Does the engine start?

- YES >> INSPECTION END
NO >> GO TO 2.

2. REPLACE ECM

1. Replace ECM. Refer to [EC-543, "Removal and Installation"](#) (VQ37VHR), [EC-1553, "Removal and Installation"](#) (VK56VD).
2. Perform "ADDITIONAL SERVICE WHEN REPLACING ECM". Refer to [EC-144, "Work Procedure"](#) (VQ37VHR), [EC-1117, "Work Procedure"](#) (VK56VD).

>> INSPECTION END

P1614 CHAIN OF IMMU-KEY

< DTC/CIRCUIT DIAGNOSIS >

[WITH INTELLIGENT KEY SYSTEM]

P1614 CHAIN OF IMMU-KEY

DTC Logic

INFOID:000000006888041

DTC DETECTION LOGIC

DTC No.	Trouble diagnosis name	DTC detecting condition	Possible cause
P1614	CHAIN OF IMMU-KEY	Inactive communication between NATS antenna amp. and BCM	<ul style="list-style-type: none">• Harness or connectors (NATS antenna amp. circuit is open or shorted.)• NATS antenna amp.• IPDM E/R

DTC CONFIRMATION PROCEDURE

1.PERFORM DTC CONFIRMATION PROCEDURE 1

1. Contact Intelligent Key backside to push-button ignition switch.
2. Check DTC in "Self Diagnostic Result" mode of "ENGINE" using CONSULT.

Is DTC detected?

- YES >> Go to [SEC-44. "Diagnosis Procedure"](#).
NO >> GO TO 2.

2.PERFORM DTC CONFIRMATION PROCEDURE 2

1. Press the push-button ignition switch.
2. Check DTC in "Self Diagnostic Result" mode of "ENGINE" using CONSULT.

Is DTC detected?

- YES >> Go to [SEC-44. "Diagnosis Procedure"](#).
NO >> INSPECTION END

Diagnosis Procedure

INFOID:000000006888042

1.CHECK FUSE

1. Turn ignition switch OFF.
2. Check that the following fuse in IPDM E/R is not blown.

Signal name	Fuse No.
Battery power supply	51

Is the fuse fusing?

- YES >> Replace the blown fuse after repairing the cause of blowing.
NO >> GO TO 2.

2.CHECK NATS ANTENNA AMP. POWER SUPPLY

1. Disconnect NATS antenna amp. connector.
2. Check voltage between NATS antenna amp. harness connector and ground.

(+)		(-)	Voltage (V) (Approx.)
NATS antenna amp.			
Connector	Terminal	Ground	Battery voltage
M130	1		

Is the inspection result normal?

- YES >> GO TO 4.
NO >> GO TO 3.

3.CHECK NATS ANTENNA AMP. POWER SUPPLY CIRCUIT

1. Disconnect IPDM E/R connector.
2. Check continuity between IPDM E/R harness connector and NATS antenna amp. connector.

P1614 CHAIN OF IMMU-KEY

[WITH INTELLIGENT KEY SYSTEM]

< DTC/CIRCUIT DIAGNOSIS >

IPDM E/R		NATS antenna amp.		Continuity
Connector	Terminal	Connector	Terminal	
E5	10	M130	1	Existed

3. Check continuity between IPDM E/R harness connector and ground.

IPDM E/R		Ground	Continuity
Connector	Terminal		
E5	10		Not existed

Is the inspection result normal?

YES >> Replace IPDM E/R. Refer to [PCS-33, "Removal and Installation"](#).

NO >> Repair or replace harness.

4. CHECK NATS ANTENNA AMP. OUTPUT SIGNAL 1

1. Connect NATS antenna amp. connector.
2. Disconnect BCM connector.
3. Check voltage between BCM harness connector and ground.

(+)		(-)	Voltage (V) (Approx.)
BCM			
Connector	Terminal		
M120	21	Ground	12

Is the inspection result normal?

YES >> GO TO 6.

NO >> GO TO 5.

5. CHECK NATS ANTENNA AMP. OUTPUT SIGNAL CIRCUIT 1

1. Disconnect NATS antenna amp. connector.
2. Check continuity between BCM harness connector and NATS antenna amp. connector.

BCM		NATS antenna amp.		Continuity
Connector	Terminal	Connector	Terminal	
M120	21	M130	2	Existed

3. Check continuity between BCM harness connector and ground.

BCM		Ground	Continuity
Connector	Terminal		
M120	21		Not existed

Is the inspection result normal?

YES >> Replace NATS antenna amp. Refer to [SEC-136, "Removal and Installation"](#).

NO >> Repair or replace harness.

6. CHECK NATS ANTENNA AMP. COMMUNICATION SIGNAL 1

1. Connect NATS antenna amp. connector.
2. Connect BCM connector.
3. Check voltage between BCM harness connector and ground using analog tester.

(+)		(-)	Condition	Voltage (V) (Approx.)
BCM				
Connector	Terminal			
M120	21	Ground	Contact Intelligent Key backside to push-button ignition switch, then turn ignition switch ON.	Just after pressing push-button ignition switch, pointer of analog tester should move.

P1614 CHAIN OF IMMU-KEY

[WITH INTELLIGENT KEY SYSTEM]

< DTC/CIRCUIT DIAGNOSIS >

Is the inspection result normal?

YES >> GO TO 7.

NO >> Replace NATS antenna amp. Refer to [SEC-136, "Removal and Installation"](#).

7. CHECK NATS ANTENNA AMP. OUTPUT SIGNAL 2

1. Disconnect BCM connector.
2. Check voltage between BCM harness connector and ground.

(+)		(-)	Voltage (V) (Approx.)
BCM			
Connector	Terminal	Ground	12
M120	25		

Is the inspection result normal?

YES >> GO TO 9.

NO >> GO TO 8.

8. CHECK NATS ANTENNA AMP. OUTPUT SIGNAL CIRCUIT 2

1. Disconnect NATS antenna amp. connector.
2. Check continuity between BCM harness connector and NATS antenna amp. connector.

BCM		NATS antenna amp.		Continuity
Connector	Terminal	Connector	Terminal	
M120	25	M130	3	Existed

3. Check continuity between BCM harness connector and ground.

BCM		Ground	Continuity
Connector	Terminal		
M120	25		Not existed

Is the inspection result normal?

YES >> Replace NATS antenna amp. Refer to [SEC-136, "Removal and Installation"](#).

NO >> Repair or replace harness.

9. CHECK NATS ANTENNA AMP. COMMUNICATION SIGNAL 2

1. Connect NATS antenna amp. connector.
2. Connect BCM connector.
3. Check voltage between BCM harness connector and ground using analog tester.

(+)		(-)	Condition	Voltage (V) (Approx.)
BCM				
Connector	Terminal	Ground	Contact Intelligent Key backside to push-button ignition switch, then turn ignition switch ON.	Just after pressing push-button ignition switch, pointer of analog tester should move.
M120	25			

Is the inspection result normal?

YES >> GO TO 10.

NO >> Replace NATS antenna amp. Refer to [SEC-136, "Removal and Installation"](#).

10. CHECK NATS ANTENNA AMP. GROUND CIRCUIT

1. Disconnect NATS antenna amp. connector.
2. Check continuity between NATS antenna amp. harness connector and ground.

NATS antenna amp.		Ground	Continuity
Connector	Terminal		
M130	4		Existed

P1614 CHAIN OF IMMU-KEY

[WITH INTELLIGENT KEY SYSTEM]

< DTC/CIRCUIT DIAGNOSIS >

Is the inspection result normal?

YES >> GO TO 11.

NO >> Repair or replace harness.

11.CHECK INTERMITTENT INCIDENT

Refer to [GI-44. "Intermittent Incident"](#).

>> INSPECTION END

A

B

C

D

E

F

G

H

I

J

SEC

L

M

N

O

P

B2192 ID DISCORD, IMMUECM

< DTC/CIRCUIT DIAGNOSIS >

[WITH INTELLIGENT KEY SYSTEM]

B2192 ID DISCORD, IMMUECM

DTC Logic

INFOID:000000006888043

DTC DETECTION LOGIC

NOTE:

- If DTC B2192 is displayed with DTC U1000, first perform the trouble diagnosis for DTC U1000. Refer to [BCS-70, "DTC Logic"](#).
- If DTC B2192 is displayed with DTC U1010, first perform the trouble diagnosis for DTC U1010. Refer to [BCS-71, "DTC Logic"](#).

DTC No.	Trouble diagnosis name	DTC detecting condition	Possible cause
B2192	ID DISCORD BCM-ECM	The ID verification results between BCM and ECM are NG.	<ul style="list-style-type: none">• Harness or connectors (The CAN communication line is open or shorted.)• BCM• ECM

DTC CONFIRMATION PROCEDURE

1.PERFORM DTC CONFIRMATION PROCEDURE

1. Turn ignition switch ON.
2. Check DTC in "Self Diagnostic Result" mode of "BCM" using CONSULT.

Is DTC detected?

- YES >> Go to [SEC-48, "Diagnosis Procedure"](#).
NO >> INSPECTION END

Diagnosis Procedure

INFOID:000000006888044

1.PERFORM INITIALIZATION

Perform initialization of BCM and reregistration of all Intelligent Keys using CONSULT.

Can the system be initialized and can the engine be started with reregistered Intelligent Key?

- YES >> INSPECTION END
NO >> GO TO 2.

2.CHECK SELF-DIAGNOSIS RESULT

1. Select "Self Diagnostic Result" mode of "BCM" using CONSULT.
2. Erase DTC.
3. Perform DTC CONFIRMATION PROCEDURE for DTC B2192. Refer to [SEC-48, "DTC Logic"](#).

Is DTC detected?

- YES >> GO TO 3.
NO >> INSPECTION END

3.REPLACE BCM

1. Replace BCM. Refer to [BCS-82, "Removal and Installation"](#).
2. Perform initialization of BCM and registration of all Intelligent Keys using CONSULT.

Can the system be initialized and can the engine be started with registered Intelligent Key?

- YES >> INSPECTION END
NO >> GO TO 4.

4.REPLACE ECM

1. Replace ECM. Refer to [EC-543, "Removal and Installation"](#) (VQ37VHR), [EC-1553, "Removal and Installation"](#) (VK56VD).
2. Perform "ADDITIONAL SERVICE WHEN REPLACING ECM". Refer to [EC-144, "Work Procedure"](#) (VQ37VHR), [EC-1117, "Work Procedure"](#) (VK56VD).

>> INSPECTION END

B2193 CHAIN OF ECM-IMMU

[WITH INTELLIGENT KEY SYSTEM]

< DTC/CIRCUIT DIAGNOSIS >

B2193 CHAIN OF ECM-IMMU

DTC Logic

INFOID:000000006888045

DTC DETECTION LOGIC

NOTE:

- If DTC B2193 is displayed with DTC U1000, first perform the trouble diagnosis for DTC U1000. Refer to [BCS-70, "DTC Logic"](#).
- If DTC B2193 is displayed with DTC U1010, first perform the trouble diagnosis for DTC U1010. Refer to [BCS-71, "DTC Logic"](#).

DTC No.	Trouble diagnosis name	DTC detecting condition	Possible cause
B2193	CHAIN OF BCM-ECM	Inactive communication between BCM and ECM	<ul style="list-style-type: none">• Harness or connectors (The CAN communication line is open or shorted.)• BCM• ECM

DTC CONFIRMATION PROCEDURE

1. PERFORM DTC CONFIRMATION PROCEDURE

1. Turn ignition switch ON.
2. Check DTC in "Self Diagnostic Result" mode of "BCM" using CONSULT.

Is DTC detected?

- YES >> Go to [SEC-49, "Diagnosis Procedure"](#).
NO >> INSPECTION END

Diagnosis Procedure

INFOID:000000006888046

1. REPLACE BCM

1. Replace BCM. Refer to [BCS-82, "Removal and Installation"](#).
2. Perform initialization of BCM and registration of all Intelligent Keys using CONSULT.

Does the engine start?

- YES >> INSPECTION END
NO >> GO TO 2.

2. REPLACE ECM

1. Replace ECM. Refer to [EC-543, "Removal and Installation"](#) (VQ37VHR), [EC-1553, "Removal and Installation"](#) (VK56VD).
2. Perform "ADDITIONAL SERVICE WHEN REPLACING ECM". Refer to [EC-144, "Work Procedure"](#) (VQ37VHR), [EC-1117, "Work Procedure"](#) (VK56VD).

>> INSPECTION END

B2195 ANTI-SCANNING

[WITH INTELLIGENT KEY SYSTEM]

< DTC/CIRCUIT DIAGNOSIS >

B2195 ANTI-SCANNING

DTC Logic

INFOID:000000006888047

DTC DETECTION LOGIC

DTC No.	Trouble diagnosis name	DTC detecting condition	Possible cause
B2195	ANTI-SCANNING	ID verification between BCM and ECM that is out of the specified specification is detected.	<ul style="list-style-type: none">• ID verification request out of the specified specification• BCM

DTC CONFIRMATION PROCEDURE

1.PERFORM DTC CONFIRMATION PROCEDURE

1. Turn ignition switch ON.
2. Check DTC in "Self Diagnostic Result" mode of "BCM" using CONSULT.

Is DTC detected?

- YES >> Refer to [SEC-50, "Diagnosis Procedure"](#).
NO >> INSPECTION END.

Diagnosis Procedure

INFOID:000000006888048

1.CHECK SELF DIAGNOSTIC RESULT 1

1. Select "Self Diagnostic Result" mode of "BCM" using CONSULT.
2. Erase DTC.
3. Perform DTC CONFIRMATION PROCEDURE for DTC B2195. Refer to [SEC-50, "DTC Logic"](#).

Is DTC detected?

- YES >> GO TO 2.
NO >> INSPECTION END

2.CHECK EQUIPMENT OF THE VEHICLE

Check that unspecified accessory part related to engine start is not installed.

Is unspecified accessory part related to engine start installed?

- YES >> GO TO 3.
NO >> GO TO 4.

3.CHECK SELF DIAGNOSTIC RESULT 2

1. Obtain the customers approval to remove unspecified accessory part related to engine start, and then remove it.
2. Select "Self Diagnostic Result" of "BCM" using CONSULT.
3. Erase DTC.
4. Perform DTC CONFIRMATION PROCEDURE for DTC B2195. Refer to [SEC-50, "DTC Logic"](#).

Is DTC detected?

- YES >> GO TO 4.
NO >> INSPECTION END

4.REPLACE BCM

1. Replace BCM. Refer to [BCS-82, "Removal and Installation"](#).
2. Perform initialization of BCM and registration of all Intelligent Keys using CONSULT.
3. Check that engine can start.

>> INSPECTION END

B2196 DONGLE UNIT

[WITH INTELLIGENT KEY SYSTEM]

< DTC/CIRCUIT DIAGNOSIS >

B2196 DONGLE UNIT

Description

INFOID:000000006888049

BCM performs ID verification between BCM and dongle unit.
When verification result is OK, BCM permits cranking.

DTC Logic

INFOID:000000006888050

DTC DETECTION LOGIC

NOTE:

- If DTC B2196 is displayed with DTC U1000, first perform the trouble diagnosis for DTC U1000. Refer to [BCS-70, "DTC Logic"](#).
- If DTC B2196 is displayed with DTC U1010, first perform the trouble diagnosis for DTC U1010. Refer to [BCS-71, "DTC Logic"](#).

DTC No.	Trouble diagnosis name	DTC detecting condition	Possible cause
B2196	DONGLE NG	The ID verification results between BCM and dongle unit is NG.	<ul style="list-style-type: none">• Harness or connectors (Dongle unit circuit is open or shorted.)• Dongle unit

DTC CONFIRMATION PROCEDURE

1.PERFORM DTC CONFIRMATION PROCEDURE

1. Turn ignition switch ON.
2. Turn ignition switch OFF.
3. Turn ignition switch ON.
4. Check "Self-diagnosis result" using CONSULT.

Is the DTC detected?

- YES >> Refer to [SEC-51, "Diagnosis Procedure"](#).
NO >> INSPECTION END.

Diagnosis Procedure

INFOID:000000006888051

1.PERFORM INITIALIZATION

1. Perform initialization of BCM and reregistration of all Intelligent Keys using CONSULT.
2. Start the engine.

Dose the engine start?

- YES >> INSPECTION END
NO >> GO TO 2.

2.CHECK DONGLE UNIT CIRCUIT

1. Turn ignition switch OFF.
2. Disconnect BCM connector and dongle unit connector.
3. Check continuity between BCM harness connector and dongle unit harness connector.

BCM		Dongle unit		Continuity
Connector	Terminal	Connector	Terminal	
M120	24	M165	7	Existed

4. Check continuity between BCM harness connector and ground.

BCM		Ground	Continuity
Connector	Terminal		
M120	24		Not existed

Is the inspection result normal?

- YES >> GO TO 3.

A
B
C
D
E
F
G
H
I
J
L
M
N
O
P

SEC

B2196 DONGLE UNIT

< DTC/CIRCUIT DIAGNOSIS >

[WITH INTELLIGENT KEY SYSTEM]

NO >> Repair or replace harness.

3.CHECK DONGLE UNIT GROUND CIRCUIT

Check continuity between dongle unit harness connector and ground.

Dongle unit		Ground	Continuity
Connector	Terminal		
M165	1		Existed

Is the inspection result normal?

YES >> Replace dongle unit.

NO >> Repair or replace harness.

B2198 NATS ANTENNA AMP.

< DTC/CIRCUIT DIAGNOSIS >

[WITH INTELLIGENT KEY SYSTEM]

B2198 NATS ANTENNA AMP.

DTC Logic

INFOID:000000006888052

DTC DETECTION LOGIC

DTC No.	Trouble diagnosis name	DTC detecting condition	Possible cause
B2198	NATS ANTENNA AMP.	Inactive communication between NATS antenna amp. and BCM	<ul style="list-style-type: none"> • Harness or connectors (NATS antenna amp. circuit is open or shorted.) • NATS antenna amp. • IPDM E/R

DTC CONFIRMATION PROCEDURE

1.PERFORM DTC CONFIRMATION PROCEDURE 1

1. Contact Intelligent Key backside to push-button ignition switch.
2. Check DTC in "Self Diagnostic Result" mode of "BCM" using CONSULT.

Is DTC detected?

- YES >> Go to [SEC-53. "Diagnosis Procedure"](#).
 NO >> GO TO 2.

2.PERFORM DTC CONFIRMATION PROCEDURE 2

1. Press the push-button ignition switch.
2. Check DTC in "Self Diagnostic Result" mode of "BCM" using CONSULT.

Is DTC detected?

- YES >> Go to [SEC-53. "Diagnosis Procedure"](#).
 NO >> INSPECTION END

Diagnosis Procedure

INFOID:000000006888053

1.CHECK FUSE

1. Turn ignition switch OFF.
2. Check that the following fuse in IPDM E/R is not blown.

Signal name	Fuse No.
Battery power supply	51

Is the fuse fusing?

- YES >> Replace the blown fuse after repairing the cause of blowing.
 NO >> GO TO 2.

2.CHECK NATS ANTENNA AMP. POWER SUPPLY

1. Disconnect NATS antenna amp. connector.
2. Check voltage between NATS antenna amp. harness connector and ground.

(+)		(-)	Voltage (V) (Approx.)
NATS antenna amp.			
Connector	Terminal		
M130	1	Ground	Battery voltage

Is the inspection result normal?

- YES >> GO TO 4.
 NO >> GO TO 3.

3.CHECK NATS ANTENNA AMP. POWER SUPPLY CIRCUIT

1. Disconnect IPDM E/R connector.
2. Check continuity between IPDM E/R harness connector and NATS antenna amp. connector.

A
B
C
D
E
F
G
H
I
J
L
M
N
O
P

SEC

B2198 NATS ANTENNA AMP.

< DTC/CIRCUIT DIAGNOSIS >

[WITH INTELLIGENT KEY SYSTEM]

IPDM E/R		NATS antenna amp.		Continuity
Connector	Terminal	Connector	Terminal	
E5	10	M130	1	Existed

3. Check continuity between IPDM E/R harness connector and ground.

IPDM E/R		Ground	Continuity
Connector	Terminal		
E5	10		Not existed

Is the inspection result normal?

YES >> Replace IPDM E/R. Refer to [PCS-33, "Removal and Installation"](#).

NO >> Repair or replace harness.

4. CHECK NATS ANTENNA AMP. OUTPUT SIGNAL 1

1. Connect NATS antenna amp. connector.
2. Disconnect BCM connector.
3. Check voltage between BCM harness connector and ground.

(+)		(-)	Voltage (V) (Approx.)
BCM			
Connector	Terminal		
M120	21	Ground	12

Is the inspection result normal?

YES >> GO TO 6.

NO >> GO TO 5.

5. CHECK NATS ANTENNA AMP. OUTPUT SIGNAL CIRCUIT 1

1. Disconnect NATS antenna amp. connector.
2. Check continuity between BCM harness connector and NATS antenna amp. connector.

BCM		NATS antenna amp.		Continuity
Connector	Terminal	Connector	Terminal	
M120	21	M130	2	Existed

3. Check continuity between BCM harness connector and ground.

BCM		Ground	Continuity
Connector	Terminal		
M120	21		Not existed

Is the inspection result normal?

YES >> Replace NATS antenna amp. Refer to [SEC-136, "Removal and Installation"](#).

NO >> Repair or replace harness.

6. CHECK NATS ANTENNA AMP. COMMUNICATION SIGNAL 1

1. Connect NATS antenna amp. connector.
2. Connect BCM connector.
3. Check voltage between BCM harness connector and ground using analog tester.

(+)		(-)	Condition	Voltage (V) (Approx.)
BCM				
Connector	Terminal			
M120	21	Ground	Contact Intelligent Key backside to push-button ignition switch, then turn ignition switch ON.	Just after pressing push-button ignition switch, pointer of analog tester should move.

B2198 NATS ANTENNA AMP.

[WITH INTELLIGENT KEY SYSTEM]

< DTC/CIRCUIT DIAGNOSIS >

Is the inspection result normal?

YES >> GO TO 7.

NO >> Replace NATS antenna amp. Refer to [SEC-136, "Removal and Installation"](#).

7. CHECK NATS ANTENNA AMP. OUTPUT SIGNAL 2

1. Disconnect BCM connector.
2. Check voltage between BCM harness connector and ground.

(+)		(-)	Voltage (V) (Approx.)
BCM			
Connector	Terminal		
M130	25	Ground	12

Is the inspection result normal?

YES >> GO TO 9.

NO >> GO TO 8.

8. CHECK NATS ANTENNA AMP. OUTPUT SIGNAL CIRCUIT 2

1. Disconnect NATS antenna amp. connector.
2. Check continuity between BCM harness connector and NATS antenna amp. connector.

BCM		NATS antenna amp.		Continuity
Connector	Terminal	Connector	Terminal	
M130	25	M120	3	Existed

3. Check continuity between BCM harness connector and ground.

BCM		Ground	Continuity
Connector	Terminal		
M120	25		Not existed

Is the inspection result normal?

YES >> Replace NATS antenna amp. Refer to [SEC-136, "Removal and Installation"](#).

NO >> Repair or replace harness.

9. CHECK NATS ANTENNA AMP. COMMUNICATION SIGNAL 2

1. Connect NATS antenna amp. connector.
2. Connect BCM connector.
3. Check voltage between BCM harness connector and ground using analog tester.

(+)		(-)	Condition	Voltage (V) (Approx.)
BCM				
Connector	Terminal			
M120	25	Ground	Contact Intelligent Key backside to push-button ignition switch, then turn ignition switch ON.	Just after pressing push-button ignition switch, pointer of analog tester should move.

Is the inspection result normal?

YES >> GO TO 10.

NO >> Replace NATS antenna amp. Refer to [SEC-136, "Removal and Installation"](#).

10. CHECK NATS ANTENNA AMP. GROUND CIRCUIT

1. Disconnect NATS antenna amp. connector.
2. Check continuity between NATS antenna amp. harness connector and ground.

NATS antenna amp.		Ground	Continuity
Connector	Terminal		
M130	4		Existed

A
B
C
D
E
F
G
H
I
J
L
M
N
O
P

SEC

B2198 NATS ANTENNA AMP.

< DTC/CIRCUIT DIAGNOSIS >

[WITH INTELLIGENT KEY SYSTEM]

Is the inspection result normal?

YES >> GO TO 11.

NO >> Repair or replace harness.

11.CHECK INTERMITTENT INCIDENT

Refer to [GI-44, "Intermittent Incident"](#).

>> INSPECTION END

B2013 STEERING LOCK UNIT

< DTC/CIRCUIT DIAGNOSIS >

[WITH INTELLIGENT KEY SYSTEM]

B2013 STEERING LOCK UNIT

DTC Logic

INFOID:000000006888054

DTC DETECTION LOGIC

DTC No.	Trouble diagnosis name	DTC detecting condition	Possible cause
B2013	ID DISCORD BCM-S/L	The ID verification results between BCM and steering lock unit are NG.	Steering lock unit

DTC CONFIRMATION PROCEDURE

1.PERFORM DTC CONFIRMATION PROCEDURE

1. Lock the steering.

NOTE:

To lock the steering	<ol style="list-style-type: none">1. Set the selector lever in the P position.2. Turn the power supply position to the OFF position.3. Press any door switch.
To unlock the steering	<ol style="list-style-type: none">1. Set the selector lever in the P position.2. Press the push-button ignition switch with brake pedal not depressed.

3. Press the push-button ignition switch.
4. Check DTC in "Self Diagnostic Result" mode of "BCM" using CONSULT.

Is DTC detected?

- YES >> Go to [SEC-57. "Diagnosis Procedure"](#).
NO >> INSPECTION END

Diagnosis Procedure

INFOID:000000006888055

1.PERFORM INITIALIZATION

Perform initialization of BCM and reregistration of all Intelligent Keys using CONSULT.

Does steering lock operate?

- YES >> INSPECTION END
NO >> GO TO 2.

2.REPLACE STEERING LOCK UNIT

1. Replace steering lock unit.
2. Perform the service procedure for steering lock unit replacement. Refer to CONSULT display instruction.

>> INSPECTION END

B2014 CHAIN OF STRG-IMMU

< DTC/CIRCUIT DIAGNOSIS >

[WITH INTELLIGENT KEY SYSTEM]

B2014 CHAIN OF STRG-IMMU

DTC Logic

INFOID:000000006888056

DTC DETECTION LOGIC

DTC No.	Trouble diagnosis name	DTC detecting condition	Possible cause
B2014	CHAIN OF S/L-BCM	Inactive communication between steering lock unit and BCM	<ul style="list-style-type: none"> Harness or connectors (Steering lock unit circuit is open or shorted.) Steering lock unit BCM

DTC CONFIRMATION PROCEDURE

1. PERFORM DTC CONFIRMATION PROCEDURE

- Lock steering.

NOTE:

To lock the steering	<ol style="list-style-type: none"> Set the selector lever in the P position. Turn the power supply position to the OFF position. Press any door switch.
To unlock the steering	<ol style="list-style-type: none"> Set the selector lever in the P position. Press the push-button ignition switch with brake pedal not depressed.

- Press the push-button ignition switch.
- Check DTC in "Self Diagnostic Result" mode of "BCM" using CONSULT.

Is DTC detected?

- YES >> Go to [SEC-58. "Diagnosis Procedure"](#).
 NO >> INSPECTION END

Diagnosis Procedure

INFOID:000000006888057

1. CHECK STEERING LOCK UNIT POWER SUPPLY

- Turn ignition switch OFF.
- Disconnect steering lock unit connector.
- Check voltage between steering lock unit harness connector and ground.

(+)		(-)	Condition	Voltage (V) (Approx.)
Connector	Terminal			
M40	7	Ground	Ignition switch OFF or ACC	12
			ON	0

Is the inspection result normal?

- YES >> GO TO 3.
 NO >> GO TO 2.

2. CHECK STEERING LOCK UNIT POWER SUPPLY CIRCUIT

- Disconnect BCM connector.
- Check continuity between steering lock unit harness connector and BCM harness connector.

Steering lock unit		BCM		Continuity
Connector	Terminal	Connector	Terminal	
M40	7	M123	95	Existed

- Check continuity between steering lock unit harness connector and ground.

B2014 CHAIN OF STRG-IMMU

[WITH INTELLIGENT KEY SYSTEM]

< DTC/CIRCUIT DIAGNOSIS >

Steering lock unit		Ground	Continuity
Connector	Terminal		
M40	7		Not existed

Is the inspection result normal?

- YES >> GO TO 7.
- NO >> Repair or replace harness.

3.CHECK STEERING LOCK UNIT GROUND CIRCUIT

Check continuity between steering lock unit and ground.

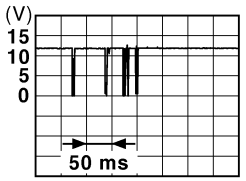
Steering lock unit		Ground	Continuity
Connector	Terminal		
M40	5		Existed
	6		

Is the inspection result normal?

- YES >> GO TO 4.
- NO >> Repair or replace harness.

4.CHECK STEERING LOCK UNIT COMMUNICATION SIGNAL

1. Connect steering lock unit connector and BCM connector.
2. Read voltage signal between steering lock unit harness connector and ground.

(+)		(-)	Condition	Voltage (V) (Approx.)	
Steering lock unit					
Connector	Terminal				
M40	2	Ground	Steering lock unit	Lock status	12
				Lock or unlock	
				For 15 seconds after unlock	12
				15 seconds or later after unlock.	0

NOTE:

To lock the steering	<ol style="list-style-type: none"> 1. Set the selector lever in the P position. 2. Turn the power supply position to the OFF position. 3. Press any door switch.
To unlock the steering	<ol style="list-style-type: none"> 1. Set the selector lever in the P position. 2. Press the push-button ignition switch with brake pedal not depressed.

Is the inspection result normal?

- YES >> GO TO 5.
- NO >> GO TO 6.

5.REPLACE STEERING LOCK UNIT

1. Replace steering lock unit.
2. Perform the service procedure for steering lock unit replacement. Refer to CONSULT display instruction.

SEC

B2014 CHAIN OF STRG-IMMU

< DTC/CIRCUIT DIAGNOSIS >

[WITH INTELLIGENT KEY SYSTEM]

>> INSPECTION END

6. CHECK STEERING LOCK UNIT COMMUNICATION CIRCUIT

1. Disconnect steering lock unit and BCM connector.
2. Check continuity between steering lock unit harness connector and BCM harness connector.

Steering lock unit		BCM		Continuity
Connector	Terminal	Connector	Terminal	
M40	2	M123	94	Existed

3. Check continuity between steering lock unit harness connector and ground.

Steering lock unit		Ground	Continuity
Connector	Terminal		
M40	2		Not existed

Is the inspection result normal?

YES >> GO TO 7.

NO >> Repair or replace harness.

7. REPLACE BCM

1. Replace BCM. Refer to [BCS-82. "Removal and Installation"](#).
2. Perform initialization of BCM and registration of all Intelligent Keys using CONSULT.

>> INSPECTION END

B2555 STOP LAMP

< DTC/CIRCUIT DIAGNOSIS >

[WITH INTELLIGENT KEY SYSTEM]

B2555 STOP LAMP

DTC Logic

INFOID:000000006888058

DTC DETECTION LOGIC

DTC No.	Trouble diagnosis name	DTC detecting condition	Possible cause
B2555	STOP LAMP	BCM makes a comparison between the upper voltage and lower voltage of stop lamp switch. It judges from their values to detect the malfunctioning circuit.	<ul style="list-style-type: none"> • Harness or connectors (Stop lamp switch circuit is open or shorted.) • Stop lamp switch • Fuse • BCM

DTC CONFIRMATION PROCEDURE

1. PERFORM DTC CONFIRMATION PROCEDURE

1. Depress the brake pedal and wait 1 second or more.
2. Check DTC in "Self Diagnostic Result" mode of "BCM" using CONSULT.

Is DTC detected?

- YES >> Go to [SEC-61. "Diagnosis Procedure"](#).
 NO >> INSPECTION END

Diagnosis Procedure

INFOID:000000006888059

1. CHECK STOP LAMP SWITCH INPUT SIGNAL 1

1. Turn ignition switch OFF.
2. Disconnect BCM connector.
3. Check voltage between BCM harness connector and ground.

(+)		(-)	Voltage (V) (Approx.)
BCM			
Connector	Terminal		
M123	105	Ground	Battery voltage

Is the inspection normal?

- YES >> GO TO 2.
 NO-1 >> Check 10 A fuse [No. 7, located in the fuse block (J/B)].
 NO-2 >> Check harness for open or short between BCM and fuse.

2. CHECK STOP LAMP SWITCH POWER SUPPLY CIRCUIT

1. Disconnect stop lamp switch connector.
2. Check voltage between stop lamp switch harness connector and ground.

(+)		(-)	Voltage (V) (Approx.)
Stop lamp switch			
Connector	Terminal		
E110	1	Ground	Battery voltage

Is the inspection result normal?

- YES >> GO TO 3.
 NO >> Check harness for open or short between stop lamp switch and fuse.

3. CHECK STOP LAMP SWITCH INPUT SIGNAL 2

1. Connect stop lamp switch connector.
2. Check voltage between BCM harness connector and ground.

B2555 STOP LAMP

< DTC/CIRCUIT DIAGNOSIS >

[WITH INTELLIGENT KEY SYSTEM]

(+)		(-)	Condition		Voltage (V) (Approx.)
BCM					
Connector	Terminal				
M120	9	Ground	Brake pedal	Depressed	Battery voltage
				Not depressed	0

Is the inspecting result normal?

YES >> GO TO 4.

NO >> GO TO 5.

4. REPLACE BCM

1. Replace BCM. Refer to [BCS-82, "Removal and Installation"](#).
2. Perform initialization of BCM and registration of all Intelligent Keys using CONSULT.

>> INSPECTION END

5. CHECK STOP LAMP SWITCH CIRCUIT

1. Disconnect stop lamp switch connector.
2. Check continuity between stop lamp switch harness connector and BCM harness connector.

Stop lamp switch		BCM		Continuity
Connector	Terminal	Connector	Terminal	
E110	2	M120	9	Existed

3. Check continuity between stop lamp switch harness connector and ground.

Stop lamp switch		Ground	Continuity
Connector	Terminal		
E110	2		Not existed

Is the inspection result normal?

YES >> GO TO 6.

NO >> Repair or replace harness.

6. CHECK STOP LAMP SWITCH

Refer to [SEC-62, "Component Inspection"](#).

Is the inspection result normal?

YES >> GO TO 7.

NO >> Replace stop lamp switch. Refer to [BR-18, "Removal and Installation"](#).

7. CHECK INTERMITTENT INCIDENT

Refer to [GI-44, "Intermittent Incident"](#).

>> INSPECTION END

Component Inspection

INFOID:000000006888060

1. CHECK STOP LAMP SWITCH

1. Turn ignition switch OFF.
2. Disconnect stop lamp switch connector.
3. Check continuity between stop lamp switch terminals.

B2555 STOP LAMP

< DTC/CIRCUIT DIAGNOSIS >

[WITH INTELLIGENT KEY SYSTEM]

Stop lamp switch		Condition		Continuity
Terminal				
1	2	Brake pedal	Not depressed	Not existed
			Depressed	Existed

Is the inspection result normal?

YES >> INSPECTION END

NO >> Replace stop lamp switch. Refer to [BR-18, "Removal and Installation"](#).

A
B
C
D
E
F
G
H
I
J
L
M
N
O
P

SEC

B2556 PUSH-BUTTON IGNITION SWITCH

< DTC/CIRCUIT DIAGNOSIS >

[WITH INTELLIGENT KEY SYSTEM]

B2556 PUSH-BUTTON IGNITION SWITCH

DTC Logic

INFOID:000000006888061

DTC DETECTION LOGIC

DTC No.	Trouble diagnosis name	DTC detecting condition	Possible cause
B2556	PUSH-BTN IGN SW	BCM detects the push-button ignition switch stuck at ON for 100 seconds or more.	<ul style="list-style-type: none">• Harness or connectors (Push-button ignition switch circuit is shorted.)• Push-button ignition switch• BCM

DTC CONFIRMATION PROCEDURE

1. PERFORM DTC CONFIRMATION PROCEDURE

1. Press push-button ignition switch under the following condition.
 - Brake pedal: Not depressed
2. Release push-button ignition switch and wait 100 seconds or more.
3. Check DTC in "Self Diagnostic Result" mode of "BCM" using CONSULT.

Is DTC detected?

YES >> Go to [SEC-64. "Diagnosis Procedure"](#).

NO >> INSPECTION END

Diagnosis Procedure

INFOID:000000006888062

1. CHECK PUSH-BUTTON IGNITION SWITCH INPUT SIGNAL

1. Turn ignition switch OFF.
2. Disconnect push-button ignition switch connector.
3. Check voltage between push-button ignition switch harness connector and ground.

(+)		(-)	Voltage (V) (Approx.)
Push-button ignition switch			
Connector	Terminal	Ground	12
M50	4		

Is the inspection result normal?

YES >> GO TO 4.

NO >> GO TO 2.

2. CHECK PUSH-BUTTON IGNITION SWITCH CIRCUIT

1. Disconnect BCM connector and IPDM E/R connector.
2. Check continuity between push-button ignition switch harness connector and BCM harness connector.

Push-button ignition switch		BCM		Continuity
Connector	Terminal	Connector	Terminal	
M50	4	M123	100	Existed

3. Check continuity between push-button ignition switch harness connector and ground.

Push-button ignition switch		Ground	Continuity
Connector	Terminal		
M50	4		Not existed

Is the inspection result normal?

YES >> GO TO 3.

NO >> Repair or replace harness.

B2556 PUSH-BUTTON IGNITION SWITCH

[WITH INTELLIGENT KEY SYSTEM]

< DTC/CIRCUIT DIAGNOSIS >

3. REPLACE BCM

1. Replace BCM. Refer to [BCS-82, "Removal and Installation"](#).
2. Perform initialization of BCM and registration of all Intelligent Keys using CONSULT.

>> INSPECTION END

4. CHECK PUSH-BUTTON IGNITION SWITCH GROUND CIRCUIT

Check continuity between push-button ignition switch harness connector and ground.

Push-button ignition switch		Ground	Continuity
Connector	Terminal		
M50	1		Existed

Is the inspection result normal?

- YES >> GO TO 5.
NO >> Repair or replace harness.

5. CHECK PUSH-BUTTON IGNITION SWITCH

Refer to [SEC-65, "Component Inspection"](#).

Is the inspection result normal?

- YES >> GO TO 6.
NO >> Replace push-button ignition switch. Refer to [SEC-137, "Removal and Installation"](#).

6. CHECK INTERMITTENT INCIDENT

Refer to [GI-44, "Intermittent Incident"](#).

>> INSPECTION END

Component Inspection

INFOID:000000006888063

1. CHECK PUSH-BUTTON IGNITION SWITCH

1. Turn ignition switch OFF.
2. Disconnect push-button ignition switch connector.
3. Check continuity between push-button ignition switch terminals.

Push-button ignition switch		Condition		Continuity
Terminal		Push-button ignition switch		
1	4		Pressed	Existed
		Not pressed	Not existed	

Is the inspection result normal?

- YES >> INSPECTION END
NO >> Replace push-button ignition switch. Refer to [SEC-137, "Removal and Installation"](#).

B2557 VEHICLE SPEED

< DTC/CIRCUIT DIAGNOSIS >

[WITH INTELLIGENT KEY SYSTEM]

B2557 VEHICLE SPEED

DTC Logic

INFOID:000000006888064

DTC DETECTION LOGIC

NOTE:

- If DTC B2557 is displayed with DTC U1000, first perform the trouble diagnosis for DTC U1000. Refer to [BCS-70, "DTC Logic"](#).
- If DTC B2557 is displayed with DTC U1010, first perform the trouble diagnosis for DTC U1010. Refer to [BCS-71, "DTC Logic"](#).

DTC No.	Trouble diagnosis name	DTC detecting condition	Possible causes
B2557	VEHICLE SPEED	BCM detects one of the following conditions for 10 seconds continuously. <ul style="list-style-type: none">• Vehicle speed signal from combination meter is 10 km/h (6.2 MPH) or more, and vehicle speed signal from ABS actuator and electric unit (control unit) is 4 km/h (2.5 MPH) or less.• Vehicle speed signal from combination meter is 4 km/h (2.5 MPH) or less, and vehicle speed signal from ABS actuator and electric unit (control unit) is 10 km/h (6.2 MPH) or more.	<ul style="list-style-type: none">• Harness or connectors (The CAN communication line is open or shorted.)• Combination meter• ABS actuator and electric unit (control unit)

DTC CONFIRMATION PROCEDURE

1. PERFORM DTC CONFIRMATION PROCEDURE

1. Start engine and wait 10 seconds or more.
2. Drive the vehicle at a vehicle speed of 10 km/h (6.2 MPH) or more for 10 seconds or more.
3. Check DTC in "Self Diagnostic Result" mode of "BCM" using CONSULT.

Is DTC detected?

- YES >> Go to [SEC-66, "Diagnosis Procedure"](#).
NO >> INSPECTION END

Diagnosis Procedure

INFOID:000000006888065

1. CHECK DTC OF "ABS ACTUATOR AND ELECTRIC UNIT (CONTROL UNIT)"

Check DTC in "Self Diagnostic Result" mode of "ABS" using CONSULT.

Is DTC detected?

- YES >> Perform the trouble diagnosis related to the detected DTC. Refer to [BRC-51, "DTC Index"](#).
NO >> GO TO 2.

2. CHECK DTC OF "COMBINATION METER"

Check DTC in "Self Diagnostic Result" mode of "METER/M&A" using CONSULT.

Is DTC detected?

- YES >> Perform the trouble diagnosis related to the detected DTC. Refer to [MWI-44, "DTC Index"](#).
NO >> GO TO 3.

3. CHECK INTERMITTENT INCIDENT

Refer to [GI-44, "Intermittent Incident"](#).

>> INSPECTION END

B2601 SHIFT POSITION

< DTC/CIRCUIT DIAGNOSIS >

[WITH INTELLIGENT KEY SYSTEM]

B2601 SHIFT POSITION

DTC Logic

INFOID:000000006888066

DTC DETECTION LOGIC

NOTE:

- If DTC B2601 is displayed with DTC U1000, first perform the trouble diagnosis for DTC U1000. Refer to [BCS-70, "DTC Logic"](#).
- If DTC B2601 is displayed with DTC U1010, first perform the trouble diagnosis for DTC U1010. Refer to [BCS-71, "DTC Logic"](#).

DTC No.	Trouble diagnosis name	DTC detecting condition	Possible cause
B2601	SHIFT POSITION	When there is a difference between P range signal from A/T shift selector (detention switch) and P position signal from IPDM E/R (CAN).	<ul style="list-style-type: none"> • Harness or connectors (CAN communication line is open or shorted.) • Harness or connectors [A/T shift selector (detention switch) circuit is open or shorted.] • A/T shift selector (detention switch) • BCM

DTC CONFIRMATION PROCEDURE

1. PERFORM DTC CONFIRMATION PROCEDURE

1. Shift the selector lever to the P position.
2. Turn ignition switch ON and wait 2 seconds or more.
3. Shift the selector lever to any position other than P, and wait 2 seconds or more.
4. Check DTC in "Self Diagnostic Result" mode of "BCM" using CONSULT.

Is DTC detected?

- YES >> Go to [SEC-67, "Diagnosis Procedure"](#).
 NO >> INSPECTION END

Diagnosis Procedure

INFOID:000000006888067

1. CHECK A/T SHIFT SELECTOR POWER SUPPLY

1. Turn ignition switch OFF.
2. Disconnect A/T shift selector (detention switch) connector.
3. Check voltage between A/T shift selector (detention switch) harness connector and ground.

(+)		(-)	Voltage (V) (Approx.)
A/T shift selector (detention switch)			
Connector	Terminal		
M137	7	Ground	12

Is the inspection result normal?

- YES >> GO TO 4.
 NO >> GO TO 2.

2. CHECK A/T SHIFT SELECTOR POWER SUPPLY CIRCUIT

1. Disconnect BCM connector.
2. Check continuity between A/T shift selector (detention switch) harness connector and BCM harness connector.

A/T shift selector (detention switch)		BCM		Continuity
Connector	Terminal	Connector	Terminal	
M137	7	M123	104	Existed

3. Check continuity between A/T shift selector (detention switch) harness connector and ground.

A
B
C
D
E
F
G
H
I
J
L
M
N
O
P

SEC

B2601 SHIFT POSITION

< DTC/CIRCUIT DIAGNOSIS >

[WITH INTELLIGENT KEY SYSTEM]

A/T shift selector (detention switch)		Ground	Continuity
Connector	Terminal		
M137	7		Not existed

Is the inspection result normal?

- YES >> GO TO 3.
NO >> Repair or replace harness.

3. REPLACE BCM

1. Replace BCM. Refer to [BCS-82, "Removal and Installation"](#).
2. Perform initialization of BCM and registration of all Intelligent Keys using CONSULT.

>> INSPECTION END

4. CHECK A/T SHIFT SELECTOR CIRCUIT (BCM)

1. Disconnect BCM connector and IPDM E/R connector.
2. Check continuity between A/T shift selector (detention switch) harness connector and BCM harness connector.

A/T shift selector (detention switch)		BCM		Continuity
Connector	Terminal	Connector	Terminal	
M137	8	M120	37	Existed

3. Check continuity between A/T shift selector (detention switch) harness connector and ground.

A/T shift selector (detention switch)		Ground	Continuity
Connector	Terminal		
M137	8		Not existed

Is the inspection result normal?

- YES >> GO TO 5.
NO >> Repair or replace harness.

5. CHECK A/T SHIFT SELECTOR CIRCUIT (IPDM E/R)

Check continuity between A/T shift selector (detention switch) harness connector and IPDM E/R harness connector.

A/T shift selector (detention switch)		IPDM E/R		Continuity
Connector	Terminal	Connector	Terminal	
M137	8	E6	43	Existed

Is the inspection result normal?

- YES >> GO TO 6.
NO >> Repair or replace harness.

6. CHECK A/T SHIFT SELECTOR (DETENTION SWITCH)

Refer to [SEC-69, "Component Inspection"](#).

Is the inspection result normal?

- YES >> GO TO 7.
NO >> Replace A/T shift selector. Refer to [TM-175, "2WD : Removal and Installation"](#) (2WD), [TM-177, "AWD : Removal and Installation"](#) (AWD).

7. CHECK INTERMITTENT INCIDENT

Refer to [GI-44, "Intermittent Incident"](#).

>> INSPECTION END

B2601 SHIFT POSITION

< DTC/CIRCUIT DIAGNOSIS >

[WITH INTELLIGENT KEY SYSTEM]

Component Inspection

INFOID:000000006888068

1. CHECK A/T SHIFT SELECTOR (DETENTION SWITCH)

1. Turn ignition switch OFF.
2. Disconnect A/T shift selector connector.
3. Check continuity between A/T shift selector (detention switch) terminals.

A/T shift selector (detention switch)		Condition	Continuity	
Terminal				
7	8	Selector lever	P position	Not existed
			Other than above	Existed

Is the inspection result normal?

YES >> INSPECTION END

NO >> Replace A/T shift selector. Refer to [TM-175, "2WD : Removal and Installation"](#) (2WD), [TM-177, "AWD : Removal and Installation"](#) (AWD).

A
B
C
D
E
F
G
H
I
J
L
M
N
O
P

SEC

B2602 SHIFT POSITION

< DTC/CIRCUIT DIAGNOSIS >

[WITH INTELLIGENT KEY SYSTEM]

B2602 SHIFT POSITION

DTC Logic

INFOID:000000006888069

DTC DETECTION LOGIC

NOTE:

- If DTC B2602 is displayed with DTC U1000, first perform the trouble diagnosis for DTC U1000. Refer to [BCS-70, "DTC Logic"](#).
- If DTC B2602 is displayed with DTC U1010, first perform the trouble diagnosis for DTC U1010. Refer to [BCS-71, "DTC Logic"](#).

DTC No.	Trouble diagnosis name	DTC detecting condition	Possible cause
B2602	SHIFT POSITION	BCM detects the following status for 10 seconds. <ul style="list-style-type: none"> • Selector lever is in the P position • Vehicle speed is 4 km/h (2.5 MPH) or more • Ignition switch is in the ON position 	<ul style="list-style-type: none"> • Harness or connectors (The CAN communication line is open or shorted.) • Harness or connectors [A/T shift selector (detention switch) circuit is open or shorted.] • A/T shift selector (detention switch) • Combination meter • BCM

DTC CONFIRMATION PROCEDURE

1. PERFORM DTC CONFIRMATION PROCEDURE

1. Start engine.
2. Drive vehicle at a speed of 4 km/h (2.5 MPH) or more for 10 seconds or more.
3. Check DTC in "Self Diagnostic Result" mode of "BCM" using CONSULT.

Is DTC detected?

- YES >> Go to [SEC-70, "Diagnosis Procedure"](#).
 NO >> INSPECTION END

Diagnosis Procedure

INFOID:000000006888070

1. CHECK DTC OF COMBINATION METER

Check DTC in "Self Diagnostic Result" mode of "METER/M&A" using CONSULT.

Is DTC detected?

- YES >> Perform the trouble diagnosis related to the detected DTC. Refer to [MWI-44, "DTC Index"](#).
 NO >> GO TO 2.

2. CHECK A/T SHIFT SELECTOR POWER SUPPLY

1. Turn ignition switch OFF.
2. Disconnect A/T shift selector (detention switch) connector.
3. Check voltage between A/T shift selector (detention switch) harness connector and ground.

(+)		(-)	Voltage (V) (Approx.)
A/T shift selector (detention switch) Connector	Terminal		
M137	7	Ground	12

Is the inspection result normal?

- YES >> GO TO 5.
 NO >> GO TO 3.

3. CHECK A/T SHIFT SELECTOR POWER SUPPLY CIRCUIT

1. Disconnect BCM connector.
2. Check continuity between A/T shift selector (detention switch) harness connector and BCM harness connector.

B2602 SHIFT POSITION

< DTC/CIRCUIT DIAGNOSIS >

[WITH INTELLIGENT KEY SYSTEM]

A/T shift selector (detention switch)		BCM		Continuity
Connector	Terminal	Connector	Terminal	
M137	7	M123	104	Existed

3. Check continuity between A/T shift selector (detention switch) harness connector and ground.

A/T shift selector (detention switch)		Ground	Continuity
Connector	Terminal		
M137	7		Not existed

Is the inspection result normal?

- YES >> GO TO 4.
NO >> Repair or replace harness.

4. REPLACE BCM

1. Replace BCM. Refer to [BCS-82, "Removal and Installation"](#).
2. Perform initialization of BCM and registration of all Intelligent Keys using CONSULT.

>> INSPECTION END

5. CHECK A/T SHIFT SELECTOR CIRCUIT

1. Disconnect BCM connector and IPDM E/R connector.
2. Check continuity between A/T shift selector (detention switch) harness connector and BCM harness connector.

A/T shift selector (detention switch)		BCM		Continuity
Connector	Terminal	Connector	Terminal	
M137	8	M120	37	Existed

3. Check continuity between A/T shift selector (detention switch) harness connector and ground.

A/T shift selector (detention switch)		Ground	Continuity
Connector	Terminal		
M137	8		Not existed

Is the inspection result normal?

- YES >> GO TO 6.
NO >> Repair or replace harness.

6. CHECK A/T SHIFT SELECTOR (DETENTION SWITCH)

Refer to [SEC-71, "Component Inspection"](#).

Is the inspection result normal?

- YES >> GO TO 7.
NO >> Replace A/T shift selector. Refer to [TM-175, "2WD : Removal and Installation"](#) (2WD), [TM-177, "AWD : Removal and Installation"](#) (AWD).

7. CHECK INTERMITTENT INCIDENT

Refer to [GI-44, "Intermittent Incident"](#).

>> INSPECTION END

Component Inspection

INFOID:000000006888071

1. CHECK A/T SHIFT SELECTOR (DETENTION SWITCH)

1. Turn ignition switch OFF.
2. Disconnect A/T shift selector connector.
3. Check continuity between A/T shift selector (detention switch) terminals.

B2602 SHIFT POSITION

< DTC/CIRCUIT DIAGNOSIS >

[WITH INTELLIGENT KEY SYSTEM]

A/T shift selector (detention switch)		Condition		Continuity
Terminal				
7	8	Selector lever	P position	Not existed
			Other than above	Existed

Is the inspection result normal?

YES >> INSPECTION END

NO >> Replace A/T shift selector. Refer to [TM-175, "2WD : Removal and Installation"](#) (2WD), [TM-177, "AWD : Removal and Installation"](#) (AWD).

B2603 SHIFT POSITION

[WITH INTELLIGENT KEY SYSTEM]

< DTC/CIRCUIT DIAGNOSIS >

B2603 SHIFT POSITION

DTC Logic

INFOID:000000006888072

DTC DETECTION LOGIC

NOTE:

- If DTC B2603 is displayed with DTC B2601, first perform the trouble diagnosis for DTC B2601. Refer to [SEC-67, "DTC Logic"](#).

DTC No.	Trouble diagnosis name	DTC detecting condition	Possible causes
B2603	SHIFT POSI STATUS	BCM detects the following status when ignition switch is in the ON position. <ul style="list-style-type: none">• P position signal from TCM: approx. 0 V• A/T shift selector (detention switch) signal: approx. 0 V	<ul style="list-style-type: none">• Harness or connector [A/T shift selector (detention switch) circuit is open or shorted.]• Harness or connectors (TCM circuit is open or shorted.)• A/T shift selector (detention switch)• A/T assembly (TCM)• BCM

DTC CONFIRMATION PROCEDURE

1. PERFORM DTC CONFIRMATION PROCEDURE 1

1. Shift the selector lever to the P position.
2. Turn ignition switch ON and wait 1 second or more.
3. Check DTC in "Self Diagnostic Result" mode of "BCM" using CONSULT.

Is DTC detected?

- YES >> Go to [SEC-73, "Diagnosis Procedure"](#).
NO >> GO TO 2.

2. PERFORM DTC CONFIRMATION PROCEDURE 2

1. Shift the selector lever to any position other than P, and wait 1 second or more.
2. Check DTC in "Self Diagnostic Result" mode of "BCM" using CONSULT.

Is DTC detected?

- YES >> Go to [SEC-73, "Diagnosis Procedure"](#).
NO >> INSPECTION END

Diagnosis Procedure

INFOID:000000006888073

1. INSPECTION START

Perform inspection in accordance with the procedure that confirms DTC.

Which procedure confirms DTC?

- DTC confirmation procedure 1 >> GO TO 2.
DTC confirmation procedure 2 >> GO TO 6.

2. CHECK DTC OF TCM

Check DTC in "Self Diagnostic Result" mode of "TCM" using CONSULT.

Is DTC detected?

- YES >> Perform the trouble diagnosis related to the detected DTC. Refer to [TM-78, "DTC Index"](#).
NO >> GO TO 3.

3. CHECK BCM INPUT SIGNAL

1. Turn ignition switch ON.
2. Check voltage between BCM harness connector and ground.

B2603 SHIFT POSITION

< DTC/CIRCUIT DIAGNOSIS >

[WITH INTELLIGENT KEY SYSTEM]

(+)		(-)	Condition		Voltage (V) (Approx.)
BCM					
Connector	Terminal				
M123	102	Ground	Selector lever	P or N position	12
				Other than above	0

Is the inspection result normal?

YES >> GO TO 4.

NO >> GO TO 5.

4. REPLACE BCM

1. Replace BCM. Refer to [BCS-82, "Removal and Installation"](#).
2. Perform initialization of BCM and registration of all Intelligent Keys using CONSULT.

>> INSPECTION END

5. CHECK BCM INPUT SIGNAL CIRCUIT

1. Turn ignition switch OFF.
2. Disconnect BCM connector.
3. Disconnect A/T assembly connector.
4. Check continuity between A/T assembly harness connector and BCM harness connector.

A/T assembly		BCM		Continuity
Connector	Terminal	Connector	Terminal	
F61	9	M123	102	Existed

5. Check continuity between A/T assembly harness connector and ground.

A/T assembly		Ground	Continuity
Connector	Terminal		
F61	9		Not existed

Is the inspection result normal?

YES >> GO TO 11.

NO >> Repair or replace harness.

6. CHECK A/T SHIFT SELECTOR POWER SUPPLY

1. Turn ignition switch OFF.
2. Disconnect A/T shift selector (detention switch) connector.
3. Check voltage between A/T shift selector (detention switch) harness connector and ground.

(+)		(-)	Voltage (V) (Approx.)
A/T shift selector (detention switch)			
Connector	Terminal		
M137	7	Ground	12

Is the inspection result normal?

YES >> GO TO 9.

NO >> GO TO 7.

7. CHECK A/T SHIFT SELECTOR POWER SUPPLY CIRCUIT

1. Disconnect BCM connector.
2. Check continuity between A/T shift selector (detention switch) harness connector and BCM harness connector.

B2603 SHIFT POSITION

< DTC/CIRCUIT DIAGNOSIS >

[WITH INTELLIGENT KEY SYSTEM]

A/T shift selector (detention switch)		BCM		Continuity
Connector	Terminal	Connector	Terminal	
M137	7	M123	104	Existed

3. Check continuity between A/T shift selector (detention switch) harness connector and ground.

A/T shift selector (detention switch)		Ground	Continuity
Connector	Terminal		
M137	7		Not existed

Is the inspection result normal?

- YES >> GO TO 8.
- NO >> Repair or replace harness.

8. REPLACE BCM

1. Replace BCM. Refer to [BCS-82, "Removal and Installation"](#).
2. Perform initialization of BCM and registration of all Intelligent Keys using CONSULT.

>> INSPECTION END

9. CHECK A/T SHIFT SELECTOR CIRCUIT

1. Disconnect BCM connector and IPDM E/R connector.
2. Check continuity between A/T shift selector (detention switch) harness connector and BCM harness connector.

A/T shift selector (detention switch)		BCM		Continuity
Connector	Terminal	Connector	Terminal	
M137	8	M120	37	Existed

3. Check continuity between A/T shift selector (detention switch) harness connector and ground.

A/T shift selector (detention switch)		Ground	Continuity
Connector	Terminal		
M137	8		Not existed

Is the inspection result normal?

- YES >> GO TO 10.
- NO >> Repair or replace harness.

10. CHECK A/T SHIFT SELECTOR (DETENTION SWITCH)

Refer to [SEC-75, "Component Inspection"](#).

Is the inspection result normal?

- YES >> GO TO 11.
- NO >> Replace A/T shift selector. Refer to [TM-175, "2WD : Removal and Installation"](#) (2WD) or [TM-177, "AWD : Removal and Installation"](#) (AWD).

11. CHECK INTERMITTENT INCIDENT

Refer to [GI-44, "Intermittent Incident"](#).

>> INSPECTION END

Component Inspection

INFOID:000000006888074

1. CHECK A/T SHIFT SELECTOR (DETENTION SWITCH)

1. Turn ignition switch OFF.
2. Disconnect A/T shift selector connector.
3. Check continuity between A/T shift selector (detention switch) terminals.

B2603 SHIFT POSITION

< DTC/CIRCUIT DIAGNOSIS >

[WITH INTELLIGENT KEY SYSTEM]

A/T shift selector (detention switch)		Condition		Continuity
Terminal				
7	8	Selector lever	P position	Not existed
			Other than above	Existed

Is the inspection result normal?

YES >> INSPECTION END

NO >> Replace A/T shift selector. Refer to [TM-175, "2WD : Removal and Installation"](#) (2WD), [TM-177, "AWD : Removal and Installation"](#) (AWD).

B2604 SHIFT POSITION

< DTC/CIRCUIT DIAGNOSIS >

[WITH INTELLIGENT KEY SYSTEM]

B2604 SHIFT POSITION

DTC Logic

INFOID:000000006888075

DTC DETECTION LOGIC

NOTE:

- If DTC B2604 is displayed with DTC U1000, first perform the trouble diagnosis for DTC U1000. Refer to [BCS-70, "DTC Logic"](#).
- If DTC B2604 is displayed with DTC U1010, first perform the trouble diagnosis for DTC U1010. Refer to [BCS-71, "DTC Logic"](#).

DTC No.	Trouble diagnosis name	DTC detecting condition	Possible cause
B2604	PNP/CLUTCH SW	<p>The following states are detected for 5 seconds while ignition switch is ON.</p> <ul style="list-style-type: none"> • P/N position signal is sent from TCM but shift position signal input (CAN) from TCM is other than P and N • P/N position signal is not sent from TCM but shift position signal input (CAN) from TCM is P or N 	<ul style="list-style-type: none"> • Harness or connectors (The CAN communication line is open or shorted.) • Harness or connectors (TCM circuit is open or shorted.) • TCM • BCM

DTC CONFIRMATION PROCEDURE

1. PERFORM DTC CONFIRMATION PROCEDURE

1. Shift the selector lever to the P position.
2. Turn ignition switch ON and wait 5 seconds or more.
3. Shift the selector lever to the N position and wait 5 seconds or more.
4. Shift the selector lever to any position other than P and N, and wait 5 seconds or more.
5. Check DTC in "Self Diagnostic Result" mode of "BCM" using CONSULT.

Is DTC detected?

- YES >> Go to [SEC-77, "Diagnosis Procedure"](#).
 NO >> INSPECTION END

Diagnosis Procedure

INFOID:000000006888076

1. CHECK DTC OF TCM

Check DTC in "Self Diagnostic Result" mode of "TCM" using CONSULT.

Is DTC detected?

- YES >> Perform the trouble diagnosis related to the detected DTC. Refer to [BCS-57, "DTC Index"](#).
 NO >> GO TO 2.

2. CHECK BCM INPUT SIGNAL

1. Turn ignition switch ON.
2. Check voltage between BCM harness connector and ground.

(+)		(-)	Condition	Voltage (V) (Approx.)	
BCM					
Connector	Terminal				
M123	102	Ground	Selector lever	P or N position	12
				Other than above	0

Is the inspection result normal?

- YES >> GO TO 3.
 NO >> GO TO 4.

3. REPLACE BCM

1. Replace BCM. Refer to [BCS-82, "Removal and Installation"](#).
2. Perform initialization of BCM and registration of all Intelligent Keys using CONSULT.

B2604 SHIFT POSITION

< DTC/CIRCUIT DIAGNOSIS >

[WITH INTELLIGENT KEY SYSTEM]

>> INSPECTION END

4. CHECK BCM INPUT SIGNAL CIRCUIT

1. Turn ignition switch OFF.
2. Disconnect A/T assembly connector.
3. Disconnect BCM connector.
4. Check continuity between BCM harness connector and A/T assembly harness connector.

BCM		A/T assembly		Continuity
Connector	Terminal	Connector	Terminal	
M123	102	F61	9	Existed

5. Check continuity between TCM harness connector and ground.

BCM		Ground	Continuity
Connector	Terminal		
M123	102		Not existed

Is the inspection result normal?

- YES >> GO TO 5.
NO >> Repair or replace harness.

5. CHECK INTERMITTENT INCIDENT

Refer to [GI-44. "Intermittent Incident"](#).

>> INSPECTION END

B2605 SHIFT POSITION

< DTC/CIRCUIT DIAGNOSIS >

[WITH INTELLIGENT KEY SYSTEM]

B2605 SHIFT POSITION

DTC Logic

INFOID:00000000688077

DTC DETECTION LOGIC

NOTE:

- If DTC B2605 is displayed with DTC U1000, first perform the trouble diagnosis for DTC U1000. Refer to [BCS-70, "DTC Logic"](#).
- If DTC B2605 is displayed with DTC U1010, first perform the trouble diagnosis for DTC U1010. Refer to [BCS-71, "DTC Logic"](#).

DTC No.	Trouble diagnosis name	DTC detecting condition	Possible cause
B2605	PNP/CLUTCH SW	When ignition switch is ON, P/N position signal input from TCM and P/N position signal (CAN) input from IPDM E/R do not match.	<ul style="list-style-type: none"> • Harness or connectors (The CAN communication line is open or shorted.) • Harness or connectors (TCM circuit is open or shorted.) • IPDM E/R • BCM

DTC CONFIRMATION PROCEDURE

1. PERFORM DTC CONFIRMATION PROCEDURE

1. Shift the selector lever to the P position.
2. Turn ignition switch ON and wait 1 second or more.
3. Shift the selector lever to the N position and wait 1 second or more.
4. Shift the selector lever to any position other than P and N, and wait 1 second or more.
5. Check DTC in "Self Diagnostic Result" mode of "BCM" using CONSULT.

Is DTC detected?

- YES >> Go to [SEC-79, "Diagnosis Procedure"](#).
 NO >> INSPECTION END

Diagnosis Procedure

INFOID:00000000688078

1. CHECK IPDM E/R INPUT SIGNAL

1. Turn ignition switch OFF.
2. Disconnect IPDM E/R connector.
3. Turn ignition switch ON.
4. Check voltage between IPDM E/R harness connector and ground.

(+)		(-)	Condition	Voltage (V) (Approx.)
IPDM E/R				
Connector	Terminal			
E5	31	Ground	Selector lever	P or N position 12
				Other than above 0

Is the inspection result normal?

- YES >> Replace IPDM E/R. Refer to [PCS-33, "Removal and Installation"](#).
 NO >> GO TO 2.

2. CHECK IPDM E/R INPUT SIGNAL CIRCUIT

1. Turn ignition switch OFF.
2. Disconnect BCM connector.
3. Check continuity between IPDM E/R harness connector and BCM harness connector.

IPDM E/R		BCM		Continuity
Connector	Terminal	Connector	Terminal	
E5	31	M123	102	Existed

B2605 SHIFT POSITION

< DTC/CIRCUIT DIAGNOSIS >

[WITH INTELLIGENT KEY SYSTEM]

4. Check continuity between IPDM E/R harness connector and ground.

IPDM E/R		Ground	Continuity
Connector	Terminal		
E5	31		Not existed

Is the inspection result normal?

YES >> GO TO 3.

NO >> Repair or replace harness.

3.REPLACE BCM

1. Replace BCM. Refer to [BCS-82. "Removal and Installation"](#).
2. Perform initialization of BCM and registration of all Intelligent Keys using CONSULT.

>> INSPECTION END

B2608 STARTER RELAY

< DTC/CIRCUIT DIAGNOSIS >

[WITH INTELLIGENT KEY SYSTEM]

B2608 STARTER RELAY

DTC Logic

INFOID:000000006888079

DTC DETECTION LOGIC

NOTE:

- If DTC B2608 is displayed with DTC U1000, first perform the trouble diagnosis for DTC U1000. Refer to [BCS-70, "DTC Logic"](#).
- If DTC B2608 is displayed with DTC U1010, first perform the trouble diagnosis for DTC U1010. Refer to [BCS-71, "DTC Logic"](#).

DTC No.	Trouble diagnosis name	DTC detecting condition	Possible cause
B2608	STARTER RELAY	BCM outputs starter motor relay OFF signal but BCM receives starter motor relay ON signal from IPDM E/R (CAN).	<ul style="list-style-type: none"> • Harness or connectors (The CAN communication line is open or shorted.) • Harness or connectors (Starter relay circuit is open or shorted.) • IPDM E/R

DTC CONFIRMATION PROCEDURE

1. PERFORM DTC CONFIRMATION PROCEDURE

1. Press push-button ignition switch under the following conditions to start engine.
 - Selector lever: In the P position
 - Brake pedal: Depressed
2. Wait 1 second after engine started.
3. Check DTC in "Self Diagnostic Result" mode of "BCM" using CONSULT.

Is DTC detected?

- YES >> Go to [SEC-81, "Diagnosis Procedure"](#).
 NO >> INSPECTION END

Diagnosis Procedure

INFOID:000000006888080

1. CHECK DTC OF IPDM E/R

Check DTC in "Self Diagnostic Result" mode of "IPDM E/R" using CONSULT.

Is DTC detected?

- YES >> Perform the trouble diagnosis related to the detected DTC. Refer to [PCS-25, "DTC Index"](#).
 NO >> GO TO 2.

2. CHECK STARTER RELAY POWER SUPPLY CIRCUIT

1. Turn ignition switch ON.
2. Check voltage between BCM harness connector and ground.

(+)		(-)	Condition	Voltage (V) (Approx.)
BCM				
Connector	Terminal			
M123	97	Ground	Selector lever	N or P position 12
				Other than above 0

Is the inspection result normal?

- YES >> GO TO 4.
 NO >> GO TO 3.

3. CHECK STARTER RELAY CIRCUIT

1. Turn ignition switch OFF.
2. Disconnect IPDM E/R connector.
3. Disconnect BCM connector.
4. Check continuity between IPDM E/R harness connector and BCM harness connector.

B2608 STARTER RELAY

< DTC/CIRCUIT DIAGNOSIS >

[WITH INTELLIGENT KEY SYSTEM]

IPDM E/R		BCM		Continuity
Connector	Terminal	Connector	Terminal	
E6	46	M123	97	Existed

5. Check continuity between IPDM E/R harness connector and ground.

IPDM E/R		Ground	Continuity
Connector	Terminal		
E6	46		Not existed

Is the inspection result normal?

YES >> Replace IPDM E/R. Refer to [PCS-33, "Removal and Installation"](#).

NO >> Repair or replace harness.

4. CHECK INTERMITTENT INCIDENT

Refer to [GI-44, "Intermittent Incident"](#).

>> INSPECTION END

B2609 STEERING STATUS

< DTC/CIRCUIT DIAGNOSIS >

[WITH INTELLIGENT KEY SYSTEM]

B2609 STEERING STATUS

DTC Logic

INFOID:000000006888081

DTC DETECTION LOGIC

DTC No.	Trouble diagnosis name	DTC detecting condition	Possible cause
B2609	S/L STATUS	BCM detects one of the following status. <ul style="list-style-type: none"> Combination of steering lock state switch and steering unlock state switch is not normal. Combination of steering lock state switch and steering unlock state switch is different from steering lock/unlock state that BCM recognizes. 	<ul style="list-style-type: none"> Harness or connectors (Steering lock unit circuit is open or shorted.) Steering lock unit BCM

DTC CONFIRMATION PROCEDURE

1. PERFORM DTC CONFIRMATION PROCEDURE 1

- Press push-button ignition switch under the following conditions and wait 1 second or more.
 - Selector lever: In the P position
 - Brake pedal: Not depressed
- Check DTC in "Self Diagnostic Result" mode of "BCM" using CONSULT.

Is DTC detected?

- YES >> Go to [SEC-83, "Diagnosis Procedure"](#).
 NO >> GO TO 2.

2. PERFORM DTC CONFIRMATION PROCEDURE 2

- Turn ignition switch ON.
- Turn ignition switch OFF.
- Press driver side door switch and wait 1 second or more.
- Check DTC in "Self Diagnostic Result" mode of "BCM" using CONSULT.

Is DTC detected?

- YES >> Go to [SEC-83, "Diagnosis Procedure"](#).
 NO >> INSPECTION END

Diagnosis Procedure

INFOID:000000006888082

SEC

1. CHECK IPDM E/R INPUT SIGNAL

- Turn ignition switch OFF.
- Check voltage between IPDM E/R harness connector and ground.

(+)		(-)	Condition	Voltage (V) (Approx.)
IPDM E/R				
Connector	Terminal			
E5	32	Ground	Lock	0
			Unlock	12
	34		Lock	12
			Unlock	0

NOTE:

To lock the steering	<ol style="list-style-type: none"> Set the selector lever in the P position. Turn the power supply position to the OFF position. Press any door switch.
To unlock the steering	<ol style="list-style-type: none"> Set the selector lever in the P position. Press the push-button ignition switch with brake pedal not depressed.

Is the inspection result normal?

- YES >> GO TO 4.

B2609 STEERING STATUS

[WITH INTELLIGENT KEY SYSTEM]

< DTC/CIRCUIT DIAGNOSIS >

NO >> GO TO 2.

2. CHECK IPDM E/R INPUT SIGNAL CIRCUIT

1. Disconnect IPDM E/R connector and steering lock unit connector.
2. Check continuity between IPDM E/R harness connector and steering lock unit harness connector.

IPDM E/R		Steering lock unit		Continuity
Connector	Terminal	Connector	Terminal	
E5	32	M40	3	Existed
	34		8	

3. Check continuity between IPDM E/R harness connector and ground.

IPDM E/R		Ground	Continuity
Connector	Terminal		
E5	32		Not existed
	34		

Is the inspection result normal?

YES >> GO TO 3.

NO >> Repair or replace harness.

3. REPLACE STEERING LOCK UNIT

1. Replace steering lock unit.
2. Perform the service procedure for steering lock unit replacement. Refer to CONSULT display instruction.

>> INSPECTION END

4. CHECK BCM INPUT SIGNAL

1. Turn ignition switch OFF.
2. Check voltage between BCM harness connector and ground.

(+)		(-)	Condition	Voltage (V) (Approx.)	
BCM					
Connector	Terminal				
M123	107	Ground	Steering lock unit	Lock	0
			Unlock	12	
	108		Lock	12	
			Unlock	0	

NOTE:

To lock the steering	<ol style="list-style-type: none">1. Set the selector lever in the P position.2. Turn the power supply position to the OFF position.3. Press any door switch.
To unlock the steering	<ol style="list-style-type: none">1. Set the selector lever in the P position.2. Press the push-button ignition switch with brake pedal not depressed.

Is the inspection result normal?

YES >> GO TO 5.

NO >> GO TO 6.

5. REPLACE BCM

1. Replace BCM. Refer to [BCS-82. "Removal and Installation"](#).
2. Perform initialization of BCM and registration of all Intelligent Keys using CONSULT.

>> INSPECTION END

B2609 STEERING STATUS

< DTC/CIRCUIT DIAGNOSIS >

[WITH INTELLIGENT KEY SYSTEM]

6. CHECK BCM INPUT SIGNAL CIRCUIT

1. Disconnect BCM connector and steering lock unit connector.
2. Check continuity between BCM harness connector and steering lock unit harness connector.

BCM		Steering lock unit		Continuity
Connector	Terminal	Connector	Terminal	
M123	107	M40	3	Existed
	108		8	

3. Check continuity between BCM harness connector and ground.

BCM		Ground	Continuity
Connector	Terminal		
M123	107		Not existed
	108		

Is the inspection result normal?

YES >> GO TO 7.

NO >> Repair or replace harness.

7. REPLACE STEERING LOCK UNIT

1. Replace steering lock unit.
2. Perform the service procedure for steering lock unit replacement. Refer to CONSULT display instruction.

>> INSPECTION END

A
B
C
D
E
F
G
H
I
J
L
M
N
O
P

SEC

B260B STEERING LOCK UNIT

< DTC/CIRCUIT DIAGNOSIS >

[WITH INTELLIGENT KEY SYSTEM]

B260B STEERING LOCK UNIT

DTC Logic

INFOID:000000006888083

DTC DETECTION LOGIC

DTC No.	Trouble diagnosis name	DTC detecting condition	Possible cause
B260B	STEERING LOCK UNIT	BCM detects malfunctioning of steering lock unit before steering unlocking.	Steering lock unit

DTC CONFIRMATION PROCEDURE

1. PERFORM DTC CONFIRMATION PROCEDURE

1. Turn ignition switch ON.
2. Turn ignition switch OFF.
3. Press driver side door switch.
4. Shift selector lever to the P position.
5. Press push-button ignition switch under the following condition.
 - Brake pedal: Not depressed
6. Check DTC in "Self Diagnostic Result" mode of "BCM" using CONSULT.

Is DTC detected?

- YES >> Go to [SEC-86, "Diagnosis Procedure"](#).
NO >> INSPECTION END

Diagnosis Procedure

INFOID:000000006888084

1. INSPECTION START

1. Turn ignition switch ON.
2. Select "Self Diagnostic Result" mode of "BCM" using CONSULT.
3. Touch "ERASE".
4. Perform DTC CONFIRMATION PROCEDURE for DTC B260B. Refer to [SEC-86, "DTC Logic"](#).

Is DTC detected?

- YES >> GO TO 2.
NO >> INSPECTION END

2. REPLACE STEERING LOCK UNIT

1. Replace steering lock unit.
2. Perform the service procedure for steering lock unit replacement. Refer to CONSULT display instruction.

>> INSPECTION END

B260C STEERING LOCK UNIT

< DTC/CIRCUIT DIAGNOSIS >

[WITH INTELLIGENT KEY SYSTEM]

B260C STEERING LOCK UNIT

DTC Logic

INFOID:000000006888085

DTC DETECTION LOGIC

DTC No.	Trouble diagnosis name	DTC detecting condition	Possible cause
B260C	STEERING LOCK UNIT	BCM detects malfunctioning of steering lock unit before steering locking.	Steering lock unit

DTC CONFIRMATION PROCEDURE

1.PERFORM DTC CONFIRMATION PROCEDURE

1. Shift selector lever to the P position.
2. Press push-button ignition switch under the following condition.
 - Brake pedal: Not depressed
3. Turn ignition switch ON.
4. Turn ignition switch OFF.
5. Press driver side door switch.
6. Check DTC in "Self Diagnostic Result" mode of "BCM" using CONSULT.

Is DTC detected?

- YES >> Go to [SEC-87, "Diagnosis Procedure"](#).
NO >> INSPECTION END

Diagnosis Procedure

INFOID:000000006888086

1.INSPECTION START

1. Turn ignition switch ON.
2. Select "Self Diagnostic Result" mode of "BCM" using CONSULT.
3. Touch "ERASE".
4. Perform DTC CONFIRMATION PROCEDURE for DTC B260C. Refer to [SEC-87, "DTC Logic"](#).

Is DTC detected?

- YES >> GO TO 2.
NO >> INSPECTION END

2.REPLACE STEERING LOCK UNIT

1. Replace steering lock unit.
2. Perform the service procedure for steering lock unit replacement. Refer to CONSULT display instruction.

>> INSPECTION END

A
B
C
D
E
F
G
H
I
J
L
M
N
O
P

SEC

B260D STEERING LOCK UNIT

< DTC/CIRCUIT DIAGNOSIS >

[WITH INTELLIGENT KEY SYSTEM]

B260D STEERING LOCK UNIT

DTC Logic

INFOID:000000006888087

DTC DETECTION LOGIC

DTC No.	Trouble diagnosis name	DTC detecting condition	Possible cause
B260D	STEERING LOCK UNIT	BCM detects malfunctioning of steering lock unit after steering locking.	Steering lock unit

DTC CONFIRMATION PROCEDURE

1. PERFORM DTC CONFIRMATION PROCEDURE

1. Shift selector lever to the P position.
2. Press push-button ignition switch under the following condition.
 - Brake pedal: Not depressed
3. Turn ignition switch ON.
4. Turn ignition switch OFF.
5. Press driver side door switch.
6. Check DTC in "Self Diagnostic Result" mode of "BCM" using CONSULT.

Is DTC detected?

- YES >> Go to [SEC-88, "Diagnosis Procedure"](#).
NO >> INSPECTION END

Diagnosis Procedure

INFOID:000000006888088

1. INSPECTION START

1. Turn ignition switch ON.
2. Select "Self Diagnostic Result" mode of "BCM" using CONSULT.
3. Touch "ERASE".
4. Perform DTC CONFIRMATION PROCEDURE for DTC B260D. Refer to [SEC-88, "DTC Logic"](#).

Is DTC detected?

- YES >> GO TO 2.
NO >> INSPECTION END

2. REPLACE STEERING LOCK UNIT

1. Replace steering lock unit.
2. Perform the service procedure for steering lock unit replacement. Refer to CONSULT display instruction.

>> INSPECTION END

B260F ENGINE STATUS

< DTC/CIRCUIT DIAGNOSIS >

[WITH INTELLIGENT KEY SYSTEM]

B260F ENGINE STATUS

Description

INFOID:000000006888089

BCM receives the engine status signal from ECM via CAN communication.

DTC Logic

INFOID:000000006888090

DTC DETECTION LOGIC

NOTE:

- If DTC B260F is displayed with DTC U1000, first perform the trouble diagnosis for DTC U1000. Refer to [BCS-70, "DTC Logic"](#).
- If DTC B260F is displayed with DTC U1010, first perform the trouble diagnosis for DTC U1010. Refer to [BCS-71, "DTC Logic"](#).

DTC No.	Trouble diagnosis name	DTC detecting condition	Possible cause
B260F	ENG STATE SIG LOST	BCM has not yet received the engine status signal from ECM when ignition switch is in the ON position.	<ul style="list-style-type: none">• Harness or connectors (The CAN communication line is open or shorted.)• ECM

DTC CONFIRMATION PROCEDURE

1. PERFORM DTC CONFIRMATION PROCEDURE

1. Turn ignition switch ON and wait 2 seconds or more.
2. Check DTC in "Self Diagnostic Result" mode of "BCM" using CONSULT.

Is DTC detected?

- YES >> Go to [SEC-89, "Diagnosis Procedure"](#).
NO >> INSPECTION END

Diagnosis Procedure

INFOID:000000006888091

1. INSPECTION START

1. Turn ignition switch ON.
2. Select "Self Diagnostic Result" mode of "BCM" using CONSULT.
3. Touch "ERASE".
4. Perform DTC CONFIRMATION PROCEDURE for DTC B260F. Refer to [SEC-89, "DTC Logic"](#).

Is DTC detected?

- YES >> GO TO 2.
NO >> INSPECTION END

2. REPLACE ECM

1. Replace ECM. Refer to [EC-543, "Removal and Installation"](#) (VQ37VHR) or [EC-1553, "Removal and Installation"](#) (VK56VD).
2. Perform "ADDITIONAL SERVICE WHEN REPLACING ECM". Refer to [EC-144, "Work Procedure"](#) (VQ37VHR) or [EC-1117, "Work Procedure"](#) (VK56VD).

>> INSPECTION END

B2612 STEERING STATUS

< DTC/CIRCUIT DIAGNOSIS >

[WITH INTELLIGENT KEY SYSTEM]

B2612 STEERING STATUS

DTC Logic

INFOID:000000006888092

DTC DETECTION LOGIC

NOTE:

- If DTC B2612 is displayed with DTC U1000, first perform the trouble diagnosis for DTC U1000. Refer to [BCS-70, "DTC Logic"](#).
- If DTC B2612 is displayed with DTC U1010, first perform the trouble diagnosis for DTC U1010. Refer to [BCS-71, "DTC Logic"](#).

DTC No.	Trouble diagnosis name	DTC detecting condition	Possible causes
B2612	S/L STATUS	The following 2 state signals are different. <ul style="list-style-type: none"> • Steering lock state recognition of BCM • Steering lock state signal from IPDM E/R 	<ul style="list-style-type: none"> • Harness or connectors (The CAN communication line is open or shorted.) • Harness or connectors (Steering lock unit circuit is open or shorted.) • Steering lock unit • IPDM E/R • BCM

DTC CONFIRMATION PROCEDURE

1. PERFORM DTC CONFIRMATION PROCEDURE 1

1. Press push-button ignition switch under the following conditions and wait 1 second or more.
 - Selector lever: In the P position
 - Brake pedal: Not depressed
2. Check DTC in "Self Diagnostic Result" mode of "BCM" using CONSULT.

Is DTC detected?

- YES >> Go to [SEC-90, "Diagnosis Procedure"](#).
 NO >> GO TO 2.

2. PERFORM DTC CONFIRMATION PROCEDURE 2

1. Turn ignition switch ON.
2. Turn ignition switch OFF.
3. Press driver side door switch and wait 1 second or more.
4. Check DTC in "Self Diagnostic Result" mode of "BCM" using CONSULT.

Is DTC detected?

- YES >> Go to [SEC-90, "Diagnosis Procedure"](#).
 NO >> INSPECTION END

Diagnosis Procedure

INFOID:000000006888093

1. CHECK IPDM E/R INPUT SIGNAL

1. Turn ignition switch OFF.
2. Check voltage between IPDM E/R harness connector and ground.

(+)		(-)	Condition	Voltage (V) (Approx.)
IPDM E/R				
Connector	Terminal			
E17	32	Ground	Lock	0
			Unlock	12
	34		Lock	12
			Unlock	0

NOTE:

B2612 STEERING STATUS

[WITH INTELLIGENT KEY SYSTEM]

< DTC/CIRCUIT DIAGNOSIS >

To lock the steering	1. Set the selector lever in the P position. 2. Turn the power supply position to the OFF position. 3. Press any door switch.
To unlock the steering	1. Set the selector lever in the P position. 2. Press the push-button ignition switch with brake pedal not depressed.

Is the inspection result normal?

YES >> GO TO 4.

NO >> GO TO 2.

2.CHECK IPDM E/R INPUT SIGNAL CIRCUIT

1. Disconnect IPDM E/R connector and steering lock unit connector.
2. Check continuity between IPDM E/R harness connector and steering lock unit harness connector.

IPDM E/R		Steering lock unit		Continuity
Connector	Terminal	Connector	Terminal	
E5	32	M40	3	Existed
	34		8	

3. Check continuity between IPDM E/R harness connector and ground.

IPDM E/R		Ground	Continuity
Connector	Terminal		
E5	32		Not existed
	34		

Is the inspection result normal?

YES >> GO TO 3.

NO >> Repair or replace harness.

3.REPLACE STEERING LOCK UNIT

1. Replace steering lock unit.
2. Perform the service procedure for steering lock unit replacement. Refer to CONSULT display instruction.

>> INSPECTION END

4.CHECK BCM INPUT SIGNAL

1. Turn ignition switch OFF.
2. Check voltage between BCM harness connector and ground.

(+)		(-)	Condition	Voltage (V) (Approx.)	
BCM					
Connector	Terminal				
M123	107	Ground	Steering lock unit	Lock	0
			Unlock	12	
	108		Lock	12	
			Unlock	0	

NOTE:

To lock the steering	1. Set the selector lever in the P position. 2. Turn the power supply position to the OFF position. 3. Press any door switch.
To unlock the steering	1. Set the selector lever in the P position. 2. Press the push-button ignition switch with brake pedal not depressed.

Is the inspection result normal?

A
B
C
D
E
F
G
H
I
J
L
M
N
O
P

SEC

B2612 STEERING STATUS

[WITH INTELLIGENT KEY SYSTEM]

< DTC/CIRCUIT DIAGNOSIS >

- YES >> GO TO 5.
NO >> GO TO 6.

5. REPLACE BCM

1. Replace BCM. Refer to [BCS-82. "Removal and Installation"](#).
2. Perform initialization of BCM and registration of all Intelligent Keys using CONSULT.

>> INSPECTION END

6. CHECK BCM INPUT SIGNAL CIRCUIT

1. Disconnect BCM connector and steering lock unit connector.
2. Check continuity between BCM harness connector and steering lock unit harness connector.

BCM		Steering lock unit		Continuity
Connector	Terminal	Connector	Terminal	
M123	107	M40	3	Existed
	108		8	

3. Check continuity between BCM harness connector and ground.

BCM		Ground	Continuity
Connector	Terminal		
M123	107		Not existed
	108		

Is the inspection result normal?

- YES >> GO TO 7.
NO >> Repair or replace harness.

7. REPLACE STEERING LOCK UNIT

1. Replace steering lock unit.
2. Perform the service procedure for steering lock unit replacement. Refer to CONSULT display instruction.

>> INSPECTION END

B2619 BCM

< DTC/CIRCUIT DIAGNOSIS >

[WITH INTELLIGENT KEY SYSTEM]

B2619 BCM

DTC Logic

INFOID:000000006888094

DTC DETECTION LOGIC

DTC No.	Trouble diagnosis name	DTC detecting condition	Possible cause
B2619	BCM	There is a difference between power supply output to steering lock unit and steering lock unit F/B result.	BCM

DTC CONFIRMATION PROCEDURE

1. PERFORM DTC CONFIRMATION PROCEDURE

1. Press push-button ignition switch under the following conditions and wait 1 second or more.
 - Selector lever: In the P position
 - Brake pedal: Not depressed
2. Check DTC in "Self Diagnostic Result" of "BCM" using CONSULT.

Is DTC detected?

- YES >> Go to [SEC-93, "Diagnosis Procedure"](#).
NO >> INSPECTION END

Diagnosis Procedure

INFOID:000000006888095

1. INSPECTION START

1. Turn ignition switch ON.
2. Select "Self Diagnostic Result" mode of "BCM" using CONSULT.
3. Touch "ERASE".
4. Perform DTC CONFIRMATION PROCEDURE for DTC B2619. Refer to [SEC-93, "DTC Logic"](#).

Is DTC detected?

- YES >> GO TO 2.
NO >> INSPECTION END

2. REPLACE BCM

1. Replace BCM. Refer to [BCS-82, "Removal and Installation"](#).
2. Perform initialization of BCM and registration of all Intelligent Keys using CONSULT.

>> INSPECTION END

A
B
C
D
E
F
G
H
I
J
L
M
N
O
P

SEC

B26E9 STEERING STATUS

< DTC/CIRCUIT DIAGNOSIS >

[WITH INTELLIGENT KEY SYSTEM]

B26E9 STEERING STATUS

DTC Logic

INFOID:000000006888096

DTC DETECTION LOGIC

DTC No.	Trouble diagnosis name	DTC detecting condition	Possible cause
B26E9	LOCK MALFUNCTION	BCM activates steering lock but steering state that BCM recognizes is unlock.	Steering lock unit

DTC CONFIRMATION PROCEDURE

1. PERFORM DTC CONFIRMATION PROCEDURE

1. Turn ignition switch ON.
2. Turn ignition switch OFF.
3. Press driver side door switch.
4. Turn ignition switch ON.
5. Check DTC in "Self Diagnostic Result" mode of "BCM" using CONSULT.

Is DTC detected?

- YES >> Refer to [SEC-94, "Diagnosis Procedure"](#).
NO >> INSPECTION END

Diagnosis Procedure

INFOID:000000006888097

1. INSPECTION START

1. Turn ignition switch ON.
2. Select "Self Diagnostic Result" mode of "BCM" using CONSULT.
3. Touch "ERASE".
4. Perform DTC CONFIRMATION PROCEDURE for DTC B26E9. Refer to [SEC-94, "DTC Logic"](#).

Is DTC detected?

- YES >> GO TO 2.
NO >> INSPECTION END

2. REPLACE STEERING LOCK UNIT

1. Replace steering lock unit.
2. Perform the service procedure for steering lock unit replacement. Refer to CONSULT display instruction.

>> INSPECTION END

B26EF STEERING LOCK RELAY

< DTC/CIRCUIT DIAGNOSIS >

[WITH INTELLIGENT KEY SYSTEM]

B26EF STEERING LOCK RELAY

DTC Logic

INFOID:000000006888098

DTC DETECTION LOGIC

NOTE:

- If DTC B26EF is displayed with DTC U1000, first perform the trouble diagnosis for DTC U1000. Refer to [BCS-70, "DTC Logic"](#).
- If DTC B26EF is displayed with DTC U1010, first perform the trouble diagnosis for DTC U1010. Refer to [BCS-71, "DTC Logic"](#).

DTC No.	Trouble diagnosis name	DTC detecting condition	Possible cause
B26EF	STRG LCK RELAY OFF	BCM requests IPDM E/R to turn steering lock relay ON, but BCM cannot receive steering lock relay ON state signal from IPDM E/R (CAN) within 2 seconds.	<ul style="list-style-type: none"> • Harness or connectors (The CAN communication line is open or shorted.) • Harness or connector (Steering lock unit circuit is open or shorted.) • Steering lock unit • IPDM E/R

DTC CONFIRMATION PROCEDURE

1. PERFORM DTC CONFIRMATION PROCEDURE

1. Shift selector lever to the P position.
2. Turn ignition switch ON.
3. Turn ignition switch OFF.
4. Press driver side door switch and wait 2 seconds or more.
5. Check DTC in "Self Diagnostic Result" mode of "BCM" using CONSULT.

Is DTC detected?

- YES >> Go to [SEC-95, "Diagnosis Procedure"](#).
 NO >> INSPECTION END

Diagnosis Procedure

INFOID:000000006888099

1. CHECK DTC OF IPDM E/R

Check DTC in "Self Diagnostic Result" mode of IPDM E/R using CONSULT.

Is DTC detected?

- YES >> Perform the diagnosis procedure related to the detected DTC. Refer to [PCS-25, "DTC Index"](#).
 NO >> GO TO 2.

2. CHECK STEERING LOCK UNIT POWER SUPPLY

Check voltage between steering lock unit harness connector and ground.

(+)		(-)	Condition		Voltage (V) (Approx.)
Steering lock unit					
Connector	Terminal				
M40	1	Ground	Ignition switch OFF	A few seconds after opening the driver door	Battery voltage
			Ignition switch LOCK	Press the push-button ignition switch	Battery voltage
			Ignition switch ACC or ON		0

NOTE:

B26EF STEERING LOCK RELAY

< DTC/CIRCUIT DIAGNOSIS >

[WITH INTELLIGENT KEY SYSTEM]

To lock the steering	<ol style="list-style-type: none">1. Set the selector lever in the P position.2. Turn the power supply position to the OFF position.3. Press any door switch.
To unlock the steering	<ol style="list-style-type: none">1. Set the selector lever in the P position.2. Press the push-button ignition switch with brake pedal not depressed.

Is the inspection normal?

YES >> GO TO 3.

NO >> GO TO 4.

3. REPLACE STEERING LOCK UNIT

1. Replace steering lock unit.
2. Perform the service procedure for steering lock unit replacement. Refer to CONSULT display instruction.

>> INSPECTION END

4. CHECK STEERING LOCK RELAY CIRCUIT

1. Turn ignition switch OFF.
2. Disconnect IPDM E/R connector.
3. Disconnect steering lock unit connector.
4. Check continuity between IPDM E/R harness connector and steering lock unit harness connector.

IPDM E/R		Steering lock unit		Continuity
Connector	Terminal	Connector	Terminal	
E7	49	M40	1	Existed

5. Check continuity between IPDM E/R harness connector and ground.

IPDM E/R		Ground	Continuity
Connector	Terminal		
E7	49		Not existed

Is the inspection result normal?

YES >> Replace IPDM E/R. Refer to [PCS-33, "Removal and Installation"](#).

NO >> Repair or replace harness.

B26F0 STEERING LOCK RELAY

< DTC/CIRCUIT DIAGNOSIS >

[WITH INTELLIGENT KEY SYSTEM]

B26F0 STEERING LOCK RELAY

DTC Logic

INFOID:000000006888100

DTC DETECTION LOGIC

NOTE:

- If DTC B26F0 is displayed with DTC U1000, first perform the trouble diagnosis for DTC U1000. Refer to [BCS-70, "DTC Logic"](#).
- If DTC B26F0 is displayed with DTC U1010, first perform the trouble diagnosis for DTC U1010. Refer to [BCS-71, "DTC Logic"](#).

DTC No.	Trouble diagnosis name	DTC detecting condition	Possible cause
B26F0	STRG LCK RELAY ON	BCM requests IPDM E/R to turn steering lock relay OFF, but BCM cannot receive steering lock relay OFF state signal from IPDM E/R (CAN) within 2 seconds.	<ul style="list-style-type: none"> • Harness or connectors (The CAN communication line is open or shorted.) • Harness or connector (Steering lock unit circuit is open or shorted.) • Steering lock unit • IPDM E/R

DTC CONFIRMATION PROCEDURE

1. PERFORM DTC CONFIRMATION PROCEDURE

1. Shift selector lever to the P position.
2. Turn ignition switch ON.
3. Turn ignition switch OFF.
4. Press driver side door switch and wait 2 seconds or more.
5. Check DTC in "Self Diagnostic Result" mode of "BCM" using CONSULT.

Is DTC detected?

- YES >> Go to [SEC-97, "Diagnosis Procedure"](#).
 NO >> INSPECTION END

Diagnosis Procedure

INFOID:000000006888101

1. CHECK DTC OF IPDM E/R

Check DTC in "Self Diagnostic Result" mode of IPDM E/R using CONSULT.

Is DTC detected?

- YES >> Perform the diagnosis procedure related to the detected DTC. Refer to [PCS-25, "DTC Index"](#).
 NO >> GO TO 2.

2. CHECK STEERING LOCK UNIT POWER SUPPLY

Check voltage between steering lock unit harness connector and ground.

(+)		(-)	Condition		Voltage (V) (Approx.)
Steering lock unit					
Connector	Terminal				
M40	1	Ground	Ignition switch OFF	A few seconds after opening the driver door	Battery voltage
			Ignition switch LOCK	Press the push-button ignition switch	Battery voltage
			Ignition switch ACC or ON		0

NOTE:

B26F0 STEERING LOCK RELAY

< DTC/CIRCUIT DIAGNOSIS >

[WITH INTELLIGENT KEY SYSTEM]

To lock the steering	<ol style="list-style-type: none">1. Set the selector lever in the P position.2. Turn the power supply position to the OFF position.3. Press any door switch.
To unlock the steering	<ol style="list-style-type: none">1. Set the selector lever in the P position.2. Press the push-button ignition switch with brake pedal not depressed.

Is the inspection normal?

YES >> GO TO 3.

NO >> GO TO 4.

3. REPLACE STEERING LOCK UNIT

1. Replace steering lock unit.
2. Perform the service procedure for steering lock unit replacement. Refer to CONSULT display instruction.

>> INSPECTION END

4. CHECK STEERING LOCK RELAY CIRCUIT

1. Turn ignition switch OFF.
2. Disconnect IPDM E/R connector.
3. Disconnect steering lock unit connector.
4. Check continuity between IPDM E/R harness connector and steering lock unit harness connector.

IPDM E/R		Steering lock unit		Continuity
Connector	Terminal	Connector	Terminal	
E7	49	M40	1	Existed

5. Check continuity between IPDM E/R harness connector and ground.

IPDM E/R		Ground	Continuity
Connector	Terminal		
E7	49		Not existed

Is the inspection result normal?

YES >> Replace IPDM E/R. Refer to [PCS-33, "Removal and Installation"](#).

NO >> Repair or replace harness.

B26F3 STARTER CONTROL RELAY

< DTC/CIRCUIT DIAGNOSIS >

[WITH INTELLIGENT KEY SYSTEM]

B26F3 STARTER CONTROL RELAY

DTC Logic

INFOID:000000006888102

DTC DETECTION LOGIC

NOTE:

- If DTC B26F3 is displayed with DTC U1000, first perform the trouble diagnosis for DTC U1000. Refer to [BCS-70, "DTC Logic"](#).
- If DTC B26F3 is displayed with DTC U1010, first perform the trouble diagnosis for DTC U1010. Refer to [BCS-71, "DTC Logic"](#).

DTC No.	Trouble diagnosis name	DTC detecting condition	Possible cause
B26F3	START CONT RLY ON	BCM requests IPDM E/R to turn starter control relay OFF, but BCM cannot receive starter control relay OFF state signal from IPDM E/R (CAN).	<ul style="list-style-type: none">• Harness or connectors (The CAN communication line is open or shorted.)• IPDM E/R

DTC CONFIRMATION PROCEDURE

1. PERFORM DTC CONFIRMATION PROCEDURE

1. Press push-button ignition switch under the following conditions to start engine.
 - Selector lever: In the P position
 - Brake pedal: Depressed
2. Wait 2 seconds after engine started.
3. Check DTC in "Self Diagnostic Result" mode of "BCM" using CONSULT.

Is DTC detected?

- YES >> Go to [SEC-99, "Diagnosis Procedure"](#).
NO >> INSPECTION END

Diagnosis Procedure

INFOID:000000006888103

1. CHECK DTC OF IPDM E/R

Check DTC in "Self Diagnostic Result" mode of "IPDM E/R" using CONSULT.

Is DTC detected?

- YES >> Perform the diagnosis procedure related to the detected DTC. Refer to [SEC-99, "DTC Logic"](#).
NO >> GO TO 2.

2. CHECK INTERMITTENT INCIDENT

Refer to [GI-44, "Intermittent Incident"](#).

>> INSPECTION END

A
B
C
D
E
F
G
H
I
J
L
M
N
O
P

SEC

B26F4 STARTER CONTROL RELAY

< DTC/CIRCUIT DIAGNOSIS >

[WITH INTELLIGENT KEY SYSTEM]

B26F4 STARTER CONTROL RELAY

DTC Logic

INFOID:000000006888104

DTC DETECTION LOGIC

NOTE:

- If DTC B26F4 is displayed with DTC U1000, first perform the trouble diagnosis for DTC U1000. Refer to [BCS-70, "DTC Logic"](#).
- If DTC B26F4 is displayed with DTC U1010, first perform the trouble diagnosis for DTC U1010. Refer to [BCS-71, "DTC Logic"](#).

DTC No.	Trouble diagnosis name	DTC detecting condition	Possible cause
B26F4	START CONT RELAY OFF	BCM requests IPDM E/R to turn starter control relay ON, but BCM cannot receive starter control relay ON state signal from IPDM E/R (CAN).	<ul style="list-style-type: none">• Harness or connectors (The CAN communication line is open or shorted.)• IPDM E/R

DTC CONFIRMATION PROCEDURE

1. PERFORM DTC CONFIRMATION PROCEDURE

1. Press push-button ignition switch under the following conditions to start engine, and wait 1 second or more.
 - Selector lever: In the P position
 - Brake pedal: Depressed
2. Check DTC in "Self Diagnostic Result" mode of "BCM" using CONSULT.

Is DTC detected?

- YES >> Go to [SEC-100, "Diagnosis Procedure"](#).
NO >> INSPECTION END

Diagnosis Procedure

INFOID:000000006888105

1. CHECK DTC OF IPDM E/R

Check DTC in "Self Diagnostic Result" mode of "IPDM E/R" using CONSULT.

Is DTC detected?

- YES >> Perform the diagnosis procedure related to the detected DTC. Refer to [SEC-99, "DTC Logic"](#).
NO >> GO TO 2.

2. CHECK INTERMITTENT INCIDENT

Refer to [GI-44, "Intermittent Incident"](#).

>> INSPECTION END

B26F5 STEERING LOCK STATUS SWITCH

< DTC/CIRCUIT DIAGNOSIS >

[WITH INTELLIGENT KEY SYSTEM]

B26F5 STEERING LOCK STATUS SWITCH

DTC Logic

INFOID:000000006888106

DTC DETECTION LOGIC

NOTE:

- If DTC B210A is displayed with DTC U1000, first perform the trouble diagnosis for DTC U1000. Refer to [BCS-70, "DTC Logic"](#).
- If DTC B210A is displayed with DTC U1010, first perform the trouble diagnosis for DTC U1010. Refer to [BCS-71, "DTC Logic"](#).

DTC No.	Trouble diagnosis name	DTC detecting condition	Possible cause
B26F5	STRG LCK STS SW	When BCM performs steering lock request to IPDM E/R, steering lock state signal from IPDM E/R is already lock state.	<ul style="list-style-type: none"> • Harness or connectors (The CAN communication line is open or shorted.) • Harness or connectors (Steering lock unit circuit is open or shorted.) • Steering lock unit • IPDM E/R • BCM

DTC CONFIRMATION PROCEDURE

1. PERFORM DTC CONFIRMATION PROCEDURE

1. Shift selector lever to the P position.
2. Turn ignition switch ON.
3. Turn ignition switch OFF.
4. Press driver side door switch.
5. Check DTC in "Self Diagnostic Result" mode of "BCM" using CONSULT.

Is DTC detected?

- YES >> Go to [SEC-101, "Diagnosis Procedure"](#).
 NO >> INSPECTION END

Diagnosis Procedure

INFOID:000000006888107

1. CHECK IPDM E/R INPUT SIGNAL

1. Turn ignition switch OFF.
2. Check voltage between IPDM E/R harness connector and ground.

(+)		(-)	Condition	Voltage (V) (Approx.)
IPDM E/R				
Connector	Terminal			
E17	32	Ground	Lock	0
			Unlock	12
	34		Lock	12
			Unlock	0

NOTE:

To lock the steering	<ol style="list-style-type: none"> 1. Set the selector lever in the P position. 2. Turn the power supply position to the OFF position. 3. Press any door switch.
To unlock the steering	<ol style="list-style-type: none"> 1. Set the selector lever in the P position. 2. Press the push-button ignition switch with brake pedal not depressed.

Is the inspection result normal?

- YES >> GO TO 4.

B26F5 STEERING LOCK STATUS SWITCH

[WITH INTELLIGENT KEY SYSTEM]

< DTC/CIRCUIT DIAGNOSIS >

NO >> GO TO 2.

2.CHECK IPDM E/R INPUT SIGNAL CIRCUIT

1. Disconnect IPDM E/R connector and steering lock unit connector.
2. Check continuity between IPDM E/R harness connector and steering lock unit harness connector.

IPDM E/R		Steering lock unit		Continuity
Connector	Terminal	Connector	Terminal	
E17	32	M40	3	Existed
	34		8	

3. Check continuity between IPDM E/R harness connector and ground.

IPDM E/R		Ground	Continuity
Connector	Terminal		
E17	32		Not existed
	34		

Is the inspection result normal?

YES >> GO TO 3.

NO >> Repair or replace harness.

3.REPLACE STEERING LOCK UNIT

1. Replace steering lock unit.
2. Perform the service procedure for steering lock unit replacement. Refer to CONSULT display instruction.

>> INSPECTION END

4.CHECK BCM INPUT SIGNAL

1. Turn ignition switch OFF.
2. Check voltage between BCM harness connector and ground.

(+)		(-)	Condition	Voltage (V) (Approx.)	
BCM					
Connector	Terminal				
M123	107	Ground	Steering lock unit	Lock	0
			Unlock	12	
	108		Lock	12	
			Unlock	0	

NOTE:

To lock the steering	<ol style="list-style-type: none">1. Set the selector lever in the P position.2. Turn the power supply position to the OFF position.3. Press any door switch.
To unlock the steering	<ol style="list-style-type: none">1. Set the selector lever in the P position.2. Press the push-button ignition switch with brake pedal not depressed.

Is the inspection result normal?

YES >> GO TO 7.

NO >> GO TO 5.

5.CHECK BCM INPUT SIGNAL CIRCUIT

1. Disconnect BCM connector and steering lock unit connector.
2. Check continuity between BCM harness connector and steering lock unit harness connector.

B26F5 STEERING LOCK STATUS SWITCH

< DTC/CIRCUIT DIAGNOSIS >

[WITH INTELLIGENT KEY SYSTEM]

BCM		Steering lock unit		Continuity
Connector	Terminal	Connector	Terminal	
M123	107	M40	3	Existed
	108		8	

3. Check continuity between BCM harness connector and ground.

BCM		Ground	Continuity
Connector	Terminal		
M123	107		Not existed
	108		

Is the inspection result normal?

YES >> GO TO 6.

NO >> Repair or replace harness.

6. REPLACE STEERING LOCK UNIT

1. Replace steering lock unit.
2. Perform the service procedure for steering lock unit replacement. Refer to CONSULT display instruction.

>> INSPECTION END

7. REPLACE BCM

1. Replace BCM. Refer to [BCS-82, "Removal and Installation"](#).
2. Perform DTC CONFIRMATION PROCEDURE for DTC B26F5. Refer to [SEC-101, "DTC Logic"](#).

Is the inspection result normal?

YES >> INSPECTION END

NO >> Replace IPDM E/R. Refer to [PCS-33, "Removal and Installation"](#).

A
B
C
D
E
F
G
H
I
J
L
M
N
O
P

SEC

B26F7 BCM**DTC Logic**

INFOID:000000006888108

DTC DETECTION LOGIC

DTC No.	Trouble diagnosis name	DTC detecting condition	Possible cause
B26F7	BCM	Inside key antenna output circuit in BCM is malfunctioning.	BCM

DTC CONFIRMATION PROCEDURE**1.PERFORM DTC CONFIRMATION PROCEDURE**

1. Press door request switch.
2. Turn ignition switch ON.
3. Check DTC in "Self Diagnostic Result" mode of "BCM" using CONSULT.

Is DTC detected?

- YES >> Go to [SEC-104, "Diagnosis Procedure"](#).
 NO >> INSPECTION END

Diagnosis Procedure

INFOID:000000006888109

1.INSPECTION START

1. Turn ignition switch ON.
2. Select "Self Diagnostic Result" mode of "BCM" using CONSULT.
3. Touch "ERASE".
4. Perform DTC CONFIRMATION PROCEDURE for DTC B26F7. Refer to [SEC-104, "DTC Logic"](#).

Is DTC detected?

- YES >> GO TO 2.
 NO >> INSPECTION END

2.REPLACE BCM

1. Replace BCM. Refer to [BCS-82, "Removal and Installation"](#).
2. Perform initialization of BCM and registration of all Intelligent Keys using CONSULT.

>> INSPECTION END

B26FC KEY REGISTRATION

< DTC/CIRCUIT DIAGNOSIS >

[WITH INTELLIGENT KEY SYSTEM]

B26FC KEY REGISTRATION

DTC Logic

INFOID:000000006888110

DTC DETECTION LOGIC

DTC No.	Trouble diagnosis name	DTC detecting condition	Possible cause
B26FC	KEY REGISTRATION	Intelligent Key that does not match the vehicle is registered.	<ul style="list-style-type: none">Improper registration operationIntelligent KeyBCM

DTC CONFIRMATION PROCEDURE

1.PERFORM DTC CONFIRMATION PROCEDURE

1. Perform initialization of BCM and reregistration of all Intelligent Keys using CONSULT.
2. Check DTC in "Self Diagnostic Result" mode of "BCM" using CONSULT.

Is DTC detected?

- YES >> Go to [SEC-105. "Diagnosis Procedure"](#)
NO >> INSPECTION END

Diagnosis Procedure

INFOID:000000006888111

1.REPLACE INTELLIGENT KEY

1. Prepare Intelligent Key that matches the vehicle.
2. Perform initialization of BCM and reregistration of Intelligent Key using CONSULT.
3. Check DTC in "Self Diagnostic Result" mode of "BCM" using CONSULT.

Is DTC detected?

- YES >> GO TO 2.
NO >> INSPECTION END

2.REPLACE BCM

1. Replace BCM. Refer to [BCS-82. "Removal and Installation"](#).
2. Perform initialization of BCM and registration of all Intelligent Keys using CONSULT.

>> INSPECTION END

A
B
C
D
E
F
G
H
I
J
L
M
N
O
P

SEC

B2108 STEERING LOCK RELAY

< DTC/CIRCUIT DIAGNOSIS >

[WITH INTELLIGENT KEY SYSTEM]

B2108 STEERING LOCK RELAY

DTC Logic

INFOID:000000006888112

DTC DETECTION LOGIC

NOTE:

- If DTC B2108 is displayed with DTC U1000, first perform the trouble diagnosis for DTC U1000. Refer to [PCS-29, "DTC Logic"](#).
- If DTC B2108 is displayed with other DTC, first perform the trouble diagnosis for the other DTC.

DTC No.	Trouble diagnosis name	DTC detecting condition	Possible cause
B2108	STRG LCK RELAY ON	IPDM E/R detects that steering lock relay is stuck in the ON position for approximately 1 second even if IPDM E/R receives steering lock relay ON/OFF signal from BCM.	<ul style="list-style-type: none"> • Harness or connectors (The CAN communication line is open or shorted.) • IPDM E/R

DTC CONFIRMATION PROCEDURE

1. PERFORM DTC CONFIRMATION PROCEDURE

1. Press push-button ignition switch under the following conditions and wait 1 second or more.
 - Selector lever: In the P position
 - Brake pedal: Not depressed
2. Check DTC in "Self Diagnostic Result" mode of "IPDM E/R" using CONSULT.

Is DTC detected?

- YES >> Go to [SEC-106, "Diagnosis Procedure"](#).
 NO >> INSPECTION END

Diagnosis Procedure

INFOID:000000006888113

1. CHECK STEERING LOCK RELAY SIGNAL

Check voltage between IPDM E/R harness connector and ground.

(+)		(-)	Condition	Voltage (V) (Approx.)
Connector	Terminal			
E7	49	Ground	Ignition switch OFF	A few seconds after opening the driver door Battery voltage
			Ignition switch LOCK	Press the push-button ignition switch Battery voltage
			Ignition switch ACC or ON	0

Is the inspection result normal?

- YES >> Replace IPDM E/R. Refer to [PCS-33, "Removal and Installation"](#).
 NO >> GO TO 2.

2. CHECK INTERMITTENT INCIDENT

Refer to [GI-44, "Intermittent Incident"](#).

>> INSPECTION END

B2109 STEERING LOCK RELAY

[WITH INTELLIGENT KEY SYSTEM]

< DTC/CIRCUIT DIAGNOSIS >

B2109 STEERING LOCK RELAY

DTC Logic

INFOID:000000006888114

DTC DETECTION LOGIC

NOTE:

- If DTC B2109 is displayed with DTC U1000, first perform the trouble diagnosis for DTC U1000. Refer to [PCS-29. "DTC Logic"](#).
- If DTC B2109 is displayed with other DTC, first perform the trouble diagnosis for the other DTC.
- When IPDM E/R power supply voltage is low (Approx. 7 - 8 V for about 1 second), the DTC B2109 may be detected.

DTC No.	Trouble diagnosis name	DTC detecting condition	Possible cause
B2109	STRG LCK RELAY OFF	IPDM E/R detects that steering lock relay is stuck in the OFF position for approximately 1 second even if IPDM E/R receives steering lock relay ON/OFF signal from BCM.	<ul style="list-style-type: none">• Harness or connectors (The CAN communication line is open or shorted.)• IPDM E/R• Battery

DTC CONFIRMATION PROCEDURE

1. PERFORM DTC CONFIRMATION PROCEDURE

1. Press push-button ignition switch under the following conditions and wait 1 second or more.
 - Selector lever: In the P position
 - Brake pedal: Not depressed
2. Check DTC in "Self Diagnostic Result" mode of "IPDM E/R" using CONSULT.

Is DTC detected?

- YES >> Go to [SEC-107. "Diagnosis Procedure"](#).
NO >> INSPECTION END

Diagnosis Procedure

INFOID:000000006888115

1. CHECK POWER SUPPLY CIRCUIT

Check IPDM E/R power supply circuit. Refer to [PCS-32. "Diagnosis Procedure"](#).

Is the inspection result normal?

- YES >> GO TO 2.
NO >> Repair or replace the malfunctioning part.

2. CHECK FUSE

1. Turn ignition switch OFF.
2. Check 10 A fuse (No. 48, located in IPDM E/R).

Is the inspection result normal?

- YES >> Replace IPDM E/R. Refer to [PCS-33. "Removal and Installation"](#).
NO >> Replace the blown fuse after repairing the cause of affected circuit if a fuse is blown.

A
B
C
D
E
F
G
H
I
J
L
M
N
O
P

SEC

B210A STEERING LOCK UNIT

< DTC/CIRCUIT DIAGNOSIS >

[WITH INTELLIGENT KEY SYSTEM]

B210A STEERING LOCK UNIT

DTC Logic

INFOID:000000006888116

DTC DETECTION LOGIC

DTC No.	Trouble diagnosis name	DTC detecting condition	Possible cause
B210A	STRG LCK STATE SW	IPDM E/R detects the difference between steering condition switches 1 and 2 signals for 1 second.	<ul style="list-style-type: none"> Harness or connectors (Steering lock unit circuit is open or shorted.) Steering lock unit IPDM E/R

DTC CONFIRMATION PROCEDURE

1. PERFORM DTC CONFIRMATION PROCEDURE 1

- Press push-button ignition switch under the following conditions and wait 1 second or more.
 - Selector lever: In the P position
 - Brake pedal: Not depressed
- Check DTC in "Self Diagnostic Result" mode of "IPDM E/R" using CONSULT.

Is DTC detected?

- YES >> Go to [SEC-108. "Diagnosis Procedure"](#).
 NO >> GO TO 2.

2. PERFORM DTC CONFIRMATION PROCEDURE 2

- Turn ignition switch ON.
- Turn ignition switch OFF.
- Press driver side door switch and wait 1 second or more.
- Check DTC in "Self Diagnostic Result" mode of "IPDM E/R" using CONSULT.

Is DTC detected?

- YES >> Go to [SEC-108. "Diagnosis Procedure"](#).
 NO >> INSPECTION END

Diagnosis Procedure

INFOID:000000006888117

1. CHECK IPDM E/R INPUT SIGNAL

- Turn ignition switch OFF.
- Check voltage between IPDM E/R harness connector and ground.

(+)		(-)	Condition	Voltage (V) (Approx.)	
IPDM E/R					
Connector	Terminal				
E17	32	Ground	Steering lock unit	Lock	0
			Unlock	12	
	34		Lock	12	
			Unlock	0	

Is the inspection result normal?

- YES >> Replace IPDM E/R. Refer to [PCS-33. "Removal and Installation"](#).
 NO >> GO TO 2.

2. CHECK IPDM E/R INPUT SIGNAL CIRCUIT

- Disconnect IPDM E/R connector and steering lock unit connector.
- Check continuity between IPDM E/R harness connector and steering lock unit harness connector.

B210A STEERING LOCK UNIT

< DTC/CIRCUIT DIAGNOSIS >

[WITH INTELLIGENT KEY SYSTEM]

IPDM E/R		Steering lock unit		Continuity
Connector	Terminal	Connector	Terminal	
E5	32	M40	3	Existed
	34		8	

3. Check continuity between IPDM E/R harness connector and ground.

IPDM E/R		Ground	Continuity
Connector	Terminal		
E5	32		Not existed
	34		

Is the inspection result normal?

YES >> GO TO 3.

NO >> Repair or replace harness.

3. REPLACE STEERING LOCK UNIT

1. Replace steering lock unit.
2. Perform the service procedure for steering lock unit replacement. Refer to CONSULT display instruction.

>> INSPECTION END

A
B
C
D
E
F
G
H
I
J
L
M
N
O
P

SEC

B210B STARTER CONTROL RELAY

< DTC/CIRCUIT DIAGNOSIS >

[WITH INTELLIGENT KEY SYSTEM]

B210B STARTER CONTROL RELAY

DTC Logic

INFOID:000000006888118

DTC DETECTION LOGIC

NOTE:

If DTC B210B is displayed with DTC U1000, first perform the trouble diagnosis for DTC U1000. Refer to [PCS-29, "DTC Logic"](#).

DTC No.	Trouble diagnosis name	DTC detecting condition	Possible cause
B210B	START CONT RLY ON	When comparing the following items, IPDM E/R detects that starter control relay is stuck in the ON position for 1 second or more. <ul style="list-style-type: none">• Starter control relay signal (CAN) from BCM• Starter relay status signal (CAN) from BCM• Starter control relay and starter relay status signal (IPDM E/R input)• Starter control relay control signal (IPDM E/R output)• P/N position signal input	<ul style="list-style-type: none">• Harness or connectors (The CAN communication line is open or shorted.)• IPDM E/R• BCM

DTC CONFIRMATION PROCEDURE

1. PERFORM DTC CONFIRMATION PROCEDURE

1. Press push-button ignition switch under the following conditions to start engine, and wait 1 second or more.
 - Selector lever: In the P position
 - Brake pedal: Depressed
2. Check DTC in "Self Diagnostic Result" mode of "IPDM E/R" using CONSULT.

Is DTC detected?

- YES >> Go to [SEC-110, "Diagnosis Procedure"](#).
NO >> INSPECTION END

Diagnosis Procedure

INFOID:000000006888119

1. CHECK DTC OF BCM

Check DTC in "Self Diagnostic Result" mode of "BCM" using CONSULT.

Is DTC detected?

- YES >> Perform the trouble diagnosis related to the detected DTC. Refer to [BCS-57, "DTC Index"](#).
NO >> GO TO 2.

2. INSPECTION START

1. Turn ignition switch ON.
2. Select "Self Diagnostic Result" mode of "IPDM E/R" using CONSULT.
3. Touch "ERASE".
4. Perform DTC CONFIRMATION PROCEDURE for DTC B210B. Refer to [SEC-110, "DTC Logic"](#).

Is DTC detected?

- YES >> GO TO 3.
NO >> INSPECTION END

3. REPLACE BCM

1. Replace BCM. Refer to [BCS-82, "Removal and Installation"](#).
2. Perform DTC CONFIRMATION PROCEDURE for DTC B210B. Refer to [SEC-110, "DTC Logic"](#).

Is the inspection result normal?

- YES >> INSPECTION END
NO >> Replace IPDM E/R. Refer to [PCS-33, "Removal and Installation"](#).

B210C STARTER CONTROL RELAY

< DTC/CIRCUIT DIAGNOSIS >

[WITH INTELLIGENT KEY SYSTEM]

B210C STARTER CONTROL RELAY

DTC Logic

INFOID:000000006888120

DTC DETECTION LOGIC

NOTE:

- If DTC B210C is displayed with DTC U1000, first perform the trouble diagnosis for DTC U1000. Refer to [PCS-29, "DTC Logic"](#).
- When IPDM E/R power supply voltage is low (Approx. 7 - 8 V for about 1 second), the DTC B210C may be detected.

DTC No.	Trouble diagnosis name	DTC detecting condition	Possible cause
B210C	START CONT RLY OFF	When comparing the following items, IPDM E/R detects that starter control relay is stuck in the OFF position for 1 second or more. <ul style="list-style-type: none">• Starter control relay signal (CAN) from BCM• Starter relay status signal (CAN) from BCM• Starter control relay and starter relay status signal (IPDM E/R input)• Starter control relay control signal (IPDM E/R output)• P/N position signal input	<ul style="list-style-type: none">• Harness or connectors (The CAN communication line is open or shorted.)• IPDM E/R• BCM• Battery

DTC CONFIRMATION PROCEDURE

1.PERFORM DTC CONFIRMATION PROCEDURE

1. Press push-button ignition switch under the following conditions to start engine, and wait 1 second or more.
 - Selector lever: In the P position
 - Brake pedal: Depressed
2. Check DTC in "Self Diagnostic Result" mode of "IPDM E/R" using CONSULT.

Is DTC detected?

- YES >> Go to [SEC-111, "Diagnosis Procedure"](#).
NO >> INSPECTION END

Diagnosis Procedure

INFOID:000000006888121

SEC

1.CHECK DTC OF BCM

Check DTC in "Self Diagnostic Result" mode of "BCM" using CONSULT.

Is DTC detected?

- YES >> Perform the trouble diagnosis related to the detected DTC. Refer to [BCS-57, "DTC Index"](#).
NO >> GO TO 2.

2.INSPECTION START

1. Turn ignition switch ON.
2. Select "Self Diagnostic Result" mode of "IPDM E/R" using CONSULT.
3. Touch "ERASE".
4. Perform DTC CONFIRMATION PROCEDURE for DTC B210C. Refer to [SEC-111, "DTC Logic"](#).

Is DTC detected?

- YES >> GO TO 3.
NO >> INSPECTION END

3.REPLACE BCM

1. Replace BCM. Refer to [BCS-82, "Removal and Installation"](#).
2. Perform DTC CONFIRMATION PROCEDURE for DTC B210C. Refer to [SEC-111, "DTC Logic"](#).

Is the inspection result normal?

- YES >> INSPECTION END
NO >> Replace IPDM E/R. Refer to [PCS-33, "Removal and Installation"](#).

B210D STARTER RELAY

< DTC/CIRCUIT DIAGNOSIS >

[WITH INTELLIGENT KEY SYSTEM]

B210D STARTER RELAY

DTC Logic

INFOID:000000006888122

DTC DETECTION LOGIC

NOTE:

If DTC B210D is displayed with DTC U1000, first perform the trouble diagnosis for DTC U1000. Refer to [PCS-29, "DTC Logic"](#).

DTC No.	Trouble diagnosis name	DTC detecting condition	Possible cause
B210D	STARTER RELAY ON	When comparing the following items, IPDM E/R detects that starter relay is stuck in the ON position for 1 second or more. <ul style="list-style-type: none">• Starter control relay signal (CAN) from BCM• Starter relay status signal (CAN) from BCM• Starter control relay and starter relay status signal (IPDM E/R input)• Starter control relay control signal (IPDM E/R output)• P/N position signal input	<ul style="list-style-type: none">• Harness or connectors (The CAN communication line is open or shorted.)• IPDM E/R

DTC CONFIRMATION PROCEDURE

1. PERFORM DTC CONFIRMATION PROCEDURE

1. Press push-button ignition switch under the following conditions to start engine, and wait 1 second or more.
 - Selector lever: In the P position
 - Brake pedal: Depressed
2. Check DTC in "Self Diagnostic Result" mode of "IPDM E/R" using CONSULT.

Is DTC detected?

- YES >> Go to [SEC-112, "Diagnosis Procedure"](#).
NO >> INSPECTION END

Diagnosis Procedure

INFOID:000000006888123

1. INSPECTION START

1. Turn ignition switch ON.
2. Select "Self Diagnostic Result" mode of "IPDM E/R" using CONSULT.
3. Touch "ERASE".
4. Perform DTC CONFIRMATION PROCEDURE for DTC B210D. Refer to [SEC-112, "DTC Logic"](#).

Is DTC detected?

- YES >> Replace IPDM E/R. Refer to [PCS-33, "Removal and Installation"](#).
NO >> INSPECTION END

B210E STARTER RELAY

< DTC/CIRCUIT DIAGNOSIS >

[WITH INTELLIGENT KEY SYSTEM]

B210E STARTER RELAY

DTC Logic

INFOID:000000006888124

DTC DETECTION LOGIC

NOTE:

- If DTC B210E is displayed with DTC U1000, first perform the trouble diagnosis for DTC U1000. Refer to [PCS-29, "DTC Logic"](#).
- If DTC B210E is displayed with DTC B2605 (BCM), first perform the trouble diagnosis for DTC B2605. Refer to [SEC-79, "DTC Logic"](#).
- When IPDM E/R power supply voltage is low (Approx. 7 - 8 V for about 1 second), the DTC B210E may be detected.

DTC No.	Trouble diagnosis name	DTC detecting condition	Possible cause
B210E	STARTER RELAY OFF	When comparing the following items, IPDM E/R detects that starter relay is stuck in the OFF position for 1 second or more. <ul style="list-style-type: none"> • Starter control relay signal (CAN) from BCM • Starter relay status signal (CAN) from BCM • Starter control relay and starter relay status signal (IPDM E/R input) • Starter control relay control signal (IPDM E/R output) • P/N position signal input 	<ul style="list-style-type: none"> • Harness or connectors (Starter relay circuit is open or shorted.) • Harness or connectors (CAN communication line is open or shorted.) • IPDM E/R • Battery • BCM

DTC CONFIRMATION PROCEDURE

1. PERFORM DTC CONFIRMATION PROCEDURE

1. Press push-button ignition switch under the following conditions to start engine, and wait 1 second or more.
 - Selector lever: In the P position
 - Brake pedal: Depressed
2. Check DTC in "Self Diagnostic Result" mode of "IPDM E/R" using CONSULT.

Is DTC detected?

- YES >> Go to [SEC-113, "Diagnosis Procedure"](#).
 NO >> INSPECTION END

Diagnosis Procedure

INFOID:000000006888125

1. CHECK STARTER RELAY OUTPUT SIGNAL

1. Check voltage between BCM harness connector and ground.

(+)		(-)	Condition			Voltage (V) (Approx.)
BCM			Ignition switch	Brake pedal	Selector lever	
Connector	Terminal					
M123	97	Ground	ON	Depressed	P or N	12
					Other than above	0

Is the inspection result normal?

- YES >> GO TO 3.
 NO >> GO TO 2.

2. CHECK STARTER RELAY OUTPUT SIGNAL CIRCUIT

1. Turn ignition switch OFF.
2. Disconnect BCM connector.
3. Disconnect IPDM E/R connector.
4. Check continuity between BCM harness connector and IPDM E/R harness connector.

B210E STARTER RELAY

< DTC/CIRCUIT DIAGNOSIS >

[WITH INTELLIGENT KEY SYSTEM]

BCM		IPDM E/R		Continuity
Connector	Terminal	Connector	Terminal	
M123	97	E6	46	Existed

5. Check continuity between BCM harness connector and ground.

BCM		Ground	Continuity
Connector	Terminal		
M123	97		Not existed

Is the inspection result normal?

- YES >> Replace IPDM E/R. Refer to [PCS-33, "Removal and Installation"](#).
NO >> Repair or replace harness.

3. CHECK STARTER RELAY POWER SUPPLY CIRCUIT

- Turn ignition switch OFF.
- Disconnect IPDM E/R connector.
- Check voltage between IPDM E/R harness connector and ground. Refer to [PCS-27, "Wiring Diagram"](#).

(+)		(-)	Voltage (V) (Approx.)
IPDM E/R			
Connector	Terminal		
E5	36	Ground	Battery voltage

Is the inspection result normal?

- YES >> GO TO 4.
NO-1 >> Check 30 A fusible link [Figure H, located in the fuse block (J/B)].
NO-2 >> Check harness for open or short between IPDM E/R and battery.

4. REPLACE BCM

- Replace BCM. Refer to [BCS-82, "Removal and Installation"](#).
- Perform DTC CONFIRMATION PROCEDURE for DTC B210E. Refer to [SEC-113, "DTC Logic"](#).

Is the inspection result normal?

- YES >> INSPECTION END
NO >> Replace IPDM E/R. Refer to [PCS-33, "Removal and Installation"](#).

B210F SHIFT POSITION/CLUTCH INTERLOCK SWITCH

< DTC/CIRCUIT DIAGNOSIS >

[WITH INTELLIGENT KEY SYSTEM]

B210F SHIFT POSITION/CLUTCH INTERLOCK SWITCH

DTC Logic

INFOID:000000006888126

DTC DETECTION LOGIC

NOTE:

If DTC B210F is displayed with DTC U1000, first perform the trouble diagnosis for DTC U1000. Refer to [PCS-29. "DTC Logic"](#).

DTC No.	Trouble diagnosis name	DTC detecting condition	Possible cause
B210F	INTER LOCK/PNP SW ON	There is a difference between P/N position signal from TCM and P/N position signal from BCM (CAN).	<ul style="list-style-type: none">• Harness or connectors (The CAN communication line is open or shorted.)• Harness or connectors (TCM circuit is open or shorted.)• A/T assembly (TCM)• IPDM E/R• BCM

DTC CONFIRMATION PROCEDURE

1. PERFORM DTC CONFIRMATION PROCEDURE

1. Shift selector lever to the P position.
2. Turn ignition switch ON and wait 1 second or more.
3. Shift selector lever to the N position and wait 1 second or more.
4. Shift selector lever to any position other than P and N, and wait 1 second or more.
5. Check DTC in "Self Diagnostic Result" mode of "IPDM E/R" using CONSULT.

Is DTC detected?

- YES >> Go to [SEC-115. "Diagnosis Procedure"](#).
NO >> INSPECTION END

Diagnosis Procedure

INFOID:000000006888127

1. CHECK DTC OF BCM

Check DTC in "Self Diagnostic Result" mode of "BCM" using CONSULT.

Is DTC detected?

- YES >> Perform the trouble diagnosis related to the detected DTC. Refer to [BCS-57. "DTC Index"](#).
NO >> GO TO 2.

2. CHECK DTC OF TCM

Check DTC in "Self Diagnostic Result" mode of "TRANSMISSION" using CONSULT.

Is DTC detected?

- YES >> Perform the trouble diagnosis related to the detected DTC. Refer to [TM-78. "DTC Index"](#).
NO >> GO TO 3.

3. CHECK IPDM E/R SIGNAL CIRCUIT OPEN AND SHORT

1. Turn ignition switch OFF.
2. Disconnect IPDM E/R connector.
3. Disconnect A/T assembly connector.
4. Check continuity between IPDM E/R harness connector and A/T assembly harness connector.

IPDM E/R		A/T assembly		Continuity
Connector	Terminal	Connector	Terminal	
E5	31	F61	9	Existed

5. Check continuity between IPDM E/R harness connector and ground.

B210F SHIFT POSITION/CLUTCH INTERLOCK SWITCH

< DTC/CIRCUIT DIAGNOSIS >

[WITH INTELLIGENT KEY SYSTEM]

(+)		(-)	Continuity
IPDM E/R			
Connector	Terminal		
E5	31	Ground	Not existed

Is the inspection result normal?

- YES >> Replace IPDM E/R. Refer to [PCS-33. "Removal and Installation"](#).
- NO >> Repair or replace harness.

B2110 SHIFT POSITION/CLUTCH INTERLOCK SWITCH

< DTC/CIRCUIT DIAGNOSIS >

[WITH INTELLIGENT KEY SYSTEM]

B2110 SHIFT POSITION/CLUTCH INTERLOCK SWITCH

DTC Logic

INFOID:000000006888128

DTC DETECTION LOGIC

NOTE:

If DTC B2110 is displayed with DTC U1000, first perform the trouble diagnosis for DTC U1000. Refer to [PCS-29. "DTC Logic"](#).

DTC No.	Trouble diagnosis name	DTC detecting condition	Possible cause
B2110	INTER LOCK/PNP SW OFF	There is a difference between P/N position signal from TCM and P/N position signal from BCM (CAN).	<ul style="list-style-type: none">• Harness or connectors (The CAN communication line is open or shorted.)• Harness or connectors (TCM circuit is open or shorted.)• A/T assembly (TCM)• IPDM E/R• BCM

DTC CONFIRMATION PROCEDURE

1. PERFORM DTC CONFIRMATION PROCEDURE

1. Shift selector lever to the P position.
2. Turn ignition switch ON and wait 1 second or more.
3. Shift selector lever to the N position and wait 1 second or more.
4. Shift selector lever to any position other than P and N, and wait 1 second or more.
5. Check DTC in "Self Diagnostic Result" mode of "IPDM E/R" using CONSULT.

Is DTC detected?

- YES >> Go to [SEC-117. "Diagnosis Procedure"](#).
NO >> INSPECTION END

Diagnosis Procedure

INFOID:000000006888129

1. CHECK DTC OF BCM

Check DTC in "Self Diagnostic Result" mode of "BCM" using CONSULT.

Is DTC detected?

- YES >> Perform the trouble diagnosis related to the detected DTC. Refer to [BCS-57. "DTC Index"](#).
NO >> GO TO 2.

2. CHECK DTC OF TCM

Check DTC in "Self Diagnostic Result" mode of "TRANSMISSION" using CONSULT.

Is DTC detected?

- YES >> Perform the trouble diagnosis related to the detected DTC. Refer to [TM-78. "DTC Index"](#).
NO >> GO TO 3.

3. CHECK IPDM E/R SIGNAL CIRCUIT OPEN AND SHORT

1. Turn ignition switch OFF.
2. Disconnect IPDM E/R connector.
3. Disconnect A/T assembly connector.
4. Check continuity between IPDM E/R harness connector and A/T assembly harness connector.

IPDM E/R		A/T assembly		Continuity
Connector	Terminal	Connector	Terminal	
E5	31	F61	9	Existed

5. Check continuity between IPDM E/R harness connector and ground.

B2110 SHIFT POSITION/CLUTCH INTERLOCK SWITCH

< DTC/CIRCUIT DIAGNOSIS >

[WITH INTELLIGENT KEY SYSTEM]

(+)		(-)	Continuity
IPDM E/R			
Connector	Terminal		
E5	31	Ground	Not existed

Is the inspection result normal?

- YES >> Replace IPDM E/R. Refer to [PCS-33. "Removal and Installation"](#).
- NO >> Repair or replace harness.

HEADLAMP FUNCTION

< DTC/CIRCUIT DIAGNOSIS >

[WITH INTELLIGENT KEY SYSTEM]

HEADLAMP FUNCTION

Component Function Check

INFOID:000000006888130

1.CHECK FUNCTION

1. Perform "HEAD LAMP(HI)" in "ACTIVE TEST" mode of "THEFT ALM" of "BCM" using CONSULT.
2. Check headlamps operation.

Test item		Description	
HEAD LAMP (HI)	ON	Headlamps (Hi)	Light
	OFF		Do not light

Is the inspection result normal?

- YES >> INSPECTION END
NO >> Refer to [SEC-119, "Diagnosis Procedure"](#).

Diagnosis Procedure

INFOID:000000006888131

1.CHECK HEADLAMP FUNCTION

Refer to [EXL-74, "Component Function Check"](#).

Is the inspection result normal?

- YES >> GO TO 2.
NO >> Repair or replace the malfunctioning parts.

2.CHECK INTERMITTENT INCIDENT

Refer to [GI-44, "Intermittent Incident"](#).

>> INSPECTION END

A
B
C
D
E
F
G
H
I
J
L
M
N
O
P

SEC

HOOD SWITCH

< DTC/CIRCUIT DIAGNOSIS >

[WITH INTELLIGENT KEY SYSTEM]

HOOD SWITCH

Component Function Check

INFOID:000000006888132

1.CHECK FUNCTION

1. Select "HOOD SW" in "Data Monitor" mode of "IPDM E/R" using CONSULT.
2. Check "HOOD SW" indication under the following condition.

Monitor item	Condition		Indication
HOOD SW	Hood	Open	ON
		Close	OFF

Is the indication normal?

- YES >> Hood switch is OK.
 NO >> Go to [SEC-120, "Diagnosis Procedure"](#).

Diagnosis Procedure

INFOID:000000006888133

1.CHECK HOOD SWITCH SIGNAL CIRCUIT 1

1. Turn ignition switch OFF.
2. Disconnect hood switch connector.
3. Check voltage between hood switch harness connector and ground.

(+)		(-)	Voltage (V) (Approx.)
Hood switch			
Connector	Terminal	Ground	12
E30	2		

Is the inspection result normal?

- YES >> GO TO 3.
 NO >> GO TO 2.

2.CHECK HOOD SWITCH SIGNAL CIRCUIT 2

1. Disconnect IPDM E/R connector.
2. Check continuity between IPDM E/R harness connector and hood switch harness connector.

IPDM E/R		Hood switch		Continuity
Connector	Terminal	Connector	Terminal	
E5	24	E30	2	Existed

3. Check continuity between IPDM E/R harness connector and ground.

IPDM E/R		Ground	Continuity
Connector	Terminal		
E5	24		Not existed

Is the inspection result normal?

- YES >> Replace IPDM E/R. Refer to [PCS-33, "Removal and Installation"](#).
 NO >> Repair or replace harness.

3.CHECK HOOD SWITCH GROUND CIRCUIT

Check continuity between hood switch harness connector and ground.

Hood switch		Ground	Continuity
Connector	Terminal		
E30	1		Existed

HOOD SWITCH

[WITH INTELLIGENT KEY SYSTEM]

< DTC/CIRCUIT DIAGNOSIS >

Is the inspection result normal?

- YES >> GO TO 4.
- NO >> Repair or replace harness.

4.CHECK HOOD SWITCH

Refer to [SEC-121, "Component Inspection"](#).

Is the inspection result normal?

- YES >> GO TO 5.
- NO >> Replace hood lock (RH). Refer to [DLK-158, "HOOD LOCK : Removal and Installation"](#).

5.CHECK INTERMITTENT INCIDENT

Refer to [GI-44, "Intermittent Incident"](#).

>> INSPECTION END

Component Inspection

INFOID:000000006888134

1.CHECK HOOD SWITCH

1. Turn ignition switch OFF.
2. Disconnect hood switch connector.
3. Check continuity between hood switch terminals.

Hood switch		Condition		Continuity
Terminal				
1	2	Hood switch	Press	Not existed
			Release	Existed

Is the inspection result normal?

- YES >> INSPECTION END
- NO >> Replace hood lock (RH). Refer to [DLK-158, "HOOD LOCK : Removal and Installation"](#).

SEC

HORN FUNCTION

< DTC/CIRCUIT DIAGNOSIS >

[WITH INTELLIGENT KEY SYSTEM]

HORN FUNCTION

Component Function Check

INFOID:000000006888135

1.CHECK FUNCTION 1

1. Disconnect vehicle security horn relay.
2. Perform "VEHICLE SECURITY HORN" in "ACTIVE TEST" mode of "THEFT ALM" of "BCM" using CONSULT.
3. Check the horn operation.

Test item		Description	
VEHICLE SECURITY HORN	ON	Horn	Sounds (for 0.5 sec)

Is the operation normal?

YES >> GO TO 2.

NO >> Go to [SEC-122, "Diagnosis Procedure"](#).

2.CHECK FUNCTION 2

1. Reconnect vehicle security horn relay.
2. Disconnect horn relay.
3. Perform "VEHICLE SECURITY HORN" in "ACTIVE TEST" mode of "THEFT ALM" of "BCM" using CONSULT.
4. Check the horn operation.

Test item		Description	
VEHICLE SECURITY HORN	ON	Vehicle security horn	Sounds (for 0.5 sec)

Is the operation normal?

YES >> INSPECTION END

NO >> Go to [SEC-122, "Diagnosis Procedure"](#).

Diagnosis Procedure

INFOID:000000006888136

1.INSPECTION START

Perform inspection in accordance with procedure that confirms malfunction.

Which procedure confirms malfunction?

Component Function Check 1>>GO TO 2.

Component Function Check 2>>GO TO 4.

2.CHECK HORN FUNCTION

Check horn function using horn switch.

Do the horn sound?

YES >> GO TO 3.

NO >> Check horn circuit. Refer to [HRN-3, "Wiring Diagram"](#).

3.CHECK HORN CONTROL CIRCUIT 1

1. Disconnect horn relay.
2. Disconnect IPDM E/R connector.
3. Check continuity between IPDM E/R harness connector and horn relay harness connector.

IPDM E/R		Horn relay		Continuity
Connector	Terminal	Connector	Terminal	
E6	44	E11	1	Existed

4. Check continuity between IPDM E/R harness connector and ground.

HORN FUNCTION

< DTC/CIRCUIT DIAGNOSIS >

[WITH INTELLIGENT KEY SYSTEM]

IPDM E/R		Ground	Continuity
Connector	Terminal		
E6	44		Not existed

Is the inspection result normal?

YES >> Replace IPDM E/R. Refer to [PCS-33, "Removal and Installation"](#).

NO >> Repair or replace harness.

4. CHECK VEHICLE SECURITY HORN RELAY POWER SUPPLY

1. Disconnect vehicle security horn relay.
2. Check voltage between vehicle security horn relay harness connector and ground.

(+)		(-)	Voltage (V) (Approx.)
Vehicle security horn relay			
Connector	Terminal		
E18	1	Ground	Battery voltage

Is the inspection result normal?

YES >> GO TO 5.

NO >> Repair or replace harness.

5. CHECK HORN CONTROL CIRCUIT 2

1. Disconnect IPDM E/R connector.
2. Check continuity between IPDM E/R harness connector and vehicle security horn relay harness connector.

IPDM E/R		Theft warning horn relay		Continuity
Connector	Terminal	Connector	Terminal	
E6	45	E18	3	Existed

3. Check continuity between IPDM E/R harness connector and ground.

IPDM E/R		Ground	Continuity
Connector	Terminal		
E6	45		Not existed

Is the inspection result normal?

YES >> Replace IPDM E/R. Refer to [PCS-33, "Removal and Installation"](#).

NO >> Repair or replace harness.

SECURITY INDICATOR LAMP

< DTC/CIRCUIT DIAGNOSIS >

[WITH INTELLIGENT KEY SYSTEM]

SECURITY INDICATOR LAMP

Component Function Check

INFOID:000000006888137

1.CHECK FUNCTION

1. Perform "THEFT IND" in "ACTIVE TEST" mode of "IMMU" of "BCM" using CONSULT.
2. Check security indicator lamp operation.

Test item		Description	
THEFT IND	ON	Security indicator lamp	Illuminates
	OFF		Does not illuminate

Is the inspection result normal?

- YES >> INSPECTION END
NO >> Go to [SEC-124, "Diagnosis Procedure"](#).

Diagnosis Procedure

INFOID:000000006888138

1.CHECK SECURITY INDICATOR LAMP POWER SUPPLY CIRCUIT

1. Turn ignition switch OFF.
2. Disconnect combination meter connector.
3. Check voltage between combination meter harness connector and ground.

(+)		(-)	Voltage (V) (Approx.)
Combination meter			
Connector	Terminal	Ground	Battery voltage
M53	1		

Is the inspection result normal?

- YES >> GO TO 2.
NO-1 >> Check 15 A fuse [No. 9, located in the fuse block (J/B)].
NO-2 >> Check harness for open or short between combination meter and fuse.

2.CHECK SECURITY INDICATOR LAMP SIGNAL

1. Connect combination meter connector.
2. Disconnect BCM connector.
3. Check voltage between BCM harness connector and ground.

(+)		(-)	Voltage (V) (Approx.)
BCM			
Connector	Terminal	Ground	Battery voltage
M120	23		

Is the inspection result normal?

- YES >> GO TO 3.
NO >> GO TO 4.

3.REPLACE BCM

1. Replace BCM. Refer to [BCS-82, "Removal and Installation"](#).
2. Perform initialization of BCM and registration of all Intelligent Keys using CONSULT.

>> INSPECTION END

4.CHECK SECURITY INDICATOR LAMP CIRCUIT

1. Disconnect combination meter connector.
2. Check continuity between combination meter harness connector and BCM harness connector.

SECURITY INDICATOR LAMP

< DTC/CIRCUIT DIAGNOSIS >

[WITH INTELLIGENT KEY SYSTEM]

Combination meter		BCM		Continuity
Connector	Terminal	Connector	Terminal	
M53	28	M120	23	Existed

3. Check continuity between combination meter harness connector and ground.

Combination meter		Ground	Continuity
Connector	Terminal		
M53	28		Not existed

Is the inspection result normal?

- YES >> Replace combination meter. Refer to [MWI-79, "Removal and Installation"](#).
- NO >> Repair or replace harness.

A
B
C
D
E
F
G
H
I
J
L
M
N
O
P

SEC

TRUNK KEY CYLINDER SWITCH

< DTC/CIRCUIT DIAGNOSIS >

[WITH INTELLIGENT KEY SYSTEM]

TRUNK KEY CYLINDER SWITCH

Component Function Check

INFOID:000000006888139

1. CHECK FUNCTION

1. Select "KEY CYL SW-TR" in "Data Monitor" mode of "THEFT ALM" of "BCM" using CONSULT.
2. Check the indication under the following conditions.

Monitor item	Condition		Indication
KEY CYL SW-TR	Trunk key cylinder switch	Off position	OF
		On (Trunk lid open) position	OFF

Is the inspection result normal?

YES >> Trunk key cylinder switch is OK.

NO >> Refer to [SEC-126, "Diagnosis Procedure"](#).

Diagnosis Procedure

INFOID:000000006888140

1. CHECK TRUNK KEY CYLINDER SWITCH INPUT SIGNAL

1. Turn ignition switch OFF.
2. Disconnect trunk key cylinder switch connector.
3. Check voltage between trunk key cylinder switch harness connector and ground.

(+)		(-)	Voltage (Approx.)
Connector	Terminal		
T6	2	Ground	12 V

Is the inspection result normal?

YES >> GO TO 4.

NO >> GO TO 2.

2. CHECK TRUNK KEY CYLINDER SWITCH SIGNAL CIRCUIT

1. Disconnect BCM connector.
2. Check continuity between BCM harness connector and trunk key cylinder switch harness connector.

BCM		Trunk key cylinder switch		Continuity
Connector	Terminal	Connector	Terminal	
M121	41	T6	2	Existed

3. Check continuity between BCM harness connector and ground.

BCM		Ground	Continuity
Connector	Terminal		
M121	41		Not existed

Is the inspection result normal?

YES >> GO TO 3.

NO >> Repair or replace harness.

3. REPLACE BCM

1. Replace BCM. Refer to [BCS-82, "Removal and Installation"](#).
2. Perform initialization of BCM and registration of all Intelligent Keys using CONSULT.

>> INSPECTION END

TRUNK KEY CYLINDER SWITCH

< DTC/CIRCUIT DIAGNOSIS >

[WITH INTELLIGENT KEY SYSTEM]

4. CHECK TRUNK KEY CYLINDER SWITCH GROUND CIRCUIT

Check continuity between trunk key cylinder switch harness connector and ground.

Trunk key cylinder switch		Ground	Continuity
Connector	Terminal		
T6	1		Existed

Is the inspection result normal?

YES >> GO TO 5.

NO >> Repair or replace harness.

5. CHECK TRUNK KEY CYLINDER SWITCH

Refer to [SEC-127, "Component Inspection"](#).

Is the inspection result normal?

YES >> GO TO 6.

NO >> Replace trunk key cylinder switch.

6. CHECK INTERMITTENT INCIDENT

Refer to [GI-44, "Intermittent Incident"](#).

>> INSPECTION END

Component Inspection

INFOID:000000006888141

1. CHECK TRUNK KEY CYLINDER SWITCH

1. Turn ignition switch OFF.
2. Disconnect trunk key cylinder switch connector.
3. Check continuity between trunk key cylinder switch terminals.

Trunk key cylinder switch		Condition	Continuity	
Terminal				
1	2	Trunk lid key cylinder	Off position	Not existed
			On (trunk lid open) position	Existed

Is the inspection result normal?

YES >> INSPECTION END

NO >> Replace trunk key cylinder switch.

SEC

SYMPTOM DIAGNOSIS

ENGINE DOES NOT START WHEN INTELLIGENT KEY IS INSIDE OF VEHICLE

Description

INFOID:000000006888142

Engine does not start when push-button ignition switch is pressed while carrying Intelligent Key.

NOTE:

- Check that vehicle is under the condition shown in “Conditions of vehicle” before starting diagnosis, and check each symptom.
- The engine start function, door lock function, power distribution system, and NATS-IVIS/NVIS in the Intelligent Key system are closely related to each other regarding control.

Conditions of Vehicle (Operating Conditions)

- ENGINE START BY I-KEY: ON
Check the setting of “ENGINE START BY I-KEY” in “WORK SUPPORT” mode of “INTELLIGENT KEY” of “BCM” using CONSULT.
- One or more of Intelligent Keys with registered Intelligent Key ID is in the vehicle.

Diagnosis Procedure

INFOID:000000006888143

1.PERFORM WORK SUPPORT

Perform “INSIDE ANT DIAGNOSIS” in “Work Support” mode of “INTELLIGENT KEY” of “BCM” using CONSULT.

Refer to [SEC-23. "INTELLIGENT KEY : CONSULT Function \(BCM - INTELLIGENT KEY\)".](#)

>> GO TO 2.

2.PERFORM SELF-DIAGNOSIS RESULT

Select “Self Diagnostic Result” mode of “BCM”, and check whether or not DTC of inside key antenna is detected.

Is DTC detected?

YES >> Refer to [DLK-48. "DTC Logic"](#) (instrument center), [DLK-50. "DTC Logic"](#), (console) or [DLK-52. "DTC Logic"](#) (trunk room).

NO >> GO TO 3.

3.CHECK PUSH-BUTTON IGNITION SWITCH

Check push-button ignition switch.

Refer to [PCS-70. "Component Function Check"](#).

Is the operation normal?

YES >> GO TO 4.

NO >> Repair or replace malfunctioning parts.

4.CONFIRM THE OPERATION

Confirm the operation again.

Is the inspection normal?

YES >> Check intermittent incident. Refer to [GI-44. "Intermittent Incident"](#).

NO >> GO TO 1.

STEERING DOES NOT LOCK

[WITH INTELLIGENT KEY SYSTEM]

< SYMPTOM DIAGNOSIS >

STEERING DOES NOT LOCK

Description

INFOID:000000006888144

Steering does not lock when door is open while ignition switch is OFF.

NOTE:

Before performing the diagnosis, perform "Work Flow". Refer to [SEC-36, "Work Flow"](#).

Diagnosis Procedure

INFOID:000000006888145

1. CHECK DOOR SWITCH

Check door switch.

Refer to [DLK-60, "Component Function Check"](#).

Is the inspection normal?

YES >> GO TO 2.

NO >> Repair or replace malfunctioning parts.

2. CONFIRM THE OPERATION

Confirm the operation again.

Is the inspection normal?

YES >> Check intermittent incident. Refer to [GI-44, "Intermittent Incident"](#).

NO >> GO TO 1.

A
B
C
D
E
F
G
H
I
J
L
M
N
O
P

SEC

SECURITY INDICATOR LAMP DOES NOT TURN ON OR BLINK

< SYMPTOM DIAGNOSIS >

[WITH INTELLIGENT KEY SYSTEM]

SECURITY INDICATOR LAMP DOES NOT TURN ON OR BLINK

Description

INFOID:000000006888146

Security indicator lamp does not blink when power supply position is other than the ON position.

NOTE:

- Before performing the diagnosis, perform "Work Flow". Refer to [SEC-36, "Work Flow"](#).
- Check that vehicle is under the condition shown in "Conditions of vehicle" before starting diagnosis, and check each symptom.

Conditions of Vehicle (Operating Conditions)

Power supply position is other than the ON position.

Diagnosis Procedure

INFOID:000000006888147

1. CHECK SECURITY INDICATOR LAMP

Check security indicator lamp.

Refer to [SEC-124, "Component Function Check"](#).

Is the inspection result normal?

YES >> GO TO 2.

NO >> Repair or replace the malfunctioning parts.

2. CONFIRM THE OPERATION

Confirm the operation again.

Is the result normal?

YES >> Check intermittent incident. Refer to [GI-44, "Intermittent Incident"](#).

NO >> GO TO 1.

VEHICLE SECURITY SYSTEM CANNOT BE SET

< SYMPTOM DIAGNOSIS >

[WITH INTELLIGENT KEY SYSTEM]

VEHICLE SECURITY SYSTEM CANNOT BE SET INTELLIGENT KEY

INTELLIGENT KEY : Description

INFOID:000000006888148

ARMED phase is not activated when door is locked using Intelligent Key.

NOTE:

Check that vehicle is under the condition shown in "Conditions of vehicle" before starting diagnosis, and check each symptom.

CONDITION OF VEHICLE (OPERATING CONDITION)

- SECURITY ALARM SET: ON

Check the setting of "SECURITY ALARM SET" in "Work Support" mode of "THEFT ALM" of "BCM" using CONSULT.

INTELLIGENT KEY : Diagnosis Procedure

INFOID:000000006888149

1. CHECK INTELLIGENT KEY SYSTEM (REMOTE KEYLESS ENTRY FUNCTION)

Lock or unlock doors using Intelligent Key.

Refer to [DLK-20, "REMOTE KEYLESS ENTRY FUNCTION : System Description"](#).

Is the inspection result normal?

YES >> GO TO 2.

NO >> Check Intelligent Key system (remote keyless entry function). Refer to [DLK-103, "Diagnosis Procedure"](#).

2. CHECK HOOD SWITCH

Check hood switch circuit.

Refer to [SEC-120, "Component Function Check"](#).

Is the inspection result normal?

YES >> GO TO 3.

NO >> Repair or replace malfunctioning parts. Refer to [SEC-120, "Diagnosis Procedure"](#).

3. CHECK TRUNK ROOM LAMP SWITCH

Check trunk room lamp switch circuit.

Refer to [DLK-74, "Component Function Check"](#).

Is the inspection result normal?

YES >> GO TO 4.

NO >> Repair or replace malfunctioning parts. Refer to [DLK-74, "Diagnosis Procedure"](#).

4. CONFIRM THE OPERATION

Confirm the operation again.

Is the result normal?

YES >> Check intermittent incident. Refer to [GI-44, "Intermittent Incident"](#).

NO >> GO TO 1.

DOOR REQUEST SWITCH

DOOR REQUEST SWITCH : Description

INFOID:000000006888150

ARMED phase is not activated when door is locked using door request switch.

NOTE:

Check that vehicle is under the condition shown in "Conditions of vehicle" before starting diagnosis, and check each symptom.

CONDITION OF VEHICLE (OPERATING CONDITION)

- SECURITY ALARM SET: ON

Check the setting of "SECURITY ALARM SET" in "Work Support" mode of "THEFT ALM" of "BCM" using CONSULT.

VEHICLE SECURITY SYSTEM CANNOT BE SET

< SYMPTOM DIAGNOSIS >

[WITH INTELLIGENT KEY SYSTEM]

DOOR REQUEST SWITCH : Diagnosis Procedure

INFOID:000000006888151

1. CHECK INTELLIGENT KEY SYSTEM (DOOR LOCK FUNCTION)

Lock or unlock doors using door request switch.

Refer to [DLK-16, "DOOR LOCK FUNCTION : System Description"](#).

Is the inspection result normal?

YES >> GO TO 2.

NO >> Check Intelligent Key system (door lock function). Refer to [DLK-101, "ALL DOOR : Diagnosis Procedure"](#).

2. CHECK HOOD SWITCH

Check hood switch circuit.

Refer to [SEC-120, "Component Function Check"](#).

Is the inspection result normal?

YES >> GO TO 3.

NO >> Repair or replace malfunctioning parts. Refer to [SEC-120, "Diagnosis Procedure"](#).

3. CHECK TRUNK ROOM LAMP SWITCH

Check trunk room lamp switch circuit.

Refer to [DLK-74, "Component Function Check"](#).

Is the inspection result normal?

YES >> GO TO 4.

NO >> Repair or replace malfunctioning parts. Refer to [DLK-74, "Diagnosis Procedure"](#).

4. CONFIRM THE OPERATION

Confirm the operation again.

Is the result normal?

YES >> Check intermittent incident. Refer to [GI-44, "Intermittent Incident"](#).

NO >> GO TO 1.

DOOR KEY CYLINDER

DOOR KEY CYLINDER : Description

INFOID:000000006888152

ARMED phase is not activated when door is locked using mechanical key.

NOTE:

Check that vehicle is under the condition shown in "Conditions of vehicle" before starting diagnosis, and check each symptom.

CONDITION OF VEHICLE (OPERATING CONDITION)

- SECURITY ALARM SET: ON

Check the setting of "SECURITY ALARM SET" in "Work Support" mode of "THEFT ALM" of "BCM" using CONSULT.

DOOR KEY CYLINDER : Diagnosis Procedure

INFOID:000000006888153

1. CHECK POWER DOOR LOCK SYSTEM

Lock or unlock doors using mechanical key.

Refer to [DLK-13, "System Description"](#).

Is the inspection result normal?

YES >> GO TO 2.

NO >> Check power door lock system. Refer to [DLK-100, "Diagnosis Procedure"](#).

2. CHECK HOOD SWITCH

Check hood switch circuit.

Refer to [SEC-120, "Component Function Check"](#).

Is the inspection result normal?

YES >> GO TO 3.

VEHICLE SECURITY SYSTEM CANNOT BE SET

[WITH INTELLIGENT KEY SYSTEM]

< SYMPTOM DIAGNOSIS >

NO >> Repair or replace malfunctioning parts. Refer to [SEC-120, "Diagnosis Procedure"](#).

3. CHECK TRUNK ROOM LAMP SWITCH

Check trunk room lamp switch circuit.

Refer to [DLK-74, "Component Function Check"](#).

Is the inspection result normal?

YES >> GO TO 4.

NO >> Repair or replace malfunctioning parts. Refer to [DLK-74, "Diagnosis Procedure"](#).

4. CONFIRM THE OPERATION

Confirm the operation again.

Is the result normal?

YES >> Check intermittent incident. Refer to [GI-44, "Intermittent Incident"](#).

NO >> GO TO 1.

A
B
C
D
E
F
G
H
I
J
L
M
N
O
P

SEC

VEHICLE SECURITY ALARM DOES NOT ACTIVATE

< SYMPTOM DIAGNOSIS >

[WITH INTELLIGENT KEY SYSTEM]

VEHICLE SECURITY ALARM DOES NOT ACTIVATE

Description

INFOID:000000006888154

Alarm does not operate when alarm operating condition is satisfied.

NOTE:

Check that vehicle is under the condition shown in "Conditions of vehicle" before starting diagnosis, and check each symptom.

CONDITIONS OF VEHICLE (OPERATING CONDITIONS)

- SECURITY ALARM SET: ON

Check the setting of "SECURITY ALARM SET" in "Work Support" mode of "THEFT ALM" of "BCM" using CONSULT.

Diagnosis Procedure

INFOID:000000006888155

1. CHECK DOOR SWITCH

Check door switch circuit.

Refer to [DLK-60, "Component Function Check"](#).

Is the inspection result normal?

YES >> GO TO 2.

NO >> Repair or replace malfunctioning parts. Refer to [DLK-60, "Diagnosis Procedure"](#).

2. CHECK HOOD SWITCH

Check hood switch circuit.

Refer to [SEC-120, "Component Function Check"](#).

Is the inspection result normal?

YES >> GO TO 3.

NO >> Repair or replace malfunctioning parts. Refer to [SEC-120, "Diagnosis Procedure"](#).

3. CHECK TRUNK ROOM LAMP SWITCH

Check trunk room lamp switch circuit.

Refer to [DLK-74, "Component Function Check"](#).

Is the inspection result normal?

YES >> GO TO 4.

NO >> Repair or replace malfunctioning parts. Refer to [DLK-74, "Diagnosis Procedure"](#).

4. CHECK HEADLAMP FUNCTION

Check headlamp function.

Refer to [SEC-119, "Component Function Check"](#).

Is the inspection result normal?

YES >> GO TO 5.

NO >> Repair or replace malfunctioning parts. Refer to [SEC-119, "Diagnosis Procedure"](#).

5. CHECK HORN FUNCTION

Check horn function.

Refer to [SEC-122, "Component Function Check"](#).

Is the inspection result normal?

YES >> GO TO 6.

NO >> Repair or replace malfunctioning parts. Refer to [SEC-122, "Diagnosis Procedure"](#).

6. CONFIRM THE OPERATION

Confirm the operation again.

Is the result normal?

YES >> Check intermittent incident. Refer to [GI-44, "Intermittent Incident"](#).

NO >> GO TO 1.

PANIC ALARM FUNCTION DOES NOT OPERATE

< SYMPTOM DIAGNOSIS >

[WITH INTELLIGENT KEY SYSTEM]

PANIC ALARM FUNCTION DOES NOT OPERATE

Description

INFOID:000000006888156

NOTE:

- Before performing the following procedure, check “Work Flow”. Refer to [SEC-36. "Work Flow"](#).
- Check that vehicle is under the condition shown in “Conditions of vehicle” before starting diagnosis, and check each symptom.

CONDITIONS OF VEHICLE (OPERATION CONDITIONS)

- Power supply position: OFF or LOCK
- PANIC ALARM SET: MODE 1
Check the setting of “PANIC ALARM SET” in “Work Support” mode of “INTELLIGENT KEY” of “BCM” using “CONSULT”.

Diagnosis Procedure

INFOID:000000006888157

1. CHECK REMOTE KEYLESS ENTRY FUNCTION

Check remote keyless entry function. Refer to [DLK-20. "REMOTE KEYLESS ENTRY FUNCTION : System Description"](#).

Does door lock or unlock when operating Intelligent key button?

YES >> GO TO 2.

NO >> Go to [DLK-103. "Diagnosis Procedure"](#).

2. CHECK VEHICLE SECURITY ALARM OPERATION

Check vehicle security alarm operation. Refer to [SEC-18. "VEHICLE SECURITY SYSTEM : System Description"](#).

Is alarm (headlamps and horns) activated?

YES >> GO TO 3.

NO >> Go to [SEC-134. "Diagnosis Procedure"](#).

3. CHECK “PANIC ALARM” BUTTON OPERATION

1. Turn ignition switch ON.
2. Select “RKE-PANIC” and “RKE OPE COUN1” in “Data Monitor” mode of “INTELLIGENT KEY” of “BCM” using CONSULT.
3. Check “RKE-PANIC” and “RKE OPE COUN1” indications when pressing (for approximately 0.5 seconds) “PANIC ALARM” button of Intelligent Key.

Indication	Specification
RKE-PANIC	OFF → ON
RKE OPE COUN1	Increases

Is the inspection result normal?

YES >> GO TO 4.

NO >> Replace Intelligent Key.

4. CONFIRM THE OPERATION

Confirm the operation again.

Is the result normal?

YES >> Check intermittent incident. Refer to [GI-44. "Intermittent Incident"](#).

NO >> GO TO 1.

REMOVAL AND INSTALLATION

NATS ANTENNA AMP.

Removal and Installation

INFOID:000000006888158

REMOVAL

1. Remove the push-button ignition switch. Refer to [SEC-137, "Removal and Installation"](#).
2. Remove NATS antenna amp.

INSTALLATION

Install in the reverse order of removal.

PUSH-BUTTON IGNITION SWITCH

< REMOVAL AND INSTALLATION >

[WITH INTELLIGENT KEY SYSTEM]

PUSH-BUTTON IGNITION SWITCH

Exploded View

INFOID:000000006888159


Refer to [IP-12, "Exploded View"](#).

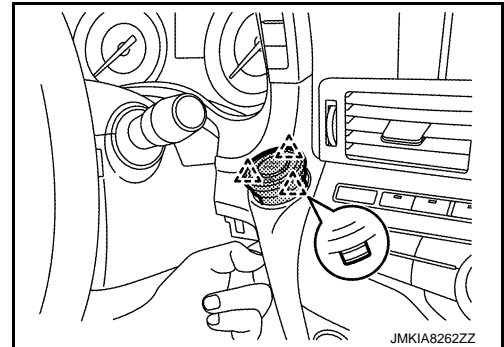
Removal and Installation

INFOID:000000006888160


REMOVAL

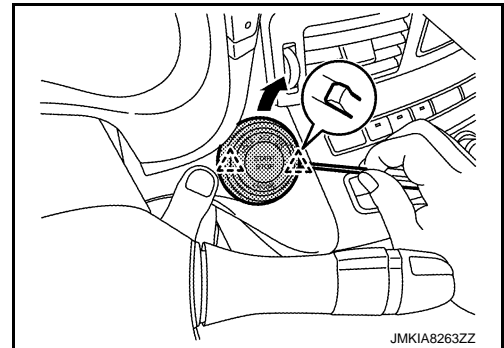
1. Remove front body side welt. Refer to [INT-35, "BODY SIDE WELT : Removal and Installation"](#).
2. Remove instrument side finisher LH. Refer to [IP-13, "Removal and Installation"](#).
3. Remove instrument lower panel LH. Refer to [IP-13, "Removal and Installation"](#).
4. Disconnect NATS antenna amp. connector and push-button ignition switch connector.
5. Disengage the NATS antenna amp. fixing pawls while pushing NATS antenna amp. from its back side, so that NATS antenna amp. and push-button ignition switch are lifted up from instrument panel assembly.

 : Pawl



6. While pushing the push-button ignition switch from its back side, disengage the push-button ignition switch fixing pawls using a minus driver etc., and then remove push-button ignition switch.

 : Pawl



INSTALLATION

Install in the reverse order of removal.

A
B
C
D
E
F
G
H
I
J
L
M
N
O
P

SEC