

# SECTION **SRC**

## SRS AIRBAG CONTROL SYSTEM

A  
B  
C  
D  
E  
F  
G  
H  
I  
J  
K  
L  
M  
N  
O  
P

### CONTENTS

<b>PRECAUTION</b> .....	5	Description .....	27
<b>PRECAUTIONS</b> .....	5	DTC Logic .....	27
Precaution for Supplemental Restraint System (SRS) "AIR BAG" and "SEAT BELT PRE-TENSIONER" .....	5	Diagnosis Procedure .....	27
Service .....	5	<b>U1010 CONTROL UNIT (CAN)</b> .....	<b>28</b>
Occupant Classification System Precaution .....	6	DTC Logic .....	28
<b>SYSTEM DESCRIPTION</b> .....	7	Diagnosis Procedure .....	28
<b>COMPONENT PARTS</b> .....	7	<b>B1001, B1002, B1003, B1004, B1005 DIAGNOSIS SENSOR UNIT</b> .....	<b>29</b>
Component Parts Location .....	7	DTC Logic .....	29
Component Description .....	8	Diagnosis Procedure .....	29
<b>SYSTEM</b> .....	10	<b>B1006, B1007, B1008, B1009, B1010 DIAGNOSIS SENSOR UNIT</b> .....	<b>30</b>
System Diagram .....	10	DTC Logic .....	30
System Description .....	10	Diagnosis Procedure .....	30
<b>DIAGNOSIS SYSTEM (AIR BAG)</b> .....	12	<b>B1011, B1012, B1013, B1014, B1015 DIAGNOSIS SENSOR UNIT</b> .....	<b>31</b>
Description .....	12	DTC Logic .....	31
On Board Diagnosis Function .....	12	Diagnosis Procedure .....	31
CONSULT Function .....	16	<b>B1017, B1020, B1021 OCCUPANT SYSTEM CONTROL UNIT</b> .....	<b>32</b>
<b>ECU DIAGNOSIS INFORMATION</b> .....	18	DTC Logic .....	32
<b>DIAGNOSIS SENSOR UNIT</b> .....	18	Diagnosis Procedure .....	32
DTC Index .....	18	<b>B1018 OCCUPANT SYSTEM SENSOR</b> .....	<b>34</b>
<b>WIRING DIAGRAM</b> .....	22	DTC Logic .....	34
<b>SRS AIR BAG SYSTEM</b> .....	22	Diagnosis Procedure .....	34
Wiring Diagram .....	22	<b>B1022 OCCUPANT SYSTEM CONTROL UNIT</b> .....	<b>36</b>
<b>BASIC INSPECTION</b> .....	24	DTC Logic .....	36
<b>DIAGNOSIS AND REPAIR WORK FLOW</b> .....	24	Diagnosis Procedure .....	36
Work Flow .....	24	<b>B1023 PASSENGER AIR BAG OFF INDICATOR</b> .....	<b>38</b>
<b>DTC/CIRCUIT DIAGNOSIS</b> .....	27	DTC Logic .....	38
<b>U1000 CAN COMM CIRCUIT</b> .....	27	Diagnosis Procedure .....	38

SRC

<b>B1025, B1032, B1048 OCCUPANT SYSTEM SENSOR</b> .....	40	Diagnosis Procedure .....	62
DTC Logic .....	40	<b>B1067, B1072 PASSENGER AIR BAG MODULE</b> .....	64
Diagnosis Procedure .....	40	DTC Logic .....	64
<b>B1026, B1027, B1028, B1029, B1030, B1031 DIAGNOSIS SENSOR UNIT</b> .....	42	Diagnosis Procedure .....	64
DTC Logic .....	42	<b>B1068, B1073 PASSENGER AIR BAG MODULE</b> .....	66
Diagnosis Procedure .....	42	DTC Logic .....	66
<b>B1033, B1034 CRASH ZONE SENSOR</b> .....	43	Diagnosis Procedure .....	66
DTC Logic .....	43	<b>B1074, B1075, B1076, B1077, B1078, B1079 DIAGNOSIS SENSOR UNIT</b> .....	68
Diagnosis Procedure .....	43	DTC Logic .....	68
<b>B1035 CRASH ZONE SENSOR</b> .....	45	Diagnosis Procedure .....	68
DTC Logic .....	45	<b>B1080, B1096 DRIVER AIR BAG MODULE</b> ....	69
Diagnosis Procedure .....	45	DTC Logic .....	69
<b>B1036 CRASH ZONE SENSOR</b> .....	47	Diagnosis Procedure .....	69
DTC Logic .....	47	<b>B1081 SEAT BELT PRE-TENSIONER RH</b> .....	71
Diagnosis Procedure .....	47	DTC Logic .....	71
<b>B1037, B1039, B1041 CRASH ZONE SENSOR</b> .....	48	Diagnosis Procedure .....	71
DTC Logic .....	48	<b>B1082 SEAT BELT PRE-TENSIONER RH</b> .....	73
Diagnosis Procedure .....	48	DTC Logic .....	73
<b>B1042, B1043, B1044, B1045, B1046, B1047 DIAGNOSIS SENSOR UNIT</b> .....	50	Diagnosis Procedure .....	73
DTC Logic .....	50	<b>B1083 SEAT BELT PRE-TENSIONER RH</b> .....	75
Diagnosis Procedure .....	50	DTC Logic .....	75
<b>B1049, B1054 DRIVER AIR BAG MODULE</b> ....	51	Diagnosis Procedure .....	75
DTC Logic .....	51	<b>B1084 SEAT BELT PRE-TENSIONER RH</b> .....	77
Diagnosis Procedure .....	51	DTC Logic .....	77
<b>B1050, B1055 DRIVER AIR BAG MODULE</b> ....	53	Diagnosis Procedure .....	77
DTC Logic .....	53	<b>B1086 SEAT BELT PRE-TENSIONER LH</b> .....	79
Diagnosis Procedure .....	53	DTC Logic .....	79
<b>B1051, B1056 DRIVER AIR BAG MODULE</b> ....	55	Diagnosis Procedure .....	79
DTC Logic .....	55	<b>B1087 SEAT BELT PRE-TENSIONER LH</b> .....	81
Diagnosis Procedure .....	55	DTC Logic .....	81
<b>B1052, B1057 DRIVER AIR BAG MODULE</b> ....	57	Diagnosis Procedure .....	81
DTC Logic .....	57	<b>B1088 SEAT BELT PRE-TENSIONER LH</b> .....	83
Diagnosis Procedure .....	57	DTC Logic .....	83
<b>B1058, B1059, B1060, B1061, B1062, B1063 DIAGNOSIS SENSOR UNIT</b> .....	59	Diagnosis Procedure .....	83
DTC Logic .....	59	<b>B1089 SEAT BELT PRE-TENSIONER LH</b> .....	85
Diagnosis Procedure .....	59	DTC Logic .....	85
<b>B1065, B1070 PASSENGER AIR BAG MODULE</b> .....	60	Diagnosis Procedure .....	85
DTC Logic .....	60	<b>B1090, B1091, B1092, B1093, B1094, B1095 DIAGNOSIS SENSOR UNIT</b> .....	87
Diagnosis Procedure .....	60	DTC Logic .....	87
<b>B1066, B1071 PASSENGER AIR BAG MODULE</b> .....	62	Diagnosis Procedure .....	87
DTC Logic .....	62	<b>B1106, B1107, B1108, B1109, B1110, B1111 DIAGNOSIS SENSOR UNIT</b> .....	88
		DTC Logic .....	88
		Diagnosis Procedure .....	88

<b>B1113, B1114 SATELLITE SENSOR RH .....89</b>	<b>B1138, B1139, B1140, B1141, B1142, B1143</b>	
DTC Logic ..... 89	<b>DIAGNOSIS SENSOR UNIT ..... 116</b>	A
Diagnosis Procedure ..... 89	DTC Logic ..... 116	
<b>B1115 SATELLITE SENSOR RH .....91</b>	Diagnosis Procedure ..... 116	B
DTC Logic ..... 91	<b>B1144 DIAGNOSIS SENSOR UNIT ..... 117</b>	
Diagnosis Procedure ..... 91	DTC Logic ..... 117	
<b>B1116 SATELLITE SENSOR RH .....93</b>	Diagnosis Procedure ..... 117	C
DTC Logic ..... 93	<b>B1145 CURTAIN AIR BAG MODULE RH ..... 118</b>	
Diagnosis Procedure ..... 93	DTC Logic ..... 118	
<b>B1118, B1119 SATELLITE SENSOR LH .....94</b>	Diagnosis Procedure ..... 118	D
DTC Logic ..... 94	<b>B1146 CURTAIN AIR BAG MODULE RH ..... 120</b>	
Diagnosis Procedure ..... 94	DTC Logic ..... 120	
<b>B1120 SATELLITE SENSOR LH .....96</b>	Diagnosis Procedure ..... 120	E
DTC Logic ..... 96	<b>B1147 CURTAIN AIR BAG MODULE RH ..... 122</b>	
Diagnosis Procedure ..... 96	DTC Logic ..... 122	
<b>B1121 SATELLITE SENSOR LH .....98</b>	Diagnosis Procedure ..... 122	F
DTC Logic ..... 98	<b>B1148 CURTAIN AIR BAG MODULE RH ..... 124</b>	
Diagnosis Procedure ..... 98	DTC Logic ..... 124	
<b>B1122, B1123, B1124, B1125, B1126, B1127</b>	Diagnosis Procedure ..... 124	G
<b>DIAGNOSIS SENSOR UNIT .....99</b>	<b>B1150 CURTAIN AIR BAG MODULE LH ..... 126</b>	
DTC Logic ..... 99	DTC Logic ..... 126	
Diagnosis Procedure ..... 99	Diagnosis Procedure ..... 126	SRC
<b>B1129 SIDE AIR BAG MODULE RH ..... 100</b>	<b>B1151 CURTAIN AIR BAG MODULE LH ..... 128</b>	
DTC Logic ..... 100	DTC Logic ..... 128	I
Diagnosis Procedure ..... 100	Diagnosis Procedure ..... 128	
<b>B1130 SIDE AIR BAG MODULE RH ..... 102</b>	<b>B1152 CURTAIN AIR BAG MODULE LH ..... 130</b>	J
DTC Logic ..... 102	DTC Logic ..... 130	
Diagnosis Procedure ..... 102	Diagnosis Procedure ..... 130	
<b>B1131 SIDE AIR BAG MODULE RH ..... 104</b>	<b>B1153 CURTAIN AIR BAG MODULE LH ..... 132</b>	K
DTC Logic ..... 104	DTC Logic ..... 132	
Diagnosis Procedure ..... 104	Diagnosis Procedure ..... 132	L
<b>B1132 SIDE AIR BAG MODULE RH ..... 106</b>	<b>B1154, B1155, B1156, B1157, B1158, B1159</b>	
DTC Logic ..... 106	<b>DIAGNOSIS SENSOR UNIT ..... 134</b>	
Diagnosis Procedure ..... 106	DTC Logic ..... 134	M
<b>B1134 SIDE AIR BAG MODULE LH ..... 108</b>	Diagnosis Procedure ..... 134	
DTC Logic ..... 108	<b>B1170, B1171, B1172, B1173, B1174, B1175</b>	
Diagnosis Procedure ..... 108	<b>DIAGNOSIS SENSOR UNIT ..... 135</b>	N
<b>B1135 SIDE AIR BAG MODULE LH ..... 110</b>	DTC Logic ..... 135	
DTC Logic ..... 110	Diagnosis Procedure ..... 135	O
Diagnosis Procedure ..... 110	<b>B1182 LAP PRE-TENSIONER LH ..... 136</b>	
<b>B1136 SIDE AIR BAG MODULE LH ..... 112</b>	DTC Logic ..... 136	
DTC Logic ..... 112	Diagnosis Procedure ..... 136	P
Diagnosis Procedure ..... 112	<b>B1183 LAP PRE-TENSIONER LH ..... 137</b>	
<b>B1137 SIDE AIR BAG MODULE LH ..... 114</b>	DTC Logic ..... 137	
DTC Logic ..... 114	Diagnosis Procedure ..... 137	
Diagnosis Procedure ..... 114	<b>B1184 LAP PRE-TENSIONER LH ..... 138</b>	
	DTC Logic ..... 138	
	Diagnosis Procedure ..... 138	

<b>B1185 LAP PRE-TENSIONER LH</b> .....	<b>139</b>	DTC Logic .....	150
DTC Logic .....	139	Diagnosis Procedure .....	150
Diagnosis Procedure .....	139		
<b>B1186, B1187, B1188, B1189, B1190, B1191</b>		<b>B1336, B1337 SATELLITE SENSOR RH</b> .....	<b>151</b>
<b>DIAGNOSIS SENSOR UNIT</b> .....	<b>140</b>	DTC Logic .....	151
DTC Logic .....	140	Diagnosis Procedure .....	151
Diagnosis Procedure .....	140		
<b>B1202, B1203, B1204, B1205, B1206, B1207</b>		<b>B1338, B1340, B1341, B1342 SATELLITE</b>	
<b>DIAGNOSIS SENSOR UNIT</b> .....	<b>141</b>	<b>SENSOR RH</b> .....	<b>153</b>
DTC Logic .....	141	DTC Logic .....	153
Diagnosis Procedure .....	141	Diagnosis Procedure .....	153
<b>B1209 FRONTAL COLLISION DETECTION</b> .	<b>142</b>	<b>B1339 SATELLITE SENSOR RH</b> .....	<b>155</b>
Description .....	142	DTC Logic .....	155
DTC Logic .....	142	Diagnosis Procedure .....	155
Diagnosis Procedure .....	142		
<b>B1210 SIDE COLLISION DETECTION</b> .....	<b>143</b>	<b>B1343, B1344 SATELLITE SENSOR LH</b> .....	<b>156</b>
Description .....	143	DTC Logic .....	156
DTC Logic .....	143	Diagnosis Procedure .....	156
Diagnosis Procedure .....	143		
<b>B1212, B1213, B1214 SATELLITE SENSOR</b>		<b>B1345, B1347, B1348, B1349 SATELLITE</b>	
<b>RH</b> .....	<b>144</b>	<b>SENSOR LH</b> .....	<b>158</b>
DTC Logic .....	144	DTC Logic .....	158
Diagnosis Procedure .....	144	Diagnosis Procedure .....	158
<b>B1215, B1216, B1217 SATELLITE SENSOR</b>		<b>B1346 SATELLITE SENSOR LH</b> .....	<b>160</b>
<b>LH</b> .....	<b>146</b>	DTC Logic .....	160
DTC Logic .....	146	Diagnosis Procedure .....	160
Diagnosis Procedure .....	146		
<b>B1218, B1219, B1220, B1221, B1222, B1223</b>		<b>B1350 SATELLITE SENSOR</b> .....	<b>161</b>
<b>DIAGNOSIS SENSOR UNIT</b> .....	<b>148</b>	DTC Logic .....	161
DTC Logic .....	148	Diagnosis Procedure .....	161
Diagnosis Procedure .....	148		
<b>B1234, B1235, B1236, B1237, B1238, B1239</b>		<b>SYMPTOM DIAGNOSIS</b> .....	<b>162</b>
<b>DIAGNOSIS SENSOR UNIT</b> .....	<b>149</b>	<b>SRS AIR BAG WARNING LAMP DOES NOT</b>	
DTC Logic .....	149	<b>TURN OFF</b> .....	<b>162</b>
Diagnosis Procedure .....	149	Diagnosis Procedure .....	162
<b>B1250, B1251, B1252, B1253, B1254, B1255</b>		<b>SRS AIR BAG WARNING LAMP DOES NOT</b>	
<b>DIAGNOSIS SENSOR UNIT</b> .....	<b>150</b>	<b>TURN ON</b> .....	<b>163</b>
		Diagnosis Procedure .....	163
		<b>SRS AIR BAG WARNING LAMP BLINKS</b> .....	<b>164</b>
		Diagnosis Procedure .....	164

# PRECAUTIONS

< PRECAUTION >

## PRECAUTION

### PRECAUTIONS

#### Precaution for Supplemental Restraint System (SRS) "AIR BAG" and "SEAT BELT PRE-TENSIONER"

INFOID:000000006887494

The Supplemental Restraint System such as "AIR BAG" and "SEAT BELT PRE-TENSIONER", used along with a front seat belt, helps to reduce the risk or severity of injury to the driver and front passenger for certain types of collision. This system includes seat belt switch inputs and dual stage front air bag modules. The SRS system uses the seat belt switches to determine the front air bag deployment, and may only deploy one front air bag, depending on the severity of a collision and whether the front occupants are belted or unbelted. Information necessary to service the system safely is included in the "SRS AIR BAG" and "SEAT BELT" of this Service Manual.

#### **WARNING:**

**Always observe the following items for preventing accidental activation.**

- **To avoid rendering the SRS inoperative, which could increase the risk of personal injury or death in the event of a collision that would result in air bag inflation, all maintenance must be performed by an authorized NISSAN/INFINITI dealer.**
- **Improper maintenance, including incorrect removal and installation of the SRS, can lead to personal injury caused by unintentional activation of the system. For removal of Spiral Cable and Air Bag Module, see "SRS AIR BAG".**
- **Never use electrical test equipment on any circuit related to the SRS unless instructed to in this Service Manual. SRS wiring harnesses can be identified by yellow and/or orange harnesses or harness connectors.**

#### PRECAUTIONS WHEN USING POWER TOOLS (AIR OR ELECTRIC) AND HAMMERS

#### **WARNING:**

**Always observe the following items for preventing accidental activation.**

- **When working near the Air Bag Diagnosis Sensor Unit or other Air Bag System sensors with the ignition ON or engine running, never use air or electric power tools or strike near the sensor(s) with a hammer. Heavy vibration could activate the sensor(s) and deploy the air bag(s), possibly causing serious injury.**
- **When using air or electric power tools or hammers, always switch the ignition OFF, disconnect the battery, and wait at least 3 minutes before performing any service.**

#### Service

INFOID:000000006887495

- Never use electrical test equipment to check SRS circuits unless instructed to in this Service Manual.
- Before servicing the SRS, turn ignition switch OFF, disconnect battery negative terminal and wait 3 minutes or more.  
For approximately 3 minutes after the cables are removed, it is still possible for the air bag and seat belt pretensioner to deploy. Therefore, never work on any SRS connectors or wires until at least 3 minutes have passed.
- Diagnosis sensor unit must always be installed with their arrow marks "←" pointing towards the front of the vehicle for proper operation. Also check diagnosis sensor unit for cracks, deformities or rust before installation and replace as required.
- The spiral cable must be aligned with the neutral position since its rotations are limited. Never turn steering wheel and column after removal of steering gear.
- Handle air bag module carefully. Always place driver and front passenger air bag modules with the pad side facing upward and seat mounted front side air bag module standing with the stud bolt side facing down.
- Conduct self-diagnosis to check entire SRS for proper function after replacing any components.
- After air bag inflates, the front instrument panel assembly should be replaced if damaged.
- Always replace instrument panel pad following front passenger air bag deployment.
- Never solder the harness when making repairs. Check that harness is not pinched and that there is no contact with other components.
- Never allow harness to come in contact with oil, grease, waste oil, or water.
- Never insert foreign materials, such as a screwdriver, into the harness connector. (This is to prevent accidental activation caused by static electricity.)
- Always use CONSULT or SRS air bag warning lamp to perform the circuit diagnosis. (Never use an electric tester such as a circuit tester.)

# PRECAUTIONS

## < PRECAUTION >

---

- Never enter in the deployment area of the pop-up roll bar. Never put an object in the deployment area of the pop-up roll bar. (This is to prevent injury in case of an unintentional deployment.)
- When handling a pop-up roll bar, always grip the frame and handle carefully.
- Never reuse a pop-up roll bar that has previously deployed.
- Modification of the pop-up roll bar may cause unintentional deployment or a malfunction. Never disassemble or modify the pop-up roll bar.
- Never allow the pop-up roll bar to be impacted (by dropping or otherwise). Always replace the pop-up roll bar if impacted.
- When repairing the surrounding area of the pop-up roll bar, be careful not to apply excessive heat when welding or otherwise. Remove the pop-up roll bar in advance, if necessary. Be careful when modifying the mounting area or installing other parts because an incorrect procedure may cause damage or a malfunction.
- Never disassemble the pop-up roll bar.
- Never expose the pop-up roll bar to temperatures exceeding 90 °C (194 °F).
- Never allow oil, grease, detergent, or water to come in contact with the pop-up roll bar.

## Occupant Classification System Precaution

INFOID:000000006887496

- Replace occupant classification system control unit and passenger front seat cushion as an assembly. Refer to [SE-87, "SEAT CUSHION : Disassembly and Assembly"](#).

# COMPONENT PARTS

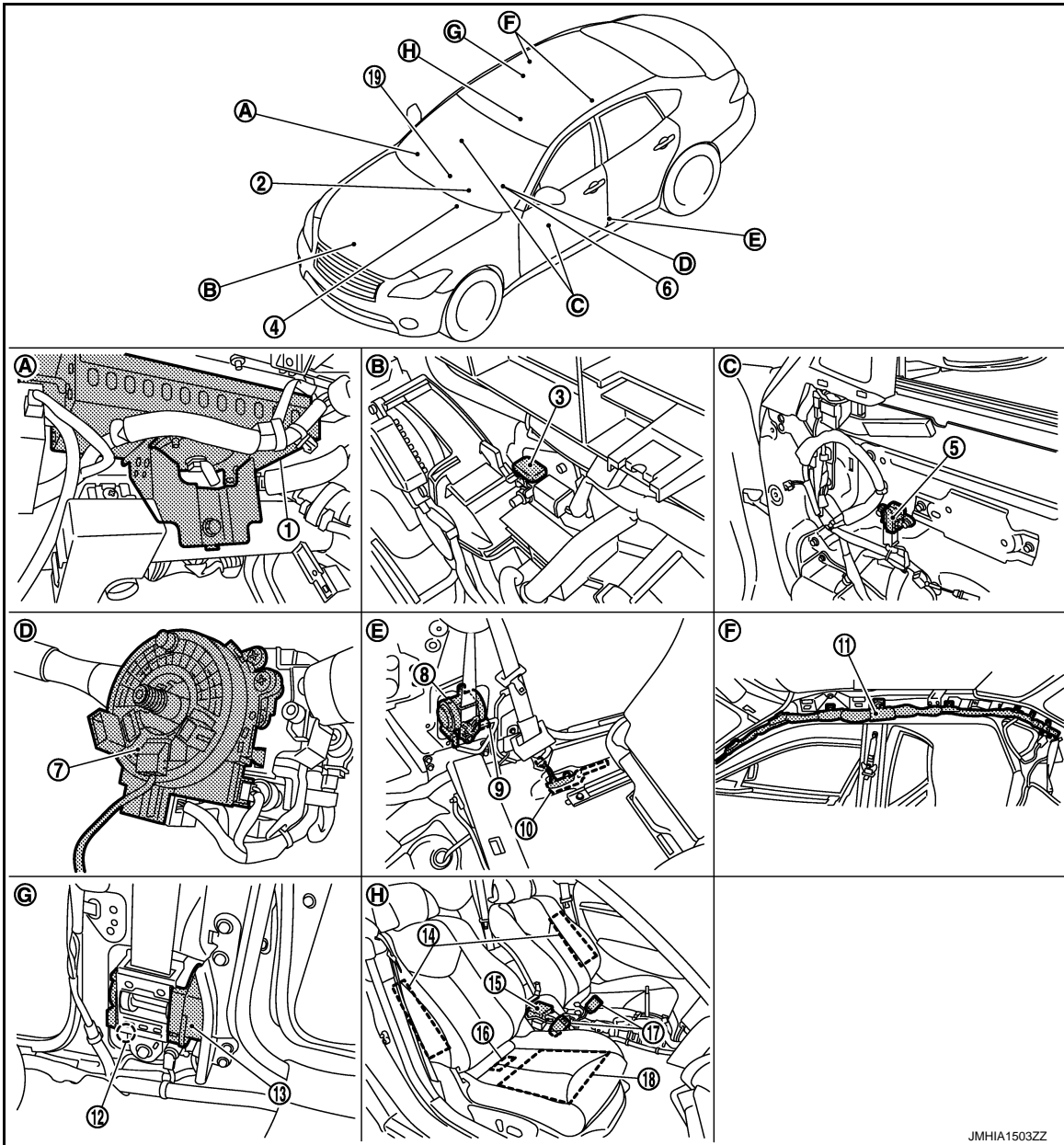
< SYSTEM DESCRIPTION >

## SYSTEM DESCRIPTION

### COMPONENT PARTS

#### Component Parts Location

INFOID:000000006887497



- |   |  |   |
|---|--|---|
| 1. Passenger air bag module   | 2. Combination meter<br>Refer to <a href="#">MWI-6. "METER SYSTEM: Component Parts Location"</a> . | 3. Crash zone sensor                      |
| 4. BCM<br>Refer to <a href="#">BCS-4. "BODY CONTROL SYSTEM: Component Parts Location"</a> . | 5. Front door satellite sensor LH/RH   | 6. Driver air bag module                  |
| 7. Combination switch (spiral cable)  | 8. Seat belt pre-tensioner LH  | 9. Satellite sensor LH                    |
| 10. Lap pre-tensioner LH  | 11. Curtain air bag module LH/RH   | 12. Satellite sensor RH                   |
| 13. Seat belt pre-tensioner RH  | 14. Side air bag module LH/RH  | 15. Air bag diagnosis sensor unit         |
| 16. Occupant classification system control unit   | 17. Seat belt buckle switch LH/RH  | 18. Occupant classification system sensor |

# COMPONENT PARTS

## < SYSTEM DESCRIPTION >

19. Multifunction switch (passenger air bag off indicator)
- |                                     |  |  |
|-------------------------------------|--|--|
| A. View with glove box removed      | B. Radiator core support assembly            | C. View with door finisher removed       |
| D. View with steering wheel removed | E. Behind rear side finisher                 | F. View with headlining assembly removed |
| G. Behind rear side finisher        | H. View with center console assembly removed |  |

## Component Description

INFOID:000000006887498

Component	Function
Air bag diagnosis sensor unit	<ul style="list-style-type: none"> <li>• Detects a collision and supplies power supply for deployment to air bag module and pre-tensioner seat belt.</li> <li>• It contains the “G” sensors for both frontal and side collisions and spare battery function in case of main battery damage in collision.</li> </ul>
BCM	Receive the collision detection signal when air bag diagnosis sensor unit detects collision.
Combination meter (air bag warning lamp)	Indicates air bag malfunctioning and deployment by blinking and illuminating air bag warning lamp.
Combination switch (spiral cable)	Supplies power supply to driver air bag module on steering wheel.
Crash zone sensor	<ul style="list-style-type: none"> <li>• Transmits signal to air bag diagnosis sensor unit when a frontal collision occurs.</li> <li>• Crash zone sensor is a G sensor that outputs voltage signal during deceleration at the time of a vehicle frontal collision that is more than the specified limit is detected.</li> </ul>
Curtain air bag module LH/RH	<ul style="list-style-type: none"> <li>• Deploys according to collision judgment of G sensor, pressure sensor, and safing sensor.</li> <li>• Receives collision signal from air bag diagnosis sensor unit, ignites, and burns ignition material by electric ignition system, when side collision exceeds setting limit of the vehicle. Gas is generated by chemical reaction of ignition material, passes filter, and deploys air bag.</li> <li>• Air bag module mainly consists of air bag and inflator that deploys air bag.</li> </ul>
Driver air bag module	<ul style="list-style-type: none"> <li>• Receives signal from air bag diagnosis sensor unit and deploys air bag.</li> <li>• In case of frontal collision where acceleration is more than the specified level, the ignition materials are ignited by electric ignition system. The system burns the gas generating materials resulting in a chemical reaction. This generates hot gases that flow into the air bag through a filter and expand the bag.</li> </ul>
Front door satellite sensor LH/RH	<ul style="list-style-type: none"> <li>• Transmits signal to air bag diagnosis sensor unit when a side collision occurs.</li> <li>• When air bag diagnosis sensor unit defines both signal voltage of the “G” sensor, pressure sensor and the safing algorithm to be that of collision which is more than the specified level, the driving circuit switches on and feeds the electric ignitor of both the side air bag, curtain air bag and pre-tensioner.</li> </ul>
Lap pre-tensioner LH	<ul style="list-style-type: none"> <li>• Receives signal from air bag diagnosis sensor unit and deploys seat belt pre-tensioner and lap pre-tensioner.</li> <li>• In the case of a frontal collision or side collision that exceeds specified impact level, the air bag diagnosis sensor unit detects the deceleration caused by collision. It restrains the passenger with seat belt easing the stress on passengers chest with load limiter.</li> <li>• Lap pre-tensioner upgrades passenger restrain function by reducing movement of lumber during a frontal collision or side collision.</li> </ul>
Occupant classification system control unit	Detects front passenger seat occupant.
Passenger air bag module	<ul style="list-style-type: none"> <li>• Receives signal from air bag diagnosis sensor unit and deploys air bag.</li> <li>• In case of frontal collision where acceleration is more than the specified level, the ignition materials are ignited by electric ignition system. The system burns the gas generating materials resulting in a chemical reaction. This generates hot gases that flow into the air bag through a filter and expand the bag.</li> </ul>
Passenger air bag OFF indicator	Indicates whether or not passenger air bag is in the activation mode based on the judgement of occupant classification system.



# COMPONENT PARTS

## < SYSTEM DESCRIPTION >

Component	Function
Satellite sensor LH/RH	<ul style="list-style-type: none"> <li>• Transmits signal to air bag diagnosis sensor unit when a side collision occurs.</li> <li>• When air bag diagnosis sensor unit defines both signal voltage of the “G” sensor, pressure sensor and the safing algorithm to be that of collision which is more than the specified level, the driving circuit switches on and feeds the electric ignitor of both the side air bag and curtain air bag and seat belt pre-tensioner.</li> </ul>
Seat belt buckle switch LH/RH	Controls deployment timing depending on the seat belt condition that is fastened or unfastened.
Seat belt pre-tensioner LH/RH	<ul style="list-style-type: none"> <li>• Receives signal from air bag diagnosis sensor unit and deploys seat belt pre-tensioner and lap pre-tensioner.</li> <li>• In the case of a frontal collision or side collision that exceeds specified impact level, the air bag diagnosis sensor unit detects the deceleration caused by collision. It restrains the passenger with seat belt easing the stress on passengers chest with load limiter.</li> </ul>
Side air bag module LH/RH	<ul style="list-style-type: none"> <li>• Receives signal from air bag diagnosis sensor unit and deploys air bag.</li> <li>• In case of side collision where acceleration is more than the specified level, the ignition materials are ignited by electric ignition system. The system burns the gas generating materials resulting in a chemical reaction. This generates hot gases that flow into the air bag through a filter and expand the bag.</li> </ul>

A

B

C

D

E

F

G

**SRC**

I

J

K

L

M

N

O

P

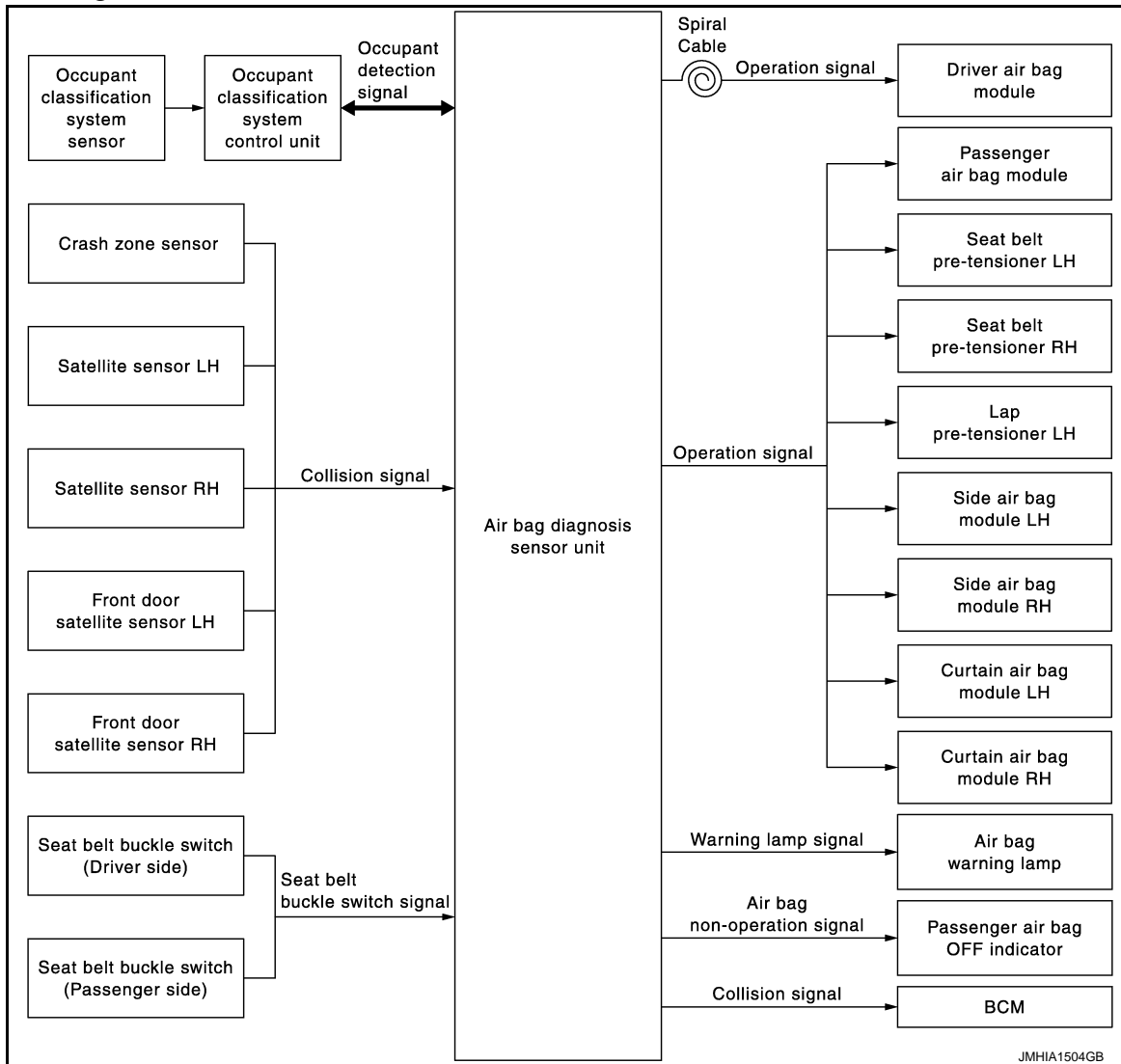
# SYSTEM

< SYSTEM DESCRIPTION >

## SYSTEM

### System Diagram

INFOID:00000006887499



### System Description

INFOID:00000006887500

Supplemental Restraint System (SRS) activates air bag module and seat belt pre-tensioner when it detects a frontal collision or a side collision that is more than the specified limit.

Together with other safety devices, it reduces the impact that occupant receives when vehicle collision occurs. Air bag diagnosis sensor unit supplies power supply to air bag module and pre-tensioner seat belt when deceleration that is more than the specified limit is detected by G sensor and pressure sensor in air bag diagnosis sensor unit, crash zone sensor, satellite sensor, or front door satellite sensor.

Air bag module is composed of electric igniter (squib), filter, pyrotechnic material, and gas generating material. When air bag module receives a signal from air bag diagnosis sensor unit, air bag module ignites pyrotechnic material using electric igniter (squib) so that gas generating material generates high temperature nitrogen gas. The gas through filter activates air bag. At the same time, pre-tensioner seat belt receives power supply from air bag diagnosis sensor unit, gas generator is activated, and then gas is generated.

Balls in pipe are moved according to generated gas pressure and strike pinion gear on ELR shaft. ELR shaft rotates and retracts seat belt.

#### AIR BAG DIAGNOSIS SENSOR UNIT FUNCTIONS

Air bag diagnosis sensor unit has the following functions.

- Detects a collision and supplies the energy for deploying air bag and seat belt pre-tensioner.
- Detects and records electrical malfunction in air bag system and seat belt pre-tensioner system, and blinking air bag warning lamp.

# SYSTEM

## < SYSTEM DESCRIPTION >

- Detects and records the deployment of air bag and seat belt pre-tensioner, and turns ON air bag warning lamp.
- Indicates malfunctioning portion via the number of blinks from the air bag warning lamp in the diagnosis mode.
- Indicates the malfunction record via CONSULT.
- Suppresses the deployment of passenger air bag when passenger seat is empty or occupied by child or child-seat.
- When passenger seat is occupied by child or child seat, turns ON passenger air bag OFF indicator.
- When judges that passenger seat is occupied by a adult or a child and passenger seat belt is not fasten, turns ON seat belt warning lamp. Further information for the seat belt warning system, refer to [SBC-8. "PRE-CRASH SEAT BELT SYSTEM : System Description"](#).

## COLLISION MODES

The operation of SRS is different depending on the collision modes applications. For example, the driver air bag module, passenger air bag module, and seat belt pre-tensioner are activated in a frontal collision or side collision.

SRS configurations that are activated for the following collision modes.

×: Apply —: Not apply

SRS configuration	Frontal collision	Left side collision	Right side collision
Driver air bag module	×	—	—
Passenger air bag module	×	—	—
Seat belt pre-tensioner LH	×	×	—
Seat belt pre-tensioner RH	×	—	×
Lap pre-tensioner LH	×	×	—
Side air bag module LH	—	×	—
Side air bag module RH	—	—	×
Curtain air bag module LH	—	×	—
Curtain air bag module RH	—	—	×

SRC

## OCCUPANT CLASSIFICATION SYSTEM

Occupant Classification System has the following functions.

- Suppresses the deployment of passenger air bag when passenger seat is empty, or when occupied by child and child-seat.
- Turns on passenger air bag OFF indicator when passenger seat is occupied by child-seat and child.
- Indicates malfunction portion via the number of blinks from the air bag warning lamp in the diagnosis mode.
- Indicates the malfunctioning record via CONSULT.

Status (passenger seat)	Passenger air bag	Passenger air bag OFF indicator	Air bag warning lamp
Empty	Suppress	OFF	OFF
Child/child-seat	Suppress	ON	OFF
Adult	Enable to deploy	OFF	OFF
Malfunction	Suppress	ON	Blinking

# DIAGNOSIS SYSTEM (AIR BAG)

< SYSTEM DESCRIPTION >

## DIAGNOSIS SYSTEM (AIR BAG)

### Description

INFOID:000000006887501

#### CAUTION:

- **Never use electrical test equipment on any circuit related to the SRS unless instructed in this Service Manual. SRS wiring harnesses can be identified by yellow and/or orange harnesses or harness connectors.**
- **Never repair, splice or modify the SRS wiring harness. If the harness is damaged, replace it with a new one.**
- **Keep ground portion clean.**

### DIAGNOSIS FUNCTION

- The SRS self-diagnostic results can be read with air bag warning lamp and/or CONSULT.
- The user mode is exclusively prepared for the customer (driver). This mode warns the driver of a system malfunction through the operation of the air bag warning lamp.
- The diagnosis mode allows the technician to locate and inspect the malfunctioning part.
- The mode applications for the air bag warning lamp and CONSULT are as per the following items.

×: Application, —: Not application

Diagnosis tool	User mode	Diagnosis mode
Air bag warning lamp	×	×
CONSULT	—	×

### On Board Diagnosis Function

INFOID:000000006887502

#### ON-BOARD DIAGNOSIS

There are two self diagnosis functions with air bag warning lamp per the following items.

- USER MODE
- DIAGNOSIS MODE

#### METHOD OF STARTING

- Diagnosis mode changes from user mode to diagnosis mode when changing operation is performed.
- In user mode, when SRS air bag warning lamp is not blinking, changing to diagnosis mode by ignition switch operation is not possible.
- In diagnosis mode, when repair is complete and system is normal, the mode changes to user mode when ignition switch is turned from OFF to ON.

#### Procedure to Change Diagnosis Mode

1. Turn ignition switch from OFF to ON.
2. SRS air bag lamp turns ON for 7 second and turns OFF, then turn ignition switch OFF within 1second after the lamp turns OFF.
3. After turning ignition switch OFF, wait for 3 seconds or more.
4. Repeat operation 1 to 3 for 2 times so that operation 1 to 3 is repeated for 3times in total.
5. Turn ignition switch from OFF to ON. Diagnosis mode changes.

#### USER MODE

In USER MODE, air bag warning lamp on combination meter blinks when a malfunction is detected and warns the customer (driver).

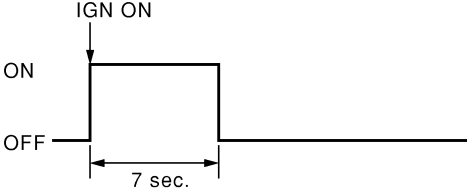
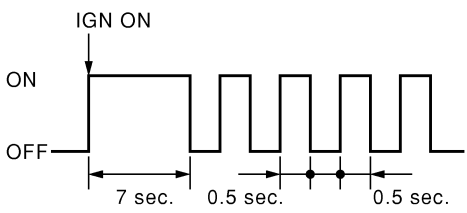
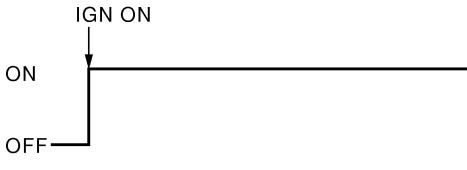

#### How to Read Air Bag Warning Lamp

1. Turn the ignition switch from OFF to ON, and check that the air bag warning lamp blinks.
2. Compare the air bag warning lamp blinking pattern with the examples.

#### Air Bag Warning Lamp Examples

# DIAGNOSIS SYSTEM (AIR BAG)

## < SYSTEM DESCRIPTION >

Air bag warning lamp operation (user mode)	SRS condition	Reference item
 <p style="text-align: right;">SHIA0011E</p>	<ul style="list-style-type: none"> <li>No malfunction is detected</li> <li>No further action is necessary</li> </ul>	<p style="text-align: center;">—</p>
 <p style="text-align: right;">SHIA0012E</p>	<ul style="list-style-type: none"> <li>The system is malfunctioning</li> <li>Self diagnostic result is not erased after repair</li> </ul> <p>Battery voltage is low (less than 9 V)</p> <p>Malfunction occurs in occupant classification system</p> <p>Intermittent malfunction is detected in the past</p>	<p>Erase "Self Diagnostic Result" Refer to <a href="#">SRC-16, "CONSULT Function"</a></p> <p>Check "Cause of Warning Lamp" Refer to <a href="#">SRC-16, "CONSULT Function"</a></p> <p>Go to <a href="#">SRC-164, "Diagnosis Procedure"</a></p> <p>Go to <a href="#">GI-44, "Intermittent Incident"</a></p>
 <p style="text-align: right;">SHIA0013E</p>	<ul style="list-style-type: none"> <li>Air bag is deployed</li> <li>Seat belt pre-tensioner is deployed</li> </ul> <ul style="list-style-type: none"> <li>Air bag diagnosis sensor unit is malfunctioning</li> <li>Air bag power supply circuit is malfunctioning</li> <li>Air bag warning lamp circuit is malfunctioning</li> </ul>	<p>Go to <a href="#">SRC-142, "Diagnosis Procedure"</a> or <a href="#">SRC-143, "Diagnosis Procedure"</a></p> <p>Go to <a href="#">SRC-162, "Diagnosis Procedure"</a></p>
 <p style="text-align: right;">SHIA0014E</p>	<ul style="list-style-type: none"> <li>Air bag diagnosis sensor unit is malfunctioning</li> <li>Air bag warning lamp circuit is malfunctioning</li> </ul>	<p>Go to <a href="#">SRC-163, "Diagnosis Procedure"</a></p>

## DIAGNOSIS MODE

The diagnosis mode can only be switched when a malfunction is detected in the user mode. Malfunctioning system is indicated according to blinking pattern of air bag warning lamp.

### How to Read Air Bag Warning Lamp

- Follow the procedures of "PROCEDURE TO CHANGE DIAGNOSIS MODE", and switch to the diagnosis mode.
- Turn ignition switch ON. Check the blinking pattern of air bag warning lamp.  
There are 2 blinking patterns for the air bag warning lamp as per the following items.
  - Front air bag system: 3 second blink followed by a 0.5 second blink repeated.

A  
B  
C  
D  
E  
F  
G  
I  
J  
K  
L  
M  
N  
O

SRC

# DIAGNOSIS SYSTEM (AIR BAG)

## < SYSTEM DESCRIPTION >

- Side air bag system: Two 1.5 second blinks followed by a 0.5 second blink repeated.

### Front air bag system

Number of 0.5 second blinks	Malfunctioning items
0	<ul style="list-style-type: none"> <li>• Self-diagnostic result is not erased after repair</li> <li>• Intermittent malfunction is detected in the past</li> </ul>
1	Seat belt pre-tensioner RH
2	Driver air bag module
3	Seat belt pre-tensioner LH
5	Occupant Classification System control unit
6	Crash zone sensor
7	Air bag diagnosis sensor unit
8	Passenger air bag module
11	Passenger air bag OFF indicator
13	Lap pre-tensioner LH
17	Air bag diagnosis sensor unit

### Side air bag system

Number of 0.5-second blinks	Malfunctioning items
1	Side air bag module RH
2	Side air bag module LH
3	Satellite sensor RH
4	Satellite sensor LH
5	Curtain air bag module RH
6	Curtain air bag module LH
9	Front door satellite sensor RH
10	Front door satellite sensor LH
20	Front door satellite sensor LH/RH

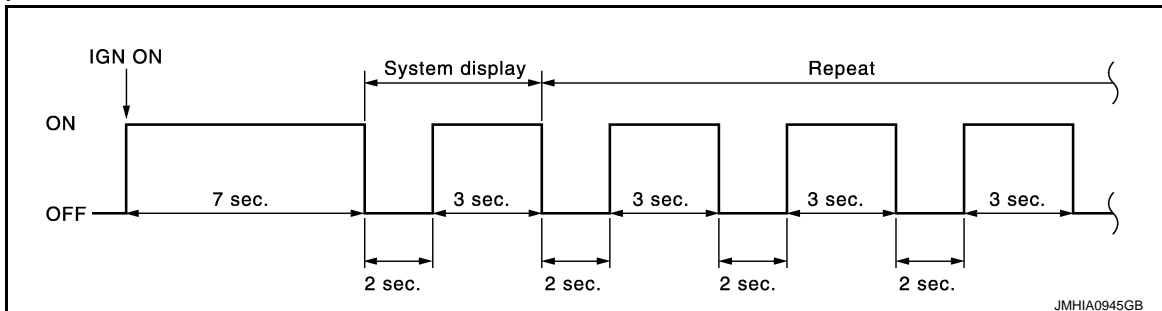
### How to Erase Self-diagnostic Result

After a malfunction is repaired, turn the ignition switch OFF for one second or more, then turn ignition switch ON. The diagnosis mode returns to the user mode. At that time the self-diagnostic result is cleared.

### EXAMPLE OF AIR BAG WARNING LAMP OPERATION IN THE DIAGNOSIS MODE

#### System Normal

When system is normal.



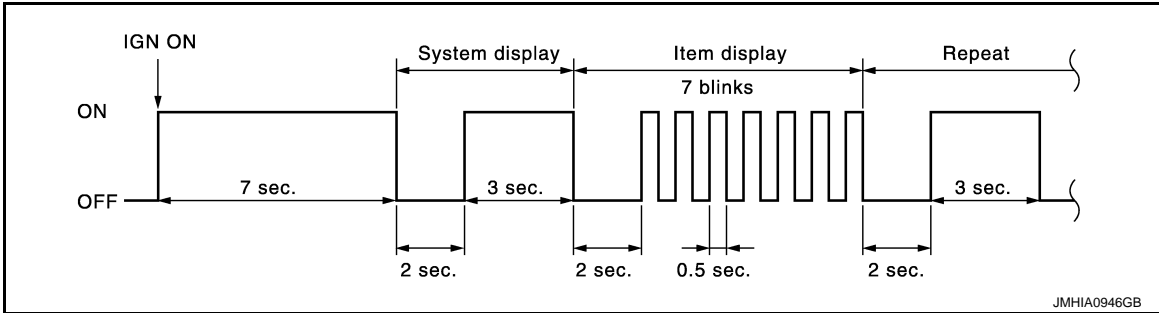
#### Single System Malfunction

- Front air bag system

# DIAGNOSIS SYSTEM (AIR BAG)

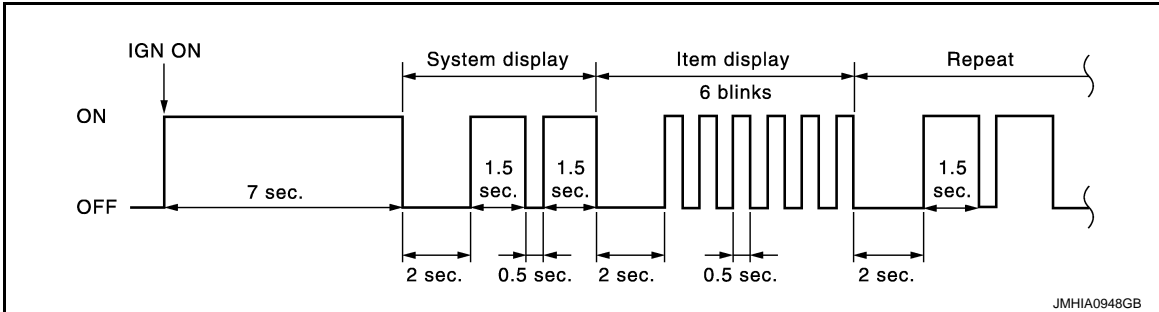
## < SYSTEM DESCRIPTION >

When air bag diagnosis sensor unit system (Item display 1) is malfunctioning.



- Side air bag system

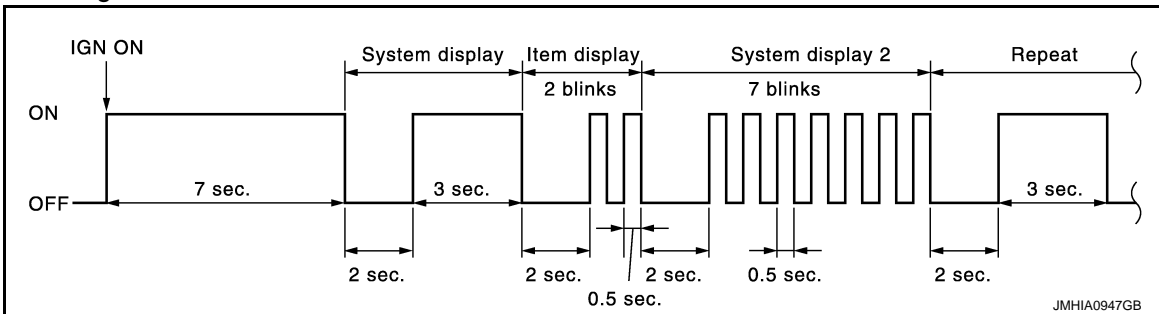
When curtain air bag module LH system (Item display 1) is malfunctioning.



## Multiple Systems Malfunction

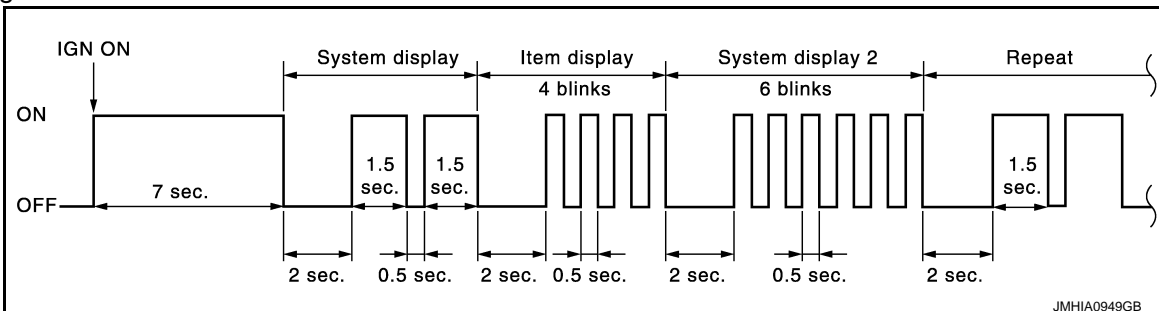
- Front air bag system

When driver air bag module (Item display 1) and air bag diagnosis sensor unit system (Item display 2) are malfunctioning.



- Side air bag system

When satellite sensor LH (Item display 1) and curtain air bag module LH system (Item display 2) are malfunctioning.



- Front air bag system and side air bag system

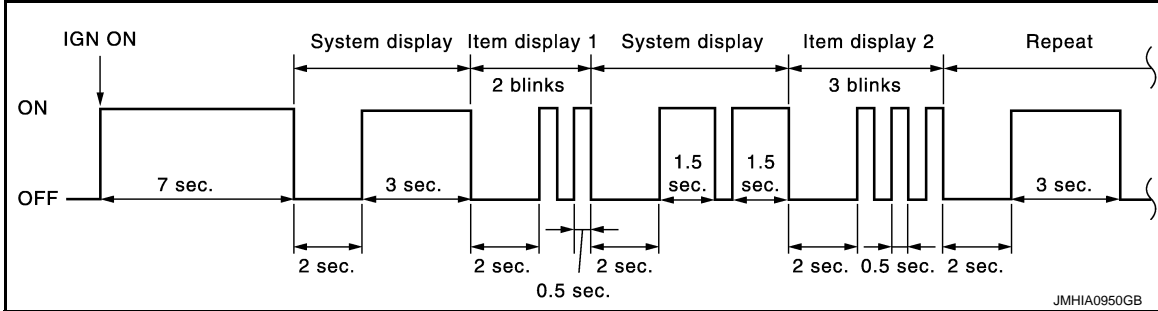
A  
B  
C  
D  
E  
F  
G  
I  
J  
K  
L  
M  
N  
O  
P

SRC

# DIAGNOSIS SYSTEM (AIR BAG)

## < SYSTEM DESCRIPTION >

When driver air bag module (Item display 1) and satellite sensor RH (Item display2) are malfunctioning.



## CONSULT Function

INFOID:000000007154307

## APPLICATION ITEM

CONSULT performs the following functions.

Diagnosis mode	Description
Ecu Identification	Air bag diagnosis sensor unit ECU discriminated number (identification number) or part number is displayed. Air bag diagnosis sensor unit has individual ECU discriminated number (identification number) or part number based on model and equipment.
Self Diagnostic Result	<ul style="list-style-type: none"> <li>Self-diagnosis result is displayed. Refer to <a href="#">SRC-18, "DTC Index"</a>.</li> <li>"No DTC" is displayed when repair is completed by part replacement or other operations.</li> <li>"SELF-DIAG RESULT [PAST]" is displayed until "Erase" is performed.</li> </ul> <p><b>CAUTION:</b> When "No DTC" is displayed after repair, always perform "Erase". If this is not done, SRS air bag warning lamp remains blinking when user mode is resumed.</p>
TROUBLE DIAG RECORD	With TROUBLE DIAG RECORD, diagnosis results previously erased by a reset operation can be displayed on CONSULT screen.
SELF-DIAG RESULT [CAN]	This item is displayed, but cannot be supported.
Cause of Warning Lamp	It displays the cause of warning lamp illumination that is not recorded in memory.

## CAUSE OF WARNING LAMP

The SRS air bag warning lamp blinks when the ignition voltage is a voltage value (less than 9V) at which the SRS air bag cannot operate normally. After blinking, if the ignition voltage returns to normal, SRS air bag warning lamp turns OFF. DTC memory is not performed while the abnormal ignition voltage is detected. The mode cannot be switched to trouble diagnosis mode when the ignition switch is operated. "No DTC" is displayed when checking "Self-diagnosis result" using CONSULT.

### NOTE:

- SRS air bag warning may blink when the condition is out of detection area\* of the satellite sensor in door. The system is normal if SRS air bag warning lamp turns OFF after the condition returns within detection area of the satellite sensor in door.
- SRS air bag warning lamp blinks when the zero point reset is incomplete after replacing the occupant detection system control unit. (SRS air bag warning lamp turns OFF after the zero point reset is complete.)
- \*: Pressure inside of door is excessively low and air bag system cannot be operated normally (example: altitude is approximately 4,000 m or more).



# DIAGNOSIS SYSTEM (AIR BAG)

## < SYSTEM DESCRIPTION >

Display item	Display content	Actions by worker
IGN VOLT COND	<p>The ignition voltage recognized by air bag system (air bag control unit and occupant detection system control unit) is displayed or a message stating that condition is out of detection range of satellite sensor in door is displayed.</p> <ul style="list-style-type: none"> <li>• OK: Normal</li> <li>• LOW: The ignition voltage is low, high, or out of detection range of satellite sensor in door</li> </ul>	<p>Perform the check at an altitude of 4,000 m or less.</p> <ul style="list-style-type: none"> <li>• Check battery voltage if the ignition voltage status is displayed as "LOW".</li> <li>• Check battery voltage if the ignition voltage status is "OK" and the number of times detected is 1 or more. This is because an ignition voltage error may be detected in the past.</li> </ul> <p><b>NOTE:</b> If battery voltage is normal, the cause may be that out of detection range of satellite sensor in door is detected.</p>
IGN VOLT TIME	<p>Total number of times is displayed, summing up the number of times ignition voltage error is detected and the number of times that out of detection range of satellite sensor in door is detected. (Detection record is erased and counter returns to "0" by "ERASE MEMORY" in "Self-diagnosis results" using CONSULT.)</p>	
LOW V RECORDED	<p>Number of times ignition switch ON is displayed after ignition voltage error or out of detection range of satellite sensor in door is detected. (Detection record is erased and counter returns to "0" by "ERASE MEMORY" in "Self-diagnosis results" using CONSULT.)</p>	

A  
B  
C  
D  
E  
F  
G  
I  
J  
K  
L  
M  
N  
O  
P

SRC

# DIAGNOSIS SENSOR UNIT

< ECU DIAGNOSIS INFORMATION >

## ECU DIAGNOSIS INFORMATION

### DIAGNOSIS SENSOR UNIT

#### DTC Index

INFOID:000000006887504

DTC	Diagnostic item	Explanation	Reference page
—	NO DTC IS DETECTED.	Low battery voltage (Less than 9 V)	<a href="#">SRC-16, "CONSULT Function"</a>
		Malfunction occurs in Occupant Classification System	<a href="#">SRC-164, "Diagnosis Procedure"</a>
		Self-diagnostic result is not erased after repair	<a href="#">SRC-12, "On Board Diagnosis Function"</a> , <a href="#">SRC-16, "CONSULT Function"</a>
		Intermittent malfunction is detected in the past	<a href="#">GI-44, "Intermittent Incident"</a>
	No malfunction is detected	—	
B1001-B1015	CONTROL UNIT	Air bag diagnosis sensor unit is malfunctioning	<ul style="list-style-type: none"> <li><a href="#">SRC-29, "DTC Logic"</a></li> <li><a href="#">SRC-30, "DTC Logic"</a></li> <li><a href="#">SRC-31, "DTC Logic"</a></li> </ul>
B1017 B1020 B1021	OCCUPANT SENS C/U [UNIT FAIL]	Malfunction occurs in Occupant Classification System control unit	<a href="#">SRC-32, "DTC Logic"</a>
B1018	OCCUPANT SENS [UNIT FAIL]	Malfunction occurs in Occupant Classification System sensor	<a href="#">SRC-34, "DTC Logic"</a>
B1022	OCCUPANT SENS C/U [COMM FAIL]	Malfunction occurs in Occupant Classification System control unit, circuit of Occupant Classification System control unit, or air bag diagnosis sensor unit	<a href="#">SRC-36, "DTC Logic"</a>
B1023	PASS A/B INDCTR CKT	Passenger air bag OFF indicator circuit is open or shorted to ground or the circuits are shorted each other	<a href="#">SRC-38, "DTC Logic"</a>
B1025 B1032 B1048	OCS SENSOR	Malfunction occurs in Occupant Classification System control unit, circuit of Occupant Classification System control unit, or air bag diagnosis sensor unit	<a href="#">SRC-40, "DTC Logic"</a>
B1026-B1031	CONTROL UNIT	Air bag diagnosis sensor unit is malfunctioning	<a href="#">SRC-42, "DTC Logic"</a>
B1033 B1034	CRASH ZONE SEN [UNIT FAIL]	Crash zone sensor is malfunctioning	<a href="#">SRC-43, "DTC Logic"</a>
B1035	CRASH ZONE SEN [COMM FAIL]	Crash zone sensor is malfunctioning	<a href="#">SRC-45, "DTC Logic"</a>
B1036	CRASH ZONE SEN [UNMATCH]	Crash zone sensor is out of the specified specification	<a href="#">SRC-47, "DTC Logic"</a>
B1037 B1039 B1041	CRASH ZONE SENS1	Crash zone sensor is malfunctioning	<a href="#">SRC-48, "DTC Logic"</a>
B1042-B1047	CONTROL UNIT	Air bag diagnosis sensor unit is malfunctioning	<a href="#">SRC-50, "DTC Logic"</a>
B1049 B1054	DRIVER AIRBAG MODULE [OPEN]	Driver air bag module circuit is open (including the spiral cable)	<a href="#">SRC-51, "DTC Logic"</a>
B1050 B1055	DRIVER AIRBAG MODULE [VB-SHORT]	Driver air bag module circuit is shorted to power supply circuit (including the spiral cable)	<a href="#">SRC-53, "DTC Logic"</a>

# DIAGNOSIS SENSOR UNIT

## < ECU DIAGNOSIS INFORMATION >

DTC	Diagnostic item	Explanation	Reference page
B1051 B1056	DRIVER AIRBAG MODULE [GND-SHORT]	Driver air bag module circuit is shorted to ground (including the spiral cable)	<a href="#">SRC-55, "DTC Logic"</a>
B1052 B1057	DRIVER AIRBAG MODULE [SHORT]	Driver air bag module circuits are shorted to each other (including spiral cable)	<a href="#">SRC-57, "DTC Logic"</a>
B1058-B1063	CONTROL UNIT	Air bag diagnosis sensor unit is malfunctioning	<a href="#">SRC-59, "DTC Logic"</a>
B1065 B1070	ASSIST A/B MODULE [OPEN]	Passenger air bag module circuit is open	<a href="#">SRC-60, "DTC Logic"</a>
B1066 B1071	ASSIST A/B MODULE [VB-SHORT]	Passenger air bag module circuit is shorted to power supply circuit	<a href="#">SRC-62, "DTC Logic"</a>
B1067 B1072	ASSIST A/B MODULE [GND-SHORT]	Passenger air bag module circuit is shorted to ground	<a href="#">SRC-64, "DTC Logic"</a>
B1068 B1073	ASSIST A/B MODULE [SHORT]	Passenger air bag module circuits are shorted to each other	<a href="#">SRC-66, "DTC Logic"</a>
B1074-B1079	CONTROL UNIT	Air bag diagnosis sensor unit is malfunctioning	<a href="#">SRC-68, "DTC Logic"</a>
B1080 B1096	DRIVER AIRBAG MODULE [SHORT]	Driver air bag module circuits are shorted to each other (including spiral cable)	<a href="#">SRC-69, "DTC Logic"</a>
B1081	PRE-TEN FRONT RH [OPEN]	Front seat belt pre-tensioner RH circuit is open	<a href="#">SRC-71, "DTC Logic"</a>
B1082	PRE-TEN FRONT RH [VB-SHORT]	Front seat belt pre-tensioner RH circuit is shorted to power supply circuit	<a href="#">SRC-73, "DTC Logic"</a>
B1083	PRE-TEN FRONT RH [GND-SHORT]	Front seat belt pre-tensioner RH circuit is shorted to ground	<a href="#">SRC-75, "DTC Logic"</a>
B1084	PRE-TEN FRONT RH [SHORT]	Front seat belt pre-tensioner RH circuits are shorted to each other	<a href="#">SRC-77, "DTC Logic"</a>
B1086	PRE-TEN FRONT LH [OPEN]	Front seat belt pre-tensioner LH circuit is open	<a href="#">SRC-79, "DTC Logic"</a>
B1087	PRE-TEN FRONT LH [VB-SHORT]	Front seat belt pre-tensioner LH circuit is shorted to power supply circuit	<a href="#">SRC-81, "DTC Logic"</a>
B1088	PRE-TEN FRONT LH [GND-SHORT]	Front seat belt pre-tensioner LH circuit is shorted to ground	<a href="#">SRC-83, "DTC Logic"</a>
B1089	PRE-TEN FRONT LH [SHORT]	Front seat belt pre-tensioner LH circuits are shorted to each other	<a href="#">SRC-85, "DTC Logic"</a>
B1090-B1095	CONTROL UNIT	Air bag diagnosis sensor unit is malfunctioning	<a href="#">SRC-87, "DTC Logic"</a>
B1106-B1111	CONTROL UNIT	Air bag diagnosis sensor unit is malfunctioning	<a href="#">SRC-88, "DTC Logic"</a>
B1113 B1114	SATELLITE SENS RH [UNIT FAIL]	Satellite sensor RH is malfunctioning	<a href="#">SRC-89, "DTC Logic"</a>
B1115	SATELLITE SENS RH [COMM FAIL]	Satellite sensor RH is malfunctioning	<a href="#">SRC-91, "DTC Logic"</a>
B1116	SATELLITE SENS RH [UNMATCH]	Satellite sensor RH is out of the specified specification	<a href="#">SRC-93, "DTC Logic"</a>
B1118 B1119	SATELLITE SENS LH [UNIT FAIL]	Satellite sensor LH is malfunctioning	<a href="#">SRC-94, "DTC Logic"</a>
B1120	SATELLITE SENS LH [COMM FAIL]	Satellite sensor RH is malfunctioning	<a href="#">SRC-96, "DTC Logic"</a>
B1121	SATELLITE SENS LH [UNMATCH]	Satellite sensor RH is out of the specified specification	<a href="#">SRC-98, "DTC Logic"</a>
B1122-B1127	CONTROL UNIT	Air bag diagnosis sensor unit is malfunctioning	<a href="#">SRC-99, "DTC Logic"</a>

A

B

C

D

E

F

G

SRC

I

J

K

L

M

N

O

P

## DIAGNOSIS SENSOR UNIT

### < ECU DIAGNOSIS INFORMATION >

DTC	Diagnostic item	Explanation	Reference page
B1129	SIDE MODULE RH [OPEN]	Side air bag module RH circuit is open	<a href="#">SRC-100, "DTC Logic"</a>
B1130	SIDE MODULE RH [VB-SHORT]	Side air bag module RH circuit is shorted to power supply circuit	<a href="#">SRC-102, "DTC Logic"</a>
B1131	SIDE MODULE RH [GND-SHORT]	Side air bag module RH circuit is shorted to ground	<a href="#">SRC-104, "DTC Logic"</a>
B1132	SIDE MODULE RH [SHORT]	Front seat belt pre-tensioner RH circuits are shorted to each other	<a href="#">SRC-106, "DTC Logic"</a>
B1134	SIDE MODULE LH [OPEN]	Side air bag module LH circuit is open	<a href="#">SRC-108, "DTC Logic"</a>
B1135	SIDE MODULE LH [VB-SHORT]	Side air bag module LH circuit is shorted to power supply circuit	<a href="#">SRC-110, "DTC Logic"</a>
B1136	SIDE MODULE LH [GND-SHORT]	Side air bag module LH circuit is shorted to ground	<a href="#">SRC-112, "DTC Logic"</a>
B1137	SIDE MODULE LH [SHORT]	Side air bag module LH circuits are shorted to each other	<a href="#">SRC-114, "DTC Logic"</a>
B1138-B1143	CONTROL UNIT	Air bag diagnosis sensor unit is malfunctioning	<a href="#">SRC-116, "DTC Logic"</a>
B1144	CONTROL UNIT [MISS INSTALLATION]	Air bag diagnosis sensor unit is malfunctioning or out of the specified specification	<a href="#">SRC-117, "DTC Logic"</a>
B1145	CURTAIN MODULE RH [OPEN]	Curtain air bag module RH circuit is open	<a href="#">SRC-118, "DTC Logic"</a>
B1146	CURTAIN MODULE RH [VB-SHORT]	Curtain air bag module RH circuit is shorted to power supply circuit	<a href="#">SRC-120, "DTC Logic"</a>
B1147	CURTAIN MODULE RH [GND-SHORT]	Curtain air bag module RH circuit is shorted to ground	<a href="#">SRC-122, "DTC Logic"</a>
B1148	CURTAIN MODULE RH [SHORT]	Curtain air bag module RH circuits are shorted to each other	<a href="#">SRC-124, "DTC Logic"</a>
B1150	CURTAIN MODULE LH [OPEN]	Curtain air bag module LH circuit is open	<a href="#">SRC-126, "DTC Logic"</a>
B1151	CURTAIN MODULE LH [VB-SHORT]	Curtain air bag module LH circuit is shorted to power supply circuits	<a href="#">SRC-128, "DTC Logic"</a>
B1152	CURTAIN MODULE LH [GND-SHORT]	Curtain air bag module LH circuit is shorted to ground	<a href="#">SRC-130, "DTC Logic"</a>
B1153	CURTAIN MODULE LH [SHORT]	Curtain air bag module LH circuits are shorted to each other	<a href="#">SRC-132, "DTC Logic"</a>
B1154-B1159	CONTROL UNIT	Air bag diagnosis sensor unit is malfunctioning	<a href="#">SRC-134, "DTC Logic"</a>
B1170-B1175	CONTROL UNIT	Air bag diagnosis sensor unit is malfunctioning	<a href="#">SRC-135, "DTC Logic"</a>
B1182	PRE-TEN2 FRONT LH [OPEN]	Lap pre-tensioner LH circuit is open	<a href="#">SRC-136, "DTC Logic"</a>
B1183	PRE-TEN2 FRONT LH [VB-SHORT]	Lap pre-tensioner LH circuit is shorted to power supply circuit	<a href="#">SRC-137, "DTC Logic"</a>
B1184	PRE-TEN2 FRONT LH [GND-SHORT]	Lap pre-tensioner LH circuit is shorted to ground	<a href="#">SRC-138, "DTC Logic"</a>
B1185	PRE-TEN2 FRONT LH [SHORT]	Lap pre-tensioner LH circuits are shorted to each other	<a href="#">SRC-139, "DTC Logic"</a>
B1186-B1191	CONTROL UNIT	Air bag diagnosis sensor unit is malfunctioning	<a href="#">SRC-140, "DTC Logic"</a>
B1202-B1207	CONTROL UNIT	Air bag diagnosis sensor unit is malfunctioning	<a href="#">SRC-141, "DTC Logic"</a>

# DIAGNOSIS SENSOR UNIT

## < ECU DIAGNOSIS INFORMATION >

DTC	Diagnostic item	Explanation	Reference page
B1209	FRONTAL COLLISION DETECTION	Front seat belt pre-tensioner, driver air bag and passenger air bag are deployed	<a href="#">SRC-142, "Description"</a>
B1210	SIDE COLLISION DETECTION	Side air bag, curtain air bag and front seat belt pre-tensioner are deployed	<a href="#">SRC-143, "DTC Logic"</a>
B1212-B1214	RH1 SAT-SENS	Satellite sensor RH is malfunctioning	<a href="#">SRC-144, "DTC Logic"</a>
B1215-B1217	LH1 SAT-SENS	Satellite sensor LH is malfunctioning	<a href="#">SRC-146, "DTC Logic"</a>
B1218-B1223	CONTROL UNIT	Air bag diagnosis sensor unit is malfunctioning	<a href="#">SRC-148, "DTC Logic"</a>
B1234-B1239	CONTROL UNIT	Air bag diagnosis sensor unit is malfunctioning	<a href="#">SRC-149, "DTC Logic"</a>
B1250-B1255	CONTROL UNIT	Air bag diagnosis sensor unit is malfunctioning	<a href="#">SRC-150, "DTC Logic"</a>
B1336 B1337	FR-RH DOOR SATEL SENS [SENSOR MALFUNCTION]	Front door satellite sensor RH is malfunctioning	<a href="#">SRC-151, "DTC Logic"</a>
B1338 B1340 B1341 B1342	FR-RH DOOR SATEL SENS [COMM MALFUNCTION]	Front door satellite sensor RH is malfunctioning	<a href="#">SRC-153, "DTC Logic"</a>
B1339	FR-RH DOOR SATEL SENS [MIS-INSTALLATION]	Front door satellite sensor RH is out of the specified specification	<a href="#">SRC-155, "DTC Logic"</a>
B1343 B1344	FR-LH DOOR SATEL SENS [SENSOR MALFUNCTION]	Front door satellite sensor LH is malfunctioning	<a href="#">SRC-156, "DTC Logic"</a>
B1345 B1347 B1348 B1349	FR-LH DOOR SATEL SENS [COMM MALFUNCTION]	Front door satellite sensor LH is malfunctioning	<a href="#">SRC-158, "DTC Logic"</a>
B1346	FR-LH DOOR SATEL SENS [MIS-INSTALLATION]	Front door satellite sensor LH is out of the specified specification	<a href="#">SRC-160, "DTC Logic"</a>
B1350	FR DOOR SATEL SENS	Front door satellite sensor is malfunctioning	<a href="#">SRC-161, "DTC Logic"</a>

A  
B  
C  
D  
E  
F  
G  
I  
J  
K  
L  
M  
N  
O  
P

SRC

# SRS AIR BAG SYSTEM

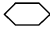
< WIRING DIAGRAM >

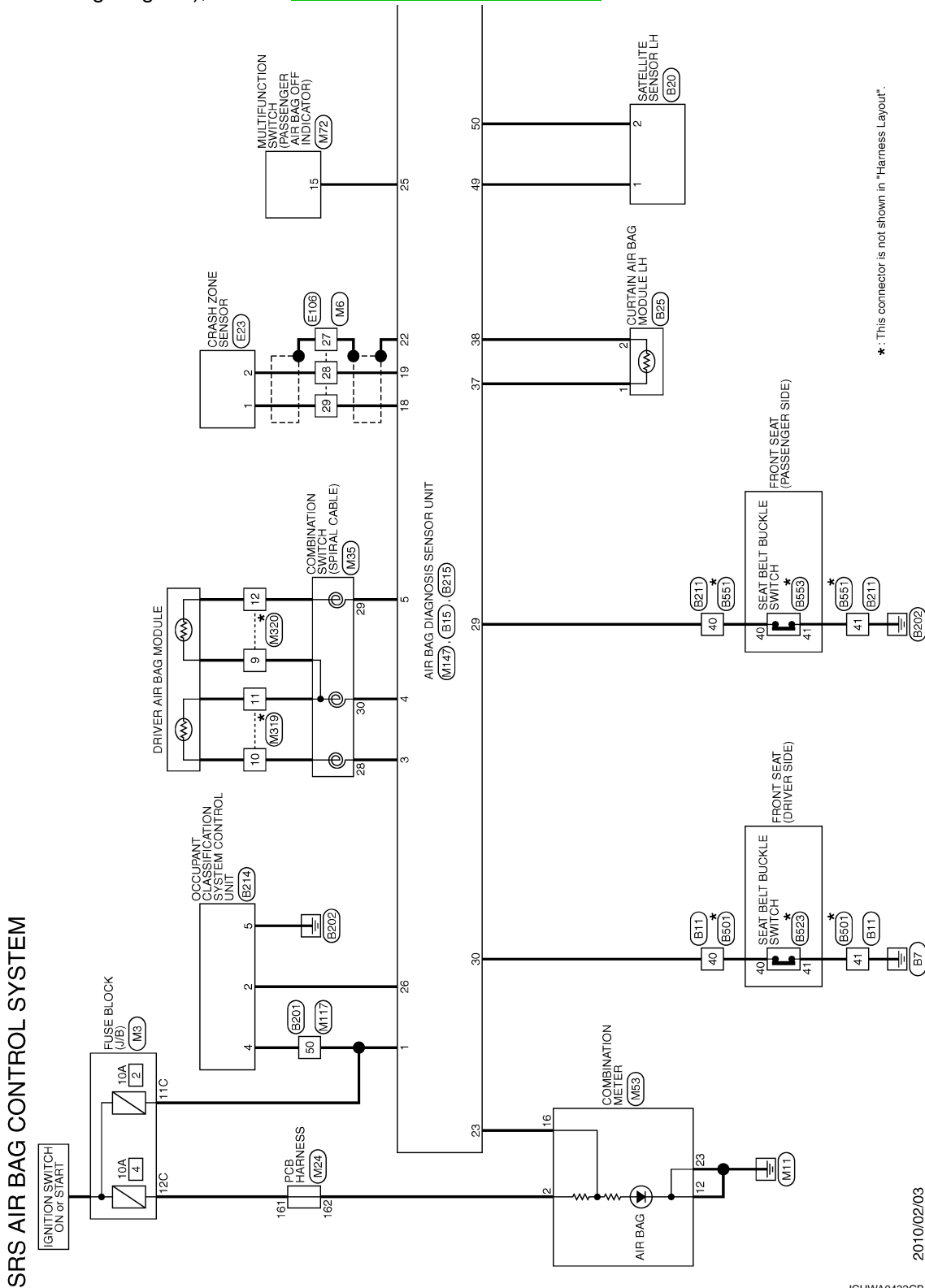
## WIRING DIAGRAM

### SRS AIR BAG SYSTEM

#### Wiring Diagram

INFOID:000000006887505

For connector terminal arrangements, harness layouts, and alphabets in a  (option abbreviation; if not described in wiring diagram), refer to [GI-12. "Connector Information"](#).



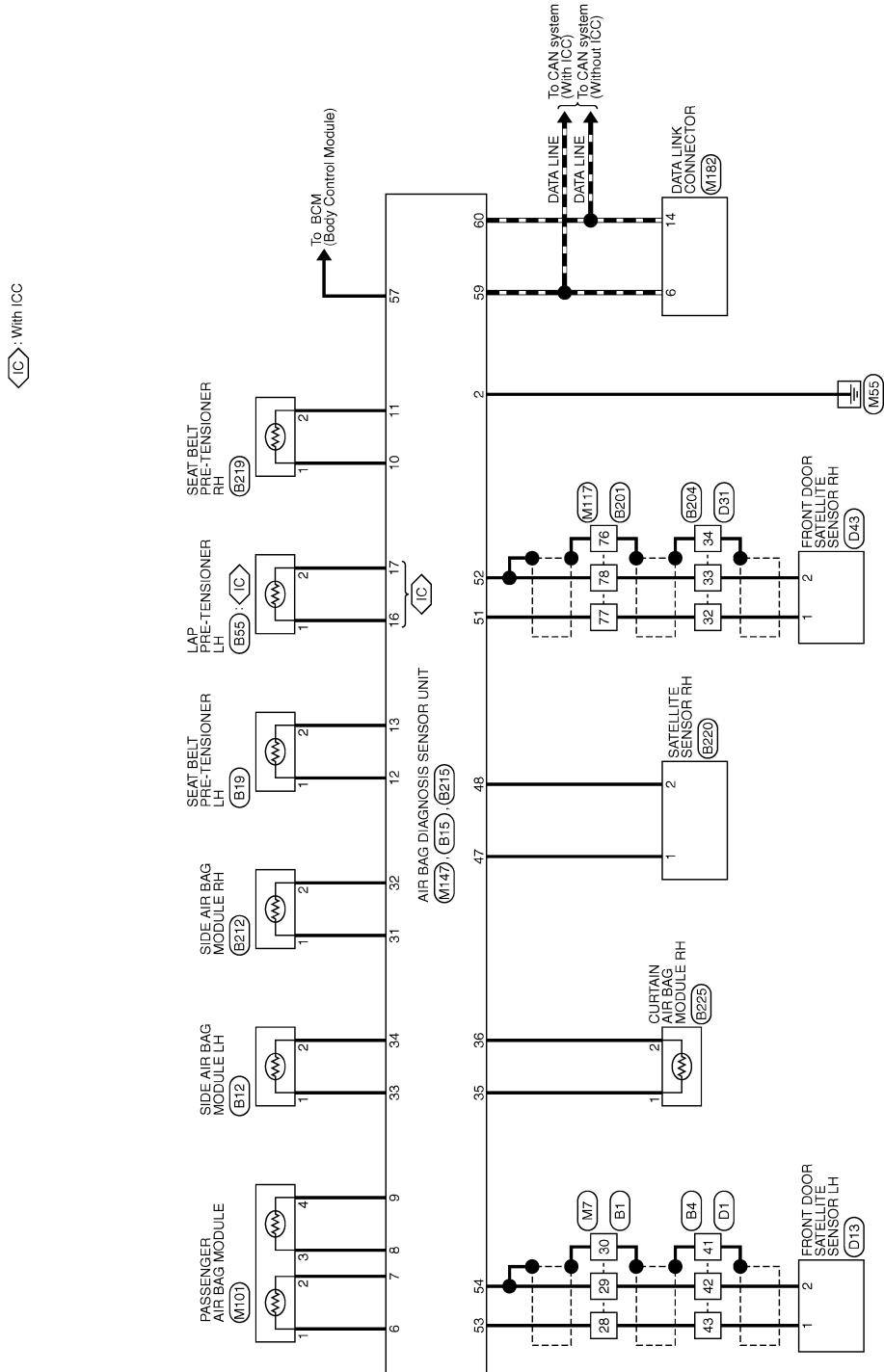
\*: This connector is not shown in "Harness Layout".

2010/02/03

JCHWA0432GB

# SRS AIR BAG SYSTEM

< WIRING DIAGRAM >



JCHWA0433GB

A  
B  
C  
D  
E  
F  
G  
H  
I  
J  
K  
L  
M  
N  
O  
P

SRC

# DIAGNOSIS AND REPAIR WORK FLOW

< BASIC INSPECTION >

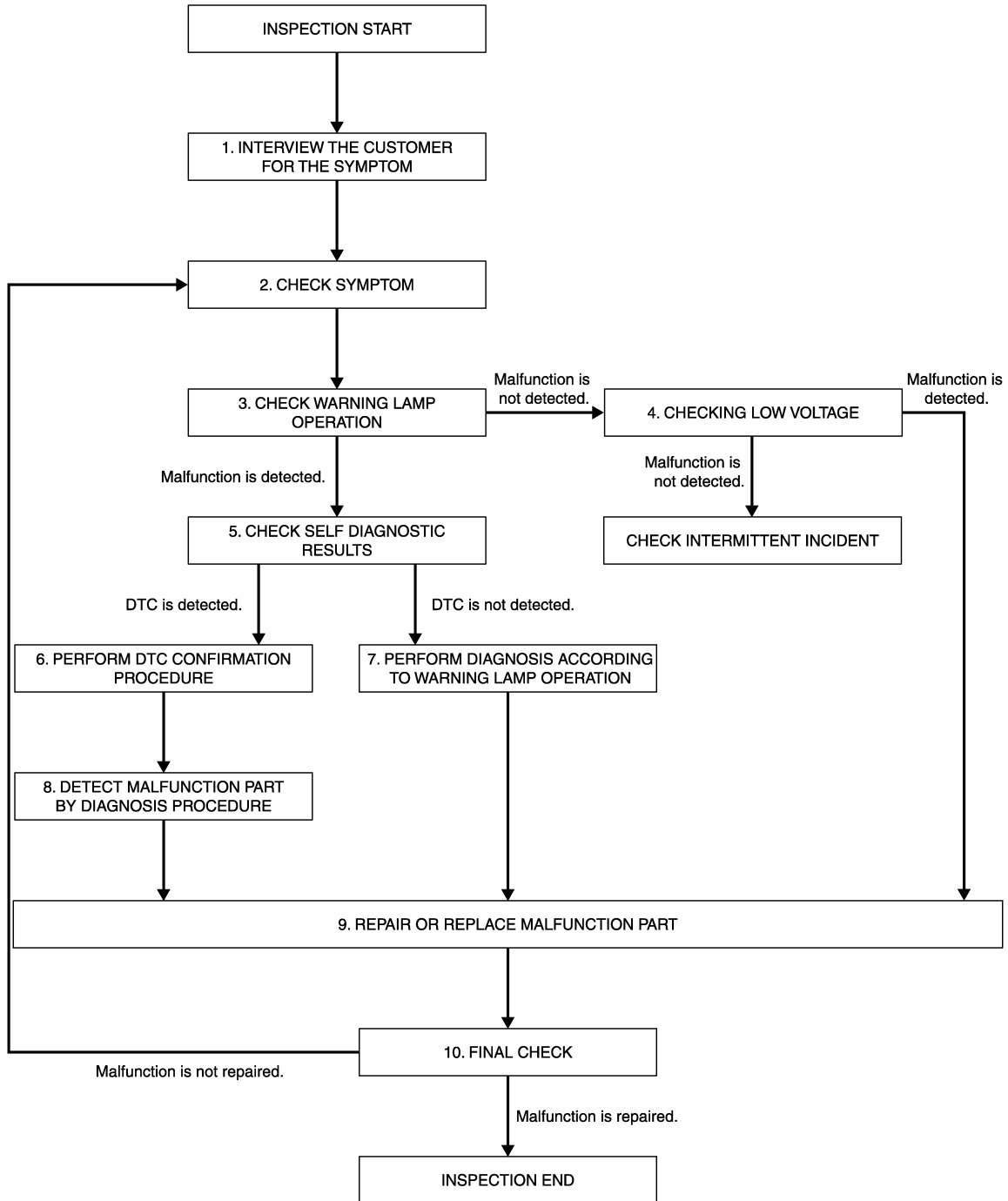
## BASIC INSPECTION

### DIAGNOSIS AND REPAIR WORK FLOW

Work Flow

INFOID:000000006887506

OVERALL SEQUENCE



JMHIA1324GB

DETAILED FLOW



# DIAGNOSIS AND REPAIR WORK FLOW

< BASIC INSPECTION >

---

## 1. INTERVIEW THE CUSTOMER FOR THE SYMPTOM

---

Interview the customer for the symptom (the condition and the environment when the incident/malfunction occurs).

>> GO TO 2.

---

## 2. CHECK SYMPTOM

---

Check the symptom from the customer information.

>> GO TO 3.

---

## 3. CHECK WARNING LAMP OPERATION

---

Check air bag warning lamp operation in the user mode. Refer to [SRC-12, "On Board Diagnosis Function"](#).

Are any malfunction detected?

YES >> GO TO 5.

NO >> GO TO 4.

---

## 4. CHECK LOW VOLTAGE

---

Check low voltage with CONSULT (Special function). Refer to [SRC-16, "CONSULT Function"](#).

Are any malfunction detected?

YES >> GO TO 9.

NO >> Check intermittent incident. Refer to [GI-44, "Intermittent Incident"](#).

---

## 5. CHECK SELF DIAGNOSTIC RESULTS

---

Check self diagnostic result with CONSULT or diagnosis mode.

If it is impossible to switch to diagnosis mode, follow the same procedure that DTC is not detected.

**NOTE:**

Perform the following procedure if DTC is detected.

- Record DTC (Print them out with CONSULT.)
- Erase self diagnostic result.
- Study the relationship between the malfunction that DTC or air bag warning lamp indicates and the symptom that the customer describes.
- Check related service bulletins for information.

Is DTC detected?

YES >> GO TO 6.

NO >> GO TO 7.

---

## 6. PERFORM DTC CONFIRMATION PROCEDURE

---

Perform DTC CONFIRMATION PROCEDURE for the DTC.

>> GO TO 8.

---

## 7. PERFORM DIAGNOSIS ACCORDING TO WARNING LAMP OPERATION

---

1. Check air bag warning lamp operation in the user mode. Refer to [SRC-12, "On Board Diagnosis Function"](#).
2. Perform Diagnosis Procedure for the air bag warning lamp operation. Refer to [SRC-12, "On Board Diagnosis Function"](#) (USER MODE).

>> GO TO 9.

---

## 8. DETECT MALFUNCTIONING PART BY DIAGNOSTIC PROCEDURE

---

Inspect according to Diagnostic Procedure of the DTC.

>> GO TO 9.

---

## 9. REPAIR OR REPLACE THE MALFUNCTION PART

---

A  
B  
C  
D  
E  
F  
G  
I  
J  
K  
L  
M  
N  
O  
P

SRC

## DIAGNOSIS AND REPAIR WORK FLOW

### < BASIC INSPECTION >

---

Repair or replace the malfunctioning part.

>> GO TO 10.

### 10.FINAL CHECK

---

Check self diagnostic result and air bag warning lamp operation in the user mode.

Is the malfunction repaired?

YES >> INSPECTION END

NO >> GO TO 2.

# U1000 CAN COMM CIRCUIT

< DTC/CIRCUIT DIAGNOSIS >

## DTC/CIRCUIT DIAGNOSIS

### U1000 CAN COMM CIRCUIT

#### Description

INFOID:0000000006887507

CAN (Controller Area Network) is a serial communication line for real time applications. It is an on-vehicle multiplex communication line with high data communication speed and excellent error detection ability. Modern vehicle is equipped with many electronic control unit, and each control unit shares information and links with other control units during operation (not independent). In CAN communication, control units are connected with 2 communication lines (CAN H-line, CAN L-line) allowing a high rate of information transmission with less wiring. Each control unit transmits/receives data but selectively reads required data only.

CAN Communication Signal Chart. Refer to [LAN-35, "CAN COMMUNICATION SYSTEM : CAN Communication Signal Chart"](#).

#### DTC Logic

INFOID:0000000006887508

#### DTC DETECTION LOGIC

DTC	CONSULT display description	DTC Detection Condition	Possible cause
U1000	CAN COMM CIRCUIT	When air bag diagnosis sensor unit cannot communicate CAN communication signal continuously for 2 seconds or more.	CAN communication system

#### Diagnosis Procedure

INFOID:0000000006887509

SRC

#### 1. PERFORM SELF DIAGNOSTIC

1. Turn ignition switch ON and wait for 2 seconds or more.
2. Check "SELF-DIAG [CAN]" in "special function" of "AIR BAG" using CONSULT.

#### Is DTC "U1000" displayed?

- YES >> Refer to [LAN-25, "Trouble Diagnosis Flow Chart"](#).  
NO >> Refer to [GI-44, "Intermittent Incident"](#).

## U1010 CONTROL UNIT (CAN)

< DTC/CIRCUIT DIAGNOSIS >

### U1010 CONTROL UNIT (CAN)

#### DTC Logic

INFOID:000000006887510

#### DTC DETECTION LOGIC

DTC	CONSULT display description	DTC Detection Condition	Possible cause
U1010	CONTROL UNIT (CAN)	Air bag diagnosis sensor unit detected internal CAN communication circuit malfunction.	Air bag diagnosis sensor unit

#### Diagnosis Procedure

INFOID:000000006887511

#### 1. REPLACE AIR BAG DIAGNOSIS SENSOR UNIT

When DTC "U1010" is detected, replace Air bag diagnosis sensor unit.

>> Replace Air bag diagnosis sensor unit. Refer to [SR-25, "Removal and Installation"](#).

# B1001, B1002, B1003, B1004, B1005 DIAGNOSIS SENSOR UNIT

< DTC/CIRCUIT DIAGNOSIS >

## B1001, B1002, B1003, B1004, B1005 DIAGNOSIS SENSOR UNIT

### DTC Logic

INFOID:000000006887512

### DTC DETECTION LOGIC

DTC	Display contents of CONSULT	DTC detecting condition	Possible cause
B1001 B1002 B1003 B1004 B1005	CONTROL UNIT	Air bag diagnosis sensor unit is malfunctioning	Malfunction in air bag diagnosis sensor unit

### DTC CONFIRMATION PROCEDURE

#### 1. CHECK SELF-DIAG RESULT

With CONSULT

- Turn ignition switch ON.
- Perform "Self Diagnostic Result" mode of "AIR BAG" using CONSULT.

Without CONSULT

- Turn ignition switch ON.
- Check the air bag warning lamp status. Refer to [SRC-12, "On Board Diagnosis Function"](#).

#### NOTE:

SRS does not enter the diagnosis mode if no malfunction is detected in the user mode.

Is malfunctioning part detected?

- YES >> Refer to [SRC-29, "Diagnosis Procedure"](#).  
NO >> INSPECTION END

### Diagnosis Procedure

INFOID:000000006887513

#### WARNING:

- Before servicing, turn ignition switch OFF, disconnect battery negative terminal, and wait 3 minutes or more. (To discharge backup capacitor.)
- Never use unspecified tester or other measuring device.

#### 1. CHECK HARNESS CONNECTOR

Check the harness connector.

Is the inspection result normal?

- YES >> GO TO 2.  
NO >> Replace harness connectors.

#### 2. CHECK WIRING HARNESS

Check the wiring harness externals.

Is the inspection result normal?

- YES >> GO TO 3.  
NO >> Replace wiring harness.

#### 3. REPLACE AIR BAG DIAGNOSIS SENSOR UNIT

- Replace air bag diagnosis sensor unit. Refer to [SR-25, "Removal and Installation"](#).
- Perform DTC confirmation procedure. Refer to [SRC-29, "DTC Logic"](#).

Is DTC detected?

- YES >> GO TO 1.  
NO >> INSPECTION END

# B1006, B1007, B1008, B1009, B1010 DIAGNOSIS SENSOR UNIT

< DTC/CIRCUIT DIAGNOSIS >

## B1006, B1007, B1008, B1009, B1010 DIAGNOSIS SENSOR UNIT

### DTC Logic

INFOID:000000006887514

#### DTC DETECTION LOGIC

DTC	Display contents of CONSULT	DTC detecting condition	Possible cause
B1006 B1007 B1008 B1009 B1010	CONTROL UNIT	Air bag diagnosis sensor unit is malfunctioning	Malfunction in air bag diagnosis sensor unit

#### DTC CONFIRMATION PROCEDURE

##### 1. CHECK SELF-DIAG RESULT

With CONSULT

1. Turn ignition switch ON.
2. Perform "Self Diagnostic Result" mode of "AIR BAG" using CONSULT.

Without CONSULT

1. Turn ignition switch ON.
2. Check the air bag warning lamp status. Refer to [SRC-12, "On Board Diagnosis Function"](#).

##### NOTE:

SRS does not enter the diagnosis mode if no malfunction is detected in the user mode.

Is malfunctioning part detected?

- YES >> Refer to [SRC-30, "Diagnosis Procedure"](#).  
NO >> INSPECTION END

#### Diagnosis Procedure

INFOID:000000006887515

##### WARNING:

- Before servicing, turn ignition switch OFF, disconnect battery negative terminal, and wait 3 minutes or more. (To discharge backup capacitor.)
- Never use unspecified tester or other measuring device.

##### 1. CHECK HARNESS CONNECTOR

Check the harness connector.

Is the inspection result normal?

- YES >> GO TO 2.  
NO >> Replace harness connectors.

##### 2. CHECK WIRING HARNESS

Check the wiring harness externals.

Is the inspection result normal?

- YES >> GO TO 3.  
NO >> Replace wiring harness.

##### 3. REPLACE AIR BAG DIAGNOSIS SENSOR UNIT

1. Replace air bag diagnosis sensor unit. Refer to [SR-25, "Removal and Installation"](#).
2. Perform DTC confirmation procedure. Refer to [SRC-30, "DTC Logic"](#).

Is DTC detected?

- YES >> GO TO 1.  
NO >> INSPECTION END

# B1011, B1012, B1013, B1014, B1015 DIAGNOSIS SENSOR UNIT

< DTC/CIRCUIT DIAGNOSIS >

## B1011, B1012, B1013, B1014, B1015 DIAGNOSIS SENSOR UNIT

### DTC Logic

INFOID:000000006887516

### DTC DETECTION LOGIC

DTC	Display contents of CONSULT	DTC detecting condition	Possible cause
B1011 B1012 B1013 B1014 B1015	CONTROL UNIT	Air bag diagnosis sensor unit is malfunctioning	Malfunction in air bag diagnosis sensor unit

### DTC CONFIRMATION PROCEDURE

#### 1. CHECK SELF-DIAG RESULT

With CONSULT

1. Turn ignition switch ON.
2. Perform "Self Diagnostic Result" mode of "AIR BAG" using CONSULT.

Without CONSULT

1. Turn ignition switch ON.
2. Check the air bag warning lamp status. Refer to [SRC-12, "On Board Diagnosis Function"](#).

#### NOTE:

SRS does not enter the diagnosis mode if no malfunction is detected in the user mode.

Is malfunctioning part detected?

- YES >> Refer to [SRC-31, "Diagnosis Procedure"](#).  
NO >> INSPECTION END

### Diagnosis Procedure

INFOID:000000006887517

#### WARNING:

- Before servicing, turn ignition switch OFF, disconnect battery negative terminal, and wait 3 minutes or more. (To discharge backup capacitor.)
- Never use unspecified tester or other measuring device.

#### 1. CHECK HARNESS CONNECTOR

Check the harness connector.

Is the inspection result normal?

- YES >> GO TO 2.  
NO >> Replace harness connectors.

#### 2. CHECK WIRING HARNESS

Check the wiring harness externals.

Is the inspection result normal?

- YES >> GO TO 3.  
NO >> Replace wiring harness.

#### 3. REPLACE AIR BAG DIAGNOSIS SENSOR UNIT

1. Replace air bag diagnosis sensor unit. Refer to [SR-25, "Removal and Installation"](#).
2. Perform DTC confirmation procedure. Refer to [SRC-31, "DTC Logic"](#).

Is DTC detected?

- YES >> GO TO 1.  
NO >> INSPECTION END

# B1017, B1020, B1021 OCCUPANT SYSTEM CONTROL UNIT

< DTC/CIRCUIT DIAGNOSIS >

## B1017, B1020, B1021 OCCUPANT SYSTEM CONTROL UNIT

### DTC Logic

INFOID:000000006887518

### DTC DETECTION LOGIC

DTC	Display contents of CONSULT	DTC detecting condition	Possible cause
B1017 B1020 B1021	OCCUPANT SENS C/U [UNIT FAIL]	Occupant Classification System control unit is malfunctioning	<ul style="list-style-type: none"><li>• Harness or connectors</li><li>• Malfunction in Occupant Classification System control unit</li><li>• Malfunction in air bag diagnosis sensor unit</li></ul>

### DTC CONFIRMATION PROCEDURE

#### 1. CHECK SELF-DIAG RESULT

##### With CONSULT

1. Turn ignition switch ON.
2. Perform "Self Diagnostic Result" mode of "AIR BAG" using CONSULT.

##### Without CONSULT

1. Turn ignition switch ON.
2. Check the air bag warning lamp status. Refer to [SRC-12, "On Board Diagnosis Function"](#).

#### NOTE:

SRS does not enter the diagnosis mode if no malfunction is detected in the user mode.

#### Is malfunctioning part detected?

- YES >> Refer to [SRC-32, "Diagnosis Procedure"](#).  
NO >> INSPECTION END

### Diagnosis Procedure

INFOID:000000006887519

#### WARNING:

- Before servicing, turn ignition switch OFF, disconnect battery negative terminal, and wait 3 minutes or more. (To discharge backup capacitor.)
- Never use unspecified tester or other measuring device.

### DIAGNOSTIC PROCEDURE

#### 1. CHECK HARNESS CONNECTOR

Check the connection of harness connector.

#### Is the inspection result normal?

- YES >> GO TO 2.  
NO >> Replace harness connectors.

#### 2. CHECK WIRING HARNESS

Check the wiring harness externals.

#### Is the inspection result normal?

- YES >> GO TO 3.  
NO >> Replace wiring harness.

#### 3. REPLACE AIR BAG DIAGNOSIS SENSOR UNIT

1. Replace air bag diagnosis sensor unit. Refer to [SR-25, "Removal and Installation"](#).
2. Perform DTC confirmation procedure. Refer to [SRC-32, "DTC Logic"](#).

#### Is DTC detected?

- YES >> GO TO 4.  
NO >> INSPECTION END

#### 4. REPLACE OCCUPANT CLASSIFICATION SYSTEM CONTROL UNIT

1. Replace passenger seat cushion assembly. Refer to [SE-84, "Removal and Installation"](#).
2. Perform DTC confirmation procedure. Refer to [SRC-32, "DTC Logic"](#).



# B1017, B1020, B1021 OCCUPANT SYSTEM CONTROL UNIT

< DTC/CIRCUIT DIAGNOSIS >

---

Is DTC detected?

YES >> GO TO 1.

NO >> INSPECTION END

A

B

C

D

E

F

G

**SRC**

I

J

K

L

M

N

O

P

# B1018 OCCUPANT SYSTEM SENSOR

< DTC/CIRCUIT DIAGNOSIS >

## B1018 OCCUPANT SYSTEM SENSOR

### DTC Logic

INFOID:000000006887520

### DTC DETECTION LOGIC

DTC	Display contents of CONSULT	DTC detecting condition	Possible cause
B1018	OCCUPANT SENS [UNIT FAIL]	Occupant Classification System sensor is malfunctioning	<ul style="list-style-type: none"><li>• Harness or connectors</li><li>• Malfunction in Occupant Classification System sensor</li><li>• Malfunction in Occupant Classification System control unit</li><li>• Malfunction in air bag diagnosis sensor unit</li></ul>

### DTC CONFIRMATION PROCEDURE

#### 1. CHECK SELF-DIAG RESULT

##### Ⓟ With CONSULT

1. Turn ignition switch ON.
2. Perform "Self Diagnostic Result" mode of "AIR BAG" using CONSULT.

##### ⓧ Without CONSULT

1. Turn ignition switch ON.
2. Check the air bag warning lamp status. Refer to [SRC-12, "On Board Diagnosis Function"](#).

#### NOTE:

SRS does not enter the diagnosis mode if no malfunction is detected in the user mode.

#### Is malfunctioning part detected?

- YES >> Refer to [SRC-34, "Diagnosis Procedure"](#).  
NO >> INSPECTION END

### Diagnosis Procedure

INFOID:000000006887521

#### WARNING:

- Before servicing, turn ignition switch OFF, disconnect battery negative terminal, and wait 3 minutes or more. (To discharge backup capacitor.)
- Never use unspecified tester or other measuring device.

### DIAGNOSTIC PROCEDURE

#### 1. CHECK HARNESS CONNECTOR

Check the connection of harness connector.

#### Is the inspection result normal?

- YES >> GO TO 2.  
NO >> Replace harness connectors.

#### 2. CHECK WIRING HARNESS

Check the wiring harness externals.

#### Is the inspection result normal?

- YES >> GO TO 3.  
NO >> Replace wiring harness.

#### 3. REPLACE AIR BAG DIAGNOSIS SENSOR UNIT

1. Replace air bag diagnosis sensor unit. Refer to [SR-25, "Removal and Installation"](#).
2. Perform DTC confirmation procedure. Refer to [SRC-34, "DTC Logic"](#).

#### Is DTC detected?

- YES >> GO TO 4.  
NO >> INSPECTION END

#### 4. REPLACE OCCUPANT CLASSIFICATION SYSTEM CONTROL UNIT AND SENSOR

1. Replace passenger seat cushion assembly. Refer to [SE-84, "Removal and Installation"](#).
2. Perform DTC confirmation procedure. Refer to [SRC-34, "DTC Logic"](#).

# B1018 OCCUPANT SYSTEM SENSOR

< DTC/CIRCUIT DIAGNOSIS >

---

Is DTC detected?

YES >> GO TO 1.

NO >> INSPECTION END

A

B

C

D

E

F

G

**SRC**

I

J

K

L

M

N

O

P

# B1022 OCCUPANT SYSTEM CONTROL UNIT

< DTC/CIRCUIT DIAGNOSIS >

## B1022 OCCUPANT SYSTEM CONTROL UNIT

### DTC Logic

INFOID:000000006887522

#### DTC DETECTION LOGIC

DTC	Display contents of CONSULT	DTC detecting condition	Possible cause
B1022	OCCUPANT SENS C/U [COMM FAIL]	<ul style="list-style-type: none"><li>Internal malfunction of Occupant Classification System control unit</li><li>Malfunction of circuit between Occupant Classification System control unit and Air bag diagnosis sensor unit</li><li>Malfunction of Air bag diagnosis sensor unit</li></ul>	<ul style="list-style-type: none"><li>Harness or connectors</li><li>Malfunction in Occupant Classification System control unit</li><li>Malfunction in air bag diagnosis sensor unit</li></ul>

#### DTC CONFIRMATION PROCEDURE

##### 1. CHECK SELF-DIAG RESULT

###### With CONSULT

- Turn ignition switch ON.
- Perform "Self Diagnostic Result" mode of "AIR BAG" using CONSULT.

###### Without CONSULT

- Turn ignition switch ON.
- Check the air bag warning lamp status. Refer to [SRC-12, "On Board Diagnosis Function"](#).

###### NOTE:

SRS does not enter the diagnosis mode if no malfunction is detected in the user mode.

###### Is malfunctioning part detected?

- YES >> Refer to [SRC-36, "Diagnosis Procedure"](#).  
NO >> INSPECTION END

#### Diagnosis Procedure

INFOID:000000006887523

###### WARNING:

- Before servicing, turn ignition switch OFF, disconnect battery negative terminal, and wait 3 minutes or more. (To discharge backup capacitor.)
- Never use unspecified tester or other measuring device.

#### DIAGNOSTIC PROCEDURE

##### 1. CHECK HARNESS CONNECTOR

Check the connection of harness connector.

###### Is the inspection result normal?

- YES >> GO TO 2.  
NO >> Replace harness connectors.

##### 2. CHECK WIRING HARNESS

Check the wiring harness externals.

###### Is the inspection result normal?

- YES >> GO TO 3.  
NO >> Replace wiring harness.

##### 3. REPLACE AIR BAG DIAGNOSIS SENSOR UNIT

- Replace air bag diagnosis sensor unit. Refer to [SR-25, "Removal and Installation"](#).
- Perform DTC confirmation procedure. Refer to [SRC-36, "DTC Logic"](#).

###### Is DTC detected?

- YES >> GO TO 4.  
NO >> INSPECTION END

# B1022 OCCUPANT SYSTEM CONTROL UNIT

< DTC/CIRCUIT DIAGNOSIS >

---

## 4. CHECK OCCUPANT CLASSIFICATION SYSTEM CONTROL UNIT

---

1. Replace passenger seat cushion assembly. Refer to [SE-84, "Removal and Installation"](#).
2. Perform DTC confirmation procedure. Refer to [SRC-36, "DTC Logic"](#).

Is DTC detected?

YES >> GO TO 1.  
NO >> INSPECTION END

A  
B  
C  
D  
E  
F  
G  
I  
J  
K  
L  
M  
N  
O  
P

SRC

# B1023 PASSENGER AIR BAG OFF INDICATOR

< DTC/CIRCUIT DIAGNOSIS >

## B1023 PASSENGER AIR BAG OFF INDICATOR

### DTC Logic

INFOID:000000006887524

### DTC DETECTION LOGIC

DTC	Display contents of CONSULT	DTC detecting condition	Possible cause
B1023	PASS A/B INDCTR CKT [UNIT FAIL]	Passenger air bag OFF indicator circuit is open or shorted to ground or the circuits are shorted each other	<ul style="list-style-type: none"><li>• Harness or connectors</li><li>• Malfunction in passenger air bag OFF indicator</li><li>• Malfunction in air bag diagnosis sensor unit</li></ul>

### DTC CONFIRMATION PROCEDURE

#### 1. CHECK SELF-DIAG RESULT

##### With CONSULT

1. Turn ignition switch ON.
2. Perform "Self Diagnostic Result" mode of "AIR BAG" using CONSULT.

##### Without CONSULT

1. Turn ignition switch ON.
2. Check the air bag warning lamp status. Refer to [SRC-12, "On Board Diagnosis Function"](#).

#### NOTE:

SRS does not enter the diagnosis mode if no malfunction is detected in the user mode.

#### Is malfunctioning part detected?

- YES >> Refer to [SRC-38, "Diagnosis Procedure"](#).  
NO >> INSPECTION END

### Diagnosis Procedure

INFOID:000000006887525

#### WARNING:

- Before servicing, turn ignition switch OFF, disconnect battery negative terminal, and wait 3 minutes or more. (To discharge backup capacitor.)
- Never use unspecified tester or other measuring device.

### DIAGNOSTIC PROCEDURE

#### 1. CHECK HARNESS CONNECTOR

Check the connection of harness connector.

#### Is the inspection result normal?

- YES >> GO TO 2.  
NO >> Replace harness connectors.

#### 2. CHECK WIRING HARNESS

Check the wiring harness externals.

#### Is the inspection result normal?

- YES >> GO TO 3.  
NO >> Replace wiring harness.

#### 3. REPLACE AIR BAG DIAGNOSIS SENSOR UNIT

1. Replace air bag diagnosis sensor unit. Refer to [SR-25, "Removal and Installation"](#).
2. Perform DTC confirmation procedure. Refer to [SRC-38, "DTC Logic"](#).

#### Is DTC detected?

- YES >> GO TO 4.  
NO >> INSPECTION END

#### 4. CHECK PASSENGER AIR BAG OFF INDICATOR

## B1023 PASSENGER AIR BAG OFF INDICATOR

### < DTC/CIRCUIT DIAGNOSIS >

1. Replace multifunction switch (passenger air bag OFF indicator). Refer to [AV-114, "Removal and Installation"](#) (base audio without navigation models) or [AV-278, "Removal and Installation"](#) (BOSE audio with navigation models).
2. Perform DTC confirmation procedure. Refer to [SRC-38, "DTC Logic"](#).

#### Is DTC detected?

YES >> GO TO 1.  
NO >> INSPECTION END

A  
B  
C  
D  
E  
F  
G  
I  
J  
K  
L  
M  
N  
O  
P

SRC

# B1025, B1032, B1048 OCCUPANT SYSTEM SENSOR

< DTC/CIRCUIT DIAGNOSIS >

## B1025, B1032, B1048 OCCUPANT SYSTEM SENSOR

### DTC Logic

INFOID:000000006887526

### DTC DETECTION LOGIC

DTC	Display contents of CONSULT	DTC detecting condition	Possible cause
B1025 B1032 B1048	OCS SENSOR	<ul style="list-style-type: none"><li>Internal malfunction of Occupant Classification System control unit</li><li>Malfunction of circuit between Occupant Classification System control unit and Air bag diagnosis sensor unit</li><li>Malfunction of Air bag diagnosis sensor unit</li></ul>	<ul style="list-style-type: none"><li>Harness or connectors</li><li>Malfunction in Occupant Classification System control unit</li><li>Malfunction in air bag diagnosis sensor unit</li></ul>

### DTC CONFIRMATION PROCEDURE

#### 1. CHECK SELF-DIAG RESULT

With CONSULT

- Turn ignition switch ON.
- Perform "Self Diagnostic Result" mode of "AIR BAG" using CONSULT.

Without CONSULT

- Turn ignition switch ON.
- Check the air bag warning lamp status. Refer to [SRC-12, "On Board Diagnosis Function"](#).

#### NOTE:

SRS does not enter the diagnosis mode if no malfunction is detected in the user mode.

Is malfunctioning part detected?

- YES >> Refer to [SRC-40, "Diagnosis Procedure"](#).  
NO >> INSPECTION END

### Diagnosis Procedure

INFOID:000000006887527

#### WARNING:

- Before servicing, turn ignition switch OFF, disconnect battery negative terminal, and wait 3 minutes or more. (To discharge backup capacitor.)
- Never use unspecified tester or other measuring device.

### DIAGNOSTIC PROCEDURE

#### 1. CHECK HARNESS CONNECTOR

Check the connection of harness connector.

Is the inspection result normal?

- YES >> GO TO 2.  
NO >> Replace harness connectors.

#### 2. CHECK WIRING HARNESS

Check the wiring harness externals.

Is the inspection result normal?

- YES >> GO TO 3.  
NO >> Replace wiring harness.

#### 3. REPLACE AIR BAG DIAGNOSIS SENSOR UNIT

- Replace air bag diagnosis sensor unit. Refer to [SR-25, "Removal and Installation"](#).
- Perform DTC confirmation procedure. Refer to [SRC-40, "DTC Logic"](#).

Is DTC detected?

- YES >> GO TO 4.  
NO >> INSPECTION END



# B1025, B1032, B1048 OCCUPANT SYSTEM SENSOR

< DTC/CIRCUIT DIAGNOSIS >

---

## 4. CHECK OCCUPANT DETECTION SYSTEM CONTROL UNIT

---

1. Replace passenger seat cushion assembly. Refer to [SE-84, "Removal and Installation"](#).
2. Perform DTC confirmation procedure. Refer to [SRC-40, "DTC Logic"](#).

Is DTC detected?

YES >> GO TO 1.  
NO >> INSPECTION END

A  
B  
C  
D  
E  
F  
G  
I  
J  
K  
L  
M  
N  
O  
P

SRC

# B1026, B1027, B1028, B1029, B1030, B1031 DIAGNOSIS SENSOR UNIT

< DTC/CIRCUIT DIAGNOSIS >

## B1026, B1027, B1028, B1029, B1030, B1031 DIAGNOSIS SENSOR UNIT

### DTC Logic

INFOID:000000006887528

#### DTC DETECTION LOGIC

DTC	Display contents of CONSULT	DTC detecting condition	Possible cause
B1026 B1027 B1028 B1029 B1030 B1031	CONTROL UNIT	Air bag diagnosis sensor unit is malfunctioning	Malfunction in air bag diagnosis sensor unit

#### DTC CONFIRMATION PROCEDURE

##### 1. CHECK SELF-DIAG RESULT

###### With CONSULT

1. Turn ignition switch ON.
2. Perform "Self Diagnostic Result" mode of "AIR BAG" using CONSULT.

###### Without CONSULT

1. Turn ignition switch ON.
2. Check the air bag warning lamp status. Refer to [SRC-12, "On Board Diagnosis Function"](#).

#### NOTE:

SRS does not enter the diagnosis mode if no malfunction is detected in the user mode.

#### Is malfunctioning part detected?

- YES >> Refer to [SRC-42, "Diagnosis Procedure"](#).  
NO >> INSPECTION END

#### Diagnosis Procedure

INFOID:000000006887529

#### WARNING:

- Before servicing, turn ignition switch OFF, disconnect battery negative terminal, and wait 3 minutes or more. (To discharge backup capacitor.)
- Never use unspecified tester or other measuring device.

##### 1. CHECK HARNESS CONNECTOR

Check the harness connector.

#### Is the inspection result normal?

- YES >> GO TO 2.  
NO >> Replace harness connectors.

##### 2. CHECK WIRING HARNESS

Check the wiring harness externals.

#### Is the inspection result normal?

- YES >> GO TO 3.  
NO >> Replace wiring harness.

##### 3. REPLACE AIR BAG DIAGNOSIS SENSOR UNIT

1. Replace air bag diagnosis sensor unit. Refer to [SR-25, "Removal and Installation"](#).
2. Perform DTC confirmation procedure. Refer to [SRC-42, "DTC Logic"](#).

#### Is DTC detected?

- YES >> GO TO 1.  
NO >> INSPECTION END

# B1033, B1034 CRASH ZONE SENSOR

< DTC/CIRCUIT DIAGNOSIS >

## B1033, B1034 CRASH ZONE SENSOR

### DTC Logic

INFOID:000000006887530

### DTC DETECTION LOGIC

DTC	Display contents of CONSULT	DTC detecting condition	Possible cause
B1033 B1034	CRASH ZONE SEN [UNIT FAIL]	Crash zone sensor is malfunctioning	<ul style="list-style-type: none"><li>• Harness or connectors</li><li>• Malfunction in crash zone sensor</li><li>• Malfunction in air bag diagnosis sensor unit</li></ul>

### DTC CONFIRMATION PROCEDURE

#### 1. CHECK SELF-DIAG RESULT

With CONSULT

1. Turn ignition switch ON.
2. Perform "Self Diagnostic Result" mode of "AIR BAG" using CONSULT.

Without CONSULT

1. Turn ignition switch ON.
2. Check the air bag warning lamp status. Refer to [SRC-12, "On Board Diagnosis Function"](#).

#### NOTE:

SRS does not enter the diagnosis mode if no malfunction is detected in the user mode.

Is malfunctioning part detected?

- YES >> Refer to [SRC-43, "Diagnosis Procedure"](#).  
NO >> INSPECTION END

### Diagnosis Procedure

INFOID:000000006887531

#### WARNING:

- Before servicing, turn ignition switch OFF, disconnect battery negative terminal, and wait 3 minutes or more. (To discharge backup capacitor.)
- Never use unspecified tester or other measuring device.

#### 1. CHECK HARNESS CONNECTOR

Check the harness connector.

Is the inspection result normal?

- YES >> GO TO 2.  
NO >> Replace harness connectors.

#### 2. CHECK WIRING HARNESS

Check the wiring harness externals.

Is the inspection result normal?

- YES >> GO TO 3.  
NO >> Replace wiring harness.

#### 3. REPLACE CRASH ZONE SENSOR

1. Replace crash zone sensor. Refer to [SR-21, "Removal and Installation"](#).
2. Perform DTC confirmation procedure. Refer to [SRC-43, "DTC Logic"](#).

Is DTC detected?

- YES >> GO TO 4.  
NO >> INSPECTION END

#### 4. REPLACE AIR BAG DIAGNOSIS SENSOR UNIT

1. Replace air bag diagnosis sensor unit. Refer to [SR-25, "Removal and Installation"](#).
2. Perform DTC confirmation procedure. Refer to [SRC-43, "DTC Logic"](#).

Is DTC detected?

- YES >> GO TO 1.

## B1033, B1034 CRASH ZONE SENSOR

< DTC/CIRCUIT DIAGNOSIS >

---

NO >> INSPECTION END

# B1035 CRASH ZONE SENSOR

< DTC/CIRCUIT DIAGNOSIS >

## B1035 CRASH ZONE SENSOR

### DTC Logic

INFOID:000000006887532

### DTC DETECTION LOGIC

DTC	Display contents of CONSULT	DTC detecting condition	Possible cause
B1035	CRASH ZONE SEN [COMM FAIL]	Crash zone sensor is malfunctioning or out of the specified specification	<ul style="list-style-type: none"><li>• Harness or connectors</li><li>• Malfunction in crash zone sensor</li><li>• Malfunction in air bag diagnosis sensor unit</li></ul>

### DTC CONFIRMATION PROCEDURE

#### 1. CHECK SELF-DIAG RESULT

With CONSULT

1. Turn ignition switch ON.
2. Perform "Self Diagnostic Result" mode of "AIR BAG" using CONSULT.

Without CONSULT

1. Turn ignition switch ON.
2. Check the air bag warning lamp status. Refer to [SRC-12, "On Board Diagnosis Function"](#).

#### NOTE:

SRS does not enter the diagnosis mode if no malfunction is detected in the user mode.

Is malfunctioning part detected?

- YES >> Refer to [SRC-45, "Diagnosis Procedure"](#).  
NO >> INSPECTION END

### Diagnosis Procedure

INFOID:000000006887533

#### WARNING:

- Before servicing, turn ignition switch OFF, disconnect battery negative terminal, and wait 3 minutes or more. (To discharge backup capacitor.)
- Never use unspecified tester or other measuring device.

#### 1. CHECK HARNESS CONNECTOR

Check the harness connector.

Is the inspection result normal?

- YES >> GO TO 2.  
NO >> Replace harness connectors.

#### 2. CHECK WIRING HARNESS

Check the wiring harness externals.

Is the inspection result normal?

- YES >> GO TO 3.  
NO >> Replace wiring harness.

#### 3. REPLACE CRASH ZONE SENSOR

1. Replace crash zone sensor. Refer to [SR-21, "Removal and Installation"](#).
2. Perform DTC confirmation procedure. Refer to [SRC-45, "DTC Logic"](#).

Is DTC detected?

- YES >> GO TO 4.  
NO >> INSPECTION END

#### 4. REPLACE AIR BAG DIAGNOSIS SENSOR UNIT

1. Replace air bag diagnosis sensor unit. Refer to [SR-25, "Removal and Installation"](#).
2. Perform DTC confirmation procedure. Refer to [SRC-45, "DTC Logic"](#).

Is DTC detected?

- YES >> GO TO 1.

## B1035 CRASH ZONE SENSOR

< DTC/CIRCUIT DIAGNOSIS >

---

NO >> INSPECTION END

# B1036 CRASH ZONE SENSOR

< DTC/CIRCUIT DIAGNOSIS >

## B1036 CRASH ZONE SENSOR

### DTC Logic

INFOID:000000006887534

### DTC DETECTION LOGIC

DTC	Display contents of CONSULT	DTC detecting condition	Possible cause
B1036	CRASH ZONE SEN [UNMATCH]	Crash zone sensor is out of the specified specification	Diagnosis sensor unit or crash zone sensor is different from the part specified

### DTC CONFIRMATION PROCEDURE

#### 1. CHECK SELF-DIAG RESULT

##### With CONSULT

1. Turn ignition switch ON.
2. Perform "Self Diagnostic Result" mode of "AIR BAG" using CONSULT.

##### Without CONSULT

1. Turn ignition switch ON.
2. Check the air bag warning lamp status. Refer to [SRC-12, "On Board Diagnosis Function"](#).

##### **NOTE:**

SRS does not enter the diagnosis mode if no malfunction is detected in the user mode.

##### Is malfunctioning part detected?

- YES >> Refer to [SRC-47, "Diagnosis Procedure"](#).  
NO >> INSPECTION END

### Diagnosis Procedure

INFOID:000000006887535

##### **WARNING:**

- Before servicing, turn ignition switch OFF, disconnect battery negative terminal, and wait 3 minutes or more. (To discharge backup capacitor.)
- Never use unspecified tester or other measuring device.

#### 1. CHECK HARNESS CONNECTOR

Check the harness connector.

##### Is the inspection result normal?

- YES >> GO TO 2.  
NO >> Replace harness connectors.

#### 2. CHECK WIRING HARNESS

Check the wiring harness externals.

##### Is the inspection result normal?

- YES >> GO TO 3.  
NO >> Replace wiring harness.

#### 3. REPLACE CRASH ZONE SENSOR

1. Replace crash zone sensor. Refer to [SR-21, "Removal and Installation"](#).
2. Perform DTC confirmation procedure. Refer to [SRC-47, "DTC Logic"](#).

##### Is DTC detected?

- YES >> GO TO 4.  
NO >> INSPECTION END

#### 4. REPLACE AIR BAG DIAGNOSIS SENSOR UNIT

1. Replace air bag diagnosis sensor unit. Refer to [SR-25, "Removal and Installation"](#).
2. Perform DTC confirmation procedure. Refer to [SRC-47, "DTC Logic"](#).

##### Is DTC detected?

- YES >> GO TO 1.  
NO >> INSPECTION END

A  
B  
C  
D  
E  
F  
G  
I  
J  
K  
L  
M  
N  
O  
P

SRC

# B1037, B1039, B1041 CRASH ZONE SENSOR

< DTC/CIRCUIT DIAGNOSIS >

## B1037, B1039, B1041 CRASH ZONE SENSOR

### DTC Logic

INFOID:000000006887536

#### DTC DETECTION LOGIC

DTC	Display contents of CONSULT	DTC detecting condition	Possible cause
B1037 B1039 B1041	CRASH ZONE SENS1	Crash zone sensor is malfunctioning	<ul style="list-style-type: none"><li>Malfunction in crash zone sensor</li><li>Malfunction in air bag diagnosis sensor unit</li></ul>

#### DTC CONFIRMATION PROCEDURE

##### 1. CHECK SELF-DIAG RESULT

###### With CONSULT

- Turn ignition switch ON.
- Perform "Self Diagnostic Result" mode of "AIR BAG" using CONSULT.

###### Without CONSULT

- Turn ignition switch ON.
- Check the air bag warning lamp status. Refer to [SRC-12, "On Board Diagnosis Function"](#).

###### NOTE:

SRS does not enter the diagnosis mode if no malfunction is detected in the user mode.

###### Is malfunctioning part detected?

- YES >> Refer to [SRC-48, "Diagnosis Procedure"](#).  
NO >> INSPECTION END

#### Diagnosis Procedure

INFOID:000000006887537

###### WARNING:

- Before servicing, turn ignition switch OFF, disconnect battery negative terminal, and wait 3 minutes or more. (To discharge backup capacitor.)
- Never use unspecified tester or other measuring device.

##### 1. CHECK HARNESS CONNECTOR

Check the harness connector.

###### Is the inspection result normal?

- YES >> GO TO 2.  
NO >> Replace harness connectors.

##### 2. CHECK WIRING HARNESS

Check the wiring harness externals.

###### Is the inspection result normal?

- YES >> GO TO 3.  
NO >> Replace wiring harness.

##### 3. REPLACE CRASH ZONE SENSOR

- Replace crash zone sensor. Refer to [SR-21, "Removal and Installation"](#).
- Perform DTC confirmation procedure. Refer to [SRC-48, "DTC Logic"](#).

###### Is DTC detected?

- YES >> GO TO 4.  
NO >> INSPECTION END

##### 4. REPLACE AIR BAG DIAGNOSIS SENSOR UNIT

- Replace air bag diagnosis sensor unit. Refer to [SR-25, "Removal and Installation"](#).
- Perform DTC confirmation procedure. Refer to [SRC-48, "DTC Logic"](#).

###### Is DTC detected?

- YES >> GO TO 1.



# B1037, B1039, B1041 CRASH ZONE SENSOR

< DTC/CIRCUIT DIAGNOSIS >

---

NO >> INSPECTION END

A

B

C

D

E

F

G

**SRC**

I

J

K

L

M

N

O

P

# B1042, B1043, B1044, B1045, B1046, B1047 DIAGNOSIS SENSOR UNIT

< DTC/CIRCUIT DIAGNOSIS >

## B1042, B1043, B1044, B1045, B1046, B1047 DIAGNOSIS SENSOR UNIT

### DTC Logic

INFOID:000000006887538

### DTC DETECTION LOGIC

DTC	Display contents of CONSULT	DTC detecting condition	Possible cause
B1042 B1043 B1044 B1045 B1046 B1047	CONTROL UNIT	Air bag diagnosis sensor unit is malfunctioning	Malfunction in air bag diagnosis sensor unit

### DTC CONFIRMATION PROCEDURE

#### 1. CHECK SELF-DIAG RESULT

##### With CONSULT

1. Turn ignition switch ON.
2. Perform "Self Diagnostic Result" mode of "AIR BAG" using CONSULT.

##### Without CONSULT

1. Turn ignition switch ON.
2. Check the air bag warning lamp status. Refer to [SRC-12, "On Board Diagnosis Function"](#).

#### NOTE:

SRS does not enter the diagnosis mode if no malfunction is detected in the user mode.

#### Is malfunctioning part detected?

- YES >> Refer to [SRC-50, "Diagnosis Procedure"](#).  
NO >> INSPECTION END

### Diagnosis Procedure

INFOID:000000006887539

#### WARNING:

- Before servicing, turn ignition switch OFF, disconnect battery negative terminal, and wait 3 minutes or more. (To discharge backup capacitor.)
- Never use unspecified tester or other measuring device.

#### 1. CHECK HARNESS CONNECTOR

Check the harness connector.

#### Is the inspection result normal?

- YES >> GO TO 2.  
NO >> Replace harness connectors.

#### 2. CHECK WIRING HARNESS

Check the wiring harness externals.

#### Is the inspection result normal?

- YES >> GO TO 3.  
NO >> Replace wiring harness.

#### 3. REPLACE AIR BAG DIAGNOSIS SENSOR UNIT

1. Replace air bag diagnosis sensor unit. Refer to [SR-25, "Removal and Installation"](#).
2. Perform DTC confirmation procedure. Refer to [SRC-50, "DTC Logic"](#).

#### Is DTC detected?

- YES >> GO TO 1.  
NO >> INSPECTION END

# B1049, B1054 DRIVER AIR BAG MODULE

< DTC/CIRCUIT DIAGNOSIS >

## B1049, B1054 DRIVER AIR BAG MODULE

### DTC Logic

INFOID:000000006887540

### DTC DETECTION LOGIC

DTC	Display contents of CONSULT	DTC detecting condition	Possible cause
B1049 B1054	DRIVER AIRBAG MODULE [OPEN]	Driver air bag module circuit is open (including the spiral cable)	<ul style="list-style-type: none"><li>• Harness or connectors (The module circuit is open.)</li><li>• Malfunction in driver air bag module</li><li>• Malfunction in spiral cable</li><li>• Malfunction in air bag diagnosis sensor unit</li></ul>

### DTC CONFIRMATION PROCEDURE

#### 1.CHECK SELF-DIAG RESULT

With CONSULT

1. Turn ignition switch ON.
2. Perform "Self Diagnostic Result" mode of "AIR BAG" using CONSULT.

Without CONSULT

1. Turn ignition switch ON.
2. Check the air bag warning lamp status. Refer to [SRC-12, "On Board Diagnosis Function"](#).

#### NOTE:

SRS does not enter the diagnosis mode if no malfunction is detected in the user mode.

Is malfunctioning part detected?

- YES >> Refer to [SRC-51, "Diagnosis Procedure"](#).  
NO >> INSPECTION END

### Diagnosis Procedure

INFOID:000000006887541

#### WARNING:

- Before servicing, turn ignition switch OFF, disconnect battery negative terminal, and wait 3 minutes or more. (To discharge backup capacitor.)
- Never use unspecified tester or other measuring device.

#### 1.CHECK HARNESS CONNECTOR

Check the harness connector.

Is the inspection result normal?

- YES >> GO TO 2.  
NO >> Replace harness connector.

#### 2.CHECK WIRING HARNESS

Check the wiring harness externals.

Is the inspection result normal?

- YES >> GO TO 3.  
NO >> Replace wiring harness.

#### 3.CHECK SPIRAL CABLE CIRCUIT

1. Turn ignition switch OFF.
2. Disconnect driver air bag module harness connector and combination switch (spiral cable) harness connector.
3. Check continuity between driver air bag module harness connector and combination switch (spiral cable) harness connector.

## B1049, B1054 DRIVER AIR BAG MODULE

### < DTC/CIRCUIT DIAGNOSIS >

Driver air bag module		Combination switch (spiral cable)		Continuity
Connector	Terminal	Connector	Terminal	
M301	10	M32	28	Existed
	11		30	
M300	12		29	
	9		30	

4. Check continuity between driver air bag module harness connector and ground.

Driver side air bag module		Ground	Continuity
Connector	Terminal		
M301	10	Ground	Not existed
	11		
M300	12		
	9		

Is the inspection result normal?

YES >> GO TO 4.

NO >> Replace combination switch (spiral cable). Refer to [SR-14, "Removal and Installation"](#).

#### 4. REPLACE AIR BAG DIAGNOSIS SENSOR UNIT

1. Replace air bag diagnosis sensor unit. Refer to [SR-25, "Removal and Installation"](#).
2. Perform DTC confirmation procedure. Refer to [SRC-51, "DTC Logic"](#).

Is DTC detected?

YES >> GO TO 5.

NO >> INSPECTION END

#### 5. REPLACE DRIVER AIR BAG MODULE

1. Replace driver air bag module. Refer to [SR-11, "Removal and Installation"](#).
2. Perform DTC confirmation procedure. Refer to [SRC-51, "DTC Logic"](#).

Is DTC detected?

YES >> GO TO 1.

NO >> INSPECTION END

# B1050, B1055 DRIVER AIR BAG MODULE

< DTC/CIRCUIT DIAGNOSIS >

## B1050, B1055 DRIVER AIR BAG MODULE

### DTC Logic

INFOID:000000006887542

### DTC DETECTION LOGIC

DTC	Display contents of CONSULT	DTC detecting condition	Possible cause
B1050 B1055	DRIVER AIRBAG MODULE [VB-SHORT]	Driver air bag module circuit is shorted to power supply circuit (including the spiral cable)	<ul style="list-style-type: none"><li>• Harness or connectors (The module circuit is shorted.)</li><li>• Malfunction in driver air bag module</li><li>• Malfunction in spiral cable</li><li>• Malfunction in air bag diagnosis sensor unit</li></ul>

### DTC CONFIRMATION PROCEDURE

#### 1. CHECK SELF-DIAG RESULT

With CONSULT

1. Turn ignition switch ON.
2. Perform "Self Diagnostic Result" mode of "AIR BAG" using CONSULT.

Without CONSULT

1. Turn ignition switch ON.
2. Check the air bag warning lamp status. Refer to [SRC-12, "On Board Diagnosis Function"](#).

#### NOTE:

SRS does not enter the diagnosis mode if no malfunction is detected in the user mode.

Is malfunctioning part detected?

- YES >> Refer to [SRC-53, "Diagnosis Procedure"](#).  
NO >> INSPECTION END

### Diagnosis Procedure

INFOID:000000006887543

#### WARNING:

- Before servicing, turn ignition switch OFF, disconnect battery negative terminal, and wait 3 minutes or more. (To discharge backup capacitor.)
- Never use unspecified tester or other measuring device.

#### 1. CHECK HARNESS CONNECTOR

Check the harness connector.

Is the inspection result normal?

- YES >> GO TO 2.  
NO >> Replace harness connector.

#### 2. CHECK WIRING HARNESS

Check the wiring harness externals.

Is the inspection result normal?

- YES >> GO TO 3.  
NO >> Replace wiring harness.

#### 3. REPLACE SPIRAL CABLE

1. Replace combination switch (spiral cable). Refer to [SR-14, "Removal and Installation"](#).
2. Perform DTC confirmation procedure. Refer to [SRC-53, "DTC Logic"](#).

Is DTC detected?

- YES >> GO TO 4.  
NO >> INSPECTION END

#### 4. REPLACE AIR BAG DIAGNOSIS SENSOR UNIT

1. Replace air bag diagnosis sensor unit. Refer to [SR-25, "Removal and Installation"](#).
2. Perform DTC confirmation procedure. Refer to [SRC-53, "DTC Logic"](#).

## B1050, B1055 DRIVER AIR BAG MODULE

< DTC/CIRCUIT DIAGNOSIS >

---

Is DTC detected?

YES >> GO TO 5.

NO >> INSPECTION END

### 5. REPLACE DRIVER AIR BAG MODULE

---

1. Replace driver air bag module. Refer to [SR-11, "Removal and Installation"](#).

2. Perform DTC confirmation procedure. Refer to [SRC-53, "DTC Logic"](#).

Is DTC detected?

YES >> GO TO 1.

NO >> INSPECTION END

# B1051, B1056 DRIVER AIR BAG MODULE

< DTC/CIRCUIT DIAGNOSIS >

## B1051, B1056 DRIVER AIR BAG MODULE

### DTC Logic

INFOID:000000006887544

### DTC DETECTION LOGIC

DTC	Display contents of CONSULT	DTC detecting condition	Possible cause
B1051 B1056	DRIVER AIRBAG MODULE [GND-SHORT]	Driver air bag module circuit is shorted to ground (including the spiral cable)	<ul style="list-style-type: none"><li>• Harness or connectors (The module circuit is shorted.)</li><li>• Malfunction in driver air bag module</li><li>• Malfunction in spiral cable</li><li>• Malfunction in air bag diagnosis sensor unit</li></ul>

### DTC CONFIRMATION PROCEDURE

#### 1.CHECK SELF-DIAG RESULT

With CONSULT

1. Turn ignition switch ON.
2. Perform "Self Diagnostic Result" mode of "AIR BAG" using CONSULT.

Without CONSULT

1. Turn ignition switch ON.
2. Check the air bag warning lamp status. Refer to [SRC-12, "On Board Diagnosis Function"](#).

#### NOTE:

SRS does not enter the diagnosis mode if no malfunction is detected in the user mode.

Is malfunctioning part detected?

- YES >> Refer to [SRC-55, "Diagnosis Procedure"](#).  
NO >> INSPECTION END

### Diagnosis Procedure

INFOID:000000006887545

#### WARNING:

- Before servicing, turn ignition switch OFF, disconnect battery negative terminal, and wait 3 minutes or more. (To discharge backup capacitor.)
- Never use unspecified tester or other measuring device.

#### 1.CHECK HARNESS CONNECTOR

Check the harness connector.

Is the inspection result normal?

- YES >> GO TO 2.  
NO >> Replace harness connector.

#### 2.CHECK WIRING HARNESS

Check the wiring harness externals.

Is the inspection result normal?

- YES >> GO TO 3.  
NO >> Replace wiring harness.

#### 3.CHECK SPIRAL CABLE CIRCUIT

1. Turn ignition switch OFF.
2. Disconnect driver air bag module harness connector and combination switch (spiral cable) harness connector.
3. Check continuity between driver air bag module harness connector and combination switch (spiral cable) harness connector.

# B1051, B1056 DRIVER AIR BAG MODULE

## < DTC/CIRCUIT DIAGNOSIS >

Driver air bag module		Combination switch (spiral cable)		Continuity
Connector	Terminal	Connector	Terminal	
M301	10	M32	28	Existed
	11		30	
M300	12		29	
	9		30	

4. Check continuity between driver air bag module harness connector and ground.

Driver side air bag module		Ground	Continuity
Connector	Terminal		
M301	10	Ground	Not existed
	11		
M300	12		
	9		

Is the inspection result normal?

YES >> GO TO 4.

NO >> Replace combination switch (spiral cable). Refer to [SR-14, "Removal and Installation"](#).

### 4. REPLACE AIR BAG DIAGNOSIS SENSOR UNIT

1. Replace air bag diagnosis sensor unit. Refer to [SR-25, "Removal and Installation"](#).
2. Perform DTC confirmation procedure. Refer to [SRC-55, "DTC Logic"](#).

Is DTC detected?

YES >> GO TO 5.

NO >> INSPECTION END

### 5. REPLACE DRIVER AIR BAG MODULE

1. Replace driver air bag module. Refer to [SR-11, "Removal and Installation"](#).
2. Perform DTC confirmation procedure. Refer to [SRC-55, "DTC Logic"](#).

Is DTC detected?

YES >> GO TO 1.

NO >> INSPECTION END



# B1052, B1057 DRIVER AIR BAG MODULE

< DTC/CIRCUIT DIAGNOSIS >

## B1052, B1057 DRIVER AIR BAG MODULE

### DTC Logic

INFOID:000000006887546

### DTC DETECTION LOGIC

DTC	Display contents of CONSULT	DTC detecting condition	Possible cause
B1052 B1057	DRIVER AIRBAG MODULE [SHORT]	Driver air bag module circuit are shorted to each other (including the spiral cable)	<ul style="list-style-type: none"><li>• Harness or connectors (The module circuit is shorted.)</li><li>• Malfunction in driver air bag module</li><li>• Malfunction in spiral cable</li><li>• Malfunction in air bag diagnosis sensor unit</li></ul>

### DTC CONFIRMATION PROCEDURE

#### 1.CHECK SELF-DIAG RESULT

With CONSULT

1. Turn ignition switch ON.
2. Perform "Self Diagnostic Result" mode of "AIR BAG" using CONSULT.

Without CONSULT

1. Turn ignition switch ON.
2. Check the air bag warning lamp status. Refer to [SRC-12, "On Board Diagnosis Function"](#).

#### NOTE:

SRS does not enter the diagnosis mode if no malfunction is detected in the user mode.

Is malfunctioning part detected?

- YES >> Refer to [SRC-57, "Diagnosis Procedure"](#).  
NO >> INSPECTION END

### Diagnosis Procedure

INFOID:000000006887547

#### WARNING:

- Before servicing, turn ignition switch OFF, disconnect battery negative terminal, and wait 3 minutes or more. (To discharge backup capacitor.)
- Never use unspecified tester or other measuring device.

#### 1.CHECK HARNESS CONNECTOR

Check the harness connector.

Is the inspection result normal?

- YES >> GO TO 2.  
NO >> Replace harness connector.

#### 2.CHECK WIRING HARNESS

Check the wiring harness externals.

Is the inspection result normal?

- YES >> GO TO 3.  
NO >> Replace wiring harness.

#### 3.CHECK SPIRAL CABLE CIRCUIT-I

1. Turn ignition switch OFF.
2. Disconnect driver air bag module harness connector and combination switch (spiral cable) harness connector.
3. Check continuity between combination switch (spiral cable) terminals.

# B1052, B1057 DRIVER AIR BAG MODULE

## < DTC/CIRCUIT DIAGNOSIS >

Combination switch (spiral cable)				Continuity
Connector	Terminal	Connector	Terminal	
M301	10	M301	11	Not existed
		M300	9	
			12	

Is the inspection result normal?

YES >> GO TO 4.

NO >> Replace combination switch (spiral cable). Refer to [SR-14. "Removal and Installation"](#).

### 4. CHECK SPIRAL CABLE CIRCUIT-II

Check continuity between combination switch (spiral cable) terminals.

Combination switch (spiral cable)			Continuity
Connector	Terminal	Terminal	
M32	28	29	Not existed
		30	

Is the inspection result normal?

YES >> GO TO 5.

NO >> Replace combination switch (spiral cable). Refer to [SR-14. "Removal and Installation"](#).

### 5. REPLACE AIR BAG DIAGNOSIS SENSOR UNIT

1. Replace air bag diagnosis sensor unit. Refer to [SR-25. "Removal and Installation"](#).

2. Perform DTC confirmation procedure. Refer to [SRC-57. "DTC Logic"](#).

Is DTC detected?

YES >> GO TO 6.

NO >> INSPECTION END

### 6. REPLACE DRIVER AIR BAG MODULE

1. Replace driver air bag module. Refer to [SR-11. "Removal and Installation"](#).

2. Perform DTC confirmation procedure. Refer to [SRC-57. "DTC Logic"](#).

Is DTC detected?

YES >> GO TO 1.

NO >> INSPECTION END

# B1058, B1059, B1060, B1061, B1062, B1063 DIAGNOSIS SENSOR UNIT

< DTC/CIRCUIT DIAGNOSIS >

## B1058, B1059, B1060, B1061, B1062, B1063 DIAGNOSIS SENSOR UNIT

### DTC Logic

INFOID:000000006887548

### DTC DETECTION LOGIC

DTC	Display contents of CONSULT	DTC detecting condition	Possible cause
B1058 B1059 B1060 B1061 B1062 B1063	CONTROL UNIT	Air bag diagnosis sensor unit is malfunctioning	Malfunction in air bag diagnosis sensor unit

### DTC CONFIRMATION PROCEDURE

#### 1. CHECK SELF-DIAG RESULT

##### With CONSULT

1. Turn ignition switch ON.
2. Perform "Self Diagnostic Result" mode of "AIR BAG" using CONSULT.

##### Without CONSULT

1. Turn ignition switch ON.
2. Check the air bag warning lamp status. Refer to [SRC-12, "On Board Diagnosis Function"](#).

#### NOTE:

SRS does not enter the diagnosis mode if no malfunction is detected in the user mode.

#### Is malfunctioning part detected?

- YES >> Refer to [SRC-59, "Diagnosis Procedure"](#).  
NO >> INSPECTION END

### Diagnosis Procedure

INFOID:000000006887549

#### WARNING:

- Before servicing, turn ignition switch OFF, disconnect battery negative terminal, and wait 3 minutes or more. (To discharge backup capacitor.)
- Never use unspecified tester or other measuring device.

#### 1. CHECK HARNESS CONNECTOR

Check the harness connector.

#### Is the inspection result normal?

- YES >> GO TO 2.  
NO >> Replace harness connectors.

#### 2. CHECK WIRING HARNESS

Check the wiring harness externals.

#### Is the inspection result normal?

- YES >> GO TO 3.  
NO >> Replace wiring harness.

#### 3. REPLACE AIR BAG DIAGNOSIS SENSOR UNIT

1. Replace air bag diagnosis sensor unit. Refer to [SR-25, "Removal and Installation"](#).
2. Perform DTC confirmation procedure. Refer to [SRC-59, "DTC Logic"](#).

#### Is DTC detected?

- YES >> GO TO 1.  
NO >> INSPECTION END

# B1065, B1070 PASSENGER AIR BAG MODULE

< DTC/CIRCUIT DIAGNOSIS >

## B1065, B1070 PASSENGER AIR BAG MODULE

### DTC Logic

INFOID:000000006887550

### DTC DETECTION LOGIC

DTC	Display contents of CONSULT	DTC detecting condition	Possible cause
B1065 B1070	ASSIST A/B MODULE [OPEN]	Passenger air bag module circuit is open	<ul style="list-style-type: none"><li>• Harness or connectors (The module circuit is open.)</li><li>• Malfunction in passenger air bag module</li><li>• Malfunction in air bag diagnosis sensor unit</li></ul>

### DTC CONFIRMATION PROCEDURE

#### 1. CHECK SELF-DIAG RESULT

With CONSULT

1. Turn ignition switch ON.
2. Perform "Self Diagnostic Result" mode of "AIR BAG" using CONSULT.

Without CONSULT

1. Turn ignition switch ON.
2. Check the air bag warning lamp status. Refer to [SRC-12, "On Board Diagnosis Function"](#).

#### NOTE:

SRS does not enter the diagnosis mode if no malfunction is detected in the user mode.

Is malfunctioning part detected?

- YES >> Refer to [SRC-60, "Diagnosis Procedure"](#).  
NO >> INSPECTION END

### Diagnosis Procedure

INFOID:000000006887551

#### WARNING:

- Before servicing, turn ignition switch OFF, disconnect battery negative terminal, and wait at least 3 minutes or more. (To discharge backup capacitor.)
- Never use unspecified tester or other measuring device.

#### 1. CHECK HARNESS CONNECTOR

Check the harness connector.

Is the inspection result normal?

- YES >> GO TO 2.  
NO >> Replace harness connector.

#### 2. CHECK WIRING HARNESS

Check the wiring harness externals.

Is the inspection result normal?

- YES >> GO TO 3.  
NO >> Replace wiring harness.

#### 3. REPLACE AIR BAG DIAGNOSIS SENSOR UNIT

1. Replace air bag diagnosis sensor unit. Refer to [SR-25, "Removal and Installation"](#).
2. Perform DTC confirmation procedure. Refer to [SRC-60, "DTC Logic"](#).

Is DTC detected?

- YES >> GO TO 4.  
NO >> INSPECTION END

#### 4. REPLACE PASSENGER AIR BAG MODULE

1. Replace passenger air bag module. Refer to [SR-17, "Removal and Installation"](#).
2. Perform DTC confirmation procedure. Refer to [SRC-60, "DTC Logic"](#).

Is DTC detected?

# B1065, B1070 PASSENGER AIR BAG MODULE

< DTC/CIRCUIT DIAGNOSIS >

---

YES >> GO TO 1.

NO >> INSPECTION END

A

B

C

D

E

F

G

**SRC**

I

J

K

L

M

N

O

P

# B1066, B1071 PASSENGER AIR BAG MODULE

< DTC/CIRCUIT DIAGNOSIS >

## B1066, B1071 PASSENGER AIR BAG MODULE

### DTC Logic

INFOID:000000006887552

### DTC DETECTION LOGIC

DTC	Display contents of CONSULT	DTC detecting condition	Possible cause
B1066 B1071	ASSIST A/B MODULE [VB-SHORT]	Passenger air bag module circuit is shorted to power supply circuit	<ul style="list-style-type: none"><li>• Harness or connectors (The module circuit is shorted.)</li><li>• Malfunction in passenger air bag module</li><li>• Malfunction in air bag diagnosis sensor unit</li></ul>

### DTC CONFIRMATION PROCEDURE

#### 1. CHECK SELF-DIAG RESULT

With CONSULT

1. Turn ignition switch ON.
2. Perform "Self Diagnostic Result" mode of "AIR BAG" using CONSULT.

Without CONSULT

1. Turn ignition switch ON.
2. Check the air bag warning lamp status. Refer to [SRC-12, "On Board Diagnosis Function"](#).

#### NOTE:

SRS does not enter the diagnosis mode if no malfunction is detected in the user mode.

Is malfunctioning part detected?

- YES >> Refer to [SRC-62, "Diagnosis Procedure"](#).  
NO >> INSPECTION END

### Diagnosis Procedure

INFOID:000000006887553

#### WARNING:

- Before servicing, turn ignition switch OFF, disconnect battery negative terminal, and wait at least 3 minutes or more. (To discharge backup capacitor.)
- Never use unspecified tester or other measuring device.

#### 1. CHECK HARNESS CONNECTOR

Check the harness connector.

Is the inspection result normal?

- YES >> GO TO 2.  
NO >> Replace harness connector.

#### 2. CHECK WIRING HARNESS

Check the wiring harness externals.

Is the inspection result normal?

- YES >> GO TO 3.  
NO >> Replace wiring harness.

#### 3. REPLACE AIR BAG DIAGNOSIS SENSOR UNIT

1. Replace air bag diagnosis sensor unit. Refer to [SR-25, "Removal and Installation"](#).
2. Perform DTC confirmation procedure. Refer to [SRC-62, "DTC Logic"](#).

Is DTC detected?

- YES >> GO TO 4.  
NO >> INSPECTION END

#### 4. REPLACE PASSENGER AIR BAG MODULE

1. Replace passenger air bag module. Refer to [SR-17, "Removal and Installation"](#).
2. Perform DTC confirmation procedure. Refer to [SRC-62, "DTC Logic"](#).

Is DTC detected?

# B1066, B1071 PASSENGER AIR BAG MODULE

< DTC/CIRCUIT DIAGNOSIS >

---

YES >> GO TO 1.

NO >> INSPECTION END

A

B

C

D

E

F

G

**SRC**

I

J

K

L

M

N

O

P

# B1067, B1072 PASSENGER AIR BAG MODULE

< DTC/CIRCUIT DIAGNOSIS >

## B1067, B1072 PASSENGER AIR BAG MODULE

### DTC Logic

INFOID:000000006887554

### DTC DETECTION LOGIC

DTC	Display contents of CONSULT	DTC detecting condition	Possible cause
B1067 B1072	ASSIST A/B MODULE [GND-SHORT]	Passenger air bag module circuit is shorted to ground	<ul style="list-style-type: none"><li>• Harness or connectors (The module circuit is shorted.)</li><li>• Malfunction in passenger air bag module</li><li>• Malfunction in air bag diagnosis sensor unit</li></ul>

### DTC CONFIRMATION PROCEDURE

#### 1.CHECK SELF-DIAG RESULT

##### With CONSULT

1. Turn ignition switch ON.
2. Perform "Self Diagnostic Result" mode of "AIR BAG" using CONSULT.

##### Without CONSULT

1. Turn ignition switch ON.
2. Check the air bag warning lamp status. Refer to [SRC-12, "On Board Diagnosis Function"](#).

#### NOTE:

SRS does not enter the diagnosis mode if no malfunction is detected in the user mode.

#### Is malfunctioning part detected?

- YES >> Refer to [SRC-64, "Diagnosis Procedure"](#).  
NO >> INSPECTION END

### Diagnosis Procedure

INFOID:000000006887555

#### WARNING:

- Before servicing, turn ignition switch OFF, disconnect battery negative terminal, and wait at least 3 minutes or more. (To discharge backup capacitor.)
- Never use unspecified tester or other measuring device.

#### 1.CHECK HARNESS CONNECTOR

Check the harness connector.

#### Is the inspection result normal?

- YES >> GO TO 2.  
NO >> Replace harness connector.

#### 2.CHECK WIRING HARNESS

Check the wiring harness externals.

#### Is the inspection result normal?

- YES >> GO TO 3.  
NO >> Replace wiring harness.

#### 3.REPLACE AIR BAG DIAGNOSIS SENSOR UNIT

1. Replace air bag diagnosis sensor unit. Refer to [SR-25, "Removal and Installation"](#).
2. Perform DTC confirmation procedure. Refer to [SRC-64, "DTC Logic"](#).

#### Is DTC detected?

- YES >> GO TO 4.  
NO >> INSPECTION END

#### 4.REPLACE PASSENGER AIR BAG MODULE

1. Replace passenger air bag module. Refer to [SR-17, "Removal and Installation"](#).
2. Perform DTC confirmation procedure. Refer to [SRC-64, "DTC Logic"](#).

#### Is DTC detected?



# B1067, B1072 PASSENGER AIR BAG MODULE

< DTC/CIRCUIT DIAGNOSIS >

---

YES >> GO TO 1.

NO >> INSPECTION END

A

B

C

D

E

F

G

**SRC**

I

J

K

L

M

N

O

P

# B1068, B1073 PASSENGER AIR BAG MODULE

< DTC/CIRCUIT DIAGNOSIS >

## B1068, B1073 PASSENGER AIR BAG MODULE

### DTC Logic

INFOID:000000006887556

#### DTC DETECTION LOGIC

DTC	Display contents of CONSULT	DTC detecting condition	Possible cause
B1068 B1073	ASSIST A/B MODULE [SHORT]	Passenger air bag module circuits are shorted to each other	<ul style="list-style-type: none"><li>• Harness or connectors (The module circuit is shorted.)</li><li>• Malfunction in passenger air bag module</li><li>• Malfunction in air bag diagnosis sensor unit</li></ul>

#### DTC CONFIRMATION PROCEDURE

##### 1. CHECK SELF-DIAG RESULT

With CONSULT

1. Turn ignition switch ON.
2. Perform "Self Diagnostic Result" mode of "AIR BAG" using CONSULT.

Without CONSULT

1. Turn ignition switch ON.
2. Check the air bag warning lamp status. Refer to [SRC-12, "On Board Diagnosis Function"](#).

##### NOTE:

SRS does not enter the diagnosis mode if no malfunction is detected in the user mode.

Is malfunctioning part detected?

- YES >> Refer to [SRC-66, "Diagnosis Procedure"](#).  
NO >> INSPECTION END

#### Diagnosis Procedure

INFOID:000000006887557

##### WARNING:

- Before servicing, turn ignition switch OFF, disconnect battery negative terminal, and wait at least 3 minutes or more. (To discharge backup capacitor.)
- Never use unspecified tester or other measuring device.

##### 1. CHECK HARNESS CONNECTOR

Check the harness connector.

Is the inspection result normal?

- YES >> GO TO 2.  
NO >> Replace harness connector.

##### 2. CHECK WIRING HARNESS

Check the wiring harness externals.

Is the inspection result normal?

- YES >> GO TO 3.  
NO >> Replace wiring harness.

##### 3. REPLACE AIR BAG DIAGNOSIS SENSOR UNIT

1. Replace air bag diagnosis sensor unit. Refer to [SR-25, "Removal and Installation"](#).
2. Perform DTC confirmation procedure. Refer to [SRC-66, "DTC Logic"](#).

Is DTC detected?

- YES >> GO TO 4.  
NO >> INSPECTION END

##### 4. REPLACE PASSENGER AIR BAG MODULE

1. Replace passenger air bag module. Refer to [SR-17, "Removal and Installation"](#).
2. Perform DTC confirmation procedure. Refer to [SRC-66, "DTC Logic"](#).

Is DTC detected?

# B1068, B1073 PASSENGER AIR BAG MODULE

## < DTC/CIRCUIT DIAGNOSIS >

---

YES >> GO TO 1.

NO >> INSPECTION END

A

B

C

D

E

F

G

**SRC**

I

J

K

L

M

N

O

P

# B1074, B1075, B1076, B1077, B1078, B1079 DIAGNOSIS SENSOR UNIT

< DTC/CIRCUIT DIAGNOSIS >

## B1074, B1075, B1076, B1077, B1078, B1079 DIAGNOSIS SENSOR UNIT

### DTC Logic

INFOID:000000006887558

### DTC DETECTION LOGIC

DTC	Display contents of CONSULT	DTC detecting condition	Possible cause
B1074 B1075 B1076 B1077 B1078 B1079	CONTROL UNIT	Air bag diagnosis sensor unit is malfunctioning	Malfunction in air bag diagnosis sensor unit

### DTC CONFIRMATION PROCEDURE

#### 1. CHECK SELF-DIAG RESULT

##### ④ With CONSULT

1. Turn ignition switch ON.
2. Perform "Self Diagnostic Result" mode of "AIR BAG" using CONSULT.

##### ④ Without CONSULT

1. Turn ignition switch ON.
2. Check the air bag warning lamp status. Refer to [SRC-12, "On Board Diagnosis Function"](#).

#### NOTE:

SRS does not enter the diagnosis mode if no malfunction is detected in the user mode.

#### Is malfunctioning part detected?

- YES >> Refer to [SRC-68, "Diagnosis Procedure"](#).  
NO >> INSPECTION END

### Diagnosis Procedure

INFOID:000000006887559

#### WARNING:

- Before servicing, turn ignition switch OFF, disconnect battery negative terminal, and wait at least 3 minutes or more. (To discharge backup capacitor.)
- Never use unspecified tester or other measuring device.

#### 1. CHECK HARNESS CONNECTOR

Check the harness connector.

#### Is the inspection result normal?

- YES >> GO TO 2.  
NO >> Replace harness connectors.

#### 2. CHECK WIRING HARNESS

Check the wiring harness externals.

#### Is the inspection result normal?

- YES >> GO TO 3.  
NO >> Replace wiring harness.

#### 3. REPLACE AIR BAG DIAGNOSIS SENSOR UNIT

1. Replace air bag diagnosis sensor unit. Refer to [SR-25, "Removal and Installation"](#).
2. Perform DTC confirmation procedure. Refer to [SRC-68, "DTC Logic"](#).

#### Is DTC detected?

- YES >> GO TO 1.  
NO >> INSPECTION END

# B1080, B1096 DRIVER AIR BAG MODULE

< DTC/CIRCUIT DIAGNOSIS >

## B1080, B1096 DRIVER AIR BAG MODULE

### DTC Logic

INFOID:000000006887560

### DTC DETECTION LOGIC

DTC	Display contents of CONSULT	DTC detecting condition	Possible cause
B1080 B1096	DRIVER AIRBAG MODULE [SHORT]	Driver air bag module circuit are shorted to each other (including the spiral cable)	<ul style="list-style-type: none"><li>• Harness or connectors (The module circuit is shorted.)</li><li>• Malfunction in driver air bag module</li><li>• Malfunction in spiral cable</li><li>• Malfunction in air bag diagnosis sensor unit</li></ul>

### DTC CONFIRMATION PROCEDURE

#### 1.CHECK SELF-DIAG RESULT

With CONSULT

1. Turn ignition switch ON.
2. Perform "Self Diagnostic Result" mode of "AIR BAG" using CONSULT.

Without CONSULT

1. Turn ignition switch ON.
2. Check the air bag warning lamp status. Refer to [SRC-12, "On Board Diagnosis Function"](#).

#### NOTE:

SRS does not enter the diagnosis mode if no malfunction is detected in the user mode.

Is malfunctioning part detected?

- YES >> Refer to [SRC-69, "Diagnosis Procedure"](#).  
NO >> INSPECTION END

### Diagnosis Procedure

INFOID:000000006887561

#### WARNING:

- Before servicing, turn ignition switch OFF, disconnect battery negative terminal, and wait at least 3 minutes or more. (To discharge backup capacitor.)
- Never use unspecified tester or other measuring device.

#### 1.CHECK HARNESS CONNECTOR

Check the harness connector.

Is the inspection result normal?

- YES >> GO TO 2.  
NO >> Replace harness connector.

#### 2.CHECK WIRING HARNESS

Check the wiring harness externals.

Is the inspection result normal?

- YES >> GO TO 3.  
NO >> Replace wiring harness.

#### 3.CHECK SPIRAL CABLE CIRCUIT-I

1. Turn ignition switch OFF.
2. Disconnect driver air bag module harness connector and combination switch (spiral cable) harness connector.
3. Check continuity between combination switch (spiral cable) terminals.

# B1080, B1096 DRIVER AIR BAG MODULE

## < DTC/CIRCUIT DIAGNOSIS >

Combination switch (spiral cable)				Continuity
Connector	Terminal	Connector	Terminal	
M319	10	M319	11	Not existed
		M320	9	
			12	

Is the inspection result normal?

YES >> GO TO 4.

NO >> Replace combination switch (spiral cable). Refer to [SR-14. "Removal and Installation"](#).

### 4. CHECK SPIRAL CABLE CIRCUIT-II

Check continuity between combination switch (spiral cable) terminals.

Combination switch (spiral cable)			Continuity
Connector	Terminal	Terminal	
M35	28	29	Not existed
		30	

Is the inspection result normal?

YES >> GO TO 5.

NO >> Replace combination switch (spiral cable). Refer to [SR-14. "Removal and Installation"](#).

### 5. REPLACE AIR BAG DIAGNOSIS SENSOR UNIT

1. Replace air bag diagnosis sensor unit. Refer to [SR-25. "Removal and Installation"](#).

2. Perform DTC confirmation procedure. Refer to [SRC-69. "DTC Logic"](#).

Is DTC detected?

YES >> GO TO 6.

NO >> INSPECTION END

### 6. REPLACE DRIVER AIR BAG MODULE

1. Replace driver air bag module. Refer to [SR-11. "Removal and Installation"](#).

2. Perform DTC confirmation procedure. Refer to [SRC-69. "DTC Logic"](#).

Is DTC detected?

YES >> GO TO 1.

NO >> INSPECTION END

# B1081 SEAT BELT PRE-TENSIONER RH

< DTC/CIRCUIT DIAGNOSIS >

## B1081 SEAT BELT PRE-TENSIONER RH

### DTC Logic

INFOID:000000006887562

### DTC DETECTION LOGIC

DTC	Display contents of CONSULT	DTC detecting condition	Possible cause
B1081	PRE-TEN FRONT RH [OPEN]	Seat belt pre-tensioner RH circuit is open	<ul style="list-style-type: none"><li>• Harness or connectors (The pre-tensioner circuit is open.)</li><li>• Malfunction in seat belt pre-tensioner RH</li><li>• Malfunction in air bag diagnosis sensor unit</li></ul>

### DTC CONFIRMATION PROCEDURE

#### 1. CHECK SELF-DIAG RESULT

With CONSULT

1. Turn ignition switch ON.
2. Perform "Self Diagnostic Result" mode of "AIR BAG" using CONSULT.

Without CONSULT

1. Turn ignition switch ON.
2. Check the air bag warning lamp status. Refer to [SRC-12, "On Board Diagnosis Function"](#).

#### NOTE:

SRS does not enter the diagnosis mode if no malfunction is detected in the user mode.

Is malfunctioning part detected?

- YES >> Refer to [SRC-71, "Diagnosis Procedure"](#).  
NO >> INSPECTION END

### Diagnosis Procedure

INFOID:000000006887563

#### WARNING:

- Before servicing, turn ignition switch OFF, disconnect battery negative terminal, and wait at least 3 minutes or more. (To discharge backup capacitor.)
- Never use unspecified tester or other measuring device.

#### 1. CHECK HARNESS CONNECTOR

Check the harness connector.

Is the inspection result normal?

- YES >> GO TO 2.  
NO >> Replace harness connector.

#### 2. CHECK WIRING HARNESS

Check the wiring harness externals.

Is the inspection result normal?

- YES >> GO TO 3.  
NO >> Replace wiring harness.

#### 3. REPLACE SEAT BELT PRE-TENSIONER

1. Replace seat belt pre-tensioner RH. Refer to [SR-27, "Removal and Installation"](#).
2. Perform DTC confirmation procedure. Refer to [SRC-71, "DTC Logic"](#).

Is DTC detected?

- YES >> GO TO 4.  
NO >> INSPECTION END

#### 4. REPLACE AIR BAG DIAGNOSIS SENSOR UNIT

1. Replace air bag diagnosis sensor unit. Refer to [SR-25, "Removal and Installation"](#).
2. Perform DTC confirmation procedure. Refer to [SRC-71, "DTC Logic"](#).

Is DTC detected?

## B1081 SEAT BELT PRE-TENSIONER RH

< DTC/CIRCUIT DIAGNOSIS >

---

YES >> GO TO 1.

NO >> INSPECTION END



# B1082 SEAT BELT PRE-TENSIONER RH

< DTC/CIRCUIT DIAGNOSIS >

## B1082 SEAT BELT PRE-TENSIONER RH

### DTC Logic

INFOID:000000006887564

### DTC DETECTION LOGIC

DTC	Display contents of CONSULT	DTC detecting condition	Possible cause
B1082	PRE-TEN FRONT RH [VB-SHORT]	Seat belt pre-tensioner RH circuit is shorted to power supply circuit	<ul style="list-style-type: none"><li>• Harness or connectors (The pre-tensioner circuit is shorted.)</li><li>• Malfunction in seat belt pre-tensioner RH</li><li>• Malfunction in air bag diagnosis sensor unit</li></ul>

### DTC CONFIRMATION PROCEDURE

#### 1.CHECK SELF-DIAG RESULT

With CONSULT

1. Turn ignition switch ON.
2. Perform "Self Diagnostic Result" mode of "AIR BAG" using CONSULT.

Without CONSULT

1. Turn ignition switch ON.
2. Check the air bag warning lamp status. Refer to [SRC-12, "On Board Diagnosis Function"](#).

#### NOTE:

SRS does not enter the diagnosis mode if no malfunction is detected in the user mode.

Is malfunctioning part detected?

- YES >> Refer to [SRC-73, "Diagnosis Procedure"](#).  
NO >> INSPECTION END

### Diagnosis Procedure

INFOID:000000006887565

#### WARNING:

- Before servicing, turn ignition switch OFF, disconnect battery negative terminal, and wait at least 3 minutes or more. (To discharge backup capacitor.)
- Never use unspecified tester or other measuring device.

#### 1.CHECK HARNESS CONNECTOR

Check the harness connector.

Is the inspection result normal?

- YES >> GO TO 2.  
NO >> Replace harness connector.

#### 2.CHECK WIRING HARNESS

Check the wiring harness externals.

Is the inspection result normal?

- YES >> GO TO 3.  
NO >> Replace wiring harness.

#### 3.REPLACE SEAT BELT PRE-TENSIONER

1. Replace seat belt pre-tensioner RH. Refer to [SR-27, "Removal and Installation"](#).
2. Perform DTC confirmation procedure. Refer to [SRC-73, "DTC Logic"](#).

Is DTC detected?

- YES >> GO TO 4.  
NO >> INSPECTION END

#### 4.REPLACE AIR BAG DIAGNOSIS SENSOR UNIT

1. Replace air bag diagnosis sensor unit. Refer to [SR-25, "Removal and Installation"](#).
2. Perform DTC confirmation procedure. Refer to [SRC-73, "DTC Logic"](#).

Is DTC detected?

## B1082 SEAT BELT PRE-TENSIONER RH

< DTC/CIRCUIT DIAGNOSIS >

---

YES >> GO TO 1.

NO >> INSPECTION END

# B1083 SEAT BELT PRE-TENSIONER RH

< DTC/CIRCUIT DIAGNOSIS >

## B1083 SEAT BELT PRE-TENSIONER RH

### DTC Logic

INFOID:000000006887566

### DTC DETECTION LOGIC

DTC	Display contents of CONSULT	DTC detecting condition	Possible cause
B1083	PRE-TEN FRONT RH [GND-SHORT]	Seat belt pre-tensioner RH circuit is shorted to ground	<ul style="list-style-type: none"> <li>• Harness or connectors (The pre-tensioner circuit is shorted.)</li> <li>• Malfunction in seat belt pre-tensioner RH</li> <li>• Malfunction in air bag diagnosis sensor unit</li> </ul>

### DTC CONFIRMATION PROCEDURE

#### 1. CHECK SELF-DIAG RESULT

With CONSULT

1. Turn ignition switch ON.
2. Perform "Self Diagnostic Result" mode of "AIR BAG" using CONSULT.

Without CONSULT

1. Turn ignition switch ON.
2. Check the air bag warning lamp status. Refer to [SRC-12, "On Board Diagnosis Function"](#).

#### NOTE:

SRS does not enter the diagnosis mode if no malfunction is detected in the user mode.

Is malfunctioning part detected?

- YES >> Refer to [SRC-75, "Diagnosis Procedure"](#).  
 NO >> INSPECTION END

### Diagnosis Procedure

INFOID:000000006887567

#### WARNING:

- Before servicing, turn ignition switch OFF, disconnect battery negative terminal, and wait at least 3 minutes or more. (To discharge backup capacitor.)
- Never use unspecified tester or other measuring device.

#### 1. CHECK HARNESS CONNECTOR

Check the harness connector.

Is the inspection result normal?

- YES >> GO TO 2.  
 NO >> Replace harness connector.

#### 2. CHECK WIRING HARNESS

Check the wiring harness externals.

Is the inspection result normal?

- YES >> GO TO 3.  
 NO >> Replace wiring harness.

#### 3. REPLACE SEAT BELT PRE-TENSIONER

1. Replace seat belt pre-tensioner RH. Refer to [SR-27, "Removal and Installation"](#).
2. Perform DTC confirmation procedure. Refer to [SRC-75, "DTC Logic"](#).

Is DTC detected?

- YES >> GO TO 4.  
 NO >> INSPECTION END

#### 4. REPLACE AIR BAG DIAGNOSIS SENSOR UNIT

1. Replace air bag diagnosis sensor unit. Refer to [SR-25, "Removal and Installation"](#).
2. Perform DTC confirmation procedure. Refer to [SRC-75, "DTC Logic"](#).

Is DTC detected?

## B1083 SEAT BELT PRE-TENSIONER RH

< DTC/CIRCUIT DIAGNOSIS >

---

YES >> GO TO 1.

NO >> INSPECTION END

# B1084 SEAT BELT PRE-TENSIONER RH

< DTC/CIRCUIT DIAGNOSIS >

## B1084 SEAT BELT PRE-TENSIONER RH

### DTC Logic

INFOID:000000006887568

### DTC DETECTION LOGIC

DTC	Display contents of CONSULT	DTC detecting condition	Possible cause
B1084	PRE-TEN FRONT RH [SHORT]	Seat belt pre-tensioner RH circuits are shorted to each other	<ul style="list-style-type: none"><li>• Harness or connectors (The pre-tensioner circuit is shorted.)</li><li>• Malfunction in seat belt pre-tensioner RH</li><li>• Malfunction in air bag diagnosis sensor unit</li></ul>

### DTC CONFIRMATION PROCEDURE

#### 1. CHECK SELF-DIAG RESULT

With CONSULT

1. Turn ignition switch ON.
2. Perform "Self Diagnostic Result" mode of "AIR BAG" using CONSULT.

Without CONSULT

1. Turn ignition switch ON.
2. Check the air bag warning lamp status. Refer to [SRC-12, "On Board Diagnosis Function"](#).

#### NOTE:

SRS does not enter the diagnosis mode if no malfunction is detected in the user mode.

Is malfunctioning part detected?

- YES >> Refer to [SRC-77, "Diagnosis Procedure"](#).  
NO >> INSPECTION END

### Diagnosis Procedure

INFOID:000000006887569

#### WARNING:

- Before servicing, turn ignition switch OFF, disconnect battery negative terminal, and wait at least 3 minutes or more. (To discharge backup capacitor.)
- Never use unspecified tester or other measuring device.

#### 1. CHECK HARNESS CONNECTOR

Check the harness connector.

Is the inspection result normal?

- YES >> GO TO 2.  
NO >> Replace harness connector.

#### 2. CHECK WIRING HARNESS

Check the wiring harness externals.

Is the inspection result normal?

- YES >> GO TO 3.  
NO >> Replace wiring harness.

#### 3. REPLACE SEAT BELT PRE-TENSIONER

1. Replace seat belt pre-tensioner RH. Refer to [SR-27, "Removal and Installation"](#).
2. Perform DTC confirmation procedure. Refer to [SRC-77, "DTC Logic"](#).

Is DTC detected?

- YES >> GO TO 4.  
NO >> INSPECTION END

#### 4. REPLACE AIR BAG DIAGNOSIS SENSOR UNIT

1. Replace air bag diagnosis sensor unit. Refer to [SR-25, "Removal and Installation"](#).
2. Perform DTC confirmation procedure. Refer to [SRC-77, "DTC Logic"](#).

Is DTC detected?

## B1084 SEAT BELT PRE-TENSIONER RH

< DTC/CIRCUIT DIAGNOSIS >

---

YES >> GO TO 1.

NO >> INSPECTION END

# B1086 SEAT BELT PRE-TENSIONER LH

< DTC/CIRCUIT DIAGNOSIS >

## B1086 SEAT BELT PRE-TENSIONER LH

### DTC Logic

INFOID:000000006887570

### DTC DETECTION LOGIC

DTC	Display contents of CONSULT	DTC detecting condition	Possible cause
B1086	PRE-TEN FRONT LH [OPEN]	Seat belt pre-tensioner LH circuit is open	<ul style="list-style-type: none"><li>• Harness or connectors (The pre-tensioner circuit is open.)</li><li>• Malfunction in seat belt pre-tensioner LH</li><li>• Malfunction in air bag diagnosis sensor unit</li></ul>

### DTC CONFIRMATION PROCEDURE

#### 1.CHECK SELF-DIAG RESULT

With CONSULT

1. Turn ignition switch ON.
2. Perform "Self Diagnostic Result" mode of "AIR BAG" using CONSULT.

Without CONSULT

1. Turn ignition switch ON.
2. Check the air bag warning lamp status. Refer to [SRC-12, "On Board Diagnosis Function"](#).

#### NOTE:

SRS does not enter the diagnosis mode if no malfunction is detected in the user mode.

Is malfunctioning part detected?

- YES >> Refer to [SRC-79, "Diagnosis Procedure"](#).  
NO >> INSPECTION END

### Diagnosis Procedure

INFOID:000000006887571

#### WARNING:

- Before servicing, turn ignition switch OFF, disconnect battery negative terminal, and wait at least 3 minutes or more. (To discharge backup capacitor.)
- Never use unspecified tester or other measuring device.

#### 1.CHECK HARNESS CONNECTOR

Check the harness connector.

Is the inspection result normal?

- YES >> GO TO 2.  
NO >> Replace harness connector.

#### 2.CHECK WIRING HARNESS

Check the wiring harness externals.

Is the inspection result normal?

- YES >> GO TO 3.  
NO >> Replace wiring harness.

#### 3.REPLACE SEAT BELT PRE-TENSIONER

1. Replace seat belt pre-tensioner LH. Refer to [SR-27, "Removal and Installation"](#).
2. Perform DTC confirmation procedure. Refer to [SRC-79, "DTC Logic"](#).

Is DTC detected?

- YES >> GO TO 4.  
NO >> INSPECTION END

#### 4.REPLACE AIR BAG DIAGNOSIS SENSOR UNIT

1. Replace air bag diagnosis sensor unit. Refer to [SR-25, "Removal and Installation"](#).
2. Perform DTC confirmation procedure. Refer to [SRC-79, "DTC Logic"](#).

Is DTC detected?

## B1086 SEAT BELT PRE-TENSIONER LH

< DTC/CIRCUIT DIAGNOSIS >

---

YES >> GO TO 1.

NO >> INSPECTION END



# B1087 SEAT BELT PRE-TENSIONER LH

< DTC/CIRCUIT DIAGNOSIS >

## B1087 SEAT BELT PRE-TENSIONER LH

### DTC Logic

INFOID:000000006887572

### DTC DETECTION LOGIC

DTC	Display contents of CONSULT	DTC detecting condition	Possible cause
B1087	PRE-TEN FRONT LH [VB-SHORT]	Seat belt pre-tensioner LH circuit is shorted to power supply circuit	<ul style="list-style-type: none"><li>• Harness or connectors (The pre-tensioner circuit is shorted.)</li><li>• Malfunction in seat belt pre-tensioner LH</li><li>• Malfunction in air bag diagnosis sensor unit</li></ul>

### DTC CONFIRMATION PROCEDURE

#### 1. CHECK SELF-DIAG RESULT

With CONSULT

1. Turn ignition switch ON.
2. Perform "Self Diagnostic Result" mode of "AIR BAG" using CONSULT.

Without CONSULT

1. Turn ignition switch ON.
2. Check the air bag warning lamp status. Refer to [SRC-12, "On Board Diagnosis Function"](#).

#### NOTE:

SRS does not enter the diagnosis mode if no malfunction is detected in the user mode.

Is malfunctioning part detected?

- YES >> Refer to [SRC-81, "Diagnosis Procedure"](#).  
NO >> INSPECTION END

### Diagnosis Procedure

INFOID:000000006887573

#### WARNING:

- Before servicing, turn ignition switch OFF, disconnect battery negative terminal, and wait at least 3 minutes or more. (To discharge backup capacitor.)
- Never use unspecified tester or other measuring device.

#### 1. CHECK HARNESS CONNECTOR

Check the harness connector.

Is the inspection result normal?

- YES >> GO TO 2.  
NO >> Replace harness connector.

#### 2. CHECK WIRING HARNESS

Check the wiring harness externals.

Is the inspection result normal?

- YES >> GO TO 3.  
NO >> Replace wiring harness.

#### 3. REPLACE SEAT BELT PRE-TENSIONER

1. Replace seat belt pre-tensioner LH. Refer to [SR-27, "Removal and Installation"](#).
2. Perform DTC confirmation procedure. Refer to [SRC-81, "DTC Logic"](#).

Is DTC detected?

- YES >> GO TO 4.  
NO >> INSPECTION END

#### 4. REPLACE AIR BAG DIAGNOSIS SENSOR UNIT

1. Replace air bag diagnosis sensor unit. Refer to [SR-25, "Removal and Installation"](#).
2. Perform DTC confirmation procedure. Refer to [SRC-81, "DTC Logic"](#).

Is DTC detected?

## B1087 SEAT BELT PRE-TENSIONER LH

< DTC/CIRCUIT DIAGNOSIS >

---

YES >> GO TO 1.

NO >> INSPECTION END

# B1088 SEAT BELT PRE-TENSIONER LH

< DTC/CIRCUIT DIAGNOSIS >

## B1088 SEAT BELT PRE-TENSIONER LH

### DTC Logic

INFOID:000000006887574

### DTC DETECTION LOGIC

DTC	Display contents of CONSULT	DTC detecting condition	Possible cause
B1088	PRE-TEN FRONT LH [GND-SHORT]	Seat belt pre-tensioner LH circuit is shorted to ground	<ul style="list-style-type: none"><li>• Harness or connectors (The pre-tensioner circuit is shorted.)</li><li>• Malfunction in seat belt pre-tensioner LH</li><li>• Malfunction in air bag diagnosis sensor unit</li></ul>

### DTC CONFIRMATION PROCEDURE

#### 1. CHECK SELF-DIAG RESULT

With CONSULT

1. Turn ignition switch ON.
2. Perform "Self Diagnostic Result" mode of "AIR BAG" using CONSULT.

Without CONSULT

1. Turn ignition switch ON.
2. Check the air bag warning lamp status. Refer to [SRC-12, "On Board Diagnosis Function"](#).

#### NOTE:

SRS does not enter the diagnosis mode if no malfunction is detected in the user mode.

Is malfunctioning part detected?

- YES >> Refer to [SRC-83, "Diagnosis Procedure"](#).  
NO >> INSPECTION END

### Diagnosis Procedure

INFOID:000000006887575

#### WARNING:

- Before servicing, turn ignition switch OFF, disconnect battery negative terminal, and wait at least 3 minutes or more. (To discharge backup capacitor.)
- Never use unspecified tester or other measuring device.

#### 1. CHECK HARNESS CONNECTOR

Check the harness connector.

Is the inspection result normal?

- YES >> GO TO 2.  
NO >> Replace harness connector.

#### 2. CHECK WIRING HARNESS

Check the wiring harness externals.

Is the inspection result normal?

- YES >> GO TO 3.  
NO >> Replace wiring harness.

#### 3. REPLACE SEAT BELT PRE-TENSIONER

1. Replace seat belt pre-tensioner LH. Refer to [SR-27, "Removal and Installation"](#).
2. Perform DTC confirmation procedure. Refer to [SRC-83, "DTC Logic"](#).

Is DTC detected?

- YES >> GO TO 4.  
NO >> INSPECTION END

#### 4. REPLACE AIR BAG DIAGNOSIS SENSOR UNIT

1. Replace air bag diagnosis sensor unit. Refer to [SR-25, "Removal and Installation"](#).
2. Perform DTC confirmation procedure. Refer to [SRC-83, "DTC Logic"](#).

Is DTC detected?

## B1088 SEAT BELT PRE-TENSIONER LH

< DTC/CIRCUIT DIAGNOSIS >

---

YES >> GO TO 1.

NO >> INSPECTION END

# B1089 SEAT BELT PRE-TENSIONER LH

< DTC/CIRCUIT DIAGNOSIS >

## B1089 SEAT BELT PRE-TENSIONER LH

### DTC Logic

INFOID:000000006887576

### DTC DETECTION LOGIC

DTC	Display contents of CONSULT	DTC detecting condition	Possible cause
B1089	PRE-TEN FRONT LH [SHORT]	Seat belt pre-tensioner LH circuits are shorted to each other	<ul style="list-style-type: none"><li>• Harness or connectors (The pre-tensioner circuit is shorted.)</li><li>• Malfunction in seat belt pre-tensioner LH</li><li>• Malfunction in air bag diagnosis sensor unit</li></ul>

### DTC CONFIRMATION PROCEDURE

#### 1.CHECK SELF-DIAG RESULT

With CONSULT

1. Turn ignition switch ON.
2. Perform "Self Diagnostic Result" mode of "AIR BAG" using CONSULT.

Without CONSULT

1. Turn ignition switch ON.
2. Check the air bag warning lamp status. Refer to [SRC-12, "On Board Diagnosis Function"](#).

#### NOTE:

SRS does not enter the diagnosis mode if no malfunction is detected in the user mode.

Is malfunctioning part detected?

- YES >> Refer to [SRC-85, "Diagnosis Procedure"](#).  
NO >> INSPECTION END

### Diagnosis Procedure

INFOID:000000006887577

#### WARNING:

- Before servicing, turn ignition switch OFF, disconnect battery negative terminal, and wait at least 3 minutes or more. (To discharge backup capacitor.)
- Never use unspecified tester or other measuring device.

#### 1.CHECK HARNESS CONNECTOR

Check the harness connector.

Is the inspection result normal?

- YES >> GO TO 2.  
NO >> Replace harness connector.

#### 2.CHECK WIRING HARNESS

Check the wiring harness externals.

Is the inspection result normal?

- YES >> GO TO 3.  
NO >> Replace wiring harness.

#### 3.REPLACE SEAT BELT PRE-TENSIONER

1. Replace seat belt pre-tensioner LH. Refer to [SR-27, "Removal and Installation"](#).
2. Perform DTC confirmation procedure. Refer to [SRC-85, "DTC Logic"](#).

Is DTC detected?

- YES >> GO TO 4.  
NO >> INSPECTION END

#### 4.REPLACE AIR BAG DIAGNOSIS SENSOR UNIT

1. Replace air bag diagnosis sensor unit. Refer to [SR-25, "Removal and Installation"](#).
2. Perform DTC confirmation procedure. Refer to [SRC-85, "DTC Logic"](#).

Is DTC detected?

## B1089 SEAT BELT PRE-TENSIONER LH

< DTC/CIRCUIT DIAGNOSIS >

---

YES >> GO TO 1.

NO >> INSPECTION END

# B1090, B1091, B1092, B1093, B1094, B1095 DIAGNOSIS SENSOR UNIT

< DTC/CIRCUIT DIAGNOSIS >

## B1090, B1091, B1092, B1093, B1094, B1095 DIAGNOSIS SENSOR UNIT

### DTC Logic

INFOID:000000006887578

### DTC DETECTION LOGIC

DTC	Display contents of CONSULT	DTC detecting condition	Possible cause
B1090 B1091 B1092 B1093 B0194 B1095	CONTROL UNIT	Air bag diagnosis sensor unit is malfunctioning	Malfunction in air bag diagnosis sensor unit

### DTC CONFIRMATION PROCEDURE

#### 1. CHECK SELF-DIAG RESULT

##### With CONSULT

1. Turn ignition switch ON.
2. Perform "Self Diagnostic Result" mode of "AIR BAG" using CONSULT.

##### Without CONSULT

1. Turn ignition switch ON.
2. Check the air bag warning lamp status. Refer to [SRC-12, "On Board Diagnosis Function"](#).

#### NOTE:

SRS does not enter the diagnosis mode if no malfunction is detected in the user mode.

#### Is malfunctioning part detected?

- YES >> Refer to [SRC-87, "Diagnosis Procedure"](#).  
NO >> INSPECTION END

### Diagnosis Procedure

INFOID:000000006887579

#### WARNING:

- Before servicing, turn ignition switch OFF, disconnect battery negative terminal, and wait at least 3 minutes or more. (To discharge backup capacitor.)
- Never use unspecified tester or other measuring device.

#### 1. CHECK HARNESS CONNECTOR

Check the harness connector.

#### Is the inspection result normal?

- YES >> GO TO 2.  
NO >> Replace harness connectors.

#### 2. CHECK WIRING HARNESS

Check the wiring harness externals.

#### Is the inspection result normal?

- YES >> GO TO 3.  
NO >> Replace wiring harness.

#### 3. REPLACE AIR BAG DIAGNOSIS SENSOR UNIT

1. Replace air bag diagnosis sensor unit. Refer to [SR-25, "Removal and Installation"](#).
2. Perform DTC confirmation procedure. Refer to [SRC-87, "DTC Logic"](#).

#### Is DTC detected?

- YES >> GO TO 1.  
NO >> INSPECTION END

# B1106, B1107, B1108, B1109, B1110, B1111 DIAGNOSIS SENSOR UNIT

< DTC/CIRCUIT DIAGNOSIS >

## B1106, B1107, B1108, B1109, B1110, B1111 DIAGNOSIS SENSOR UNIT

### DTC Logic

INFOID:000000006887580

### DTC DETECTION LOGIC

DTC	Display contents of CONSULT	DTC detecting condition	Possible cause
B1106 B1107 B1108 B1109 B1110 B1111	CONTROL UNIT	Air bag diagnosis sensor unit is malfunctioning	Malfunction in air bag diagnosis sensor unit

### DTC CONFIRMATION PROCEDURE

#### 1. CHECK SELF-DIAG RESULT

##### With CONSULT

1. Turn ignition switch ON.
2. Perform "Self Diagnostic Result" mode of "AIR BAG" using CONSULT.

##### Without CONSULT

1. Turn ignition switch ON.
2. Check the air bag warning lamp status. Refer to [SRC-12, "On Board Diagnosis Function"](#).

#### NOTE:

SRS does not enter the diagnosis mode if no malfunction is detected in the user mode.

#### Is malfunctioning part detected?

- YES >> Refer to [SRC-88, "Diagnosis Procedure"](#).  
NO >> INSPECTION END

### Diagnosis Procedure

INFOID:000000006887581

#### WARNING:

- Before servicing, turn ignition switch OFF, disconnect battery negative terminal, and wait at least 3 minutes or more. (To discharge backup capacitor.)
- Never use unspecified tester or other measuring device.

#### 1. CHECK HARNESS CONNECTOR

Check the harness connector.

#### Is the inspection result normal?

- YES >> GO TO 2.  
NO >> Replace harness connectors.

#### 2. CHECK WIRING HARNESS

Check the wiring harness externals.

#### Is the inspection result normal?

- YES >> GO TO 3.  
NO >> Replace wiring harness.

#### 3. REPLACE AIR BAG DIAGNOSIS SENSOR UNIT

1. Replace air bag diagnosis sensor unit. Refer to [SR-25, "Removal and Installation"](#).
2. Perform DTC confirmation procedure. Refer to [SRC-88, "DTC Logic"](#).

#### Is DTC detected?

- YES >> GO TO 1.  
NO >> INSPECTION END



# B1113, B1114 SATELLITE SENSOR RH

< DTC/CIRCUIT DIAGNOSIS >

## B1113, B1114 SATELLITE SENSOR RH

### DTC Logic

INFOID:000000006887582

### DTC DETECTION LOGIC

DTC	Display contents of CONSULT	DTC detecting condition	Possible cause
B1113 B1114	SATELLITE SENS RH [UNIT FAIL]	Satellite sensor RH is malfunctioning	<ul style="list-style-type: none"><li>• Harness or connectors</li><li>• Malfunction in satellite sensor RH</li><li>• Malfunction in air bag diagnosis sensor unit</li></ul>

### DTC CONFIRMATION PROCEDURE

#### 1. CHECK SELF-DIAG RESULT

With CONSULT

1. Turn ignition switch ON.
2. Perform "Self Diagnostic Result" mode of "AIR BAG" using CONSULT.

Without CONSULT

1. Turn ignition switch ON.
2. Check the air bag warning lamp status. Refer to [SRC-12, "On Board Diagnosis Function"](#).

#### NOTE:

SRS does not enter the diagnosis mode if no malfunction is detected in the user mode.

Is malfunctioning part detected?

- YES >> Refer to [SRC-89, "Diagnosis Procedure"](#).  
NO >> INSPECTION END

### Diagnosis Procedure

INFOID:000000006887583

#### WARNING:

- Before servicing, turn ignition switch OFF, disconnect battery negative terminal, and wait at least 3 minutes or more. (To discharge backup capacitor.)
- Never use unspecified tester or other measuring device.

#### 1. CHECK HARNESS CONNECTOR

Check the harness connector.

Is the inspection result normal?

- YES >> GO TO 2.  
NO >> Replace harness connector.

#### 2. CHECK WIRING HARNESS

Check the wiring harness externals.

Is the inspection result normal?

- YES >> GO TO 3.  
NO >> Replace wiring harness.

#### 3. REPLACE SATELLITE SENSOR

1. Replace satellite sensor RH. Refer to [SR-23, "Removal and Installation"](#).
2. Perform DTC confirmation procedure. Refer to [SRC-89, "DTC Logic"](#).

Is DTC detected?

- YES >> GO TO 4.  
NO >> INSPECTION END

#### 4. REPLACE AIR BAG DIAGNOSIS SENSOR UNIT

1. Replace air bag diagnosis sensor unit. Refer to [SR-25, "Removal and Installation"](#).
2. Perform DTC confirmation procedure. Refer to [SRC-89, "DTC Logic"](#).

Is DTC detected?

- YES >> GO TO 1.

## B1113, B1114 SATELLITE SENSOR RH

< DTC/CIRCUIT DIAGNOSIS >

---

NO >> INSPECTION END

# B1115 SATELLITE SENSOR RH

< DTC/CIRCUIT DIAGNOSIS >

## B1115 SATELLITE SENSOR RH

### DTC Logic

INFOID:000000006887584

### DTC DETECTION LOGIC

DTC	Display contents of CONSULT	DTC detecting condition	Possible cause
B1115	SATELLITE SENS RH [COMM FAIL]	Satellite sensor RH is malfunctioning or out of the specified specification	<ul style="list-style-type: none"><li>• Harness or connectors</li><li>• Malfunction in satellite sensor RH</li><li>• Malfunction in air bag diagnosis sensor unit</li></ul>

### DTC CONFIRMATION PROCEDURE

#### 1. CHECK SELF-DIAG RESULT

With CONSULT

1. Turn ignition switch ON.
2. Perform "Self Diagnostic Result" mode of "AIR BAG" using CONSULT.

Without CONSULT

1. Turn ignition switch ON.
2. Check the air bag warning lamp status. Refer to [SRC-12, "On Board Diagnosis Function"](#).

#### NOTE:

SRS does not enter the diagnosis mode if no malfunction is detected in the user mode.

Is malfunctioning part detected?

- YES >> Refer to [SRC-91, "Diagnosis Procedure"](#).  
NO >> INSPECTION END

### Diagnosis Procedure

INFOID:000000006887585

#### WARNING:

- Before servicing, turn ignition switch OFF, disconnect battery negative terminal, and wait at least 3 minutes or more. (To discharge backup capacitor.)
- Never use unspecified tester or other measuring device.

#### 1. CHECK HARNESS CONNECTOR

Check the harness connector.

Is the inspection result normal?

- YES >> GO TO 2.  
NO >> Replace harness connector.

#### 2. CHECK WIRING HARNESS

Check the wiring harness externals.

Is the inspection result normal?

- YES >> GO TO 3.  
NO >> Replace wiring harness.

#### 3. REPLACE SATELLITE SENSOR

1. Replace satellite sensor RH. Refer to [SR-23, "Removal and Installation"](#).
2. Perform DTC confirmation procedure. Refer to [SRC-91, "DTC Logic"](#).

Is DTC detected?

- YES >> GO TO 4.  
NO >> INSPECTION END

#### 4. REPLACE AIR BAG DIAGNOSIS SENSOR UNIT

1. Replace air bag diagnosis sensor unit. Refer to [SR-25, "Removal and Installation"](#).
2. Perform DTC confirmation procedure. Refer to [SRC-91, "DTC Logic"](#).

Is DTC detected?

- YES >> GO TO 1.

## B1115 SATELLITE SENSOR RH

< DTC/CIRCUIT DIAGNOSIS >

---

NO >> INSPECTION END

# B1116 SATELLITE SENSOR RH

< DTC/CIRCUIT DIAGNOSIS >

## B1116 SATELLITE SENSOR RH

### DTC Logic

INFOID:000000006887586

### DTC DETECTION LOGIC

DTC	Display contents of CONSULT	DTC detecting condition	Possible cause
B1116	SATELLITE SENS RH [UNMATCH]	Satellite sensor RH is out of the specified specification	Diagnosis sensor unit or satellite sensor RH is different from the part specified

### DTC CONFIRMATION PROCEDURE

#### 1. CHECK SELF-DIAG RESULT

With CONSULT

1. Turn ignition switch ON.
2. Perform "Self Diagnostic Result" mode of "AIR BAG" using CONSULT.

Without CONSULT

1. Turn ignition switch ON.
2. Check the air bag warning lamp status. Refer to [SRC-12, "On Board Diagnosis Function"](#).

#### NOTE:

SRS does not enter the diagnosis mode if no malfunction is detected in the user mode.

Is malfunctioning part detected?

- YES >> Refer to [SRC-93, "Diagnosis Procedure"](#).  
NO >> INSPECTION END

### Diagnosis Procedure

INFOID:000000006887587

#### WARNING:

- Before servicing, turn ignition switch OFF, disconnect battery negative terminal, and wait at least 3 minutes or more. (To discharge backup capacitor.)
- Never use unspecified tester or other measuring device.

#### 1. CHECK HARNESS CONNECTOR

Check the harness connector.

Is the inspection result normal?

- YES >> GO TO 2.  
NO >> Replace harness connector.

#### 2. CHECK WIRING HARNESS

Check the wiring harness externals.

Is the inspection result normal?

- YES >> GO TO 3.  
NO >> Replace wiring harness.

#### 3. REPLACE SATELLITE SENSOR

1. Replace satellite sensor RH. Refer to [SR-23, "Removal and Installation"](#).
2. Perform DTC confirmation procedure. Refer to [SRC-93, "DTC Logic"](#).

Is DTC detected?

- YES >> GO TO 4.  
NO >> INSPECTION END

#### 4. REPLACE AIR BAG DIAGNOSIS SENSOR UNIT

1. Replace air bag diagnosis sensor unit. Refer to [SR-25, "Removal and Installation"](#).
2. Perform DTC confirmation procedure. Refer to [SRC-93, "DTC Logic"](#).

Is DTC detected?

- YES >> GO TO 1.  
NO >> INSPECTION END

A  
B  
C  
D  
E  
F  
G  
I  
J  
K  
L  
M  
N  
O  
P

SRC

# B1118, B1119 SATELLITE SENSOR LH

< DTC/CIRCUIT DIAGNOSIS >

## B1118, B1119 SATELLITE SENSOR LH

### DTC Logic

INFOID:000000006887588

### DTC DETECTION LOGIC

DTC	Display contents of CONSULT	DTC detecting condition	Possible cause
B1118 B1119	SATELLITE SENS LH [UNIT FAIL]	Satellite sensor LH is malfunctioning	<ul style="list-style-type: none"><li>• Harness or connectors</li><li>• Malfunction in satellite sensor LH</li><li>• Malfunction in air bag diagnosis sensor unit</li></ul>

### DTC CONFIRMATION PROCEDURE

#### 1. CHECK SELF-DIAG RESULT

##### With CONSULT

1. Turn ignition switch ON.
2. Perform "Self Diagnostic Result" mode of "AIR BAG" using CONSULT.

##### Without CONSULT

1. Turn ignition switch ON.
2. Check the air bag warning lamp status. Refer to [SRC-12, "On Board Diagnosis Function"](#).

#### NOTE:

SRS does not enter the diagnosis mode if no malfunction is detected in the user mode.

#### Is malfunctioning part detected?

- YES >> Refer to [SRC-94, "Diagnosis Procedure"](#).  
NO >> INSPECTION END

### Diagnosis Procedure

INFOID:000000006887589

#### WARNING:

- Before servicing, turn ignition switch OFF, disconnect battery negative terminal, and wait at least 3 minutes or more. (To discharge backup capacitor.)
- Never use unspecified tester or other measuring device.

#### 1. CHECK HARNESS CONNECTOR

Check the harness connector.

#### Is the inspection result normal?

- YES >> GO TO 2.  
NO >> Replace harness connector.

#### 2. CHECK WIRING HARNESS

Check the wiring harness externals.

#### Is the inspection result normal?

- YES >> GO TO 3.  
NO >> Replace wiring harness.

#### 3. REPLACE SATELLITE SENSOR

1. Replace satellite sensor LH. Refer to [SR-23, "Removal and Installation"](#).
2. Perform DTC confirmation procedure. Refer to [SRC-94, "DTC Logic"](#).

#### Is DTC detected?

- YES >> GO TO 4.  
NO >> INSPECTION END

#### 4. REPLACE AIR BAG DIAGNOSIS SENSOR UNIT

1. Replace air bag diagnosis sensor unit. Refer to [SR-25, "Removal and Installation"](#).
2. Perform DTC confirmation procedure. Refer to [SRC-94, "DTC Logic"](#).

#### Is DTC detected?

- YES >> GO TO 1.

# B1118, B1119 SATELLITE SENSOR LH

< DTC/CIRCUIT DIAGNOSIS >

---

NO >> INSPECTION END

A

B

C

D

E

F

G

**SRC**

I

J

K

L

M

N

O

P

# B1120 SATELLITE SENSOR LH

< DTC/CIRCUIT DIAGNOSIS >

## B1120 SATELLITE SENSOR LH

### DTC Logic

INFOID:000000006887590

### DTC DETECTION LOGIC

DTC	Display contents of CONSULT	DTC detecting condition	Possible cause
B1120	SATELLITE SENS LH [COMM FAIL]	Satellite sensor LH is malfunctioning or out of the specified specification	<ul style="list-style-type: none"><li>• Harness or connectors</li><li>• Malfunction in satellite sensor LH</li><li>• Malfunction in air bag diagnosis sensor unit</li></ul>

### DTC CONFIRMATION PROCEDURE

#### 1. CHECK SELF-DIAG RESULT

With CONSULT

1. Turn ignition switch ON.
2. Perform "Self Diagnostic Result" mode of "AIR BAG" using CONSULT.

Without CONSULT

1. Turn ignition switch ON.
2. Check the air bag warning lamp status. Refer to [SRC-12, "On Board Diagnosis Function"](#).

#### NOTE:

SRS does not enter the diagnosis mode if no malfunction is detected in the user mode.

Is malfunctioning part detected?

- YES >> Refer to [SRC-96, "Diagnosis Procedure"](#).  
NO >> INSPECTION END

### Diagnosis Procedure

INFOID:000000006887591

#### WARNING:

- Before servicing, turn ignition switch OFF, disconnect battery negative terminal, and wait at least 3 minutes or more. (To discharge backup capacitor.)
- Never use unspecified tester or other measuring device.

#### 1. CHECK HARNESS CONNECTOR

Check the harness connector.

Is the inspection result normal?

- YES >> GO TO 2.  
NO >> Replace harness connector.

#### 2. CHECK WIRING HARNESS

Check the wiring harness externals.

Is the inspection result normal?

- YES >> GO TO 3.  
NO >> Replace wiring harness.

#### 3. REPLACE SATELLITE SENSOR

1. Replace satellite sensor LH. Refer to [SR-23, "Removal and Installation"](#).
2. Perform DTC confirmation procedure. Refer to [SRC-96, "DTC Logic"](#).

Is DTC detected?

- YES >> GO TO 4.  
NO >> INSPECTION END

#### 4. REPLACE AIR BAG DIAGNOSIS SENSOR UNIT

1. Replace air bag diagnosis sensor unit. Refer to [SR-25, "Removal and Installation"](#).
2. Perform DTC confirmation procedure. Refer to [SRC-96, "DTC Logic"](#).

Is DTC detected?

- YES >> GO TO 1.



# B1120 SATELLITE SENSOR LH

< DTC/CIRCUIT DIAGNOSIS >

---

NO >> INSPECTION END

A

B

C

D

E

F

G

**SRC**

I

J

K

L

M

N

O

P

# B1121 SATELLITE SENSOR LH

< DTC/CIRCUIT DIAGNOSIS >

## B1121 SATELLITE SENSOR LH

### DTC Logic

INFOID:000000006887592

### DTC DETECTION LOGIC

DTC	Display contents of CONSULT	DTC detecting condition	Possible cause
B1121	SATELLITE SENS LH [UNMATCH]	Satellite sensor LH is out of the specified specification	Diagnosis sensor unit or satellite sensor RH is different from the part specified

### DTC CONFIRMATION PROCEDURE

#### 1. CHECK SELF-DIAG RESULT

With CONSULT

1. Turn ignition switch ON.
2. Perform "Self Diagnostic Result" mode of "AIR BAG" using CONSULT.

Without CONSULT

1. Turn ignition switch ON.
2. Check the air bag warning lamp status. Refer to [SRC-12, "On Board Diagnosis Function"](#).

#### NOTE:

SRS does not enter the diagnosis mode if no malfunction is detected in the user mode.

Is malfunctioning part detected?

- YES >> Refer to [SRC-98, "Diagnosis Procedure"](#).  
NO >> INSPECTION END

### Diagnosis Procedure

INFOID:000000006887593

#### WARNING:

- Before servicing, turn ignition switch OFF, disconnect battery negative terminal, and wait at least 3 minutes or more. (To discharge backup capacitor.)
- Never use unspecified tester or other measuring device.

#### 1. CHECK HARNESS CONNECTOR

Check the harness connector.

Is the inspection result normal?

- YES >> GO TO 2.  
NO >> Replace harness connector.

#### 2. CHECK WIRING HARNESS

Check the wiring harness externals.

Is the inspection result normal?

- YES >> GO TO 3.  
NO >> Replace wiring harness.

#### 3. REPLACE SATELLITE SENSOR

1. Replace satellite sensor LH. Refer to [SR-23, "Removal and Installation"](#).
2. Perform DTC confirmation procedure. Refer to [SRC-98, "DTC Logic"](#).

Is DTC detected?

- YES >> GO TO 4.  
NO >> INSPECTION END

#### 4. REPLACE AIR BAG DIAGNOSIS SENSOR UNIT

1. Replace air bag diagnosis sensor unit. Refer to [SR-25, "Removal and Installation"](#).
2. Perform DTC confirmation procedure. Refer to [SRC-98, "DTC Logic"](#).

Is DTC detected?

- YES >> GO TO 1.  
NO >> INSPECTION END

# B1122, B1123, B1124, B1125, B1126, B1127 DIAGNOSIS SENSOR UNIT

< DTC/CIRCUIT DIAGNOSIS >

## B1122, B1123, B1124, B1125, B1126, B1127 DIAGNOSIS SENSOR UNIT

### DTC Logic

INFOID:000000006887594

### DTC DETECTION LOGIC

DTC	Display contents of CONSULT	DTC detecting condition	Possible cause
B1122 B1123 B1124 B1125 B1126 B1127	CONTROL UNIT	Air bag diagnosis sensor unit is malfunctioning	Malfunction in air bag diagnosis sensor unit

### DTC CONFIRMATION PROCEDURE

#### 1. CHECK SELF-DIAG RESULT

##### With CONSULT

1. Turn ignition switch ON.
2. Perform "Self Diagnostic Result" mode of "AIR BAG" using CONSULT.

##### Without CONSULT

1. Turn ignition switch ON.
2. Check the air bag warning lamp status. Refer to [SRC-12, "On Board Diagnosis Function"](#).

#### NOTE:

SRS does not enter the diagnosis mode if no malfunction is detected in the user mode.

Is malfunctioning part detected?

- YES >> Refer to [SRC-99, "Diagnosis Procedure"](#).  
NO >> INSPECTION END

### Diagnosis Procedure

INFOID:000000006887595

#### WARNING:

- Before servicing, turn ignition switch OFF, disconnect battery negative terminal, and wait at least 3 minutes or more. (To discharge backup capacitor.)
- Never use unspecified tester or other measuring device.

#### 1. CHECK HARNESS CONNECTOR

Check the harness connector.

Is the inspection result normal?

- YES >> GO TO 2.  
NO >> Replace harness connectors.

#### 2. CHECK WIRING HARNESS

Check the wiring harness externals.

Is the inspection result normal?

- YES >> GO TO 3.  
NO >> Replace wiring harness.

#### 3. REPLACE AIR BAG DIAGNOSIS SENSOR UNIT

1. Replace air bag diagnosis sensor unit. Refer to [SR-25, "Removal and Installation"](#).
2. Perform DTC confirmation procedure. Refer to [SRC-99, "DTC Logic"](#).

Is DTC detected?

- YES >> GO TO 1.  
NO >> INSPECTION END

# B1129 SIDE AIR BAG MODULE RH

< DTC/CIRCUIT DIAGNOSIS >

## B1129 SIDE AIR BAG MODULE RH

### DTC Logic

INFOID:000000006887596

### DTC DETECTION LOGIC

DTC	Display contents of CONSULT	DTC detecting condition	Possible cause
B1129	SIDE MODULE RH [OPEN]	Side air bag module RH circuit is open	<ul style="list-style-type: none"><li>• Harness or connectors (The module circuit is open.)</li><li>• Malfunction in side air bag module RH</li><li>• Malfunction in air bag diagnosis sensor unit</li></ul>

### DTC CONFIRMATION PROCEDURE

#### 1. CHECK SELF-DIAG RESULT

##### With CONSULT

1. Turn ignition switch ON.
2. Perform "Self Diagnostic Result" mode of "AIR BAG" using CONSULT.

##### Without CONSULT

1. Turn ignition switch ON.
2. Check the air bag warning lamp status. [SRC-12, "On Board Diagnosis Function"](#)

#### NOTE:

SRS does not enter the diagnosis mode if no malfunction is detected in the user mode.

#### Is malfunctioning part detected?

YES >> Refer to [SRC-100, "Diagnosis Procedure"](#).

NO >> INSPECTION END

### Diagnosis Procedure

INFOID:000000006887597

#### WARNING:

- Before servicing, turn ignition switch OFF, disconnect battery negative terminal, and wait at least 3 minutes or more. (To discharge backup capacitor.)
- Never use unspecified tester or other measuring device.

#### 1. CHECK HARNESS CONNECTOR

Check the harness connector.

#### Is the inspection result normal?

YES >> GO TO 2.

NO >> Replace harness connector.

#### 2. CHECK WIRING HARNESS

Check the wiring harness externals.

#### Is the inspection result normal?

YES >> GO TO 3.

NO >> Replace wiring harness.

#### 3. REPLACE AIR BAG DIAGNOSIS SENSOR UNIT

1. Replace air bag diagnosis sensor unit. Refer to [SR-25, "Removal and Installation"](#).

2. Perform DTC confirmation procedure. Refer to [SRC-100, "DTC Logic"](#).

#### Is DTC detected?

YES >> GO TO 4.

NO >> INSPECTION END

#### 4. REPLACE SIDE AIR BAG MODULE

1. Replace side air bag module RH. Refer to [SE-85, "SEATBACK : Disassembly and Assembly"](#).

2. Perform DTC confirmation procedure. Refer to [SRC-100, "DTC Logic"](#).

#### Is DTC detected?

# B1129 SIDE AIR BAG MODULE RH

## < DTC/CIRCUIT DIAGNOSIS >

---

YES >> GO TO 1.

NO >> INSPECTION END

A

B

C

D

E

F

G

**SRC**

I

J

K

L

M

N

O

P

# B1130 SIDE AIR BAG MODULE RH

< DTC/CIRCUIT DIAGNOSIS >

## B1130 SIDE AIR BAG MODULE RH

### DTC Logic

INFOID:000000006887598

### DTC DETECTION LOGIC

DTC	Display contents of CONSULT	DTC detecting condition	Possible cause
B1130	SIDE MODULE RH [VB-SHORT]	Side air bag module RH circuit is shorted to power supply circuit	<ul style="list-style-type: none"><li>• Harness or connectors (The module circuit is shorted.)</li><li>• Malfunction in side air bag module RH</li><li>• Malfunction in air bag diagnosis sensor unit</li></ul>

### DTC CONFIRMATION PROCEDURE

#### 1.CHECK SELF-DIAG RESULT

##### With CONSULT

1. Turn ignition switch ON.
2. Perform "Self Diagnostic Result" mode of "AIR BAG" using CONSULT.

##### Without CONSULT

1. Turn ignition switch ON.
2. Check the air bag warning lamp status. Refer to [SRC-12, "On Board Diagnosis Function"](#).

#### NOTE:

SRS does not enter the diagnosis mode if no malfunction is detected in the user mode.

#### Is malfunctioning part detected?

- YES >> Refer to [SRC-102, "Diagnosis Procedure"](#).  
NO >> INSPECTION END

### Diagnosis Procedure

INFOID:000000006887599

#### WARNING:

- Before servicing, turn ignition switch OFF, disconnect battery negative terminal, and wait at least 3 minutes or more. (To discharge backup capacitor.)
- Never use unspecified tester or other measuring device.

#### 1.CHECK HARNESS CONNECTOR

Check the harness connector.

#### Is the inspection result normal?

- YES >> GO TO 2.  
NO >> Replace harness connector.

#### 2.CHECK WIRING HARNESS

Check the wiring harness externals.

#### Is the inspection result normal?

- YES >> GO TO 3.  
NO >> Replace wiring harness.

#### 3.REPLACE AIR BAG DIAGNOSIS SENSOR UNIT

1. Replace air bag diagnosis sensor unit. Refer to [SR-25, "Removal and Installation"](#).
2. Perform DTC confirmation procedure. Refer to [SRC-102, "DTC Logic"](#).

#### Is DTC detected?

- YES >> GO TO 4.  
NO >> INSPECTION END

#### 4.REPLACE SIDE AIR BAG MODULE

1. Replace side air bag module RH. Refer to [SE-85, "SEATBACK : Disassembly and Assembly"](#).
2. Perform DTC confirmation procedure. Refer to [SRC-102, "DTC Logic"](#).

#### Is DTC detected?

# B1130 SIDE AIR BAG MODULE RH

## < DTC/CIRCUIT DIAGNOSIS >

---

YES >> GO TO 1.

NO >> INSPECTION END

A

B

C

D

E

F

G

**SRC**

I

J

K

L

M

N

O

P

# B1131 SIDE AIR BAG MODULE RH

< DTC/CIRCUIT DIAGNOSIS >

## B1131 SIDE AIR BAG MODULE RH

### DTC Logic

INFOID:000000006887600

### DTC DETECTION LOGIC

DTC	Display contents of CONSULT	DTC detecting condition	Possible cause
B1131	SIDE MODULE RH [GND-SHORT]	Side air bag module RH circuit is shorted to ground	<ul style="list-style-type: none"><li>• Harness or connectors (The module circuit is shorted.)</li><li>• Malfunction in side air bag module RH</li><li>• Malfunction in air bag diagnosis sensor unit</li></ul>

### DTC CONFIRMATION PROCEDURE

#### 1.CHECK SELF-DIAG RESULT

##### With CONSULT

1. Turn ignition switch ON.
2. Perform "Self Diagnostic Result" mode of "AIR BAG" using CONSULT.

##### Without CONSULT

1. Turn ignition switch ON.
2. Check the air bag warning lamp status. Refer to [SRC-12, "On Board Diagnosis Function"](#).

#### NOTE:

SRS does not enter the diagnosis mode if no malfunction is detected in the user mode.

Is malfunctioning part detected?

- YES >> Refer to [SRC-104, "Diagnosis Procedure"](#).  
NO >> INSPECTION END

### Diagnosis Procedure

INFOID:000000006887601

#### WARNING:

- Before servicing, turn ignition switch OFF, disconnect battery negative terminal, and wait at least 3 minutes or more. (To discharge backup capacitor.)
- Never use unspecified tester or other measuring device.

#### 1.CHECK HARNESS CONNECTOR

Check the harness connector.

Is the inspection result normal?

- YES >> GO TO 2.  
NO >> Replace harness connector.

#### 2.CHECK WIRING HARNESS

Check the wiring harness externals.

Is the inspection result normal?

- YES >> GO TO 3.  
NO >> Replace wiring harness.

#### 3.REPLACE AIR BAG DIAGNOSIS SENSOR UNIT

1. Replace air bag diagnosis sensor unit. Refer to [SR-25, "Removal and Installation"](#).
2. Perform DTC confirmation procedure. Refer to [SRC-104, "DTC Logic"](#).

Is DTC detected?

- YES >> GO TO 4.  
NO >> INSPECTION END

#### 4.REPLACE SIDE AIR BAG MODULE

1. Replace side air bag module RH. Refer to [SE-85, "SEATBACK : Disassembly and Assembly"](#).
2. Perform DTC confirmation procedure. Refer to [SRC-104, "DTC Logic"](#).

Is DTC detected?



# B1131 SIDE AIR BAG MODULE RH

## < DTC/CIRCUIT DIAGNOSIS >

---

YES >> GO TO 1.

NO >> INSPECTION END

A

B

C

D

E

F

G

**SRC**

I

J

K

L

M

N

O

P

# B1132 SIDE AIR BAG MODULE RH

< DTC/CIRCUIT DIAGNOSIS >

## B1132 SIDE AIR BAG MODULE RH

### DTC Logic

INFOID:000000006887602

### DTC DETECTION LOGIC

DTC	Display contents of CONSULT	DTC detecting condition	Possible cause
B1132	SIDE MODULE RH [SHORT]	Side air bag module RH circuits are shorted to each other	<ul style="list-style-type: none"><li>• Harness or connectors (The module circuit is shorted.)</li><li>• Malfunction in side air bag module RH</li><li>• Malfunction in air bag diagnosis sensor unit</li></ul>

### DTC CONFIRMATION PROCEDURE

#### 1. CHECK SELF-DIAG RESULT

##### With CONSULT

1. Turn ignition switch ON.
2. Perform "Self Diagnostic Result" mode of "AIR BAG" using CONSULT.

##### Without CONSULT

1. Turn ignition switch ON.
2. Check the air bag warning lamp status. Refer to [SRC-12, "On Board Diagnosis Function"](#).

#### NOTE:

SRS does not enter the diagnosis mode if no malfunction is detected in the user mode.

#### Is malfunctioning part detected?

YES >> Refer to [SRC-106, "Diagnosis Procedure"](#).

NO >> INSPECTION END

### Diagnosis Procedure

INFOID:000000006887603

#### WARNING:

- Before servicing, turn ignition switch OFF, disconnect battery negative terminal, and wait at least 3 minutes or more. (To discharge backup capacitor.)
- Never use unspecified tester or other measuring device.

#### 1. CHECK HARNESS CONNECTOR

Check the harness connector.

#### Is the inspection result normal?

YES >> GO TO 2.

NO >> Replace harness connector.

#### 2. CHECK WIRING HARNESS

Check the wiring harness externals.

#### Is the inspection result normal?

YES >> GO TO 3.

NO >> Replace wiring harness.

#### 3. REPLACE AIR BAG DIAGNOSIS SENSOR UNIT

1. Replace air bag diagnosis sensor unit. Refer to [SR-25, "Removal and Installation"](#).

2. Perform DTC confirmation procedure. Refer to [SRC-106, "DTC Logic"](#).

#### Is DTC detected?

YES >> GO TO 4.

NO >> INSPECTION END

#### 4. REPLACE SIDE AIR BAG MODULE

1. Replace side air bag module RH. Refer to [SE-85, "SEATBACK : Disassembly and Assembly"](#).

2. Perform DTC confirmation procedure. Refer to [SRC-106, "DTC Logic"](#).

#### Is DTC detected?

# B1132 SIDE AIR BAG MODULE RH

## < DTC/CIRCUIT DIAGNOSIS >

---

YES >> GO TO 1.

NO >> INSPECTION END

A

B

C

D

E

F

G

**SRC**

I

J

K

L

M

N

O

P

# B1134 SIDE AIR BAG MODULE LH

< DTC/CIRCUIT DIAGNOSIS >

## B1134 SIDE AIR BAG MODULE LH

### DTC Logic

INFOID:000000006887604

### DTC DETECTION LOGIC

DTC	Display contents of CONSULT	DTC detecting condition	Possible cause
B1134	SIDE MODULE LH [OPEN]	Side air bag module LH circuit is open	<ul style="list-style-type: none"><li>• Harness or connectors (The module circuit is open.)</li><li>• Malfunction in side air bag module LH</li><li>• Malfunction in air bag diagnosis sensor unit</li></ul>

### DTC CONFIRMATION PROCEDURE

#### 1. CHECK SELF-DIAG RESULT

##### Ⓟ With CONSULT

1. Turn ignition switch ON.
2. Perform "Self Diagnostic Result" mode of "AIR BAG" using CONSULT.

##### ⓧ Without CONSULT

1. Turn ignition switch ON.
2. Check the air bag warning lamp status. Refer to [SRC-12, "On Board Diagnosis Function"](#).

#### NOTE:

SRS does not enter the diagnosis mode if no malfunction is detected in the user mode.

Is malfunctioning part detected?

- YES >> Refer to [SRC-108, "Diagnosis Procedure"](#).  
NO >> INSPECTION END

### Diagnosis Procedure

INFOID:000000006887605

#### WARNING:

- Before servicing, turn ignition switch OFF, disconnect battery negative terminal, and wait at least 3 minutes or more. (To discharge backup capacitor.)
- Never use unspecified tester or other measuring device.

#### 1. CHECK HARNESS CONNECTOR

Check the harness connector.

Is the inspection result normal?

- YES >> GO TO 2.  
NO >> Replace harness connector.

#### 2. CHECK WIRING HARNESS

Check the wiring harness externals.

Is the inspection result normal?

- YES >> GO TO 3.  
NO >> Replace wiring harness.

#### 3. REPLACE AIR BAG DIAGNOSIS SENSOR UNIT

1. Replace air bag diagnosis sensor unit. Refer to [SR-25, "Removal and Installation"](#).
2. Perform DTC confirmation procedure. Refer to [SRC-108, "DTC Logic"](#).

Is DTC detected?

- YES >> GO TO 4.  
NO >> INSPECTION END

#### 4. REPLACE SIDE AIR BAG MODULE

1. Replace side air bag module LH. Refer to [SE-85, "SEATBACK : Disassembly and Assembly"](#).
2. Perform DTC confirmation procedure. Refer to [SRC-108, "DTC Logic"](#).

Is DTC detected?

# B1134 SIDE AIR BAG MODULE LH

< DTC/CIRCUIT DIAGNOSIS >

---

YES >> GO TO 1.

NO >> INSPECTION END

A

B

C

D

E

F

G

**SRC**

I

J

K

L

M

N

O

P

# B1135 SIDE AIR BAG MODULE LH

< DTC/CIRCUIT DIAGNOSIS >

## B1135 SIDE AIR BAG MODULE LH

### DTC Logic

INFOID:000000006887606

### DTC DETECTION LOGIC

DTC	Display contents of CONSULT	DTC detecting condition	Possible cause
B1135	SIDE MODULE LH [VB-SHORT]	Side air bag module LH circuit is shorted to power supply circuit	<ul style="list-style-type: none"><li>• Harness or connectors (The module circuit is shorted.)</li><li>• Malfunction in side air bag module LH</li><li>• Malfunction in air bag diagnosis sensor unit</li></ul>

### DTC CONFIRMATION PROCEDURE

#### 1. CHECK SELF-DIAG RESULT

##### Ⓟ With CONSULT

1. Turn ignition switch ON.
2. Perform "Self Diagnostic Result" mode of "AIR BAG" using CONSULT.

##### ⓧ Without CONSULT

1. Turn ignition switch ON.
2. Check the air bag warning lamp status. Refer to [SRC-12, "On Board Diagnosis Function"](#).

#### NOTE:

SRS does not enter the diagnosis mode if no malfunction is detected in the user mode.

#### Is malfunctioning part detected?

- YES >> Refer to [SRC-110, "Diagnosis Procedure"](#).  
NO >> INSPECTION END

### Diagnosis Procedure

INFOID:000000006887607

#### WARNING:

- Before servicing, turn ignition switch OFF, disconnect battery negative terminal, and wait at least 3 minutes or more. (To discharge backup capacitor.)
- Never use unspecified tester or other measuring device.

#### 1. CHECK HARNESS CONNECTOR

Check the harness connector.

#### Is the inspection result normal?

- YES >> GO TO 2.  
NO >> Replace harness connector.

#### 2. CHECK WIRING HARNESS

Check the wiring harness externals.

#### Is the inspection result normal?

- YES >> GO TO 3.  
NO >> Replace wiring harness.

#### 3. REPLACE AIR BAG DIAGNOSIS SENSOR UNIT

1. Replace air bag diagnosis sensor unit. Refer to [SR-25, "Removal and Installation"](#).
2. Perform DTC confirmation procedure. Refer to [SRC-110, "DTC Logic"](#).

#### Is DTC detected?

- YES >> GO TO 4.  
NO >> INSPECTION END

#### 4. REPLACE SIDE AIR BAG MODULE

1. Replace side air bag module LH. Refer to [SE-85, "SEATBACK : Disassembly and Assembly"](#).
2. Perform DTC confirmation procedure. Refer to [SRC-110, "DTC Logic"](#).

#### Is DTC detected?

# B1135 SIDE AIR BAG MODULE LH

## < DTC/CIRCUIT DIAGNOSIS >

---

YES >> GO TO 1.

NO >> INSPECTION END

A

B

C

D

E

F

G

**SRC**

I

J

K

L

M

N

O

P

# B1136 SIDE AIR BAG MODULE LH

< DTC/CIRCUIT DIAGNOSIS >

## B1136 SIDE AIR BAG MODULE LH

### DTC Logic

INFOID:000000006887608

### DTC DETECTION LOGIC

DTC	Display contents of CONSULT	DTC detecting condition	Possible cause
B1136	SIDE MODULE LH [GND-SHORT]	Side air bag module LH circuit is shorted to ground	<ul style="list-style-type: none"><li>• Harness or connectors (The module circuit is shorted.)</li><li>• Malfunction in side air bag module LH</li><li>• Malfunction in air bag diagnosis sensor unit</li></ul>

### DTC CONFIRMATION PROCEDURE

#### 1. CHECK SELF-DIAG RESULT

##### With CONSULT

1. Turn ignition switch ON.
2. Perform "Self Diagnostic Result" mode of "AIR BAG" using CONSULT.

##### Without CONSULT

1. Turn ignition switch ON.
2. Check the air bag warning lamp status. Refer to [SRC-12, "On Board Diagnosis Function"](#).

#### NOTE:

SRS does not enter the diagnosis mode if no malfunction is detected in the user mode.

#### Is malfunctioning part detected?

- YES >> Refer to [SRC-112, "Diagnosis Procedure"](#).  
NO >> INSPECTION END

### Diagnosis Procedure

INFOID:000000006887609

#### WARNING:

- Before servicing, turn ignition switch OFF, disconnect battery negative terminal, and wait at least 3 minutes or more. (To discharge backup capacitor.)
- Never use unspecified tester or other measuring device.

#### 1. CHECK HARNESS CONNECTOR

Check the harness connector.

#### Is the inspection result normal?

- YES >> GO TO 2.  
NO >> Replace harness connector.

#### 2. CHECK WIRING HARNESS

Check the wiring harness externals.

#### Is the inspection result normal?

- YES >> GO TO 3.  
NO >> Replace wiring harness.

#### 3. REPLACE AIR BAG DIAGNOSIS SENSOR UNIT

1. Replace air bag diagnosis sensor unit. Refer to [SR-25, "Removal and Installation"](#).
2. Perform DTC confirmation procedure. Refer to [SRC-112, "DTC Logic"](#).

#### Is DTC detected?

- YES >> GO TO 4.  
NO >> INSPECTION END

#### 4. REPLACE SIDE AIR BAG MODULE

1. Replace side air bag module LH. Refer to [SE-85, "SEATBACK : Disassembly and Assembly"](#).
2. Perform DTC confirmation procedure. Refer to [SRC-112, "DTC Logic"](#).

#### Is DTC detected?



# B1136 SIDE AIR BAG MODULE LH

## < DTC/CIRCUIT DIAGNOSIS >

---

YES >> GO TO 1.

NO >> INSPECTION END

A

B

C

D

E

F

G

**SRC**

I

J

K

L

M

N

O

P

# B1137 SIDE AIR BAG MODULE LH

< DTC/CIRCUIT DIAGNOSIS >

## B1137 SIDE AIR BAG MODULE LH

### DTC Logic

INFOID:000000006887610

### DTC DETECTION LOGIC

DTC	Display contents of CONSULT	DTC detecting condition	Possible cause
B1137	SIDE MODULE LH [SHORT]	Side air bag module LH circuits are shorted to each other	<ul style="list-style-type: none"><li>• Harness or connectors (The module circuit is shorted.)</li><li>• Malfunction in side air bag module LH</li><li>• Malfunction in air bag diagnosis sensor unit</li></ul>

### DTC CONFIRMATION PROCEDURE

#### 1. CHECK SELF-DIAG RESULT

##### Ⓟ With CONSULT

1. Turn ignition switch ON.
2. Perform "Self Diagnostic Result" mode of "AIR BAG" using CONSULT.

##### ⓧ Without CONSULT

1. Turn ignition switch ON.
2. Check the air bag warning lamp status. Refer to [SRC-12, "On Board Diagnosis Function"](#).

#### NOTE:

SRS does not enter the diagnosis mode if no malfunction is detected in the user mode.

Is malfunctioning part detected?

- YES >> Refer to [SRC-114, "Diagnosis Procedure"](#).  
NO >> INSPECTION END

### Diagnosis Procedure

INFOID:000000006887611

#### WARNING:

- Before servicing, turn ignition switch OFF, disconnect battery negative terminal, and wait at least 3 minutes or more. (To discharge backup capacitor.)
- Never use unspecified tester or other measuring device.

#### 1. CHECK HARNESS CONNECTOR

Check the harness connector.

Is the inspection result normal?

- YES >> GO TO 2.  
NO >> Replace harness connector.

#### 2. CHECK WIRING HARNESS

Check the wiring harness externals.

Is the inspection result normal?

- YES >> GO TO 3.  
NO >> Replace wiring harness.

#### 3. REPLACE AIR BAG DIAGNOSIS SENSOR UNIT

1. Replace air bag diagnosis sensor unit. Refer to [SR-25, "Removal and Installation"](#).
2. Perform DTC confirmation procedure. Refer to [SRC-114, "DTC Logic"](#).

Is DTC detected?

- YES >> GO TO 4.  
NO >> INSPECTION END

#### 4. REPLACE SIDE AIR BAG MODULE

1. Replace side air bag module LH. Refer to [SE-85, "SEATBACK : Disassembly and Assembly"](#).
2. Perform DTC confirmation procedure. Refer to [SRC-114, "DTC Logic"](#).

Is DTC detected?

# B1137 SIDE AIR BAG MODULE LH

## < DTC/CIRCUIT DIAGNOSIS >

---

YES >> GO TO 1.

NO >> INSPECTION END

A

B

C

D

E

F

G

**SRC**

I

J

K

L

M

N

O

P

# B1138, B1139, B1140, B1141, B1142, B1143 DIAGNOSIS SENSOR UNIT

< DTC/CIRCUIT DIAGNOSIS >

## B1138, B1139, B1140, B1141, B1142, B1143 DIAGNOSIS SENSOR UNIT

### DTC Logic

INFOID:000000006887612

#### DTC DETECTION LOGIC

DTC	Display contents of CONSULT	DTC detecting condition	Possible cause
B1138 B1139 B1140 B1141 B1142 B1143	CONTROL UNIT	Air bag diagnosis sensor unit is malfunctioning	Malfunction in air bag diagnosis sensor unit

#### DTC CONFIRMATION PROCEDURE

##### 1. CHECK SELF-DIAG RESULT

###### With CONSULT

1. Turn ignition switch ON.
2. Perform "Self Diagnostic Result" mode of "AIR BAG" using CONSULT.

###### Without CONSULT

1. Turn ignition switch ON.
2. Check the air bag warning lamp status. Refer to [SRC-12, "On Board Diagnosis Function"](#).

###### **NOTE:**

SRS does not enter the diagnosis mode if no malfunction is detected in the user mode.

Is malfunctioning part detected?

- YES >> Refer to [SRC-116, "Diagnosis Procedure"](#).  
NO >> INSPECTION END

#### Diagnosis Procedure

INFOID:000000006887613

###### **WARNING:**

- Before servicing, turn ignition switch OFF, disconnect battery negative terminal, and wait at least 3 minutes or more. (To discharge backup capacitor.)
- Never use unspecified tester or other measuring device.

##### 1. CHECK HARNESS CONNECTOR

Check the harness connector.

Is the inspection result normal?

- YES >> GO TO 2.  
NO >> Replace harness connectors.

##### 2. CHECK WIRING HARNESS

Check the wiring harness externals.

Is the inspection result normal?

- YES >> GO TO 3.  
NO >> Replace wiring harness.

##### 3. REPLACE AIR BAG DIAGNOSIS SENSOR UNIT

1. Replace air bag diagnosis sensor unit. Refer to [SR-25, "Removal and Installation"](#).
2. Perform DTC confirmation procedure. Refer to [SRC-116, "DTC Logic"](#).

Is DTC detected?

- YES >> GO TO 1.  
NO >> INSPECTION END

# B1144 DIAGNOSIS SENSOR UNIT

< DTC/CIRCUIT DIAGNOSIS >

## B1144 DIAGNOSIS SENSOR UNIT

### DTC Logic

INFOID:000000006887614

### DTC DETECTION LOGIC

DTC	Display contents of CONSULT	DTC detecting condition	Possible cause
B1144	CONTROL UNIT	Air bag diagnosis sensor unit is malfunctioning or out of the specification	<ul style="list-style-type: none"><li>Malfunction in air bag diagnosis sensor unit</li><li>Configuration in air bag diagnosis sensor unit does not match the vehicles specification</li></ul>

### DTC CONFIRMATION PROCEDURE

#### 1.CHECK SELF-DIAG RESULT

With CONSULT

- Turn ignition switch ON.
- Perform "Self Diagnostic Result" mode of "AIR BAG" using CONSULT.

Without CONSULT

- Turn ignition switch ON.
- Check the air bag warning lamp status. Refer to [SRC-12, "On Board Diagnosis Function"](#).

#### NOTE:

SRS does not enter the diagnosis mode if no malfunction is detected in the user mode.

Is malfunctioning part detected?

- YES >> Refer to [SRC-117, "Diagnosis Procedure"](#).  
NO >> INSPECTION END

### Diagnosis Procedure

INFOID:000000006887615

#### WARNING:

- Before servicing, turn ignition switch OFF, disconnect battery negative terminal, and wait at least 3 minutes or more. (To discharge backup capacitor.)
- Never use unspecified tester or other measuring device.

#### 1.CHECK HARNESS CONNECTOR

Check the harness connector.

Is the inspection result normal?

- YES >> GO TO 2.  
NO >> Replace harness connectors.

#### 2.CHECK WIRING HARNESS

Check the wiring harness externals.

Is the inspection result normal?

- YES >> GO TO 3.  
NO >> Replace wiring harness.

#### 3.REPLACE AIR BAG DIAGNOSIS SENSOR UNIT

- Replace air bag diagnosis sensor unit. Refer to [SR-25, "Removal and Installation"](#).
- Perform DTC confirmation procedure. Refer to [SRC-117, "DTC Logic"](#).

Is DTC detected?

- YES >> GO TO 1.  
NO >> INSPECTION END

# B1145 CURTAIN AIR BAG MODULE RH

< DTC/CIRCUIT DIAGNOSIS >

## B1145 CURTAIN AIR BAG MODULE RH

### DTC Logic

INFOID:000000006887616

### DTC DETECTION LOGIC

DTC	Display contents of CONSULT	DTC detecting condition	Possible cause
B1145	CURTAIN MODULE RH [OPEN]	Curtain air bag module RH circuit is open	<ul style="list-style-type: none"><li>• Harness or connectors (The module circuit is open.)</li><li>• Malfunction in side curtain air bag module RH</li><li>• Malfunction in air bag diagnosis sensor unit</li></ul>

### DTC CONFIRMATION PROCEDURE

#### 1. CHECK SELF-DIAG RESULT

##### Ⓟ With CONSULT

1. Turn ignition switch ON.
2. Perform "Self Diagnostic Result" mode of "AIR BAG" using CONSULT.

##### ⓧ Without CONSULT

1. Turn ignition switch ON.
2. Check the air bag warning lamp status. Refer to [SRC-12, "On Board Diagnosis Function"](#).

#### NOTE:

SRS does not enter the diagnosis mode if no malfunction is detected in the user mode.

#### Is malfunctioning part detected?

- YES >> Refer to [SRC-118, "Diagnosis Procedure"](#).  
NO >> INSPECTION END

### Diagnosis Procedure

INFOID:000000006887617

#### WARNING:

- Before servicing, turn ignition switch OFF, disconnect battery negative terminal, and wait at least 3 minutes or more. (To discharge backup capacitor.)
- Never use unspecified tester or other measuring device.

#### 1. CHECK HARNESS CONNECTOR

Check the harness connector.

#### Is the inspection result normal?

- YES >> GO TO 2.  
NO >> Replace harness connector.

#### 2. CHECK WIRING HARNESS

Check the wiring harness externals.

#### Is the inspection result normal?

- YES >> GO TO 3.  
NO >> Replace wiring harness.

#### 3. REPLACE AIR BAG DIAGNOSIS SENSOR UNIT

1. Replace air bag diagnosis sensor unit. Refer to [SR-25, "Removal and Installation"](#).
2. Perform DTC confirmation procedure. Refer to [SRC-118, "DTC Logic"](#).

#### Is DTC detected?

- YES >> GO TO 4.  
NO >> INSPECTION END

#### 4. REPLACE CURTAIN AIR BAG MODULE

1. Replace curtain air bag module RH. Refer to [SR-19, "Removal and Installation"](#).
2. Perform DTC confirmation procedure. Refer to [SRC-118, "DTC Logic"](#).

#### Is DTC detected?

# B1145 CURTAIN AIR BAG MODULE RH

< DTC/CIRCUIT DIAGNOSIS >

---

YES >> GO TO 1.

NO >> INSPECTION END

A

B

C

D

E

F

G

**SRC**

I

J

K

L

M

N

O

P

# B1146 CURTAIN AIR BAG MODULE RH

< DTC/CIRCUIT DIAGNOSIS >

## B1146 CURTAIN AIR BAG MODULE RH

### DTC Logic

INFOID:000000006887618

### DTC DETECTION LOGIC

DTC	Display contents of CONSULT	DTC detecting condition	Possible cause
B1146	CURTAIN MODULE RH [VB-SHORT]	Curtain air bag module RH circuit is shorted to power supply circuit	<ul style="list-style-type: none"><li>• Harness or connectors (The module circuit is shorted.)</li><li>• Malfunction in curtain air bag module RH</li><li>• Malfunction in air bag diagnosis sensor unit</li></ul>

### DTC CONFIRMATION PROCEDURE

#### 1. CHECK SELF-DIAG RESULT

##### With CONSULT

1. Turn ignition switch ON.
2. Perform "Self Diagnostic Result" mode of "AIR BAG" using CONSULT.

##### Without CONSULT

1. Turn ignition switch ON.
2. Check the air bag warning lamp status. Refer to [SRC-12, "On Board Diagnosis Function"](#).

#### NOTE:

SRS does not enter the diagnosis mode if no malfunction is detected in the user mode.

#### Is malfunctioning part detected?

- YES >> Refer to [SRC-120, "Diagnosis Procedure"](#).  
NO >> INSPECTION END

### Diagnosis Procedure

INFOID:000000006887619

#### WARNING:

- Before servicing, turn ignition switch OFF, disconnect battery negative terminal, and wait at least 3 minutes or more. (To discharge backup capacitor.)
- Never use unspecified tester or other measuring device.

#### 1. CHECK HARNESS CONNECTOR

Check the harness connector.

#### Is the inspection result normal?

- YES >> GO TO 2.  
NO >> Replace harness connector.

#### 2. CHECK WIRING HARNESS

Check the wiring harness externals.

#### Is the inspection result normal?

- YES >> GO TO 3.  
NO >> Replace wiring harness.

#### 3. REPLACE AIR BAG DIAGNOSIS SENSOR UNIT

1. Replace air bag diagnosis sensor unit. Refer to [SR-25, "Removal and Installation"](#).
2. Perform DTC confirmation procedure. Refer to [SRC-120, "DTC Logic"](#).

#### Is DTC detected?

- YES >> GO TO 4.  
NO >> INSPECTION END

#### 4. REPLACE CURTAIN AIR BAG MODULE

1. Replace curtain air bag module RH. Refer to [SR-19, "Removal and Installation"](#).
2. Perform DTC confirmation procedure. Refer to [SRC-120, "DTC Logic"](#).

#### Is DTC detected?



# B1146 CURTAIN AIR BAG MODULE RH

< DTC/CIRCUIT DIAGNOSIS >

---

YES >> GO TO 1.

NO >> INSPECTION END

A

B

C

D

E

F

G

**SRC**

I

J

K

L

M

N

O

P

# B1147 CURTAIN AIR BAG MODULE RH

< DTC/CIRCUIT DIAGNOSIS >

## B1147 CURTAIN AIR BAG MODULE RH

### DTC Logic

INFOID:000000006887620

### DTC DETECTION LOGIC

DTC	Display contents of CONSULT	DTC detecting condition	Possible cause
B1147	CURTAIN MODULE RH [GND-SHORT]	Curtain air bag module RH circuit is shorted to ground	<ul style="list-style-type: none"><li>• Harness or connectors (The module circuit is shorted.)</li><li>• Malfunction in curtain air bag module RH</li><li>• Malfunction in air bag diagnosis sensor unit</li></ul>

### DTC CONFIRMATION PROCEDURE

#### 1. CHECK SELF-DIAG RESULT

##### With CONSULT

1. Turn ignition switch ON.
2. Perform "Self Diagnostic Result" mode of "AIR BAG" using CONSULT.

##### Without CONSULT

1. Turn ignition switch ON.
2. Check the air bag warning lamp status. Refer to [SRC-12, "On Board Diagnosis Function"](#).

#### NOTE:

SRS does not enter the diagnosis mode if no malfunction is detected in the user mode.

#### Is malfunctioning part detected?

YES >> Refer to [SRC-122, "Diagnosis Procedure"](#).

NO >> INSPECTION END

### Diagnosis Procedure

INFOID:000000006887621

#### WARNING:

- Before servicing, turn ignition switch OFF, disconnect battery negative terminal, and wait at least 3 minutes or more. (To discharge backup capacitor.)
- Never use unspecified tester or other measuring device.

#### 1. CHECK HARNESS CONNECTOR

Check the harness connector.

#### Is the inspection result normal?

YES >> GO TO 2.

NO >> Replace harness connector.

#### 2. CHECK WIRING HARNESS

Check the wiring harness externals.

#### Is the inspection result normal?

YES >> GO TO 3.

NO >> Replace wiring harness.

#### 3. REPLACE AIR BAG DIAGNOSIS SENSOR UNIT

1. Replace air bag diagnosis sensor unit. Refer to [SR-25, "Removal and Installation"](#).

2. Perform DTC confirmation procedure. Refer to [SRC-122, "DTC Logic"](#).

#### Is DTC detected?

YES >> GO TO 4.

NO >> INSPECTION END

#### 4. REPLACE CURTAIN AIR BAG MODULE

1. Replace curtain air bag module RH. Refer to [SR-19, "Removal and Installation"](#).

2. Perform DTC confirmation procedure. Refer to [SRC-122, "DTC Logic"](#).

#### Is DTC detected?

# B1147 CURTAIN AIR BAG MODULE RH

< DTC/CIRCUIT DIAGNOSIS >

---

YES >> GO TO 1.

NO >> INSPECTION END

A

B

C

D

E

F

G

**SRC**

I

J

K

L

M

N

O

P

# B1148 CURTAIN AIR BAG MODULE RH

< DTC/CIRCUIT DIAGNOSIS >

## B1148 CURTAIN AIR BAG MODULE RH

### DTC Logic

INFOID:000000006887622

### DTC DETECTION LOGIC

DTC	Display contents of CONSULT	DTC detecting condition	Possible cause
B1148	CURTAIN MODULE RH [SHORT]	Curtain air bag module RH circuits are shorted to each other	<ul style="list-style-type: none"><li>• Harness or connectors (The module circuit is shorted.)</li><li>• Malfunction in curtain air bag module RH</li><li>• Malfunction in air bag diagnosis sensor unit</li></ul>

### DTC CONFIRMATION PROCEDURE

#### 1.CHECK SELF-DIAG RESULT

##### With CONSULT

1. Turn ignition switch ON.
2. Perform "Self Diagnostic Result" mode of "AIR BAG" using CONSULT.

##### Without CONSULT

1. Turn ignition switch ON.
2. Check the air bag warning lamp status. Refer to [SRC-12, "On Board Diagnosis Function"](#).

#### NOTE:

SRS does not enter the diagnosis mode if no malfunction is detected in the user mode.

#### Is malfunctioning part detected?

YES >> Refer to [SRC-124, "Diagnosis Procedure"](#).

NO >> INSPECTION END

### Diagnosis Procedure

INFOID:000000006887623

#### WARNING:

- Before servicing, turn ignition switch OFF, disconnect battery negative terminal, and wait at least 3 minutes or more. (To discharge backup capacitor.)
- Never use unspecified tester or other measuring device.

#### 1.CHECK HARNESS CONNECTOR

Check the harness connector.

#### Is the inspection result normal?

YES >> GO TO 2.

NO >> Replace harness connector.

#### 2.CHECK WIRING HARNESS

Check the wiring harness externals.

#### Is the inspection result normal?

YES >> GO TO 3.

NO >> Replace wiring harness.

#### 3.REPLACE AIR BAG DIAGNOSIS SENSOR UNIT

1. Replace air bag diagnosis sensor unit. Refer to [SR-25, "Removal and Installation"](#).

2. Perform DTC confirmation procedure. Refer to [SRC-124, "DTC Logic"](#).

#### Is DTC detected?

YES >> GO TO 4.

NO >> INSPECTION END

#### 4.REPLACE CURTAIN AIR BAG MODULE

1. Replace curtain air bag module RH. Refer to [SR-19, "Removal and Installation"](#).

2. Perform DTC confirmation procedure. Refer to [SRC-124, "DTC Logic"](#).

#### Is DTC detected?

# B1148 CURTAIN AIR BAG MODULE RH

< DTC/CIRCUIT DIAGNOSIS >

---

YES >> GO TO 1.

NO >> INSPECTION END

A

B

C

D

E

F

G

**SRC**

I

J

K

L

M

N

O

P

# B1150 CURTAIN AIR BAG MODULE LH

< DTC/CIRCUIT DIAGNOSIS >

## B1150 CURTAIN AIR BAG MODULE LH

### DTC Logic

INFOID:000000006887624

### DTC DETECTION LOGIC

DTC	Display contents of CONSULT	DTC detecting condition	Possible cause
B1150	CURTAIN MODULE LH [OPEN]	Curtain air bag module LH circuit is open	<ul style="list-style-type: none"><li>• Harness or connectors (The module circuit is open.)</li><li>• Malfunction in curtain air bag module LH</li><li>• Malfunction in air bag diagnosis sensor unit</li></ul>

### DTC CONFIRMATION PROCEDURE

#### 1. CHECK SELF-DIAG RESULT

With CONSULT

1. Turn ignition switch ON.
2. Perform "Self Diagnostic Result" mode of "AIR BAG" using CONSULT.

Without CONSULT

1. Turn ignition switch ON.
2. Check the air bag warning lamp status. Refer to [SRC-12, "On Board Diagnosis Function"](#).

#### NOTE:

SRS does not enter the diagnosis mode if no malfunction is detected in the user mode.

Is malfunctioning part detected?

- YES >> Refer to [SRC-126, "Diagnosis Procedure"](#).  
NO >> INSPECTION END

### Diagnosis Procedure

INFOID:000000006887625

#### WARNING:

- Before servicing, turn ignition switch OFF, disconnect battery negative terminal, and wait at least 3 minutes or more. (To discharge backup capacitor.)
- Never use unspecified tester or other measuring device.

#### 1. CHECK HARNESS CONNECTOR

Check the harness connector.

Is the inspection result normal?

- YES >> GO TO 2.  
NO >> Replace harness connector.

#### 2. CHECK WIRING HARNESS

Check the wiring harness externals.

Is the inspection result normal?

- YES >> GO TO 3.  
NO >> Replace wiring harness.

#### 3. REPLACE AIR BAG DIAGNOSIS SENSOR UNIT

1. Replace air bag diagnosis sensor unit. Refer to [SR-25, "Removal and Installation"](#).
2. Perform DTC confirmation procedure. Refer to [SRC-126, "DTC Logic"](#).

Is DTC detected?

- YES >> GO TO 4.  
NO >> INSPECTION END

#### 4. REPLACE CURTAIN AIR BAG MODULE

1. Replace curtain air bag module LH. Refer to [SR-19, "Removal and Installation"](#).
2. Perform DTC confirmation procedure. Refer to [SRC-126, "DTC Logic"](#).

Is DTC detected?

# B1150 CURTAIN AIR BAG MODULE LH

< DTC/CIRCUIT DIAGNOSIS >

---

YES >> GO TO 1.

NO >> INSPECTION END

A

B

C

D

E

F

G

**SRC**

I

J

K

L

M

N

O

P

# B1151 CURTAIN AIR BAG MODULE LH

< DTC/CIRCUIT DIAGNOSIS >

## B1151 CURTAIN AIR BAG MODULE LH

### DTC Logic

INFOID:000000006887626

### DTC DETECTION LOGIC

DTC	Display contents of CONSULT	DTC detecting condition	Possible cause
B1151	CURTAIN MODULE LH [VB-SHORT]	Curtain air bag module LH circuit is shorted to power supply circuit	<ul style="list-style-type: none"><li>• Harness or connectors (The module circuit is shorted.)</li><li>• Malfunction in curtain air bag module LH</li><li>• Malfunction in air bag diagnosis sensor unit</li></ul>

### DTC CONFIRMATION PROCEDURE

#### 1. CHECK SELF-DIAG RESULT

##### With CONSULT

1. Turn ignition switch ON.
2. Perform "Self Diagnostic Result" mode of "AIR BAG" using CONSULT.

##### Without CONSULT

1. Turn ignition switch ON.
2. Check the air bag warning lamp status. Refer to [SRC-12, "On Board Diagnosis Function"](#).

#### NOTE:

SRS does not enter the diagnosis mode if no malfunction is detected in the user mode.

#### Is malfunctioning part detected?

YES >> Refer to [SRC-128, "Diagnosis Procedure"](#).

NO >> INSPECTION END

### Diagnosis Procedure

INFOID:000000006887627

#### WARNING:

- Before servicing, turn ignition switch OFF, disconnect battery negative terminal, and wait at least 3 minutes or more. (To discharge backup capacitor.)
- Never use unspecified tester or other measuring device.

#### 1. CHECK HARNESS CONNECTOR

Check the harness connector.

#### Is the inspection result normal?

YES >> GO TO 2.

NO >> Replace harness connector.

#### 2. CHECK WIRING HARNESS

Check the wiring harness externals.

#### Is the inspection result normal?

YES >> GO TO 3.

NO >> Replace wiring harness.

#### 3. REPLACE AIR BAG DIAGNOSIS SENSOR UNIT

1. Replace air bag diagnosis sensor unit. Refer to [SR-25, "Removal and Installation"](#).

2. Perform DTC confirmation procedure. Refer to [SRC-128, "DTC Logic"](#).

#### Is DTC detected?

YES >> GO TO 4.

NO >> INSPECTION END

#### 4. REPLACE CURTAIN AIR BAG MODULE

1. Replace curtain air bag module LH. Refer to [SR-19, "Removal and Installation"](#).

2. Perform DTC confirmation procedure. Refer to [SRC-128, "DTC Logic"](#).

#### Is DTC detected?



# B1151 CURTAIN AIR BAG MODULE LH

< DTC/CIRCUIT DIAGNOSIS >

---

YES >> GO TO 1.

NO >> INSPECTION END

A

B

C

D

E

F

G

**SRC**

I

J

K

L

M

N

O

P

# B1152 CURTAIN AIR BAG MODULE LH

< DTC/CIRCUIT DIAGNOSIS >

## B1152 CURTAIN AIR BAG MODULE LH

### DTC Logic

INFOID:000000006887628

### DTC DETECTION LOGIC

DTC	Display contents of CONSULT	DTC detecting condition	Possible cause
B1152	CURTAIN MODULE LH [GND-SHORT]	Curtain air bag module LH circuit is shorted to ground	<ul style="list-style-type: none"><li>• Harness or connectors (The module circuit is shorted.)</li><li>• Malfunction in curtain air bag module LH</li><li>• Malfunction in air bag diagnosis sensor unit</li></ul>

### DTC CONFIRMATION PROCEDURE

#### 1. CHECK SELF-DIAG RESULT

With CONSULT

1. Turn ignition switch ON.
2. Perform "Self Diagnostic Result" mode of "AIR BAG" using CONSULT.

Without CONSULT

1. Turn ignition switch ON.
2. Check the air bag warning lamp status. Refer to [SRC-12, "On Board Diagnosis Function"](#).

#### NOTE:

SRS does not enter the diagnosis mode if no malfunction is detected in the user mode.

Is malfunctioning part detected?

- YES >> Refer to [SRC-130, "Diagnosis Procedure"](#).  
NO >> INSPECTION END

### Diagnosis Procedure

INFOID:000000006887629

#### WARNING:

- Before servicing, turn ignition switch OFF, disconnect battery negative terminal, and wait at least 3 minutes or more. (To discharge backup capacitor.)
- Never use unspecified tester or other measuring device.

#### 1. CHECK HARNESS CONNECTOR

Check the harness connector.

Is the inspection result normal?

- YES >> GO TO 2.  
NO >> Replace harness connector.

#### 2. CHECK WIRING HARNESS

Check the wiring harness externals.

Is the inspection result normal?

- YES >> GO TO 3.  
NO >> Replace wiring harness.

#### 3. REPLACE AIR BAG DIAGNOSIS SENSOR UNIT

1. Replace air bag diagnosis sensor unit. Refer to [SR-25, "Removal and Installation"](#).
2. Perform DTC confirmation procedure. Refer to [SRC-130, "DTC Logic"](#).

Is DTC detected?

- YES >> GO TO 4.  
NO >> INSPECTION END

#### 4. REPLACE CURTAIN AIR BAG MODULE

1. Replace curtain air bag module LH. Refer to [SR-19, "Removal and Installation"](#).
2. Perform DTC confirmation procedure. Refer to [SRC-130, "DTC Logic"](#).

Is DTC detected?

# B1152 CURTAIN AIR BAG MODULE LH

< DTC/CIRCUIT DIAGNOSIS >

---

YES >> GO TO 1.

NO >> INSPECTION END

A

B

C

D

E

F

G

**SRC**

I

J

K

L

M

N

O

P

# B1153 CURTAIN AIR BAG MODULE LH

< DTC/CIRCUIT DIAGNOSIS >

## B1153 CURTAIN AIR BAG MODULE LH

### DTC Logic

INFOID:000000006887630

### DTC DETECTION LOGIC

DTC	Display contents of CONSULT	DTC detecting condition	Possible cause
B1153	CURTAIN MODULE LH [SHORT]	Curtain air bag module LH circuits are shorted to each other	<ul style="list-style-type: none"><li>• Harness or connectors (The module circuit is shorted.)</li><li>• Malfunction in curtain air bag module LH</li><li>• Malfunction in air bag diagnosis sensor unit</li></ul>

### DTC CONFIRMATION PROCEDURE

#### 1. CHECK SELF-DIAG RESULT

With CONSULT

1. Turn ignition switch ON.
2. Perform "Self Diagnostic Result" mode of "AIR BAG" using CONSULT.

Without CONSULT

1. Turn ignition switch ON.
2. Check the air bag warning lamp status. Refer to [SRC-12, "On Board Diagnosis Function"](#).

#### NOTE:

SRS does not enter the diagnosis mode if no malfunction is detected in the user mode.

Is malfunctioning part detected?

- YES >> Refer to [SRC-132, "Diagnosis Procedure"](#).  
NO >> INSPECTION END

### Diagnosis Procedure

INFOID:000000006887631

#### WARNING:

- Before servicing, turn ignition switch OFF, disconnect battery negative terminal, and wait at least 3 minutes or more. (To discharge backup capacitor.)
- Never use unspecified tester or other measuring device.

#### 1. CHECK HARNESS CONNECTOR

Check the harness connector.

Is the inspection result normal?

- YES >> GO TO 2.  
NO >> Replace harness connector.

#### 2. CHECK WIRING HARNESS

Check the wiring harness externals.

Is the inspection result normal?

- YES >> GO TO 3.  
NO >> Replace wiring harness.

#### 3. REPLACE AIR BAG DIAGNOSIS SENSOR UNIT

1. Replace air bag diagnosis sensor unit. Refer to [SR-25, "Removal and Installation"](#).
2. Perform DTC confirmation procedure. Refer to [SRC-132, "DTC Logic"](#).

Is DTC detected?

- YES >> GO TO 4.  
NO >> INSPECTION END

#### 4. REPLACE CURTAIN AIR BAG MODULE

1. Replace curtain air bag module LH. Refer to [SR-19, "Removal and Installation"](#).
2. Perform DTC confirmation procedure. Refer to [SRC-132, "DTC Logic"](#).

Is DTC detected?

# B1153 CURTAIN AIR BAG MODULE LH

< DTC/CIRCUIT DIAGNOSIS >

---

YES >> GO TO 1.

NO >> INSPECTION END

A

B

C

D

E

F

G

**SRC**

I

J

K

L

M

N

O

P

# B1154, B1155, B1156, B1157, B1158, B1159 DIAGNOSIS SENSOR UNIT

< DTC/CIRCUIT DIAGNOSIS >

## B1154, B1155, B1156, B1157, B1158, B1159 DIAGNOSIS SENSOR UNIT

### DTC Logic

INFOID:000000006887632

### DTC DETECTION LOGIC

DTC	Display contents of CONSULT	DTC detecting condition	Possible cause
B1154 B1155 B1156 B1157 B1158 B1159	CONTROL UNIT	Air bag diagnosis sensor unit is malfunctioning	Malfunction in air bag diagnosis sensor unit

### DTC CONFIRMATION PROCEDURE

#### 1. CHECK SELF-DIAG RESULT

##### With CONSULT

1. Turn ignition switch ON.
2. Perform "Self Diagnostic Result" mode of "AIR BAG" using CONSULT.

##### Without CONSULT

1. Turn ignition switch ON.
2. Check the air bag warning lamp status. Refer to [SRC-12, "On Board Diagnosis Function"](#).

#### NOTE:

SRS does not enter the diagnosis mode if no malfunction is detected in the user mode.

Is malfunctioning part detected?

- YES >> Refer to [SRC-134, "Diagnosis Procedure"](#).  
NO >> INSPECTION END

### Diagnosis Procedure

INFOID:000000006887633

#### WARNING:

- Before servicing, turn ignition switch OFF, disconnect battery negative terminal, and wait at least 3 minutes or more. (To discharge backup capacitor.)
- Never use unspecified tester or other measuring device.

#### 1. CHECK HARNESS CONNECTOR

Check the harness connector.

Is the inspection result normal?

- YES >> GO TO 2.  
NO >> Replace harness connectors.

#### 2. CHECK WIRING HARNESS

Check the wiring harness externals.

Is the inspection result normal?

- YES >> GO TO 3.  
NO >> Replace wiring harness.

#### 3. REPLACE AIR BAG DIAGNOSIS SENSOR UNIT

1. Replace air bag diagnosis sensor unit. Refer to [SR-25, "Removal and Installation"](#).
2. Perform DTC confirmation procedure. Refer to [SRC-134, "DTC Logic"](#).

Is DTC detected?

- YES >> GO TO 1.  
NO >> INSPECTION END

# B1170, B1171, B1172, B1173, B1174, B1175 DIAGNOSIS SENSOR UNIT

< DTC/CIRCUIT DIAGNOSIS >

## B1170, B1171, B1172, B1173, B1174, B1175 DIAGNOSIS SENSOR UNIT

### DTC Logic

INFOID:000000006887634

### DTC DETECTION LOGIC

DTC	Display contents of CONSULT	DTC detecting condition	Possible cause
B1170 B1171 B1172 B1173 B1174 B1175	CONTROL UNIT	Air bag diagnosis sensor unit is malfunctioning	Malfunction in air bag diagnosis sensor unit

### DTC CONFIRMATION PROCEDURE

#### 1. CHECK SELF-DIAG RESULT

##### With CONSULT

1. Turn ignition switch ON.
2. Perform "Self Diagnostic Result" mode of "AIR BAG" using CONSULT.

##### Without CONSULT

1. Turn ignition switch ON.
2. Check the air bag warning lamp status. Refer to [SRC-12, "On Board Diagnosis Function"](#).

#### NOTE:

SRS does not enter the diagnosis mode if no malfunction is detected in the user mode.

#### Is malfunctioning part detected?

- YES >> Refer to [SRC-135, "Diagnosis Procedure"](#).  
NO >> INSPECTION END

### Diagnosis Procedure

INFOID:000000006887635

#### WARNING:

- Before servicing, turn ignition switch OFF, disconnect battery negative terminal, and wait at least 3 minutes or more. (To discharge backup capacitor.)
- Never use unspecified tester or other measuring device.

#### 1. CHECK HARNESS CONNECTOR

Check the harness connector.

#### Is the inspection result normal?

- YES >> GO TO 2.  
NO >> Replace harness connectors.

#### 2. CHECK WIRING HARNESS

Check the wiring harness externals.

#### Is the inspection result normal?

- YES >> GO TO 3.  
NO >> Replace wiring harness.

#### 3. REPLACE AIR BAG DIAGNOSIS SENSOR UNIT

1. Replace air bag diagnosis sensor unit. Refer to [SR-25, "Removal and Installation"](#).
2. Perform DTC confirmation procedure. Refer to [SRC-135, "DTC Logic"](#).

#### Is DTC detected?

- YES >> GO TO 1.  
NO >> INSPECTION END

# B1182 LAP PRE-TENSIONER LH

< DTC/CIRCUIT DIAGNOSIS >

## B1182 LAP PRE-TENSIONER LH

### DTC Logic

INFOID:000000006887636

DTC No.	Trouble diagnosis name	DTC detecting condition	Possible cause
B1182	PRE-TEN2 FRONT LH [OPEN]	Lap pre-tensioner LH circuit is open	<ul style="list-style-type: none"><li>• Harness or connectors (The pre-tensioner circuit is open.)</li><li>• Malfunction in lap pre-tensioner LH</li><li>• Malfunction in air bag diagnosis sensor unit</li></ul>

### DTC CONFIRMATION PROCEDURE

#### 1. CHECK SELF-DIAGNOSTIC RESULT

With CONSULT

1. Turn ignition switch ON.
2. Perform "Self Diagnostic Result" mode of "AIR BAG" using CONSULT.

Without CONSULT

1. Turn ignition switch ON.
2. Check the air bag warning lamp status. Refer to [SRC-12. "On Board Diagnosis Function"](#).

#### NOTE:

SRS does not enter diagnosis mode if no malfunction is detected in user mode.

Is malfunctioning part detected?

- YES >> Refer to [SRC-136. "Diagnosis Procedure"](#).  
NO >> INSPECTION END

### Diagnosis Procedure

INFOID:000000006887637

#### WARNING:

- Before servicing, turn ignition switch OFF, disconnect battery negative terminal and wait at least 3 minutes. (To discharge backup capacitor.)
- Never use unspecified tester or other measuring device.

#### 1. CHECK HARNESS CONNECTOR

Check the harness connector.

Is the inspection result normal?

- YES >> GO TO 2.  
NO >> Replace harness connector.

#### 2. CHECK WIRING HARNESS

Check the wiring harness externals.

Is the inspection result normal?

- YES >> GO TO 3.  
NO >> Replace wiring harness.

#### 3. REPLACE LAP PRE-TENSIONER LH

1. Replace lap pre-tensioner LH. Refer to [SR-27. "Removal and Installation"](#).
2. Perform DTC confirmation procedure. Refer to [SRC-136. "DTC Logic"](#).

Is DTC detected?

- YES >> GO TO 4.  
NO >> INSPECTION END

#### 4. REPLACE AIR BAG DIAGNOSIS SENSOR UNIT

1. Replace air bag diagnosis sensor unit. Refer to [SR-25. "Removal and Installation"](#).
2. Perform DTC confirmation procedure. Refer to [SRC-136. "DTC Logic"](#).

Is DTC detected?

- YES >> GO TO 1.  
NO >> INSPECTION END



# B1183 LAP PRE-TENSIONER LH

< DTC/CIRCUIT DIAGNOSIS >

## B1183 LAP PRE-TENSIONER LH

### DTC Logic

INFOID:000000006887638

DTC No.	Trouble diagnosis name	DTC detecting condition	Possible cause
B1183	PRE-TEN2 FRONT LH [VB-SHORT]	Lap pre-tensioner LH circuit is shorted to some power supply circuit	<ul style="list-style-type: none"><li>• Harness or connectors (The pre-tensioner circuit is shorted.)</li><li>• Malfunction in lap pre-tensioner LH</li><li>• Malfunction in air bag diagnosis sensor unit</li></ul>

### DTC CONFIRMATION PROCEDURE

#### 1. CHECK SELF-DIAGNOSTIC RESULT

With CONSULT

1. Turn ignition switch ON.
2. Perform "Self Diagnostic Result" mode of "AIR BAG" using CONSULT.

Without CONSULT

1. Turn ignition switch ON.
2. Check the air bag warning lamp status. Refer to [SRC-12. "On Board Diagnosis Function"](#).

#### NOTE:

SRS does not enter diagnosis mode if no malfunction is detected in user mode.

Is malfunctioning part detected?

- YES >> Refer to [SRC-137. "Diagnosis Procedure"](#).  
NO >> INSPECTION END

### Diagnosis Procedure

INFOID:000000006887639

#### WARNING:

- Before servicing, turn ignition switch OFF, disconnect battery negative terminal and wait at least 3 minutes. (To discharge backup capacitor.)
- Never use unspecified tester or other measuring device.

#### 1. CHECK HARNESS CONNECTOR

Check the harness connector.

Is the inspection result normal?

- YES >> GO TO 2.  
NO >> Replace harness connector.

#### 2. CHECK WIRING HARNESS

Check the wiring harness externals.

Is the inspection result normal?

- YES >> GO TO 3.  
NO >> Replace wiring harness.

#### 3. REPLACE LAP PRE-TENSIONER LH

1. Replace lap pre-tensioner LH. Refer to [SR-27. "Removal and Installation"](#).
2. Perform DTC confirmation procedure. Refer to [SRC-137. "DTC Logic"](#).

Is DTC detected?

- YES >> GO TO 4.  
NO >> INSPECTION END

#### 4. REPLACE AIR BAG DIAGNOSIS SENSOR UNIT

1. Replace air bag diagnosis sensor unit. Refer to [SR-25. "Removal and Installation"](#).
2. Perform DTC confirmation procedure. Refer to [SRC-137. "DTC Logic"](#).

Is DTC detected?

- YES >> GO TO 1.  
NO >> INSPECTION END

A  
B  
C  
D  
E  
F  
G  
I  
J  
K  
L  
M  
N  
O  
P

SRC

# B1184 LAP PRE-TENSIONER LH

< DTC/CIRCUIT DIAGNOSIS >

## B1184 LAP PRE-TENSIONER LH

### DTC Logic

INFOID:000000006887640

DTC No.	Trouble diagnosis name	DTC detecting condition	Possible cause
B1184	PRE-TEN2 FRONT LH [GND-SHORT]	Lap pre-tensioner LH circuit is shorted to ground	<ul style="list-style-type: none"><li>• Harness or connectors (The pre-tensioner circuit is shorted.)</li><li>• Malfunction in lap pre-tensioner LH</li><li>• Malfunction in air bag diagnosis sensor unit</li></ul>

### DTC CONFIRMATION PROCEDURE

#### 1. CHECK SELF-DIAGNOSTIC RESULT

With CONSULT

1. Turn ignition switch ON.
2. Perform "Self Diagnostic Result" mode of "AIR BAG" using CONSULT.

Without CONSULT

1. Turn ignition switch ON.
2. Check the air bag warning lamp status. Refer to [SRC-12. "On Board Diagnosis Function"](#).

#### NOTE:

SRS does not enter diagnosis mode if no malfunction is detected in user mode.

Is malfunctioning part detected?

- YES >> Refer to [SRC-138. "Diagnosis Procedure"](#).  
NO >> INSPECTION END

### Diagnosis Procedure

INFOID:000000006887641

#### WARNING:

- Before servicing, turn ignition switch OFF, disconnect battery negative terminal and wait at least 3 minutes. (To discharge backup capacitor.)
- Never use unspecified tester or other measuring device.

#### 1. CHECK HARNESS CONNECTOR

Check the harness connector.

Is the inspection result normal?

- YES >> GO TO 2.  
NO >> Replace harness connector.

#### 2. CHECK WIRING HARNESS

Check the wiring harness externals.

Is the inspection result normal?

- YES >> GO TO 3.  
NO >> Replace wiring harness.

#### 3. REPLACE LAP PRE-TENSIONER LH

1. Replace lap pre-tensioner LH. Refer to [SR-27. "Removal and Installation"](#).
2. Perform DTC confirmation procedure. Refer to [SRC-138. "DTC Logic"](#).

Is DTC detected?

- YES >> GO TO 4.  
NO >> INSPECTION END

#### 4. REPLACE AIR BAG DIAGNOSIS SENSOR UNIT

1. Replace air bag diagnosis sensor unit. Refer to [SR-25. "Removal and Installation"](#).
2. Perform DTC confirmation procedure. Refer to [SRC-138. "DTC Logic"](#).

Is DTC detected?

- YES >> GO TO 1.  
NO >> INSPECTION END

# B1185 LAP PRE-TENSIONER LH

< DTC/CIRCUIT DIAGNOSIS >

## B1185 LAP PRE-TENSIONER LH

### DTC Logic

INFOID:000000006887642

DTC No.	Trouble diagnosis name	DTC detecting condition	Possible cause
B1185	PRE-TEN2 FRONT LH [SHORT]	Lap pre-tensioner LH circuit are shorted to each other	<ul style="list-style-type: none"><li>• Harness or connectors (The pre-tensioner circuit is shorted.)</li><li>• Malfunction in lap pre-tensioner LH</li><li>• Malfunction in air bag diagnosis sensor unit</li></ul>

### DTC CONFIRMATION PROCEDURE

#### 1. CHECK SELF-DIAGNOSTIC RESULT

With CONSULT

1. Turn ignition switch ON.
2. Perform "Self Diagnostic Result" mode of "AIR BAG" using CONSULT.

Without CONSULT

1. Turn ignition switch ON.
2. Check the air bag warning lamp status. Refer to [SRC-12, "On Board Diagnosis Function"](#).

#### NOTE:

SRS does not enter diagnosis mode if no malfunction is detected in user mode.

Is malfunctioning part detected?

- YES >> Refer to [SRC-139, "Diagnosis Procedure"](#).  
NO >> INSPECTION END

### Diagnosis Procedure

INFOID:000000006887643

#### WARNING:

- Before servicing, turn ignition switch OFF, disconnect battery negative terminal and wait at least 3 minutes. (To discharge backup capacitor.)
- Never use unspecified tester or other measuring device.

#### 1. CHECK HARNESS CONNECTOR

Check the harness connector.

Is the inspection result normal?

- YES >> GO TO 2.  
NO >> Replace harness connector.

#### 2. CHECK WIRING HARNESS

Check the wiring harness externals.

Is the inspection result normal?

- YES >> GO TO 3.  
NO >> Replace wiring harness.

#### 3. REPLACE LAP PRE-TENSIONER LH

1. Replace lap pre-tensioner LH. Refer to [SR-27, "Removal and Installation"](#).
2. Perform DTC confirmation procedure. Refer to [SRC-139, "DTC Logic"](#).

Is DTC detected?

- YES >> GO TO 4.  
NO >> INSPECTION END

#### 4. REPLACE AIR BAG DIAGNOSIS SENSOR UNIT

1. Replace air bag diagnosis sensor unit. Refer to [SR-25, "Removal and Installation"](#).
2. Perform DTC confirmation procedure. Refer to [SRC-139, "DTC Logic"](#).

Is DTC detected?

- YES >> GO TO 1.  
NO >> INSPECTION END

A  
B  
C  
D  
E  
F  
G  
I  
J  
K  
L  
M  
N  
O  
P

SRC

# B1186, B1187, B1188, B1189, B1190, B1191 DIAGNOSIS SENSOR UNIT

< DTC/CIRCUIT DIAGNOSIS >

## B1186, B1187, B1188, B1189, B1190, B1191 DIAGNOSIS SENSOR UNIT

### DTC Logic

INFOID:000000006887644

### DTC DETECTION LOGIC

DTC	Display contents of CONSULT	DTC detecting condition	Possible cause
B1186 B1187 B1188 B1189 B1190 B1191	CONTROL UNIT	Air bag diagnosis sensor unit is malfunctioning	Malfunction in air bag diagnosis sensor unit

### DTC CONFIRMATION PROCEDURE

#### 1. CHECK SELF-DIAG RESULT

##### With CONSULT

1. Turn ignition switch ON.
2. Perform "Self Diagnostic Result" mode of "AIR BAG" using CONSULT.

##### Without CONSULT

1. Turn ignition switch ON.
2. Check the air bag warning lamp status. Refer to [SRC-12, "On Board Diagnosis Function"](#).

#### NOTE:

SRS does not enter the diagnosis mode if no malfunction is detected in the user mode.

Is malfunctioning part detected?

- YES >> Refer to [SRC-140, "Diagnosis Procedure"](#).  
NO >> INSPECTION END

### Diagnosis Procedure

INFOID:000000006887645

#### WARNING:

- Before servicing, turn ignition switch OFF, disconnect battery negative terminal, and wait at least 3 minutes or more. (To discharge backup capacitor.)
- Never use unspecified tester or other measuring device.

#### 1. CHECK HARNESS CONNECTOR

Check the harness connector.

Is the inspection result normal?

- YES >> GO TO 2.  
NO >> Replace harness connectors.

#### 2. CHECK WIRING HARNESS

Check the wiring harness externals.

Is the inspection result normal?

- YES >> GO TO 3.  
NO >> Replace wiring harness.

#### 3. REPLACE AIR BAG DIAGNOSIS SENSOR UNIT

1. Replace air bag diagnosis sensor unit. Refer to [SR-25, "Removal and Installation"](#).
2. Perform DTC confirmation procedure. Refer to [SRC-140, "DTC Logic"](#).

Is DTC detected?

- YES >> GO TO 1.  
NO >> INSPECTION END

# B1202, B1203, B1204, B1205, B1206, B1207 DIAGNOSIS SENSOR UNIT

< DTC/CIRCUIT DIAGNOSIS >

## B1202, B1203, B1204, B1205, B1206, B1207 DIAGNOSIS SENSOR UNIT

### DTC Logic

INFOID:000000006887646

### DTC DETECTION LOGIC

DTC	Display contents of CONSULT	DTC detecting condition	Possible cause
B1202 B1203 B1204 B1205 B1206 B1207	CONTROL UNIT	Air bag diagnosis sensor unit is malfunctioning	Malfunction in air bag diagnosis sensor unit

### DTC CONFIRMATION PROCEDURE

#### 1. CHECK SELF-DIAG RESULT

##### With CONSULT

1. Turn ignition switch ON.
2. Perform "Self Diagnostic Result" mode of "AIR BAG" using CONSULT.

##### Without CONSULT

1. Turn ignition switch ON.
2. Check the air bag warning lamp status. Refer to [SRC-12, "On Board Diagnosis Function"](#).

#### NOTE:

SRS does not enter the diagnosis mode if no malfunction is detected in the user mode.

#### Is malfunctioning part detected?

- YES >> Refer to [SRC-141, "Diagnosis Procedure"](#).  
NO >> INSPECTION END

### Diagnosis Procedure

INFOID:000000006887647

#### WARNING:

- Before servicing, turn ignition switch OFF, disconnect battery negative terminal, and wait at least 3 minutes or more. (To discharge backup capacitor.)
- Never use unspecified tester or other measuring device.

#### 1. CHECK HARNESS CONNECTOR

Check the harness connector.

#### Is the inspection result normal?

- YES >> GO TO 2.  
NO >> Replace harness connectors.

#### 2. CHECK WIRING HARNESS

Check the wiring harness externals.

#### Is the inspection result normal?

- YES >> GO TO 3.  
NO >> Replace wiring harness.

#### 3. REPLACE AIR BAG DIAGNOSIS SENSOR UNIT

1. Replace air bag diagnosis sensor unit. Refer to [SR-25, "Removal and Installation"](#).
2. Perform DTC confirmation procedure. Refer to [SRC-141, "DTC Logic"](#).

#### Is DTC detected?

- YES >> GO TO 1.  
NO >> INSPECTION END

# B1209 FRONTAL COLLISION DETECTION

< DTC/CIRCUIT DIAGNOSIS >

## B1209 FRONTAL COLLISION DETECTION

### Description

INFOID:000000006887648

The air bags and seat belt pre-tensioners for driver and passenger are activated by the air bag diagnosis sensor unit signal transmitted at the time of the frontal collision.

### DTC Logic

INFOID:000000006887649

### DTC DETECTION LOGIC

DTC	Display contents of CONSULT	DTC detecting condition	Possible cause
B1209	FRONTAL COLLISION DETECTION	Seat belt pre-tensioner, driver side air bag and passenger air bag are deployed	—

### DTC CONFIRMATION PROCEDURE

#### 1. CHECK SELF-DIAG RESULT

##### With CONSULT

1. Turn ignition switch ON.
2. Perform "Self Diagnostic Result" mode of "AIR BAG" using CONSULT.

##### Without CONSULT

1. Turn ignition switch ON.
2. Check the air bag warning lamp status. Refer to [SRC-12, "On Board Diagnosis Function"](#).

#### NOTE:

SRS does not enter the diagnosis mode if no malfunction is detected in the user mode.

#### Is malfunctioning part detected?

- YES >> Refer to [SRC-142, "Diagnosis Procedure"](#).  
NO >> INSPECTION END

### Diagnosis Procedure

INFOID:000000006887650

#### WARNING:

- Before servicing, turn ignition switch OFF, disconnect battery negative terminal, and wait at least 3 minutes or more. (To discharge backup capacitor.)
- Never use unspecified tester or other measuring device.

#### 1. PERFORM COLLISION DIAGNOSIS

Perform collision diagnosis. Refer to [SR-5, "FOR FRONTAL COLLISION : When SRS is activated in a collision"](#) or [SR-6, "FOR FRONTAL COLLISION : When SRS is not activated in a collision"](#).

#### Is collision diagnosis complete?

- YES >> GO TO 2.  
NO >> INSPECTION END

#### 2. FINAL INSPECTION

Perform "AIR BAG" Self Diagnostic Result.

#### Is the inspection result normal?

- YES >> INSPECTION END  
NO >> Perform diagnosis of applicable DTC. Refer to [SRC-18, "DTC Index"](#).

# B1210 SIDE COLLISION DETECTION

< DTC/CIRCUIT DIAGNOSIS >

## B1210 SIDE COLLISION DETECTION

### Description

INFOID:000000006887651

The side air bag and curtain air bag are activated by the air bag diagnosis sensor unit signal transmitted at the time of side collision.

### DTC Logic

INFOID:000000006887652

### DTC DETECTION LOGIC

DTC	Display contents of CONSULT	DTC detecting condition	Possible cause
B1210	SIDE COLLISION DETECTION	Side air bag and curtain air bag are deployed	—

### DTC CONFIRMATION PROCEDURE

#### 1. CHECK SELF-DIAG RESULT

##### With CONSULT

1. Turn ignition switch ON.
2. Perform "Self Diagnostic Result" mode of "AIR BAG" using CONSULT.

##### Without CONSULT

1. Turn ignition switch ON.
2. Check the air bag warning lamp status. Refer to [SRC-12, "On Board Diagnosis Function"](#).

#### NOTE:

SRS does not enter the diagnosis mode if no malfunction is detected in the user mode.

#### Is malfunctioning part detected?

- YES >> Refer to [SRC-143, "Diagnosis Procedure"](#).  
NO >> INSPECTION END

### Diagnosis Procedure

INFOID:000000006887653

#### WARNING:

- Before servicing, turn ignition switch OFF, disconnect battery negative terminal, and wait at least 3 minutes or more. (To discharge backup capacitor.)
- Never use unspecified tester or other measuring device.

#### 1. PERFORM COLLISION DIAGNOSIS

Perform collision diagnosis. Refer to [SR-7, "FOR SIDE AND ROLLOVER COLLISION : When SRS is activated in a collision"](#) or [SR-8, "FOR SIDE AND ROLLOVER COLLISION : When SRS is not activated in a collision"](#).

#### Is collision diagnosis complete?

- YES >> GO TO 2.  
NO >> INSPECTION END

#### 2. FINAL INSPECTION

Perform "AIR BAG" Self Diagnostic Result.

#### Is the inspection result normal?

- YES >> INSPECTION END  
NO >> Perform diagnosis of applicable DTC. Refer to [SRC-18, "DTC Index"](#).

# B1212, B1213, B1214 SATELLITE SENSOR RH

< DTC/CIRCUIT DIAGNOSIS >

## B1212, B1213, B1214 SATELLITE SENSOR RH

### DTC Logic

INFOID:000000006887654

### DTC DETECTION LOGIC

DTC	Display contents of CONSULT	DTC detecting condition	Possible cause
B1212 B1213 B1214	RH1 SAT-SENS	Satellite sensor RH is malfunctioning	<ul style="list-style-type: none"><li>• Harness or connectors</li><li>• Malfunction in satellite sensor RH</li><li>• Malfunction in air bag diagnosis sensor unit</li></ul>

### DTC CONFIRMATION PROCEDURE

#### 1. CHECK SELF-DIAG RESULT

##### With CONSULT

1. Turn ignition switch ON.
2. Perform "Self Diagnostic Result" mode of "AIR BAG" using CONSULT.

##### Without CONSULT

1. Turn ignition switch ON.
2. Check the air bag warning lamp status. Refer to [SRC-12, "On Board Diagnosis Function"](#).

#### NOTE:

SRS does not enter the diagnosis mode if no malfunction is detected in the user mode.

#### Is malfunctioning part detected?

- YES >> Refer to [SRC-144, "Diagnosis Procedure"](#).  
NO >> INSPECTION END

### Diagnosis Procedure

INFOID:000000006887655

#### WARNING:

- Before servicing, turn ignition switch OFF, disconnect battery negative terminal, and wait at least 3 minutes or more. (To discharge backup capacitor.)
- Never use unspecified tester or other measuring device.

#### 1. CHECK HARNESS CONNECTOR

Check the harness connector.

#### Is the inspection result normal?

- YES >> GO TO 2.  
NO >> Replace harness connector.

#### 2. CHECK WIRING HARNESS

Check the wiring harness externals.

#### Is the inspection result normal?

- YES >> GO TO 3.  
NO >> Replace wiring harness.

#### 3. REPLACE SATELLITE SENSOR

1. Replace satellite sensor RH. Refer to [SR-23, "Removal and Installation"](#).
2. Perform DTC confirmation procedure. Refer to [SRC-144, "DTC Logic"](#).

#### Is DTC detected?

- YES >> GO TO 4.  
NO >> INSPECTION END

#### 4. REPLACE AIR BAG DIAGNOSIS SENSOR UNIT

1. Replace air bag diagnosis sensor unit. Refer to [SR-25, "Removal and Installation"](#).
2. Perform DTC confirmation procedure. Refer to [SRC-144, "DTC Logic"](#).

#### Is DTC detected?

- YES >> GO TO 1.



# B1212, B1213, B1214 SATELLITE SENSOR RH

< DTC/CIRCUIT DIAGNOSIS >

---

NO >> INSPECTION END

A

B

C

D

E

F

G

**SRC**

I

J

K

L

M

N

O

P

# B1215, B1216, B1217 SATELLITE SENSOR LH

< DTC/CIRCUIT DIAGNOSIS >

## B1215, B1216, B1217 SATELLITE SENSOR LH

### DTC Logic

INFOID:000000006887656

### DTC DETECTION LOGIC

DTC	Display contents of CONSULT	DTC detecting condition	Possible cause
B1215 B1216 B1217	LH1 SAT-SENS	Satellite sensor LH is malfunctioning	<ul style="list-style-type: none"><li>• Harness or connectors</li><li>• Malfunction in satellite sensor LH</li><li>• Malfunction in air bag diagnosis sensor unit</li></ul>

### DTC CONFIRMATION PROCEDURE

#### 1. CHECK SELF-DIAG RESULT

##### With CONSULT

1. Turn ignition switch ON.
2. Perform "Self Diagnostic Result" mode of "AIR BAG" using CONSULT.

##### Without CONSULT

1. Turn ignition switch ON.
2. Check the air bag warning lamp status. Refer to [SRC-12, "On Board Diagnosis Function"](#).

#### NOTE:

SRS does not enter the diagnosis mode if no malfunction is detected in the user mode.

#### Is malfunctioning part detected?

- YES >> Refer to [SRC-146, "Diagnosis Procedure"](#).  
NO >> INSPECTION END

### Diagnosis Procedure

INFOID:000000006887657

#### WARNING:

- Before servicing, turn ignition switch OFF, disconnect battery negative terminal, and wait at least 3 minutes or more. (To discharge backup capacitor.)
- Never use unspecified tester or other measuring device.

#### 1. CHECK HARNESS CONNECTOR

Check the harness connector.

#### Is the inspection result normal?

- YES >> GO TO 2.  
NO >> Replace harness connector.

#### 2. CHECK WIRING HARNESS

Check the wiring harness externals.

#### Is the inspection result normal?

- YES >> GO TO 3.  
NO >> Replace wiring harness.

#### 3. REPLACE SATELLITE SENSOR

1. Replace satellite sensor LH. Refer to [SR-23, "Removal and Installation"](#).
2. Perform DTC confirmation procedure. Refer to [SRC-146, "DTC Logic"](#).

#### Is DTC detected?

- YES >> GO TO 4.  
NO >> INSPECTION END

#### 4. REPLACE AIR BAG DIAGNOSIS SENSOR UNIT

1. Replace air bag diagnosis sensor unit. Refer to [SR-25, "Removal and Installation"](#).
2. Perform DTC confirmation procedure. Refer to [SRC-146, "DTC Logic"](#).

#### Is DTC detected?

- YES >> GO TO 1.

# B1215, B1216, B1217 SATELLITE SENSOR LH

< DTC/CIRCUIT DIAGNOSIS >

---

NO >> INSPECTION END

A

B

C

D

E

F

G

**SRC**

I

J

K

L

M

N

O

P

# B1218, B1219, B1220, B1221, B1222, B1223 DIAGNOSIS SENSOR UNIT

< DTC/CIRCUIT DIAGNOSIS >

## B1218, B1219, B1220, B1221, B1222, B1223 DIAGNOSIS SENSOR UNIT

### DTC Logic

INFOID:000000006887658

### DTC DETECTION LOGIC

DTC	Display contents of CONSULT	DTC detecting condition	Possible cause
B1218 B1219 B1220 B1221 B1222 B1223	CONTROL UNIT	Air bag diagnosis sensor unit is malfunctioning	Malfunction in air bag diagnosis sensor unit

### DTC CONFIRMATION PROCEDURE

#### 1. CHECK SELF-DIAG RESULT

##### With CONSULT

1. Turn ignition switch ON.
2. Perform "Self Diagnostic Result" mode of "AIR BAG" using CONSULT.

##### Without CONSULT

1. Turn ignition switch ON.
2. Check the air bag warning lamp status. Refer to [SRC-12, "On Board Diagnosis Function"](#).

#### NOTE:

SRS does not enter the diagnosis mode if no malfunction is detected in the user mode.

#### Is malfunctioning part detected?

- YES >> Refer to [SRC-148, "Diagnosis Procedure"](#).  
NO >> INSPECTION END

### Diagnosis Procedure

INFOID:000000006887659

#### WARNING:

- Before servicing, turn ignition switch OFF, disconnect battery negative terminal, and wait at least 3 minutes or more. (To discharge backup capacitor.)
- Never use unspecified tester or other measuring device.

#### 1. CHECK HARNESS CONNECTOR

Check the harness connector.

#### Is the inspection result normal?

- YES >> GO TO 2.  
NO >> Replace harness connectors.

#### 2. CHECK WIRING HARNESS

Check the wiring harness externals.

#### Is the inspection result normal?

- YES >> GO TO 3.  
NO >> Replace wiring harness.

#### 3. REPLACE AIR BAG DIAGNOSIS SENSOR UNIT

1. Replace air bag diagnosis sensor unit. Refer to [SR-25, "Removal and Installation"](#).
2. Perform DTC confirmation procedure. Refer to [SRC-148, "DTC Logic"](#).

#### Is DTC detected?

- YES >> GO TO 1.  
NO >> INSPECTION END

# B1234, B1235, B1236, B1237, B1238, B1239 DIAGNOSIS SENSOR UNIT

< DTC/CIRCUIT DIAGNOSIS >

## B1234, B1235, B1236, B1237, B1238, B1239 DIAGNOSIS SENSOR UNIT

### DTC Logic

INFOID:000000006887660

### DTC DETECTION LOGIC

DTC	Display contents of CONSULT	DTC detecting condition	Possible cause
B1234 B1235 B1236 B1237 B1238 B1239	CONTROL UNIT	Air bag diagnosis sensor unit is malfunctioning	Malfunction in air bag diagnosis sensor unit

### DTC CONFIRMATION PROCEDURE

#### 1. CHECK SELF-DIAG RESULT

##### With CONSULT

1. Turn ignition switch ON.
2. Perform "Self Diagnostic Result" mode of "AIR BAG" using CONSULT.

##### Without CONSULT

1. Turn ignition switch ON.
2. Check the air bag warning lamp status. Refer to [SRC-12, "On Board Diagnosis Function"](#).

#### NOTE:

SRS does not enter the diagnosis mode if no malfunction is detected in the user mode.

#### Is malfunctioning part detected?

- YES >> Refer to [SRC-150, "Diagnosis Procedure"](#).  
NO >> INSPECTION END

### Diagnosis Procedure

INFOID:000000006887661

#### WARNING:

- Before servicing, turn ignition switch OFF, disconnect battery negative terminal, and wait at least 3 minutes or more. (To discharge backup capacitor.)
- Never use unspecified tester or other measuring device.

#### 1. CHECK HARNESS CONNECTOR

Check the harness connector.

#### Is the inspection result normal?

- YES >> GO TO 2.  
NO >> Replace harness connectors.

#### 2. CHECK WIRING HARNESS

Check the wiring harness externals.

#### Is the inspection result normal?

- YES >> GO TO 3.  
NO >> Replace wiring harness.

#### 3. REPLACE AIR BAG DIAGNOSIS SENSOR UNIT

1. Replace air bag diagnosis sensor unit. Refer to [SR-25, "Removal and Installation"](#).
2. Perform DTC confirmation procedure. Refer to [SRC-150, "DTC Logic"](#).

#### Is DTC detected?

- YES >> GO TO 1.  
NO >> INSPECTION END

# B1250, B1251, B1252, B1253, B1254, B1255 DIAGNOSIS SENSOR UNIT

< DTC/CIRCUIT DIAGNOSIS >

## B1250, B1251, B1252, B1253, B1254, B1255 DIAGNOSIS SENSOR UNIT

### DTC Logic

INFOID:000000006887662

### DTC DETECTION LOGIC

DTC	Display contents of CONSULT	DTC detecting condition	Possible cause
B1250 B1251 B1252 B1253 B1254 B1255	CONTROL UNIT	Air bag diagnosis sensor unit is malfunctioning	Malfunction in air bag diagnosis sensor unit

### DTC CONFIRMATION PROCEDURE

#### 1. CHECK SELF-DIAG RESULT

##### With CONSULT

1. Turn ignition switch ON.
2. Perform "Self Diagnostic Result" mode of "AIR BAG" using CONSULT.

##### Without CONSULT

1. Turn ignition switch ON.
2. Check the air bag warning lamp status. Refer to [SRC-12, "On Board Diagnosis Function"](#).

#### NOTE:

SRS does not enter the diagnosis mode if no malfunction is detected in the user mode.

#### Is malfunctioning part detected?

- YES >> Refer to [SRC-150, "Diagnosis Procedure"](#).  
NO >> INSPECTION END

### Diagnosis Procedure

INFOID:000000006887663

#### WARNING:

- Before servicing, turn ignition switch OFF, disconnect battery negative terminal, and wait at least 3 minutes or more. (To discharge backup capacitor.)
- Never use unspecified tester or other measuring device.

#### 1. CHECK HARNESS CONNECTOR

Check the harness connector.

#### Is the inspection result normal?

- YES >> GO TO 2.  
NO >> Replace harness connectors.

#### 2. CHECK WIRING HARNESS

Check the wiring harness externals.

#### Is the inspection result normal?

- YES >> GO TO 3.  
NO >> Replace wiring harness.

#### 3. REPLACE AIR BAG DIAGNOSIS SENSOR UNIT

1. Replace air bag diagnosis sensor unit. Refer to [SR-25, "Removal and Installation"](#).
2. Perform DTC confirmation procedure. Refer to [SRC-150, "DTC Logic"](#).

#### Is DTC detected?

- YES >> GO TO 1.  
NO >> INSPECTION END

# B1336, B1337 SATELLITE SENSOR RH

< DTC/CIRCUIT DIAGNOSIS >

## B1336, B1337 SATELLITE SENSOR RH

### DTC Logic

INFOID:000000006887664

### DTC DETECTION LOGIC

DTC	Display contents of CONSULT	DTC detecting condition	Possible cause
B1336 B1337	FR-RH DOOR SATEL SENS [SENSOR MALFUNCTION]	Front door satellite sensor RH is malfunctioning	<ul style="list-style-type: none"><li>• Harness or connectors</li><li>• Malfunction in front door satellite sensor RH</li><li>• Malfunction in air bag diagnosis sensor unit</li></ul>

### DTC CONFIRMATION PROCEDURE

#### 1. CHECK SELF-DIAG RESULT

With CONSULT

1. Turn ignition switch ON.
2. Perform "Self Diagnostic Result" mode of "AIR BAG" using CONSULT.

Without CONSULT

1. Turn ignition switch ON.
2. Check the air bag warning lamp status. Refer to [SRC-12, "On Board Diagnosis Function"](#).

#### NOTE:

SRS does not enter the diagnosis mode if no malfunction is detected in the user mode.

Is malfunctioning part detected?

- YES >> Refer to [SRC-151, "Diagnosis Procedure"](#).  
NO >> INSPECTION END

### Diagnosis Procedure

INFOID:000000006887665

#### WARNING:

- Before servicing, turn ignition switch OFF, disconnect battery negative terminal, and wait at least 3 minutes or more. (To discharge backup capacitor.)
- Never use unspecified tester or other measuring device.

#### 1. CHECK HARNESS CONNECTOR

Check the harness connector.

Is the inspection result normal?

- YES >> GO TO 2.  
NO >> Replace harness connector.

#### 2. CHECK WIRING HARNESS

Check the wiring harness externals.

Is the inspection result normal?

- YES >> GO TO 3.  
NO >> Replace wiring harness.

#### 3. REPLACE FRONT DOOR SATELLITE SENSOR

1. Replace front door satellite sensor RH. Refer to [SR-23, "Removal and Installation"](#).
2. Perform DTC confirmation procedure. Refer to [SRC-151, "DTC Logic"](#).

Is DTC detected?

- YES >> GO TO 4.  
NO >> INSPECTION END

#### 4. REPLACE AIR BAG DIAGNOSIS SENSOR UNIT

1. Replace air bag diagnosis sensor unit. Refer to [SR-25, "Removal and Installation"](#).
2. Perform DTC confirmation procedure. Refer to [SRC-151, "DTC Logic"](#).

Is DTC detected?

## B1336, B1337 SATELLITE SENSOR RH

< DTC/CIRCUIT DIAGNOSIS >

---

YES >> GO TO 1.

NO >> INSPECTION END



# B1338, B1340, B1341, B1342 SATELLITE SENSOR RH

< DTC/CIRCUIT DIAGNOSIS >

## B1338, B1340, B1341, B1342 SATELLITE SENSOR RH

### DTC Logic

INFOID:000000006887666

### DTC DETECTION LOGIC

DTC	Display contents of CONSULT	DTC detecting condition	Possible cause
B1338 B1340 B1341 B1342	FR-RH DOOR SATEL SENS [COMM MALFUNC- TION]	Front door satellite sensor RH is malfunctioning	<ul style="list-style-type: none"><li>• Harness or connectors</li><li>• Malfunction in front door satellite sensor RH</li><li>• Malfunction in air bag diagnosis sensor unit</li></ul>

### DTC CONFIRMATION PROCEDURE

#### 1. CHECK SELF-DIAG RESULT

With CONSULT

1. Turn ignition switch ON.
2. Perform "Self Diagnostic Result" mode of "AIR BAG" using CONSULT.

Without CONSULT

1. Turn ignition switch ON.
2. Check the air bag warning lamp status. Refer to [SRC-12, "On Board Diagnosis Function"](#).

#### NOTE:

SRS does not enter the diagnosis mode if no malfunction is detected in the user mode.

Is malfunctioning part detected?

- YES >> Refer to [SRC-153, "Diagnosis Procedure"](#).  
NO >> INSPECTION END

### Diagnosis Procedure

INFOID:000000006887667

#### WARNING:

- Before servicing, turn ignition switch OFF, disconnect battery negative terminal, and wait at least 3 minutes or more. (To discharge backup capacitor.)
- Never use unspecified tester or other measuring device.

#### 1. CHECK HARNESS CONNECTOR

Check the harness connector.

Is the inspection result normal?

- YES >> GO TO 2.  
NO >> Replace harness connector.

#### 2. CHECK WIRING HARNESS

Check the wiring harness externals.

Is the inspection result normal?

- YES >> GO TO 3.  
NO >> Replace wiring harness.

#### 3. REPLACE FRONT DOOR SATELLITE SENSOR

1. Replace front door satellite sensor RH. Refer to [SR-23, "Removal and Installation"](#).
2. Perform DTC confirmation procedure. Refer to [SRC-153, "DTC Logic"](#).

Is DTC detected?

- YES >> GO TO 4.  
NO >> INSPECTION END

#### 4. REPLACE AIR BAG DIAGNOSIS SENSOR UNIT

1. Replace air bag diagnosis sensor unit. Refer to [SR-25, "Removal and Installation"](#).
2. Perform DTC confirmation procedure. Refer to [SRC-153, "DTC Logic"](#).

Is DTC detected?

## **B1338, B1340, B1341, B1342 SATELLITE SENSOR RH**

< DTC/CIRCUIT DIAGNOSIS >

---

YES >> GO TO 1.

NO >> INSPECTION END

# B1339 SATELLITE SENSOR RH

< DTC/CIRCUIT DIAGNOSIS >

## B1339 SATELLITE SENSOR RH

### DTC Logic

INFOID:000000006887668

### DTC DETECTION LOGIC

DTC	Display contents of CONSULT	DTC detecting condition	Possible cause
B1339	FR-RH DOOR SATEL SENS [MIS-INSTALLATION]	Front door satellite sensor RH is out of the specified specification	Diagnosis sensor unit or front door satellite sensor RH is different from the part specified

### DTC CONFIRMATION PROCEDURE

#### 1. CHECK SELF-DIAG RESULT

##### With CONSULT

1. Turn ignition switch ON.
2. Perform "Self Diagnostic Result" mode of "AIR BAG" using CONSULT.

##### Without CONSULT

1. Turn ignition switch ON.
2. Check the air bag warning lamp status. Refer to [SRC-12, "On Board Diagnosis Function"](#).

##### **NOTE:**

SRS does not enter the diagnosis mode if no malfunction is detected in the user mode.

##### Is malfunctioning part detected?

- YES >> Refer to [SRC-155, "Diagnosis Procedure"](#).  
NO >> INSPECTION END

### Diagnosis Procedure

INFOID:000000006887669

##### **WARNING:**

- Before servicing, turn ignition switch OFF, disconnect battery negative terminal, and wait at least 3 minutes or more. (To discharge backup capacitor.)
- Never use unspecified tester or other measuring device.

#### 1. REPLACE FRONT DOOR SATELLITE SENSOR

1. Replace front door satellite sensor RH. Refer to [SR-23, "Removal and Installation"](#).
2. Perform DTC confirmation procedure. Refer to [SRC-155, "DTC Logic"](#).

##### Is DTC detected?

- YES >> GO TO 2.  
NO >> INSPECTION END

#### 2. REPLACE AIR BAG DIAGNOSIS SENSOR UNIT

1. Replace air bag diagnosis sensor unit. Refer to [SR-25, "Removal and Installation"](#).
2. Perform DTC confirmation procedure. Refer to [SRC-155, "DTC Logic"](#).

##### Is DTC detected?

- YES >> GO TO 1.  
NO >> INSPECTION END

# B1343, B1344 SATELLITE SENSOR LH

< DTC/CIRCUIT DIAGNOSIS >

## B1343, B1344 SATELLITE SENSOR LH

### DTC Logic

INFOID:000000006887670

### DTC DETECTION LOGIC

DTC	Display contents of CONSULT	DTC detecting condition	Possible cause
B1343 B1344	FR-LH DOOR SATEL SENS [SENSOR MALFUNCTION]	Front door satellite sensor LH is malfunctioning	<ul style="list-style-type: none"><li>• Harness or connectors</li><li>• Malfunction in front door satellite sensor LH</li><li>• Malfunction in air bag diagnosis sensor unit</li></ul>

### DTC CONFIRMATION PROCEDURE

#### 1. CHECK SELF-DIAG RESULT

With CONSULT

1. Turn ignition switch ON.
2. Perform "Self Diagnostic Result" mode of "AIR BAG" using CONSULT.

Without CONSULT

1. Turn ignition switch ON.
2. Check the air bag warning lamp status. Refer to [SRC-12, "On Board Diagnosis Function"](#).

#### NOTE:

SRS does not enter the diagnosis mode if no malfunction is detected in the user mode.

Is malfunctioning part detected?

- YES >> Refer to [SRC-156, "Diagnosis Procedure"](#).  
NO >> INSPECTION END

### Diagnosis Procedure

INFOID:000000006887671

#### WARNING:

- Before servicing, turn ignition switch OFF, disconnect battery negative terminal, and wait at least 3 minutes or more. (To discharge backup capacitor.)
- Never use unspecified tester or other measuring device.

#### 1. CHECK HARNESS CONNECTOR

Check the harness connector.

Is the inspection result normal?

- YES >> GO TO 2.  
NO >> Replace harness connector.

#### 2. CHECK WIRING HARNESS

Check the wiring harness externals.

Is the inspection result normal?

- YES >> GO TO 3.  
NO >> Replace wiring harness.

#### 3. REPLACE FRONT DOOR SATELLITE SENSOR

1. Replace front door satellite sensor LH. Refer to [SR-23, "Removal and Installation"](#).
2. Perform DTC confirmation procedure. Refer to [SRC-156, "DTC Logic"](#).

Is DTC detected?

- YES >> GO TO 4.  
NO >> INSPECTION END

#### 4. REPLACE AIR BAG DIAGNOSIS SENSOR UNIT

1. Replace air bag diagnosis sensor unit. Refer to [SR-25, "Removal and Installation"](#).
2. Perform DTC confirmation procedure. Refer to [SRC-156, "DTC Logic"](#).

Is DTC detected?

# B1343, B1344 SATELLITE SENSOR LH

< DTC/CIRCUIT DIAGNOSIS >

---

YES >> GO TO 1.

NO >> INSPECTION END

A

B

C

D

E

F

G

**SRC**

I

J

K

L

M

N

O

P

# B1345, B1347, B1348, B1349 SATELLITE SENSOR LH

< DTC/CIRCUIT DIAGNOSIS >

## B1345, B1347, B1348, B1349 SATELLITE SENSOR LH

### DTC Logic

INFOID:000000006887672

### DTC DETECTION LOGIC

DTC	Display contents of CONSULT	DTC detecting condition	Possible cause
B1345 B1347 B1348 B1349	FR-LH DOOR SATEL SENS [COMM MALFUNC- TION]	Front door satellite sensor LH is malfunctioning	<ul style="list-style-type: none"><li>• Harness or connectors</li><li>• Malfunction in front door satellite sensor LH</li><li>• Malfunction in air bag diagnosis sensor unit</li></ul>

### DTC CONFIRMATION PROCEDURE

#### 1. CHECK SELF-DIAG RESULT

##### With CONSULT

1. Turn ignition switch ON.
2. Perform "Self Diagnostic Result" mode of "AIR BAG" using CONSULT.

##### Without CONSULT

1. Turn ignition switch ON.
2. Check the air bag warning lamp status. Refer to [SRC-12, "On Board Diagnosis Function"](#).

#### NOTE:

SRS does not enter the diagnosis mode if no malfunction is detected in the user mode.

#### Is malfunctioning part detected?

- YES >> Refer to [SRC-161, "Diagnosis Procedure"](#).  
NO >> INSPECTION END

### Diagnosis Procedure

INFOID:000000006887673

#### WARNING:

- Before servicing, turn ignition switch OFF, disconnect battery negative terminal, and wait at least 3 minutes or more. (To discharge backup capacitor.)
- Never use unspecified tester or other measuring device.

#### 1. CHECK HARNESS CONNECTOR

Check the harness connector.

#### Is the inspection result normal?

- YES >> GO TO 2.  
NO >> Replace harness connector.

#### 2. CHECK WIRING HARNESS

Check the wiring harness externals.

#### Is the inspection result normal?

- YES >> GO TO 3.  
NO >> Replace wiring harness.

#### 3. REPLACE SATELLITE SENSOR

1. Replace front door satellite sensor LH. Refer to [SR-23, "Removal and Installation"](#).
2. Perform DTC confirmation procedure. Refer to [SRC-161, "DTC Logic"](#).

#### Is DTC detected?

- YES >> GO TO 4.  
NO >> INSPECTION END

#### 4. REPLACE AIR BAG DIAGNOSIS SENSOR UNIT

1. Replace air bag diagnosis sensor unit. Refer to [SR-25, "Removal and Installation"](#).
2. Perform DTC confirmation procedure. Refer to [SRC-161, "DTC Logic"](#).

#### Is DTC detected?

# B1345, B1347, B1348, B1349 SATELLITE SENSOR LH

< DTC/CIRCUIT DIAGNOSIS >

---

YES >> GO TO 1.

NO >> INSPECTION END

A

B

C

D

E

F

G

**SRC**

I

J

K

L

M

N

O

P

# B1346 SATELLITE SENSOR LH

< DTC/CIRCUIT DIAGNOSIS >

## B1346 SATELLITE SENSOR LH

### DTC Logic

INFOID:000000006887674

### DTC DETECTION LOGIC

DTC	Display contents of CONSULT	DTC detecting condition	Possible cause
B1346	FR-LH DOOR SATEL SENS [MIS-INSTALLATION]	Front door satellite sensor LH is out of the specified specification	Diagnosis sensor unit or front door satellite sensor LH is different from the part specified

### DTC CONFIRMATION PROCEDURE

#### 1. CHECK SELF-DIAG RESULT

##### Ⓟ With CONSULT

1. Turn ignition switch ON.
2. Perform "Self Diagnostic Result" mode of "AIR BAG" using CONSULT.

##### ⓧ Without CONSULT

1. Turn ignition switch ON.
2. Check the air bag warning lamp status. Refer to [SRC-12, "On Board Diagnosis Function"](#).

#### NOTE:

SRS does not enter the diagnosis mode if no malfunction is detected in the user mode.

#### Is malfunctioning part detected?

- YES >> Refer to [SRC-160, "Diagnosis Procedure"](#).  
NO >> INSPECTION END

### Diagnosis Procedure

INFOID:000000006887675

#### WARNING:

- Before servicing, turn ignition switch OFF, disconnect battery negative terminal, and wait at least 3 minutes or more. (To discharge backup capacitor.)
- Never use unspecified tester or other measuring device.

#### 1. REPLACE FRONT DOOR SATELLITE SENSOR

1. Replace front door satellite sensor LH. Refer to [SR-23, "Removal and Installation"](#).
2. Perform DTC confirmation procedure. Refer to [SRC-160, "DTC Logic"](#).

#### Is DTC detected?

- YES >> GO TO 2.  
NO >> INSPECTION END

#### 2. REPLACE AIR BAG DIAGNOSIS SENSOR UNIT

1. Replace air bag diagnosis sensor unit. Refer to [SR-25, "Removal and Installation"](#).
2. Perform DTC confirmation procedure. Refer to [SRC-160, "DTC Logic"](#).

#### Is DTC detected?

- YES >> GO TO 1.  
NO >> INSPECTION END



# B1350 SATELLITE SENSOR

< DTC/CIRCUIT DIAGNOSIS >

## B1350 SATELLITE SENSOR

### DTC Logic

INFOID:000000006887676

### DTC DETECTION LOGIC

DTC	Display contents of CONSULT	DTC detecting condition	Possible cause
B1350	FR DOOR SATEL SENS	Front door satellite sensor is malfunctioning or out of the specified specification	<ul style="list-style-type: none"><li>Malfunction in front door satellite sensor LH/RH</li><li>Malfunction in air bag diagnosis sensor unit</li></ul>

### DTC CONFIRMATION PROCEDURE

#### 1. CHECK SELF-DIAG RESULT

With CONSULT

- Turn ignition switch ON.
- Perform "Self Diagnostic Result" mode of "AIR BAG" using CONSULT.

Without CONSULT

- Turn ignition switch ON.
- Check the air bag warning lamp status. Refer to [SRC-12, "On Board Diagnosis Function"](#).

#### NOTE:

SRS does not enter the diagnosis mode if no malfunction is detected in the user mode.

Is malfunctioning part detected?

- YES >> Refer to [SRC-161, "Diagnosis Procedure"](#).  
NO >> INSPECTION END

### Diagnosis Procedure

INFOID:000000006887677

#### WARNING:

- Before servicing, turn ignition switch OFF, disconnect battery negative terminal, and wait at least 3 minutes or more. (To discharge backup capacitor.)
- Never use unspecified tester or other measuring device.

#### 1. REPLACE BOTH OF FRONT DOOR SATELLITE SENSOR

- Replace both of front door satellite sensor. Refer to [SR-23, "Removal and Installation"](#).
- Perform DTC confirmation procedure. Refer to [SRC-161, "DTC Logic"](#).

Is DTC detected?

- YES >> GO TO 2.  
NO >> INSPECTION END

#### 2. REPLACE AIR BAG DIAGNOSIS SENSOR UNIT

- Replace air bag diagnosis sensor unit. Refer to [SR-25, "Removal and Installation"](#).
- Perform DTC confirmation procedure. Refer to [SRC-161, "DTC Logic"](#).

Is DTC detected?

- YES >> GO TO 1.  
NO >> INSPECTION END

# SRS AIR BAG WARNING LAMP DOES NOT TURN OFF

< SYMPTOM DIAGNOSIS >

## SYMPTOM DIAGNOSIS

### SRS AIR BAG WARNING LAMP DOES NOT TURN OFF

#### Diagnosis Procedure

INFOID:000000006887678

#### 1. CHECK AIR BAG MODULE AND SEAT BELT PRE-TENSIONER

Check the deployment of air bag module and seat belt pre-tensioner.

Is air bag module deployed?

- YES >> Replace the malfunctioning parts.
- NO >> GO TO 2.

#### 2. CHECK AIR BAG FUSE

Check 10 A fuse [No.2, located in fuse block (J/B)].

Is the inspection result normal?

- YES >> GO TO 3.
- NO >> Replace the fuse.

#### 3. CHECK HARNESS CONNECTOR

Check the harness connector.

Is the inspection result normal?

- YES >> GO TO 4.
- NO >> Replace harness connectors.

#### 4. CHECK WIRING HARNESS

Check the wiring harness externals.

Is the inspection result normal?

- YES >> GO TO 5.
- NO >> Replace wiring harness.

#### 5. REPLACE AIR BAG DIAGNOSIS SENSOR UNIT

1. Replace air bag diagnosis sensor unit. Refer to [SR-25, "Removal and Installation"](#).
2. Check air bag warning lamp operation.

Is the inspection result normal?

- YES >> INSPECTION END
- NO >> GO TO 6.

#### 6. REPLACE COMBINATION METER

1. Replace combination meter. Refer to [MWI-79, "Removal and Installation"](#).
2. Check air bag warning lamp operation.

Is the inspection result normal?

- YES >> INSPECTION END
- NO >> GO TO 1.

# SRS AIR BAG WARNING LAMP DOES NOT TURN ON

< SYMPTOM DIAGNOSIS >

## SRS AIR BAG WARNING LAMP DOES NOT TURN ON

### Diagnosis Procedure

INFOID:000000006887679

#### 1.CHECK COMBINATION METER POWER SUPPLY AND GROUND CIRCUIT

Check combination meter unit power supply and ground circuit. Refer to [MWI-59, "COMBINATION METER : Diagnosis Procedure"](#).

Is the inspection result normal?

YES >> GO TO 2.

NO >> Repair or replace the malfunctioning parts.

#### 2.CHECK HARNESS CONNECTOR

Check the harness connector.

Is the inspection result normal?

YES >> GO TO 3.

NO >> Replace harness connectors.

#### 3.CHECK WIRING HARNESS

Check the wiring harness externals.

Is the inspection result normal?

YES >> GO TO 4.

NO >> Replace wiring harness.

#### 4.CHECK AIR BAG DIAGNOSIS SENSOR UNIT

Disconnect air bag diagnosis sensor unit connector and turn ignition switch ON.

Does air bag warning lamp turn ON?

YES >> Replace air bag diagnosis sensor unit. Refer to [SR-25, "Removal and Installation"](#).

NO >> Replace combination meter. Refer to [MWI-79, "Removal and Installation"](#).

A  
B  
C  
D  
E  
F  
G  
SRC  
I  
J  
K  
L  
M  
N  
O  
P

# SRS AIR BAG WARNING LAMP BLINKS

< SYMPTOM DIAGNOSIS >

---

## SRS AIR BAG WARNING LAMP BLINKS

### Diagnosis Procedure

INFOID:000000006887680

#### 1. CHECK BATTERY

---

Check battery. Refer to [PG-135, "How to Handle Battery"](#).

Is the inspection result normal?

- YES >> GO TO 2.
- NO >> Repair or replace malfunctioning parts.

#### 2. REPLACE OCCUPANT CLASSIFICATION SYSTEM CONTROL UNIT

---

1. Replace occupant classification system control unit. Refer to [SE-87, "SEAT CUSHION : Disassembly and Assembly"](#).
2. Check air bag warning lamp operation.

Is the inspection result normal?

- YES >> INSPECTION END
- NO >> GO TO 3.

#### 3. REPLACE AIR BAG DIAGNOSIS SENSOR UNIT

---

1. Replace air bag diagnosis sensor unit. Refer to [SR-25, "Removal and Installation"](#).
2. Check air bag warning lamp operation.

Is the inspection result normal?

- YES >> INSPECTION END
- NO >> GO TO 1.