

SECTION **HA**

HEATER & AIR CONDITIONING SYSTEM

A
B
C
D
E
F
G
H
HA
J
K
L
M
N
O
P

CONTENTS

PRECAUTION	3	Description	22
PRECAUTIONS	3	Inspection	22
Precaution for Supplemental Restraint System (SRS) "AIR BAG" and "SEAT BELT PRE-TENSIONER"	3	Perform Lubricant Return Operation	22
Precaution for Procedure without Cowl Top Cover.....	3	Lubricant Adjusting Procedure for Components	
Precautions For Refrigerant System Service	3	Replacement Except Compressor	22
Service Equipment	6	Lubricant Adjusting Procedure for Compressor Replacement	23
PREPARATION	8	PERFORMANCE TEST	25
PREPARATION	8	Inspection	25
Special Service Tool	8	SYMPTOM DIAGNOSIS	27
Commercial Service Tool	11	REFRIGERATION SYSTEM SYMPTOMS	27
Sealant or/and Lubricant	11	Trouble Diagnosis For Unusual Pressure	27
SYSTEM DESCRIPTION	12	Symptom Table	27
COMPONENT PARTS	12	NOISE	29
Component Parts Location	12	Symptom Table	29
Component Description	12	REMOVAL AND INSTALLATION	30
SYSTEM	13	COMPRESSOR	30
System Diagram	13	Exploded View	30
System Description	13	COMPRESSOR	31
BASIC INSPECTION	14	COMPRESSOR : Removal and Installation	31
DIAGNOSIS AND REPAIR WORKFLOW	14	MAGNET CLUTCH	32
Work Flow	14	MAGNET CLUTCH : Removal and Installation of Compressor Clutch	32
ONE-TOUCH JOINT	16	Inspection	33
Exploded View	16	COOLER PIPE AND HOSE	34
Removal and Installation	16	Exploded View	34
REFRIGERANT	18	LOW-PRESSURE FLEXIBLE HOSE	35
Description	18	LOW-PRESSURE FLEXIBLE HOSE : Removal and Installation	35
Leak Test	18	HIGH-PRESSURE FLEXIBLE HOSE	36
Recycle Refrigerant	20	HIGH-PRESSURE FLEXIBLE HOSE : Removal and Installation	36
Charge Refrigerant	20		
LUBRICANT	22		

LOW-PRESSURE PIPE 1	36	Exploded View	42
LOW-PRESSURE PIPE 1 : Removal and Installation	36	HEATER & COOLING UNIT ASSEMBLY	44
LOW-PRESSURE PIPE 2	37	HEATER & COOLING UNIT ASSEMBLY : Removal and Installation	44
LOW-PRESSURE PIPE 2 : Removal and Installation	37	HEATER CORE	45
HIGH-PRESSURE PIPE	37	HEATER CORE : Removal and Installation	45
HIGH-PRESSURE PIPE : Removal and Installation	37	EVAPORATOR	45
CONDENSER	39	EVAPORATOR : Removal and Installation	45
Exploded View	39	EVAPORATOR PIPE ASSEMBLY	45
CONDENSER	39	EVAPORATOR PIPE ASSEMBLY : Removal and Installation	46
CONDENSER : Removal and Installation	39	EXPANSION VALVE	46
CONDENSER PIPE ASSEMBLY	39	EXPANSION VALVE : Removal and Installation ...	46
CONDENSER PIPE ASSEMBLY : Removal and Installation	40	SERVICE DATA AND SPECIFICATIONS (SDS)	47
LIQUID TANK	40	SERVICE DATA AND SPECIFICATIONS (SDS)	47
LIQUID TANK : Removal and Installation	40	Compressor	47
REFRIGERANT PRESSURE SENSOR	40	Lubricant	47
REFRIGERANT PRESSURE SENSOR : Removal and Installation	40	Refrigerant	47
HEATER & COOLING UNIT ASSEMBLY	42	Engine Idling Speed	47
		Belt Tension	47

PRECAUTIONS

< PRECAUTION >

PRECAUTION

PRECAUTIONS

Precaution for Supplemental Restraint System (SRS) "AIR BAG" and "SEAT BELT PRE-TENSIONER"

INFOID:000000008135547

The Supplemental Restraint System such as "AIR BAG" and "SEAT BELT PRE-TENSIONER", used along with a front seat belt, helps to reduce the risk or severity of injury to the driver and front passenger for certain types of collision. This system includes seat belt switch inputs and dual stage front air bag modules. The SRS system uses the seat belt switches to determine the front air bag deployment, and may only deploy one front air bag, depending on the severity of a collision and whether the front occupants are belted or unbelted. Information necessary to service the system safely is included in the "SRS AIR BAG" and "SEAT BELT" of this Service Manual.

WARNING:

Always observe the following items for preventing accidental activation.

- To avoid rendering the SRS inoperative, which could increase the risk of personal injury or death in the event of a collision that would result in air bag inflation, all maintenance must be performed by an authorized NISSAN/INFINITI dealer.
- Improper maintenance, including incorrect removal and installation of the SRS, can lead to personal injury caused by unintentional activation of the system. For removal of Spiral Cable and Air Bag Module, see "SRS AIR BAG".
- Never use electrical test equipment on any circuit related to the SRS unless instructed to in this Service Manual. SRS wiring harnesses can be identified by yellow and/or orange harnesses or harness connectors.

PRECAUTIONS WHEN USING POWER TOOLS (AIR OR ELECTRIC) AND HAMMERS

WARNING:

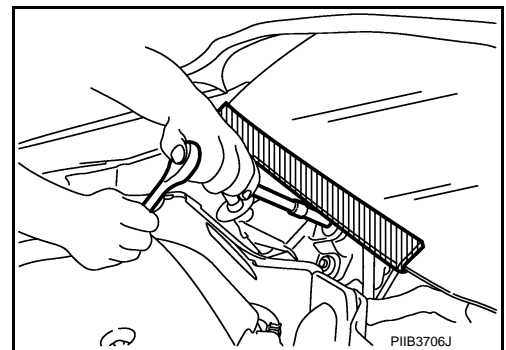
Always observe the following items for preventing accidental activation.

- When working near the Air Bag Diagnosis Sensor Unit or other Air Bag System sensors with the ignition ON or engine running, never use air or electric power tools or strike near the sensor(s) with a hammer. Heavy vibration could activate the sensor(s) and deploy the air bag(s), possibly causing serious injury.
- When using air or electric power tools or hammers, always switch the ignition OFF, disconnect the battery, and wait at least 3 minutes before performing any service.

Precaution for Procedure without Cowl Top Cover

INFOID:000000008135548

When performing the procedure after removing cowl top cover, cover the lower end of windshield with urethane, etc to prevent damage to windshield.



Precautions For Refrigerant System Service

INFOID:000000008135549

GENERAL REFRIGERANT PRECAUTION

WARNING:

- Never breathe A/C refrigerant and lubricant vapor or mist. Exposure may irritate eyes, nose and throat. Remove HFC-134a (R-134a) from the A/C system, using certified service equipment meeting requirements of SAE J-2210 [HFC-134a (R-134a) recycling equipment], or J-2209 [HFC-134a (R-134a) recovery equipment]. Ventilate work area before resuming service if accidental system discharge occurs. Additional health and safety information may be obtained from refrigerant and lubricant manufacturers.

PRECAUTIONS

< PRECAUTION >

- **Never release refrigerant into the air. Use approved recovery/recycling recharging equipment to capture the refrigerant each time an air conditioning system is discharged.**
- **Wear always eye and hand protection (goggles and gloves) when working with any refrigerant or air conditioning system.**
- **Never store or heat refrigerant containers above 52°C (126°F).**
- **Never heat a refrigerant container with an open flame; Place the bottom of the container in a warm pail of water if container warming is required.**
- **Never intentionally drop, puncture, or incinerate refrigerant containers.**
- **Keep refrigerant away from open flames: poisonous gas is produced if refrigerant burns.**
- **Refrigerant displaces oxygen, therefore be certain to work in well ventilated areas to prevent suffocation.**
- **Never pressure test or leakage test HFC-134a (R-134a) service equipment and/or vehicle air conditioning systems with compressed air during repair. Some mixtures of air and HFC-134a (R-134a) have been shown to be combustible at elevated pressures. These mixtures, if ignited, may cause injury or property damage. Additional health and safety information may be obtained from refrigerant manufacturers.**

WORKING WITH HFC-134a (R-134a)

CAUTION:

- **CFC-12 (R-12) refrigerant and HFC-134a (R-134a) refrigerant are not compatible. Compressor malfunction is likely to occur if the refrigerants are mixed, refer to “CONTAMINATED REFRIGERANT” below. To determine the purity of HFC-134a (R-134a) in the vehicle and recovery tank, use Refrigerant recovery/recycling recharging equipment and Refrigerant Identifier.**
- **Use only specified lubricant for the HFC-134a (R-134a) A/C system and HFC-134a (R-134a) components. Compressor malfunction is likely to occur if lubricant other than that specified is used.**
- **The specified HFC-134a (R-134a) lubricant rapidly absorbs moisture from the atmosphere. The following handling precautions must be observed:**
 - **Cap (seal) immediately the component to minimize the entry of moisture from the atmosphere when removing refrigerant components from a vehicle.**
 - **Never remove the caps (unseal) until just before connecting the components when installing refrigerant components to a vehicle. Connect all refrigerant loop components as quickly as possible to minimize the entry of moisture into system.**
 - **Use only the specified lubricant from a sealed container. Reseal immediately containers of lubricant. Lubricant becomes moisture saturated and should not be used without proper sealing.**
 - **Never allow lubricant to come in contact with styrene foam parts. Damage may result.**

CONTAMINATED REFRIGERANT

Take appropriate steps shown below if a refrigerant other than pure HFC-134a (R-134a) is identified in a vehicle:

- Explain to the customer that environmental regulations prohibit the release of contaminated refrigerant into the atmosphere.
- Explain that recovery of the contaminated refrigerant could damage service equipment and refrigerant supply.
- Suggest the customer return the vehicle to the location of previous service where the contamination may have occurred.
- In case of repairing, recover the refrigerant using only **dedicated equipment and containers. Never recover contaminated refrigerant into the existing service equipment.** Contact a local refrigerant product retailer for available service if the facility does not have dedicated recovery equipment. This refrigerant must be disposed of in accordance with all federal and local regulations. In addition, replacement of all refrigerant system components on the vehicle is recommended.
- The air conditioner warranty is void if the vehicle is within the warranty period. Please contact Nissan Customer Affairs for further assistance.

REFRIGERANT CONNECTION

A new type refrigerant connection has been introduced to all refrigerant lines except the following location.

- Expansion valve to evaporator
- Refrigerant pressure sensor to liquid tank

WARNING:

Check that all refrigerant is discharged into the recycling equipment and the pressure in the system is less than atmospheric pressure. Then gradually loosen the discharge side hose fitting and remove it.

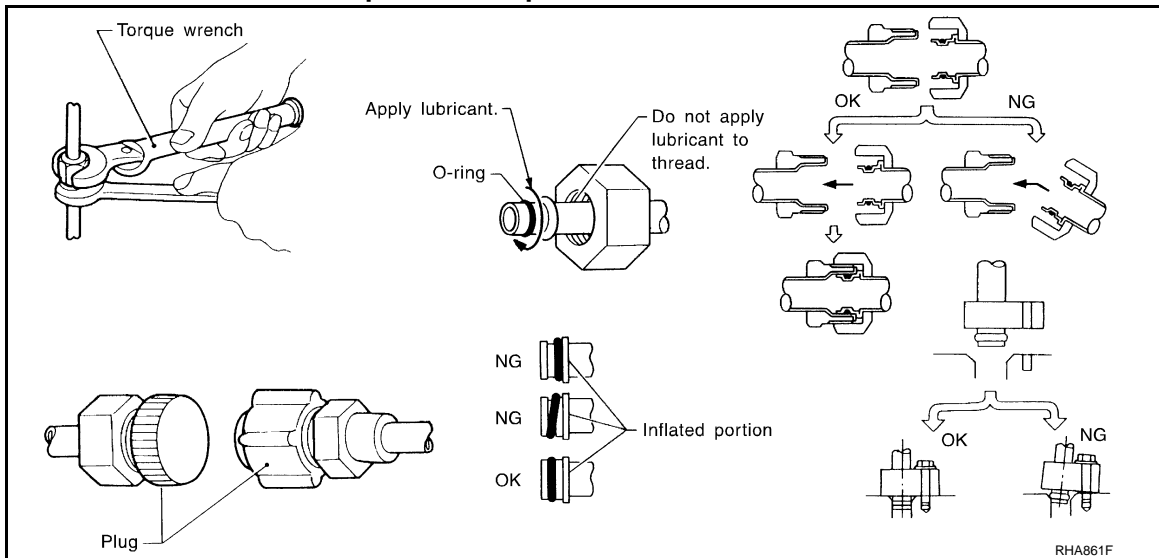
CAUTION:

Observe the following when replacing or cleaning refrigerant cycle components.

PRECAUTIONS

< PRECAUTION >

- Store it in the same way at it is when mounted on the car when the compressor is removed. Failure to do so will cause lubricant to enter the low-pressure chamber.
- Use always a torque wrench and a back-up wrench when connecting tubes.
- Plug immediately all openings to prevent entry of dust and moisture after disconnecting tubes.
- Connect the pipes at the final stage of the operation when installing an air conditioner in the vehicle. Never remove the seal caps of pipes and other components until just before required for connection.
- Allow components stored in cool areas to warm to working area temperature before removing seal caps. This prevents condensation from forming inside A/C components.
- Remove thoroughly moisture from the refrigeration system before charging the refrigerant.
- Replace always used O-rings.
- Apply lubricant to circle of the O-rings shown in illustration when connecting tube. Be careful not to apply lubricant to threaded portion.
- O-ring must be closely attached to the groove portion of tube.
- Be careful not to damage O-ring and tube when replacing the O-ring.
- Connect tube until a click can be heard. Then tighten the nut or bolt by hand. Check that the O-ring is installed to tube correctly.
- Perform leakage test and make sure that there is no leakage from connections after connecting line. Disconnect that line and replace the O-ring when the refrigerant leaking point is found. Then tighten connections of seal seat to the specified torque.



COMPRESSOR

CAUTION:

- Plug all openings to prevent moisture and foreign matter from entering.
- Store it in the same way at it is when mounted on the car when the compressor is removed.
- Follow "Maintenance of Lubricant Quantity in Compressor" exactly when replacing or repairing compressor. Refer to [HA-22, "Description"](#).
- Keep friction surfaces between clutch and pulley clean. Wipe it off by using a clean waste cloth moistened with thinner if the surface is contaminated with lubricant.
- Turn the compressor shaft by hand more than five turns in both directions after compressor service operation. This distributes equally lubricant inside the compressor. Let the engine idle and operate the compressor for one hour after the compressor is installed.
- Apply voltage to the new one and check for normal operation after replacing the compressor magnet clutch.

LEAK DETECTION DYE

CAUTION:

- The A/C system contains a fluorescent leak detection dye used for locating refrigerant leakages. An ultraviolet (UV) lamp is required to illuminate the dye when inspecting for leakages.
- Wear always fluorescence enhancing UV safety goggles to protect eyes and enhance the visibility of the fluorescent dye.
- The fluorescent dye leak detector is not a replacement for an electrical leak detector (SST: J-41995). The fluorescent dye leak detector should be used in conjunction with an electrical leak detector (SST: J-41995) to pinpoint refrigerant leakages.

PRECAUTIONS

< PRECAUTION >

- Read and follow all manufacturer's operating instructions and precautions prior to performing the work for the purpose of safety and customer's satisfaction.
- A compressor shaft seal should not necessarily be repaired because of dye seepage. The compressor shaft seal should only be repaired after confirming the leakage with an electrical leak detector (SST: J-41995).
- Remove always any remaining dye from the leakage area after repairs are completed to avoid a misdiagnosis during a future service.
- Never allow dye to come into contact with painted body panels or interior components. Clean immediately with the approved dye cleaner if dye is spilled. Fluorescent dye left on a surface for an extended period of time cannot be removed.
- Never spray the fluorescent dye cleaning agent on hot surfaces (engine exhaust manifold, etc.).
- Never use more than one refrigerant dye bottle [1/4 ounce (7.4 cc)] per A/C system.
- Leak detection dyes for HFC-134a (R-134a) and CFC-12 (R-12) A/C systems are different. Never use HFC-134a (R-134a) leak detection dye in CFC-12 (R-12) A/C system, or CFC-12 (R-12) leak detection dye in HFC-134a (R-134a) A/C system, or A/C system damage may result.
- The fluorescent properties of the dye remains for three or more years unless a compressor malfunction occurs.

NOTE:

Identification

- Vehicles with factory installed fluorescent dye have a green label.
- Vehicles without factory installed fluorescent dye have a blue label.

Service Equipment

INFOID:000000008135550

RECOVERY/RECYCLING RECHARGING EQUIPMENT

Be certain to follow the manufacturer's instructions for machine operation and machine maintenance. Never introduce any refrigerant other than that specified into the machine.

ELECTRICAL LEAK DETECTOR

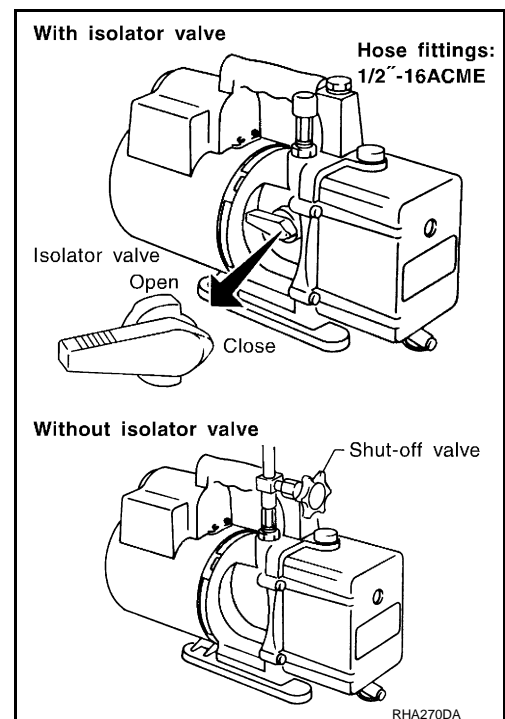
Be certain to follow the manufacturer's instructions for tester operation and tester maintenance.

VACUUM PUMP

The lubricant contained inside the vacuum pump is not compatible with the specified lubricant for HFC-134a (R-134a) A/C systems. The vent side of the vacuum pump is exposed to atmospheric pressure. So the vacuum pump lubricant may migrate out of the pump into the service hose. This is possible when the pump is switched OFF after evacuation (vacuuming) and hose is connected to it. To prevent this migration, use a manual valve placed near the hose-to-pump connection, as per the following.

- Vacuum pumps usually have a manual isolator valve as part of the pump. Close this valve to isolate the service hose from the pump.
- Use a hose equipped with a manual shut-off valve near the pump end for pumps without an isolator. Close the valve to isolate the hose from the pump.
- Disconnect the hose from the pump if the hose has an automatic shut-off valve. As long as the hose is connected, the valve is open and lubricating oil may migrate.

Some one-way valves open when vacuum is applied and close under no vacuum condition. Such valves may restrict the pump's ability to pull a deep vacuum and are not recommended.

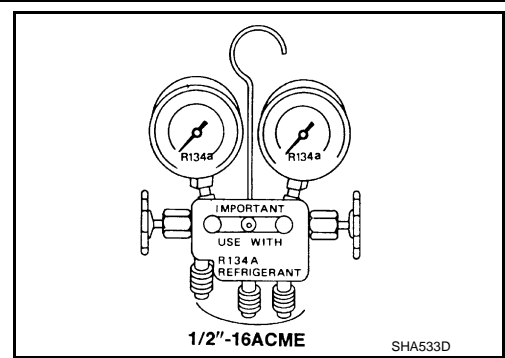


MANIFOLD GAUGE SET

PRECAUTIONS

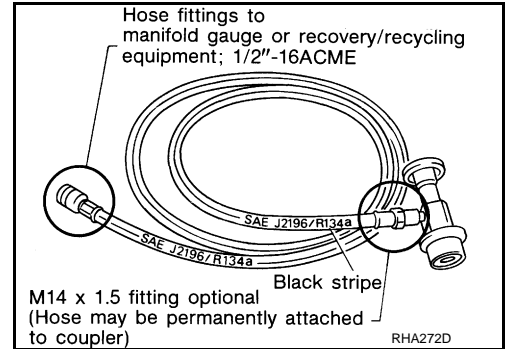
< PRECAUTION >

Be certain that the gauge face indicates HFC-134a or R-134a. Be sure the gauge set has 1/2"-16 ACME threaded connections for service hoses. Confirm the set has been used only with refrigerant HFC-134a (R-134a) and specified lubricants.



SERVICE HOSES

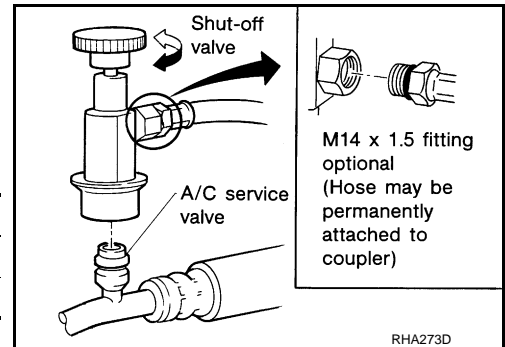
Be certain that the service hoses display the markings described (colored hose with black stripe). All hoses must equip positive shut-off devices (either manual or automatic) near the end of the hoses opposite to the manifold gauge.



SERVICE COUPLERS

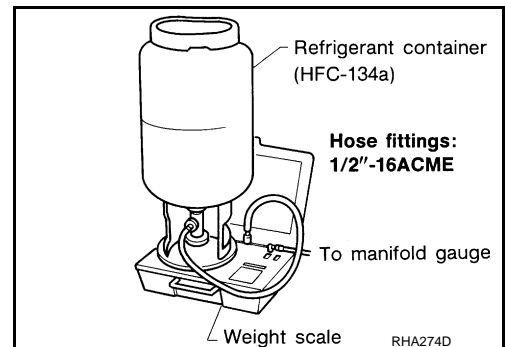
Never attempt to connect HFC-134a (R-134a) service couplers to the CFC-12 (R-12) A/C system. The HFC-134a (R-134a) couplers do not properly connect to the CFC-12 (R-12) system. However, if an improper connection is attempted, discharging and contamination may occur.

Shut-off valve rotation	A/C service valve
Clockwise	Open
Counterclockwise	Close



REFRIGERANT WEIGHT SCALE

Verify that no refrigerant other than HFC-134a (R-134a) and specified lubricants have been used with the scale. The hose fitting must be 1/2"-16 ACME if the scale controls refrigerant flow electronically.



CHARGING CYLINDER

Using a charging cylinder is not recommended. Refrigerant may be vented into air from cylinder's top valve when filling the cylinder with refrigerant. Also, the accuracy of the cylinder is generally less than that of an electronic scale or of quality recycle/recharge equipment.

PREPARATION

< PREPARATION >

PREPARATION

PREPARATION

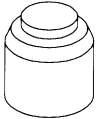
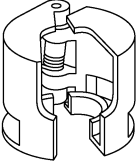

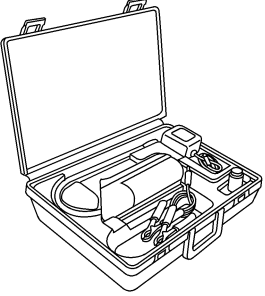
Special Service Tool

INFOID:000000008135551

The actual shapes of Kent-Moore tools may differ from those of special service tools illustrated here.

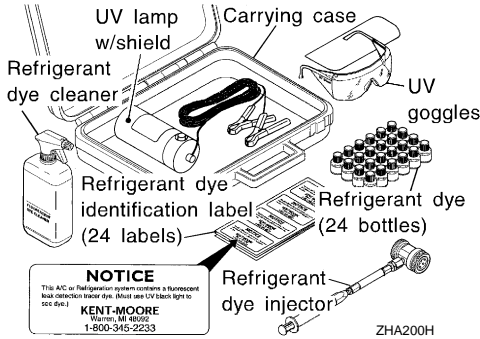
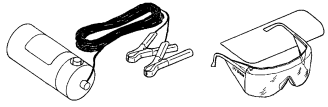

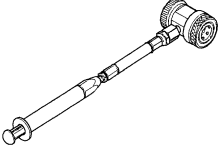

HFC-134a (R-134a) Service Tool and Equipment

- Never mix HFC-134a (R-134a) refrigerant and/or its specified lubricant with CFC-12 (R-12) refrigerant and/or its lubricant.
- Separate and non-interchangeable service equipment must be used for handling each type of refrigerant/lubricant.
- Refrigerant container fittings, service hose fittings and service equipment fittings (equipment which handles refrigerant and/or lubricant) are different between CFC-12 (R-12) and HFC-134a (R-134a). This is to avoid mixed use of the refrigerants/lubricant.
- Never use adapters that convert one size fitting to another: refrigerant/lubricant contamination occurs and compressor malfunction may result.

Tool number (Kent-Moore No.) Tool name	Description
KV99106100 (J-41260) Pulley installer <div style="text-align: center;">  <small>S-NT235</small> </div>	Installing pulley
Disconnecter tool set (J-45815) <div style="text-align: center;">  <small>RJIA0391J</small> </div>	Disconnect one-touch joint connection
(ACR2005-NI) ACR5 A/C Service Center <div style="text-align: center;">  <small>WJIA0293E</small> </div>	Function: Refrigerant recovery, recycling and recharging
(J-41995) Electrical leak detector <div style="text-align: center;">  <small>AHA281A</small> </div>	Power supply: DC 12 V (Battery terminal)

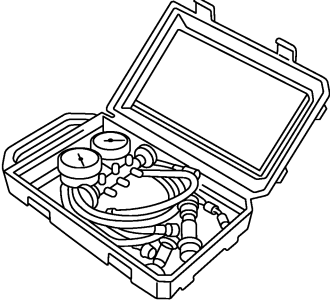
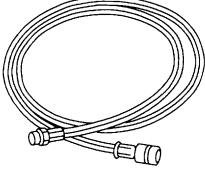
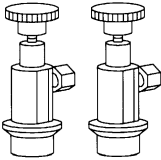
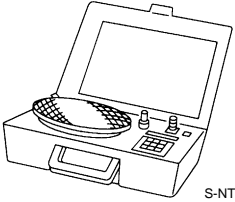
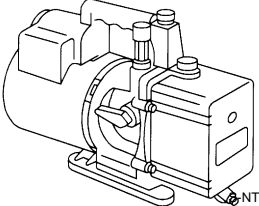
PREPARATION

< PREPARATION >

Tool number (Kent-Moore No.) Tool name	Description	A B C D E F G H J K L M N O P
<p>(J-43926) Refrigerant dye leak detection kit Kit includes: (J-42220) UV lamp and UV safety goggles (J-41459) HFC-134a (R-134a) dye injector Use with J-41447, 1/4 ounce bottle (J-41447) HFC-134a (R-134a) fluorescent leak detection dye (Box of 24, 1/4 ounce bottles) (J-43872) Refrigerant dye cleaner</p>	 <p style="text-align: center;">Power supply: DC 12 V (Battery terminal)</p>	
<p>(J-42220) UV lamp and UV safety goggles</p>	 <p style="text-align: center;">SHA438F</p>	<p style="text-align: center;">Power supply: DC 12 V (Battery terminal) For checking refrigerant leakage when fluorescent dye is equipped in A/C system Includes: UV lamp and UV safety goggles</p>
<p>(J-41447) HFC-134a (R-134a) fluorescent leak detection dye (Box of 24, 1/4 ounce bottles)</p>	 <p style="text-align: center;">Refrigerant dye (24 bottles)</p> <p style="text-align: center;">SHA439F</p>	<p style="text-align: center;">Application: For HFC-134a (R-134a) PAG oil Container: 1/4 ounce (7.4 cc) bottle (Includes self-adhesive dye identification labels for affixing to vehicle after charging system with dye.)</p>
<p>(J-41459) HFC-134a (R-134a) dye injector Use with J-41447, 1/4 ounce bottle</p>	 <p style="text-align: center;">SHA440F</p>	<p style="text-align: center;">For injecting 1/4 ounce of fluorescent leak detection dye into A/C system</p>
<p>(J-43872) Refrigerant dye cleaner</p>	 <p style="text-align: center;">SHA441F</p>	<p style="text-align: center;">For cleaning dye spills</p>

PREPARATION

< PREPARATION >

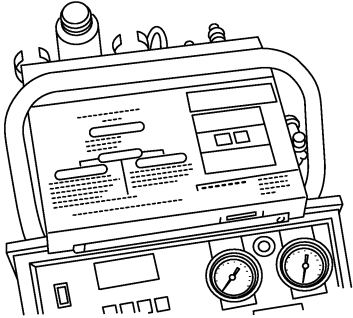
Tool number (Kent-Moore No.) Tool name	Description
<p>(J-39183) Manifold gauge set (with hoses and couplers)</p>  <p style="text-align: right; font-size: small;">RJIA0196E</p>	<p>Identification:</p> <ul style="list-style-type: none"> The gauge face indicates HFC-134a (R-134a). <p>Fitting size: Thread size</p> <ul style="list-style-type: none"> 1/2"-16 ACME
<p>Service hoses</p> <ul style="list-style-type: none"> High-pressure side hose (J-39501-72) Low-pressure side hose (J-39502-72) Utility hose (J-39476-72)  <p style="text-align: right; font-size: small;">S-NT201</p>	<p>Hose color:</p> <ul style="list-style-type: none"> Low-pressure side hose: Blue with black stripe High-pressure side hose: Red with black stripe Utility hose: Yellow with black stripe or green with black stripe <p>Hose fitting to gauge:</p> <ul style="list-style-type: none"> 1/2"-16 ACME
<p>Service couplers</p> <ul style="list-style-type: none"> High-pressure side coupler (J-39500-20) Low-pressure side coupler (J-39500-24)  <p style="text-align: right; font-size: small;">S-NT202</p>	<p>Hose fitting to service hose: M14 x 1.5 fitting is optional or permanently attached.</p>
<p>(J-39650) Refrigerant weight scale</p>  <p style="text-align: right; font-size: small;">S-NT200</p>	<p>For measuring of refrigerant</p> <p>Fitting size: Thread size</p> <p>1/2"-16 ACME</p>
<p>(J-39649) Vacuum pump (Including the isolator valve)</p>  <p style="text-align: right; font-size: small;">S-NT203</p>	<p>Capacity:</p> <ul style="list-style-type: none"> Air displacement: 4 CFM Micron rating: 20 microns Oil capacity: 482 g (17 oz) <p>Fitting size: Thread size</p> <ul style="list-style-type: none"> 1/2"-16 ACME

PREPARATION

< PREPARATION >

Commercial Service Tool

INFOID:000000008135552

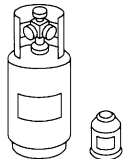
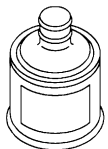
Tool name	Description
<p>Refrigerant identifier equipment</p> <div style="text-align: center;">  <p>RJIA0197E</p> </div>	<p>Checking for refrigerant purity and system contamination</p>

Sealant or/and Lubricant

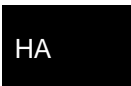
INFOID:000000008135553

HFC-134a (R-134a) Service Tool and Equipment

- Never mix HFC-134a (R-134a) refrigerant and/or its specified lubricant with CFC-12 (R-12) refrigerant and/or its lubricant.
- Separate and non-interchangeable service equipment must be used for handling each type of refrigerant/lubricant.
- Refrigerant container fittings, service hose fittings and service equipment fittings (equipment which handles refrigerant and/or lubricant) are different between CFC-12 (R-12) and HFC-134a (R-134a). This is to avoid mixed use of the refrigerants/lubricant.
- Never use adapters that convert one size fitting to another: refrigerant/lubricant contamination occurs and compressor malfunction may result.

Tool name	Description
<p>HFC-134a (R-134a) refrigerant</p> <div style="text-align: center;">  <p>S-NT196</p> </div>	<p>Container color: Light blue Container marking: HFC-134a (R-134a) Fitting size: Thread size</p> <ul style="list-style-type: none"> • Large container 1/2"-16 ACME
<p>A/C System Oil Type S (DH-PS)</p> <div style="text-align: center;">  <p>JMIA1759ZZ</p> </div>	<p>Type: Polyalkylene glycol oil (PAG), type S (DH-PS) Application: HFC-134a (R-134a) swash plate compressors Capacity: 40 mℓ (1.4 US fl oz, 1.4 Imp fl oz)</p>

A
B
C
D
E
F
G
H
HA
J
K
L
M
N
O
P



COMPONENT PARTS

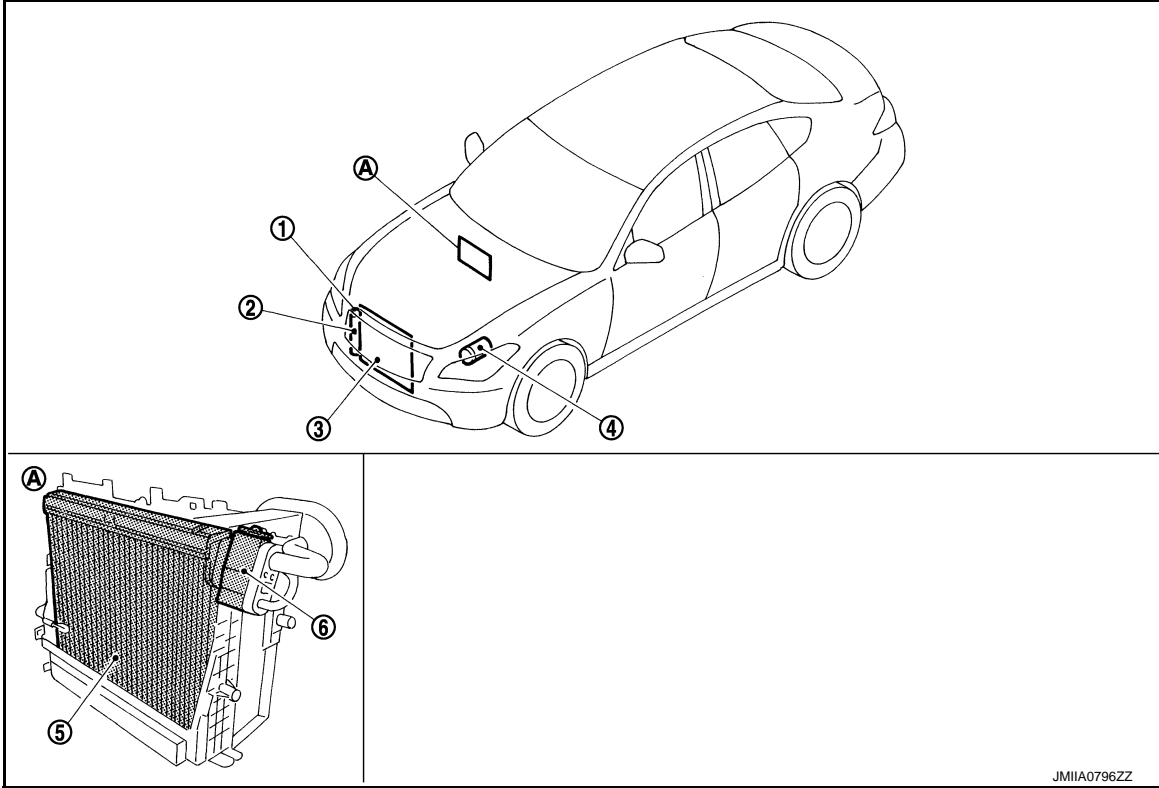
< SYSTEM DESCRIPTION >

SYSTEM DESCRIPTION

COMPONENT PARTS

Component Parts Location

INFOID:000000008135554



JMIIA0796ZZ

- | | | |
|------------------------------------------|----------------|--------------------|
| 1. Refrigerant pressure sensor | 2. Liquid tank | 3. Condenser |
| 4. Compressor | 5. Evaporator | 6. Expansion valve |
| A. In the heater & cooling unit assembly | | |

Component Description

INFOID:000000008135555

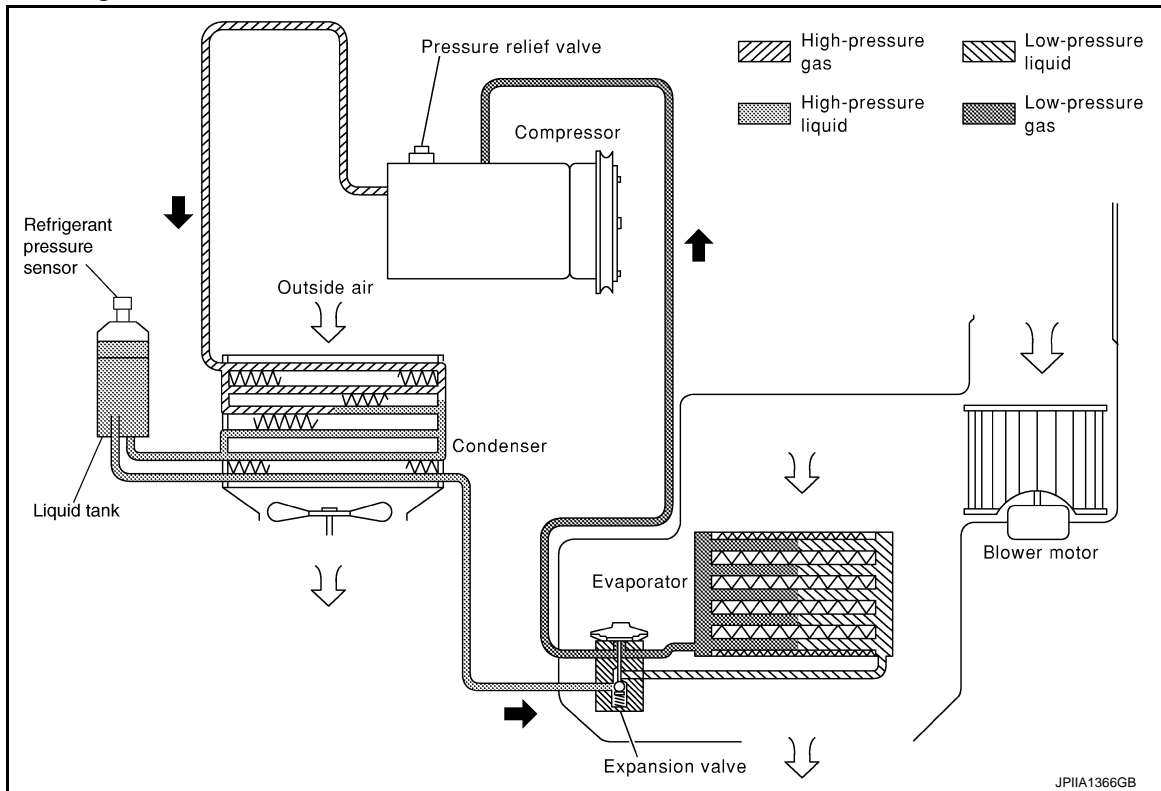
Component	Description
Compressor	Intakes, compresses, and discharges refrigerant, to circulate refrigerant inside the refrigerant cycle.
Condenser	Cools refrigerant discharged from compressor, and transforms it to liquid refrigerant.
Liquid tank	Eliminates foreign matter in refrigerant, and stores temporarily liquid refrigerant.
Refrigerant pressure sensor	Refer to EC-52. "Refrigerant Pressure Sensor" (VQ37VHR) or EC-965. "Refrigerant Pressure Sensor" (VK56VD).
Expansion valve	Transforms high-pressure liquid refrigerant to mist form low-pressure liquid refrigerant by drawing function.
Evaporator	The mist form liquid refrigerant transforms to gas by evaporation by the air conveyed from blower motor. The air is cooled by the heat by evaporation.

SYSTEM

< SYSTEM DESCRIPTION >

SYSTEM

System Diagram



System Description

INFOID:000000008135557

REFRIGERANT CYCLE

Refrigerant Flow

The refrigerant from the compressor, flows the condenser with liquid tank, the evaporator, and returns to the compressor. The refrigerant evaporation in the evaporator is controlled by an expansion valve.

Freeze Protection

To prevent evaporator from freezing up, the evaporator air temperature is monitored, and the voltage signal to the A/C auto amp. makes the A/C relay go OFF and stop the compressor.

REFRIGERANT SYSTEM PROTECTION

Refrigerant Pressure Sensor

- The refrigerant system is protected against excessively high- or low-pressures by the refrigerant pressure sensor, located on the liquid tank. The refrigerant pressure sensor detects the pressure inside the refrigerant line and sends the voltage signal to the ECM if the system pressure rises above, or falls below the specifications.
- ECM turns the A/C relay to OFF and stops the compressor when the high-pressure side detected by refrigerant pressure sensor is following conditions;
 - Approximately 3,120 kPa (31.8 kg/cm², 452 psi) or more (Engine speed is 1,500 rpm or more.)
 - Approximately 2,740 kPa (27.9 kg/cm², 397 psi) or more (Engine speed is less than 1,500 rpm.)
 - Approximately 120 kPa (1.2 kg/cm², 17 psi) or less

Pressure Relief Valve

The refrigerant system is also protected by a pressure relief valve, located in the rear head of the compressor. The release port on the pressure relief valve automatically opens and releases refrigerant into the atmosphere when the pressure of refrigerant in the system increases to an unusual level [more than 3,800 kPa (38.8 kg/cm², 551 psi)].

DIAGNOSIS AND REPAIR WORKFLOW

< BASIC INSPECTION >

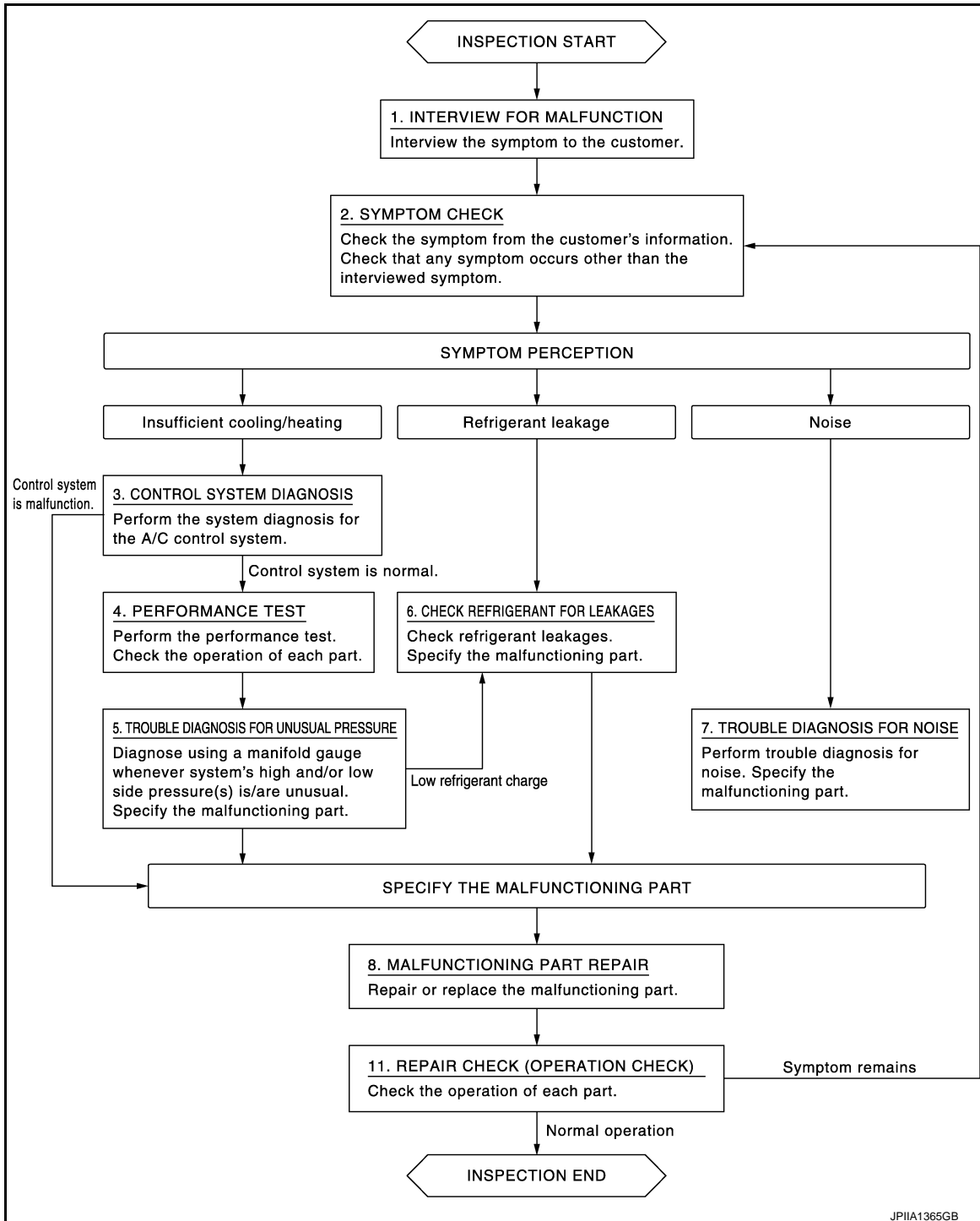
BASIC INSPECTION

DIAGNOSIS AND REPAIR WORKFLOW

Work Flow

INFOID:000000008135558

OVERALL SEQUENCE



DETAILED FLOW

1. INTERVIEW FOR MALFUNCTION

Interview the symptom to the customer.

DIAGNOSIS AND REPAIR WORKFLOW

< BASIC INSPECTION >

>> GO TO 2.

2. SYMPTOM CHECK

Check the symptom from the customer's information. Check that any symptom occurs other than the interviewed symptom.

Insufficient cooling/heating>>GO TO 3.

Refrigerant leakage>>GO TO 6.

Noise >> GO TO 7.

3. CONTROL SYSTEM DIAGNOSIS

Perform the system diagnosis for the A/C control system. Refer to [HAC-54, "Work Flow"](#).

Is A/C control system normal?

YES >> GO TO 4.

NO >> GO TO 8.

4. PERFORMANCE TEST

Perform the performance test. Check the operation of each part. Refer to [HA-25, "Inspection"](#).

>> GO TO 5.

5. TROUBLE DIAGNOSIS FOR UNUSUAL PRESSURE

Diagnose using a manifold gauge whenever system's high and/or low side pressure(s) is/are unusual. Specify the malfunctioning part. Refer to [HA-27, "Symptom Table"](#).

Low refrigerant charge>>GO TO 6.

Except above>>GO TO 8.

6. CHECK REFRIGERANT FOR LEAKAGES

Check refrigerant for leakages. Specify the malfunctioning part. Refer to [HA-18, "Leak Test"](#).

>> GO TO 8.

7. TROUBLE DIAGNOSIS FOR NOISE

Perform trouble diagnosis for noise. Specify the malfunctioning part. Refer to [HA-29, "Symptom Table"](#).

>> GO TO 8.

8. MALFUNCTION PART REPAIR

Repair or replace the malfunctioning part.

>> GO TO 9.

9. REPAIR CHECK (OPERATION CHECK)

Check the operation of each part.

Does it operate normally?

YES >> INSPECTION END

NO >> GO TO 2.

A
B
C
D
E
F
G
H
HA
J
K
L
M
N
O
P

ONE-TOUCH JOINT

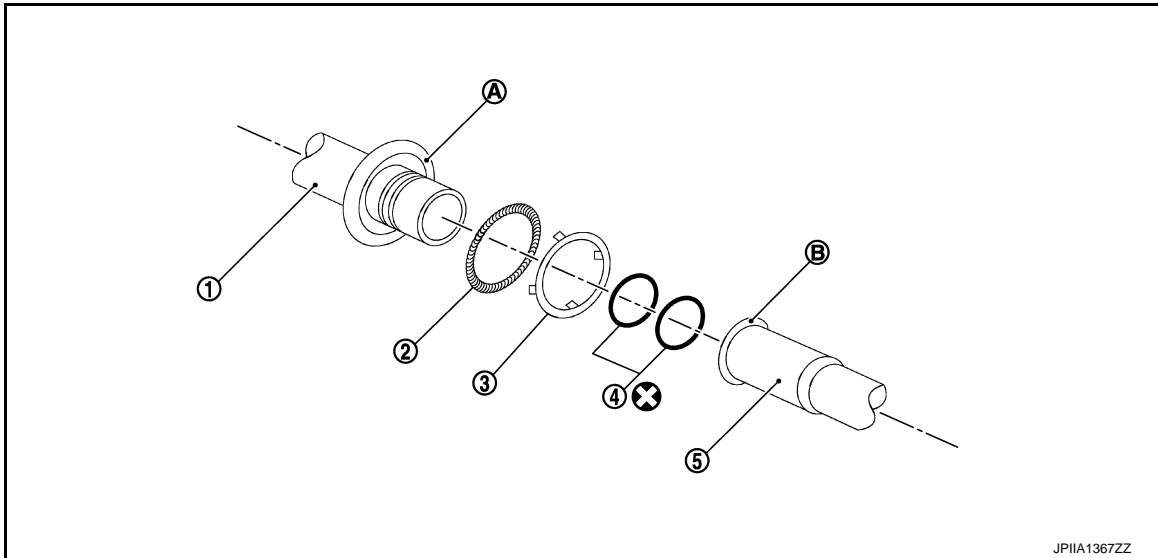
< BASIC INSPECTION >

ONE-TOUCH JOINT

Exploded View

INFOID:000000008135559

- One-touch joints are pipe joints which do not require tools while connecting pipes.
- Unlike a connection by conventional union nuts or flanges, tightening torque management for joint is not necessary.
- Use a disconnector when disconnecting a pipe connection. Refer to [HA-8, "Special Service Tool"](#).



- | | | |
|---------------------|-----------------------|-------------------|
| 1. Pipe (male-side) | 2. Garter spring | 3. Indicator ring |
| 4. O-ring | 5. Pipe (female-side) | |
| A: Cage | B: Flare | |

Refer to [GI-4, "Components"](#) for symbols in the figure.

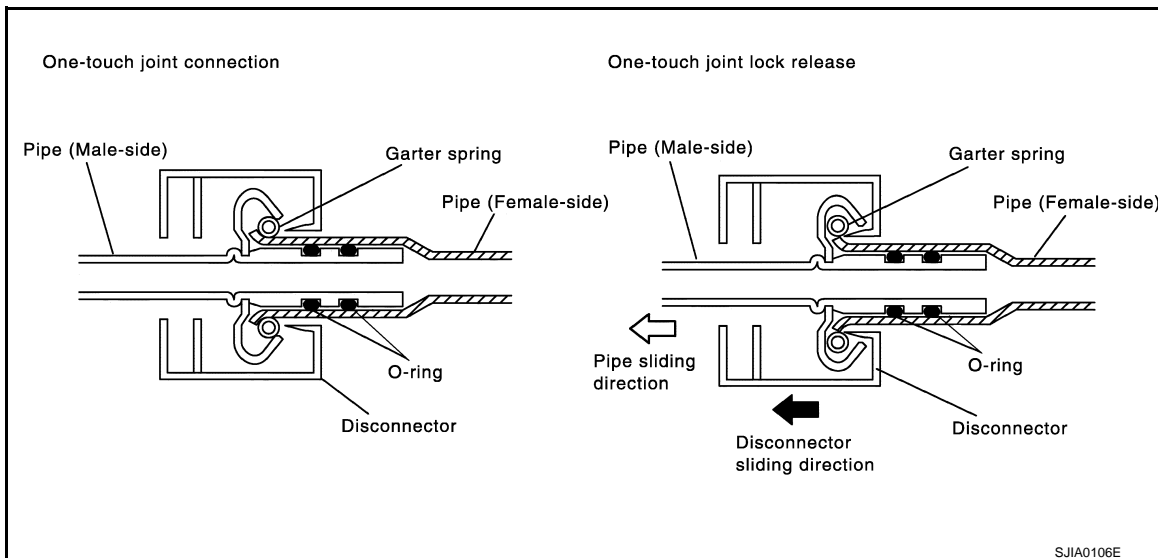
NOTE:

- Garter spring cannot be removed from pipe (male-side) cage.
- Indicator ring remains near pipe joint. It is normal. (This is to check pipe connection condition during factory assembly.)

Removal and Installation

INFOID:000000008135560

REMOVAL



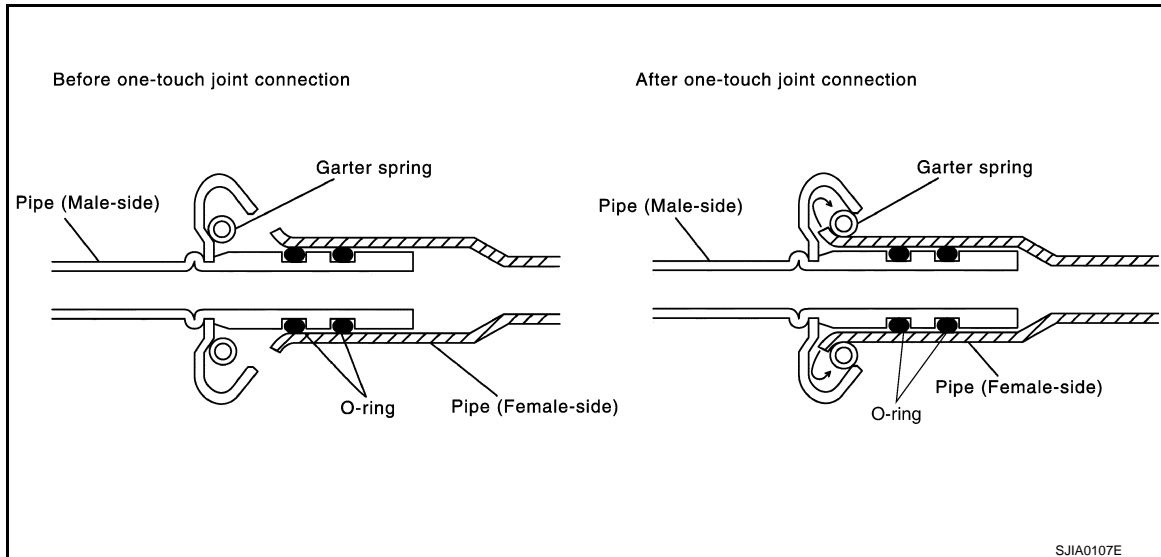
1. Clean pipe joint and set a disconnector.

ONE-TOUCH JOINT

< BASIC INSPECTION >

- Slide disconnecter in axial direction of pipe, and stretch garter spring using tapers of disconnecter.
- Slide disconnecter further so that inner diameter of garter spring becomes larger than outer diameter of pipe (female-side) flare. Then pipe (male-side) can be pulled out and pipe connection can be disconnected.

INSTALLATION



- Clean pipe joint, and then insert pipe (male-side) to pipe (female-side).
- Press inserted pipe (male-side) further so that pipe (female-side) flare stretches garter spring.
- When inner diameter of garter spring becomes larger than outer diameter of pipe (female-side) flare, garter spring gets over flare, fits between pipe (male-side) cage and pipe (female-side) flare, and fixes pipe joint.

NOTE:

When garter spring gets over flare and fits between pipe (male-side) cage and pipe (female-side) flare, it clicks.

CAUTION:

- Connecting point of pipe (female-side) is thin and easily deformed. Always insert pipe (male-side) in the axial direction straight and slowly. Be careful not to deform pipe (female-side).
- Insert pipe securely until it clicks.
- Always check that pipe joint is not disconnected by pulling pipe (male-side) by hands after pipe connection is complete.

REFRIGERANT

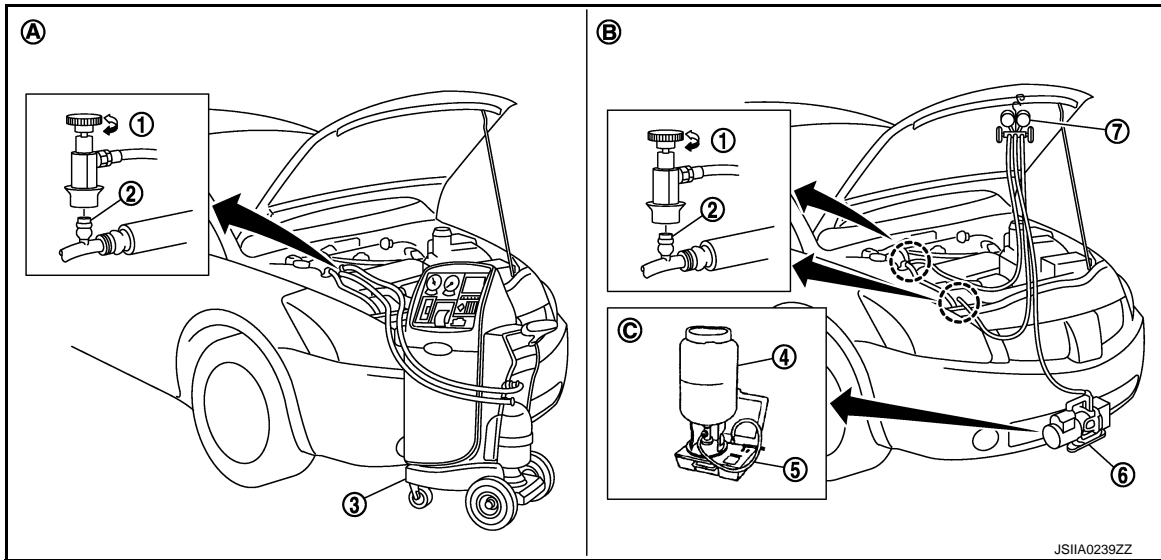
< BASIC INSPECTION >

REFRIGERANT

Description

INFOID:000000008135561

CONNECTION OF SERVICE TOOLS AND EQUIPMENT

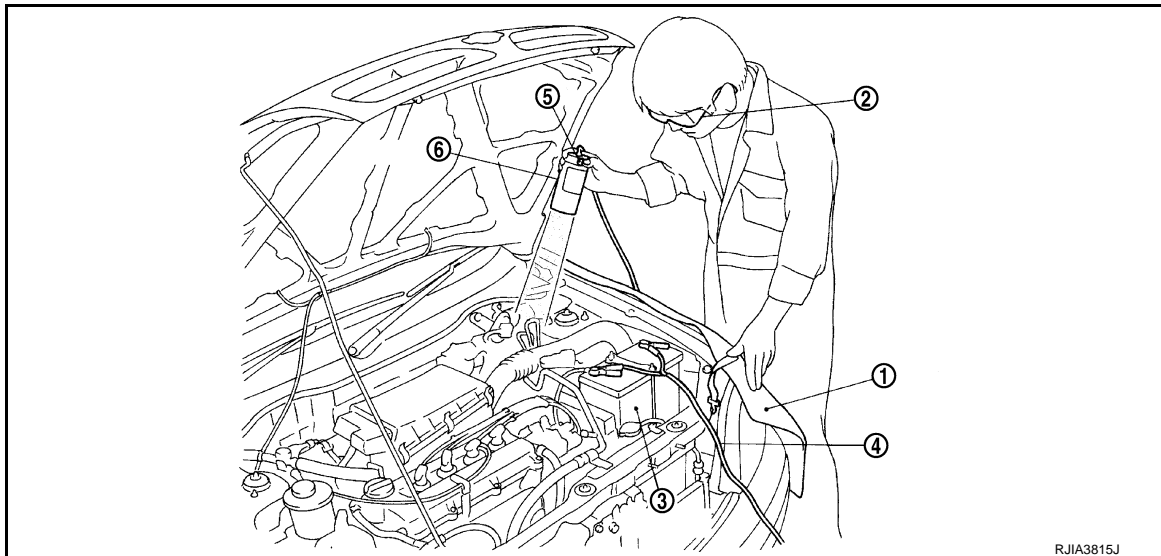


- | | | |
|-------------------------------------|---------------------------|--------------------------------------------|
| 1. Shut-off valve | 2. A/C service valve | 3. Recovery/recycling/recharging equipment |
| 4. Refrigerant container (HFC-134a) | 5. Weight scale (J-39650) | 6. Vacuum pump (J-39649) |
| 7. Manifold gauge set (J-39183) | | |
| A. Preferred (best) method | B. Alternative method | C. For charging |

Leak Test

INFOID:000000008135562

CHECK REFRIGERANT LEAKAGE USING FLUORESCENT LEAK DETECTION DYE



1. Install a fender cover (1).
2. Wear UV safety goggles (2) provided with refrigerant dye leak detection kit (J-43926).
3. Connect power cable (4) of UV lamp (6) to positive and negative terminals of the battery (3).
4. Press UV lamp switch (5) and check A/C system for refrigerant leakage. (Where refrigerant leakage occurs, fluorescent leak detection dye appears in green color.)

WARNING:

REFRIGERANT

< BASIC INSPECTION >

Never look directly into UV lamp light source.

NOTE:

- For continuous operating time of UV lamp, follow the manufacturer operating instructions.
- Illuminate piping joints from different angles using UV lamp and check that there is no leakage.
- Use a mirror in area that is difficult to see to check refrigerant leakage.
- Refrigerant leakage from evaporator can be detected by soaking cotton swab or a similar material with drain hose water and illuminating it using UV lamp.
- Dust, dirt, and packing materials adhesive used for condenser, evaporator, and other locations may fluoresce. Be careful not to misidentify leakage.

5. Repair or replace parts where refrigerant leakage occurs and wipe off fluorescent leak detection dye.

NOTE:

Completely wipe off fluorescent leak detection dye from gaps between parts, screw threads, and others using a cotton swab or similar materials.

6. Use a UV lamp to check that no fluorescent leak detection dye remains after finishing work.

WARNING:

Never look directly into UV lamp light source.

NOTE:

- For continuous operating time of UV lamp, follow the manufacturer operating instructions.
- Dust, dirt, and packing materials adhesive used for condenser, evaporator, and other locations may fluoresce. Be careful not to misidentify leakage.

CHECK REFRIGERANT LEAKAGE USING ELECTRICAL LEAK DETECTOR

WARNING:

Never check refrigerant leakage while the engine is running.

CAUTION:

Be careful of the following items so that inaccurate checks or misidentifications are avoided.

- **Never allow refrigerant vapor, shop chemical vapors, cigarette smoke, or others around the vehicle.**
- **Always check refrigerant leakage in a low air flow environment so that refrigerant may not disperse when leakage occurs.**

1. Stop the engine.
2. Connect recovery/recycling/recharging equipment or manifold gauge set (J-39183) to A/C service valve.
3. Check that A/C refrigerant pressure is 345 kPa (3.52 kg/cm², 50 psi) or more when temperature is 16°C (61°F) or more. When pressure is lower than the specified value, recycle refrigerant completely and fill refrigerant to the specified level.

NOTE:

Leakages may not be detected if A/C refrigerant pressure is 345 kPa (3.52 kg/cm², 50 psi) or less when temperature is less than 16°C (61°F).

4. Clean area where refrigerant leakage check is performed, and check refrigerant leakage along all surfaces of pipe connections and A/C system components using electrical leak detector (J-41995) probe.

CAUTION:

- **Continue checking when a leakage is found. Always continue and complete checking along all pipe connections and A/C system components for additional leakage.**
- **When a leakage is detected, clean leakage area using compressed air and check again.**
- **When checking leakage of cooling unit inside, always clean inside of drain hose so that the probe surface may not be exposed to water or dirt.**

NOTE:

- Always check leakage starting from high-pressure side and continue to low-pressure side.
- When checking leakage of cooling unit inside, operate blower fan motor for 15 minutes or more at the maximum fan speed while the engine is stopped, and then insert electrical leak detector probe into drain hose and hold for 10 minutes or more.
- When disconnecting shut-off valve that is connected to A/C service valve, always evacuate remaining refrigerant so that misidentification can be avoided.

5. Repair or replace parts where refrigerant leakage is detected. (Leakage is detected but leakage area is unknown. GO TO 6.)
6. Start the engine and set A/C control in the following conditions.
 - A/C switch ON
 - Air flow: VENT (ventilation)
 - Intake door position: Recirculation

A
B
C
D
E
F
G
H
HA
J
K
L
M
N
O
P

REFRIGERANT

< BASIC INSPECTION >

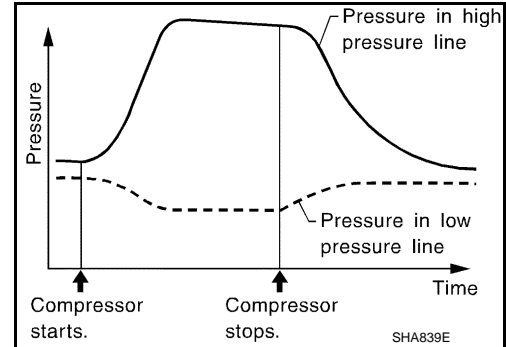
- Temperature setting: Full cold
 - Fan (blower) speed: Maximum speed set
7. Run the engine at approximately 1,500 rpm for 2 minutes or more.
 8. Stop the engine. Check again for refrigerant leakage. GO TO 4.

WARNING:

Be careful not to get burned when the engine is hot.

NOTE:

- Start refrigerant leakage check immediately after the engine is stopped.
- When refrigerant circulation is stopped, pressure on the low-pressure side rises gradually, and after this, pressure on the high-pressure side falls gradually.
- The higher the pressure is, the easier it is to find the refrigerant leakage.



Recycle Refrigerant

INFOID:000000008135563

WARNING:

- Always use HFC-134a for A/C refrigerant. If CFC-12 is accidentally charged, compressor is damaged due to insufficient lubrication.
 - Always observe and follow precautions described on refrigerant container. Incorrect handling may result in an explosion of refrigerant container, frostbite, or the loss of eyesight.
 - Never breathe A/C refrigerant and lubricant vapor or mist. Exposure may irritate eyes, nose, or throat.
 - Never allow HFC-134a to be exposed to an open flame or others because it generates poisonous gas when in contact with high temperature objects. Keep workshop well ventilated.
1. Perform lubricant return operation. Refer to [HA-22, "Perform Lubricant Return Operation"](#). (If refrigerant or lubricant leakage is detected in a large amount, omit this step, and then GO TO 2.)

CAUTION:

Never perform lubricant return operation if a large amount of refrigerant or lubricant leakage is detected.

2. Check gauge pressure readings of recovery/recycling/recharging equipment. When remaining pressure exists, recycle refrigerant from high-pressure hose and low-pressure hose.

NOTE:

Follow manufacturer instructions for the handling or maintenance of the equipment. Never fill the equipment with non-specified refrigerant.

3. Remove A/C service valve cap from the vehicle.
4. Connect recovery/recycling/recharging equipment to A/C service valve.
5. Operate recovery/recycling/recharging equipment, and recycle refrigerant from the vehicle.
6. Evacuate air for 10 minutes or more to remove any remaining refrigerant integrated to compressor lubricant, etc.
7. Refrigerant recycle operation is complete.

Charge Refrigerant

INFOID:000000008135564

WARNING:

- Always use HFC-134a for A/C refrigerant. If CFC-12 is accidentally charged, compressor is damaged due to insufficient lubrication.
 - Always observe and follow precautions described on refrigerant container. Incorrect handling may result in an explosion of refrigerant container, frostbite, or the loss of eyesight.
 - Never breathe A/C refrigerant and lubricant vapor or mist. Exposure may irritate eyes, nose, or throat.
 - Never allow HFC-134a to be exposed to an open flame or others because it generates poisonous gas when in contact with high temperature objects. Keep workshop well ventilated.
1. Connect recovery/recycling/recharging equipment to the A/C service valve.

REFRIGERANT

< BASIC INSPECTION >

2. Operate recovery/recycling/recharging equipment, and evacuate air from A/C system for 25 minutes or more.
CAUTION:
Evacuate air for 15 minutes or more if the parts are replaced.
3. Check the airtightness of A/C system for 25 minutes or more. If pressure raises more than the specified level, charge A/C system with approximately 200 g refrigerant and check that there is no refrigerant leakage. Refer to [HA-18, "Leak Test"](#).
CAUTION:
Check the airtightness for 15 minutes or more if the parts are replaced.
4. If parts other than compressor are replaced, fill compressor lubricant according to parts that are replaced.
5. Charge the specified amount of refrigerant to A/C system.
6. Check that A/C system operates normally.
7. Disconnect recovery/recycling/recharging equipment. (Collect the refrigerant from the high-pressure hose and low-pressure hose of recovery/recycling/recharging equipment.)
8. Install A/C service valve cap.
9. Refrigerant charge is complete.

A
B
C
D
E
F
G
H
HA
J
K
L
M
N
O
P

LUBRICANT

< BASIC INSPECTION >

LUBRICANT

Description

INFOID:000000008135565

MAINTENANCE OF LUBRICANT LEVEL

The compressor lubricant is circulating in the system together with the refrigerant. It is necessary to fill compressor with lubricant when replacing A/C system parts or when a large amount of refrigerant leakage is detected. It is important to always maintain lubricant level within the specified level. Or otherwise, the following conditions may occur.

- Insufficient lubricant amount: Stuck compressor
- Excessive lubricant amount: Insufficient cooling (caused by insufficient heat exchange)

Name : A/C System Oil Type S

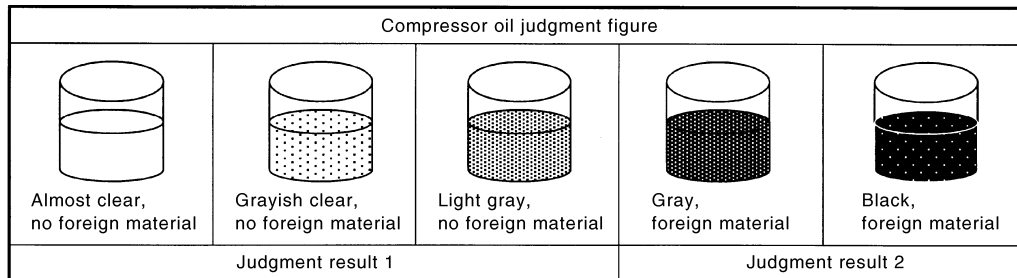
Inspection

INFOID:000000008135566

If a compressor is malfunctioning (internal noise, insufficient cooling), check the compressor oil.

1. COMPRESSOR OIL JUDGMENT

1. Remove the compressor. Refer to [HA-31, "COMPRESSOR : Removal and Installation"](#).
2. Sample a compressor oil and judge on the figure.



JSIA0927GB

Judgement result 1>>Replace compressor only.

Judgement result 2>>Replace compressor and liquid tank.

Perform Lubricant Return Operation

INFOID:000000008135567

CAUTION:

If a large amount of refrigerant or lubricant leakage is detected, never perform lubricant return operation.

1. Start the engine and set to the following conditions.
 - Engine speed: Idling to 1,200 rpm
 - A/C switch: ON
 - Fan (blower) speed: Maximum speed set
 - Intake door position: Recirculation
 - Temperature setting: Full cold
2. Perform lubricant return operation for approximately 10 minutes.
3. Stop the engine.
4. Lubricant return operation is complete.

Lubricant Adjusting Procedure for Components Replacement Except Compressor

INFOID:000000008135568

Fill with lubricant for the amount that is calculated according to the following conditions.

Example: Lubricant amount to be added when replacing evaporator and liquid tank [mℓ (US fl oz, Imp fl oz)] = 45 (1.5, 1.6) + 15 (0.5, 0.5) + α

LUBRICANT

< BASIC INSPECTION >

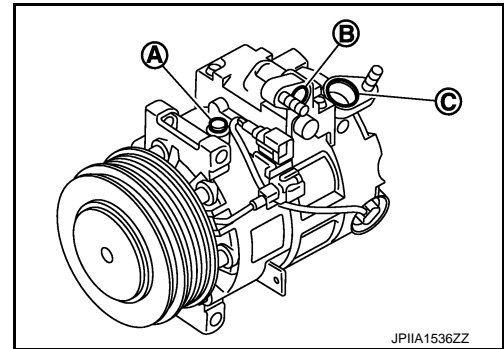
Conditions		Lubricant amount to be added to A/C system m ℓ (US fl oz, Imp fl oz)
Replace evaporator		45 (1.5, 1.6)
Replace condenser		30 (1.0, 1.1)
Replace liquid tank		15 (0.5, 0.5)
Refrigerant leakage is detected	Large amount leakage	30 (1.0, 1.1)
	Small amount leakage	—
Lubricant amount that is recycled together with refrigerant during recycle operation		α

Lubricant Adjusting Procedure for Compressor Replacement

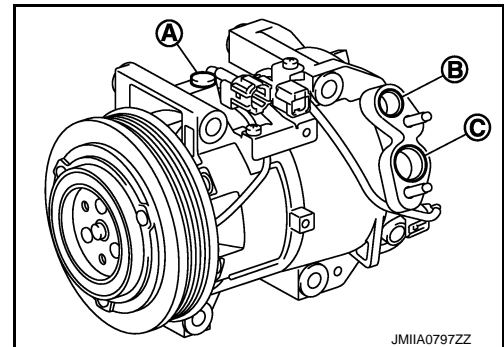
INFOID:000000008135569

1. Drain lubricant from removed compressor and measure lubricant amount.
 - Remove drain plug (A). Drain lubricant while rotating magnet clutch.

VQ37VHR



VK56VD



- Tighten drain plug to the specified torque when lubricant does not come out.

Drain plug tightening torque : 9.8 N·m (1.0 kg·m, 87 in·lb)

- Drain lubricant from high-pressure port (B) and low-pressure port (C) while rotating magnet clutch.
- Measure total amount of lubricant that is drained from removed compressor.

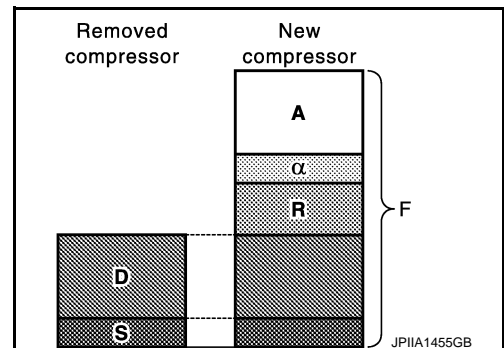
2. Drain lubricant from a new compressor that is calculated according to the following conditions.

Amount to be drained (A) [m ℓ (US fl oz, Imp fl oz)]
 $= F - (D + S + R + \alpha)$

F : Lubricant amount that a new compressor contains [150 (5.1, 5.3)]

D : Lubricant amount that is drained from removed compressor

S : Lubricant amount that remains inside of removed compressor [20 (0.7, 0.7)]



LUBRICANT

< BASIC INSPECTION >

- R** : Lubricant amount to be added according to components that are removed except compressor
- α** : Lubricant amount that is recycled together with refrigerant during recycle operation

CAUTION:

If lubricant amount that is drained from removed compressor is less than 60 mℓ (2.0 US fl oz, 2.1 Imp fl oz), perform calculation by setting “D” as 40 mℓ (1.4 US fl oz, 1.4 Imp fl oz).

Conditions	Lubricant amount to be added to A/C system mℓ (US fl oz, Imp fl oz)
Replace evaporator	45 (1.5, 1.6)
Replace condenser	30 (1.0, 1.1)
Replace liquid tank	15 (0.5, 0.5)

Example: Lubricant amount to be drained from a new compressor when replacing compressor and liquid tank [mℓ (US fl oz, Imp fl oz)] [D = 60 (2.0, 2.1), α = 5 (1.4, 1.4)]

$$150 (5.1, 5.3) - [60 (1.5, 1.6) + 20 (0.7, 0.7) + 15 (0.5, 0.5) + 5 (0.2, 0.2)] = 50 (1.7, 1.8)$$

3. Install compressor and check the operation.

PERFORMANCE TEST

< BASIC INSPECTION >

PERFORMANCE TEST

Inspection

INFOID:000000008135570

INSPECTION PROCEDURE

1. Connect recovery/recycling/recharging equipment (for HFC-134a) or manifold gauge.
2. Start the engine, and set to the following condition.

Test condition		
Surrounding condition	Indoors or in the shade (in a well-ventilated place)	
Vehicle condition	Door	Closed
	Door glass	Full open
	Hood	Open
	Engine speed	Idle speed
A/C condition	Temperature control switch or dial	Full cold
	A/C switch	ON
	Air outlet	VENT (ventilation)
	Intake door position	Recirculation
	Fan (blower) speed	Maximum speed set

3. Maintain test condition until A/C system becomes stable. (Approximately 10 minutes)
4. Check that test results of “recirculating-to-discharge air temperature” and “ambient air temperature-to-operating pressure” are within the specified value.
5. When test results are within the specified value, inspection is complete.
If any of test result is out of the specified value, perform diagnosis by gauge pressure. Refer to [HA-27](#), "[Symptom Table](#)".

RECIRCULATING-TO-DISCHARGE AIR TEMPERATURE TABLE

Inside air (Recirculating air) at blower assembly inlet		Discharge air temperature from center ventilator °C (°F)
Relative humidity %	Air temperature °C (°F)	
50 – 60	20 (68)	4.7 – 6.7 (40 – 44)
	25 (77)	8.6 – 11.1 (47 – 52)
	30 (86)	12.6 – 15.6 (55 – 60)
	35 (95)	19.0 – 22.5 (66 – 73)
60 – 70	20 (68)	6.7 – 8.7 (44 – 48)
	25 (77)	11.1 – 13.6 (52 – 56)
	30 (86)	15.6 – 18.6 (60 – 65)
	35 (95)	22.5 – 26.0 (73 – 79)

AMBIENT AIR TEMPERATURE-TO-OPERATING PRESSURE TABLE

PERFORMANCE TEST

< BASIC INSPECTION >

Fresh air		High-pressure (Discharge side) kPa (kg/cm ² , psi)	Low-pressure (Suction side) kPa (kg/cm ² , psi)
Relative humidity %	Air temperature °C (°F)		
50 – 70	25 (77)	909 – 1,112 (9.2 – 11.3, 131.8 – 161.2)	159 – 194 (1.6 – 2.0, 23.1 – 28.1)
	30 (86)	1,073 – 1,312 (10.9 – 13.4, 155.6 – 190.2)	211 – 259 (2.2 – 2.6, 30.6 – 37.6)
	35 (95)	1,445 – 1,766 (14.7 – 18.0, 209.5 – 256.1)	247 – 300 (2.5 – 3.1, 35.8 – 43.5)
	40 (104)	1,650 – 2,017 (16.8 – 20.6, 239.3 – 292.5)	290 – 355 (3.0 – 3.6, 42.1 – 51.5)

REFRIGERATION SYSTEM SYMPTOMS

< SYMPTOM DIAGNOSIS >

SYMPTOM DIAGNOSIS

REFRIGERATION SYSTEM SYMPTOMS

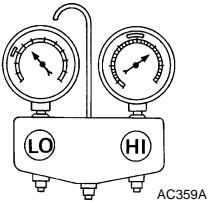
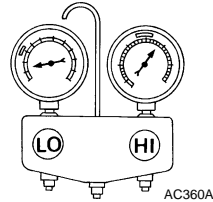
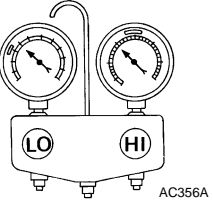
Trouble Diagnosis For Unusual Pressure

INFOID:000000008135571

Diagnose using a manifold gauge whenever system's high and/or low side pressure(s) is/are unusual. The marker above the gauge scale in the following tables indicates the standard (usual) pressure range. Refer to above table (Ambient air temperature-to-operating pressure table) since the standard (usual) pressure, however, differs from vehicle to vehicle.

Symptom Table

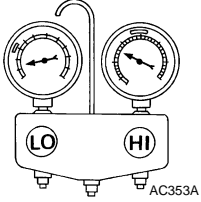
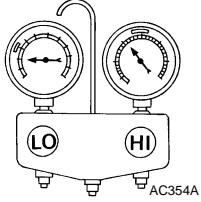
INFOID:000000008135572

Gauge indication	Refrigerant cycle	Probable cause	Corrective action
<p>Both high- and low-pressure sides are too high.</p>  <p>AC359A</p>	<p>The pressure returns to normal soon after sprinkling water on condenser.</p>	<p>Overfilled refrigerant.</p>	<p>Collect all refrigerant, evacuate refrigerant cycle again, and then refill it with the specified amount of refrigerant.</p>
	<p>Air flow to condenser is insufficient.</p>	<p>Insufficient condenser cooling performance.</p> <ul style="list-style-type: none"> Poor fan rotation of radiator and condenser. Improper installation of air guide. Clogged or dirty condenser fins. 	<ul style="list-style-type: none"> Repair or replace malfunctioning parts. Clean and repair condenser fins.
	<p>When compressor is stopped, a high-pressure reading quickly drops by approximately 196 kPa (2 kg/cm², 28 psi). It then gradually decreases.</p>	<p>Air mixed in refrigerant cycle.</p>	<p>Collect all refrigerant, evacuate refrigerant cycle again, and then refill it with the specified amount of refrigerant.</p>
	<ul style="list-style-type: none"> Low-pressure pipe is cooler than the outlet of evaporator. Low-pressure pipe is frosted. 	<p>Expansion valve opened too much (excessive flow of refrigerant).</p>	<p>Replace expansion valve.</p>
<p>High-pressure side is excessively high and low-pressure side is too low.</p>  <p>AC360A</p>	<p>High-pressure pipe and upper side of condenser become hot, however, liquid tank does not become so hot.</p>	<p>Clogged or crushed high-pressure pipe located between compressor and condenser.</p>	<p>Repair or replace the malfunctioning parts.</p>
<p>High-pressure side is too low and low-pressure side is too high.</p>  <p>AC356A</p>	<ul style="list-style-type: none"> The readings of both sides become equal soon after compressor operation stops. There is no temperature difference between high- and low-pressure sides. 	<p>Malfunction in compressor system (insufficient compressor pressure operation).</p> <ul style="list-style-type: none"> Damage or breakage of valve. Malfunctioning gaskets. 	<p>Replace compressor.</p>

A
B
C
D
E
F
G
H
HA
J
K
L
M
N
O
P

REFRIGERATION SYSTEM SYMPTOMS

< SYMPTOM DIAGNOSIS >

Gauge indication	Refrigerant cycle	Probable cause	Corrective action
<p>Both high- and low-pressure sides are too low.</p> 	<ul style="list-style-type: none"> The area around evaporator outlet does not become cold. The area around evaporator inlet becomes frosted. 	<p>Clogged expansion valve.</p> <ul style="list-style-type: none"> Breakage of temperature sensor. Clogging by foreign material. 	<p>Eliminate foreign material from expansion valve, or replace it.</p>
	<ul style="list-style-type: none"> There is a temperature difference between the areas around outlet and inlet pipes of liquid tank. Liquid tank becomes frosted. 	<p>Malfunction in inner liquid tank (clogged strainer).</p>	<p>Replace liquid tank.</p>
	<p>Evaporator becomes frosted.</p>	<p>Clogged or crushed low-pressure pipe.</p>	<p>Repair or replace malfunctioning parts.</p>
	<p>There is a small temperature difference between the high and low pressure pipes for refrigerant cycle.</p>	<ul style="list-style-type: none"> Shortage of refrigerant. Leakage of refrigerant. 	<ul style="list-style-type: none"> Check for leakage. Collect all refrigerant, evacuate refrigerant cycle again, and then refill it with the specified amount of refrigerant.
<p>Low-pressure side sometimes becomes negative.</p> 	<ul style="list-style-type: none"> Sometimes the area around evaporator outlet does not become cold. Sometimes the area around evaporator inlet is frosted. 	<ul style="list-style-type: none"> Icing caused by the mixing of water in cooler cycle. Deteriorated dryer in liquid tank. 	<ul style="list-style-type: none"> Collect all refrigerant. Evacuate refrigerant cycle completely, and then refill it with the specified amount of refrigerant. At this time, always replace liquid tank.
<p>Hunting in high-pressure side.</p>	<p>There is no temperature difference between high- and low-pressure sides.</p>	<p>Malfunctioning variable valve in compressor.</p>	<ul style="list-style-type: none"> Replace compressor. Check ECV system. Refer to HAC-143, "Diagnosis Procedure".

NOISE

< SYMPTOM DIAGNOSIS >

NOISE

Symptom Table

INFOID:000000008135573

Symptom	Noise source	Probable cause	Corrective action
Unusual noise from compressor when A/C is ON.	Inside of compressor	Wear, breakage, or clogging of foreign material in inner parts.	Check compressor oil. Refer to HA-22, "Inspection" .
	Magnet clutch	Contact of clutch disc with pulley.	Check clearance between clutch disc and pulley. Refer to HA-33, "Inspection" .
	Compressor body	Loosened compressor mounting bolts.	Check bolts for tightness. Refer to HA-30, "Exploded View" .
Unusual noise from cooler piping.	Cooler piping (pipe and flexible hose)	Improper installation of clip and bracket.	Check the installation condition of the cooler piping. Refer to HA-34, "Exploded View" .
Unusual noise from expansion valve when A/C is ON.	Expansion valve	Shortage of refrigerant.	<ul style="list-style-type: none"> • Check for leakage. • Collect all refrigerant, evacuate refrigerant cycle again, and then refill it with the specified amount of refrigerant.
		Wear, breakage, or clogging of foreign material in inner parts.	Eliminate foreign material from expansion valve, or replace it.
Unusual noise from belt.	—	Loosened belt	Check belt tension. Refer to EM-22, "Checking" (VQ37VHR) or EM-175, "Checking" (VK56VD).
		Internal compressor parts get locked	Replace compressor.

A
B
C
D
E
F
G
H
HA
J
K
L
M
N
O
P

COMPRESSOR

< REMOVAL AND INSTALLATION >

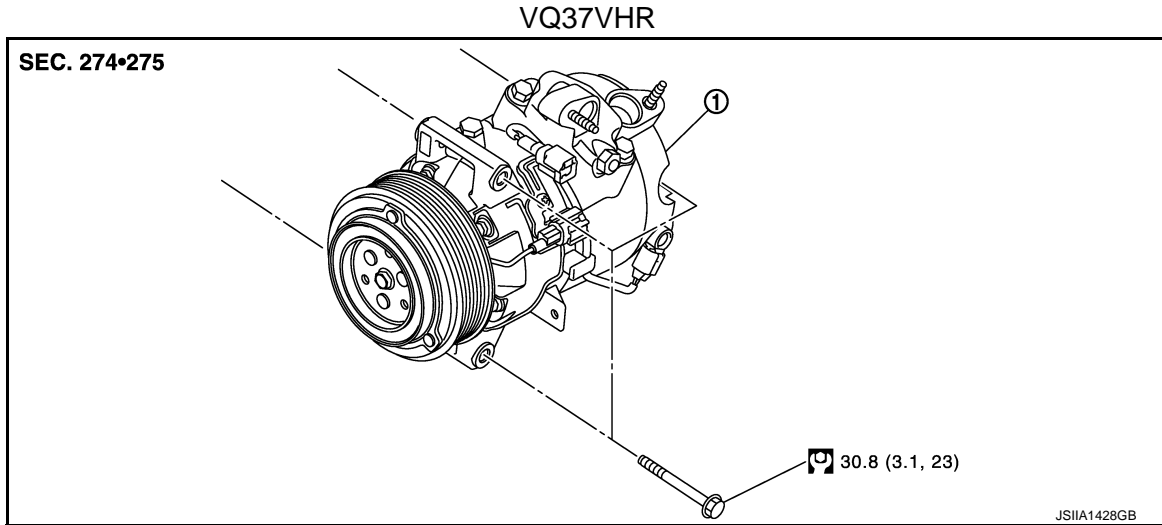
REMOVAL AND INSTALLATION

COMPRESSOR

Exploded View

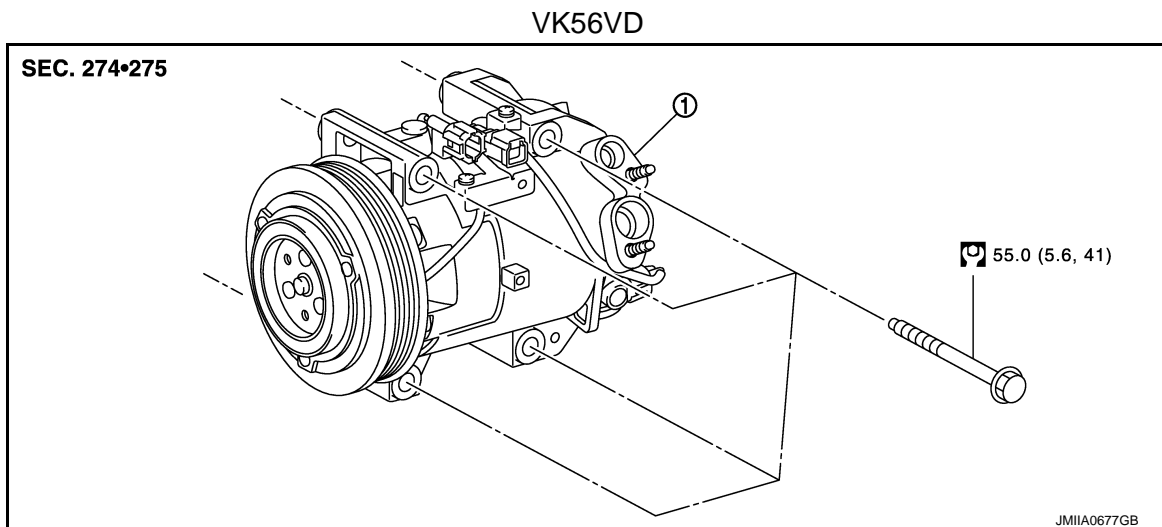
INFOID:000000008135574

REMOVAL



1. Compressor

Refer to [GI-4, "Components"](#) for symbols in the figure.



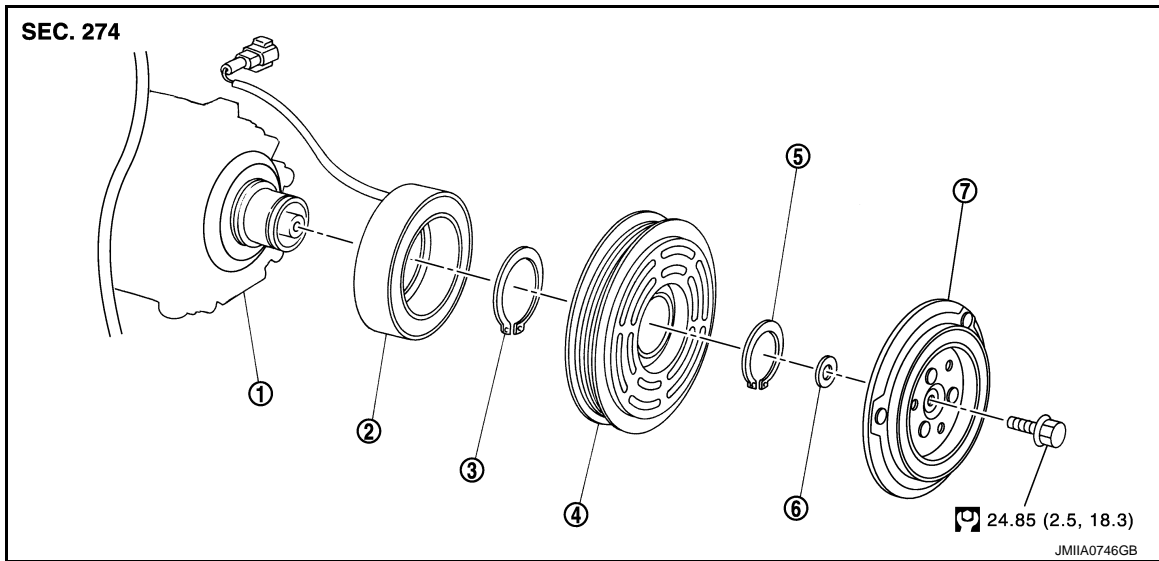
1. Compressor

Refer to [GI-4, "Components"](#) for symbols in the figure.

DISASSEMBLY

COMPRESSOR

< REMOVAL AND INSTALLATION >



- | | | |
|--------------------|---------------|--------------|
| 1. Compressor unit | 2. Field coil | 3. Snap ring |
| 4. Pulley assembly | 5. Snap ring | 6. Shim |
| 7. Clutch disc | | |

Refer to [GI-4, "Components"](#) for symbols in the figure.

COMPRESSOR

COMPRESSOR : Removal and Installation

INFOID:000000008135575

HA

REMOVAL

1. Use a refrigerant collecting equipment (for HFC-134a) to discharge the refrigerant.
2. Remove air cleaner case LH and air duct LH. Refer to the following.
 - Refer to [EM-29, "Removal and Installation"](#). (VQ37VHR engine models)
 - Refer to [EM-184, "Removal and Installation"](#). (VK56VD engine models)
3. Remove engine under cover. Refer to [EXT-28, "ENGINE UNDER COVER : Removal and Installation"](#).
4. Remove drive belt. Refer to the following.
 - Refer to [EM-28, "Removal and Installation"](#). (VQ37VHR engine models)
 - Refer to [EM-183, "Removal and Installation"](#). (VK56VD engine models)
5. Disconnect A/T fluid cooler hose A and B. Refer to the following. (VK56VD engine models)
 - Refer to [TM-210, "VK56VD \(2WD\) : Removal and Installation"](#). (2WD)
 - Refer to [TM-213, "VK56VD \(AWD\) : Removal and Installation"](#). (AWD)
6. Disconnect water hose from oil cooler . Refer to [CO-49, "Removal and Installation"](#). (VK56VD engine models)
7. Remove mounting nuts of low-pressure flexible hose and high-pressure flexible hose. Refer to [HA-34, "Exploded View"](#).
8. Disconnect low-pressure flexible hose and high-pressure flexible hose from compressor. (VQ37VHR engine models)
CAUTION:
Cap or wrap the joint of the A/C piping and compressor with suitable material such as vinyl tape to avoid the entry of air.
9. Disconnect low-pressure pipe 2 and high-pressure flexible hose from compressor. (VK56VD engine models)
CAUTION:
Cap or wrap the joint of the A/C piping and compressor with suitable material such as vinyl tape to avoid the entry of air.
10. Disconnect ECV connector and magnet clutch connector.
11. Remove mounting bolts from compressor.

J

K

L

M

N

O

P

COMPRESSOR

< REMOVAL AND INSTALLATION >

12. Remove compressor from lower side of the vehicle.

INSTALLATION

Note the following items, and then install in the reverse order of removal.

CAUTION:

- Replace O-rings with new ones. Then apply compressor oil to them when installing.
- Check for leakages when recharging refrigerant.
- Check tension of the drive belt after installing compressor. Refer to the following.
- Refer to [EM-22, "Checking"](#). (VQ37VHR engine models)
- Refer to [EM-175, "Checking"](#). (VK56VD engine models)

MAGNET CLUTCH

MAGNET CLUTCH : Removal and Installation of Compressor Clutch

INFOID:000000008135576

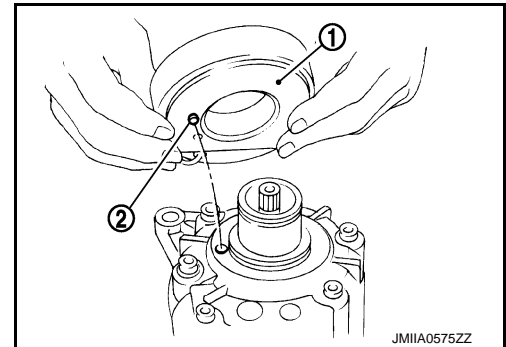
REMOVAL

Overhaul

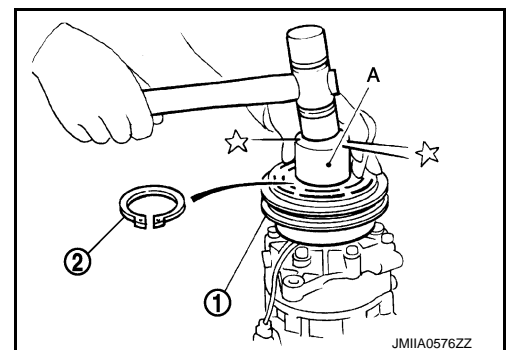
1. Fix clutch disc.
2. Remove center bolt, and then remove clutch disc.
3. Remove snap ring using external snap ring pliers.
4. Position center pulley puller on the end of the drive shaft, and remove pulley assembly using any commercially available pulley puller.
To prevent pulley groove from being deformed, puller claws should be positioned into the edge of the pulley assembly.
5. Disconnect harness connector from compressor unit.
6. Remove snap ring using external snap ring pliers, and then remove field coil.

INSTALLATION

1. Install field coil (1).
Be sure to align the coil's pin (2) with the hole in the compressor's front head.
2. Install field coil harness clip.



3. Install pulley assembly (1) using pulley installer (SST: J-41260) (A) and a hand press, and then install snap ring (2) using snap ring pliers.



4. Install clutch disc on drive shaft together with original shim(s). Press clutch disc down by hand.
5. Tighten center bolt to the specified torque while fixing clutch disc not to rotate.
After tightening the bolt, check that the pulley rotates smoothly.

Break-in Operation

COMPRESSOR

< REMOVAL AND INSTALLATION >

When replacing compressor clutch assembly, always perform the break-in operation by engaging and disengaging the clutch approximately 30-times. Break-in operation increases the level of transmitted torque.

Inspection

INFOID:000000008135577

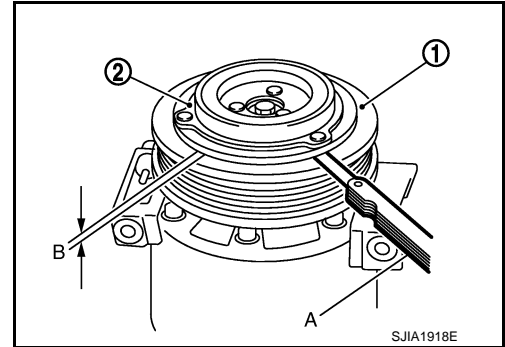
CHECK DISC TO PULLEY CLEARANCE

Check the clearance (B) between pulley assembly (1) and clutch disc (2) along the entire periphery with a feeler gauge (A).

Clearance : Refer to [HA-47, "Compressor"](#).

CAUTION:

Replace compressor if specified clearance is not obtained, replace adjusting spacer and readjust.



A
B
C
D
E
F
G
H
J
K
L
M
N
O
P

HA

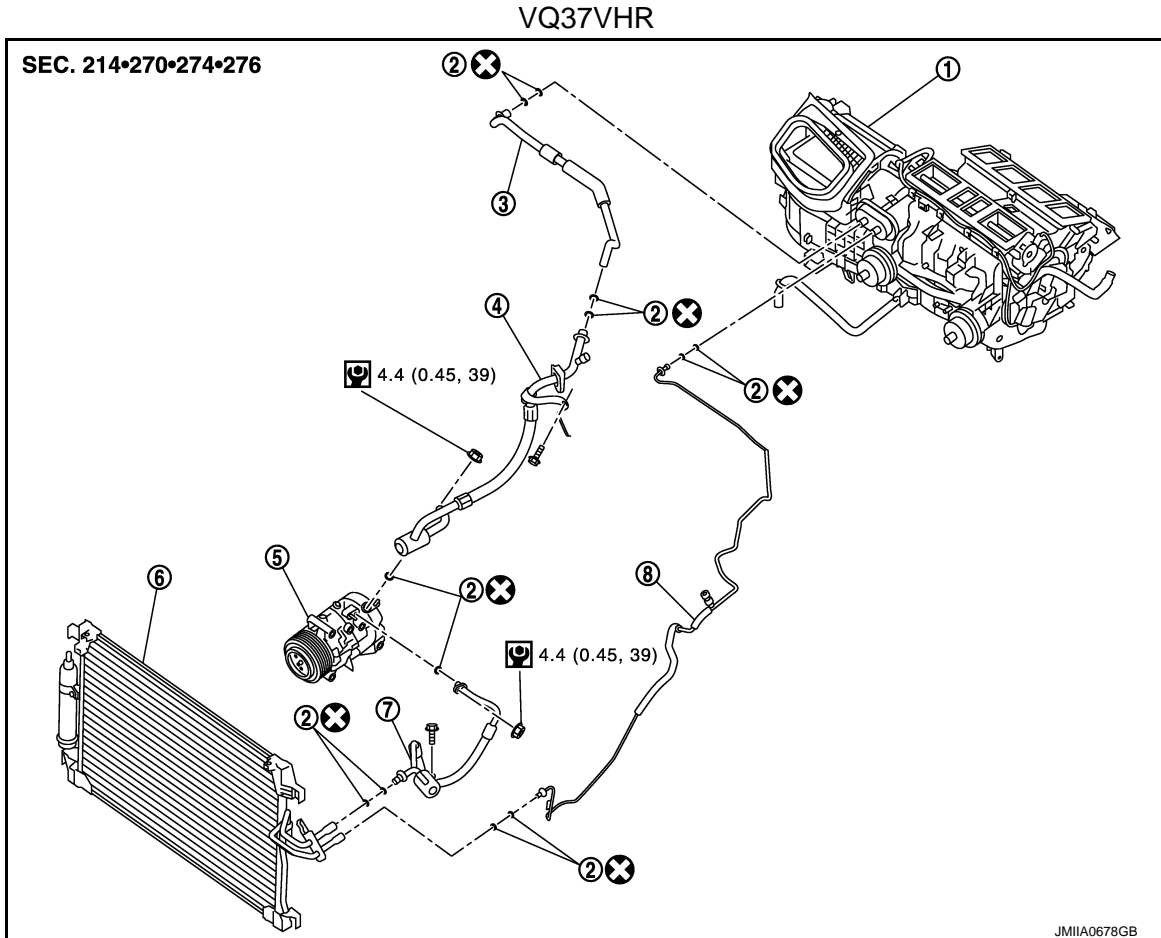
COOLER PIPE AND HOSE

< REMOVAL AND INSTALLATION >

COOLER PIPE AND HOSE

Exploded View

INFOID:000000008135578

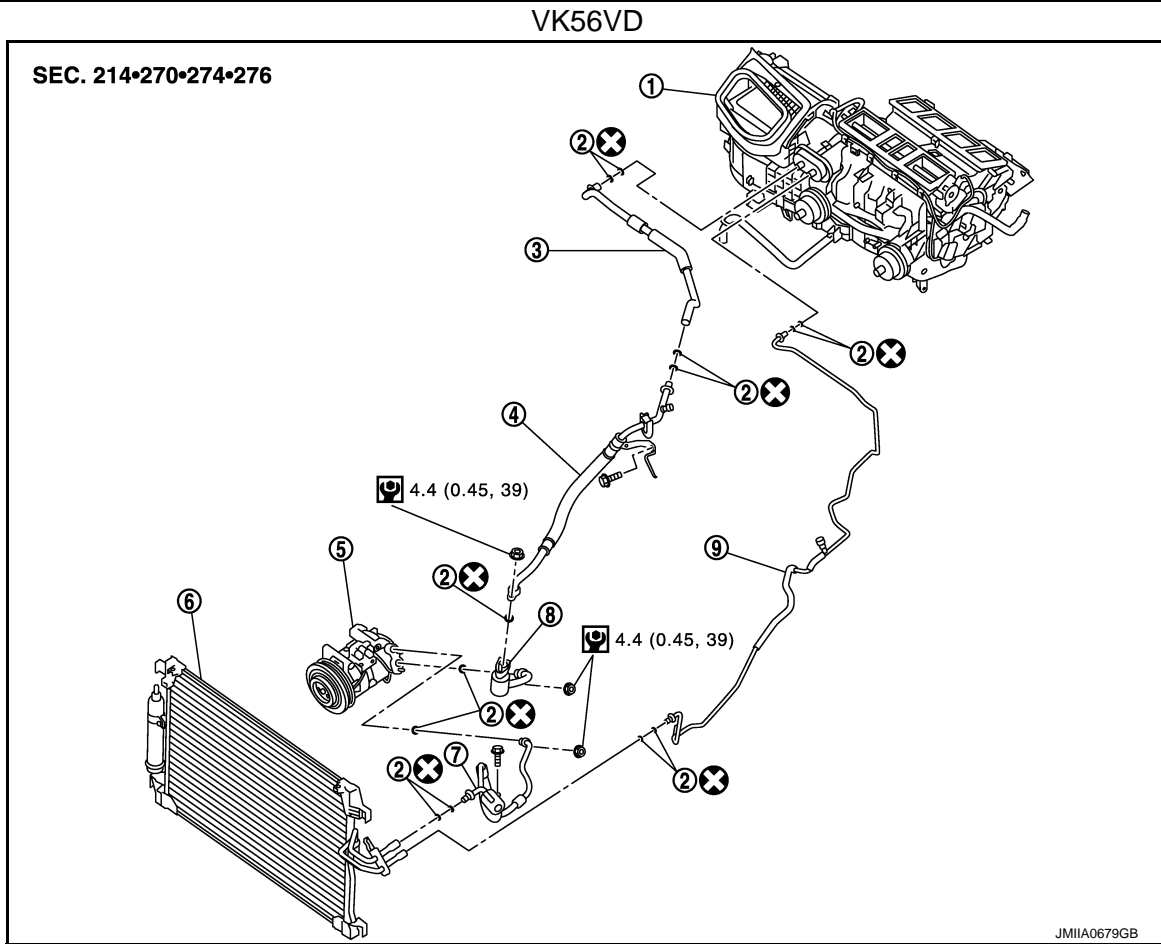


- | | | |
|--------------------------------|-----------------------|------------------------|
| 1. A/C unit assembly | 2. O-ring | 3. Low-pressure pipe 1 |
| 4. Low-pressure flexible hose | 5. Compressor | 6. Condenser assembly |
| 7. High-pressure flexible hose | 8. High-pressure pipe | |

Refer to [GI-4. "Components"](#) for symbols in the figure.

COOLER PIPE AND HOSE

< REMOVAL AND INSTALLATION >



- | | | |
|--------------------------------|------------------------|------------------------|
| 1. A/C unit assembly | 2. O-ring | 3. Low-pressure pipe 1 |
| 4. Low-pressure flexible hose | 5. Compressor | 6. Condenser assembly |
| 7. High-pressure flexible hose | 8. Low-pressure pipe 2 | 9. High-pressure pipe |

Refer to [GI-4, "Components"](#) for symbols in the figure.

LOW-PRESSURE FLEXIBLE HOSE

LOW-PRESSURE FLEXIBLE HOSE : Removal and Installation

INFOID:000000008135579

REMOVAL

1. Use a refrigerant collecting equipment (for HFC-134a) to discharge the refrigerant.
2. Remove hoodledge cover LH. Refer to [EXT-21, "Removal and Installation"](#).
3. Remove air cleaner case LH. Refer to the following.
 - Refer to [EM-29, "Removal and Installation"](#). (VQ37VHR engine models)
 - Refer to [EM-184, "Removal and Installation"](#). (VK56VD engine models)
4. Remove mounting bolt from low-pressure flexible hose bracket.
5. Disconnect one-touch joint between low-pressure flexible hose and low-pressure pipe 1 with disconnecter (B) (SST: 9253089916).

CAUTION:

Cap or wrap the joint of the A/C piping with suitable material such as vinyl tape to avoid the entry of air.

6. Remove mounting nut, and then remove low-pressure flexible hose from compressor. (VQ37VHR engine models)

CAUTION:

Cap or wrap the joint of the A/C piping and compressor with suitable material such as vinyl tape to avoid the entry of air.

7. Remove mounting nut, and then remove low-pressure pipe 2 from compressor. (VK56VD engine models)

COOLER PIPE AND HOSE

< REMOVAL AND INSTALLATION >

CAUTION:

Cap or wrap the joint of the A/C piping and compressor with suitable material such as vinyl tape to avoid the entry of air.

8. Remove low-pressure flexible hose or low-pressure pipe 2 from the vehicle.

INSTALLATION

Note the following items, and then install in the reverse order of removal.

CAUTION:

- Replace O-rings with new ones. Then apply compressor oil to them when installing.
- Female-side piping connection is thin and easy to deform. Slowly insert the male-side piping straight in axial direction.
- Insert piping securely until a click is heard.
- After piping connection is completed, pull male-side piping by hand to check that connection never come loose.
- Check for leakages when recharging refrigerant. Refer to [HA-18, "Leak Test"](#).

HIGH-PRESSURE FLEXIBLE HOSE

HIGH-PRESSURE FLEXIBLE HOSE : Removal and Installation

INFOID:000000008135580

REMOVAL

1. Use a refrigerant collecting equipment (for HFC-134a) to discharge the refrigerant.
2. Remove engine cover. Refer to the following.
 - Refer to [EM-27, "Removal and Installation"](#). (VQ37VHR engine models)
 - Refer to [EM-182, "Removal and Installation"](#). (VK56VD engine models)
3. Remove air cleaner case LH and air duct LH. Refer to the following.
 - Refer to [EM-29, "Removal and Installation"](#). (VQ37VHR engine models)
 - Refer to [EM-184, "Removal and Installation"](#). (VK56VD engine models)
4. Remove mounting bolt from high-pressure flexible hose bracket.
5. Disconnect one-touch joint between high-pressure flexible hose and condenser pipe assembly with disconnecter (SST: J-45815).

CAUTION:

Cap or wrap the joint of the A/C piping with suitable material such as vinyl tape to avoid the entry of air.

6. Remove mounting nut from high-pressure flexible hose, and then remove high-pressure flexible hose.

CAUTION:

Cap or wrap the joint of the A/C piping and compressor with suitable material such as vinyl tape to avoid the entry of air.

INSTALLATION

Note the following items, and then install in the reverse order of removal.

CAUTION:

- Replace O-rings with new ones. Then apply compressor oil to them when installing.
- Female-side piping connection is thin and easy to deform. Slowly insert the male-side piping straight in axial direction.
- Insert piping securely until a click is heard.
- After piping connection is completed, pull male-side piping by hand to check that connection never come loose.
- Check for leakages when recharging refrigerant. Refer to [HA-18, "Leak Test"](#).

LOW-PRESSURE PIPE 1

LOW-PRESSURE PIPE 1 : Removal and Installation

INFOID:000000008135581

REMOVAL

1. Use a refrigerant collecting equipment (for HFC-134a) to discharge the refrigerant.
2. Remove cowl top cover. Refer to [EXT-21, "Removal and Installation"](#).
3. Remove mounting bolt from low-pressure flexible hose bracket.
4. Disconnect one-touch joint between low-pressure flexible hose and low-pressure pipe 1 with disconnecter (SST: 9253089916).

COOLER PIPE AND HOSE

< REMOVAL AND INSTALLATION >

CAUTION:

Cap or wrap the joint of the A/C piping with suitable material such as vinyl tape to avoid the entry of air.

5. Disconnect one-touch joint between evaporator pipe assembly and low-pressure pipe 1 with disconnecter (SST: 9253089916).

CAUTION:

Cap or wrap the joint of the A/C piping with suitable material such as vinyl tape to avoid the entry of air.

6. Remove low-pressure pipe 1.

INSTALLATION

Note the following items, and then install in the reverse order of removal.

CAUTION:

- Replace O-rings with new ones. Then apply compressor oil to them when installing.
- Female-side piping connection is thin and easy to deform. Slowly insert the male-side piping straight in axial direction.
- Insert piping securely until a click is heard.
- After piping connection is completed, pull male-side piping by hand to check that connection never come loose.
- Check for leakages when recharging refrigerant. Refer to [HA-18, "Leak Test"](#).

LOW-PRESSURE PIPE 2

LOW-PRESSURE PIPE 2 : Removal and Installation

INFOID:000000008135582

REMOVAL

1. Use a refrigerant collecting equipment (for HFC-134a) to discharge the refrigerant.
2. Remove hoodledge cover LH. Refer to [EXT-21, "Removal and Installation"](#).
3. Remove air cleaner case LH. Refer to [EM-184, "Removal and Installation"](#).
4. Remove mounting nut, and disconnect low-pressure flexible hose a position without the hindrance for work.

CAUTION:

Cap or wrap the joint of the A/C piping with suitable material such as vinyl tape to avoid the entry of air.

5. Remove mounting nut, and then remove low-pressure pipe 2.

CAUTION:

Cap or wrap the joint of the A/C piping and compressor with suitable material such as vinyl tape to avoid the entry of air.

INSTALLATION

Note the following items, and then install in the reverse order of removal.

CAUTION:

- Replace O-rings with new ones. Then apply compressor oil to them when installing.
- Female-side piping connection is thin and easy to deform. Slowly insert the male-side piping straight in axial direction.
- Insert piping securely until a click is heard.
- After piping connection is completed, pull male-side piping by hand to make sure that connection never come loose.
- Check for leakages when recharging refrigerant. Refer to [HA-18, "Leak Test"](#).

HIGH-PRESSURE PIPE

HIGH-PRESSURE PIPE : Removal and Installation

INFOID:000000008135583

REMOVAL

1. Remove low-pressure flexible hose and low-pressure pipe 1. Refer to [HA-35, "LOW-PRESSURE FLEXIBLE HOSE : Removal and Installation"](#) and [HA-36, "LOW-PRESSURE PIPE 1 : Removal and Installation"](#).

COOLER PIPE AND HOSE

< REMOVAL AND INSTALLATION >

2. Disconnect vacuum hose and vacuum piping. Refer to [BR-39, "Removal and Installation"](#).
3. Remove mounting ground bolts.
4. Remove high-pressure pipe 1 from vehicle clip.
5. Disconnect one-touch joint between high-pressure pipe and condenser pipe assembly with disconnecter (SST: 9253089908).

CAUTION:

Cap or wrap the joint of the A/C piping with suitable material such as vinyl tape to avoid the entry of air.

6. Disconnect one-touch joint between evaporator pipe assembly and high-pressure pipe with disconnecter (SST: 9253089908).

CAUTION:

Cap or wrap the joint of the A/C piping with suitable material such as vinyl tape to avoid the entry of air.

7. Remove high-pressure pipe.

INSTALLATION

Note the following items, then install in the reverse order of removal.

CAUTION:

- Replace O-rings with new ones. Then apply compressor oil to them when installing.
- Female-side piping connection is thin and easy to deform. Slowly insert the male-side piping straight in axial direction.
- Insert piping securely until a click is heard.
- After piping connection is completed, pull male-side piping by hand to check that connection never come loose.
- Check for leakages when recharging refrigerant. Refer to [HA-18, "Leak Test"](#).

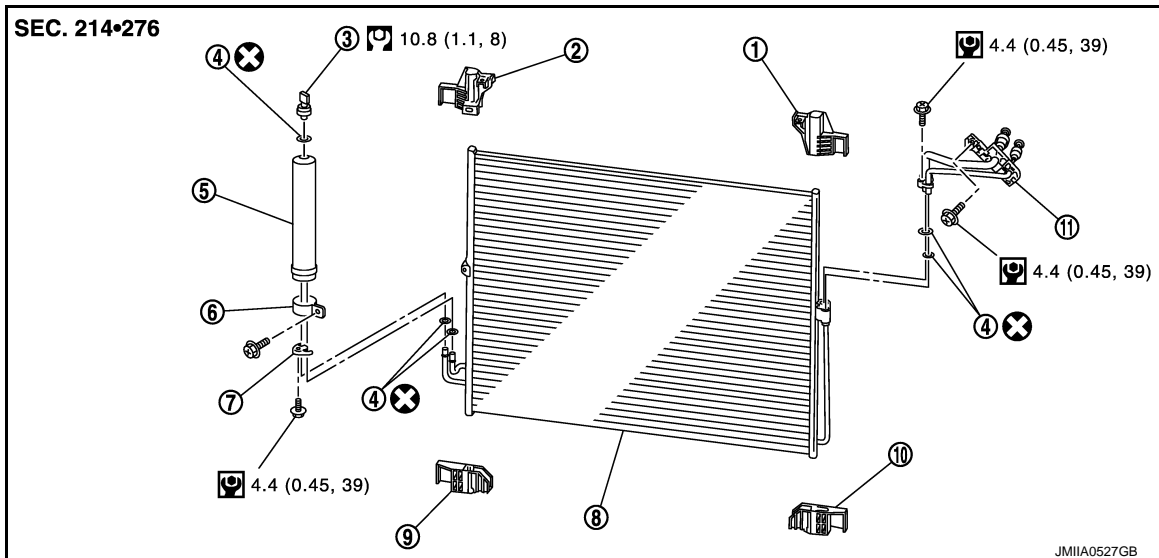
CONDENSER

< REMOVAL AND INSTALLATION >

CONDENSER

Exploded View

INFOID:000000008135584



- | | | |
|--------------------------------|-------------------------------|--------------------------------|
| 1. Condenser upper bracket LH | 2. Condenser upper bracket RH | 3. Refrigerant pressure sensor |
| 4. O-ring | 5. Liquid tank | 6. Liquid tank bracket |
| 7. Bracket | 8. Condenser | 9. Condenser lower bracket RH |
| 10. Condenser lower bracket LH | 11. Condenser pipe assembly | |

Refer to [GI-4, "Components"](#) for symbols in the figure.

CONDENSER

CONDENSER : Removal and Installation

INFOID:000000008135585

REMOVAL

1. Use a refrigerant collecting equipment (for HFC-134a) to discharge the refrigerant.
2. Removal air cleaner case LH. Refer to the following.
 - Refer to [EM-29, "Removal and Installation"](#). (VQ37VHR engine models)
 - Refer to [EM-184, "Removal and Installation"](#). (VK56VD engine models)
3. Remove hood lock stay. Refer to [DLK-142, "Removal and Installation"](#).
4. Remove horn. Refer to [HRN-4, "Removal and Installation"](#).
5. Remove condenser pipe assembly. Refer to [HA-40, "CONDENSER PIPE ASSEMBLY : Removal and Installation"](#).
6. Disconnect refrigerant pressure sensor connector, harness clip, and hood lock cable clip.
7. Remove condenser from the vehicle.

INSTALLATION

Note the following items, and then install in the reverse order of removal.

CAUTION:

- Replace O-rings with new ones. Then apply compressor oil to them when installing.
- Female-side piping connection is thin and easy to deform. Slowly insert the male-side piping straight in axial direction.
- Insert piping securely until a click is heard.
- After piping connection is completed, pull male-side piping by hand to check that connection does not come loose.
- Check for leakages when recharging refrigerant. Refer to [HA-18, "Leak Test"](#).

CONDENSER PIPE ASSEMBLY

CONDENSER

< REMOVAL AND INSTALLATION >

CONDENSER PIPE ASSEMBLY : Removal and Installation

INFOID:000000008135586

REMOVAL

1. Use a refrigerant collecting equipment (for HFC-134a) to discharge the refrigerant.
2. Removal air cleaner case LH. Refer to the following.
 - Refer to [EM-29, "Removal and Installation"](#). (VQ37VHR engine models)
 - Refer to [EM-184, "Removal and Installation"](#). (VK56VD engine models)
3. Remove horn LH. Refer to [HRN-4, "Removal and Installation"](#).
4. Remove bolt, and then remove high-pressure flexible hose bracket from the vehicle.
5. Disconnect one-touch joint between high-pressure flexible hose and condenser pipe assembly with disconnecter (SST: J-45815).
CAUTION:
Cap or wrap the joint of the A/C piping with suitable material such as vinyl tape to avoid the entry of air.
6. Remove high-pressure pipe from vehicle clip.
7. Disconnect one-touch joints between high-pressure pipe and condenser pipe assembly with disconnecter (SST: J-45815).
CAUTION:
Cap or wrap the joint of the A/C piping with suitable material such as vinyl tape to avoid the entry of air.
8. Remove mounting bolts from condenser pipe assembly, and then remove condenser pipe assembly.

INSTALLATION

Note the following items, and then install in the reverse order of removal.

CAUTION:

- Replace O-rings with new ones. Then apply compressor oil to them when installing.
- Female-side piping connection is thin and easy to deform. Slowly insert the male-side piping straight in axial direction.
- Insert piping securely until a click is heard.
- After piping connection is completed, pull male-side piping by hand to check that connection never come loose.
- Check for leakages when recharging refrigerant. Refer to [HA-18, "Leak Test"](#).

LIQUID TANK

LIQUID TANK : Removal and Installation

INFOID:000000008135587

REMOVAL

1. Use a refrigerant collecting equipment (for HFC-134a) to discharge the refrigerant.
2. Remove condenser. Refer to [HA-39, "CONDENSER : Removal and Installation"](#).
3. Clean liquid tank and its surrounding area. Then remove dust and rust from liquid tank.
CAUTION:
Be sure to clean carefully.
4. Remove mounting bolts from liquid tank, and then remove liquid tank.

INSTALLATION

Note the following items, and then install in the reverse order of removal.

CAUTION:

- Install liquid tank, and install liquid tank bracket on condenser.
- Check that liquid tank bracket is securely installed at protrusion of condenser. (Check that liquid tank bracket does not move to a position below center of liquid tank.)
- Replace O-rings of the A/C piping with new ones. Then apply compressor oil to them when installing.
- Check for leakages when recharging refrigerant. Refer to [HA-18, "Leak Test"](#).

REFRIGERANT PRESSURE SENSOR

REFRIGERANT PRESSURE SENSOR : Removal and Installation

INFOID:000000008135588

REMOVAL

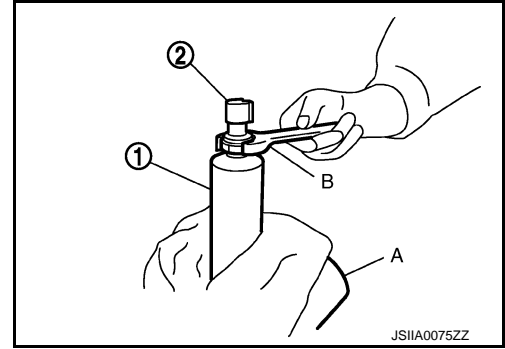
CONDENSER

< REMOVAL AND INSTALLATION >

1. Remove liquid tank. Refer to [HA-39. "Exploded View"](#).
2. Fix the liquid tank (1) using a vise (A). Remove the refrigerant pressure sensor (2) using a wrench (B).

CAUTION:

Be careful not to damage liquid tank.



INSTALLATION

Note the following items, and then install in the reverse order of removal.

CAUTION:

- Replace O-ring with new one. Then apply compressor oil to them when installing.
- Check for leakages when recharging refrigerant. Refer to [HA-18. "Leak Test"](#).

A
B
C
D
E
F
G
H
HA
J
K
L
M
N
O
P

HA

HEATER & COOLING UNIT ASSEMBLY

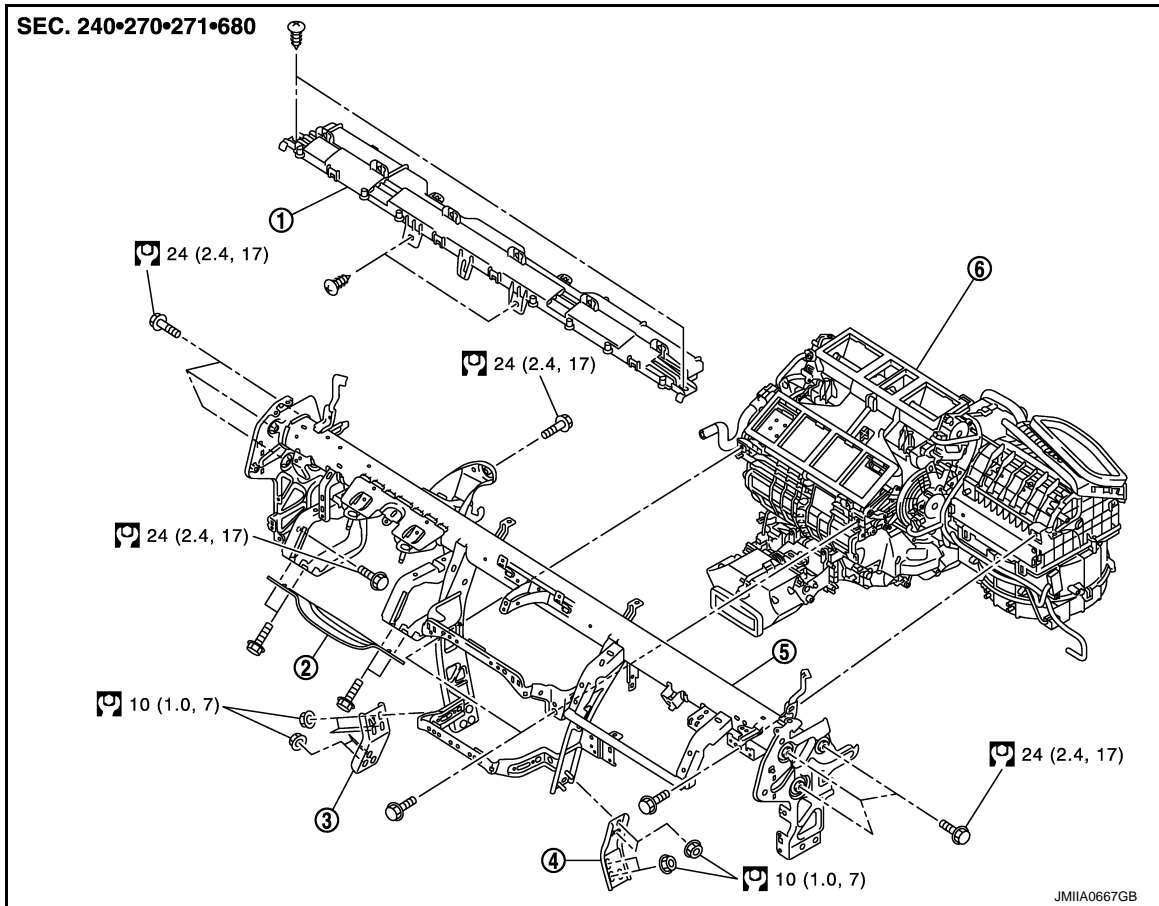
< REMOVAL AND INSTALLATION >

HEATER & COOLING UNIT ASSEMBLY

Exploded View

INFOID:000000008135589

REMOVAL



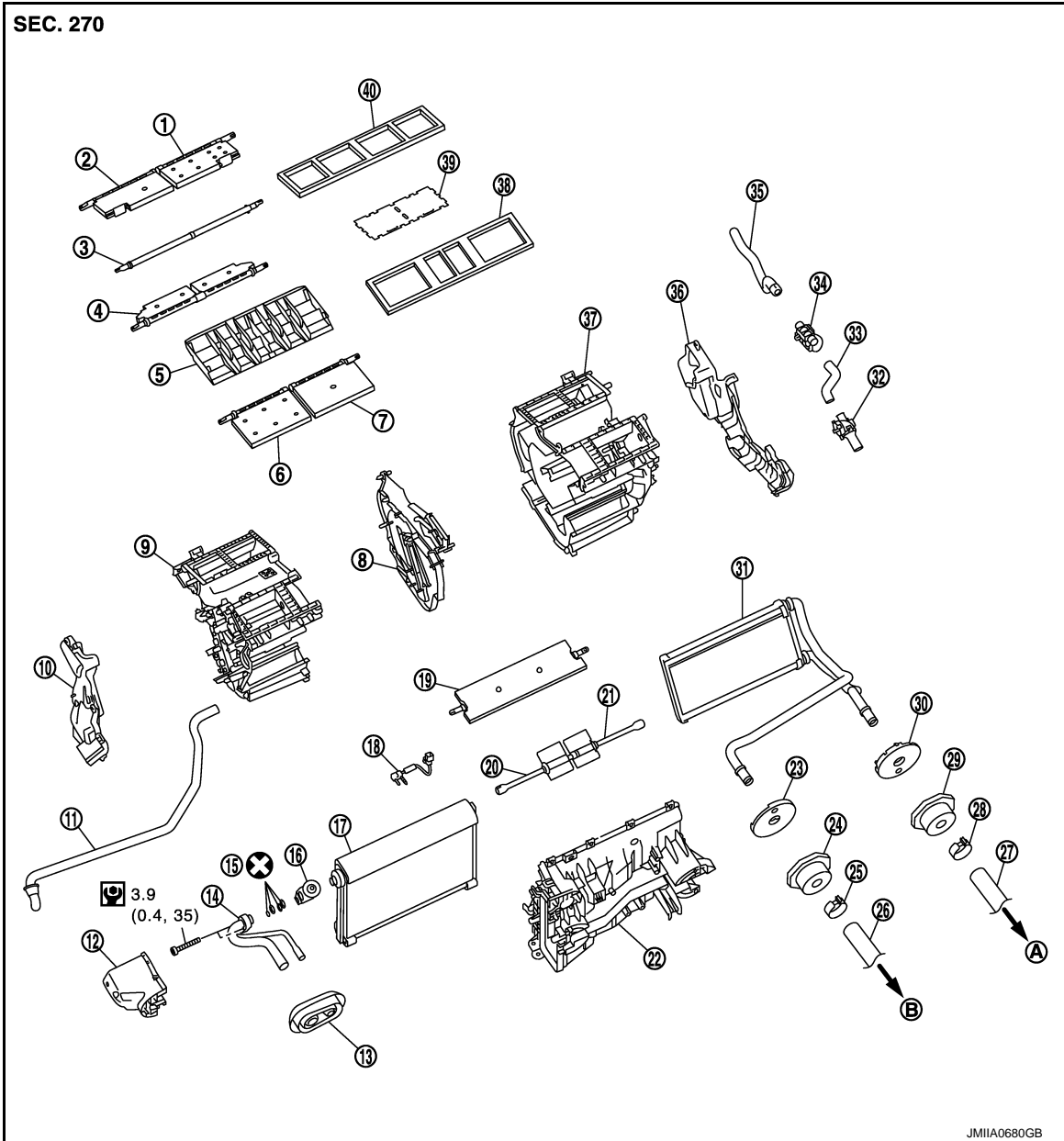
- | | | |
|-----------------------|--------------------|-----------------------|
| 1. PCB harness | 2. Knee protector | 3. Instrument stay LH |
| 4. Instrument stay RH | 5. Steering member | 6. A/C unit assembly |

Refer to [GI-4, "Components"](#) for symbols in the figure.

DISASSEMBLY

HEATER & COOLING UNIT ASSEMBLY

< REMOVAL AND INSTALLATION >



- | | | |
|-----------------------------------|----------------------------------------|----------------------------------|
| 1. Ventilator door LH | 2. Ventilator door RH | 3. Foot door |
| 4. Air mix door | 5. Air guide plate | 6. Heater door RH |
| 7. Heater door LH | 8. Heater & cooling unit case assembly | 9. Heater & cooling unit case RH |
| 10. Foot duct RH | 11. Drain hose | 12. Evaporator pipe cover |
| 13. Evaporator pipe grommet | 14. Evaporator pipe assembly | 15. O-ring |
| 16. Expansion valve | 17. Evaporator | 18. Intake sensor |
| 19. Defroster door | 20. Upper ventilator door RH | 21. Upper ventilator door LH |
| 22. Cooling case | 23. Heater pipe bracket RH | 24. Heater pipe grommet RH |
| 25. Clamp | 26. Heater hose | 27. Heater hose |
| 28. Clamp | 29. Heater pipe grommet LH | 30. Heater pipe bracket LH |
| 31. Heater core | 32. Aspirator | 33. Aspirator duct* |
| 34. Inside odor detecting sensor* | 35. Aspirator duct | 36. Foot duct LH |
| 37. Heater & cooling unit case LH | 38. Insulator | 39. Net |
| 40. Insulator | | |
| A. To water outlet | B. To water inlet | |

Refer to [GI-4. "Components"](#) for symbols in the figure.

A
B
C
D
E
F
G
H
HA
J
K
L

M
N
O
P

HEATER & COOLING UNIT ASSEMBLY

< REMOVAL AND INSTALLATION >

*: With Forest air system

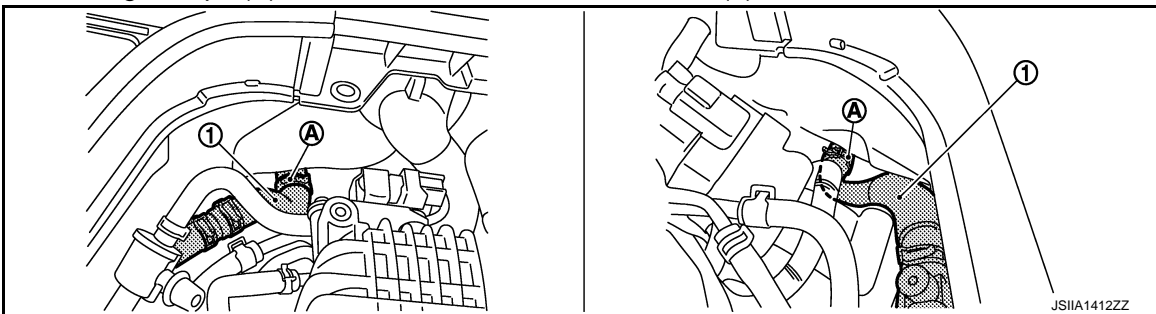
HEATER & COOLING UNIT ASSEMBLY

HEATER & COOLING UNIT ASSEMBLY : Removal and Installation

INFOID:000000008135590

REMOVAL

1. Use a refrigerant collecting equipment (for HFC-134a) to discharge the refrigerant.
2. Drain engine coolant from cooling system. Refer to the following.
 - Refer to [CO-8, "Draining"](#). (VQ37VHR engine models)
 - Refer to [CO-34, "Draining"](#). (VK56VD engine models)
3. Remove cowl top cover. Refer to [EXT-21, "Removal and Installation"](#).
4. Remove engine cover. Refer to the following.
 - Refer to [EM-27, "Removal and Installation"](#). (VQ37VHR engine models)
 - Refer to [EM-182, "Removal and Installation"](#). (VK56VD engine models)
5. Disconnect one-touch joint between evaporator pipe assembly and low-pressure pipe with disconnecter (SST: J-45815).
CAUTION:
Cap or wrap the joint of the A/C piping with suitable material such as vinyl tape to avoid the entry of air.
6. Disconnect one-touch joint between evaporator pipe assembly and high-pressure pipe with disconnecter (SST: J-45815).
CAUTION:
Cap or wrap the joint of the A/C piping with suitable material such as vinyl tape to avoid the entry of air.
7. Remove fixing clamps (A), and then disconnect heater hoses (1).



8. Remove instrument panel assembly. Refer to [IP-13, "Removal and Installation"](#).
9. Remove front defroster nozzle, side defroster nozzle and ventilator duct. Refer to [VTL-11, "FRONT DEFROSTER NOZZLE : Removal and Installation"](#), [VTL-11, "SIDE DEFROSTER NOZZLE : Removal and Installation"](#) and [VTL-10, "VENTILATOR DUCT : Removal and Installation"](#).
10. Remove instrument stay LH and RH.
11. Disconnect drain hose from A/C unit assembly.
12. Remove mounting bolts from A/C unit assembly.
13. Remove harness connector, harness clips, and bracket necessary to remove steering member. Move vehicle harness aside.
14. Remove steering column mounting bolts and nuts. Refer to [ST-34, "Removal and Installation"](#).
15. Remove steering member mounting bolts.
16. Remove steering member from vehicle.
17. Remove A/C unit assembly from vehicle.
18. Separate blower unit and heater & cooling unit assembly

INSTALLATION

Note the following items, and then install in the reverse order of removal.

CAUTION:

- **Replace O-rings with new ones. Then apply compressor oil to them when installing.**

HEATER & COOLING UNIT ASSEMBLY

< REMOVAL AND INSTALLATION >

- Female-side piping connection is thin and easy to deform. Slowly insert the male-side piping straight in axial direction.
- Insert piping securely until a clicks is heard.
- After piping connection is completed, pull male-side piping by hand to make sure that connection never come loose.
- Check for leakages when recharging refrigerant. Refer to [HA-18, "Leak Test"](#).

NOTE:

- Refer to [CO-9, "Refilling"](#) (VQ37VHR engine models) or [CO-35, "Refilling"](#) (VK56VD engine models) when filling radiator with engine coolant.
- Recharge the refrigerant.

HEATER CORE

HEATER CORE : Removal and Installation

INFOID:000000008135591

REMOVAL

1. Remove heater & cooling unit assembly. Refer to [HA-44, "HEATER & COOLING UNIT ASSEMBLY : Removal and Installation"](#).
2. Remove heater pipe grommet.
3. Remove mounting screw, and then remove heater pipe bracket.
4. Remove foot duct LH. Refer to [VTL-12, "FOOT DUCT : Removal and Installation"](#).
5. Slide heater core to left side.

INSTALLATION

Note the following items, and then install in the reverse order of removal.

NOTE:

Refer to [CO-9, "Refilling"](#) (VQ37VHR engine models) or [CO-35, "Refilling"](#) (VK56VD engine models) when filling radiator with engine coolant.

EVAPORATOR

EVAPORATOR : Removal and Installation

INFOID:000000008135592

REMOVAL

1. Remove heater & cooling unit assembly. Refer to [HA-44, "HEATER & COOLING UNIT ASSEMBLY : Removal and Installation"](#).
2. Remove heater core. Refer to [HA-45, "HEATER CORE : Removal and Installation"](#).
3. Remove mounting bolts, and then remove expansion valve from evaporator.

CAUTION:

Cap or wrap the joint of evaporator and expansion valve with suitable material such as vinyl tape to avoid the entry of air.

4. Remove fixing screws, and then remove cooling case.
5. Remove evaporator assembly from cooling case.

INSTALLATION

Note the following items, and then install in the reverse order of removal.

CAUTION:

- Replace O-rings with new ones. Then apply compressor oil to them when installing.
- Female-side piping connection is thin and easy to deform. Slowly insert the male-side piping straight in axial direction.
- Insert piping securely until a click is heard.
- After piping connection is completed, pull male-side piping by hand to check that connection never come loose.
- O-rings differ from low-pressure flexible hose (high-pressure pipe 1) and low-pressure pipe 1 (high-pressure pipe 2).
- Mark the mounting position of intake sensor bracket prior to removal so that the reinstalled sensor can be located in the same position.
- Check for leakages when recharging refrigerant. Refer to [HA-18, "Leak Test"](#).

EVAPORATOR PIPE ASSEMBLY

HEATER & COOLING UNIT ASSEMBLY

< REMOVAL AND INSTALLATION >

EVAPORATOR PIPE ASSEMBLY : Removal and Installation

INFOID:000000008135593

REMOVAL

1. Remove heater & cooling unit assembly. Refer to [HA-44. "HEATER & COOLING UNIT ASSEMBLY : Removal and Installation"](#).
2. Remove fixing screws, and then remove evaporator pipe cover.
3. Remove mounting bolts, and then remove evaporator pipe assembly and expansion valve from evaporator.

CAUTION:

Cap or wrap the joint of evaporator pipe assembly, evaporator and expansion valve with suitable material such as vinyl tape to avoid the entry of air.

INSTALLATION

Note the following items, and then install in the reverse order of removal.

CAUTION:

- Replace O-rings with new ones. Then apply compressor oil to them when installing.
- O-rings are different from low-pressure pipe 1 (high-pressure pipe 1) and low-pressure pipe 2 (high-pressure pipe 2).
- Check for leakages when recharging refrigerant. Refer to [HA-18. "Leak Test"](#).

EXPANSION VALVE

EXPANSION VALVE : Removal and Installation

INFOID:000000008135594

REMOVAL

1. Remove heater & cooling unit assembly. Refer to [HA-44. "HEATER & COOLING UNIT ASSEMBLY : Removal and Installation"](#).
2. Remove fixing screws, and then remove evaporator pipe cover.
3. Remove mounting bolts, and then remove evaporator pipe assembly and expansion valve from evaporator.

CAUTION:

Cap or wrap the joint of evaporator pipe assembly, evaporator and expansion valve with suitable material such as vinyl tape to avoid the entry of air.

INSTALLATION

Note the following items, and then install in the reverse order of removal.

CAUTION:

- Replace O-rings with new ones. Then apply compressor oil to them when installing.
- O-rings are different from low-pressure pipe 1 (high-pressure pipe 1) and low-pressure pipe 2 (high-pressure pipe 2).
- Check for leakages when recharging refrigerant. Refer to [HA-18. "Leak Test"](#).

SERVICE DATA AND SPECIFICATIONS (SDS)

< SERVICE DATA AND SPECIFICATIONS (SDS)

SERVICE DATA AND SPECIFICATIONS (SDS)

SERVICE DATA AND SPECIFICATIONS (SDS)

Compressor

INFOID:000000008135595

Model	CALSONIC KANSEI make CSE-617	
Type	Variable displacement swash plate	
Displacement cm ³ (cu in)/rev	Maximum	170 (10.4)
Number of cylinders	6	
Cylinder bore × stroke (Maximum) mm (in.)	34.8 (1.37) × 29.8 (1.17)	
Direction of rotation	Clockwise (viewed from clutch)	
Drive belt	Poly V	
Disc to pulley clearance mm (in.)	Standard	0.3 – 0.6 (0.012 – 0.024)

Lubricant

INFOID:000000008135596

Name	A/C System Oil Type S (DH-PS)	
Capacity mℓ (US fl oz, Imp fl oz)	Total in system	150 (5.07, 5.3)
	Compressor (service part) charging amount	150 (5.07, 5.3)

Refrigerant

INFOID:000000008135597

Type	HFC-134a (R-134a)	
Capacity kg (lb)	0.55 (1.21)	

Engine Idling Speed

INFOID:000000008135598

- Refer to [EC-541, "Idle Speed"](#). (VQ37VHR engine models)
- Refer to [EC-1511, "Idle Speed"](#). (VK56VD engine models)

Belt Tension

INFOID:000000008135599

- Refer to [EM-22, "Tension Adjustment"](#). (VQ37VHR engine models)
- Refer to [EM-176, "Tension Adjustment"](#). (VK56VD engine models)