

SECTION **DLK**
DOOR & LOCK

A
B
C
D
E
F
G
H
I
J
K
L
M
N
O
P

CONTENTS

PRECAUTION	6	TRUNK OPEN FUNCTION	16
PRECAUTIONS	6	TRUNK OPEN FUNCTION : System Diagram	16
Precautions Concerning On-board Servicing of Hybrid Systems	6	TRUNK OPEN FUNCTION : System Description.....	17
Precaution for Supplemental Restraint System (SRS) "AIR BAG" and "SEAT BELT PRE-TENSIONER"	6	REMOTE KEYLESS ENTRY FUNCTION	18
Precaution Necessary for Steering Wheel Rotation after 12V Battery Disconnect	6	REMOTE KEYLESS ENTRY FUNCTION : System Diagram	18
Precaution for Procedure without Cowl Top Cover.....	7	REMOTE KEYLESS ENTRY FUNCTION : System Description	18
Precautions For Xenon Headlamp Service Work	7	KEY REMINDER FUNCTION	20
PREPARATION	8	KEY REMINDER FUNCTION : System Diagram	21
PREPARATION	8	KEY REMINDER FUNCTION : System Description	21
Special Service Tools	8	WELCOME LIGHT FUNCTION	21
Commercial Service Tools	8	WELCOME LIGHT FUNCTION : System Diagram	22
SYSTEM DESCRIPTION	9	WELCOME LIGHT FUNCTION : System Description	22
COMPONENT PARTS	9	WARNING FUNCTION	23
DOOR LOCK SYSTEM	9	WARNING FUNCTION : System Description	23
DOOR LOCK SYSTEM : Component Parts Location	9	SYSTEM (TRUNK LID OPENER SYSTEM)	28
DOOR LOCK SYSTEM : Component Description.....	9	System Diagram	28
SYSTEM (POWER DOOR LOCK SYSTEM)	11	System Description	28
System Diagram	11	SYSTEM (TRUNK LID AUTO CLOSURE SYSTEM)	29
System Description	11	System Diagram	29
SYSTEM (INTELLIGENT KEY SYSTEM)	13	System Description	29
INTELLIGENT KEY SYSTEM	13	DIAGNOSIS SYSTEM (BCM)	30
INTELLIGENT KEY SYSTEM : System Diagram.....	13	COMMON ITEM	30
INTELLIGENT KEY SYSTEM : System Description	13	COMMON ITEM : CONSULT Function (BCM - COMMON ITEM)	30
DOOR LOCK FUNCTION	14	DOOR LOCK	31
DOOR LOCK FUNCTION : System Diagram	14	DOOR LOCK : CONSULT Function (BCM - DOOR LOCK)	31
DOOR LOCK FUNCTION : System Description	14		

DLK

INTELLIGENT KEY	32	TRUNK CLOSURE CONTROL UNIT	60
INTELLIGENT KEY : CONSULT Function (BCM - INTELLIGENT KEY)	33	TRUNK CLOSURE CONTROL UNIT : Diagnosis Procedure	60
TRUNK	36	DOOR SWITCH	61
TRUNK : CONSULT Function (BCM - TRUNK)	36	Component Function Check	61
ECU DIAGNOSIS INFORMATION	38	Diagnosis Procedure	61
BCM	38	Component Inspection	63
List of ECU Reference	38	DOOR REQUEST SWITCH	64
TRUNK CLOSURE CONTROL UNIT	39	Component Function Check	64
Reference Value	39	Diagnosis Procedure	64
Fail-safe	39	Component Inspection	65
WIRING DIAGRAM	40	DOOR KEY CYLINDER SWITCH	66
DOOR & LOCK SYSTEM	40	Component Function Check	66
Wiring Diagram	40	Diagnosis Procedure	66
BASIC INSPECTION	44	Component Inspection	67
DIAGNOSIS AND REPAIR WORK FLOW	44	DOOR LOCK AND UNLOCK SWITCH	68
Work Flow	44	Component Function Check	68
INSPECTION AND ADJUSTMENT	47	Diagnosis Procedure	68
ADDITIONAL SERVICE WHEN REPLACING CONTROL UNIT	47	DOOR LOCK ACTUATOR	69
ADDITIONAL SERVICE WHEN REPLACING CONTROL UNIT : Description	47	DRIVER SIDE	69
ADDITIONAL SERVICE WHEN REPLACING CONTROL UNIT : Work Procedure	47	DRIVER SIDE : Component Function Check	69
DTC/CIRCUIT DIAGNOSIS	48	DRIVER SIDE : Diagnosis Procedure	69
B2621 INSIDE ANTENNA	48	PASSENGER SIDE	70
DTC Logic	48	PASSENGER SIDE :	
Diagnosis Procedure	48	Component Function Check	70
B2622 INSIDE ANTENNA	50	PASSENGER SIDE : Diagnosis Procedure	70
DTC Logic	50	REAR LH	71
Diagnosis Procedure	50	REAR LH : Component Function Check	71
B2623 INSIDE ANTENNA	52	REAR LH : Diagnosis Procedure	71
DTC Logic	52	REAR RH	72
Diagnosis Procedure	52	REAR RH : Component Function Check	72
B2626 OUTSIDE ANTENNA	54	REAR RH : Diagnosis Procedure	72
DTC Logic	54	TRUNK LID OPEN SIGNAL CIRCUIT	74
Diagnosis Procedure	54	Description	74
B2627 OUTSIDE ANTENNA	56	Component Function Check	74
DTC Logic	56	Diagnosis Procedure	74
Diagnosis Procedure	56	TRUNK LID OPENER REQUEST SWITCH	77
B2628 OUTSIDE ANTENNA	58	Component Function Check	77
DTC Logic	58	Diagnosis Procedure	77
Diagnosis Procedure	58	Component Inspection	78
POWER SUPPLY AND GROUND CIRCUIT	60	TRUNK LID OPENER SWITCH	79
		Component Function Check	79
		Diagnosis Procedure	79
		Component Inspection	80
		TRUNK LID OPENER CANCEL SWITCH	81
		Component Function Check	81
		Diagnosis Procedure	81
		Component Inspection	82
		TRUNK CLOSURE ASSEMBLY	83

Component Function Check	83	Diagnosis Procedure	101
Diagnosis Procedure	83		
FUEL LID LOCK ACTUATOR	84	DOOR DOES NOT LOCK/UNLOCK WITH	102
Component Function Check	84	DOOR REQUEST SWITCH	102
Diagnosis Procedure	84	ALL DOOR	102
REMOTE KEYLESS ENTRY RECEIVER	86	ALL DOOR : Description	102
Component Function Check	86	ALL DOOR : Diagnosis Procedure	102
Diagnosis Procedure	86	DRIVER SIDE	102
UNLOCK SENSOR	90	DRIVER SIDE : Description	103
Component Function Check	90	DRIVER SIDE : Diagnosis Procedure	103
Diagnosis Procedure	90	PASSENGER SIDE	103
Component Inspection	91	PASSENGER SIDE : Description	103
INTELLIGENT KEY WARNING BUZZER	92	PASSENGER SIDE : Diagnosis Procedure	103
Component Function Check	92	DOOR DOES NOT LOCK/UNLOCK WITH IN-	104
Diagnosis Procedure	92	TELLIGENT KEY	104
Component Inspection	93	Diagnosis Procedure	104
INTELLIGENT KEY BATTERY	94	TRUNK LID DOES NOT OPEN	106
Component Inspection	94	TRUNK LID OPENER SWITCH	106
INFORMATION DISPLAY	95	TRUNK LID OPENER SWITCH : Description	106
Component Function Check	95	TRUNK LID OPENER SWITCH : Diagnosis Pro-	106
Diagnosis Procedure	95	cedure	106
COMBINATION METER BUZZER	96	INTELLIGENT KEY	106
Component Function Check	96	INTELLIGENT KEY : Description	106
Diagnosis Procedure	96	INTELLIGENT KEY : Diagnosis Procedure	106
HAZARD FUNCTION	97	TRUNK LID OPENER REQUEST SWITCH	107
Component Function Check	97	TRUNK LID OPENER REQUEST SWITCH : De-	107
Diagnosis Procedure	97	scription	107
SYMPTOM DIAGNOSIS	98	TRUNK LID OPENER REQUEST SWITCH : Di-	107
DOOR DOES NOT LOCK/UNLOCK WITH	98	agnosis Procedure	107
DOOR LOCK AND UNLOCK SWITCH	98	TRUNK LID AUTO CLOSURE SYSTEM	109
ALL DOOR	98	DOES NOT OPERATE	109
ALL DOOR : Description	98	OPEN/CLOSURE FUNCTION	109
ALL DOOR : Diagnosis Procedure	98	OPEN/CLOSURE FUNCTION : Description	109
DRIVER SIDE	98	OPEN/CLOSURE FUNCTION : Diagnosis Pro-	109
DRIVER SIDE : Description	98	cedure	109
DRIVER SIDE : Diagnosis Procedure	98	CLOSURE FUNCTION	109
PASSENGER SIDE	98	CLOSURE FUNCTION : Description	109
PASSENGER SIDE : Description	99	CLOSURE FUNCTION : Diagnosis Procedure	109
PASSENGER SIDE : Diagnosis Procedure	99	OPEN FUNCTION	109
REAR LH	99	OPEN FUNCTION : Description	109
REAR LH : Description	99	OPEN FUNCTION : Diagnosis Procedure	109
REAR LH : Diagnosis Procedure	99	FUEL LID LOCK ACTUATOR DOES NOT OP-	110
REAR RH	99	ERATE	110
REAR RH : Description	99	Diagnosis Procedure	110
REAR RH : Diagnosis Procedure	99	IGNITION POSITION WARNING FUNCTION	111
DOOR DOES NOT LOCK/UNLOCK WITH	101	DOES NOT OPERATE	111
DOOR KEY CYLINDER OPERATION	101	Diagnosis Procedure	111

A

B

C

D

E

F

G

H

I

J

DLK

L

M

N

O

P

SELECTIVE UNLOCK FUNCTION DOES NOT OPERATE	112	SQUEAK AND RATTLE TROUBLE DIAG-NOSES	130
Diagnosis Procedure	112	Work Flow	130
VEHICLE SPEED SENSING AUTO LOCK OPERATION DOES NOT OPERATE	113	Inspection Procedure	132
Diagnosis Procedure	113	Diagnostic Worksheet	134
IGN OFF INTERLOCK DOOR UNLOCK FUNCTION DOES NOT OPERATE	114	REMOVAL AND INSTALLATION	136
Diagnosis Procedure	114	HOOD	136
P RANGE INTERLOCK DOOR LOCK/UNLOCK FUNCTION DOES NOT OPERATE	115	Exploded View	136
Diagnosis Procedure	115	HOOD ASSEMBLY	136
AUTO DOOR LOCK OPERATION DOES NOT OPERATE	116	HOOD ASSEMBLY : Removal and Installation ...	136
Diagnosis Procedure	116	HOOD ASSEMBLY : Adjustment	138
HAZARD AND HORN REMINDER DOES NOT OPERATE	117	HOOD HINGE	139
Diagnosis Procedure	117	HOOD HINGE : Removal and Installation	139
HAZARD AND BUZZER REMINDER DOES NOT OPERATE	118	HOOD STAY	139
Diagnosis Procedure	118	HOOD STAY : Removal and Installation	140
KEY REMINDER FUNCTION DOES NOT OPERATE	119	HOOD STAY : Disposal	140
Diagnosis Procedure	119	RADIATOR CORE SUPPORT	141
WELCOME LIGHT FUNCTION DOES NOT OPERATE	120	Exploded View	141
Diagnosis Procedure	120	Removal and Installation	141
OFF POSITION WARNING DOES NOT OPERATE	122	FRONT FENDER	144
Diagnosis Procedure	122	Exploded View	144
P POSITION WARNING DOES NOT OPERATE	123	Removal and Installation	144
Diagnosis Procedure	123	FRONT DOOR	146
ACC WARNING DOES NOT OPERATE	124	Exploded View	146
Diagnosis Procedure	124	DOOR ASSEMBLY	146
TAKE AWAY WARNING DOES NOT OPERATE	125	DOOR ASSEMBLY : Removal and Installation ...	146
Diagnosis Procedure	125	DOOR ASSEMBLY : Adjustment	147
INTELLIGENT KEY LOW BATTERY WARNING DOES NOT OPERATE	127	DOOR STRIKER	148
Diagnosis Procedure	127	DOOR STRIKER : Removal and Installation	148
DOOR LOCK OPERATION WARNING DOES NOT OPERATE	128	DOOR HINGE	149
Diagnosis Procedure	128	DOOR HINGE : Removal and Installation	149
KEY ID WARNING DOES NOT OPERATE	129	DOOR CHECK LINK	149
Diagnosis Procedure	129	DOOR CHECK LINK : Removal and Installation .	149
		REAR DOOR	150
		Exploded View	150
		DOOR ASSEMBLY	150
		DOOR ASSEMBLY : Removal and Installation ...	150
		DOOR ASSEMBLY : Adjustment	152
		DOOR STRIKER	153
		DOOR STRIKER : Removal and Installation	153
		DOOR HINGE	153
		DOOR HINGE : Removal and Installation	153
		DOOR CHECK LINK	153
		DOOR CHECK LINK : Removal and Installation .	153
		TRUNK LID	155
		Exploded View	155

TRUNK LID ASSEMBLY	155	Removal and Installation	173	
TRUNK LID ASSEMBLY : Removal and Installation	155	FUEL FILLER LID OPENER	175	A
TRUNK LID ASSEMBLY : Adjustment	157	Exploded View	175	
TRUNK LID STRIKER	159	Removal and Installation	175	B
TRUNK LID STRIKER : Removal and Installation	159	KEY CYLINDER	177	
TRUNK LID HINGE	159	GLOVE BOX LID KEY CYLINDER	177	C
TRUNK LID HINGE : Removal and Installation	159	GLOVE BOX LID KEY CYLINDER : Exploded View	177	
TRUNK LID STAY	159	GLOVE BOX LID KEY CYLINDER : Removal and Installation	177	D
TRUNK LID STAY : Removal and Installation	159	DOOR SWITCH	180	
TRUNK LID STAY : Disposal	160	Removal and Installation	180	E
TRUNK LID WEATHER-STRIP	160	INSIDE KEY ANTENNA	181	
TRUNK LID WEATHER-STRIP : Removal and Installation	160	INSTRUMENT CENTER	181	F
HOOD LOCK	162	INSTRUMENT CENTER : Removal and Installation	181	
Exploded View	162	CONSOLE	181	G
HOOD LOCK	162	CONSOLE : Removal and Installation	181	
HOOD LOCK : Removal and Installation	162	TRUNK ROOM	181	H
HOOD LOCK : Inspection	163	TRUNK ROOM : Removal and Installation	181	
HOOD LOCK CONTROL CABLE	164	OUTSIDE KEY ANTENNA	182	I
HOOD LOCK CONTROL CABLE : Removal and Installation	164	DRIVER SIDE	182	
HOOD LOCK CONTROL CABLE : Inspection	166	DRIVER SIDE : Removal and Installation	182	J
FRONT DOOR LOCK	167	PASSENGER SIDE	182	
Exploded View	167	PASSENGER SIDE : Removal and Installation	182	
DOOR LOCK	167	REAR BUMPER	182	DLK
DOOR LOCK : Removal and Installation	167	REAR BUMPER : Removal and Installation	182	
INSIDE HANDLE	168	INTELLIGENT KEY WARNING BUZZER	183	L
INSIDE HANDLE : Removal and Installation	168	Removal and Installation	183	
OUTSIDE HANDLE	168	TRUNK OPENER REQUEST SWITCH	184	M
OUTSIDE HANDLE : Removal and Installation	168	Removal and Installation	184	
REAR DOOR LOCK	170	TRUNK LID OPENER SWITCH	185	N
Exploded View	170	Removal and Installation	185	
DOOR LOCK	170	TRUNK LID OPENER CANCEL SWITCH	186	O
DOOR LOCK : Removal and Installation	170	Removal and Installation	186	
INSIDE HANDLE	171	REMOTE KEYLESS ENTRY RECEIVER	187	P
INSIDE HANDLE : Removal and Installation	171	Removal and Installation	187	
OUTSIDE HANDLE	171	INTELLIGENT KEY BATTERY	188	
OUTSIDE HANDLE : Removal and Installation	171	Removal and Installation	188	
TRUNK LID LOCK	173			
Exploded View	173			

PRECAUTIONS

< PRECAUTION >

PRECAUTION

PRECAUTIONS

Precautions Concerning On-board Servicing of Hybrid Systems

INFOID:000000008142803

CAUTION:

Be sure to turn the ignition switch OFF before performing inspection and servicing inside the engine compartment or underneath the vehicle. If the ignition switch is ON (vehicle READY state), even if the engine is stopped, the conditions of the vehicle may cause the engine to start automatically.

If it is necessary to continually operate the engine during inspection or servicing, use the designated inspection mode. [HBC-89, "Description"](#).

Precaution for Supplemental Restraint System (SRS) "AIR BAG" and "SEAT BELT PRE-TENSIONER"

INFOID:000000008142804

The Supplemental Restraint System such as "AIR BAG" and "SEAT BELT PRE-TENSIONER", used along with a front seat belt, helps to reduce the risk or severity of injury to the driver and front passenger for certain types of collision. This system includes seat belt switch inputs and dual stage front air bag modules. The SRS system uses the seat belt switches to determine the front air bag deployment, and may only deploy one front air bag, depending on the severity of a collision and whether the front occupants are belted or unbelted.

Information necessary to service the system safely is included in the "SRS AIR BAG" and "SEAT BELT" of this Service Manual.

WARNING:

Always observe the following items for preventing accidental activation.

- To avoid rendering the SRS inoperative, which could increase the risk of personal injury or death in the event of a collision that would result in air bag inflation, all maintenance must be performed by an authorized NISSAN/INFINITI dealer.
- Improper maintenance, including incorrect removal and installation of the SRS, can lead to personal injury caused by unintentional activation of the system. For removal of Spiral Cable and Air Bag Module, see "SRS AIR BAG".
- Never use electrical test equipment on any circuit related to the SRS unless instructed to in this Service Manual. SRS wiring harnesses can be identified by yellow and/or orange harnesses or harness connectors.

PRECAUTIONS WHEN USING POWER TOOLS (AIR OR ELECTRIC) AND HAMMERS

WARNING:

Always observe the following items for preventing accidental activation.

- When working near the Air Bag Diagnosis Sensor Unit or other Air Bag System sensors with the ignition ON or engine running, never use air or electric power tools or strike near the sensor(s) with a hammer. Heavy vibration could activate the sensor(s) and deploy the air bag(s), possibly causing serious injury.
- When using air or electric power tools or hammers, always switch the ignition OFF, disconnect the 12V battery, and wait at least 3 minutes before performing any service.

Precaution Necessary for Steering Wheel Rotation after 12V Battery Disconnect

INFOID:000000008142805

For vehicle with steering lock unit, if the 12V battery is disconnected or discharged, the steering wheel will lock and cannot be turned.

If turning the steering wheel is required with the 12V battery disconnected or discharged, follow the operation procedure below before starting the repair operation.

OPERATION PROCEDURE

1. Connect both 12V battery cables.

NOTE:

Supply power using jumper cables if 12V battery is discharged.

2. Turn the ignition switch to ACC position.
(At this time, the steering lock will be released.)
3. Disconnect both 12V battery cables. The steering lock will remain released with both 12V battery cables disconnected and the steering wheel can be turned.

PRECAUTIONS

< PRECAUTION >

4. Perform the necessary repair operation.
5. When the repair work is completed, re-connect both 12V battery cables. With the brake pedal released, turn the ignition switch from ACC position to ON position, then to LOCK position. (The steering wheel will lock when the ignition switch is turned to LOCK position.)
6. Perform All DTC Reading using CONSULT and delete DTC.

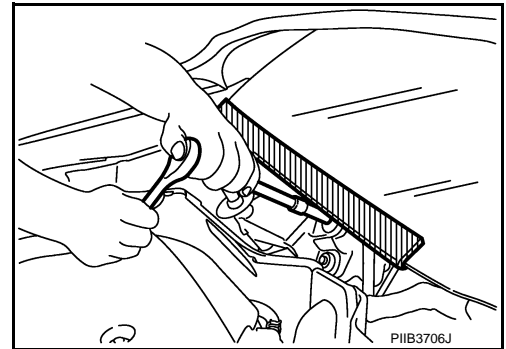
NOTE:

Multiple DTCs are detected when 12V battery cable is disconnected while ignition switch is in ACC position.

Precaution for Procedure without Cowl Top Cover

INFOID:000000008142806

When performing the procedure after removing cowl top cover, cover the lower end of windshield with urethane, etc to prevent damage to windshield.



Precautions For Xenon Headlamp Service

INFOID:000000008142807

WARNING:

Comply with the following warnings to prevent any serious accident.

- Disconnect the 12V battery cable (negative terminal) or the power supply fuse before installing, removing, or touching the xenon headlamp (bulb included). The xenon headlamp contains high-voltage generated parts.
- Never work with wet hands.
- Check the xenon headlamp ON-OFF status after assembling it to the vehicle. Never turn the xenon headlamp ON in other conditions. Connect the power supply to the vehicle-side connector. (Turning it ON outside the lamp case may cause fire or visual impairments.)
- Never touch the bulb glass immediately after turning it OFF. It is extremely hot.

CAUTION:

Comply with the following cautions to prevent any error and malfunction.

- Install the xenon bulb securely. (Insufficient bulb socket installation may melt the bulb, the connector, the housing, etc. by high-voltage leakage or corona discharge.)
- Never perform HID circuit inspection with a tester.
- Never touch the xenon bulb glass with hands. Never put oil and grease on it.
- Dispose of the used xenon bulb after packing it in thick vinyl without breaking it.
- Never wipe out dirt and contamination with organic solvent (thinner, gasoline, etc.).

Work

INFOID:000000008142808

- After removing and installing the opening/closing parts, be sure to carry out fitting adjustments to check their operational.
- Check the lubrication level, damage, and wear of each part. If necessary, grease or replace it.

PREPARATION

< PREPARATION >

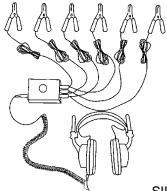
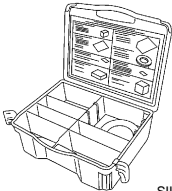
PREPARATION

PREPARATION

Special Service Tools

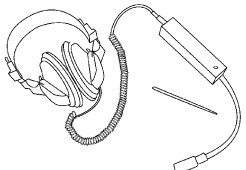
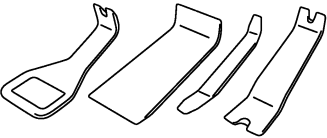

INFOID:000000008142809

The actual shapes of Kent-Moore tools may differ from those of special service tools illustrated here.

Tool number (Kent-Moore No.) Tool name	Description
<p>(J-39570) Chassis ear</p>  <p>SIIA0993E</p>	<p>Locates the noise</p>
<p>(J-43980) NISSAN Squeak and Rattle Kit</p>  <p>SIIA0994E</p>	<p>Repairs the cause of noise</p>

Commercial Service Tools

INFOID:000000008142810

Tool name	Description
<p>Engine ear</p>  <p>SIIA0995E</p>	<p>Locates the noise</p>
<p>Remover tool</p>  <p>PIIB7923J</p>	<p>Removes the clips, pawls, and metal clips</p>
<p>Power tool</p>  <p>PIIB1407E</p>	

COMPONENT PARTS

< SYSTEM DESCRIPTION >

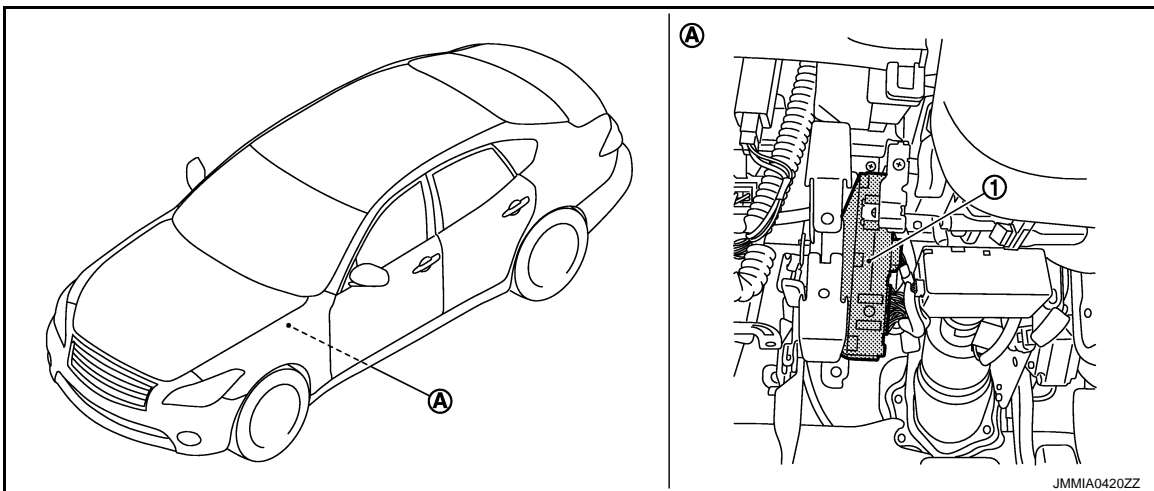
SYSTEM DESCRIPTION

COMPONENT PARTS

DOOR LOCK SYSTEM

DOOR LOCK SYSTEM : Component Parts Location

INFOID:000000008142811



1. BCM

A. Behind of instrument lower panel LH

DOOR LOCK SYSTEM : Component Description

INFOID:000000008142812

Item	Function
BCM	Controls the door lock system.
IPDM E/R	Sounds horn and blinks head lamp via CAN communication between BCM
TCM	Transmits shift position signal to BCM via CAN communication line.
Combination meter	<ul style="list-style-type: none"> Displays each operation method guide and warning for system malfunction Performs operation method guide and warning with buzzer Transmits vehicle speed signal to CAN communication line
Remote keyless entry receiver	Receives lock/unlock signal from the Intelligent Key, and then transmits to BCM
Inside key antenna	Detects if Intelligent Key is inside the vehicle
Outside key antenna	Detects if Intelligent Key is outside the vehicle
Push-button ignition switch	Inputs push-button ignition switch ON/OFF condition to BCM
Door switch	Inputs door open/close condition to BCM
Door lock and unlock switch	<ul style="list-style-type: none"> Detects if door lock and unlock switch is press/release Integrated in the power window main switch and front power window switch (passenger side)
Door request switch	<ul style="list-style-type: none"> Detects if each door request switch is press/release Integrated in the outside handle (driver side, passenger side) and back door opener switch assembly
Intelligent Key	The following functions are available when having and carrying electronic ID <ul style="list-style-type: none"> Door lock/unlock Engine start Remote control entry function is available when operating on button
Hazard warning lamp	Warns the user of the lock/unlock condition and inappropriate operations with the lamps blink
Door lock actuator	Output lock/unlock signal from BCM and locks/unlocks each door
Fuel lid lock actuator	Output lock/unlock signal from BCM and locks/unlocks fuel filler lid

A
B
C
D
E
F
G
H
I
J
L
M
N
O
P

DLK

COMPONENT PARTS

< SYSTEM DESCRIPTION >

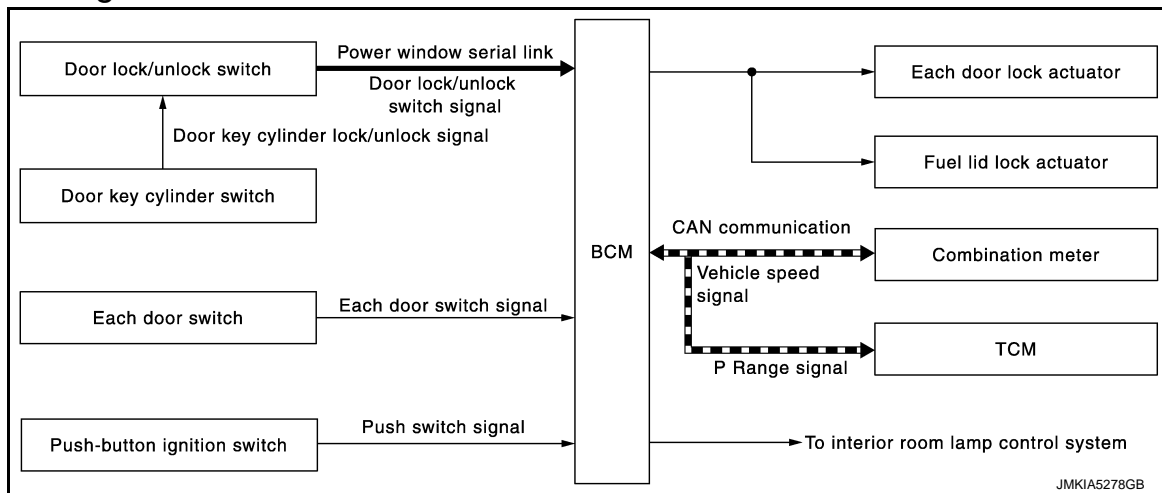
Item	Function
Intelligent Key warning buzzer	Warns the user of the lock/unlock condition and inappropriate operations with the buzzer sound
Unlock sensor	Detects lock condition of driver door
Trunk lid opener actuator	Performs trunk lid open with signal from BCM
Trunk lid opener request switch	Performs trunk lid open request when it is pressed
Trunk lid opener cancel switch	Cancels trunk open operation
Trunk room lamp switch	It detects engagement of trunk lid lock assembly and trunk lid striker

SYSTEM (POWER DOOR LOCK SYSTEM)

< SYSTEM DESCRIPTION >

SYSTEM (POWER DOOR LOCK SYSTEM)

System Diagram



System Description

INFOID:000000008142814

DOOR LOCK FUNCTION

Door Lock and Unlock Switch

- The door lock and unlock switch (driver side) is build into power window main switch.
- Interlocked with the locking operation of door lock and unlock switch, door lock actuators of all doors and fuel lid lock actuator are locked.
- Interlocked with the unlocking operation of door lock and unlock switch, door lock actuators of all doors actuator and fuel lid lock actuator are unlocked.

Door Key Cylinder Switch

- With the mechanical key inserted in the door key cylinder on driver side, turning it to lock position, locks door lock actuator of all doors and fuel lid lock actuator.
- With the mechanical key inserted in the door key cylinder on driver side, turning it to unlock position once unlocks the driver side door, turning it to unlock position again within 60 seconds after the first unlock operation unlocks all of the other doors actuator and fuel lid lock actuator. (SELECTIVE UNLOCK OPERATION)

Selective unlock operation mode can be changed using CONSULT.

Refer to [DLK-31. "DOOR LOCK : CONSULT Function \(BCM - DOOR LOCK\)".](#)

DOOR KEY CYLINDER SWITCH POWER WINDOW FUNCTION

Driver side door key cylinder LOCK/UNLOCK operation can activate power window operation. Refer to [PWC-7. "System Description".](#)

IGNITION POSITION WARNING FUNCTION

When door lock and unlock switch are operated while driver side door is open and ignition position is ACC or ON, door locks once but immediately unlocks.

INTERIOR ROOM LAMP CONTROL FUNCTION

Interior room lamp is controlled according to door lock/unlock state, refer to [INL-6. "INTERIOR ROOM LAMP CONTROL SYSTEM : System Description".](#)

AUTOMATIC DOOR LOCK/UNLOCK FUNCTION (LOCK OPERATION)

The interlock door lock function is the function that locks all doors linked with the vehicle speed or shift position. It has 2 types as per the following items.

Vehicle Speed Sensing Auto Door Lock*

All doors are locked when the vehicle speed reaches 24 km/h (15 MPH) or more.

BCM outputs the lock signal to all door lock actuators when it detects that the ignition switch is turned ON, all doors are closed and the vehicle speed received from the combination meter. via CAN communication becomes 24 km/h (15 MPH) or more.

P Range Interlock Door Lock

SYSTEM (POWER DOOR LOCK SYSTEM)

< SYSTEM DESCRIPTION >

All doors are locked when shifting the selector lever from the P position to any position other than the P position.

BCM outputs the lock signal to all door lock actuators when it detects that the ignition switch is in the ON position and the shift signal received from the TCM via CAN communication is shifted from the P position to any position other than the P position.

Setting change of Automatic Door Lock/Unlock Function

The lock operation setting of the automatic door lock/unlock function can be changed.

With CONSULT

Refer to [DLK-33, "INTELLIGENT KEY : CONSULT Function \(BCM - INTELLIGENT KEY\)"](#).

Without CONSULT

The automatic door lock function ON/OFF can be switched by performing the following operation.

1. Close all doors (door switch OFF)
2. Turn ignition switch ON
3. Press and hold the door lock and unlock switch for 5 seconds or more in the "LOCK" direction within 20 seconds after turning the ignition switch ON.
4. The switch is complete when the hazard lamp blinks.

OFF → ON : 2 blinks

ON → OFF : 1 blink

AUTOMATIC DOOR LOCK/UNLOCK FUNCTION (UNLOCK OPERATION)

The automatic door lock/unlock function is the function that unlocks all doors linked with the key position or shift position. It has 2 types as per the following items.

IGN OFF Interlock Door Unlock*

All doors are unlocked when the power supply position is changed from ON to OFF.

BCM outputs the unlock signal to all door lock actuators when it detects that the power supply position is changed from ignition switch ON to OFF.

P Range Interlock Door Unlock

All doors are unlocked when shifting the selector lever from any position other than the P to P positions.

BCM outputs the unlock signal to all door lock actuators when it detects that the ignition switch is in the ON position and the shift signal received from TCM via CAN communication is shifted from any position other than the P to P positions.

Setting change of Automatic Door Lock/Unlock Function

The unlock operation setting of the automatic door lock/unlock function can be changed.

With CONSULT

Refer to [DLK-33, "INTELLIGENT KEY : CONSULT Function \(BCM - INTELLIGENT KEY\)"](#).

Without CONSULT

The automatic door lock/unlock function ON/OFF can be switched by performing the following operation.

1. Close all doors (door switch OFF)
2. Turn ignition switch ON
3. Press and hold the door lock and unlock switch for 5 seconds or more in the "UNLOCK" direction within 20 seconds after turning the power supply position ON.
4. The switch is complete when the hazard lamp blinks.

OFF → ON : 2 blinks

ON → OFF : 1 blink

*: This function is set to ON before delivery.

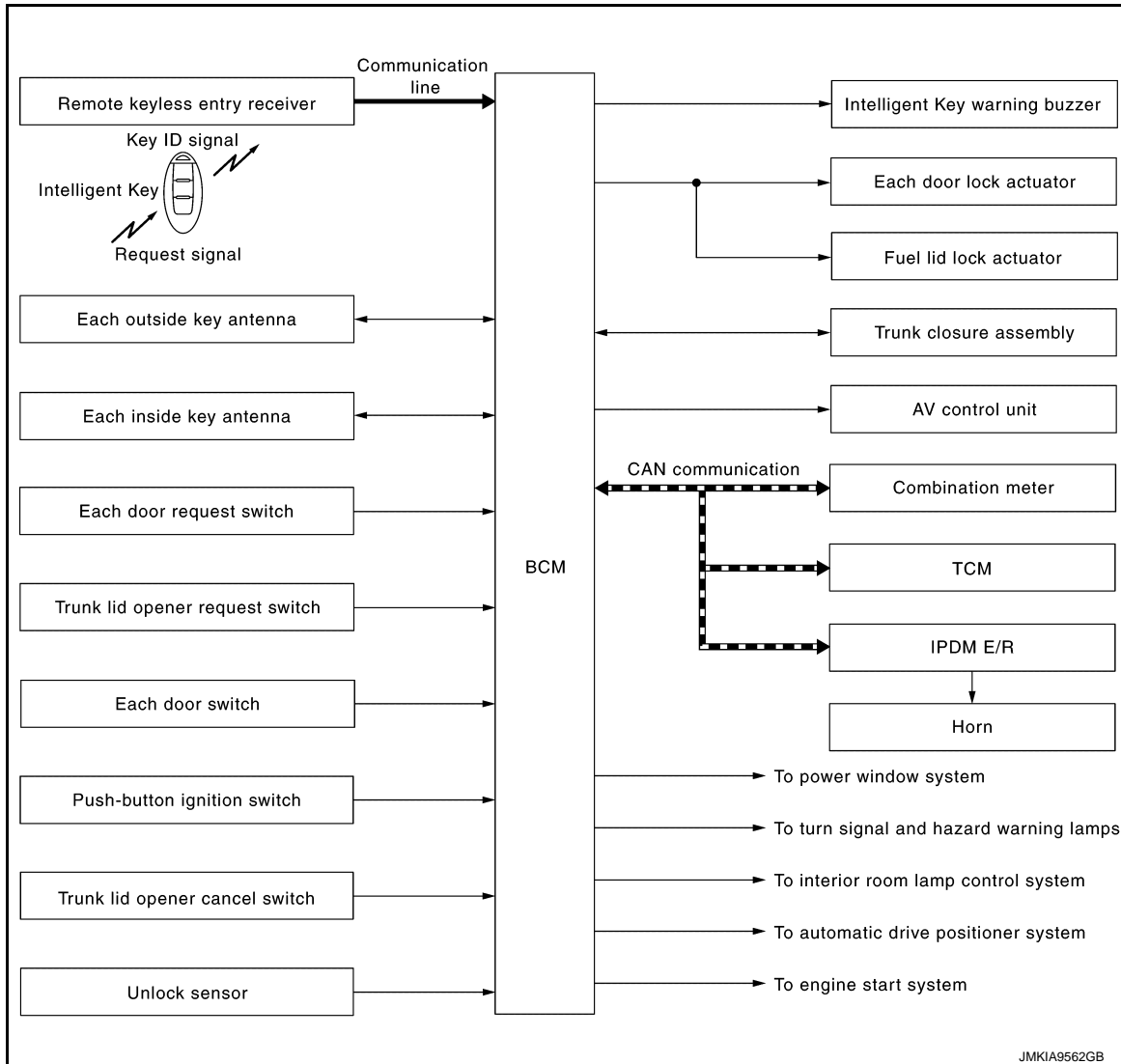
SYSTEM (INTELLIGENT KEY SYSTEM)

< SYSTEM DESCRIPTION >

SYSTEM (INTELLIGENT KEY SYSTEM) INTELLIGENT KEY SYSTEM

INTELLIGENT KEY SYSTEM : System Diagram

INFOID:000000008492667



INTELLIGENT KEY SYSTEM : System Description

INFOID:000000008142816

- The Intelligent Key system is a system that makes it possible to lock and unlock the door locks (door lock/unlock function) by carrying the Intelligent Key, which operates based on the results of electronic ID verification using two-way communication between the Intelligent Key and the vehicle (BCM).

CAUTION:

The driver should always carry the Intelligent Key

- The settings for each function can be changed with CONSULT.
- If an Intelligent Key is lost, a new Intelligent Key can be registered. A maximum of 4 Intelligent Keys can be registered.
- It is possible to perform a diagnosis on the system and register an Intelligent Key with CONSULT.

Function	Description	Refer
Door lock	Lock/unlock can be performed by pressing the request switch	DLK-14
Trunk open	The trunk lid can be opened by carrying the Intelligent Key and pressing the trunk lid opener request switch	DLK-17
Remote keyless entry	Lock/unlock can be performed by pressing the remote controller button of the Intelligent Key	DLK-18

A
B
C
D
E
F
G
H
I
J
K
L
M
N
O
P

DLK

SYSTEM (INTELLIGENT KEY SYSTEM)

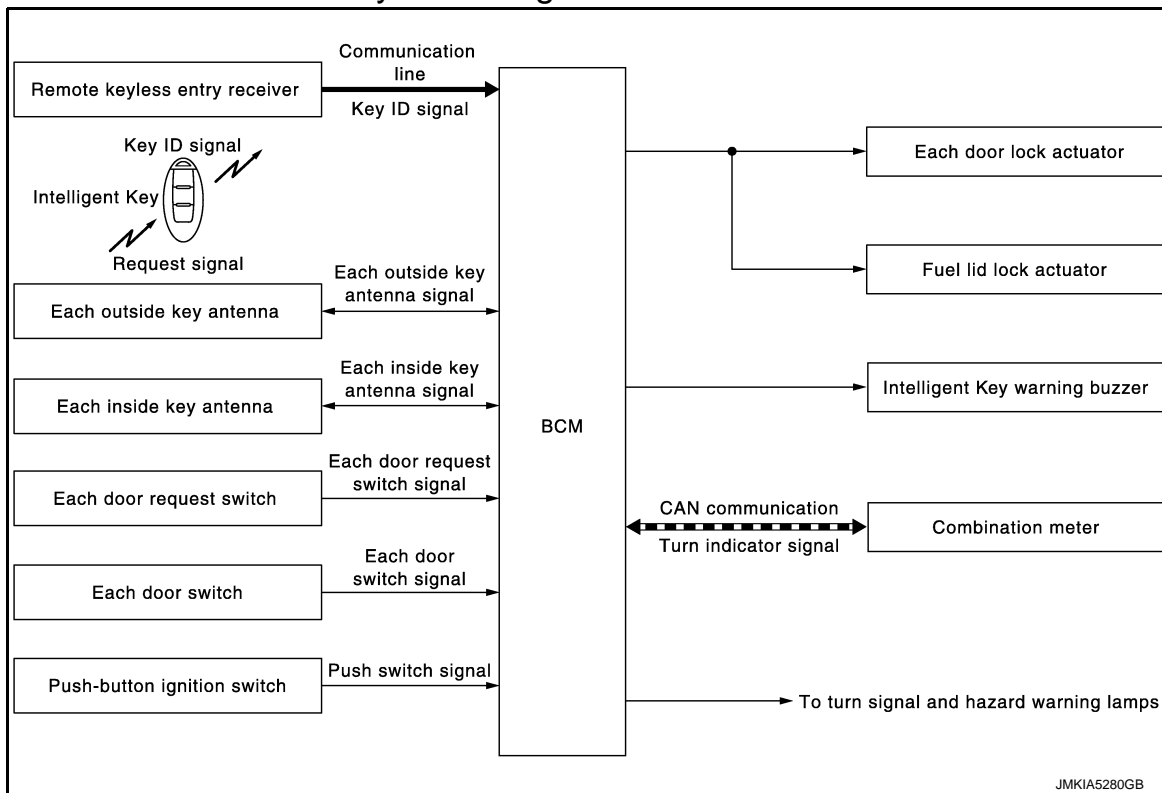
< SYSTEM DESCRIPTION >

Function	Description	Refer
Key reminder	The key reminder buzzer sounds a warning if the door is locked with the key left inside the vehicle	DLK-21
Welcome light	When the Intelligent Key is carried, and vehicle doors are approached, the BCM illuminates interior room lamps and operates heart beat operation of the push-button ignition switch	DLK-22
Warning	If an action that does not meet the operating condition of the Intelligent Key system is taken, the buzzer sounds to inform the driver	DLK-23
Engine start	The engine can be turned on while carrying the Intelligent Key	SEC-10
Interior room lamp control	Interior room lamp is controlled according to door lock/unlock state	INL-6
Power window	Power window can be operated by Intelligent Key button operation	PWC-7
Panic alarm	When Intelligent Key panic alarm button is pressed, horn sounds and head-lamp blinks	SEC-15
Intelligent Key interlock	Setting of auto driving position can be automatically set, according to key ID of Intelligent Key, to the position that is registered in advance	Automatic drive positioner ADP-21
	Setting of air conditioning system can be set, according to key ID of Intelligent Key, to the setting value that is set before turning ignition switch OFF	Air conditioning system HAC-23
	Setting of multi AV system can be set, according to key ID of Intelligent Key, to the setting value that is set before turning ignition switch OFF	Multi AV system AV-15

DOOR LOCK FUNCTION

DOOR LOCK FUNCTION : System Diagram

INFOID:000000008142817



DOOR LOCK FUNCTION : System Description

INFOID:000000008142818

Only when pressing the request switch, it is possible to lock and unlock the door by carrying the Intelligent Key.

OPERATION DESCRIPTION

SYSTEM (INTELLIGENT KEY SYSTEM)

< SYSTEM DESCRIPTION >

- When the BCM detects that each door request switch is pressed, it starts the outside key antenna and inside key antenna corresponding to the pressed door request switch and transmits the request signal to the Intelligent Key. And then, check that the Intelligent Key is near the door.
- If the Intelligent Key is within the outside key antenna detection area, it receives the request signal and transmits the key ID signal to the BCM via remote keyless entry receiver.
- BCM receives the key ID signal and compares it with the registered key ID.
- BCM lock/unlock each door and fuel filler lid and sounds Intelligent Key buzzer warning (lock: 2 time, unlock: 1 times) at the same time as a reminder.

OPERATION CONDITION

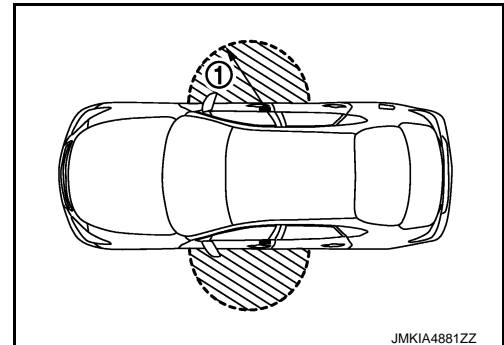
If the following conditions are satisfied, door lock/unlock operation is performed if the request switch is operated.

Each request switch operation	Operation condition
Lock operation	<ul style="list-style-type: none"> • All doors are closed • P position warning is not activated • Panic alarm is not activated • Intelligent Key is outside the vehicle • Intelligent Key is within outside key antenna detection area *
Unlock Operation	<ul style="list-style-type: none"> • Panic alarm is not activated • Intelligent Key is outside the vehicle • Intelligent Key is within outside key antenna detection area *

*: Even with a registered Intelligent Key remaining inside the vehicle, door locks can be locked/unlocked from outside of the vehicle with a spare Intelligent Key as long as key IDs are different.

OUTSIDE KEY ANTENNA DETECTION AREA

The outside key antenna detection area of door lock/unlock function is in the range of approximately 80 cm (31.50 in) surrounding the driver, passenger door handles (1). However, this operating range depends on the ambient conditions.



SELECTIVE UNLOCK FUNCTION

Lock Operation

When an LOCK signal is sent from door request switch (driver side or passenger side), all doors and fuel filler lid will be locked.

Unlock Operation

- When an UNLOCK signal from driver side door request switch is transmitted, driver side door and fuel filler lid unlocks. When another UNLOCK signal is transmitted within 60 seconds, passenger side door unlock.
- When an UNLOCK signal from passenger side door request switch is transmitted, passenger side door unlock. When another UNLOCK signal is transmitted within 60 seconds, driver side door and fuel filler lid unlocks.

How to Change Selective Unlock Operation Mode

Selective unlock operation mode can be changed using CONSULT.

Refer to [DLK-33, "INTELLIGENT KEY : CONSULT Function \(BCM - INTELLIGENT KEY\)"](#).

HAZARD AND BUZZER REMINDER FUNCTION

During lock, unlock, operation by each request switch, the hazard warning lamps and Intelligent Key warning buzzer will blink or honk as a reminder.

When doors are locked, unlocked by each request switch, BCM honks Intelligent Key warning buzzer as a reminder and blinks.

Operating Function of Hazard and Buzzer Reminder

SYSTEM (INTELLIGENT KEY SYSTEM)

< SYSTEM DESCRIPTION >

Operation	Hazard warning lamp blinks	Intelligent Key warning buzzer honk
Unlock	Once	Once
Lock	Twice	Twice

Hazard and buzzer reminder does not operate if ignition switch ON position.

How to Change Hazard and Buzzer Reminder Operation Mode

Hazard and buzzer reminder operation mode can be changed using CONSULT.

Refer to [DLK-33, "INTELLIGENT KEY : CONSULT Function \(BCM - INTELLIGENT KEY\)"](#).

AUTO DOOR LOCK FUNCTION

After door is unlocked by door request switch operation and if 60 seconds or more passes without performing the following operation, all doors and fuel filler lid are automatically locked. However, operation check function does not activate.

Operating condition	
	<ul style="list-style-type: none"> • Door switch is ON (door is open) • Door is locked • Push switch is pressed

How To Change Auto Door Lock Operation Mode

Auto door lock operation mode can be changed using CONSULT.

Refer to [DLK-33, "INTELLIGENT KEY : CONSULT Function \(BCM - INTELLIGENT KEY\)"](#).

LIST OF OPERATION RELATED PARTS

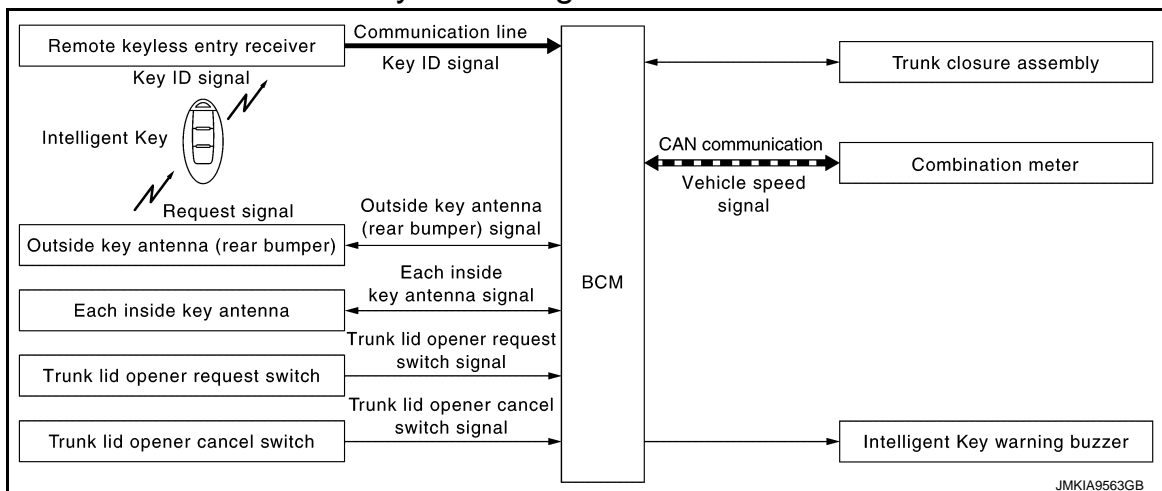
Parts marked with × are the parts related to operation.

Door lock function	Intelligent Key	Remote keyless entry receiver	Door switch	Door request switch	Door lock actuator and fuel lid lock actuator	Inside key antenna	Outside key antenna	Intelligent Key warning buzzer	CAN communication system	BCM	Hazard warning lamp	Push-button ignition switch	Combination meter
Door lock/unlock function	×	×	×	×	×	×	×			×			
Hazard and buzzer reminder function								×	×	×	×		×
Selective unlock function	×			×	×	×	×			×			
Auto door lock function	×		×	×	×					×		×	

TRUNK OPEN FUNCTION

TRUNK OPEN FUNCTION : System Diagram

INFOID:000000008492668



SYSTEM (INTELLIGENT KEY SYSTEM)

< SYSTEM DESCRIPTION >

TRUNK OPEN FUNCTION : System Description

INFOID:000000008492669

TRUNK LID OPEN FUNCTION

- When BCM detects that trunk lid opener request switch is pressed, it activates outside key antenna (rear bumper) and inside key antenna to transmit request signals to the Intelligent Key. And then, BCM checks that the Intelligent Key is near trunk lid.
- If the Intelligent Key is within the outside key antenna detection area, it receives the request signal and transmits the key ID signal to BCM.
- BCM receives the key ID signal via remote keyless entry receiver and compares it with the registered key ID.
- BCM transmits the trunk lid open request signal to trunk closure assembly and sounds Intelligent Key warning buzzer 4 times at the same time (buzzer reminder). However, buzzer reminder does not operate when ignition switch is in the ON position.
- When trunk closure control unit, integrated into the trunk closure assembly, receives the trunk lid open request signal, it operates trunk closure motor to release the interlocking of trunk lid lock and trunk lid striker, and then trunk lid opens.
- To prevent performing open operation due to mis-operation of trunk lid opener request switch by owner, the trunk lid open function is activated when trunk closure control unit receives the trunk lid open request signal from BCM for more than 0.2 sec.
- After closure control unit detects that the trunk is opened, it stops the trunk closure motor and then operates in reverse direction to the neutral position.
- The trunk closure control unit transmits trunk lid open/closed status signal to BCM.
- If trunk lid open operation stops accidentally (because of mis-latching, etc.), trunk lid can be open mechanically using trunk key cylinder.
- For trunk lid auto closure system, refer to [DLK-29. "System Description"](#).

OPERATION CONDITION

If the following conditions are not satisfied, trunk open operation is not performed even if the trunk lid opener request switch is operated.

Trunk lid opener request switch operation	Operation condition
Trunk open operation	<ul style="list-style-type: none"> • Panic alarm is not activated • Vehicle speed is less than 5 km/h (3 MPH) • Intelligent Key is within outside key antenna (rear bumper) detection area (If trunk lid is closed) • Trunk lid opener cancel switch is ON

BUZZER REMINDER FUNCTION

When trunk is opened by trunk lid opener request switch, BCM honks Intelligent Key warning buzzer as a reminder.

Operating Function Of Buzzer Reminder

Operation	Intelligent Key warning buzzer honks
Trunk lid open	Four times

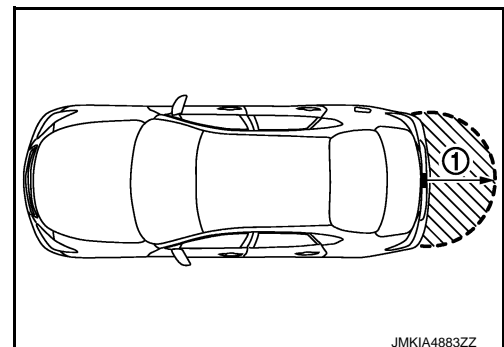
How to change buzzer reminder mode

With CONSULT

Refer to [DLK-33. "INTELLIGENT KEY : CONSULT Function \(BCM - INTELLIGENT KEY\)"](#).

OUTSIDE KEY ANTENNA DETECTION AREA

The outside key antenna detection area of trunk open function is in the range of approximately 80 cm (31.50 in) surrounding trunk opener request switch (1). However, this operating range depends on the ambient conditions.



JMK1A4883ZZ

SYSTEM (INTELLIGENT KEY SYSTEM)

< SYSTEM DESCRIPTION >

LIST OF OPERATION RELATED PARTS

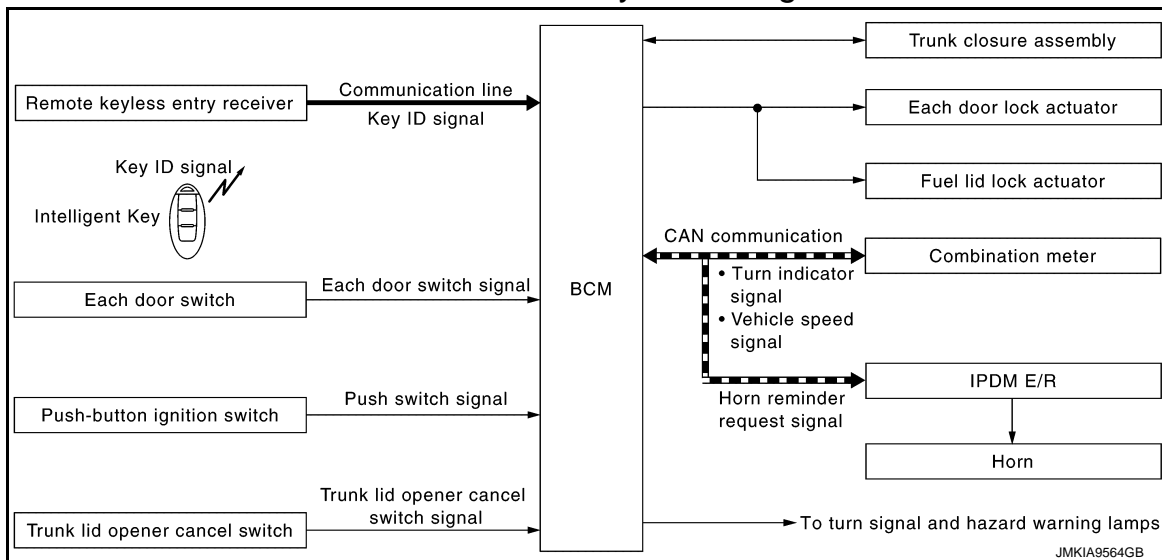
Parts marked with × are the parts related to operation.

	Intelligent Key	Remote keyless entry receiver	Trunk closure assembly	Trunk lid opener request switch	Inside key antenna	Outside key antenna (rear bumper)	Intelligent Key warning buzzer	CAN communication system	BCM	Trunk lid opener cancel switch
Trunk open function	×	×	×	×	×	×		×	×	×
Buzzer reminder function							×	×	×	

REMOTE KEYLESS ENTRY FUNCTION

REMOTE KEYLESS ENTRY FUNCTION : System Diagram

INFOID:000000008492670



REMOTE KEYLESS ENTRY FUNCTION : System Description

INFOID:000000008492671

The Intelligent Key has the same functions as the remote control entry system. Therefore, it can be used in the same manner as the remote controller using the door lock/unlock button.

OPERATION

Remote keyless entry system controls operation of the following items

- Door lock/unlock function
- Selective unlock function
- Trunk lid open function
- Hazard and horn reminder function
- Auto door lock function

OPERATION AREA

To ensure the Intelligent Key works effectively, use with-in 1 m (3 ft) range of each door, however the operable range may differ according to surroundings.

DOOR LOCK/UNLOCK FUNCTION

- When door lock/unlock button of the Intelligent Key is pressed, lock signal or unlock signal transmitted from Intelligent Key to BCM via remote keyless entry receiver.

SYSTEM (INTELLIGENT KEY SYSTEM)

< SYSTEM DESCRIPTION >

- When BCM receives the door lock/unlock signal, it operates all door lock actuators and fuel lid lock actuator the hazard lamp (lock: 2 times, unlock: 1 time) and horn chirp signal to IPDM E/R at the same time as a reminder.
- IPDM E/R honks horn (lock: 2 times) as a reminder

OPERATION CONDITION

If the following condition are satisfied, remote keyless entry operation is performed when the Intelligent Key is operated.

Remote controller operation	Operation condition
Lock	<ul style="list-style-type: none"> Panic alarm is not activated P position warning is not activated
Unlock	Panic alarm is not activated

SELECTIVE UNLOCK FUNCTION

- When an LOCK signal is transmitted from Intelligent Key, all doors and fuel filler lid are locked.
- When an UNLOCK signal is transmitted from Intelligent Key once, driver side door and fuel filler lid are unlocked.
- Then, if an UNLOCK signal is transmitted from Intelligent Key again within 60 seconds, all other doors are unlocked.

How To Change Selective Unlock Operation Mode

Selective unlock operation mode can be changed using CONSULT.

Refer to [DLK-31, "DOOR LOCK : CONSULT Function \(BCM - DOOR LOCK\)"](#).

TRUNK OPEN FUNCTION

- When trunk button of the Intelligent Key is pressed, the trunk open signal is transmitted from the Intelligent Key to the BCM via remote keyless entry receiver.
- When BCM receives the trunk open request signal, it performs the trunk lid open function. For details of trunk lid open function, refer to [DLK-17, "TRUNK OPEN FUNCTION : System Description"](#).

OPERATION CONDITION

Remote controller operation	Operation condition
Trunk lid open	<ul style="list-style-type: none"> Press and hold the trunk open button for 0.5 second or more* Ignition switch is except the ON position Trunk lid opener cancel switch is ON Vehicle speed is less than 5 km/h (3 MPH) Trunk room is closed Steering lock status: LOCK

*: Pattern of trunk open button can be selected using CONSULT. Refer to [DLK-33, "INTELLIGENT KEY : CONSULT Function \(BCM - INTELLIGENT KEY\)"](#).

HAZARD AND HORN REMINDER FUNCTION

When doors are locked or unlocked by Intelligent Key, BCM blinks hazard warning lamps as a reminder and transmits horn chirp signal to IPDM E/R. IPDM E/R sounds horn as a reminder.

The hazard and horn reminder has a horn chirp mode (C mode) and a non-horn chirp mode (S mode).

Operating Function of Hazard and Horn Reminder

	C mode			S mode		
	Lock	Unlock	Trunk open	Lock	Unlock	Trunk open
Intelligent Key operation	Lock	Unlock	Trunk open	Lock	Unlock	Trunk open
Hazard warning lamp blinks	Twice	Once	—	Twice	—	—
Horn sound	Once	—	—	—	—	—

Hazard and horn reminder does not operate if ignition switch ON position.

How to change hazard and horn reminder mode

With CONSULT

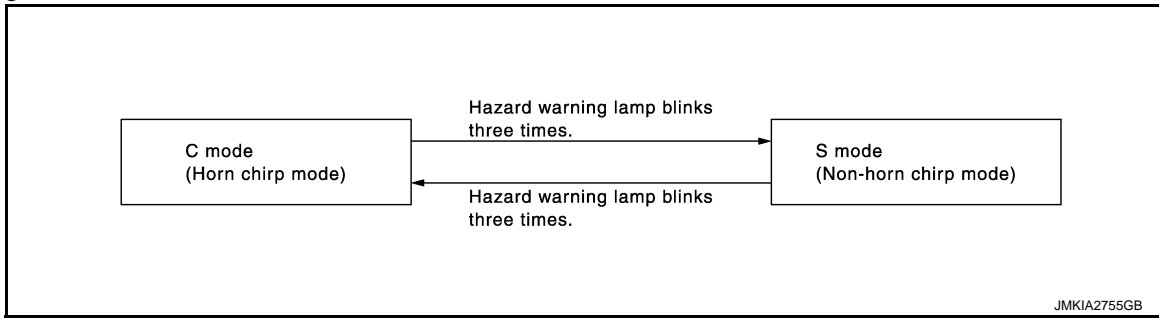
Refer to [DLK-33, "INTELLIGENT KEY : CONSULT Function \(BCM - INTELLIGENT KEY\)"](#).

Without CONSULT

SYSTEM (INTELLIGENT KEY SYSTEM)

< SYSTEM DESCRIPTION >

When LOCK and UNLOCK signals are sent from the Intelligent Key for more than 2 seconds at the same time, the hazard and horn reminder mode is changed and hazard warning lamp blinks and horn sounds as per the following items:



AUTO DOOR LOCK FUNCTION

After door is unlocked by Intelligent Key button operation and if 60 seconds or more passes without performing the following operation, all doors are locked. However, operation check function does not activate.

Operating condition	<ul style="list-style-type: none"> • Door switch is ON (door is open) • Door is locked • Push switch is pressed
---------------------	--

How To Change Auto Door Lock Operation Mode

Auto door lock operation mode can be changed using CONSULT.

Refer to [DLK-33, "INTELLIGENT KEY : CONSULT Function \(BCM - INTELLIGENT KEY\)"](#).

LIST OF OPERATION RELATED PARTS

Parts marked with × are the parts related to operation.

Function	Intelligent Key	Door switch	Trunk lid opener cancel switch	Door lock actuator and fuel lid lock actuator	Trunk closure assembly	CAN communication system	BCM	Hazard warning lamp	Door lock status indicator	Push-button ignition switch
Door lock/unlock function	×	×		×			×			×
Trunk lid open function	×		×		×		×			
Auto door lock function	×	×					×			×
Selective unlock function	×	×		×			×			
Hazard and horn reminder function	×					×	×	×		

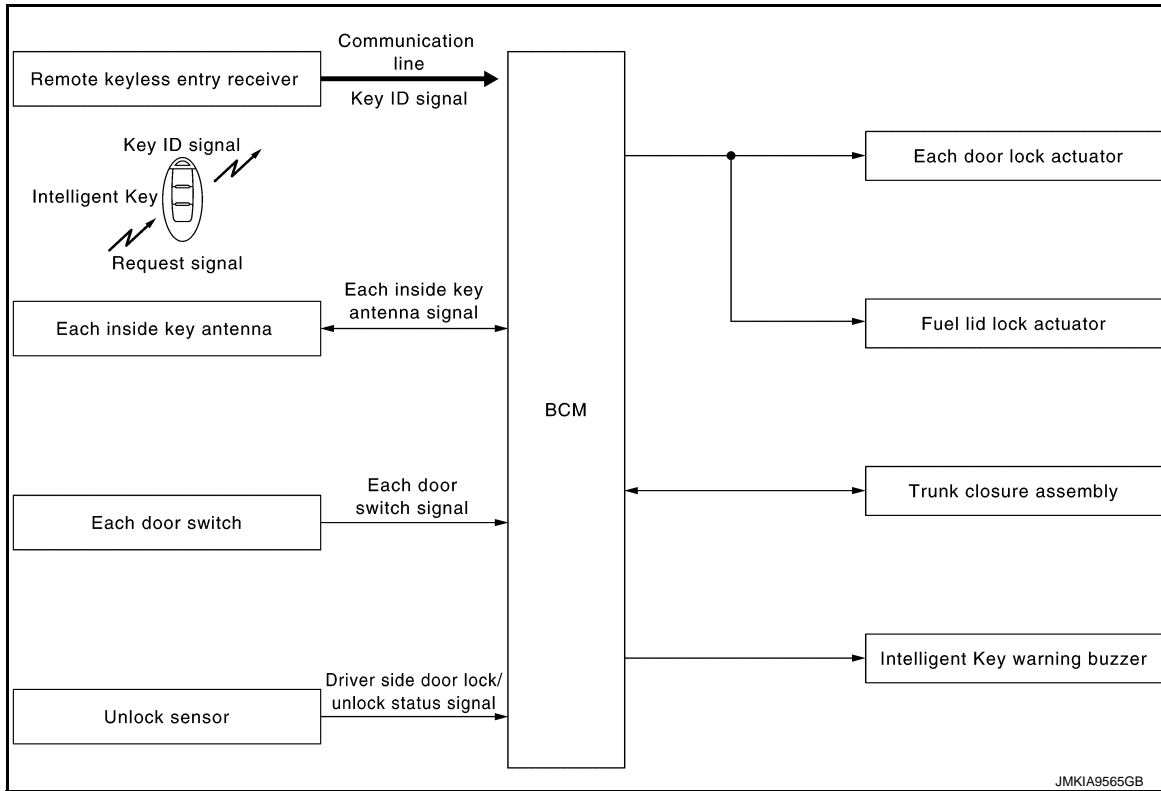
KEY REMINDER FUNCTION

SYSTEM (INTELLIGENT KEY SYSTEM)

< SYSTEM DESCRIPTION >

KEY REMINDER FUNCTION : System Diagram

INFOID:000000008492672



KEY REMINDER FUNCTION : System Description

INFOID:000000008492673

Key reminder is the function that prevents the key from being left in the vehicle. Key reminder has the following 3 functions.

Key remainder function	Operation condition	Operation
Driver door closed*	Right after driver side door is closed under the following conditions <ul style="list-style-type: none"> • Door lock operation is performed • Driver side door is open • Driver side door is in unlock state 	All doors and fuel filler lid unlock
Door is open or closed	Right after all doors are closed under the following conditions <ul style="list-style-type: none"> • Intelligent Key is inside the vehicle • Any door is open • All doors are locked by door lock and unlock switch or door lock knob 	<ul style="list-style-type: none"> • All doors and fuel filler lid unlock • Honk Intelligent Key warning buzzer
Trunk is closed	Right after trunk is closed under the following conditions <ul style="list-style-type: none"> • Intelligent Key is inside trunk room • All doors are closed • All doors are locked 	<ul style="list-style-type: none"> • Trunk open • Honk Intelligent Key warning buzzer

*:If the door closing impact shocks the door lock knob, or contacts against baggage with the door lock knob might activate the door locks accidentally but unlock operation is perform in these cases.

CAUTION:

The above function operates when the Intelligent Key is inside the vehicle. However, there may be times when the Intelligent Key cannot be detected, and this function will does not operate when the Intelligent Key is on the instrument panel, or in the glove box. Also, this system sometimes does not operate if the Intelligent Key is in the door pocket of an open door.

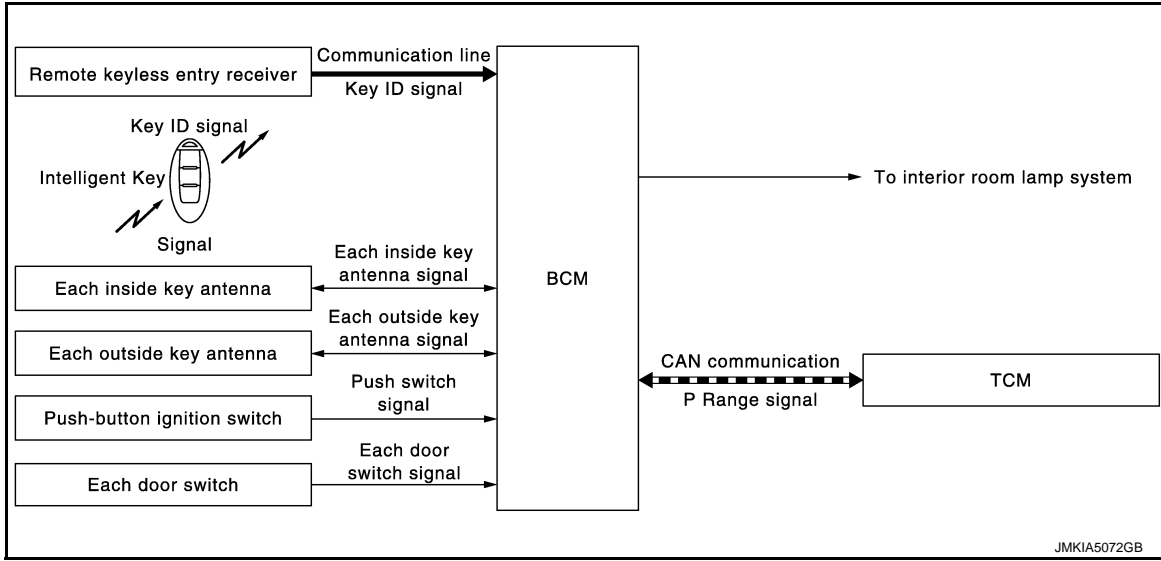
WELCOME LIGHT FUNCTION

SYSTEM (INTELLIGENT KEY SYSTEM)

< SYSTEM DESCRIPTION >

WELCOME LIGHT FUNCTION : System Diagram

INFOID:000000008142825



WELCOME LIGHT FUNCTION : System Description

INFOID:000000008142826

The welcome light function operates as per the following. When the Intelligent Key is carried, and vehicle doors are approached, the BCM illuminates interior room lamp* and operates heart beat operation of the push-button ignition switch.

*: Settings for map lamp, foot lamp, personal lamp, and outside handle lamp are available.

OPERATION DESCRIPTION

- When the BCM detects that the Intelligent Key is within the outside key antenna detection area. BCM transmits the request signal to the Intelligent Key and check it is near the door.
- Intelligent Key receives the request signal and transmits the key ID signal to the BCM via remote keyless receiver.
- BCM receives the key ID signal and compares it with the registered key ID.
- BCM illuminates lamps that are set, when key ID verification is OK.

TIMER FUNCTION

BCM can operate welcome light function, using the timer function, for 9 days, after key switch is turned OFF. The timer function resets when the engine is started*. Operating period of timer function may differ depending on battery size.

*: Timer function does not stop if another Intelligent Key that has a different key ID is detected within the interior antenna detection area, when starting the engine.

OPERATION CONDITION

If the following condition are satisfied, welcome light function is operated.

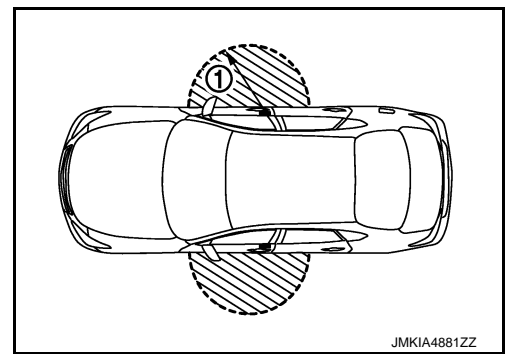
Function	Operation condition
Welcome light function	<ul style="list-style-type: none"> • All door are closed • All doors is locked • Ignition switch: OFF position • Shift position: P position • Intelligent Key is outside the vehicle • Timer function is activated

OUTSIDE KEY ANTENNA DETECTION AREA

SYSTEM (INTELLIGENT KEY SYSTEM)

< SYSTEM DESCRIPTION >

The outside key antenna detection area of door lock/unlock function is in the range of approximately 80 cm (31.50 in) surrounding the driver, passenger door handles (1) and back door handle (2). However, this operating range depends on the ambient conditions.



WELCOME LIGHT FUNCTION SETTING

Welcome light function operation mode can be changed using CONSULT

With CONSULT

Refer to [DLK-33, "INTELLIGENT KEY : CONSULT Function \(BCM - INTELLIGENT KEY\)"](#).

Without CONSULT

The welcome light function ON/OFF can be switched by performing the following operation.

1. Turn ignition switch: OFF→ON
2. Press and hold the driver side door request switch for 5 seconds or more within 20 seconds after turning the ignition switch ON.
3. The switching is complete when combination meter buzzer sounds.

WARNING FUNCTION

WARNING FUNCTION : System Description

INFOID:000000008142827

OPERATION DESCRIPTION

The warning function are as per the following items and are given to the user as warning information and warnings using combinations of Intelligent Key warning buzzer, combination meter buzzer and information display in combination meter.

- Intelligent Key system malfunction
- OFF position warning
- P position warning
- ACC warning
- Take away warning
- Door lock operation warning
- Engine start information
- Steering lock information
- Intelligent Key low battery warning
- Key ID warning
- Key ID verification information

OPERATION CONDITION

Once the following condition from below is established, alert or warning is executed.

Warning/Information functions	Operation procedure
Intelligent Key system malfunction	When a malfunction is detected on BCM

A
B
C
D
E
F
G
H
I
J
L
M
N
O
P

DLK

SYSTEM (INTELLIGENT KEY SYSTEM)

< SYSTEM DESCRIPTION >



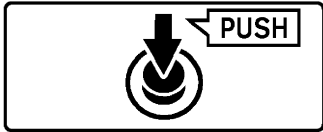


Warning/Information functions		Operation procedure
OFF position warning	For internal	When condition A, B or condition C is satisfied <ul style="list-style-type: none"> • Condition A - Ignition switch: ACC position - Door switch (driver side): ON (Door is open) • Condition B - Turn ignition switch from ON to OFF while door is open • Condition C - Intelligent Key backside is contacted to ignition switch while brake pedal is depressed and ignition switch is LOCK or OFF (When the Intelligent Key battery is discharged) - Door switch (driver side): ON (Door is open)
	For external	OFF position warning (For internal) is in active mode, driver side door is closed NOTE: OFF position (For external) active only when each of the sequence occurs as below: P position warning → ACC warning → OFF position warning (For internal)
P position warning	For internal	<ul style="list-style-type: none"> • Shift position: Except P position • Engine is running to stopped (Ignition switch is ON to OFF)
	For external	Warning is activated when driver door is closed from the open position while the P position warning (for inside vehicle) is ON
ACC warning		<ul style="list-style-type: none"> • When P position warning is in active mode, shift position changes P position. • Ignition switch: ACC position
Take away warning	Door is open to close	<ul style="list-style-type: none"> • Ignition switch: Except LOCK position • Door switch: ON to OFF (Door is open to close) • Intelligent Key cannot be detected inside the vehicle
	Door is open	<ul style="list-style-type: none"> • Ignition switch: Except LOCK position • Door switch: ON (Door is open) • Key ID verification every 5 seconds when registered Intelligent Key cannot be detected inside the vehicle
	Push button-ignition switch operation	<ul style="list-style-type: none"> • Ignition switch: Except LOCK position • Press push-button ignition switch • Intelligent Key cannot be detected inside the vehicle
Door lock operation warning		When door lock operation is requested while door lock operating condition of door request switch or Intelligent Key are not satisfied
Engine start information	Ignition switch is ON position	<ul style="list-style-type: none"> • Ignition switch: ON position • Shift position: P position • Engine is stopped
	Ignition switch is except ON position	<ul style="list-style-type: none"> • Ignition switch: Except ON position • Shift position: P position • Intelligent Key is in the passenger room after driver door is opened and closed.
	Ignition switch is ON position to OFF position	<ul style="list-style-type: none"> • Ignition switch: ON position to OFF position • Shift position: P position NOTE: Engine start information turns ON for several seconds and then turns OFF, when ignition switch is turned to the ON position from the OFF position. Engine start information does not turn ON until opening and closing of driver door is detected again.
Steering lock information		When steering lock cannot be released after ignition switch is turned ON
Intelligent Key low battery warning		When Intelligent Key is low battery, BCM is detected after ignition switch is turned ON
Key ID warning		When registered intelligent Key cannot be detected inside the vehicle after ignition switch is turned ON
Key ID verification information		<ul style="list-style-type: none"> • When registered Intelligent Key cannot be detected inside the vehicle • Intelligent Key battery is discharged • When NATS antenna amp cannot be detected NATS ID

SYSTEM (INTELLIGENT KEY SYSTEM)

< SYSTEM DESCRIPTION >

WARNING METHOD

The following table shows the alarm or warning methods with chime.
Information display (combination meter) when the warning conditions are met.


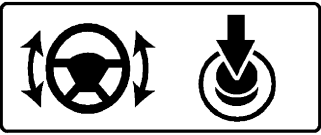
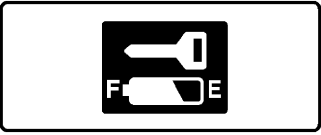
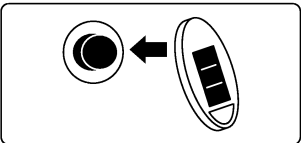
Warning/Information functions		Information display (combination meter)	Warning chime	
			Combination meter buzzer	Intelligent Key warning buzzer
Intelligent Key system malfunction		 <small>JMKIA5402ZZ</small>	—	—
OFF position warning	For internal	—	Activate	—
	For external	—	—	Activate
P position warning	For internal	 <small>JMKIA0037GB</small>	Activate	—
	For external		—	Active
ACC warning		 <small>JMKIA0047GB</small>	—	—
Take away warning	Door is open to close	 <small>JMKIA4906ZZ</small>	Activate	Activate
	Door is open		—	—
	Push-ignition switch operation		Activate	—
Door lock operation warning	Request switch operation	—	—	Activate
	Intelligent Key operation	—	—	Activate
Key ID warning		 <small>JMKIA4906ZZ</small>	—	—

A
B
C
D
E
F
G
H
I
J
DLK
L
M
N
O
P

DLK

SYSTEM (INTELLIGENT KEY SYSTEM)

< SYSTEM DESCRIPTION >

Warning/Information functions	Information display (combination meter)	Warning chime	
		Combination meter buzzer	Intelligent Key warning buzzer
Engine start information	 <small>JMKIA0032GB</small>	—	—
Steering lock information	 <small>JMKIA0033GB</small>	—	—
Intelligent Key low battery warning	 <small>JMKIA3049ZZ</small>	—	—
Key ID verification information	 <small>JMKIA4907ZZ</small>	—	—

LIST OF OPERATION RELATED PARTS

Parts marked with × are the parts related to operation.

Warning function		Intelligent Key	Ignition switch	Door switch	Door request switch	Inside key antenna	Outside key antenna	Intelligent Key warning buzzer	Combination meter buzzer	CAN communication system	BCM	Information display
Intelligent Key system malfunction										×	×	×
OFF position warning	For internal			×					×	×	×	
	For external			×				×			×	
P position warning			×						×	×	×	×
ACC warning			×						×	×	×	×

SYSTEM (INTELLIGENT KEY SYSTEM)

< SYSTEM DESCRIPTION >

Warning function		Intelligent Key	Ignition switch	Door switch	Door request switch	Inside key antenna	Outside key antenna	Intelligent Key warning buzzer	Combination meter buzzer	CAN communication system	BCM	Information display
Take away warning	Door is open or close	×		×		×		×	×	×	×	×
	Door is open	×		×		×			×	×	×	×
	Push-button ignition switch operation	×	×			×		×	×	×	×	×
Door lock operation warning		×		×	×	×	×				×	
Key ID warning			×			×				×	×	×
Engine start information	Ignition switch is ON position	×	×			×				×	×	×
	Ignition switch is except ON position	×	×			×				×	×	×
Steering lock information			×							×	×	×
Intelligent Key low battery warning		×				×				×	×	×
Key ID verification information		×				×				×	×	×

A
B
C
D
E
F
G
H
I
J
L
M
N
O
P

DLK

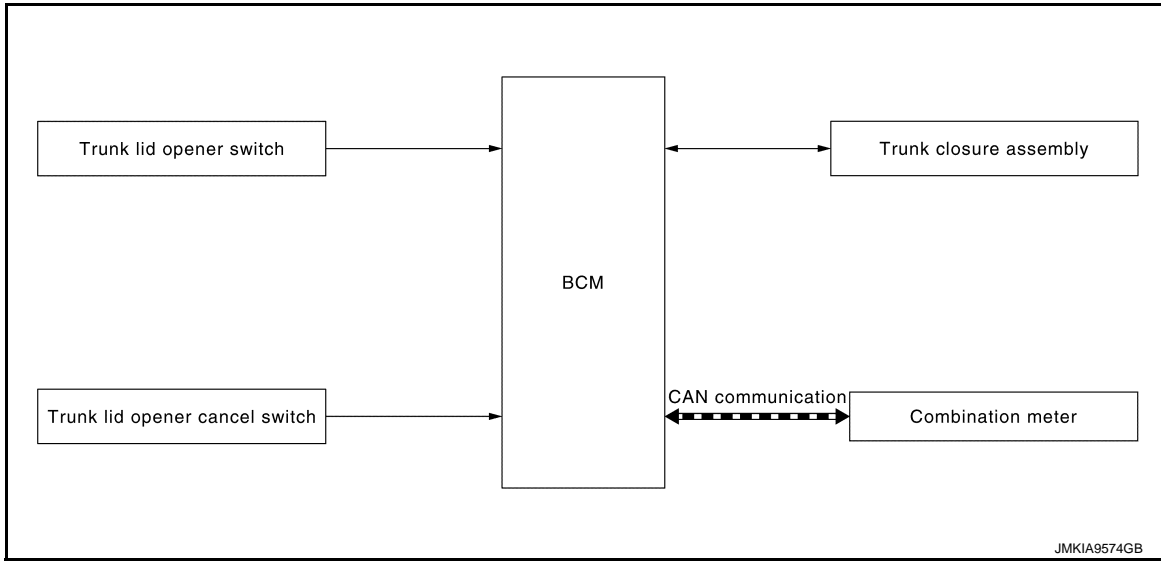
SYSTEM (TRUNK LID OPENER SYSTEM)

< SYSTEM DESCRIPTION >

SYSTEM (TRUNK LID OPENER SYSTEM)

System Diagram

INFOID:000000008492674



System Description

INFOID:000000008492675

- When trunk lid opener switch is turned ON, BCM transmits trunk lid open request signal to trunk closure assembly.
- When trunk closure control unit, integrated into the trunk closure assembly, receives the trunk lid open request signal, it operates trunk closure motor to release the interlocking of trunk lid lock and trunk lid striker, and then trunk lid opens.
- To prevent performing open operation due to mis-operation of trunk lid opener switch by owner, the trunk lid open function is activated when trunk closure control unit receives the trunk lid open request signal from BCM for more than 0.2 sec.
- After trunk closure control unit detects that the trunk is opened, it stops the trunk closure motor and then operates in reverse direction to the neutral position.
- The trunk closure control unit transmits trunk lid open/closed status signal to BCM.
- If trunk lid open operation stops accidentally (because of mislatching, etc.), trunk lid can be open mechanically using trunk key cylinder.
- For trunk lid auto closure system, refer to [DLK-29. "System Description"](#).

OPERATION CONDITION

If the following conditions are satisfied, trunk open operation is performed.

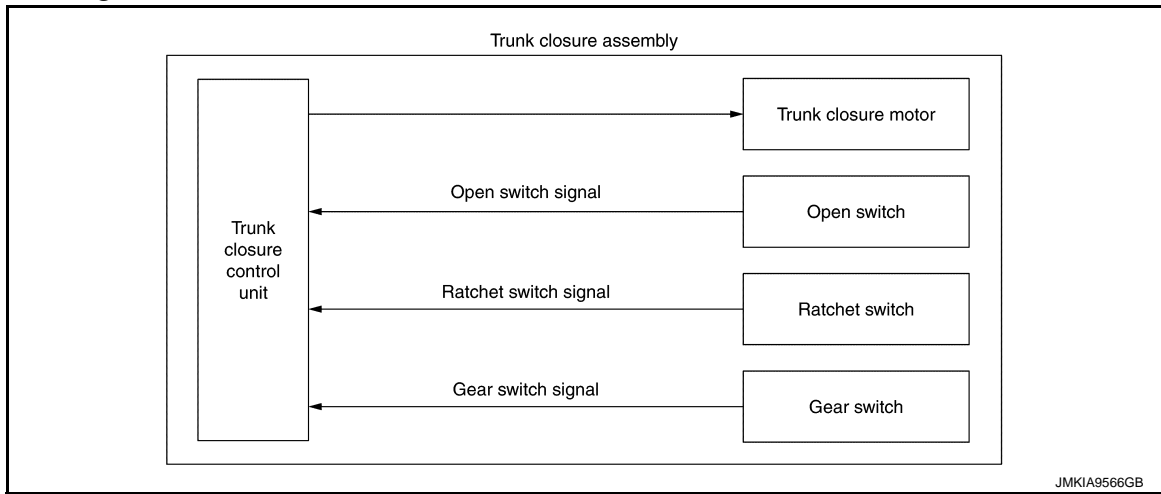
Trunk lid opener switch operation	Operation condition
Trunk lid open	<ul style="list-style-type: none"> • Trunk lid opener cancel switch is ON • Vehicle speed is less than 5 km/h (3 MPH) • Vehicle security system is in the disarmed or pre-armed phase (Refer to SEC-15. "VEHICLE SECURITY SYSTEM : System Description".)

SYSTEM (TRUNK LID AUTO CLOSURE SYSTEM)

< SYSTEM DESCRIPTION >

SYSTEM (TRUNK LID AUTO CLOSURE SYSTEM)

System Diagram



System Description

INFOID:000000008492677

- Trunk lid auto closure system is performed using trunk closure assembly that consists of trunk closure control unit, trunk closure motor, gear switch, open switch and ratchet switch.
- Trunk lid auto closure system closes trunk lid automatically to the fully closed position when trunk lid is in the half latch status (trunk lid lock and trunk lid striker are in engage status).
- While power source is applied, trunk closure control unit monitors each switch signals to judge the trunk lid status (open, half latch and fully closed).
- Trunk closure control unit transmits trunk lid open signal when the trunk lid is in open or half latch status, and transmits trunk lid close signal when in fully closed status to BCM.

OPERATION DESCRIPTION

- Trunk closure control unit operates trunk closure motor and performs retracting operation when trunk lid is judged to be in the half latch status.
- Trunk closure control unit stops retracting operation of trunk closure motor when trunk is judged to be in fully closed status.
- After stopping retracting operation, trunk closure control unit operates trunk closure motor in reverse direction to the neutral position.
- When any of the following conditions is met during auto closure operation, trunk closure control unit stops retracting operation, and operates trunk closure motor in reverse direction to open trunk lid.
 - Trunk closure control unit receives trunk lid open request signal
 - The specified time (Approx. 4.6 sec) is past before trunk lid reaches the fully closed position
- For trunk lid open system, refer to [DLK-17, "TRUNK OPEN FUNCTION : System Description"](#), [DLK-18, "REMOTE KEYLESS ENTRY FUNCTION : System Description"](#), and [DLK-28, "System Description"](#),

FAIL-SAFE

The fail-safe function is adopted for the trunk closure control unit. Refer to [DLK-39, "Fail-safe"](#).

DIAGNOSIS SYSTEM (BCM)

< SYSTEM DESCRIPTION >

DIAGNOSIS SYSTEM (BCM)

COMMON ITEM

COMMON ITEM : CONSULT Function (BCM - COMMON ITEM)

INFOID:000000008492663

APPLICATION ITEM

CONSULT performs the following functions via CAN communication with BCM.

Diagnosis mode	Function Description
Work Support	Changes the setting for each system function.
Self Diagnostic Result	Displays the diagnosis results judged by BCM.
CAN Diag Support Monitor	Monitors the reception status of CAN communication viewed from BCM.
Data Monitor	The BCM input/output signals are displayed.
Active Test	The signals used to activate each device are forcibly supplied from BCM.
Ecu Identification	The BCM part number is displayed.
Configuration	<ul style="list-style-type: none"> • Read and save the vehicle specification. • Write the vehicle specification when replacing BCM.

SYSTEM APPLICATION

BCM can perform the following functions for each system.

NOTE:

It can perform the diagnosis modes except the following for all sub system selection items.

×: Applicable item

System	Sub system selection item	Diagnosis mode		
		Work Support	Data Monitor	Active Test
Door lock	DOOR LOCK	×	×	×
Rear window defogger	REAR DEFOGGER		×	×
Warning chime	BUZZER		×	×
Interior room lamp timer	INT LAMP	×	×	×
Exterior lamp	HEAD LAMP	×	×	×
Wiper and washer	WIPER	×	×	×
Turn signal and hazard warning lamps	FLASHER	×	×	×
—	AIR CONDITONER*		×	×
<ul style="list-style-type: none"> • Intelligent Key system • Engine start system 	INTELLIGENT KEY	×	×	×
Combination switch	COMB SW		×	
Body control system	BCM	×		
IVIS - NATS	IMMU	×	×	×
Interior room lamp battery saver	BATTERY SAVER	×	×	×
Trunk lid open	TRUNK		×	
Vehicle security system	THEFT ALM	×	×	×
RAP system	RETAINED PWR		×	
Signal buffer system	SIGNAL BUFFER		×	×
—	AIR PRESSURE MONITOR*	×	×	×

*: This item is not used.

FREEZE FRAME DATA (FFD)

The BCM records the following vehicle condition at the time a particular DTC is detected, and displays on CONSULT.

DIAGNOSIS SYSTEM (BCM)

< SYSTEM DESCRIPTION >

CONSULT screen item	Indication/Unit	Description		
Vehicle Speed	km/h	Vehicle speed of the moment a particular DTC is detected		A
Odo/Trip Meter	km	Total mileage (Odometer value) of the moment a particular DTC is detected		
Vehicle Condition	SLEEP>LOCK	Power position status of the moment a particular DTC is detected*	While turning BCM status from low power consumption mode to normal mode (Power supply position is "LOCK")	B
	SLEEP>OFF		While turning BCM status from low power consumption mode to normal mode (Power supply position is "OFF".)	C
	LOCK>ACC		While turning power supply position from "LOCK" to "ACC"	
	ACC>ON		While turning power supply position from "ACC" to "IGN"	D
	RUN>ACC		While turning power supply position from "RUN" to "ACC" (Vehicle is stopping and selector lever is except P position.)	
	CRANK>RUN		While turning power supply position from "CRANKING" to "RUN" (From cranking up the engine to run it)	E
	RUN>URGENT		While turning power supply position from "RUN" to "ACC" (Emergency stop operation)	
	ACC>OFF		While turning power supply position from "ACC" to "OFF"	F
	OFF>LOCK		While turning power supply position from "OFF" to "LOCK"	
	OFF>ACC		While turning power supply position from "OFF" to "ACC"	G
	ON>CRANK		While turning power supply position from "IGN" to "CRANKING"	
	OFF>SLEEP		While turning BCM status from normal mode (Power supply position is "OFF".) to low power consumption mode	H
	LOCK>SLEEP		While turning BCM status from normal mode (Power supply position is "LOCK".) to low power consumption mode	
	LOCK		Power supply position is "LOCK"	I
	OFF		Power supply position is "OFF"	
	ACC		Power supply position is "ACC"	J
	ON		Power supply position is "IGN"	
	ENGINE RUN		Power supply position is "RUN"	
CRANKING	Power supply position is "CRANKING"	DLK		
IGN Counter	0 - 39	The number of times that ignition switch is turned ON after DTC is detected <ul style="list-style-type: none"> • The number is 0 when a malfunction is detected now. • The number increases like 1 → 2 → 3...38 → 39 after returning to the normal condition whenever ignition switch OFF → ON. • The number is fixed to 39 until the self-diagnosis results are erased if it is over 39. 		L

NOTE:

*: Refer to [PCS-34, "POWER DISTRIBUTION SYSTEM : System Description"](#) for details of the power supply position.

DOOR LOCK

DOOR LOCK : CONSULT Function (BCM - DOOR LOCK)

INFOID:000000008142831

BCM CONSULT FUNCTION

CONSULT performs the following functions via CAN communication with BCM.

WORK SUPPORT

DIAGNOSIS SYSTEM (BCM)

< SYSTEM DESCRIPTION >

Monitor item	Description
DOOR LOCK-UNLOCK SET	Selective unlock function mode can be changed to operation with this mode <ul style="list-style-type: none"> • On: Operate • Off: Non-operation
AUTOMATIC DOOR LOCK SELECT	Automatic door lock function mode can be selected from the following in this mode <ul style="list-style-type: none"> • VH SPD: All doors are locked when vehicle speed more than 24 km/h (15MPH) • P RANGE: All doors are locked when shifting the selector lever from P position to other than the P position
AUTOMATIC DOOR UNLOCK SELECT	Automatic door unlock function mode can be selected from the following in the mode <ul style="list-style-type: none"> • MODE 1: All doors are unlocked when the power supply position is changed from ON to OFF • MODE 2: All doors are unlocked when shifting the selector lever from any position other than the P to P position • MODE 3: Driver side door is unlocked when the power supply position is changed from ON to OFF • MODE 4: Driver side door is unlocked when shifting the selector lever from any position other than the P to P position • MODE 5: This item is displayed, but cannot be used • MODE 6: This item is displayed, but cannot be used
AUTOMATIC LOCK/UNLOCK SET	Automatic door lock/unlock function mode can be selected from the following in this mode <ul style="list-style-type: none"> • Off: Non-operational • Unlock Only: Door unlock operation only • Lock Only: Door lock operation only • Lock/Unlock: Lock and unlock operation

DATA MONITOR

Monitor Item	Contents
REQ SW-DR	Indicated [On/Off] condition of door request switch (driver side)
REQ SW-AS	Indicated [On/Off] condition of door request switch (passenger side)
REQ SW-BD/TR	Indicated [On/Off] condition of trunk lid opener request switch
DOOR SW-DR	Indicated [On/Off] condition of front door switch (driver side)
DOOR SW-AS	Indicated [On/Off] condition of front door switch (passenger side)
DOOR SW-RR	Indicated [On/Off] condition of rear door switch RH
DOOR SW-RL	Indicated [On/Off] condition of rear door switch LH
DOOR SW-BK	NOTE: This item is displayed, but cannot be monitored
CDL LOCK SW	Indicated [On/Off] condition of lock signal from door lock unlock switch
CDL UNLOCK SW	Indicated [On/Off] condition of unlock signal from door lock unlock switch
KEY CYL LK-SW	Indicated [On/Off] condition of lock signal from door key cylinder switch
KEY CYL UN-SW	Indicated [On/Off] condition of unlock signal from door key cylinder switch

ACTIVE TEST

Test item	Description
DOOR LOCK	This test is able to check door lock/unlock operation <ul style="list-style-type: none"> • The all door lock actuators are locked when "ALL LOCK" on CONSULT screen is touched • The all door lock actuators are unlocked when "ALL UNLK" on CONSULT screen is touched • The front door lock actuator (driver side) is unlocked when "DR UNLK" on CONSULT screen is touched • The front door lock actuator (passenger side) is unlocked when "AS UNLK" on CONSULT screen is touched • The door lock actuator (other) is unlocked when "OTR ULK" on CONSULT screen is touched

INTELLIGENT KEY

DIAGNOSIS SYSTEM (BCM)

< SYSTEM DESCRIPTION >

INTELLIGENT KEY : CONSULT Function (BCM - INTELLIGENT KEY)

INFOID:000000008142832

WORK SUPPORT

Monitor item	Description
INSIDE ANT DIAGNOSIS	This function allows inside key antenna self-diagnosis
LOCK/UNLOCK BY I-KEY	Door lock/unlock function by door request switch mode can be changed to operation in this mode <ul style="list-style-type: none"> On: Operate Off: Non-operation
ENGINE START BY I-KEY	Engine start function mode can be changed to operation with this mode <ul style="list-style-type: none"> On: Operate Off: Non-operation
TRUNK/GLASS HATCH OPEN	Buzzer reminder function mode by trunk lid opener request switch and Intelligent Key can be changed to operation with this mode <ul style="list-style-type: none"> On: Operate Off: Non-operation
PANIC ALARM SET	Panic alarm button pressing time on Intelligent Key remote control button can be selected from the following with this mode <ul style="list-style-type: none"> MODE 1: 0.5 sec MODE 2: Non-operation MODE 3: 1.5 sec
TRUNK OPEN DELAY	Trunk button pressing on Intelligent Key can be selected as per the following in this mode. <ul style="list-style-type: none"> MODE 1: Press and hold MODE 2: Press twice MODE 3: Press and hold, or press twice
LO- BATT OF KEY FOB WARN	Intelligent Key low battery warning mode can be changed to operation with this mode <ul style="list-style-type: none"> On: Operate Off: Non-operation
ANTI KEY LOCK IN FUNCTI	Key reminder function mode can be changed to operation with this mode <ul style="list-style-type: none"> On: Operate Off: Non-operation
HAZARD ANSWER BACK	Hazard reminder function mode by door request switch and Intelligent Key button can be selected from the following with this mode <ul style="list-style-type: none"> Lock Only: Door lock operation only Unlock Only: Door unlock operation only Lock/Unlock: Lock and unlock operation Off: Non-operation
ANS BACK I-KEY LOCK	Buzzer reminder function (lock operation) mode by door request switch can be selected from the following with this mode <ul style="list-style-type: none"> Horn Chirp: Sound horn Buzzer: Sound Intelligent Key warning buzzer Off: Non-operation
ANS BACK I-KEY UNLOCK	Buzzer reminder function (unlock operation) mode by door request switch can be changed to operation with this mode <ul style="list-style-type: none"> On: Operate Off: Non-operation
SHORT CRANKING OUTPUT	Starter motor can operate during the times below <ul style="list-style-type: none"> 70 msec 100 msec 200 msec
CONFIRM KEY FOB ID	It can be checked whether Intelligent Key ID code is registered or not in this mode

A
B
C
D
E
F
G
H
I
J
L
M
N
O
P

DLK

DIAGNOSIS SYSTEM (BCM)

< SYSTEM DESCRIPTION >

Monitor item	Description
AUTO LOCK SET	Auto door lock operation time can be changed in this mode <ul style="list-style-type: none"> • MODE 1: OFF • MODE 2: 30 sec • MODE 3: 1 minute • MODE 4: 2 minutes • MODE 5: 3 minutes • MODE 6: 4 minutes • MODE 7: 5 minutes
HORN WITH KEYLESS LOCK	Horn reminder function mode by Intelligent Key button can be selected from the following with this mode <ul style="list-style-type: none"> • On: Operate • Off: Non-operation
PW DOWN SET	Unlock button pressing time on Intelligent Key button can be selected from the following with this mode <ul style="list-style-type: none"> • MODE 1: 3 sec • MODE 2: Non-operation • MODE 3: 5 sec
WELCOME LIGHT SELECT	Welcome light function mode can be selected from the following with this mode <ul style="list-style-type: none"> • Puddle/Outside Handle • Room lamp • Head & Tail Lamps (this item is displayed, but cannot be used) • Heart Beat
WELCOME LIGHT OP SET	Welcome light function mode can be changed to operation with this mode <ul style="list-style-type: none"> • On: Operate • Off: Non-operation
INTELLIGENT KEY SETUP	Intelligent Key interlock function mode can be changed to operation with this mode <ul style="list-style-type: none"> • On: Operate • Off: Non-operation

SELF-DIAG RESULT

Refer to [BCS-55, "DTC Index"](#).

DATA MONITOR

Monitor Item	Condition
REQ SW -DR	Indicates [On/Off] condition of door request switch (driver side)
REQ SW -AS	Indicates [On/Off] condition of door request switch (passenger side)
REQ SW -BD/TR	Indicates [On/Off] condition of trunk lid opener request switch
PUSH SW	Indicates [On/Off] condition of push-button ignition switch
CLUTCH SW	NOTE: This item is displayed, but cannot be monitored
BRAKE SW 1	Indicates [On/Off]* condition of stop lamp switch power supply
BRAKE SW 2	Indicates [On/Off] condition of stop lamp switch
DETE/CANCL SW	Indicates [On/Off] condition of P position
SFT PN/N SW	Indicates [On/Off] condition of P or N position
S/L -LOCK	NOTE: This item is displayed, but cannot be monitored
S/L -UNLOCK	NOTE: This item is displayed, but cannot be monitored
S/L RELAY -F/B	NOTE: This item is displayed, but cannot be monitored
UNLK SEN -DR	Indicates [On/Off] condition of driver door UNLOCK status
PUSH SW -IPDM	Indicates [On/Off] condition of push-button ignition switch
IGN RLY1 -F/B	Indicates [On/Off] condition of ignition relay 1
DETE SW -IPDM	Indicates [On/Off] condition of P position

DIAGNOSIS SYSTEM (BCM)

< SYSTEM DESCRIPTION >

Monitor Item	Condition
SFT PN -IPDM	Indicates [On/Off] condition of P or N position
SFT P -MET	Indicates [On/Off] condition of P position
SFT N -MET	Indicates [On/Off] condition of N position
ENGINE STATE	NOTE: This item is displayed, but cannot be monitored
S/L LOCK-IPDM	NOTE: This item is displayed, but cannot be monitored
S/L UNLK-IPDM	NOTE: This item is displayed, but cannot be monitored
S/L RELAY-REQ	NOTE: This item is displayed, but cannot be monitored
VEH SPEED 1	Display the vehicle speed signal received from combination meter by numerical value [Km/h]
VEH SPEED 2	Display the vehicle speed signal received from ABS or VDC or TCM by numerical value [Km/h]
DOOR STAT-DR	Indicates [LOCK/READY/UNLK] condition of driver side door status
DOOR STAT-AS	Indicates [LOCK/READY/UNLK] condition of passenger side door status
ID OK FLAG	Indicates [Set/Reset] condition of key ID
PRMT ENG STRT	Indicates [Set/Reset] condition of engine start possibility
PRMT RKE STRT	NOTE: This item is displayed, but cannot be monitored
TRNK/HAT MNTR	Indicates [On/Off] condition of trunk room lamp switch
RKE-LOCK	Indicates [On/Off] condition of LOCK signal from Intelligent Key
RKE-UNLOCK	Indicates [On/Off] condition of UNLOCK signal from Intelligent Key
RKE-TR/BD	Indicates [On/Off] condition of TRUNK OPEN signal from Intelligent Key
RKE-PANIC	Indicates [On/Off] condition of PANIC ALARM button of Intelligent Key
RKE-MODE CHG	Indicates [On/Off] condition of MODE CHANGE signal from Intelligent Key
RKE OPE COUN1	When remote keyless entry receiver receives the signal transmitted while operating on Intelligent Key, the numerical value start changing
RKE OPE COUN2	NOTE: This item is displayed, but cannot be monitored

*: OFF is displayed when brake pedal is depressed while brake switch power supply is OFF.

ACTIVE TEST

Test item	Description
BATTERY SAVER	This test is able to check interior room lamp operation <ul style="list-style-type: none"> • On: Operate • Off: Non-operation
OUTSIDE BUZZER	This test is able to check Intelligent Key warning buzzer operation <ul style="list-style-type: none"> • On: Operate • Off: Non-operation
INSIDE BUZZER	This test is able to check warning chime in combination meter operation <ul style="list-style-type: none"> • Take Out: Take away warning chime sounds when CONSULT screen is touched • Key: Key warning chime sounds when CONSULT screen is touched • Knob: OFF position warning chime sounds when CONSULT screen is touched • Off: Non-operation
INDICATOR	This test is able to check warning lamp operation <ul style="list-style-type: none"> • KEY ON: "KEY" Warning lamp illuminates when CONSULT screen is touched • KEY IND: "KEY" Warning lamp blinks when CONSULT screen is touched • Off: Non-operation
INT LAMP	This test is able to check interior room lamp operation <ul style="list-style-type: none"> • On: Operate • Off: Non-operation

DIAGNOSIS SYSTEM (BCM)

< SYSTEM DESCRIPTION >

Test item	Description
LCD	<p>This test is able to check meter display information</p> <ul style="list-style-type: none"> • Engine start information displays when "BP N" on CONSULT screen is touched • Engine start information displays when "BP I" on CONSULT screen is touched • Key ID warning displays when "ID NG" on CONSULT screen is touched • Steering lock information displays when "ROTAT" on CONSULT screen is touched <p>NOTE: For models without steering lock unit, "ROTAT" is displayed but can not be monitored.</p> <ul style="list-style-type: none"> • P position warning displays when "SFT P" on CONSULT screen is touched • INSRT: This item is displayed, but cannot be monitored • BATT: This item is displayed, but cannot be monitored • Take away through window warning displays when "NO KY" on CONSULT screen is touched • Take away warning display when "OUTKEY" on CONSULT screen is touched • OFF position warning display when "LK WN" on CONSULT screen is touched
FLASHER	<p>This test is able to check hazard warning lamp operation</p> <p>The hazard warning lamps are activated after "LH/RH/Off" on CONSULT screen is touched</p>
P RANGE	<p>This test is able to check A/T shift selector power supply</p> <ul style="list-style-type: none"> • On: Operate • Off: Non-operation
ENGINE SW ILLUMI	<p>This test is able to check push-ignition switch illumination operation</p> <p>Push-ignition switch illumination illuminates when "ON" on CONSULT screen is touched</p>
LOCK INDICATOR	<p>This test is able to check LOCK indicator (push-button ignition switch) operation</p> <ul style="list-style-type: none"> • On: Operate • Off: Non-operation
ACC INDICATOR	<p>This test is able to check ACC indicator (push-button ignition switch) operation</p> <ul style="list-style-type: none"> • On: Operate • Off: Non-operation
IGNITION ON IND	<p>This test is able to check ON indicator (push-button ignition switch) operation</p> <ul style="list-style-type: none"> • On: Operate • Off: Non-operation
HORN	<p>This test is able to check horn operation</p> <ul style="list-style-type: none"> • On: Operate • Off: Non-operation
TRUNK/BACK DOOR	<p>This test is able to check trunk lid open operation</p> <ul style="list-style-type: none"> • Open: Operate
INTELLIGENT KEY LINK	<p>This test is able to check Intelligent Key interlock function</p> <ul style="list-style-type: none"> • ID No1: BCM transmits Intelligent Key ID No1 to each control unit • ID No2: BCM transmits Intelligent Key ID No2 to each control unit
INTELLIGENT KEY LINK (CAN)	<p>This test is able to check Intelligent Key interlock function</p> <ul style="list-style-type: none"> • Off: Non-operation • ID No1: BCM transmits Intelligent Key ID No1 to each control unit via CAN communication line • ID No2: BCM transmits Intelligent Key ID No2 to each control unit via CAN communication line • ID No3: BCM transmits Intelligent Key ID No3 to each control unit via CAN communication line • ID No4: BCM transmits Intelligent Key ID No4 to each control unit via CAN communication line • ID No5: This item is displayed, but cannot be used

TRUNK

TRUNK : CONSULT Function (BCM - TRUNK)

INFOID:000000008142833

DATA MONITOR

Monitor Item	Contents
PUSH SW	Indicates [On/Off] condition of push switch
UNLK SEN -DR	Indicates [On/Off] condition of unlock sensor

DIAGNOSIS SYSTEM (BCM)

< SYSTEM DESCRIPTION >

Monitor Item	Contents	
VEH SPEED 1	Indicates [Km/h] condition of vehicle speed signal from combination meter	A
KEY CYL SW-TR	Indicates [On/Off] condition of trunk key cylinder switch	
TR CANCEL SW	Indicates [On/Off] condition of trunk lid opener cancel switch	B
TR/BD OPEN SW	Indicates [Km/h] condition of trunk lid opener switch	
TRNK/HAT MNTR	Indicates [On/Off] condition of trunk room lamp switch	
RKE-TR/BD	Indicates [On/Off] condition of trunk open signal from Intelligent Key	C

D

E

F

G

H

I

J

DLK

L

M

N

O

P

BCM

< ECU DIAGNOSIS INFORMATION >

ECU DIAGNOSIS INFORMATION

BCM

List of ECU Reference

INFOID:000000008142834

ECU	Reference
BCM	BCS-34, "Reference Value"
	BCS-54, "Fail-safe"
	BCS-54, "DTC Inspection Priority Chart"
	BCS-55, "DTC Index"

TRUNK CLOSURE CONTROL UNIT

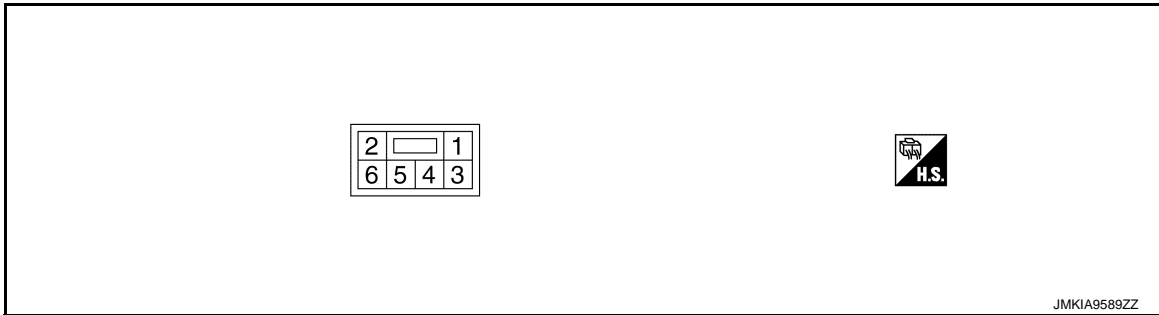
< ECU DIAGNOSIS INFORMATION >

TRUNK CLOSURE CONTROL UNIT

Reference Value

INFOID:000000008492678

TERMINAL LAYOUT



PHYSICAL VALUES

Terminal No. (Wire color)		Description		Condition	Voltage (V) (Approx.)	
(+)	(-)	Signal name	Input/ Output			
1 (G)	Ground	Trunk lid open request signal	Input	When opening trunk lid	9 - 16	
				Except above condition	0	
2 (L)	Ground	Ground	-	-	0	
3 (L)	Ground	Ground	-	-	0	
4 (P)	Ground	Battery power supply (Sub)	Input	-	9 - 16	
5 (Y)	Ground	Trunk lid open/close status signal	Output	Trunk lid	Closed	9 - 16
					Open	0
6 (R)	Ground	Battery power supply (Main)	Input	-	9 - 16	

Fail-safe

INFOID:000000008492679

Fail-safe function is adopted to the trunk lid auto closure system as per the following.
Fail-safe mode is canceled when the cause of malfunction is fixed.

Malfunction	Trunk closure operation
Switch malfunction	The system enters into either the following condition after trunk closure motor returns to the neutral position depending on the malfunctioning switch. <ul style="list-style-type: none"> All operations are not available Closing operation is not available
Continuous operation	In case that open/close operations are performed continuously (Approximately 50 times at room temperature), trunk closure control unit stops all operations to prevent overheating. The open/close operations can be available after the temperature of trunk closure motor is reduced to the specified value.
Foreign material pinching	In case that fully closed status of trunk lid cannot be detected when more than 4.6 seconds are passed after retracting operation of trunk closure motor is started, trunk closure control unit stops the retracting operation and operates the trunk closure motor in reverse direction to open trunk lid. Then trunk closure motor returns to the neutral position.

DOOR & LOCK SYSTEM

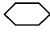
< WIRING DIAGRAM >

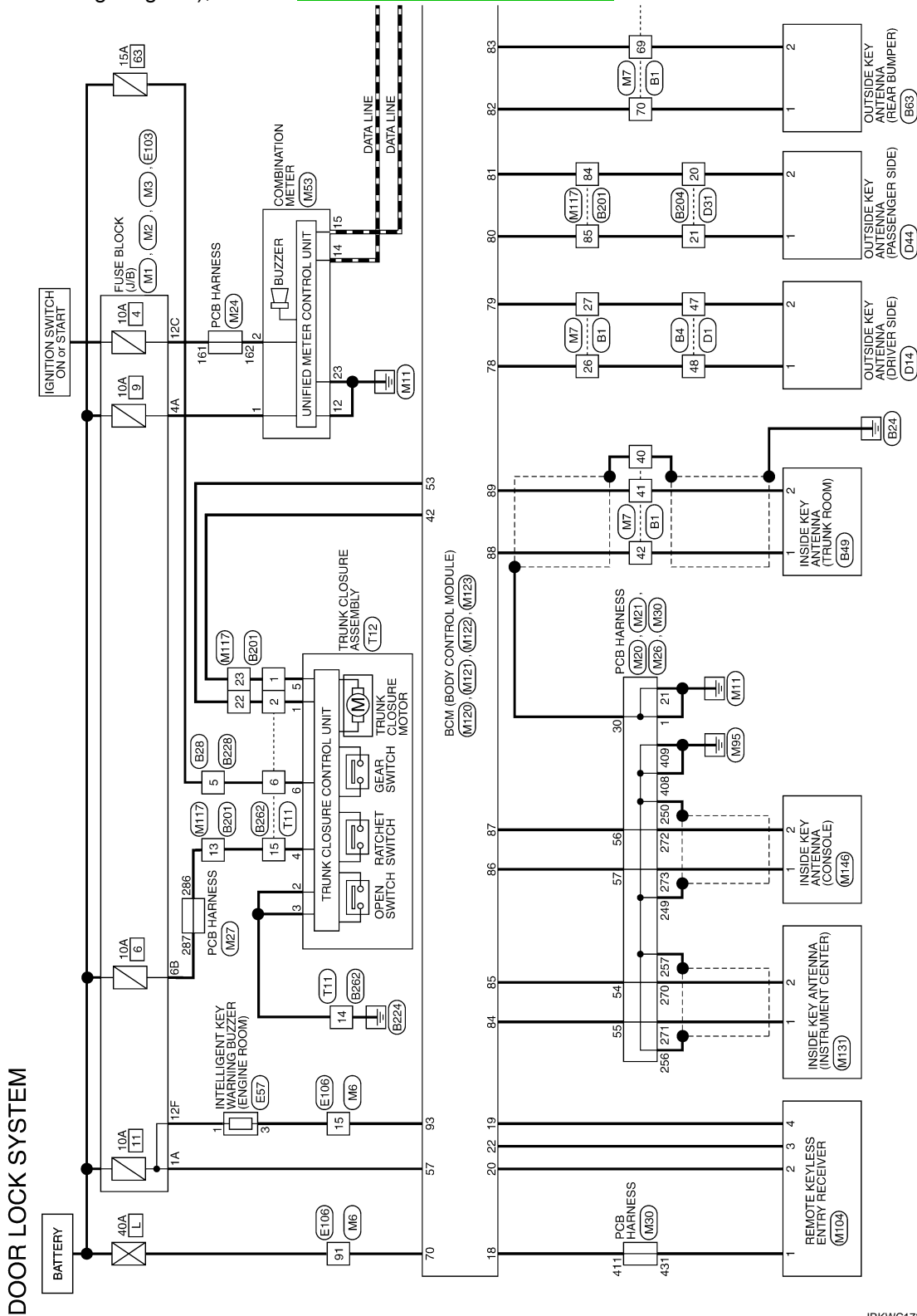
WIRING DIAGRAM

DOOR & LOCK SYSTEM

Wiring Diagram

INFOID:000000008142835

For connector terminal arrangements, harness layouts, and alphabets in a  (option abbreviation; if not described in wiring diagram), refer to [GI-13. "Connector Information"](#).



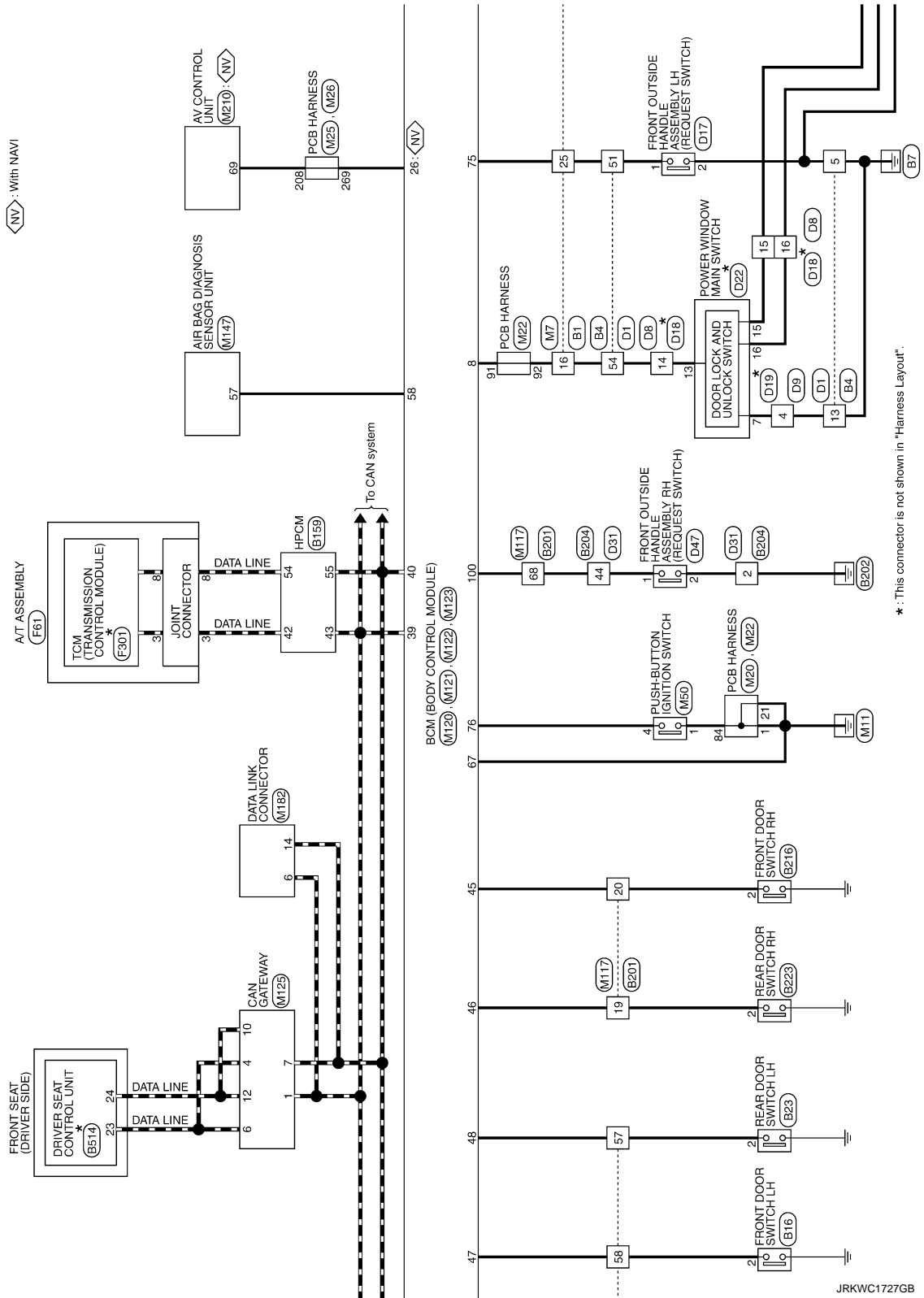
*: This connector is not shown in "Harness Layout".

2012/02/29

JRKWC1726GB

DOOR & LOCK SYSTEM

< WIRING DIAGRAM >

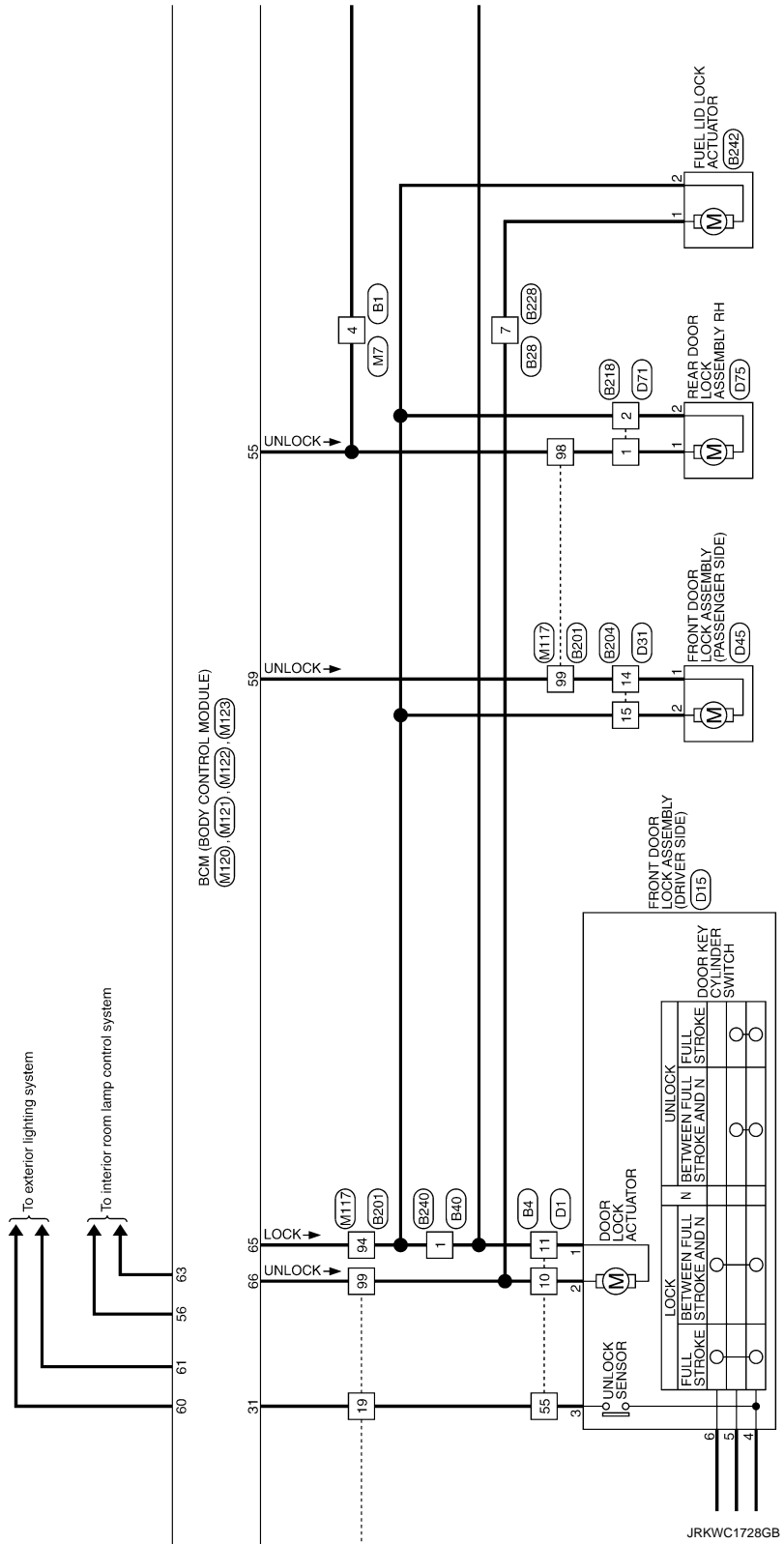


A
B
C
D
E
F
G
H
I
J
K
L
M
N
O
P

DLK

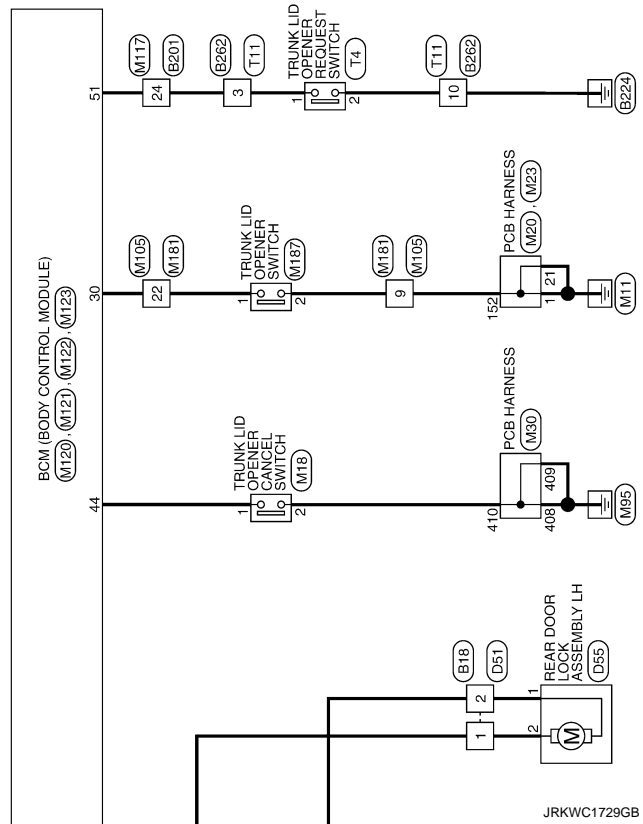
DOOR & LOCK SYSTEM

< WIRING DIAGRAM >



DOOR & LOCK SYSTEM

< WIRING DIAGRAM >



A
B
C
D
E
F
G
H
I
J
L
M
N
O
P

DLK

DIAGNOSIS AND REPAIR WORK FLOW

< BASIC INSPECTION >

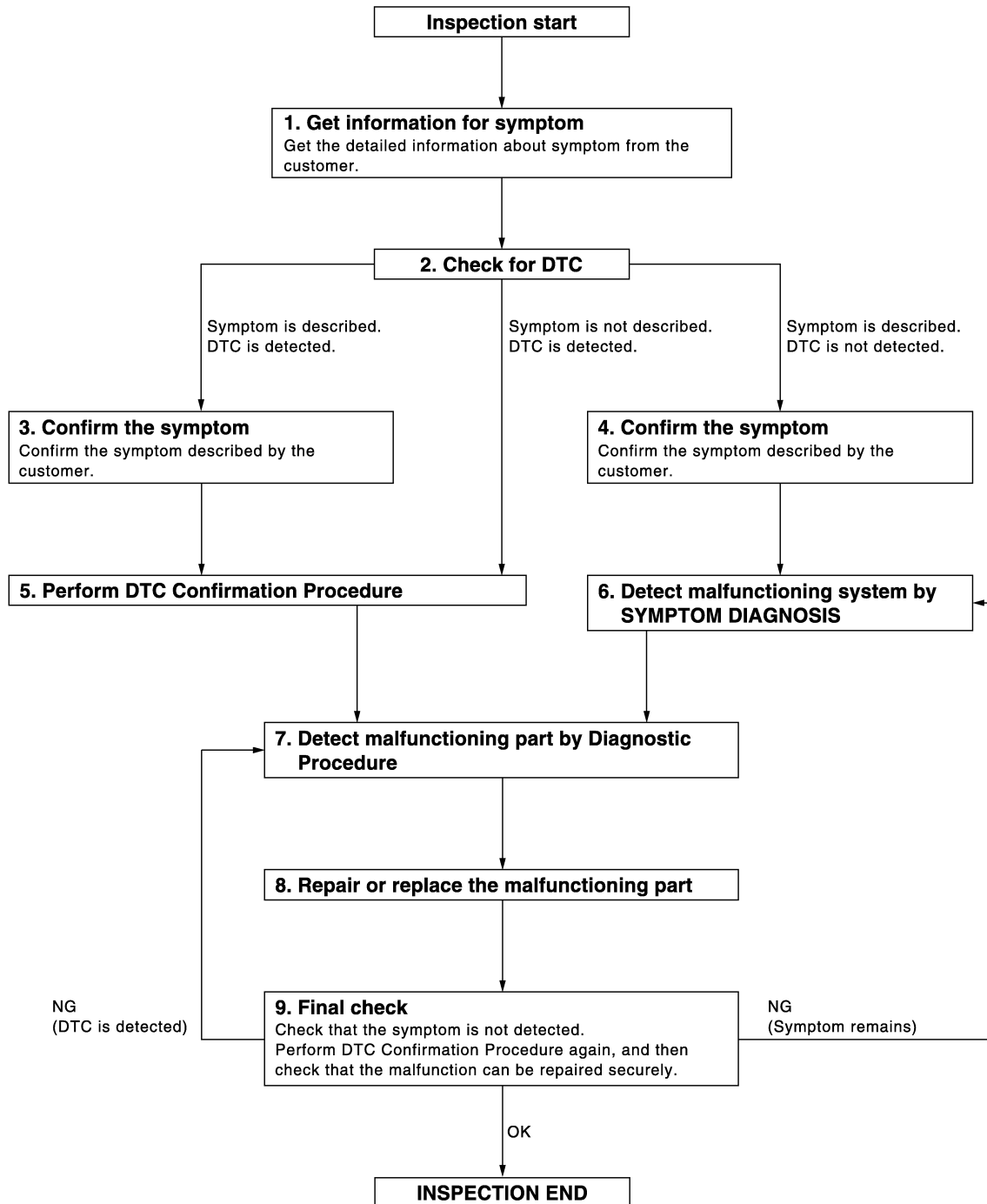
BASIC INSPECTION

DIAGNOSIS AND REPAIR WORK FLOW

Work Flow

INFOID:000000008142836

OVERALL SEQUENCE



JMKIA3620GB

DETAILED FLOW

Revision: 2013 March

DLK-44

2013 M Hybrid

DIAGNOSIS AND REPAIR WORK FLOW

< BASIC INSPECTION >

1.GET INFORMATION FOR SYMPTOM

Get detailed information from the customer about the symptom (the condition and the environment when the incident/malfunction occurred).

>> GO TO 2.

2.CHECK FOR DTC

1. Check BCM for DTC.
2. Perform the following procedure if DTC is displayed.
 - Record DTC and freeze frame data (print them out with CONSULT).
 - Erase DTC.
 - Study the relationship between the cause detected by DTC and the symptom described by the customer.
3. Check related service bulletins for information.

Are any symptoms described or any DTC detected?

- Symptom is described, DTC is displayed>>GO TO 3.
- Symptom is described, DTC is not displayed>>GO TO 4.
- Symptom is not described, DTC is displayed>>GO TO 5.

3.CONFIRM THE SYMPTOM

Confirm the symptom described by the customer.
Connect CONSULT to the vehicle in the "DATA MONITOR" mode and check real time diagnosis results.
Verify relation between the symptom and the condition when the symptom is detected.

>> GO TO 5.

4.CONFIRM THE SYMPTOM

Confirm the symptom described by the customer.
Connect CONSULT to the vehicle in the "DATA MONITOR" mode and check real time diagnosis results.
Verify relation between the symptom and the condition when the symptom is detected.

>> GO TO 6.

5.PERFORM DTC CONFIRMATION PROCEDURE

Perform DTC Confirmation Procedure for the displayed DTC, and then check that DTC is detected again.
At this time, always connect CONSULT to the vehicle, and check diagnostic results in real time.
If two or more DTCs are detected, refer to [BCS-54, "DTC Inspection Priority Chart"](#) (BCM) determine trouble diagnosis order.

NOTE:

Perform Component Function Check if DTC Confirmation Procedure is not included in Service Manual. This simplified check procedure is an effective alternative though DTC cannot be detected during this check.
If the result of Component Function Check is NG, it is the same as the detection of DTC by DTC Confirmation Procedure.

Is DTC detected?

- YES >> GO TO 7.
- NO >> Refer to [GI-49, "Intermittent Incident"](#).

6.DETECT MALFUNCTIONING SYSTEM BY SYMPTOM DIAGNOSIS

Detect malfunctioning system according to SYMPTOM DIAGNOSIS based on the confirmed symptom in step 4, and determine the trouble diagnosis order based on possible causes and symptoms.

>> GO TO 7.

7.DETECT MALFUNCTIONING PART BY DIAGNOSTIC PROCEDURE

Inspect according to Diagnostic Procedure of the system.

NOTE:

The Diagnostic Procedure described is based on open circuit inspection. A short circuit inspection is also required for the circuit check in the Diagnostic Procedure.

A
B
C
D
E
F
G
H
I
J
L
M
N
O
P

DLK

DIAGNOSIS AND REPAIR WORK FLOW

< BASIC INSPECTION >

Is malfunctioning part detected?

YES >> GO TO 8.

NO >> Check voltage of related BCM terminals using CONSULT.

8. REPAIR OR REPLACE THE MALFUNCTIONING PART

1. Repair or replace the malfunctioning part.
2. Reconnect parts or connectors disconnected during Diagnostic Procedure again after repair and replacement.
3. Check for DTC. If DTC is displayed, erase it.

>> GO TO 9.

9. FINAL CHECK

When DTC is detected in step 2, perform DTC Confirmation Procedure or Component Function Check again, and then check that the malfunction is completely repaired.

When symptom is described by the customer, refer to confirmed symptom in step 3 or 4, and check that the symptom is not detected.

Does the symptom reappear?

YES (DTC is detected)>>GO TO 7.

YES (Symptom remains)>>GO TO 6.

NO >> INSPECTION END

INSPECTION AND ADJUSTMENT

< BASIC INSPECTION >

INSPECTION AND ADJUSTMENT

ADDITIONAL SERVICE WHEN REPLACING CONTROL UNIT

ADDITIONAL SERVICE WHEN REPLACING CONTROL UNIT : Description

INFOID:000000008492664

- BCM is in transit mode if turn signal indicator on combination meter turns ON for 1 minute when ignition switch is turned from OFF to ON.
- In this case, cancel operation must be performed.

NOTE:

Do not cancel transit mode during storage of the vehicle. Always cancel transit mode before delivery of the vehicle to customer.

ADDITIONAL SERVICE WHEN REPLACING CONTROL UNIT : Work Procedure

INFOID:000000008492665

1. TRANSIT MODE CANCEL OPERATION

1. Turn ignition switch OFF.
2. Turn and hold front wiper switch to HI, and then operate turn signal switch to RH or LH.

>> GO TO 2.

2. TRANSIT MODE CANCEL CHECK

1. Turn front wiper switch and turn signal switch OFF.
2. Turn ignition switch ON.
3. Check that turn signal indicator on combination meter does not turn ON.

>> WORK END

A
B
C
D
E
F
G
H
I
J
L
M
N
O
P

DLK

B2621 INSIDE ANTENNA

< DTC/CIRCUIT DIAGNOSIS >

DTC/CIRCUIT DIAGNOSIS

B2621 INSIDE ANTENNA

DTC Logic

INFOID:000000008142839

DTC DETECTION LOGIC

DTC	CONSULT display description	DTC detecting condition	Possible cause
B2621	INSIDE ANTENNA	An excessive high or low voltage from inside antenna (instrument center) is sent to BCM.	<ul style="list-style-type: none"> • Inside key antenna (instrument center) • Between BCM and Inside key antenna (instrument center)

DTC CONFIRMATION PROCEDURE

1. PERFORM DTC CONFIRMATION PROCEDURE

1. Select "INTELLIGENT KEY" of "BCM" using CONSULT.
2. Select "INSIDE ANT DIAGNOSIS" in "WORK SUPPORT" mode.
3. Perform inside key antenna ("INSIDE ANT DIAGNOSIS") on "WORK SUPPORT" of "INTELLIGENT KEY".
4. Check BCM for DTC.

Is inside key antenna DTC detected?

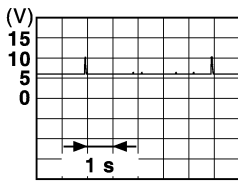
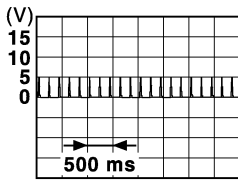
- YES >> Refer to [DLK-48. "Diagnosis Procedure"](#).
 NO >> Inside key antenna (instrument center) is OK.

Diagnosis Procedure

INFOID:000000008142840

1. CHECK INSIDE KEY ANTENNA INPUT SIGNAL 1

1. Turn ignition switch OFF.
2. Check signal between BCM harness connector and ground with oscilloscope.

(+)		(-)	Condition	Signal (Reference value)
BCM				
Connector	Terminal			
M123	84, 85	Ground	When Intelligent Key is in the antenna detection area	 <p>JMKIA3839GB</p>
			When Intelligent Key is not in antenna detection area	 <p>JMKIA3838GB</p>

Is the inspection result normal?

- YES >> Replace BCM. Refer to [BCS-80. "Removal and Installation"](#).
 NO >> GO TO 2.

2. CHECK INSIDE KEY ANTENNA CIRCUIT

1. Disconnect BCM connector and inside key antenna connector (instrument center).

B2621 INSIDE ANTENNA

< DTC/CIRCUIT DIAGNOSIS >

2. Check continuity between BCM harness connector and inside key antenna (instrument center) harness connector.

BCM		Inside key antenna (instrument center)		Continuity
Connector	Terminal	Connector	Terminal	
M123	84	M131	1	Existed
	85		2	

3. Check continuity between BCM harness connector and ground.

BCM		Ground	Continuity
Connector	Terminal		
M123	84		Not existed
	85		

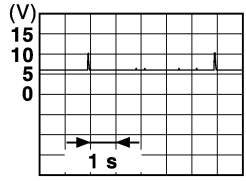
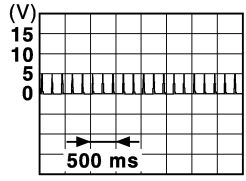
Is the inspection result normal?

YES >> GO TO 3.

NO >> Repair or replace harness.

3. CHECK INSIDE KEY ANTENNA INPUT SIGNAL 2

1. Replace inside key antenna (instrument center). (New antenna or other antenna)
2. Connect BCM connector and inside key antenna (instrument center) connector.
3. Check signal between BCM harness connector and ground with oscilloscope.

(+)		(-)	Condition	Signal (Reference value)
BCM				
Connector	Terminal			
M123	84, 85	Ground	When Intelligent Key is in the antenna detection area	
			When Intelligent Key is not in antenna detection area	

Is the inspection result normal?

YES >> Replace inside key antenna (instrument center).

NO >> Replace BCM. Refer to [BCS-80, "Removal and Installation"](#).

B2622 INSIDE ANTENNA

< DTC/CIRCUIT DIAGNOSIS >

B2622 INSIDE ANTENNA

DTC Logic

INFOID:000000008142841

DTC DETECTION LOGIC

DTC	CONSULT display description	DTC detecting condition	Possible cause
B2622	INSIDE ANTENNA	An excessive high or low voltage from inside antenna (console) is sent to BCM.	<ul style="list-style-type: none"> Inside key antenna (console) Between BCM and Inside key antenna (console)

DTC CONFIRMATION PROCEDURE

1. PERFORM DTC CONFIRMATION PROCEDURE

1. Select "INTELLIGENT KEY" of "BCM" using CONSULT.
2. Select "INSIDE ANT DIAGNOSIS" in "WORK SUPPORT" mode.
3. Perform inside key antenna ("INSIDE ANT DIAGNOSIS") on "WORK SUPPORT" of "INTELLIGENT KEY".
4. Check BCM for DTC.

Is inside key antenna DTC detected?

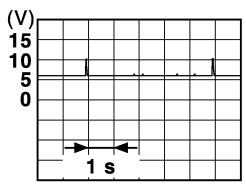
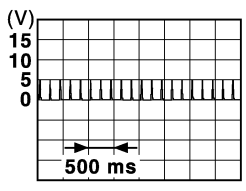
- YES >> Refer to [DLK-50. "Diagnosis Procedure"](#).
 NO >> Inside key antenna (console) is OK.

Diagnosis Procedure

INFOID:000000008142842

1. CHECK INSIDE KEY ANTENNA INPUT SIGNAL 1

1. Turn ignition switch OFF.
2. Check signal between BCM harness connector and ground with oscilloscope.

(+)		(-)	Condition	Signal (Reference value)
BCM				
Connector	Terminal			
M123	86, 87	Ground	When Intelligent Key is in the antenna detection area	 <p>JMKIA3839GB</p>
			When Intelligent Key is not in antenna detection area	 <p>JMKIA3838GB</p>

Is the inspection result normal?

- YES >> Replace BCM. Refer to [BCS-80. "Removal and Installation"](#).
 NO >> GO TO 2.

2. CHECK INSIDE KEY ANTENNA CIRCUIT

1. Disconnect BCM connector and inside key antenna (console) connector.
2. Check continuity between BCM harness connector and inside key antenna (console) harness connector.

B2622 INSIDE ANTENNA

< DTC/CIRCUIT DIAGNOSIS >

BCM		Inside key antenna (console)		Continuity
Connector	Terminal	Connector	Terminal	
M123	86	M146	1	Existed
	87		2	

3. Check continuity between BCM harness connector and ground.

BCM		Ground	Continuity
Connector	Terminal		
M123	86		Not existed
	87		

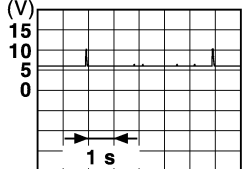
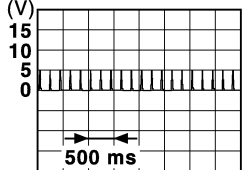
Is the inspection result normal?

YES >> GO TO 3.

NO >> Repair or replace harness.

3. CHECK INSIDE KEY ANTENNA INPUT SIGNAL 2

1. Replace inside key antenna (console). (New antenna or other antenna)
2. Connect BCM connector and inside key antenna (console) connector.
3. Check signal between BCM harness connector and ground with oscilloscope.

(+)		(-)	Condition	Signal (Reference value)
BCM				
Connector	Terminal			
M123	86, 87	Ground	When Intelligent Key is in the antenna detection area	 <p style="text-align: right; font-size: small;">JMKIA3839GB</p>
			When Intelligent Key is not in antenna detection area	 <p style="text-align: right; font-size: small;">JMKIA3838GB</p>

Is the inspection result normal?

YES >> Replace inside key antenna (console).

NO >> Replace BCM. Refer to [BCS-80. "Removal and Installation"](#).

A
B
C
D
E
F
G
H
I
J
L
M
N
O
P

DLK

B2623 INSIDE ANTENNA

< DTC/CIRCUIT DIAGNOSIS >

B2623 INSIDE ANTENNA

DTC Logic

INFOID:000000008142843

DTC DETECTION LOGIC

DTC	CONSULT display description	DTC detecting condition	Possible cause
B2623	INSIDE ANTENNA	An excessive high or low voltage from inside antenna (trunk room) is sent to BCM.	<ul style="list-style-type: none"> Inside key antenna (trunk room) Between BCM and Inside key antenna (trunk room)

DTC CONFIRMATION PROCEDURE

1. PERFORM DTC CONFIRMATION PROCEDURE

1. Select "INTELLIGENT KEY" of "BCM" using CONSULT.
2. Select "INSIDE ANT DIAGNOSIS" in "WORK SUPPORT" mode.
3. Perform inside key antenna ("INSIDE ANT DIAGNOSIS") on "WORK SUPPORT" of "INTELLIGENT KEY".
4. Check BCM for DTC.

Is inside key antenna DTC detected?

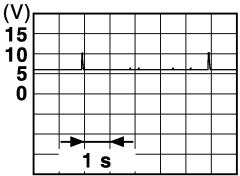
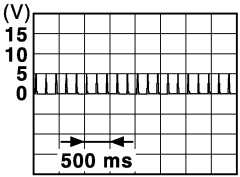
- YES >> Refer to [DLK-52. "Diagnosis Procedure"](#).
 NO >> Inside key antenna (trunk room) is OK.

Diagnosis Procedure

INFOID:000000008142844

1. CHECK INSIDE KEY ANTENNA INPUT SIGNAL 1

1. Turn ignition switch OFF.
2. Check signal between BCM harness connector and ground with oscilloscope.

(+)		(-)	Condition	Signal (Reference value)
BCM				
Connector	Terminal			
M123	88, 89	Ground	When Intelligent Key is in the antenna detection area	 <p>JMKIA3839GB</p>
			When Intelligent Key is not in antenna detection area	 <p>JMKIA3838GB</p>

Is the inspection result normal?

- YES >> Replace BCM. Refer to [BCS-80. "Removal and Installation"](#).
 NO >> GO TO 2.

2. CHECK INSIDE KEY ANTENNA CIRCUIT

1. Disconnect BCM connector and inside key antenna (trunk room) connector.
2. Check continuity between BCM harness connector and inside key antenna (trunk room) harness connector.

B2623 INSIDE ANTENNA

< DTC/CIRCUIT DIAGNOSIS >

BCM		Inside key antenna (trunk room)		Continuity
Connector	Terminal	Connector	Terminal	
M123	88	B49	1	Existed
	89		2	

3. Check continuity between BCM harness connector and ground.

BCM		Ground	Continuity
Connector	Terminal		
M123	88		Not existed
	89		

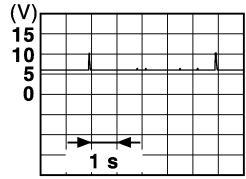
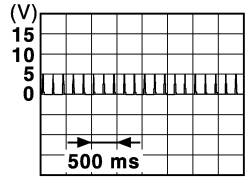
Is the inspection result normal?

YES >> GO TO 3.

NO >> Repair or replace harness.

3. CHECK INSIDE KEY ANTENNA INPUT SIGNAL 2

1. Replace inside key antenna (trunk room). (New antenna or other antenna)
2. Connect BCM connector and inside key antenna (trunk room) connector.
3. Check signal between BCM harness connector and ground with oscilloscope.

(+)		(-)	Condition	Signal (Reference value)
BCM				
Connector	Terminal			
M123	88, 89	Ground	When Intelligent Key is in the antenna detection area	
			When Intelligent Key is not in antenna detection area	

Is the inspection result normal?

YES >> Replace inside key antenna (trunk room).

NO >> Replace BCM. Refer to [BCS-80. "Removal and Installation"](#).

B2626 OUTSIDE ANTENNA

< DTC/CIRCUIT DIAGNOSIS >

B2626 OUTSIDE ANTENNA

DTC Logic

INFOID:000000008142845

DTC DETECTION LOGIC

DTC	CONSULT display description	DTC detecting condition	Possible cause
B2626	OUTSIDE ANTENNA	An excessive high or low voltage from front door right outside key antenna is sent to BCM	<ul style="list-style-type: none"> Front door right outside key antenna Between BCM ~ Front door right outside key antenna

DTC CONFIRMATION PROCEDURE

1.PERFORM DTC CONFIRMATION PROCEDURE

- Turn ignition switch ON.
- Check "Self Diagnostic Result" mode of "BCM" using CONSULT.

Is DTC detected?

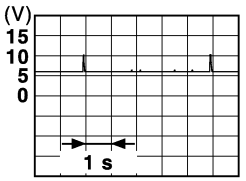
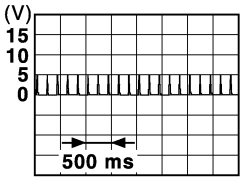
- YES >> Refer to [DLK-54, "Diagnosis Procedure"](#).
- NO >> Inside key antenna (passenger side) is OK.

Diagnosis Procedure

INFOID:000000008142846

1.CHECK OUTSIDE KEY ANTENNA INPUT SIGNAL 1

- Turn ignition switch OFF.
- Check signal between BCM harness connector and ground using oscilloscope.

(+)		(-)	Condition	Signal (Reference value)
BCM				
Connector	Terminal			
Passenger side	M123	80, 81	Ground	When Intelligent Key is in the antenna detection area  JMKIA3839GB
				When Intelligent Key is not in the antenna detection area  JMKIA3838GB

Is the inspection result normal?

- YES >> Replace BCM. Refer to [BCS-80, "Removal and Installation"](#).
- NO >> GO TO 2.

2.CHECK OUTSIDE KEY ANTENNA CIRCUIT

- Disconnect BCM connector and outside key antenna (passenger side) connector.
- Check continuity between BCM harness connector and outside key antenna (passenger side) harness connector.

B2626 OUTSIDE ANTENNA

< DTC/CIRCUIT DIAGNOSIS >

BCM		Outside key antenna (passenger side)		Continuity
Connector	Terminal	Connector	Terminal	
M123	80	D44	1	Existed
	81		2	

3. Check continuity between BCM harness connector and ground.

BCM		Ground	Continuity
Connector	Terminal		
M123	80		Not existed
	81		

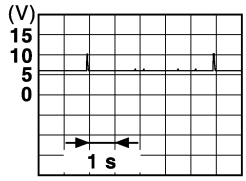
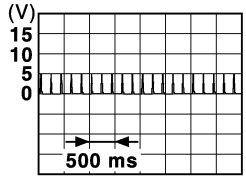
Is the inspection result normal?

YES >> GO TO 3.

NO >> Repair or replace harness.

3. CHECK OUTSIDE KEY ANTENNA INPUT SIGNAL 2

1. Replace outside key antenna (passenger side). (New antenna or other antenna)
2. Connect BCM connector and outside key antenna (passenger side) connector.
3. Check signal between BCM harness connector and ground using oscilloscope.

(+)			(-)	Condition	Signal (Reference value)
BCM					
Connector	Terminal				
Passenger side	M123	80, 81	Ground	When Intelligent Key is in the antenna detection area	 <p style="text-align: right; font-size: small;">JMkia3839GB</p>
				When Intelligent Key is not in the antenna detection area	 <p style="text-align: right; font-size: small;">JMkia3838GB</p>

Is the inspection result normal?

YES >> Replace outside key antenna (passenger side).

NO >> Replace BCM. Refer to [BCS-80, "Removal and Installation"](#).

A
B
C
D
E
F
G
H
I
J
L
M
N
O
P

DLK

B2627 OUTSIDE ANTENNA

< DTC/CIRCUIT DIAGNOSIS >

B2627 OUTSIDE ANTENNA

DTC Logic

INFOID:000000008142847

DTC DETECTION LOGIC

DTC	CONSULT display description	DTC detecting condition	Possible cause
B2627	OUTSIDE ANTENNA	An excessive high or low voltage from front door left outside key antenna is sent to BCM	<ul style="list-style-type: none"> Front door left outside key antenna Between BCM ~ Front door left outside key antenna

DTC CONFIRMATION PROCEDURE

1.PERFORM DTC CONFIRMATION PROCEDURE

- Turn ignition switch ON.
- Check "Self Diagnostic Result" mode of "BCM" using CONSULT.

Is DTC detected?

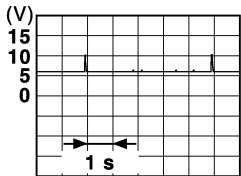
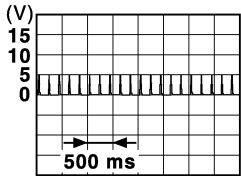
- YES >> Refer to [DLK-56. "Diagnosis Procedure"](#).
- NO >> Inside key antenna (driver side) is OK.

Diagnosis Procedure

INFOID:000000008142848

1.CHECK OUTSIDE KEY ANTENNA INPUT SIGNAL 1

- Turn ignition switch OFF.
- Check signal between BCM harness connector and ground using oscilloscope.

(+)		(-)	Condition	Signal (Reference value)
BCM				
Connector	Terminal			
Driver side	M123	78, 79	Ground	When Intelligent Key is in the antenna detection area  <small>JMKIA3839GB</small>
				When Intelligent Key is not in the antenna detection area  <small>JMKIA3838GB</small>

Is the inspection result normal?

- YES >> Replace BCM. Refer to [BCS-80. "Removal and Installation"](#).
- NO >> GO TO 2.

2.CHECK OUTSIDE KEY ANTENNA CIRCUIT

- Disconnect BCM connector and outside key antenna (driver side) connector.
- Check continuity between BCM harness connector and outside key antenna (driver side) harness connector.

B2627 OUTSIDE ANTENNA

< DTC/CIRCUIT DIAGNOSIS >

BCM		Outside key antenna (driver side)		Continuity
Connector	Terminal	Connector	Terminal	
M123	78	D14	1	Existed
	79		2	

3. Check continuity between BCM harness connector and ground.

BCM		Ground	Continuity
Connector	Terminal		
M123	78		Not existed
	79		

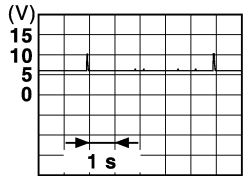
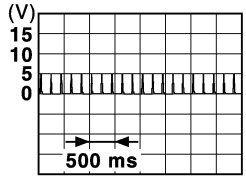
Is the inspection result normal?

YES >> GO TO 3.

NO >> Repair or replace harness.

3. CHECK OUTSIDE KEY ANTENNA INPUT SIGNAL 2

1. Replace outside key antenna (driver side). (New antenna or other antenna)
2. Connect BCM connector and outside key antenna (driver side) connector.
3. Check signal between BCM harness connector and ground using oscilloscope.

(+)			(-)	Condition	Signal (Reference value)
BCM					
Connector	Terminal				
Driver side	M123	78, 79	Ground	When Intelligent Key is in the antenna detection area	
				When Intelligent Key is not in the antenna detection area	

Is the inspection result normal?

YES >> Replace outside key antenna (driver side).

NO >> Replace BCM. Refer to [BCS-80, "Removal and Installation"](#).

A
B
C
D
E
F
G
H
I
J
L
M
N
O
P

DLK

B2628 OUTSIDE ANTENNA

< DTC/CIRCUIT DIAGNOSIS >

B2628 OUTSIDE ANTENNA

DTC Logic

INFOID:000000008142849

DTC DETECTION LOGIC

DTC	CONSULT display description	DTC detecting condition	Possible cause
B2628	OUTSIDE ANTENNA	An excessive high or low voltage from outside key antenna (rear bumper) is sent to BCM	<ul style="list-style-type: none"> • Outside key antenna (rear bumper) • Between BCM – Outside key antenna (rear bumper)

DTC CONFIRMATION PROCEDURE

1. PERFORM DTC CONFIRMATION PROCEDURE

1. Turn ignition switch ON.
2. Check "Self Diagnostic Result" mode of "BCM" using CONSULT.

Is DTC detected?

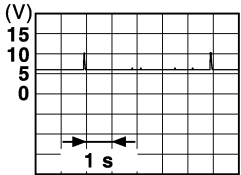
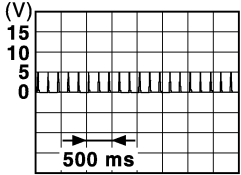
- YES >> Refer to [DLK-58. "Diagnosis Procedure"](#).
 NO >> Inside key antenna (rear bumper) is OK.

Diagnosis Procedure

INFOID:000000008142850

1. CHECK OUTSIDE KEY ANTENNA INPUT SIGNAL 1

1. Turn ignition switch OFF.
2. Check signal between BCM harness connector and ground using oscilloscope.

(+)			(-)	Condition	Signal (Reference value)
BCM					
Connector	Terminal				
Rear bumper	M123	82, 83	Ground	When Intelligent Key is in the antenna detection area	 <p style="text-align: right;">JMkia3839GB</p>
				When Intelligent Key is not in the antenna detection area	 <p style="text-align: right;">JMkia3838GB</p>

Is the inspection result normal?

- YES >> Replace BCM. Refer to [BCS-80. "Removal and Installation"](#).
 NO >> GO TO 2.

2. CHECK OUTSIDE KEY ANTENNA CIRCUIT

1. Disconnect BCM connector and outside key antenna (rear bumper) connector.
2. Check continuity between BCM harness connector and outside key antenna (rear bumper) harness connector.

B2628 OUTSIDE ANTENNA

< DTC/CIRCUIT DIAGNOSIS >

BCM		Outside key antenna (rear bumper)		Continuity
Connector	Terminal	Connector	Terminal	
M123	82	B63	1	Existed
	83		2	

3. Check continuity between BCM harness connector and ground.

BCM		Ground	Continuity
Connector	Terminal		
M123	82		Not existed
	83		

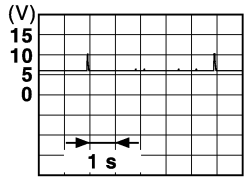
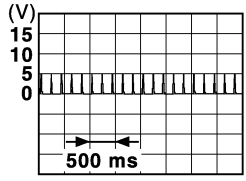
Is the inspection result normal?

YES >> GO TO 3.

NO >> Repair or replace harness.

3. CHECK OUTSIDE KEY ANTENNA INPUT SIGNAL 2

1. Replace outside key antenna (rear bumper). (New antenna or other antenna)
2. Connect BCM and outside key antenna (rear bumper) connector.
3. Check signal between BCM harness connector and ground using oscilloscope.

(+)			(-)	Condition	Signal (Reference value)
BCM		Terminal			
Connector	Terminal				
Rear bumper	M123	82, 83	Ground	When Intelligent Key is in the antenna detection area	 <p style="text-align: right; font-size: small;">JMKIA3839GB</p>
				When Intelligent Key is not in the antenna detection area	 <p style="text-align: right; font-size: small;">JMKIA3838GB</p>

Is the inspection result normal?

YES >> Replace outside key antenna (rear bumper).

NO >> Replace BCM. Refer to [BCS-80, "Removal and Installation"](#).

A
B
C
D
E
F
G
H
I
J
L
M
N
O
P

DLK

POWER SUPPLY AND GROUND CIRCUIT

< DTC/CIRCUIT DIAGNOSIS >

POWER SUPPLY AND GROUND CIRCUIT TRUNK CLOSURE CONTROL UNIT

TRUNK CLOSURE CONTROL UNIT : Diagnosis Procedure

INFOID:000000008492709

1. CHECK FUSES

1. Turn ignition switch OFF.
2. Check that the following fuses are not fusing.

Signal name	Fuse No.
Battery power supply	1 (15 A)
	6 (10 A)

Is the inspection result normal?

YES >> GO TO 2.

NO >> Replace the blown fuse after repairing the affected circuit.

2. CHECK POWER SUPPLY CIRCUIT

1. Disconnect trunk closure assembly connector.
2. Check voltage between trunk closure assembly harness connector and ground.

(+) Trunk closure assembly		(-)	Voltage (Approx.)
Connector	Terminal		
T14	4	Ground	Battery voltage
	6		

Is the inspection result normal?

YES >> GO TO 3.

NO >> Repair harness or connector.

3. CHECK GROUND CIRCUIT

Check continuity between trunk closure assembly harness connector and ground.

Trunk closure assembly		Ground	Continuity
Connector	Terminal		
T14	2		Existed
	3		

Is the inspection result normal?

YES >> INSPECTION END

NO >> Repair harness or connector.

DOOR SWITCH

< DTC/CIRCUIT DIAGNOSIS >

DOOR SWITCH

Component Function Check

INFOID:000000008142851

1.CHECK FUNCTION

1. Select "DOOR LOCK" of "BCM" using CONSULT.
2. Select "DOOR SW-DR", "DOOR SW-AS", "DOOR SW-RL", "DOOR SW-RR" in "DATA MONITOR" mode.
3. Check that the function operates normally according to the following conditions.

Monitor item	Condition		Status
DOOR SW-DR	Driver side door	Open	On
		Closed	Off
DOOR SW-AS	Passenger side door	Open	On
		Closed	Off
DOOR SW-RL	Rear side door LH	Open	On
		Closed	Off
DOOR SW-RR	Rear side door RH	Open	On
		Closed	Off

Is the inspection result normal?

YES >> Door switch is OK.

NO >> Refer to [DLK-61. "Diagnosis Procedure"](#).

Diagnosis Procedure

INFOID:000000008142852

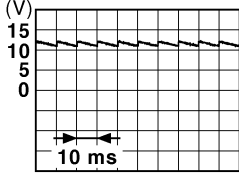
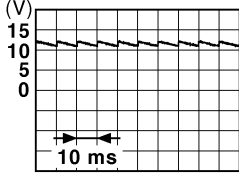
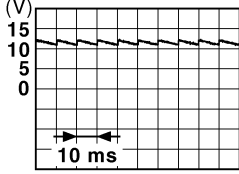
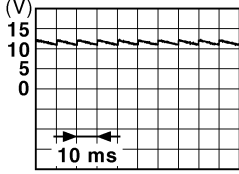
1.CHECK DOOR SWITCH INPUT SIGNAL

1. Turn ignition switch OFF.
2. Disconnect malfunctioning door switch connector.
3. Check signal between malfunctioning door switch harness connector and ground with oscilloscope.

DLK

DOOR SWITCH

< DTC/CIRCUIT DIAGNOSIS >

(+)		Terminal	(-)	Signal (Reference value)
Door switch				
Connector	Terminal			
Front LH	B16	2	Ground	 <p style="text-align: right; font-size: small;">JPMA0011GB</p>
Front RH	B216			 <p style="text-align: right; font-size: small;">JPMA0011GB</p>
Rear LH	B23			 <p style="text-align: right; font-size: small;">JPMA0011GB</p>
Rear RH	B223			 <p style="text-align: right; font-size: small;">JPMA0011GB</p>

Is the inspection result normal?

- YES >> GO TO 3.
 NO >> GO TO 2.

2. CHECK DOOR SWITCH CIRCUIT

1. Disconnect BCM connector.
2. Check continuity between BCM harness connector and door switch harness connector.

BCM		Door switch		Continuity
Connector	Terminal	Connector	Terminal	
M121	47	B16 (Front LH)	2	Existed
	45	B216 (Front RH)		
	48	B23 (Rear LH)		
	46	B223 (Rear RH)		

3. Check continuity between BCM harness connector and ground.

DOOR SWITCH

< DTC/CIRCUIT DIAGNOSIS >

BCM		Ground	Continuity
Connector	Terminal		
M121	47	Ground	Not existed
	45		
	48		
	46		

Is the inspection result normal?

YES >> Replace BCM. Refer to [BCS-80, "Removal and Installation"](#).

NO >> Repair or replace harness.

3.CHECK DOOR SWITCH

Refer to [DLK-63, "Component Inspection"](#).

Is the inspection result normal?

YES >> GO TO 4.

NO >> Replace malfunctioning door switch.

4.CHECK INTERMITTENT INCIDENT

Refer to [GI-49, "Intermittent Incident"](#).

>> INSPECTION END

Component Inspection

INFOID:000000008142853

1.CHECK DOOR SWITCH

1. Turn ignition switch OFF.
2. Disconnect malfunction door switch connector.
3. Check continuity between door switch terminals.

Door switch		Condition	Continuity	
Terminal				
2	Ground part of door switch	Door switch	Pressed	Not exists
			Released	Exists

Is the inspection result normal?

YES >> INSPECTION END

NO >> Replace malfunctioning door switch.

DLK

DOOR REQUEST SWITCH

< DTC/CIRCUIT DIAGNOSIS >

DOOR REQUEST SWITCH

Component Function Check

INFOID:000000008142859

1. CHECK FUNCTION

1. Select "INTELLIGENT KEY" of "BCM" using CONSULT.
2. Select "REQ SW -DR", "REQ SW -AS" in "DATA MONITOR" mode.
3. Check that the function operates normally according to the following conditions.

Monitor item	Condition		Status
REQ SW -DR	Driver side door request switch	Pressed	On
		Released	Off
REQ SW -AS	Passenger side door request switch	Pressed	On
		Released	Off

Is the inspection result normal?

- YES >> Door request switch is OK.
 NO >> Refer to [DLK-64, "Diagnosis Procedure"](#).

Diagnosis Procedure

INFOID:000000008142860

1. CHECK DOOR REQUEST SWITCH INPUT SIGNAL

1. Turn ignition switch OFF.
2. Disconnect malfunctioning front outside handle assembly connector.
3. Check voltage between malfunctioning front outside handle assembly harness connector and ground.

(+)		Terminal	(-)	Voltage (Approx.)
Front outside handle assembly (request switch)				
Connector	Terminal			
LH	D17	1	Ground	12 V
RH	D47			

Is the inspection result normal?

- YES >> GO TO 3.
 NO >> GO TO 2.

2. CHECK DOOR REQUEST SWITCH CIRCUIT

1. Disconnect BCM connector.
2. Check continuity between BCM harness connector and malfunctioning front outside handle assembly harness connector.

BCM		Front outside handle assembly (request switch)		Continuity
Connector	Terminal	Connector	Terminal	
M123	75	LH	D17	1 Existed
	76	RH	D47	

3. Check continuity between BCM harness connector and ground.

BCM		Ground	Continuity
Connector	Terminal		
M123	75		Not existed
	76		

Is the inspection result normal?

- YES >> Replace BCM. Refer to [BCS-80, "Removal and Installation"](#).
 NO >> Repair or replace harness.

DOOR REQUEST SWITCH

< DTC/CIRCUIT DIAGNOSIS >

3. CHECK DOOR REQUEST SWITCH GROUND CIRCUIT

Check continuity between malfunctioning front outside handle assembly harness connector and ground.

Front outside handle assembly (request switch)		Ground	Continuity
Connector	Terminal		
LH	D17	2	Existed
RH	D47		

Is the inspection result normal?

- YES >> GO TO 4.
 NO >> Repair or replace harness.

4. CHECK DOOR REQUEST SWITCH

Refer to [DLK-65. "Component Inspection"](#).

Is the inspection result normal?

- YES >> GO TO 5.
 NO >> Replace malfunctioning front outside handle assembly.

5. CHECK INTERMITTENT INCIDENT

Refer to [GI-49. "Intermittent Incident"](#).

>> INSPECTION END

Component Inspection

INFOID:000000008142861

1. CHECK DOOR REQUEST SWITCH

- Turn ignition switch OFF.
- Disconnect front outside handle assembly connector.
- Check continuity between front outside handle assembly terminal.

Front outside handle assembly (request switch)		Condition	Continuity
Terminal			
1	2	Door request switch	Existed
			Not existed

Is the inspection result normal?

- YES >> INSPECTION END
 NO >> Replace front outside handle.

A
B
C
D
E
F
G
H
I
J
L
M
N
O
P

DLK

DOOR KEY CYLINDER SWITCH

< DTC/CIRCUIT DIAGNOSIS >

DOOR KEY CYLINDER SWITCH

Component Function Check

INFOID:000000008142856

1.CHECK FUNCTION

1. Select "DOOR LOCK" of "BCM" using CONSULT.
2. Select "KEY CYL LK-SW", "KEY CYL UN-SW" in "DATA MONITOR" mode.
3. Check that the function operates normally according to the following conditions.

Monitor item	Condition		Status
KEY CYL LK-SW	Driver side door key cylinder	Lock	ON
		Neutral / Unlock	OFF
KEY CYL UN-SW		Unlock	ON
		Neutral / Lock	OFF

Is the inspection result normal?

- YES >> Door key cylinder switch is OK.
 NO >> Refer to [DLK-66, "Diagnosis Procedure"](#).

Diagnosis Procedure

INFOID:000000008142857

1.CHECK DOOR KEY CYLINDER SWITCH INPUT SIGNAL

1. Turn ignition switch OFF.
2. Disconnect front door lock assembly (driver side) connector.
3. Check voltage between front door lock assembly (driver side) harness connector and ground.

(+)		(-)	Voltage (Approx.)
Connector	Terminal		
D15	5	Ground	5 V
	6		

Is the inspection result normal?

- YES >> GO TO 3.
 NO >> GO TO 2.

2.CHECK DOOR KEY CYLINDER SWITCH SIGNAL CIRCUIT

1. Disconnect power window main switch connector.
2. Check continuity between power window main switch harness connector and front door lock assembly (driver side) harness connector.

Power window main switch		Front door lock assembly (driver side)		Continuity
Connector	Terminal	Connector	Terminal	
D22	15	D15	6	Existed
	16		5	

3. Check continuity between power window main switch harness connector and ground.

Power window main switch		Ground	Continuity
Connector	Terminal		
D22	15		Not existed
	16		

Is the inspection result normal?

- YES >> Replace power window main switch. Refer to [PWC-63, "Removal and Installation"](#).

DOOR KEY CYLINDER SWITCH

< DTC/CIRCUIT DIAGNOSIS >

NO >> Repair or replace harness.

3. CHECK DOOR KEY CYLINDER SWITCH GROUND CIRCUIT

Check continuity between front door lock assembly (driver side) harness connector and ground.

Front door lock assembly (driver side)		Ground	Continuity
Connector	Terminal		
D15	4		Existed

Is the inspection result normal?

YES >> GO TO 4.

NO >> Repair or replace harness.

4. CHECK DOOR KEY CYLINDER SWITCH

Refer to [DLK-67, "Component Inspection"](#).

Is the inspection result normal?

YES >> GO TO 5.

NO >> Replace front door lock assembly (driver side).

5. CHECK INTERMITTENT INCIDENT

Refer to [GI-49, "Intermittent Incident"](#).

>> INSPECTION END

Component Inspection

INFOID:000000008142858

1. CHECK DOOR KEY CYLINDER SWITCH

1. Turn ignition switch OFF.
2. Disconnect front door lock assembly (driver side) connector.
3. Check continuity between front door lock assembly (driver side) terminals.

Front door lock assembly (driver side)		Condition	Continuity
Terminal			
5	4	Driver side door key cylinder	Unlock Existed
		Neutral / Lock Not existed	
6		Lock Existed	
		Neutral / Unlock Not existed	

Is the inspection result normal?

YES >> INSPECTION END

NO >> Replace front door lock assembly (driver side).

A
B
C
D
E
F
G
H
I
J
L
M
N
O
P

DLK

DOOR LOCK AND UNLOCK SWITCH

< DTC/CIRCUIT DIAGNOSIS >

DOOR LOCK AND UNLOCK SWITCH

Component Function Check

INFOID:000000008142854

1.CHECK FUNCTION

1. Select "DOOR LOCK" of "BCM" using CONSULT.
2. Select "CDL LOCK SW", "CDL UNLOCK SW" in "DATA MONITOR" mode.
3. Check that the function operates normally according to the following conditions.

Monitor item	Condition	Status
CDL LOCK SW	Lock	ON
	Unlock	OFF
CDL UNLOCK SW	Lock	OFF
	Unlock	ON

Is the inspection result normal?

- YES >> Door lock and unlock switch is OK.
NO >> Refer to [DLK-68, "Diagnosis Procedure"](#).

Diagnosis Procedure

INFOID:000000008142855

1.CHECK POWER WINDOW SWITCH

1. Turn ignition switch ON.
2. Check power window operation.

Does power window operate?

- YES >> Replace power window main switch.
NO >> Refer to [PWC-50, "Diagnosis Procedure"](#).

DOOR LOCK ACTUATOR

< DTC/CIRCUIT DIAGNOSIS >

DOOR LOCK ACTUATOR DRIVER SIDE

DRIVER SIDE : Component Function Check

INFOID:000000008142874

1. CHECK FUNCTION

1. Select "DOOR LOCK" of "BCM" using CONSULT.
2. Select "DOOR LOCK" in "ACTIVE TEST" mode.
3. Touch "ALL LCK" or "ALL UNLK" to check that it works normally.

Is the inspection result normal?

- YES >> Door lock actuator is OK.
NO >> Refer to [DLK-69. "DRIVER SIDE : Diagnosis Procedure"](#).

DRIVER SIDE : Diagnosis Procedure

INFOID:000000008142875

1. CHECK DOOR LOCK ACTUATOR OUTPUT SIGNAL

1. Turn ignition switch OFF.
2. Disconnect front door lock assembly (driver side) connector.
3. Check voltage between front door lock assembly (driver side) harness connector and ground.

(+)		(-)	Condition		Voltage (Approx.)
Connector	Terminal				
D15	1	Ground	Door lock and un- lock switch	Lock	12 V
	2			Unlock	

Is the inspection result normal?

- YES >> Replace front door lock assembly (driver side).
NO >> GO TO 2.

2. CHECK DOOR LOCK ACTUATOR CIRCUIT

1. Disconnect BCM connector.
2. Check continuity between BCM harness connector and front door lock assembly (driver side) harness connector.

BCM		Front door lock assembly (driver side)		Continuity
Connector	Terminal	Connector	Terminal	
M122	65	D15	1	Existed
	66		2	

3. Check continuity between BCM harness connector and ground.

BCM		Ground	Continuity
Connector	Terminal		
M122	65		Not existed
	66		

Is the inspection result normal?

- YES >> GO TO 3.
NO >> Repair or replace harness.

3. CHECK BCM OUTPUT SIGNAL

1. Connect BCM connector.
2. Check voltage between BCM harness connector and ground.

DOOR LOCK ACTUATOR

< DTC/CIRCUIT DIAGNOSIS >

(+)		(-)	Condition		Voltage (Approx.)
BCM					
Connector	Terminal				
M122	65	Ground	Door lock and unlock switch	Lock	12 V
	66			Unlock	

Is the inspection result normal?

YES >> Check for internal short of each door lock actuator and fuel lid lock actuator.

NO >> Replace BCM. Refer to [BCS-80, "Removal and Installation"](#).

PASSENGER SIDE

PASSENGER SIDE : Component Function Check

INFOID:000000008142876

1.CHECK FUNCTION

1. Select "DOOR LOCK" of "BCM" using CONSULT.
2. Select "DOOR LOCK" in "ACTIVE TEST" mode.
3. Touch "ALL LCK" or "ALL UNLK" to check that it works normally.

Is the inspection result normal?

YES >> Door lock actuator is OK.

NO >> Refer to [DLK-70, "PASSENGER SIDE : Diagnosis Procedure"](#).

PASSENGER SIDE : Diagnosis Procedure

INFOID:000000008142877

1.CHECK DOOR LOCK ACTUATOR OUTPUT SIGNAL

1. Turn ignition switch OFF.
2. Disconnect front door lock assembly (passenger side) connector.
3. Check voltage between front door lock assembly (passenger side) harness connector and ground.

(+)		(-)	Condition		Voltage (Approx.)
Front door lock assembly (passenger side)					
Connector	Terminal				
D45	1	Ground	Door lock and un- lock switch	Unlock	12 V
	2			Lock	

Is the inspection result normal?

YES >> Replace front door lock assembly (passenger side).

NO >> GO TO 2.

2.CHECK DOOR LOCK ACTUATOR CIRCUIT

1. Disconnect BCM connector.
2. Check continuity between BCM harness connector and front door lock assembly (passenger side) harness connector.

BCM		Front door lock assembly (passenger side)		Continuity
Connector	Terminal	Connector	Terminal	
M122	59	D45	1	Existed
	65		2	

3. Check continuity between BCM harness connector and ground.

DOOR LOCK ACTUATOR

< DTC/CIRCUIT DIAGNOSIS >

BCM		Ground	Continuity
Connector	Terminal		
M122	59		Not existed
	65		

Is the inspection result normal?

YES >> GO TO 3.

NO >> Repair or replace harness.

3.CHECK BCM OUTPUT SIGNAL

1. Connect BCM connector.
2. Check voltage between BCM harness connector and ground.

(+)		(-)	Condition	Voltage (Approx.)
BCM				
Connector	Terminal			
M122	59	Ground	Door lock and unlock switch	Unlock
	65			Lock
				12 V

Is the inspection result normal?

YES >> Check for internal short of each door lock actuator and fuel lid lock actuator.

NO >> Replace BCM. Refer to [BCS-80, "Removal and Installation"](#).

REAR LH

REAR LH : Component Function Check

INFOID:000000008142878

1.CHECK FUNCTION

1. Select "DOOR LOCK" of "BCM" using CONSULT.
2. Select "DOOR LOCK" in "ACTIVE TEST" mode.
3. Touch "ALL LCK" or "ALL UNLK" to check that it works normally.

Is the inspection result normal?

YES >> Door lock actuator is OK.

NO >> Refer to [DLK-71, "REAR LH : Diagnosis Procedure"](#).

REAR LH : Diagnosis Procedure

INFOID:000000008142879

1.CHECK DOOR LOCK ACTUATOR OUTPUT SIGNAL

1. Turn ignition switch OFF.
2. Disconnect rear door lock assembly LH.
3. Check voltage between rear door lock assembly LH harness connector and ground.

(+)		(-)	Condition	Voltage (Approx.)
Rear door lock assembly LH				
Connector	Terminal			
D55	1	Ground	Door lock and unlock switch	Lock
	2			Unlock
				12 V

Is the inspection result normal?

YES >> Replace rear door lock assembly LH.

NO >> GO TO 2.

2.CHECK DOOR LOCK ACTUATOR CIRCUIT

1. Disconnect BCM connector.
2. Check continuity between BCM harness connector and rear door lock assembly LH harness connector.

A
B
C
D
E
F
G
H
I
J
L
M
N
O
P

DLK

DOOR LOCK ACTUATOR

< DTC/CIRCUIT DIAGNOSIS >

BCM		Rear door lock assembly LH		Continuity
Connector	Terminal	Connector	Terminal	
M122	55	D55	2	Existed
	65		1	

3. Check continuity between BCM harness connector and ground.

BCM		Ground	Continuity
Connector	Terminal		
M122	55		Not existed
	65		

Is the inspection result normal?

YES >> GO TO 3.

NO >> Repair or replace harness.

3.CHECK BCM OUTPUT SIGNAL

1. Connect BCM connector.
2. Check voltage between BCM harness connector and ground.

(+)		(-)	Condition	Voltage (Approx.)	
BCM					
Connector	Terminal				
M122	55	Ground	Door lock and unlock switch	Unlock	12 V
	65			Lock	

Is the inspection result normal?

YES >> Check for internal short of each door lock actuator and fuel lid lock actuator.

NO >> Replace BCM. Refer to [BCS-80, "Removal and Installation"](#).

REAR RH

REAR RH : Component Function Check

INFOID:000000008142880

1.CHECK FUNCTION

1. Select "DOOR LOCK" of "BCM" using CONSULT.
2. Select "DOOR LOCK" in "ACTIVE TEST" mode.
3. Touch "ALL LCK" or "ALL UNLK" to check that it works normally.

Is the inspection result normal?

YES >> Door lock actuator is OK.

NO >> Refer to [DLK-72, "REAR RH : Diagnosis Procedure"](#).

REAR RH : Diagnosis Procedure

INFOID:000000008142881

1.CHECK DOOR LOCK ACTUATOR OUTPUT SIGNAL

1. Turn ignition switch OFF.
2. Disconnect rear door lock assembly RH.
3. Check voltage between rear door lock assembly RH harness connector and ground.

(+)		(-)	Condition	Voltage (Approx.)	
Rear door lock assembly RH					
Connector	Terminal				
D75	1	Ground	Door lock and unlock switch	Unlock	12 V
	2			Lock	

DOOR LOCK ACTUATOR

< DTC/CIRCUIT DIAGNOSIS >

Is the inspection result normal?

- YES >> Replace rear door lock assembly RH.
 NO >> GO TO 2.

2. CHECK DOOR LOCK ACTUATOR CIRCUIT

1. Disconnect BCM connector.
2. Check continuity between BCM harness connector and rear door lock assembly RH harness connector.

BCM		Rear door lock assembly RH		Continuity
Connector	Terminal	Connector	Terminal	
M122	55	D75	1	Existed
	65		2	

3. Check continuity between BCM harness connector and ground.

BCM		Ground	Continuity
Connector	Terminal		
M122	55		Not Existed
	65		

Is the inspection result normal?

- YES >> GO TO 3.
 NO >> Repair or replace harness.

3. CHECK BCM OUTPUT SIGNAL

1. Connect BCM connector.
2. Check voltage between BCM harness connector and ground.

(+)		(-)	Condition	Voltage (Approx.)
BCM				
Connector	Terminal			
M122	55	Ground	Door lock and unlock switch	12 V
	65		Unlock Lock	

Is the inspection result normal?

- YES >> Check for internal short of each door lock actuator and fuel lid lock actuator.
 NO >> Replace BCM. Refer to [BCS-80. "Removal and Installation"](#).

A
B
C
D
E
F
G
H
I
J
DLK
L
M
N
O
P



TRUNK LID OPEN SIGNAL CIRCUIT

< DTC/CIRCUIT DIAGNOSIS >

TRUNK LID OPEN SIGNAL CIRCUIT

Description

INFOID:000000008492680

BCM transmits trunk lid open request signal to trunk closure assembly to open trunk lid, and trunk closure assembly transmits trunk lid open/close status signal to BCM.

Component Function Check

INFOID:000000008492681

1. CHECK TRUNK LID OPENER CANCEL SWITCH

Check trunk lid opener cancel switch position.

Does trunk lid opener cancel switch turn OFF (CANCEL)?

YES >> Turn on trunk lid opener cancel switch.

NO >> GO TO 2.

2. CHECK BCM OUTPUT SIGNAL CIRCUIT

1. Turn ignition switch ON.
2. Select "TRUNK/BACK DOOR" in "Active Test" mode of "INTELLIGENT KEY" of "BCM" using CONSULT.
3. Touch "OPEN".
4. Check that trunk lid opens normally.

Is the inspection result normal?

YES >> GO TO 3.

NO >> Refer to [DLK-74, "Diagnosis Procedure"](#).

3. CHECK BCM INPUT SIGNAL CIRCUIT

1. Select "TRNK/HAT MNTR" in "Data Monitor" mode of "INTELLIGENT KEY" of "BCM" using CONSULT.
2. Check that CONSULT display varies according to the trunk lid position.

Monitor item	Condition		Status
TRNK/HAT MNTR	Trunk lid	Open	On
		Closed	Off

Is the inspection result normal?

YES >> INSPECTION END

NO >> Refer to [DLK-74, "Diagnosis Procedure"](#).

Diagnosis Procedure

INFOID:000000008492682

1. INSPECTION START

Check that which circuit is malfunctioning. Refer to [DLK-74, "Component Function Check"](#).

Which circuit is malfunctioning?

Output signal circuit>>GO TO 2.

Input signal circuit>>GO TO 4.

2. CHECK TRUNK LID OPEN REQUEST SIGNAL

1. Turn ignition switch ON.
2. Select "TRUNK/BACK DOOR" in "Active Test" mode of "INTELLIGENT KEY" of "BCM" using CONSULT.
3. Check voltage between trunk closure assembly harness connector and ground when touching "OPEN".

(+) Trunk closure assembly		(-)	CONSULT Active Test condition		Voltage (V) (Approx.)
Connector	Terminal				
T14	1	Ground	TRUNK/GLASS HATCH	OPEN	0 → 12 → 0

Is the inspection result normal?

YES >> GO TO 6.

NO >> GO TO 3.

TRUNK LID OPEN SIGNAL CIRCUIT

< DTC/CIRCUIT DIAGNOSIS >

3. CHECK TRUNK LID OPEN REQUEST SIGNAL CIRCUIT

1. Turn ignition switch OFF.
2. Disconnect negative battery cable.
3. Disconnect BCM connector.
4. Disconnect trunk closure assembly harness connector.
5. Check continuity between BCM harness connector and trunk closure assembly harness connector.

BCM		Trunk closure assembly		Continuity
Connector	Terminal	Connector	Terminal	
M121	53	T14	1	Existed

6. Check continuity between BCM harness connector and ground.

BCM		Ground	Continuity
Connector	Terminal		
M121	53		Not existed

Is the inspection result normal?

- YES >> Replace BCM. Refer to [BCS-80, "Removal and Installation"](#).
 NO >> Repair harness or connector.

4. CHECK TRUNK LID OPEN/CLOSE STATUS SIGNAL

1. Check voltage between BCM harness connector and ground under the following conditions.

(+)		(-)	Condition	Voltage (V) (Approx.)	
BCM					
Connector	Terminal				
M121	42	Ground	Trunk lid	Open	0
				Closed	12

Is the inspection result normal?

- YES >> GO TO 6.
 NO >> GO TO 5.

5. CHECK TRUNK LID OPEN/CLOSE STATUS SIGNAL CIRCUIT

1. Turn ignition switch OFF.
2. Disconnect negative battery cable.
3. Disconnect BCM connector.
4. Disconnect trunk closure assembly harness connector.
5. Check continuity between BCM harness connector and trunk closure assembly harness connector.

BCM		Trunk closure assembly		Continuity
Connector	Terminal	Connector	Terminal	
M121	42	T14	5	Existed

6. Check continuity between BCM harness connector and ground.

BCM		Ground	Continuity
Connector	Terminal		
M121	42		Not existed

Is the inspection result normal?

- YES >> Replace trunk closure assembly. Refer to [DLK-173, "Removal and Installation"](#).
 NO >> Repair harness or connector.

6. CHECK INTERMITTENT INCIDENT

Refer to [GI-49, "Intermittent Incident"](#).

A
B
C
D
E
F
G
H
I
J
K
L
M
N
O
P

DLK

TRUNK LID OPEN SIGNAL CIRCUIT

< DTC/CIRCUIT DIAGNOSIS >

>> INSPECTION END

TRUNK LID OPENER REQUEST SWITCH

< DTC/CIRCUIT DIAGNOSIS >

TRUNK LID OPENER REQUEST SWITCH

Component Function Check

INFOID:000000008142862

1.CHECK FUNCTION

1. Select "INTELLIGENT KEY" of "BCM" using CONSULT.
2. Select "REQ SW -BD/TR" in "DATA MONITOR" mode.
3. Check that the function operates normally according to the following conditions.

Monitor item	Condition		Status
REQ SW -BD/TR	Trunk lid opener request switch	Pressed	On
		Released	Off

Is the inspection result normal?

- YES >> Trunk lid opener request switch is OK.
NO >> Refer to [DLK-77, "Diagnosis Procedure"](#).

Diagnosis Procedure

INFOID:000000008142863

1.CHECK TRUNK LID OPENER REQUEST SWITCH OUTPUT SIGNAL

1. Turn ignition switch OFF.
2. Disconnect trunk lid opener request switch connector.
3. Check voltage between trunk lid opener request switch harness connector and ground.

(+)		(-)	Voltage (Approx.)
Connector	Terminal		
T4	1	Ground	12 V

Is the inspection result normal?

- YES >> GO TO 3.
NO >> GO TO 2.

2.CHECK TRUNK LID OPENER REQUEST SWITCH CIRCUIT

1. Disconnect BCM connector.
2. Check continuity between BCM harness connector and trunk lid opener request switch harness connector.

BCM		Trunk lid opener request switch		Continuity
Connector	Terminal	Connector	Terminal	
M121	51	T4	1	Existed

3. Check continuity between BCM harness connector and ground.

BCM		Ground	Continuity
Connector	Terminal		
M121	51		Not existed

Is the inspection result normal?

- YES >> Replace BCM. Refer to [BCS-80, "Removal and Installation"](#).
NO >> Repair or replace harness.

3.CHECK TRUNK LID OPENER REQUEST SWITCH GROUND CIRCUIT

Check continuity between trunk lid opener request switch harness connector and ground.

TRUNK LID OPENER REQUEST SWITCH

< DTC/CIRCUIT DIAGNOSIS >

Trunk lid opener request switch		Ground	Continuity
Connector	Terminal		Existed
T4	2		

Is the inspection result normal?

YES >> GO TO 4.

NO >> Repair or replace harness.

4.CHECK TRUNK LID OPENER REQUEST SWITCH

Refer to [DLK-78. "Component Inspection"](#).

Is the inspection result normal?

YES >> GO TO 5.

NO >> Replace trunk lid opener request switch.

5.CHECK INTERMITTENT INCIDENT

Refer to [GI-49. "Intermittent Incident"](#).

>> INSPECTION END

Component Inspection

INFOID:000000008142864

1.CHECK TRUNK LID OPENER REQUEST SWITCH

1. Turn ignition switch OFF.
2. Disconnect trunk lid opener request switch connector.
3. Check continuing between trunk lid opener request switch terminal.

Trunk lid opener request switch		Condition	Continuity
Terminal			Existed
1	2	Trunk lid opener request switch	Pressed
			Released
			Not existed

Is the inspection result normal?

YES >> INSPECTION END

NO >> Replace trunk lid opener request switch.

TRUNK LID OPENER SWITCH

< DTC/CIRCUIT DIAGNOSIS >

TRUNK LID OPENER SWITCH

Component Function Check

INFOID:000000008142865

1. CHECK FUNCTION

1. Select "TRUNK" of "BCM" using CONSULT.
2. Select "TR/BD OPEN SW" in "DATA MONITOR" mode.
3. Check that the function operates normally according to the following conditions.

Monitor item	Condition		Status
TR/BD OPEN SW	Trunk lid opener switch	Pressed	On
		Released	Off

Is the inspection result normal?

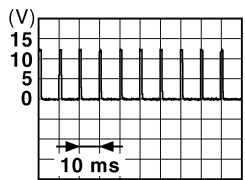
- YES >> Trunk lid opener switch is OK.
 NO >> Refer to [DLK-79, "Diagnosis Procedure"](#).

Diagnosis Procedure

INFOID:000000008142866

1. CHECK TRUNK LID OPENER INPUT SIGNAL

1. Turn ignition switch OFF.
2. Disconnect trunk lid opener switch connector.
3. Check signal between trunk lid opener switch harness connector and ground using oscilloscope.

(+)		(-)	Signal (Reference value)
Connector	Terminal		
M187	1	Ground	 <p style="text-align: right;">JPMIA0012GB</p>

Is the inspection result normal?

- YES >> GO TO 3.
 NO >> GO TO 2.

2. CHECK TRUNK LID OPENER SWITCH CIRCUIT

1. Disconnect BCM connector.
2. Check continuity between BCM harness connector and trunk lid opener switch harness connector.

BCM		Trunk lid opener switch		Continuity
Connector	Terminal	Connector	Terminal	
M120	30	M187	1	Existed

3. Check continuity between BCM harness connector and ground.

BCM		Ground	Continuity
Connector	Terminal		
M120	30		Not existed

Is the inspection result normal?

- YES >> Replace BCM. Refer to [BCS-80, "Removal and Installation"](#).
 NO >> Repair or replace harness.

TRUNK LID OPENER SWITCH

< DTC/CIRCUIT DIAGNOSIS >

3.CHECK TRUNK LID OPENER SWITCH GROUND CIRCUIT

Check continuity between trunk lid opener switch harness connector and ground.

Trunk lid opener switch		Ground	Continuity
Connector	Terminal		
M187	2		Existed

Is the inspection result normal?

YES >> GO TO 4.

NO >> Repair or replace harness.

4.CHECK TRUNK LID OPENER SWITCH

Refer to [DLK-80, "Component Inspection"](#).

Is the inspection result normal?

YES >> GO TO 5.

NO >> Replace trunk lid opener switch.

5.CHECK INTERMITTENT INCIDENT

Refer to [GI-49, "Intermittent Incident"](#).

>> INSPECTION END

Component Inspection

INFOID:000000008142867

1.CHECK TRUNK LID OPENER SWITCH

1. Turn ignition switch OFF.
2. Disconnect trunk lid opener switch connector.
3. Check continuity between trunk lid opener switch terminals.

Trunk lid opener switch		Condition	Continuity
Terminal			
1	2	Trunk lid opener switch Pressed	Existed
		Trunk lid opener switch Release	Not existed

Is the inspection result normal?

YES >> INSPECTION END

NO >> Replace trunk lid opener switch.

TRUNK LID OPENER CANCEL SWITCH

< DTC/CIRCUIT DIAGNOSIS >

TRUNK LID OPENER CANCEL SWITCH

Component Function Check

INFOID:000000008142868

1. CHECK FUNCTION

1. Select "TRUNK" of "BCM" using CONSULT.
2. Select "TR CANCEL SW" in "DATA MONITOR" mode.
3. Check that the function operates normally according to the following conditions.

Monitor item	Condition		Status
TR CANCEL SW	Trunk lid opener cancel switch	Pressed	On
		Released	Off

Is the inspection result normal?

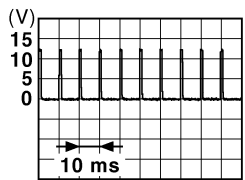
- YES >> Trunk lid opener cancel switch is OK.
 NO >> Refer to [DLK-81, "Diagnosis Procedure"](#).

Diagnosis Procedure

INFOID:000000008142869

1. CHECK TRUNK LID OPENER CANCEL INPUT SIGNAL

1. Turn ignition switch OFF.
2. Disconnect trunk lid opener cancel switch connector.
3. Check signal between trunk lid opener cancel switch harness connector and ground using oscilloscope.

(+)		(-)	Signal (Reference value)
Connector	Terminal		
M18	1	Ground	 <p>JPMIA0012GB</p>

Is the inspection result normal?

- YES >> GO TO 3.
 NO >> GO TO 2.

2. CHECK TRUNK LID OPENER SWITCH CIRCUIT

1. Disconnect BCM connector.
2. Check continuity between BCM harness connector and trunk lid opener cancel switch harness connector.

BCM		Trunk lid opener cancel switch		Continuity
Connector	Terminal	Connector	Terminal	
M121	44	M18	1	Existed

3. Check continuity between BCM harness connector and ground.

BCM		Ground	Continuity
Connector	Terminal		
M121	44		Not existed

Is the inspection result normal?

- YES >> Replace BCM. Refer to [BCS-80, "Removal and Installation"](#).
 NO >> Repair or replace harness.

A
B
C
D
E
F
G
H
I
J
L
M
N
O
P

DLK

TRUNK LID OPENER CANCEL SWITCH

< DTC/CIRCUIT DIAGNOSIS >

3.CHECK TRUNK LID OPENER CANCEL SWITCH GROUND CIRCUIT

Check continuity between trunk lid opener cancel switch harness connector and ground.

Trunk lid opener cancel switch		Ground	Continuity
Connector	Terminal		
M18	2		Existed

Is the inspection result normal?

YES >> GO TO 4.

NO >> Repair or replace harness.

4.CHECK TRUNK LID OPENER CANCEL SWITCH

Refer to [DLK-82, "Component Inspection"](#).

Is the inspection result normal?

YES >> GO TO 5.

NO >> Replace trunk lid opener cancel switch.

5.CHECK INTERMITTENT INCIDENT

Refer to [GI-49, "Intermittent Incident"](#).

>> INSPECTION END

Component Inspection

INFOID:000000008142870

1.CHECK TRUNK LID OPENER CANCEL SWITCH

1. Turn ignition switch OFF.
2. Disconnect trunk lid opener cancel switch connector.
3. Check continuity between trunk lid opener cancel switch terminal.

Trunk lid opener cancel switch		Condition	Continuity
Terminal			
1	2	Trunk lid opener cancel switch	Press and hold Existed
			Release Not existed

Is the inspection result normal?

YES >> INSPECTION END

NO >> Replace trunk lid opener cancel switch.

TRUNK CLOSURE ASSEMBLY

< DTC/CIRCUIT DIAGNOSIS >

TRUNK CLOSURE ASSEMBLY

Component Function Check

INFOID:000000008492683

1.CHECK TRUNK LID OPEN OPERATION

1. Check that trunk lid is fully closed.
2. Check that trunk lid opener cancel switch is turned ON.
3. Select "INTELLIGENT KEY" of "BCM" using CONSULT.
4. Select "TRUNK/GLASS HATCH" in "ACTIVE TEST" mode.
5. Touch "OPEN" to check that trunk lid opens normally.

Is the inspection result normal?

- YES >> GO TO 2.
NO >> Refer to [DLK-83, "Diagnosis Procedure"](#).

2.CHECK TRUNK LID AUTO CLOSE OPERATION

1. Close trunk lid manually to the half latched position. (Clicking noise is heard.)
2. Check that trunk lid is retracted to the fully closed position and locked.

Is the inspection result normal?

- YES >> INSPECTION END
NO >> Refer to [DLK-83, "Diagnosis Procedure"](#).

Diagnosis Procedure

INFOID:000000008492684

1.CHECK POWER SUPPLY AND GROUND CIRCUIT

Check trunk closure assembly power supply and ground circuit.
Refer to [DLK-60, "TRUNK CLOSURE CONTROL UNIT : Diagnosis Procedure"](#).

Is the inspection result normal?

- YES >> GO TO 2.
NO >> Repair harness or connector.

2.CHECK TRUNK LID OPEN SIGNAL CIRCUIT

Check trunk lid open signal circuit.
Refer to [DLK-74, "Component Function Check"](#).

Is the inspection result normal?

- YES >> Replace trunk closure assembly. Refer to [DLK-173, "Removal and Installation"](#).
NO >> Repair harness or connector.

A
B
C
D
E
F
G
H
I
J
L
M
N
O
P

DLK

FUEL LID LOCK ACTUATOR

< DTC/CIRCUIT DIAGNOSIS >

FUEL LID LOCK ACTUATOR

Component Function Check

INFOID:000000008142882

1.CHECK FUNCTION

1. Select "DOOR LOCK" of "BCM" using CONSULT.
2. Select "DOOR LOCK" in "ACTIVE TEST" mode.
3. Touch "ALL LCK" or "ALL UNLK" to check that it works normally.

Is the inspection result normal?

- YES >> Fuel lid lock actuator is OK.
NO >> Refer to [DLK-84, "Diagnosis Procedure"](#).

Diagnosis Procedure

INFOID:000000008142883

1.CHECK FUEL LID LOCK ACTUATOR INPUT SIGNAL

1. Turn ignition switch OFF.
2. Disconnect fuel lid lock actuator.
3. Check voltage between fuel lid lock actuator harness connector and ground.

(+)		(-)	Condition		Voltage (Approx.)
Fuel lid lock actuator					
Connector	Terminal	Ground	Door lock and unlock switch	Unlock	12 V
B242	1			Lock	
	2				

Is the inspection result normal?

- YES >> Replace fuel lid lock actuator.
NO >> GO TO 2.

2.CHECK FUEL LID LOCK ACTUATOR CIRCUIT

1. Disconnect BCM connector.
2. Check continuity between BCM harness connector and all door lock actuator harness connector.

BCM		Fuel lid lock actuator		Continuity
Connector	Terminal	Connector	Terminal	
M122	65	B242	2	Existed
	66		1	

3. Check continuity between BCM harness connector and ground.

BCM		Ground	Continuity
Connector	Terminal		
M122	65		Not existed
	66		

Is the inspection result normal?

- YES >> GO TO 3.
NO >> Repair or replace harness.

3.CHECK BCM OUTPUT SIGNAL

1. Connect BCM connector.
2. Check voltage between BCM harness connector and ground.

FUEL LID LOCK ACTUATOR

< DTC/CIRCUIT DIAGNOSIS >

(+)		(-)	Condition		Voltage (Approx.)
BCM					
Connector	Terminal				
M122	65	Ground	Door lock and unlock switch	Lock	12 V
	66			Unlock	

Is the inspection result normal?

YES >> Check for internal short of each door lock actuator.

NO >> Replace BCM. Refer to [BCS-80. "Removal and Installation"](#).

A
B
C
D
E
F
G
H
I
J
L
M
N
O
P

DLK

REMOTE KEYLESS ENTRY RECEIVER

< DTC/CIRCUIT DIAGNOSIS >

REMOTE KEYLESS ENTRY RECEIVER

Component Function Check

INFOID:000000008492685

1.CHECK FUNCTION

1. Select "INTELLIGENT KEY" of "BCM" using CONSULT.
2. Select "RKE OPE COUN1" in "DATA MONITOR" mode.
3. Check that the function operates normally according to the following conditions.

Monitor item	Condition
RKE OPE COUN1	Check whether value changes when operating Intelligent Key

Is the inspection result normal?

- YES >> Remote keyless entry receiver is OK.
NO >> Refer to [DLK-86, "Diagnosis Procedure"](#).

Diagnosis Procedure

INFOID:000000008492686

1.CHECK BCM SIGNAL 1

1. Turn ignition switch OFF.
2. Disconnect remote keyless entry receiver connector.
3. Check voltage between remote keyless entry receiver harness connector and ground.

(+)		(-)	Voltage (V) (Approx.)
Remote keyless entry receiver Connector	Terminal		
M104	4	Ground	5

Is the inspection result normal?

- YES >> GO TO 3.
NO >> GO TO 2.

2.CHECK REMOTE KEYLESS ENTRY RECEIVER POWER SUPPLY CIRCUIT

1. Disconnect BCM connector.
2. Check continuity between BCM harness connector and remote keyless entry receiver harness connector.

BCM		Remote keyless entry receiver		Continuity
Connector	Terminal	Connector	Terminal	
M120	19	M104	4	Existed

3. Check continuity between BCM harness connector and ground.

BCM		Ground	Continuity
Connector	Terminal		
M120	19		Not existed

Is the inspection result normal?

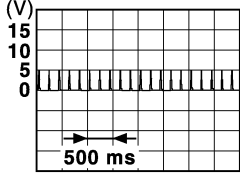
- YES >> Replace BCM. Refer to [BCS-80, "Removal and Installation"](#).
NO >> Repair or replace harness.

3.CHECK REMOTE KEYLESS ENTRY RECEIVER POWER SUPPLY

1. Reconnect remote keyless entry receiver connector.
2. Check signal between remote keyless entry receiver harness connector and ground using oscilloscope.

REMOTE KEYLESS ENTRY RECEIVER

< DTC/CIRCUIT DIAGNOSIS >

(+)		(-)	Signal (Reference value)
Remote keyless entry receiver			
Connector	Terminal		
M104	4	Ground	 <p style="text-align: right; font-size: small;">JMkia3838GB</p>

Is the inspection result normal?

YES >> GO TO 4.

NO >> Replace remote keyless entry receiver. Refer to [DLK-187. "Removal and Installation"](#).

4.CHECK REMOTE KEYLESS ENTRY RECEIVER GROUND CIRCUIT

1. Disconnect BCM connector.
2. Disconnect remote keyless entry receiver connector.
3. Check continuity between BCM harness connector and remote keyless entry receiver harness connector.

BCM		Remote keyless entry receiver		Continuity
Connector	Terminal	Connector	Terminal	
M120	18	M104	1	Existed

4. Check continuity between BCM harness connector and ground.

BCM		Ground	Continuity
Connector	Terminal		
M120	18		Not existed

Is the inspection result normal?

YES >> GO TO 5.

NO >> Repair or replace harness.

5.CHECK BCM SIGNAL 2

1. Reconnect BCM connector.
2. Check voltage between remote keyless entry receiver harness connector and ground.

(+)		(-)	Voltage (V) (Approx.)
Remote keyless entry receiver			
Connector	Terminal		
M104	2	Ground	5

Is the inspection result normal?

YES >> GO TO 7.

NO >> GO TO 6.

6.CHECK REMOTE KEYLESS ENTRY RECEIVER SIGNAL CIRCUIT

1. Disconnect BCM connector.
2. Check continuity between BCM harness connector and remote keyless entry receiver harness connector.

BCM		Remote keyless entry receiver		Continuity
Connector	Terminal	Connector	Terminal	
M120	20	M104	2	Existed

3. Check continuity between BCM harness connector and ground.

A
B
C
D
E
F
G
H
I
J
L
M
N
O
P

DLK

REMOTE KEYLESS ENTRY RECEIVER

< DTC/CIRCUIT DIAGNOSIS >

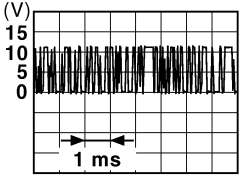
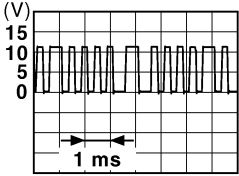
BCM		Ground	Continuity
Connector	Terminal		
M120	20		Not existed

Is the inspection result normal?

- YES >> Replace BCM. Refer to [BCS-80, "Removal and Installation"](#).
 NO >> Repair or replace harness.

7. CHECK REMOTE KEYLESS ENTRY RECEIVER SIGNAL

- Reconnect remote keyless entry receiver connector.
- Check signal between remote keyless entry receiver harness connector and ground using oscilloscope.

(+)		(-)	Condition	Signal (Reference value)
Remote keyless entry receiver				
Connector	Terminal			
M104	2	Ground	During waiting	
			When operating either button on the Intelligent Key	

Is the inspection result normal?

- YES >> GO TO 8.
 NO >> Replace remote keyless entry receiver. Refer to [DLK-187, "Removal and Installation"](#).

8. CHECK BCM SIGNAL 3

- Disconnect remote keyless entry receiver connector.
- Check voltage between remote keyless entry receiver harness connector and ground.

(+)		(-)	Voltage (V) (Approx.)
Remote keyless entry receiver			
Connector	Terminal		
M104	3	Ground	5

Is the inspection result normal?

- YES >> GO TO 10.
 NO >> GO TO 9.

9. CHECK REMOTE KEYLESS ENTRY RECEIVER RSSI SIGNAL CIRCUIT

- Disconnect BCM connector.
- Check continuity between BCM harness connector and remote keyless entry receiver harness connector.

BCM		Remote keyless entry receiver		Continuity
Connector	Terminal	Connector	Terminal	
M120	22	M104	3	Existed

- Check continuity between BCM harness connector and ground.

REMOTE KEYLESS ENTRY RECEIVER

< DTC/CIRCUIT DIAGNOSIS >

BCM		Ground	Continuity
Connector	Terminal		
M120	22		Not existed

Is the inspection result normal?

- YES >> Replace BCM. Refer to [BCS-80, "Removal and Installation"](#).
 NO >> Repair or replace harness.

10. CHECK REMOTE KEYLESS ENTRY RECEIVER RSSI SIGNAL

1. Reconnect remote keyless entry receiver connector.
2. Check signal between remote keyless entry receiver harness connector and ground using oscilloscope.

(+)		(-)	Condition	Signal (Reference value)
Remote keyless entry receiver Connector	Terminal			
M104	3	Ground	During waiting	
			When pressing and holding either button on Intelligent Key	

Is the inspection result normal?

- YES >> GO TO 11.
 NO >> Replace remote keyless entry receiver. Refer to [DLK-187, "Removal and Installation"](#).

11. CHECK INTERMITTENT INCIDENT

Refer to [GI-49, "Intermittent Incident"](#).

>> INSPECTION END

A
B
C
D
E
F
G
H
I
J
L
M
N
O
P

DLK

UNLOCK SENSOR

< DTC/CIRCUIT DIAGNOSIS >

UNLOCK SENSOR

Component Function Check

INFOID:000000008142888

1.CHECK FUNCTION

1. Select "INTELLIGENT KEY" of "BCM" using CONSULT.
2. Select "UNLK SEN -DR" in "DATA MONITOR" mode.
3. Check that the function operates normally according to the following conditions.

Monitor item	Condition		Status
UNLK SEN -DR	Driver side door	Lock	Off
		Unlock	On

Is the inspection result normal?

YES >> Unlock sensor is OK.

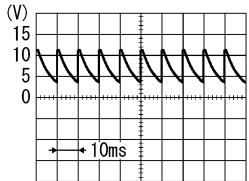
NO >> Refer to [DLK-90. "Diagnosis Procedure"](#).

Diagnosis Procedure

INFOID:000000008142889

1.CHECK BCM OUTPUT SIGNAL

1. Turn ignition switch OFF.
2. Disconnect front door lock assembly (driver side) connector.
3. Check signal between front door lock assembly (driver side) harness connector and ground with oscilloscope.

(+)		(-)	Signal (Reference value)
Connector	Terminal		
D15	3	Ground	 <p style="text-align: right;">PKIB4960J</p>

Is the inspection result normal?

YES >> GO TO 3.

NO >> GO TO 2.

2.CHECK UNLOCK SENSOR CIRCUIT

1. Disconnect BCM connector.
2. Check continuity between BCM harness connector and front door lock assembly (driver side) harness connector.

BCM		Front door lock assembly (driver side)		Continuity
Connector	Terminal	Connector	Terminal	
M120	31	D15	3	Existed

3. Check continuity between BCM harness connector and ground.

BCM		Ground	Continuity
Connector	Terminal		
M120	31		Not existed

Is the inspection result normal?

YES >> Replace BCM. Refer to [BCS-80. "Removal and Installation"](#).

UNLOCK SENSOR

< DTC/CIRCUIT DIAGNOSIS >

NO >> Repair or replace harness.

3.CHECK UNLOCK SENSOR GROUND CIRCUIT

Check continuity between front door lock assembly (driver side) harness connector and ground.

Front door lock assembly (driver side)		Ground	Continuity
Connector	Terminal		
D15	4		Existed

Is the inspection result normal?

YES >> GO TO 4.

NO >> Repair or replace harness.

4.CHECK UNLOCK SENSOR

Refer to [DLK-91, "Component Inspection"](#).

Is the inspection result normal?

YES >> GO TO 5.

NO >> Replace front door lock assembly (driver side).

5.CHECK INTERMITTENT INCIDENT

Refer to [GI-49, "Intermittent Incident"](#).

>> INSPECTION END

Component Inspection

INFOID:000000008142890

1.CHECK UNLOCK SENSOR

1. Turn ignition switch OFF.
2. Disconnect front door lock assembly (driver side).
3. Check front door lock assembly (driver side) terminals.

Front door lock assembly (driver side)		Condition	Continuity
Terminal			
3	4	Front door lock assembly (driver side)	Existed
			Not existed

Is the inspection result normal?

YES >> INSPECTION END

NO >> Replace front door lock assembly (driver side).

A
B
C
D
E
F
G
H
I
J
L
M
N
O
P

DLK

INTELLIGENT KEY WARNING BUZZER

< DTC/CIRCUIT DIAGNOSIS >

INTELLIGENT KEY WARNING BUZZER

Component Function Check

INFOID:000000008142891

1.CHECK FUNCTION

1. Select "INTELLIGENT KEY" of "BCM" using CONSULT.
2. Select "OUTSIDE BUZZER" in "ACTIVE TEST" mode.
3. Touch "ON" to check that it works normally.

Is the inspection result normal?

- YES >> Intelligent Key warning buzzer is OK.
NO >> Refer to [DLK-92, "Diagnosis Procedure"](#).

Diagnosis Procedure

INFOID:000000008142892

1.CHECK FUSE

1. Turn ignition switch OFF.
2. Check 10 A fuse, [No.11, located in fuse block (J/B)].

Is the inspection result normal?

- YES >> GO TO 2.
NO >> Replace the blown fuse after repairing the affected circuit if a fuse is blown.

2.CHECK INTELLIGENT KEY WARNING BUZZER POWER SUPPLY CIRCUIT

1. Disconnect Intelligent Key warning buzzer connector.
2. Check voltage between Intelligent Key warning buzzer harness connector and ground.

(+)		(-)	Voltage (Approx.)
Connector	Terminal		
E57	1	Ground	12 V

Is the inspection result normal?

- YES >> GO TO 3.
NO >> Repair or replace harness.

3.CHECK INTELLIGENT KEY WARNING BUZZER CIRCUIT

1. Disconnect BCM connector.
2. Check continuity between BCM harness connector and Intelligent Key warning buzzer harness connector.

BCM		Intelligent Key warning buzzer		Continuity
Connector	Terminal	Connector	Terminal	
M123	93	E57	3	Existed

3. Check continuity between BCM harness connector and ground.

BCM		Ground	Continuity
Connector	Terminal		
M123	93		Not existed

Is the inspection result normal?

- YES >> GO TO 4.
NO >> Repair or replace harness.

4.CHECK INTELLIGENT KEY WARNING BUZZER

Check [DLK-93, "Component Inspection"](#).

Is the inspection result normal?

- YES >> Replace BCM. Refer to [BCS-80, "Removal and Installation"](#).
NO >> Replace Intelligent Key warning buzzer.

INTELLIGENT KEY WARNING BUZZER

< DTC/CIRCUIT DIAGNOSIS >

Component Inspection

INFOID:000000008142893

1. CHECK INTELLIGENT KEY WARNING BUZZER

1. Turn ignition switch OFF.
2. Disconnect Intelligent Key warning buzzer connector.
3. Connect battery power supply directly to Intelligent Key warning buzzer terminals and check the operation.

Intelligent Key warning buzzer		Operation
Terminal		
(+)	(-)	
1	3	Buzzer sounds

Is the inspection result normal?

YES >> INSPECTION END

NO >> Replace Intelligent Key warning buzzer (engine room).

A
B
C
D
E
F
G
H
I
J
L
M
N
O
P

DLK

INTELLIGENT KEY BATTERY

< DTC/CIRCUIT DIAGNOSIS >

INTELLIGENT KEY BATTERY

Component Inspection

INFOID:000000008142895

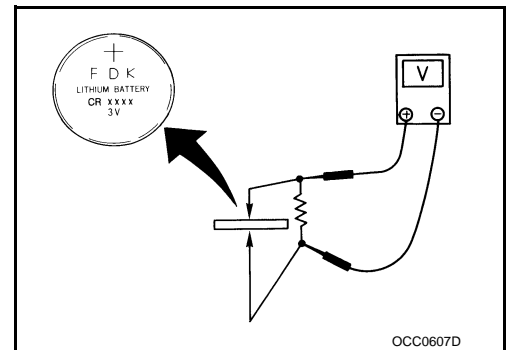
1. CHECK INTELLIGENT KEY BATTERY

Check by connecting a resistance (approximately 300 Ω) so that the current value becomes approximately 10 mA.

Standard : Approx. 2.5 - 3.0 V

Is the measurement value within the specification?

- YES >> INSPECTION END
- NO >> Replace Intelligent Key battery.



INFORMATION DISPLAY

< DTC/CIRCUIT DIAGNOSIS >

INFORMATION DISPLAY

Component Function Check

INFOID:000000008142897

1.CHECK FUNCTION

1. Select "INTELLIGENT KEY" of "BCM" using CONSULT.
2. Select "LCD" in "ACTIVE TEST" mode.
3. Check each warning display on meter display.

Is the inspection result normal?

- YES >> Information display is OK.
NO >> Refer to [DLK-95. "Diagnosis Procedure"](#).

Diagnosis Procedure

INFOID:000000008142898

1.CHECK COMBINATION METER

Refer to [MWI-35. "On Board Diagnosis Function"](#).

Is the inspection result normal?

- YES >> GO TO 2.
NO >> Repair or replace the malfunctioning parts.

2.CHECK INTERMITTENT INCIDENT

Refer to [GI-49. "Intermittent Incident"](#).

>> INSPECTION END

A
B
C
D
E
F
G
H
I
J
L
M
N
O
P

DLK

COMBINATION METER BUZZER

< DTC/CIRCUIT DIAGNOSIS >

COMBINATION METER BUZZER

Component Function Check

INFOID:000000008142899

1.CHECK FUNCTION

1. Select "INTELLIGENT KEY" of "BCM" using CONSULT.
2. Select "INSIDE BUZZER" in "ACTIVE TEST" mode.
3. Touch "Take out", "Knob" or "Key" to check that it works normally.

Is the inspection result normal?

- Yes >> Warning buzzer into combination meter is OK.
No >> Refer to [DLK-96. "Diagnosis Procedure"](#).

Diagnosis Procedure

INFOID:000000008142900

1.CHECK METER BUZZER CIRCUIT

Refer to [WCS-38. "Component Function Check"](#).

Is the inspection result normal?

- Yes >> GO TO 2.
No >> Repair or replace the malfunctioning parts.

2.CHECK INTERMITTENT INCIDENT

Refer to [GI-49. "Intermittent Incident"](#).

>> INSPECTION END

HAZARD FUNCTION

< DTC/CIRCUIT DIAGNOSIS >

HAZARD FUNCTION

Component Function Check

INFOID:000000008142901

1.CHECK FUNCTION

1. Select "INTELLIGENT KEY" of "BCM" using CONSULT.
2. Select "FLASHER" in "ACTIVE TEST" mode.
3. Touch "LH" or "RH" to check that it works normally.

Is the inspection result normal?

- YES >> Hazard warning lamp circuit is OK.
NO >> Refer to [DLK-97. "Diagnosis Procedure"](#).

Diagnosis Procedure

INFOID:000000008142902

1.CHECK HAZARD SWITCH CIRCUIT

Check hazard switch circuit.

Refer to [EXL-89. "Component Function Check"](#).

Is the inspection result normal?

- YES >> GO TO 2.
NO >> Repair or replace the malfunctioning parts.

2.CHECK INTERMITTENT INCIDENT

Refer to [GI-49. "Intermittent Incident"](#).

>> INSPECTION END

A
B
C
D
E
F
G
H
I
J
L
M
N
O
P

DLK

DOOR DOES NOT LOCK/UNLOCK WITH DOOR LOCK AND UNLOCK SWITCH

< SYMPTOM DIAGNOSIS >

SYMPTOM DIAGNOSIS

DOOR DOES NOT LOCK/UNLOCK WITH DOOR LOCK AND UNLOCK SWITCH

ALL DOOR

ALL DOOR : Description

INFOID:000000008142903

All doors do not lock/unlock using door lock and unlock switch.

ALL DOOR : Diagnosis Procedure

INFOID:000000008142904

1.CHECK DOOR LOCK AND UNLOCK SWITCH

Check door lock and unlock switch.

Refer to [DLK-68, "Component Function Check"](#)

Is the inspection result normal?

YES >> GO TO 2.

NO >> Repair or replace the malfunctioning parts.

2.CHECK DOOR LOCK ACTUATOR CIRCUIT

Check front door lock assembly (driver side).

Refer to [DLK-69, "DRIVER SIDE : Component Function Check"](#).

Is the inspection result normal?

YES >> GO TO 3.

NO >> Repair or replace the malfunctioning parts.

3.REPLACE BCM

- Replace BCM. Refer to [BCS-80, "Removal and Installation"](#).
- Confirm the operation after replacement.

Is the result normal?

YES >> INSPECTION END

NO >> Check intermittent incident. Refer to [GI-49, "Intermittent Incident"](#).

DRIVER SIDE

DRIVER SIDE : Description

INFOID:000000008142905

Driver side door does not lock/unlock using door lock and unlock switch.

DRIVER SIDE : Diagnosis Procedure

INFOID:000000008142906

1.CHECK DOOR LOCK ACTUATOR

Check front door lock assembly (driver side).

Refer to [DLK-69, "DRIVER SIDE : Component Function Check"](#).

Is the inspection result normal?

YES >> GO TO 2.

NO >> Repair or replace the malfunctioning parts.

2.REPLACE BCM

- Replace BCM. Refer to [BCS-80, "Removal and Installation"](#).
- Confirm the operation after replacement.

Is the result normal?

YES >> INSPECTION END

NO >> Check intermittent incident. Refer to [GI-49, "Intermittent Incident"](#).

PASSENGER SIDE

DOOR DOES NOT LOCK/UNLOCK WITH DOOR LOCK AND UNLOCK SWITCH

< SYMPTOM DIAGNOSIS >

PASSENGER SIDE : Description

INFOID:000000008142907

Passenger side door does not lock/unlock using door lock and unlock switch.

PASSENGER SIDE : Diagnosis Procedure

INFOID:000000008142908

1.CHECK DOOR LOCK ACTUATOR

Check front door lock assembly (passenger side).

Refer to [DLK-70, "PASSENGER SIDE : Component Function Check"](#).

Is the inspection result normal?

YES >> GO TO 2.

NO >> Repair or replace the malfunctioning parts.

2.REPLACE BCM

- Replace BCM. Refer to [BCS-80, "Removal and Installation"](#).
- Confirm the operation after replacement.

Is the result normal?

YES >> INSPECTION END

NO >> Check intermittent incident. Refer to [GI-49, "Intermittent Incident"](#).

REAR LH

REAR LH : Description

INFOID:000000008142909

Rear LH side door does not lock/unlock using door lock and unlock switch.

REAR LH : Diagnosis Procedure

INFOID:000000008142910

1.CHECK DOOR LOCK ACTUATOR

Check rear door lock assembly LH.

Refer to [DLK-71, "REAR LH : Component Function Check"](#).

Is the inspection result normal?

YES >> GO TO 2.

NO >> Repair or replace the malfunctioning parts.

2.REPLACE BCM

- Replace BCM. Refer to [BCS-80, "Removal and Installation"](#).
- Confirm the operation after replacement.

Is the result normal?

YES >> INSPECTION END

NO >> Check intermittent incident. Refer to [GI-49, "Intermittent Incident"](#).

REAR RH

REAR RH : Description

INFOID:000000008142911

Rear RH side door does not lock/unlock using door lock and unlock switch.

REAR RH : Diagnosis Procedure

INFOID:000000008142912

1.CHECK DOOR LOCK ACTUATOR

Check rear door lock assembly RH.

Refer to [DLK-72, "REAR RH : Component Function Check"](#).

Is the inspection result normal?

YES >> GO TO 2.

NO >> Repair or replace the malfunctioning parts.

2.REPLACE BCM

- Replace BCM. Refer to [BCS-80, "Removal and Installation"](#).

A

B

C

D

E

F

G

H

I

J

DLK

L

M

N

O

P

DOOR DOES NOT LOCK/UNLOCK WITH DOOR LOCK AND UNLOCK SWITCH

< SYMPTOM DIAGNOSIS >

- Confirm the operation after replacement.

Is the result normal?

YES >> INSPECTION END

NO >> Check intermittent incident. Refer to [GI-49, "Intermittent Incident"](#).

DOOR DOES NOT LOCK/UNLOCK WITH DOOR KEY CYLINDER OPERATION

< SYMPTOM DIAGNOSIS >

DOOR DOES NOT LOCK/UNLOCK WITH DOOR KEY CYLINDER OPERATION

Diagnosis Procedure

INFOID:000000008142913

1. CHECK POWER DOOR LOCK OPERATION

Check power door lock operation.

Does door lock/unlock with door lock and unlock switch?

YES >> GO TO 2.

NO >> Refer to [DLK-98, "ALL DOOR : Diagnosis Procedure"](#).

2. CHECK DOOR KEY CYLINDER SWITCH

Check door key cylinder switch.

Refer to [DLK-66, "Component Function Check"](#).

Is the inspection result normal?

YES >> GO TO 3.

NO >> Repair or replace the malfunctioning parts.

3. REPLACE BCM

• Replace BCM. Refer to [BCS-80, "Removal and Installation"](#).

• Confirm the operation after replacement.

Is the result normal?

YES >> INSPECTION END

NO >> Check intermittent incident. Refer to [GI-49, "Intermittent Incident"](#).

A
B
C
D
E
F
G
H
I
J
L
M
N
O
P

DLK

DOOR DOES NOT LOCK/UNLOCK WITH DOOR REQUEST SWITCH

< SYMPTOM DIAGNOSIS >

DOOR DOES NOT LOCK/UNLOCK WITH DOOR REQUEST SWITCH ALL DOOR

ALL DOOR : Description

INFOID:000000008142914

All doors do not lock/unlock using all door request switches.

ALL DOOR : Diagnosis Procedure

INFOID:000000008142915

1. CHECK REMOTE KEYLESS ENTRY FUNCTION

Check remote keyless entry function.

Does door lock/unlock with Intelligent Key button?

YES >> GO TO 2.

NO >> Refer to [DLK-104, "Diagnosis Procedure"](#).

2. CHECK "LOCK/UNLOCK BY I-KEY" SETTING IN "WORK SUPPORT"

Check "LOCK/UNLOCK BY I-KEY" in "WORK SUPPORT".

Refer to [DLK-33, "INTELLIGENT KEY : CONSULT Function \(BCM - INTELLIGENT KEY\)"](#).

Is the inspection result normal?

YES >> GO TO 3.

NO >> Set "LOCK/UNLOCK BY I-KEY" in "WORK SUPPORT".

3. CHECK DOOR SWITCH

Check door switch.

Refer to [DLK-61, "Component Function Check"](#).

Is the inspection result normal?

YES >> GO TO 4.

NO >> Repair or replace the malfunctioning parts.

4. CHECK INSIDE KEY ANTENNA

Check inside key antenna.

• Instrument center: Refer to [DLK-48, "DTC Logic"](#).

• Console: Refer to [DLK-50, "DTC Logic"](#).

• Trunk room: Refer to [DLK-52, "DTC Logic"](#).

Is the inspection result normal?

YES >> GO TO 5.

NO >> Repair or replace the malfunctioning parts.

5. CHECK OUTSIDE KEY ANTENNA

Check outside key antenna.

• Driver side: Refer to [DLK-54, "DTC Logic"](#).

• Passenger side: Refer to [DLK-56, "DTC Logic"](#).

• Rear bumper: Refer to [DLK-58, "DTC Logic"](#).

Is the inspection result normal?

YES >> GO TO 6.

NO >> Repair or replace the malfunctioning parts.

6. REPLACE BCM

• Replace BCM. Refer to [BCS-80, "Removal and Installation"](#).

• Confirm the operation after replacement.

Is the result normal?

YES >> INSPECTION END

NO >> Check intermittent incident. Refer to [GI-49, "Intermittent Incident"](#).

DRIVER SIDE

DOOR DOES NOT LOCK/UNLOCK WITH DOOR REQUEST SWITCH

< SYMPTOM DIAGNOSIS >

DRIVER SIDE : Description

INFOID:000000008142916

All doors do not lock/unlock using driver side door request switch.

DRIVER SIDE : Diagnosis Procedure

INFOID:000000008142917

1.CHECK DRIVER SIDE DOOR REQUEST SWITCH

Check driver side door request switch.

Refer to [DLK-64, "Component Function Check"](#).

Is the inspection result normal?

YES >> GO TO 2.

NO >> Repair or replace the malfunctioning parts.

2.REPLACE BCM

- Replace BCM. Refer to [BCS-80, "Removal and Installation"](#).
- Confirm the operation after replacement.

Is the result normal?

YES >> INSPECTION END

NO >> Check intermittent incident. Refer to [GI-49, "Intermittent Incident"](#).

PASSENGER SIDE

PASSENGER SIDE : Description

INFOID:000000008142918

All doors do not lock/unlock using passenger side door request switch.

PASSENGER SIDE : Diagnosis Procedure

INFOID:000000008142919

1.CHECK PASSENGER SIDE DOOR REQUEST SWITCH

Check passenger side door request switch.

Refer to [DLK-64, "Component Function Check"](#).

Is the inspection result normal?

YES >> GO TO 2.

NO >> Repair or replace the malfunctioning parts.

2.REPLACE BCM

- Replace BCM. Refer to [BCS-80, "Removal and Installation"](#).
- Confirm the operation after replacement.

Is the result normal?

YES >> INSPECTION END

NO >> Check intermittent incident. Refer to [GI-49, "Intermittent Incident"](#).

A
B
C
D
E
F
G
H
I
J
L
M
N
O
P

DLK

DOOR DOES NOT LOCK/UNLOCK WITH INTELLIGENT KEY

< SYMPTOM DIAGNOSIS >

DOOR DOES NOT LOCK/UNLOCK WITH INTELLIGENT KEY

Diagnosis Procedure

INFOID:000000008142920

1.CHECK INTELLIGENT KEY

For Intelligent Key that cannot be used for door lock and unlock, check that the Intelligent Key belongs to the vehicle to be checked.

Does the Intelligent Key belong to the vehicle to checked?

YES >> GO TO 2.

NO >> Check Intelligent Key button operation with registered Intelligent Key belonging to the vehicle.

2.CHECK INTELLIGENT KEY LOW BATTERY WARNING

Check that the Intelligent Key low battery warning is operated.

Is the Intelligent Key low battery warning operated?

YES >> GO TO 6.

NO-1 >> With another registered Intelligent Key: GO TO 3.

NO-2 >> Without another registered Intelligent Key: GO TO 4.

3.CHECK INTELLIGENT KEY BUTTON OPERATION

Check that door lock and unlock can be performed by operating the buttons of another registered Intelligent Key.

Can door lock and unlock be performed with another registered Intelligent Key?

YES >> GO TO 4.

NO >> GO TO 7.

4.CHECK ENGINE START

While depressing the brake pedal, contact the backside of the Intelligent Key that cannot be used to perform door lock and unlock operation to the push-button ignition switch. Operate the push-button ignition switch, and check that the vehicle is in START status.

Is the vehicle in START status?

YES >> GO TO 6.

NO >> GO TO 5.

5.CHECK INTELLIGENT KEY

Check the inside of the Intelligent Key for rust or corrosion by water. Simultaneously check the internal circuits for damage.

Is the vehicle in START status?

YES >> GO TO 6.

NO >> Replace Intelligent Key.

6.CHECK INTELLIGENT KEY BATTERY

Check the Intelligent Key battery.

Refer to [DLK-94, "Component Inspection"](#).

Is the inspection result normal?

YES >> GO TO 7.

NO >> Replace Intelligent Key battery.

7.CHECK POWER DOOR LOCK OPERATION

Check door lock/unlock using door lock and unlock switch.

Does door lock/unlock using door lock and unlock switch?

YES >> GO TO 8.

NO >> Refer to [DLK-98, "ALL DOOR : Diagnosis Procedure"](#).

8.CHECK REMOTE KEYLESS ENTRY RECEIVER

Check remote keyless entry receiver.

Refer to [DLK-86, "Component Function Check"](#).

DOOR DOES NOT LOCK/UNLOCK WITH INTELLIGENT KEY

< SYMPTOM DIAGNOSIS >

Is the inspection result normal?

YES >> GO TO 9.

NO >> Repair or replace the malfunctioning parts.

9.CHECK DOOR SWITCH

Check door switch.

Refer to [DLK-61, "Component Function Check"](#).

Is the inspection result normal?

YES >> GO TO 10.

NO >> Repair or replace the malfunctioning parts.

10.REPLACE INTELLIGENT KEY

1. Replace Intelligent Key.

2. Confirm the operation after replacement.

Is the result normal?

YES >> INSPECTION END

NO >> Replace BCM. Refer to [BCS-80, "Removal and Installation"](#).

A

B

C

D

E

F

G

H

I

J

DLK

L

M

N

O

P

TRUNK LID DOES NOT OPEN

< SYMPTOM DIAGNOSIS >

TRUNK LID DOES NOT OPEN

TRUNK LID OPENER SWITCH

TRUNK LID OPENER SWITCH : Description

INFOID:000000008492687

Trunk lid does not open by trunk lid opener switch operation.

TRUNK LID OPENER SWITCH : Diagnosis Procedure

INFOID:000000008492688

1.CHECK TRUNK LID OPENER SWITCH CIRCUIT

Check trunk lid opener switch circuit.

Refer to [DLK-79, "Component Function Check"](#).

Is the inspection result normal?

YES >> GO TO 2.

NO >> Repair or replace the malfunctioning parts.

2.CHECK TRUNK LID OPENER CANCEL SWITCH CIECUIT

Check trunk lid opener cancel switch circuit.

Refer to [DLK-81, "Component Function Check"](#).

Is the inspection result normal?

YES >> GO TO 3.

NO >> Repair or replace the malfunctioning parts.

3.CHECK TRUNK LID OPEN SIGNAL CIRCUIT

Check trunk lid open signal circuit.

Refer to [DLK-74, "Component Function Check"](#).

Is the inspection result normal?

YES >> GO TO 4.

NO >> Repair or replace the malfunctioning parts.

4.CHECK TRUNK CLOSURE ASSEMBLY

Check trunk closure assembly.

Refer to [DLK-83, "Component Function Check"](#).

Is the inspection result normal?

YES >> GO TO 5.

NO >> Repair or replace the malfunctioning parts.

5.REPLACE BCM

- Replace BCM. Refer to [BCS-80, "Removal and Installation"](#).
- Confirm the operation after replacement.

Is the result normal?

YES >> INSPECTION END

NO >> Check intermittent incident. Refer to [GI-49, "Intermittent Incident"](#).

INTELLIGENT KEY

INTELLIGENT KEY : Description

INFOID:000000008492689

Trunk lid does not open by Intelligent Key operation.

INTELLIGENT KEY : Diagnosis Procedure

INFOID:000000008492690

1.CHECK TRUNK LID OPEN FUNCTION

Check trunk lid open function with trunk lid opener switch.

Does trunk lid open with trunk lid opener switch?

YES >> GO TO 2.

NO >> Refer to [DLK-106, "TRUNK LID OPENER SWITCH : Diagnosis Procedure"](#).

TRUNK LID DOES NOT OPEN

< SYMPTOM DIAGNOSIS >

2.CHECK REMOTE KEYLESS ENTRY FUNCTION

Check remote keyless entry function.

Does door lock/unlock with Intelligent Key button?

YES >> GO TO 3.

NO >> Refer to [DLK-104, "Diagnosis Procedure"](#).

3.CHECK INTELLIGENT KEY

Check Intelligent Key.

Refer to [DLK-94, "Component Inspection"](#).

Is the inspection result normal?

YES >> GO TO 4.

NO >> Repair or replace the malfunctioning parts.

4.REPLACE BCM

• Replace BCM. Refer to [BCS-80, "Removal and Installation"](#).

• Confirm the operation after replacement.

Is the result normal?

YES >> INSPECTION END

NO >> Check intermittent incident. Refer to [GI-49, "Intermittent Incident"](#).

TRUNK LID OPENER REQUEST SWITCH

TRUNK LID OPENER REQUEST SWITCH : Description

INFOID:000000008492691

Trunk lid does not open by trunk lid opener request switch operation.

TRUNK LID OPENER REQUEST SWITCH : Diagnosis Procedure

INFOID:000000008492692

1.CHECK TRUNK LID OPEN FUNCTION

Check trunk lid open function with Intelligent Key.

Does trunk lid open with Intelligent Key?

YES >> GO TO 2.

NO >> Refer to [DLK-106, "INTELLIGENT KEY : Diagnosis Procedure"](#).

2.CHECK TRUNK LID OPENER REQUEST SWITCH

Check trunk lid opener request switch.

Refer to [DLK-77, "Component Function Check"](#).

Is the inspection result normal?

YES >> GO TO 3.

NO >> Repair or replace the malfunctioning parts.

3.CHECK OUTSIDE KEY ANTENNA (REAR BUMPER)

Check outside key antenna (rear bumper).

Refer to [DLK-58, "DTC Logic"](#).

Is the inspection result normal?

YES >> GO TO 4.

NO >> Repair or replace the malfunctioning parts.

4.CHECK TRUNK LID OPEN SIGNAL CIRCUIT

Check trunk lid open signal circuit.

Refer to [DLK-74, "Component Function Check"](#).

Is the inspection result normal?

YES >> GO TO 5.

NO >> Repair or replace the malfunctioning parts.

5.REPLACE BCM

• Replace BCM. Refer to [BCS-80, "Removal and Installation"](#).

A

B

C

D

E

F

G

H

I

J

DLK

L

M

N

O

P

TRUNK LID DOES NOT OPEN

< SYMPTOM DIAGNOSIS >

- Confirm the operation after replacement.

Is the result normal?

YES >> INSPECTION END

NO >> Check intermittent incident. Refer to [GI-49, "Intermittent Incident"](#).

TRUNK LID AUTO CLOSURE SYSTEM DOES NOT OPERATE

< SYMPTOM DIAGNOSIS >

TRUNK LID AUTO CLOSURE SYSTEM DOES NOT OPERATE OPEN/CLOSURE FUNCTION

OPEN/CLOSURE FUNCTION : Description

INFOID:000000008492693

Trunk lid auto closure system does not operate when trunk lid opening and closing operations are performed.

OPEN/CLOSURE FUNCTION : Diagnosis Procedure

INFOID:000000008492694

1. CHECK TRUNK CLOSURE CONTROL UNIT POWER SUPPLY AND GROUND CIRCUIT

Check trunk closure control unit power supply and ground circuit.

Refer to [DLK-60, "TRUNK CLOSURE CONTROL UNIT : Diagnosis Procedure"](#).

Is the inspection result normal?

YES >> GO TO 2.

NO >> Repair or replace the malfunctioning parts.

2. REPLACE TRUNK CLOSURE ASSEMBLY

- Replace trunk closure assembly. Refer to [DLK-173, "Removal and Installation"](#).
- Confirm the operation after replacement.

Is the inspection result normal?

YES >> INSPECTION END

NO >> Check intermittent incident. Refer to [GI-49, "Intermittent Incident"](#).

CLOSURE FUNCTION

CLOSURE FUNCTION : Description

INFOID:000000008492695

Trunk lid auto closure system does not operate when trunk lid closing operation is performed.

CLOSURE FUNCTION : Diagnosis Procedure

INFOID:000000008492696

1. REPLACE TRUNK CLOSURE ASSEMBLY

- Replace trunk closure assembly. Refer to [DLK-173, "Removal and Installation"](#).
- Confirm the operation after replacement.

Is the result normal?

YES >> INSPECTION END

NO >> Check intermittent incident. Refer to [GI-49, "Intermittent Incident"](#).

OPEN FUNCTION

OPEN FUNCTION : Description

INFOID:000000008492697

Trunk lid auto closure system does not operate when trunk lid opening operation is performed.

OPEN FUNCTION : Diagnosis Procedure

INFOID:000000008492698

1. CHECK TRUNK LID OPEN SIGNAL CIRCUIT

Check trunk lid open signal circuit.

Refer to [DLK-74, "Component Function Check"](#).

Is the inspection result normal?

YES >> GO TO 2.

NO >> Repair or replace the malfunctioning parts.

2. REPLACE TRUNK CLOSURE ASSEMBLY

- Replace trunk closure assembly. Refer to [DLK-173, "Removal and Installation"](#).
- Confirm the operation after replacement.

Is the result normal?

YES >> INSPECTION END

NO >> Check intermittent incident. Refer to [GI-49, "Intermittent Incident"](#).

A

B

C

D

E

F

G

H

I

J

DLK

L

M

N

O

P

FUEL LID LOCK ACTUATOR DOES NOT OPERATE

< SYMPTOM DIAGNOSIS >

FUEL LID LOCK ACTUATOR DOES NOT OPERATE

Diagnosis Procedure

INFOID:000000008142927

1. CHECK POWER DOOR LOCK OPERATION

Check power door lock operation.

Does door lock/unlock with door lock and unlock switch?

YES >> GO TO 2.

NO >> Refer to [DLK-98, "ALL DOOR : Diagnosis Procedure"](#).

2. CHECK FUEL LID LOCK ACTUATOR

Check fuel lid lock actuator.

Refer to [DLK-84, "Component Function Check"](#).

Is the inspection result normal?

YES >> GO TO 3.

NO >> Repair or replace the malfunctioning parts.

3. REPLACE BCM

• Replace BCM. Refer to [BCS-80, "Removal and Installation"](#).

• Confirm the operation after replacement.

Is the result normal?

YES >> INSPECTION END

NO >> Check intermittent incident. Refer to [GI-49, "Intermittent Incident"](#).

IGNITION POSITION WARNING FUNCTION DOES NOT OPERATE

< SYMPTOM DIAGNOSIS >

IGNITION POSITION WARNING FUNCTION DOES NOT OPERATE

Diagnosis Procedure

INFOID:000000008142928

1.CHECK POWER DOOR LOCK OPERATION

Check power door lock operation.

Does door lock/unlock with door lock and unlock switch?

YES >> GO TO 2.

NO >> Refer to [DLK-98, "ALL DOOR : Diagnosis Procedure"](#).

2.CHECK DOOR SWITCH

Check door switch.

Refer to [DLK-61, "Component Function Check"](#).

Is the inspection result normal?

YES >> GO TO 3.

NO >> Repair or replace the malfunctioning parts.

3.CHECK TRUNK LID OPEN SIGNAL CIRCUIT

Check trunk lid open signal circuit.

Refer to [DLK-74, "Component Function Check"](#).

Is the inspection result normal?

YES >> GO TO 4.

NO >> Repair or replace the malfunctioning parts.

4.REPLACE BCM

• Replace BCM. Refer to [BCS-80, "Removal and Installation"](#).

• Confirm the operation after replacement.

Is the result normal?

YES >> INSPECTION END

NO >> Check intermittent incident. Refer to [GI-49, "Intermittent Incident"](#).

A
B
C
D
E
F
G
H
I
J
L
M
N
O
P

DLK

SELECTIVE UNLOCK FUNCTION DOES NOT OPERATE

< SYMPTOM DIAGNOSIS >

SELECTIVE UNLOCK FUNCTION DOES NOT OPERATE

Diagnosis Procedure

INFOID:000000008142929

1. CHECK "DOOR LOCK-UNLOCK SET" SETTING IN "WORK SUPPORT"

1. Select "DOOR LOCK" of "BCM" using CONSULT.
2. Select "DOOR LOCK-UNLOCK SET" in "WORK SUPPORT" mode.
3. Check "DOOR LOCK-UNLOCK SET" setting in "WORK SUPPORT".
Refer to [DLK-31, "DOOR LOCK : CONSULT Function \(BCM - DOOR LOCK\)"](#).

Is the inspection result normal?

- YES >> GO TO 2.
NO >> Set "ON" in "DOOR LOCK-UNLOCK SET".

2. REPLACE BCM

- Replace BCM. Refer to [BCS-80, "Removal and Installation"](#).
- Confirm the operation after replacement.

Is the result normal?

- YES >> INSPECTION END
NO >> Check intermittent incident. Refer to [GI-49, "Intermittent Incident"](#).

VEHICLE SPEED SENSING AUTO LOCK OPERATION DOES NOT OPERATE

< SYMPTOM DIAGNOSIS >

VEHICLE SPEED SENSING AUTO LOCK OPERATION DOES NOT OPERATE

Diagnosis Procedure

INFOID:000000008142930

1. CHECK "AUTOMATIC LOCK/UNLOCK SELECT" SETTING IN "WORK SUPPORT"

1. Select "DOOR LOCK" of "BCM" using CONSULT.
2. Select "AUTOMATIC LOCK/UNLOCK SELECT" in "WORK SUPPORT" mode.
3. Check "AUTOMATIC LOCK/UNLOCK SELECT" setting in "WORK SUPPORT".
Refer to [DLK-31, "DOOR LOCK : CONSULT Function \(BCM - DOOR LOCK\)"](#).

Is the inspection result normal?

YES >> GO TO 2.

NO >> Set "Lock Only" or "Lock/Unlock" in "AUTOMATIC LOCK/UNLOCK SELECT".

2. CHECK "AUTOMATIC DOOR LOCK SELECT" SETTING IN "WORK SUPPORT"

1. Select "DOOR LOCK" of "BCM" using CONSULT.
2. Select "AUTOMATIC DOOR LOCK SELECT" in "WORK SUPPORT" mode.
3. Check "AUTOMATIC DOOR LOCK SELECT" setting in "WORK SUPPORT".
Refer to [DLK-31, "DOOR LOCK : CONSULT Function \(BCM - DOOR LOCK\)"](#).

Is the inspection result normal?

YES >> GO TO 3.

NO >> Set "VH SPD" in "AUTOMATIC DOOR LOCK SELECT".

3. REPLACE BCM

- Replace BCM. Refer to [BCS-80, "Removal and Installation"](#).
- Confirm the operation after replacement.

Is the result normal?

YES >> INSPECTION END

NO >> Check intermittent incident. Refer to [GI-49, "Intermittent Incident"](#).

A
B
C
D
E
F
G
H
I
J
L
M
N
O
P

DLK

IGN OFF INTERLOCK DOOR UNLOCK FUNCTION DOES NOT OPERATE

< SYMPTOM DIAGNOSIS >

IGN OFF INTERLOCK DOOR UNLOCK FUNCTION DOES NOT OPERATE

Diagnosis Procedure

INFOID:000000008142931

1. CHECK "AUTOMATIC LOCK/UNLOCK SELECT" SETTING IN "WORK SUPPORT"

1. Select "DOOR LOCK" of "BCM" using CONSULT.
2. Select "AUTOMATIC LOCK/UNLOCK SELECT" in "WORK SUPPORT" mode.
3. Check "AUTOMATIC LOCK/UNLOCK SELECT" setting in "WORK SUPPORT".
Refer to [DLK-31, "DOOR LOCK : CONSULT Function \(BCM - DOOR LOCK\)"](#).

Is the inspection result normal?

YES >> GO TO 2.

NO >> Set "Unlock Only" or "Lock/Unlock" in "AUTOMATIC LOCK/UNLOCK SELECT".

2. CHECK "AUTOMATIC DOOR UNLOCK SELECT" SETTING IN "WORK SUPPORT"

1. Select "DOOR LOCK" of "BCM" using CONSULT.
2. Select "AUTOMATIC DOOR UNLOCK SELECT" in "WORK SUPPORT" mode.
3. Check "AUTOMATIC DOOR UNLOCK SELECT" setting in "WORK SUPPORT".
Refer to [DLK-31, "DOOR LOCK : CONSULT Function \(BCM - DOOR LOCK\)"](#).

Is the inspection result normal?

YES >> GO TO 3.

NO >> Set "MODE 1" or "MODE 3" in "AUTOMATIC DOOR UNLOCK SELECT".

3. REPLACE BCM

- Replace BCM. Refer to [BCS-80, "Removal and Installation"](#).
- Confirm the operation after replacement.

Is the result normal?

YES >> INSPECTION END

NO >> Check intermittent incident. Refer to [GI-49, "Intermittent Incident"](#).

P RANGE INTERLOCK DOOR LOCK/UNLOCK FUNCTION DOES NOT OPERATE

< SYMPTOM DIAGNOSIS >

P RANGE INTERLOCK DOOR LOCK/UNLOCK FUNCTION DOES NOT OPERATE

Diagnosis Procedure

INFOID:000000008142932

1. CHECK "AUTOMATIC LOCK/UNLOCK SELECT" SETTING IN "WORK SUPPORT"

1. Select "DOOR LOCK" of "BCM" using CONSULT.
2. Select "AUTOMATIC LOCK/UNLOCK SELECT" in "WORK SUPPORT" mode.
3. Check "AUTOMATIC LOCK/UNLOCK SELECT" setting in "WORK SUPPORT".
Refer to [DLK-31, "DOOR LOCK : CONSULT Function \(BCM - DOOR LOCK\)"](#).

Is the inspection result normal?

YES >> GO TO 2.

NO >> Set "Unlock Only", "Lock Only" or "Lock/Unlock" in "AUTOMATIC LOCK/UNLOCK SELECT".

2. CHECK "AUTOMATIC DOOR LOCK SELECT" SETTING IN "WORK SUPPORT"

1. Select "DOOR LOCK" of "BCM" using CONSULT.
2. Select "AUTOMATIC DOOR LOCK SELECT" in "WORK SUPPORT" mode.
3. Check "AUTOMATIC DOOR LOCK SELECT" setting in "WORK SUPPORT".
Refer to [DLK-31, "DOOR LOCK : CONSULT Function \(BCM - DOOR LOCK\)"](#).

Is the inspection result normal?

YES >> GO TO 3.

NO >> Set "P RANGE" in "AUTOMATIC DOOR LOCK SELECT".

3. CHECK "AUTOMATIC DOOR UNLOCK SELECT" SETTING IN "WORK SUPPORT"

1. Select "DOOR LOCK" of "BCM" using CONSULT.
2. Select "AUTOMATIC DOOR UNLOCK SELECT" in "WORK SUPPORT" mode.
3. Check "AUTOMATIC DOOR UNLOCK SELECT" setting in "WORK SUPPORT".
Refer to [DLK-31, "DOOR LOCK : CONSULT Function \(BCM - DOOR LOCK\)"](#).

Is the inspection result normal?

YES >> GO TO 4.

NO >> Set "MODE 2" or "MODE 4" in "AUTOMATIC DOOR UNLOCK SELECT".

4. REPLACE BCM

- Replace BCM. Refer to [BCS-80, "Removal and Installation"](#).
- Confirm the operation after replacement.

Is the result normal?

YES >> INSPECTION END

NO >> Check intermittent incident. Refer to [GI-49, "Intermittent Incident"](#).

A
B
C
D
E
F
G
H
I
J
L
M
N
O
P

DLK

AUTO DOOR LOCK OPERATION DOES NOT OPERATE

< SYMPTOM DIAGNOSIS >

AUTO DOOR LOCK OPERATION DOES NOT OPERATE

Diagnosis Procedure

INFOID:000000008142933

1. CHECK "AUTO LOCK SET" SETTING IN "WORK SUPPORT"

1. Select "INTELLIGENT KEY" of "BCM" using CONSULT.
2. Select "AUTO LOCK SET" in "WORK SUPPORT" mode.
3. Check "AUTO LOCK SET" setting in "WORK SUPPORT".
Refer to [DLK-33, "INTELLIGENT KEY : CONSULT Function \(BCM - INTELLIGENT KEY\)"](#).

Is the inspection result normal?

YES >> GO TO 2.

NO >> Set "MODE 2", "MODE 3", "MODE 4", "MODE 5", "MODE 6" or "MODE 7" in "AUTO LOCK SET".

2. REPLACE BCM

- Replace BCM. Refer to [BCS-80, "Removal and Installation"](#).
- Confirm the operation after replacement.

Is the result normal?

YES >> INSPECTION END

NO >> Check intermittent incident. Refer to [GI-49, "Intermittent Incident"](#).

HAZARD AND HORN REMINDER DOES NOT OPERATE

< SYMPTOM DIAGNOSIS >

HAZARD AND HORN REMINDER DOES NOT OPERATE

Diagnosis Procedure

INFOID:000000008142934

1. CHECK "HAZARD ANSWER BACK" SETTING IN "WORK SUPPORT"

1. Select "INTELLIGENT KEY" of "BCM" using CONSULT.
2. Select "HAZARD ANSWER BACK" in "WORK SUPPORT" mode.
3. Check the "HAZARD ANSWER BACK" setting in "WORK SUPPORT".
Refer to [DLK-33, "INTELLIGENT KEY : CONSULT Function \(BCM - INTELLIGENT KEY\)"](#).

Is the inspection result normal?

- YES >> GO TO 2.
NO >> Set "Lock Only", "Unlock Only" or "Lock/Unlock" in "HAZARD ANSWER BACK".

2. CHECK "HORN WITH KEYLESS LOCK" SETTING IN "WORK SUPPORT"

1. Select "INTELLIGENT KEY" of "BCM" using CONSULT.
2. Select "HORN WITH KEYLESS LOCK" in "WORK SUPPORT" mode.
3. Check the "HORN WITH KEYLESS LOCK" setting in "WORK SUPPORT".
Refer to [DLK-33, "INTELLIGENT KEY : CONSULT Function \(BCM - INTELLIGENT KEY\)"](#).

Is the inspection result normal?

- YES >> GO TO 3.
NO >> Set "On" in "HORN WITH KEYLESS LOCK".

3. CHECK HAZARD FUNCTION

Check hazard function.
Refer to [DLK-97, "Component Function Check"](#).

Is the inspection result normal?

- YES >> GO TO 4.
NO >> Repair or replace the malfunctioning parts.

4. CHECK HORN FUNCTION

Check horn function.
Refer to [SEC-74, "Component Function Check"](#).

Is the inspection result normal?

- YES >> GO TO 5.
NO >> Repair or replace the malfunctioning parts.

5. REPLACE BCM

- Replace BCM. Refer to [BCS-80, "Removal and Installation"](#).
- Confirm the operation after replacement.

Is the result normal?

- YES >> INSPECTION END
NO >> Check intermittent incident. Refer to [GI-49, "Intermittent Incident"](#).

A
B
C
D
E
F
G
H
I
J
DLK
L
M
N
O
P

HAZARD AND BUZZER REMINDER DOES NOT OPERATE

< SYMPTOM DIAGNOSIS >

HAZARD AND BUZZER REMINDER DOES NOT OPERATE

Diagnosis Procedure

INFOID:000000008142935

1. CHECK "HAZARD ANSWER BACK" SETTING IN "WORK SUPPORT"

1. Select "INTELLIGENT KEY" of "BCM" using CONSULT.
2. Select "HAZARD ANSWER BACK" in "WORK SUPPORT" mode.
3. Check the "HAZARD ANSWER BACK" setting in "WORK SUPPORT".
Refer to [DLK-33, "INTELLIGENT KEY : CONSULT Function \(BCM - INTELLIGENT KEY\)".](#)

Is the inspection result normal?

YES >> GO TO 2.

NO >> Set "Lock Only", "Unlock Only" or "Lock/Unlock" in "HAZARD ANSWER BACK".

2. CHECK "ANS BACK I-KEY LOCK" SETTING IN "WORK SUPPORT"

1. Select "INTELLIGENT KEY" of "BCM" using CONSULT.
2. Select "ANS BACK I-KEY LOCK" in "WORK SUPPORT" mode.
3. Check the "ANS BACK I-KEY LOCK" setting in "WORK SUPPORT".
Refer to [DLK-33, "INTELLIGENT KEY : CONSULT Function \(BCM - INTELLIGENT KEY\)".](#)

Is the inspection result normal?

YES >> GO TO 3.

NO >> Set "Horn Chirp" or "Buzzer" in "ANS BACK I-KEY LOCK".

3. CHECK "ANS BACK I-KEY UNLOCK" SETTING IN "WORK SUPPORT"

1. Select "INTELLIGENT KEY" of "BCM" using CONSULT.
2. Select "ANS BACK I-KEY UNLOCK" in "WORK SUPPORT" mode.
3. Check the "ANS BACK I-KEY UNLOCK" setting in "WORK SUPPORT".
Refer to [DLK-33, "INTELLIGENT KEY : CONSULT Function \(BCM - INTELLIGENT KEY\)".](#)

Is the inspection result normal?

YES >> GO TO 4.

NO >> Set the "On" in "ANS BACK I-KEY UNLOCK".

4. CHECK HAZARD FUNCTION

Check hazard function.

Refer to [DLK-97, "Component Function Check".](#)

Is the inspection result normal?

YES >> GO TO 5.

NO >> Repair or replace the malfunctioning parts.

5. CHECK INTELLIGENT KEY WARNING BUZZER

Check Intelligent Key warning buzzer.

Refer to [DLK-92, "Component Function Check".](#)

Is the inspection result normal?

YES >> GO TO 6.

NO >> Repair or replace the malfunctioning parts.

6. REPLACE BCM

- Replace BCM. Refer to [BCS-80, "Removal and Installation".](#)
- Confirm the operation after replacement.

Is the result normal?

YES >> INSPECTION END

NO >> Check intermittent incident. Refer to [GI-49, "Intermittent Incident".](#)

KEY REMINDER FUNCTION DOES NOT OPERATE

< SYMPTOM DIAGNOSIS >

KEY REMINDER FUNCTION DOES NOT OPERATE

Diagnosis Procedure

INFOID:000000008142936

1. CHECK "ANTI KEY LOCK IN FUNCTI" SETTING IN "WORK SUPPORT"

1. Select "INTELLIGENT KEY" of "BCM" using CONSULT.
2. Select "ANTI KEY LOCK IN FUNCTI" in "WORK SUPPORT" mode.
3. Check "ANTI KEY LOCK IN FUNCTI" setting in "WORK SUPPORT".
Refer to [DLK-33, "INTELLIGENT KEY : CONSULT Function \(BCM - INTELLIGENT KEY\)"](#).

Is the inspection result normal?

- YES >> GO TO 2.
NO >> Set "On" in "ANTI KEY LOCK IN FUNCTI".

2. CHECK INSIDE KEY ANTENNA

Check inside key antenna.

- Instrument center: Refer to [DLK-48, "DTC Logic"](#).
- Console: Refer to [DLK-50, "DTC Logic"](#).
- Trunk room: Refer to [DLK-52, "DTC Logic"](#).

Is the inspection result normal?

- YES >> GO TO 3.
NO >> Repair or replace the malfunctioning parts.

3. CHECK DOOR SWITCH

Check door switch.

Refer to [DLK-61, "Component Function Check"](#).

Is the inspection result normal?

- YES >> GO TO 4.
NO >> Repair or replace the malfunctioning parts.

4. CHECK TRUNK LID OPEN SIGNAL CIRCUIT

Check trunk lid open signal circuit.

Refer to [DLK-74, "Component Function Check"](#).

Is the inspection result normal?

- YES >> GO TO 5.
NO >> Repair or replace the malfunctioning parts.

5. CHECK UNLOCK SENSOR

Check unlock sensor.

Refer to [DLK-90, "Component Function Check"](#).

Is the inspection result normal?

- YES >> GO TO 6.
NO >> Repair or replace the malfunctioning parts.

6. REPLACE BCM

- Replace BCM. Refer to [BCS-80, "Removal and Installation"](#).
- Confirm the operation after replacement.

Is the result normal?

- YES >> INSPECTION END
NO >> Check intermittent incident. Refer to [GI-49, "Intermittent Incident"](#).

A
B
C
D
E
F
G
H
I
J
L
M
N
O
P

DLK

WELCOME LIGHT FUNCTION DOES NOT OPERATE

< SYMPTOM DIAGNOSIS >

WELCOME LIGHT FUNCTION DOES NOT OPERATE

Diagnosis Procedure

INFOID:000000008142937

1. CHECK "WELCOME LIGHT OP SET" SETTING IN "WORK SUPPORT"

1. Select "INTELLIGENT KEY" of "BCM" using CONSULT.
2. Select "WELCOME LIGHT OP SET" in "WORK SUPPORT" mode.
3. Check "WELCOME LIGHT OP SET" setting in "WORK SUPPORT".
Refer to [DLK-33, "INTELLIGENT KEY : CONSULT Function \(BCM - INTELLIGENT KEY\)"](#).

Is the inspection result normal?

- YES >> GO TO 2.
NO >> Set "On" and "WELCOME LIGHT SELECT" in "WORK SUPPORT".

2. CHECK "WELCOME LIGHT SELECT" SETTING IN "WORK SUPPORT"

1. Select "INTELLIGENT KEY" of "BCM" using CONSULT.
2. Select "WELCOME LIGHT SELECT" in "WORK SUPPORT" mode.
3. Check "WELCOME LIGHT SELECT" setting in "WORK SUPPORT".
Refer to [DLK-33, "INTELLIGENT KEY : CONSULT Function \(BCM - INTELLIGENT KEY\)"](#).

Is the inspection result normal?

- YES >> GO TO 3.
NO >> Set "WELCOME LIGHT SELECT" setting in "WORK SUPPORT".

3. CHECK INSIDE KEY ANTENNA

Check inside key antenna.

- Instrument center: Refer to [DLK-48, "DTC Logic"](#).
- Console: Refer to [DLK-50, "DTC Logic"](#).
- Trunk room: Refer to [DLK-52, "DTC Logic"](#).

Is the inspection result normal?

- YES >> GO TO 4.
NO >> Repair or replace the malfunctioning parts.

4. CHECK OUTSIDE KEY ANTENNA

Check outside key antenna.

- Driver side: Refer to [DLK-54, "DTC Logic"](#).
- Passenger side: Refer to [DLK-56, "DTC Logic"](#).
- Rear bumper: Refer to [DLK-58, "DTC Logic"](#).

Is the inspection result normal?

- YES >> GO TO 5.
NO >> Repair or replace the malfunctioning parts.

5. CHECK REMOTE KEYLESS ENTRY FUNCTION

Check remote keyless entry function

Does door lock/unlock with Intelligent Key button?

- YES >> GO TO 6.
NO >> Refer to [DLK-104, "Diagnosis Procedure"](#).

6. CHECK INTERIOR ROOM LAMP CONTROL SYSTEM

Check interior room lamp control system. Refer to [INL-6, "INTERIOR ROOM LAMP CONTROL SYSTEM : System Description"](#).

Does the room lamp and puddle lamp turn ON?

- YES >> GO TO 7.
NO >> Refer to [INL-40, "Symptom Table"](#).

7. REPLACE BCM

- Replace BCM. Refer to [BCS-80, "Removal and Installation"](#).
- Confirm the operation after replacement.

Is the result normal?

WELCOME LIGHT FUNCTION DOES NOT OPERATE

< SYMPTOM DIAGNOSIS >

YES >> INSPECTION END

NO >> Check intermittent incident. Refer to [GI-49, "Intermittent Incident"](#).

A

B

C

D

E

F

G

H

I

J

DLK

L

M

N

O

P

OFF POSITION WARNING DOES NOT OPERATE

< SYMPTOM DIAGNOSIS >

OFF POSITION WARNING DOES NOT OPERATE

Diagnosis Procedure

INFOID:000000008142938

1. CHECK DTC WITH BCM

Check that DTC is not detected with BCM.

Is the inspection result normal?

YES >> GO TO 2.

NO >> Perform trouble diagnosis relevant to DTC indicated.

2. CHECK DTC WITH COMBINATION METER

Check that DTC is not detected with combination meter.

Is the inspection result normal?

YES >> GO TO 3.

NO >> Perform trouble diagnosis relevant to DTC indicated.

3. CHECK COMBINATION METER BUZZER

Check combination meter buzzer.

Refer to [DLK-96, "Component Function Check"](#).

Is the inspection result normal?

YES >> GO TO 4.

NO >> Repair or replace the malfunctioning parts.

4. CHECK INTELLIGENT KEY WARNING BUZZER

Check Intelligent Key warning buzzer.

Refer to [DLK-92, "Component Function Check"](#).

Is the inspection result normal?

YES >> GO TO 5.

NO >> Repair or replace the malfunctioning parts.

5. CHECK DOOR SWITCH

Check door switch (driver side).

Refer to [DLK-61, "Component Function Check"](#).

Is the inspection result normal?

YES >> GO TO 6.

NO >> Repair or replace the malfunctioning parts.

6. REPLACE BCM

• Replace BCM. Refer to [BCS-80, "Removal and Installation"](#).

• Confirm the operation after replacement.

Is the result normal?

YES >> INSPECTION END

NO >> Check intermittent incident. Refer to [GI-49, "Intermittent Incident"](#).

P POSITION WARNING DOES NOT OPERATE

< SYMPTOM DIAGNOSIS >

P POSITION WARNING DOES NOT OPERATE

Diagnosis Procedure

INFOID:000000008142939

1.CHECK DTC WITH BCM

Check that DTC is not detected with BCM.

Is the inspection result normal?

YES >> GO TO 2.

NO >> Perform trouble diagnosis relevant to DTC indicated.

2.CHECK DTC WITH COMBINATION METER

Check that DTC is not detected with combination meter.

Is the inspection result normal?

YES >> GO TO 3.

NO >> Perform trouble diagnosis relevant to DTC indicated.

3.CHECK INTELLIGENT KEY WARNING BUZZER

Check Intelligent Key warning buzzer.

Refer to [DLK-92, "Component Function Check"](#).

Is the inspection result normal?

YES >> GO TO 4.

NO >> Repair or replace the malfunctioning parts.

4.CHECK COMBINATION METER BUZZER

Check combination meter buzzer.

Refer to [DLK-96, "Component Function Check"](#).

Is the inspection result normal?

YES >> GO TO 5.

NO >> Repair or replace the malfunctioning parts.

5.CHECK DOOR SWITCH

Check door switch (driver side).

Refer to [DLK-61, "Component Function Check"](#).

Is the inspection result normal?

YES >> GO TO 6.

NO >> Repair or replace the malfunctioning parts.

6.CHECK INFORMATION DISPLAY

Check information display.

Refer to [DLK-95, "Component Function Check"](#).

Is the inspection result normal?

YES >> GO TO 7.

NO >> Repair or replace the malfunctioning parts.

7.REPLACE BCM

• Replace BCM. Refer to [BCS-80, "Removal and Installation"](#).

• Confirm the operation after replacement.

Is the result normal?

YES >> INSPECTION END

NO >> Check intermittent incident. Refer to [GI-49, "Intermittent Incident"](#).

A
B
C
D
E
F
G
H
I
J
L
M
N
O
P

DLK

ACC WARNING DOES NOT OPERATE

< SYMPTOM DIAGNOSIS >

ACC WARNING DOES NOT OPERATE

Diagnosis Procedure

INFOID:000000008142940

1. CHECK DTC WITH BCM

Check that DTC is not detected with BCM.

Is the inspection result normal?

YES >> GO TO 2.

NO >> Perform trouble diagnosis relevant to DTC indicated.

2. CHECK DTC WITH COMBINATION METER

Check that DTC is not detected with combination meter.

Is the inspection result normal?

YES >> GO TO 3.

NO >> Perform trouble diagnosis relevant to DTC indicated.

3. CHECK COMBINATION METER BUZZER

Check combination meter buzzer.

Refer to [DLK-96, "Component Function Check"](#).

Is the inspection result normal?

YES >> GO TO 4.

NO >> Repair or replace the malfunctioning parts.

4. CHECK INFORMATION DISPLAY

Check information display.

Refer to [DLK-95, "Component Function Check"](#).

Is the inspection result normal?

YES >> GO TO 5.

NO >> Repair or replace the malfunctioning parts.

5. REPLACE BCM

• Replace BCM. Refer to [BCS-80, "Removal and Installation"](#).

• Confirm the operation after replacement.

Is the result normal?

YES >> INSPECTION END

NO >> Check intermittent incident. Refer to [GI-49, "Intermittent Incident"](#).

TAKE AWAY WARNING DOES NOT OPERATE

< SYMPTOM DIAGNOSIS >

TAKE AWAY WARNING DOES NOT OPERATE

Diagnosis Procedure

INFOID:000000008142941

1.CHECK DTC WITH BCM

Check that DTC is not detected with BCM.

Is the inspection result normal?

YES >> GO TO 2.

NO >> Perform trouble diagnosis relevant to DTC indicated.

2.CHECK DTC WITH COMBINATION METER

Check that DTC is not detected with combination meter.

Is the inspection result normal?

YES >> GO TO 3.

NO >> Perform trouble diagnosis relevant to DTC indicated.

3.CHECK DOOR SWITCH

Check door switch.

Refer to [DLK-61, "Component Function Check"](#).

Is the inspection result normal?

YES >> GO TO 4.

NO >> Repair or replace the malfunctioning parts.

4.CHECK TRUNK LID OPEN SIGNAL CIRCUIT

Check trunk lid open signal circuit.

Refer to [DLK-74, "Component Function Check"](#).

Is the inspection result normal?

YES >> GO TO 5.

NO >> Repair or replace the malfunctioning parts.

5.CHECK COMBINATION METER BUZZER

Check combination meter buzzer.

Refer to [DLK-96, "Component Function Check"](#).

Is the inspection result normal?

YES >> GO TO 6.

NO >> Repair or replace the malfunctioning parts.

6.CHECK INFORMATION DISPLAY

Check information display.

Refer to [DLK-95, "Component Function Check"](#).

Is the inspection result normal?

YES >> GO TO 7.

NO >> Repair or replace the malfunctioning parts.

7.CHECK INTELLIGENT KEY WARNING BUZZER

Check Intelligent Key warning buzzer.

Refer to [DLK-92, "Component Function Check"](#).

Is the inspection result normal?

YES >> GO TO 8.

NO >> Repair or replace the malfunctioning parts.

8.REPLACE BCM

- Replace BCM. Refer to [BCS-80, "Removal and Installation"](#).
- Confirm the operation after replacement.

Is the result normal?

YES >> INSPECTION END

A

B

C

D

E

F

G

H

I

J

DLK

L

M

N

O

P

TAKE AWAY WARNING DOES NOT OPERATE

< SYMPTOM DIAGNOSIS >

NO >> Check intermittent incident. Refer to [GI-49, "Intermittent Incident"](#).

INTELLIGENT KEY LOW BATTERY WARNING DOES NOT OPERATE

< SYMPTOM DIAGNOSIS >

INTELLIGENT KEY LOW BATTERY WARNING DOES NOT OPERATE

Diagnosis Procedure

INFOID:000000008142942

1. CHECK DTC WITH BCM

Check that DTC is not detected with BCM.

Is the inspection result normal?

YES >> GO TO 2.

NO >> Perform trouble diagnosis relevant to DTC indicated.

2. CHECK DTC WITH COMBINATION METER

Check that DTC is not detected with combination meter.

Is the inspection result normal?

YES >> GO TO 3.

NO >> Perform trouble diagnosis relevant to DTC indicated.

3. CHECK "LO- BATT OF KEY FOB WARN" SETTING IN "WORK SUPPORT"

1. Select "INTELLIGENT KEY" of "BCM" using CONSULT.

2. Select "LO- BATT OF KEY FOB WARN" in "WORK SUPPORT" mode.

3. Check "LO-BATT OF KEY FOB WARN" setting in "WORK SUPPORT".

Refer to [DLK-33. "INTELLIGENT KEY : CONSULT Function \(BCM - INTELLIGENT KEY\)".](#)

Is the inspection result normal?

YES >> GO TO 4.

NO >> Set "ON" setting in "WORK SUPPORT".

4. CHECK INTELLIGENT KEY BATTERY

Check Intelligent Key battery.

Refer to [DLK-94. "Component Inspection".](#)

Is the inspection result normal?

YES >> GO TO 5.

NO >> Repair or replace the malfunctioning parts.

5. CHECK INFORMATION DISPLAY

Check information display.

Refer to [DLK-95. "Component Function Check".](#)

Is the inspection result normal?

YES >> GO TO 6.

NO >> Repair or replace the malfunctioning parts.

6. REPLACE BCM

• Replace BCM. Refer to [BCS-80. "Removal and Installation".](#)

• Confirm the operation after replacement.

Is the result normal?

YES >> INSPECTION END

NO >> Check intermittent incident. Refer to [GI-49. "Intermittent Incident".](#)

A
B
C
D
E
F
G
H
I
J
DLK
L
M
N
O
P

DOOR LOCK OPERATION WARNING DOES NOT OPERATE

< SYMPTOM DIAGNOSIS >

DOOR LOCK OPERATION WARNING DOES NOT OPERATE

Diagnosis Procedure

INFOID:000000008142943

1. CHECK DOOR LOCK FUNCTION

Check door lock function.

Does door lock/unlock using door request switch?

YES >> GO TO 2.

NO >> Refer to [DLK-102, "ALL DOOR : Diagnosis Procedure"](#).

2. CHECK INTELLIGENT KEY WARNING BUZZER

Check Intelligent Key warning buzzer.

Refer to [DLK-92, "Component Function Check"](#).

Is the inspection result normal?

YES >> GO TO 3.

NO >> Repair or replace the malfunctioning parts.

3. REPLACE BCM

• Replace BCM. Refer to [BCS-80, "Removal and Installation"](#).

• Confirm the operation after replacement.

Is the result normal?

YES >> INSPECTION END

NO >> Check intermittent incident. Refer to [GI-49, "Intermittent Incident"](#).

KEY ID WARNING DOES NOT OPERATE

< SYMPTOM DIAGNOSIS >

KEY ID WARNING DOES NOT OPERATE

Diagnosis Procedure

INFOID:000000008142944

1.CHECK DTC WITH BCM

Check that DTC is not detected with BCM.

Is the inspection result normal?

YES >> GO TO 2.

NO >> Perform trouble diagnosis relevant to DTC indicated.

2.CHECK DTC WITH COMBINATION METER

Check that DTC is not detected with combination meter.

Is the inspection result normal?

YES >> GO TO 3.

NO >> Perform trouble diagnosis relevant to DTC indicated.

3.CHECK INTELLIGENT KEY BATTERY

Check Intelligent Key battery.

Refer to [DLK-94, "Component Inspection"](#).

Is the inspection result normal?

YES >> GO TO 4.

NO >> Repair or replace the malfunctioning parts.

4.CHECK INFORMATION DISPLAY

Check information display

Refer to [DLK-95, "Component Function Check"](#).

Is the inspection result normal?

YES >> GO TO 5.

NO >> Repair or replace the malfunctioning parts.

5.CHECK INSIDE KEY ANTENNA

Check inside key antenna.

- Instrument center: Refer to [DLK-48, "DTC Logic"](#).
- Console: Refer to [DLK-50, "DTC Logic"](#).
- Trunk room: Refer to [DLK-52, "DTC Logic"](#).

Is the inspection result normal?

YES >> GO TO 6.

NO >> Repair or replace the malfunctioning parts.

6.REPLACE BCM

- Replace BCM. Refer to [BCS-80, "Removal and Installation"](#).
- Confirm the operation after replacement.

Is the result normal?

YES >> INSPECTION END

NO >> Check intermittent incident. Refer to [GI-49, "Intermittent Incident"](#).

A
B
C
D
E
F
G
H
I
J
L
M
N
O
P

DLK

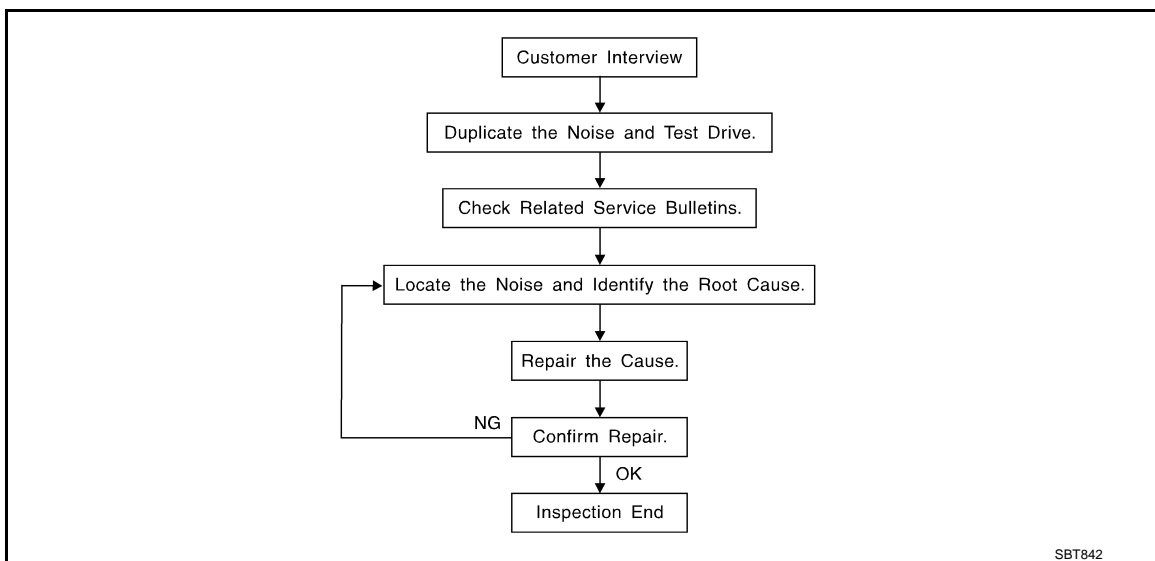
SQUEAK AND RATTLE TROUBLE DIAGNOSES

< SYMPTOM DIAGNOSIS >

SQUEAK AND RATTLE TROUBLE DIAGNOSES

Work Flow

INFOID:000000008142945



CUSTOMER INTERVIEW

Interview the customer if possible, to determine the conditions that exist when the noise occurs. Use the Diagnostic Worksheet during the interview to document the facts and conditions when the noise occurs and any of customer's comments; refer to [DLK-134, "Diagnostic Worksheet"](#). This information is necessary to duplicate the conditions that exist when the noise occurs.

- The customer may not be able to provide a detailed description or the location of the noise. Attempt to obtain all the facts and conditions that exist when the noise occurs (or does not occur).
- If there is more than one noise in the vehicle, perform a diagnosis and repair the noise that the customer is concerned about. This can be accomplished by performing a cruise test on the vehicle with the customer.
- After identifying the type of noise, isolate the noise in terms of its characteristics. The noise characteristics are provided so the customer, service adviser and technician are all speaking the same language when defining the noise.
- Squeak – (Like tennis shoes on a clean floor)
Squeak characteristics include the light contact/fast movement/brought on by road conditions/hard surfaces = higher pitch noise/softer surfaces = lower pitch noises/edge to surface = chirping
- Creak – (Like walking on an old wooden floor)
Creak characteristics include firm contact/slow movement/twisting with a rotational movement/pitch dependent on materials/often brought on by activity.
- Rattle – (Like shaking a baby rattle)
Rattle characteristics include the fast repeated contact/vibration or similar movement/loose parts/missing clip or fastener/incorrect clearance.
- Knock – (Like a knock on a door)
Knock characteristics include hollow sounding/sometimes repeating/often brought on by driver action.
- Tick – (Like a clock second hand)
Tick characteristics include gentle contacting of light materials/loose components/can be caused by driver action or road conditions.
- Thump – (Heavy, muffled knock noise)
Thump characteristics include softer knock/dead sound often brought on by activity.
- Buzz – (Like a bumblebee)
Buzz characteristics include high frequency rattle/firm contact.
- Often the degree of acceptable noise level will vary depending up on the person. A noise that a technician may judge as acceptable may be very irritating to the customer.
- Weather conditions, especially humidity and temperature, may have a great effect on noise level.

DUPLICATE THE NOISE AND TEST DRIVE

If possible, drive the vehicle with the customer until the noise is duplicated. Note any additional information on the Diagnostic Worksheet regarding the conditions or location of the noise. This information can be used to duplicate the same conditions when the repair is reconfirmed.

SQUEAK AND RATTLE TROUBLE DIAGNOSES

< SYMPTOM DIAGNOSIS >

If the noise can be duplicated easily during the test drive, to help identify the source of the noise, try to duplicate the noise with the vehicle stopped by doing one or all of the following:

- 1) Close a door.
 - 2) Tap or push/pull around the area where the noise appears to be coming from.
 - 3) Rev the engine.
 - 4) Use a floor jack to recreate vehicle "twist".
 - 5) At idle, apply engine load (electrical load, half-clutch on M/T models, drive position on A/T models).
 - 6) Raise the vehicle on a hoist and hit a tire with a rubber hammer.
- Drive the vehicle and attempt to duplicate the conditions the customer states exist when the noise occurs.
 - If it is difficult to duplicate the noise, drive the vehicle slowly on an undulating or rough road to stress the vehicle body.

CHECK RELATED SERVICE BULLETINS

After verifying the customer concern or symptom, check ASIST for Technical Service Bulletins (TSBs) related to that concern or symptom.

If a TSB relates to the symptom, follow the procedure to repair the noise.

LOCATE THE NOISE AND IDENTIFY THE ROOT CAUSE

1. Narrow down the noise to a general area. To help pinpoint the source of the noise, use a listening tool (Chassis ear: J-39570, Engine ear and mechanics stethoscope).
2. Narrow down the noise to a more specific area and identify the cause of the noise by:
 - Removing the components in the area that is are suspected to be the cause of the noise.
Do not use too much force when removing clips and fasteners, otherwise clips and fastener can be broken or lost during the repair, resulting in the creation of new noise.
 - Tapping or pushing/pulling the component that is are suspected to be the cause of the noise.
Do not tap or push/pull the component with excessive force, otherwise the noise will be eliminated only temporarily.
 - Feeling for a vibration by hand by touching the component(s) that is are suspected to be the cause of the noise.
 - Placing a piece of paper between components that are suspected to be the cause of the noise.
 - Looking for loose components and contact marks.
Refer to [DLK-132, "Inspection Procedure"](#).

REPAIR THE CAUSE

- If the cause is a loose component, tighten the component securely.
- If the cause is insufficient clearance between components:
 - Separate components by repositioning or loosening and retightening the component, if possible.
 - Insulate components with a suitable insulator such as urethane pads, foam blocks, felt cloth tape or urethane tape. A Nissan Squeak and Rattle Kit (J-43980) is available through the authorized Nissan Parts Department.

CAUTION:

Never use excessive force as many components are constructed of plastic and may be damaged.

NOTE:

Always check with the Parts Department for the latest parts information.

The following materials are contained in the Nissan Squeak and Rattle Kit (J-43980). Each item can be ordered separately as needed.

URETHANE PADS [1.5 mm (0.059 in) thick]

Insulates connectors, harness, etc.

76268-9E005: 100 × 135 mm (3.94 × 5.31 in)/76884-71L01: 60 × 85 mm (2.36 × 3.35 in)/76884-71L02: 15 × 25 mm (0.59 × 0.98 in)

INSULATOR (Foam blocks)

Insulates components from contact. Can be used to fill space behind a panel.

73982-9E000: 45 mm (1.77 in) thick, 50 × 50 mm (1.97 × 1.97 in)/73982-

50Y00: 10 mm (0.39 in) thick, 50 × 50 mm (1.97 × 1.97 in)

INSULATOR (Light foam block)

80845-71L00: 30 mm (1.18 in) thick, 30 × 50 mm (1.18 × 1.97in)

FELT CLOTHTAPE

Used to insulate where movement does not occur. Ideal for instrument panel applications.

68370-4B000: 15 × 25 mm (0.59 × 0.98 in) pad/68239-13E00: 5 mm (0.20 in) wide tape roll

The following materials, not found in the kit, can also be used to repair squeaks and rattles.

UHMW (TEFLON) TAPE

SQUEAK AND RATTLE TROUBLE DIAGNOSES

< SYMPTOM DIAGNOSIS >

Insulates where slight movement is present. Ideal for instrument panel applications.

SILICONE GREASE

Used in place of UHMW tape that is be visible or does not fit. Will only last a few months.

SILICONE SPRAY

Used when grease cannot be applied.

DUCT TAPE

Used to eliminate movement.

CONFIRM THE REPAIR

Confirm that the cause of a noise is repaired by test driving the vehicle. Operate the vehicle under the same conditions as when the noise originally occurred. Refer to the notes on the Diagnostic Worksheet.

Inspection Procedure

INFOID:000000008142946

Refer to Table of Contents for specific component removal and installation information.

INSTRUMENT PANEL

Most incidents are caused by contact and movement between:

1. The cluster lid A and instrument panel
2. Acrylic lens and combination meter housing
3. Instrument panel to front pillar garnish
4. Instrument panel to windshield
5. Instrument panel mounting pins
6. Wiring harnesses behind the combination meter
7. A/C defroster duct and duct joint

These incidents can usually be located by tapping or moving the components to duplicate the noise or by pressing on the components while driving to stop the noise. Most of these incidents can be repaired by applying felt cloth tape or silicon spray (in hard to reach areas). Urethane pads can be used to insulate wiring harness.

CAUTION:

Never use silicone spray to isolate a squeak or rattle. If the area is saturated with silicone, the recheck of repair becomes impossible.

CENTER CONSOLE

Components to pay attention to include:

1. Shifter assembly cover to finisher
2. A/C control unit and cluster lid C
3. Wiring harnesses behind audio and A/C control unit

The instrument panel repair and isolation procedures also apply to the center console.

DOORS

Pay attention to the following:

1. Finisher and inner panel making a slapping noise
2. Inside handle escutcheon to door finisher
3. Wiring harnesses tapping
4. Door striker out of alignment causing a popping noise on starts and stops

Tapping or moving the components or pressing on them while driving to duplicate the conditions can isolate many of these incidents. The areas can usually be insulated with felt cloth tape or insulator foam blocks from the Nissan Squeak and Rattle Kit (J-43980) to repair the noise.

TRUNK

Trunk noises are often caused by a loose jack or loose items put into the trunk by the customer.

In addition look for the following:

1. Trunk lid dumpers out of adjustment
2. Trunk lid striker out of adjustment
3. The trunk lid torsion bars knocking together
4. A loose license plate or bracket

SQUEAK AND RATTLE TROUBLE DIAGNOSES

< SYMPTOM DIAGNOSIS >

Most of these incidents can be repaired by adjusting, securing or insulating the item(s) or component(s) causing the noise.

SUNROOF/HEADLINING

Noises in the sunroof/headlining area can often be traced to one of the following:

1. Sunroof lid, rail, linkage or seals making a rattle or light knocking noise
2. Sunvisor shaft shaking in the holder
3. Front or rear windshield touching headlining and squeaking

Again, pressing on the components to stop the noise while duplicating the conditions can isolate most of these incidents. Repairs usually consist of insulating with felt cloth tape.

SEATS

When isolating seat noise it's important to note the position the seats in and the load placed on the seat when the noise occurs. These conditions should be duplicated when verifying and isolating the cause of the noise.

Cause of seat noise include:

1. Headrest rods and holder
2. A squeak between the seat pad cushion and frame
3. The rear seatback lock and bracket

These noises can be isolated by moving or pressing on the suspected components while duplicating the conditions under which the noise occurs. Most of these incidents can be repaired by repositioning the component or applying urethane tape to the contact area.

UNDERHOOD

Some interior noise may be caused by components under the hood or on the engine wall. The noise is then transmitted into the passenger compartment.

Causes of transmitted underhood noise include:

1. Any component mounted to the engine wall
2. Components that pass through the engine wall
3. Engine wall mounts and connectors
4. Loose radiator mounting pins
5. Hood bumpers out of adjustment
6. Hood striker out of adjustment

These noises can be difficult to isolate since they cannot be reached from the interior of the vehicle. The best method is to secure, move or insulate one component at a time and test drive the vehicle. Also, engine RPM or load can be changed to isolate the noise. Repairs can usually be made by moving, adjusting, securing, or insulating the component causing the noise.

A
B
C
D
E
F
G
H
I
J
DLK
L
M
N
O
P

SQUEAK AND RATTLE TROUBLE DIAGNOSES

< SYMPTOM DIAGNOSIS >

Diagnostic Worksheet

INFOID:000000008142947



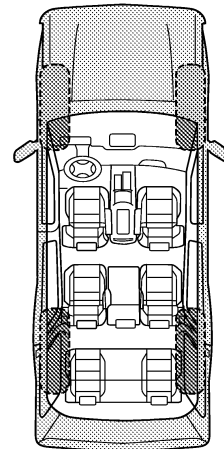
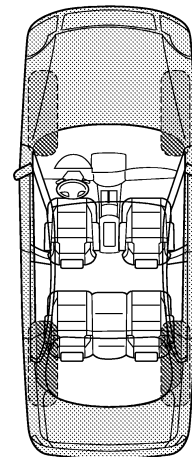
SQUEAK & RATTLE DIAGNOSTIC WORKSHEET

Dear Infiniti Customer:

We are concerned about your satisfaction with your Infiniti vehicle. Repairing a squeak or rattle sometimes can be very difficult. To help us fix your Infiniti right the first time, please take a moment to note the area of the vehicle where the squeak or rattle occurs and under what conditions. You may be asked to take a test drive with a service consultant or technician to ensure we confirm the noise you are hearing.

I. WHERE DOES THE NOISE COME FROM? (circle the area of the vehicle)

The illustrations are for reference only, and may not reflect the actual configuration of your vehicle.



Continue to page 2 of the worksheet and briefly describe the location of the noise or rattle. In addition, please indicate the conditions which are present when the noise occurs.

PIIB8741E

SQUEAK AND RATTLE TROUBLE DIAGNOSES

< SYMPTOM DIAGNOSIS >

SQUEAK & RATTLE DIAGNOSTIC WORKSHEET - page 2

Briefly describe the location where the noise occurs:

II. WHEN DOES IT OCCUR? (please check the boxes that apply)

- | | |
|---|--|
| <input type="checkbox"/> anytime | <input type="checkbox"/> after sitting out in the rain |
| <input type="checkbox"/> 1st time in the morning | <input type="checkbox"/> when it is raining or wet |
| <input type="checkbox"/> only when it is cold outside | <input type="checkbox"/> dry or dusty conditions |
| <input type="checkbox"/> only when it is hot outside | <input type="checkbox"/> other: |

III. WHEN DRIVING:

- through driveways
- over rough roads
- over speed bumps
- only about ____ mph
- on acceleration
- coming to a stop
- on turns: left, right or either (circle)
- with passengers or cargo
- other: _____
- after driving ____ miles or ____ minutes

IV. WHAT TYPE OF NOISE

- squeak (like tennis shoes on a clean floor)
- creak (like walking on an old wooden floor)
- rattle (like shaking a baby rattle)
- knock (like a knock at the door)
- tick (like a clock second hand)
- thump (heavy, muffled knock noise)
- buzz (like a bumble bee)

TO BE COMPLETED BY DEALERSHIP PERSONNEL

Test Drive Notes:

	YES	NO	Initials of person performing
Vehicle test driven with customer	<input type="checkbox"/>	<input type="checkbox"/>	_____
- Noise verified on test drive	<input type="checkbox"/>	<input type="checkbox"/>	_____
- Noise source located and repaired	<input type="checkbox"/>	<input type="checkbox"/>	_____
- Follow up test drive performed to confirm repair	<input type="checkbox"/>	<input type="checkbox"/>	_____

VIN: _____ Customer Name: _____
W.O.# _____ Date: _____

This form must be attached to Work Order

PIIB8742E

A
B
C
D
E
F
G
H
I
J
L
M
N
O
P

DLK

HOOD

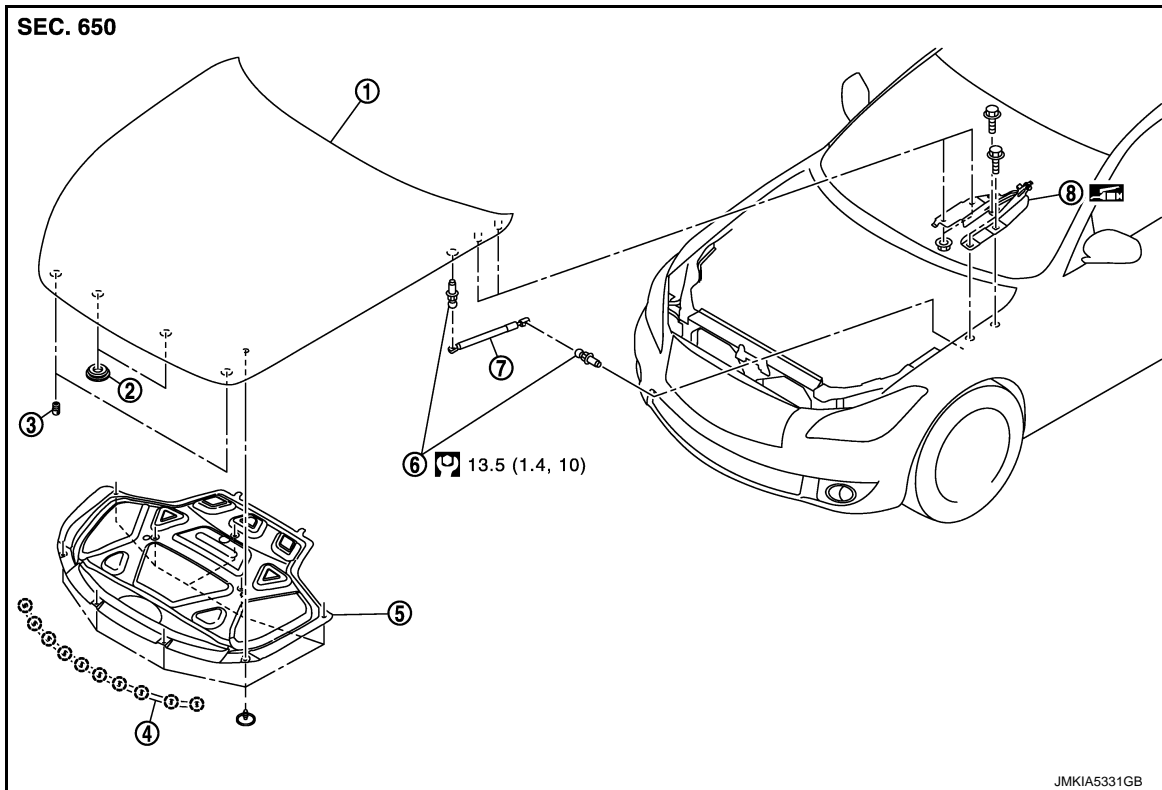
< REMOVAL AND INSTALLATION >

REMOVAL AND INSTALLATION


HOOD

Exploded View

INFOID:000000008142948



- | | | |
|-----------------------|-------------------|------------------|
| 1. Hood assembly | 2. Grommet | 3. Bumper rubber |
| 4. Radiator core seal | 5. Hood insulator | 6. Stud ball |
| 7. Hood stay | 8. Hood hinge | |

 : Clip

Refer to [GI-5, "Components"](#) for symbols in the figure.

HOOD ASSEMBLY

HOOD ASSEMBLY : Removal and Installation

INFOID:000000008142949

CAUTION:

Operate with 2 workers, because of its heavy weight.

REMOVAL

1. Remove washer nozzle (LH and RH) and washer tube. Refer to [WW-43, "Removal and Installation"](#).
2. Support hood lock assembly with a proper material to prevent it from falling.

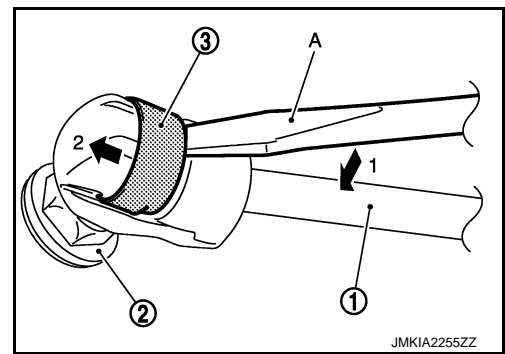
WARNING:

Body injury may occur if no supporting rod is holding the hood open when removing the hood stay.

HOOD

< REMOVAL AND INSTALLATION >

3. Remove the metal clip (3) located on the connection between the hood stay (1) and the stud ball (2) (hood side), by using a flattened-blade screwdriver (A).
4. Disengage the stud ball from the hood stay (hood side).



5. Remove hood hinge mounting nuts on the hood to remove the hood assembly.
6. Remove following parts after removing the hood assembly.
 - Radiator core seal
 - Hood insulator
 - Hood bumper rubber
 - Hood striker

INSTALLATION

Note the following item, and install in the reverse order of removal.

CAUTION:

- Before installing hood hinge, apply anticorrosive agent onto the mounting surface of the vehicle body.
- After installing, perform hood fitting adjustment. Refer to [DLK-138, "HOOD ASSEMBLY : Adjustment"](#).
- After installing, perform front washer nozzle and tube inspection and adjustment. Refer to [WW-44, "Inspection and Adjustment"](#).

A
B
C
D
E
F
G
H
I
J
L
M
N
O
P

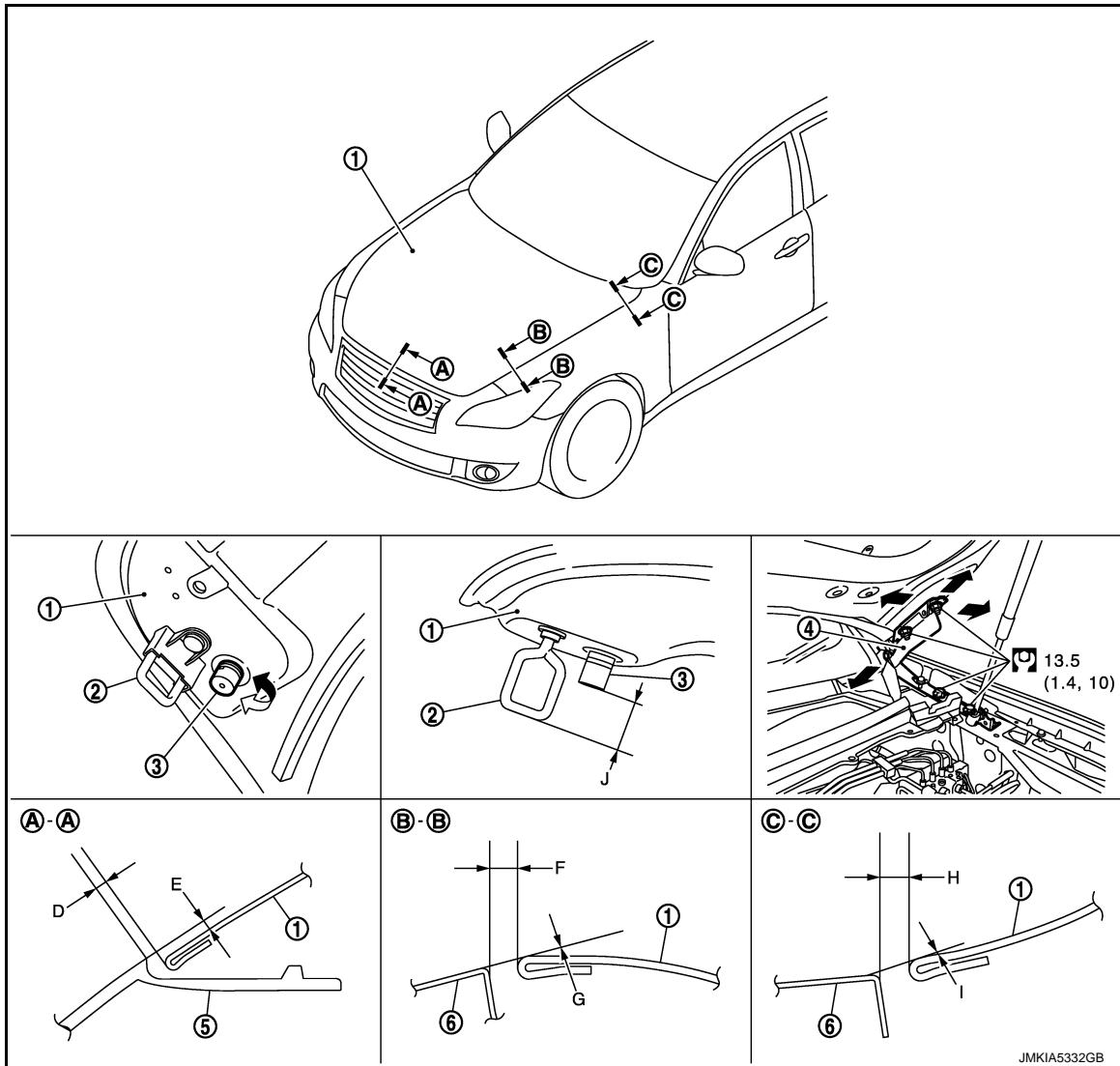
DLK

HOOD

< REMOVAL AND INSTALLATION >

HOOD ASSEMBLY : Adjustment

INFOID:000000008142950



- 1. Hood assembly
- 2. Hood striker
- 3. Hood bumper rubber
- 4. Hood hinge
- 5. Front bumper fascia
- 6. Front fender

Refer to [GI-5. "Components"](#) for symbols in the figure.

Check the clearance and the surface height between hood and each part visually and by touching. (Fitting standard dimension in the table below should be satisfied.)

If the clearance and the surface height are out of specification, adjust them according to the procedures shown below.

Portion			Standard	Difference (LH/RH, MAX)
Hood – Bumper fascia	A – A	D	1.7 – 5.3 mm (0.067 – 0.209 in)	2.0 mm (0.079 in)
		E	(-2.5) – (+0.5) mm [(-0.098) – (+0.020) in]	2.0 mm (0.079 in)

HOOD

< REMOVAL AND INSTALLATION >

Portion			Standard	Difference (LH/RH, MAX)
Hood – Fender	B – B	F	Clearance 2.5 – 4.5 mm (0.098 – 0.177 in)	1.0 mm (0.039 in)
		G	Surface height (-1.5) – (+1.5) mm [(-0.059) – (+0.059) in]	—
	C – C	H	Clearance 2.5 – 4.5 mm (0.098 – 0.177 in)	1.0 mm (0.039 in)
		I	Surface height (-1.5) – (+1.5) mm [(-0.059) – (+0.059) in]	—
Hood striker – Bumper rubber	—	J	Clearance 32.0 – 36.0 mm (1.260 – 1.417 in)	—

- Remove striker and adjust the surface height of hood, front bumper fascia and front fender according to the fitting standard dimension, by rotating hood bumper rubbers.
- Adjust the height difference of striker, hood bumper rubber according to the fitting standard dimension.
- Loosen hood hinge mounting nuts on the hood.
- Adjust the clearance of hood, front bumper fascia, front grill and front fender according to the fitting standard dimension, for the hood.
- Check that hood lock secondary latch is securely engaged with striker by dropping hood from approximately 200 mm (7.874 in) height or pressing lightly on the hood.
CAUTION:
Never drop hood from a height of 300 mm (11.811 in) or more.
- Install as static closing face of hood is 94 – 490 N·m (9.6 – 50.0 kg·m).
NOTE:
 - Exercise vertical force on right side and left side of hood lock.
 - Never press simultaneously both sides.
- After adjustment tighten hood hinge mounting nuts to the specified torque.

HOOD HINGE

HOOD HINGE : Removal and Installation

INFOID:000000008142951

DLK

REMOVAL

- Remove hood assembly. Refer to [DLK-136, "HOOD ASSEMBLY : Removal and Installation"](#).
- Remove front fender cover. Refer to [EXT-21, "Exploded View"](#).
- Remove hood ledge cover lid and hood ledge cover. Refer to [EXT-21, "Exploded View"](#).
- Remove clips of hood seal, and then remove hood seal assembly (side). Refer to [DLK-144, "Exploded View"](#).
- Remove front fender mounting bolt.
- Remove hood hinge mounting bolts, and then remove hood hinge.

INSTALLATION

Note the following item, and install in the reverse order of removal.

CAUTION:

- Before installation of hood hinge, apply anticorrosive agent onto the surface of the vehicle body.
- Before installation of hood hinge, drop genuine high strength locking sealant or equivalent into bolt hole of hood hinge (body side).
- After installation, apply touch-up paint (the body color) onto the head of the hinge mounting bolts and nuts.
- After installation, perform hood fitting adjustment. Refer to [DLK-138, "HOOD ASSEMBLY : Adjustment"](#).

HOOD STAY

HOOD

< REMOVAL AND INSTALLATION >

HOOD STAY : Removal and Installation

INFOID:000000008142952

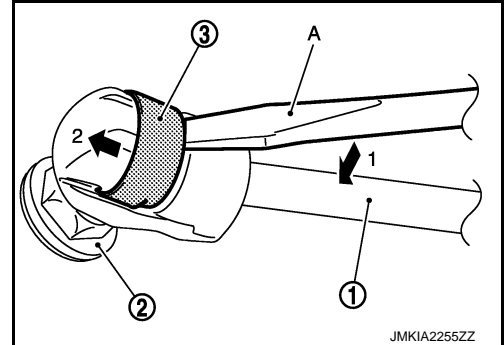
REMOVAL

1. Support hood lock assembly with a proper material to prevent it from falling.

WARNING:

Body injury may occur if no supporting rod is holding the hood open when removing the hood stay.

2. Remove the metal clip (3) located on the connection between the hood stay (1) and the stud ball (2) (hood side), by using a flat-bladed screwdriver (A).



3. Disengage the stud ball from the hood stay (hood side).
4. Repeat the same operation to disengage the stud ball from the hood stay (body side), then remove the hood stay.

INSTALLATION

Install in the reverse order of removal.

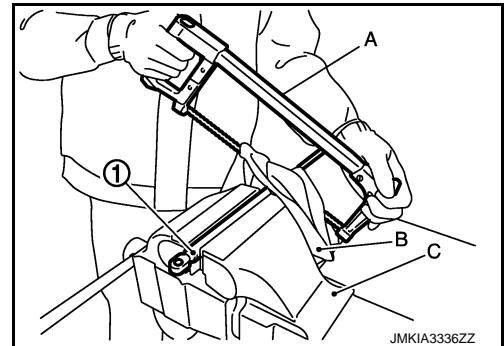
HOOD STAY : Disposal

INFOID:000000008142953

1. Fix hood stay (1) using a vise (C).
2. Using hacksaw (A) slowly make 2 holes in the hood stay, in numerical order as shown in the figure.

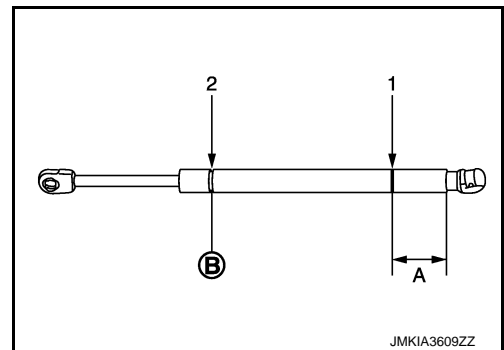
CAUTION:

- When cutting a hole on hood stay, always cover a hacksaw using a shop cloth (B) to avoid scattering metal fragments or oil.
- Wear eye protection (safety glasses).
- Wear gloves.



A: 20.0 mm (0.787 in)

B: Cut at the groove.



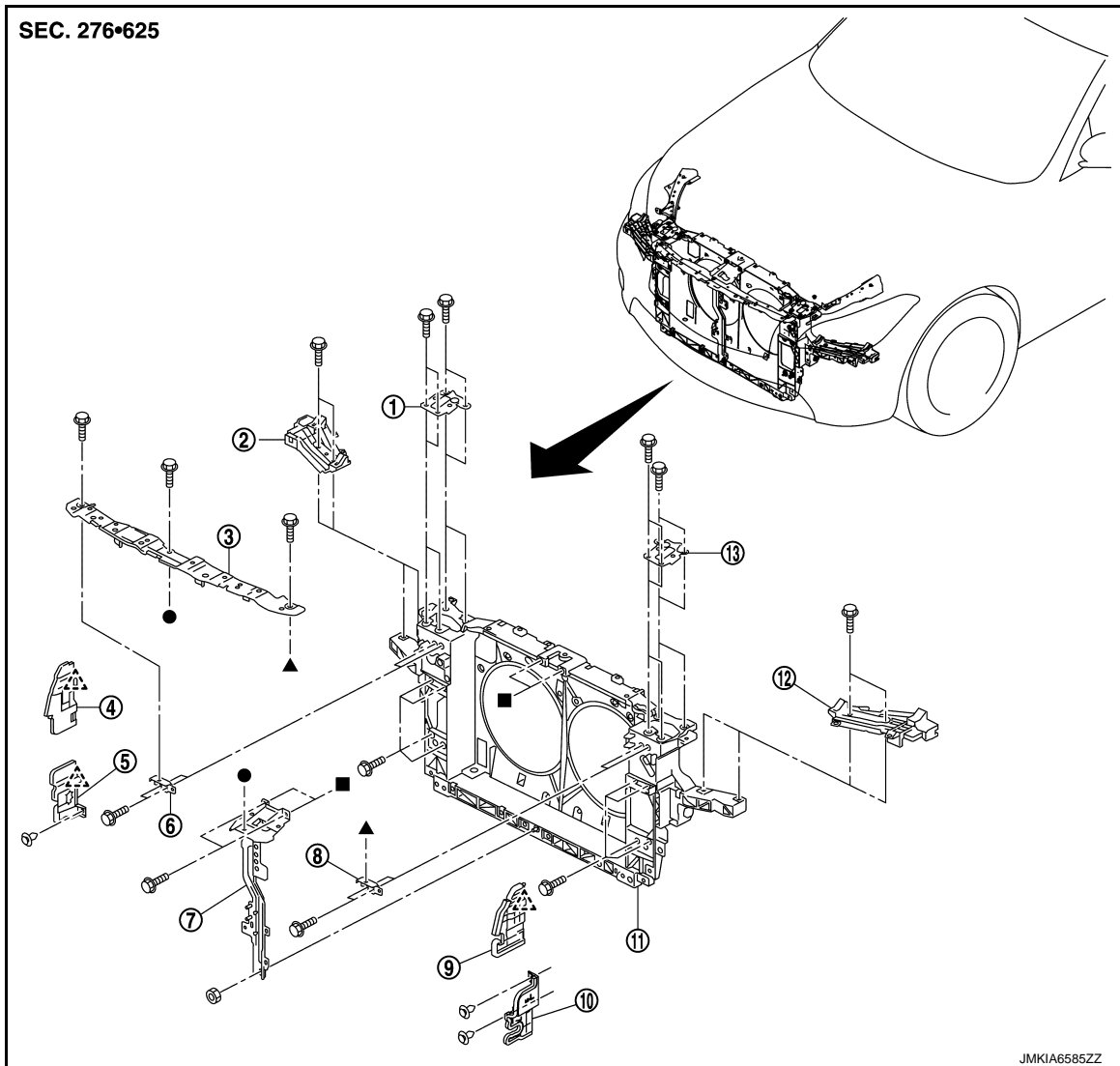
RADIATOR CORE SUPPORT

< REMOVAL AND INSTALLATION >

RADIATOR CORE SUPPORT

Exploded View

INFOID:000000008142954



- | | | |
|------------------------------------|------------------------------------|------------------------------------|
| 1. Hood lock bracket (RH) | 2. Head lamp bracket (RH) | 3. Front bumper upper retainer |
| 4. Condenser side seal upper (RH) | 5. Condenser side seal lower (RH) | 6. Front bumper side retainer (RH) |
| 7. Hood lock support stay | 8. Front bumper side retainer (LH) | 9. Condenser side seal upper (LH) |
| 10. Condenser side seal lower (LH) | 11. Radiator core support assembly | 12. Head lamp bracket (LH) |
| 13. Hood lock bracket (LH) | | |

▲ : Pawl

Removal and Installation

INFOID:000000008142955

REMOVAL

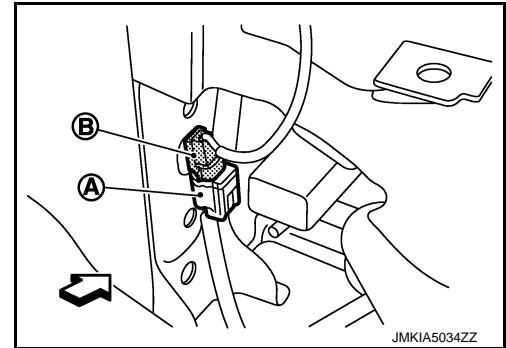
1. Use a refrigerant collecting equipment to discharge the refrigerant. Refer to [HA-21, "Recycle Refrigerant"](#).
2. Remove engine under cover. Refer to [EXT-28, "ENGINE UNDER COVER : Removal and Installation"](#).
3. Drain engine coolant from radiator. Refer to [CO-7, "Draining"](#).
4. Remove air duct (inlet) assembly and air cleaner case (bank 1). Refer to [EM-26, "Removal and Installation"](#).

RADIATOR CORE SUPPORT

< REMOVAL AND INSTALLATION >

5. Remove front bumper fascia, energy absorber, and reinforcement. Refer to [EXT-14. "Removal and Installation"](#).
6. Remove front combination lamp (LH and RH). Refer to [EXL-106. "Removal and Installation"](#).
7. Remove head lamp bracket (LH and RH).
 1. Disconnect harness connector of Intelligent Key warning buzzer.
 2. Remove harness fixing clips.
 3. Remove mounting bolts and remove head lamp bracket.
8. Remove washer tank. Refer to [WW-40. "Removal and Installation"](#).
9. Remove VSP speaker. Refer to [VSP-37. "Removal and Installation"](#).
10. Remove mounting bolts and remove hood lock bracket (LH and RH).
 1. Remove hood lock control cable (front) fixing clips from hood lock support stay and condenser upper bracket. Refer to [DLK-162. "Exploded View"](#).
 2. Remove hood lock control cable (front) from tube clip of front bumper upper retainer. Refer to [DLK-162. "Exploded View"](#)
 3. Remove hood lock bracket mounting bolts.
 4. Disconnect harness connector (A), and then remove hood lock switch harness connector (B) from vehicle.

↔ : Vehicle front



5. Move hood lock bracket to a location where it does not inhibit work.
11. Remove horn (HIGH and LOW). Refer to [HRN-4. "Removal and Installation"](#).
12. Disconnect harness connector of refrigerant pressure sensor. Refer to [HA-39. "Exploded View"](#).
13. Disconnect harness connector of exhaust gas/outside odor sensor. Refer to [HAC-190. "Removal and Installation"](#).
14. Disconnect harness connector of ambient sensor. Refer to [HAC-184. "Removal and Installation"](#).
15. Remove ICC sensor integrated unit (with intelligent cruise control model). Refer to [CCS-168. "Removal and Installation"](#).
16. Remove sub radiator. Refer to [HCO-11. "Removal and Installation"](#).
17. Remove condenser pipe assembly. Refer to [HA-40. "CONDENSER PIPE ASSEMBLY : Removal and Installation"](#).
18. Remove radiator reservoir tank. Refer to [CO-13. "Exploded View"](#).
19. Remove radiator hose (upper) and radiator hose (lower) at radiator side. Refer to [CO-13. "Exploded View"](#).
20. Disconnect harness connector of cooling fan control modules. Refer to [CO-17. "Exploded View"](#).
21. Disconnect harness connector of crash zone sensor. Refer to [SR-22. "Removal and Installation"](#).
22. Remove electric water pump. Refer to [HCO-13. "Removal and Installation"](#).
23. Remove harness fixing clips from the following components.
 - Front bumper upper retainer
 - Hood lock support stay
 - Fan shroud
 - Radiator core support assembly
24. Remove mounting bolts, and then remove radiator core support assembly.

CAUTION:
Operate with two workers, because of its heavy weight.
25. Remove the following parts after removing radiator core support assembly.
 - Front bumper upper retainer
 - Front bumper side retainer (LH and RH)

RADIATOR CORE SUPPORT

< REMOVAL AND INSTALLATION >

- Hood lock support stay
- Condenser assembly: Refer to [HA-39, "CONDENSER : Removal and Installation"](#).
- Crash zone sensor: Refer to [SR-22, "Removal and Installation"](#).
- Cooling fan assembly: Refer to [CO-17, "Removal and Installation"](#).
- Radiator: Refer to [CO-13, "Removal and Installation"](#).
- Condenser side seal upper and lower

A
B

INSTALLATION

Note the following item, and install in the reverse order of removal.

CAUTION:

- Replenish the following parts.
 - Refrigerant: Refer to [HA-22, "Charge Refrigerant"](#).
 - Engine coolant: Refer to [CO-8, "Refilling"](#).
- Adjust the following parts.
 - Front combination lamp: Refer to [EXL-102, "Aiming Adjustment Procedure"](#).
 - ICC sensor integrated unit (with intelligent cruse control model): Refer to [CCS-63, "Description"](#).

C
D
E

F

G

H

I

J

DLK

L

M

N

O

P

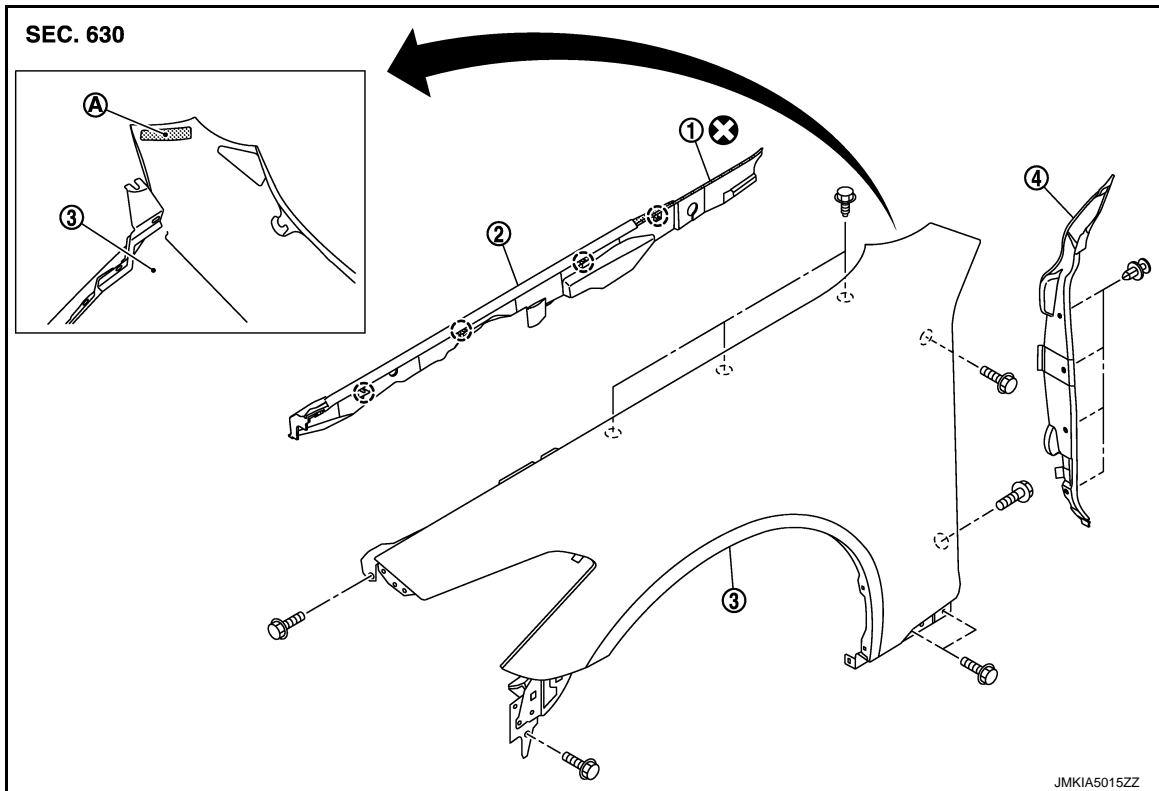
FRONT FENDER

< REMOVAL AND INSTALLATION >

FRONT FENDER

Exploded View

INFOID:000000008142956



1. Double-faced adhesive tape
2.0 mm (0.079 in)
2. Hood seal assembly (side)
3. Front fender assembly
4. Front fender baffle

○ : Clip

Refer to [GI-5, "Components"](#) for symbols in the figure.

CAUTION:

A viscous urethane foam (A) is installed on the back surface of front fender. When removing the front fender, peel of the urethane foam bit at a time, and carefully to remove it.

Removal and Installation

INFOID:000000008142957

CAUTION:

Use a shop cloth to protect the body from being damaged during removal and installation.

REMOVAL

1. Remove front fender cover: Refer to [EXT-21, "Exploded View"](#).
2. Remove hood ledge cover lid and hood ledge cover. Refer to [EXT-21, "Exploded View"](#).
3. Remove hood seal assembly (side).
4. Remove air duct (inlet). Refer to [EM-26, "Removal and Installation"](#).
5. Remove front bumper fascia. Refer to [EXT-14, "Removal and Installation"](#).
6. Remove front combination lamp. Refer to [EXL-106, "Removal and Installation"](#).
7. Remove fender protector. Refer to [EXT-24, "FENDER PROTECTOR : Removal and Installation"](#).
8. Remove front door assembly. Refer to [DLK-146, "DOOR ASSEMBLY : Removal and Installation"](#).
9. Remove front fender baffle.
10. Remove front fender mounting bolts, and then remove front fender.

FRONT FENDER

< REMOVAL AND INSTALLATION >

INSTALLATION

Note the following item, and install in the reverse order of removal.

CAUTION:

- After installation, check front fender adjustment.
- Hood side: Refer to [DLK-138, "HOOD ASSEMBLY : Adjustment"](#).
- Front door side: Refer to [DLK-147, "DOOR ASSEMBLY : Adjustment"](#).
- After installation, apply the touch-up paint (the body color) onto the head of front fender mounting bolts.
- Adjust the following part.
- Front combination lamp: Refer to [EXL-102, "Aiming Adjustment Procedure"](#).

A
B
C
D
E
F
G
H
I
J
L
M
N
O
P

DLK

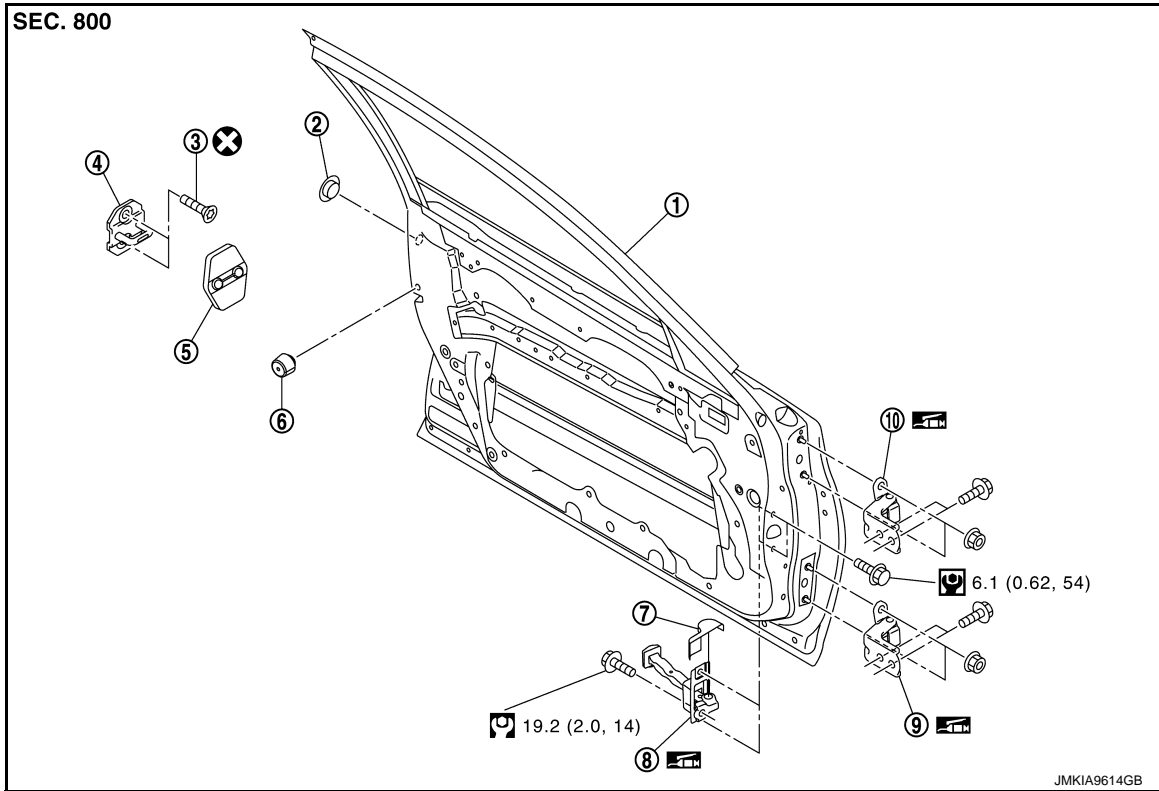
FRONT DOOR

< REMOVAL AND INSTALLATION >

FRONT DOOR

Exploded View

INFOID:000000008142958



- | | | |
|------------------------|-----------------------|-----------------------|
| 1. Front door panel | 2. Grommet | 3. TORX bolt |
| 4. Door striker | 5. Door striker cover | 6. Bumper rubber |
| 7. Check link cover | 8. Door check link | 9. Door hinge (lower) |
| 10. Door hinge (upper) | | |

Refer to [GI-5. "Components"](#) for symbols in the figure.

DOOR ASSEMBLY

DOOR ASSEMBLY : Removal and Installation


INFOID:000000008142959

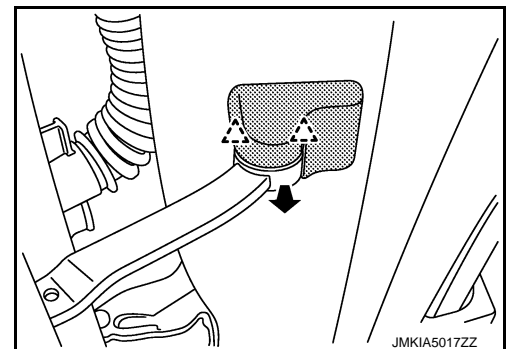
CAUTION:

- Perform work with 2 workers, because of its heavy weight.
- When removing and installing front door assembly, support door with a jack and cloth to protect door and body.

REMOVAL

1. Remove check link cover toward vehicle rear..

 : Pawl



2. Remove mounting bolts of door check link on the vehicle.

FRONT DOOR

< REMOVAL AND INSTALLATION >

3. Disconnect front door harness connector.
4. Remove door hinge mounting nuts (door side), and then remove door assembly.

NOTE:

Adjustment of front door for installation is not necessary if front door assembly is removed by removing door hinge mounting nuts.

INSTALLATION

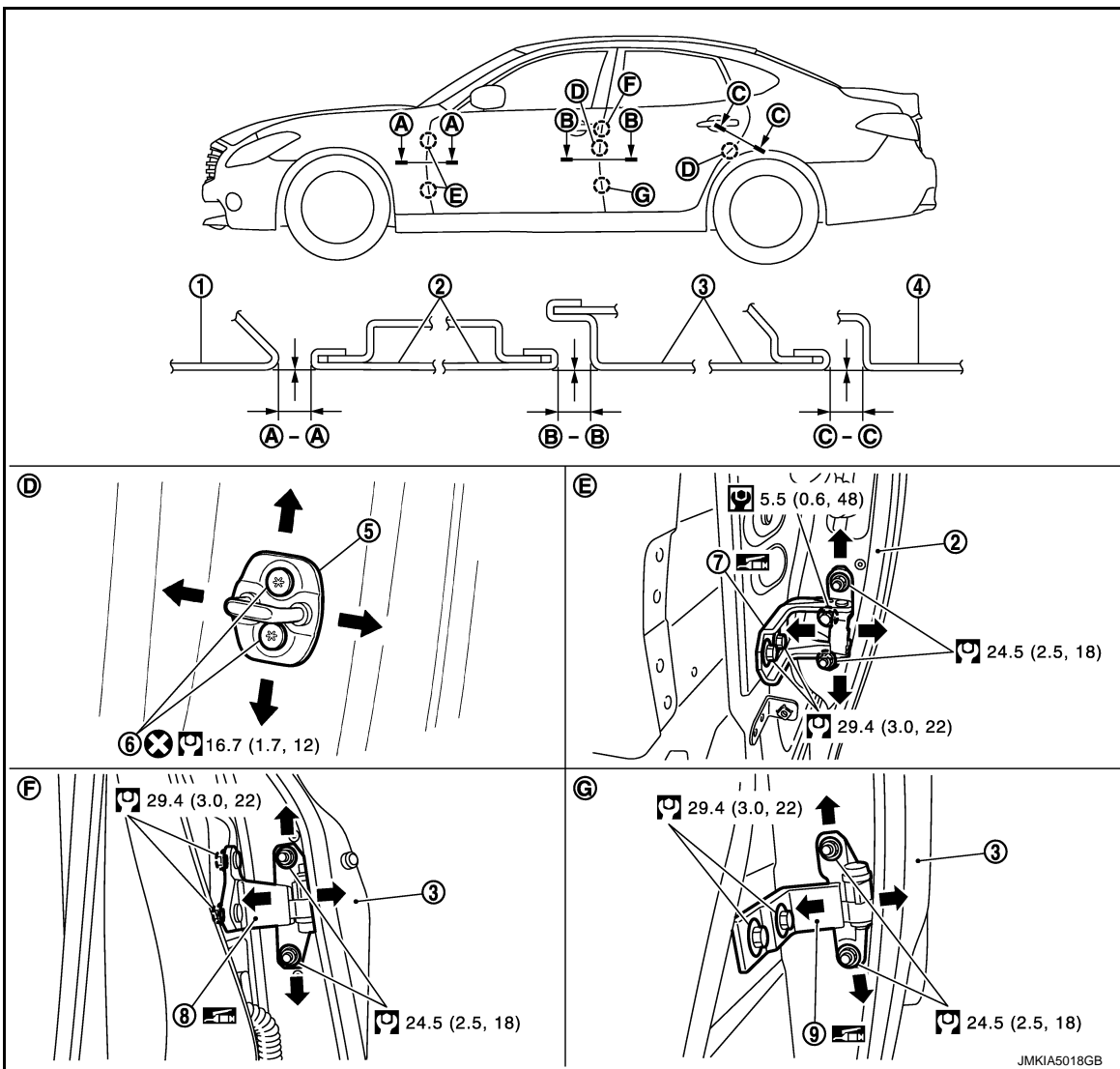
Note the following item, and install in the reverse order of removal.

CAUTION:

- Check front door open/close, lock/unlock operation after installation.
- Check door hinge rotating part for poor lubrication. If necessary, apply body grease.
- After installation, perform the fitting adjustment. Refer to [DLK-147, "DOOR ASSEMBLY : Adjustment"](#).
- After installation, apply touch-up paint (the body color) onto the head of door hinge mounting nuts.

DOOR ASSEMBLY : Adjustment

INFOID:000000008142960



- | | | |
|---------------------|----------------------------|----------------------------|
| 1. Front fender | 2. Front door | 3. Rear door |
| 4. Body side outer | 5. Door striker | 6. TORX bolt |
| 7. Front door hinge | 8. Rear door hinge (upper) | 9. Rear door hinge (lower) |

Refer to [GI-5, "Components"](#) for symbols in the figure.

Check the clearance and surface height between front door and each part by visually and touching.

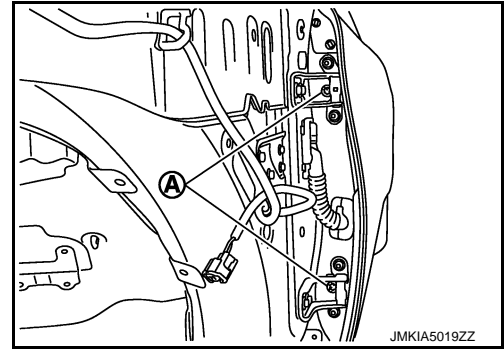
FRONT DOOR

< REMOVAL AND INSTALLATION >

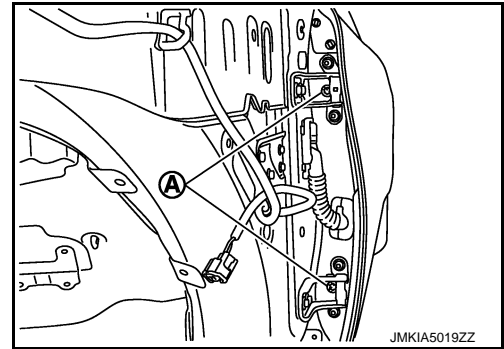
If the clearance and the surface height are out of specification, adjust them according to the procedures shown below.

Portion		Standard	
Front fender – Front door	A – A	Clearance	2.7 – 4.7 mm (0.106 – 0.185 in)
		Surface height	(-1.0) – (+1.0) mm [(-0.039) – (+0.039) in]
Front door – Rear door	B – B	Clearance	2.9 – 4.7 mm (0.114 – 0.185 in)
		Surface height	-1.0) – (+1.0) mm [(-0.039) – (+0.039) in]

1. Remove front fender. Refer to [DLK-144, "Removal and Installation"](#).
2. Loosen door hinge mounting nuts on door side.
3. Loosen bolts (A).



4. Adjust the surface height of front door according to the fitting standard dimension.
5. Tighten bolts (A).



6. Temporarily tighten door hinge mounting nuts on door side.
7. Loosen door hinge mounting bolts on body side.
8. Raise front door at rear end to adjust clearance of the front door according to the fitting standard dimension.
9. After adjustment tighten bolts and nuts to the specified torque.
10. Install front fender. Refer to [DLK-144, "Removal and Installation"](#).

DOOR STRIKER ADJUSTMENT

Adjust door striker so that it becomes parallel with door lock insertion direction.

DOOR STRIKER

DOOR STRIKER : Removal and Installation

INFOID:000000008142961

REMOVAL

Remove door striker cover and TORX bolts, and then remove door striker.

FRONT DOOR

< REMOVAL AND INSTALLATION >

INSTALLATION

Note the following item, and install in the reverse order of removal.

CAUTION:

- Check front door open/close, lock/unlock operation after installation.
- After installation, check to perform the fitting adjustment. Refer to [DLK-147, "DOOR ASSEMBLY : Adjustment"](#).

DOOR HINGE

DOOR HINGE : Removal and Installation

INFOID:000000008142962

REMOVAL

1. Remove front fender. Refer to [DLK-144, "Removal and Installation"](#).
2. Remove front door assembly. Refer to [DLK-146, "DOOR ASSEMBLY : Removal and Installation"](#).
3. Remove front door hinge mounting bolts, and then remove front door hinge.

INSTALLATION

Note the following item, and install in the reverse order of removal.

CAUTION:

- Check front door open/close, lock/unlock operation after installation.
- Check door hinge rotating part for poor lubrication. If necessary, apply body grease.
- After installation, perform the fitting adjustment. Refer to [DLK-147, "DOOR ASSEMBLY : Adjustment"](#).
- After installation, apply touch-up paint (the body color) onto the head of door hinge mounting nuts.


DOOR CHECK LINK

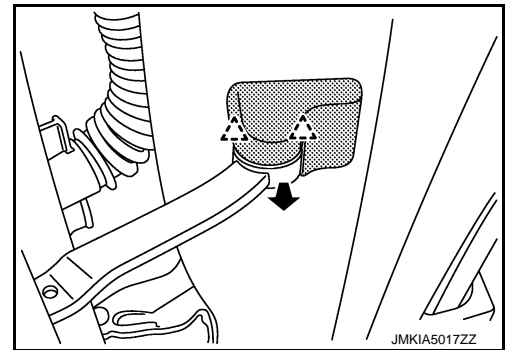
DOOR CHECK LINK : Removal and Installation

INFOID:000000008142963

REMOVAL

1. Fully close the front door window.
2. Remove front door finisher. Refer to [INT-26, "FRONT DOOR FINISHER : Removal and Installation"](#).
3. Remove front door speaker or front door woofer.
 - Front door speaker (BASE AUDIO WITHOUT NAVIGATION): Refer to [AV-105, "Removal and Installation"](#).
 - Front door woofer (BOSE AUDIO WITH NAVIGATION): Refer to [AV-265, "Removal and Installation"](#).
4. Remove check link cover toward vehicle rear.

 : Pawl



5. Remove mounting bolts of door check link on the vehicle.
6. Remove mounting bolts of door check link on door panel.
7. Take door check link out from the hole of door panel.

INSTALLATION

Note the following item, and install in the reverse order of removal.

CAUTION:

- Check front door open/close operation after installation.

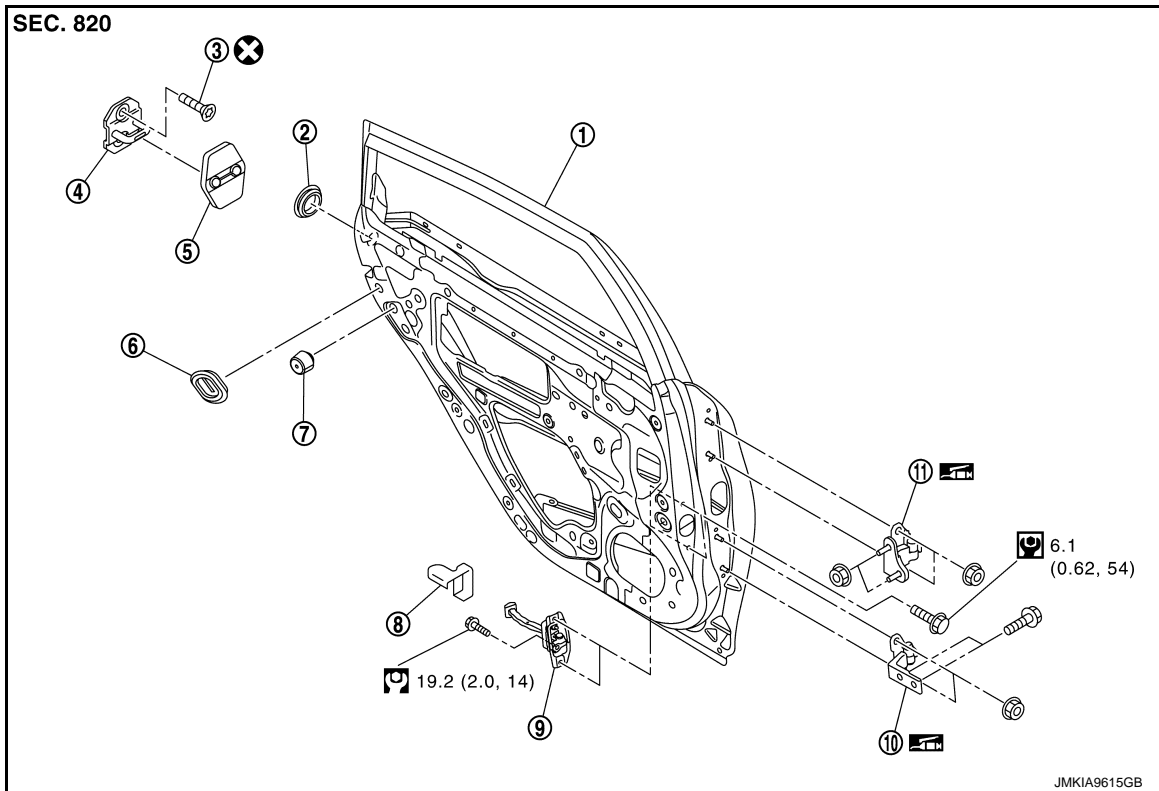
REAR DOOR

< REMOVAL AND INSTALLATION >

REAR DOOR

Exploded View

INFOID:000000008142964



- | | | |
|------------------------|--------------------------|---------------------------|
| 1. Rear door panel | 2. Grommet | 3. TORX bolt |
| 4. Door striker | 5. Door striker cover | 6. Child lock lever cover |
| 7. Bumper rubber | 8. Door check link cover | 9. Door check link |
| 10. Door hinge (lower) | 11. Door hinge (upper) | |

Refer to [GI-5. "Components"](#) for symbols in the figure.

DOOR ASSEMBLY

DOOR ASSEMBLY : Removal and Installation


INFOID:000000008142965

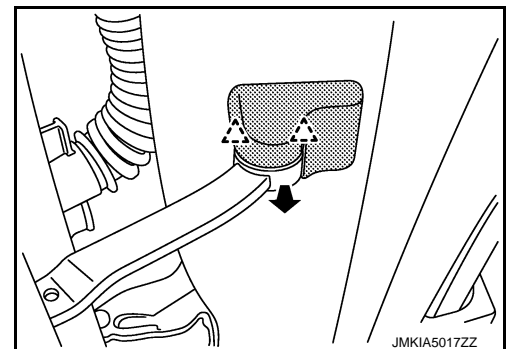
CAUTION:

- Perform work with 2 workers, because of it's heavy weight.
- When removing and installing rear door assembly, support door with a jack and cloth to protect door and body.

REMOVAL

1. Remove check link cover toward vehicle rear.

 : Pawl

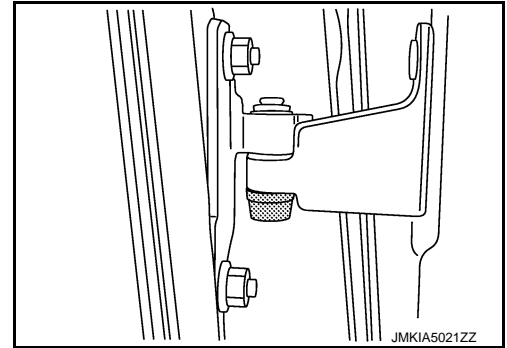


2. Remove mounting bolts of door check link on the vehicle.

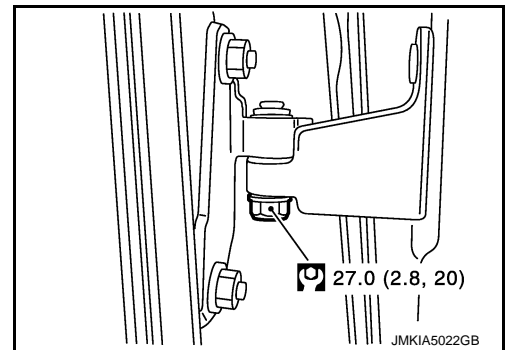
REAR DOOR

< REMOVAL AND INSTALLATION >

3. Remove rear door harness grommet, and then pull out door harness from the vehicle.
4. Disconnect rear door harness connector.
5. Remove nut cup.



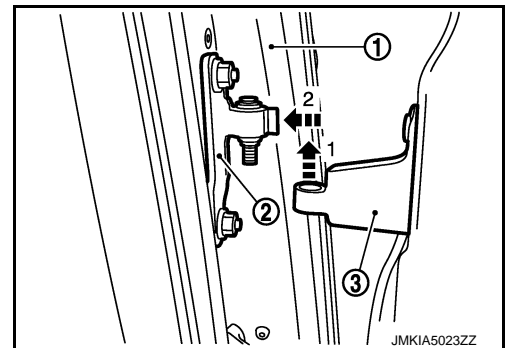
6. Remove door hinge mounting nuts (door side), and then remove rear door assembly.



7. Lift up rear door assembly (1). Disconnect door hinge [male-side (door side)] (2) from door hinge [female-side (body side)] (2) and remove toward outside of vehicle.

NOTE:

Adjustment of rear door assembly for installation is not necessary if rear door assembly is removed by disconnecting door hinge [male-side (door side)] from door hinge [female-side (body side)].



INSTALLATION

Note the following item, and install in the reverse order of removal.

CAUTION:

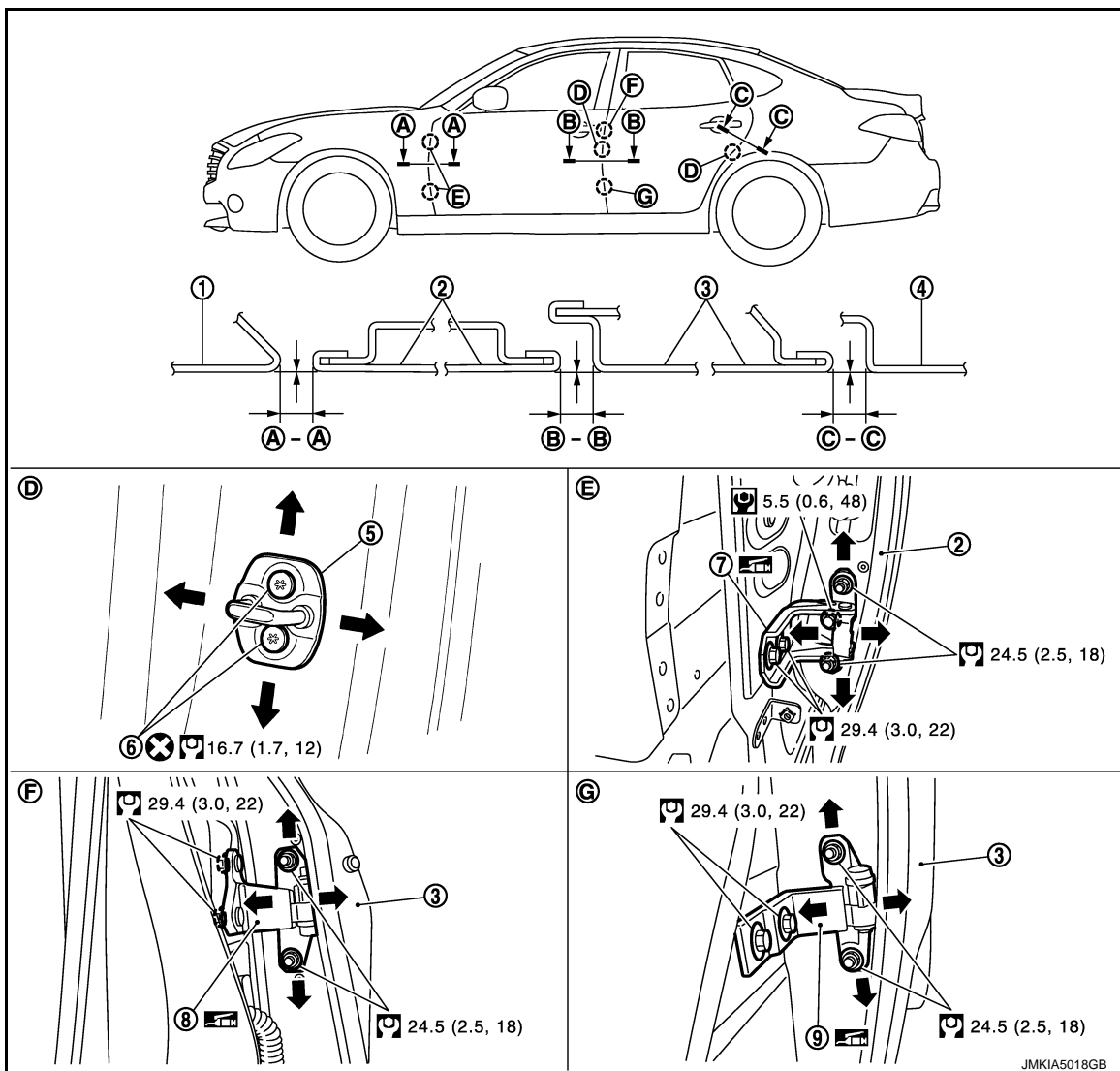
- Check rear door open/close, lock/unlock operation after installation.
- Check door hinge rotating part for poor lubrication. If necessary, apply body grease.
- After installation, perform the fitting adjustment.
- After installation, apply touch-up paint (the body color) onto the head of door hinge mounting nuts.

REAR DOOR

< REMOVAL AND INSTALLATION >

DOOR ASSEMBLY : Adjustment

INFOID:000000008142966



- | | | |
|---------------------|----------------------------|----------------------------|
| 1. Front fender | 2. Front door | 3. Rear door |
| 4. Body side outer | 5. Door striker | 6. TORX bolt |
| 7. Front door hinge | 8. Rear door hinge (upper) | 9. Rear door hinge (lower) |

Refer to [GI-5. "Components"](#) for symbols in the figure.

Check the clearance and surface height between rear door and each part by visually and touching. If the clearance and the surface height are out of specification, adjust them according to the procedures shown below.

Portion		Standard	
Front door – Rear door	B – B	Clearance	2.9 – 4.7 mm (0.114 – 0.185 in)
		Surface height	(-1.0) – (+1.0) mm [(-0.039) – (+0.039) in]
Rear door – Body side outer	C – C	Clearance	2.7 – 4.7 mm (0.106 – 0.185 in)
		Surface height	(-1.0) – (+1.0) mm [(-0.039) – (+0.039) in]

REAR DOOR

< REMOVAL AND INSTALLATION >

CAUTION:

When performing adjustment for installation, check that door hinge [male-side (door side)] is connected to door hinge [female-side (body side)].

1. Remove center pillar lower garnish. Refer to [INT-36, "CENTER PILLAR LOWER GARNISH : Removal and Installation"](#).
2. Loosen door hinge mounting nuts on door side.
3. Adjust the surface height of rear door according to the fitting standard dimension.
4. Temporarily tighten door hinge mounting nuts on door side.
5. Loosen door hinge mounting nuts and bolts on body side.
6. Raise rear door at rear end to adjust clearance of rear door according to the fitting standard dimension.
7. After adjustment tighten bolts and nuts to the specified torque.
8. Install center pillar lower garnish. Refer to [INT-36, "CENTER PILLAR LOWER GARNISH : Removal and Installation"](#).

DOOR STRIKER ADJUSTMENT

Adjust door striker so that it becomes parallel with door lock insertion direction.

DOOR STRIKER

DOOR STRIKER : Removal and Installation

INFOID:000000008142967

REMOVAL

1. Remove door striker cover with remover tool.
2. Remove door striker mounting TORX bolts, and then remove door striker.

INSTALLATION

Note the following items, and install in the reverse order of removal.

CAUTION:

- Check rear door open/close, lock/unlock operation after installation.
- After installation, check to perform the fitting adjustment. Refer to [DLK-152, "DOOR ASSEMBLY : Adjustment"](#).

DOOR HINGE

DOOR HINGE : Removal and Installation

INFOID:000000008142968

DLK

REMOVAL

1. Remove center pillar lower garnish. Refer to [INT-36, "CENTER PILLAR LOWER GARNISH : Removal and Installation"](#).
2. Remove rear door assembly. Refer to [DLK-150, "DOOR ASSEMBLY : Removal and Installation"](#).
3. Remove rear door hinge mounting bolts and nuts (body side), and then remove door hinge.

INSTALLATION

Note the following item, and install in the reverse order of removal.

CAUTION:

- Check rear door open/close operation after installation.
- Check door hinge rotating part for poor lubrication. If necessary, apply body grease.
- When removing and installing rear door assembly, perform the fitting adjustment. Refer to [DLK-152, "DOOR ASSEMBLY : Adjustment"](#).
- After installing, apply the touch-up paint (the body color) onto the head of door hinge mounting nuts.

DOOR CHECK LINK

DOOR CHECK LINK : Removal and Installation

INFOID:000000008142969

REMOVAL


1. Fully close the rear door window.
2. Remove rear door finisher. Refer to [INT-28, "REAR DOOR FINISHER : Removal and Installation"](#).
3. Remove rear door speaker.

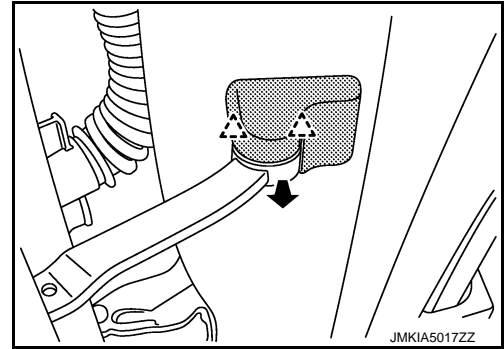
REAR DOOR

< REMOVAL AND INSTALLATION >

- BASE AUDIO WITHOUT NAVIGATION: Refer to [AV-107. "Removal and Installation"](#).
- BOSE AUDIO WITH NAVIGATION: Refer to [AV-268. "Removal and Installation"](#).

4. Remove check link cover toward vehicle rear.

 : Pawl



5. Remove mounting bolts of the check link on the vehicle.
6. Remove mounting bolts of the check link on door panel.
7. Take door check link out from the hole of door panel.

INSTALLATION

Note the following item, and install in the reverse order of removal.

CAUTION:

Check rear door open/close operation after installation.

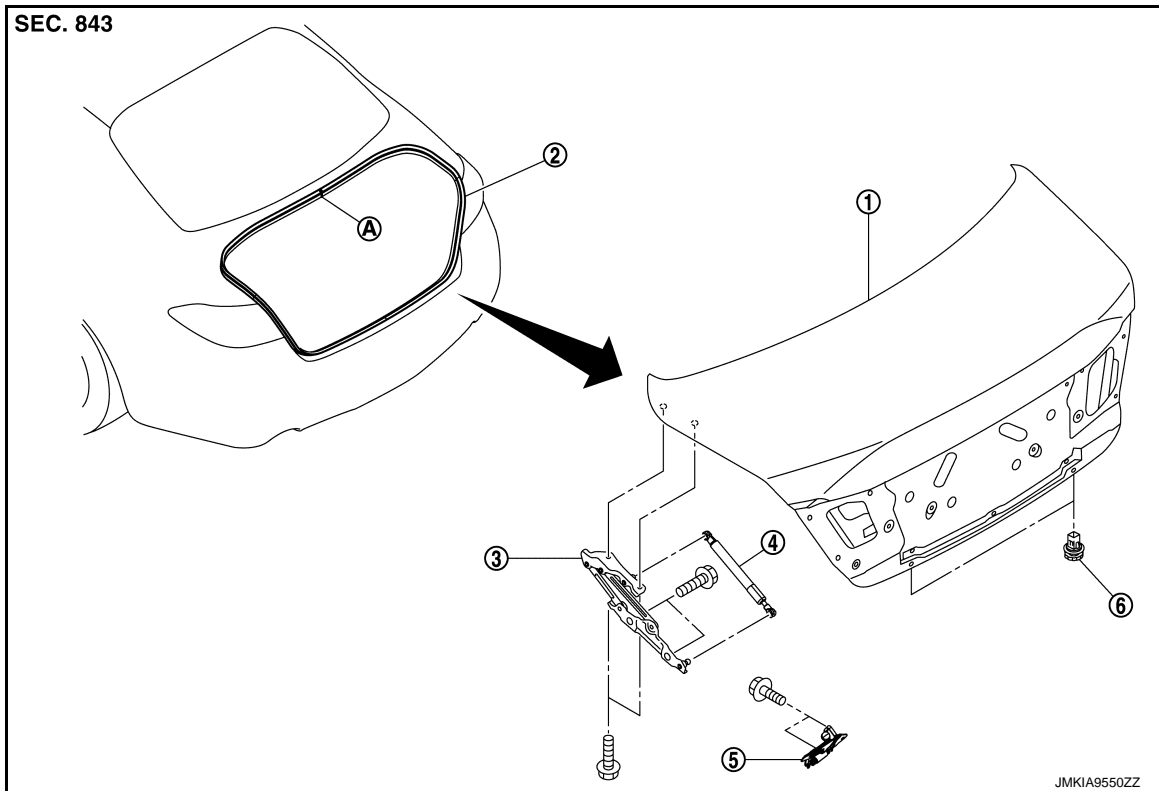
TRUNK LID

< REMOVAL AND INSTALLATION >

TRUNK LID

Exploded View

INFOID:000000008142970



- | | | |
|-------------------------|----------------------------|--------------------|
| 1. Trunk lid assembly | 2. Trunk lid weather-strip | 3. Trunk lid hinge |
| 4. Trunk lid stay | 5. Trunk lid striker | 6. Bumper rubber |
| A : Center mark (upper) | | |

TRUNK LID ASSEMBLY

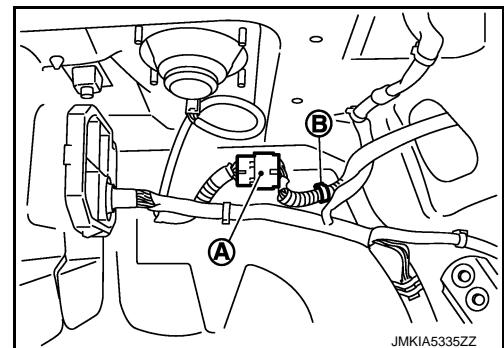
TRUNK LID ASSEMBLY : Removal and Installation

INFOID:000000008142971

CAUTION:
Operate with two workers, because of its heavy weight.

REMOVAL

1. Remove the trunk lid finisher inner. Refer to [INT-54. "Removal and Installation"](#)
2. Disconnect harness connector (A) and harness clip (B) in trunk room.

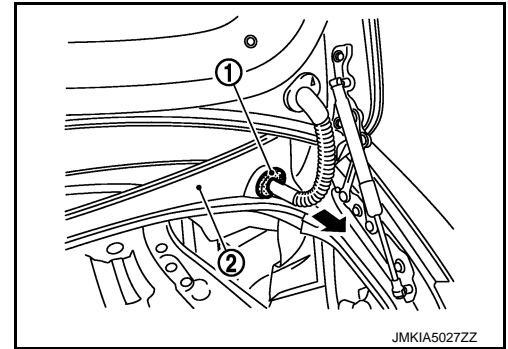


A
B
C
D
E
F
G
H
I
J
DLK
L
M
N
O
P

TRUNK LID

< REMOVAL AND INSTALLATION >

3. Remove grommet (1), and then pull harness throughout body panel (2).



4. Remove the trunk lid hinge mounting bolts on trunk lid side and remove the trunk lid assembly.

INSTALLATION

Note the following item, and install in the reverse order of removal.

CAUTION:

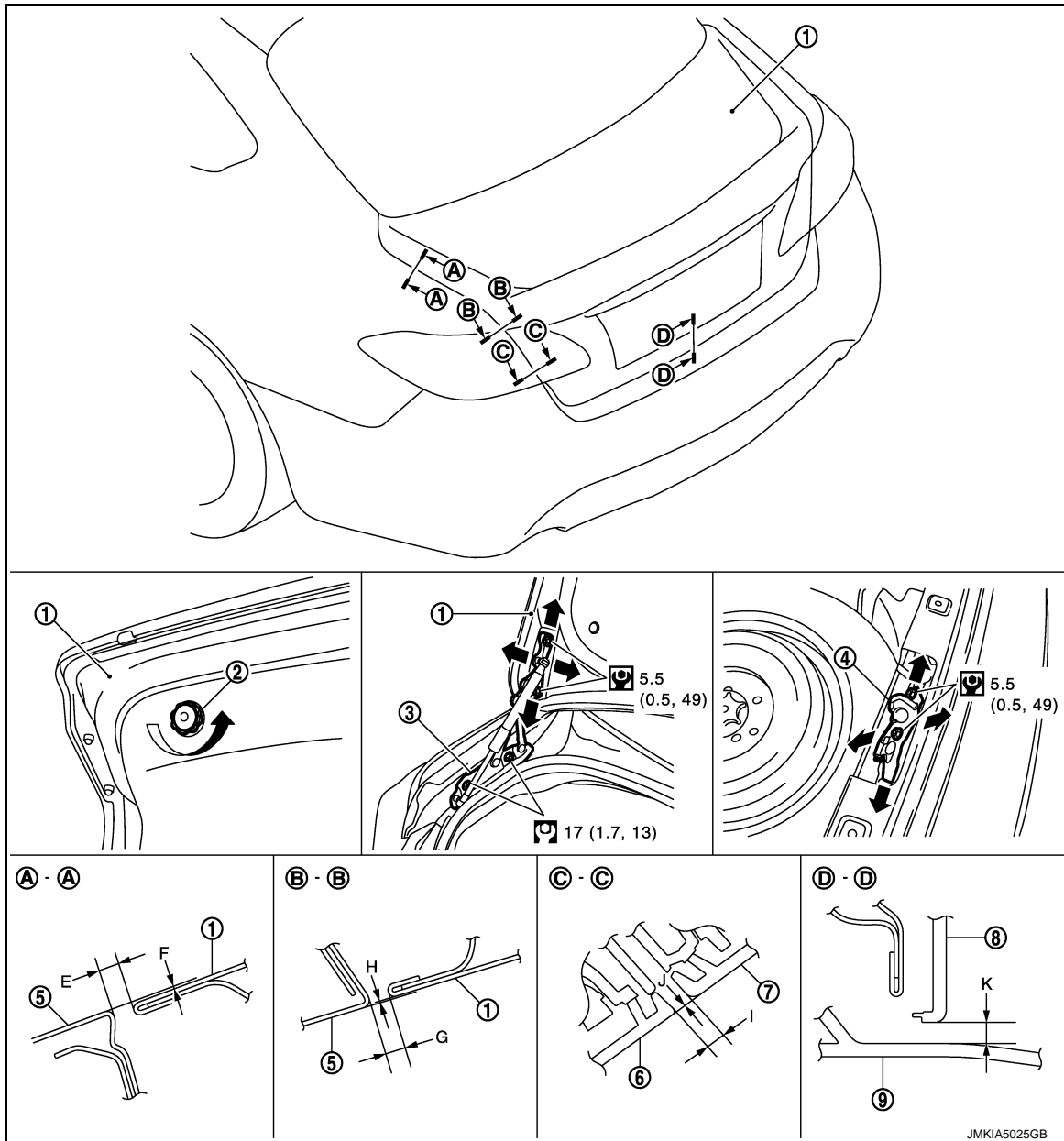
- After installing, apply touch-up paint (the body color) onto the head of the hinge mounting bolts.
- Check trunk lid open/close, lock/unlock operation after installation.
- After installation, perform fitting adjustment. Refer to [DLK-157, "TRUNK LID ASSEMBLY : Adjustment"](#).

TRUNK LID

< REMOVAL AND INSTALLATION >

TRUNK LID ASSEMBLY : Adjustment

INFOID:000000008142972



- | | | |
|-----------------------|-----------------------|--------------------------|
| 1. Trunk lid assembly | 2. Bumper rubber | 3. Trunk lid hinge |
| 4. Trunk lid striker | 5. Body side outer | 6. Rear combination lamp |
| 7. Reverse lamp | 8. Trunk lid finisher | 9. Rear bumper fascia |

Refer to [GI-5, "Components"](#) for symbols in the figure.

Check the clearance and surface height between trunk lid and each part by visually and touching. If the clearance and surface height are out of specification, adjust them according to the procedures shown below.

A
B
C
D
E
F
G
H
I
J
K
L
M
N
O
P

DLK

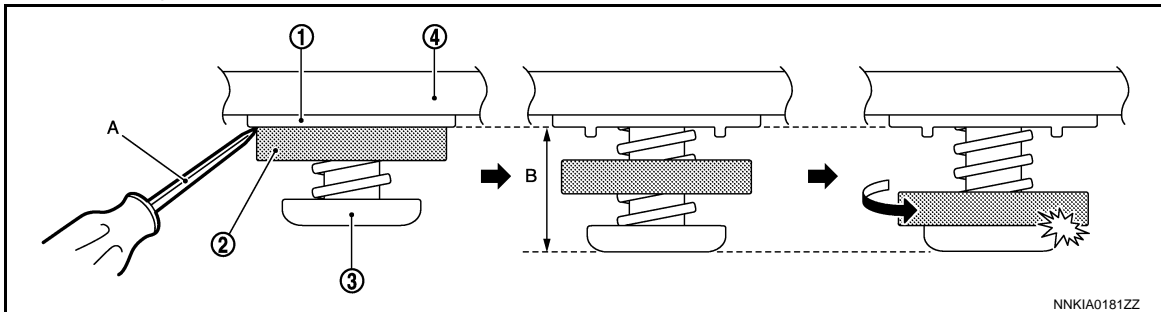
JMKIA5025GB

TRUNK LID

< REMOVAL AND INSTALLATION >

Portion			Standard	Difference (RH/LH, MAX)
Trunk lid – Body side outer	A – A	E	Clearance 2.5 – 4.5 mm (0.098 – 0.177 in)	1.4 mm (0.055 in)
		F	Surface height (-1.5) – (+0.5) mm [(-0.059) – (+0.020) in]	1.4 mm (0.055 in)
	B – B	G	Clearance 3.5 – 5.0 mm (0.118 – 0.197 in)	1.4 mm (0.055 in)
		H	Surface height (-1.5) – (+0.5) mm [(-0.059) – (+0.020) in]	1.4 mm (0.055 in)
Rear combination lamp – Reverse lamp	C – C	I	Clearance 2.1 – 5.9 mm (0.083 – 0.232 in)	2.5 mm (0.098 in)
		J	Surface height (-1.9) – (+1.9) mm [(-0.075) – (+0.075) in]	2.2 mm (0.087 in)
Trunk lid – Rear bumper fascia	D – D	K	Clearance 2.4 – 6.6 mm (0.094 – 0.260 in)	—

- Loosen trunk lid hinge mounting bolts (trunk lid side).
- Remove trunk rear plate. Refer to [INT-52. "TRUNK REAR PLATE : Removal and Installation"](#).
- Loosen trunk lid striker mounting bolts.
- Lift up trunk lid approximately 100 – 150 mm (3.937 – 5.906 in) height then close it lightly and check that it is engaged firmly with trunk lid closed.
- Check the clearance and surface height.
- Finally tighten trunk lid hinge and trunk lid striker.
- Install trunk rear plate. Refer to [INT-52. "TRUNK REAR PLATE : Removal and Installation"](#).
- Initialize the height of bumper rubber.



- Insert screwdriver (A) wrapped with the protective tape between the body (1) and the collar (2), and then pull out the bumper rubber (3) from the trunk lid (4).
 - Rotate the collar and contact it with the bumper rubber.
- Close the trunk lid by pushing with hands.

NOTE:

The bumper rubber is pressed to the vehicle body side, and it is compressed in the trunk lid.

CAUTION:

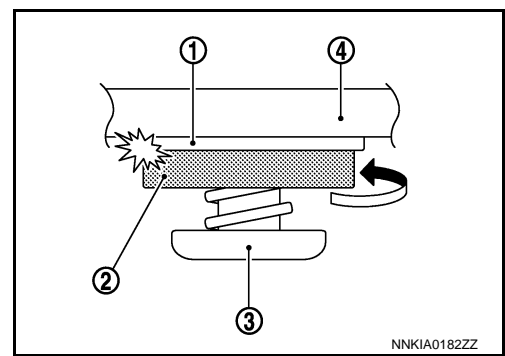
- Close the trunk lid gently because the bumper rubber is compressed excessively by slamming the trunk lid.
- If the bumper rubber is compressed excessively, initialize the height of bumper rubber, and then repeat the procedure again.

TRUNK LID

< REMOVAL AND INSTALLATION >

10. Open the trunk lid, and then engage it with the body by rotating the collar.

- (1) : Body
- (2) : Collar
- (3) : Bumper rubber
- (4) : Trunk lid



CAUTION:

- Apply anticorrosive agent onto the mounting surface.
- After installation, check trunk lid open/close, lock/unlock operation.
- After installation, apply touch-up paint (the body color) onto the head of trunk lid hinge mounting bolts and nuts.

TRUNK LID STRIKER ADJUSTMENT

Adjust trunk lid striker so that it becomes parallel with trunk lid lock insertion direction.

TRUNK LID STRIKER

TRUNK LID STRIKER : Removal and Installation

INFOID:000000008142973

REMOVAL

1. Remove trunk rear plate. Refer to [INT-52, "TRUNK REAR PLATE : Removal and Installation"](#).
2. Remove mounting bolts, and then remove trunk lid striker.

INSTALLATION

Note the following item, and install in the reverse order of removal.

CAUTION:

- Check trunk lid open/close, lock/unlock operation after installation.
- When removing and installing trunk lid striker, perform the fitting adjustment. Refer to [DLK-157, "TRUNK LID ASSEMBLY : Adjustment"](#).

TRUNK LID HINGE

TRUNK LID HINGE : Removal and Installation

INFOID:000000008142974

REMOVAL

1. Remove trunk lid assembly. Refer to [DLK-155, "TRUNK LID ASSEMBLY : Removal and Installation"](#).
2. Remove trunk lid stay from trunk lid hinge. Refer to [DLK-159, "TRUNK LID STAY : Removal and Installation"](#).
3. Remove trunk lid hinge mounting nuts (body side), and then remove trunk lid hinge.

INSTALLATION

Note the following item, and install in the reverse order of removal.

CAUTION:

- Check trunk lid open/close, lock/unlock operation after installation.
- Check trunk lid hinge rotating part for poor lubrication. If necessary, apply body grease.
- When removing and installing trunk lid assembly, perform the fitting adjustment. Refer to [DLK-157, "TRUNK LID ASSEMBLY : Adjustment"](#).
- After installation, apply touch-up paint (the body color) onto the head of trunk lid hinge mounting bolts.

TRUNK LID STAY

TRUNK LID STAY : Removal and Installation

INFOID:000000008142975

REMOVAL

A
B
C
D
E
F
G
H
I
J
DLK
L
M
N
O
P

TRUNK LID

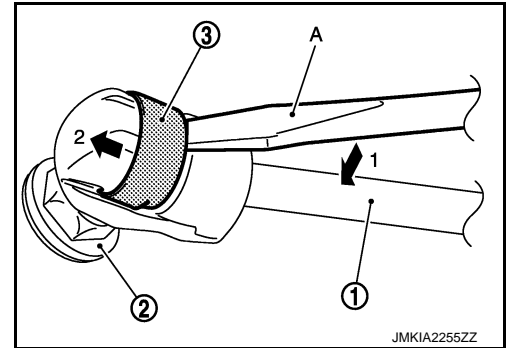
< REMOVAL AND INSTALLATION >

1. Support trunk lid with the proper material to prevent it from falling.

WARNING:

Bodily injury may occur if no supporting rod is holding the trunk lid open when removing the trunk lid stay.

2. Remove the metal clip (3) located on the connection between the trunk lid stay (1) and the stud ball (2) (trunk lid side) by using a flat-bladed screwdriver (A).
3. Remove trunk lid stay (trunk lid side).



4. In the same way, remove trunk lid stay (body side).

INSTALLATION

Note the following item, and install in the reverse order of removal.

CAUTION:

Check trunk lid open/close operation after installation.

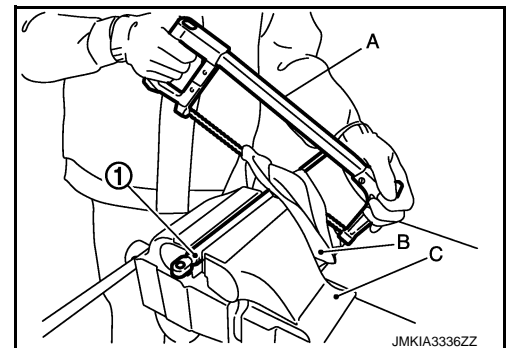
TRUNK LID STAY : Disposal

INFOID:000000008142976

1. Fix trunk lid stay (1) using a vise (C).
2. Using hacksaw (A) slowly make 2 holes in the trunk lid stay, in numerical order as shown in the figure.

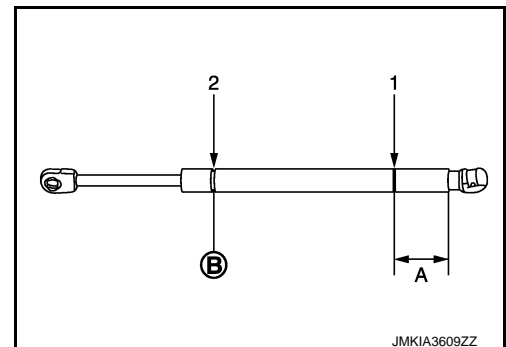
CAUTION:

- When cutting a hole on trunk lid stay, always cover a hacksaw using a shop cloth (B) to avoid scattering metal fragments or oil.
- Wear eye protection (safety glasses).
- Wear gloves.



A: 20.0 mm (0.787 in)

B: Cut at the groove.



TRUNK LID WEATHER-STRIP

TRUNK LID WEATHER-STRIP : Removal and Installation

INFOID:000000008142977

REMOVAL

Pull up and remove engagement with body from weather-strip joint.

CAUTION:

Never pull strongly on weather-strip.

INSTALLATION

TRUNK LID

< REMOVAL AND INSTALLATION >

1. Working from the upper section, align weather-strip center mark (upper) with vehicle center position mark and install weather-strip onto the vehicle.
2. For the lower section, align weather-strip center mark (lower) with center of trunk lid striker.
3. Pull weather-strip gently to ensure that there is no loose section.

NOTE:

Check that weather-strip fits tightly in each corner.

A

B

C

D

E

F

G

H

I

J

DLK

L

M

N

O

P

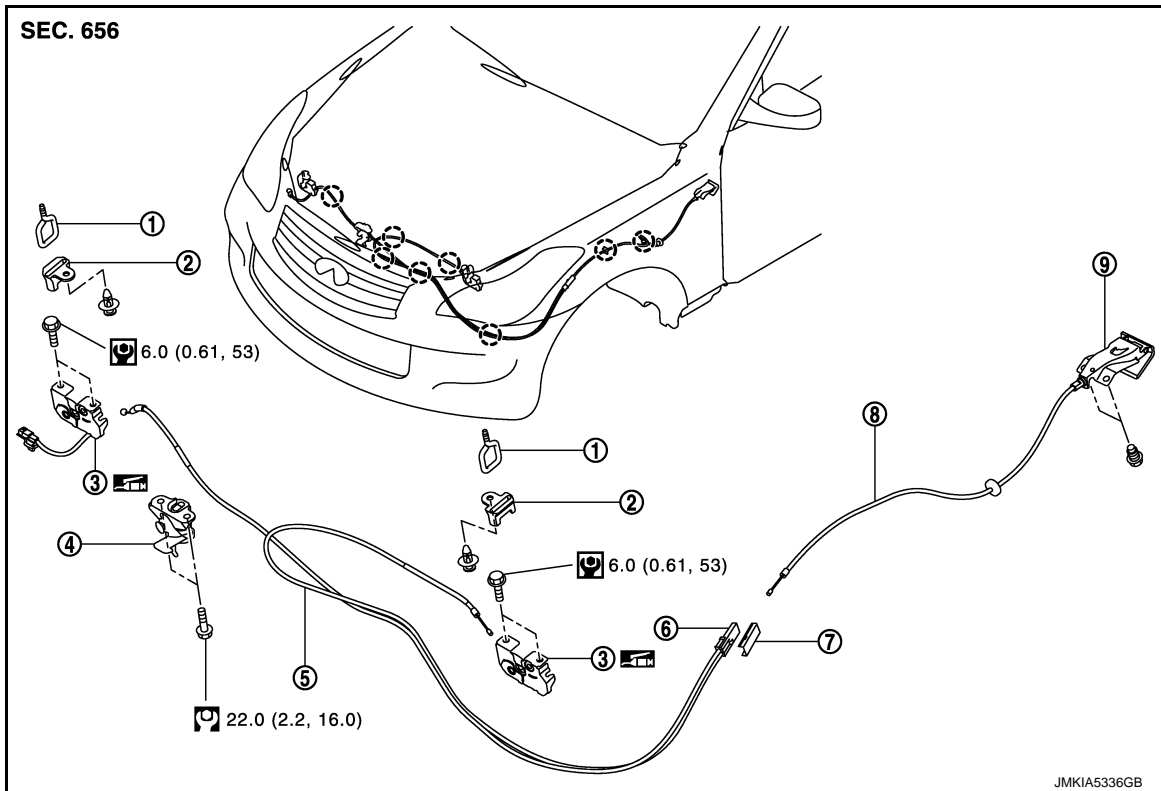
HOOD LOCK

< REMOVAL AND INSTALLATION >

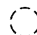
HOOD LOCK

Exploded View

INFOID:000000008142978



- | | | |
|--|------------------------------------|--------------------------------------|
| 1. Hood striker (LH/RH) | 2. Hood striker cover (LH/RH) | 3. Hood lock (LH/RH) |
| 4. Secondary latch | 5. Hood lock control cable (front) | 6. Hood lock control cable protector |
| 7. Hood lock control cable protector cover | 8. Hood lock control cable (rear) | 9. Hood lock opener lever |

 : Clip

Refer to [GI-5, "Components"](#) for symbols in the figure.

HOOD LOCK

HOOD LOCK : Removal and Installation

INFOID:000000008142979

REMOVAL

CAUTION:

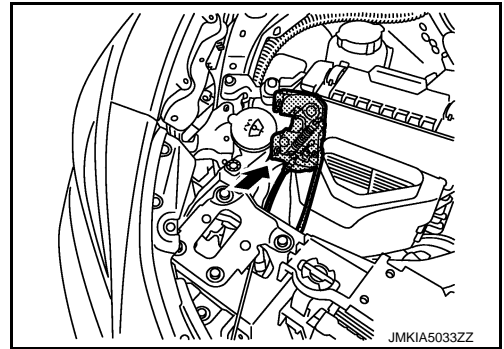
Check wiring of hood lock control before removal.

1. Remove air duct (inlet). Refer to [EM-26, "Removal and Installation"](#).
2. Remove hood lock control cable (front) clips from hood lock stay and condenser upper bracket.
3. Remove hood lock control cable (front) from tube clip of front bumper upper retainer.
4. Remove air cleaner assembly. Refer to [EM-26, "Removal and Installation"](#).

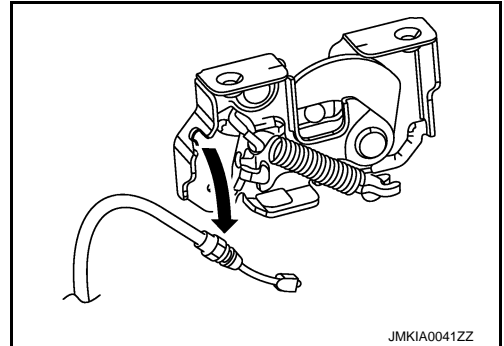
HOOD LOCK

< REMOVAL AND INSTALLATION >

5. Remove mounting bolts of hood lock then reward the arrow direction.

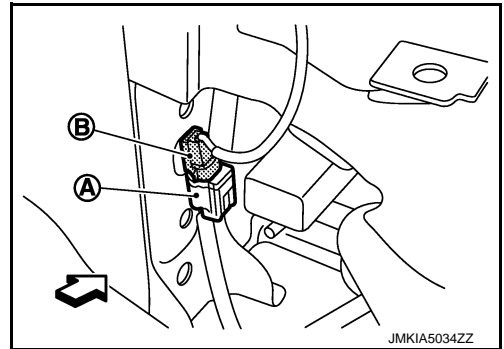


6. Disconnect hood lock control cable (front) from hood lock.



7. Disconnect harness connector (A), and then remove hood lock switch harness connector (B) from vehicle.

← : Vehicle front



8. Remove hood lock.

INSTALLATION

Note the following item, and install in the reverse order of removal.

CAUTION:

- Check that hood lock control cable is properly engaged with hood lock.
- After installation, perform hood fitting adjustment. Refer to [DLK-138, "HOOD ASSEMBLY : Adjustment"](#).
- After installation, perform hood lock control inspection. Refer to [DLK-163, "HOOD LOCK : Inspection"](#).

HOOD LOCK : Inspection

INFOID:000000008142980

NOTE:

If the hood lock cable is bent or deformed, replace it.

1. Check that the secondary and the hood lock stay are securely engaged by the weight of the hood when letting the hood free fall from a height of approximately 100 mm (3.937 in).
2. Check that the front end of the hood rises by approximately 20 mm (0.787 in) when pulling the hood opener lever gently. Also check that the hood opener lever returns to the original position.
3. Check that the tension of hood opener lever is less than 49.0 N (5.0 kg, 11.02 lb).
4. Check that the hood striker and the hood lock are securely engaged by the weight of the hood when letting the hood free fall from a height of approximately 300 mm (11.811 in).

NOTE:

- Exert vertical force on right side and left side of hood lock.

A
B
C
D
E
F
G
H
I
J

DLK

L
M
N
O
P

HOOD LOCK

< REMOVAL AND INSTALLATION >

- Never press simultaneously both sides.

5. Check the hood lock lubrication condition. If necessary, apply body grease to hood lock.

HOOD LOCK CONTROL CABLE

HOOD LOCK CONTROL CABLE : Removal and Installation

INFOID:000000008142981

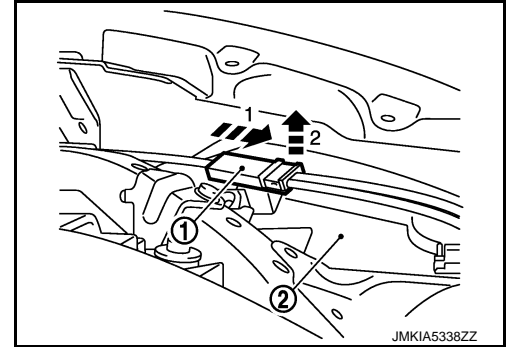
FRONT

Removal

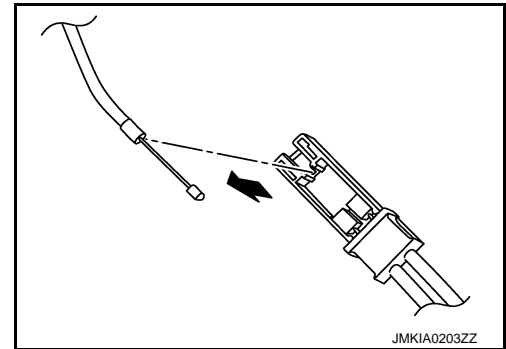
CAUTION:

Check wiring of hood lock control before removal.

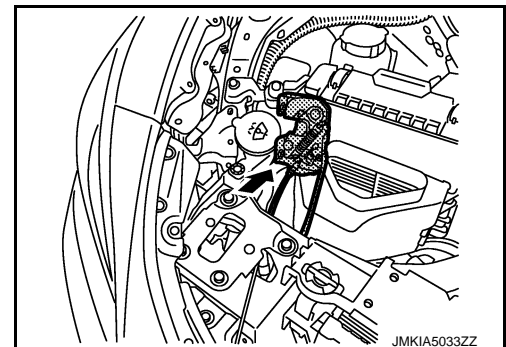
1. Remove clips of hood seal assembly (side).
2. Remove hood lock control cable protector (1) toward the arrow direction, then remove it from front combination lamp assembly (2).



3. Remove hood lock control cable cover from hood lock control cable protector.
4. Disconnect hood lock control cable (front) hood lock control cable protector.



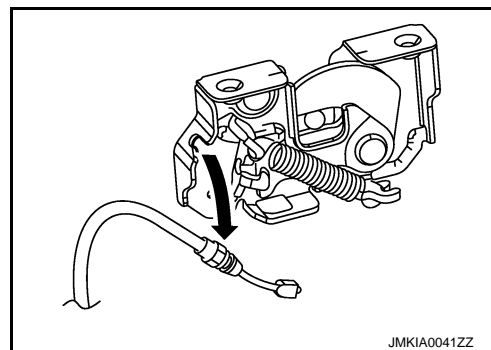
5. Remove air duct (inlet). Refer to [EM-26, "Removal and Installation"](#).
6. Remove hood lock control cable (front) fixing clips from hood lock stay and condenser upper bracket.
7. Remove hood lock control cable (front) from tube clip of front bumper upper retainer.
8. Remove air cleaner assembly. Refer to [EM-26, "Removal and Installation"](#).
9. Remove mounting bolts of hood lock then reward the arrow direction.



HOOD LOCK

< REMOVAL AND INSTALLATION >

10. Disconnect hood lock control cable (front) from hood lock.



11. Remove hood lock control cable (front) from vehicle.

Installation

Note the following item, and install in the reverse order of removal.

CAUTION:

Never to bend cable too much, keeping the radius 100 mm (3.937 in) or more.

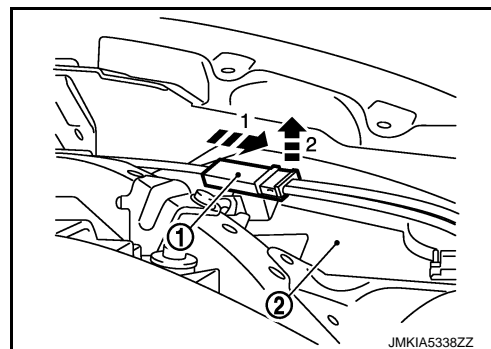
REAR

Removal

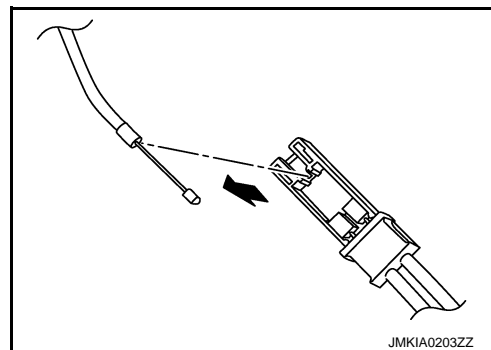
CAUTION:

Check wiring of hood lock control before removal.

1. Remove clips of hood seal assembly (side).
2. Remove hood lock control cable protector (1) toward the arrow direction, then remove it from front combination lamp assembly (2).



3. Remove hood lock control cable cover from hood lock control cable protector.
4. Disconnect hood lock control cable (rear) from hood lock control cable protector.



5. Remove fender protector LH. Refer to [EXT-24, "FENDER PROTECTOR : Removal and Installation"](#).
6. Remove mounting bolts and remove hood lock opener lever.
7. Remove front kicking plate inner LH and dash side finisher LH. Refer to [INT-31, "Exploded View"](#).
8. Remove grommet on the lower dash, pull hood lock control cable (rear) toward the passenger compartment.

CAUTION:

While pulling, never to damage (peeling) the outside of the hood lock control cable.

Installation

A
B
C
D
E
F
G
H
I
J
DLK

L
M
N
O
P

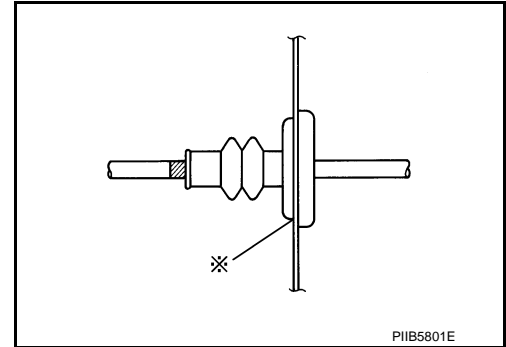
HOOD LOCK

< REMOVAL AND INSTALLATION >

Note the following item, and install in the reverse order of removal.

CAUTION:

- Never to bend cable too much, keeping the radius 100 mm (3.937 in) or more.
- Check that cable is not offset from the positioning grommet, and apply the sealant to the grommet (at* mark) properly.



- Check that hood lock control cable is properly engaged with hood lock.
- After installation, perform hood fitting adjustment. Refer to [DLK-138. "HOOD ASSEMBLY : Adjustment"](#).
- After installation, perform hood lock control inspection. Refer to [DLK-163. "HOOD LOCK : Inspection"](#).

HOOD LOCK CONTROL CABLE : Inspection

INFOID:000000008142982

NOTE:

If the hood lock cable is bent or deformed, replace it.

1. Check that secondary latch is properly engaged with secondary striker [6.8 mm (0.268 in)] by hood weight.
2. While operating hood opener, carefully check that the front end of hood is raised by approximately 20.0 mm (0.787 in). Also check that hood opener returns to the original position.
3. Check that hood opener operating is condition 49 N (5.0 kg, 11.0 lb) or below.
4. Install so that static closing force of hood is 94 – 490 N·m (9.6 – 50.0 kg·m, 69 – 361 ft – lb).

NOTE:

- Exert vertical force on right side and left side of hood lock.
 - Never press simultaneously both sides.
5. Check the hood lock lubrication condition. If necessary, apply body grease to hood lock.

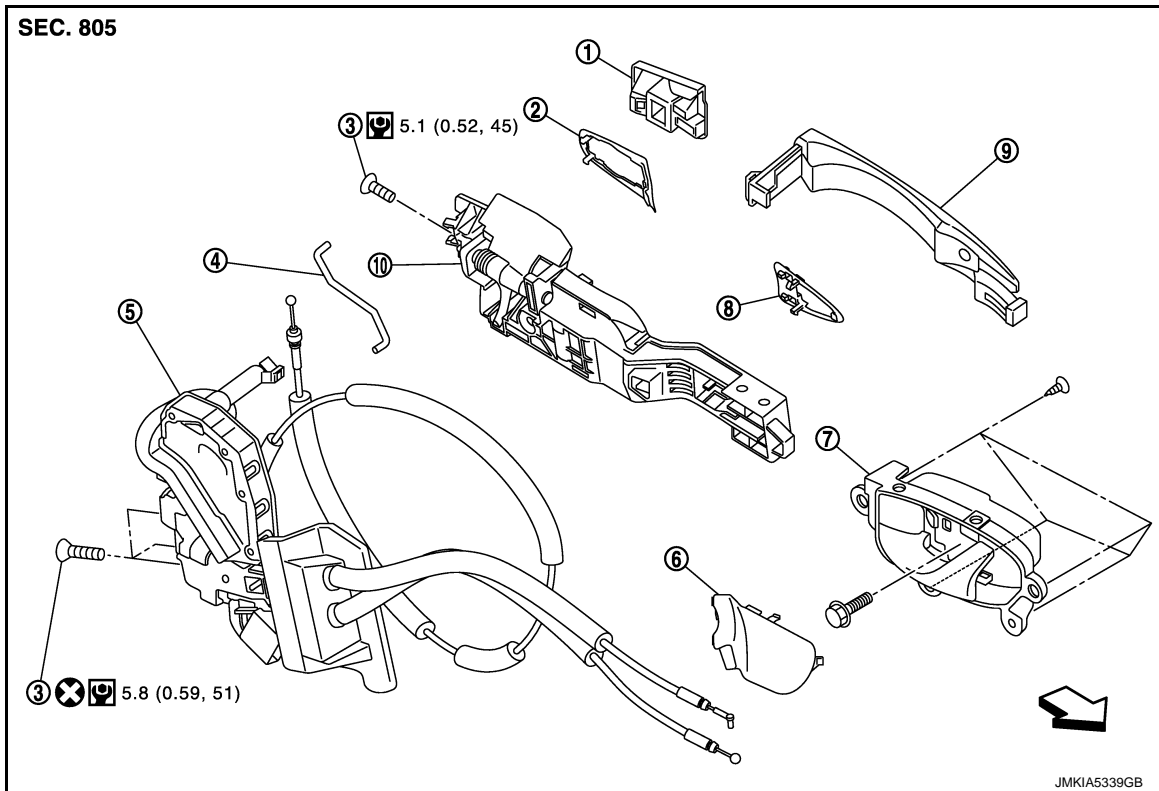
FRONT DOOR LOCK

< REMOVAL AND INSTALLATION >

FRONT DOOR LOCK

Exploded View

INFOID:000000008142983



- | | | |
|---|-----------------------|-----------------------------|
| 1. Door key cylinder assembly (driver side) | 2. Rear gasket | 3. TORX bolt |
| Outside handle escutcheon (passenger side) | | |
| 4. Key rod (driver side) | 5. Door lock assembly | 6. Inside handle escutcheon |
| 7. Inside handle | 8. Front gasket | 9. Outside handle |
| 10. Outside handle bracket | | |

← : Vehicle front

Refer to [GI-5, "Components"](#) for symbols in the figure.

DOOR LOCK

DOOR LOCK : Removal and Installation

INFOID:000000008142984

REMOVAL

1. Remove front door finisher. Refer to [INT-26, "FRONT DOOR FINISHER : Removal and Installation"](#).
2. Remove front door glass. Refer to [GW-18, "Removal and Installation"](#).
3. Remove front door module assembly. Refer to [GW-20, "Removal and Installation"](#).
4. Remove outside handle and outside handle bracket. Refer to [DLK-168, "OUTSIDE HANDLE : Removal and Installation"](#).
5. Remove door lock assembly mounting TORX bolts.
6. Disconnect door lock actuator connector, and then remove door lock assembly.
7. Remove key rod from door lock assembly.

INSTALLATION

Note the following item, and install in the reverse order of removal.

CAUTION:

A
B
C
D
E
F
G
H
I
J

DLK

L
M
N
O
P

FRONT DOOR LOCK

< REMOVAL AND INSTALLATION >

- When installing each rod, rotate rod holder until a click is felt.
- Check door open/close, lock/unlock operation after installation.

INSIDE HANDLE

INSIDE HANDLE : Removal and Installation

INFOID:000000008142985

REMOVAL

1. Remove front door finisher. Refer to [INT-26, "FRONT DOOR FINISHER : Removal and Installation"](#).
2. Remove inside handle mounting screws.

INSTALLATION

Note the following item, and install in the reverse order of removal.

CAUTION:

Check door open/close, lock/unlock operation after installation.

OUTSIDE HANDLE

OUTSIDE HANDLE : Removal and Installation

INFOID:000000008142986

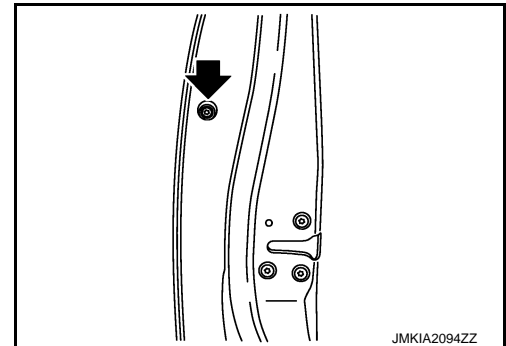
REMOVAL

1. Remove front door finisher. Refer to [INT-26, "FRONT DOOR FINISHER : Removal and Installation"](#).
2. Remove front door glass. Refer to [GW-18, "Removal and Installation"](#).
3. Remove front door module assembly. Refer to [GW-20, "Removal and Installation"](#).
4. Disconnect door antenna and door request switch connector and remove harness clamp (models with Intelligent Key system) on outside handle bracket.
5. Remove door side grommet, and loosen TORX bolt from grommet hole.

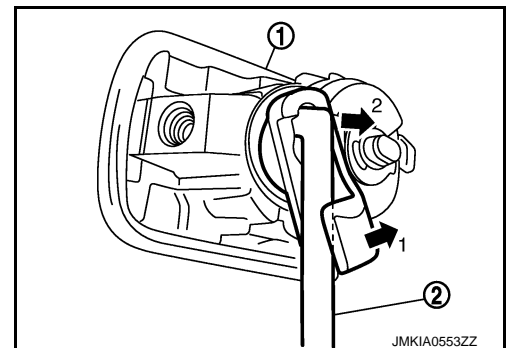
CAUTION:

Never remove TORX bolt forcibly.

← : TORX bolt



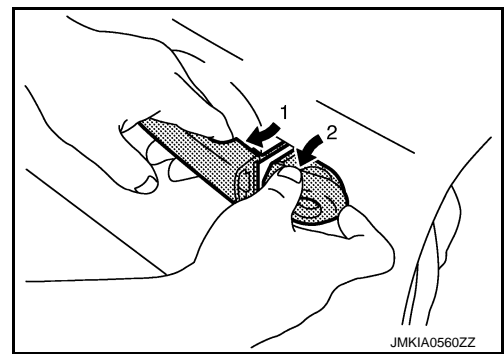
6. Reach in to separate key rod (2) connection [on the door key cylinder assembly (1)] (driver side).



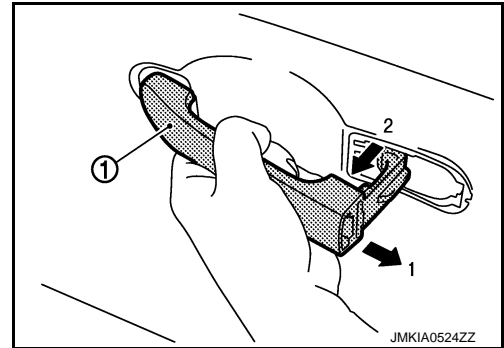
FRONT DOOR LOCK

< REMOVAL AND INSTALLATION >

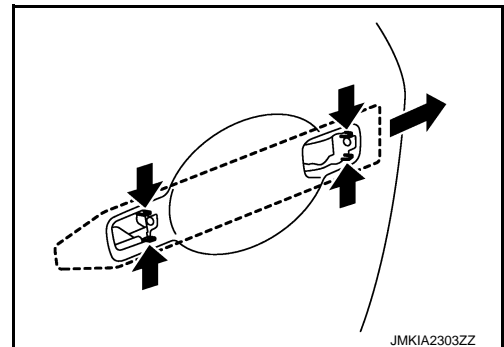
7. While pulling outside handle, remove door key cylinder assembly (driver side) or outside handle escutcheon (passenger side).



8. While pulling outside handle (1), slide toward rear of vehicle to remove outside handle.



9. Remove front gasket and rear gasket.
10. While pulling outside handle bracket, slide toward rear of vehicle to remove outside handle bracket.



11. Reach in to separate outside handle cable connection on outside handle bracket.

INSTALLATION

Note the following item, and install in the reverse order of removal.

CAUTION:

- When installing each rod, rotate rod holder until a click is felt.
- Check door open/close, lock/unlock operation after installation.

A
B
C
D
E
F
G
H
I
J
DLK
L
M
N
O
P

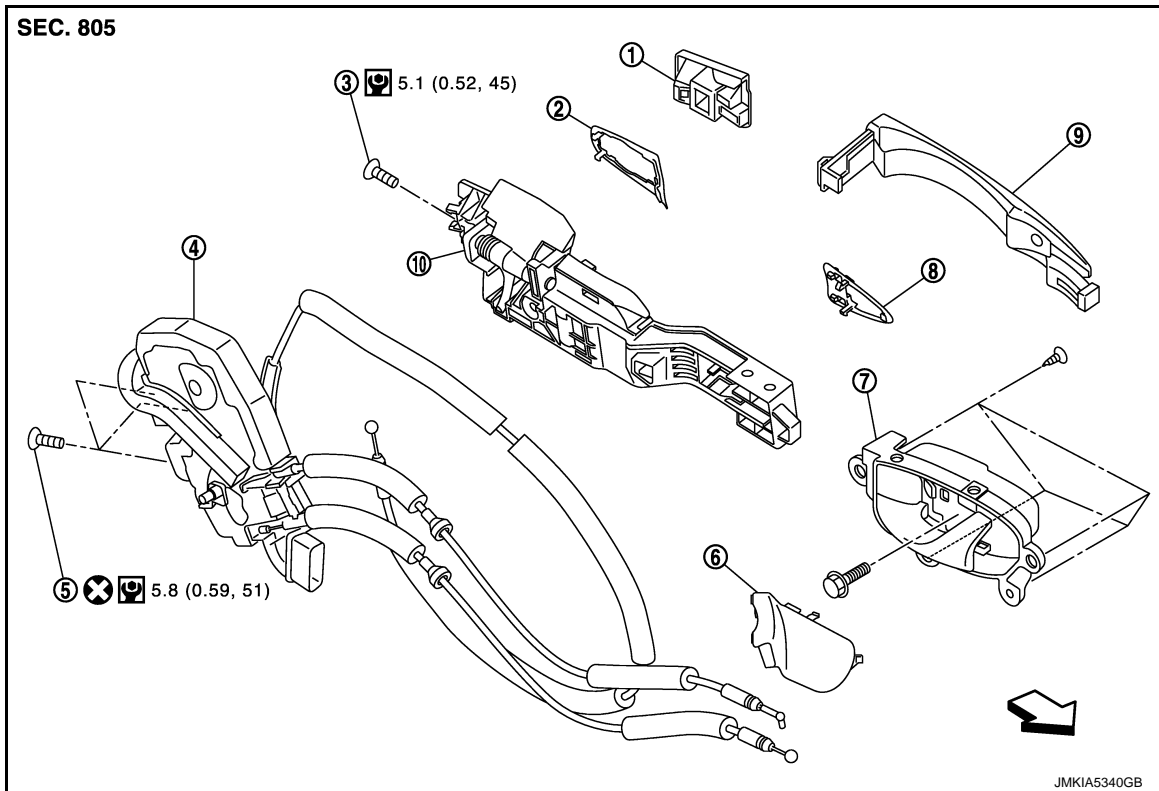
REAR DOOR LOCK

< REMOVAL AND INSTALLATION >

REAR DOOR LOCK

Exploded View

INFOID:000000008142987



- | | | |
|------------------------------|-----------------|-----------------------------|
| 1. Outside handle escutcheon | 2. Rear gasket | 3. TORX bolt |
| 4. Door lock assembly | 5. TORX bolt | 6. Inside handle escutcheon |
| 7. Inside handle | 8. Front gasket | 9. Outside handle |
| 10. Outside handle bracket | | |

← : Vehicle front

Refer to [GI-5. "Components"](#) for symbols in the figure.

DOOR LOCK

DOOR LOCK : Removal and Installation

INFOID:000000008142988

REMOVAL

1. Remove rear door finisher. Refer to [INT-28. "REAR DOOR FINISHER : Removal and Installation"](#).
2. Remove sealing screen. Refer to [GW-23. "Removal and Installation"](#).
3. Remove rear door sash inner cover. Refer to [INT-30. "REAR DOOR SASH INNER COVER : Removal and Installation"](#).
4. Remove rear door corner outer cover. Refer to [EXT-37. "Exploded View"](#).
5. Remove rear door sash and rear door glass. Refer to [GW-21. "Removal and Installation"](#).
6. Remove outside handle and outside handle bracket. Refer to [DLK-171. "OUTSIDE HANDLE : Removal and Installation"](#).
7. Remove door lock assembly mounting TORX bolts.
8. Disconnect door lock actuator connector, and then remove door lock assembly.

INSTALLATION

Note the following item, and install in the reverse order of removal.

CAUTION:

REAR DOOR LOCK

< REMOVAL AND INSTALLATION >

Check door open/close, lock/unlock operation after installation.

INSIDE HANDLE

INSIDE HANDLE : Removal and Installation

INFOID:000000008142989

REMOVAL

1. Remove rear door finisher. Refer to [INT-28, "REAR DOOR FINISHER : Removal and Installation"](#).
2. Remove inside handle mounting screws, and then remove inside handle.

INSTALLATION

Note the following item, and install in the reverse order of removal.

CAUTION:

Check door open/close, lock/unlock operation after installation.

OUTSIDE HANDLE

OUTSIDE HANDLE : Removal and Installation

INFOID:000000008142990

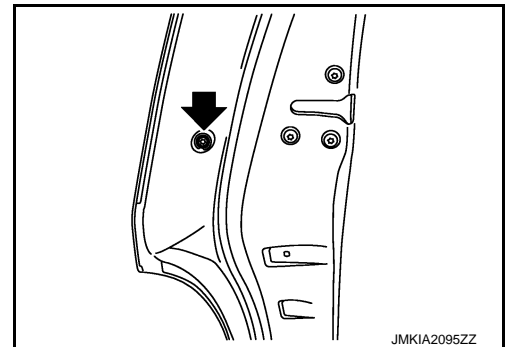
REMOVAL

1. Remove rear door finisher. Refer to [INT-28, "REAR DOOR FINISHER : Removal and Installation"](#).
2. Remove sealing screen. Refer to [GW-23, "Removal and Installation"](#).
3. Fully close rear door glass.
4. Remove door side grommet, and loosen TORX bolt from grommet hole.

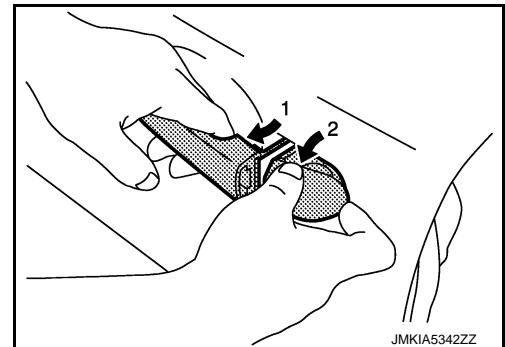
CAUTION:

Never remove TORX bolt forcibly.

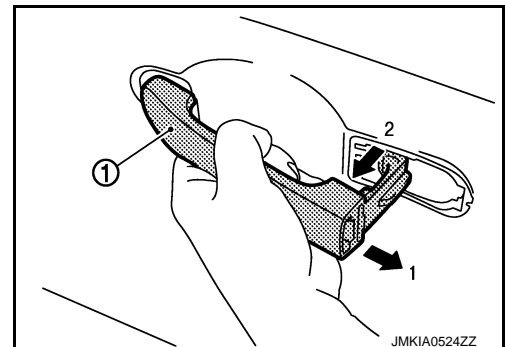
← : TORX bolt



5. While pulling outside handle, remove outside handle escutcheon.



6. While pulling outside handle (1), slide toward rear of vehicle to remove outside handle.



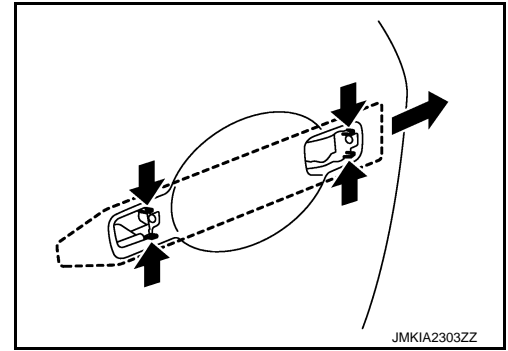
7. Remove front gasket and rear gasket.

A
B
C
D
E
F
G
H
I
J
DLK
L
M
N
O
P

REAR DOOR LOCK

< REMOVAL AND INSTALLATION >

8. While pulling outside handle bracket, slide toward rear of vehicle to remove outside handle bracket.



9. Reach in to separate outside handle cable connection on outside handle bracket.

INSTALLATION

Note the following item, and install in the reverse order of removal.

CAUTION:

Check door open/close, lock/unlock operation after installation.

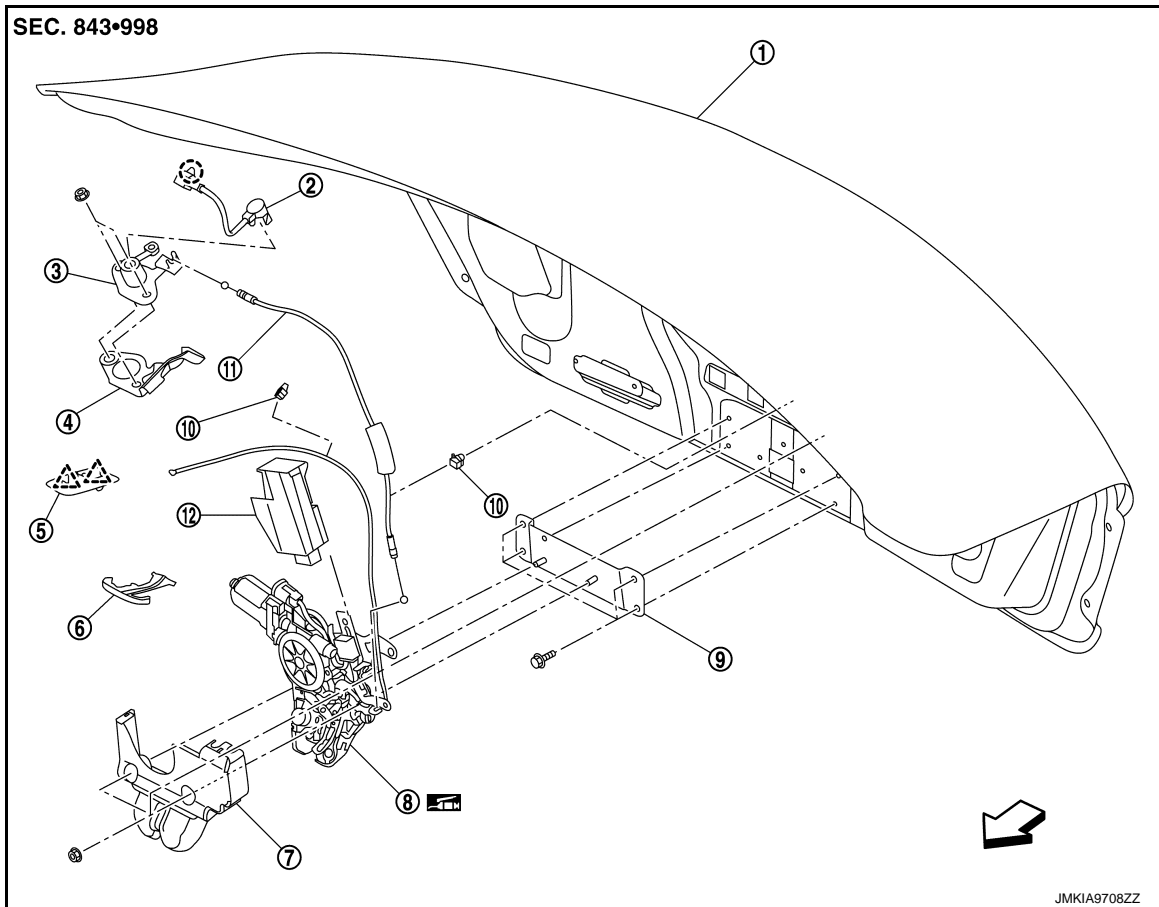
TRUNK LID LOCK

< REMOVAL AND INSTALLATION >

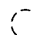
TRUNK LID LOCK

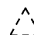
Exploded View

INFOID:000000008459809



- | | | |
|------------------------------|------------------------------|------------------------------------|
| 1. Trunk lid | 2. Trunk lid cylinder switch | 3. Trunk lid cylinder assembly |
| 4. Trunk lid outer protector | 5. Emergency holder | 6. Emergency inside handle |
| 7. Trunk lid lock cover | 8. Trunk closure assembly | 9. Trunk opener bracket assembly |
| 10. Cable clip | 11. Trunk lid cable | 12. Trunk lid closure control unit |

 : Clip

 : Pawl

 : Vehicle front

Refer to [GI-5. "Components"](#) for symbols in the figure.

Removal and Installation

INFOID:000000008459810

REMOVAL

1. Remove trunk lid inner finisher. Refer to [INT-54. "Removal and Installation"](#).
2. Disconnect trunk lid cable from trunk lid cylinder assembly.
3. Disconnect trunk closure assembly harness connector.

CAUTION:

When disconnecting harness connector, disconnect battery cable from negative terminal, and then disconnect harness connector.

4. Remove trunk closure assembly.
 - a. Remove emergency inside handle from emergency holder.
 - b. Remove cable from emergency inside handle.

A
B
C
D
E
F
G
H
I
J

DLK

L
M
N

O
P

TRUNK LID LOCK

< REMOVAL AND INSTALLATION >

- c. Remove trunk closure assembly mounting nuts, and then remove trunk closure assembly.
5. Remove trunk lid lock cover and trunk lid cable from trunk closure assembly.

INSTALLATION

Note the following items, and then install in the reverse order of removal.

CAUTION:

- **Check trunk lid open/close, lock/unlock operation after installation.**
- **For preventing accidental activation of trunk closure assembly, be careful of the following items and perform installation procedures.**
 - **Never subject trunk closure assembly to strong impact, such as by hitting it with a tool.**
 - **Never use trunk closure assembly that is subjected to strong impact by dropping or hitting.**

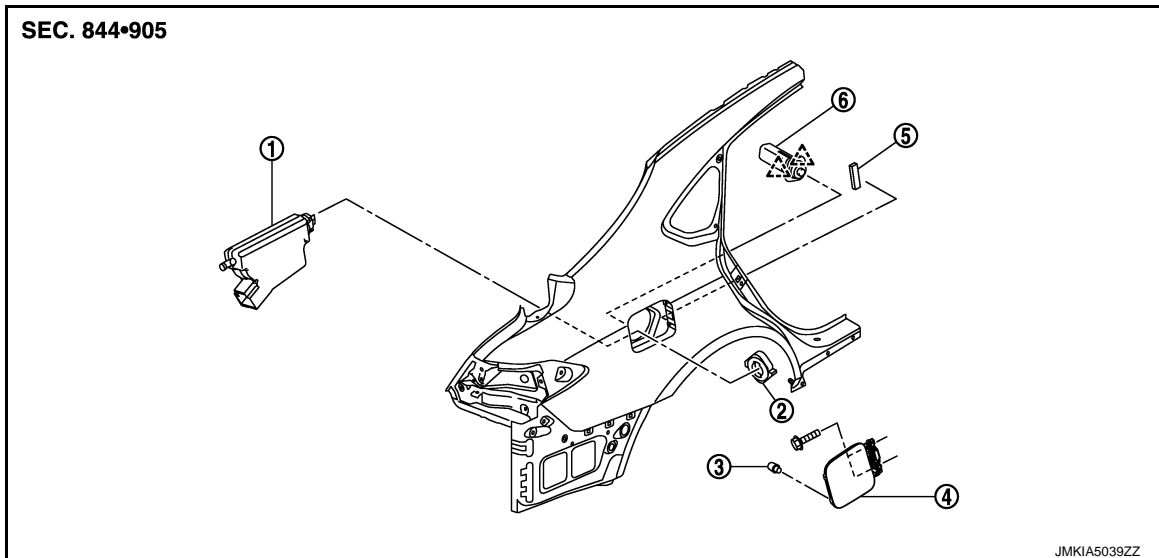
FUEL FILLER LID OPENER

< REMOVAL AND INSTALLATION >


FUEL FILLER LID OPENER

Exploded View

INFOID:000000008142993



- | | | |
|------------------------------------|------------------|--------------------------|
| 1. Fuel filler lid opener actuator | 2. Lock nut | 3. Bumper rubber |
| 4. Fuel filler lid assembly | 5. Bumper rubber | 6. Lock and rod assembly |

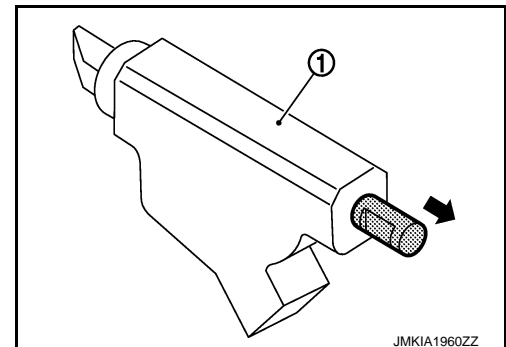
 : Pawl

Removal and Installation

INFOID:000000008142994

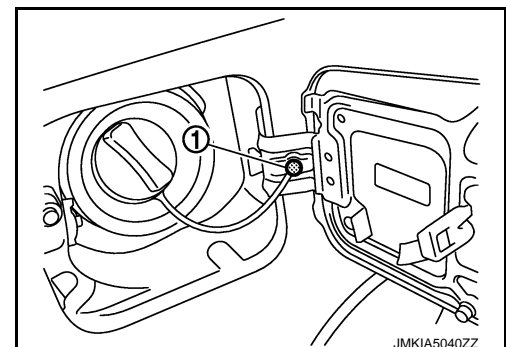
NOTE:

When fuel filler lid opener actuator (1) is a defective operation, pull the rod to open fuel filler lid.



REMOVAL

1. Fully open fuel filler lid.
2. Remove fuel mounting pin (1).



3. Remove mounting screws and then remove fuel filler lid.
4. Rotate lock nut counterclockwise, and then remove lock nut.

A
B
C
D
E
F
G
H
I
J
DLK
L
M
N
O
P

FUEL FILLER LID OPENER

< REMOVAL AND INSTALLATION >

5. Remove trunk side finisher RH. Refer to [INT-52. "TRUNK SIDE FINISHER : Removal and Installation"](#).
6. Push fuel filler lid opener actuator behind the vehicle, while pushing the pawl.
7. Disconnect harness connector and remove fuel filler lid opener actuator.
8. Pull and remove lock & rod assembly forward, while pushing the pawls.

INSTALLATION

Note the following item, and install in the reverse order of removal.

CAUTION:

- **After installation, check fuel filler lid assembly open/close, lock/unlock operation.**
- **After installation, apply the touch-up paint (the body color) onto the head of the mounting screws.**

KEY CYLINDER

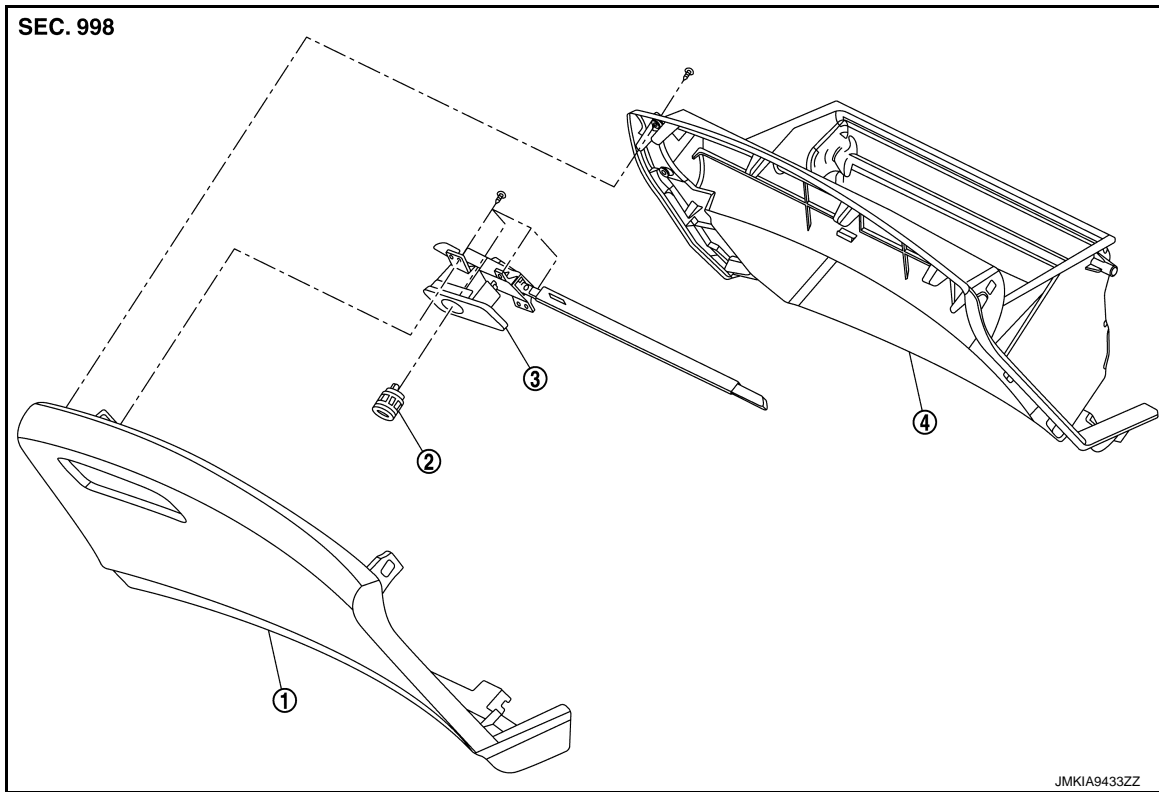
< REMOVAL AND INSTALLATION >

KEY CYLINDER

GLOVE BOX LID KEY CYLINDER

GLOVE BOX LID KEY CYLINDER : Exploded View

INFOID:000000008142995



- 1. Glove box outer lid
- 2. Glove box lid lock cylinder
- 3. Glove box lock assembly
- 4. Glove box inner lid

GLOVE BOX LID KEY CYLINDER : Removal and Installation

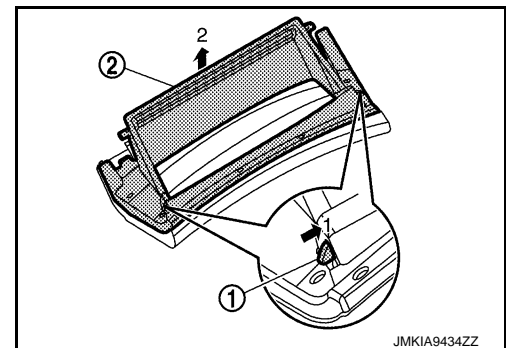
INFOID:000000008142996

REMOVAL

CAUTION:

Replace glove box lock assembly when replacing glove box lid lock cylinder.

1. Remove glove box assembly. Refer to [IP-13, "Removal and Installation"](#).
2. Remove fixing screws of glove box inner lid.
3. Push rod (1) of glove box lock assembly into the inside of glove box inner lid (2). Remove glove box inner lid.



4. Remove fixing screws of glove box lock assembly.

A
B
C
D
E
F
G
H
I
J

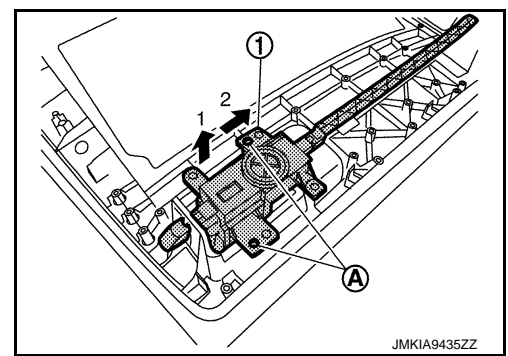
DLK

L
M
N
O
P

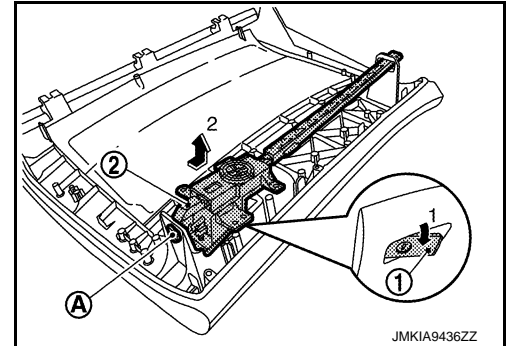
KEY CYLINDER

< REMOVAL AND INSTALLATION >

5. Slightly lift up glove box lock assembly (1), and then move it toward the direction as shown by arrow without interfering with pin portion (A).



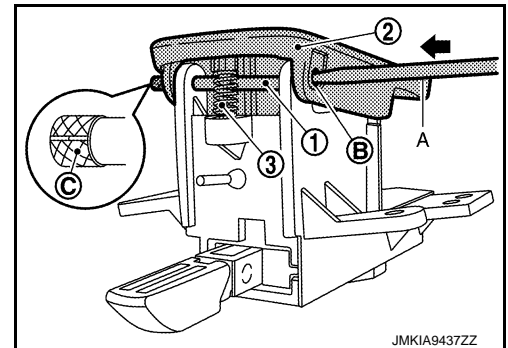
6. Disconnect rod (2) from rod slide hole portion (A) while pulling handle (1) of glove box lock assembly.



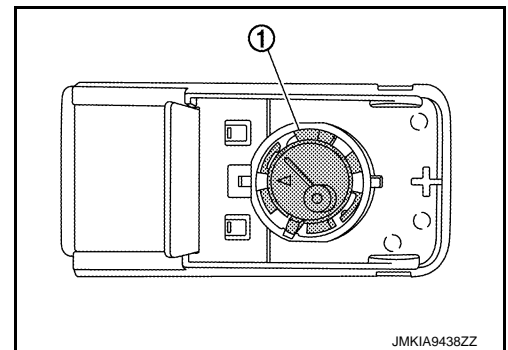
7. Remove glove box lock assembly.
8. Using a screwdriver (A), insert shaft (1) from portion (B) as shown in the figure. Remove shaft, handle (2), and handle spring (3).

CAUTION:

- Be sure to push shaft toward the specified direction, because treatment (C) is applied on one side of shaft so that shaft can be fixed.
- Caulking processing is applied at the end of the shaft. Shaft and handle are damaged when removing the shaft. Therefore, replace glove box lock assembly when replacing glove box lid lock cylinder.



9. Insert mechanical key into glove box lid lock cylinder. Align the position of striker (1) to the same position as shown in the figure.



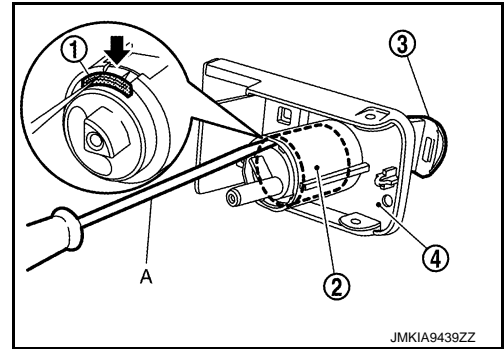
KEY CYLINDER

< REMOVAL AND INSTALLATION >

10. Press tumbler stopper (1) into glove box lid key cylinder (2) using a hook and pick tool (A), and then remove mechanical key (3) and glove box lid key cylinder together from handle (4).

NOTE:

When removing glove box lid key cylinder, write a short note describing its position against handle.



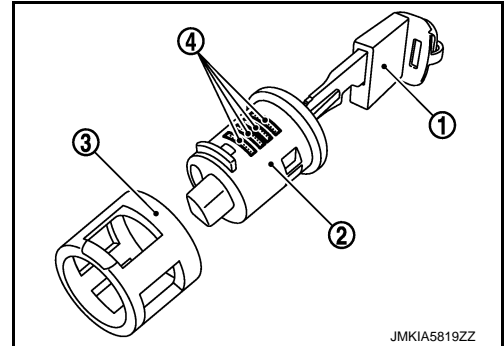
11. Remove sleeve (3) from handle, and then install sleeve to glove box lid key cylinder (2).

NOTE:

When removing sleeve, write a short note describing its position against handle.

CAUTION:

Never pull out mechanical key (1) from glove box lid key cylinder while sleeve is uninstalled. Otherwise, tumbler (4) pops out of glove box lid key cylinder.



INSTALLATION

Note the following item, and then install in the reverse order of removal.

CAUTION:

After installation, check glove box assembly open/close, lock/unlock operation.

A
B
C
D
E
F
G
H
I
J
L
M
N
O
P

DLK

DOOR SWITCH

< REMOVAL AND INSTALLATION >

DOOR SWITCH

Removal and Installation

INFOID:000000008142997

REMOVAL

Remove the door switch mounting bolt, and then remove door switch.

INSTALLATION

Install in the reverse order of removal.

INSIDE KEY ANTENNA

< REMOVAL AND INSTALLATION >

INSIDE KEY ANTENNA INSTRUMENT CENTER

A

INSTRUMENT CENTER : Removal and Installation

INFOID:000000008142998

B

REMOVAL

1. Remove the cluster lid C. Refer to [IP-13. "Removal and Installation"](#).
2. Remove the inside key antenna (instrument center) mounting screw, and then remove inside key antenna (instrument center).

C

INSTALLATION

Install in the reverse order of removal.

CONSOLE

D

CONSOLE : Removal and Installation

INFOID:000000008142999

E

REMOVAL

1. Remove the console ashtray.
2. Remove the center console assembly. Refer to [IP-24. "Removal and Installation"](#).
3. Remove the inside key antenna mounting (console) screw, and then remove inside key antenna (console).

F

G

INSTALLATION

Install in the reverse order of removal.

TRUNK ROOM

H

TRUNK ROOM : Removal and Installation

INFOID:000000008143000

I

REMOVAL

1. Remove the trunk lid upper finisher. Refer to [INT-52. "TRUNK FINISHER FRONT : Removal and Installation"](#).
2. Remove the inside key antenna (trunk room) mounting nuts, and then remove inside key antenna (trunk room).

J

DLK

INSTALLATION

Install in the reverse order of removal.

L

M

N

O

P

OUTSIDE KEY ANTENNA

< REMOVAL AND INSTALLATION >

OUTSIDE KEY ANTENNA

DRIVER SIDE

DRIVER SIDE : Removal and Installation

INFOID:000000008143001

REMOVAL

Remove the front outside handle LH. Refer to [DLK-168, "OUTSIDE HANDLE : Removal and Installation"](#).

INSTALLATION

Install in the reverse order of removal.

PASSENGER SIDE

PASSENGER SIDE : Removal and Installation

INFOID:000000008143002

REMOVAL

Remove the front outside handle RH. Refer to [DLK-168, "OUTSIDE HANDLE : Removal and Installation"](#).

INSTALLATION

Install in the reverse order of removal.

REAR BUMPER

REAR BUMPER : Removal and Installation

INFOID:000000008143003

REMOVAL

1. Remove the rear bumper. Refer to [EXT-18, "Removal and Installation"](#).
2. Remove the outside key antenna (rear bumper) mounting nuts, and then remove outside key antenna (rear bumper).

INSTALLATION

Install in the reverse order of removal.

INTELLIGENT KEY WARNING BUZZER

< REMOVAL AND INSTALLATION >

INTELLIGENT KEY WARNING BUZZER

Removal and Installation

INFOID:000000008143004

REMOVAL

1. Remove the front bumper. Refer to [EXT-14, "Removal and Installation"](#).
2. Remove the Intelligent Key warning buzzer mounting bolt, and then remove the Intelligent Key warning buzzer.

INSTALLATION

Install in the reverse order of removal.

A
B
C
D
E
F
G
H
I
J
DLK
L
M
N
O
P

DLK

TRUNK OPENER REQUEST SWITCH

< REMOVAL AND INSTALLATION >

TRUNK OPENER REQUEST SWITCH

Removal and Installation

INFOID:000000008143005

REMOVAL

1. Remove the trunk lid finisher. Refer to [EXT-41, "Removal and Installation"](#).
2. Remove trunk lid request switch from trunk lid finisher.

INSTALLATION

Install in the reverse order of removal.

TRUNK LID OPENER SWITCH

< REMOVAL AND INSTALLATION >

TRUNK LID OPENER SWITCH

Removal and Installation

INFOID:000000008143006

REMOVAL

1. Remove the instrument driver lower panel. Refer to [IP-13, "Removal and Installation"](#).
2. Remove the trunk lid opener switch from instrument driver lower panel, and then remove pawl. Press trunk lid opener switch front side to disengage from instrument driver lower panel.

INSTALLATION

Install in the reverse order of removal.

A
B
C
D
E
F
G
H
I
J
DLK
L
M
N
O
P

DLK

TRUNK LID OPENER CANCEL SWITCH

< REMOVAL AND INSTALLATION >

TRUNK LID OPENER CANCEL SWITCH

Removal and Installation

INFOID:000000008143007

REMOVAL

1. Remove the instrument assist lower panel. Refer to [IP-13, "Removal and Installation"](#).
2. Remove the trunk lid opener cancel switch instrument assist lower panel, and then remove pawl. Press trunk lid opener cancel switch backside to disengage from instrument assist lower panel.

INSTALLATION

Install in the reverse order of removal.

REMOTE KEYLESS ENTRY RECEIVER

< REMOVAL AND INSTALLATION >

REMOTE KEYLESS ENTRY RECEIVER

Removal and Installation

INFOID:000000008143008

REMOVAL

1. Remove the glove box assembly. Refer to [IP-13. "Removal and Installation"](#).
2. Remove the remote keyless entry receiver mounting bolt, and then remove remote keyless entry receiver.

INSTALLATION

Install in the reverse order of removal.

A
B
C
D
E
F
G
H
I
J
DLK
L
M
N
O
P

DLK

INTELLIGENT KEY BATTERY

< REMOVAL AND INSTALLATION >

INTELLIGENT KEY BATTERY

Removal and Installation

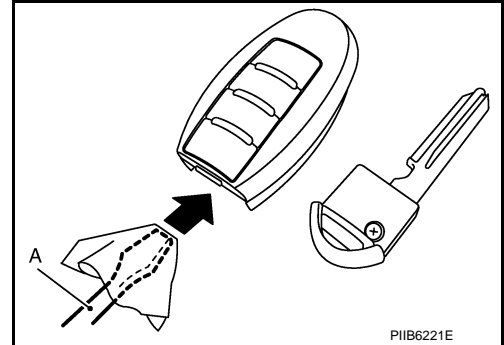
INFOID:000000008143009

1. Release the lock knob at the back of the Intelligent Key and remove the mechanical key.

2. Insert a flat-blade screwdriver (A) wrapped with a cloth into the slit of the corner and twist it to separate the upper part from the lower part.

CAUTION:

- Do not touch the circuit board or battery terminal.
- The key fob is water-resistant. However, if it does get wet, immediately wipe it dry.



3. Replace the battery with new one.

Battery replacement

**:Coin-type lithium battery
(CR2025)**

4. Align the tips of the upper and lower parts, and then push them together until it is securely closed.

CAUTION:

- When replacing battery, keep dirt, grease, and other foreign materials off the electrode contact area.
- After replacing the battery, check that all Intelligent Key functions work normally.

