

# SECTION **SR**

## SRS AIRBAG

A  
B  
C  
D  
E  
F  
G  
SR  
I  
J  
K  
L  
M  
N  
O  
P

## CONTENTS

<b>PRECAUTION</b> .....	2	<b>SPIRAL CABLE</b> .....	14
<b>PRECAUTIONS</b> .....	2	Exploded View .....	14
Precaution for Supplemental Restraint System (SRS) "AIR BAG" and "SEAT BELT PRE-TENSIONER" .....	2	Removal and Installation .....	14
Precaution Necessary for Steering Wheel Rotation after 12V Battery Disconnect .....	2	<b>PASSENGER AIR BAG MODULE</b> .....	18
Occupant Classification System .....	3	Exploded View .....	18
Service .....	3	Removal and Installation .....	18
<b>PREPARATION</b> .....	4	<b>CURTAIN AIR BAG MODULE</b> .....	20
<b>PREPARATION</b> .....	4	Exploded View .....	20
Commercial Service Tools .....	4	Removal and Installation .....	20
<b>BASIC INSPECTION</b> .....	5	<b>CRASH ZONE SENSOR</b> .....	22
<b>COLLISION DIAGNOSIS</b> .....	5	Exploded View .....	22
<b>FOR FRONTAL COLLISION</b> .....	5	Removal and Installation .....	22
FOR FRONTAL COLLISION : When SRS is activated in a collision .....	5	<b>SATELLITE SENSOR</b> .....	24
FOR FRONTAL COLLISION : When SRS is not activated in a collision .....	6	Exploded View .....	24
<b>FOR SIDE AND ROLLOVER COLLISION</b> .....	7	Removal and Installation .....	24
FOR SIDE AND ROLLOVER COLLISION : When SRS is activated in a collision .....	7	<b>DIAGNOSIS SENSOR UNIT</b> .....	26
FOR SIDE AND ROLLOVER COLLISION : When SRS is not activated in a collision .....	8	Exploded View .....	26
<b>REMOVAL AND INSTALLATION</b> .....	11	Removal and Installation .....	26
<b>DRIVER AIR BAG MODULE</b> .....	11	<b>SEAT BELT PRE-TENSIONER</b> .....	28
Exploded View .....	11	Exploded View .....	28
Removal and Installation .....	11	Removal and Installation .....	28
		<b>LAP PRE-TENSIONER</b> .....	29
		Exploded View .....	29
		Removal and Installation .....	29
		<b>OCCUPANT CLASSIFICATION SYSTEM CONTROL UNIT</b> .....	30
		Exploded View .....	30
		Removal and Installation .....	30

# PRECAUTIONS

< PRECAUTION >

## PRECAUTION

### PRECAUTIONS

#### Precaution for Supplemental Restraint System (SRS) "AIR BAG" and "SEAT BELT PRE-TENSIONER"

INFOID:000000008143428

The Supplemental Restraint System such as "AIR BAG" and "SEAT BELT PRE-TENSIONER", used along with a front seat belt, helps to reduce the risk or severity of injury to the driver and front passenger for certain types of collision. This system includes seat belt switch inputs and dual stage front air bag modules. The SRS system uses the seat belt switches to determine the front air bag deployment, and may only deploy one front air bag, depending on the severity of a collision and whether the front occupants are belted or unbelted. Information necessary to service the system safely is included in the "SRS AIR BAG" and "SEAT BELT" of this Service Manual.

#### **WARNING:**

Always observe the following items for preventing accidental activation.

- To avoid rendering the SRS inoperative, which could increase the risk of personal injury or death in the event of a collision that would result in air bag inflation, all maintenance must be performed by an authorized NISSAN/INFINITI dealer.
- Improper maintenance, including incorrect removal and installation of the SRS, can lead to personal injury caused by unintentional activation of the system. For removal of Spiral Cable and Air Bag Module, see "SRS AIR BAG".
- Never use electrical test equipment on any circuit related to the SRS unless instructed to in this Service Manual. SRS wiring harnesses can be identified by yellow and/or orange harnesses or harness connectors.

#### PRECAUTIONS WHEN USING POWER TOOLS (AIR OR ELECTRIC) AND HAMMERS

#### **WARNING:**

Always observe the following items for preventing accidental activation.

- When working near the Air Bag Diagnosis Sensor Unit or other Air Bag System sensors with the ignition ON or engine running, never use air or electric power tools or strike near the sensor(s) with a hammer. Heavy vibration could activate the sensor(s) and deploy the air bag(s), possibly causing serious injury.
- When using air or electric power tools or hammers, always switch the ignition OFF, disconnect the 12V battery, and wait at least 3 minutes before performing any service.

#### Precaution Necessary for Steering Wheel Rotation after 12V Battery Disconnect

INFOID:000000008143429

For vehicle with steering lock unit, if the 12V battery is disconnected or discharged, the steering wheel will lock and cannot be turned.

If turning the steering wheel is required with the 12V battery disconnected or discharged, follow the operation procedure below before starting the repair operation.

#### OPERATION PROCEDURE

1. Connect both 12V battery cables.  
**NOTE:**  
Supply power using jumper cables if 12V battery is discharged.
2. Turn the ignition switch to ACC position.  
(At this time, the steering lock will be released.)
3. Disconnect both 12V battery cables. The steering lock will remain released with both 12V battery cables disconnected and the steering wheel can be turned.
4. Perform the necessary repair operation.
5. When the repair work is completed, re-connect both 12V battery cables. With the brake pedal released, turn the ignition switch from ACC position to ON position, then to LOCK position. (The steering wheel will lock when the ignition switch is turned to LOCK position.)
6. Perform All DTC Reading using CONSULT and delete DTC.  
**NOTE:**  
Multiple DTCs are detected when 12V battery cable is disconnected while ignition switch is in ACC position.

# PRECAUTIONS

< PRECAUTION >

## Occupant Classification System

INFOID:000000008143430

Replace occupant classification system control unit and passenger front seat cushion as an assembly.  
Refer to [SE-77. "Exploded View"](#).

## Service

INFOID:000000008143431

- Never use electrical test equipment to check SRS circuits unless instructed to in this Service Manual.
- Before servicing the SRS, turn ignition switch OFF, disconnect 12V battery negative terminal and wait at least 3 minutes.  
For approximately 3 minutes after the cables are removed, it is still possible for the air bag and seat belt pretensioner to deploy. Therefore, never work on any SRS connectors or wires until at least 3 minutes have elapsed.
- Diagnosis sensor unit must always be installed with their arrow marks "←" pointing towards the front of the vehicle for proper operation. Also check diagnosis sensor unit for cracks, deformities or rust before installation and replace as required.
- The spiral cable must be aligned in the neutral position since its rotations are limited. Never turn steering wheel and column after removal of steering gear.
- Handle air bag module carefully. Always place driver and passenger air bag modules with the pad side facing upward and seat mounted side air bag module standing with the stud bolt side facing down.
- Conduct self-diagnosis to check entire SRS for proper functioning after replacing any components.
- After air bag inflates, the instrument panel assembly should be replaced if damaged.

A  
B  
C  
D  
E  
F  
G  
I  
J  
K  
L  
M  
N  
O  
P

SR

# PREPARATION

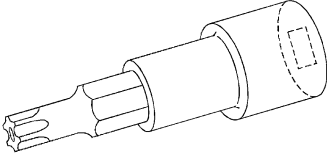
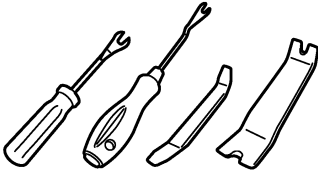
< PREPARATION >

## PREPARATION

### PREPARATION

#### Commercial Service Tools

INFOID:000000008143432

Tool name	Description
Tamper resistant TORX bit  S-NT757	Removes tool of driver air bag module and/or Diagnosis sensor unit
Remover tool  JMKIA3050ZZ	Removes clips, pawls, and metal clips

# COLLISION DIAGNOSIS

< BASIC INSPECTION >

## BASIC INSPECTION

### COLLISION DIAGNOSIS FOR FRONTAL COLLISION

FOR FRONTAL COLLISION : When SRS is activated in a collision

INFOID:000000008143433

**CAUTION:**

**Due to varying models and option levels, not all parts listed in the chart below apply to all vehicles.**

**WORK PROCEDURE**

1. Before performing any of the following steps, ensure that all vehicle body and structural repairs have been completed.
2. Replace the diagnosis sensor unit.
3. Remove the front air bag modules, crash zone sensor, bracket and seat belt pre-tensioner assemblies.
4. Check the SRS components using the table below:  
Replace any SRS components showing visible signs of damage. (dents, cracks and deformation, etc.)
5. Install new front air bag modules, crash zone sensor assembly, bracket and seat belt pre-tensioner assemblies.
6. Perform self-diagnosis using CONSULT or air bag warning lamp. Refer to [SRC-16, "CONSULT Function"](#) or [SRC-12, "On Board Diagnosis Function"](#) for details. Ensure entire SRS operates properly.
7. After the work is completed, perform self-diagnosis to check that no malfunction is detected. Refer to [SRC-12, "Description"](#).

**SRS INSPECTION (FOR FRONTAL COLLISION)**

Part	Inspection
Driver air bag module	If the driver air bag has deployed: <b>REPLACE</b> Install with new fasteners.
Passenger air bag module (if equipped)	If the passenger air bag has deployed: <b>REPLACE</b> Install with new fasteners.
Crash zone sensor	If any of the front air bags or seat belt pre-tensioners* have been activated: <b>REPLACE</b> the crash zone sensor and bracket with new fasteners. *: Confirm seat belt pre-tensioner activation using CONSULT only.
Seat belt pre-tensioner assemblies (All applicable locations: buckle, retractor, lap outer)	If either the driver or passenger seat belt pre-tensioner* has been activated: <b>REPLACE</b> all seat belt pre-tensioner assemblies with new fasteners. *: Confirm seat belt pre-tensioner activation using CONSULT only.
Diagnosis sensor unit	If any of the SRS components have been activated: <b>REPLACE</b> the diagnosis sensor unit. Install with new fasteners.
Steering wheel	<ol style="list-style-type: none"> <li>1. Visually check steering wheel for deformities.</li> <li>2. Check harness (built into steering wheel) and connectors for damage, and terminals for deformities.</li> <li>3. Install driver air bag module into the steering wheel to check fit and alignment with the wheel.</li> <li>4. Check steering wheel for excessive free play.</li> <li>5. If no damage is found, reinstall.</li> <li>6. If damaged – <b>REPLACE</b>.</li> </ol>
Spiral cable	If the driver front air bag has deployed: <b>REPLACE</b> the spiral cable.
Occupant classification system (Passenger seat)	<ol style="list-style-type: none"> <li>1. Remove passenger seat assembly.</li> <li>2. Check control unit case for dents, cracks or deformities.</li> <li>3. Check connectors and pressure sensor tube for damage, and terminals for deformities.</li> <li>4. Check seat frame and cushion pan for dents or deformities.</li> <li>5. If no damage is found, reinstall seat with new fasteners.</li> <li>6. If damaged – <b>REPLACE</b> seat cushion assembly with new fasteners.</li> </ol>

# COLLISION DIAGNOSIS

## < BASIC INSPECTION >

Part	Inspection
Harness and connectors	<ol style="list-style-type: none"> <li>1. Check connectors for poor connection, damage, and terminals for deformities.</li> <li>2. Check harness for binding, chafing, cuts, or deformities.</li> <li>3. If no damage is found, reinstall the harness and connectors.</li> <li>4. If damaged – REPLACE the damaged harness. Do not attempt to repair, splice or modify any SRS harness.</li> </ol>
Instrument panel assembly	If the passenger air bag has deployed: REPLACE the instrument panel assembly. (integrated type)

## FOR FRONTAL COLLISION : When SRS is not activated in a collision

INFOID:000000008143434

### CAUTION:

**Due to varying models and option levels, not all parts listed in the chart below apply to all vehicles.**

### WORK PROCEDURE

1. Before performing any of the following steps, ensure that all vehicle body and structural repairs have been completed.
2. Check the SRS components using the table below:  
Replace any SRS components showing visible signs of damage. (dents, cracks and deformation, etc.)
3. Perform self-diagnosis using CONSULT or air bag warning lamp. Refer to [SRC-16. "CONSULT Function"](#) or [SRC-12. "On Board Diagnosis Function"](#) for details. Ensure entire SRS operates properly.
4. After the work is completed, perform self-diagnosis to check that no malfunction is detected. Refer to [SRC-12. "Description"](#).

### SRS INSPECTION (FOR FRONTAL COLLISION)

Part	Inspection
Driver air bag module	<p>If the driver air bag has NOT been deployed:</p> <ol style="list-style-type: none"> <li>1. Remove driver air bag module. Check harness cover and connectors for damage, terminals for deformities, and harness for binding.</li> <li>2. Install driver air bag module into the steering wheel to check fit and alignment with the wheel.</li> <li>3. If no damage is found, reinstall with new fasteners.</li> <li>4. If damaged – REPLACE. Install driver air bag module with new fasteners.</li> </ol>
Passenger air bag module (if equipped)	<p>If the passenger air bag has NOT been deployed:</p> <ol style="list-style-type: none"> <li>1. Remove passenger air bag module. Check harness cover and connectors for damage, terminals for deformities, and harness for binding.</li> <li>2. Install passenger air bag module into the instrument panel to check fit with the instrument panel.</li> <li>3. If no damage is found, reinstall with new fasteners.</li> <li>4. If damaged – REPLACE. Install passenger air bag modules with new fasteners.</li> </ol>
Crash zone sensor	<p>If the front air bags or seat belt pre-tensioners have NOT been activated:</p> <ol style="list-style-type: none"> <li>1. Remove the crash zone sensor. Check harness connectors for damage, terminals for deformities, and harness for binding.</li> <li>2. Check for visible signs of damage (dents, cracks, deformation, etc.) of the crash zone sensor and bracket.</li> <li>3. Install the crash zone sensor to check fit.</li> <li>4. If no damage is found, reinstall with new fasteners.</li> <li>5. If damaged – REPLACE the crash zone sensor and bracket with new fasteners.</li> </ol>
Seat belt pre-tensioner assemblies (All applicable locations: buckle, retractor, lap outer)	<p>If the pre-tensioners have NOT been activated:</p> <ol style="list-style-type: none"> <li>1. Remove seat belt pre-tensioners. Check harness cover and connectors for damage, terminals for deformities, and harness for binding.</li> <li>2. Check belts for damage and anchors for loose mounting.</li> <li>3. Check retractor for smooth operation.</li> <li>4. Check seat belt adjuster for damage.</li> <li>5. Check for deformities of the center pillar inner.</li> <li>6. If the center pillar inner has no damage, REPLACE the seat belt pre-tensioner assembly.</li> <li>7. If no damage is found, reinstall seat belt pre-tensioner assembly.</li> <li>8. If damaged – REPLACE. Install the seat belt pre-tensioners with new fasteners.</li> </ol>

# COLLISION DIAGNOSIS

## < BASIC INSPECTION >

Part	Inspection
Diagnosis sensor unit	If none of the SRS components have been activated: 1. Check case for dents, cracks or deformities. 2. Check connectors for damage, and terminals for deformities. 3. If no damage is found, reinstall with new fasteners. 4. If damaged – REPLACE. Install diagnosis sensor unit with new fasteners.
Steering wheel	1. Visually check steering wheel for deformities. 2. Check harness (built into steering wheel) and connectors for damage, and terminals for deformities. 3. Install driver air bag module into the steering wheel to check fit and alignment with the wheel. 4. Check steering wheel for excessive free play. 5. If no damage is found, reinstall. 6. If damaged – REPLACE.
Spiral cable	If the driver front air bag has not deployed: 1. Visually check spiral cable and combination switch for damage. 2. Check connectors and protective tape for damage. 3. Check steering wheel for noise, binding or heavy operation. 4. If no damage is found, reinstall. 5. If damaged – REPLACE.
Occupant classification system (Passenger seat)	1. Remove passenger seat assembly. 2. Check control unit case for dents, cracks or deformities. 3. Check connectors and pressure sensor tube for damage, and terminals for deformities. 4. Check seat frame and cushion pan for dents or deformities. 5. If no damage is found, reinstall seat with new fasteners. 6. If damaged – REPLACE seat cushion assembly with new fasteners.
Harness and connectors	1. Check connectors for poor connection, damage, and terminals for deformities. 2. Check harness for binding, chafing, cuts, or deformities. 3. If no damage is found, reinstall the harness and connectors. 4. If damaged – REPLACE the damaged harness. Do not attempt to repair, splice or modify any SRS harness.
Instrument panel assembly	If the passenger air bag has NOT deployed: 1. Visually check instrument panel assembly for damage. 2. If no damage is found, reinstall the instrument panel assembly. 3. If damaged – REPLACE the instrument panel assembly.

A  
B  
C  
D  
E  
F  
G  
SR  
I  
J

## FOR SIDE AND ROLLOVER COLLISION

### FOR SIDE AND ROLLOVER COLLISION : When SRS is activated in a collision

INFOID:000000008143435

#### **CAUTION:**

**Due to varying models and option levels, not all parts listed in the chart below apply to all vehicles.**

#### WORK PROCEDURE

1. Before performing any of the following steps, ensure that all vehicle body and structural repairs have been completed.
2. Replace the following components:
  - Front seat back assembly (on the side on which side air bag is activated)
  - Door finisher (on the side on which door-mounted curtain air bag is activated)
  - Pop-up roll bar assemblies and pop-up roll bar covers
  - Satellite sensor LH/RH (on the side on which side air bag is activated)
  - Diagnosis sensor unit
  - Seat belt pre-tensioner assemblies
3. Check the SRS components and the related parts using the following table. Replace any SRS components and the related parts showing visible signs of damage. (dents, cracks, deformation, etc.)
4. Perform self-diagnosis using CONSULT and "AIR BAG" warning lamp. Refer to [SRC-16. "CONSULT Function"](#) or [SRC-12. "On Board Diagnosis Function"](#) for details. Make sure entire SRS operates properly.
5. After the work is completed, perform self-diagnosis to check that no malfunction is detected. Refer to [SRC-12. "Description"](#).

K  
L  
M  
N  
O  
P

# COLLISION DIAGNOSIS

## < BASIC INSPECTION >

### SRS INSPECTION (FOR SIDE AND ROLLOVER COLLISION)

Part	Inspection
Curtain air bag module LH	If the curtain air bag LH has deployed: REPLACE the curtain air bag module LH. Install with new fasteners.
Curtain air bag module RH	If the curtain air bag RH has deployed: REPLACE the curtain air bag module RH. Install with new fasteners.
Side air bag module LH	If the side air bag LH has deployed: REPLACE front seatback assembly LH.
Side air bag module RH	If the side air bag RH has deployed: REPLACE front seatback assembly RH.
Satellite sensor (LH or RH)	If any of the SRS components have deployed: REPLACE the satellite sensor on the collision side with new fasteners.
Diagnosis sensor unit	If any of the SRS components have deployed: REPLACE the diagnosis sensor unit with new fasteners.
Seat belt pre-tensioner assemblies (All applicable locations: buckle, retractor, lap outer)	If either the driver or passenger seat belt pre-tensioner* has been activated: REPLACE all seat belt pre-tensioner assemblies with new fasteners. *: Confirm seat belt pre-tensioner activation using CONSULT only.
Center inner pillar	1. Check the center inner pillar on the collision side for damage (dents, cracks, deformation, etc.). 2. If damaged – REPAIR the center inner pillar.
Trim/headlining	1. Check for visible signs of damage (dents, cracks, deformation, etc.) of the interior trim on the collision side. 2. If damaged – REPLACE the damaged trim parts.
Door-mounted curtain air bag module LH	If the door-mounted curtain air bag module LH has deployed: REPLACE the door finisher LH and door-mounted curtain air bag module. Install with new fasteners.
Door-mounted curtain air bag module RH	If the door-mounted curtain air bag module RH has deployed: REPLACE the door finisher RH and door-mounted curtain air bag module. Install with new fasteners.
Pop-up roll bar assemblies	If the pop-up roll bar has deployed: REPLACE pop-up roll bar assemblies and pop-up roll bar covers. Install with new fasteners.

### FOR SIDE AND ROLLOVER COLLISION : When SRS is not activated in a collision

INFOID:000000008143436

#### **CAUTION:**

**Due to varying models and option levels, not all parts listed in the chart below apply to all vehicles.**

#### WORK PROCEDURE

1. Before performing any of the following steps, ensure that all vehicle body and structural repairs have been completed.
2. Check the SRS components and the related parts using the following table.
  - If the front seat back assembly is damaged, the front seat back assembly must be replaced.
  - If the door finisher assembly is damaged, the door finisher assembly and door-mounted curtain air bag module must be replaced.
3. Perform self-diagnosis using CONSULT and "AIR BAG" warning lamp. Refer to [SRC-16, "CONSULT Function"](#) or [SRC-12, "On Board Diagnosis Function"](#) for details. Make sure entire SRS operates properly.
4. After the work is completed, perform self-diagnosis to check that no malfunction is detected. Refer to [SRC-12, "Description"](#).

### SRS INSPECTION (FOR SIDE AND ROLLOVER COLLISION)



# COLLISION DIAGNOSIS

## < BASIC INSPECTION >

Part	Inspection	
Curtain air bag module LH	If the curtain air bag LH has NOT deployed: 1. Check for visible signs of damage (dents, tears, deformation, etc.) of the center pillar on the collision side. 2. If damaged – Remove the curtain air bag module LH. 3. Check for visible signs of damage (tears etc.) of the curtain air bag module LH. 4. Check harness and connectors for damage, and terminals for deformities. 5. If no damage is found, reinstall the curtain air bag module LH with new fasteners. 6. If damaged – REPLACE the curtain air bag module LH with new fasteners.	A B C
Curtain air bag module RH	If the curtain air bag RH has NOT deployed: 1. Check for visible signs of damage (dents, tears, deformation, etc.) of the center pillar on the collision side. 2. If damaged – Remove the curtain air bag module RH. 3. Check for visible signs of damage (tears etc.) of the curtain air bag module RH. 4. Check harness and connectors for damage, and terminals for deformities. 5. If no damage is found, reinstall the curtain air bag module RH with new fasteners. 6. If damaged – REPLACE the curtain air bag module RH with new fasteners.	D E
Side air bag module LH	If the side air bag LH has NOT deployed: 1. Check for visible signs of damage (dents, tears, deformation, etc.) of the seat back on the collision side. 2. Check harness and connectors for damage, and terminals for deformities. 3. If damaged – REPLACE the front seatback assembly LH.	F
Side air bag module RH	If the side air bag RH has NOT deployed: 1. Check for visible signs of damage (dents, tears, deformation, etc.) of the seat back on the collision side. 2. Check harness and connectors for damage, and terminals for deformities. 3. If damaged – REPLACE the front seatback assembly RH.	G <b>SR</b>
Satellite sensor (LH or RH)	If none of the SRS components have been activated: 1. Remove the satellite sensor (LH or RH) on the collision side. Check harness connectors for damage, terminals for deformities, and harness for binding. 2. Check for visible signs of damage (dents, cracks, deformation, etc.) of the satellite sensor (LH or RH). 3. Install the satellite sensor (LH or RH) to check fit. 4. If no damage is found, reinstall the side air bag (satellite) sensor (LH or RH) with new fasteners. 5. If damaged – REPLACE the satellite sensor (LH or RH) with new fasteners.	I J
Diagnosis sensor unit	If none of the SRS components have been activated: 1. Check case and bracket for dents, cracks or deformities. 2. Check connectors for damage, and terminals for deformities. 3. If no damage is found, reinstall the diagnosis sensor unit with new fasteners. 4. If damaged – REPLACE the diagnosis sensor unit with new fasteners.	K L
Seat belt pre-tensioner assemblies (All applicable locations: buckle, retractor, lap outer)	If the pre-tensioners have NOT been activated: 1. Remove seat belt pre-tensioners. Check harness cover and connectors for damage, terminals for deformities, and harness for binding. 2. Check belts for damage and anchors for loose mounting. 3. Check retractor for smooth operation. 4. Check seat belt adjuster for damage. 5. Check for deformities of the center pillar inner. 6. If the center pillar inner has no damage, REPLACE the seat belt pre-tensioner assembly. 7. If no damage is found, reinstall seat belt pre-tensioner assembly. 8. If damaged – REPLACE. Install the seat belt pre-tensioners with new fasteners.	M N O
Seat (with side air bag)	If the front LH or front RH side air bag modules have NOT deployed: 1. Visually check the seat on the collision side. 2. Remove the seat on the collision side and check the following for damage and deformities. - Harness, connectors and terminals - Frame and recliner (for front and rear seat), and also adjuster and slides (for front seat) 3. If no damage is found, reinstall the seat. 4. If damaged – REPLACE the damaged seat parts using new fasteners. If the front seat back is damaged, the front seat back assembly must be replaced.	P
Center inner pillar	1. Check the center inner pillar on the collision side for damage (dents, cracks, deformation, etc.). 2. If damaged – REPAIR the center inner pillar.	

# COLLISION DIAGNOSIS

## < BASIC INSPECTION >

Part	Inspection
Trim/headlining	<ol style="list-style-type: none"> <li>1. Check for visible signs of damage (dents, cracks, deformation, etc.) of the interior trim on the collision side.</li> <li>2. If damaged – REPLACE the damaged trim parts.</li> </ol>
Door-mounted curtain air bag module LH	<p>If the door-mounted curtain air bag LH has NOT deployed:</p> <ol style="list-style-type: none"> <li>1. Check for visible signs of damage (dents, tears, deformation, etc.) of the door finisher on the collision side.</li> <li>2. If damaged – REPLACE the door finisher LH with new fasteners.</li> <li>3. Check for visible signs of damaged (tears etc.) of the door-mounted curtain air bag module LH.</li> <li>4. Check harness and connectors for damage, and terminals for deformities.</li> <li>5. If no damage is found, reinstall door finisher. <b>CAUTION:</b> <b>When removing door-mounted curtain air bag module from door finisher, never reuse door finisher.</b></li> <li>6. If damaged – REPLACE the door finisher LH and door-mounted curtain air bag module LH with new fasteners.</li> </ol>
Door-mounted curtain air bag module RH	<p>If the door-mounted curtain air bag RH has NOT deployed:</p> <ol style="list-style-type: none"> <li>1. Check for visible signs of damage (dents, tears, deformation, etc.) of the door finisher on the collision side.</li> <li>2. If damaged – REPLACE the door finisher RH with new fasteners.</li> <li>3. Check for visible signs of damage (tears etc.) of the door-mounted curtain air bag module RH.</li> <li>4. Check harness and connectors for damage, and terminals for deformities.</li> <li>5. If no damage is found, reinstall door finisher. <b>CAUTION:</b> <b>When removing door-mounted curtain air bag module from door finisher, never reuse door finisher.</b></li> <li>6. If damaged – REPLACE the door finisher RH and door-mounted curtain air bag module RH with new fasteners.</li> </ol>
Pop-up roll bar	<p>If the pop-up roll bar has NOT deployed:</p> <ol style="list-style-type: none"> <li>1. Check for visible signs of damage (dents, tears, deformation, etc.) of the pop-up roll bar.</li> <li>2. If damaged – REPLACE the pop-up roll bar with new fasteners.</li> <li>3. Check harness and connectors for damage, and terminals for deformities.</li> <li>4. If no damage is found, reinstall the pop-up roll bar with new fasteners.</li> <li>5. Check for visible signs of damage (dents, cracks, deformation, etc.) of the seatback support brace assembly.</li> <li>6. If damaged – REPAIR the seatback support brace assembly.</li> </ol>

# DRIVER AIR BAG MODULE

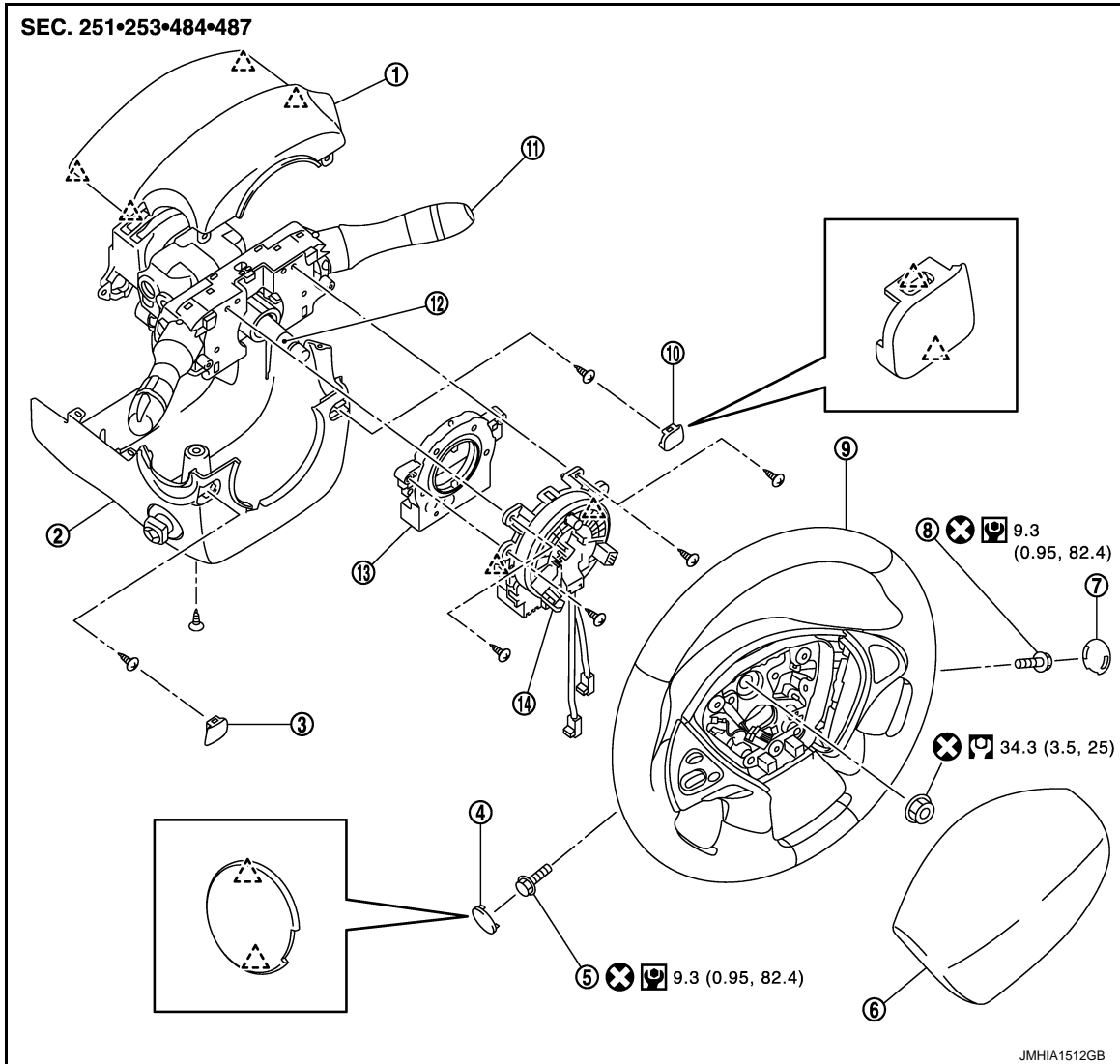
< REMOVAL AND INSTALLATION >

## REMOVAL AND INSTALLATION

### DRIVER AIR BAG MODULE

Exploded View

INFOID:000000008143437



- |                                |                                |                              |
|--------------------------------|--------------------------------|------------------------------|
| 1. Steering column upper cover | 2. Steering column lower cover | 3. Steering column mask LH   |
| 4. Side lid LH                 | 5. TORX bolt                   | 6. Driver air bag module     |
| 7. Side lid RH                 | 8. TORX bolt                   | 9. Steering wheel            |
| 10. Steering column mask RH    | 11. Combination switch         | 12. Steering column assembly |
| 13. Steering angle sensor      | 14. Spiral cable               |                              |

△ : Pawl

⊗ : Always replace after every disassembly.

Ⓜ : N·m (kg-m, in-lb)

Ⓜ : N·m (kg-m, ft-lb)

### Removal and Installation

INFOID:000000008143438

#### **WARNING:**

Always observe the following items for preventing accidental activation.

# DRIVER AIR BAG MODULE

## < REMOVAL AND INSTALLATION >

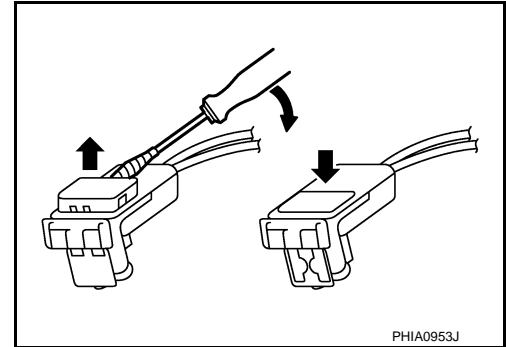
- Before servicing, turn ignition switch OFF, disconnect 12V battery negative terminal and wait 3 minutes or more.
- Always work from the side of air bag module. Never work in front of it.
- Never use the air tools or electric tools for servicing.

### REMOVAL

1. Remove the side lid (LH and RH).
2. Remove the TORX bolts (LH and RH) from the steering wheel lower side.
3. Pull out the driver air bag module.
4. Disconnect the driver air bag harness connectors.

#### CAUTION:

- For installing/removing the driver air bag module harness connector, insert thin screwdriver wrapped in tape into notch, lift lock and remove the connector.
- Install the connector with lock raised, and push lock into the connector.
- After installing the connector, check that the lock is pushed securely into it.

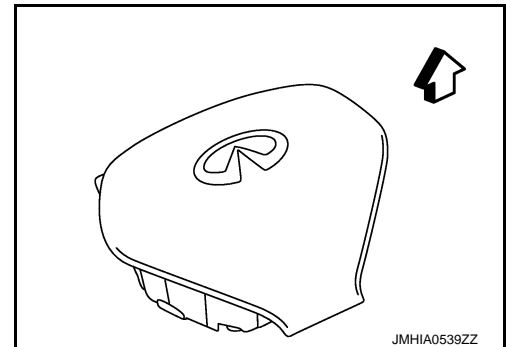


5. Remove the driver air bag module.

#### CAUTION:

- To prevent accidental explosion, always place the driver air bag module with pad side facing upward.

↔ : Vehicle front



- To prevent damage to the parts, never impact the driver air bag module.
- Replace the driver air bag module if it has been dropped or sustained an impact.



- To prevent accidental explosion, never insert any foreign objects (screwdriver, etc.) into the driver air bag module.
- To prevent accidental explosion, never disassemble the driver air bag module.
- To prevent accidental explosion, never expose the driver air bag module to temperatures exceeding 90 °C (194 °F).
- To prevent damage to the parts, never allow oil, grease, detergent, or water to come in contact with the driver air bag module.

### INSTALLATION

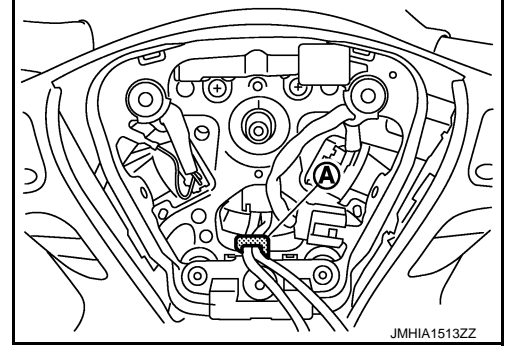
Note the following items, and then install in the reverse order of removal.

# DRIVER AIR BAG MODULE

## < REMOVAL AND INSTALLATION >

### CAUTION:

- Never use the old TORX bolts after removal, replace with the new TORX bolts.
- Fix the driver air bag module harnesses to the harness fixing hook (A).



- Never damage the harness while installing.
- To prevent damage to the parts, tighten the TORX bolts after completely adjusting the centers of fixing holes on the driver air bag module side and the steering wheel side. If the holes are misaligned, the bolt threads are damaged and the module is not installed securely.
- If malfunction is detected by the air bag warning lamp, after repair or replacement of the malfunctioning parts, reset the memory using self-diagnosis or CONSULT. Refer to [SRC-12, "On Board Diagnosis Function"](#) or [SRC-16, "CONSULT Function"](#).
- After the work is complete, check that no system malfunction is detected by air bag warning lamp.

A  
B  
C  
D  
E  
F  
G  
I  
J  
K  
L  
M  
N  
O  
P

SR

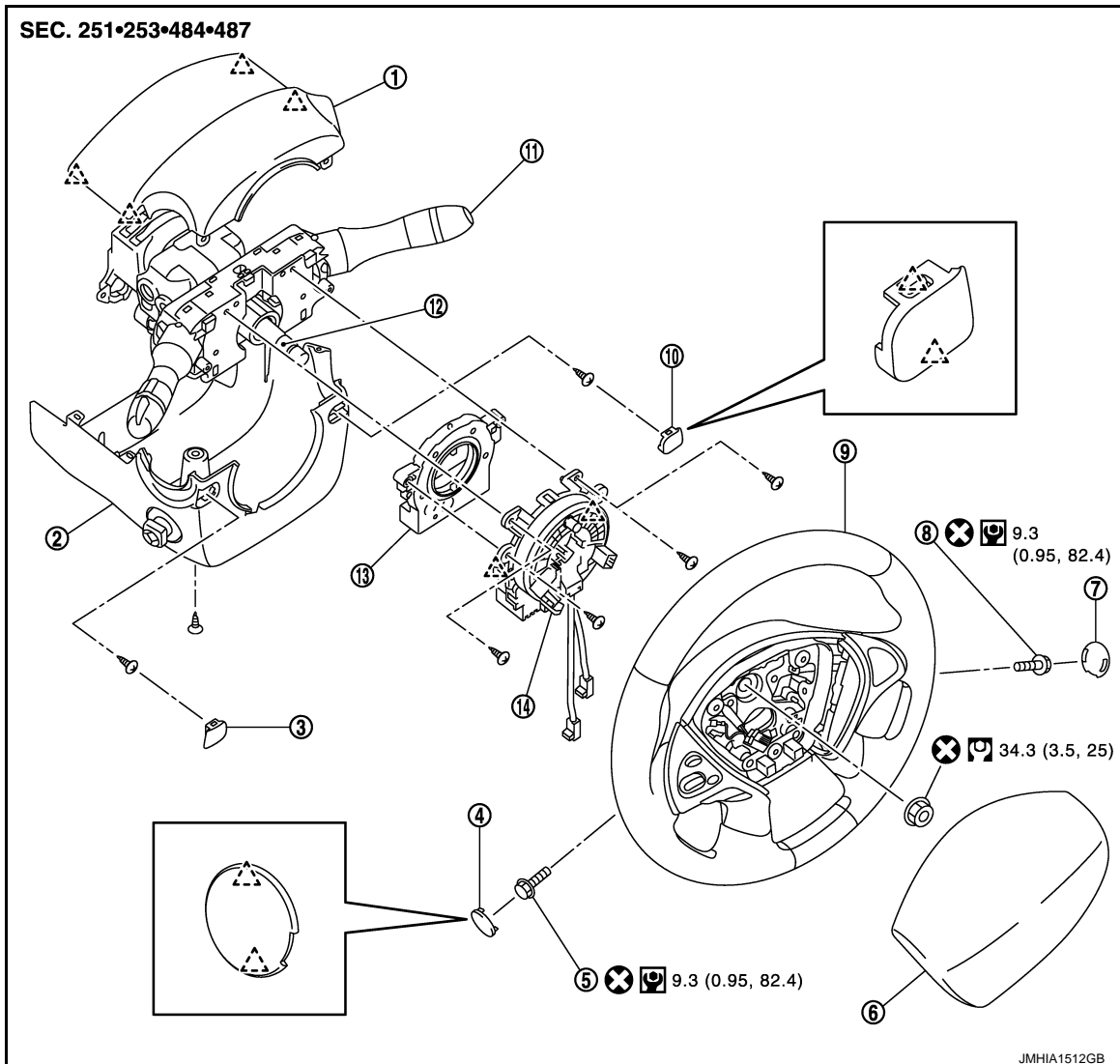
# SPIRAL CABLE

< REMOVAL AND INSTALLATION >

## SPIRAL CABLE

Exploded View

INFOID:000000008143439



- |                                |                                |                              |
|--------------------------------|--------------------------------|------------------------------|
| 1. Steering column upper cover | 2. Steering column lower cover | 3. Steering column mask LH   |
| 4. Side lid LH                 | 5. TORX bolt                   | 6. Driver air bag module     |
| 7. Side lid RH                 | 8. TORX bolt                   | 9. Steering wheel            |
| 10. Steering column mask RH    | 11. Combination switch         | 12. Steering column assembly |
| 13. Steering angle sensor      | 14. Spiral cable               |                              |

- ⚠ : Pawl  
⊗ : Always replace after every disassembly.  
Ⓜ : N·m (kg-m, in-lb)  
Ⓜ : N·m (kg-m, ft-lb)

## Removal and Installation

INFOID:000000008143440

### WARNING:

Always observe the following items for preventing accidental activation.

- Before servicing, turn ignition switch OFF, disconnect 12V battery negative terminal and wait 3 minutes or more.

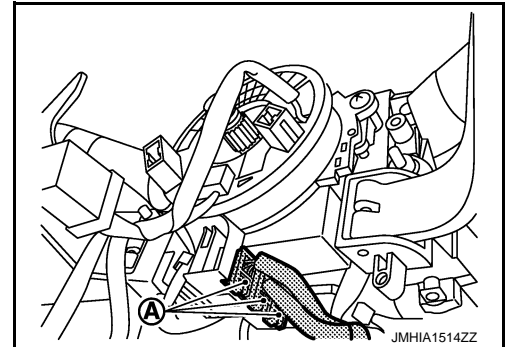
# SPIRAL CABLE

## < REMOVAL AND INSTALLATION >

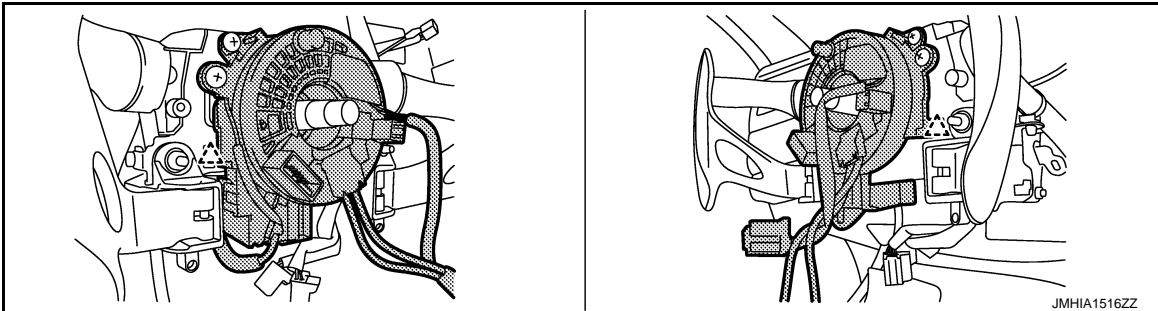
- Never use the air tools or electric tools for servicing.

### REMOVAL

1. Remove the driver air bag module. Refer to [SR-11, "Removal and Installation"](#).
2. Remove the steering wheel. Refer to [ST-29, "Removal and Installation"](#).
3. Remove the steering column cover. Refer to [IP-13, "Removal and Installation"](#).
4. Disconnect harness connectors (A).




5. Remove the spiral cable mounting screws.
6. Remove the spiral cable fixing pawls with flat-bladed screwdriver.

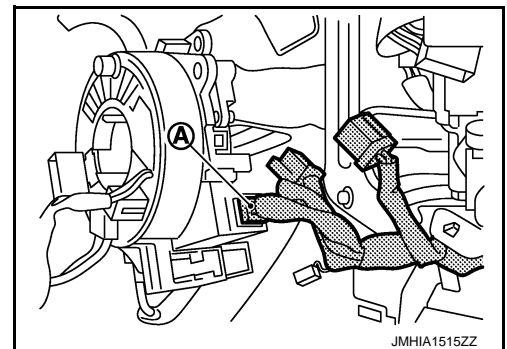


### CAUTION:

To prevent damage to the parts, remove pawls slowly so that they are not damaged.

 : Pawl

7. Pull spiral cable and steering angle sensor as a set toward the vehicle rear.
8. Disconnect harness connector (A).



9. Remove the steering angle sensor. Refer to [BRC-166, "Removal and Installation"](#).

### CAUTION:

# SPIRAL CABLE

## < REMOVAL AND INSTALLATION >

- To prevent damage to the parts, never impact the spiral cable.
- Replace the spiral cable if it is dropped or sustains an impact.



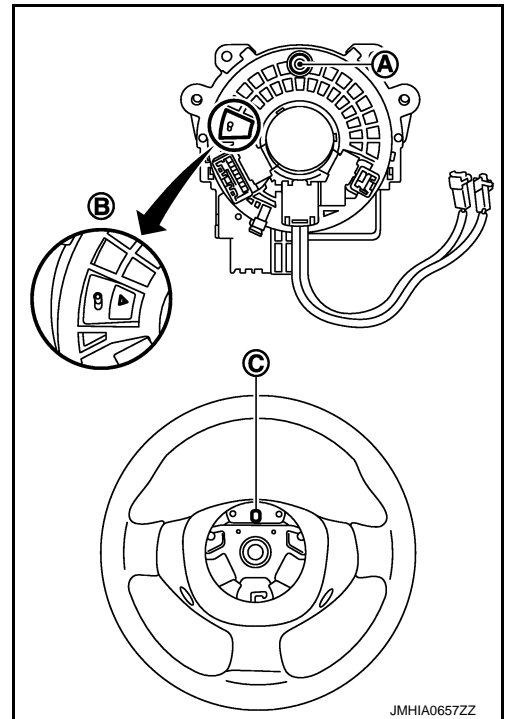
- To prevent damage to the parts, never disassemble the spiral cable.
- To prevent damage to the parts, never apply lubricant to the spiral cable.
- To prevent damage to the parts, never allow oil, grease, detergent, or water to come in contact with the spiral cable.

## INSTALLATION

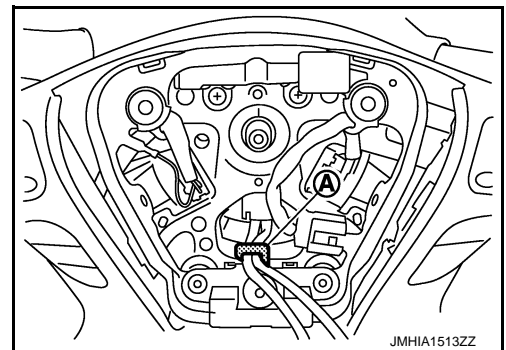
Note the following items, and then install in the reverse order of removal.

### CAUTION:

- The spiral cable may snap during steering operation if the cable is installed in an improper position. The neutral position is set as per the following.
- Carefully turn the spiral cable clockwise to the end position. Then turn it counterclockwise (about 2 and a half turns) and stop turning at the mark (B) when the stopper insertion holes are in the same position.
- The service part is installed in the neutral position by the stopper and can be set without adjusting after the stopper is removed.
- Never over turn the spiral cable or go beyond the number of turns required. (This causes the cable to snap)
- Adjust the spiral cable locating pin (A) to the steering wheel locating pin hole (C).



- Fix the driver air bag module harnesses to the harness fixing hook (A).



- If malfunction is detected by the air bag warning lamp, after repair or replacement of the malfunctioning parts, reset the memory using self-diagnosis or CONSULT. Refer to [SRC-12, "On Board Diagnosis Function"](#) or [SRC-16, "CONSULT Function"](#).



# SPIRAL CABLE

< REMOVAL AND INSTALLATION >

---

- After the work is completed, check that no system malfunction is detected by air bag warning lamp.

A

B

C

D

E

F

G

SR

I

J

K

L

M

N

O

P

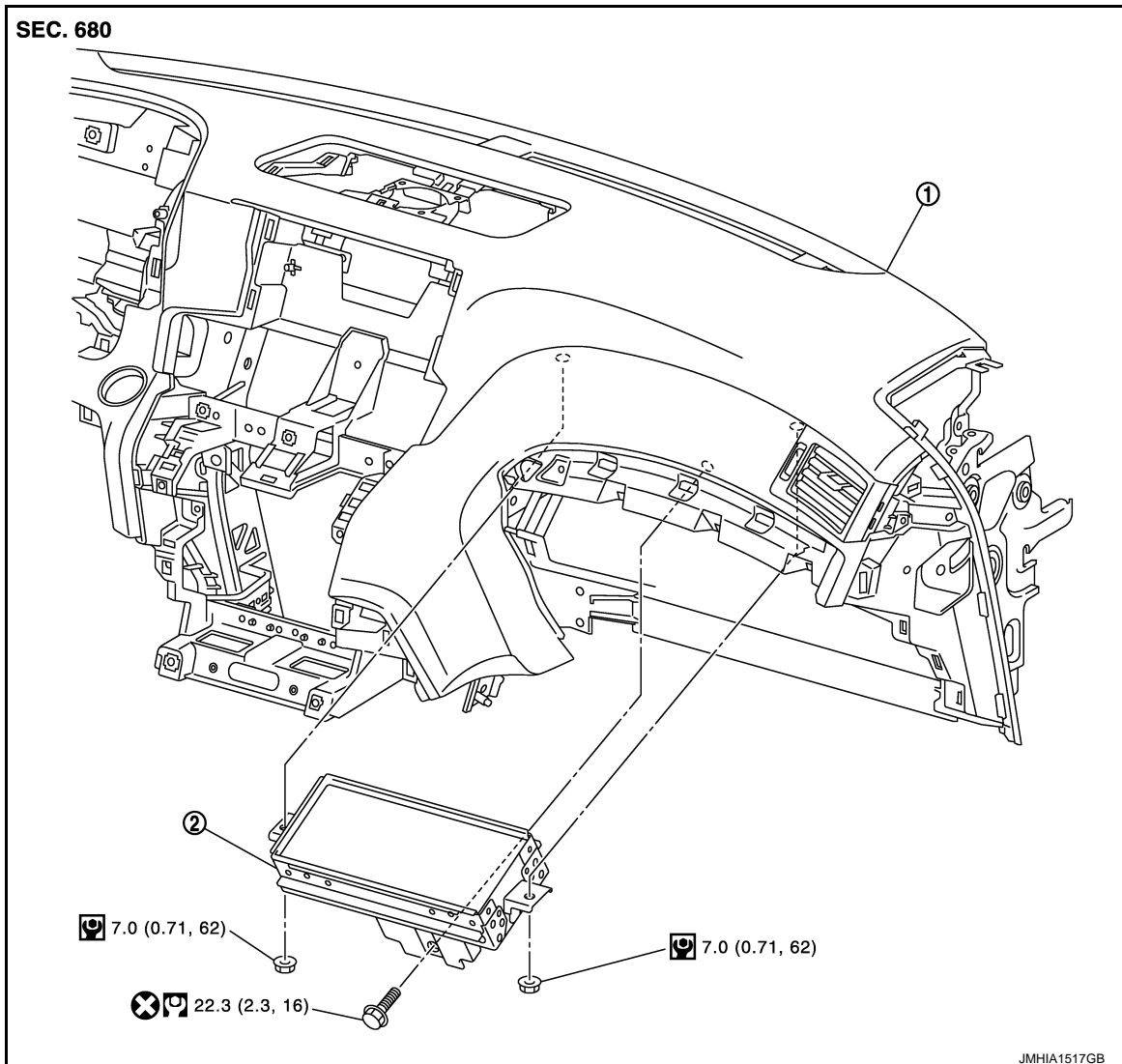
# PASSENGER AIR BAG MODULE

< REMOVAL AND INSTALLATION >

## PASSENGER AIR BAG MODULE

Exploded View

INFOID:000000008143441



1. Instrument panel assembly      2. Passenger air bag module

⊗ : Always replace after every disassembly.

🔧 : N·m (kg-m, in-lb)

🔧 : N·m (kg-m, ft-lb)

### Removal and Installation

INFOID:000000008143442

#### **WARNING:**

Always observe the following items for preventing accidental activation.

- Before servicing, turn ignition switch OFF, disconnect 12V battery negative terminal and wait 3 minutes or more.
- Always work from the side of air bag module. Never work in front of it.
- Never use the air tools or the electric tools for servicing.

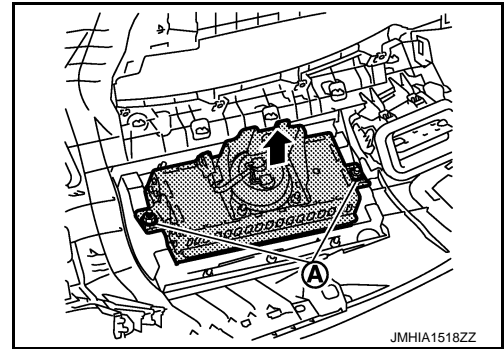
#### REMOVAL

1. Remove the instrument panel assembly. Refer to [IP-13, "Removal and Installation"](#).

# PASSENGER AIR BAG MODULE

## < REMOVAL AND INSTALLATION >

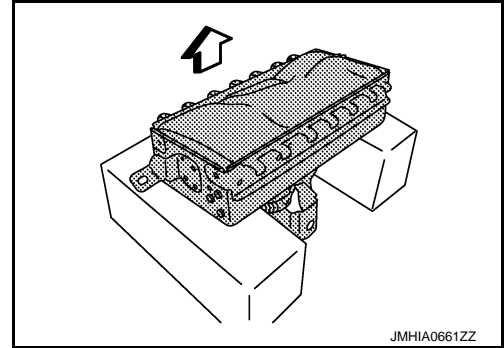
2. Remove the passenger air bag module fixing nuts (A).
3. Remove the passenger air bag module from instrument panel assembly.



### CAUTION:

- To prevent accidental explosion, always place the passenger air bag module with pad side facing upward.

⇐ : Upward



- Never impact the passenger air bag module.
- Replace the passenger air bag module if it has been dropped or sustained an impact.



- To prevent accidental explosion, never insert any foreign objects (screwdriver, etc.) into the passenger air bag module.
- To prevent accidental explosion, never disassemble the passenger air bag module.
- To prevent accidental explosion, never expose the passenger air bag module to temperatures exceeding 90 °C (194 °F).
- To prevent damage to the parts, never allow oil, grease, detergent, or water to come in contact with the passenger air bag module.

## INSTALLATION

Note the following items, and then install in the reverse order of removal.

### CAUTION:

- Never use the old fixing bolt after removal, replace with the new bolt.
- Never damage the harness while installing.
- If malfunction is detected by the air bag warning lamp, after repair or replacement of the malfunctioning parts, reset the memory using self-diagnosis or CONSULT. Refer to [SRC-12, "On Board Diagnosis Function"](#) or [SRC-16, "CONSULT Function"](#).
- After the work is completed, check that no system malfunction is detected by air bag warning lamp.

A  
B  
C  
D  
E  
F  
G  
SR  
I  
J  
K  
L  
M  
N  
O  
P

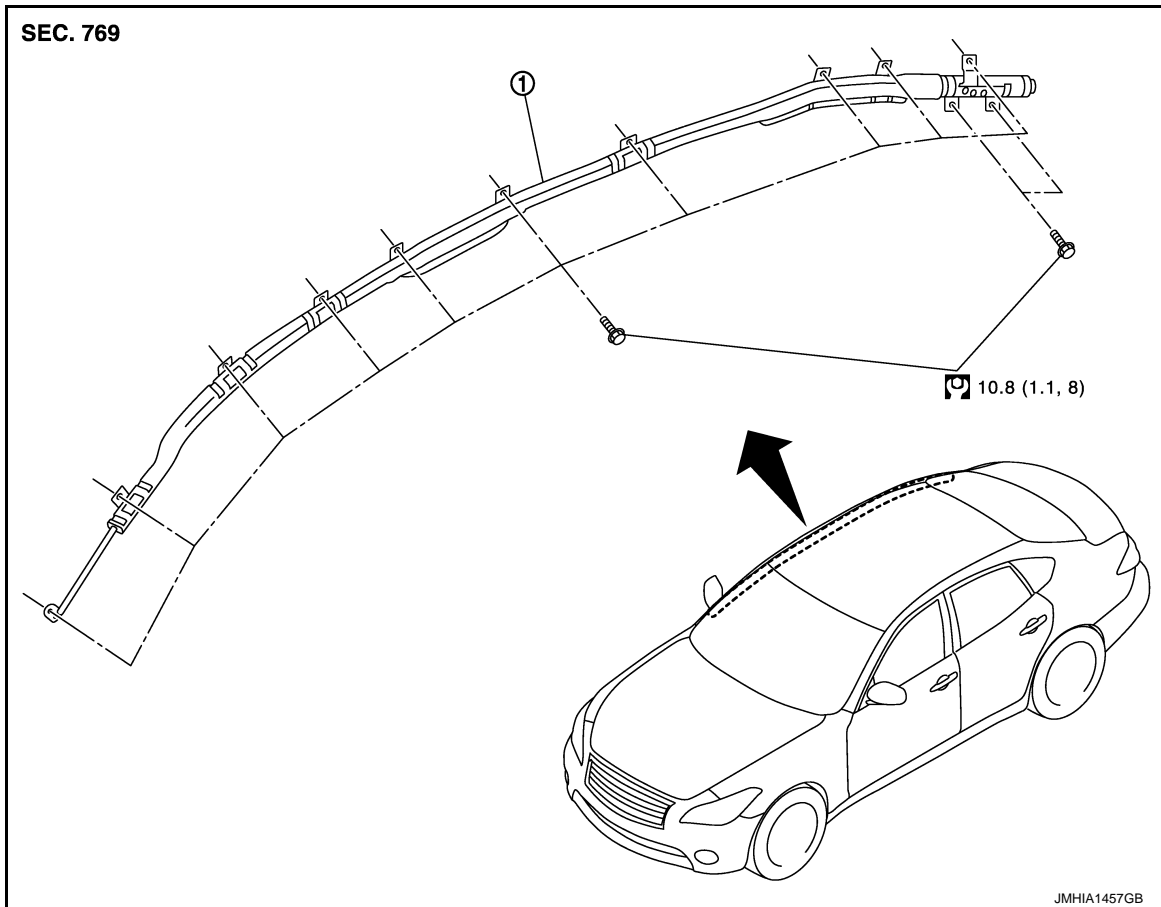
# CURTAIN AIR BAG MODULE

< REMOVAL AND INSTALLATION >


## CURTAIN AIR BAG MODULE

Exploded View

INFOID:000000008143443



1. Curtain air bag module

 : N·m (kg-m, ft-lb)

## Removal and Installation

INFOID:000000008143444

### **WARNING:**

Always observe the following items for preventing accidental activation.

- Before servicing, turn ignition switch OFF, disconnect 12V battery negative terminal and wait 3 minutes or more.
- Always work from the side of curtain air bag module. Never work in front of it.
- Never use the air tools or electric tools for servicing.

### REMOVAL

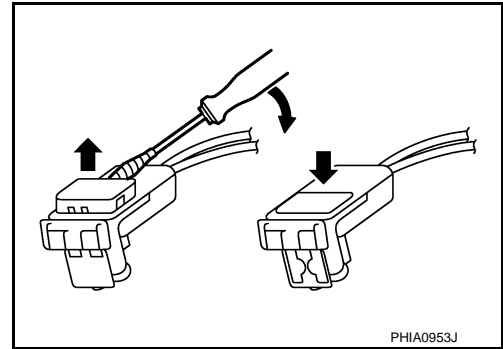
1. Remove the headlining. Refer to [INT-47, "Removal and Installation"](#).
2. Disconnect the curtain air bag module harness connector.

### **CAUTION:**

# CURTAIN AIR BAG MODULE

## < REMOVAL AND INSTALLATION >

- For installing/removing the curtain air bag module harness connector, insert thin screwdriver wrapped in tape into notch, lift lock and remove the connector.
- Install the connector with lock raised, and push lock into the connector.
- After installing the connector, check that the lock is pushed securely into it.



3. Remove the fixing bolts, and then remove the curtain air bag module.

### CAUTION:

- To prevent damage to the parts, never impact the curtain air bag module.
- Replace the curtain air bag module if it has been dropped or sustained an impact.



- To prevent accidental explosion, never insert any foreign objects (screwdriver, etc.) into the curtain air bag module.
- To prevent accidental explosion, never disassemble the curtain air bag module.
- To prevent accidental explosion, never expose the curtain air bag module to temperatures exceeding 90 °C (194 °F).
- To prevent damage to the parts, never allow oil, grease, detergent, or water to come in contact with the curtain air bag module.

## INSTALLATION

Note the following items, and then install in the reverse order of removal.

### CAUTION:

- Never damage the harness while installing.
- If malfunction is detected by the air bag warning lamp, after repair or replacement of the malfunctioning parts, reset the memory using self-diagnosis or CONSULT. Refer to [SRC-12, "On Board Diagnosis Function"](#) or [SRC-16, "CONSULT Function"](#).
- After the work is completed, check that no system malfunction is detected by air bag warning lamp.

A  
B  
C  
D  
E  
F  
G  
SR  
I  
J  
K  
L  
M  
N  
O  
P

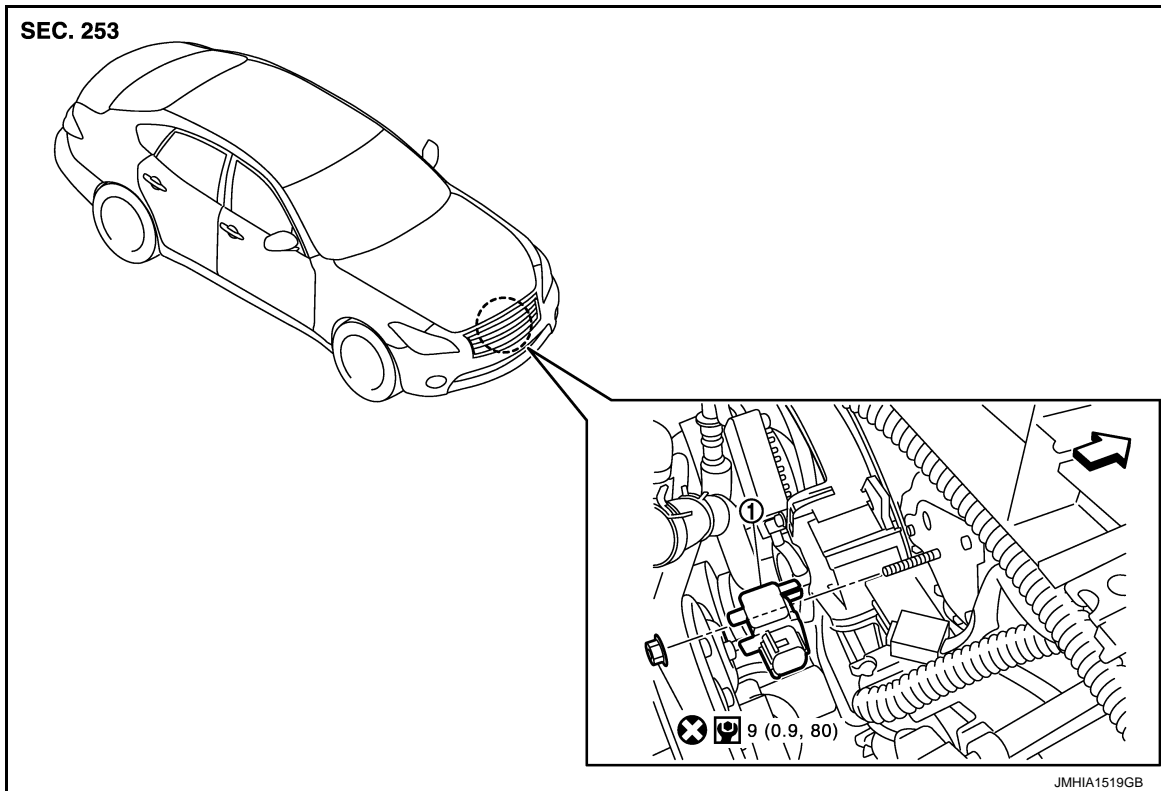
# CRASH ZONE SENSOR

< REMOVAL AND INSTALLATION >

## CRASH ZONE SENSOR

Exploded View

INFOID:000000008143445



1. Crash zone sensor

← : Vehicle front

⊗ : Always replace after every disassembly.

⊙ : N·m (kg·m, in·lb)

## Removal and Installation

INFOID:000000008143446

### **WARNING:**

Always observe the following items for preventing accidental activation.

- Before servicing, turn ignition switch OFF, disconnect 12V battery negative terminal and wait 3 minutes or more.
- Never use the air tools or electric tools for servicing.

### REMOVAL

1. Remove the air duct. Refer to [EM-26, "Removal and Installation"](#).
2. Remove the reservoir tank. Refer to [CO-13, "Exploded View"](#).
3. Remove the crash zone sensor fixing nut.
4. Disconnect the crash zone sensor harness connector.

### **CAUTION:**

## CRASH ZONE SENSOR

### < REMOVAL AND INSTALLATION >

- To prevent damage to the parts, never impact the crash zone sensor.
- Replace the crash zone sensor if it has been dropped or sustained an impact.



- Replace the crash zone sensor of deployed driver air bag module, deployed passenger air bag module or seat belt pre-tensioner.

### INSTALLATION

Note the following items, and then install in the reverse order of removal.

#### **CAUTION:**

- Never use the old fixing nut after removal, replace with the new nut.
- If malfunction is detected by the air bag warning lamp, after repair or replacement of the malfunctioning parts, reset the memory using self-diagnosis or CONSULT. Refer to [SRC-12, "On Board Diagnosis Function"](#) or [SRC-16, "CONSULT Function"](#).
- After the work is completed, check that no system malfunction is detected by air bag warning lamp.

A  
B  
C  
D  
E  
F  
G  
SR  
I  
J  
K  
L  
M  
N  
O  
P

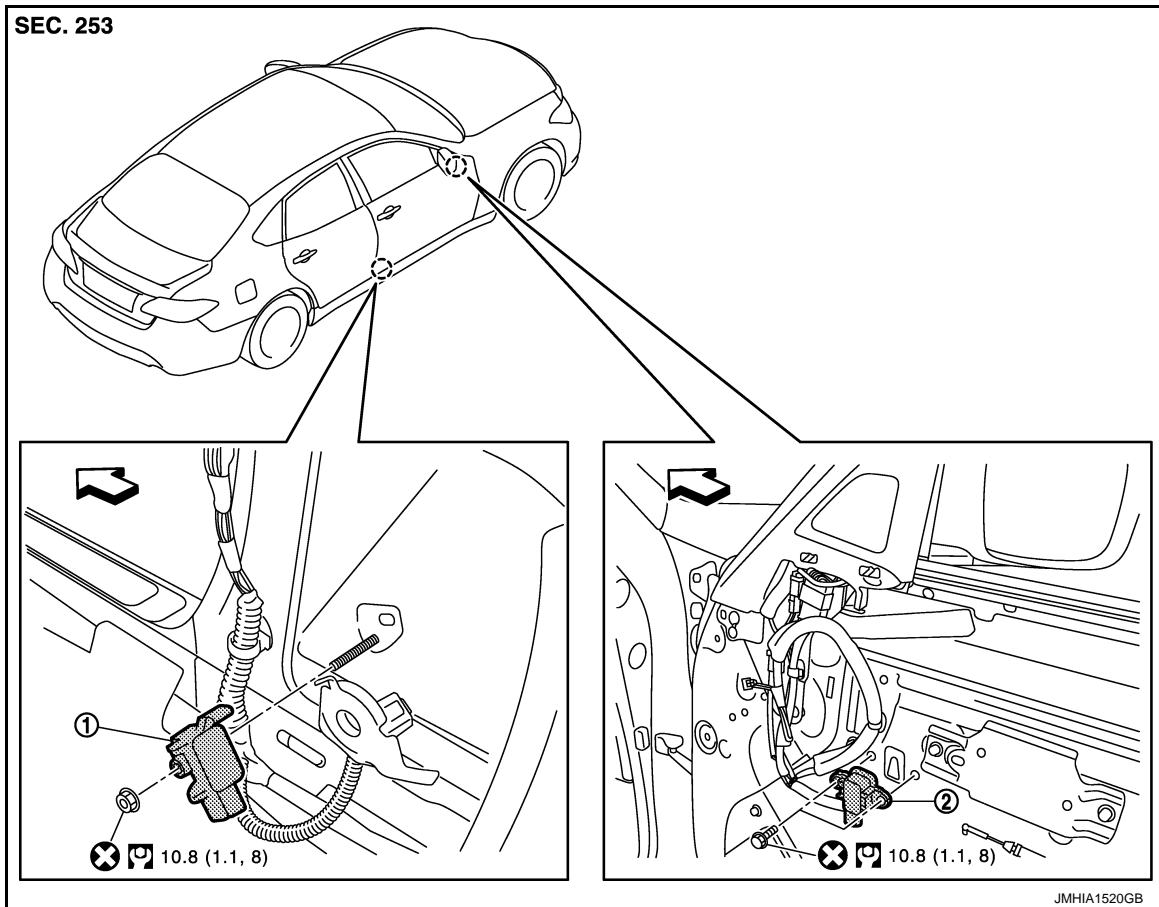
# SATELLITE SENSOR

< REMOVAL AND INSTALLATION >

## SATELLITE SENSOR

Exploded View

INFOID:000000008143447



1. Satellite sensor
2. Front door satellite sensor

↔ : Vehicle front

⊗ : Always replace after every disassembly.

Ⓜ : N·m (kg·m, ft·lb)

## Removal and Installation

INFOID:000000008143448

### **WARNING:**

Always observe the following items for preventing accidental activation.

- Before servicing, turn ignition switch OFF, disconnect 12V battery negative terminal and wait 3 minutes or more.
- Never use the air tools or electric tools for servicing.

### FRONT DOOR SATELLITE SENSOR

#### Removal

1. Remove the front door finisher. Refer to [INT-26, "FRONT DOOR FINISHER : Removal and Installation"](#).
2. Remove the front door satellite sensor fixing bolts.
3. Disconnect the harness connector, and then remove the front door satellite sensor.

### **CAUTION:**



## SATELLITE SENSOR

### < REMOVAL AND INSTALLATION >

- To prevent damage to the parts, never impact the front door satellite sensor.
- Replace the front door satellite sensor if it has been dropped or sustained an impact.



- Replace the front door satellite sensor of deployed side air bag module and deployed curtain air bag module.

#### Installation

Note the following items, and then install in the reverse order of removal.

#### CAUTION:

- Never use the old fixing bolts after removal, replace with the new bolts.
- Never damage the harness while installing.
- If malfunction is detected by the air bag warning lamp, after repair or replacement of the malfunctioning parts, reset the memory using self-diagnosis or CONSULT. Refer to [SRC-12, "On Board Diagnosis Function"](#) or [SRC-16, "CONSULT Function"](#).
- After the work is completed, check that no system malfunction is detected by air bag warning lamp.

## SATELLITE SENSOR

#### Removal

1. Remove the front seat belt retractor. Refer to [SB-7, "SEAT BELT RETRACTOR : Removal and Installation"](#).
2. Remove the satellite sensor fixing nut.
3. Disconnect the harness connector, and then remove the satellite sensor.

#### CAUTION:

- To prevent damage to the parts, never impact the satellite sensor.
- Replace the satellite sensor if it has been dropped or sustained an impact.



- Replace the satellite sensor of deployed side air bag module and deployed curtain air bag module.

#### Installation

Note the following items, and then install in the reverse order of removal.

#### CAUTION:

- Never use the old fixing nut after removal, replace with the new nut.
- Never damage the harness while installing.
- If malfunction is detected by the air bag warning lamp, after repair or replacement of the malfunctioning parts, reset the memory using self-diagnosis or CONSULT. Refer to [SRC-12, "On Board Diagnosis Function"](#) or [SRC-16, "CONSULT Function"](#).
- After the work is completed, check that no system malfunction is detected by air bag warning lamp.

A  
B  
C  
D  
E  
F  
G  
SR

I  
J  
K  
L  
M  
N

O  
P

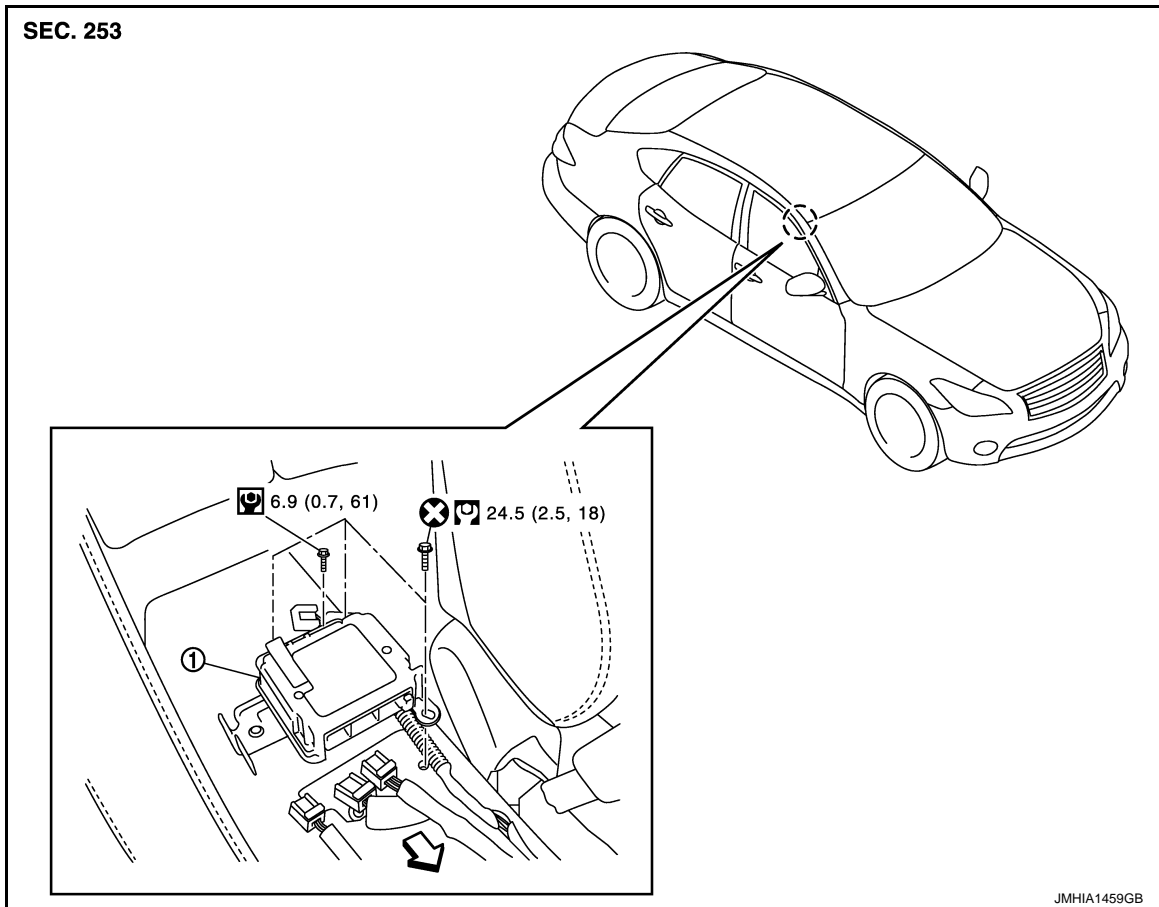
# DIAGNOSIS SENSOR UNIT

< REMOVAL AND INSTALLATION >

## DIAGNOSIS SENSOR UNIT

Exploded View

INFOID:000000008143449



1. Diagnosis sensor unit

← : Vehicle front

⊗ : Always replace after every disassembly.

⊙ : N-m (kg-m, in-lb)

⊙ : N-m (kg-m, ft-lb)

## Removal and Installation

INFOID:000000008143450

### **WARNING:**

Always observe the following items for preventing accidental activation.

- Before servicing, turn ignition switch OFF, disconnect 12V battery negative terminal and wait 3 minutes or more.
- Before disconnecting the air bag sensor unit harness connector, be sure to disconnect the each harness connector of the air bag module and pre-tensioner seat belt to prevent air bag deployment by static electricity and pre-tensioner seat belt operation.
- Never use the air tools or electric tools for servicing.
- When replacing the air bag diagnosis sensor unit, always check with the parts department for the latest parts information. Installing an incorrect air bag diagnosis sensor unit may or may not cause the air bag warning lamp to illuminate and may cause incorrect deployment of the supplemental air bags and seat belt pre-tensioners in a collision resulting in serious personal injury or death.

### REMOVAL

# DIAGNOSIS SENSOR UNIT

## < REMOVAL AND INSTALLATION >

1. Always check the air bag diagnosis sensor unit ECU discriminated number (identification number) using CONSULT.
2. Disconnect each connector of all air bag modules and pre-tensioner seat belts.
3. Remove the center console assembly. Refer to [IP-24. "Removal and Installation"](#).
4. Disconnect the diagnosis sensor unit harness connectors.
5. Remove the diagnosis sensor unit mounting bolts, and then remove the diagnosis sensor unit.

### CAUTION:

- To prevent damage to the parts, never impact the diagnosis sensor unit.
- Replace the diagnosis sensor unit if it has been dropped or sustained an impact.



- Replace the diagnosis sensor unit of deployed driver air bag module, deployed passenger air bag module, deployed side air bag module, deployed curtain air bag module, and deployed seat belt pretensioner.

## INSTALLATION

Note the following items, and then install air bag diagnosis sensor unit in the reverse order of removal.

### CAUTION:

- Never use the old bolts after removal, replace with the new bolts.
- Never damage the harness while installing.
- If malfunction is detected by the air bag warning lamp, after repair or replacement of the malfunctioning parts, reset the memory using self-diagnosis or CONSULT. Refer to [SRC-12. "On Board Diagnosis Function"](#) or [SRC-16. "CONSULT Function"](#).
- After the work is completed, check that no system malfunction is detected by air bag warning lamp.
- After replacing the air bag diagnosis sensor unit, confirm using CONSULT that the ECU discriminated number (identification number) of the new replacement air bag sensor unit matches the ECU discriminated number (identification number) of the replaced (old) air bag diagnosis sensor unit.

### NOTE:

If the ECU discriminated number of the new replacement air bag diagnosis sensor unit differs from the ECU discriminated number of the replaced air bag diagnosis sensor unit, reconfirm the parts information and verify that the correct air bag diagnosis sensor unit was installed.

## SEAT BELT PRE-TENSIONER

< REMOVAL AND INSTALLATION >

---

### SEAT BELT PRE-TENSIONER

#### Exploded View

INFOID:000000008143451

Refer to [SB-5. "SEAT BELT RETRACTOR : Exploded View"](#).

#### Removal and Installation

INFOID:000000008143452

For removal and installation procedures, refer to [SB-7. "SEAT BELT RETRACTOR : Removal and Installation"](#).

# LAP PRE-TENSIONER

< REMOVAL AND INSTALLATION >

---

## LAP PRE-TENSIONER

### Exploded View

INFOID:000000008408570

Refer to [SB-5, "SEAT BELT RETRACTOR : Exploded View"](#).

### Removal and Installation

INFOID:000000008408571

For removal and installation procedures, refer to [SB-7, "SEAT BELT RETRACTOR : Removal and Installation"](#).

- A
- B
- C
- D
- E
- F
- G
- SR**
- I
- J
- K
- L
- M
- N
- O
- P

# OCCUPANT CLASSIFICATION SYSTEM CONTROL UNIT

< REMOVAL AND INSTALLATION >

---

## OCCUPANT CLASSIFICATION SYSTEM CONTROL UNIT

### Exploded View

INFOID:000000008143453

Refer to [SE-77, "Exploded View"](#).

### Removal and Installation

INFOID:000000008143454

For removal and installation

The occupant classification system control unit and seat sensor mat are an integral part of the front passenger seat cushion and are replaced as an assembly. Refer to [SE-87, "SEAT CUSHION : Disassembly and Assembly"](#).