

# SECTION **AV**

## AUDIO-VISUAL SYSTEM

A  
B  
C  
D  
E  
F  
G  
H  
I  
J  
AV  
L  
M  
N  
O  
P

### CONTENTS

<p><b>WITHOUT MOBILE ENTERTAINMENT SYSTEM</b></p> <p><b>BASIC INSPECTION</b> .....12</p> <p><b>DIAGNOSIS AND REPAIR WORK FLOW</b> .....12              Work Flow ..... 12</p> <p><b>INSPECTION AND ADJUSTMENT</b> .....14</p> <p><b>ADDITIONAL SERVICE WHEN REMOVING BATTERY NEGATIVE TERMINAL</b> ..... 14              ADDITIONAL SERVICE WHEN REMOVING BATTERY NEGATIVE TERMINAL : Description .... 14              ADDITIONAL SERVICE WHEN REMOVING BATTERY NEGATIVE TERMINAL : Special Repair Requirement ..... 14</p> <p><b>ADDITIONAL SERVICE WHEN REPLACING CONTROL UNIT</b> ..... 14              ADDITIONAL SERVICE WHEN REPLACING CONTROL UNIT : Description ..... 14              ADDITIONAL SERVICE WHEN REPLACING CONTROL UNIT : Special Repair Requirement .... 14</p> <p><b>REAR VIEW MONITOR POSSIBLE ROUTE LINE CENTER POSITION ADJUSTMENT</b> ..... 14              REAR VIEW MONITOR POSSIBLE ROUTE LINE CENTER POSITION ADJUSTMENT : Description ..... 14              REAR VIEW MONITOR POSSIBLE ROUTE LINE CENTER POSITION ADJUSTMENT : Special Repair Requirement ..... 14</p> <p><b>FUNCTION DIAGNOSIS</b> .....15</p> <p><b>MULTI AV SYSTEM</b> .....15</p> <p><b>WITHOUT NAVIGATION</b> ..... 15              WITHOUT NAVIGATION : System Diagram ..... 15              WITHOUT NAVIGATION : System Description ..... 15</p>	<p>    WITHOUT NAVIGATION : Component Parts Location .....17              WITHOUT NAVIGATION : Component Description .....18</p> <p><b>WITH NAVIGATION</b> .....18              WITH NAVIGATION : System Diagram .....19              WITH NAVIGATION : System Description .....20              WITH NAVIGATION : Component Parts Location...23              WITH NAVIGATION : Component Description .....24</p> <p><b>NAVIGATION SYSTEM</b> .....27              System Diagram .....27              System Description .....27              Component Parts Location .....30              Component Description .....31</p> <p><b>REAR VIEW MONITOR SYSTEM</b> .....32              System Diagram .....32              System Description .....32              Component Parts Location .....33              Component Description .....34</p> <p><b>AUDIO SYSTEM</b> .....35</p> <p><b>WITHOUT NAVIGATION</b> .....35              WITHOUT NAVIGATION : System Diagram .....35              WITHOUT NAVIGATION : System Description .....35              WITHOUT NAVIGATION : Component Parts Location .....36              WITHOUT NAVIGATION : Component Description .....36</p> <p><b>WITH NAVIGATION</b> .....37              WITH NAVIGATION : System Diagram .....37              WITH NAVIGATION : System Description .....37              WITH NAVIGATION : Component Parts Location...40              WITH NAVIGATION : Component Description .....41</p> <p><b>HANDS-FREE PHONE SYSTEM</b> .....43              <b>WITHOUT NAVIGATION</b> .....43                  WITHOUT NAVIGATION : System Diagram .....43</p>
---	--

WITHOUT NAVIGATION : System Description .....	43	<b>U1216 AV CONTROL UNIT .....</b>	<b>85</b>
WITHOUT NAVIGATION : Component Parts Location .....	44	<b>WITHOUT NAVIGATION .....</b>	<b>85</b>
WITHOUT NAVIGATION : Component Description .....	44	WITHOUT NAVIGATION : Description .....	85
<b>WITH NAVIGATION .....</b>	<b>45</b>	WITHOUT NAVIGATION : DTC Logic .....	85
WITH NAVIGATION : System Diagram .....	45	<b>WITH NAVIGATION .....</b>	<b>85</b>
WITH NAVIGATION : System Description .....	45	WITH NAVIGATION : Description .....	85
WITH NAVIGATION : Component Parts Location..	46	WITH NAVIGATION : DTC Logic .....	85
WITH NAVIGATION : Component Description .....	47	<b>U1217 AV CONTROL UNIT .....</b>	<b>87</b>
<b>DIAGNOSIS SYSTEM (AV CONTROL UNIT)...</b>	<b>48</b>	Description .....	87
<b>WITHOUT NAVIGATION .....</b>	<b>48</b>	DTC Logic .....	87
WITHOUT NAVIGATION : Diagnosis Description..	48	<b>U1218 AV CONTROL UNIT .....</b>	<b>88</b>
WITHOUT NAVIGATION : CONSULT-III Function (MULTI AV) .....	55	Description .....	88
<b>WITH NAVIGATION .....</b>	<b>57</b>	DTC Logic .....	88
WITH NAVIGATION : Diagnosis Description .....	57	<b>U1219 AV CONTROL UNIT .....</b>	<b>89</b>
WITH NAVIGATION : CONSULT-III Function (MULTI AV) .....	72	Description .....	89
<b>DIAGNOSIS SYSTEM (TEL ADAPTER UNIT)..</b>	<b>76</b>	DTC Logic .....	89
Diagnosis Description .....	76	<b>U1220 AV CONTROL UNIT .....</b>	<b>90</b>
<b>COMPONENT DIAGNOSIS .....</b>	<b>78</b>	Description .....	90
<b>U1000 CAN COMM CIRCUIT .....</b>	<b>78</b>	DTC Logic .....	90
Description .....	78	<b>U121A AV CONTROL UNIT .....</b>	<b>91</b>
DTC Logic .....	78	Description .....	91
Diagnosis Procedure .....	78	DTC Logic .....	91
<b>U1010 CONTROL UNIT (CAN) .....</b>	<b>79</b>	<b>U121B AV CONTROL UNIT .....</b>	<b>92</b>
Description .....	79	Description .....	92
DTC Logic .....	79	DTC Logic .....	92
Diagnosis Procedure .....	79	<b>U121C AV CONTROL UNIT .....</b>	<b>93</b>
<b>U1310 AV CONTROL UNIT .....</b>	<b>80</b>	Description .....	93
<b>WITHOUT NAVIGATION .....</b>	<b>80</b>	DTC Logic .....	93
WITHOUT NAVIGATION : Description .....	80	<b>U121D AV CONTROL UNIT .....</b>	<b>94</b>
WITHOUT NAVIGATION : DTC Logic .....	80	Description .....	94
<b>WITH NAVIGATION .....</b>	<b>80</b>	DTC Logic .....	94
WITH NAVIGATION : Description .....	80	<b>U121E AV CONTROL UNIT .....</b>	<b>95</b>
WITH NAVIGATION : DTC Logic .....	80	Description .....	95
<b>U1200 AV CONTROL UNIT .....</b>	<b>82</b>	DTC Logic .....	95
<b>WITHOUT NAVIGATION .....</b>	<b>82</b>	<b>U121F AV CONTROL UNIT .....</b>	<b>96</b>
WITHOUT NAVIGATION : Description .....	82	Description .....	96
WITHOUT NAVIGATION : DTC Logic .....	82	DTC Logic .....	96
<b>WITH NAVIGATION .....</b>	<b>82</b>	Diagnosis Procedure .....	96
WITH NAVIGATION : Description .....	82	<b>U1204 GPS .....</b>	<b>97</b>
WITH NAVIGATION : DTC Logic .....	82	Description .....	97
<b>U1201 AV CONTROL UNIT .....</b>	<b>84</b>	DTC Logic .....	97
Description .....	84	Diagnosis Procedure .....	97
DTC Logic .....	84	<b>U1205 GPS .....</b>	<b>98</b>
<b>U1216 AV CONTROL UNIT .....</b>	<b>85</b>	Description .....	98
<b>WITHOUT NAVIGATION .....</b>	<b>85</b>	DTC Logic .....	98
WITHOUT NAVIGATION : Description .....	85	Diagnosis Procedure .....	98
WITHOUT NAVIGATION : DTC Logic .....	85	<b>U1206 GPS .....</b>	<b>99</b>
<b>WITH NAVIGATION .....</b>	<b>85</b>	Description .....	99
WITH NAVIGATION : Description .....	85		
WITH NAVIGATION : DTC Logic .....	85		

DTC Logic .....	99	CAMERA CONTROL UNIT : Diagnosis Procedure ..	118	A
Diagnosis Procedure .....	99			
<b>U1207 GPS .....</b>	<b>100</b>	<b>DVD PLAYER .....</b>	<b>118</b>	B
Description .....	100	DVD PLAYER : Diagnosis Procedure .....	118	
DTC Logic .....	100			
Diagnosis Procedure .....	100	<b>MULTIFUNCTION SWITCH .....</b>	<b>119</b>	C
<b>U1243 DISPLAY UNIT .....</b>	<b>101</b>	MULTIFUNCTION SWITCH : Diagnosis Procedure .....	119	
<b>WITHOUT NAVIGATION .....</b>	<b>101</b>			
WITHOUT NAVIGATION : Description .....	101	<b>SATELLITE RADIO TUNER .....</b>	<b>120</b>	D
WITHOUT NAVIGATION : DTC Logic .....	101	SATELLITE RADIO TUNER : Diagnosis Procedure .....	120	
WITHOUT NAVIGATION : Diagnosis Procedure ..	101			
<b>WITH NAVIGATION .....</b>	<b>102</b>	<b>TEL ADAPTER UNIT .....</b>	<b>120</b>	E
WITH NAVIGATION : Description .....	102	TEL ADAPTER UNIT : Diagnosis Procedure .....	120	
WITH NAVIGATION : DTC Logic .....	102			
WITH NAVIGATION : Diagnosis Procedure .....	103	<b>RGB (R: RED) SIGNAL CIRCUIT (AV CONTROL UNIT TO FRONT DISPLAY UNIT) .....</b>	<b>122</b>	F
<b>U1244 GPS ANTENNA .....</b>	<b>105</b>	<b>WITHOUT NAVIGATION .....</b>	<b>122</b>	G
Description .....	105	WITHOUT NAVIGATION : Description .....	122	
DTC Logic .....	105	WITHOUT NAVIGATION : Diagnosis Procedure ..	122	
Diagnosis Procedure .....	105			
<b>U1250 CAMERA CONTROL UNIT .....</b>	<b>106</b>	<b>WITH NAVIGATION .....</b>	<b>122</b>	H
Description .....	106	WITH NAVIGATION : Description .....	122	
DTC Logic .....	106	WITH NAVIGATION : Diagnosis Procedure .....	122	
Diagnosis Procedure .....	106			
<b>U1255 SATELLITE RADIO TUNER .....</b>	<b>107</b>	<b>RGB (G: GREEN) SIGNAL CIRCUIT (AV CONTROL UNIT TO FRONT DISPLAY UNIT). 124</b>		I
Description .....	107	<b>WITHOUT NAVIGATION .....</b>	<b>124</b>	J
DTC Logic .....	107	WITHOUT NAVIGATION : Description .....	124	
Diagnosis Procedure .....	107	WITHOUT NAVIGATION : Diagnosis Procedure ..	124	
<b>U1258 SATELLITE RADIO ANTENNA .....</b>	<b>109</b>			
Description .....	109	<b>WITH NAVIGATION .....</b>	<b>124</b>	AV
DTC Logic .....	109	WITH NAVIGATION : Description .....	124	
Diagnosis Procedure .....	109	WITH NAVIGATION : Diagnosis Procedure .....	124	
<b>U1300 AV COMM CIRCUIT .....</b>	<b>110</b>	<b>RGB (B: BLUE) SIGNAL CIRCUIT (AV CONTROL UNIT TO FRONT DISPLAY UNIT) .....</b>	<b>126</b>	L
<b>WITHOUT NAVIGATION .....</b>	<b>110</b>	<b>WITHOUT NAVIGATION .....</b>	<b>126</b>	M
WITHOUT NAVIGATION : Description .....	110	WITHOUT NAVIGATION : Description .....	126	
		WITHOUT NAVIGATION : Diagnosis Procedure ..	126	
<b>WITH NAVIGATION .....</b>	<b>110</b>			
WITH NAVIGATION : Description .....	110	<b>WITH NAVIGATION .....</b>	<b>126</b>	N
		WITH NAVIGATION : Description .....	126	
<b>POWER SUPPLY AND GROUND CIRCUIT ...</b>	<b>113</b>	WITH NAVIGATION : Diagnosis Procedure .....	126	
<b>AV CONTROL UNIT .....</b>	<b>113</b>	<b>RGB SYNCHRONIZING SIGNAL CIRCUIT ...</b>	<b>128</b>	O
AV CONTROL UNIT : Diagnosis Procedure .....	113	<b>WITHOUT NAVIGATION .....</b>	<b>128</b>	
<b>FRONT DISPLAY UNIT .....</b>	<b>114</b>	WITHOUT NAVIGATION : Description .....	128	
FRONT DISPLAY UNIT : Diagnosis Procedure ...	114	WITHOUT NAVIGATION : Diagnosis Procedure ..	128	
<b>BOSE AMP. ....</b>	<b>116</b>			
BOSE AMP. : Diagnosis Procedure .....	116	<b>WITH NAVIGATION .....</b>	<b>128</b>	P
<b>IPOD ADAPTER .....</b>	<b>117</b>	WITH NAVIGATION : Description .....	128	
iPod ADAPTER : Diagnosis Procedure .....	117	WITH NAVIGATION : Diagnosis Procedure .....	128	
<b>CAMERA CONTROL UNIT .....</b>	<b>118</b>	<b>RGB AREA (YS) SIGNAL CIRCUIT (AV CONTROL UNIT TO FRONT DISPLAY UNIT) .....</b>	<b>130</b>	
		<b>WITHOUT NAVIGATION .....</b>	<b>130</b>	

WITHOUT NAVIGATION : Description .....	130	BOSE SURROUND AUDIO 5.1CH SYSTEM : Di-	
WITHOUT NAVIGATION : Diagnosis Procedure ..	130	agnosis Procedure .....	143
<b>WITH NAVIGATION .....</b>	<b>130</b>	<b>CONTROL SIGNAL CIRCUIT .....</b>	<b>144</b>
WITH NAVIGATION : Description .....	130	Description .....	144
WITH NAVIGATION : Diagnosis Procedure .....	130	Diagnosis Procedure .....	144
<b>HP SIGNAL CIRCUIT (FRONT DISPLAY</b>		<b>CAMERA IMAGE SIGNAL CIRCUIT (REAR</b>	
<b>UNIT TO AV CONTROL UNIT) .....</b>	<b>132</b>	<b>VIEW CAMERA TO CAMERA CONTROL</b>	
<b>WITHOUT NAVIGATION .....</b>	<b>132</b>	<b>UNIT) .....</b>	<b>145</b>
WITHOUT NAVIGATION : Description .....	132	Description .....	145
WITHOUT NAVIGATION : Diagnosis Procedure ..	132	Diagnosis Procedure .....	145
<b>WITH NAVIGATION .....</b>	<b>132</b>	<b>CAMERA ON SIGNAL CIRCUIT .....</b>	<b>146</b>
WITH NAVIGATION : Description .....	132	Description .....	146
WITH NAVIGATION : Diagnosis Procedure .....	132	Diagnosis Procedure .....	146
<b>VP SIGNAL CIRCUIT (FRONT DISPLAY</b>		<b>CAMERA IMAGE SIGNAL CIRCUIT (CAM-</b>	
<b>UNIT TO AV CONTROL UNIT) .....</b>	<b>134</b>	<b>ERA CONTROL UNIT TO FRONT DISPLAY</b>	
<b>WITHOUT NAVIGATION .....</b>	<b>134</b>	<b>UNIT) .....</b>	<b>147</b>
WITHOUT NAVIGATION : Description .....	134	Description .....	147
WITHOUT NAVIGATION : Diagnosis Procedure ..	134	Diagnosis Procedure .....	147
<b>WITH NAVIGATION .....</b>	<b>134</b>	<b>STEERING SWITCH SIGNAL A CIRCUIT .....</b>	<b>148</b>
WITH NAVIGATION : Description .....	134	<b>WITHOUT NAVIGATION .....</b>	<b>148</b>
WITH NAVIGATION : Diagnosis Procedure .....	134	WITHOUT NAVIGATION : Description .....	148
<b>AUX IMAGE SIGNAL CIRCUIT .....</b>	<b>136</b>	WITHOUT NAVIGATION : Diagnosis Procedure .	148
<b>WITHOUT NAVIGATION .....</b>	<b>136</b>	WITHOUT NAVIGATION : Component Inspection	. 148
WITHOUT NAVIGATION : Description .....	136	<b>WITH NAVIGATION .....</b>	<b>149</b>
WITHOUT NAVIGATION : Diagnosis Procedure ..	136	WITH NAVIGATION : Description .....	149
<b>WITH NAVIGATION .....</b>	<b>137</b>	WITH NAVIGATION : Diagnosis Procedure .....	149
WITH NAVIGATION : Description .....	137	WITH NAVIGATION : Component Inspection .....	150
WITH NAVIGATION : Diagnosis Procedure .....	137	<b>STEERING SWITCH SIGNAL B CIRCUIT .....</b>	<b>151</b>
<b>COMPOSITE IMAGE SIGNAL CIRCUIT .....</b>	<b>139</b>	<b>WITHOUT NAVIGATION .....</b>	<b>151</b>
Description .....	139	WITHOUT NAVIGATION : Description .....	151
Diagnosis Procedure .....	139	WITHOUT NAVIGATION : Diagnosis Procedure .	151
<b>MICROPHONE SIGNAL CIRCUIT .....</b>	<b>140</b>	WITHOUT NAVIGATION : Component Inspection	. 151
<b>WITHOUT NAVIGATION .....</b>	<b>140</b>	<b>WITH NAVIGATION .....</b>	<b>152</b>
WITHOUT NAVIGATION : Description .....	140	WITH NAVIGATION : Description .....	152
WITHOUT NAVIGATION : Diagnosis Procedure ..	140	WITH NAVIGATION : Diagnosis Procedure .....	152
<b>WITH NAVIGATION .....</b>	<b>140</b>	WITH NAVIGATION : Component Inspection .....	153
WITH NAVIGATION : Description .....	141	<b>STEERING SWITCH SIGNAL GND CIRCUIT..</b>	<b>154</b>
WITH NAVIGATION : Diagnosis Procedure .....	141	<b>WITHOUT NAVIGATION .....</b>	<b>154</b>
<b>AudioPilot® MICROPHONE .....</b>	<b>142</b>	WITHOUT NAVIGATION : Description .....	154
<b>BOSE AUDIO 2CH SYSTEM .....</b>	<b>142</b>	WITHOUT NAVIGATION : Diagnosis Procedure .	154
BOSE AUDIO 2CH SYSTEM : Description .....	142	WITHOUT NAVIGATION : Component Inspection	. 154
BOSE AUDIO 2CH SYSTEM : Diagnosis Proce-		<b>WITH NAVIGATION .....</b>	<b>155</b>
dure .....	142	WITH NAVIGATION : Description .....	155
<b>BOSE SURROUND AUDIO 5.1CH SYSTEM .....</b>	<b>142</b>	WITH NAVIGATION : Diagnosis Procedure .....	155
BOSE SURROUND AUDIO 5.1CH SYSTEM : De-		WITH NAVIGATION : Component Inspection .....	155
scription .....	143		



<b>ECU DIAGNOSIS</b> .....	157	BOSE SURROUND AUDIO 5.1CH SYSTEM :		
<b>AV CONTROL UNIT</b> .....	157	Wiring Diagram - AV - / BOSE Surround Audio		A
<b>WITHOUT NAVIGATION</b> .....	157	5.1ch System .....	300	
WITHOUT NAVIGATION : Reference Value .....	157	<b>iPod ADAPTER</b> .....	<b>319</b>	B
WITHOUT NAVIGATION : Schematic - Base Au-		Reference Value .....	319	
dio System - .....	164	Schematic - BOSE Audio 2ch System - .....	321	C
WITHOUT NAVIGATION : Wiring Diagram - AV -		Wiring Diagram - AV - / BOSE Audio 2ch System.	322	
/ Base Audio System .....	164	Schematic - BOSE Surround Audio 5.1ch System		D
WITHOUT NAVIGATION : DTC Index .....	176	- .....	335	
<b>WITH NAVIGATION</b> .....	177	Wiring Diagram - AV - / BOSE Surround Audio		
WITH NAVIGATION : Reference Value .....	177	5.1ch System .....	337	
WITH NAVIGATION : Schematic - BOSE Audio		<b>CAMERA CONTROL UNIT</b> .....	<b>356</b>	E
2ch System - .....	184	Reference Value .....	356	
WITH NAVIGATION : Wiring Diagram - AV - /		Schematic - BOSE Audio 2ch System - .....	358	F
BOSE Audio 2ch System .....	185	Wiring Diagram - AV - / BOSE Audio 2ch System.	359	
WITH NAVIGATION : Schematic - BOSE Sur-		Schematic - BOSE Surround Audio 5.1ch System		
round Audio 5.1ch System - .....	198	- .....	372	G
WITH NAVIGATION : Wiring Diagram - AV - /		Wiring Diagram - AV - / BOSE Surround Audio		
BOSE Surround Audio 5.1ch System .....	200	5.1ch System .....	374	
WITH NAVIGATION : Fail-Safe .....	218	<b>DVD PLAYER</b> .....	<b>393</b>	H
WITH NAVIGATION : DTC Index .....	220	Reference Value .....	393	
<b>FRONT DISPLAY UNIT</b> .....	222	Schematic - BOSE Audio 2ch System - .....	396	I
<b>WITHOUT NAVIGATION</b> .....	222	Wiring Diagram - AV - / BOSE Audio 2ch System.	397	
WITHOUT NAVIGATION : Reference Value .....	222	Schematic - BOSE Surround Audio 5.1ch System		
WITHOUT NAVIGATION : Schematic - Base Au-		- .....	410	J
dio System - .....	225	Wiring Diagram - AV - / BOSE Surround Audio		
WITHOUT NAVIGATION : Wiring Diagram - AV -		5.1ch System .....	412	
/ Base Audio System .....	225	<b>SATELLITE RADIO TUNER</b> .....	<b>431</b>	
<b>WITH NAVIGATION</b> .....	237	Reference Value .....	431	
WITH NAVIGATION : Reference Value .....	238	Schematic - Base Audio System - .....	433	
WITH NAVIGATION : Schematic - BOSE Audio		Wiring Diagram - AV - / Base Audio System .....	433	
2ch System - .....	241	<b>TEL ADAPTER UNIT</b> .....	<b>446</b>	AV
WITH NAVIGATION : Wiring Diagram - AV - /		Reference Value .....	446	
BOSE Audio 2ch System .....	242	Schematic - Base Audio System - .....	448	L
WITH NAVIGATION : Schematic - BOSE Sur-		Wiring Diagram - AV - / Base Audio System .....	448	
round Audio 5.1ch System - .....	255	<b>SYMPTOM DIAGNOSIS</b> .....	<b>461</b>	M
WITH NAVIGATION : Wiring Diagram - AV - /		<b>MULTI AV SYSTEM SYMPTOMS</b> .....	<b>461</b>	
BOSE Surround Audio 5.1ch System .....	257	<b>WITHOUT NAVIGATION</b> .....	<b>461</b>	N
<b>BOSE AMP.</b> .....	276	WITHOUT NAVIGATION : Symptom Table .....	461	
<b>BOSE AUDIO 2CH SYSTEM</b> .....	276	<b>WITH NAVIGATION</b> .....	<b>464</b>	O
BOSE AUDIO 2CH SYSTEM : Reference Value ..	276	WITH NAVIGATION : Symptom Table .....	464	
BOSE AUDIO 2CH SYSTEM : Schematic - BOSE		<b>NORMAL OPERATING CONDITION</b> .....	<b>472</b>	
Audio 2ch System - .....	279	<b>WITHOUT NAVIGATION</b> .....	<b>472</b>	P
BOSE AUDIO 2CH SYSTEM : Wiring Diagram -		WITHOUT NAVIGATION : Description .....	472	
AV - / BOSE Audio 2ch System .....	280	<b>WITH NAVIGATION</b> .....	<b>473</b>	
<b>BOSE SURROUND AUDIO 5.1CH SYSTEM</b> .....	292	WITH NAVIGATION : Description .....	473	
BOSE SURROUND AUDIO 5.1CH SYSTEM :		<b>PRECAUTION</b> .....	<b>479</b>	
Reference Value .....	293	<b>PRECAUTIONS</b> .....	<b>479</b>	
BOSE SURROUND AUDIO 5.1CH SYSTEM :				
Schematic - BOSE Surround Audio 5.1ch System				
- .....	297			

Precaution for Supplemental Restraint System (SRS) "AIR BAG" and "SEAT BELT PRE-TENSIONER" .....	479	Exploded View .....	494
Precaution for SRS "AIR BAG" and "SEAT BELT PRE-TENSIONER" Service .....	479	Removal and Installation .....	494
Precaution for Trouble Diagnosis .....	479	<b>STEERING SWITCH .....</b>	<b>495</b>
Precaution for Harness Repair .....	480	Exploded View .....	495
<b>PREPARATION .....</b>	<b>481</b>	Removal and Installation .....	495
<b>PREPARATION .....</b>	<b>481</b>	<b>iPod ADAPTER .....</b>	<b>496</b>
Commercial Service Tools .....	481	Exploded View .....	496
<b>ON-VEHICLE REPAIR .....</b>	<b>482</b>	Removal and Installation .....	496
<b>AV CONTROL UNIT .....</b>	<b>482</b>	<b>iPod CONNECTOR .....</b>	<b>497</b>
Exploded View .....	482	Exploded View .....	497
Removal and Installation .....	482	Removal and Installation .....	497
<b>FRONT DISPLAY UNIT .....</b>	<b>483</b>	<b>DVD PLAYER .....</b>	<b>498</b>
Exploded View .....	483	Exploded View .....	498
Removal and Installation .....	483	Removal and Installation .....	498
<b>FRONT DOOR SPEAKER .....</b>	<b>484</b>	<b>AUXILIARY INPUT JACKS .....</b>	<b>499</b>
Exploded View .....	484	Exploded View .....	499
Removal and Installation .....	484	Removal and Installation .....	499
<b>REAR DOOR SPEAKER .....</b>	<b>485</b>	<b>MICROPHONE .....</b>	<b>500</b>
Exploded View .....	485	Removal and Installation .....	500
Removal and Installation .....	485	<b>AudioPilot® MICROPHONE .....</b>	<b>501</b>
<b>CENTER SPEAKER .....</b>	<b>486</b>	Removal and Installation .....	501
Exploded View .....	486	<b>CAMERA CONTROL UNIT .....</b>	<b>502</b>
Removal and Installation .....	486	Exploded View .....	502
<b>TWEETER .....</b>	<b>487</b>	Removal and Installation .....	502
Exploded View .....	487	Adjustment .....	502
Removal and Installation .....	487	<b>REAR VIEW CAMERA .....</b>	<b>503</b>
<b>SEAT SPEAKER .....</b>	<b>488</b>	Exploded View .....	503
Exploded View .....	488	Removal and Installation .....	503
Removal and Installation .....	488	Adjustment .....	503
<b>WOOFER .....</b>	<b>489</b>	<b>STEERING ANGLE SENSOR .....</b>	<b>505</b>
Exploded View .....	489	Exploded View .....	505
Removal and Installation .....	489	Removal and Installation .....	505
<b>REAR SURROUND SPEAKER .....</b>	<b>490</b>	<b>SATELLITE RADIO TUNER .....</b>	<b>506</b>
Removal and Installation .....	490	Exploded View .....	506
<b>BOSE AMP. ....</b>	<b>491</b>	Removal and Installation .....	506
Exploded View .....	491	<b>SATELLITE RADIO ANTENNA .....</b>	<b>507</b>
Removal and Installation .....	491	Exploded View .....	507
<b>ANTENNA AMP. ....</b>	<b>492</b>	Removal and Installation .....	507
Exploded View .....	492	<b>TEL ADAPTER UNIT .....</b>	<b>508</b>
Removal and Installation .....	492	Exploded View .....	508
<b>MULTIFUNCTION SWITCH .....</b>	<b>493</b>	Removal and Installation .....	508
Exploded View .....	493	<b>TEL ANTENNA .....</b>	<b>509</b>
Removal and Installation .....	493	Exploded View .....	509
<b>PRESET SWITCH .....</b>	<b>494</b>	Removal and Installation .....	509
		<b>ANTENNA FEEDER (RADIO) .....</b>	<b>510</b>
		<b>WITHOUT NAVIGATION .....</b>	<b>510</b>
		WITHOUT NAVIGATION : Harness Layout .....	510

<b>WITH NAVIGATION</b> .....	510	System Description .....	530	
WITH NAVIGATION : Harness Layout .....	511	Component Parts Location .....	531	A
<b>ANTENNA FEEDER (SATELLITE RADIO)</b> ....	512	Component Description .....	532	
<b>WITHOUT NAVIGATION</b> .....	512	<b>AUDIO SYSTEM</b> .....	533	B
WITHOUT NAVIGATION : Harness Layout .....	512	System Diagram .....	533	
<b>WITH NAVIGATION</b> .....	512	System Description .....	533	
WITH NAVIGATION : Harness Layout .....	513	Component Parts Location .....	535	C
<b>ANTENNA FEEDER (GPS)</b> .....	514	Component Description .....	536	
Harness Layout .....	514	<b>HANDS-FREE PHONE SYSTEM</b> .....	538	D
<b>WITH MOBILE ENTERTAINMENT SYSTEM</b>		System Diagram .....	538	
<b>BASIC INSPECTION</b> .....	515	System Description .....	538	
<b>DIAGNOSIS AND REPAIR WORK FLOW</b> ....	515	Component Parts Location .....	539	
Work Flow .....	515	Component Description .....	540	E
<b>INSPECTION AND ADJUSTMENT</b> .....	517	<b>MOBILE ENTERTAINMENT SYSTEM</b> .....	541	F
<b>ADDITIONAL SERVICE WHEN REMOVING BATTERY NEGATIVE TERMINAL</b> .....	517	System Diagram .....	541	
ADDITIONAL SERVICE WHEN REMOVING BATTERY NEGATIVE TERMINAL : Description ..	517	System Description .....	541	
ADDITIONAL SERVICE WHEN REMOVING BATTERY NEGATIVE TERMINAL : Special Repair Requirement .....	517	Component Parts Location .....	542	
<b>ADDITIONAL SERVICE WHEN REPLACING CONTROL UNIT</b> .....	517	Component Description .....	543	G
ADDITIONAL SERVICE WHEN REPLACING CONTROL UNIT : Description .....	517	<b>DIAGNOSIS SYSTEM (AV CONTROL UNIT)</b> .	545	
ADDITIONAL SERVICE WHEN REPLACING CONTROL UNIT : Special Repair Requirement ..	517	Diagnosis Description .....	545	
<b>REAR VIEW MONITOR POSSIBLE ROUTE LINE CENTER POSITION ADJUSTMENT</b> .....	517	CONSULT-III Function (MULTI AV) .....	560	H
REAR VIEW MONITOR POSSIBLE ROUTE LINE CENTER POSITION ADJUSTMENT : Description ..	517	<b>COMPONENT DIAGNOSIS</b> .....	565	
REAR VIEW MONITOR POSSIBLE ROUTE LINE CENTER POSITION ADJUSTMENT : Special Repair Requirement .....	517	<b>U1000 CAN COMM CIRCUIT</b> .....	565	I
<b>FUNCTION DIAGNOSIS</b> .....	518	Description .....	565	
<b>MULTI AV SYSTEM</b> .....	518	DTC Logic .....	565	
System Diagram .....	518	Diagnosis Procedure .....	565	J
System Description .....	518	<b>U1010 CONTROL UNIT (CAN)</b> .....	566	
Component Parts Location .....	521	Description .....	566	
Component Description .....	522	DTC Logic .....	566	
<b>NAVIGATION SYSTEM</b> .....	525	Diagnosis Procedure .....	566	AV
System Diagram .....	525	<b>U1310 AV CONTROL UNIT</b> .....	567	
System Description .....	525	Description .....	567	
Component Parts Location .....	528	DTC Logic .....	567	L
Component Description .....	529	<b>U1200 AV CONTROL UNIT</b> .....	568	
<b>REAR VIEW MONITOR SYSTEM</b> .....	530	Description .....	568	M
System Diagram .....	530	DTC Logic .....	568	
		<b>U1201 AV CONTROL UNIT</b> .....	569	N
		Description .....	569	
		DTC Logic .....	569	
		<b>U1216 AV CONTROL UNIT</b> .....	570	O
		Description .....	570	
		DTC Logic .....	570	
		<b>U1217 AV CONTROL UNIT</b> .....	571	P
		Description .....	571	
		DTC Logic .....	571	
		<b>U1218 AV CONTROL UNIT</b> .....	572	
		Description .....	572	
		DTC Logic .....	572	

<b>U1219 AV CONTROL UNIT</b> .....	<b>573</b>	<b>U1247 REAR DISP CONN</b> .....	<b>588</b>
Description .....	573	Description .....	588
DTC Logic .....	573	DTC Logic .....	588
<b>U1220 AV CONTROL UNIT</b> .....	<b>574</b>	Diagnosis Procedure .....	588
Description .....	574	<b>U1250 CAMERA CONTROL UNIT</b> .....	<b>590</b>
DTC Logic .....	574	Description .....	590
<b>U121A AV CONTROL UNIT</b> .....	<b>575</b>	DTC Logic .....	590
Description .....	575	Diagnosis Procedure .....	590
DTC Logic .....	575	<b>U1258 SATELLITE RADIO ANTENNA</b> .....	<b>591</b>
<b>U121B AV CONTROL UNIT</b> .....	<b>576</b>	Description .....	591
Description .....	576	DTC Logic .....	591
DTC Logic .....	576	Diagnosis Procedure .....	591
<b>U121C AV CONTROL UNIT</b> .....	<b>577</b>	<b>U1300 AV COMM CIRCUIT</b> .....	<b>592</b>
Description .....	577	Description .....	592
DTC Logic .....	577	<b>POWER SUPPLY AND GROUND CIRCUIT</b> ...	<b>594</b>
<b>U121D AV CONTROL UNIT</b> .....	<b>578</b>	<b>AV CONTROL UNIT</b> .....	<b>594</b>
Description .....	578	AV CONTROL UNIT : Diagnosis Procedure .....	594
DTC Logic .....	578	<b>FRONT DISPLAY UNIT</b> .....	<b>594</b>
<b>U121E AV CONTROL UNIT</b> .....	<b>579</b>	FRONT DISPLAY UNIT : Diagnosis Procedure ...	594
Description .....	579	<b>REAR DISPLAY UNIT</b> .....	<b>595</b>
DTC Logic .....	579	REAR DISPLAY UNIT : Diagnosis Procedure .....	595
<b>U121F AV CONTROL UNIT</b> .....	<b>580</b>	<b>VIDEO DISTRIBUTOR</b> .....	<b>596</b>
Description .....	580	VIDEO DISTRIBUTOR : Diagnosis Procedure .....	596
DTC Logic .....	580	<b>BOSE AMP.</b> .....	<b>596</b>
Diagnosis Procedure .....	580	BOSE AMP. : Diagnosis Procedure .....	596
<b>U1204 GPS</b> .....	<b>581</b>	<b>IPOD ADAPTER</b> .....	<b>598</b>
Description .....	581	iPod ADAPTER : Diagnosis Procedure .....	598
DTC Logic .....	581	<b>CAMERA CONTROL UNIT</b> .....	<b>598</b>
Diagnosis Procedure .....	581	CAMERA CONTROL UNIT : Diagnosis Procedure .....	598
<b>U1205 GPS</b> .....	<b>582</b>	<b>DVD PLAYER</b> .....	<b>599</b>
Description .....	582	DVD PLAYER : Diagnosis Procedure .....	599
DTC Logic .....	582	<b>MULTIFUNCTION SWITCH</b> .....	<b>600</b>
Diagnosis Procedure .....	582	MULTIFUNCTION SWITCH : Diagnosis Procedure .....	600
<b>U1206 GPS</b> .....	<b>583</b>	<b>RGB (R: RED) SIGNAL CIRCUIT (AV CONTROL UNIT TO FRONT DISPLAY UNIT)</b> .....	<b>601</b>
Description .....	583	Description .....	601
DTC Logic .....	583	Diagnosis Procedure .....	601
Diagnosis Procedure .....	583	<b>RGB (G: GREEN) SIGNAL CIRCUIT (AV CONTROL UNIT TO FRONT DISPLAY UNIT)</b> .....	<b>602</b>
<b>U1207 GPS</b> .....	<b>584</b>	Description .....	602
Description .....	584	Diagnosis Procedure .....	602
DTC Logic .....	584	<b>RGB (B: BLUE) SIGNAL CIRCUIT (AV CONTROL UNIT TO FRONT DISPLAY UNIT)</b> .....	<b>603</b>
Diagnosis Procedure .....	584	Description .....	603
<b>U1243 DISPLAY UNIT</b> .....	<b>585</b>	Diagnosis Procedure .....	603
Description .....	585		
DTC Logic .....	585		
Diagnosis Procedure .....	585		
<b>U1244 GPS ANTENNA</b> .....	<b>587</b>		
Description .....	587		
DTC Logic .....	587		
Diagnosis Procedure .....	587		

<b>RGB SYNCHRONIZING SIGNAL CIRCUIT</b> .... 604	Diagnosis Procedure ..... 615	
Description ..... 604		
Diagnosis Procedure ..... 604		
<b>RGB AREA (YS) SIGNAL CIRCUIT (AV CONTROL UNIT TO FRONT DISPLAY UNIT)</b> ..... 605	<b>RGB AREA (YS) SIGNAL CIRCUIT (VIDEO DISTRIBUTOR TO REAR DISPLAY UNIT)</b> .... 616	A
Description ..... 605	Description ..... 616	B
Diagnosis Procedure ..... 605	Diagnosis Procedure ..... 616	
<b>HP SIGNAL CIRCUIT (FRONT DISPLAY UNIT TO AV CONTROL UNIT)</b> ..... 606	<b>AUX IMAGE SIGNAL CIRCUIT</b> ..... 617	C
Description ..... 606	Description ..... 617	
Diagnosis Procedure ..... 606	Diagnosis Procedure ..... 617	
<b>VP SIGNAL CIRCUIT (FRONT DISPLAY UNIT TO AV CONTROL UNIT)</b> ..... 607	<b>DVD IMAGE SIGNAL CIRCUIT</b> ..... 618	D
Description ..... 607	Description ..... 618	
Diagnosis Procedure ..... 607	Diagnosis Procedure ..... 618	
<b>COMPOSITE IMAGE SIGNAL CIRCUIT (VIDEO DISTRIBUTOR TO FRONT DISPLAY UNIT)</b> ..... 608	<b>MICROPHONE SIGNAL CIRCUIT</b> ..... 619	E
Description ..... 608	Description ..... 619	
Diagnosis Procedure ..... 608	Diagnosis Procedure ..... 619	
<b>COMPOSITE IMAGE SIGNAL CIRCUIT (VIDEO DISTRIBUTOR TO REAR DISPLAY UNIT)</b> ..... 609	<b>AudioPilot® MICROPHONE</b> ..... 620	F
Description ..... 609		
Diagnosis Procedure ..... 609	<b>BOSE AUDIO 2CH SYSTEM</b> ..... 620	G
	BOSE AUDIO 2CH SYSTEM : Description ..... 620	
	BOSE AUDIO 2CH SYSTEM : Diagnosis Procedure ..... 620	
<b>RGB (R: RED) SIGNAL CIRCUIT (VIDEO DISTRIBUTOR TO REAR DISPLAY UNIT)</b> ..... 610	<b>BOSE SURROUND AUDIO 5.1CH SYSTEM</b> ..... 620	H
Description ..... 610	BOSE SURROUND AUDIO 5.1CH SYSTEM : Description ..... 621	
Diagnosis Procedure ..... 610	BOSE SURROUND AUDIO 5.1CH SYSTEM : Diagnosis Procedure ..... 621	I
<b>RGB (G: GREEN) SIGNAL CIRCUIT (VIDEO DISTRIBUTOR TO REAR DISPLAY UNIT)</b> .... 611	<b>CAMERA IMAGE SIGNAL CIRCUIT (REAR VIEW CAMERA TO CAMERA CONTROL UNIT)</b> ..... 622	J
Description ..... 611	Description ..... 622	
Diagnosis Procedure ..... 611	Diagnosis Procedure ..... 622	AV
<b>RGB (B: BLUE) SIGNAL CIRCUIT (VIDEO DISTRIBUTOR TO REAR DISPLAY UNIT)</b> .... 612	<b>CAMERA ON SIGNAL CIRCUIT</b> ..... 623	L
Description ..... 612	Description ..... 623	
Diagnosis Procedure ..... 612	Diagnosis Procedure ..... 623	
<b>COMPOSITE SYNCHRONIZING SIGNAL CIRCUIT (VIDEO DISTRIBUTOR TO REAR DISPLAY UNIT)</b> ..... 613	<b>CAMERA IMAGE SIGNAL CIRCUIT (CAMERA CONTROL UNIT TO FRONT DISPLAY UNIT)</b> ..... 624	M
Description ..... 613	Description ..... 624	
Diagnosis Procedure ..... 613	Diagnosis Procedure ..... 624	N
<b>VP SIGNAL CIRCUIT (REAR DISPLAY UNIT TO VIDEO DISTRIBUTOR)</b> ..... 614	<b>STEERING SWITCH SIGNAL A CIRCUIT</b> .... 625	O
Description ..... 614	Description ..... 625	
Diagnosis Procedure ..... 614	Diagnosis Procedure ..... 625	
<b>HP SIGNAL CIRCUIT (REAR DISPLAY UNIT TO VIDEO DISTRIBUTOR)</b> ..... 615	Component Inspection ..... 625	
Description ..... 615	<b>STEERING SWITCH SIGNAL B CIRCUIT</b> ..... 627	P
	Description ..... 627	
	Diagnosis Procedure ..... 627	
	Component Inspection ..... 627	
	<b>STEERING SWITCH SIGNAL GND CIRCUIT</b> . 629	
	Description ..... 629	
	Diagnosis Procedure ..... 629	
	Component Inspection ..... 629	

<b>ECU DIAGNOSIS</b> .....	<b>630</b>	Schematic - BOSE Audio 2ch System-	899
<b>AV CONTROL UNIT</b> .....	<b>630</b>	Wiring Diagram - AV - / BOSE Audio 2ch System.	901
Reference Value .....	630	Schematic - BOSE 5.1ch Surround Audio System	
Schematic - BOSE Audio 2ch System-	636	- .....	920
Wiring Diagram - AV - / BOSE Audio 2ch System.	638	Wiring Diagram - AV - / BOSE Surround Audio	
Schematic - BOSE 5.1ch Surround Audio System		5.1ch System .....	922
- .....	657	<b>CAMERA CONTROL UNIT</b> .....	<b>947</b>
Wiring Diagram - AV - / BOSE Surround Audio		Reference Value .....	947
5.1ch System .....	659	Schematic - BOSE Audio 2ch System-	949
Fail-Safe .....	683	Wiring Diagram - AV - / BOSE Audio 2ch System.	951
DTC Index .....	685	Schematic - BOSE 5.1ch Surround Audio System	
<b>FRONT DISPLAY UNIT</b> .....	<b>687</b>	- .....	970
Reference Value .....	687	Wiring Diagram - AV - / BOSE Surround Audio	
Schematic - BOSE Audio 2ch System-	690	5.1ch System .....	972
Wiring Diagram - AV - / BOSE Audio 2ch System.	692	<b>DVD PLAYER</b> .....	<b>997</b>
Schematic - BOSE 5.1ch Surround Audio System		Reference Value .....	997
- .....	711	Schematic - BOSE Audio 2ch System-	1000
Wiring Diagram - AV - / BOSE Surround Audio		Wiring Diagram - AV - / BOSE Audio 2ch System	1002
5.1ch System .....	713	Schematic - BOSE 5.1ch Surround Audio System	
<b>REAR DISPLAY UNIT</b> .....	<b>738</b>	- .....	1021
Reference Value .....	738	Wiring Diagram - AV - / BOSE Surround Audio	
Schematic - BOSE Audio 2ch System-	741	5.1ch System .....	1023
Wiring Diagram - AV - / BOSE Audio 2ch System.	743	<b>SYMPTOM DIAGNOSIS</b> .....	<b>1048</b>
Schematic - BOSE 5.1ch Surround Audio System		<b>MULTI AV SYSTEM SYMPTOMS</b> .....	<b>1048</b>
- .....	762	Symptom Table .....	1048
Wiring Diagram - AV - / BOSE Surround Audio		<b>NORMAL OPERATING CONDITION</b> .....	<b>1056</b>
5.1ch System .....	764	Description .....	1056
<b>VIDEO DISTRIBUTOR</b> .....	<b>789</b>	<b>PRECAUTION</b> .....	<b>1061</b>
Reference Value .....	789	<b>PRECAUTIONS</b> .....	<b>1061</b>
Schematic - BOSE Audio 2ch System-	793	Precaution for Supplemental Restraint System	
Wiring Diagram - AV - / BOSE Audio 2ch System.	795	(SRS) "AIR BAG" and "SEAT BELT PRE-TENSIONER"	1061
Schematic - BOSE 5.1ch Surround Audio System		Precaution for SRS "AIR BAG" and "SEAT BELT	
- .....	814	PRE-TENSIONER" Service .....	1061
Wiring Diagram - AV - / BOSE Surround Audio		Precaution for Trouble Diagnosis .....	1061
5.1ch System .....	816	Precaution for Harness Repair .....	1062
<b>BOSE AMP.</b> .....	<b>841</b>	<b>PREPARATION</b> .....	<b>1063</b>
<b>BOSE AUDIO 2CH SYSTEM</b> .....	<b>841</b>	<b>PREPARATION</b> .....	<b>1063</b>
BOSE AUDIO 2CH SYSTEM : Reference Value ..	841	Commercial Service Tools .....	1063
BOSE AUDIO 2CH SYSTEM : Schematic - BOSE		<b>ON-VEHICLE REPAIR</b> .....	<b>1064</b>
Audio 2ch System-	844	<b>AV CONTROL UNIT</b> .....	<b>1064</b>
BOSE AUDIO 2CH SYSTEM : Wiring Diagram -		Exploded View .....	1064
AV - / BOSE Audio 2ch System .....	846	Removal and Installation .....	1064
<b>BOSE SURROUND AUDIO 5.1CH SYSTEM</b> .....	<b>864</b>	<b>FRONT DISPLAY UNIT</b> .....	<b>1065</b>
BOSE SURROUND AUDIO 5.1CH SYSTEM :		Exploded View .....	1065
Reference Value .....	865	Removal and Installation .....	1065
BOSE SURROUND AUDIO 5.1CH SYSTEM :		<b>REAR DISPLAY UNIT</b> .....	<b>1066</b>
Schematic - BOSE 5.1ch Surround Audio System		Removal and Installation .....	1066
- .....	869		
BOSE SURROUND AUDIO 5.1CH SYSTEM :			
Wiring Diagram - AV - / BOSE Surround Audio			
5.1ch System .....	872		
<b>iPod ADAPTER</b> .....	<b>897</b>		
Reference Value .....	897		

<b>VIDEO DISTRIBUTOR</b> .....	<b>1067</b>	Exploded View .....	1080	
Exploded View .....	1067	Removal and Installation .....	1080	A
Removal and Installation .....	1067			
<b>FRONT DOOR SPEAKER</b> .....	<b>1068</b>			
Exploded View .....	1068	<b>iPod ADAPTER</b> .....	<b>1081</b>	B
Removal and Installation .....	1068	Exploded View .....	1081	
		Removal and Installation .....	1081	
<b>REAR DOOR SPEAKER</b> .....	<b>1069</b>	<b>iPod CONNECTOR</b> .....	<b>1082</b>	C
Exploded View .....	1069	Exploded View .....	1082	
Removal and Installation .....	1069	Removal and Installation .....	1082	
<b>CENTER SPEAKER</b> .....	<b>1070</b>	<b>DVD PLAYER</b> .....	<b>1083</b>	D
Exploded View .....	1070	Exploded View .....	1083	
Removal and Installation .....	1070	Removal and Installation .....	1083	
<b>TWEETER</b> .....	<b>1071</b>	<b>AUXILIARY INPUT JACKS</b> .....	<b>1084</b>	E
Exploded View .....	1071	Exploded View .....	1084	
Removal and Installation .....	1071	Removal and Installation .....	1084	
<b>SEAT SPEAKER</b> .....	<b>1072</b>	<b>MICROPHONE</b> .....	<b>1085</b>	F
Exploded View .....	1072	Removal and Installation .....	1085	
Removal and Installation .....	1072	<b>AudioPilot® MICROPHONE</b> .....	<b>1086</b>	G
		Removal and Installation .....	1086	
<b>WOOFER</b> .....	<b>1073</b>	<b>CAMERA CONTROL UNIT</b> .....	<b>1087</b>	H
Exploded View .....	1073	Exploded View .....	1087	
Removal and Installation .....	1073	Removal and Installation .....	1087	
<b>REAR SURROUND SPEAKER</b> .....	<b>1074</b>	Adjustment .....	1087	I
Removal and Installation .....	1074	<b>REAR VIEW CAMERA</b> .....	<b>1088</b>	
<b>BOSE AMP.</b> .....	<b>1075</b>	Exploded View .....	1088	J
Exploded View .....	1075	Removal and Installation .....	1088	
Removal and Installation .....	1075	Adjustment .....	1088	
<b>ANTENNA AMP.</b> .....	<b>1076</b>	<b>STEERING ANGLE SENSOR</b> .....	<b>1090</b>	AV
Exploded View .....	1076	Exploded View .....	1090	
Removal and Installation .....	1076	Removal and Installation .....	1090	
<b>MULTIFUNCTION SWITCH</b> .....	<b>1077</b>	<b>SATELLITE RADIO ANTENNA</b> .....	<b>1091</b>	L
Exploded View .....	1077	Exploded View .....	1091	
Removal and Installation .....	1077	Removal and Installation .....	1091	
<b>PRESET SWITCH</b> .....	<b>1078</b>	<b>ANTENNA FEEDER (RADIO)</b> .....	<b>1092</b>	M
Exploded View .....	1078	Harness Layout .....	1092	
Removal and Installation .....	1078	<b>ANTENNA FEEDER (SATELLITE RADIO)</b> ...	<b>1093</b>	N
<b>STEERING SWITCH</b> .....	<b>1079</b>	Harness Layout .....	1093	
Exploded View .....	1079	<b>ANTENNA FEEDER (GPS)</b> .....	<b>1094</b>	O
Removal and Installation .....	1079	Harness Layout .....	1094	
<b>REAR CONTROL SWITCH</b> .....	<b>1080</b>			P

# DIAGNOSIS AND REPAIR WORK FLOW

< BASIC INSPECTION >

[WITHOUT MOBILE ENTERTAINMENT SYSTEM]

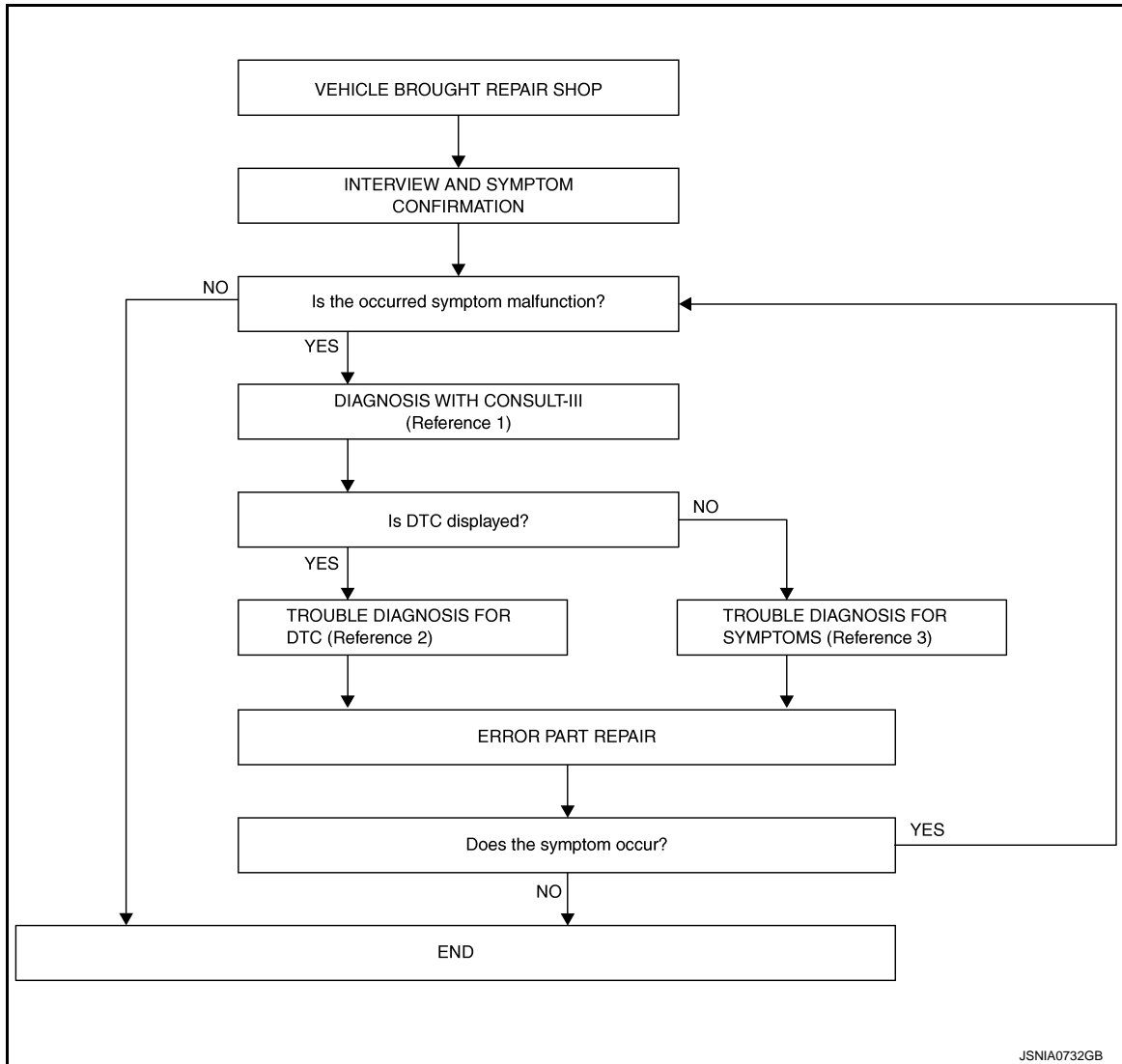
## BASIC INSPECTION

### DIAGNOSIS AND REPAIR WORK FLOW

Work Flow

INFOID:000000005350125

#### OVERALL SEQUENCE



JSNIA0732GB

Without Navigation

- Reference 1... Refer to [AV-55, "WITHOUT NAVIGATION : CONSULT-III Function \(MULTI AV\)".](#)
- Reference 2... Refer to [AV-176, "WITHOUT NAVIGATION : DTC Index".](#)
- Reference 3... Refer to [AV-461, "WITHOUT NAVIGATION : Symptom Table".](#)

With Navigation

- Reference 1... Refer to [AV-72, "WITH NAVIGATION : CONSULT-III Function \(MULTI AV\)".](#)
- Reference 2... Refer to [AV-220, "WITH NAVIGATION : DTC Index".](#)
- Reference 3... Refer to [AV-464, "WITH NAVIGATION : Symptom Table".](#)

#### DETAILED FLOW

##### 1. INTERVIEW AND SYMPTOM CONFIRMATION

Check the malfunction symptoms by performing the following items.

- Interview the customer to obtain the malfunction information (conditions and environment when the malfunction occurred).
- Check the symptom.



# DIAGNOSIS AND REPAIR WORK FLOW

[WITHOUT MOBILE ENTERTAINMENT SYSTEM]

< BASIC INSPECTION >

Is the occurred symptom malfunction?

YES >> GO TO 2.

NO >> INSPECTION END

## 2. DIAGNOSIS WITH CONSULT-III

1. Connect CONSULT-III and perform a self-diagnosis for "MULTI AV".

Refer to [AV-55, "WITHOUT NAVIGATION : CONSULT-III Function \(MULTI AV\)"](#). (without navigation)

Refer to [AV-72, "WITH NAVIGATION : CONSULT-III Function \(MULTI AV\)"](#). (with navigation)

**NOTE:**

Skip to step 4 of the diagnosis procedure if "MULTI AV" is not displayed.

2. Check if any DTC is displayed in the self-diagnosis results.

Is DTC displayed?

YES >> GO TO 3.

NO >> GO TO 4.

## 3. TROUBLE DIAGNOSIS FOR DTC

1. Check the DTC indicated in the self-diagnosis results.

2. Perform the relevant diagnosis referring to the DTC Index.

Refer to [AV-176, "WITHOUT NAVIGATION : DTC Index"](#). (without navigation)

Refer to [AV-220, "WITH NAVIGATION : DTC Index"](#). (with navigation)

>> GO TO 5.

## 4. TROUBLE DIAGNOSIS FOR SYMPTOMS

Perform the relevant diagnosis referring to the diagnosis chart by symptom.

Refer to [AV-461, "WITHOUT NAVIGATION : Symptom Table"](#). (without navigation)

Refer to [AV-464, "WITH NAVIGATION : Symptom Table"](#). (with navigation)

>> GO TO 5.

## 5. ERROR PART REPAIR

1. Repair or replace the identified malfunctioning parts.

2. Perform a self-diagnosis for "MULTI AV" with CONSULT-III.

**NOTE:**

Erase the stored self-diagnosis results after repairing or replacing the relevant components if any DTC has been indicated in the self-diagnosis results.

3. Check that the symptom does not occur.

Does the symptom occur?

YES >> GO TO 1.

NO >> INSPECTION END

A  
B  
C  
D  
E  
F  
G  
H  
I  
J  
AV  
L  
M  
N  
O  
P

# INSPECTION AND ADJUSTMENT

< BASIC INSPECTION >

[WITHOUT MOBILE ENTERTAINMENT SYSTEM]

## INSPECTION AND ADJUSTMENT

### ADDITIONAL SERVICE WHEN REMOVING BATTERY NEGATIVE TERMINAL

ADDITIONAL SERVICE WHEN REMOVING BATTERY NEGATIVE TERMINAL : Description

INFOID:000000005350126

Always correct the center position of the rear view monitor's possible route line after disconnecting the battery negative terminal.

ADDITIONAL SERVICE WHEN REMOVING BATTERY NEGATIVE TERMINAL : Special Repair Requirement

INFOID:000000005350127

#### 1. CORRECTION OF CENTER POSITION OF REAR VIEW MONITOR'S POSSIBLE ROUTE LINE

Refer to the following for details.

>> Refer to [AV-14, "REAR VIEW MONITOR POSSIBLE ROUTE LINE CENTER POSITION ADJUSTMENT : Special Repair Requirement"](#).

### ADDITIONAL SERVICE WHEN REPLACING CONTROL UNIT

ADDITIONAL SERVICE WHEN REPLACING CONTROL UNIT : Description

INFOID:000000005350128

When camera control unit is replaced, the center position of rear view monitor possible route line is corrected.

ADDITIONAL SERVICE WHEN REPLACING CONTROL UNIT : Special Repair Requirement

INFOID:000000005350129

#### 1. CORRECTION OF CENTER POSITION OF REAR VIEW MONITOR'S POSSIBLE ROUTE LINE

Refer to the following for details.

>> Refer to [AV-14, "REAR VIEW MONITOR POSSIBLE ROUTE LINE CENTER POSITION ADJUSTMENT : Special Repair Requirement"](#).

### REAR VIEW MONITOR POSSIBLE ROUTE LINE CENTER POSITION ADJUSTMENT

REAR VIEW MONITOR POSSIBLE ROUTE LINE CENTER POSITION ADJUSTMENT : Description

INFOID:000000005350130

Adjust the center position of the possible route line of the rear view monitor if it is shifted.

REAR VIEW MONITOR POSSIBLE ROUTE LINE CENTER POSITION ADJUSTMENT : Special Repair Requirement

INFOID:000000005350131

#### 1. STEERING OPERATION

Steer the steering wheel to the leftmost and rightmost ends.

>> GO TO 2

#### 2. DRIVING

Drive the vehicle straight ahead 100 m (328.1 ft) or more at a speed of 30 km/h (18.6 MPH) or more.

>> END

# MULTI AV SYSTEM

[WITHOUT MOBILE ENTERTAINMENT SYSTEM]

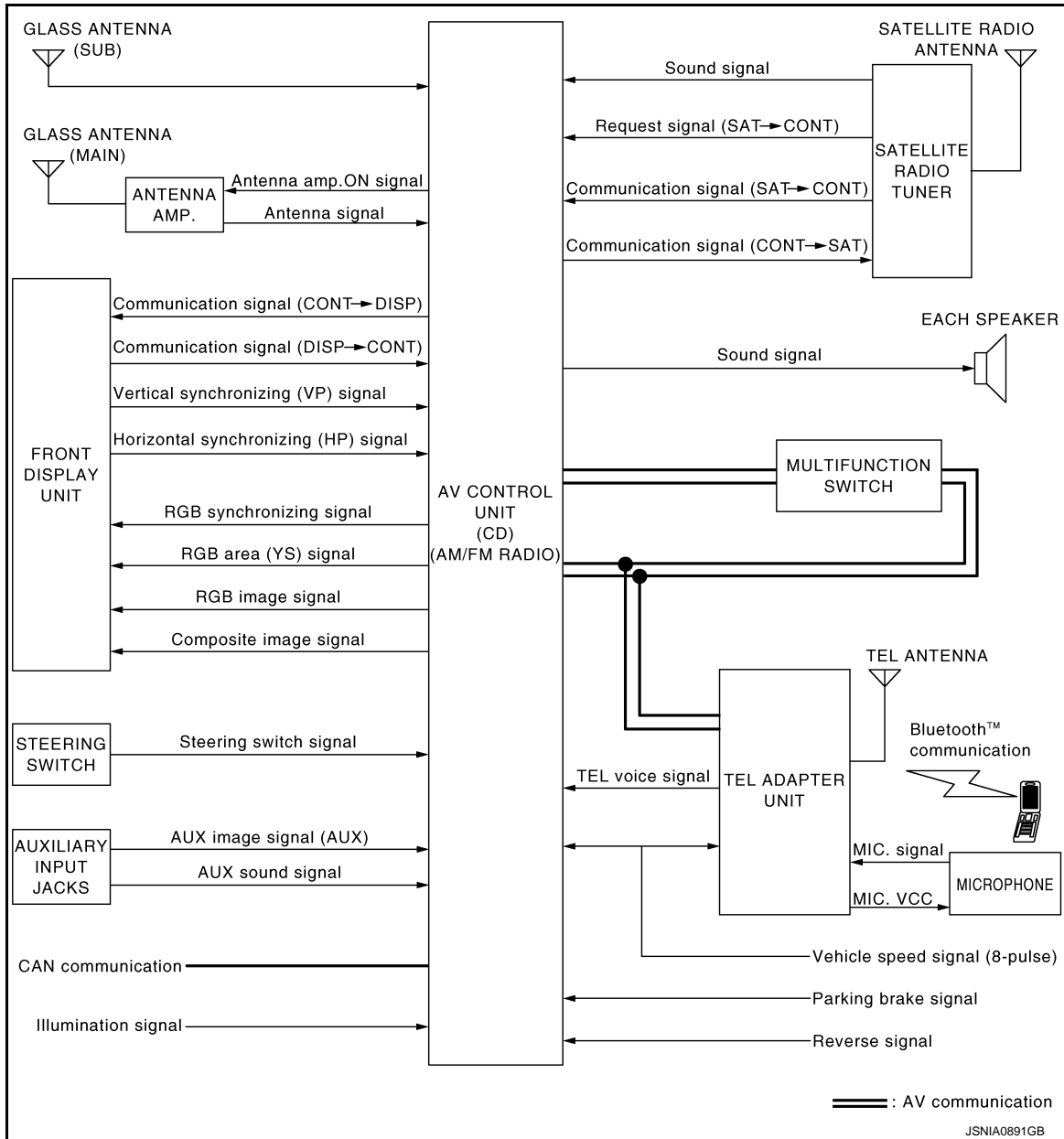
< FUNCTION DIAGNOSIS >

## FUNCTION DIAGNOSIS

### MULTI AV SYSTEM WITHOUT NAVIGATION

#### WITHOUT NAVIGATION : System Diagram

INFOID:000000005350132



**NOTE:**

The name MULTIFUNCTION SWITCH indicates the integration of PRESET SWITCH and MULTIFUNCTION SWITCH virtually.

#### WITHOUT NAVIGATION : System Description

INFOID:000000005350133

Multi AV system means that the following systems are integrated.

System name	System explanation
AUDIO SYSTEM	AV-35, "WITHOUT NAVIGATION : System Diagram"
HANDS-FREE PHONE SYSTEM	AV-43, "WITHOUT NAVIGATION : System Diagram"

A  
B  
C  
D  
E  
F  
G  
H  
I  
J  
K  
L  
M  
N  
O  
P

AV

# MULTI AV SYSTEM

< FUNCTION DIAGNOSIS >

[WITHOUT MOBILE ENTERTAINMENT SYSTEM]

System name	System explanation
VEHICLE INFORMATION SYSTEM	<ul style="list-style-type: none"> <li>Status of audio, climate control system, fuel economy, maintenance and navigation is displayed.</li> <li>AV control unit displays the fuel consumption status while receiving data signal through CAN communication from ECM, unified meter and A/C amp. and BCM.</li> </ul>
AUXILIARY INPUT SYSTEM	Refer to the following "AUXILIARY INPUT SYSTEM".

- AV control unit function by transmitting/receiving data one by one with each unit (slave unit) that configures them completely as a master unit by connecting between units that configure MULTI AV system with two AV communication lines (H, L).
- Two AV communication lines (H, L) adopt a twisted pair line that is resistant to noise.
- AV control unit is connected by CAN communication, and it receives data signal from ECM, unified meter and A/C amp. It computes and displays fuel economy information value with the obtained information. Transmitting/receiving of data signal is performed by BCM. Also, it transmits the required signal of vehicle setting and receives the response signal.
- AV control unit is connected with front display unit via serial communication, and it transmits the required signal of display and display control and receives the response signal from display. Also, it is connected with satellite radio by serial communication, and it transmits the operating signal and receives the display signal.

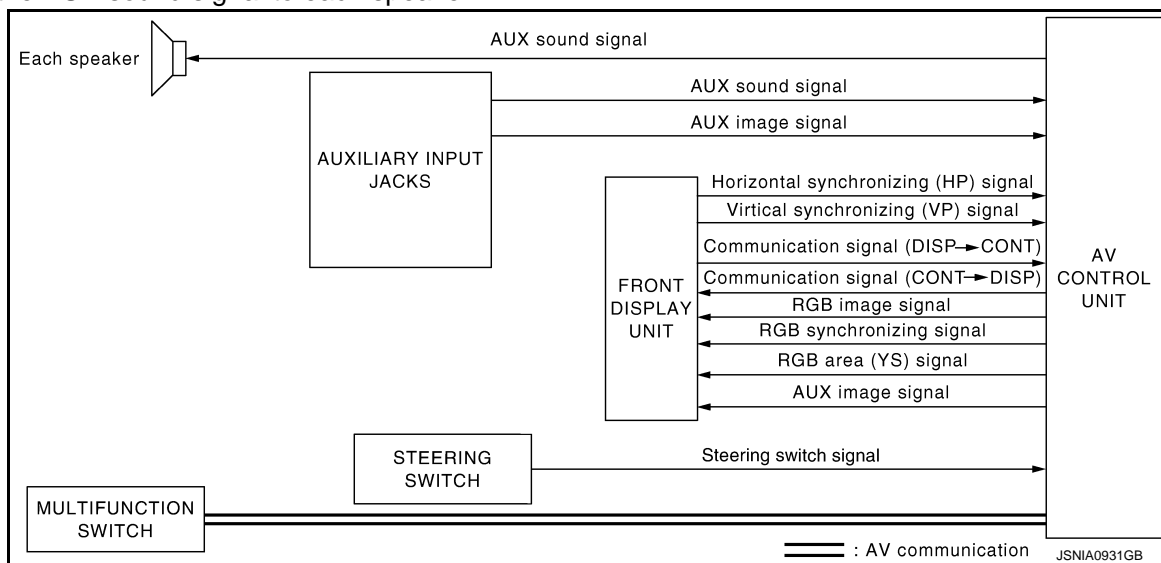
**NOTE:**

AV control unit can perform CONSULT-III self-operating function and on board self-diagnosis.

- CONSULT-III self diagnosis: Refer to [AV-55, "WITHOUT NAVIGATION : CONSULT-III Function \(MULTI AV\)"](#).
- On board self diagnosis: Refer to [AV-48, "WITHOUT NAVIGATION : Diagnosis Description"](#).

**AUXILIARY INPUT SYSTEM**

- Image and sound can be output from an external device by connecting a device with auxiliary input jacks.
- Operation can be performed with multifunction switch and steering switch. Multifunction switch transmits operation signal to AV control unit by AV communication.
- The AUX image signal is input from the auxiliary input jacks to the AV control unit. The AV control unit outputs AUX image signal to the front display unit.
- The AUX sound signal is input from the auxiliary input jacks to the AV control unit. The AV control unit outputs the AUX sound signal to each speaker.



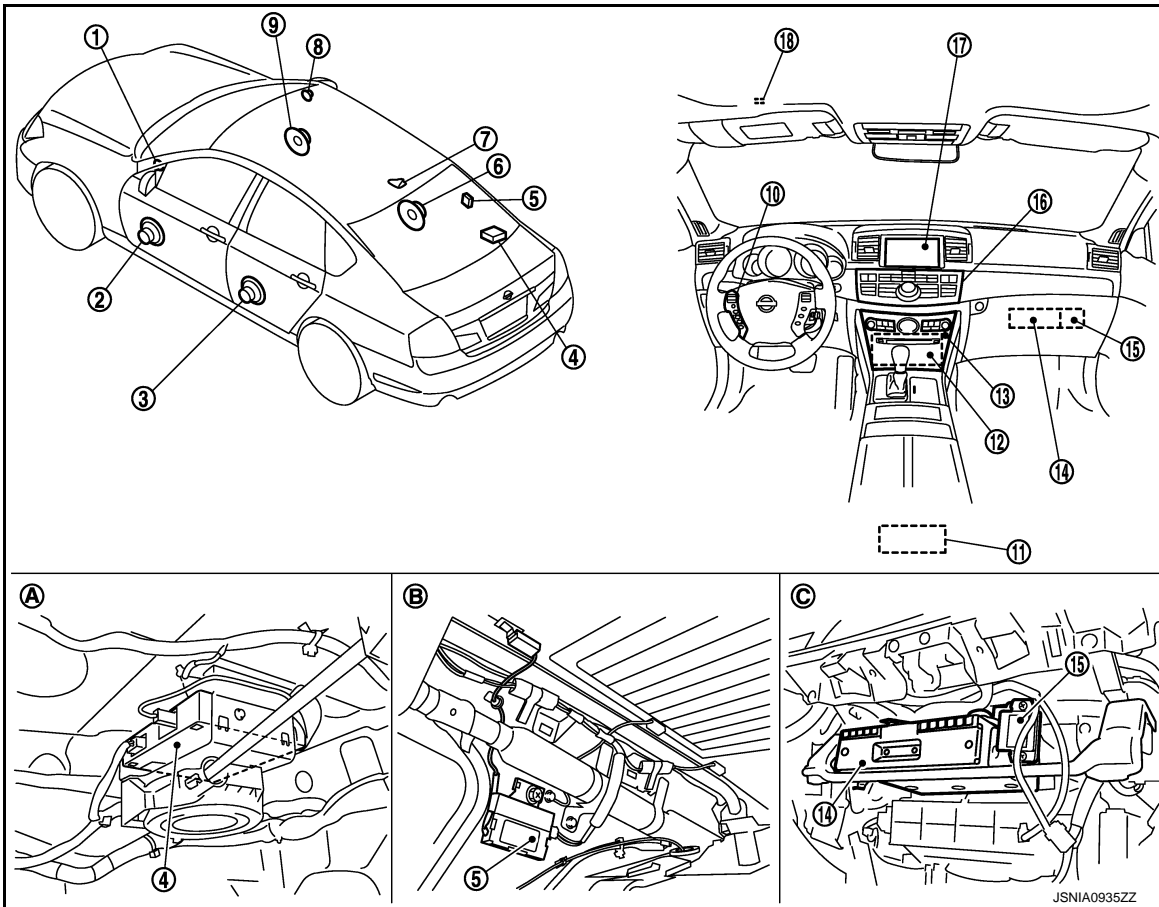
# MULTI AV SYSTEM

< FUNCTION DIAGNOSIS >

[WITHOUT MOBILE ENTERTAINMENT SYSTEM]

## WITHOUT NAVIGATION : Component Parts Location

INFOID:000000005350134



A  
B  
C  
D  
E  
F  
G  
H  
I  
J  
L  
M  
N  
O  
P

AV

- |                              |   |                               |
|------------------------------|---|-------------------------------|
| 1. Tweeter LH                | 2. Front door speaker LH                | 3. Rear door speaker          |
| 4. Satellite radio tuner     | 5. Antenna amp.                         | 6. Rear door speaker RH       |
| 7. Satellite radio antenna   | 8. Tweeter RH                           | 9. Front door speaker RH      |
| 10. Steering switch          | 11. Auxiliary input jacks               | 12. AV control unit           |
| 13. Preset switch            | 14. TEL adapter unit                    | 15. TEL antenna               |
| 16. Multifunction switch     | 17. Front display unit                  | 18. Microphone                |
| A. Under rear parcel RH side | B. Rear pillar finisher (RH) is removed | C. Glove box cover is removed |

# MULTI AV SYSTEM

[WITHOUT MOBILE ENTERTAINMENT SYSTEM]

< FUNCTION DIAGNOSIS >

## WITHOUT NAVIGATION : Component Description

INFOID:000000005350135

Part name	Description
AV CONTROL UNIT	<ul style="list-style-type: none"><li>• It is the master unit of the MULTI AV system, and it is connected to each control unit by communication. It operates each system according to communication signals from the AV control unit.</li><li>• It is connected to ECM and unified meter and A/C amp. via CAN communication to obtain necessary information for the vehicle information function.</li><li>• It is connected to BCM via CAN communication transmitting/receiving for the vehicle settings function.</li><li>• It inputs the illumination signals that are required for the display dimming control.</li><li>• It inputs the signals for driving status recognition (vehicle speed, reverse and parking brake).</li><li>• Auxiliary image and sound signal are input from the auxiliary input jacks.</li></ul>
FRONT DISPLAY UNIT	<ul style="list-style-type: none"><li>• Front display image is controlled by the serial communication from AV control unit.</li><li>• RGB image signal is input from AV control unit (RGB, RGB area and RGB synchronizing).</li><li>• Synchronize signal (HP, VP) is output to AV control unit.</li><li>• Auxiliary image signal is input from AV control unit.</li></ul>
FRONT DOOR SPEAKER	<ul style="list-style-type: none"><li>• Outputs sound signal from AV control unit.</li><li>• Outputs high, mid and low range sounds.</li></ul>
REAR DOOR SPEAKER	<ul style="list-style-type: none"><li>• Outputs sound signal from AV control unit.</li><li>• Outputs high, mid and low range sounds.</li></ul>
TWEETER	<ul style="list-style-type: none"><li>• Outputs sound signal from AV control unit.</li><li>• Outputs high range sound.</li></ul>
MULTIFUNCTION SWITCH	<ul style="list-style-type: none"><li>• Operation panel is equipped with the centralized switch where audio, auxiliary input, vehicle information and vehicle settings operations are integrated.</li><li>• The multifunction switch is connected via AV communication, and it transmits the operation signals of the multifunction switch and preset switch.</li></ul>
PRESET SWITCH	<ul style="list-style-type: none"><li>• Operation panel is equipped with the centralized switch where audio and air conditioner operations are integrated.</li><li>• The preset switch is connected to the multifunction switch by hard-wire, and it transmits the operation signal to the multifunction switch.</li></ul>
STEERING SWITCH	<ul style="list-style-type: none"><li>• Operations such as audio and hands-free phone are possible.</li><li>• Steering switch signal (operation signal) is output to AV control unit.</li></ul>
MICROPHONE	<ul style="list-style-type: none"><li>• Used only when hands-free phone is operated.</li><li>• Outputs Mic. signal (TEL voice signal) to the TEL adapter unit.</li><li>• The power (Mic. VCC) is supplied from TEL adapter unit.</li></ul>
AUXILIARY INPUT JACKS	Auxiliary input jacks Image and sound signal are transmitted to AV control unit.
ANTENNA AMP.	<ul style="list-style-type: none"><li>• Radio signal received by glass antenna is amplified and transmitted to AV control unit.</li><li>• Power (antenna amp. ON signal) is supplied from AV control unit.</li></ul>
TEL ADAPTER UNIT	<ul style="list-style-type: none"><li>• It is connected with the AV control unit via AV communication and controlled with the AV control unit.</li><li>• Inputs the TEL voice signal from TEL antenna and outputs it to the AV control unit.</li></ul>
TEL ANTENNA	Receives the TEL voice signal and outputs it to the TEL adapter unit.
SATELLITE RADIO TUNER	<ul style="list-style-type: none"><li>• It is controlled with the AV control unit and serial communication (communication signal and request signal).</li><li>• Inputs the satellite radio signal from satellite radio antenna and outputs the satellite radio sound signal to the AV control unit.</li></ul>
SATELLITE RADIO ANTENNA	Satellite radio wave is received and transmitted to satellite radio tuner.

## WITH NAVIGATION

# MULTI AV SYSTEM

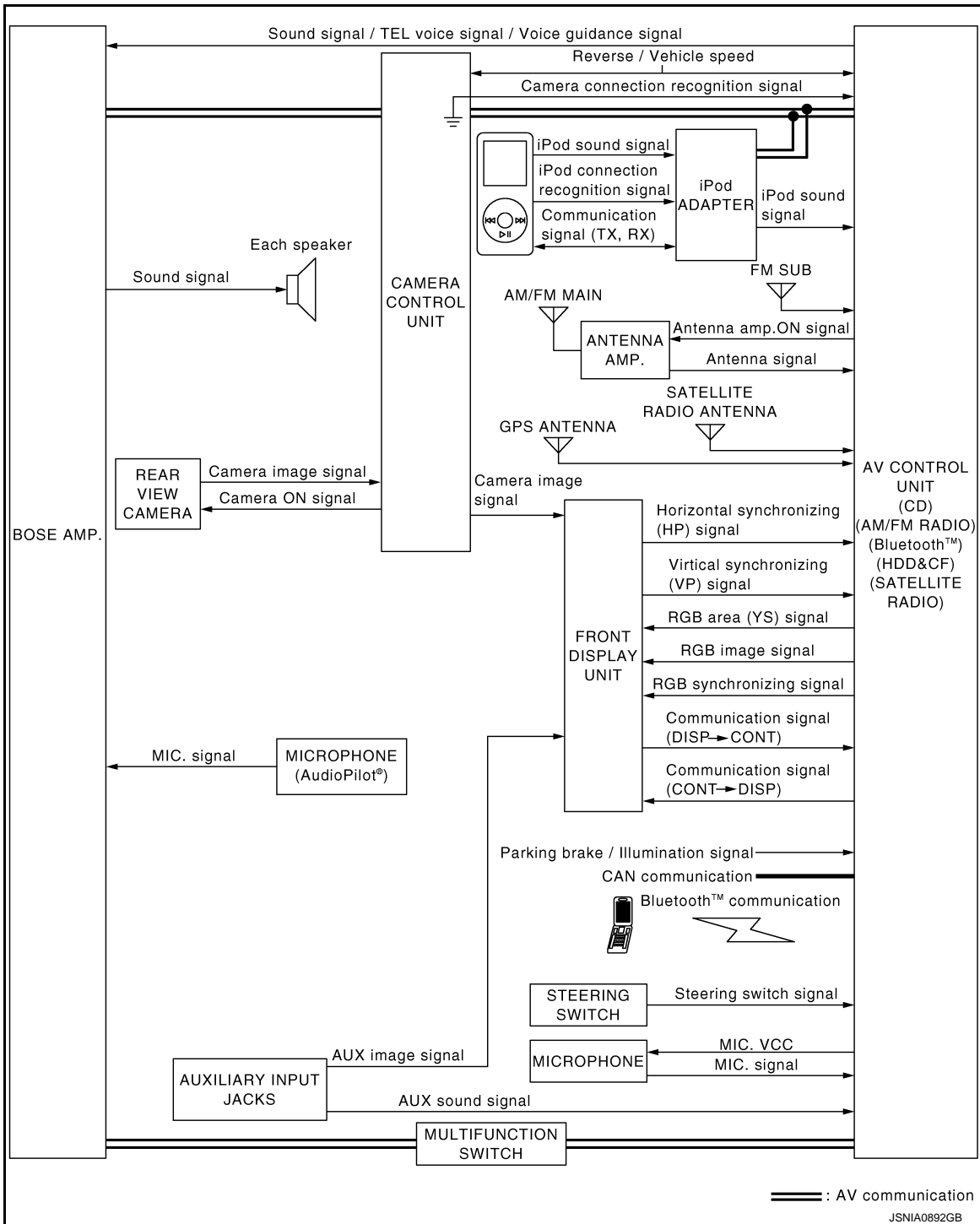
[WITHOUT MOBILE ENTERTAINMENT SYSTEM]

< FUNCTION DIAGNOSIS >

## WITH NAVIGATION : System Diagram

INFOID:000000005350136

WITH NAVIGATION



**NOTE:**

The name MULTIFUNCTION SWITCH indicates the integration of PRESET SWITCH and MULTIFUNCTION SWITCH virtually.

A  
B  
C  
D  
E  
F  
G  
H  
I  
J  
K  
L  
M  
N  
O  
P

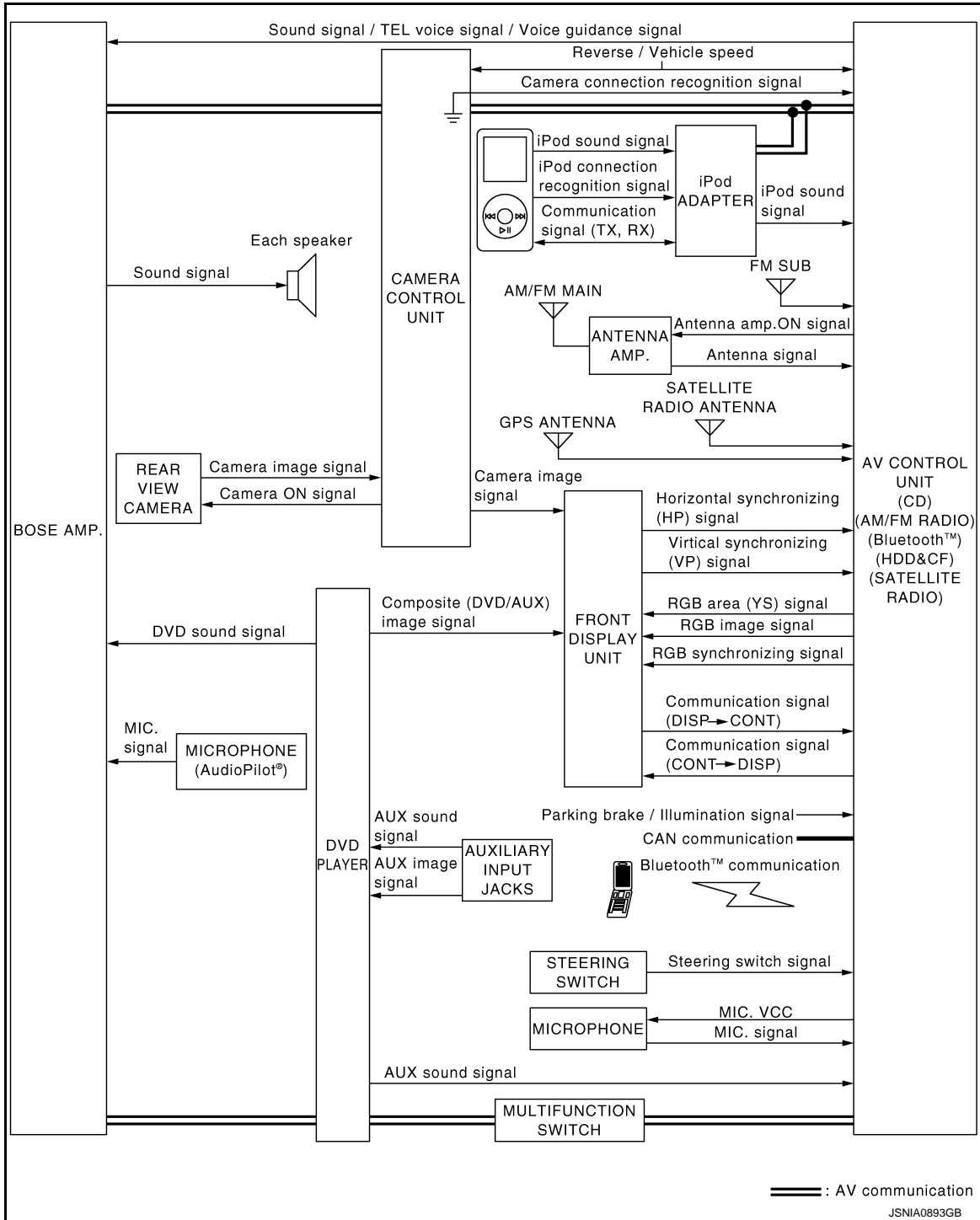
AV

# MULTI AV SYSTEM

< FUNCTION DIAGNOSIS >

[WITHOUT MOBILE ENTERTAINMENT SYSTEM]

WITH NAVIGATION AND DVD PLAYER



**NOTE:**

The name MULTIFUNCTION SWITCH indicates the integration of PRESET SWITCH and MULTIFUNCTION SWITCH virtually.

**WITH NAVIGATION : System Description**

INFOID:000000005350137

Multi AV system means that the following systems are integrated.

System name	System explanation
NAVIGATION SYSTEM	AV-27, "System Diagram"
AUDIO SYSTEM	AV-37, "WITH NAVIGATION : System Diagram"
REAR VIEW MONITOR SYSTEM	AV-32, "System Diagram"



# MULTI AV SYSTEM

< FUNCTION DIAGNOSIS >

[WITHOUT MOBILE ENTERTAINMENT SYSTEM]

System name	System explanation
HANDS-FREE PHONE SYSTEM	<a href="#">AV-45, "WITH NAVIGATION : System Diagram"</a>
VEHICLE INFORMATION SYSTEM	<ul style="list-style-type: none"> <li>Status of audio, climate control system, fuel economy, maintenance and navigation is displayed.</li> <li>AV control unit displays the fuel consumption status while receiving data signal through CAN communication from ECM, unified meter and A/C amp. and BCM.</li> </ul>
AUXILIARY INPUT SYSTEM	Refer to the following "AUXILIARY INPUT SYSTEM".
VOICE RECOGNITION SYSTEM	Refer to the following "VOICE RECOGNITION SYSTEM".
TOUCH PANEL SYSTEM	Refer to the following "TOUCH PANEL SYSTEM".

- AV control unit function by transmitting/receiving data one by one with each unit (slave unit) that configures them completely as a master unit by connecting between units that configure MULTI AV system with two AV communication lines (H, L).
- Two AV communication lines (H, L) adopt a twisted pair line that is resistant to noise.
- AV control unit is connected by CAN communication, and it receives data signal from ECM, unified meter and A/C amp. It computes and displays fuel economy information value with the obtained information. Transmitting/receiving of data signal is performed by BCM. Also, it transmits the required signal of vehicle setting and receives the response signal.
- AV control unit is connected with front display unit via serial communication, and it transmits the required signal of display and display control and receives the response signal from display.

**NOTE:**

AV control unit can perform CONSULT-III self-operating function and on board self-diagnosis.

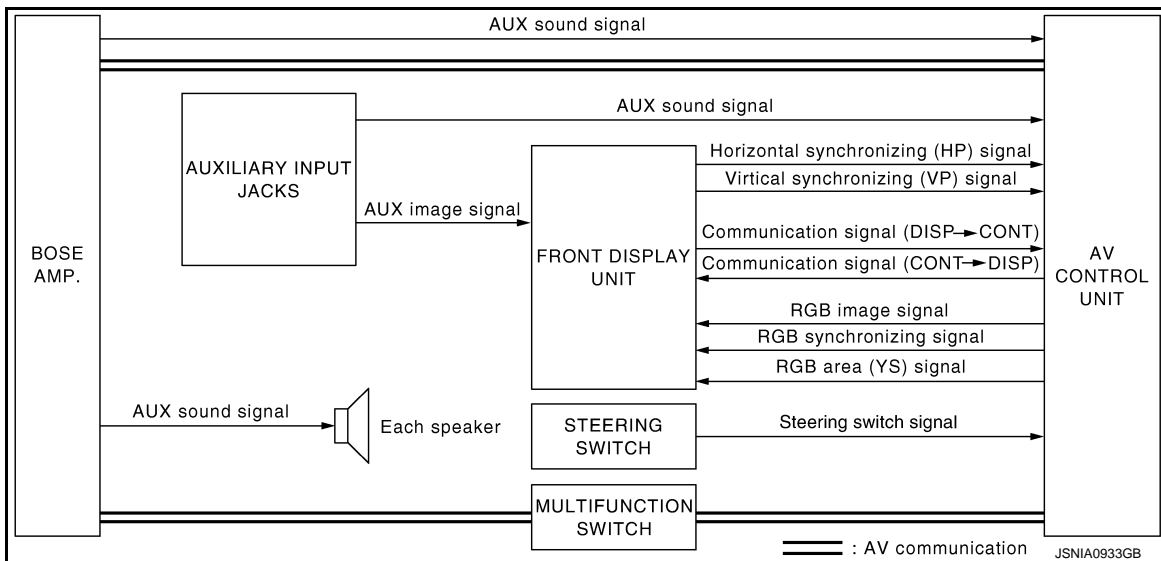
- CONSULT-III self diagnosis: Refer to [AV-72, "WITH NAVIGATION : CONSULT-III Function \(MULTI AV\)"](#).
- On board self diagnosis: Refer to [AV-57, "WITH NAVIGATION : Diagnosis Description"](#).

## AUXILIARY INPUT SYSTEM

- Image and sound can be output from an external device by connecting a device with auxiliary input jacks.
- Operation can be performed with multifunction switch and steering switch. Multifunction switch transmits operation signal to AV control unit by AV communication.

With Navigation

- The AUX image signal is input from the auxiliary input jacks to the front display unit.
- The AUX sound signal is input from the auxiliary input jacks to the AV control unit. The AV control unit outputs the AUX sound signal to the BOSE amp. The BOSE amp. output the AUX sound signal to each speaker.



With Navigation And DVD Player

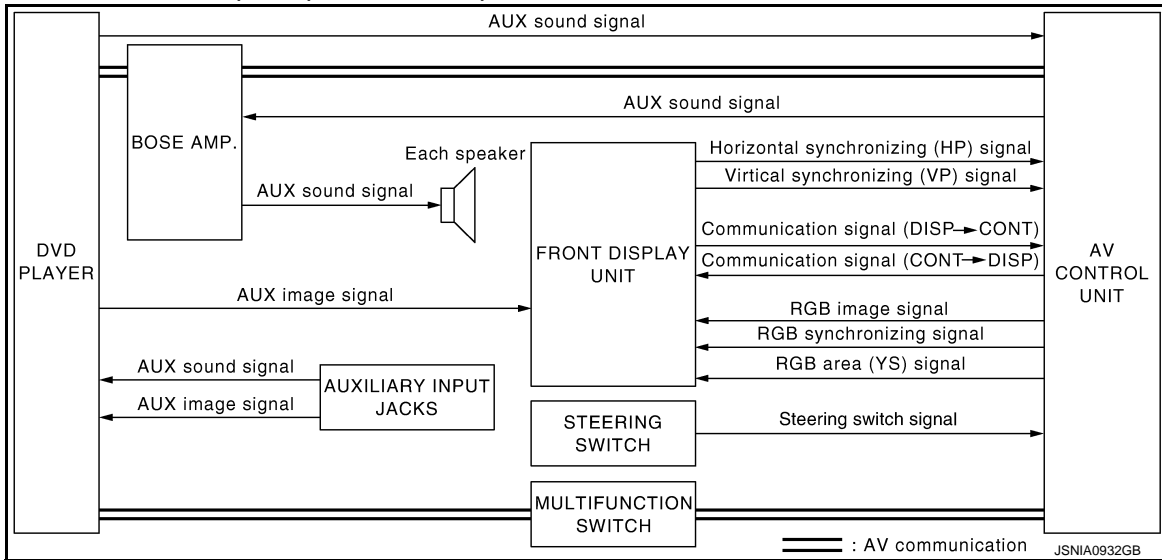
- The AUX image signal is input from the auxiliary input jacks to the DVD player. The DVD player outputs the AUX image signal to the front display unit.

# MULTI AV SYSTEM

[WITHOUT MOBILE ENTERTAINMENT SYSTEM]

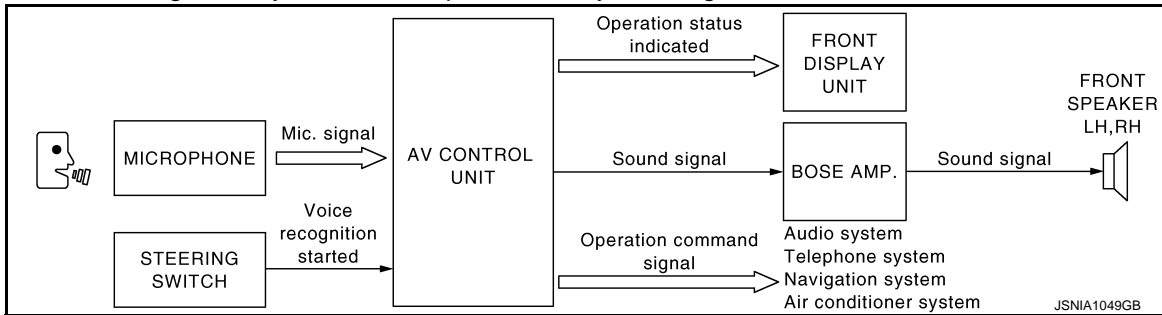
## < FUNCTION DIAGNOSIS >

- The AUX sound signal is input from the auxiliary input jacks to the DVD player. The DVD player outputs the AUX sound signal to the AV control unit. The AV control unit outputs the AUX sound signal to the BOSE amp., and the BOSE amp. outputs to each speaker.



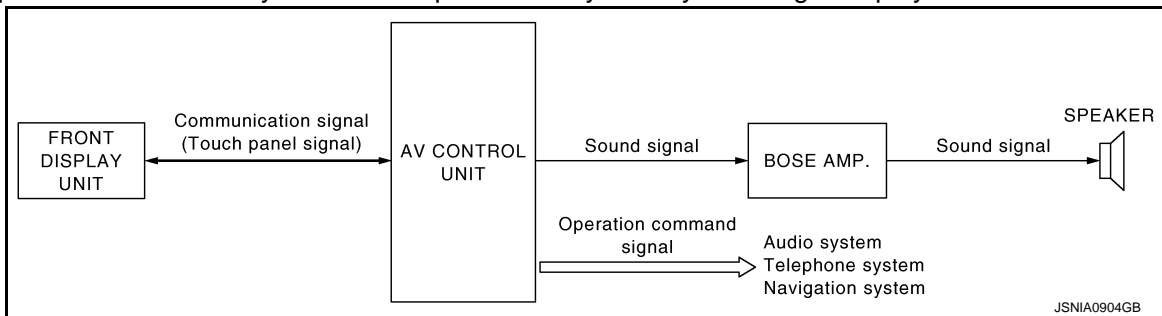
## VOICE RECOGNITION SYSTEM

- Each operation of multi AV system can be performed by inputting sound to microphone.
- Start of sound recognition system can be performed by steering switch.



## TOUCH PANEL SYSTEM

Each operation of multi AV system can be performed by directly touching a display.



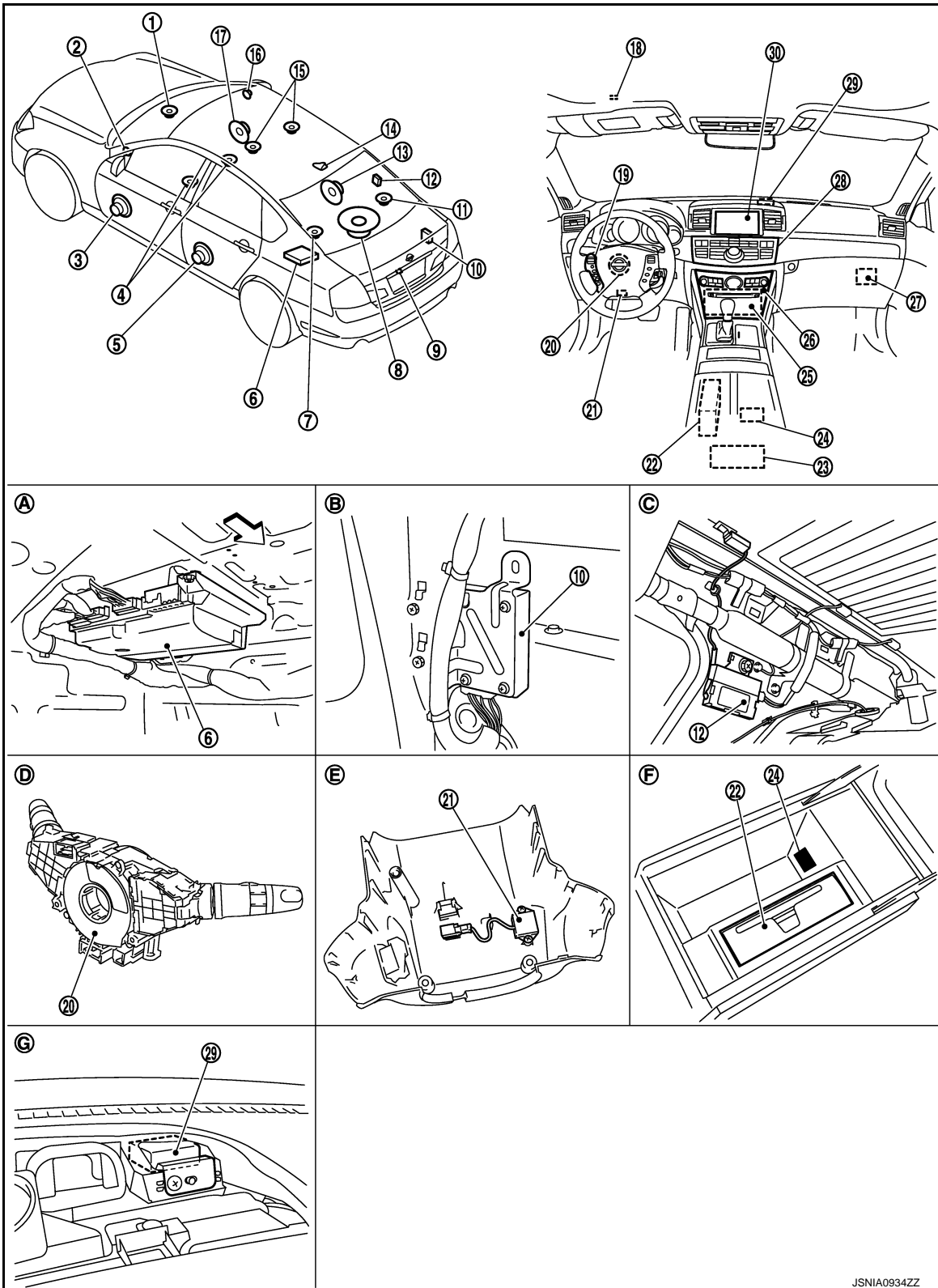
# MULTI AV SYSTEM

< FUNCTION DIAGNOSIS >

[WITHOUT MOBILE ENTERTAINMENT SYSTEM]

## WITH NAVIGATION : Component Parts Location

INFOID:000000005350138



- |                             |                              |                          |
|-----------------------------|------------------------------|--------------------------|
| 1. Center speaker           | 2. Tweeter LH                | 3. Front door speaker LH |
| 4. Driver seat speaker      | 5. Rear door speaker LH      | 6. BOSE amp.             |
| 7. Rear surround speaker LH | 8. Woofer                    | 9. Rear view camera      |
| 10. Camera control unit     | 11. Rear surround speaker RH | 12. Antenna amp.         |

# MULTI AV SYSTEM

[WITHOUT MOBILE ENTERTAINMENT SYSTEM]

## < FUNCTION DIAGNOSIS >

- |  |  |   |
|--|--|---|
| 13. Rear door speaker RH               | 14. Satellite radio antenna            | 15. Passenger seat speaker              |
| 16. Tweeter RH                         | 17. Front door speaker RH              | 18. Microphone                          |
| 19. Steering switch                    | 20. Steering angle sensor              | 21. Microphone (for AudioPilot®)        |
| 22. DVD player                         | 23. Auxiliary input jacks              | 24. iPod connector                      |
| 25. AV control unit                    | 26. Preset switch                      | 27. iPod adapter                        |
| 28. Multifunction switch               | 29. GPS antenna                        | 30. Front display unit                  |
| A. Under rear parcel LH side           | B. Trunk side finisher (RH) is removed | C. Rear pillar finisher (RH) is removed |
| D. Spiral cable part                   | E. Steering column cover is removed    | F. In center console                    |
| G. Center ventilator grille is removed |  |   |
- ⇨: Vehicle front

## WITH NAVIGATION : Component Description

INFOID:000000005350139

Part name	Description
AV CONTROL UNIT	<ul style="list-style-type: none"> <li>Integrates hard disk drive (HDD) allowing map data and music data to be stored.</li> <li>It is the master unit of the MULTI AV system, and it is connected to each control unit by communication. It operates each system according to communication signals from the AV control unit.</li> <li>The AV control unit includes the audio, hands-free phone, voice control, navigation, satellite radio, and vehicle information functions.</li> <li>It is connected to ECM and unified meter and A/C amp. via CAN communication to obtain necessary information for the vehicle information function.</li> <li>It is connected to BCM via CAN communication transmitting/receiving for the vehicle settings function.</li> <li>It is connected to the steering angle sensor and receives the steering angle signal via CAN communication. It also transmits the steering angle signal to camera control unit via AV communication.</li> <li>It inputs the illumination signals that are required for the display dimming control.</li> <li>It inputs the signals for driving status recognition (vehicle speed, reverse and parking brake).</li> <li>Update of map data is performed with the CONSULT-III and the applicable cable.</li> <li>It includes the TEL adapter and Bluetooth™ function.</li> </ul>
FRONT DISPLAY UNIT	<ul style="list-style-type: none"> <li>Front display image is controlled by the serial communication from AV control unit.</li> <li>Synchronize signal (HP, VP) is output to AV control unit.</li> <li>Touch panel function can be operated for each system by touching a display directly.</li> <li>RGB image signal is input from AV control unit (RGB, RGB area and RGB synchronizing). Camera image signal is input from camera control unit.</li> <li>Auxiliary image signal and DVD image signal are input from the DVD player (with DVD player models).</li> <li>Auxiliary image signal is input from the auxiliary input jacks. (without DVD player models)</li> </ul>

# MULTI AV SYSTEM

## [WITHOUT MOBILE ENTERTAINMENT SYSTEM]

### < FUNCTION DIAGNOSIS >

Part name	Description	
BOSE AMP.	<ul style="list-style-type: none"> <li>It is connected via AV communication and controlled by the AV control unit.</li> <li>It receives the voice guidance signal from AV control unit and output it to the front speaker.</li> <li>It controls sound volume of each speaker when outputting TEL voice and voice guidance.</li> <li>It subjects to AudioPilot® processing when receiving sound signal from microphone for AudioPilot®.</li> </ul>	A
	BOSE 2ch system (without DVD player models) <ul style="list-style-type: none"> <li>It amplifies the sound signal from the AV control unit and output it to each speaker.</li> </ul>	B
	BOSE surround audio 5.1ch system (with DVD player models) <ul style="list-style-type: none"> <li>It amplifies the sound signal from the AV control unit and the DVD sound signal from DVD player, and then output them to each speaker.</li> <li>It subjects to Centerpoint® processing.</li> </ul>	C
WOOFER	<ul style="list-style-type: none"> <li>Outputs sound signal from BOSE amp.</li> <li>Outputs low-pitched sound.</li> </ul>	D
FRONT DOOR SPEAKER	<ul style="list-style-type: none"> <li>Outputs sound signal from BOSE amp.</li> <li>Outputs high, mid and low range sounds.</li> </ul>	E
TWEETER	<ul style="list-style-type: none"> <li>Outputs sound signal from BOSE amp.</li> <li>Outputs high range sound.</li> </ul>	F
REAR DOOR SPEAKER	<ul style="list-style-type: none"> <li>Outputs sound signal from BOSE amp.</li> <li>Outputs high, mid and low range sounds.</li> </ul>	G
CENTER SPEAKER	<ul style="list-style-type: none"> <li>Outputs sound signal from BOSE amp.</li> <li>Outputs high and mid range sounds.</li> </ul>	H
SEAT SPEAKER	<ul style="list-style-type: none"> <li>Outputs sound signal from BOSE amp.</li> <li>Outputs high and mid range sounds.</li> </ul>	I
REAR SURROUND SPEAKER	<ul style="list-style-type: none"> <li>Outputs sound signal from BOSE amp.</li> <li>Outputs high and mid range sounds.</li> </ul>	J
MULTIFUNCTION SWITCH	<ul style="list-style-type: none"> <li>Operation panel is equipped with the centralized switch where audio, auxiliary input and navigation operations are integrated.</li> <li>The multifunction switch is connected via AV communication, and it transmits the operation signals of the multifunction switch and preset switch.</li> </ul>	AV
PRESET SWITCH	<ul style="list-style-type: none"> <li>Operation panel is equipped with the centralized switch where audio and air conditioner operations are integrated.</li> <li>The preset switch is connected to the multifunction switch by hard-wire, and it transmits the operation signal to the multifunction switch.</li> </ul>	L
DVD PLAYER	<ul style="list-style-type: none"> <li>It transmits the playback DVD image signal and the input AUX image signal to the front display unit. It also transmits the input AUX sound signal to the AV control unit.</li> <li>It transmits the playback DVD sound signal to the BOSE amp.</li> </ul>	M
CAMERA CONTROL UNIT	<ul style="list-style-type: none"> <li>Camera image signal is input from rear view camera. Camera image signal output to front display unit.</li> <li>Power (camera ON signal) is transmitted to rear view camera.</li> <li>AV control unit recognizes the presence of camera system with camera connection recognition signal.</li> <li>Camera control unit is connected via AV communication, and it receives the control signal and steering angle signal from the AV control unit.</li> </ul>	N
REAR VIEW CAMERA	<ul style="list-style-type: none"> <li>The image of vehicle rear view is transmitted to camera control unit.</li> <li>It receives the power (camera ON signal) from the camera control unit and operates.</li> </ul>	O
STEERING SWITCH	<ul style="list-style-type: none"> <li>Operations for audio, hands-free phone, audio response and navigation, etc. are possible.</li> <li>Steering switch signal (operation signal) is output to AV control unit.</li> </ul>	P
MICROPHONE	<ul style="list-style-type: none"> <li>Used for hands-free phone operation and voice recognition.</li> <li>Mic. signal is transmitted to AV control unit.</li> <li>Power (Mic. VCC) is supplied from AV control unit.</li> </ul>	

# MULTI AV SYSTEM

< FUNCTION DIAGNOSIS >

[WITHOUT MOBILE ENTERTAINMENT SYSTEM]

Part name	Description
AUXILIARY INPUT JACKS	Without DVD player models <ul style="list-style-type: none"><li>Image signal of auxiliary input is transmitted to front display unit, and auxiliary sound signal is transmitted to AV control unit.</li></ul> With DVD player models <ul style="list-style-type: none"><li>Image and sound signal of auxiliary input is transmitted to DVD player.</li></ul>
GPS ANTENNA	GPS signal is received and transmitted to AV control unit.
ANTENNA AMP.	<ul style="list-style-type: none"><li>Radio signal received by glass antenna is amplified and transmitted to AV control unit.</li><li>Power (antenna amp ON signal) is supplied from AV control unit.</li></ul>
SATELLITE RADIO ANTENNA	Satellite radio wave is received and transmitted to AV control unit.
iPod ADAPTER	<ul style="list-style-type: none"><li>Inputs iPod sound signal from iPod®, and outputs iPod sound signal to AV control unit.</li><li>Receiving/transmitting of iPod® operation signals are performed as follows:<ul style="list-style-type: none"><li>- between AV control unit and iPod adapter: AV communication.</li><li>- between iPod® and iPod adapter: serial communication.</li></ul></li></ul>
STEERING ANGLE SENSOR	It is connected to the AV control unit and transmits the steering angle signal via CAN communication.
MICROPHONE (for AudioPilot®)	<ul style="list-style-type: none"><li>Used for AudioPilot®.</li><li>Mic. signal is transmitted to BOSE amp.</li></ul>

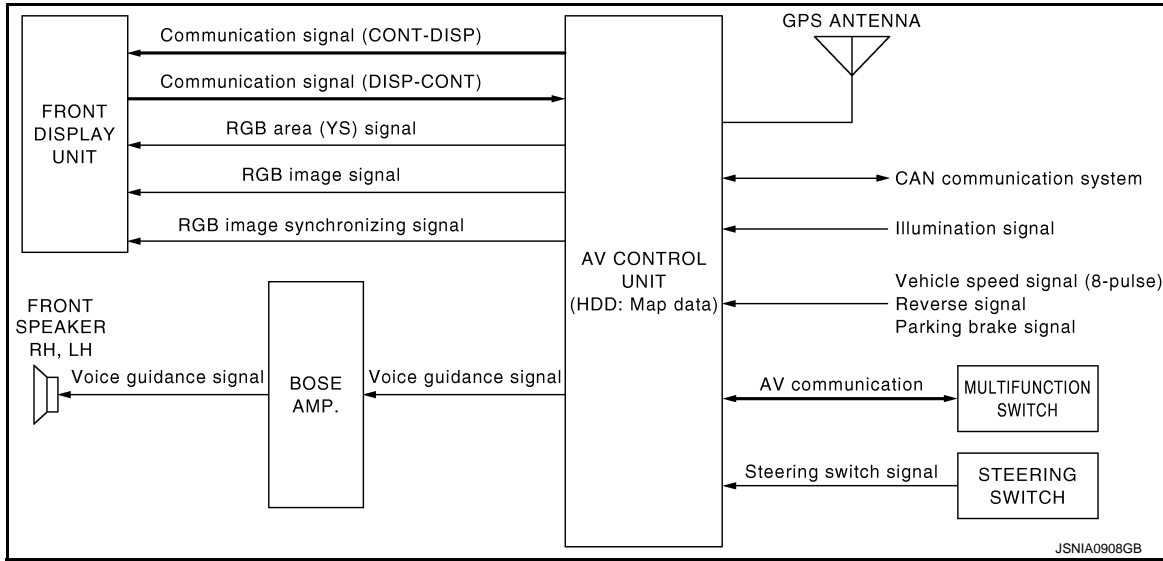
# NAVIGATION SYSTEM

[WITHOUT MOBILE ENTERTAINMENT SYSTEM]

< FUNCTION DIAGNOSIS >

## NAVIGATION SYSTEM

### System Diagram



### System Description

INFOID:000000005350141

#### DESCRIPTION

- The AV control unit controls navigation function while GPS tuner has built-in map data, GYRO (angle speed sensor), on the HDD (Hard Disk Drive).
- The AV control unit inputs operation signal with communication signal, through display (touch panel) and multifunction switch and steering switch.
- Guide sound is output to front speaker through BOSE amp. from AV control unit when operating navigation system.
- A vehicle position is calculated with the GYRO (angle speed sensor), vehicle sensor, signal from GPS satellite and map data stored on HDD (Hard Disk Drive), and transmits the map image signal (RGB image, RGB area, RGB image synchronizing) to the display.

#### POSITION DETECTION PRINCIPLE

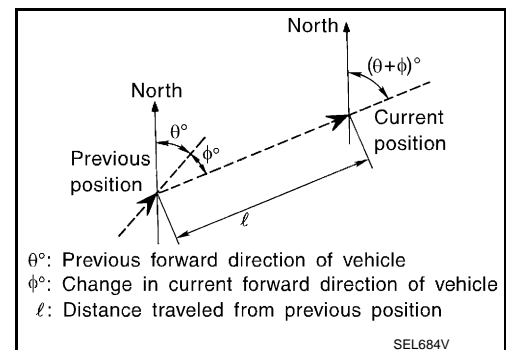
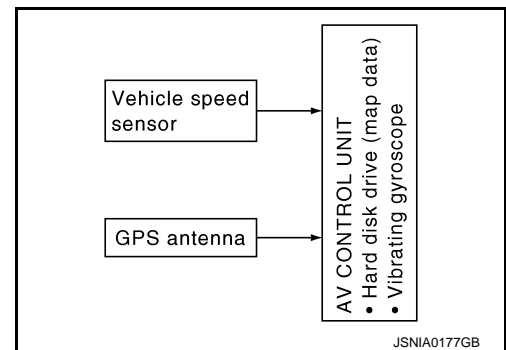
The navigation system periodically calculates the current vehicle position according to the following three types of signals.

- Travel distance of the vehicle as determined by the vehicle speed sensor
- Vehicle turning angle determined by the gyroscope (angular speed sensor)
- The travel direction of the vehicle determined by the GPS antenna (GPS information)

The current position of the vehicle is then identified by comparing the calculated vehicle position with map data, which is stored in the HDD (Hard Disk Drive) (map-matching), and indicated on the screen with a current location mark. More accurate data is used by comparing position detection results from GPS to the map-matching.

The current position is calculated by detecting the travel distance from the previous calculation point, and its direction change.

- Travel distance  
The travel distance is generated from the vehicle speed sensor input signal. The automatic distance correction function is adopted for preventing a miss-detection of the travel distance because of tire wear etc.
- Travel direction  
The gyroscope (angular velocity sensor) and GPS antenna (GPS information) generate the change of the travel direction. Both have advantages and disadvantages as per the following descriptions.



# NAVIGATION SYSTEM

< FUNCTION DIAGNOSIS >

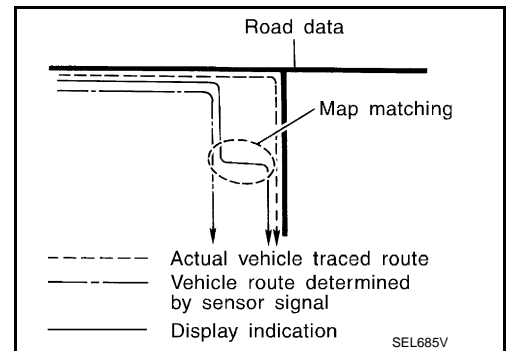
[WITHOUT MOBILE ENTERTAINMENT SYSTEM]

Type	Advantage	Disadvantage
Gyroscope (angular velocity sensor)	The turning angle is precisely detected.	Errors are accumulated when driving a long distance without stopping.
GPS antenna (GPS information)	The travel direction (North/South/East/West) is detected.	The travel direction is not precisely detected when driving slowly.

Input signals are prioritized in each situation. However, this order of priority may change in accordance with more detailed travel conditions so that the travel direction is detected more accurately.

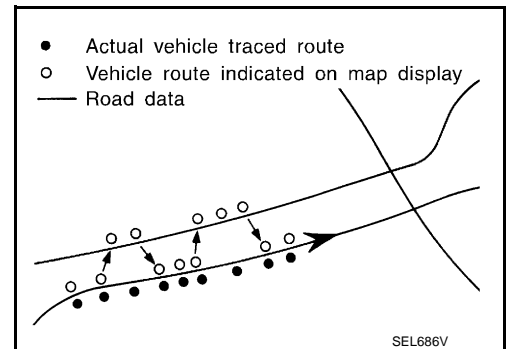
## MAP-MATCHING

Map-matching repositions the vehicle on the road map when a new location is judged to be more accurate. This is done by comparing the current vehicle position (calculated by the normal position detection method) from the map data stored in the HDD (Hard Disk Drive).



There is a possibility that the vehicle position may not be corrected in the following case, and when vehicle is driven over a certain distance or time in which GPS information is hard to receive. Correct manually the current location mark on the screen.

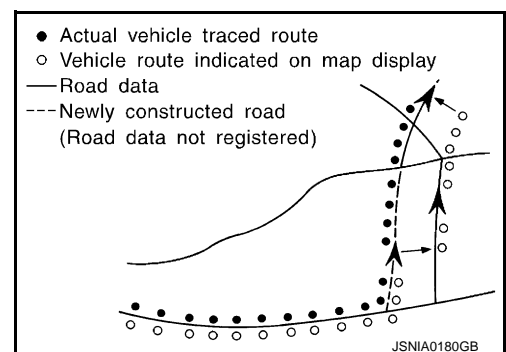
- In map-matching, several alternative routes are prepared and prioritized in addition to the road judged as currently driving on. Therefore, due to errors in the distance and/or direction, an incorrect road may be prioritized, and the current location mark may be repositioned to the incorrect road. If two roads are running in parallel, they are of the same priority. Therefore, the current location mark may appear on either of them alternately, depending on maneuvering of the steering wheel and configuration of the road, etc.



- Map-matching does not function correctly when road on which the vehicle is driving is new, etc. and not recorded in the map data. Also, map-matching does not function correctly when road pattern stored in the map data and the actual road pattern are different due to repair, etc.

Therefore, the map-matching function judges other road as a currently driving road if the road is not in the map, and displays the current location mark on it. Later, the current location mark may be repositioned to the road if the correct road is detected.

- Effective range for comparing the vehicle position and travel direction calculated by the distance and direction with the road data is limited. Therefore, correction by map-matching is not possible when there is an excessive gap between current vehicle position and the position on the map.



## GPS (GLOBAL POSITIONING SYSTEM)



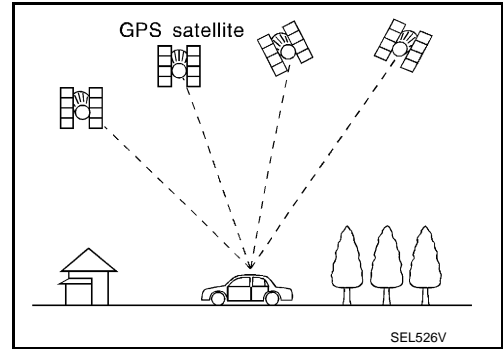
# NAVIGATION SYSTEM

< FUNCTION DIAGNOSIS >

[WITHOUT MOBILE ENTERTAINMENT SYSTEM]

GPS (Global Positioning System) is developed for and is controlled by the US Department of Defense. The system utilizes GPS satellites (NAVSTAR), transmitting out radio waves while flying on an orbit around the earth at an altitude of approximately 21,000 km.

The receiver calculates the travel position in three dimensions (latitude/longitude/altitude) according to the time lag of the radio waves that four or more GPS satellites transmit (three-dimensional positioning). The GPS receiver calculates the travel position in two dimensions (latitude/longitude) with the previous altitude data if the GPS receiver receives only three radio waves (two-dimensional positioning). GPS position correction is not performed while stopping the vehicle.



Accuracy of the GPS will deteriorate under the following conditions:

- In two-dimensional positioning, GPS accuracy will deteriorate when altitude of the vehicle position changes.
- The position of GPS satellite affects GPS detection precision. The position detection may not be precisely performed.
- The position detection is not performed if GPS receiver does not receive radio waves from GPS satellites. (Inside a tunnel, parking in a building, under an elevated highway etc.) GPS receiver may not receive radio waves from GPS satellites if any object is placed on the GPS antenna.

**NOTE:**

- The detection result has an error of approximately 10 m even with a high-precision three dimensional positioning.
- There may be cases when the accuracy is lowered and radio waves are stopped intentionally because the GPS satellite signal is controlled by the US trace control center.

A  
B  
C  
D  
E  
F  
G  
H  
I  
J  
L  
M  
N  
O  
P

AV

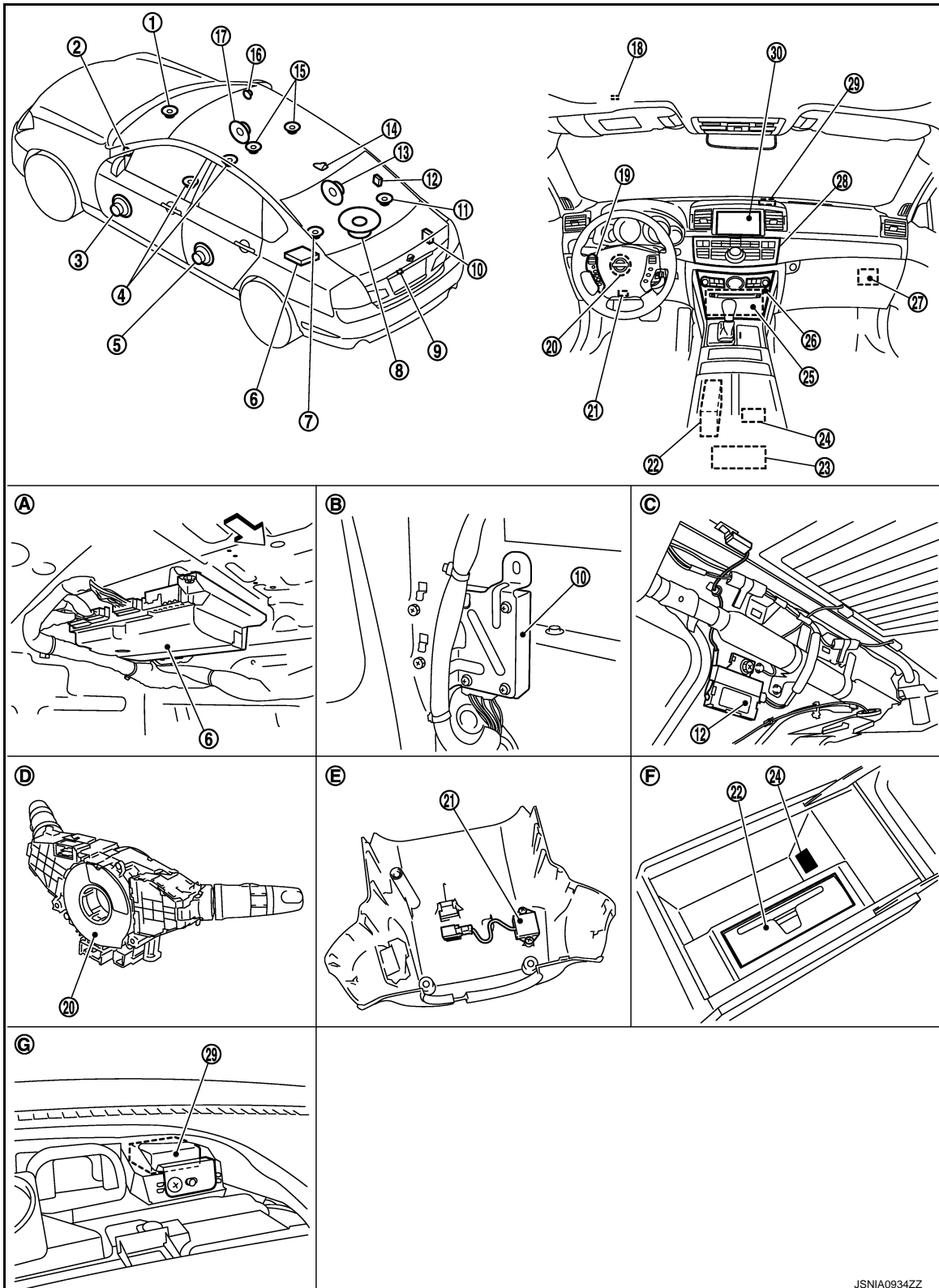
# NAVIGATION SYSTEM

[WITHOUT MOBILE ENTERTAINMENT SYSTEM]

< FUNCTION DIAGNOSIS >

## Component Parts Location

INFOID:000000005350142



JSNIA0934ZZ

- |                             |                              |                          |
|-----------------------------|------------------------------|--------------------------|
| 1. Center speaker           | 2. Tweeter LH                | 3. Front door speaker LH |
| 4. Driver seat speaker      | 5. Rear door speaker LH      | 6. BOSE amp.             |
| 7. Rear surround speaker LH | 8. Woofer                    | 9. Rear view camera      |
| 10. Camera control unit     | 11. Rear surround speaker RH | 12. Antenna amp.         |

# NAVIGATION SYSTEM

[WITHOUT MOBILE ENTERTAINMENT SYSTEM]

## < FUNCTION DIAGNOSIS >

- |  |  |   |
|--|--|---|
| 13. Rear door speaker RH               | 14. Satellite radio antenna            | 15. Passenger seat speaker              |
| 16. Tweeter RH                         | 17. Front door speaker RH              | 18. Microphone                          |
| 19. Steering switch                    | 20. Steering angle sensor              | 21. Microphone (for AudioPilot®)        |
| 22. DVD player                         | 23. Auxiliary input jacks              | 24. iPod connector                      |
| 25. AV control unit                    | 26. Preset switch                      | 27. iPod adapter                        |
| 28. Multifunction switch               | 29. GPS antenna                        | 30. Front display unit                  |
| A. Under rear parcel LH side           | B. Trunk side finisher (RH) is removed | C. Rear pillar finisher (RH) is removed |
| D. Spiral cable part                   | E. Steering column cover is removed    | F. In center console                    |
| G. Center ventilator grille is removed |  |   |
- ⇨: Vehicle front

## Component Description

INFOID:000000005350143

Part name	Description
AV CONTROL UNIT	<ul style="list-style-type: none"> <li>It is the master unit that controls each operation of the Navigation system.</li> <li>The HDD (Hard Disk Drive) is built in, and the map data is stored in HDD.</li> <li>The RGB image signal (map information) is output to the front display unit.</li> <li>The voice guidance signal is output to the BOSE amp.</li> </ul>
FRONT DISPLAY UNIT	<ul style="list-style-type: none"> <li>Map image signal is input from AV control unit, and it is indicated on the display.</li> <li>Each operation of navigation can be performed by the touch panel function.</li> </ul>
BOSE AMP.	Voice guidance signal is input from AV control unit, and it is output to front speakers.
FRONT DOOR SPEAKER	Voice guidance signal from BOSE amp. is output.
MULTIFUNCTION SWITCH	<ul style="list-style-type: none"> <li>Each operation of navigation can be performed.</li> <li>Connected with preset switch via cable and operation signal is transmitted to AV control unit via AV communication.</li> </ul>
STEERING SWITCH	<ul style="list-style-type: none"> <li>Each operation of navigation, etc. can be performed.</li> <li>Switch operating signal is output to AV control unit.</li> </ul>
GPS ANTENNA	GPS signal is received and is output to AV control unit.

AV

L

M

N

O

P

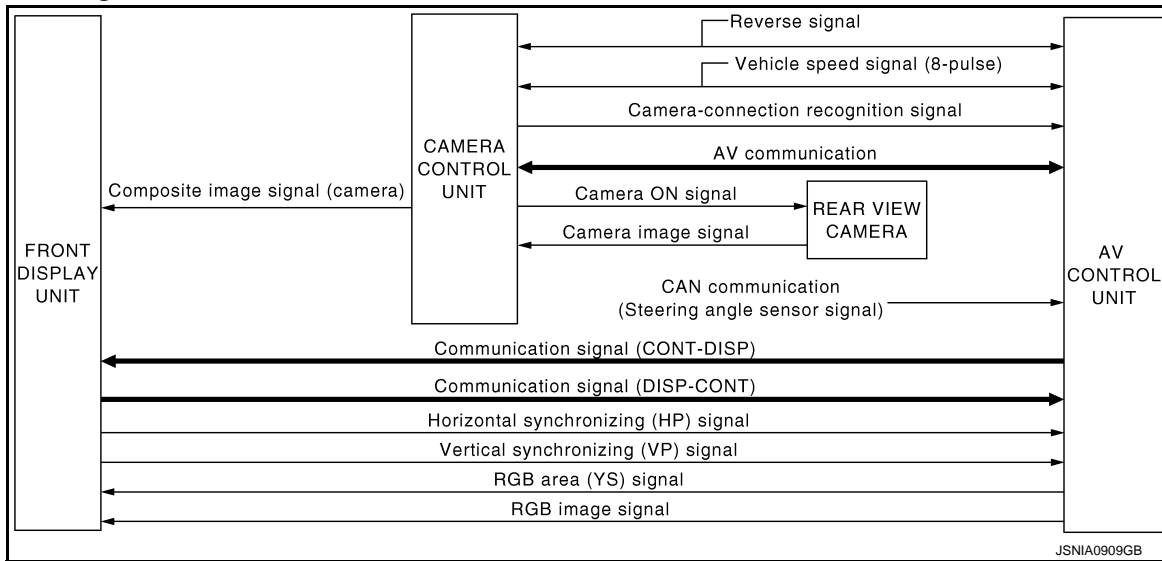
# REAR VIEW MONITOR SYSTEM

< FUNCTION DIAGNOSIS >

[WITHOUT MOBILE ENTERTAINMENT SYSTEM]

## REAR VIEW MONITOR SYSTEM

### System Diagram



### System Description

INFOID:000000005350145

#### CAMERA IMAGE OPERATION PRINCIPLE

- Power is supplied to rear view camera from camera control unit and outputs camera image signal to camera control unit when selector lever is set to R position and the reverse signal on camera control unit is input.
- Camera control unit synthesizes guide lines and possible route lines with camera image signal from rear view camera, and transmits camera image signal to the front display unit. In this case, since the reverse signal is also input to AV control unit, the AV control unit recognizes the selector lever as in R position, and it switches serial communication signal between AV control unit and front display unit, and image that is displayed on the front display unit by RGB image signal with rear view monitor image. In addition, possible route lines are controlled by original sensor signal from steering angle sensor.
- The AV control unit determines whether rear view camera is equipped or not, based on the presence of camera connection recognition signal. It switches to rear view monitor image at the time of reverse signal input when it is equipped.
- Warning message under the rear view monitor display is described by AV control unit.
- AV control unit is connected in communication with camera control unit and front display unit, and it controls operation of rear view monitor system.

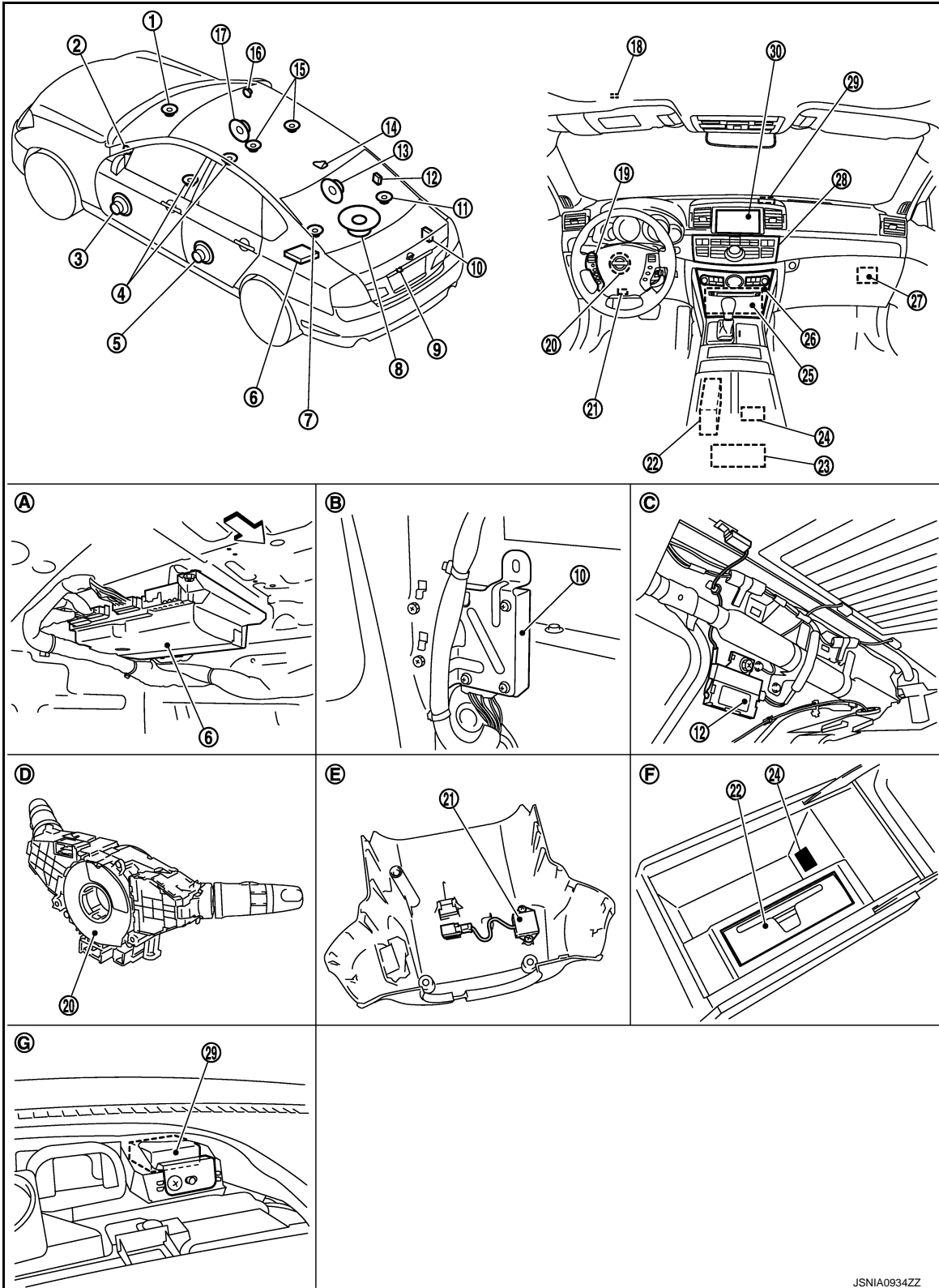
# REAR VIEW MONITOR SYSTEM

< FUNCTION DIAGNOSIS >

[WITHOUT MOBILE ENTERTAINMENT SYSTEM]

## Component Parts Location

INFOID:000000005350146



A  
B  
C  
D  
E  
F  
G  
H  
I  
J  
AV  
L  
M  
N  
O  
P

- |                             |                              |                          |
|-----------------------------|------------------------------|--------------------------|
| 1. Center speaker           | 2. Tweeter LH                | 3. Front door speaker LH |
| 4. Driver seat speaker      | 5. Rear door speaker LH      | 6. BOSE amp.             |
| 7. Rear surround speaker LH | 8. Woofer                    | 9. Rear view camera      |
| 10. Camera control unit     | 11. Rear surround speaker RH | 12. Antenna amp.         |

JSNIA0934ZZ

# REAR VIEW MONITOR SYSTEM

[WITHOUT MOBILE ENTERTAINMENT SYSTEM]

< FUNCTION DIAGNOSIS >

- |  |  |   |
|--|--|---|
| 13. Rear door speaker RH               | 14. Satellite radio antenna            | 15. Passenger seat speaker              |
| 16. Tweeter RH                         | 17. Front door speaker RH              | 18. Microphone                          |
| 19. Steering switch                    | 20. Steering angle sensor              | 21. Microphone (for AudioPilot®)        |
| 22. DVD player                         | 23. Auxiliary input jacks              | 24. iPod connector                      |
| 25. AV control unit                    | 26. Preset switch                      | 27. iPod adapter                        |
| 28. Multifunction switch               | 29. GPS antenna                        | 30. Front display unit                  |
| A. Under rear parcel LH side           | B. Trunk side finisher (RH) is removed | C. Rear pillar finisher (RH) is removed |
| D. Spiral cable part                   | E. Steering column cover is removed    | F. In center console                    |
| G. Center ventilator grille is removed |  |   |

⇨: Vehicle front

## Component Description

INFOID:000000005350147

Part name	Description
AV CONTROL UNIT	<ul style="list-style-type: none"> <li>Image on display is changed to rear view monitor image with serial communication between AV control unit and front display unit.</li> <li>It is connected to the steering angle sensor and receives the steering angle signal via CAN communication. It also transmits the steering angle signal to camera control unit via AV communication.</li> <li>Warning displayed in rear view monitor image is illustrated.</li> </ul>
FRONT DISPLAY UNIT	<ul style="list-style-type: none"> <li>Camera image signal is transmitted from camera control unit, and RGB image signal for warning display is transmitted from AV control unit.</li> <li>Rear view monitor image is changed with the communication for AV control unit.</li> </ul>
CAMERA CONTROL UNIT	<ul style="list-style-type: none"> <li>Camera image signal is input from rear view camera, and camera image is indicated on the front display unit.</li> <li>Power (camera ON signal) is transmitted to rear view camera.</li> <li>Camera control unit is connected via AV communication, and it receives the control signal and steering angle signal from the AV control unit.</li> <li>AV control unit recognizes the presence of camera system with camera connection recognition signal.</li> </ul>
REAR VIEW CAMERA	<ul style="list-style-type: none"> <li>The image of vehicle rear view is transmitted to camera control unit.</li> <li>It receives the power (camera ON signal) from the camera control unit and operates.</li> </ul>
STEERING ANGLE SENSOR	It is connected to the AV control unit and transmits the steering angle signal via CAN communication.

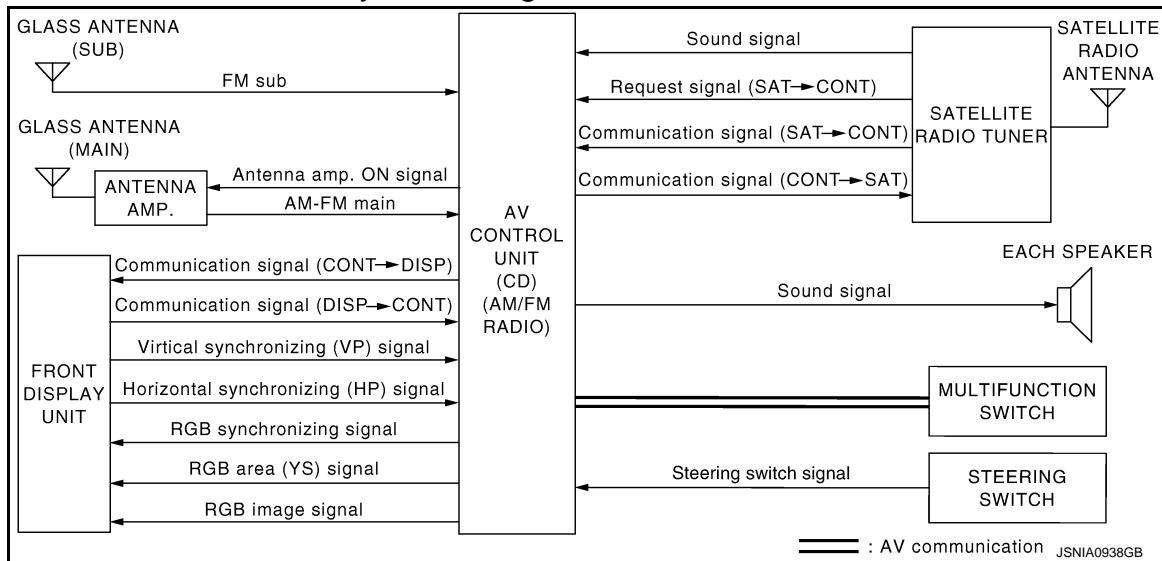
# AUDIO SYSTEM

[WITHOUT MOBILE ENTERTAINMENT SYSTEM]

< FUNCTION DIAGNOSIS >

## AUDIO SYSTEM WITHOUT NAVIGATION

### WITHOUT NAVIGATION : System Diagram



### WITHOUT NAVIGATION : System Description

INFOID:0000000005350149

The audio system is equipped with the following functions. Each function is operated with multifunction switch, preset switch or steering switch. It indicates the operation status of AUDIO to the front display.

#### FUNCTION DESCRIPTION

Function
AM/FM radio
Satellite radio
CD
AUX

#### Operating Signal

- Audio system operation can be performed with multifunction switch, preset switch, and steering switch.
- Operating signal is transmitted to AV control unit with AV communication when it is operated by multifunction switch or preset switch.
- Operating signal is transmitted to AV control unit with steering switch signal when it is operated by steering switch.

#### Screen Front Display

- Switching of front display is performed with serial communication between front display unit and AV control unit.
- The image signal to front display operating condition is performed with RGB image signal, RGB area signal and RGB image synchronizing signal.

#### AM/FM Radio Mode

- AM/FM radio tuner is built into AV control unit.
- Audio signal is received by glass antenna, next it is amplified by antenna amp., and finally it is input to AV control unit. AV control unit outputs the audio signal to each speaker.

#### Satellite Radio Mode

- Satellite radio tuner is controlled by serial communication and request signal with AV control unit.
- Audio signal (satellite radio) is received by satellite radio antenna, and it is input to satellite radio tuner. Satellite radio tuner outputs audio signal to AV control unit. The sound signal is also outputted to each speaker.

#### CD Mode

# AUDIO SYSTEM

[WITHOUT MOBILE ENTERTAINMENT SYSTEM]

## < FUNCTION DIAGNOSIS >

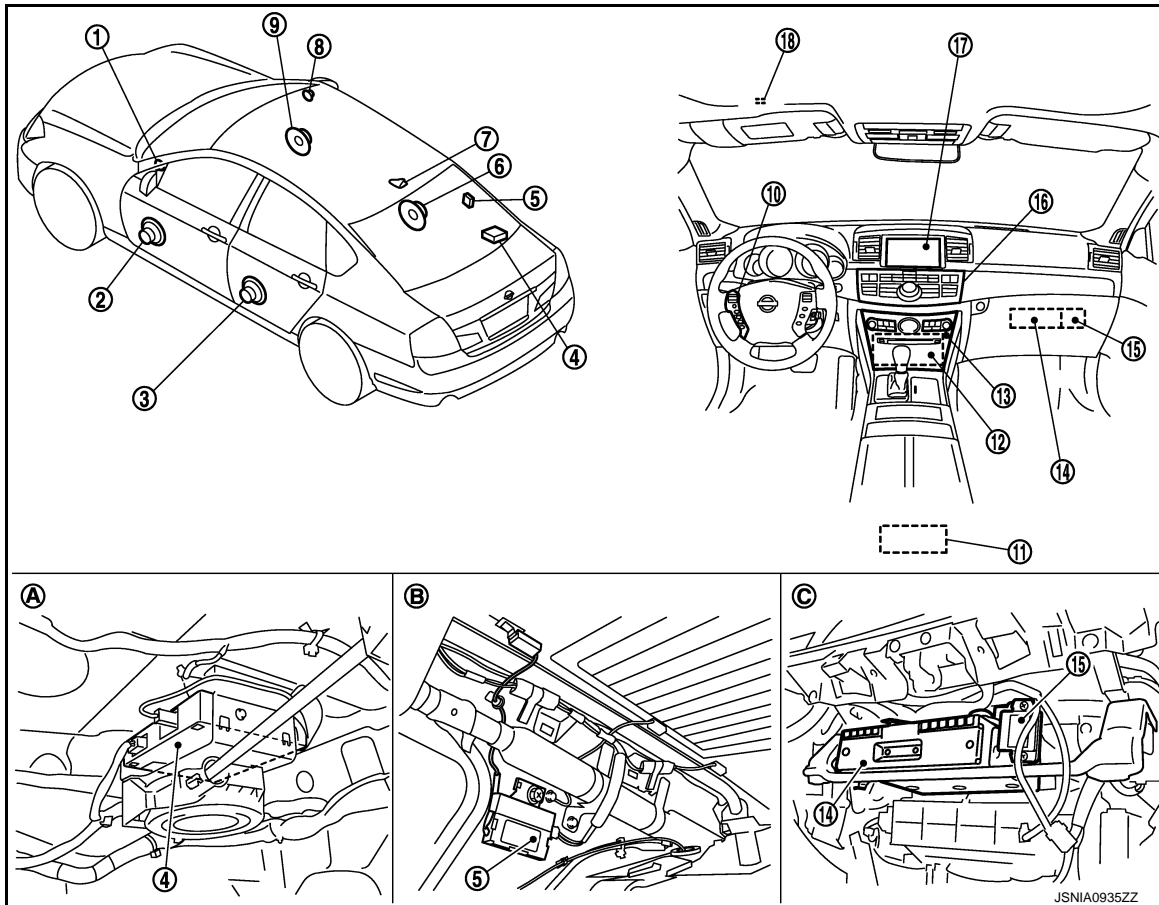
- CD function is built into AV control unit.
- AV control unit outputs audio signal to each speaker when CD is inserted to AV control unit.

### AUX Mode

Refer to [AV-15. "WITHOUT NAVIGATION : System Description"](#).

## WITHOUT NAVIGATION : Component Parts Location

INFOID:000000005350150



- |                              |   |                               |
|------------------------------|---|-------------------------------|
| 1. Tweeter LH                | 2. Front door speaker LH                | 3. Rear door speaker          |
| 4. Satellite radio tuner     | 5. Antenna amp.                         | 6. Rear door speaker RH       |
| 7. Satellite radio antenna   | 8. Tweeter RH                           | 9. Front door speaker RH      |
| 10. Steering switch          | 11. Auxiliary input jacks               | 12. AV control unit           |
| 13. Preset switch            | 14. TEL adapter unit                    | 15. TEL antenna               |
| 16. Multifunction switch     | 17. Front display unit                  | 18. Microphone                |
| A. Under rear parcel RH side | B. Rear pillar finisher (RH) is removed | C. Glove box cover is removed |

## WITHOUT NAVIGATION : Component Description

INFOID:000000005350151

Part name	Description
AV CONTROL UNIT	<ul style="list-style-type: none"> <li>• The AM/FM receiving function and the CD playing function are equipped.</li> <li>• Outputs the audio signal from each function to each speaker.</li> </ul>
FRONT DISPLAY UNIT	<ul style="list-style-type: none"> <li>• Front display unit image is controlled by the serial communication from AV control unit.</li> <li>• RGB image signal (audio operation condition) is input from AV control unit.</li> </ul>
FRONT DOOR SPEAKER	<ul style="list-style-type: none"> <li>• Outputs sound signal from AV control unit.</li> <li>• Outputs high, mid and low range sounds.</li> </ul>



# AUDIO SYSTEM

[WITHOUT MOBILE ENTERTAINMENT SYSTEM]

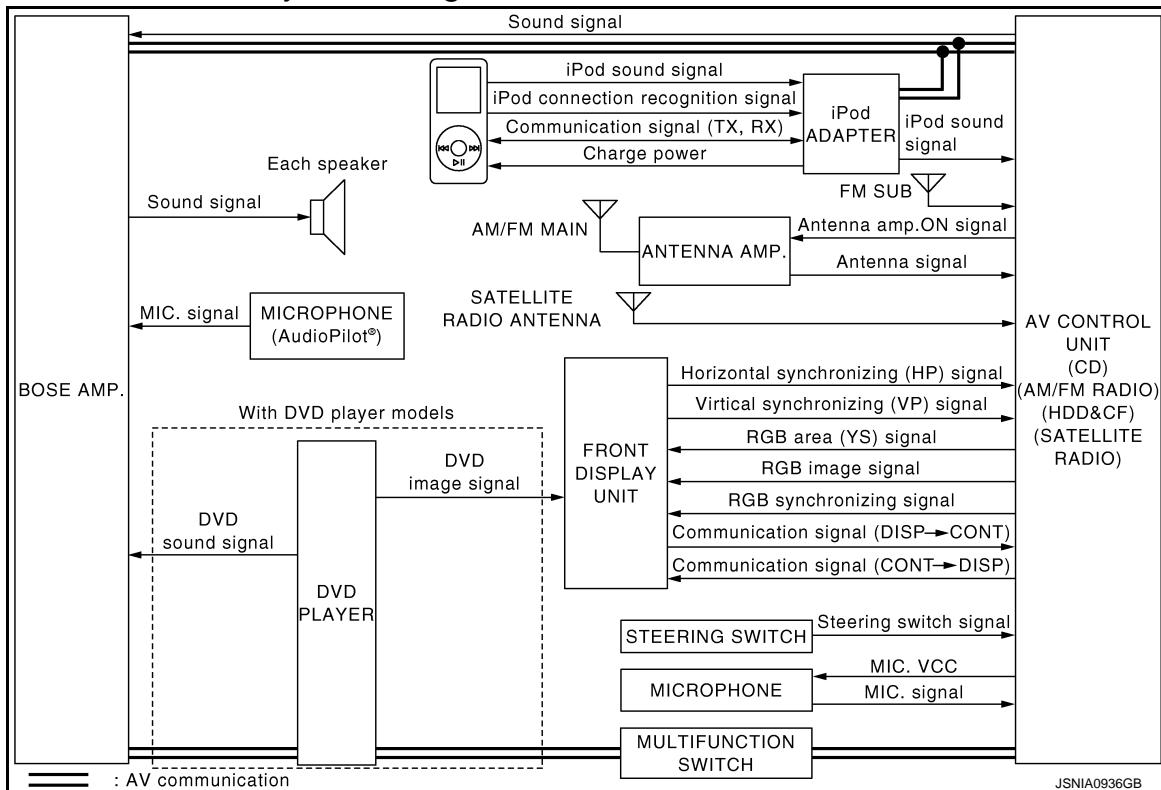
< FUNCTION DIAGNOSIS >

Part name	Description
REAR DOOR SPEAKER	<ul style="list-style-type: none"> <li>Outputs sound signal from AV control unit.</li> <li>Outputs high, mid and low range sounds.</li> </ul>
TWEETER	<ul style="list-style-type: none"> <li>Outputs sound signal from AV control unit.</li> <li>Outputs high range sound.</li> </ul>
MULTIFUNCTION SWITCH	<ul style="list-style-type: none"> <li>Each audio operation can be operated.</li> <li>The multifunction switch is connected via AV communication, and it transmits the operation signals of the multifunction switch and preset switch.</li> </ul>
PRESET SWITCH	<ul style="list-style-type: none"> <li>Each audio operation can be operated.</li> <li>The preset switch is connected to the multifunction switch by hard-wire, and it transmits the operation signal to the multifunction switch.</li> </ul>
STEERING SWITCH	<ul style="list-style-type: none"> <li>Each audio operation can be operated.</li> <li>Steering switch signal (operation signal) is output to AV control unit.</li> </ul>
ANTENNA AMP.	<ul style="list-style-type: none"> <li>Radio signal received by glass antenna is amplified and transmitted to AV control unit.</li> <li>Power (antenna amp. ON signal) is supplied from AV control unit.</li> </ul>
SATELLITE RADIO TUNER	<ul style="list-style-type: none"> <li>It is controlled with the AV control unit and serial communication (communication signal and request signal).</li> <li>Inputs the satellite radio signal from satellite radio antenna and outputs the satellite radio sound signal to the AV control unit.</li> </ul>
SATELLITE RADIO ANTENNA	Satellite radio wave is received and transmitted to satellite radio tuner.

## WITH NAVIGATION

### WITH NAVIGATION : System Diagram

INFOID:000000005350152



### WITH NAVIGATION : System Description

INFOID:000000005350153

The audio system is equipped with the following functions. Each function is operated with multifunction switch, preset switch, touch panel, steering switch or audio recognition. Operation status of AUDIO is indicated at front display.

#### FUNCTION DESCRIPTION

# AUDIO SYSTEM

## [WITHOUT MOBILE ENTERTAINMENT SYSTEM]

### < FUNCTION DIAGNOSIS >

The audio system is equipped with the following functions. Each function is operated with multifunction switch, preset switch, touch panel, steering switch or audio recognition. Operation status of AUDIO is indicated at front display unit.

Function
AM/FM radio
Satellite radio
CD
Music Box (Hard Disk Drive)
CF (Compact Flash)
iPod connection
Audiopilot®
Centerpoint® (with DVD player models)
DVD (with DVD player models)
AUX

#### Operating Signal

Audio system operation can be performed with multifunction switch, preset switch, steering switch, touch panel function or voice recognition function.

- Operating signal is transmitted to AV control unit with AV communication when it is operated by multifunction switch or preset switch.
- Operating signal is transmitted to AV control unit with steering switch signal when it is operated by steering switch.
- Audio system operation can be performed with multifunction switch, preset switch, steering switch, touch panel function or voice recognition function.
- Refer to [AV-20. "WITH NAVIGATION : System Description"](#) for explanation of voice recognition function and touch panel function.

#### Screen Front Display

- Switching of front display is performed with serial communication between front display unit and AV control unit.
- The image signal to front display operating condition is performed with RGB image signal, RGB area signal and RGB image synchronizing signal.

#### AM/FM Radio Mode

- AM/FM radio tuner is built into AV control unit.
- Audio signal is received by glass antenna, next it is amplified by antenna amp., and finally it is input to AV control unit. Audio signal is input to BOSE amp. and BOSE amp. outputs to each speaker for AV control unit.

#### Satellite Radio Mode

- Satellite radio tuner is built into AV control unit.
- Audio signal (satellite radio) is received by satellite radio antenna, and it is input to AV control unit. AV control unit outputs audio signal to BOSE amp. The sound signal is also outputted from BOSE amp. to each speaker.

#### CD Mode

- CD function is built into AV control unit.
- AV control unit outputs audio signal to BOSE amp. and BOSE amp. outputs to each speaker when CD is inserted to AV control unit.

#### Music Box Mode

- Music CD data is stored on HDD that is built into AV control unit, and it can be played.
- AV control unit outputs music (audio signal) that is stored on HDD to BOSE amp., and BOSE amp. outputs to each speaker.

#### CF Mode

- AV control unit has built in CF replay function.
- Music (audio signal) that is stored in CF outputs to BOSE amp., and BOSE amp. outputs to each speaker when CF is inserted into AV control unit.

# AUDIO SYSTEM

## [WITHOUT MOBILE ENTERTAINMENT SYSTEM]

### < FUNCTION DIAGNOSIS >

#### iPod Connection

- Connect iPod® and iPod adapter with wire harness and iPod adapter input iPod sound signal from iPod®. When iPod mode is selected, iPod adapter output iPod sound signal to AV control unit. AV control unit output sound signal to BOSE amp., and BOSE amp. output sound signal to each speaker. A
- Receiving/transmitting of iPod® operation signals are performed as follows: B
  - between AV control unit and iPod adapter: AV communication.
  - between iPod® and iPod adapter: serial communication.
- The iPod® connection status can be recognized whether iPod adapter receives iPod connection recognition signal. C
- The iPod adapter is possible to charge iPod®. D

#### Audiopilot®

Audiopilot® is the sound improving system that picks up any noises and the sound of music coming into the vehicle by a microphone under the steering, and that the BOSE amp. revises the frequency feature of music at real time in response to the frequency feature of the noise while driving and listening to music. E

- If low frequency area noise from vehicle is loud, it adjusts low frequency element of music to be bigger than vehicle noise. F
- If high frequency area noise from vehicle is loud, it adjusts all frequency element of music to be bigger than vehicle noise.

#### Centerpoint® (with DVD player models)

CD and 2ch DVD stereo sound played at audio unit and DVD player are subjected to signal processing in BOSE amp. It can play the surround sound with presence. G

#### DVD Mode (with DVD player models)

- The DVD player is connected to the AV control unit via AV communication and is controlled by the AV control unit. H
- The DVD player sound signal is output to the BOSE amp. The BOSE amp. outputs it to each speaker.
- The DVD image signal is output to the front display unit. I

#### AUX Mode

Refer to [AV-20, "WITH NAVIGATION : System Description"](#). J

AV

L

M

N

O

P

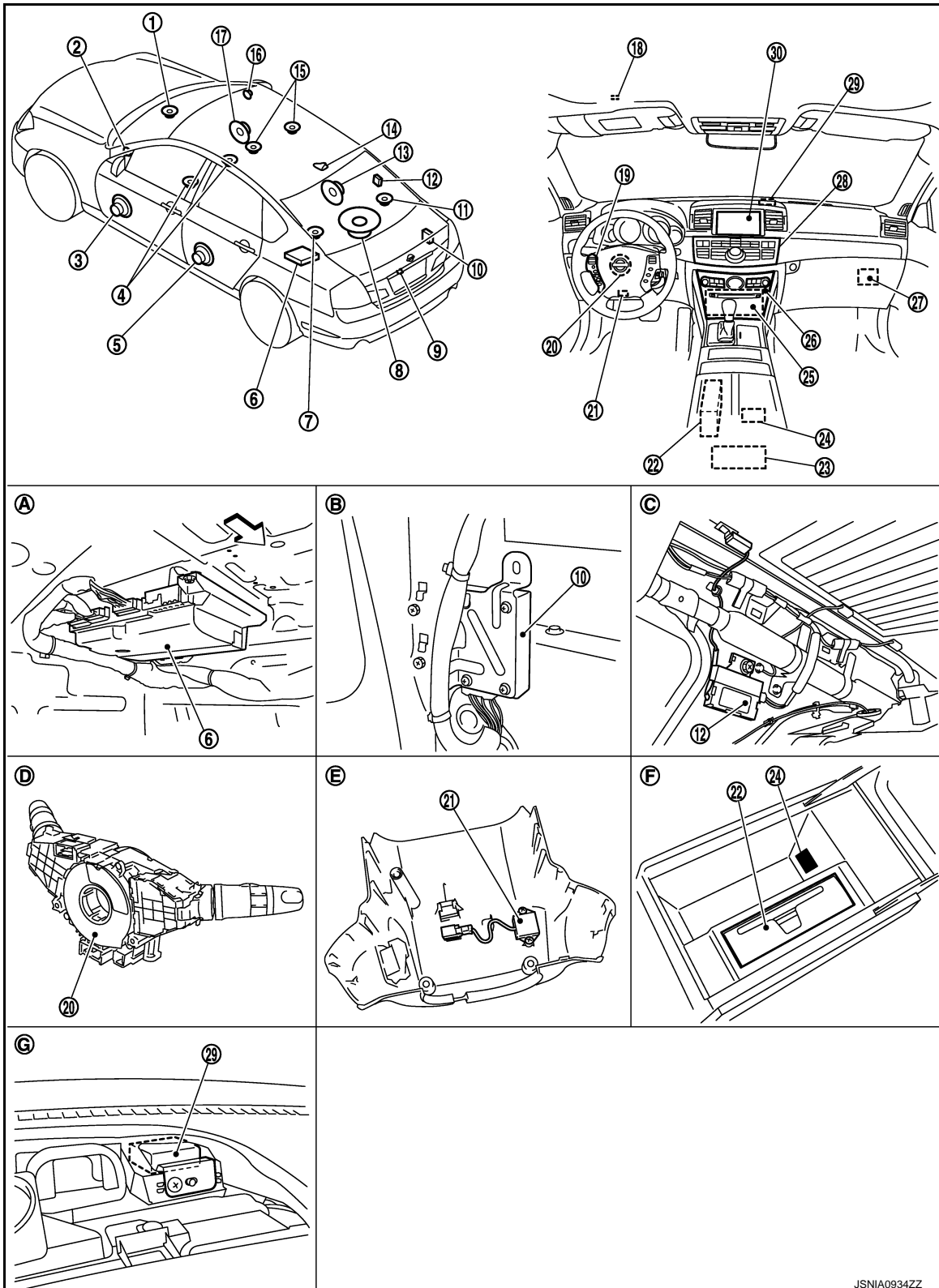
# AUDIO SYSTEM

< FUNCTION DIAGNOSIS >

[WITHOUT MOBILE ENTERTAINMENT SYSTEM]

## WITH NAVIGATION : Component Parts Location

INFOID:000000005350154



JSNIA0934ZZ

- |                             |                              |                          |
|-----------------------------|------------------------------|--------------------------|
| 1. Center speaker           | 2. Tweeter LH                | 3. Front door speaker LH |
| 4. Driver seat speaker      | 5. Rear door speaker LH      | 6. BOSE amp.             |
| 7. Rear surround speaker LH | 8. Woofer                    | 9. Rear view camera      |
| 10. Camera control unit     | 11. Rear surround speaker RH | 12. Antenna amp.         |

# AUDIO SYSTEM

## [WITHOUT MOBILE ENTERTAINMENT SYSTEM]

### < FUNCTION DIAGNOSIS >

- |  |  |   |
|--|--|---|
| 13. Rear door speaker RH               | 14. Satellite radio antenna            | 15. Passenger seat speaker              |
| 16. Tweeter RH                         | 17. Front door speaker RH              | 18. Microphone                          |
| 19. Steering switch                    | 20. Steering angle sensor              | 21. Microphone (for AudioPilot®)        |
| 22. DVD player                         | 23. Auxiliary input jacks              | 24. iPod connector                      |
| 25. AV control unit                    | 26. Preset switch                      | 27. iPod adapter                        |
| 28. Multifunction switch               | 29. GPS antenna                        | 30. Front display unit                  |
| A. Under rear parcel LH side           | B. Trunk side finisher (RH) is removed | C. Rear pillar finisher (RH) is removed |
| D. Spiral cable part                   | E. Steering column cover is removed    | F. In center console                    |
| G. Center ventilator grille is removed |  |   |
- ⇨: Vehicle front

### WITH NAVIGATION : Component Description

INFOID:000000005350155

Part name	Description
AV CONTROL UNIT	<ul style="list-style-type: none"> <li>Receiving function of AM/FM/satellite radio, replaying function of CD, replaying/saving function of music box (HDD), replaying function of CF and voice recognition function are integrated.</li> <li>It transmits the sound signal to the BOSE amp. with hard wire, and then transmits the control signals of AudioPilot® and Centerpoint® with AV communication.</li> </ul>
FRONT DISPLAY UNIT	<ul style="list-style-type: none"> <li>Display image is controlled by the serial communication from AV control unit.</li> <li>RGB image signal (audio operation condition) is input from AV control unit.</li> <li>Touch panel function can be operated for each system by touching a display directly.</li> </ul>
BOSE AMP.	<ul style="list-style-type: none"> <li>It is connected via AV communication and controlled by the AV control unit.</li> <li>It receives the sound signal from AV control unit and output it to the each speaker.</li> <li>It subjects to AudioPilot® processing when receiving sound signal from microphone for AudioPilot®.</li> </ul> <p>BOSE 2ch system (without DVD player models)</p> <ul style="list-style-type: none"> <li>It amplifies the sound signal from the AV control unit and output it to each speaker.</li> </ul> <p>BOSE surround audio 5.1ch system (with DVD player models)</p> <ul style="list-style-type: none"> <li>It amplifies the sound signal from the AV control unit and the DVD sound signal from DVD player, and then output them to each speaker.</li> <li>It subjects to Centerpoint® processing.</li> </ul>
WOOFER	<ul style="list-style-type: none"> <li>Outputs sound signal from BOSE amp.</li> <li>Outputs low-pitched sound.</li> </ul>
FRONT DOOR SPEAKER	<ul style="list-style-type: none"> <li>Outputs sound signal from BOSE amp.</li> <li>Outputs high, mid and low range sounds.</li> </ul>
TWEETER	<ul style="list-style-type: none"> <li>Outputs sound signal from BOSE amp.</li> <li>Outputs high range sound.</li> </ul>
REAR DOOR SPEAKER	<ul style="list-style-type: none"> <li>Outputs sound signal from BOSE amp.</li> <li>Outputs high, mid and low range sounds.</li> </ul>
CENTER SPEAKER	<ul style="list-style-type: none"> <li>Outputs sound signal from BOSE amp.</li> <li>Outputs high and mid range sounds.</li> </ul>
SEAT SPEAKER	<ul style="list-style-type: none"> <li>Outputs sound signal from BOSE amp.</li> <li>Outputs high and mid range sounds.</li> </ul>
REAR SURROUND SPEAKER	<ul style="list-style-type: none"> <li>Outputs sound signal from BOSE amp.</li> <li>Outputs high and mid range sounds.</li> </ul>
MULTIFUNCTION SWITCH	<ul style="list-style-type: none"> <li>Operation panel is equipped with the centralized switch where audio, auxiliary input and navigation operations are integrated.</li> <li>The multifunction switch is connected via AV communication, and it transmits the operation signals of the multifunction switch and preset switch.</li> </ul>

A  
B  
C  
D  
E  
F  
G  
H  
I  
J  
L  
M  
N  
O  
P

AV

# AUDIO SYSTEM

## [WITHOUT MOBILE ENTERTAINMENT SYSTEM]

### < FUNCTION DIAGNOSIS >

Part name	Description
PRESET SWITCH	<ul style="list-style-type: none"><li>• Operation panel is equipped with the centralized switch where audio and air conditioner operations are integrated.</li><li>• The preset switch is connected to the multifunction switch by hard-wire, and it transmits the operation signal to the multifunction switch.</li></ul>
STEERING SWITCH	<ul style="list-style-type: none"><li>• Each audio operation can be operated.</li><li>• Steering switch signal (operation signal) is output to AV control unit.</li></ul>
MICROPHONE	<ul style="list-style-type: none"><li>• Used for hands-free phone operation and voice recognition.</li><li>• Mic signal is transmitted to AV control unit.</li><li>• Power (Mic. VCC) is supplied from AV control unit.</li></ul>
ANTENNA AMP.	<ul style="list-style-type: none"><li>• Radio signal received by glass antenna is amplified and transmitted to AV control unit.</li><li>• Power (antenna amp. ON signal) is supplied from AV control unit.</li></ul>
SATELLITE RADIO ANTENNA	Satellite radio wave is received and output to AV control unit.
iPod ADAPTER	<ul style="list-style-type: none"><li>• Inputs iPod sound signal from iPod®, and outputs iPod sound signal to AV control unit.</li><li>• Receiving/transmitting of iPod® operation signals are performed as follows:<ul style="list-style-type: none"><li>- between AV control unit and iPod adapter: AV communication.</li><li>- between iPod® and iPod adapter: serial communication.</li></ul></li></ul>
DVD PLAYER	<ul style="list-style-type: none"><li>• It transmits the playback DVD image signal and the input AUX image signal to the front display unit. It also transmits the input AUX sound signal to the AV control unit.</li><li>• It transmits the playback DVD sound signal to the BOSE amp.</li></ul>
MICROPHONE (for AudioPilot®)	<ul style="list-style-type: none"><li>• Used for AudioPilot®.</li><li>• Mic signal is transmitted to BOSE amp.</li></ul>

# HANDS-FREE PHONE SYSTEM

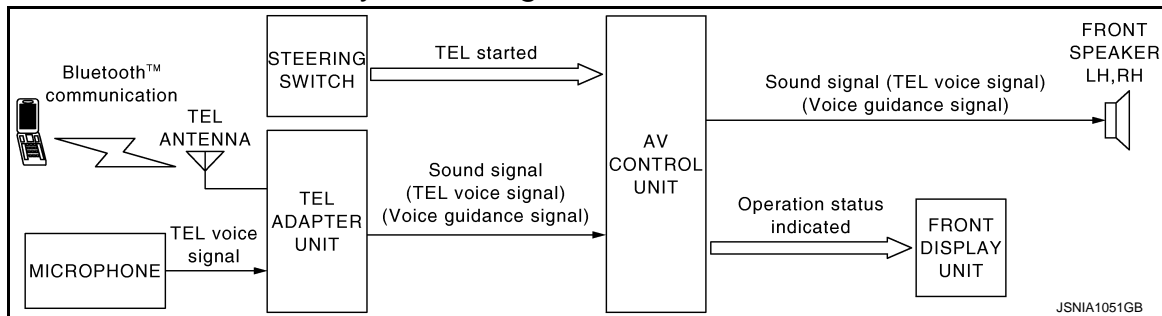
< FUNCTION DIAGNOSIS >

[WITHOUT MOBILE ENTERTAINMENT SYSTEM]

## HANDS-FREE PHONE SYSTEM

### WITHOUT NAVIGATION

#### WITHOUT NAVIGATION : System Diagram



#### WITHOUT NAVIGATION : System Description

INFOID:000000005350157

- TEL adapter unit is controlled with AV communication from AV control unit.
- The connection between portable telephone and TEL adapter unit is performed with Bluetooth™ communication.
- The voice guidance signal is input from the TEL adapter unit to the AV control unit and output to the front speaker when operating the cellular phone.
- TEL adapter unit has the on board self-diagnosis function. Refer to [AV-76, "Diagnosis Description"](#).

#### WHEN RECEIVING A CALL

TEL voice signal received with the portable telephone is input from TEL antenna via TEL adapter unit to AV control unit with Bluetooth™ communication and output to the front speaker. The operation is performed with the steering switch or voice recognition function (TEL operation only).

#### WHEN A CALL IS TRANSMITTED

Speech sound (TEL voice signal) is input from the microphone to the TEL adapter unit. It is input from the TEL antenna via Bluetooth™ communication to the portable telephone. It is transmitted to the phone on the other side. The operation is performed with the steering switch or voice recognition function (TEL operation only).

AV

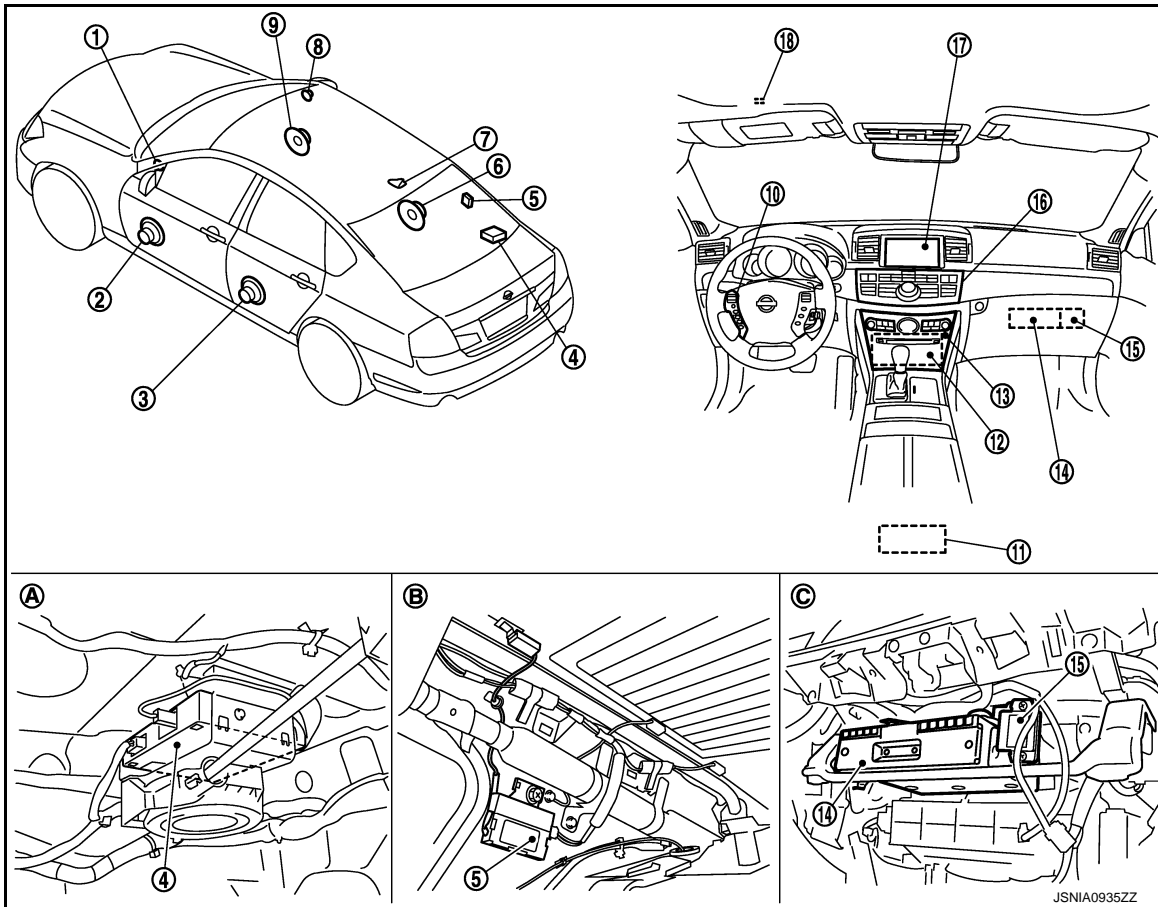
# HANDS-FREE PHONE SYSTEM

[WITHOUT MOBILE ENTERTAINMENT SYSTEM]

< FUNCTION DIAGNOSIS >

## WITHOUT NAVIGATION : Component Parts Location

INFOID:000000005350158



- |                              |   |                               |
|------------------------------|---|-------------------------------|
| 1. Tweeter LH                | 2. Front door speaker LH                | 3. Rear door speaker          |
| 4. Satellite radio tuner     | 5. Antenna amp.                         | 6. Rear door speaker RH       |
| 7. Satellite radio antenna   | 8. Tweeter RH                           | 9. Front door speaker RH      |
| 10. Steering switch          | 11. Auxiliary input jacks               | 12. AV control unit           |
| 13. Preset switch            | 14. TEL adapter unit                    | 15. TEL antenna               |
| 16. Multifunction switch     | 17. Front display unit                  | 18. Microphone                |
| A. Under rear parcel RH side | B. Rear pillar finisher (RH) is removed | C. Glove box cover is removed |

## WITHOUT NAVIGATION : Component Description

INFOID:000000005350159

Part name	Description
AV CONTROL UNIT	<ul style="list-style-type: none"> <li>Inputs TEL voice signal or voice guidance signal from TEL adapter unit and outputs it to each speaker during reception.</li> <li>Connects with TEL adapter unit and AV communication and controls hands-free phone system.</li> </ul>
FRONT DISPLAY UNIT	<ul style="list-style-type: none"> <li>Display image is controlled by the serial communication from AV control unit.</li> <li>Inputs RGB image signal (RGB, RGB area and RGB synchronizing) from AV control unit and displays the status of hands-free phone system.</li> </ul>
BOSE AMP.	Inputs TEL voice signal or voice guidance signal from AV control unit and outputs it to front door speaker.
FRONT DOOR SPEAKER	Outputs the TEL voice signal or voice guidance signal from AV control unit.
PRESET SWITCH	<ul style="list-style-type: none"> <li>Adjust the sound when using hands-free phone system.</li> <li>The operation signal is transmitted to the AV control unit via AV communication.</li> </ul>



# HANDS-FREE PHONE SYSTEM

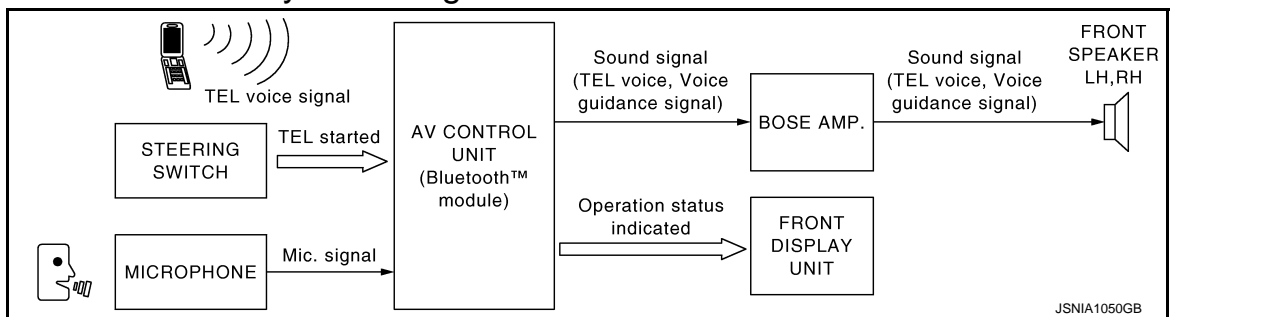
[WITHOUT MOBILE ENTERTAINMENT SYSTEM]

< FUNCTION DIAGNOSIS >

Part name	Description
STEERING SWITCH	<ul style="list-style-type: none"> <li>The hands-free phone system can be operated.</li> <li>Steering switch signal (operation signal) is output to AV control unit.</li> </ul>
MICROPHONE	<ul style="list-style-type: none"> <li>Uses when operating the hands-free phone.</li> <li>Outputs Mic. signal (TEL voice signal) to the TEL adapter unit.</li> <li>The power (Mic. power supply) is supplied from the TEL adapter unit.</li> </ul>
TEL ADAPTER UNIT	<ul style="list-style-type: none"> <li>Receives the steering switch signal (operation signal) from the steering switch.</li> <li>Inputs the TEL voice signal from TEL antenna during reception and outputs it to the AV control unit.</li> <li>Inputs the TEL voice signal from microphone during speech recognition and outputs it to the TEL antenna.</li> <li>Controlled by AV communication transmitted from AV control unit.</li> </ul>
TEL ANTENNA	Connects with the portable telephone via Bluetooth™ communication and communicates the TEL voice signal.

## WITH NAVIGATION

### WITH NAVIGATION : System Diagram



### WITH NAVIGATION : System Description

INFOID:000000005350161

- AV control unit includes hands-free phone function.
- Hands-free communication can be operated by connecting using Bluetooth™ communication with cellular phone.
- Operation is performed by steering switch, and operating condition is indicated on front display.
- Guide sound that is heard during operation is input from AV control unit to BOSE amp., and is output from front speaker.

#### WHEN A CALL IS ORIGINATED

Spoken voice sound output from the microphone (MIC. signal) is input to AV control unit. AV control unit outputs to cellular phone with Bluetooth™ communication as a TEL voice signal. Voice sound is then heard at the other party.

#### WHEN RECEIVING A CALL

Voice sound is input to own cellular phone from the other party. TEL voice signal is output to front speaker, and the signal is input to BOSE amp. via AV control unit by establishing Bluetooth™ communication from cellular phone.

A  
B  
C  
D  
E  
F  
G  
H  
I  
J  
L  
M  
N  
O  
P

AV

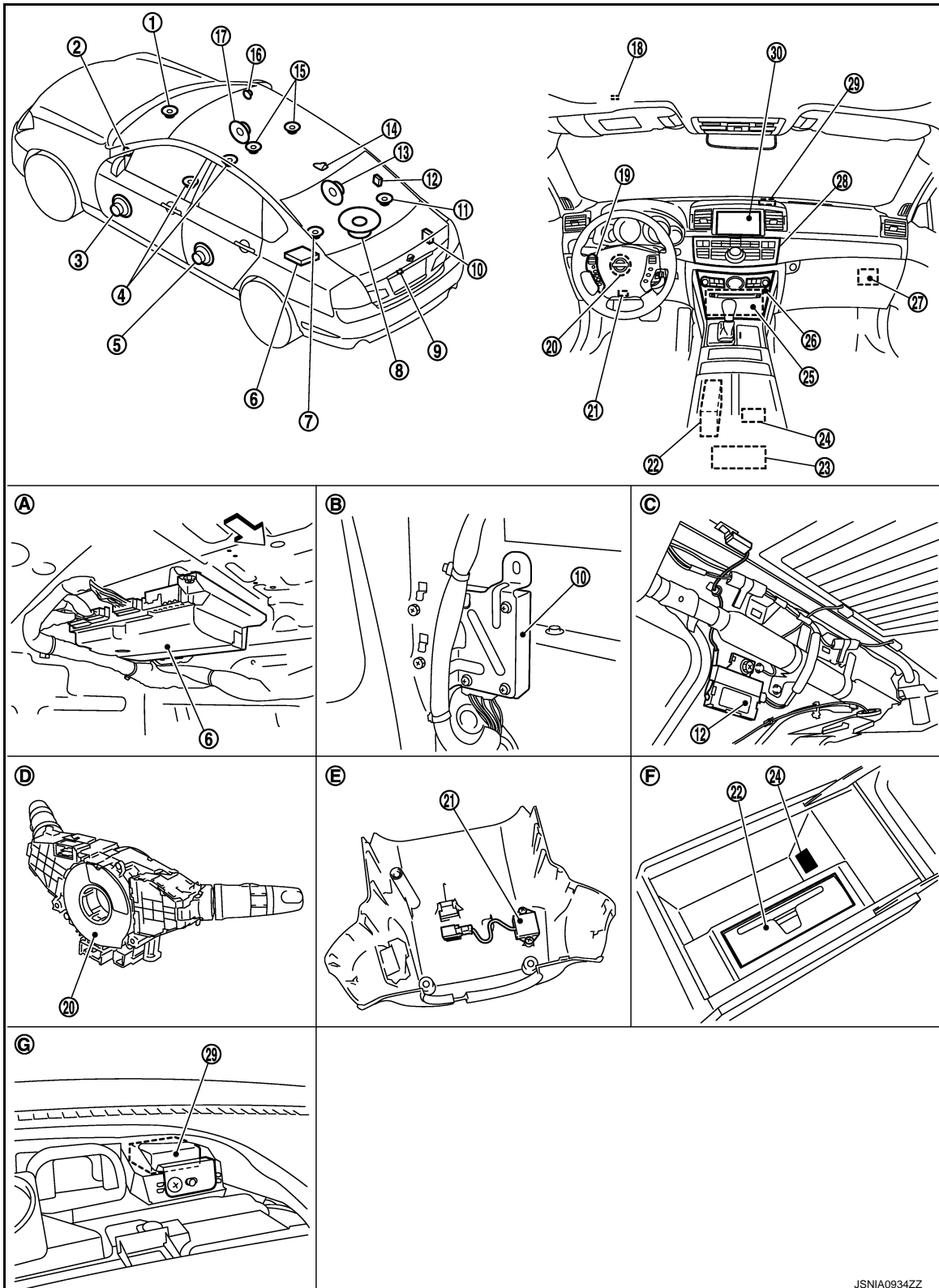
# HANDS-FREE PHONE SYSTEM

< FUNCTION DIAGNOSIS >

[WITHOUT MOBILE ENTERTAINMENT SYSTEM]

## WITH NAVIGATION : Component Parts Location

INFOID:000000005350162



- |                             |                              |                          |
|-----------------------------|------------------------------|--------------------------|
| 1. Center speaker           | 2. Tweeter LH                | 3. Front door speaker LH |
| 4. Driver seat speaker      | 5. Rear door speaker LH      | 6. BOSE amp.             |
| 7. Rear surround speaker LH | 8. Woofer                    | 9. Rear view camera      |
| 10. Camera control unit     | 11. Rear surround speaker RH | 12. Antenna amp.         |

# HANDS-FREE PHONE SYSTEM

## [WITHOUT MOBILE ENTERTAINMENT SYSTEM]

### < FUNCTION DIAGNOSIS >

- |  |  |   |
|--|--|---|
| 13. Rear door speaker RH               | 14. Satellite radio antenna            | 15. Passenger seat speaker              |
| 16. Tweeter RH                         | 17. Front door speaker RH              | 18. Microphone                          |
| 19. Steering switch                    | 20. Steering angle sensor              | 21. Microphone (for AudioPilot®)        |
| 22. DVD player                         | 23. Auxiliary input jacks              | 24. iPod connector                      |
| 25. AV control unit                    | 26. Preset switch                      | 27. iPod adapter                        |
| 28. Multifunction switch               | 29. GPS antenna                        | 30. Front display unit                  |
| A. Under rear parcel LH side           | B. Trunk side finisher (RH) is removed | C. Rear pillar finisher (RH) is removed |
| D. Spiral cable part                   | E. Steering column cover is removed    | F. In center console                    |
| G. Center ventilator grille is removed |  |   |
- ⇨: Vehicle front

### WITH NAVIGATION : Component Description

INFOID:000000005350163

Part name	Description
AV CONTROL UNIT	<ul style="list-style-type: none"> <li>It includes the TEL adapter and Bluetooth™ function.</li> <li>It outputs the TEL voice signal and voice guidance sound signal to the BOSE amp.</li> </ul>
FRONT DISPLAY UNIT	<ul style="list-style-type: none"> <li>Display image is controlled by the serial communication from AV control unit.</li> <li>Inputs RGB image signal (RGB, RGB area and RGB synchronizing) from AV control unit and displays the status of hands free phone system.</li> </ul>
BOSE AMP.	Inputs TEL voice signal or voice guidance signal from AV control unit and outputs it to front speaker.
FRONT DOOR SPEAKER	Outputs the TEL voice signal or voice guidance signal from BOSE amp.
PRESET SWITCH	<ul style="list-style-type: none"> <li>Adjust the sound when using TEL.</li> <li>The operation signal is transmitted to the AV control unit via AV communication.</li> </ul>
STEERING SWITCH	<ul style="list-style-type: none"> <li>The hands free-phone system can be operated.</li> <li>Steering switch signal (operation signal) is output to AV control unit.</li> </ul>
MICROPHONE	<ul style="list-style-type: none"> <li>Uses when operating the hands-free phone.</li> <li>Outputs Mic. signal (TEL voice signal) to the AV control unit.</li> <li>The power (Mic. power supply) is supplied from the AV control unit.</li> </ul>

AV

# DIAGNOSIS SYSTEM (AV CONTROL UNIT)

< FUNCTION DIAGNOSIS >

[WITHOUT MOBILE ENTERTAINMENT SYSTEM]

## DIAGNOSIS SYSTEM (AV CONTROL UNIT)

### WITHOUT NAVIGATION

#### WITHOUT NAVIGATION : Diagnosis Description

INFOID:000000005350164

#### MULTIFUNCTION SWITCH AND PRESET SWITCH SELF-DIAGNOSIS FUNCTION

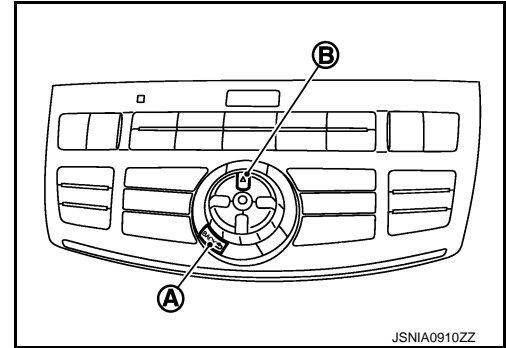
The ON/OFF operation (continuity) of each switch in the multifunction switch and preset switch can be checked.

##### Self-Diagnosis Mode

- Press the "BACK (A)" switch and the "▲ (B)" switch of the 8-direction switches within 10 seconds after turning the ignition switch from OFF to ACC and hold them for 3 seconds or more. Then the buzzer sounds, all indicators of the preset switch illuminate, and the self-diagnosis mode starts.
- The continuity of each switch at the ON position can be checked by pressing the switch. The buzzer sounds if the switch is normal.

**NOTE:**

The hazard switch and CD eject switch cannot be checked.



##### Finishing Self-Diagnosis Mode

Self-diagnosis mode is canceled when turning the ignition switch OFF.

#### MULTI AV SYSTEM ON BOARD DIAGNOSIS FUNCTION

- The AV control unit diagnosis function starts up with multifunction switch operation and the AV control unit performs a diagnosis for each unit in the system during the on board diagnosis.
- Perform a CONSULT-III diagnosis if the on board diagnosis does not start, e.g., the screen does not display anything, the multifunction switch does not function, etc.

#### ON BOARD DIAGNOSIS

##### Description

- The trouble diagnosis function has a self-diagnosis mode for conducting trouble diagnosis automatically and a confirmation/adjustment mode for operating manually.
- Self-diagnosis mode performs the AV control unit diagnosis and the connection diagnosis between each of the units that make up the system, and it indicates the results to the display.
- The confirmation/adjustment mode allows the technician to check, modify or adjust the vehicle signals and set values, as well as to monitor the system error records and system communication status. The checking, modifying or adjusting actions generally require human intervention and judgment (the system cannot make judgment automatically).

##### On Board Diagnosis Item

Mode	Description
Self-Diagnosis	<ul style="list-style-type: none"><li>• AV control unit diagnosis.</li><li>• Perform the connection diagnosis between each of the units.</li></ul>

# DIAGNOSIS SYSTEM (AV CONTROL UNIT)

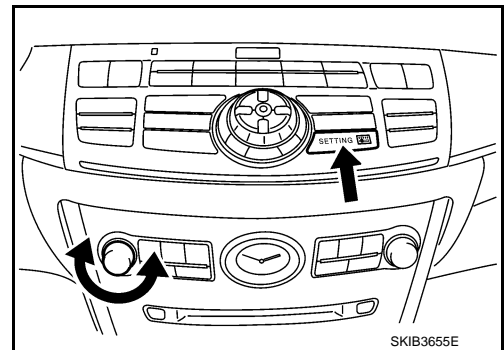
[WITHOUT MOBILE ENTERTAINMENT SYSTEM]

< FUNCTION DIAGNOSIS >

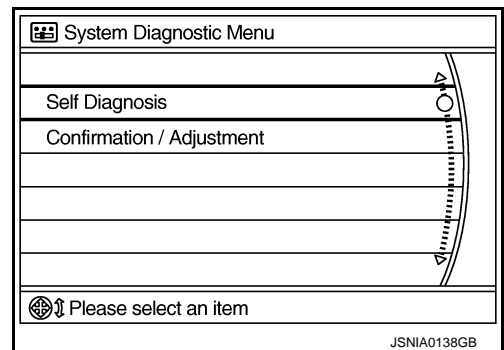
Mode	Description
Display Diagnosis	The confirmations of the tint with the color spectrum bar display and shading of color with the gradation bar display can be performed.
Vehicle Signals	Diagnosis of signals can be performed for vehicle speed, parking brake, lights, ignition switch, and reverse.
Speaker Test	The connection of a speaker can be confirmed by test tone.
Climate Control	Start auto air conditioner system self-diagnosis.
Confirmation/ Adjustment	The system malfunction and the frequency when occurring in the past are displayed. When the malfunctioning item is selected, the time and place that the selected malfunction last occurred are displayed.
Vehicle CAN Diagnosis	The transmitting/receiving of CAN communication can be monitored.
AV COMM Diagnosis	The communication condition of each unit of Multi AV system can be monitored.
Delete Unit Connection Log	Erase the connection history of unit and error history.
Initialize Settings	Initializes the AV control unit memory.

## STARTING PROCEDURE

1. Start the engine.
2. Turn the audio system OFF.
3. While pressing the “SETTING” button, turn the volume control dial clockwise or counterclockwise for 40 clicks or more. (When the self-diagnosis mode is started, a short beep will be heard.)
  - Shifting from current screen to previous screen is performed by pressing “BACK” button.

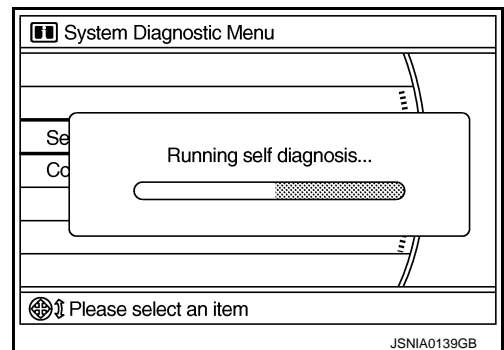


4. The trouble diagnosis initial screen is displayed, and then the items of “Self Diagnosis” and “Confirmation/Adjustment” can be selected.



## SELF-DIAGNOSIS MODE

1. Start the self-diagnosis function and select “Self-diagnosis”.
  - Self-diagnosis subdivision screen is displayed, and the self-diagnosis mode starts.
  - The bar graph visible on the center of the self-diagnosis subdivision screen indicates progress of the trouble diagnosis.



A  
B  
C  
D  
E  
F  
G  
H  
I  
J  
L  
M  
N  
O  
P

AV

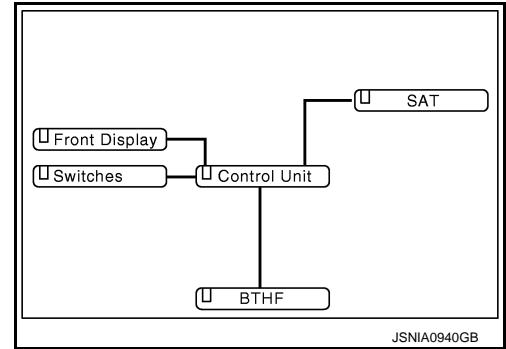
# DIAGNOSIS SYSTEM (AV CONTROL UNIT)

[WITHOUT MOBILE ENTERTAINMENT SYSTEM]

## < FUNCTION DIAGNOSIS >

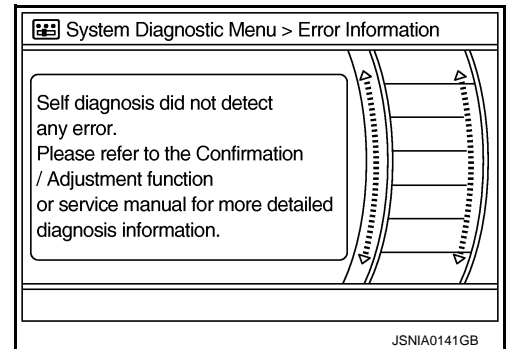
2. Diagnosis results are displayed after the self-diagnosis is completed. The unit names and the connection lines are color-coded according to the diagnostic results.

Diagnosis results	Unit	Con- nection line
Normal	Green	Green
Connection malfunction	Gray	Yellow
Unit malfunction <sup>Note</sup>	Red	Green



### NOTE:

- Only the control unit (AV control unit) is displayed in red.
- Replace AV control unit if "Self-Diagnosis did not run because of a control unit malfunction" is indicated. The symptom is AV control unit internal error.
- If multiple errors occur at the same time for a single unit, the screen switch colors are determined according to the following order of priority: red > gray.
- The comments of the self-diagnosis results can be viewed with a component in the diagnosis result screen.



## SELF-DIAGNOSIS RESULTS

Check the applicable display at the following table, and then repair the malfunctioning parts.

Diagnosis results	Detection logic	Possible malfunction location / Action to take
Control Unit • unit: red <b>NOTE:</b> When a control unit malfunction is detected (red in unit display), connection malfunctions with other connection unit may be displayed.	Malfunction is detected in AV control unit power supply and ground circuits.	Check AV control unit power supply and ground circuits. When detection no malfunction in those components, replace AV control unit.
"Self-Diagnosis did not run because of a control unit malfunction"		
Front Display • unit: gray • connection line: yellow	When either one of the following items is detected: • serial communication circuits between AV control unit and front display unit are malfunctioning. • serial communication signal between AV control unit and front display unit is malfunctioning.	Serial communication circuits between AV control unit and front display unit.

# DIAGNOSIS SYSTEM (AV CONTROL UNIT)

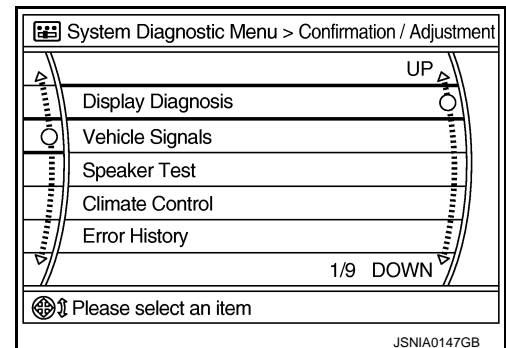
[WITHOUT MOBILE ENTERTAINMENT SYSTEM]

< FUNCTION DIAGNOSIS >

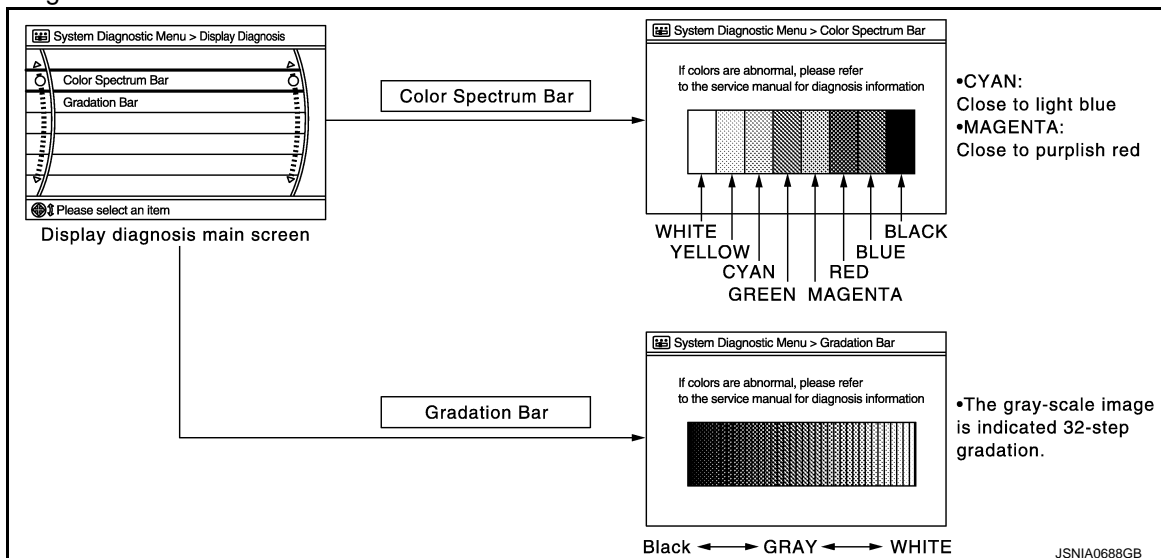
Diagnosis results	Detection logic	Possible malfunction location / Action to take
<p>SAT</p> <ul style="list-style-type: none"> <li>unit: gray</li> <li>connection line: yellow</li> </ul>	<p>When either one of the following items is detected:</p> <ul style="list-style-type: none"> <li>satellite radio tuner power supply and ground circuits are malfunctioning.</li> <li>serial communication circuits between AV control unit and satellite radio tuner are malfunctioning.</li> <li>serial communication or request signal between AV control unit and satellite radio tuner is malfunctioning.</li> <li>request signal circuit between AV control unit and satellite radio tuner is malfunctioning.</li> </ul>	<ul style="list-style-type: none"> <li>Satellite radio tuner power supply and ground circuits.</li> <li>Serial communication circuits between AV control unit and satellite radio tuner.</li> <li>Request signal circuit between AV control unit and satellite radio tuner.</li> </ul>
<p>BTHF</p> <ul style="list-style-type: none"> <li>unit: gray</li> <li>connection line: yellow</li> </ul>	<p>When either one of the following items is detected:</p> <ul style="list-style-type: none"> <li>TEL adapter unit power supply and ground circuits are malfunctioning.</li> <li>AV communication circuits between multifunction switch and TEL adapter unit are malfunctioning.</li> <li>AV communication signal between AV control unit and TEL adapter unit is malfunctioning.</li> </ul>	<ul style="list-style-type: none"> <li>TEL adapter unit power supply and ground circuits.</li> <li>AV communication circuits between multifunction switch and TEL adapter unit.</li> </ul>

## CONFIRMATION/ADJUSTMENT MODE

- Start the diagnosis function and select "Confirmation/Adjustment". The confirmation/adjustment mode indicates where each item can be checked or adjusted.
- Select each switch on the "Inspection & Adjustment Mode" screen to display the relevant trouble diagnosis screen. Press the "RETURN" switch to return to the initial Inspection & Adjustment Mode screen.



## Display Diagnosis



# DIAGNOSIS SYSTEM (AV CONTROL UNIT)

< FUNCTION DIAGNOSIS >

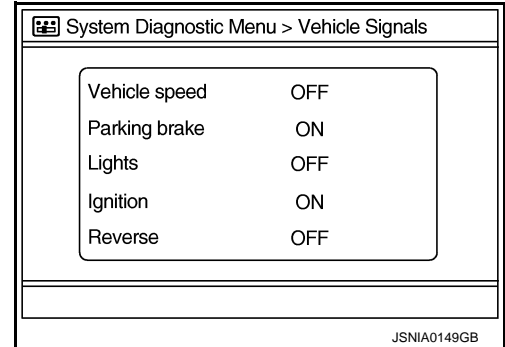
[WITHOUT MOBILE ENTERTAINMENT SYSTEM]

The tint of the color bar indication is as per the following list if RGB signal error is detected.

- R (red) signal error** : Light blue (Cyan) tint
- G (green) signal error** : Purple (Magenta) tint
- B (blue) signal error** : Yellow tint

## Vehicle Signals

A comparison check can be made of each actual vehicle signal and the signals recognized by the system.



Diagnosis item	Display	Vehicle status	Remarks
Vehicle speed	ON	Vehicle speed > 0 km/h (0 MPH)	Changes in indication may be delayed. This is normal.
	OFF	Vehicle speed = 0 km/h (0 MPH)	
Parking brake	ON	Parking brake is applied.	
	OFF	Parking brake is released.	
Lights	ON	Light switch ON.	—
	OFF	Light switch OFF.	—
Ignition	ON	Ignition switch ON.	—
	OFF	Ignition switch in ACC position.	—
Reverse	ON	Shift the selector lever to "R" position.	Changes in indication may be delayed. This is normal.
	OFF	Shift the selector lever other than "R" position.	

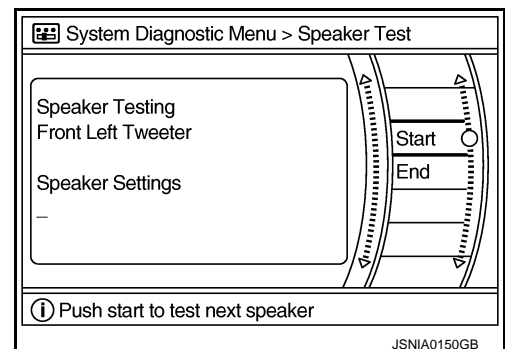
## Speaker Test

Select "SPEAKER DIAGNOSIS" to display the Speaker Diagnosis screen. Press "START and NEXT" to generate a test tone in a speaker. Press "Start" to generate a test tone in the next speaker. Press "End" to stop the test tones.

### NOTE:

The frequency of test tone emitted from each speaker is as follows.

- Front Tweeter** : 3 kHz
- Front speaker** : 300 Hz
- Rear speaker** : 1 kHz



## Climate Control

Refer to "HEATER & AIR CONDITIONING CONTROL SYSTEM" for details.

## Error History

The self-diagnosis results are judged depending on whether any error occurs from when "Self-diagnosis" is selected until the self-diagnosis results are displayed.

However, the diagnosis results are judged normal if an error has occurred before the ignition SW is turned ON and then no error has occurred until the self-diagnosis start. Check the "Error Record" to detect any error that may have occurred before the self-diagnosis start because of this situation.

Count up method A



# DIAGNOSIS SYSTEM (AV CONTROL UNIT)

[WITHOUT MOBILE ENTERTAINMENT SYSTEM]

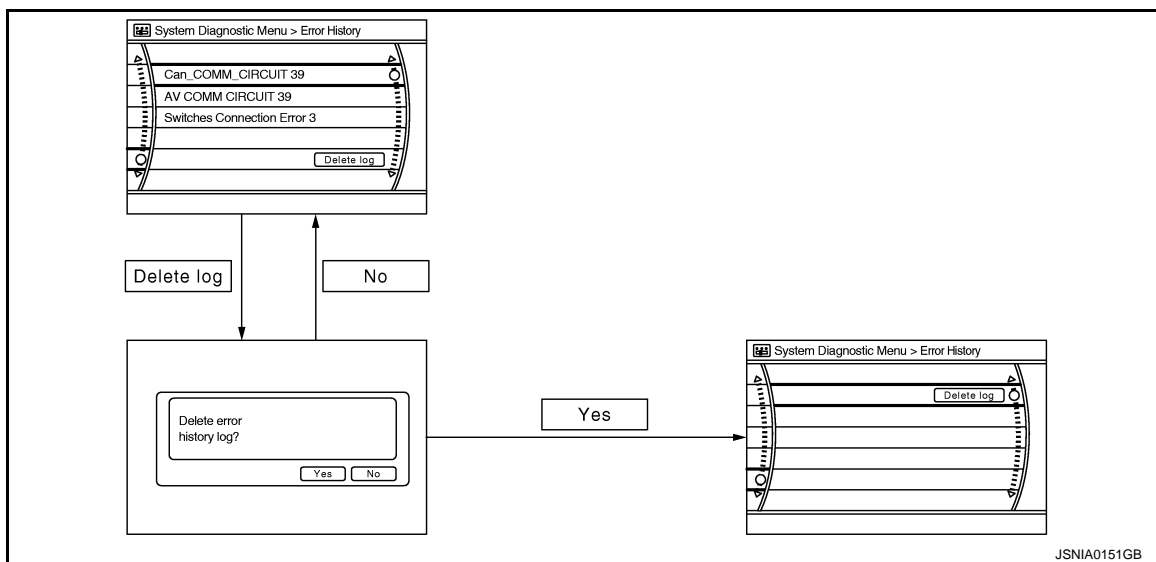
## < FUNCTION DIAGNOSIS >

- The counter resets to 0 if an error occurs when IGN switch is turned ON. The counter increases by 1 if the condition is normal at a next IGN ON cycle.
- The counter upper limit is 39. Any counts exceeding 39 are ignored. The counter can be reset (no error record display) with the "Delete log" switch or CONSULT-III.

### Count up method B

- The counter increases by 1 if an error occurs when IGN switch is ON. The counter will not decrease even if the condition is normal at the next IGN ON cycle.
- The counter upper limit is 50. Any counts exceeding 50 are ignored. The counter can be reset (no error record display) with the "Delete log" switch or CONSULT-III.

Display type of occurrence frequency	Error history display item
Count up method A	CAN communication line, control unit (CAN), AV communication line, control unit (AV communication)
Count up method B	Other than the above



### Error item

Some error items may be displayed simultaneously according to the cause. If some error items are displayed simultaneously, the detection of the cause can be performed by the combination of display items

Error item	Detection logic	Possible malfunction factor/Action to take
CAN COMM CIRCUIT	CAN communication malfunction is detected.	Perform diagnosis with CONSULT-III, and then repair the malfunctioning parts according to the diagnosis results. Refer to <a href="#">AV-78, "Diagnosis Procedure"</a> .
CONTROL UNIT (CAN)	CAN initial diagnosis malfunction is detected.	Replace the AV control unit.
CONTROL UNIT (AV)	AV communication circuit initial diagnosis malfunction is detected.	
FLASH-ROM Error Of Control Unit CAN Controller Memory Error	AV control unit malfunction is detected.	
Front Display Connection Error	When either one of the following items is detected: <ul style="list-style-type: none"> <li>• front display unit power supply and ground circuits are malfunctioning.</li> <li>• serial communication circuits between AV control unit and front display unit are malfunctioning.</li> <li>• serial communication signal between AV control unit and front display unit is malfunctioning.</li> </ul>	<ul style="list-style-type: none"> <li>• Front display unit power supply and ground circuits.</li> <li>• Serial communication circuits between AV control unit and front display unit.</li> </ul>

# DIAGNOSIS SYSTEM (AV CONTROL UNIT)

< FUNCTION DIAGNOSIS >

[WITHOUT MOBILE ENTERTAINMENT SYSTEM]

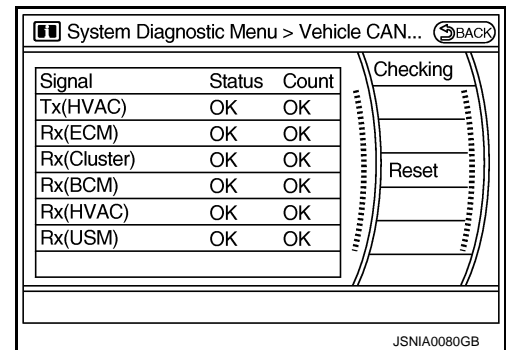
Error item	Detection logic	Possible malfunction factor/Action to take
SAT Connection Error	When either one of the following items is detected: <ul style="list-style-type: none"> <li>• satellite radio tuner power supply and ground circuits are malfunctioning.</li> <li>• serial communication circuits between AV control unit and satellite radio tuner are malfunctioning.</li> <li>• serial communication or request signal between AV control unit and satellite radio tuner is malfunctioning.</li> <li>• request signal circuit between AV control unit and satellite radio tuner is malfunctioning.</li> </ul>	<ul style="list-style-type: none"> <li>• Satellite radio tuner power supply and ground circuits.</li> <li>• Serial communication circuits between AV control unit and satellite radio tuner.</li> <li>• Request signal circuit between AV control unit and satellite radio tuner.</li> </ul>
<ul style="list-style-type: none"> <li>• AV COMM CIRCUIT</li> <li>• Switches Connection Error</li> </ul>	When either one of the following items is detected: <ul style="list-style-type: none"> <li>• multifunction switch power supply and ground circuits are malfunctioning.</li> <li>• AV communication signal between AV control unit and multifunction switch is malfunctioning.</li> </ul>	Multifunction switch power supply and ground circuits.
<ul style="list-style-type: none"> <li>• AV COMM CIRCUIT</li> <li>• H/F Unit Connection Error</li> </ul>	When either one of the following items is detected: <ul style="list-style-type: none"> <li>• TEL adapter unit power supply and ground circuits are malfunctioning.</li> <li>• AV communication circuits between multifunction switch and TEL adapter unit are malfunctioning.</li> <li>• AV communication signal between AV control unit and TEL adapter unit is malfunctioning.</li> </ul>	<ul style="list-style-type: none"> <li>• TEL adapter unit power supply and ground circuits.</li> <li>• AV communication circuit between multifunction switch and TEL adapter unit.</li> </ul>
<ul style="list-style-type: none"> <li>• AV COMM CIRCUIT</li> <li>• Switches Connection Error</li> <li>• H/F Unit Connection Error</li> </ul>	Malfunction is detected in AV communication circuits between AV control unit and multifunction switch.	<ul style="list-style-type: none"> <li>• AV communication circuits between AV control unit and multifunction switch.</li> <li>• Check and repair the short circuit in AV communication circuits.</li> </ul>

## Vehicle CAN Diagnosis

- CAN communication status and error counter is displayed.
- The error counter displays “OK” if any malfunction was not detected in the past and displays “0” if a malfunction is detected. It increases by 1 if the condition is normal at the next ignition switch ON cycle. The upper limit of the counter is 39.
- The error counter is erased if reset.

Items	Display (Current)	Malfunction counter (Past)
Tx (HVAC)	OK / UNKWN	OK / 0 – 39
Rx (ECM)	OK / UNKWN	OK / 0 – 39
Rx (Cluster)	OK / UNKWN	OK / 0 – 39
Rx (BCM)	OK / UNKWN	OK / 0 – 39
Rx (HVAC)	OK / UNKWN	OK / 0 – 39
Rx (USM)	OK / UNKWN	OK / 0 – 39
Rx (TPMS)	OK / UNKWN	OK / 0 – 39

## AV COMM Diagnosis



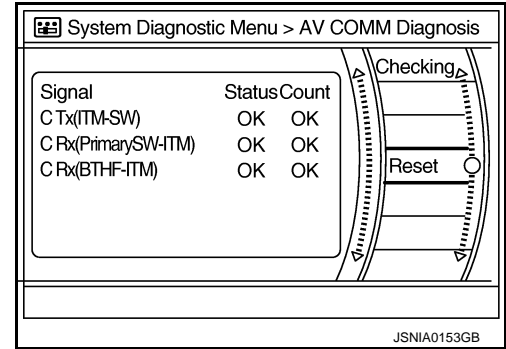
# DIAGNOSIS SYSTEM (AV CONTROL UNIT)

[WITHOUT MOBILE ENTERTAINMENT SYSTEM]

## < FUNCTION DIAGNOSIS >

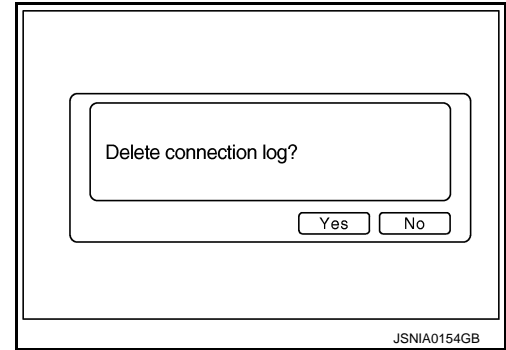
- Displays the communication status between AV control unit (master unit) and each unit.
- The error counter displays “OK” if any malfunction was not detected in the past and displays “0” if a malfunction is detected. It increases by 1 if the condition is normal at the next ignition switch ON cycle. The upper limit of the counter is 39.
- If it resets, the error counter is erased.

Items	Status (Current)	Counter (Past)
C Tx (ITM-SW)	OK / UNKWN	OK / 0 - 39
C Rx (PrimarySW-ITM)	OK / UNKWN	OK / 0 - 39
C Rx (BTHF-ITM)	OK / UNKWN	OK / 0 - 39



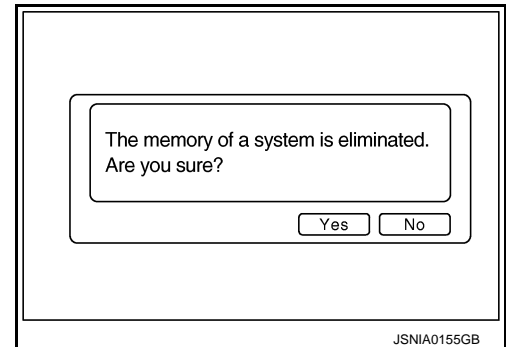
### Delete Unit Connection Log

Deletes any unit connection records and error records from the AV control unit memory. (Clear the records of the unit that has been removed)



### Initialize Settings

Initializes the AV control unit memory.



## WITHOUT NAVIGATION : CONSULT-III Function (MULTI AV)

INFOID:000000005350165

### CONSULT-III FUNCTIONS

CONSULT-III performs the following functions via the communication with the AV control unit.

Diagnosis mode	Description
Ecu Identification	The part number of AV control unit can be checked.
Self Diagnostic Result	Performs a diagnosis on the AV control unit and a connection diagnosis for the communication circuit of the Multi AV system, and displays the current and past malfunctions collectively.
Data Monitor	The diagnosis of vehicle signal that is input to the AV control unit can be performed.

### AV COMMUNICATION

When “AV communication” of “CAN Diag Support Monitor” is selected, the following function will be performed.

AV communication	AV&NAVI C/U	Displays the communication status from AV control unit to each unit as well as the error counter.
	AUDIO	Displays the AV control unit communication status and the error counter.

# DIAGNOSIS SYSTEM (AV CONTROL UNIT)

[WITHOUT MOBILE ENTERTAINMENT SYSTEM]

< FUNCTION DIAGNOSIS >

## ECU IDENTIFICATION

The part number of AV control unit is displayed.

## SELF DIAGNOSIS RESULT

- In CONSULT-III self-diagnosis, self-diagnosis results and error history are displayed collectively.
- The current malfunction indicates “CRNT”. The past malfunction indicates “PAST”.
- The timing is displayed as “0” if any of the error codes [U1000], [U1010], [U1300] and [U1310] is detected. The counter increases by 1 if the condition is normal at the next ignition switch ON cycle.

### Self-Diagnosis Results Display Item

Error item	Description	Possible malfunction factor/Action to take
CAN COMM CIRCUIT [U1000]	CAN communication malfunction is detected.	Perform diagnosis with CONSULT-III, and then repair the malfunctioning parts according to the diagnosis results. Refer to <a href="#">AV-78, "Diagnosis Procedure"</a> .
CONTROL UNIT (CAN) [U1010]	CAN initial diagnosis malfunction is detected.	Replace the AV control unit.
CONTROL UNIT (AV) [U1310]	AV communication circuit initial diagnosis malfunction is detected.	
Control Unit FLASH-ROM [U1200]	AV control unit malfunction is detected.	
CAN CONT [U1216]		
FRONT DISP CONN [U1243]	When either one of the following items is detected: <ul style="list-style-type: none"> <li>• front display unit power supply and ground circuits are malfunctioning.</li> <li>• serial communication circuits between AV control unit and front display unit are malfunctioning.</li> <li>• serial communication signal between AV control unit and front display unit is malfunctioning.</li> </ul>	<ul style="list-style-type: none"> <li>• Front display unit power supply and ground circuits.</li> <li>• Serial communication circuits between AV control unit and front display unit.</li> </ul>
SAT CONN [U1255]	When either one of the following items is detected: <ul style="list-style-type: none"> <li>• satellite radio tuner power supply and ground circuits are malfunctioning.</li> <li>• serial communication circuits between AV control unit and satellite radio tuner are malfunctioning.</li> <li>• serial communication or request signal between AV control unit and satellite radio tuner is malfunctioning.</li> <li>• request signal circuit between AV control unit and satellite radio tuner is malfunctioning.</li> </ul>	<ul style="list-style-type: none"> <li>• Satellite radio tuner power supply and ground circuits.</li> <li>• Serial communication circuits between AV control unit and satellite radio tuner.</li> <li>• Request signal circuit between AV control unit and satellite radio tuner.</li> </ul>
<ul style="list-style-type: none"> <li>• AV COMM CIRCUIT [U1300]</li> <li>• SWITCH CONN [U1240]</li> </ul>	When either one of the following items is detected: <ul style="list-style-type: none"> <li>• multifunction switch power supply and ground circuits are malfunctioning.</li> <li>• AV communication signal between AV control unit and multifunction switch is malfunctioning.</li> </ul>	Multifunction switch power supply and ground circuits.

# DIAGNOSIS SYSTEM (AV CONTROL UNIT)

< FUNCTION DIAGNOSIS >

[WITHOUT MOBILE ENTERTAINMENT SYSTEM]

Error item	Description	Possible malfunction factor/Action to take
<ul style="list-style-type: none"> <li>• AV COMM CIRCUIT [U1300]</li> <li>• HAND FREE CONN [U1256]</li> </ul>	When either one of the following items is detected: <ul style="list-style-type: none"> <li>• TEL adapter unit power supply and ground circuits are malfunctioning.</li> <li>• AV communication circuits between multifunction switch and TEL adapter unit are malfunctioning.</li> <li>• AV communication signal between AV control unit and TEL adapter unit is malfunctioning.</li> </ul>	<ul style="list-style-type: none"> <li>• TEL adapter unit power supply and ground circuits.</li> <li>• AV communication circuit between multifunction switch and TEL adapter unit.</li> </ul>
<ul style="list-style-type: none"> <li>• AV COMM CIRCUIT [U1300]</li> <li>• SWITCH CONN [U1240]</li> <li>• HAND FREE CONN [U1256]</li> </ul>	Malfunction is detected in AV communication circuits.	<ul style="list-style-type: none"> <li>• AV communication circuits between AV control unit and multifunction switch.</li> <li>• Check and repair the short circuit in AV communication circuits.</li> </ul>

## DATA MONITOR

### ALL SIGNALS

- Displays the status of the following vehicle signals inputted into the AV control unit.
- For each signal, actual signal can be compared with the condition recognized on the system.

Display Item	Display	Vehicle status	Remarks
VHCL SPD SIG	On	Vehicle speed >0 km/h (0 MPH)	Changes in indication may be delayed. This is normal.
	Off	Vehicle speed =0 km/h (0 MPH)	
PKB SIG	On	Parking brake is applied.	
	Off	Parking brake is released.	
ILLUM SIG	On	Block the light beam from the auto light optical sensor when the light SW is ON.	—
	Off	Expose the auto light optical sensor to light when the light SW is OFF or ON.	
IGN SIG	On	Ignition switch ON.	Changes in indication may be delayed. This is normal.
	Off	Ignition switch in ACC position.	
REV SIG	On	Selector lever in R position.	Changes in indication may be delayed. This is normal.
	Off	Selector lever in any position other than R.	

### SELECTION FROM MENU

Allows the technician to select which vehicle signals should be displayed and displays the status of the selected vehicle signals.

Item to be selected	Description
VHCL SPD SIG	The same as when "ALL SIGNALS" is selected.
PKB SIG	
ILLUM SIG	
IGN SIG	
REV SIG	

## WITH NAVIGATION

### WITH NAVIGATION : Diagnosis Description

INFOID:000000005350166

### MULTIFUNCTION SWITCH AND PRESET SWITCH SELF-DIAGNOSIS FUNCTION

# DIAGNOSIS SYSTEM (AV CONTROL UNIT)

[WITHOUT MOBILE ENTERTAINMENT SYSTEM]

## < FUNCTION DIAGNOSIS >

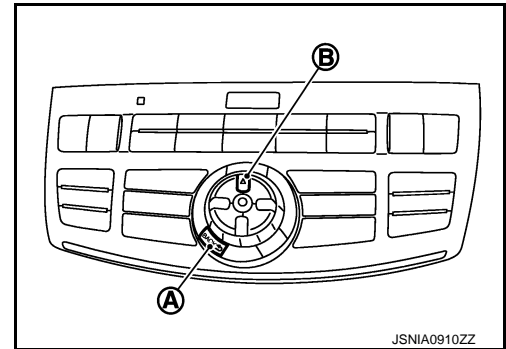
The ON/OFF operation (continuity) of each switch in the multifunction switch and preset switch can be checked.

### Self-Diagnosis Mode

- Press the “BACK (A)” switch and the “▲ (B)” switch of the 8-direction switches within 10 seconds after turning the ignition switch from OFF to ACC and hold them for 3 seconds or more. Then the buzzer sounds, all indicators of the preset switch illuminate, and the self-diagnosis mode starts.
- The continuity of each switch at the ON position can be checked by pressing the switch. The buzzer sounds if the switch is normal.

**NOTE:**

The hazard switch and CD eject switch cannot be checked.



### Finishing Self-Diagnosis Mode

Self-diagnosis mode is canceled when turning the ignition switch OFF.

## MULTI AV SYSTEM ON BOARD DIAGNOSIS FUNCTION

- The AV control unit diagnosis function starts up with multifunction switch operation and the AV control unit performs a diagnosis for each unit in the system during the on board diagnosis.
- Perform a CONSULT-III diagnosis if the on board diagnosis does not start, e.g., the screen does not display anything, the multifunction switch does not function, etc.

## ON BOARD DIAGNOSIS

### Description

- The trouble diagnosis function has a self-diagnosis mode for conducting trouble diagnosis automatically and a confirmation/adjustment mode for operating manually.
- The self-diagnosis mode performs diagnoses on the AV control unit, connections between system components as well as connections between AV control unit and GPS antenna and between AV control unit and satellite radio antenna. Then it displays the diagnosis results on the display.
- The confirmation/adjustment mode allows the technician to check, modify or adjust the vehicle signals and set values, as well as to monitor the system error records and system communication status. The checking, modifying or adjusting generally require human intervention and judgment (the system cannot make judgment automatically).

### On board diagnosis item

Mode	Description
Self-Diagnosis	<ul style="list-style-type: none"><li>• AV control unit diagnosis.</li><li>• Diagnoses the connections across system components, between AV control unit and GPS antenna and between AV control unit and satellite radio antenna.</li></ul>

# DIAGNOSIS SYSTEM (AV CONTROL UNIT)

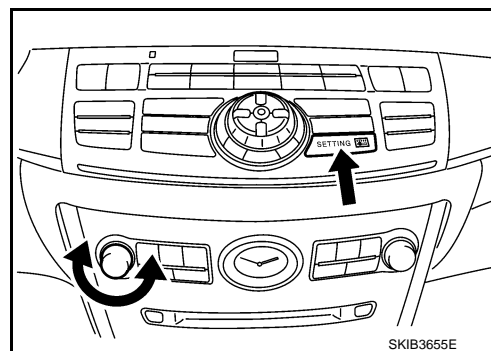
< FUNCTION DIAGNOSIS >

[WITHOUT MOBILE ENTERTAINMENT SYSTEM]

Mode		Description	
Confirmation/ Adjustment	Display Diagnosis	The following check functions are available: color tone check by color bar display, light and shade check by gray scale display and touch panel calibration response check.	
	Vehicle Signals	Diagnosis of signals can be performed for vehicle speed, parking brake, lights, ignition switch, and reverse.	
	Speaker Test	The connection of a speaker can be confirmed by test tone.	
	Climate Control	Start auto air conditioner system self-diagnosis.	
	Navigation	Steering Angle Adjustment	When there is a difference between the actual turning angle and the vehicle mark turning angle, it can be adjusted.
		Speed Calibration	When there is a difference between the current location mark and the actual location, it can be adjusted.
		XM SAT Subscription Status	The XM NavTraffic subscription status can be checked.
	Error History	The system malfunction and the frequency when occurring in the past are displayed. When the malfunctioning item is selected, the time and place that the selected malfunction last occurred are displayed.	
	Vehicle CAN Diagnosis	The transmitting/receiving of CAN communication can be monitored.	
	AV COMM Diagnosis	The communication condition of each unit of Multi AV system can be monitored.	
	Handsfree Phone	The received volume adjustment of hands-free phone, microphone speaker check, and erase memory can be performed.	
	Camera Cont.	The signal connected to camera control unit can be checked and the guiding line position that overlaps rear view camera image can be adjusted.	
	Bluetooth	The passkey and the device name can be checked and changed.	
	SAT	Change Channel	Any necessary channels required to receive traffic information from the satellite radio system can be set.
		Change Application ID	Any application ID's required to receive traffic information from the satellite radio system can be set.
Diag		Not used.	
Delete Unit Connection Log	Erase the connection history of unit and error history.		
Initialize Settings	Initializes the AV control unit memory.		

## STARTING PROCEDURE

1. Start the engine.
2. Turn the audio system OFF.
3. While pressing the "SETTING" button, turn the volume control dial clockwise or counterclockwise for 40 clicks or more. (When the self-diagnosis mode is started, a short beep will be heard.)
  - Shifting from current screen to previous screen is performed by pressing "BACK" button.

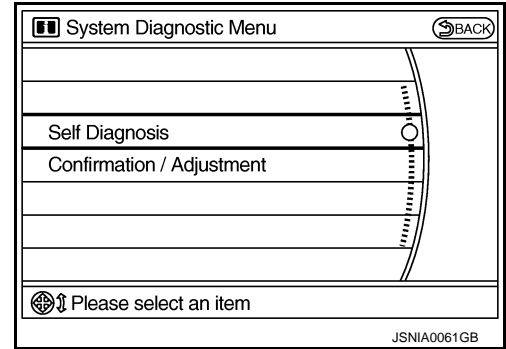


# DIAGNOSIS SYSTEM (AV CONTROL UNIT)

[WITHOUT MOBILE ENTERTAINMENT SYSTEM]

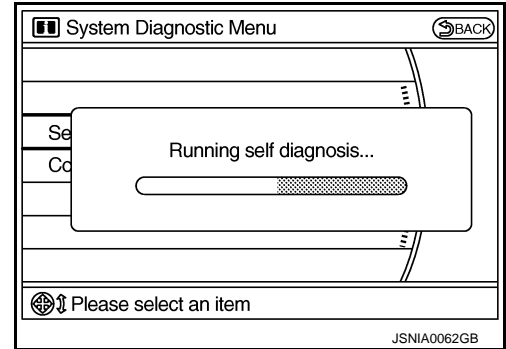
< FUNCTION DIAGNOSIS >

- The trouble diagnosis initial screen is displayed, and then the items of "Self Diagnosis" and "Confirmation/Adjustment" can be selected.



## SELF-DIAGNOSIS MODE

- Start the self-diagnosis function and select "Self Diagnosis".
  - Self-diagnosis subdivision screen is displayed, and the self-diagnosis mode starts.
  - The bar graph visible on the center of the self-diagnosis subdivision screen indicates progress of the trouble diagnosis.

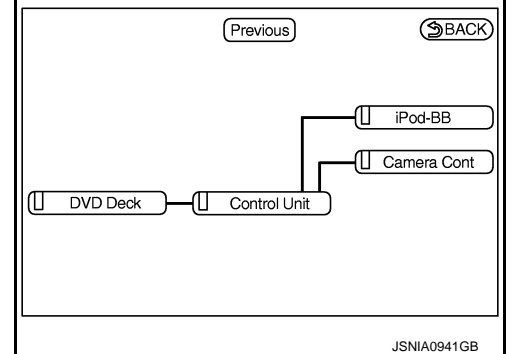
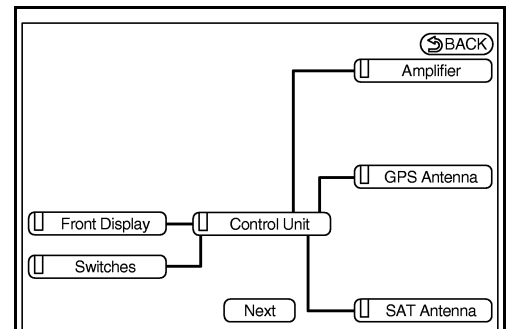


- Diagnosis results are displayed after the self-diagnosis is completed. The unit names and the connection lines are color-coded according to the diagnostic results.

Diagnosis results	Unit	Con- nection line
Normal	Green	Green
Connection malfunction	Gray	Yellow
Unit malfunction <sup>Note</sup>	Red	Green

### NOTE:

- Only the control unit (AV control unit) is displayed in red.
  - Replace AV control unit if "Self-Diagnosis did not run because of a control unit malfunction" is indicated. The symptom is AV control unit internal error. Refer to [AV-482, "Exploded View"](#).
- If multiple errors occur at the same time for a single unit, the screen switch colors are determined according to the following order of priority: red > gray.



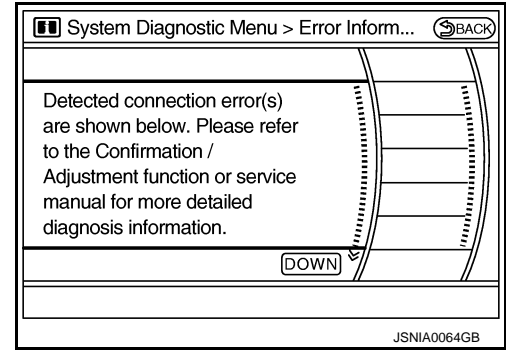


# DIAGNOSIS SYSTEM (AV CONTROL UNIT)

[WITHOUT MOBILE ENTERTAINMENT SYSTEM]

## < FUNCTION DIAGNOSIS >

- The comments of the self-diagnosis results can be viewed with a component in the diagnosis result screen.



## SELF-DIAGNOSIS RESULTS

Check the applicable display at the following table, and then repair the malfunctioning parts.

Diagnosis results	Detection logic	Possible malfunction location / Action to take
Control unit • unit: red <b>NOTE:</b> When a control unit malfunction is detected (red in unit display), connection malfunctions with other connection unit may be displayed. "Self-Diagnosis did not run because of a control unit malfunction"	Malfunction is detected in AV control unit power supply and ground circuits.	Check AV control unit power supply and ground circuits. When detecting no malfunction in those components, replace AV control unit.
Front Display • unit: gray • connection line: yellow	When either one of the following items is detected: • serial communication circuits between AV control unit and front display unit are malfunctioning. • serial communication signal between AV control unit and front display unit is malfunctioning.	Serial communication circuits between AV control unit and front display unit.
DVD Deck • unit: gray • connection line: yellow	When either one of the following items is detected: • DVD player power supply and ground circuits are malfunctioning. • AV communication signal between AV control unit and DVD player is malfunctioning.	DVD player power supply and ground circuits.
Amplifier • unit: gray • connection line: yellow	When either one of the following items is detected: • BOSE amp. power supply and ground circuits are malfunctioning. • AV communication signal between AV control unit and BOSE amp. is malfunctioning.	BOSE amp. power supply and ground circuits.
Camera Cont. • unit: gray • connection line: yellow	Malfunction is detected in Camera-connection recognition signal circuit.	Camera-connection recognition signal circuit.

A  
B  
C  
D  
E  
F  
G  
H  
I  
J  
L  
M  
N  
O  
P

AV

# DIAGNOSIS SYSTEM (AV CONTROL UNIT)

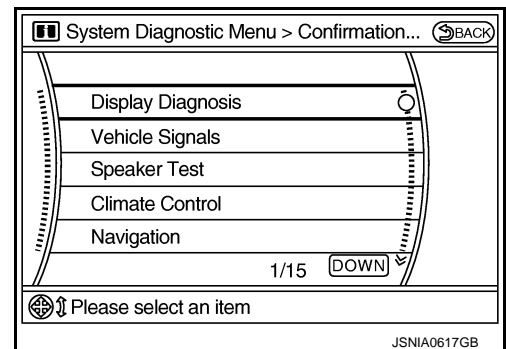
< FUNCTION DIAGNOSIS >

[WITHOUT MOBILE ENTERTAINMENT SYSTEM]

Diagnosis results	Detection logic	Possible malfunction location / Action to take
iPod-BB <ul style="list-style-type: none"> <li>unit: gray</li> <li>connection line: yellow</li> </ul>	When either one of the following items is detected: <ul style="list-style-type: none"> <li>iPod adapter power supply and ground circuits are malfunctioning.</li> <li>AV communication circuits between camera control unit and iPod adapter are malfunctioning.</li> <li>AV communication circuits between BOSE amp. and camera control unit are malfunctioning.</li> <li>AV communication signal between AV control unit and iPod adapter is malfunctioning.</li> </ul>	<ul style="list-style-type: none"> <li>iPod adapter power supply and ground circuits.</li> <li>AV communication circuits between BOSE amp. and camera control unit.</li> <li>AV communication circuits between camera control unit and iPod adapter.</li> </ul>
GPS Antenna <ul style="list-style-type: none"> <li>unit: gray</li> <li>connection line: yellow</li> </ul>	GPS antenna connection malfunction is detected.	GPS antenna.
SAT Antenna <ul style="list-style-type: none"> <li>unit: gray</li> <li>connection line: yellow</li> </ul>	Satellite radio antenna connection malfunction is detected.	<ul style="list-style-type: none"> <li>Satellite radio antenna feeder.</li> <li>Satellite radio antenna.</li> </ul>
Amplifier and iPod-BB <ul style="list-style-type: none"> <li>unit: gray</li> <li>connection line: yellow</li> </ul>	When either one of the following items is detected: <ul style="list-style-type: none"> <li>AV communication circuits between multifunction switch and BOSE amp. are malfunctioning. (without DVD player models)</li> <li>AV communication circuits between DVD player and BOSE amp. are malfunctioning. (with DVD player models)</li> </ul>	<ul style="list-style-type: none"> <li>AV communication circuits between multifunction switch and BOSE amp. (without DVD player models)</li> <li>AV communication circuits between DVD player and BOSE amp. (with DVD player models)</li> </ul>
Amplifier, iPod-BB and DVD Deck <ul style="list-style-type: none"> <li>unit: gray</li> <li>connection line: yellow</li> </ul>	Malfunction is detected in AV communication circuits between multifunction switch and DVD player.	AV communication circuits between multifunction switch and DVD player.

## CONFIRMATION/ADJUSTMENT MODE

- Start the diagnosis function and select "Confirmation/Adjustment". The confirmation/adjustment mode indicates where each item can be checked or adjusted.
- Select each switch on the "Confirmation/Adjustment Mode" screen to display the relevant trouble diagnosis screen. Press the "BACK" switch to return to the initial Confirmation/Adjustment Mode screen.

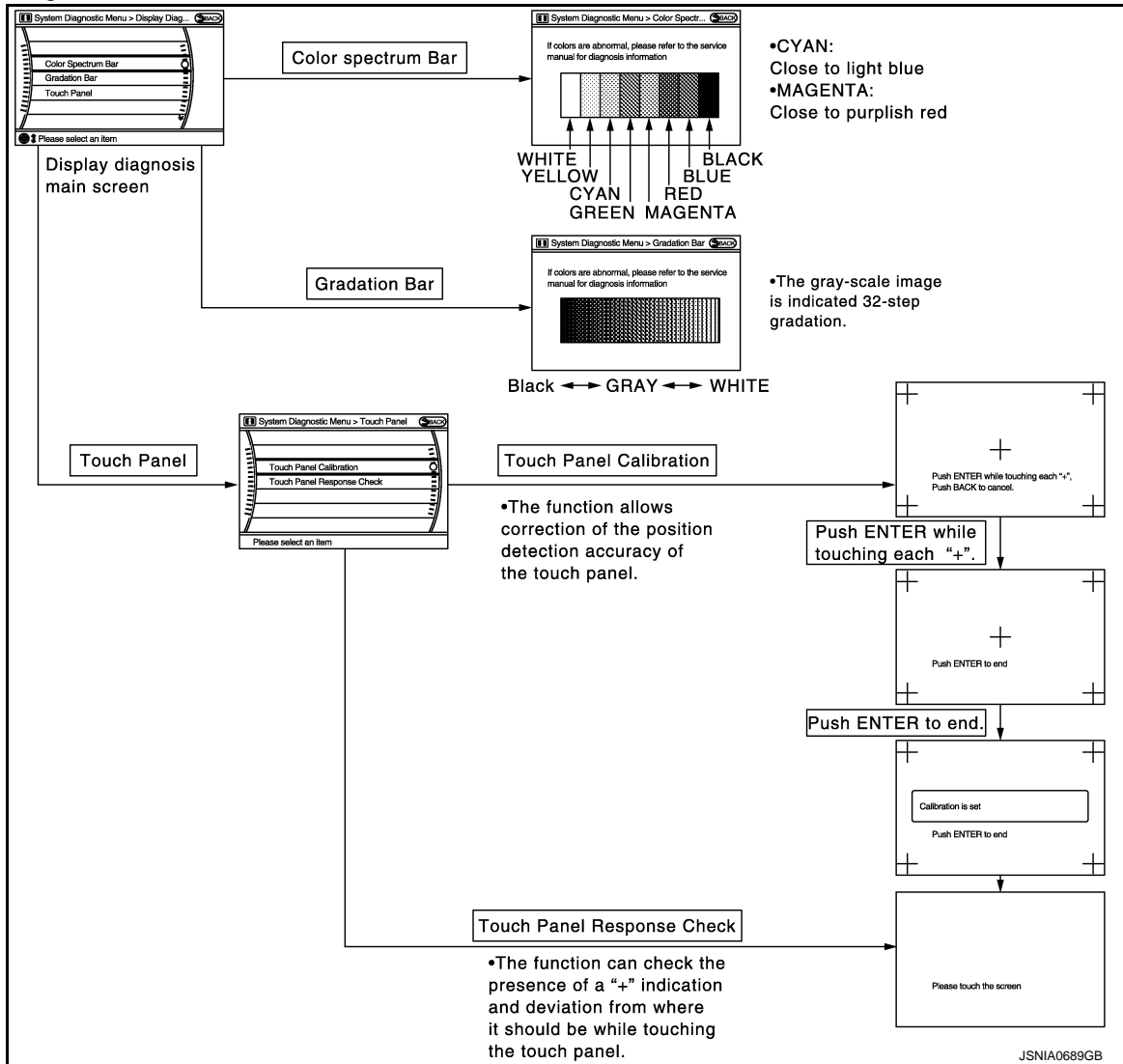


# DIAGNOSIS SYSTEM (AV CONTROL UNIT)

< FUNCTION DIAGNOSIS >

[WITHOUT MOBILE ENTERTAINMENT SYSTEM]

## Display Diagnosis

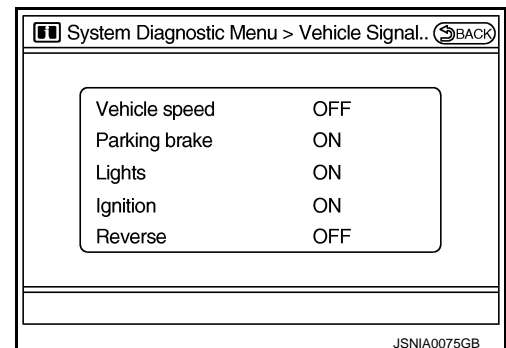


The tint of the color bar indication is as per the following list if RGB signal error is detected.

- R (red) signal error** : Light blue (Cyan) tint
- G (green) signal error** : Purple (Magenta) tint
- B (blue) signal error** : Yellow tint

### Vehicle Signals

A comparison check can be made of each actual vehicle signal and the signals recognized by the system.



# DIAGNOSIS SYSTEM (AV CONTROL UNIT)

< FUNCTION DIAGNOSIS >

[WITHOUT MOBILE ENTERTAINMENT SYSTEM]

Diagnosis item	Display	Vehicle status	Remarks
Vehicle speed	ON	Vehicle speed > 0 km/h (0 MPH)	Changes in indication may be delayed. This is normal.
	OFF	Vehicle speed = 0 km/h (0 MPH)	
Parking brake	ON	Parking brake is applied.	
	OFF	Parking brake is released.	
Lights	ON	Light switch ON.	—
	OFF	Light switch OFF.	—
Ignition	ON	Ignition switch ON.	—
	OFF	Ignition switch in ACC position.	—
Reverse	ON	Shift the selector lever to “R” position.	Changes in indication may be delayed. This is normal.
	OFF	Shift the selector lever other than “R” position.	

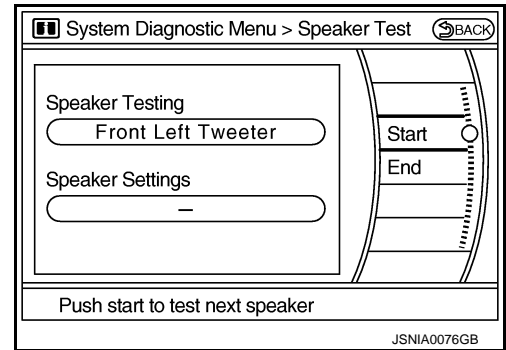
## Speaker Test

Select “SPEAKER DIAGNOSIS” to display the Speaker Diagnosis screen. Press “START and NEXT” to generate a test tone in a speaker. Press “Start” to generate a test tone in the next speaker. Press “End” to stop the test tones.

### NOTE:

The frequency of test tone emitted from each speaker is as follows.

Front tweeter	: 3 kHz
Front door speaker	: 300 Hz
Rear door speaker	: 1 kHz
Rear surround speaker	: 1 kHz
Center speaker	: 1 kHz
Woofer	: 100 Hz
Seat speaker	: 1 kHz



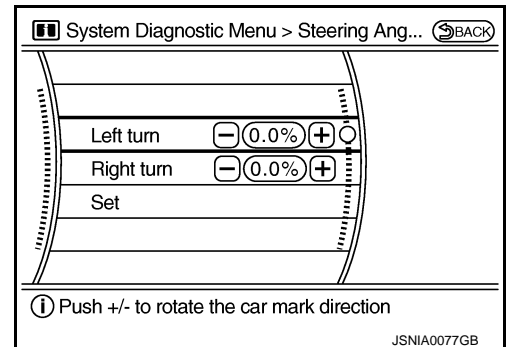
## Climate Control

Refer to “HEATER & AIR CONDITIONING CONTROL SYSTEM” for details.

## Navigation

### STEERING ANGLE ADJUSTMENT

The steering angle output value detected with the gyroscope is adjusted.



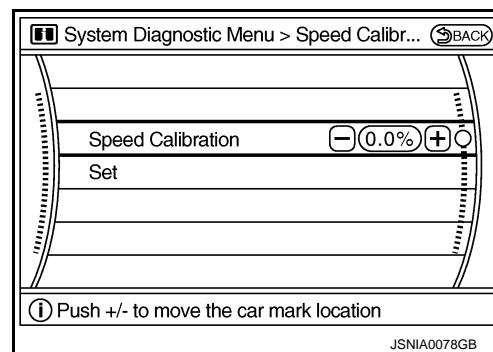
## SPEED CALIBRATION

# DIAGNOSIS SYSTEM (AV CONTROL UNIT)

[WITHOUT MOBILE ENTERTAINMENT SYSTEM]

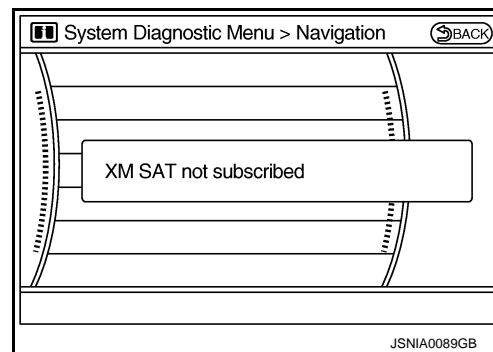
## < FUNCTION DIAGNOSIS >

During normal driving, distance error caused by tire wear and tire pressure change is automatically adjusted for by the automatic distance correction function. This function, on the other hand, is for immediate adjustment, in cases such as driving with tire chain fitted on tires.



## XM SAT SUBSCRIPTION STATUS

The XM NavTraffic subscription status can be checked.



## Error History

The self-diagnosis results are judged depending on whether any error occurs from when “Self-diagnosis” is selected until the self-diagnosis results are displayed.

However, the diagnosis results are judged normal if an error has occurred before the ignition SW is turned ON and then no error has occurred until the self-diagnosis start. Check the “Error Record” to detect any error that may have occurred before the self-diagnosis start because of this situation.

The error record displays the time and place of the most recent occurrence of that error. However, take note of the following points.

- If there is a malfunction with the GPS antenna circuit board in the AV control unit, the correct date and time of occurrence may not be able to be displayed.
- Place of the error occurrence is represented by the position of the current location mark at the time an error occurred. If current location mark has deviated from the correct position, then the place of the error occurrence cannot be located correctly.
- The frequency of occurrence is displayed in a count up manner. The actual count up method differs depending on the error item.

### Count up method A

- The counter resets to 0 if an error occurs when IGN switch is turned ON. The counter increases by 1 if the condition is normal at a next IGN ON cycle.
- The counter upper limit is 39. Any counts exceeding 39 are ignored. “ The counter can be reset (no error record display) with the “Delete log” switch or CONSULT-III.

### Count up method B

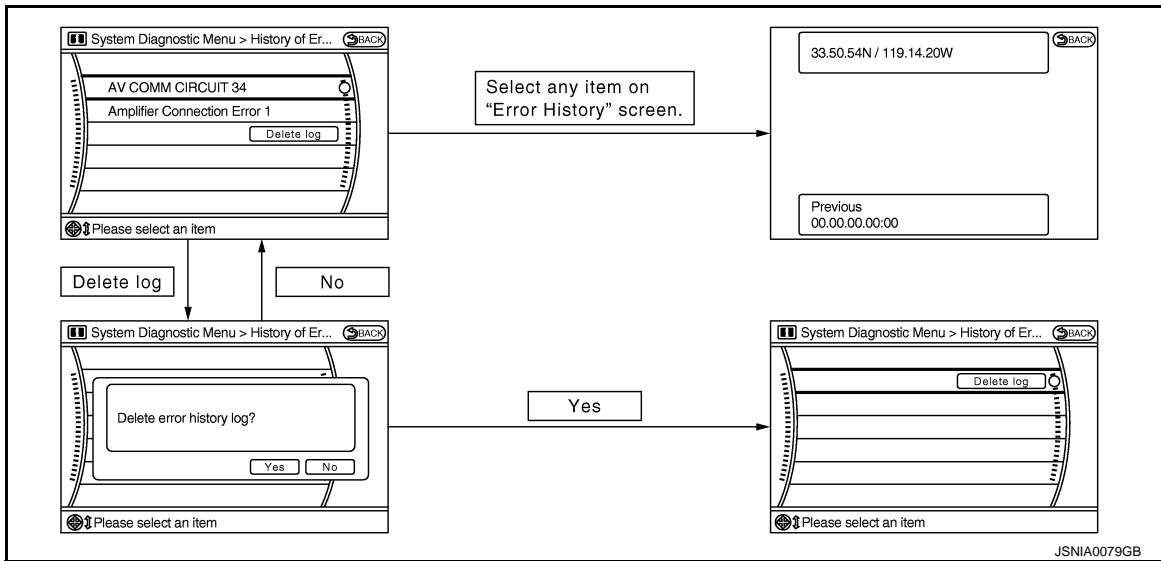
- The counter increases by 1 if an error occurs when IGN switch is ON. The counter will not decrease even if the condition is normal at the next IGN ON cycle.
- The counter upper limit is 50. Any counts exceeding 50 are ignored. “ The counter can be reset (no error record display) with the “Delete log” switch or CONSULT-III.

Display type of occurrence frequency	Error history display item
Count up method A	CAN communication line, control unit (CAN), AV communication line, control unit (AV communication)
Count up method B	Other than the above

# DIAGNOSIS SYSTEM (AV CONTROL UNIT)

< FUNCTION DIAGNOSIS >

[WITHOUT MOBILE ENTERTAINMENT SYSTEM]



## Error item

Some error items may be displayed simultaneously according to the cause. If some error items are displayed simultaneously, the detection of the cause can be performed by the combination of display items

Error item	Description	Possible malfunction factor/Action to take
CAN COMM CIRCUIT	CAN communication malfunction is detected.	Perform diagnosis with CONSULT-III, and then repair the malfunctioning parts according to the diagnosis results. Refer to <a href="#">AV-78, "Diagnosis Procedure"</a> .
CONTROL UNIT (CAN)	CAN initial diagnosis malfunction is detected.	Replace the AV control unit.
CONTROL UNIT (AV)	AV communication circuit initial diagnosis malfunction is detected.	
FLASH-ROM Error Of Control Unit	AV control unit malfunction is detected.	
Connection Of Gyro		
XM SERIAL COMM Error		
CAN Controller Memory Error		
Bluetooth Module Connection Error		
HDD CONN Error		
HDD READ Error		
HDD WRITE Error		
HDD COMM Error		
HDD ACCESS Error		
DSP CONN Error		
DSP COMM Error		
Internal Communication Error	Malfunction is detected in AV control unit power supply and ground circuits.	Check AV control unit power supply and ground circuits. When detecting no malfunction in those components, replace AV control unit.
GPS Communication Error	GPS malfunction is detected.	An intermittent error caused by strong radio interference may be detected unless any symptom (GPS reception error, etc.) occurs. Replace the AV control unit if the malfunction occurs constantly.
GPS ROM Error		
GPS RAM Error		
GPS RTC Error		

# DIAGNOSIS SYSTEM (AV CONTROL UNIT)

< FUNCTION DIAGNOSIS >

[WITHOUT MOBILE ENTERTAINMENT SYSTEM]

Error item	Description	Possible malfunction factor/Action to take	
Front Display Connection Error	When either one of the following items is detected: <ul style="list-style-type: none"> <li>• front display unit power supply and ground circuits are malfunctioning.</li> <li>• serial communication circuits between AV control unit and front display unit are malfunctioning.</li> <li>• serial communication signal between AV control unit and front display unit is malfunctioning.</li> </ul>	<ul style="list-style-type: none"> <li>• Front display unit power supply and ground circuits.</li> <li>• Serial communication circuits between AV control unit and front display unit.</li> </ul>	A B C
GPS Antenna Error	GPS antenna connection malfunction is detected.	GPS antenna.	D
XM Antenna Connection Error	Satellite radio antenna connection malfunction is detected.	<ul style="list-style-type: none"> <li>• Satellite radio antenna feeder.</li> <li>• Satellite radio antenna.</li> </ul>	E
<ul style="list-style-type: none"> <li>• AV COMM CIRCUIT</li> <li>• Internal Communication Error</li> </ul>	Malfunction is detected in AV control unit power supply and ground circuits.	Check AV control unit power supply and ground circuits. When detecting no malfunction in those components, replace AV control unit.	F
<ul style="list-style-type: none"> <li>• AV COMM CIRCUIT</li> <li>• Switches Connection Error</li> </ul>	When either one of the following items is detected: <ul style="list-style-type: none"> <li>• Multifunction switch power supply and ground circuits are malfunctioning.</li> <li>• AV communication signal between AV control unit and multifunction switch is malfunctioning.</li> </ul>	Multifunction switch power supply and ground circuits.	G
<ul style="list-style-type: none"> <li>• AV COMM CIRCUIT</li> <li>• DVD Deck Connection Error</li> </ul>	When either one of the following items is detected: <ul style="list-style-type: none"> <li>• DVD player power supply and ground circuits are malfunctioning.</li> <li>• AV communication signal between AV control unit and DVD player is malfunctioning.</li> </ul>	DVD player power supply and ground circuits.	H I J
<ul style="list-style-type: none"> <li>• AV COMM CIRCUIT</li> <li>• Amplifier Connection Error</li> </ul>	When either one of the following items is detected: <ul style="list-style-type: none"> <li>• BOSE amp. power supply and ground circuits are malfunctioning.</li> <li>• AV communication signal between AV control unit and BOSE amp. is malfunctioning.</li> </ul>	BOSE amp. power supply and ground circuits.	K L M N O P
<ul style="list-style-type: none"> <li>• AV COMM CIRCUIT</li> <li>• Rearview Camera Connection Error</li> </ul>	When either one of the following items is detected: <ul style="list-style-type: none"> <li>• camera control unit power supply and ground circuits are malfunctioning.</li> <li>• AV communication signal between AV control unit and camera control unit is malfunctioning.</li> </ul>	Camera control unit power supply and ground circuits.	
<ul style="list-style-type: none"> <li>• AV COMM CIRCUIT</li> <li>• iPod Connection Error</li> </ul>	When either one of the following items is detected: <ul style="list-style-type: none"> <li>• iPod adapter power supply and ground circuits are malfunctioning.</li> <li>• AV communication circuits between camera control unit and iPod adapter are malfunctioning.</li> <li>• AV communication signal between AV control unit and iPod adapter is malfunctioning.</li> </ul>	<ul style="list-style-type: none"> <li>• iPod adapter power supply and ground circuits.</li> <li>• AV communication circuits between camera control unit and iPod adapter.</li> </ul>	
<ul style="list-style-type: none"> <li>• AV COMM CIRCUIT</li> <li>• Rearview Camera Connection Error</li> <li>• iPod Connection Error</li> </ul>	Malfunction is detected in AV communication circuits between BOSE amp. and camera control unit.	AV communication circuits between BOSE amp. and camera control unit.	



# DIAGNOSIS SYSTEM (AV CONTROL UNIT)

## < FUNCTION DIAGNOSIS >

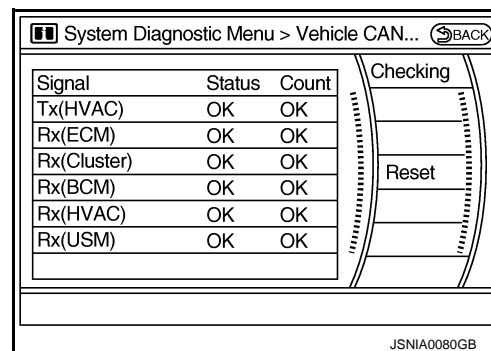
## [WITHOUT MOBILE ENTERTAINMENT SYSTEM]

Error item	Description	Possible malfunction factor/Action to take
<ul style="list-style-type: none"> <li>• AV COMM CIRCUIT</li> <li>• Amplifier Connection Error</li> <li>• Rearview Camera Connection Error</li> <li>• iPod Connection Error</li> </ul>	<p>Without DVD player models</p> <ul style="list-style-type: none"> <li>• AV communication circuits between multifunction switch and BOSE amp. are malfunctioning.</li> </ul> <p>With DVD player models</p> <ul style="list-style-type: none"> <li>• AV communication circuits between DVD player and BOSE amp. are malfunctioning.</li> </ul>	<ul style="list-style-type: none"> <li>• AV communication circuits between multifunction switch and BOSE amp. (without DVD player models)</li> <li>• AV communication circuits between DVD player and BOSE amp. (with DVD player models)</li> </ul>
<ul style="list-style-type: none"> <li>• AV COMM CIRCUIT</li> <li>• DVD Deck Connection Error</li> <li>• Amplifier Connection Error</li> <li>• Rearview Camera Connection Error</li> <li>• iPod Connection Error</li> </ul>	Malfunction is detected in AV communication circuits between multifunction switch and DVD player.	AV communication circuits between multifunction switch and DVD player.
<p>Without DVD player models</p> <ul style="list-style-type: none"> <li>• AV COMM CIRCUIT</li> <li>• Switches Connection Error</li> <li>• Amplifier Connection Error</li> <li>• Rearview Camera Connection Error</li> <li>• iPod Connection Error</li> </ul>	Malfunction is detected in AV communication circuits between multifunction switch and AV control unit.	AV communication circuits between multifunction switch and AV control unit.
<p>With DVD player models</p> <ul style="list-style-type: none"> <li>• AV COMM CIRCUIT</li> <li>• Switches Connection Error</li> <li>• DVD Deck Connection Error</li> <li>• Amplifier Connection Error</li> <li>• Rearview Camera Connection Error</li> <li>• iPod Connection Error</li> </ul>		
<p>Without DVD player models</p> <ul style="list-style-type: none"> <li>• AV COMM CIRCUIT</li> <li>• Internal Communication Error</li> <li>• Switches Connection Error</li> <li>• Amplifier Connection Error</li> <li>• Rearview Camera Connection Error</li> <li>• iPod Connection Error</li> </ul>	Malfunction is detected in AV communication circuits.	Check and repair the short circuit in AV communication circuits.
<p>With DVD player models</p> <ul style="list-style-type: none"> <li>• AV COMM CIRCUIT</li> <li>• Internal Communication Error</li> <li>• Switches Connection Error</li> <li>• DVD Deck Connection Error</li> <li>• Amplifier Connection Error</li> <li>• Rearview Camera Connection Error</li> <li>• iPod Connection Error</li> </ul>		

### Vehicle CAN Diagnosis

- CAN communication status and error counter is displayed.
- The error counter displays “OK” if any malfunction was not detected in the past and displays “0” if a malfunction is detected. It increases by 1 if the condition is normal at the next ignition switch ON cycle. The upper limit of the counter is 39.
- The error counter is erased if “Reset” is pressed.

Items	Display (Current)	Malfunction counter (Past)
Tx (HVAC)	OK / UNKWN	OK / 0 – 39
Rx (ECM)	OK / UNKWN	OK / 0 – 39
Rx (Cluster)	OK / UNKWN	OK / 0 – 39
Rx (BCM)	OK / UNKWN	OK / 0 – 39
Rx (HVAC)	OK / UNKWN	OK / 0 – 39
Rx (USM)	OK / UNKWN	OK / 0 – 39





# DIAGNOSIS SYSTEM (AV CONTROL UNIT)

< FUNCTION DIAGNOSIS >

[WITHOUT MOBILE ENTERTAINMENT SYSTEM]

Items	Display (Current)	Malfunction counter (Past)
Rx (TPMS)	OK / UNKWN	OK / 0 – 39
Rx (STRG)	OK / UNKWN	OK / 0 – 39

## AV COMM Diagnosis

- Displays the communication status between AV control unit (master unit) and each unit.
- The error counter displays “OK” if any malfunction was not detected in the past and displays “0” if a malfunction is detected. It increases by 1 if the condition is normal at the next ignition switch ON cycle. The upper limit of the counter is 39.
- The error counter is erased if “Reset” is pressed.

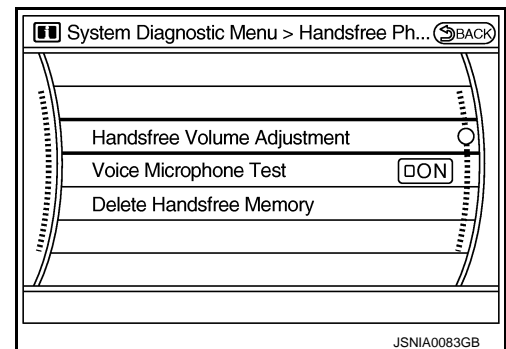
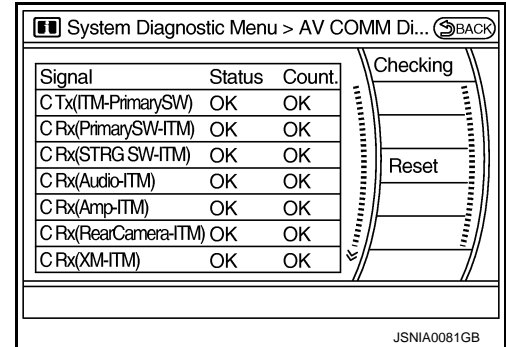
Items	Status (Current)	Counter (Past)
C Tx(ITM-PrimarySW)	OK / UNKWN	OK / 0 – 39
C Rx(PrimarySW-ITM)	OK / UNKWN	OK / 0 – 39
C Rx(STRG SW-ITM)	OK / UNKWN	OK / 0 – 39
C Rx (Audio-ITM)	OK / UNKWN	OK / 0 – 39
C Rx(Amp-ITM)	OK / UNKWN	OK / 0 – 39
C Rx(RearCamera-ITM)	OK / UNKWN	OK / 0 – 39
C Rx(DVD-ITM)	OK / UNKWN	OK / 0 – 39
C Rx(XM-ITM)	OK / UNKWN	OK / 0 – 39
C Rx(iPod-ITM)	OK / UNKWN	OK / 0 – 39
C Rx(Amp-Audio)	OK / UNKWN	OK / 0 – 39
C Rx(DVD-Audio)	OK / UNKWN	OK / 0 – 39
C Rx(iPod-Audio)	OK / UNKWN	OK / 0 – 39
C Tx(Audio-ITM)	OK / UNKWN	OK / 0 – 39

### NOTE:

- Any units with “—” displayed have no history of vehicle connection.
- “Audio” and “Amp” indicate the same status because “Amp” indicates the status of the amplifier integrated in the AV control unit.
- “STRG SW”, “Amp”“XM” indicate the same status as “Audio”.

## Hands-Free Phone

The hands-free phone reception volume adjustment, microphone and speaker test, and memory erase functions are also available.



## Camera Cont.

The two functions of “Connection Confirmation” and “Adjust Offset of Rear View Camera” are available.

### CONNECTION CONFIRMATION

A  
B  
C  
D  
E  
F  
G  
H  
I  
J  
K  
L  
M  
N  
O  
P

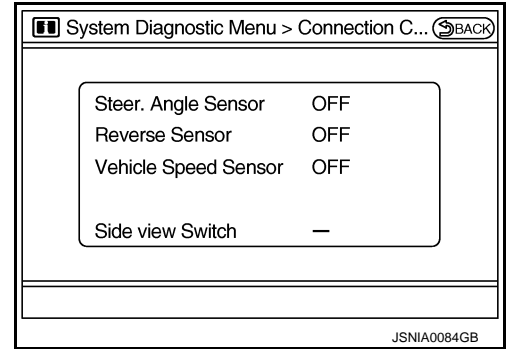
AV

# DIAGNOSIS SYSTEM (AV CONTROL UNIT)

< FUNCTION DIAGNOSIS >

[WITHOUT MOBILE ENTERTAINMENT SYSTEM]

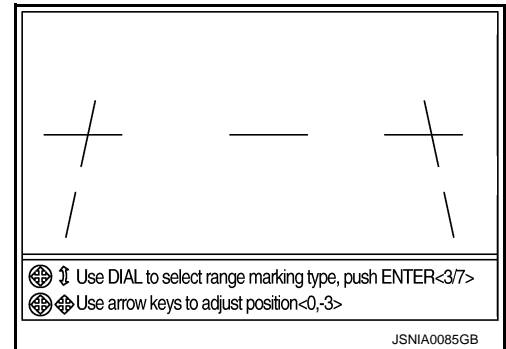
The steering angle sensor, reverse signal and vehicle speed sensor can be inspected.



Diagnosis item	Display	Vehicle status
Steer. Angle Sensor	ON	When steering the vehicle with ignition switch ON (remains ON until connection mode is stopped when it is turned ON).
	OFF	<ul style="list-style-type: none"> <li>Ignition switch at ACC.</li> <li>No steering with ignition switch ON.</li> </ul>
	—	Malfunction detected in camera connection recognition signal.
Reverse Sensor	ON	Selector lever is in "R" with ignition switch ON.
	OFF	<ul style="list-style-type: none"> <li>Ignition switch at ACC.</li> <li>Selector lever is in position other than "R" with ignition switch ON.</li> </ul>
	—	Malfunction detected in camera-connection recognition signal.
Vehicle Speed Sensor	ON	Vehicle speed is more than 0 km/h (0 MPH) with ignition switch ON.
	OFF	<ul style="list-style-type: none"> <li>Ignition switch at ACC.</li> <li>Vehicle speed is 0 km/h (0 MPH) with ignition switch ON.</li> </ul>
	—	Malfunction detected in camera connection recognition signal.
Side view Switch	—	Not used.

## ADJUST OFFSET OF REAR VIEW CAMERA

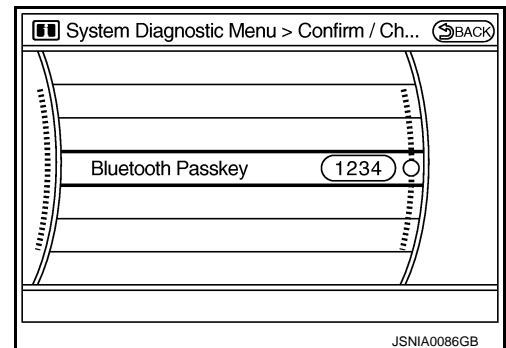
Use this mode to adjust the guide line display position of the rear-view monitor if necessary after removing the rear view monitor camera.



## Bluetooth

### Confirm / Change Passkey

- The passkey of Bluetooth can be confirmed and changed.
- The passkey can be changed by four digits within 0 to 9.



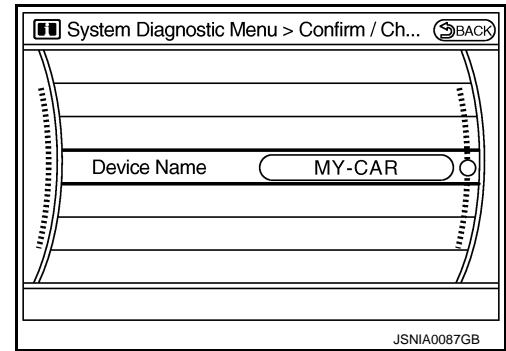
Comfirm / Change Device Name

# DIAGNOSIS SYSTEM (AV CONTROL UNIT)

[WITHOUT MOBILE ENTERTAINMENT SYSTEM]

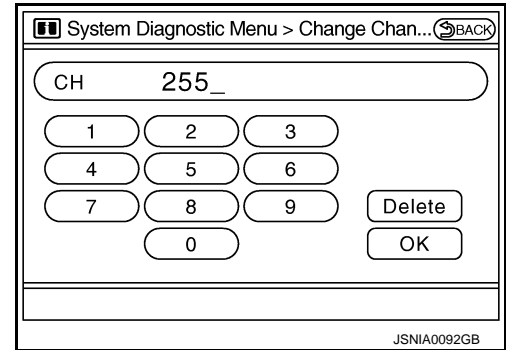
## < FUNCTION DIAGNOSIS >

- The device name of Bluetooth can be confirmed and changed.
- The device name can be changed by sixteen digits within A to Z (small character can be used) and - (hyphen).

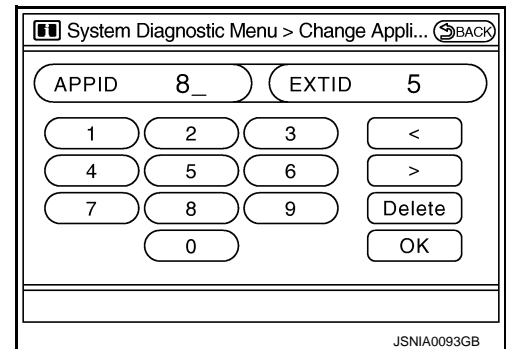


## SAT

- Change Channel
- Any necessary channels required to receive traffic information from the satellite radio system can be set.

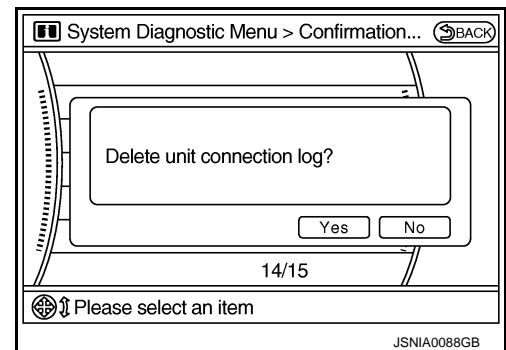


- Change Application ID
- Any application ID's required to receive traffic information from the satellite radio system can be set.



## Delete Unit Connection Log

Deletes any unit connection records and error records from the AV control unit memory. (Clear the records of the unit that has been removed.)



## Initialize Settings

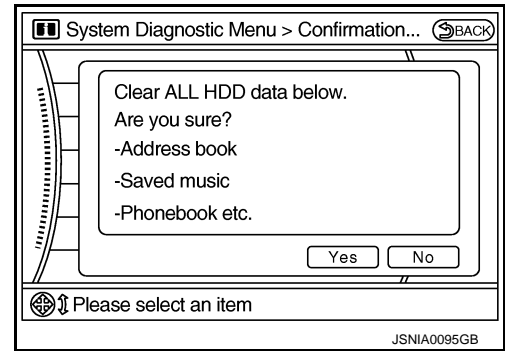
A  
B  
C  
D  
E  
F  
G  
H  
I  
J  
AV  
L  
M  
N  
O  
P

# DIAGNOSIS SYSTEM (AV CONTROL UNIT)

< FUNCTION DIAGNOSIS >

[WITHOUT MOBILE ENTERTAINMENT SYSTEM]

Deletes data stored in HDD.



## WITH NAVIGATION : CONSULT-III Function (MULTI AV)

INFOID:000000005350167

### CONSULT-III FUNCTIONS

CONSULT-III performs the following functions via the communication with the AV control unit.

Diagnosis mode	Description
Ecu Identification	The part number of AV control unit can be checked.
Self Diagnostic Result	Performs a diagnosis on the AV control unit and a connection diagnosis for the communication circuit of the Multi AV system, and displays the current and past malfunctions collectively.
Data Monitor	The diagnosis of vehicle signal that is input to the AV control unit can be performed.

### AV COMMUNICATION

When "AV communication" of "CAN Diag Support Monitor" is selected, the following function will be performed.

AV communication	AV&NAVI C/U	Displays the communication status from AV control unit to each unit as well as the error counter.
	AUDIO	Displays the AV control unit communication status and the error counter.

### ECU IDENTIFICATION

The part number of AV control unit is displayed.

### SELF DIAGNOSIS RESULT

- In CONSULT-III self-diagnosis, self-diagnosis results and error history are displayed collectively.
- The current malfunction indicates "CRNT". The past malfunction indicates "PAST".
- The timing is displayed as "0" if any of the error codes [U1000], [U1010], [U1300] and [U1310] is detected. The counter increases by 1 if the condition is normal at the next ignition switch ON cycle.

Self-diagnosis results display item

Error item	Description	Possible malfunction factor/Action to take
CAN COMM CIRCUIT [U1000]	CAN communication malfunction is detected.	Perform diagnosis with CONSULT-III, and then repair the malfunctioning parts according to the diagnosis results. Refer to <a href="#">AV-78, "Diagnosis Procedure"</a> .

# DIAGNOSIS SYSTEM (AV CONTROL UNIT)

< FUNCTION DIAGNOSIS >

[WITHOUT MOBILE ENTERTAINMENT SYSTEM]

Error item	Description	Possible malfunction factor/Action to take
CONTROL UNIT (CAN) [U1010]	CAN initial diagnosis malfunction is detected.	Replace the AV control unit.
CONTROL UNIT (AV) [U1310]	AV communication circuit initial diagnosis malfunction is detected.	
Control Unit FLASH-ROM [U1200]	AV control unit malfunction is detected.	
Gyro NO CONN [U1201]		
CAN CONT [U1216]		
BLUETOOTH CONN [U1217]		
HDD CONN [U1218]		
HDD READ [U1219]		
XM SERIAL COMM [U1220]		
HDD WRITE [U121A]		
HDD COMM [U121B]		
HDD ACCESS [U121C]		
DSP CONN [U121D]		
DSP COMM [U121E]		
INTERNAL COMM [U121F]	Malfunction is detected in AV control unit power supply and ground circuits. ground circuits.	Check AV control unit power supply and ground circuits. When detecting no malfunction in those components, replace AV control unit.
GPS COMM [U1204]	GPS malfunction is detected.	An intermittent error caused by strong radio interference may be detected unless any symptom (GPS reception error, etc.) occurs. Replace the AV control unit if the malfunction occurs constantly.
GPS ROM [U1205]		
GPS RAM [U1206]		
GPS RTC [U1207]		
FRONT DISP CONN [U1243]	When either one of the following items is detected: <ul style="list-style-type: none"> <li>• front display unit power supply and ground circuits are malfunctioning.</li> <li>• serial communication circuits between AV control unit and front display unit are malfunctioning.</li> <li>• serial communication signal between AV control unit and front display unit is malfunctioning.</li> </ul>	<ul style="list-style-type: none"> <li>• Front display unit power supply and ground circuits.</li> <li>• Serial communication circuits between AV control unit and front display unit.</li> </ul>
GPS ANTENNA CONN [U1244]	GPS antenna connection malfunction is detected.	GPS antenna.
CAMERA CONT CONN [U1250]	Malfunction is detected in camera connection recognition circuit between AV control unit and camera control unit.	Camera-connection recognition circuit between AV control unit and camera control unit.
XM ANTENNA CONN [U1258]	Poor connection is detected in satellite radio antenna.	<ul style="list-style-type: none"> <li>• Satellite radio antenna feeder.</li> <li>• Satellite radio antenna.</li> </ul>
<ul style="list-style-type: none"> <li>• AV COMM CIRCUIT [U1300]</li> <li>• INTERNAL COMM [U121F]</li> </ul>	Malfunction is detected in AV control unit power supply and ground circuits. ground circuits.	Check AV control unit power supply and ground circuits. When detecting no malfunction in those components, replace AV control unit.
<ul style="list-style-type: none"> <li>• AV COMM CIRCUIT [U1300]</li> <li>• SWITCH CONN [U1240]</li> </ul>	When either one of the following items is detected: <ul style="list-style-type: none"> <li>• multifunction switch power supply and ground circuits are malfunctioning.</li> <li>• AV communication signal between AV control unit and multifunction switch is malfunctioning.</li> </ul>	Multifunction switch power supply and ground circuits.

A  
B  
C  
D  
E  
F  
G  
H  
I  
J  
L  
M  
N  
O  
P



# DIAGNOSIS SYSTEM (AV CONTROL UNIT)

< FUNCTION DIAGNOSIS >

[WITHOUT MOBILE ENTERTAINMENT SYSTEM]

Error item	Description	Possible malfunction factor/Action to take
<ul style="list-style-type: none"> <li>• AV COMM CIRCUIT [U1300]</li> <li>• DVD DECK CONN [U1248]</li> </ul>	When either one of the following items is detected: <ul style="list-style-type: none"> <li>• DVD player power supply and ground circuits.</li> <li>• AV communication signal between AV control unit and DVD player.</li> </ul>	DVD player power supply and ground circuits.
<ul style="list-style-type: none"> <li>• AV COMM CIRCUIT [U1300]</li> <li>• AMP CONN [U124E]</li> </ul>	When either one of the following items is detected: <ul style="list-style-type: none"> <li>• BOSE amp. power supply and ground circuits are malfunctioning.</li> <li>• AV communication signal between AV control unit and BOSE amp. is malfunctioning.</li> </ul>	BOSE amp. power supply and ground circuits.
<ul style="list-style-type: none"> <li>• AV COMM CIRCUIT [U1300]</li> <li>• REAR CAMERA LAN CONN [U1252]</li> </ul>	When either one of the following items is detected: <ul style="list-style-type: none"> <li>• camera control unit power supply and ground circuits are malfunctioning.</li> <li>• AV communication signal between AV control unit and camera control unit is malfunctioning.</li> </ul>	Camera control unit power supply and ground circuits.
<ul style="list-style-type: none"> <li>• AV COMM CIRCUIT [U1300]</li> <li>• iPod CONN [U1254]</li> </ul>	When either one of the following items is detected: <ul style="list-style-type: none"> <li>• iPod adapter power supply and ground circuits are malfunctioning.</li> <li>• AV communication circuits between camera control unit and iPod adapter are malfunctioning.</li> <li>• AV communication signal between AV control unit and iPod adapter is malfunctioning.</li> </ul>	<ul style="list-style-type: none"> <li>• iPod adapter power supply and ground circuits.</li> <li>• AV communication circuits between camera control unit and iPod adapter.</li> </ul>
<ul style="list-style-type: none"> <li>• AV COMM CIRCUIT [U1300]</li> <li>• REAR CAMERA LAN CONN [U1252]</li> <li>• iPod CONN [U1254]</li> </ul>	Malfunction is detected in AV communication circuits between BOSE amp. and camera control unit.	AV communication circuits between BOSE amp. and camera control unit.
<ul style="list-style-type: none"> <li>• AV COMM CIRCUIT [U1300]</li> <li>• AMP CONN [U124E]</li> <li>• REAR CAMERA LAN CONN [U1252]</li> <li>• iPod CONN [U1254]</li> </ul>	Without DVD player models <ul style="list-style-type: none"> <li>• Malfunction is detected in AV communication circuits between multifunction switch and BOSE amp. are malfunctioning.</li> </ul> With DVD player models <ul style="list-style-type: none"> <li>• Malfunction is detected in AV communication circuits between DVD player and BOSE amp. are malfunctioning.</li> </ul>	Without DVD player models <ul style="list-style-type: none"> <li>• AV communication circuits between multifunction switch and BOSE amp.</li> </ul> With DVD player models <ul style="list-style-type: none"> <li>• AV communication circuits between DVD player and BOSE amp.</li> </ul>
<ul style="list-style-type: none"> <li>• AV COMM CIRCUIT [U1300]</li> <li>• DVD DECK CONN [U1248]</li> <li>• AMP CONN [U124E]</li> <li>• REAR CAMERA LAN CONN [U1252]</li> <li>• iPod CONN [U1254]</li> </ul>	Malfunction is detected in AV communication circuits between multifunction switch and DVD player.	AV communication circuits between multifunction switch and DVD player.
Without DVD player models <ul style="list-style-type: none"> <li>• AV COMM CIRCUIT [U1300]</li> <li>• SWITCH CONN [U1240]</li> <li>• AMP CONN [U124E]</li> <li>• REAR CAMERA LAN CONN [U1252]</li> <li>• iPod CONN [U1254]</li> </ul>	Malfunction is detected in AV communication circuits between AV control unit and multifunction switch.	AV communication circuits between AV control unit and multifunction switch.
With DVD player models <ul style="list-style-type: none"> <li>• AV COMM CIRCUIT [U1300]</li> <li>• SWITCH CONN [U1240]</li> <li>• DVD DECK CONN [U1248]</li> <li>• AMP CONN [U124E]</li> <li>• REAR CAMERA LAN CONN [U1252]</li> <li>• iPod CONN [U1254]</li> </ul>		

# DIAGNOSIS SYSTEM (AV CONTROL UNIT)

< FUNCTION DIAGNOSIS >

[WITHOUT MOBILE ENTERTAINMENT SYSTEM]

Error item	Description	Possible malfunction factor/Action to take
Without DVD player models <ul style="list-style-type: none"> <li>• AV COMM CIRCUIT [U1300]</li> <li>• INTERNAL COMM [U121F]</li> <li>• SWITCH CONN [U1240]</li> <li>• AMP CONN [U124E]</li> <li>• REAR CAMERA LAN CONN [U1252]</li> <li>• IPod CONN [U1254]</li> </ul>	Malfunction is detected in AV communication circuits.	Check and repair the short circuit in AV communication circuits.
With DVD player models <ul style="list-style-type: none"> <li>• AV COMM CIRCUIT [U1300]</li> <li>• INTERNAL COMM [U121F]</li> <li>• SWITCH CONN [U1240]</li> <li>• DVD DECK CONN [U1248]</li> <li>• AMP CONN [U124E]</li> <li>• REAR CAMERA LAN CONN [U1252]</li> <li>• IPod CONN [U1254]</li> </ul>		

## DATA MONITOR

### ALL SIGNALS

- Displays the status of the following vehicle signals inputted into the AV control unit.
- For each signal, actual signal can be compared with the condition recognized on the system.

Display Item	Display	Vehicle status	Remarks	
VHCL SPD SIG	On	Vehicle speed >0 km/h (0 MPH)	Changes in indication may be delayed. This is normal.	
	Off	Vehicle speed =0 km/h (0 MPH)		
PKB SIG	On	Parking brake is applied.		
	Off	Parking brake is released.		
ILLUM SIG	On	Block the light beam from the auto light optical sensor when the light SW is ON.	—	
	Off	Expose the auto light optical sensor to light when the light SW is OFF or ON.		
IGN SIG	On	Ignition switch ON.		
	Off	Ignition switch in ACC position.		
REV SIG	On	Selector lever in R position.		Changes in indication may be delayed. This is normal.
	Off	Selector lever in any position other than R.		

### SELECTION FROM MENU

Allows the technician to select which vehicle signals should be displayed and displays the status of the selected vehicle signals.

Item to be selected	Description
VHCL SPD SIG	The same as when "ALL SIGNALS" is selected.
PKB SIG	
ILLUM SIG	
IGN SIG	
REV SIG	

# DIAGNOSIS SYSTEM (TEL ADAPTER UNIT)

< FUNCTION DIAGNOSIS >

[WITHOUT MOBILE ENTERTAINMENT SYSTEM]

## DIAGNOSIS SYSTEM (TEL ADAPTER UNIT)

### Diagnosis Description

INFOID:000000005350168

#### HANDS-FREE PHONE SYSTEM ON BOARD DIAGNOSIS

During on board diagnosis the diagnosis function of TEL adapter unit starts with the operation of the steering switch and performs the diagnosis when ignition switch ACC.

#### ON BOARD DIAGNOSIS ITEM

The on board diagnosis has 3 modes: the self-diagnosis mode that performs the trouble diagnosis, the speaker adaptation data deleting mode and the hands-free phone system initialization mode.

#### CAUTION:

- Perform the diagnosis with the vehicle stopped.
- Perform STEP2 if necessary.

STEP	MODE	Description
STEP1	Self-diagnosis	The self-diagnosis mode performs the microphone test and the diagnosis of TEL adapter unit, TEL antenna and steering unit, and then reads out the results with the sound and indicates them on the display.
STEP2	Speaker adaptation data deleting	The speaker adaptation data deleting mode can delete the speaker adaptation data.
	Hands-free phone system initialization	Hands-free phone system initialization mode can perform the initialization of hands-free phone system.

#### SELF-DIAGNOSIS RESULTS

Self-diagnosis mode reads out the self-diagnosis results and indicates DTC on the display.

#### NOTE:

- Error count is read out simultaneously when reading out the DTC name.
- The errors are read out continuously when some errors occur at the same time. The DTC displays are combined and displayed. For example, DTC 01100 is displayed when DTC 01000 and DTC 00100 are indicated at the same time.

#### Self-diagnosis results

DTC	DTC name	Possible causes
DTC 10000	INTERNAL FAILURE	TEL adapter unit
DTC 01000	ANT. SHORT TO BATT OR OPEN	TEL antenna
DTC 00100	ANT. SHORT TO GROUND	
DTC 00010	STEERING REMOTE BUTTON STUCK A	Steering switch
DTC 00001	STEERING REMOTE BUTTON STUCK B	
DTC 00000	THERE ARE NO FAILURE RECORDS TO REPORT	—

The details of error count

The error count guides "0" when the error occurs. The next time it counts up "1" if it is normal with the ignition switch ON. It continues the count up unless the initialization of hands-free phone system is performed.

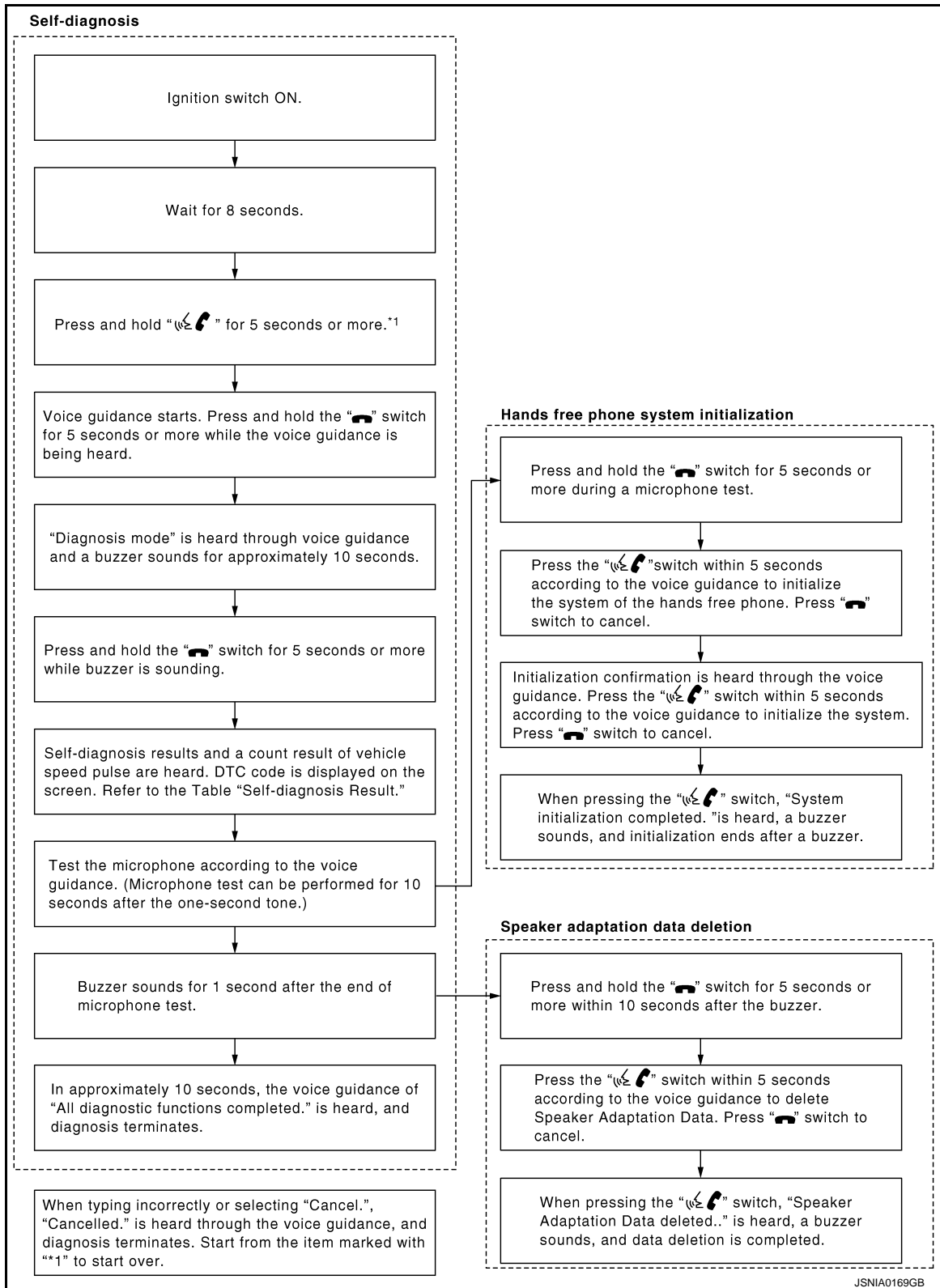


# DIAGNOSIS SYSTEM (TEL ADAPTER UNIT)

< FUNCTION DIAGNOSIS >

[WITHOUT MOBILE ENTERTAINMENT SYSTEM]

## FLOW CHART OF TROUBLE DIAGNOSIS



A  
B  
C  
D  
E  
F  
G  
H  
I  
J  
AV  
L  
M  
N  
O  
P

# U1000 CAN COMM CIRCUIT

< COMPONENT DIAGNOSIS >

[WITHOUT MOBILE ENTERTAINMENT SYSTEM]

## COMPONENT DIAGNOSIS

### U1000 CAN COMM CIRCUIT

#### Description

INFOID:000000005350169

CAN (Controller Area Network) is a serial communication line for real-time application. It is an on-vehicle multiplex communication line with high data communication speed and excellent error detection ability. Many electronic control units are equipped onto a vehicle, and each control unit shares information and links with other control units during operation (not independently). In CAN communication, control units are connected with 2 communication lines (CAN-H, CAN-L) allowing a high rate of information transmission with less wiring. Each control unit transmits/receives data but selectively reads required data only.

CAN Communication Signal Chart. Refer to [LAN-29, "CAN Communication Signal Chart"](#).

#### DTC Logic

INFOID:000000005350170

#### DTC DETECTION LOGIC

DTC	Display contents of CONSULT-III	Diagnostic item is detected when...	Probable malfunction location
U1000	CAN COMM CIRCUIT	AV control unit is not transmitting or receiving CAN communication signal for 2 seconds or more.	CAN communication system.

#### Diagnosis Procedure

INFOID:000000005350171

#### 1. PERFORM SELF-DIAGNOSTIC

1. Turn ignition switch ON and wait for 2 seconds or more.
2. Check "Self Diagnostic Result" of "MULTI AV".

Is "CAN COMM CIRCUIT" displayed?

- YES >> Refer to "LAN system". Refer to [LAN-20, "Trouble Diagnosis Flow Chart"](#).
- NO >> Refer to GI section. Refer to [GI-26, "How to Perform Efficient Diagnosis for an Electrical Incident"](#).

# U1010 CONTROL UNIT (CAN)

< COMPONENT DIAGNOSIS >

[WITHOUT MOBILE ENTERTAINMENT SYSTEM]

## U1010 CONTROL UNIT (CAN)

### Description

INFOID:000000005350172

Initial diagnosis of AV control unit.

### DTC Logic

INFOID:000000005350173

### DTC DETECTION LOGIC

DTC	Display contents of CONSULT-III	Diagnostic item is detected when...	Probable malfunction location
U1010	CONTROL UNIT (CAN)	CAN initial diagnosis malfunction is detected.	AV control unit.

### Diagnosis Procedure

INFOID:000000005350174

#### 1. REPLACE AV CONTROL UNIT

When DTC U1010 is detected, replace AV control unit.

>> INSPECTION END

A  
B  
C  
D  
E  
F  
G  
H  
I  
J  
L  
M  
N  
O  
P

AV

# U1310 AV CONTROL UNIT

< COMPONENT DIAGNOSIS >

[WITHOUT MOBILE ENTERTAINMENT SYSTEM]

## U1310 AV CONTROL UNIT

### WITHOUT NAVIGATION

#### WITHOUT NAVIGATION : Description

INFOID:000000005350175

Replace the AV control unit if this DTC is displayed. Refer to [AV-482, "Exploded View"](#).

Part name	Description
AV CONTROL UNIT	<ul style="list-style-type: none"><li>• It is the master unit of the MULTI AV system, and it is connected to each control unit by communication. It operates each system according to communication signals from the AV control unit.</li><li>• It is connected to ECM and unified meter and A/C amp. via CAN communication to obtain necessary information for the vehicle information function.</li><li>• It is connected to BCM via CAN communication transmitting/receiving for the vehicle settings function.</li><li>• It inputs the illumination signals that are required for the front display dimming control.</li><li>• It inputs the signals for driving status recognition (vehicle speed, reverse and parking brake).</li><li>• Auxiliary image and sound signal are input from the auxiliary input jacks.</li></ul>

#### WITHOUT NAVIGATION : DTC Logic

INFOID:000000005350176

DTC	Display contents of CONSULT-III	DTC Detection Condition	Action to take
U1310	CONTROL UNIT (AV) [U1310]	An initial diagnosis error is detected in AV communication circuit.	Replace AV control unit.

### WITH NAVIGATION

#### WITH NAVIGATION : Description

INFOID:000000005350177

Replace the AV control unit if this DTC is displayed. Refer to [AV-482, "Exploded View"](#).

Part name	Description
AV CONTROL UNIT	<ul style="list-style-type: none"><li>• Integrates hard disk drive (HDD) allowing map data and music data to be stored.</li><li>• It is the master unit of the MULTI AV system, and it is connected to each control unit by communication. It operates each system according to communication signals from the AV control unit.</li><li>• The AV control unit includes the audio, hands-free phone, voice control, navigation, satellite radio, and vehicle information functions.</li><li>• It is connected to ECM and unified meter and A/C amp. via CAN communication to obtain necessary information for the vehicle information function.</li><li>• It is connected to BCM via CAN communication transmitting/receiving for the vehicle settings function.</li><li>• It is connected to the steering angle sensor and receives the steering angle signal via CAN communication. It also transmits the steering angle signal to camera control unit via AV communication.</li><li>• It inputs the illumination signals that are required for the front display dimming control.</li><li>• It inputs the signals for driving status recognition (vehicle speed, reverse and parking brake).</li><li>• Update of map data is performed with the CONSULT-III and the applicable cable.</li><li>• It includes the TEL adapter and Bluetooth™ function.</li></ul>

#### WITH NAVIGATION : DTC Logic

INFOID:000000005350178

# U1310 AV CONTROL UNIT

< COMPONENT DIAGNOSIS >

[WITHOUT MOBILE ENTERTAINMENT SYSTEM]

DTC	Display contents of CONSULT-III	DTC Detection Condition	Action to take
U1310	CONTROL UNIT (AV) [U1310]	An initial diagnosis error is detected in AV communication circuit.	Replace AV control unit.

A

B

C

D

E

F

G

H

I

J

AV

L

M

N

O

P

# U1200 AV CONTROL UNIT

< COMPONENT DIAGNOSIS >

[WITHOUT MOBILE ENTERTAINMENT SYSTEM]

## U1200 AV CONTROL UNIT WITHOUT NAVIGATION

### WITHOUT NAVIGATION : Description

INFOID:000000005350179

Replace the AV control unit if this DTC is displayed. Refer to [AV-482, "Exploded View"](#).

Part name	Description
AV CONTROL UNIT	<ul style="list-style-type: none"> <li>It is the master unit of the MULTI AV system, and it is connected to each control unit by communication. It operates each system according to communication signals from the AV control unit.</li> <li>It is connected to ECM and unified meter and A/C amp. via CAN communication to obtain necessary information for the vehicle information function.</li> <li>It is connected to BCM via CAN communication transmitting/receiving for the vehicle settings function.</li> <li>It inputs the illumination signals that are required for the front display dimming control.</li> <li>It inputs the signals for driving status recognition (vehicle speed, reverse and parking brake).</li> <li>Auxiliary image and sound signal are input from the auxiliary input jacks.</li> </ul>

### WITHOUT NAVIGATION : DTC Logic

INFOID:000000005350180

DTC	Display contents of CONSULT-III	DTC Detection Condition	Action to take
U1200	Cont Unit FLASH- ROM [U1200]	An internal malfunction is detected in AV control unit (FLASH-ROM).	Replace AV control unit.

## WITH NAVIGATION

### WITH NAVIGATION : Description

INFOID:000000005350181

Replace the AV control unit if this DTC is displayed. Refer to [AV-482, "Exploded View"](#).

Part name	Description
AV CONTROL UNIT	<ul style="list-style-type: none"> <li>Integrates hard disk drive (HDD) allowing map data and music data to be stored.</li> <li>It is the master unit of the MULTI AV system, and it is connected to each control unit by communication. It operates each system according to communication signals from the AV control unit.</li> <li>The AV control unit includes the audio, hands-free phone, voice control, navigation, satellite radio, and vehicle information functions.</li> <li>It is connected to ECM and unified meter and A/C amp. via CAN communication to obtain necessary information for the vehicle information function.</li> <li>It is connected to BCM via CAN communication transmitting/receiving for the vehicle settings function.</li> <li>It is connected to the steering angle sensor and receives the steering angle signal via CAN communication. It also transmits the steering angle signal to camera control unit via AV communication.</li> <li>It inputs the illumination signals that are required for the front display dimming control.</li> <li>It inputs the signals for driving status recognition (vehicle speed, reverse and parking brake).</li> <li>Update of map data is performed with the CONSULT-III and the applicable cable.</li> <li>It includes the TEL adapter and Bluetooth™ function.</li> </ul>

### WITH NAVIGATION : DTC Logic

INFOID:000000005350182

# U1200 AV CONTROL UNIT

< COMPONENT DIAGNOSIS >

[WITHOUT MOBILE ENTERTAINMENT SYSTEM]

DTC	Display contents of CONSULT-III	DTC Detection Condition	Action to take
U1200	Cont Unit FLASH-ROM [U1200]	An internal malfunction is detected in AV control unit (FLASH-ROM).	Replace AV control unit.

A

B

C

D

E

F

G

H

I

J

AV

L

M

N

O

P

# U1201 AV CONTROL UNIT

< COMPONENT DIAGNOSIS >

[WITHOUT MOBILE ENTERTAINMENT SYSTEM]

## U1201 AV CONTROL UNIT

### Description

INFOID:000000005350183

Replace the AV control unit if this DTC is displayed. Refer to [AV-482. "Exploded View"](#).

Part name	Description
AV CONTROL UNIT	<ul style="list-style-type: none"><li>• Integrates hard disk drive (HDD) allowing map data and music data to be stored.</li><li>• It is the master unit of the MULTI AV system, and it is connected to each control unit by communication. It operates each system according to communication signals from the AV control unit.</li><li>• The AV control unit includes the audio, hands-free phone, voice control, navigation, satellite radio, and vehicle information functions.</li><li>• It is connected to ECM and unified meter and A/C amp. via CAN communication to obtain necessary information for the vehicle information function.</li><li>• It is connected to BCM via CAN communication transmitting/receiving for the vehicle settings function.</li><li>• It is connected to the steering angle sensor and receives the steering angle signal via CAN communication. It also transmits the steering angle signal to camera control unit via AV communication.</li><li>• It inputs the illumination signals that are required for the front display dimming control.</li><li>• It inputs the signals for driving status recognition (vehicle speed, reverse and parking brake).</li><li>• Update of map data is performed with the CONSULT-III and the applicable cable.</li><li>• It includes the TEL adapter and Bluetooth™ function.</li></ul>

### DTC Logic

INFOID:000000005350184

DTC	Display contents of CONSULT-III	DTC Detection Condition	Action to take
U1201	GYRO NO CONN [U1201]	Internal malfunction of AV control unit (gyrocompass disconnection) is detected.	Replace AV control unit.



# U1216 AV CONTROL UNIT

[WITHOUT MOBILE ENTERTAINMENT SYSTEM]

< COMPONENT DIAGNOSIS >

## U1216 AV CONTROL UNIT WITHOUT NAVIGATION

### WITHOUT NAVIGATION : Description

INFOID:000000005350185

Replace the AV control unit if this DTC is displayed. Refer to [AV-482, "Exploded View"](#).

Part name	Description
AV CONTROL UNIT	<ul style="list-style-type: none"> <li>It is the master unit of the MULTI AV system, and it is connected to each control unit by communication. It operates each system according to communication signals from the AV control unit.</li> <li>It is connected to ECM and unified meter and A/C amp. via CAN communication to obtain necessary information for the vehicle information function.</li> <li>It is connected to BCM via CAN communication transmitting/receiving for the vehicle settings function.</li> <li>It inputs the illumination signals that are required for the front display dimming control.</li> <li>It inputs the signals for driving status recognition (vehicle speed, reverse and parking brake).</li> <li>Auxiliary image and sound signal are input from the auxiliary input jacks.</li> </ul>

### WITHOUT NAVIGATION : DTC Logic

INFOID:000000005350186

DTC	Display contents of CONSULT-III	DTC Detection Condition	Action to take
U1216	CAN CONT [U1216]	Internal malfunction of AV control unit (CAN controller) is detected.	Replace AV control unit.

## WITH NAVIGATION

### WITH NAVIGATION : Description

INFOID:000000005350187

Replace the AV control unit if this DTC is displayed. Refer to [AV-482, "Exploded View"](#).

Part name	Description
AV CONTROL UNIT	<ul style="list-style-type: none"> <li>Integrates hard disk drive (HDD) allowing map data and music data to be stored.</li> <li>It is the master unit of the MULTI AV system, and it is connected to each control unit by communication. It operates each system according to communication signals from the AV control unit.</li> <li>The AV control unit includes the audio, hands-free phone, voice control, navigation, satellite radio, and vehicle information functions.</li> <li>It is connected to ECM and unified meter and A/C amp. via CAN communication to obtain necessary information for the vehicle information function.</li> <li>It is connected to BCM via CAN communication transmitting/receiving for the vehicle settings function.</li> <li>It is connected to the steering angle sensor and receives the steering angle signal via CAN communication. It also transmits the steering angle signal to camera control unit via AV communication.</li> <li>It inputs the illumination signals that are required for the front display dimming control.</li> <li>It inputs the signals for driving status recognition (vehicle speed, reverse and parking brake).</li> <li>Update of map data is performed with the CONSULT-III and the applicable cable.</li> <li>It includes the TEL adapter and Bluetooth™ function.</li> </ul>

### WITH NAVIGATION : DTC Logic

INFOID:000000005350188

# U1216 AV CONTROL UNIT

[WITHOUT MOBILE ENTERTAINMENT SYSTEM]

< COMPONENT DIAGNOSIS >

DTC	Display contents of CONSULT-III	DTC Detection Condition	Action to take
U1216	CAN CONT [U1216]	Internal malfunction of AV control unit (CAN controller) is detected.	Replace AV control unit.

# U1217 AV CONTROL UNIT

< COMPONENT DIAGNOSIS >

[WITHOUT MOBILE ENTERTAINMENT SYSTEM]

## U1217 AV CONTROL UNIT

### Description

INFOID:000000005350189

Replace the AV control unit if this DTC is displayed. Refer to [AV-482. "Exploded View"](#).

Part name	Description
AV CONTROL UNIT	<ul style="list-style-type: none"> <li>Integrates hard disk drive (HDD) allowing map data and music data to be stored.</li> <li>It is the master unit of the MULTI AV system, and it is connected to each control unit by communication. It operates each system according to communication signals from the AV control unit.</li> <li>The AV control unit includes the audio, hands-free phone, voice control, navigation, satellite radio, and vehicle information functions.</li> <li>It is connected to ECM and unified meter and A/C amp. via CAN communication to obtain necessary information for the vehicle information function.</li> <li>It is connected to BCM via CAN communication transmitting/receiving for the vehicle settings function.</li> <li>It is connected to the steering angle sensor and receives the steering angle signal via CAN communication. It also transmits the steering angle signal to camera control unit via AV communication.</li> <li>It inputs the illumination signals that are required for the front display dimming control.</li> <li>It inputs the signals for driving status recognition (vehicle speed, reverse and parking brake).</li> <li>Update of map data is performed with the CONSULT-III and the applicable cable.</li> <li>It includes the TEL adapter and Bluetooth™ function.</li> </ul>

### DTC Logic

INFOID:000000005350190

DTC	Display contents of CONSULT-III	DTC Detection Condition	Action to take
U1217	BLUETOOTH MODULE CONN [U1217]	Internal malfunction of AV control unit (Bluetooth module connection malfunction) is detected.	Replace AV control unit.

A  
B  
C  
D  
E  
F  
G  
H  
I  
J  
L  
M  
N  
O  
P

AV

# U1218 AV CONTROL UNIT

< COMPONENT DIAGNOSIS >

[WITHOUT MOBILE ENTERTAINMENT SYSTEM]

## U1218 AV CONTROL UNIT

### Description

INFOID:000000005350191

Replace the AV control unit if this DTC is displayed. Refer to [AV-482. "Exploded View"](#).

Part name	Description
AV CONTROL UNIT	<ul style="list-style-type: none"><li>• Integrates hard disk drive (HDD) allowing map data and music data to be stored.</li><li>• It is the master unit of the MULTI AV system, and it is connected to each control unit by communication. It operates each system according to communication signals from the AV control unit.</li><li>• The AV control unit includes the audio, hands-free phone, voice control, navigation, satellite radio, and vehicle information functions.</li><li>• It is connected to ECM and unified meter and A/C amp. via CAN communication to obtain necessary information for the vehicle information function.</li><li>• It is connected to BCM via CAN communication transmitting/receiving for the vehicle settings function.</li><li>• It is connected to the steering angle sensor and receives the steering angle signal via CAN communication. It also transmits the steering angle signal to camera control unit via AV communication.</li><li>• It inputs the illumination signals that are required for the front display dimming control.</li><li>• It inputs the signals for driving status recognition (vehicle speed, reverse and parking brake).</li><li>• Update of map data is performed with the CONSULT-III and the applicable cable.</li><li>• It includes the TEL adapter and Bluetooth™ function.</li></ul>

### DTC Logic

INFOID:000000005350192

DTC	Display contents of CONSULT-III	DTC Detection Condition	Action to take
U1218	HDD-CONN [U1218]	Internal malfunction of AV control unit (HDD connection malfunction) is detected.	Replace AV control unit.

# U1219 AV CONTROL UNIT

< COMPONENT DIAGNOSIS >

[WITHOUT MOBILE ENTERTAINMENT SYSTEM]

## U1219 AV CONTROL UNIT

### Description

INFOID:000000005350193

Replace the AV control unit if this DTC is displayed. Refer to [AV-482. "Exploded View"](#).

Part name	Description
AV CONTROL UNIT	<ul style="list-style-type: none"> <li>Integrates hard disk drive (HDD) allowing map data and music data to be stored.</li> <li>It is the master unit of the MULTI AV system, and it is connected to each control unit by communication. It operates each system according to communication signals from the AV control unit.</li> <li>The AV control unit includes the audio, hands-free phone, voice control, navigation, satellite radio, and vehicle information functions.</li> <li>It is connected to ECM and unified meter and A/C amp. via CAN communication to obtain necessary information for the vehicle information function.</li> <li>It is connected to BCM via CAN communication transmitting/receiving for the vehicle settings function.</li> <li>It is connected to the steering angle sensor and receives the steering angle signal via CAN communication. It also transmits the steering angle signal to camera control unit via AV communication.</li> <li>It inputs the illumination signals that are required for the front display dimming control.</li> <li>It inputs the signals for driving status recognition (vehicle speed, reverse and parking brake).</li> <li>Update of map data is performed with the CONSULT-III and the applicable cable.</li> <li>It includes the TEL adapter and Bluetooth™ function.</li> </ul>

### DTC Logic

INFOID:000000005350194

DTC	Display contents of CONSULT-III	DTC Detection Condition	Action to take
U1219	HDD-READ [U1219]	Internal malfunction of AV control unit (HDD read malfunction) is detected.	Replace AV control unit.

A  
B  
C  
D  
E  
F  
G  
H  
I  
J  
L  
M  
N  
O  
P

AV

# U1220 AV CONTROL UNIT

< COMPONENT DIAGNOSIS >

[WITHOUT MOBILE ENTERTAINMENT SYSTEM]

## U1220 AV CONTROL UNIT

### Description

INFOID:000000005350195

Replace the AV control unit if this DTC is displayed. Refer to [AV-482. "Exploded View"](#).

Part name	Description
AV CONTROL UNIT	<ul style="list-style-type: none"><li>• Integrates hard disk drive (HDD) allowing map data and music data to be stored.</li><li>• It is the master unit of the MULTI AV system, and it is connected to each control unit by communication. It operates each system according to communication signals from the AV control unit.</li><li>• The AV control unit includes the audio, hands-free phone, voice control, navigation, satellite radio, and vehicle information functions.</li><li>• It is connected to ECM and unified meter and A/C amp. via CAN communication to obtain necessary information for the vehicle information function.</li><li>• It is connected to BCM via CAN communication transmitting/receiving for the vehicle settings function.</li><li>• It is connected to the steering angle sensor and receives the steering angle signal via CAN communication. It also transmits the steering angle signal to camera control unit via AV communication.</li><li>• It inputs the illumination signals that are required for the front display dimming control.</li><li>• It inputs the signals for driving status recognition (vehicle speed, reverse and parking brake).</li><li>• Update of map data is performed with the CONSULT-III and the applicable cable.</li><li>• It includes the TEL adapter and Bluetooth™ function.</li></ul>

### DTC Logic

INFOID:000000005350196

DTC	Display contents of CONSULT-III	DTC Detection Condition	Action to take
U1220	XM SERIAL COMM [U1220]	Internal malfunction of AV control unit (satellite radio tuner communication error) is detected.	Replace AV control unit.

# U121A AV CONTROL UNIT

< COMPONENT DIAGNOSIS >

[WITHOUT MOBILE ENTERTAINMENT SYSTEM]

## U121A AV CONTROL UNIT

### Description

INFOID:000000005350197

Replace the AV control unit if this DTC is displayed. Refer to [AV-482. "Exploded View"](#).

Part name	Description
AV CONTROL UNIT	<ul style="list-style-type: none"> <li>Integrates hard disk drive (HDD) allowing map data and music data to be stored.</li> <li>It is the master unit of the MULTI AV system, and it is connected to each control unit by communication. It operates each system according to communication signals from the AV control unit.</li> <li>The AV control unit includes the audio, hands-free phone, voice control, navigation, satellite radio, and vehicle information functions.</li> <li>It is connected to ECM and unified meter and A/C amp. via CAN communication to obtain necessary information for the vehicle information function.</li> <li>It is connected to BCM via CAN communication transmitting/receiving for the vehicle settings function.</li> <li>It is connected to the steering angle sensor and receives the steering angle signal via CAN communication. It also transmits the steering angle signal to camera control unit via AV communication.</li> <li>It inputs the illumination signals that are required for the front display dimming control.</li> <li>It inputs the signals for driving status recognition (vehicle speed, reverse and parking brake).</li> <li>Update of map data is performed with the CONSULT-III and the applicable cable.</li> <li>It includes the TEL adapter and Bluetooth™ function.</li> </ul>

### DTC Logic

INFOID:000000005350198

DTC	Display contents of CONSULT-III	DTC Detection Condition	Action to take
U121A	HDD-WRITE [U121A]	Internal malfunction of AV control unit (HDD write malfunction) is detected.	Replace AV control unit.

A  
B  
C  
D  
E  
F  
G  
H  
I  
J  
L  
M  
N  
O  
P

AV

# U121B AV CONTROL UNIT

< COMPONENT DIAGNOSIS >

[WITHOUT MOBILE ENTERTAINMENT SYSTEM]

## U121B AV CONTROL UNIT

### Description

INFOID:000000005350199

Replace the AV control unit if this DTC is displayed. Refer to [AV-482. "Exploded View"](#).

Part name	Description
AV CONTROL UNIT	<ul style="list-style-type: none"><li>• Integrates hard disk drive (HDD) allowing map data and music data to be stored.</li><li>• It is the master unit of the MULTI AV system, and it is connected to each control unit by communication. It operates each system according to communication signals from the AV control unit.</li><li>• The AV control unit includes the audio, hands-free phone, voice control, navigation, satellite radio, and vehicle information functions.</li><li>• It is connected to ECM and unified meter and A/C amp. via CAN communication to obtain necessary information for the vehicle information function.</li><li>• It is connected to BCM via CAN communication transmitting/receiving for the vehicle settings function.</li><li>• It is connected to the steering angle sensor and receives the steering angle signal via CAN communication. It also transmits the steering angle signal to camera control unit via AV communication.</li><li>• It inputs the illumination signals that are required for the front display dimming control.</li><li>• It inputs the signals for driving status recognition (vehicle speed, reverse and parking brake).</li><li>• Update of map data is performed with the CONSULT-III and the applicable cable.</li><li>• It includes the TEL adapter and Bluetooth™ function.</li></ul>

### DTC Logic

INFOID:000000005350200

DTC	Display contents of CONSULT-III	DTC Detection Condition	Action to take
U121B	HDD-COMM [U121B]	Internal malfunction of AV control unit (HDD communication error) is detected.	Replace AV control unit.



# U121C AV CONTROL UNIT

< COMPONENT DIAGNOSIS >

[WITHOUT MOBILE ENTERTAINMENT SYSTEM]

## U121C AV CONTROL UNIT

### Description

INFOID:000000005350201

Replace the AV control unit if this DTC is displayed. Refer to [AV-482. "Exploded View"](#).

Part name	Description
AV CONTROL UNIT	<ul style="list-style-type: none"> <li>Integrates hard disk drive (HDD) allowing map data and music data to be stored.</li> <li>It is the master unit of the MULTI AV system, and it is connected to each control unit by communication. It operates each system according to communication signals from the AV control unit.</li> <li>The AV control unit includes the audio, hands-free phone, voice control, navigation, satellite radio, and vehicle information functions.</li> <li>It is connected to ECM and unified meter and A/C amp. via CAN communication to obtain necessary information for the vehicle information function.</li> <li>It is connected to BCM via CAN communication transmitting/receiving for the vehicle settings function.</li> <li>It is connected to the steering angle sensor and receives the steering angle signal via CAN communication. It also transmits the steering angle signal to camera control unit via AV communication.</li> <li>It inputs the illumination signals that are required for the front display dimming control.</li> <li>It inputs the signals for driving status recognition (vehicle speed, reverse and parking brake).</li> <li>Update of map data is performed with the CONSULT-III and the applicable cable.</li> <li>It includes the TEL adapter and Bluetooth™ function.</li> </ul>

### DTC Logic

INFOID:000000005350202

DTC	Display contents of CONSULT-III	DTC Detection Condition	Action to take
U121C	HDD-ACCESS [U121C]	Internal malfunction of AV control unit (HDD access error) is detected.	Replace AV control unit.

A  
B  
C  
D  
E  
F  
G  
H  
I  
J  
L  
M  
N  
O  
P



# U121D AV CONTROL UNIT

< COMPONENT DIAGNOSIS >

[WITHOUT MOBILE ENTERTAINMENT SYSTEM]

## U121D AV CONTROL UNIT

### Description

INFOID:000000005350203

Replace the AV control unit if this DTC is displayed. Refer to [AV-482. "Exploded View"](#).

Part name	Description
AV CONTROL UNIT	<ul style="list-style-type: none"><li>• Integrates hard disk drive (HDD) allowing map data and music data to be stored.</li><li>• It is the master unit of the MULTI AV system, and it is connected to each control unit by communication. It operates each system according to communication signals from the AV control unit.</li><li>• The AV control unit includes the audio, hands-free phone, voice control, navigation, satellite radio, and vehicle information functions.</li><li>• It is connected to ECM and unified meter and A/C amp. via CAN communication to obtain necessary information for the vehicle information function.</li><li>• It is connected to BCM via CAN communication transmitting/receiving for the vehicle settings function.</li><li>• It is connected to the steering angle sensor and receives the steering angle signal via CAN communication. It also transmits the steering angle signal to camera control unit via AV communication.</li><li>• It inputs the illumination signals that are required for the front display dimming control.</li><li>• It inputs the signals for driving status recognition (vehicle speed, reverse and parking brake).</li><li>• Update of map data is performed with the CONSULT-III and the applicable cable.</li><li>• It includes the TEL adapter and Bluetooth™ function.</li></ul>

### DTC Logic

INFOID:000000005350204

DTC	Display contents of CONSULT-III	DTC Detection Condition	Action to take
U121D	DSP CONN [U121D]	Internal malfunction of AV control unit (DSP connection error) is detected.	Replace AV control unit.

# U121E AV CONTROL UNIT

< COMPONENT DIAGNOSIS >

[WITHOUT MOBILE ENTERTAINMENT SYSTEM]

## U121E AV CONTROL UNIT

### Description

INFOID:000000005350205

Replace the AV control unit if this DTC is displayed. Refer to [AV-482. "Exploded View"](#).

Part name	Description
AV CONTROL UNIT	<ul style="list-style-type: none"> <li>Integrates hard disk drive (HDD) allowing map data and music data to be stored.</li> <li>It is the master unit of the MULTI AV system, and it is connected to each control unit by communication. It operates each system according to communication signals from the AV control unit.</li> <li>The AV control unit includes the audio, hands-free phone, voice control, navigation, satellite radio, and vehicle information functions.</li> <li>It is connected to ECM and unified meter and A/C amp. via CAN communication to obtain necessary information for the vehicle information function.</li> <li>It is connected to BCM via CAN communication transmitting/receiving for the vehicle settings function.</li> <li>It is connected to the steering angle sensor and receives the steering angle signal via CAN communication. It also transmits the steering angle signal to camera control unit via AV communication.</li> <li>It inputs the illumination signals that are required for the front display dimming control.</li> <li>It inputs the signals for driving status recognition (vehicle speed, reverse and parking brake).</li> <li>Update of map data is performed with the CONSULT-III and the applicable cable.</li> <li>It includes the TEL adapter and Bluetooth™ function.</li> </ul>

### DTC Logic

INFOID:000000005350206

DTC	Display contents of CONSULT-III	DTC Detection Condition	Action to take
U121E	DSP COMM [U121E]	Internal malfunction of AV control unit (DSP communication error) is detected.	Replace AV control unit.

A  
B  
C  
D  
E  
F  
G  
H  
I  
J  
L  
M  
N  
O  
P



# U121F AV CONTROL UNIT

< COMPONENT DIAGNOSIS >

[WITHOUT MOBILE ENTERTAINMENT SYSTEM]

## U121F AV CONTROL UNIT

### Description

INFOID:000000005350207

Replace the AV control unit if this DTC is displayed. Refer to [AV-482. "Exploded View"](#).

Part name	Description
AV CONTROL UNIT	<ul style="list-style-type: none"><li>• Integrates hard disk drive (HDD) allowing map data and music data to be stored.</li><li>• It is the master unit of the MULTI AV system, and it is connected to each control unit by communication. It operates each system according to communication signals from the AV control unit.</li><li>• The AV control unit includes the audio, hands-free phone, voice control, navigation, satellite radio, and vehicle information functions.</li><li>• It is connected to ECM and unified meter and A/C amp. via CAN communication to obtain necessary information for the vehicle information function.</li><li>• It is connected to BCM via CAN communication transmitting/receiving for the vehicle settings function.</li><li>• It is connected to the steering angle sensor and receives the steering angle signal via CAN communication. It also transmits the steering angle signal to camera control unit via AV communication.</li><li>• It inputs the illumination signals that are required for the front display dimming control.</li><li>• It inputs the signals for driving status recognition (vehicle speed, reverse and parking brake).</li><li>• Update of map data is performed with the CONSULT-III and the applicable cable.</li><li>• It includes the TEL adapter and Bluetooth™ function.</li></ul>

### DTC Logic

INFOID:000000005350208

DTC	Display contents of CONSULT-III	DTC Detection Condition	Action to take
U121F	INTERNAL COMM [U121F]	Malfunction is detected in AV control unit power supply and ground circuits.	Check AV control unit power supply and ground circuits. When detecting no malfunction in those components, replace AV control unit.

### Diagnosis Procedure

INFOID:000000005350209

#### 1. CHECK AV CONTROL UNIT POWER SUPPLY AND GROUND CIRCUIT

Check AV control unit power supply and ground circuit. Refer to [AV-113. "AV CONTROL UNIT : Diagnosis Procedure"](#).

Is the inspection result normal?

- YES >> INSPECTION END  
NO >> Repair or replace malfunctioning parts.

# U1204 GPS

[WITHOUT MOBILE ENTERTAINMENT SYSTEM]

< COMPONENT DIAGNOSIS >

## U1204 GPS

### Description

INFOID:000000005350210

Replace the AV control unit if this DTC is displayed. Refer to [AV-482. "Exploded View"](#).

Part name	Description
AV CONTROL UNIT	<ul style="list-style-type: none"><li>Integrates hard disk drive (HDD) allowing map data and music data to be stored.</li><li>It is the master unit of the MULTI AV system, and it is connected to each control unit by communication. It operates each system according to communication signals from the AV control unit.</li><li>The AV control unit includes the audio, hands-free phone, voice control, navigation, satellite radio, and vehicle information functions.</li><li>It is connected to ECM and unified meter and A/C amp. via CAN communication to obtain necessary information for the vehicle information function.</li><li>It is connected to BCM via CAN communication transmitting/receiving for the vehicle settings function.</li><li>It is connected to the steering angle sensor and receives the steering angle signal via CAN communication. It also transmits the steering angle signal to camera control unit via AV communication.</li><li>It inputs the illumination signals that are required for the front display dimming control.</li><li>It inputs the signals for driving status recognition (vehicle speed, reverse and parking brake).</li><li>Update of map data is performed with the CONSULT-III and the applicable cable.</li><li>It includes the TEL adapter and Bluetooth™ function.</li></ul>

### DTC Logic

INFOID:000000005350211

DTC	Display contents of CONSULT-III	DTC Detection Condition	Action to take
U1204	GPS CONN [U1204]	Internal malfunction of AV control unit (GPS malfunction) is detected.	Replace AV control unit.

### Diagnosis Procedure

INFOID:000000005350212

#### 1. PERFORM THE SELF-DIAGNOSIS

- Delete the self-diagnosis results. Turn ignition switch OFF.
- Turn ignition switch ON. Perform the self-diagnosis again.
- Check that the DTC is detected again.

#### Is any DTC detected?

- YES >> Replace AV control unit.  
NO >> The intermittent malfunction caused by strong radio interference can be detected.

# U1205 GPS

[WITHOUT MOBILE ENTERTAINMENT SYSTEM]

< COMPONENT DIAGNOSIS >

## U1205 GPS

### Description

INFOID:000000005350213

Replace the AV control unit if this DTC is displayed. Refer to [AV-482. "Exploded View"](#).

Part name	Description
AV CONTROL UNIT	<ul style="list-style-type: none"><li>• Integrates hard disk drive (HDD) allowing map data and music data to be stored.</li><li>• It is the master unit of the MULTI AV system, and it is connected to each control unit by communication. It operates each system according to communication signals from the AV control unit.</li><li>• The AV control unit includes the audio, hands-free phone, voice control, navigation, satellite radio, and vehicle information functions.</li><li>• It is connected to ECM and unified meter and A/C amp. via CAN communication to obtain necessary information for the vehicle information function.</li><li>• It is connected to BCM via CAN communication transmitting/receiving for the vehicle settings function.</li><li>• It is connected to the steering angle sensor and receives the steering angle signal via CAN communication. It also transmits the steering angle signal to camera control unit via AV communication.</li><li>• It inputs the illumination signals that are required for the front display dimming control.</li><li>• It inputs the signals for driving status recognition (vehicle speed, reverse and parking brake).</li><li>• Update of map data is performed with the CONSULT-III and the applicable cable.</li><li>• It includes the TEL adapter and Bluetooth™ function.</li></ul>

### DTC Logic

INFOID:000000005350214

DTC	Display contents of CONSULT-III	DTC Detection Condition	Action to take
U1205	GPS ROM [U1205]	Internal malfunction of AV control unit (GPS malfunction) is detected.	Replace AV control unit.

### Diagnosis Procedure

INFOID:000000005350215

#### 1. PERFORM THE SELF-DIAGNOSIS

1. Delete the self-diagnosis results. Turn ignition switch OFF.
2. Turn ignition switch ON. Perform the self-diagnosis again.
3. Check that the DTC is detected again.

#### Is any DTC detected?

- YES >> Replace AV control unit.  
NO >> The intermittent malfunction caused by strong radio interference can be detected.

# U1206 GPS

[WITHOUT MOBILE ENTERTAINMENT SYSTEM]

< COMPONENT DIAGNOSIS >

## U1206 GPS

### Description

INFOID:000000005350216

Replace the AV control unit if this DTC is displayed. Refer to [AV-482. "Exploded View"](#).

Part name	Description
AV CONTROL UNIT	<ul style="list-style-type: none"><li>Integrates hard disk drive (HDD) allowing map data and music data to be stored.</li><li>It is the master unit of the MULTI AV system, and it is connected to each control unit by communication. It operates each system according to communication signals from the AV control unit.</li><li>The AV control unit includes the audio, hands-free phone, voice control, navigation, satellite radio, and vehicle information functions.</li><li>It is connected to ECM and unified meter and A/C amp. via CAN communication to obtain necessary information for the vehicle information function.</li><li>It is connected to BCM via CAN communication transmitting/receiving for the vehicle settings function.</li><li>It is connected to the steering angle sensor and receives the steering angle signal via CAN communication. It also transmits the steering angle signal to camera control unit via AV communication.</li><li>It inputs the illumination signals that are required for the front display dimming control.</li><li>It inputs the signals for driving status recognition (vehicle speed, reverse and parking brake).</li><li>Update of map data is performed with the CONSULT-III and the applicable cable.</li><li>It includes the TEL adapter and Bluetooth™ function.</li></ul>

### DTC Logic

INFOID:000000005350217

DTC	Display contents of CONSULT-III	DTC Detection Condition	Action to take
U1206	GPS RAM [U1206]	Internal malfunction of AV control unit (GPS malfunction) is detected.	Replace AV control unit.

### Diagnosis Procedure

INFOID:000000005350218

#### 1. PERFORM THE SELF-DIAGNOSIS

- Delete the self-diagnosis results. Turn ignition switch OFF.
- Turn ignition switch ON. Perform the self-diagnosis again.
- Check that the DTC is detected again.

#### Is any DTC detected?

- YES >> Replace AV control unit.  
NO >> The intermittent malfunction caused by strong radio interference can be detected.

# U1207 GPS

[WITHOUT MOBILE ENTERTAINMENT SYSTEM]

< COMPONENT DIAGNOSIS >

## U1207 GPS

### Description

INFOID:000000005350219

Replace the AV control unit if this DTC is displayed. Refer to [AV-482. "Exploded View"](#).

Part name	Description
AV CONTROL UNIT	<ul style="list-style-type: none"><li>Integrates hard disk drive (HDD) allowing map data and music data to be stored.</li><li>It is the master unit of the MULTI AV system, and it is connected to each control unit by communication. It operates each system according to communication signals from the AV control unit.</li><li>The AV control unit includes the audio, hands-free phone, voice control, navigation, satellite radio, and vehicle information functions.</li><li>It is connected to ECM and unified meter and A/C amp. via CAN communication to obtain necessary information for the vehicle information function.</li><li>It is connected to BCM via CAN communication transmitting/receiving for the vehicle settings function.</li><li>It is connected to the steering angle sensor and receives the steering angle signal via CAN communication. It also transmits the steering angle signal to camera control unit via AV communication.</li><li>It inputs the illumination signals that are required for the front display dimming control.</li><li>It inputs the signals for driving status recognition (vehicle speed, reverse and parking brake).</li><li>Update of map data is performed with the CONSULT-III and the applicable cable.</li><li>It includes the TEL adapter and Bluetooth™ function.</li></ul>

### DTC Logic

INFOID:000000005350220

DTC	Display contents of CONSULT-III	DTC Detection Condition	Action to take
U1207	GPS RTC [U1207]	Internal malfunction of AV control unit (GPS malfunction) is detected.	Replace AV control unit.

### Diagnosis Procedure

INFOID:000000005350221

#### 1. PERFORM THE SELF-DIAGNOSIS

- Delete the self-diagnosis results. Turn ignition switch OFF.
- Turn ignition switch ON. Perform the self-diagnosis again.
- Check that the DTC is detected again.

#### Is any DTC detected?

- YES >> Replace AV control unit.  
NO >> The intermittent malfunction caused by strong radio interference can be detected.



# U1243 DISPLAY UNIT

[WITHOUT MOBILE ENTERTAINMENT SYSTEM]

< COMPONENT DIAGNOSIS >

## U1243 DISPLAY UNIT WITHOUT NAVIGATION

WITHOUT NAVIGATION : Description

INFOID:000000005350222

Part name	Description
FRONT DISPLAY UNIT	<ul style="list-style-type: none"><li>• Front display image is controlled by the serial communication from AV control unit.</li><li>• RGB image signal is input from AV control unit (RGB, RGB area and RGB synchronizing).</li><li>• Synchronize signal (HP, VP) is output to AV control unit.</li><li>• Auxiliary image signal is input from AV control unit.</li></ul>

WITHOUT NAVIGATION : DTC Logic

INFOID:000000005350223

DTC	Display contents of CONSULT-III	DTC Detection Condition	Possible causes
U1243	FRONT DISP CONN [U1243]	When either one of the following item is detected: <ul style="list-style-type: none"><li>• front display unit power supply and ground circuits are malfunctioning.</li><li>• serial communication circuits between AV control unit and front display unit are malfunctioning.</li><li>• serial communication signal between AV control unit and front display unit is malfunctioning.</li></ul>	<ul style="list-style-type: none"><li>• Front display unit power supply and ground circuits.</li><li>• Serial communication circuits between AV control unit and front display unit.</li></ul>

WITHOUT NAVIGATION : Diagnosis Procedure

INFOID:000000005350224

### 1. CHECK FRONT DISPLAY UNIT POWER SUPPLY AND GROUND CIRCUIT

Check front display unit power supply and ground circuit. Refer to [AV-114. "FRONT DISPLAY UNIT : Diagnosis Procedure"](#).

Is the inspection result normal?

YES >> GO TO 2.

NO >> Repair malfunctioning parts.

### 2. CHECK CONTINUITY COMMUNICATION CIRCUIT

1. Turn ignition switch OFF.
2. Disconnect front display unit connector and AV control unit connector.
3. Check continuity between front display unit harness connector terminals 11, 22 and AV control unit harness connector terminals 56, 44.

**11 - 56 : Continuity should exist.**

**22 - 44 : Continuity should exist.**

4. Check continuity between front display unit harness connector terminals 11, 22 and ground.

**11, 22 - Ground : Continuity should not exist.**

Is the inspection result normal?

YES >> GO TO 3.

NO >> Repair harness or connector.

### 3. CHECK COMMUNICATION SIGNAL

1. Connect front display unit connector and AV control unit connector.
2. Turn ignition switch ON.
3. Check signal between front display unit harness connector terminal 11 and ground.

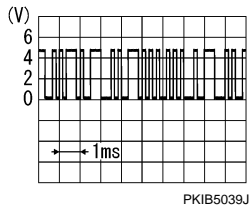
A  
B  
C  
D  
E  
F  
G  
H  
I  
J  
L  
M  
N  
O  
P



# U1243 DISPLAY UNIT

< COMPONENT DIAGNOSIS >

[WITHOUT MOBILE ENTERTAINMENT SYSTEM]

Terminal	Condition		Reference value
11 - Ground	Ignition switch ON	When adjusting display brightness.	

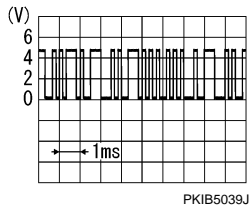
Is the inspection result normal?

YES >> GO TO 4.

NO >> Replace AV control unit.

## 4.CHECK COMMUNICATION SIGNAL

Check signal between front display unit harness connector terminal 22 and ground.

Terminal	Condition		Reference value
22 - Ground	Ignition switch ON	When adjusting display brightness.	

Is the inspection result normal?

YES >> INSPECTION END

NO >> Replace front display unit.

## WITH NAVIGATION

### WITH NAVIGATION : Description

INFOID:000000005350225

Part name	Description
FRONT DISPLAY UNIT	<ul style="list-style-type: none"> <li>• Front display image is controlled by the serial communication from AV control unit.</li> <li>• Synchronize signal (HP, VP) is output to AV control unit.</li> <li>• Touch panel function can be operated for each system by touching a display directly.</li> <li>• RGB image signal is input from AV control unit (RGB, RGB area and RGB synchronizing). Camera image signal is input from camera control unit.</li> <li>• Auxiliary image signal and DVD image signal are input from the DVD player (with DVD player models).</li> <li>• Auxiliary image signal is input from the auxiliary input jacks. (without DVD player models)</li> </ul>

### WITH NAVIGATION : DTC Logic

INFOID:000000005350226

DTC	Display contents of CONSULT-III	DTC Detection Condition	Possible causes
U1243	FRONT DISP CONN [U1243]	When either one of the following items is detected: <ul style="list-style-type: none"> <li>• front display unit power supply and ground circuits.</li> <li>• serial communication circuits between AV control unit and front display unit.</li> <li>• serial communication signal between AV control unit and front display unit.</li> </ul>	<ul style="list-style-type: none"> <li>• Front display unit power supply and ground circuits.</li> <li>• Serial communication circuits between AV control unit and front display unit.</li> </ul>

# U1243 DISPLAY UNIT

[WITHOUT MOBILE ENTERTAINMENT SYSTEM]

< COMPONENT DIAGNOSIS >

## WITH NAVIGATION : Diagnosis Procedure

INFOID:000000005350227

### 1. CHECK FRONT DISPLAY UNIT POWER SUPPLY AND GROUND CIRCUIT

Check front display unit power supply and ground circuits. Refer to [AV-114, "FRONT DISPLAY UNIT : Diagnosis Procedure"](#).

Is the inspection result normal?

- YES >> GO TO 2.
- NO >> Repair malfunctioning parts.

### 2. CHECK CONTINUITY COMMUNICATION CIRCUIT

1. Turn ignition switch OFF.
2. Disconnect front display unit connector and AV control unit connector.
3. Check continuity between front display unit harness connector terminals 11, 22 and AV control unit harness connector terminals 102, 103.

**11 - 102 : Continuity should exist.**

**22 - 103 : Continuity should exist.**

4. Check continuity between front display unit harness connector terminals 11, 22 and ground.

**11, 22 - Ground : Continuity should not exist.**

Is the inspection result normal?

- YES >> GO TO 3.
- NO >> Repair harness or connector.

### 3. CHECK SERIAL COMMUNICATION SIGNAL

1. Connect front display unit connector and AV control unit connector.
2. Turn ignition switch ON.
3. Check signal between front display unit harness connector terminal 11 and ground.

Terminal	Condition		Reference value
11 - Ground	Ignition switch ON	When adjusting front display brightness.	

Is the inspection result normal?

- YES >> GO TO 4.
- NO >> Replace AV control unit.

### 4. CHECK SERIAL COMMUNICATION SIGNAL

Check signal between front display unit harness connector terminal 22 and ground.

Terminal	Condition		Reference value
22 - Ground	Ignition switch ON	When adjusting front display brightness.	

Is the inspection result normal?

- YES >> INSPECTION END

## U1243 DISPLAY UNIT

< COMPONENT DIAGNOSIS >

[WITHOUT MOBILE ENTERTAINMENT SYSTEM]

---

NO >> Replace front display unit.

# U1244 GPS ANTENNA

[WITHOUT MOBILE ENTERTAINMENT SYSTEM]

< COMPONENT DIAGNOSIS >

## U1244 GPS ANTENNA

### Description

INFOID:000000005350228

Part name	Description
GPS ANTENNA	GPS signal is received and transmitted to AV control unit.

### DTC Logic

INFOID:000000005350229

DTC	Display contents of CONSULT-III	DTC Detection Condition	Possible causes
U1244	GPS ANTENNA CONN [U1244]	GPS antenna connection malfunction is detected.	GPS antenna disconnection.

### Diagnosis Procedure

INFOID:000000005350230

#### 1. GPS ANTENNA CHECK

Visually check GPS antenna and antenna feeder.

Is the inspection result normal?

YES >> GO TO 2.

NO >> Repair malfunctioning parts.

#### 2. CHECK AV CONTROL UNIT VOLTAGE

1. Disconnect GPS antenna connector.
2. Turn ignition switch ON.
3. Check voltage between AV control unit terminal 105 and ground.

**105 - Ground : Approx. 5 V**

Is the inspection result normal?

YES >> INSPECTION END

NO >> Replace AV control unit.

A  
B  
C  
D  
E  
F  
G  
H  
I  
J  
L  
M  
N  
O  
P

AV

# U1250 CAMERA CONTROL UNIT

< COMPONENT DIAGNOSIS >

[WITHOUT MOBILE ENTERTAINMENT SYSTEM]

## U1250 CAMERA CONTROL UNIT

### Description

INFOID:000000005350231

Part name	Description
CAMERA CONTROL UNIT	<ul style="list-style-type: none"><li>• Camera image signal is input from rear view camera, and camera image is indicated on the front display.</li><li>• Power (camera ON signal) is transmitted to rear view camera.</li><li>• Controlled by AV communication transmitted from AV control unit.</li><li>• AV control unit recognizes the presence of camera system with camera connection recognition signal.</li></ul>

### DTC Logic

INFOID:000000005350232

DTC	Display contents of CONSULT-III	DTC Detection Condition	Possible causes
U1250	CAMERA CONT. CONN [U1250]	Malfunction is detected in Camera-connection recognition signal circuit.	Camera-connection recognition signal circuit.

### Diagnosis Procedure

INFOID:000000005350233

#### 1. CHECK CAMERA-CONNECTION RECOGNITION SIGNAL CIRCUIT

1. Disconnect AV control unit connector and camera control unit connector.
2. Check continuity between AV control unit harness connector terminal 40 and camera control unit harness connector terminal 14.

**40 - 14 : Continuity should exist.**

Is the inspection result normal?

- YES >> GO TO 2.  
NO >> Repair harness or connector.

#### 2. CHECK AV CONTROL UNIT VOLTAGE

1. Connect AV control unit connector.
2. Turn ignition switch ON.
3. Check voltage between AV control unit harness connector terminal 40 and ground.

**40 - Ground : Approx. 5 V**

Is the inspection result normal?

- YES >> Replace camera control unit.  
NO >> Replace AV control unit.

# U1255 SATELLITE RADIO TUNER

< COMPONENT DIAGNOSIS >

[WITHOUT MOBILE ENTERTAINMENT SYSTEM]

## U1255 SATELLITE RADIO TUNER

### Description

INFOID:000000005350234

Part name	Description
SATELLITE RADIO TUNER	<ul style="list-style-type: none"><li>Inputs the satellite radio signal from satellite radio antenna and outputs it to the AV control unit.</li><li>It is controlled with the communication (communication signal, request signal) from AV control unit.</li></ul>

### DTC Logic

INFOID:000000005350235

DTC	Display contents of CONSULT-III	DTC Detection Condition	Possible causes
U1255	SAT CONN [U1255]	When either one of the following items is detected: <ul style="list-style-type: none"><li>satellite radio tuner power supply and ground circuits are malfunctioning.</li><li>serial communication circuits between AV control unit and satellite radio tuner are malfunctioning.</li><li>serial communication or request signal between AV control unit and satellite radio tuner is malfunctioning.</li><li>request signal circuit between AV control unit and satellite radio tuner is malfunctioning.</li></ul>	<ul style="list-style-type: none"><li>Satellite radio tuner power supply and ground circuits.</li><li>Communication circuits between AV control unit and satellite radio tuner.</li><li>Request signal circuit between AV control unit and satellite radio tuner.</li></ul>

### Diagnosis Procedure

INFOID:000000005350236

#### 1. CHECK SATELLITE RADIO TUNER POWER SUPPLY AND GROUND CIRCUIT

Check satellite radio tuner power supply and ground circuits. Refer to [AV-120, "SATELLITE RADIO TUNER : Diagnosis Procedure"](#).

Is the inspection result normal?

YES >> GO TO 2.

NO >> Repair malfunctioning parts.

#### 2. CHECK CONTINUITY COMMUNICATION CIRCUIT AND REQUEST SIGNAL CIRCUIT

- Turn ignition switch OFF.
- Disconnect AV control unit connector and satellite radio tuner connector.
- Check continuity between AV control unit harness connector terminals 28, 29, 30 and satellite radio tuner harness connector terminals 8, 9, 10.

**28 - 8 : Continuity should exist.**

**29 - 9 : Continuity should exist.**

**30 - 10 : Continuity should exist.**

- Check continuity between AV control unit harness connector terminals 28, 29, 30 and ground.

**28 - Ground : Continuity should not exist.**

**29 - Ground : Continuity should not exist.**

**30 - Ground : Continuity should not exist.**

Is the inspection result normal?

YES >> GO TO 3.

NO >> Repair harness or connector.

#### 3. CHECK AV CONTROL UNIT VOLTAGE

- Connect AV control unit connector.
- Turn ignition switch ON.
- Check voltage between AV control unit harness connector terminal 28, 29 and ground.

## U1255 SATELLITE RADIO TUNER

< COMPONENT DIAGNOSIS >

[WITHOUT MOBILE ENTERTAINMENT SYSTEM]

---

**28 - Ground : Approx 7.0 V**

**29 - Ground : Approx 7.0 V**

Is the inspection result normal?

YES >> GO TO 4.

NO >> Replace AV control unit.

### **4.**CHECK SATELLITE RADIO TUNER

---

1. Turn ignition switch OFF.
2. Disconnect AV control unit connector.
3. Connect satellite radio tuner.
4. Turn ignition switch ON.
5. Check voltage between satellite radio tuner harness connector terminal 10 and ground.

**10 - Ground : Approx 7.0 V**

Is the inspection result normal?

YES >> INSPECTION END

NO >> Replace satellite radio tuner.



# U1258 SATELLITE RADIO ANTENNA

< COMPONENT DIAGNOSIS >

[WITHOUT MOBILE ENTERTAINMENT SYSTEM]

## U1258 SATELLITE RADIO ANTENNA

### Description

INFOID:000000005350237

Part name	Description
SATELLITE RADIO ANTENNA	Satellite radio signal is received and transmitted to AV control unit.

### DTC Logic

INFOID:000000005350238

DTC	Display contents of CONSULT-III	DTC Detection Condition	Possible causes
U1258	XM ANTENNA CONN [U1258]	Satellite radio antenna connection malfunction is detected.	<ul style="list-style-type: none"><li>• Satellite radio antenna feeder.</li><li>• Satellite radio antenna.</li></ul>

### Diagnosis Procedure

INFOID:000000005350239

#### 1. SATELLITE RADIO ANTENNA CHECK

Visually check satellite radio antenna and antenna feeder.

Is the inspection result normal?

YES >> GO TO 2.

NO >> Repair malfunctioning parts.

#### 2. CHECK AV CONTROL UNIT VOLTAGE

1. Disconnect satellite radio antenna connector.
2. Turn ignition switch ON.
3. Check voltage between AV control unit terminal 110 and ground.

**110 - Ground : Approx. 5 V**

Is the inspection result normal?

YES >> INSPECTION END

NO >> Replace AV control unit.

A  
B  
C  
D  
E  
F  
G  
H  
I  
J  
L  
M  
N  
O  
P

AV

# U1300 AV COMM CIRCUIT

< COMPONENT DIAGNOSIS >

[WITHOUT MOBILE ENTERTAINMENT SYSTEM]

## U1300 AV COMM CIRCUIT

### WITHOUT NAVIGATION

#### WITHOUT NAVIGATION : Description

INFOID:000000005350240

U1300 is indicated when malfunction occurs in communication signal of multi AV system. Indicated simultaneously, without fail, with the malfunction of control units connected to AV control unit with communication line. Determine the possible malfunction cause from the table below.

#### SELF-DIAGNOSIS RESULTS DISPLAY ITEM

DTC	Display contents of CONSULT-III	DTC Detection Condition	Possible causes
U1300 U1240	<ul style="list-style-type: none"> <li>AV COMM CIRCUIT [U1300]</li> <li>SWITCH CONN [U1240]</li> </ul>	When either one of the following items is detected: <ul style="list-style-type: none"> <li>multifunction switch power supply and ground circuits are malfunctioning.</li> <li>AV communication signal between AV control unit and multifunction switch is malfunctioning.</li> </ul>	Multifunction switch power supply and ground circuits.
U1300 U1256	<ul style="list-style-type: none"> <li>AV COMM CIRCUIT [U1300]</li> <li>HAND FREE CONN [U1256]</li> </ul>	When either one of the following items is detected: <ul style="list-style-type: none"> <li>TEL adapter unit power supply and ground circuits are malfunctioning.</li> <li>AV communication circuits between AV control unit and TEL adapter unit are malfunctioning.</li> <li>AV communication signal between AV control unit and TEL adapter unit is malfunctioning.</li> </ul>	<ul style="list-style-type: none"> <li>TEL adapter unit power supply and ground circuits.</li> <li>AV communication circuits between multifunction switch and TEL adapter unit.</li> </ul>
U1300 U1240 U1256	<ul style="list-style-type: none"> <li>AV COMM CIRCUIT [U1300]</li> <li>SWITCH CONN [U1240]</li> <li>HAND FREE CONN [U1256]</li> </ul>	Malfunction is detected in AV communication circuits.	<ul style="list-style-type: none"> <li>AV communication circuits between AV control unit and multifunction switch.</li> <li>Check and repair the short circuit in AV communication circuits.</li> </ul>

### WITH NAVIGATION

#### WITH NAVIGATION : Description

INFOID:000000005350241

U1300 is indicated when malfunction occurs in communication signal of multi AV system. Indicated simultaneously, without fail, with the malfunction of control units connected to AV control unit with communication line. Determine the possible malfunction cause from the table below.

#### SELF-DIAGNOSIS RESULTS DISPLAY ITEM

DTC	Display contents of CONSULT-III	Description	Possible malfunction factor/Action to take
U1300 U121F	<ul style="list-style-type: none"> <li>AV COMM CIRCUIT [U1300]</li> <li>INTERNAL COMM [U121F]</li> </ul>	Malfunction is detected in AV control unit power supply and ground circuits.	Check AV control unit power supply and ground circuits. When detecting no malfunction in those components, replace AV control unit.
U1300 U1240	<ul style="list-style-type: none"> <li>AV COMM CIRCUIT [U1300]</li> <li>SWITCH CONN [U1240]</li> </ul>	When either one of the following items is detected: <ul style="list-style-type: none"> <li>multifunction switch power supply and ground circuits are malfunctioning.</li> <li>AV communication signal between AV control unit and multifunction switch is malfunctioning.</li> </ul>	Multifunction switch power supply and ground circuits.
U1300 U1248	<ul style="list-style-type: none"> <li>AV COMM CIRCUIT [U1300]</li> <li>DVD DECK CONN [U1248]</li> </ul>	When either one of the following items is detected: <ul style="list-style-type: none"> <li>DVD player power supply and ground circuits.</li> <li>AV communication signal between AV control unit and DVD player.</li> </ul>	DVD player power supply and ground circuits.

# U1300 AV COMM CIRCUIT

< COMPONENT DIAGNOSIS >

[WITHOUT MOBILE ENTERTAINMENT SYSTEM]

DTC	Display contents of CONSULT-III	Description	Possible malfunction factor/Action to take	A B C D E F G H I J AV L M N O P
U1300 U124E	<ul style="list-style-type: none"> <li>• AV COMM CIRCUIT [U1300]</li> <li>• AMP CONN [U124E]</li> </ul>	When either one of the following items is detected: <ul style="list-style-type: none"> <li>• BOSE amp. power supply and ground circuits are malfunctioning.</li> <li>• AV communication signal between AV control unit and BOSE amp. is malfunctioning.</li> </ul>	BOSE amp. power supply and ground circuits.	
U1300 U1252	<ul style="list-style-type: none"> <li>• AV COMM CIRCUIT [U1300]</li> <li>• REAR CAMERA LAN CONN [U1252]</li> </ul>	When either one of the following items is detected: <ul style="list-style-type: none"> <li>• camera control unit power supply and ground circuits are malfunctioning.</li> <li>• AV communication signal between AV control unit and camera control unit is malfunctioning.</li> </ul>	Camera control unit power supply and ground circuits.	
U1300 U1254	<ul style="list-style-type: none"> <li>• AV COMM CIRCUIT [U1300]</li> <li>• iPod CONN [U1254]</li> </ul>	When either one of the following items is detected: <ul style="list-style-type: none"> <li>• iPod adapter power supply and ground circuits are malfunctioning.</li> <li>• AV communication circuits between camera control unit and iPod adapter are malfunctioning.</li> <li>• AV communication signal between AV control unit and iPod adapter is malfunctioning.</li> </ul>	<ul style="list-style-type: none"> <li>• iPod adapter power supply and ground circuits.</li> <li>• AV communication circuits between camera control unit and iPod adapter.</li> </ul>	
U1300 U1252 U1254	<ul style="list-style-type: none"> <li>• AV COMM CIRCUIT [U1300]</li> <li>• REAR CAMERA LAN CONN [U1252]</li> <li>• iPod CONN [U1254]</li> </ul>	Malfunction is detected in AV communication circuits between BOSE amp. and camera control unit.	AV communication circuits between BOSE amp. and camera control unit.	
U1300 U124E U1252 U1254	<ul style="list-style-type: none"> <li>• AV COMM CIRCUIT [U1300]</li> <li>• AMP CONN [U124E]</li> <li>• REAR CAMERA LAN CONN [U1252]</li> <li>• iPod CONN [U1254]</li> </ul>	Without DVD player models <ul style="list-style-type: none"> <li>• Malfunction is detected in AV communication circuits between multifunction switch and BOSE amp. are malfunctioning.</li> </ul> With DVD player models <ul style="list-style-type: none"> <li>• Malfunction is detected in AV communication circuits between DVD player and BOSE amp. are malfunctioning.</li> </ul>	Without DVD player models <ul style="list-style-type: none"> <li>• AV communication circuits between multifunction switch and BOSE amp.</li> </ul> With DVD player models <ul style="list-style-type: none"> <li>• AV communication circuits between DVD player and BOSE amp.</li> </ul>	
U1300 U1248 U124E U1252 U1254	<ul style="list-style-type: none"> <li>• AV COMM CIRCUIT [U1300]</li> <li>• DVD DECK CONN [U1248]</li> <li>• AMP CONN [U124E]</li> <li>• REAR CAMERA LAN CONN [U1252]</li> <li>• iPod CONN [U1254]</li> </ul>	Malfunction is detected in AV communication circuits between multifunction switch and DVD player.	AV communication circuits between multifunction switch and DVD player.	
U1300 U124E U1252 U1254	Without DVD player models <ul style="list-style-type: none"> <li>• AV COMM CIRCUIT [U1300]</li> <li>• SWITCH CONN [U1240]</li> <li>• AMP CONN [U124E]</li> <li>• REAR CAMERA LAN CONN [U1252]</li> <li>• iPod CONN [U1254]</li> </ul>			
U1300 U1240 U1248 U124E U1252 U1254	With DVD player models <ul style="list-style-type: none"> <li>• AV COMM CIRCUIT [U1300]</li> <li>• SWITCH CONN [U1240]</li> <li>• DVD DECK CONN [U1248]</li> <li>• AMP CONN [U124E]</li> <li>• REAR CAMERA LAN CONN [U1252]</li> <li>• iPod CONN [U1254]</li> </ul>	Malfunction is detected in AV communication circuits between AV control unit and multifunction switch.	AV communication circuits between AV control unit and multifunction switch.	

# U1300 AV COMM CIRCUIT

[WITHOUT MOBILE ENTERTAINMENT SYSTEM]

< COMPONENT DIAGNOSIS >

DTC	Display contents of CONSULT-III	Description	Possible malfunction factor/Action to take
U1300 U121F U1240 U124E U1252 U1254	Without DVD player models • AV COMM CIRCUIT [U1300] • INTERNAL COMM [U121F] • SWITCH CONN [U1240] • AMP CONN [U124E] • REAR CAMERA LAN CONN [U1252] • IPod CONN [U1254]	Malfunction is detected in AV communication circuits.	Check and repair the short circuit in AV communication circuits.
U1300 U121F U1240 U1248 U124E U1252 U1254	With DVD player models • AV COMM CIRCUIT [U1300] • INTERNAL COMM [U121F] • SWITCH CONN [U1240] • DVD DECK CONN [U1248] • AMP CONN [U124E] • REAR CAMERA LAN CONN [U1252] • IPod CONN [U1254]		

# POWER SUPPLY AND GROUND CIRCUIT

< COMPONENT DIAGNOSIS >

[WITHOUT MOBILE ENTERTAINMENT SYSTEM]

## POWER SUPPLY AND GROUND CIRCUIT

### AV CONTROL UNIT

#### AV CONTROL UNIT : Diagnosis Procedure

INFOID:000000005350242

Without Navigation

#### 1.CHECK FUSE

Check for blown fuses.

Power source	Fuse No.
Battery	37
Ignition switch ACC or ON	6
Ignition switch ON or START	12

Is the inspection result normal?

YES >> GO TO 2.

NO >> Be sure to eliminate cause of malfunction before installing new fuse.

#### 2.CHECK POWER SUPPLY CIRCUIT

Check voltage between AV control unit harness connectors and ground.

Signal name	Connector No.	Terminal No.	Ignition switch position	Value (Approx.)
Battery power supply	M76	19	OFF	Battery voltage
ACC power supply	M76	7	ACC	
Ignition signal	M79	104	ON	

Is the inspection result normal?

YES >> GO TO 3.

NO >> Check harness between AV control unit and fuse.

#### 3.CHECK GROUND CIRCUIT

1. Turn ignition switch OFF.
2. Disconnect AV control unit connectors.
3. Check continuity between AV control unit harness connectors and ground.

Signal name	Connector No.	Terminal No.	Ignition switch position	Continuity
Ground	M76	20	OFF	Existed
	M79	85		

Is the inspection result normal?

YES >> INSPECTION END

NO >> Repair harness or connector.

With Navigation

#### 1.CHECK FUSE

Check for blown fuses.

Power source	Fuse No.
Battery	37
Ignition switch ACC or ON	6
Ignition switch ON or START	12

Is the inspection result normal?

YES >> GO TO 2.

NO >> Be sure to eliminate cause of malfunction before installing new fuse.

# POWER SUPPLY AND GROUND CIRCUIT

< COMPONENT DIAGNOSIS >

[WITHOUT MOBILE ENTERTAINMENT SYSTEM]

## 2.CHECK POWER SUPPLY CIRCUIT

Check voltage between AV control unit harness connectors and ground.

Signal name	Connector No.	Terminal No.	Ignition switch position	Value (Approx.)
Battery power supply	M76	19	OFF	Battery voltage
	M78	22		
		24		
ACC power supply	M76	7	ACC	Battery voltage
	M78	25		
Ignition signal	M78	35	ON	Battery voltage

Is the inspection result normal?

YES >> GO TO 3.

NO >> Check harness between AV control unit and fuse.

## 3.CHECK GROUND CIRCUIT

1. Turn ignition switch OFF.
2. Disconnect AV control unit connectors.
3. Check continuity between AV control unit harness connectors and ground.

Signal name	Connector No.	Terminal No.	Ignition switch position	Continuity
Ground	M78	21	OFF	Existed
		23		

Is the inspection result normal?

YES >> INSPECTION END

NO >> Repair harness or connector.

## FRONT DISPLAY UNIT

### FRONT DISPLAY UNIT : Diagnosis Procedure

INFOID:000000005350243

Without Navigation

## 1.CHECK POWER SUPPLY CIRCUIT (FRONT DISPLAY SIDE)

Check voltage between front display unit harness connector and ground.

Signal name	Connector No.	Terminal No.	Ignition switch position	Value (Approx.)
Signal VCC	M203	3	ACC	9 V
Inverter VCC		2		

Is the inspection result normal?

YES >> GO TO 4.

NO >> GO TO 2.

## 2.CHECK POWER SUPPLY CIRCUIT (CONTINUITY)

1. Turn ignition switch OFF.
2. Disconnect the harness connector between front display unit and AV control unit.
3. Check continuity between front display unit harness connector M203 and AV control unit harness connector M222.

Signal name	Front display unit (M203)	AV control unit (M222)	Continuity
Signal VCC	3	47	Existed
Inverter VCC	2	59	

4. Check continuity between front display unit harness connector M203 and ground.

# POWER SUPPLY AND GROUND CIRCUIT

< COMPONENT DIAGNOSIS >

[WITHOUT MOBILE ENTERTAINMENT SYSTEM]

Signal name	Front display unit (M203)	—	Continuity
Signal VCC	3	Ground	Not existed
Inverter VCC	2	Ground	

Is the inspection result normal?

YES >> GO TO 3.

NO >> Repair harness or connector.

## 3.CHECK POWER SUPPLY CIRCUIT (AV CONTROL UNIT SIDE)

1. Connect the AV control unit harness connector.
2. Turn ignition switch ACC.
3. Check voltage between AV control unit harness connector and ground.

Signal name	Connector No.	Terminal No.	Ignition switch position	Value (Approx.)
Signal VCC	M222	47	ACC	9 V
Inverter VCC		59		

Is the inspection result normal?

YES >> INSPECTION END

NO >> Replacement of AV control unit.

## 4.CHECK GROUND CIRCUIT

1. Turn ignition switch OFF.
2. Disconnect front display unit connector.
3. Check continuity between front display unit harness connector and ground.

Signal name	Connector No.	Terminal No.	Ignition switch position	Continuity
Ground	M203	1	OFF	Existed

Is the inspection result normal?

YES >> INSPECTION END

NO >> Repair harness or connector.

With Navigation

## 1.CHECK FUSE

Check for blown fuses.

Power source	Fuse No.
Battery	37
Ignition switch ACC or ON	6

Is the inspection result normal?

YES >> GO TO 2.

NO >> Be sure to eliminate cause of malfunction before installing new fuse.

## 2.CHECK POWER SUPPLY CIRCUIT

Check voltage between front display unit harness connector and ground.

Signal name	Connector No.	Terminal No.	Ignition switch position	Value (Approx.)
Battery power supply	M203	2	OFF	Battery voltage
ACC power supply		3	ACC	Battery voltage

Is the inspection result normal?

YES >> GO TO 3.

NO >> Check harness between front display unit and fuse.

## 3.CHECK GROUND CIRCUIT

1. Turn ignition switch OFF.

A  
B  
C  
D  
E  
F  
G  
H  
I  
J  
L  
M  
N  
O  
P

AV

# POWER SUPPLY AND GROUND CIRCUIT

< COMPONENT DIAGNOSIS >

[WITHOUT MOBILE ENTERTAINMENT SYSTEM]

2. Disconnect front display unit connector.
3. Check continuity between front display unit harness connector and ground.

Signal name	Connector No.	Terminal No.	Ignition switch position	Continuity
Ground	M203	1	OFF	Existed
		13		

Is the inspection result normal?

- YES >> INSPECTION END  
NO >> Repair harness or connector.

## BOSE AMP.

### BOSE AMP. : Diagnosis Procedure

INFOID:000000005350244

#### BOSE 2CH SYSTEM (WITHOUT DVD PLAYER MODELS)

##### 1.CHECK FUSE

Check for blown fuses.

Power source	Fuse No.
Battery	17, 18
Ignition switch ACC or ON	6

Is the inspection result normal?

- YES >> GO TO 2.  
NO >> Be sure to eliminate cause of malfunction before installing new fuse.

##### 2.CHECK POWER SUPPLY CIRCUIT

Check voltage between BOSE amp. harness connector and ground.

Signal name	Connector No.	Terminal No.	Ignition switch position	Value (Approx.)
Battery power supply	B108	50	OFF	Battery voltage
		51		
ACC power supply	B109	60	ACC	Battery voltage

Is the inspection result normal?

- YES >> GO TO 3.  
NO >> Check harness between BOSE amp. and fuse.

##### 3.CHECK GROUND CIRCUIT

1. Turn ignition switch OFF.
2. Disconnect BOSE amp. connector.
3. Check continuity between BOSE amp. harness connector and ground.

Signal name	Connector No.	Terminal No.	Ignition switch position	Continuity
Ground	B108	47	OFF	Existed
		52		

Is the inspection result normal?

- YES >> INSPECTION END  
NO >> Repair harness or connector.

#### BOSE SURROUND AUDIO 5.1CH SYSTEM (WITH DVD PLAYER MODELS)

##### 1.CHECK FUSE

Check for blown fuses.



# POWER SUPPLY AND GROUND CIRCUIT

< COMPONENT DIAGNOSIS >

[WITHOUT MOBILE ENTERTAINMENT SYSTEM]

Power source	Fuse No.
Battery	17, 18
Ignition switch ACC or ON	6

Is the inspection result normal?

YES >> GO TO 2.

NO >> Be sure to eliminate cause of malfunction before installing new fuse.

## 2.CHECK POWER SUPPLY CIRCUIT

Check voltage between BOSE amp. harness connector and ground.

Signal name	Connector No.	Terminal No.	Ignition switch position	Value (Approx.)
Battery power supply	B108	50	OFF	Battery voltage
		51		
ACC power supply	B107	16	ACC	Battery voltage

Is the inspection result normal?

YES >> GO TO 3.

NO >> Check harness between BOSE amp. and fuse.

## 3.CHECK GROUND CIRCUIT

1. Turn ignition switch OFF.
2. Disconnect BOSE amp. connector.
3. Check continuity between BOSE amp. harness connector and ground.

Signal name	Connector No.	Terminal No.	Ignition switch position	Continuity
Ground	B108	47	OFF	Existed
		52		

Is the inspection result normal?

YES >> INSPECTION END

NO >> Repair harness or connector.

## iPod ADAPTER

### iPod ADAPTER : Diagnosis Procedure

INFOID:000000005350245

## 1.CHECK FUSE

Check for blown fuses.

Power source	Fuse No.
Battery	37
Ignition switch ACC or ON	6

Is the inspection result normal?

YES >> GO TO 2.

NO >> Be sure to eliminate cause of malfunction before installing new fuse.

## 2.CHECK POWER SUPPLY CIRCUIT

Check voltage between iPod adapter harness connector and ground.

Signal name	Connector No.	Terminal No.	Ignition switch position	Value (Approx.)
Battery power supply	M85	5	OFF	Battery voltage
ACC power supply	M85	3	ACC	Battery voltage

Is the inspection result normal?

YES >> INSPECTION END

NO >> Check harness between iPod adapter and fuse.

A  
B  
C  
D  
E  
F  
G  
H  
I  
J  
L  
M  
N  
O  
P

AV

# POWER SUPPLY AND GROUND CIRCUIT

< COMPONENT DIAGNOSIS >

[WITHOUT MOBILE ENTERTAINMENT SYSTEM]

## CAMERA CONTROL UNIT

### CAMERA CONTROL UNIT : Diagnosis Procedure

INFOID:000000005350246

#### 1.CHECK FUSE

Check for blown fuses.

Power source	Fuse No.
Battery	37
Ignition switch ACC or ON	6

Is the inspection result normal?

YES >> GO TO 2.

NO >> Be sure to eliminate cause of malfunction before installing new fuse.

#### 2.CHECK POWER SUPPLY CIRCUIT

Check voltage between camera control unit harness connector and ground.

Signal name	Connector No.	Terminal No.	Ignition switch position	Value (Approx.)
Battery power supply	B481	32	OFF	Battery voltage
ACC power supply	B481	30	ACC	Battery voltage

Is the inspection result normal?

YES >> GO TO 3.

NO >> Check harness between camera control unit and fuse.

#### 3.CHECK GROUND CIRCUIT

1. Turn ignition switch OFF.
2. Disconnect camera control unit connector.
3. Check continuity between camera control unit harness connector and ground.

Signal name	Connector No.	Terminal No.	Ignition switch position	Continuity
Ground	B481	31	OFF	Existed

Is the inspection result normal?

YES >> INSPECTION END

NO >> Repair harness or connector.

## DVD PLAYER

### DVD PLAYER : Diagnosis Procedure

INFOID:000000005350247

#### 1.CHECK FUSE

Check for blown fuses.

Power source	Fuse No.
Battery	37
Ignition switch ACC or ON	6

Is the inspection result normal?

YES >> GO TO 2.

NO >> Be sure to eliminate cause of malfunction before installing new fuse.

#### 2.CHECK POWER SUPPLY CIRCUIT

Check voltage between DVD player harness connector and ground.

# POWER SUPPLY AND GROUND CIRCUIT

< COMPONENT DIAGNOSIS >

[WITHOUT MOBILE ENTERTAINMENT SYSTEM]

Signal name	Connector No.	Terminal No.	Ignition switch position	Value (Approx.)
Battery power supply	M272	1	OFF	Battery voltage
ACC power supply	M272	2	ACC	Battery voltage

Is the inspection result normal?

YES >> GO TO 3.

NO >> Check harness between DVD player and fuse.

## 3.CHECK GROUND CIRCUIT

1. Turn ignition switch OFF.
2. Disconnect DVD player connector.
3. Check continuity between DVD player harness connector and ground.

Signal name	Connector No.	Terminal No.	Ignition switch position	Continuity
Ground	M272	17	OFF	Existed
	M292	49		

Is the inspection result normal?

YES >> INSPECTION END

NO >> Repair harness or connector.

## MULTIFUNCTION SWITCH

### MULTIFUNCTION SWITCH : Diagnosis Procedure

INFOID:000000005350248

## 1.CHECK FUSE

Check for blown fuses.

Power source	Fuse No.
Battery power supply	37
Ignition switch ACC or ON	6

Is the inspection result normal?

YES >> GO TO 2.

NO >> Be sure to eliminate cause of malfunction before installing new fuse.

## 2.CHECK POWER SUPPLY CIRCUIT

Check voltage between multifunction switch harness connector and ground.

Signal name	Connector No.	Terminal No.	Ignition switch position	Value (Approx.)
Battery power supply	M69	1	OFF	Battery voltage
ACC power supply	M69	2	ACC	Battery voltage

Is the inspection result normal?

YES >> GO TO 3.

NO >> Check harness between multifunction switch and fuse.

## 3.CHECK GROUND CIRCUIT

1. Turn ignition switch OFF.
2. Disconnect multifunction switch connector.
3. Check continuity between multifunction switch harness connector and ground.

Signal name	Connector No.	Terminal No.	Ignition switch position	Continuity
Ground	M69	14	OFF	Existed

Is the inspection result normal?

YES >> INSPECTION END

NO >> Repair harness or connector.

# POWER SUPPLY AND GROUND CIRCUIT

< COMPONENT DIAGNOSIS >

[WITHOUT MOBILE ENTERTAINMENT SYSTEM]

## SATELLITE RADIO TUNER

### SATELLITE RADIO TUNER : Diagnosis Procedure

INFOID:000000005350249

#### 1.CHECK FUSE

Check for blown fuses.

Power source	Fuse No.
Battery	37
Ignition switch ACC or ON	6

Is the inspection result normal?

YES >> GO TO 2.

NO >> Be sure to eliminate cause of malfunction before installing new fuse.

#### 2.CHECK POWER SUPPLY CIRCUIT

Check voltage between satellite radio tuner harness connector and ground.

Signal name	Connector No.	Terminal No.	Ignition switch position	Value (Approx.)
Battery power supply	B461	12	OFF	Battery voltage
ACC power supply	B461	16	ACC	

Is the inspection result normal?

YES >> INSPECTION END

NO >> Check harness between satellite radio tuner and fuse.

## TEL ADAPTER UNIT

### TEL ADAPTER UNIT : Diagnosis Procedure

INFOID:000000005350250

#### 1.CHECK FUSE

Check for blown fuses.

Power source	Fuse No.
Battery	37
Ignition switch ACC or ON	6
Ignition switch ON or START	12

Is the inspection result normal?

YES >> GO TO 2.

NO >> Be sure to eliminate cause of malfunction before installing new fuse.

#### 2.CHECK POWER SUPPLY CIRCUIT

Check voltage between TEL adapter unit harness connector and ground.

Signal name	Connector No.	Terminal No.	Ignition switch position	Value (Approx.)
Battery power supply	M55	1	OFF	Battery voltage
ACC power supply		2	ACC	
Ignition signal		3	ON	

Is the inspection result normal?

YES >> GO TO 3.

NO >> Check harness between TEL adapter unit and fuse.

#### 3.CHECK GROUND CIRCUIT

1. Turn ignition switch OFF.
2. Disconnect TEL adapter unit connector.
3. Check continuity between TEL adapter unit harness connector and ground.

# POWER SUPPLY AND GROUND CIRCUIT

< COMPONENT DIAGNOSIS >

[WITHOUT MOBILE ENTERTAINMENT SYSTEM]

Signal name	Connector No.	Terminal No.	Ignition switch position	Continuity
Ground	M55	4, 14, 19, 21, 23, 24	OFF	Existed

Is the inspection result normal?

YES >> INSPECTION END

NO >> Repair harness or connector.

A

B

C

D

E

F

G

H

I

J

AV

L

M

N

O

P

# RGB (R: RED) SIGNAL CIRCUIT (AV CONTROL UNIT TO FRONT DISPLAY UNIT)

< COMPONENT DIAGNOSIS >

[WITHOUT MOBILE ENTERTAINMENT SYSTEM]

## RGB (R: RED) SIGNAL CIRCUIT (AV CONTROL UNIT TO FRONT DISPLAY UNIT)

### WITHOUT NAVIGATION

#### WITHOUT NAVIGATION : Description

INFOID:000000005350251

Transmit the image displayed with AV control unit with RGB image signal to the front display unit.

#### WITHOUT NAVIGATION : Diagnosis Procedure

INFOID:000000005350252

### 1. CHECK CONTINUITY RGB (R: RED) SIGNAL CIRCUIT

1. Turn ignition switch OFF.
2. Disconnect front display unit connector and AV control unit connector.
3. Check continuity between front display unit harness connector terminal 17 and AV control unit harness connector terminal 40.

**17 - 40 : Continuity should exist.**

4. Check continuity between front display unit harness connector terminal 17 and ground.

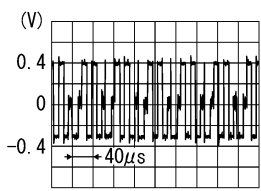
**17 - Ground : Continuity should not exist.**

#### Is the inspection result normal?

- YES >> GO TO 2.  
NO >> Repair harness or connector.

### 2. CHECK RGB (R: RED) SIGNAL

1. Connect front display unit connector and AV control unit connector.
2. Turn ignition switch ON.
3. Check signal between front display unit harness connector terminal 17 and ground.

Terminal	Condition	Reference value
17 - Ground	Ignition switch ON Start confirmation/adjustment mode, and then display color bar by selecting "Color Spectrum Bar" on DISPLAY DIAGNOSIS screen.	 SKIB2238J

#### Is the inspection result normal?

- YES >> Replace display unit.  
NO >> Replace AV control unit.

### WITH NAVIGATION

#### WITH NAVIGATION : Description

INFOID:000000005350253

Transmit the image displayed with AV control unit with RGB image signal to the front display unit.

#### WITH NAVIGATION : Diagnosis Procedure

INFOID:000000005350254

### 1. CHECK CONTINUITY RGB (R: RED) SIGNAL CIRCUIT

1. Turn ignition switch OFF.
2. Disconnect front display unit connector and AV control unit connector.
3. Check continuity between front display unit harness connector terminal 17 and AV control unit harness connector terminal 93.

**17 - 93 : Continuity should exist.**

# RGB (R: RED) SIGNAL CIRCUIT (AV CONTROL UNIT TO FRONT DISPLAY UNIT)

< COMPONENT DIAGNOSIS >

[WITHOUT MOBILE ENTERTAINMENT SYSTEM]

4. Check continuity between front display unit harness connector terminal 17 and ground.

**17 - Ground : Continuity should not exist.**

Is the inspection result normal?

YES >> GO TO 2.

NO >> Repair harness or connector.

## 2. CHECK RGB (R: RED) SIGNAL

1. Connect front display unit connector and AV control unit connector.
2. Turn ignition switch ON.
3. Check signal between front display unit harness connector terminal 17 and ground.

Terminal	Condition		Reference value
17 - Ground	Ignition switch ON	Start confirmation/adjustment mode, and then display color bar by selecting "Color Spectrum Bar" on DISPLAY DIAGNOSIS screen.	

Is the inspection result normal?

YES >> Replace front display unit.

NO >> Replace AV control unit.

AV

# RGB (G: GREEN) SIGNAL CIRCUIT (AV CONTROL UNIT TO FRONT DISPLAY UNIT)

< COMPONENT DIAGNOSIS >

[WITHOUT MOBILE ENTERTAINMENT SYSTEM]

## RGB (G: GREEN) SIGNAL CIRCUIT (AV CONTROL UNIT TO FRONT DISPLAY UNIT)

### WITHOUT NAVIGATION

#### WITHOUT NAVIGATION : Description

INFOID:000000005350255

Transmit the image displayed with AV control unit with RGB image signal to the front display unit.

#### WITHOUT NAVIGATION : Diagnosis Procedure

INFOID:000000005350256

### 1.CHECK CONTINUITY RGB (G: GREEN) SIGNAL CIRCUIT

1. Turn ignition switch OFF.
2. Disconnect front display unit connector and AV control unit connector.
3. Check continuity between front display unit harness connector terminal 6 and AV control unit harness connector terminal 39.

**6 - 39 : Continuity should exist.**

4. Check continuity between front display unit harness connector terminal 6 and ground.

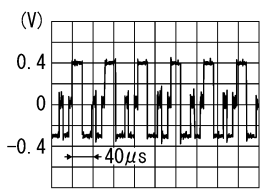
**6 - Ground : Continuity should not exist.**

#### Is the inspection result normal?

- YES >> GO TO 2.  
 NO >> Repair harness or connector.

### 2.CHECK RGB (G: GREEN) SIGNAL

1. Connect front display unit connector and AV control unit connector.
2. Turn ignition switch ON.
3. Check signal between front display unit harness connector terminal 6 and ground.

Terminal	Condition		Reference value
6 - Ground	Ignition switch ON	Start confirmation/adjustment mode, and then display color bar by selecting "Color Spectrum Bar" on DISPLAY DIAGNOSIS screen.	 <p>SKIB2236J</p>

#### Is the inspection result normal?

- YES >> Replace front display unit.  
 NO >> Replace AV control unit.

### WITH NAVIGATION

#### WITH NAVIGATION : Description

INFOID:000000005350257

Transmit the image displayed with AV control unit with RGB image signal to the front display unit.

#### WITH NAVIGATION : Diagnosis Procedure

INFOID:000000005350258

### 1.CHECK CONTINUITY RGB (G: GREEN) SIGNAL CIRCUIT

1. Turn ignition switch OFF.
2. Disconnect front display unit connector and AV control unit connector.
3. Check continuity between front display unit harness connector terminal 6 and AV control unit harness connector terminal 94.

**6 - 94 : Continuity should exist.**



# RGB (G: GREEN) SIGNAL CIRCUIT (AV CONTROL UNIT TO FRONT DISPLAY UNIT)

< COMPONENT DIAGNOSIS >

[WITHOUT MOBILE ENTERTAINMENT SYSTEM]

4. Check continuity between front display unit harness connector terminal 6 and ground.

**6 - Ground : Continuity should not exist.**

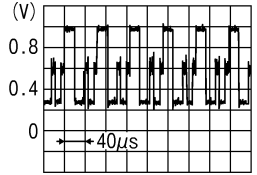
Is the inspection result normal?

YES >> GO TO 2.

NO >> Repair harness or connector.

## 2. CHECK RGB (G: GREEN) SIGNAL

1. Connect front display unit connector and AV control unit connector.
2. Turn ignition switch ON.
3. Check signal between front display unit harness connector terminal 6 and ground.

Terminal	Condition		Reference value
6 - Ground	Ignition switch ON	Start confirmation/adjustment mode, and then display color bar by selecting "Color Spectrum Bar" on DISPLAY DIAGNOSIS screen.	 <p style="text-align: right; font-size: small;">JSNIA1030ZZ</p>

Is the inspection result normal?

YES >> Replace front display unit.

NO >> Replace AV control unit.

A  
B  
C  
D  
E  
F  
G  
H  
I  
J  
L  
M  
N  
O  
P

AV

# RGB (B: BLUE) SIGNAL CIRCUIT (AV CONTROL UNIT TO FRONT DISPLAY UNIT)

< COMPONENT DIAGNOSIS >

[WITHOUT MOBILE ENTERTAINMENT SYSTEM]

## RGB (B: BLUE) SIGNAL CIRCUIT (AV CONTROL UNIT TO FRONT DISPLAY UNIT)

### WITHOUT NAVIGATION

#### WITHOUT NAVIGATION : Description

INFOID:000000005350259

Transmit the image displayed with AV control unit with RGB image signal to the front display unit.

#### WITHOUT NAVIGATION : Diagnosis Procedure

INFOID:000000005350260

### 1. CHECK CONTINUITY RGB (B: BLUE) SIGNAL CIRCUIT

1. Turn ignition switch OFF.
2. Disconnect front display unit connector and AV control unit connector.
3. Check continuity between front display unit harness connector terminal 18 and AV control unit harness connector terminal 38.

**18 - 38 : Continuity should exist.**

4. Check continuity between front display unit harness connector terminal 18 and ground.

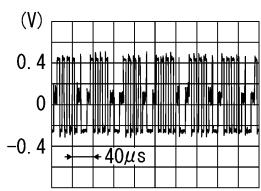
**18 - Ground : Continuity should not exist.**

Is the inspection result normal?

- YES >> GO TO 2.  
NO >> Repair harness or connector.

### 2. CHECK RGB (B: BLUE) SIGNAL

1. Connect front display unit connector and AV control unit connector.
2. Turn ignition switch ON.
3. Check signal between front display unit harness connector terminal 18 and ground.

Terminal	Condition		Reference value
18 - Ground	Ignition switch ON	Start confirmation/adjustment mode, and then display color bar by selecting "Color Spectrum Bar" on DISPLAY DIAGNOSIS screen.	

Is the inspection result normal?

- YES >> Replace front display unit.  
NO >> Replace AV control unit.

### WITH NAVIGATION

#### WITH NAVIGATION : Description

INFOID:000000005350261

Transmit the image displayed with AV control unit with RGB image signal to the front display unit.

#### WITH NAVIGATION : Diagnosis Procedure

INFOID:000000005350262

### 1. CHECK CONTINUITY RGB (B: BLUE) SIGNAL CIRCUIT

1. Turn ignition switch OFF.
2. Disconnect front display unit connector and AV control unit connector.
3. Check continuity between front display unit harness connector terminal 18 and AV control unit harness connector terminal 95.

**18 - 95 : Continuity should exist.**

# RGB (B: BLUE) SIGNAL CIRCUIT (AV CONTROL UNIT TO FRONT DISPLAY UNIT)

< COMPONENT DIAGNOSIS >

[WITHOUT MOBILE ENTERTAINMENT SYSTEM]

4. Check continuity between front display unit harness connector terminal 18 and ground.

**18 - Ground : Continuity should not exist.**

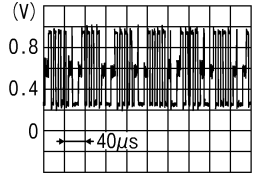
Is the inspection result normal?

YES >> GO TO 2.

NO >> Repair harness or connector.

## 2. CHECK RGB (B: BLUE) SIGNAL

1. Connect front display unit connector and AV control unit connector.
2. Turn ignition switch ON.
3. Check signal between front display unit harness connector terminal 18 and ground.

Terminal	Condition		Reference value
18 - Ground	Ignition switch ON	Start confirmation/adjustment mode, and then display color bar by selecting "Color Spectrum Bar" on DISPLAY DIAGNOSIS screen.	 <p style="text-align: right; font-size: small;">JSNIA1031ZZ</p>

Is the inspection result normal?

YES >> Replace front display unit.

NO >> Replace AV control unit.

A  
B  
C  
D  
E  
F  
G  
H  
I  
J  
L  
M  
N  
O  
P

AV

# RGB SYNCHRONIZING SIGNAL CIRCUIT

< COMPONENT DIAGNOSIS >

[WITHOUT MOBILE ENTERTAINMENT SYSTEM]

## RGB SYNCHRONIZING SIGNAL CIRCUIT WITHOUT NAVIGATION

### WITHOUT NAVIGATION : Description

INFOID:000000005350263

Transmit the RGB synchronizing signal to the front display unit so as to synchronize the RGB image displayed with AV control unit.

### WITHOUT NAVIGATION : Diagnosis Procedure

INFOID:000000005350264

#### 1. CHECK CONTINUITY RGB SYNCHRONIZING SIGNAL CIRCUIT

1. Turn ignition switch OFF.
2. Disconnect front display unit connector and AV control unit connector.
3. Check continuity between front display unit harness connector terminal 19 and AV control unit harness connector terminal 41.

**19 - 41** : Continuity should exist.

4. Check continuity between front display unit harness connector terminal 19 and ground.

**19 - Ground** : Continuity should not exist.

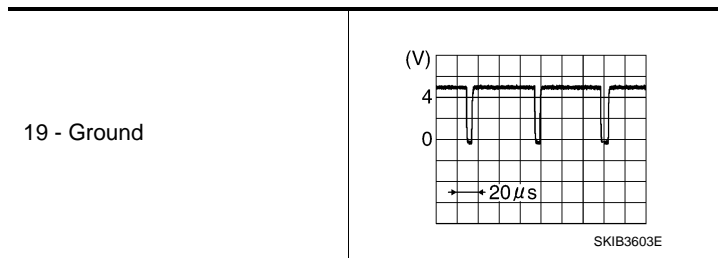
Is the inspection result normal?

YES >> GO TO 2.

NO >> Repair harness or connector.

#### 2. CHECK RGB SYNCHRONIZING SIGNAL

1. Connect front display unit connector and AV control unit connector.
2. Turn ignition switch ON.
3. Check signal between front display unit harness connector terminal 19 and ground.



Is the inspection result normal?

YES >> Replace front display unit.

NO >> Replace AV control unit.

## WITH NAVIGATION

### WITH NAVIGATION : Description

INFOID:000000005350265

Transmit the RGB synchronizing signal to the front display unit so as to synchronize the RGB image displayed with AV control unit.

### WITH NAVIGATION : Diagnosis Procedure

INFOID:000000005350266

#### 1. CHECK CONTINUITY RGB SYNCHRONIZING SIGNAL CIRCUIT

1. Turn ignition switch OFF.
2. Disconnect front display unit connector and AV control unit connector.
3. Check continuity between front display unit harness connector terminal 19 and AV control unit harness connector terminal 97.

**19 - 97** : Continuity should exist.

# RGB SYNCHRONIZING SIGNAL CIRCUIT

< COMPONENT DIAGNOSIS >

[WITHOUT MOBILE ENTERTAINMENT SYSTEM]

4. Check continuity between front display unit harness connector terminal 19 and ground.

**19 - Ground : Continuity should not exist.**

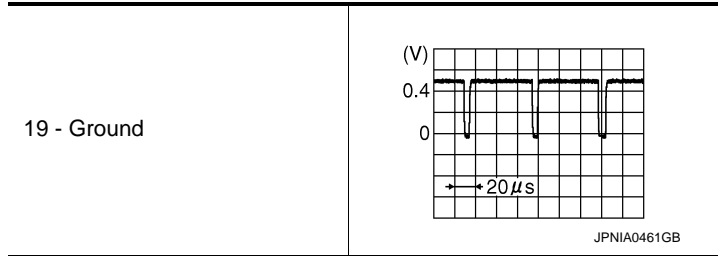
Is the inspection result normal?

YES >> GO TO 2.

NO >> Repair harness or connector.

## 2. CHECK RGB SYNCHRONIZING SIGNAL

1. Connect front display unit connector and AV control unit connector.
2. Turn ignition switch ON.
3. Check signal between front display unit harness connector terminal 19 and ground.



Is the inspection result normal?

YES >> Replace front display unit.

NO >> Replace AV control unit.

A  
B  
C  
D  
E  
F  
G  
H  
I  
J  
L  
M  
N  
O  
P

AV

# RGB AREA (YS) SIGNAL CIRCUIT (AV CONTROL UNIT TO FRONT DISPLAY UNIT)

< COMPONENT DIAGNOSIS >

[WITHOUT MOBILE ENTERTAINMENT SYSTEM]

## RGB AREA (YS) SIGNAL CIRCUIT (AV CONTROL UNIT TO FRONT DISPLAY UNIT)

WITHOUT NAVIGATION

WITHOUT NAVIGATION : Description

INFOID:000000005350267

Transmits the display area of RGB image displayed by AV control unit with RGB area (YS) signal to front display unit.

WITHOUT NAVIGATION : Diagnosis Procedure

INFOID:000000005350268

### 1. CHECK CONTINUITY RGB AREA (YS) SIGNAL CIRCUIT

1. Turn ignition switch OFF.
2. Disconnect front display unit connector and AV control unit connector.
3. Check continuity between front display unit harness connector terminal 9 and AV control unit harness connector terminal 43.

**9 - 43 : Continuity should exist.**

4. Check continuity between front display unit harness connector terminal 9 and ground.

**9 - Ground : Continuity should not exist.**

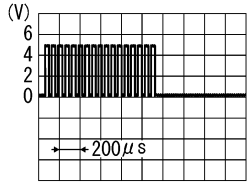
Is the inspection result normal?

YES >> GO TO 2.

NO >> Repair harness or connector.

### 2. CHECK RGB AREA (YS) SIGNAL

1. Connect front display unit connector and AV control unit connector.
2. Turn ignition switch ON.
3. Check signal between front display unit harness connector terminal 9 and ground.

Terminal	Condition		Reference value
9 - Ground	Ignition switch ON	When RGB image is displayed.	Approx. 5 V
		When AUX image is displayed.	 <p style="text-align: right;">PKIB4948J</p>

Is the inspection result normal?

YES >> Replace front display unit.

NO >> Replace AV control unit.

WITH NAVIGATION

WITH NAVIGATION : Description

INFOID:000000005350269

Transmits the front display area of RGB image displayed by AV control unit with RGB area (YS) signal to front display unit.

WITH NAVIGATION : Diagnosis Procedure

INFOID:000000005350270

### 1. CHECK CONTINUITY RGB AREA (YS) SIGNAL CIRCUIT

1. Turn ignition switch OFF.
2. Disconnect front display unit connector and AV control unit connector.

# RGB AREA (YS) SIGNAL CIRCUIT (AV CONTROL UNIT TO FRONT DISPLAY UNIT)

[WITHOUT MOBILE ENTERTAINMENT SYSTEM]

## < COMPONENT DIAGNOSIS >

3. Check continuity between front display unit harness connector terminal 9 and AV control unit harness connector terminal 99.

**9 - 99 : Continuity should exist.**

4. Check continuity between front display unit harness connector terminal 9 and ground.

**9 - Ground : Continuity should not exist.**

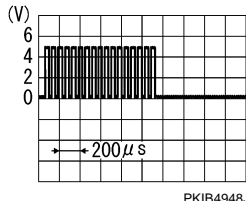
Is the inspection result normal?

YES >> GO TO 2.

NO >> Repair harness or connector.

## 2. CHECK RGB AREA (YS) SIGNAL

1. Connect front display unit connector and AV control unit connector.
2. Turn ignition switch ON.
3. Check signal between front display unit harness connector terminal 9 and ground.

Terminal	Condition		Reference value
9 - Ground	Ignition switch ON	When RGB image is displayed.	Approx. 5 V
		When rear view camera image is displayed.	

Is the inspection result normal?

YES >> Replace front display unit.

NO >> Replace AV control unit.

AV

# HP SIGNAL CIRCUIT (FRONT DISPLAY UNIT TO AV CONTROL UNIT)

< COMPONENT DIAGNOSIS >

[WITHOUT MOBILE ENTERTAINMENT SYSTEM]

## HP SIGNAL CIRCUIT (FRONT DISPLAY UNIT TO AV CONTROL UNIT) WITHOUT NAVIGATION

### WITHOUT NAVIGATION : Description

INFOID:000000005350271

In composite image (AUX image), transmit the vertical synchronizing (VP) signal and horizontal synchronizing (HP) signal from front display unit to AV control unit so as to synchronize the RGB images displayed with AV control unit such as the image quality adjusting menu, etc.

### WITHOUT NAVIGATION : Diagnosis Procedure

INFOID:000000005350272

#### 1. CHECK CONTINUITY HORIZONTAL SYNCHRONIZING (HP) SIGNAL CIRCUIT

1. Turn ignition switch OFF.
2. Disconnect front display unit connector and AV control unit connector.
3. Check continuity between front display unit harness connector terminal 8 and AV control unit harness connector terminal 45.

**8 - 45 : Continuity should exist.**

4. Check continuity between front display unit harness connector terminal 8 and ground.

**8 - Ground : Continuity should not exist.**

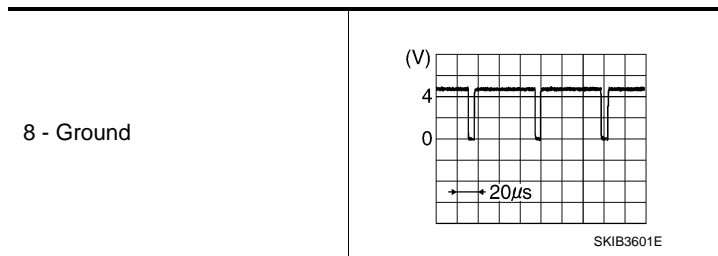
Is the inspection result normal?

YES >> GO TO 2.

NO >> Repair harness or connector.

#### 2. CHECK HORIZONTAL SYNCHRONIZING (HP) SIGNAL

1. Connect front display unit connector and AV control unit connector.
2. Turn ignition switch ON.
3. Check signal between front display unit harness connector terminal 8 and ground.



Is the inspection result normal?

YES >> Replace AV control unit.

NO >> Replace front display unit.

## WITH NAVIGATION

### WITH NAVIGATION : Description

INFOID:000000005350273

In composite image (DVD and AUX images, camera image), transmit the vertical synchronizing (VP) signal and horizontal synchronizing (HP) signal from front display unit to AV control unit so as to synchronize the RGB images displayed with AV control unit such as the image quality adjusting menu, etc.

### WITH NAVIGATION : Diagnosis Procedure

INFOID:000000005350274

#### 1. CHECK CONTINUITY HORIZONTAL SYNCHRONIZING (HP) SIGNAL CIRCUIT

1. Turn ignition switch OFF.
2. Disconnect front display unit connector and AV control unit connector.
3. Check continuity between front display unit harness connector terminal 8 and AV control unit harness connector terminal 100.



# HP SIGNAL CIRCUIT (FRONT DISPLAY UNIT TO AV CONTROL UNIT)

< COMPONENT DIAGNOSIS >

[WITHOUT MOBILE ENTERTAINMENT SYSTEM]

**8 - 100 : Continuity should exist.**

4. Check continuity between front display unit harness connector terminal 8 and ground.

**8 - Ground : Continuity should not exist.**

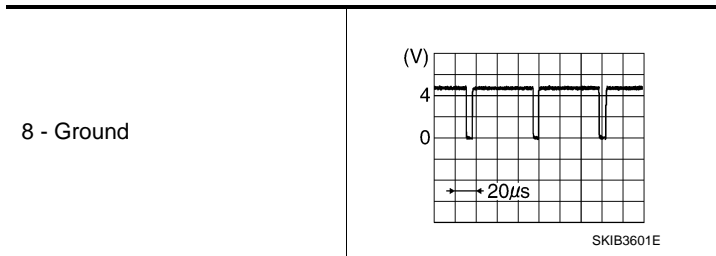
Is the inspection result normal?

YES >> GO TO 2.

NO >> Repair harness or connector.

## 2. CHECK HORIZONTAL SYNCHRONIZING (HP) SIGNAL

1. Connect front display unit connector and AV control unit connector.
2. Turn ignition switch ON.
3. Check signal between front display unit harness connector terminal 8 and ground.



Is the inspection result normal?

YES >> Replace AV control unit.

NO >> Replace front display unit.

A  
B  
C  
D  
E  
F  
G  
H  
I  
J  
AV  
L  
M  
N  
O  
P

# VP SIGNAL CIRCUIT (FRONT DISPLAY UNIT TO AV CONTROL UNIT)

< COMPONENT DIAGNOSIS >

[WITHOUT MOBILE ENTERTAINMENT SYSTEM]

## VP SIGNAL CIRCUIT (FRONT DISPLAY UNIT TO AV CONTROL UNIT) WITHOUT NAVIGATION

### WITHOUT NAVIGATION : Description

INFOID:000000005350275

In composite image (AUX image), transmit the vertical synchronizing (VP) signal and horizontal synchronizing (HP) signal from front display unit to AV control unit so as to synchronize the RGB images displayed with AV control unit such as the image quality adjusting menu, etc.

### WITHOUT NAVIGATION : Diagnosis Procedure

INFOID:000000005350276

#### 1. CHECK CONTINUITY VERTICAL SYNCHRONIZING (VP) SIGNAL CIRCUIT

1. Turn ignition switch OFF.
2. Disconnect front display unit connector and AV control unit connector.
3. Check continuity between front display unit harness connector terminal 20 and AV control unit harness connector terminal 57.

**20 - 57 : Continuity should exist.**

4. Check continuity between front display unit harness connector terminal 20 and ground.

**20 - Ground : Continuity should not exist.**

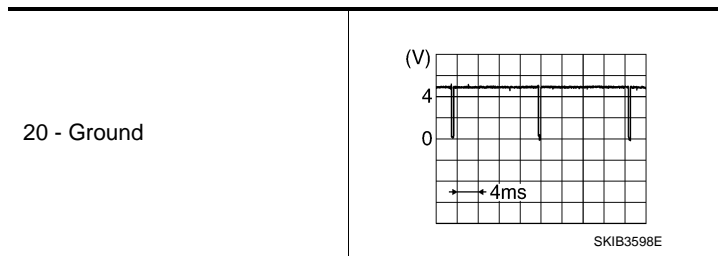
Is the inspection result normal?

YES >> GO TO 2.

NO >> Repair harness or connector.

#### 2. CHECK VERTICAL SYNCHRONIZING (VP) SIGNAL

1. Connect front display unit connector and AV control unit connector.
2. Turn ignition switch ON.
3. Check signal between front display unit harness connector terminal 20 and ground.



Is the inspection result normal?

YES >> Replace AV control unit.

NO >> Replace front display unit.

## WITH NAVIGATION

### WITH NAVIGATION : Description

INFOID:000000005350277

In composite image (DVD and AUX images, camera image), transmit the vertical synchronizing (VP) signal and horizontal synchronizing (HP) signal from front display unit to AV control unit so as to synchronize the RGB images displayed with AV control unit such as the image quality adjusting menu, etc.

### WITH NAVIGATION : Diagnosis Procedure

INFOID:000000005350278

#### 1. CHECK CONTINUITY VERTICAL SYNCHRONIZING (VP) SIGNAL CIRCUIT

1. Turn ignition switch OFF.
2. Disconnect front display unit connector and AV control unit connector.
3. Check continuity between front display unit harness connector terminal 20 and AV control unit harness connector terminal 101.

# VP SIGNAL CIRCUIT (FRONT DISPLAY UNIT TO AV CONTROL UNIT)

< COMPONENT DIAGNOSIS >

[WITHOUT MOBILE ENTERTAINMENT SYSTEM]

**20 - 101 : Continuity should exist.**

4. Check continuity between front display unit harness connector terminal 20 and ground.

**20 - Ground : Continuity should not exist.**

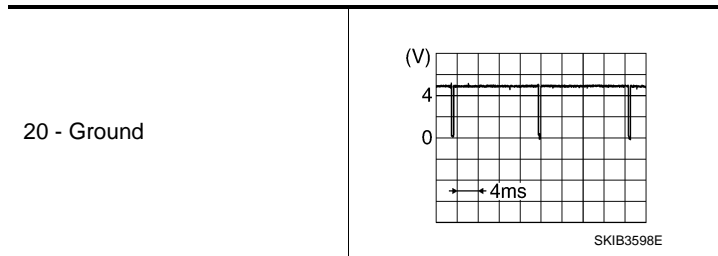
Is the inspection result normal?

YES >> GO TO 2.

NO >> Repair harness or connector.

## 2. CHECK VERTICAL SYNCHRONIZING (VP) SIGNAL

1. Connect front display unit connector and AV control unit connector.
2. Turn ignition switch ON.
3. Check signal between front display unit harness connector terminal 20 and ground.



Is the inspection result normal?

YES >> Replace AV control unit.

NO >> Replace front display unit.

A  
B  
C  
D  
E  
F  
G  
H  
I  
J  
L  
M  
N  
O  
P

AV

# AUX IMAGE SIGNAL CIRCUIT

< COMPONENT DIAGNOSIS >

[WITHOUT MOBILE ENTERTAINMENT SYSTEM]

## AUX IMAGE SIGNAL CIRCUIT

### WITHOUT NAVIGATION

#### WITHOUT NAVIGATION : Description

INFOID:000000005350279

- Transmits the image signal of AUX device from auxiliary input jacks to AV control unit.
- AV control unit transmits the image signal that is input to the front display unit.

#### WITHOUT NAVIGATION : Diagnosis Procedure

INFOID:000000005350280

### 1. CHECK CONTINUITY AUX IMAGE SIGNAL CIRCUIT (AUX INPUT JACKS AND AV CONTROL UNIT)

1. Turn ignition switch OFF.
2. Disconnect auxiliary input jacks connector and AV control unit connector.
3. Check continuity between auxiliary input jacks harness connector terminal 7, 8 and AV control unit harness connector terminal 66, 74.

**7 - 66 : Continuity should exist.**

**8 - 74 : Continuity should exist.**

4. Check continuity between auxiliary input jacks harness connector terminal 7, 8 and ground.

**7, 8 - Ground : Continuity should not exist.**

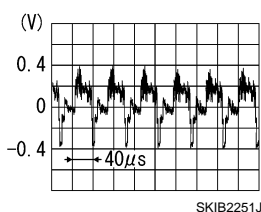
Is the inspection result normal?

YES >> GO TO 2.

NO >> Repair harness or connector.

### 2. CHECK AUX IMAGE SIGNAL (AUX INPUT JACKS TO AV CONTROL UNIT)

1. Connect auxiliary connector and AV control unit connector.
2. Turn ignition switch ON.
3. Check signal between auxiliary input jacks harness connector terminal 7 and 8.

Terminal	Condition		Reference value
7 - 8	Ignition switch ON	when AUX image is displayed.	

Is the inspection result normal?

YES >> GO TO 3.

NO >> Check that there is no malfunction in the external device.

### 3. CHECK CONTINUITY AUX IMAGE SIGNAL CIRCUIT (AV CONTROL UNIT AND FRONT DISPLAY UNIT)

1. Turn ignition switch OFF.
2. Disconnect front display unit connector and AV control unit connector.
3. Check continuity between front display unit harness connector terminal 15 and AV control unit harness connector terminal 36.

**15 - 36 : Continuity should exist.**

4. Check continuity between front display unit harness connector terminal 15 and ground.

**15 - Ground : Continuity should not exist.**

Is the inspection result normal?

YES >> GO TO 4.

NO >> Repair harness or connector.

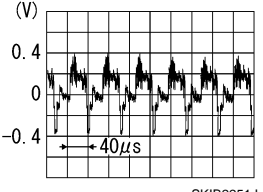
# AUX IMAGE SIGNAL CIRCUIT

< COMPONENT DIAGNOSIS >

[WITHOUT MOBILE ENTERTAINMENT SYSTEM]

## 4.CHECK AUX IMAGE SIGNAL

1. Connect AV control unit connector and front display unit connector.
2. Turn ignition switch ON.
3. Check signal between front display unit harness connector terminal 15 and ground.

Terminal	Condition		Reference value
15 - Ground	Ignition switch ON	When AUX image is displayed.	 SKIB2251J

Is the inspection result normal?

- YES >> Replace front display unit.  
NO >> Replace AV control unit.

## WITH NAVIGATION

### WITH NAVIGATION : Description

INFOID:000000005350281

- Transmits the image signal of external device from auxiliary input jacks to front display unit. (without DVD player models)
- Transmits the image signal of external device from auxiliary input jacks to DVD player. (with DVD player models)

### WITH NAVIGATION : Diagnosis Procedure

INFOID:000000005350282

### WITHOUT DVD PLAYER MODELS

## 1.CHECK CONTINUITY AUX IMAGE SIGNAL CIRCUIT

1. Turn ignition switch OFF.
2. Disconnect auxiliary input jacks connector and front display unit connector.
3. Check continuity between auxiliary input jacks harness connector terminal 7 and front display unit harness connector terminal 15.

**7 - 15 : Continuity should exist.**

4. Check continuity between auxiliary input jacks harness connector terminal 8 and front display harness connector terminal 5.

**8 - 5 : Continuity should exist.**

5. Check continuity between auxiliary input jacks harness connector terminal 7 and ground.

**7 - Ground : Continuity should not exist.**

Is the inspection result normal?

- YES >> GO TO 2.  
NO >> Repair harness or connector.

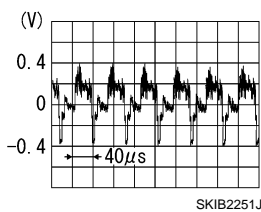
## 2.CHECK AUX IMAGE SIGNAL

1. Connect auxiliary input jacks connector and front display unit connector.
2. Turn ignition switch ON.
3. Check signal between front display unit harness connector terminal 5 and 15.

# AUX IMAGE SIGNAL CIRCUIT

< COMPONENT DIAGNOSIS >

[WITHOUT MOBILE ENTERTAINMENT SYSTEM]

Terminal	Condition		Reference value
5 - 15	Ignition switch ON	When AUX image is displayed.	 <p>SKIB2251J</p>

Is the inspection result normal?

- YES >> Replace front display unit.  
 NO >> Check that there is no malfunction in the external device.

WITH DVD PLAYER MODELS

## 1. CHECK CONTINUITY AUX IMAGE SIGNAL CIRCUIT

- Turn ignition switch OFF.
- Disconnect auxiliary input jacks connector and DVD player connector.
- Check continuity between auxiliary input jacks harness connector terminal 7 and DVD player harness connector terminal 4.

**7 - 4 : Continuity should exist.**

- Check continuity between auxiliary input jacks harness connector terminal 8 and DVD player harness connector terminal 5.

**8 - 5 : Continuity should exist.**

- Check continuity between auxiliary input jacks harness connector terminal 7 and ground.

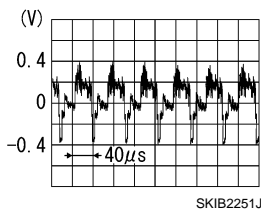
**7 - Ground : Continuity should not exist.**

Is the inspection result normal?

- YES >> GO TO 2.  
 NO >> Repair harness or connector.

## 2. CHECK AUX IMAGE SIGNAL

- Connect auxiliary input jacks connector and DVD player connector.
- Turn ignition switch ON.
- Check signal between DVD player harness connector terminal 4 and 5.

Terminal	Condition		Reference value
4 - 5	Ignition switch ON	When AUX image is displayed.	 <p>SKIB2251J</p>

Is the inspection result normal?

- YES >> Replace DVD player.  
 NO >> Check that there is no malfunction in the external device.

# COMPOSITE IMAGE SIGNAL CIRCUIT

< COMPONENT DIAGNOSIS >

[WITHOUT MOBILE ENTERTAINMENT SYSTEM]

## COMPOSITE IMAGE SIGNAL CIRCUIT

### Description

INFOID:000000005350283

DVD player transmits the playback DVD image signal and the input AUX image signal to the front display unit.

### Diagnosis Procedure

INFOID:000000005350284

#### 1. CHECK CONTINUITY COMPOSITE IMAGE SIGNAL CIRCUIT

1. Turn ignition switch OFF.
2. Disconnect DVD player connector and front display unit connector.
3. Check continuity between DVD player harness connector terminal 20 and front display unit harness connector terminal 15.

**20 - 15 : Continuity should exist.**

4. Check continuity between DVD player harness connector terminal 19 and front display unit harness connector terminal 5.

**19 - 5 : Continuity should exist.**

5. Check continuity between front display unit harness connector terminal 15 and ground.

**15 - Ground : Continuity should not exist.**

6. Check continuity between front display unit harness connector terminal 5 and ground.

**5 - Ground : Continuity should not exist.**

Is the inspection result normal?

YES >> GO TO 2.

NO >> Repair harness or connector.

#### 2. CHECK COMPOSITE IMAGE SIGNAL

1. Connect DVD player connector and front display unit connector.
2. Turn ignition switch ON.
3. Check signal between front display harness connector terminal 15 and 5.

Terminal	Condition		Reference value
15 - 5	Ignition switch ON	When AUX or DVD image is displayed on front display.	

Is the inspection result normal?

YES >> Replace front display unit.

NO >> Replace DVD player.

# MICROPHONE SIGNAL CIRCUIT

< COMPONENT DIAGNOSIS >

[WITHOUT MOBILE ENTERTAINMENT SYSTEM]

## MICROPHONE SIGNAL CIRCUIT WITHOUT NAVIGATION

### WITHOUT NAVIGATION : Description

INFOID:000000005350285

Supply power from TEL adapter unit to microphone. The microphone transmits the sound/voice to the microphone.

### WITHOUT NAVIGATION : Diagnosis Procedure

INFOID:000000005350286

#### 1. CHECK CONTINUITY BETWEEN TEL ADAPTER UNIT AND MICROPHONE CIRCUIT

1. Turn ignition switch OFF.
2. Disconnect TEL adapter unit connector and microphone connector.
3. Check continuity between TEL adapter unit harness connector terminals 7, 8, 29 and microphone harness connector terminals 1, 2, 4.

**7 - 1 : Continuity should exist.**

**8 - 2 : Continuity should exist.**

**29 - 4 : Continuity should exist.**

4. Check continuity between TEL adapter unit harness connector terminals 7, 29 and ground.

**7, 29 - Ground : Continuity should not exist.**

Is the inspection result normal?

YES >> GO TO 2.

NO >> Repair harness or connector.

#### 2. CHECK VOLTAGE MICROPHONE VCC

1. Connect TEL adapter unit connector.
2. Turn ignition switch ON.
3. Check voltage between TEL adapter unit harness connector terminal 29 and 8.

**29 - 8 : Approx. 5 V**

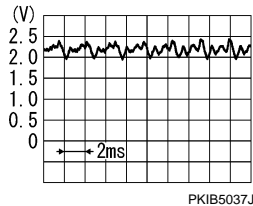
Is the inspection result normal?

YES >> GO TO 3.

NO >> Replace TEL adapter unit.

#### 3. CHECK MICROPHONE SIGNAL

1. Connect microphone connector.
2. Check signal between TEL adapter unit harness connector terminals 7 and 8.

Terminal	Condition		Reference value
7 - 8	Ignition switch ON	Give a voice.	

Is the inspection result normal?

YES >> Replace TEL adapter unit.

NO >> Replace microphone.

## WITH NAVIGATION



# MICROPHONE SIGNAL CIRCUIT

< COMPONENT DIAGNOSIS >

[WITHOUT MOBILE ENTERTAINMENT SYSTEM]

## WITH NAVIGATION : Description

INFOID:000000005350287

Supply power from AV control unit to microphone. The microphone transmits the sound/voice to the AV control unit.

## WITH NAVIGATION : Diagnosis Procedure

INFOID:000000005350288

### 1.CHECK CONTINUITY BETWEEN AV CONTROL UNIT AND MICROPHONE CIRCUIT

1. Turn ignition switch OFF.
2. Disconnect AV control unit connector and microphone connector.
3. Check continuity between AV control unit harness connector terminals 26, 27, 28 and microphone harness connector terminals 4, 2, 1.

**26 - 4 : Continuity should exist.**

**27 - 2 : Continuity should exist.**

**28 - 1 : Continuity should exist.**

4. Check continuity between AV control unit harness connector terminals 26, 28 and ground.

**26, 28 - Ground : Continuity should not exist.**

Is the inspection result normal?

YES >> GO TO 2.

NO >> Repair harness or connector.

### 2.CHECK VOLTAGE MICROPHONE VCC

1. Connect AV control unit connector.
2. Turn ignition switch ON.
3. Check voltage between AV control unit harness connector terminals 26 and 27.

**26 - 27 : Approx. 5 V**

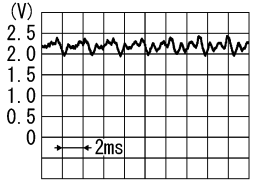
Is the inspection result normal?

YES >> GO TO 3.

NO >> Replace AV control unit.

### 3.CHECK MICROPHONE SIGNAL

1. Connect microphone connector.
2. Check signal between AV control unit harness connector terminals 28 and 27.

Terminal	Condition		Reference value
28 - 27	Ignition switch ON	Give a voice.	 <p>PKIB5037J</p>

Is the inspection result normal?

YES >> Replace AV control unit.

NO >> Replace microphone.

# AUDIOPILOT® MICROPHONE

< COMPONENT DIAGNOSIS >

[WITHOUT MOBILE ENTERTAINMENT SYSTEM]

## AUDIOPILOT® MICROPHONE

### BOSE AUDIO 2CH SYSTEM

#### BOSE AUDIO 2CH SYSTEM : Description

INFOID:000000005350289

The microphone transmits the microphone signal to the BOSE amp.

#### BOSE AUDIO 2CH SYSTEM : Diagnosis Procedure

INFOID:000000005350290

### 1. CHECK CONTINUITY BETWEEN BOSE AMP. AND AUDIOPILOT® MICROPHONE CIRCUIT

1. Turn ignition switch OFF.
2. Disconnect BOSE amp. connector and AudioPilot® microphone connector.
3. Check continuity between BOSE amp. harness connector terminals 25, 26 and AudioPilot® microphone harness connector terminals 1, 2.

**25 - 1 : Continuity should exist.**

**26 - 2 : Continuity should exist.**

4. Check continuity between BOSE amp. harness connector terminals 25, 26 and ground.

**25, 26 - Ground : Continuity should not exist.**

Is the inspection result normal?

YES >> GO TO 2.

NO >> Repair harness or connector.

### 2. CHECK VOLTAGE MICROPHONE VCC

1. Connect BOSE amp. connector.
2. Turn ignition switch ON.
3. Check voltage between BOSE amp. harness connector terminals 25 and ground.

**25 - Ground : Approx. 5 V**

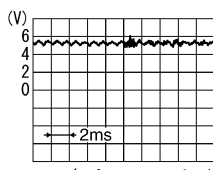
Is the inspection result normal?

YES >> GO TO 3.

NO >> Replace BOSE amp.

### 3. CHECK MICROPHONE SIGNAL

1. Turn ignition switch OFF.
2. Connect AudioPilot® microphone connector.
3. Turn ignition switch ON.
4. Check signal between BOSE amp. harness connector terminals 25 and 26.

Terminal	Condition		Reference value
25 - 26	Ignition switch ON	When inputting noise.	 (reference value) PKIA2104E

Is the inspection result normal?

YES >> Replace BOSE amp.

NO >> Replace AudioPilot® microphone.

## BOSE SURROUND AUDIO 5.1CH SYSTEM

# AUDIOPILOT® MICROPHONE

[WITHOUT MOBILE ENTERTAINMENT SYSTEM]

< COMPONENT DIAGNOSIS >

## BOSE SURROUND AUDIO 5.1CH SYSTEM : Description

INFOID:000000005350291

The microphone transmits the microphone signal to the BOSE amp.

## BOSE SURROUND AUDIO 5.1CH SYSTEM : Diagnosis Procedure

INFOID:000000005350292

### 1. CHECK CONTINUITY BETWEEN BOSE AMP. AND AUDIOPILOT® MICROPHONE CIRCUIT

1. Turn ignition switch OFF.
2. Disconnect BOSE amp. connector and AudioPilot® microphone connector.
3. Check continuity between BOSE amp. harness connector terminals 31, 11 and AudioPilot® microphone harness connector terminals 1, 2.

**31 - 1 : Continuity should exist.**

**11 - 2 : Continuity should exist.**

4. Check continuity between BOSE amp. harness connector terminals 31, 11 and ground.

**31, 11 - Ground : Continuity should not exist.**

Is the inspection result normal?

YES >> GO TO 2.

NO >> Repair harness or connector.

### 2. CHECK VOLTAGE MICROPHONE VCC

1. Connect BOSE amp. connector.
2. Turn ignition switch ON.
3. Check voltage between BOSE amp. harness connector terminals 31 and ground.

**31 - Ground : Approx. 5 V**

Is the inspection result normal?

YES >> GO TO 3.

NO >> Replace BOSE amp.

### 3. CHECK MICROPHONE SIGNAL

1. Turn ignition switch OFF.
2. Connect AudioPilot® microphone connector.
3. Turn ignition switch ON.
4. Check signal between BOSE amp. harness connector terminals 31 and 11.

Terminal	Condition		Reference value
31 - 11	Ignition switch ON	When inputting noise.	<p>(reference value) PKIA2104E</p>

Is the inspection result normal?

YES >> Replace BOSE amp.

NO >> Replace AudioPilot® microphone.

# CONTROL SIGNAL CIRCUIT

< COMPONENT DIAGNOSIS >

[WITHOUT MOBILE ENTERTAINMENT SYSTEM]

## CONTROL SIGNAL CIRCUIT

### Description

INFOID:000000005350293

TEL adapter unit identifies the vehicle model according to the control signal and performs the control.

### Diagnosis Procedure

INFOID:000000005350294

#### 1. CHECK CONTINUITY CONTROL SIGNAL CIRCUIT

---

1. Turn ignition switch OFF.
2. Disconnect TEL adapter unit connector.
3. Check continuity between TEL adapter unit harness connector terminals 21, 23, 24 and ground.

**21, 23, 24 - Ground : Continuity should exist.**

Is the inspection result normal?

- YES >> Replace TEL adapter unit.  
NO >> Repair harness or connector.

# CAMERA IMAGE SIGNAL CIRCUIT (REAR VIEW CAMERA TO CAMERA CONTROL UNIT)

< COMPONENT DIAGNOSIS >

[WITHOUT MOBILE ENTERTAINMENT SYSTEM]

## CAMERA IMAGE SIGNAL CIRCUIT (REAR VIEW CAMERA TO CAMERA CONTROL UNIT)

### Description

INFOID:000000005350295

- Camera control unit outputs camera ON signal to rear view camera and inputs rear view camera image signal from rear view camera when the reverse signal is input.
- The camera control unit that inputs the camera image signal transmits the camera image signal to the front display unit.

### Diagnosis Procedure

INFOID:000000005350296

#### 1. CHECK CONTINUITY CAMERA IMAGE SIGNAL CIRCUIT

1. Turn ignition switch OFF.
2. Disconnect camera control unit connector and rear view camera connector.
3. Check continuity between camera control unit harness connector terminal 6, 5 and rear view camera harness connector terminal 3, 4.

**5 - 4 : Continuity should exist.**

**6 - 3 : Continuity should exist.**

4. Check continuity between camera control unit harness connector terminal 6 and ground.

**6 - Ground : Continuity should not exist.**

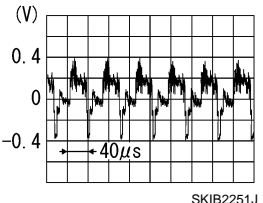
Is the inspection result normal?

YES >> GO TO 2.

NO >> Repair harness or connector.

#### 2. CHECK CAMERA IMAGE SIGNAL

1. Connect camera control unit connector and rear view camera connector.
2. Turn ignition switch ON.
3. Check signal between camera control unit harness connector terminal 6 and 5.

Terminal	Condition		Reference value
6 - 5	Ignition switch ON	When rear view camera image is displayed.	

Is the inspection result normal?

YES >> Replace camera control unit.

NO >> Replace rear view camera.

# CAMERA ON SIGNAL CIRCUIT

< COMPONENT DIAGNOSIS >

[WITHOUT MOBILE ENTERTAINMENT SYSTEM]

## CAMERA ON SIGNAL CIRCUIT

### Description

INFOID:000000005350297

- Camera control unit outputs camera ON signal to rear view camera and inputs rear view camera image signal from rear view camera when the reverse signal is input.
- The camera control unit that inputs the camera image signal transmits the camera image signal to the front display unit.

### Diagnosis Procedure

INFOID:000000005350298

#### 1. CHECK CONTINUITY CAMERA ON SIGNAL CIRCUIT

1. Turn ignition switch OFF.
2. Disconnect camera control unit connector and rear view camera connector.
3. Check continuity between camera control unit harness connector terminal 8 and rear view camera harness connector terminal 1.

**8 - 1 : Continuity should exist.**

4. Check continuity between camera control unit harness connector terminal 8 and ground.

**8 - Ground : Continuity should not exist.**

Is the inspection result normal?

YES >> GO TO 2.

NO >> Repair harness or connector.

#### 2. CHECK VOLTAGE CAMERA ON SIGNAL

1. Connect camera control unit connector and rear view camera connector.
2. Turn ignition switch ON.
3. Check signal between camera control unit harness connector terminal 8 and ground.

**8 - Ground Shift the selector lever to "R" position  
: Approx. 6 V**

Is the inspection result normal?

YES >> Replace rear view camera.

NO >> Replace camera control unit.

# CAMERA IMAGE SIGNAL CIRCUIT (CAMERA CONTROL UNIT TO FRONT DISPLAY UNIT)

< COMPONENT DIAGNOSIS >

[WITHOUT MOBILE ENTERTAINMENT SYSTEM]

## CAMERA IMAGE SIGNAL CIRCUIT (CAMERA CONTROL UNIT TO FRONT DISPLAY UNIT)

### Description

INFOID:000000005350299

- Camera control unit outputs camera ON signal to rear view camera and inputs rear view camera image signal from rear view camera when the reverse signal is input.
- The camera control unit that inputs the camera image signal transmits the camera image signal to the front display unit.

### Diagnosis Procedure

INFOID:000000005350300

#### 1. CHECK CONTINUITY CAMERA IMAGE SIGNAL CIRCUIT

1. Turn ignition switch OFF.
2. Disconnect camera control unit connector and front display unit connector.
3. Check continuity between camera control unit harness connector terminal 12 and display unit harness connector terminal 12.

**12 - 12 : Continuity should exist.**

4. Check continuity between camera control unit harness connector terminal 12 and ground.

**12 - Ground : Continuity should not exist.**

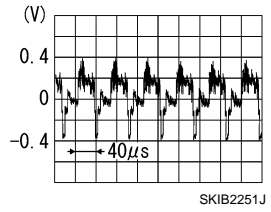
Is the inspection result normal?

YES >> GO TO 2.

NO >> Repair harness or connector.

#### 2. CHECK CAMERA IMAGE SIGNAL

1. Connect camera control unit connector and front display unit connector.
2. Turn ignition switch ON.
3. Check signal between camera control unit harness connector terminal 12 and ground.

Terminal	Condition		Reference value
12 - Ground	Ignition switch ON	When rear view camera image is displayed.	

Is the inspection result normal?

YES >> Replace display unit.

NO >> Replace camera control unit.

# STEERING SWITCH SIGNAL A CIRCUIT

< COMPONENT DIAGNOSIS >

[WITHOUT MOBILE ENTERTAINMENT SYSTEM]

## STEERING SWITCH SIGNAL A CIRCUIT WITHOUT NAVIGATION

### WITHOUT NAVIGATION : Description

INFOID:000000005350301

Transmits the steering switch signal to AV control unit.

### WITHOUT NAVIGATION : Diagnosis Procedure

INFOID:000000005350302

#### 1. CHECK STEERING SWITCH SIGNAL A CIRCUIT

---

1. Disconnect AV control unit connector and spiral cable connector.
2. Check continuity between AV control unit harness connector terminal 6 and spiral cable harness connector terminal 33.

**6 - 33 : Continuity should exist.**

3. Check continuity between AV control unit harness connector terminals 6 and ground.

**6 - Ground : Continuity should not exist.**

Is the inspection result normal?

YES >> GO TO 2.

NO >> Repair harness or connector.

#### 2. CHECK SPIRAL CABLE

---

Check spiral cable.

Is the inspection result normal?

YES >> GO TO 3.

NO >> Replace spiral cable.

#### 3. CHECK AV CONTROL UNIT VOLTAGE

---

1. Connect AV control unit connector and spiral cable connector.
2. Turn ignition switch ON.
3. Check voltage between AV control unit harness connector terminals 6 and 15.

**6 - 15 : Approx. 3.3 V**

Is the inspection result normal?

YES >> GO TO 4.

NO >> Replace AV control unit.

#### 4. CHECK STEERING SWITCH

---

1. Turn ignition switch OFF.
2. Check steering switch. Refer to [AV-148, "WITHOUT NAVIGATION : Component Inspection"](#).

Is the inspection result normal?

YES >> INSPECTION END

NO >> Replace steering switch.

### WITHOUT NAVIGATION : Component Inspection

INFOID:000000005350303

Measure the resistance between the steering switch connector terminals 20 to 17 and 19 to 17.



# STEERING SWITCH SIGNAL A CIRCUIT

[WITHOUT MOBILE ENTERTAINMENT SYSTEM]

< COMPONENT DIAGNOSIS >

Standard

Between terminals 20 and 17

**MENU DOWN switch ON : 323 – 337 Ω**

**MENU UP switch ON : 108 – 112 Ω**

**SOURCE switch ON : 0 Ω**

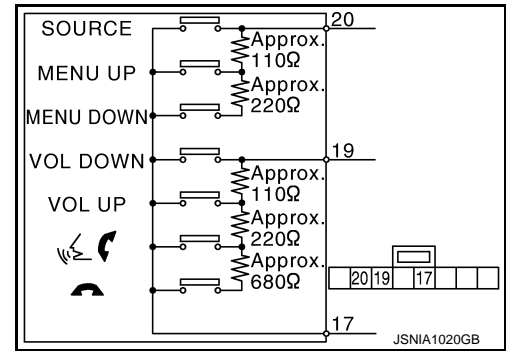
Between terminals 19 and 17

**Navigation switch ON : 990 – 1030 Ω**

**Navigation switch ON : 323 – 337 Ω**

**VOL UP switch ON : 108 – 112 Ω**

**VOL DOWN switch ON : 0 Ω**



## WITH NAVIGATION

### WITH NAVIGATION : Description

INFOID:000000005350304

Transmits the steering switch signal to AV control unit.

### WITH NAVIGATION : Diagnosis Procedure

INFOID:000000005350305

#### 1. CHECK STEERING SWITCH SIGNAL A CIRCUIT

1. Turn ignition switch OFF.
2. Disconnect AV control unit connector and spiral cable connector.
3. Check continuity between AV control unit harness connector terminal 6 and spiral cable harness connector terminal 33.

**6 - 33 : Continuity should exist.**

4. Check continuity between AV control unit harness connector terminals 6 and ground.

**6 - Ground : Continuity should not exist.**

Is the inspection result normal?

YES >> GO TO 2.

NO >> Repair harness or connector.

#### 2. CHECK SPIRAL CABLE

Check spiral cable.

Is the inspection result normal?

YES >> GO TO 3.

NO >> Replace spiral cable.

#### 3. CHECK AV CONTROL UNIT VOLTAGE

1. Connect AV control unit connector and spiral cable connector.
2. Turn ignition switch ON.
3. Check voltage between AV control unit harness connector terminals 6 and 15.

**6 - 15 : Approx. 5 V**

Is the inspection result normal?

YES >> GO TO 4.

NO >> Replace AV control unit.

#### 4. CHECK STEERING SWITCH

1. Turn ignition switch OFF.
2. Check steering switch. Refer to [AV-150, "WITH NAVIGATION : Component Inspection"](#).

Is the inspection result normal?

A  
B  
C  
D  
E  
F  
G  
H  
I  
J  
L  
M  
N  
O  
P

AV

# STEERING SWITCH SIGNAL A CIRCUIT

[WITHOUT MOBILE ENTERTAINMENT SYSTEM]

< COMPONENT DIAGNOSIS >

YES >> INSPECTION END  
NO >> Replace steering switch.

## WITH NAVIGATION : Component Inspection

INFOID:000000005350306

Measure the resistance between the steering switch connector terminals 20 to 17 and 19 to 17.

Standard

### Between terminals 20 and 17

**ENTER switch ON** : 990 – 1030  $\Omega$

**MENU DOWN switch ON** : 323 – 337  $\Omega$

**MENU UP switch ON** : 108 – 112  $\Omega$

**SOURCE switch ON** : 0  $\Omega$

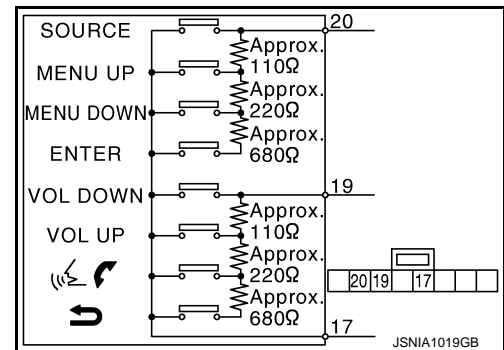
### Between terminals 19 and 17

**↻ switch ON** : 990 – 1030  $\Omega$

**⏪ switch ON** : 323 – 337  $\Omega$

**VOL UP switch ON** : 108 – 112  $\Omega$

**VOL DOWN switch ON** : 0  $\Omega$



JSNIA1019GB

# STEERING SWITCH SIGNAL B CIRCUIT

< COMPONENT DIAGNOSIS >

[WITHOUT MOBILE ENTERTAINMENT SYSTEM]

## STEERING SWITCH SIGNAL B CIRCUIT WITHOUT NAVIGATION

### WITHOUT NAVIGATION : Description

INFOID:000000005350307

Transmits the steering switch signal to AV control unit.

### WITHOUT NAVIGATION : Diagnosis Procedure

INFOID:000000005350308

#### 1. CHECK STEERING SWITCH SIGNAL B CIRCUIT

1. Disconnect AV control unit connector and spiral cable connector.
2. Check continuity between AV control unit harness connector terminal 16 and spiral cable harness connector terminals 32.

**16 - 32 : Continuity should exist.**

3. Check continuity between AV control unit harness connector terminal 16 and ground.

**16 - Ground : Continuity should not exist.**

Is the inspection result normal?

YES >> GO TO 2.

NO >> Repair harness or connector.

#### 2. CHECK SPIRAL CABLE

Check spiral cable.

Is the inspection result normal?

YES >> GO TO 3.

NO >> Replace spiral cable.

#### 3. CHECK AV CONTROL UNIT VOLTAGE

1. Connect AV control unit connector and spiral cable connector.
2. Turn ignition switch ON.
3. Check voltage between AV control unit harness connector terminals 16 and 15.

**16 - 15 : Approx. 3.3 V**

Is the inspection result normal?

YES >> GO TO 4.

NO >> Replace AV control unit.

#### 4. CHECK STEERING SWITCH

1. Turn ignition switch OFF.
2. Check steering switch. Refer to [AV-151, "WITHOUT NAVIGATION : Component Inspection"](#).

Is the inspection result normal?

YES >> INSPECTION END

NO >> Replace steering switch.

### WITHOUT NAVIGATION : Component Inspection

INFOID:000000005350309

Measure the resistance between the steering switch connector terminals 20 to 17 and 19 to 17.

# STEERING SWITCH SIGNAL B CIRCUIT

< COMPONENT DIAGNOSIS >

[WITHOUT MOBILE ENTERTAINMENT SYSTEM]

Standard

Between terminals 20 and 17

**MENU DOWN switch ON : 323 – 337 Ω**

**MENU UP switch ON : 108 – 112 Ω**

**SOURCE switch ON : 0 Ω**

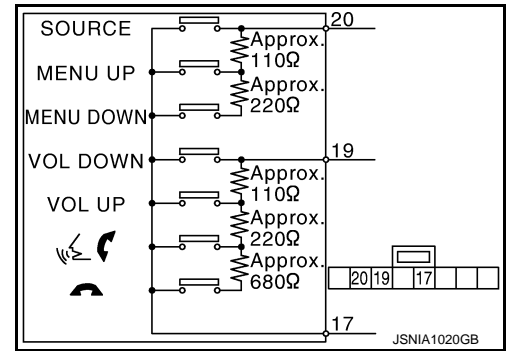
Between terminals 19 and 17

**↶ switch ON : 990 – 1030 Ω**

**↷ switch ON : 323 – 337 Ω**

**VOL UP switch ON : 108 – 112 Ω**

**VOL DOWN switch ON : 0 Ω**



## WITH NAVIGATION

### WITH NAVIGATION : Description

INFOID:000000005350310

Transmits the steering switch signal to AV control unit.

### WITH NAVIGATION : Diagnosis Procedure

INFOID:000000005350311

#### 1. CHECK STEERING SWITCH SIGNAL B CIRCUIT

1. Turn ignition switch OFF.
2. Disconnect AV control unit connector and spiral cable connector.
3. Check continuity between AV control unit harness connector terminal 16 and spiral cable harness connector terminals 32.

**16 - 32 : Continuity should exist.**

4. Check continuity between AV control unit harness connector terminal 16 and ground.

**16 - Ground : Continuity should not exist.**

Is the inspection result normal?

YES >> GO TO 2.

NO >> Repair harness or connector.

#### 2. CHECK SPIRAL CABLE

Check spiral cable.

Is the inspection result normal?

YES >> GO TO 3.

NO >> Replace spiral cable.

#### 3. CHECK AV CONTROL UNIT VOLTAGE

1. Connect AV control unit connector and spiral cable connector.
2. Turn ignition switch ON.
3. Check voltage between AV control unit harness connector terminals 16 and 15.

**16 - 15 : Approx. 5 V**

Is the inspection result normal?

YES >> GO TO 4.

NO >> Replace AV control unit.

#### 4. CHECK STEERING SWITCH

1. Turn ignition switch OFF.
2. Check steering switch. Refer to [AV-153, "WITH NAVIGATION : Component Inspection"](#).

Is the inspection result normal?

# STEERING SWITCH SIGNAL B CIRCUIT

[WITHOUT MOBILE ENTERTAINMENT SYSTEM]

< COMPONENT DIAGNOSIS >

- YES >> INSPECTION END
- NO >> Replace steering switch.

## WITH NAVIGATION : Component Inspection

INFOID:000000005350312

Measure the resistance between the steering switch connector terminals 20 to 17 and 19 to 17.

Standard

### Between terminals 20 and 17

**ENTER switch ON : 990 – 1030 Ω**

**MENU DOWN switch ON : 323 – 337 Ω**

**MENU UP switch ON : 108 – 112 Ω**

**SOURCE switch ON : 0 Ω**

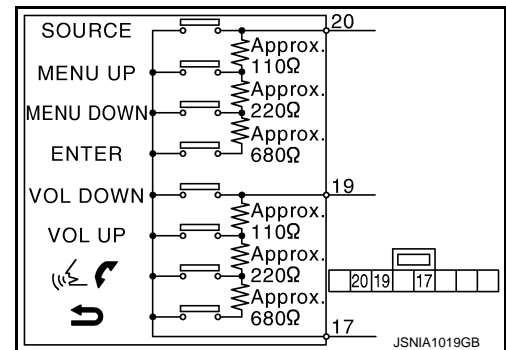
### Between terminals 19 and 17

**↶ switch ON : 990 – 1030 Ω**

**↷ switch ON : 323 – 337 Ω**

**VOL UP switch ON : 108 – 112 Ω**

**VOL DOWN switch ON : 0 Ω**



A  
B  
C  
D  
E  
F  
G  
H  
I  
J  
AV  
L  
M  
N  
O  
P

# STEERING SWITCH SIGNAL GND CIRCUIT

< COMPONENT DIAGNOSIS >

[WITHOUT MOBILE ENTERTAINMENT SYSTEM]

## STEERING SWITCH SIGNAL GND CIRCUIT WITHOUT NAVIGATION

### WITHOUT NAVIGATION : Description

INFOID:000000005350313

Transmits the steering switch signal to AV control unit.

### WITHOUT NAVIGATION : Diagnosis Procedure

INFOID:000000005350314

#### 1. CHECK STEERING SWITCH SIGNAL GND CIRCUIT

1. Disconnect AV control unit connector and spiral cable connector.
2. Check continuity between AV control unit harness connector terminal 15 and spiral cable harness connector terminal 27.

**15 - 27 : Continuity should exist.**

3. Connect AV control unit connector.

Is the inspection result normal?

- YES >> GO TO 2.  
NO >> Repair harness or connector.

#### 2. CHECK SPIRAL CABLE

Check spiral cable.

Is the inspection result normal?

- YES >> GO TO 3.  
NO >> Replace spiral cable.

#### 3. CHECK GROUND CIRCUIT

1. Connect AV control unit connector.
2. Check continuity between AV control unit harness connector terminal 15 and ground.

**15 - Ground : Continuity should exist.**

Is the inspection result normal?

- YES >> GO TO 4.  
NO >> Replace AV control unit.

#### 4. CHECK STEERING SWITCH

1. Turn ignition switch OFF.
2. Check steering switch. Refer to [AV-154, "WITHOUT NAVIGATION : Component Inspection"](#).

Is the inspection result normal?

- YES >> INSPECTION END  
NO >> Replace steering switch.

### WITHOUT NAVIGATION : Component Inspection

INFOID:000000005350315

Measure the resistance between the steering switch connector terminals 20 to 17 and 19 to 17.

Standard

**Between terminals 20 and 17**

**MENU DOWN switch ON : 323 – 337  $\Omega$**

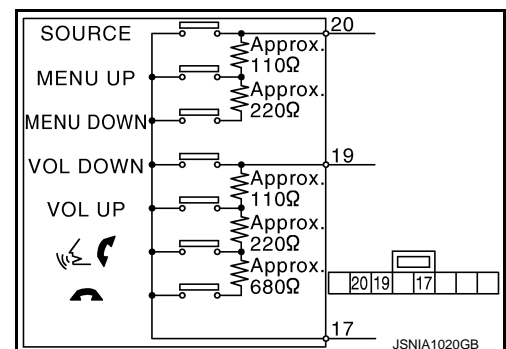
**MENU UP switch ON : 108 – 112  $\Omega$**

**SOURCE switch ON : 0  $\Omega$**

**Between terminals 19 and 17**

**switch ON : 990 – 1030  $\Omega$**

**switch ON : 323 – 337  $\Omega$**



# STEERING SWITCH SIGNAL GND CIRCUIT

< COMPONENT DIAGNOSIS >

[WITHOUT MOBILE ENTERTAINMENT SYSTEM]

**VOL UP switch ON : 108 – 112 Ω**

**VOL DOWN switch ON : 0 Ω**

## WITH NAVIGATION

### WITH NAVIGATION : Description

INFOID:000000005350316

Transmits the steering switch signal to AV control unit.

### WITH NAVIGATION : Diagnosis Procedure

INFOID:000000005350317

## 1. CHECK STEERING SWITCH SIGNAL GND CIRCUIT

1. Disconnect AV control unit connector and spiral cable connector.
2. Check continuity between AV control unit harness connector terminal 15 and spiral cable harness connector terminal 27.

**15 - 27 : Continuity should exist.**

Is the inspection result normal?

YES >> GO TO 2.

NO >> Repair harness or connector.

## 2. CHECK SPIRAL CABLE

Check spiral cable.

Is the inspection result normal?

YES >> GO TO 3.

NO >> Replace spiral cable.

## 3. CHECK GROUND CIRCUIT

1. Connect AV control unit connector.
2. Check continuity between AV control unit harness connector terminal 15 and ground.

**15 - Ground : Continuity should exist.**

Is the inspection result normal?

YES >> GO TO 4.

NO >> Replace AV control unit.

## 4. CHECK STEERING SWITCH

1. Turn ignition switch OFF.
2. Check steering switch. Refer to [AV-155, "WITH NAVIGATION : Component Inspection"](#).

Is the inspection result normal?

YES >> INSPECTION END

NO >> Replace steering switch.

## WITH NAVIGATION : Component Inspection

INFOID:000000005350318

Measure the resistance between the steering switch connector terminals 20 to 17 and 19 to 17.

Standard

**Between terminals 20 and 17**

**ENTER switch ON : 990 – 1030 Ω**

**MENU DOWN switch ON : 323 – 337 Ω**

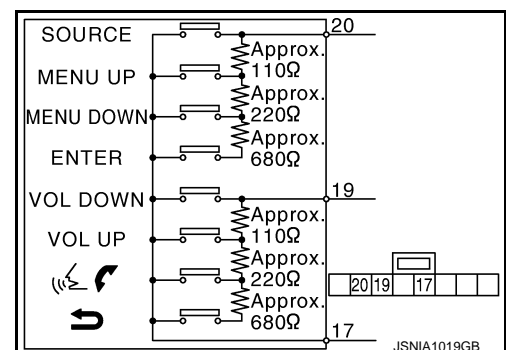
**MENU UP switch ON : 108 – 112 Ω**

**SOURCE switch ON : 0 Ω**

**Between terminals 19 and 17**

**↶ switch ON : 990 – 1030 Ω**

**↷ switch ON : 323 – 337 Ω**



## STEERING SWITCH SIGNAL GND CIRCUIT

< COMPONENT DIAGNOSIS >

[WITHOUT MOBILE ENTERTAINMENT SYSTEM]

---

**VOL UP switch ON** : 108 – 112  $\Omega$

**VOL DOWN switch ON** : 0  $\Omega$



# AV CONTROL UNIT

[WITHOUT MOBILE ENTERTAINMENT SYSTEM]

< ECU DIAGNOSIS >

## ECU DIAGNOSIS

AV CONTROL UNIT  
WITHOUT NAVIGATION

WITHOUT NAVIGATION : Reference Value

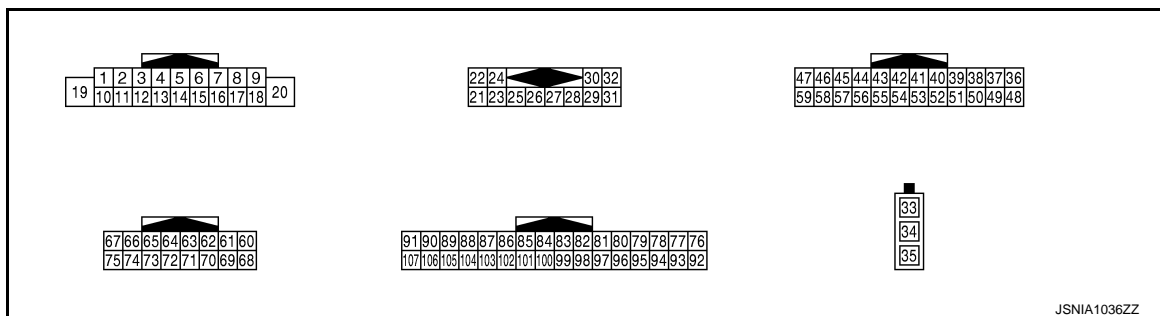
INFOID:000000005350319

VALUES ON THE DIAGNOSIS TOOL

CONSULT-III MONITOR ITEM

Display Item	Display	Vehicle status	Remarks
VHCL SPD SIG	On	Vehicle speed >0 km/h (0 MPH)	Changes in indication may be delayed. This is normal.
	Off	Vehicle speed =0 km/h (0 MPH)	
PKB SIG	On	Parking brake is applied.	Changes in indication may be delayed. This is normal.
	Off	Parking brake is released.	
ILLUM SIG	On	Light switch ON.	—
	Off	Light switch OFF.	
IGN SIG	On	Ignition switch ON.	—
	Off	Ignition switch in ACC position.	
REV SIG	On	Shift the selector lever to "R" position.	Changes in indication may be delayed. This is normal.
	Off	Shift the selector lever other than "R" position.	

### TERMINAL LAYOUT



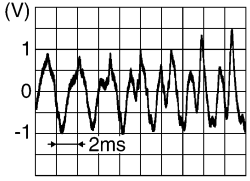
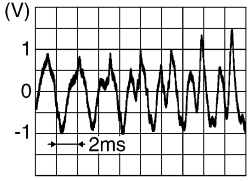
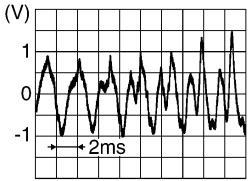
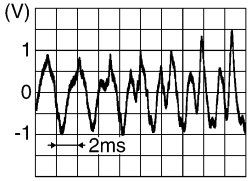
### PHYSICAL VALUES

JSNIA1036ZZ

# AV CONTROL UNIT

[WITHOUT MOBILE ENTERTAINMENT SYSTEM]

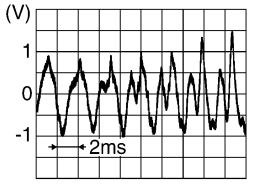
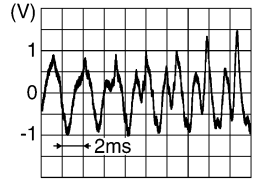
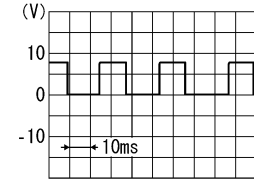
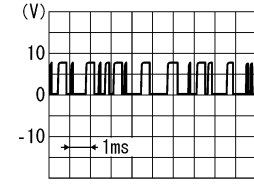
< ECU DIAGNOSIS >

Terminal (Wire color)		Description		Condition		Reference value (Approx.)
+	-	Signal name	Input/ Output			
2 (P)	3 (W)	Sound signal front LH	Output	Ignition switch ON	Audio sound output.	 <p style="text-align: right; font-size: small;">SKIB3609E</p>
4 (LG)	5 (B/Y)	Sound signal rear LH	Output	Ignition switch ON	Audio sound output.	 <p style="text-align: right; font-size: small;">SKIB3609E</p>
6 (BR)	15 (G)	Steering switch signal A	Input	Ignition switch ON	Keep pressing SOURCE switch.	0 V
					Keep pressing $\Delta$ switch.	0.7 V
					Keep pressing $\nabla$ switch.	1.3 V
					Except for above.	3.3 V
7 (V)	Ground	ACC power supply	Input	Ignition switch ACC	—	Battery voltage
9 (LG)	Ground	Illumination signal	Input	Ignition switch OFF	Lighting switch is OFF.	0 V
					Lighting switch is ON.	12 V
11 (BR)	12 (R)	Sound signal front RH	Output	Ignition switch ON	Audio sound output.	 <p style="text-align: right; font-size: small;">SKIB3609E</p>
13 (O)	14 (B/P)	Sound signal rear RH	Output	Ignition switch ON	Audio sound output.	 <p style="text-align: right; font-size: small;">SKIB3609E</p>
15 (G)	Ground	Steering switch signal ground	—	Ignition switch ON	—	0 V

# AV CONTROL UNIT

## [WITHOUT MOBILE ENTERTAINMENT SYSTEM]

### < ECU DIAGNOSIS >

Terminal (Wire color)		Description		Condition		Reference value (Approx.)
+	-	Signal name	Input/ Output			
16 (O)	15 (G)	Steering switch signal B	Input	Ignition switch ON	Keep pressing VOL DOWN switch.	0 V
					Keep pressing VOL UP switch.	0.7 V
					Keep pressing  switch.	1.3 V
					Keep pressing  switch.	2.2 V
					Except for above.	3.3 V
18 (R/Y)	Ground	Illumination control signal	Input	Ignition switch ON	Illumination control switch is operated by lighting switch in ON position.	Change between approx. 0 V and approx. 12 V
19 (Y)	Ground	Battery power supply	Input	Ignition switch OFF	—	Battery voltage
20 (B)	Ground	Ground	—	Ignition switch ON	—	0 V
22 (R)	21 (G)	Satellite radio sound signal LH	Input	Ignition switch ON	When satellite radio mode is selected.	 <small>SKIB3609E</small>
24 (B)	23 (W)	Satellite radio sound signal RH	Input	Ignition switch ON	When satellite radio mode is selected.	 <small>SKIB3609E</small>
25	—	Shield	—	—	—	—
26	—	Shield	—	—	—	—
28 (B)	Ground	Request signal (SAT→CONT)	Input	Ignition switch ON	When satellite radio mode is selected.	 <small>SKIA9299J</small>
29 (R)	Ground	Communication signal (SAT→CONT)	Input	Ignition switch ON	When satellite radio mode is selected.	 <small>SKIA9300J</small>

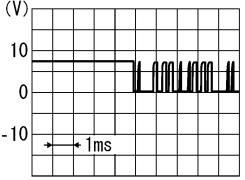
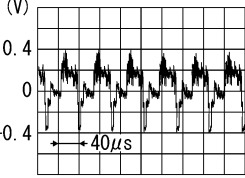
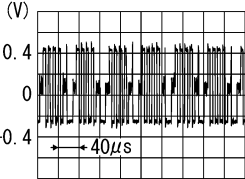
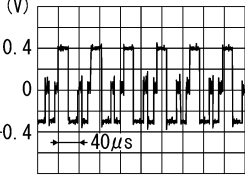
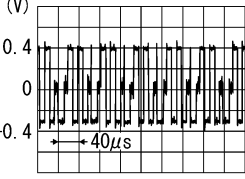
A  
B  
C  
D  
E  
F  
G  
H  
I  
J  
L  
M  
N  
O  
P

AV

# AV CONTROL UNIT

**[WITHOUT MOBILE ENTERTAINMENT SYSTEM]**

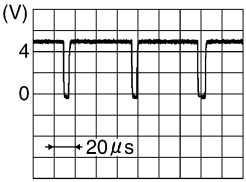
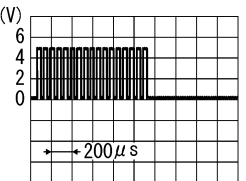
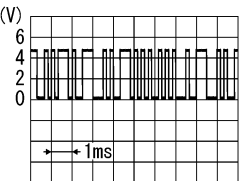
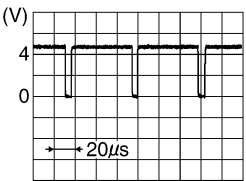
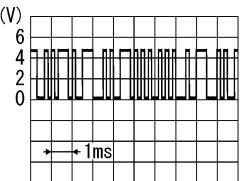
< ECU DIAGNOSIS >

Terminal (Wire color)		Description		Condition		Reference value (Approx.)
+	-	Signal name	Input/ Output			
30 (W)	Ground	Communication signal (CONT→SAT)	Output	Ignition switch ON	When satellite radio mode is selected.	 <p style="text-align: right; font-size: small;">SKIA9301J</p>
33	Ground	Antenna amp. ON signal	Output	Ignition switch ACC	—	12 V
34	—	AM-FM main	Input	—	—	—
35	—	FM sub	Input	—	—	—
36 (W)	37 (G)	AUX image signal	Output	Ignition switch ON	When AUX image is dis- played.	 <p style="text-align: right; font-size: small;">SKIB2251J</p>
37 (G)	Ground	AUX image ground	—	Ignition switch ON	—	0 V
38 (Y)	Ground	RGB image signal (B: blue)	Output	Ignition switch ON	Start confirmation/adjust- ment mode, and then dis- play color bar by selecting "Color Spectrum Bar" on DISPLAY DIAGNOSIS screen.	 <p style="text-align: right; font-size: small;">SKIB2237J</p>
39 (L)	Ground	RGB image signal (G: green)	Output	Ignition switch ON	Start confirmation/adjust- ment mode, and then dis- play color bar by selecting "Color Spectrum Bar" on DISPLAY DIAGNOSIS screen.	 <p style="text-align: right; font-size: small;">SKIB2236J</p>
40 (G)	Ground	RGB image signal (R: red)	Output	Ignition switch ON	Start confirmation/adjust- ment mode, and then dis- play color bar by selecting "Color Spectrum Bar" on DISPLAY DIAGNOSIS screen.	 <p style="text-align: right; font-size: small;">SKIB2238J</p>

# AV CONTROL UNIT

[WITHOUT MOBILE ENTERTAINMENT SYSTEM]

< ECU DIAGNOSIS >

Terminal (Wire color)		Description		Condition		Reference value (Approx.)
+	-	Signal name	Input/ Output			
41 (B)	Ground	RGB synchronizing signal	Output	Ignition switch ON	—	 <p style="text-align: right; font-size: small;">SKIB3603E</p>
42	—	Shield	—	—	—	—
43 (G)	Ground	RGB area (YS) signal	Output	Ignition switch ON	When RGB image is displayed.	5 V
					When AUX image is displayed.	 <p style="text-align: right; font-size: small;">PKIB4948J</p>
44 (W/L)	Ground	Communication signal (DISP→CONT)	Input	Ignition switch ON	When adjusting display brightness.	 <p style="text-align: right; font-size: small;">PKIB5039J</p>
45 (W)	Ground	Horizontal synchronizing (HP) signal	Input	Ignition switch ON	—	 <p style="text-align: right; font-size: small;">SKIB3601E</p>
46 (O)	Ground	Signal GND	—	Ignition switch ON	—	0 V
47 (L)	Ground	Signal VCC	Output	Ignition switch ACC	—	9 V
49	—	Shield	—	—	—	—
50	—	Shield	—	—	—	—
55	—	Shield	—	—	—	—
56 (O/L)	Ground	Communication signal (CONT→DISP)	Output	Ignition switch ON	When adjusting display brightness.	 <p style="text-align: right; font-size: small;">PKIB5039J</p>

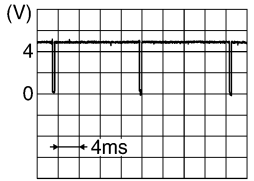
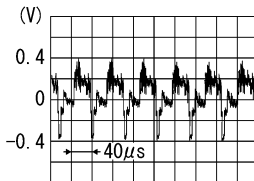

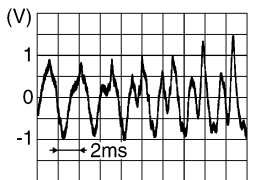
A  
B  
C  
D  
E  
F  
G  
H  
I  
J  
L  
M  
N  
O  
P

AV

# AV CONTROL UNIT

[WITHOUT MOBILE ENTERTAINMENT SYSTEM]

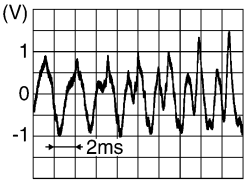
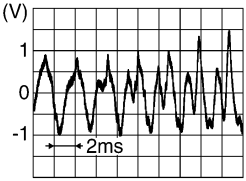
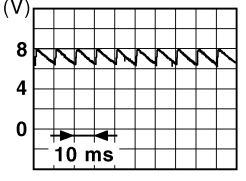
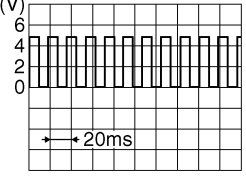
< ECU DIAGNOSIS >

Terminal (Wire color)		Description		Condition		Reference value (Approx.)
+	-	Signal name	Input/ Output			
57 (R)	Ground	Vertical synchronizing (VP) signal	Input	Ignition switch ON	—	 <p style="text-align: right; font-size: small;">SKIB3598E</p>
58 (W/R)	Ground	Inverter GND	—	Ignition switch ON	—	0 V
59 (Y)	Ground	Inverter VCC	Output	Ignition switch ACC	—	9 V
66 (LG)	74 (V)	AUX image signal	Input	Ignition switch ON	At AUX image is displayed.	 <p style="text-align: right; font-size: small;">SKIB2251J</p>
73	—	Shield	—	—	—	—
74 (V)	Ground	AUX image signal ground	—	Ignition switch ON	—	0 V
80 (L)	79 (P)	TEL voice signal	Input	Ignition switch ON	During voice guide output with the  switch pressed.	 <p style="text-align: right; font-size: small;">SKIB3609E</p>
81	—	Shield	—	—	—	—
85 (B)	Ground	Ground	—	Ignition switch ON	—	0 V
86 (L)	—	CAN-H	Input/ Output	—	—	—
87 (P)	—	CAN-L	Input/ Output	—	—	—
88 (BR)	—	AV communication signal (H)	Input/ Output	—	—	—
89 (B/R)	—	AV communication signal (L)	Input/ Output	—	—	—
90 (W)	—	AV communication signal (H)	Input/ Output	—	—	—
91 (R)	—	AV communication signal (L)	Input/ Output	—	—	—

# AV CONTROL UNIT

## [WITHOUT MOBILE ENTERTAINMENT SYSTEM]

### < ECU DIAGNOSIS >

Terminal (Wire color)		Description		Condition		Reference value (Approx.)
+	-	Signal name	Input/ Output			
95 (R)	97 (B)	AUX sound signal RH	Input	Ignition switch ON	When AUX mode is select- ed.	 SKIB3609E
96 (BR)	97 (B)	AUX sound signal LH	Input	Ignition switch ON	When AUX mode is select- ed.	 SKIB3609E
97 (B)	Ground	AUX sound signal ground	—	Ignition switch ON	—	0 V
104 (YG)	Ground	Ignition signal	Input	Ignition switch ON	—	Battery voltage
105 (O)	Ground	Reverse signal	Input	Ignition switch ON	R position.	12 V
					Other than R position.	0 V
106 (P)	Ground	Parking brake signal	Input	Ignition switch ON	Parking brake ON.	0 V
					Parking brake OFF.	 JSNIA0007GB
107 (G)	Ground	Vehicle speed signal (8-pulse)	Input	Ignition switch ON	When vehicle speed is ap- prox. 40 km/h (25 MPH).	<p><b>NOTE:</b> Maximum voltage may be 12 V due to specifications (connected units).</p>  SKIA6649J

A  
B  
C  
D  
E  
F  
G  
H  
I  
J  
L  
M  
N  
O  
P



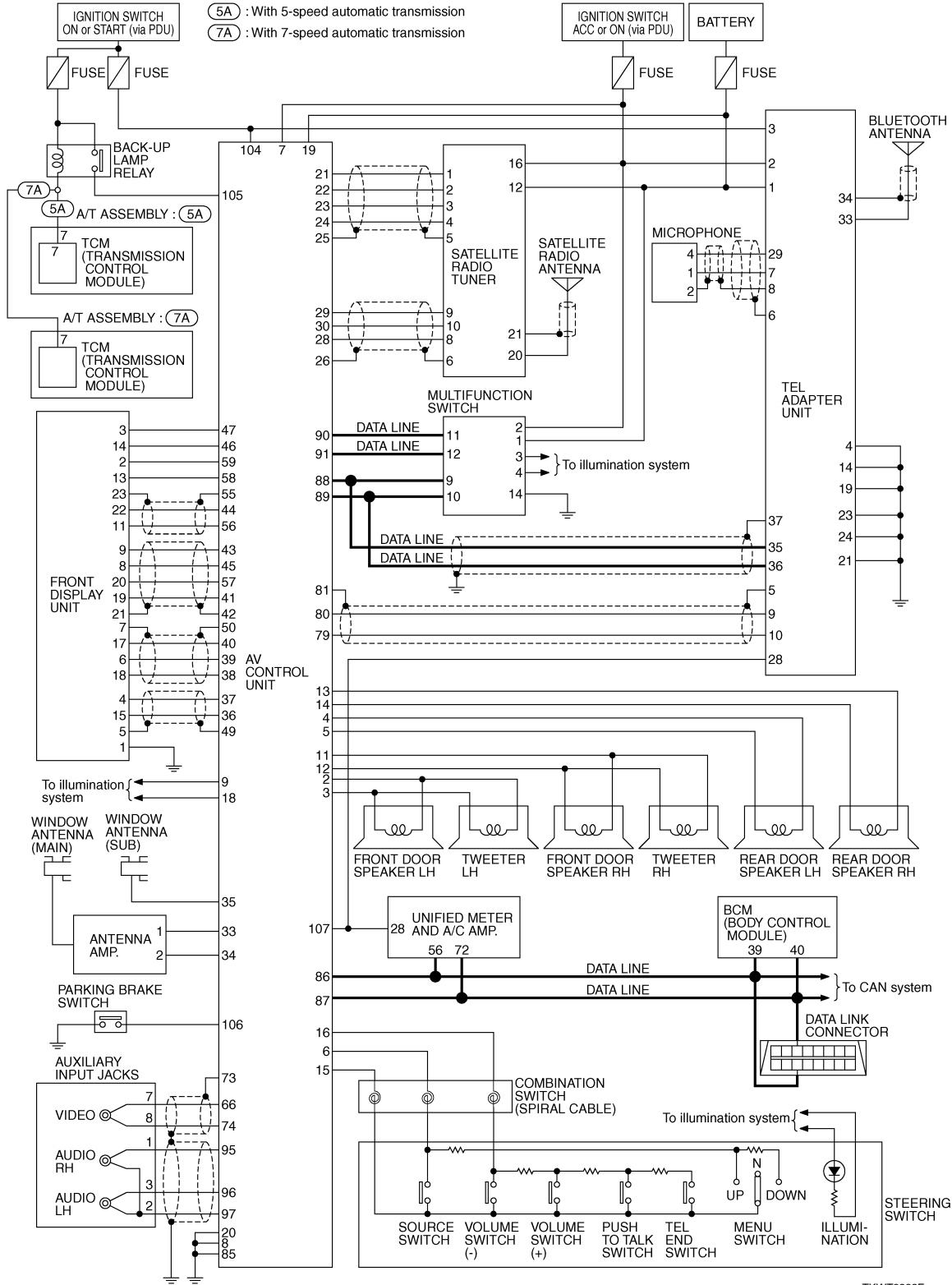
# AV CONTROL UNIT

[WITHOUT MOBILE ENTERTAINMENT SYSTEM]

< ECU DIAGNOSIS >

## WITHOUT NAVIGATION : Schematic - Base Audio System -

INFOID:000000005350320



## WITHOUT NAVIGATION : Wiring Diagram - AV - / Base Audio System

INFOID:000000005350321

NOTE:



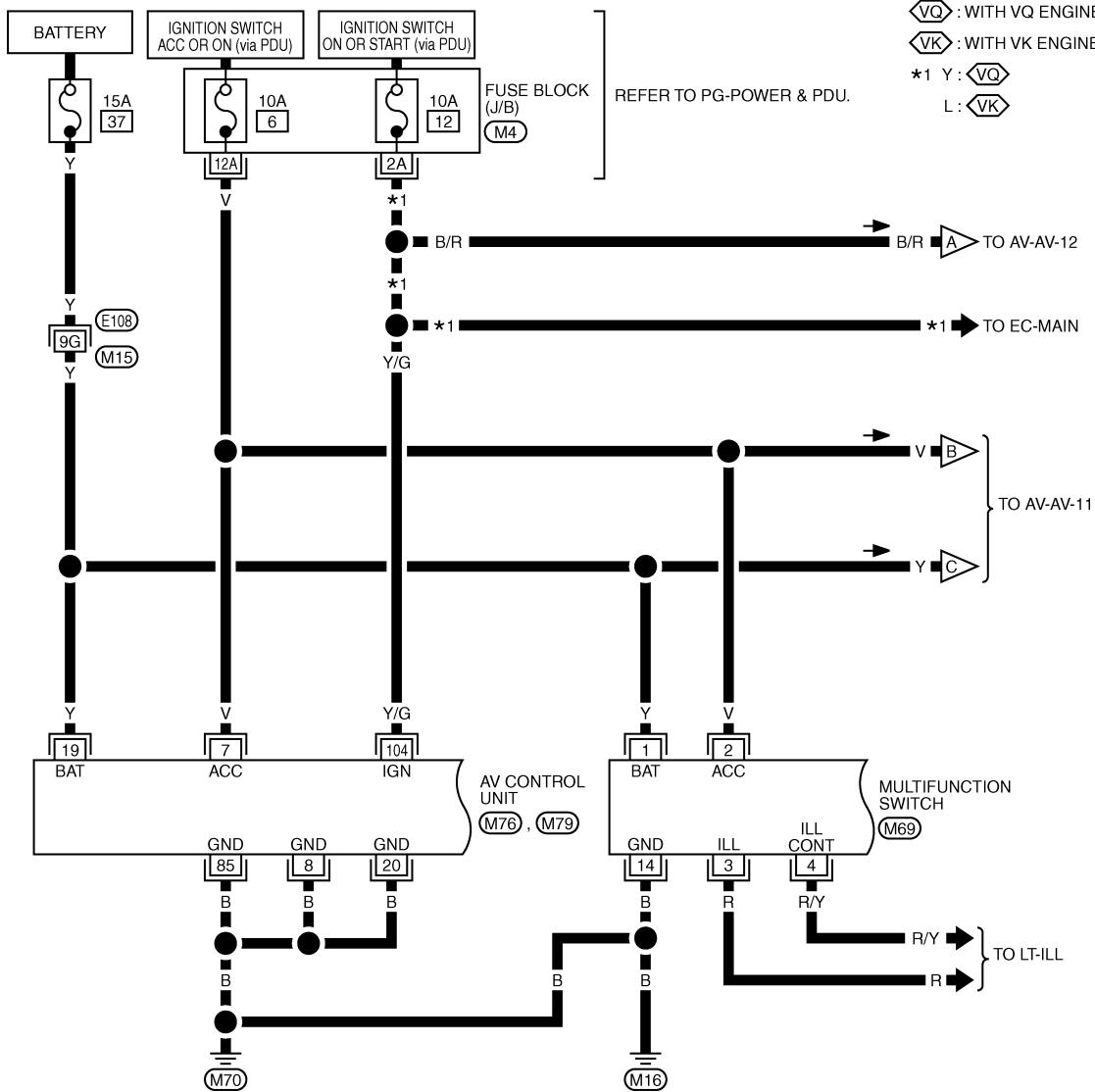
# AV CONTROL UNIT

[WITHOUT MOBILE ENTERTAINMENT SYSTEM]

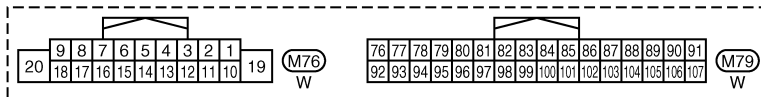
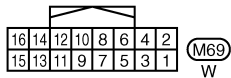
< ECU DIAGNOSIS >

The name MULTIFUNCTION SWITCH indicates the integration of PRESET SWITCH and MULTIFUNCTION SWITCH virtually.

AV-AV-01



VQ : WITH VQ ENGINE  
 VK : WITH VK ENGINE  
 \*1 Y : VQ  
 L : VK



REFER TO THE FOLLOWING.

- (E108) -SUPER MULTIPLE JUNCTION (SMJ)
- (M4) -FUSE BLOCK-JUNCTION BOX (J/B)

TKWT8263E

A  
B  
C  
D  
E  
F  
G  
H  
I  
J  
K  
L  
M  
N  
O  
P

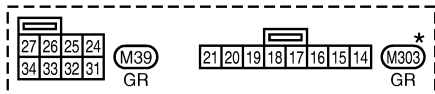
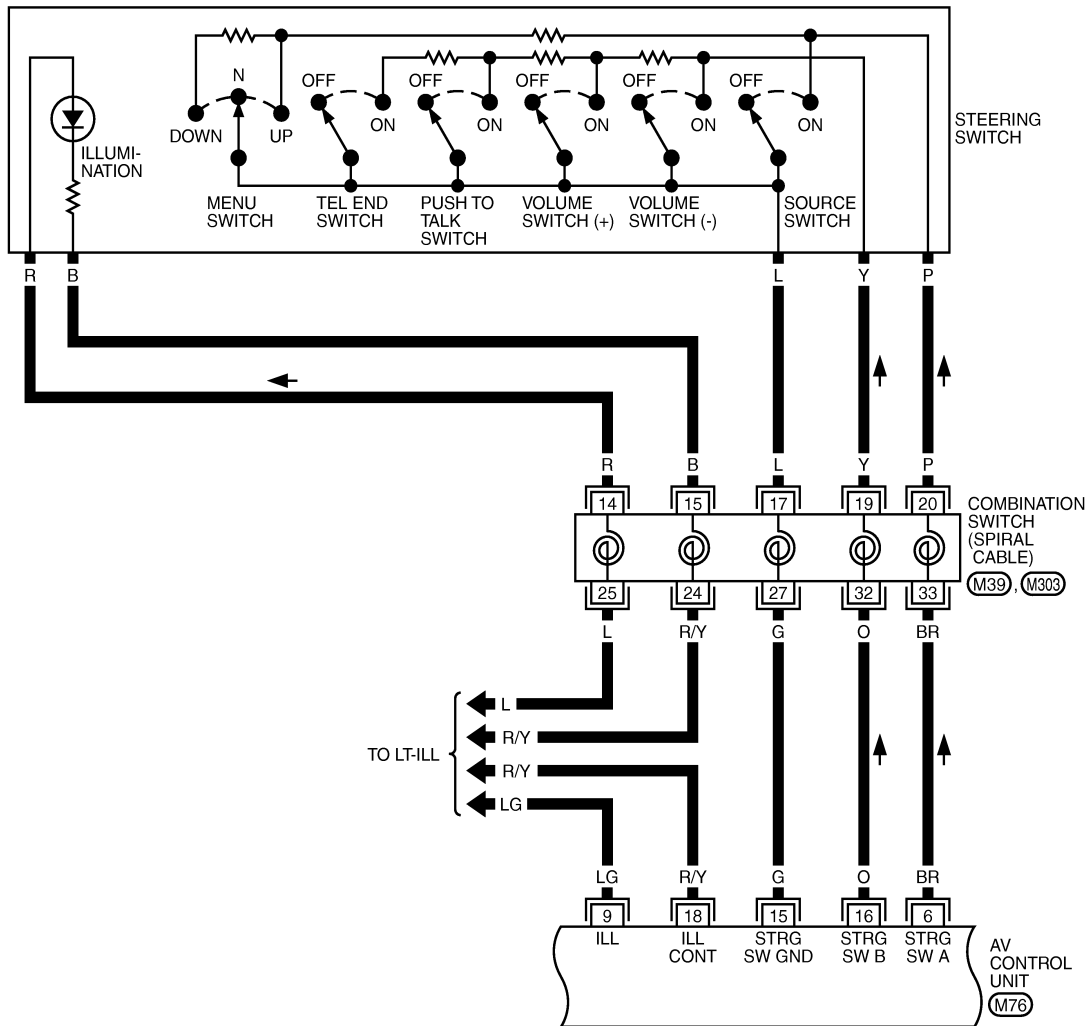
AV

# AV CONTROL UNIT

[WITHOUT MOBILE ENTERTAINMENT SYSTEM]

< ECU DIAGNOSIS >

AV-AV-02



\* : THIS CONNECTOR IS NOT SHOWN IN "HARNESS LAYOUT", PG SECTION.

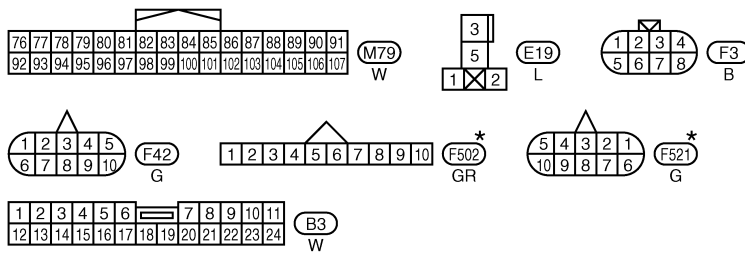
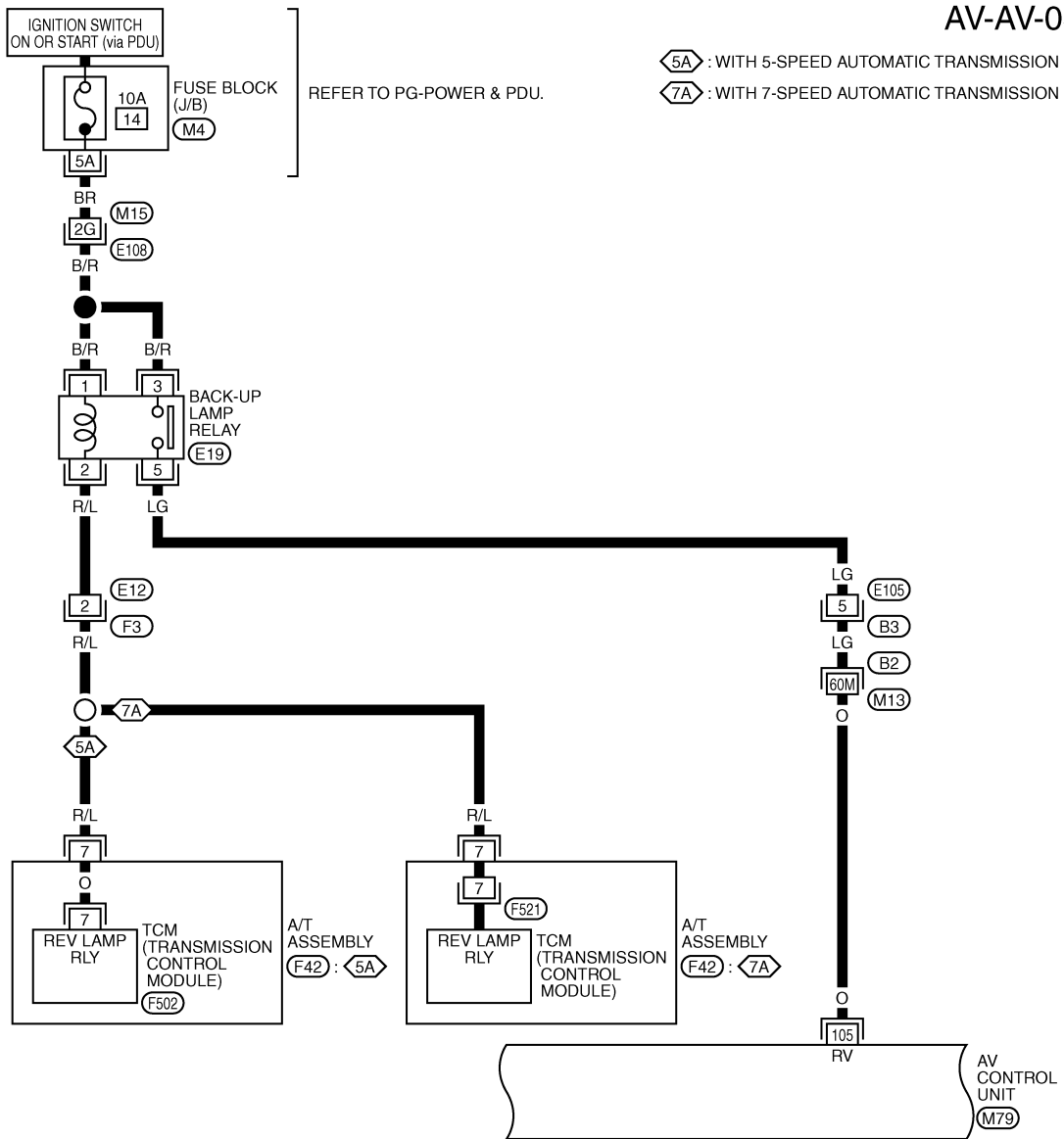
TKWT6674E

# AV CONTROL UNIT

[WITHOUT MOBILE ENTERTAINMENT SYSTEM]

< ECU DIAGNOSIS >

AV-AV-03



\*: THIS CONNECTOR IS NOT SHOWN IN "HARNESS LAYOUT", PG SECTION.

REFER TO THE FOLLOWING.  
(E108), (B2) -SUPER MULTIPLE JUNCTION (SMJ)  
(M4) -FUSE BLOCK-JUNCTION BOX (J/B)

TKWT8264E

A  
B  
C  
D  
E  
F  
G  
H  
I  
J  
K  
L  
M  
N  
O  
P

AV

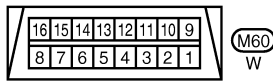
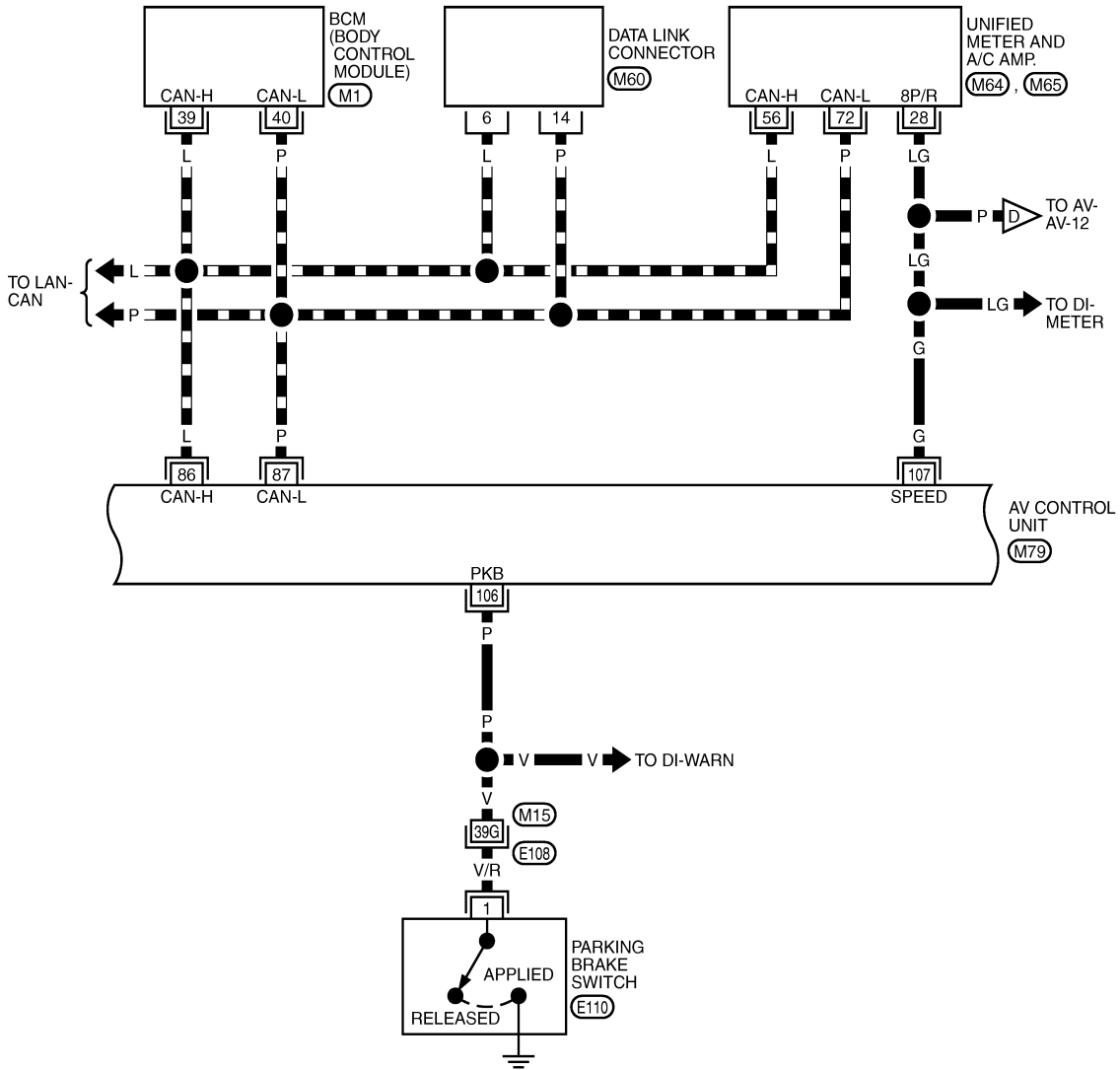
# AV CONTROL UNIT

[WITHOUT MOBILE ENTERTAINMENT SYSTEM]

< ECU DIAGNOSIS >

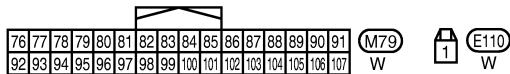
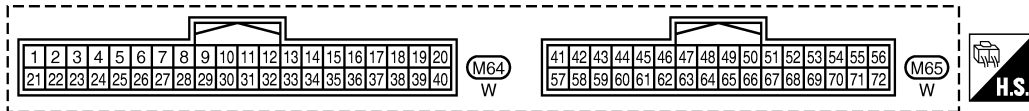
AV-AV-04

▬ : DATA LINE



REFER TO THE FOLLOWING.

- (E108) - SUPER MULTIPLE JUNCTION (SMJ)
- (M1) - ELECTRICAL UNITS



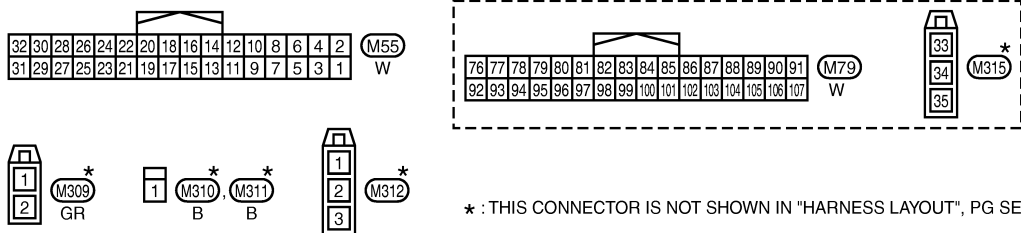
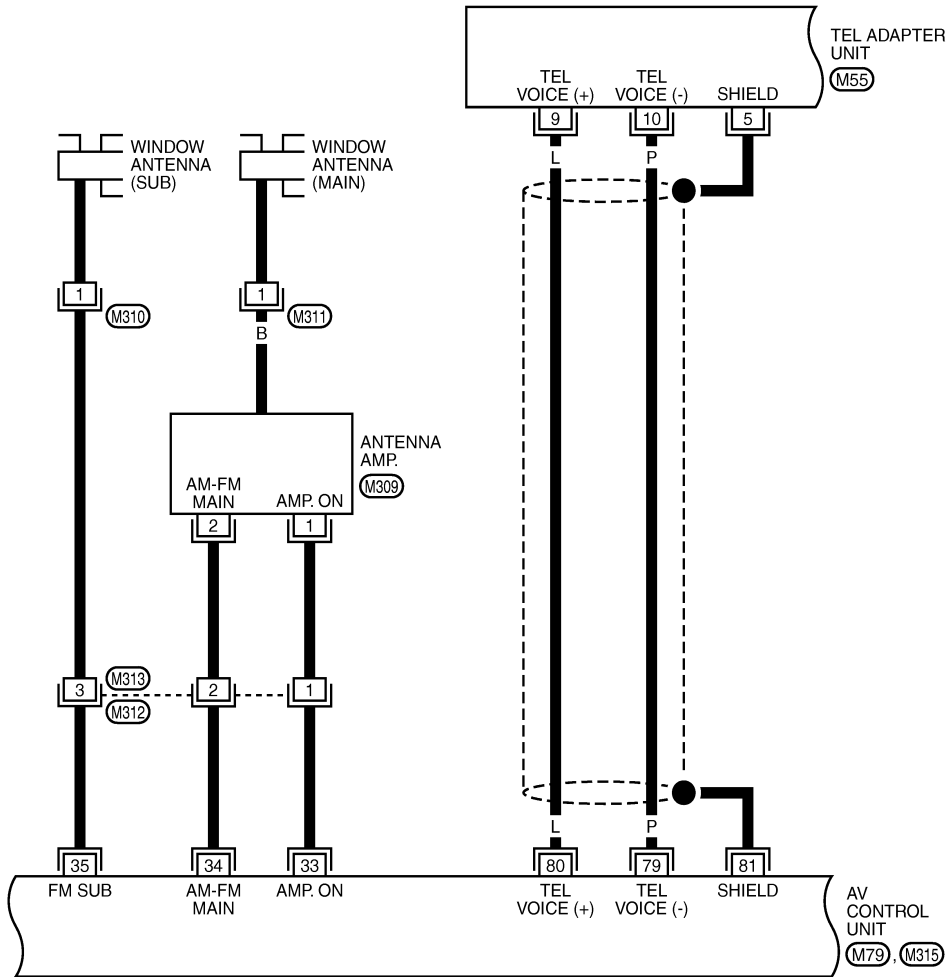
TKWT6676E

# AV CONTROL UNIT

[WITHOUT MOBILE ENTERTAINMENT SYSTEM]

< ECU DIAGNOSIS >

AV-AV-05



\* : THIS CONNECTOR IS NOT SHOWN IN "HARNESS LAYOUT", PG SECTION.

TKWT6677E

A  
B  
C  
D  
E  
F  
G  
H  
I  
J  
K  
L  
M  
N  
O  
P

AV

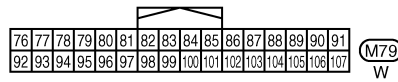
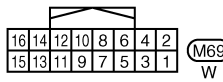
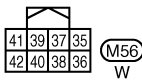
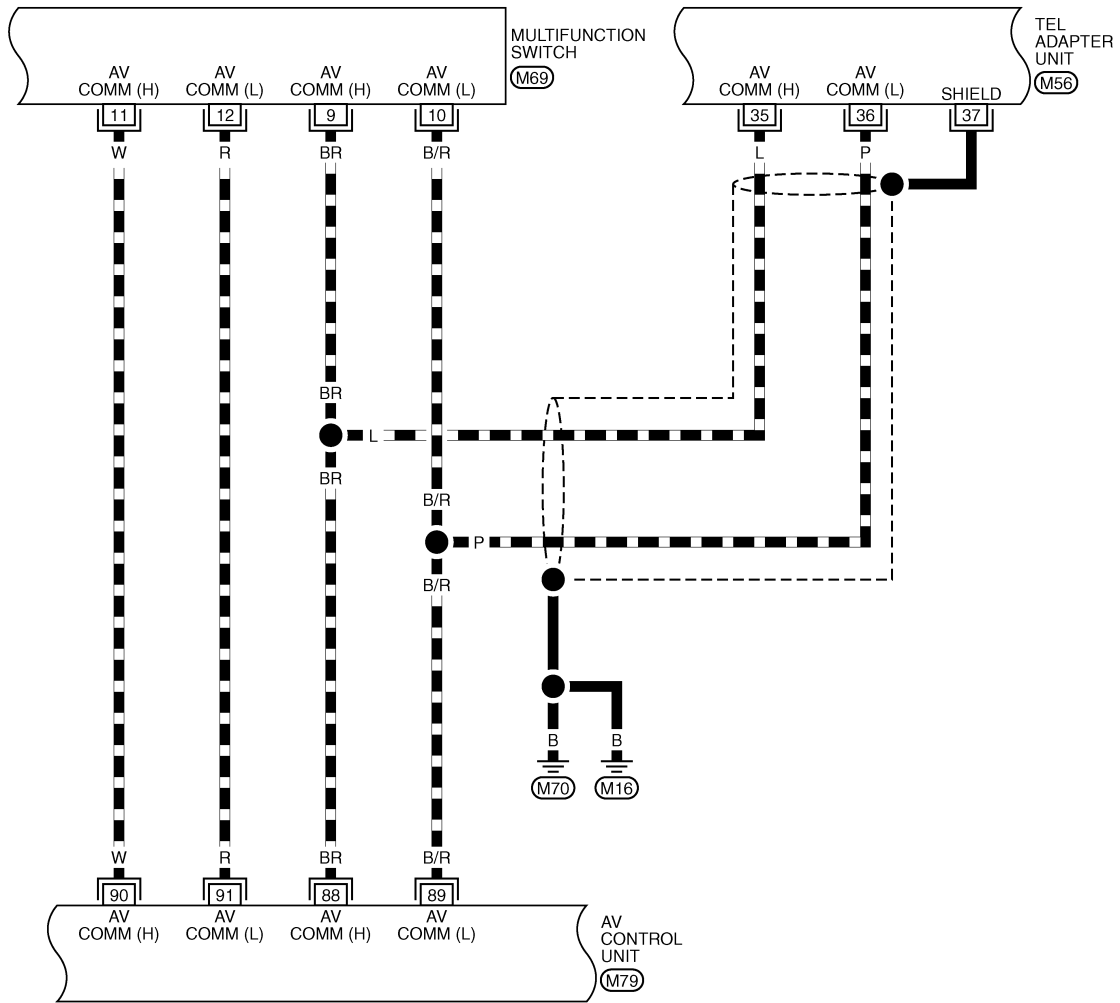
# AV CONTROL UNIT

< ECU DIAGNOSIS >

[WITHOUT MOBILE ENTERTAINMENT SYSTEM]

AV-AV-06

DATA LINE



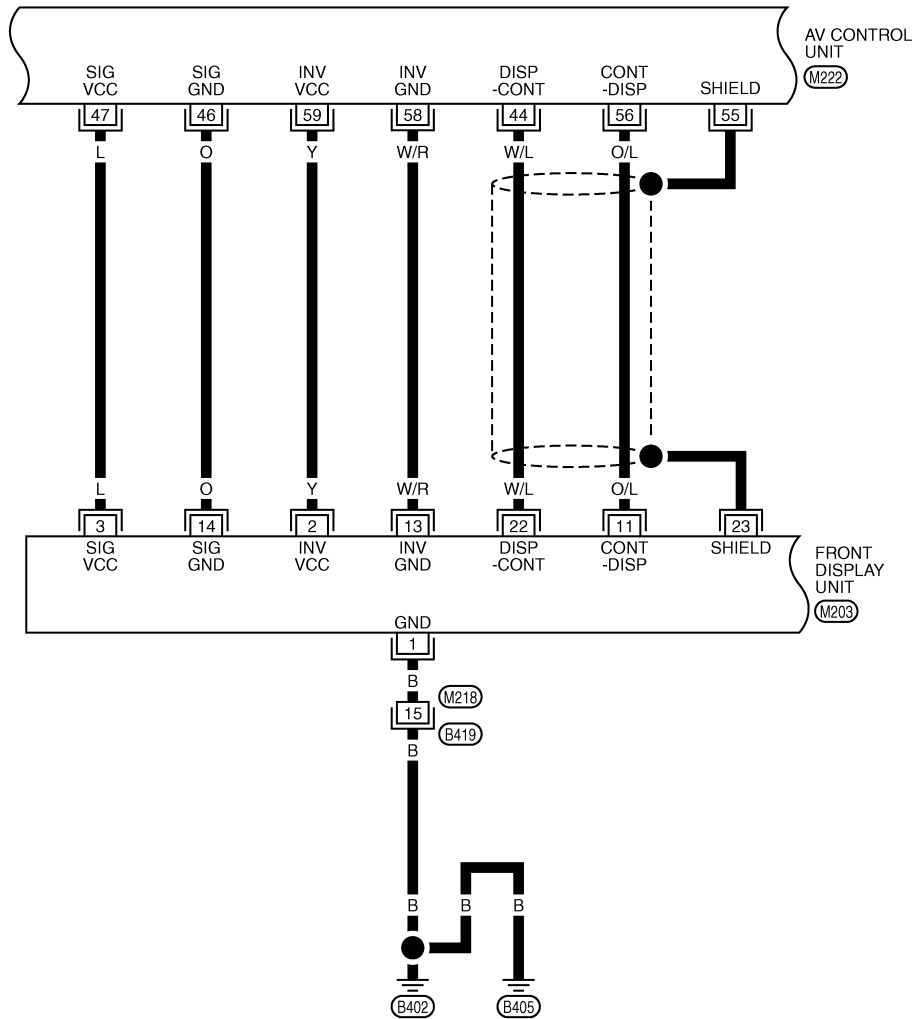
TKWT8265E

# AV CONTROL UNIT

[WITHOUT MOBILE ENTERTAINMENT SYSTEM]

< ECU DIAGNOSIS >

AV-AV-07



1	2	3	4	5	6	7	8	9	10	11	12
13	14	15	16	17	18	19	20	21	22	23	24

M203  
W

36	37	38	39	40	41	42	43	44	45	46	47
48	49	50	51	52	53	54	55	56	57	58	59

M222  
W

1	2	3	4	5	6	7	8	9	10	11	12	13	14	15	16
17	18	19	20	21	22	23	24	25	26	27	28	29	30	31	32

B419  
W

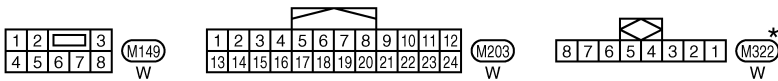
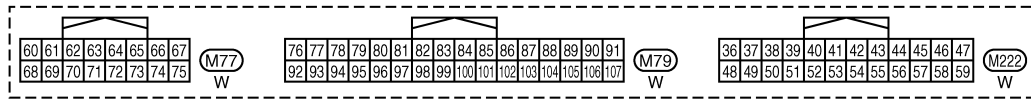
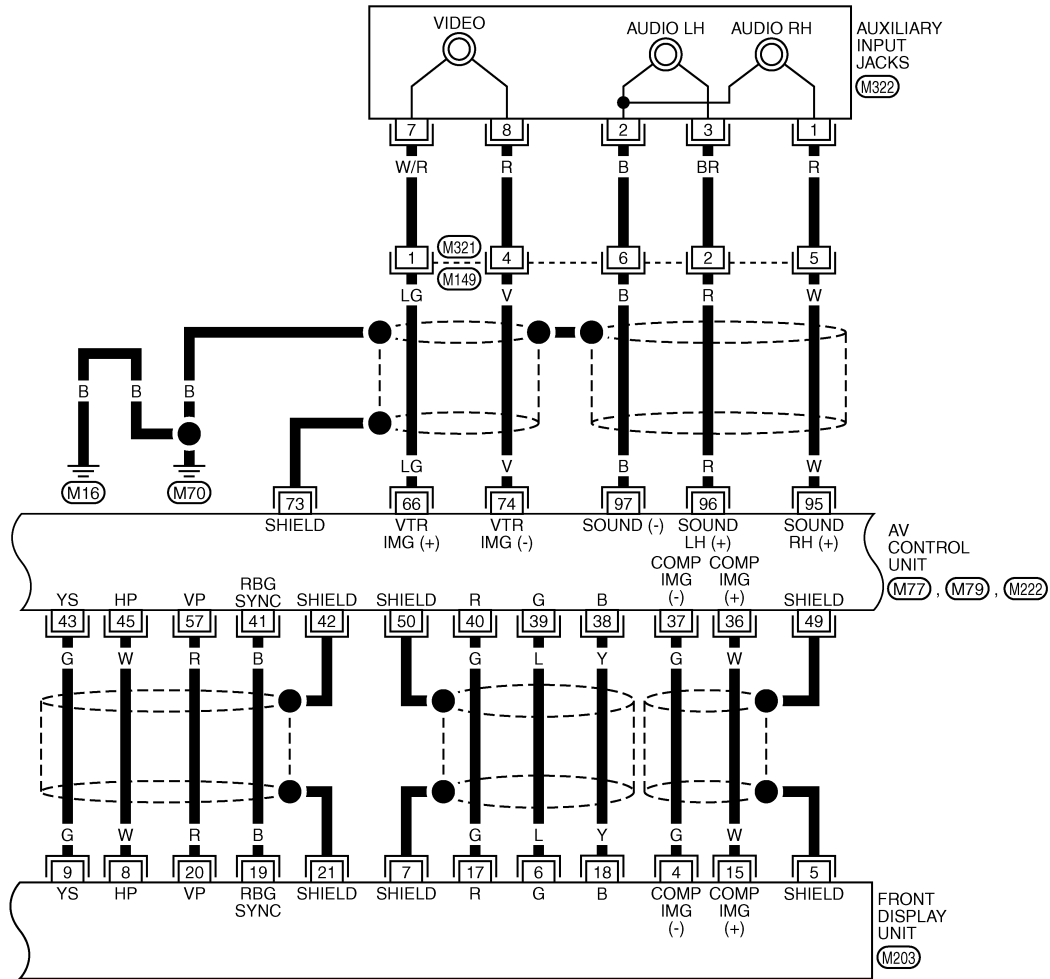
TKWT8266E

# AV CONTROL UNIT

[WITHOUT MOBILE ENTERTAINMENT SYSTEM]

< ECU DIAGNOSIS >

AV-AV-08



\*: THIS CONNECTOR IS NOT SHOWN IN "HARNESS LAYOUT", PG SECTION.

TKWT8267E

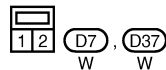
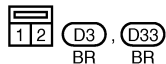
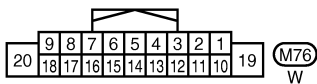
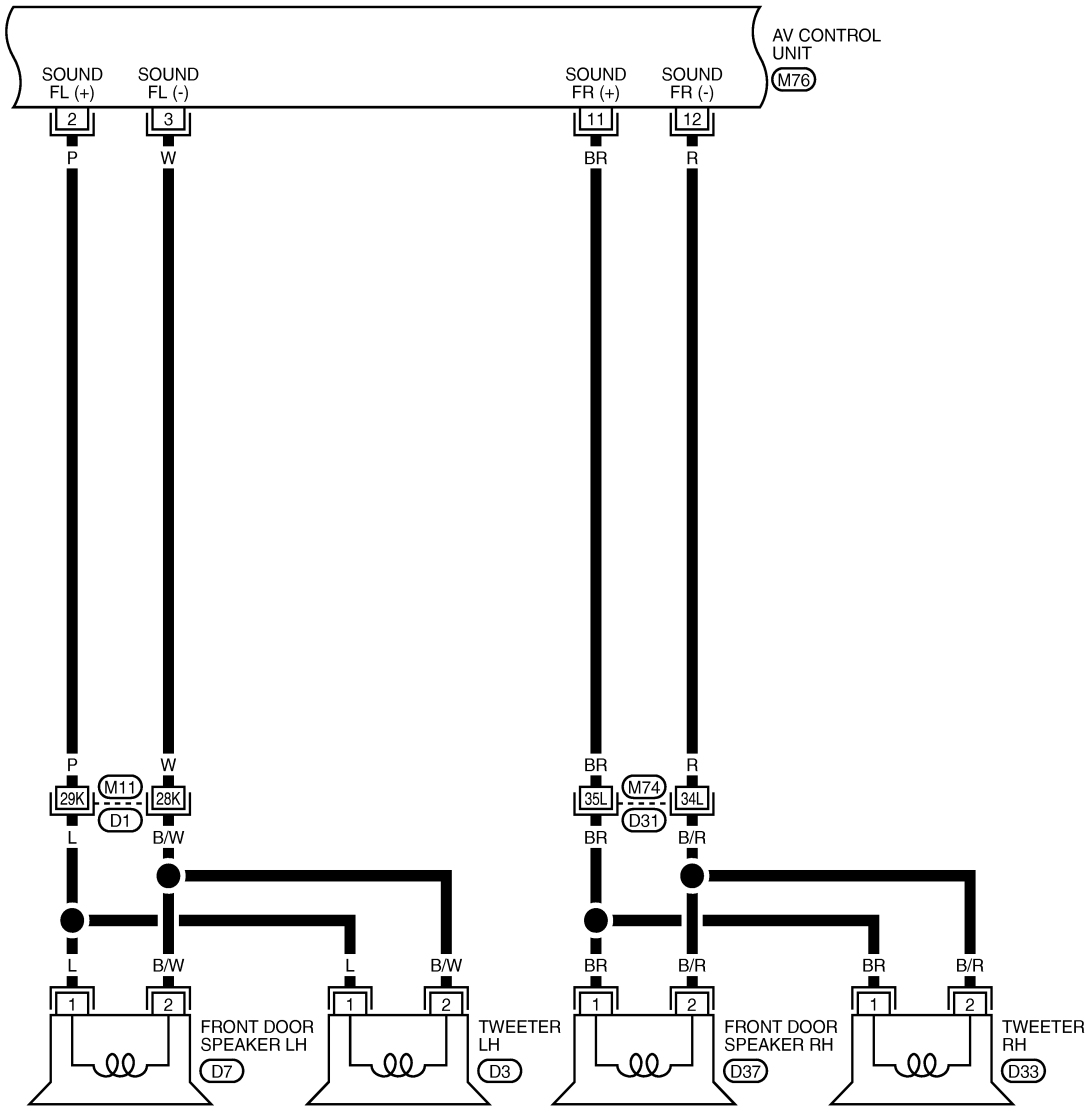


# AV CONTROL UNIT

[WITHOUT MOBILE ENTERTAINMENT SYSTEM]

< ECU DIAGNOSIS >

AV-AV-09



REFER TO THE FOLLOWING.

(D1), (D31) -SUPER  
MULTIPLE JUNCTION (SMJ)

TKWT6681E

A  
B  
C  
D  
E  
F  
G  
H  
I  
J  
K  
L  
M  
N  
O  
P

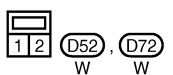
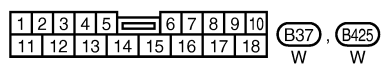
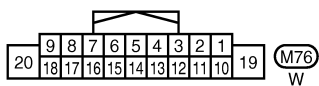
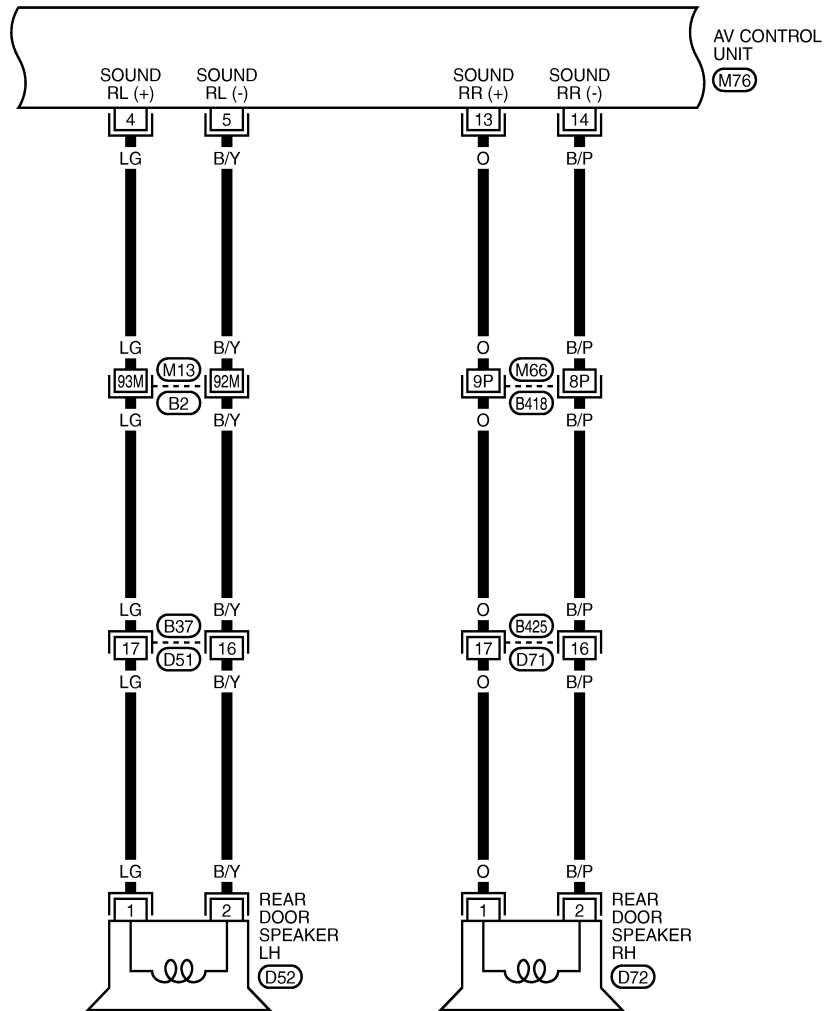
AV

# AV CONTROL UNIT

[WITHOUT MOBILE ENTERTAINMENT SYSTEM]

< ECU DIAGNOSIS >

AV-AV-10



REFER TO THE FOLLOWING.  
 (B2), (B418) -SUPER MULTIPLE JUNCTION (SMJ)

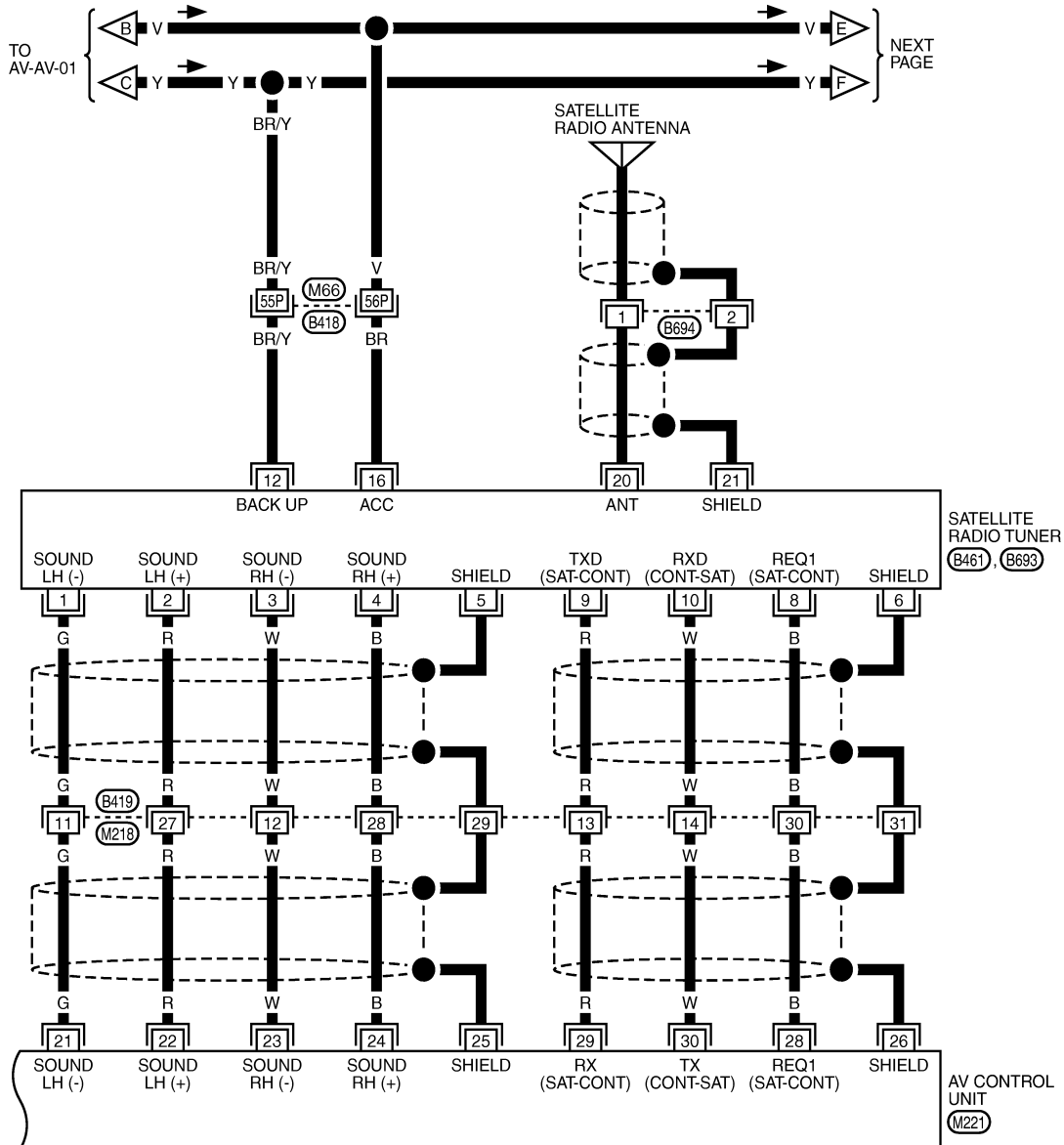
TKWT6682E

# AV CONTROL UNIT

[WITHOUT MOBILE ENTERTAINMENT SYSTEM]

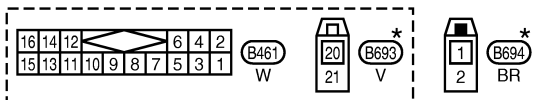
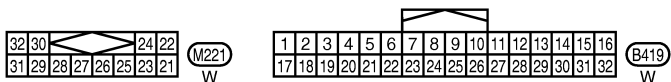
< ECU DIAGNOSIS >

AV-AV-11



A  
B  
C  
D  
E  
F  
G  
H  
I  
J  
K  
L  
M  
N  
O  
P

AV



\* : THIS CONNECTOR IS NOT SHOWN IN "HARNESS LAYOUT", PG SECTION.

REFER TO THE FOLLOWING.

(B418) - SUPER MULTIPLE JUNCTION (SMJ)

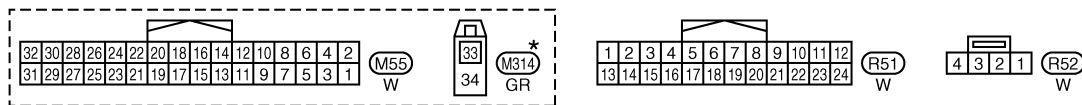
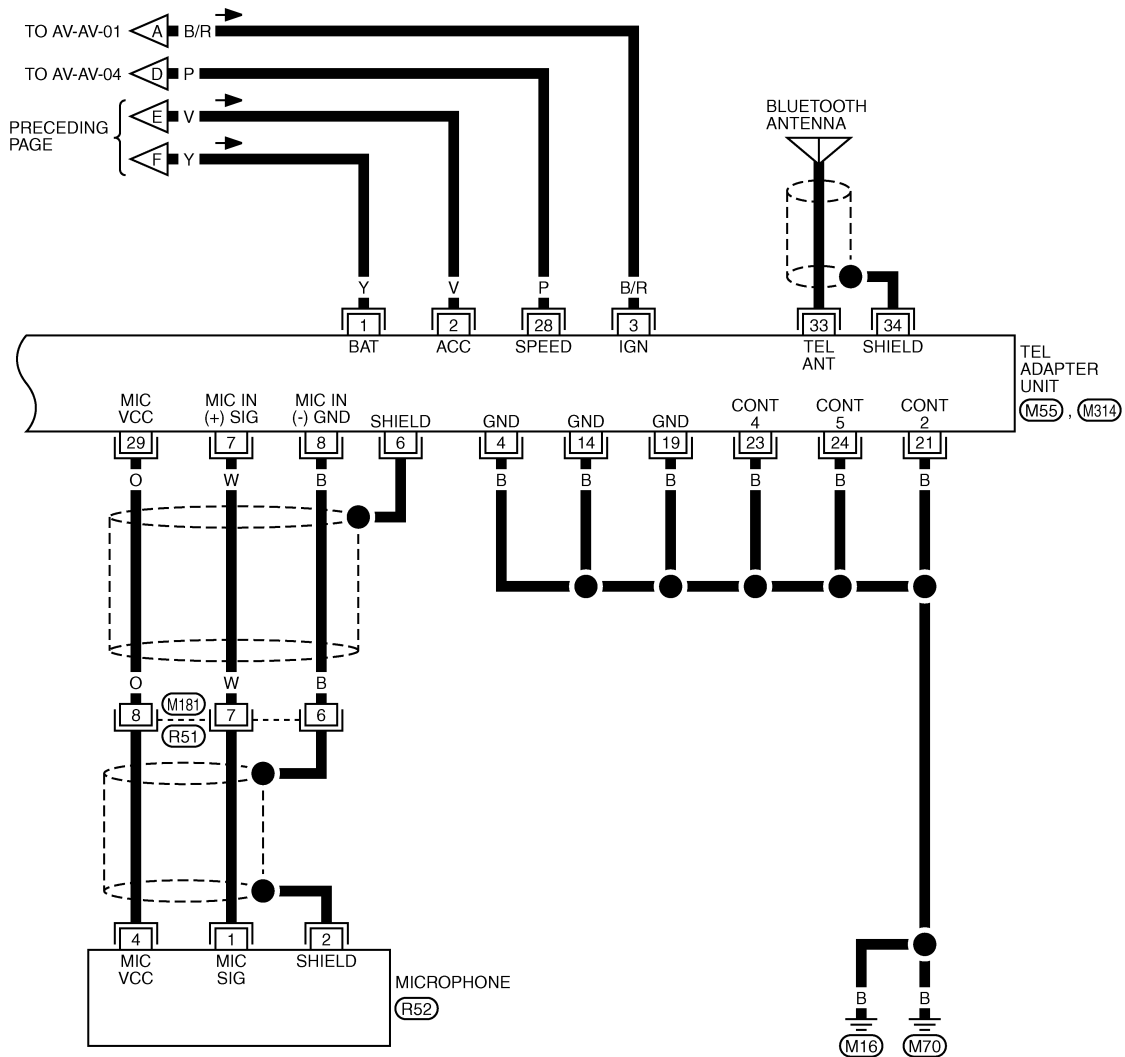
TKWT6683E

# AV CONTROL UNIT

[WITHOUT MOBILE ENTERTAINMENT SYSTEM]

< ECU DIAGNOSIS >

AV-AV-12



\*: THIS CONNECTOR IS NOT SHOWN IN "HARNESS LAYOUT", PG SECTION.

TKWT8268E

INFOID:000000005350322

WITHOUT NAVIGATION : DTC Index

SELF-DIAGNOSIS RESULTS DISPLAY ITEM

DTC	Display item	Refer to
U1000	CAN COMM CIRCUIT [U1000]	<a href="#">AV-78, "Diagnosis Procedure"</a>
U1010	CONTROL UNIT (CAN) [U1010]	<a href="#">AV-79, "Diagnosis Procedure"</a>

# AV CONTROL UNIT

[WITHOUT MOBILE ENTERTAINMENT SYSTEM]

< ECU DIAGNOSIS >

DTC	Display item	Refer to
U1310	CONTROL UNIT (AV) [U1310]	AV-80, "WITHOUT NAVIGATION : DTC Logic"
U1200	Control Unit FLASH-ROM [U1200]	AV-82, "WITHOUT NAVIGATION : DTC Logic"
U1216	CAN CONT [U1216]	AV-85, "WITHOUT NAVIGATION : DTC Logic"
U1243	FRONT DISP CONN [U1243]	AV-101, "WITHOUT NAVIGATION : Diagnosis Procedure"
U1255	SAT CONN [U1255]	AV-107, "Diagnosis Procedure"
U1300 U1240	<ul style="list-style-type: none"> <li>AV COMM CIRCUIT [U1300]</li> <li>SWITCH CONN [U1240]</li> </ul>	AV-110, "WITHOUT NAVIGATION : Description"
U1300 U1256	<ul style="list-style-type: none"> <li>AV COMM CIRCUIT [U1300]</li> <li>HAND FREE CONN [U1256]</li> </ul>	AV-110, "WITHOUT NAVIGATION : Description"
U1300 U1240 U1256	<ul style="list-style-type: none"> <li>AV COMM CIRCUIT [U1300]</li> <li>SWITCH CONN [U1240]</li> <li>HAND FREE CONN [U1256]</li> </ul>	AV-110, "WITHOUT NAVIGATION : Description"

## WITH NAVIGATION

### WITH NAVIGATION : Reference Value

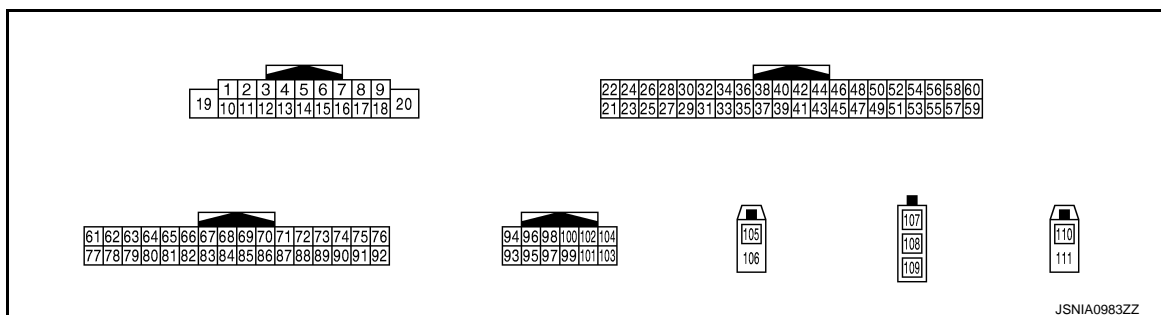
INFOID:000000005350323

### VALUES ON THE DIAGNOSIS TOOL

CONSULT-III monitor item

Display Item	Display	Vehicle status	Remarks
VHCL SPD SIG	On	Vehicle speed >0 km/h (0 MPH)	Changes in indication may be delayed. This is normal.
	Off	Vehicle speed =0 km/h (0 MPH)	
PKB SIG	On	Parking brake is applied.	Changes in indication may be delayed. This is normal.
	Off	Parking brake is released.	
ILLUM SIG	On	Light switch ON.	—
	Off	Light switch OFF.	
IGN SIG	On	Ignition switch ON.	—
	Off	Ignition switch in ACC position.	
REV SIG	On	Shift the selector lever to "R" position.	Changes in indication may be delayed. This is normal.
	Off	Shift the selector lever other than "R" position.	

## TERMINAL LAYOUT

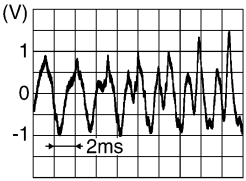
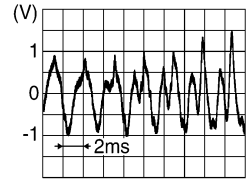
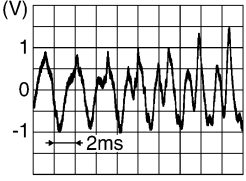


## PHYSICAL VALUES

# AV CONTROL UNIT

[WITHOUT MOBILE ENTERTAINMENT SYSTEM]

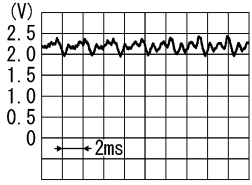
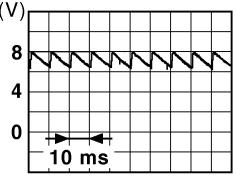
< ECU DIAGNOSIS >

Terminal (Wire color)		Description		Condition		Reference value (Approx.)
+	-	Signal name	Input/ Output			
2 (R/L)	3 (W)	Sound signal LH	Output	Ignition switch ON	Audio sound output. (except DVD mode)*1	 <p style="text-align: right; font-size: small;">SKIB3609E</p>
4 (L/G)	5 (L/Y)	Voice guidance signal	Output	Ignition switch ON	Voice guidance output.	 <p style="text-align: right; font-size: small;">SKIB3609E</p>
6 (BR)	15 (G)	Steering switch signal A	Input	Ignition switch ON	Keep pressing SOURCE switch.	0 V
					Keep pressing MENU UP switch.	1 V
					Keep pressing MENU DOWN switch.	2 V
					Keep pressing ENTER switch.	3 V
					Except for above.	5 V
7 (V)	Ground	ACC power supply	Input	Ignition switch ACC	—	Battery voltage
8 (R/Y)	Ground	Illumination control signal	Input	Ignition switch ON	Illumination control switch is operated by lighting switch in ON position.	Change between approx. 0 V and approx. 12 V
9 (LG)	Ground	Illumination signal	Input	Ignition switch ON	Lighting switch is OFF.	0 V
					Lighting switch is ON.	12 V
11 (P)	12 (L)	Sound signal RH	Output	Ignition switch ON	Audio sound output. (except DVD mode)*1	 <p style="text-align: right; font-size: small;">SKIB3609E</p>
14	—	Shield	—	—	—	—
15 (G)	Ground	Steering switch signal ground	—	Ignition switch ON	—	0 V

# AV CONTROL UNIT

[WITHOUT MOBILE ENTERTAINMENT SYSTEM]

< ECU DIAGNOSIS >

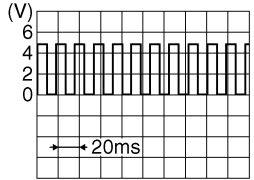
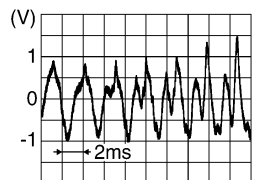
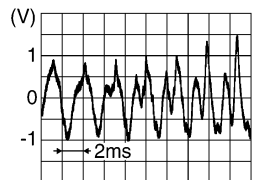
Terminal (Wire color)		Description		Condition		Reference value (Approx.)
+	-	Signal name	Input/ Output			
16 (O)	15 (G)	Steering switch signal B	Input	Ignition switch ON	Keep pressing VOL DOWN switch.	0 V
					Keep pressing VOL UP switch.	1 V
					Keep pressing  switch.	2 V
					Keep pressing  switch.	3 V
					Except for above.	5 V
19 (Y)	Ground	Battery power supply	Input	Ignition switch OFF	—	Battery voltage
21 (B)	Ground	Ground	—	Ignition switch ON	—	0 V
22 (Y)	Ground	Battery power supply	Input	Ignition switch OFF	—	Battery voltage
23 (B)	Ground	Ground	—	Ignition switch ON	—	0 V
24 (Y)	Ground	Battery power supply	Input	Ignition switch OFF	—	Battery voltage
25 (V)	Ground	ACC power supply	Input	Ignition switch ACC	—	Battery voltage
26 (O)	27	Microphone VCC	Output	Ignition switch ON	—	5 V
27	Ground	Shield (Microphone ground)	—	Ignition switch ON	—	0 V
28 (W)	27	Microphone signal	Input	Ignition switch ON	Give a voice.	 <p style="text-align: right; font-size: small;">PKIB5037J</p>
35 (Y/G)	Ground	Ignition signal	Input	Ignition switch ON	—	Battery voltage
36 (P)	Ground	Parking brake signal	Input	Ignition switch ON	Parking brake ON.	0 V
					Parking brake OFF.	 <p style="text-align: right; font-size: small;">JSNIA0007GB</p>

A  
B  
C  
D  
E  
F  
G  
H  
I  
J  
AV  
L  
M  
N  
O  
P

# AV CONTROL UNIT

**[WITHOUT MOBILE ENTERTAINMENT SYSTEM]**

< ECU DIAGNOSIS >

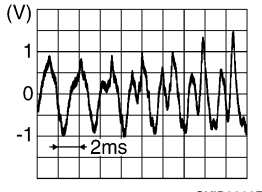
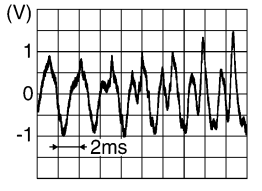
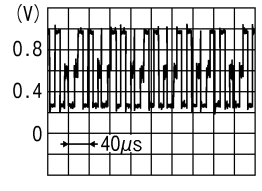
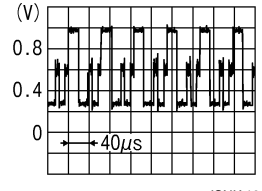
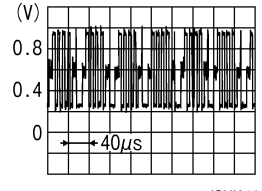
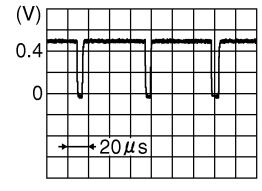
Terminal (Wire color)		Description		Condition		Reference value (Approx.)
+	-	Signal name	Input/ Output			
37 (O)	Ground	Reverse signal	Input	Ignition switch ON	R position.	12 V
					Other than R position.	0 V
38 (G)	Ground	Vehicle speed signal (8-pulse)	Input	Ignition switch ON	When vehicle speed is approx. 40 km/h (25MPH).	<b>NOTE:</b> Maximum voltage may be 12 V due to specifications (connected units). 
40 (W/R)	Ground	Camera-connection recognition signal	Input	Ignition switch ON	Connected to camera control unit connector.	0 V
					Not connected to camera control unit connector.	5 V
48 (W)	—	AV communication signal (H)	Input/ Output	—	—	—
49 (R)	—	AV communication signal (L)	Input/ Output	—	—	—
50 (BR)	—	AV communication signal (H)	Input/ Output	—	—	—
51 (B/R)	—	AV communication signal (L)	Input/ Output	—	—	—
52 (L)	—	CAN-H	Input/ Output	—	—	—
53 (P)	—	CAN-L	Input/ Output	—	—	—
67 (B/R)	83 (BR)	iPod sound signal LH <sup>*2</sup>	Input	Ignition switch ON	Connect and play iPod®.	
		Sound signal LH <sup>*1</sup> (AUX and iPod sound)			When AUX or iPod mode is selected.	
68 (B/W)	84 (L)	iPod sound signal RH <sup>*2</sup>	Input	Ignition switch ON	Connect and play iPod®.	
		Sound signal RH <sup>*1</sup> (AUX and iPod sound)			When AUX or iPod mode is selected.	
69 <sup>*2</sup>	—	Shield	—	—	—	—



# AV CONTROL UNIT

**[WITHOUT MOBILE ENTERTAINMENT SYSTEM]**

< ECU DIAGNOSIS >

Terminal (Wire color)		Description		Condition		Reference value (Approx.)
+	-	Signal name	Input/ Output			
75*2 (R)	76*2 (B)	AUX sound signal LH	Input	Ignition switch ON	AUX sound output.	 <p style="text-align: right; font-size: small;">SKIB3609E</p>
76*2 (B)	Ground	AUX sound ground	—	Ignition switch ON	—	0 V
91*2 (BR)	76*2 (B)	AUX sound signal RH	Input	Ignition switch ON	AUX sound output.	 <p style="text-align: right; font-size: small;">SKIB3609E</p>
93 (G/O)	Ground	RGB image signal (R: red)	Output	Ignition switch ON	Start confirmation/adjustment mode, and then display color bar by selecting "Color Spectrum Bar" on DISPLAY DIAGNOSIS screen.	 <p style="text-align: right; font-size: small;">JSNIA1029ZZ</p>
94 (G/R)	Ground	RGB image signal (G: green)	Output	Ignition switch ON	Start confirmation/adjustment mode, and then display color bar by selecting "Color Spectrum Bar" on DISPLAY DIAGNOSIS screen.	 <p style="text-align: right; font-size: small;">JSNIA1030ZZ</p>
95 (G/Y)	Ground	RGB image signal (B: blue)	Output	Ignition switch ON	Start confirmation/adjustment mode, and then display color bar by selecting "Color Spectrum Bar" on DISPLAY DIAGNOSIS screen.	 <p style="text-align: right; font-size: small;">JSNIA1031ZZ</p>
96 (P)	Ground	RGB image signal ground	—	Ignition switch ON	—	0 V
97 (L)	Ground	RGB synchronizing signal	Output	Ignition switch ON	—	 <p style="text-align: right; font-size: small;">JPNIA0461GB</p>

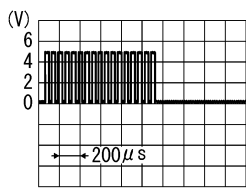
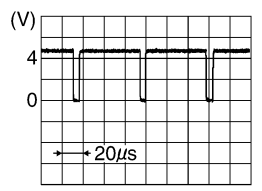
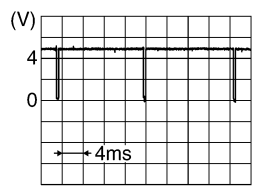
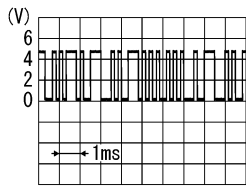
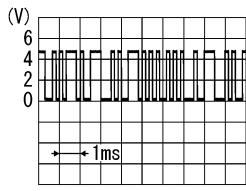
A  
B  
C  
D  
E  
F  
G  
H  
I  
J  
L  
M  
N  
O  
P

AV

# AV CONTROL UNIT

[WITHOUT MOBILE ENTERTAINMENT SYSTEM]

< ECU DIAGNOSIS >

Terminal (Wire color)		Description		Condition		Reference value (Approx.)
+	-	Signal name	Input/ Output			
98 (B)	Ground	RGB synchronizing signal ground	—	Ignition switch ON	—	0 V
99 (G)	Ground	RGB area (YS) signal	Output	Ignition switch ON	When RGB image is displayed.	5 V
					When rear view camera image is displayed.	 <p style="text-align: right; font-size: small;">PKIB4948J</p>
100 (W)	Ground	Horizontal synchronizing (HP) signal	Input	Ignition switch ON	—	 <p style="text-align: right; font-size: small;">SKIB3601E</p>
101 (R)	Ground	Vertical synchronizing (VP) signal	Input	Ignition switch ON	—	 <p style="text-align: right; font-size: small;">SKIB3598E</p>
102 (O/L)	Ground	Communication signal (CONT→DISP)	Output	Ignition switch ON	When adjusting front display brightness.	 <p style="text-align: right; font-size: small;">PKIB5039J</p>
103 (W/L)	Ground	Communication signal (DISP→CONT)	Input	Ignition switch ON	When adjusting front display brightness.	 <p style="text-align: right; font-size: small;">PKIB5039J</p>
105	Ground	GPS antenna signal	Input	Ignition switch ON	Not connected to GPS antenna connector.	5 V
106	—	Shield	—	—	—	—
107	Ground	Antenna amp. ON signal	Output	Ignition switch ON	—	12 V
108	—	AM-FM main	Input	—	—	—
109	—	FM sub	Input	—	—	—

# AV CONTROL UNIT

[WITHOUT MOBILE ENTERTAINMENT SYSTEM]

< ECU DIAGNOSIS >

Terminal (Wire color)		Description		Condition		Reference value (Approx.)
+	-	Signal name	Input/ Output			
110	Ground	Satellite antenna signal	Input	Ignition switch ON	Not connected to satellite antenna connector.	5 V
111	—	Shield	—	—	—	—

\*1: BOSE surround audio 5.1ch system.

\*2: BOSE 2ch system models.

A  
B  
C  
D  
E  
F  
G  
H  
I  
J  
L  
M  
N  
O  
P

AV

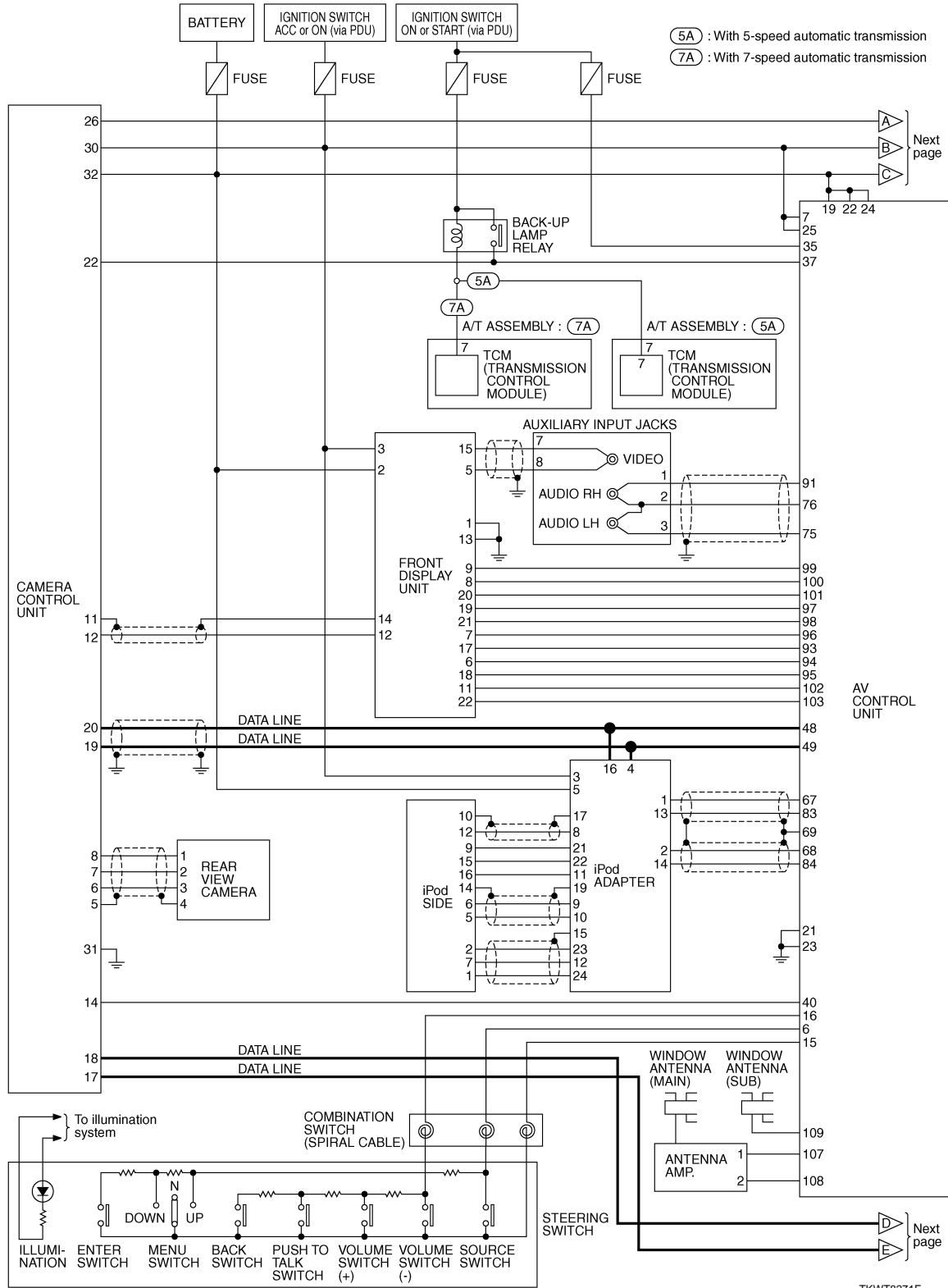
# AV CONTROL UNIT

[WITHOUT MOBILE ENTERTAINMENT SYSTEM]

< ECU DIAGNOSIS >

## WITH NAVIGATION : Schematic - BOSE Audio 2ch System -

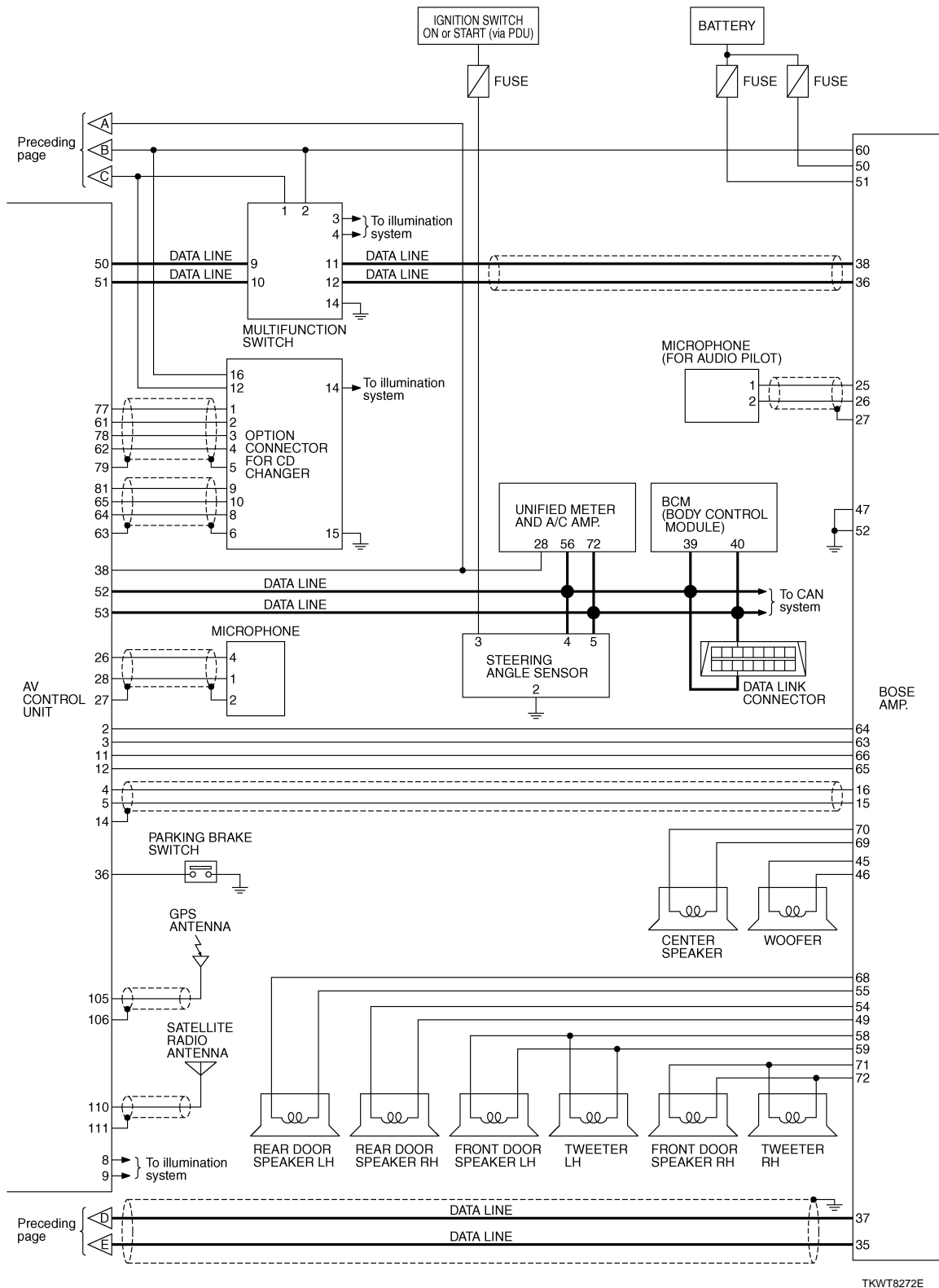
INFOID:000000005350324



# AV CONTROL UNIT

[WITHOUT MOBILE ENTERTAINMENT SYSTEM]

< ECU DIAGNOSIS >



TKWT8272E

WITH NAVIGATION : Wiring Diagram - AV - / BOSE Audio 2ch System

INFOID:000000005350325

NOTE:

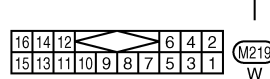
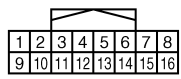
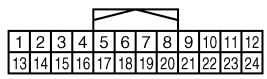
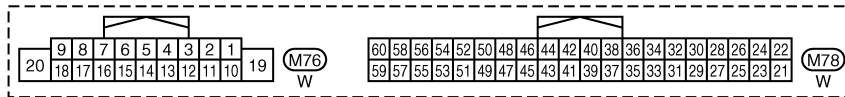
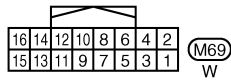
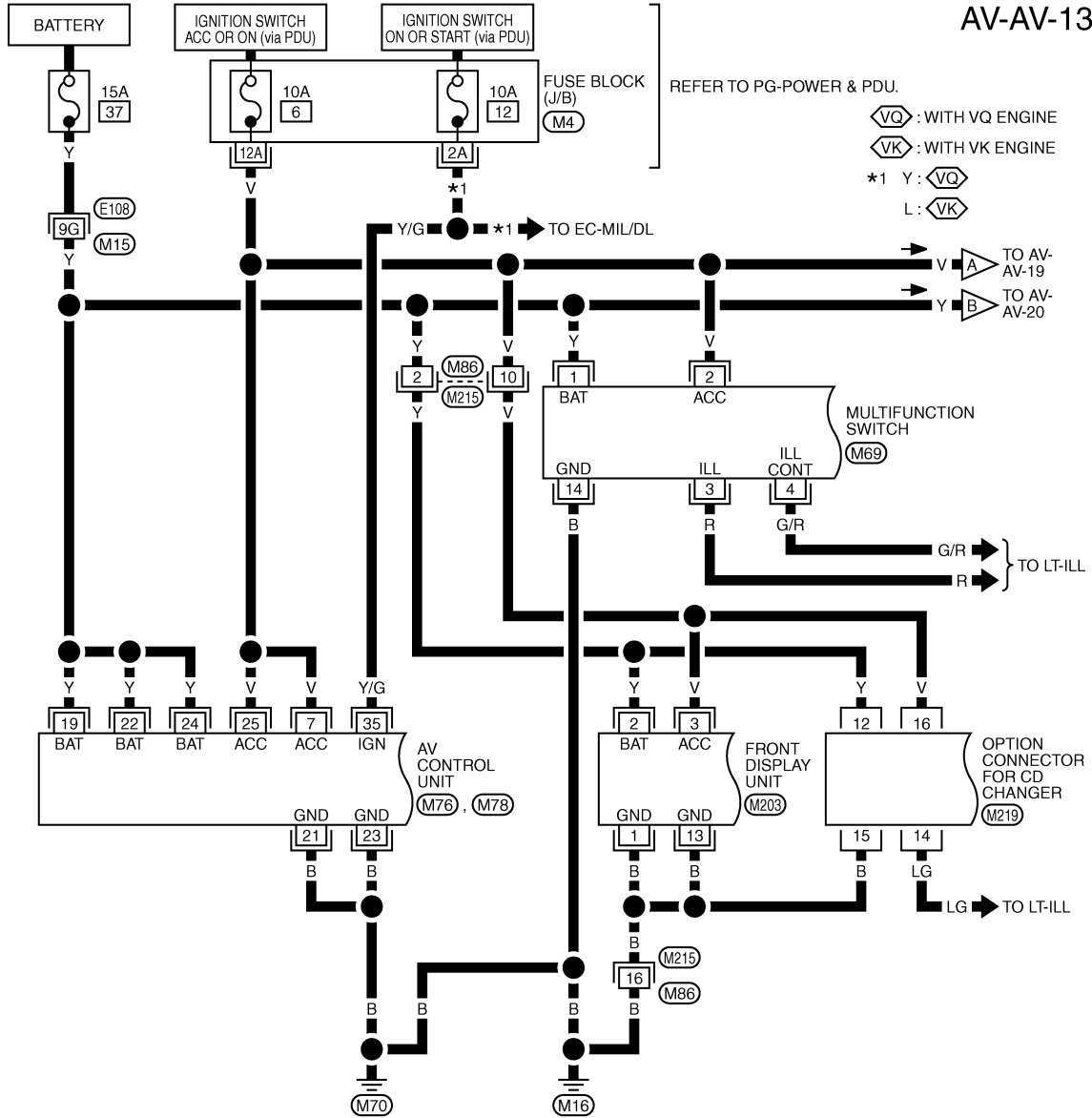
# AV CONTROL UNIT

[WITHOUT MOBILE ENTERTAINMENT SYSTEM]

< ECU DIAGNOSIS >

The name MULTIFUNCTION SWITCH indicates the integration of PRESET SWITCH and MULTIFUNCTION SWITCH virtually.

AV-AV-13



REFER TO THE FOLLOWING.

- (E108) -SUPER MULTIPLE JUNCTION (SMJ)
- (M4) -FUSE BLOCK-JUNCTION BOX (J/B)

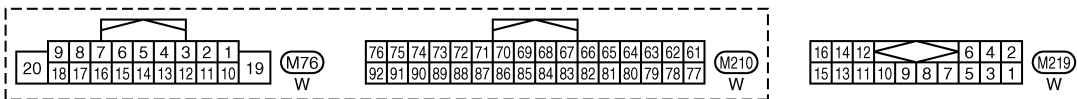
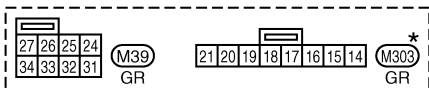
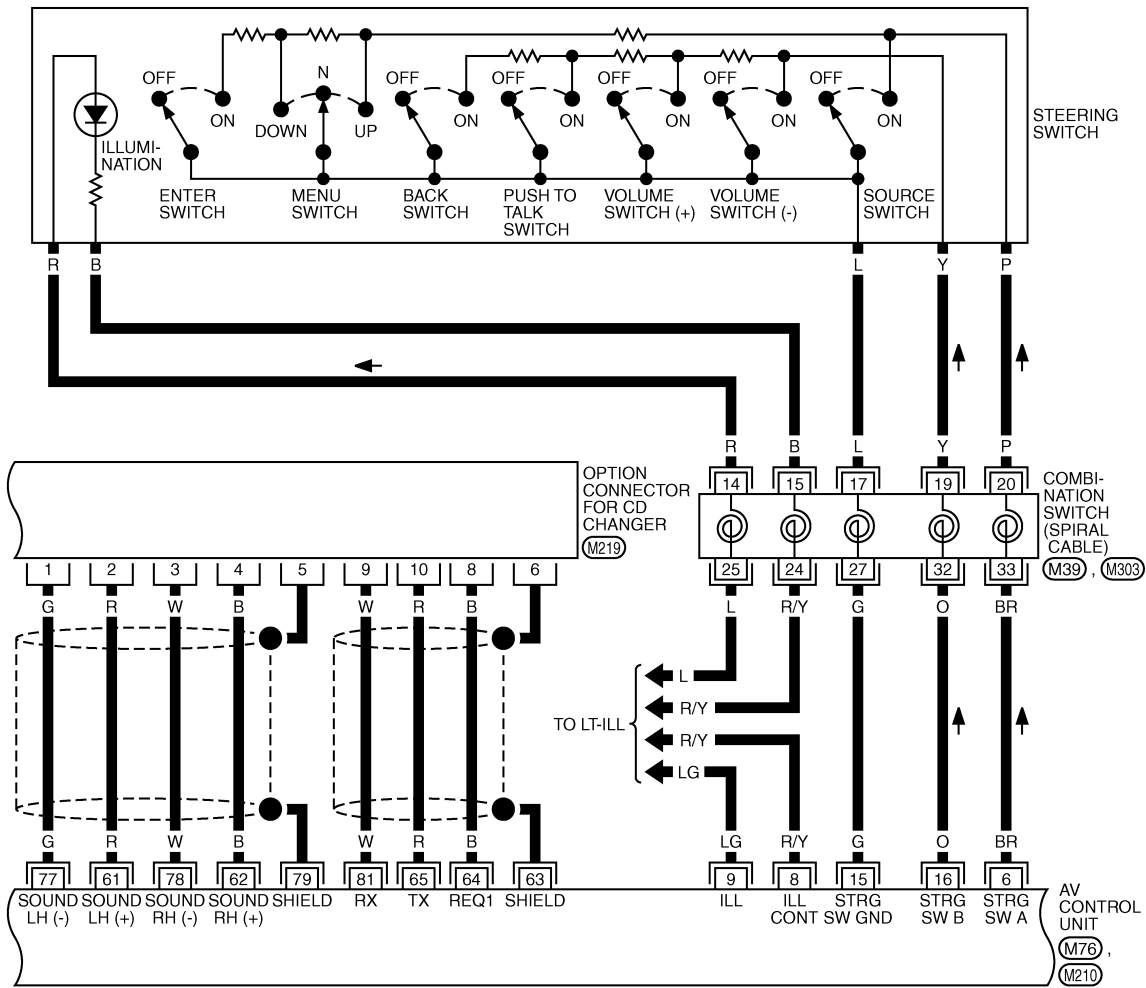
TKWT8273E

# AV CONTROL UNIT

[WITHOUT MOBILE ENTERTAINMENT SYSTEM]

< ECU DIAGNOSIS >

AV-AV-14



\*: THIS CONNECTOR IS NOT SHOWN IN "HARNESS LAYOUT", PG SECTION.

TKWT8274E

A  
B  
C  
D  
E  
F  
G  
H  
I  
J  
L  
M  
N  
O  
P

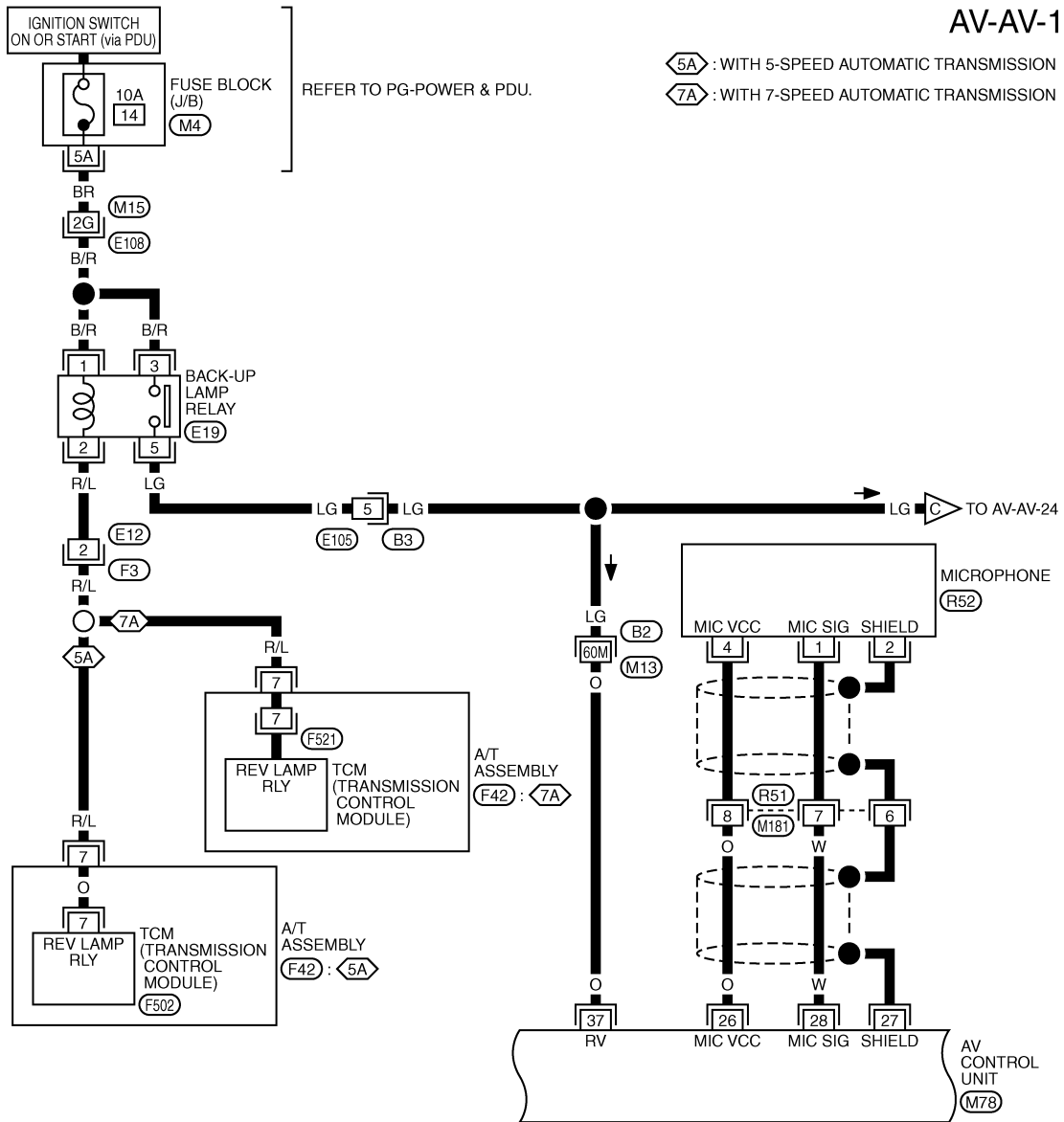
AV

# AV CONTROL UNIT

[WITHOUT MOBILE ENTERTAINMENT SYSTEM]

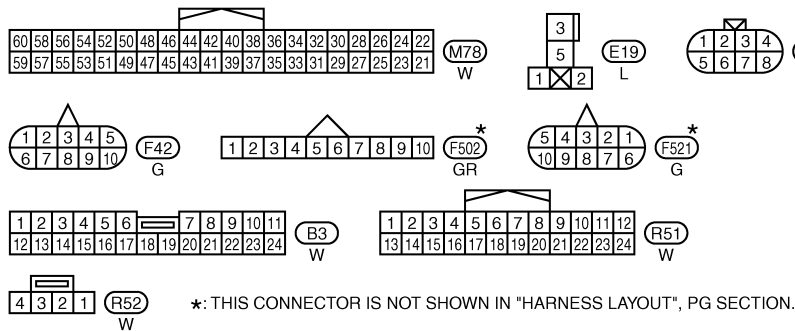
< ECU DIAGNOSIS >

AV-AV-15



<5A> : WITH 5-SPEED AUTOMATIC TRANSMISSION  
 <7A> : WITH 7-SPEED AUTOMATIC TRANSMISSION

REFER TO PG-POWER & PDU.



REFER TO THE FOLLOWING.  
 (E108), (B2) -SUPER MULTIPLE JUNCTION (SMJ)  
 (M4) -FUSE BLOCK-JUNCTION BOX (J/B)

TKWT8275E



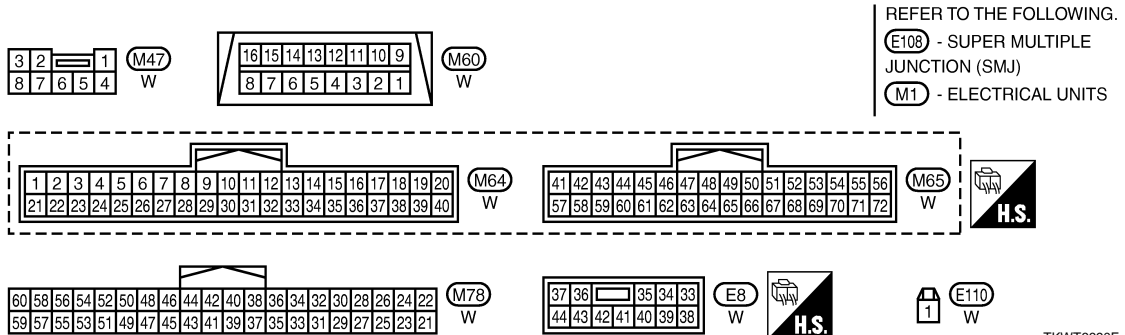
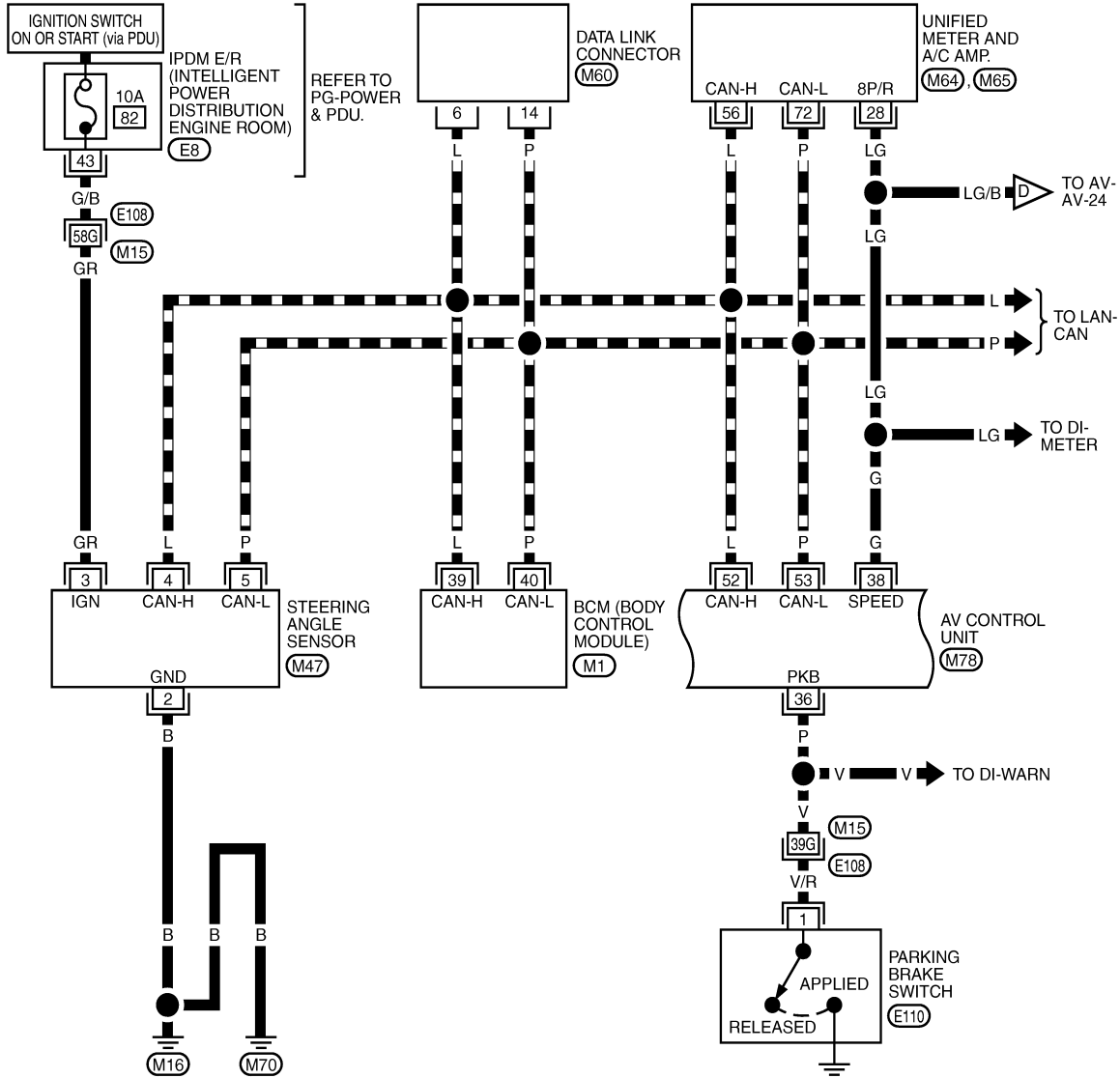
# AV CONTROL UNIT

[WITHOUT MOBILE ENTERTAINMENT SYSTEM]

< ECU DIAGNOSIS >

AV-AV-16

▬ : DATA LINE



TKWT6690E

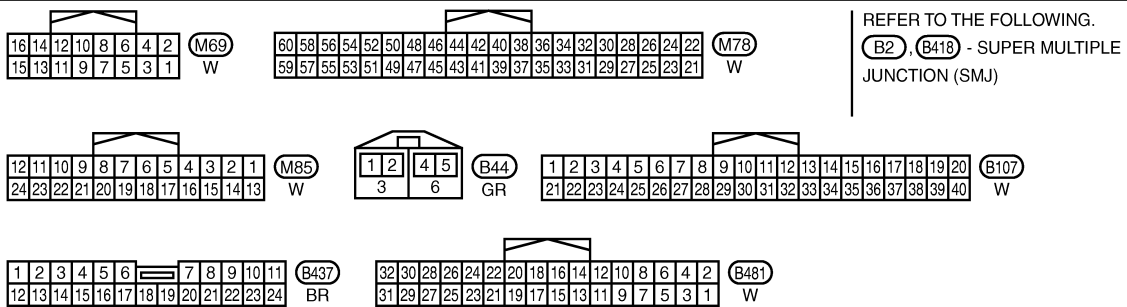
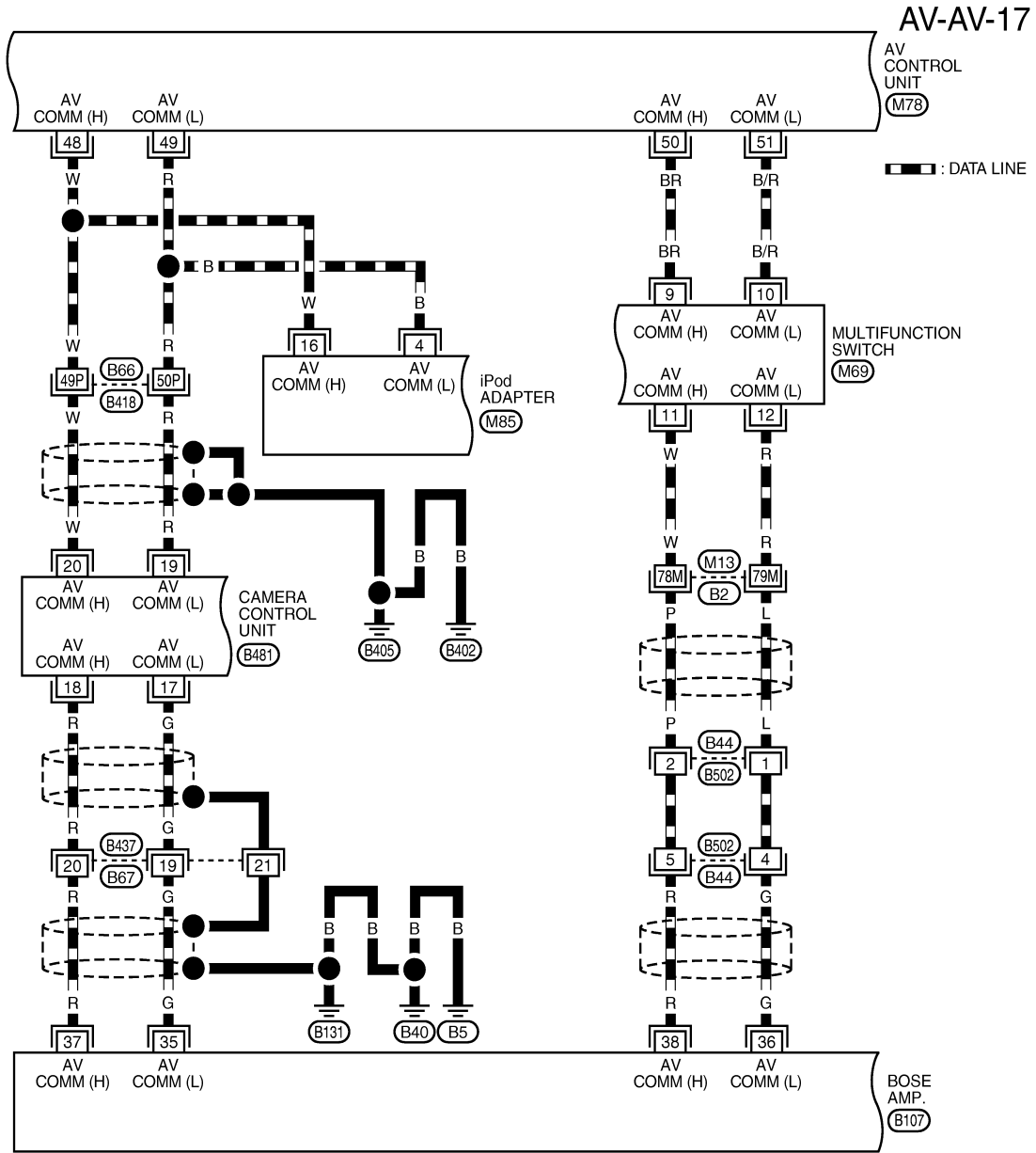
A  
B  
C  
D  
E  
F  
G  
H  
I  
J  
K  
L  
M  
N  
O  
P

AV

# AV CONTROL UNIT

[WITHOUT MOBILE ENTERTAINMENT SYSTEM]

< ECU DIAGNOSIS >



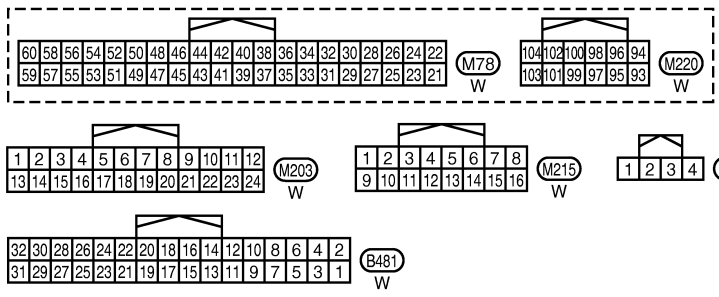
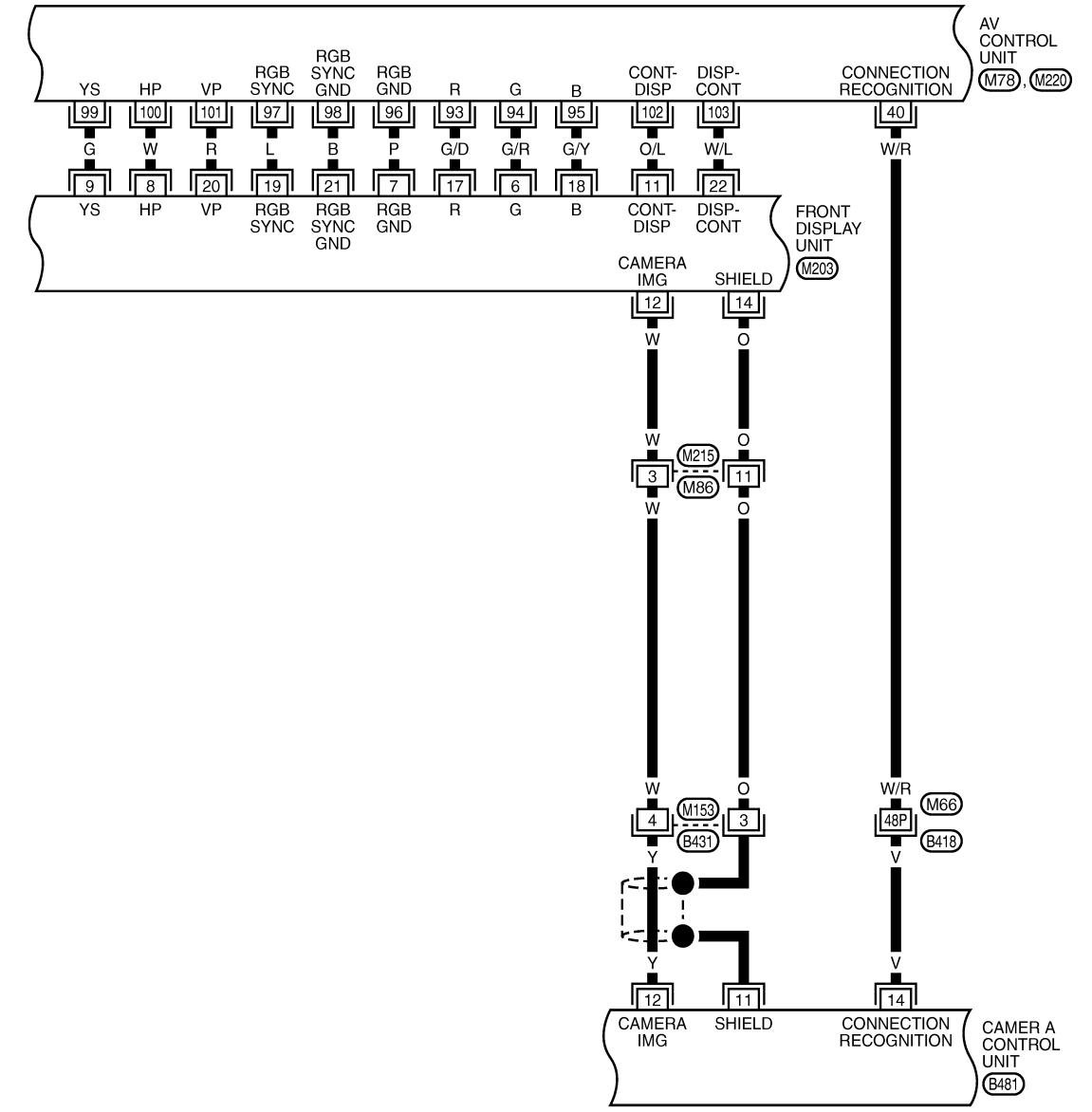
TKWT6691E

# AV CONTROL UNIT

[WITHOUT MOBILE ENTERTAINMENT SYSTEM]

< ECU DIAGNOSIS >

AV-AV-18



REFER TO THE FOLLOWING.  
 (B418) - SUPER MULTIPLE JUNCTION (SMJ)

TKWT6692E

A  
B  
C  
D  
E  
F  
G  
H  
I  
J  
K  
L  
M  
N  
O  
P

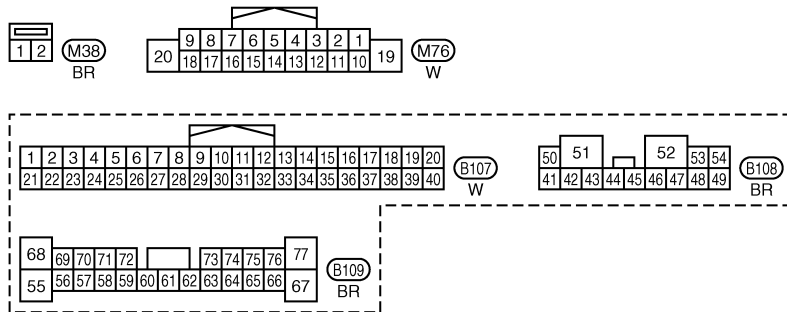
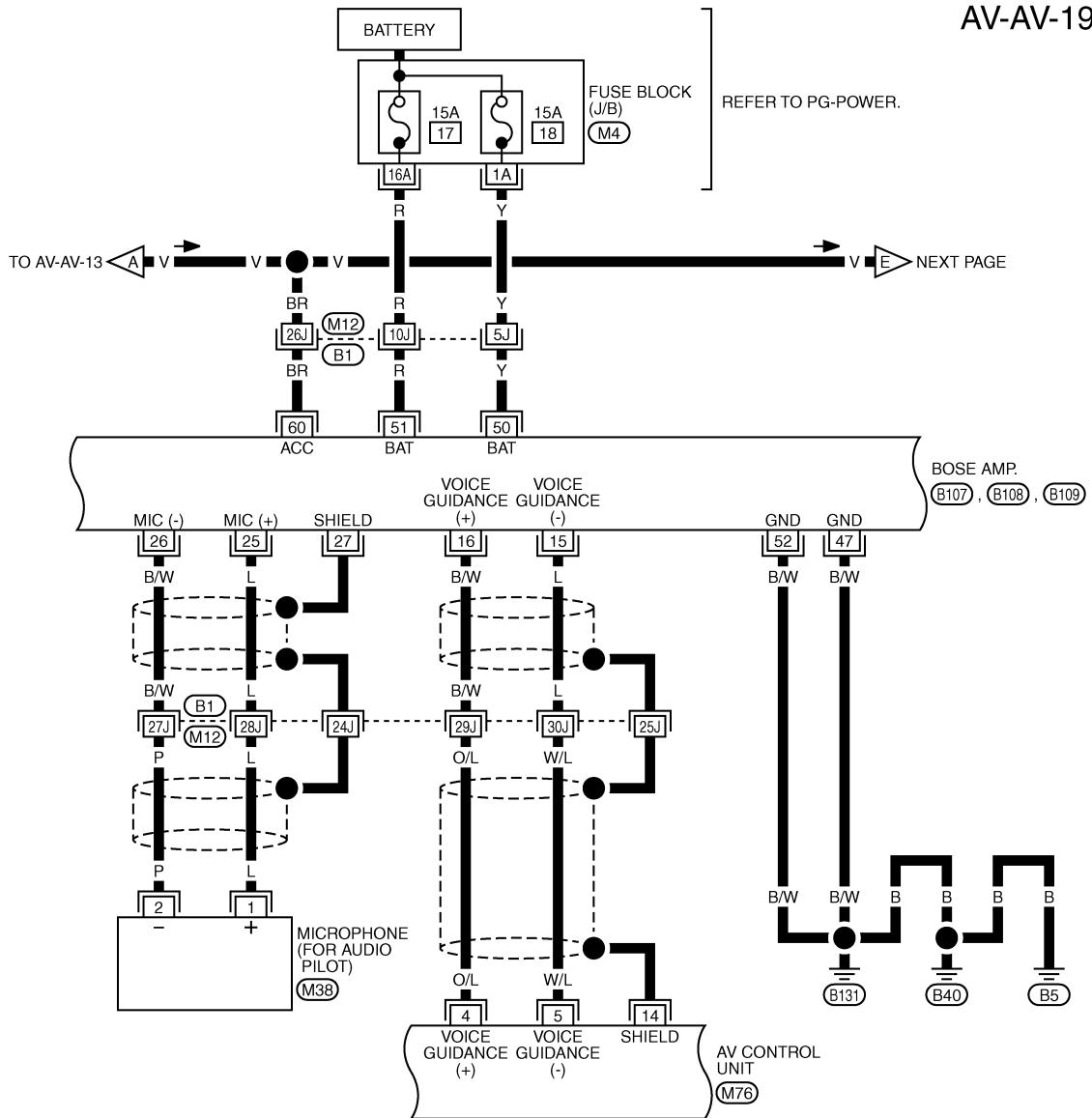
AV

# AV CONTROL UNIT

[WITHOUT MOBILE ENTERTAINMENT SYSTEM]

< ECU DIAGNOSIS >

AV-AV-19



REFER TO THE FOLLOWING.  
 (B1) -SUPER MULTIPLE JUNCTION (SMJ)  
 (M4) -FUSE BLOCK-JUNCTION BOX (J/B)

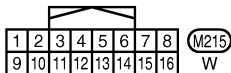
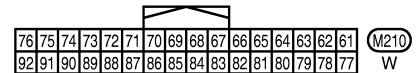
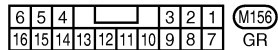
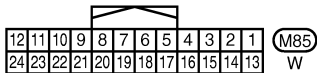
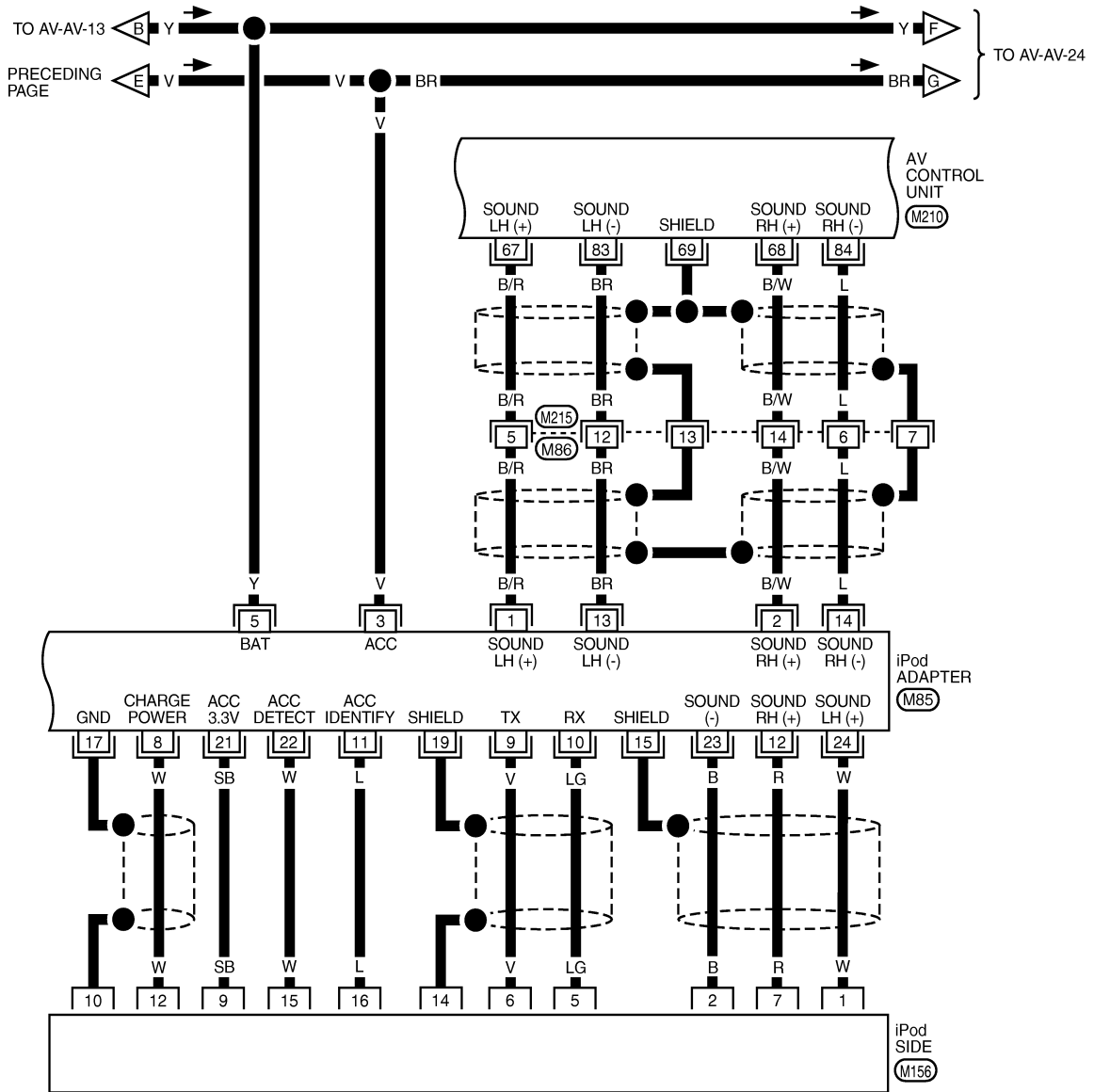
TKWT8276E

# AV CONTROL UNIT

[WITHOUT MOBILE ENTERTAINMENT SYSTEM]

< ECU DIAGNOSIS >

AV-AV-20



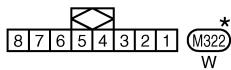
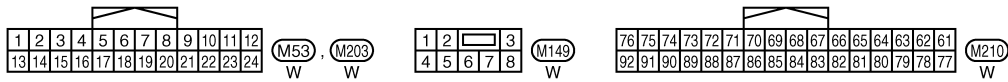
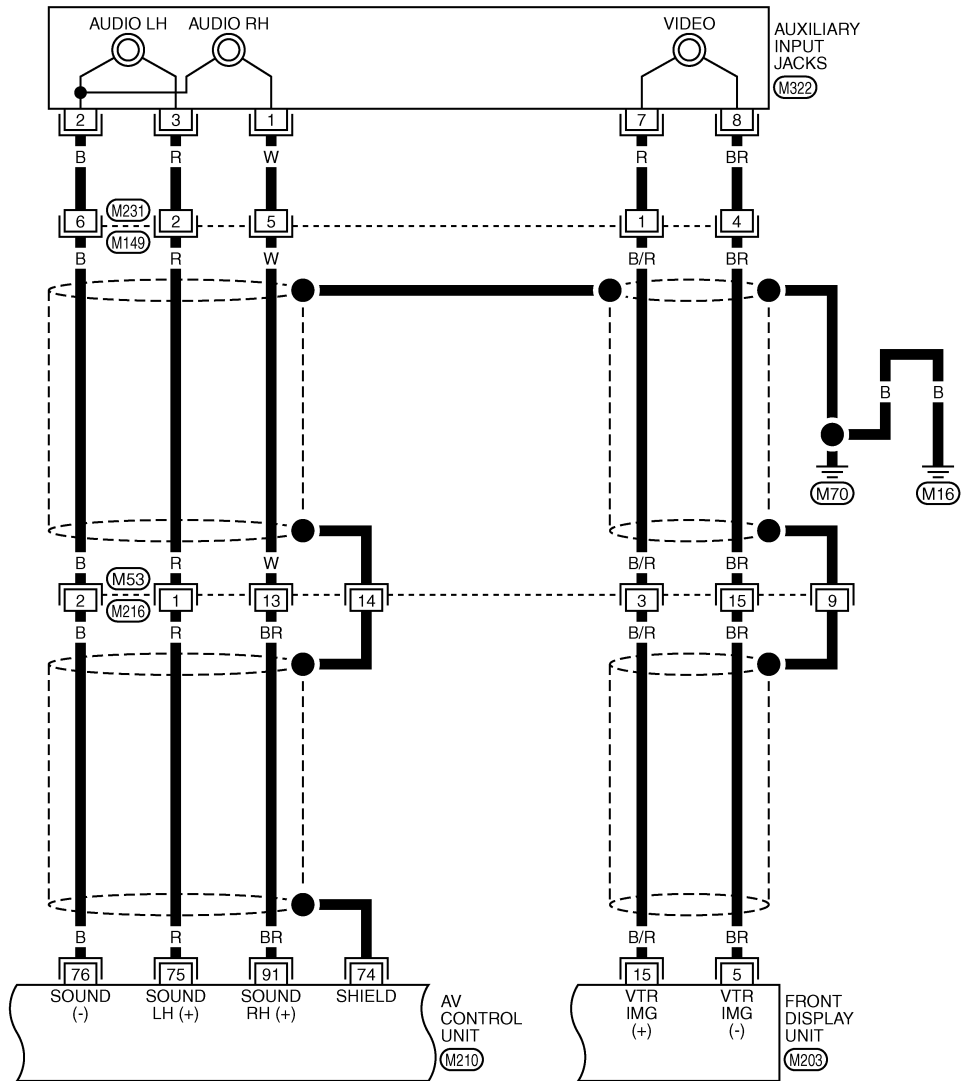
TKWT6695E

# AV CONTROL UNIT

[WITHOUT MOBILE ENTERTAINMENT SYSTEM]

< ECU DIAGNOSIS >

AV-AV-21



\*: THIS CONNECTOR IS NOT SHOWN IN "HARNESS LAYOUT", PG SECTION.

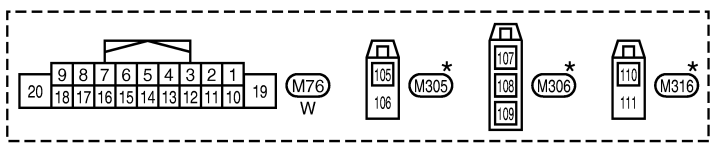
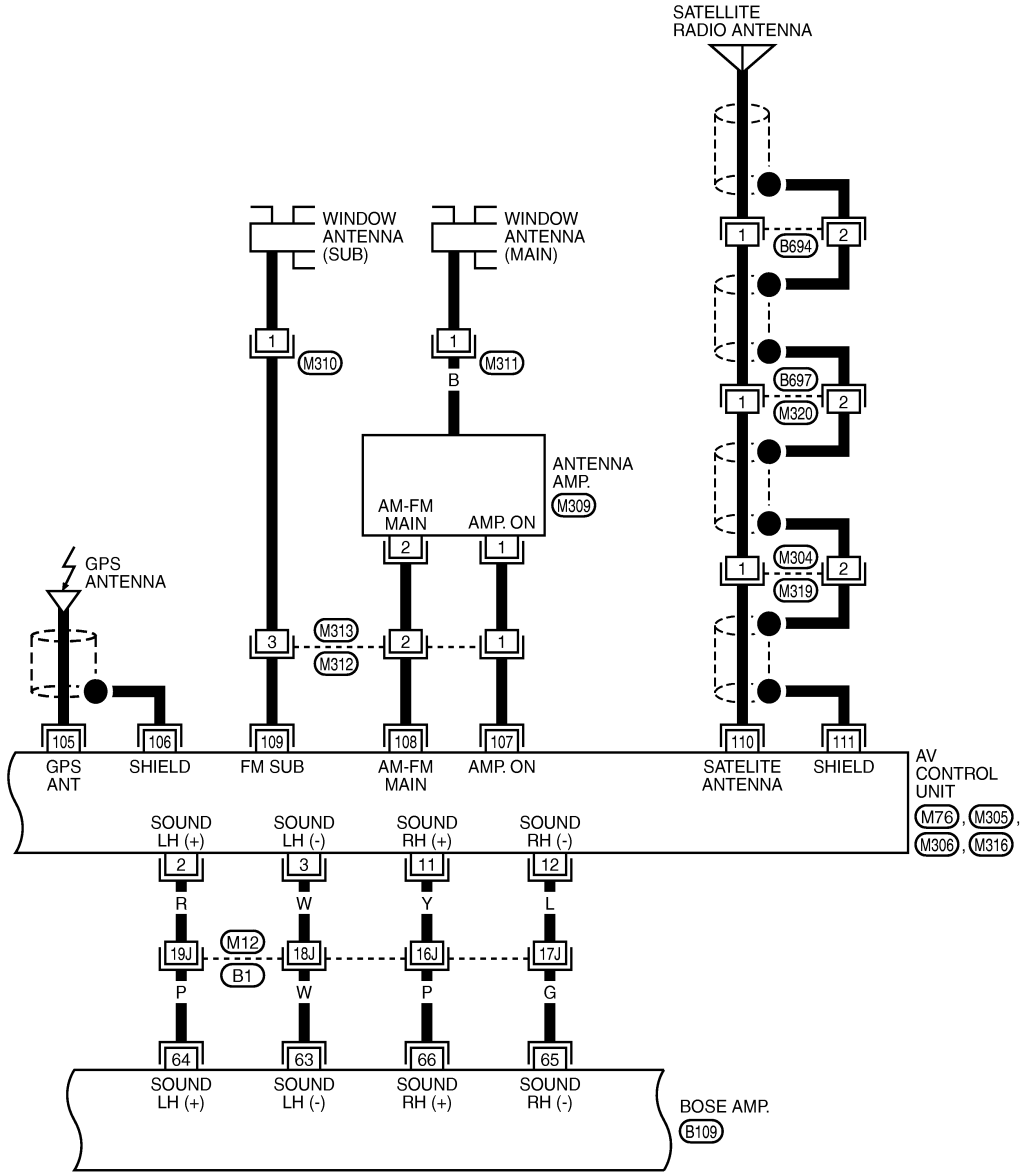
TKWT8277E

# AV CONTROL UNIT

< ECU DIAGNOSIS >

[WITHOUT MOBILE ENTERTAINMENT SYSTEM]

AV-AV-22



REFER TO THE FOLLOWING.  
 (B1) - SUPER MULTIPLE JUNCTION (SMJ)



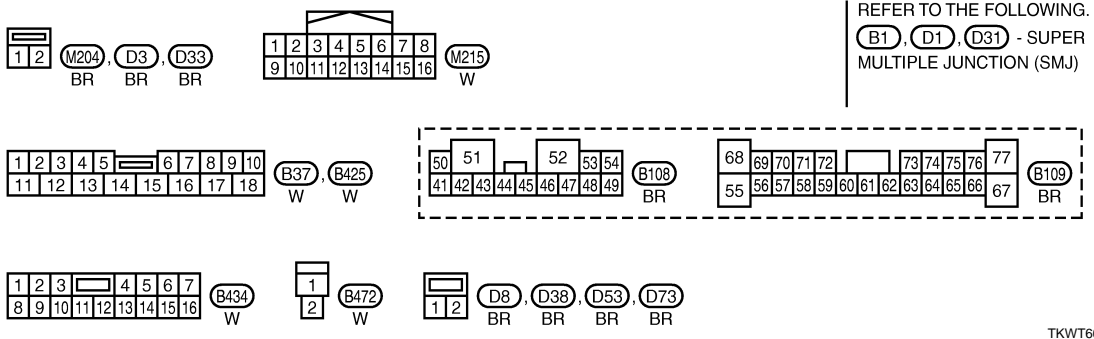
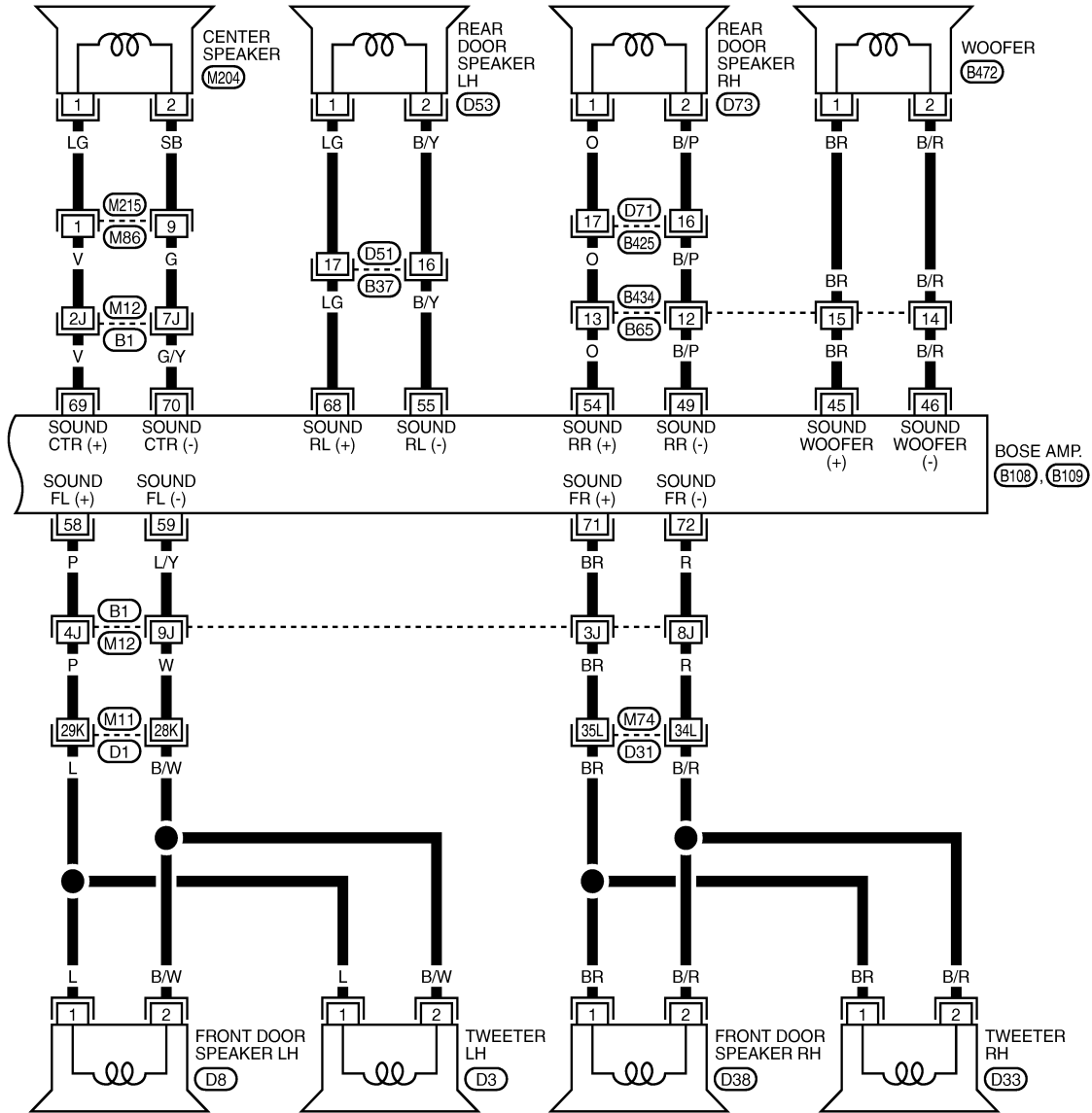
TKWT6697E

# AV CONTROL UNIT

[WITHOUT MOBILE ENTERTAINMENT SYSTEM]

< ECU DIAGNOSIS >

AV-AV-23



TKWT6698E

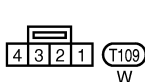
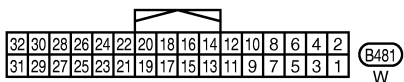
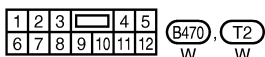
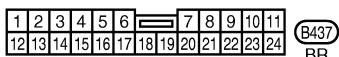
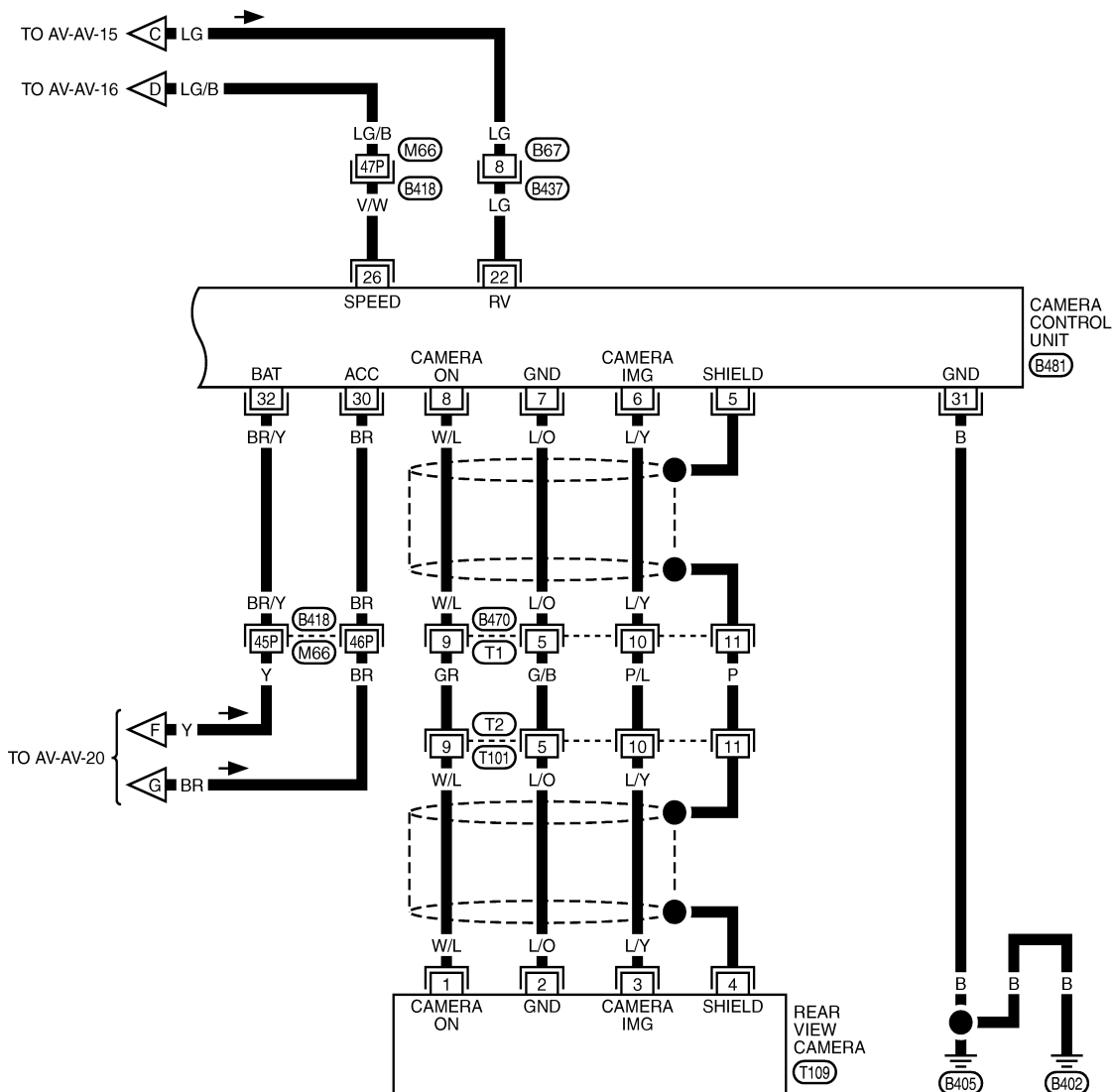


# AV CONTROL UNIT

[WITHOUT MOBILE ENTERTAINMENT SYSTEM]

< ECU DIAGNOSIS >

AV-AV-24



REFER TO THE FOLLOWING.

B418 - SUPER MULTIPLE JUNCTION (SMJ)

TKWT6699E

A  
B  
C  
D  
E  
F  
G  
H  
I  
J  
L  
M  
N  
O  
P

AV

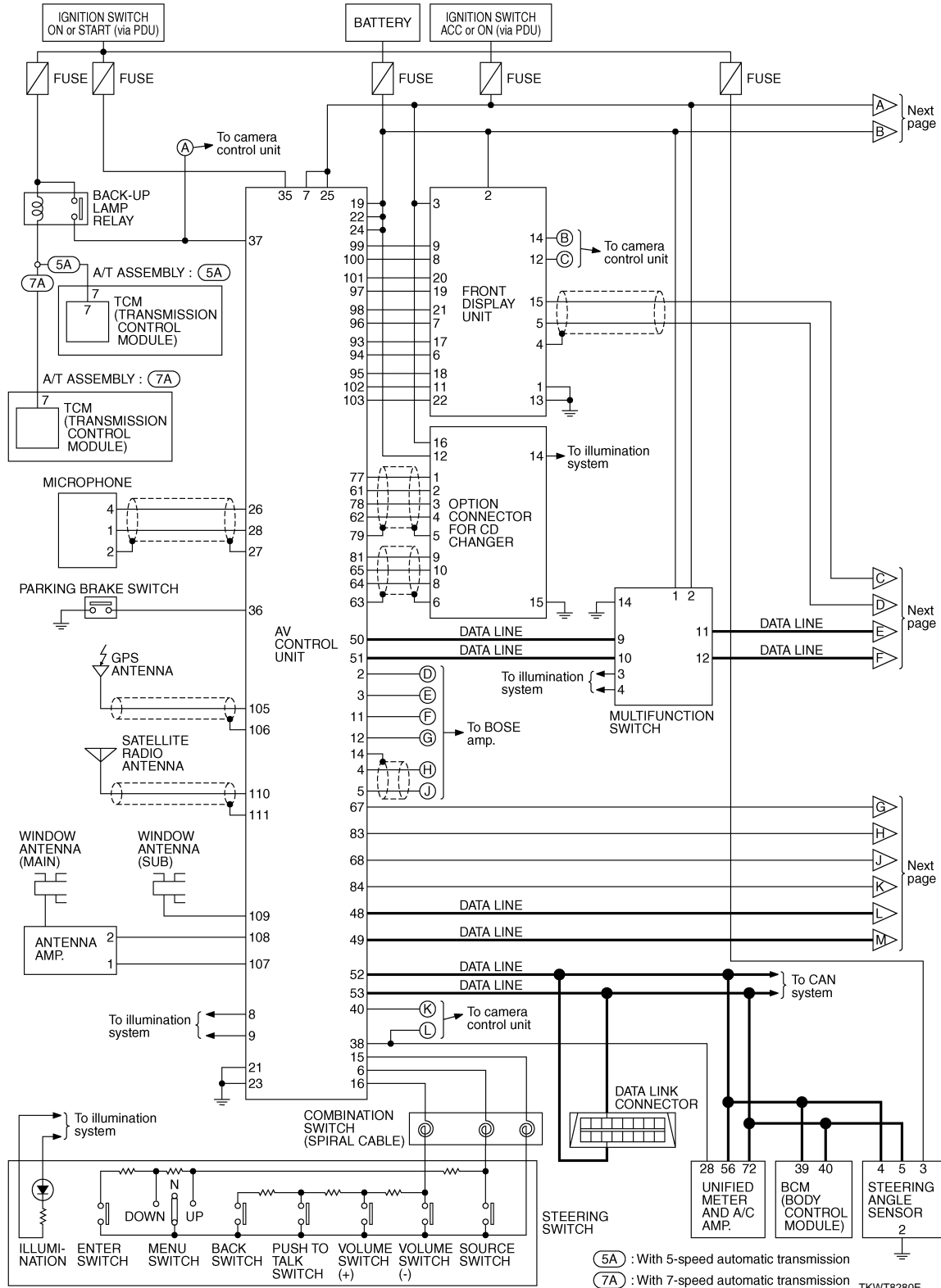
# AV CONTROL UNIT

[WITHOUT MOBILE ENTERTAINMENT SYSTEM]

< ECU DIAGNOSIS >

WITH NAVIGATION : Schematic - BOSE Surround Audio 5.1ch System -

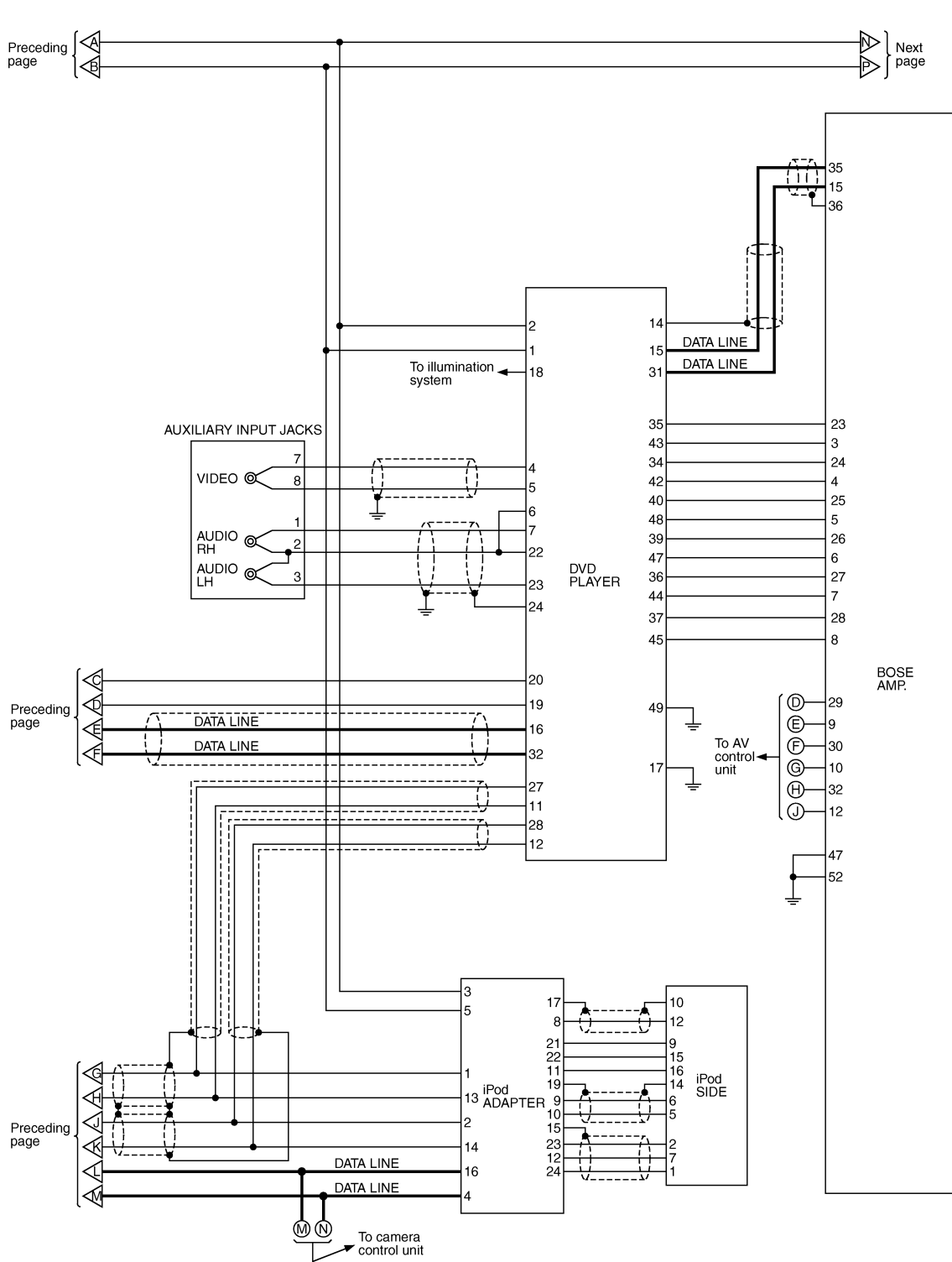
INFOID:000000005350326



# AV CONTROL UNIT

[WITHOUT MOBILE ENTERTAINMENT SYSTEM]

< ECU DIAGNOSIS >



TKWT6701E

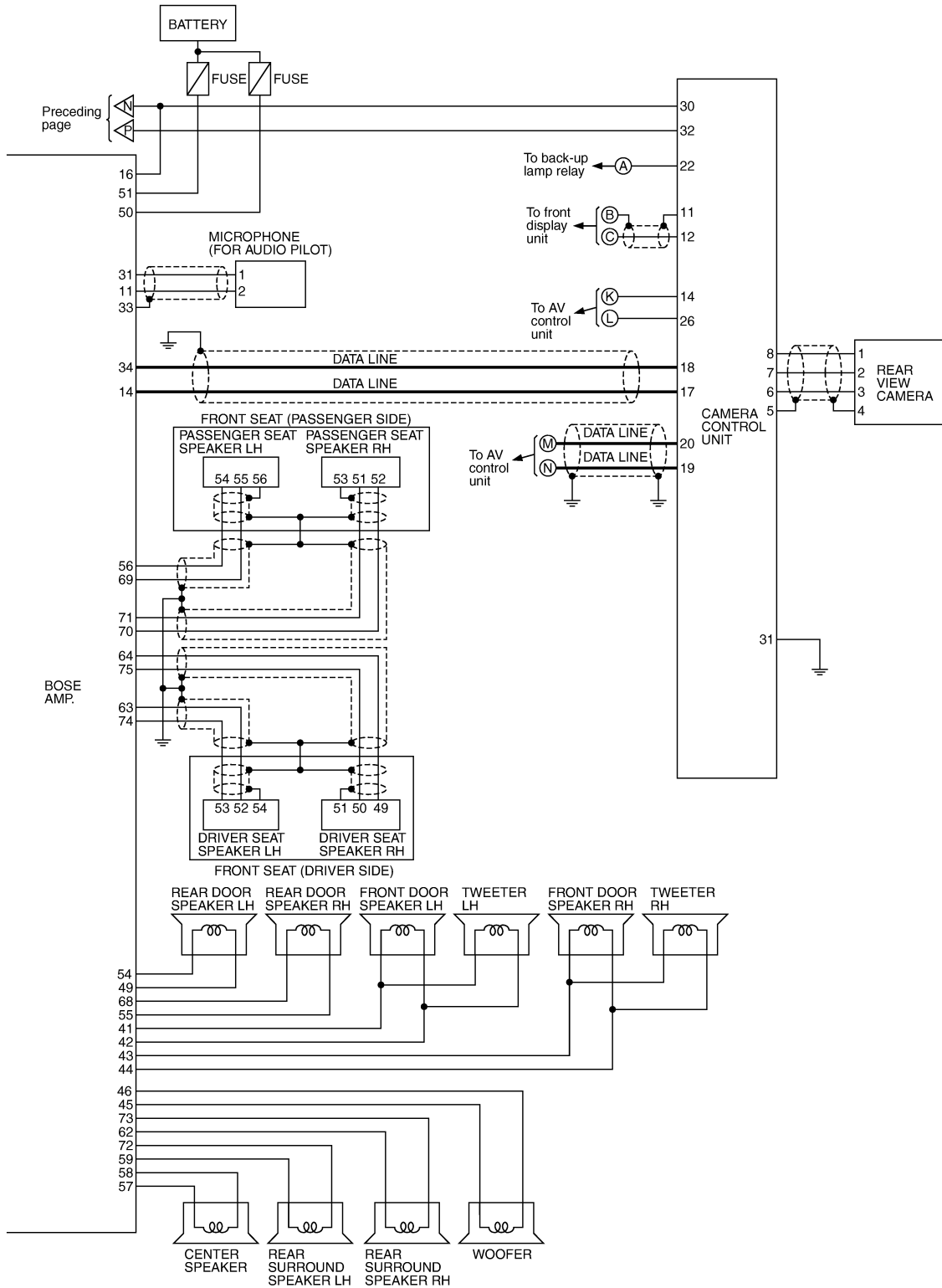
A  
B  
C  
D  
E  
F  
G  
H  
I  
J  
L  
M  
N  
O  
P

AV

# AV CONTROL UNIT

[WITHOUT MOBILE ENTERTAINMENT SYSTEM]

< ECU DIAGNOSIS >



TKWT6702E

WITH NAVIGATION : Wiring Diagram - AV - / BOSE Surround Audio 5.1ch System

INFOID:000000005350327

**NOTE:**

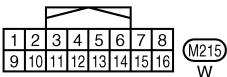
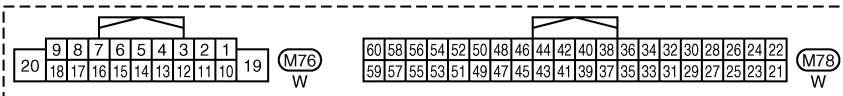
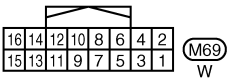
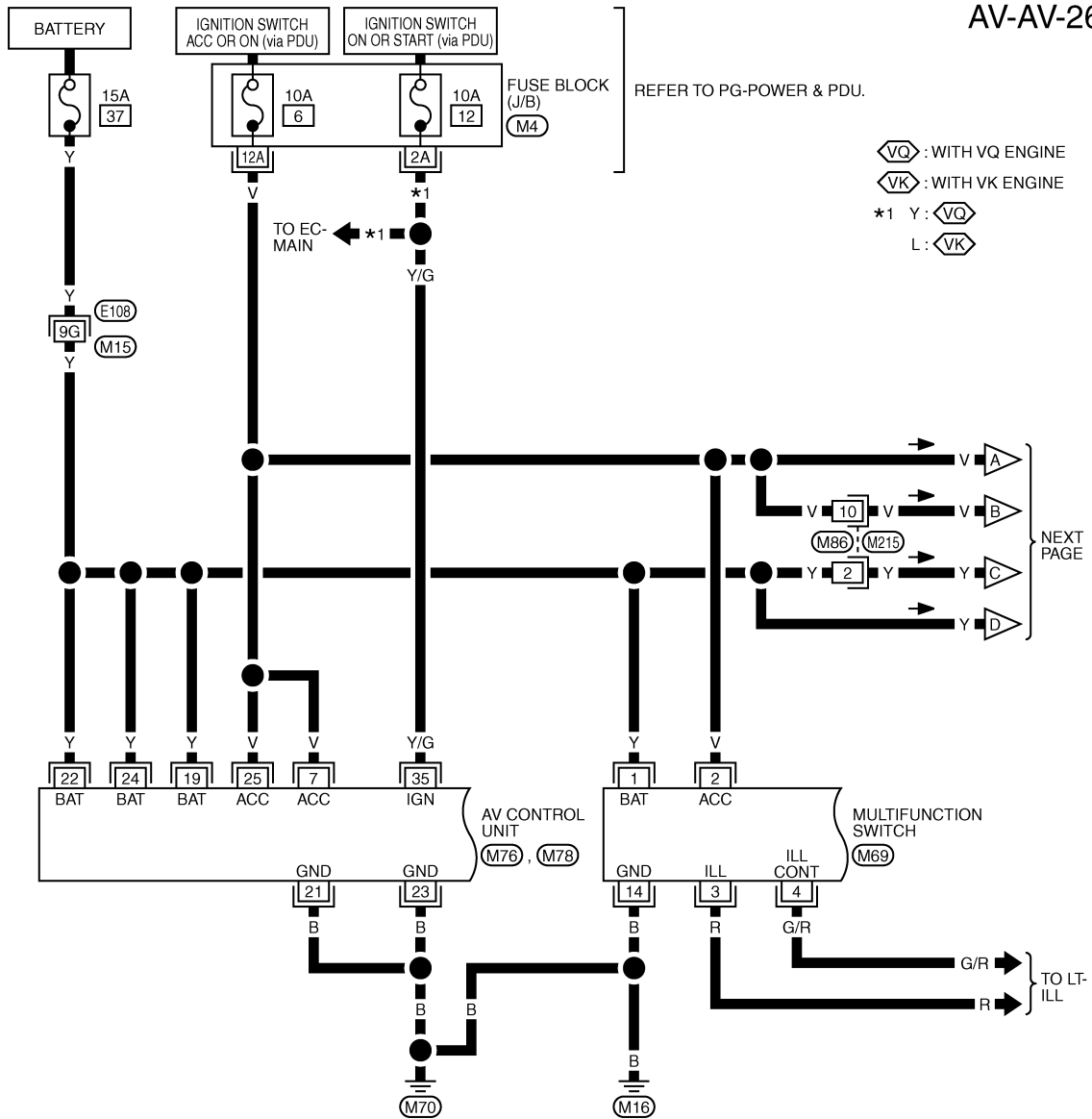
# AV CONTROL UNIT

[WITHOUT MOBILE ENTERTAINMENT SYSTEM]

< ECU DIAGNOSIS >

The name MULTIFUNCTION SWITCH indicates the integration of PRESET SWITCH and MULTIFUNCTION SWITCH virtually.

AV-AV-26



REFER TO THE FOLLOWING.

- (E108) -SUPER MULTIPLE JUNCTION (SMJ)
- (M4) -FUSE BLOCK-JUNCTION BOX (J/B)

TKWT8281E

A  
B  
C  
D  
E  
F  
G  
H  
I  
J  
L  
M  
N  
O  
P

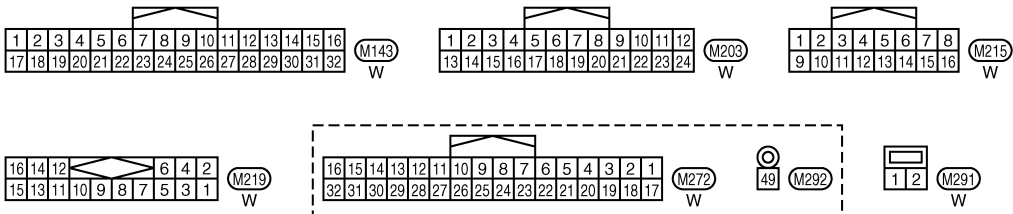
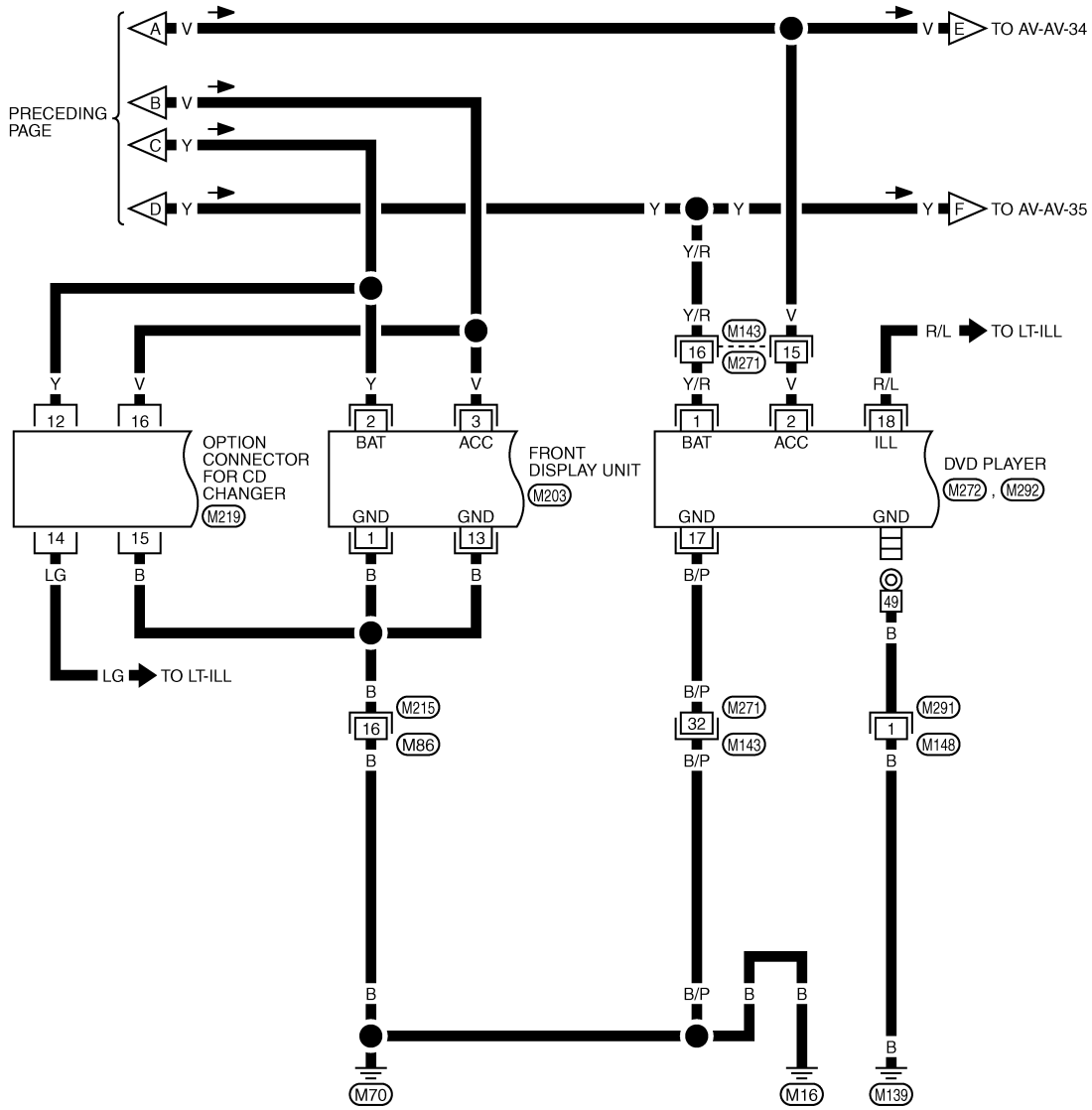
AV

# AV CONTROL UNIT

[WITHOUT MOBILE ENTERTAINMENT SYSTEM]

< ECU DIAGNOSIS >

AV-AV-27



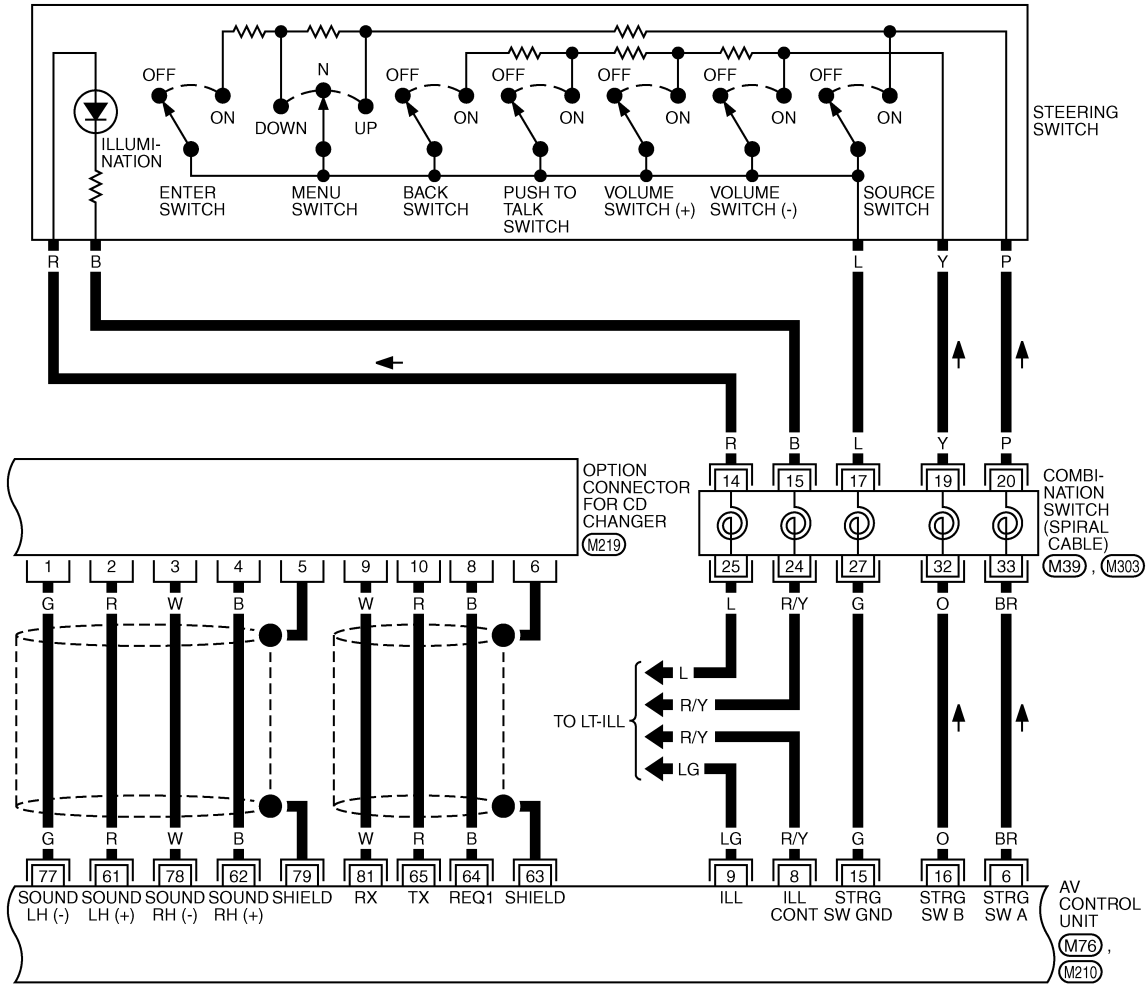
TKWT8282E

# AV CONTROL UNIT

[WITHOUT MOBILE ENTERTAINMENT SYSTEM]

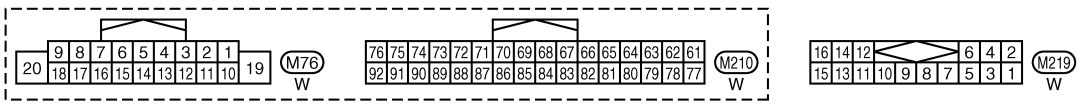
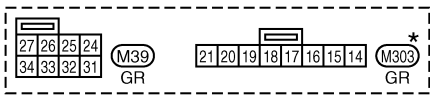
< ECU DIAGNOSIS >

AV-AV-28



A  
B  
C  
D  
E  
F  
G  
H  
I  
J  
L  
M  
N  
O  
P

AV



\*: THIS CONNECTOR IS NOT SHOWN IN "HARNESS LAYOUT", PG SECTION.

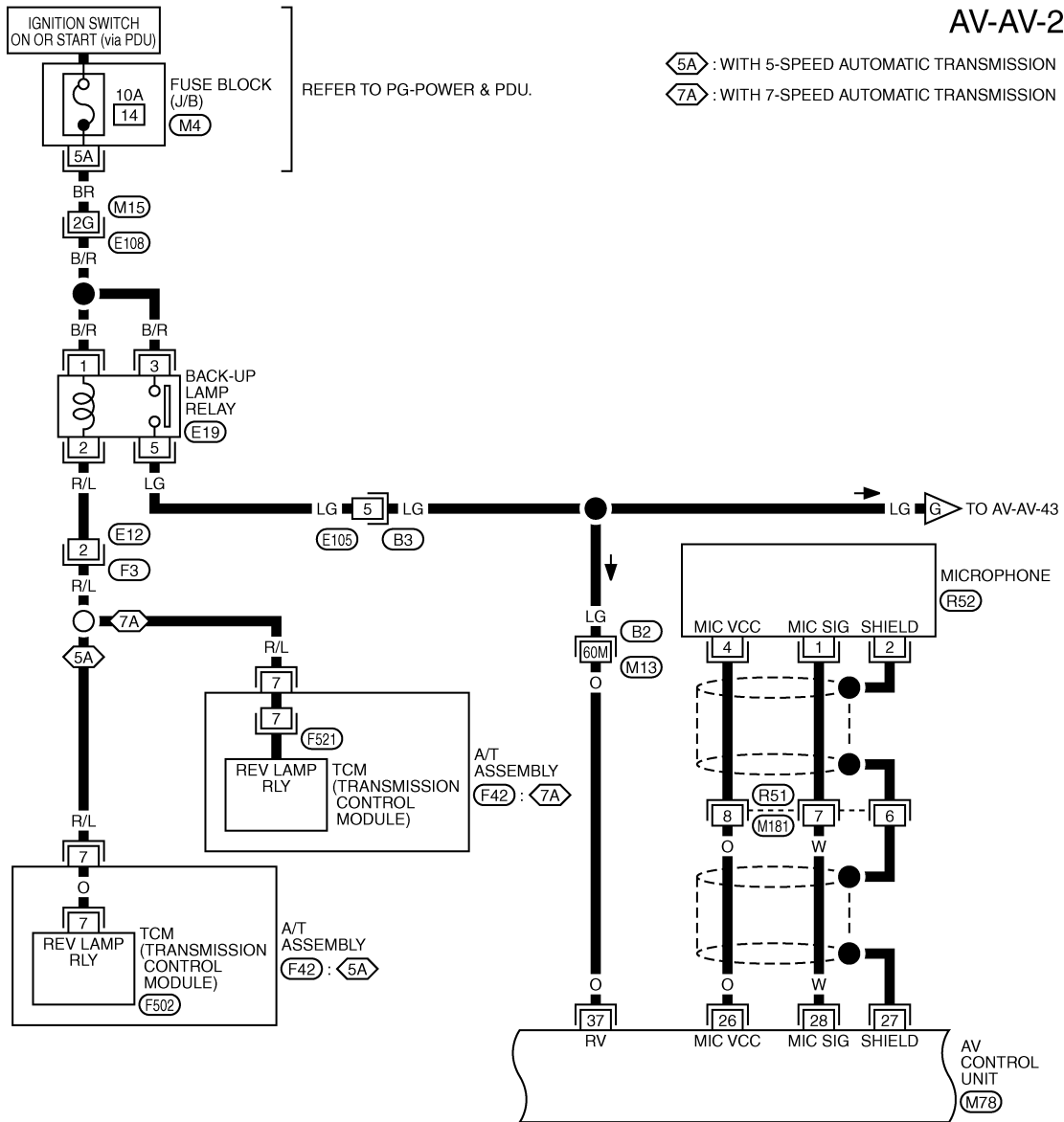
TKWT8283E

# AV CONTROL UNIT

[WITHOUT MOBILE ENTERTAINMENT SYSTEM]

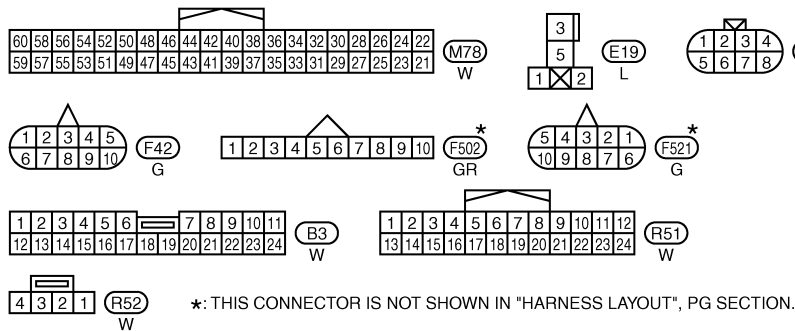
< ECU DIAGNOSIS >

AV-AV-29



5A : WITH 5-SPEED AUTOMATIC TRANSMISSION  
 7A : WITH 7-SPEED AUTOMATIC TRANSMISSION

REFER TO PG-POWER & PDU.



REFER TO THE FOLLOWING.  
 E108, B2 -SUPER MULTIPLE JUNCTION (SMJ)  
 M4 -FUSE BLOCK-JUNCTION BOX (J/B)

TKWT8284E



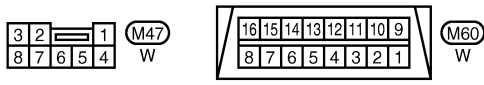
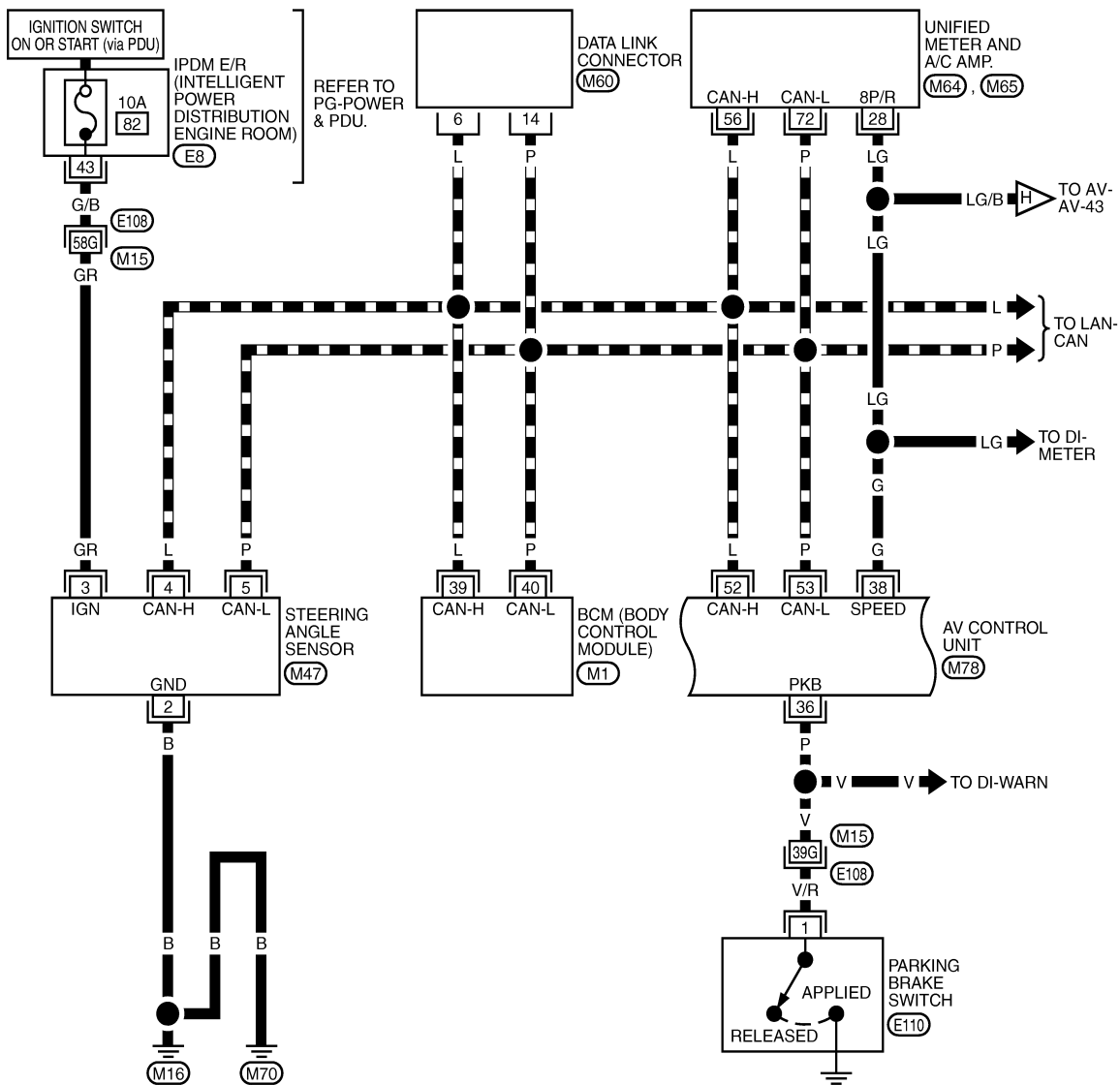
# AV CONTROL UNIT

[WITHOUT MOBILE ENTERTAINMENT SYSTEM]

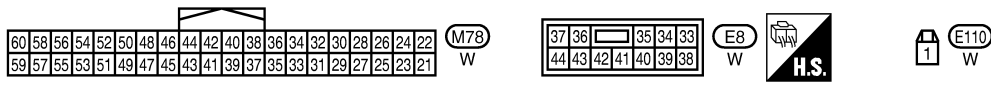
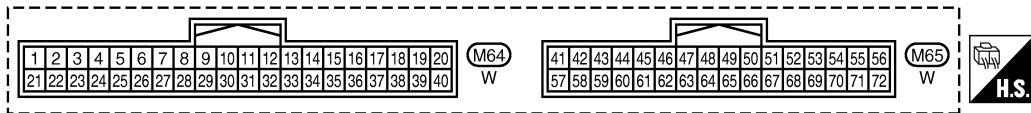
< ECU DIAGNOSIS >

AV-AV-30

▬ : DATA LINE



REFER TO THE FOLLOWING.  
 (E108) - SUPER MULTIPLE JUNCTION (SMJ)  
 (M1) - ELECTRICAL UNITS



TKWT6707E

A  
B  
C  
D  
E  
F  
G  
H  
I  
J  
K  
L  
M  
N  
O  
P

AV

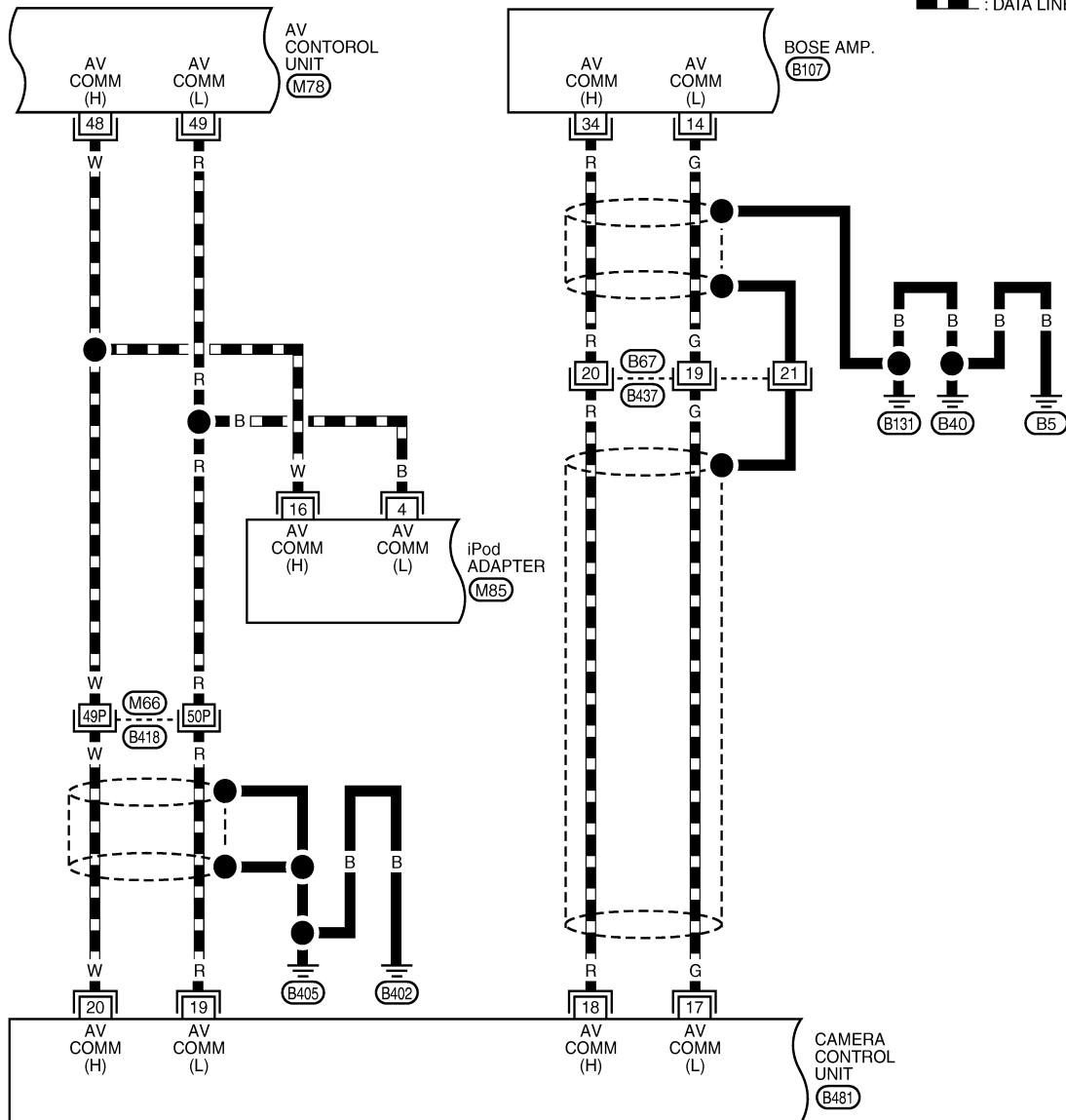
# AV CONTROL UNIT

[WITHOUT MOBILE ENTERTAINMENT SYSTEM]

< ECU DIAGNOSIS >

AV-AV-31

— : DATA LINE



60	58	56	54	52	50	48	46	44	42	40	38	36	34	32	30	28	26	24	22
59	57	55	53	51	49	47	45	43	41	39	37	35	33	31	29	27	25	23	21

(M78) W

12	11	10	9	8	7	6	5	4	3	2	1
24	23	22	21	20	19	18	17	16	15	14	13

(M85) W

1	2	3	4	5	6	7	8	9	10	11	12	13	14	15	16	17	18	19	20
21	22	23	24	25	26	27	28	29	30	31	32	33	34	35	36	37	38	39	40

(B107) W

1	2	3	4	5	6	7	8	9	10	11		
12	13	14	15	16	17	18	19	20	21	22	23	24

(B437) BR

32	30	28	26	24	22	20	18	16	14	12	10	8	6	4	2
31	29	27	25	23	21	19	17	15	13	11	9	7	5	3	1

(B481) W

REFER TO THE FOLLOWING.

(B418) - SUPER MULTIPLE JUNCTION (SMJ)

TKWT6708E

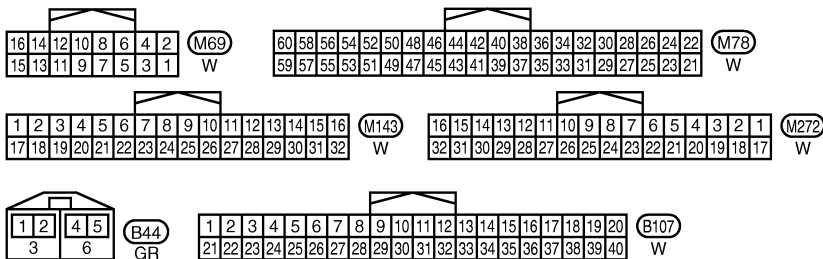
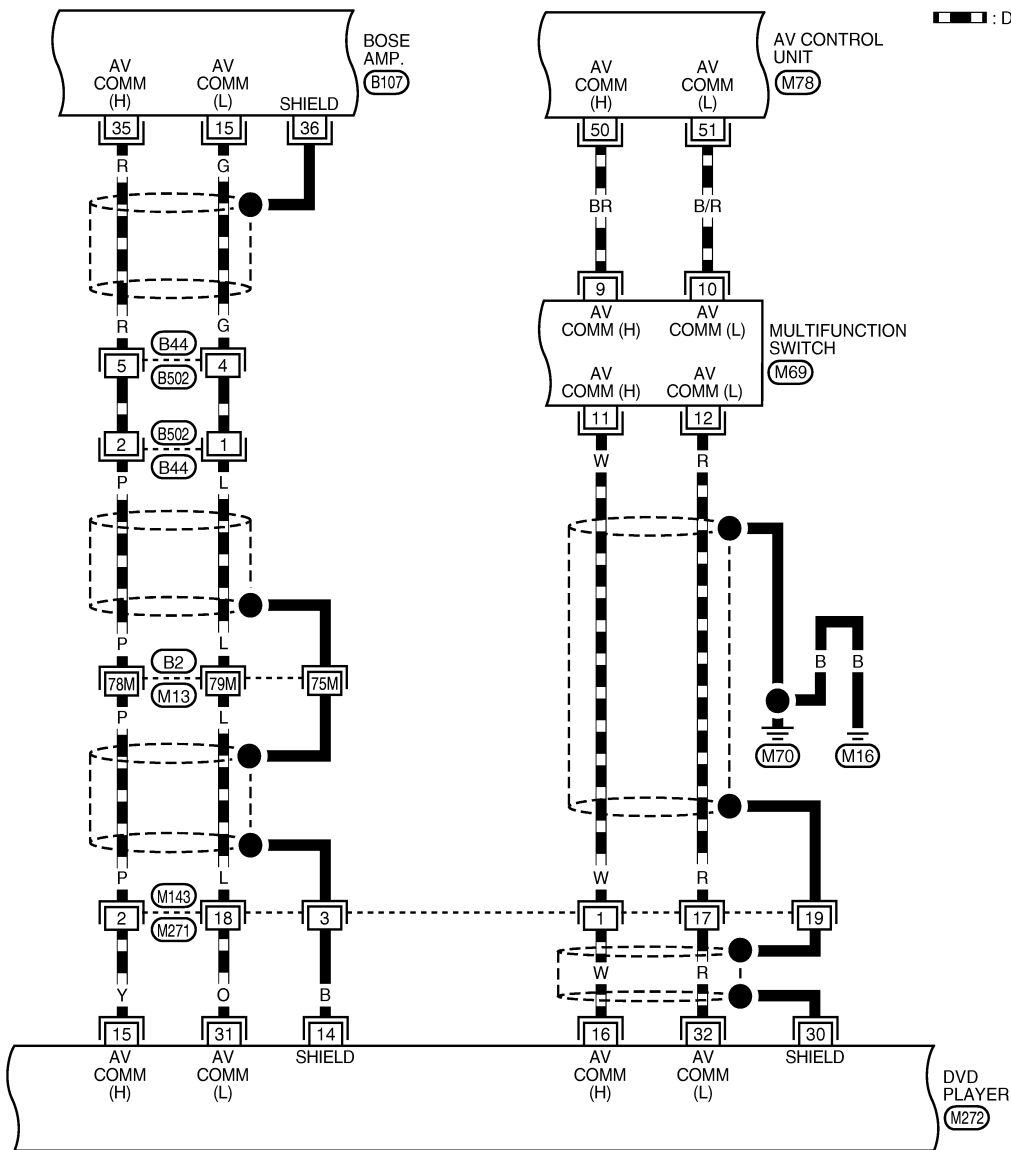
# AV CONTROL UNIT

[WITHOUT MOBILE ENTERTAINMENT SYSTEM]

< ECU DIAGNOSIS >

AV-AV-32

▬ : DATA LINE



REFER TO THE FOLLOWING.

(B2) - SUPER MULTIPLE JUNCTION (SMJ)

TKWT6709E

A  
B  
C  
D  
E  
F  
G  
H  
I  
J  
K  
L  
M  
N  
O  
P

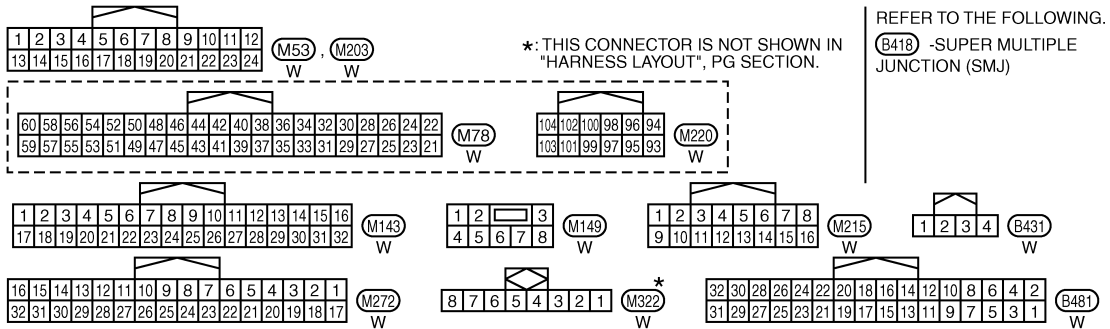
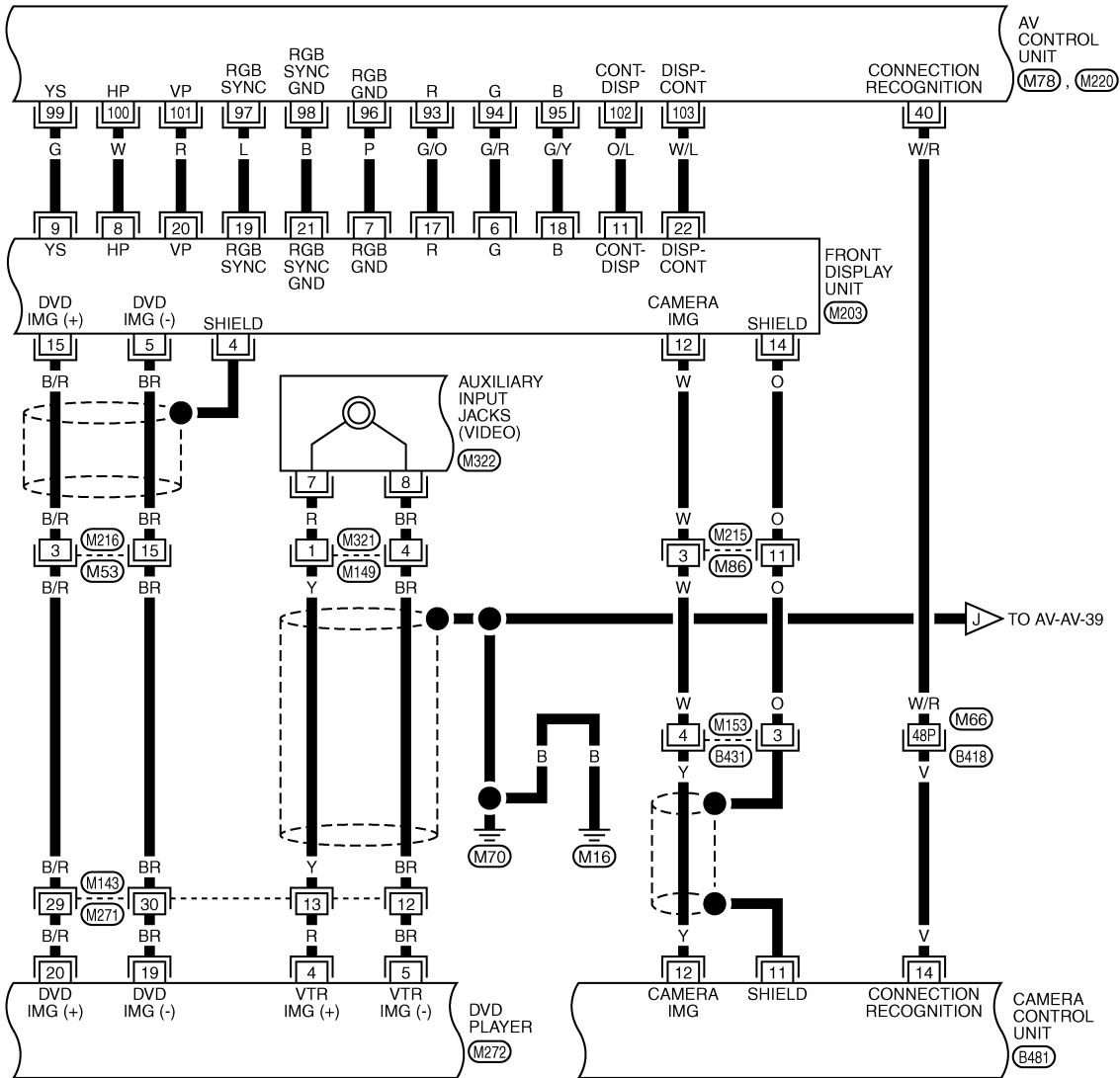
AV

# AV CONTROL UNIT

[WITHOUT MOBILE ENTERTAINMENT SYSTEM]

< ECU DIAGNOSIS >

AV-AV-33



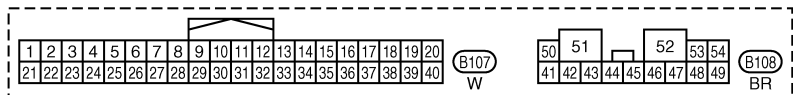
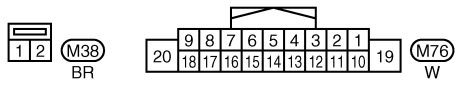
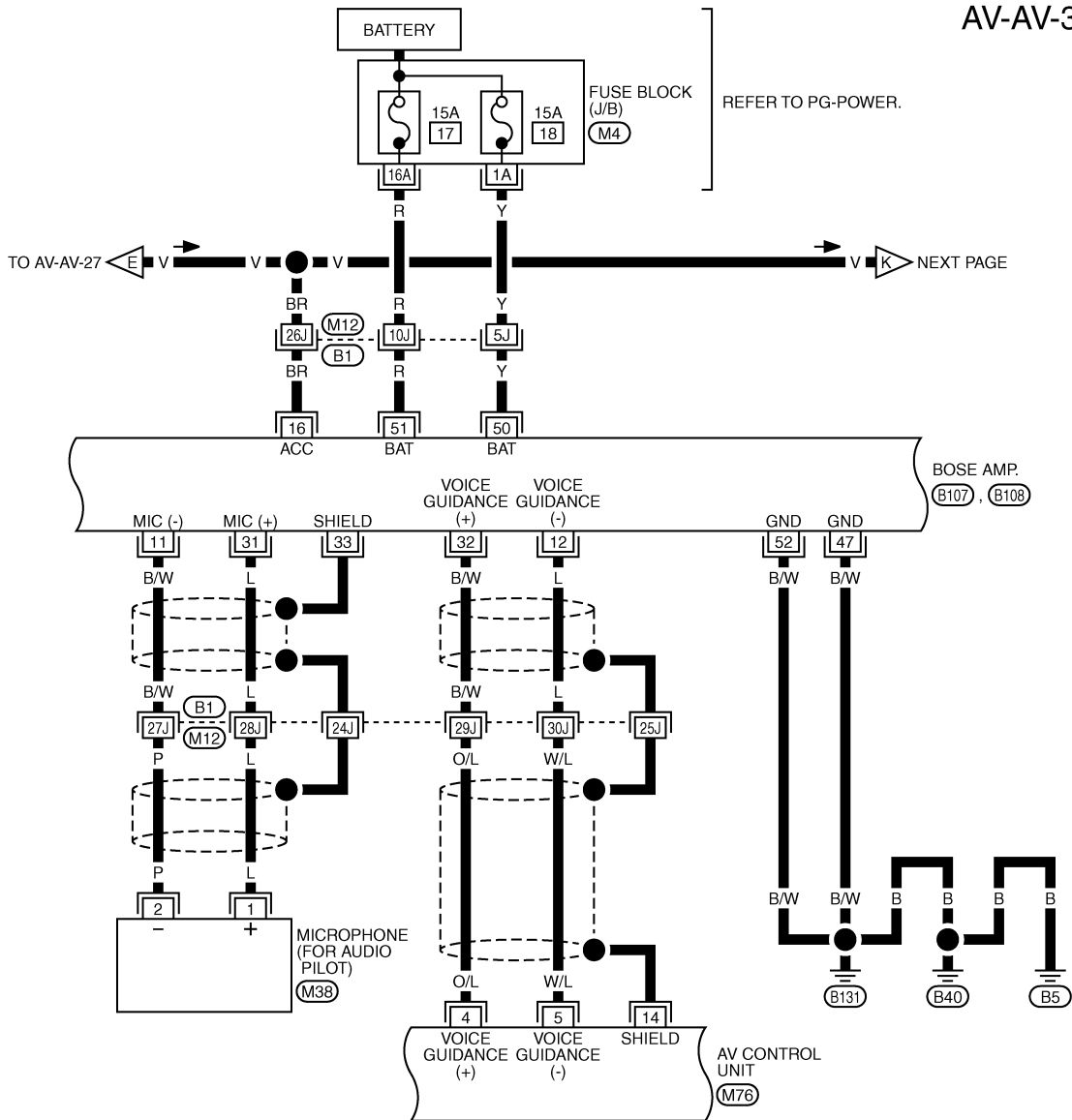
TKWT8285E

# AV CONTROL UNIT

[WITHOUT MOBILE ENTERTAINMENT SYSTEM]

< ECU DIAGNOSIS >

AV-AV-34



REFER TO THE FOLLOWING.  
 (B1) -SUPER MULTIPLE JUNCTION (SMJ)  
 (M4) -FUSE BLOCK-JUNCTION BOX (J/B)

TKWT8286E

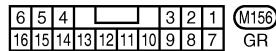
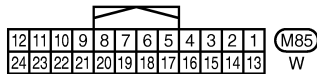
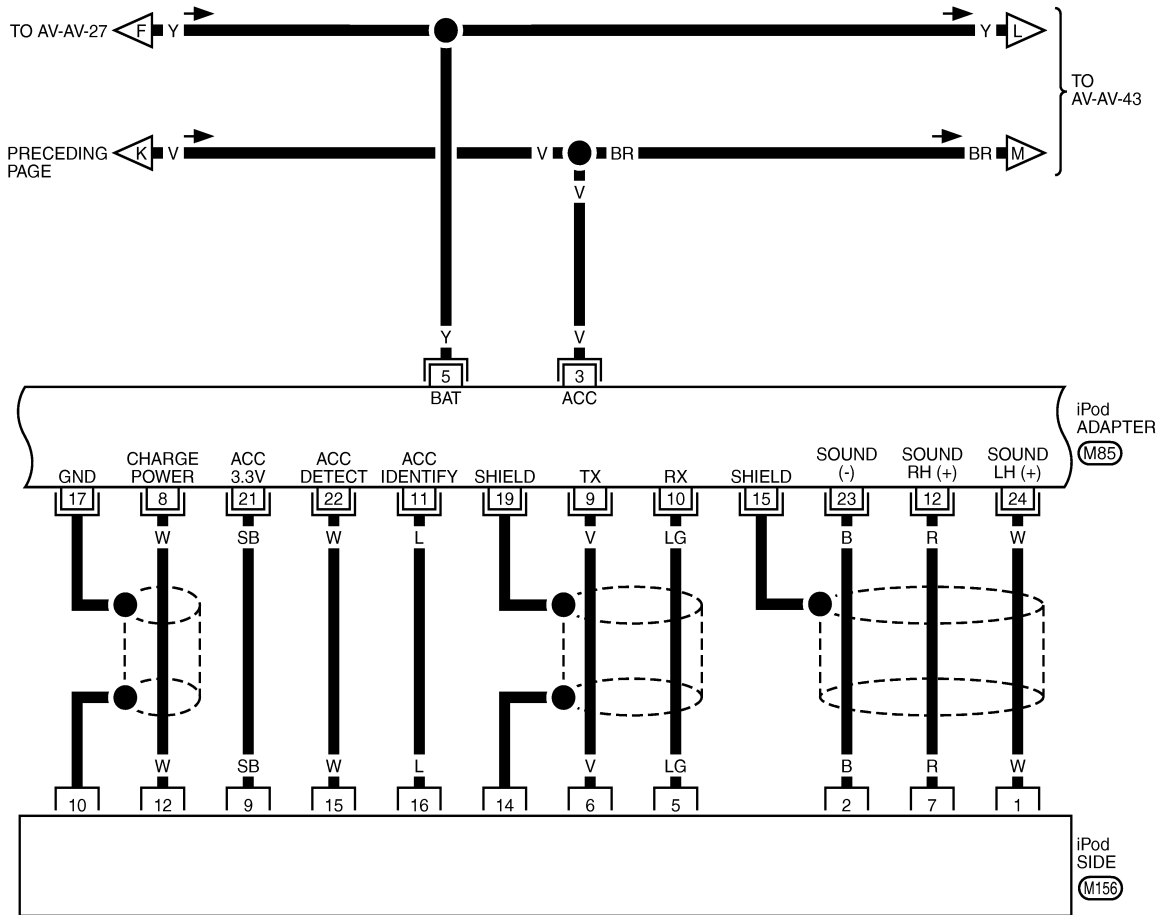
A  
B  
C  
D  
E  
F  
G  
H  
I  
J  
AV  
L  
M  
N  
O  
P

# AV CONTROL UNIT

[WITHOUT MOBILE ENTERTAINMENT SYSTEM]

< ECU DIAGNOSIS >

AV-AV-35



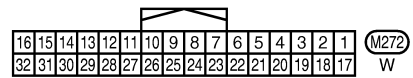
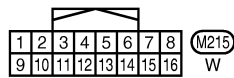
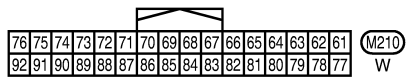
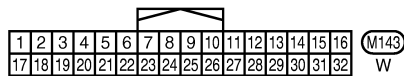
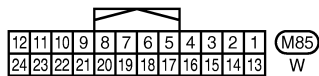
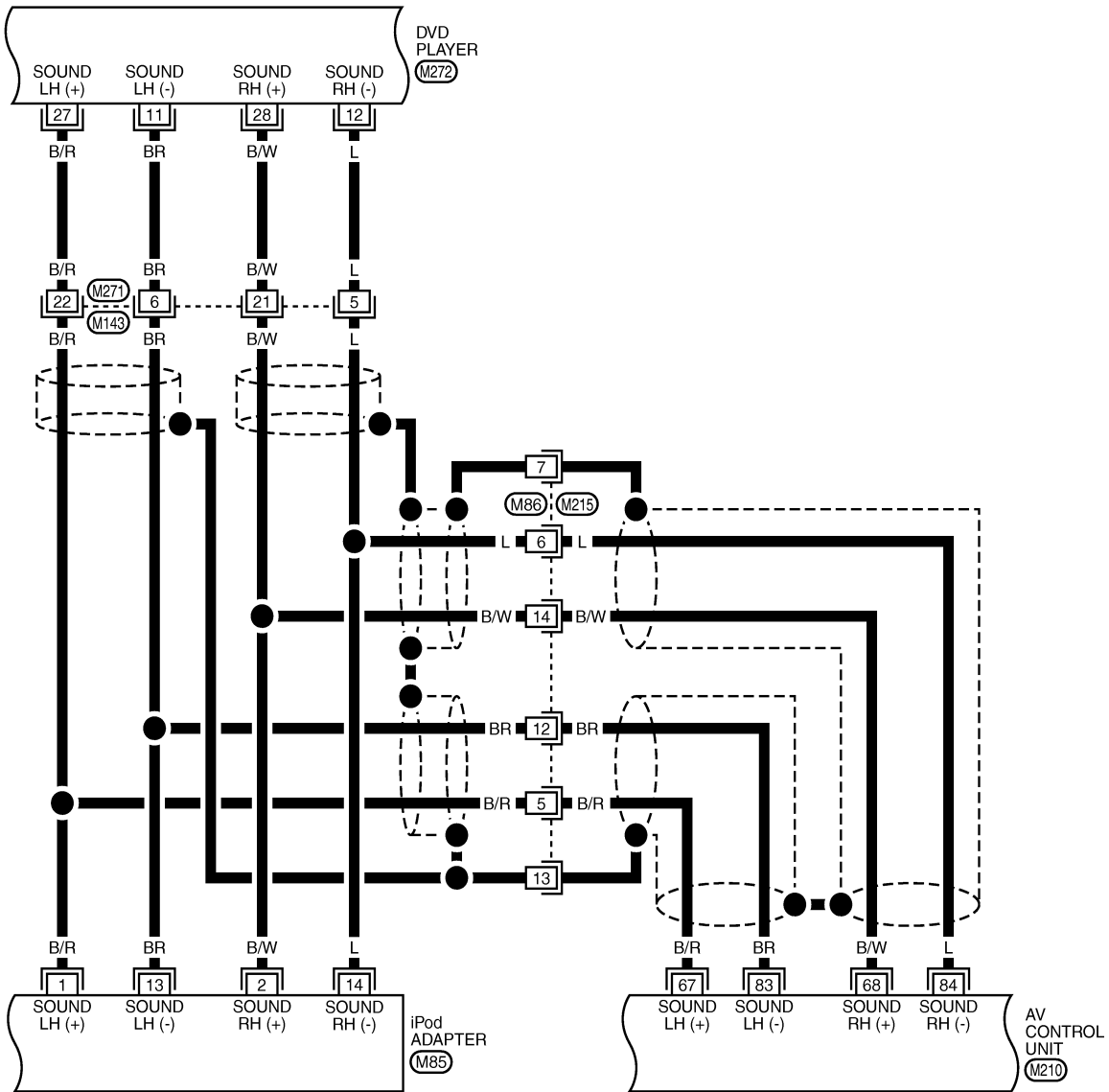
TKWT6713E

# AV CONTROL UNIT

[WITHOUT MOBILE ENTERTAINMENT SYSTEM]

< ECU DIAGNOSIS >

AV-AV-36



TKWT6714E

A  
B  
C  
D  
E  
F  
G  
H  
I  
J  
L  
M  
N  
O  
P

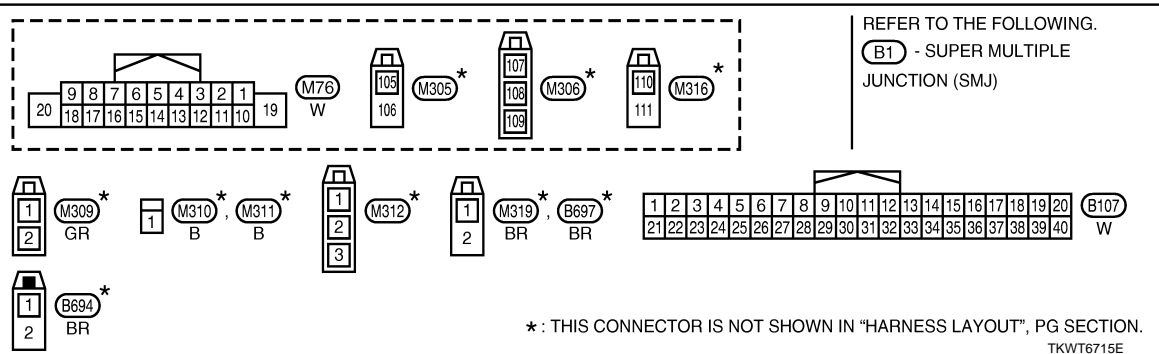
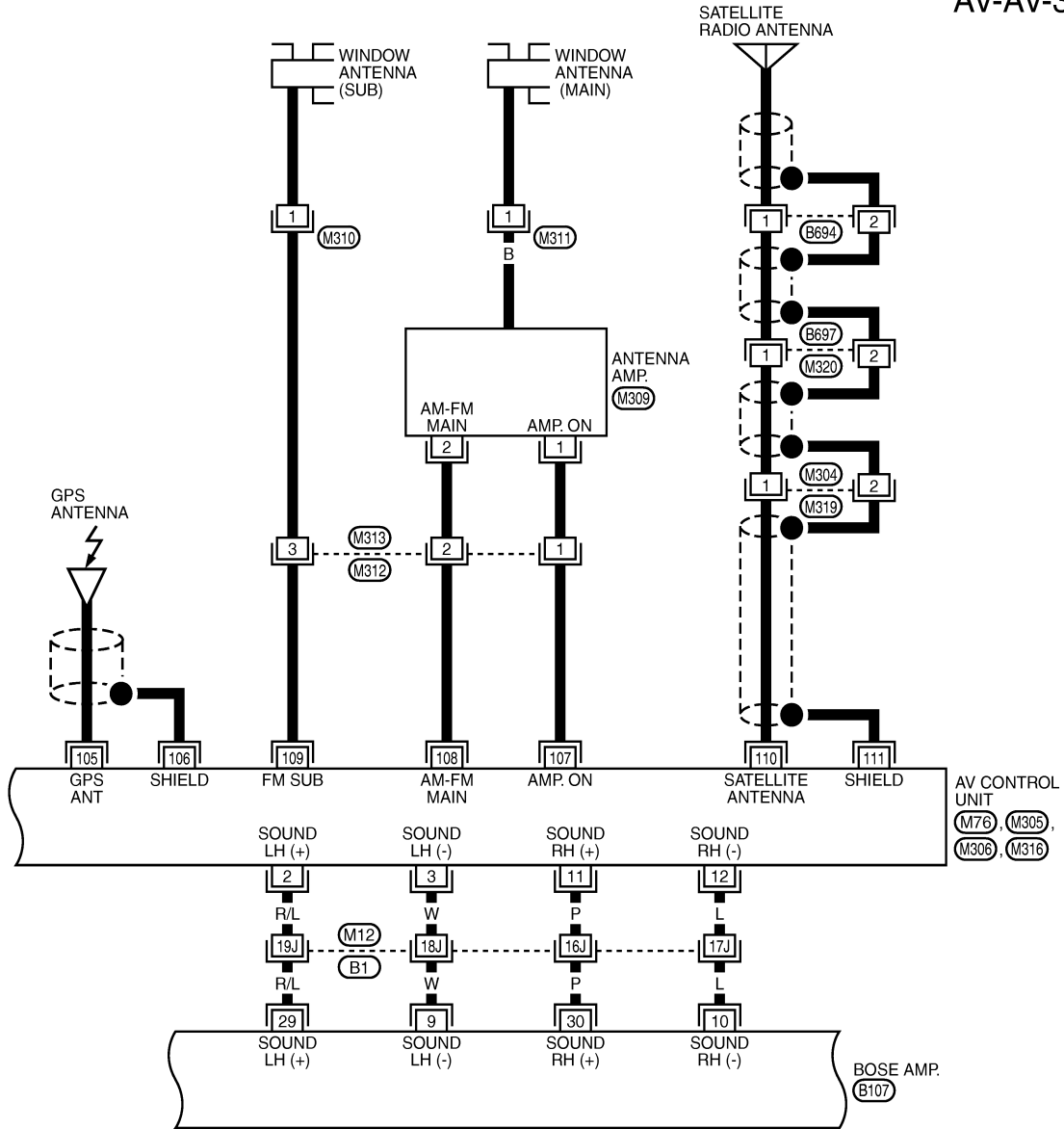
AV

# AV CONTROL UNIT

[WITHOUT MOBILE ENTERTAINMENT SYSTEM]

< ECU DIAGNOSIS >

AV-AV-37



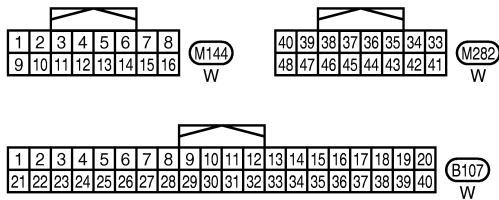
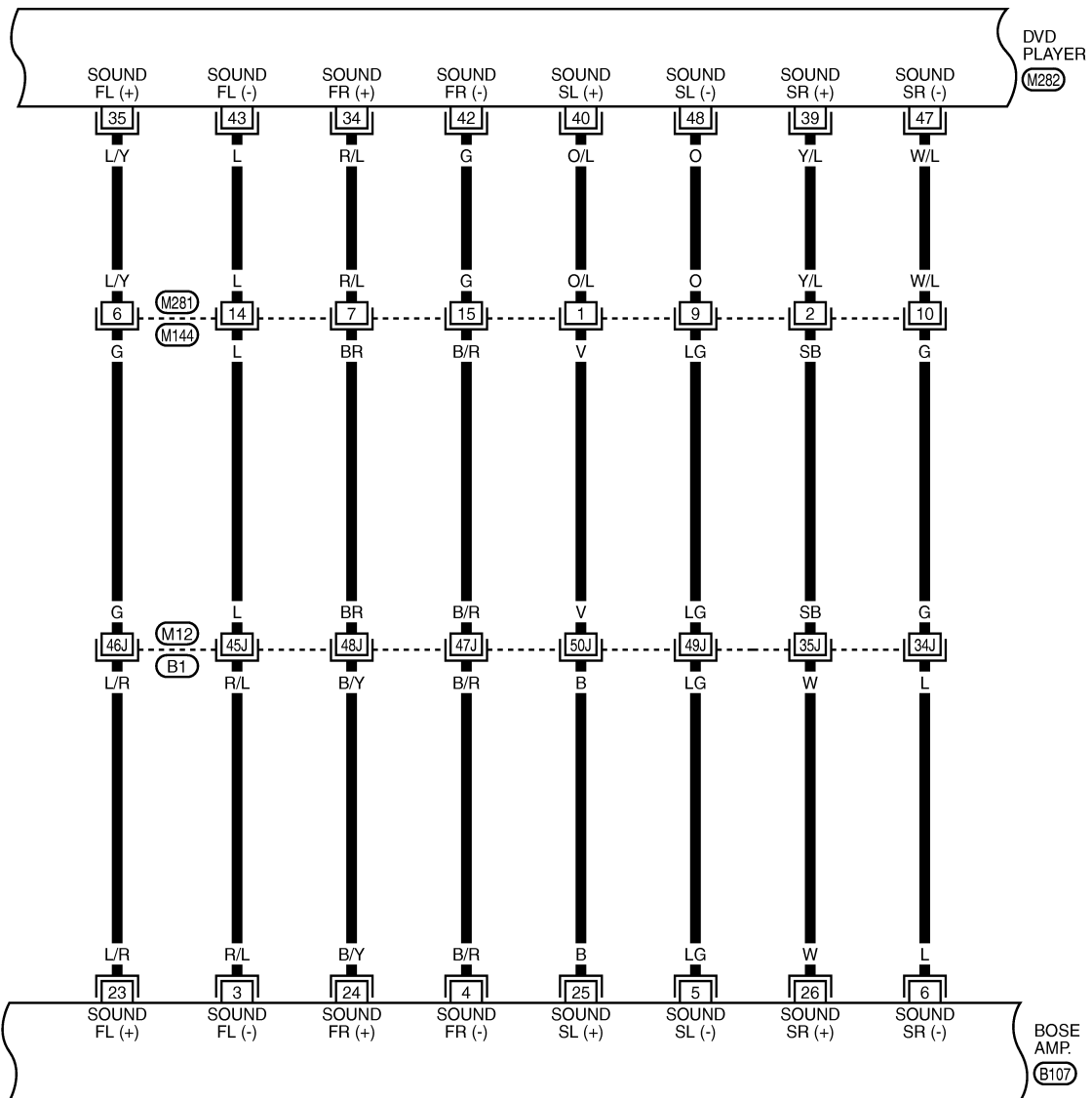


# AV CONTROL UNIT

[WITHOUT MOBILE ENTERTAINMENT SYSTEM]

< ECU DIAGNOSIS >

AV-AV-38



REFER TO THE FOLLOWING.

(B1) - SUPER MULTIPLE JUNCTION (SMJ)

TKWT6716E

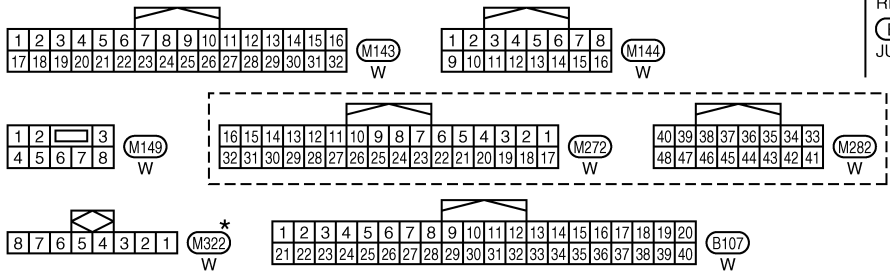
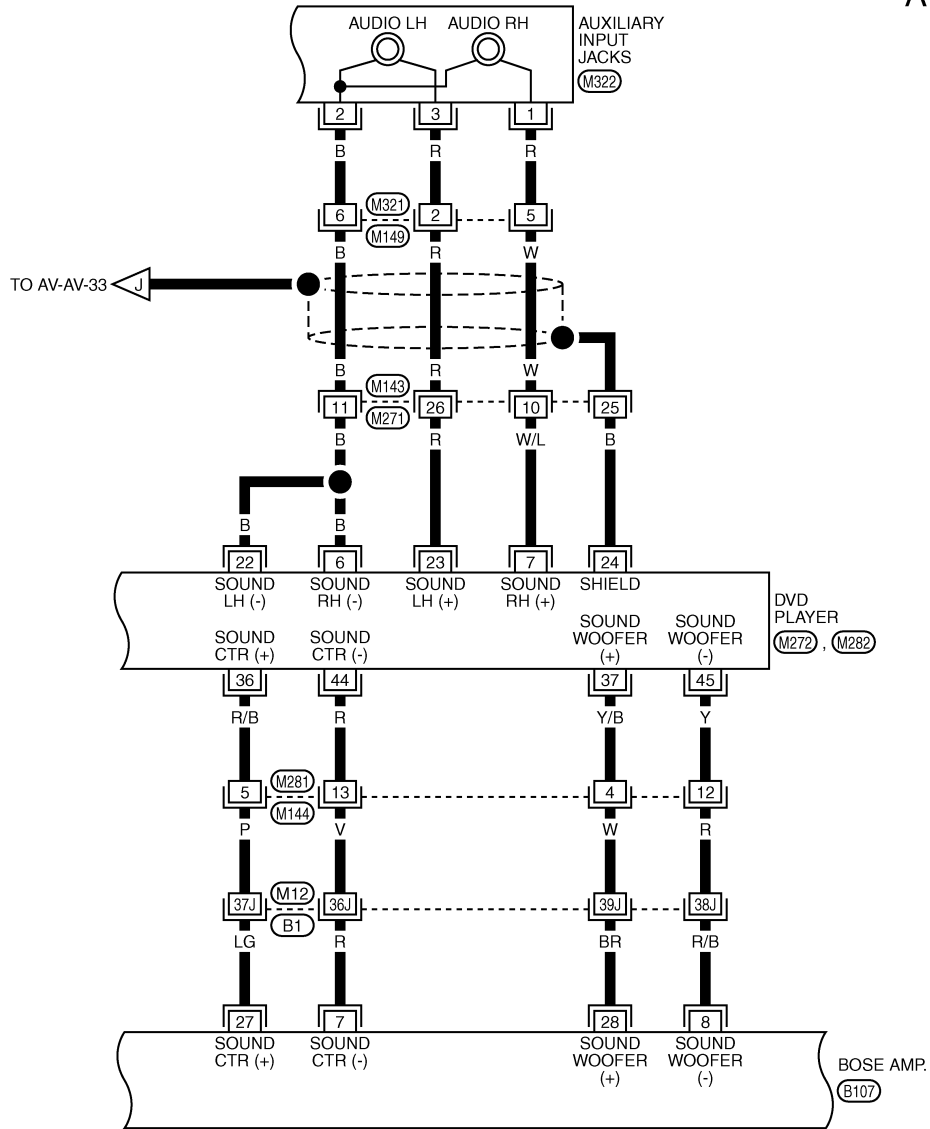
A  
B  
C  
D  
E  
F  
G  
H  
I  
J  
AV  
L  
M  
N  
O  
P

# AV CONTROL UNIT

[WITHOUT MOBILE ENTERTAINMENT SYSTEM]

< ECU DIAGNOSIS >

AV-AV-39



REFER TO THE FOLLOWING.  
 (B1) -SUPER MULTIPLE JUNCTION (SMJ)

\*: THIS CONNECTOR IS NOT SHOWN IN "HARNESS LAYOUT", PG SECTION.

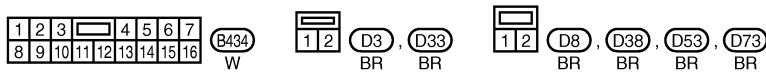
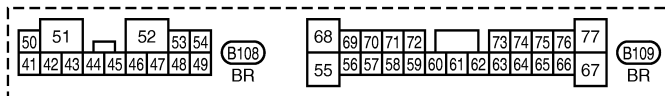
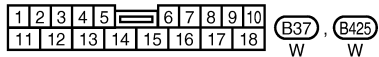
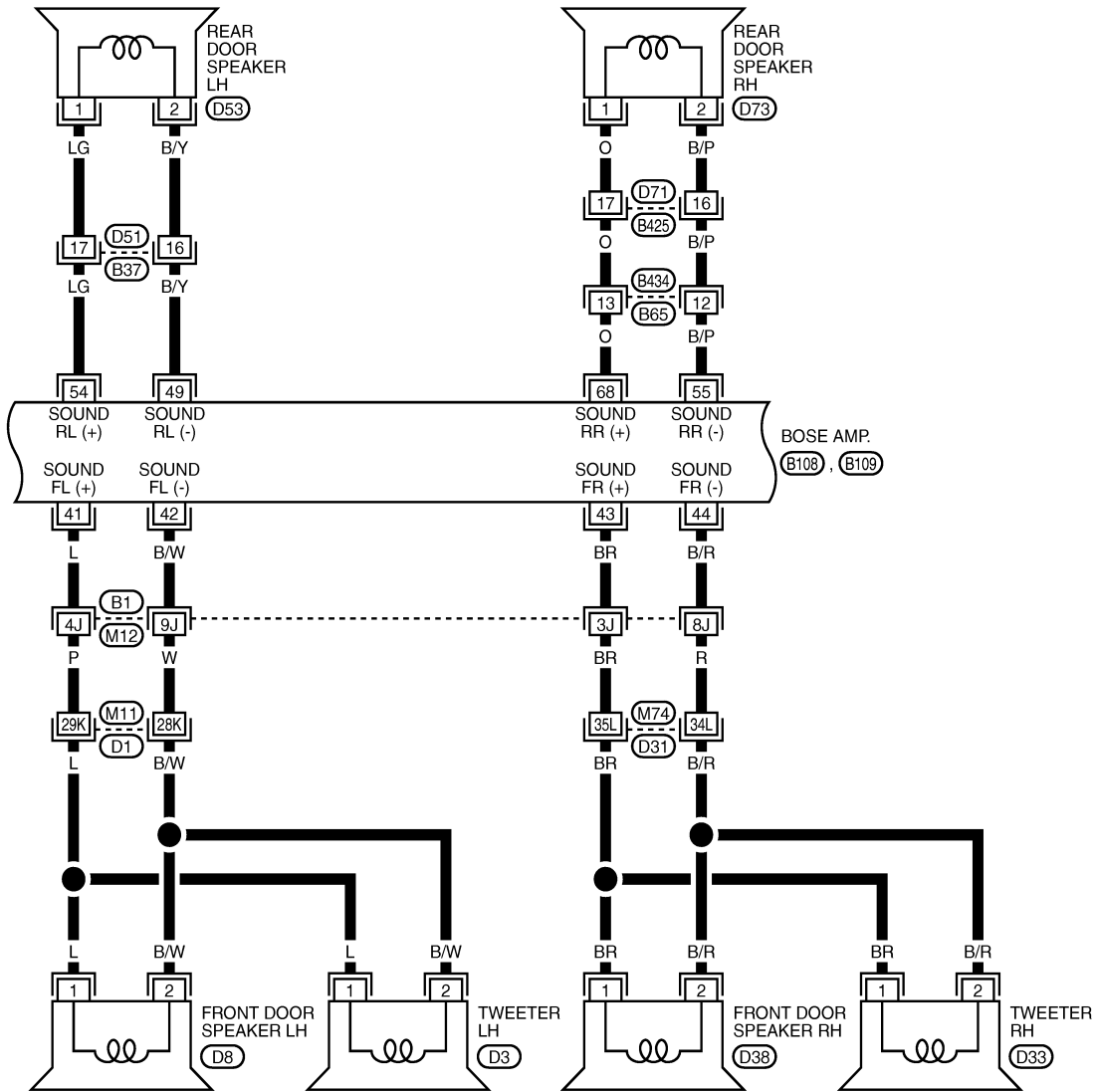
TKWT8287E

# AV CONTROL UNIT

[WITHOUT MOBILE ENTERTAINMENT SYSTEM]

< ECU DIAGNOSIS >

AV-AV-40



REFER TO THE FOLLOWING.

(B1), (D1), (D31) - SUPER  
MULTIPLE JUNCTION (SMJ)

TKWT6718E

A  
B  
C  
D  
E  
F  
G  
H  
I  
J  
K  
L  
M  
N  
O  
P

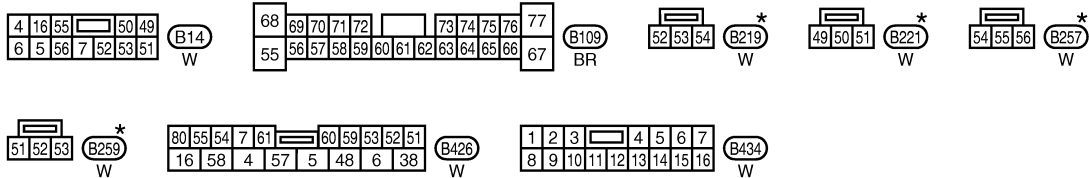
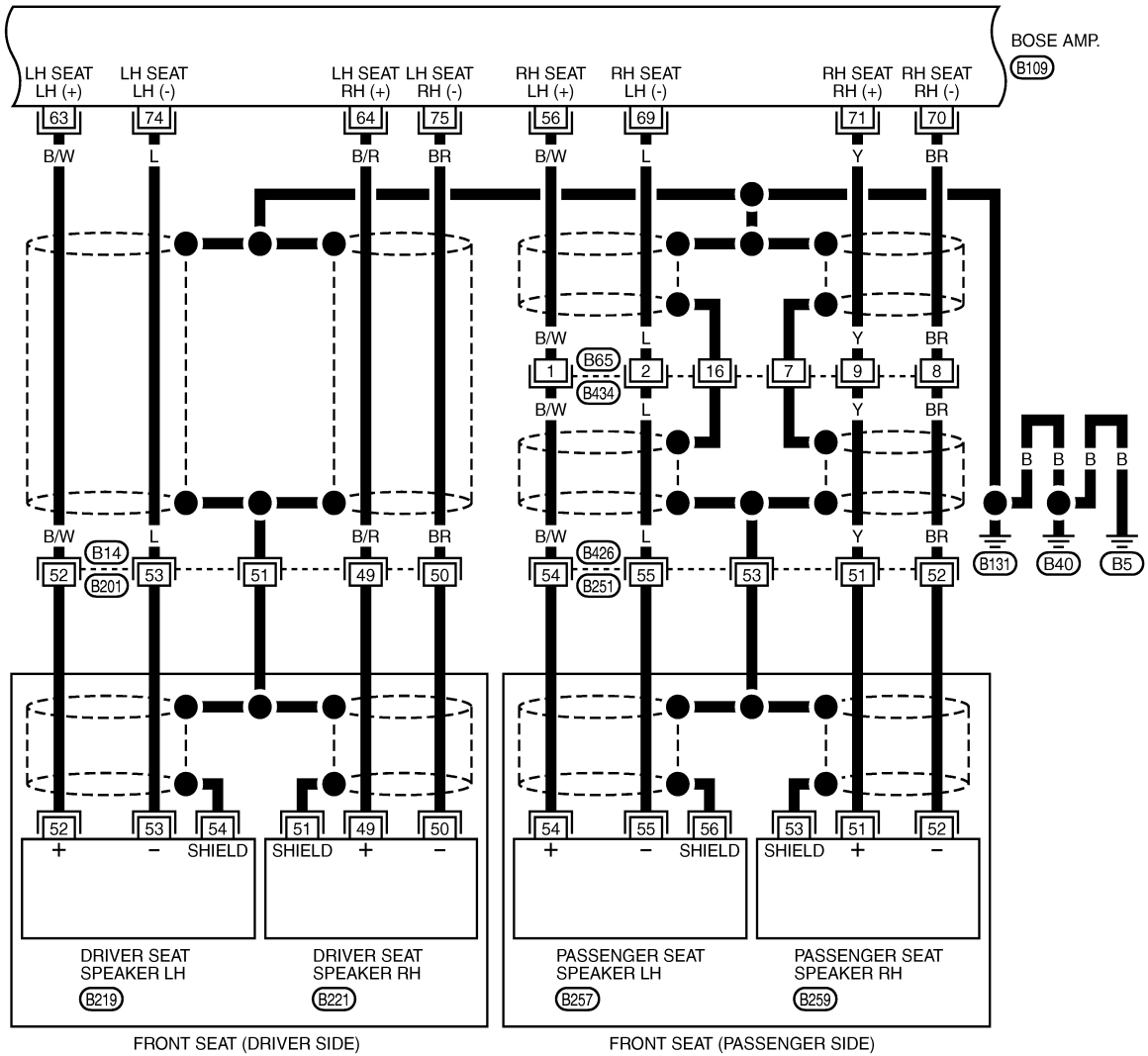
AV

# AV CONTROL UNIT

[WITHOUT MOBILE ENTERTAINMENT SYSTEM]

< ECU DIAGNOSIS >

AV-AV-41



\*: THIS CONNECTOR IS NOT SHOWN IN "HARNESS LAYOUT", PG SECTION.

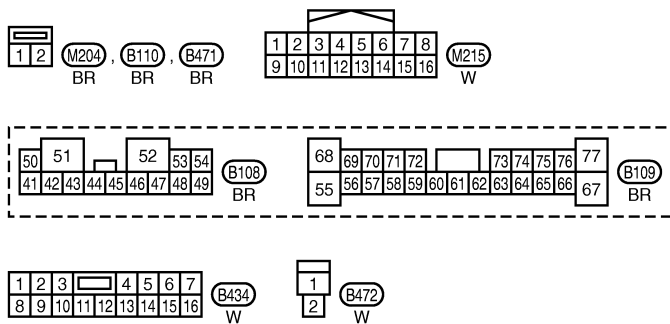
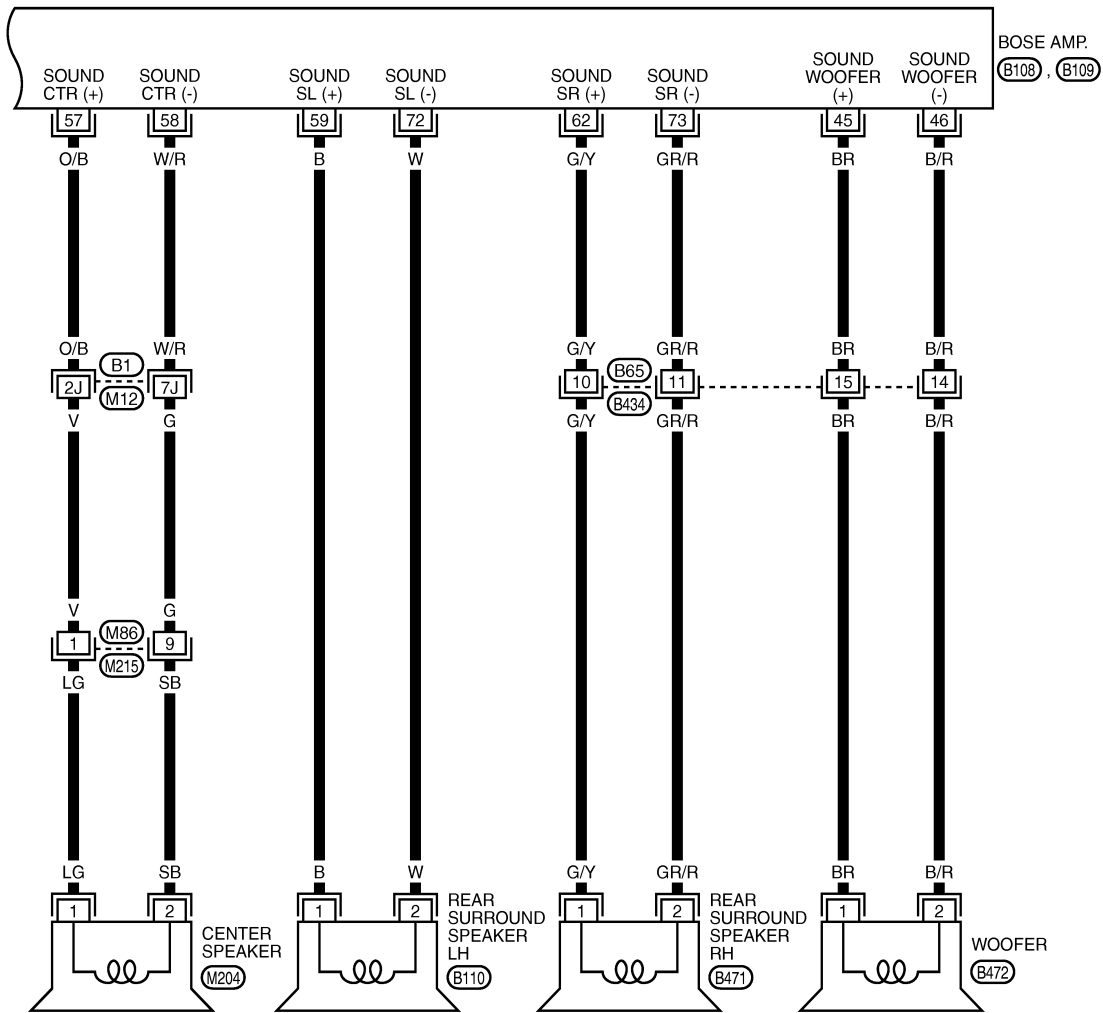
TKWT6719E

# AV CONTROL UNIT

[WITHOUT MOBILE ENTERTAINMENT SYSTEM]

< ECU DIAGNOSIS >

AV-AV-42



REFER TO THE FOLLOWING.

(B1) - SUPER MULTIPLE JUNCTION (SMJ)

TKWT6720E

A  
B  
C  
D  
E  
F  
G  
H  
I  
J  
L  
M  
N  
O  
P

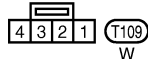
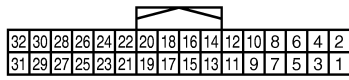
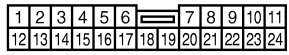
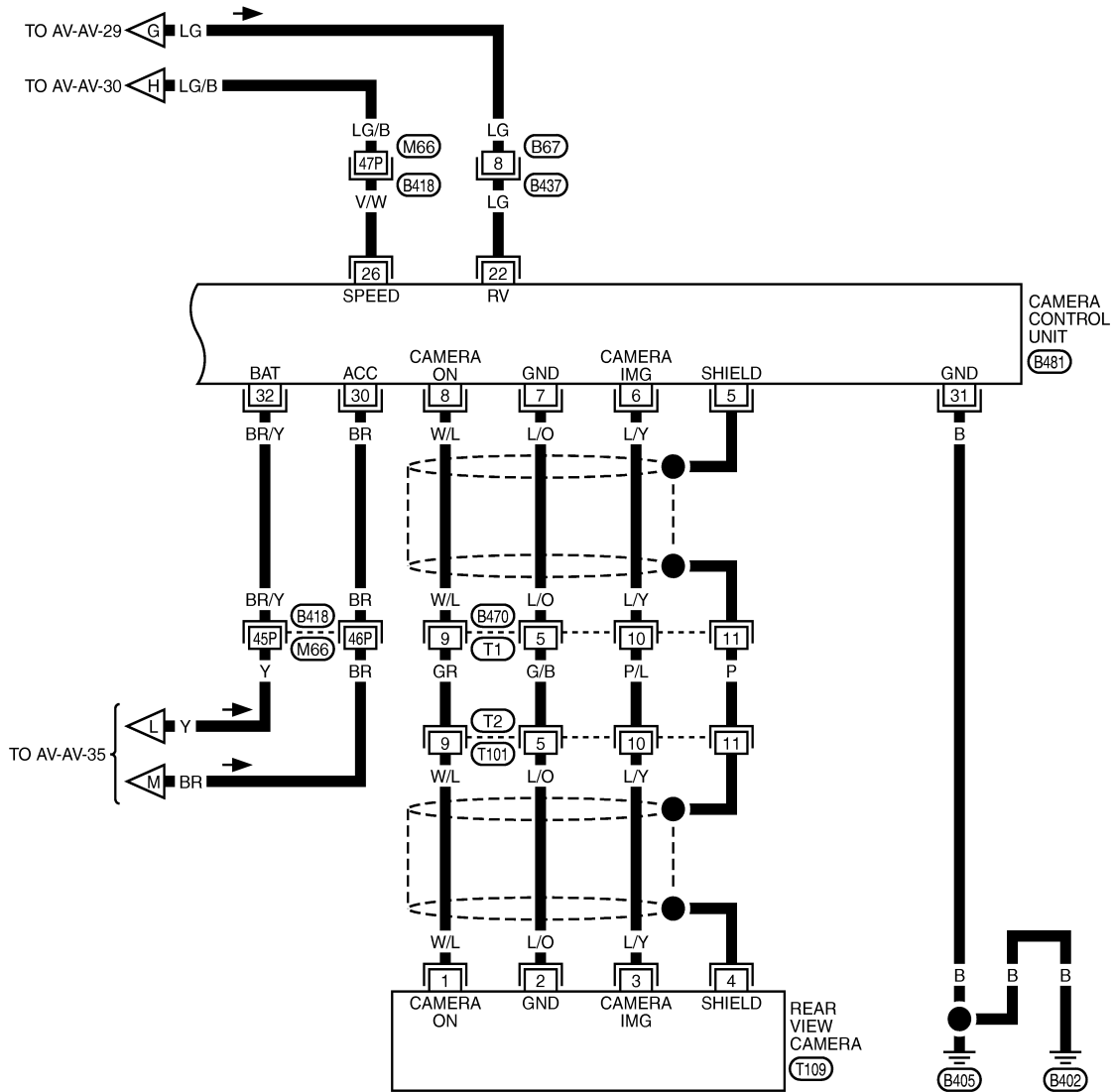
AV

# AV CONTROL UNIT

[WITHOUT MOBILE ENTERTAINMENT SYSTEM]

< ECU DIAGNOSIS >

AV-AV-43



REFER TO THE FOLLOWING.

(B418) - SUPER MULTIPLE JUNCTION (SMJ)

TKWT6721E

INFOID:000000005350328

## WITH NAVIGATION : Fail-Safe

When the ambience temperature becomes extremely low or extremely high, or when HDD is malfunctioning, AV control unit displays the message and limits the AV control unit function.

### FAIL-SAFE CONDITIONS

- When the ambience temperature is  $-20^{\circ}\text{C}$  ( $-4^{\circ}\text{F}$ ) or lower, or when it is  $70^{\circ}\text{C}$  ( $158^{\circ}\text{F}$ ) or higher
- When HDD is malfunctioning

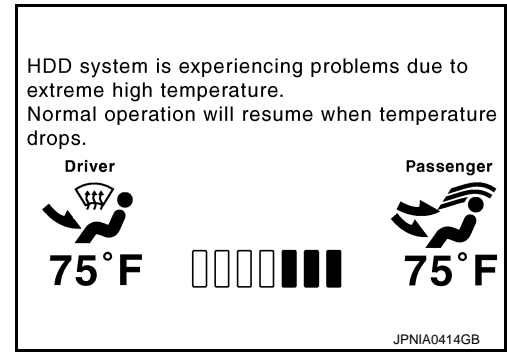
# AV CONTROL UNIT

[WITHOUT MOBILE ENTERTAINMENT SYSTEM]

## < ECU DIAGNOSIS >

### Display

The messages displayed on fail-safe conditions are as shown below:



Fail-safe mode	Display (display of the fail-safe condition)
When HDD temperature is low	HDD system is experiencing problems due to extreme low temperature. Normal operation will resume when temperature rises.
When HDD temperature is high	HDD system is experiencing problems due to extreme high temperature. Normal operation will resume when temperature drops.
When HDD is malfunctioning	HDD system is not functioning. Please contact your dealer for assistance.

## DESCRIPTION OF CONTROLS

Function		When Fail-safe Function is activated
Air conditioner	Operation	Only multifunction switch (preset switch) can be operated.
	Display	<ul style="list-style-type: none"> <li>• LED of multifunction switch (preset switch) illuminates.</li> <li>• Aimed temperature, blow angle, and flow rate are displayed in simplified mode.</li> </ul>
Audio	Operation	Only ON/OFF and volume control operations by multifunction switch (preset switch) are possible.
	Display	No display ("Fail-safe mode" is displayed)
Camera	Operation	Image tone cannot be controlled.
	Display	Cannot be superimposed. (warning display, tone control display)
Hands-free phone	Operation	Cannot be operated.
Navigation	Operation	Cannot be operated.
Self diagnosis		The display in simplified mode of fail-safe condition
CONSULT-III diagnosis		Cannot be operated.

### Ability Operation Mode

There is an ability operation mode for Fail-safes due to low or high ambient temperature.

If HDD data can be read, fail-safe is shown, then normal displays are displayed only for functions which can be operated.

## RELEASE CONDITIONS OF FAIL-SAFE

Fail-safe is released on following conditions and normal mode is restored.

When the temperature of HDD is low or high

If the ambient temperature becomes out of fail-safe condition range, normal mode is restored.

When HDD is malfunctioning

If the malfunction disappears, normal mode is restored.

### NOTE:

- If fail-safe mode due to HDD malfunction is seen continuously, replace AV control unit.
- If fail-safe mode due to HDD malfunction is seen temporarily, check the "Error History" of Confirmation/Adjustment mode. If this is normal, then continue the normal operation, observing the function. (It might be a temporary malfunction of HDD.)

# AV CONTROL UNIT

[WITHOUT MOBILE ENTERTAINMENT SYSTEM]

< ECU DIAGNOSIS >

WITH NAVIGATION : DTC Index

INFOID:000000005350329

## SELF-DIAGNOSIS RESULTS DISPLAY ITEM

DTC	Display item	Refer to
U1000	CAN COMM CIRCUIT [U1000]	<a href="#">AV-78, "Diagnosis Procedure"</a>
U1010	CONTROL UNIT (CAN) [1010]	<a href="#">AV-79, "Diagnosis Procedure"</a>
U1310	CONTROL UNIT (AV) [U1310]	<a href="#">AV-80, "WITH NAVIGATION : DTC Logic"</a>
U1200	Control Unit FLASH-ROM [1200]	<a href="#">AV-82, "WITH NAVIGATION : DTC Logic"</a>
U1201	Gyro NO CONN [1201]	<a href="#">AV-84, "DTC Logic"</a>
U1216	CAN CONT [U1216]	<a href="#">AV-85, "WITH NAVIGATION : DTC Logic"</a>
U1217	BLUETOOTH CONN [U1217]	<a href="#">AV-87, "DTC Logic"</a>
U1218	HDD CONN [U1218]	<a href="#">AV-88, "DTC Logic"</a>
U1219	HDD READ [U1219]	<a href="#">AV-89, "DTC Logic"</a>
U1220	XM SERIAL COMM [U1220]	<a href="#">AV-90, "DTC Logic"</a>
U121A	HDD WRITE [U121A]	<a href="#">AV-91, "DTC Logic"</a>
U121B	HDD COMM [U121B]	<a href="#">AV-92, "DTC Logic"</a>
U121C	HDD ACCESS [U121C]	<a href="#">AV-93, "DTC Logic"</a>
U121D	DSP CONN [U121D]	<a href="#">AV-94, "DTC Logic"</a>
U121E	DSP COMM [U121E]	<a href="#">AV-95, "DTC Logic"</a>
U121F	INTERNAL COMM [U121F]	<a href="#">AV-96, "DTC Logic"</a>
U1204	GPS COMM [U1204]	<a href="#">AV-97, "DTC Logic"</a>
U1205	GPS ROM [U1205]	<a href="#">AV-98, "DTC Logic"</a>
U1206	GPS RAM [U1206]	<a href="#">AV-99, "DTC Logic"</a>
U1207	GPS RTC [U1207]	<a href="#">AV-100, "DTC Logic"</a>
U1243	FRONT DISP CONN [U1243]	<a href="#">AV-102, "WITH NAVIGATION : DTC Logic"</a>
U1244	GPS ANTENNA CONN [U1244]	<a href="#">AV-105, "DTC Logic"</a>
U1250	CAMERA CONT. CONN [U1250]	<a href="#">AV-106, "DTC Logic"</a>
U1258	XM ANTENNA CONN [U1258]	<a href="#">AV-109, "DTC Logic"</a>
U1300 U121F	<ul style="list-style-type: none"> <li>• AV COMM CIRCUIT [U1300]</li> <li>• INTERNAL COMM [U121F]</li> </ul>	<a href="#">AV-110, "WITH NAVIGATION : Description"</a>
U1300 U1240	<ul style="list-style-type: none"> <li>• AV COMM CIRCUIT [U1300]</li> <li>• SWITCH CONN [U1240]</li> </ul>	<a href="#">AV-110, "WITH NAVIGATION : Description"</a>
U1300 U1248	<ul style="list-style-type: none"> <li>• AV COMM CIRCUIT [U1300]</li> <li>• DVD DECK CONN [U1248]</li> </ul>	<a href="#">AV-110, "WITH NAVIGATION : Description"</a>
U1300 U124E	<ul style="list-style-type: none"> <li>• AV COMM CIRCUIT [U1300]</li> <li>• AMP CONN [U124E]</li> </ul>	<a href="#">AV-110, "WITH NAVIGATION : Description"</a>
U1300 U1252	<ul style="list-style-type: none"> <li>• AV COMM CIRCUIT [U1300]</li> <li>• REAR CAMERA LAN CONN [U1252]</li> </ul>	<a href="#">AV-110, "WITH NAVIGATION : Description"</a>
U1300 U1254	<ul style="list-style-type: none"> <li>• AV COMM CIRCUIT [U1300]</li> <li>• IPOD CONN [U1254]</li> </ul>	<a href="#">AV-110, "WITH NAVIGATION : Description"</a>
U1300 U1252 U1254	<ul style="list-style-type: none"> <li>• AV COMM CIRCUIT [U1300]</li> <li>• REAR CAMERA LAN CONN [U1252]</li> <li>• IPOD CONN [U1254]</li> </ul>	<a href="#">AV-110, "WITH NAVIGATION : Description"</a>
U1300 U124E U1252 U1254	<ul style="list-style-type: none"> <li>• AV COMM CIRCUIT [U1300]</li> <li>• AMP CONN [U124E]</li> <li>• REAR CAMERA LAN CONN [U1252]</li> <li>• IPOD CONN [U1254]</li> </ul>	<a href="#">AV-110, "WITH NAVIGATION : Description"</a>



# AV CONTROL UNIT

[WITHOUT MOBILE ENTERTAINMENT SYSTEM]

< ECU DIAGNOSIS >

DTC	Display item	Refer to
U1300 U124E U1252 U1254	<ul style="list-style-type: none"> <li>• AV COMM CIRCUIT [U1300]</li> <li>• AMP CONN [U124E]</li> <li>• REAR CAMERA LAN CONN [U1252]</li> <li>• IPOD CONN [U1254]</li> </ul>	<a href="#">AV-110, "WITH NAVIGATION : Description"</a>
U1300 U1248 U124E U1252 U1254	<ul style="list-style-type: none"> <li>• AV COMM CIRCUIT [U1300]</li> <li>• DVD DECK CONN [U1248]</li> <li>• AMP CONN [U124E]</li> <li>• REAR CAMERA LAN CONN [U1252]</li> <li>• IPOD CONN [U1254]</li> </ul>	<a href="#">AV-110, "WITH NAVIGATION : Description"</a>
U1300 U1240 U124E U1252 U1254	<ul style="list-style-type: none"> <li>• AV COMM CIRCUIT [U1300]</li> <li>• SWITCH CONN [U1240]</li> <li>• AMP CONN [U124E]</li> <li>• REAR CAMERA LAN CONN [U1252]</li> <li>• IPOD CONN [U1254]</li> </ul>	<a href="#">AV-110, "WITH NAVIGATION : Description"</a>
U1300 U1240 U1248 U124E U1252 U1254	<ul style="list-style-type: none"> <li>• AV COMM CIRCUIT [U1300]</li> <li>• SWITCH CONN [U1240]</li> <li>• DVD DECK CONN [U1248]</li> <li>• AMP CONN [U124E]</li> <li>• REAR CAMERA LAN CONN [U1252]</li> <li>• IPOD CONN [U1254]</li> </ul>	<a href="#">AV-110, "WITH NAVIGATION : Description"</a>
U1300 U121F U1240 U124E U1252 U1254	<ul style="list-style-type: none"> <li>• AV COMM CIRCUIT [U1300]</li> <li>• INTERNAL COMM [U121F]</li> <li>• SWITCH CONN [U1240]</li> <li>• AMP CONN [U124E]</li> <li>• REAR CAMERA LAN CONN [U1252]</li> <li>• IPOD CONN [U1254]</li> </ul>	<a href="#">AV-110, "WITH NAVIGATION : Description"</a>
U1300 U121F U1240 U1248 U124E U1252 U1254	<ul style="list-style-type: none"> <li>• AV COMM CIRCUIT [U1300]</li> <li>• INTERNAL COMM [U121F]</li> <li>• SWITCH CONN [U1240]</li> <li>• DVD DECK CONN [U1248]</li> <li>• AMP CONN [U124E]</li> <li>• REAR CAMERA LAN CONN [U1252]</li> <li>• IPOD CONN [U1254]</li> </ul>	<a href="#">AV-110, "WITH NAVIGATION : Description"</a>

A  
B  
C  
D  
E  
F  
G  
H  
I  
J  
  
L  
M  
N  
O  
P

AV

# FRONT DISPLAY UNIT

[WITHOUT MOBILE ENTERTAINMENT SYSTEM]

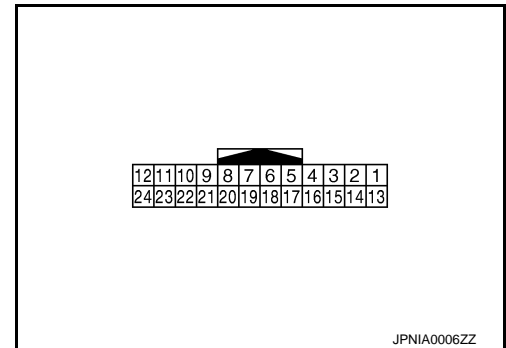
< ECU DIAGNOSIS >

## FRONT DISPLAY UNIT WITHOUT NAVIGATION

WITHOUT NAVIGATION : Reference Value

INFOID:000000005350330

### TERMINAL LAYOUT



### PHYSICAL VALUES

Terminal (Wire color)		Description		Condition		Reference value (Approx.)
+	-	Signal name	Input/ Output			
1 (B)	Ground	Ground	—	Ignition switch ON	—	0 V
2 (Y)	Ground	Inverter VCC	Input	Ignition switch ACC	—	9 V
3 (L)	Ground	Signal VCC	Input	Ignition switch ACC	—	9 V
4 (G)	Ground	AUX image ground	—	Ignition switch ON	—	0 V
5	—	Shield	—	—	—	—
6 (L)	Ground	RGB image signal (G: green)	Input	Ignition switch ON	Start confirmation/adjust- ment mode, and then dis- play color bar by selecting “Color Spectrum Bar” on DISPLAY DIAGNOSIS screen.	<p style="text-align: right;">SKIB2236J</p>
7	—	Shield	—	—	—	—
8 (W)	Ground	Horizontal synchronizing (HP) signal	Output	Ignition switch ON	—	<p style="text-align: right;">SKIB3601E</p>

# FRONT DISPLAY UNIT

[WITHOUT MOBILE ENTERTAINMENT SYSTEM]

< ECU DIAGNOSIS >

Terminal (Wire color)		Description		Condition	Reference value (Approx.)	
+	-	Signal name	Input/ Output			
9 (G)	Ground	RGB area (YS) signal	Input	Ignition switch ON	5 V	
				When RGB image is displayed.	When AUX image is displayed.	<p style="text-align: right; font-size: small;">PKIB4948J</p>
11 (O/L)	Ground	Communication signal (CONT→DISP)	Input	Ignition switch ON	When adjusting display brightness.	<p style="text-align: right; font-size: small;">PKIB5039J</p>
13 (W/R)	Ground	Inverter ground	—	Ignition switch ON	—	0 V
14 (O)	Ground	Signal ground	—	Ignition switch ON	—	0 V
15 (W)	4 (G)	AUX image signal	Input	Ignition switch ON	When AUX image is displayed.	<p style="text-align: right; font-size: small;">SKIB2251J</p>
17 (G)	Ground	RGB image signal (R: red)	Input	Ignition switch ON	Start confirmation/adjustment mode, and then display color bar by selecting "Color Spectrum Bar" on DISPLAY DIAGNOSIS screen.	<p style="text-align: right; font-size: small;">SKIB2238J</p>
18 (Y)	Ground	RGB image signal (B: blue)	Input	Ignition switch ON	Start confirmation/adjustment mode, and then display color bar by selecting "Color Spectrum Bar" on DISPLAY DIAGNOSIS screen.	<p style="text-align: right; font-size: small;">SKIB2237J</p>

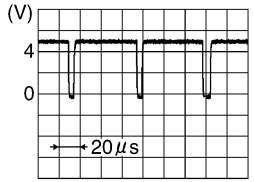
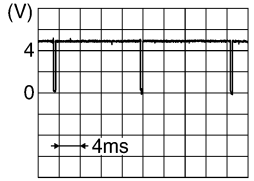
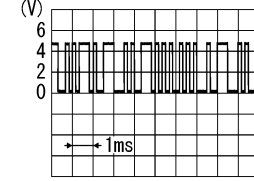
A  
B  
C  
D  
E  
F  
G  
H  
I  
J  
L  
M  
N  
O  
P

AV

# FRONT DISPLAY UNIT

[WITHOUT MOBILE ENTERTAINMENT SYSTEM]

< ECU DIAGNOSIS >

Terminal (Wire color)		Description		Condition		Reference value (Approx.)
+	-	Signal name	Input/ Output			
19 (B)	Ground	RGB synchronizing signal	Input	Ignition switch ON	—	 <p style="text-align: right; font-size: small;">SKIB3603E</p>
20 (R)	Ground	Vertical synchronizing (VP) signal	Output	Ignition switch ON	—	 <p style="text-align: right; font-size: small;">SKIB3598E</p>
21	—	Shield	—	—	—	—
22 (W/L)	Ground	Communication signal (DISP→CONT)	Output	Ignition switch ON	When adjusting display brightness.	 <p style="text-align: right; font-size: small;">PKIB5039J</p>
23	—	Shield	—	—	—	—

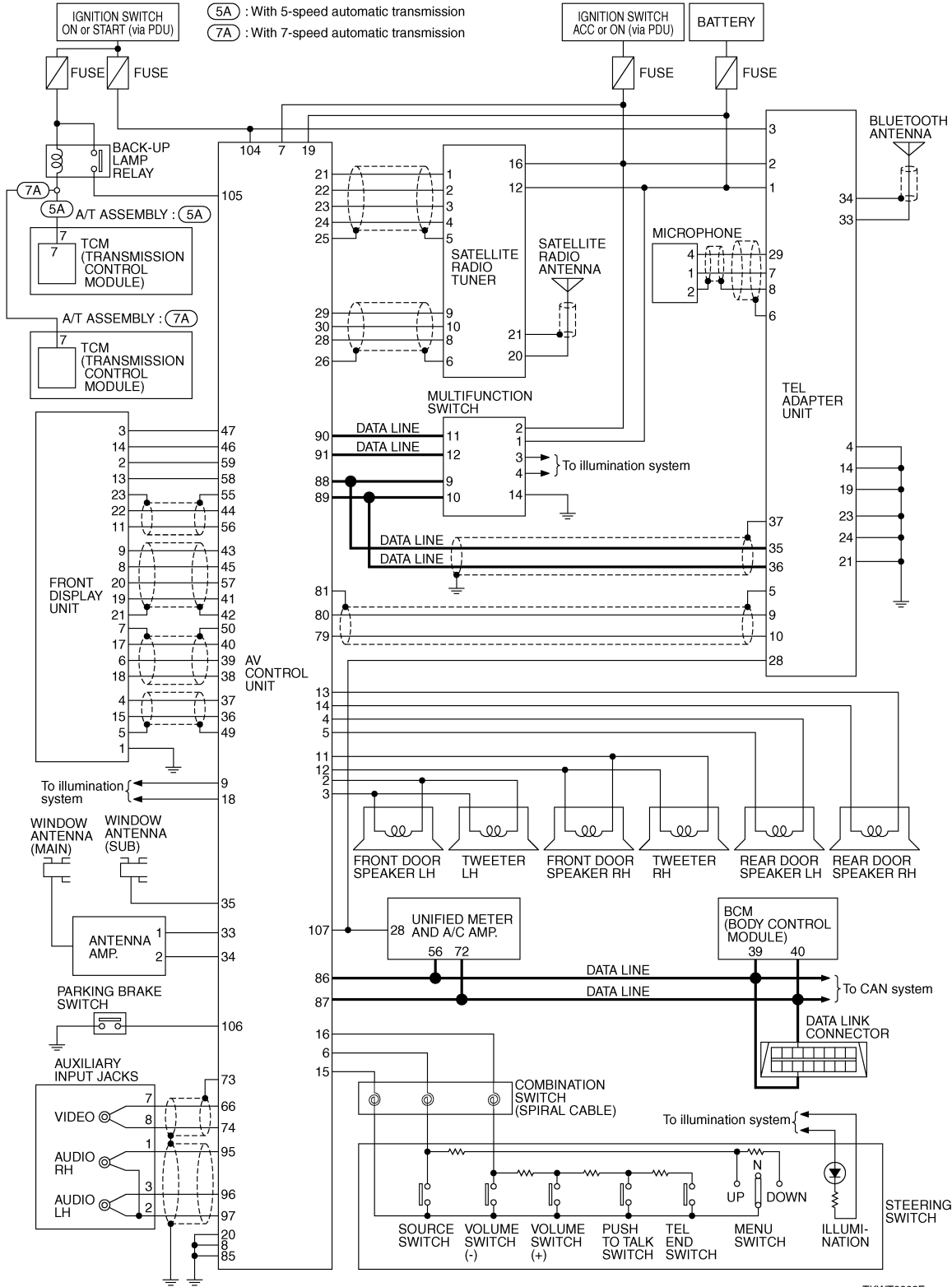
# FRONT DISPLAY UNIT

[WITHOUT MOBILE ENTERTAINMENT SYSTEM]

< ECU DIAGNOSIS >

## WITHOUT NAVIGATION : Schematic - Base Audio System -

INFOID:000000005350331



TKWT8262E

## WITHOUT NAVIGATION : Wiring Diagram - AV - / Base Audio System

INFOID:000000005350332

**NOTE:**

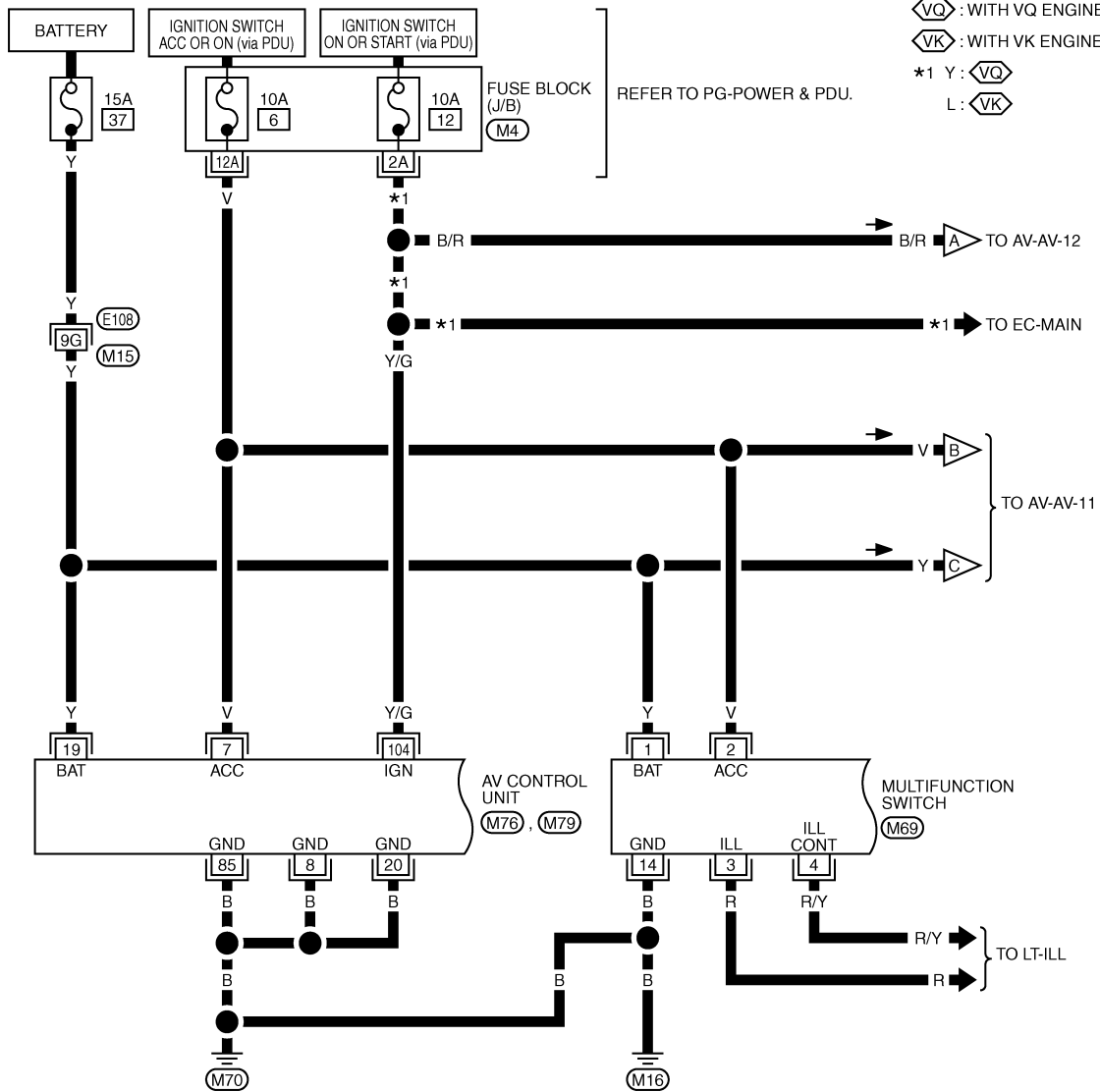
# FRONT DISPLAY UNIT

[WITHOUT MOBILE ENTERTAINMENT SYSTEM]

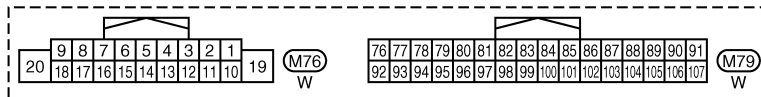
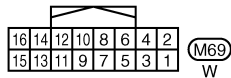
< ECU DIAGNOSIS >

The name MULTIFUNCTION SWITCH indicates the integration of PRESET SWITCH and MULTIFUNCTION SWITCH virtually.

AV-AV-01



- ⬡ VQ : WITH VQ ENGINE
- ⬡ VK : WITH VK ENGINE
- \*1 Y : ⬡ VQ
- L : ⬡ VK



REFER TO THE FOLLOWING.

- ⬡ E108 -SUPER MULTIPLE JUNCTION (SMJ)
- ⬡ M4 -FUSE BLOCK-JUNCTION BOX (J/B)

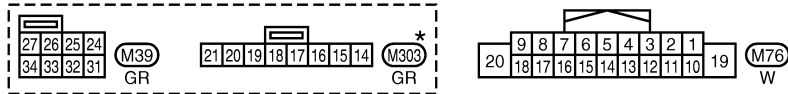
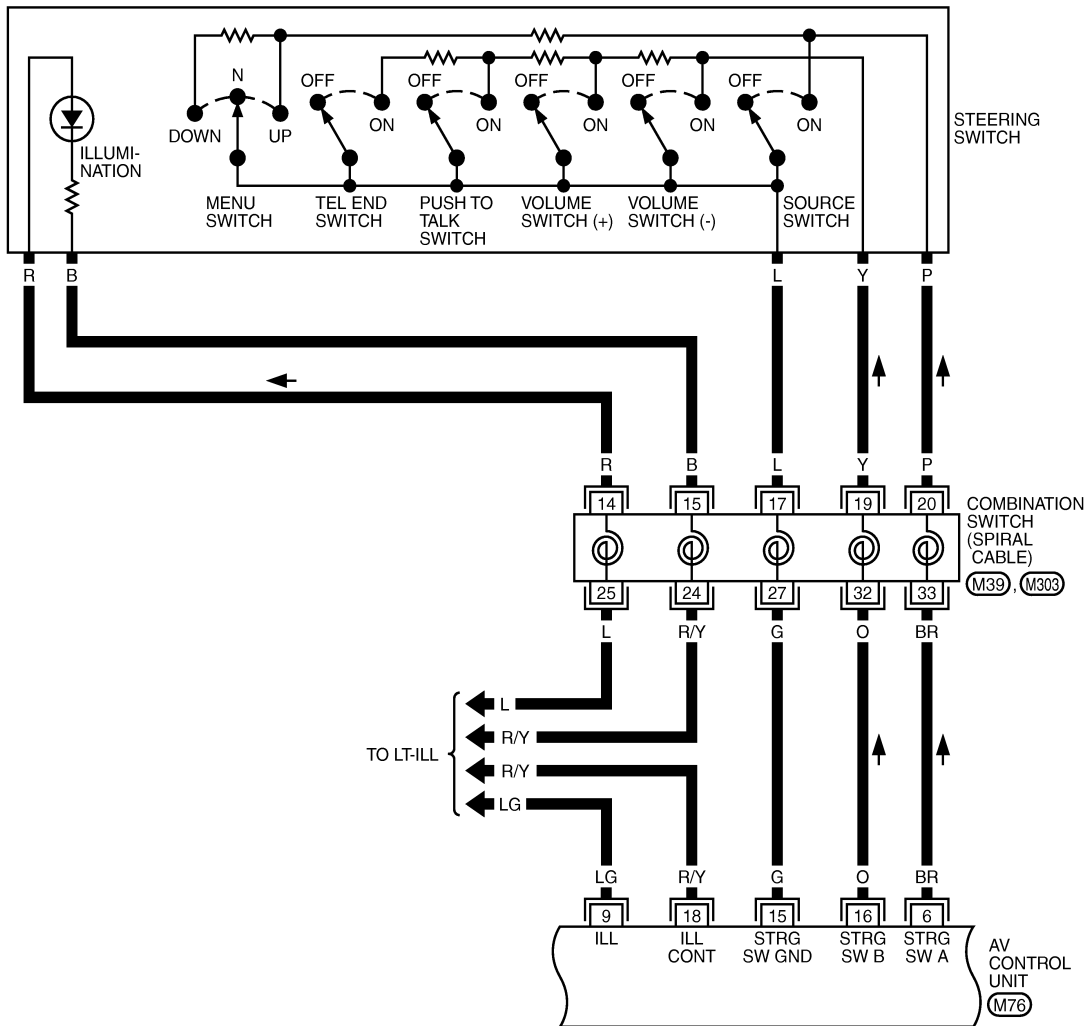
TKWT8263E

# FRONT DISPLAY UNIT

[WITHOUT MOBILE ENTERTAINMENT SYSTEM]

< ECU DIAGNOSIS >

AV-AV-02



\* : THIS CONNECTOR IS NOT SHOWN IN "HARNESS LAYOUT", PG SECTION.

TKWT6674E

A  
B  
C  
D  
E  
F  
G  
H  
I  
J  
L  
M  
N  
O  
P

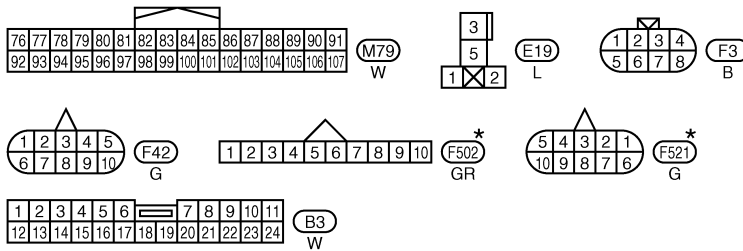
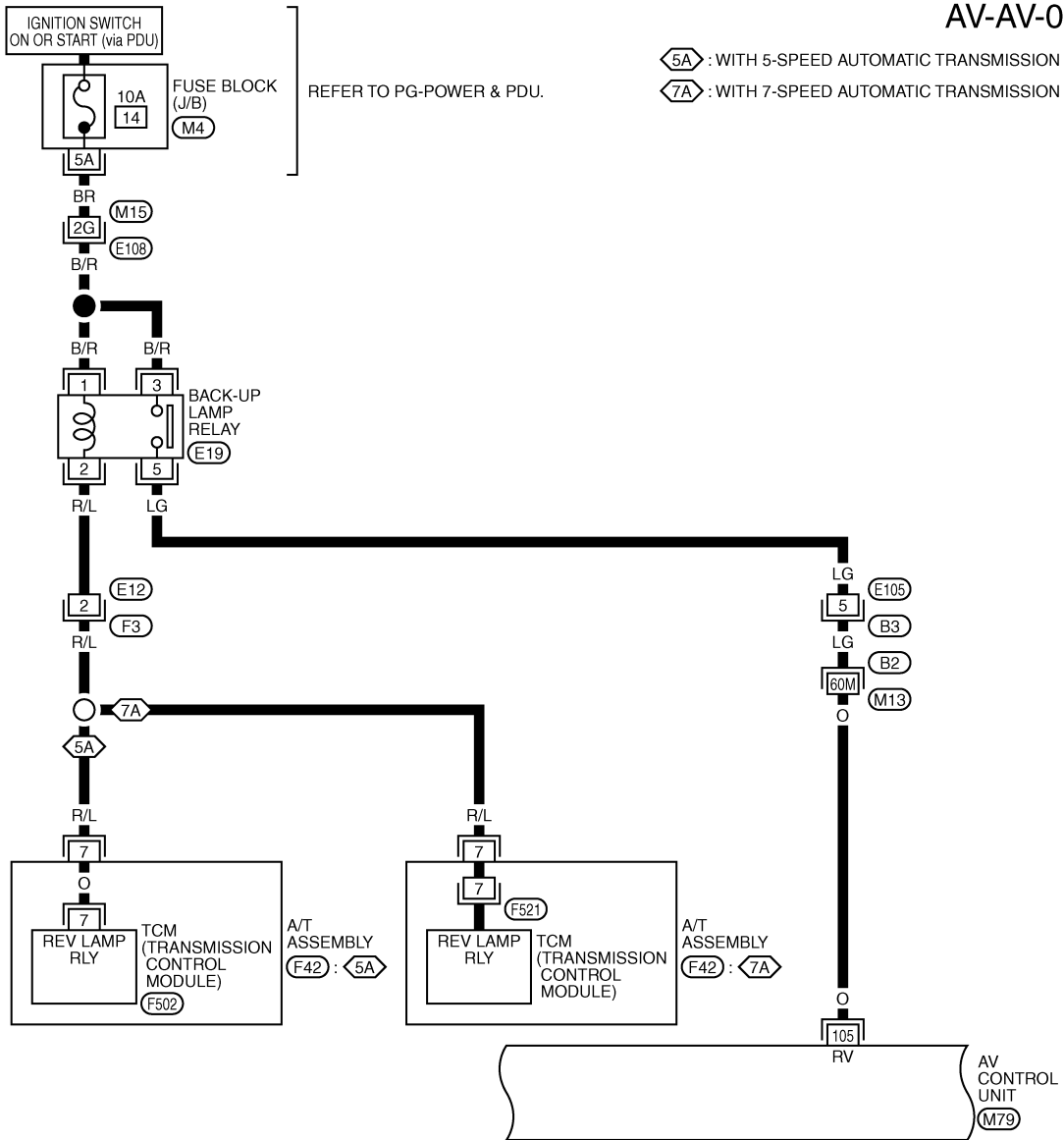
AV

# FRONT DISPLAY UNIT

[WITHOUT MOBILE ENTERTAINMENT SYSTEM]

< ECU DIAGNOSIS >

AV-AV-03



\*: THIS CONNECTOR IS NOT SHOWN IN "HARNESS LAYOUT", PG SECTION.

REFER TO THE FOLLOWING.  
E108, B2 -SUPER MULTIPLE JUNCTION (SMJ)  
M4 -FUSE BLOCK-JUNCTION BOX (J/B)

TKWT8264E



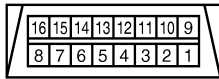
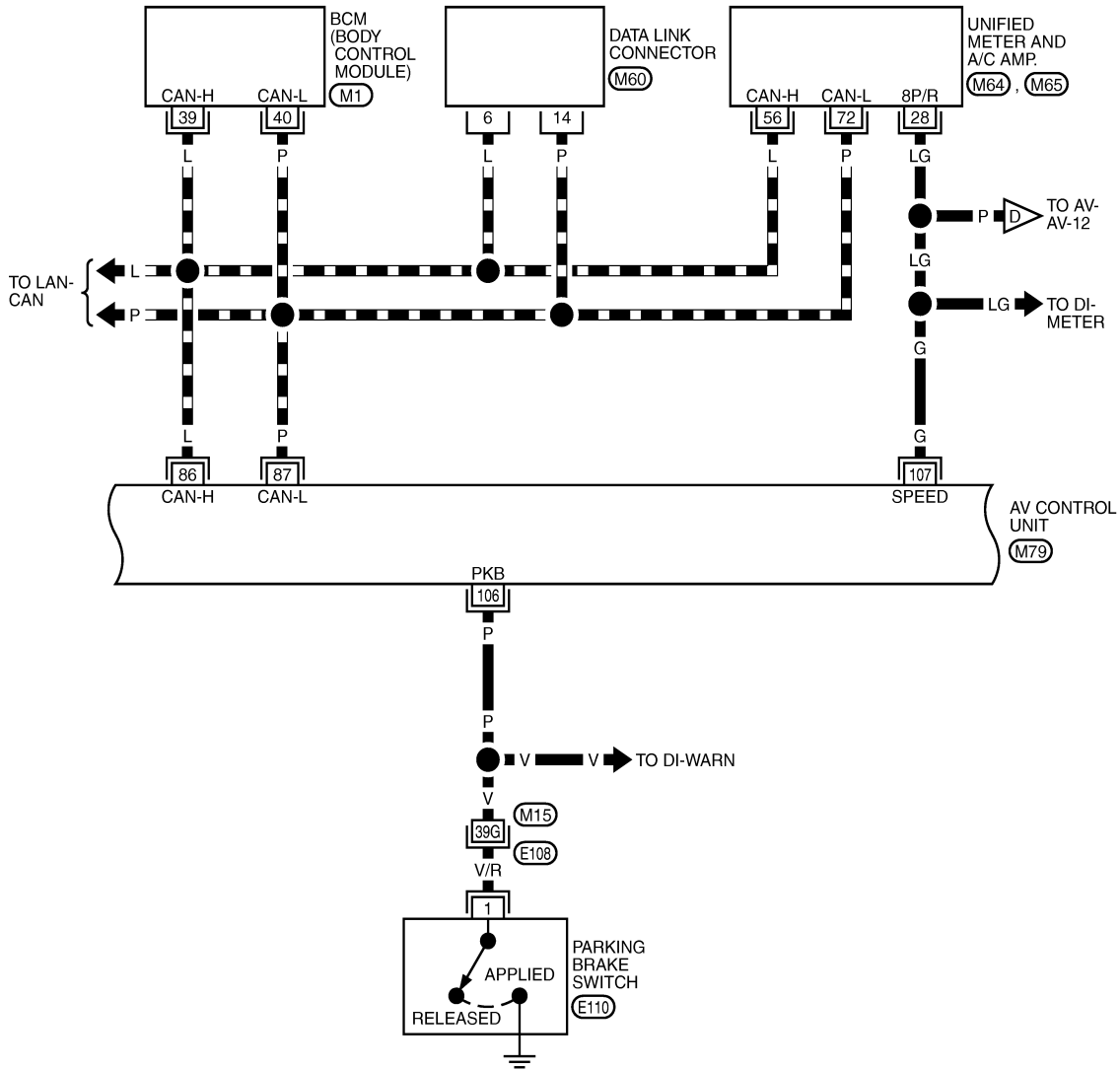
# FRONT DISPLAY UNIT

[WITHOUT MOBILE ENTERTAINMENT SYSTEM]

< ECU DIAGNOSIS >

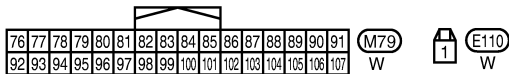
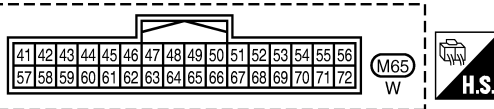
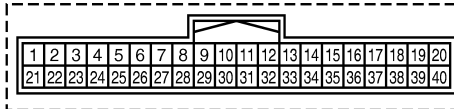
AV-AV-04

▬ : DATA LINE



REFER TO THE FOLLOWING.

- (E108) - SUPER MULTIPLE JUNCTION (SMJ)
- (M1) - ELECTRICAL UNITS



TKWT6676E

A  
B  
C  
D  
E  
F  
G  
H  
I  
J  
L  
M  
N  
O  
P

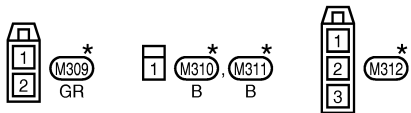
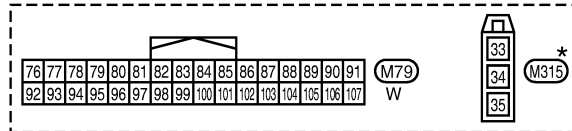
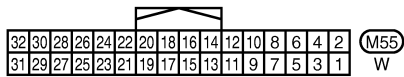
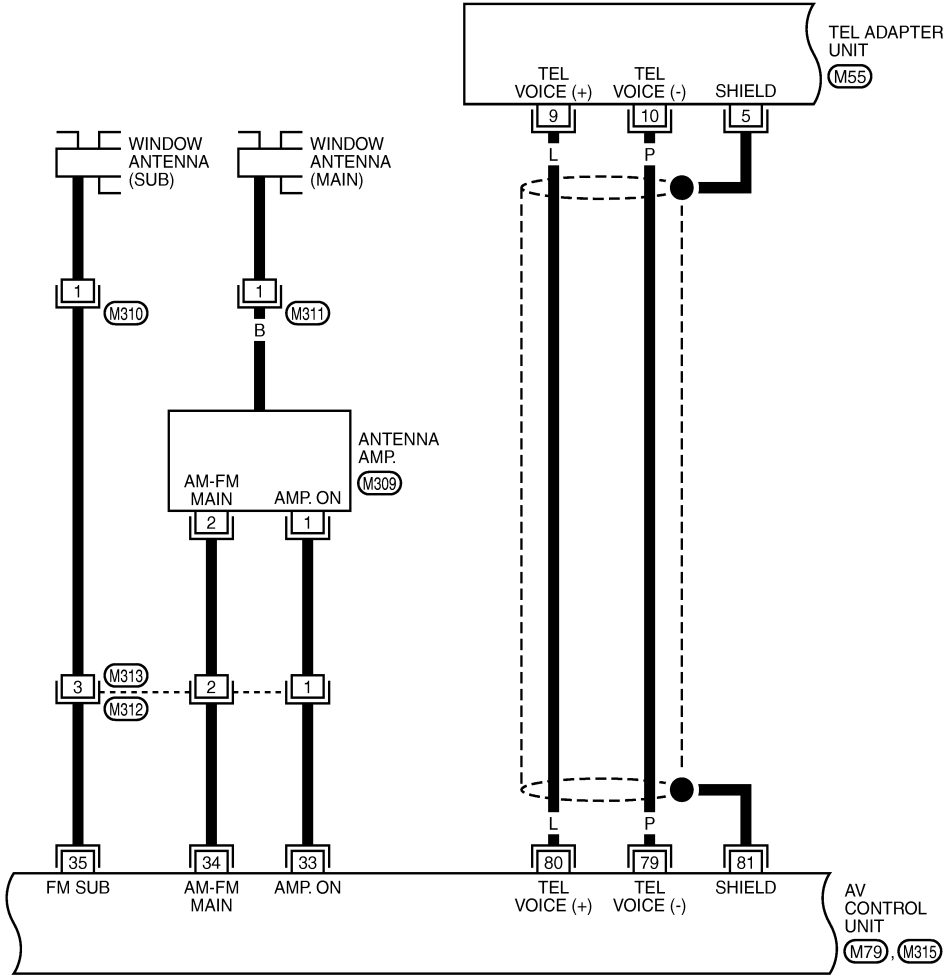
AV

# FRONT DISPLAY UNIT

[WITHOUT MOBILE ENTERTAINMENT SYSTEM]

< ECU DIAGNOSIS >

AV-AV-05



\* : THIS CONNECTOR IS NOT SHOWN IN "HARNESS LAYOUT", PG SECTION.

TKWT6677E

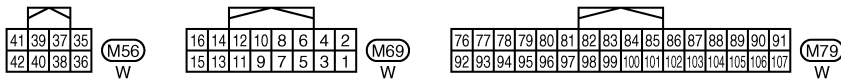
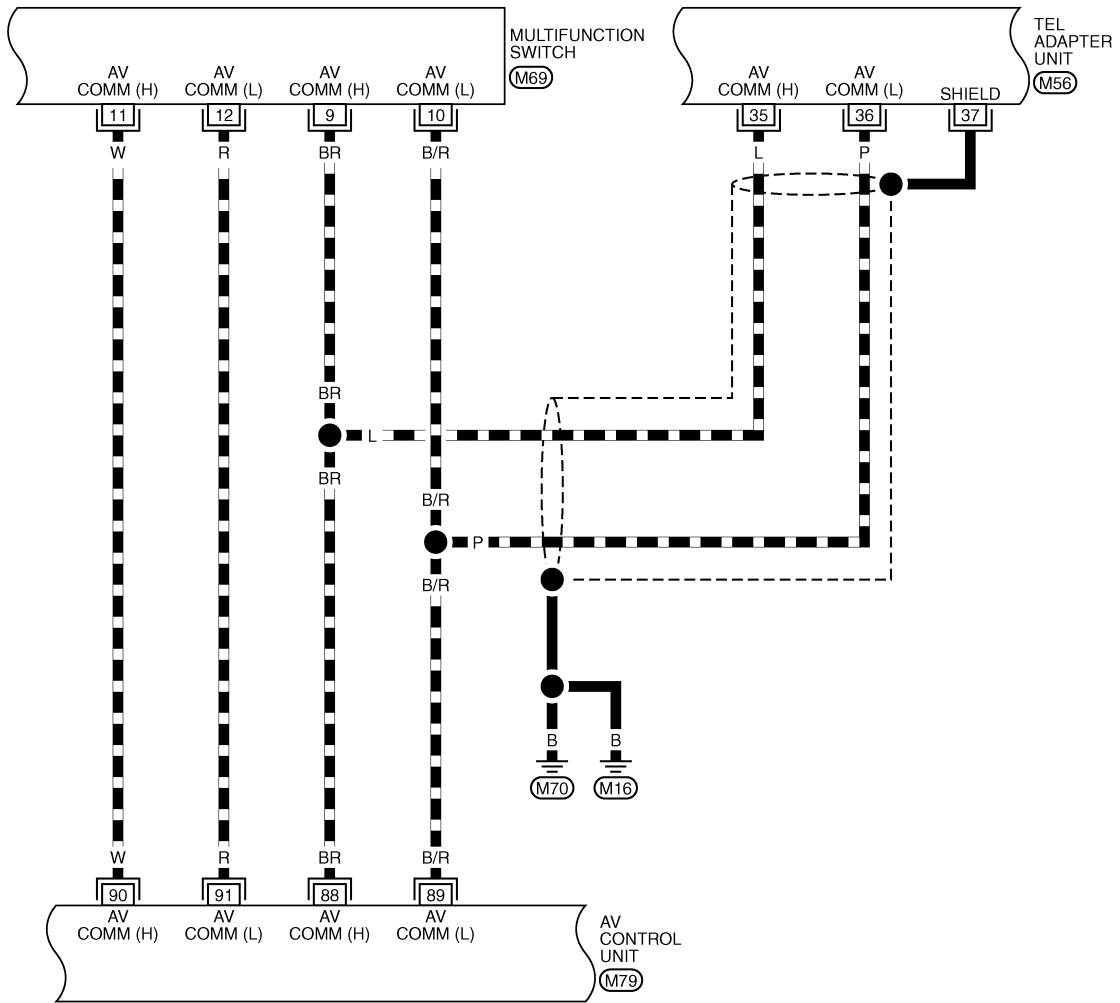
# FRONT DISPLAY UNIT

[WITHOUT MOBILE ENTERTAINMENT SYSTEM]

< ECU DIAGNOSIS >

AV-AV-06

▬ : DATA LINE



TKWT8265E

A  
B  
C  
D  
E  
F  
G  
H  
I  
J  
K  
L  
M  
N  
O  
P

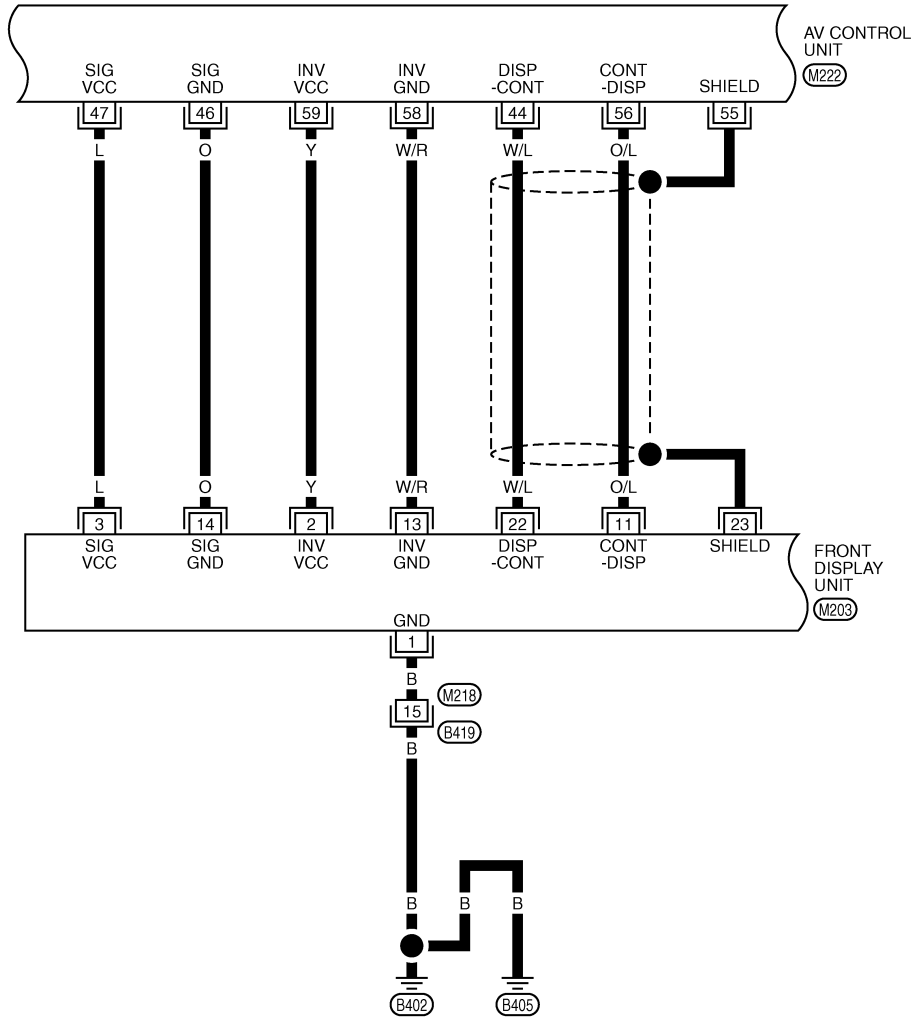
AV

# FRONT DISPLAY UNIT

[WITHOUT MOBILE ENTERTAINMENT SYSTEM]

< ECU DIAGNOSIS >

AV-AV-07



1	2	3	4	5	6	7	8	9	10	11	12
13	14	15	16	17	18	19	20	21	22	23	24

M203  
W

36	37	38	39	40	41	42	43	44	45	46	47
48	49	50	51	52	53	54	55	56	57	58	59

M222  
W

1	2	3	4	5	6	7	8	9	10	11	12	13	14	15	16
17	18	19	20	21	22	23	24	25	26	27	28	29	30	31	32

B419  
W

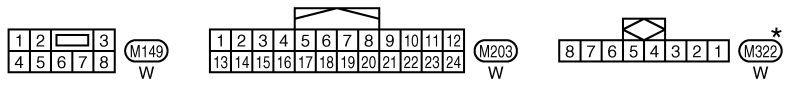
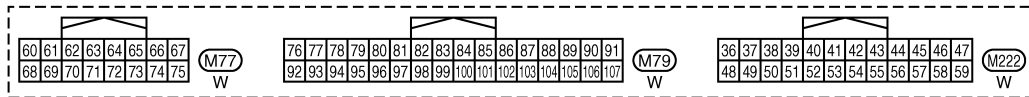
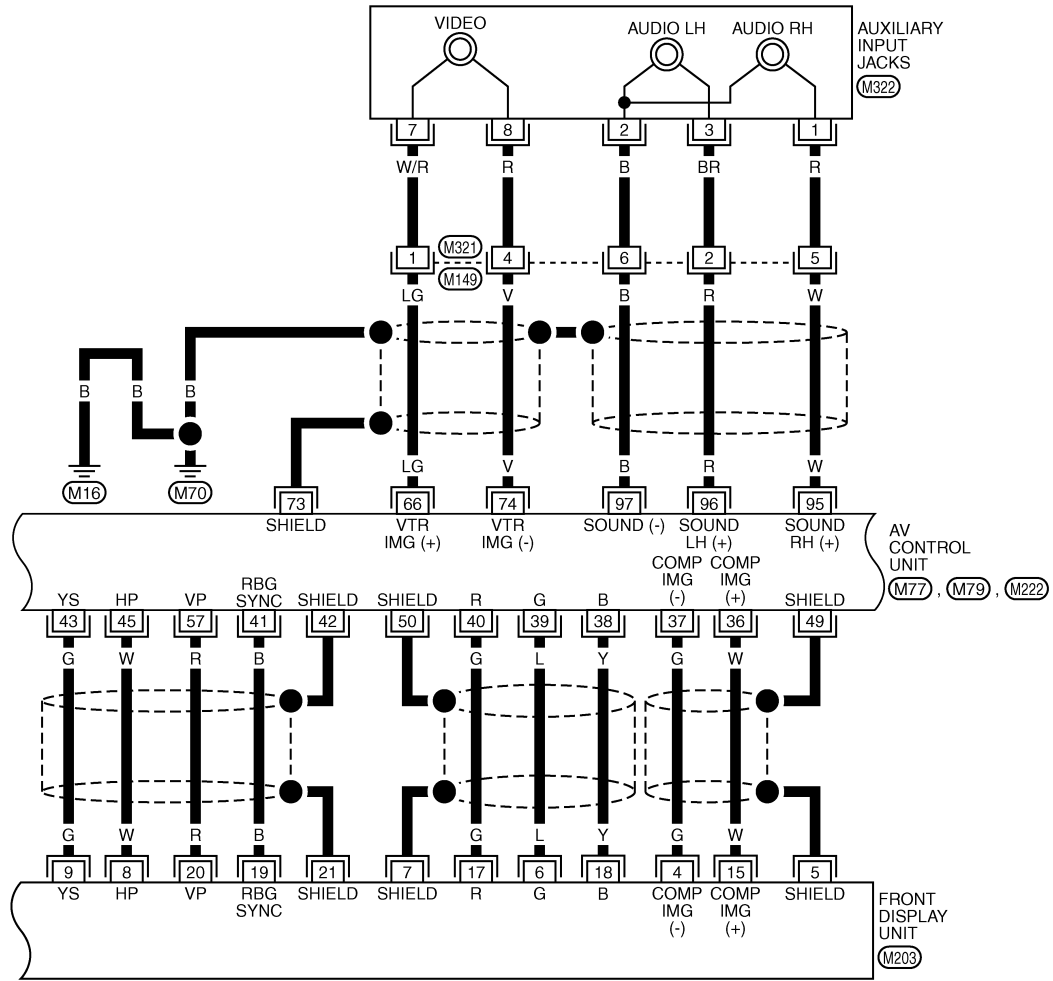
TKWT8266E

# FRONT DISPLAY UNIT

[WITHOUT MOBILE ENTERTAINMENT SYSTEM]

< ECU DIAGNOSIS >

AV-AV-08



\*: THIS CONNECTOR IS NOT SHOWN IN "HARNESS LAYOUT", PG SECTION.

TKWT8267E

A  
B  
C  
D  
E  
F  
G  
H  
I  
J  
L  
M  
N  
O  
P

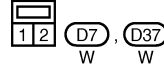
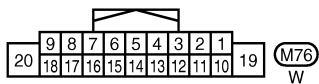
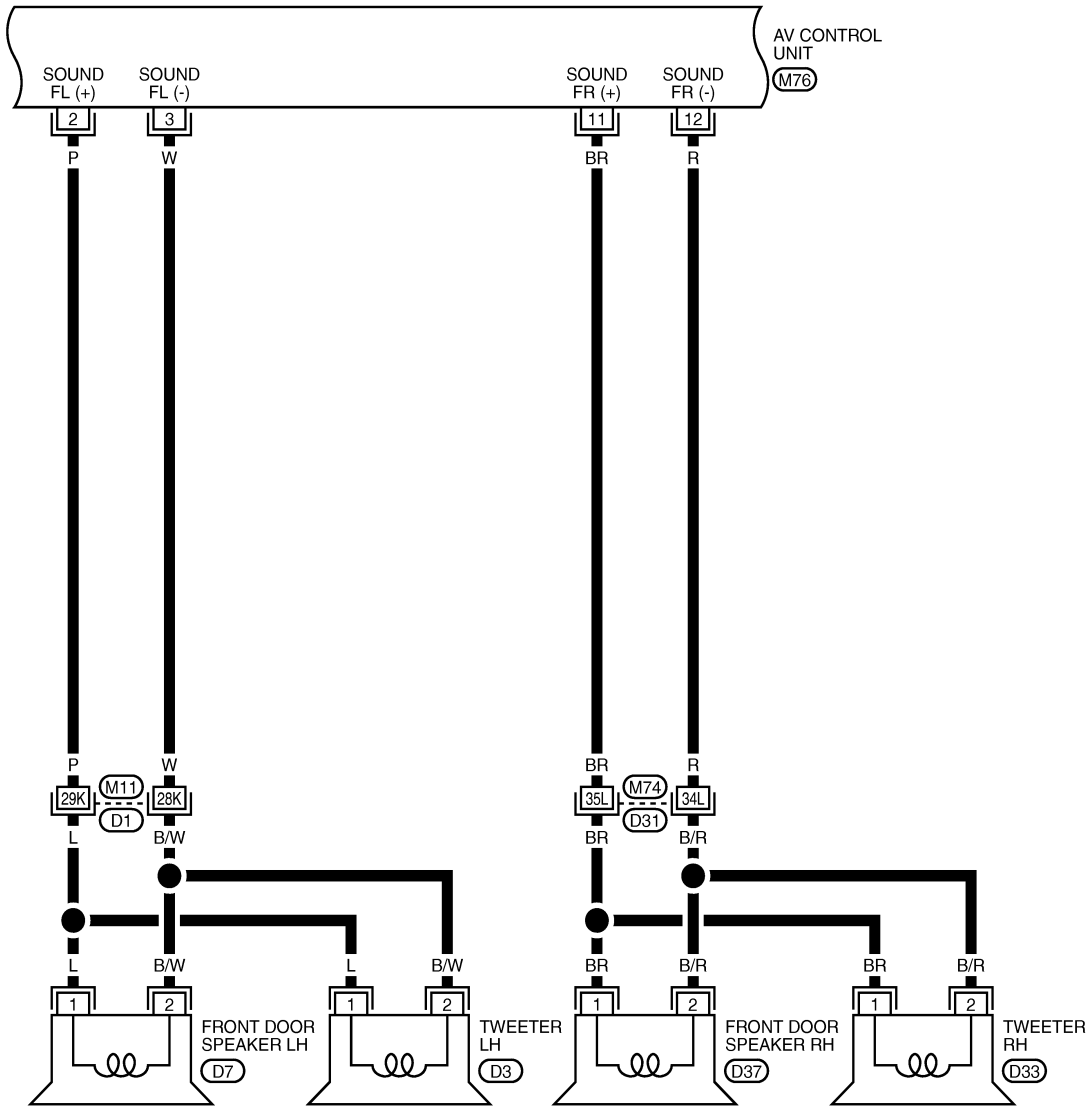
AV

# FRONT DISPLAY UNIT

[WITHOUT MOBILE ENTERTAINMENT SYSTEM]

< ECU DIAGNOSIS >

AV-AV-09



REFER TO THE FOLLOWING.

(D1), (D31) -SUPER  
MULTIPLE JUNCTION (SMJ)

TKWT6681E

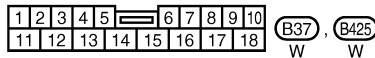
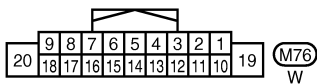
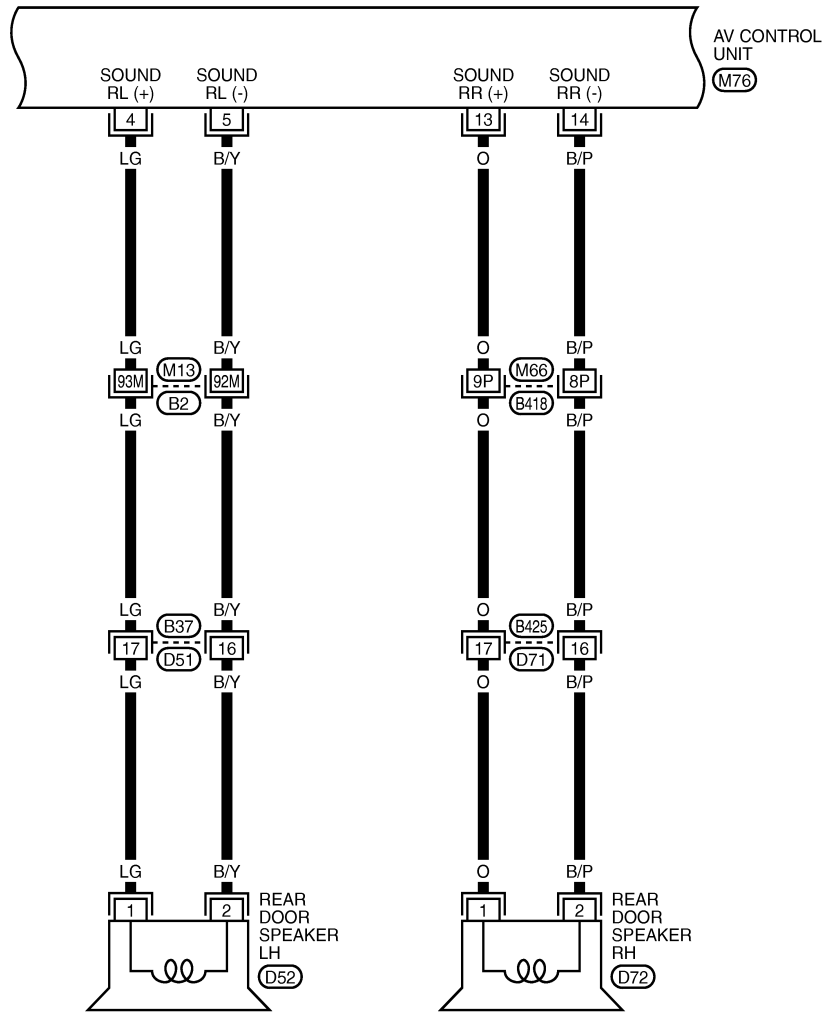
# FRONT DISPLAY UNIT

[WITHOUT MOBILE ENTERTAINMENT SYSTEM]

< ECU DIAGNOSIS >

AV-AV-10

A  
B  
C  
D  
E  
F  
G  
H  
I  
J  
L  
M  
N  
O  
P



REFER TO THE FOLLOWING.  
 (B2), (B418) -SUPER MULTIPLE JUNCTION (SMJ)

TKWT6682E

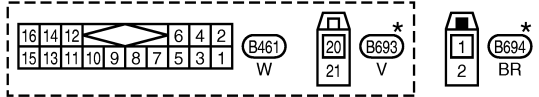
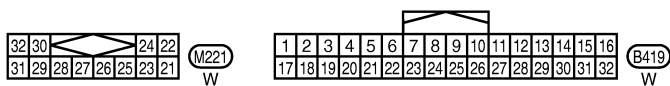
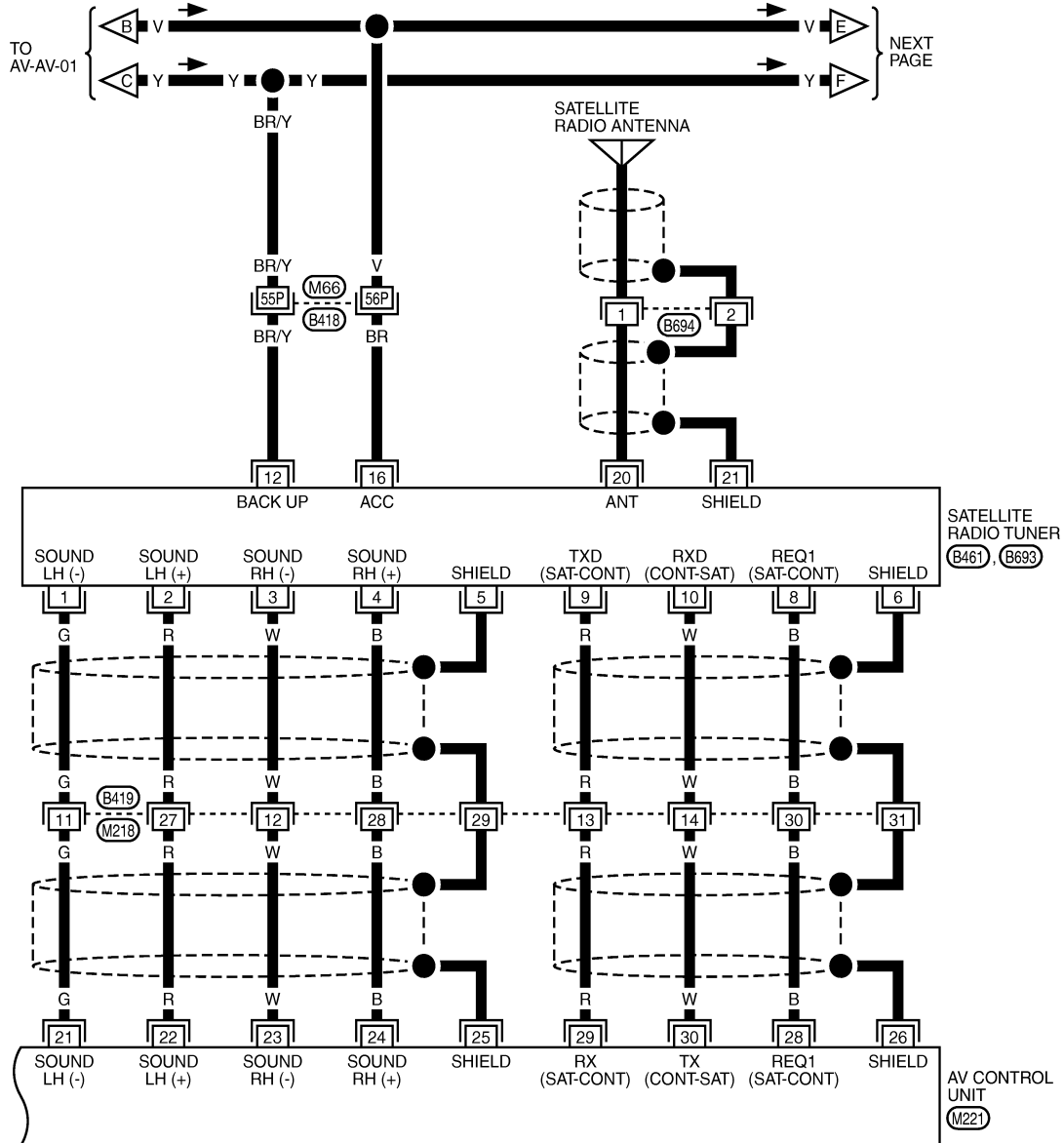


# FRONT DISPLAY UNIT

[WITHOUT MOBILE ENTERTAINMENT SYSTEM]

< ECU DIAGNOSIS >

AV-AV-11



\* : THIS CONNECTOR IS NOT SHOWN IN "HARNESS LAYOUT", PG SECTION.

REFER TO THE FOLLOWING.  
 (B418) - SUPER MULTIPLE JUNCTION (SMJ)

TKWT6683E

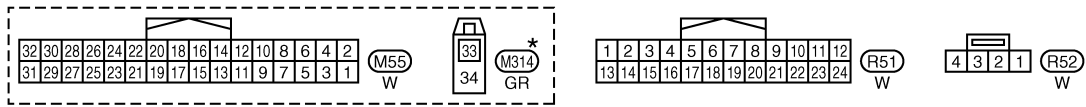
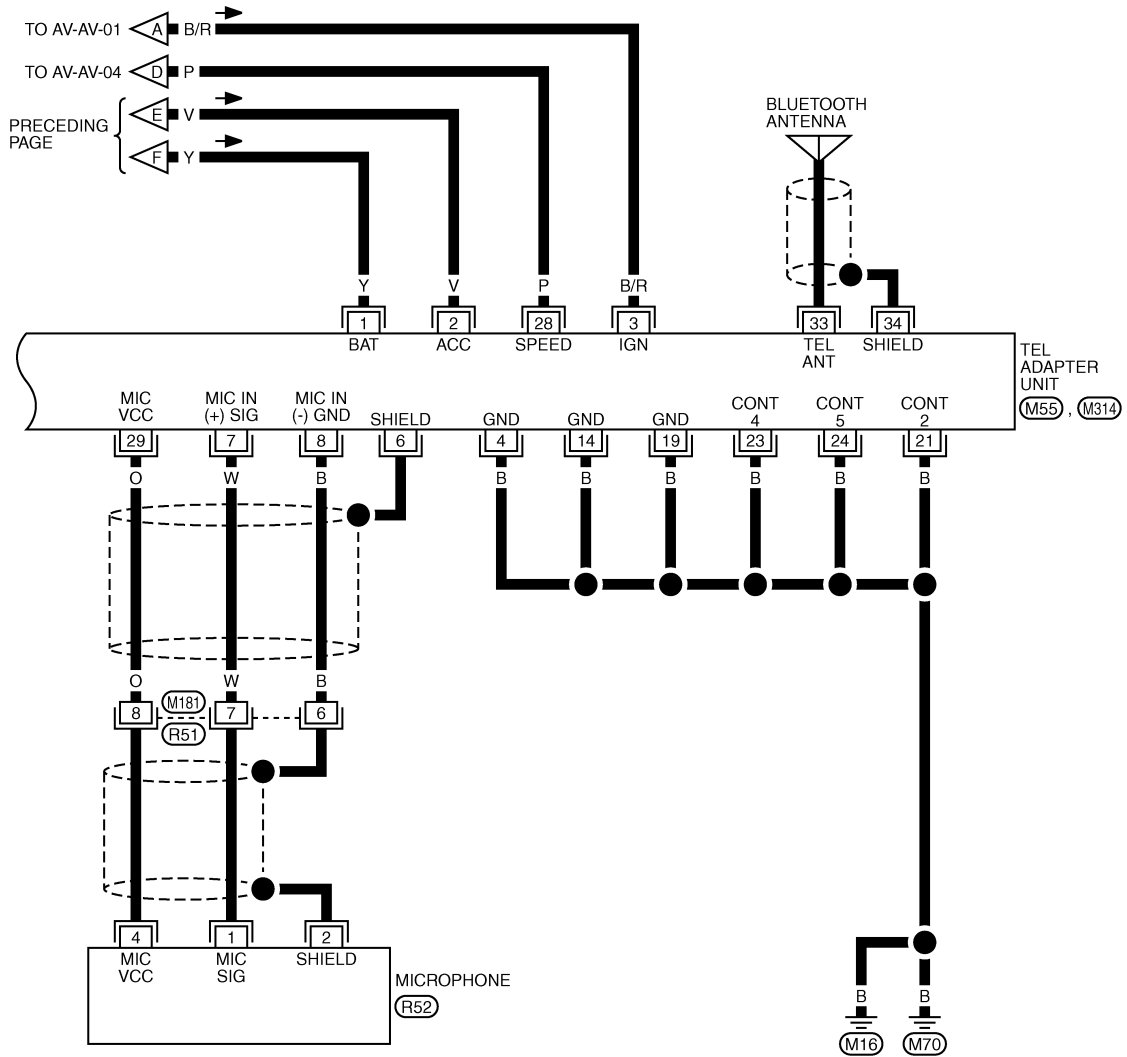


# FRONT DISPLAY UNIT

[WITHOUT MOBILE ENTERTAINMENT SYSTEM]

< ECU DIAGNOSIS >

AV-AV-12



\*: THIS CONNECTOR IS NOT SHOWN IN "HARNESS LAYOUT", PG SECTION.

TKWT8268E

WITH NAVIGATION

A  
B  
C  
D  
E  
F  
G  
H  
I  
J  
K  
L  
M  
N  
O  
P

AV

# FRONT DISPLAY UNIT

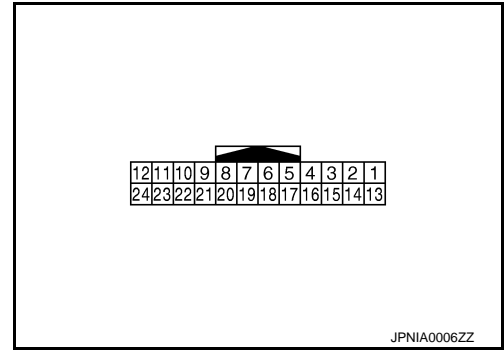
[WITHOUT MOBILE ENTERTAINMENT SYSTEM]

< ECU DIAGNOSIS >

WITH NAVIGATION : Reference Value

INFOID:000000005350333

## TERMINAL LAYOUT



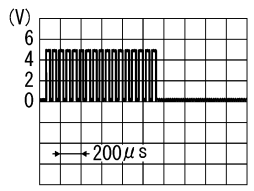
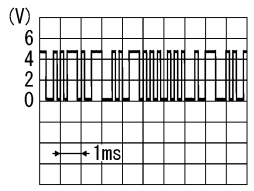
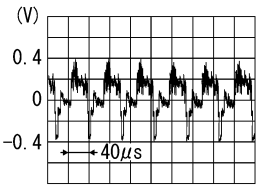
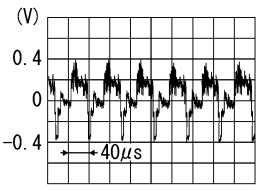
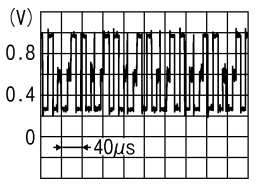
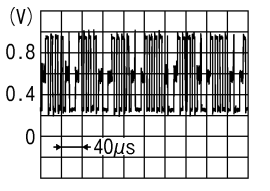
## PHYSICAL VALUES

Terminal (Wire color)		Description		Condition		Reference value (Approx.)
+	-	Signal name	Input/ Output			
1 (B)	Ground	Ground	—	Ignition switch ON	—	0 V
2 (Y)	Ground	Battery power supply	Input	Ignition switch OFF	—	Battery voltage
3 (V)	Ground	ACC power supply	Input	Ignition switch ACC	—	Battery voltage
5 (BR)	Ground	Composite image ground (AUX image) <sup>*1</sup> (DVD and AUX images) <sup>*2</sup>	—	Ignition switch ON	—	0 V
6 (G/R)	Ground	RGB image signal (G: green)	Input	Ignition switch ON	Start confirmation/adjust- ment mode, and then dis- play color bar by selecting "Color Spectrum Bar" on DISPLAY DIAGNOSIS screen.	<p style="text-align: right;">JSNIA1030ZZ</p>
7 (P)	Ground	RGB image signal ground	—	Ignition switch ON	—	0 V
8 (W)	Ground	Horizontal synchronizing (HP) signal	Output	Ignition switch ON	—	<p style="text-align: right;">SKIB3601E</p>

# FRONT DISPLAY UNIT

[WITHOUT MOBILE ENTERTAINMENT SYSTEM]

< ECU DIAGNOSIS >

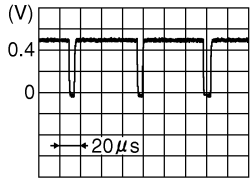
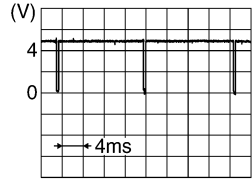
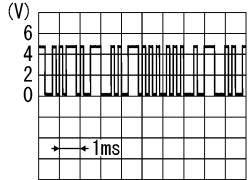
Terminal (Wire color)		Description		Condition	Reference value (Approx.)
+	-	Signal name	Input/ Output		
9 (G)	Ground	RGB area (YS) signal	Input	Ignition switch ON	5 V
				When rear view camera image is displayed.	 <p style="text-align: right; font-size: small;">PKIB4948J</p>
11 (O/L)	Ground	Communication signal (CONT→DISP)	Input	Ignition switch ON	When adjusting front display brightness.
 <p style="text-align: right; font-size: small;">PKIB5039J</p>					
12 (W)	Ground	Camera image signal	Input	Ignition switch ON	When rear view camera image is displayed.
 <p style="text-align: right; font-size: small;">SKIB2251J</p>					
13 (B)	Ground	Ground	—	Ignition switch ON	—
14	—	Shield	—	—	—
15 (B/R)	5 (BR)	Composite image signal (AUX image signal) <sup>*1</sup> (AUX and DVD image) <sup>*2</sup>	Input	Ignition switch ON	When AUX or DVD image is displayed.
 <p style="text-align: right; font-size: small;">SKIB2251J</p>					
17 (G/O)	Ground	RGB image signal (R: red)	Input	Ignition switch ON	Start confirmation/adjustment mode, and then display color bar by selecting "Color Spectrum Bar" on DISPLAY DIAGNOSIS screen.
 <p style="text-align: right; font-size: small;">JSNIA1029ZZ</p>					
18 (G/Y)	Ground	RGB image signal (B: blue)	Input	Ignition switch ON	Start confirmation/adjustment mode, and then display color bar by selecting "Color Spectrum Bar" on DISPLAY DIAGNOSIS screen.
 <p style="text-align: right; font-size: small;">JSNIA1031ZZ</p>					

A  
B  
C  
D  
E  
F  
G  
H  
I  
J  
AV  
L  
M  
N  
O  
P

# FRONT DISPLAY UNIT

[WITHOUT MOBILE ENTERTAINMENT SYSTEM]

< ECU DIAGNOSIS >

Terminal (Wire color)		Description		Condition		Reference value (Approx.)
+	-	Signal name	Input/ Output			
19 (L)	Ground	RGB synchronizing signal	Input	Ignition switch ON	—	 <p style="text-align: right; font-size: small;">JPNIA0461GB</p>
20 (R)	Ground	Vertical synchronizing (VP) signal	Output	Ignition switch ON	—	 <p style="text-align: right; font-size: small;">SKIB3598E</p>
21 (B)	Ground	RGB synchronizing signal ground	—	Ignition switch ON	—	0 V
22 (W/L)	Ground	Communication signal (DISP→CONT)	Output	Ignition switch ON	When adjusting front dis- play brightness.	 <p style="text-align: right; font-size: small;">PKIB5039J</p>

\*1: Without DVD player models.

\*2: With DVD player models.

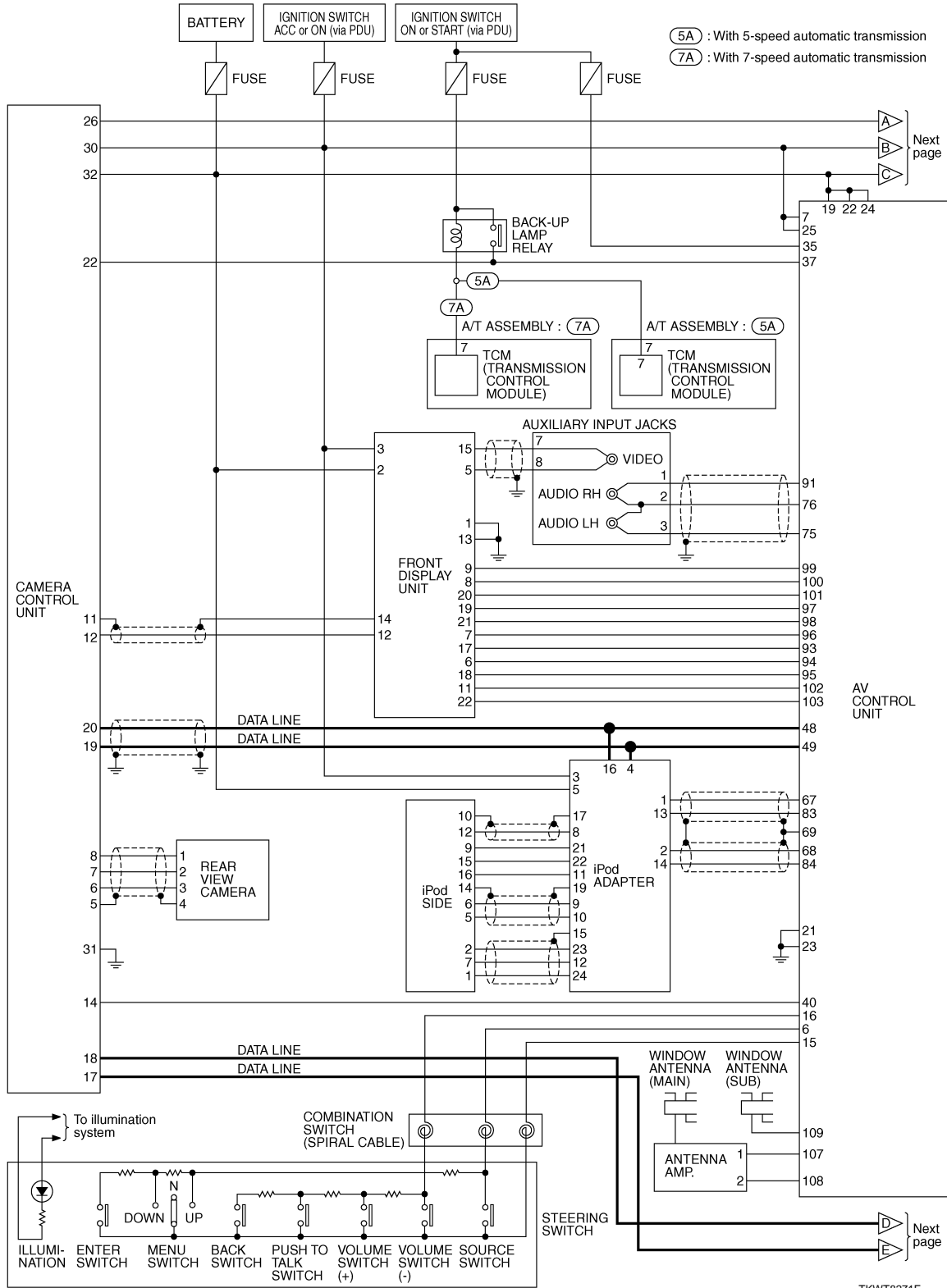
# FRONT DISPLAY UNIT

[WITHOUT MOBILE ENTERTAINMENT SYSTEM]

< ECU DIAGNOSIS >

WITH NAVIGATION : Schematic - BOSE Audio 2ch System -

INFOID:000000005350334



TKWT8271E

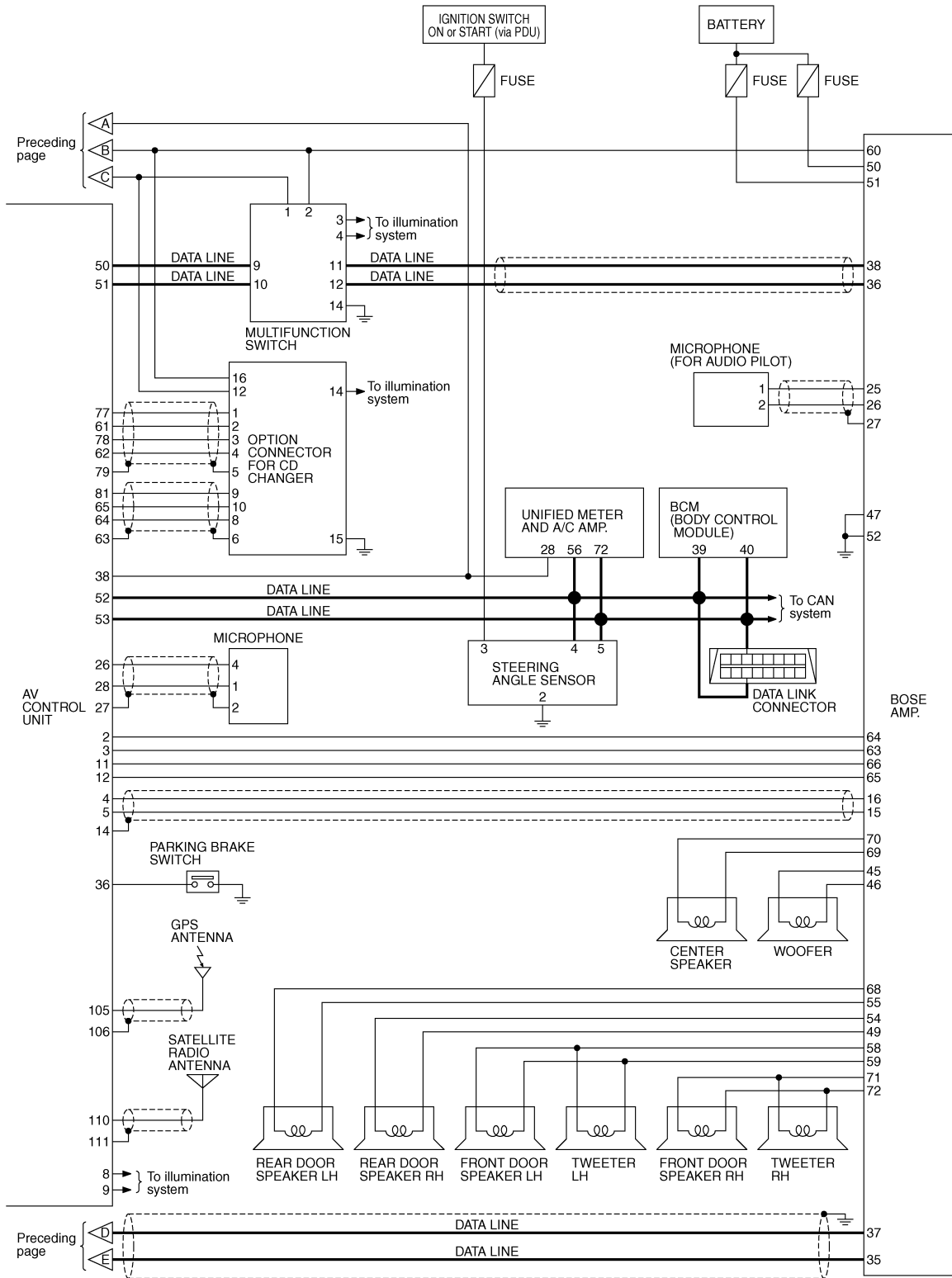
A  
B  
C  
D  
E  
F  
G  
H  
I  
J  
K  
L  
M  
N  
O  
P

AV

# FRONT DISPLAY UNIT

[WITHOUT MOBILE ENTERTAINMENT SYSTEM]

< ECU DIAGNOSIS >



TKWT8272E

## WITH NAVIGATION : Wiring Diagram - AV - / BOSE Audio 2ch System

INFOID:000000005350335

**NOTE:**

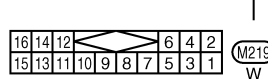
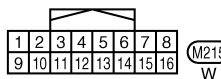
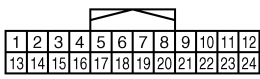
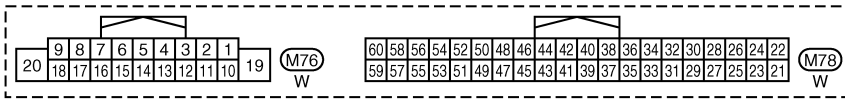
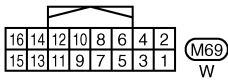
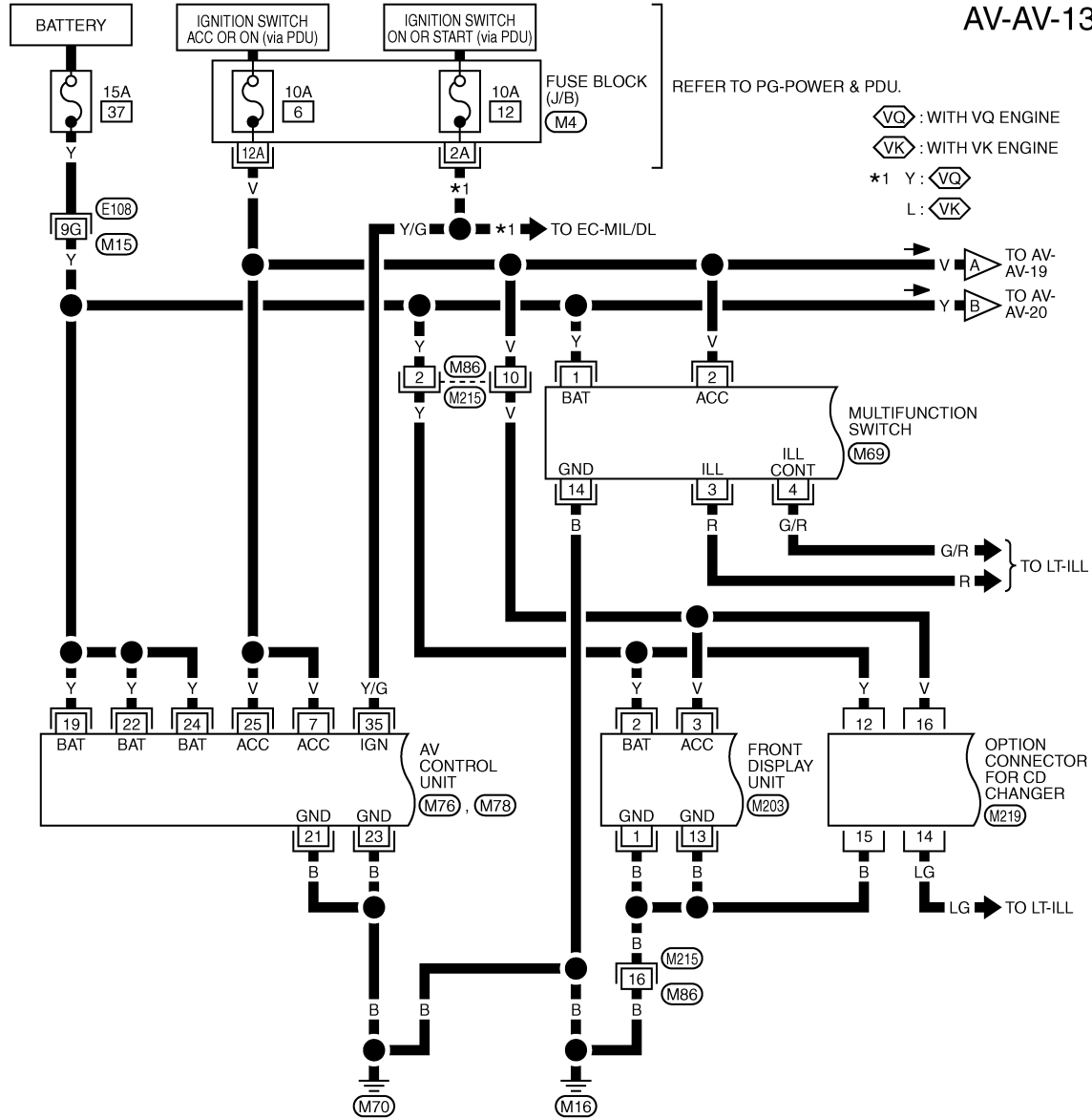
# FRONT DISPLAY UNIT

[WITHOUT MOBILE ENTERTAINMENT SYSTEM]

< ECU DIAGNOSIS >

The name MULTIFUNCTION SWITCH indicates the integration of PRESET SWITCH and MULTIFUNCTION SWITCH virtually.

AV-AV-13



REFER TO THE FOLLOWING.

- (E108) -SUPER MULTIPLE JUNCTION (SMJ)
- (M4) -FUSE BLOCK-JUNCTION BOX (J/B)

TKWT8273E

A  
B  
C  
D  
E  
F  
G  
H  
I  
J  
K  
L  
M  
N  
O  
P

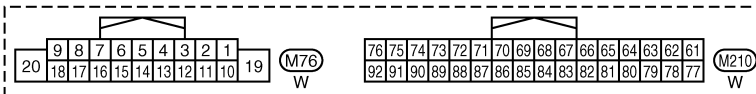
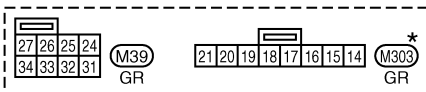
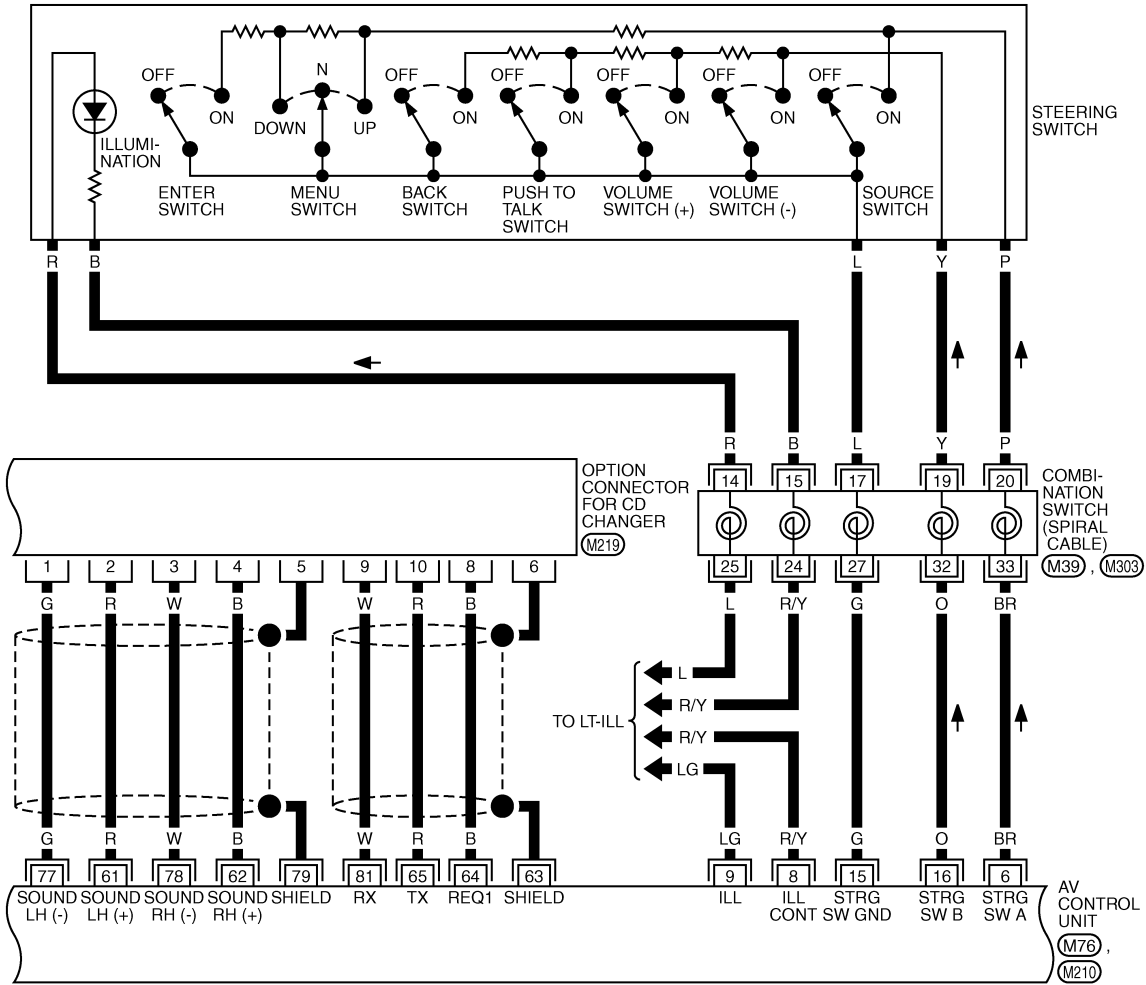
AV

# FRONT DISPLAY UNIT

[WITHOUT MOBILE ENTERTAINMENT SYSTEM]

< ECU DIAGNOSIS >

AV-AV-14



\*: THIS CONNECTOR IS NOT SHOWN IN "HARNESS LAYOUT", PG SECTION.

TKWT8274E

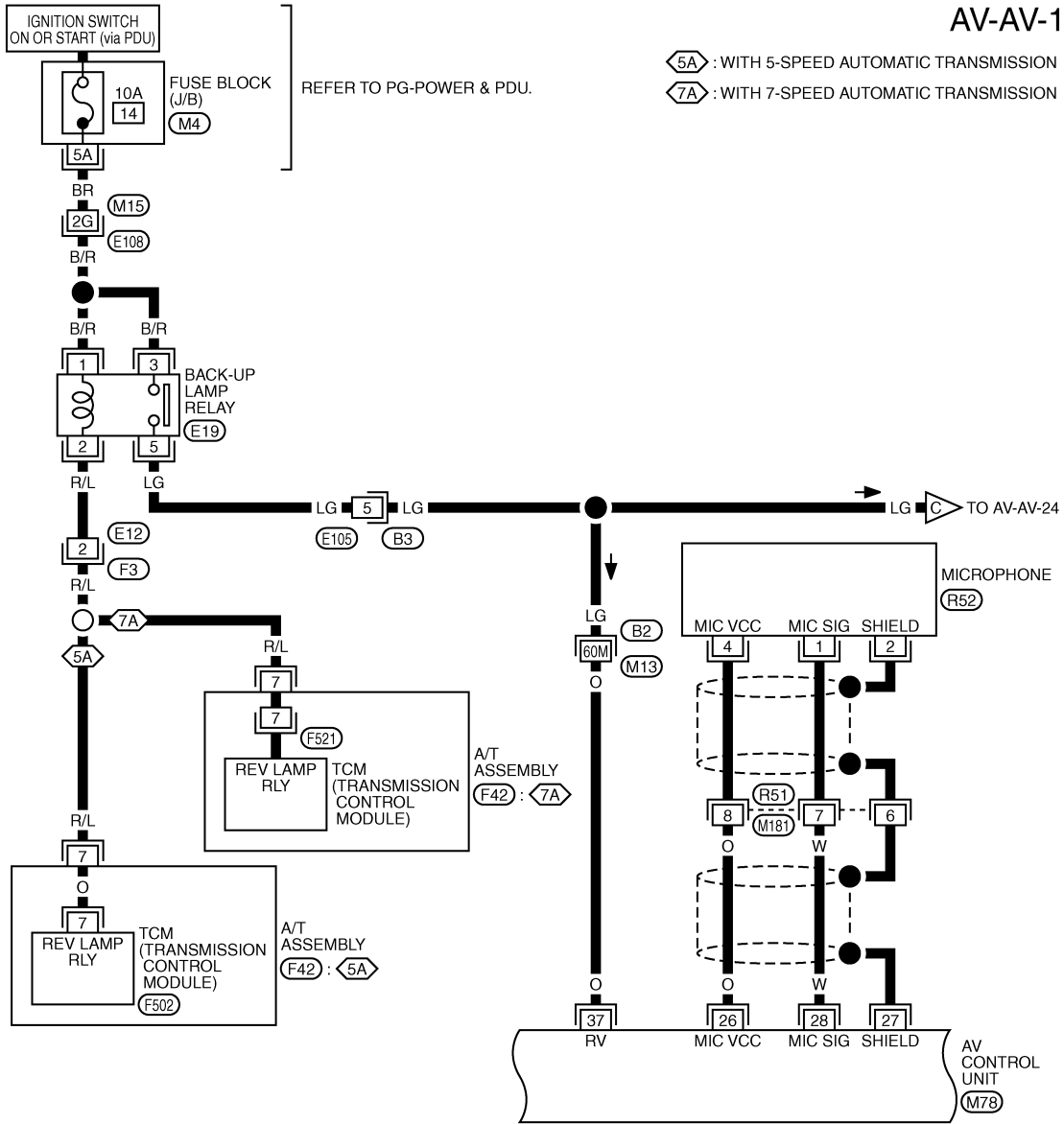


# FRONT DISPLAY UNIT

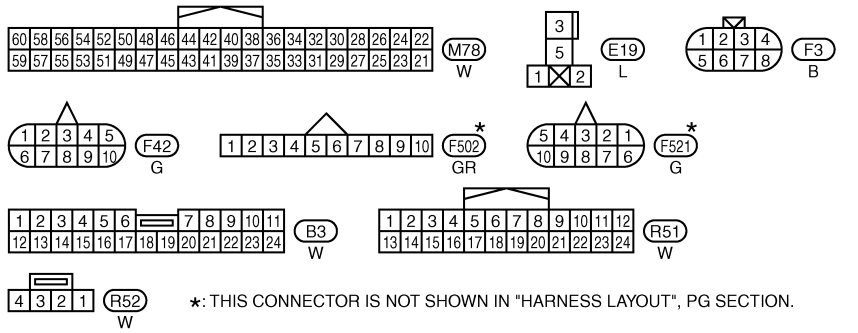
[WITHOUT MOBILE ENTERTAINMENT SYSTEM]

< ECU DIAGNOSIS >

AV-AV-15



5A : WITH 5-SPEED AUTOMATIC TRANSMISSION  
7A : WITH 7-SPEED AUTOMATIC TRANSMISSION



REFER TO THE FOLLOWING.  
E108, B2 -SUPER MULTIPLE JUNCTION (SMJ)  
M4 -FUSE BLOCK-JUNCTION BOX (J/B)

TKWT8275E

A  
B  
C  
D  
E  
F  
G  
H  
I  
J  
AV  
L  
M  
N  
O  
P

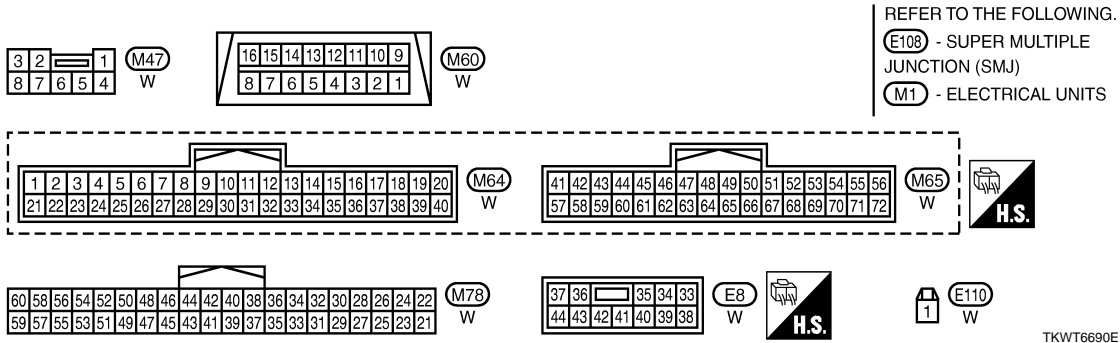
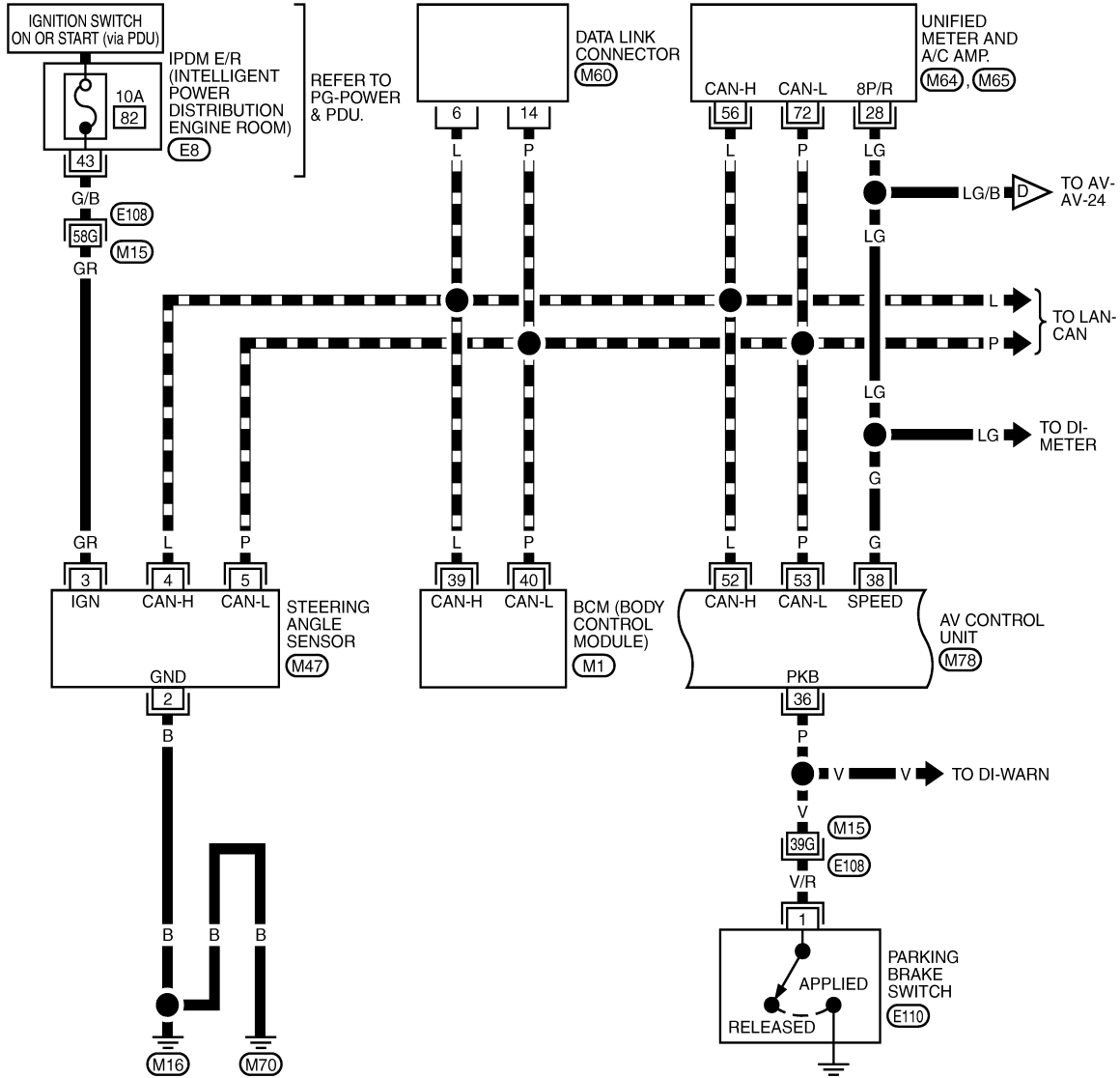
# FRONT DISPLAY UNIT

[WITHOUT MOBILE ENTERTAINMENT SYSTEM]

< ECU DIAGNOSIS >

AV-AV-16

▬ : DATA LINE

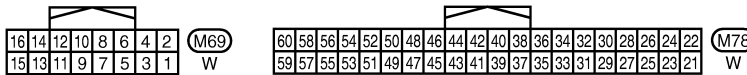
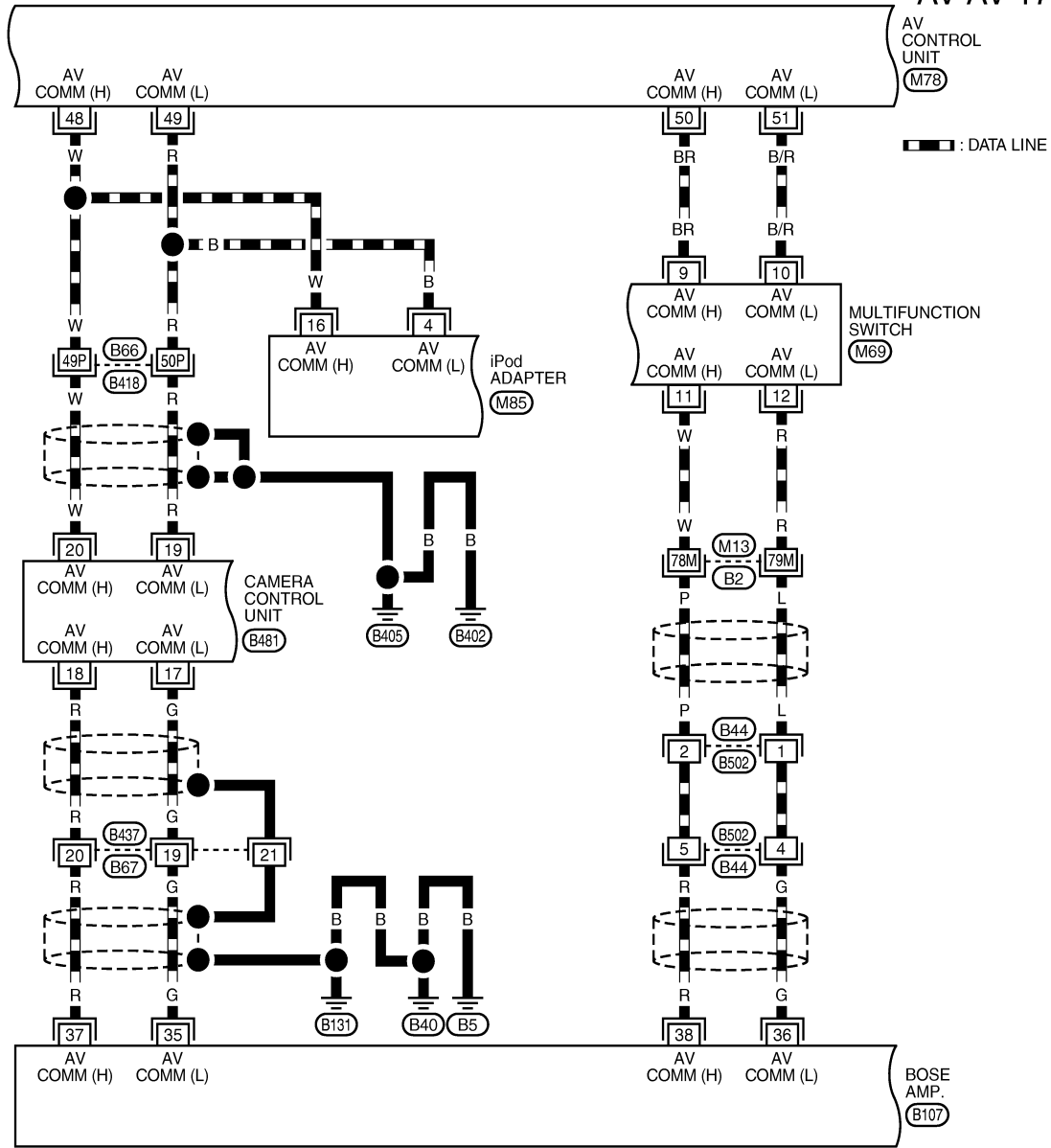


# FRONT DISPLAY UNIT

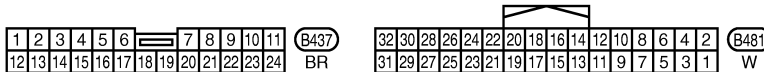
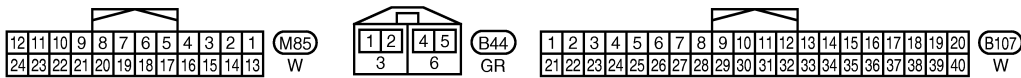
[WITHOUT MOBILE ENTERTAINMENT SYSTEM]

< ECU DIAGNOSIS >

AV-AV-17



REFER TO THE FOLLOWING.  
(B2), (B418) - SUPER MULTIPLE JUNCTION (SMJ)



TKWT6691E

A  
B  
C  
D  
E  
F  
G  
H  
I  
J  
K  
L  
M  
N  
O  
P

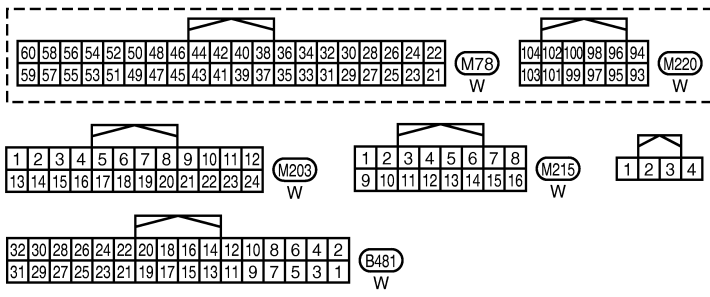
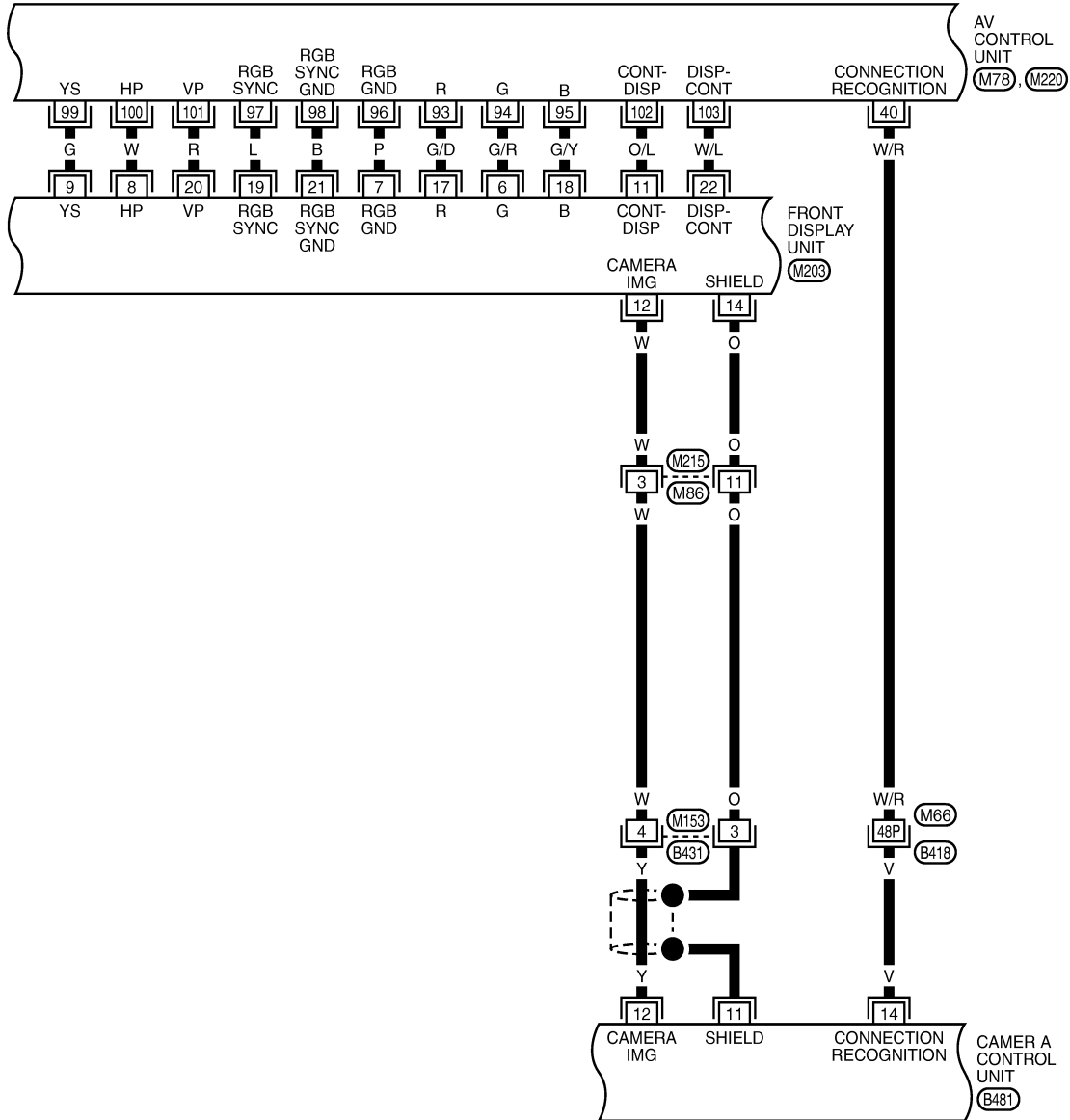
AV

# FRONT DISPLAY UNIT

[WITHOUT MOBILE ENTERTAINMENT SYSTEM]

< ECU DIAGNOSIS >

AV-AV-18



REFER TO THE FOLLOWING.

(B418) - SUPER MULTIPLE JUNCTION (SMJ)

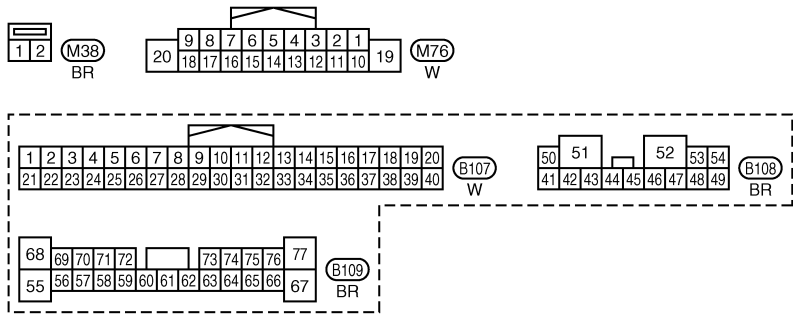
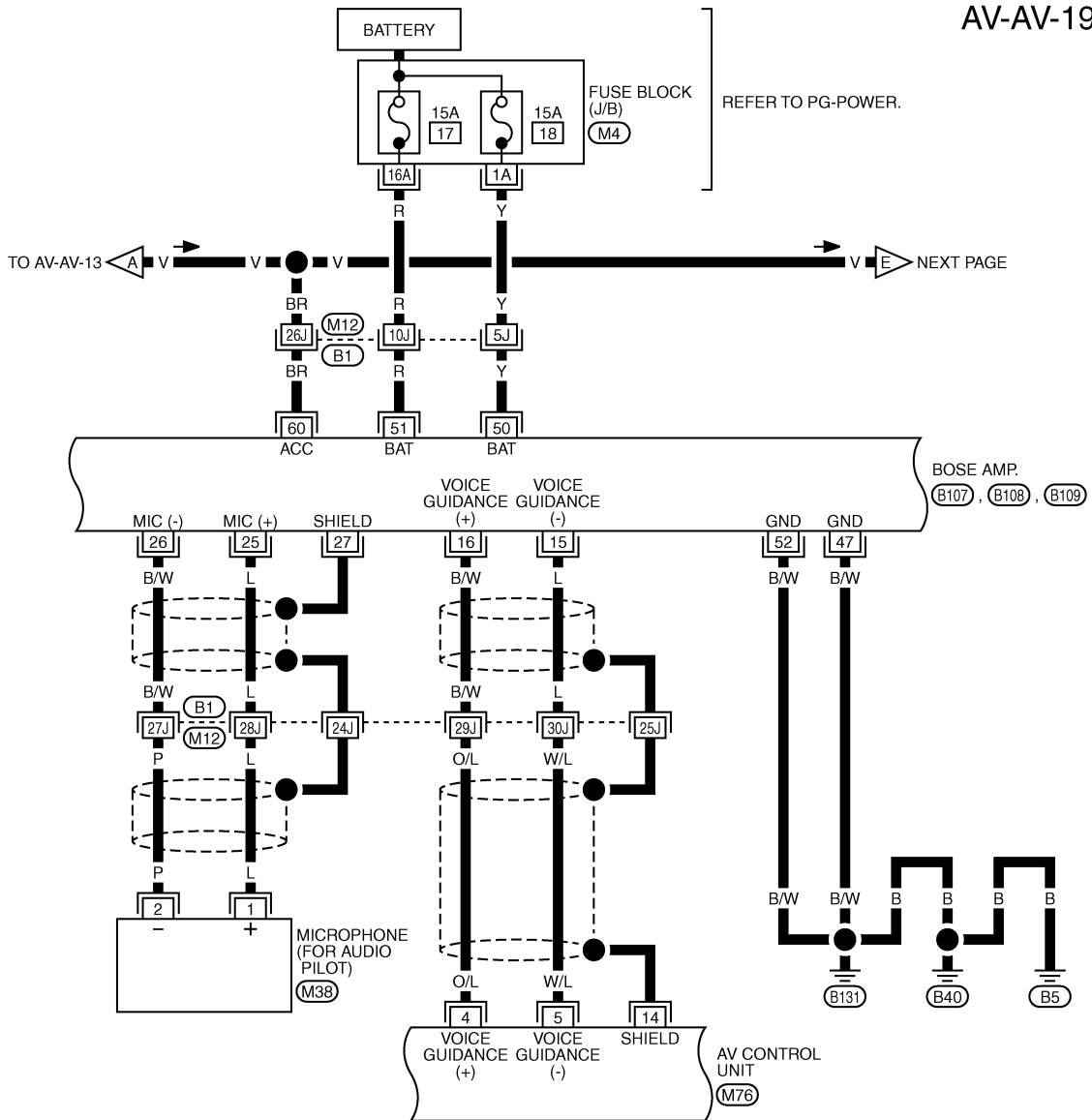
TKWT6692E

# FRONT DISPLAY UNIT

[WITHOUT MOBILE ENTERTAINMENT SYSTEM]

< ECU DIAGNOSIS >

AV-AV-19



REFER TO THE FOLLOWING.  
**(B1)** -SUPER MULTIPLE JUNCTION (SMJ)  
**(M4)** -FUSE BLOCK-JUNCTION BOX (J/B)

TKWT8276E

A  
B  
C  
D  
E  
F  
G  
H  
I  
J  
L  
M  
N  
O  
P

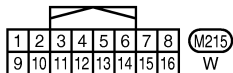
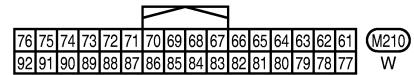
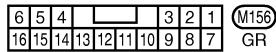
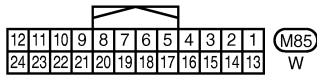
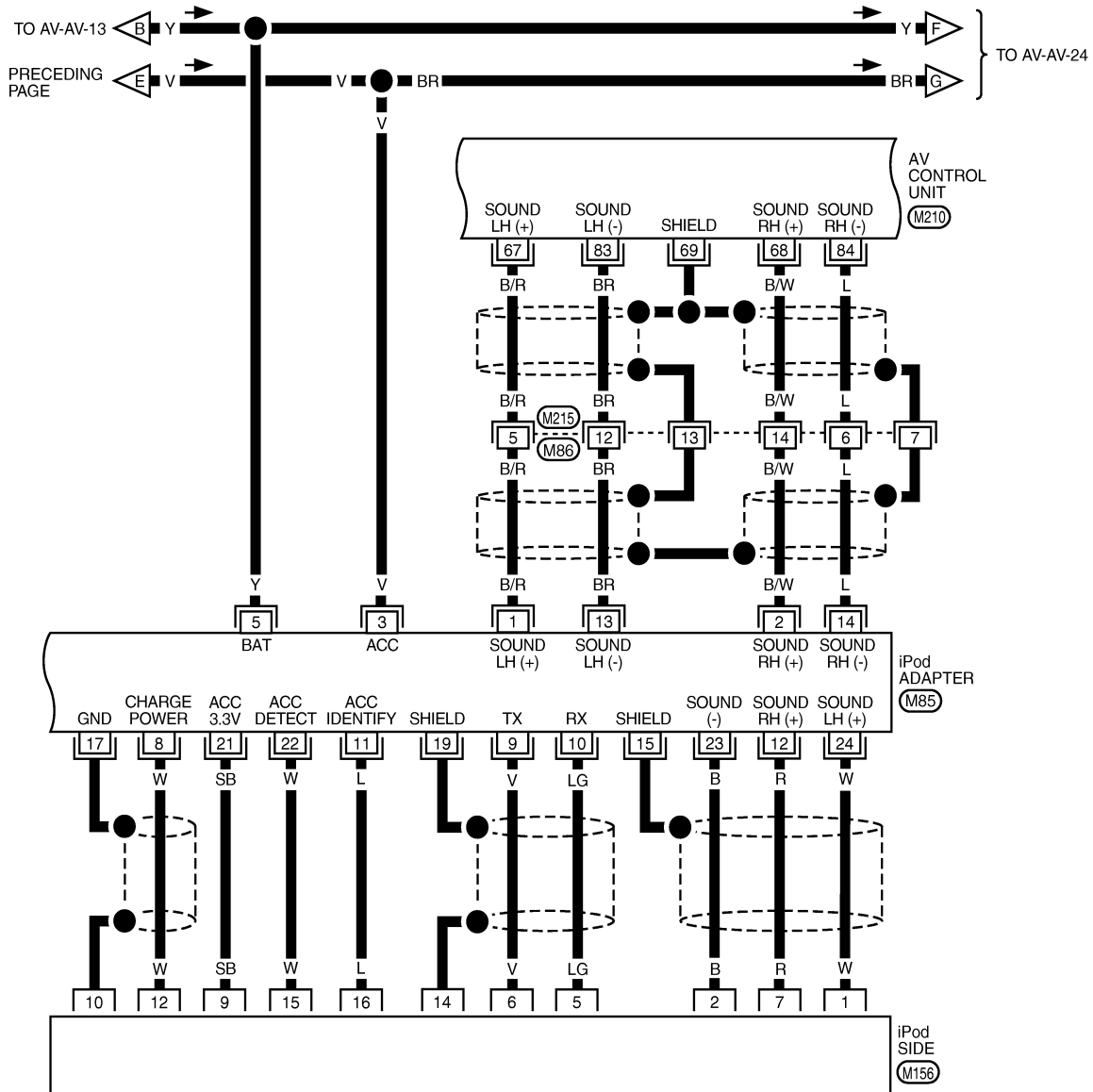
AV

# FRONT DISPLAY UNIT

[WITHOUT MOBILE ENTERTAINMENT SYSTEM]

< ECU DIAGNOSIS >

AV-AV-20



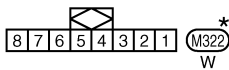
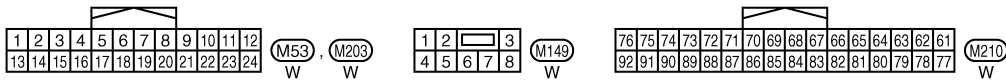
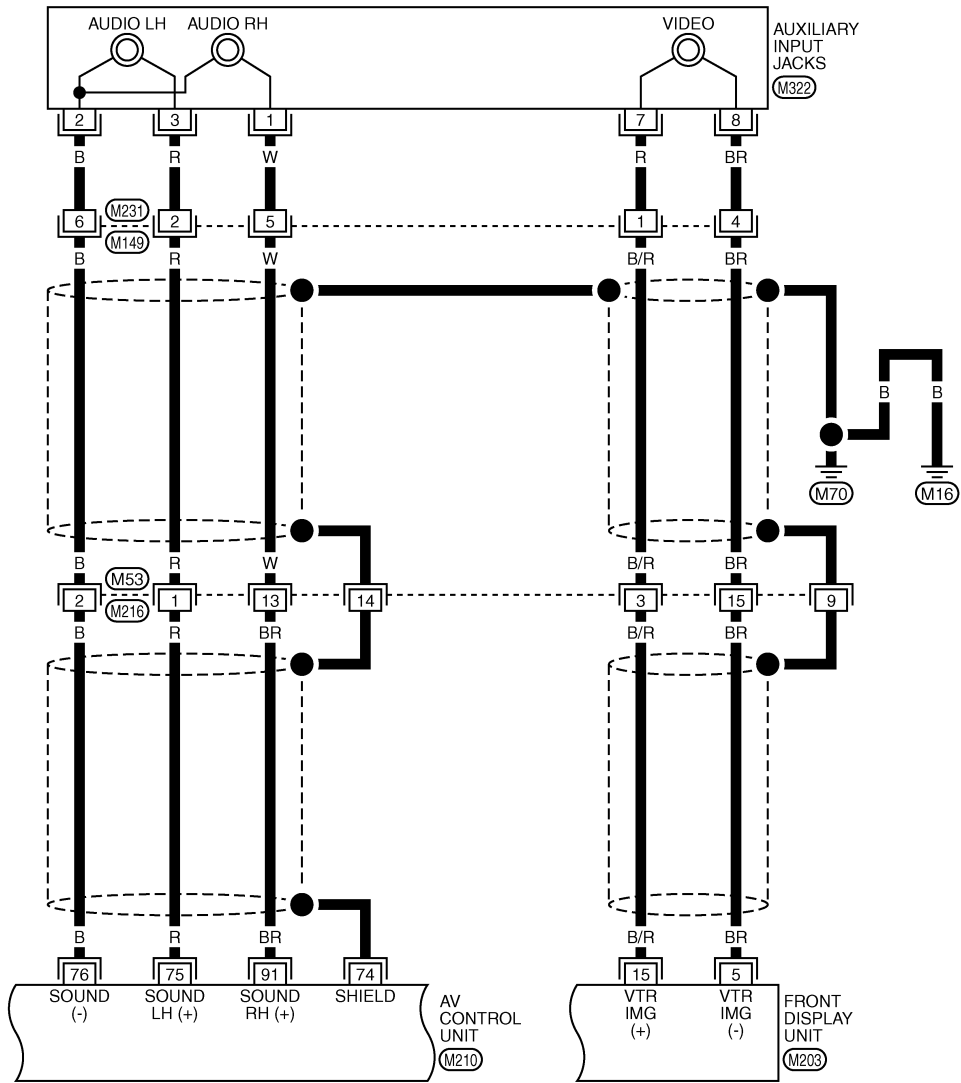
TKWT6695E

# FRONT DISPLAY UNIT

[WITHOUT MOBILE ENTERTAINMENT SYSTEM]

< ECU DIAGNOSIS >

AV-AV-21



\*: THIS CONNECTOR IS NOT SHOWN IN "HARNESS LAYOUT", PG SECTION.

TKWT8277E

A  
B  
C  
D  
E  
F  
G  
H  
I  
J  
L  
M  
N  
O  
P

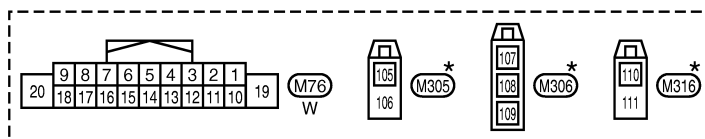
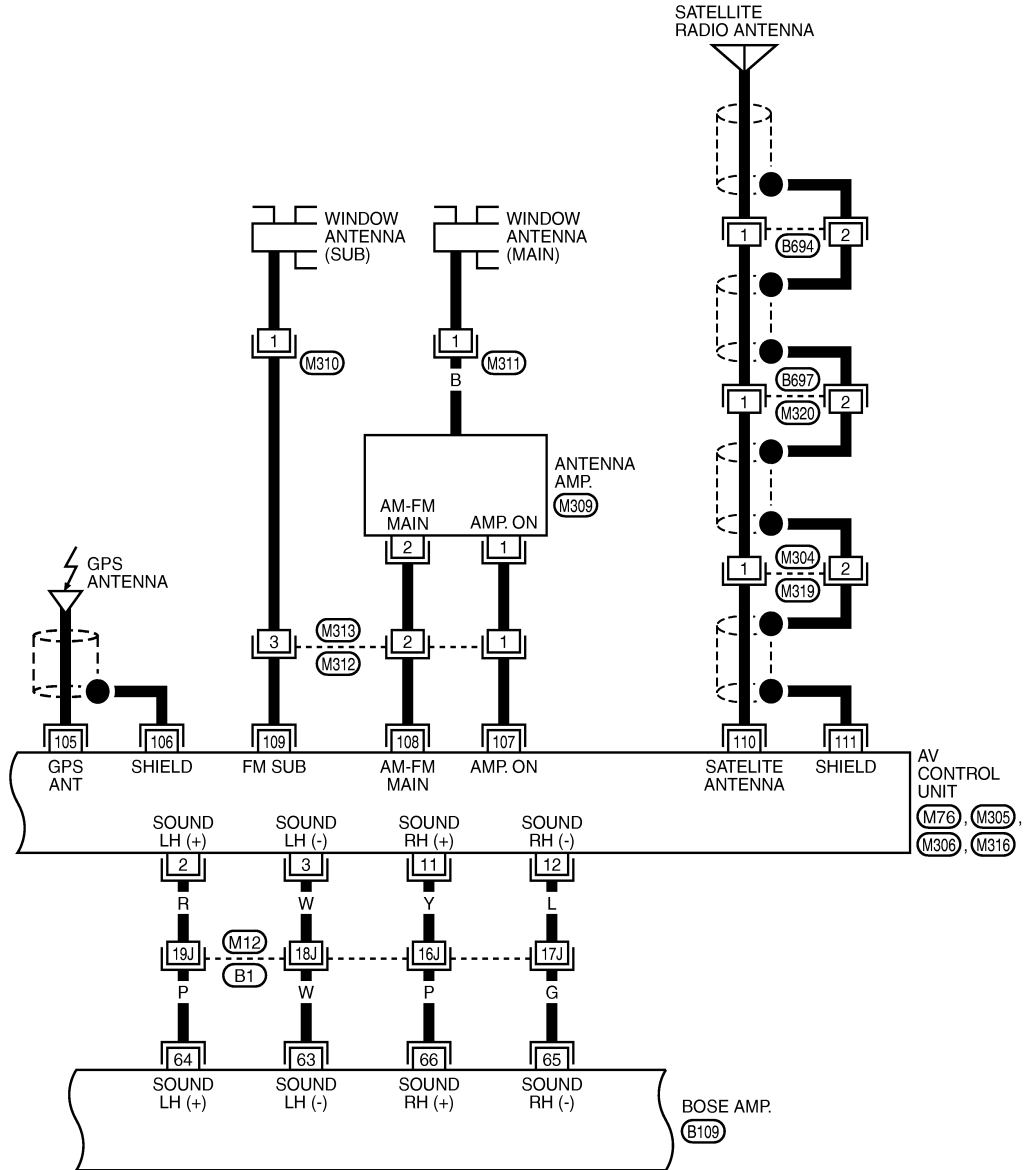
AV

# FRONT DISPLAY UNIT

[WITHOUT MOBILE ENTERTAINMENT SYSTEM]

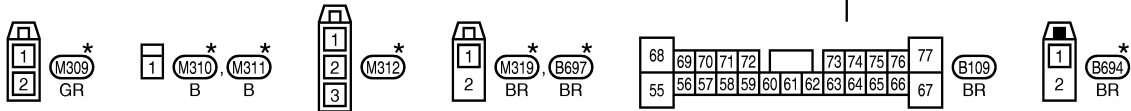
< ECU DIAGNOSIS >

AV-AV-22



REFER TO THE FOLLOWING.

(B1) - SUPER MULTIPLE JUNCTION (SMJ)



TKWT6697E

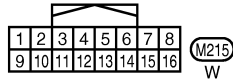
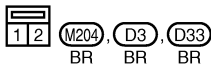
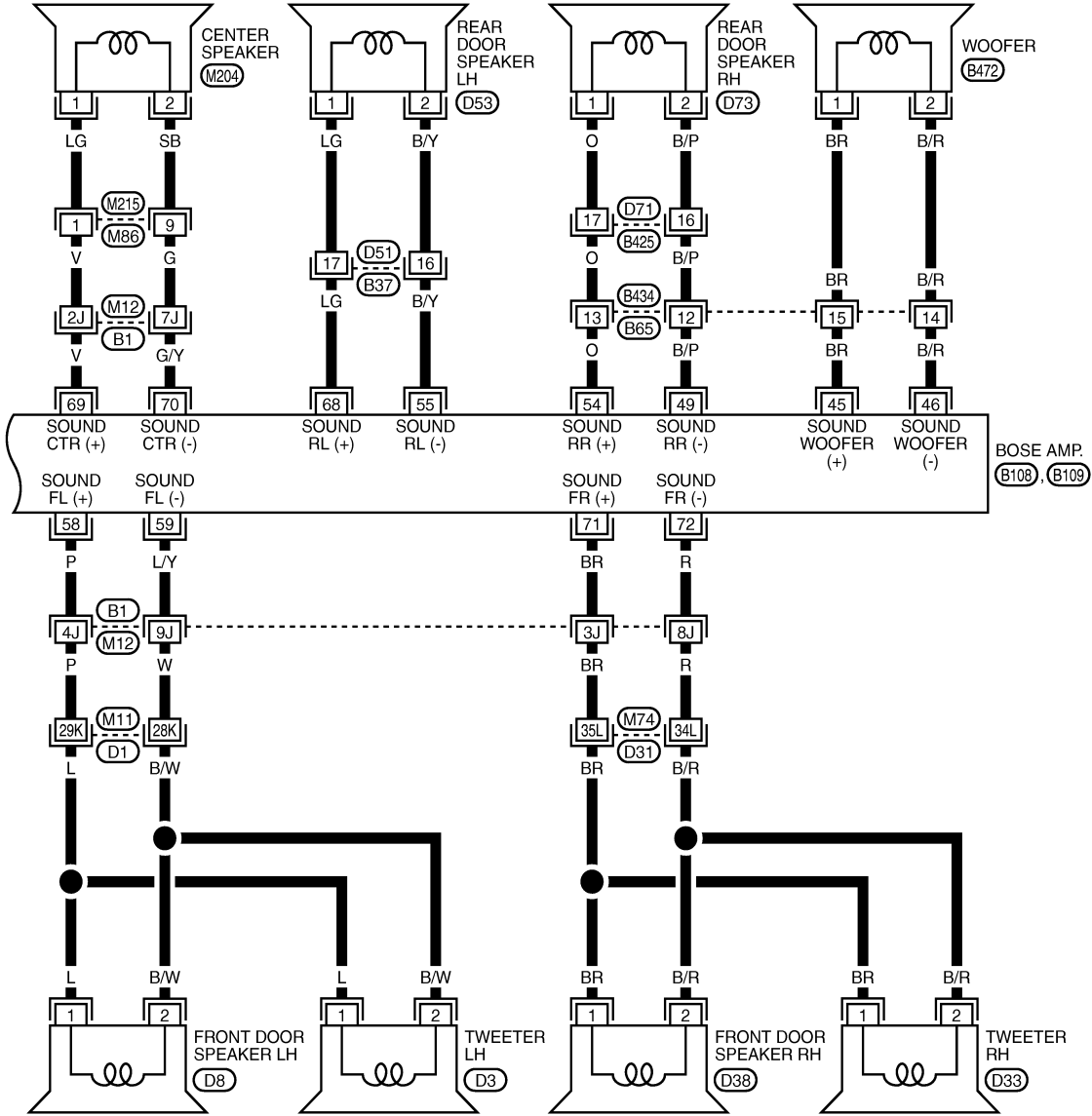


# FRONT DISPLAY UNIT

[WITHOUT MOBILE ENTERTAINMENT SYSTEM]

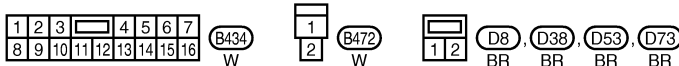
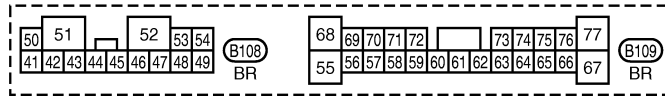
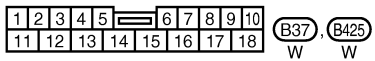
< ECU DIAGNOSIS >

AV-AV-23



REFER TO THE FOLLOWING.

(B1), (D1), (D31) - SUPER MULTIPLE JUNCTION (SMJ)



TKWT6698E

A  
B  
C  
D  
E  
F  
G  
H  
I  
J  
K  
L  
M  
N  
O  
P

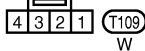
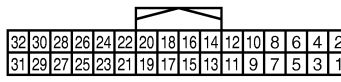
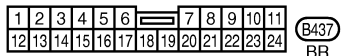
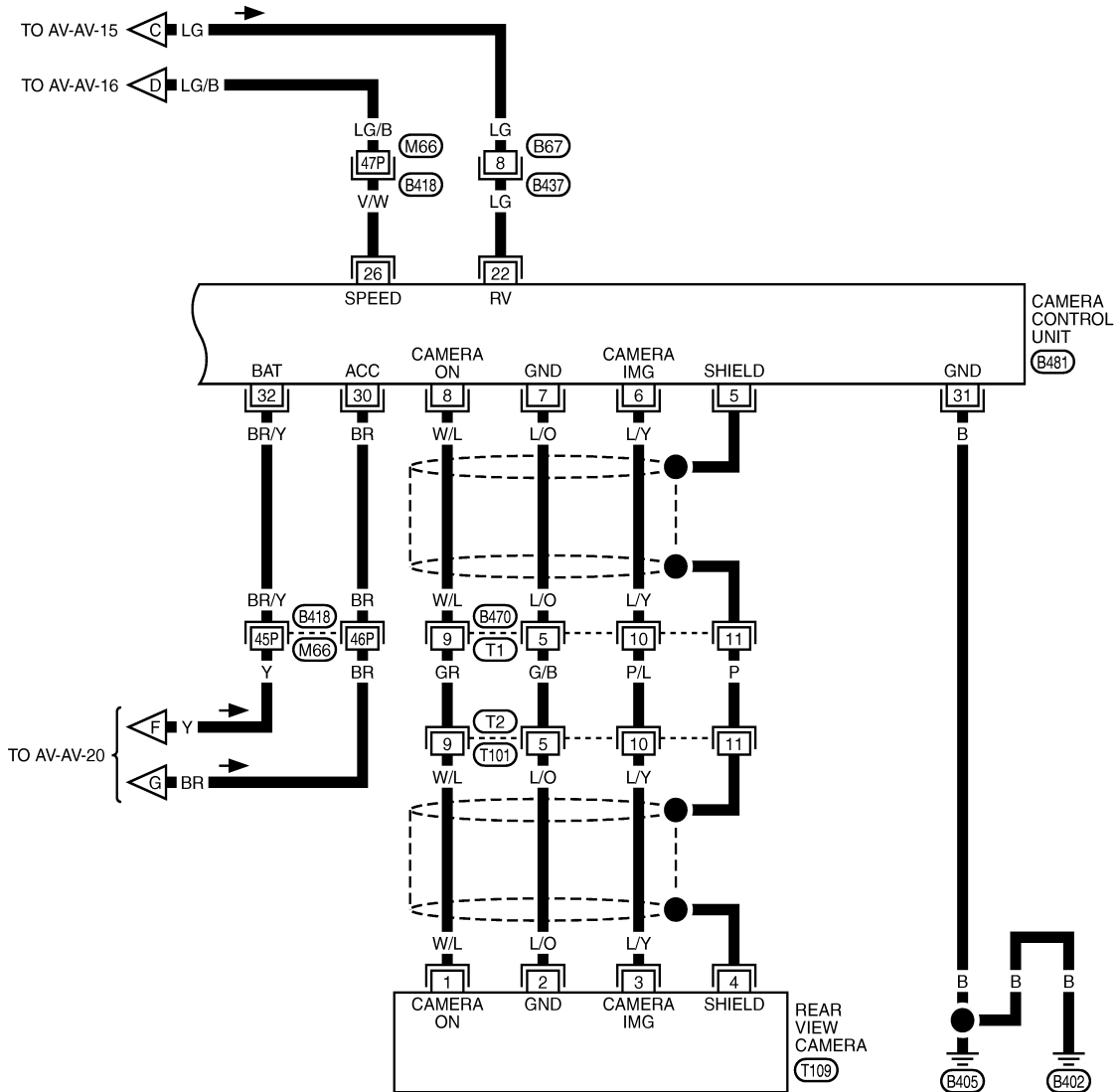
AV

# FRONT DISPLAY UNIT

[WITHOUT MOBILE ENTERTAINMENT SYSTEM]

< ECU DIAGNOSIS >

AV-AV-24



REFER TO THE FOLLOWING.

(B418) - SUPER MULTIPLE JUNCTION (SMJ)

TKWT6699E

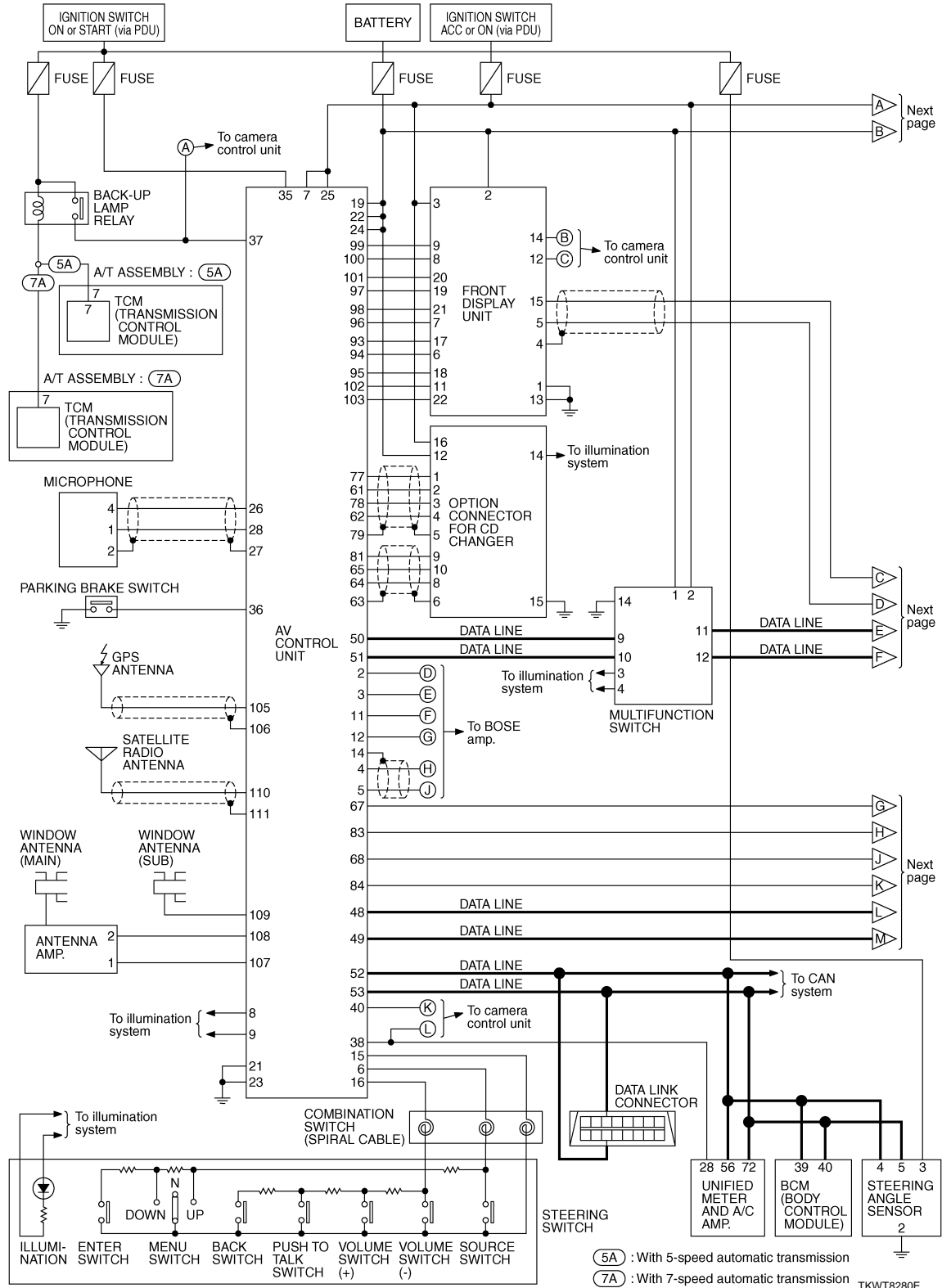
# FRONT DISPLAY UNIT

[WITHOUT MOBILE ENTERTAINMENT SYSTEM]

< ECU DIAGNOSIS >

WITH NAVIGATION : Schematic - BOSE Surround Audio 5.1ch System -

INFOID:000000005350336



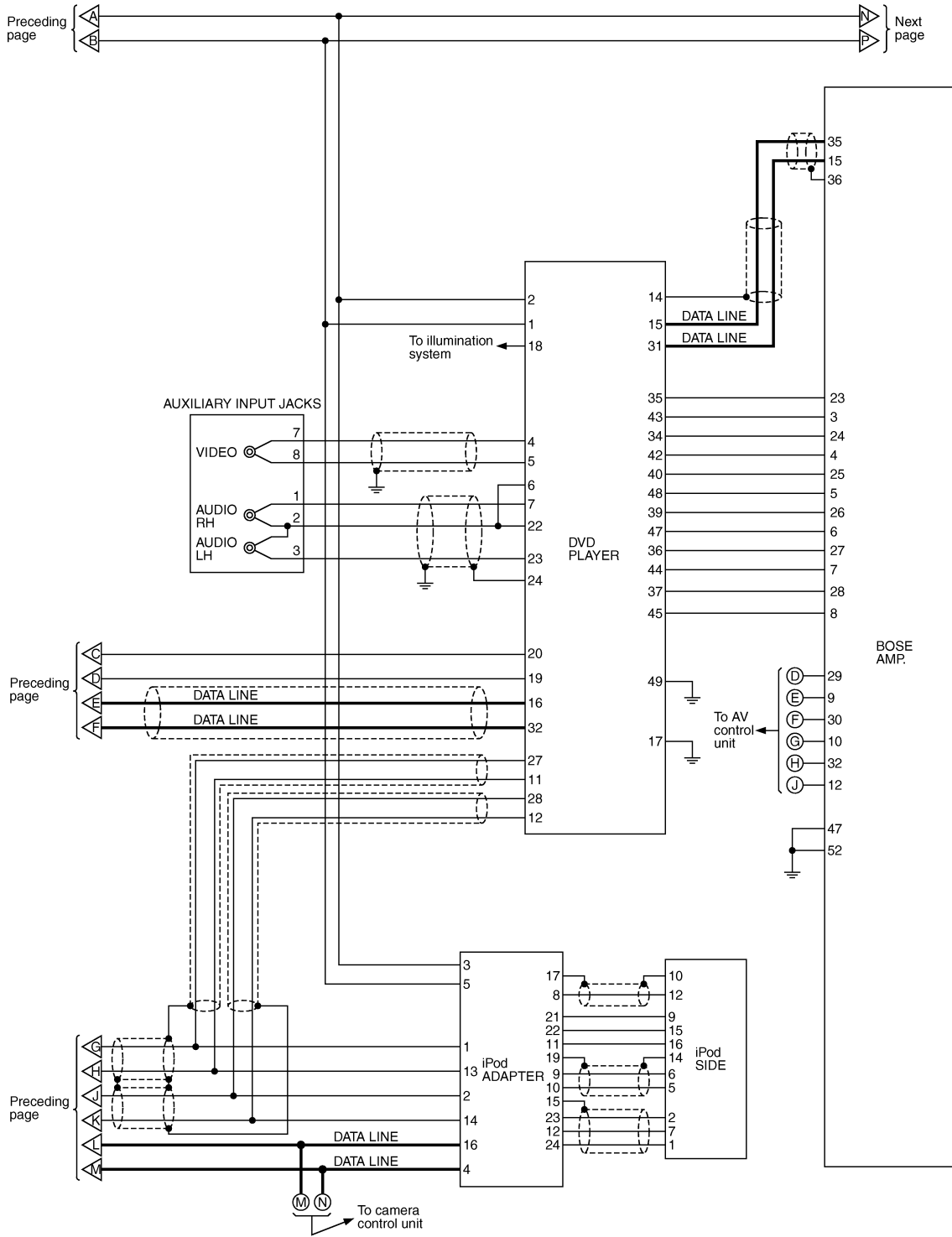
A  
B  
C  
D  
E  
F  
G  
H  
I  
J  
K  
L  
M  
N  
O  
P

AV

# FRONT DISPLAY UNIT

[WITHOUT MOBILE ENTERTAINMENT SYSTEM]

< ECU DIAGNOSIS >

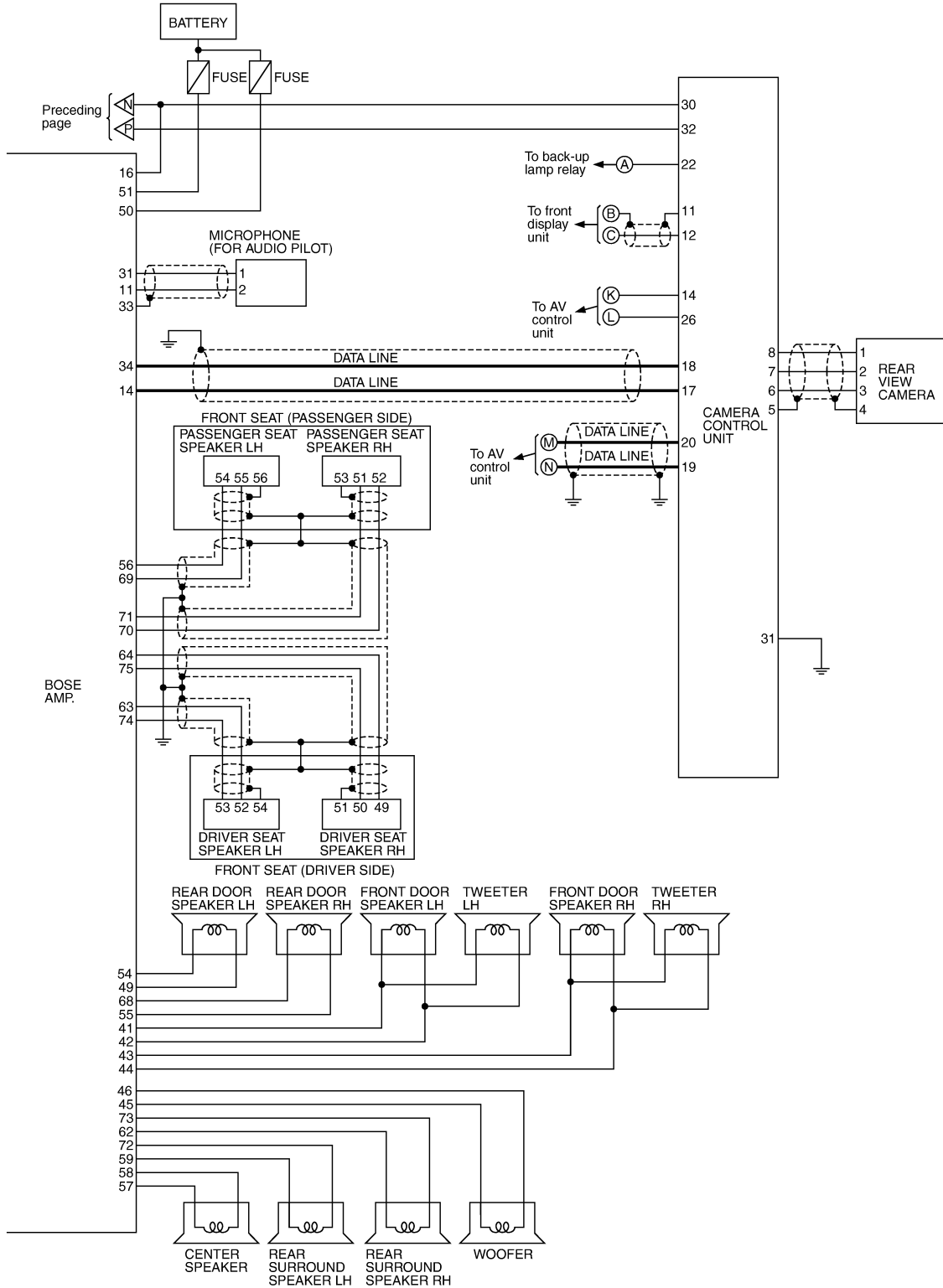


TKWT6701E

# FRONT DISPLAY UNIT

[WITHOUT MOBILE ENTERTAINMENT SYSTEM]

< ECU DIAGNOSIS >



A  
B  
C  
D  
E  
F  
G  
H  
I  
J  
L  
M  
N  
O

AV

WITH NAVIGATION : Wiring Diagram - AV - / BOSE Surround Audio 5.1ch System

TKWT6702E  
INFOID:000000005350337

**NOTE:**

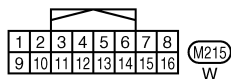
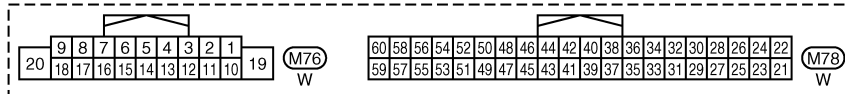
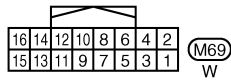
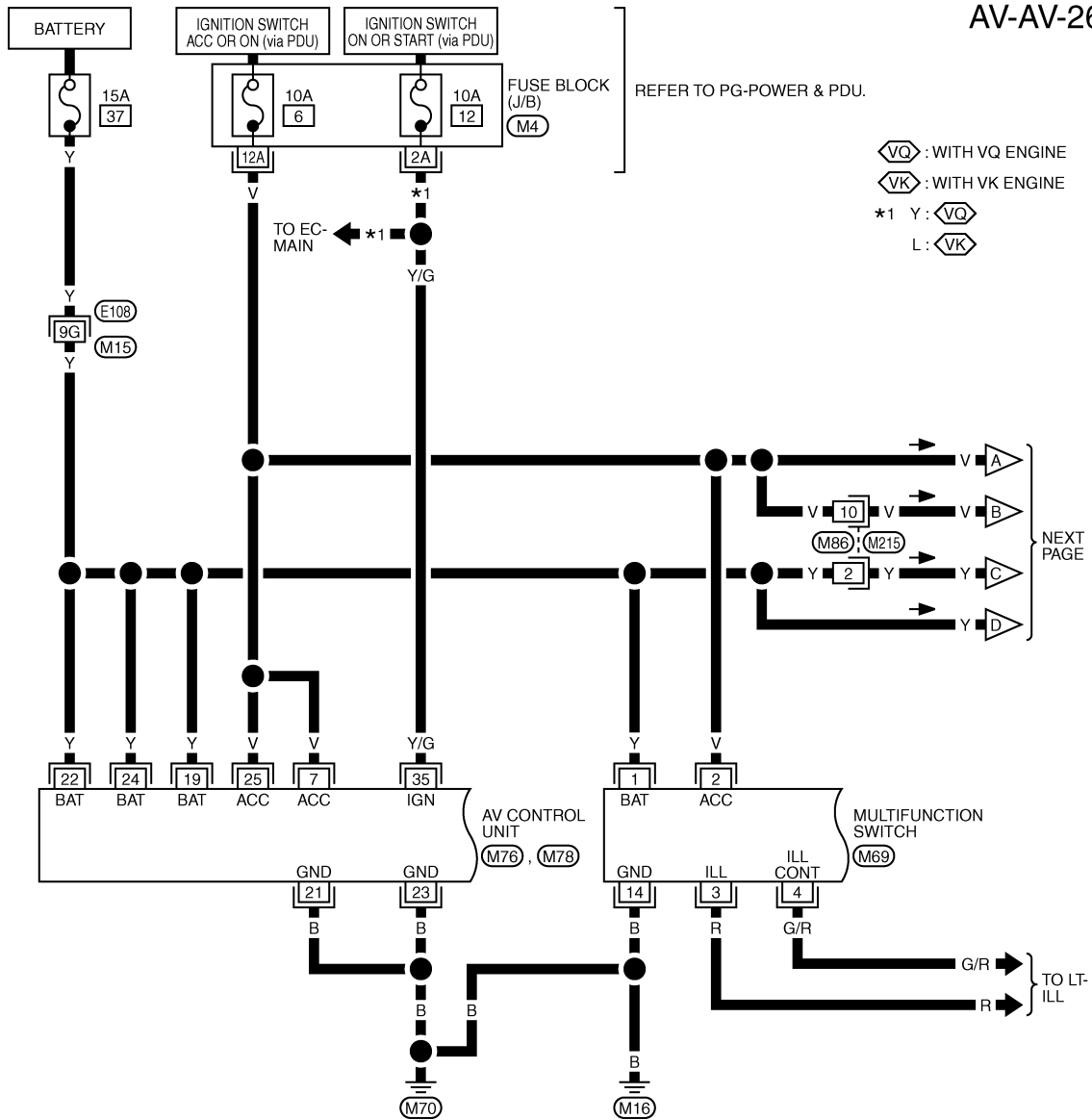
# FRONT DISPLAY UNIT

[WITHOUT MOBILE ENTERTAINMENT SYSTEM]

< ECU DIAGNOSIS >

The name MULTIFUNCTION SWITCH indicates the integration of PRESET SWITCH and MULTIFUNCTION SWITCH virtually.

AV-AV-26



REFER TO THE FOLLOWING.  
 (E108) -SUPER MULTIPLE JUNCTION (SMJ)  
 (M4) -FUSE BLOCK-JUNCTION BOX (J/B)

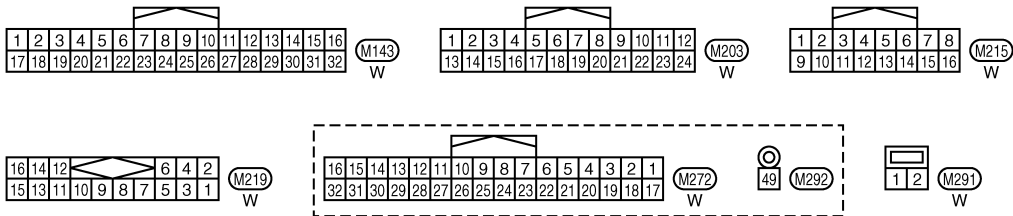
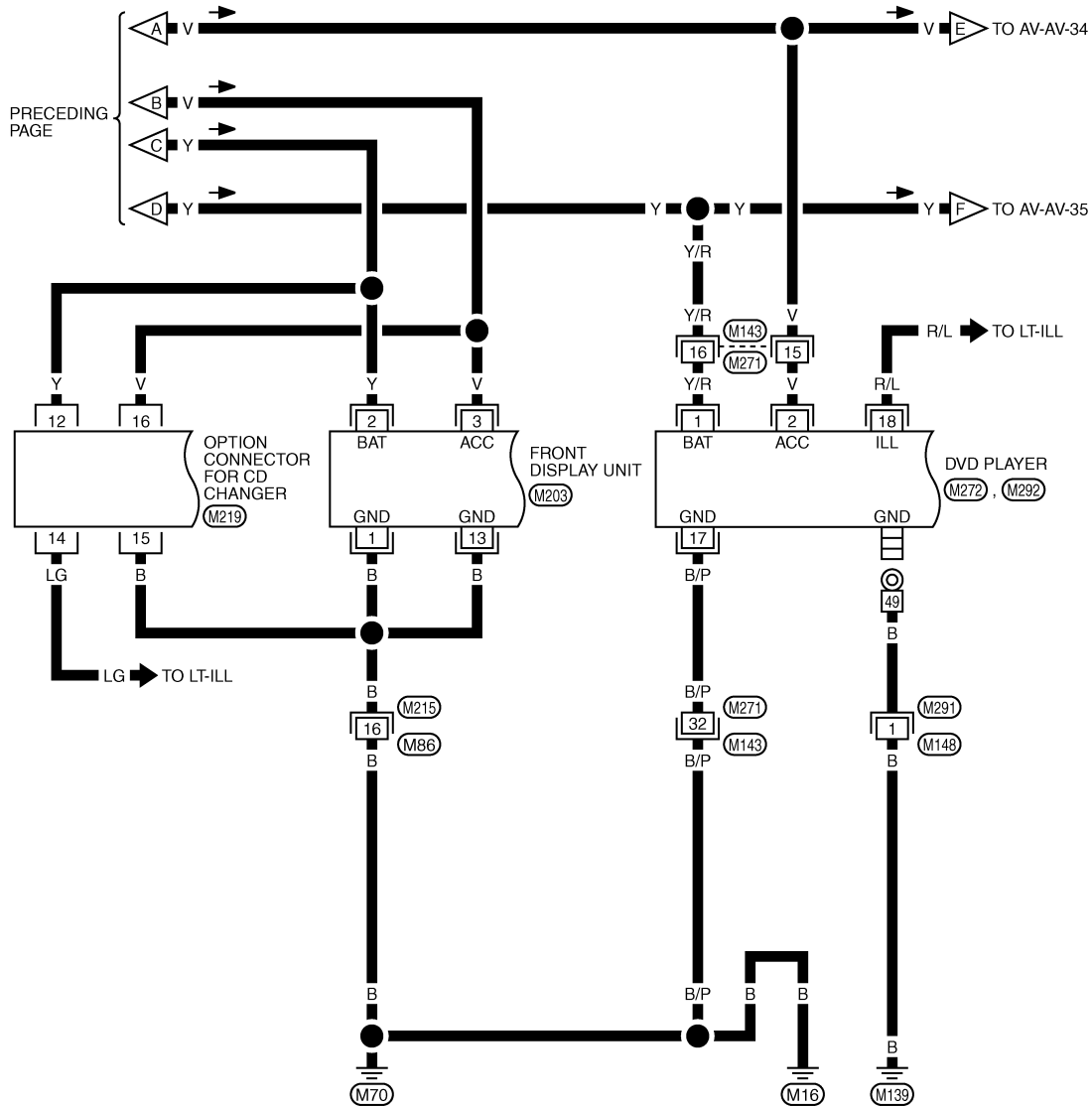
TKWT8281E

# FRONT DISPLAY UNIT

[WITHOUT MOBILE ENTERTAINMENT SYSTEM]

< ECU DIAGNOSIS >

AV-AV-27



TKWT8282E

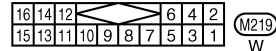
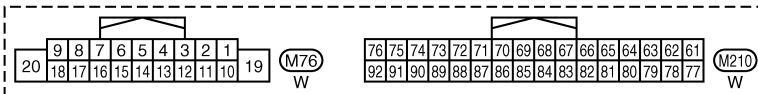
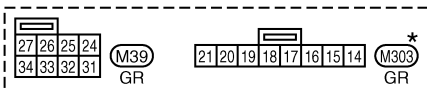
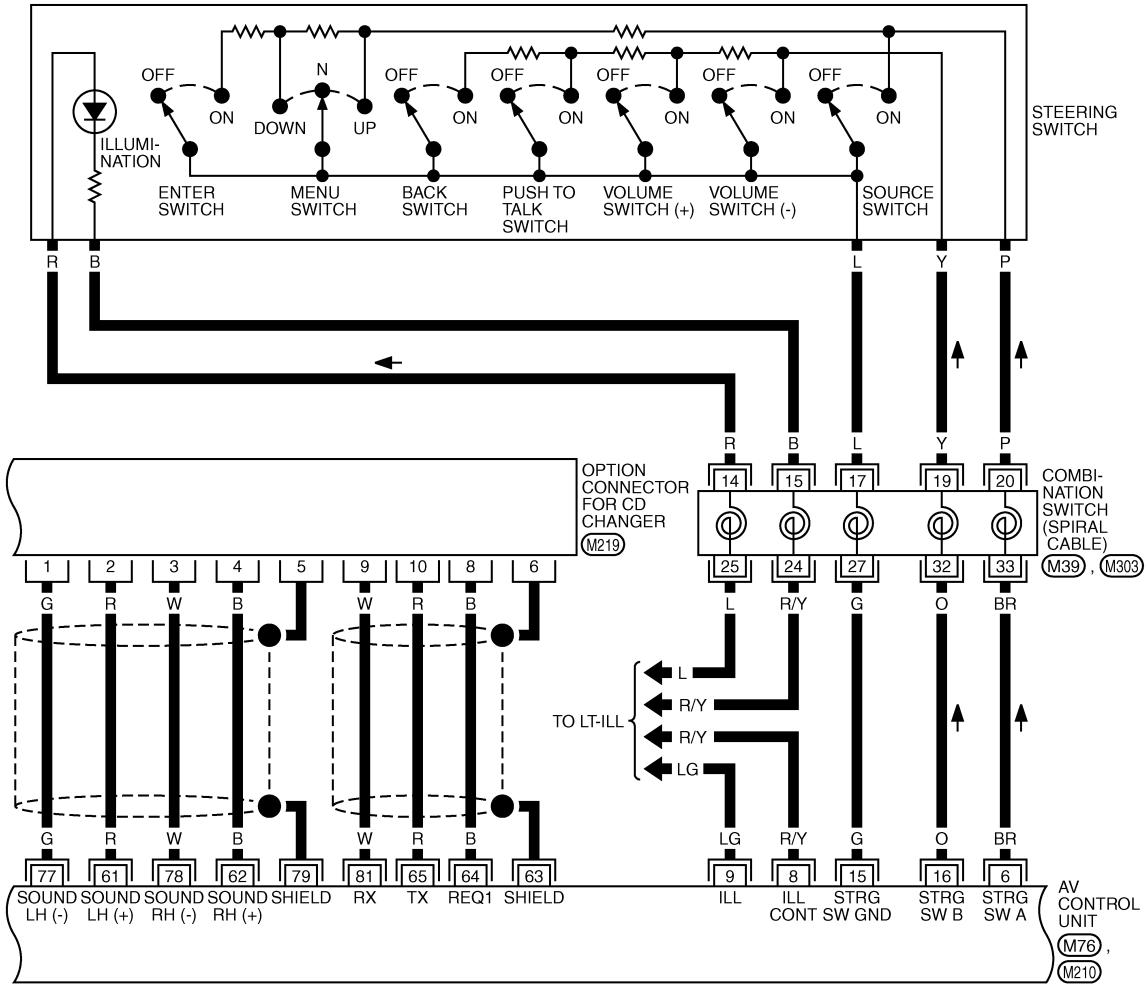
A  
B  
C  
D  
E  
F  
G  
H  
I  
J  
AV  
L  
M  
N  
O  
P

# FRONT DISPLAY UNIT

[WITHOUT MOBILE ENTERTAINMENT SYSTEM]

< ECU DIAGNOSIS >

AV-AV-28



\*: THIS CONNECTOR IS NOT SHOWN IN "HARNESS LAYOUT", PG SECTION.

TKWT8283E

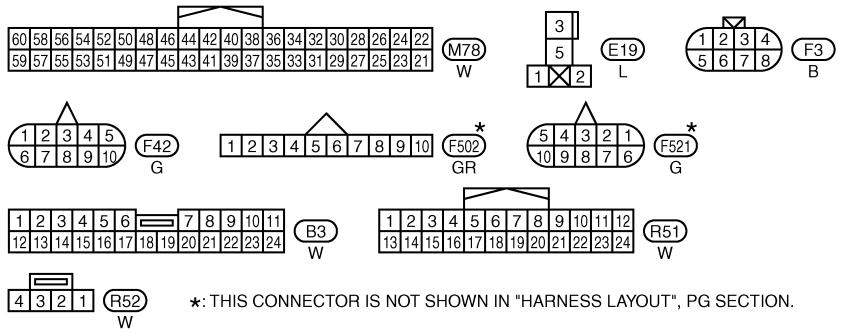
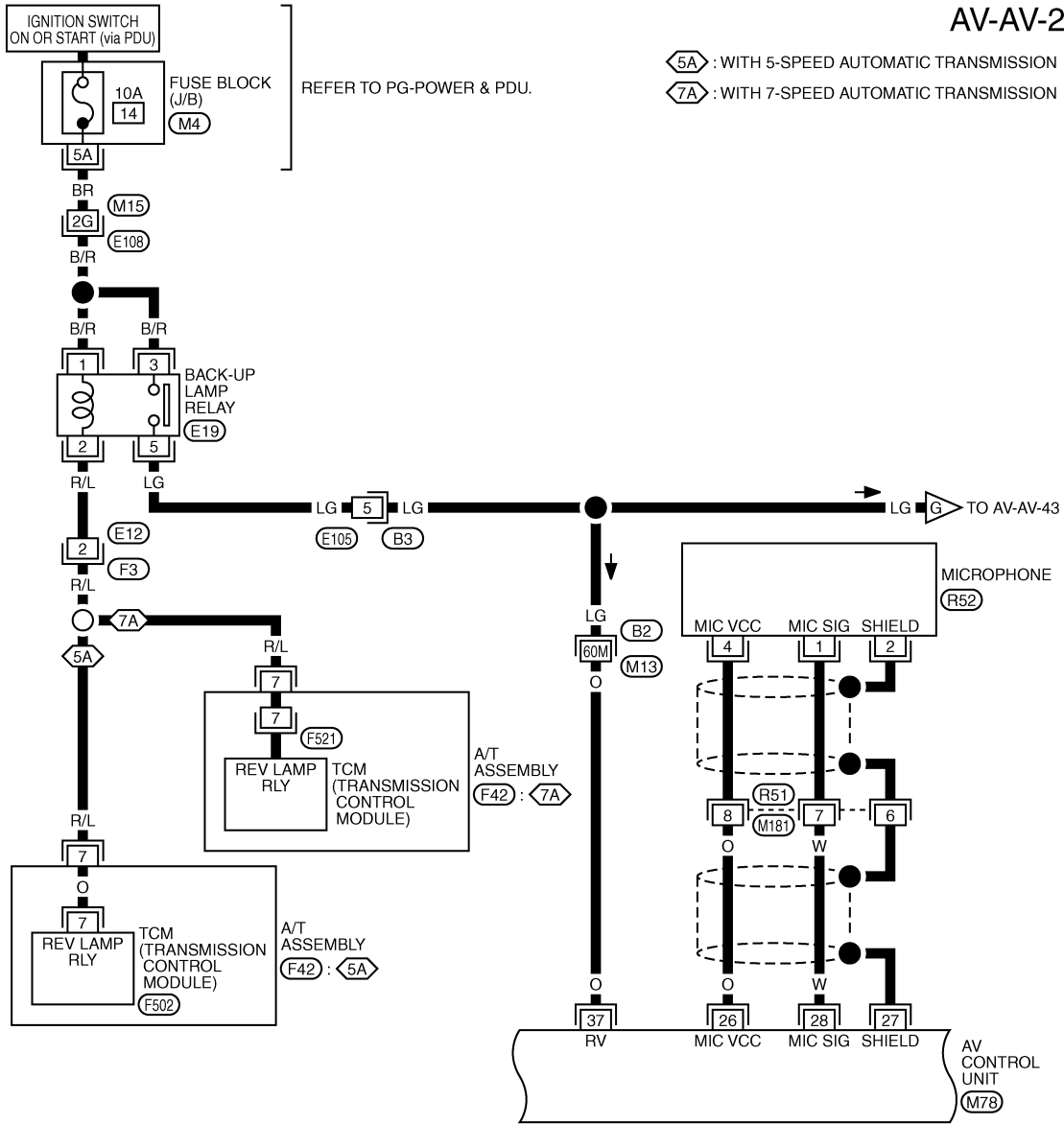


# FRONT DISPLAY UNIT

[WITHOUT MOBILE ENTERTAINMENT SYSTEM]

< ECU DIAGNOSIS >

AV-AV-29



REFER TO THE FOLLOWING.

E108, B2 -SUPER MULTIPLE JUNCTION (SMJ)

M4 -FUSE BLOCK-JUNCTION BOX (J/B)

TKWT8284E

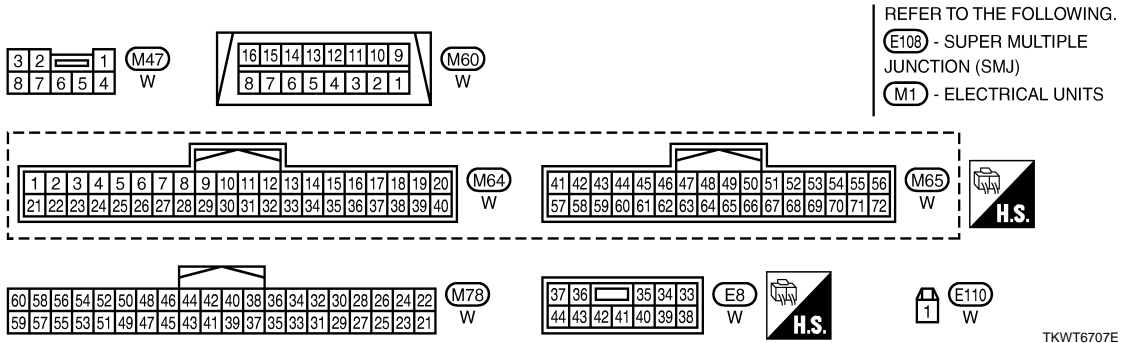
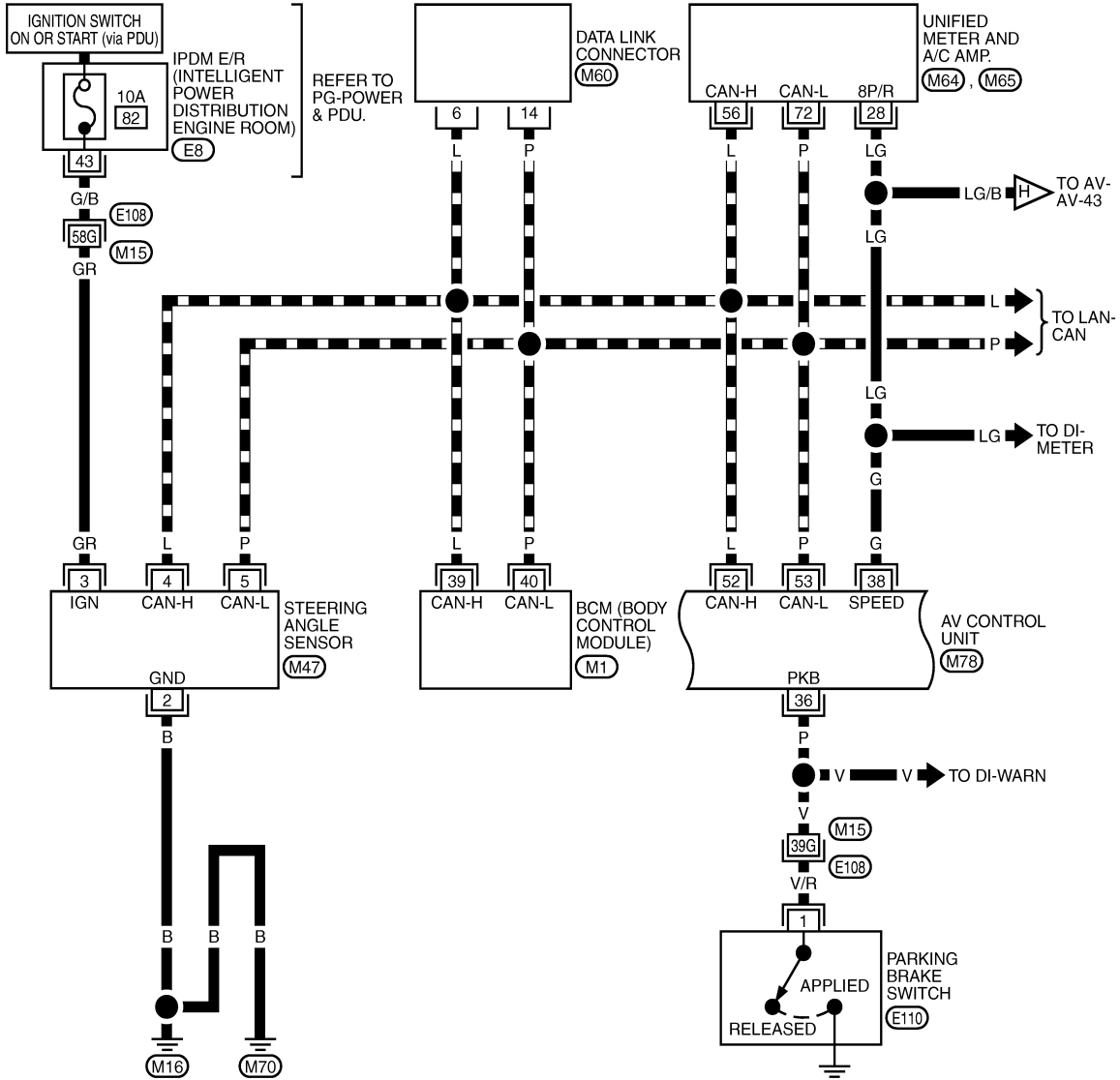
# FRONT DISPLAY UNIT

[WITHOUT MOBILE ENTERTAINMENT SYSTEM]

< ECU DIAGNOSIS >

AV-AV-30

▬ : DATA LINE



TKWT6707E

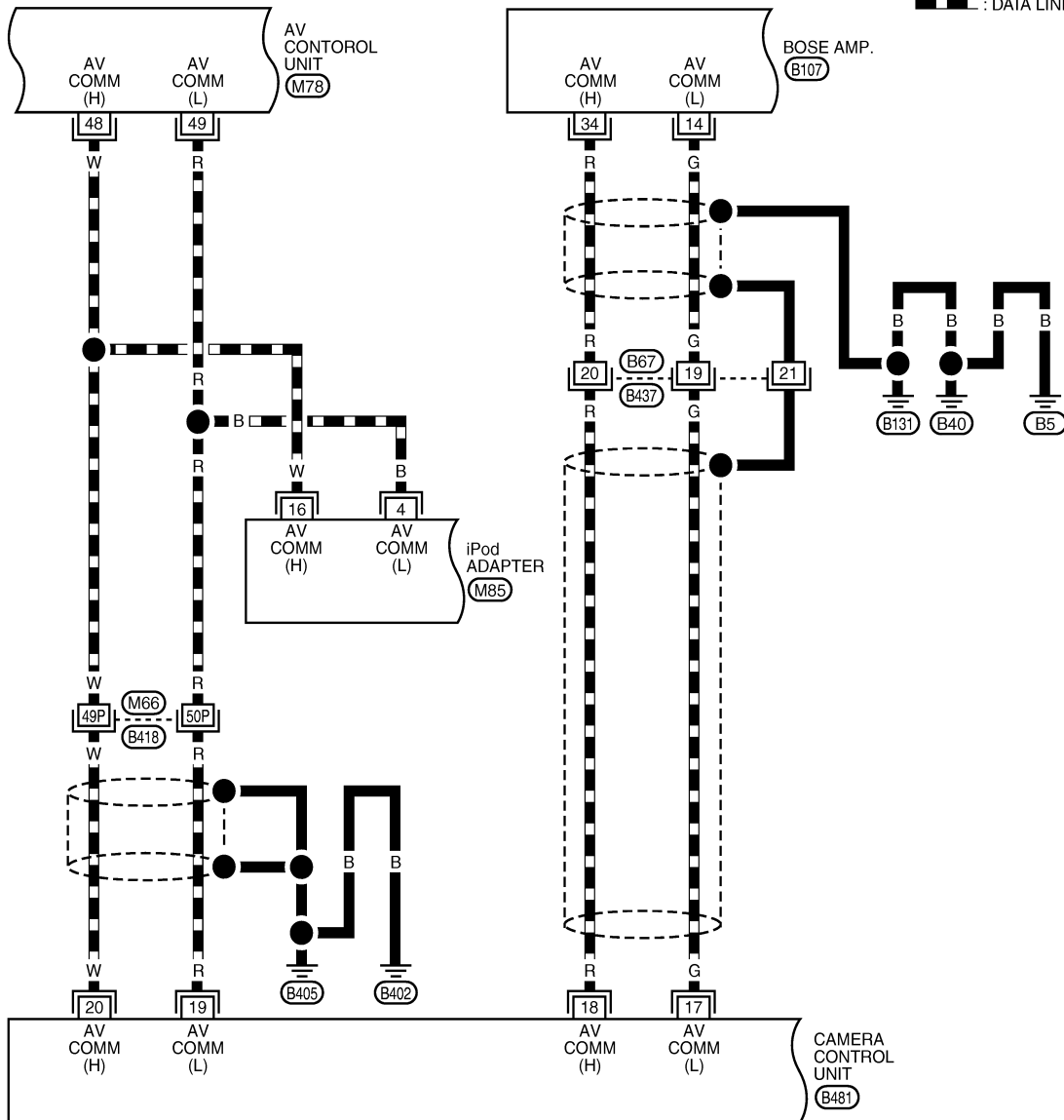
# FRONT DISPLAY UNIT

[WITHOUT MOBILE ENTERTAINMENT SYSTEM]

< ECU DIAGNOSIS >

AV-AV-31

— : DATA LINE



60	58	56	54	52	50	48	46	44	42	40	38	36	34	32	30	28	26	24	22
59	57	55	53	51	49	47	45	43	41	39	37	35	33	31	29	27	25	23	21

(M78) W

12	11	10	9	8	7	6	5	4	3	2	1
24	23	22	21	20	19	18	17	16	15	14	13

(M85) W

1	2	3	4	5	6	7	8	9	10	11	12	13	14	15	16	17	18	19	20
21	22	23	24	25	26	27	28	29	30	31	32	33	34	35	36	37	38	39	40

(B107) W

1	2	3	4	5	6	7	8	9	10	11		
12	13	14	15	16	17	18	19	20	21	22	23	24

(B437) BR

32	30	28	26	24	22	20	18	16	14	12	10	8	6	4	2
31	29	27	25	23	21	19	17	15	13	11	9	7	5	3	1

(B481) W

REFER TO THE FOLLOWING.

(B418) - SUPER MULTIPLE JUNCTION (SMJ)

TKWT6708E

A  
B  
C  
D  
E  
F  
G  
H  
I  
J  
K  
L  
M  
N  
O  
P

AV

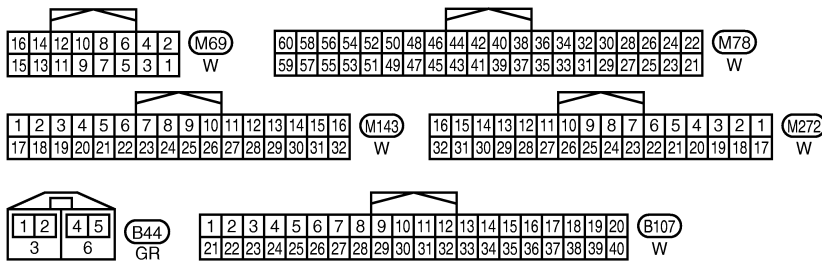
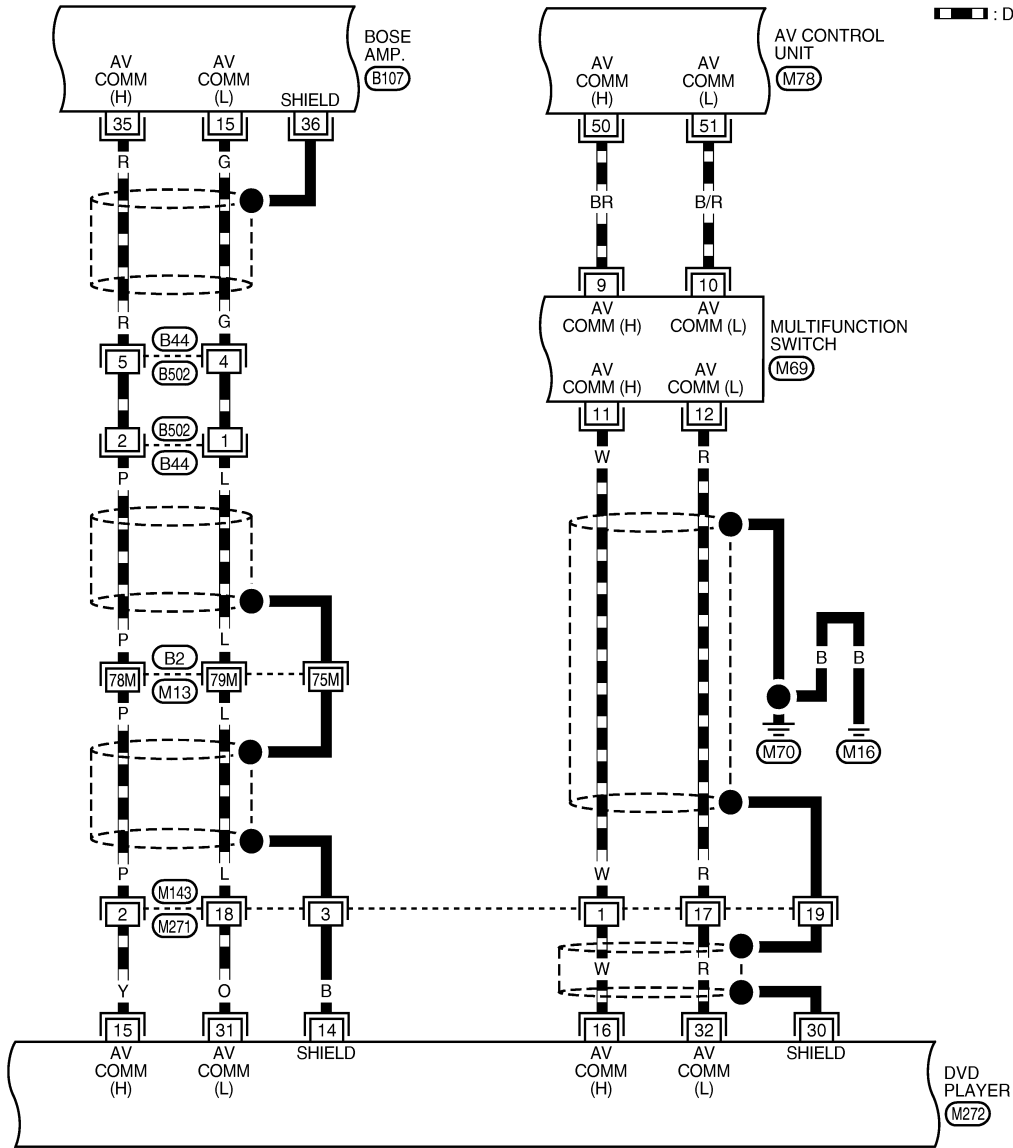
# FRONT DISPLAY UNIT

[WITHOUT MOBILE ENTERTAINMENT SYSTEM]

< ECU DIAGNOSIS >

AV-AV-32

▬ : DATA LINE



REFER TO THE FOLLOWING.

(B2) - SUPER MULTIPLE JUNCTION (SMJ)

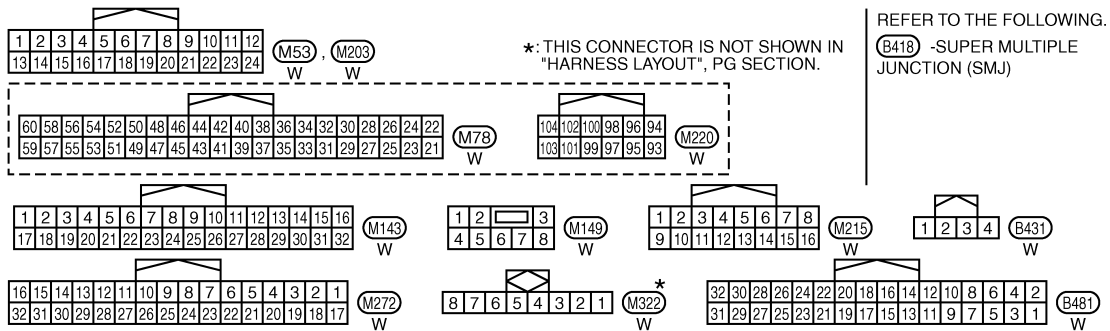
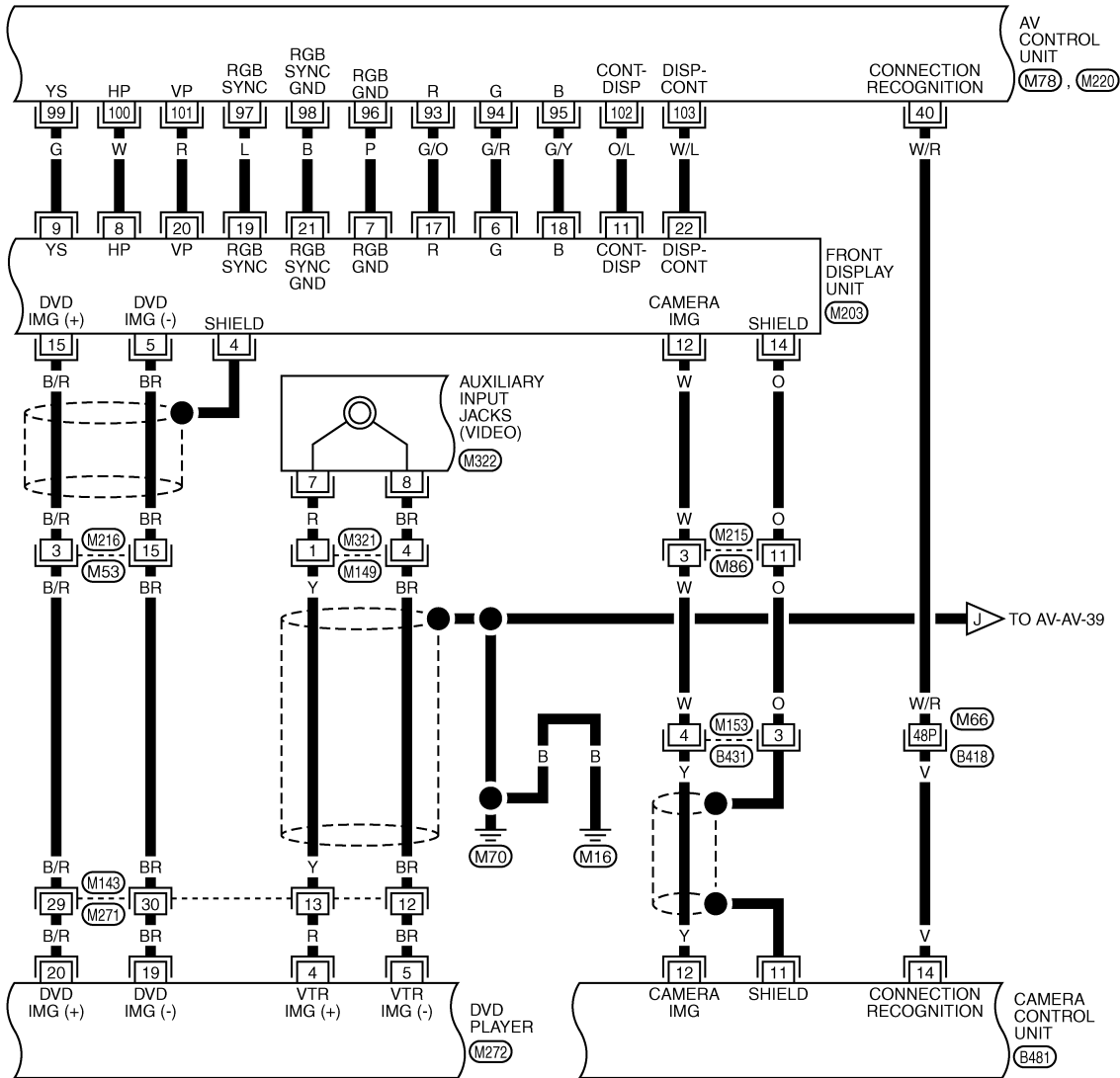
TKWT6709E

# FRONT DISPLAY UNIT

[WITHOUT MOBILE ENTERTAINMENT SYSTEM]

< ECU DIAGNOSIS >

AV-AV-33



REFER TO THE FOLLOWING.  
(B418) -SUPER MULTIPLE JUNCTION (SMJ)

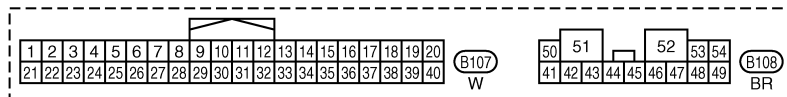
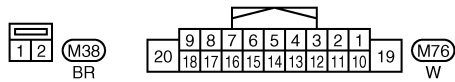
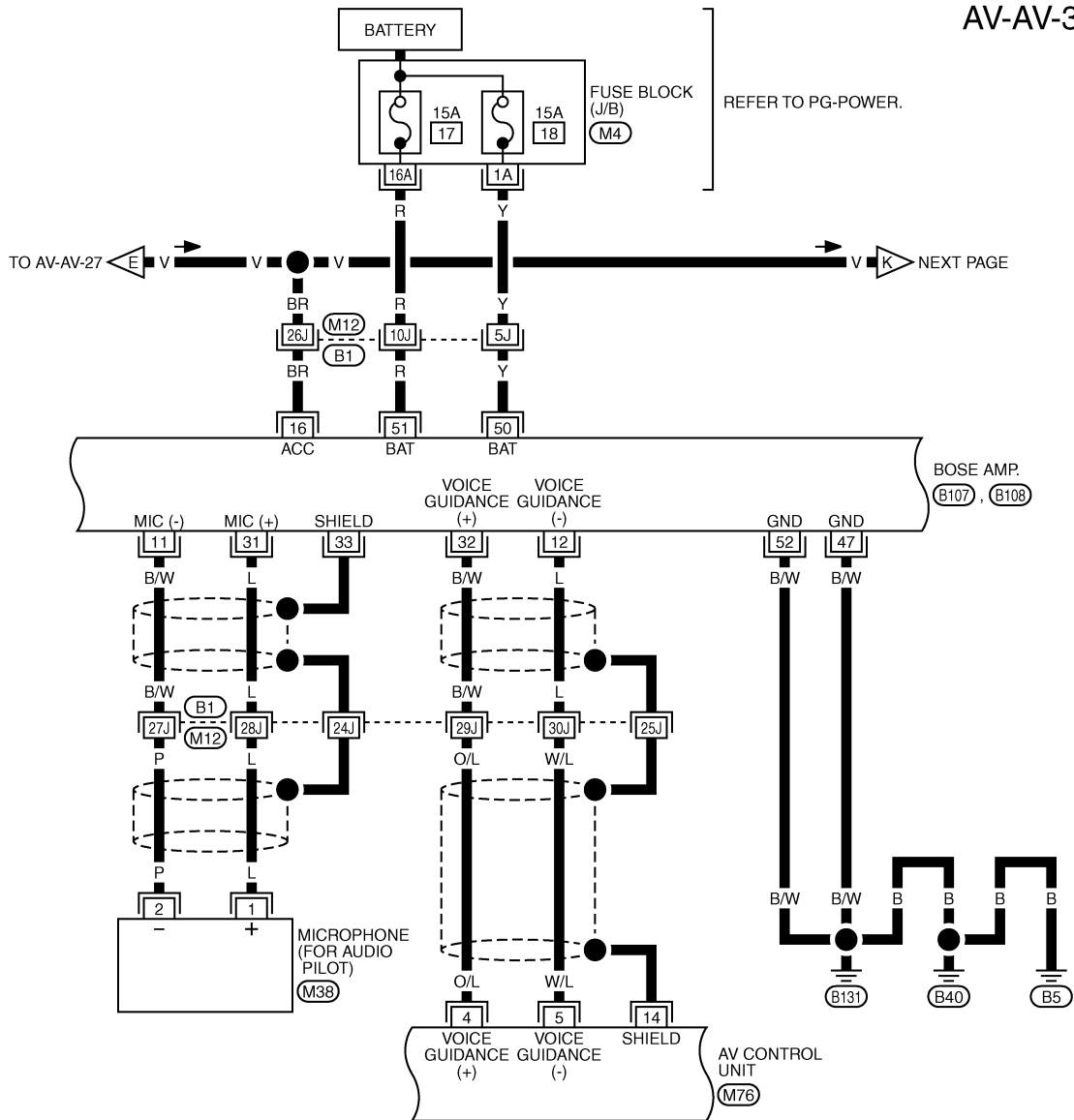
TKWT8285E

# FRONT DISPLAY UNIT

[WITHOUT MOBILE ENTERTAINMENT SYSTEM]

< ECU DIAGNOSIS >

AV-AV-34



REFER TO THE FOLLOWING.  
 (B1) -SUPER MULTIPLE JUNCTION (SMJ)  
 (M4) -FUSE BLOCK-JUNCTION BOX (J/B)

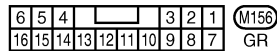
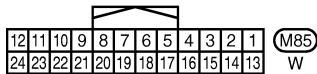
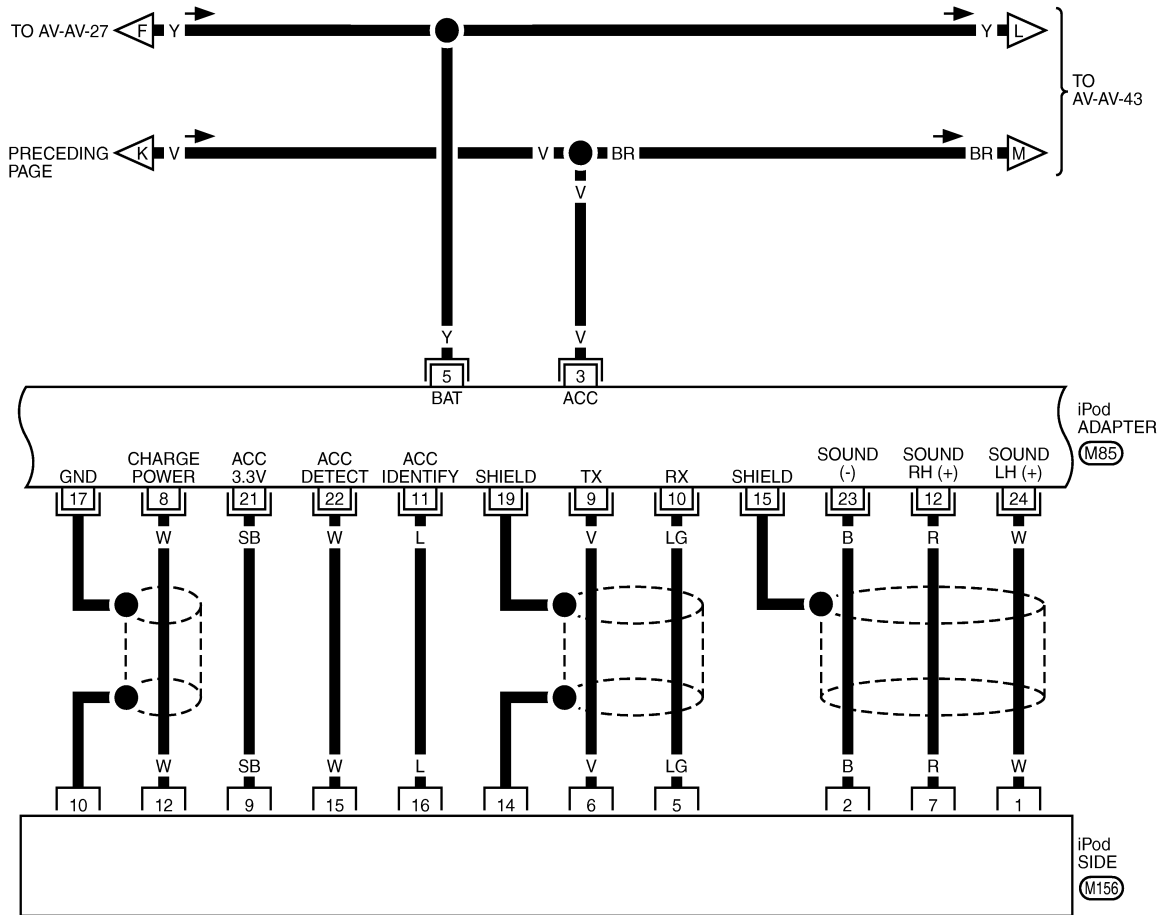
TKWT8286E

# FRONT DISPLAY UNIT

[WITHOUT MOBILE ENTERTAINMENT SYSTEM]

< ECU DIAGNOSIS >

AV-AV-35



TKWT6713E

A  
B  
C  
D  
E  
F  
G  
H  
I  
J  
K  
L  
M  
N  
O  
P

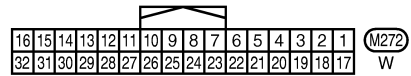
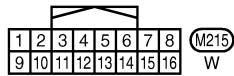
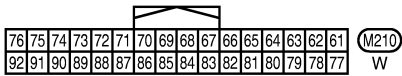
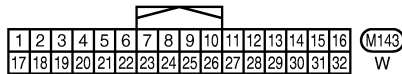
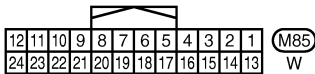
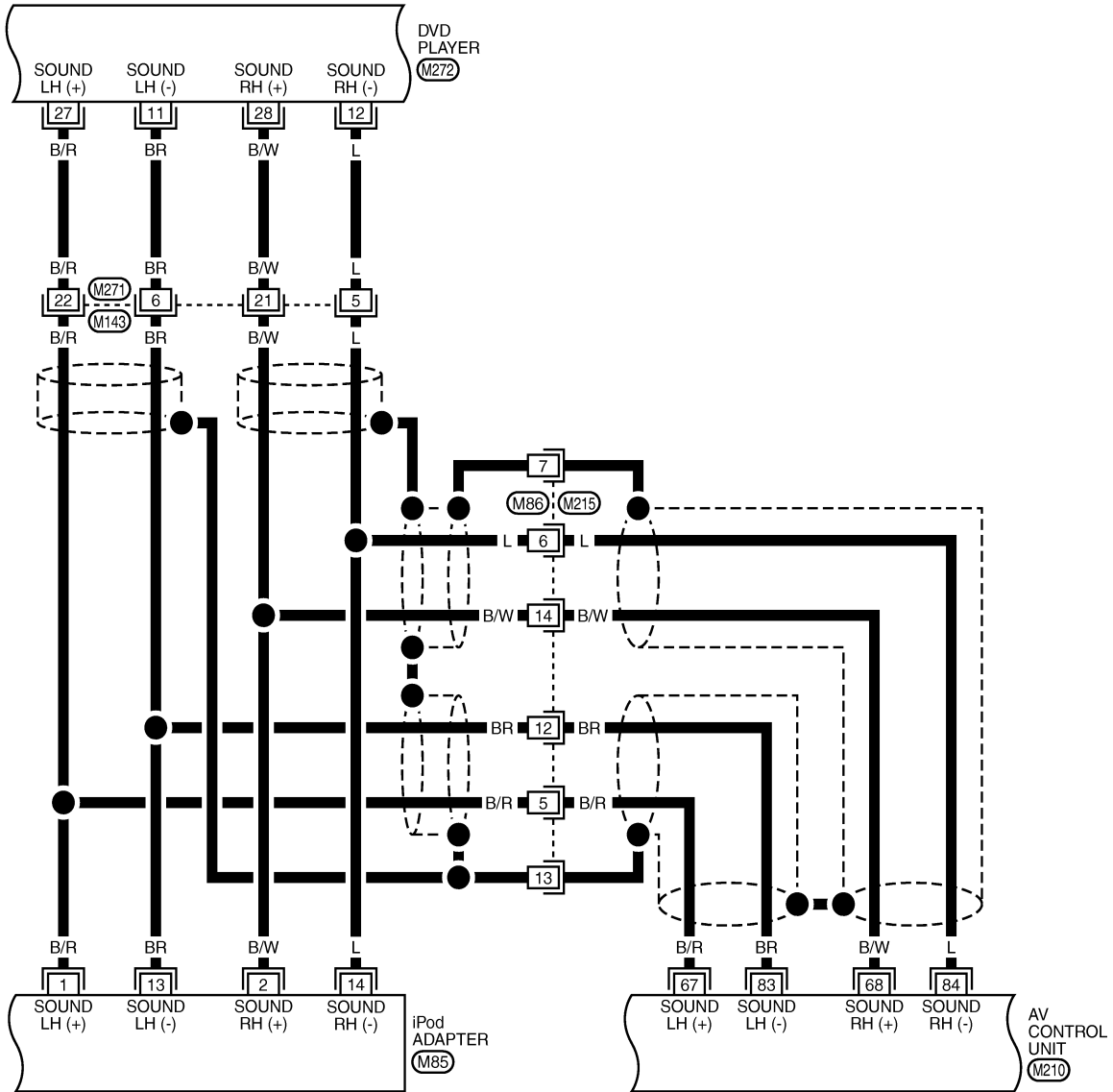
AV

# FRONT DISPLAY UNIT

[WITHOUT MOBILE ENTERTAINMENT SYSTEM]

< ECU DIAGNOSIS >

AV-AV-36



TKWT6714E

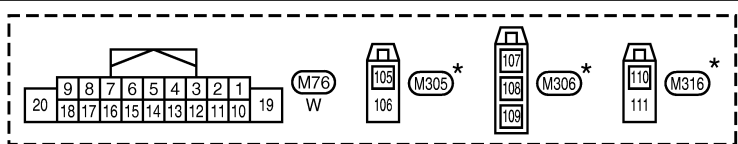
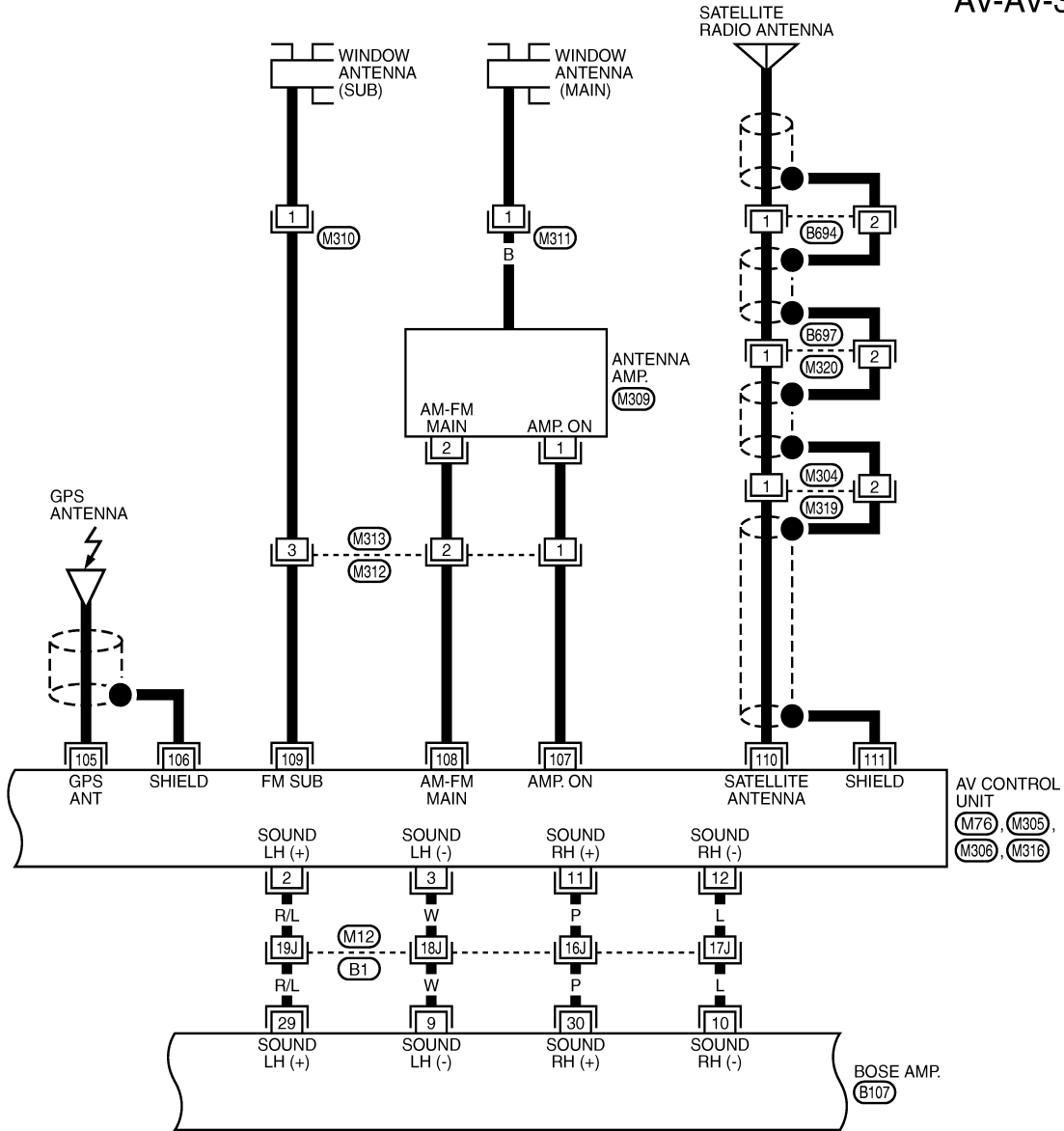


# FRONT DISPLAY UNIT

[WITHOUT MOBILE ENTERTAINMENT SYSTEM]

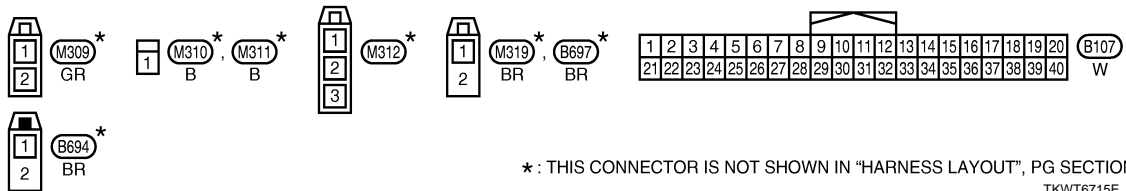
< ECU DIAGNOSIS >

AV-AV-37



REFER TO THE FOLLOWING.

(B1) - SUPER MULTIPLE JUNCTION (SMJ)



\* : THIS CONNECTOR IS NOT SHOWN IN "HARNESS LAYOUT", PG SECTION.  
TKWT6715E

A  
B  
C  
D  
E  
F  
G  
H  
I  
J  
K  
L  
M  
N  
O  
P

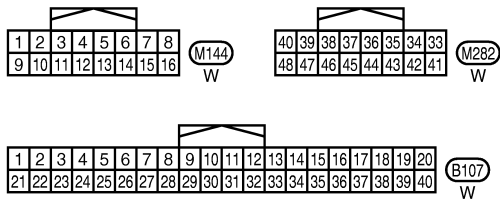
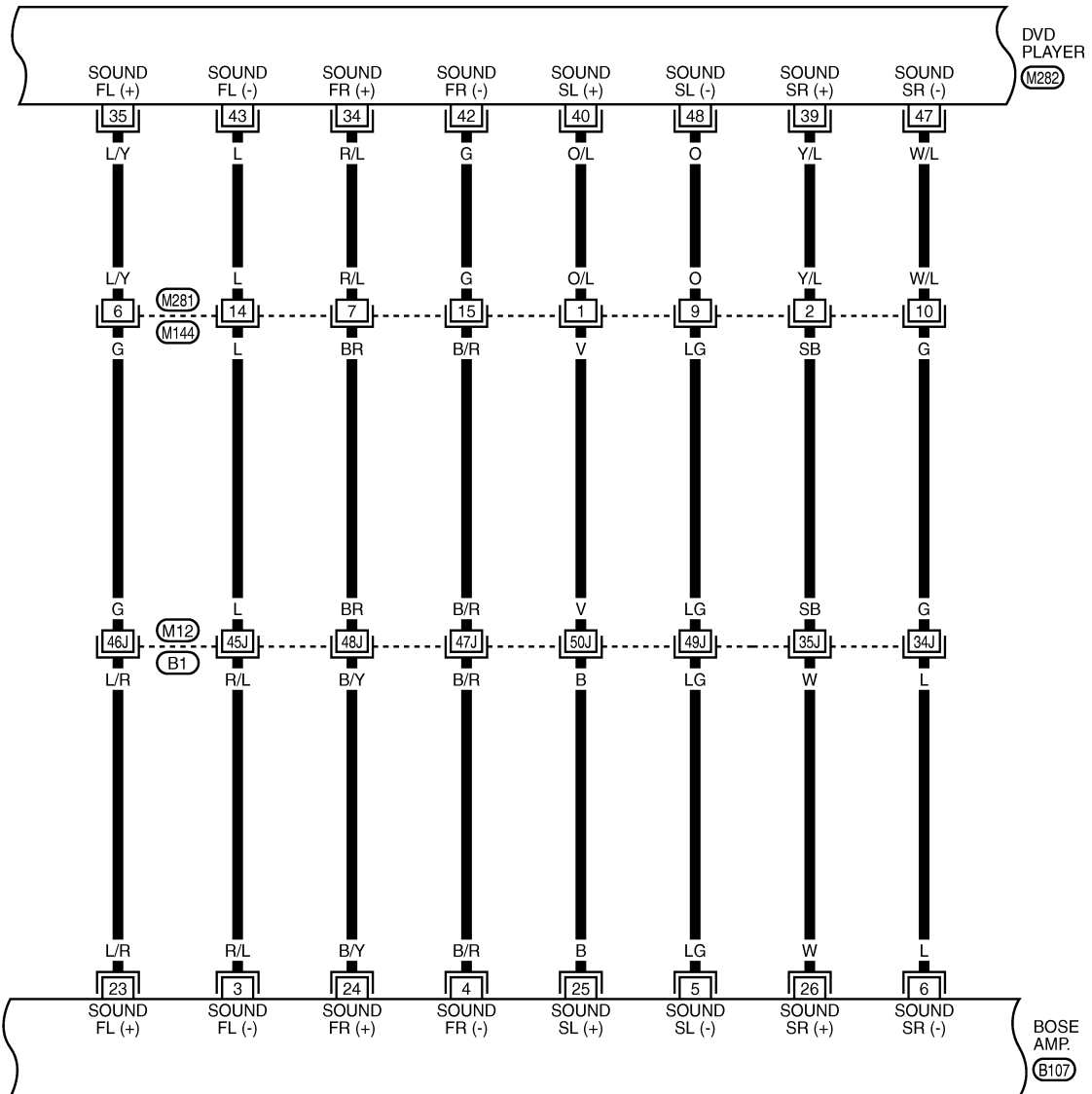
AV

# FRONT DISPLAY UNIT

[WITHOUT MOBILE ENTERTAINMENT SYSTEM]

< ECU DIAGNOSIS >

AV-AV-38



REFER TO THE FOLLOWING.

(B1) - SUPER MULTIPLE JUNCTION (SMJ)

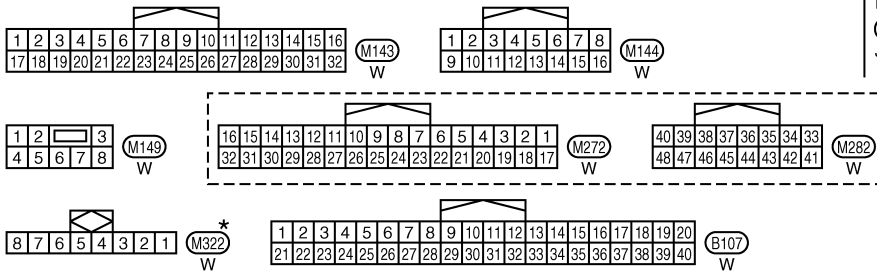
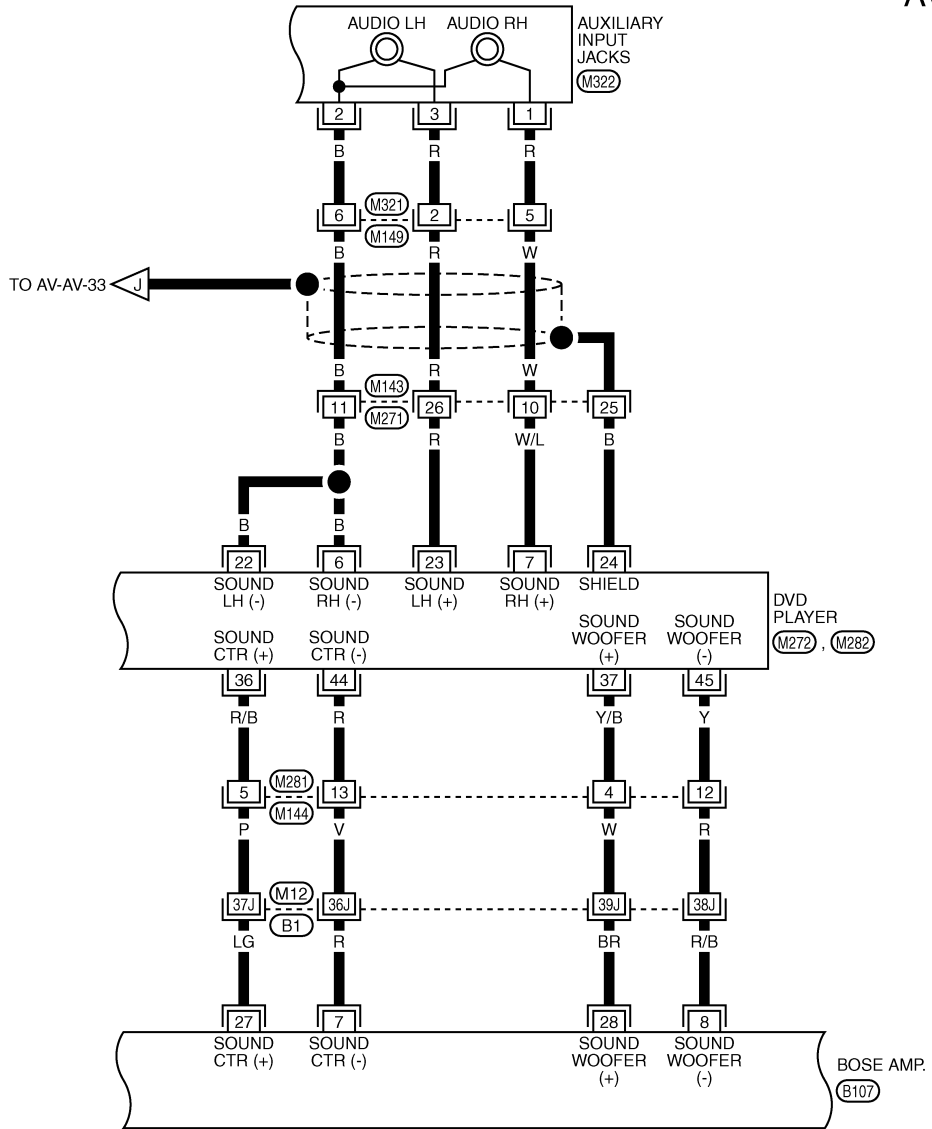
TKWT6716E

# FRONT DISPLAY UNIT

[WITHOUT MOBILE ENTERTAINMENT SYSTEM]

< ECU DIAGNOSIS >

AV-AV-39



\*: THIS CONNECTOR IS NOT SHOWN IN "HARNESS LAYOUT", PG SECTION.

REFER TO THE FOLLOWING.  
**(B1)** -SUPER MULTIPLE JUNCTION (SMJ)

TKWT8287E

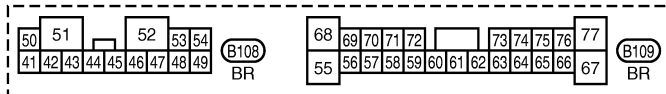
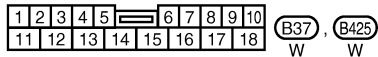
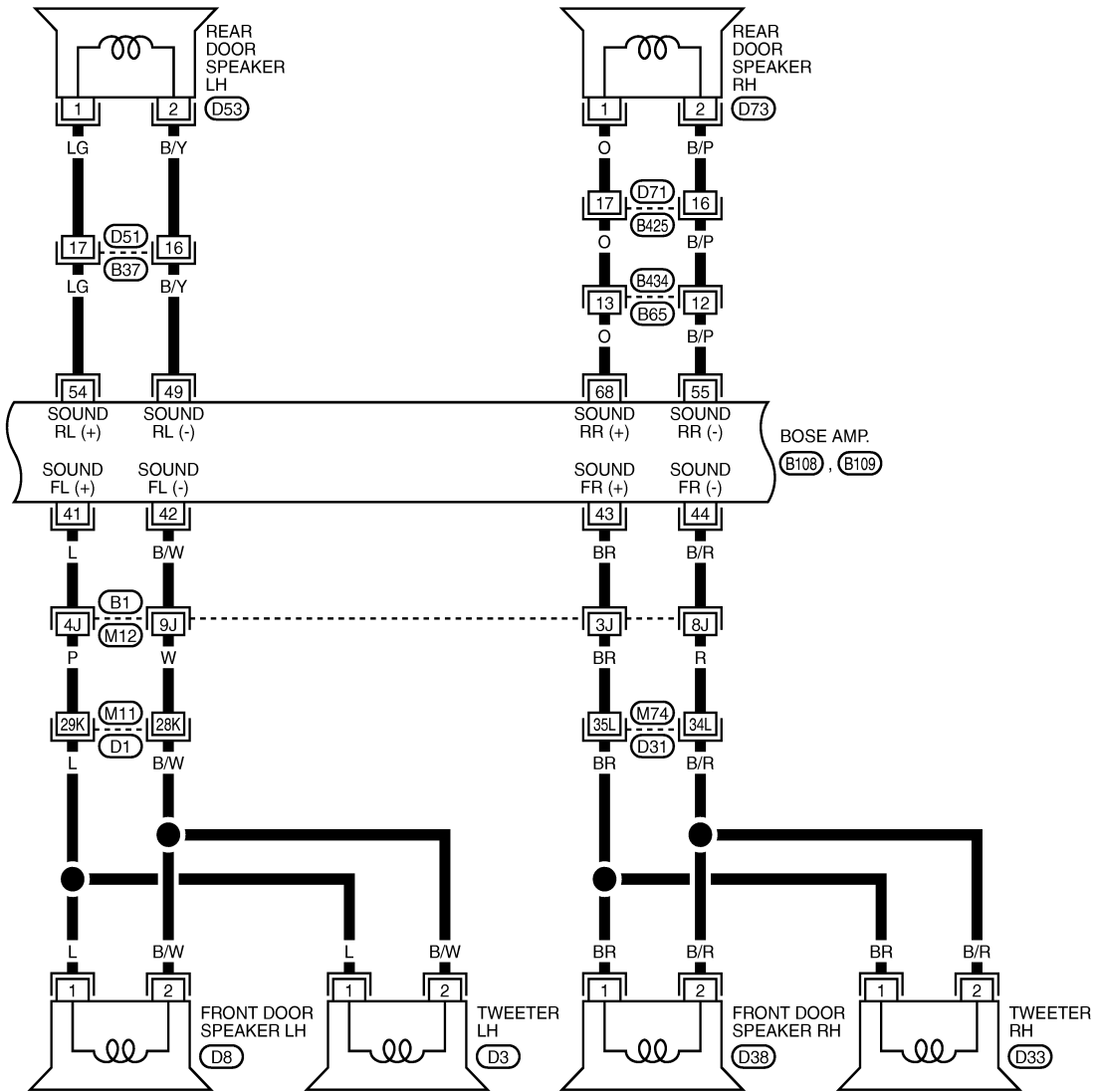
A  
B  
C  
D  
E  
F  
G  
H  
I  
J  
AV  
L  
M  
N  
O  
P

# FRONT DISPLAY UNIT

[WITHOUT MOBILE ENTERTAINMENT SYSTEM]

< ECU DIAGNOSIS >

AV-AV-40



REFER TO THE FOLLOWING.  
(B1, D1, D31) - SUPER  
MULTIPLE JUNCTION (SMJ)

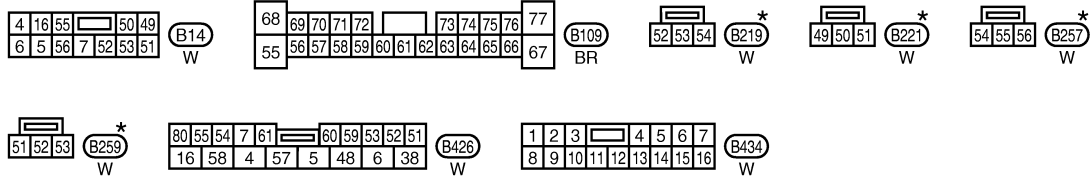
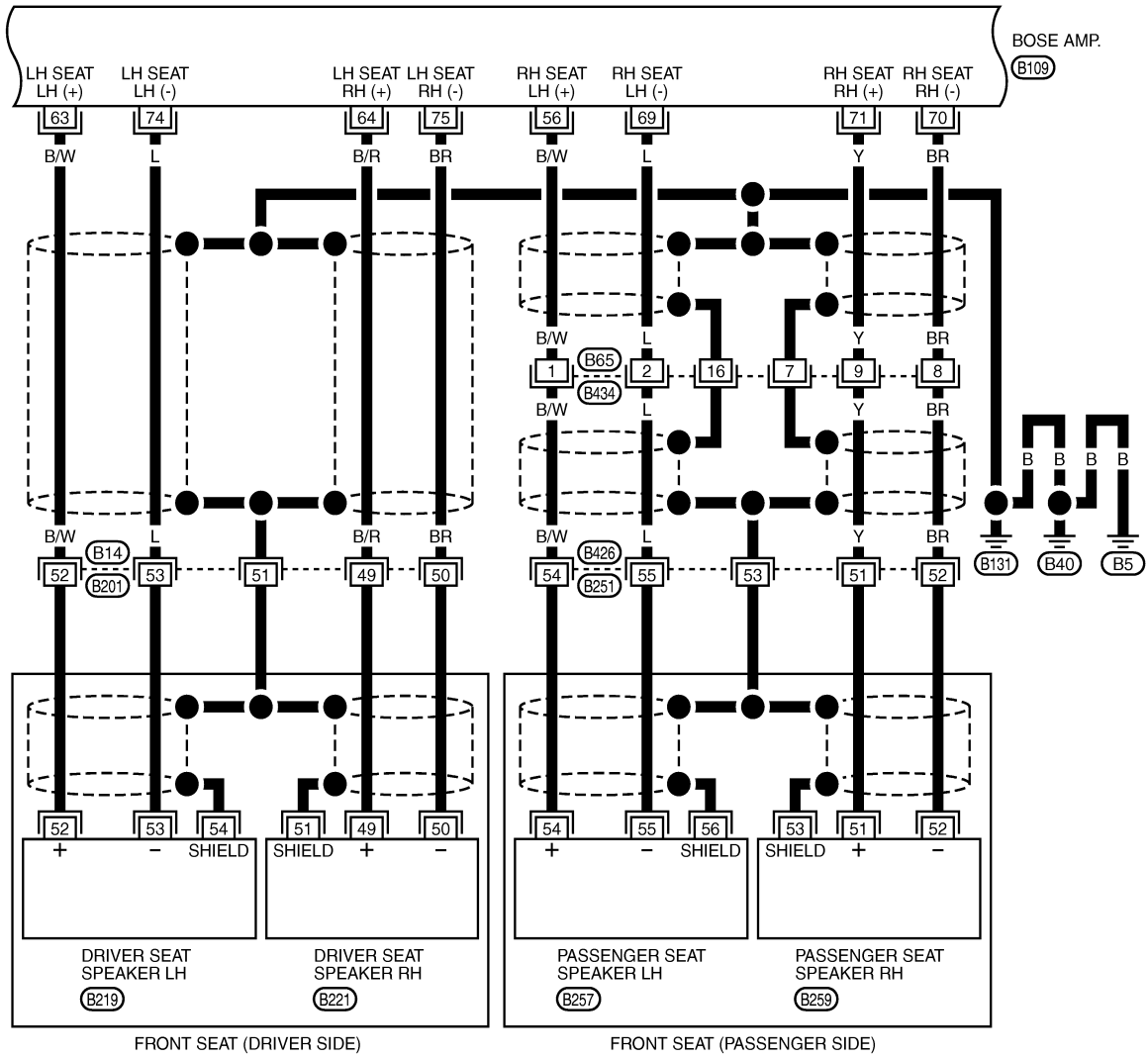
TKWT6718E

# FRONT DISPLAY UNIT

[WITHOUT MOBILE ENTERTAINMENT SYSTEM]

< ECU DIAGNOSIS >

AV-AV-41



\*: THIS CONNECTOR IS NOT SHOWN IN "HARNESS LAYOUT", PG SECTION.

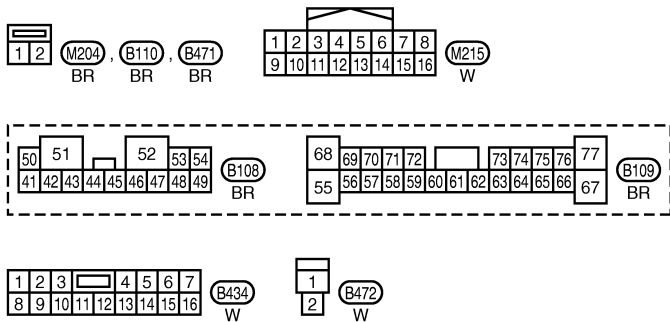
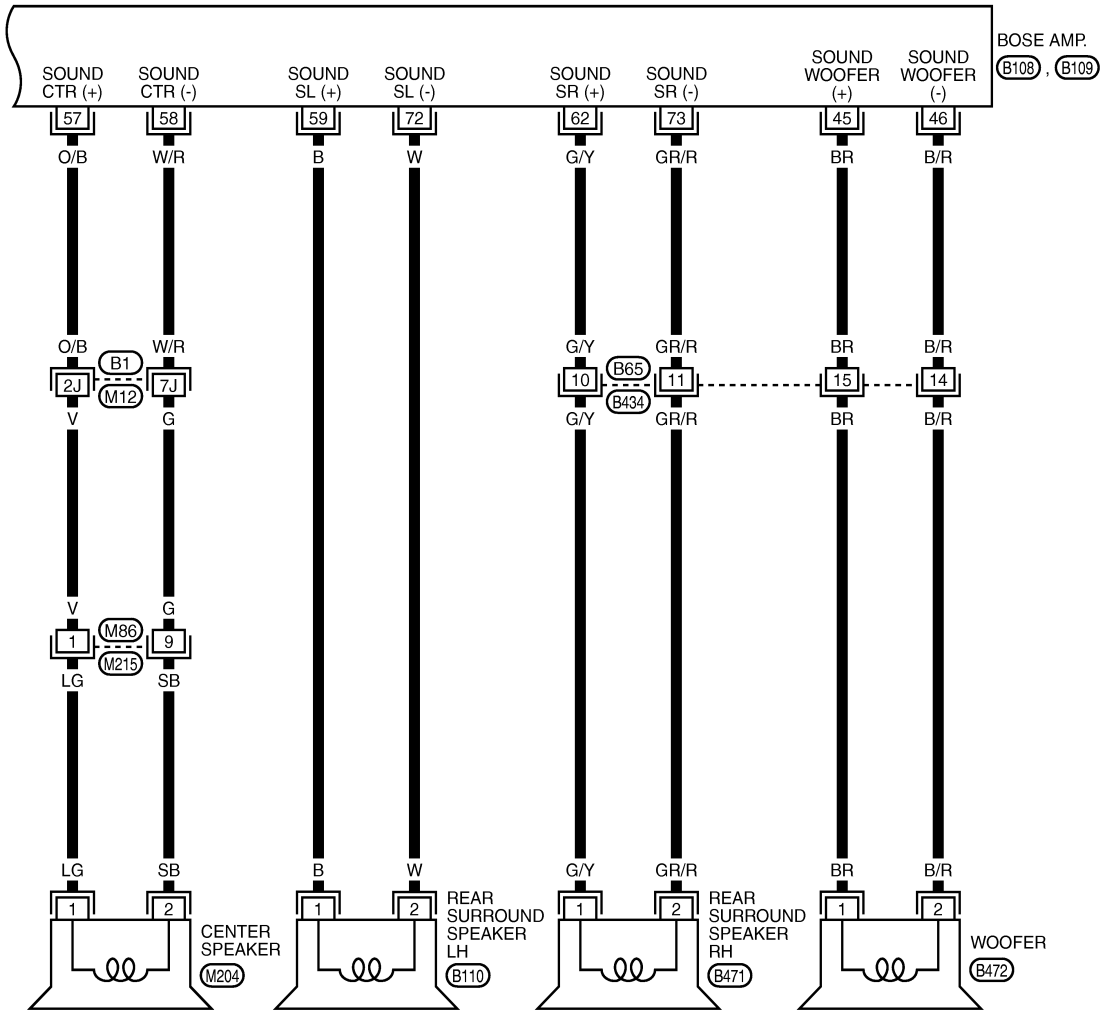
TKWT6719E

# FRONT DISPLAY UNIT

< ECU DIAGNOSIS >

[WITHOUT MOBILE ENTERTAINMENT SYSTEM]

AV-AV-42



REFER TO THE FOLLOWING.

(B1) - SUPER MULTIPLE JUNCTION (SMJ)

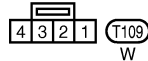
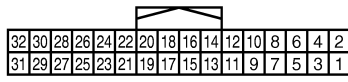
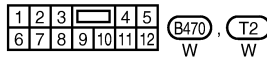
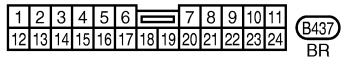
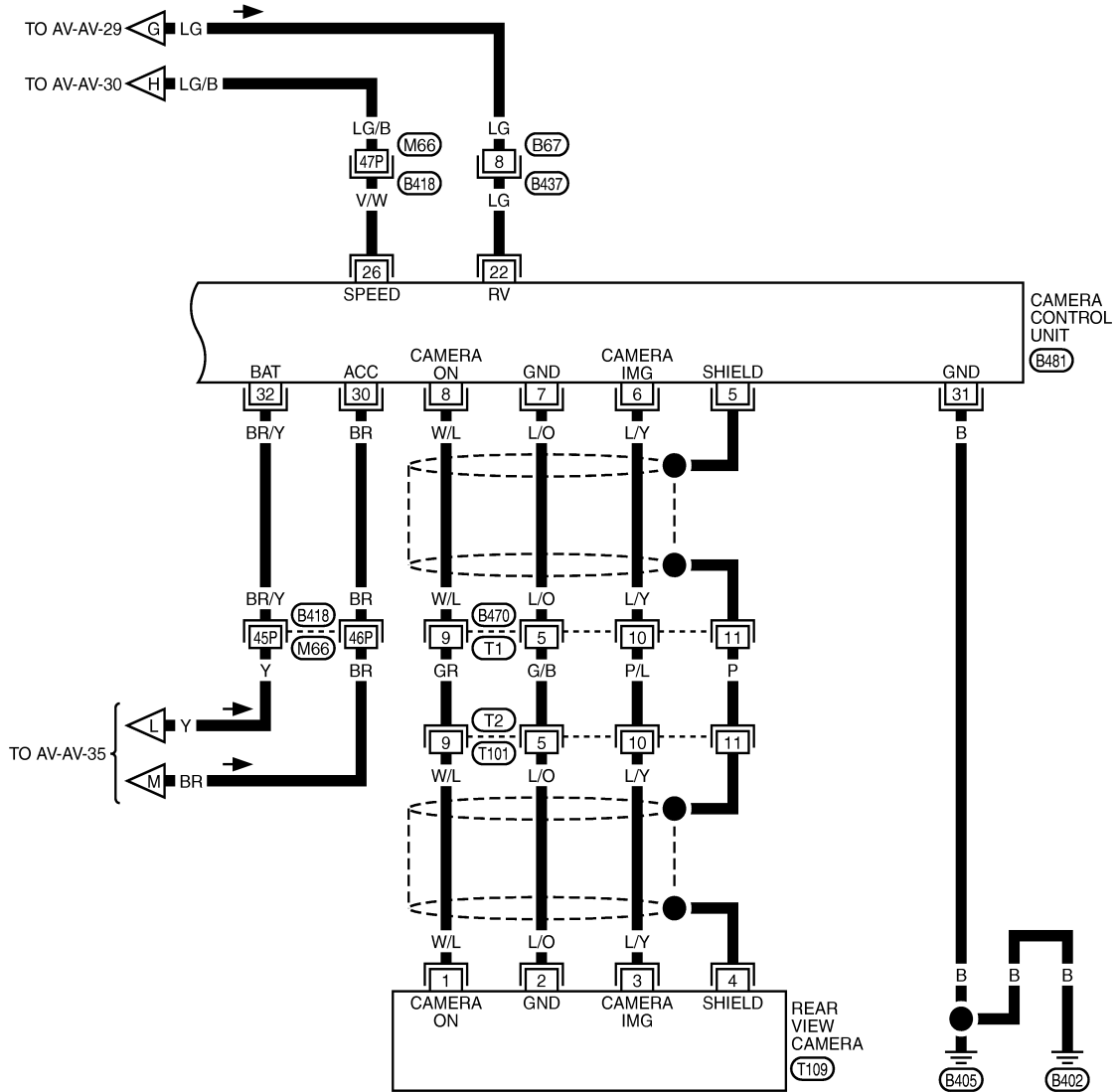
TKWT6720E

# FRONT DISPLAY UNIT

[WITHOUT MOBILE ENTERTAINMENT SYSTEM]

< ECU DIAGNOSIS >

AV-AV-43



REFER TO THE FOLLOWING.

B418 - SUPER MULTIPLE JUNCTION (SMJ)

TKWT6721E

A  
B  
C  
D  
E  
F  
G  
H  
I  
J  
K  
L  
M  
N  
O  
P

AV

# BOSE AMP.

[WITHOUT MOBILE ENTERTAINMENT SYSTEM]

< ECU DIAGNOSIS >

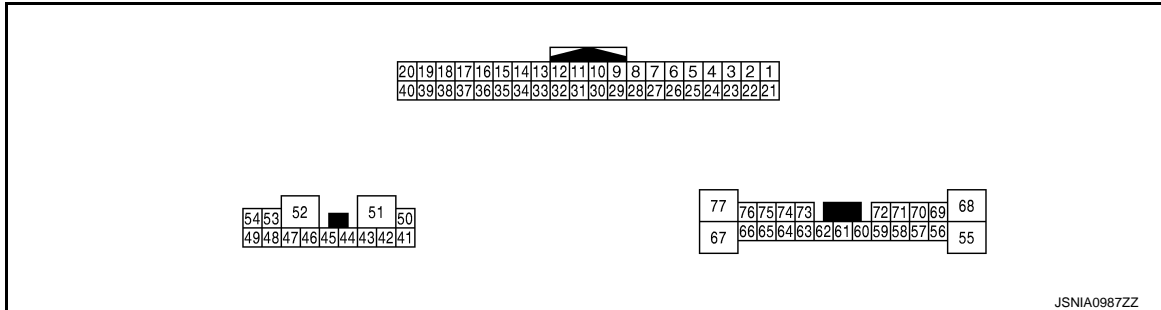
## BOSE AMP.

### BOSE AUDIO 2CH SYSTEM

### BOSE AUDIO 2CH SYSTEM : Reference Value

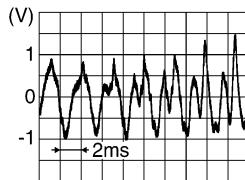
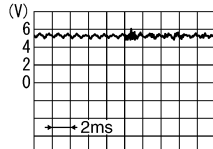
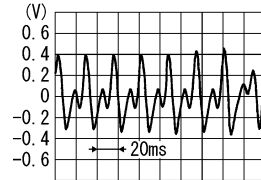
INFOID:000000005350338

#### TERMINAL LAYOUT



JSNIA0987ZZ

#### PHYSICAL VALUES

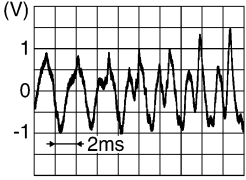
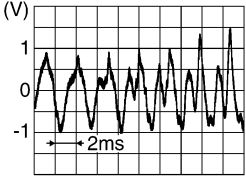
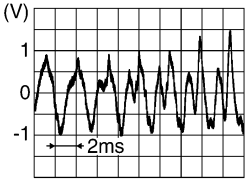
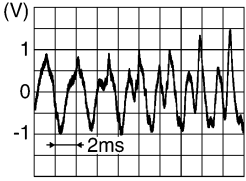
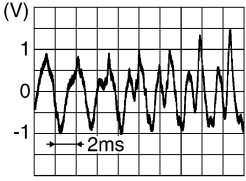
Terminal (Wire color)		Description		Condition		Reference value (Approx.)
+	-	Signal name	Input/ Output			
16 (B/W)	15 (L)	Voice guidance signal	Input	Ignition switch ON	When inputting voice guid- ance	 <p>SKIB3609E</p>
25 (L)	26 (B/W)	MIC. signal (for AudioPilot®)	Input	Ignition switch ON	When inputting noise	 <p>(reference value) PKIA2104E</p>
27	—	Shield	—	—	—	—
35 (G)	—	AV communication signal (L)	Input/ Output	—	—	—
36 (G)	—	AV communication signal (L)	Input/ Output	—	—	—
37 (R)	—	AV communication signal (H)	Input/ Output	—	—	—
38 (R)	—	AV communication signal (H)	Input/ Output	—	—	—
45 (BR)	46 (B/R)	Sound signal woofer	Output	Ignition switch ON	Sound output	 <p>PKIB6116J</p>



# BOSE AMP.

[WITHOUT MOBILE ENTERTAINMENT SYSTEM]

< ECU DIAGNOSIS >

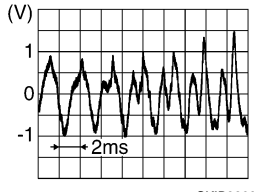
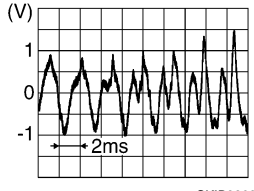
Terminal (Wire color)		Description		Condition		Reference value (Approx.)
+	-	Signal name	Input/ Output			
47 (B/W)	Ground	Ground	—	Ignition switch ON	—	0 V
50 (Y)	Ground	Battery power supply	Input	Ignition switch OFF	—	Battery voltage
51 (R)	Ground	Battery power supply	Input	Ignition switch OFF	—	Battery voltage
52 (B/W)	Ground	Ground	—	Ignition switch ON	—	0 V
54 (O)	49 (B/P)	Sound signal rear door speaker RH	Output	Ignition switch ON	Sound output	 <small>SKIB3609E</small>
58 (P)	59 (L/Y)	Sound signal front door speaker RH	Output	Ignition switch ON	Sound output	 <small>SKIB3609E</small>
60 (BR)	Ground	ACC power supply	Input	Ignition switch ACC	—	Battery voltage
64 (R/L)	63 (W)	Sound signal LH	Input	Ignition switch ON	Audio sound output	 <small>SKIB3609E</small>
66 (P)	65 (L)	Sound signal RH	Input	Ignition switch ON	Audio sound output	 <small>SKIB3609E</small>
68 (LG)	55 (B/Y)	Sound signal rear door speaker LH	Output	Ignition switch ON	Sound output	 <small>SKIB3609E</small>

A  
B  
C  
D  
E  
F  
G  
H  
I  
J  
AV  
L  
M  
N  
O  
P

# BOSE AMP.

[WITHOUT MOBILE ENTERTAINMENT SYSTEM]

< ECU DIAGNOSIS >

Terminal (Wire color)		Description		Condition		Reference value (Approx.)
+	-	Signal name	Input/ Output			
69 (V)	70 (G/Y)	Sound signal center speaker	Output	Ignition switch ON	Sound output	
71 (BR)	72 (R)	Sound signal front door speaker RH	Output	Ignition switch ON	Sound output	

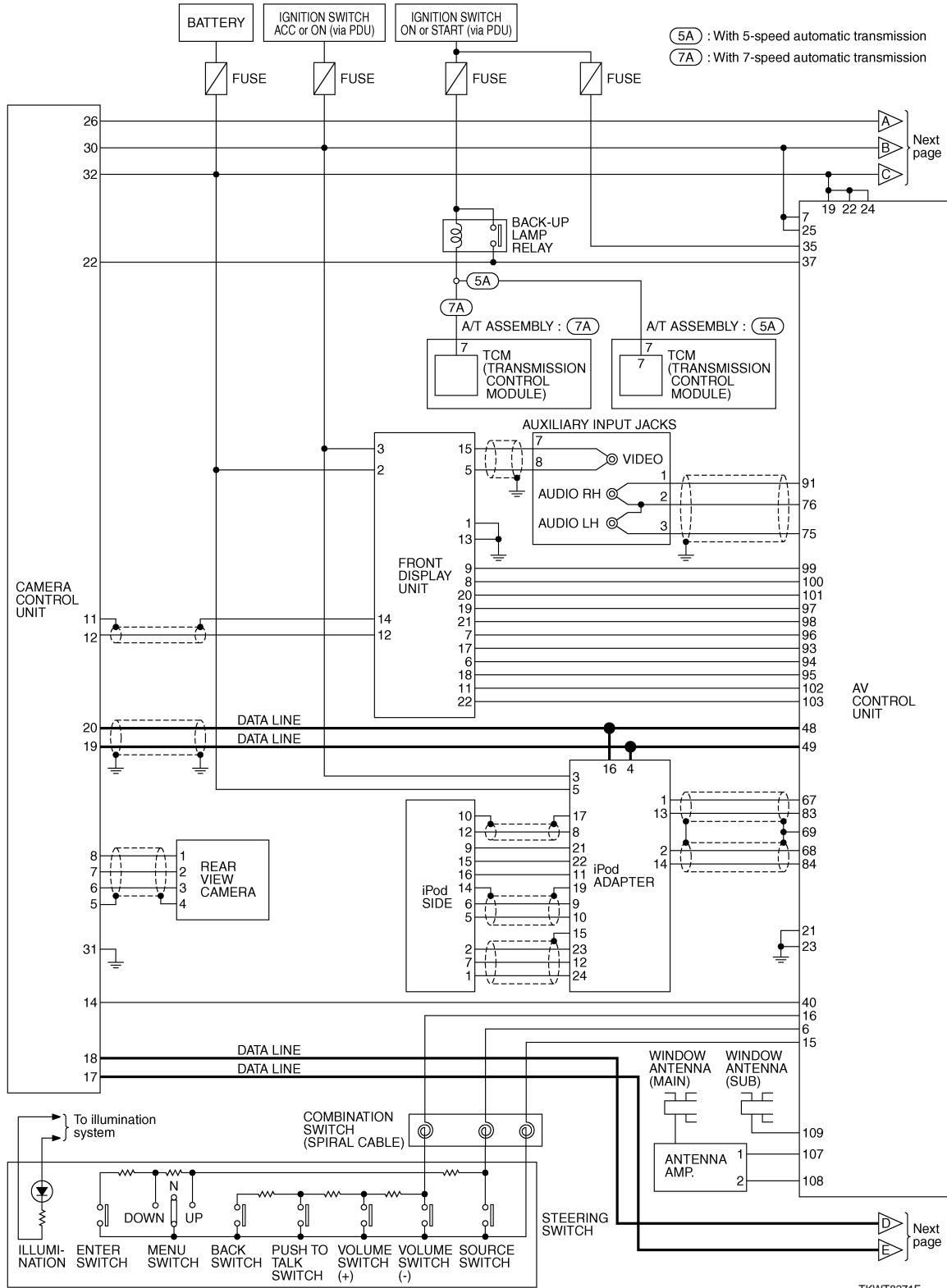
# BOSE AMP.

[WITHOUT MOBILE ENTERTAINMENT SYSTEM]

< ECU DIAGNOSIS >

## BOSE AUDIO 2CH SYSTEM : Schematic - BOSE Audio 2ch System -

INFOID:000000005350339



TKWT8271E

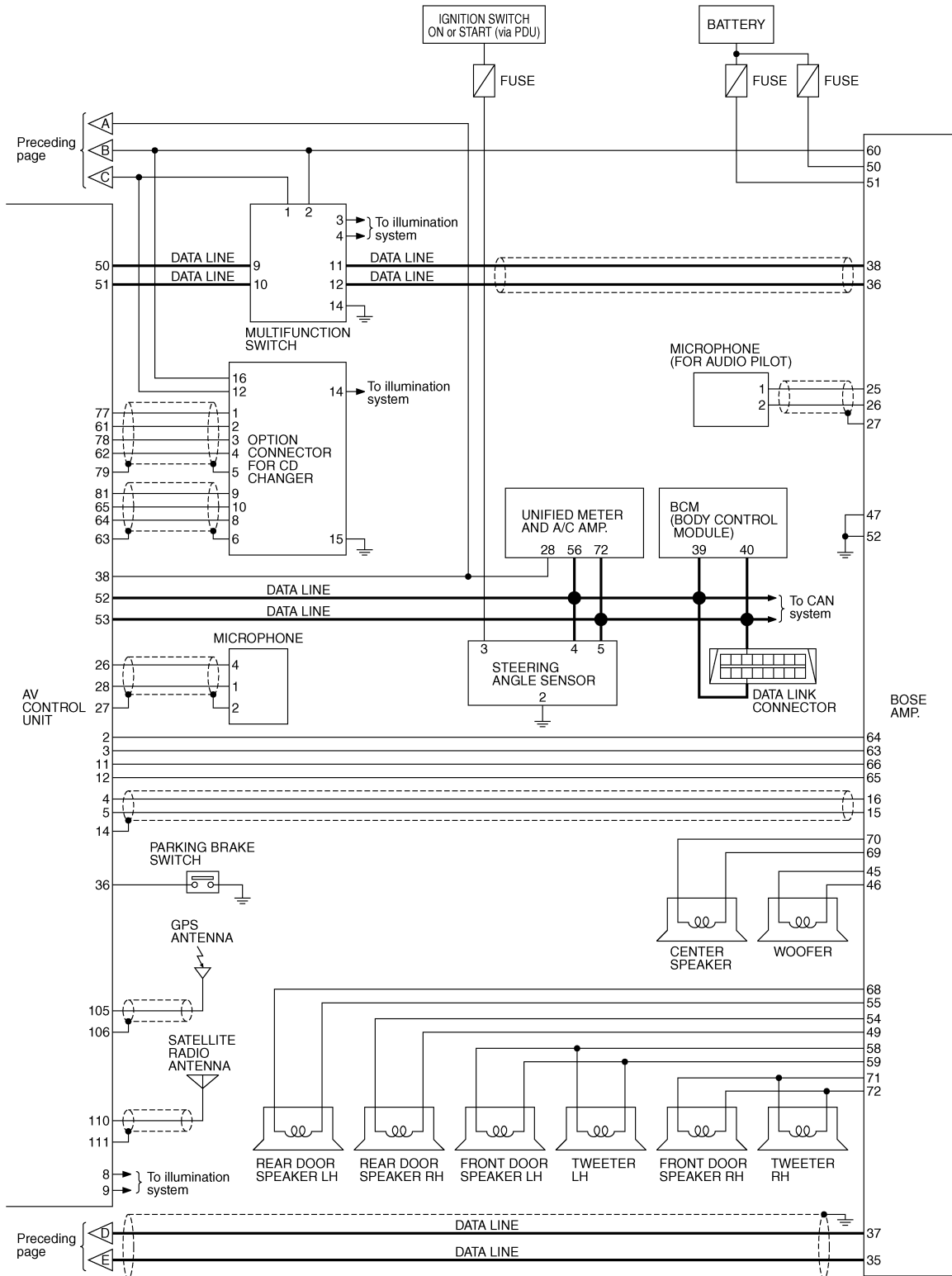
A  
B  
C  
D  
E  
F  
G  
H  
I  
J  
K  
L  
M  
N  
O  
P

AV

# BOSE AMP.

[WITHOUT MOBILE ENTERTAINMENT SYSTEM]

< ECU DIAGNOSIS >



TKWT8272E

## BOSE AUDIO 2CH SYSTEM : Wiring Diagram - AV - / BOSE Audio 2ch System

INFOID:000000005350340

**NOTE:**

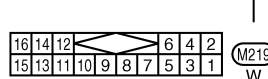
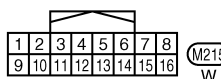
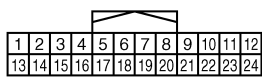
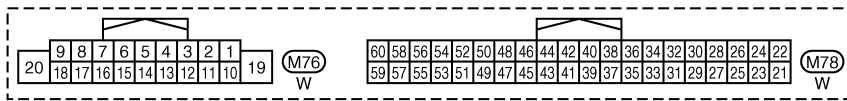
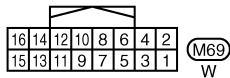
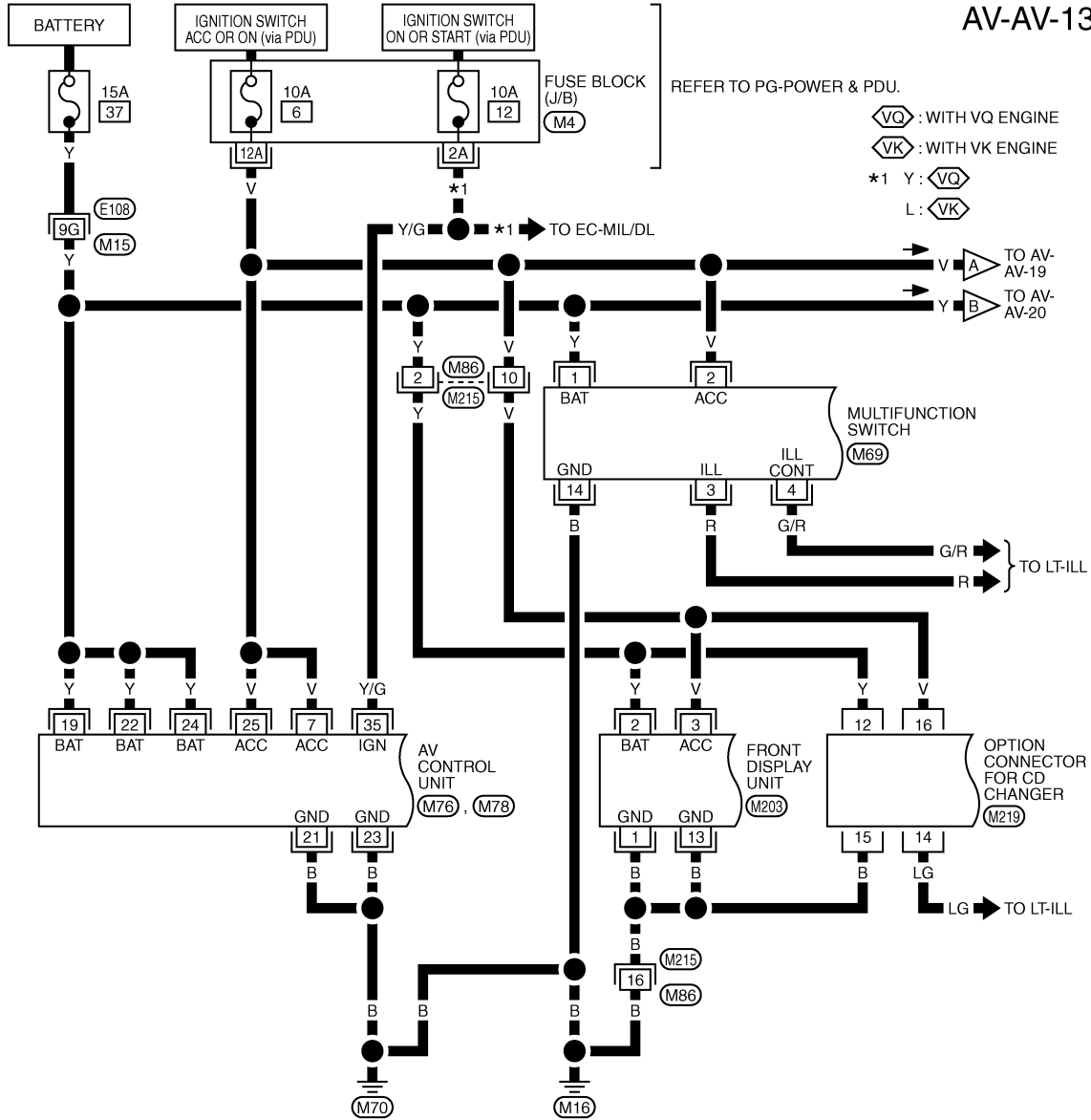
# BOSE AMP.

[WITHOUT MOBILE ENTERTAINMENT SYSTEM]

< ECU DIAGNOSIS >

The name MULTIFUNCTION SWITCH indicates the integration of PRESET SWITCH and MULTIFUNCTION SWITCH virtually.

AV-AV-13



REFER TO THE FOLLOWING.

- (E108) -SUPER MULTIPLE JUNCTION (SMJ)
- (M4) -FUSE BLOCK-JUNCTION BOX (J/B)

TKWT8273E

A  
B  
C  
D  
E  
F  
G  
H  
I  
J  
K  
L  
M  
N  
O  
P

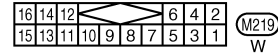
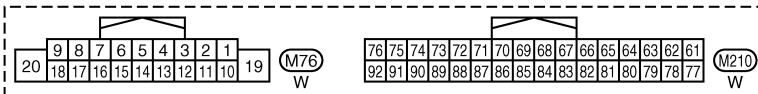
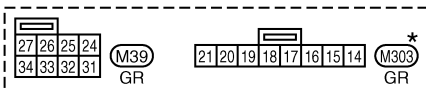
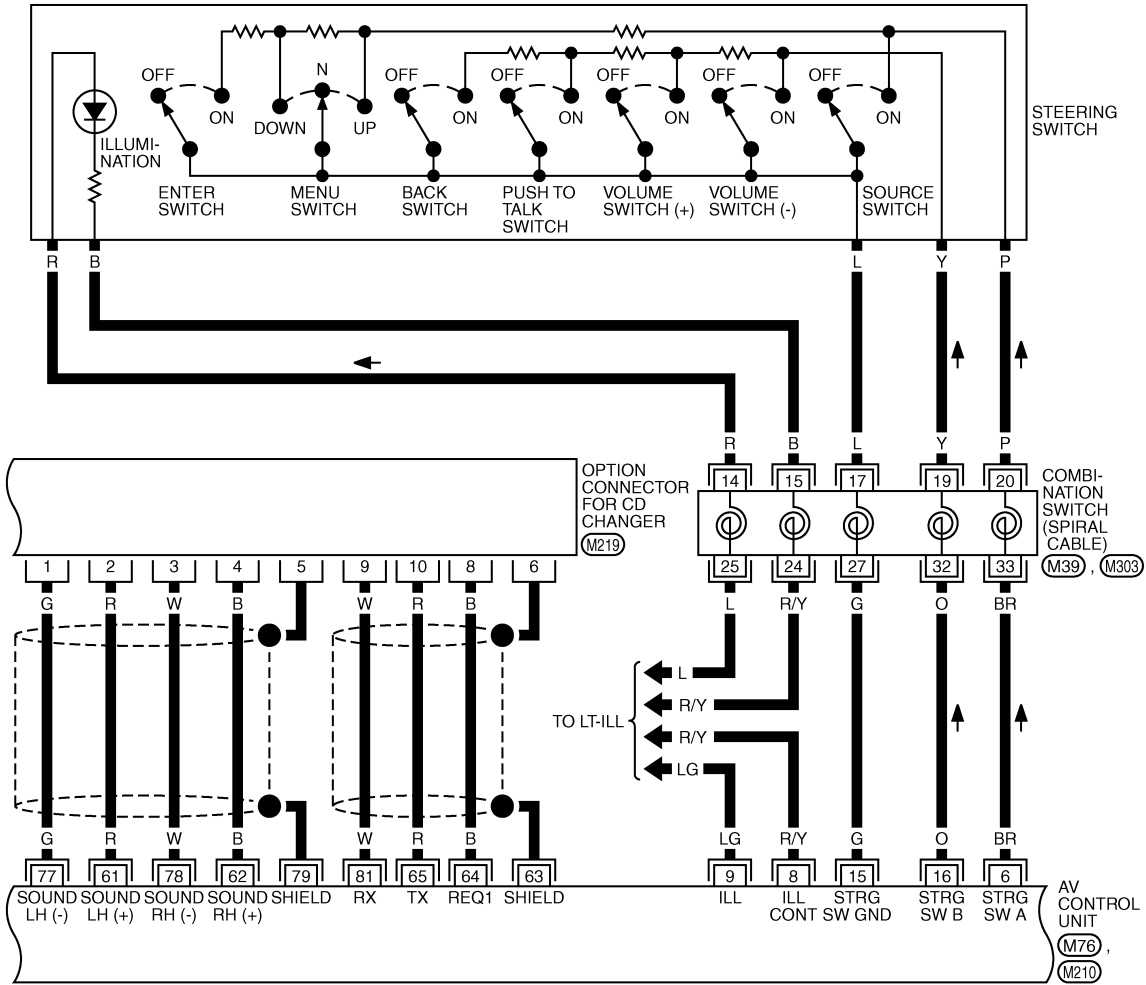
AV

# BOSE AMP.

[WITHOUT MOBILE ENTERTAINMENT SYSTEM]

< ECU DIAGNOSIS >

AV-AV-14



\*: THIS CONNECTOR IS NOT SHOWN IN "HARNESS LAYOUT", PG SECTION.

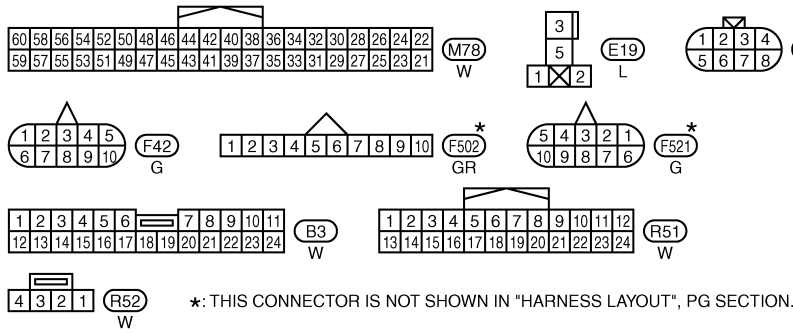
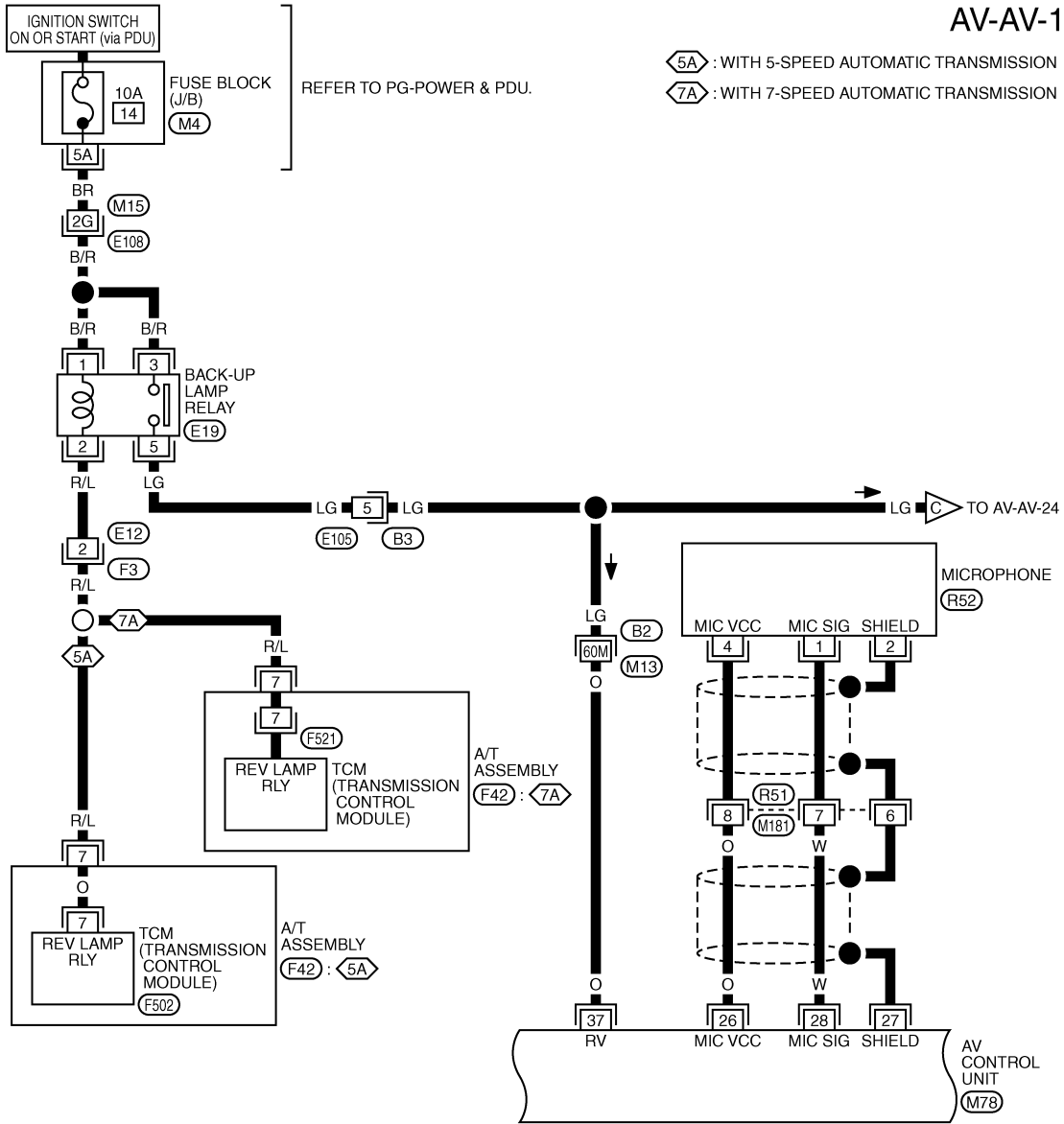
TKWT8274E

# BOSE AMP.

## [WITHOUT MOBILE ENTERTAINMENT SYSTEM]

< ECU DIAGNOSIS >

AV-AV-15



REFER TO THE FOLLOWING.  
(E108), (B2) -SUPER MULTIPLE JUNCTION (SMJ)  
(M4) -FUSE BLOCK-JUNCTION BOX (J/B)

TKWT8275E

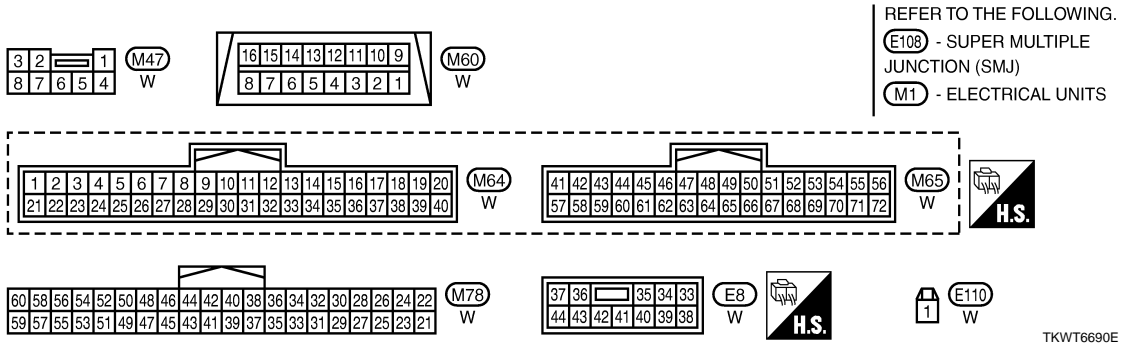
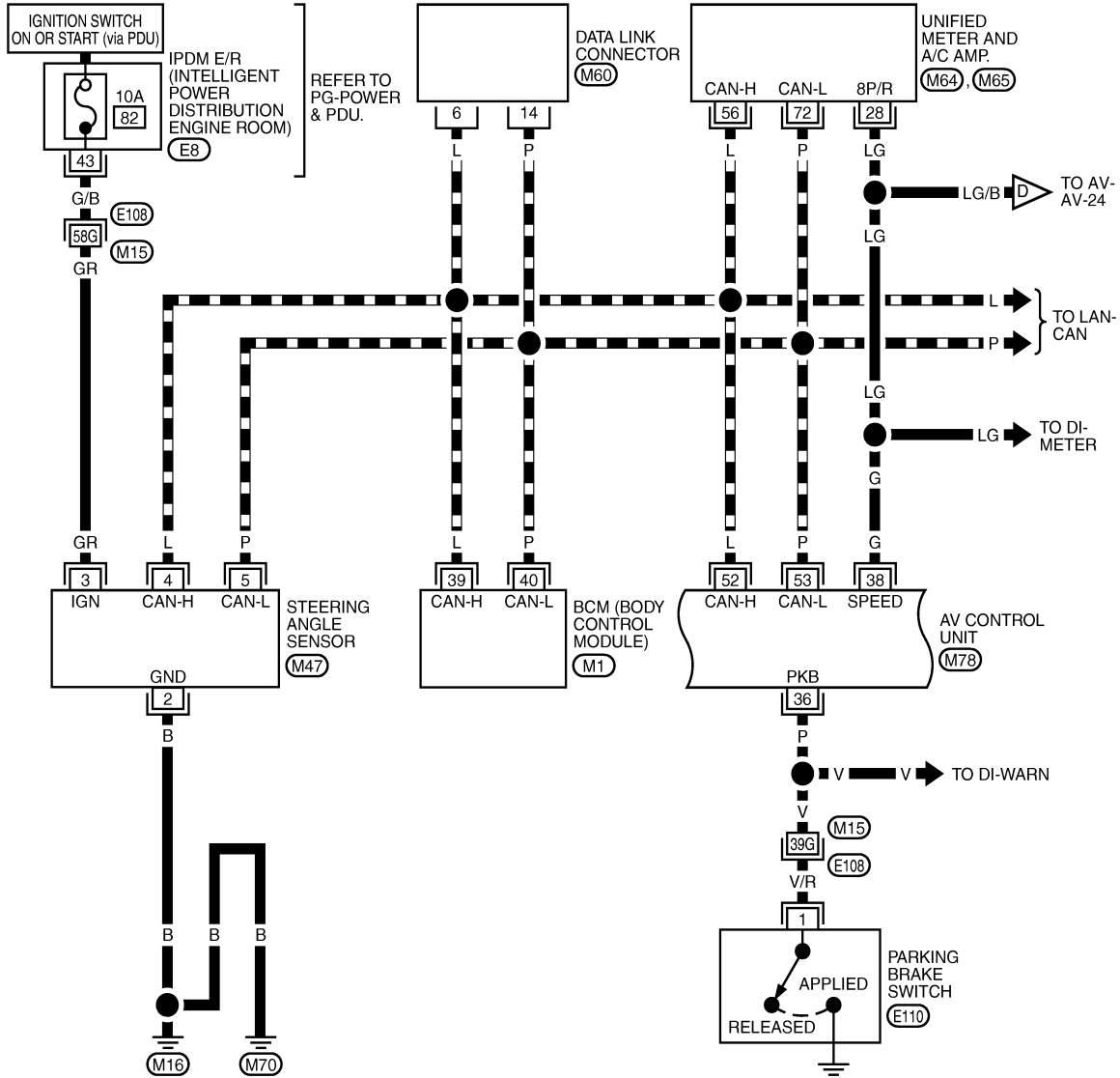
# BOSE AMP.

[WITHOUT MOBILE ENTERTAINMENT SYSTEM]

< ECU DIAGNOSIS >

AV-AV-16

▬ : DATA LINE



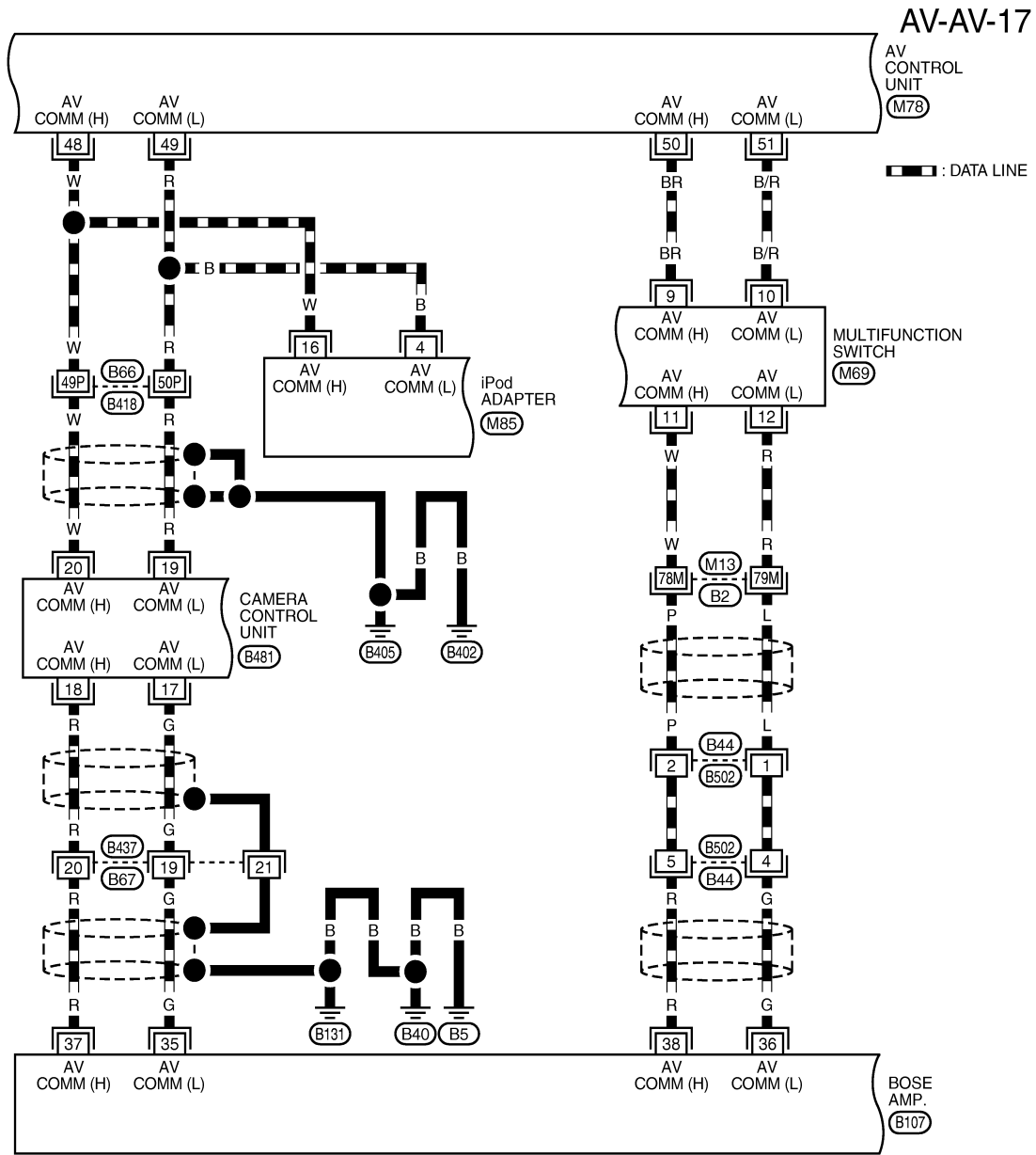
TKWT6690E



# BOSE AMP.

[WITHOUT MOBILE ENTERTAINMENT SYSTEM]

< ECU DIAGNOSIS >



16	14	12	10	8	6	4	2	(M69)	60	58	56	54	52	50	48	46	44	42	40	38	36	34	32	30	28	26	24	22	(M78)
15	13	11	9	7	5	3	1	W	59	57	55	53	51	49	47	45	43	41	39	37	35	33	31	29	27	25	23	21	W

REFER TO THE FOLLOWING.  
 (B2), (B418) - SUPER MULTIPLE JUNCTION (SMJ)

12	11	10	9	8	7	6	5	4	3	2	1	(M85)	1	2	4	5	(B44)	1	2	3	4	5	6	7	8	9	10	11	12	13	14	15	16	17	18	19	20	(B107)
24	23	22	21	20	19	18	17	16	15	14	13	W	3	6	GR	21	22	23	24	25	26	27	28	29	30	31	32	33	34	35	36	37	38	39	40	W		

1	2	3	4	5	6	(B437)	32	30	28	26	24	22	20	18	16	14	12	10	8	6	4	2	(B481)							
12	13	14	15	16	17	18	19	20	21	22	23	24	BR	31	29	27	25	23	21	19	17	15	13	11	9	7	5	3	1	W

TKWT6691E

A  
B  
C  
D  
E  
F  
G  
H  
I  
J  
K  
L  
M  
N  
O  
P

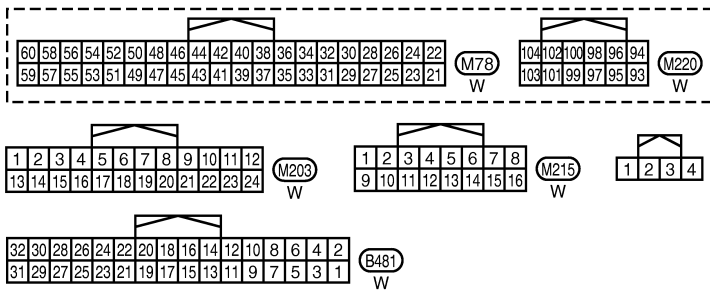
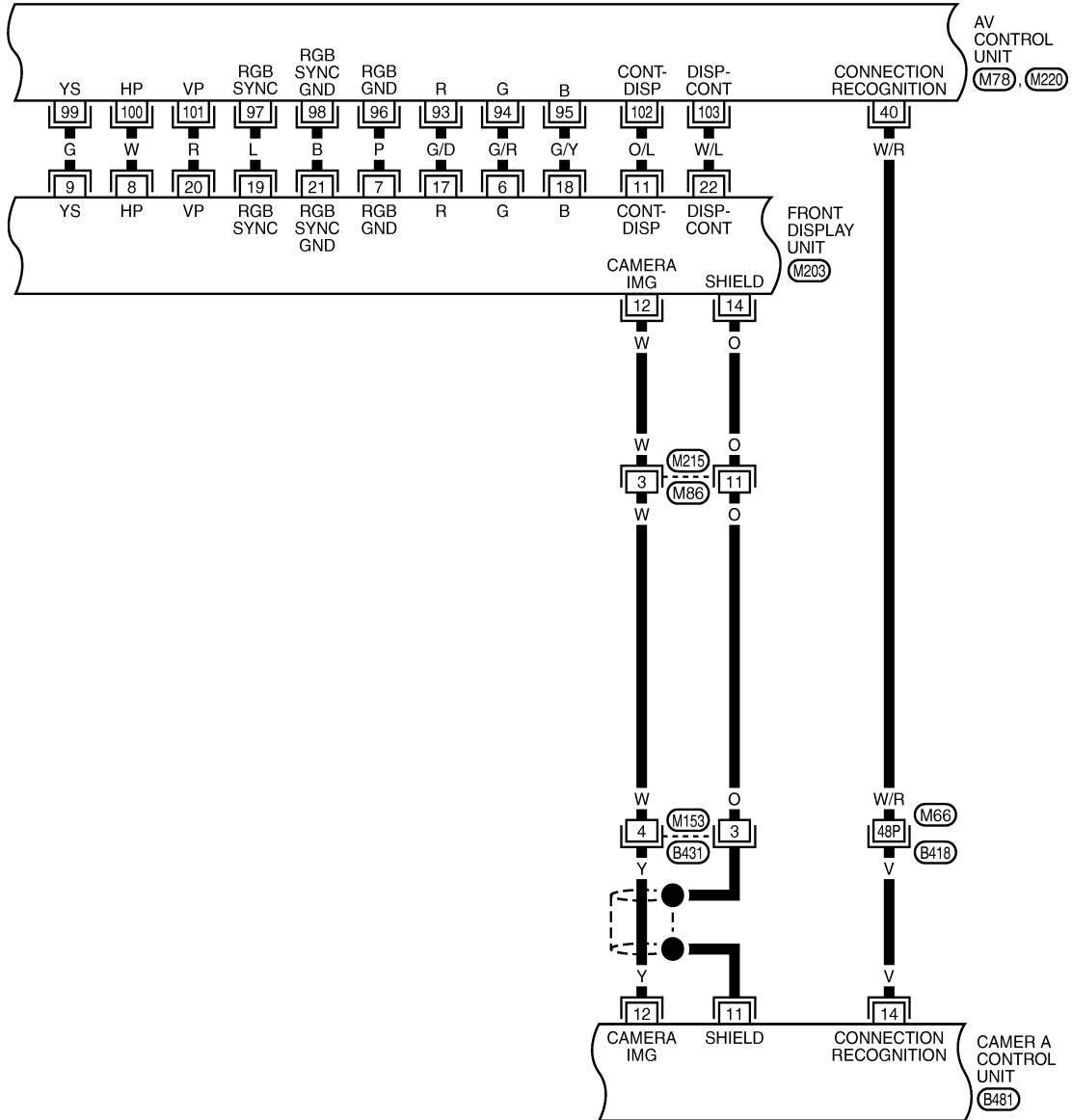
AV

# BOSE AMP.

[WITHOUT MOBILE ENTERTAINMENT SYSTEM]

< ECU DIAGNOSIS >

AV-AV-18



REFER TO THE FOLLOWING.

(B418) - SUPER MULTIPLE JUNCTION (SMJ)

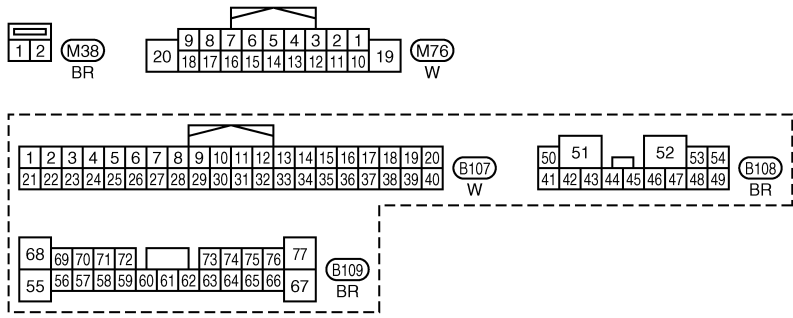
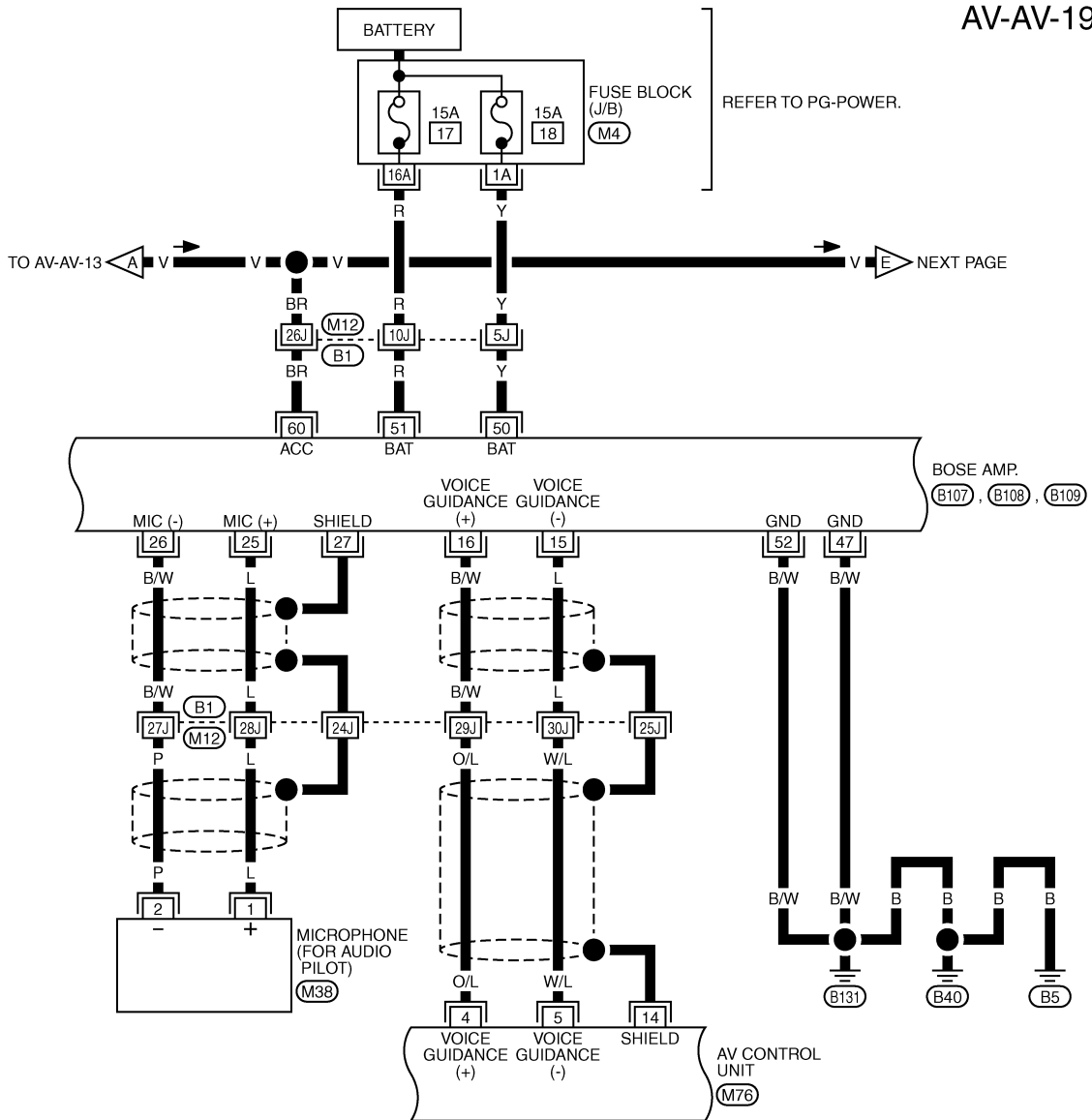
TKWT6692E

# BOSE AMP.

[WITHOUT MOBILE ENTERTAINMENT SYSTEM]

< ECU DIAGNOSIS >

AV-AV-19



REFER TO THE FOLLOWING.

(B1) -SUPER MULTIPLE JUNCTION (SMJ)

(M4) -FUSE BLOCK-JUNCTION BOX (J/B)

TKWT8276E

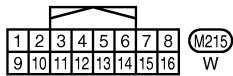
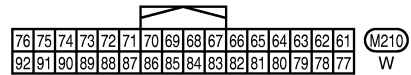
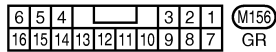
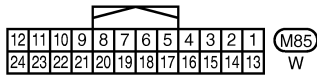
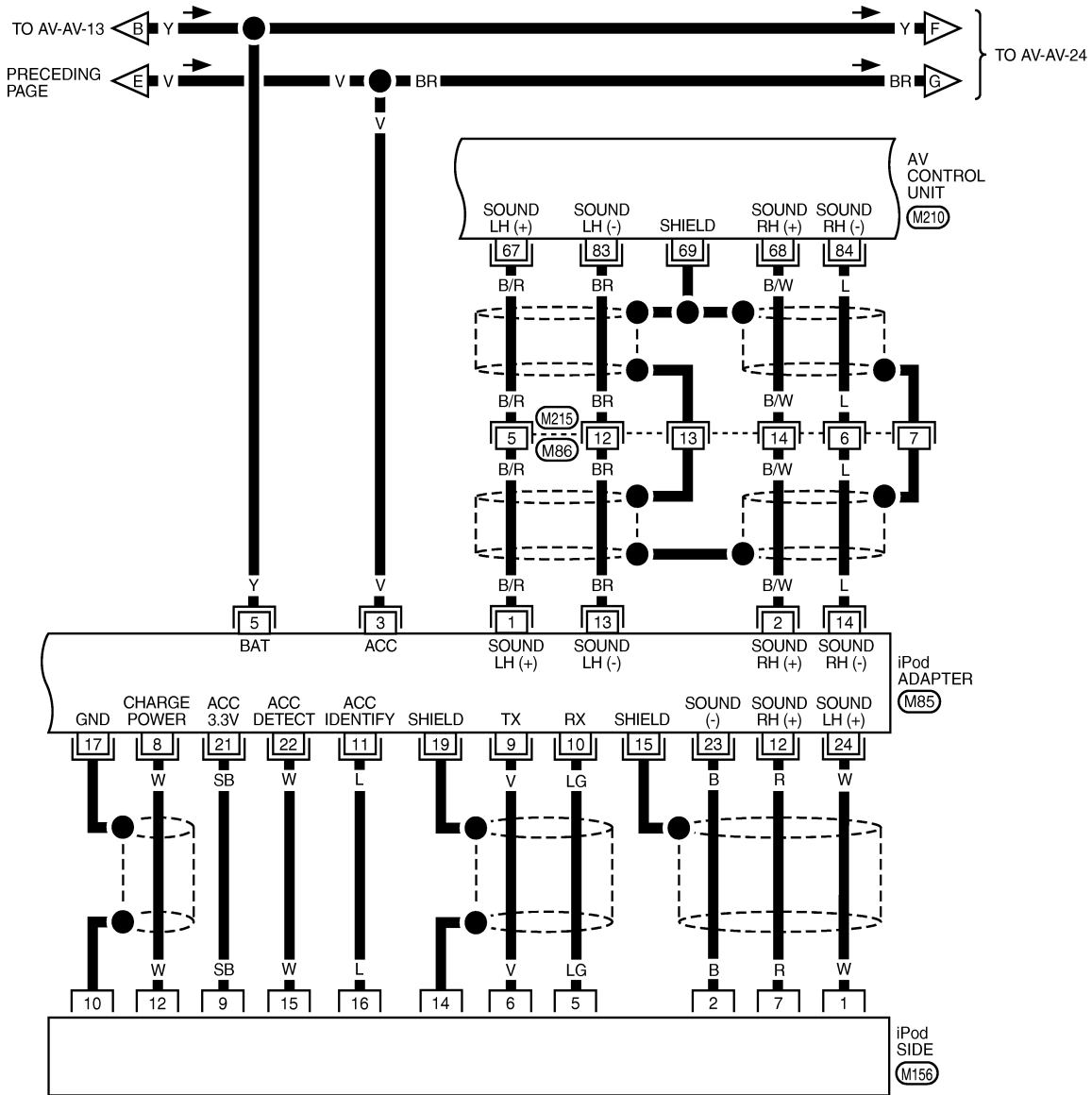
A  
B  
C  
D  
E  
F  
G  
H  
I  
J  
AV  
L  
M  
N  
O  
P

# BOSE AMP.

[WITHOUT MOBILE ENTERTAINMENT SYSTEM]

< ECU DIAGNOSIS >

AV-AV-20



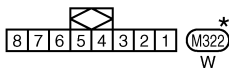
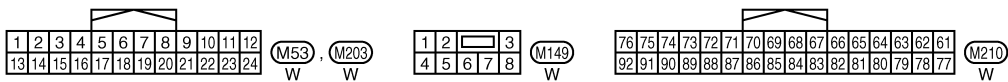
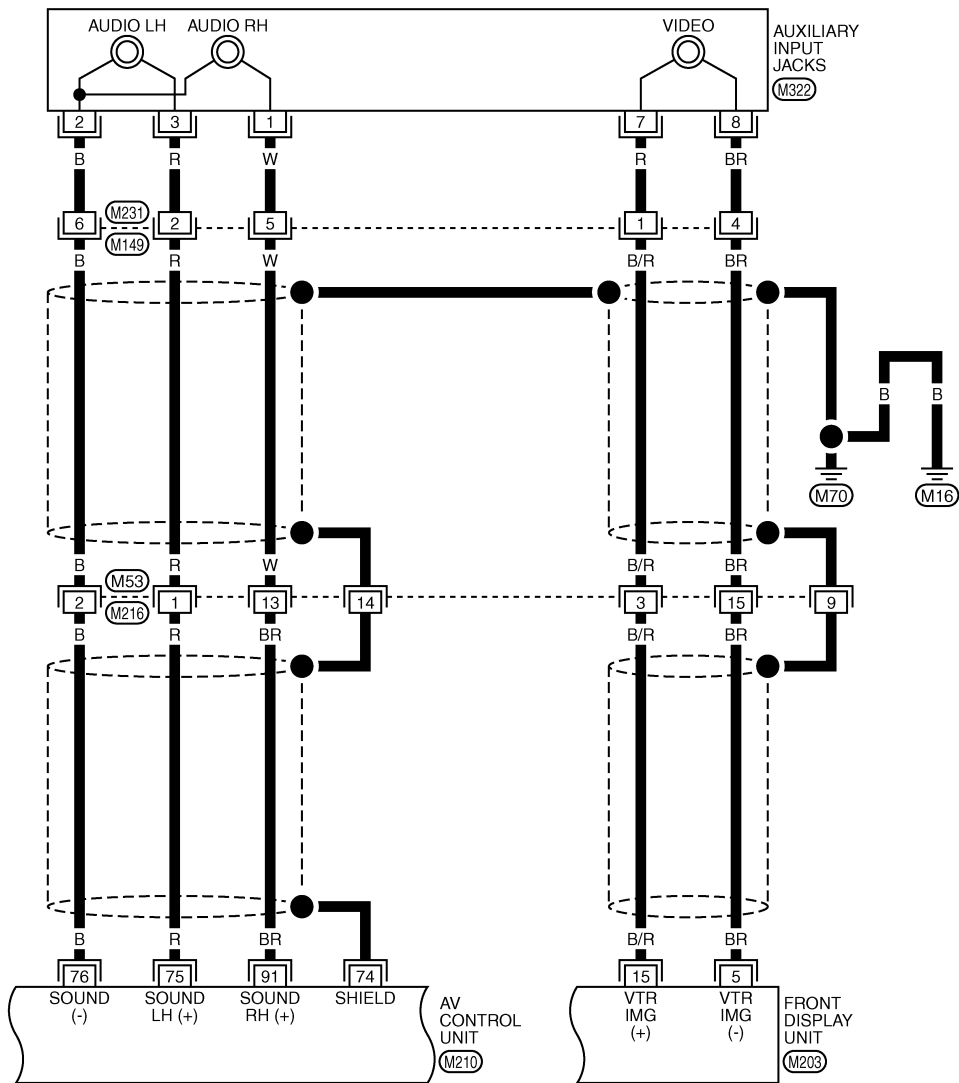
TKWT6695E

# BOSE AMP.

[WITHOUT MOBILE ENTERTAINMENT SYSTEM]

< ECU DIAGNOSIS >

AV-AV-21



\*: THIS CONNECTOR IS NOT SHOWN IN "HARNESS LAYOUT", PG SECTION.

TKWT8277E

A  
B  
C  
D  
E  
F  
G  
H  
I  
J  
L  
M  
N  
O  
P

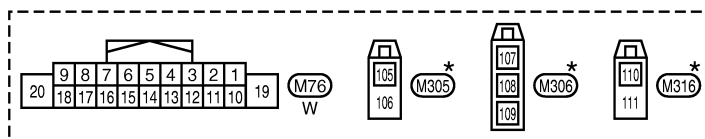
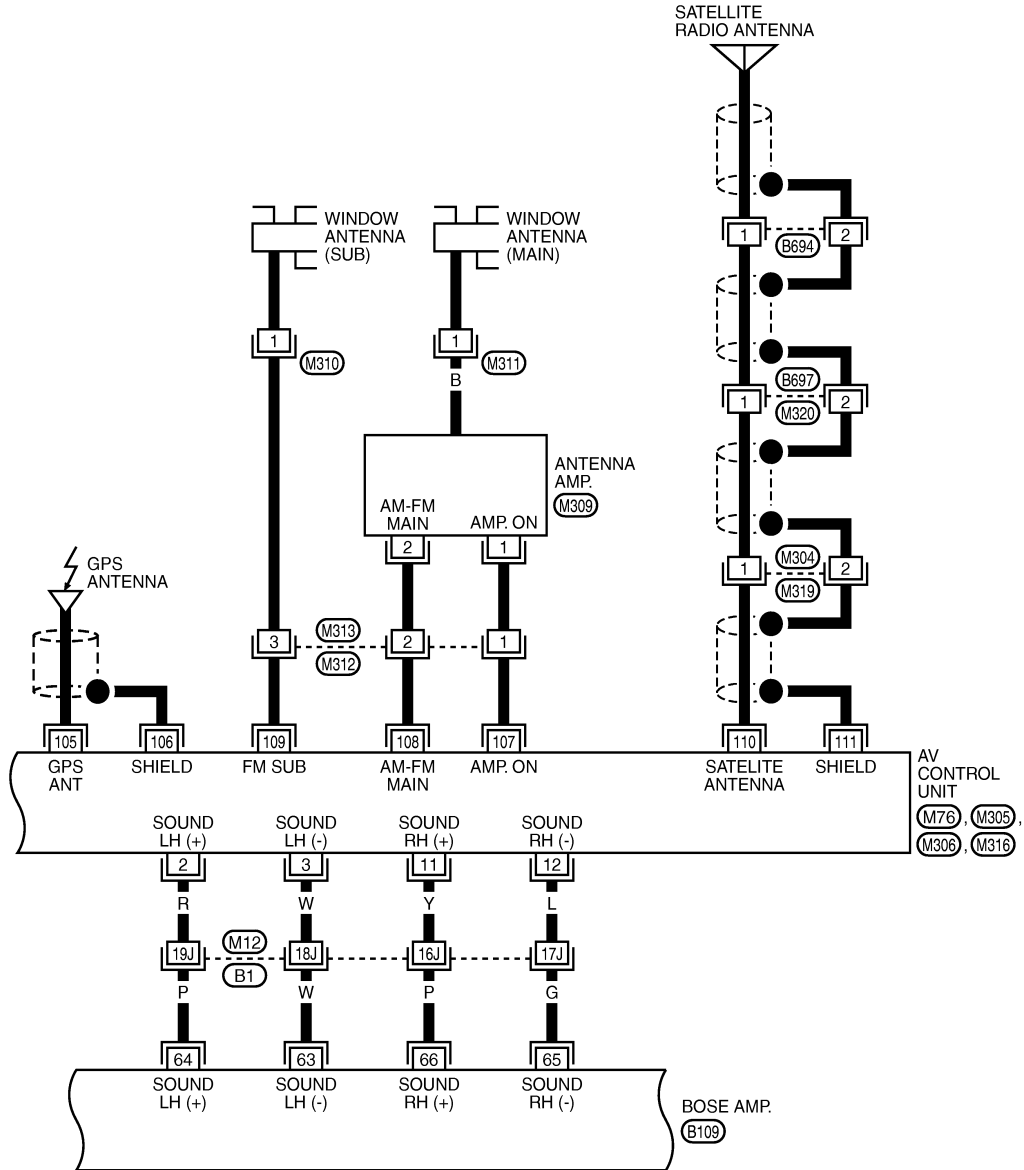
AV

# BOSE AMP.

[WITHOUT MOBILE ENTERTAINMENT SYSTEM]

< ECU DIAGNOSIS >

AV-AV-22



REFER TO THE FOLLOWING.

(B1) - SUPER MULTIPLE JUNCTION (SMJ)



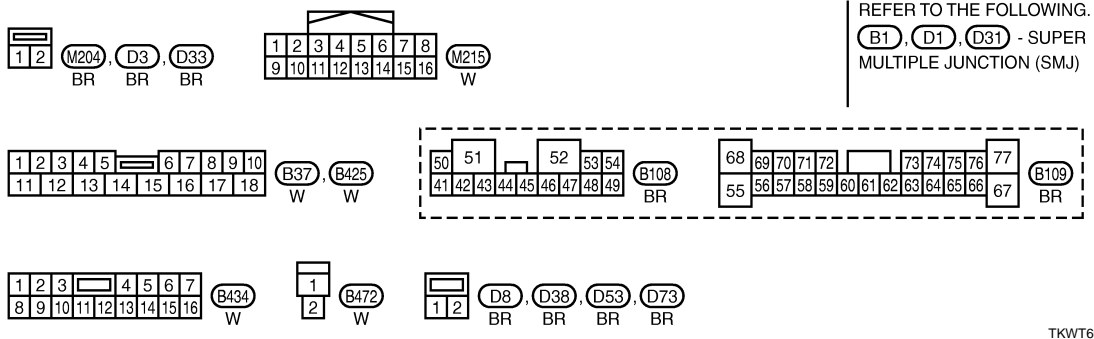
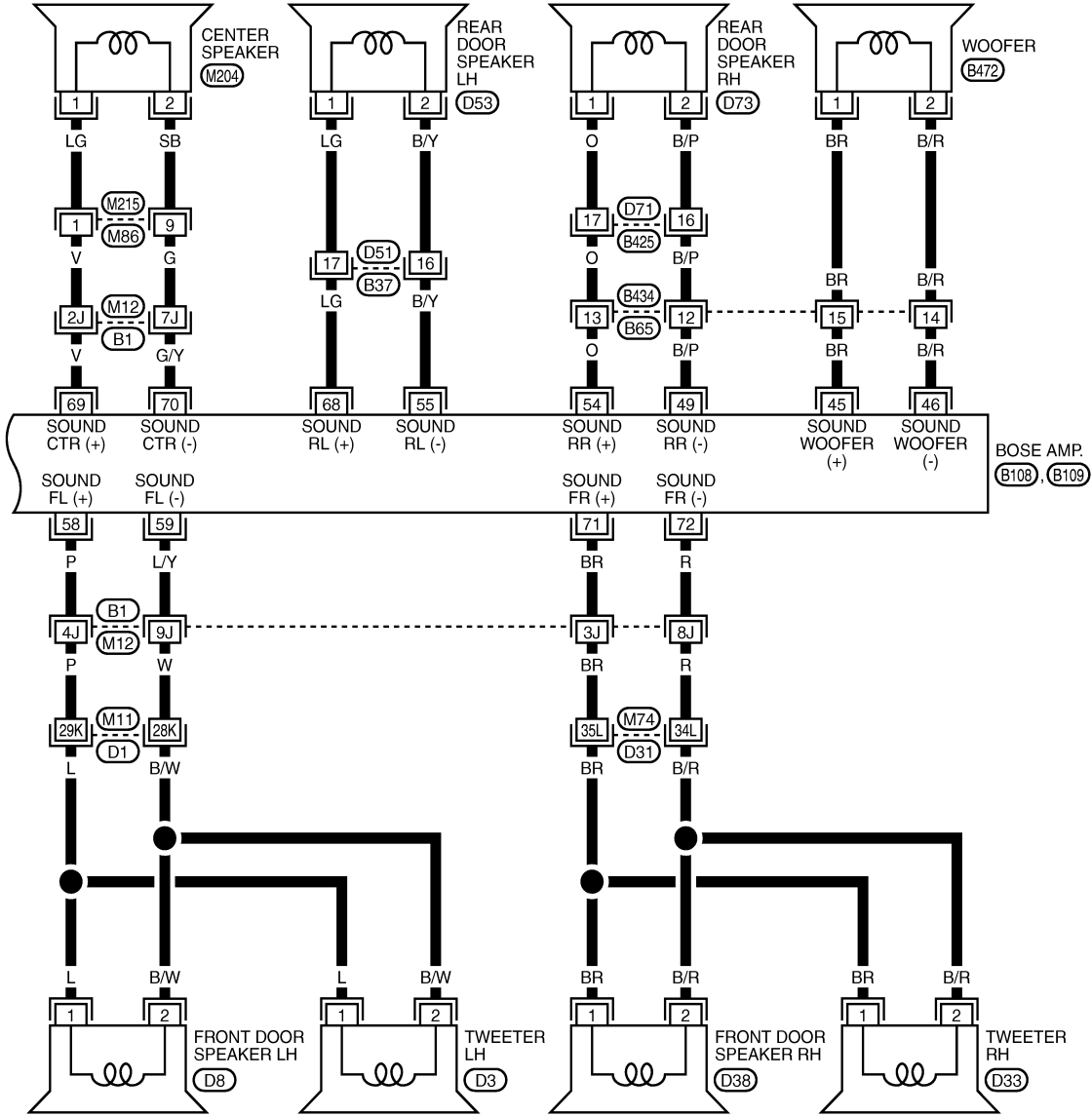
TKWT6697E

# BOSE AMP.

[WITHOUT MOBILE ENTERTAINMENT SYSTEM]

< ECU DIAGNOSIS >

AV-AV-23



TKWT6698E

A  
B  
C  
D  
E  
F  
G  
H  
I  
J  
K  
L  
M  
N  
O  
P

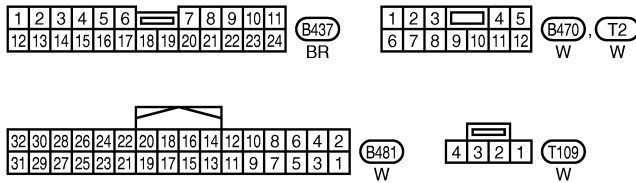
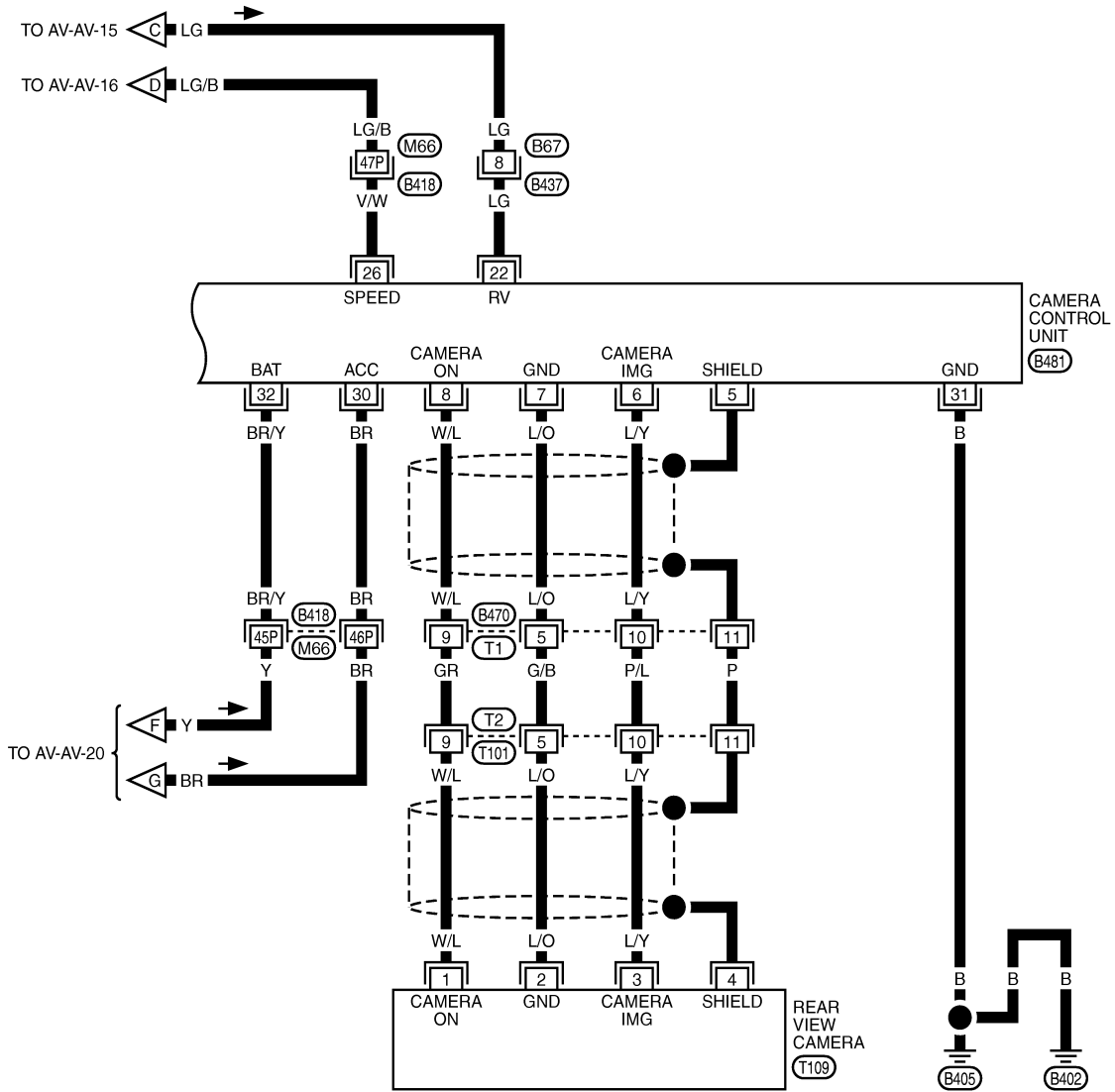
AV

# BOSE AMP.

[WITHOUT MOBILE ENTERTAINMENT SYSTEM]

< ECU DIAGNOSIS >

AV-AV-24



REFER TO THE FOLLOWING.

B418 - SUPER MULTIPLE JUNCTION (SMJ)

TKWT6699E

## BOSE SURROUND AUDIO 5.1CH SYSTEM



# BOSE AMP.

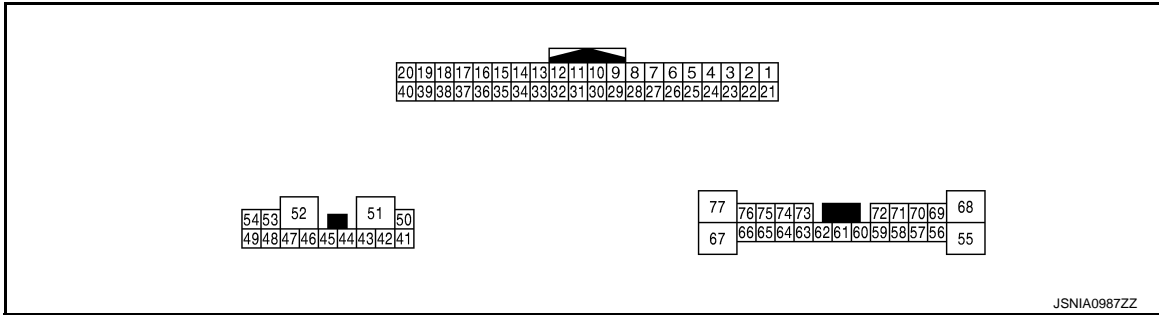
[WITHOUT MOBILE ENTERTAINMENT SYSTEM]

< ECU DIAGNOSIS >

## BOSE SURROUND AUDIO 5.1CH SYSTEM : Reference Value

INFOID:000000005350341

### TERMINAL LAYOUT



### PHYSICAL VALUES

Terminal (Wire color)		Description		Condition		Reference value (Approx.)
+	-	Signal name	Input/ Output			
14 (G)	—	AV communication signal (L)	Input/ Output	—	—	—
15 (G)	—	AV communication signal (L)	Input/ Output	—	—	—
16 (BR)	Ground	ACC power supply	Input	Ignition switch ACC	—	Battery voltage
23 (L/R)	3 (R/L)	DVD surround signal front LH	Input	Ignition switch ON	When the DVD player is played.	<p>SKIB3609E</p>
24 (B/Y)	4 (B/R)	DVD surround signal front RH	Input	Ignition switch ON	When the DVD player is played.	<p>SKIB3609E</p>
25 (B)	5 (LG)	DVD surround signal rear LH	Input	Ignition switch ON	When the DVD player is played.	<p>SKIB3609E</p>

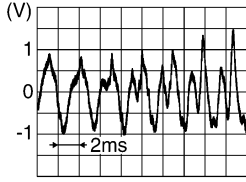
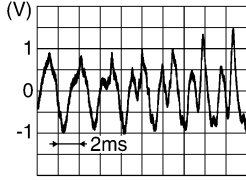
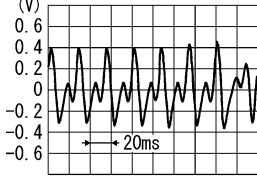
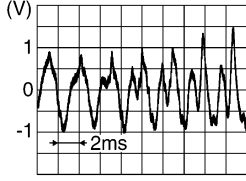
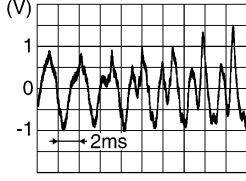
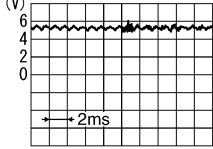
A  
B  
C  
D  
E  
F  
G  
H  
I  
J  
K  
L  
M  
N  
O  
P

AV

# BOSE AMP.

## [WITHOUT MOBILE ENTERTAINMENT SYSTEM]

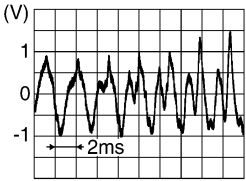
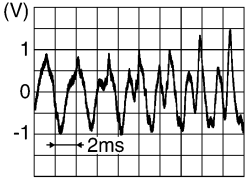
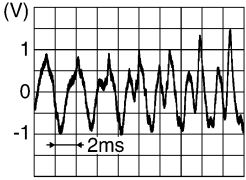
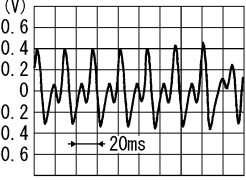
### < ECU DIAGNOSIS >

Terminal (Wire color)		Description		Condition		Reference value (Approx.)
+	-	Signal name	Input/ Output			
26 (W)	6 (L)	DVD surround signal rear RH	Input	Ignition switch ON	When the DVD player is played.	 <p>SKIB3609E</p>
27 (LG)	7 (R)	DVD surround signal center	Input	Ignition switch ON	When the DVD player is played.	 <p>SKIB3609E</p>
28 (BR)	8 (R/B)	DVD surround signal woof- er	Input	Ignition switch ON	When the DVD player is played.	 <p>PKIB6116J</p>
29 (R/L)	9 (W)	Sound signal LH	Input	Ignition switch ON	Audio sound output. (except DVD mode)	 <p>SKIB3609E</p>
30 (P)	10 (L)	Sound signal RH	Input	Ignition switch ON	Audio sound output. (except DVD mode)	 <p>SKIB3609E</p>
31 (L)	11 (B/W)	MIC. signal (for AudioPilot®)	Input	Ignition switch ON	When inputting noise.	 <p>(reference value) PKIA2104E</p>

# BOSE AMP.

## [WITHOUT MOBILE ENTERTAINMENT SYSTEM]

### < ECU DIAGNOSIS >

Terminal (Wire color)		Description		Condition		Reference value (Approx.)
+	-	Signal name	Input/ Output	Ignition switch ON		
32 (B/W)	12 (L)	Voice guidance signal	Input	Ignition switch ON	When inputting voice guid- ance.	 SKIB3609E
33	—	Shield	—	—	—	—
34 (R)	—	AV communication signal (H)	Input/ Output	—	—	—
35 (R)	—	AV communication signal (H)	Input/ Output	—	—	—
36	—	Shield	—	—	—	—
41 (L)	42 (B/W)	Sound signal front door speaker LH	Output	Ignition switch ON	Sound output.	 SKIB3609E
43 (BR)	44 (B/R)	Sound signal front door speaker RH	Output	Ignition switch ON	Sound output.	 SKIB3609E
45 (BR)	46 (B/R)	Sound signal woofer	Output	Ignition switch ON	Sound output.	 PKIB6116J
47 (B/W)	Ground	Ground	—	Ignition switch ON	—	0 V
50 (Y)	Ground	Battery power supply	Input	Ignition switch OFF	—	Battery voltage
51 (R)	Ground	Battery power supply	Input	Ignition switch OFF	—	Battery voltage
52 (B/W)	Ground	Ground	—	Ignition switch ON	—	0 V

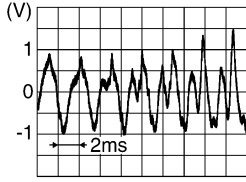
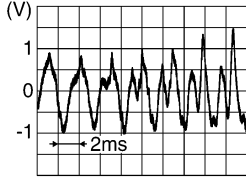
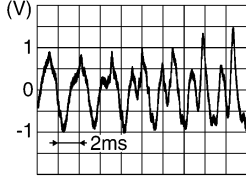
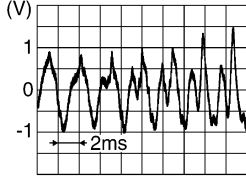
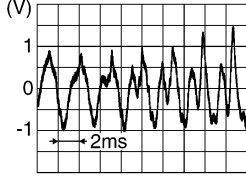
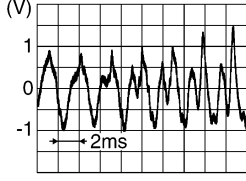
A  
B  
C  
D  
E  
F  
G  
H  
I  
J  
L  
M  
N  
O  
P

AV

# BOSE AMP.

**[WITHOUT MOBILE ENTERTAINMENT SYSTEM]**

< ECU DIAGNOSIS >

Terminal (Wire color)		Description		Condition		Reference value (Approx.)
+	-	Signal name	Input/ Output			
54 (LG)	49 (B/Y)	Sound signal rear door speaker LH	Output	Ignition switch ON	Sound output.	 <p style="text-align: right; font-size: small;">SKIB3609E</p>
56 (B/W)	69 (L)	Sound signal passenger seat speaker LH	Output	Ignition switch ON	Sound output.	 <p style="text-align: right; font-size: small;">SKIB3609E</p>
57 (O/B)	58 (W/R)	Sound signal center speak- er	Output	Ignition switch ON	Sound output.	 <p style="text-align: right; font-size: small;">SKIB3609E</p>
59 (B)	72 (W)	Sound signal rear surround speaker LH	Output	Ignition switch ON	Sound output.	 <p style="text-align: right; font-size: small;">SKIB3609E</p>
62 (G/Y)	73 (GR/R)	Sound signal rear surround speaker RH	Output	Ignition switch ON	Sound output.	 <p style="text-align: right; font-size: small;">SKIB3609E</p>
63 (B/W)	74 (L)	Sound signal driver seat speaker LH	Output	Ignition switch ON	Sound output.	 <p style="text-align: right; font-size: small;">SKIB3609E</p>

# BOSE AMP.

[WITHOUT MOBILE ENTERTAINMENT SYSTEM]

< ECU DIAGNOSIS >

Terminal (Wire color)		Description		Condition		Reference value (Approx.)
+	-	Signal name	Input/ Output			
64 (B/R)	75 (BR)	Sound signal driver seat speaker RH	Output	Ignition switch ON	Sound output.	
68 (O)	55 (B/P)	Sound signal rear door speaker RH	Output	Ignition switch ON	Sound output.	
71 (Y)	70 (BR)	Sound signal passenger seat speaker RH	Output	Ignition switch ON	Sound output.	

BOSE SURROUND AUDIO 5.1CH SYSTEM : Schematic - BOSE Surround Audio

A  
B  
C  
D  
E  
F  
G  
H  
I  
J  
L  
M  
N  
O  
P

AV

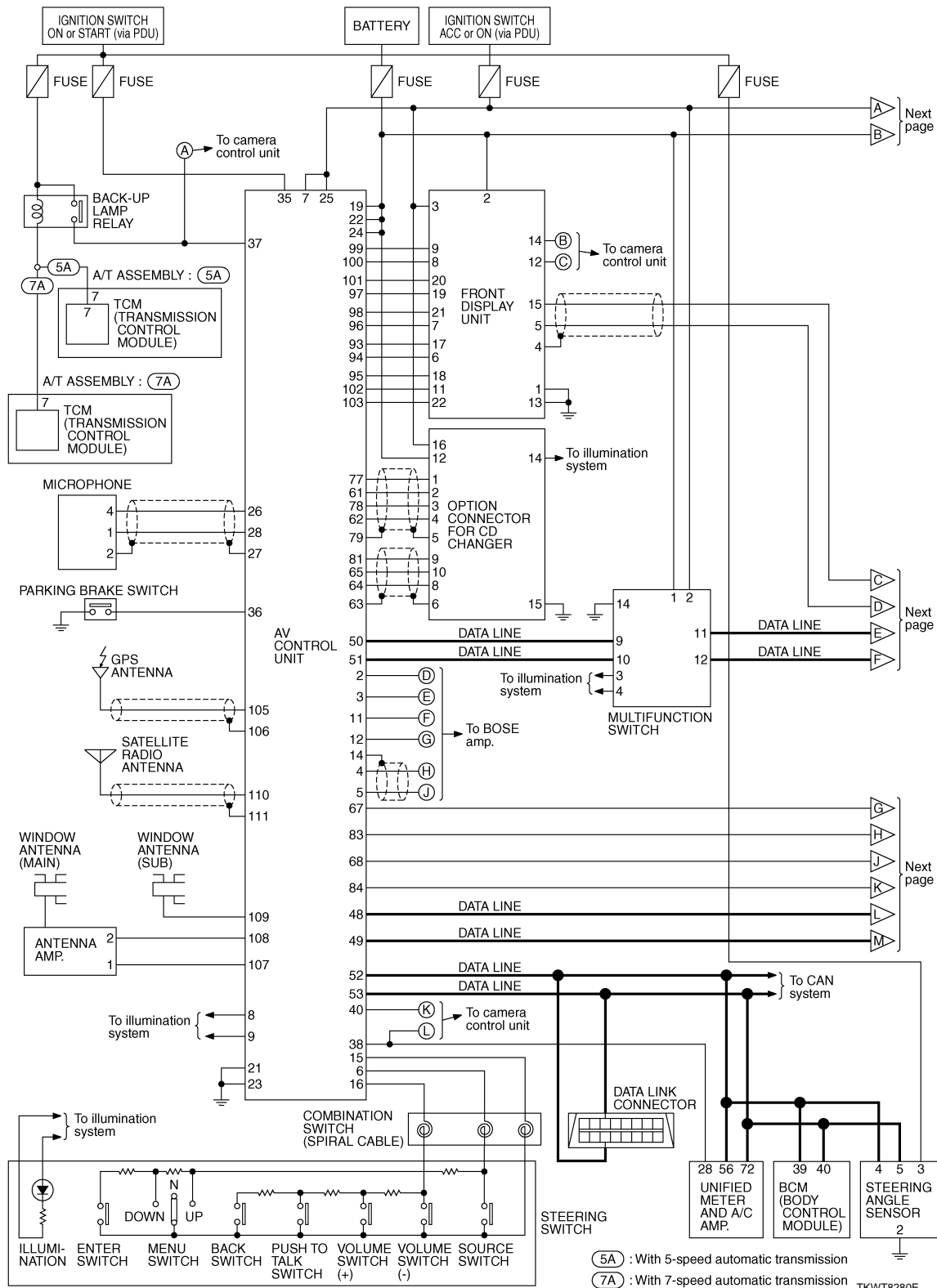
# BOSE AMP.

[WITHOUT MOBILE ENTERTAINMENT SYSTEM]

< ECU DIAGNOSIS >

## 5.1ch System -

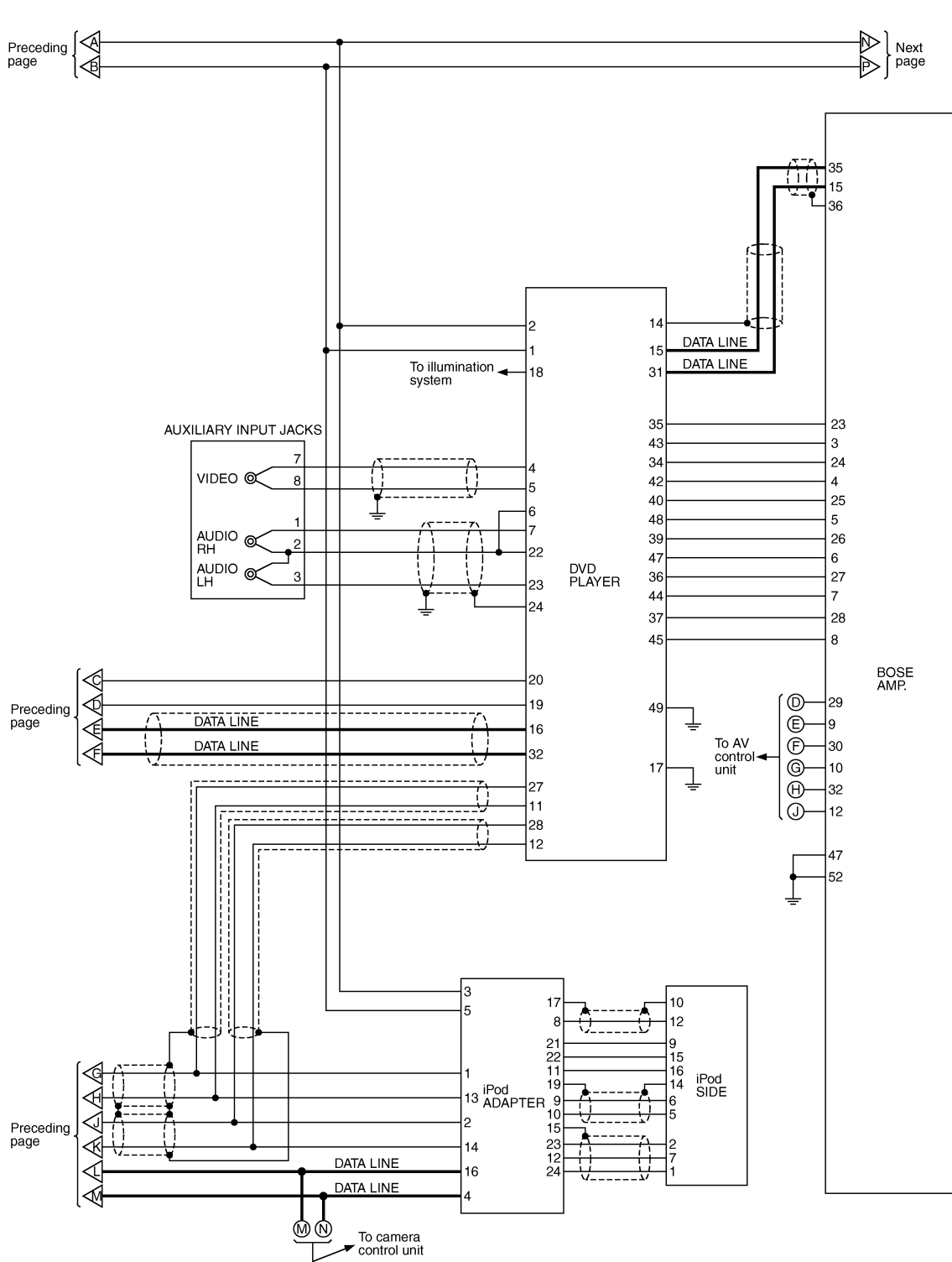
INFOID:000000005350342



# BOSE AMP.

[WITHOUT MOBILE ENTERTAINMENT SYSTEM]

< ECU DIAGNOSIS >



TKWT6701E

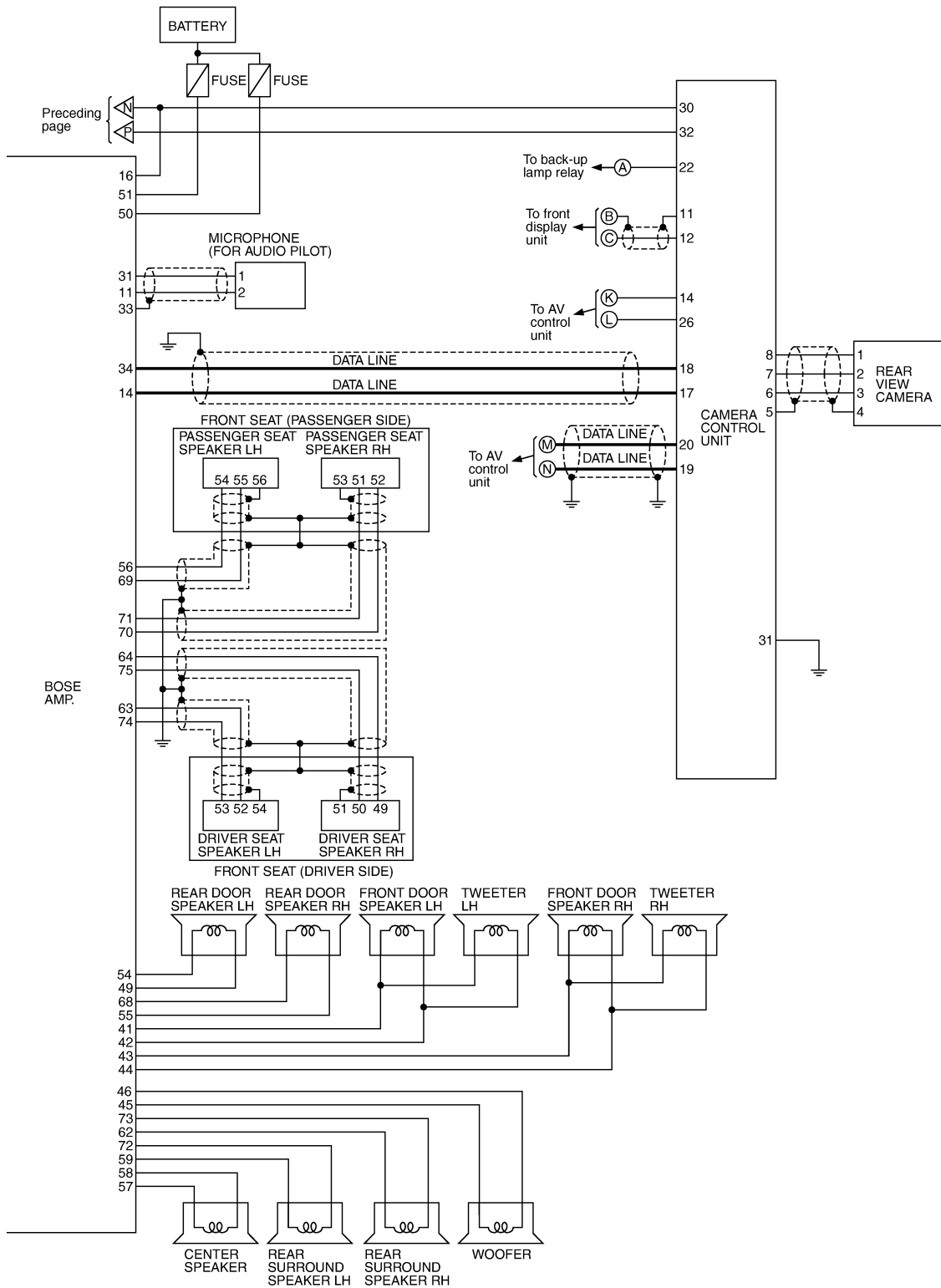
A  
B  
C  
D  
E  
F  
G  
H  
I  
J  
K  
L  
M  
N  
O  
P

AV

# BOSE AMP.

[WITHOUT MOBILE ENTERTAINMENT SYSTEM]

< ECU DIAGNOSIS >



TKWT6702E

## BOSE SURROUND AUDIO 5.1CH SYSTEM : Wiring Diagram - AV - / BOSE Surround Audio 5.1ch System

INFOID:000000005350343

**NOTE:**

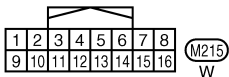
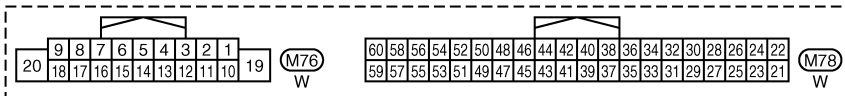
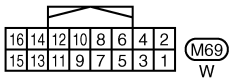
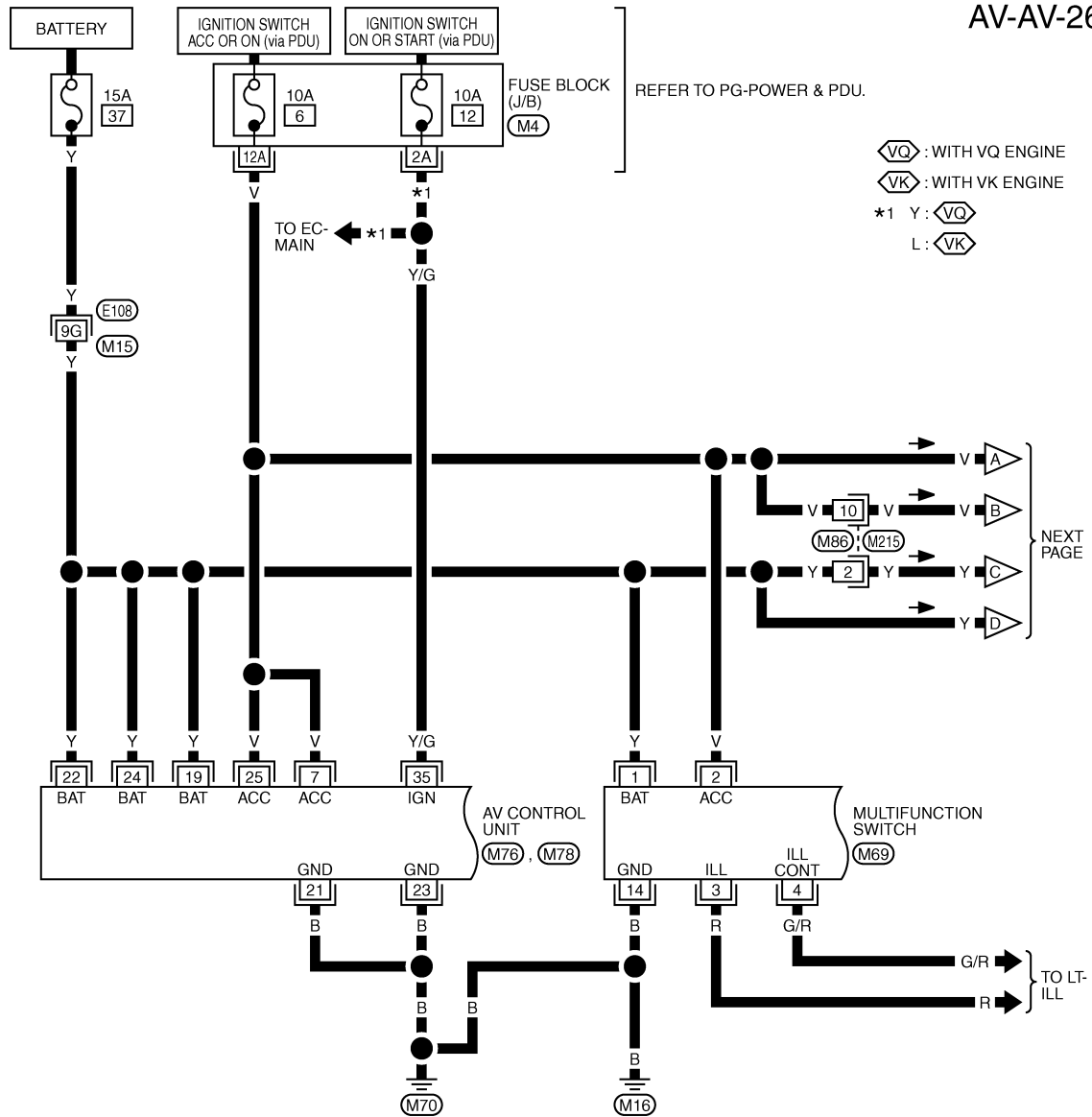


# BOSE AMP.

[WITHOUT MOBILE ENTERTAINMENT SYSTEM]

< ECU DIAGNOSIS >

The name MULTIFUNCTION SWITCH indicates the integration of PRESET SWITCH and MULTIFUNCTION SWITCH virtually.



REFER TO THE FOLLOWING.

- (E108) -SUPER MULTIPLE JUNCTION (SMJ)
- (M4) -FUSE BLOCK-JUNCTION BOX (J/B)

TKWT8281E

A  
B  
C  
D  
E  
F  
G  
H  
I  
J  
K  
L  
M  
N  
O  
P

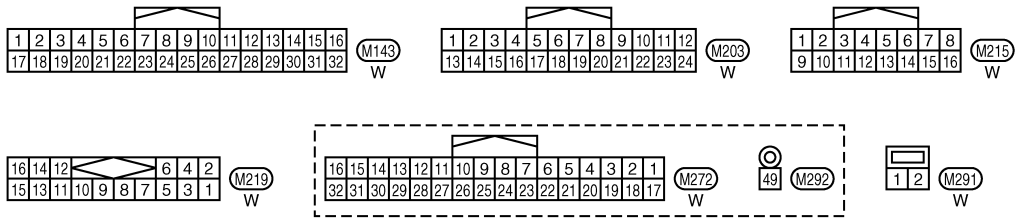
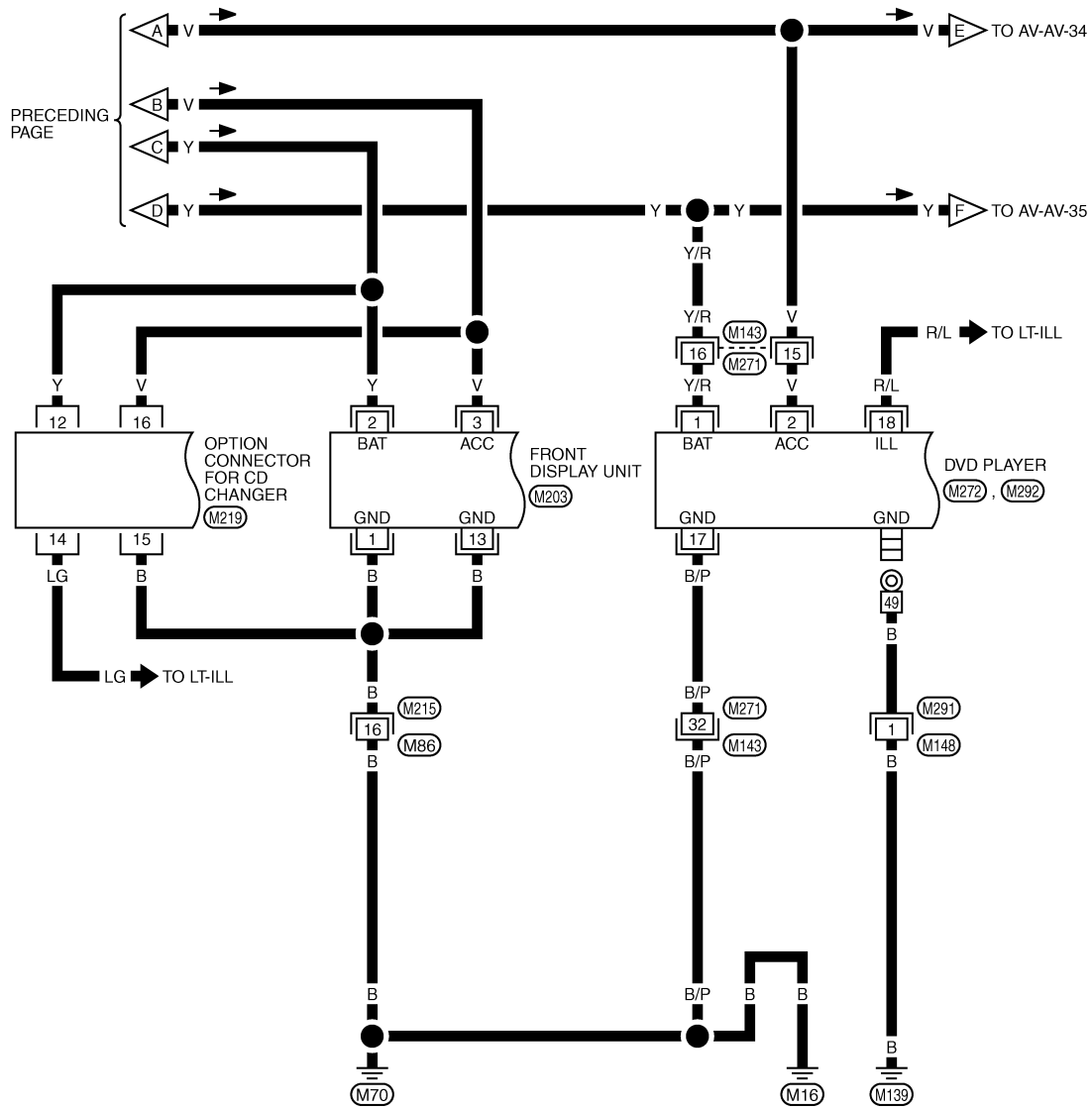
AV

# BOSE AMP.

[WITHOUT MOBILE ENTERTAINMENT SYSTEM]

< ECU DIAGNOSIS >

AV-AV-27



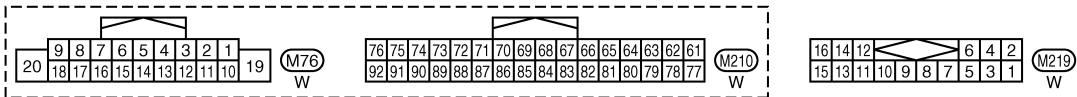
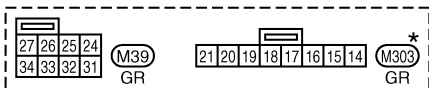
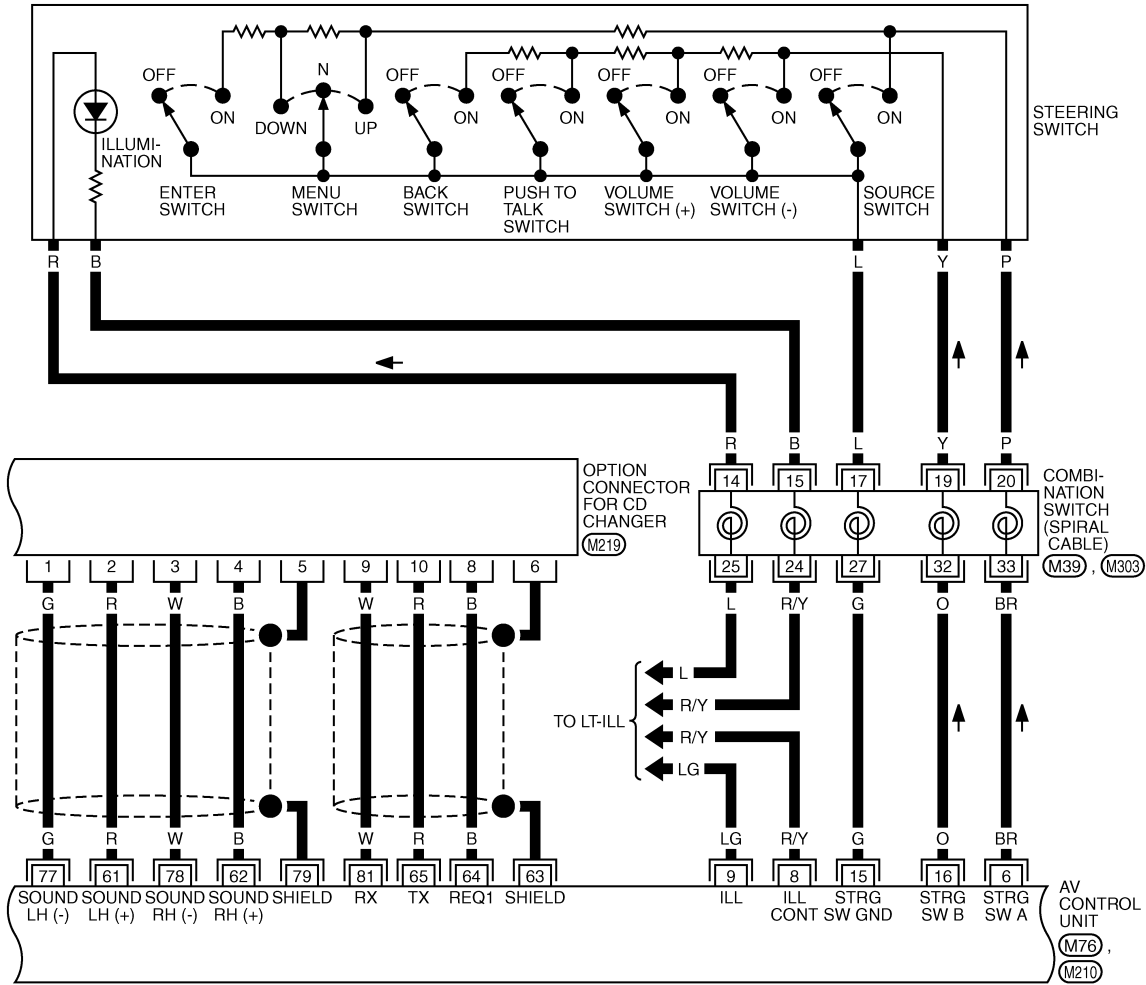
TKWT8282E

# BOSE AMP.

[WITHOUT MOBILE ENTERTAINMENT SYSTEM]

< ECU DIAGNOSIS >

AV-AV-28



\*: THIS CONNECTOR IS NOT SHOWN IN "HARNESS LAYOUT", PG SECTION.

TKWT8283E

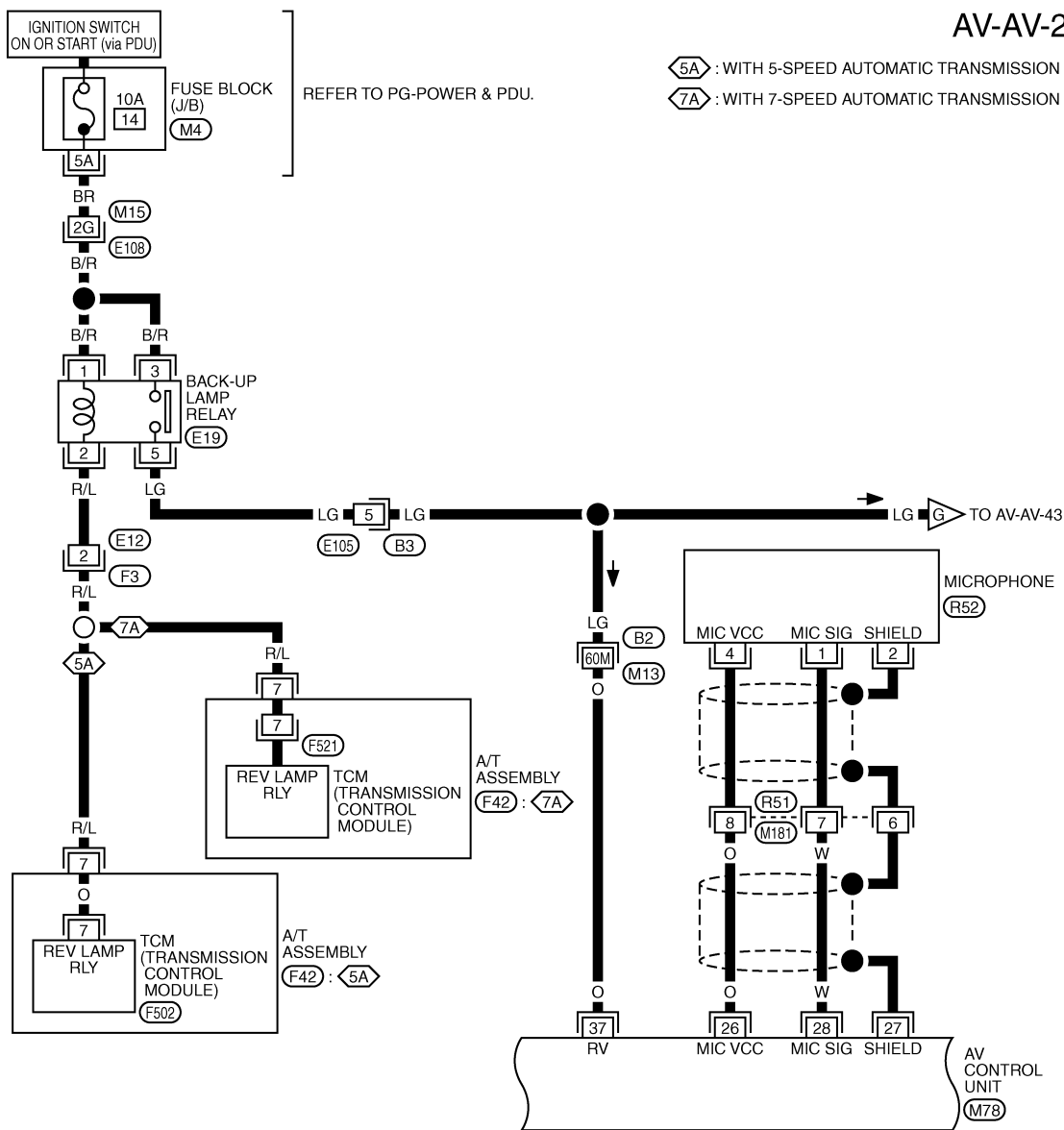
A  
B  
C  
D  
E  
F  
G  
H  
I  
J  
AV  
L  
M  
N  
O  
P

# BOSE AMP.

## [WITHOUT MOBILE ENTERTAINMENT SYSTEM]

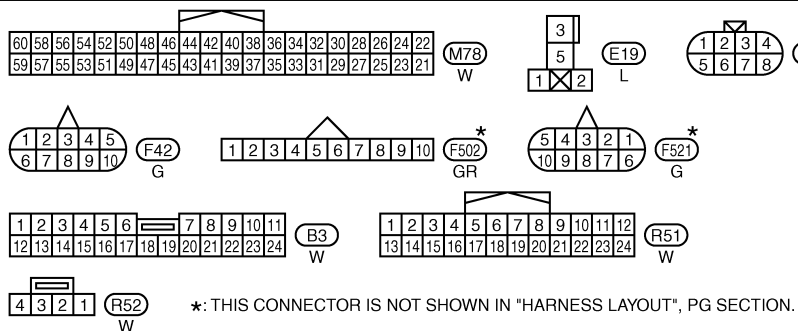
< ECU DIAGNOSIS >

AV-AV-29



<5A> : WITH 5-SPEED AUTOMATIC TRANSMISSION  
 <7A> : WITH 7-SPEED AUTOMATIC TRANSMISSION

REFER TO PG-POWER & PDU.



REFER TO THE FOLLOWING.  
 (E108), (B2) -SUPER MULTIPLE JUNCTION (SMJ)  
 (M4) -FUSE BLOCK-JUNCTION BOX (J/B)

TKWT8284E

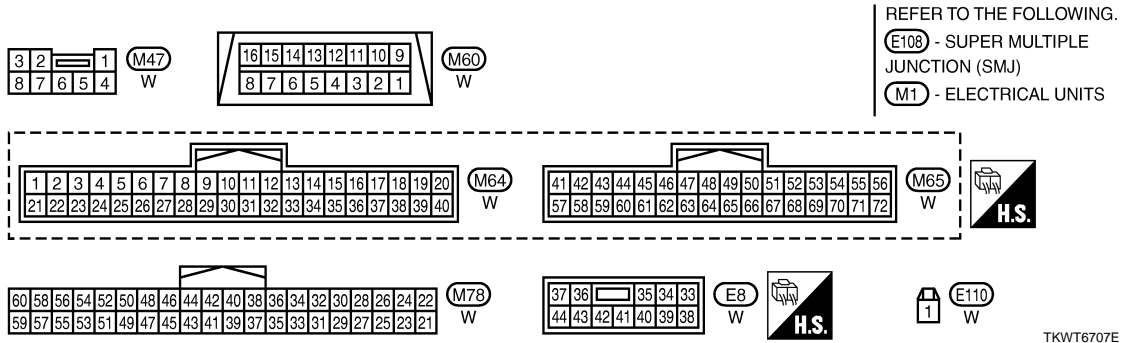
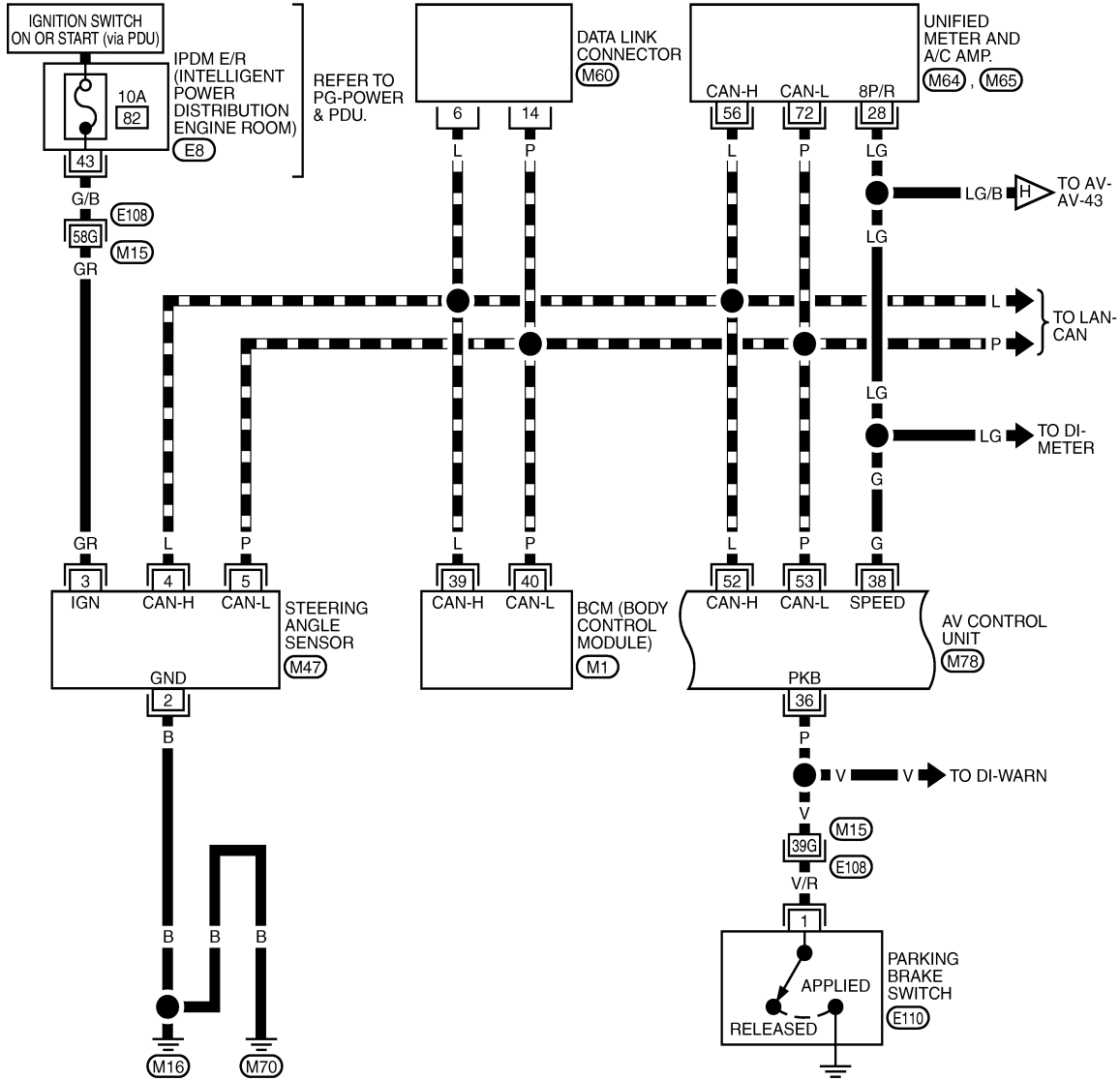
# BOSE AMP.

## [WITHOUT MOBILE ENTERTAINMENT SYSTEM]

< ECU DIAGNOSIS >

AV-AV-30

▬ : DATA LINE



TKWT6707E

A  
B  
C  
D  
E  
F  
G  
H  
I  
J  
AV  
L  
M  
N  
O  
P

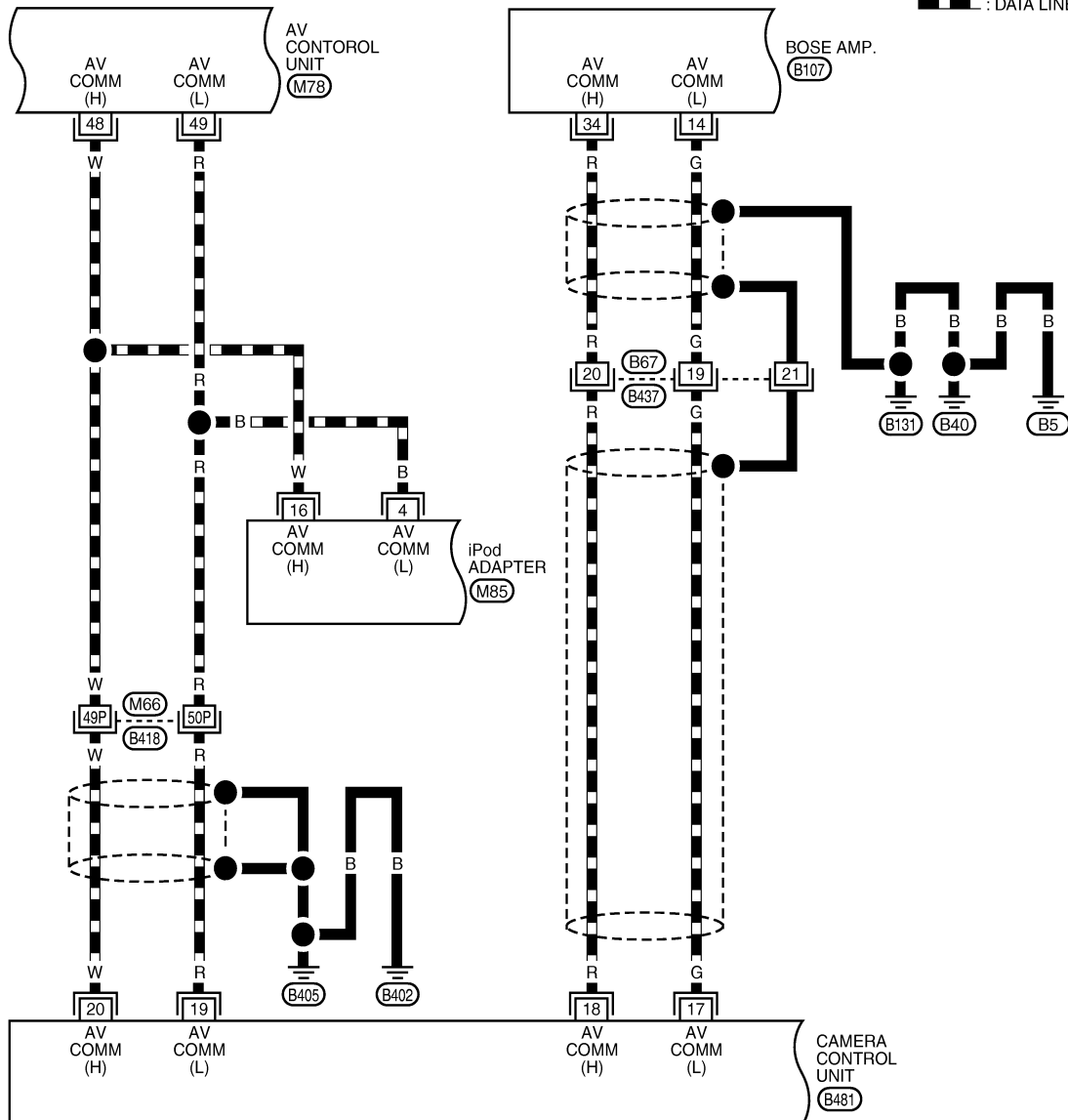
# BOSE AMP.

[WITHOUT MOBILE ENTERTAINMENT SYSTEM]

< ECU DIAGNOSIS >

AV-AV-31

— : DATA LINE



60	58	56	54	52	50	48	46	44	42	40	38	36	34	32	30	28	26	24	22
59	57	55	53	51	49	47	45	43	41	39	37	35	33	31	29	27	25	23	21

(M78) W

12	11	10	9	8	7	6	5	4	3	2	1
24	23	22	21	20	19	18	17	16	15	14	13

(M85) W

1	2	3	4	5	6	7	8	9	10	11	12	13	14	15	16	17	18	19	20
21	22	23	24	25	26	27	28	29	30	31	32	33	34	35	36	37	38	39	40

(B107) W

1	2	3	4	5	6	7	8	9	10	11		
12	13	14	15	16	17	18	19	20	21	22	23	24

(B437) BR

32	30	28	26	24	22	20	18	16	14	12	10	8	6	4	2
31	29	27	25	23	21	19	17	15	13	11	9	7	5	3	1

(B481) W

REFER TO THE FOLLOWING.

(B418) - SUPER MULTIPLE JUNCTION (SMJ)

TKWT6708E

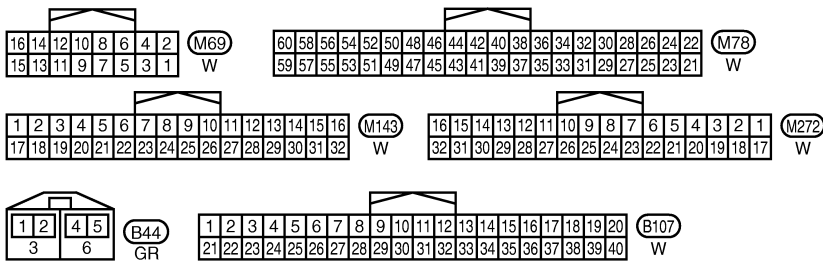
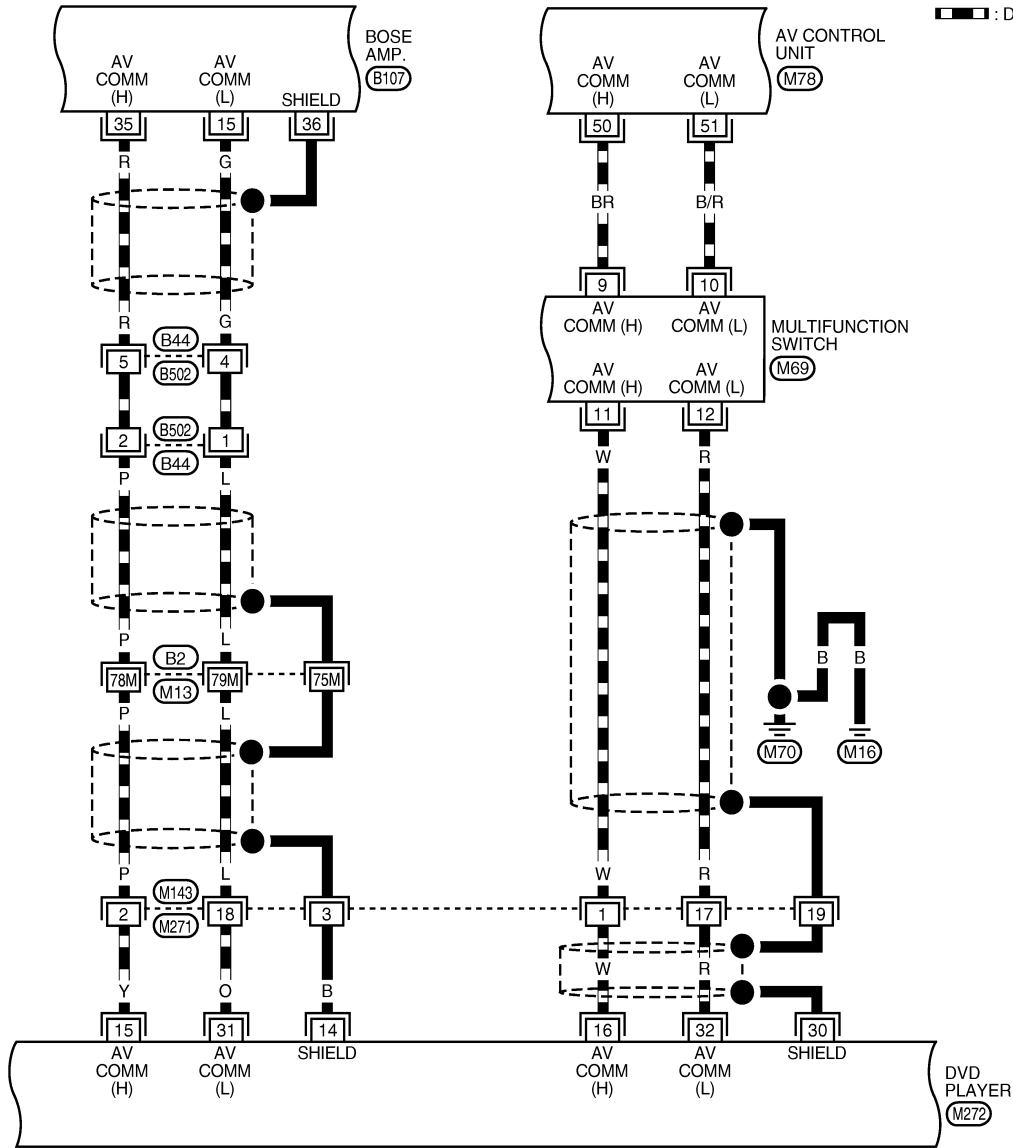
# BOSE AMP.

[WITHOUT MOBILE ENTERTAINMENT SYSTEM]

< ECU DIAGNOSIS >

AV-AV-32

▬ : DATA LINE



REFER TO THE FOLLOWING.

(B2) - SUPER MULTIPLE JUNCTION (SMJ)

TKWT6709E

A  
B  
C  
D  
E  
F  
G  
H  
I  
J  
K  
L  
M  
N  
O  
P

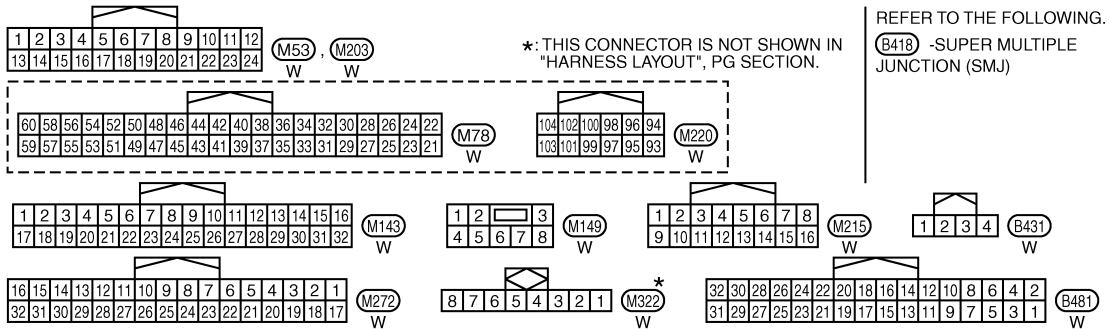
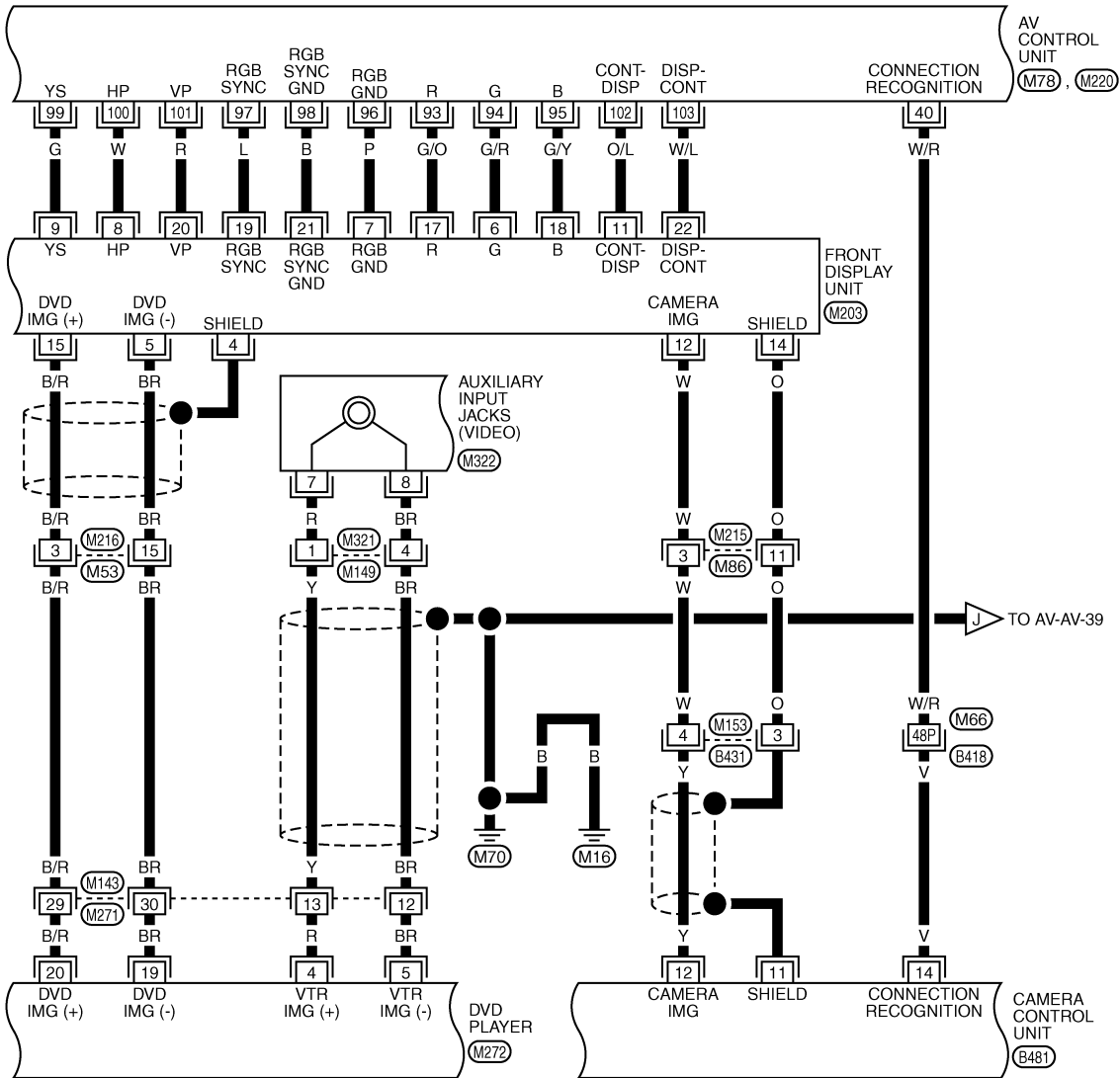
AV

# BOSE AMP.

[WITHOUT MOBILE ENTERTAINMENT SYSTEM]

< ECU DIAGNOSIS >

AV-AV-33



TKWT8285E

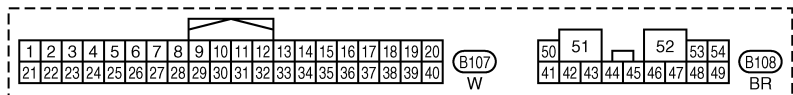
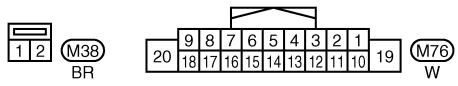
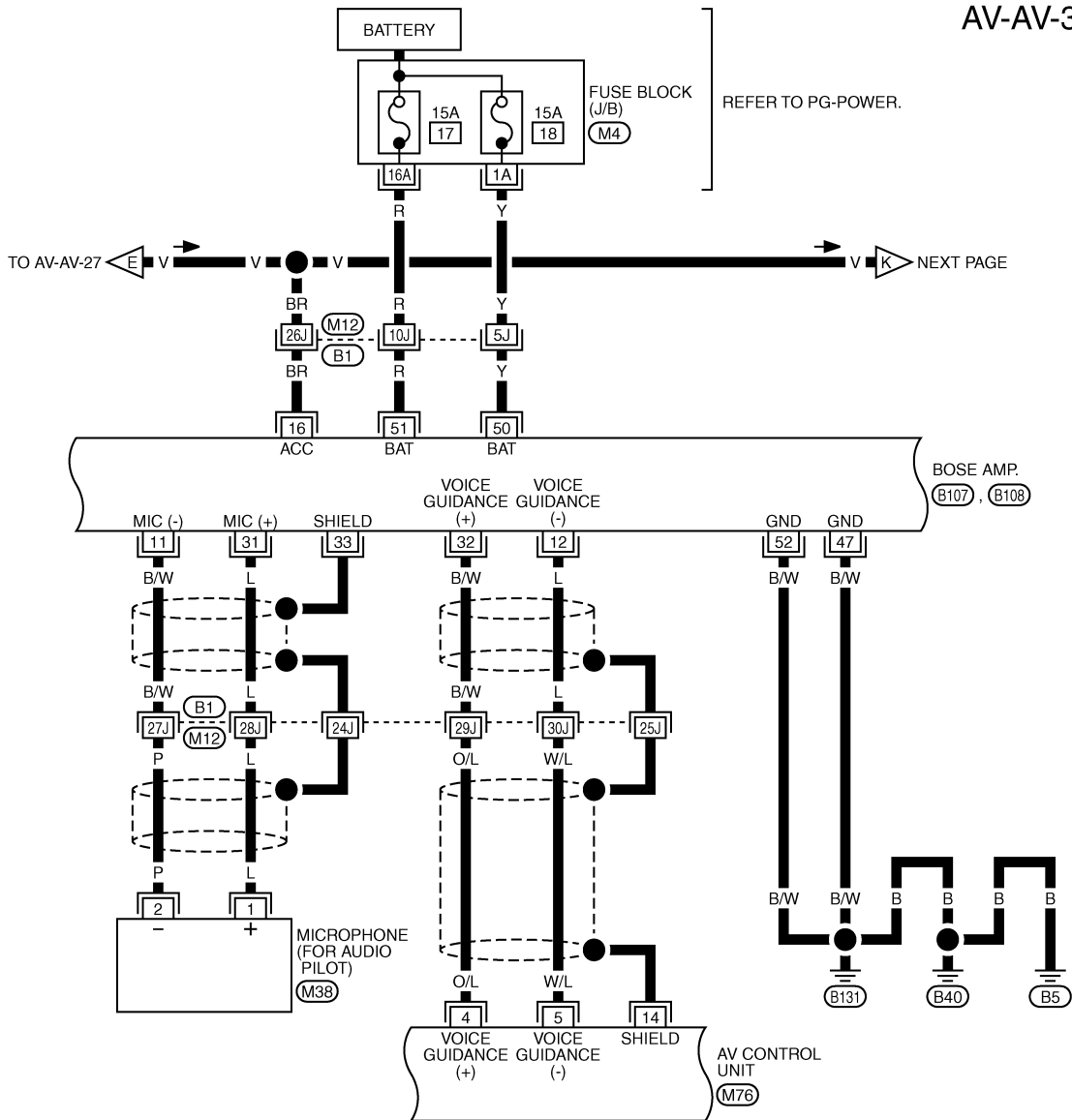


# BOSE AMP.

[WITHOUT MOBILE ENTERTAINMENT SYSTEM]

< ECU DIAGNOSIS >

AV-AV-34



REFER TO THE FOLLOWING.  
 (B1) -SUPER MULTIPLE JUNCTION (SMJ)  
 (M4) -FUSE BLOCK-JUNCTION BOX (J/B)

TKWT8286E

A  
B  
C  
D  
E  
F  
G  
H  
I  
J  
K  
L  
M  
N  
O  
P

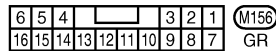
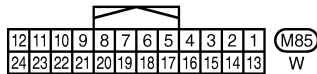
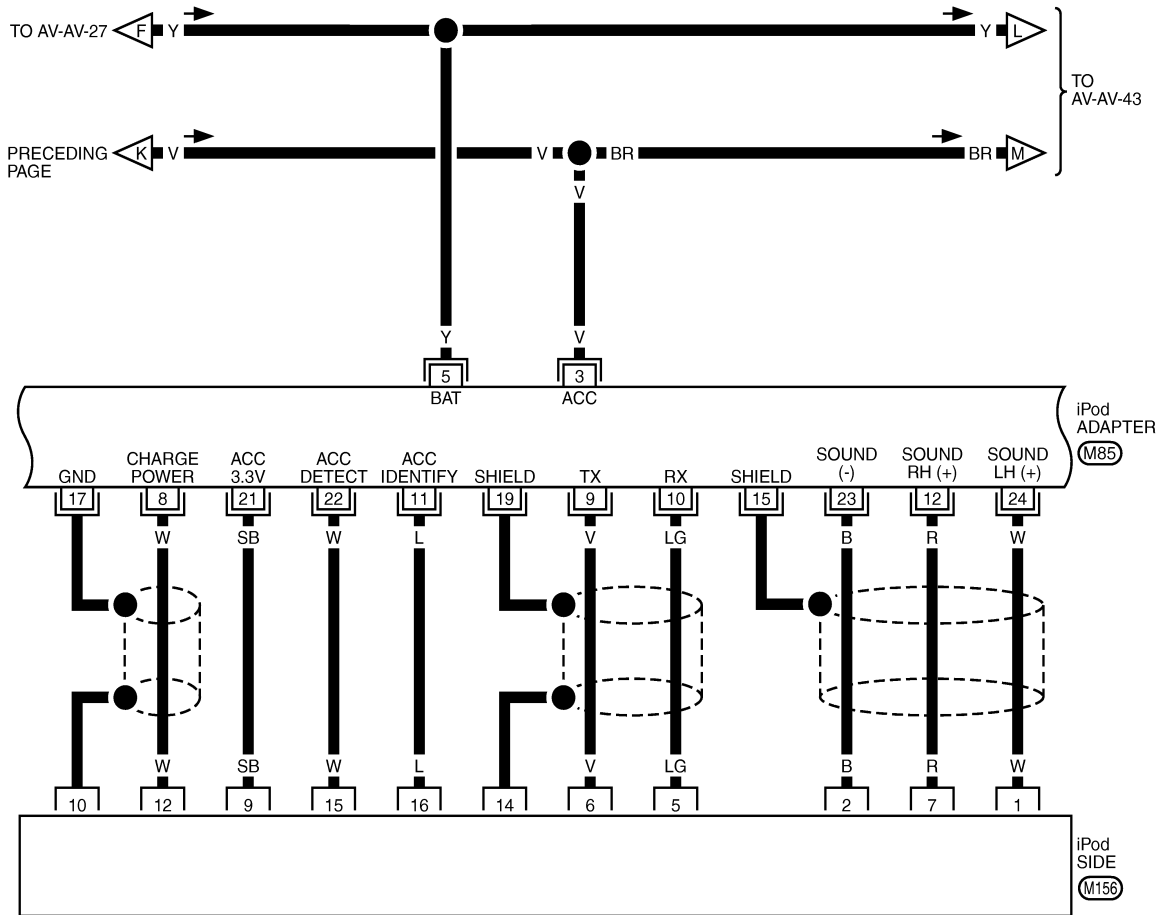
AV

# BOSE AMP.

[WITHOUT MOBILE ENTERTAINMENT SYSTEM]

< ECU DIAGNOSIS >

AV-AV-35



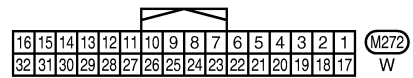
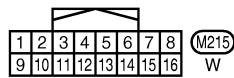
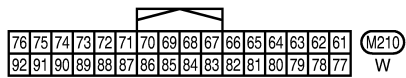
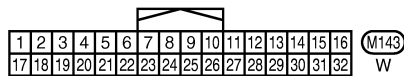
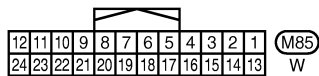
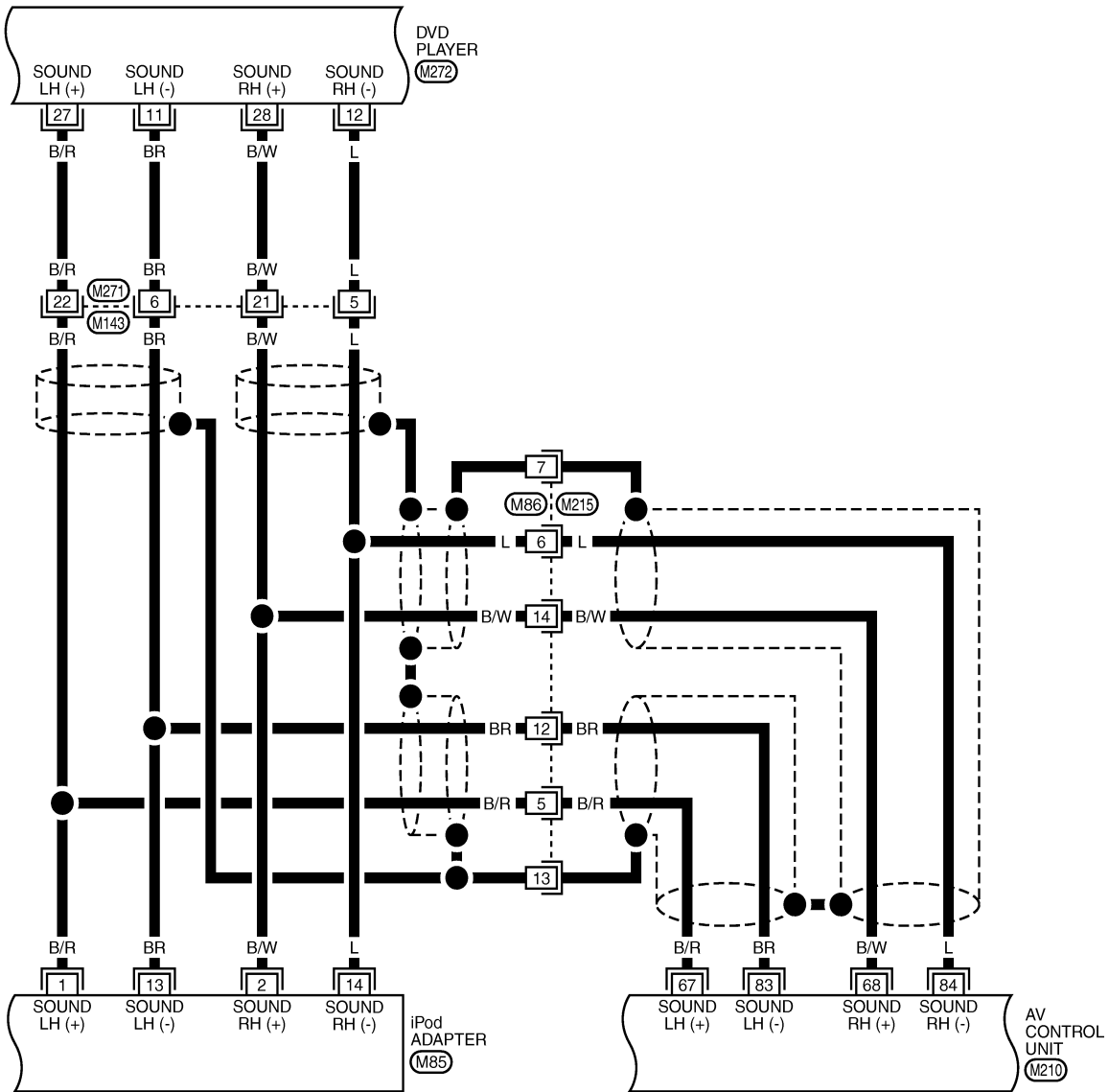
TKWT6713E

# BOSE AMP.

[WITHOUT MOBILE ENTERTAINMENT SYSTEM]

< ECU DIAGNOSIS >

AV-AV-36



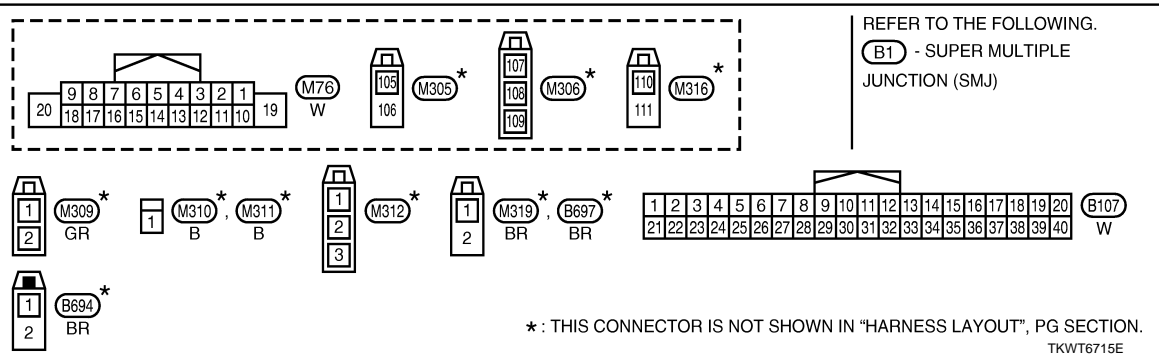
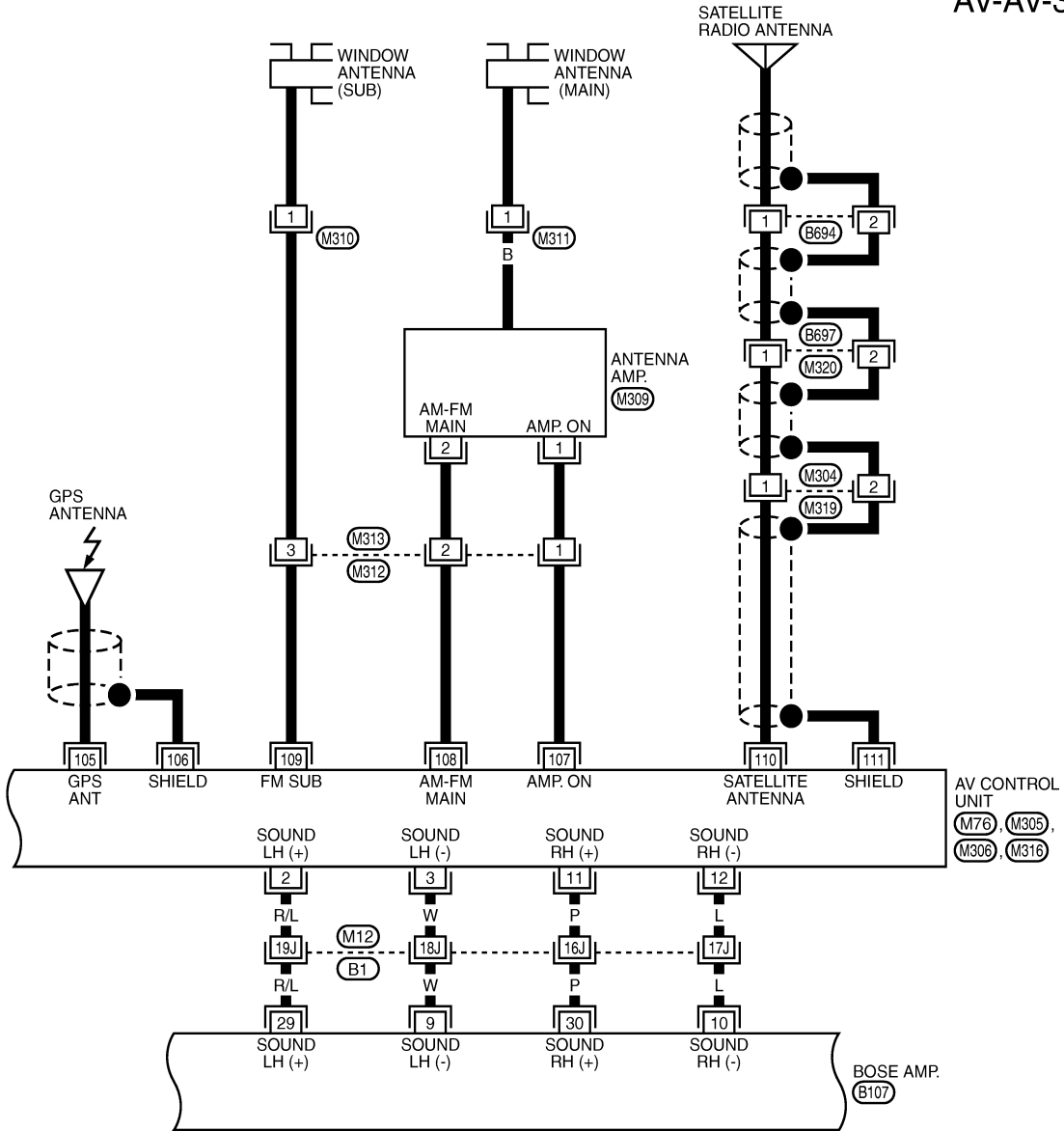
TKWT6714E

# BOSE AMP.

[WITHOUT MOBILE ENTERTAINMENT SYSTEM]

< ECU DIAGNOSIS >

AV-AV-37

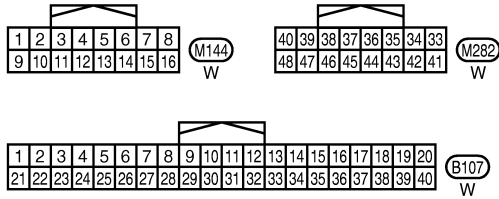
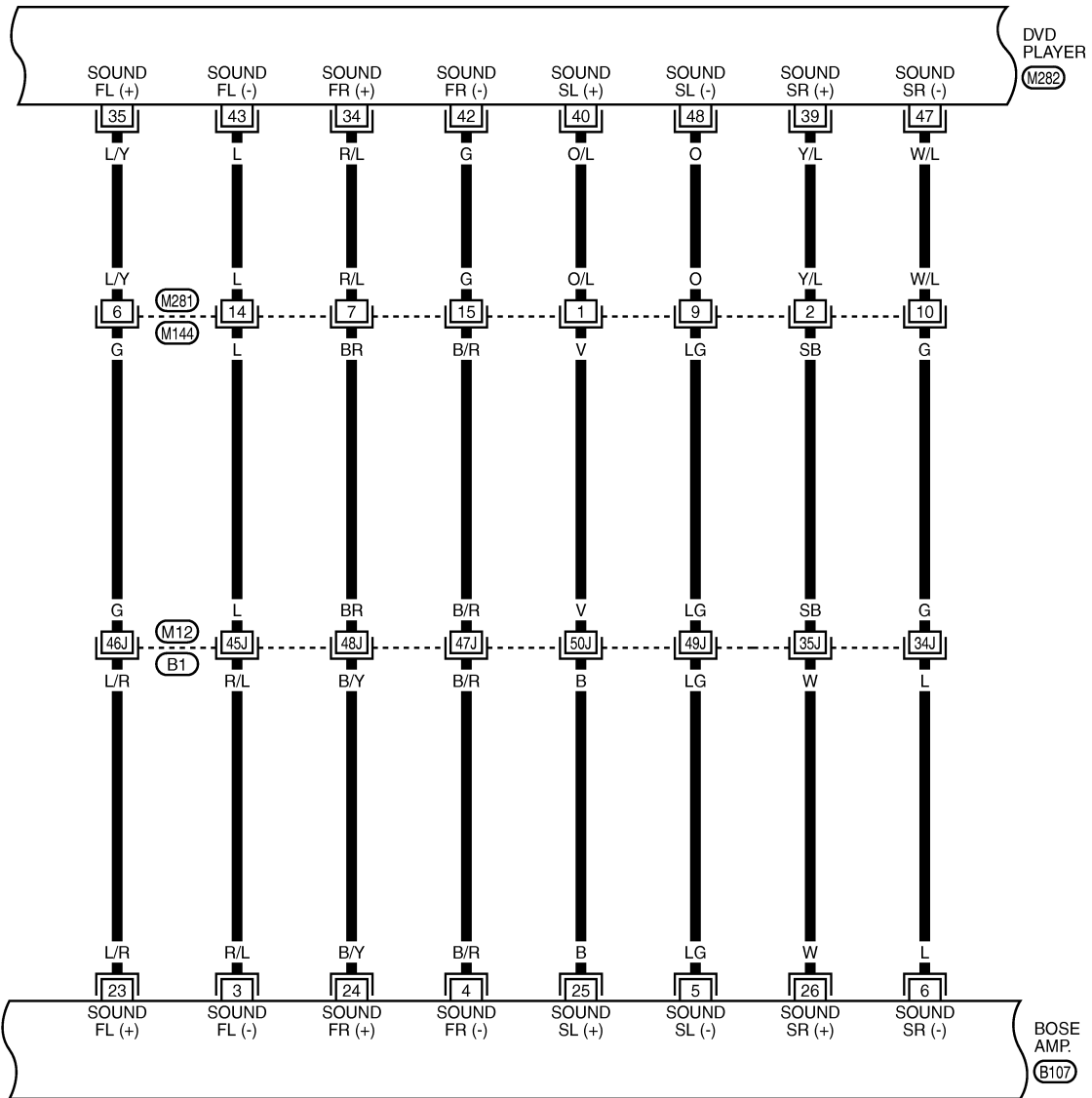


# BOSE AMP.

[WITHOUT MOBILE ENTERTAINMENT SYSTEM]

< ECU DIAGNOSIS >

AV-AV-38



REFER TO THE FOLLOWING.

(B1) - SUPER MULTIPLE JUNCTION (SMJ)

TKWT6716E

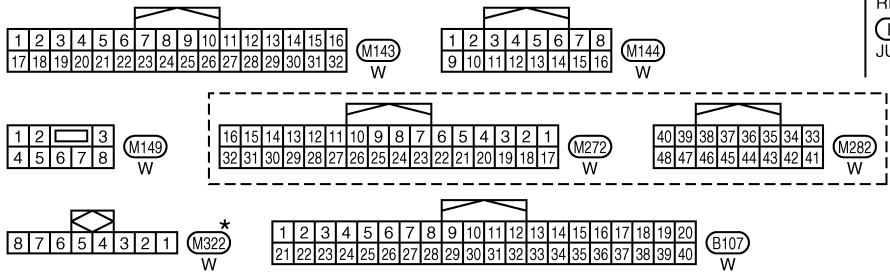
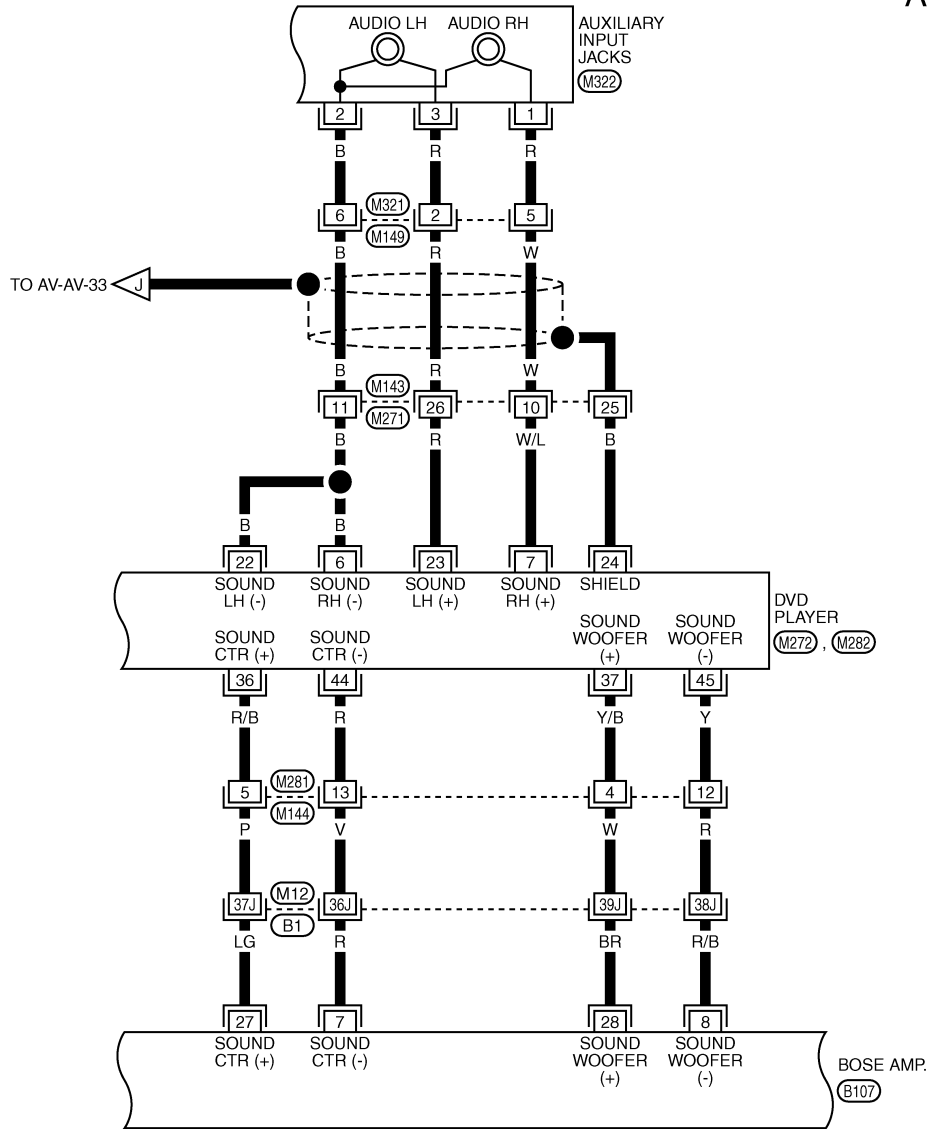
A  
B  
C  
D  
E  
F  
G  
H  
I  
J  
AV  
L  
M  
N  
O  
P

# BOSE AMP.

[WITHOUT MOBILE ENTERTAINMENT SYSTEM]

< ECU DIAGNOSIS >

AV-AV-39



REFER TO THE FOLLOWING.  
**(B1)** -SUPER MULTIPLE JUNCTION (SMJ)

\*: THIS CONNECTOR IS NOT SHOWN IN "HARNESS LAYOUT", PG SECTION.

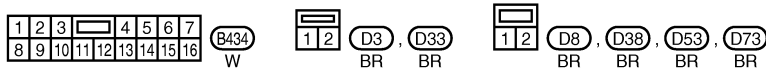
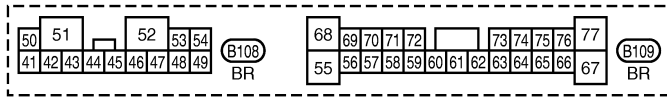
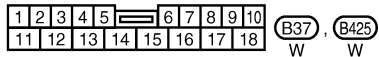
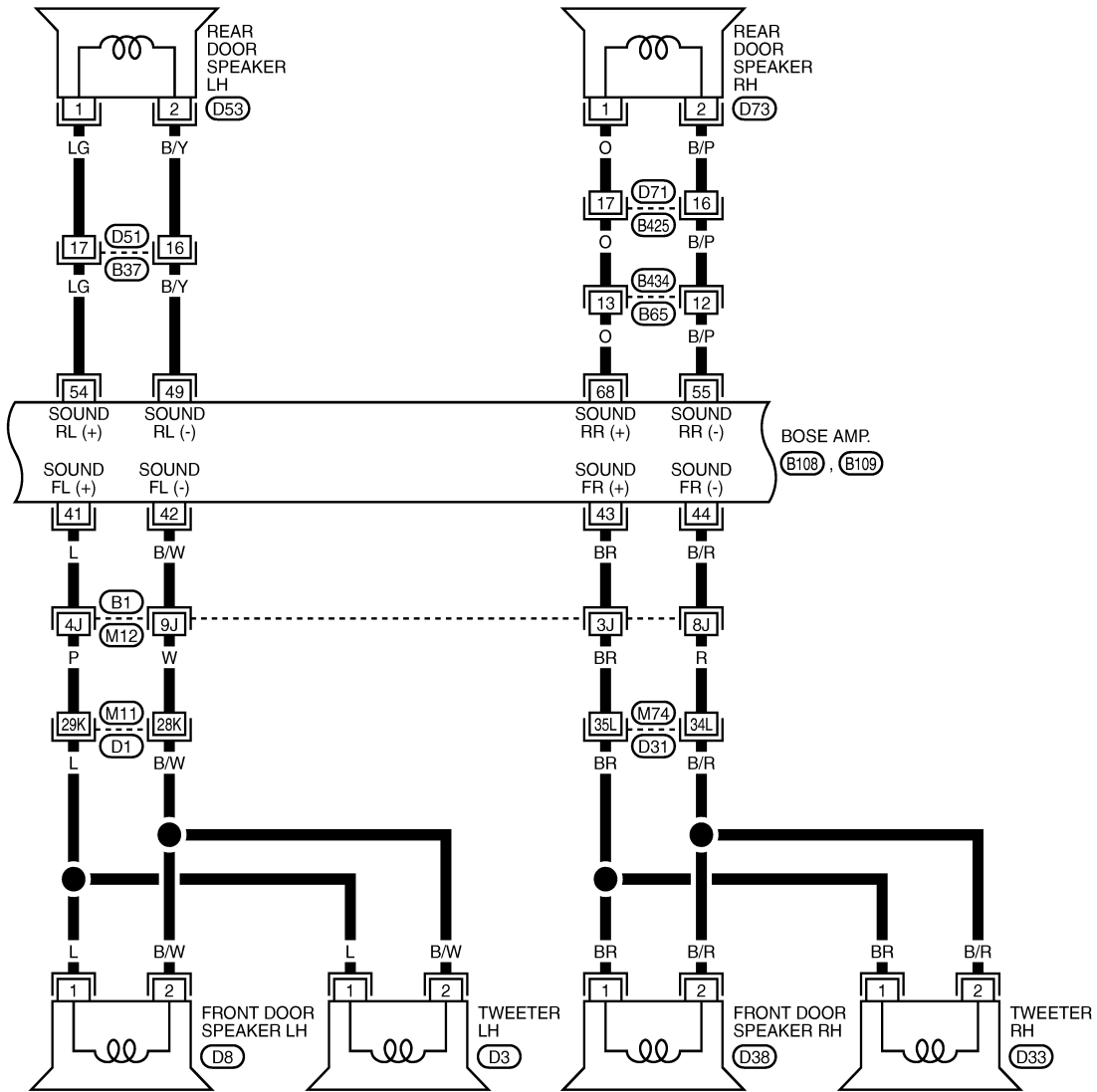
TKWT8287E

# BOSE AMP.

[WITHOUT MOBILE ENTERTAINMENT SYSTEM]

< ECU DIAGNOSIS >

AV-AV-40



REFER TO THE FOLLOWING.  
(B1, D1, D31) - SUPER  
MULTIPLE JUNCTION (SMJ)

TKWT6718E

A  
B  
C  
D  
E  
F  
G  
H  
I  
J  
K  
L  
M  
N  
O  
P

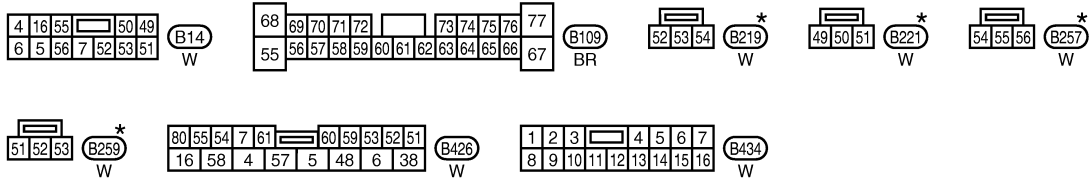
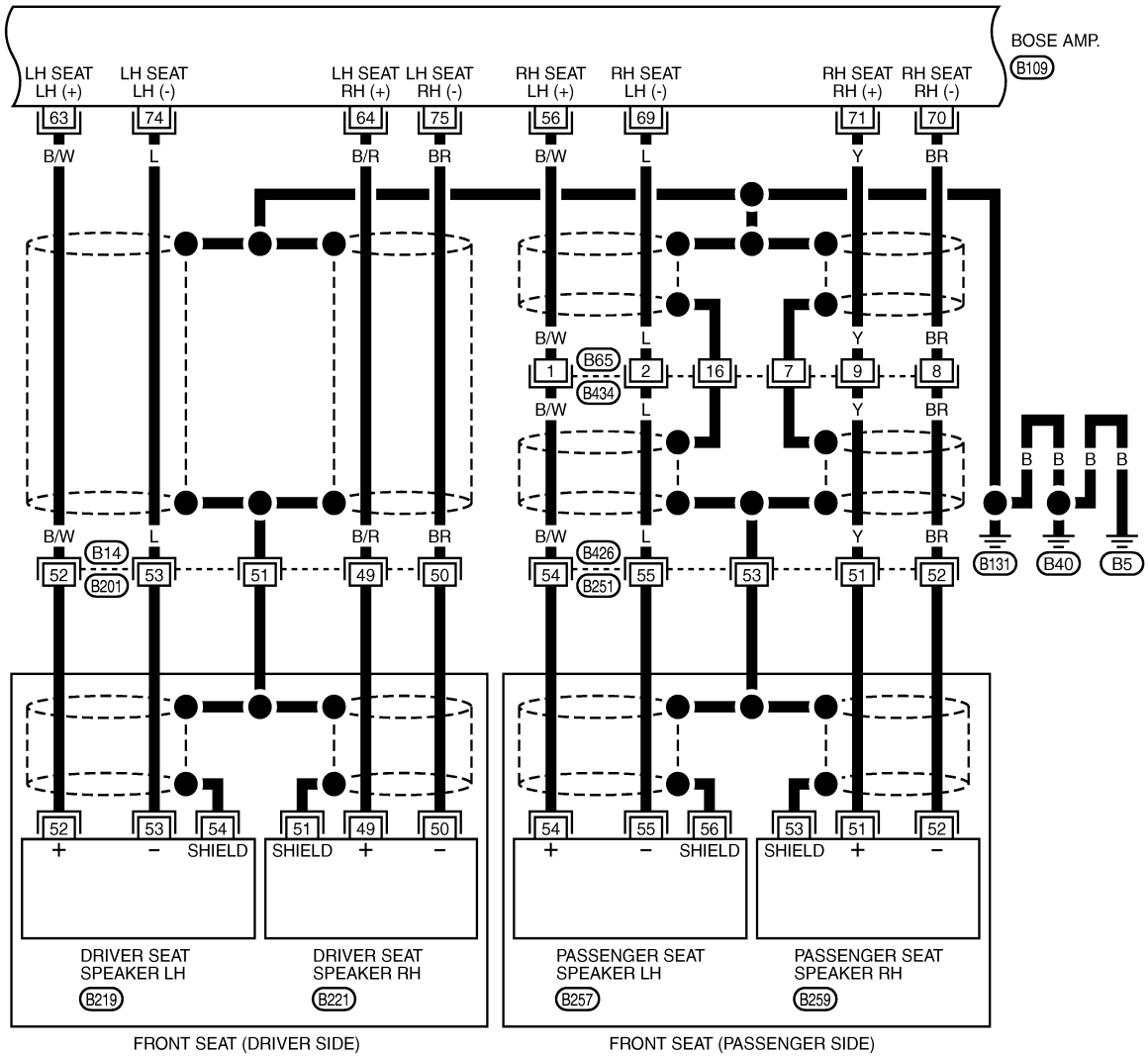
AV

# BOSE AMP.

[WITHOUT MOBILE ENTERTAINMENT SYSTEM]

< ECU DIAGNOSIS >

AV-AV-41



\*: THIS CONNECTOR IS NOT SHOWN IN "HARNESS LAYOUT", PG SECTION.

TKWT6719E

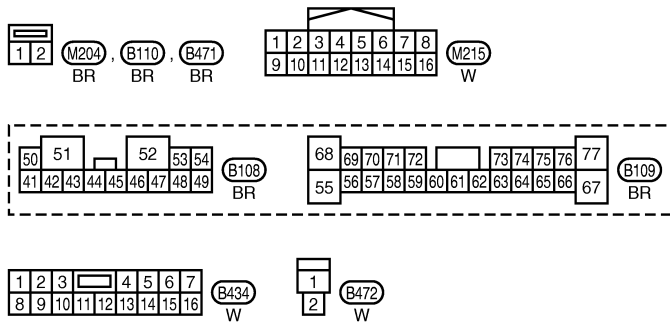
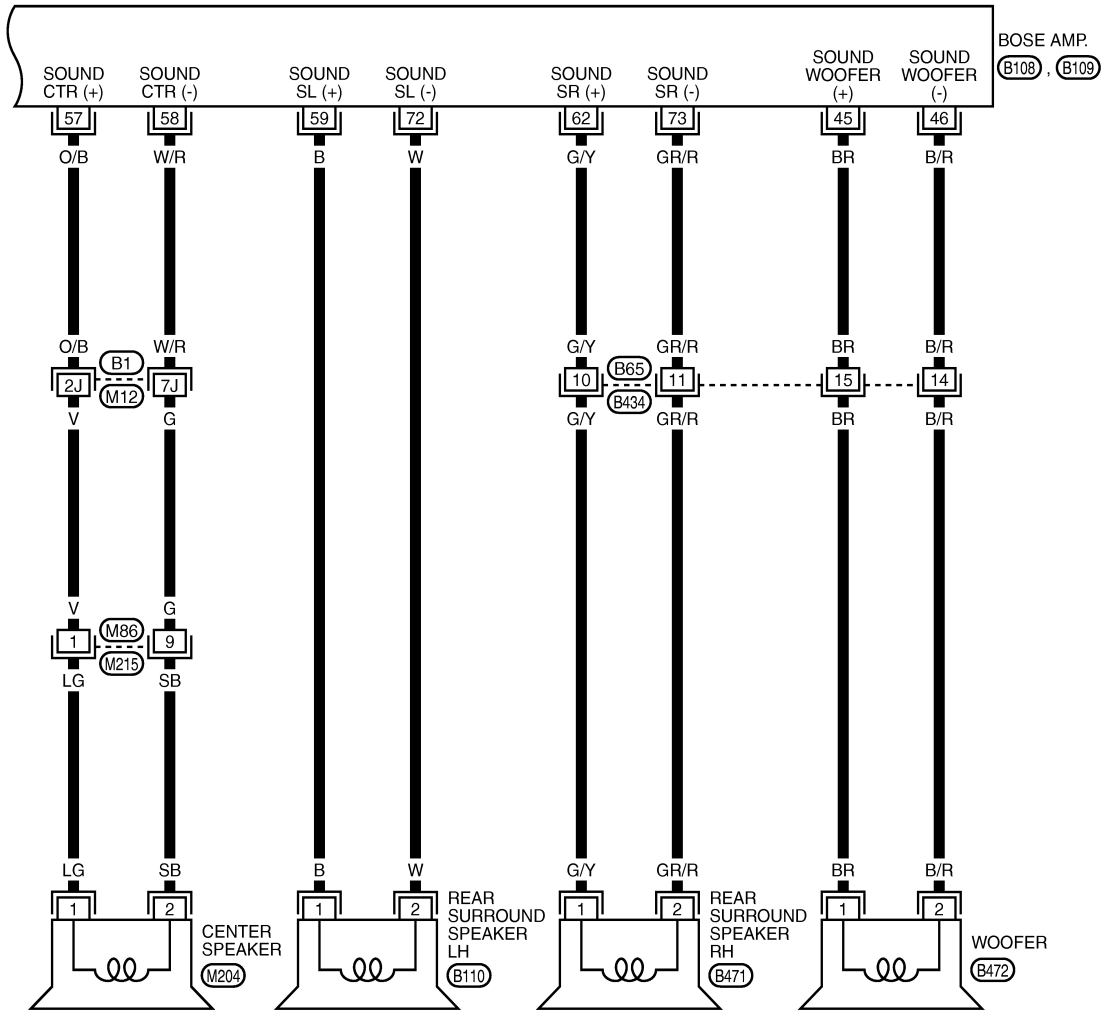


# BOSE AMP.

[WITHOUT MOBILE ENTERTAINMENT SYSTEM]

< ECU DIAGNOSIS >

AV-AV-42



REFER TO THE FOLLOWING.

(B1) - SUPER MULTIPLE JUNCTION (SMJ)

TKWT6720E

A  
B  
C  
D  
E  
F  
G  
H  
I  
J  
AV  
L  
M  
N  
O  
P



# IPOD ADAPTER

[WITHOUT MOBILE ENTERTAINMENT SYSTEM]

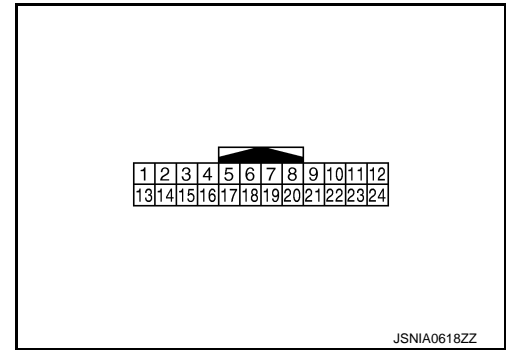
< ECU DIAGNOSIS >

## IPOD ADAPTER

Reference Value

INFOID:000000005350344

TERMINAL LAYOUT



PHYSICAL VALUES

Terminal (Wire color)		Description		Condition		Reference value (Approx.)
+	-	Signal name	Input/Output			
1 (B/R)	13 (BR)	iPod sound signal LH	Output	Ignition switch ON	Connect and play iPod®.	<p>SKIB3609E</p>
2 (B/W)	14 (L)	iPod sound signal RH	Output	Ignition switch ON	Connect and play iPod®.	<p>SKIB3609E</p>
3 (V)	Ground	ACC power supply	Input	Ignition switch ACC	—	Battery voltage
4 (B)	—	AV communication signal (L)	Input/Output	—	—	—
5 (Y)	Ground	Battery power supply	Input	Ignition switch OFF	—	Battery voltage
8 (W)	Ground	iPod battery charge	Output	Ignition switch ON	Connected to iPod®.	12 V

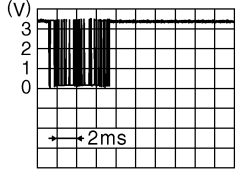
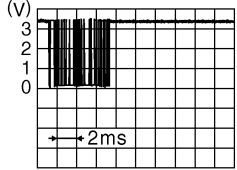
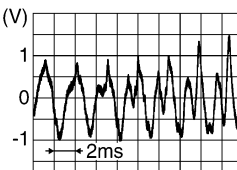
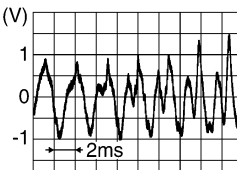
A  
B  
C  
D  
E  
F  
G  
H  
I  
J  
L  
M  
N  
O  
P

AV

# IPOD ADAPTER

[WITHOUT MOBILE ENTERTAINMENT SYSTEM]

< ECU DIAGNOSIS >

Terminal (Wire color)		Description		Condition		Reference value (Approx.)
+	-	Signal name	Input/ Output	Ignition switch ON		
9 (V)	Ground	Communication signal (iPod adapter→iPod®)	Output	Ignition switch ON	The wave pattern is displayed just after iPod connection.	<p><b>NOTE:</b> After the wave pattern display, the value continues Approx 3.3 V</p>  <p style="text-align: right;">JPNIA0462GB</p>
10 (LG)	Ground	Communication signal (iPod®→iPod adapter)	Input	Ignition switch ON	Connected to iPod®.	 <p style="text-align: right;">JPNIA0462GB</p>
11 (L)	Ground	ACCESSORY-IDENTIFY	—	Ignition switch ON	Connected to iPod®.	0 V
12 (R)	23 (B)	iPod sound signal RH	Input	Ignition switch ON	Connect and play iPod®.	 <p style="text-align: right;">SKIB3609E</p>
15	—	Shield	—	—	—	—
16 (W)	—	AV communication signal (H)	Input/ Output	—	—	—
17	Ground	Ground	—	Ignition switch ON	—	0 V
19	—	Shield	—	—	—	—
21 (SB)	Ground	iPod connection recognition signal	Input	Ignition switch ON	Not connected to iPod®.	4 V
					Connected to iPod®.	0 V
22 (W)	Ground	ACCESSORY-DETECT	—	Ignition switch ON	Connected to iPod®.	0 V
24 (W)	23 (B)	iPod sound signal LH	Input	Ignition switch ON	Connect and play iPod®.	 <p style="text-align: right;">SKIB3609E</p>

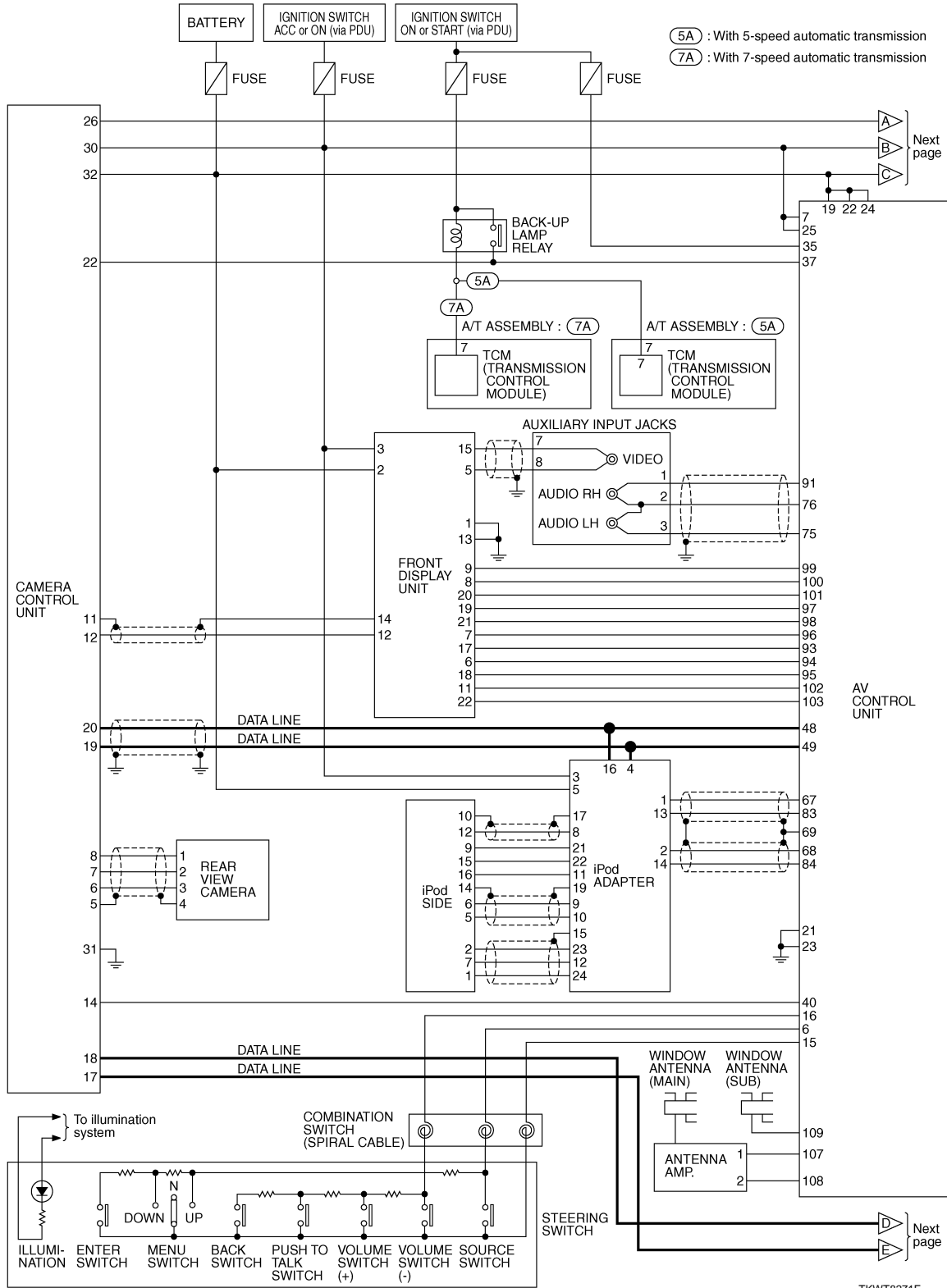
# IPOD ADAPTER

[WITHOUT MOBILE ENTERTAINMENT SYSTEM]

< ECU DIAGNOSIS >

## Schematic - BOSE Audio 2ch System -

INFOID:000000005350345



TKWT8271E

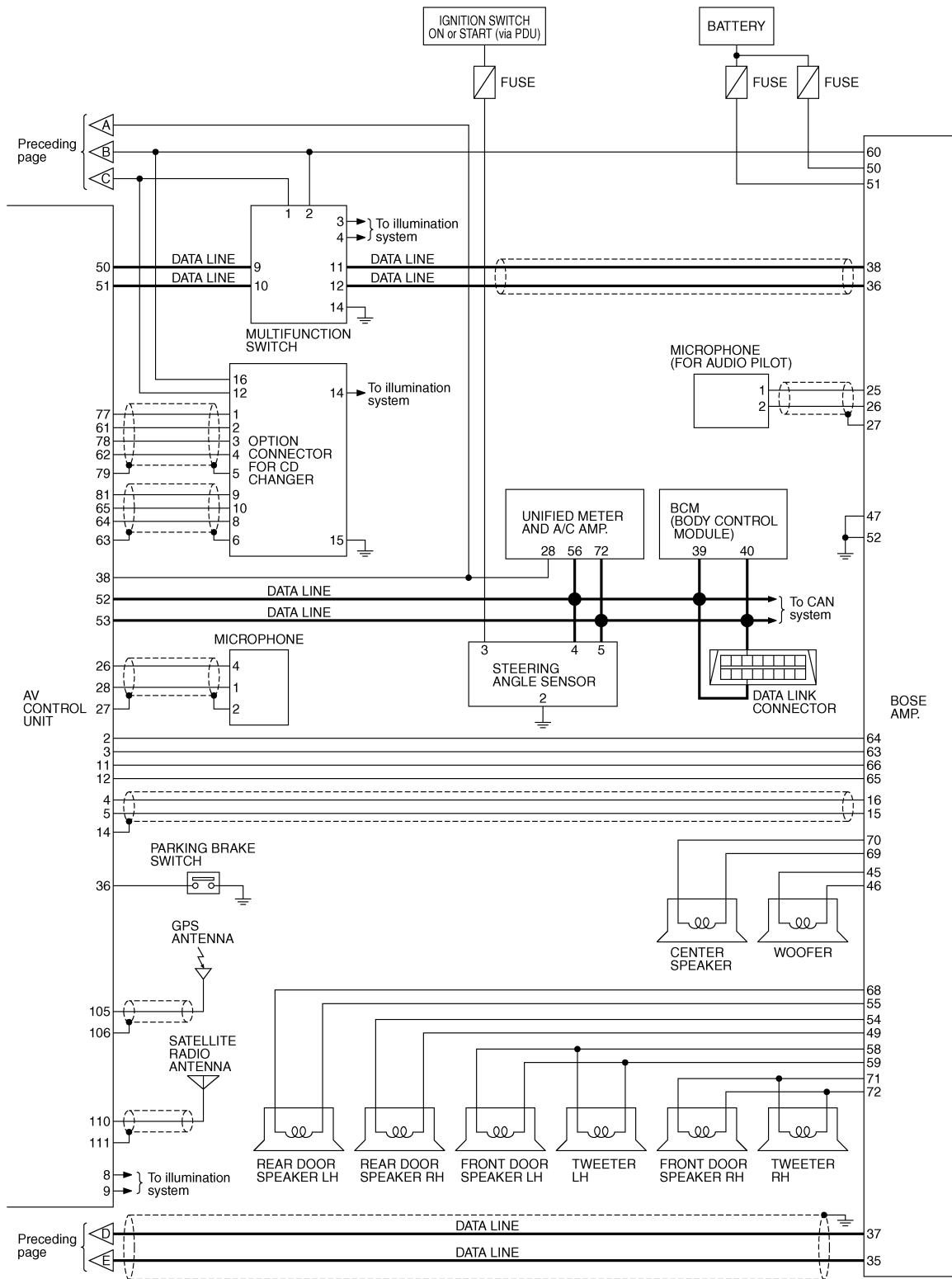
A  
B  
C  
D  
E  
F  
G  
H  
I  
J  
K  
L  
M  
N  
O  
P

AV

# IPOD ADAPTER

[WITHOUT MOBILE ENTERTAINMENT SYSTEM]

< ECU DIAGNOSIS >



TKWT8272E

Wiring Diagram - AV - / BOSE Audio 2ch System

INFOID:000000005350346

**NOTE:**

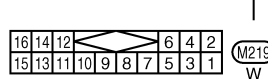
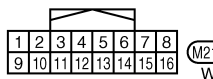
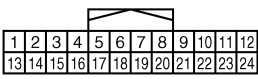
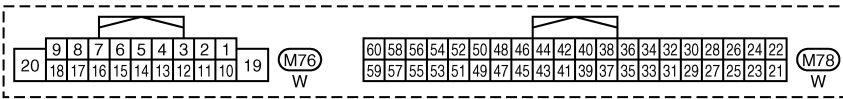
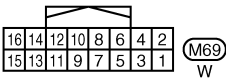
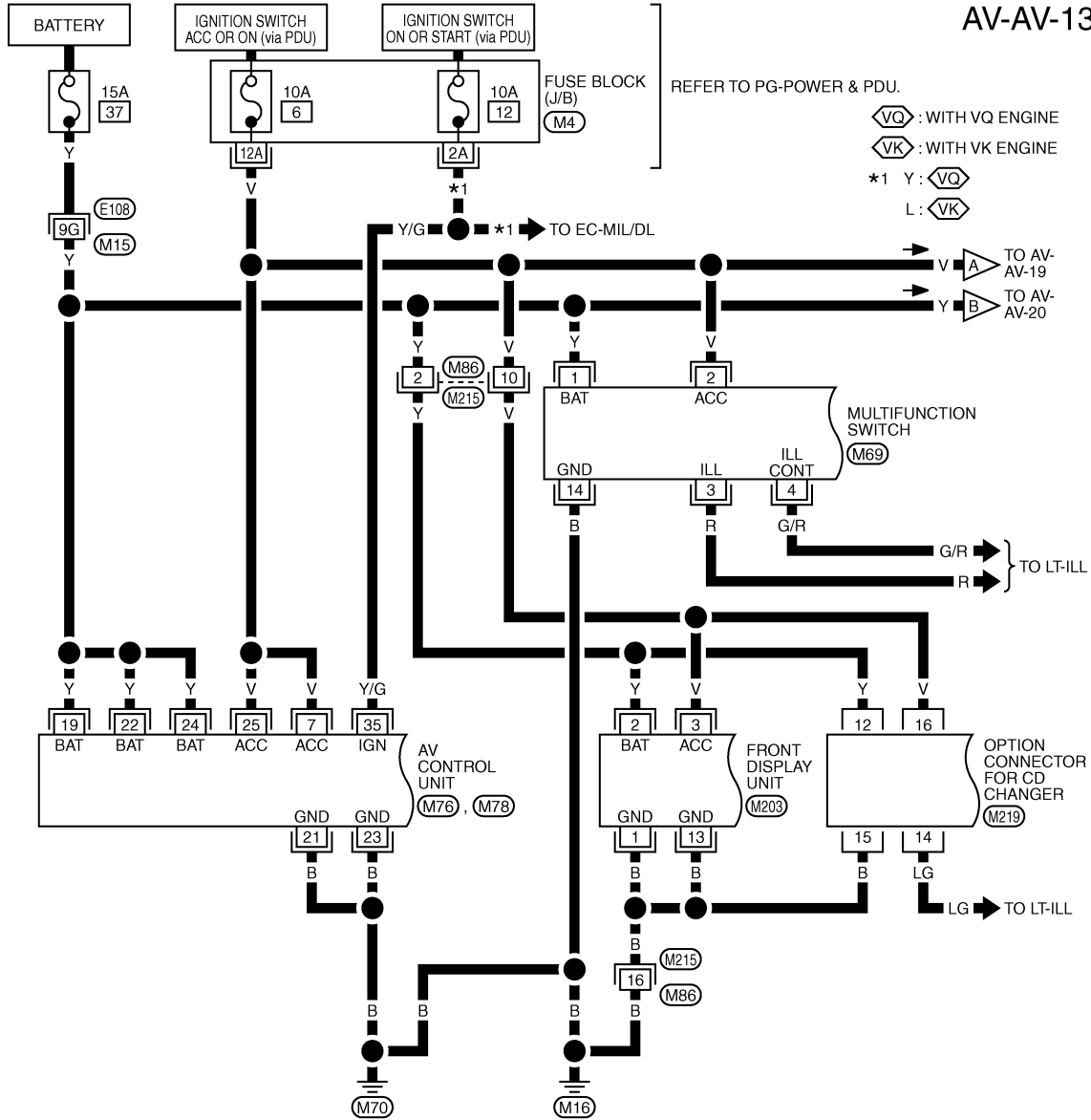
# IPOD ADAPTER

[WITHOUT MOBILE ENTERTAINMENT SYSTEM]

< ECU DIAGNOSIS >

The name MULTIFUNCTION SWITCH indicates the integration of PRESET SWITCH and MULTIFUNCTION SWITCH virtually.

AV-AV-13



REFER TO THE FOLLOWING.

- (E108) -SUPER MULTIPLE JUNCTION (SMJ)
- (M4) -FUSE BLOCK-JUNCTION BOX (J/B)

TKWT8273E

A  
B  
C  
D  
E  
F  
G  
H  
I  
J  
K  
L  
M  
N  
O  
P

AV



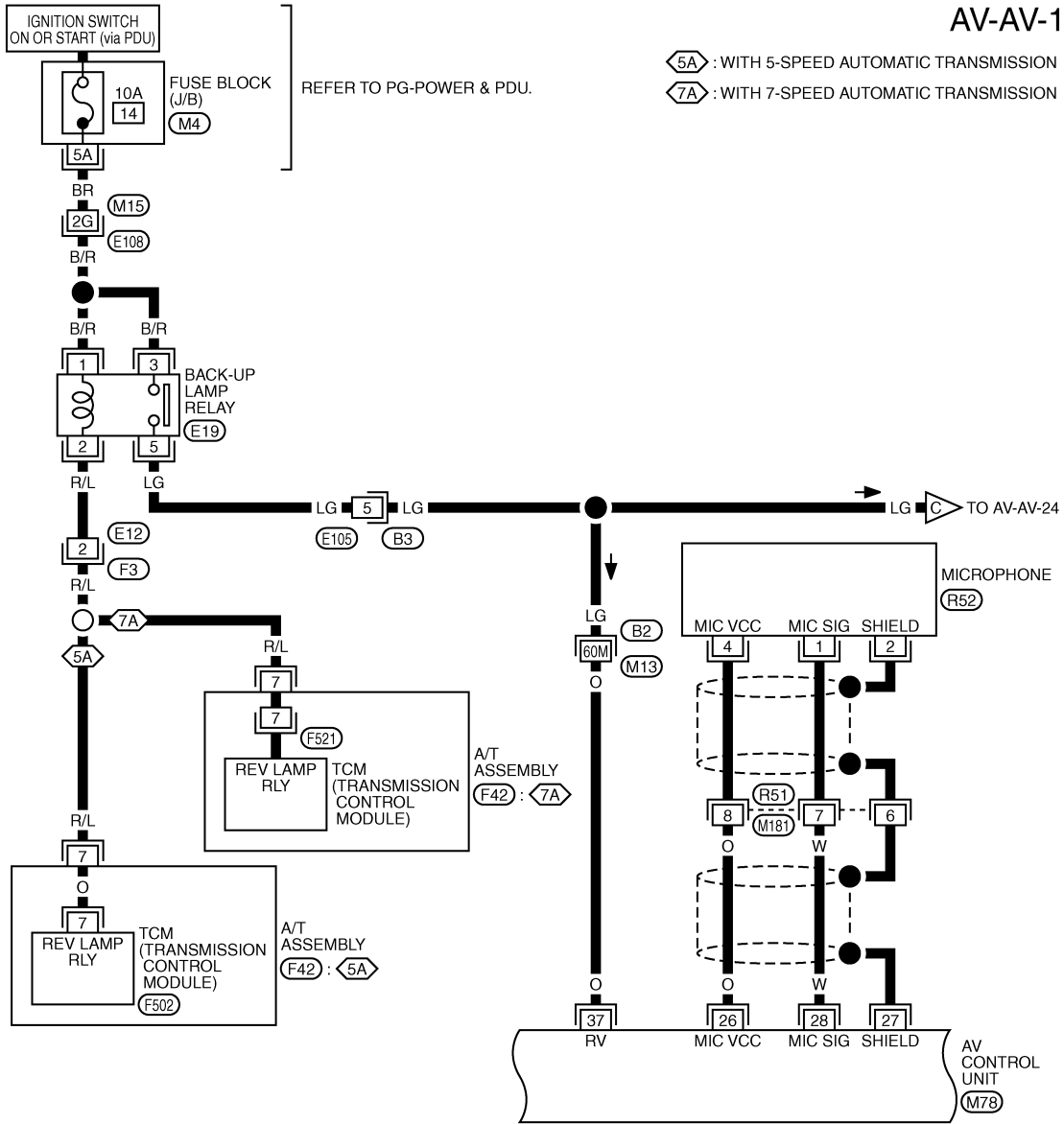


# IPOD ADAPTER

[WITHOUT MOBILE ENTERTAINMENT SYSTEM]

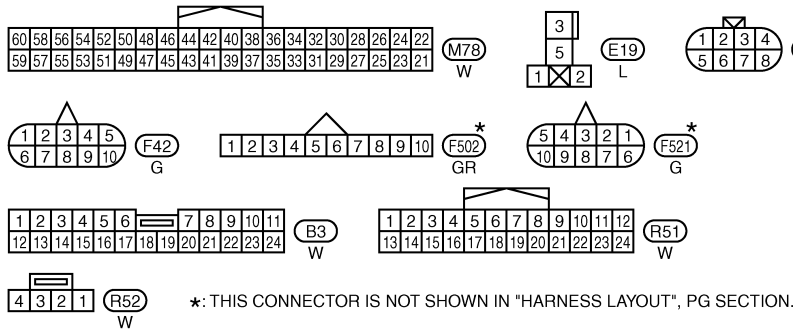
< ECU DIAGNOSIS >

AV-AV-15



5A : WITH 5-SPEED AUTOMATIC TRANSMISSION  
 7A : WITH 7-SPEED AUTOMATIC TRANSMISSION

REFER TO PG-POWER & PDU.



REFER TO THE FOLLOWING.  
 E108, B2 -SUPER MULTIPLE JUNCTION (SMJ)  
 M4 -FUSE BLOCK-JUNCTION BOX (J/B)

TKWT8275E

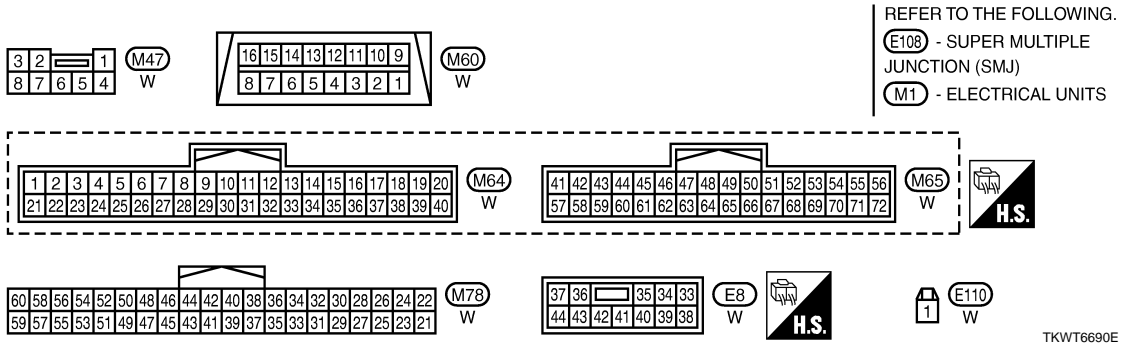
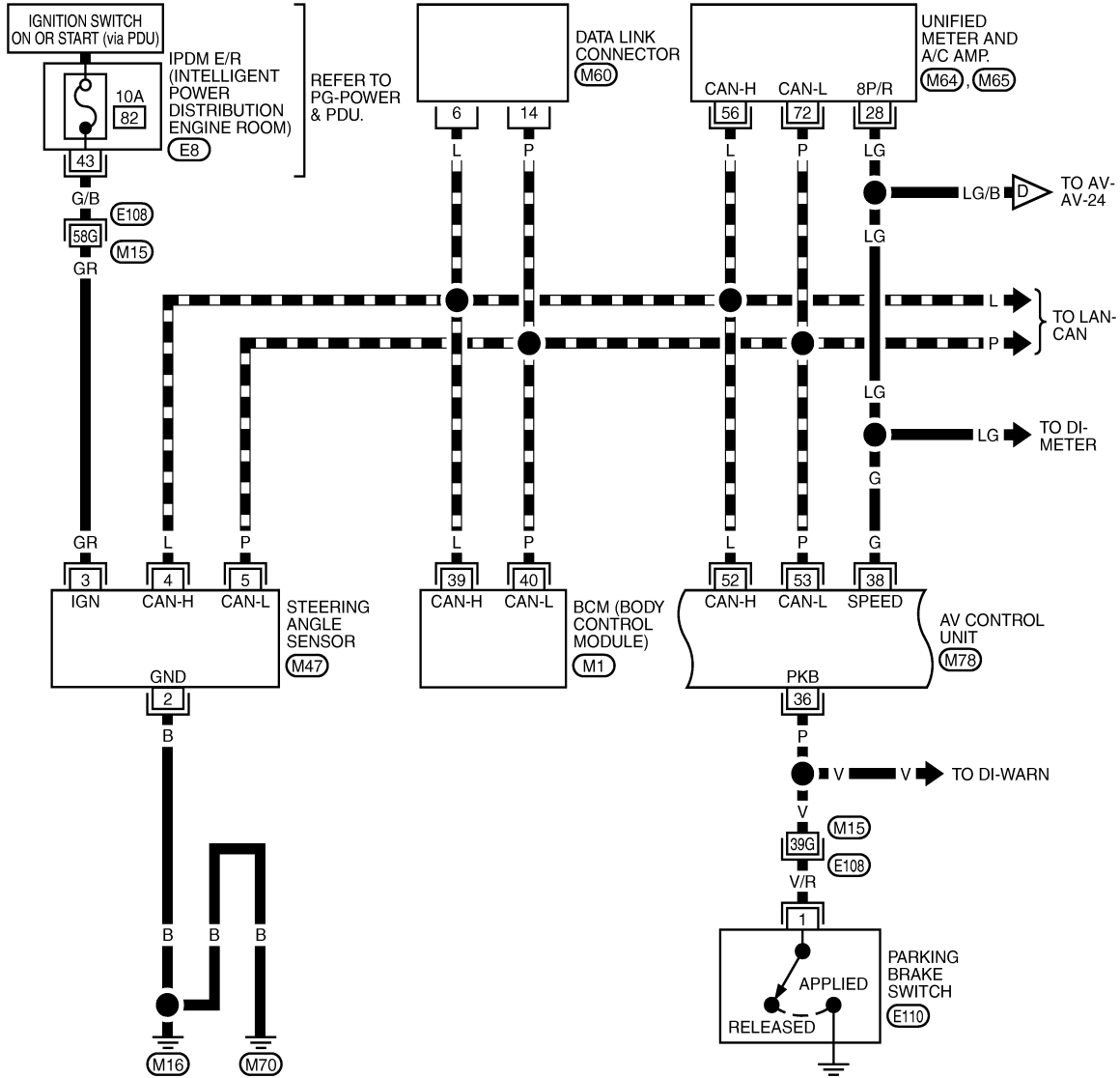
# IPOD ADAPTER

[WITHOUT MOBILE ENTERTAINMENT SYSTEM]

< ECU DIAGNOSIS >

AV-AV-16

▬ : DATA LINE

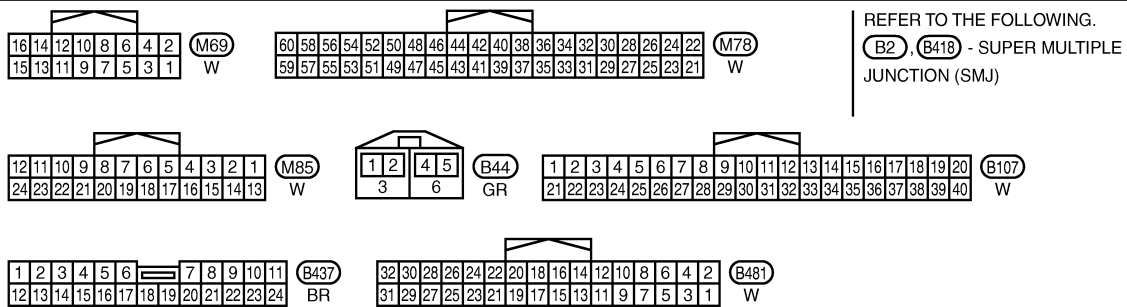
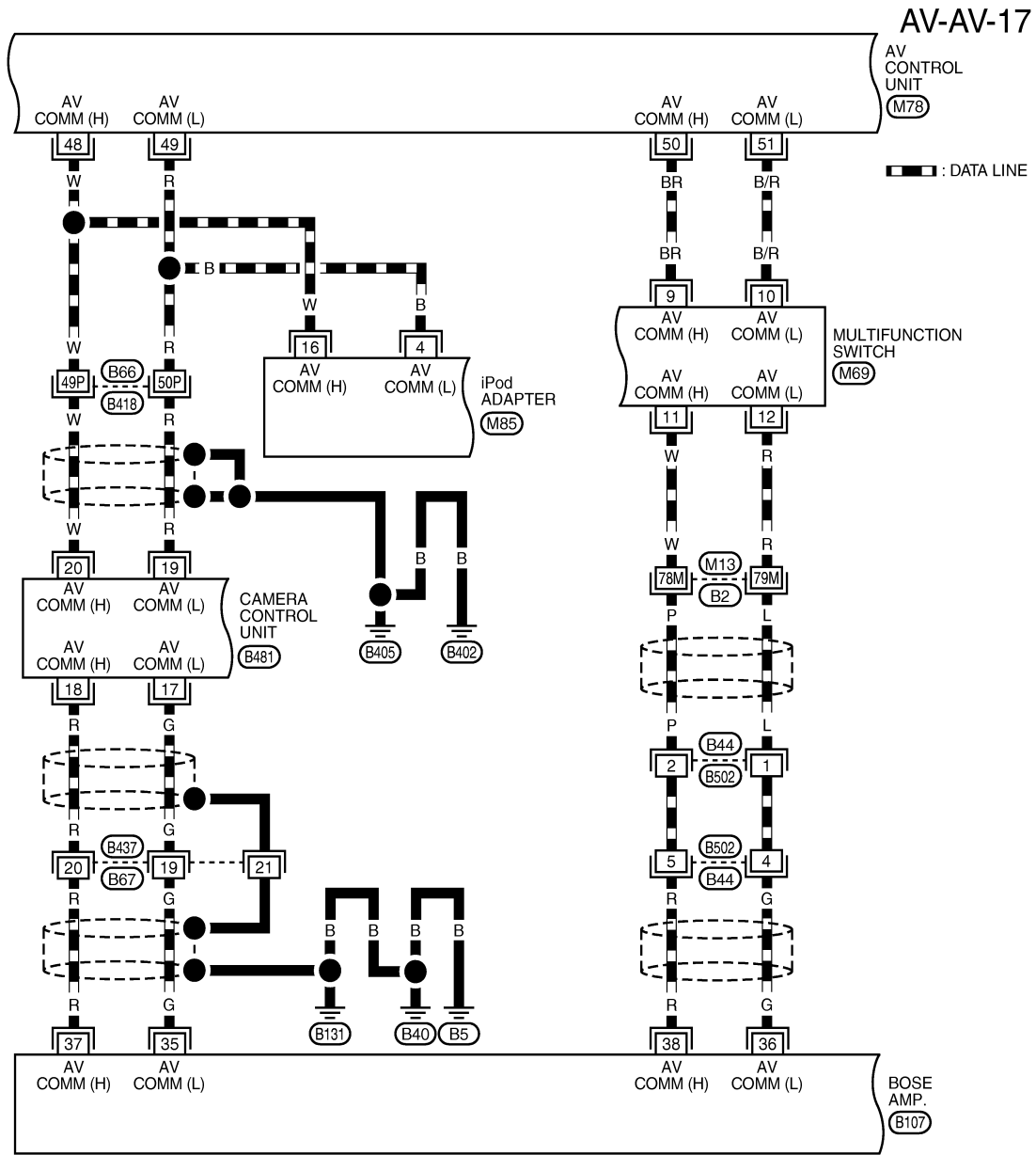


TKWT6690E

# IPOD ADAPTER

[WITHOUT MOBILE ENTERTAINMENT SYSTEM]

< ECU DIAGNOSIS >



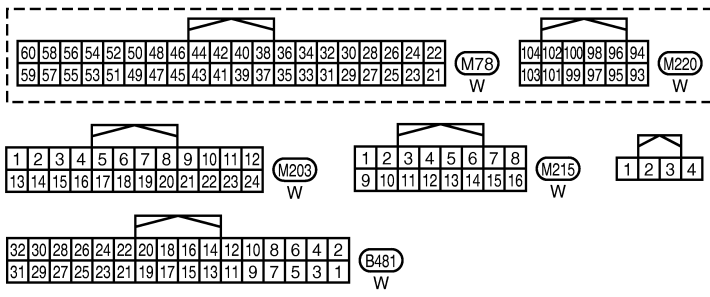
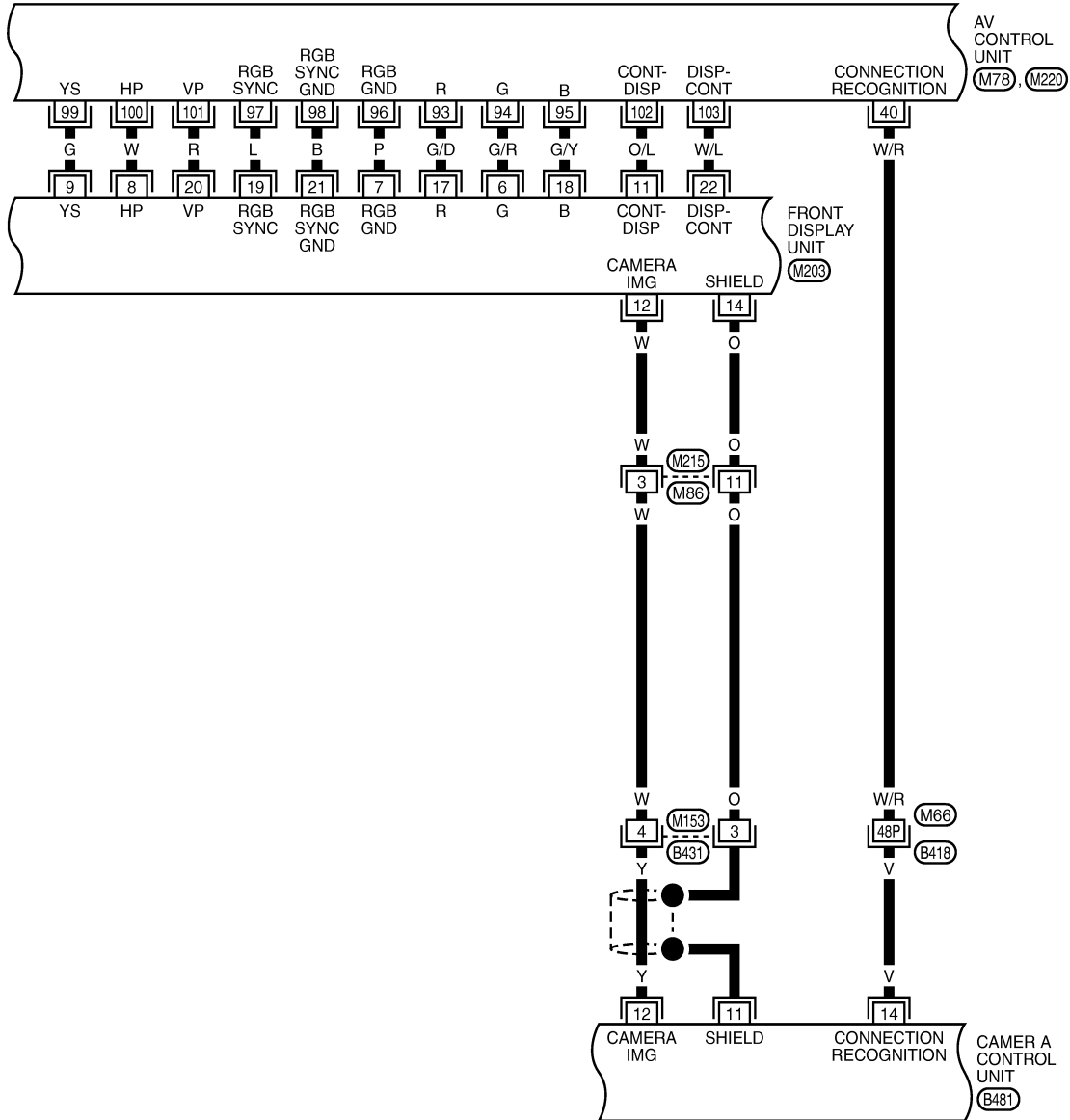
TKWT6691E

# IPOD ADAPTER

[WITHOUT MOBILE ENTERTAINMENT SYSTEM]

< ECU DIAGNOSIS >

AV-AV-18



REFER TO THE FOLLOWING.

(B418) - SUPER MULTIPLE JUNCTION (SMJ)

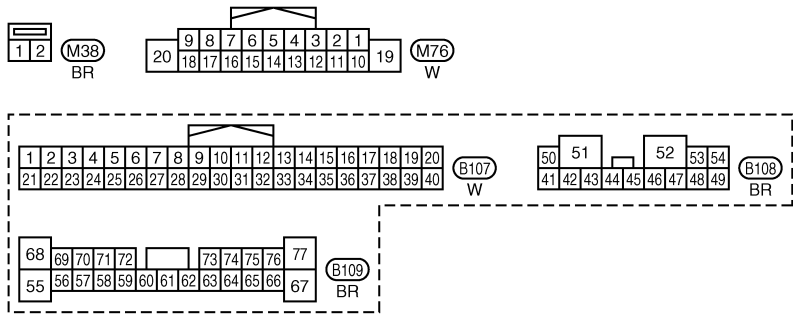
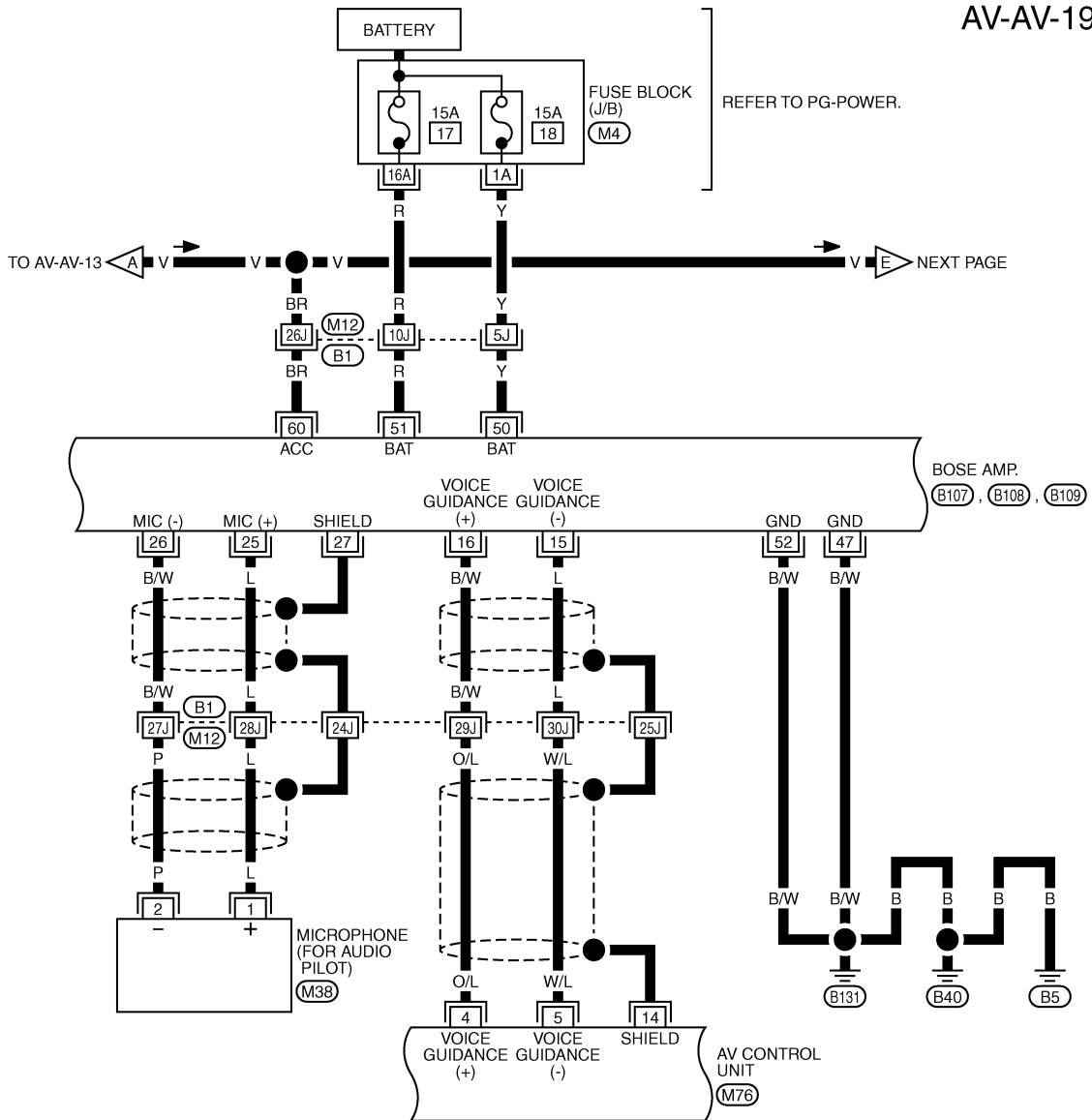
TKWT6692E

# IPOD ADAPTER

[WITHOUT MOBILE ENTERTAINMENT SYSTEM]

< ECU DIAGNOSIS >

AV-AV-19



REFER TO THE FOLLOWING.

(B1) -SUPER MULTIPLE JUNCTION (SMJ)

(M4) -FUSE BLOCK-JUNCTION BOX (J/B)

TKWT8276E

A  
B  
C  
D  
E  
F  
G  
H  
I  
J  
L  
M  
N  
O  
P

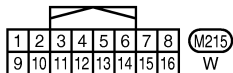
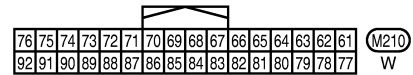
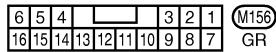
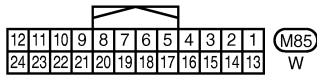
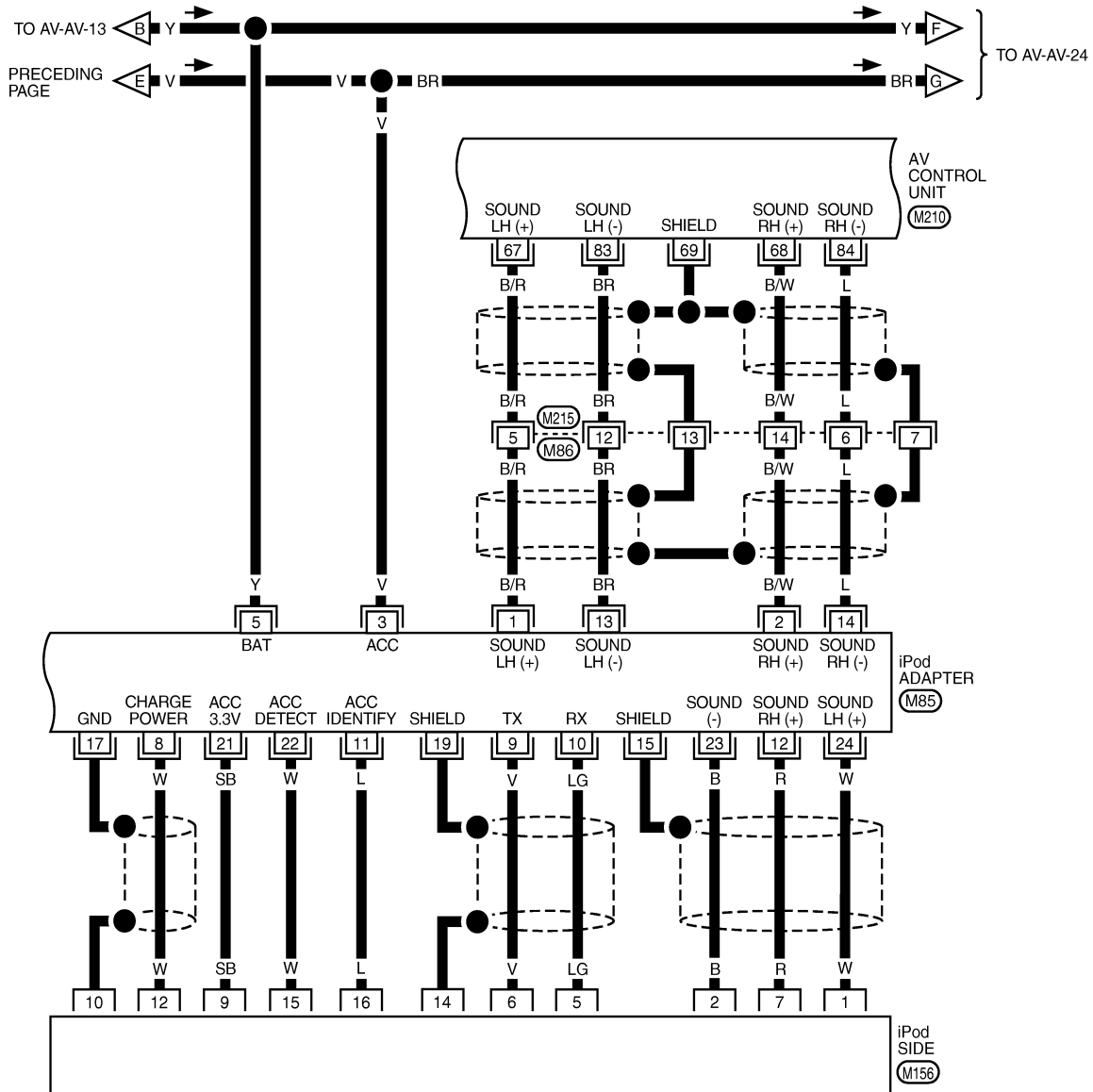
AV

# IPOD ADAPTER

[WITHOUT MOBILE ENTERTAINMENT SYSTEM]

< ECU DIAGNOSIS >

AV-AV-20



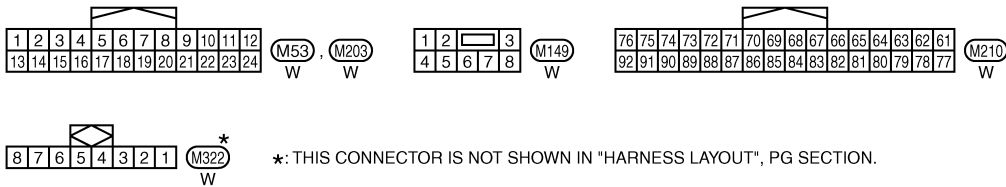
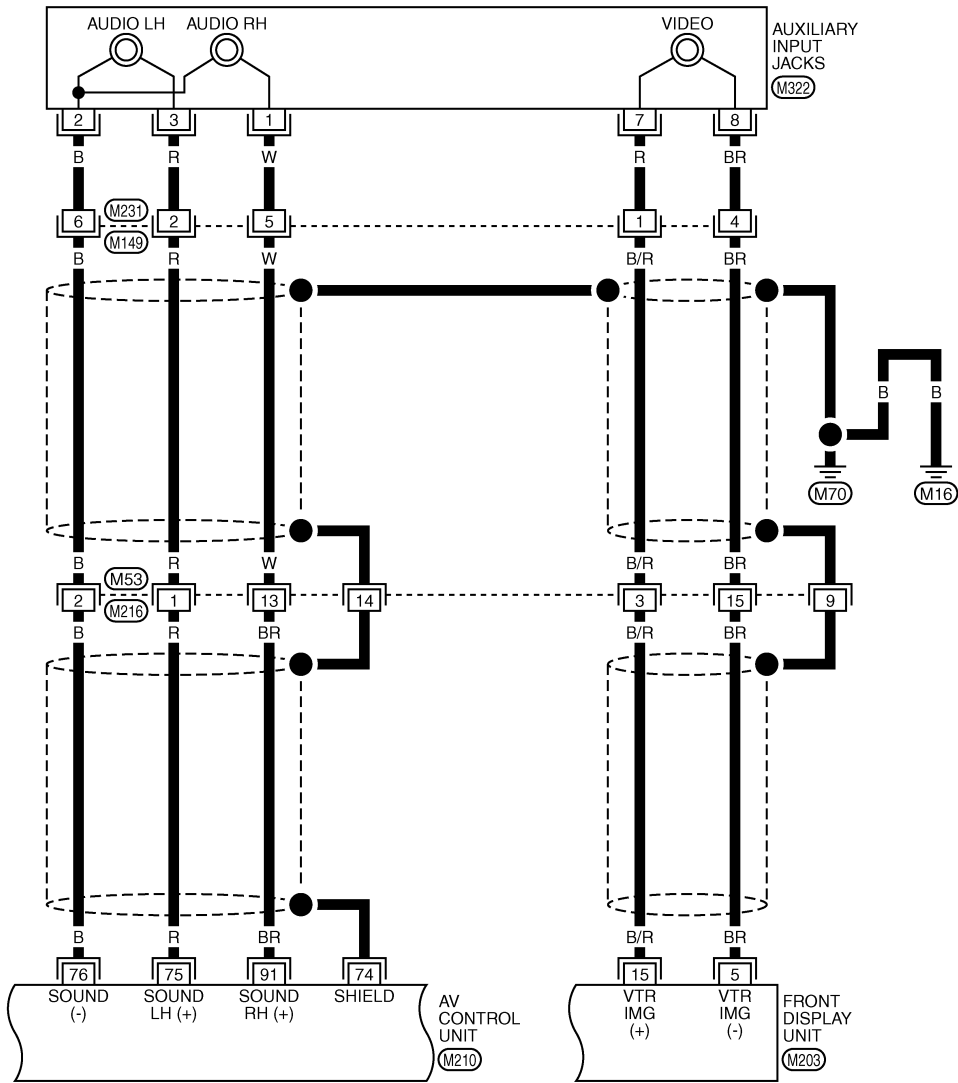
TKWT6695E

# IPOD ADAPTER

[WITHOUT MOBILE ENTERTAINMENT SYSTEM]

< ECU DIAGNOSIS >

AV-AV-21



TKWT8277E

A  
B  
C  
D  
E  
F  
G  
H  
I  
J  
L  
M  
N  
O  
P

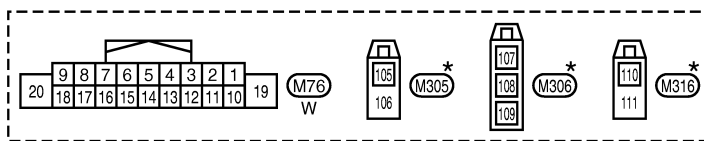
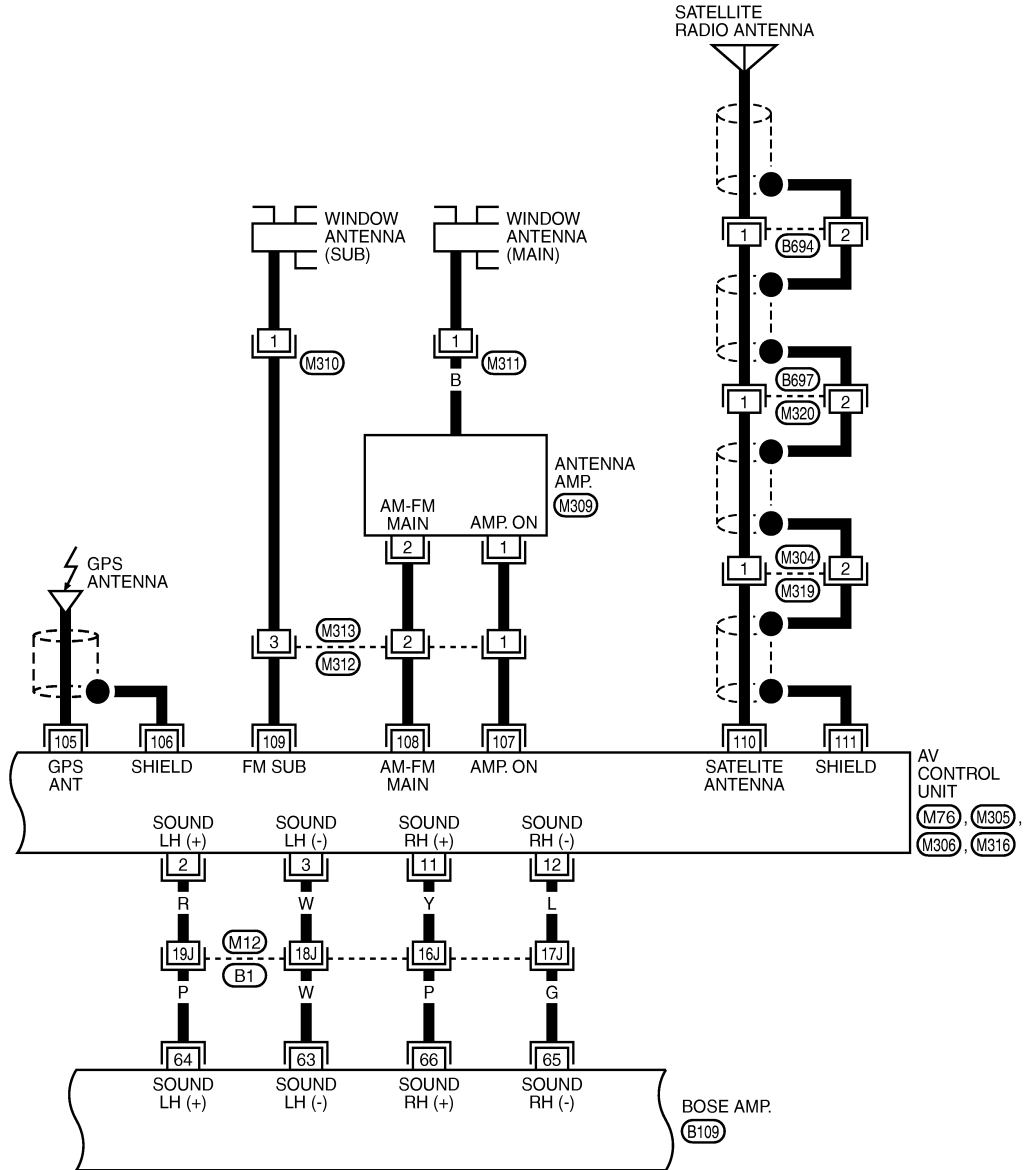
AV

# IPOD ADAPTER

[WITHOUT MOBILE ENTERTAINMENT SYSTEM]

< ECU DIAGNOSIS >

AV-AV-22



REFER TO THE FOLLOWING.

(B1) - SUPER MULTIPLE JUNCTION (SMJ)



TKWT6697E

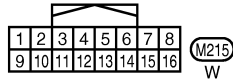
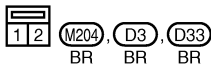
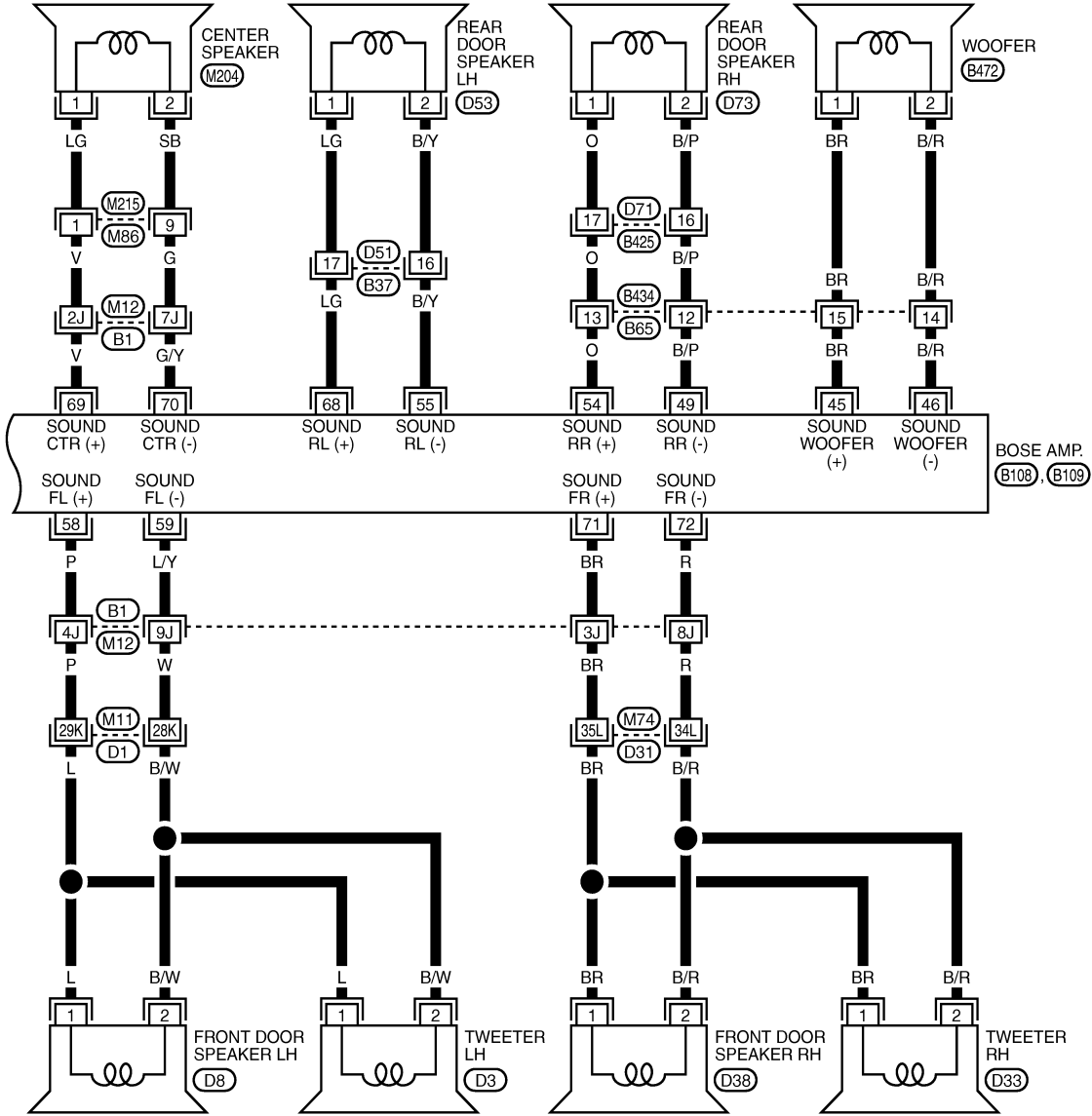


# IPOD ADAPTER

[WITHOUT MOBILE ENTERTAINMENT SYSTEM]

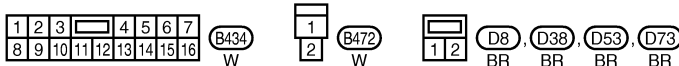
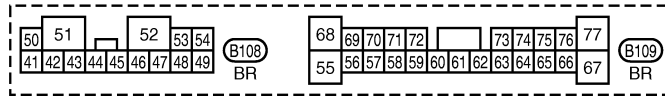
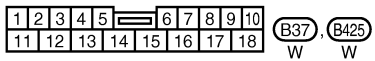
< ECU DIAGNOSIS >

AV-AV-23



REFER TO THE FOLLOWING.

(B1), (D1), (D31) - SUPER MULTIPLE JUNCTION (SMJ)



TKWT6698E

A  
B  
C  
D  
E  
F  
G  
H  
I  
J  
K  
L  
M  
N  
O  
P

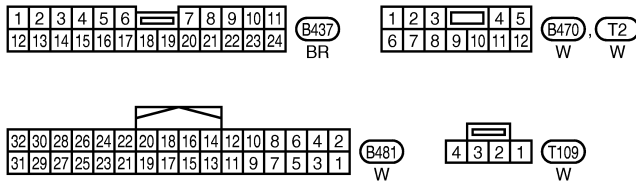
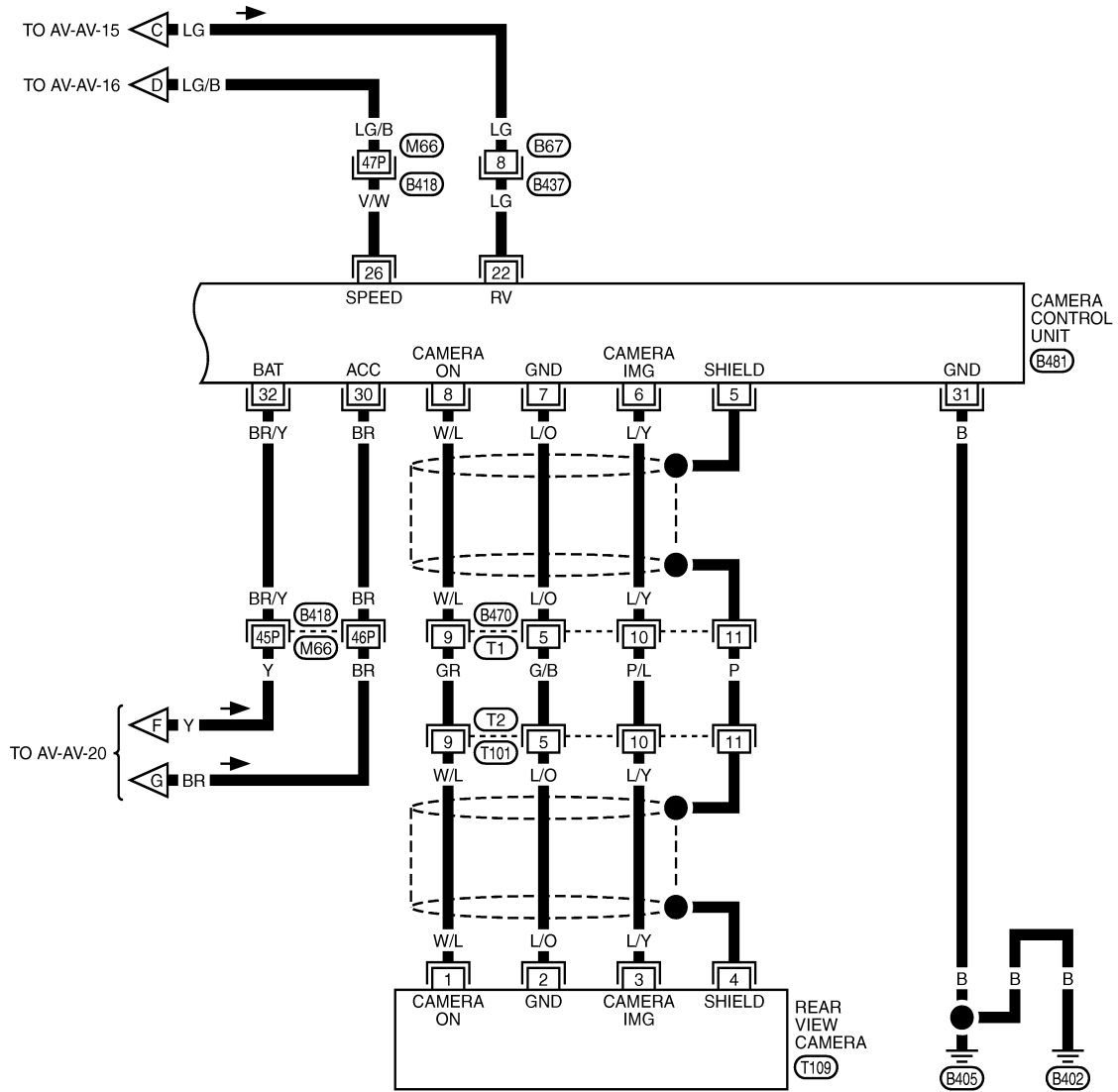
AV

# IPOD ADAPTER

[WITHOUT MOBILE ENTERTAINMENT SYSTEM]

< ECU DIAGNOSIS >

AV-AV-24



REFER TO THE FOLLOWING.

B418 - SUPER MULTIPLE JUNCTION (SMJ)

TKWT6699E

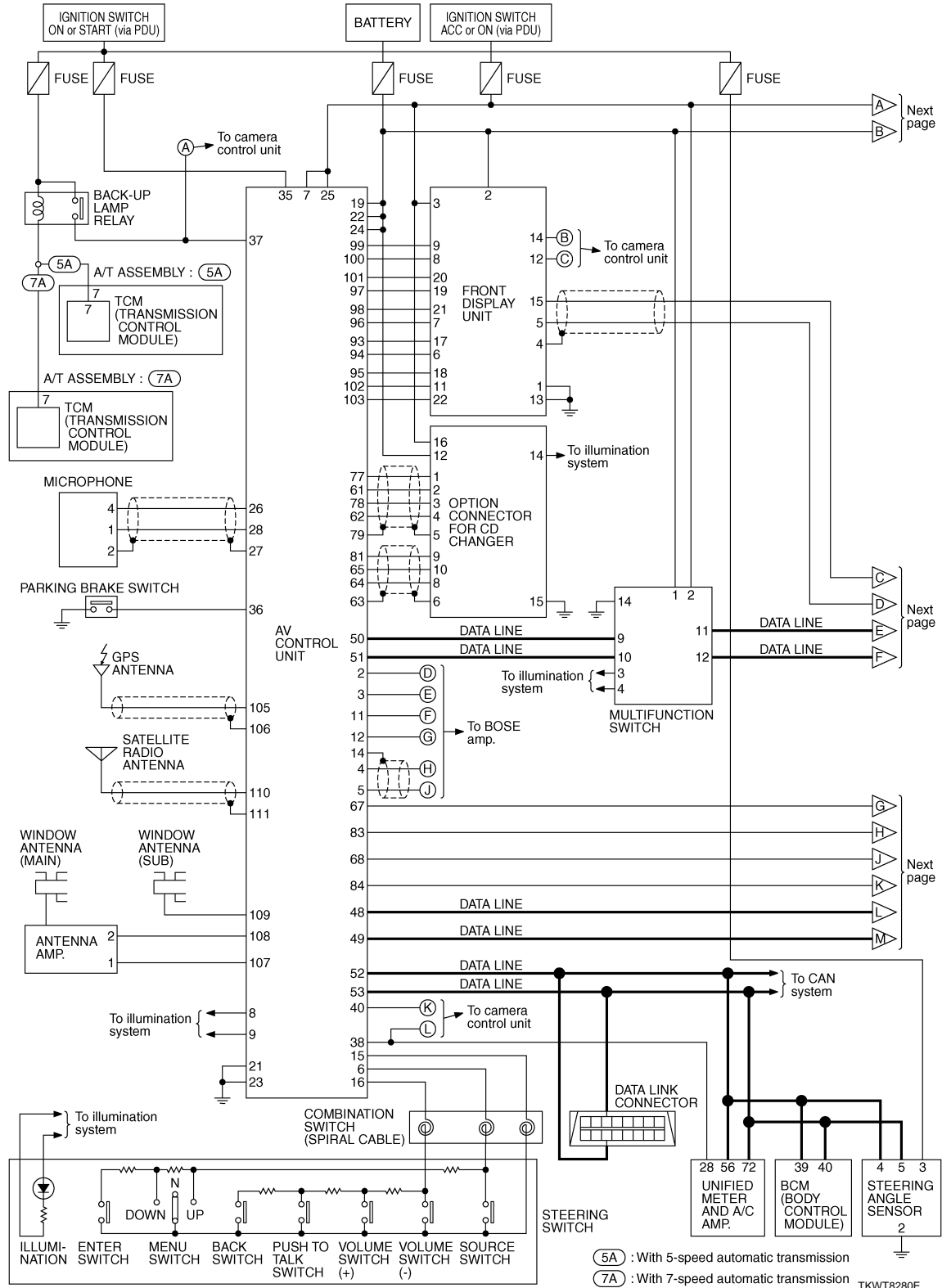
# IPOD ADAPTER

[WITHOUT MOBILE ENTERTAINMENT SYSTEM]

< ECU DIAGNOSIS >

## Schematic - BOSE Surround Audio 5.1ch System -

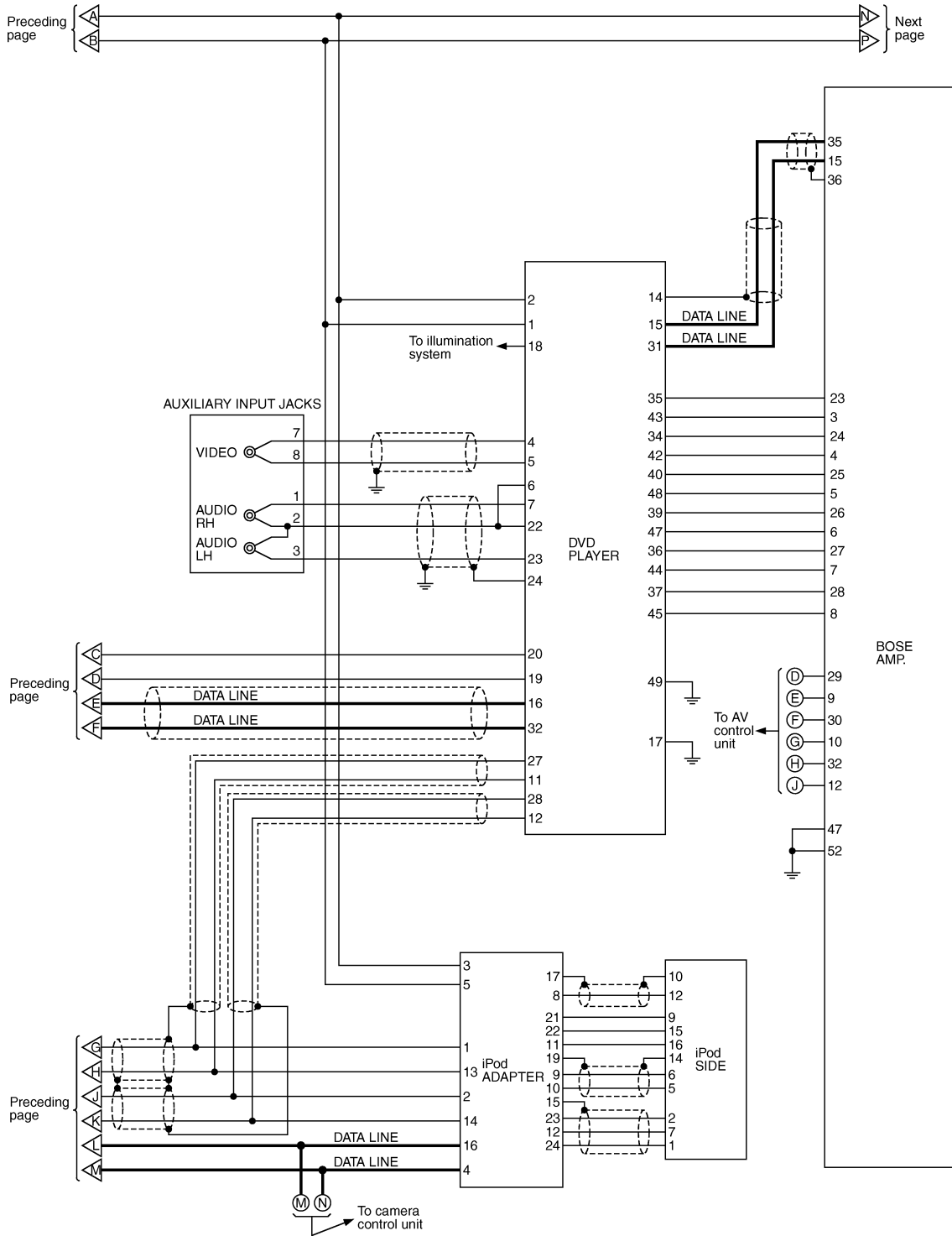
INFOID:000000005350347



# IPOD ADAPTER

[WITHOUT MOBILE ENTERTAINMENT SYSTEM]

< ECU DIAGNOSIS >

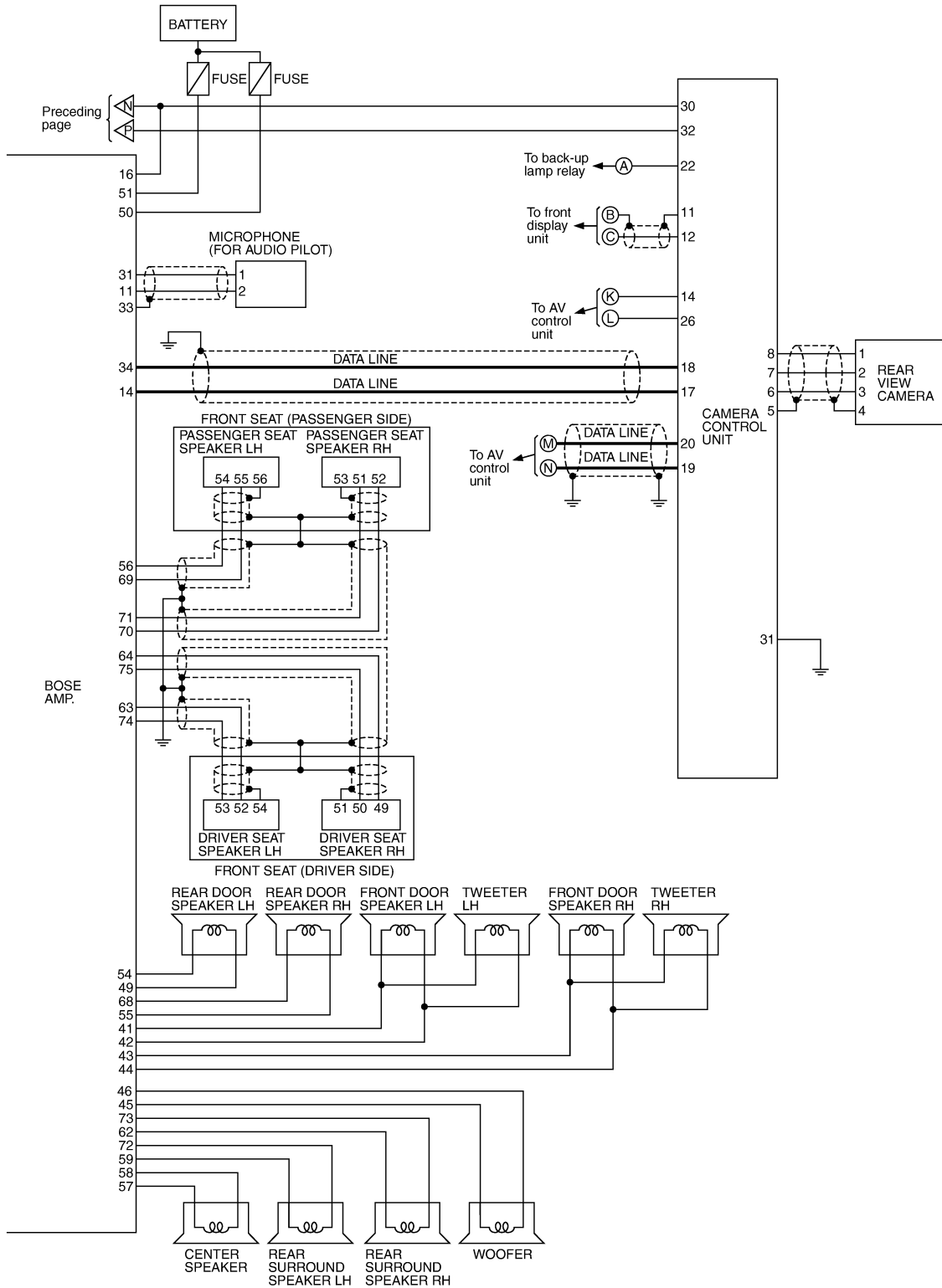


TKWT6701E

# IPOD ADAPTER

[WITHOUT MOBILE ENTERTAINMENT SYSTEM]

< ECU DIAGNOSIS >



A  
B  
C  
D  
E  
F  
G  
H  
I  
J  
L  
M  
N  
O  
P

AV

Wiring Diagram - AV - / BOSE Surround Audio 5.1ch System

NOTE:

TKWT6702E  
INFOID:000000005350348

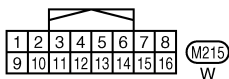
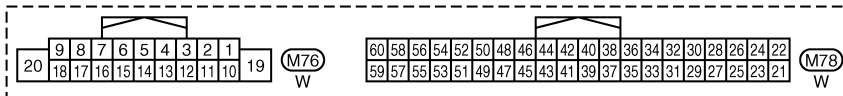
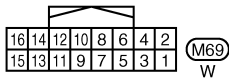
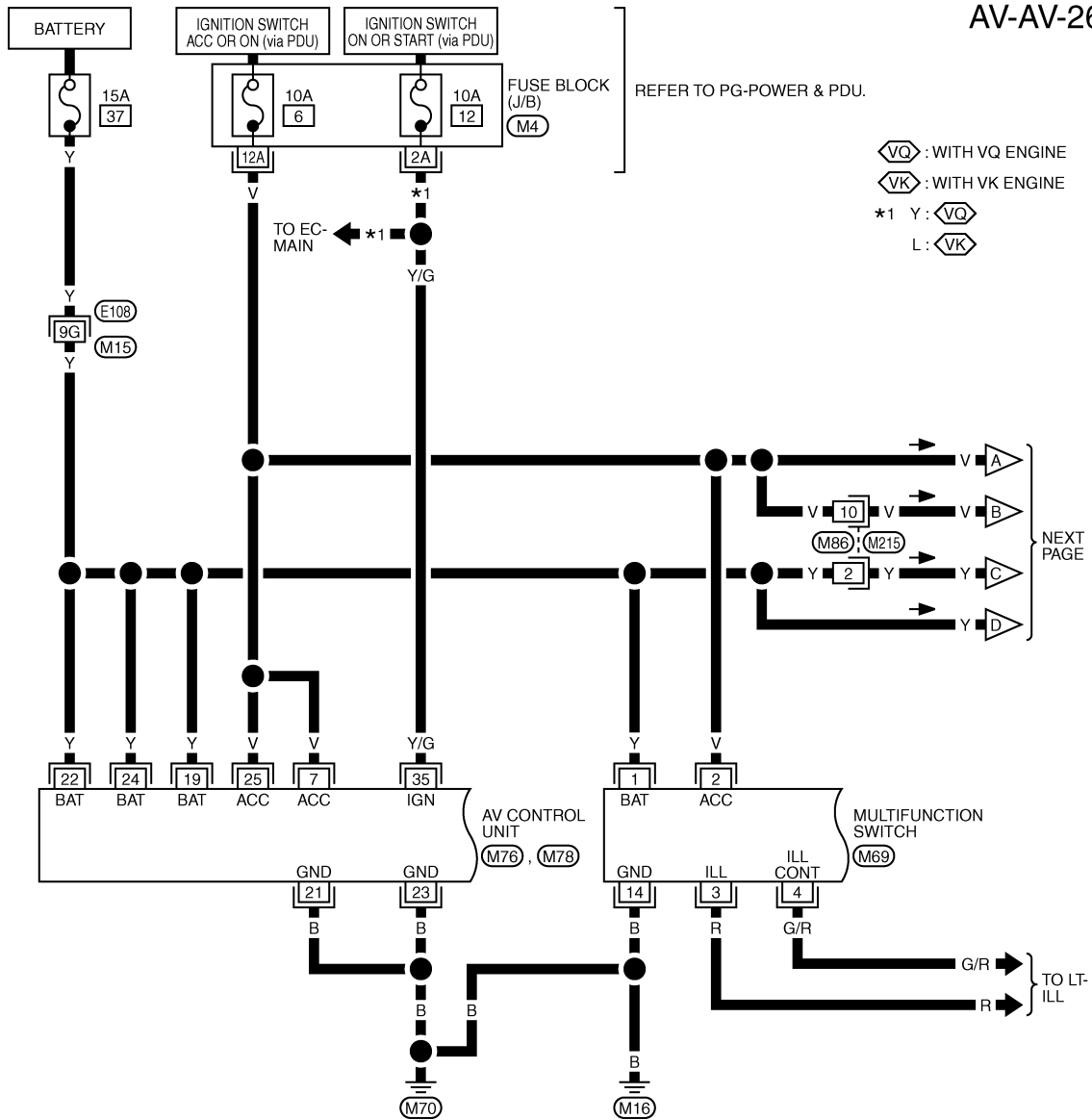
# IPOD ADAPTER

[WITHOUT MOBILE ENTERTAINMENT SYSTEM]

< ECU DIAGNOSIS >

The name MULTIFUNCTION SWITCH indicates the integration of PRESET SWITCH and MULTIFUNCTION SWITCH virtually.

AV-AV-26



REFER TO THE FOLLOWING.

(E108) -SUPER MULTIPLE JUNCTION (SMJ)

(M4) -FUSE BLOCK-JUNCTION BOX (J/B)

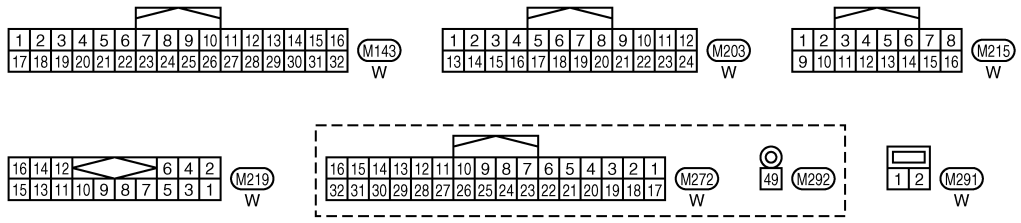
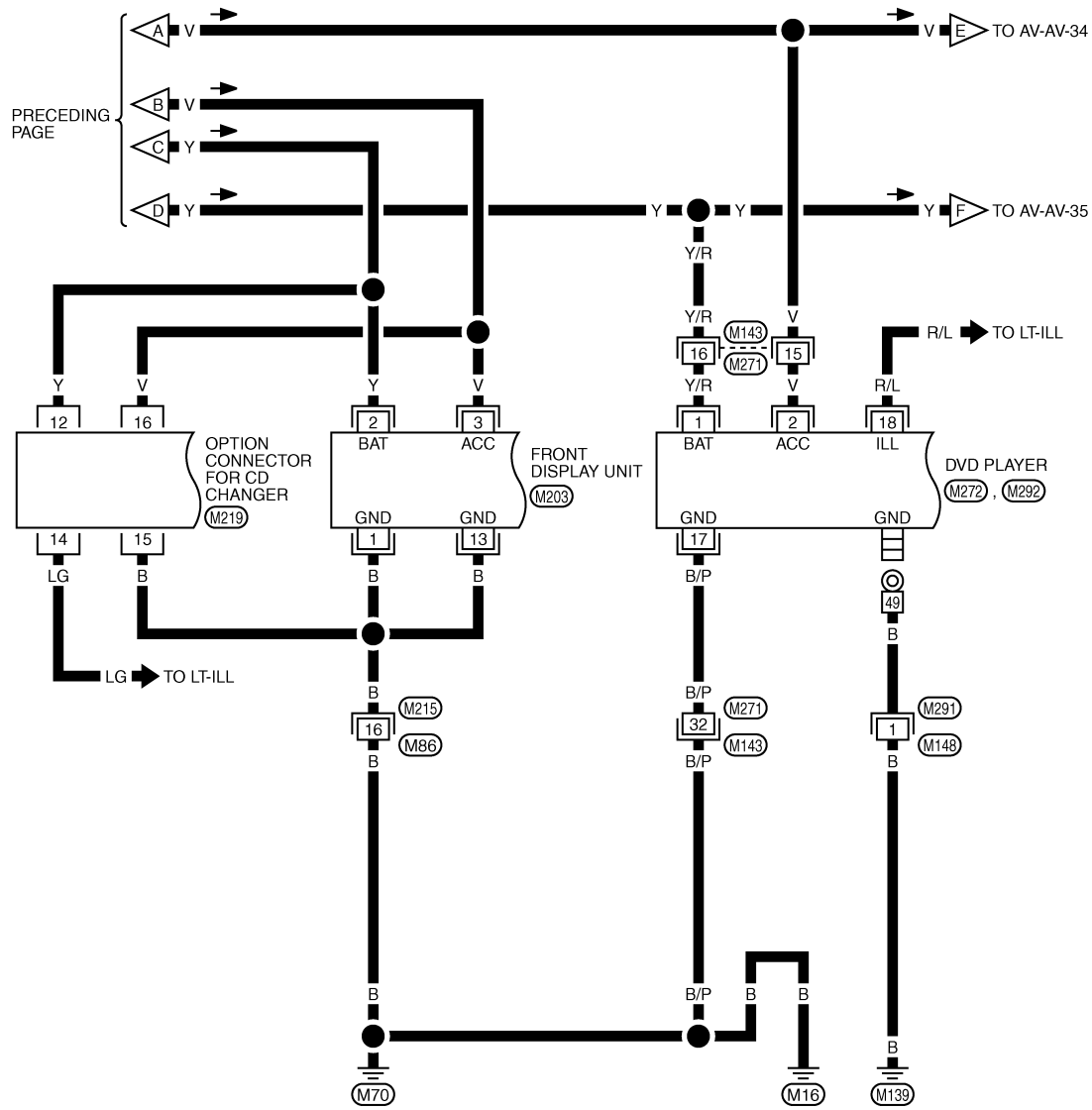
TKWT8281E

# IPOD ADAPTER

< ECU DIAGNOSIS >

[WITHOUT MOBILE ENTERTAINMENT SYSTEM]

AV-AV-27



TKWT8282E

A  
B  
C  
D  
E  
F  
G  
H  
I  
J  
K  
L  
M  
N  
O  
P

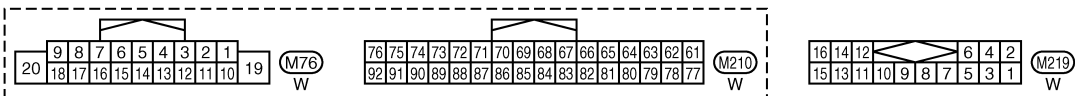
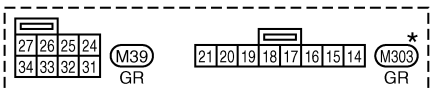
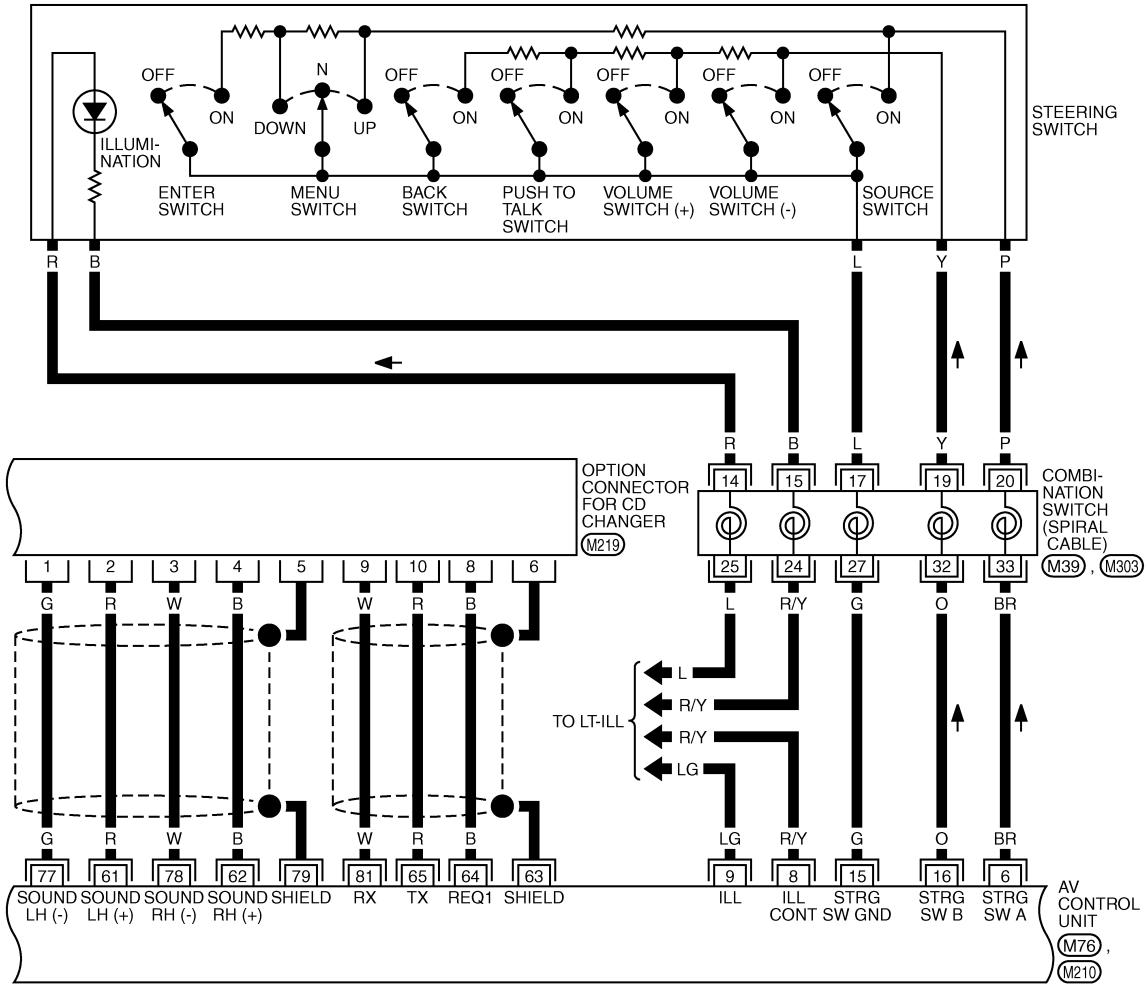
AV

# IPOD ADAPTER

[WITHOUT MOBILE ENTERTAINMENT SYSTEM]

< ECU DIAGNOSIS >

AV-AV-28



\*: THIS CONNECTOR IS NOT SHOWN IN "HARNESS LAYOUT", PG SECTION.

TKWT8283E

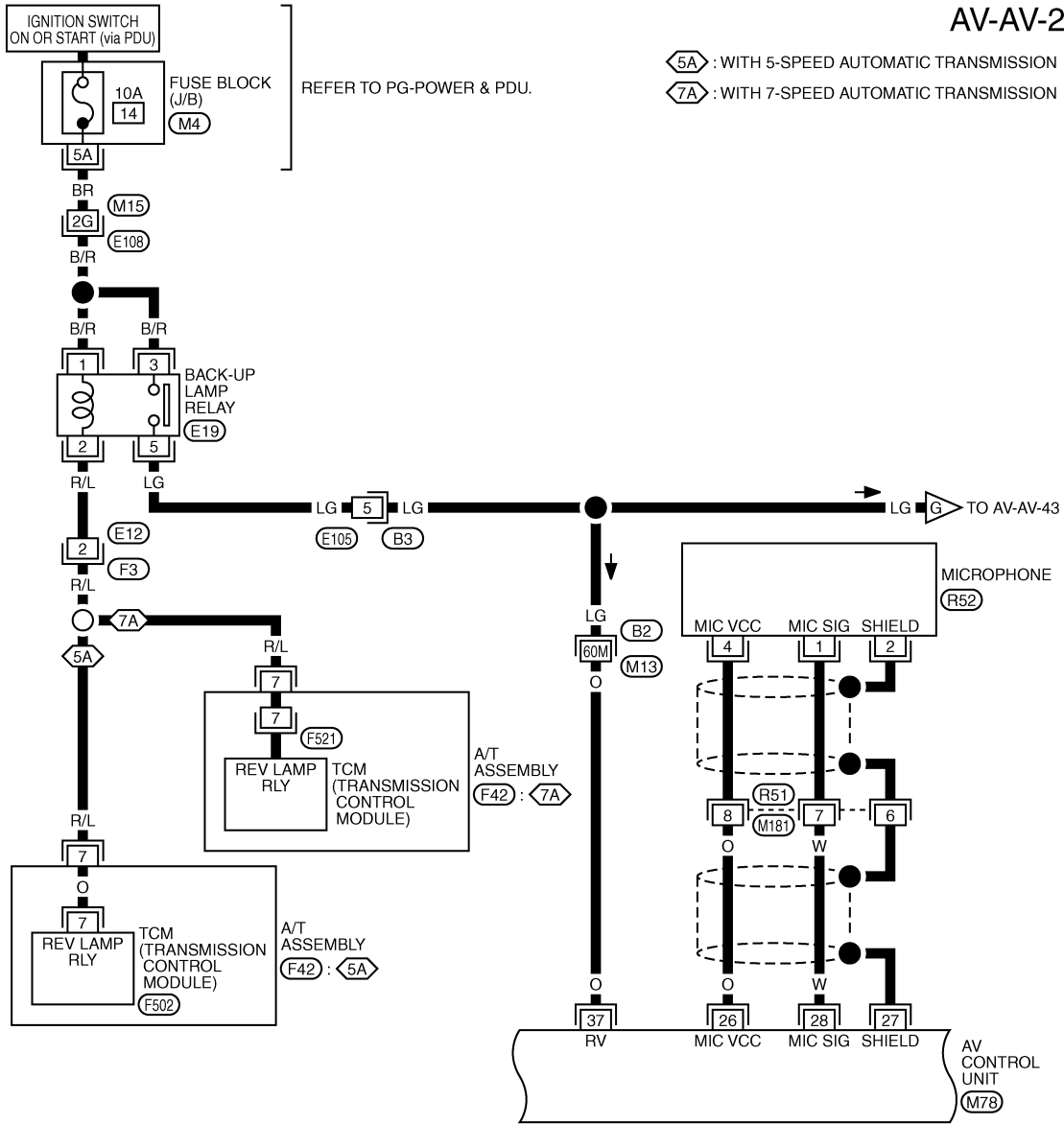


# IPOD ADAPTER

[WITHOUT MOBILE ENTERTAINMENT SYSTEM]

< ECU DIAGNOSIS >

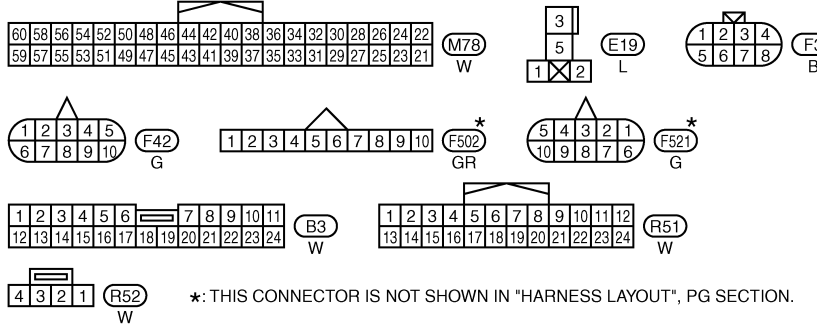
AV-AV-29



5A : WITH 5-SPEED AUTOMATIC TRANSMISSION  
 7A : WITH 7-SPEED AUTOMATIC TRANSMISSION

REFER TO PG-POWER & PDU.

A  
B  
C  
D  
E  
F  
G  
H  
I  
J  
K  
L  
M  
N  
O  
P



REFER TO THE FOLLOWING.  
 E108, B2 -SUPER MULTIPLE JUNCTION (SMJ)  
 M4 -FUSE BLOCK-JUNCTION BOX (J/B)

\*: THIS CONNECTOR IS NOT SHOWN IN "HARNESS LAYOUT", PG SECTION.

TKWT8284E

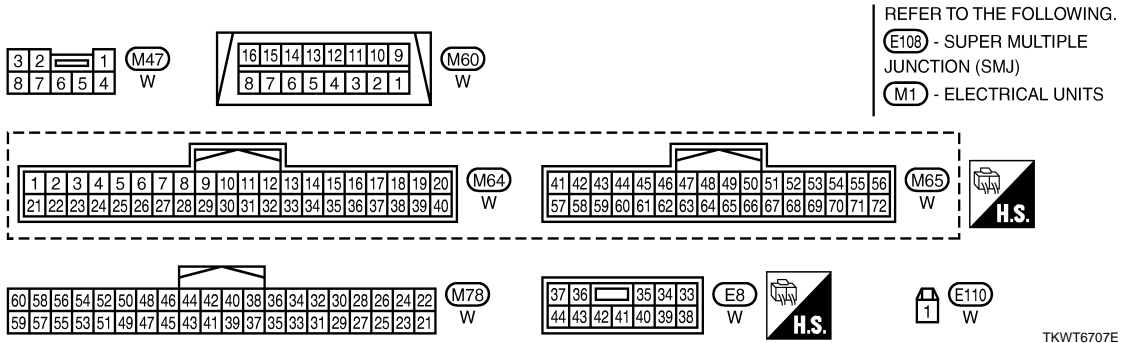
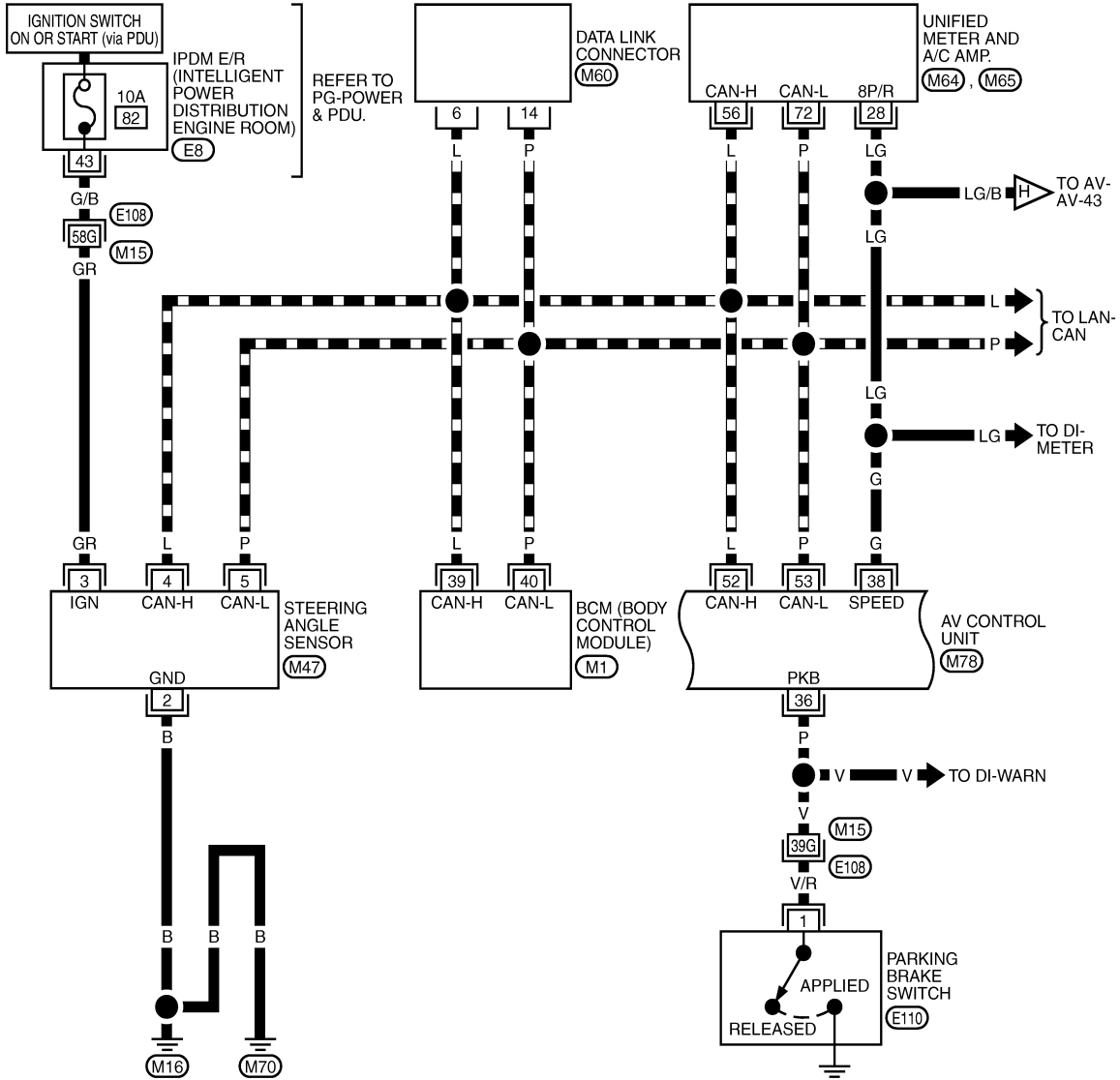
# IPOD ADAPTER

[WITHOUT MOBILE ENTERTAINMENT SYSTEM]

< ECU DIAGNOSIS >

AV-AV-30

▬ : DATA LINE



TKWT6707E

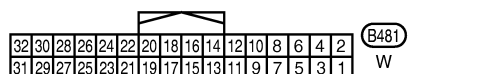
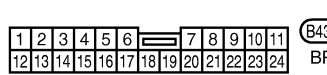
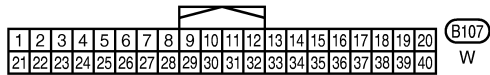
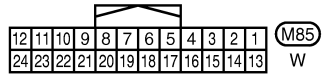
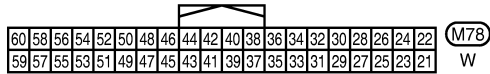
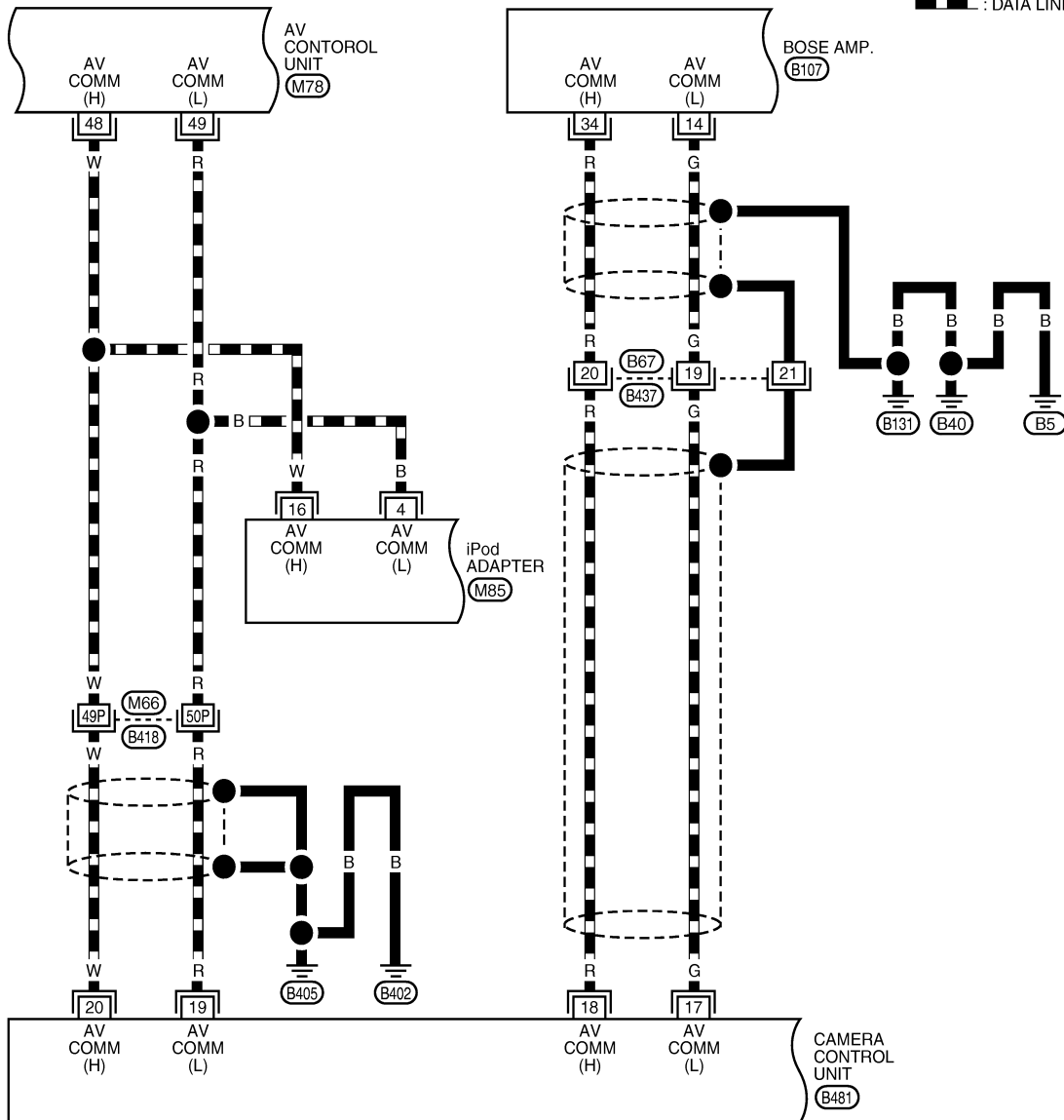
# IPOD ADAPTER

[WITHOUT MOBILE ENTERTAINMENT SYSTEM]

< ECU DIAGNOSIS >

AV-AV-31

— : DATA LINE



REFER TO THE FOLLOWING.  
 (B418) - SUPER MULTIPLE JUNCTION (SMJ)

TKWT6708E

A  
B  
C  
D  
E  
F  
G  
H  
I  
J  
K  
L  
M  
N  
O  
P

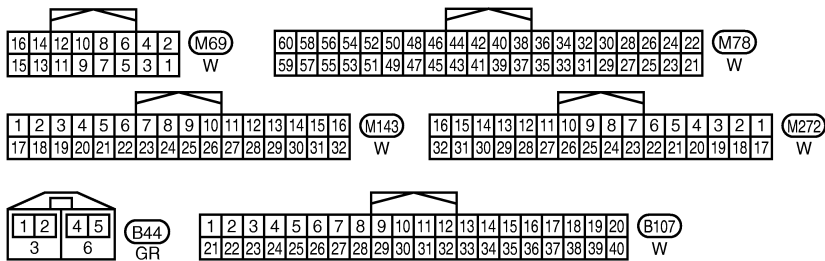
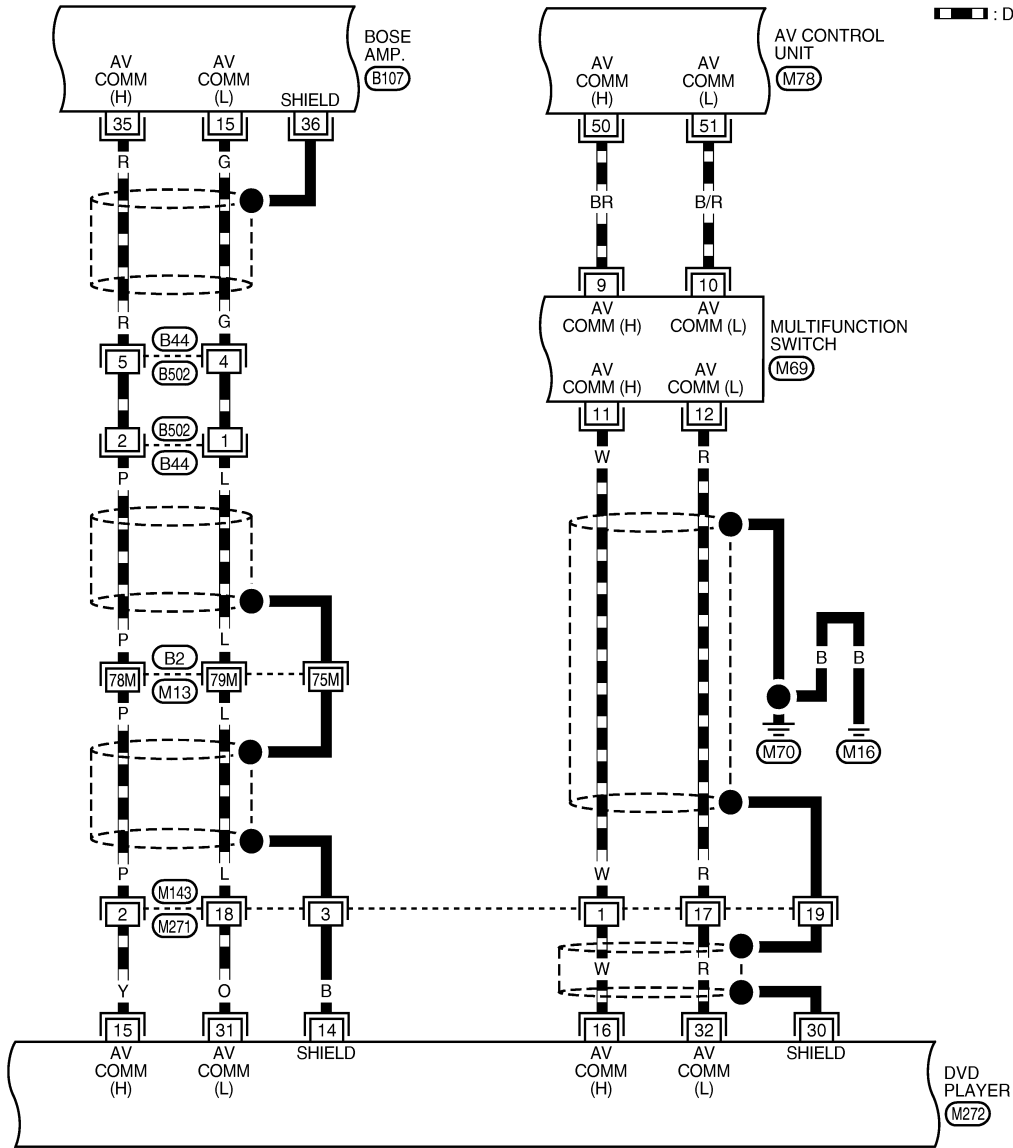
# IPOD ADAPTER

[WITHOUT MOBILE ENTERTAINMENT SYSTEM]

< ECU DIAGNOSIS >

AV-AV-32

▬ : DATA LINE



REFER TO THE FOLLOWING.

(B2) - SUPER MULTIPLE JUNCTION (SMJ)

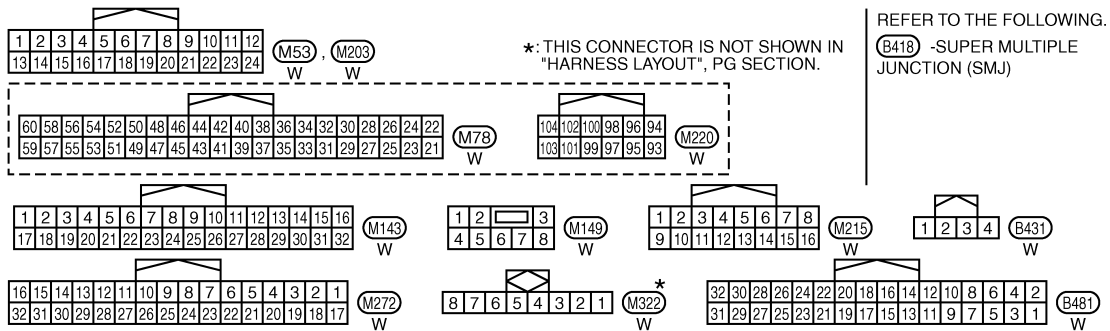
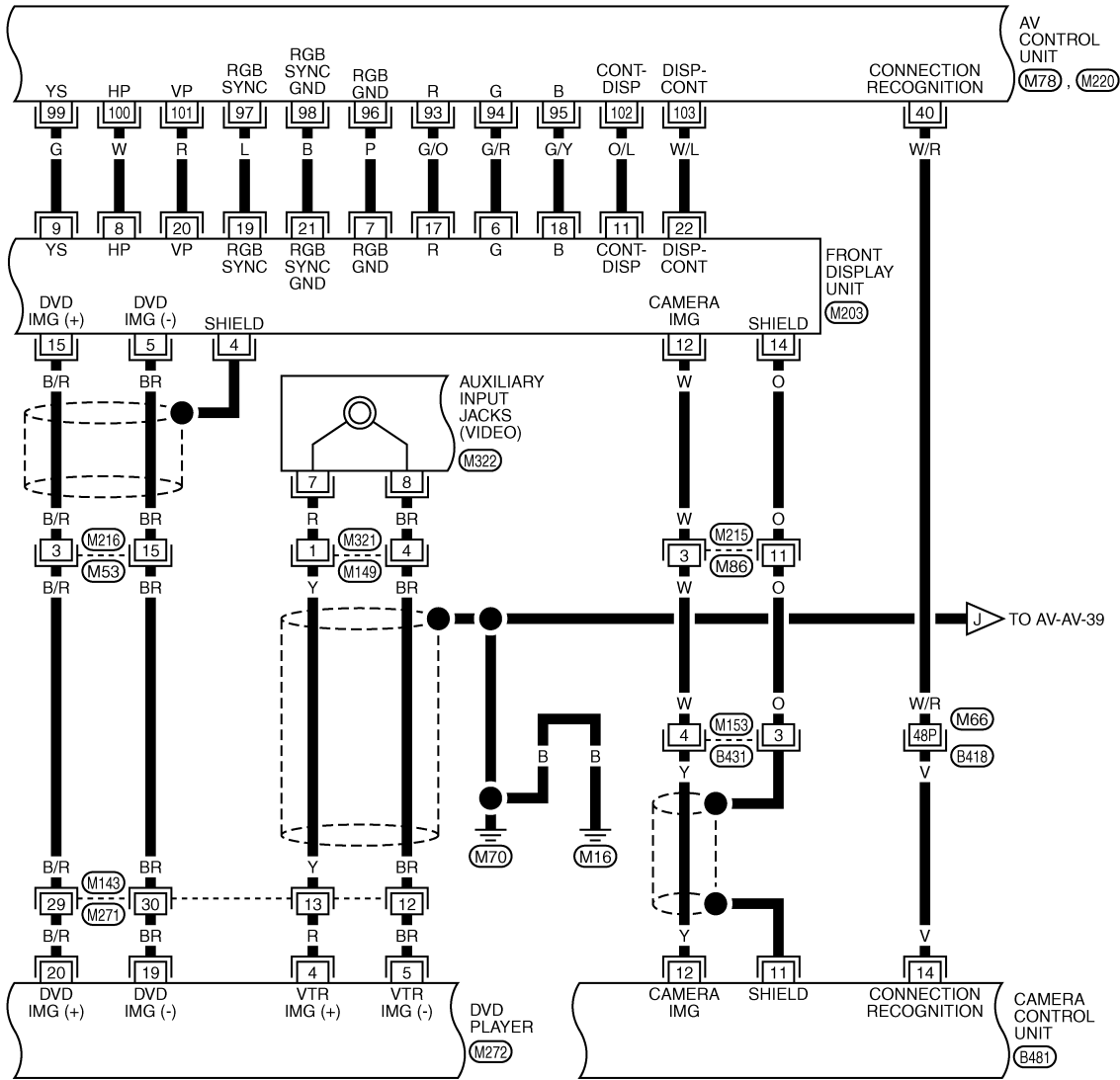
TKWT6709E

# IPOD ADAPTER

[WITHOUT MOBILE ENTERTAINMENT SYSTEM]

< ECU DIAGNOSIS >

AV-AV-33



REFER TO THE FOLLOWING.  
(B418) -SUPER MULTIPLE JUNCTION (SMJ)

TKWT8285E

A  
B  
C  
D  
E  
F  
G  
H  
I  
J  
K  
L  
M  
N  
O  
P

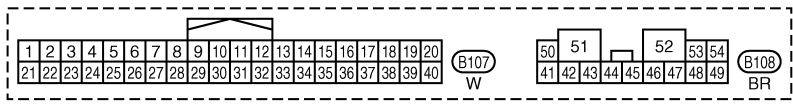
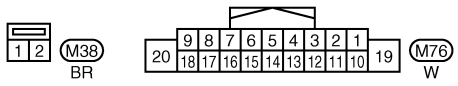
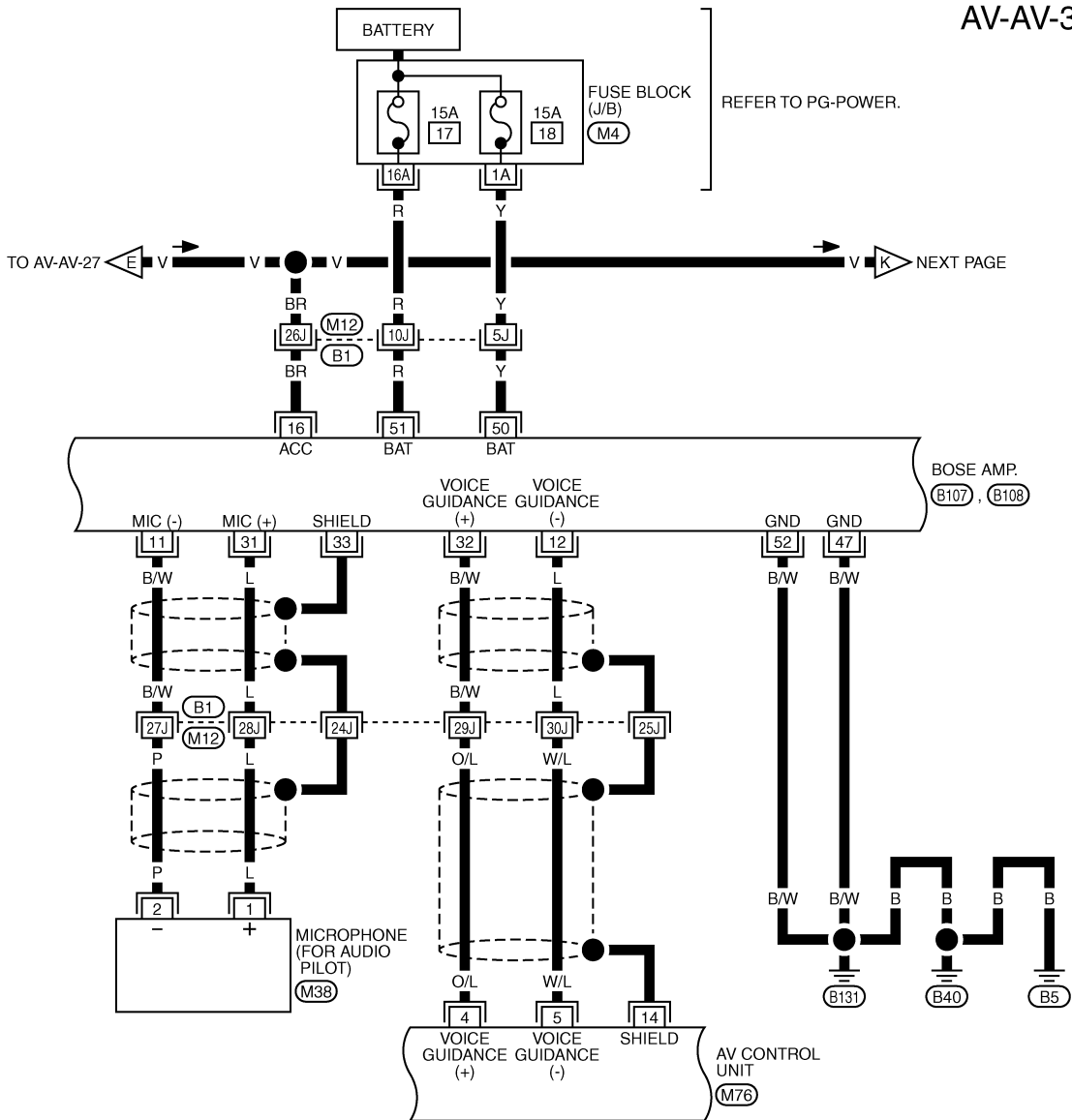
AV

# IPOD ADAPTER

[WITHOUT MOBILE ENTERTAINMENT SYSTEM]

< ECU DIAGNOSIS >

AV-AV-34



REFER TO THE FOLLOWING.  
 (B1) -SUPER MULTIPLE JUNCTION (SMJ)  
 (M4) -FUSE BLOCK-JUNCTION BOX (J/B)

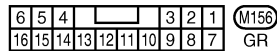
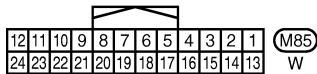
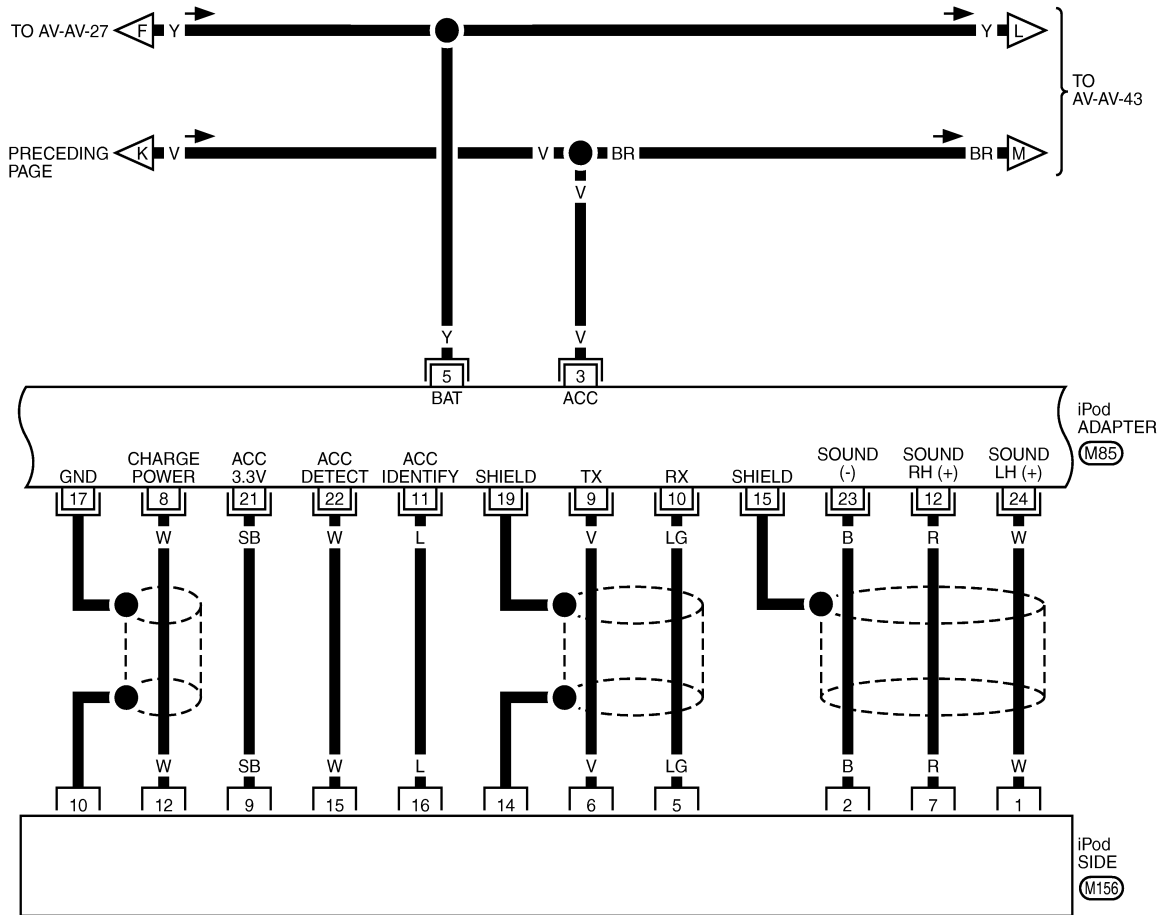
TKWT8286E

# IPOD ADAPTER

[WITHOUT MOBILE ENTERTAINMENT SYSTEM]

< ECU DIAGNOSIS >

AV-AV-35



TKWT6713E

A  
B  
C  
D  
E  
F  
G  
H  
I  
J  
K  
L  
M  
N  
O  
P

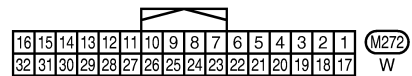
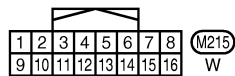
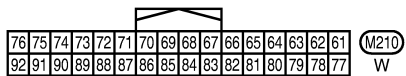
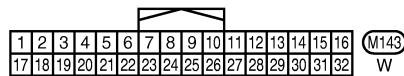
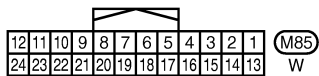
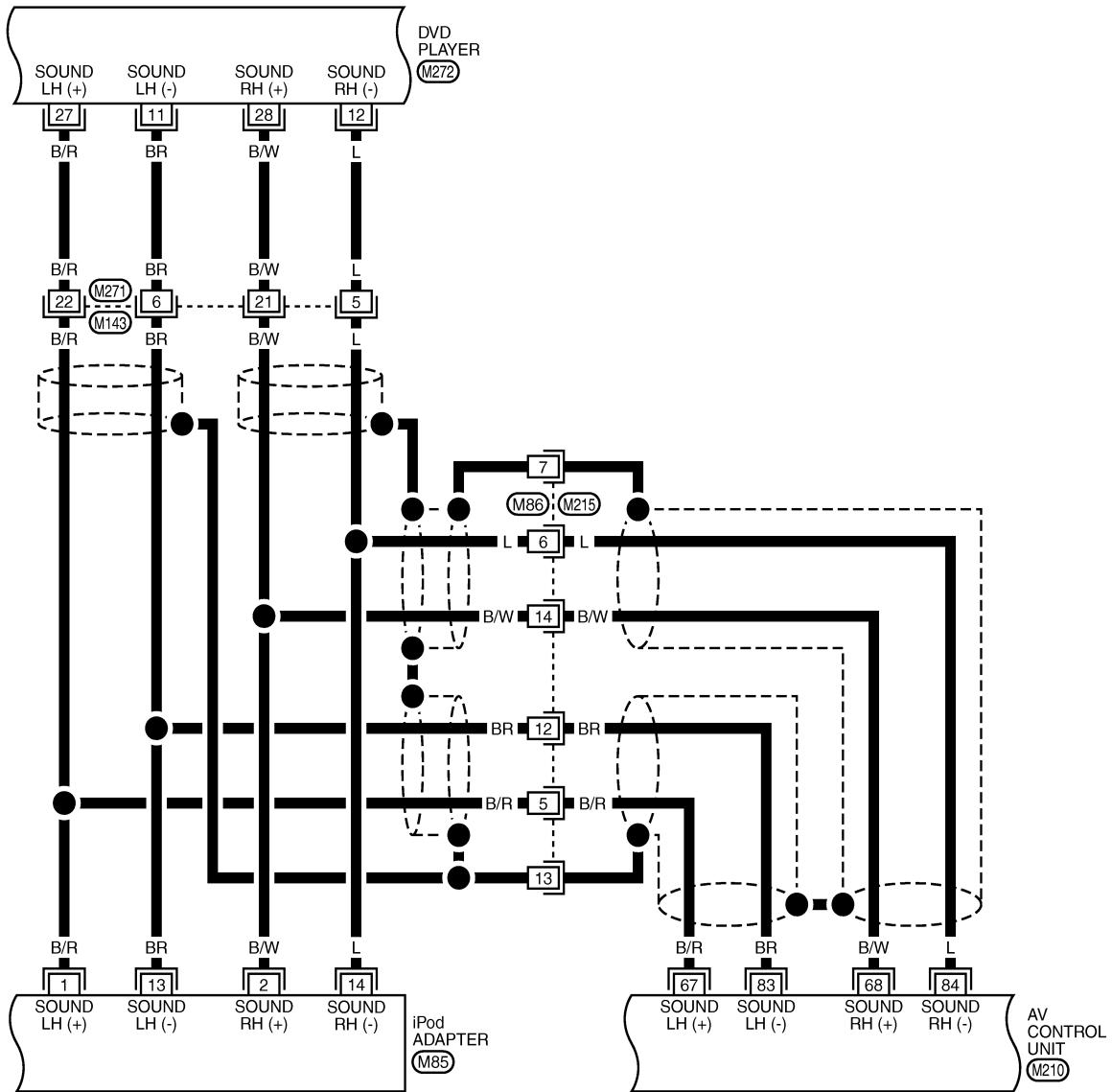
AV

# IPOD ADAPTER

[WITHOUT MOBILE ENTERTAINMENT SYSTEM]

< ECU DIAGNOSIS >

AV-AV-36



TKWT6714E

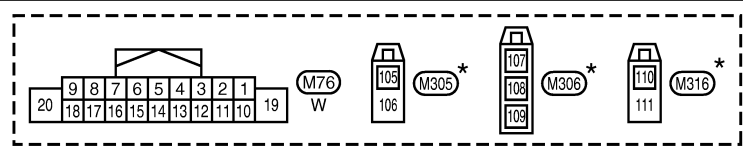
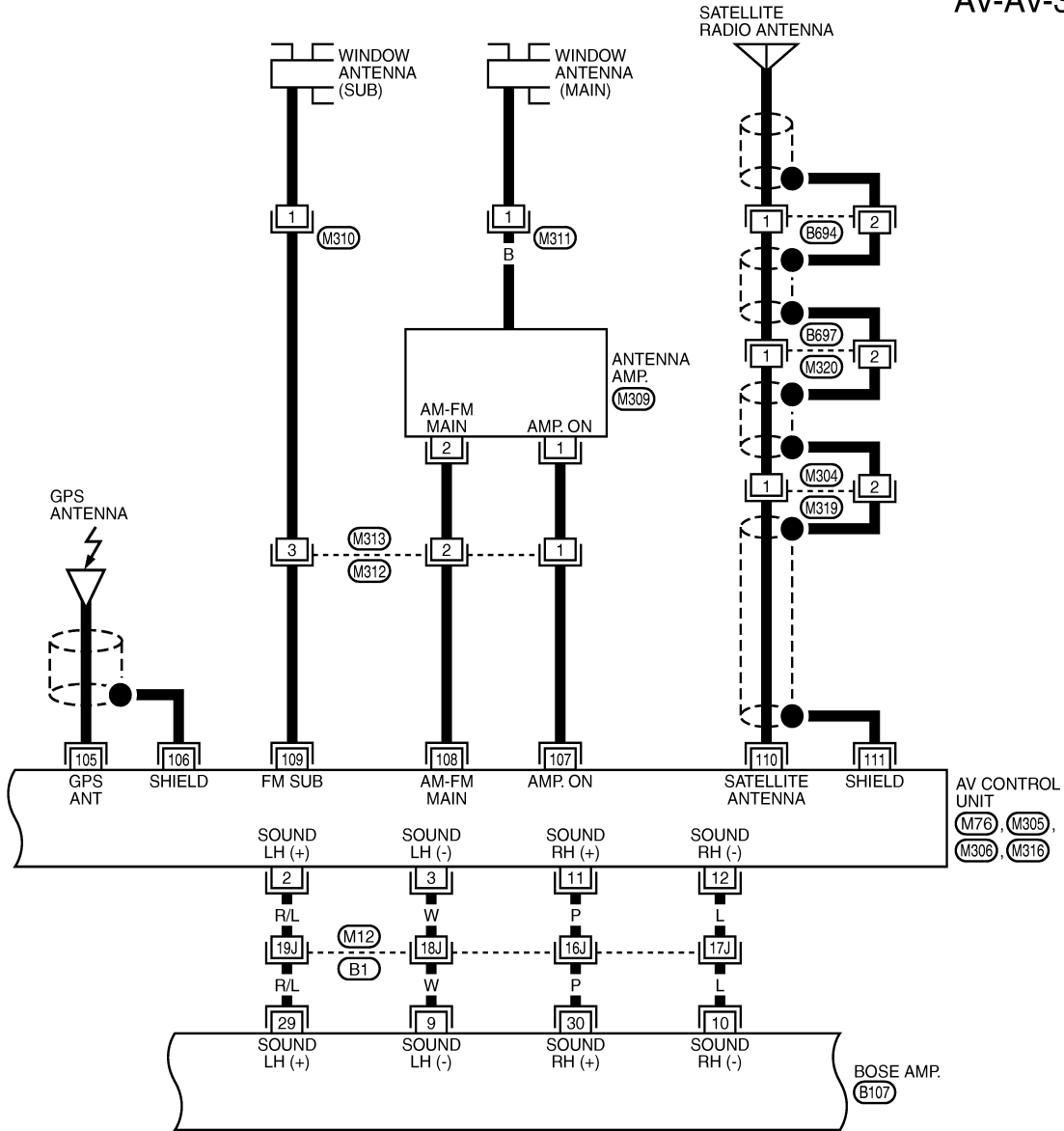


# IPOD ADAPTER

[WITHOUT MOBILE ENTERTAINMENT SYSTEM]

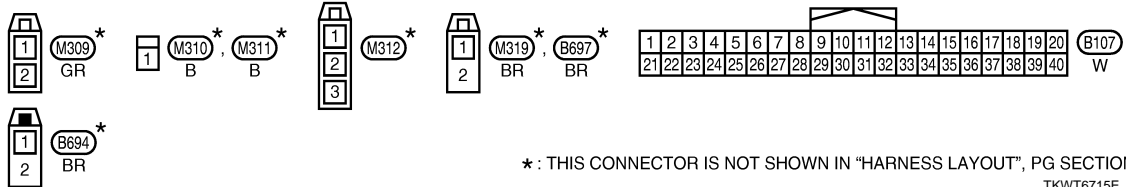
< ECU DIAGNOSIS >

AV-AV-37



REFER TO THE FOLLOWING.

(B1) - SUPER MULTIPLE JUNCTION (SMJ)



\* : THIS CONNECTOR IS NOT SHOWN IN "HARNESS LAYOUT", PG SECTION.

TKWT6715E

A  
B  
C  
D  
E  
F  
G  
H  
I  
J  
K  
L  
M  
N  
O  
P

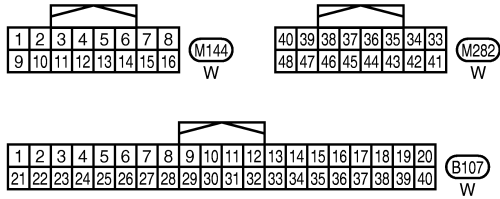
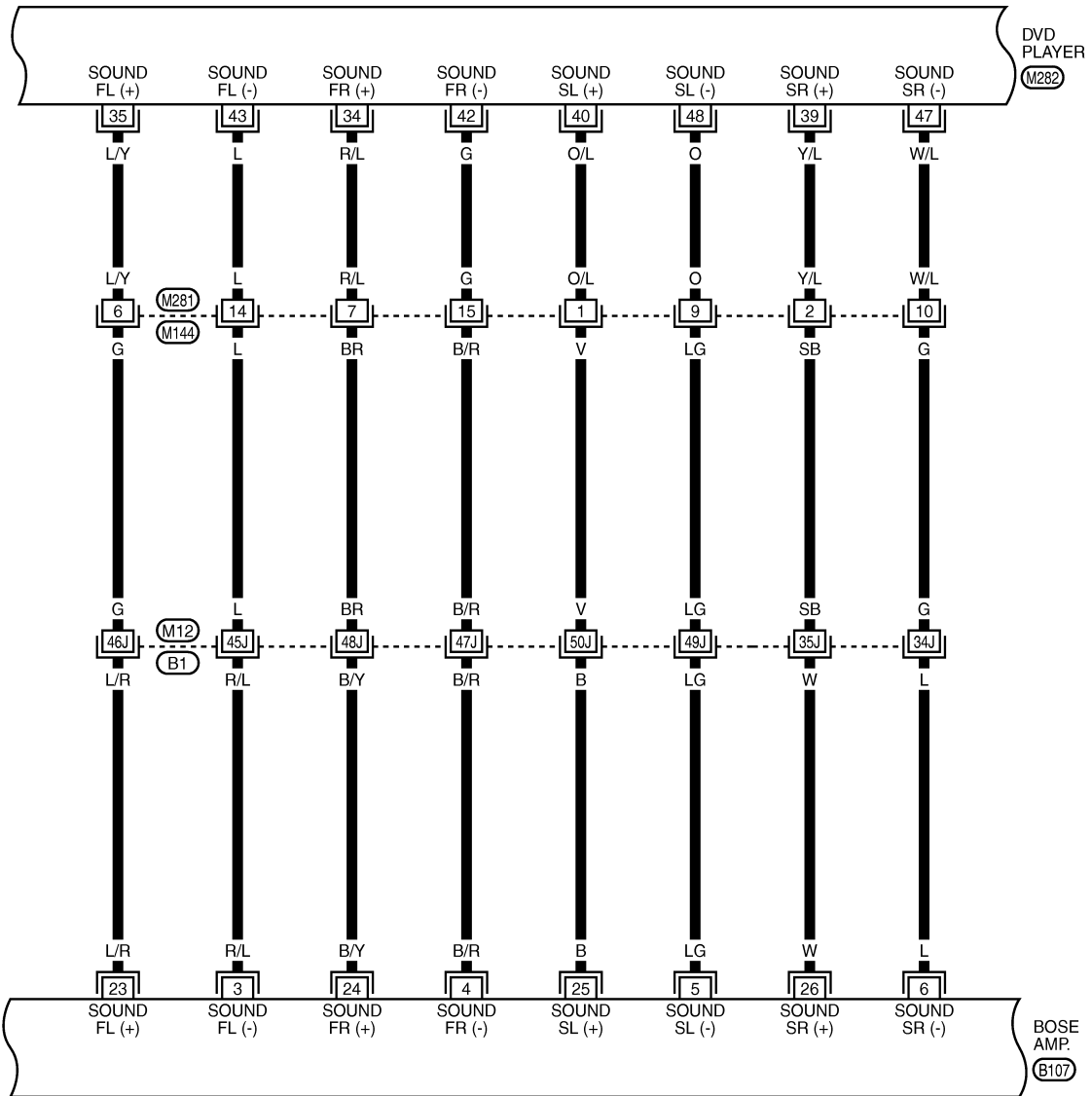
AV

# IPOD ADAPTER

[WITHOUT MOBILE ENTERTAINMENT SYSTEM]

< ECU DIAGNOSIS >

AV-AV-38



REFER TO THE FOLLOWING.

(B1) - SUPER MULTIPLE JUNCTION (SMJ)

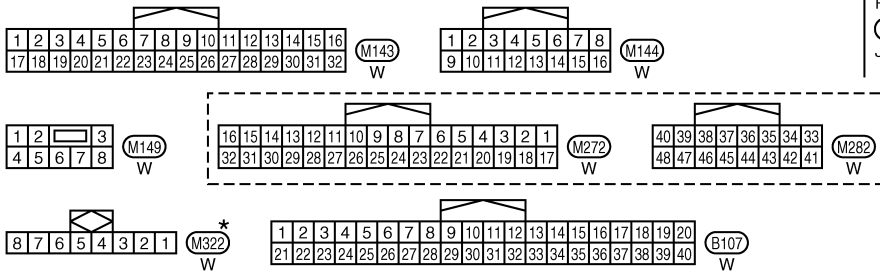
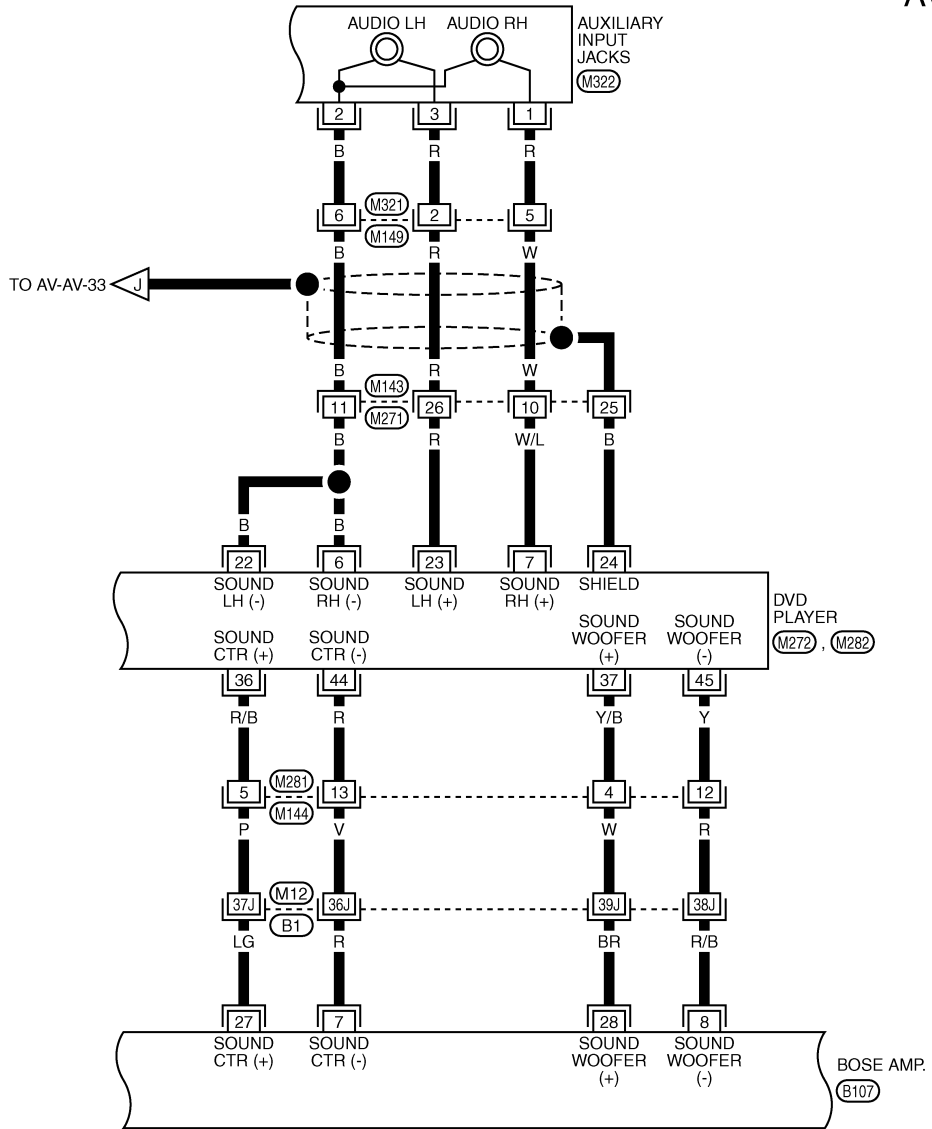
TKWT6716E

# IPOD ADAPTER

[WITHOUT MOBILE ENTERTAINMENT SYSTEM]

< ECU DIAGNOSIS >

AV-AV-39



\*: THIS CONNECTOR IS NOT SHOWN IN "HARNESS LAYOUT", PG SECTION.

REFER TO THE FOLLOWING.  
 (B1) -SUPER MULTIPLE JUNCTION (SMJ)

TKWT8287E

A  
B  
C  
D  
E  
F  
G  
H  
I  
J  
L  
M  
N  
O  
P

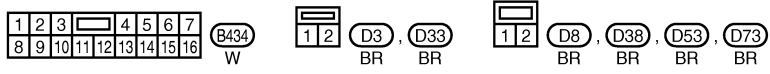
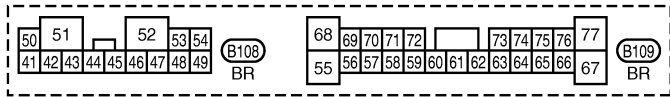
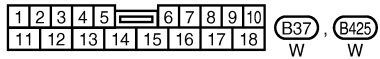
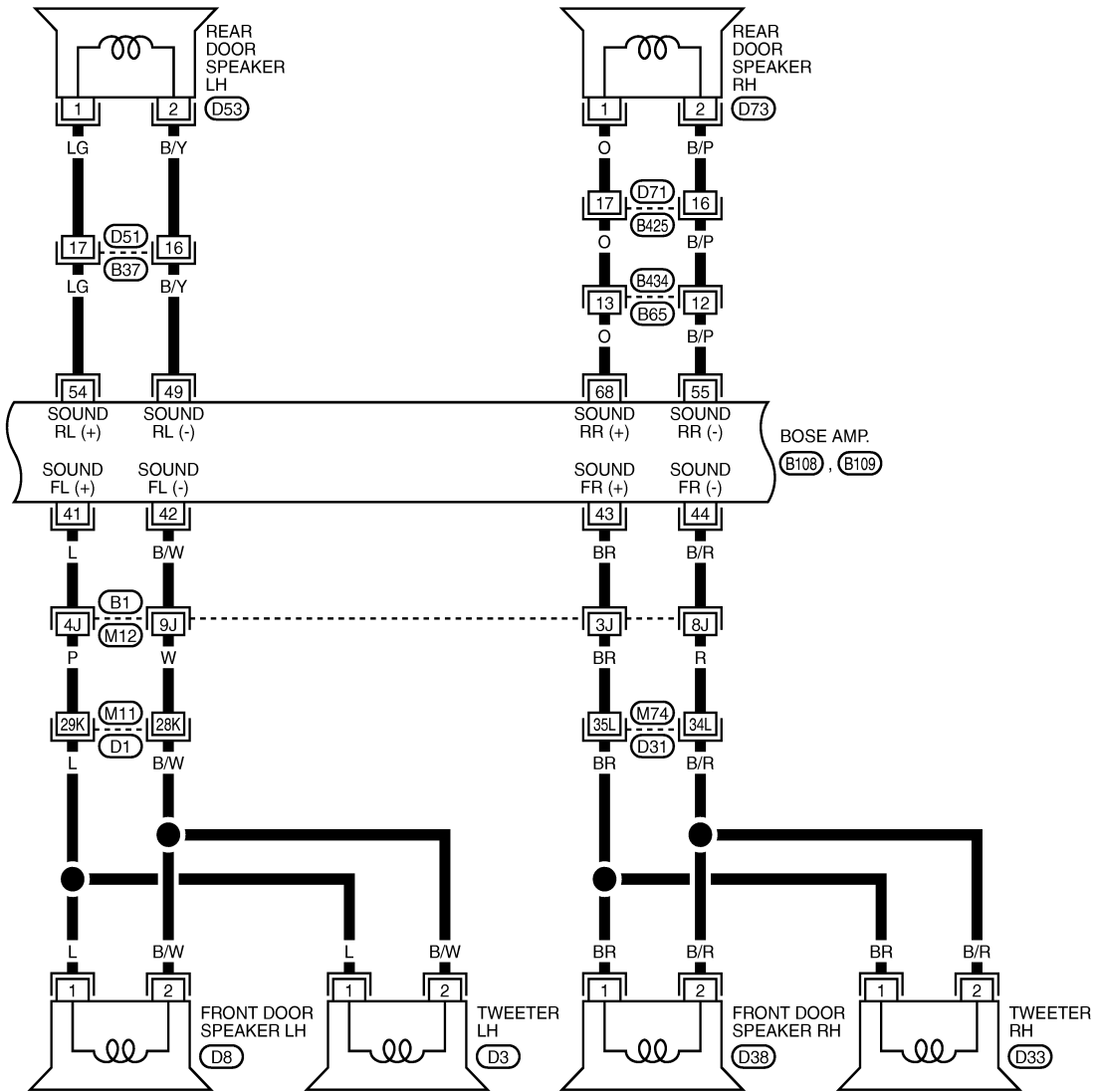
AV

# IPOD ADAPTER

[WITHOUT MOBILE ENTERTAINMENT SYSTEM]

< ECU DIAGNOSIS >

AV-AV-40



REFER TO THE FOLLOWING.  
(B1, D1, D31) - SUPER  
MULTIPLE JUNCTION (SMJ)

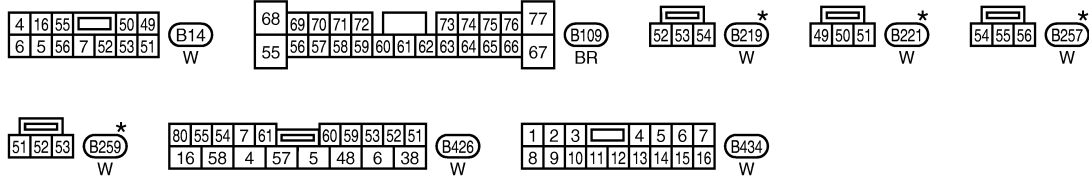
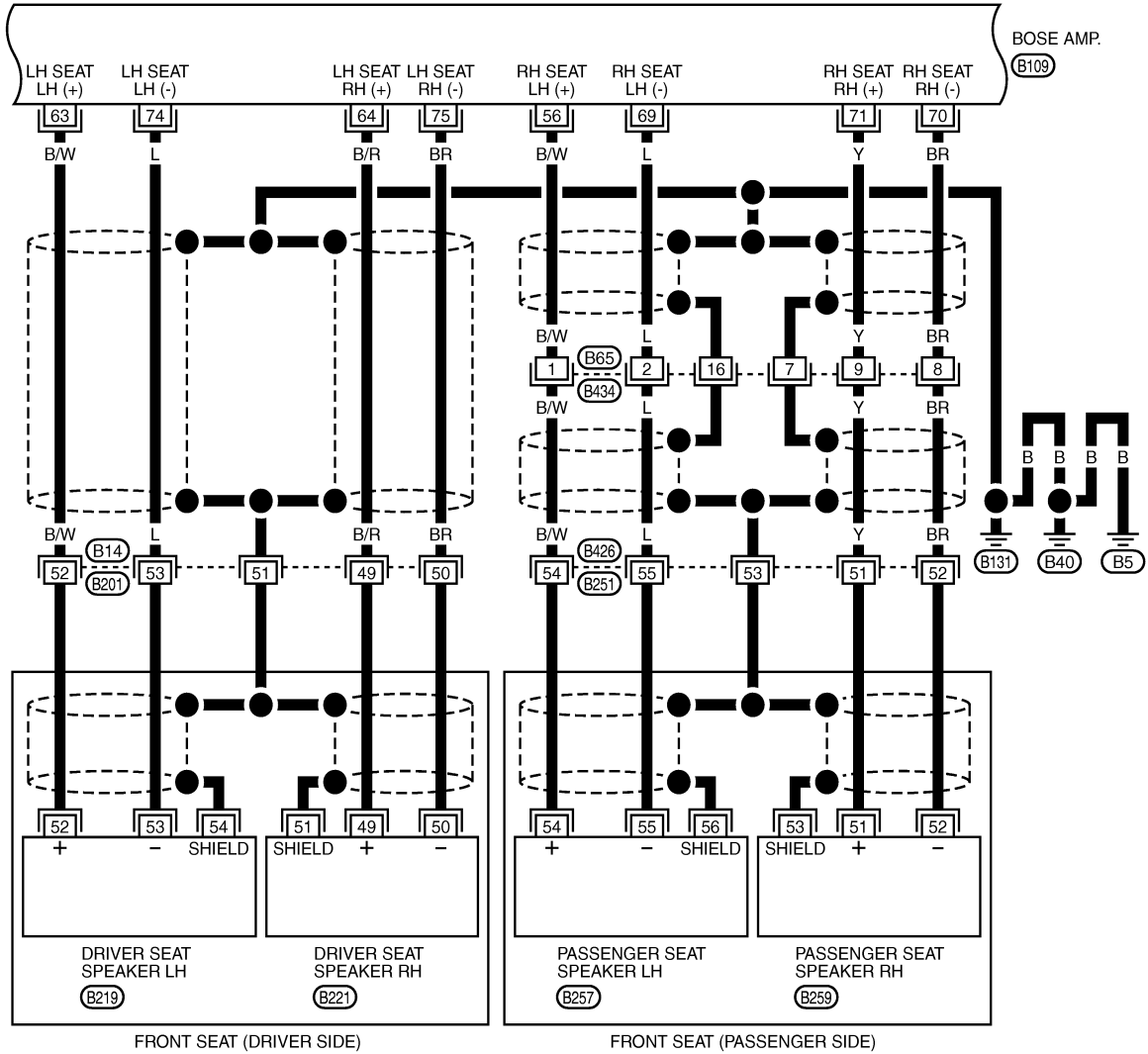
TKWT6718E

# IPOD ADAPTER

[WITHOUT MOBILE ENTERTAINMENT SYSTEM]

< ECU DIAGNOSIS >

AV-AV-41



\*: THIS CONNECTOR IS NOT SHOWN IN "HARNESS LAYOUT", PG SECTION.

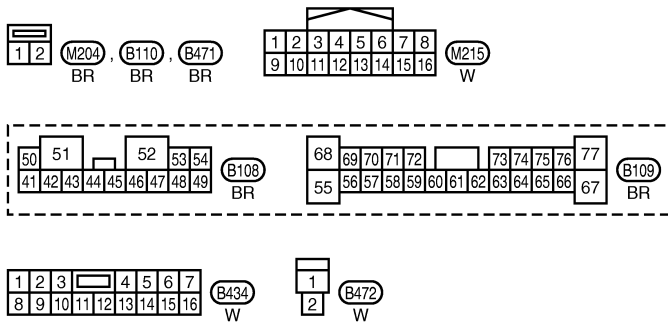
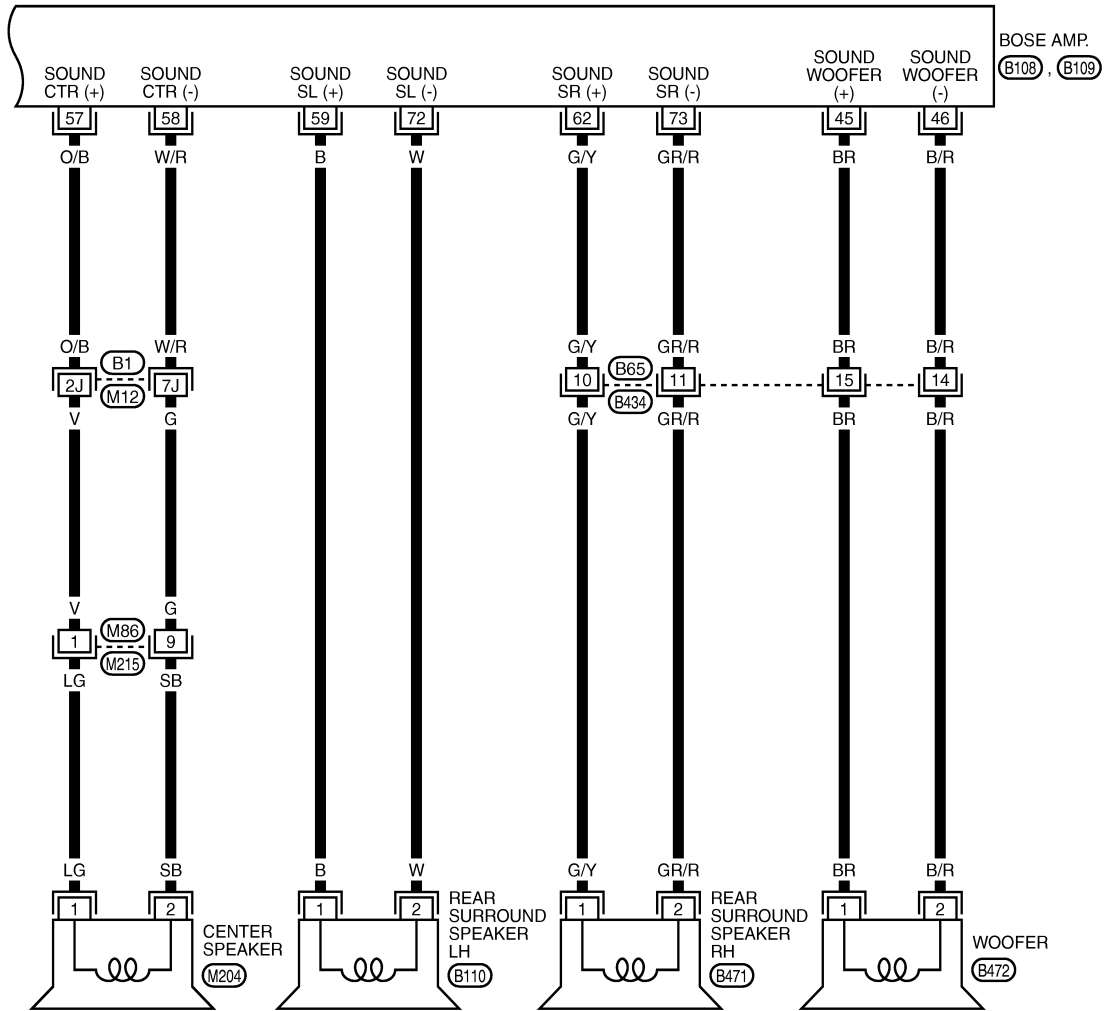
TKWT6719E

# IPOD ADAPTER

< ECU DIAGNOSIS >

[WITHOUT MOBILE ENTERTAINMENT SYSTEM]

AV-AV-42



REFER TO THE FOLLOWING.

(B1) - SUPER MULTIPLE JUNCTION (SMJ)

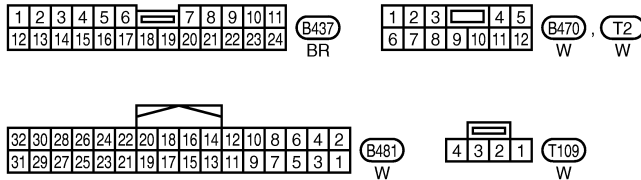
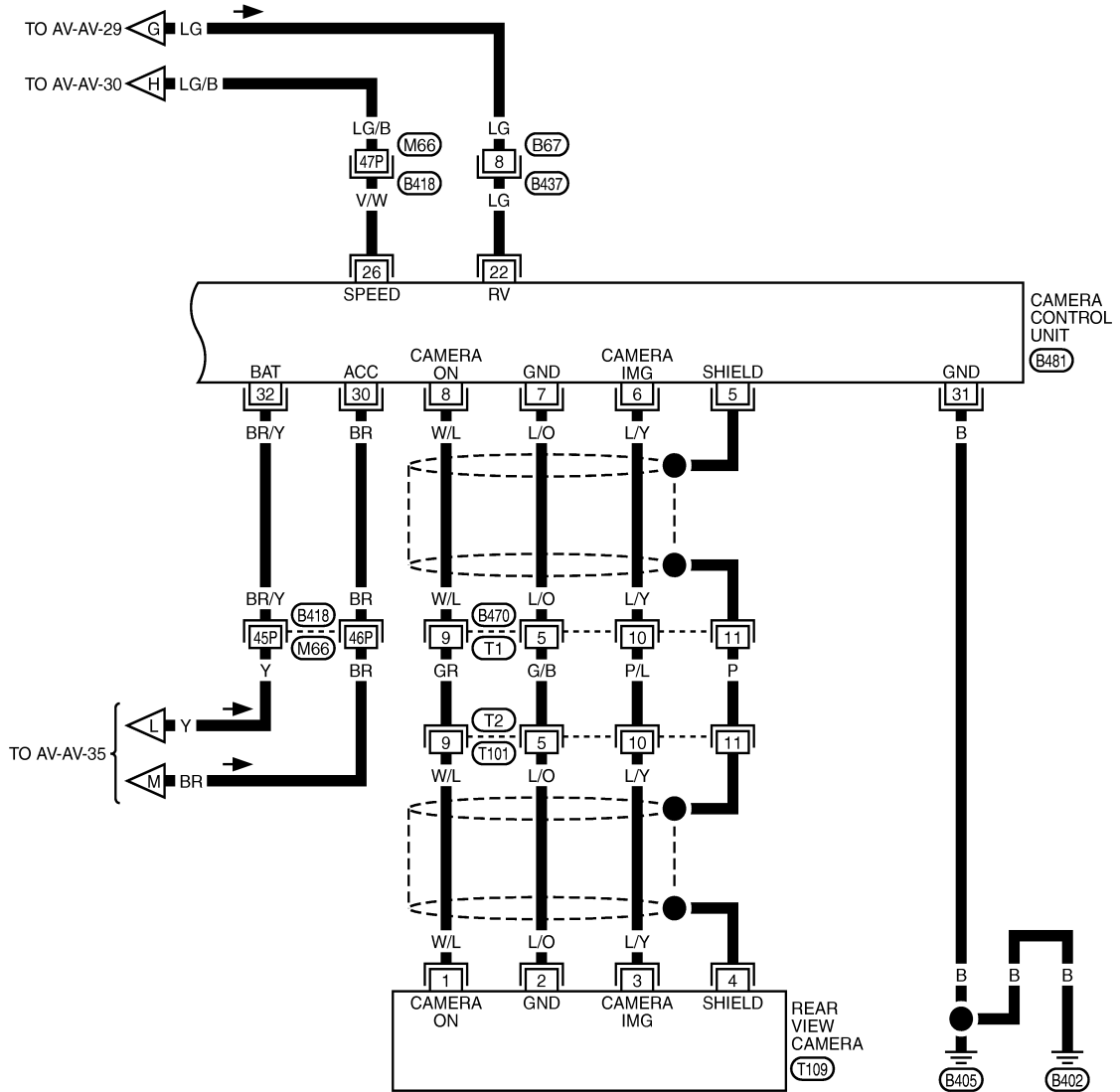
TKWT6720E

# IPOD ADAPTER

[WITHOUT MOBILE ENTERTAINMENT SYSTEM]

< ECU DIAGNOSIS >

AV-AV-43



REFER TO THE FOLLOWING.

(B418) - SUPER MULTIPLE JUNCTION (SMJ)

TKWT6721E

A  
B  
C  
D  
E  
F  
G  
H  
I  
J  
K  
L  
M  
N  
O  
P

AV

# CAMERA CONTROL UNIT

[WITHOUT MOBILE ENTERTAINMENT SYSTEM]

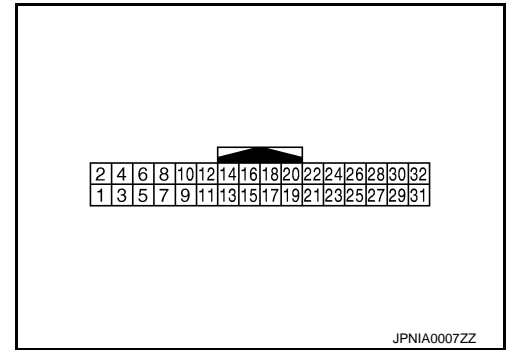
< ECU DIAGNOSIS >

## CAMERA CONTROL UNIT

Reference Value

INFOID:000000005350349

TERMINAL LAYOUT



PHYSICAL VALUES

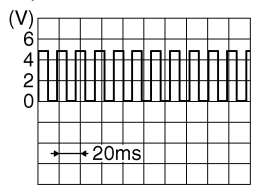
Terminal (Wire color)		Description		Condition		Reference value (Approx.)
+	-	Signal name	Input/ Output			
5	—	Shield	—	—	—	—
6 (L/Y)	Ground	Camera image signal	Input	Ignition switch ON	When rear view camera im- age is displayed.	
7 (L/O)	Ground	Rear view camera ground	—	Ignition switch ON	—	0 V
8 (W/L)	Ground	Camera ON signal	Output	Ignition switch ON	R position.	6 V
					Other than R position.	0 V
11	—	Shield	—	—	—	—
12 (Y)	Ground	Camera image signal	Output	Ignition switch ON	When rear view camera im- age is displayed.	
14 (V)	Ground	Camera-connection recog- nition signal	Output	Ignition switch ON	Connected to camera con- trol unit connector.	0 V
					Not connected to camera control unit connector.	5 V
17 (G)	—	AV communication signal (L)	Input/ Output	—	—	—
18 (R)	—	AV communication signal (H)	Input/ Output	—	—	—
19 (R)	—	AV communication signal (L)	Input/ Output	—	—	—



# CAMERA CONTROL UNIT

[WITHOUT MOBILE ENTERTAINMENT SYSTEM]

< ECU DIAGNOSIS >

Terminal (Wire color)		Description		Condition		Reference value (Approx.)
+	-	Signal name	Input/ Output			
20 (W)	—	AV communication signal (H)	Input/ Output	—	—	—
22 (LG)	Ground	Reverse signal	Input	Ignition switch ON	R position.	12 V
					Other than R position.	0 V
26 (V/W)	Ground	Vehicle speed signal (8-pulse)	Input	Ignition switch ON	When vehicle speed is ap- prox. 40 km/h (25 MPH).	<p><b>NOTE:</b> Maximum voltage may be 12 V due to specifications (connected units).</p>  <p style="text-align: right; font-size: small;">SKIA6649J</p>
30 (BR)	Ground	ACC power supply	Input	Ignition switch ACC	—	Battery voltage
31 (B)	Ground	Ground	—	Ignition switch ON	—	0 V
32 (BR/Y)	Ground	Battery power supply	Input	Ignition switch OFF	—	Battery voltage

A  
B  
C  
D  
E  
F  
G  
H  
I  
J  
L  
M  
N  
O  
P

AV

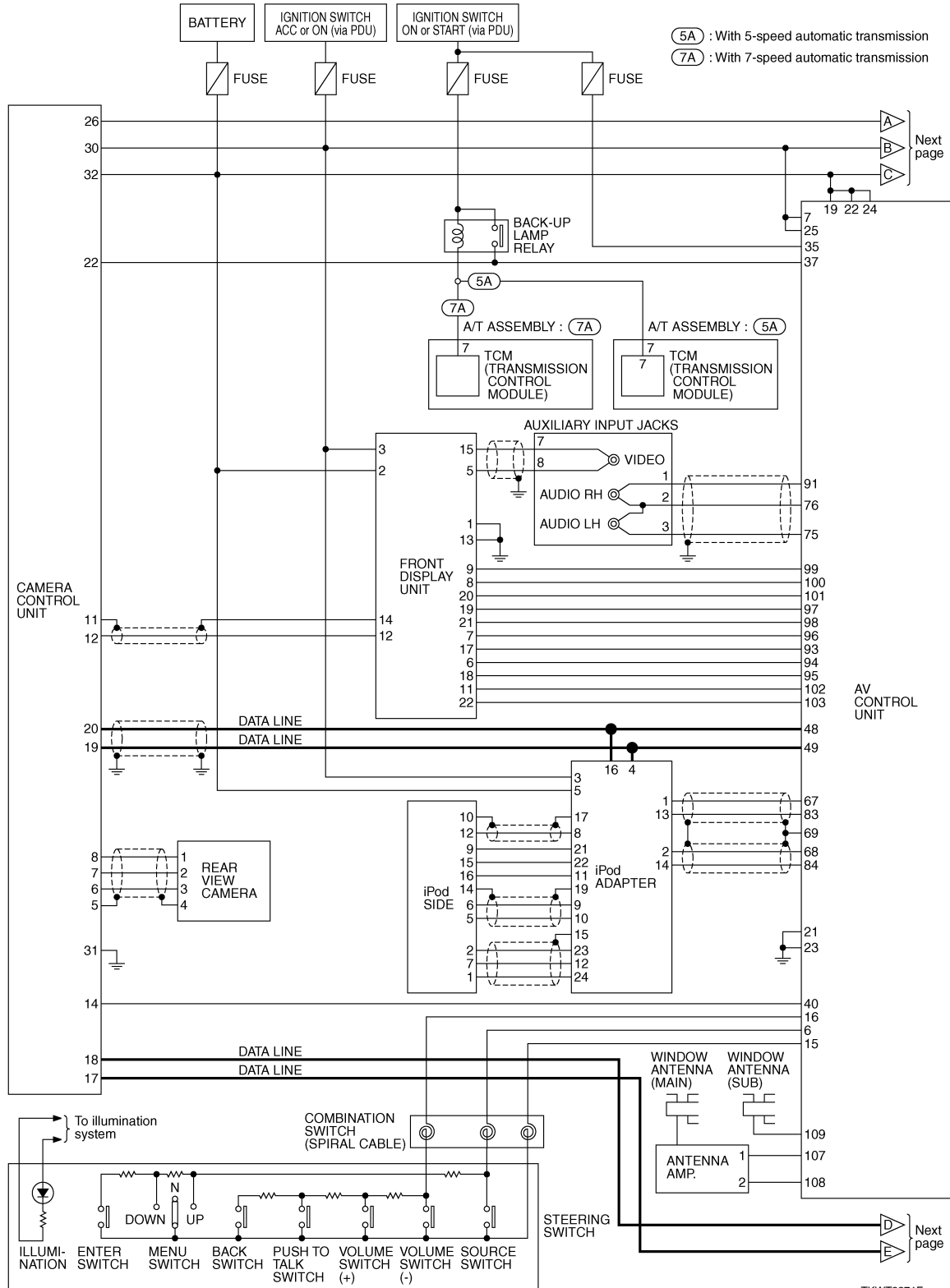
# CAMERA CONTROL UNIT

[WITHOUT MOBILE ENTERTAINMENT SYSTEM]

< ECU DIAGNOSIS >

## Schematic - BOSE Audio 2ch System -

INFOID:000000005350350

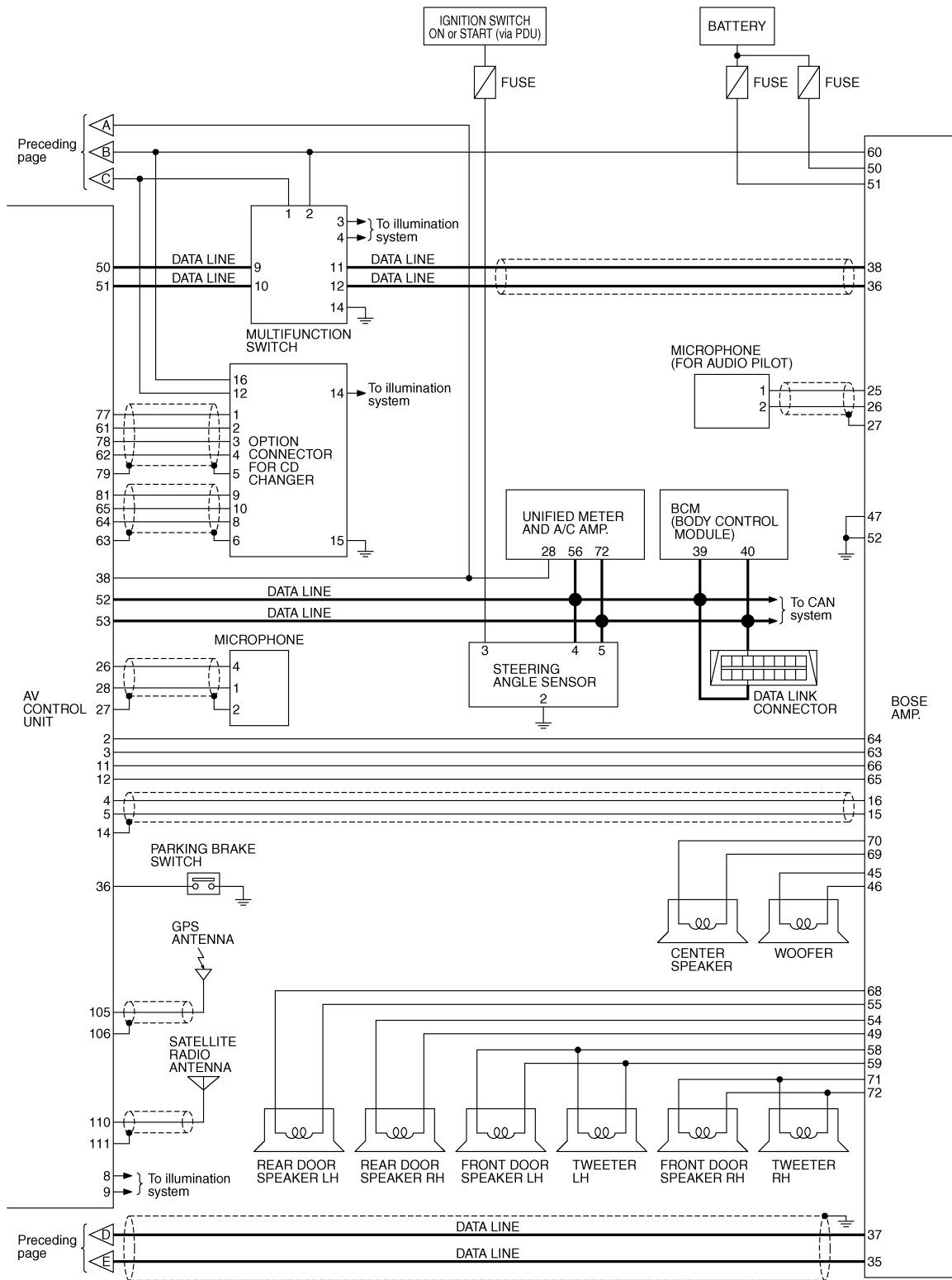


TKWT8271E

# CAMERA CONTROL UNIT

[WITHOUT MOBILE ENTERTAINMENT SYSTEM]

< ECU DIAGNOSIS >



TKWT8272E

Wiring Diagram - AV - / BOSE Audio 2ch System

INFOID:000000005350351

**NOTE:**

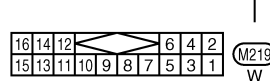
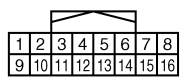
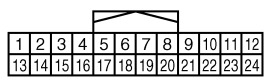
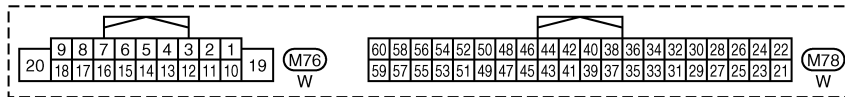
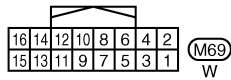
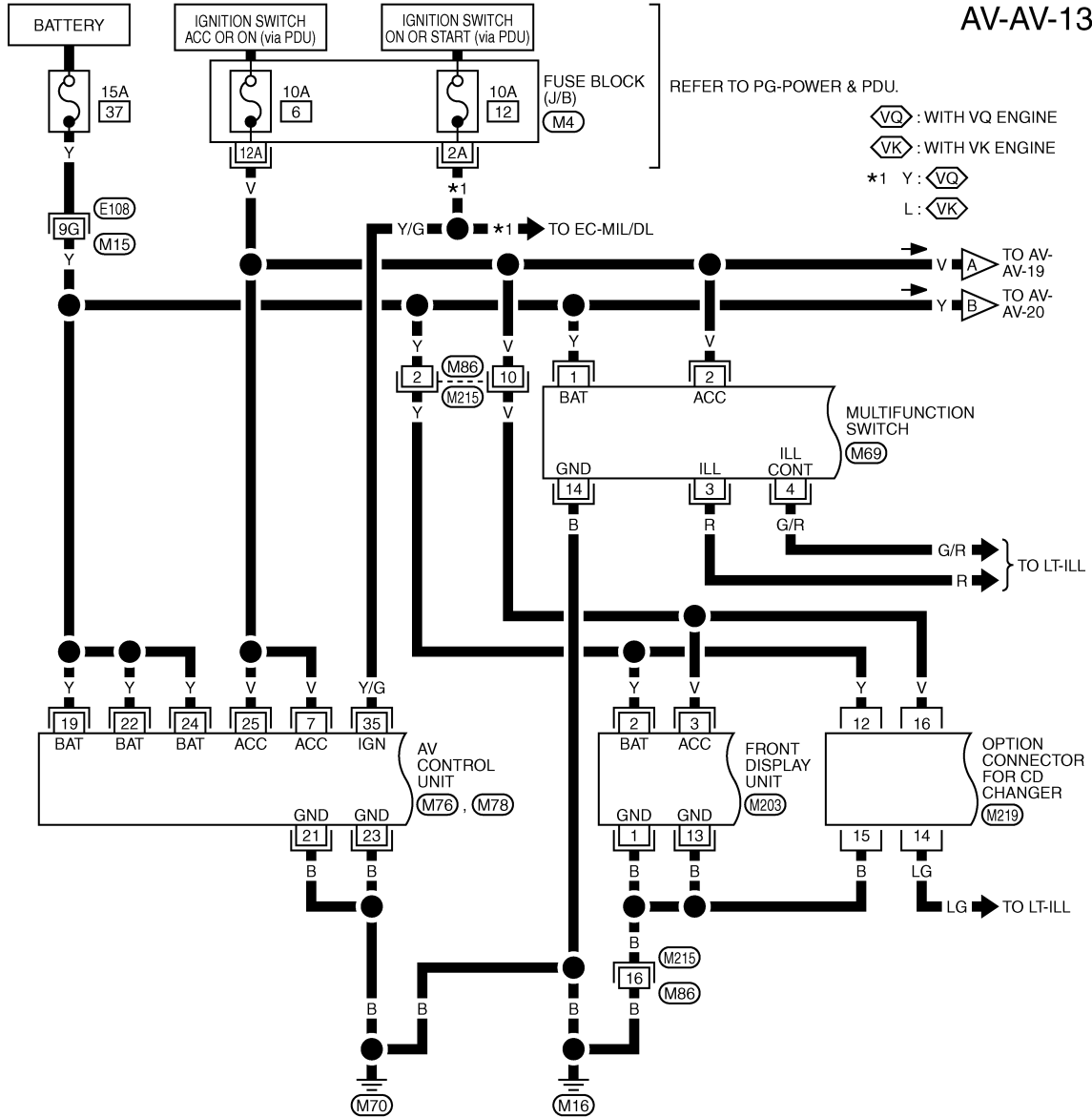
# CAMERA CONTROL UNIT

[WITHOUT MOBILE ENTERTAINMENT SYSTEM]

< ECU DIAGNOSIS >

The name MULTIFUNCTION SWITCH indicates the integration of PRESET SWITCH and MULTIFUNCTION SWITCH virtually.

AV-AV-13



REFER TO THE FOLLOWING.

- (E108) -SUPER MULTIPLE JUNCTION (SMJ)
- (M4) -FUSE BLOCK-JUNCTION BOX (J/B)

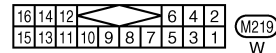
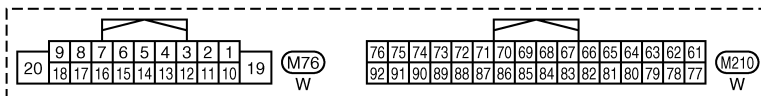
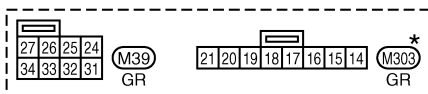
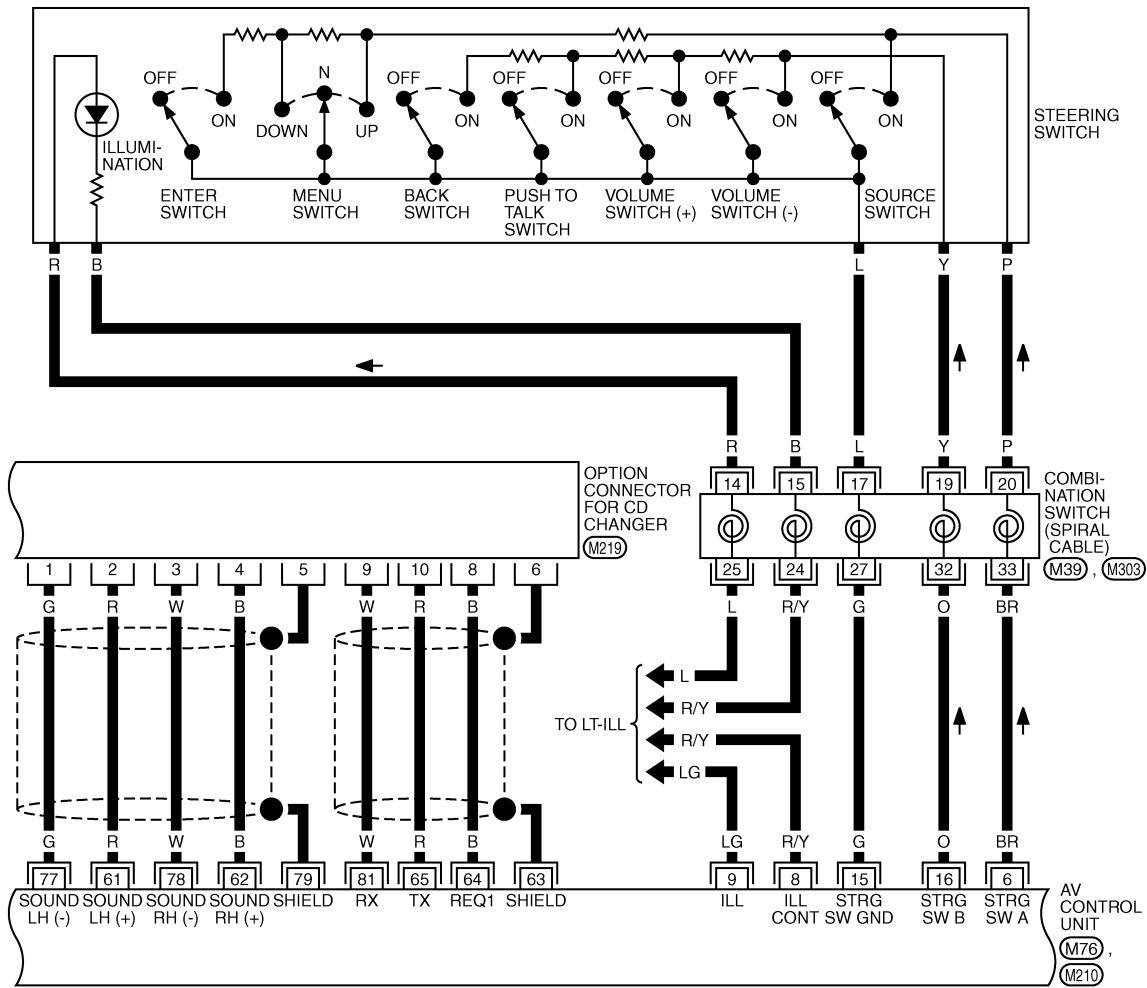
TKWT8273E

# CAMERA CONTROL UNIT

[WITHOUT MOBILE ENTERTAINMENT SYSTEM]

< ECU DIAGNOSIS >

AV-AV-14



\*: THIS CONNECTOR IS NOT SHOWN IN "HARNESS LAYOUT", PG SECTION.

TKWT8274E

A  
B  
C  
D  
E  
F  
G  
H  
I  
J  
L  
M  
N  
O  
P

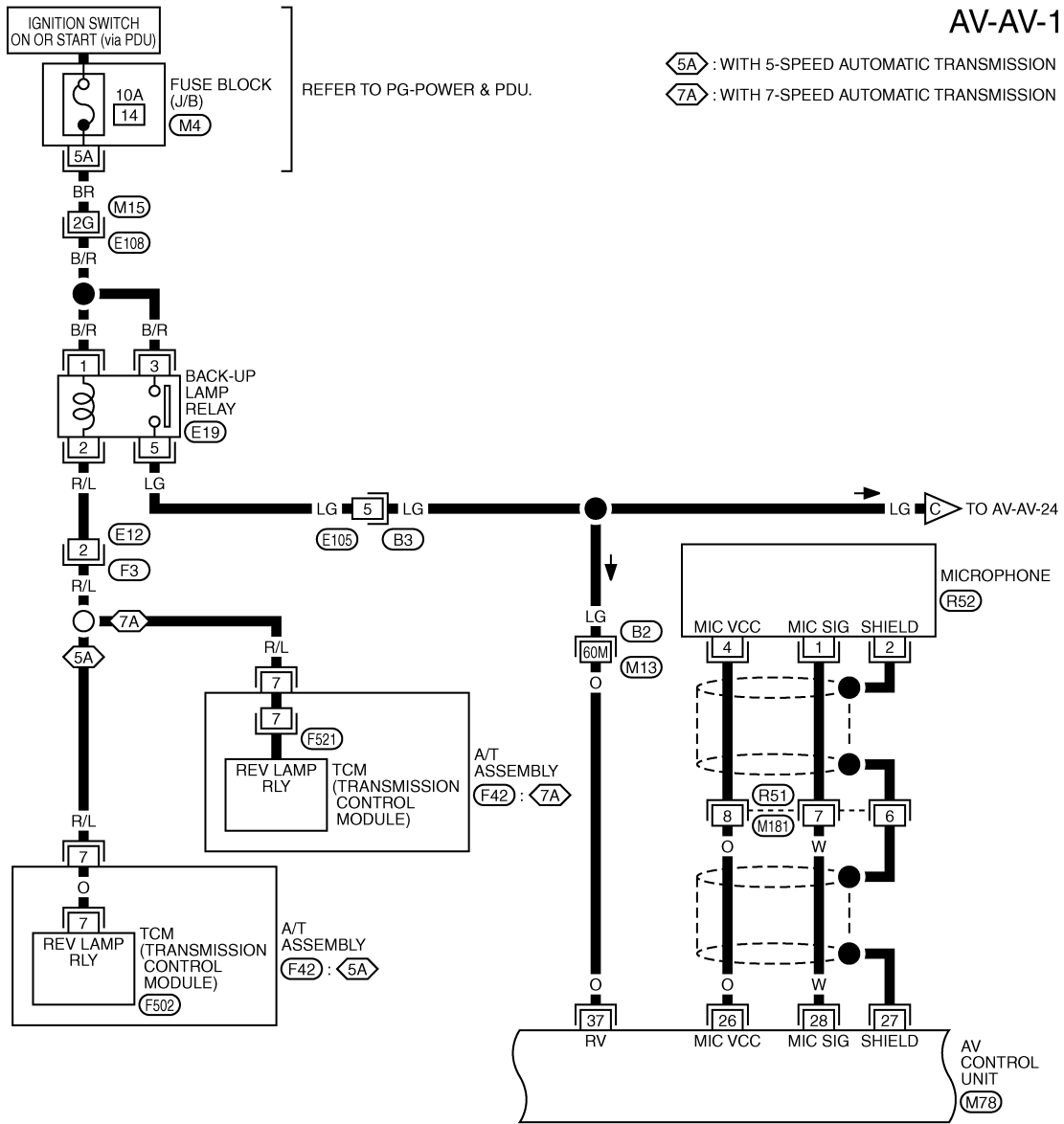
AV

# CAMERA CONTROL UNIT

[WITHOUT MOBILE ENTERTAINMENT SYSTEM]

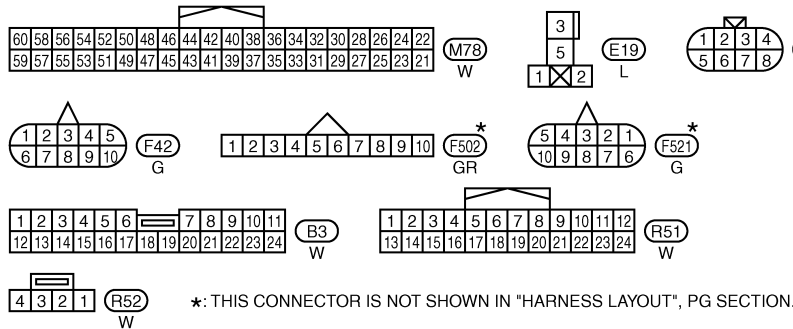
< ECU DIAGNOSIS >

AV-AV-15



5A : WITH 5-SPEED AUTOMATIC TRANSMISSION  
7A : WITH 7-SPEED AUTOMATIC TRANSMISSION

REFER TO PG-POWER & PDU.



REFER TO THE FOLLOWING.  
E108, B2 -SUPER MULTIPLE JUNCTION (SMJ)  
M4 -FUSE BLOCK-JUNCTION BOX (J/B)

TKWT8275E

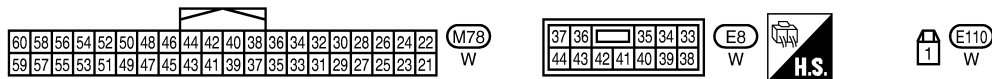
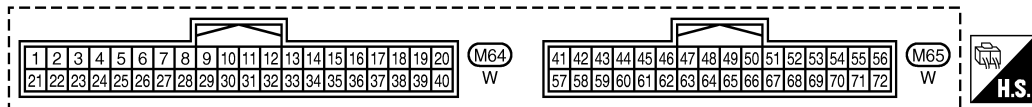
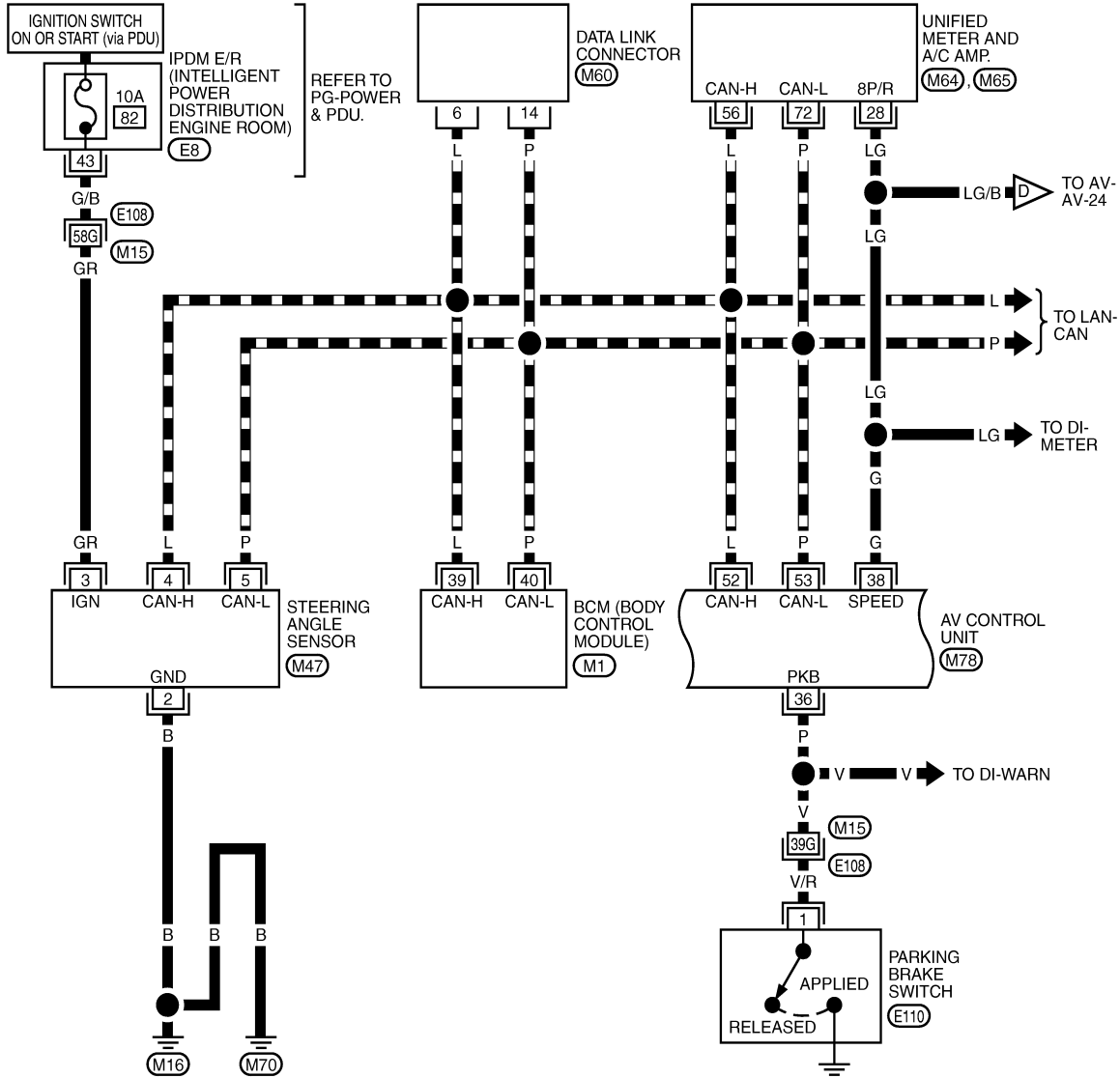
# CAMERA CONTROL UNIT

[WITHOUT MOBILE ENTERTAINMENT SYSTEM]

< ECU DIAGNOSIS >

AV-AV-16

▬ : DATA LINE



TKWT6690E

A  
B  
C  
D  
E  
F  
G  
H  
I  
J  
L  
M  
N  
O  
P

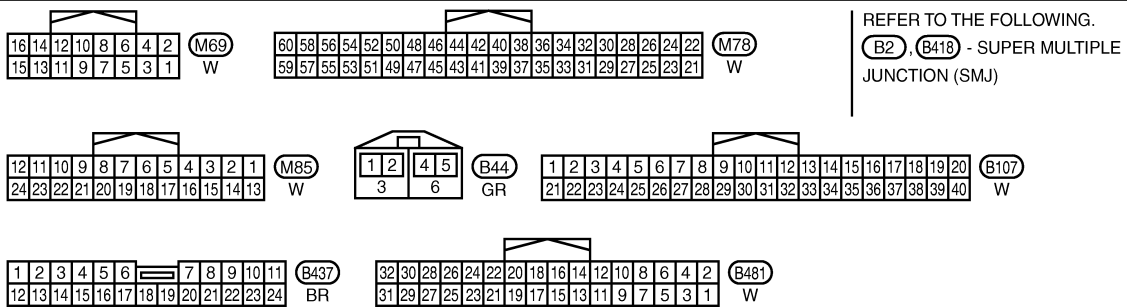
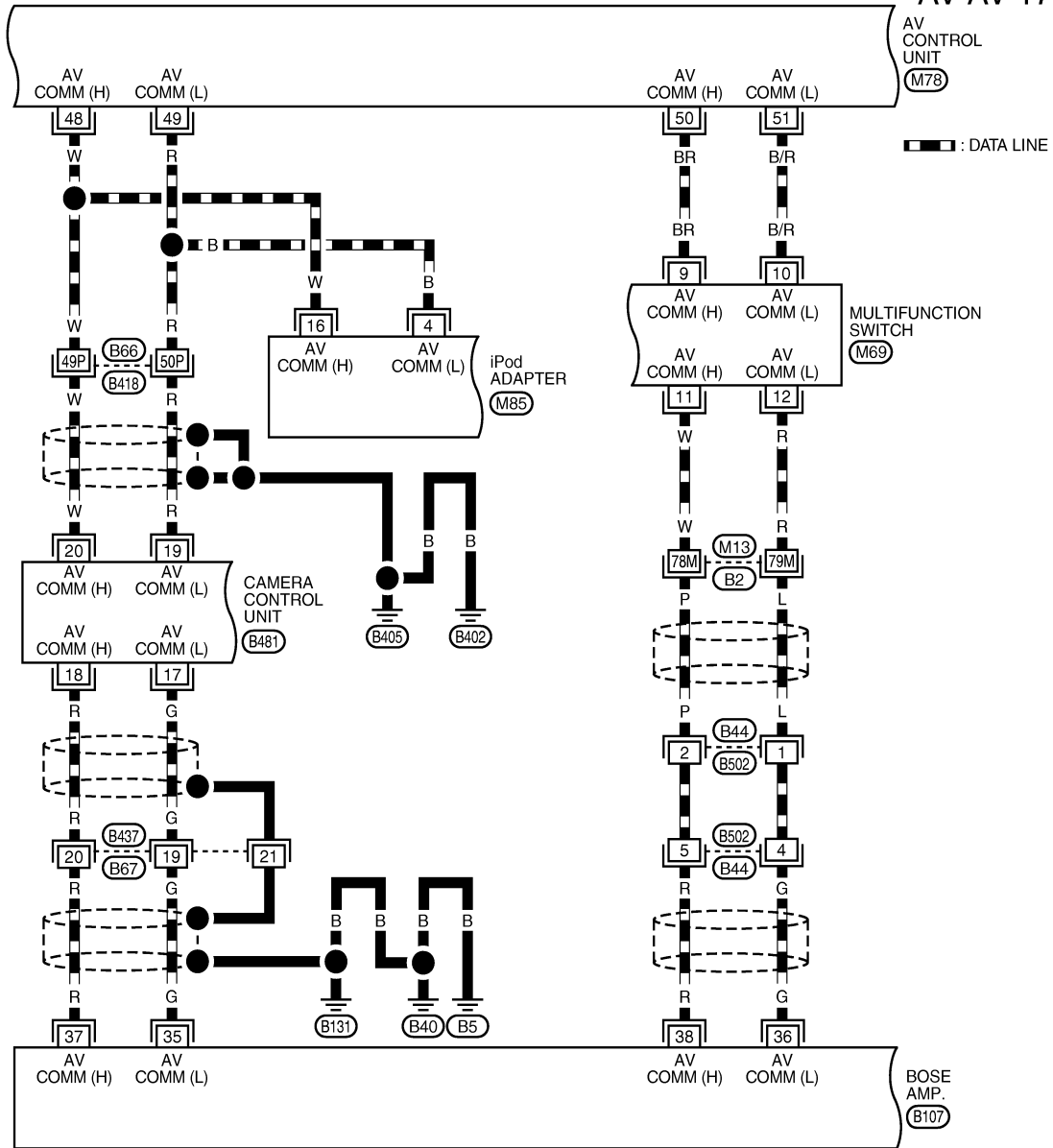
AV

# CAMERA CONTROL UNIT

[WITHOUT MOBILE ENTERTAINMENT SYSTEM]

< ECU DIAGNOSIS >

AV-AV-17



TKWT6691E

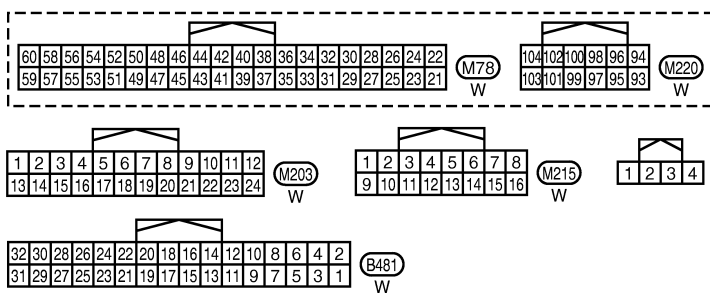
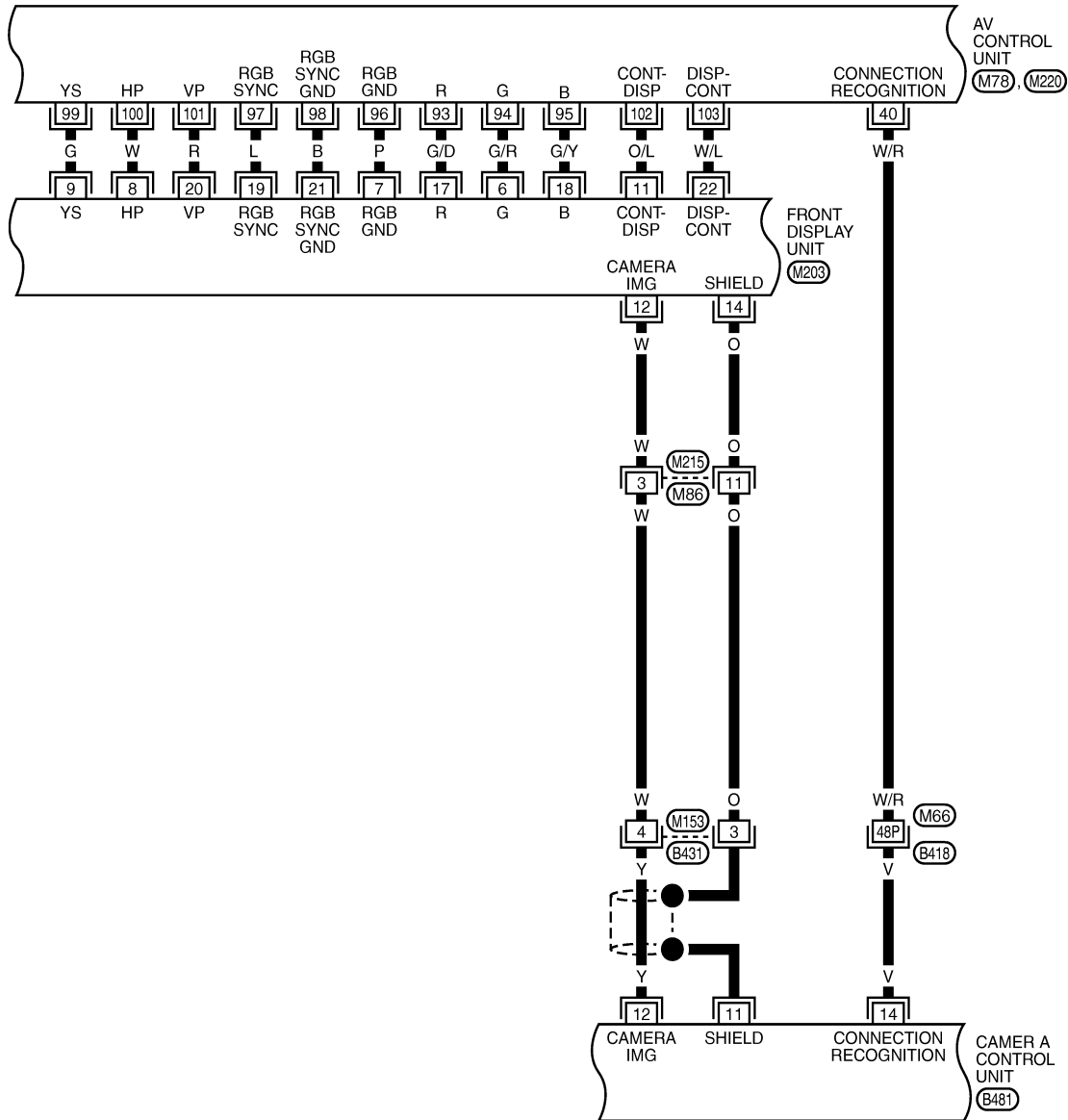


# CAMERA CONTROL UNIT

[WITHOUT MOBILE ENTERTAINMENT SYSTEM]

< ECU DIAGNOSIS >

AV-AV-18



REFER TO THE FOLLOWING.

(B418) - SUPER MULTIPLE JUNCTION (SMJ)

TKWT6692E

A  
B  
C  
D  
E  
F  
G  
H  
I  
J  
K  
L  
M  
N  
O  
P

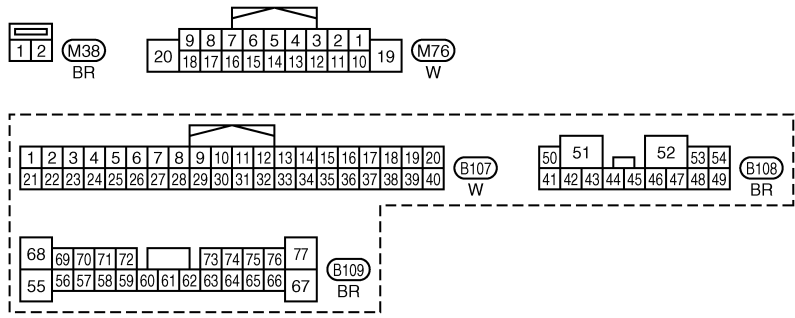
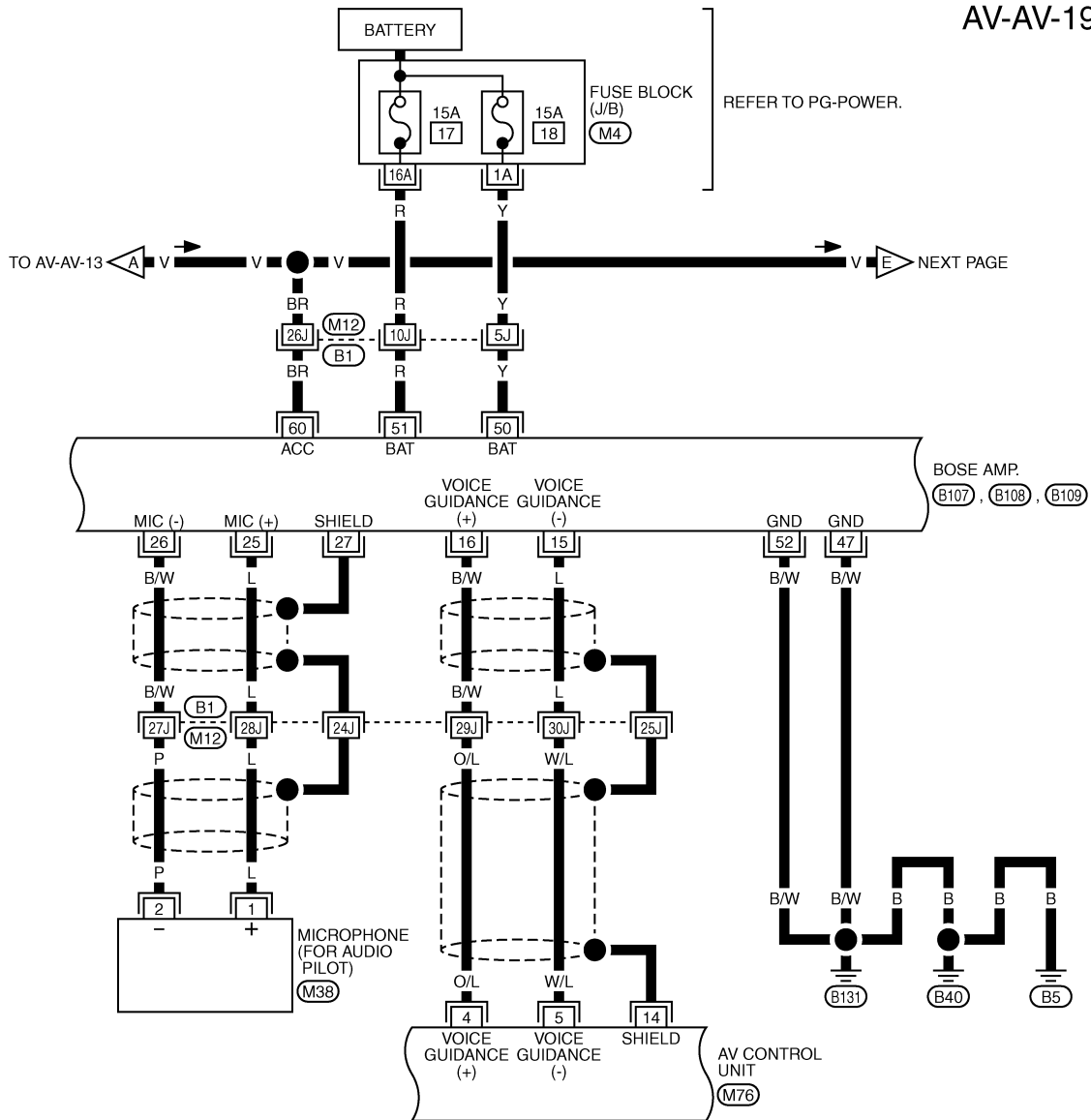
AV

# CAMERA CONTROL UNIT

[WITHOUT MOBILE ENTERTAINMENT SYSTEM]

< ECU DIAGNOSIS >

AV-AV-19



REFER TO THE FOLLOWING.  
 (B1) -SUPER MULTIPLE JUNCTION (SMJ)  
 (M4) -FUSE BLOCK-JUNCTION BOX (J/B)

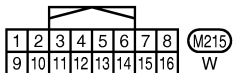
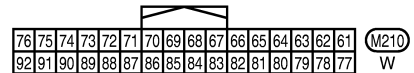
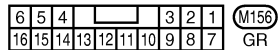
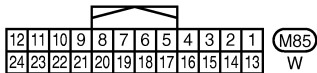
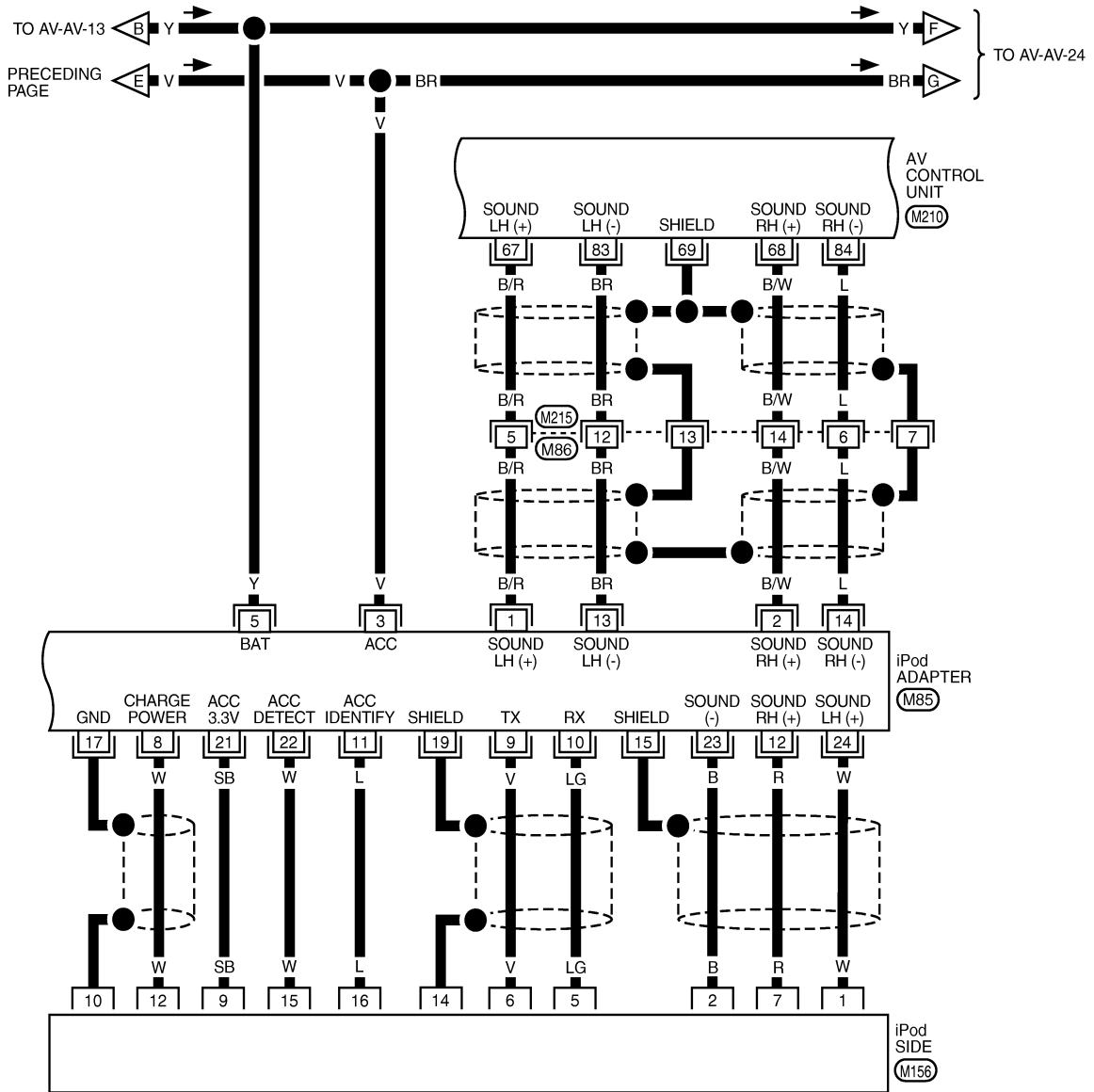
TKWT8276E

# CAMERA CONTROL UNIT

[WITHOUT MOBILE ENTERTAINMENT SYSTEM]

< ECU DIAGNOSIS >

AV-AV-20



TKWT6695E

A  
B  
C  
D  
E  
F  
G  
H  
I  
J  
K  
L  
M  
N  
O  
P

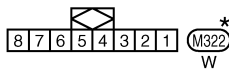
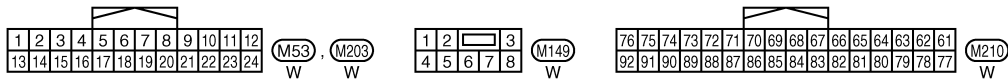
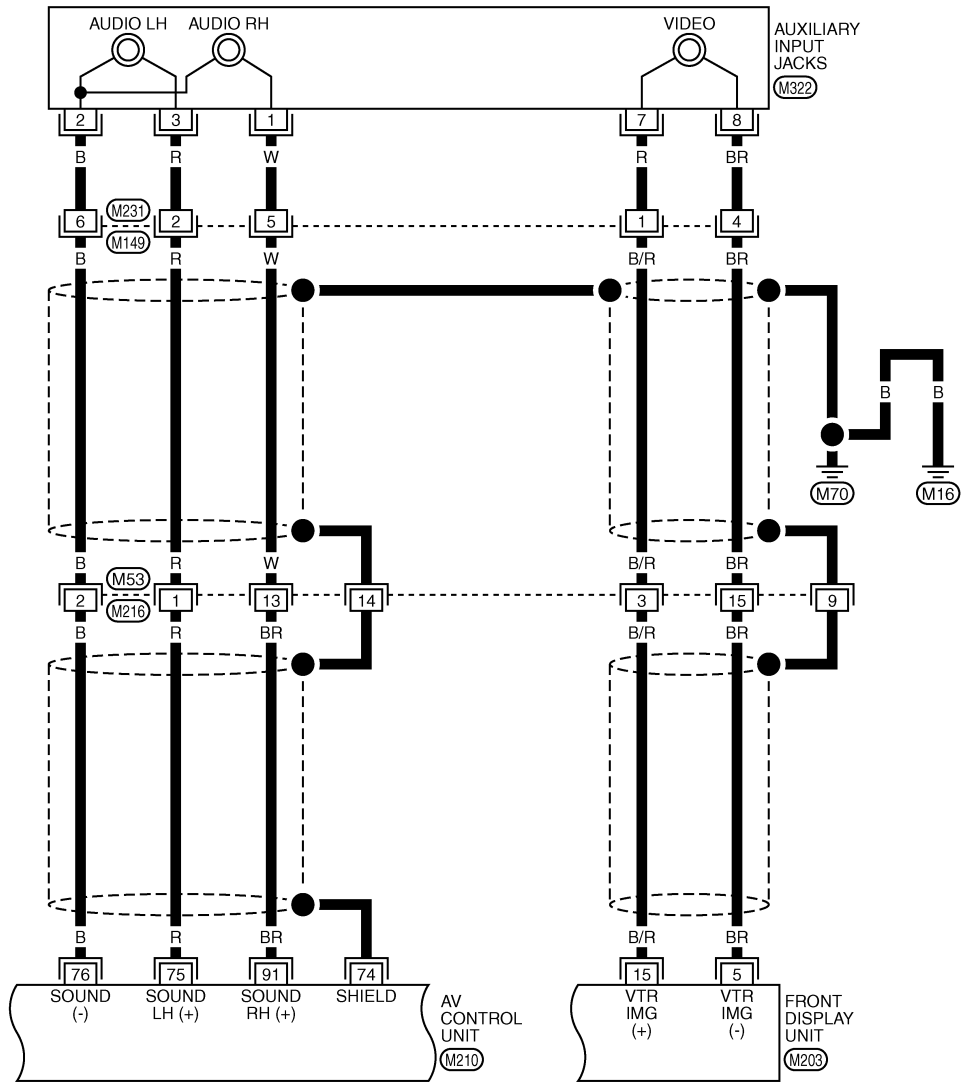
AV

# CAMERA CONTROL UNIT

[WITHOUT MOBILE ENTERTAINMENT SYSTEM]

< ECU DIAGNOSIS >

AV-AV-21



\*: THIS CONNECTOR IS NOT SHOWN IN "HARNESS LAYOUT", PG SECTION.

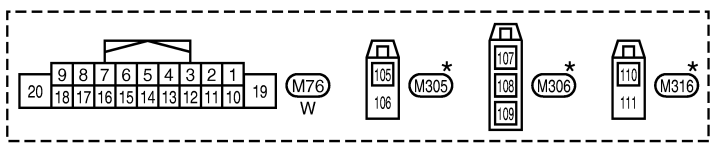
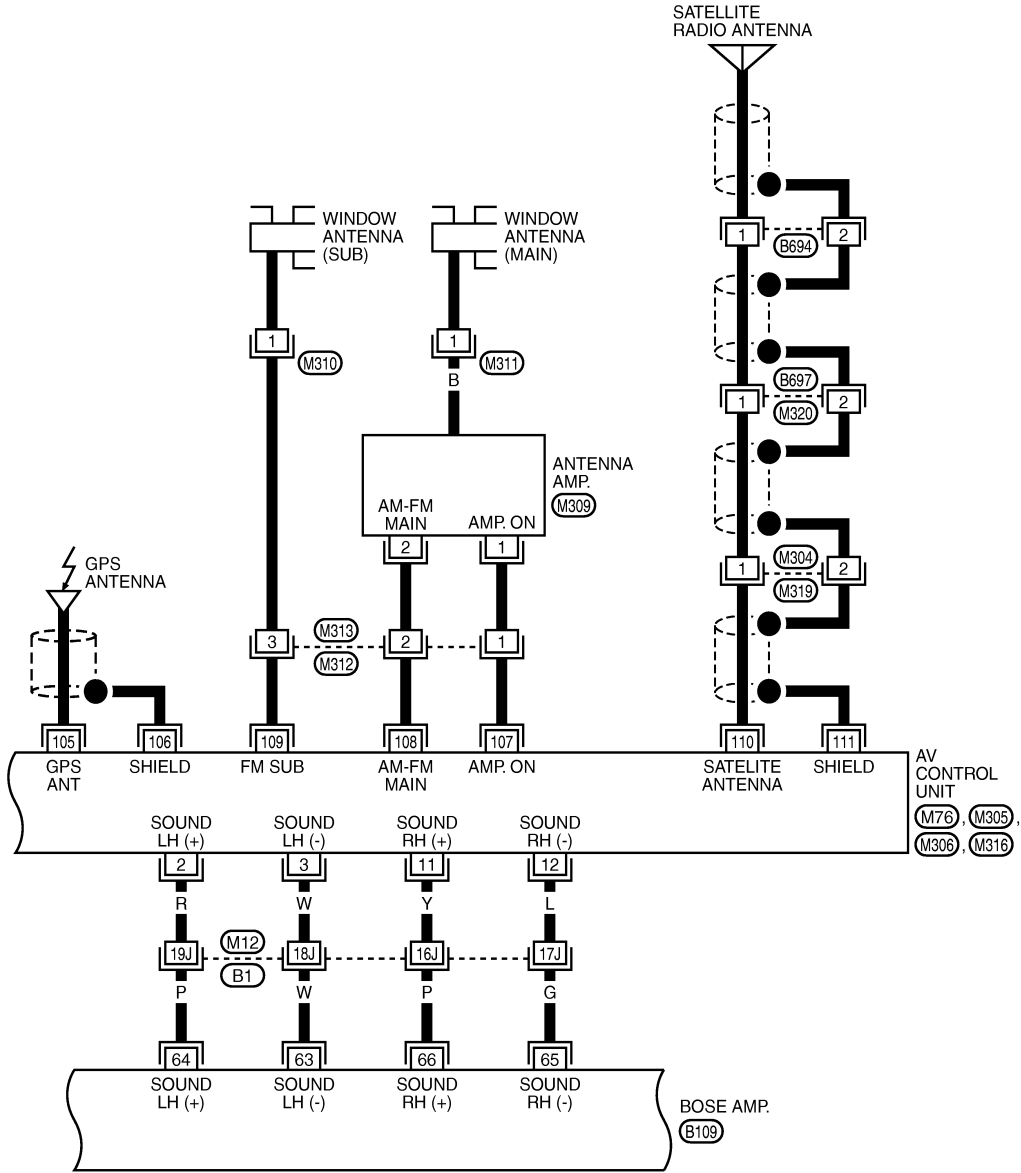
TKWT8277E

# CAMERA CONTROL UNIT

[WITHOUT MOBILE ENTERTAINMENT SYSTEM]

< ECU DIAGNOSIS >

AV-AV-22



REFER TO THE FOLLOWING.  
 (B1) - SUPER MULTIPLE JUNCTION (SMJ)



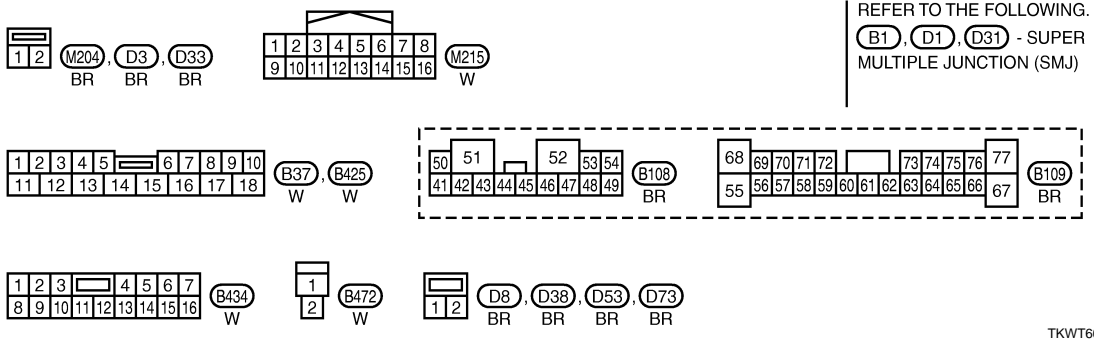
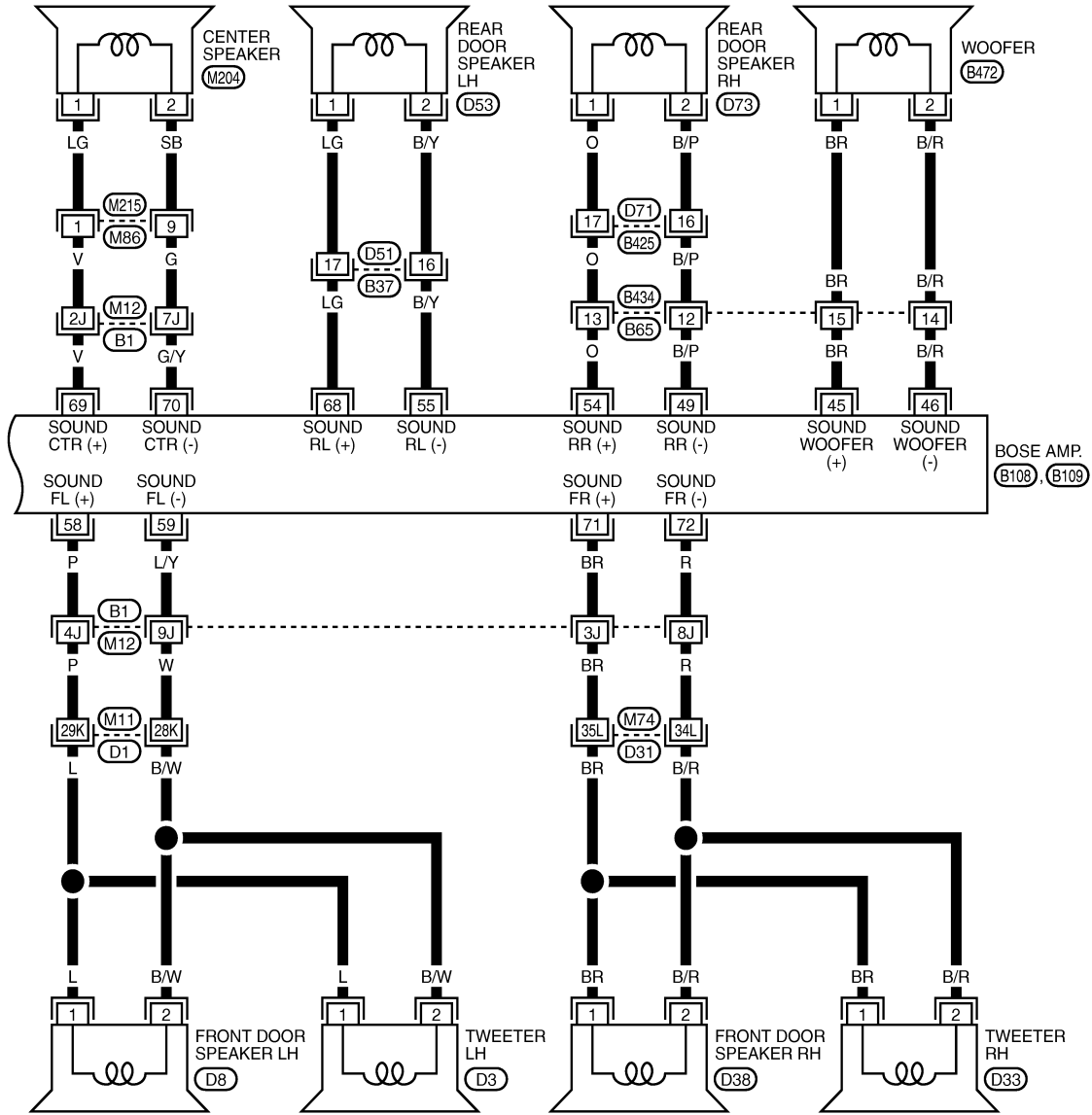
TKWT6697E

# CAMERA CONTROL UNIT

[WITHOUT MOBILE ENTERTAINMENT SYSTEM]

< ECU DIAGNOSIS >

AV-AV-23



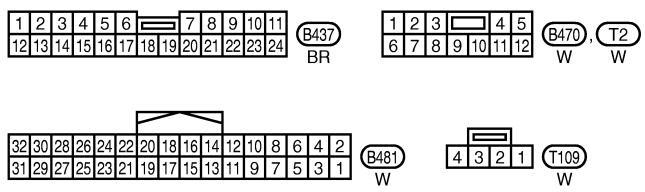
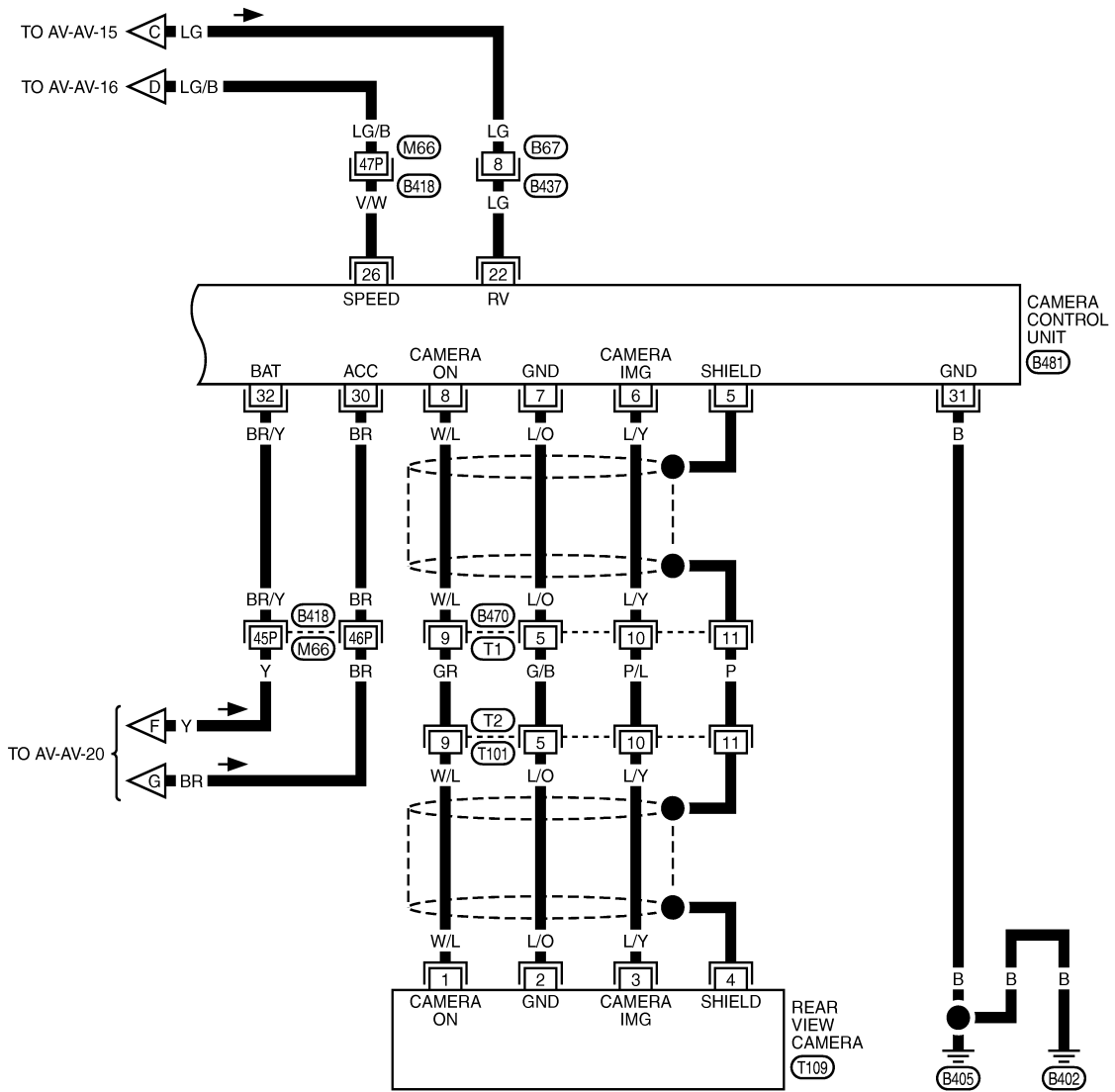
TKWT6698E

# CAMERA CONTROL UNIT

[WITHOUT MOBILE ENTERTAINMENT SYSTEM]

< ECU DIAGNOSIS >

AV-AV-24



REFER TO THE FOLLOWING.  
 (B418) - SUPER MULTIPLE JUNCTION (SMJ)

TKWT6699E

A  
B  
C  
D  
E  
F  
G  
H  
I  
J  
K  
L  
M  
N  
O  
P

AV

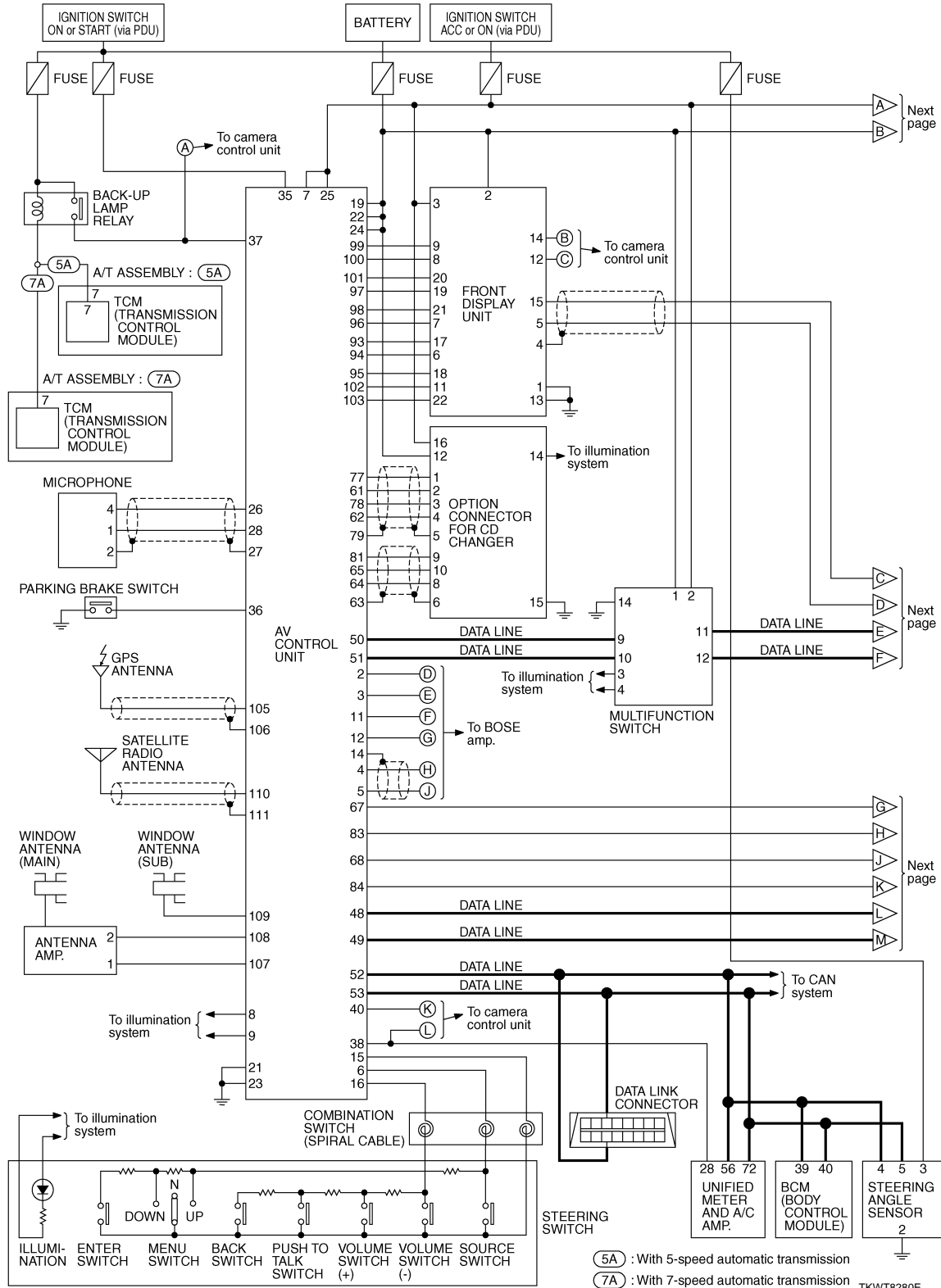
# CAMERA CONTROL UNIT

[WITHOUT MOBILE ENTERTAINMENT SYSTEM]

< ECU DIAGNOSIS >

## Schematic - BOSE Surround Audio 5.1ch System -

INFOID:000000005350352

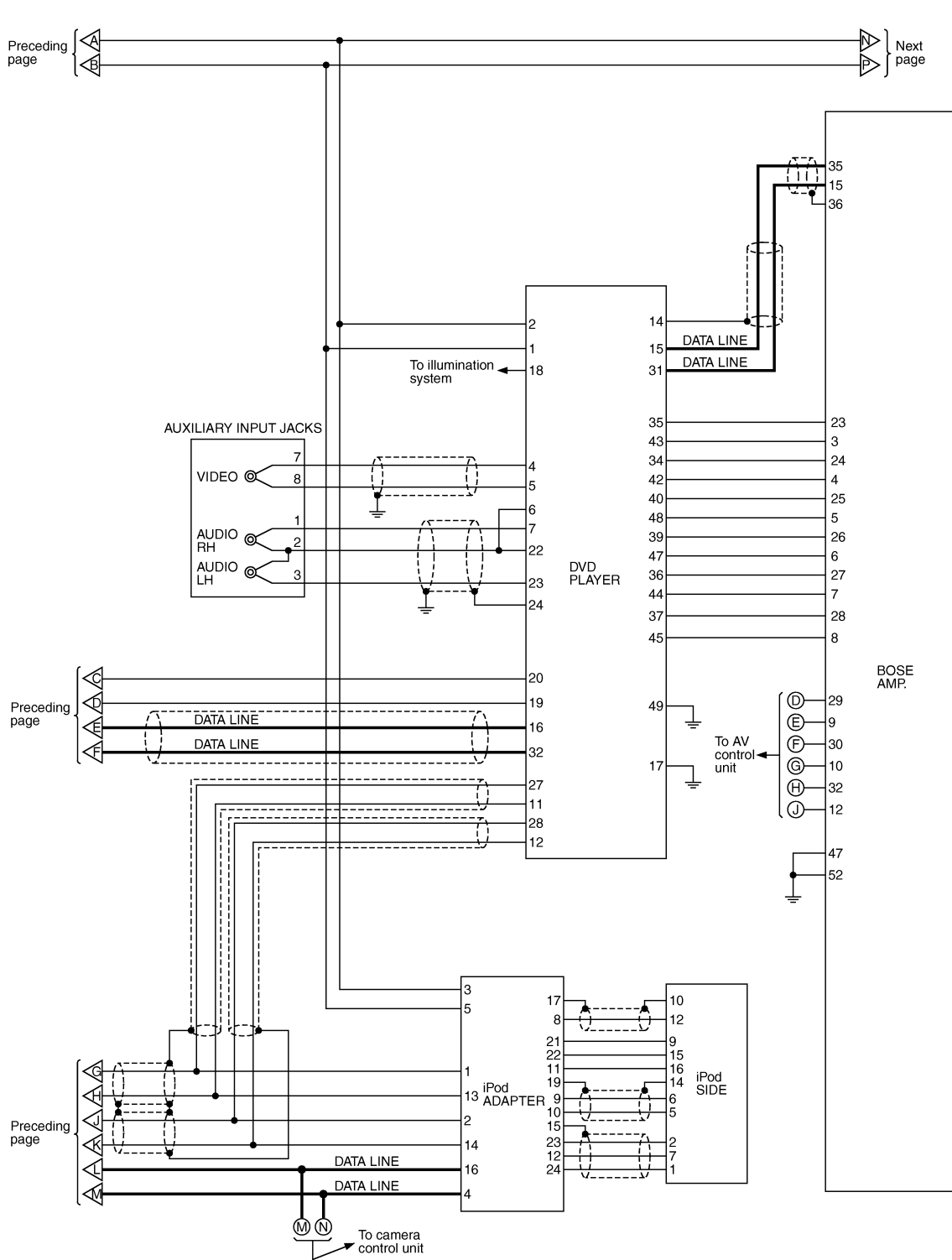




# CAMERA CONTROL UNIT

[WITHOUT MOBILE ENTERTAINMENT SYSTEM]

< ECU DIAGNOSIS >



TKWT6701E

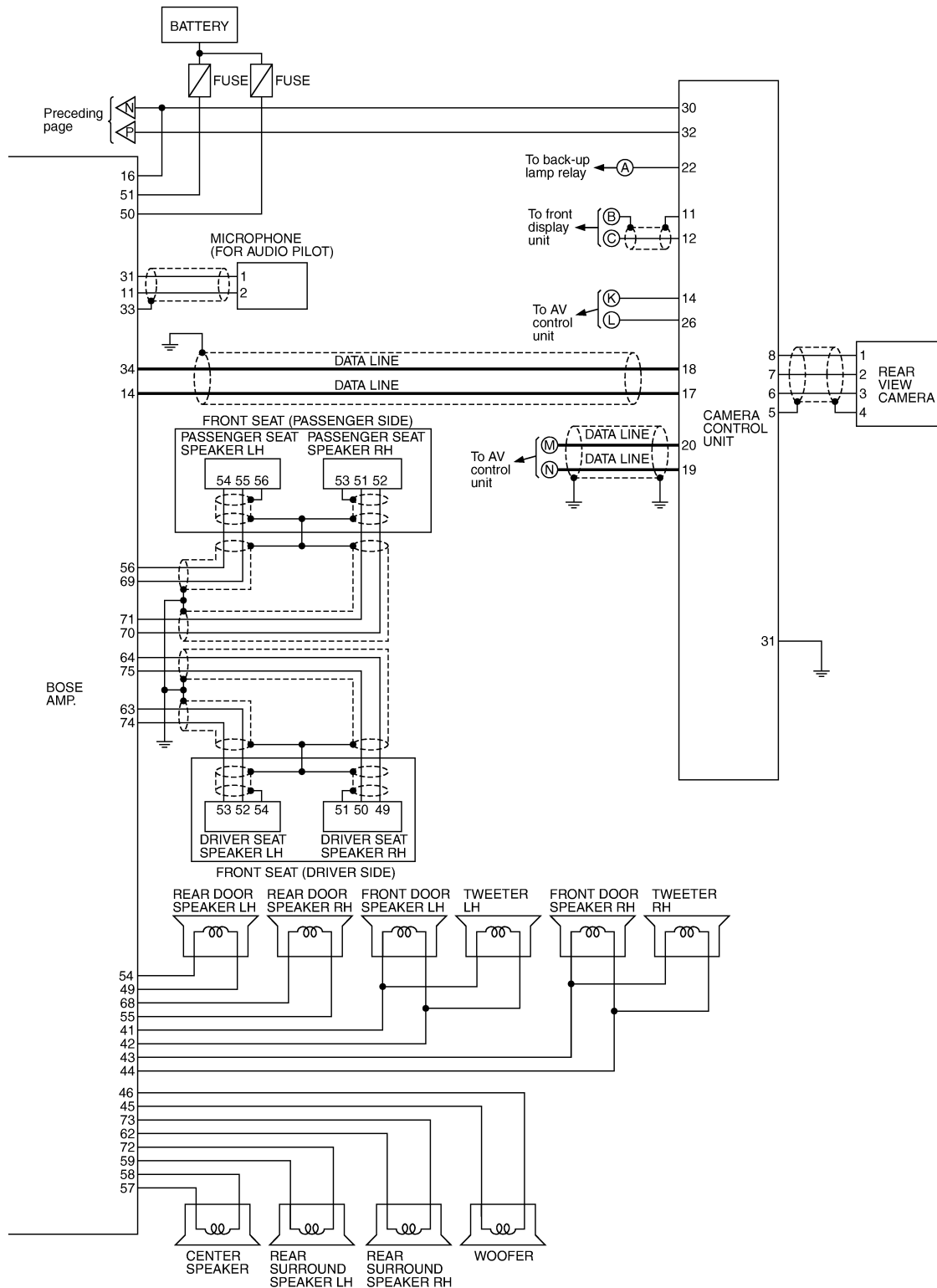
A  
B  
C  
D  
E  
F  
G  
H  
I  
J  
K  
L  
M  
N  
O  
P

AV

# CAMERA CONTROL UNIT

[WITHOUT MOBILE ENTERTAINMENT SYSTEM]

< ECU DIAGNOSIS >



TKWT6702E

INFOID:000000005350353

Wiring Diagram - AV - / BOSE Surround Audio 5.1ch System

**NOTE:**

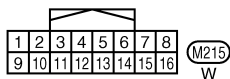
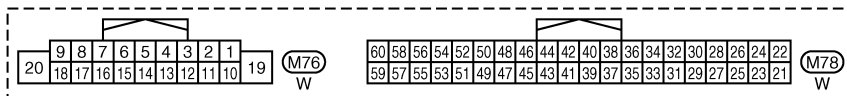
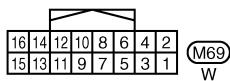
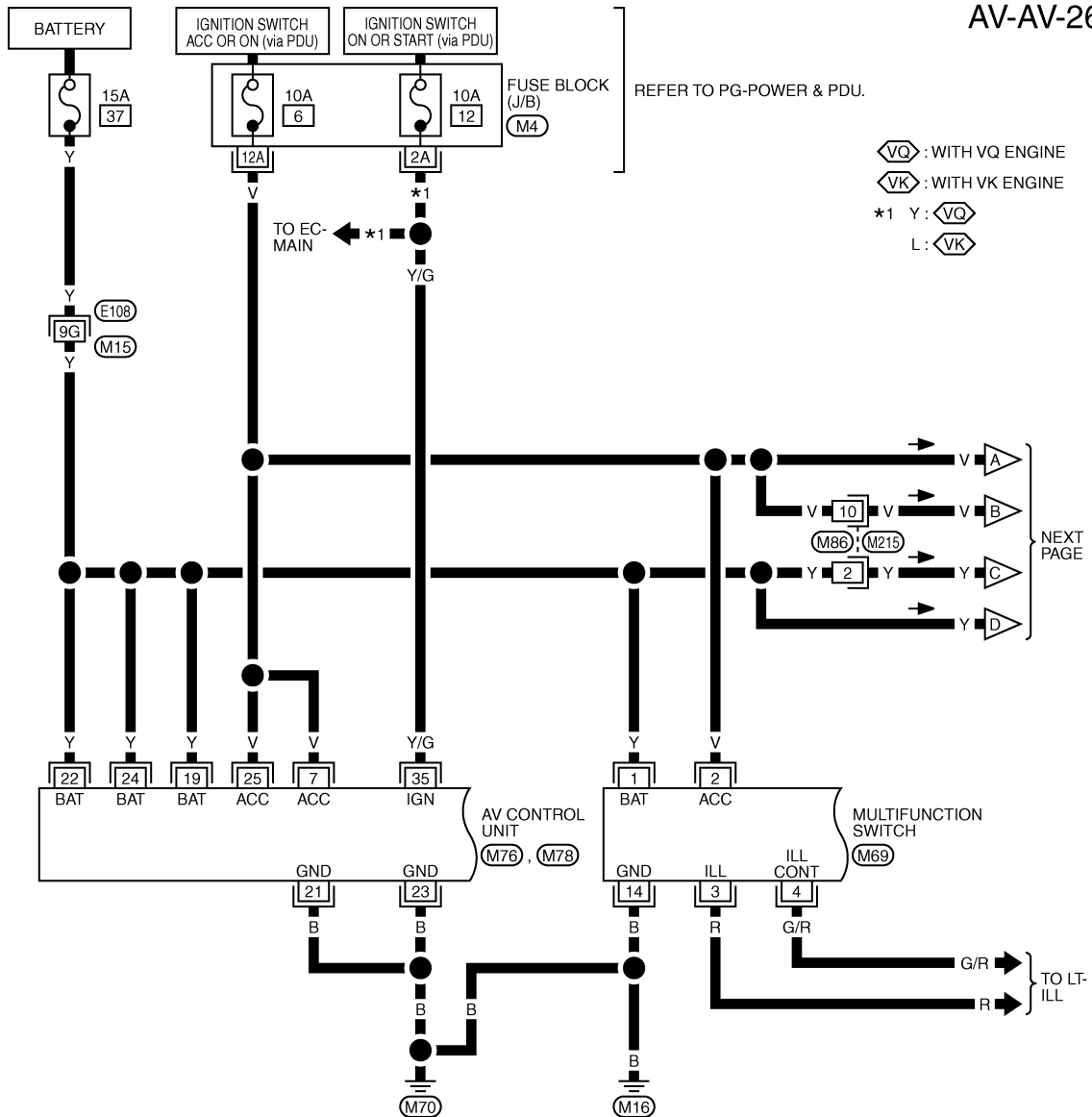
# CAMERA CONTROL UNIT

[WITHOUT MOBILE ENTERTAINMENT SYSTEM]

< ECU DIAGNOSIS >

The name MULTIFUNCTION SWITCH indicates the integration of PRESET SWITCH and MULTIFUNCTION SWITCH virtually.

AV-AV-26



REFER TO THE FOLLOWING.

- (E108) -SUPER MULTIPLE JUNCTION (SMJ)
- (M4) -FUSE BLOCK-JUNCTION BOX (J/B)

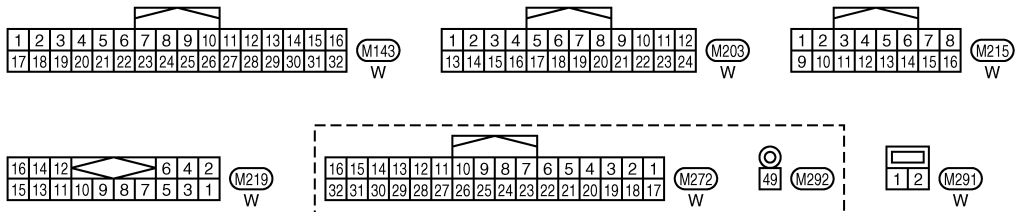
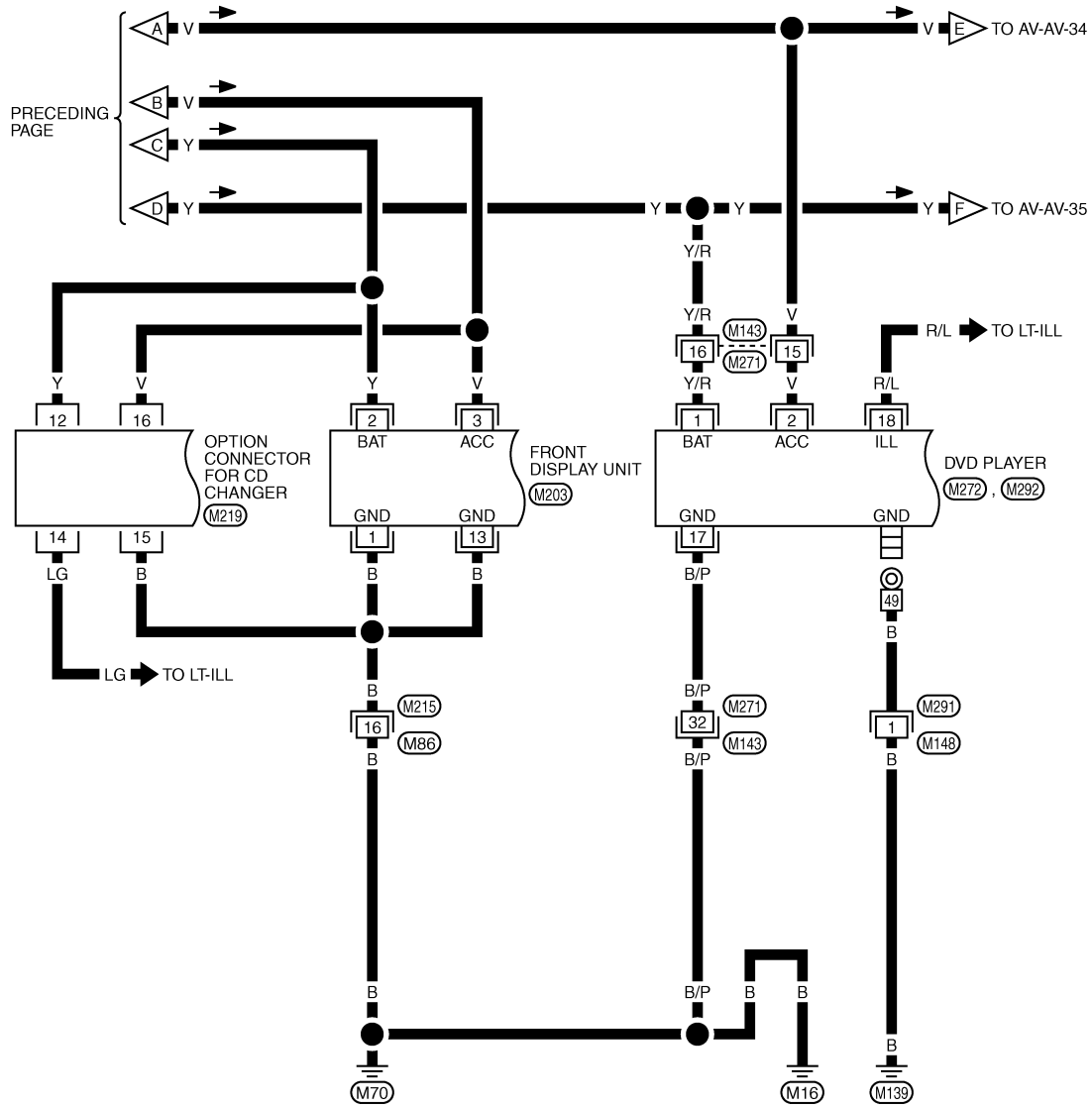
TKWT8281E

# CAMERA CONTROL UNIT

[WITHOUT MOBILE ENTERTAINMENT SYSTEM]

< ECU DIAGNOSIS >

AV-AV-27



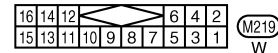
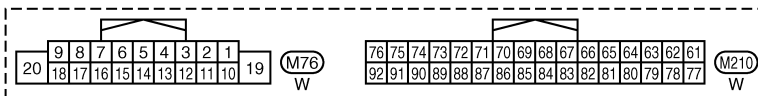
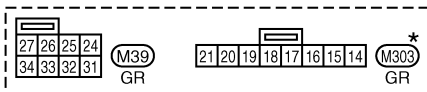
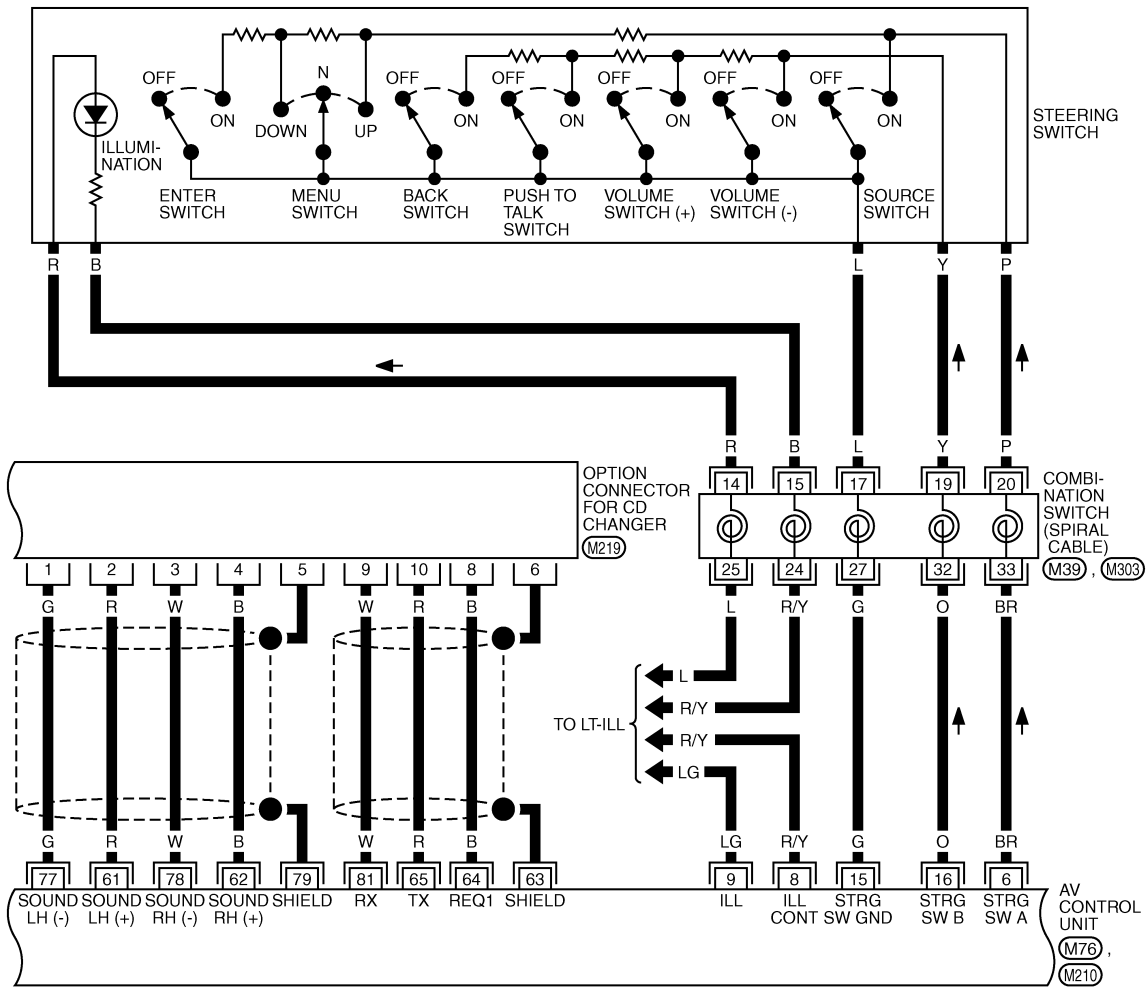
TKWT8282E

# CAMERA CONTROL UNIT

[WITHOUT MOBILE ENTERTAINMENT SYSTEM]

< ECU DIAGNOSIS >

AV-AV-28



\*: THIS CONNECTOR IS NOT SHOWN IN "HARNESS LAYOUT", PG SECTION.

TKWT8283E

A  
B  
C  
D  
E  
F  
G  
H  
I  
J  
L  
M  
N  
O  
P

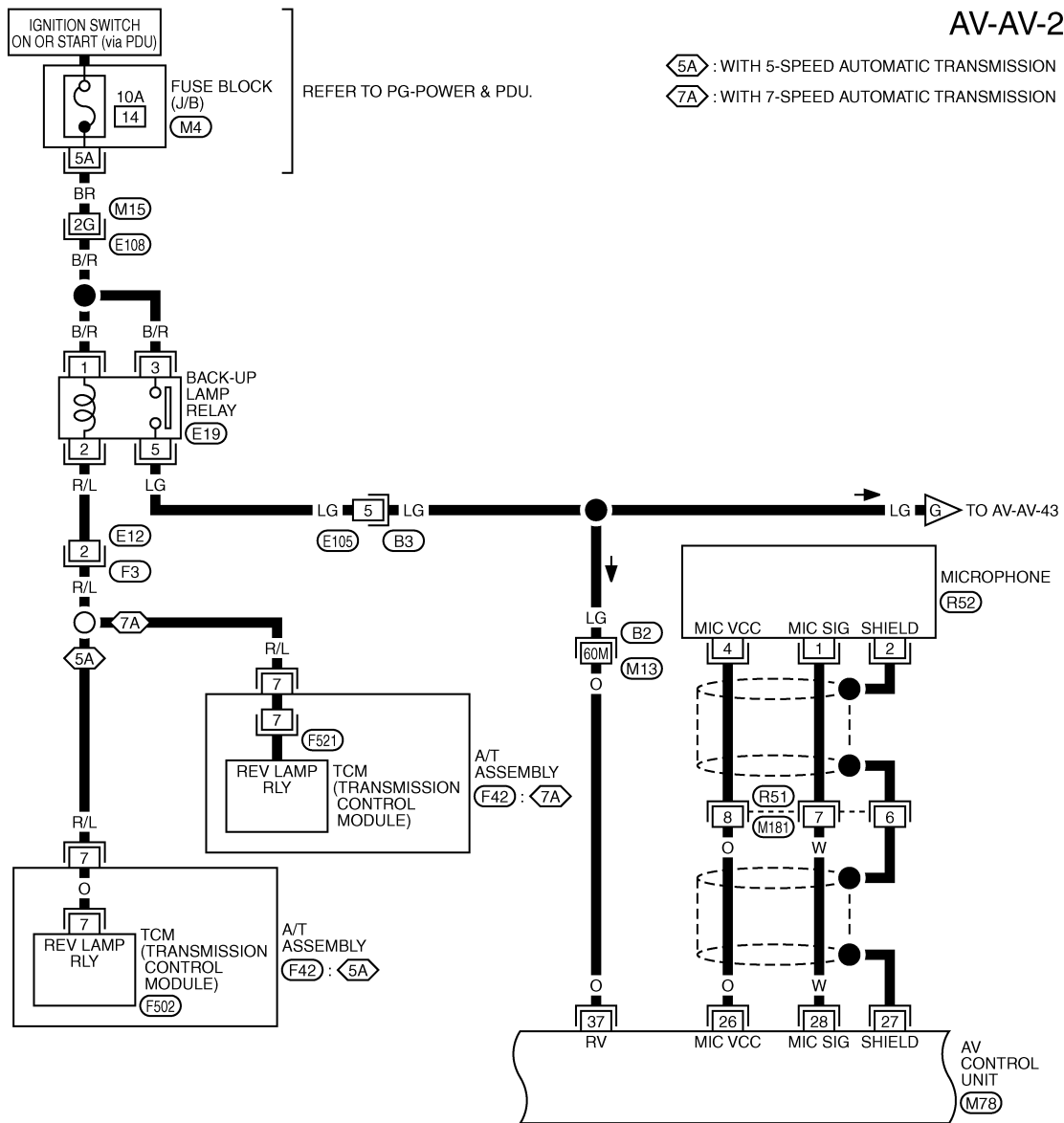
AV

# CAMERA CONTROL UNIT

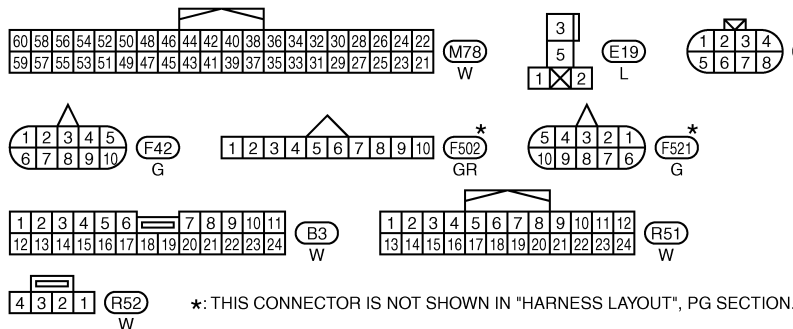
[WITHOUT MOBILE ENTERTAINMENT SYSTEM]

< ECU DIAGNOSIS >

AV-AV-29



5A : WITH 5-SPEED AUTOMATIC TRANSMISSION  
 7A : WITH 7-SPEED AUTOMATIC TRANSMISSION



REFER TO THE FOLLOWING.  
 E108, B2 -SUPER MULTIPLE JUNCTION (SMJ)  
 M4 -FUSE BLOCK-JUNCTION BOX (J/B)

\*: THIS CONNECTOR IS NOT SHOWN IN "HARNESS LAYOUT", PG SECTION.

TKWT8284E

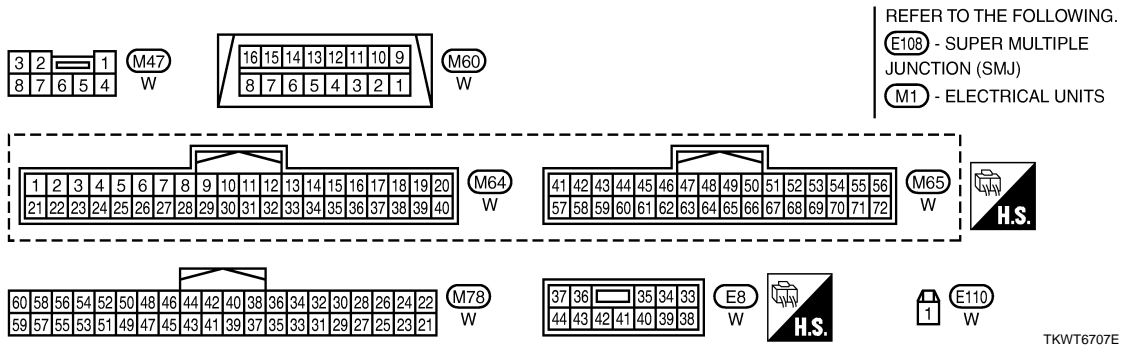
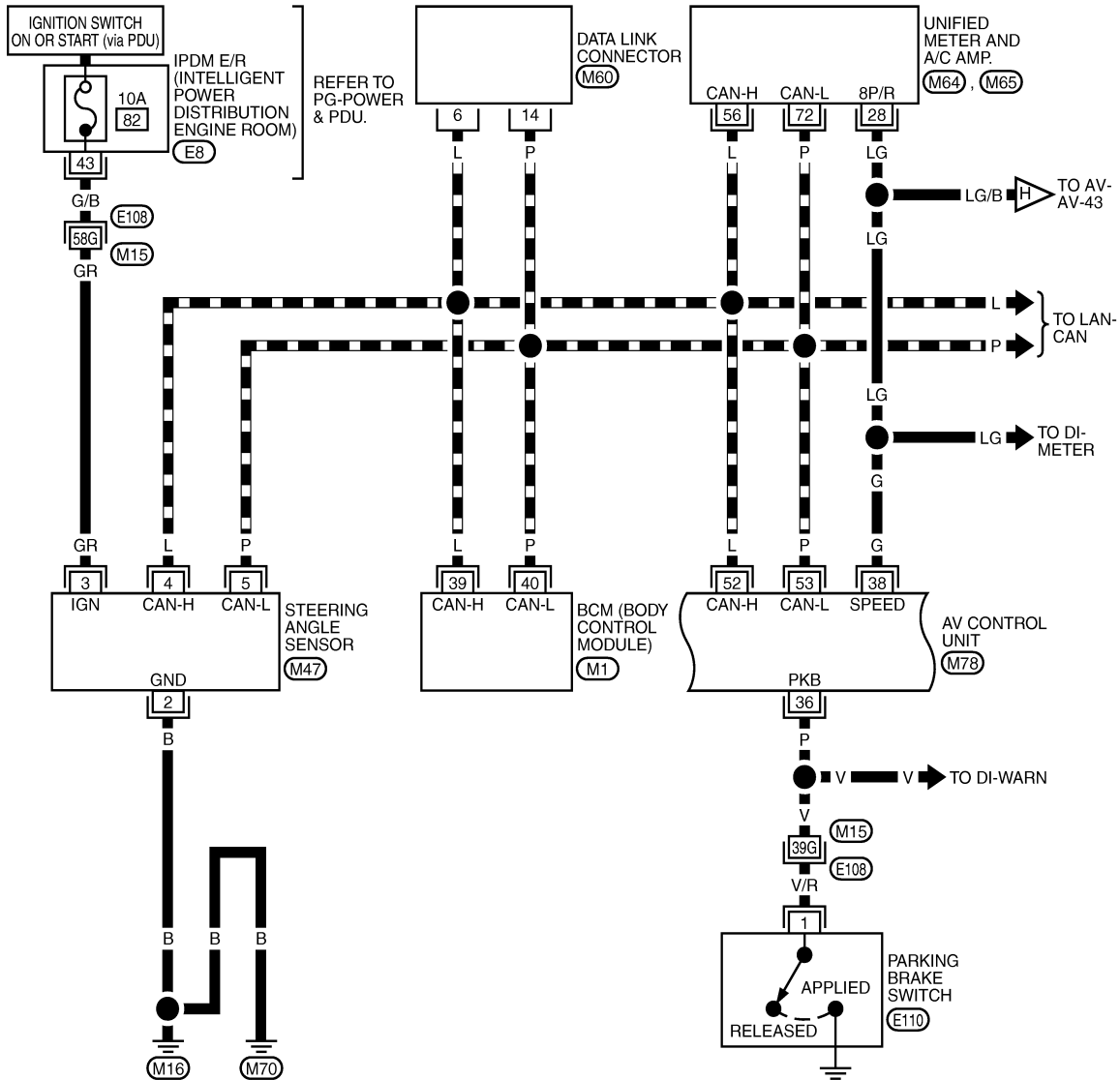
# CAMERA CONTROL UNIT

[WITHOUT MOBILE ENTERTAINMENT SYSTEM]

< ECU DIAGNOSIS >

AV-AV-30

▬ : DATA LINE



TKWT6707E

A  
B  
C  
D  
E  
F  
G  
H  
I  
J  
AV  
L  
M  
N  
O  
P

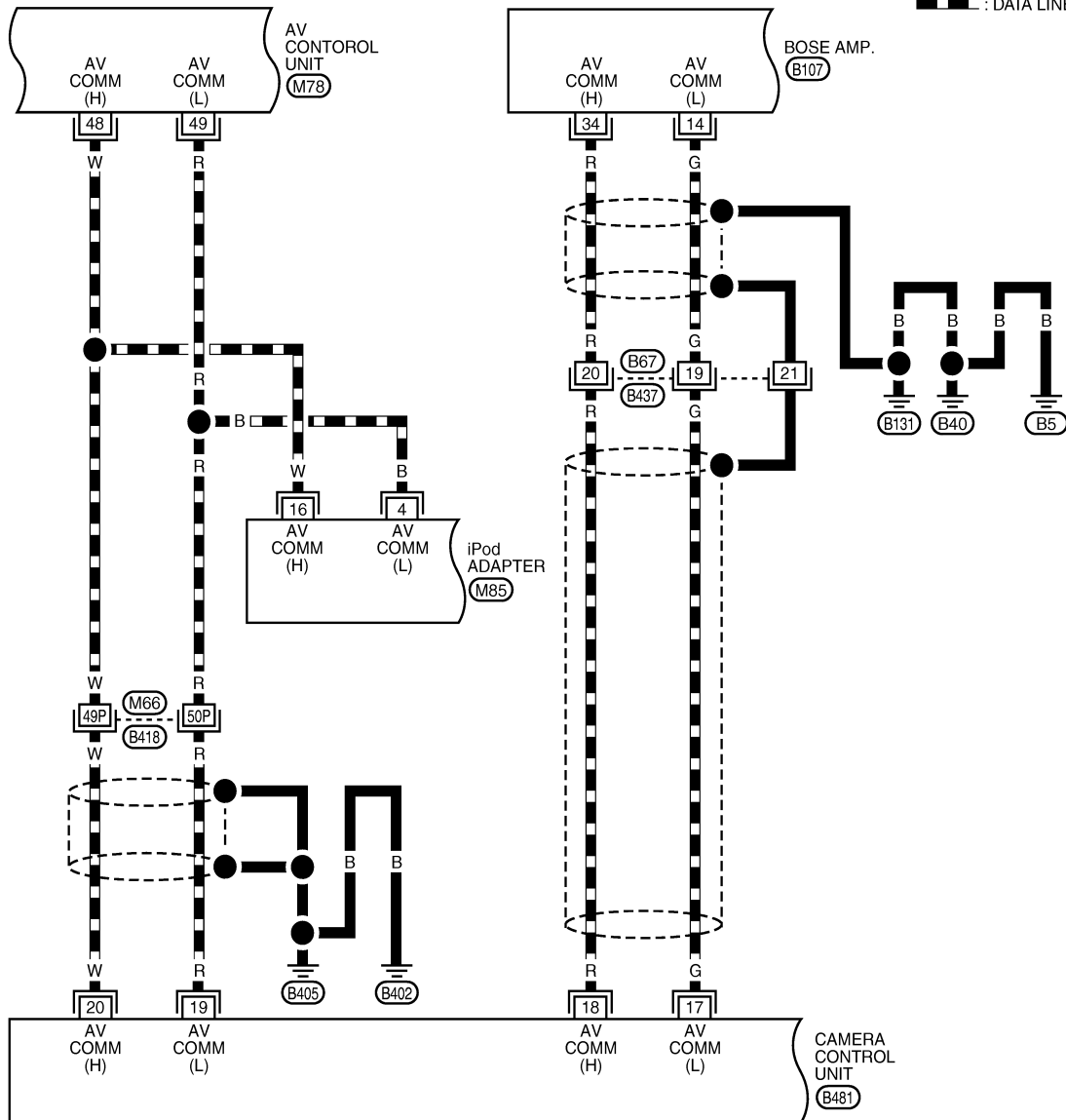
# CAMERA CONTROL UNIT

[WITHOUT MOBILE ENTERTAINMENT SYSTEM]

< ECU DIAGNOSIS >

AV-AV-31

— : DATA LINE



60	58	56	54	52	50	48	46	44	42	40	38	36	34	32	30	28	26	24	22
59	57	55	53	51	49	47	45	43	41	39	37	35	33	31	29	27	25	23	21

(M78) W

12	11	10	9	8	7	6	5	4	3	2	1
24	23	22	21	20	19	18	17	16	15	14	13

(M85) W

1	2	3	4	5	6	7	8	9	10	11	12	13	14	15	16	17	18	19	20
21	22	23	24	25	26	27	28	29	30	31	32	33	34	35	36	37	38	39	40

(B107) W

1	2	3	4	5	6	7	8	9	10	11		
12	13	14	15	16	17	18	19	20	21	22	23	24

(B437) BR

32	30	28	26	24	22	20	18	16	14	12	10	8	6	4	2
31	29	27	25	23	21	19	17	15	13	11	9	7	5	3	1

(B481) W

REFER TO THE FOLLOWING.

(B418) - SUPER MULTIPLE JUNCTION (SMJ)

TKWT6708E



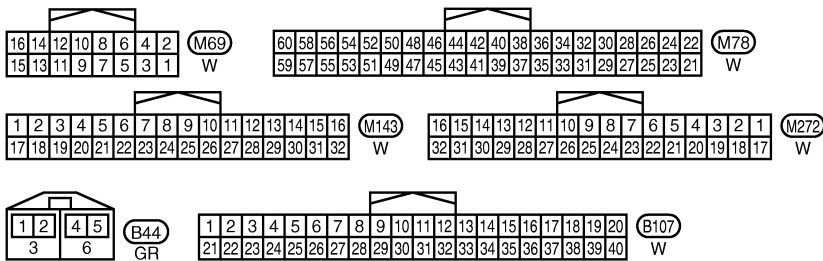
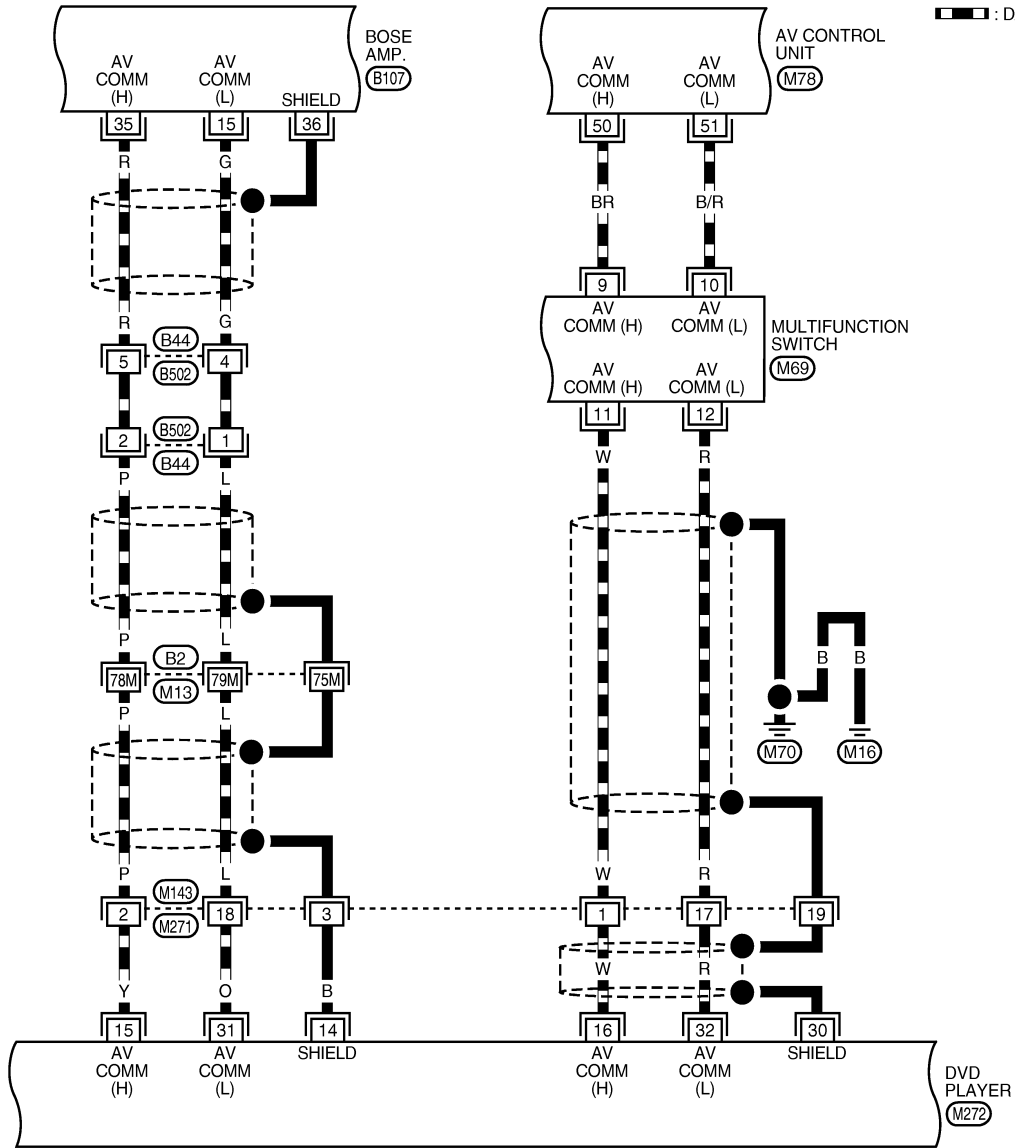
# CAMERA CONTROL UNIT

[WITHOUT MOBILE ENTERTAINMENT SYSTEM]

< ECU DIAGNOSIS >

AV-AV-32

— : DATA LINE



REFER TO THE FOLLOWING.

(B2) - SUPER MULTIPLE JUNCTION (SMJ)

TKWT6709E

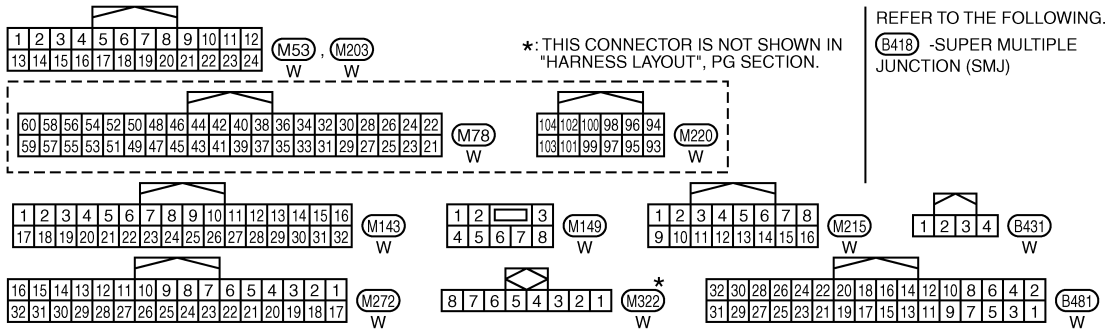
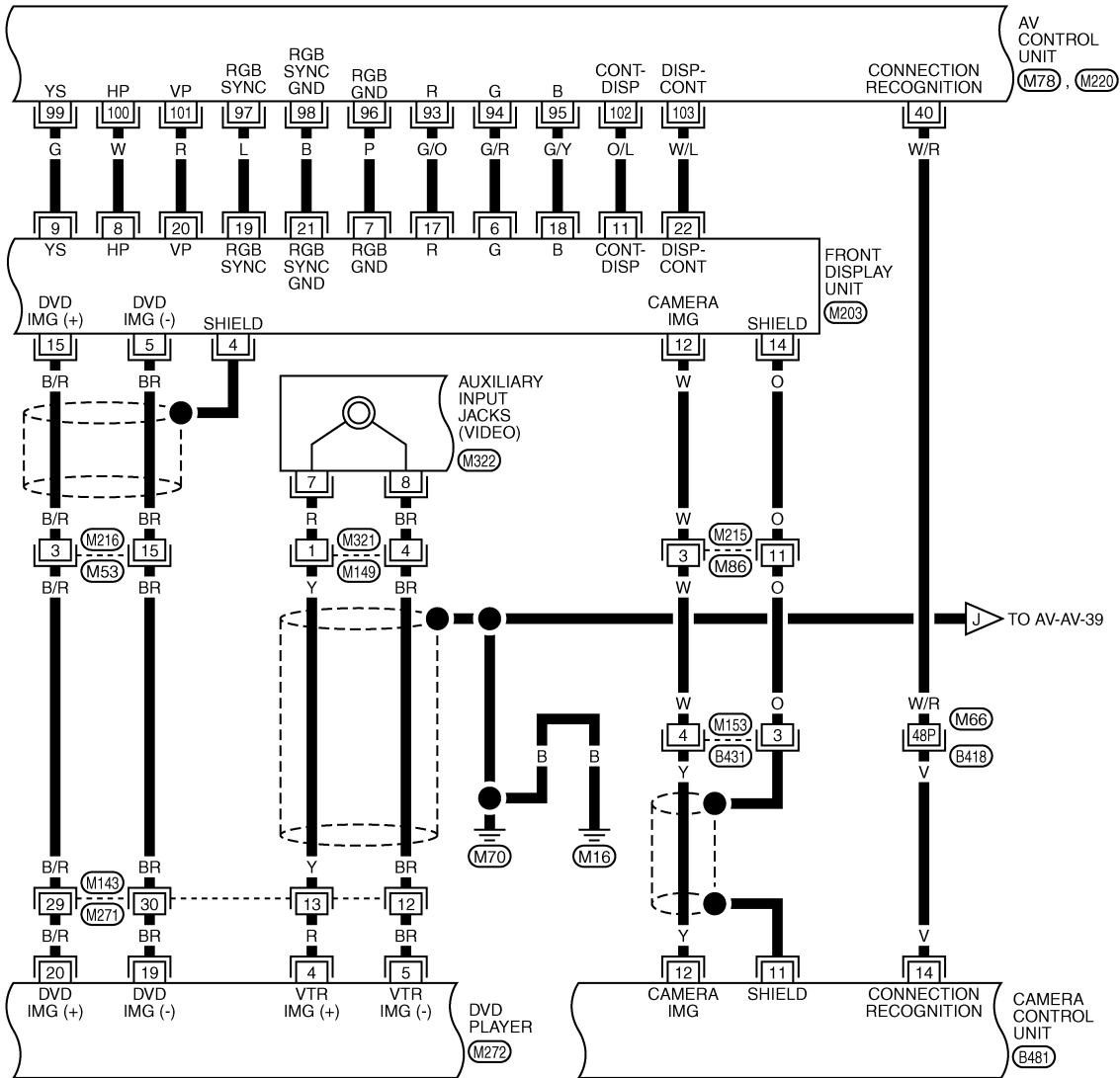
A  
B  
C  
D  
E  
F  
G  
H  
I  
J  
AV  
L  
M  
N  
O  
P

# CAMERA CONTROL UNIT

[WITHOUT MOBILE ENTERTAINMENT SYSTEM]

< ECU DIAGNOSIS >

AV-AV-33



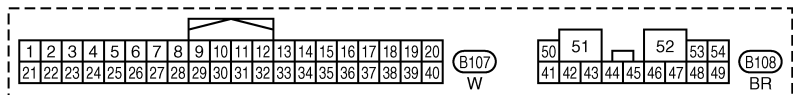
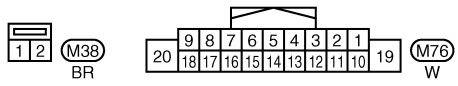
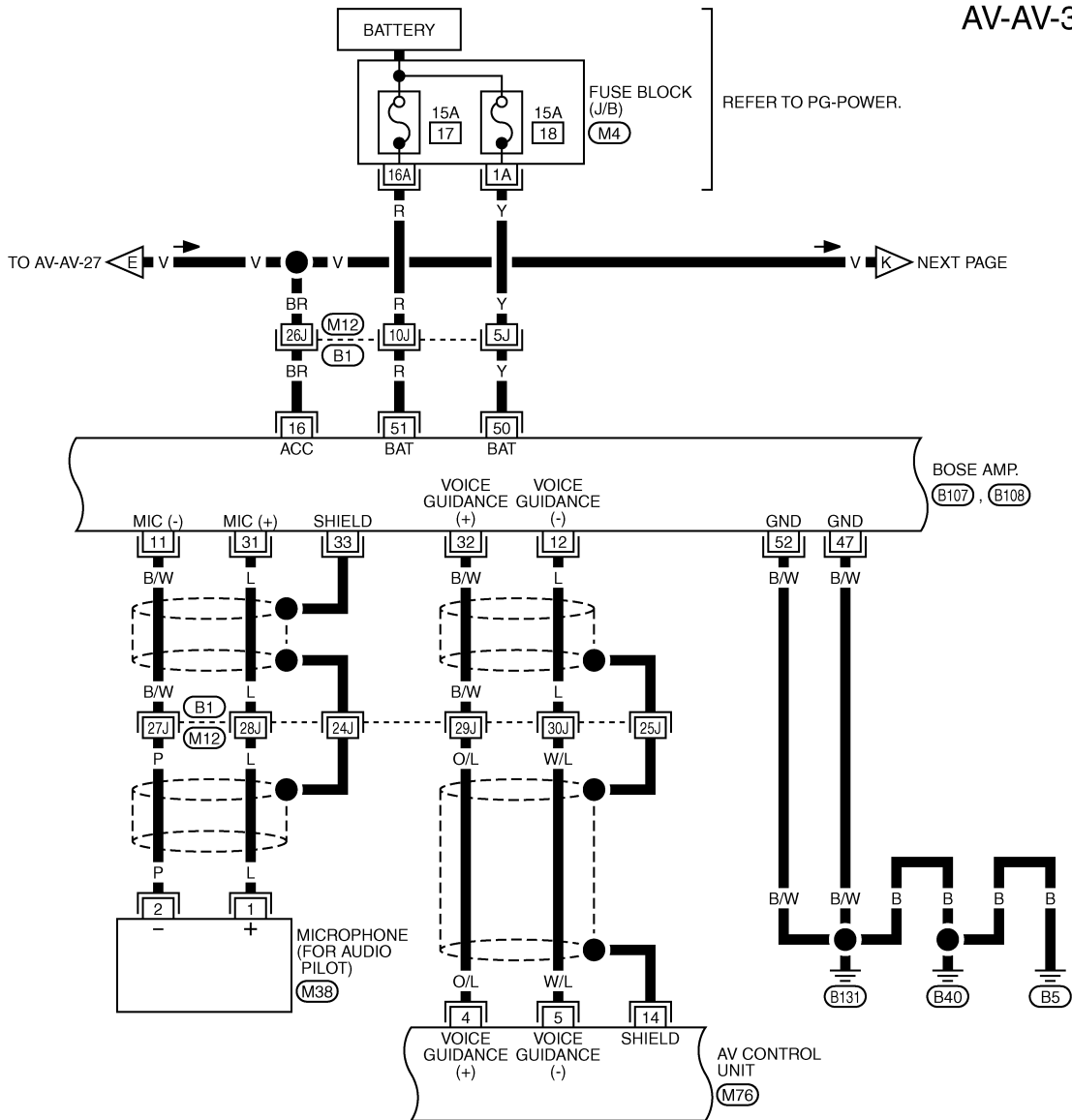
TKWT8285E

# CAMERA CONTROL UNIT

[WITHOUT MOBILE ENTERTAINMENT SYSTEM]

< ECU DIAGNOSIS >

AV-AV-34



REFER TO THE FOLLOWING.  
 (B1) -SUPER MULTIPLE JUNCTION (SMJ)  
 (M4) -FUSE BLOCK-JUNCTION BOX (J/B)

TKWT8286E

A  
B  
C  
D  
E  
F  
G  
H  
I  
J  
K  
L  
M  
N  
O  
P

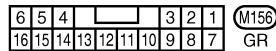
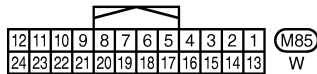
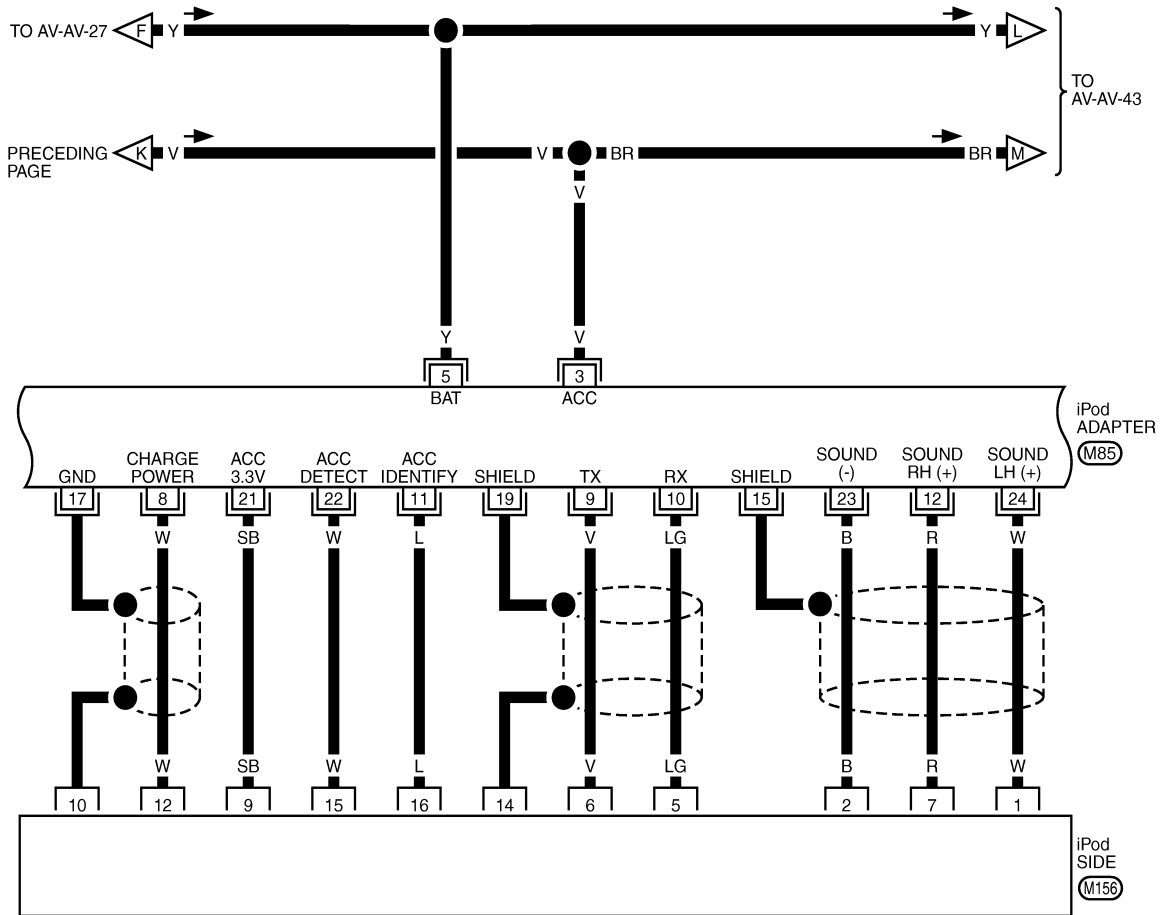
AV

# CAMERA CONTROL UNIT

[WITHOUT MOBILE ENTERTAINMENT SYSTEM]

< ECU DIAGNOSIS >

AV-AV-35



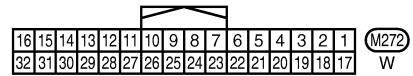
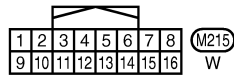
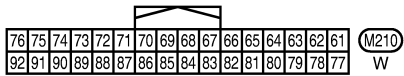
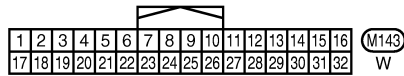
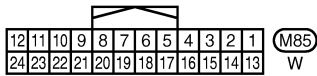
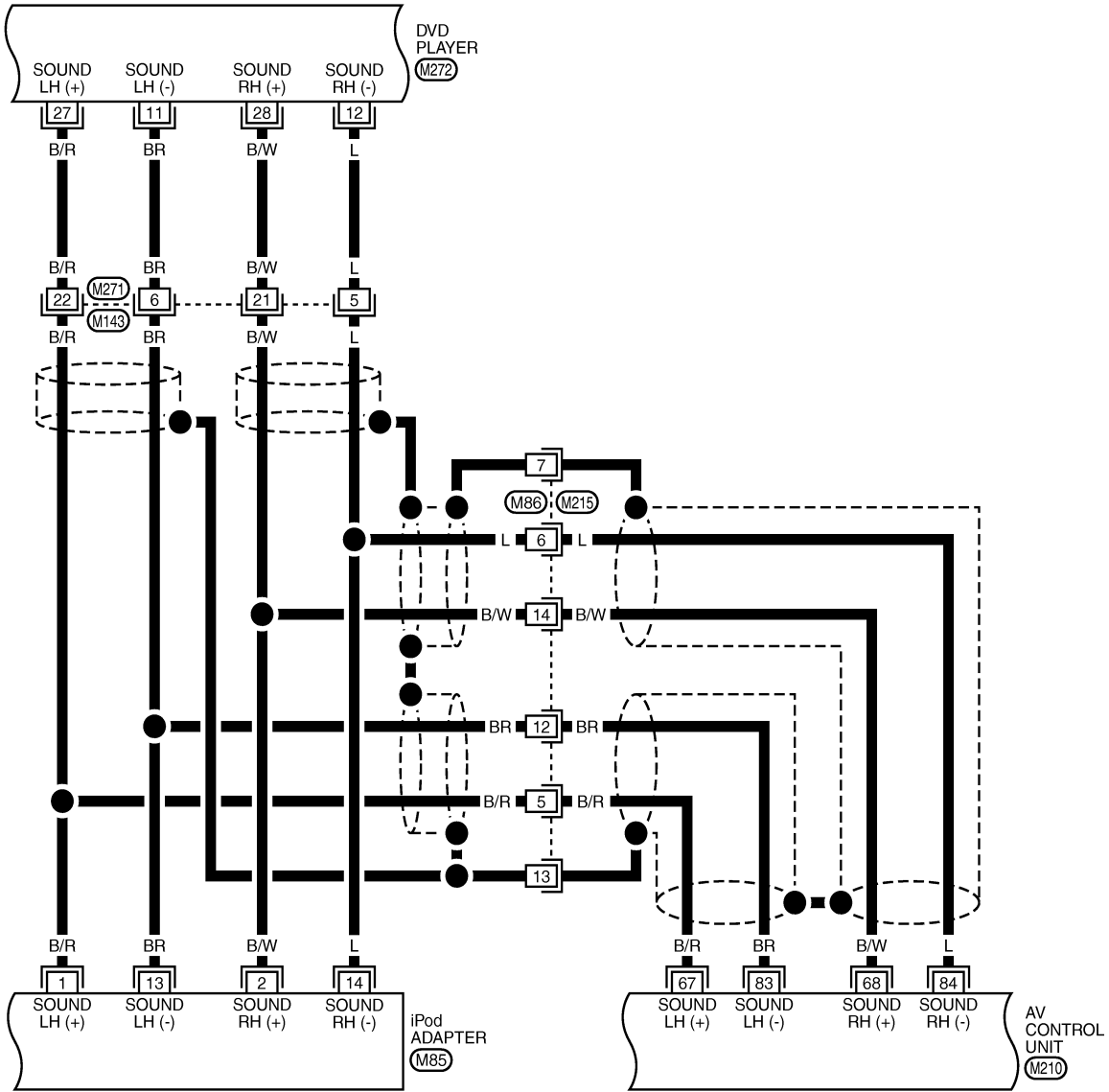
TKWT6713E

# CAMERA CONTROL UNIT

[WITHOUT MOBILE ENTERTAINMENT SYSTEM]

< ECU DIAGNOSIS >

AV-AV-36



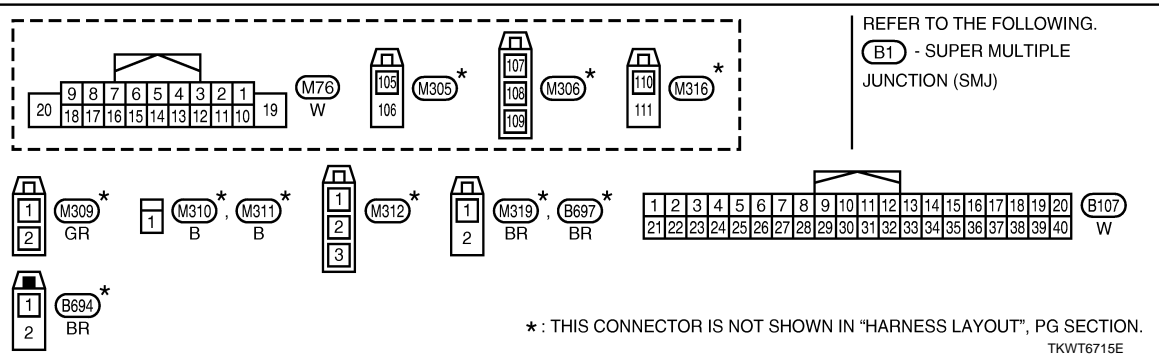
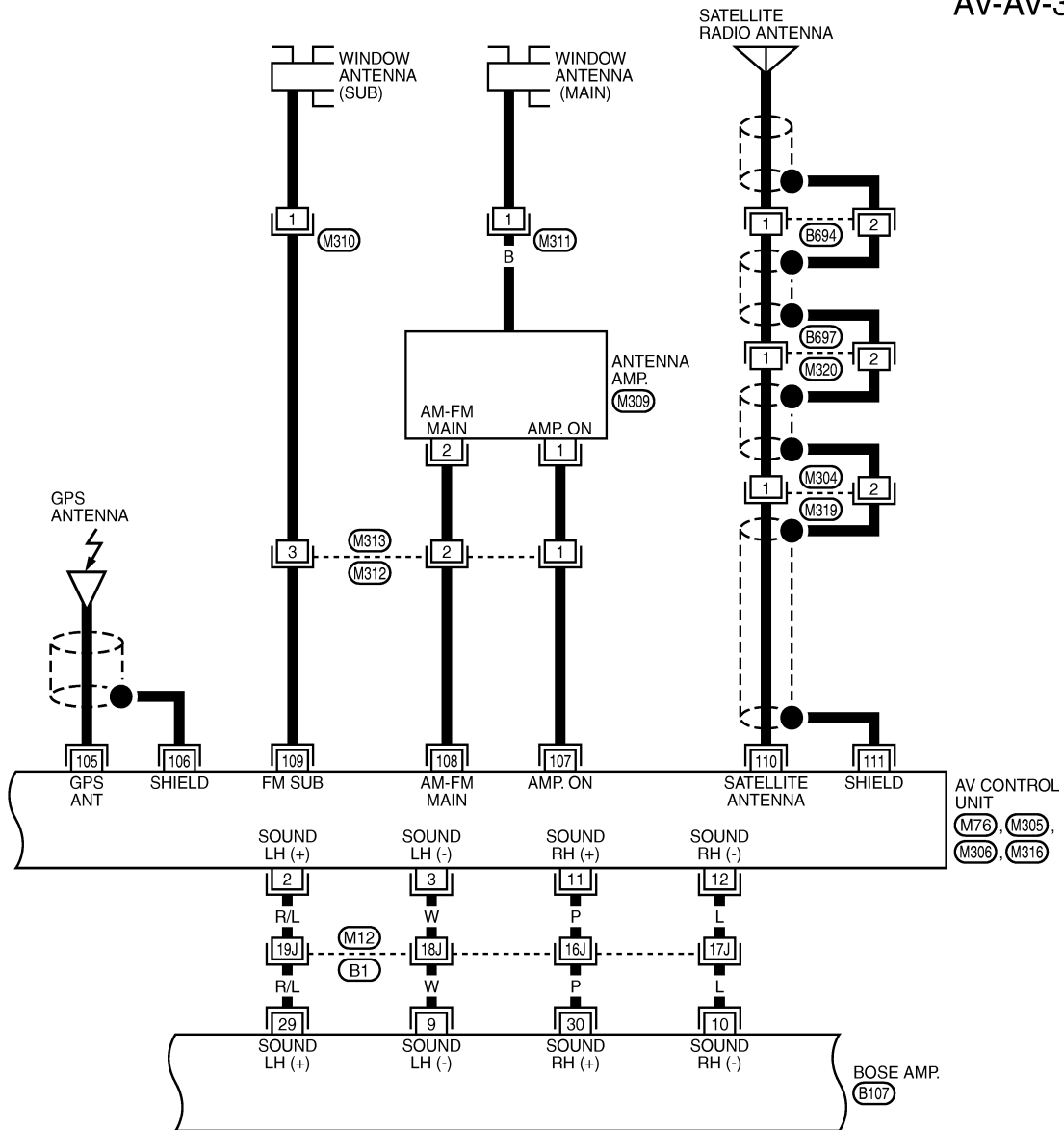
TKWT6714E

# CAMERA CONTROL UNIT

< ECU DIAGNOSIS >

[WITHOUT MOBILE ENTERTAINMENT SYSTEM]

AV-AV-37



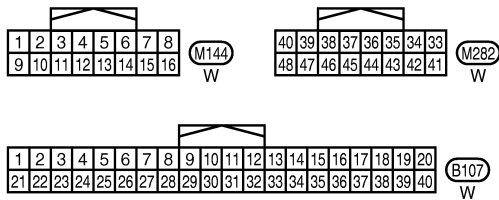
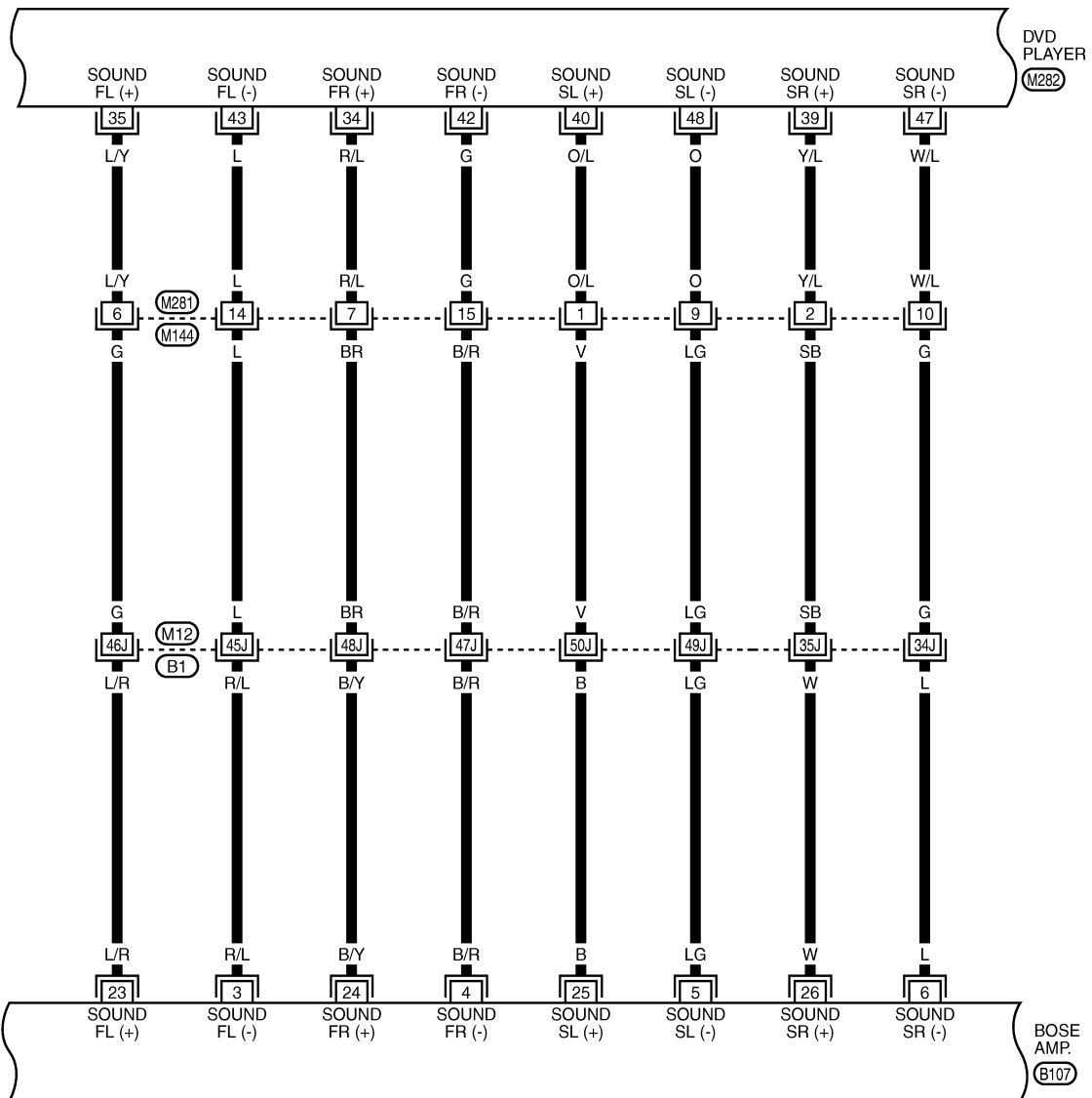
\* : THIS CONNECTOR IS NOT SHOWN IN "HARNESS LAYOUT", PG SECTION.  
TKWT6715E

# CAMERA CONTROL UNIT

[WITHOUT MOBILE ENTERTAINMENT SYSTEM]

< ECU DIAGNOSIS >

AV-AV-38



REFER TO THE FOLLOWING.

(B1) - SUPER MULTIPLE JUNCTION (SMJ)

TKWT6716E

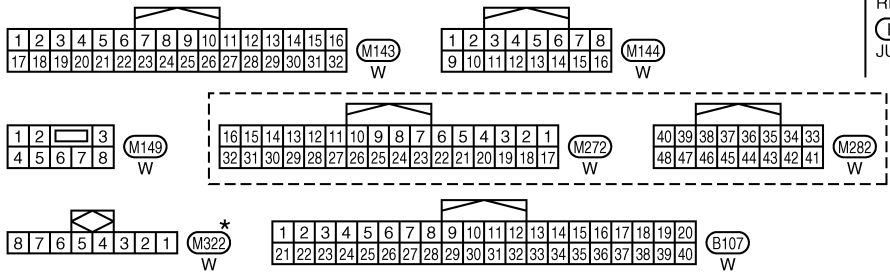
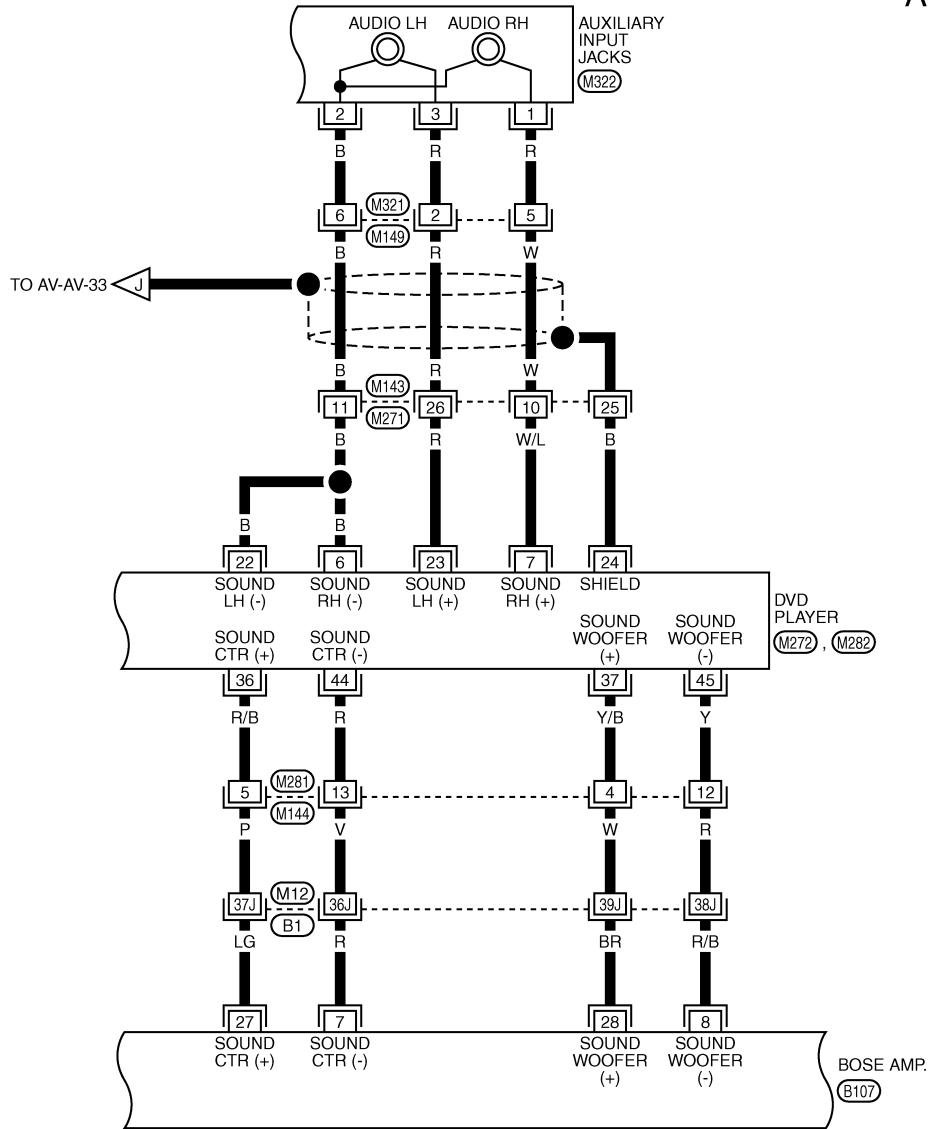
A  
B  
C  
D  
E  
F  
G  
H  
I  
J  
AV  
L  
M  
N  
O  
P

# CAMERA CONTROL UNIT

[WITHOUT MOBILE ENTERTAINMENT SYSTEM]

< ECU DIAGNOSIS >

AV-AV-39



REFER TO THE FOLLOWING.  
**(B1)** -SUPER MULTIPLE JUNCTION (SMJ)

\*: THIS CONNECTOR IS NOT SHOWN IN "HARNESS LAYOUT", PG SECTION.

TKWT8287E

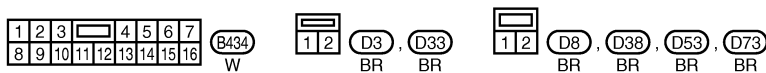
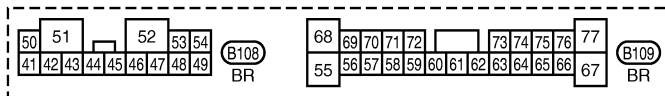
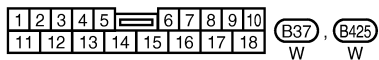
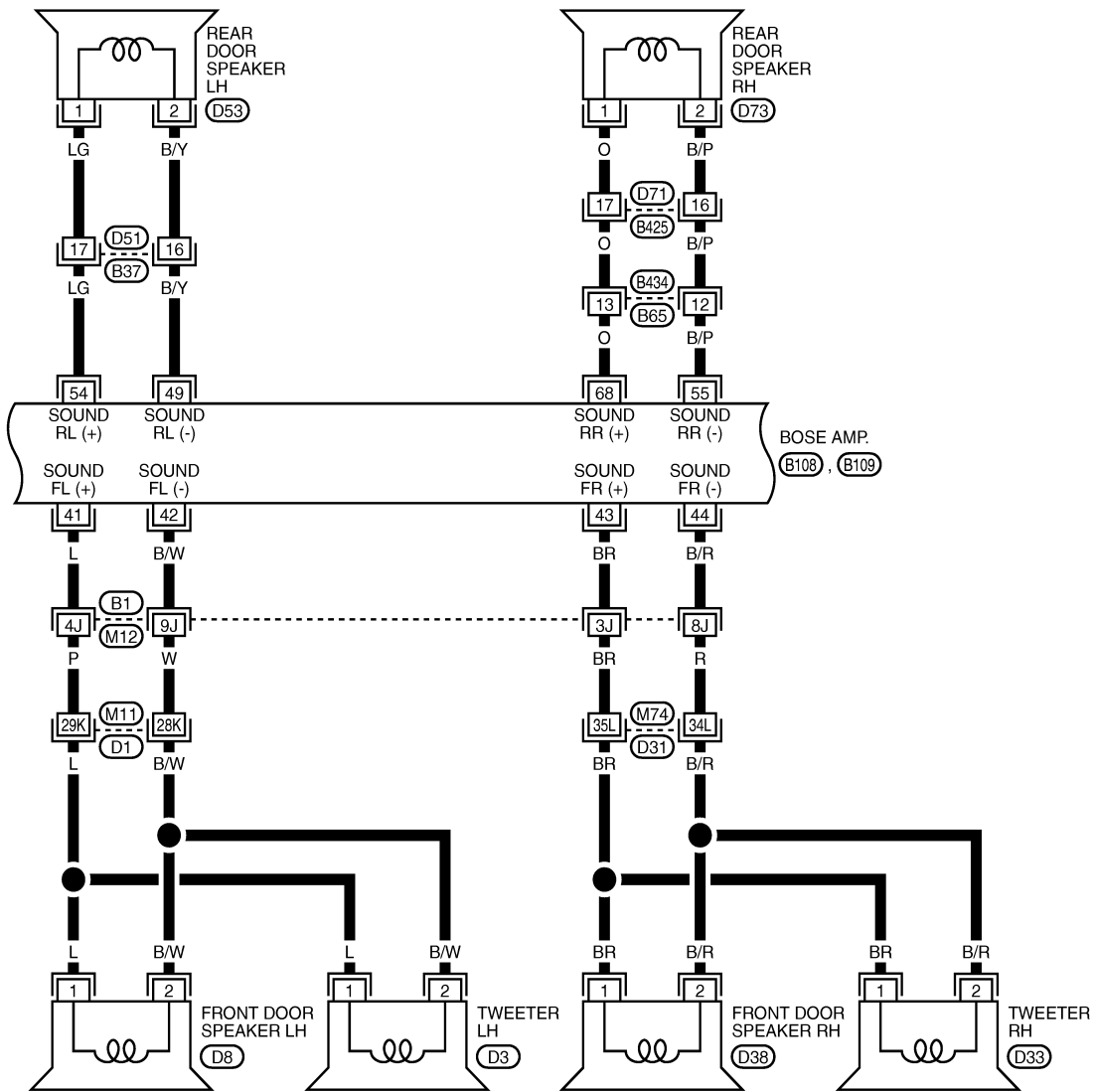


# CAMERA CONTROL UNIT

[WITHOUT MOBILE ENTERTAINMENT SYSTEM]

< ECU DIAGNOSIS >

AV-AV-40



REFER TO THE FOLLOWING.

(B1, D1, D31) - SUPER MULTIPLE JUNCTION (SMJ)

TKWT6718E

A  
B  
C  
D  
E  
F  
G  
H  
I  
J  
K  
L  
M  
N  
O  
P

AV

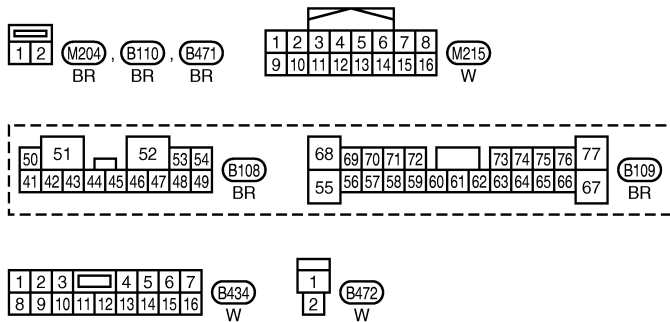
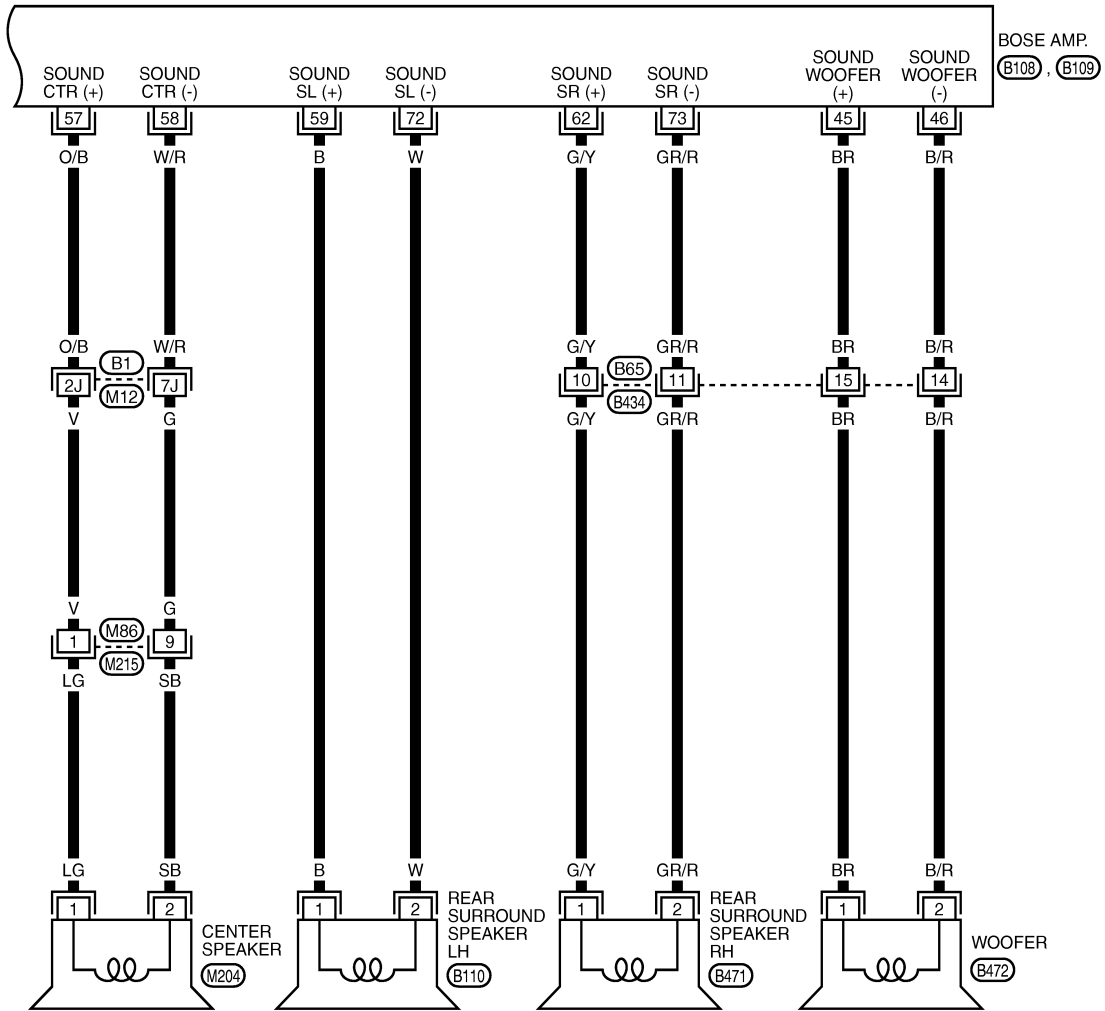


# CAMERA CONTROL UNIT

< ECU DIAGNOSIS >

[WITHOUT MOBILE ENTERTAINMENT SYSTEM]

AV-AV-42



REFER TO THE FOLLOWING.

(B1) - SUPER MULTIPLE JUNCTION (SMJ)

TKWT6720E

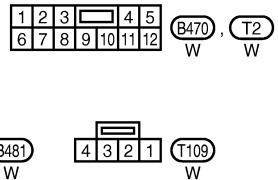
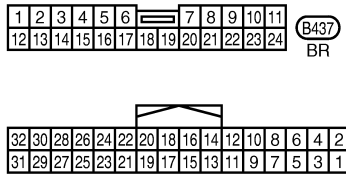
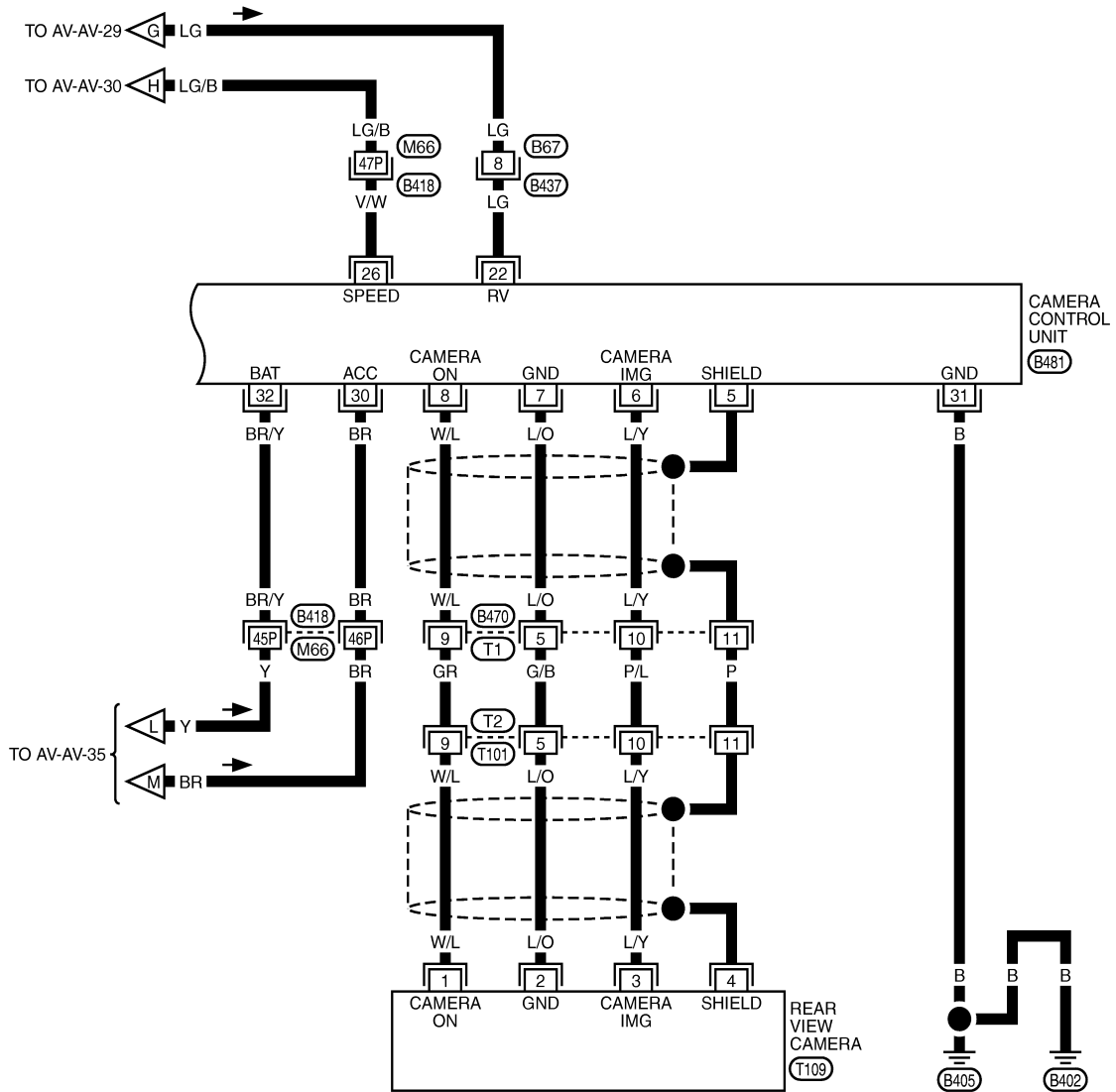
A  
B  
C  
D  
E  
F  
G  
H  
I  
J  
AV  
L  
M  
N  
O  
P

# CAMERA CONTROL UNIT

[WITHOUT MOBILE ENTERTAINMENT SYSTEM]

< ECU DIAGNOSIS >

AV-AV-43



REFER TO THE FOLLOWING.

(B418) - SUPER MULTIPLE JUNCTION (SMJ)

TKWT6721E

# DVD PLAYER

[WITHOUT MOBILE ENTERTAINMENT SYSTEM]

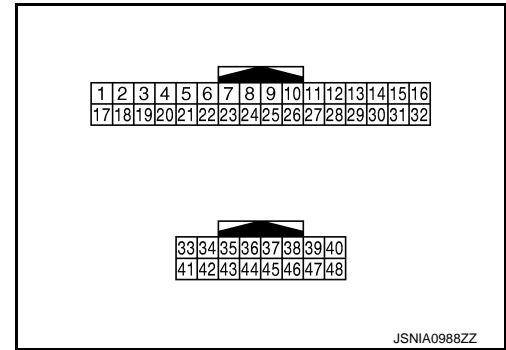
< ECU DIAGNOSIS >

## DVD PLAYER

Reference Value

INFOID:000000005350354

### TERMINAL LAYOUT



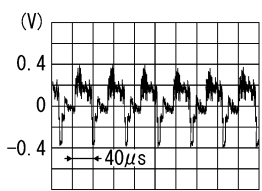
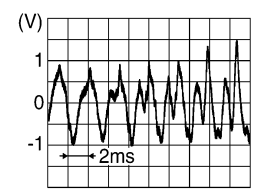
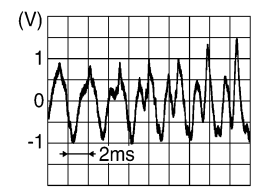
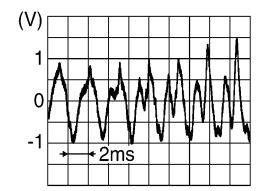
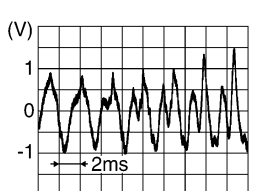
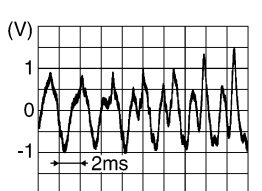
### PHYSICAL VALUES

Terminal (Wire color)		Description		Condition		Reference value (Approx.)
+	-	Signal name	Input/ Output			
1 (Y/R)	Ground	Battery power supply	Input	Ignition switch OFF	—	Battery voltage
2 (V)	Ground	ACC power supply	Input	Ignition switch ACC	—	Battery voltage
4 (R)	5 (BR)	AUX image signal	Input	Ignition switch ON	When AUX image is displayed.	 SKIB2251J
7 (W/L)	6 (B)	AUX sound signal RH	Input	Ignition switch ON	AUX sound output.	 SKIB3609E
14	—	Shield	—	—	—	—
15 (Y)	—	AV communication signal (H)	Input/ Output	—	—	—
16 (W)	—	AV communication signal (H)	Input/ Output	—	—	—
17 (B/P)	Ground	Ground	—	Ignition switch ON	—	0 V
18 (R/L)	Ground	Illumination signal	Input	Ignition switch ON	Lighting switch is OFF.	0 V
					Lighting switch is ON.	12 V

# DVD PLAYER

[WITHOUT MOBILE ENTERTAINMENT SYSTEM]

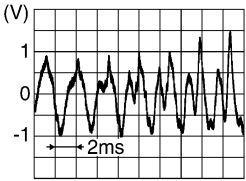
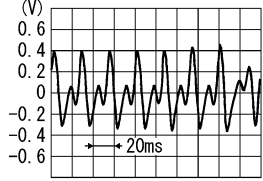
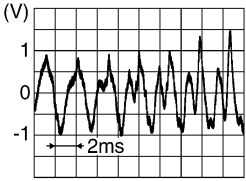
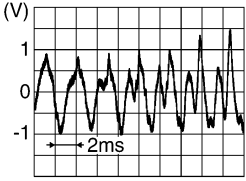
< ECU DIAGNOSIS >

Terminal (Wire color)		Description		Condition		Reference value (Approx.)
+	-	Signal name	Input/ Output			
20 (B/R)	19 (BR)	Composite image signal (DVD and AUX images)	Output	Ignition switch ON	When DVD or AUX image is displayed.	 <p style="text-align: right; font-size: small;">SKIB2251J</p>
23 (R)	22 (B)	AUX sound signal LH	Input	Ignition switch ON	AUX sound output.	 <p style="text-align: right; font-size: small;">SKIB3609E</p>
24	—	Shield	—	—	—	—
27 (B/R)	11 (BR)	AUX sound signal LH	Output	Ignition switch ON	AUX sound output.	 <p style="text-align: right; font-size: small;">SKIB3609E</p>
28 (B/W)	12 (L)	AUX sound signal RH	Output	Ignition switch ON	AUX sound output.	 <p style="text-align: right; font-size: small;">SKIB3609E</p>
30	—	Shield	—	—	—	—
31 (O)	—	AV communication signal (L)	Input/ Output	—	—	—
32 (R)	—	AV communication signal (L)	Input/ Output	—	—	—
34 (R/L)	42 (G)	DVD surround signal front RH	Output	Ignition switch ON	When the DVD player is played.	 <p style="text-align: right; font-size: small;">SKIB3609E</p>
35 (L/Y)	43 (L)	DVD surround signal front LH	Output	Ignition switch ON	When the DVD player is played.	 <p style="text-align: right; font-size: small;">SKIB3609E</p>

# DVD PLAYER

## [WITHOUT MOBILE ENTERTAINMENT SYSTEM]

### < ECU DIAGNOSIS >

Terminal (Wire color)		Description		Condition		Reference value (Approx.)
+	-	Signal name	Input/ Output			
36 (R/B)	44 (R)	DVD surround signal center	Output	Ignition switch ON	When the DVD player is played.	 <p style="text-align: right; font-size: small;">SKIB3609E</p>
37 (Y/B)	45 (Y)	DVD surround signal woof- er	Output	Ignition switch ON	When the DVD player is played.	 <p style="text-align: right; font-size: small;">PKIB6116J</p>
39 (Y/L)	47 (W/L)	DVD surround signal rear RH	Output	Ignition switch ON	When the DVD player is played.	 <p style="text-align: right; font-size: small;">SKIB3609E</p>
40 (O/L)	48 (O)	DVD surround signal rear LH	Output	Ignition switch ON	When the DVD player is played.	 <p style="text-align: right; font-size: small;">SKIB3609E</p>
49 (B)	Ground	Ground	—	Ignition switch ON	—	0 V

A  
B  
C  
D  
E  
F  
G  
H  
I  
J  
AV  
L  
M  
N  
O  
P

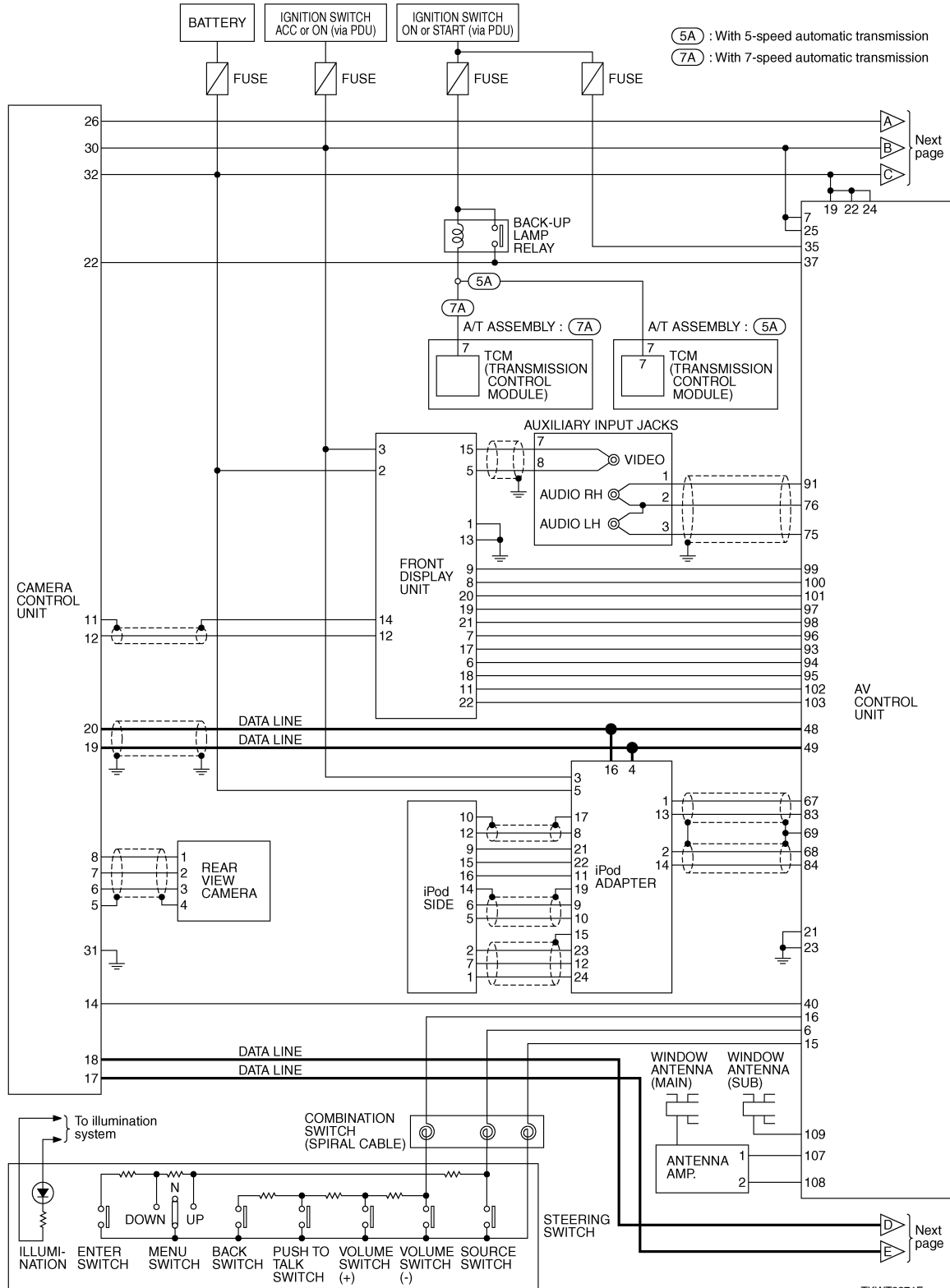
# DVD PLAYER

[WITHOUT MOBILE ENTERTAINMENT SYSTEM]

< ECU DIAGNOSIS >

## Schematic - BOSE Audio 2ch System -

INFOID:000000005350355

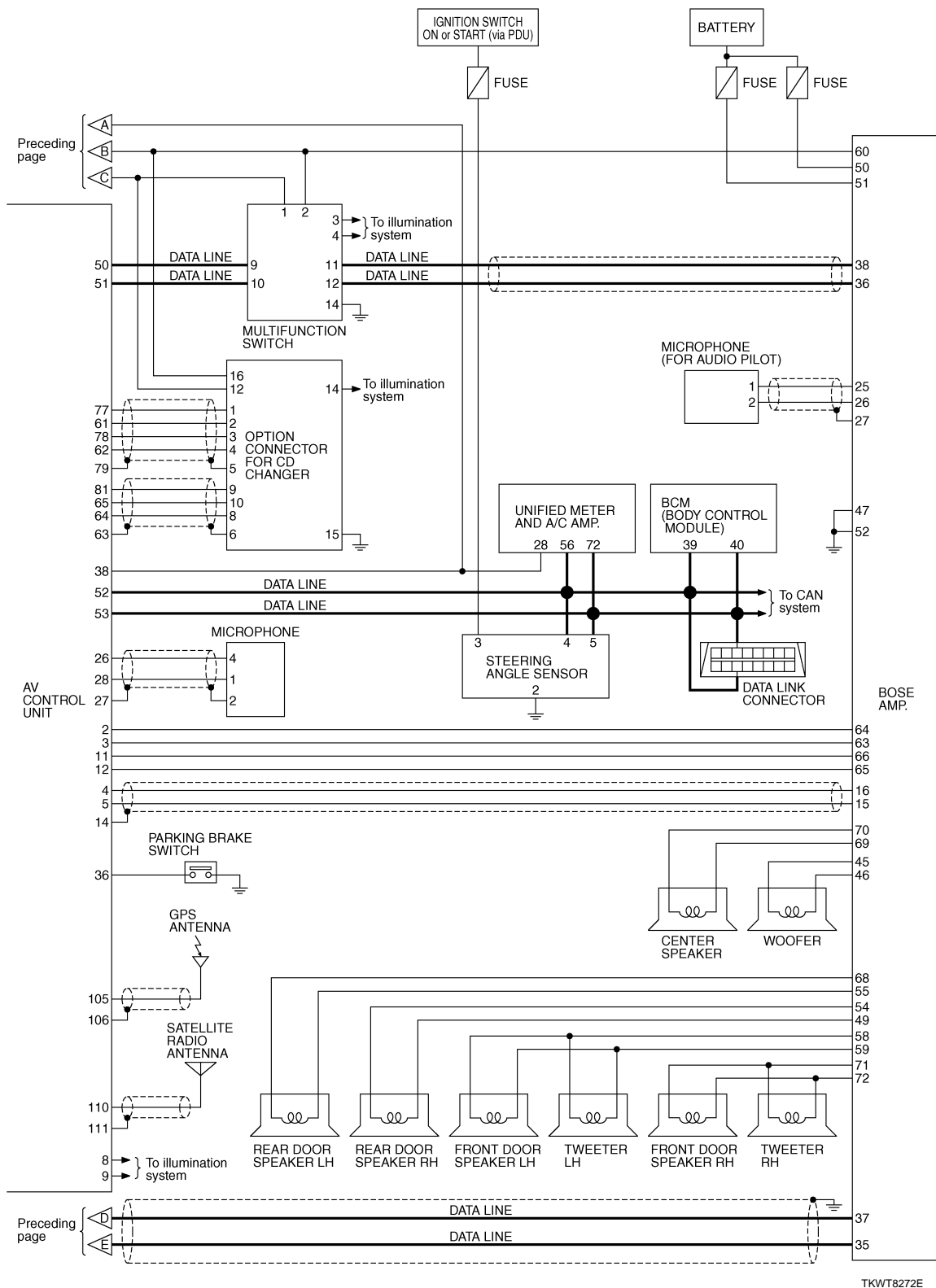




# DVD PLAYER

[WITHOUT MOBILE ENTERTAINMENT SYSTEM]

< ECU DIAGNOSIS >



TKWT8272E

Wiring Diagram - AV - / BOSE Audio 2ch System

INFOID:000000005350356

**NOTE:**

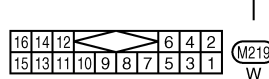
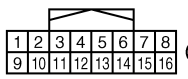
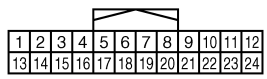
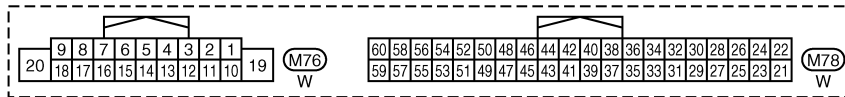
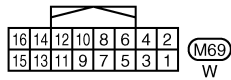
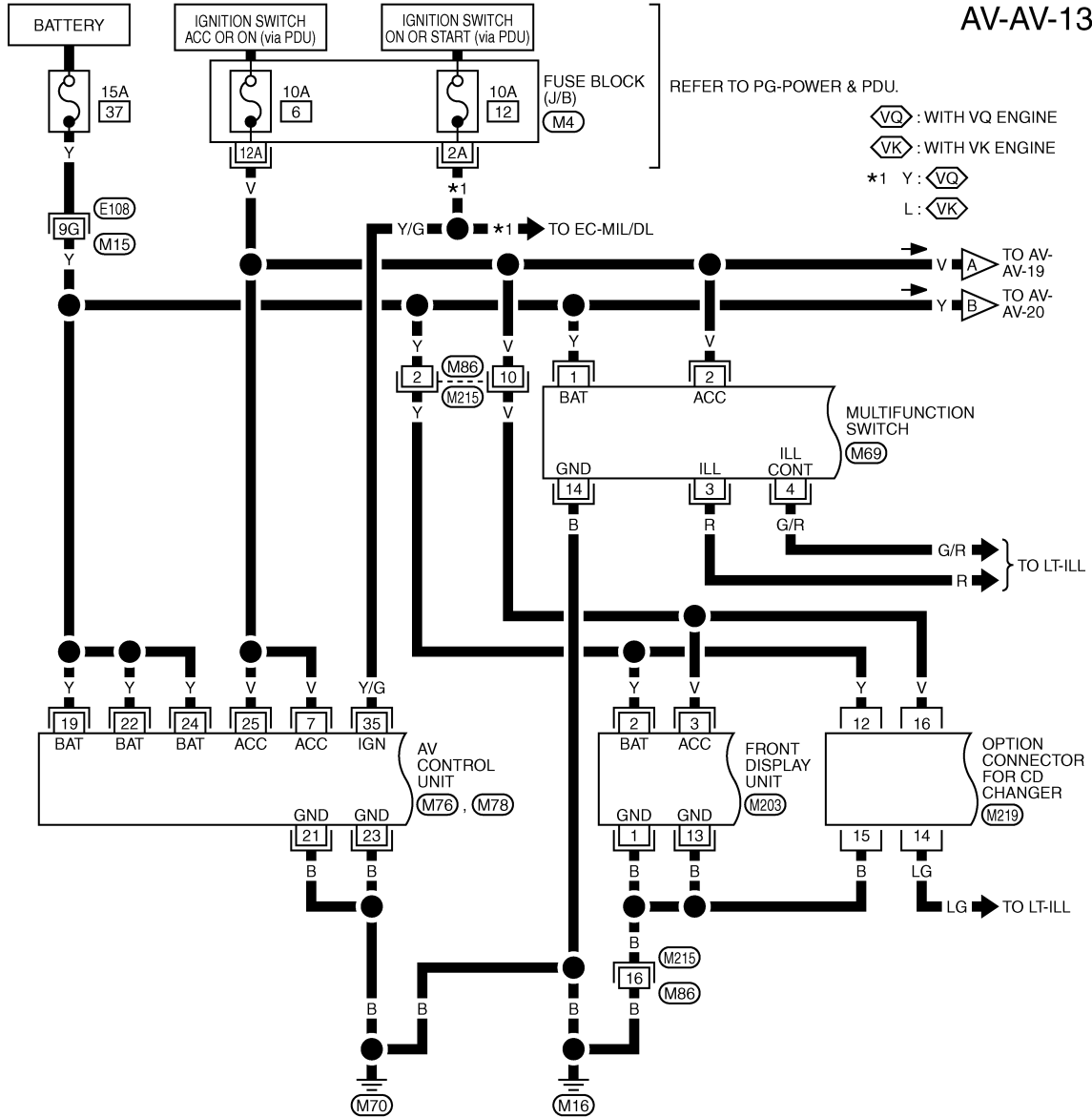
# DVD PLAYER

[WITHOUT MOBILE ENTERTAINMENT SYSTEM]

< ECU DIAGNOSIS >

The name MULTIFUNCTION SWITCH indicates the integration of PRESET SWITCH and MULTIFUNCTION SWITCH virtually.

AV-AV-13



REFER TO THE FOLLOWING.

- (E108) -SUPER MULTIPLE JUNCTION (SMJ)
- (M4) -FUSE BLOCK-JUNCTION BOX (J/B)

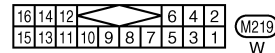
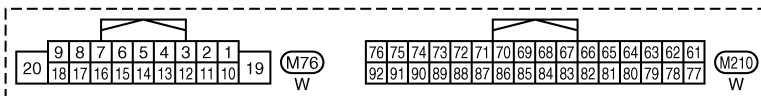
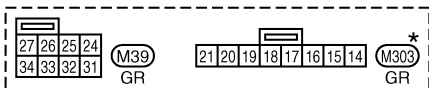
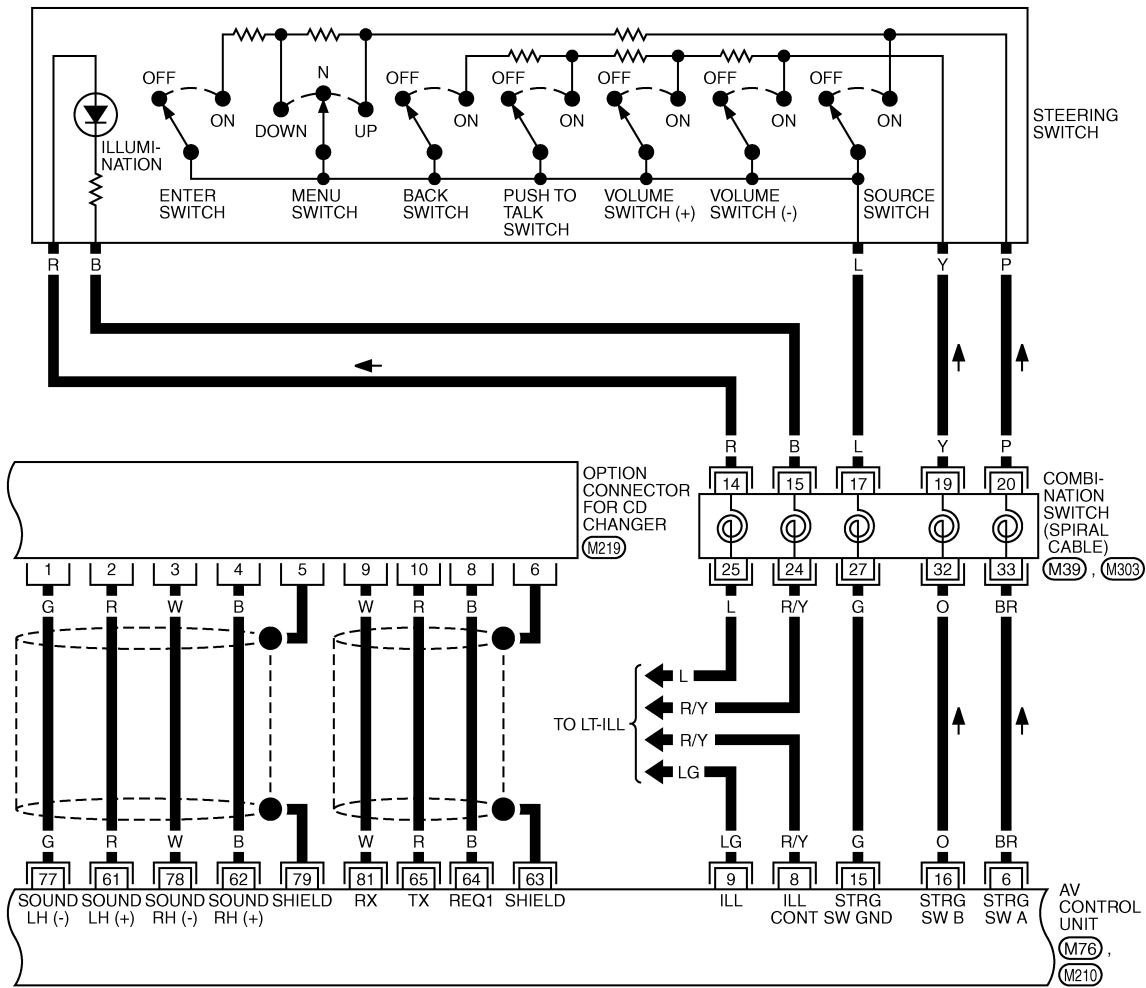
TKWT8273E

# DVD PLAYER

[WITHOUT MOBILE ENTERTAINMENT SYSTEM]

< ECU DIAGNOSIS >

AV-AV-14



\*: THIS CONNECTOR IS NOT SHOWN IN "HARNESS LAYOUT", PG SECTION.

TKWT8274E

A  
B  
C  
D  
E  
F  
G  
H  
I  
J  
L  
M  
N  
O  
P

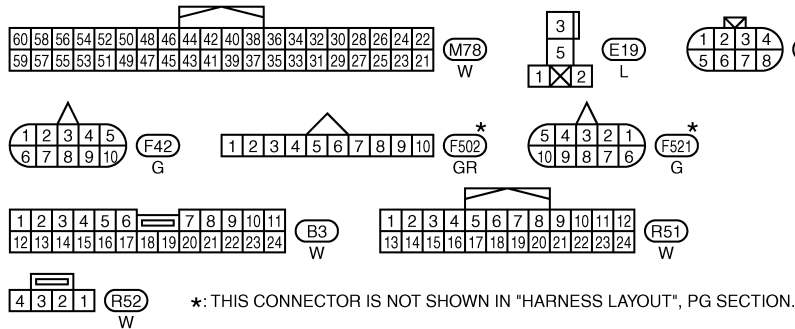
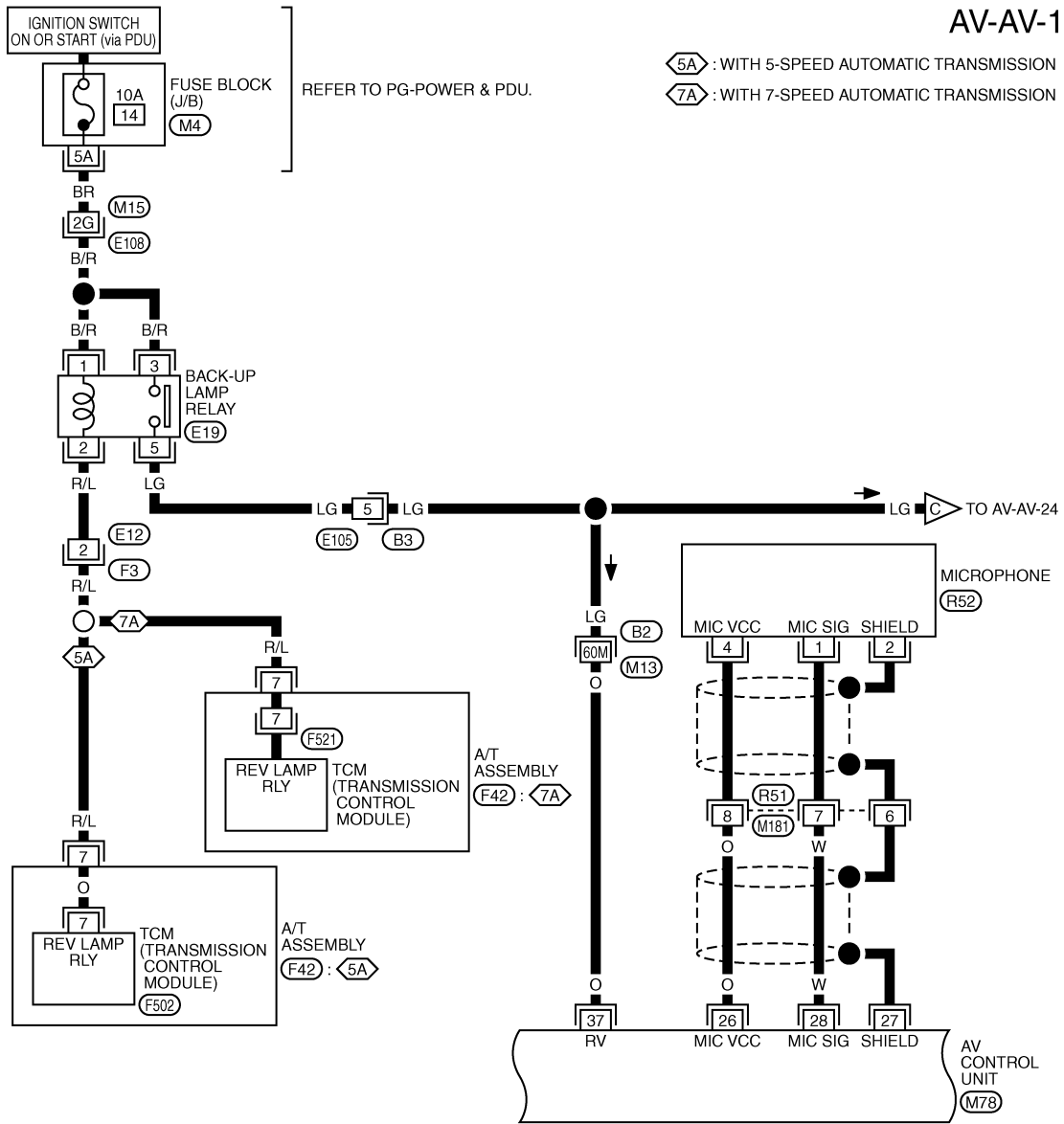
AV

# DVD PLAYER

[WITHOUT MOBILE ENTERTAINMENT SYSTEM]

< ECU DIAGNOSIS >

AV-AV-15



REFER TO THE FOLLOWING.

(E108), (B2) -SUPER MULTIPLE JUNCTION (SMJ)

(M4) -FUSE BLOCK-JUNCTION BOX (J/B)

TKWT8275E

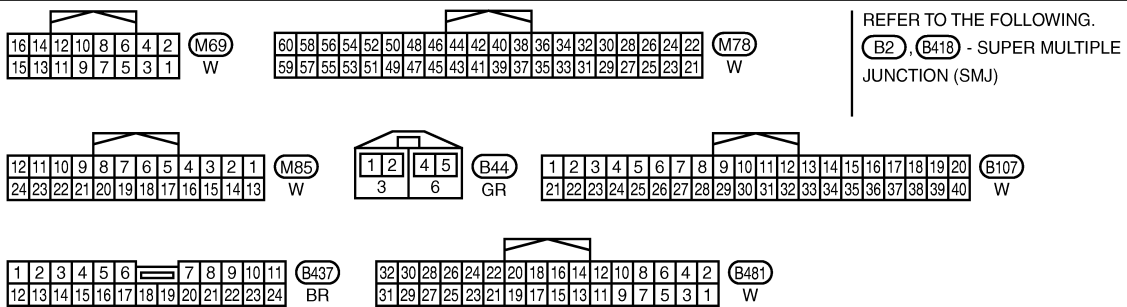
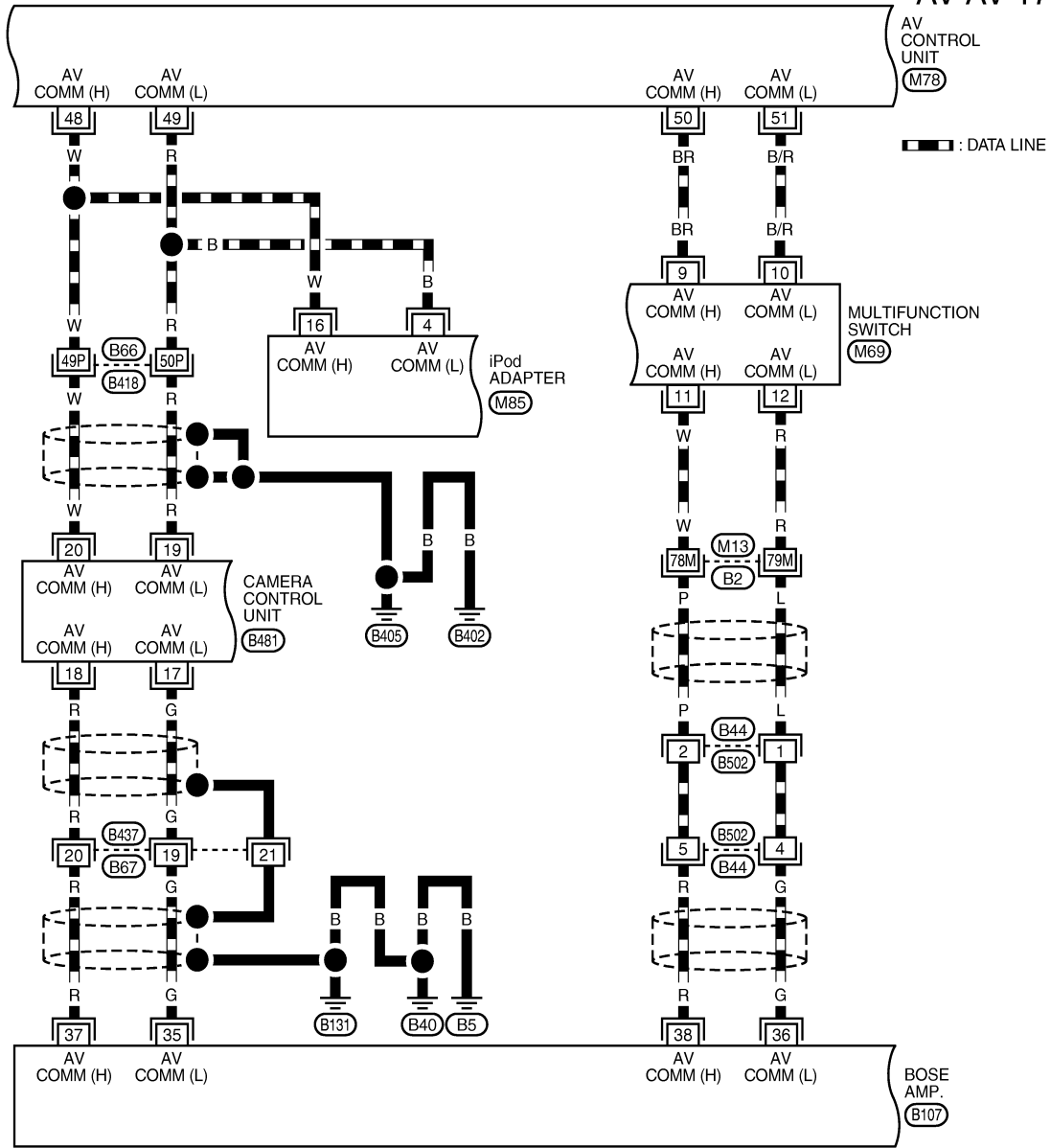


# DVD PLAYER

[WITHOUT MOBILE ENTERTAINMENT SYSTEM]

< ECU DIAGNOSIS >

AV-AV-17



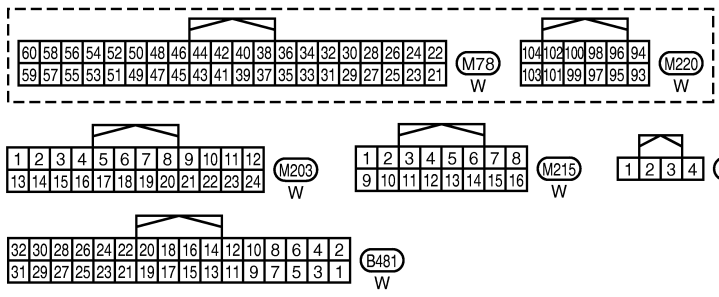
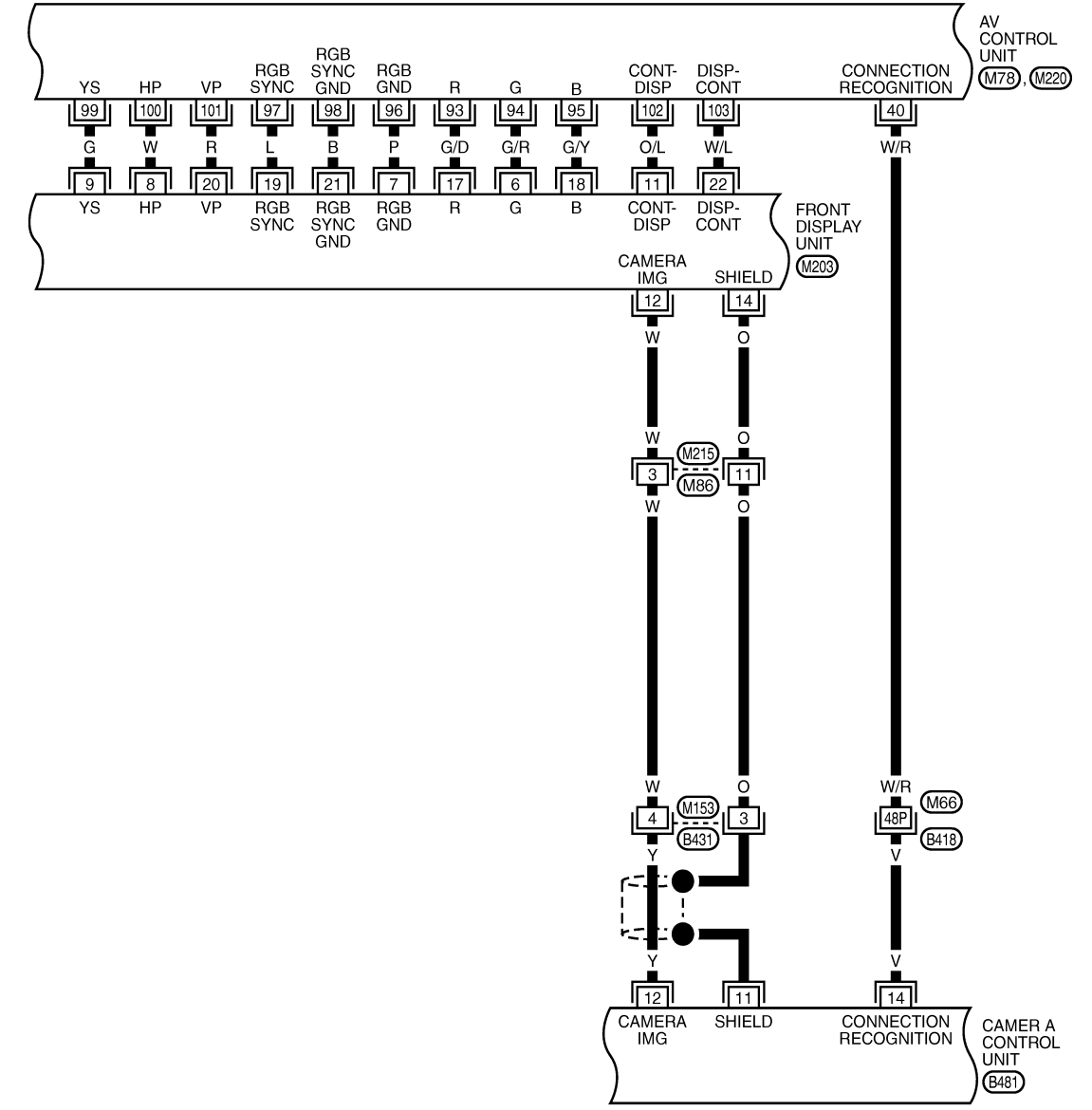
TKWT6691E

# DVD PLAYER

[WITHOUT MOBILE ENTERTAINMENT SYSTEM]

< ECU DIAGNOSIS >

AV-AV-18



REFER TO THE FOLLOWING.  
 (B418) - SUPER MULTIPLE JUNCTION (SMJ)

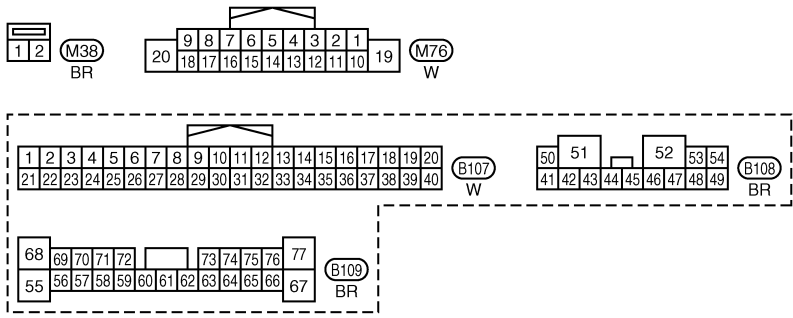
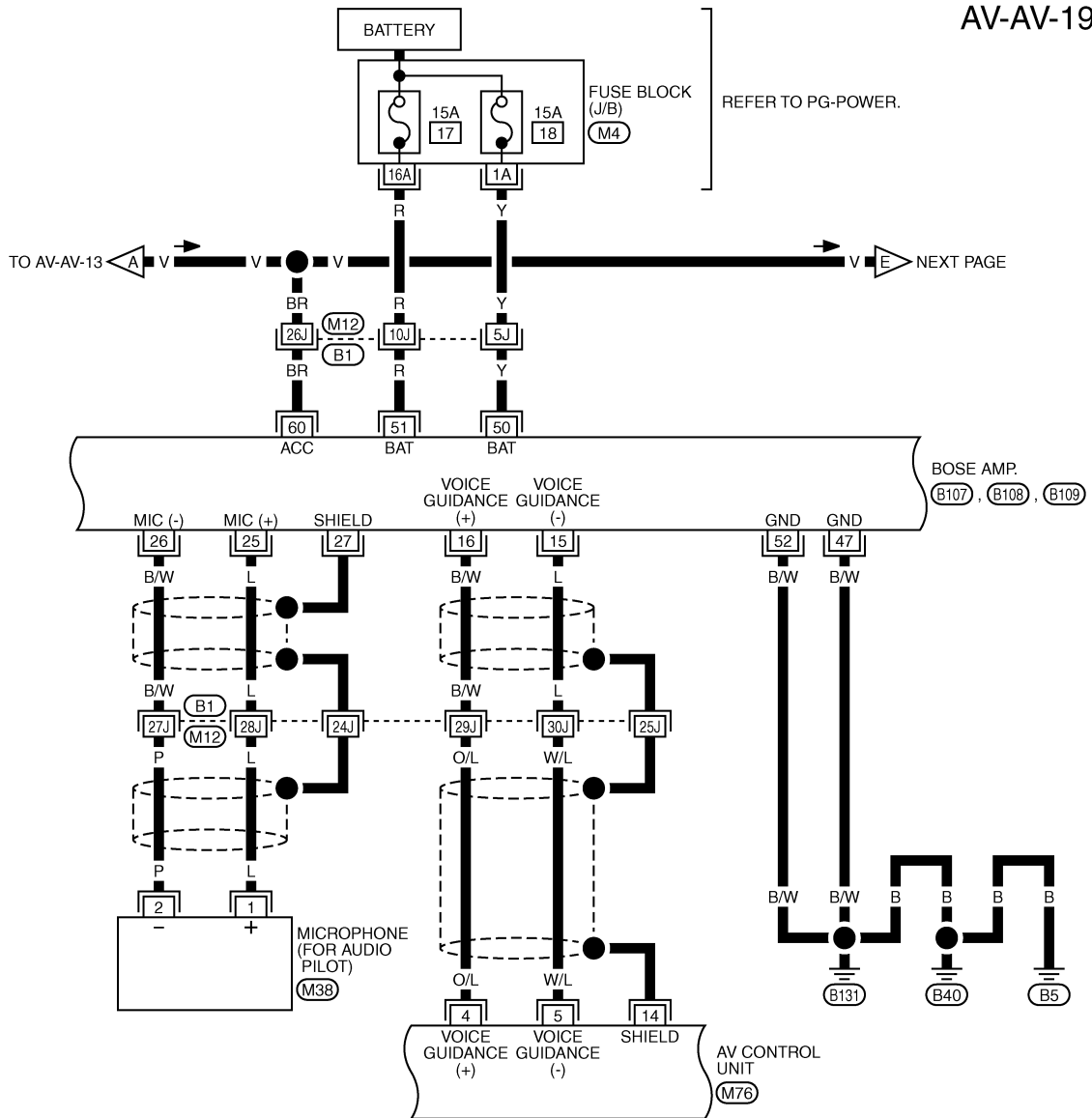
TKWT6692E

# DVD PLAYER

[WITHOUT MOBILE ENTERTAINMENT SYSTEM]

< ECU DIAGNOSIS >

AV-AV-19



REFER TO THE FOLLOWING.  
 (B1) -SUPER MULTIPLE JUNCTION (SMJ)  
 (M4) -FUSE BLOCK-JUNCTION BOX (J/B)

TKWT8276E

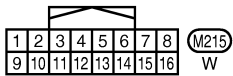
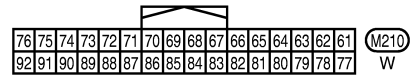
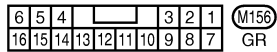
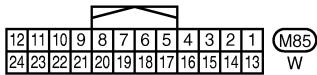
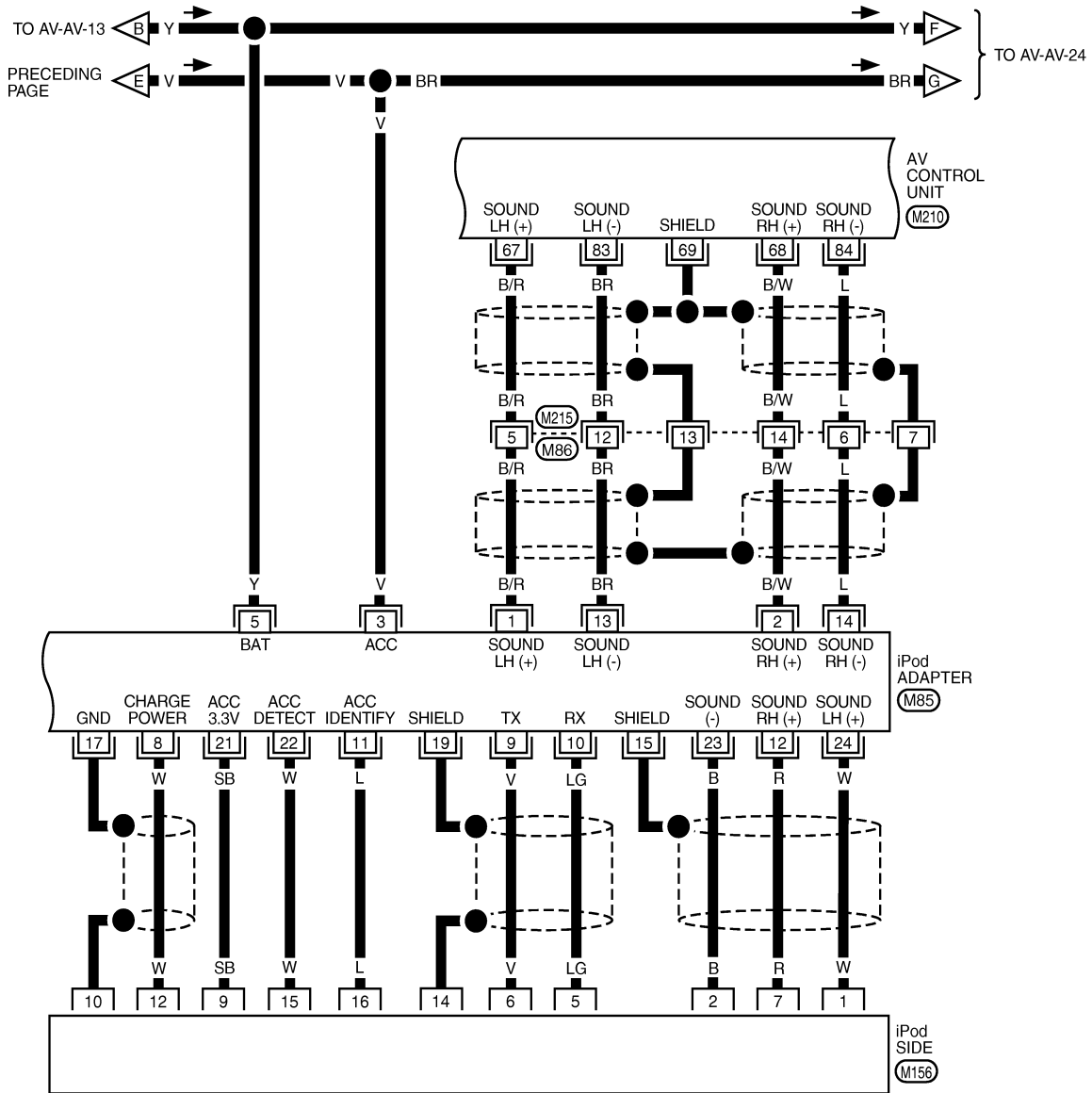


# DVD PLAYER

[WITHOUT MOBILE ENTERTAINMENT SYSTEM]

< ECU DIAGNOSIS >

AV-AV-20



TKWT6695E

A  
B  
C  
D  
E  
F  
G  
H  
I  
J  
K  
L  
M  
N  
O  
P

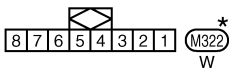
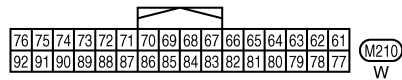
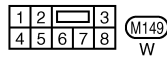
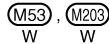
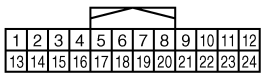
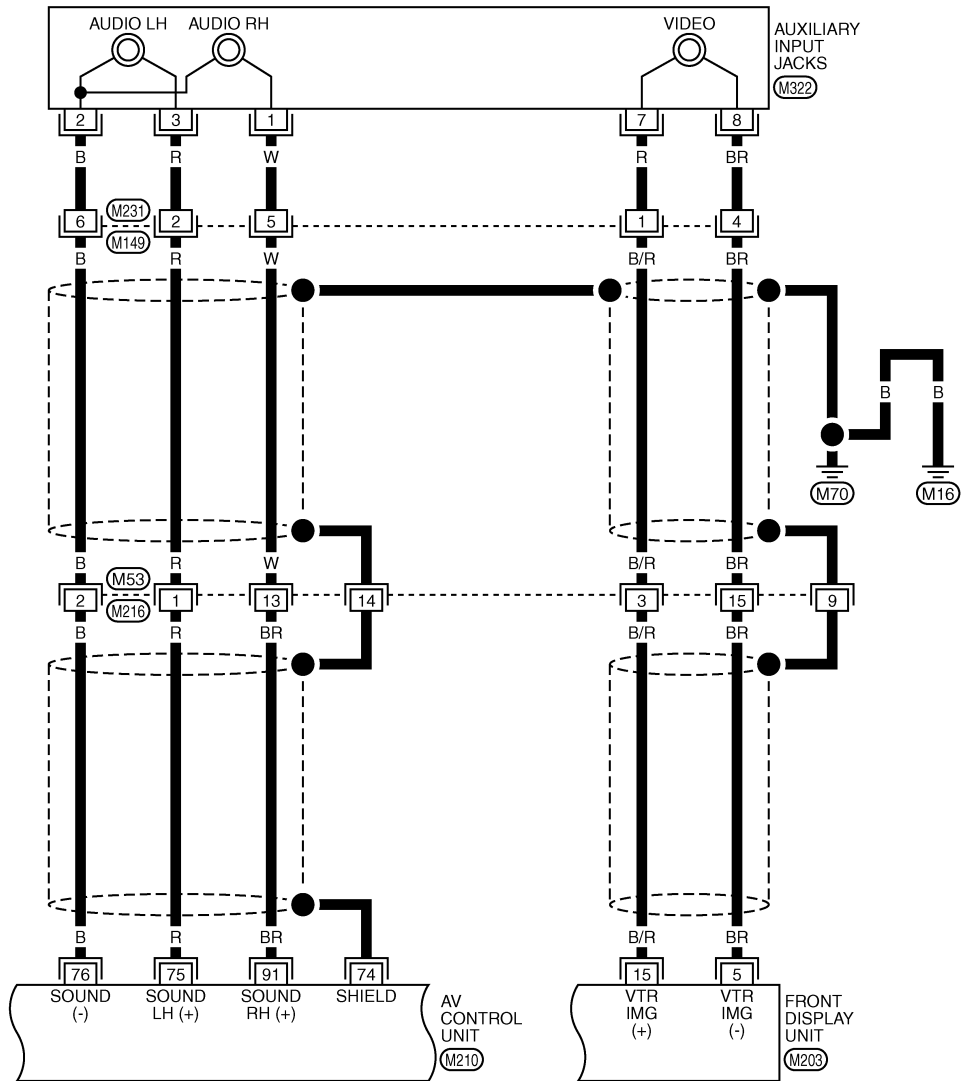
AV

# DVD PLAYER

[WITHOUT MOBILE ENTERTAINMENT SYSTEM]

< ECU DIAGNOSIS >

AV-AV-21



\*: THIS CONNECTOR IS NOT SHOWN IN "HARNESS LAYOUT", PG SECTION.

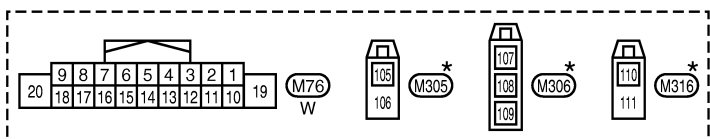
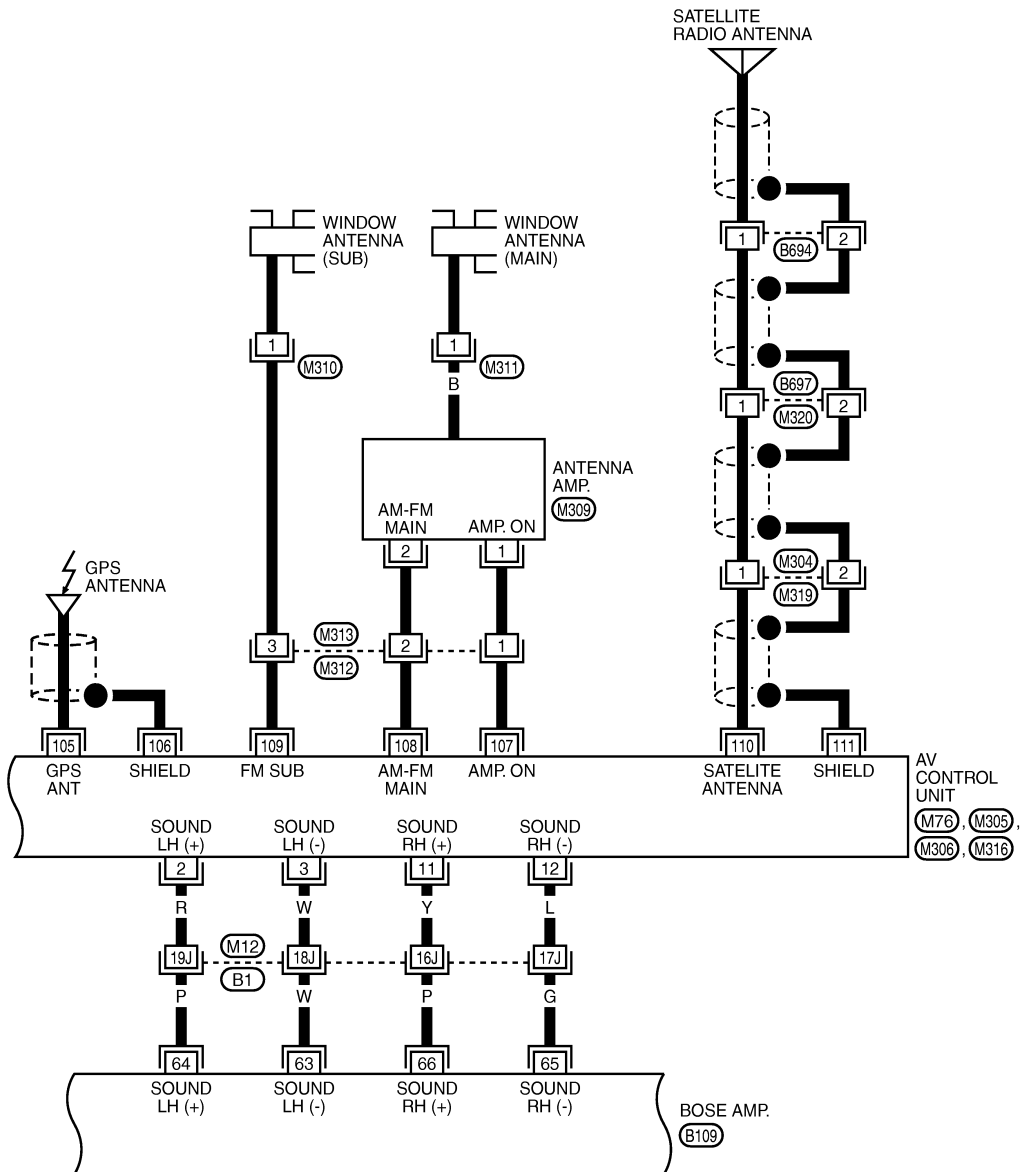
TKWT8277E

# DVD PLAYER

[WITHOUT MOBILE ENTERTAINMENT SYSTEM]

< ECU DIAGNOSIS >

AV-AV-22



REFER TO THE FOLLOWING.

(B1) - SUPER MULTIPLE JUNCTION (SMJ)



TKWT6697E

A  
B  
C  
D  
E  
F  
G  
H  
I  
J  
K  
L  
M  
N  
O  
P

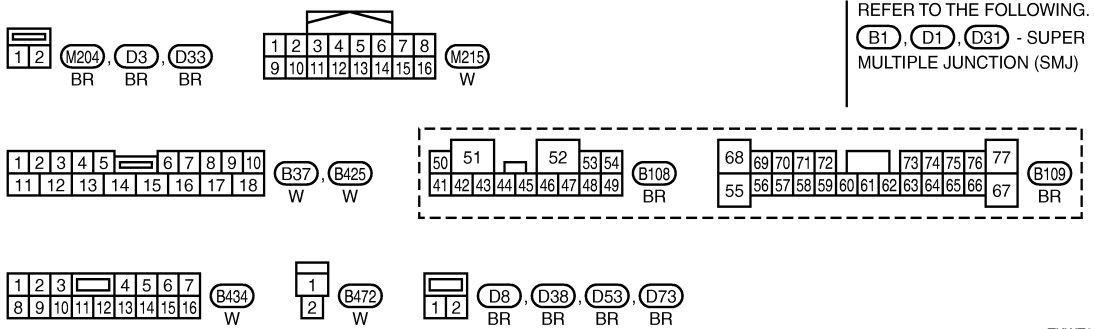
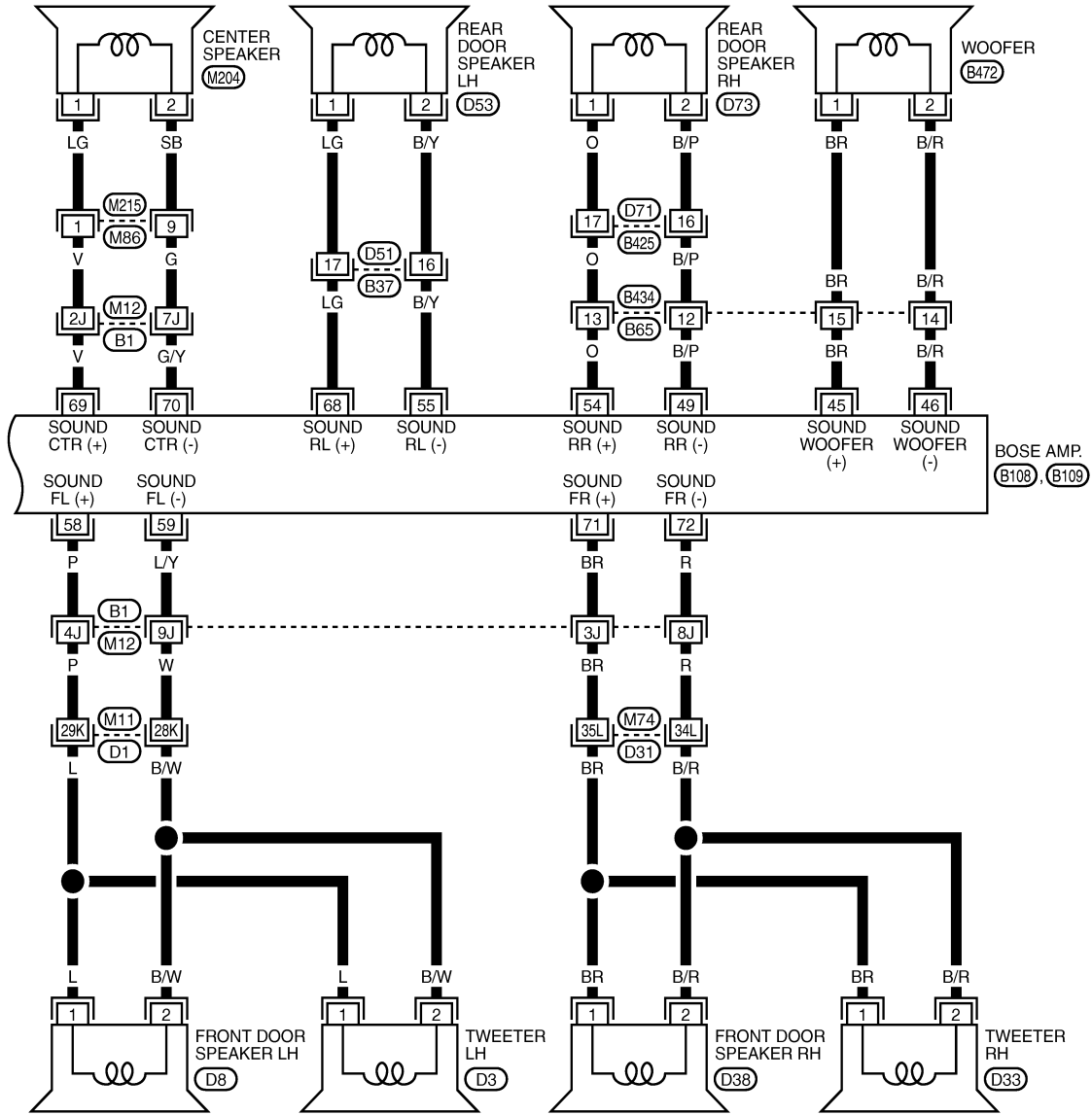
AV

# DVD PLAYER

[WITHOUT MOBILE ENTERTAINMENT SYSTEM]

< ECU DIAGNOSIS >

AV-AV-23



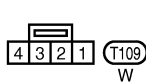
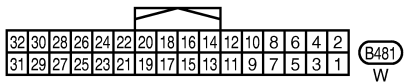
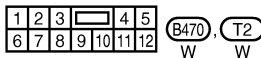
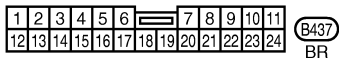
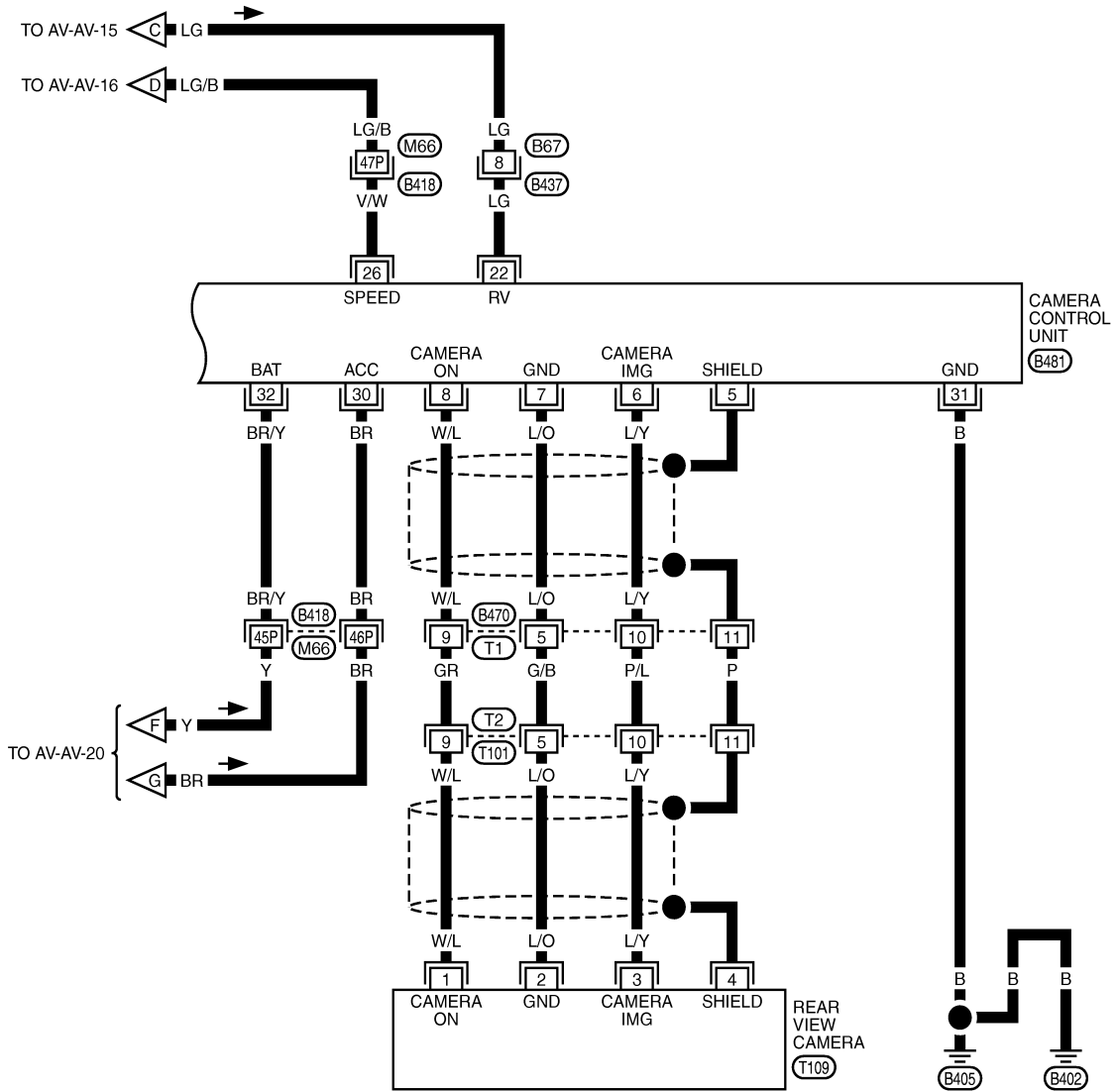
TKWT6698E

# DVD PLAYER

[WITHOUT MOBILE ENTERTAINMENT SYSTEM]

< ECU DIAGNOSIS >

AV-AV-24



REFER TO THE FOLLOWING.

B418 - SUPER MULTIPLE JUNCTION (SMJ)

TKWT6699E

A  
B  
C  
D  
E  
F  
G  
H  
I  
J  
K  
L  
M  
N  
O  
P

AV

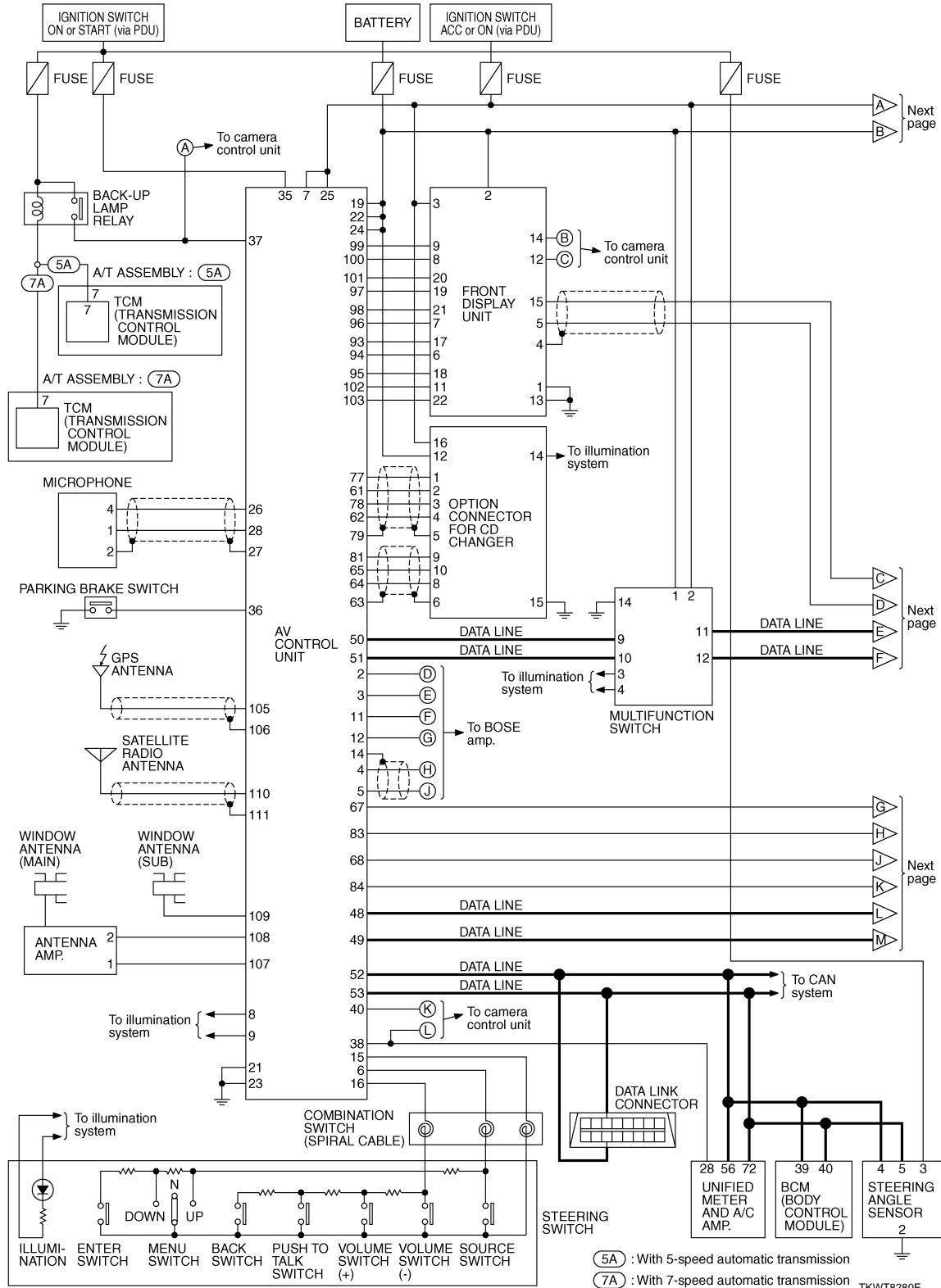
# DVD PLAYER

[WITHOUT MOBILE ENTERTAINMENT SYSTEM]

< ECU DIAGNOSIS >

## Schematic - BOSE Surround Audio 5.1ch System -

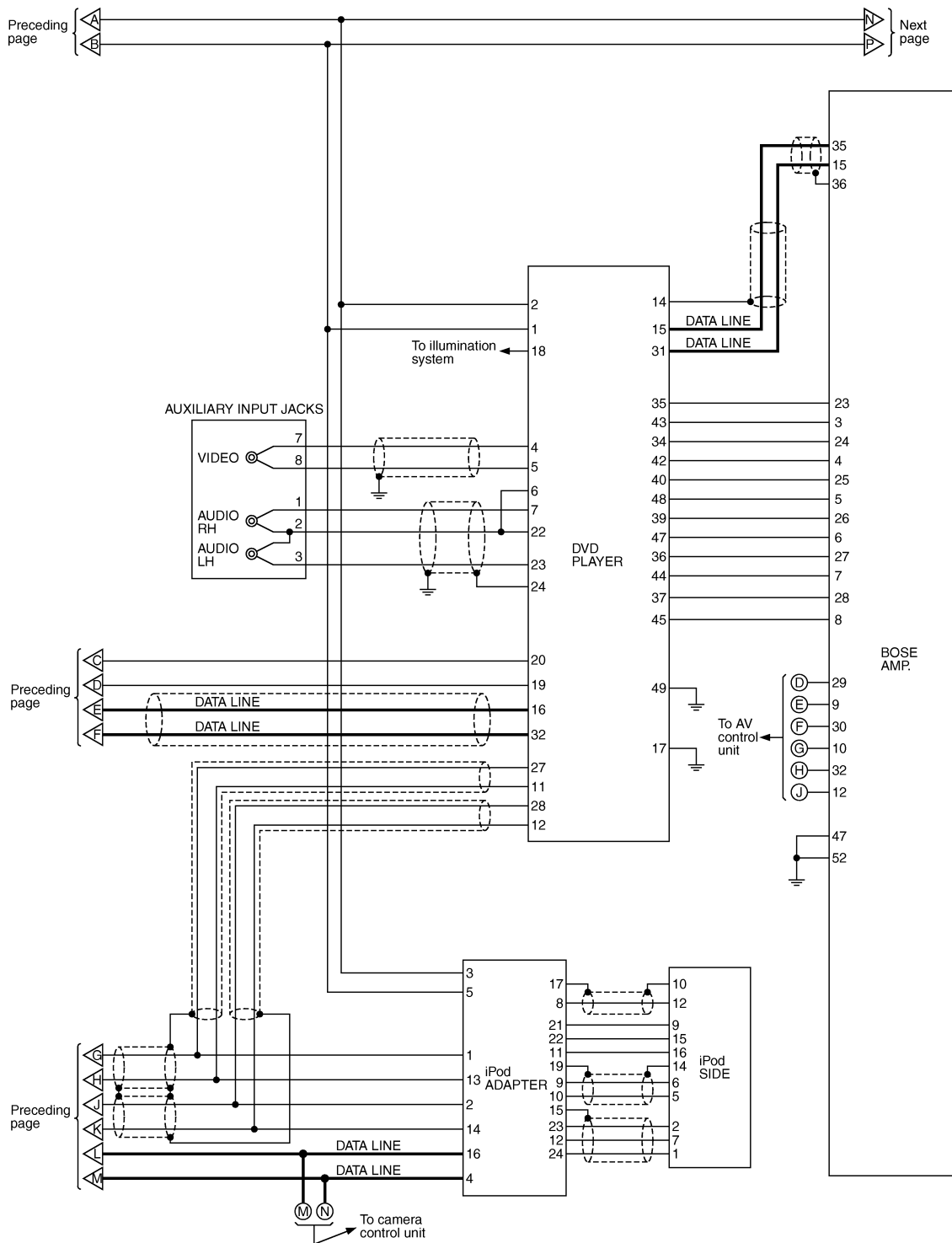
INFOID:000000005350357



# DVD PLAYER

[WITHOUT MOBILE ENTERTAINMENT SYSTEM]

< ECU DIAGNOSIS >



TKWT6701E

A  
B  
C  
D  
E  
F  
G  
H  
I  
J  
K  
L  
M  
N  
O  
P

AV





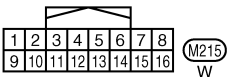
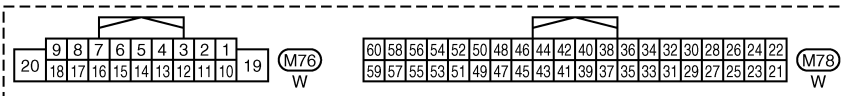
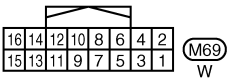
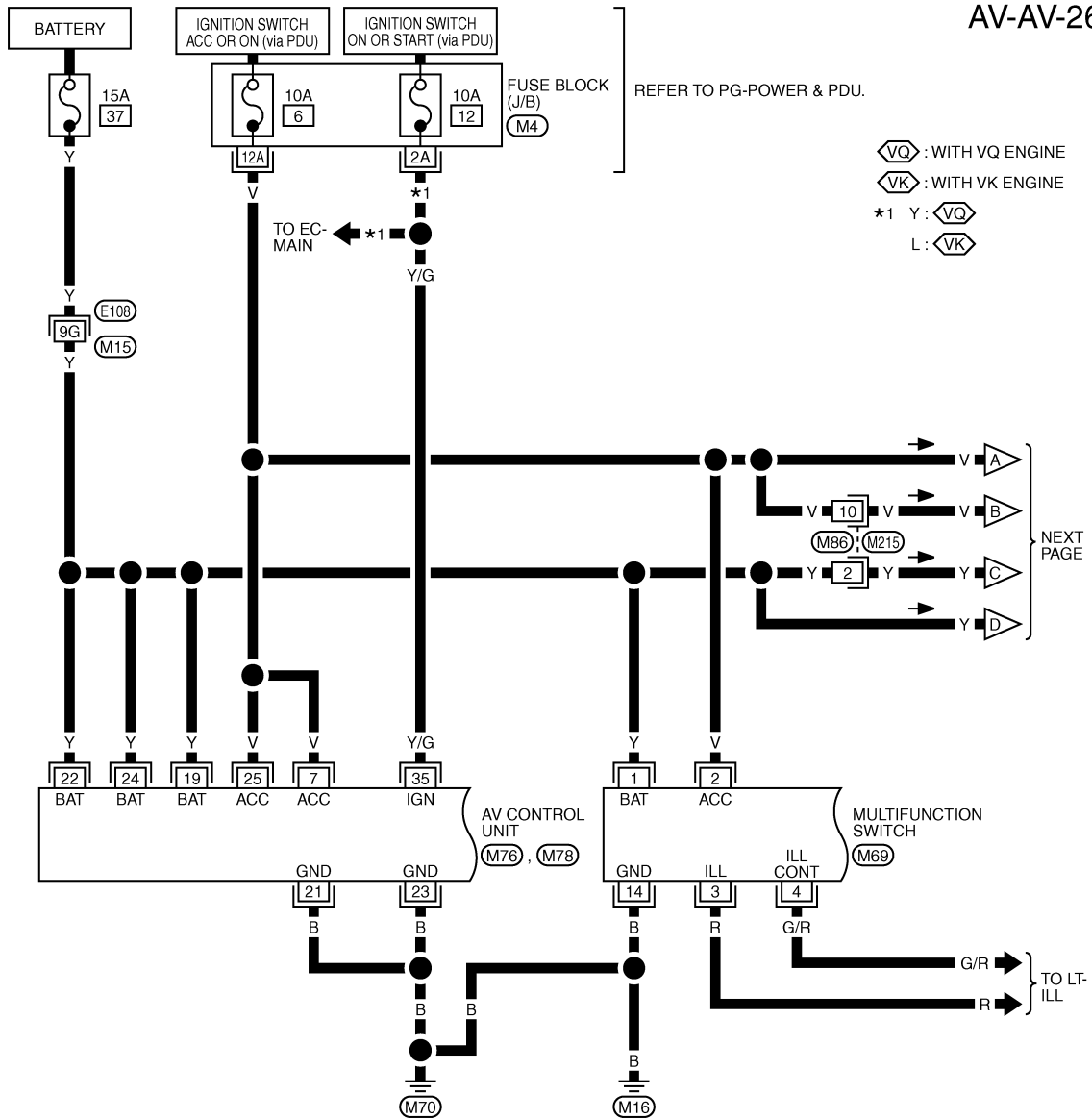
# DVD PLAYER

[WITHOUT MOBILE ENTERTAINMENT SYSTEM]

< ECU DIAGNOSIS >

The name MULTIFUNCTION SWITCH indicates the integration of PRESET SWITCH and MULTIFUNCTION SWITCH virtually.

AV-AV-26



REFER TO THE FOLLOWING.

- (E108) -SUPER MULTIPLE JUNCTION (SMJ)
- (M4) -FUSE BLOCK-JUNCTION BOX (J/B)

TKWT8281E

A  
B  
C  
D  
E  
F  
G  
H  
I  
J  
K  
L  
M  
N  
O  
P

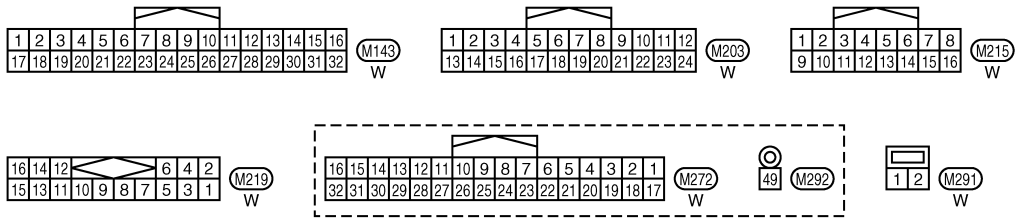
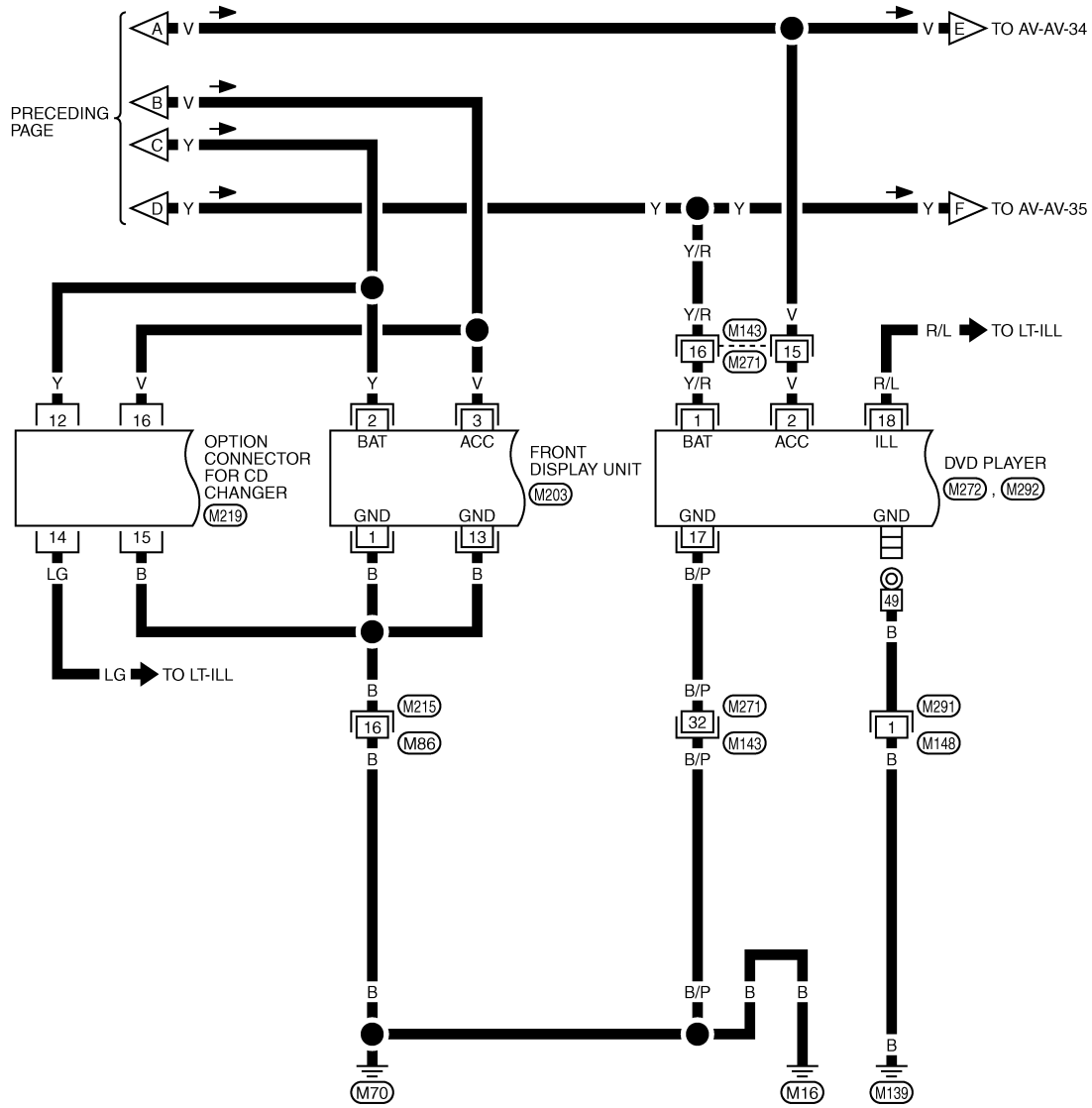
AV

# DVD PLAYER

[WITHOUT MOBILE ENTERTAINMENT SYSTEM]

< ECU DIAGNOSIS >

AV-AV-27



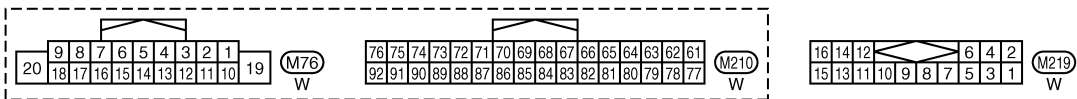
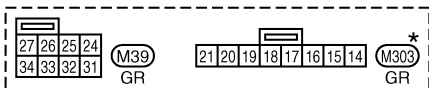
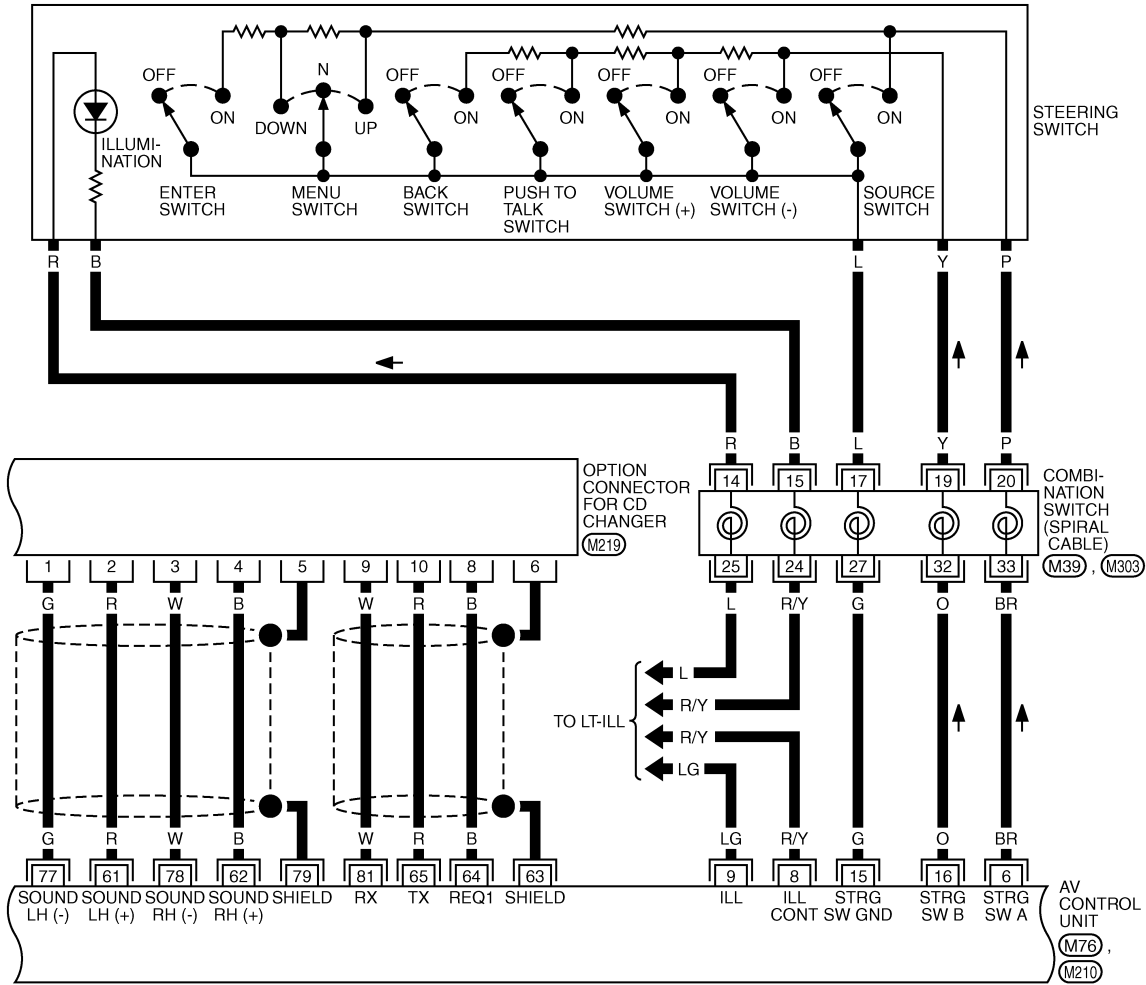
TKWT8282E

# DVD PLAYER

[WITHOUT MOBILE ENTERTAINMENT SYSTEM]

< ECU DIAGNOSIS >

AV-AV-28



\*: THIS CONNECTOR IS NOT SHOWN IN "HARNESS LAYOUT", PG SECTION.

TKWT8283E

A  
B  
C  
D  
E  
F  
G  
H  
I  
J  
AV  
L  
M  
N  
O  
P



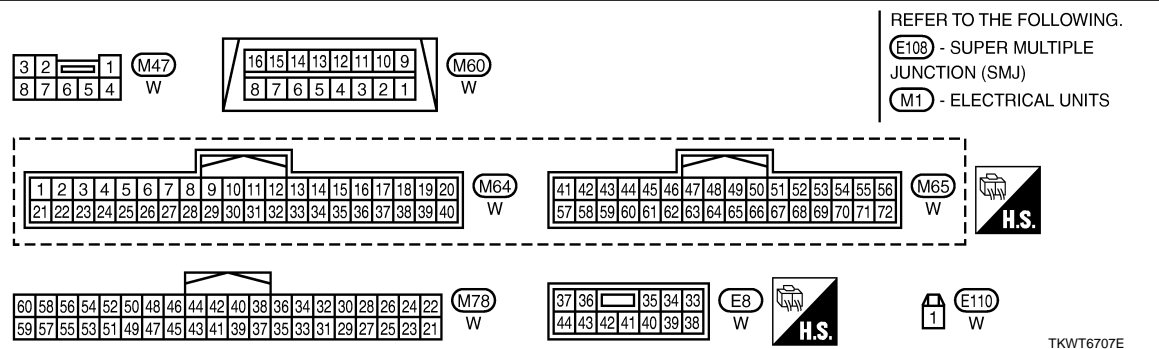
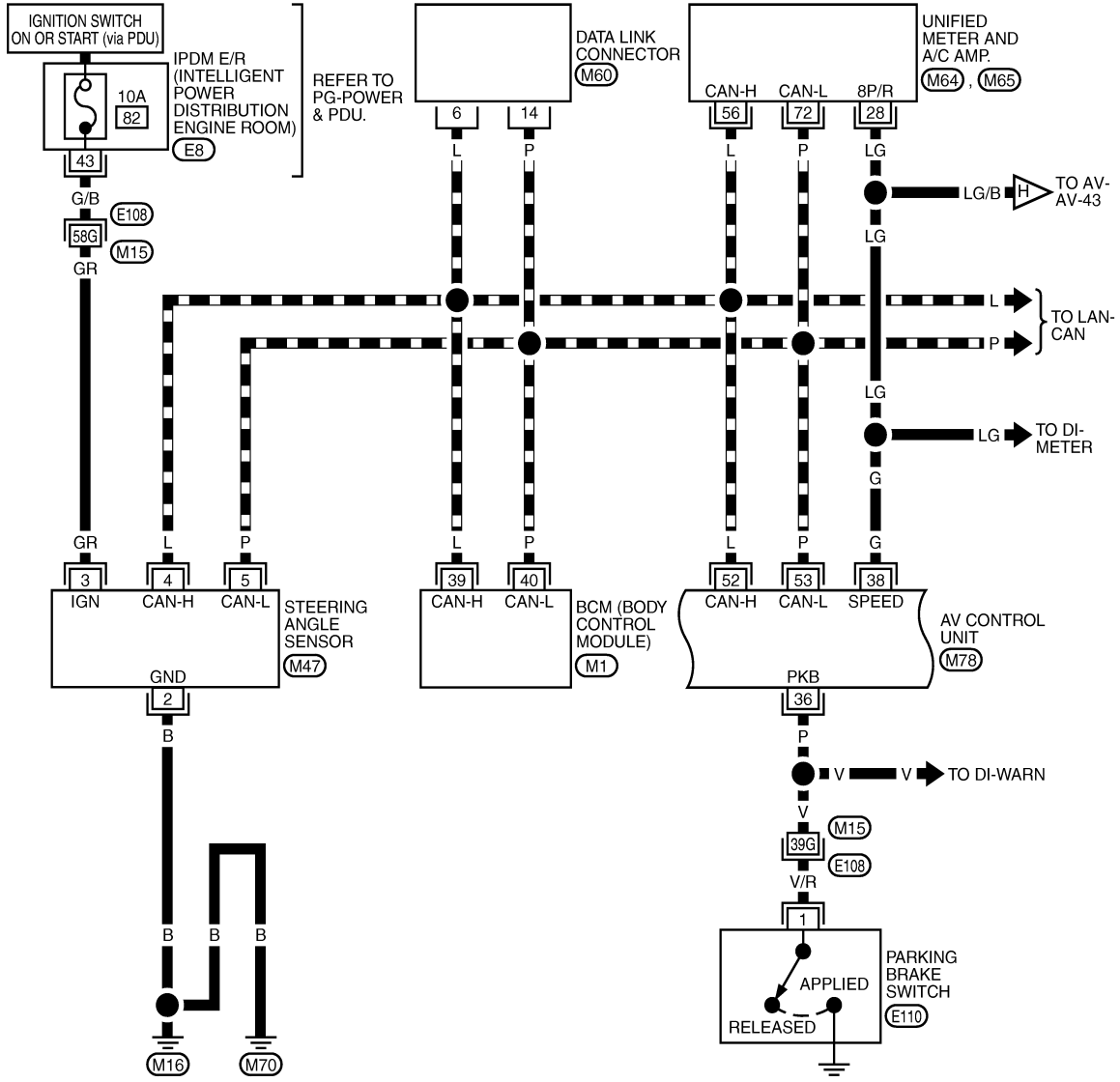
# DVD PLAYER

[WITHOUT MOBILE ENTERTAINMENT SYSTEM]

< ECU DIAGNOSIS >

AV-AV-30

▬ : DATA LINE



A  
B  
C  
D  
E  
F  
G  
H  
I  
J  
AV  
L  
M  
N  
O  
P

TKWT6707E

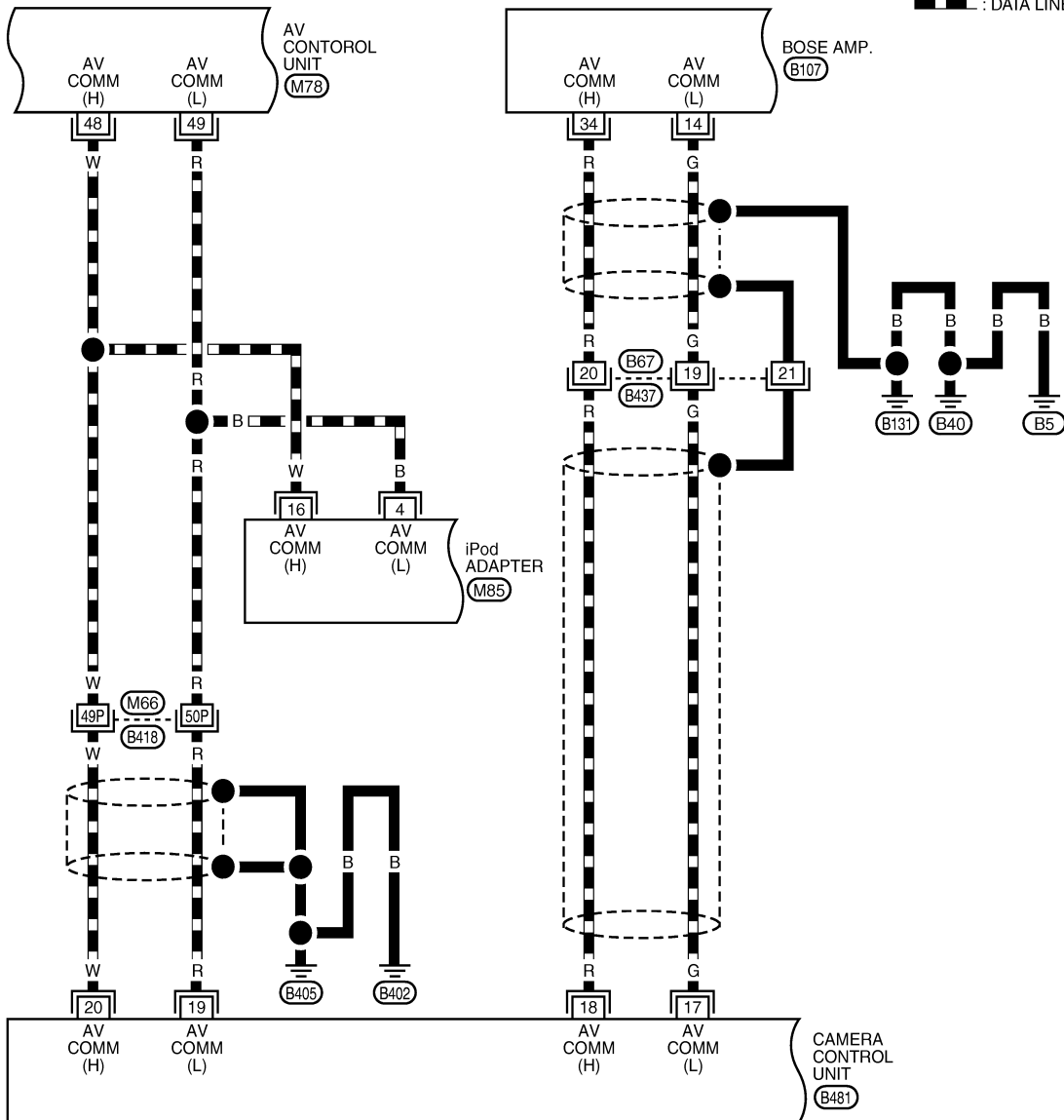
# DVD PLAYER

[WITHOUT MOBILE ENTERTAINMENT SYSTEM]

< ECU DIAGNOSIS >

AV-AV-31

— : DATA LINE



60	58	56	54	52	50	48	46	44	42	40	38	36	34	32	30	28	26	24	22
59	57	55	53	51	49	47	45	43	41	39	37	35	33	31	29	27	25	23	21

(M78) W

12	11	10	9	8	7	6	5	4	3	2	1
24	23	22	21	20	19	18	17	16	15	14	13

(M85) W

1	2	3	4	5	6	7	8	9	10	11	12	13	14	15	16	17	18	19	20
21	22	23	24	25	26	27	28	29	30	31	32	33	34	35	36	37	38	39	40

(B107) W

1	2	3	4	5	6	7	8	9	10	11		
12	13	14	15	16	17	18	19	20	21	22	23	24

(B437) BR

32	30	28	26	24	22	20	18	16	14	12	10	8	6	4	2
31	29	27	25	23	21	19	17	15	13	11	9	7	5	3	1

(B481) W

REFER TO THE FOLLOWING.

(B418) - SUPER MULTIPLE JUNCTION (SMJ)

TKWT6708E

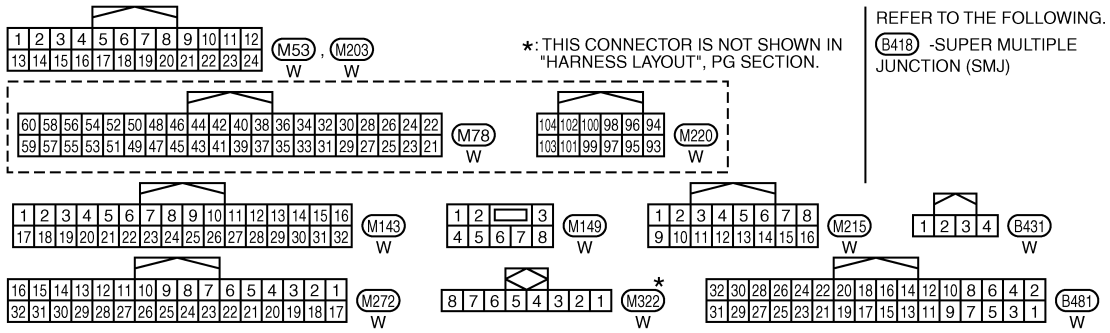
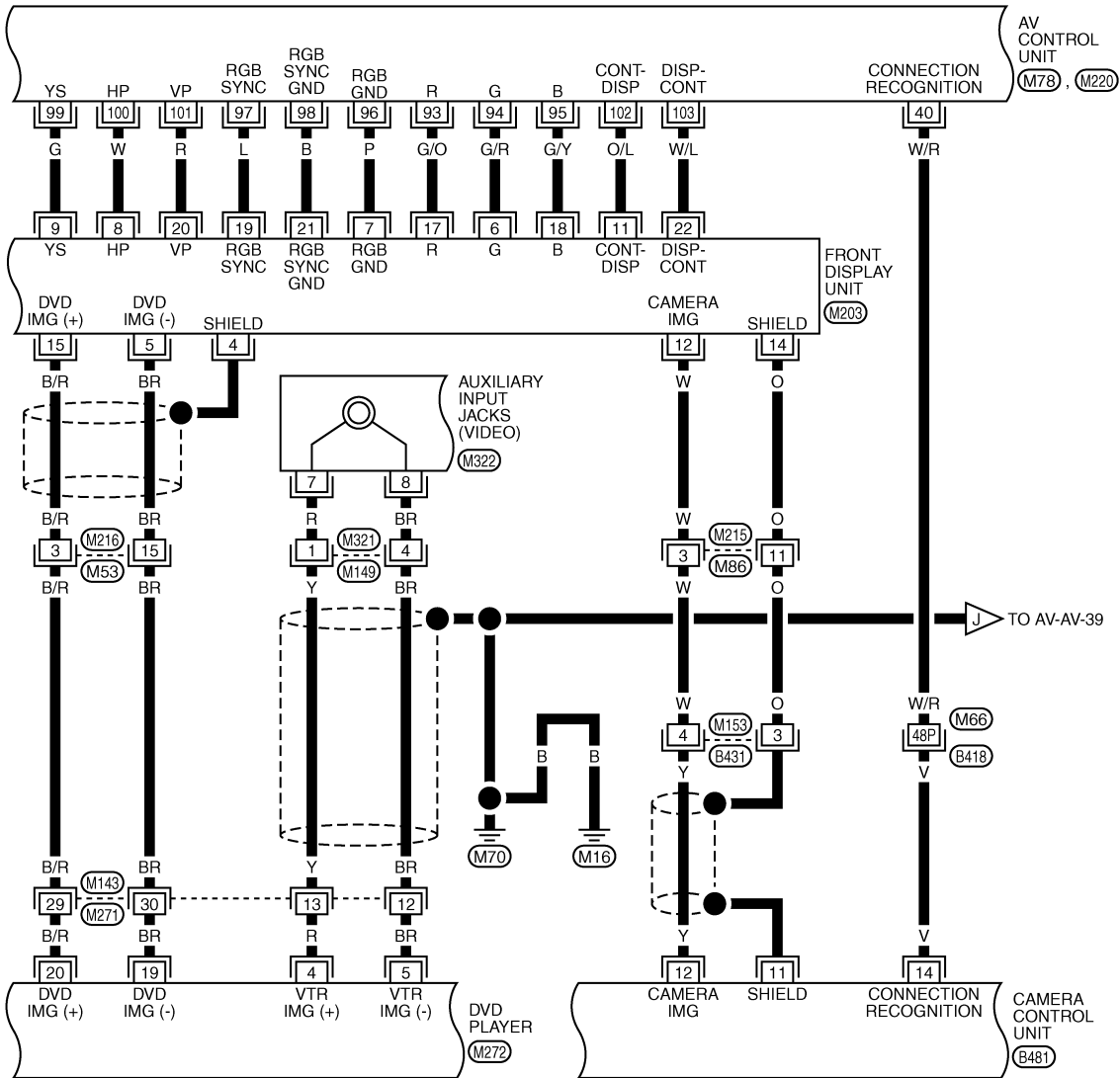


# DVD PLAYER

[WITHOUT MOBILE ENTERTAINMENT SYSTEM]

< ECU DIAGNOSIS >

AV-AV-33



REFER TO THE FOLLOWING.  
 (B418) -SUPER MULTIPLE JUNCTION (SMJ)

TKWT8285E



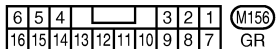
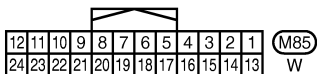
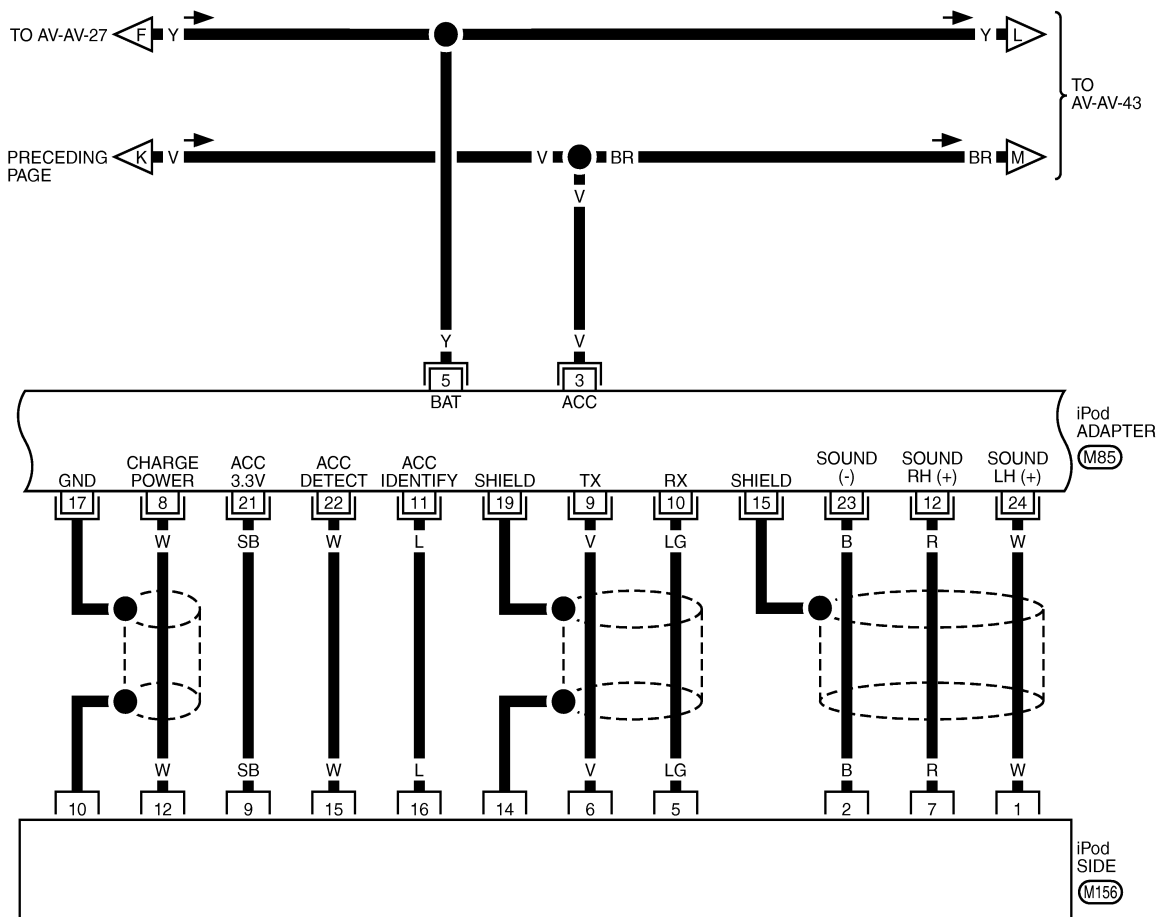


# DVD PLAYER

[WITHOUT MOBILE ENTERTAINMENT SYSTEM]

< ECU DIAGNOSIS >

AV-AV-35



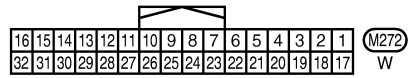
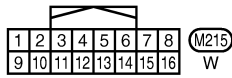
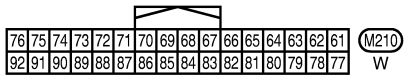
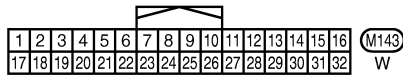
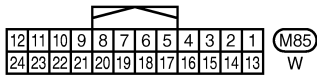
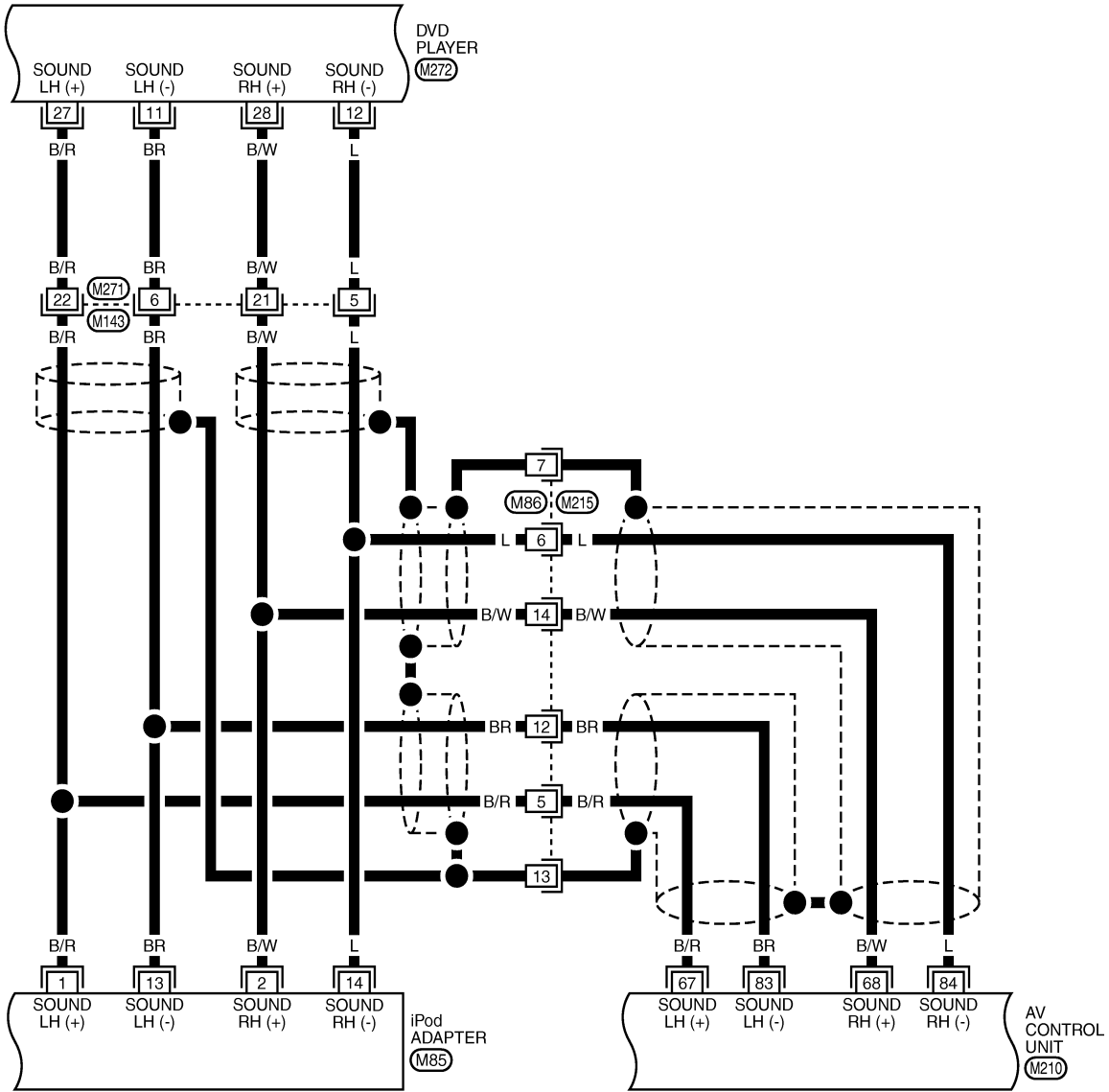
TKWT6713E

# DVD PLAYER

[WITHOUT MOBILE ENTERTAINMENT SYSTEM]

< ECU DIAGNOSIS >

AV-AV-36



TKWT6714E

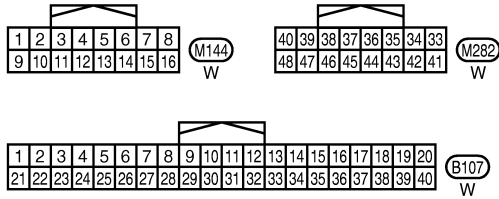
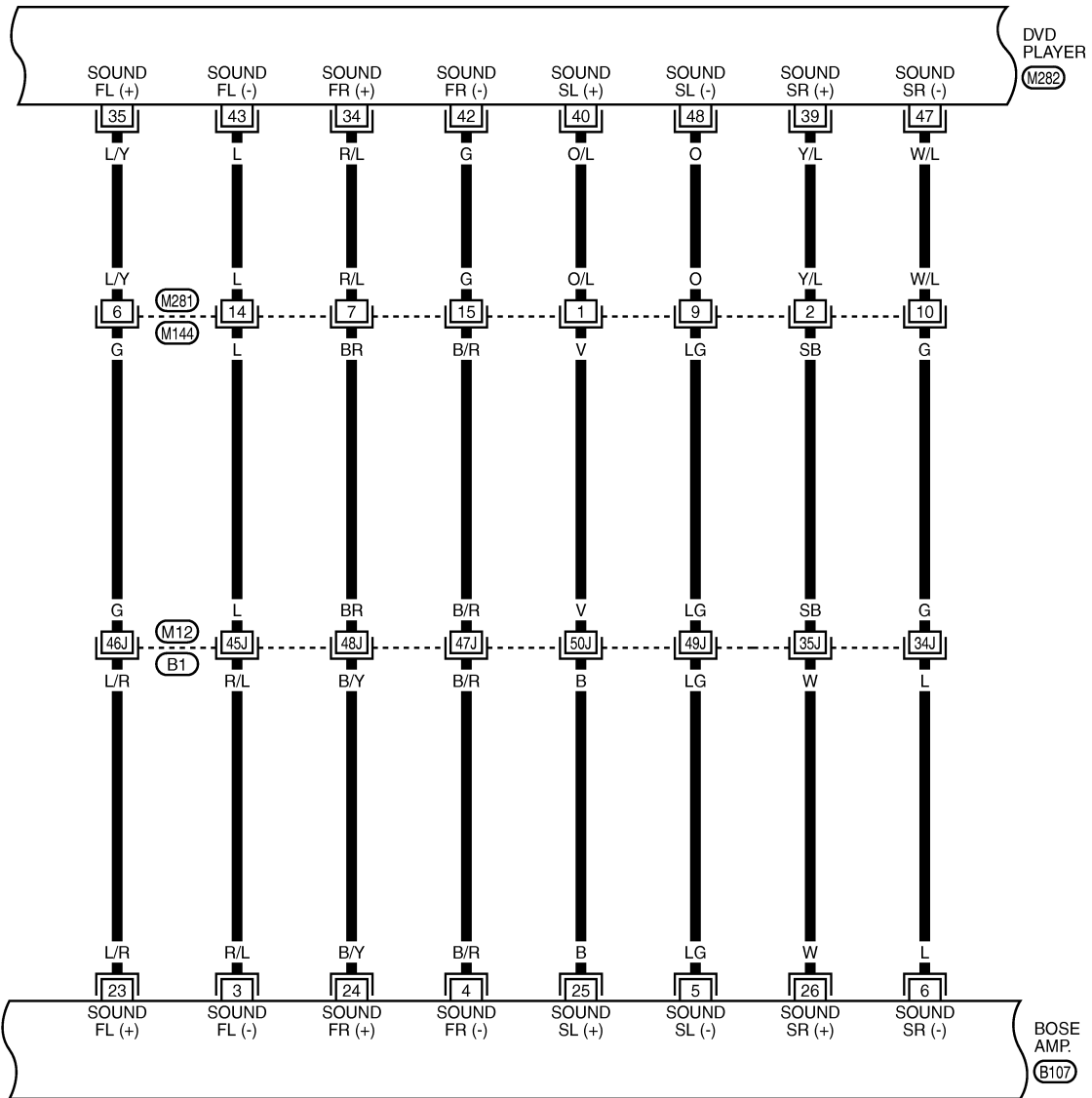


# DVD PLAYER

[WITHOUT MOBILE ENTERTAINMENT SYSTEM]

< ECU DIAGNOSIS >

AV-AV-38



REFER TO THE FOLLOWING.

(B1) - SUPER MULTIPLE JUNCTION (SMJ)

TKWT6716E

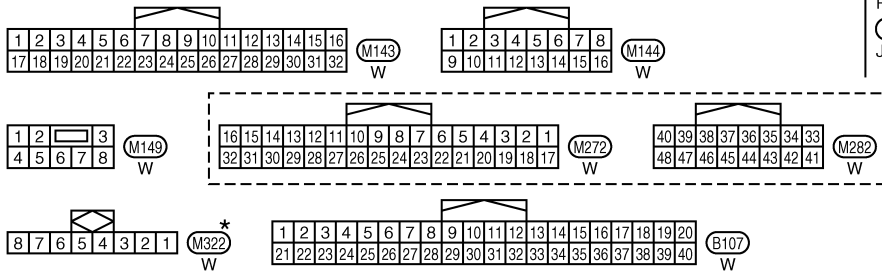
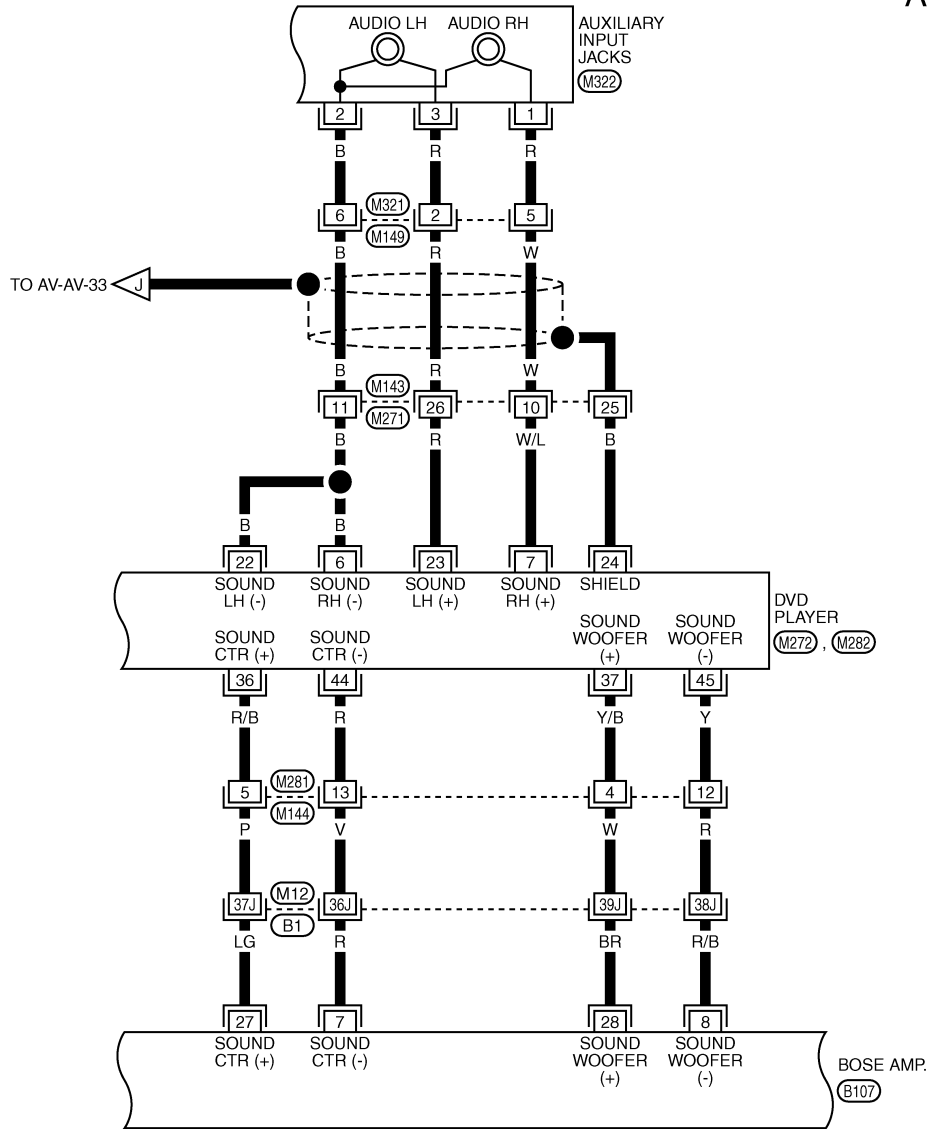
A  
B  
C  
D  
E  
F  
G  
H  
I  
J  
AV  
L  
M  
N  
O  
P

# DVD PLAYER

[WITHOUT MOBILE ENTERTAINMENT SYSTEM]

< ECU DIAGNOSIS >

AV-AV-39



REFER TO THE FOLLOWING.  
**(B1)** -SUPER MULTIPLE JUNCTION (SMJ)

\*: THIS CONNECTOR IS NOT SHOWN IN "HARNESS LAYOUT", PG SECTION.

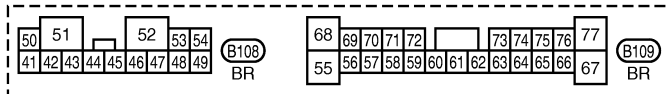
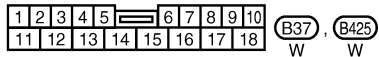
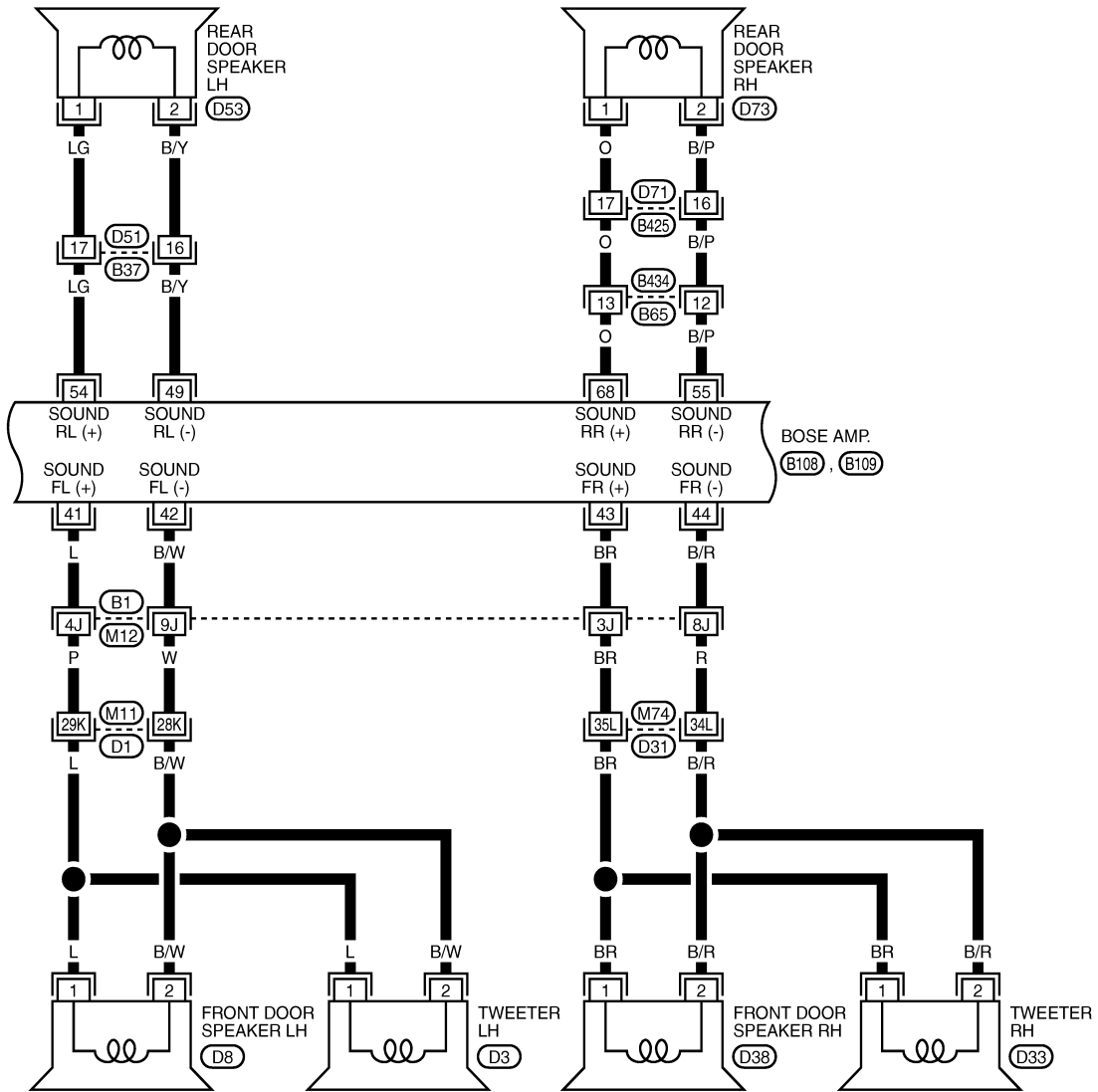
TKWT8287E

# DVD PLAYER

[WITHOUT MOBILE ENTERTAINMENT SYSTEM]

< ECU DIAGNOSIS >

AV-AV-40



REFER TO THE FOLLOWING.

(B1), (D1), (D31) - SUPER  
MULTIPLE JUNCTION (SMJ)

TKWT6718E

A  
B  
C  
D  
E  
F  
G  
H  
I  
J  
K  
L  
M  
N  
O  
P

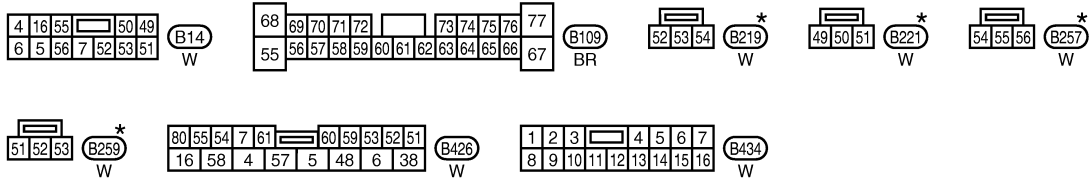
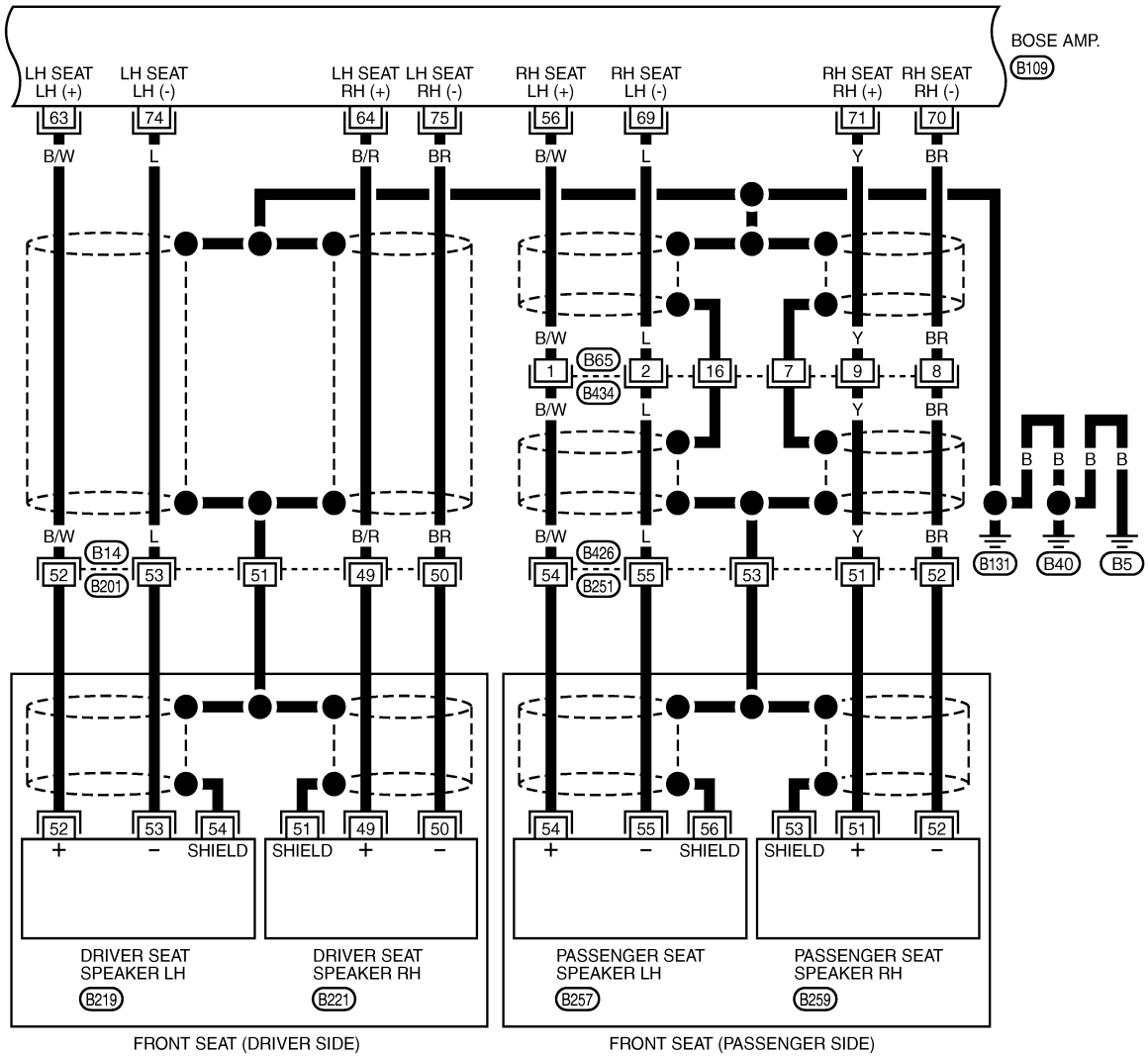
AV

# DVD PLAYER

< ECU DIAGNOSIS >

[WITHOUT MOBILE ENTERTAINMENT SYSTEM]

AV-AV-41



\*: THIS CONNECTOR IS NOT SHOWN IN "HARNESS LAYOUT", PG SECTION.

TKWT6719E

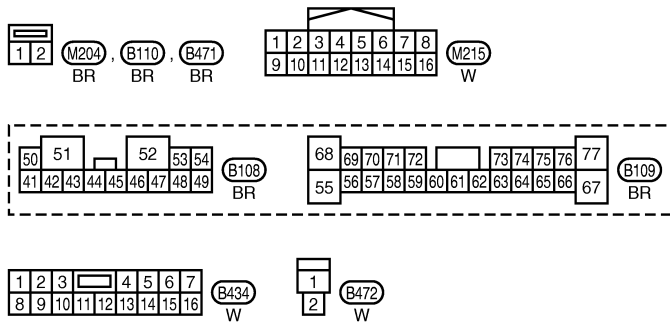
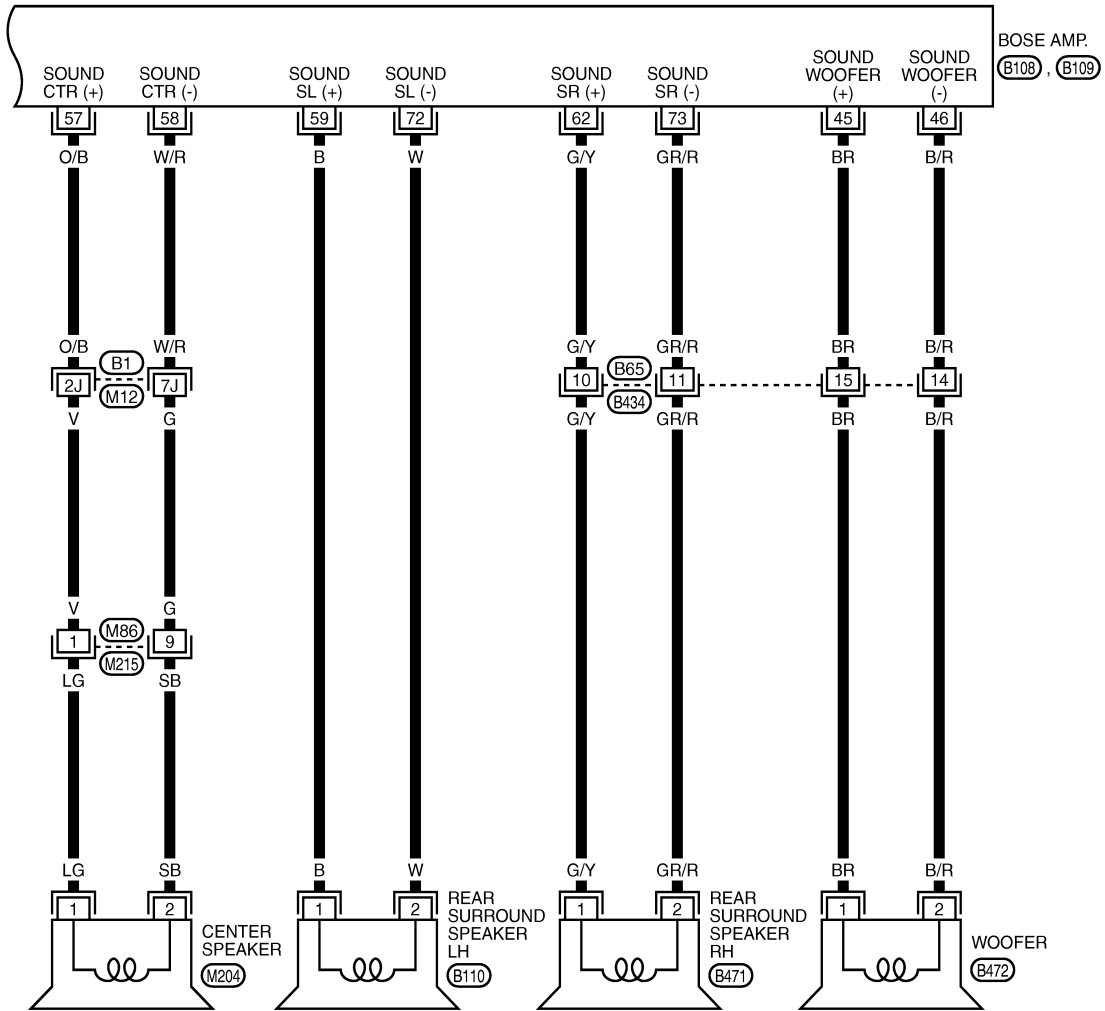


# DVD PLAYER

[WITHOUT MOBILE ENTERTAINMENT SYSTEM]

< ECU DIAGNOSIS >

AV-AV-42



REFER TO THE FOLLOWING.

(B1) - SUPER MULTIPLE JUNCTION (SMJ)

TKWT6720E

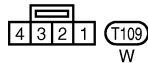
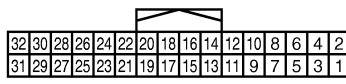
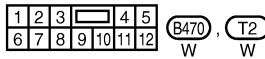
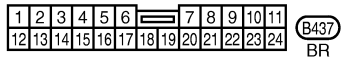
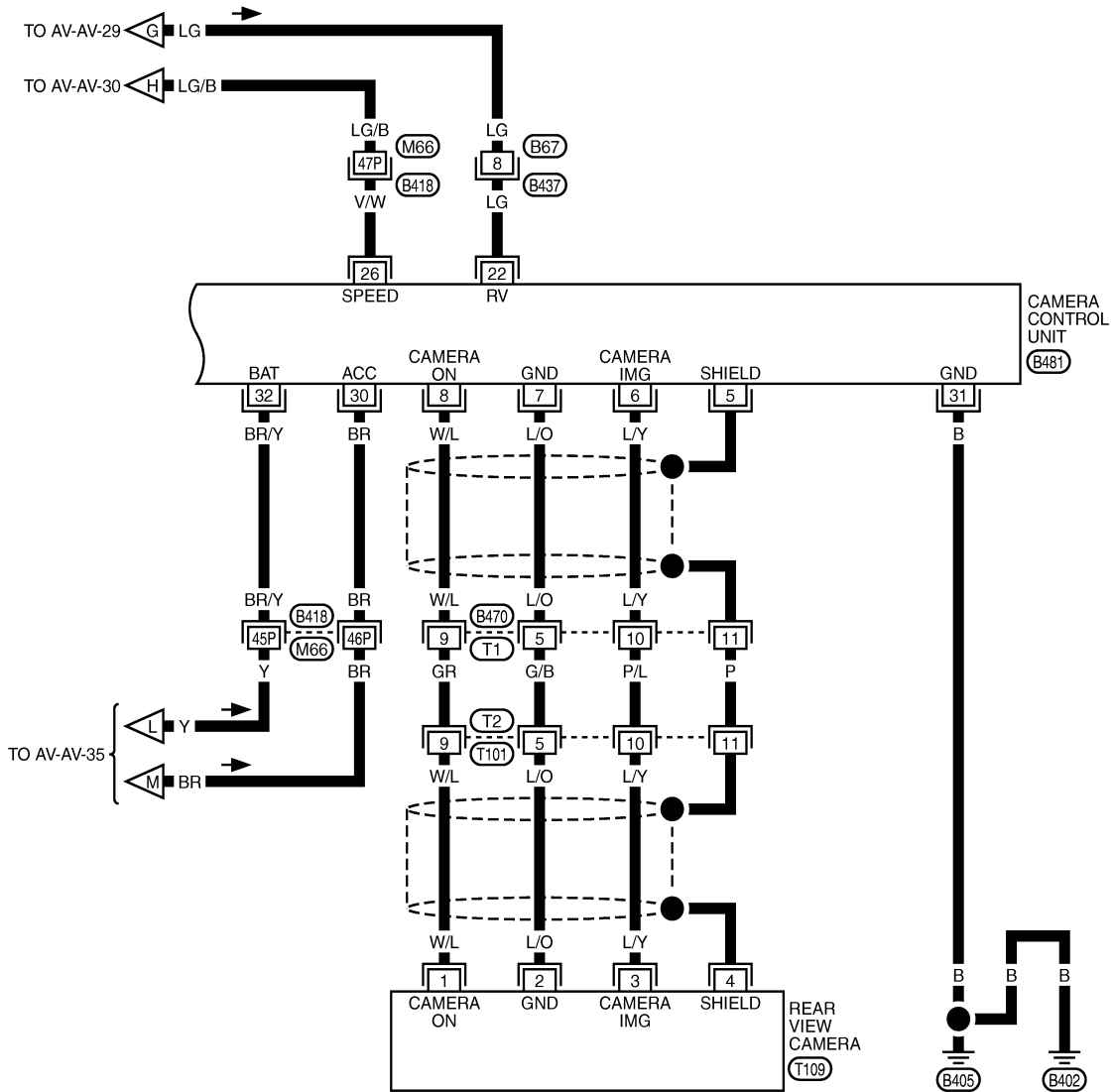
A  
B  
C  
D  
E  
F  
G  
H  
I  
J  
AV  
L  
M  
N  
O  
P

# DVD PLAYER

[WITHOUT MOBILE ENTERTAINMENT SYSTEM]

< ECU DIAGNOSIS >

AV-AV-43



REFER TO THE FOLLOWING.

**B418** - SUPER MULTIPLE JUNCTION (SMJ)

# SATELLITE RADIO TUNER

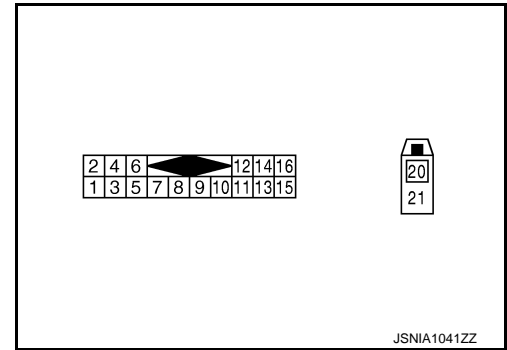
[WITHOUT MOBILE ENTERTAINMENT SYSTEM]

< ECU DIAGNOSIS >

## SATELLITE RADIO TUNER

Reference Value

INFOID:000000005350359



### PHYSICAL VALUES

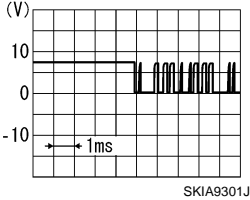
Terminal		Description		Condition		Reference value (Approx.)
+	-	Signal name	Input/Output			
2 (R)	1 (G)	Satellite radio sound signal LH	Output	Ignition switch ON	When satellite radio mode is selected.	
4 (B)	3 (W)	Satellite radio sound signal RH	Output	Ignition switch ON	When satellite radio mode is selected.	
5	—	Shield	—	—	—	—
6	—	Shield	—	—	—	—
8 (B)	Ground	Request signal (SAT→CONT)	Output	Ignition switch ON	When satellite radio mode is selected.	
9 (R)	Ground	Communication signal (SAT→CONT)	Output	Ignition switch ON	When satellite radio mode is selected.	

A  
B  
C  
D  
E  
F  
G  
H  
I  
J  
AV  
L  
M  
N  
O  
P

# SATELLITE RADIO TUNER

[WITHOUT MOBILE ENTERTAINMENT SYSTEM]

< ECU DIAGNOSIS >

Terminal		Description		Condition		Reference value (Approx.)
+	-	Signal name	Input/ Output			
10 (W)	Ground	Communication signal (CONT→SAT)	Input	Ignition switch ON	When satellite radio mode is selected.	
12 (BR/Y)	Ground	Battery power supply	Input	Ignition switch OFF	—	Battery voltage
16 (BR)	Ground	ACC power supply	Input	Ignition switch ACC	—	Battery voltage
20	—	Satellite antenna	Input	—	—	—
21	—	Shield	—	—	—	—

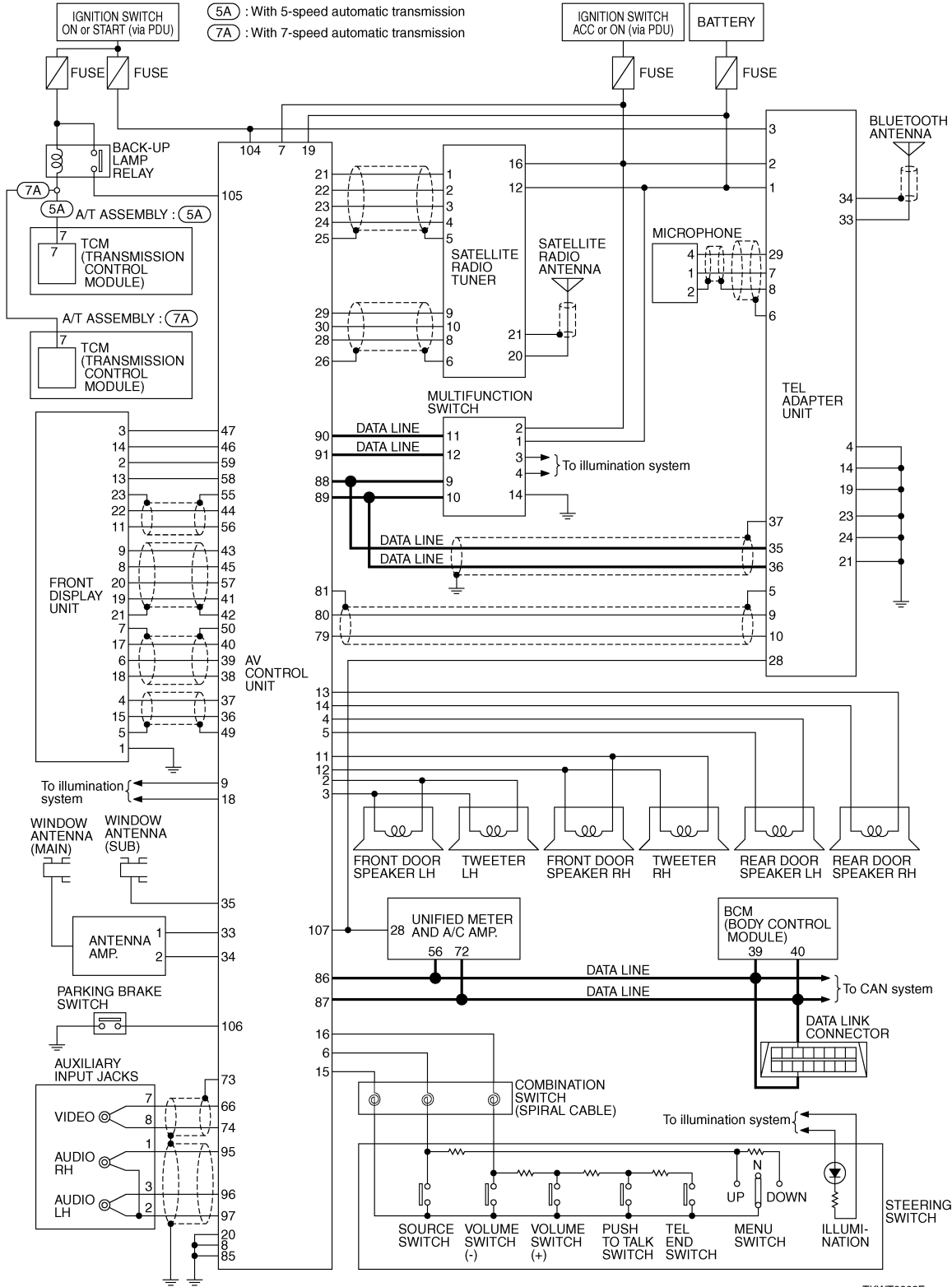
# SATELLITE RADIO TUNER

[WITHOUT MOBILE ENTERTAINMENT SYSTEM]

< ECU DIAGNOSIS >

## Schematic - Base Audio System -

INFOID:000000005350360



TKWT8262E

## Wiring Diagram - AV - / Base Audio System

INFOID:000000005350361

**NOTE:**

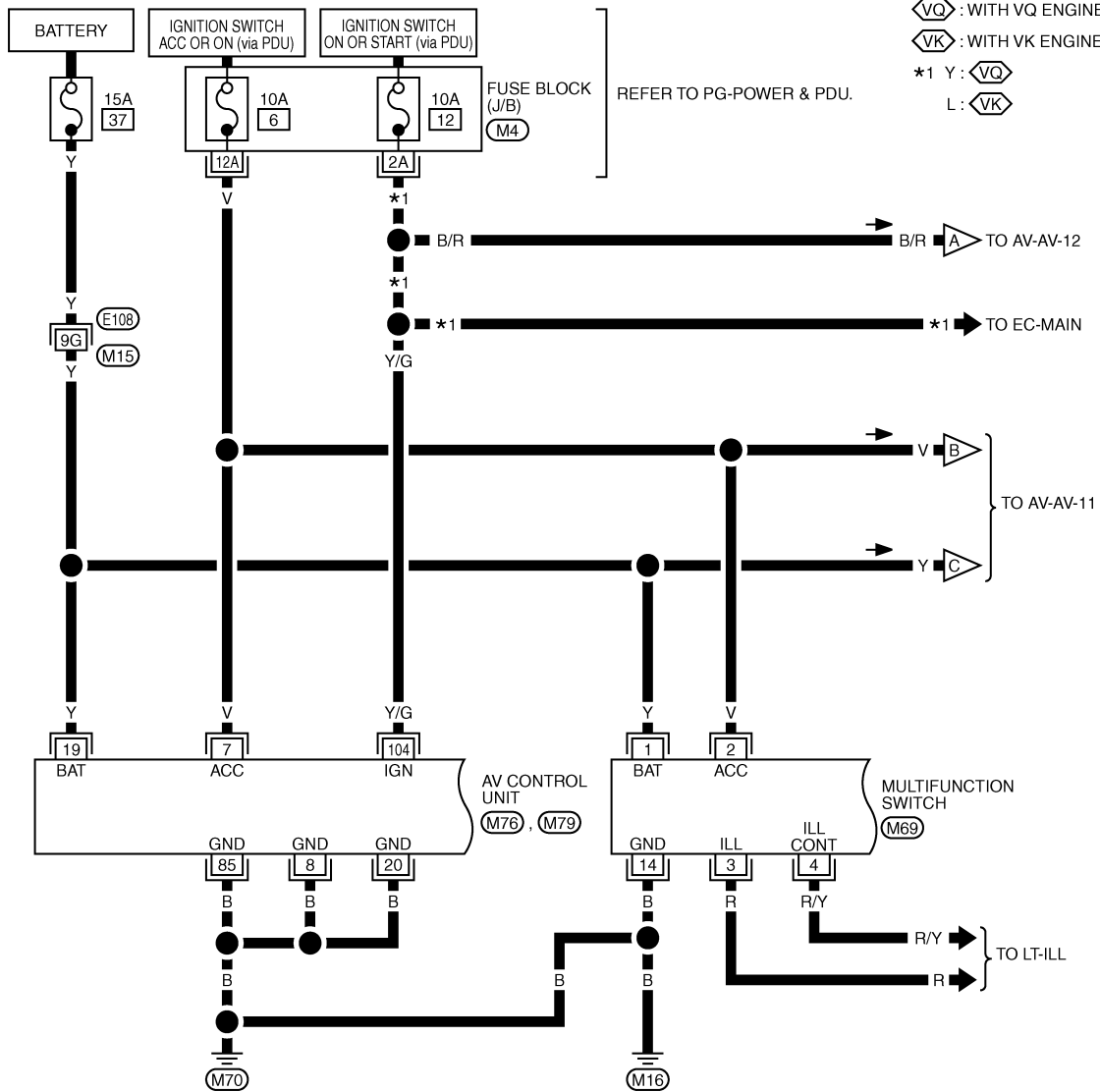
# SATELLITE RADIO TUNER

[WITHOUT MOBILE ENTERTAINMENT SYSTEM]

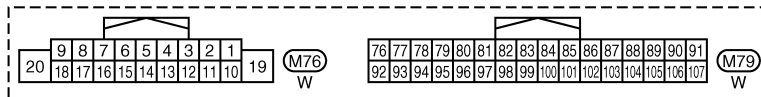
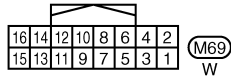
< ECU DIAGNOSIS >

The name MULTIFUNCTION SWITCH indicates the integration of PRESET SWITCH and MULTIFUNCTION SWITCH virtually.

AV-AV-01



- ⬡ VQ : WITH VQ ENGINE
- ⬡ VK : WITH VK ENGINE
- \*1 Y : ⬡ VQ
- L : ⬡ VK



REFER TO THE FOLLOWING.

- (E108) -SUPER MULTIPLE JUNCTION (SMJ)
- (M4) -FUSE BLOCK-JUNCTION BOX (J/B)

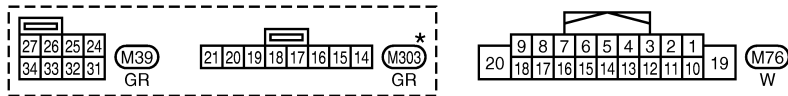
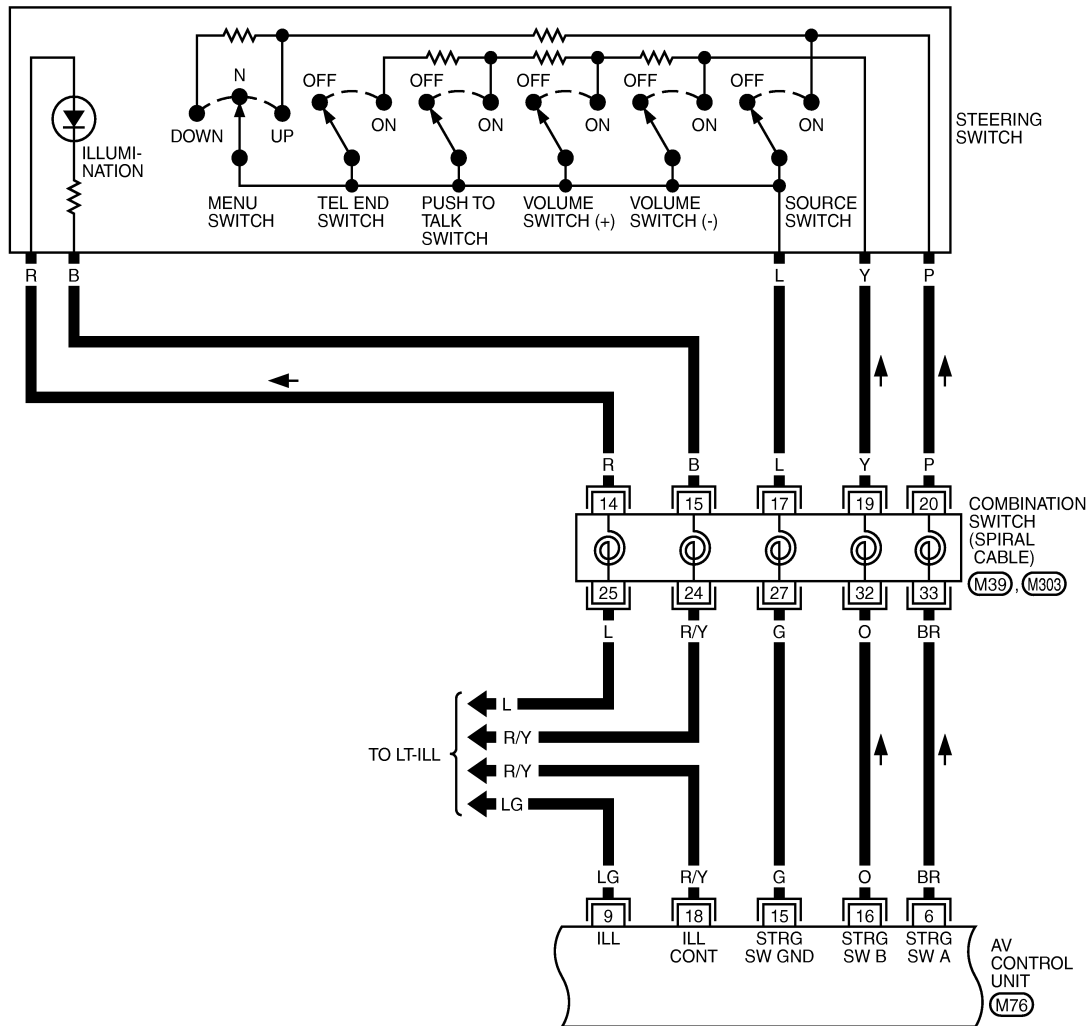
TKWT8263E

# SATELLITE RADIO TUNER

[WITHOUT MOBILE ENTERTAINMENT SYSTEM]

< ECU DIAGNOSIS >

AV-AV-02



\* : THIS CONNECTOR IS NOT SHOWN IN "HARNESS LAYOUT", PG SECTION.

TKWT6674E

A  
B  
C  
D  
E  
F  
G  
H  
I  
J  
K  
L  
M  
N  
O  
P

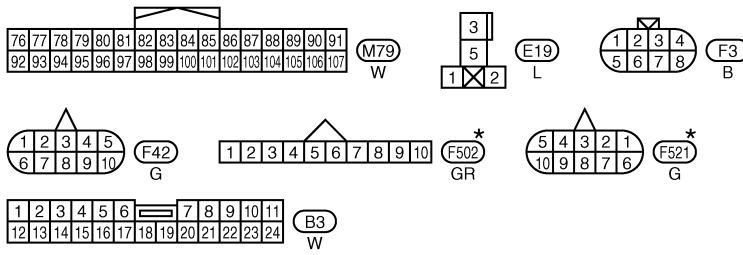
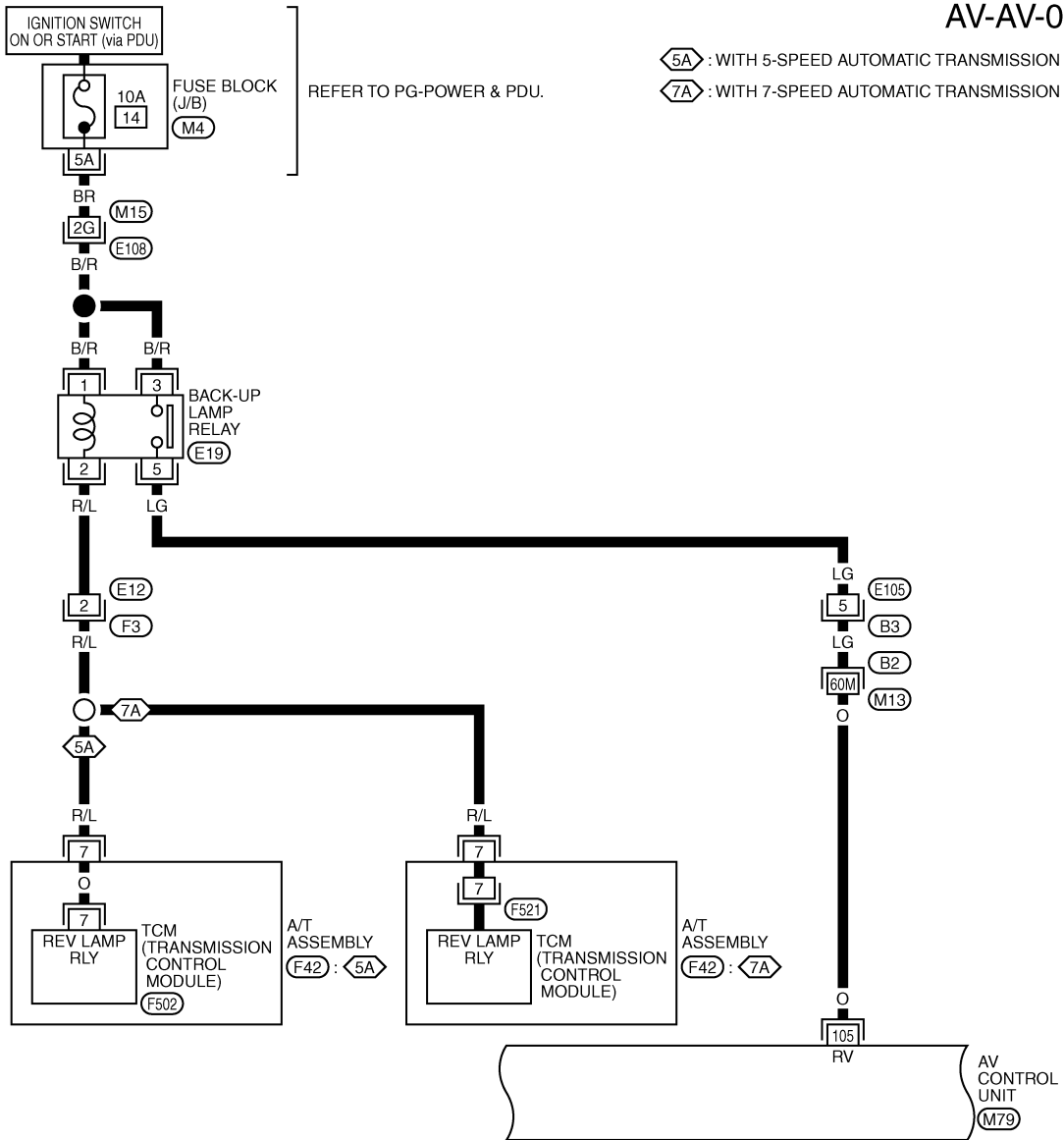
AV

# SATELLITE RADIO TUNER

[WITHOUT MOBILE ENTERTAINMENT SYSTEM]

< ECU DIAGNOSIS >

AV-AV-03



\*: THIS CONNECTOR IS NOT SHOWN IN "HARNESS LAYOUT", PG SECTION.

REFER TO THE FOLLOWING.  
 (E108), (B2) -SUPER MULTIPLE JUNCTION (SMJ)  
 (M4) -FUSE BLOCK-JUNCTION BOX (J/B)

TKWT8264E



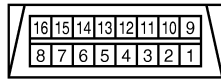
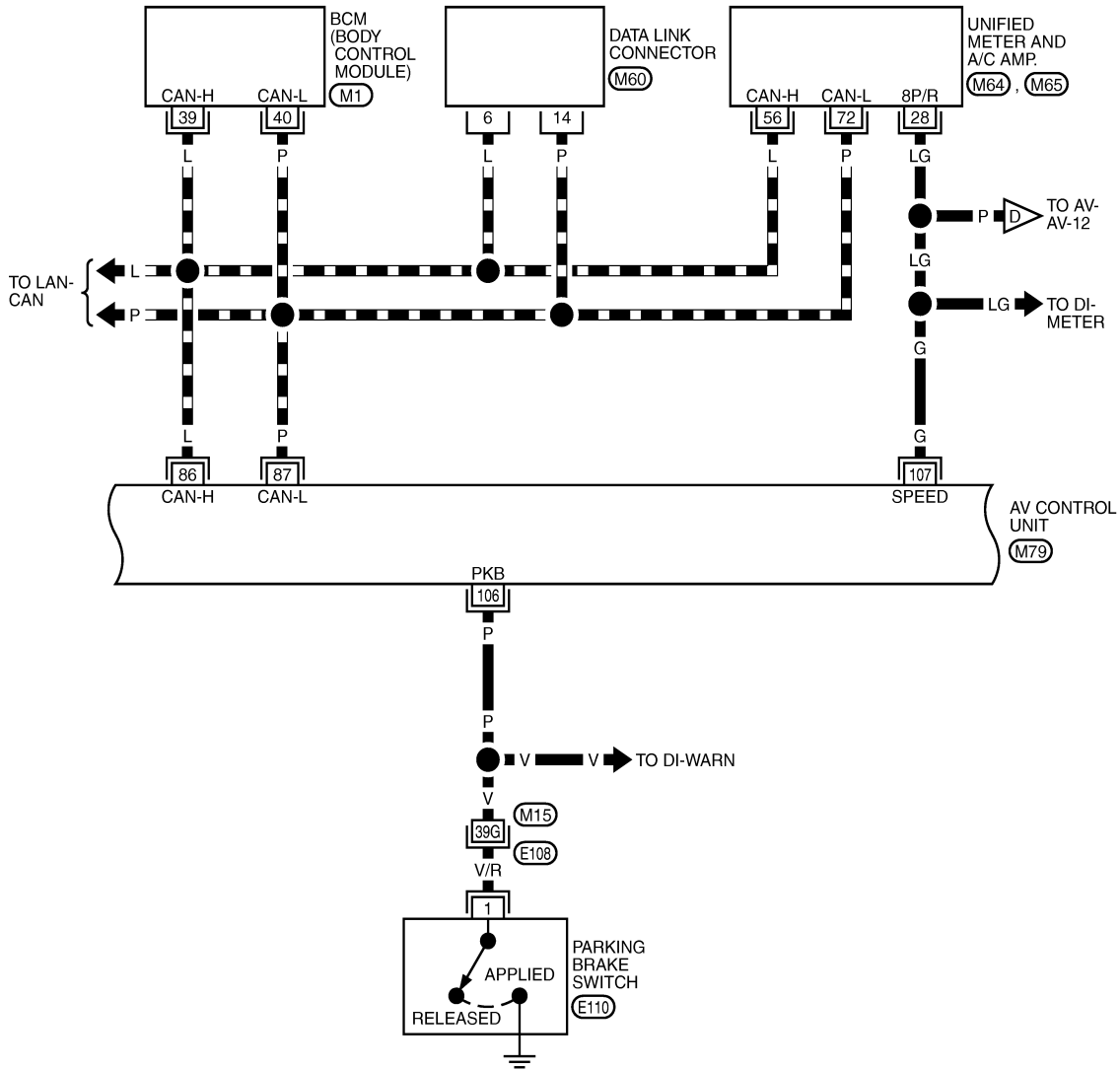
# SATELLITE RADIO TUNER

[WITHOUT MOBILE ENTERTAINMENT SYSTEM]

< ECU DIAGNOSIS >

AV-AV-04

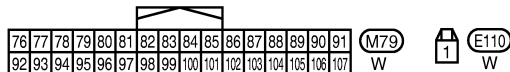
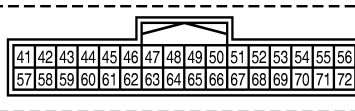
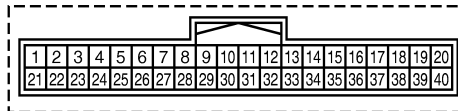
▬ : DATA LINE



REFER TO THE FOLLOWING.

(E108) - SUPER MULTIPLE JUNCTION (SMJ)

(M1) - ELECTRICAL UNITS



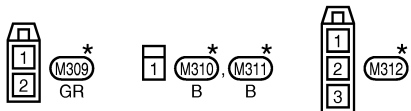
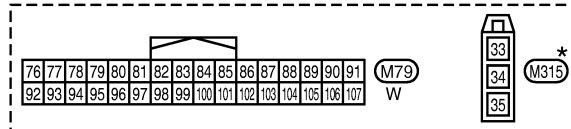
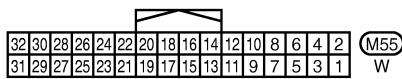
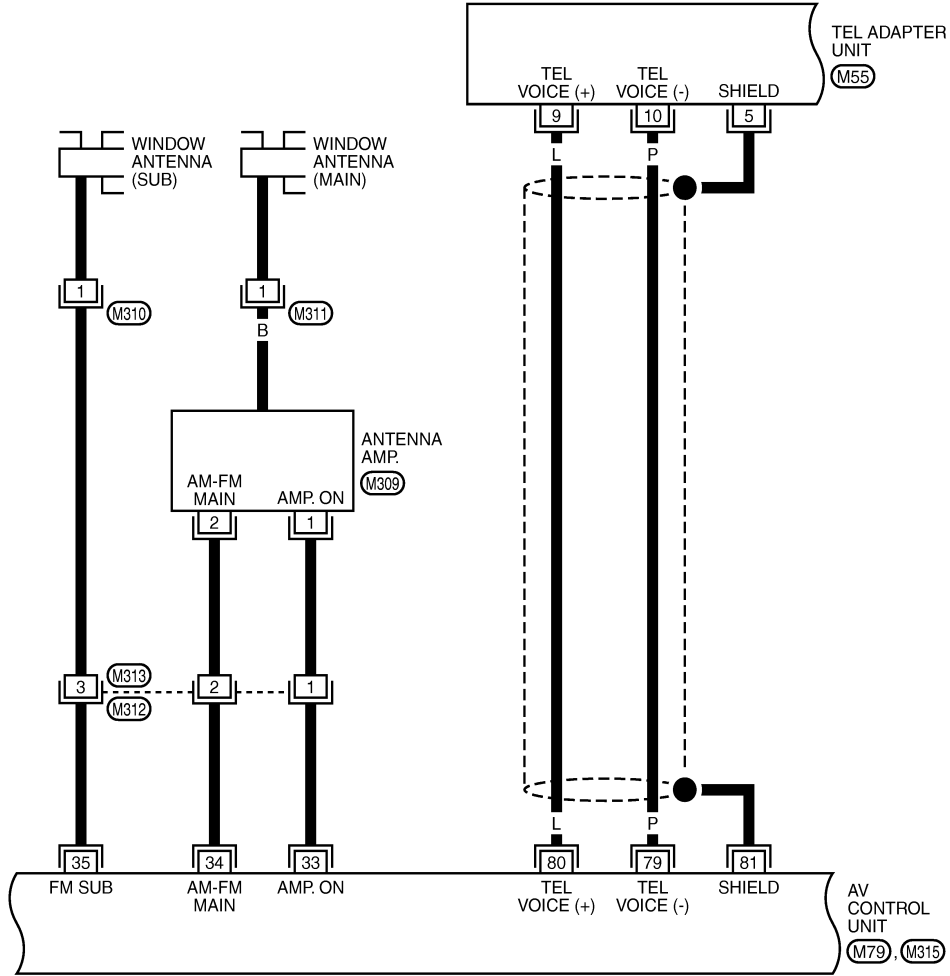
TKWT6676E

# SATELLITE RADIO TUNER

[WITHOUT MOBILE ENTERTAINMENT SYSTEM]

< ECU DIAGNOSIS >

AV-AV-05



\* : THIS CONNECTOR IS NOT SHOWN IN "HARNESS LAYOUT", PG SECTION.

TKWT6677E

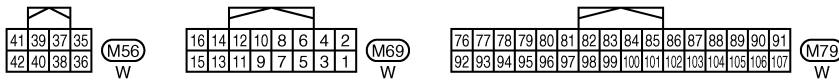
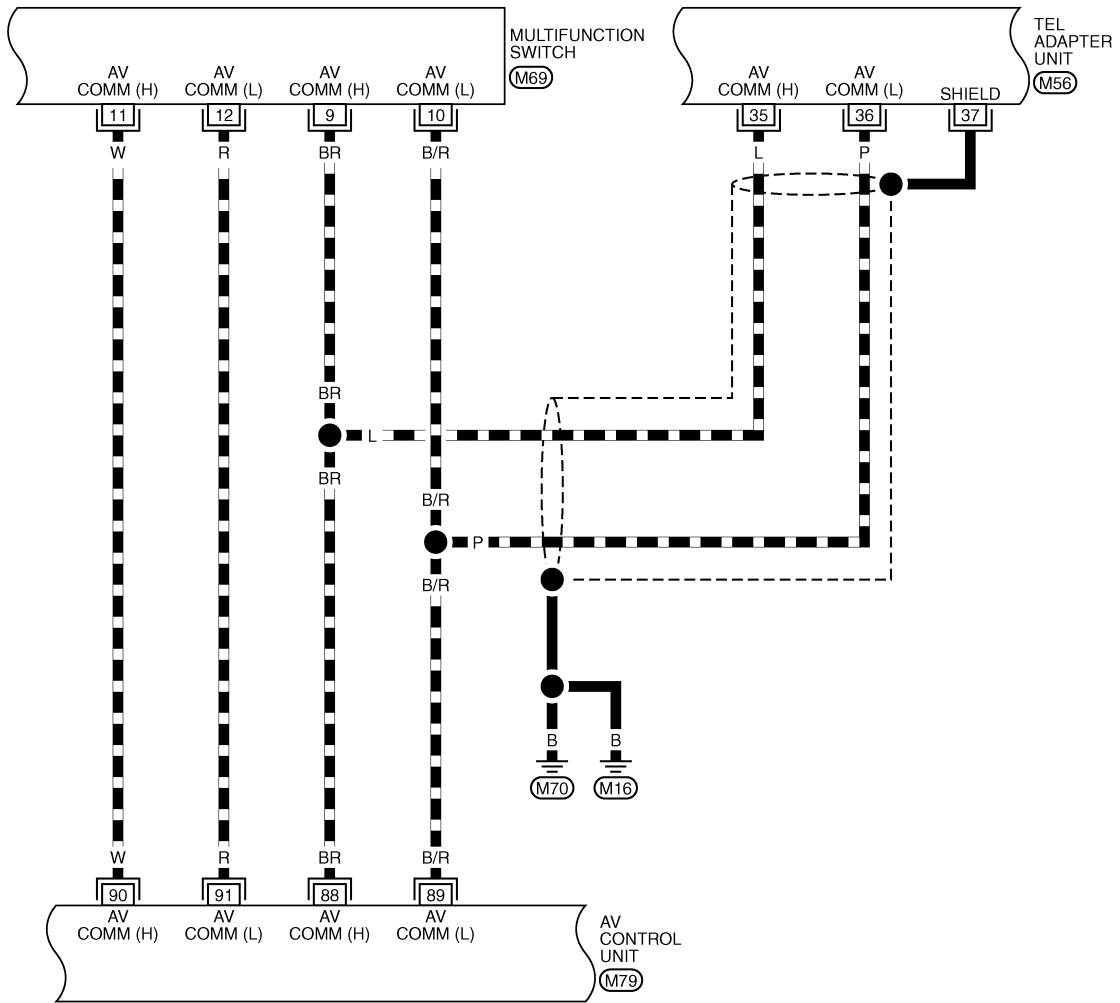
# SATELLITE RADIO TUNER

[WITHOUT MOBILE ENTERTAINMENT SYSTEM]

< ECU DIAGNOSIS >

AV-AV-06

▬ : DATA LINE



A  
B  
C  
D  
E  
F  
G  
H  
I  
J  
L  
M  
N  
O  
P

AV

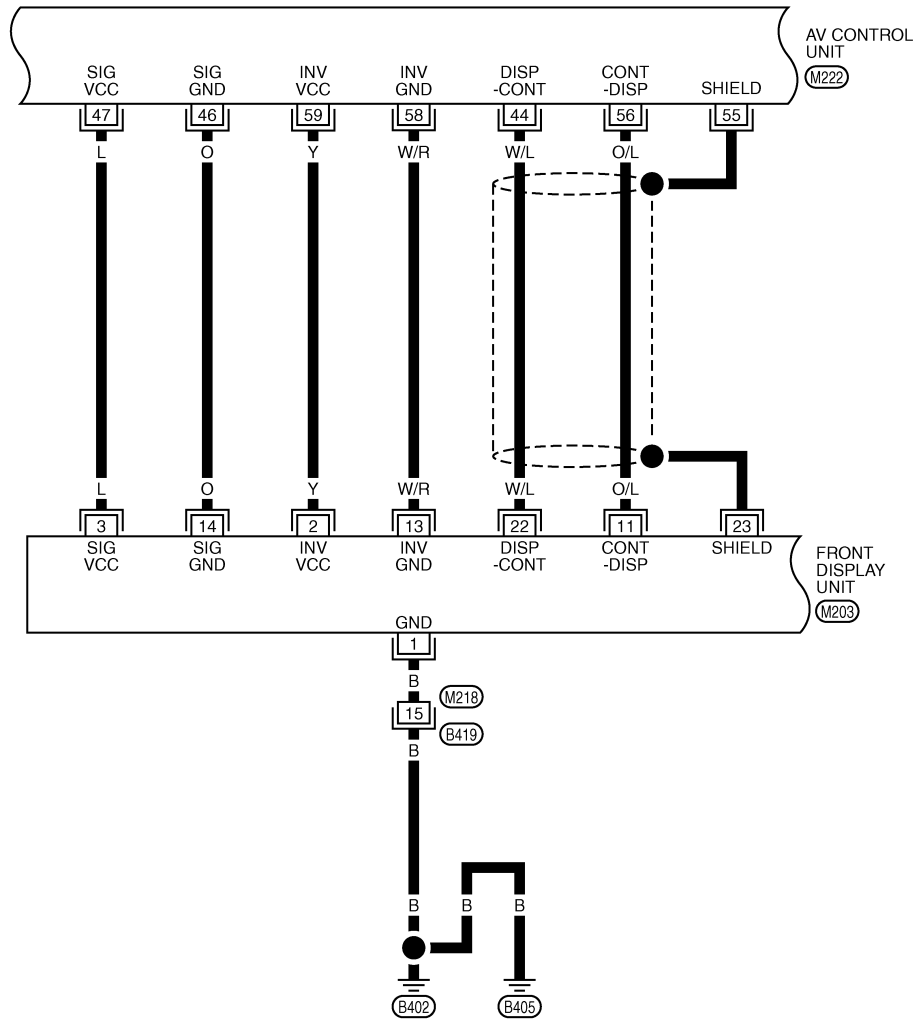
TKWT8265E

# SATELLITE RADIO TUNER

[WITHOUT MOBILE ENTERTAINMENT SYSTEM]

< ECU DIAGNOSIS >

AV-AV-07



1	2	3	4	5	6	7	8	9	10	11	12
13	14	15	16	17	18	19	20	21	22	23	24

M203  
W

36	37	38	39	40	41	42	43	44	45	46	47
48	49	50	51	52	53	54	55	56	57	58	59

M222  
W

1	2	3	4	5	6	7	8	9	10	11	12	13	14	15	16
17	18	19	20	21	22	23	24	25	26	27	28	29	30	31	32

B419  
W

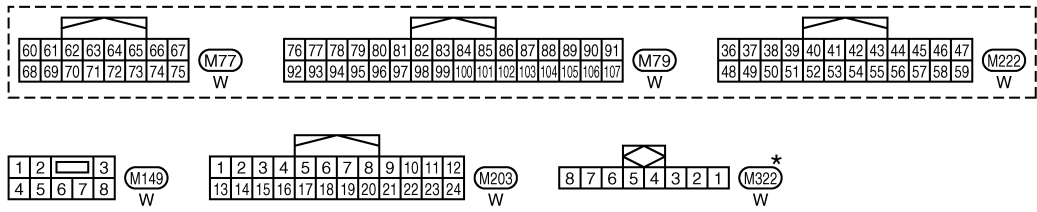
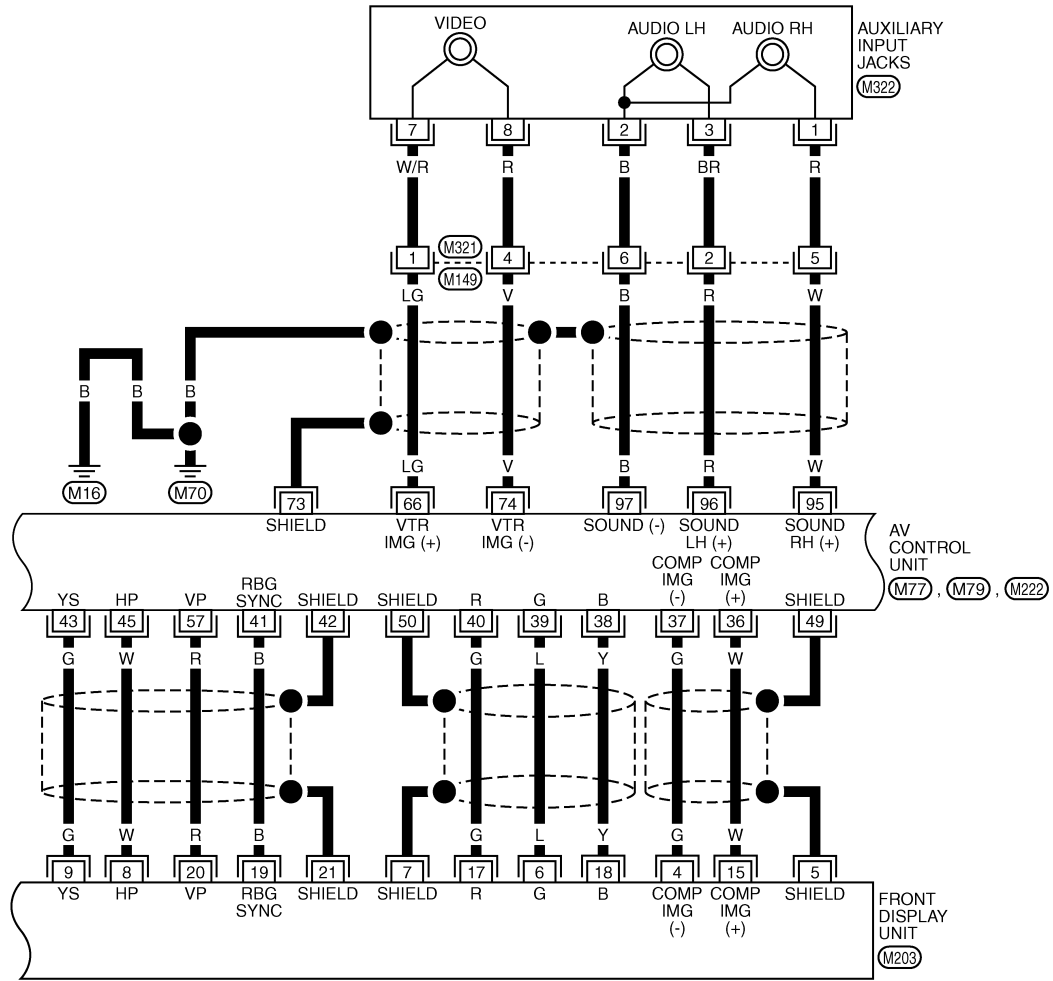
TKWT8266E

# SATELLITE RADIO TUNER

[WITHOUT MOBILE ENTERTAINMENT SYSTEM]

< ECU DIAGNOSIS >

AV-AV-08



\*: THIS CONNECTOR IS NOT SHOWN IN "HARNESS LAYOUT", PG SECTION.

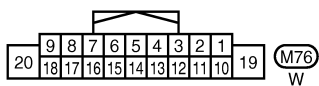
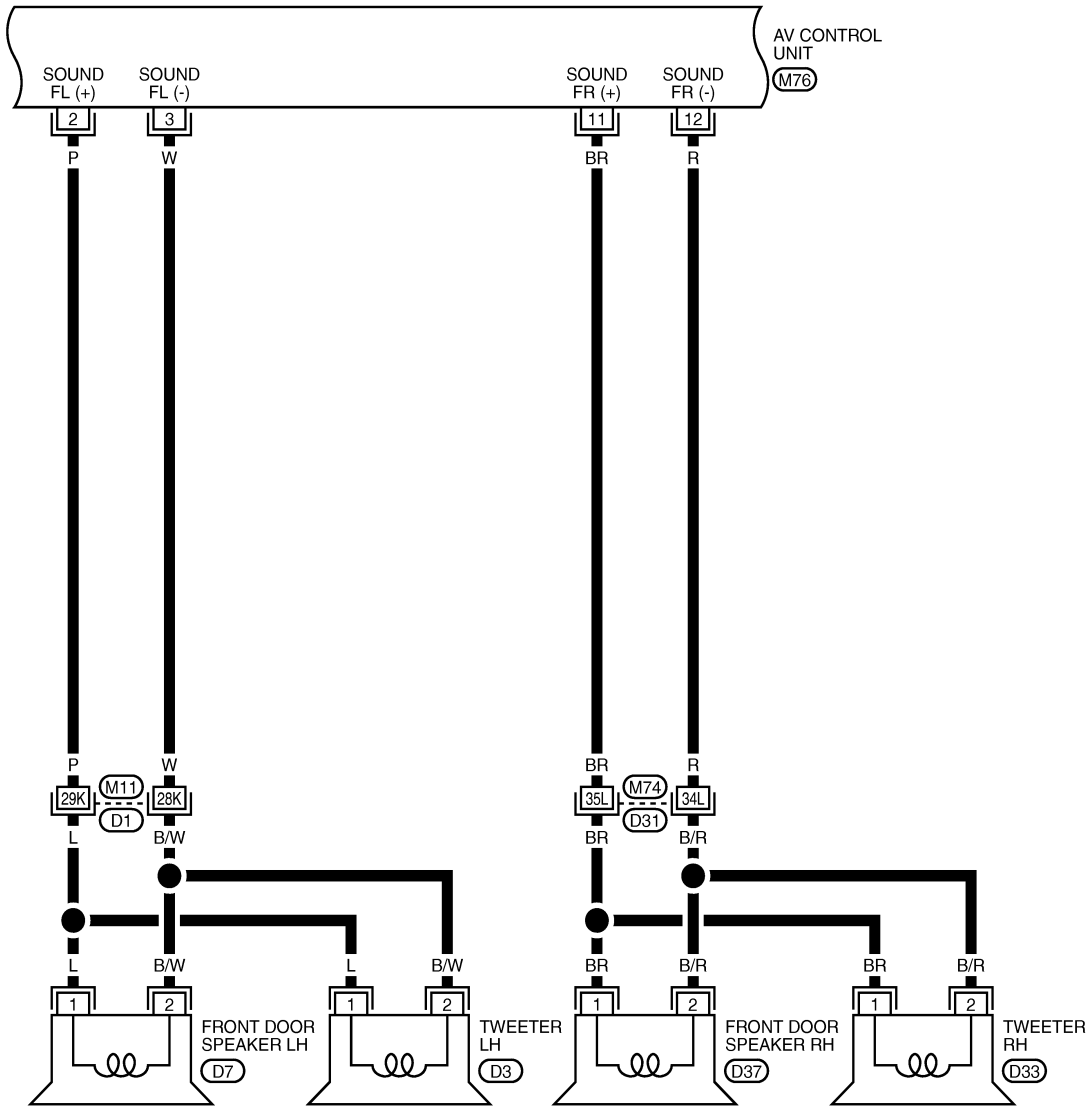
TKWT8267E

# SATELLITE RADIO TUNER

[WITHOUT MOBILE ENTERTAINMENT SYSTEM]

< ECU DIAGNOSIS >

AV-AV-09



REFER TO THE FOLLOWING.

(D1), (D31) -SUPER  
MULTIPLE JUNCTION (SMJ)

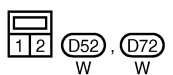
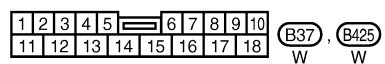
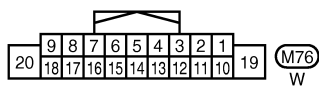
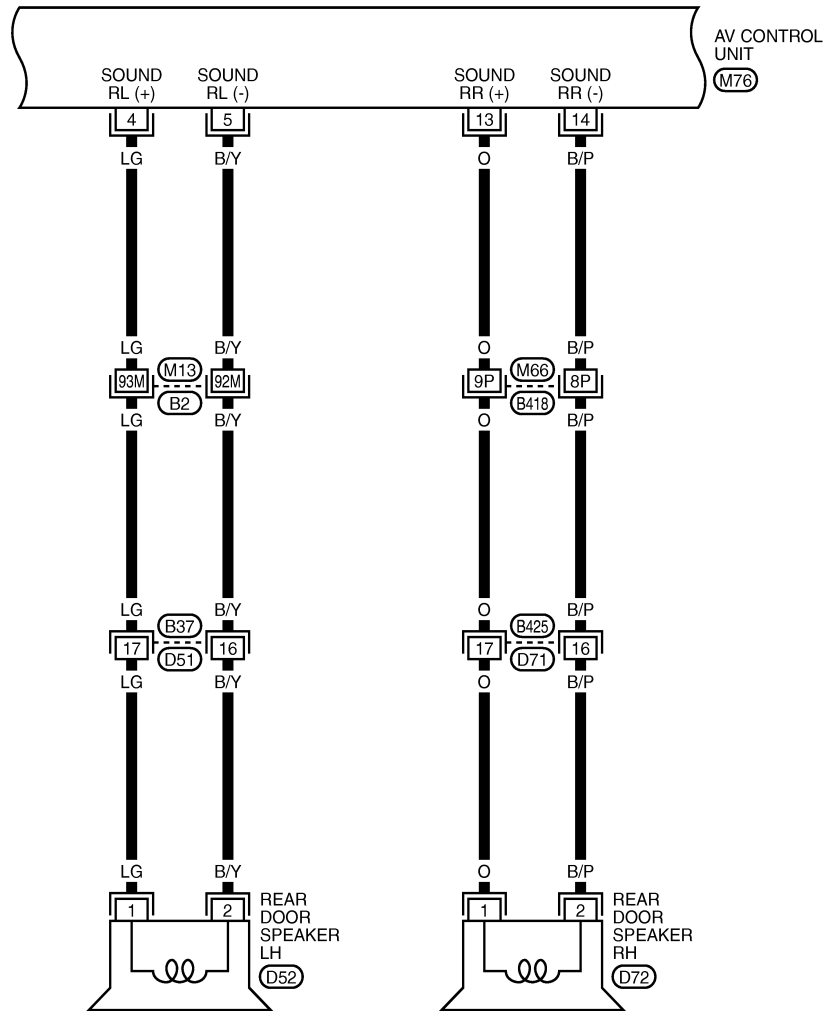
TKWT6681E

# SATELLITE RADIO TUNER

[WITHOUT MOBILE ENTERTAINMENT SYSTEM]

< ECU DIAGNOSIS >

AV-AV-10



REFER TO THE FOLLOWING.  
 (B2), (B418) -SUPER MULTIPLE  
 JUNCTION (SMJ)

TKWT6682E

A  
B  
C  
D  
E  
F  
G  
H  
I  
J  
K  
L  
M  
N  
O  
P

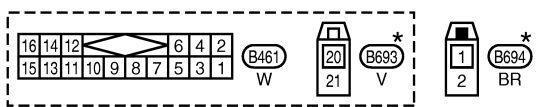
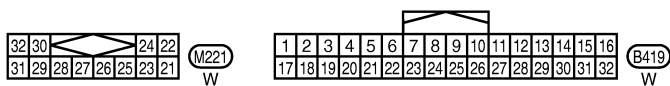
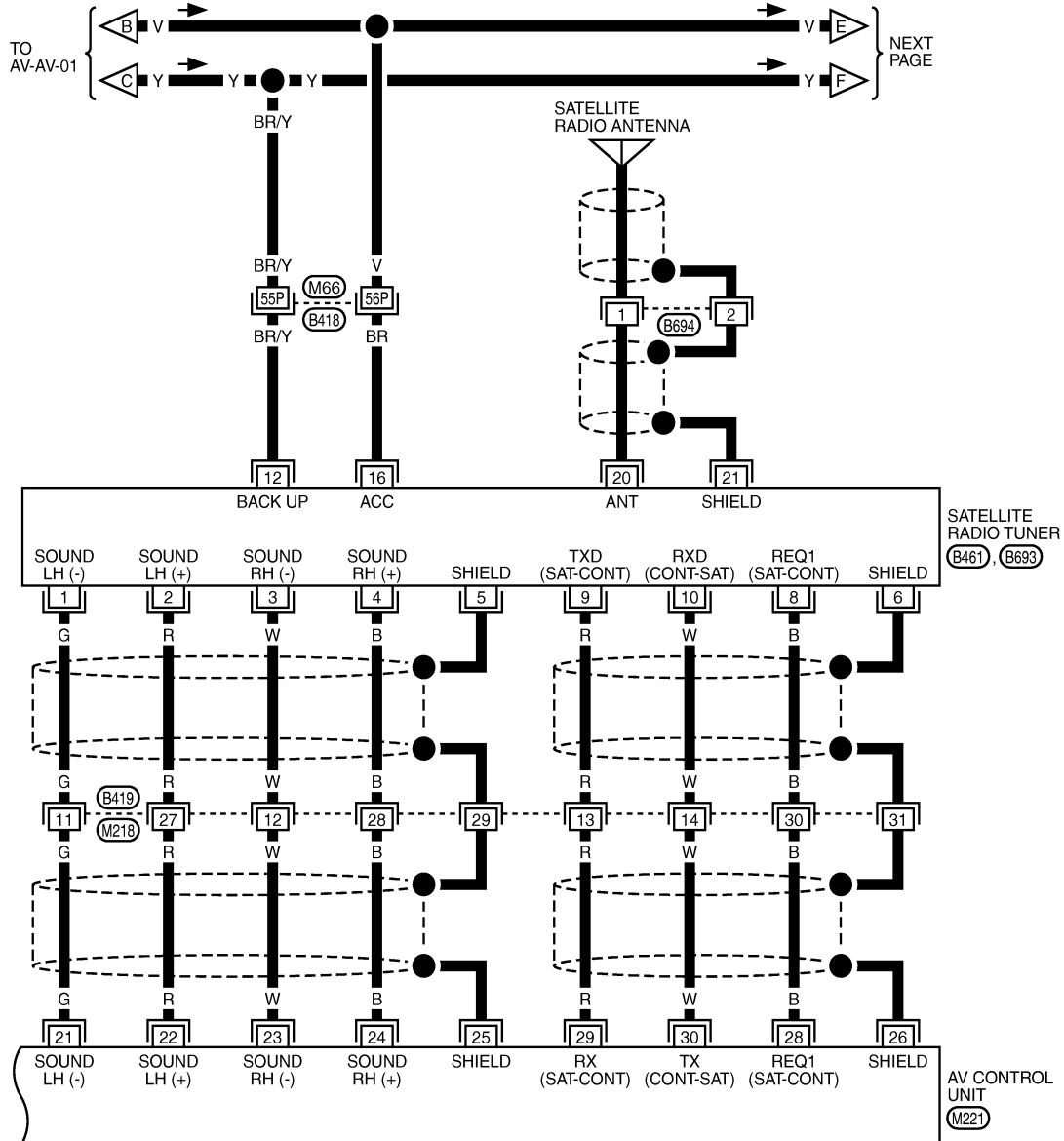
AV

# SATELLITE RADIO TUNER

[WITHOUT MOBILE ENTERTAINMENT SYSTEM]

< ECU DIAGNOSIS >

AV-AV-11



\* : THIS CONNECTOR IS NOT SHOWN IN "HARNESS LAYOUT", PG SECTION.

REFER TO THE FOLLOWING.  
 B418 - SUPER MULTIPLE JUNCTION (SMJ)

TKWT6683E

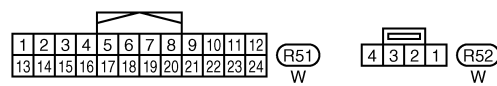
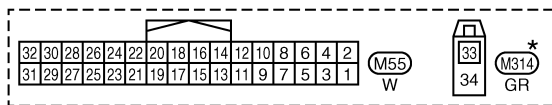
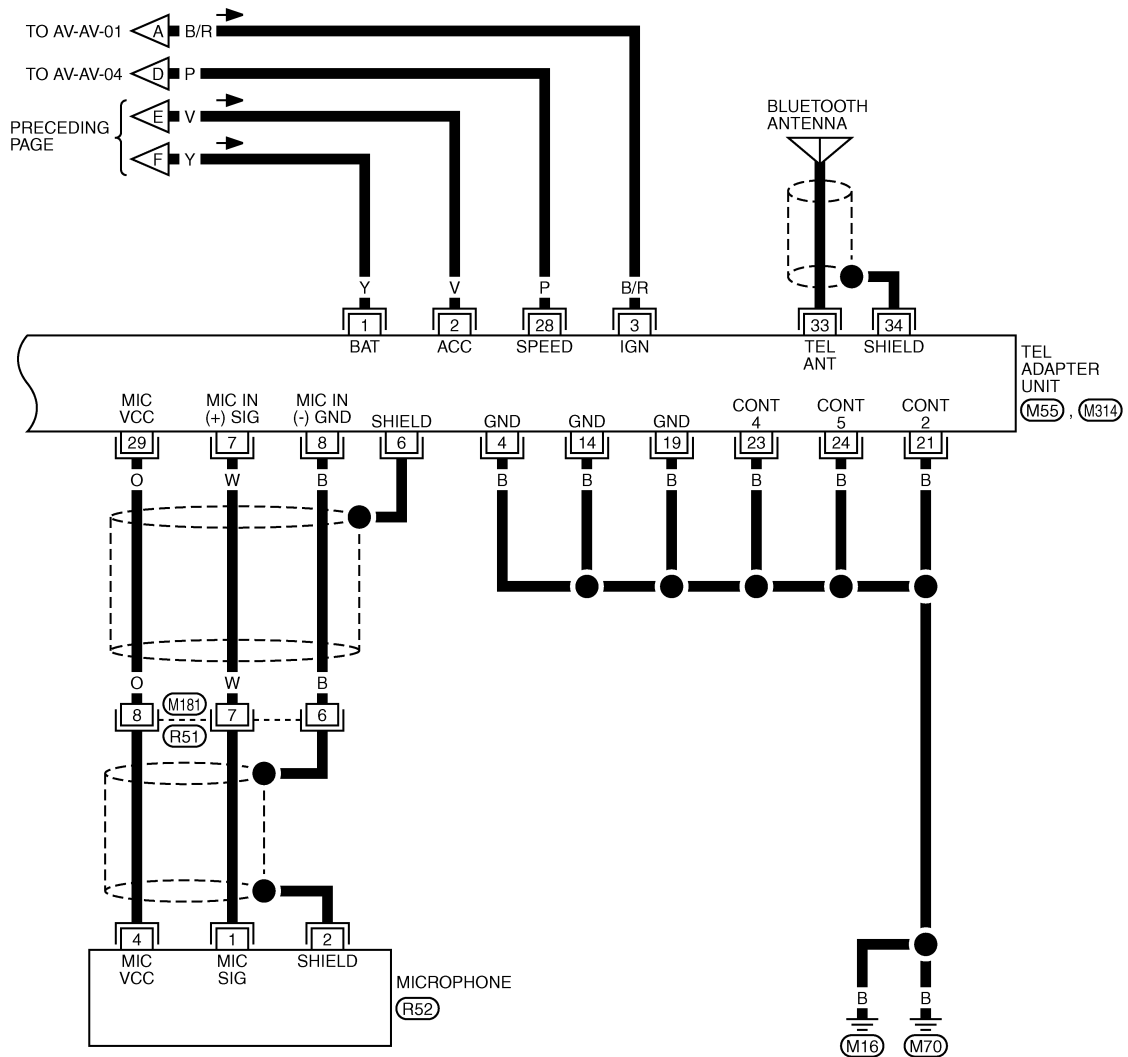


# SATELLITE RADIO TUNER

[WITHOUT MOBILE ENTERTAINMENT SYSTEM]

< ECU DIAGNOSIS >

AV-AV-12



\*: THIS CONNECTOR IS NOT SHOWN IN "HARNESS LAYOUT", PG SECTION.

TKWT8268E

# TEL ADAPTER UNIT

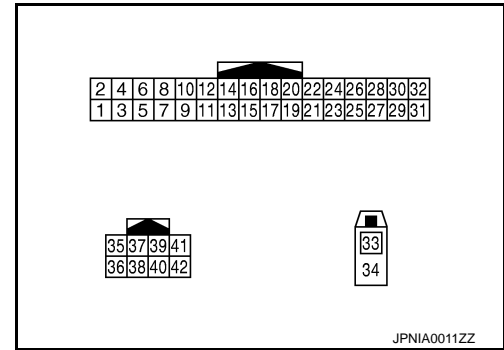
[WITHOUT MOBILE ENTERTAINMENT SYSTEM]

< ECU DIAGNOSIS >

## TEL ADAPTER UNIT

Reference Value

INFOID:000000005350362



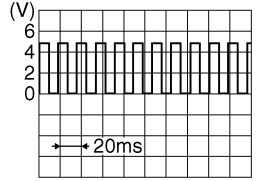
### PHYSICAL VALUES

Terminal (Wire color)		Description		Condition		Reference value (Approx.)
+	-	Signal name	Input/ Output			
1 (Y)	Ground	Battery power supply	Input	Ignition switch OFF	—	Battery voltage
2 (V)	Ground	ACC power supply	Input	Ignition switch ACC	—	Battery voltage
3 (B/R)	Ground	Ignition signal	Input	Ignition switch ON	—	Battery voltage
4 (B)	Ground	Ground	—	Ignition switch ON	—	0 V
5	—	Shield	—	—	—	—
6	—	Shield	—	—	—	—
7 (W)	8 (B)	Microphone signal	Input	Ignition switch ON	Give a voice.	<p style="text-align: right;">PKIB5037J</p>
8 (B)	Ground	Microphone Ground	—	Ignition switch ON	—	0 V
9 (L)	10 (P)	TEL voice signal	Output	Ignition switch ON	During voice guide output with the  switch pressed.	<p style="text-align: right;">SKIB3609E</p>

# TEL ADAPTER UNIT

[WITHOUT MOBILE ENTERTAINMENT SYSTEM]

< ECU DIAGNOSIS >

Terminal (Wire color)		Description		Condition		Reference value (Approx.)
+	-	Signal name	Input/ Output			
14 (B)	Ground	Ground	—	Ignition switch ON	—	0 V
19 (B)	Ground	Ground	—	Ignition switch ON	—	0 V
21 (B)	Ground	Control signal 2	Input	Ignition switch ON	—	0 V
23 (B)	Ground	Control signal 4	Input	Ignition switch ON	—	0 V
24 (B)	Ground	Control signal 5	Input	Ignition switch ON	—	0 V
28 (P)	Ground	Vehicle speed signal (8-pulse)	Input	Ignition switch ON	When vehicle speed is ap- prox. 40 km/h (25MPH).	<p><b>NOTE:</b> Maximum voltage may be 12 V due to specifications (connected units).</p> 
29 (O)	8 (B)	Microphone VCC	Output	Ignition switch ON	—	5 V
33	—	TEL antenna	Input	—	—	—
34	—	Shield	—	—	—	—
35 (L)	—	AV communication signal (H)	Input/ Output	—	—	—
36 (P)	—	AV communication signal (L)	Input/ Output	—	—	—
37	—	Shield	—	—	—	—

A  
B  
C  
D  
E  
F  
G  
H  
I  
J  
AV  
L  
M  
N  
O  
P

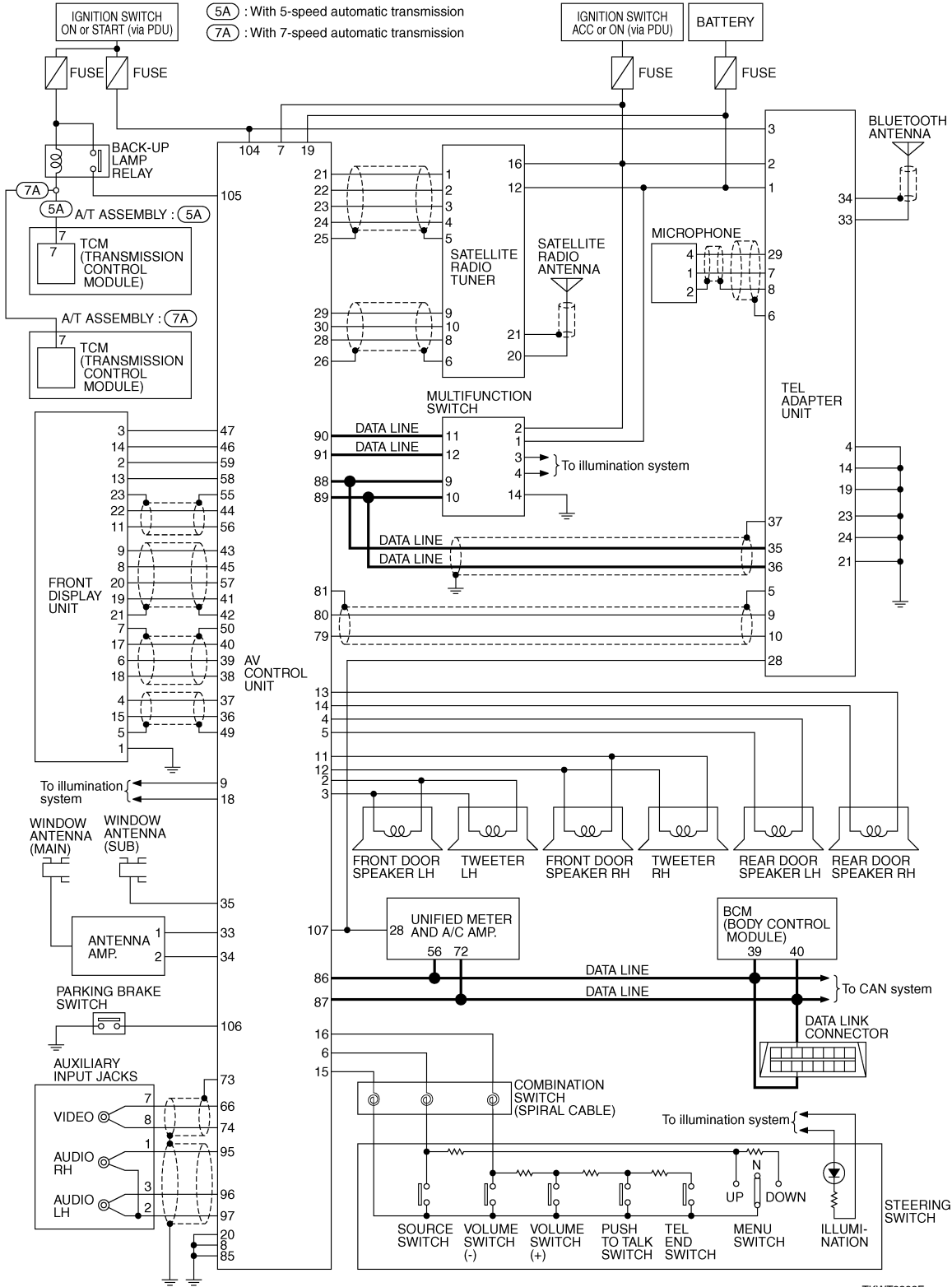
# TEL ADAPTER UNIT

[WITHOUT MOBILE ENTERTAINMENT SYSTEM]

< ECU DIAGNOSIS >

## Schematic - Base Audio System -

INFOID:000000005350363



TKWT8262E

## Wiring Diagram - AV - / Base Audio System

INFOID:000000005350364

**NOTE:**

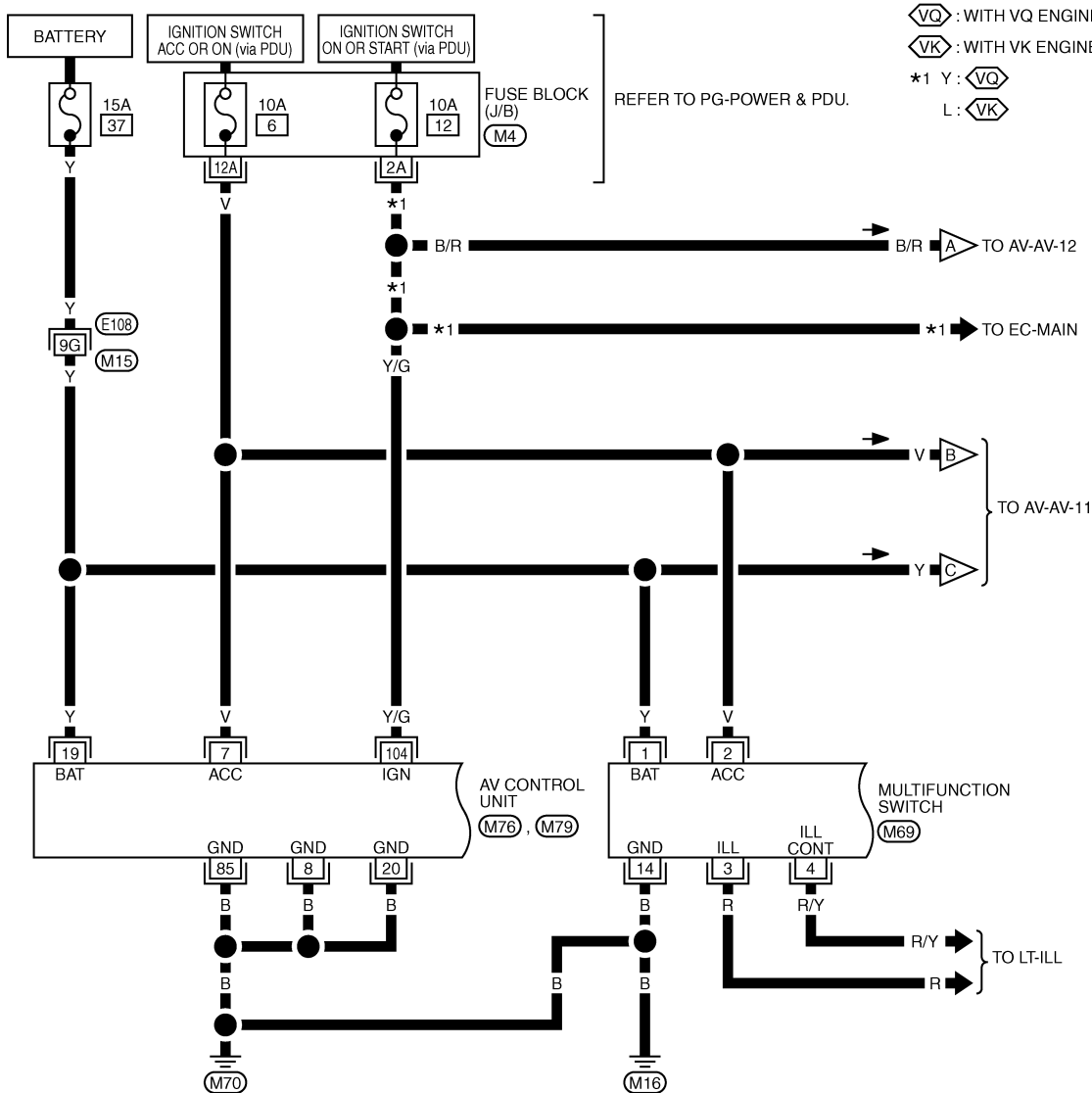
# TEL ADAPTER UNIT

[WITHOUT MOBILE ENTERTAINMENT SYSTEM]

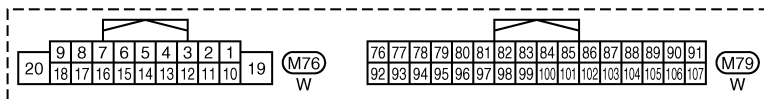
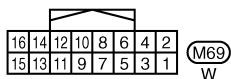
< ECU DIAGNOSIS >

The name MULTIFUNCTION SWITCH indicates the integration of PRESET SWITCH and MULTIFUNCTION SWITCH virtually.

AV-AV-01



VQ : WITH VQ ENGINE  
 VK : WITH VK ENGINE  
 \*1 Y : VQ  
 L : VK



REFER TO THE FOLLOWING.

- (E108) -SUPER MULTIPLE JUNCTION (SMJ)
- (M4) -FUSE BLOCK-JUNCTION BOX (J/B)

TKWT8263E

A  
B  
C  
D  
E  
F  
G  
H  
I  
J  
K  
L  
M  
N  
O  
P

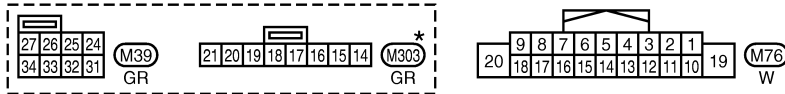
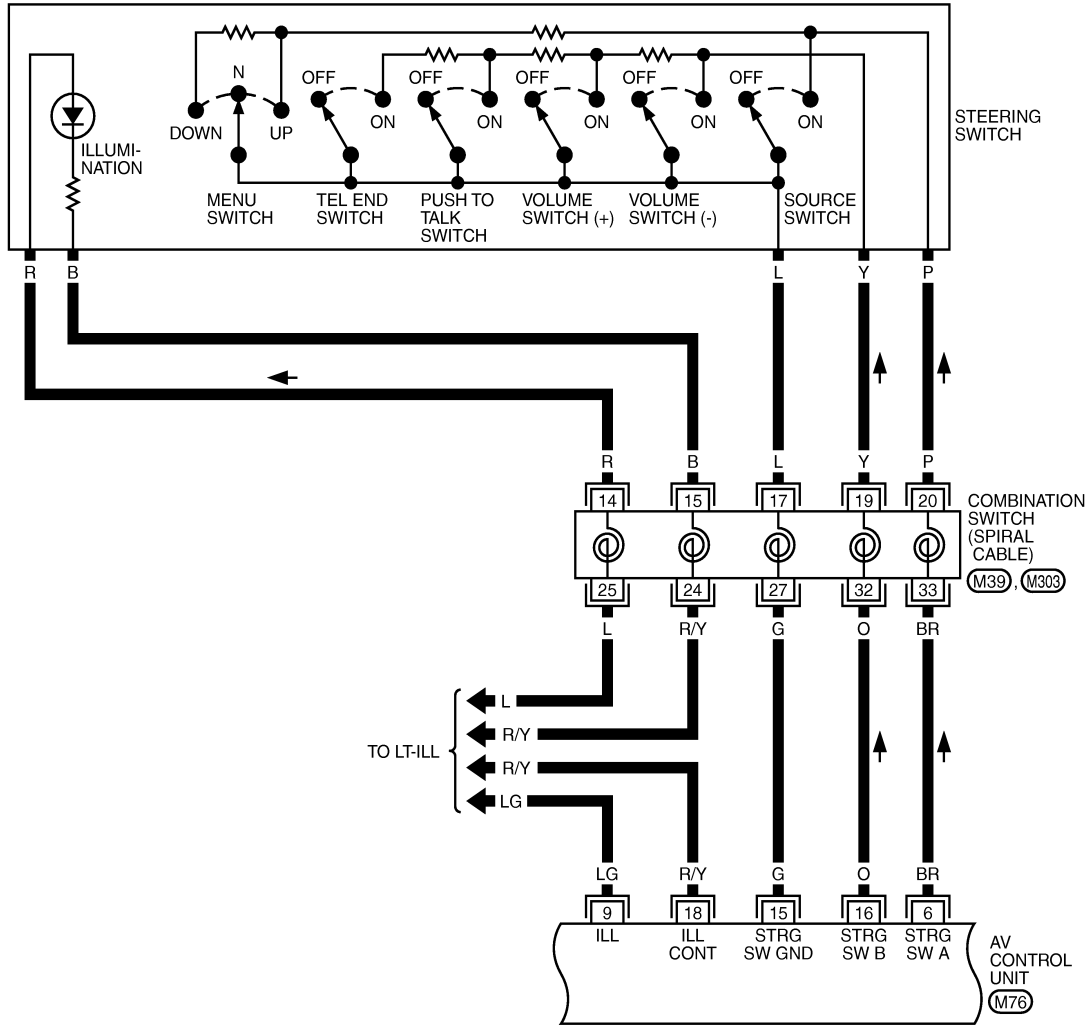
AV

# TEL ADAPTER UNIT

[WITHOUT MOBILE ENTERTAINMENT SYSTEM]

< ECU DIAGNOSIS >

AV-AV-02



\* : THIS CONNECTOR IS NOT SHOWN IN "HARNESS LAYOUT", PG SECTION.

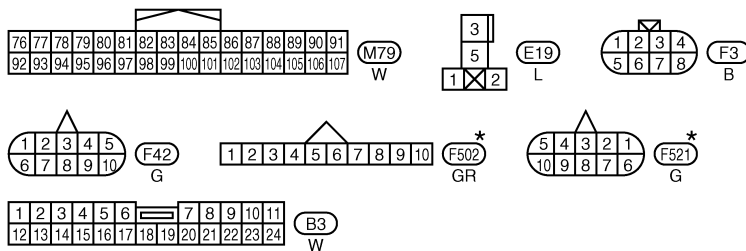
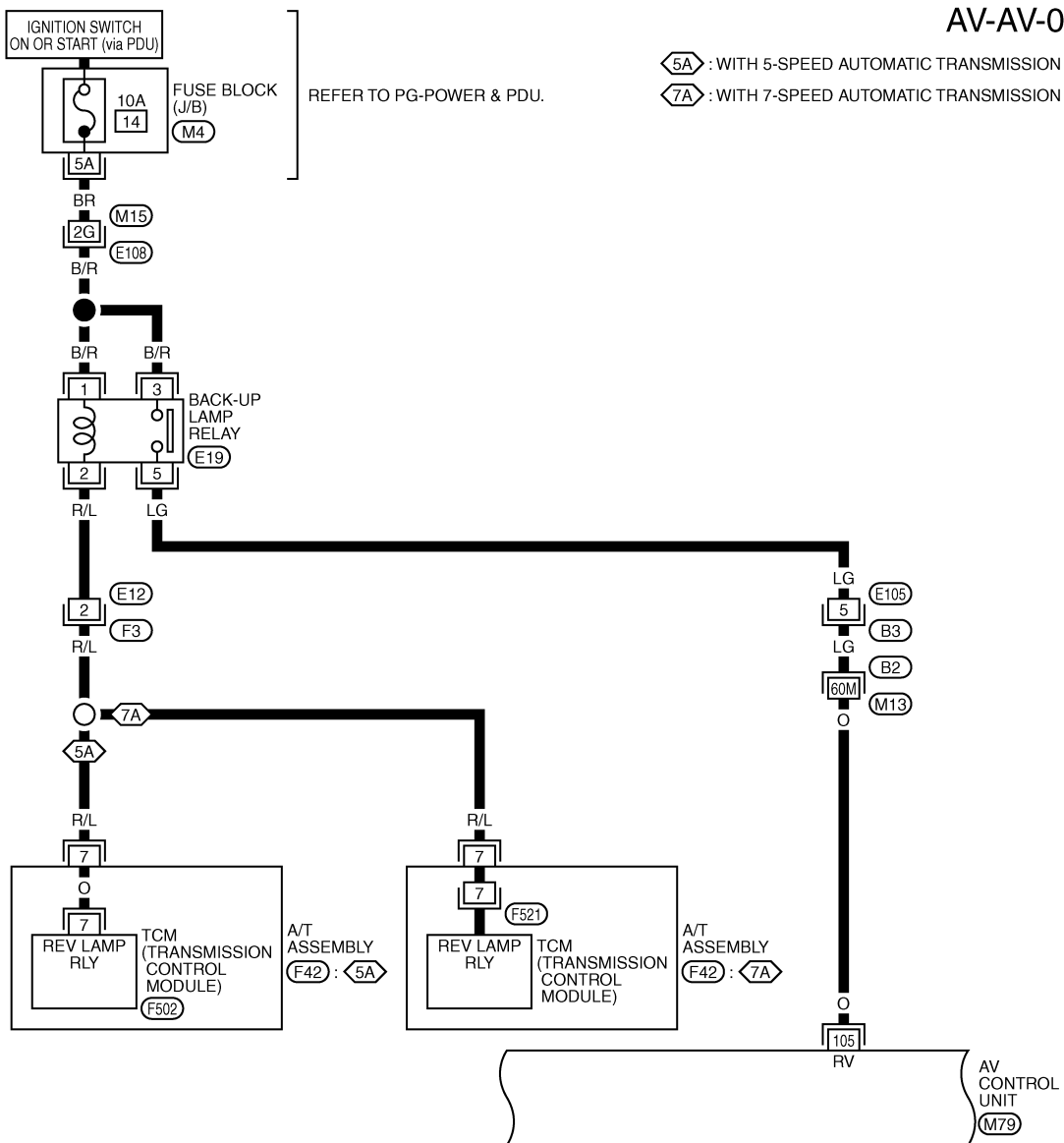
TKWT6674E

# TEL ADAPTER UNIT

[WITHOUT MOBILE ENTERTAINMENT SYSTEM]

< ECU DIAGNOSIS >

AV-AV-03



\*: THIS CONNECTOR IS NOT SHOWN IN "HARNESS LAYOUT", PG SECTION.

REFER TO THE FOLLOWING.

(E108), (B2) -SUPER MULTIPLE JUNCTION (SMJ)

(M4) -FUSE BLOCK-JUNCTION BOX (J/B)

TKWT8264E

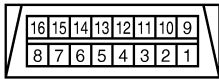
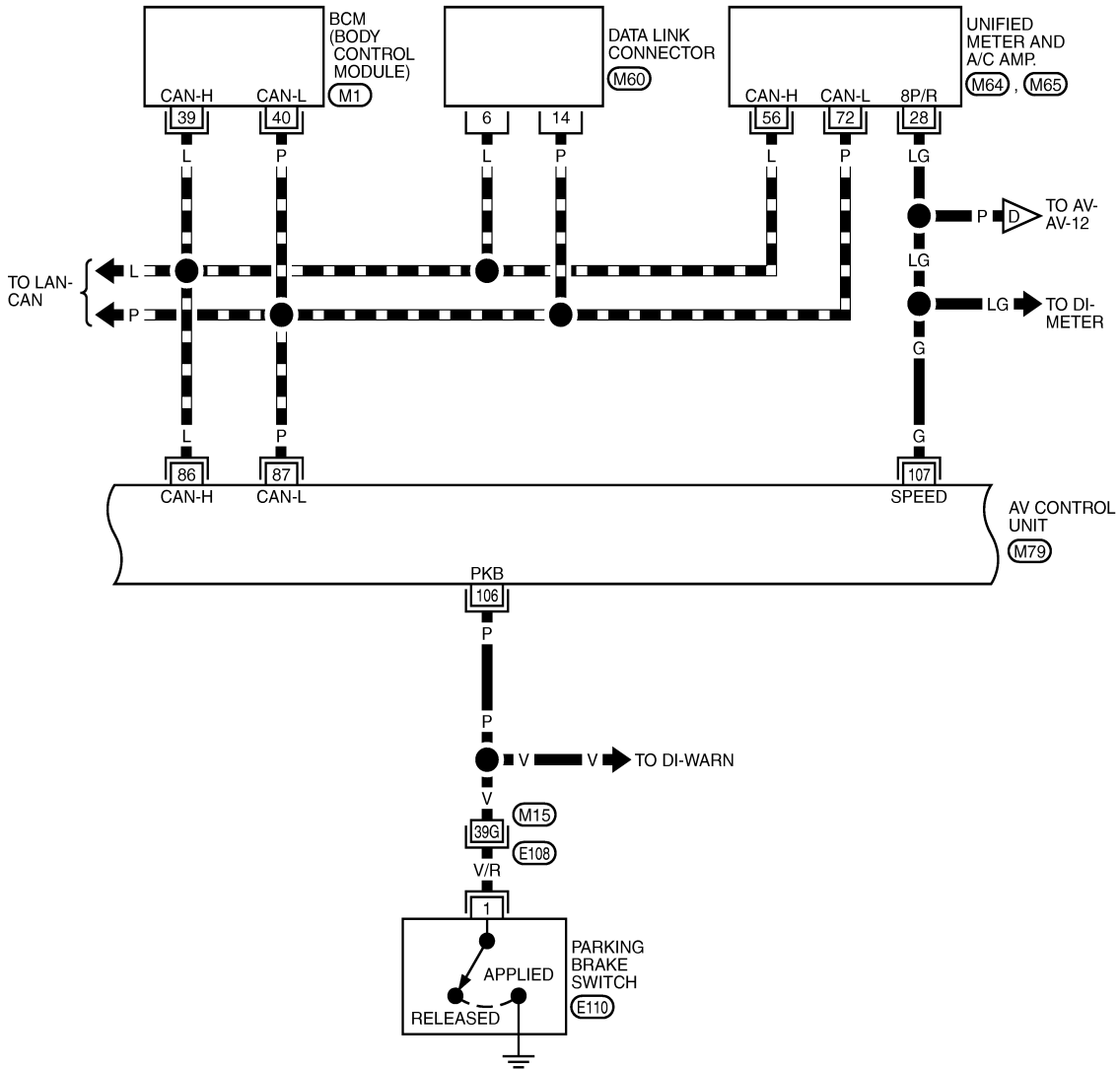
# TEL ADAPTER UNIT

[WITHOUT MOBILE ENTERTAINMENT SYSTEM]

< ECU DIAGNOSIS >

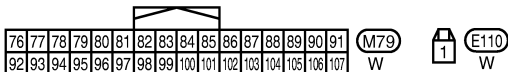
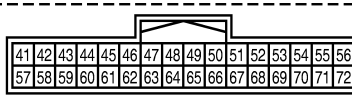
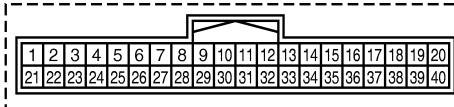
AV-AV-04

▬ : DATA LINE



REFER TO THE FOLLOWING.

- (E108) - SUPER MULTIPLE JUNCTION (SMJ)
- (M1) - ELECTRICAL UNITS



TKWT6676E

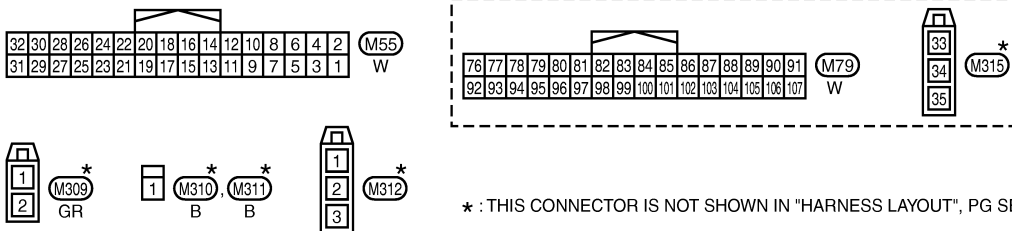
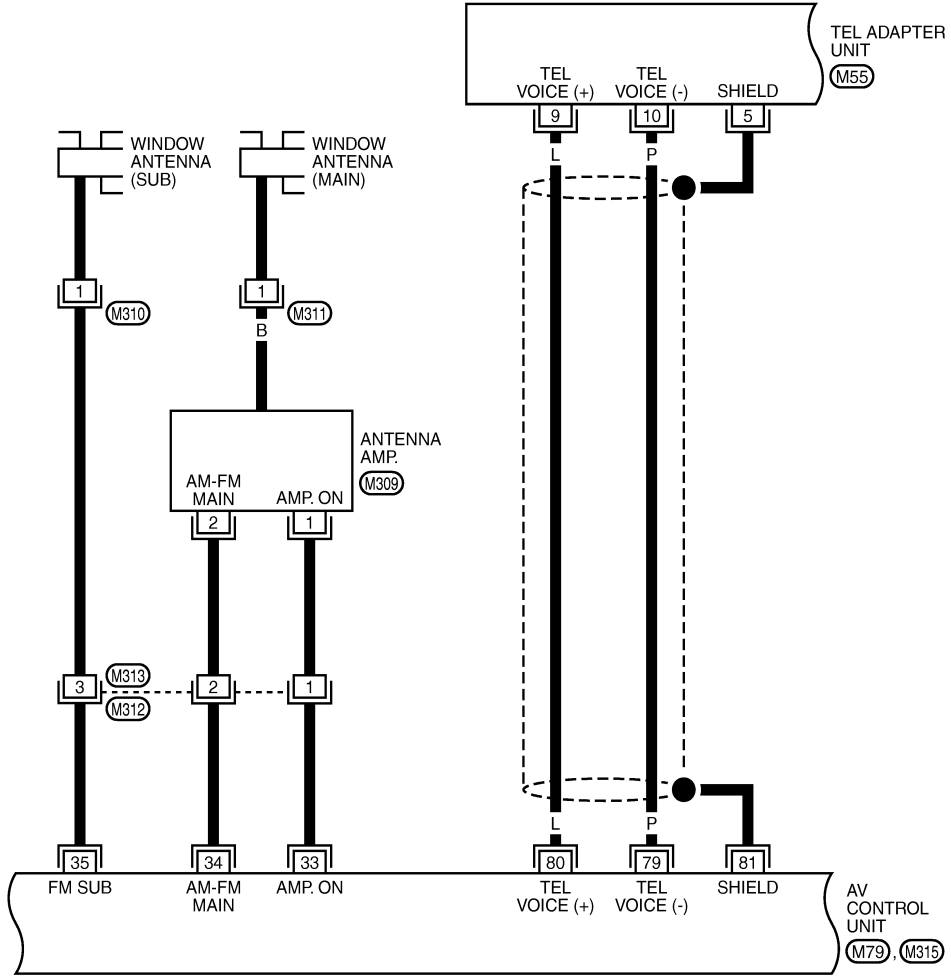


# TEL ADAPTER UNIT

[WITHOUT MOBILE ENTERTAINMENT SYSTEM]

< ECU DIAGNOSIS >

AV-AV-05



TKWT6677E

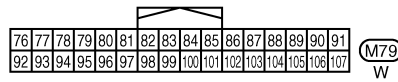
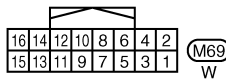
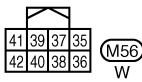
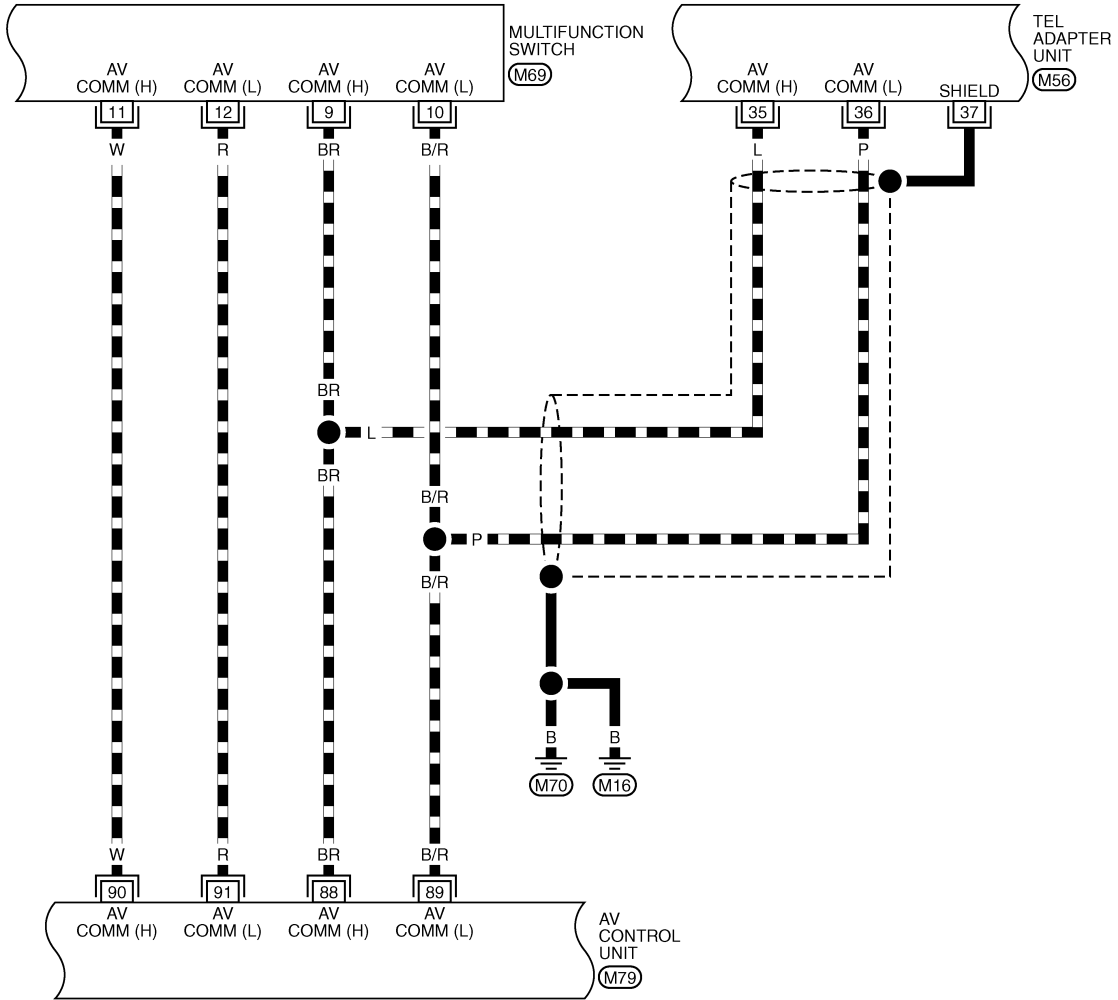
# TEL ADAPTER UNIT

[WITHOUT MOBILE ENTERTAINMENT SYSTEM]

< ECU DIAGNOSIS >

AV-AV-06

▬ : DATA LINE



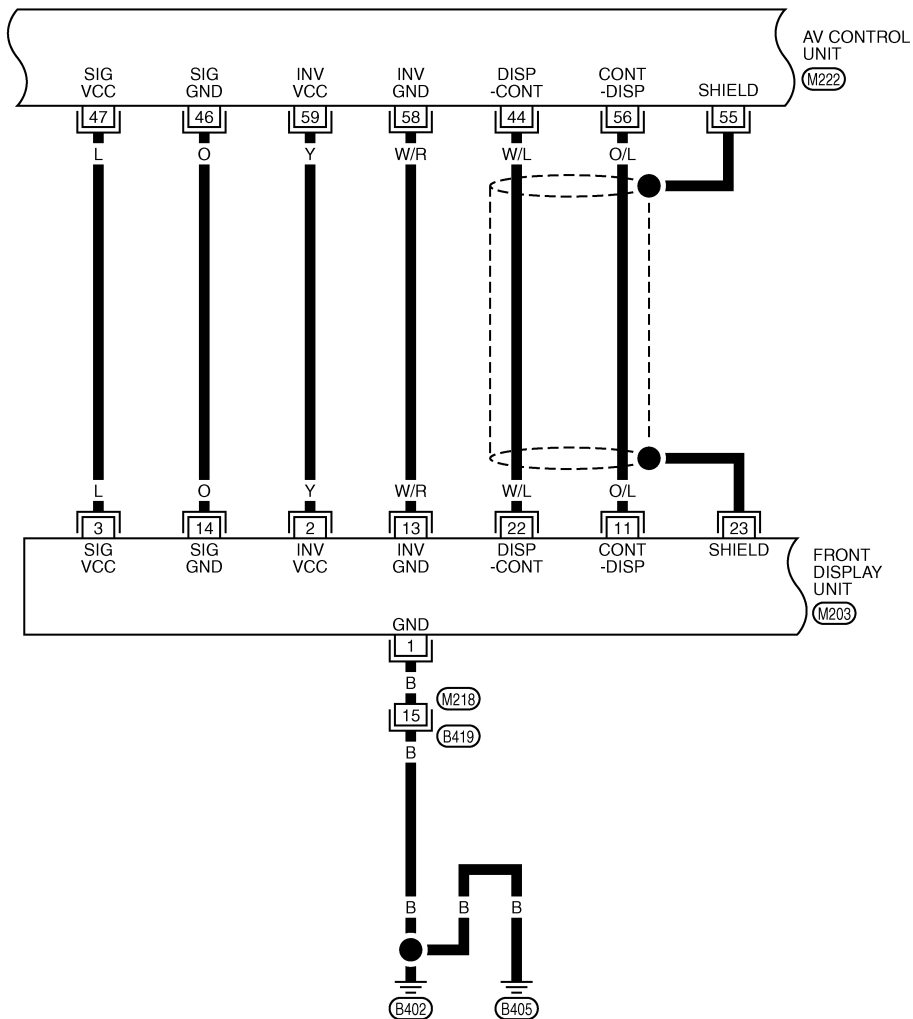
TKWT8265E

# TEL ADAPTER UNIT

[WITHOUT MOBILE ENTERTAINMENT SYSTEM]

< ECU DIAGNOSIS >

AV-AV-07



1	2	3	4	5	6	7	8	9	10	11	12
13	14	15	16	17	18	19	20	21	22	23	24

M203  
W

36	37	38	39	40	41	42	43	44	45	46	47
48	49	50	51	52	53	54	55	56	57	58	59

M222  
W

1	2	3	4	5	6	7	8	9	10	11	12	13	14	15	16
17	18	19	20	21	22	23	24	25	26	27	28	29	30	31	32

B419  
W

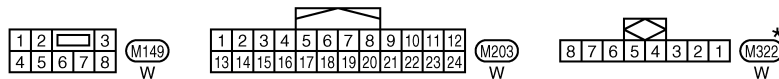
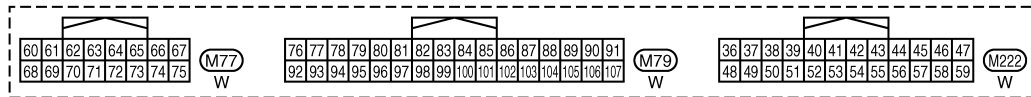
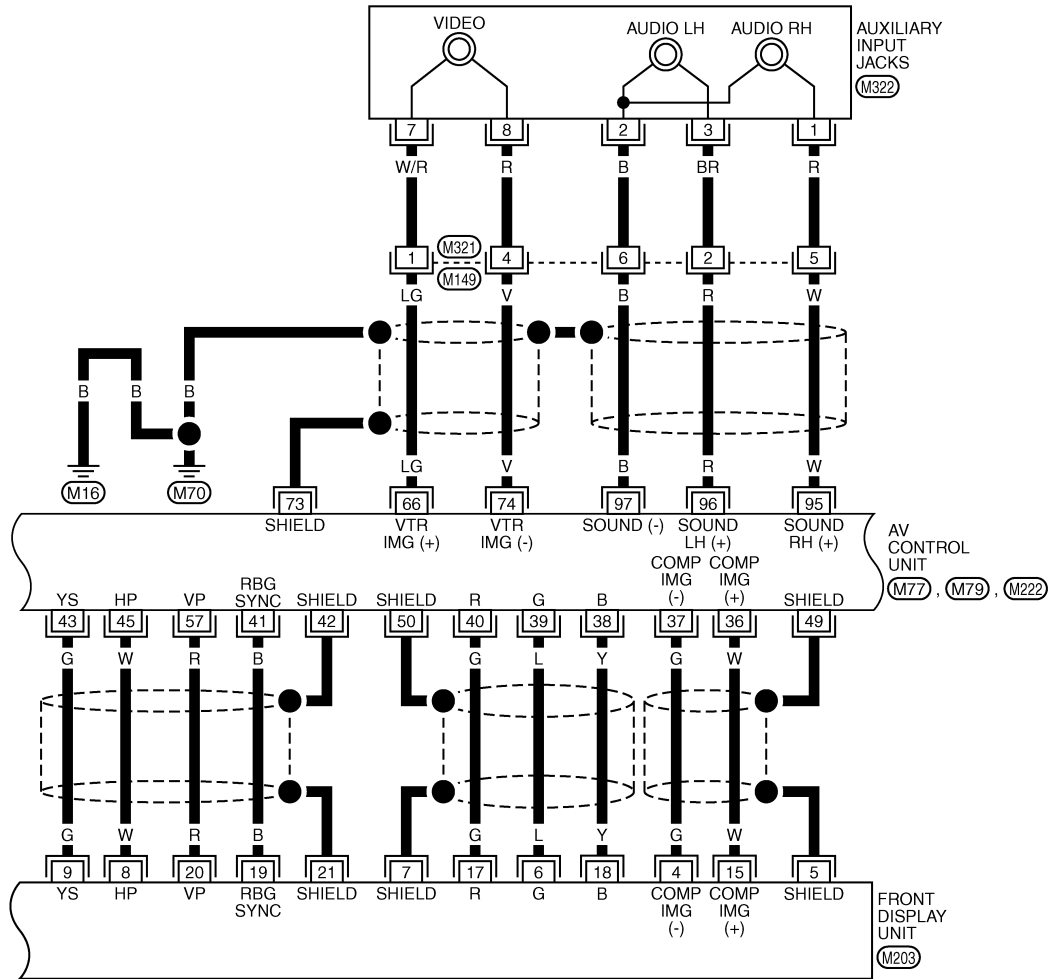
TKWT8266E

# TEL ADAPTER UNIT

[WITHOUT MOBILE ENTERTAINMENT SYSTEM]

< ECU DIAGNOSIS >

AV-AV-08



\*: THIS CONNECTOR IS NOT SHOWN IN "HARNESS LAYOUT", PG SECTION.

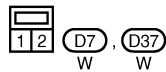
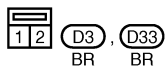
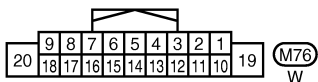
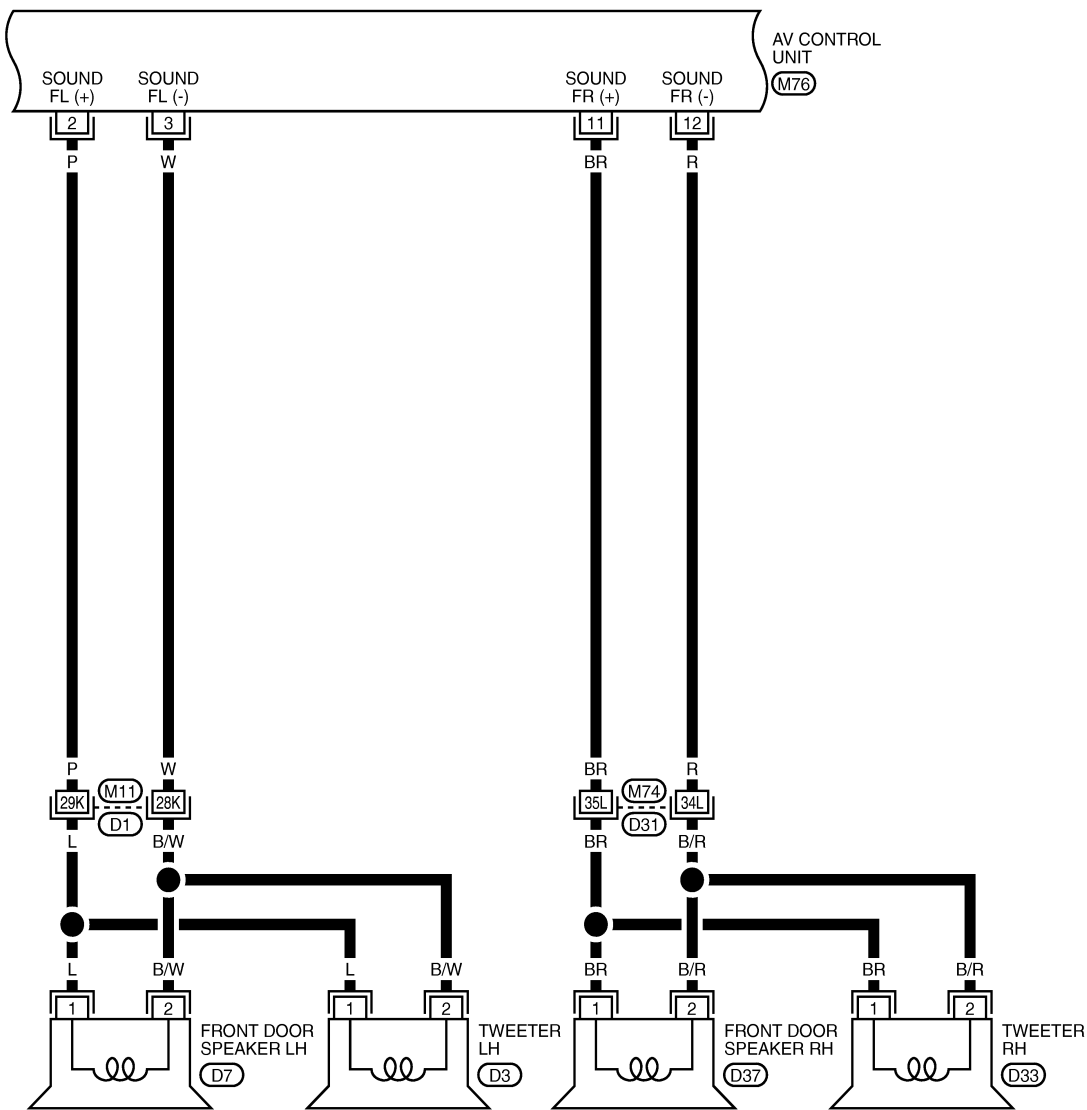
TKWT8267E

# TEL ADAPTER UNIT

[WITHOUT MOBILE ENTERTAINMENT SYSTEM]

< ECU DIAGNOSIS >

AV-AV-09



REFER TO THE FOLLOWING.

(D1), (D31) -SUPER  
MULTIPLE JUNCTION (SMJ)

TKWT6681E

A  
B  
C  
D  
E  
F  
G  
H  
I  
J  
K  
L  
M  
N  
O  
P

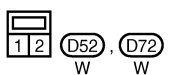
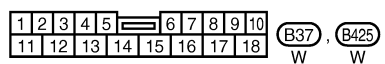
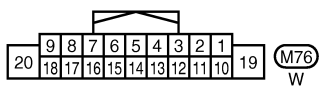
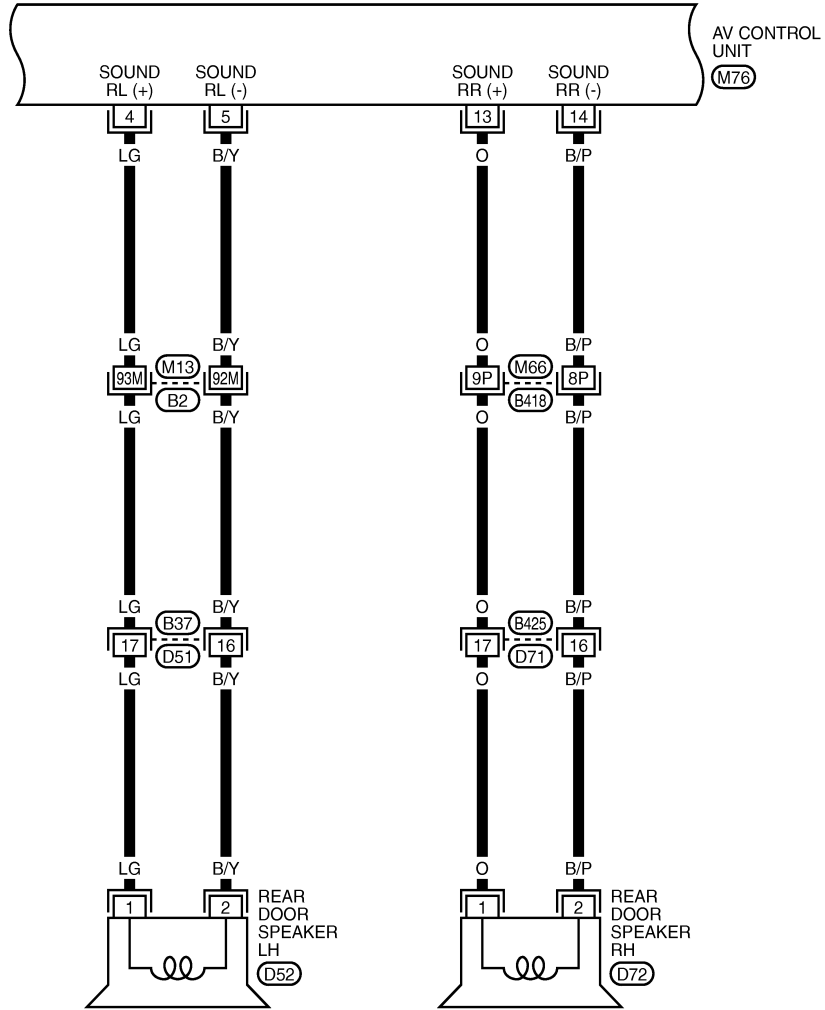
AV

# TEL ADAPTER UNIT

[WITHOUT MOBILE ENTERTAINMENT SYSTEM]

< ECU DIAGNOSIS >

AV-AV-10



REFER TO THE FOLLOWING.  
 (B2), (B418) -SUPER MULTIPLE JUNCTION (SMJ)

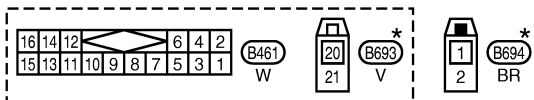
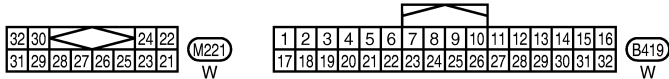
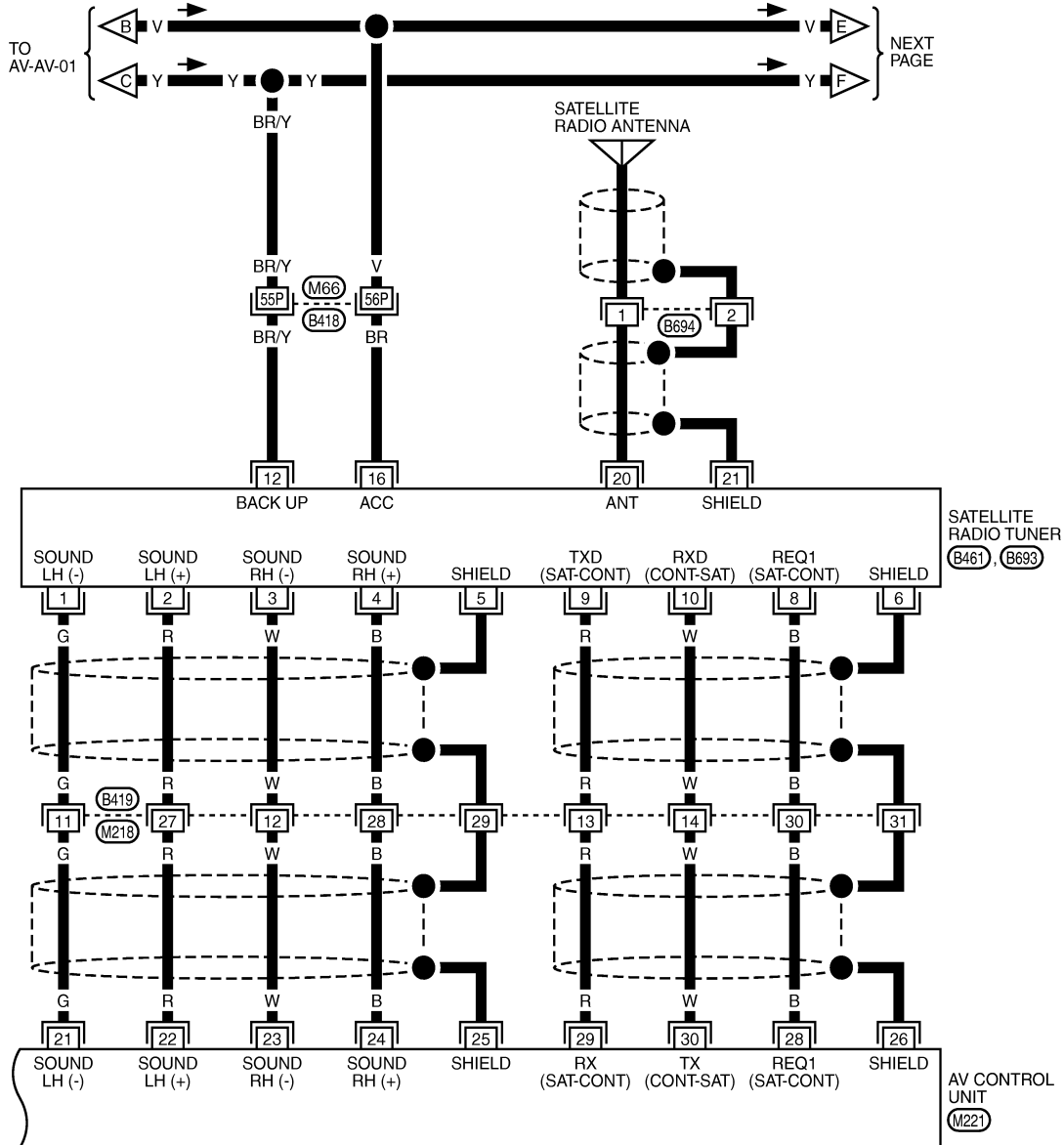
TKWT6682E

# TEL ADAPTER UNIT

[WITHOUT MOBILE ENTERTAINMENT SYSTEM]

< ECU DIAGNOSIS >

AV-AV-11



\* : THIS CONNECTOR IS NOT SHOWN IN "HARNESS LAYOUT", PG SECTION.

REFER TO THE FOLLOWING.

(B418) - SUPER MULTIPLE JUNCTION (SMJ)

TKWT6683E

A  
B  
C  
D  
E  
F  
G  
H  
I  
J  
K  
L  
M  
N  
O  
P

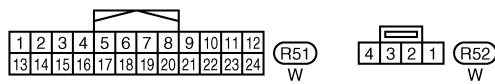
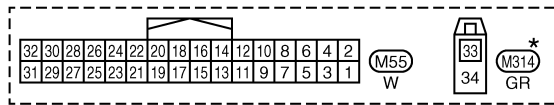
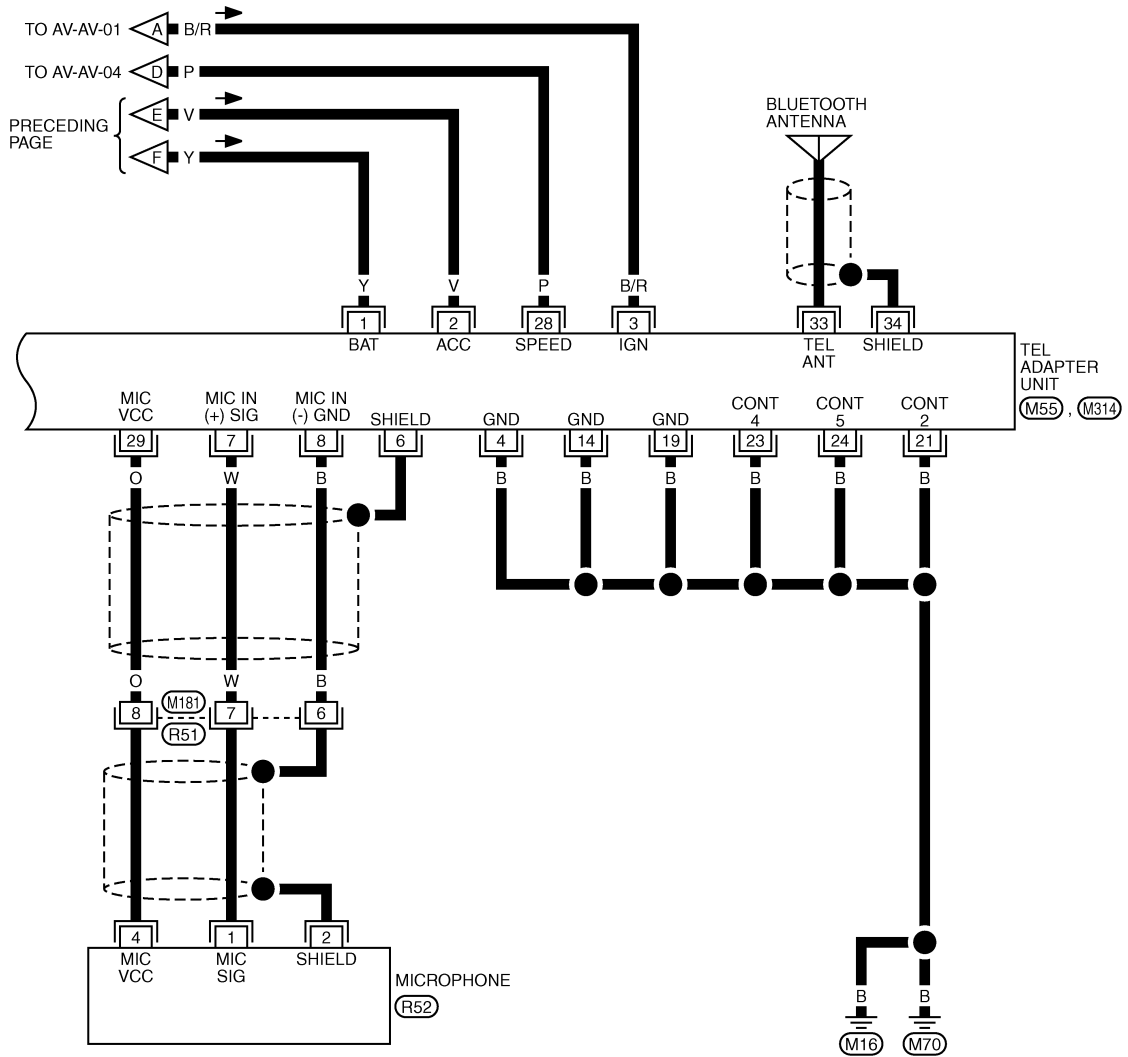
AV

# TEL ADAPTER UNIT

[WITHOUT MOBILE ENTERTAINMENT SYSTEM]

< ECU DIAGNOSIS >

AV-AV-12



\*: THIS CONNECTOR IS NOT SHOWN IN "HARNESS LAYOUT", PG SECTION.

TKWT8268E



# MULTI AV SYSTEM SYMPTOMS

[WITHOUT MOBILE ENTERTAINMENT SYSTEM]

< SYMPTOM DIAGNOSIS >

## SYMPTOM DIAGNOSIS

### MULTI AV SYSTEM SYMPTOMS

#### WITHOUT NAVIGATION

#### WITHOUT NAVIGATION : Symptom Table

INFOID:000000005350365

#### OPERATION

Symptoms	Check items	Possible malfunction location / Action to take
Multifunction switch and preset switch operation does not work.	<ul style="list-style-type: none"> <li>All switches cannot be operated.</li> <li>"MULTI AV" is displayed on system selection screen when the CONSULT-III is started.</li> </ul>	<ul style="list-style-type: none"> <li>Multifunction switch power supply and ground circuit.</li> <li>AV communication circuit between AV control unit and multifunction switch.</li> </ul> Perform CONSULT-III self-diagnosis. Refer to <a href="#">AV-55, "WITHOUT NAVIGATION : CONSULT-III Function (MULTI AV)".</a>
	<ul style="list-style-type: none"> <li>All switches cannot be operated.</li> <li>"MULTI AV" is not displayed on system selection screen when the CONSULT-III is started.</li> </ul>	AV control unit power supply and ground circuit malfunction. Refer to <a href="#">AV-113, "AV CONTROL UNIT : Diagnosis Procedure".</a>
	Only specified switch cannot be operated.	Multifunction switch or preset switch malfunction. Perform multifunction switch and preset switch self-diagnosis function. Refer to <a href="#">AV-48, "WITHOUT NAVIGATION : Diagnosis Description".</a>

#### RELATED TO HANDS-FREE PHONE

##### Basic Inspection

- Check that the cellular phone is corresponding type (Bluetooth™ correspond) when the hands-free related malfunction vehicle is in service before performing a diagnosis.
- There is a case that malfunction occurs due to the version change of the phone type, etc. even though it is a corresponding type. Therefore, confirm it by changing the cellular phone to another corresponding type phone, and check that it operates normally. It is necessary to distinguish whether the cause is the vehicle or cellular phone.

##### Simple check for Bluetooth™ communication

- If cellular phone and AV control unit cannot be connected with Bluetooth™ communication, following procedure allows the technician to judge which device has malfunction.

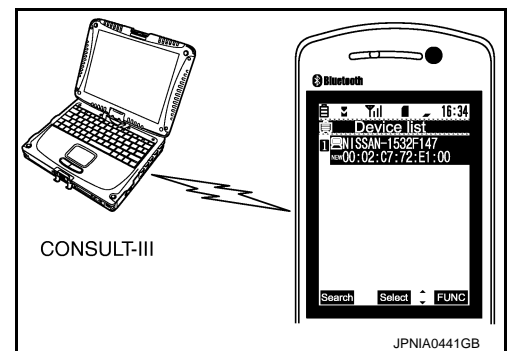
- Turn on a cellular phone, not connecting Bluetooth™ communication.
- Start CONSULT-III, then start Windows®.
- Set CONSULT-III near a cellular phone.
- When operated Bluetooth™ registration by cellular phone, check if CONSULT-III\* would be displayed on the device name.

(If other Bluetooth™ device is located near cellular phone, a name of the device would be displayed also.)

##### NOTE:

\*:displayed Device Name Is "NISSAN-\*\*\*\*\*".

- If no device name is displayed, cellular phone is malfunctioning. Repair the cellular phone first, then perform diagnosis.
- If CONSULT-III is displayed on device name, cellular phone is normal. Perform diagnosis as per the following table.



##### On board self-diagnosis of hands-free phone system

Always perform the on board self-diagnosis at first after completing the basic inspection when the malfunction is detected on the hands-free phone system. Refer to [AV-76, "Diagnosis Description".](#)



Narrow down possible causes using the Diagnosis Chart if there is no malfunction in the on board self-diagnosis.

## MULTI AV SYSTEM SYMPTOMS

< SYMPTOM DIAGNOSIS >

[WITHOUT MOBILE ENTERTAINMENT SYSTEM]

Trouble diagnosis chart by symptom

Symptoms	Check items	Probable malfunction location
Does not recognize cellular phone connection. (No connection is displayed on the front display at the guide.)	Repeat the registration of cellular phone.	TEL adapter unit malfunction. Refer to <a href="#">AV-508, "Exploded View"</a> .
Hands-free phone cannot be established.	Both the reception and the speech cannot be performed	<ul style="list-style-type: none"> <li>• Perform CONSULT-III self-diagnosis. Refer to <a href="#">AV-55, "WITHOUT NAVIGATION : CONSULT-III Function (MULTI AV)"</a>.</li> <li>• No malfunction. TEL adapter unit malfunction. Refer to <a href="#">AV-508, "Exploded View"</a>.</li> </ul>
The other party's voice cannot be heard by hands-free phone.	The operation of the "  " switch can be performed.	TEL voice signal circuit malfunction between TEL adapter unit and AV control unit.
	The operation of the "  " switch cannot be performed.	Control signal circuit. Refer to <a href="#">AV-144, "Diagnosis Procedure"</a> .
Originating sound is not heard by the other party with hands-free phone communication.	Sound operation function is normal.	TEL adapter unit. Refer to <a href="#">AV-508, "Exploded View"</a> .
	Sound operation function does not work.	Microphone signal circuit. Refer to <a href="#">AV-140, "WITHOUT NAVIGATION : Diagnosis Procedure"</a> .

### RELATED TO RGB IMAGE

Trouble diagnosis chart by symptom

Symptoms	Check items	Possible malfunction location / Action to take
RGB image is not shown.	There is malfunction in the CONSULT-III self-diagnosis result.	Perform CONSULT-III self-diagnosis. Refer to <a href="#">AV-55, "WITHOUT NAVIGATION : CONSULT-III Function (MULTI AV)"</a> .
	There is no malfunction in CONSULT-III self-diagnosis results.	<ul style="list-style-type: none"> <li>• Front display unit power supply and ground circuit. Refer to <a href="#">AV-114, "FRONT DISPLAY UNIT : Diagnosis Procedure"</a>.</li> <li>• AV control unit power supply and ground circuit. Refer to <a href="#">AV-113, "AV CONTROL UNIT : Diagnosis Procedure"</a>.</li> </ul>
Color of RGB image is not proper.	Light blue (Cyan) tint.	RGB signal (R: red) circuit. Refer to <a href="#">AV-122, "WITHOUT NAVIGATION : Diagnosis Procedure"</a> .
	Purple (Magenta) tint.	RGB signal (G: green) circuit. Refer to <a href="#">AV-124, "WITHOUT NAVIGATION : Diagnosis Procedure"</a> .
	Screen looks yellowish.	RGB signal (B: blue) circuit. Refer to <a href="#">AV-126, "WITHOUT NAVIGATION : Diagnosis Procedure"</a> .
RGB screen is rolling.	—	RGB synchronizing signal circuit. Refer to <a href="#">AV-128, "WITHOUT NAVIGATION : Diagnosis Procedure"</a> .
Fuel economy display is malfunctioning.	There is malfunction in the CONSULT-III self-diagnosis result.	Perform CONSULT-III self-diagnosis. Refer to <a href="#">AV-55, "WITHOUT NAVIGATION : CONSULT-III Function (MULTI AV)"</a> .
	There is no malfunction in CONSULT-III self-diagnosis results.	Ignition signal circuit malfunction. Refer to <a href="#">AV-113, "AV CONTROL UNIT : Diagnosis Procedure"</a> .

### RELATED TO AUDIO

# MULTI AV SYSTEM SYMPTOMS

## [WITHOUT MOBILE ENTERTAINMENT SYSTEM]



### < SYMPTOM DIAGNOSIS >

#### Trouble diagnosis chart by symptom

Symptoms	Check items	Possible malfunction location / Action to take
The CD cannot be removed.	Check the mechanical operation of eject switch.	Perform CONSULT-III self-diagnosis. When detecting no malfunction in those components, replace AV control unit. Refer to <a href="#">AV-482, "Exploded View"</a> .
Audio sound is not heard.	No sound from all speakers.	Perform CONSULT-III self-diagnosis. When detecting no malfunction in those components, replace AV control unit. Refer to <a href="#">AV-482, "Exploded View"</a> .
	There is no sound from one of speakers.	Sound signal circuits malfunction between AV control unit and speaker on the side where there is no sound.
Satellite radio is not received.	"ANTENNA" is not displayed even when the channel is turned to 0 in Satellite radio mode.	Perform the following inspection procedure. 1. Check satellite radio antenna mounting nut for looseness. <b>NOTE:</b> Tightening torque: 6.5 N·m (0.66 kg·m, 58 in·lb.) 2. Visually check for satellite radio antenna feeder. 3. Replace the satellite radio antenna. Refer to <a href="#">AV-507, "Exploded View"</a> . 4. Replace the satellite radio tuner. Refer to <a href="#">AV-506, "Exploded View"</a> .
	"ANTENNA" is displayed when the channel is turned to 0 in Satellite radio mode.	Perform the following inspection procedure. 1. Check the connection between Satellite radio tuner and antenna feeder. 2. Check the connection between Satellite radio antenna and antenna feeder. 3. Check Antenna feeder for open circuit. 4. Replace the satellite radio antenna. Refer to <a href="#">AV-507, "Exploded View"</a> . 5. Replace the satellite radio tuner. Refer to <a href="#">AV-506, "Exploded View"</a> .
The sound of Satellite radio is not heard.	Other audio sounds are normal.	Satellite radio sound signal circuit between AV control unit and satellite radio tuner.
It does not change to Satellite radio mode.	There is malfunction in the CONSULT-III self-diagnosis result.	Perform CONSULT-III self-diagnosis. Refer to <a href="#">AV-55, "WITHOUT NAVIGATION : CONSULT-III Function (MULTI AV)"</a> .
AM/FM radio is not received.	Other audio sounds are normal.	<ul style="list-style-type: none"> <li>Antenna amp. ON signal circuit.</li> <li>Antenna feeder.</li> </ul>

### RELATED TO STEERING SWITCH

#### Trouble diagnosis chart by symptom

Symptoms	Probable malfunction location
None of the steering switch operations work.	Steering switch signal GND circuit. Refer to <a href="#">AV-154, "WITHOUT NAVIGATION : Diagnosis Procedure"</a> .
Only specified switch cannot be operated.	Steering switch. Refer to <a href="#">AV-495, "Exploded View"</a> .
"SOURCE", "MENU UP", "MENU DOWN" switches of steering switch are not operated.	Steering switch signal A circuit. Refer to <a href="#">AV-148, "WITHOUT NAVIGATION : Diagnosis Procedure"</a> .
"VOL UP", "VOL DOWN", "  ", "  switches of steering switch are not operated.	Steering switch signal B circuit. Refer to <a href="#">AV-151, "WITHOUT NAVIGATION : Diagnosis Procedure"</a> .

### AUX

#### NOTE:

Check that there is no malfunction of AUX equipment main body before performing a diagnosis.

# MULTI AV SYSTEM SYMPTOMS

[WITHOUT MOBILE ENTERTAINMENT SYSTEM]

< SYMPTOM DIAGNOSIS >

Trouble diagnosis chart by symptom

Symptoms	Check items	Probable malfunction location
No voice sound is heard when AUX mode is selected.	Voice sound is heard when other modes are selected.	AUX sound signal circuits malfunction between auxiliary input jacks and AV control unit.
AUX Image is not displayed when AUX mode is selected. (Menu display is normal)	—	<ul style="list-style-type: none"> <li>AUX image signal circuit malfunction between auxiliary input jacks and AV control unit. Refer to <a href="#">AV-136, "WITHOUT NAVIGATION : Diagnosis Procedure"</a>.</li> <li>RGB area (YS) signal circuit malfunction between AV control unit and front display unit. Refer to <a href="#">AV-130, "WITHOUT NAVIGATION : Diagnosis Procedure"</a>.</li> </ul>
AUX Image is not displayed when AUX mode is selected. (Menu display is not displayed, too)	—	<ul style="list-style-type: none"> <li>Horizontal synchronizing (HP) signal circuit malfunction between AV control unit and front display unit. Refer to <a href="#">AV-132, "WITHOUT NAVIGATION : Diagnosis Procedure"</a>.</li> <li>Vertical synchronizing (VP) signal circuit malfunction between AV control unit and display unit. Refer to <a href="#">AV-134, "WITHOUT NAVIGATION : Diagnosis Procedure"</a>.</li> </ul>
AUX Image is not rolling when AUX mode is selected.	—	<ul style="list-style-type: none"> <li>Horizontal synchronizing (HP) signal circuit malfunction between AV control unit and front display unit. Refer to <a href="#">AV-132, "WITHOUT NAVIGATION : Diagnosis Procedure"</a>.</li> <li>Vertical synchronizing (VP) signal circuit malfunction between AV control unit and display unit. Refer to <a href="#">AV-134, "WITHOUT NAVIGATION : Diagnosis Procedure"</a>.</li> </ul>

## WITH NAVIGATION

### WITH NAVIGATION : Symptom Table

INFOID:000000005350366

### RELATED TO NAVIGATION

Trouble diagnosis chart by symptom

Symptoms	Check items	Possible malfunction location / Action to take
Multifunction switch and preset switch operation does not work.	<ul style="list-style-type: none"> <li>All switches cannot be operated.</li> <li>"MULTI AV" is displayed on system selection screen when the CONSULT-III is started.</li> </ul>	<ul style="list-style-type: none"> <li>Multifunction switch power supply and ground circuit.</li> <li>AV communication circuit between AV control unit and multifunction switch.</li> </ul> Perform CONSULT-III self-diagnosis. Refer to <a href="#">AV-72, "WITH NAVIGATION : CONSULT-III Function (MULTI AV)"</a> .
	<ul style="list-style-type: none"> <li>All switches cannot be operated.</li> <li>"MULTI AV" is not displayed on system selection screen when the CONSULT-III is initialized.</li> </ul>	AV control unit power supply and ground circuit malfunction. Refer to <a href="#">AV-113, "AV CONTROL UNIT : Diagnosis Procedure"</a> .
	Only specified switch cannot be operated.	Multifunction switch or preset switch malfunction. Perform multifunction switch and preset switch self-diagnosis function. Refer to <a href="#">AV-57, "WITH NAVIGATION : Diagnosis Description"</a> .
Fuel economy display, vehicle setting operation is abnormal.	There is malfunction in the CONSULT-III self-diagnosis result.	Perform detected DTC self-diagnosis. Refer to <a href="#">AV-72, "WITH NAVIGATION : CONSULT-III Function (MULTI AV)"</a> .
	There is no malfunction in the self-diagnosis results.	AV control unit Ignition signal circuit malfunction. Refer to <a href="#">AV-113, "AV CONTROL UNIT : Diagnosis Procedure"</a> .
Guide sound is not heard.	On the setting display select "system sound (guide sound volume, etc.)," and confirm that guide sound is ON.	AV control unit malfunction. Replace AV control unit. Refer to <a href="#">AV-482, "Exploded View"</a> .

### RELATED TO HANDS-FREE PHONE

# MULTI AV SYSTEM SYMPTOMS

## [WITHOUT MOBILE ENTERTAINMENT SYSTEM]

### < SYMPTOM DIAGNOSIS >

- Check that the cellular phone is corresponding type (Bluetooth™ correspond) when the hands-free related malfunction vehicle is in service before performing a diagnosis.
- There is a case that malfunction occurs due to the version change of the phone type, etc. even though it is a corresponding type. Therefore, confirm it by changing the cellular phone to another corresponding type phone, and check that it operates normally. It is necessary to distinguish whether the cause is the vehicle or cellular phone.

Simple check for Bluetooth™ communication

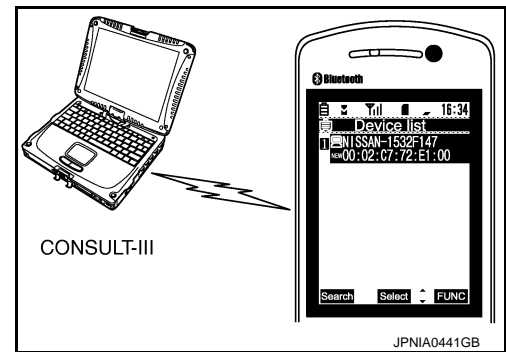
If cellular phone and AV control unit cannot be connected with Bluetooth™ communication, following procedure allows the technician to judge which device has malfunction.

1. Turn on a cellular phone, not connecting Bluetooth™ communication.
2. Start CONSULT-III, then start Windows®.
3. Set CONSULT-III near a cellular phone.
4. When operated Bluetooth™ registration by cellular phone, check if CONSULT-III\* would be displayed on the device name.  
(If other Bluetooth™ device is located near cellular phone, a name of the device would be displayed also.)

**NOTE:**

\*:Displayed device name is "NISSAN-\*\*\*\*\*".

- If no device name is displayed, cellular phone is malfunctioning. Repair the cellular phone first, then perform diagnosis.
- If CONSULT-III is displayed on device name, cellular phone is normal. Perform diagnosis as per the following table.



### Trouble diagnosis chart by symptom

Symptoms	Check items	Probable malfunction location
Does not recognize cellular phone connection. (no connection is displayed on the display at the guide.)	Repeat the registration of cellular phone.	AV control unit malfunction. Replace AV control unit. Refer to <a href="#">AV-482, "Exploded View"</a> .
Hands-free phone cannot be established.	<ul style="list-style-type: none"> <li>• Hands-free phone operation can be made, but the communication cannot be established.</li> <li>• Hands-free phone operation can be performed, however, voice between each other cannot be heard during the conversation.</li> </ul>	AV control unit malfunction. Replace AV control unit. Refer to <a href="#">AV-482, "Exploded View"</a> .
The other party's voice cannot be heard by hands-free phone.	Check the "microphone speaker" in Inspection & Adjustment Mode if sound is heard.	AV control unit malfunction. Replace AV control unit. Refer to <a href="#">AV-482, "Exploded View"</a> .
	Check the "microphone speaker" in Inspection & Adjustment Mode if sound is not heard.	AV control unit malfunction. Replace AV control unit. Refer to <a href="#">AV-482, "Exploded View"</a> .
Originating sound is not heard by the other party with hands-free phone communication.	Sound operation function is normal.	AV control unit malfunction. Replace AV control unit. Refer to <a href="#">AV-482, "Exploded View"</a> .
	Sound operation function does not work.	Microphone signal circuit malfunction. Refer to <a href="#">AV-141, "WITH NAVIGATION : Diagnosis Procedure"</a> .

### RELATED TO CAMERA

## MULTI AV SYSTEM SYMPTOMS

[WITHOUT MOBILE ENTERTAINMENT SYSTEM]

< SYMPTOM DIAGNOSIS >

Trouble diagnosis chart by symptom

Symptoms	Check items	Probable malfunction location
Camera image is not displayed (displayed in black and nothing can be displayed).	For front display unit, AUX and DVD image are not displayed.	<ul style="list-style-type: none"> <li>Horizontal synchronizing (HP) signal circuit malfunction between AV control unit and front display unit. Refer to <a href="#">AV-132, "WITH NAVIGATION : Diagnosis Procedure"</a>.</li> <li>Vertical synchronizing (VP) signal circuit malfunction between AV control unit and front display unit. Refer to <a href="#">AV-134, "WITH NAVIGATION : Diagnosis Procedure"</a>.</li> </ul>
Camera image is not shown. (Vehicle width and possible route line is displayed.)	—	<ul style="list-style-type: none"> <li>Camera image signal circuit between camera control unit and rear view camera. Refer to <a href="#">AV-145, "Diagnosis Procedure"</a>.</li> <li>Rear view camera ON signal circuit. Refer to <a href="#">AV-146, "Diagnosis Procedure"</a>.</li> </ul>
Camera image is not displayed. (Only warning message under area is displayed.)	There is malfunction in the CONSULT-III self-diagnosis result.	Perform detected DTC self-diagnosis. Refer to <a href="#">AV-72, "WITH NAVIGATION : CONSULT-III Function (MULTI AV)"</a> .
	For front display unit, AUX and DVD image are normal.	Camera image signal circuit malfunction between camera control unit and front display unit. Refer to <a href="#">AV-147, "Diagnosis Procedure"</a> .
	For front display unit, AUX and DVD image are not displayed.	RGB area (YS) signal circuit malfunction between AV control unit and front display unit. Refer to <a href="#">AV-130, "WITH NAVIGATION : Diagnosis Procedure"</a> .
	Select "Camera Cont." of Confirmation/Adjustment mode, Reverse Sensor is not turned ON at "Connection Confirmation".	Reverse signal circuit malfunction (camera control unit).
CAMERA image is rolling.	For front display unit, AUX and DVD image are also rolling.	<ul style="list-style-type: none"> <li>Horizontal synchronizing (HP) signal circuit malfunction between AV control unit and front display unit. Refer to <a href="#">AV-132, "WITH NAVIGATION : Diagnosis Procedure"</a>.</li> <li>Vertical synchronizing (VP) signal circuit malfunction between AV control unit and front display unit. Refer to <a href="#">AV-134, "WITH NAVIGATION : Diagnosis Procedure"</a>.</li> </ul>
Camera image does not switch.	Malfunction of self-diagnosis result is indicated.	Camera-connection recognition signal circuit malfunction between AV control unit and camera control unit. Refer to <a href="#">AV-106, "Diagnosis Procedure"</a> .
	Malfunction of self-diagnosis result is not indicated.	Reverse signal circuit malfunction (AV control unit).
Possible route line is indicated abnormally when camera image is displayed.	There is malfunction in the CONSULT-III self-diagnosis result.	Perform detected DTC self-diagnosis. Refer to <a href="#">AV-72, "WITH NAVIGATION : CONSULT-III Function (MULTI AV)"</a> .

### RELATED TO RGB IMAGE

Trouble diagnosis chart by symptom

Symptoms	Check items	Possible malfunction location / Action to take
RGB image is not shown.	<ul style="list-style-type: none"> <li>All RGB images are not shown.</li> <li>"MULTI AV" is displayed on system selection screen when the CONSULT-III is started.</li> </ul>	Perform CONSULT-III self-diagnosis. Refer to <a href="#">AV-72, "WITH NAVIGATION : CONSULT-III Function (MULTI AV)"</a> .
	<ul style="list-style-type: none"> <li>All RGB images are not shown.</li> <li>"MULTI AV" is not displayed on system selection screen when the CONSULT-III is started.</li> </ul>	AV control unit power supply and ground circuit malfunction. Refer to <a href="#">AV-113, "AV CONTROL UNIT : Diagnosis Procedure"</a> .



# MULTI AV SYSTEM SYMPTOMS

< SYMPTOM DIAGNOSIS >

[WITHOUT MOBILE ENTERTAINMENT SYSTEM]

Symptoms	Check items	Possible malfunction location / Action to take
Color of RGB image is not proper.	Light blue (Cyan) tint.	RGB signal (R: red) circuit malfunction between AV control unit and front display unit. Refer to <a href="#">AV-122, "WITH NAVIGATION : Diagnosis Procedure"</a> .
	Purple (Magenta) tint.	RGB signal (G: green) circuit malfunction between AV control unit and front display unit. Refer to <a href="#">AV-124, "WITH NAVIGATION : Diagnosis Procedure"</a> .
	Screen looks yellowish.	RGB signal (B: blue) circuit malfunction between AV control unit and front display unit. Refer to <a href="#">AV-126, "WITH NAVIGATION : Diagnosis Procedure"</a> .
RGB screen is rolling.	Front display unit, AUX image are normal.	RGB synchronizing signal circuit malfunction between AV control unit and front display unit. Refer to <a href="#">AV-128, "WITH NAVIGATION : Diagnosis Procedure"</a> .

## RELATED TO VOICE CONTROL

Trouble diagnosis chart by symptom

Symptoms	Check items	Probable malfunction location
The voice cannot be controlled even if the voice control screen is displayed.	Voice sounds at "Voice Microphone Test" of Confirmation/Adjustment mode.	AV control unit malfunction. Replace AV control unit. Refer to <a href="#">AV-482, "Exploded View"</a> .
	Voice does not sound at "Voice Microphone Test" of Confirmation/Adjustment mode.	Microphone circuit malfunction. Refer to <a href="#">AV-141, "WITH NAVIGATION : Diagnosis Procedure"</a> .
The voice cannot be controlled (Voice control screen is not displayed).	Steering switch's "VOL DOWN", "VOL UP", "⤴" switch works, but "⤵" it does not work.	Steering switch malfunction. Replace steering switch. Refer to <a href="#">AV-495, "Exploded View"</a> .
	Steering switch's "VOL DOWN", "VOL UP", "⤴", "⤵" switches do not work.	Steering switch signal B circuit malfunction. Refer to <a href="#">AV-152, "WITH NAVIGATION : Diagnosis Procedure"</a> .
	All steering switches do not work.	Steering switch signal GND circuit malfunction. Refer to <a href="#">AV-155, "WITH NAVIGATION : Diagnosis Procedure"</a> .

## RELATED TO AUDIO

Trouble diagnosis chart by symptom

Symptoms	Check items	Possible malfunction location / Action to take
The CD cannot be removed.	Check the mechanical operation of eject switch.	Perform CONSULT-III self-diagnosis. When detecting no malfunction in those components, replace AV control unit. Refer to <a href="#">AV-72, "WITH NAVIGATION : CONSULT-III Function (MULTI AV)"</a> .
Audio sound is not heard.	No sound from all speakers.	Perform CONSULT-III self-diagnosis. Refer to <a href="#">AV-72, "WITH NAVIGATION : CONSULT-III Function (MULTI AV)"</a> .
There is no sound from speaker on the right or left side.	—	Sound signal circuit malfunction between AV control unit and BOSE amp. at the side where there is no sound.
There is no sound from front door and tweeter on the right or left side.	—	Sound signal circuits malfunction between BOSE amp. and speaker on the side where there is no sound.
There is no sound from one of speakers.	—	Sound signal circuit malfunction between BOSE amp. and speaker on the side where there is no sound.

## MULTI AV SYSTEM SYMPTOMS

< SYMPTOM DIAGNOSIS >

[WITHOUT MOBILE ENTERTAINMENT SYSTEM]

Symptoms	Check items	Possible malfunction location / Action to take
Audiopilot® does not work.	—	Audiopilot® Microphone circuits malfunction between BOSE amp. and Audiopilot® Microphone. <ul style="list-style-type: none"> <li>• Without DVD player models Refer to <a href="#">AV-142, "BOSE AUDIO 2CH SYSTEM : Diagnosis Procedure"</a>.</li> <li>• With DVD player models Refer to <a href="#">AV-143, "BOSE SURROUND AUDIO 5.1CH SYSTEM : Diagnosis Procedure"</a>.</li> </ul>
Satellite radio is not received.	There is malfunction in the CONSULT-III self-diagnosis result.	Perform CONSULT-III self-diagnosis. Refer to <a href="#">AV-72, "WITH NAVIGATION : CONSULT-III Function (MULTI AV)"</a> .
	There is no malfunction in the CONSULT-III self-diagnosis result.	Perform the following inspection procedure. <ol style="list-style-type: none"> <li>1. Check satellite radio antenna mounting nut for looseness. <b>NOTE:</b> Tightening torque: 6.5 N·m (0.66 kg·m, 58 in·lb)</li> <li>2. Visually check for satellite radio antenna feeder.</li> <li>3. Replace the satellite radio antenna. Refer to <a href="#">AV-482, "Exploded View"</a>.</li> <li>4. Replace the AV control unit. Refer to <a href="#">AV-482, "Exploded View"</a>.</li> </ol>
AM/FM radio is not received.	Other audio sounds are normal.	<ul style="list-style-type: none"> <li>• Antenna amp. ON signal circuit.</li> <li>• Antenna feeder.</li> </ul>

### RELATED TO iPod®

Connect another iPod® and check if the symptom is reproduced or not. If the symptom is reproduced, diagnose the vehicle. If no malfunction is detected, replace the iPod harness.

**NOTE:**

It is unable to check that between iPod® and iPod harness.

Trouble diagnosis chart by symptom

Symptoms	Check items	Possible malfunction location / Action to take
The sound of iPod® is not heard.	Other audio sounds are normal.	<ul style="list-style-type: none"> <li>• iPod sound signal circuit between AV control unit and iPod adapter.</li> <li>• iPod sound signal circuit between iPod® and iPod adapter.</li> </ul>
It does not change to iPod mode.	There is malfunction in the CONSULT-III self-diagnosis.	Perform CONSULT-III self-diagnosis. Refer to <a href="#">AV-72, "WITH NAVIGATION : CONSULT-III Function (MULTI AV)"</a> .
"iPod is not connected" is displayed when it comes to iPod mode.	Connected to iPod®.	iPod connection recognition signal circuit between iPod® and iPod adapter.
iPod® cannot charge the battery.	—	iPod battery charge circuit between iPod® and iPod adapter.
The title of music file in the iPod® is not indicated.	—	Serial communication circuit between iPod® and iPod adapter.
Accessing the iPod® is unavailable from the vehicle.		

### RELATED TO STEERING SWITCH

Trouble diagnosis chart by symptom

Symptoms	Probable malfunction location
None of the steering switch operations work.	Steering switch signal GND circuit malfunction. Refer to <a href="#">AV-155, "WITH NAVIGATION : Diagnosis Procedure"</a> .
Only specified switch (1) cannot be operated.	Steering switch malfunction. Refer to <a href="#">AV-495, "Exploded View"</a> .



# MULTI AV SYSTEM SYMPTOMS

< SYMPTOM DIAGNOSIS >

[WITHOUT MOBILE ENTERTAINMENT SYSTEM]

Symptoms	Probable malfunction location
Steering switch's "SOURCE", "MENU UP", "MENU", "DOWN", "ENTER" switches do not work.	Steering switch signal A circuit malfunction. Refer to <a href="#">AV-149, "WITH NAVIGATION : Diagnosis Procedure"</a> .
Steering switch's "↵", "VOL UP", "VOL DOWN", "⏪ ⏩" switches do not work.	Steering switch signal B circuit malfunction. Refer to <a href="#">AV-152, "WITH NAVIGATION : Diagnosis Procedure"</a> .

## RELATED TO AUXILIARY INPUT

### NOTE:

Check that there is no malfunction of AUX equipment main body before performing a diagnosis.

Without DVD player models

Trouble diagnosis chart by symptom

Symptoms	Check items	Probable malfunction location
For front display unit, AUX image is not displayed (Menu display is normal).	Camera image is normal.	AUX image signal circuit malfunction between auxiliary input jacks and front display unit. Refer to <a href="#">AV-137, "WITH NAVIGATION : Diagnosis Procedure"</a> .
	Camera image is not displayed. (Only warning message under area is displayed.)	Perform CONSULT-III self-diagnosis. Refer to <a href="#">AV-72, "WITH NAVIGATION : CONSULT-III Function (MULTI AV)"</a> . When detecting no malfunction in those components, the following items are a possible cause. RGB area (YS) signal circuit malfunction between AV control unit and front display unit. Refer to <a href="#">AV-130, "WITH NAVIGATION : Diagnosis Procedure"</a> .
For front display unit, AUX image is not displayed (Menu display is not displayed, too).	Camera image is not displayed (displayed in black and nothing can be displayed).	<ul style="list-style-type: none"> <li>Horizontal synchronizing (HP) signal circuit malfunction between AV control unit and front display unit. Refer to <a href="#">AV-132, "WITH NAVIGATION : Diagnosis Procedure"</a>.</li> <li>Vertical synchronizing (VP) signal circuit malfunction between AV control unit and front display unit. Refer to <a href="#">AV-134, "WITH NAVIGATION : Diagnosis Procedure"</a>.</li> </ul>
For front display unit, AUX image is rolling.	Camera image is rolling.	<ul style="list-style-type: none"> <li>Horizontal synchronizing (HP) signal circuit malfunction between AV control unit and front display unit. Refer to <a href="#">AV-132, "WITH NAVIGATION : Diagnosis Procedure"</a>.</li> <li>Vertical synchronizing (VP) signal circuit malfunction between AV control unit and front display unit. Refer to <a href="#">AV-134, "WITH NAVIGATION : Diagnosis Procedure"</a>.</li> </ul>
There is no AUX sound from speaker on the right or left side.	The sound other than AUX sound is normal.	AUX sound signal circuits malfunction between auxiliary input jacks and AV control unit.
It does not change to AUX mode.	There is malfunction in the CONSULT-III self-diagnosis result.	Perform CONSULT-III self-diagnosis. Refer to <a href="#">AV-72, "WITH NAVIGATION : CONSULT-III Function (MULTI AV)"</a> .

With DVD player models

A  
B  
C  
D  
E  
F  
G  
H  
I  
J  
AV  
L  
M  
N  
O  
P

# MULTI AV SYSTEM SYMPTOMS

[WITHOUT MOBILE ENTERTAINMENT SYSTEM]

< SYMPTOM DIAGNOSIS >

Trouble diagnosis chart by symptom

Symptoms	Check items	Probable malfunction location
For front display unit, AUX image is not displayed (Menu display is normal).	DVD image is normal.	AUX image signal circuit malfunction between auxiliary input jacks and DVD player. Refer to <a href="#">AV-137, "WITH NAVIGATION : Diagnosis Procedure"</a> .
	Also, DVD image is not displayed (Menu display is normal).	Perform CONSULT-III self-diagnosis. Refer to <a href="#">AV-72, "WITH NAVIGATION : CONSULT-III Function (MULTI AV)"</a> . When detecting no malfunction in those components, the following items are a possible cause. <ul style="list-style-type: none"> <li>• Composite image signal circuits malfunction between DVD player and front display unit. Refer to <a href="#">AV-139, "Diagnosis Procedure"</a>.</li> <li>• RGB area (YS) signal circuit malfunction between AV control unit and front display unit. Refer to <a href="#">AV-130, "WITH NAVIGATION : Diagnosis Procedure"</a>.</li> </ul>
For front display unit, AUX image is not displayed (Menu display is not displayed, too).	Also, DVD image is not displayed (Also, menu display is not displayed).	<ul style="list-style-type: none"> <li>• Horizontal synchronizing (HP) signal circuit malfunction between AV control unit and front display unit. Refer to <a href="#">AV-132, "WITH NAVIGATION : Diagnosis Procedure"</a>.</li> <li>• Vertical synchronizing (VP) signal circuit malfunction between AV control unit and front display unit. Refer to <a href="#">AV-134, "WITH NAVIGATION : Diagnosis Procedure"</a>.</li> </ul>
For front display unit, AUX image is rolling.	DVD image is rolling.	<ul style="list-style-type: none"> <li>• Horizontal synchronizing (HP) signal circuit malfunction between AV control unit and front display unit. Refer to <a href="#">AV-132, "WITH NAVIGATION : Diagnosis Procedure"</a>.</li> <li>• Vertical synchronizing (VP) signal circuit malfunction between AV control unit and front display unit. Refer to <a href="#">AV-134, "WITH NAVIGATION : Diagnosis Procedure"</a>.</li> </ul>
There is no AUX sound.	—	Perform CONSULT-III self-diagnosis. Refer to <a href="#">AV-72, "WITH NAVIGATION : CONSULT-III Function (MULTI AV)"</a> .
There is no AUX sound from speaker on the right or left side.	The sound other than AUX sound is normal.	<ul style="list-style-type: none"> <li>• AUX sound signal circuit malfunction between auxiliary input jacks and DVD player at the side where there is no sound.</li> <li>• AUX sound signal circuit malfunction between AV control unit and DVD player at the side where there is no sound.</li> </ul>
It does not change to AUX mode.	There is malfunction in the CONSULT-III self-diagnosis result.	Perform CONSULT-III self-diagnosis. Refer to <a href="#">AV-72, "WITH NAVIGATION : CONSULT-III Function (MULTI AV)"</a> .

RELATED TO DVD MODE

# MULTI AV SYSTEM SYMPTOMS

## [WITHOUT MOBILE ENTERTAINMENT SYSTEM]

### < SYMPTOM DIAGNOSIS >

Trouble diagnosis chart by symptom

Symptoms	Check items	Probable malfunction location
For front display unit, DVD image is not displayed (Menu display is normal).	Also, AUX image is not displayed (Menu display is normal).	<p>Perform CONSULT-III self-diagnosis. Refer to <a href="#">AV-72, "WITH NAVIGATION : CONSULT-III Function (MULTI AV)"</a>. When detecting no malfunction in those components, the following items are a possible cause.</p> <ul style="list-style-type: none"> <li>• Composite image signal circuits malfunction between DVD player and front display unit. Refer to <a href="#">AV-139, "Diagnosis Procedure"</a>.</li> <li>• RGB area (YS) signal circuit malfunction between AV control unit and front display unit. Refer to <a href="#">AV-130, "WITH NAVIGATION : Diagnosis Procedure"</a>.</li> </ul>
For front display unit, DVD image is not displayed (Also, menu display is not displayed).	Also, AUX image is not displayed (Also, menu display is not displayed).	<ul style="list-style-type: none"> <li>• Horizontal synchronizing (HP) signal circuit malfunction between AV control unit and front display unit. Refer to <a href="#">AV-132, "WITH NAVIGATION : Diagnosis Procedure"</a>.</li> <li>• Vertical synchronizing (VP) signal circuit malfunction between AV control unit and front display unit. Refer to <a href="#">AV-134, "WITH NAVIGATION : Diagnosis Procedure"</a>.</li> </ul>
For front display, DVD image is rolling.	AUX image is rolling.	<ul style="list-style-type: none"> <li>• Horizontal synchronizing (HP) signal circuit malfunction between AV control unit and front display unit. Refer to <a href="#">AV-132, "WITH NAVIGATION : Diagnosis Procedure"</a>.</li> <li>• Vertical synchronizing (VP) signal circuit malfunction between AV control unit and front display unit. Refer to <a href="#">AV-134, "WITH NAVIGATION : Diagnosis Procedure"</a>.</li> </ul>
There is no DVD sound.	—	<p>Perform CONSULT-III self-diagnosis. Refer to <a href="#">AV-72, "WITH NAVIGATION : CONSULT-III Function (MULTI AV)"</a>.</p>
There is no DVD sound from one of speakers.	Other audio sounds are normal.	Sound signal circuit malfunction between BOSE amp. and DVD player on the side where there is no sound.
It does not change to DVD mode.	There is malfunction in the CONSULT-III self-diagnosis result.	<p>Perform CONSULT-III self-diagnosis. Refer to <a href="#">AV-72, "WITH NAVIGATION : CONSULT-III Function (MULTI AV)"</a>.</p>

A  
B  
C  
D  
E  
F  
G  
H  
I  
J  
L  
M  
N  
O  
P

AV

## NORMAL OPERATING CONDITION

< SYMPTOM DIAGNOSIS >

[WITHOUT MOBILE ENTERTAINMENT SYSTEM]

### NORMAL OPERATING CONDITION

#### WITHOUT NAVIGATION

#### WITHOUT NAVIGATION : Description

INFOID:000000005350367

#### BASIC OPERATIONS

Symptom	Possible cause	Possible solution
No image is displayed.	The brightness is at the lowest setting.	Adjust the brightness of the display.
	The system is in the video mode.	Push <DISC> to change the mode.
	The display is turned off.	Push <Day/Night> to turn on the display.
The screen is too dim. The movement is slow.	The temperature in the interior of the vehicle is low.	Wait until the interior of the vehicle has warmed up.
Some pixels in the display are darker or brighter than others.	This condition is an inherent characteristic of liquid crystal displays.	This is not a malfunction.
Some menu items cannot be selected.	Some menu items become unavailable while the vehicle is driven.	Park the vehicle in a safe location, and then operate the multi AV system.

#### RELATED TO VOICE RECOGNITION

Related to telephone

The system should respond correctly to all voice commands without difficulty. If problems are encountered, try the following solutions.

Where the solutions are listed by number, try each solution in turn, starting with number 1, until the problem is resolved.

Symptom	Solution
System fails to interpret the command correctly.	1. Ensure that the command is valid.
	2. Ensure that the command is spoken after the tone.
	3. Speak clearly without pausing between words and at level appropriate to the ambient noise level in the vehicle.
	4. Ensure that the ambient noise level is not excessive (for example, windows open or defroster on). <b>NOTE:</b> If it is too noisy to use the phone, it is likely that the voice commands will be recognized.
	5. If more than one command was said at a time, try saying the commands separately.
	6. If the system consistently fails to recognize commands, the voice training procedure should be carried out to improve the recognition response for the speaker. See "Speaker adaptation (SA) mode" earlier in this section. Refer to "OWNER'S MANUAL".
The system consistently selects the wrong voicetag	1. Ensure that the phone book entry name requested matches what was originally stored. This can be confirmed by using the "List Names" command.
	2. Replace one of the names being confused with a new name.

#### RELATED TO AUDIO

- The majority of the audio malfunctions are the result of outside causes (bad CD/cassette, electromagnetic interference, etc.). Check the symptoms below to diagnose the malfunction.
- The vehicle itself can be a source of noise if noise prevention parts or electrical equipment is malfunctioning. Check if noise is caused and/or changed by engine speed, ignition switch turned to each position, and operation of each piece of electrical equipment, and then determine the cause.

#### NOTE:

- CD-R is not guaranteed to play because they can contain compressed audio (MP3, WMA) or could be incorrectly mastered by the customer on a computer.
- Check if the CDs carry the Compact Disc Logo. If not, the disc is not mastered to the "red book" Compact Disc Standard and may not play.

# NORMAL OPERATING CONDITION

< SYMPTOM DIAGNOSIS >

[WITHOUT MOBILE ENTERTAINMENT SYSTEM]

Symptom	Cause and Counter measure
Cannot play	Check if the CD was inserted correctly.
	Check if the CD is scratched or dirty.
	Check if there is condensation inside the player, and if there is, wait until the condensation is gone (about 1 hour) before using the player.
	If there is a temperature increase error, the player will play correctly after it returns to the normal temperature.
	If there is a mixture of music CD files (CD-DA data) and MP3/WMA files on a CD, only the music CD files (CD-DA data) will be played.
	Files with extensions other than ".MP3", ".WMA", ".mp3", or ".wma" cannot be played. In addition, the character codes and number of characters for folder names and file names should be in compliance with the specifications.
	Check if the disc or the file is generated in an irregular format, This may occur depending on the variation or the setting of MP3/WMA writing applications or other text editing applications.
	Check if the finalization process, such as session close and disc close, is done for the disc.
Poor sound quality	Check if the CD is scratched or dirty.
It takes a relatively long time before the music starts playing.	If there are many folder or file levels on the MP3/WMA CD, or if it is a multisession disc, some time may be required before the music starts playing.
Music cuts off or skips	The writing software and hardware combination might not match, or the writing speed, writing depth, writing width might not match the specifications. Try using the slowest writing speed.
Skipping with high bit rate files	Skipping may occur with large quantities if data such as for high bit rate data.
Move immediately to the next song when playing	When a non-MP3/WMA file has been given an extension of ".MP3", ".WMA", ".mp3", or ".wma", or when play is prohibited by copyright protection, the player will skip to the next song.
The songs do not play back in the desired order.	The playback order is the order in which the files were written by the software, so the files might not play in the desired order.

Noise resulting from variations in field strength, such as fading noise and multi-path noise, or external noise from trains and other sources, is not a malfunction.

**NOTE:**

- Fading noise: This noise occurs because of variations in the field strength in a narrow range due to mountains or buildings blocking the signal.
- Multi-path noise: This noise results from a time difference between the broadcast waves directly from the station arriving at the antenna and the waves reflected by mountains or buildings.

## WITH NAVIGATION

### WITH NAVIGATION : Description

INFOID:000000005350368

**NOTE:**

For Navigation system operation information, refer to Navigation system Owner's Manual.

### BASIC OPERATIONS

Symptom	Possible cause	Possible solution
No image is displayed.	The brightness is at the lowest setting.	Adjust the brightness of the display.
	The systems in the video mode.	Push <DISC-AUX> to change the mode.
	The display is turned off.	Push <Day/Night> to turn on the display.
No voice guidance is available. Or The volume is too high or too low.	The volume is not set correctly, or it is turned off.	Adjust the volume of voice guidance.
	Voice guidance is not provided for certain streets (roads displayed in gray).	This is not a malfunction.
No map is displayed on the screen.	A screen other than map screen is displayed.	Push <MAP>.
The screen is too dim. The movement is slow.	The temperature in the interior of the vehicle is low.	Wait until the interior of the vehicle has warmed up.

## NORMAL OPERATING CONDITION

< SYMPTOM DIAGNOSIS >

[WITHOUT MOBILE ENTERTAINMENT SYSTEM]

Symptom	Possible cause	Possible solution
Some pixels in the display are darker or brighter than others.	This condition is an inherent characteristic of liquid crystal displays.	This is not a malfunction.
Some menu items cannot be selected.	Some menu items become unavailable while the vehicle is driven.	Park the vehicle in a safe location, and then operate the navigation system.

**NOTE:**

Locations stored in the Address Book and other memory functions may be lost if the vehicle's battery is disconnected or becomes discharged. If this occurs, service the vehicle's battery as necessary and re-enter the information in the Address Book.

### RELATED TO VOICE RECOGNITION

Related to basic operation

Symptom	Possible cause	Possible solution
The system does not recognize your command. or The system recognizes your command incorrectly	The interior of the vehicle is too noisy.	Close the windows or have other occupants quiet.
	The volume of your voice is too low.	Speak louder.
	The volume of your voice is too loud.	Speak softer.
	Your pronunciation is unclear.	Speak clearly.
	You are speaking before the voice recognition is ready	Push and release "⏏" switch on the steering switch, and speak a command after the tone sounds.
	8 seconds or more have passed after you pushed and released "⏏" switch on the steering switch.	Make sure to speak a command within 8 seconds after you push and release "⏏" switch on the steering switch.
	Only a limited range of voice commands is usable for each screen.	Use a correct voice command appropriate for the current screen.
	The fan of the air conditioner is too loud.	If the air conditioner is set to "Auto", the fan speed is automatically lowered and voice commands can be recognized more easily. Lower the fan speed as necessary or set the air conditioner to "Auto".

Related to item choice

The system should respond correctly to all voice commands without difficulty. If problems are encountered, follow the solutions given in this guide for the appropriate error.

Where the solutions are listed by number, try each solution in turn, starting with number one, until the problem is resolved.

Symptom/ error message	Solution
Displays "COMMAND NOT RECOGNIZED" or the system fails to interpret the command correctly.	1. Ensure that the command format is valid.
	2. Speak clearly without pausing between words and at a level appropriate to the ambient noise level.
	3. Ensure that the ambient noise level is not excessive, for example, windows open or defrost on. <b>NOTE:</b> If it is too noisy to use the phone, it is likely that voice commands will not be recognized.
	4. If optional words of the command have been omitted, then command should be tried with these in place.
The system consistently selects the wrong voicetag	1. Ensure that the voicetag requested matches what was originally stored. This can be confirmed by giving the "Addressbook" Directory or Phone Directory command.
	2. Replace one of the voicetags being confused with a different voicetag.

Related to telephone

The system should respond correctly to all voice commands without difficulty. If problems are encountered, try the following solutions.

## NORMAL OPERATING CONDITION

< SYMPTOM DIAGNOSIS >

[WITHOUT MOBILE ENTERTAINMENT SYSTEM]

Where the solutions are listed by number, try each solution in turn, starting with number 1, until the problem is resolved.

Symptom	Solution
System fails to interpret the command correctly.	1. Ensure that the command is valid.
	2. Ensure that the command is spoken after the tone.
	3. Speak clearly without pausing between words and at level appropriate to the ambient noise level in the vehicle.
	4. Ensure that the ambient noise level is not excessive (for example, windows open or defroster on).
	<b>NOTE:</b> If it is too noisy to use the phone, it is likely that the voice commands will not be recognized.
	5. If more than one command was said at a time, try saying the commands separately.
The system consistently selects the wrong voicetag	6. If the system consistently fails to recognize commands, the voice training procedure should be carried out to improve the recognition response for the speaker. See "Speaker adaptation (SA) mode" earlier in this section. Refer to "OWNER'S MANUAL".
	1. Ensure that the phone book entry name requested matches what was originally stored. This can be confirmed by using the "List Names" command.
	2. Replace one of the names being confused with a new name.

### RELATED TO AUDIO

- The majority of the audio malfunctions are the result of outside causes (bad CD/cassette, electromagnetic interference, etc.). Check the symptoms below to diagnose the malfunction.
- The vehicle itself can be a source of noise if noise prevention parts or electrical equipment is malfunctioning. Check if noise is caused and/or changed by engine speed, ignition switch turned to each position, and operation of each piece of electrical equipment, and then determine the cause.

**NOTE:**

- CD-R is not guaranteed to play because they can contain compressed audio (MP3, WMA) or could be incorrectly mastered by the customer on a computer.
- Check if the CDs carry the Compact Disc Logo. If not, the disc is not mastered to the "red book" Compact Disc Standard and may not play.

Symptom	Cause and Counter measure
Cannot play	Check if the CD/CF was inserted correctly.
	Check if the CD/CF is scratched or dirty.
	Check if there is condensation inside the player, and if there is, wait until the condensation is gone (about 1 hour) before using the player.
	If there is a temperature increase error, the player will play correctly after it returns to the normal temperature.
	If there is a mixture of music CD files (CD-DA data) and MP3/WMA files on a CD, only the music CD files (CD-DA data) will be played.
	Files with extensions other than ".MP3", ".WMA", ".mp3", or ".wma" cannot be played. In addition, the character codes and number of characters for folder names and file names should be in compliance with the specifications.
	Check if the disc or the file is generated in an irregular format, This may occur depending on the variation or the setting of MP3/WMA writing applications or other text editing applications.
	Check if the finalization process, such as session close and disc close, is done for the disc.
Poor sound quality	Check if the CD/CF is scratched or dirty.
	Check if the CD/CF is protected by copyright.
It takes a relatively long time before the music starts playing.	Check if the CD/CF is protected by copyright.
Music cuts off or skips	If there are many folder or file levels on the MP3/WMA CD/CF, or if it is a multisession disc, some time may be required before the music starts playing.
Skipping with high bit rate files	The writing software and hardware combination might not match, or the writing speed, writing depth, writing width might not match the specifications. Try using the slowest writing speed.
	Skipping may occur with large quantities if data such as for high bit rate data.

## NORMAL OPERATING CONDITION

< SYMPTOM DIAGNOSIS >

[WITHOUT MOBILE ENTERTAINMENT SYSTEM]

Symptom	Cause and Counter measure
Move immediately to the next song when playing	When a non-MP3/WMA file has been given an extension of ".MP3", ".WMA", ".mp3", or ".wma", or when play is prohibited by copyright protection, the player will skip to the next song.
The songs do not play back in the desired order.	The playback order is the order in which the files were written by the software, so the files might not play in the desired order.

Noise resulting from variations in field strength, such as fading noise and multi-path noise, or external noise from trains and other sources, is not a malfunction.

**NOTE:**

- Fading noise: This noise occurs because of variations in the field strength in a narrow range due to mountains or buildings blocking the signal.
- Multi-path noise: This noise results from a time difference between the broadcast waves directly from the station arriving at the antenna and the waves reflected by mountains or buildings.

### RELATED TO VEHICLE ICON

Symptom	Possible cause	Possible solution
Names of roads differ between Plan View and Birdview™.	This is because the quantity of the displayed information is reduced so that the screen does not become too crowded. There is also a chance that names of the roads may be displayed multiple times, and the names appearing on the screen may be different because of a processing procedure.	This is not a malfunction.
The vehicle icon is not displayed in the correct position.	The vehicle was transported after the ignition switch was pushed off, for example, by a ferry or car transporter.	Drive the vehicle for a while on a road where GPS signals can be received.
	The position and direction of the vehicle icon may be incorrect depending on the driving environments and the levels of positioning accuracy of the navigation system.	This is not a malfunction. Drive the vehicle for a while to automatically correct the position and direction of the vehicle icon.
When the vehicle is traveling on a new road, the vehicle icon is located on another road nearby.	Because the new road is not stored in the map data, the system automatically places the vehicle icon on the nearest road available.	Updated road information will be included in the next version of the map data.
The screen does not switch to the night screen even after turning on the headlights.	The daytime screen was set the last time the headlights were turned on.	Set the screen to the night screen mode using <Day/Night> when you turn on the headlights.
The map does not scroll even when the vehicle is moving.	The current location map screen is not displayed.	Push <MAP>.
The vehicle icon is not displayed.	The current location map screen is not displayed.	Push <MAP>.
The location of the vehicle icon is misaligned from the actual position.	When using tire chains or replacing the tires, speed calculations based on the speed sensor may be incorrect.	Drive the vehicle for a while (at approximately 19 MPH for about 30 minutes) to automatically correct the vehicle icon position. If this does not correct the vehicle icon position, contact an INFINITI dealer.
	The map data has a mistake or is incomplete (the vehicle icon position is always misaligned in the same area).	Updated road information will be included in the next version of the map data.

### RELATED TO ROUTE CALCULATION AND VISUAL GUIDANCE

Symptom	Possible cause	Possible solution
Waypoints are not included in the auto reroute calculation.	Waypoints that you have already passed are not included in the auto reroute calculation.	If you want to go to that waypoint again, you need to edit the route.



## NORMAL OPERATING CONDITION

< SYMPTOM DIAGNOSIS >

[WITHOUT MOBILE ENTERTAINMENT SYSTEM]

Symptom	Possible cause	Possible solution
Route information is not displayed.	Route calculation has not yet been performed.	Set the destination and perform route calculation.
	You are not driving on the suggested route.	Drive on the suggested route.
	Route guidance is set to off.	Turn on route guidance.
	Route information is not provided for certain types of roads (roads displayed in gray).	This is not a malfunction.
The auto reroute calculation (or detour calculation) suggests the same route as the one previously suggested.	Route calculations took priority conditions into consideration, but the same route was calculated.	This is not a malfunction.
A waypoint cannot be added.	Five waypoints are already set on the route, including ones that you have already passed.	A maximum of 5 waypoints can be set on the route. If you want to go to 6 or more waypoints, perform route calculations multiple times as necessary.
The suggested route is not displayed.	Roads near the destination cannot be calculated.	Reset the destination to a main or ordinary road, and recalculate the route.
	The starting point and destination are too close.	Set a more distant destination.
	The starting point and destination are too far away.	Divide your trip by selecting one or two intermediate destinations, and perform route calculations multiple times.
	There are time restricted roads (by the day of the week, by time) near the current vehicle location or destination.	Set [Use Time Restricted Roads] to off.
The part of the route that you have already passed is deleted.	A route is managed by sections between waypoints. If you passed the first waypoint, the section between the starting point and the waypoint is deleted. (It may not be deleted depending on the area.)	This is not a malfunction.
An indirect route is suggested.	If there are restrictions (such as one-way streets) on roads close to the starting point or destination, the system may suggest an indirect route.	Adjust the location of the starting of the starting point or destination.
	The system may suggest an indirect route because route calculation does not take into consideration some areas such as narrow streets (gray roads.)	Reset the destination to a main or ordinary road, and recalculate the route.
The landmark information does not correspond to the actual information.	This may be caused by insufficient or incorrect map data.	Updated information will be included in the next version of the data.
The suggested route does not exactly connect to the starting point, waypoints, or destination.	There is no data for route calculation closes to these locations.	Set the starting point, waypoints and destination on a main road, and perform route calculation.

### RELATED TO VOICE GUIDANCE

Symptom	Possible cause	Possible solution
Voice guidance is not available	Voice guidance is only available at certain intersections marked with? In some case, voice guidance is not available even when the vehicle should make a turn.	This is not a malfunction.
	The vehicle has deviated from the suggested route.	Go back to the suggested route or request route calculation again
	Voice guide is set to off.	Turn on voice guidance.
	Route guidance is set to off.	Turn on voice guidance.
The guidance contact does not correspond to the actual condition.	The contact of voice guidance may vary, depending on the types of intersections at which turn are made.	Follow all traffic rules and regulations.

## NORMAL OPERATING CONDITION

< SYMPTOM DIAGNOSIS >

[WITHOUT MOBILE ENTERTAINMENT SYSTEM]

### RELATED TO TRAFFIC INFORMATION

Symptom	Possible cause	Possible solution
The traffic information is not displayed	The traffic information is not set to on.	Set the traffic information to on.
	You are in an area where traffic information is not available	Scroll to an area where traffic information is available
	You have not subscribed to XM NavTraffic or, your subscription to XM NavTraffic has expired.	Check your subscription status of XM NavTraffic.
	The map scale is set at a level where the display of icons is impossible.	Check that the map scale is set at a level in which the display of icons is possible.
With the automatic detour route search ON, no detour route is set to avoid congested areas.	There is no faster route compared to the current route, based on the road network and traffic information.	The automatic detour search is not intended for avoiding traffic jams. It searches for the fastest route taking into consideration such things as traffic jams.
The route does not avoid road section with traffic information stating it is closed due to road construction.	The navigation system is designed not to avoid this event because the actual period of closure may differ from the declared roadwork period.	Observe the actual road condition and follow the instructions on road for detour when necessary. If the road closure is for certain, use detour function and set the detour distance to avoid the closed road section.
Traffic information displayed differs from information from other media (e.g. radio).	Other media may use different information sources.	Observe the actual road conditions and regulations. Always observe safe driving practices and follow all traffic regulations.

# PRECAUTIONS

[WITHOUT MOBILE ENTERTAINMENT SYSTEM]

< PRECAUTION >

## PRECAUTION

### PRECAUTIONS

#### Precaution for Supplemental Restraint System (SRS) "AIR BAG" and "SEAT BELT PRE-TENSIONER"

INFOID:000000005350369

The Supplemental Restraint System such as "AIR BAG" and "SEAT BELT PRE-TENSIONER", used along with a front seat belt, helps to reduce the risk or severity of injury to the driver and front passenger for certain types of collision. This system includes seat belt switch inputs and dual stage front air bag modules. The SRS system uses the seat belt switches to determine the front air bag deployment, and may only deploy one front air bag, depending on the severity of a collision and whether the front occupants are belted or unbelted. Information necessary to service the system safely is included in the "SUPPLEMENTAL RESTRAINT SYSTEM" and "SEAT BELTS" of this Service Manual.

#### **WARNING:**

- To avoid rendering the SRS inoperative, which could increase the risk of personal injury or death in the event of a collision which would result in air bag inflation, all maintenance must be performed by an authorized NISSAN/INFINITI dealer.
- Improper maintenance, including incorrect removal and installation of the SRS, can lead to personal injury caused by unintentional activation of the system. For removal of Spiral Cable and Air Bag Module, see the "SUPPLEMENTAL RESTRAINT SYSTEM".
- Do not use electrical test equipment on any circuit related to the SRS unless instructed to in this Service Manual. SRS wiring harnesses can be identified by yellow and/or orange harnesses or harness connectors.

#### PRECAUTIONS WHEN USING POWER TOOLS (AIR OR ELECTRIC) AND HAMMERS

#### **WARNING:**

- When working near the Air Bag Diagnosis Sensor Unit or other Air Bag System sensors with the ignition ON or engine running, DO NOT use air or electric power tools or strike near the sensor(s) with a hammer. Heavy vibration could activate the sensor(s) and deploy the air bag(s), possibly causing serious injury.
- When using air or electric power tools or hammers, always switch the ignition OFF, disconnect the battery, and wait at least 3 minutes before performing any service.

#### Precaution for SRS "AIR BAG" and "SEAT BELT PRE-TENSIONER" Service

INFOID:000000005350370

- Do not use electrical test equipment to check SRS circuits unless instructed to in this Service Manual.
- Before servicing the SRS, turn ignition switch OFF, disconnect both battery cables and wait at least 3 minutes.  
For approximately 3 minutes after the cables are removed, it is still possible for the air bag and seat belt pretensioner to deploy. Therefore, do not work on any SRS connectors or wires until at least 3 minutes have passed.
- Diagnosis sensor unit must always be installed with their arrow marks "←" pointing towards the front of the vehicle for proper operation. Also check diagnosis sensor unit for cracks, deformities or rust before installation and replace as required.
- The spiral cable must be aligned with the neutral position since its rotations are limited. Do not turn steering wheel and column after removal of steering gear.
- Handle air bag module carefully. Always place driver and front passenger air bag modules with the pad side facing upward and seat mounted front side air bag module standing with the stud bolt side facing down.
- Conduct self-diagnosis to check entire SRS for proper function after replacing any components.
- After air bag inflates, the front instrument panel assembly should be replaced if damaged.
- Always replace instrument panel pad following front passenger air bag deployment.

#### Precaution for Trouble Diagnosis

INFOID:000000005350371

#### AV COMMUNICATION SYSTEM

- Do not apply voltage of 7.0 V or higher to the measurement terminals.
- Use the tester with its open terminal voltage being 7.0 V or less.
- Be sure to turn ignition switch OFF and disconnect the battery cable from the negative terminal before checking the circuit.

# PRECAUTIONS

[WITHOUT MOBILE ENTERTAINMENT SYSTEM]

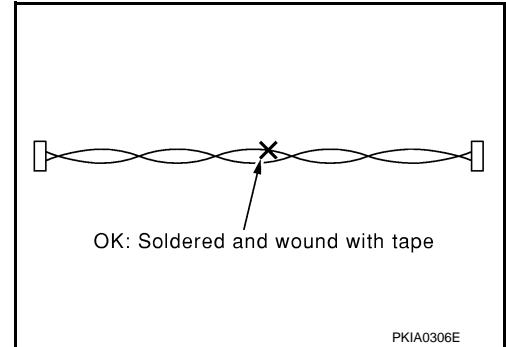
< PRECAUTION >

## Precaution for Harness Repair

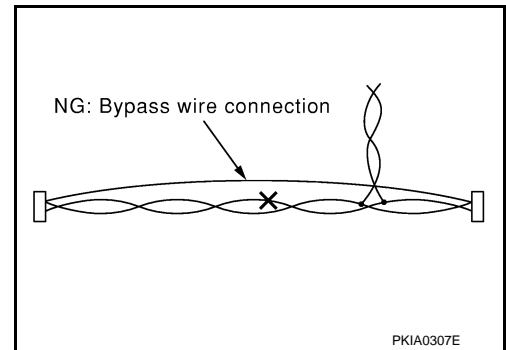
INFOID:000000005350372

### AV COMMUNICATION SYSTEM

- Solder the repaired parts, and wrap with tape. [Frays of twisted line must be within 110 mm (4.33 in).]



- Do not perform bypass wire connections for the repair parts. (The spliced wire will become separated and the characteristics of twisted line will be lost.)



# PREPARATION

[WITHOUT MOBILE ENTERTAINMENT SYSTEM]

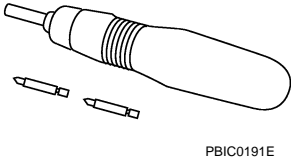
< PREPARATION >

## PREPARATION

### PREPARATION

#### Commercial Service Tools

INFOID:000000005350373

Tool name	Description
<p>Power tool</p>  <p>PBIC0191E</p>	<p>Loosening screws</p>

A  
B  
C  
D  
E  
F  
G  
H  
I  
J  
AV  
L  
M  
N  
O  
P

AV

# AV CONTROL UNIT

[WITHOUT MOBILE ENTERTAINMENT SYSTEM]

< ON-VEHICLE REPAIR >

## ON-VEHICLE REPAIR

### AV CONTROL UNIT

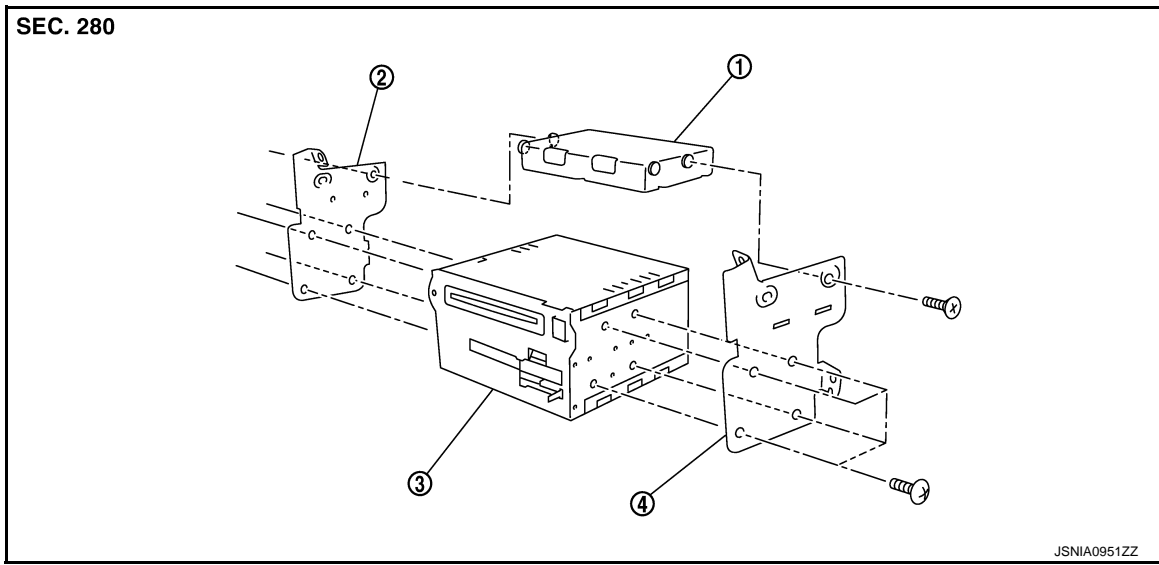
#### Exploded View

INFOID:000000005350374

#### REMOVAL

Refer to [IP-11. "INSTRUMENT PANEL : Component Parts Location"](#).

#### DISASSEMBLY



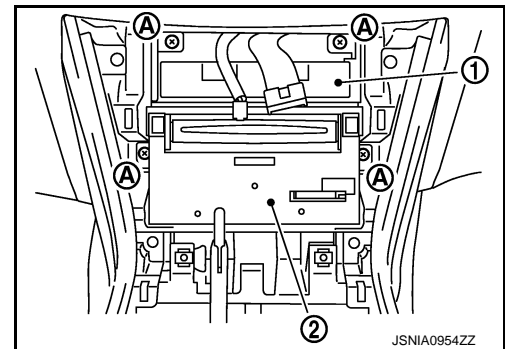
1. Unified meter and A/C amp.
2. Bracket LH
3. AV control unit
4. Bracket RH

#### Removal and Installation

INFOID:000000005350375

#### REMOVAL

1. Remove cluster lid C. Refer to [IP-18. "CLUSTER LID C : Removal and Installation"](#).
2. Remove screws (A) and remove AV control unit (2) in conjunction with unified meter and A/C amp. (1).
3. Remove bracket screws, and then remove AV control unit.



#### INSTALLATION

Install in the reverse order of removal.

#### CAUTION:

Unified meter and A/C amp. screws are different from other securing screws. Never confuse them when installing.

# FRONT DISPLAY UNIT

[WITHOUT MOBILE ENTERTAINMENT SYSTEM]

< ON-VEHICLE REPAIR >

## FRONT DISPLAY UNIT

### Exploded View

INFOID:000000005350376

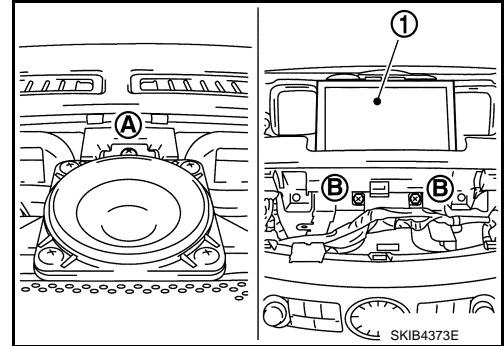
Refer to [IP-11, "INSTRUMENT PANEL : Component Parts Location"](#).

### Removal and Installation

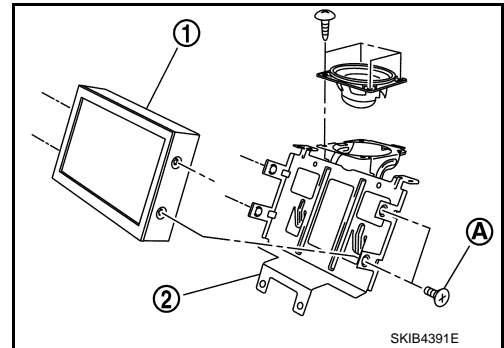
INFOID:000000005350377

#### REMOVAL

1. Remove center ventilator grille. Refer to [IP-11, "INSTRUMENT PANEL : Component Parts Location"](#).
2. Remove multifunction switch. Refer to [AV-493, "Removal and Installation"](#).
3. Remove screw (A).
4. Remove screws (B) and disconnect connector, and remove display (1) center speaker comes off accordingly.



5. Remove screws (A) separate front display unit (1) from bracket (2).



#### INSTALLATION

Install in the reverse order of removal.

A  
B  
C  
D  
E  
F  
G  
H  
I  
J  
AV  
L  
M  
N  
O  
P

# FRONT DOOR SPEAKER

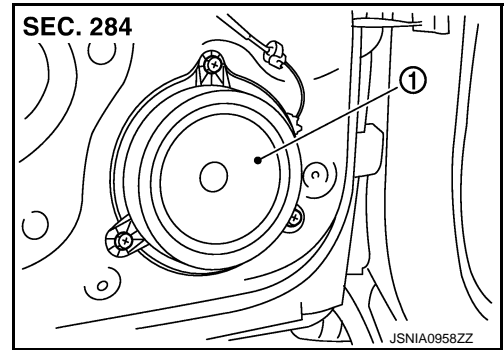
[WITHOUT MOBILE ENTERTAINMENT SYSTEM]

< ON-VEHICLE REPAIR >

## FRONT DOOR SPEAKER

Exploded View

INFOID:000000005350378



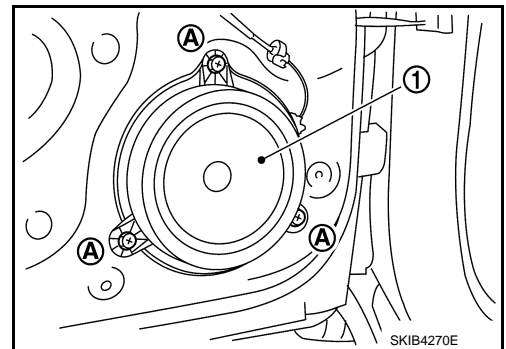
1. Front door speaker

## Removal and Installation

INFOID:000000005350379

### REMOVAL

1. Remove front door finisher. Refer to [EI-45. "Removal and Installation"](#).
2. Remove screws (A) and remove front door speaker (1).



### INSTALLATION

Install in the reverse order of removal.



# REAR DOOR SPEAKER

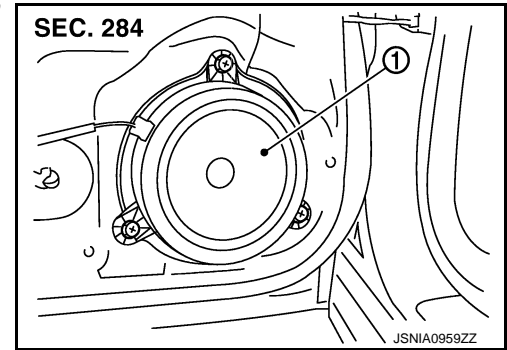
[WITHOUT MOBILE ENTERTAINMENT SYSTEM]

< ON-VEHICLE REPAIR >

## REAR DOOR SPEAKER

Exploded View

INFOID:000000005350380



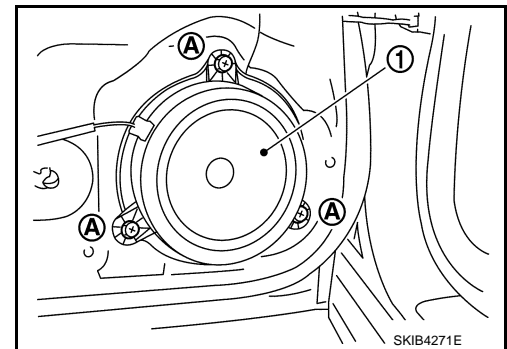
1. Rear door speaker

### Removal and Installation

INFOID:000000005350381

#### REMOVAL

1. Remove rear door finisher. Refer to [EI-45. "Removal and Installation"](#).
2. Remove screws (A) and remove rear door speaker (1).



#### INSTALLATION

Install in the reverse order of removal.

A  
B  
C  
D  
E  
F  
G  
H  
I  
J  
AV  
L  
M  
N  
O  
P

# CENTER SPEAKER

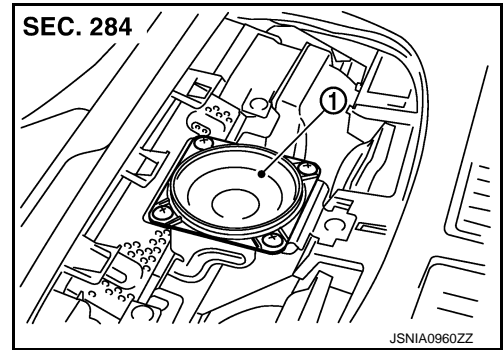
[WITHOUT MOBILE ENTERTAINMENT SYSTEM]

< ON-VEHICLE REPAIR >

## CENTER SPEAKER

Exploded View

INFOID:000000005350382



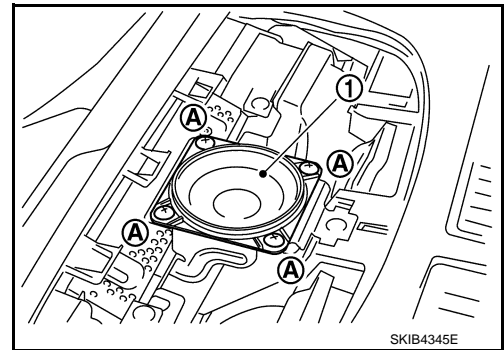
1. Center speaker

## Removal and Installation

INFOID:000000005350383

### REMOVAL

1. Remove upper ventilator grill. Refer to [IP-11. "INSTRUMENT PANEL : Component Parts Location"](#).
2. Remove screws (A) and disconnect connector.
3. Remove center speaker (1).



### INSTALLATION

Install in the reverse order of removal.

# TWEETER

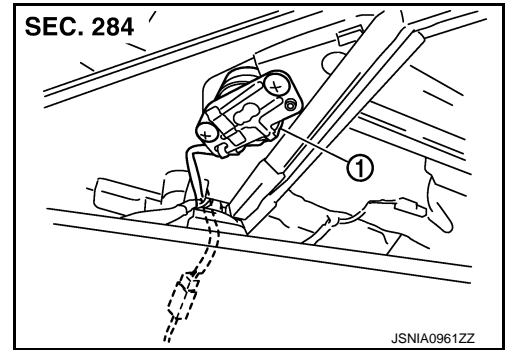
[WITHOUT MOBILE ENTERTAINMENT SYSTEM]

< ON-VEHICLE REPAIR >

## TWEETER

Exploded View

INFOID:000000005350384



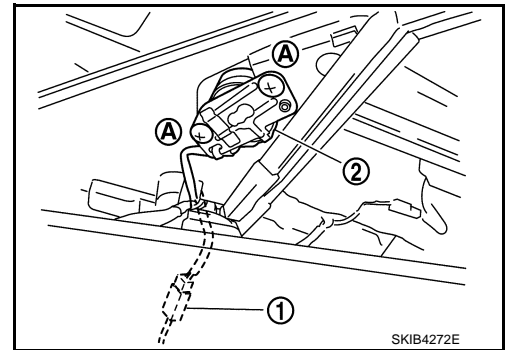
1. Tweeter

## Removal and Installation

INFOID:000000005350385

### REMOVAL

1. Remove front door finisher. Refer to [EI-45. "Removal and Installation"](#).
2. Remove door sash inner cover (front). Refer to [EI-45. "Component Parts Location"](#).
3. Remove screws (A), and disconnect connector (1).
4. Remove tweeter (2).



### INSTALLATION

Install in the reverse order of removal.

A  
B  
C  
D  
E  
F  
G  
H  
I  
J  
AV  
L  
M  
N  
O  
P

# SEAT SPEAKER

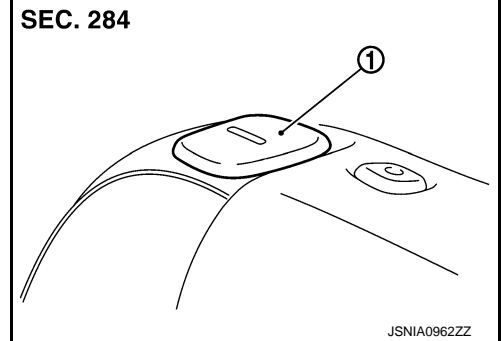
[WITHOUT MOBILE ENTERTAINMENT SYSTEM]

< ON-VEHICLE REPAIR >

## SEAT SPEAKER

### Exploded View

INFOID:000000005350386



1. Seat speaker

### Removal and Installation

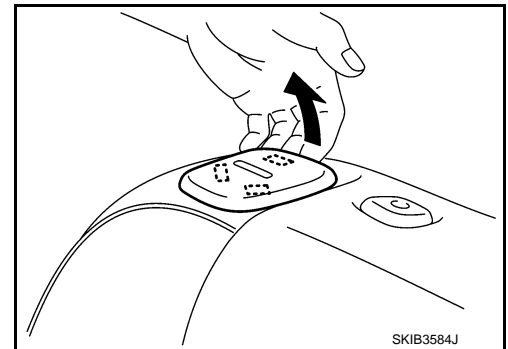
INFOID:000000005350387

#### REMOVAL

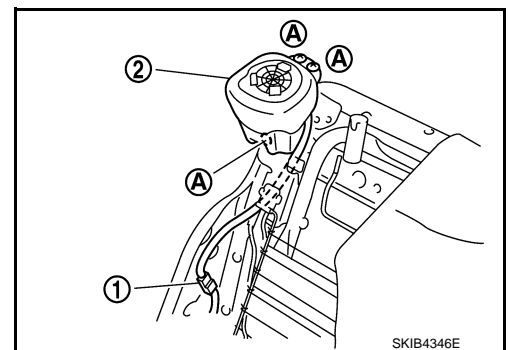
1. Remove seat speaker grill as shown in the figure.

**CAUTION:**

Never reuse seat speaker grill. The pawl is broken when removing.



2. Remove front seat back trim and pad. Refer to [SE-146. "Removal and Installation"](#).
3. Remove screws (A) and disconnect connector (1).
4. Remove seat speaker (2).



#### INSTALLATION

Install in the reverse order of removal.

# WOOFER

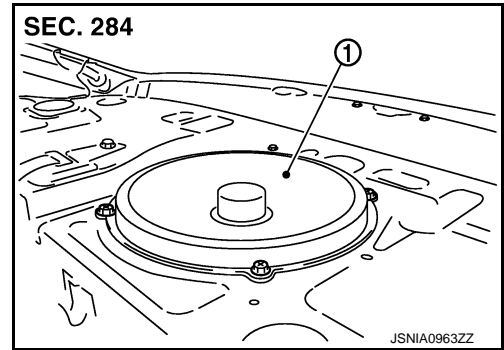
[WITHOUT MOBILE ENTERTAINMENT SYSTEM]

< ON-VEHICLE REPAIR >

## WOOFER

Exploded View

INFOID:000000005350388



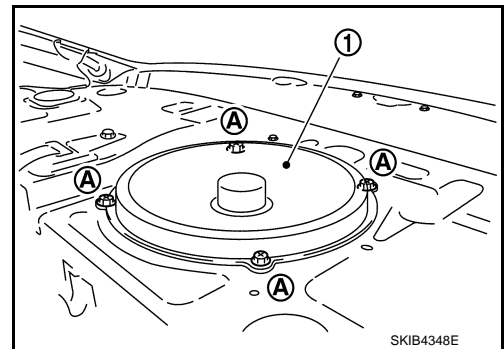
1. Woofer

## Removal and Installation

INFOID:000000005350389

### REMOVAL

1. Remove rear parcel shelf finisher. Refer to [EI-52. "Removal and Installation"](#).
2. Remove screws (A) and disconnect connector.
3. Remove rear woofer (1) from rear parcel shelf.



### INSTALLATION

Install in the reverse order of removal.

A  
B  
C  
D  
E  
F  
G  
H  
I  
J  
AV  
L  
M  
N  
O  
P

## REAR SURROUND SPEAKER

< ON-VEHICLE REPAIR >

[WITHOUT MOBILE ENTERTAINMENT SYSTEM]

---

### REAR SURROUND SPEAKER

#### Removal and Installation

INFOID:000000005350390

#### REMOVAL

1. Remove rear parcel shelf finisher. Refer to [EI-52, "Removal and Installation"](#).
2. Remove rear surround speaker from rear parcel shelf.

#### INSTALLATION

Install in the reverse order of removal.

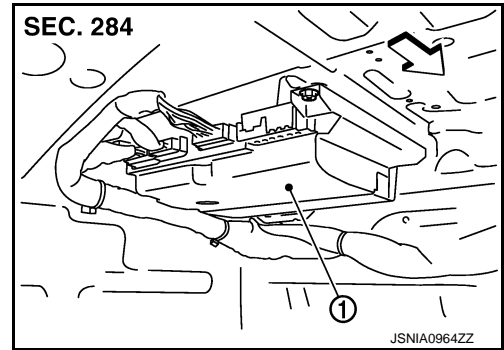
# BOSE AMP. [WITHOUT MOBILE ENTERTAINMENT SYSTEM]

< ON-VEHICLE REPAIR >

## BOSE AMP.

### Exploded View

INFOID:000000005350391



- ← Vehicle front  
1. BOSE amp.

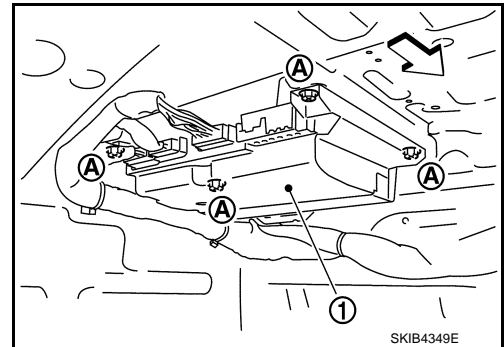
### Removal and Installation

INFOID:000000005350392

#### REMOVAL

1. Remove trunk front finisher. Refer to [EI-65. "Component Parts Location"](#).
2. Remove screws (A), and disconnect connector.
3. Remove BOSE amp. (1).

- ← Vehicle front



#### INSTALLATION

Install in the reverse order of removal.

A  
B  
C  
D  
E  
F  
G  
H  
I  
J  
AV  
L  
M  
N  
O  
P

# ANTENNA AMP.

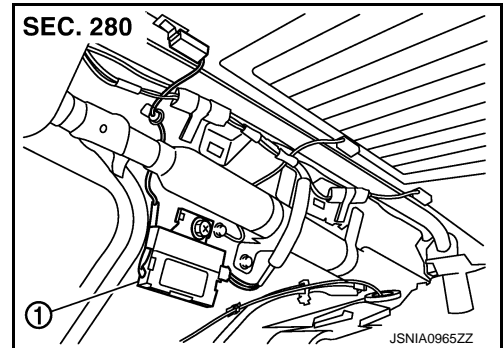
[WITHOUT MOBILE ENTERTAINMENT SYSTEM]

< ON-VEHICLE REPAIR >

## ANTENNA AMP.

Exploded View

INFOID:000000005350393



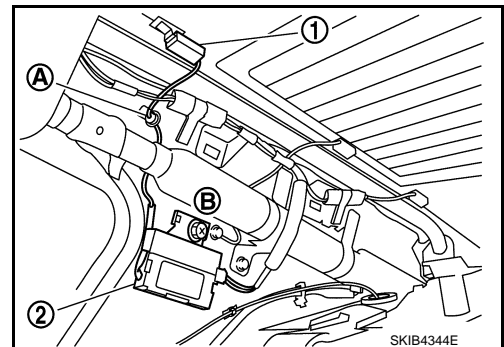
1. Antenna amp.

## Removal and Installation

INFOID:000000005350394

### REMOVAL

1. Remove back pillar garnish RH. Refer to [EI-48. "Component Parts Location"](#).
2. Disengaged the clip (A) to separate glass terminal (1).
3. Remove screw (B) and remove antenna amp. (2) from vehicle.



### INSTALLATION

Install in the reverse order of removal.



# MULTIFUNCTION SWITCH

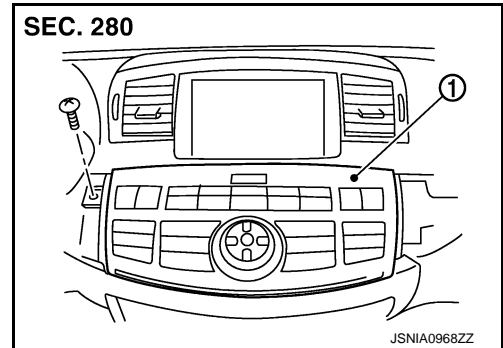
< ON-VEHICLE REPAIR >

[WITHOUT MOBILE ENTERTAINMENT SYSTEM]

## MULTIFUNCTION SWITCH

### Exploded View

INFOID:000000005350395



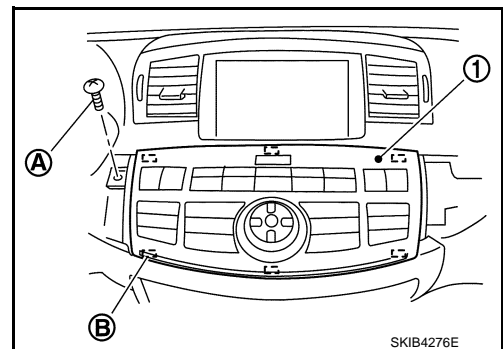
1. Multifunction switch

### Removal and Installation

INFOID:000000005350396

#### REMOVAL

1. Remove instrument panel finisher B and C. Refer to [IP-11. "INSTRUMENT PANEL : Component Parts Location"](#).
2. Remove screw (A).
3. Disengage tabs (B) and connector to separate multifunction switch (1) from instrument panel.



#### INSTALLATION

Install in the reverse order of removal.

A  
B  
C  
D  
E  
F  
G  
H  
I  
J  
AV  
L  
M  
N  
O  
P

# PRESET SWITCH

[WITHOUT MOBILE ENTERTAINMENT SYSTEM]

< ON-VEHICLE REPAIR >

## PRESET SWITCH

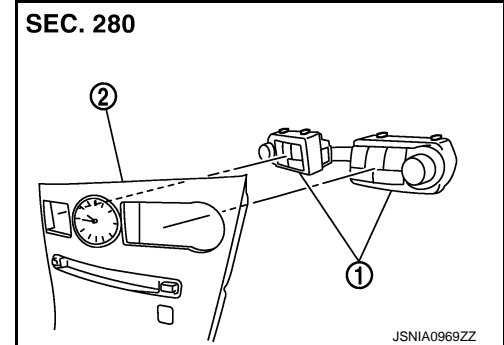
### Exploded View

INFOID:000000005350397

### REMOVAL

Refer to [IP-18, "CLUSTER LID C : Component Parts Location"](#).

### DISASSEMBLY



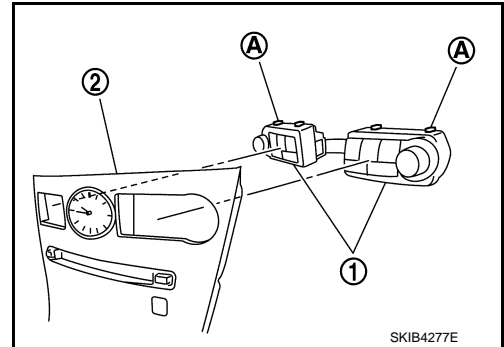
1. Preset switch
2. Cluster lid C

### Removal and Installation

INFOID:000000005350398

### REMOVAL

1. Remove cluster lid C. Refer to [IP-18, "CLUSTER LID C : Removal and Installation"](#).
2. Disengage tabs (A) to separate preset switch (1) from cluster lid C (2).



### INSTALLATION

Install in the reverse order of removal.

#### NOTE:

When installing preset switch, do not allow the print wire that connects preset switch and multifunction switch to get caught in between AV control unit and preset switch.

# STEERING SWITCH

[WITHOUT MOBILE ENTERTAINMENT SYSTEM]

< ON-VEHICLE REPAIR >

## STEERING SWITCH

### Exploded View

INFOID:000000005350399

Refer to [PS-10, "Removal and Installation"](#).

### Removal and Installation

INFOID:000000005350400

#### REMOVAL

Refer to [PS-10, "Removal and Installation"](#).

#### INSTALLATION

Install in the reverse order of removal.

A

B

C

D

E

F

G

H

I

J

AV

L

M

N

O

P

# IPOD ADAPTER

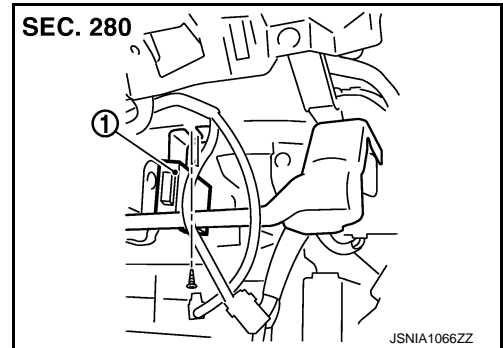
[WITHOUT MOBILE ENTERTAINMENT SYSTEM]

< ON-VEHICLE REPAIR >

## IPOD ADAPTER

### Exploded View

INFOID:000000005350401



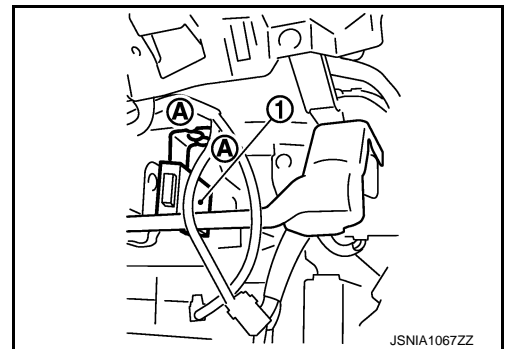
1. iPod adapter

### Removal and Installation

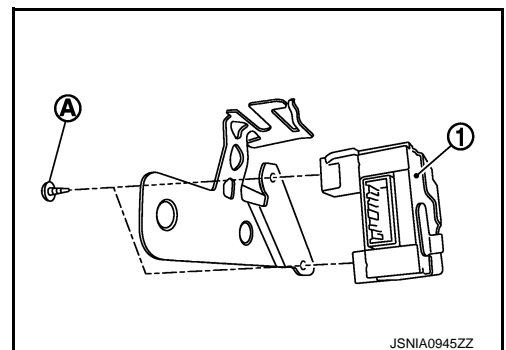
INFOID:000000005350402

#### REMOVAL

1. Remove glove box cover. Refer to [JP-19. "GLOVE BOX : Removal and Installation"](#).
2. Remove screws (A) and remove iPod adapter bracket and iPod adapter (1).



3. Remove screws (A) and remove iPod adapter (1) from iPod adapter bracket.



#### INSTALLATION

Install in the reverse order of removal.

# IPOD CONNECTOR

[WITHOUT MOBILE ENTERTAINMENT SYSTEM]

< ON-VEHICLE REPAIR >

## IPOD CONNECTOR

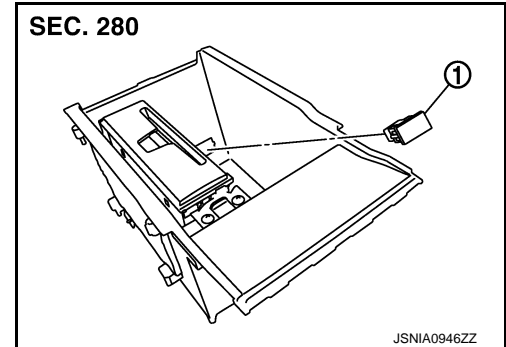
### Exploded View

INFOID:000000005350403

### REMOVAL

Refer to [IP-21, "CENTER CONSOLE : Component Parts Location"](#).

### DISASSEMBLY



1. iPod connector

### Removal and Installation

INFOID:000000005350404

### REMOVAL

1. Remove center console. Refer to [IP-21, "CENTER CONSOLE : Component Parts Location"](#).
2. Push the pawl from the back of center console to remove iPod connector.

### INSTALLATION

Install in the reverse order of removal.

A  
B  
C  
D  
E  
F  
G  
H  
I  
J  
L  
M  
N  
O  
P

AV

# DVD PLAYER

[WITHOUT MOBILE ENTERTAINMENT SYSTEM]

< ON-VEHICLE REPAIR >

## DVD PLAYER

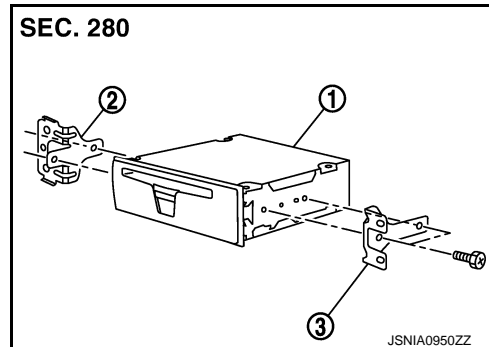
### Exploded View

INFOID:000000005350405

#### REMOVAL

Refer to [IP-21, "CENTER CONSOLE : Component Parts Location"](#).

#### DISASSEMBLY



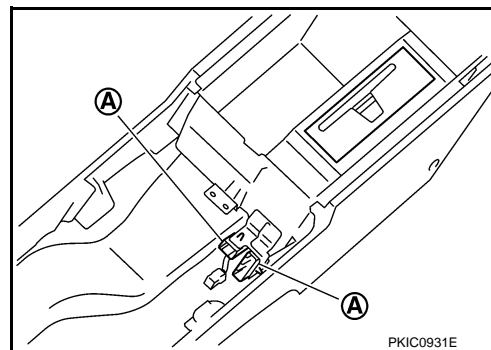
1. DVD player
2. Bracket LH
3. Bracket RH

### Removal and Installation

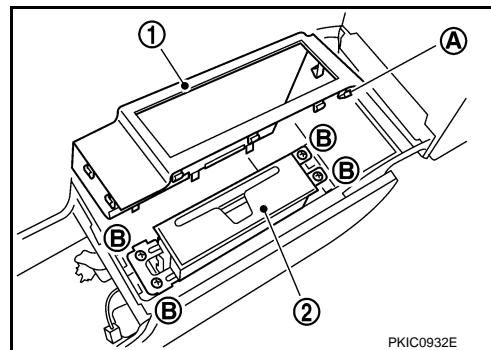
INFOID:000000005350406

#### REMOVAL

1. Remove cup holder. Refer to [IP-21, "CENTER CONSOLE : Disassembly and Assembly"](#).
2. Disconnect sub harness connector.
3. Remove sub harness connectors (A) from bracket.



4. Remove metal clips (A) and 8 pawls. Then DVD player cover (1).
5. Remove screws (B) and remove DVD player (2).



#### INSTALLATION

Install in the reverse order of removal.

# AUXILIARY INPUT JACKS

[WITHOUT MOBILE ENTERTAINMENT SYSTEM]

< ON-VEHICLE REPAIR >

## AUXILIARY INPUT JACKS

### Exploded View

INFOID:000000005350407

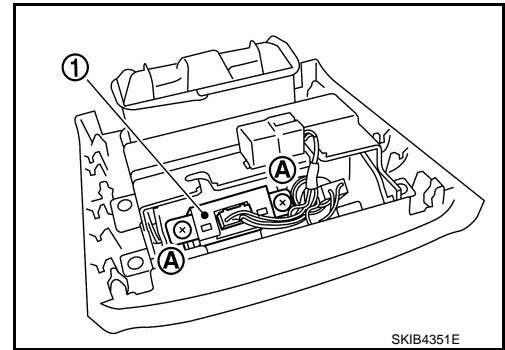
Refer to [IP-21, "CENTER CONSOLE : Component Parts Location"](#).

### Removal and Installation

INFOID:000000005350408

#### REMOVAL

1. Remove center console rear finisher. Refer to [IP-21, "CENTER CONSOLE : Component Parts Location"](#).
2. Remove screws (A) and disconnect connector. Remove auxiliary input jacks (1) from center console rear finisher.



#### INSTALLATION

Install in the reverse order of removal.

A  
B  
C  
D  
E  
F  
G  
H  
I  
J  
L  
M  
N  
O  
P

AV

# MICROPHONE

[WITHOUT MOBILE ENTERTAINMENT SYSTEM]

< ON-VEHICLE REPAIR >

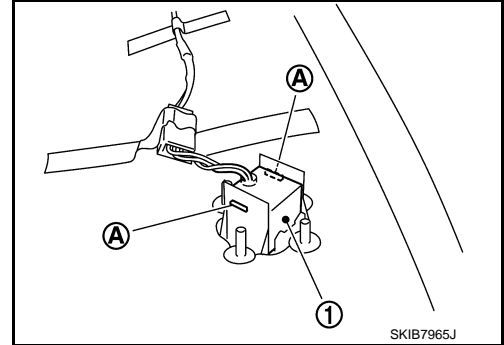
## MICROPHONE

### Removal and Installation

INFOID:000000005350409

#### REMOVAL

1. Remove headlining. Refer to [EI-62. "Component Parts Location"](#).
2. Remove connector.
3. Raise tab (A) and remove microphone (1).



#### INSTALLATION

Install in the reverse order of removal.



# AUDIOPILOT® MICROPHONE

< ON-VEHICLE REPAIR >

[WITHOUT MOBILE ENTERTAINMENT SYSTEM]

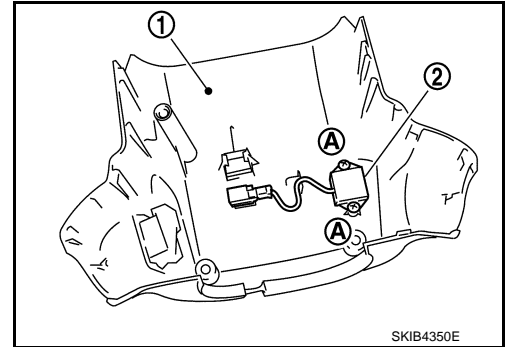
## AUDIOPILOT® MICROPHONE

### Removal and Installation

INFOID:000000005350410

#### REMOVAL

1. Remove steering column lower cover. Refer to [IP-11, "INSTRUMENT PANEL : Component Parts Location"](#).
2. Remove screws (A) and disconnect connector.
3. Remove Microphone (2) from steering column lower cover (1).



#### INSTALLATION

Install in the reverse order of removal.

A  
B  
C  
D  
E  
F  
G  
H  
I  
J  
AV  
L  
M  
N  
O  
P

# CAMERA CONTROL UNIT

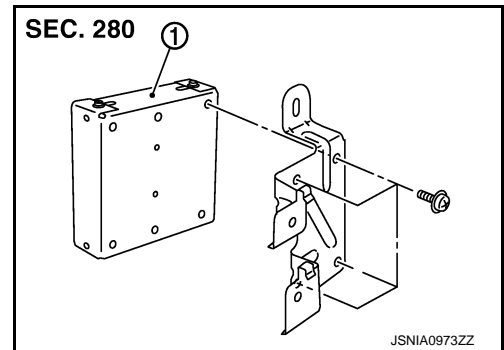
< ON-VEHICLE REPAIR >

[WITHOUT MOBILE ENTERTAINMENT SYSTEM]

## CAMERA CONTROL UNIT

### Exploded View

INFOID:000000005350411



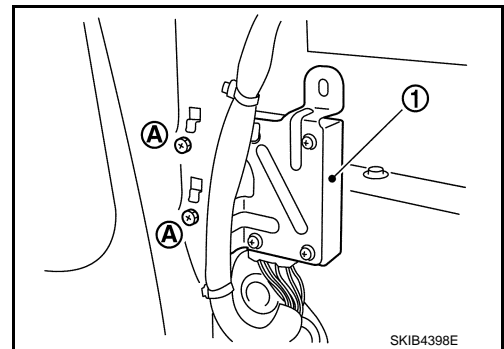
1. Camera control unit

### Removal and Installation

INFOID:000000005350412

#### REMOVAL

1. Remove trunk side finisher (RH). Refer to [EI-65. "Component Parts Location"](#).
2. Remove screws (A) and disconnect connector, and remove camera control unit (1).



#### INSTALLATION

Install in the reverse order of removal.

#### Adjustment

INFOID:000000005350413

#### ADJUSTMENT

There may be a misalignment of possible route line center position of rear view monitor after removing camera control unit. Therefore, correct neutral position with the following procedure.

1. Steer the steering wheel to the leftmost and rightmost ends.
2. Drive vehicle at 30 km/h (18.6 MPH) min. speed at least 100 m (328.1 ft).

# REAR VIEW CAMERA

[WITHOUT MOBILE ENTERTAINMENT SYSTEM]

< ON-VEHICLE REPAIR >

## REAR VIEW CAMERA

### Exploded View

INFOID:000000005350414

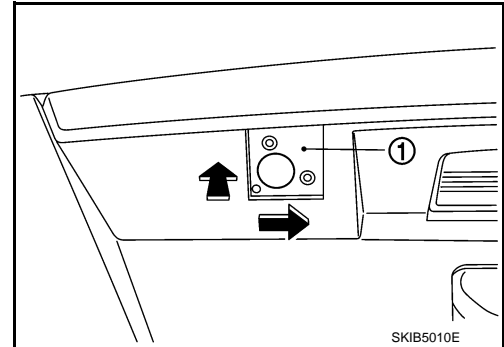
Refer to [EI-67, "Component Parts Location"](#).

### Removal and Installation

INFOID:000000005350415

#### REMOVAL

1. Remove trunk lid finisher inner. Refer to [EI-67, "Removal and Installation"](#).
2. Remove screws attaching camera and camera bracket.
3. Remove connector and connector clip.
4. Remove camera bracket (1) while pushing right direction of vehicle.



#### INSTALLATION

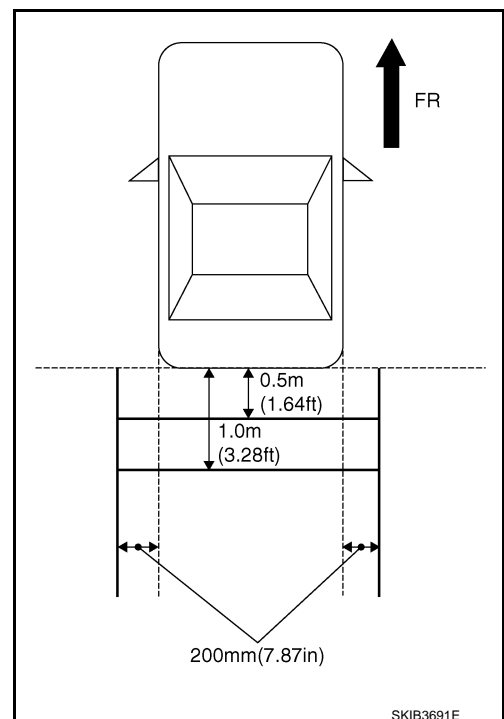
1. Install rear view camera and camera bracket while pressing to trunk room side.
2. Install connector and connector clip.
3. Install trunk lid finisher inner.

#### Adjustment

INFOID:000000005350416

Adjust the guide line position if the guide line position is shifted after installing the rear view camera.

1. Draw lines on rearward area of the vehicle passing through the following points: 200 mm (7.87 in) from both sides of the vehicle, and 0.5 m (1.64 ft), 1.0 m (3.28 ft) from the rear end of the bumper.
2. Set into "Adjust offset of rear view camera" mode of Confirmation / Adjustment mode.



A  
B  
C  
D  
E  
F  
G  
H  
I  
J  
AV  
L  
M  
N  
O  
P

## REAR VIEW CAMERA

[WITHOUT MOBILE ENTERTAINMENT SYSTEM]

< ON-VEHICLE REPAIR >

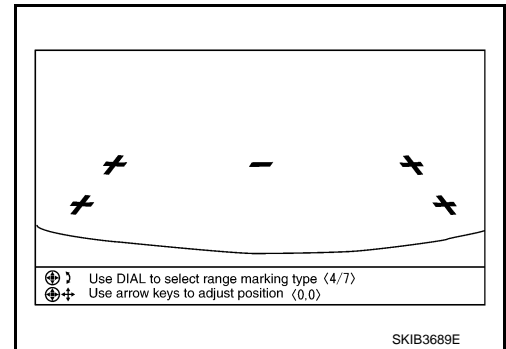
3. Rotate the center dial, and then select the guiding line pattern so that its angle is aligned with the correction line of the rear of the vehicle.

**Selected pattern : 7**

4. Make fine adjustment to the correction line of the rear of the vehicle with up/down/left/right switches so that its position is aligned with the guiding line. Press “”

**Up/Down adjustment range : -20 - 20**

**Left/Right adjustment range : -20 - 20**



### CAUTION:

Never operate other function such as pressing BACK while writing index data.

If Confirmation/Adjustment mode does not function in the above procedure, perform one of the following service to adjust the index again.

- Remove battery for five min. Then reconnect battery.
- Remove camera control unit connector for five min. Then reconnect camera control unit connector.

# STEERING ANGLE SENSOR

< ON-VEHICLE REPAIR >

[WITHOUT MOBILE ENTERTAINMENT SYSTEM]

## STEERING ANGLE SENSOR

### Exploded View

INFOID:000000005350417

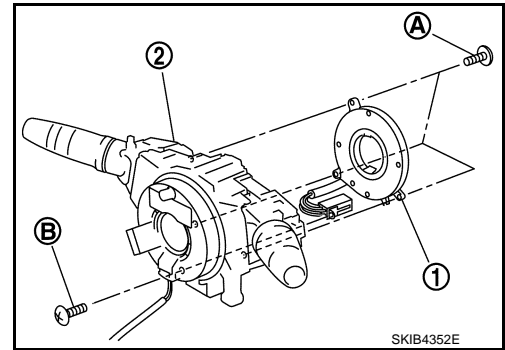
Refer to [PS-9, "On-Vehicle Inspection and Service"](#).

### Removal and Installation

INFOID:000000005350418

#### REMOVAL

1. Remove combination switch. Refer to [LT-177, "Removal and Installation"](#).
2. Remove screws (A) and remove connector mount screw (B).
3. Remove steering angle sensor (1) from combination switch (2).



#### INSTALLATION

Install in the reverse order of removal.

**CAUTION:**

Insert the projection area, and install steering wheel angle sensor while fitting adjusting the triangle marks (Larger mark should be upward.).

A  
B  
C  
D  
E  
F  
G  
H  
I  
J  
L  
M  
N  
O  
P

AV

# SATELLITE RADIO TUNER

[WITHOUT MOBILE ENTERTAINMENT SYSTEM]

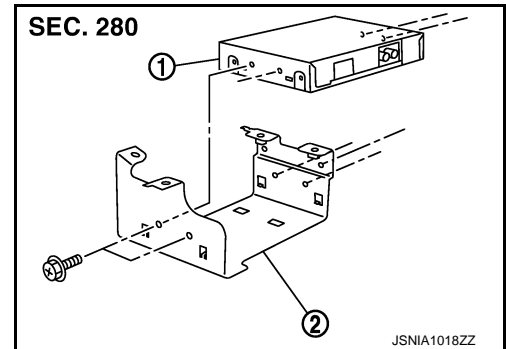
< ON-VEHICLE REPAIR >

## SATELLITE RADIO TUNER

### Exploded View

INFOID:000000005350419

1. Satellite radio tuner
2. Bracket

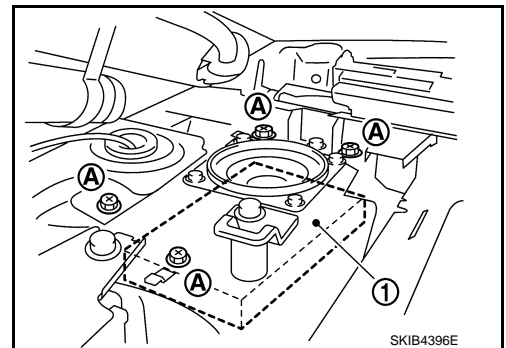


### Removal and Installation

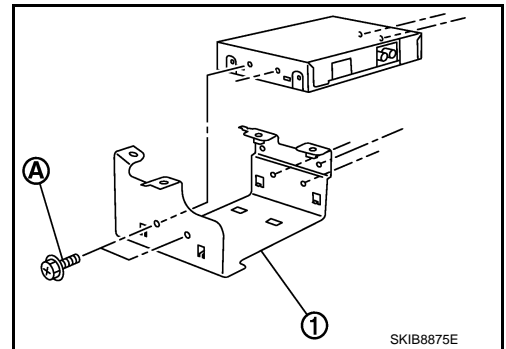
INFOID:000000005350420

#### REMOVAL

1. Remove trunk front finisher. Refer to [EI-65. "Removal and Installation"](#).
2. Remove rear parcel shelf finisher. Refer to [EI-52. "Removal and Installation"](#).
3. Remove screws (A).
4. Disconnect connector and remove satellite radio tuner (1) from trunk room side.



5. Disconnect screws (A) and remove bracket (1).



#### INSTALLATION

Installation is the reverse order of removal.

# SATELLITE RADIO ANTENNA

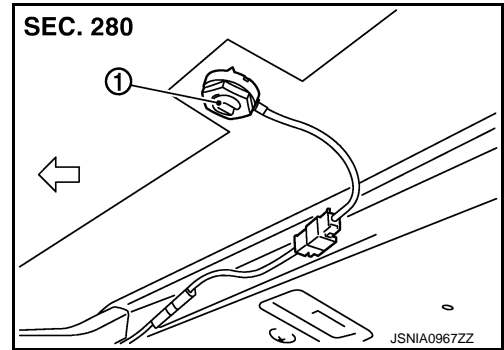
< ON-VEHICLE REPAIR >

[WITHOUT MOBILE ENTERTAINMENT SYSTEM]

## SATELLITE RADIO ANTENNA

### Exploded View

INFOID:000000005350421



←: Vehicle front

1. Satellite radio antenna

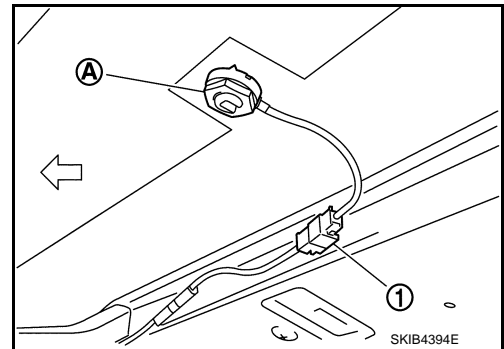
### Removal and Installation

INFOID:000000005350422

#### REMOVAL

1. Remove headlining assembly (rear) to secure work space between vehicle and headlining. Refer to [EI-62, "Removal and Installation"](#) [with normal roof] [EI-62, "Removal and Installation"](#) [with sunroof].
2. Remove nuts (A), and then disconnect connector (1).
3. Remove satellite radio antenna from roof panel.

←: Vehicle front



#### INSTALLATION

Install in the reverse order of removal.

**Satellite radio antenna  
mounting nut**

: 6.5 N·m (0.66 kg-m, 58 in-lb)

#### CAUTION:

Be careful about tightening torque. Antenna sensitivity becomes poor, and when it is excessive, roof panel may be deformed, when satellite radio antenna mounting nut tightening torque is loose.

# TEL ADAPTER UNIT

[WITHOUT MOBILE ENTERTAINMENT SYSTEM]

< ON-VEHICLE REPAIR >

## TEL ADAPTER UNIT

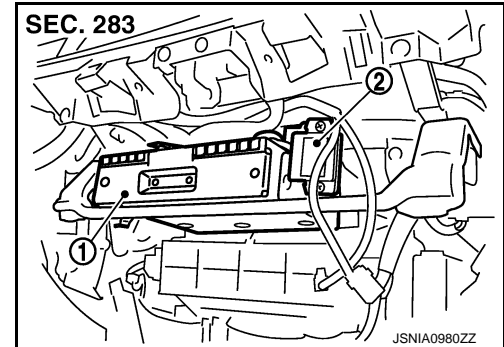
### Exploded View

INFOID:000000005350423

#### REMOVAL

Refer to [IP-19, "GLOVE BOX : Removal and Installation"](#).

#### DISASSEMBLY



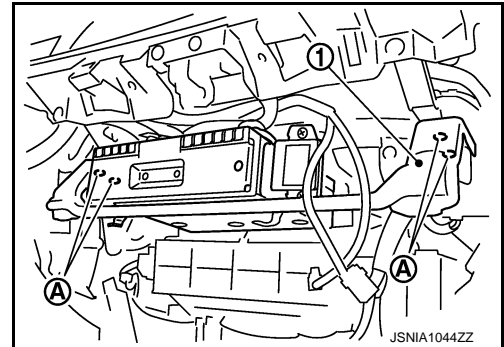
1. TEL adapter unit
2. TEL antenna

### Removal and Installation

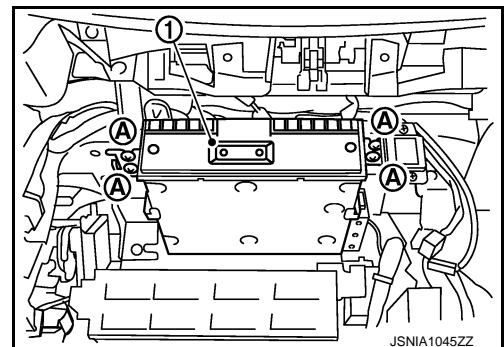
INFOID:000000005350424

#### REMOVAL

1. Remove glove box cover. Refer to [IP-19, "GLOVE BOX : Removal and Installation"](#).
2. Remove screws (A), and remove knee assist protector assembly (1).



3. Remove screws (A), and disconnect connector.
4. Remove TEL adapter unit (1) TEL antenna comes off accordingly.



#### INSTALLATION

Install in the reverse order of removal.



# TEL ANTENNA

[WITHOUT MOBILE ENTERTAINMENT SYSTEM]

< ON-VEHICLE REPAIR >

## TEL ANTENNA

### Exploded View

INFOID:000000005350425

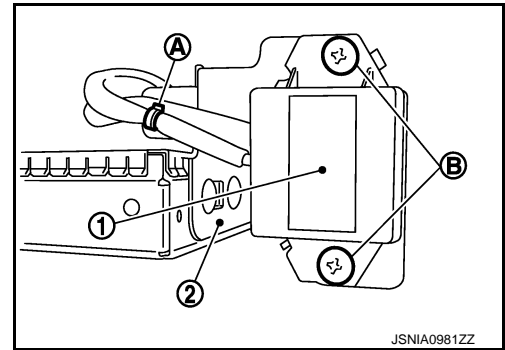
Refer to [AV-508, "Exploded View"](#).

### Removal and Installation

INFOID:000000005350426

#### REMOVAL

1. Remove TEL adapter unit. Refer to [AV-508, "Removal and Installation"](#).
2. Remove clip (A), and disconnect connector.
3. Remove screws (B) from the TEL adapter unit bracket RH (2), and remove TEL antenna (1).



#### INSTALLATION

Install in the reverse order of removal.

A  
B  
C  
D  
E  
F  
G  
H  
I  
J  
L  
M  
N  
O  
P

AV

# ANTENNA FEEDER (RADIO)

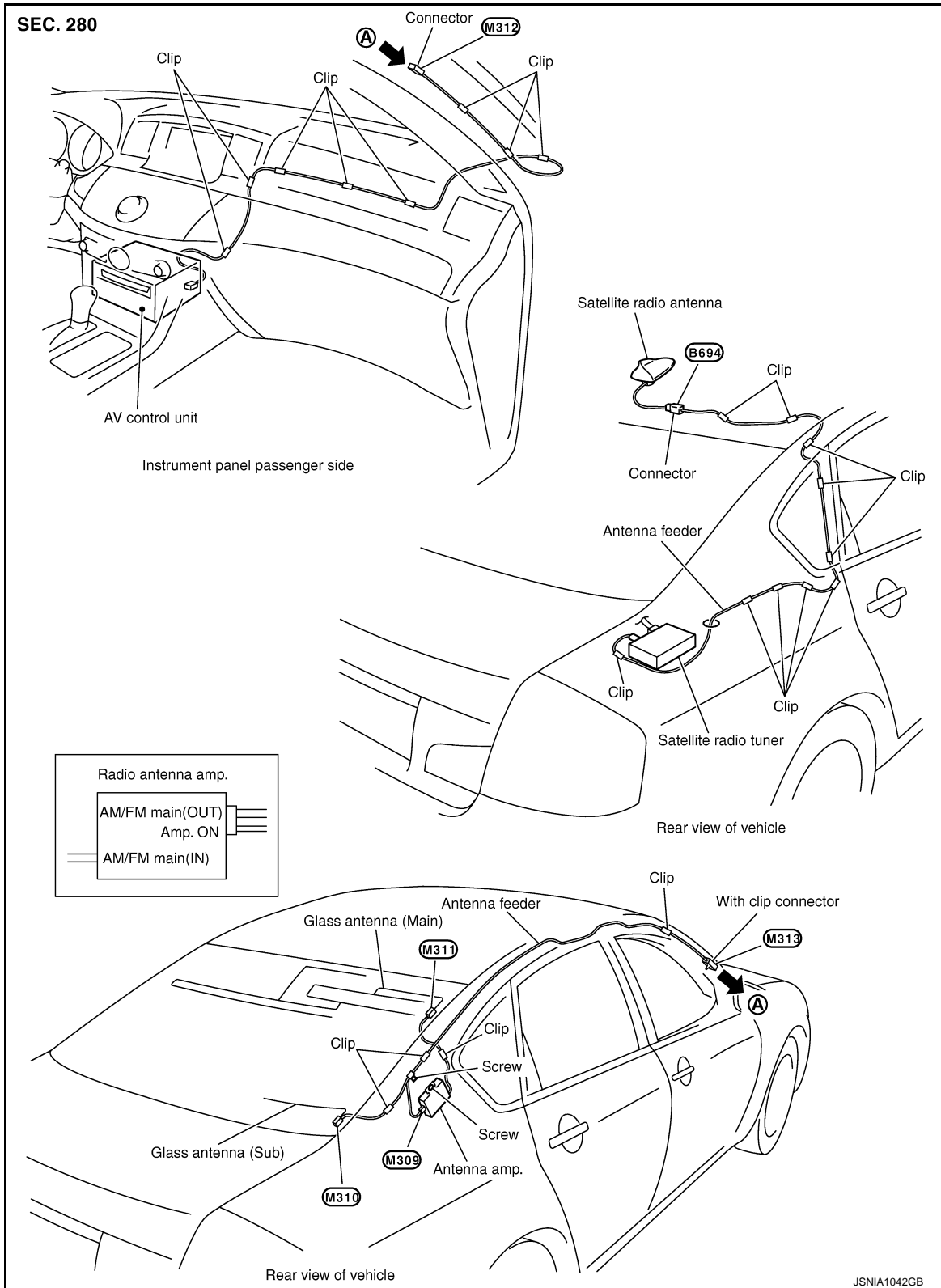
< ON-VEHICLE REPAIR >

[WITHOUT MOBILE ENTERTAINMENT SYSTEM]

## ANTENNA FEEDER (RADIO) WITHOUT NAVIGATION

### WITHOUT NAVIGATION : Harness Layout

INFOID:000000005350427



## WITH NAVIGATION

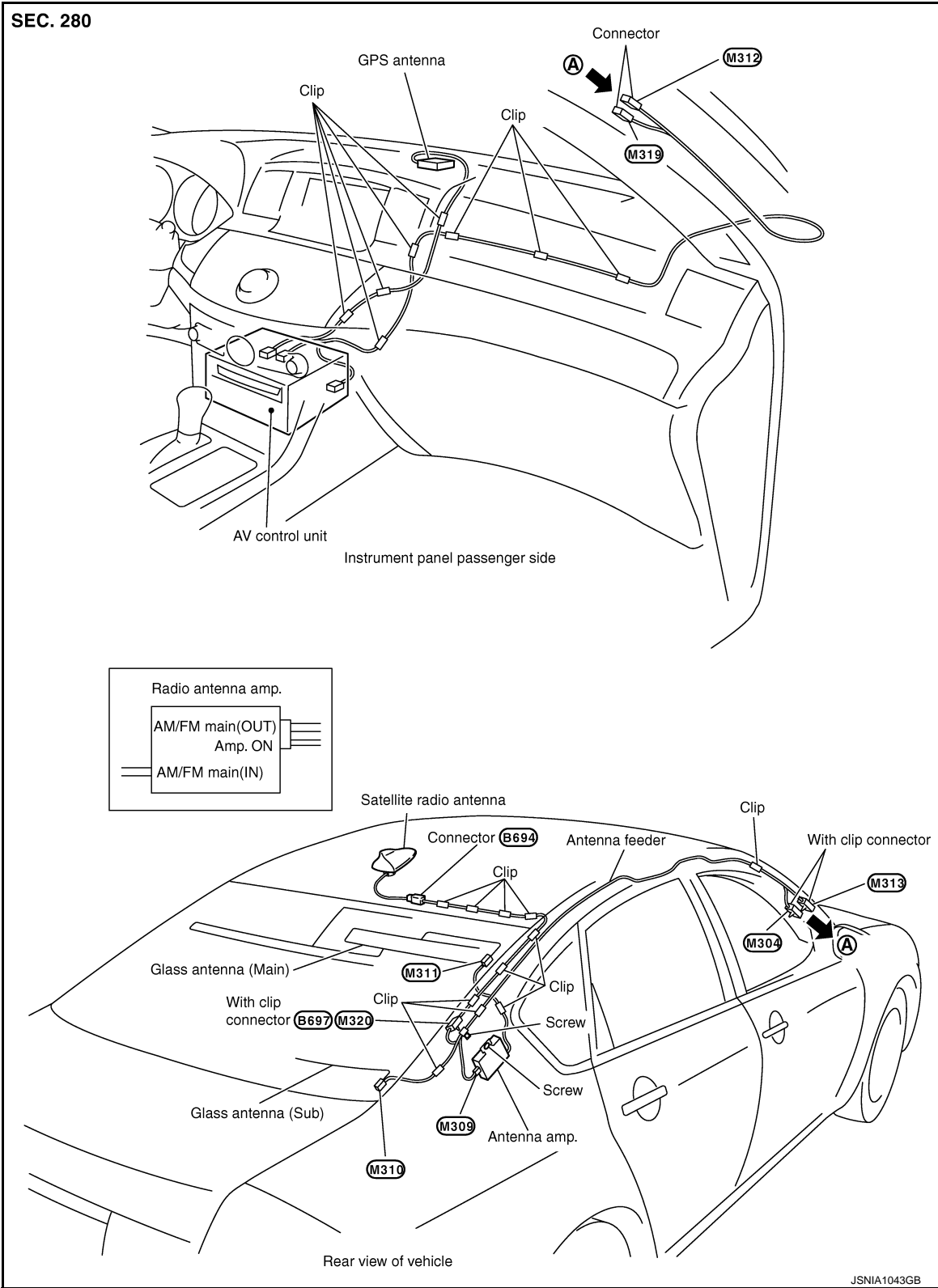
# ANTENNA FEEDER (RADIO)

[WITHOUT MOBILE ENTERTAINMENT SYSTEM]

< ON-VEHICLE REPAIR >

## WITH NAVIGATION : Harness Layout

INFOID:000000005350428



A  
B  
C  
D  
E  
F  
G  
H  
I  
J  
L  
M  
N  
O  
P

AV

# ANTENNA FEEDER (SATELLITE RADIO)

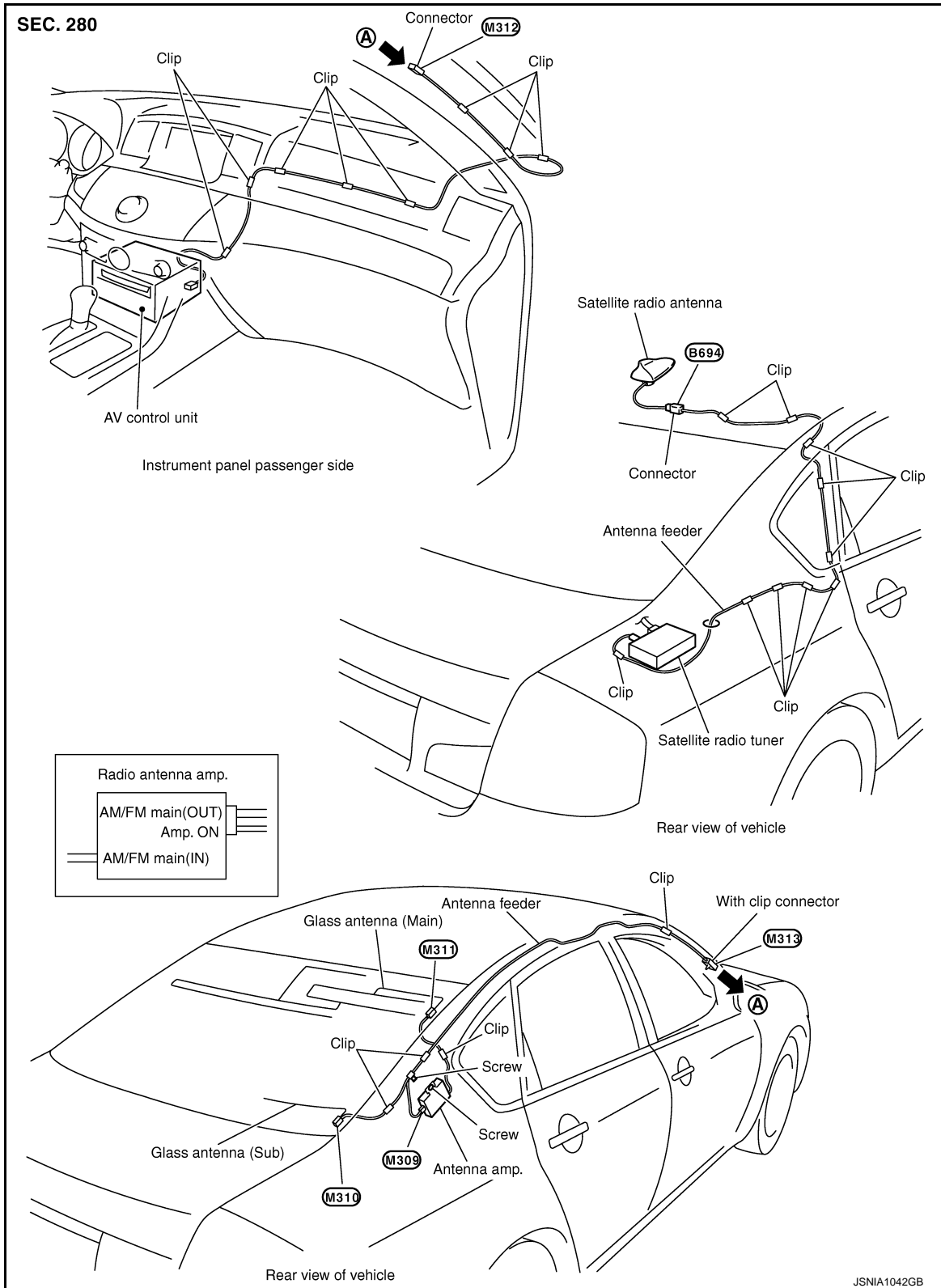
< ON-VEHICLE REPAIR >

[WITHOUT MOBILE ENTERTAINMENT SYSTEM]

## ANTENNA FEEDER (SATELLITE RADIO) WITHOUT NAVIGATION

### WITHOUT NAVIGATION : Harness Layout

INFOID:000000005350429



## WITH NAVIGATION

# ANTENNA FEEDER (SATELLITE RADIO)

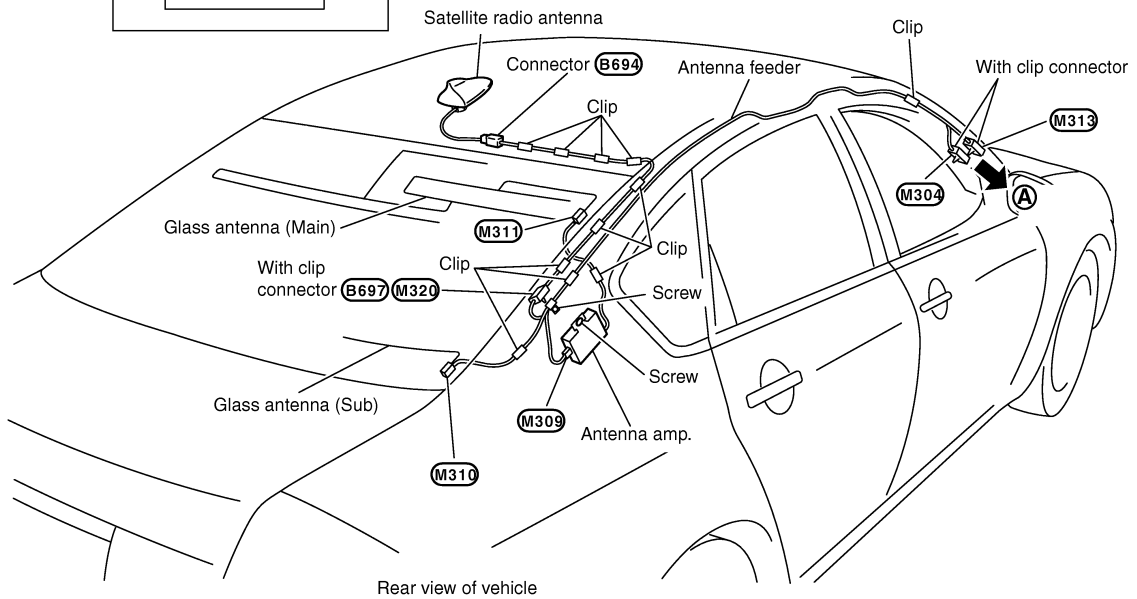
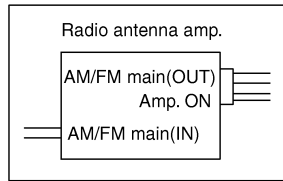
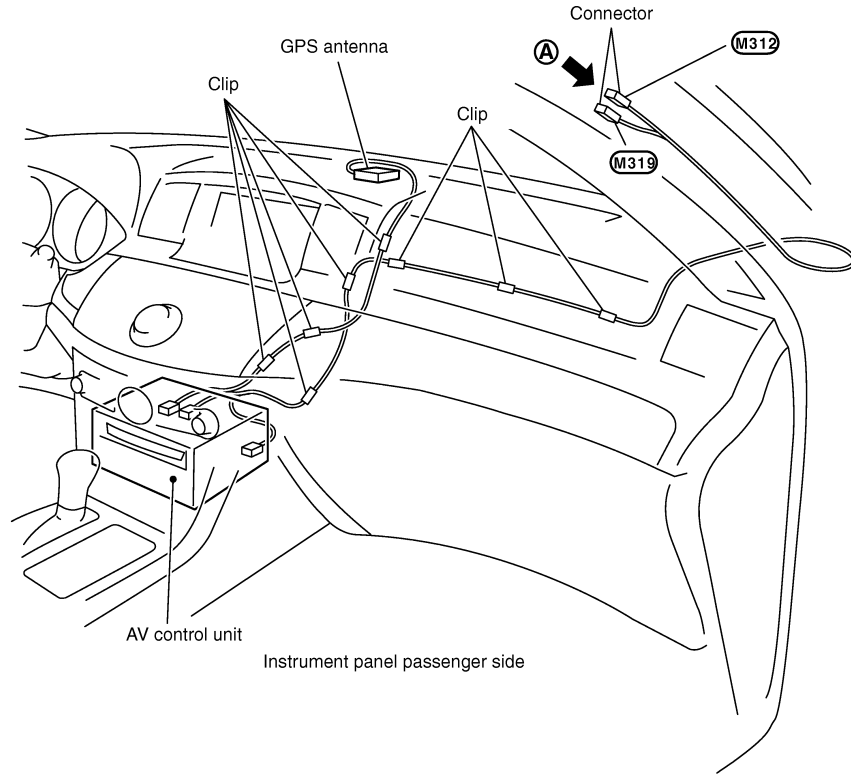
[WITHOUT MOBILE ENTERTAINMENT SYSTEM]

< ON-VEHICLE REPAIR >

## WITH NAVIGATION : Harness Layout

INFOID:000000005350430

SEC. 280



JSNIA1043GB

A  
B  
C  
D  
E  
F  
G  
H  
I  
J  
L  
M  
N  
O  
P

AV

# ANTENNA FEEDER (GPS)

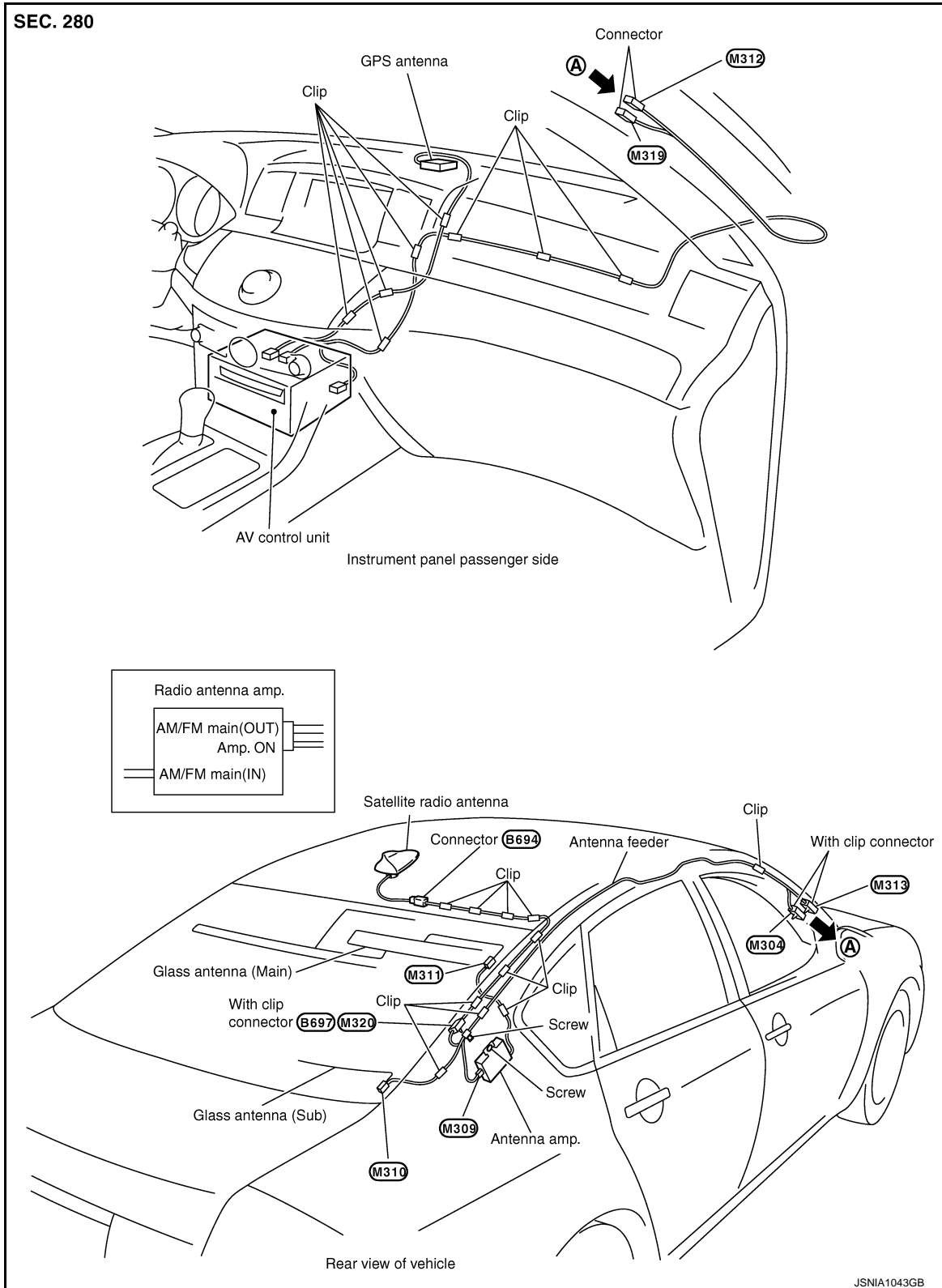
[WITHOUT MOBILE ENTERTAINMENT SYSTEM]

< ON-VEHICLE REPAIR >

## ANTENNA FEEDER (GPS)

### Harness Layout

INFOID:000000005350431



JSNIA1043GB

# DIAGNOSIS AND REPAIR WORK FLOW

< BASIC INSPECTION >

[WITH MOBILE ENTERTAINMENT SYSTEM]

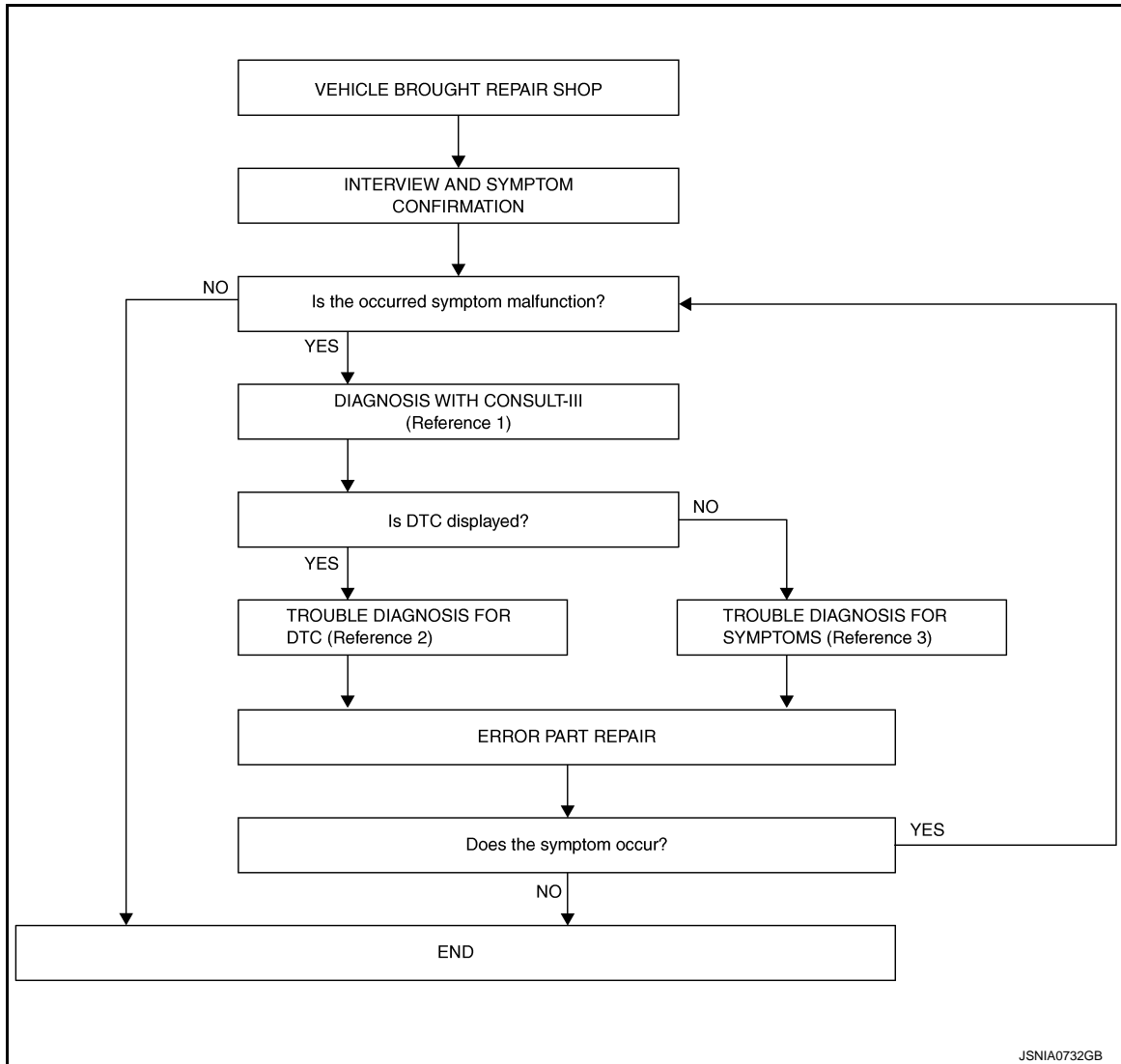
## BASIC INSPECTION

### DIAGNOSIS AND REPAIR WORK FLOW

Work Flow

INFOID:000000005350432

#### OVERALL SEQUENCE



- Reference 1... Refer to [AV-560. "CONSULT-III Function \(MULTI AV\)".](#)
- Reference 2... Refer to [AV-685. "DTC Index".](#)
- Reference 3... Refer to [AV-1048. "Symptom Table".](#)

#### DETAILED FLOW

##### 1. INTERVIEW AND SYMPTOM CONFIRMATION

Check the malfunction symptoms by performing the following items.

- Interview the customer to obtain the malfunction information (conditions and environment when the malfunction occurred).
- Check the symptom.

Is the occurred symptom malfunction?

YES >> GO TO 2.

NO >> INSPECTION END

##### 2. DIAGNOSIS WITH CONSULT-III

# DIAGNOSIS AND REPAIR WORK FLOW

[WITH MOBILE ENTERTAINMENT SYSTEM]

< BASIC INSPECTION >

1. Connect CONSULT-III and perform a self-diagnosis for "MULTI AV". Refer to [AV-560. "CONSULT-III Function \(MULTI AV\)".](#)

**NOTE:**

Skip to step 4 of the diagnosis procedure if "MULTI AV" is not displayed.

2. Check if any DTC is displayed in the self-diagnosis results.

Is DTC displayed?

YES >> GO TO 3.

NO >> GO TO 4.

## 3. TROUBLE DIAGNOSIS FOR DTC

---

1. Check the DTC indicated in the self-diagnosis results.
2. Perform the relevant diagnosis referring to the DTC Index. Refer to [AV-685. "DTC Index".](#)

>> GO TO 5.

## 4. TROUBLE DIAGNOSIS FOR SYMPTOMS

---

Perform the relevant diagnosis referring to the diagnosis chart by symptom. Refer to [AV-1048. "Symptom Table".](#)

>> GO TO 5.

## 5. ERROR PART REPAIR

---

1. Repair or replace the identified malfunctioning parts.
2. Perform a self-diagnosis for "MULTI AV" with CONSULT-III.

**NOTE:**

Erase the stored self-diagnosis results after repairing or replacing the relevant components if any DTC has been indicated in the self-diagnosis results.

3. Check that the symptom does not occur.

Does the symptom occur?

YES >> GO TO 1.

NO >> INSPECTION END



# INSPECTION AND ADJUSTMENT

< BASIC INSPECTION >

[WITH MOBILE ENTERTAINMENT SYSTEM]

## INSPECTION AND ADJUSTMENT

### ADDITIONAL SERVICE WHEN REMOVING BATTERY NEGATIVE TERMINAL

#### ADDITIONAL SERVICE WHEN REMOVING BATTERY NEGATIVE TERMINAL : Description

INFOID:000000005350433

Always correct the center position of the rear view monitor's possible route line after disconnecting the battery negative terminal.

#### ADDITIONAL SERVICE WHEN REMOVING BATTERY NEGATIVE TERMINAL : Special Repair Requirement

INFOID:000000005350434

#### 1. CORRECTION OF CENTER POSITION OF REAR VIEW MONITOR'S POSSIBLE ROUTE LINE

Refer to the following for details.

>> Refer to [AV-517, "REAR VIEW MONITOR POSSIBLE ROUTE LINE CENTER POSITION ADJUSTMENT : Special Repair Requirement"](#).

### ADDITIONAL SERVICE WHEN REPLACING CONTROL UNIT

#### ADDITIONAL SERVICE WHEN REPLACING CONTROL UNIT : Description

INFOID:000000005350435

When camera control unit is replaced, the center position of rear view monitor possible route line is corrected.

#### ADDITIONAL SERVICE WHEN REPLACING CONTROL UNIT : Special Repair Requirement

INFOID:000000005350436

#### 1. CORRECTION OF CENTER POSITION OF REAR VIEW MONITOR'S POSSIBLE ROUTE LINE

Refer to the following for details.

>> Refer to [AV-517, "REAR VIEW MONITOR POSSIBLE ROUTE LINE CENTER POSITION ADJUSTMENT : Special Repair Requirement"](#).

### REAR VIEW MONITOR POSSIBLE ROUTE LINE CENTER POSITION ADJUSTMENT

#### REAR VIEW MONITOR POSSIBLE ROUTE LINE CENTER POSITION ADJUSTMENT : Description

INFOID:000000005350437

Adjust the center position of the possible route line of the rear view monitor if it is shifted.

#### REAR VIEW MONITOR POSSIBLE ROUTE LINE CENTER POSITION ADJUSTMENT : Special Repair Requirement

INFOID:000000005350438

#### 1. STEERING OPERATION

Steer the steering wheel to the leftmost and rightmost ends.

>> GO TO 2

#### 2. DRIVING

Drive the vehicle straight ahead 100 m (328.1 ft) or more at a speed of 30 km/h (18.6 MPH) or more.

>> END

# MULTI AV SYSTEM

< FUNCTION DIAGNOSIS >

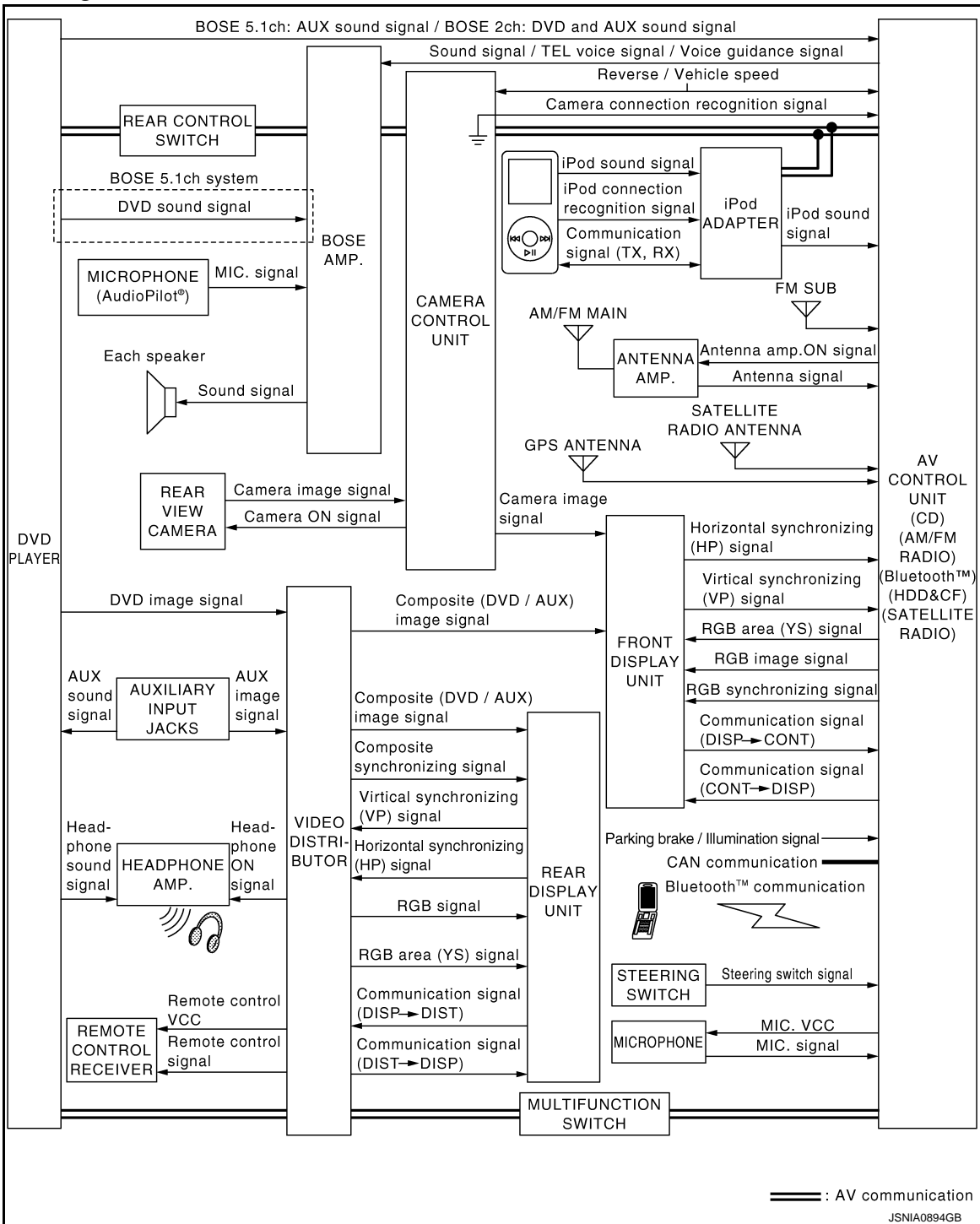
[WITH MOBILE ENTERTAINMENT SYSTEM]

## FUNCTION DIAGNOSIS

### MULTI AV SYSTEM

#### System Diagram

INFOID:000000005350439



**NOTE:**

The name MULTIFUNCTION SWITCH indicates the integration of PRESET SWITCH and MULTIFUNCTION SWITCH virtually.

#### System Description

INFOID:000000005350440

Multi AV system means that the following systems are integrated.

# MULTI AV SYSTEM

< FUNCTION DIAGNOSIS >

[WITH MOBILE ENTERTAINMENT SYSTEM]

System name	System explanation
NAVIGATION SYSTEM	<a href="#">AV-525, "System Description"</a>
AUDIO SYSTEM	<a href="#">AV-533, "System Description"</a>
REAR VIEW MONITOR SYSTEM	<a href="#">AV-530, "System Diagram"</a>
HANDS-FREE PHONE SYSTEM	<a href="#">AV-538, "System Diagram"</a>
MOBILE ENTERTAINMENT SYSTEM	<a href="#">AV-541, "System Description"</a>
VEHICLE INFORMATION SYSTEM	<ul style="list-style-type: none"> <li>Status of audio, climate control system, fuel economy, maintenance and navigation is displayed.</li> <li>AV control unit displays the fuel consumption status while receiving data signal through CAN communication from ECM, unified meter and A/C amp. and BCM.</li> </ul>
AUXILIARY INPUT SYSTEM	Refer to the following "AUXILIARY INPUT SYSTEM".
VOICE RECOGNITION SYSTEM	Refer to the following "VOICE RECOGNITION SYSTEM".
TOUCH PANEL SYSTEM	Refer to the following "TOUCH PANEL SYSTEM".

- AV control unit function by transmitting/receiving data one by one with each unit (slave unit) that configures them completely as a master unit by connecting between units that configure MULTI AV system with two AV communication lines (H, L).
- Two AV communication lines (H, L) adopt a twisted pair line that is resistant to noise.
- AV control unit is connected by CAN communication, and it receives data signal from ECM, unified meter and A/C amp. It computes and displays fuel economy information value with the obtained information. Transmitting/receiving of data signal is performed by BCM. Also, it transmits the required signal of vehicle setting and receives the response signal.
- The AV control unit receives the steering angle sensor signal via CAN communication from the steering angle sensor and transmits the steering angle sensor signal via AV communication to the camera control unit.
- AV control unit is connected with front display and serial communication, and it transmits the required signal of display and display control and receives the response signal from front display.

**NOTE:**

AV control unit can perform CONSULT-III self-operating function and on board self-diagnosis.

- CONSULT-III self diagnosis: Refer to [AV-560, "CONSULT-III Function \(MULTI AV\)"](#).
- On board self diagnosis: Refer to [AV-545, "Diagnosis Description"](#).

## AUXILIARY INPUT SYSTEM

- The AUX sound signal input from the external input device is transmitted from auxiliary input jacks to DVD player. DVD player transmits it to AV control unit. AV control unit transmits the AUX sound signal to BOSE amp.
- The AUX image signal input from the external input device is transmitted to the video distributor. The video distributor transmits the AUX image signal to the front display unit and rear display unit.

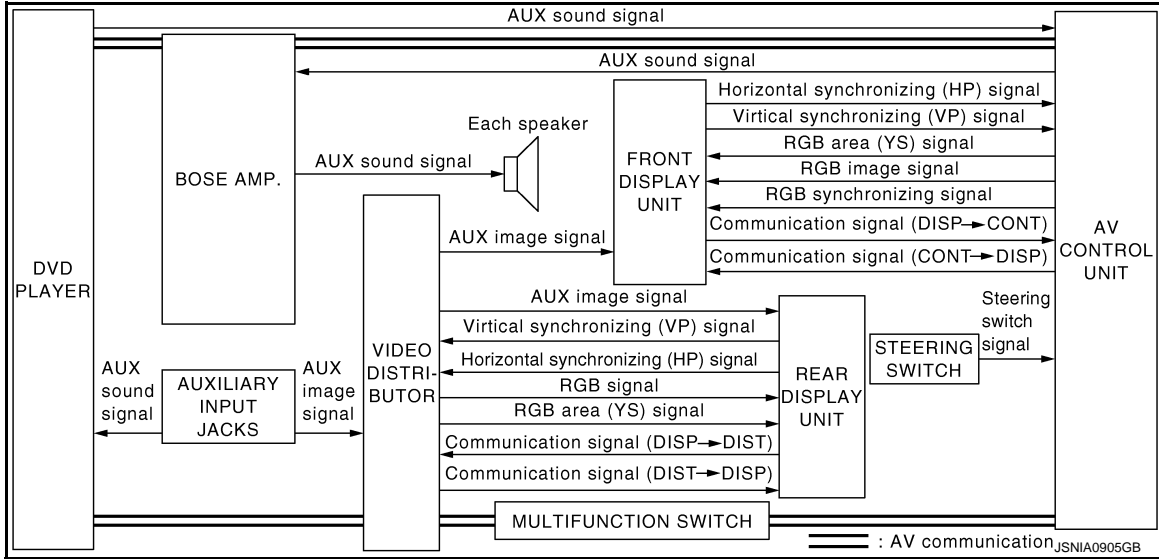
A  
B  
C  
D  
E  
F  
G  
H  
I  
J  
AV  
L  
M  
N  
O  
P

# MULTI AV SYSTEM

[WITH MOBILE ENTERTAINMENT SYSTEM]

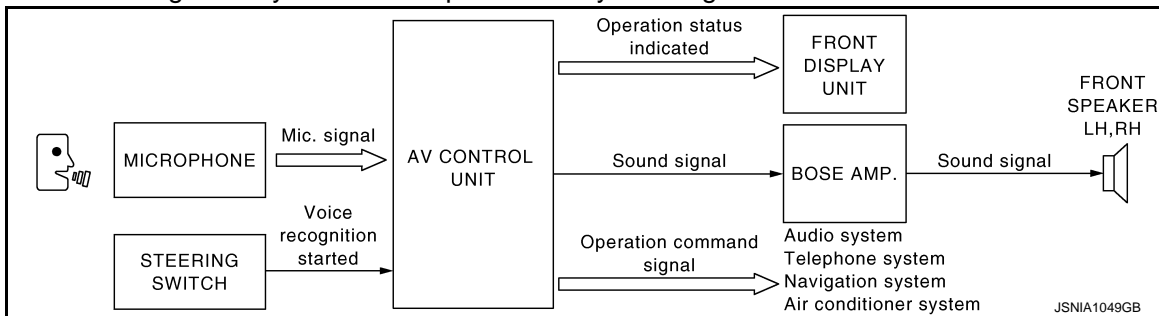
## < FUNCTION DIAGNOSIS >

- Operation can be performed with multifunction switch and steering switch. Multifunction switch transmits operation signal to AV control unit by AV communication.



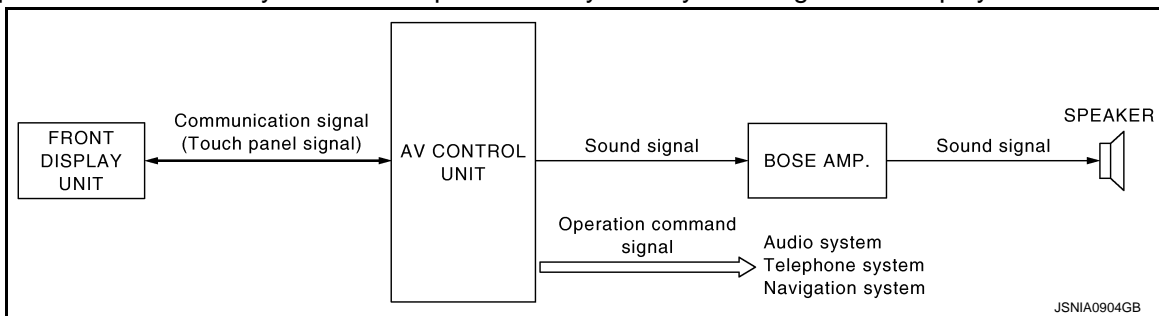
## VOICE RECOGNITION SYSTEM

- Each operation of multi AV system can be performed by inputting sound to microphone.
- Start of sound recognition system can be performed by steering switch.



## TOUCH PANEL SYSTEM

Each operation of multi AV system can be performed by directly touching a front display.



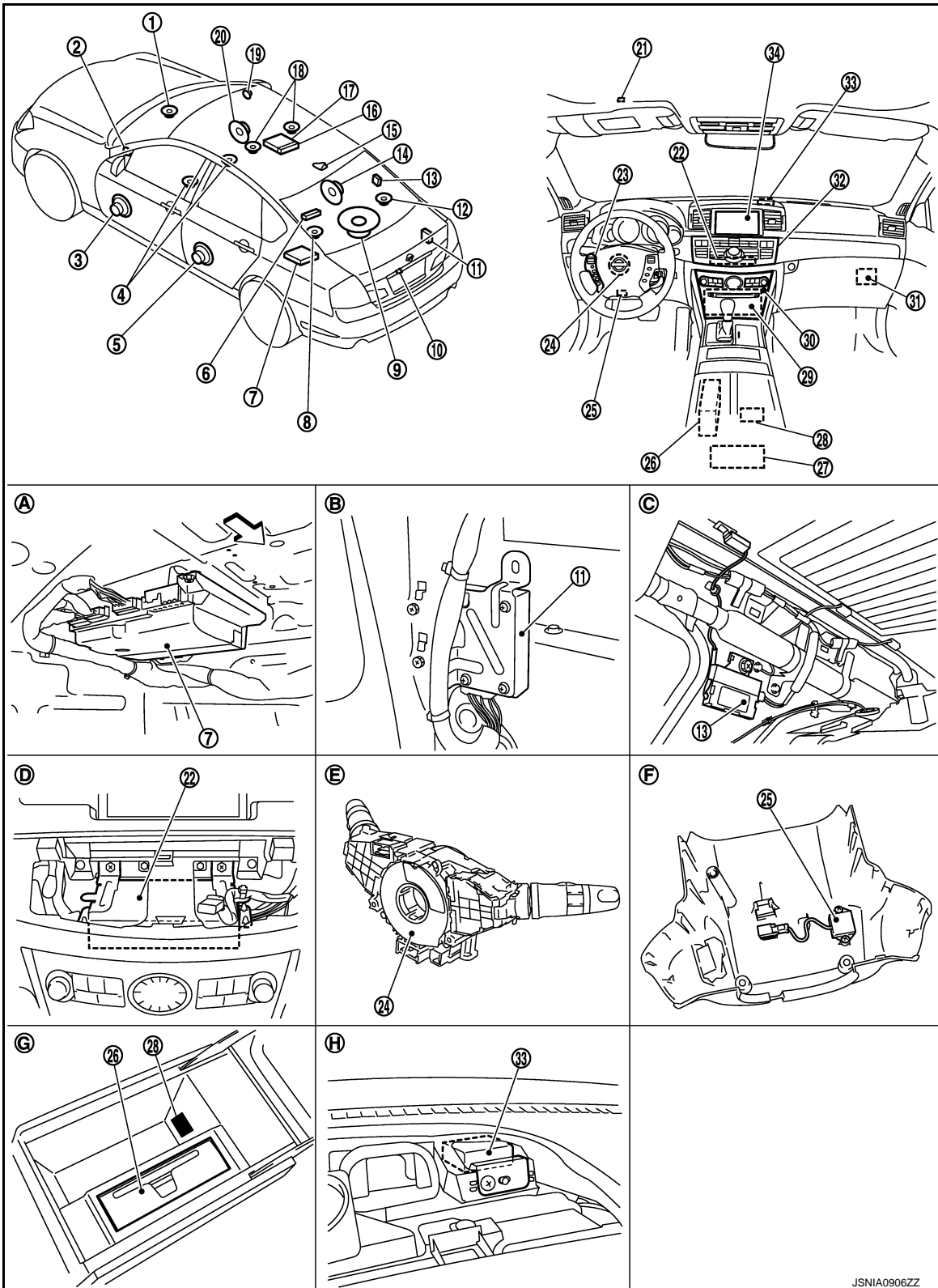
# MULTI AV SYSTEM

[WITH MOBILE ENTERTAINMENT SYSTEM]

< FUNCTION DIAGNOSIS >

## Component Parts Location

INFOID:000000005350441



A  
B  
C  
D  
E  
F  
G  
H  
I  
J  
L  
M  
N  
O  
P

AV

- |                        |                             |                              |
|------------------------|-----------------------------|------------------------------|
| 1. Center speaker      | 2. Tweeter LH               | 3. Front door speaker LH     |
| 4. Driver seat speaker | 5. Rear door speaker LH     | 6. Rear control switch       |
| 7. BOSE amp.           | 8. Rear surround speaker LH | 9. Woofer                    |
| 10. Rear view camera   | 11. Camera control unit     | 12. Rear surround speaker RH |

JSNIA0906ZZ

# MULTI AV SYSTEM

[WITH MOBILE ENTERTAINMENT SYSTEM]

## < FUNCTION DIAGNOSIS >

- |  |  |   |
|--|--|---|
| 13. Antenna amp.                             | 14. Rear door speaker RH               | 15. Satellite radio antenna             |
| 16. Headphone amp. & remote control receiver | 17. Rear display unit                  | 18. Passenger seat speaker              |
| 19. Tweeter RH                               | 20. Front door speaker RH              | 21. Microphone                          |
| 22. Video distributor                        | 23. Steering switch                    | 24. Steering angle sensor               |
| 25. Microphone (for AudioPilot®)             | 26. DVD player                         | 27. Auxiliary input jacks               |
| 28. iPod connector                           | 29. AV control unit                    | 30. Preset switch                       |
| 31. iPod adapter                             | 32. Multifunction switch               | 33. GPS antenna                         |
| 34. Front display unit                       |  |   |
| A. Under rear parcel LH side                 | B. Trunk side finisher (RH) is removed | C. Rear pillar finisher (RH) is removed |
| D. Multifunction switch is removed           | E. Spiral cable part                   | F. Steering column cover is removed     |
| G. In center console                         | H. Center ventilator grille is removed |   |

⇨: Vehicle front

## Component Description

INFOID:000000005350442

Part name	Description
AV CONTROL UNIT	<ul style="list-style-type: none"> <li>Integrates hard disk drive (HDD) allowing map data and music data to be stored.</li> <li>It is the master unit of the MULTI AV system, and it is connected to each control unit by communication. It operates each system according to communication signals from the AV control unit.</li> <li>The AV control unit includes the audio, hands-free phone, voice control, navigation, satellite radio, and vehicle information functions.</li> <li>It is connected to ECM and unified meter and A/C amp. via CAN communication to obtain necessary information for the vehicle information function.</li> <li>It is connected to BCM via CAN communication transmitting/receiving for the vehicle settings function.</li> <li>It is connected to the steering angle sensor and receives the steering angle signal via CAN communication. It also transmits the steering angle signal to camera control unit via AV communication.</li> <li>It inputs the illumination signals that are required for the display dimming control.</li> <li>It inputs the signals for driving status recognition (vehicle speed, reverse and parking brake).</li> <li>Update of map data is performed with the CONSULT-III and the applicable cable.</li> <li>It includes the TEL adapter and Bluetooth™ function.</li> </ul>
VIDEO DISTRIBUTOR	<ul style="list-style-type: none"> <li>It receives the image signal from the DVD player, and auxiliary input jack, and then transmits it to the front display unit and rear display unit.</li> <li>It supplies the power to the remote control receiver, and then receives the operation signal from the remote control receiver.</li> <li>Composite synchronize signal is output to rear display unit.</li> <li>It transmits ON signal to headphone amp.</li> </ul>
FRONT DISPLAY UNIT	<ul style="list-style-type: none"> <li>Front display image is controlled by the serial communication from AV control unit.</li> <li>RGB image signal is input from AV control unit (RGB, RGB area and RGB synchronizing). Composite image signal (auxiliary and DVD images) is input from the video distributor. Camera image signal is input from camera control unit.</li> <li>Synchronize signal (HP, VP) is output to AV control unit.</li> <li>Touch panel function can be operated for each system by touching a display directly.</li> </ul>
REAR DISPLAY UNIT	<ul style="list-style-type: none"> <li>Rear display image is controlled by the serial communication from video distributor.</li> <li>RGB image signal is input from video distributor (RGB image and RGB area). Composite image signal (DVD and auxiliary images) is input from the video distributor.</li> <li>Synchronize signal (HP, VP) is output to video distributor.</li> </ul>

# MULTI AV SYSTEM

[WITH MOBILE ENTERTAINMENT SYSTEM]

< FUNCTION DIAGNOSIS >

Part name	Description	
BOSE AMP.	<ul style="list-style-type: none"> <li>It is connected via AV communication and controlled by the AV control unit.</li> <li>It receives the voice guidance signal from AV control unit and output it to the front speaker.</li> <li>It controls sound volume of each speaker when outputting TEL voice and voice guidance.</li> <li>It subjects to AudioPilot® processing when receiving sound signal from microphone for AudioPilot®.</li> </ul>	A
	BOSE 2ch system <ul style="list-style-type: none"> <li>It amplifies the sound signal from the AV control unit and output it to each speaker.</li> </ul>	B
	BOSE surround audio 5.1ch system <ul style="list-style-type: none"> <li>It amplifies the sound signal from the AV control unit and the DVD sound signal from DVD player, and then output them to each speaker.</li> <li>It subjects to Centerpoint® processing.</li> </ul>	C
WOOFER	<ul style="list-style-type: none"> <li>Outputs sound signal from BOSE amp.</li> <li>Outputs low-pitched sound.</li> </ul>	D
FRONT DOOR SPEAKER	<ul style="list-style-type: none"> <li>Outputs sound signal from BOSE amp.</li> <li>Outputs high, mid and low range sounds.</li> </ul>	E
TWEETER	<ul style="list-style-type: none"> <li>Outputs sound signal from BOSE amp.</li> <li>Outputs high range sound.</li> </ul>	F
REAR DOOR SPEAKER	<ul style="list-style-type: none"> <li>Outputs sound signal from BOSE amp.</li> <li>Outputs high, mid and low range sounds.</li> </ul>	G
CENTER SPEAKER	<ul style="list-style-type: none"> <li>Outputs sound signal from BOSE amp.</li> <li>Outputs high and mid range sounds.</li> </ul>	H
SEAT SPEAKER	<ul style="list-style-type: none"> <li>Outputs sound signal from BOSE amp.</li> <li>Outputs high and mid range sounds.</li> </ul>	I
REAR SURROUND SPEAKER	<ul style="list-style-type: none"> <li>Outputs sound signal from BOSE amp.</li> <li>Outputs high and mid range sounds.</li> </ul>	J
MULTIFUNCTION SWITCH	<ul style="list-style-type: none"> <li>Operation panel is equipped with the centralized switch where audio, auxiliary input and navigation operations are integrated.</li> <li>The multifunction switch is connected via AV communication, and it transmits the operation signals of the multifunction switch and preset switch.</li> </ul>	J
PRESET SWITCH	<ul style="list-style-type: none"> <li>Operation panel is equipped with the centralized switch where audio and air conditioner operations are integrated.</li> <li>The preset switch is connected to the multifunction switch by hard-wire, and it transmits the operation signal to the multifunction switch.</li> </ul>	K
DVD PLAYER	<ul style="list-style-type: none"> <li>It transmits the playback DVD image signal to the video distributor. It also transmits the input AUX sound signal to the AV control unit.</li> </ul> BOSE 2ch system <ul style="list-style-type: none"> <li>It transmits the playback DVD sound signal to the AV control unit.</li> </ul> BOSE surround audio 5.1ch system <ul style="list-style-type: none"> <li>It transmits the playback DVD sound signal to the BOSE amp.</li> </ul>	L
CAMERA CONTROL UNIT	<ul style="list-style-type: none"> <li>Camera image signal is input from rear view camera. Camera image signal output to front display unit.</li> <li>Power (camera ON signal) is transmitted to rear view camera.</li> <li>AV control unit recognizes the presence of camera system with camera connection recognition signal.</li> <li>Camera control unit is connected via AV communication, and it receives the control signal and steering angle signal from the AV control unit.</li> </ul>	M
REAR VIEW CAMERA	<ul style="list-style-type: none"> <li>The image of vehicle rear view is transmitted to camera control unit.</li> <li>It receives the power (camera ON signal) from the camera control unit and operates.</li> </ul>	N
STEERING SWITCH	<ul style="list-style-type: none"> <li>Operations for audio, hands-free phone, audio response and navigation, etc. are possible.</li> <li>Steering switch signal (operation signal) is output to AV control unit.</li> </ul>	O

A  
B  
C  
D  
E  
F  
G  
H  
I  
J  
K  
L  
M  
N  
O  
P

AV

# MULTI AV SYSTEM

< FUNCTION DIAGNOSIS >

[WITH MOBILE ENTERTAINMENT SYSTEM]

Part name	Description
MICROPHONE	<ul style="list-style-type: none"><li>• Used for hands-free phone operation and voice recognition.</li><li>• Mic signal is transmitted to AV control unit.</li><li>• Power (Mic. VCC) is supplied from AV control unit.</li></ul>
AUXILIARY INPUT JACKS	Image signal of auxiliary input is transmitted to video distributor, and sound signal is transmitted to DVD player.
GPS ANTENNA	GPS signal is received and transmitted to AV control unit.
ANTENNA AMP.	<ul style="list-style-type: none"><li>• Radio signal received by glass antenna is amplified and transmitted to AV control unit.</li><li>• Power (antenna amp. ON signal) is supplied from AV control unit.</li></ul>
SATELLITE RADIO ANTENNA	Satellite radio wave is received and transmitted to AV control unit.
iPod ADAPTER	<ul style="list-style-type: none"><li>• Inputs iPod sound signal from iPod<sup>®</sup>, and outputs iPod sound signal to AV control unit.</li><li>• Receiving/transmitting of iPod<sup>®</sup> operation signals are performed as follows:<ul style="list-style-type: none"><li>- between AV control unit and iPod adapter: AV communication.</li><li>- between iPod<sup>®</sup> and iPod adapter: serial communication.</li></ul></li></ul>
STEERING ANGLE SENSOR	It is connected to the AV control unit and transmits the steering angle signal via CAN communication.
REAR CONTROL SWITCH	<ul style="list-style-type: none"><li>• Operations for audio, etc. are possible.</li><li>• The rear control switch is connected via AV communication, and it transmits the operation signals of the rear control switch.</li></ul>
MICROPHONE (for AudioPilot <sup>®</sup> )	<ul style="list-style-type: none"><li>• Used for AudioPilot<sup>®</sup>.</li><li>• Mic signal is transmitted to BOSE amp.</li></ul>



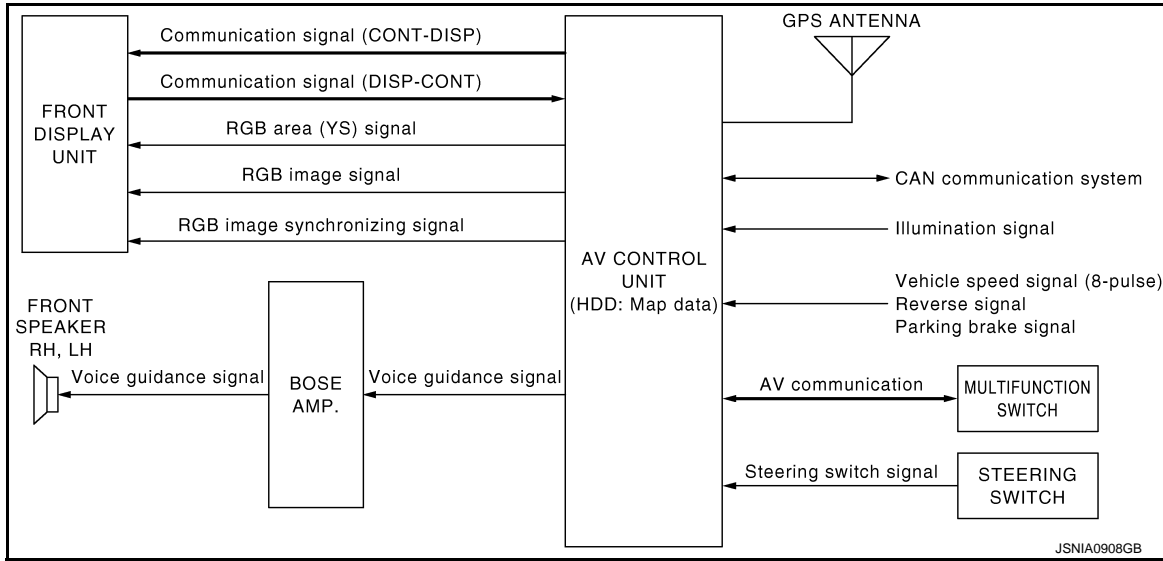
# NAVIGATION SYSTEM

< FUNCTION DIAGNOSIS >

[WITH MOBILE ENTERTAINMENT SYSTEM]

## NAVIGATION SYSTEM

### System Diagram



### System Description

INFOID:000000005350444

#### DESCRIPTION

- The AV control unit controls navigation function while GPS tuner has built-in map data, GYRO (angle speed sensor), on the HDD (Hard Disk Drive).
- The AV control unit inputs operation signal with communication signal, through display (touch panel) and multifunction switch and steering switch.
- Guide sound is output to front speaker through BOSE amp. from AV control unit when operating navigation system.
- A vehicle position is calculated with the GYRO (angle speed sensor), vehicle sensor, signal from GPS satellite and map data stored on HDD (Hard Disk Drive), and transmits the map image signal (RGB image, RGB area, RGB image synchronizing) to the display.

#### POSITION DETECTION PRINCIPLE

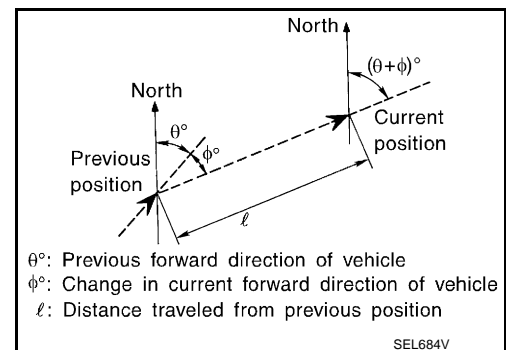
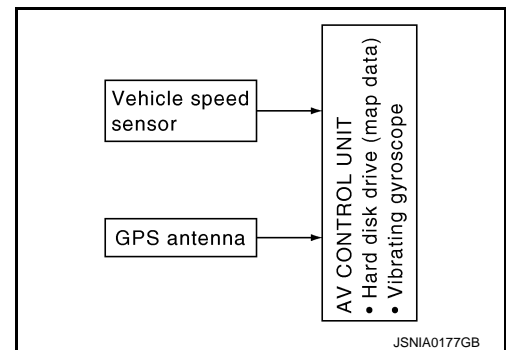
The navigation system periodically calculates the current vehicle position according to the following three types of signals.

- Travel distance of the vehicle as determined by the vehicle speed sensor
- Vehicle turning angle determined by the gyroscope (angular speed sensor)
- The travel direction of the vehicle determined by the GPS antenna (GPS information)

The current position of the vehicle is then identified by comparing the calculated vehicle position with map data, which is stored in the HDD (Hard Disk Drive) (map-matching), and indicated on the screen with a current location mark. More accurate data is used by comparing position detection results from GPS to the map-matching.

The current position is calculated by detecting the travel distance from the previous calculation point, and its direction change.

- Travel distance  
The travel distance is generated from the vehicle speed sensor input signal. The automatic distance correction function is adopted for preventing a miss-detection of the travel distance because of tire wear etc.
- Travel direction  
The gyroscope (angular velocity sensor) and GPS antenna (GPS information) generate the change of the travel direction. Both have advantages and disadvantages as per the following descriptions.



# NAVIGATION SYSTEM

< FUNCTION DIAGNOSIS >

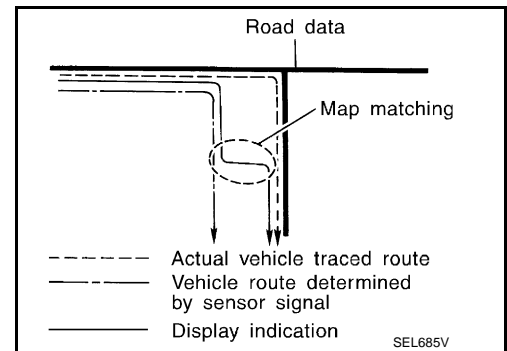
[WITH MOBILE ENTERTAINMENT SYSTEM]

Type	Advantage	Disadvantage
Gyroscope (angular velocity sensor)	The turning angle is precisely detected.	Errors are accumulated when driving a long distance without stopping.
GPS antenna (GPS information)	The travel direction (North/South/East/West) is detected.	The travel direction is not precisely detected when driving slowly.

Input signals are prioritized in each situation. However, this order of priority may change in accordance with more detailed travel conditions so that the travel direction is detected more accurately.

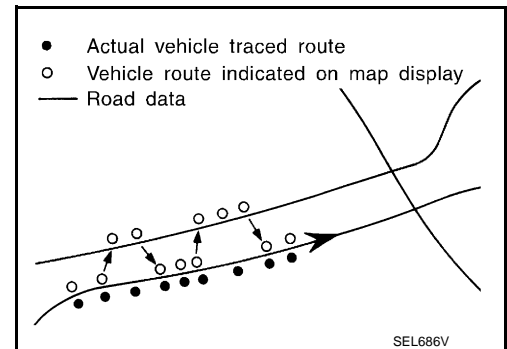
## MAP-MATCHING

Map-matching repositions the vehicle on the road map when a new location is judged to be more accurate. This is done by comparing the current vehicle position (calculated by the normal position detection method) from the map data stored in the HDD (Hard Disk Drive).



There is a possibility that the vehicle position may not be corrected in the following case, and when vehicle is driven over a certain distance or time in which GPS information is hard to receive. Correct manually the current location mark on the screen.

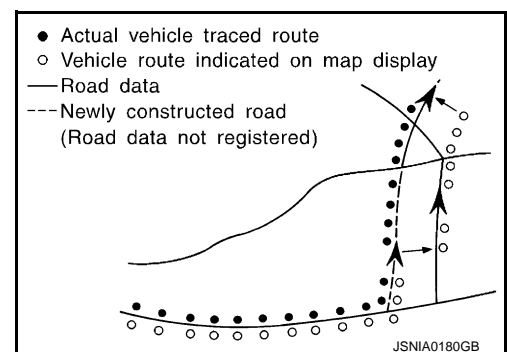
- In map-matching, several alternative routes are prepared and prioritized in addition to the road judged as currently driving on. Therefore, due to errors in the distance and/or direction, an incorrect road may be prioritized, and the current location mark may be repositioned to the incorrect road. If two roads are running in parallel, they are of the same priority. Therefore, the current location mark may appear on either of them alternately, depending on maneuvering of the steering wheel and configuration of the road, etc.



- Map-matching does not function correctly when road on which the vehicle is driving is new, etc. and not recorded in the map data. Also, map-matching does not function correctly when road pattern stored in the map data and the actual road pattern are different due to repair, etc.

Therefore, the map-matching function judges other road as a currently driving road if the road is not in the map, and displays the current location mark on it. Later, the current location mark may be repositioned to the road if the correct road is detected.

- Effective range for comparing the vehicle position and travel direction calculated by the distance and direction with the road data is limited. Therefore, correction by map-matching is not possible when there is an excessive gap between current vehicle position and the position on the map.



## GPS (GLOBAL POSITIONING SYSTEM)

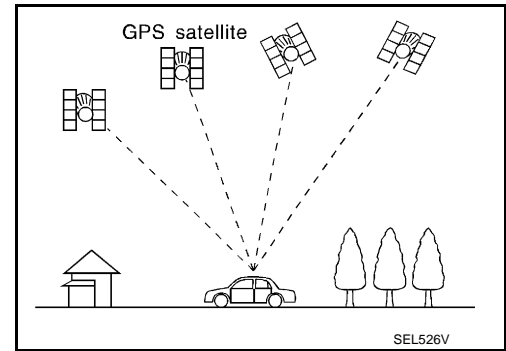
# NAVIGATION SYSTEM

< FUNCTION DIAGNOSIS >

[WITH MOBILE ENTERTAINMENT SYSTEM]

GPS (Global Positioning System) is developed for and is controlled by the US Department of Defense. The system utilizes GPS satellites (NAVSTAR), transmitting out radio waves while flying on an orbit around the earth at an altitude of approximately 21,000 km.

The receiver calculates the travel position in three dimensions (latitude/longitude/altitude) according to the time lag of the radio waves that four or more GPS satellites transmit (three-dimensional positioning). The GPS receiver calculates the travel position in two dimensions (latitude/longitude) with the previous altitude data if the GPS receiver receives only three radio waves (two-dimensional positioning). GPS position correction is not performed while stopping the vehicle.



Accuracy of the GPS will deteriorate under the following conditions:

- In two-dimensional positioning, GPS accuracy will deteriorate when altitude of the vehicle position changes.
- The position of GPS satellite affects GPS detection precision. The position detection may not be precisely performed.
- The position detection is not performed if GPS receiver does not receive radio waves from GPS satellites. (Inside a tunnel, parking in a building, under an elevated highway etc.) GPS receiver may not receive radio waves from GPS satellites if any object is placed on the GPS antenna.

**NOTE:**

- The detection result has an error of approximately 10 m even with a high-precision three dimensional positioning.
- There may be cases when the accuracy is lowered and radio waves are stopped intentionally because the GPS satellite signal is controlled by the US trace control center.

A  
B  
C  
D  
E  
F  
G  
H  
I  
J  
L  
M  
N  
O  
P

AV

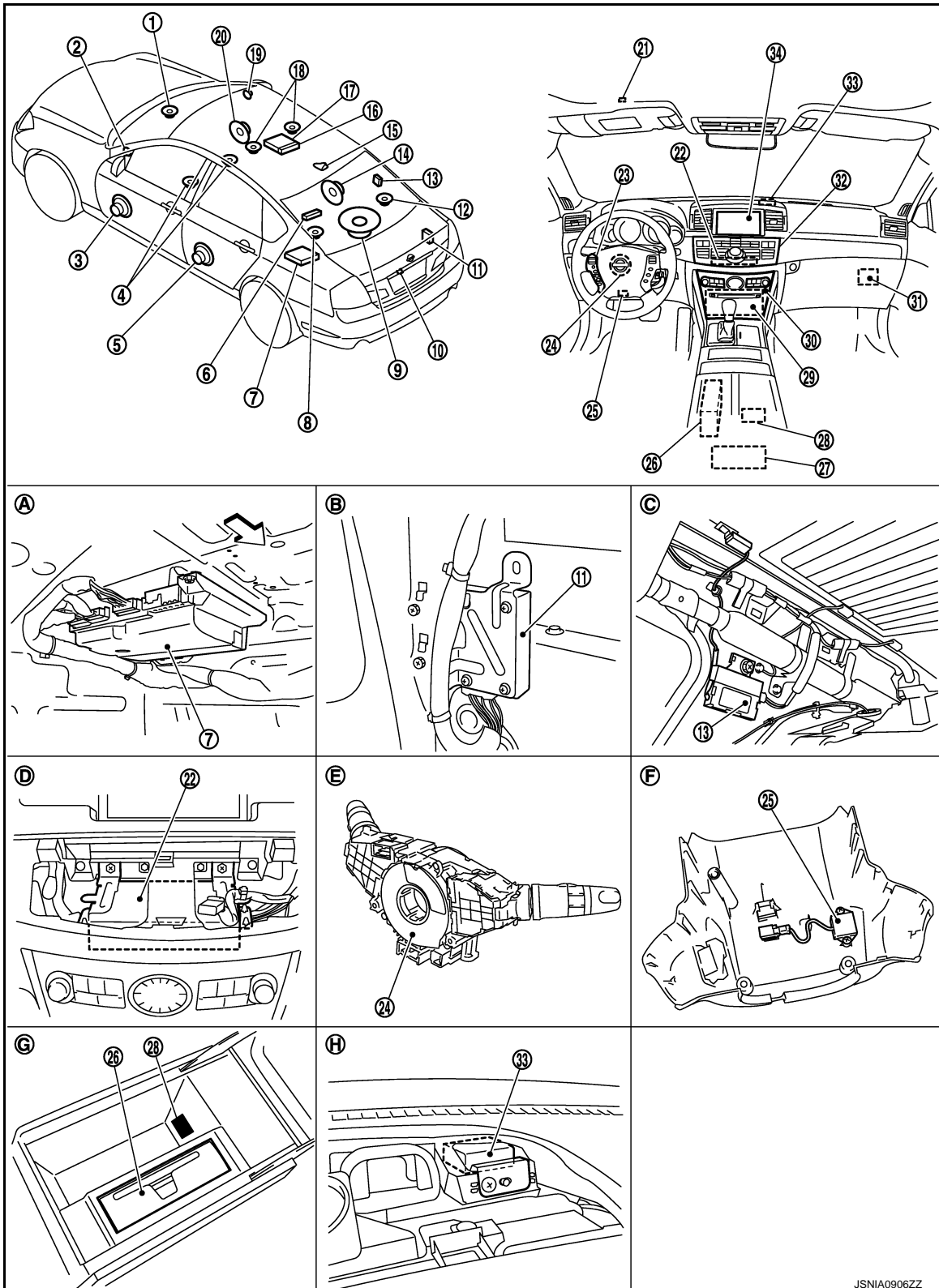
# NAVIGATION SYSTEM

[WITH MOBILE ENTERTAINMENT SYSTEM]

< FUNCTION DIAGNOSIS >

## Component Parts Location

INFOID:00000005350445



JSNIA0906ZZ

- |                        |                             |                              |
|------------------------|-----------------------------|------------------------------|
| 1. Center speaker      | 2. Tweeter LH               | 3. Front door speaker LH     |
| 4. Driver seat speaker | 5. Rear door speaker LH     | 6. Rear control switch       |
| 7. BOSE amp.           | 8. Rear surround speaker LH | 9. Woofer                    |
| 10. Rear view camera   | 11. Camera control unit     | 12. Rear surround speaker RH |

# NAVIGATION SYSTEM

[WITH MOBILE ENTERTAINMENT SYSTEM]

## < FUNCTION DIAGNOSIS >

- |  |                           |                             |
|--|---------------------------|-----------------------------|
| 13. Antenna amp.                             | 14. Rear door speaker RH  | 15. Satellite radio antenna |
| 16. Headphone amp. & remote control receiver | 17. Rear display unit     | 18. Passenger seat speaker  |
| 19. Tweeter RH                               | 20. Front door speaker RH | 21. Microphone              |
| 22. Video distributor                        | 23. Steering switch       | 24. Steering angle sensor   |
| 25. Microphone (for AudioPilot®)             | 26. DVD player            | 27. Auxiliary input jacks   |
| 28. iPod connector                           | 29. AV control unit       | 30. Preset switch           |
| 31. iPod adapter                             | 32. Multifunction switch  | 33. GPS antenna             |
| 34. Front display unit                       |                           |                             |
- 
- |                                    |  |   |
|------------------------------------|--|---|
| A. Under rear parcel LH side       | B. Trunk side finisher (RH) is removed | C. Rear pillar finisher (RH) is removed |
| D. Multifunction switch is removed | E. Spiral cable part                   | F. Steering column cover is removed     |
| G. In center console               | H. Center ventilator grille is removed |   |

⇨: Vehicle front

## Component Description

INFOID:000000005350446

Part name	Description
AV CONTROL UNIT	<ul style="list-style-type: none"> <li>It is the master unit that controls each operation of the Navigation system.</li> <li>The HDD (Hard Disk Drive) is built in, and the map data is stored in HDD.</li> <li>The RGB image signal (map information) is output to the front display unit.</li> <li>The voice guidance signal is output to the BOSE amp.</li> </ul>
FRONT DISPLAY UNIT	<ul style="list-style-type: none"> <li>Map image signal is input from AV control unit, and it is indicated on the display.</li> <li>Each operation of navigation can be performed by the touch panel function.</li> </ul>
BOSE AMP.	Voice guidance signal is input from AV control unit, and it is output to front speakers.
FRONT DOOR SPEAKER	Voice guidance signal from BOSE amp. is output.
MULTIFUNCTION SWITCH	<ul style="list-style-type: none"> <li>Each operation of navigation can be performed.</li> <li>Connected with preset switch via cable and operation signal is transmitted to AV control unit via AV communication.</li> </ul>
STEERING SWITCH	<ul style="list-style-type: none"> <li>Each operation of navigation, etc. can be performed.</li> <li>Switch operating signal is output to AV control unit.</li> </ul>
GPS ANTENNA	GPS signal is received and is output to AV control unit.

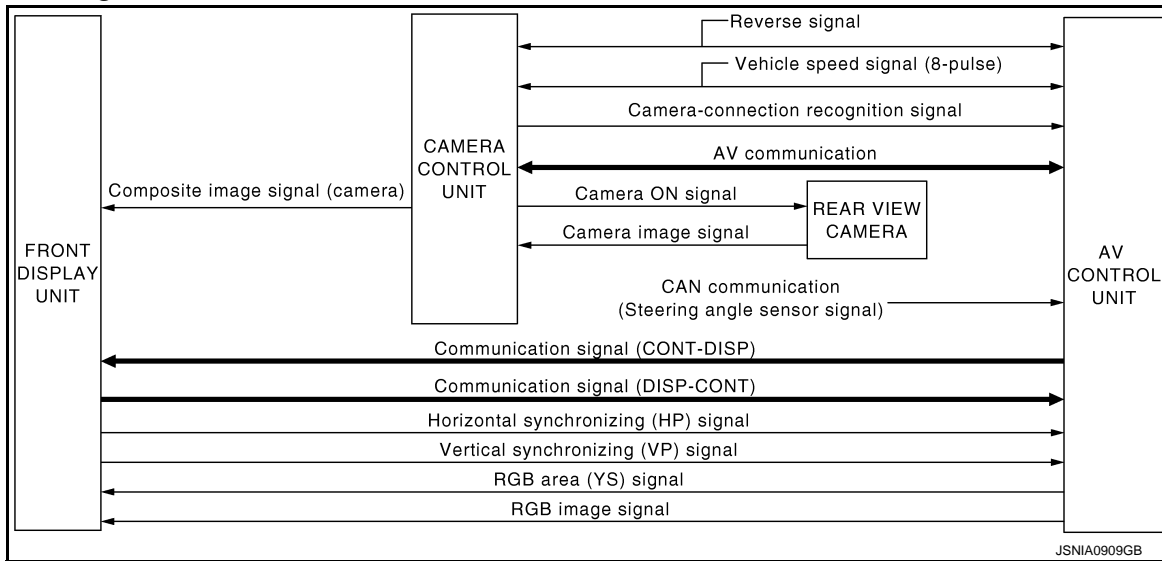
# REAR VIEW MONITOR SYSTEM

< FUNCTION DIAGNOSIS >

[WITH MOBILE ENTERTAINMENT SYSTEM]

## REAR VIEW MONITOR SYSTEM

### System Diagram



### System Description

INFOID:000000005350448

#### CAMERA IMAGE OPERATION PRINCIPLE

- Power is supplied to rear view camera from camera control unit and outputs camera image signal to camera control unit when selector lever is set to R position and the reverse signal on camera control unit is input.
- Camera control unit synthesizes guide lines and possible route lines with camera image signal from rear view camera, and transmits camera image signal to the front display unit. In this case, since the reverse signal is also input to AV control unit, the AV control unit recognizes the selector lever as in R position, and it switches serial communication signal between AV control unit and front display unit, and image that is displayed on the front display unit by RGB image signal with rear view monitor image. In addition, possible route lines are controlled by original sensor signal from steering angle sensor.
- The AV control unit determines whether rear view camera is equipped or not, based on the presence of camera connection recognition signal. It switches to rear view monitor image at the time of reverse signal input when it is equipped.
- Warning message under the rear view monitor display is described by AV control unit.
- AV control unit is connected in communication with camera control unit and front display unit, and it controls operation of rear view monitor system.

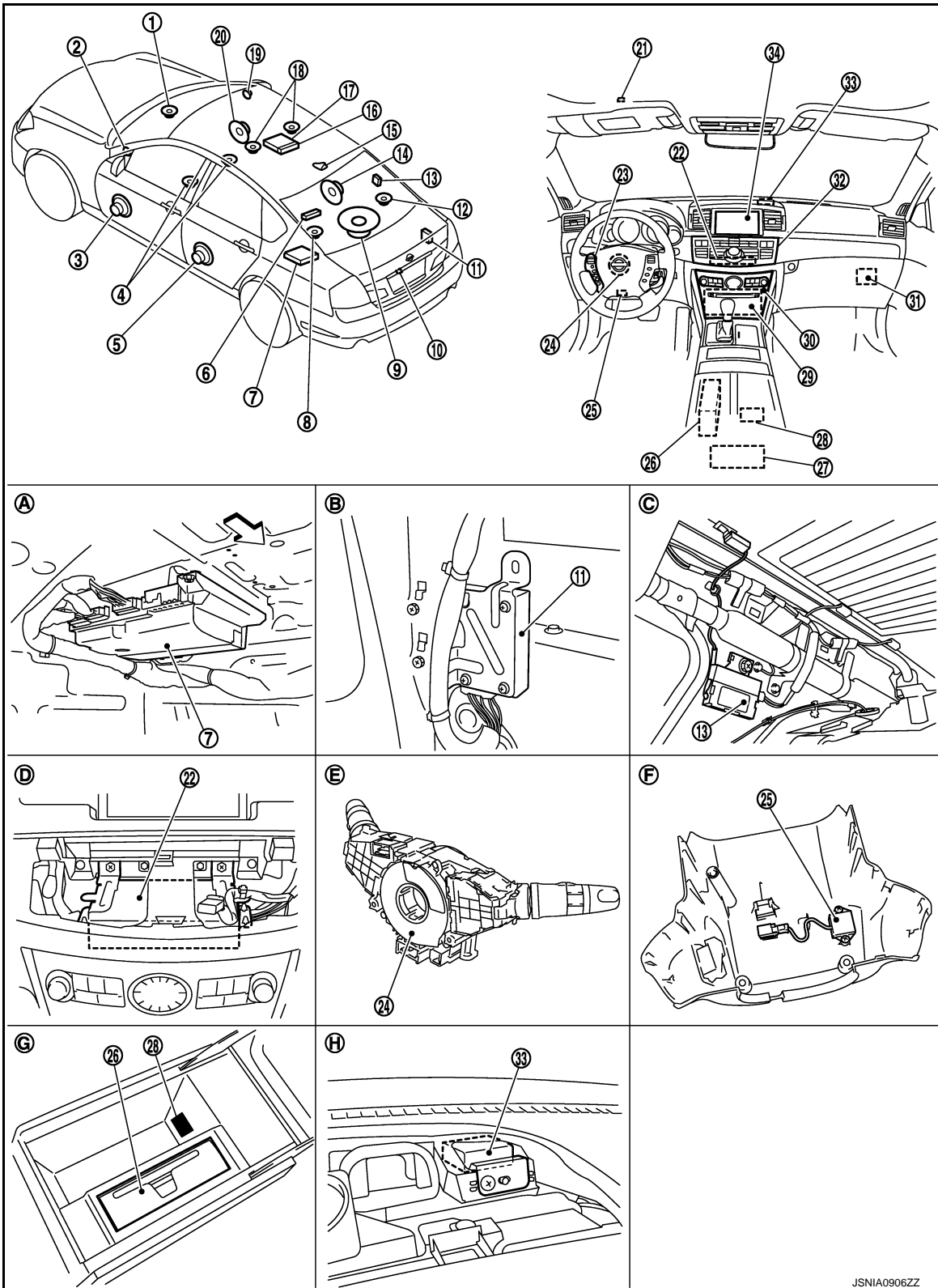
# REAR VIEW MONITOR SYSTEM

[WITH MOBILE ENTERTAINMENT SYSTEM]

< FUNCTION DIAGNOSIS >

## Component Parts Location

INFOID:000000005350449



A  
B  
C  
D  
E  
F  
G  
H  
I  
J  
AV  
L  
M  
N  
O  
P

AV

- |                        |                             |                              |
|------------------------|-----------------------------|------------------------------|
| 1. Center speaker      | 2. Tweeter LH               | 3. Front door speaker LH     |
| 4. Driver seat speaker | 5. Rear door speaker LH     | 6. Rear control switch       |
| 7. BOSE amp.           | 8. Rear surround speaker LH | 9. Woofer                    |
| 10. Rear view camera   | 11. Camera control unit     | 12. Rear surround speaker RH |

JSNIA0906ZZ

# REAR VIEW MONITOR SYSTEM

[WITH MOBILE ENTERTAINMENT SYSTEM]

## < FUNCTION DIAGNOSIS >

- |  |  |   |
|--|--|---|
| 13. Antenna amp.                             | 14. Rear door speaker RH               | 15. Satellite radio antenna             |
| 16. Headphone amp. & remote control receiver | 17. Rear display unit                  | 18. Passenger seat speaker              |
| 19. Tweeter RH                               | 20. Front door speaker RH              | 21. Microphone                          |
| 22. Video distributor                        | 23. Steering switch                    | 24. Steering angle sensor               |
| 25. Microphone (for AudioPilot®)             | 26. DVD player                         | 27. Auxiliary input jacks               |
| 28. iPod connector                           | 29. AV control unit                    | 30. Preset switch                       |
| 31. iPod adapter                             | 32. Multifunction switch               | 33. GPS antenna                         |
| 34. Front display unit                       |  |   |
| A. Under rear parcel LH side                 | B. Trunk side finisher (RH) is removed | C. Rear pillar finisher (RH) is removed |
| D. Multifunction switch is removed           | E. Spiral cable part                   | F. Steering column cover is removed     |
| G. In center console                         | H. Center ventilator grille is removed |   |

⇨: Vehicle front

## Component Description

INFOID:000000005350450

Part name	Description
AV CONTROL UNIT	<ul style="list-style-type: none"> <li>Image on display is changed to rear view monitor image with serial communication between AV control unit and front display unit.</li> <li>It is connected to the steering angle sensor and receives the steering angle signal via CAN communication. It also transmits the steering angle signal to camera control unit via AV communication.</li> <li>Warning displayed in rear view monitor image is illustrated.</li> </ul>
FRONT DISPLAY UNIT	<ul style="list-style-type: none"> <li>Camera image signal is transmitted from camera control unit, and RGB image signal for warning display is transmitted from AV control unit.</li> <li>Rear view monitor image is changed with the communication for AV control unit.</li> </ul>
CAMERA CONTROL UNIT	<ul style="list-style-type: none"> <li>Camera image signal is input from rear view camera, and camera image is indicated on the front display unit.</li> <li>Power (camera ON signal) is transmitted to rear view camera.</li> <li>Camera control unit is connected via AV communication, and it receives the control signal and steering angle signal from the AV control unit.</li> <li>AV control unit recognizes the presence of camera system with camera connection recognition signal.</li> </ul>
REAR VIEW CAMERA	<ul style="list-style-type: none"> <li>The image of vehicle rear view is transmitted to camera control unit.</li> <li>It receives the power (camera ON signal) from the camera control unit and operates.</li> </ul>
STEERING ANGLE SENSOR	It is connected to the AV control unit and transmits the steering angle signal via CAN communication.



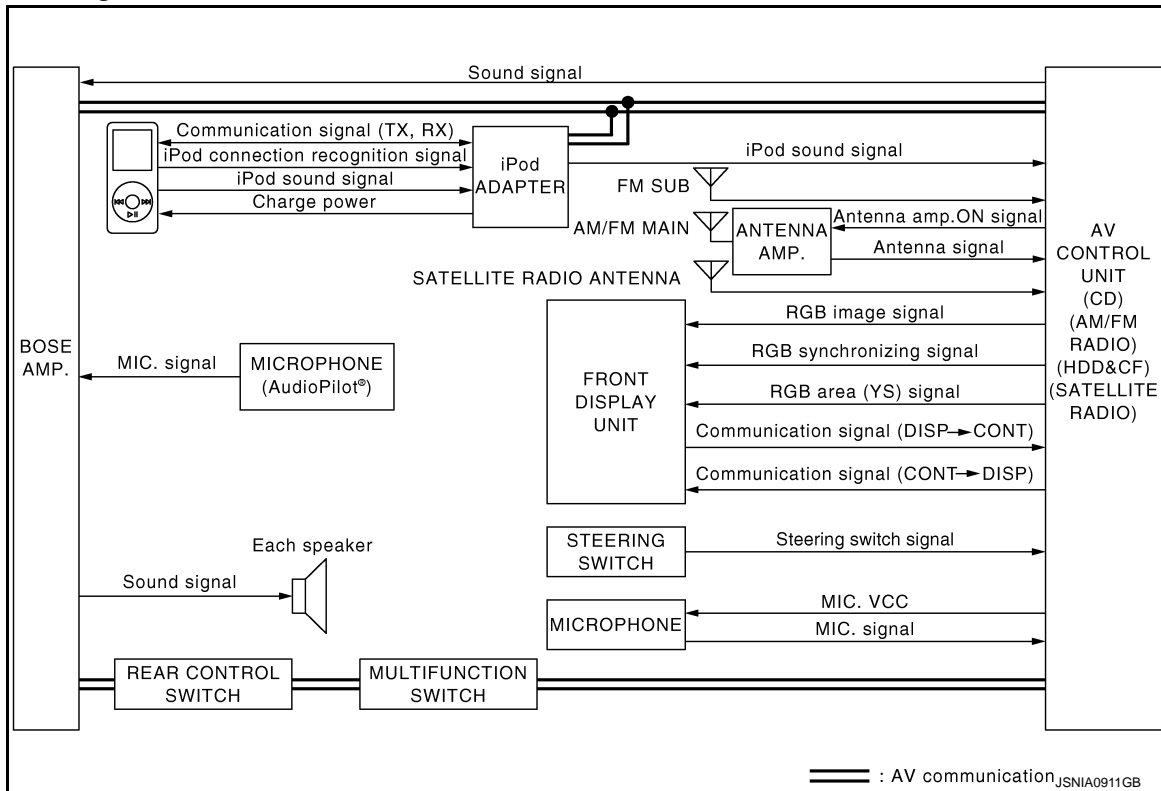
# AUDIO SYSTEM

< FUNCTION DIAGNOSIS >

[WITH MOBILE ENTERTAINMENT SYSTEM]

## AUDIO SYSTEM

### System Diagram



### System Description

The audio system is equipped with the following functions. Each function is operated with multifunction switch, preset switch, touch panel, steering switch or audio recognition. Operation status of AUDIO is indicated at front display.

Function
AM/FM radio
Satellite radio
CD
Music Box (Hard Disk Drive)
CF (Compact Flash)
iPod connection
AudioPilot®
Centerpoint® (for BOSE surround audio 5.1ch system)

### FUNCTION DESCRIPTION

#### Operating Signal

Audio system operation can be performed with multifunction switch, preset switch, steering switch, touch panel function or voice recognition function.

- Operating signal is transmitted to AV control unit with AV communication when it is operated by multifunction switch or preset switch.
- Operating signal is transmitted to AV control unit with steering switch signal when it is operated by steering switch.
- Refer to [AV-518. "System Description"](#) for explanation of voice recognition function and touch panel function.

#### Screen Front Display

# AUDIO SYSTEM

[WITH MOBILE ENTERTAINMENT SYSTEM]

## < FUNCTION DIAGNOSIS >

- Switching of display is performed with serial communication between front display unit and AV control unit.
- The image signal to front display operating condition is performed with RGB image signal, RGB area signal and RGB synchronizing signal.

### AM/FM Radio Mode

- AM/FM radio tuner is built into AV control unit.
- Audio signal is received by glass antenna, next it is amplified by antenna amp., and finally it is input to AV control unit. Audio signal is input to BOSE amp. and BOSE amp. outputs to each speaker for AV control unit.

### Satellite Radio Mode

- Satellite radio tuner is built into AV control unit.
- Audio signal (satellite radio) is received by satellite radio antenna, and it is input to AV control unit. AV control unit outputs audio signal to BOSE amp. The signal is also outputted from BOSE amp. to each speaker.

### CD Mode

- CD function is built into AV control unit.
- AV control unit outputs audio signal to BOSE amp. and BOSE amp. outputs to each speaker when CD is inserted to AV control unit.

### Music Box Mode

- Music CD data is stored on HDD that is built into AV control unit, and it can be played.
- AV control unit outputs music (audio signal) that is stored on HDD to BOSE amp., and BOSE amp. outputs to each speaker.

### CF Mode

- AV control unit has built in CF replay function.
- Music (audio signal) that is stored in CF outputs to BOSE amp., and BOSE amp. outputs to each speaker when CF is inserted into AV control unit.

### iPod Connection

- Connect iPod® and iPod adapter with wire harness and iPod adapter input iPod sound signal from iPod®. When iPod mode is selected, iPod adapter output iPod sound signal to AV control unit. AV control unit output sound signal to BOSE amp., and BOSE amp. output sound signal to each speaker.
- Receiving/transmitting of iPod® operation signals are performed as follows:
  - between AV control unit and iPod adapter: AV communication.
  - between iPod® and iPod adapter: serial communication.
- The iPod® connection status can be recognized whether iPod adapter receives iPod connection recognition signal.
- The iPod adapter is possible to charge iPod®.

### AudioPilot®

AudioPilot® is the sound improving system that picks up any noises and the sound of music coming into the vehicle by a microphone under the steering, and that the BOSE amp. revises the frequency feature of music at real time in response to the frequency feature of the noise while driving and listening to music.

- If low frequency area noise from vehicle is loud, it adjusts low frequency element of music to be bigger than vehicle noise.
- If high frequency area noise from vehicle is loud, it adjusts all frequency element of music to be bigger than vehicle noise.

### Centerpoint® (For BOSE surround audio 5.1ch system)

CD and 2ch DVD stereo sound played at audio unit and DVD player are subjected to signal processing in BOSE amp. It can play the surround sound with presence.

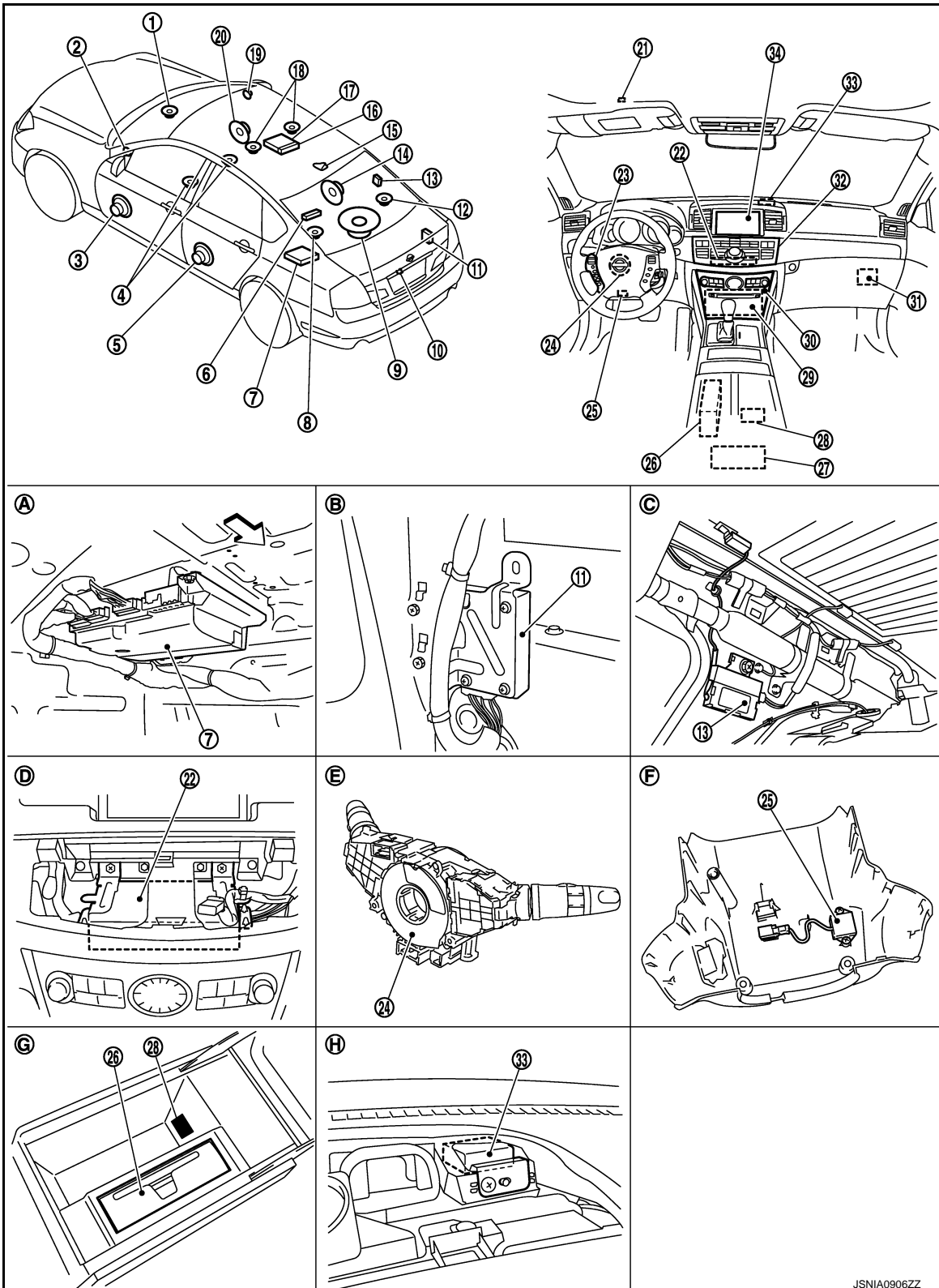
# AUDIO SYSTEM

[WITH MOBILE ENTERTAINMENT SYSTEM]

< FUNCTION DIAGNOSIS >

## Component Parts Location

INFOID:000000005350453



A  
B  
C  
D  
E  
F  
G  
H  
I  
J  
AV  
L  
M  
N  
O  
P

- |                        |                             |                              |
|------------------------|-----------------------------|------------------------------|
| 1. Center speaker      | 2. Tweeter LH               | 3. Front door speaker LH     |
| 4. Driver seat speaker | 5. Rear door speaker LH     | 6. Rear control switch       |
| 7. BOSE amp.           | 8. Rear surround speaker LH | 9. Woofer                    |
| 10. Rear view camera   | 11. Camera control unit     | 12. Rear surround speaker RH |

JSNIA0906ZZ

# AUDIO SYSTEM

[WITH MOBILE ENTERTAINMENT SYSTEM]

## < FUNCTION DIAGNOSIS >

- |  |  |   |
|--|--|---|
| 13. Antenna amp.                             | 14. Rear door speaker RH               | 15. Satellite radio antenna             |
| 16. Headphone amp. & remote control receiver | 17. Rear display unit                  | 18. Passenger seat speaker              |
| 19. Tweeter RH                               | 20. Front door speaker RH              | 21. Microphone                          |
| 22. Video distributor                        | 23. Steering switch                    | 24. Steering angle sensor               |
| 25. Microphone (for AudioPilot®)             | 26. DVD player                         | 27. Auxiliary input jacks               |
| 28. iPod connector                           | 29. AV control unit                    | 30. Preset switch                       |
| 31. iPod adapter                             | 32. Multifunction switch               | 33. GPS antenna                         |
| 34. Front display unit                       |  |   |
| A. Under rear parcel LH side                 | B. Trunk side finisher (RH) is removed | C. Rear pillar finisher (RH) is removed |
| D. Multifunction switch is removed           | E. Spiral cable part                   | F. Steering column cover is removed     |
| G. In center console                         | H. Center ventilator grille is removed |   |

↔: Vehicle front

## Component Description

INFOID:000000005350454

Part name	Description
AV CONTROL UNIT	<ul style="list-style-type: none"> <li>• Receiving function of AM/FM/satellite radio, replaying function of CD, replaying/saving function of music box (HDD), replaying function of CF and voice recognition function are integrated.</li> <li>• It transmits the sound signal to the BOSE amp. with hard wire, and then transmits the control signals of AudioPilot® and Centerpoint® with AV communication.</li> </ul>
FRONT DISPLAY UNIT	<ul style="list-style-type: none"> <li>• Display image is controlled by the serial communication from AV control unit.</li> <li>• RGB image signal (audio operation condition) is input from AV control unit.</li> <li>• Touch panel function can be operated for each system by touching a display directly.</li> </ul>
BOSE AMP.	<ul style="list-style-type: none"> <li>• It is connected via AV communication and controlled by the AV control unit.</li> <li>• It receives the sound signal from AV control unit and output it to the each speaker.</li> <li>• It subjects to AudioPilot® processing when receiving sound signal from microphone for AudioPilot®.</li> <li style="padding-left: 20px;">BOSE 2ch system</li> <li>• It amplifies the sound signal from the AV control unit and output it to each speaker.</li> <li style="padding-left: 20px;">BOSE surround audio 5.1ch system</li> <li>• It amplifies the sound signal from the AV control unit and the DVD sound signal from DVD player, and then output them to each speaker.</li> <li>• It subjects to Centerpoint® processing.</li> </ul>
WOOFER	<ul style="list-style-type: none"> <li>• Outputs sound signal from BOSE amp.</li> <li>• Outputs low-pitched sound.</li> </ul>
FRONT DOOR SPEAKER	<ul style="list-style-type: none"> <li>• Outputs sound signal from BOSE amp.</li> <li>• Outputs high, mid and low range sounds.</li> </ul>
TWEETER	<ul style="list-style-type: none"> <li>• Outputs sound signal from BOSE amp.</li> <li>• Outputs high range sound.</li> </ul>
REAR DOOR SPEAKER	<ul style="list-style-type: none"> <li>• Outputs sound signal from BOSE amp.</li> <li>• Outputs high, mid and low range sounds.</li> </ul>
CENTER SPEAKER	<ul style="list-style-type: none"> <li>• Outputs sound signal from BOSE amp.</li> <li>• Outputs high and mid range sounds.</li> </ul>
SEAT SPEAKER	<ul style="list-style-type: none"> <li>• Outputs sound signal from BOSE amp.</li> <li>• Outputs high and mid range sounds.</li> </ul>
REAR SURROUND SPEAKER	<ul style="list-style-type: none"> <li>• Outputs sound signal from BOSE amp.</li> <li>• Outputs high and mid range sounds.</li> </ul>

# AUDIO SYSTEM

## [WITH MOBILE ENTERTAINMENT SYSTEM]

### < FUNCTION DIAGNOSIS >

Part name	Description
MULTIFUNCTION SWITCH	<ul style="list-style-type: none"> <li>• Operation panel is equipped with the centralized switch where audio, auxiliary input and navigation operations are integrated.</li> <li>• The multifunction switch is connected via AV communication, and it transmits the operation signals of the multifunction switch and preset switch.</li> </ul>
PRESET SWITCH	<ul style="list-style-type: none"> <li>• Operation panel is equipped with the centralized switch where audio and air conditioner operations are integrated.</li> <li>• The preset switch is connected to the multifunction switch by hard-wire, and it transmits the operation signal to the multifunction switch.</li> </ul>
STEERING SWITCH	<ul style="list-style-type: none"> <li>• Each audio operation can be operated.</li> <li>• Steering switch signal (operation signal) is output to AV control unit.</li> </ul>
MICROPHONE	<ul style="list-style-type: none"> <li>• Used for hands-free phone operation and voice recognition.</li> <li>• Mic signal is transmitted to AV control unit.</li> <li>• Power (Mic. VCC) is supplied from AV control unit.</li> </ul>
ANTENNA AMP.	<ul style="list-style-type: none"> <li>• Radio signal received by glass antenna is amplified and transmitted to AV control unit.</li> <li>• Power (antenna amp ON signal) is supplied from AV control unit.</li> </ul>
SATELLITE RADIO ANTENNA	Satellite radio wave is received and output to AV control unit.
iPod ADAPTER	<ul style="list-style-type: none"> <li>• Inputs iPod sound signal from iPod®, and outputs iPod sound signal to AV control unit.</li> <li>• Receiving/transmitting of iPod® operation signals are performed as follows:                             <ul style="list-style-type: none"> <li>- between AV control unit and iPod adapter: AV communication.</li> <li>- between iPod® and iPod adapter: serial communication.</li> </ul> </li> </ul>
REAR CONTROL SWITCH	<ul style="list-style-type: none"> <li>• Operations for audio, etc. are possible.</li> <li>• The rear control switch is connected via AV communication, and it transmits the operation signals of the rear control switch.</li> </ul>
MICROPHONE (for AudioPilot®)	<ul style="list-style-type: none"> <li>• Used for AudioPilot®.</li> <li>• Mic signal is transmitted to BOSE amp.</li> </ul>

A  
B  
C  
D  
E  
F  
G  
H  
I  
J  
L  
M  
N  
O  
P

AV

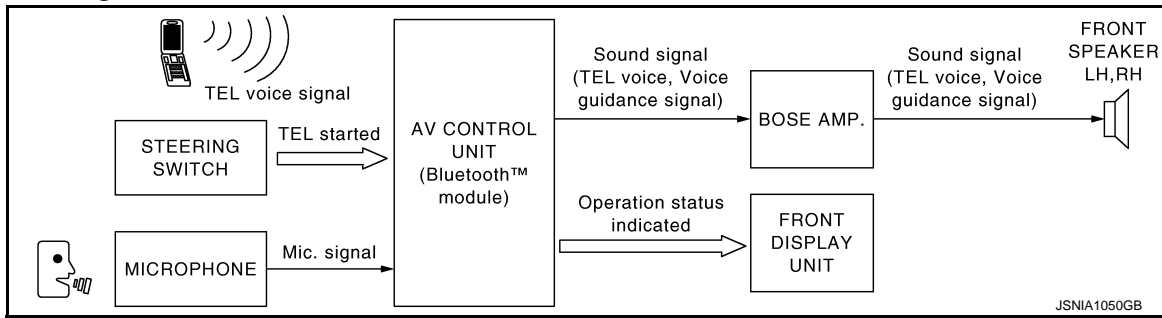
# HANDS-FREE PHONE SYSTEM

< FUNCTION DIAGNOSIS >

[WITH MOBILE ENTERTAINMENT SYSTEM]

## HANDS-FREE PHONE SYSTEM

### System Diagram



### System Description

INFOID:000000005350456

- AV control unit includes hands-free phone function.
- Hands-free communication can be operated by connecting using Bluetooth™ communication with cellular phone.
- Operation is performed by steering switch, and operating condition is indicated on front display.
- Guide sound that is heard during operation is input from AV control unit to BOSE amp., and is output from front speaker.

#### WHEN A CALL IS ORIGINATED

Spoken voice sound output from the microphone (MIC. signal) is input to AV control unit. AV control unit outputs to cellular phone with Bluetooth™ communication as a TEL voice signal. Voice sound is then heard at the other party.

#### WHEN RECEIVING A CALL

Voice sound is input to own cellular phone from the other party. TEL voice signal is output to front speaker, and the signal is input to BOSE amp. via AV control unit by establishing Bluetooth™ communication from cellular phone.

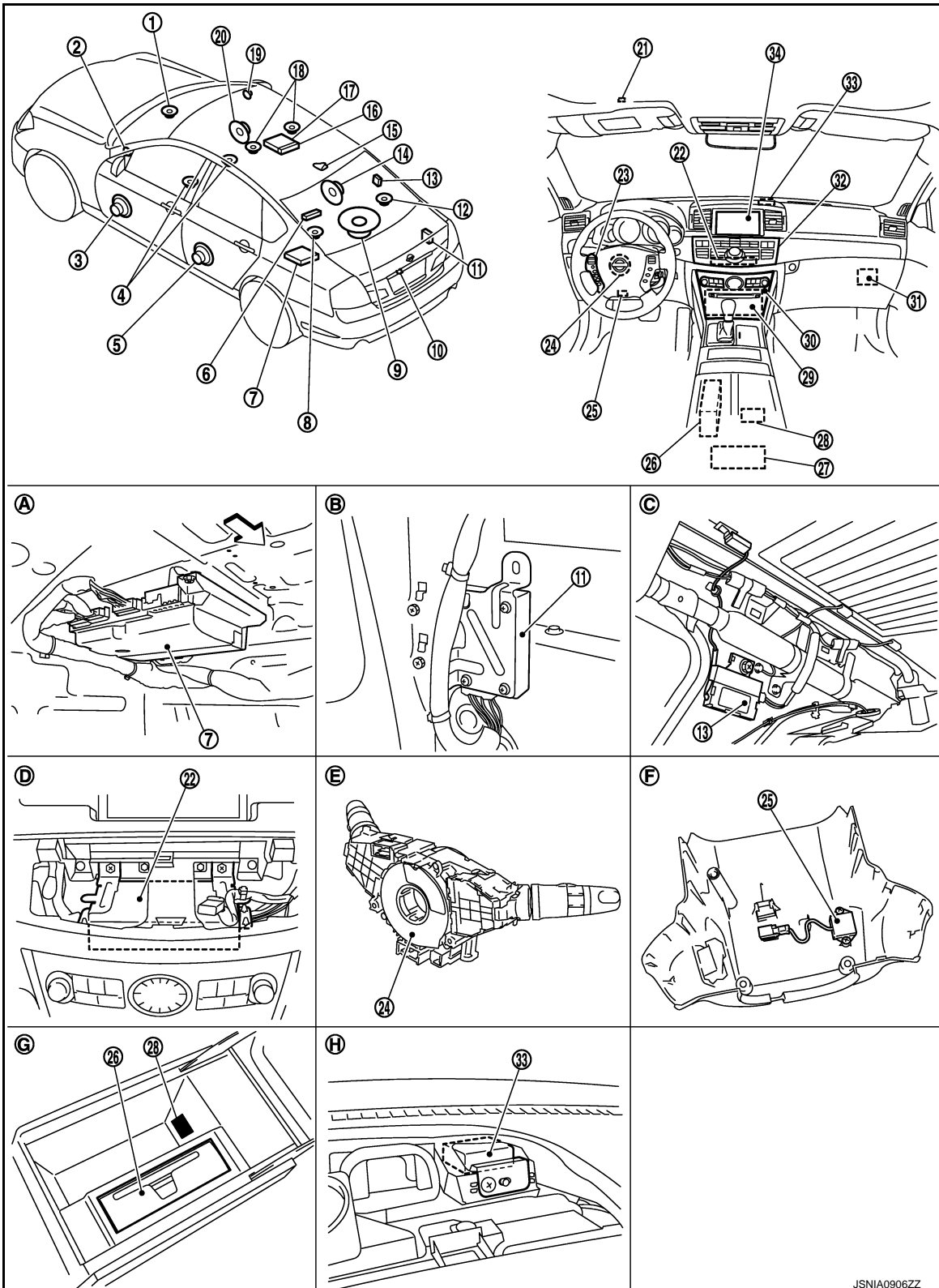
# HANDS-FREE PHONE SYSTEM

[WITH MOBILE ENTERTAINMENT SYSTEM]

< FUNCTION DIAGNOSIS >

## Component Parts Location

INFOID:000000005350457



A  
B  
C  
D  
E  
F  
G  
H  
I  
J  
AV  
L  
M  
N  
O  
P

- |                        |                             |                              |
|------------------------|-----------------------------|------------------------------|
| 1. Center speaker      | 2. Tweeter LH               | 3. Front door speaker LH     |
| 4. Driver seat speaker | 5. Rear door speaker LH     | 6. Rear control switch       |
| 7. BOSE amp.           | 8. Rear surround speaker LH | 9. Woofer                    |
| 10. Rear view camera   | 11. Camera control unit     | 12. Rear surround speaker RH |

JSNIA0906ZZ

# HANDS-FREE PHONE SYSTEM

[WITH MOBILE ENTERTAINMENT SYSTEM]

< FUNCTION DIAGNOSIS >

- |  |  |   |
|--|--|---|
| 13. Antenna amp.                             | 14. Rear door speaker RH               | 15. Satellite radio antenna             |
| 16. Headphone amp. & remote control receiver | 17. Rear display unit                  | 18. Passenger seat speaker              |
| 19. Tweeter RH                               | 20. Front door speaker RH              | 21. Microphone                          |
| 22. Video distributor                        | 23. Steering switch                    | 24. Steering angle sensor               |
| 25. Microphone (for AudioPilot®)             | 26. DVD player                         | 27. Auxiliary input jacks               |
| 28. iPod connector                           | 29. AV control unit                    | 30. Preset switch                       |
| 31. iPod adapter                             | 32. Multifunction switch               | 33. GPS antenna                         |
| 34. Front display unit                       |  |   |
| A. Under rear parcel LH side                 | B. Trunk side finisher (RH) is removed | C. Rear pillar finisher (RH) is removed |
| D. Multifunction switch is removed           | E. Spiral cable part                   | F. Steering column cover is removed     |
| G. In center console                         | H. Center ventilator grille is removed |   |

↔: Vehicle front

## Component Description

INFOID:000000005350458

Part name	Description
AV CONTROL UNIT	<ul style="list-style-type: none"> <li>It includes the TEL adapter and Bluetooth™ function.</li> <li>It outputs the TEL voice signal and voice guidance sound signal to the BOSE amp.</li> </ul>
FRONT DISPLAY UNIT	<ul style="list-style-type: none"> <li>Display image is controlled by the serial communication from AV control unit.</li> <li>Inputs RGB image signal (RGB, RGB area and RGB synchronizing) from AV control unit and displays the status of hands free phone system.</li> </ul>
BOSE AMP.	Inputs TEL voice signal or voice guidance signal from AV control unit and outputs it to front speaker.
FRONT DOOR SPEAKER	Outputs the TEL voice signal or voice guidance signal from BOSE amp.
PRESET SWITCH	<ul style="list-style-type: none"> <li>Adjust the sound when using TEL.</li> <li>The operation signal is transmitted to the AV control unit via AV communication.</li> </ul>
STEERING SWITCH	<ul style="list-style-type: none"> <li>The hands free-phone system can be operated.</li> <li>Steering switch signal (operation signal) is output to AV control unit.</li> </ul>
MICROPHONE	<ul style="list-style-type: none"> <li>Uses when operating the hands-free phone.</li> <li>Outputs Mic. signal (TEL voice signal) to the AV control unit.</li> <li>The power (Mic. power supply) is supplied from the AV control unit.</li> </ul>



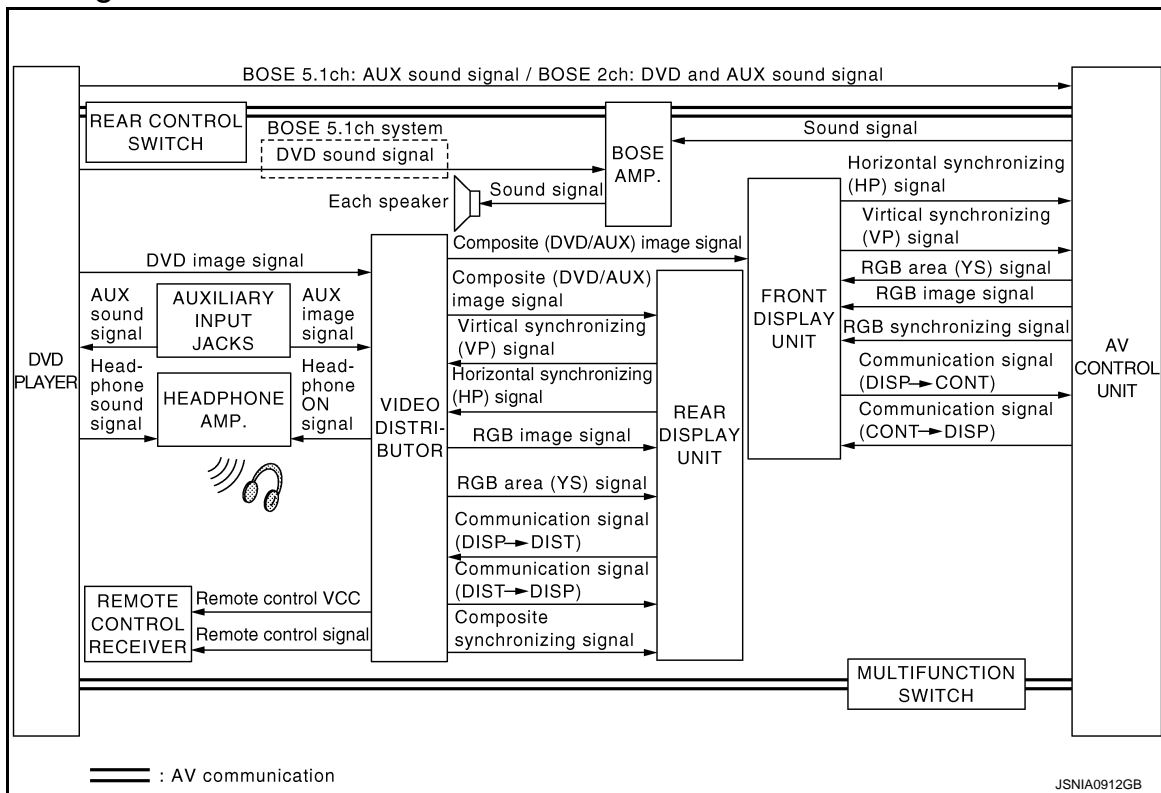
# MOBILE ENTERTAINMENT SYSTEM

< FUNCTION DIAGNOSIS >

[WITH MOBILE ENTERTAINMENT SYSTEM]

## MOBILE ENTERTAINMENT SYSTEM

### System Diagram



### System Description

INFOID:000000005350460

The passengers can enjoy watching DVD in the rear seat with the rear display unit. They can also listen to a DVD and AUX in the rear seat independently by cordless headphones.

### FUNCTION DESCRIPTION

#### Operating Signal

The mobile entertainment system can be controlled by the rear seat remote controller.

It receives the operation signal of the rear seat remote controller by the remote control receiver and rear display unit, and then transmits it to the video distributor.

#### Screen Rear Display

- Switching of display is performed with serial communication between rear display unit and video distributor.
- The rear display unit receives the DVD/AUX image signal and RGB image signal from the video distributor.

#### Screen Front Display

- Switching of display is performed with serial communication between front display unit and AV control unit.
- The front display unit receives the DVD/AUX image signal from the video distributor.
- The front display unit receives the RGB image signal from the AV control unit.

#### DVD Mode

- The DVD player is connected to the AV control unit via AV communication and controlled by the AV control unit.
- The DVD player sound signal is output to the BOSE amp. The BOSE amp. outputs it to each speaker. (BOSE surround audio 5.1ch system models)
- The DVD player sound signal is output to the AV control unit. The AV control unit outputs DVD player sound signal to BOSE amp. The BOSE amp. outputs it to each speaker. (BOSE 2ch system models)
- The DVD image signal is output to the video distributor. The video distributor outputs it to front display unit and rear display unit.

#### AUX Mode

Refer to [AV-518, "System Diagram"](#).

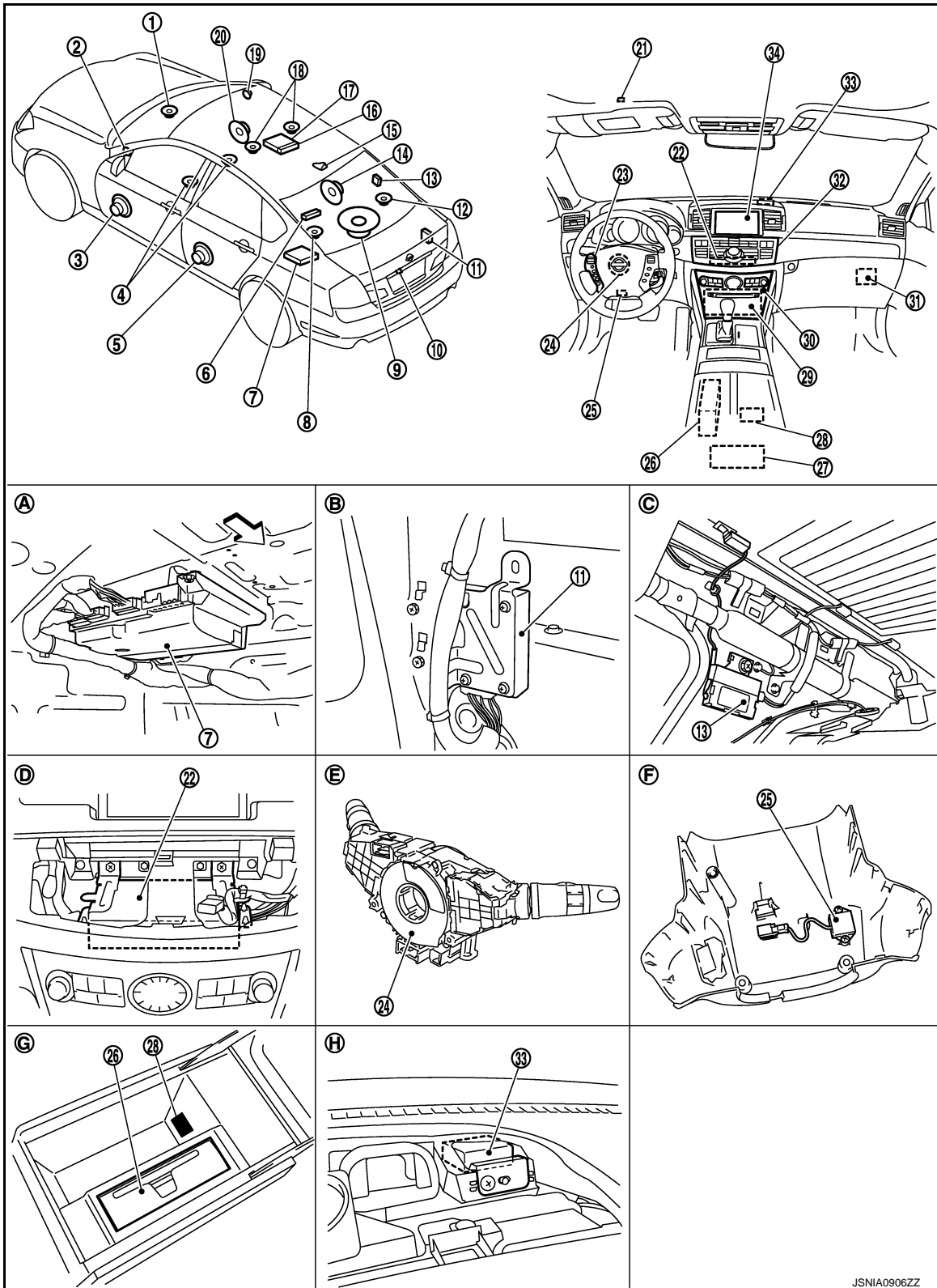
# MOBILE ENTERTAINMENT SYSTEM

< FUNCTION DIAGNOSIS >

[WITH MOBILE ENTERTAINMENT SYSTEM]

## Component Parts Location

INFOID:00000005350461



JSNIA0906ZZ

- |                        |                             |                              |
|------------------------|-----------------------------|------------------------------|
| 1. Center speaker      | 2. Tweeter LH               | 3. Front door speaker LH     |
| 4. Driver seat speaker | 5. Rear door speaker LH     | 6. Rear control switch       |
| 7. BOSE amp.           | 8. Rear surround speaker LH | 9. Woofer                    |
| 10. Rear view camera   | 11. Camera control unit     | 12. Rear surround speaker RH |

# MOBILE ENTERTAINMENT SYSTEM

< FUNCTION DIAGNOSIS >

[WITH MOBILE ENTERTAINMENT SYSTEM]

- |  |  |   |
|--|--|---|
| 13. Antenna amp.                             | 14. Rear door speaker RH               | 15. Satellite radio antenna             |
| 16. Headphone amp. & remote control receiver | 17. Rear display unit                  | 18. Passenger seat speaker              |
| 19. Tweeter RH                               | 20. Front door speaker RH              | 21. Microphone                          |
| 22. Video distributor                        | 23. Steering switch                    | 24. Steering angle sensor               |
| 25. Microphone (for AudioPilot®)             | 26. DVD player                         | 27. Auxiliary input jacks               |
| 28. iPod connector                           | 29. AV control unit                    | 30. Preset switch                       |
| 31. iPod adapter                             | 32. Multifunction switch               | 33. GPS antenna                         |
| 34. Front display unit                       |  |   |
| A. Under rear parcel LH side                 | B. Trunk side finisher (RH) is removed | C. Rear pillar finisher (RH) is removed |
| D. Multifunction switch is removed           | E. Spiral cable part                   | F. Steering column cover is removed     |
| G. In center console                         | H. Center ventilator grille is removed |   |

⇨: Vehicle front

## Component Description

INFOID:000000005350462

Part name	Description
VIDEO DISTRIBUTOR	<ul style="list-style-type: none"> <li>It receives the image signal from the DVD player, and auxiliary input jack, and then transmits it to the front display and rear display.</li> <li>It supplies the power to the remote control receiver, and then receives the operation signal from the remote control receiver.</li> <li>Composite synchronize signal is output to rear display unit.</li> <li>It transmits ON signal to headphone amp.</li> <li>Power (remote control receiver VCC) is transmitted to remote control receiver.</li> </ul>
REAR DISPLAY UNIT	<ul style="list-style-type: none"> <li>Rear Display image is controlled by the serial communication from video distributor.</li> <li>RGB image signal is input from video distributor (RGB image and RGB area). Composite image signal (DVD and auxiliary images) is input from the video distributor.</li> <li>Synchronize signal (HP, VP) is output to video distributor.</li> </ul>
BOSE AMP.	<ul style="list-style-type: none"> <li>It is connected via AV communication and controlled by the AV control unit.</li> <li>It receives the voice guidance signal from AV control unit and output it to the front speaker.</li> <li>It controls sound volume of each speaker when outputting TEL voice and voice guidance.</li> <li>It subjects to AudioPilot® processing when receiving sound signal from microphone for AudioPilot®.</li> <li>BOSE 2ch system</li> <li>It amplifies the sound signal from the AV control unit and output it to each speaker.</li> <li>BOSE surround audio 5.1ch system</li> <li>It amplifies the sound signal from the AV control unit and the DVD sound signal from DVD player, and then output them to each speaker.</li> <li>It subjects to Centerpoint® processing.</li> </ul>
DVD PLAYER	<ul style="list-style-type: none"> <li>It transmits the playback DVD image signal to the video distributor. It also transmits the input AUX sound signal to the AV control unit.</li> <li>BOSE 2ch system</li> <li>It transmits the playback DVD sound signal to the AV control unit.</li> <li>BOSE surround audio 5.1ch system</li> <li>It transmits the playback DVD sound signal to the BOSE amp.</li> </ul>
REMOTE CONTROL RECEIVER	<ul style="list-style-type: none"> <li>The power is supplied from the video distributor.</li> <li>It receives the operation signal of the remote controller, and then transmits the operation signal to the video distributor.</li> </ul>
HEADPHONE AMP.	<ul style="list-style-type: none"> <li>It receives the DVD/AUX sound signal from the DVD player, and then transmits it to the headphones.</li> <li>It operates by receiving the headphone ON signal from the video distributor.</li> </ul>
WOOFER	<ul style="list-style-type: none"> <li>Outputs sound signal from BOSE amp.</li> <li>Outputs low-pitched sound.</li> </ul>

# MOBILE ENTERTAINMENT SYSTEM

< FUNCTION DIAGNOSIS >

[WITH MOBILE ENTERTAINMENT SYSTEM]

Part name	Description
FRONT DOOR SPEAKER	<ul style="list-style-type: none"><li>• Outputs sound signal from BOSE amp.</li><li>• Outputs high, mid and low range sounds.</li></ul>
TWEETER	<ul style="list-style-type: none"><li>• Outputs sound signal from BOSE amp.</li><li>• Outputs high range sound.</li></ul>
REAR DOOR SPEAKER	<ul style="list-style-type: none"><li>• Outputs sound signal from BOSE amp.</li><li>• Outputs high, mid and low range sounds.</li></ul>
CENTER SPEAKER	<ul style="list-style-type: none"><li>• Outputs sound signal from BOSE amp.</li><li>• Outputs high and mid range sounds.</li></ul>
SEAT SPEAKER	<ul style="list-style-type: none"><li>• Outputs sound signal from BOSE amp.</li><li>• Outputs high and mid range sounds.</li></ul>
REAR SURROUND SPEAKER	<ul style="list-style-type: none"><li>• Outputs sound signal from BOSE amp.</li><li>• Outputs high and mid range sounds.</li></ul>

# DIAGNOSIS SYSTEM (AV CONTROL UNIT)

< FUNCTION DIAGNOSIS >

[WITH MOBILE ENTERTAINMENT SYSTEM]

## DIAGNOSIS SYSTEM (AV CONTROL UNIT)


### Diagnosis Description

INFOID:000000005350463

#### MULTIFUNCTION SWITCH AND PRESET SWITCH SELF-DIAGNOSIS FUNCTION

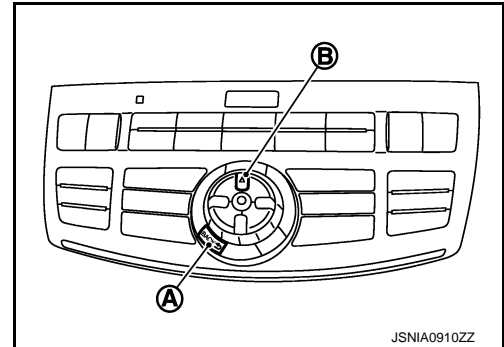
The ON/OFF operation (continuity) of each switch in the multifunction switch and preset switch can be checked.

##### Self-Diagnosis Mode

- Press the “BACK (A)” switch and the “ (B)” switch of the 8-direction switches within 10 seconds after turning the ignition switch from OFF to ACC and hold them for 3 seconds or more. Then the buzzer sounds, all indicators of the preset switch illuminate, and the self-diagnosis mode starts.
- The continuity of each switch at the ON position can be checked by pressing the switch. The buzzer sounds if the switch is normal.

**NOTE:**

The hazard switch and CD eject switch cannot be checked.



##### Finishing Self-Diagnosis Mode

Self-diagnosis mode is canceled when turning the ignition switch OFF.

#### MULTI AV SYSTEM ON BOARD DIAGNOSIS FUNCTION

- The AV control unit diagnosis function starts up with multifunction switch operation and the AV control unit performs a diagnosis for each unit in the system during the on board diagnosis.
- Perform a CONSULT-III diagnosis if the on board diagnosis does not start, e.g., the screen does not display anything, the multifunction switch does not function, etc.

#### ON BOARD DIAGNOSIS

##### Description

- The trouble diagnosis function has a self-diagnosis mode for conducting trouble diagnosis automatically and a confirmation/adjustment mode for operating manually.
- The self-diagnosis mode performs diagnoses on the AV control unit, connections between system components as well as connections between AV control unit and GPS antenna and between AV control unit and satellite radio antenna. Then it displays the diagnosis results on the display.
- The confirmation/adjustment mode allows the technician to check, modify or adjust the vehicle signals and set values, as well as to monitor the system error records and system communication status. The checking, modifying or adjusting generally require human intervention and judgment (the system cannot make judgment automatically).

##### On Board Diagnosis Item

Mode	Description
Self-Diagnosis	<ul style="list-style-type: none"><li>• AV control unit diagnosis</li><li>• Diagnoses the connections across system components, between AV control unit and GPS antenna and between AV control unit and satellite radio antenna.</li></ul>

# DIAGNOSIS SYSTEM (AV CONTROL UNIT)

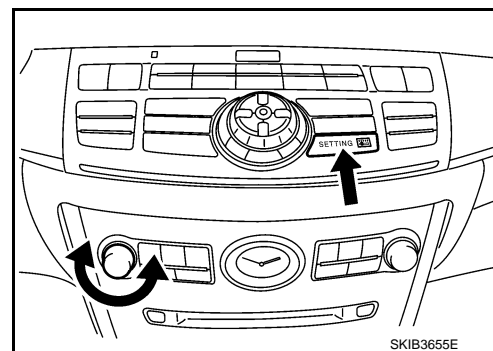
< FUNCTION DIAGNOSIS >

[WITH MOBILE ENTERTAINMENT SYSTEM]

Mode		Description	
Confirmation/ Adjustment	Display Diagnosis	The following check functions are available: color tone check by color bar display, light and shade check by gray scale display and touch panel calibration response check.	
	Vehicle Signals	Diagnosis of signals can be performed for vehicle speed, parking brake, lights, ignition switch, and reverse.	
	Speaker Test	The connection of a speaker can be confirmed by test tone.	
	Climate Control	Start auto air conditioner system self-diagnosis.	
	Navigation	Steering Angle Adjustment	When there is a difference between the actual turning angle and the vehicle mark turning angle, it can be adjusted.
		Speed Calibration	When there is a difference between the current location mark and the actual location, it can be adjusted.
		XM SAT Subscription Status	The XM NavTraffic subscription status can be checked.
	Error History	The system malfunction and the frequency when occurring in the past are displayed. When the malfunctioning item is selected, the time and place that the selected malfunction last occurred are displayed.	
	Vehicle CAN Diagnosis	The transmitting/receiving of CAN communication can be monitored.	
	AV COMM Diagnosis	The communication condition of each unit of Multi AV system can be monitored.	
	Handsfree Phone	The received volume adjustment of hands-free phone, microphone speaker check, and erase memory can be performed.	
	Camera Cont.	The signal connected to camera control unit can be checked and the guiding line position that overlaps rear view camera image can be adjusted.	
	Bluetooth	The passkey and the device name can be checked and changed.	
	SAT	Change Channel	Any necessary channels required to receive traffic information from the satellite radio system can be set.
		Change Application ID	Any application ID's required to receive traffic information from the satellite radio system can be set.
Diag		Not used.	
Delete Unit Connection Log	Erase the connection history of unit and error history.		
Initialize Settings	Initializes the AV control unit memory.		

## STARTING PROCEDURE

1. Start the engine.
2. Turn the audio system OFF.
3. While pressing the "SETTING" button, turn the volume control dial clockwise or counterclockwise for 40 clicks or more. (When the self-diagnosis mode is started, a short beep will be heard.)
  - Shifting from current screen to previous screen is performed by pressing "BACK" button.

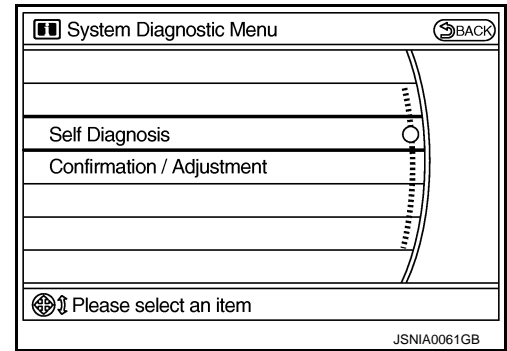


# DIAGNOSIS SYSTEM (AV CONTROL UNIT)

[WITH MOBILE ENTERTAINMENT SYSTEM]

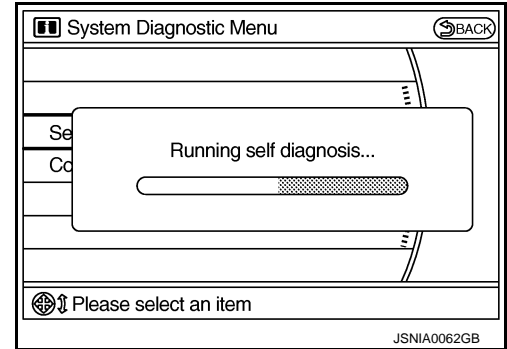
< FUNCTION DIAGNOSIS >

- The trouble diagnosis initial screen is displayed, and then the items of "Self Diagnosis" and "Confirmation/Adjustment" can be selected.



## SELF-DIAGNOSIS MODE

- Start the self-diagnosis function and select "Self Diagnosis".
  - Self-diagnosis subdivision screen is displayed, and the self-diagnosis mode starts.
  - The bar graph visible on the center of the self-diagnosis subdivision screen indicates progress of the trouble diagnosis.

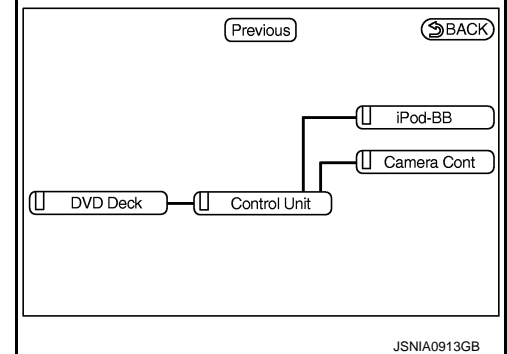
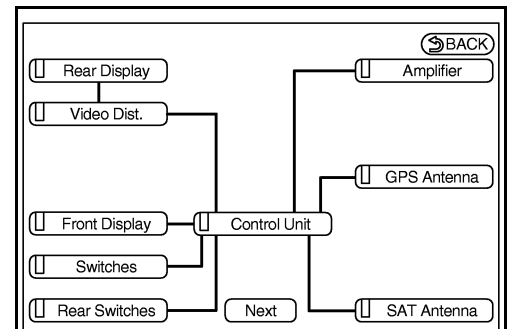


- Diagnosis results are displayed after the self-diagnosis is completed. The unit names and the connection lines are color-coded according to the diagnostic results.

Diagnosis results	Unit	Con- nection line
Normal	Green	Green
Connection malfunction	Gray	Yellow
Unit malfunction <sup>Note</sup>	Red	Green

### NOTE:

- Only the control unit (AV control unit) is displayed in red.
- Replace AV control unit if "Self-Diagnosis did not run because of a control unit malfunction" is indicated. The symptom is AV control unit internal error. Refer to [AV-1064, "Exploded View"](#).
- If multiple errors occur at the same time for a single unit, the screen switch colors are determined according to the following order of priority: red > gray.



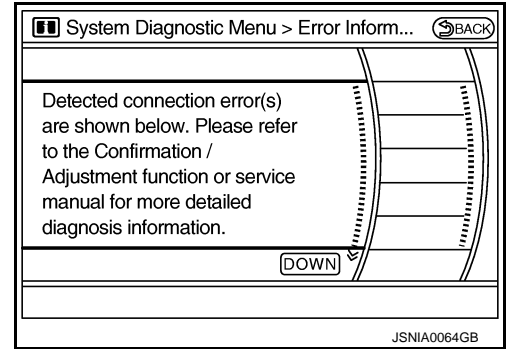
A  
B  
C  
D  
E  
F  
G  
H  
I  
J  
AV  
L  
M  
N  
O  
P

# DIAGNOSIS SYSTEM (AV CONTROL UNIT)

[WITH MOBILE ENTERTAINMENT SYSTEM]

< FUNCTION DIAGNOSIS >

- The comments of the self-diagnosis results can be viewed with a component in the diagnosis result screen.



## SELF-DIAGNOSIS RESULTS

Check the applicable display at the following table, and then repair the malfunctioning parts.

Diagnosis results	Detection logic	Possible malfunction location / Action to take
Control unit • unit: red <b>NOTE:</b> When a control unit malfunction is detected (red in unit display), connection malfunctions with other connection unit may be displayed. "Self-Diagnosis did not run because of a control unit malfunction"	Malfunction is detected in AV control unit power supply and ground circuits.	Check AV control unit power supply and ground circuits. When detecting no malfunction in those components, replace AV control unit.
Front Display • unit: gray • connection line: yellow	When either one of the following items is detected: <ul style="list-style-type: none"> <li>• serial communication circuits between AV control unit and front display unit are malfunctioning.</li> <li>• serial communication signal between AV control unit and front display unit is malfunctioning.</li> </ul>	Serial communication circuits between AV control unit and front display unit.
Rear Display • unit: gray • connection line: yellow	When either one of the following items is detected: <ul style="list-style-type: none"> <li>• rear display unit power supply and ground circuits are malfunctioning.</li> <li>• serial communication circuits between video distributor and rear display unit are malfunctioning.</li> <li>• serial communication signal between video distributor and rear display unit is malfunctioning.</li> </ul>	<ul style="list-style-type: none"> <li>• Rear display power supply and ground circuits.</li> <li>• Serial communication circuits between video distributor and rear display unit.</li> </ul>
DVD Deck • unit: gray • connection line: yellow	When either one of the following items is detected: <ul style="list-style-type: none"> <li>• DVD player power supply and ground circuits are malfunctioning.</li> <li>• AV communication signal between AV control unit and DVD player is malfunctioning.</li> </ul>	DVD player power supply and ground circuits.
Rear Switches • unit: gray • connection line: yellow	When either one of the following items is detected: <ul style="list-style-type: none"> <li>• rear control switch power supply and ground circuits are malfunctioning.</li> <li>• AV communication signal between AV control unit and rear control switch is malfunctioning.</li> </ul>	Rear control switch power supply and ground circuits.



# DIAGNOSIS SYSTEM (AV CONTROL UNIT)

< FUNCTION DIAGNOSIS >

[WITH MOBILE ENTERTAINMENT SYSTEM]

Diagnosis results	Detection logic	Possible malfunction location / Action to take
Amplifier <ul style="list-style-type: none"> <li>• unit: gray</li> <li>• connection line: yellow</li> </ul>	When either one of the following items is detected: <ul style="list-style-type: none"> <li>• BOSE amp. power supply and ground circuits are malfunctioning.</li> <li>• AV communication signal between AV control unit and BOSE amp. is malfunctioning.</li> </ul>	BOSE amp. power supply and ground circuits.
Camera Cont. <ul style="list-style-type: none"> <li>• unit: gray</li> <li>• connection line: yellow</li> </ul>	Malfunction is detected in Camera-connection recognition signal circuit.	Camera connection recognition signal circuit.
iPod-BB <ul style="list-style-type: none"> <li>• unit: gray</li> <li>• connection line: yellow</li> </ul>	When either one of the following items is detected: <ul style="list-style-type: none"> <li>• iPod adapter power supply and ground circuits are malfunctioning.</li> <li>• AV communication circuits between camera control unit and iPod adapter are malfunctioning.</li> <li>• AV communication circuits between BOSE amp. and camera control unit are malfunctioning.</li> <li>• AV communication signal between AV control unit and iPod adapter is malfunctioning.</li> </ul>	<ul style="list-style-type: none"> <li>• iPod adapter power supply and ground circuits.</li> <li>• AV communication circuits between BOSE amp. and camera control unit.</li> <li>• AV communication circuits between camera control unit and iPod adapter.</li> </ul>
GPS Antenna <ul style="list-style-type: none"> <li>• unit: gray</li> <li>• connection line: yellow</li> </ul>	GPS antenna connection malfunction is detected.	GPS antenna.
SAT Antenna <ul style="list-style-type: none"> <li>• unit: gray</li> <li>• connection line: yellow</li> </ul>	Satellite radio antenna connection malfunction is detected.	<ul style="list-style-type: none"> <li>• Satellite radio antenna feeder.</li> <li>• Satellite radio antenna.</li> </ul>
Video Dist. and Rear Display <ul style="list-style-type: none"> <li>• Video Dist.</li> <li>- unit: gray</li> <li>- connection line: yellow</li> <li>• Rear Display</li> <li>- unit: gray</li> <li>- connection line: gray</li> </ul>	Malfunction is detected in video distributor power supply and ground circuits.	Video distributor power supply and ground circuits.
Amplifier and iPod-BB <ul style="list-style-type: none"> <li>• unit: gray</li> <li>• connection line: yellow</li> </ul>	When either one of the following items is detected: <ul style="list-style-type: none"> <li>• AV communication circuits between DVD player and BOSE amp. are malfunctioning. (without rear control switch models)</li> <li>• AV communication circuits between rear control switch and BOSE amp. are malfunctioning. (with rear control switch models)</li> </ul>	<ul style="list-style-type: none"> <li>• AV communication circuits between DVD player and BOSE amp. (without rear control switch models)</li> <li>• AV communication circuits between rear control switch and BOSE amp. (with rear control switch models)</li> </ul>
Amplifier, iPod-BB and Rear Switches <ul style="list-style-type: none"> <li>• unit: gray</li> <li>• connection line: yellow</li> </ul>	Malfunction is detected in AV communication circuits between DVD player and rear control switch.	AV communication circuits between DVD player and rear control switch.
Amplifier, iPod-BB, and DVD Deck <ul style="list-style-type: none"> <li>• unit: gray</li> <li>• connection line: yellow</li> </ul>	Malfunction is detected in AV communication circuits between video distributor and DVD player.	AV communication circuits between video distributor and DVD player.
Amplifier, iPod-BB, Rear Switches and DVD Deck <ul style="list-style-type: none"> <li>• unit: gray</li> <li>• connection line: yellow</li> </ul>		

A  
B  
C  
D  
E  
F  
G  
H  
I  
J  
L  
M  
N  
O  
P

AV

# DIAGNOSIS SYSTEM (AV CONTROL UNIT)

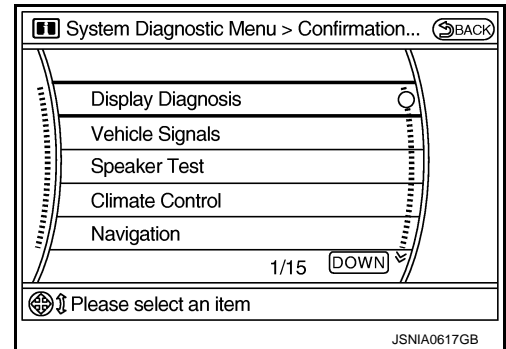
< FUNCTION DIAGNOSIS >

[WITH MOBILE ENTERTAINMENT SYSTEM]

Diagnosis results	Detection logic	Possible malfunction location / Action to take
Amplifier, iPod-BB, DVD Deck and Video Dist. • unit: gray • connection line: yellow Rear Display • unit: gray • connection line: gray	Malfunction is detected in AV communication circuits between multifunction switch and video distributor.	AV communication circuits between multifunction switch and video distributor.
Amplifier, iPod-BB, Rear Switches, DVD Deck and Video Dist. • unit: gray • connection line: yellow Rear Display • unit: gray • connection line: gray		

## CONFIRMATION/ADJUSTMENT MODE

1. Start the diagnosis function and select “Confirmation/Adjustment”. The confirmation/adjustment mode indicates where each item can be checked or adjusted.
2. Select each switch on the “Confirmation/Adjustment Mode” screen to display the relevant trouble diagnosis screen. Press the “BACK” switch to return to the initial Confirmation/Adjustment Mode screen.

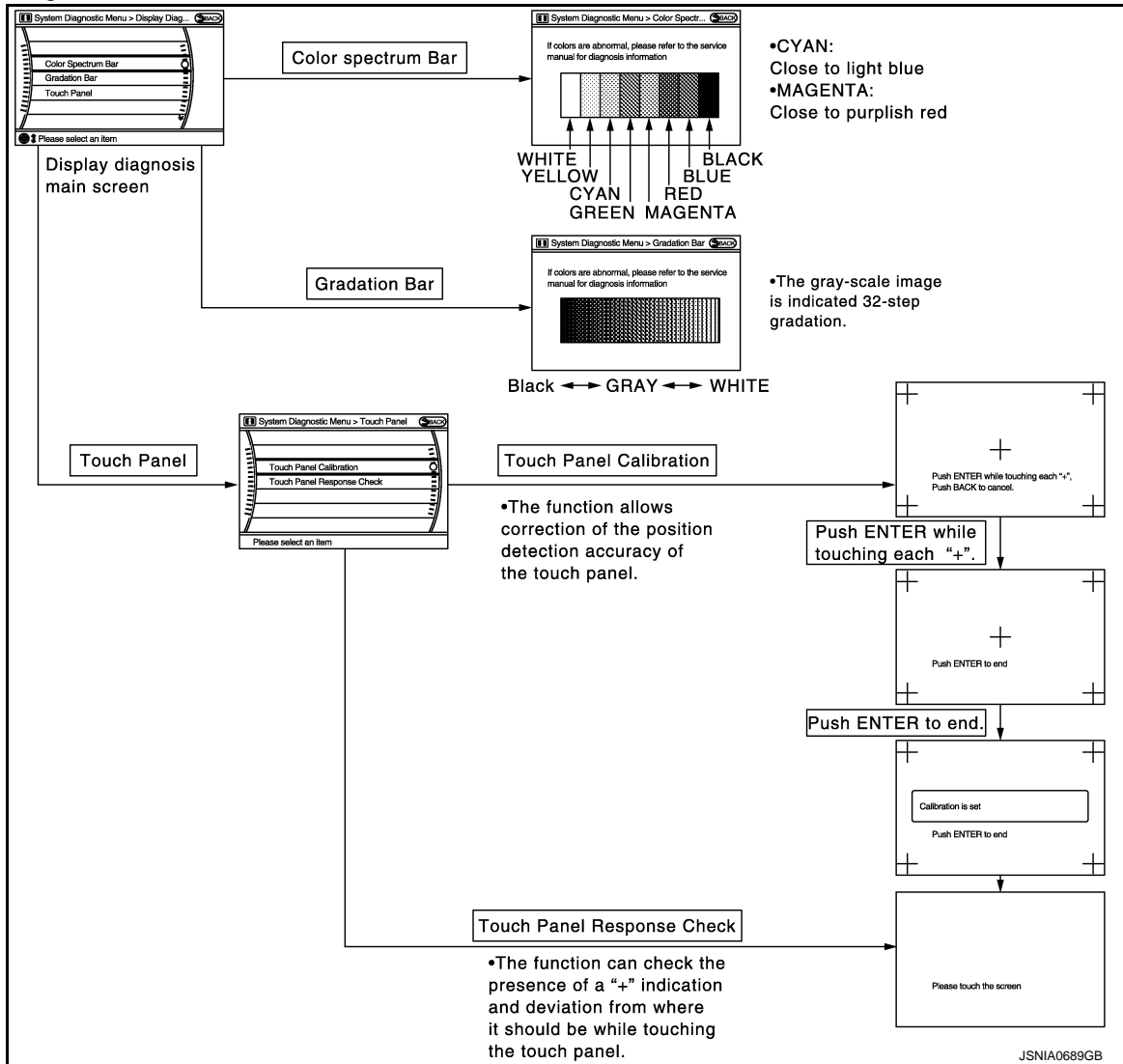


# DIAGNOSIS SYSTEM (AV CONTROL UNIT)

< FUNCTION DIAGNOSIS >

[WITH MOBILE ENTERTAINMENT SYSTEM]

## Display Diagnosis

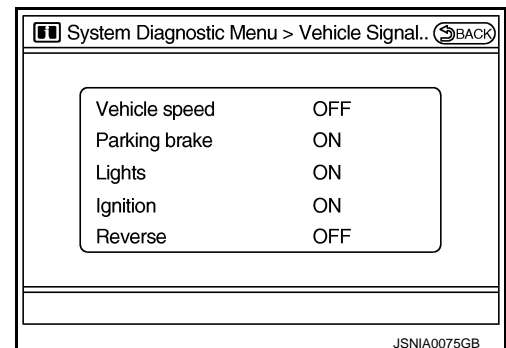


The tint of the color bar indication is as per the following list if RGB signal error is detected.

- R (red) signal error** : Light blue (Cyan) tint
- G (green) signal error** : Purple (Magenta) tint
- B (blue) signal error** : Yellow tint

## Vehicle Signals

A comparison check can be made of each actual vehicle signal and the signals recognized by the system.



# DIAGNOSIS SYSTEM (AV CONTROL UNIT)

< FUNCTION DIAGNOSIS >

[WITH MOBILE ENTERTAINMENT SYSTEM]

Diagnosis item	Display	Vehicle status	Remarks
Vehicle speed	ON	Vehicle speed > 0 km/h (0 MPH)	Changes in indication may be delayed. This is normal.
	OFF	Vehicle speed = 0 km/h (0 MPH)	
Parking brake	ON	Parking brake is applied.	
	OFF	Parking brake is released.	
Lights	ON	Light switch ON.	—
	OFF	Light switch OFF.	—
Ignition	ON	Ignition switch ON.	—
	OFF	Ignition switch in ACC position.	—
Reverse	ON	Shift the selector lever to “R” position.	Changes in indication may be delayed. This is normal.
	OFF	Shift the selector lever other than “R” position.	

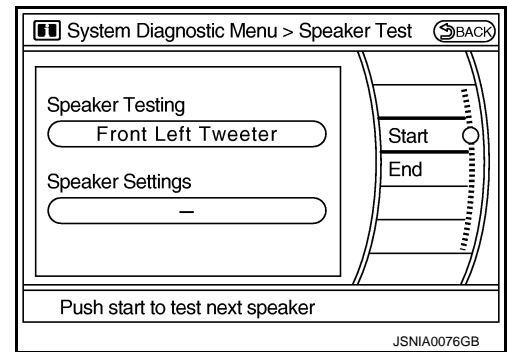
## Speaker Test

Select “SPEAKER DIAGNOSIS” to display the Speaker Diagnosis screen. Press “START and NEXT” to generate a test tone in a speaker. Press “Start” to generate a test tone in the next speaker. Press “End” to stop the test tones.

### NOTE:

The frequency of test tone emitted from each speaker is as follows.

<b>Tweeter</b>	<b>: 3 kHz</b>
<b>Front door speaker</b>	<b>: 300 Hz</b>
<b>Rear door speaker</b>	<b>: 1 kHz</b>
<b>Rear surround speaker</b>	<b>: 1 kHz</b>
<b>Center speaker</b>	<b>: 1 kHz</b>
<b>Woofer</b>	<b>: 100 Hz</b>
<b>Seat speaker</b>	<b>: 1 kHz</b>



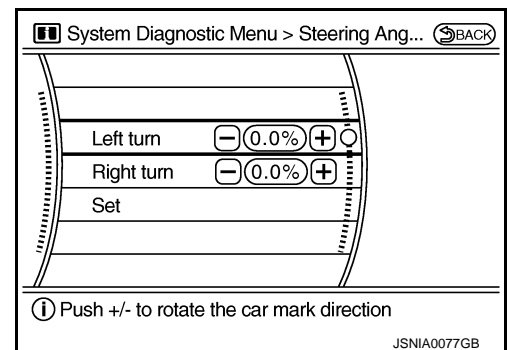
## Climate Control

Refer to “HEATER & AIR CONDITIONING CONTROL SYSTEM” for details.

## Navigation

### STEERING ANGLE ADJUSTMENT

The steering angle output value detected with the gyroscope is adjusted.



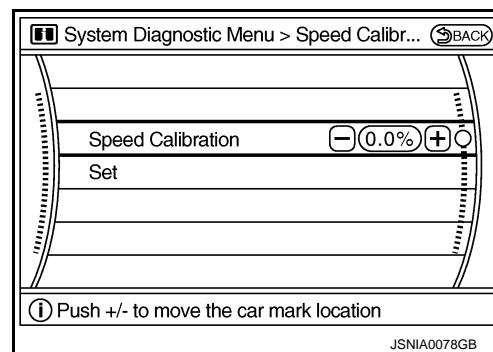
## SPEED CALIBRATION

# DIAGNOSIS SYSTEM (AV CONTROL UNIT)

[WITH MOBILE ENTERTAINMENT SYSTEM]

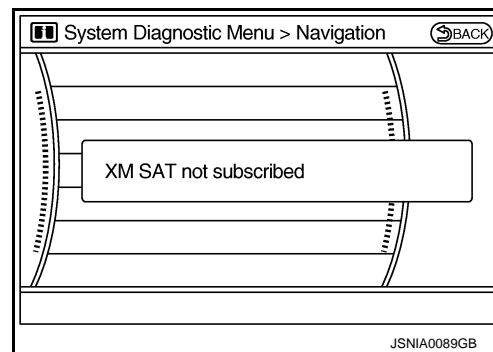
## < FUNCTION DIAGNOSIS >

During normal driving, distance error caused by tire wear and tire pressure change is automatically adjusted for by the automatic distance correction function. This function, on the other hand, is for immediate adjustment, in cases such as driving with tire chain fitted on tires.



## XM SAT SUBSCRIPTION STATUS

The XM NavTraffic subscription status can be checked.



## Error History

The self-diagnosis results are judged depending on whether any error occurs from when “Self-diagnosis” is selected until the self-diagnosis results are displayed.

However, the diagnosis results are judged normal if an error has occurred before the ignition SW is turned ON and then no error has occurred until the self-diagnosis start. Check the “Error Record” to detect any error that may have occurred before the self-diagnosis start because of this situation.

The error record displays the time and place of the most recent occurrence of that error. However, take note of the following points.

- If there is a malfunction with the GPS antenna circuit board in the AV control unit, the correct date and time of occurrence may not be able to be displayed.
- Place of the error occurrence is represented by the position of the current location mark at the time an error occurred. If current location mark has deviated from the correct position, then the place of the error occurrence cannot be located correctly.
- The frequency of occurrence is displayed in a count up manner. The actual count up method differs depending on the error item.

### Count up method A

- The counter resets to 0 if an error occurs when IGN switch is turned ON. The counter increases by 1 if the condition is normal at a next IGN ON cycle.
- The counter upper limit is 39. Any counts exceeding 39 are ignored. “ The counter can be reset (no error record display) with the “Delete log” switch or CONSULT-III.

### Count up method B

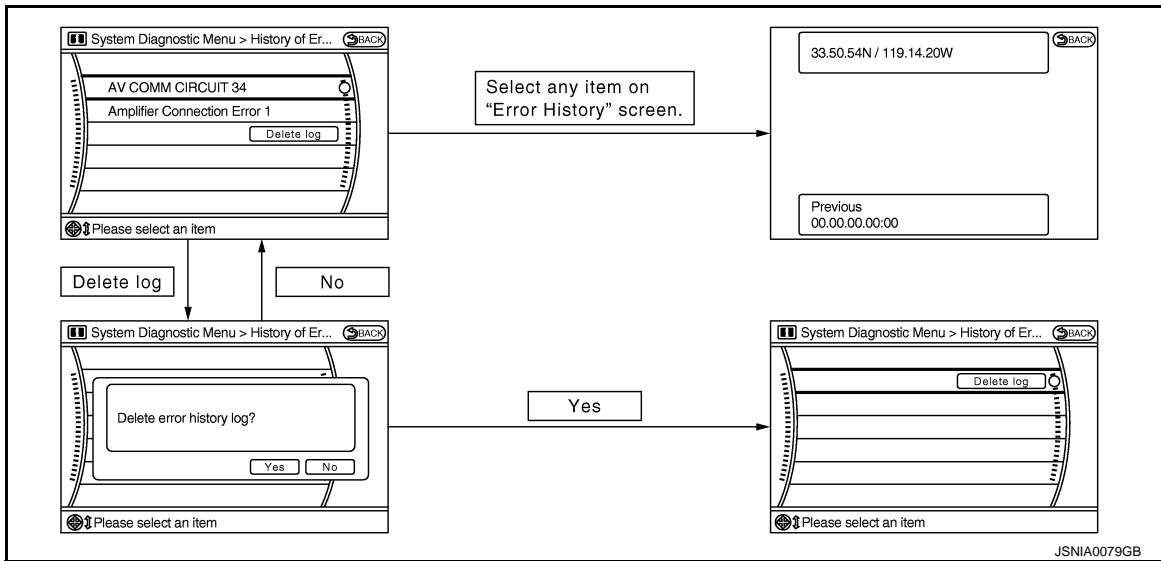
- The counter increases by 1 if an error occurs when IGN switch is ON. The counter will not decrease even if the condition is normal at the next IGN ON cycle.
- The counter upper limit is 50. Any counts exceeding 50 are ignored. “ The counter can be reset (no error record display) with the “Delete log” switch or CONSULT-III.

Display type of occurrence frequency	Error history display item
Count up method A	CAN communication line, control unit (CAN), AV communication line, control unit (AV communication)
Count up method B	Other than the above

# DIAGNOSIS SYSTEM (AV CONTROL UNIT)

< FUNCTION DIAGNOSIS >

[WITH MOBILE ENTERTAINMENT SYSTEM]



## Error item

Some error items may be displayed simultaneously according to the cause. If some error items are displayed simultaneously, the detection of the cause can be performed by the combination of display items

Error item	Description	Possible malfunction factor/Action to take
CAN COMM CIRCUIT	CAN communication malfunction is detected.	Perform diagnosis with CONSULT-III, and then repair the malfunctioning parts according to the diagnosis results. Refer to <a href="#">AV-565, "Diagnosis Procedure"</a> .
CONTROL UNIT (CAN)	CAN initial diagnosis malfunction is detected.	Replace the AV control unit.
CONTROL UNIT (AV)	AV communication circuit initial diagnosis malfunction is detected.	
FLASH-ROM Error Of Control Unit	AV control unit malfunction is detected.	
Connection Of Gyro		
XM SERIAL COMM Error		
CAN Controller Memory Error		
Bluetooth Module Connection Error		
HDD CONN Error		
HDD READ Error		
HDD WRITE Error		
HDD COMM Error		
HDD ACCESS Error		
DSP CONN Error		
DSP COMM Error		
Internal Communication Error	Malfunction is detected in AV control unit power supply and ground circuits.	Check AV control unit power supply and ground circuits. When detecting no malfunction in those components, replace AV control unit.
GPS Communication Error	GPS malfunction is detected.	An intermittent error caused by strong radio interference may be detected unless any symptom (GPS reception error, etc.) occurs. Replace the AV control unit if the malfunction occurs constantly.
GPS ROM Error		
GPS RAM Error		
GPS RTC Error		

# DIAGNOSIS SYSTEM (AV CONTROL UNIT)

< FUNCTION DIAGNOSIS >

[WITH MOBILE ENTERTAINMENT SYSTEM]

Error item	Description	Possible malfunction factor/Action to take
Front Display Connection Error	When either one of the following items is detected: <ul style="list-style-type: none"> <li>• front display unit power supply and ground circuits are malfunctioning.</li> <li>• serial communication circuits between AV control unit and front display unit are malfunctioning.</li> <li>• serial communication signal between AV control unit and front display unit is malfunctioning.</li> </ul>	<ul style="list-style-type: none"> <li>• Front display unit power supply and ground circuits.</li> <li>• Serial communication circuits between AV control unit and front display unit.</li> </ul>
GPS Antenna Error	GPS antenna connection malfunction is detected.	GPS antenna.
Rear Display Connection Error	When either one of the following items is detected: <ul style="list-style-type: none"> <li>• rear display unit power supply and ground circuits are malfunctioning.</li> <li>• serial communication circuits between video distributor and rear display unit are malfunctioning.</li> <li>• serial communication signal between video distributor and rear display unit is malfunctioning.</li> </ul>	<ul style="list-style-type: none"> <li>• Rear display unit power supply and ground circuits.</li> <li>• Serial communication circuits between video distributor and rear display unit.</li> </ul>
Camera Control Unit Connection Error	Malfunction is detected in camera connection recognition circuit between AV control unit and camera control unit.	Camera-connection recognition circuit between AV control unit and camera control unit.
XM Antenna Connection Error	Satellite radio antenna connection malfunction is detected.	<ul style="list-style-type: none"> <li>• Satellite radio antenna feeder.</li> <li>• Satellite radio antenna.</li> </ul>
<ul style="list-style-type: none"> <li>• AV COMM CIRCUIT</li> <li>• Internal Communication Error</li> </ul>	Malfunction is detected in AV control unit power supply and ground circuits.	Check AV control unit power supply and ground circuits. When detecting no malfunction in those components, replace AV control unit.
<ul style="list-style-type: none"> <li>• AV COMM CIRCUIT</li> <li>• Switches Connection Error</li> </ul>	When either one of the following items is detected: <ul style="list-style-type: none"> <li>• multifunction switch power supply and ground circuits are malfunctioning.</li> <li>• AV communication signal between AV control unit and multifunction switch is malfunctioning.</li> </ul>	Multifunction switch power supply and ground circuits.
<ul style="list-style-type: none"> <li>• AV COMM CIRCUIT</li> <li>• Rear SW Connection Error</li> </ul>	When either one of the following items is detected: <ul style="list-style-type: none"> <li>• Rear control switch power supply and ground circuits are malfunctioning.</li> <li>• AV communication signal between AV control unit and rear control switch is malfunctioning.</li> </ul>	Rear control switch power supply and ground circuits.
<ul style="list-style-type: none"> <li>• AV COMM CIRCUIT</li> <li>• Video Distributor Connection Error</li> </ul>	When either one of the following items is detected: <ul style="list-style-type: none"> <li>• video distributor power supply and ground circuits are malfunctioning.</li> <li>• AV communication signal between AV control unit and video distributor is malfunctioning.</li> </ul>	Video distributor power supply and ground circuits.
<ul style="list-style-type: none"> <li>• AV COMM CIRCUIT</li> <li>• DVD Deck Connection Error</li> </ul>	When either one of the following items is detected: <ul style="list-style-type: none"> <li>• DVD player power supply and ground circuits are malfunctioning.</li> <li>• AV communication signal between AV control unit and DVD player is malfunctioning.</li> </ul>	DVD player power supply and ground circuits.

A  
B  
C  
D  
E  
F  
G  
H  
I  
J  
L  
M  
N  
O  
P



# DIAGNOSIS SYSTEM (AV CONTROL UNIT)

< FUNCTION DIAGNOSIS >

[WITH MOBILE ENTERTAINMENT SYSTEM]

Error item	Description	Possible malfunction factor/Action to take
<ul style="list-style-type: none"> <li>• AV COMM CIRCUIT</li> <li>• Amplifier Connection Error</li> </ul>	When either one of the following items is detected: <ul style="list-style-type: none"> <li>• BOSE amp. power supply and ground circuits are malfunctioning.</li> <li>• AV communication signal between AV control unit and BOSE amp. is malfunctioning.</li> </ul>	BOSE amp. power supply and ground circuits.
<ul style="list-style-type: none"> <li>• AV COMM CIRCUIT</li> <li>• Rearview Camera Connection Error</li> </ul>	When either one of the following items is detected: <ul style="list-style-type: none"> <li>• camera control unit power supply and ground circuits are malfunctioning.</li> <li>• AV communication signal between AV control unit and camera control unit is malfunctioning.</li> </ul>	Camera control unit power supply and ground circuits.
<ul style="list-style-type: none"> <li>• AV COMM CIRCUIT</li> <li>• iPod Connection Error</li> </ul>	When either one of the following items is detected: <ul style="list-style-type: none"> <li>• iPod adapter power supply and ground circuits are malfunctioning.</li> <li>• AV communication circuits between camera control unit and iPod adapter are malfunctioning.</li> <li>• AV communication signal between AV control unit and iPod adapter is malfunctioning.</li> </ul>	<ul style="list-style-type: none"> <li>• iPod adapter power supply and ground circuits.</li> <li>• AV communication circuits between camera control unit and iPod adapter.</li> </ul>
<ul style="list-style-type: none"> <li>• AV COMM CIRCUIT</li> <li>• Rearview Camera Connection Error</li> <li>• iPod Connection Error</li> </ul>	Malfunction is detected in AV communication circuits between BOSE amp. and camera control unit.	AV communication circuits between BOSE amp. and camera control unit.
<ul style="list-style-type: none"> <li>• AV COMM CIRCUIT</li> <li>• Amplifier Connection Error</li> <li>• Rearview Camera Connection Error</li> <li>• iPod Connection Error</li> </ul>	When either one of the following items is detected: <ul style="list-style-type: none"> <li>• AV communication circuits between DVD player and BOSE amp. are malfunctioning. (without rear control switch models)</li> <li>• AV communication circuits between rear control switch and BOSE amp. are malfunctioning. (with rear control switch models)</li> </ul>	<ul style="list-style-type: none"> <li>• AV communication circuits between DVD player and BOSE amp. (without rear control switch models)</li> <li>• AV communication circuits between rear control switch and BOSE amp.</li> </ul>
<ul style="list-style-type: none"> <li>• AV COMM CIRCUIT</li> <li>• Rear SW Connection Error</li> <li>• Amplifier Connection Error</li> <li>• Rearview Camera Connection Error</li> <li>• iPod Connection Error</li> </ul>	Malfunction is detected in AV communication circuits between DVD player and rear control switch.	AV communication circuits between DVD player and rear control switch.
<ul style="list-style-type: none"> <li>• AV COMM CIRCUIT</li> <li>• Rear SW Connection Error*</li> <li>• DVD Deck Connection Error</li> <li>• Amplifier Connection Error</li> <li>• Rearview Camera Connection Error</li> <li>• iPod Connection Error</li> </ul>	Malfunction is detected in AV communication circuits between video distributor and DVD player.	AV communication circuits between video distributor and DVD player.
<ul style="list-style-type: none"> <li>• AV COMM CIRCUIT</li> <li>• Rear SW Connection Error*</li> <li>• Video Distributor Connection Error</li> <li>• DVD Deck Connection Error</li> <li>• Amplifier Connection Error</li> <li>• Rearview Camera Connection Error</li> <li>• iPod Connection Error</li> </ul>	Malfunction is detected in AV communication circuits between multifunction switch and video distributor.	AV communication circuits between multifunction switch and video distributor.



# DIAGNOSIS SYSTEM (AV CONTROL UNIT)

[WITH MOBILE ENTERTAINMENT SYSTEM]

## < FUNCTION DIAGNOSIS >

Error item	Description	Possible malfunction factor/Action to take
<ul style="list-style-type: none"> <li>• AV COMM CIRCUIT</li> <li>• Rear SW Connection Error*</li> <li>• Switches Connection Error</li> <li>• Video Distributor Connection Error</li> <li>• DVD Deck Connection Error</li> <li>• Amplifier Connection Error</li> <li>• Rearview Camera Connection Error</li> <li>• iPod Connection Error</li> </ul>	Malfunction is detected in AV communication circuits between AV control unit and multifunction switch.	AV communication circuits between AV control unit and multifunction switch.
<ul style="list-style-type: none"> <li>• AV COMM CIRCUIT</li> <li>• Rear SW Connection Error*</li> <li>• Internal Communication Error</li> <li>• Switches Connection Error</li> <li>• Video Distributor Connection Error</li> <li>• DVD Deck Connection Error</li> <li>• Amplifier Connection Error</li> <li>• Rearview Camera Connection Error</li> <li>• iPod Connection Error</li> </ul>	Malfunction is detected in AV communication circuits.	Check and repair the short circuit in AV communication circuits.

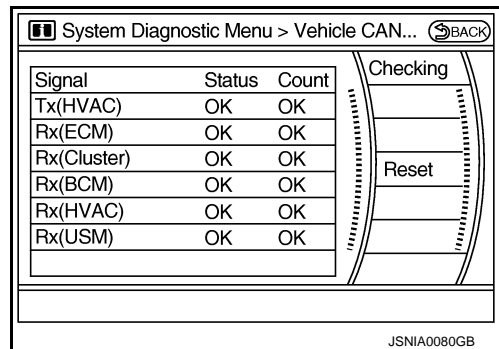
### NOTE:

\*: non-equipped item is not displayed.

### Vehicle CAN Diagnosis

- CAN communication status and error counter is displayed.
- The error counter displays “OK” if any malfunction was not detected in the past and displays “0” if a malfunction is detected. It increases by 1 if the condition is normal at the next ignition switch ON cycle. The upper limit of the counter is 39.
- The error counter is erased if “Reset” is pressed.

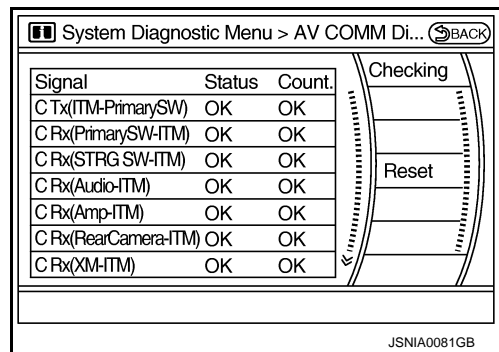
Items	Display (Current)	Malfunction counter (Past)
Tx (HVAC)	OK / UNKWN	OK / 0 – 39
Rx (ECM)	OK / UNKWN	OK / 0 – 39
Rx (Cluster)	OK / UNKWN	OK / 0 – 39
Rx (BCM)	OK / UNKWN	OK / 0 – 39
Rx (HVAC)	OK / UNKWN	OK / 0 – 39
Rx (USM)	OK / UNKWN	OK / 0 – 39
Rx (TPMS)	OK / UNKWN	OK / 0 – 39
Rx (STRG)	OK / UNKWN	OK / 0 – 39



### AV COMM Diagnosis

- Displays the communication status between AV control unit (master unit) and each unit.
- The error counter displays “OK” if any malfunction was not detected in the past and displays “0” if a malfunction is detected. It increases by 1 if the condition is normal at the next ignition switch ON cycle. The upper limit of the counter is 39.
- The error counter is erased if “Reset” is pressed.

Items	Status (Current)	Counter (Past)
C Tx(ITM-PrimarySW)	OK / UNKWN	OK / 0 – 39
C Rx(PrimarySW-ITM)	OK / UNKWN	OK / 0 – 39
C Rx(STRG SW-ITM)	OK / UNKWN	OK / 0 – 39
C Rx(RrSeatSW-ITM)	OK / UNKWN	OK / 0 – 39
C Rx (Audio-ITM)	OK / UNKWN	OK / 0 – 39



# DIAGNOSIS SYSTEM (AV CONTROL UNIT)

< FUNCTION DIAGNOSIS >

[WITH MOBILE ENTERTAINMENT SYSTEM]

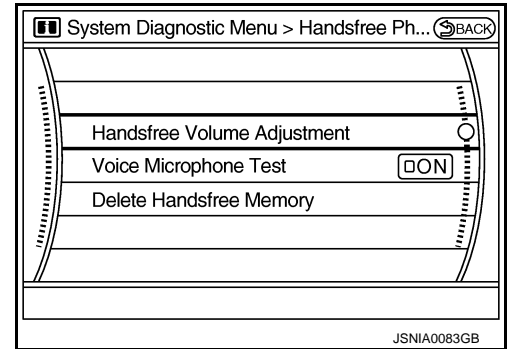
Items	Status (Current)	Counter (Past)
C Rx(Amp-ITM)	OK / UNKWN	OK / 0 - 39
C Rx(RearCamera-ITM)	OK / UNKWN	OK / 0 - 39
C Rx(DVD-ITM)	OK / UNKWN	OK / 0 - 39
C Rx(XM-ITM)	OK / UNKWN	OK / 0 - 39
C Rx(iPod-ITM)	OK / UNKWN	OK / 0 - 39
C Rx(Video Dist-ITM)	OK / UNKWN	OK / 0 - 39
C Rx(Remote Cont-ITM)	OK / UNKWN	OK / 0 - 39
C Rx(Amp-Audio)	OK / UNKWN	OK / 0 - 39
C Rx(DVD-Audio)	OK / UNKWN	OK / 0 - 39
C Rx(iPod-Audio)	OK / UNKWN	OK / 0 - 39
C Tx(Audio-ITM)	OK / UNKWN	OK / 0 - 39

**NOTE:**

- Any units with “—” displayed have no history of vehicle connection.
- “STRG SW”, “Amp”“XM” indicate the same status as “Audio”.

**Hands-Free Phone**

The hands-free phone reception volume adjustment, microphone and speaker test, and memory erase functions are also available.

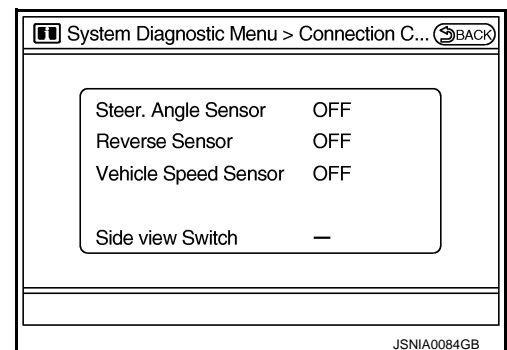


**Camera Cont.**

The two functions of “Connection Confirmation” and “Adjust Offset of Rear View Camera” are available.

**CONNECTION CONFIRMATION**

The steering angle sensor, reverse signal and vehicle speed sensor can be inspected.



Diagnosis item	Display	Vehicle status
Steer. Angle Sensor	ON	When steering the vehicle with ignition switch ON (remains ON until connection mode is stopped when it is turned ON).
	OFF	<ul style="list-style-type: none"> <li>• Ignition switch at ACC.</li> <li>• No steering with ignition switch ON.</li> </ul>
	—	Malfunction detected in camera connection recognition signal.

# DIAGNOSIS SYSTEM (AV CONTROL UNIT)

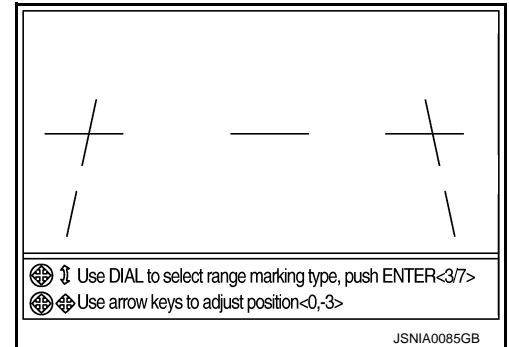
< FUNCTION DIAGNOSIS >

[WITH MOBILE ENTERTAINMENT SYSTEM]

Diagnosis item	Display	Vehicle status
Reverse Sensor	ON	Selector lever is in "R" with ignition switch ON.
	OFF	<ul style="list-style-type: none"> <li>Ignition switch at ACC.</li> <li>Selector lever is in position other than "R" with ignition switch ON.</li> </ul>
	—	Malfunction detected in camera-connection recognition signal.
Vehicle Speed Sensor	ON	Vehicle speed is more than 0 km/h (0 MPH) with ignition switch ON.
	OFF	<ul style="list-style-type: none"> <li>Ignition switch at ACC.</li> <li>Vehicle speed is 0 km/h (0 MPH) with ignition switch ON.</li> </ul>
	—	Malfunction detected in camera connection recognition signal.
Side view Switch	—	Not used.

## ADJUST OFFSET OF REAR VIEW CAMERA

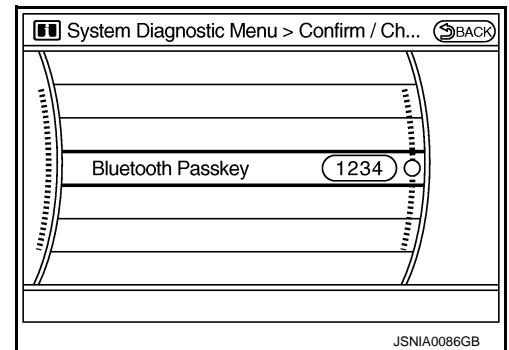
Use this mode to adjust the guide line display position of the rear-view monitor if necessary after removing the rear view monitor camera.



## Bluetooth

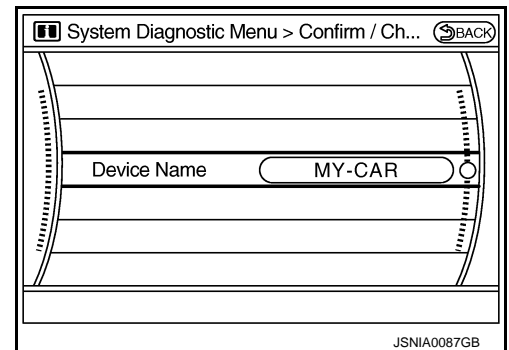
### Confirm / Change Passkey

- The passkey of Bluetooth can be confirmed and changed.
- The passkey can be changed by four digits within 0 to 9.



### Confirm / Change Device Name

- The device name of Bluetooth can be confirmed and changed.
- The device name can be changed by sixteen digits within A to Z (small character can be used) and - (hyphen).



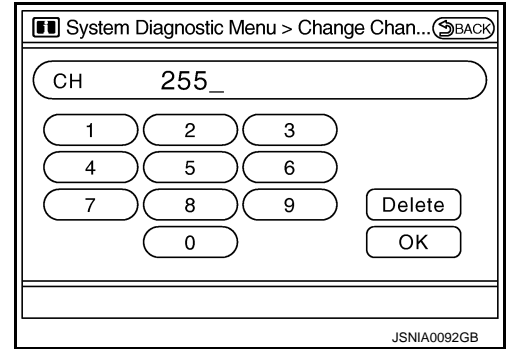
## SAT

# DIAGNOSIS SYSTEM (AV CONTROL UNIT)

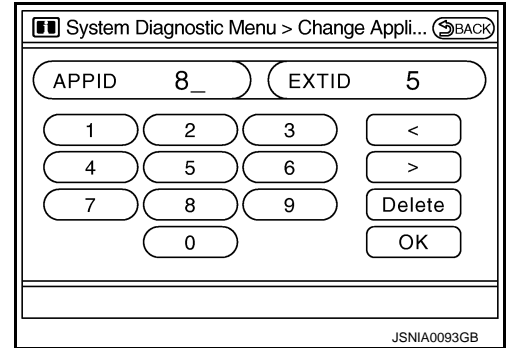
[WITH MOBILE ENTERTAINMENT SYSTEM]

## < FUNCTION DIAGNOSIS >

- Change Channel
- Any necessary channels required to receive traffic information from the satellite radio system can be set.

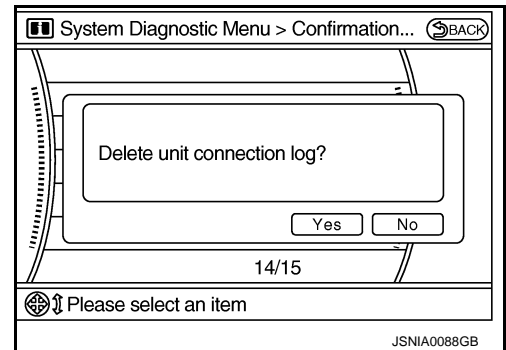


- Change Application ID
- Any application ID's required to receive traffic information from the satellite radio system can be set.



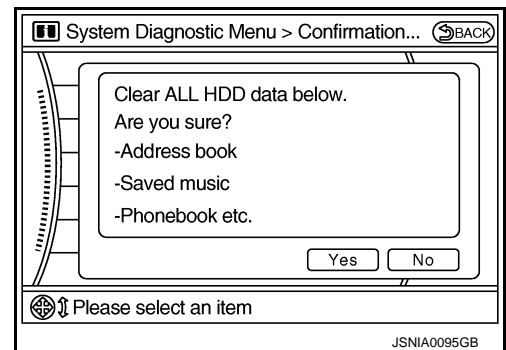
### Delete Unit Connection Log

Deletes any unit connection records and error records from the AV control unit memory. (Clear the records of the unit that has been removed.)



### Initialize Settings

Deletes data stored in HDD.



## CONSULT-III Function (MULTI AV)

INFOID:000000005350464

### CONSULT-III FUNCTIONS

CONSULT-III performs the following functions via the communication with the AV control unit.

# DIAGNOSIS SYSTEM (AV CONTROL UNIT)

[WITH MOBILE ENTERTAINMENT SYSTEM]

< FUNCTION DIAGNOSIS >

Diagnosis mode	Description
Ecu Identification	The part number of AV control unit can be checked.
Self Diagnostic Result	Performs a diagnosis on the AV control unit and a connection diagnosis for the communication circuit of the Multi AV system, and displays the current and past malfunctions collectively.
Data Monitor	The diagnosis of vehicle signal that is input to the AV control unit can be performed.

## AV COMMUNICATION

When "AV communication" of "CAN Diag Support Monitor" is selected, the following function will be performed.

AV communication	AV&NAVI C/U	Displays the communication status from AV control unit to each unit as well as the error counter.
	AUDIO	Displays the AV control unit communication status and the error counter.

## ECU IDENTIFICATION

The part number of AV control unit is displayed.

## SELF DIAGNOSIS RESULT

- In CONSULT-III self-diagnosis, self-diagnosis results and error history are displayed collectively.
- The current malfunction indicates "CRNT". The past malfunction indicates "PAST".
- The timing is displayed as "0" if any of the error codes [U1000], [U1010], [U1300] and [U1310] is detected. The counter increases by 1 if the condition is normal at the next ignition switch ON cycle.

Self-diagnosis results display item

Error item	Detection logic	Possible malfunction factor/Action to take	
CAN COMM CIRCUIT [U1000]	CAN communication malfunction is detected.	Perform diagnosis with CONSULT-III, and then repair the malfunctioning parts according to the diagnosis results. Refer to <a href="#">AV-565, "Diagnosis Procedure"</a> .	
CONTROL UNIT (CAN) [U1010]	CAN initial diagnosis malfunction is detected.	Replace the AV control unit.	
CONTROL UNIT (AV) [U1310]	AV communication circuit initial diagnosis malfunction is detected.		
Control Unit FLASH-ROM [U1200]	AV control unit malfunction is detected.		
Gyro NO CONN [U1201]			
CAN CONT [U1216]			
BLUETOOTH CONN [U1217]			
HDD-CONN [U1218]			
HDD-READ [U1219]			
XM SERIAL COMM [U1220]			
HDD-WRITE [U121A]			
HDD-COMM [U121B]			
HDD-ACCESS [U121C]			
DSP CONN [U121D]			
DSP COMM [U121E]			
INTERNAL COMM [U121F]		Malfunction is detected in AV control unit power supply and ground circuits.	Check AV control unit power supply and ground circuits. When detecting no malfunction in those components, replace AV control unit.
GPS COMM [U1204]		GPS malfunction is detected.	An intermittent error caused by strong radio interference may be detected unless any symptom (GPS reception error, etc.) occurs. Replace the AV control unit if the malfunction occurs constantly.
GPS ROM [U1205]			
GPS RAM [U1206]			
GPS RTC [U1207]			

# DIAGNOSIS SYSTEM (AV CONTROL UNIT)

< FUNCTION DIAGNOSIS >

[WITH MOBILE ENTERTAINMENT SYSTEM]

Error item	Detection logic	Possible malfunction factor/Action to take
FRONT DISP CONN [U1243]	When either one of the following items is detected: <ul style="list-style-type: none"> <li>• front display unit power supply and ground circuits are malfunctioning.</li> <li>• serial communication circuits between AV control unit and front display unit are malfunctioning.</li> <li>• serial communication signal between AV control unit and front display unit is malfunctioning.</li> </ul>	<ul style="list-style-type: none"> <li>• Front display unit power supply and ground circuits.</li> <li>• Serial communication circuits between AV control unit and front display unit.</li> </ul>
GPS ANTENNA CONN [U1244]	GPS antenna connection malfunction is detected.	GPS antenna.
REAR DISP CONN [U1247]	When either one of the following items is detected: <ul style="list-style-type: none"> <li>• rear display unit power supply and ground circuits are malfunctioning.</li> <li>• serial communication circuits between video distributor and rear display unit are malfunctioning.</li> <li>• serial communication signal between video distributor and rear display unit is malfunctioning.</li> </ul>	<ul style="list-style-type: none"> <li>• Rear display unit power supply and ground circuits.</li> <li>• Serial communication circuits between video distributor and rear display unit.</li> </ul>
CAMERA CONT CONN [U1250]	Malfunction is detected in camera connection recognition circuit between AV control unit and camera control unit.	Camera-connection recognition circuit between AV control unit and camera control unit.
XM ANTENNA CONN [U1258]	Satellite radio antenna connection malfunction is detected.	<ul style="list-style-type: none"> <li>• Satellite radio antenna feeder.</li> <li>• Satellite radio antenna.</li> </ul>
AV COMM CIRCUIT [U1300]	When either one of the following items is detected: <ul style="list-style-type: none"> <li>• Rear control switch power supply and ground circuits are malfunctioning.</li> <li>• AV communication signal between AV control unit and rear control switch is malfunctioning.</li> </ul>	Rear control switch power supply and ground circuits.
<ul style="list-style-type: none"> <li>• AV COMM CIRCUIT [U1300]</li> <li>• INTERNAL COMM [U121F]</li> </ul>	Malfunction is detected in AV control unit power supply and ground circuits.	Check AV control unit power supply and ground circuits. When detecting no malfunction in those components, replace AV control unit.
<ul style="list-style-type: none"> <li>• AV COMM CIRCUIT [U1300]</li> <li>• SWITCH CONN [U1240]</li> </ul>	When either one of the following items is detected: <ul style="list-style-type: none"> <li>• Multifunction switch power supply and ground circuits are malfunctioning.</li> <li>• AV communication signal between AV control unit and multifunction switch is malfunctioning.</li> </ul>	Multifunction switch power supply and ground circuits.
<ul style="list-style-type: none"> <li>• AV COMM CIRCUIT [U1300]</li> <li>• VIDEO DIST CONN [U1246]</li> </ul>	When either one of the following items is detected: <ul style="list-style-type: none"> <li>• Video distributor power supply and ground circuits are malfunctioning.</li> <li>• AV communication signal between AV control unit and video distributor is malfunctioning.</li> </ul>	Video distributor power supply and ground circuits.
<ul style="list-style-type: none"> <li>• AV COMM CIRCUIT [U1300]</li> <li>• DVD DECK CONN [U1248]</li> </ul>	When either one of the following items is detected: <ul style="list-style-type: none"> <li>• DVD player power supply and ground circuits are malfunctioning.</li> <li>• AV communication signal between AV control unit and DVD player is malfunctioning.</li> </ul>	DVD player power supply and ground circuits.

# DIAGNOSIS SYSTEM (AV CONTROL UNIT)

< FUNCTION DIAGNOSIS >

[WITH MOBILE ENTERTAINMENT SYSTEM]

Error item	Detection logic	Possible malfunction factor/Action to take
<ul style="list-style-type: none"> <li>• AV COMM CIRCUIT [U1300]</li> <li>• AMP CONN [U124E]</li> </ul>	When either one of the following items is detected: <ul style="list-style-type: none"> <li>• BOSE amp. power supply and ground circuits are malfunctioning.</li> <li>• AV communication signal between AV control unit and BOSE amp is malfunctioning.</li> </ul>	BOSE amp. power supply and ground circuits.
<ul style="list-style-type: none"> <li>• AV COMM CIRCUIT [U1300]</li> <li>• REAR CAMERA LAN CONN [U1252]</li> </ul>	When either one of the following items is detected: <ul style="list-style-type: none"> <li>• camera control unit power supply and ground circuits are malfunctioning.</li> <li>• AV communication signal between AV control unit and camera control unit is malfunctioning.</li> </ul>	Camera control unit power supply and ground circuits.
<ul style="list-style-type: none"> <li>• AV COMM CIRCUIT [U1300]</li> <li>• iPod CONN [U1254]</li> </ul>	When either one of the following items is detected: <ul style="list-style-type: none"> <li>• iPod adapter power supply and ground circuits are malfunctioning.</li> <li>• AV communication circuits between camera control unit and iPod adapter are malfunctioning.</li> <li>• AV communication signal between AV control unit and iPod adapter is malfunctioning.</li> </ul>	<ul style="list-style-type: none"> <li>• iPod adapter power supply and ground circuits.</li> <li>• AV communication circuits between camera control unit and iPod adapter.</li> </ul>
<ul style="list-style-type: none"> <li>• AV COMM CIRCUIT [U1300]</li> <li>• REAR CAMERA LAN CONN [U1252]</li> <li>• iPod CONN [U1254]</li> </ul>	Malfunction is detected in AV communication circuits between BOSE amp. and camera control unit.	AV communication circuits between BOSE amp. and camera control unit.
<ul style="list-style-type: none"> <li>• AV COMM CIRCUIT [U1300]</li> <li>• AMP CONN [U124E]</li> <li>• REAR CAMERA LAN CONN [U1252]</li> <li>• iPod CONN [U1254]</li> </ul>	When either one of the following items is detected: <ul style="list-style-type: none"> <li>• AV communication circuits between DVD player and BOSE amp. are malfunctioning. (without rear control switch models)</li> <li>• AV communication circuits between rear control switch and BOSE amp. are malfunctioning (with rear control switch models)</li> <li>• AV communication circuits between rear control switch and DVD player are malfunctioning (with rear control switch models)</li> </ul>	<ul style="list-style-type: none"> <li>• AV communication circuits between DVD player and BOSE amp. (without rear control switch models)</li> <li>• AV communication circuits between rear control switch and BOSE amp.</li> </ul>
<ul style="list-style-type: none"> <li>• AV COMM CIRCUIT [U1300]</li> <li>• DVD DECK CONN [U1248]</li> <li>• AMP CONN [U124E]</li> <li>• REAR CAMERA LAN CONN [U1252]</li> <li>• iPod CONN [U1254]</li> </ul>	Malfunction is detected in AV communication circuits between video distributor and DVD player.	AV communication circuits between video distributor and DVD player.
<ul style="list-style-type: none"> <li>• AV COMM CIRCUIT [U1300]</li> <li>• VIDEO DIST CONN [U1246]</li> <li>• DVD DECK CONN [U1248]</li> <li>• AMP CONN [U124E]</li> <li>• REAR CAMERA LAN CONN [U1252]</li> <li>• iPod CONN [U1254]</li> </ul>	Malfunction is detected in AV communication circuits between multifunction switch and video distributor.	AV communication circuits between multifunction switch and video distributor.

A  
B  
C  
D  
E  
F  
G  
H  
I  
J  
AV  
L  
M  
N  
O  
P



# DIAGNOSIS SYSTEM (AV CONTROL UNIT)

< FUNCTION DIAGNOSIS >

[WITH MOBILE ENTERTAINMENT SYSTEM]

Error item	Detection logic	Possible malfunction factor/Action to take
<ul style="list-style-type: none"> <li>• AV COMM CIRCUIT [U1300]</li> <li>• SWITCH CONN [U1240]</li> <li>• VIDEO DIST CONN [U1246]</li> <li>• DVD DECK CONN [U1248]</li> <li>• AMP CONN [U124E]</li> <li>• REAR CAMERA LAN CONN [U1252]</li> <li>• IPod CONN [U1254]</li> </ul>	Malfunction is detected in AV communication circuits between AV control unit and multifunction switch.	AV communication circuits between AV control unit and multifunction switch.
<ul style="list-style-type: none"> <li>• AV COMM CIRCUIT [U1300]</li> <li>• INTERNAL COMM [U121F]</li> <li>• SWITCH CONN [U1240]</li> <li>• VIDEO DIST CONN [U1246]</li> <li>• DVD DECK CONN [U1248]</li> <li>• AMP CONN [U124E]</li> <li>• REAR CAMERA LAN CONN [U1252]</li> <li>• IPod CONN [U1254]</li> </ul>	Malfunction is detected in AV communication circuits.	Check and repair the short circuit in AV communication circuits.

## DATA MONITOR

### ALL SIGNALS

- Displays the status of the following vehicle signals inputted into the AV control unit.
- For each signal, actual signal can be compared with the condition recognized on the system.

Display Item	Display	Vehicle status	Remarks	
VHCL SPD SIG	On	Vehicle speed >0 km/h (0 MPH)	Changes in indication may be delayed. This is normal.	
	Off	Vehicle speed =0 km/h (0 MPH)		
PKB SIG	On	Parking brake is applied.		
	Off	Parking brake is released.		
ILLUM SIG	On	Light switch ON.		—
	Off	Light switch OFF.		
IGN SIG	On	Ignition switch ON.		
	Off	Ignition switch in ACC position.		
REV SIG	On	Selector lever in R position.	Changes in indication may be delayed. This is normal.	
	Off	Selector lever in any position other than R.		

### SELECTION FROM MENU

Allows the technician to select which vehicle signals should be displayed and displays the status of the selected vehicle signals.

Item to be selected	Description
VHCL SPD SIG	The same as when "ALL SIGNALS" is selected.
PKB SIG	
ILLUM SIG	
IGN SIG	
REV SIG	



# U1000 CAN COMM CIRCUIT

< COMPONENT DIAGNOSIS >

[WITH MOBILE ENTERTAINMENT SYSTEM]

## COMPONENT DIAGNOSIS

### U1000 CAN COMM CIRCUIT

#### Description

INFOID:000000005350465

CAN (Controller Area Network) is a serial communication line for real-time application. It is an on-vehicle multiplex communication line with high data communication speed and excellent error detection ability. Many electronic control units are equipped onto a vehicle, and each control unit shares information and links with other control units during operation (not independently). In CAN communication, control units are connected with 2 communication lines (CAN-H, CAN-L) allowing a high rate of information transmission with less wiring. Each control unit transmits/receives data but selectively reads required data only.

CAN Communication Signal Chart. Refer to [LAN-29, "CAN Communication Signal Chart"](#).

#### DTC Logic

INFOID:000000005350466

#### DTC DETECTION LOGIC

DTC	Display contents of CONSULT-III	Diagnostic item is detected when...	Probable malfunction location
U1000	CAN COMM CIRCUIT	AV control unit is not transmitting or receiving CAN communication signal for 2 seconds or more.	CAN communication system.

#### Diagnosis Procedure

INFOID:000000005350467

#### 1.PERFORM SELF-DIAGNOSTIC

1. Turn ignition switch ON and wait for 2 seconds or more.
2. Check "Self Diagnostic Result" of "MULTI AV".

Is "CAN COMM CIRCUIT" displayed?

- YES >> Refer to "LAN system". Refer to [LAN-20, "Trouble Diagnosis Flow Chart"](#).
- NO >> Refer to GI section. Refer to [GI-26, "How to Perform Efficient Diagnosis for an Electrical Incident"](#).

AV

# U1010 CONTROL UNIT (CAN)

[WITH MOBILE ENTERTAINMENT SYSTEM]

< COMPONENT DIAGNOSIS >

## U1010 CONTROL UNIT (CAN)

### Description

INFOID:000000005350468

Initial diagnosis of AV control unit.

### DTC Logic

INFOID:000000005350469

### DTC DETECTION LOGIC

DTC	Display contents of CONSULT-III	Diagnostic item is detected when...	Probable malfunction location
U1010	CONTROL UNIT (CAN)	CAN initial diagnosis malfunction is detected.	AV control unit.

### Diagnosis Procedure

INFOID:000000005350470

#### 1. REPLACE AV CONTROL UNIT

When DTC U1010 is detected, replace AV control unit.

>> INSPECTION END

# U1310 AV CONTROL UNIT

[WITH MOBILE ENTERTAINMENT SYSTEM]

< COMPONENT DIAGNOSIS >

## U1310 AV CONTROL UNIT

### Description

INFOID:000000005350471

Replace the AV control unit if this DTC is displayed. Refer to [AV-1064, "Exploded View"](#).

Part name	Description
AV CONTROL UNIT	<ul style="list-style-type: none"><li>• Integrates hard disk drive (HDD) allowing map data and music data to be stored.</li><li>• It is the master unit of the MULTI AV system, and it is connected to each control unit by communication. It operates each system according to communication signals from the AV control unit.</li><li>• The AV control unit includes the audio, hands-free phone, voice control, navigation, satellite radio, and vehicle information functions.</li><li>• It is connected to ECM and unified meter and A/C amp. via CAN communication to obtain necessary information for the vehicle information function.</li><li>• It is connected to BCM via CAN communication transmitting/receiving for the vehicle settings function.</li><li>• It is connected to the steering angle sensor and receives the steering angle signal via CAN communication. It also transmits the steering angle signal to camera control unit via AV communication.</li><li>• It inputs the illumination signals that are required for the display dimming control.</li><li>• It inputs the signals for driving status recognition (vehicle speed, reverse and parking brake).</li><li>• Update of map data is performed with the CONSULT-III and the applicable cable.</li><li>• It includes the TEL adapter and Bluetooth™ function.</li></ul>

### DTC Logic

INFOID:000000005350472

DTC	Display contents of CONSULT-III	DTC Detection Condition	Action to take
U1310	CONTROL UNIT (AV) [U1310]	An initial diagnosis error is detected in AV communication circuit.	Replace AV control unit.

A  
B  
C  
D  
E  
F  
G  
H  
I  
J  
L  
M  
N  
O  
P

AV

# U1200 AV CONTROL UNIT

< COMPONENT DIAGNOSIS >

[WITH MOBILE ENTERTAINMENT SYSTEM]

## U1200 AV CONTROL UNIT

### Description

INFOID:000000005350473

Replace the AV control unit if this DTC is displayed. Refer to [AV-1064, "Exploded View"](#).

Part name	Description
AV CONTROL UNIT	<ul style="list-style-type: none"><li>• Integrates hard disk drive (HDD) allowing map data and music data to be stored.</li><li>• It is the master unit of the MULTI AV system, and it is connected to each control unit by communication. It operates each system according to communication signals from the AV control unit.</li><li>• The AV control unit includes the audio, hands-free phone, voice control, navigation, satellite radio, and vehicle information functions.</li><li>• It is connected to ECM and unified meter and A/C amp. via CAN communication to obtain necessary information for the vehicle information function.</li><li>• It is connected to BCM via CAN communication transmitting/receiving for the vehicle settings function.</li><li>• It is connected to the steering angle sensor and receives the steering angle signal via CAN communication. It also transmits the steering angle signal to camera control unit via AV communication.</li><li>• It inputs the illumination signals that are required for the display dimming control.</li><li>• It inputs the signals for driving status recognition (vehicle speed, reverse and parking brake).</li><li>• Update of map data is performed with the CONSULT-III and the applicable cable.</li><li>• It includes the TEL adapter and Bluetooth™ function.</li></ul>

### DTC Logic

INFOID:000000005350474

DTC	Display contents of CONSULT-III	DTC Detection Condition	Action to take
U1200	Cont Unit FLASH-ROM [U1200]	An internal malfunction is detected in AV control unit (FLASH-ROM).	Replace AV control unit.

# U1201 AV CONTROL UNIT

< COMPONENT DIAGNOSIS >

[WITH MOBILE ENTERTAINMENT SYSTEM]

## U1201 AV CONTROL UNIT

### Description

INFOID:000000005350475

Replace the AV control unit if this DTC is displayed. Refer to [AV-1064. "Exploded View"](#).

Part name	Description
AV CONTROL UNIT	<ul style="list-style-type: none"><li>• Integrates hard disk drive (HDD) allowing map data and music data to be stored.</li><li>• It is the master unit of the MULTI AV system, and it is connected to each control unit by communication. It operates each system according to communication signals from the AV control unit.</li><li>• The AV control unit includes the audio, hands-free phone, voice control, navigation, satellite radio, and vehicle information functions.</li><li>• It is connected to ECM and unified meter and A/C amp. via CAN communication to obtain necessary information for the vehicle information function.</li><li>• It is connected to BCM via CAN communication transmitting/receiving for the vehicle settings function.</li><li>• It is connected to the steering angle sensor and receives the steering angle signal via CAN communication. It also transmits the steering angle signal to camera control unit via AV communication.</li><li>• It inputs the illumination signals that are required for the display dimming control.</li><li>• It inputs the signals for driving status recognition (vehicle speed, reverse and parking brake).</li><li>• Update of map data is performed with the CONSULT-III and the applicable cable.</li><li>• It includes the TEL adapter and Bluetooth™ function.</li></ul>

### DTC Logic

INFOID:000000005350476

DTC	Display contents of CONSULT-III	DTC Detection Condition	Action to take
U1201	GYRO NO CONN [U1201]	Internal malfunction of AV control unit (gyrocompass disconnection) is detected.	Replace AV control unit.

A  
B  
C  
D  
E  
F  
G  
H  
I  
J  
AV  
L  
M  
N  
O  
P

# U1216 AV CONTROL UNIT

< COMPONENT DIAGNOSIS >

[WITH MOBILE ENTERTAINMENT SYSTEM]

## U1216 AV CONTROL UNIT

### Description

INFOID:000000005350477

Replace the AV control unit if this DTC is displayed. Refer to [AV-1064, "Exploded View"](#).

Part name	Description
AV CONTROL UNIT	<ul style="list-style-type: none"><li>• Integrates hard disk drive (HDD) allowing map data and music data to be stored.</li><li>• It is the master unit of the MULTI AV system, and it is connected to each control unit by communication. It operates each system according to communication signals from the AV control unit.</li><li>• The AV control unit includes the audio, hands-free phone, voice control, navigation, satellite radio, and vehicle information functions.</li><li>• It is connected to ECM and unified meter and A/C amp. via CAN communication to obtain necessary information for the vehicle information function.</li><li>• It is connected to BCM via CAN communication transmitting/receiving for the vehicle settings function.</li><li>• It is connected to the steering angle sensor and receives the steering angle signal via CAN communication. It also transmits the steering angle signal to camera control unit via AV communication.</li><li>• It inputs the illumination signals that are required for the display dimming control.</li><li>• It inputs the signals for driving status recognition (vehicle speed, reverse and parking brake).</li><li>• Update of map data is performed with the CONSULT-III and the applicable cable.</li><li>• It includes the TEL adapter and Bluetooth™ function.</li></ul>

### DTC Logic

INFOID:000000005350478

DTC	Display contents of CONSULT-III	DTC Detection Condition	Action to take
U1216	CAN CONT [U1216]	Internal malfunction of AV control unit (CAN controller) is detected.	Replace AV control unit.

# U1217 AV CONTROL UNIT

< COMPONENT DIAGNOSIS >

[WITH MOBILE ENTERTAINMENT SYSTEM]

## U1217 AV CONTROL UNIT

### Description

INFOID:000000005350479

Replace the AV control unit if this DTC is displayed. Refer to [AV-1064. "Exploded View"](#).

Part name	Description
AV CONTROL UNIT	<ul style="list-style-type: none"> <li>Integrates hard disk drive (HDD) allowing map data and music data to be stored.</li> <li>It is the master unit of the MULTI AV system, and it is connected to each control unit by communication. It operates each system according to communication signals from the AV control unit.</li> <li>The AV control unit includes the audio, hands-free phone, voice control, navigation, satellite radio, and vehicle information functions.</li> <li>It is connected to ECM and unified meter and A/C amp. via CAN communication to obtain necessary information for the vehicle information function.</li> <li>It is connected to BCM via CAN communication transmitting/receiving for the vehicle settings function.</li> <li>It is connected to the steering angle sensor and receives the steering angle signal via CAN communication. It also transmits the steering angle signal to camera control unit via AV communication.</li> <li>It inputs the illumination signals that are required for the display dimming control.</li> <li>It inputs the signals for driving status recognition (vehicle speed, reverse and parking brake).</li> <li>Update of map data is performed with the CONSULT-III and the applicable cable.</li> <li>It includes the TEL adapter and Bluetooth™ function.</li> </ul>

### DTC Logic

INFOID:000000005350480

DTC	Display contents of CONSULT-III	DTC Detection Condition	Action to take
U1217	BLUETOOTH MODULE CONN [U1217]	Internal malfunction of AV control unit (Bluetooth module connection malfunction) is detected.	Replace AV control unit.

A  
B  
C  
D  
E  
F  
G  
H  
I  
J  
L  
M  
N  
O  
P

AV

# U1218 AV CONTROL UNIT

< COMPONENT DIAGNOSIS >

[WITH MOBILE ENTERTAINMENT SYSTEM]

## U1218 AV CONTROL UNIT

### Description

INFOID:000000005350481

Replace the AV control unit if this DTC is displayed. Refer to [AV-1064, "Exploded View"](#).

Part name	Description
AV CONTROL UNIT	<ul style="list-style-type: none"><li>• Integrates hard disk drive (HDD) allowing map data and music data to be stored.</li><li>• It is the master unit of the MULTI AV system, and it is connected to each control unit by communication. It operates each system according to communication signals from the AV control unit.</li><li>• The AV control unit includes the audio, hands-free phone, voice control, navigation, satellite radio, and vehicle information functions.</li><li>• It is connected to ECM and unified meter and A/C amp. via CAN communication to obtain necessary information for the vehicle information function.</li><li>• It is connected to BCM via CAN communication transmitting/receiving for the vehicle settings function.</li><li>• It is connected to the steering angle sensor and receives the steering angle signal via CAN communication. It also transmits the steering angle signal to camera control unit via AV communication.</li><li>• It inputs the illumination signals that are required for the display dimming control.</li><li>• It inputs the signals for driving status recognition (vehicle speed, reverse and parking brake).</li><li>• Update of map data is performed with the CONSULT-III and the applicable cable.</li><li>• It includes the TEL adapter and Bluetooth™ function.</li></ul>

### DTC Logic

INFOID:000000005350482

DTC	Display contents of CONSULT-III	DTC Detection Condition	Action to take
U1218	HDD-CONN [U1218]	Internal malfunction of AV control unit (HDD connection malfunction) is detected.	Replace AV control unit.



# U1219 AV CONTROL UNIT

< COMPONENT DIAGNOSIS >

[WITH MOBILE ENTERTAINMENT SYSTEM]

## U1219 AV CONTROL UNIT

### Description

INFOID:000000005350483

Replace the AV control unit if this DTC is displayed. Refer to [AV-1064. "Exploded View"](#).

Part name	Description
AV CONTROL UNIT	<ul style="list-style-type: none"> <li>Integrates hard disk drive (HDD) allowing map data and music data to be stored.</li> <li>It is the master unit of the MULTI AV system, and it is connected to each control unit by communication. It operates each system according to communication signals from the AV control unit.</li> <li>The AV control unit includes the audio, hands-free phone, voice control, navigation, satellite radio, and vehicle information functions.</li> <li>It is connected to ECM and unified meter and A/C amp. via CAN communication to obtain necessary information for the vehicle information function.</li> <li>It is connected to BCM via CAN communication transmitting/receiving for the vehicle settings function.</li> <li>It is connected to the steering angle sensor and receives the steering angle signal via CAN communication. It also transmits the steering angle signal to camera control unit via AV communication.</li> <li>It inputs the illumination signals that are required for the display dimming control.</li> <li>It inputs the signals for driving status recognition (vehicle speed, reverse and parking brake).</li> <li>Update of map data is performed with the CONSULT-III and the applicable cable.</li> <li>It includes the TEL adapter and Bluetooth™ function.</li> </ul>

### DTC Logic

INFOID:000000005350484

DTC	Display contents of CONSULT-III	DTC Detection Condition	Action to take
U1219	HDD-READ [U1219]	Internal malfunction of AV control unit (HDD read malfunction) is detected.	Replace AV control unit.

A  
B  
C  
D  
E  
F  
G  
H  
I  
J  
L  
M  
N  
O  
P



# U1220 AV CONTROL UNIT

< COMPONENT DIAGNOSIS >

[WITH MOBILE ENTERTAINMENT SYSTEM]

## U1220 AV CONTROL UNIT

### Description

INFOID:000000005350485

Replace the AV control unit if this DTC is displayed. Refer to [AV-1064, "Exploded View"](#).

Part name	Description
AV CONTROL UNIT	<ul style="list-style-type: none"><li>• Integrates hard disk drive (HDD) allowing map data and music data to be stored.</li><li>• It is the master unit of the MULTI AV system, and it is connected to each control unit by communication. It operates each system according to communication signals from the AV control unit.</li><li>• The AV control unit includes the audio, hands-free phone, voice control, navigation, satellite radio, and vehicle information functions.</li><li>• It is connected to ECM and unified meter and A/C amp. via CAN communication to obtain necessary information for the vehicle information function.</li><li>• It is connected to BCM via CAN communication transmitting/receiving for the vehicle settings function.</li><li>• It is connected to the steering angle sensor and receives the steering angle signal via CAN communication. It also transmits the steering angle signal to camera control unit via AV communication.</li><li>• It inputs the illumination signals that are required for the display dimming control.</li><li>• It inputs the signals for driving status recognition (vehicle speed, reverse and parking brake).</li><li>• Update of map data is performed with the CONSULT-III and the applicable cable.</li><li>• It includes the TEL adapter and Bluetooth™ function.</li></ul>

### DTC Logic

INFOID:000000005350486

DTC	Display contents of CONSULT-III	DTC Detection Condition	Action to take
U1220	XM SERIAL COMM [U1220]	Internal malfunction of AV control unit (satellite radio tuner communication error) is detected.	Replace AV control unit.

# U121A AV CONTROL UNIT

[WITH MOBILE ENTERTAINMENT SYSTEM]

< COMPONENT DIAGNOSIS >

## U121A AV CONTROL UNIT

### Description

INFOID:000000005350487

Replace the AV control unit if this DTC is displayed. Refer to [AV-1064. "Exploded View"](#).

Part name	Description
AV CONTROL UNIT	<ul style="list-style-type: none"> <li>Integrates hard disk drive (HDD) allowing map data and music data to be stored.</li> <li>It is the master unit of the MULTI AV system, and it is connected to each control unit by communication. It operates each system according to communication signals from the AV control unit.</li> <li>The AV control unit includes the audio, hands-free phone, voice control, navigation, satellite radio, and vehicle information functions.</li> <li>It is connected to ECM and unified meter and A/C amp. via CAN communication to obtain necessary information for the vehicle information function.</li> <li>It is connected to BCM via CAN communication transmitting/receiving for the vehicle settings function.</li> <li>It is connected to the steering angle sensor and receives the steering angle signal via CAN communication. It also transmits the steering angle signal to camera control unit via AV communication.</li> <li>It inputs the illumination signals that are required for the display dimming control.</li> <li>It inputs the signals for driving status recognition (vehicle speed, reverse and parking brake).</li> <li>Update of map data is performed with the CONSULT-III and the applicable cable.</li> <li>It includes the TEL adapter and Bluetooth™ function.</li> </ul>

### DTC Logic

INFOID:000000005350488

DTC	Display contents of CONSULT-III	DTC Detection Condition	Action to take
U121A	HDD-WRITE [U121A]	Internal malfunction of AV control unit (HDD write malfunction) is detected.	Replace AV control unit.

A  
B  
C  
D  
E  
F  
G  
H  
I  
J  
L  
M  
N  
O  
P

AV

# U121B AV CONTROL UNIT

[WITH MOBILE ENTERTAINMENT SYSTEM]

< COMPONENT DIAGNOSIS >

## U121B AV CONTROL UNIT

### Description

INFOID:000000005350489

Replace the AV control unit if this DTC is displayed. Refer to [AV-1064, "Exploded View"](#).

Part name	Description
AV CONTROL UNIT	<ul style="list-style-type: none"><li>• Integrates hard disk drive (HDD) allowing map data and music data to be stored.</li><li>• It is the master unit of the MULTI AV system, and it is connected to each control unit by communication. It operates each system according to communication signals from the AV control unit.</li><li>• The AV control unit includes the audio, hands-free phone, voice control, navigation, satellite radio, and vehicle information functions.</li><li>• It is connected to ECM and unified meter and A/C amp. via CAN communication to obtain necessary information for the vehicle information function.</li><li>• It is connected to BCM via CAN communication transmitting/receiving for the vehicle settings function.</li><li>• It is connected to the steering angle sensor and receives the steering angle signal via CAN communication. It also transmits the steering angle signal to camera control unit via AV communication.</li><li>• It inputs the illumination signals that are required for the display dimming control.</li><li>• It inputs the signals for driving status recognition (vehicle speed, reverse and parking brake).</li><li>• Update of map data is performed with the CONSULT-III and the applicable cable.</li><li>• It includes the TEL adapter and Bluetooth™ function.</li></ul>

### DTC Logic

INFOID:000000005350490

DTC	Display contents of CONSULT-III	DTC Detection Condition	Action to take
U121B	HDD-COMM [U121B]	Internal malfunction of AV control unit (HDD communication error) is detected.	Replace AV control unit.

# U121C AV CONTROL UNIT

[WITH MOBILE ENTERTAINMENT SYSTEM]

< COMPONENT DIAGNOSIS >

## U121C AV CONTROL UNIT

### Description

INFOID:000000005350491

Replace the AV control unit if this DTC is displayed. Refer to [AV-1064. "Exploded View"](#).

Part name	Description
AV CONTROL UNIT	<ul style="list-style-type: none"><li>Integrates hard disk drive (HDD) allowing map data and music data to be stored.</li><li>It is the master unit of the MULTI AV system, and it is connected to each control unit by communication. It operates each system according to communication signals from the AV control unit.</li><li>The AV control unit includes the audio, hands-free phone, voice control, navigation, satellite radio, and vehicle information functions.</li><li>It is connected to ECM and unified meter and A/C amp. via CAN communication to obtain necessary information for the vehicle information function.</li><li>It is connected to BCM via CAN communication transmitting/receiving for the vehicle settings function.</li><li>It is connected to the steering angle sensor and receives the steering angle signal via CAN communication. It also transmits the steering angle signal to camera control unit via AV communication.</li><li>It inputs the illumination signals that are required for the display dimming control.</li><li>It inputs the signals for driving status recognition (vehicle speed, reverse and parking brake).</li><li>Update of map data is performed with the CONSULT-III and the applicable cable.</li><li>It includes the TEL adapter and Bluetooth™ function.</li></ul>

### DTC Logic

INFOID:000000005350492

DTC	Display contents of CONSULT-III	DTC Detection Condition	Action to take
U121C	HDD-ACCESS [U121C]	Internal malfunction of AV control unit (HDD access error) is detected.	Replace AV control unit.

A  
B  
C  
D  
E  
F  
G  
H  
I  
J  
L  
M  
N  
O  
P

AV

# U121D AV CONTROL UNIT

[WITH MOBILE ENTERTAINMENT SYSTEM]

< COMPONENT DIAGNOSIS >

## U121D AV CONTROL UNIT

### Description

INFOID:000000005350493

Replace the AV control unit if this DTC is displayed. Refer to [AV-1064, "Exploded View"](#).

Part name	Description
AV CONTROL UNIT	<ul style="list-style-type: none"><li>• Integrates hard disk drive (HDD) allowing map data and music data to be stored.</li><li>• It is the master unit of the MULTI AV system, and it is connected to each control unit by communication. It operates each system according to communication signals from the AV control unit.</li><li>• The AV control unit includes the audio, hands-free phone, voice control, navigation, satellite radio, and vehicle information functions.</li><li>• It is connected to ECM and unified meter and A/C amp. via CAN communication to obtain necessary information for the vehicle information function.</li><li>• It is connected to BCM via CAN communication transmitting/receiving for the vehicle settings function.</li><li>• It is connected to the steering angle sensor and receives the steering angle signal via CAN communication. It also transmits the steering angle signal to camera control unit via AV communication.</li><li>• It inputs the illumination signals that are required for the display dimming control.</li><li>• It inputs the signals for driving status recognition (vehicle speed, reverse and parking brake).</li><li>• Update of map data is performed with the CONSULT-III and the applicable cable.</li><li>• It includes the TEL adapter and Bluetooth™ function.</li></ul>

### DTC Logic

INFOID:000000005350494

DTC	Display contents of CONSULT-III	DTC Detection Condition	Action to take
U121D	DSP CONN [U121D]	Internal malfunction of AV control unit (DSP connection error) is detected.	Replace AV control unit.

# U121E AV CONTROL UNIT

[WITH MOBILE ENTERTAINMENT SYSTEM]

< COMPONENT DIAGNOSIS >

## U121E AV CONTROL UNIT

### Description

INFOID:000000005350495

Replace the AV control unit if this DTC is displayed. Refer to [AV-1064. "Exploded View"](#).

Part name	Description
AV CONTROL UNIT	<ul style="list-style-type: none"> <li>Integrates hard disk drive (HDD) allowing map data and music data to be stored.</li> <li>It is the master unit of the MULTI AV system, and it is connected to each control unit by communication. It operates each system according to communication signals from the AV control unit.</li> <li>The AV control unit includes the audio, hands-free phone, voice control, navigation, satellite radio, and vehicle information functions.</li> <li>It is connected to ECM and unified meter and A/C amp. via CAN communication to obtain necessary information for the vehicle information function.</li> <li>It is connected to BCM via CAN communication transmitting/receiving for the vehicle settings function.</li> <li>It is connected to the steering angle sensor and receives the steering angle signal via CAN communication. It also transmits the steering angle signal to camera control unit via AV communication.</li> <li>It inputs the illumination signals that are required for the display dimming control.</li> <li>It inputs the signals for driving status recognition (vehicle speed, reverse and parking brake).</li> <li>Update of map data is performed with the CONSULT-III and the applicable cable.</li> <li>It includes the TEL adapter and Bluetooth™ function.</li> </ul>

### DTC Logic

INFOID:000000005350496

DTC	Display contents of CONSULT-III	DTC Detection Condition	Action to take
U121E	DSP COMM [U121E]	Internal malfunction of AV control unit (DSP communication error) is detected.	Replace AV control unit.

A  
B  
C  
D  
E  
F  
G  
H  
I  
J  
L  
M  
N  
O  
P



# U121F AV CONTROL UNIT

< COMPONENT DIAGNOSIS >

[WITH MOBILE ENTERTAINMENT SYSTEM]

## U121F AV CONTROL UNIT

### Description

INFOID:000000005350497

Replace the AV control unit if this DTC is displayed. Refer to [AV-1064, "Exploded View"](#).

Part name	Description
AV CONTROL UNIT	<ul style="list-style-type: none"><li>Integrates hard disk drive (HDD) allowing map data and music data to be stored.</li><li>It is the master unit of the MULTI AV system, and it is connected to each control unit by communication. It operates each system according to communication signals from the AV control unit.</li><li>The AV control unit includes the audio, hands-free phone, voice control, navigation, satellite radio, and vehicle information functions.</li><li>It is connected to ECM and unified meter and A/C amp. via CAN communication to obtain necessary information for the vehicle information function.</li><li>It is connected to BCM via CAN communication transmitting/receiving for the vehicle settings function.</li><li>It is connected to the steering angle sensor and receives the steering angle signal via CAN communication. It also transmits the steering angle signal to camera control unit via AV communication.</li><li>It inputs the illumination signals that are required for the display dimming control.</li><li>It inputs the signals for driving status recognition (vehicle speed, reverse and parking brake).</li><li>Update of map data is performed with the CONSULT-III and the applicable cable.</li><li>It includes the TEL adapter and Bluetooth™ function.</li></ul>

### DTC Logic

INFOID:000000005350498

DTC	Display contents of CONSULT-III	DTC Detection Condition	Action to take
U121F	INTERNAL COMM [U121F]	Malfunction is detected in AV control unit power supply and ground circuits.	Check AV control unit power supply and ground circuits. When detecting no malfunction in those components, replace AV control unit.

### Diagnosis Procedure

INFOID:000000005350499

#### 1. CHECK AV CONTROL UNIT POWER SUPPLY AND GROUND CIRCUIT

Check AV control unit power supply and ground circuit. Refer to [AV-594, "AV CONTROL UNIT : Diagnosis Procedure"](#).

Is the inspection result normal?

- YES >> INSPECTION END
- NO >> Repair or replace malfunctioning parts.



# U1204 GPS

[WITH MOBILE ENTERTAINMENT SYSTEM]

< COMPONENT DIAGNOSIS >

## U1204 GPS

### Description

INFOID:000000005350500

Replace the AV control unit if this DTC is displayed. Refer to [AV-1064. "Exploded View"](#).

Part name	Description
AV CONTROL UNIT	<ul style="list-style-type: none"> <li>Integrates hard disk drive (HDD) allowing map data and music data to be stored.</li> <li>It is the master unit of the MULTI AV system, and it is connected to each control unit by communication. It operates each system according to communication signals from the AV control unit.</li> <li>The AV control unit includes the audio, hands-free phone, voice control, navigation, satellite radio, and vehicle information functions.</li> <li>It is connected to ECM and unified meter and A/C amp. via CAN communication to obtain necessary information for the vehicle information function.</li> <li>It is connected to BCM via CAN communication transmitting/receiving for the vehicle settings function.</li> <li>It is connected to the steering angle sensor and receives the steering angle signal via CAN communication. It also transmits the steering angle signal to camera control unit via AV communication.</li> <li>It inputs the illumination signals that are required for the display dimming control.</li> <li>It inputs the signals for driving status recognition (vehicle speed, reverse and parking brake).</li> <li>Update of map data is performed with the CONSULT-III and the applicable cable.</li> <li>It includes the TEL adapter and Bluetooth™ function.</li> </ul>

### DTC Logic

INFOID:000000005350501

DTC	Display contents of CONSULT-III	DTC Detection Condition	Action to take
U1204	GPS CONN [U1204]	Internal malfunction of AV control unit (GPS malfunction) is detected.	Replace AV control unit.

### Diagnosis Procedure

INFOID:000000005350502

#### 1. PERFORM THE SELF-DIAGNOSIS

- Delete the self-diagnosis results. Turn ignition switch OFF.
- Turn ignition switch ON. Perform the self-diagnosis again.
- Check that the DTC is detected again.

#### Is any DTC detected?

- YES >> Replace AV control unit.  
 NO >> The intermittent malfunction caused by strong radio interference can be detected.

# U1205 GPS

[WITH MOBILE ENTERTAINMENT SYSTEM]

< COMPONENT DIAGNOSIS >

## U1205 GPS

### Description

INFOID:000000005350503

Replace the AV control unit if this DTC is displayed. Refer to [AV-1064, "Exploded View"](#).

Part name	Description
AV CONTROL UNIT	<ul style="list-style-type: none"><li>• Integrates hard disk drive (HDD) allowing map data and music data to be stored.</li><li>• It is the master unit of the MULTI AV system, and it is connected to each control unit by communication. It operates each system according to communication signals from the AV control unit.</li><li>• The AV control unit includes the audio, hands-free phone, voice control, navigation, satellite radio, and vehicle information functions.</li><li>• It is connected to ECM and unified meter and A/C amp. via CAN communication to obtain necessary information for the vehicle information function.</li><li>• It is connected to BCM via CAN communication transmitting/receiving for the vehicle settings function.</li><li>• It is connected to the steering angle sensor and receives the steering angle signal via CAN communication. It also transmits the steering angle signal to camera control unit via AV communication.</li><li>• It inputs the illumination signals that are required for the display dimming control.</li><li>• It inputs the signals for driving status recognition (vehicle speed, reverse and parking brake).</li><li>• Update of map data is performed with the CONSULT-III and the applicable cable.</li><li>• It includes the TEL adapter and Bluetooth™ function.</li></ul>

### DTC Logic

INFOID:000000005350504

DTC	Display contents of CONSULT-III	DTC Detection Condition	Action to take
U1205	GPS ROM [U1205]	Internal malfunction of AV control unit (GPS malfunction) is detected.	Replace AV control unit.

### Diagnosis Procedure

INFOID:000000005350505

#### 1. PERFORM THE SELF-DIAGNOSIS

1. Delete the self-diagnosis results. Turn ignition switch OFF.
2. Turn ignition switch ON. Perform the self-diagnosis again.
3. Check that the DTC is detected again.

#### Is any DTC detected?

- YES >> Replace AV control unit.  
NO >> The intermittent malfunction caused by strong radio interference can be detected.

# U1206 GPS

< COMPONENT DIAGNOSIS >

[WITH MOBILE ENTERTAINMENT SYSTEM]

## U1206 GPS

### Description

INFOID:000000005350506

Replace the AV control unit if this DTC is displayed. Refer to [AV-1064. "Exploded View"](#).

Part name	Description
AV CONTROL UNIT	<ul style="list-style-type: none"> <li>Integrates hard disk drive (HDD) allowing map data and music data to be stored.</li> <li>It is the master unit of the MULTI AV system, and it is connected to each control unit by communication. It operates each system according to communication signals from the AV control unit.</li> <li>The AV control unit includes the audio, hands-free phone, voice control, navigation, satellite radio, and vehicle information functions.</li> <li>It is connected to ECM and unified meter and A/C amp. via CAN communication to obtain necessary information for the vehicle information function.</li> <li>It is connected to BCM via CAN communication transmitting/receiving for the vehicle settings function.</li> <li>It is connected to the steering angle sensor and receives the steering angle signal via CAN communication. It also transmits the steering angle signal to camera control unit via AV communication.</li> <li>It inputs the illumination signals that are required for the display dimming control.</li> <li>It inputs the signals for driving status recognition (vehicle speed, reverse and parking brake).</li> <li>Update of map data is performed with the CONSULT-III and the applicable cable.</li> <li>It includes the TEL adapter and Bluetooth™ function.</li> </ul>

### DTC Logic

INFOID:000000005350507

DTC	Display contents of CONSULT-III	DTC Detection Condition	Action to take
U1206	GPS RAM [U1206]	Internal malfunction of AV control unit (GPS malfunction) is detected.	Replace AV control unit.

### Diagnosis Procedure

INFOID:000000005350508

#### 1. PERFORM THE SELF-DIAGNOSIS

- Delete the self-diagnosis results. Turn ignition switch OFF.
- Turn ignition switch ON. Perform the self-diagnosis again.
- Check that the DTC is detected again.

#### Is any DTC detected?

- YES >> Replace AV control unit.  
 NO >> The intermittent malfunction caused by strong radio interference can be detected.

# U1207 GPS

[WITH MOBILE ENTERTAINMENT SYSTEM]

< COMPONENT DIAGNOSIS >

## U1207 GPS

### Description

INFOID:000000005350509

Replace the AV control unit if this DTC is displayed. Refer to [AV-1064, "Exploded View"](#).

Part name	Description
AV CONTROL UNIT	<ul style="list-style-type: none"><li>Integrates hard disk drive (HDD) allowing map data and music data to be stored.</li><li>It is the master unit of the MULTI AV system, and it is connected to each control unit by communication. It operates each system according to communication signals from the AV control unit.</li><li>The AV control unit includes the audio, hands-free phone, voice control, navigation, satellite radio, and vehicle information functions.</li><li>It is connected to ECM and unified meter and A/C amp. via CAN communication to obtain necessary information for the vehicle information function.</li><li>It is connected to BCM via CAN communication transmitting/receiving for the vehicle settings function.</li><li>It is connected to the steering angle sensor and receives the steering angle signal via CAN communication. It also transmits the steering angle signal to camera control unit via AV communication.</li><li>It inputs the illumination signals that are required for the display dimming control.</li><li>It inputs the signals for driving status recognition (vehicle speed, reverse and parking brake).</li><li>Update of map data is performed with the CONSULT-III and the applicable cable.</li><li>It includes the TEL adapter and Bluetooth™ function.</li></ul>

### DTC Logic

INFOID:000000005350510

DTC	Display contents of CONSULT-III	DTC Detection Condition	Action to take
U1207	GPS RTC [U1207]	Internal malfunction of AV control unit (GPS malfunction) is detected.	Replace AV control unit.

### Diagnosis Procedure

INFOID:000000005350511

#### 1. PERFORM THE SELF-DIAGNOSIS

- Delete the self-diagnosis results. Turn ignition switch OFF.
- Turn ignition switch ON. Perform the self-diagnosis again.
- Check that the DTC is detected again.

#### Is any DTC detected?

- YES >> Replace AV control unit.  
NO >> The intermittent malfunction caused by strong radio interference can be detected.

# U1243 DISPLAY UNIT

[WITH MOBILE ENTERTAINMENT SYSTEM]

< COMPONENT DIAGNOSIS >

## U1243 DISPLAY UNIT

### Description

INFOID:000000005350512

Part name	Description
FRONT DISPLAY UNIT	<ul style="list-style-type: none"><li>• Front display image is controlled by the serial communication from AV control unit.</li><li>• RGB image signal is input from AV control unit (RGB, RGB area and RGB synchronizing). Auxiliary image signal and DVD image signal are input from the video distributor. Camera image signal is input from camera control unit.</li><li>• Synchronize signal (HP, VP) is output to AV control unit.</li><li>• Touch panel function can be operated for each system by touching a display directly.</li></ul>

### DTC Logic

INFOID:000000005350513

DTC	Display contents of CONSULT-III	DTC Detection Condition	Possible causes
U1243	FRONT DISP CONN [U1243]	<p>When either one of the following items is detected:</p> <ul style="list-style-type: none"><li>• front display unit power supply and ground circuits are malfunctioning.</li><li>• serial communication circuits between AV control unit and front display unit are malfunctioning.</li><li>• serial communication signal between AV control unit and front display unit is malfunctioning.</li></ul>	<ul style="list-style-type: none"><li>• Front display unit power supply and ground circuits.</li><li>• Serial communication circuits between AV control unit and front display unit.</li></ul>

### Diagnosis Procedure

INFOID:000000005350514

#### 1. CHECK FRONT DISPLAY UNIT POWER SUPPLY AND GROUND CIRCUIT

Check front display unit power supply and ground circuits. Refer to [AV-594, "FRONT DISPLAY UNIT : Diagnosis Procedure"](#).

Is the inspection result normal?

YES >> GO TO 2.

NO >> Repair malfunctioning parts.

#### 2. CHECK CONTINUITY COMMUNICATION CIRCUIT

1. Turn ignition switch OFF.
2. Disconnect front display unit connector and AV control unit connector.
3. Check continuity between front display unit harness connector terminals 11, 22 and AV control unit harness connector terminals 102, 103.

**11 - 102 : Continuity should exist.**

**22 - 103 : Continuity should exist.**

4. Check continuity between front display unit harness connector terminals 11, 22 and ground.

**11, 22 - Ground : Continuity should not exist.**

Is the inspection result normal?

YES >> GO TO 3.

NO >> Repair harness or connector.

#### 3. CHECK SERIAL COMMUNICATION SIGNAL

1. Connect front display unit connector and AV control unit connector.
2. Turn ignition switch ON.
3. Check signal between front display unit harness connector terminal 11 and ground.

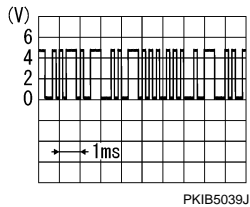
A  
B  
C  
D  
E  
F  
G  
H  
I  
J  
L  
M  
N  
O  
P

AV

# U1243 DISPLAY UNIT

[WITH MOBILE ENTERTAINMENT SYSTEM]

## < COMPONENT DIAGNOSIS >

Terminal	Condition		Reference value
11 - Ground	Ignition switch ON	When adjusting front display brightness.	

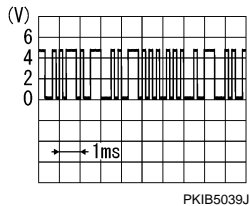
Is the inspection result normal?

YES >> GO TO 4.

NO >> Replace AV control unit.

### 4.CHECK SERIAL COMMUNICATION SIGNAL

Check signal between front display unit harness connector terminal 22 and ground.

Terminal	Condition		Reference value
22 - Ground	Ignition switch ON	When adjusting front display brightness.	

Is the inspection result normal?

YES >> INSPECTION END

NO >> Replace front display unit.

# U1244 GPS ANTENNA

[WITH MOBILE ENTERTAINMENT SYSTEM]

< COMPONENT DIAGNOSIS >

## U1244 GPS ANTENNA

### Description

INFOID:000000005350515

Part name	Description
GPS ANTENNA	GPS signal is received and transmitted to AV control unit.

### DTC Logic

INFOID:000000005350516

DTC	Display contents of CONSULT-III	DTC Detection Condition	Possible causes
U1244	GPS ANTENNA CONN [U1244]	GPS antenna connection malfunction is detected.	GPS antenna disconnection.

### Diagnosis Procedure

INFOID:000000005350517

#### 1. GPS ANTENNA CHECK

Visually check GPS antenna and antenna feeder.

Is the inspection result normal?

YES >> GO TO 2.

NO >> Repair malfunctioning parts.

#### 2. CHECK AV CONTROL UNIT VOLTAGE

1. Turn ignition switch OFF.
2. Disconnect GPS antenna connector.
3. Turn ignition switch ON.
4. Check voltage between AV control unit terminal 105 and ground.

**105 - Ground : Approx. 5 V**

Is the inspection result normal?

YES >> INSPECTION END

NO >> Replace AV control unit.

A  
B  
C  
D  
E  
F  
G  
H  
I  
J  
L  
M  
N  
O  
P

AV

# U1247 REAR DISP CONN

< COMPONENT DIAGNOSIS >

[WITH MOBILE ENTERTAINMENT SYSTEM]

## U1247 REAR DISP CONN

### Description

INFOID:000000005350518

Part name	Description
REAR DISPLAY UNIT	<ul style="list-style-type: none"><li>• Rear display image is controlled by the serial communication from video distributor.</li><li>• RGB image signal is input from video distributor (RGB and RGB area). Composite image signal (DVD and AUX images) is input from the video distributor.</li><li>• Synchronize signal (HP, VP) is output to video distributor.</li></ul>

### DTC Logic

INFOID:000000005350519

DTC	Display contents of CONSULT-III	DTC Detection Condition	Possible causes
U1247	REAR DISP CONN [U1247]	<p>When either one of the following items is detected:</p> <ul style="list-style-type: none"><li>• rear display unit power supply and ground circuits are malfunctioning.</li><li>• serial communication circuits between video distributor and rear display unit are malfunctioning.</li><li>• serial communication signal between video distributor and rear display unit is malfunctioning.</li></ul>	<ul style="list-style-type: none"><li>• Rear display unit power supply and ground circuits.</li><li>• Serial communication circuits between AV control unit and rear display unit.</li></ul>

### Diagnosis Procedure

INFOID:000000005350520

#### 1. CHECK REAR DISPLAY UNIT POWER SUPPLY AND GROUND CIRCUIT

Check rear display unit power supply and ground circuits. Refer to [AV-595. "REAR DISPLAY UNIT : Diagnosis Procedure"](#).

Is the inspection result normal?

YES >> GO TO 2.

NO >> Repair malfunctioning parts.

#### 2. CHECK CONTINUITY SERIAL COMMUNICATION CIRCUIT

1. Turn ignition switch OFF.
2. Disconnect rear display unit connector and video distributor connector.
3. Check continuity between rear display unit harness connector terminals 9, 10 and video distributor harness connector terminals 39, 40.

**9 - 39 : Continuity should exist.**

**10 - 40 : Continuity should exist.**

4. Check continuity between rear display unit harness connector terminals 9, 10 and ground.

**9, 10 - Ground : Continuity should not exist.**

Is the inspection result normal?

YES >> GO TO 3.

NO >> Repair harness or connector.

#### 3. CHECK SERIAL COMMUNICATION SIGNAL

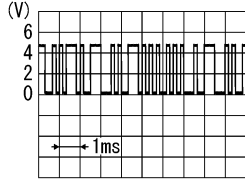
1. Connect rear display unit connector and video distributor connector.
2. Turn ignition switch ON.
3. Check signal between rear display unit harness connector terminal 9 and ground.



# U1247 REAR DISP CONN

[WITH MOBILE ENTERTAINMENT SYSTEM]

< COMPONENT DIAGNOSIS >

Terminal	Condition		Reference value
9 - Ground	Ignition switch ON	Rear seat remote controller operation.	 <p style="text-align: right; font-size: small;">PKIB5039J</p>

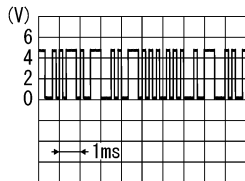
Is the inspection result normal?

YES >> GO TO 4.

NO >> Replace rear display unit.

## 4.CHECK SERIAL COMMUNICATION SIGNAL

Check signal between rear display unit harness connector terminal 10 and ground.

Terminal	Condition		Reference value
10 - Ground	Ignition switch ON	Rear seat remote controller operation.	 <p style="text-align: right; font-size: small;">PKIB5039J</p>

Is the inspection result normal?

YES >> INSPECTION END

NO >> Replace video distributor.

A  
B  
C  
D  
E  
F  
G  
H  
I  
J  
L  
M  
N  
O  
P

AV

# U1250 CAMERA CONTROL UNIT

< COMPONENT DIAGNOSIS >

[WITH MOBILE ENTERTAINMENT SYSTEM]

## U1250 CAMERA CONTROL UNIT

### Description

INFOID:000000005350521

Part name	Description
CAMERA CONTROL UNIT	<ul style="list-style-type: none"><li>• Camera image signal is input from rear view camera, and camera image is indicated on the front display.</li><li>• Power (camera ON signal) is transmitted to rear view camera.</li><li>• Controlled by AV communication transmitted from AV control unit.</li><li>• AV control unit recognizes the presence of camera system with camera connection recognition signal.</li></ul>

### DTC Logic

INFOID:000000005350522

DTC	Display contents of CONSULT-III	DTC Detection Condition	Possible causes
U1250	CAMERA CONT. CONN [U1250]	Malfunction is detected in Camera-connection recognition signal circuit.	Camera-connection recognition signal circuit.

### Diagnosis Procedure

INFOID:000000005350523

#### 1. CHECK CAMERA-CONNECTION RECOGNITION SIGNAL CIRCUIT

1. Turn ignition switch OFF.
2. Disconnect AV control unit connector and camera control unit connector.
3. Check continuity between AV control unit harness connector terminal 40 and camera control unit harness connector terminal 14.

**40 - 14 : Continuity should exist.**

Is the inspection result normal?

- YES >> GO TO 2.  
NO >> Repair harness or connector.

#### 2. CHECK AV CONTROL UNIT VOLTAGE

1. Connect AV control unit connector.
2. Turn ignition switch ON.
3. Check voltage between AV control unit harness connector terminal 40 and ground.

**40 - Ground : Approx. 5 V**

Is the inspection result normal?

- YES >> Replace camera control unit.  
NO >> Replace AV control unit.

# U1258 SATELLITE RADIO ANTENNA

< COMPONENT DIAGNOSIS >

[WITH MOBILE ENTERTAINMENT SYSTEM]

## U1258 SATELLITE RADIO ANTENNA

### Description

INFOID:000000005350524

Part name	Description
SATELLITE RADIO ANTENNA	Satellite radio signal is received and transmitted to AV control unit.

### DTC Logic

INFOID:000000005350525

DTC	Display contents of CONSULT-III	DTC Detection Condition	Possible causes
U1258	XM ANTENNA CONN [U1258]	Satellite radio antenna connection malfunction is detected.	<ul style="list-style-type: none"><li>• Satellite radio antenna feeder</li><li>• Satellite radio antenna</li></ul>

### Diagnosis Procedure

INFOID:000000005350526

#### 1. SATELLITE RADIO ANTENNA CHECK

Visually check satellite radio antenna and antenna feeder.

Is the inspection result normal?

YES >> GO TO 2.

NO >> Repair malfunctioning parts.

#### 2. CHECK AV CONTROL UNIT VOLTAGE

1. Turn ignition switch OFF.
2. Disconnect satellite radio antenna connector.
3. Turn ignition switch ON.
4. Check voltage between AV control unit terminal 110 and ground.

**110 - Ground : Approx. 5 V**

Is the inspection result normal?

YES >> INSPECTION END

NO >> Replace AV control unit.

A  
B  
C  
D  
E  
F  
G  
H  
I  
J  
L  
M  
N  
O  
P

AV

# U1300 AV COMM CIRCUIT

< COMPONENT DIAGNOSIS >

[WITH MOBILE ENTERTAINMENT SYSTEM]

## U1300 AV COMM CIRCUIT

### Description

INFOID:000000005350527

U1300 is indicated when malfunction occurs in communication signal of multi AV system. Indicated simultaneously, without fail, with the malfunction of control units connected to AV control unit with communication line. Determine the possible malfunction cause from the table below.

### SELF-DIAGNOSIS RESULTS DISPLAY ITEM

DTC	Display contents of CONSULT-III	Description	Possible malfunction factor/Action to take
U1300	<ul style="list-style-type: none"> <li>AV COMM CIRCUIT [U1300]</li> </ul>	When either one of the following items is detected: <ul style="list-style-type: none"> <li>Rear control switch power supply and ground circuits are malfunctioning.</li> <li>AV communication signal between AV control unit and rear control switch is malfunctioning.</li> </ul>	Rear control switch power supply and ground circuits.
U1300 U121F	<ul style="list-style-type: none"> <li>AV COMM CIRCUIT [U1300]</li> <li>INTERNAL COMM [U121F]</li> </ul>	Malfunction is detected in AV control unit power supply and ground circuits.	Check AV control unit power supply and ground circuits. When detecting no malfunction in those components, replace AV control unit.
U1300 U1240	<ul style="list-style-type: none"> <li>AV COMM CIRCUIT [U1300]</li> <li>SWITCH CONN [U1240]</li> </ul>	When either one of the following items is detected: <ul style="list-style-type: none"> <li>Multifunction switch power supply and ground circuits are malfunctioning.</li> <li>AV communication signal between AV control unit and multifunction switch is malfunctioning.</li> </ul>	Multifunction switch power supply and ground circuits.
U1300 U1246	<ul style="list-style-type: none"> <li>AV COMM CIRCUIT [U1300]</li> <li>VIDEO DIST CONN [U1246]</li> </ul>	When either one of the following items is detected: <ul style="list-style-type: none"> <li>video distributor power supply and ground circuits are malfunctioning.</li> <li>AV communication signal between AV control unit and video distributor is malfunctioning.</li> </ul>	Video distributor power supply and ground circuits.
U1300 U1248	<ul style="list-style-type: none"> <li>AV COMM CIRCUIT [U1300]</li> <li>DVD DECK CONN [U1248]</li> </ul>	When either one of the following items is detected: <ul style="list-style-type: none"> <li>DVD player power supply and ground circuits are malfunctioning.</li> <li>AV communication signal between AV control unit and DVD player is malfunctioning.</li> </ul>	DVD player power supply and ground circuits.
U1300 U124E	<ul style="list-style-type: none"> <li>AV COMM CIRCUIT [U1300]</li> <li>AMP CONN [U124E]</li> </ul>	When either one of the following items is detected: <ul style="list-style-type: none"> <li>BOSE amp. power supply and ground circuits are malfunctioning.</li> <li>AV communication signal between AV control unit and BOSE amp is malfunctioning.</li> </ul>	BOSE amp. power supply and ground circuits.
U1300 U1252	<ul style="list-style-type: none"> <li>AV COMM CIRCUIT [U1300]</li> <li>REAR CAMERA LAN CONN [U1252]</li> </ul>	When either one of the following items is detected: <ul style="list-style-type: none"> <li>camera control unit power supply and ground circuits are malfunctioning.</li> <li>AV communication signal between AV control unit and camera control unit is malfunctioning.</li> </ul>	Camera control unit power supply and ground circuits.
U1300 U1254	<ul style="list-style-type: none"> <li>AV COMM CIRCUIT [U1300]</li> <li>iPod CONN [U1254]</li> </ul>	When either one of the following items is detected: <ul style="list-style-type: none"> <li>iPod adapter power supply and ground circuits are malfunctioning.</li> <li>AV communication circuits between camera control unit and iPod adapter are malfunctioning.</li> <li>AV communication signal between AV control unit and iPod adapter is malfunctioning.</li> </ul>	<ul style="list-style-type: none"> <li>iPod adapter power supply and ground circuits.</li> <li>AV communication circuits between camera control unit and iPod adapter.</li> </ul>
U1300 U1252 U1254	<ul style="list-style-type: none"> <li>AV COMM CIRCUIT [U1300]</li> <li>REAR CAMERA LAN CONN [U1252]</li> <li>iPod CONN [U1254]</li> </ul>	Malfunction is detected in AV communication circuits between BOSE amp. and camera control unit.	AV communication circuits between BOSE amp. and camera control unit.

# U1300 AV COMM CIRCUIT

< COMPONENT DIAGNOSIS >

[WITH MOBILE ENTERTAINMENT SYSTEM]

DTC	Display contents of CONSULT-III	Description	Possible malfunction factor/Action to take	A
U1300 U124E U1252 U1254	<ul style="list-style-type: none"> <li>• AV COMM CIRCUIT [U1300]</li> <li>• AMP CONN [U124E]</li> <li>• REAR CAMERA LAN CONN [U1252]</li> <li>• IPod CONN [U1254]</li> </ul>	<p>When either one of the following items is detected:</p> <ul style="list-style-type: none"> <li>• AV communication circuits between DVD player and BOSE amp. are malfunctioning. (without rear control switch models)</li> <li>• AV communication circuits between rear control switch and BOSE amp. are malfunctioning (with rear control switch models)</li> <li>• AV communication circuits between rear control switch and DVD player are malfunctioning (with rear control switch models)</li> </ul>	<ul style="list-style-type: none"> <li>• AV communication circuits between DVD player and BOSE amp. (without rear control switch models)</li> <li>• AV communication circuits between rear control switch and BOSE amp.</li> </ul>	B C
U1300 U1248 U124E U1252 U1254	<ul style="list-style-type: none"> <li>• AV COMM CIRCUIT [U1300]</li> <li>• DVD DECK CONN [U1248]</li> <li>• AMP CONN [U124E]</li> <li>• REAR CAMERA LAN CONN [U1252]</li> <li>• IPod CONN [U1254]</li> </ul>	Malfunction is detected in AV communication circuits between video distributor and DVD player.	AV communication circuits between video distributor and DVD player.	D E
U1300 U1246 U1248 U124E U1252 U1254	<ul style="list-style-type: none"> <li>• AV COMM CIRCUIT [U1300]</li> <li>• VIDEO DIST CONN [U1246]</li> <li>• DVD DECK CONN [U1248]</li> <li>• AMP CONN [U124E]</li> <li>• REAR CAMERA LAN CONN [U1252]</li> <li>• IPod CONN [U1254]</li> </ul>	Malfunction is detected in AV communication circuits between multifunction switch and video distributor.	AV communication circuits between multifunction switch and video distributor.	F G
U1300 U1240 U1246 U1248 U124E U1252 U1254	<ul style="list-style-type: none"> <li>• AV COMM CIRCUIT [U1300]</li> <li>• SWITCH CONN [U1240]</li> <li>• VIDEO DIST CONN [U1246]</li> <li>• DVD DECK CONN [U1248]</li> <li>• AMP CONN [U124E]</li> <li>• REAR CAMERA LAN CONN [U1252]</li> <li>• IPod CONN [U1254]</li> </ul>	Malfunction is detected in AV communication circuits between AV control unit and multifunction switch.	AV communication circuits between AV control unit and multifunction switch.	H I J
U1300 U121F U1240 U1246 U1248 U124E U1252 U1254	<ul style="list-style-type: none"> <li>• AV COMM CIRCUIT [U1300]</li> <li>• INTERNAL COMM [U121F]</li> <li>• SWITCH CONN [U1240]</li> <li>• VIDEO DIST CONN [U1246]</li> <li>• DVD DECK CONN [U1248]</li> <li>• AMP CONN [U124E]</li> <li>• REAR CAMERA LAN CONN [U1252]</li> <li>• IPod CONN [U1254]</li> </ul>	Malfunction is detected in AV communication circuits.	Check and repair the short circuit in AV communication circuits.	K L M N O P

AV

# POWER SUPPLY AND GROUND CIRCUIT

< COMPONENT DIAGNOSIS >

[WITH MOBILE ENTERTAINMENT SYSTEM]

## POWER SUPPLY AND GROUND CIRCUIT

### AV CONTROL UNIT

#### AV CONTROL UNIT : Diagnosis Procedure

INFOID:000000005350528

#### 1.CHECK FUSE

Check for blown fuses.

Power source	Fuse No.
Battery	37
Ignition switch ACC or ON	6
Ignition switch ON or START	12

Is the inspection result normal?

YES >> GO TO 2.

NO >> Be sure to eliminate cause of malfunction before installing new fuse.

#### 2.CHECK POWER SUPPLY CIRCUIT

Check voltage between AV control unit harness connectors and ground.

Signal name	Connector No.	Terminal No.	Ignition switch position	Value (Approx.)
Battery power supply	M76	19	OFF	Battery voltage
	M78	22		
		24		
ACC power supply	M76	7	ACC	Battery voltage
	M78	25		
Ignition signal	M78	35	ON	Battery voltage

Is the inspection result normal?

YES >> GO TO 3.

NO >> Check harness between AV control unit and fuse.

#### 3.CHECK GROUND CIRCUIT

1. Turn ignition switch OFF.
2. Disconnect AV control unit connectors.
3. Check continuity between AV control unit harness connectors and ground.

Signal name	Connector No.	Terminal No.	Ignition switch position	Continuity
Ground	M78	21	OFF	Existed
		23		

Is the inspection result normal?

YES >> INSPECTION END

NO >> Repair harness or connector.

## FRONT DISPLAY UNIT

#### FRONT DISPLAY UNIT : Diagnosis Procedure

INFOID:000000005350529

#### 1.CHECK FUSE

Check for blown fuses.

Power source	Fuse No.
Battery	37
Ignition switch ACC or ON	6

# POWER SUPPLY AND GROUND CIRCUIT

[WITH MOBILE ENTERTAINMENT SYSTEM]

## < COMPONENT DIAGNOSIS >

### Is the inspection result normal?

YES >> GO TO 2.

NO >> Be sure to eliminate cause of malfunction before installing new fuse.

## 2.CHECK POWER SUPPLY CIRCUIT

Check voltage between front display unit harness connector and ground.

Signal name	Connector No.	Terminal No.	Ignition switch position	Value (Approx.)
Battery power supply	M203	2	OFF	Battery voltage
ACC power supply	M203	3	ACC	Battery voltage

### Is the inspection result normal?

YES >> GO TO 3.

NO >> Check harness between front display unit and fuse.

## 3.CHECK GROUND CIRCUIT

1. Turn ignition switch OFF.
2. Disconnect front display unit connector.
3. Check continuity between front display unit harness connector and ground.

Signal name	Connector No.	Terminal No.	Ignition switch position	Continuity
Ground	M203	1	OFF	Existed
		13		

### Is the inspection result normal?

YES >> INSPECTION END

NO >> Repair harness or connector.

## REAR DISPLAY UNIT

### REAR DISPLAY UNIT : Diagnosis Procedure

INFOID:000000005350530

## 1.CHECK FUSE

Check for blown fuses.

Power source	Fuse No.
Battery	37
Ignition switch ACC or ON	6

### Is the inspection result normal?

YES >> GO TO 2.

NO >> Be sure to eliminate cause of malfunction before installing new fuse.

## 2.CHECK POWER SUPPLY CIRCUIT

Check voltage between rear display unit harness connector and ground.

Signal name	Connector No.	Terminal No.	Ignition switch position	Value (Approx.)
Battery power supply	R102	3	OFF	Battery voltage
		4		
ACC power supply	R102	6	ACC	Battery voltage

### Is the inspection result normal?

YES >> GO TO 3.

NO >> Check harness between rear display unit and fuse.

## 3.CHECK GROUND CIRCUIT

1. Turn ignition switch OFF.
2. Disconnect rear display unit connector.
3. Check continuity between rear display unit harness connector and ground.

A  
B  
C  
D  
E  
F  
G  
H  
I  
J  
AV  
L  
M  
N  
O  
P

# POWER SUPPLY AND GROUND CIRCUIT

< COMPONENT DIAGNOSIS >

[WITH MOBILE ENTERTAINMENT SYSTEM]

Signal name	Connector No.	Terminal No.	Ignition switch position	Continuity
Ground	R102	1	OFF	Existed
		2		

Is the inspection result normal?

- YES >> INSPECTION END  
NO >> Repair harness or connector.

## VIDEO DISTRIBUTOR

### VIDEO DISTRIBUTOR : Diagnosis Procedure

INFOID:000000005350531

#### 1.CHECK FUSE

Check for blown fuses.

Power source	Fuse No.
Battery	37
Ignition switch ACC or ON	6
Ignition switch ON or START	12

Is the inspection result normal?

- YES >> GO TO 2.  
NO >> Be sure to eliminate cause of malfunction before installing new fuse.

#### 2.CHECK POWER SUPPLY CIRCUIT

Check voltage between video distributor harness connector and ground.

Signal name	Connector No.	Terminal No.	Ignition switch position	Value (Approx.)
Battery power supply	M208	54	OFF	Battery voltage
ACC power supply	M208	55	ACC	Battery voltage
Ignition signal	M208	56	ON	Battery voltage

Is the inspection result normal?

- YES >> GO TO 3.  
NO >> Check harness between video distributor and fuse.

#### 3.CHECK GROUND CIRCUIT

1. Turn ignition switch OFF.
2. Disconnect video distributor connector.
3. Check continuity between video distributor harness connector and ground.

Signal name	Connector No.	Terminal No.	Ignition switch position	Continuity
Ground	M208	53	OFF	Existed

Is the inspection result normal?

- YES >> INSPECTION END  
NO >> Repair harness or connector.

## BOSE AMP.

### BOSE AMP. : Diagnosis Procedure

INFOID:000000005350532

#### BOSE SURROUND AUDIO 5.1CH SYSTEM MODELS

##### 1.CHECK FUSE

Check for blown fuses.



# POWER SUPPLY AND GROUND CIRCUIT

< COMPONENT DIAGNOSIS >

[WITH MOBILE ENTERTAINMENT SYSTEM]

Power source	Fuse No.
Battery	17, 18
Ignition switch ACC or ON	6

Is the inspection result normal?

YES >> GO TO 2.

NO >> Be sure to eliminate cause of malfunction before installing new fuse.

## 2.CHECK POWER SUPPLY CIRCUIT

Check voltage between BOSE amp. harness connector and ground.

Signal name	Connector No.	Terminal No.	Ignition switch position	Value (Approx.)
Battery power supply	B108	50	OFF	Battery voltage
		51		
ACC power supply	B107	16	ACC	Battery voltage

Is the inspection result normal?

YES >> GO TO 3.

NO >> Check harness between BOSE amp. and fuse.

## 3.CHECK GROUND CIRCUIT

1. Turn ignition switch OFF.
2. Disconnect BOSE amp. connector.
3. Check continuity between BOSE amp. harness connector and ground.

Signal name	Connector No.	Terminal No.	Ignition switch position	Continuity
Ground	B108	47	OFF	Existed
		52		

Is the inspection result normal?

YES >> INSPECTION END

NO >> Repair harness or connector.

## BOSE 2CH SYSTEM MODELS

### 1.CHECK FUSE

Check for blown fuses.

Power source	Fuse No.
Battery	17, 18
Ignition switch ACC or ON	6

Is the inspection result normal?

YES >> GO TO 2.

NO >> Be sure to eliminate cause of malfunction before installing new fuse.

### 2.CHECK POWER SUPPLY CIRCUIT

Check voltage between BOSE amp. harness connector and ground.

Signal name	Connector No.	Terminal No.	Ignition switch position	Value (Approx.)
Battery power supply	B108	50	OFF	Battery voltage
		51		
ACC power supply	B109	60	ACC	Battery voltage

Is the inspection result normal?

YES >> GO TO 3.

NO >> Check harness between BOSE amp. and fuse.

A  
B  
C  
D  
E  
F  
G  
H  
I  
J  
L  
M  
N  
O  
P

AV

# POWER SUPPLY AND GROUND CIRCUIT

< COMPONENT DIAGNOSIS >

[WITH MOBILE ENTERTAINMENT SYSTEM]

## 3.CHECK GROUND CIRCUIT

1. Turn ignition switch OFF.
2. Disconnect BOSE amp. connector.
3. Check continuity between BOSE amp. harness connector and ground.

Signal name	Connector No.	Terminal No.	Ignition switch position	Continuity
Ground	B108	47	OFF	Existed
		52		

Is the inspection result normal?

- YES >> INSPECTION END  
NO >> Repair harness or connector.

## iPod ADAPTER

### iPod ADAPTER : Diagnosis Procedure

INFOID:000000005350533

#### 1.CHECK FUSE

Check for blown fuses.

Power source	Fuse No.
Battery	37
Ignition switch ACC or ON	6

Is the inspection result normal?

- YES >> GO TO 2.  
NO >> Be sure to eliminate cause of malfunction before installing new fuse.

#### 2.CHECK POWER SUPPLY CIRCUIT

Check voltage between iPod adapter harness connector and ground.

Signal name	Connector No.	Terminal No.	Ignition switch position	Value (Approx.)
Battery power supply	M85	5	OFF	Battery voltage
ACC power supply	M85	3	ACC	Battery voltage

Is the inspection result normal?

- YES >> INSPECTION END  
NO >> Check harness between iPod adapter and fuse.

## CAMERA CONTROL UNIT

### CAMERA CONTROL UNIT : Diagnosis Procedure

INFOID:000000005350534

#### 1.CHECK FUSE

Check for blown fuses.

Power source	Fuse No.
Battery	37
Ignition switch ACC or ON	6

Is the inspection result normal?

- YES >> GO TO 2.  
NO >> Be sure to eliminate cause of malfunction before installing new fuse.

#### 2.CHECK POWER SUPPLY CIRCUIT

Check voltage between camera control unit harness connector and ground.

# POWER SUPPLY AND GROUND CIRCUIT

< COMPONENT DIAGNOSIS >

[WITH MOBILE ENTERTAINMENT SYSTEM]

Signal name	Connector No.	Terminal No.	Ignition switch position	Value (Approx.)
Battery power supply	B481	32	OFF	Battery voltage
ACC power supply	B481	30	ACC	Battery voltage

Is the inspection result normal?

YES >> GO TO 3.

NO >> Check harness between camera control unit and fuse.

## 3.CHECK GROUND CIRCUIT

1. Turn ignition switch OFF.
2. Disconnect camera control unit connector.
3. Check continuity between camera control unit harness connector and ground.

Signal name	Connector No.	Terminal No.	Ignition switch position	Continuity
Ground	B481	31	OFF	Existed

Is the inspection result normal?

YES >> INSPECTION END

NO >> Repair harness or connector.

## DVD PLAYER

### DVD PLAYER : Diagnosis Procedure

INFOID:000000005350535

## 1.CHECK FUSE

Check for blown fuses.

Power source	Fuse No.
Battery	37
Ignition switch ACC or ON	6

Is the inspection result normal?

YES >> GO TO 2.

NO >> Be sure to eliminate cause of malfunction before installing new fuse.

## 2.CHECK POWER SUPPLY CIRCUIT

Check voltage between DVD player harness connector and ground.

Signal name	Connector No.	Terminal No.	Ignition switch position	Value (Approx.)
Battery power supply	M272	1	OFF	Battery voltage
ACC power supply	M272	2	ACC	Battery voltage

Is the inspection result normal?

YES >> GO TO 3.

NO >> Check harness between DVD player and fuse.

## 3.CHECK GROUND CIRCUIT

1. Turn ignition switch OFF.
2. Disconnect DVD player connector.
3. Check continuity between DVD player harness connector and ground.

Signal name	Connector No.	Terminal No.	Ignition switch position	Continuity
Ground	M272	17	OFF	Existed
	M292	49		

Is the inspection result normal?

YES >> INSPECTION END

NO >> Repair harness or connector.

# POWER SUPPLY AND GROUND CIRCUIT

< COMPONENT DIAGNOSIS >

[WITH MOBILE ENTERTAINMENT SYSTEM]

## MULTIFUNCTION SWITCH

### MULTIFUNCTION SWITCH : Diagnosis Procedure

INFOID:000000005350536

#### 1.CHECK FUSE

Check for blown fuses.

Power source	Fuse No.
Battery power supply	37
Ignition switch ACC or ON	6

Is the inspection result normal?

YES >> GO TO 2.

NO >> Be sure to eliminate cause of malfunction before installing new fuse.

#### 2.CHECK POWER SUPPLY CIRCUIT

Check voltage between multifunction switch harness connector and ground.

Signal name	Connector No.	Terminal No.	Ignition switch position	Value (Approx.)
Battery power supply	M69	1	OFF	Battery voltage
ACC power supply	M69	2	ACC	Battery voltage

Is the inspection result normal?

YES >> GO TO 3.

NO >> Check harness between multifunction switch and fuse.

#### 3.CHECK GROUND CIRCUIT

1. Turn ignition switch OFF.
2. Disconnect multifunction switch connector.
3. Check continuity between multifunction switch harness connector and ground.

Signal name	Connector No.	Terminal No.	Ignition switch position	Continuity
Ground	M69	14	OFF	Existed

Is the inspection result normal?

YES >> INSPECTION END

NO >> Repair harness or connector.

# RGB (R: RED) SIGNAL CIRCUIT (AV CONTROL UNIT TO FRONT DISPLAY UNIT)

< COMPONENT DIAGNOSIS >

[WITH MOBILE ENTERTAINMENT SYSTEM]

## RGB (R: RED) SIGNAL CIRCUIT (AV CONTROL UNIT TO FRONT DISPLAY UNIT)

### Description

INFOID:000000005350537

Transmit the image displayed with AV control unit with RGB signal to the front display unit.

### Diagnosis Procedure

INFOID:000000005350538

#### 1. CHECK CONTINUITY RGB (R: RED) SIGNAL CIRCUIT

1. Turn ignition switch OFF.
2. Disconnect front display unit connector and AV control unit connector.
3. Check continuity between front display unit harness connector terminal 17 and AV control unit harness connector terminal 93.

**17 - 93 : Continuity should exist.**

4. Check continuity between front display unit harness connector terminal 17 and ground.

**17 - Ground : Continuity should not exist.**

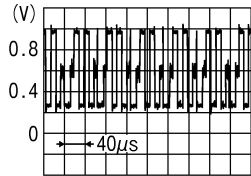
#### Is the inspection result normal?

YES >> GO TO 2.

NO >> Repair harness or connector.

#### 2. CHECK RGB (R: RED) SIGNAL

1. Connect front display unit connector and AV control unit connector.
2. Turn ignition switch ON.
3. Check signal between front display unit harness connector terminal 17 and ground.

Terminal	Condition		Reference value
17 - Ground	Ignition switch ON	Start confirmation/adjustment mode, and then display color bar by selecting "Color Spectrum Bar" on DISPLAY DIAGNOSIS screen.	 <p>JSNIA1029ZZ</p>

#### Is the inspection result normal?

YES >> Replace front display unit.

NO >> Replace AV control unit.

# RGB (G: GREEN) SIGNAL CIRCUIT (AV CONTROL UNIT TO FRONT DISPLAY UNIT)

< COMPONENT DIAGNOSIS >

[WITH MOBILE ENTERTAINMENT SYSTEM]

## RGB (G: GREEN) SIGNAL CIRCUIT (AV CONTROL UNIT TO FRONT DISPLAY UNIT)

### Description

INFOID:000000005350539

Transmit the image displayed with AV control unit with RGB signal to the front display unit.

### Diagnosis Procedure

INFOID:000000005350540

#### 1. CHECK CONTINUITY RGB (G: GREEN) SIGNAL CIRCUIT

1. Turn ignition switch OFF.
2. Disconnect front display unit connector and AV control unit connector.
3. Check continuity between front display unit harness connector terminal 6 and AV control unit harness connector terminal 94.

**6 - 94 : Continuity should exist.**

4. Check continuity between front display unit harness connector terminal 6 and ground.

**6 - Ground : Continuity should not exist.**

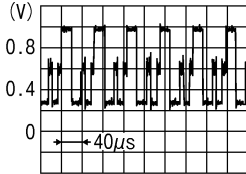
Is the inspection result normal?

YES >> GO TO 2.

NO >> Repair harness or connector.

#### 2. CHECK RGB (G: GREEN) SIGNAL

1. Connect front display unit connector and AV control unit connector.
2. Turn ignition switch ON.
3. Check signal between front display unit harness connector terminal 6 and ground.

Terminal	Condition		Reference value
6 - Ground	Ignition switch ON	Start confirmation/adjustment mode, and then display color bar by selecting "Color Spectrum Bar" on DISPLAY DIAGNOSIS screen.	 <p style="text-align: right;">JSNIA1030ZZ</p>

Is the inspection result normal?

YES >> Replace front display unit.

NO >> Replace AV control unit.

# RGB (B: BLUE) SIGNAL CIRCUIT (AV CONTROL UNIT TO FRONT DISPLAY UNIT)

< COMPONENT DIAGNOSIS >

[WITH MOBILE ENTERTAINMENT SYSTEM]

## RGB (B: BLUE) SIGNAL CIRCUIT (AV CONTROL UNIT TO FRONT DISPLAY UNIT)

### Description

INFOID:000000005350541

Transmit the image displayed with AV control unit with RGB signal to the front display unit.

### Diagnosis Procedure

INFOID:000000005350542

#### 1. CHECK CONTINUITY RGB (B: BLUE) SIGNAL CIRCUIT

1. Turn ignition switch OFF.
2. Disconnect front display unit connector and AV control unit connector.
3. Check continuity between front display unit harness connector terminal 18 and AV control unit harness connector terminal 95.

**18 - 95 : Continuity should exist.**

4. Check continuity between front display unit harness connector terminal 18 and ground.

**18 - Ground : Continuity should not exist.**

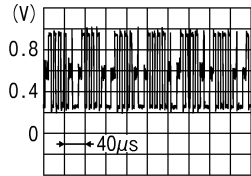
#### Is the inspection result normal?

YES >> GO TO 2.

NO >> Repair harness or connector.

#### 2. CHECK RGB (B: BLUE) SIGNAL

1. Connect front display unit connector and AV control unit connector.
2. Turn ignition switch ON.
3. Check signal between front display unit harness connector terminal 18 and ground.

Terminal	Condition		Reference value
18 - Ground	Ignition switch ON	Start confirmation/adjustment mode, and then display color bar by selecting "Color Spectrum Bar" on DISPLAY DIAGNOSIS screen.	 <p>JSNIA1031ZZ</p>

#### Is the inspection result normal?

YES >> Replace front display unit.

NO >> Replace AV control unit.

# RGB SYNCHRONIZING SIGNAL CIRCUIT

< COMPONENT DIAGNOSIS >

[WITH MOBILE ENTERTAINMENT SYSTEM]

## RGB SYNCHRONIZING SIGNAL CIRCUIT

### Description

INFOID:000000005350543

Transmit the RGB synchronizing signal to the front display unit so as to synchronize the RGB image displayed with AV control unit.

### Diagnosis Procedure

INFOID:000000005350544

#### 1. CHECK CONTINUITY RGB SYNCHRONIZING SIGNAL CIRCUIT

1. Turn ignition switch OFF.
2. Disconnect front display unit connector and AV control unit connector.
3. Check continuity between front display unit harness connector terminal 19 and AV control unit harness connector terminal 97.

**19 - 97 : Continuity should exist.**

4. Check continuity between front display unit harness connector terminal 19 and ground.

**19 - Ground : Continuity should not exist.**

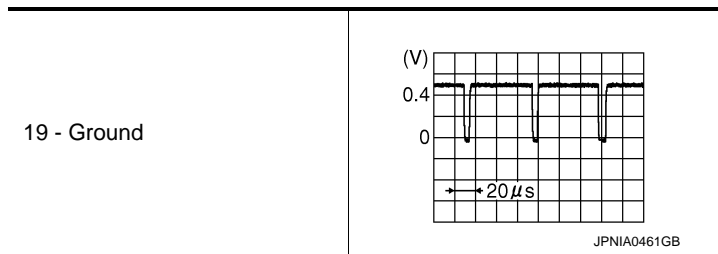
Is the inspection result normal?

YES >> GO TO 2.

NO >> Repair harness or connector.

#### 2. CHECK RGB SYNCHRONIZING SIGNAL

1. Connect front display unit connector and AV control unit connector.
2. Turn ignition switch ON.
3. Check signal between front display unit harness connector terminal 19 and ground.



Is the inspection result normal?

YES >> Replace front display unit.

NO >> Replace AV control unit.



# RGB AREA (YS) SIGNAL CIRCUIT (AV CONTROL UNIT TO FRONT DISPLAY UNIT)

< COMPONENT DIAGNOSIS >

[WITH MOBILE ENTERTAINMENT SYSTEM]

## RGB AREA (YS) SIGNAL CIRCUIT (AV CONTROL UNIT TO FRONT DISPLAY UNIT)

### Description

INFOID:000000005350545

Transmits the front display area of RGB image displayed by AV control unit with RGB area (YS) signal to front display unit.

### Diagnosis Procedure

INFOID:000000005350546

#### 1. CHECK CONTINUITY RGB AREA (YS) SIGNAL CIRCUIT

1. Turn ignition switch OFF.
2. Disconnect front display unit connector and AV control unit connector.
3. Check continuity between front display unit harness connector terminal 9 and AV control unit harness connector terminal 99.

**9 - 99 : Continuity should exist.**

4. Check continuity between front display unit harness connector terminal 9 and ground.

**9 - Ground : Continuity should not exist.**

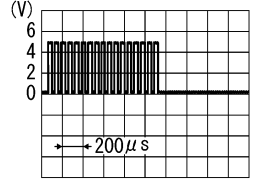
Is the inspection result normal?

YES >> GO TO 2.

NO >> Repair harness or connector.

#### 2. CHECK RGB AREA (YS) SIGNAL

1. Connect front display unit connector and AV control unit connector.
2. Turn ignition switch ON.
3. Check signal between front display unit harness connector terminal 9 and ground.

Terminal	Condition		Reference value
9 - Ground	Ignition switch ON	When RGB image is displayed	Approx. 5 V
		When rear view camera image is displayed.	 <p style="text-align: right;">PKIB4948.J</p>

Is the inspection result normal?

YES >> Replace front display unit.

NO >> Replace AV control unit.

# HP SIGNAL CIRCUIT (FRONT DISPLAY UNIT TO AV CONTROL UNIT)

< COMPONENT DIAGNOSIS >

[WITH MOBILE ENTERTAINMENT SYSTEM]

## HP SIGNAL CIRCUIT (FRONT DISPLAY UNIT TO AV CONTROL UNIT)

### Description

INFOID:000000005350547

In composite image (DVD and AUX images, camera image), transmit the vertical synchronizing (VP) signal and horizontal synchronizing (HP) signal from front display unit to AV control unit so as to synchronize the RGB images displayed with AV control unit such as the image quality adjusting menu, etc.

### Diagnosis Procedure

INFOID:000000005350548

#### 1. CHECK CONTINUITY HORIZONTAL SYNCHRONIZING (HP) SIGNAL CIRCUIT

1. Turn ignition switch OFF.
2. Disconnect front display unit connector and AV control unit connector.
3. Check continuity between front display unit harness connector terminal 8 and AV control unit harness connector terminal 100.

**8 - 100 : Continuity should exist.**

4. Check continuity between front display unit harness connector terminal 8 and ground.

**8 - Ground : Continuity should not exist.**

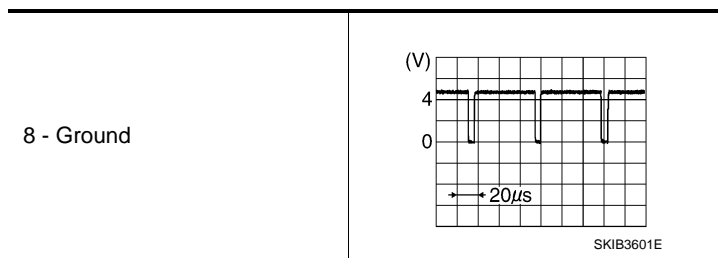
Is the inspection result normal?

YES >> GO TO 2.

NO >> Repair harness or connector.

#### 2. CHECK HORIZONTAL SYNCHRONIZING (HP) SIGNAL

1. Connect front display unit connector and AV control unit connector.
2. Turn ignition switch ON.
3. Check signal between front display unit harness connector terminal 8 and ground.



Is the inspection result normal?

YES >> Replace AV control unit.

NO >> Replace front display unit.

# VP SIGNAL CIRCUIT (FRONT DISPLAY UNIT TO AV CONTROL UNIT)

< COMPONENT DIAGNOSIS >

[WITH MOBILE ENTERTAINMENT SYSTEM]

## VP SIGNAL CIRCUIT (FRONT DISPLAY UNIT TO AV CONTROL UNIT)

### Description

INFOID:000000005350549

In composite image (DVD and AUX images, camera image), transmit the vertical synchronizing (VP) signal and horizontal synchronizing (HP) signal from front display unit to AV control unit so as to synchronize the RGB images displayed with AV control unit such as the image quality adjusting menu, etc.

### Diagnosis Procedure

INFOID:000000005350550

#### 1. CHECK CONTINUITY VERTICAL SYNCHRONIZING (VP) SIGNAL CIRCUIT

1. Turn ignition switch OFF.
2. Disconnect front display unit connector and AV control unit connector.
3. Check continuity between front display unit harness connector terminal 20 and AV control unit harness connector terminal 101.

**20 - 101 : Continuity should exist.**

4. Check continuity between front display unit harness connector terminal 20 and ground.

**20 - Ground : Continuity should not exist.**

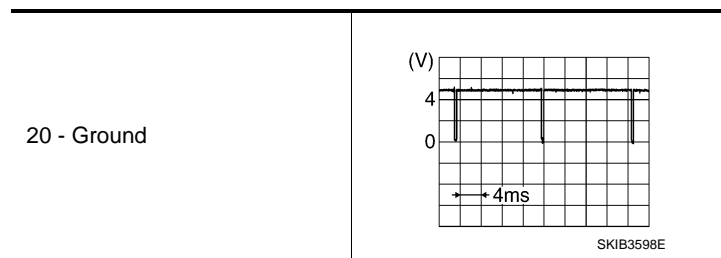
Is the inspection result normal?

YES >> GO TO 2.

NO >> Repair harness or connector.

#### 2. CHECK VERTICAL SYNCHRONIZING (VP) SIGNAL

1. Connect front display unit connector and AV control unit connector.
2. Turn ignition switch ON.
3. Check signal between front display unit harness connector terminal 20 and ground.



Is the inspection result normal?

YES >> Replace AV control unit.

NO >> Replace front display unit.

A  
B  
C  
D  
E  
F  
G  
H  
I  
J  
L  
M  
N  
O  
P

AV

# COMPOSITE IMAGE SIGNAL CIRCUIT (VIDEO DISTRIBUTOR TO FRONT DISPLAY UNIT)

< COMPONENT DIAGNOSIS >

[WITH MOBILE ENTERTAINMENT SYSTEM]

## COMPOSITE IMAGE SIGNAL CIRCUIT (VIDEO DISTRIBUTOR TO FRONT DISPLAY UNIT)

### Description

INFOID:000000005350551

Video distributor receives the image signal from the DVD player, and auxiliary input jack, and then transmits it to the front display unit and rear display unit.

### Diagnosis Procedure

INFOID:000000005350552

#### 1. CHECK CONTINUITY COMPOSITE IMAGE SIGNAL CIRCUIT

1. Turn ignition switch OFF.
2. Disconnect video distributor connector and front display unit connector.
3. Check continuity between video distributor harness connector terminal 8 and front display unit harness connector terminal 15.

**8 - 15 : Continuity should exist.**

4. Check continuity between video distributor harness connector terminal 6 and front display unit harness connector terminal 5.

**6 - 5 : Continuity should exist.**

5. Check continuity between front display unit harness connector terminal 15 and ground.

**15 - Ground : Continuity should not exist.**

6. Check continuity between front display unit harness connector terminal 5 and ground.

**5 - Ground : Continuity should not exist.**

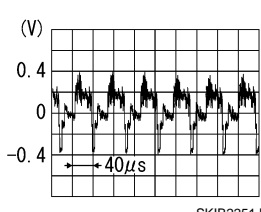
Is the inspection result normal?

YES >> GO TO 2.

NO >> Repair harness or connector.

#### 2. CHECK COMPOSITE IMAGE SIGNAL

1. Connect video distributor connector and front display unit connector.
2. Turn ignition switch ON.
3. Check signal between front display unit harness connector terminal 15 and 5.

Terminal	Condition		Reference value
15 - 5	Ignition switch ON	When AUX or DVD image is displayed on front display unit.	

Is the inspection result normal?

YES >> Replace front display unit.

NO >> Replace video distributor.

# COMPOSITE IMAGE SIGNAL CIRCUIT (VIDEO DISTRIBUTOR TO REAR DISPLAY UNIT)

< COMPONENT DIAGNOSIS >

[WITH MOBILE ENTERTAINMENT SYSTEM]

## COMPOSITE IMAGE SIGNAL CIRCUIT (VIDEO DISTRIBUTOR TO REAR DISPLAY UNIT)

### Description

INFOID:000000005350553

Video distributor receives the image signal from the DVD player, and auxiliary input jack, and then transmits it to the front display unit and rear display unit.

### Diagnosis Procedure

INFOID:000000005350554

#### 1. CHECK CONTINUITY COMPOSITE IMAGE SIGNAL CIRCUIT

1. Turn ignition switch OFF.
2. Disconnect video distributor connector and rear display unit connector.
3. Check continuity between video distributor harness connector terminal 34 and rear display unit harness connector terminal 16.

**34 - 16 : Continuity should exist.**

4. Check continuity between rear display unit harness connector terminal 16 and ground.

**16 - Ground : Continuity should not exist.**

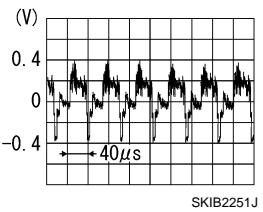
Is the inspection result normal?

YES >> GO TO 2.

NO >> Repair harness or connector.

#### 2. CHECK COMPOSITE IMAGE SIGNAL

1. Connect video distributor connector and rear display unit connector.
2. Turn ignition switch ON.
3. Check signal between rear display unit harness connector terminal 16 and ground.

Terminal	Condition		Reference value
16 - Ground	Ignition switch ON	When AUX or DVD image is displayed on rear display.	

Is the inspection result normal?

YES >> Replace rear display unit.

NO >> Replace video distributor.

# RGB (R: RED) SIGNAL CIRCUIT (VIDEO DISTRIBUTOR TO REAR DISPLAY UNIT)

< COMPONENT DIAGNOSIS >

[WITH MOBILE ENTERTAINMENT SYSTEM]

## RGB (R: RED) SIGNAL CIRCUIT (VIDEO DISTRIBUTOR TO REAR DISPLAY UNIT)

### Description

INFOID:000000005350555

Transmit the image displayed with video distributor with RGB signal to the rear display unit.

### Diagnosis Procedure

INFOID:000000005350556

#### 1. CHECK CONTINUITY RGB (R: RED) SIGNAL CIRCUIT

1. Turn ignition switch OFF.
2. Disconnect rear display unit connector and video distributor connector.
3. Check continuity between rear display unit harness connector terminal 24 and video distributor harness connector terminal 25.

**24 - 25 : Continuity should exist.**

4. Check continuity between rear display unit harness connector terminal 24 and ground.

**24 - Ground : Continuity should not exist.**

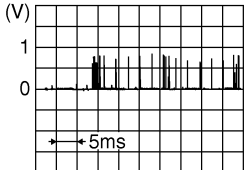
Is the inspection result normal?

YES >> GO TO 2.

NO >> Repair harness or connector.

#### 2. CHECK RGB (R: RED) SIGNAL

1. Connect rear display unit connector and video distributor connector.
2. Turn ignition switch ON.
3. Check signal between rear display unit harness connector terminal 24 and ground.

Terminal	Condition		Reference value
24 - Ground	Ignition switch ON	Rear seat remote controller operation when AUX or DVD image is displayed on rear display unit.	 <p>JSNIA0984ZZ</p>

Is the inspection result normal?

YES >> Replace rear display unit.

NO >> Replace video distributor.

# RGB (G: GREEN) SIGNAL CIRCUIT (VIDEO DISTRIBUTOR TO REAR DISPLAY UNIT)

< COMPONENT DIAGNOSIS >

[WITH MOBILE ENTERTAINMENT SYSTEM]

## RGB (G: GREEN) SIGNAL CIRCUIT (VIDEO DISTRIBUTOR TO REAR DISPLAY UNIT)

### Description

INFOID:000000005350557

Transmit the image displayed with video distributor with RGB signal to the rear display unit.

### Diagnosis Procedure

INFOID:000000005350558

#### 1. CHECK CONTINUITY RGB (G: GREEN) SIGNAL CIRCUIT

1. Turn ignition switch OFF.
2. Disconnect rear display unit connector and video distributor connector.
3. Check continuity between rear display unit harness connector terminal 23 and video distributor harness connector terminal 26.

**23 - 26 : Continuity should exist.**

4. Check continuity between rear display unit harness connector terminal 23 and ground.

**23 - Ground : Continuity should not exist.**

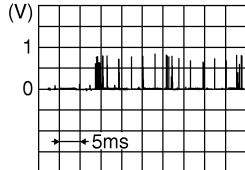
#### Is the inspection result normal?

YES >> GO TO 2.

NO >> Repair harness or connector.

#### 2. CHECK RGB (G: GREEN) SIGNAL

1. Connect rear display unit connector and video distributor connector.
2. Turn ignition switch ON.
3. Check signal between rear display unit harness connector terminal 23 and ground.

Terminal	Condition		Reference value
23 - Ground	Ignition switch ON	Rear seat remote controller operation when AUX or DVD image is displayed on rear display unit.	 <p>JSNIA0984ZZ</p>

#### Is the inspection result normal?

YES >> Replace rear display unit.

NO >> Replace video distributor.

# RGB (B: BLUE) SIGNAL CIRCUIT (VIDEO DISTRIBUTOR TO REAR DISPLAY UNIT)

< COMPONENT DIAGNOSIS >

[WITH MOBILE ENTERTAINMENT SYSTEM]

## RGB (B: BLUE) SIGNAL CIRCUIT (VIDEO DISTRIBUTOR TO REAR DISPLAY UNIT)

### Description

INFOID:000000005350559

Transmit the image displayed with video distributor with RGB signal to the rear display unit.

### Diagnosis Procedure

INFOID:000000005350560

#### 1. CHECK CONTINUITY RGB (B: BLUE) SIGNAL CIRCUIT

1. Turn ignition switch OFF.
2. Disconnect rear display unit connector and video distributor connector.
3. Check continuity between rear display unit harness connector terminal 22 and video distributor harness connector terminal 28.

**22 - 28 : Continuity should exist.**

4. Check continuity between rear display unit harness connector terminal 22 and ground.

**22 - Ground : Continuity should not exist.**

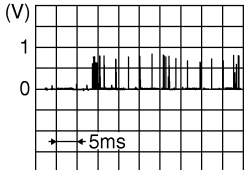
Is the inspection result normal?

YES >> GO TO 2.

NO >> Repair harness or connector.

#### 2. CHECK RGB (B: BLUE) SIGNAL

1. Connect rear display unit connector and video distributor connector.
2. Turn ignition switch ON.
3. Check signal between rear display unit harness connector terminal 22 and ground.

Terminal	Condition		Reference value
22 - Ground	Ignition switch ON	Rear seat remote controller operation when AUX or DVD image is displayed on rear display unit.	 <p>JSNIA0984ZZ</p>

Is the inspection result normal?

YES >> Replace rear display unit.

NO >> Replace video distributor.



# COMPOSITE SYNCHRONIZING SIGNAL CIRCUIT (VIDEO DISTRIBUTOR TO REAR DISPLAY UNIT)

< COMPONENT DIAGNOSIS >

[WITH MOBILE ENTERTAINMENT SYSTEM]

## COMPOSITE SYNCHRONIZING SIGNAL CIRCUIT (VIDEO DISTRIBUTOR TO REAR DISPLAY UNIT)

### Description

INFOID:000000005350561

Transmit the composite synchronizing signal to the rear display unit so as to synchronize the composite image displayed with video distributor.

### Diagnosis Procedure

INFOID:000000005350562

#### 1. CHECK CONTINUITY COMPOSITE SYNCHRONIZING SIGNAL CIRCUIT

1. Turn ignition switch OFF.
2. Disconnect rear display unit connector and video distributor connector.
3. Check continuity between rear display unit harness connector terminal 15 and video distributor harness connector terminal 33.

**15 - 33 : Continuity should exist.**

4. Check continuity between rear display unit harness connector terminal 15 and ground.

**15 - Ground : Continuity should not exist.**

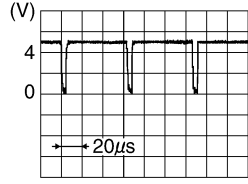
Is the inspection result normal?

YES >> GO TO 2.

NO >> Repair harness or connector.

#### 2. CHECK RGB SYNCHRONIZING SIGNAL

1. Connect rear display unit connector and video distributor connector.
2. Turn ignition switch ON.
3. Check signal between rear display unit harness connector terminal 15 and ground.

Terminal	Condition		Reference value
15 - Ground	Ignition switch ON	When AUX or DVD image is displayed on rear display unit.	

Is the inspection result normal?

YES >> Replace rear display unit.

NO >> Replace video distributor.

# VP SIGNAL CIRCUIT (REAR DISPLAY UNIT TO VIDEO DISTRIBUTOR)

< COMPONENT DIAGNOSIS >

[WITH MOBILE ENTERTAINMENT SYSTEM]

## VP SIGNAL CIRCUIT (REAR DISPLAY UNIT TO VIDEO DISTRIBUTOR)

### Description

INFOID:000000005350563

In composite image (DVD and AUX images), transmit the vertical synchronizing (VP) signal and horizontal synchronizing (HP) signal from rear display unit to video distributor so as to synchronize the RGB images displayed with video distributor such as the image quality adjusting menu, etc.

### Diagnosis Procedure

INFOID:000000005350564

#### 1. CHECK CONTINUITY VERTICAL SYNCHRONIZING (VP) SIGNAL CIRCUIT

1. Turn ignition switch OFF.
2. Disconnect rear display unit connector and video distributor connector.
3. Check continuity between rear display unit harness connector terminal 19 and video distributor harness connector terminal 29.

**19 - 29 : Continuity should exist.**

4. Check continuity between rear display unit harness connector terminal 19 and ground.

**19 - Ground : Continuity should not exist.**

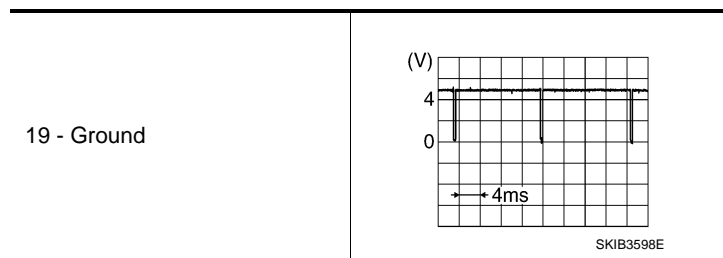
Is the inspection result normal?

YES >> GO TO 2.

NO >> Repair harness or connector.

#### 2. CHECK VERTICAL SYNCHRONIZING (VP) SIGNAL

1. Connect rear display unit connector and video distributor connector.
2. Turn ignition switch ON.
3. Check signal between rear display unit harness connector terminal 19 and ground.



Is the inspection result normal?

YES >> Replace video distributor.

NO >> Replace rear display unit.

# HP SIGNAL CIRCUIT (REAR DISPLAY UNIT TO VIDEO DISTRIBUTOR)

< COMPONENT DIAGNOSIS >

[WITH MOBILE ENTERTAINMENT SYSTEM]

## HP SIGNAL CIRCUIT (REAR DISPLAY UNIT TO VIDEO DISTRIBUTOR)

### Description

INFOID:000000005350565

In composite image (DVD and AUX images), transmit the vertical synchronizing (VP) signal and horizontal synchronizing (HP) signal from rear display unit to video distributor so as to synchronize the RGB images displayed with video distributor such as the image quality adjusting menu, etc.

### Diagnosis Procedure

INFOID:000000005350566

#### 1. CHECK CONTINUITY HORIZONTAL SYNCHRONIZING (HP) SIGNAL CIRCUIT

1. Turn ignition switch OFF.
2. Disconnect rear display unit connector and video distributor connector.
3. Check continuity between rear display unit harness connector terminal 20 and video distributor harness connector terminal 30.

**20 - 30 : Continuity should exist.**

4. Check continuity between rear display unit harness connector terminal 20 and ground.

**20 - Ground : Continuity should not exist.**

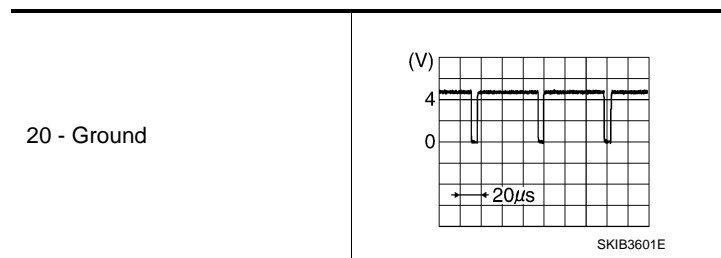
Is the inspection result normal?

YES >> GO TO 2.

NO >> Repair harness or connector.

#### 2. CHECK HORIZONTAL SYNCHRONIZING (HP) SIGNAL

1. Connect rear display unit connector and video distributor connector.
2. Turn ignition switch ON.
3. Check signal between rear display unit harness connector terminal 20 and ground.



Is the inspection result normal?

YES >> Replace video distributor.

NO >> Replace rear display unit.

# RGB AREA (YS) SIGNAL CIRCUIT (VIDEO DISTRIBUTOR TO REAR DISPLAY UNIT)

< COMPONENT DIAGNOSIS >

[WITH MOBILE ENTERTAINMENT SYSTEM]

## RGB AREA (YS) SIGNAL CIRCUIT (VIDEO DISTRIBUTOR TO REAR DISPLAY UNIT)

### Description

INFOID:000000005350567

Transmits the rear display area of RGB image displayed by video distributor with RGB area (YS) signal to rear display unit.

### Diagnosis Procedure

INFOID:000000005350568

#### 1. CHECK CONTINUITY RGB AREA (YS) SIGNAL CIRCUIT

1. Turn ignition switch OFF.
2. Disconnect rear display unit connector and video distributor connector.
3. Check continuity between rear display unit harness connector terminal 17 and video distributor harness connector terminal 32.

**17 - 32 : Continuity should exist.**

4. Check continuity between rear display unit harness connector terminal 17 and ground.

**17 - Ground : Continuity should not exist.**

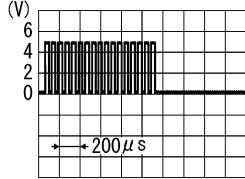
Is the inspection result normal?

YES >> GO TO 2.

NO >> Repair harness or connector.

#### 2. CHECK RGB AREA (YS) SIGNAL

1. Connect rear display unit connector and video distributor connector.
2. Turn ignition switch ON.
3. Check signal between rear display unit harness connector terminal 17 and ground.

Terminal	Condition		Reference value
17 - Ground	Ignition switch ON	When RGB image is displayed.	Approx. 0 V
		Rear seat remote controller operation when AUX or DVD image is displayed on rear display.	 <p style="text-align: right;">PKIB4948J</p>

Is the inspection result normal?

YES >> Replace rear display unit.

NO >> Replace video distributor.

# AUX IMAGE SIGNAL CIRCUIT

[WITH MOBILE ENTERTAINMENT SYSTEM]

< COMPONENT DIAGNOSIS >

## AUX IMAGE SIGNAL CIRCUIT

### Description

INFOID:000000005350569

Transmits the image signal of external device from auxiliary input jacks to video distributor.

### Diagnosis Procedure

INFOID:000000005350570

#### 1. CHECK CONTINUITY AUX IMAGE SIGNAL CIRCUIT

1. Turn ignition switch OFF.
2. Disconnect auxiliary input jacks connector and video distributor connector.
3. Check continuity between auxiliary input jacks harness connector terminal 7 and video distributor harness connector terminal 19.

**7 - 19 : Continuity should exist.**

4. Check continuity between auxiliary input jacks harness connector terminal 8 and video distributor harness connector terminal 21.

**8 - 21 : Continuity should exist.**

5. Check continuity between auxiliary input jacks harness connector terminal 7 and ground.

**7 - Ground : Continuity should not exist.**

6. Check continuity between auxiliary input jacks harness connector terminal 8 and ground.

**8 - Ground : Continuity should not exist.**

Is the inspection result normal?

YES >> GO TO 2.

NO >> Repair harness or connector.

#### 2. CHECK AUX IMAGE SIGNAL

1. Connect auxiliary input jacks connector and video distributor connector.
2. Turn ignition switch ON.
3. Check signal between video distributor harness connector terminal 19 and 21.

Terminal	Condition		Reference value
19 - 21	Ignition switch ON	When AUX image is displayed.	

Is the inspection result normal?

YES >> Replace video distributor.

NO >> Check that there is no malfunction in the external device.

# DVD IMAGE SIGNAL CIRCUIT

< COMPONENT DIAGNOSIS >

[WITH MOBILE ENTERTAINMENT SYSTEM]

## DVD IMAGE SIGNAL CIRCUIT

### Description

INFOID:000000005350571

The DVD player transmits the playback DVD image signal to the video distributor. The video distributor receives the image signal from the DVD player, and auxiliary input jack, and then transmits it to the front display and rear display.

### Diagnosis Procedure

INFOID:000000005350572

#### 1. CHECK CONTINUITY DVD IMAGE SIGNAL CIRCUIT

1. Turn ignition switch OFF.
2. Disconnect DVD player connector and video distributor connector.
3. Check continuity between DVD player harness connector terminal 20 and video distributor harness connector terminal 23.

**20 - 23 : Continuity should exist.**

4. Check continuity between DVD player harness connector terminal 19 and video distributor harness connector terminal 22.

**19 - 22 : Continuity should exist.**

5. Check continuity between video distributor harness connector terminal 23 and ground.

**23 - Ground : Continuity should not exist.**

6. Check continuity between video distributor harness connector terminal 22 and ground.

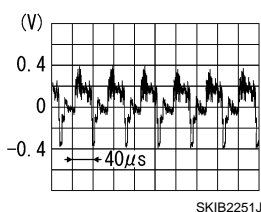
**22 - Ground : Continuity should not exist.**

Is the inspection result normal?

- YES >> GO TO 2.  
 NO >> Repair harness or connector.

#### 2. CHECK DVD IMAGE SIGNAL

1. Connect DVD player connector and video distributor connector.
2. Turn ignition switch ON.
3. Check signal between video distributor harness connector terminal 23 and 22.

Terminal	Condition		Reference value
23 - 22	Ignition switch ON	When AUX image is displayed.	

Is the inspection result normal?

- YES >> Replace video distributor.  
 NO >> Replace DVD player.

# MICROPHONE SIGNAL CIRCUIT

< COMPONENT DIAGNOSIS >

[WITH MOBILE ENTERTAINMENT SYSTEM]

## MICROPHONE SIGNAL CIRCUIT

### Description

INFOID:000000005350573

Supply power from AV control unit to microphone. The microphone transmits the sound/voice to the AV control unit.

### Diagnosis Procedure

INFOID:000000005350574

#### 1. CHECK CONTINUITY BETWEEN AV CONTROL UNIT AND MICROPHONE CIRCUIT

1. Turn ignition switch OFF.
2. Disconnect AV control unit connector and microphone connector.
3. Check continuity between AV control unit harness connector terminals 26, 27, 28 and microphone harness connector terminals 4, 2, 1.

**26 - 4 : Continuity should exist.**

**27 - 2 : Continuity should exist.**

**28 - 1 : Continuity should exist.**

4. Check continuity between AV control unit harness connector terminals 26, 28 and ground.

**26, 28 - Ground : Continuity should not exist.**

Is the inspection result normal?

YES >> GO TO 2.

NO >> Repair harness or connector.

#### 2. CHECK VOLTAGE MICROPHONE VCC

1. Connect AV control unit connector.
2. Turn ignition switch ON.
3. Check voltage between AV control unit harness connector terminals 26 and 27.

**26 - 27 : Approx. 5 V**

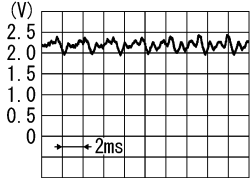
Is the inspection result normal?

YES >> GO TO 3.

NO >> Replace AV control unit.

#### 3. CHECK MICROPHONE SIGNAL

1. Connect microphone connector.
2. Check signal between AV control unit harness connector terminals 28 and 27.

Terminal	Condition		Reference value
28 - 27	Ignition switch ON	Give a voice.	

Is the inspection result normal?

YES >> Replace AV control unit.

NO >> Replace microphone.

# AUDIOPILOT® MICROPHONE

[WITH MOBILE ENTERTAINMENT SYSTEM]

< COMPONENT DIAGNOSIS >

## AUDIOPILOT® MICROPHONE BOSE AUDIO 2CH SYSTEM

### BOSE AUDIO 2CH SYSTEM : Description

INFOID:000000005350575

The microphone transmits the microphone signal to the BOSE amp.

### BOSE AUDIO 2CH SYSTEM : Diagnosis Procedure

INFOID:000000005350576

#### 1. CHECK CONTINUITY BETWEEN BOSE AMP. AND AUDIOPILOT® MICROPHONE CIRCUIT

1. Turn ignition switch OFF.
2. Disconnect BOSE amp. connector and AudioPilot® microphone connector.
3. Check continuity between BOSE amp. harness connector terminals 25, 26 and AudioPilot® microphone harness connector terminals 1, 2.

**25 - 1 : Continuity should exist.**

**26 - 2 : Continuity should exist.**

4. Check continuity between BOSE amp. harness connector terminals 25, 26 and ground.

**25, 26 - Ground : Continuity should not exist.**

Is the inspection result normal?

YES >> GO TO 2.

NO >> Repair harness or connector.

#### 2. CHECK VOLTAGE MICROPHONE VCC

1. Connect BOSE amp. connector.
2. Turn ignition switch ON.
3. Check voltage between BOSE amp. harness connector terminals 25 and ground.

**25 - Ground : Approx. 5 V**

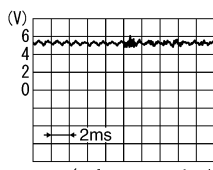
Is the inspection result normal?

YES >> GO TO 3.

NO >> Replace BOSE amp.

#### 3. CHECK MICROPHONE SIGNAL

1. Turn ignition switch OFF.
2. Connect AudioPilot® microphone connector.
3. Turn ignition switch ON.
4. Check signal between BOSE amp. harness connector terminals 25 and 26.

Terminal	Condition		Reference value
25 - 26	Ignition switch ON	When inputting noise.	 <p>(reference value) PKIA2104E</p>

Is the inspection result normal?

YES >> Replace BOSE amp.

NO >> Replace AudioPilot® microphone.

## BOSE SURROUND AUDIO 5.1CH SYSTEM



# AUDIOPILOT® MICROPHONE

[WITH MOBILE ENTERTAINMENT SYSTEM]

< COMPONENT DIAGNOSIS >

## BOSE SURROUND AUDIO 5.1CH SYSTEM : Description

INFOID:000000005350577

The microphone transmits the microphone signal to the BOSE amp.

## BOSE SURROUND AUDIO 5.1CH SYSTEM : Diagnosis Procedure

INFOID:000000005350578

### 1. CHECK CONTINUITY BETWEEN BOSE AMP. AND AUDIOPILOT® MICROPHONE CIRCUIT

1. Turn ignition switch OFF.
2. Disconnect BOSE amp. connector and AudioPilot® microphone connector.
3. Check continuity between BOSE amp. harness connector terminals 31, 11 and AudioPilot® microphone harness connector terminals 1, 2.

**31 - 1 : Continuity should exist.**

**11 - 2 : Continuity should exist.**

4. Check continuity between BOSE amp. harness connector terminals 31, 11 and ground.

**31, 11 - Ground : Continuity should not exist.**

Is the inspection result normal?

YES >> GO TO 2.

NO >> Repair harness or connector.

### 2. CHECK VOLTAGE MICROPHONE VCC

1. Connect BOSE amp. connector.
2. Turn ignition switch ON.
3. Check voltage between BOSE amp. harness connector terminals 31 and ground.

**31 - Ground : Approx. 5 V**

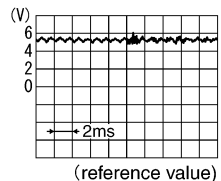
Is the inspection result normal?

YES >> GO TO 3.

NO >> Replace BOSE amp.

### 3. CHECK MICROPHONE SIGNAL

1. Turn ignition switch OFF.
2. Connect AudioPilot® microphone connector.
3. Turn ignition switch ON.
4. Check signal between BOSE amp. harness connector terminals 31 and 11.

Terminal	Condition		Reference value
31 - 11	Ignition switch ON	When inputting noise.	 <p>(reference value) PKIA2104E</p>

Is the inspection result normal?

YES >> Replace BOSE amp.

NO >> Replace AudioPilot® microphone.

# CAMERA IMAGE SIGNAL CIRCUIT (REAR VIEW CAMERA TO CAMERA CONTROL UNIT)

< COMPONENT DIAGNOSIS >

[WITH MOBILE ENTERTAINMENT SYSTEM]

## CAMERA IMAGE SIGNAL CIRCUIT (REAR VIEW CAMERA TO CAMERA CONTROL UNIT)

### Description

INFOID:000000005350579

- Camera control unit outputs camera ON signal to rear view camera and inputs rear view camera image signal from rear view camera when the reverse signal is input.
- The camera control unit that inputs the camera image signal transmits the camera image signal to the front display unit.

### Diagnosis Procedure

INFOID:000000005350580

#### 1. CHECK CONTINUITY CAMERA IMAGE SIGNAL CIRCUIT

1. Turn ignition switch OFF.
2. Disconnect camera control unit connector and rear view camera connector.
3. Check continuity between camera control unit harness connector terminal 6 and rear view camera harness connector terminal 3.

**6 - 3 : Continuity should exist.**

4. Check continuity between camera control unit harness connector terminal 6 and ground.

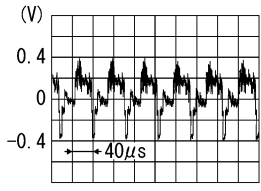
**6 - Ground : Continuity should not exist.**

Is the inspection result normal?

- YES >> GO TO 2.  
 NO >> Repair harness or connector.

#### 2. CHECK CAMERA IMAGE SIGNAL

1. Connect camera control unit connector and rear view camera connector.
2. Turn ignition switch ON.
3. Check signal between camera control unit harness connector terminal 6 and ground.

Terminal	Condition		Reference value
6 - Ground	Ignition switch ON	When rear view camera image is displayed.	 <p style="text-align: right; font-size: small;">SKIB2251J</p>

Is the inspection result normal?

- YES >> Replace camera control unit.  
 NO >> Replace rear view camera.

# CAMERA ON SIGNAL CIRCUIT

< COMPONENT DIAGNOSIS >

[WITH MOBILE ENTERTAINMENT SYSTEM]

## CAMERA ON SIGNAL CIRCUIT

### Description

INFOID:000000005350581

- Camera control unit outputs camera ON signal to rear view camera and inputs rear view camera image signal from rear view camera when the reverse signal is input.
- The camera control unit that inputs the camera image signal transmits the camera image signal to the front display unit.

### Diagnosis Procedure

INFOID:000000005350582

#### 1. CHECK CONTINUITY CAMERA ON SIGNAL CIRCUIT

1. Turn ignition switch OFF.
2. Disconnect camera control unit connector and rear view camera connector.
3. Check continuity between camera control unit harness connector terminal 8 and rear view camera harness connector terminal 1.

**8 - 1 : Continuity should exist.**

4. Check continuity between camera control unit harness connector terminal 8 and ground.

**8 - Ground : Continuity should not exist.**

Is the inspection result normal?

YES >> GO TO 2.

NO >> Repair harness or connector.

#### 2. CHECK VOLTAGE CAMERA ON SIGNAL

1. Connect camera control unit connector and rear view camera connector.
2. Turn ignition switch ON.
3. Check signal between camera control unit harness connector terminal 8 and ground.

**8 - Ground Shift the selector lever to "R" position  
: Approx. 6 V**

Is the inspection result normal?

YES >> Replace rear view camera.

NO >> Replace camera control unit.

A  
B  
C  
D  
E  
F  
G  
H  
I  
J  
AV  
L  
M  
N  
O  
P

# CAMERA IMAGE SIGNAL CIRCUIT (CAMERA CONTROL UNIT TO FRONT DISPLAY UNIT)

< COMPONENT DIAGNOSIS >

[WITH MOBILE ENTERTAINMENT SYSTEM]

## CAMERA IMAGE SIGNAL CIRCUIT (CAMERA CONTROL UNIT TO FRONT DISPLAY UNIT)

### Description

INFOID:000000005350583

- Camera control unit outputs camera ON signal to rear view camera and inputs rear view camera image signal from rear view camera when the reverse signal is input.
- The camera control unit that inputs the camera image signal transmits the camera image signal to the front display unit.

### Diagnosis Procedure

INFOID:000000005350584

#### 1. CHECK CONTINUITY CAMERA IMAGE SIGNAL CIRCUIT

1. Turn ignition switch OFF.
2. Disconnect camera control unit connector and front display unit connector.
3. Check continuity between camera control unit harness connector terminal 12 and front display unit harness connector terminal 12.

**12 - 12 : Continuity should exist.**

4. Check continuity between camera control unit harness connector terminal 12 and ground.

**12 - Ground : Continuity should not exist.**

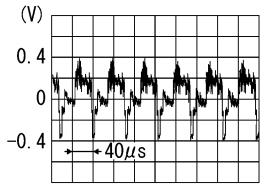
Is the inspection result normal?

YES >> GO TO 2.

NO >> Repair harness or connector.

#### 2. CHECK CAMERA IMAGE SIGNAL

1. Connect camera control unit connector and front display unit connector.
2. Turn ignition switch ON.
3. Check signal between camera control unit harness connector terminal 12 and ground.

Terminal	Condition		Reference value
12 - Ground	Ignition switch ON	When rear view camera image is displayed.	 <p style="text-align: right; font-size: small;">SKIB2251J</p>

Is the inspection result normal?

YES >> Replace display unit.

NO >> Replace camera control unit.

# STEERING SWITCH SIGNAL A CIRCUIT

< COMPONENT DIAGNOSIS >

[WITH MOBILE ENTERTAINMENT SYSTEM]

## STEERING SWITCH SIGNAL A CIRCUIT

### Description

INFOID:000000005350585

Transmits the steering switch signal to AV control unit.

### Diagnosis Procedure

INFOID:000000005350586

#### 1. CHECK STEERING SWITCH SIGNAL A CIRCUIT

1. Turn ignition switch OFF.
2. Disconnect AV control unit connector and spiral cable connector.
3. Check continuity between AV control unit harness connector terminal 6 and spiral cable harness connector terminal 33.

**6 - 33 : Continuity should exist.**

4. Check continuity between AV control unit harness connector terminals 6 and ground.

**6 - Ground : Continuity should not exist.**

Is the inspection result normal?

- YES >> GO TO 2.  
NO >> Repair harness or connector.

#### 2. CHECK SPIRAL CABLE

Check spiral cable.

Is the inspection result normal?

- YES >> GO TO 3.  
NO >> Replace spiral cable.

#### 3. CHECK AV CONTROL UNIT VOLTAGE

1. Connect AV control unit connector and spiral cable connector.
2. Turn ignition switch ON.
3. Check voltage between AV control unit harness connector terminals 6 and 15.

**6 - 15 : Approx. 5 V**

Is the inspection result normal?

- YES >> GO TO 4.  
NO >> Replace AV control unit.

#### 4. CHECK STEERING SWITCH

1. Turn ignition switch OFF.
2. Check steering switch. Refer to [AV-625, "Component Inspection"](#).

Is the inspection result normal?

- YES >> INSPECTION END  
NO >> Replace steering switch.

### Component Inspection

INFOID:000000005350587

Measure the resistance between the steering switch connector terminals 20 to 17 and 19 to 17.

# STEERING SWITCH SIGNAL A CIRCUIT

[WITH MOBILE ENTERTAINMENT SYSTEM]

< COMPONENT DIAGNOSIS >

Standard

Between terminals 20 and 17

ENTER switch ON : 990 – 1030 Ω

MENU DOWN switch ON : 323 – 337 Ω

MENU UP switch ON : 108 – 112 Ω

SOURCE switch ON : 0 Ω

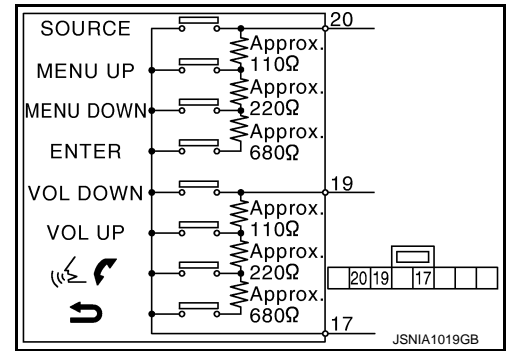
Between terminals 19 and 17

↶ switch ON : 990 – 1030 Ω

↷ switch ON : 323 – 337 Ω

VOL UP switch ON : 108 – 112 Ω

VOL DOWN switch ON : 0 Ω



# STEERING SWITCH SIGNAL B CIRCUIT

< COMPONENT DIAGNOSIS >

[WITH MOBILE ENTERTAINMENT SYSTEM]

## STEERING SWITCH SIGNAL B CIRCUIT

### Description

INFOID:000000005350588

Transmits the steering switch signal to AV control unit.

### Diagnosis Procedure

INFOID:000000005350589

#### 1.CHECK STEERING SWITCH SIGNAL B CIRCUIT

1. Turn ignition switch OFF.
2. Disconnect AV control unit connector and spiral cable connector.
3. Check continuity between AV control unit harness connector terminal 16 and spiral cable harness connector terminals 32.

**16 - 32 : Continuity should exist.**

4. Check continuity between AV control unit harness connector terminal 16 and ground.

**16 - Ground : Continuity should not exist.**

Is the inspection result normal?

- YES >> GO TO 2.  
NO >> Repair harness or connector.

#### 2.CHECK SPIRAL CABLE

Check spiral cable.

Is the inspection result normal?

- YES >> GO TO 3.  
NO >> Replace spiral cable.

#### 3.CHECK AV CONTROL UNIT VOLTAGE

1. Connect AV control unit connector and spiral cable connector.
2. Turn ignition switch ON.
3. Check voltage between AV control unit harness connector terminals 16 and 15.

**16 - 15 : Approx. 5 V**

Is the inspection result normal?

- YES >> GO TO 4.  
NO >> Replace AV control unit.

#### 4.CHECK STEERING SWITCH

1. Turn ignition switch OFF.
2. Check steering switch. Refer to [AV-627, "Component Inspection"](#).

Is the inspection result normal?

- YES >> INSPECTION END  
NO >> Replace steering switch.

### Component Inspection

INFOID:000000005350590

Measure the resistance between the steering switch connector terminals 20 to 17 and 19 to 17.

# STEERING SWITCH SIGNAL B CIRCUIT

[WITH MOBILE ENTERTAINMENT SYSTEM]

< COMPONENT DIAGNOSIS >

Standard

Between terminals 20 and 17

ENTER switch ON : 990 – 1030 Ω

MENU DOWN switch ON : 323 – 337 Ω

MENU UP switch ON : 108 – 112 Ω

SOURCE switch ON : 0 Ω

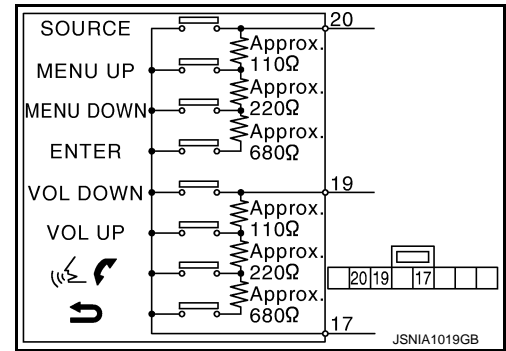
Between terminals 19 and 17

↶ switch ON : 990 – 1030 Ω

↷ switch ON : 323 – 337 Ω

VOL UP switch ON : 108 – 112 Ω

VOL DOWN switch ON : 0 Ω





# STEERING SWITCH SIGNAL GND CIRCUIT

< COMPONENT DIAGNOSIS >

[WITH MOBILE ENTERTAINMENT SYSTEM]

## STEERING SWITCH SIGNAL GND CIRCUIT

### Description

INFOID:000000005350591

Transmits the steering switch signal to AV control unit.

### Diagnosis Procedure

INFOID:000000005350592

#### 1. CHECK STEERING SWITCH SIGNAL GND CIRCUIT

1. Disconnect AV control unit connector and spiral cable connector.
2. Check continuity between AV control unit harness connector terminal 15 and spiral cable harness connector terminal 27.

**15 - 27 : Continuity should exist.**

Is the inspection result normal?

- YES >> GO TO 2.  
NO >> Repair harness or connector.

#### 2. CHECK SPIRAL CABLE

Check spiral cable.

Is the inspection result normal?

- YES >> GO TO 3.  
NO >> Replace spiral cable.

#### 3. CHECK GROUND CIRCUIT

1. Connect AV control unit connector.
2. Check continuity between AV control unit harness connector terminal 15 and ground.

**15 - Ground : Continuity should exist.**

Is the inspection result normal?

- YES >> GO TO 4.  
NO >> Replace AV control unit.

#### 4. CHECK STEERING SWITCH

1. Turn ignition switch OFF.
2. Check steering switch. Refer to [AV-629, "Component Inspection"](#).

Is the inspection result normal?

- YES >> INSPECTION END  
NO >> Replace steering switch.

### Component Inspection

INFOID:000000005350593

Measure the resistance between the steering switch connector terminals 20 to 17 and 19 to 17.

Standard

**Between terminals 20 and 17**

**ENTER switch ON : 990 – 1030 Ω**

**MENU DOWN switch ON : 323 – 337 Ω**

**MENU UP switch ON : 108 – 112 Ω**

**SOURCE switch ON : 0 Ω**

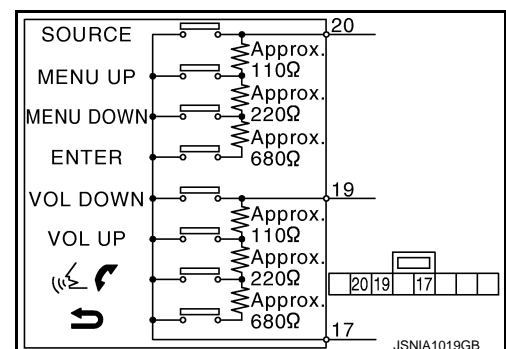
**Between terminals 19 and 17**

**↶ switch ON : 990 – 1030 Ω**

**↷ switch ON : 323 – 337 Ω**

**VOL UP switch ON : 108 – 112 Ω**

**VOL DOWN switch ON : 0 Ω**



# AV CONTROL UNIT

[WITH MOBILE ENTERTAINMENT SYSTEM]

< ECU DIAGNOSIS >

## ECU DIAGNOSIS

### AV CONTROL UNIT

Reference Value

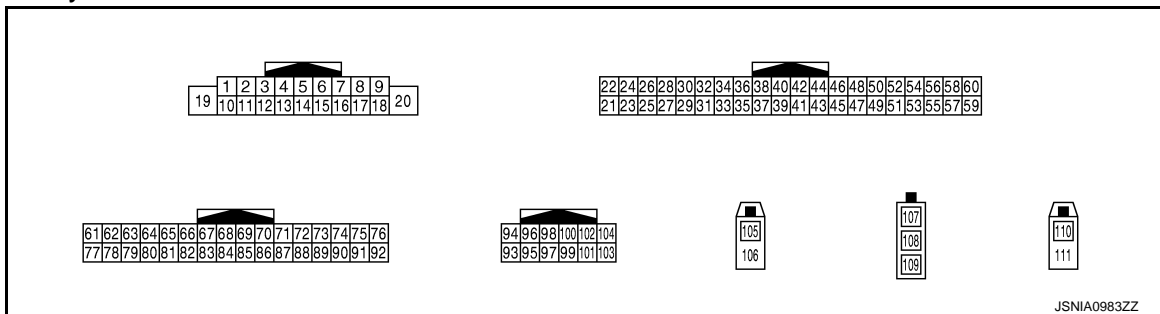
INFOID:000000005350594

#### VALUES ON THE DIAGNOSIS TOOL

CONSULT-III monitor item

Display Item	Display	Vehicle status	Remarks
VHCL SPD SIG	On	Vehicle speed >0 km/h (0 MPH)	Changes in indication may be delayed. This is normal.
	Off	Vehicle speed =0 km/h (0 MPH)	
PKB SIG	On	Parking brake is applied.	Changes in indication may be delayed. This is normal.
	Off	Parking brake is released.	
ILLUM SIG	On	Block the light beam from the auto light optical sensor when the light SW is ON.	—
	Off	Expose the auto light optical sensor to light when the light SW is OFF or ON.	
IGN SIG	On	Ignition switch ON	—
	Off	Ignition switch in ACC position	
REV SIG	On	Shift the selector lever to "R" position.	Changes in indication may be delayed. This is normal.
	Off	Shift the selector lever other than "R" position.	

#### Terminal Layout

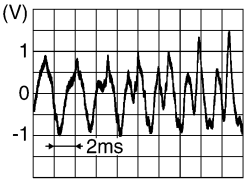
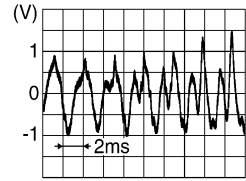
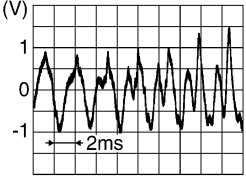


#### Physical Values

# AV CONTROL UNIT

[WITH MOBILE ENTERTAINMENT SYSTEM]

< ECU DIAGNOSIS >

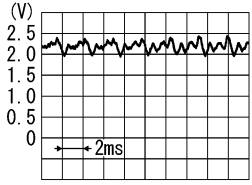
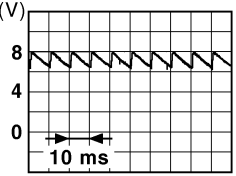
Terminal (Wire color)		Description		Condition		Reference value (Approx.)
+	-	Signal name	Input/ Output			
2 (R/L) <sup>*1</sup> (R) <sup>*2</sup>	3 (W)	Sound signal LH	Output	Ignition switch ON	Audio sound output. (except DVD mode) <sup>*1</sup>	 <p style="text-align: right; font-size: small;">SKIB3609E</p>
4 (L/G)	5 (L/Y)	Voice guidance signal	Output	Ignition switch ON	Voice guidance output.	 <p style="text-align: right; font-size: small;">SKIB3609E</p>
6 (BR)	15 (G)	Steering switch signal A	Input	Ignition switch ON	Keep pressing SOURCE switch.	0 V
					Keep pressing MENU UP switch.	1 V
					Keep pressing MENU DOWN switch.	2 V
					Keep pressing ENTER switch.	3 V
					Except for above.	5 V
7 (V)	Ground	ACC power supply	Input	Ignition switch ACC	—	Battery voltage
8 (R/Y)	Ground	Illumination control signal	Input	Ignition switch ON	Illumination control switch is operated by lighting switch in ON position.	Change between approx. 0 V and approx. 12 V
9 (LG)	Ground	Illumination signal	Input	Ignition switch ON	Lighting switch is OFF.	0 V
					Lighting switch is ON.	12 V
11 (P) <sup>*1</sup> (Y) <sup>*2</sup>	12 (L)	Sound signal RH	Output	Ignition switch ON	Audio sound output. (except DVD mode) <sup>*1</sup>	 <p style="text-align: right; font-size: small;">SKIB3609E</p>
14	—	Shield	—	—	—	—
15 (G)	Ground	Steering switch signal ground	—	Ignition switch ON	—	0 V

A  
B  
C  
D  
E  
F  
G  
H  
I  
J  
AV  
L  
M  
N  
O  
P

# AV CONTROL UNIT

[WITH MOBILE ENTERTAINMENT SYSTEM]

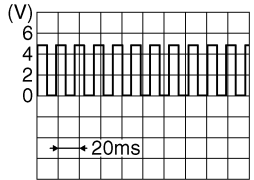
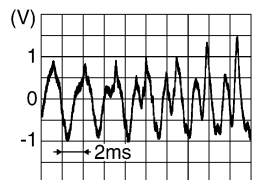
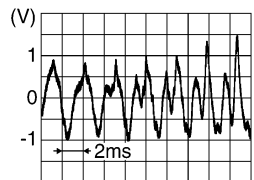
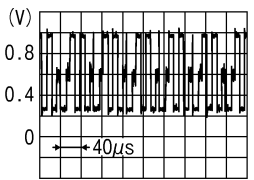
< ECU DIAGNOSIS >

Terminal (Wire color)		Description		Condition	Reference value (Approx.)	
+	-	Signal name	Input/ Output			
16 (O)	15 (G)	Steering switch signal B	Input	Ignition switch ON	Keep pressing VOL DOWN switch.	0 V
					Keep pressing VOL UP switch.	1 V
					Keep pressing  switch.	2 V
					Keep pressing  switch.	3 V
					Except for above.	5 V
19 (Y)	Ground	Battery power supply	Input	Ignition switch OFF	—	Battery voltage
21 (B)	Ground	Ground	—	Ignition switch ON	—	0 V
22 (Y)	Ground	Battery power supply	Input	Ignition switch OFF	—	Battery voltage
23 (B)	Ground	Ground	—	Ignition switch ON	—	0 V
24 (Y)	Ground	Battery power supply	Input	Ignition switch OFF	—	Battery voltage
25 (V)	Ground	ACC power supply	Input	Ignition switch ACC	—	Battery voltage
26 (O)	27	Microphone VCC	Output	Ignition switch ON	—	5 V
27	Ground	Shield (Microphone ground)	—	Ignition switch ON	—	0 V
28 (W)	27	Microphone signal	Input	Ignition switch ON	Give a voice.	 <small>PKIB5037J</small>
35 (Y/G)	Ground	Ignition signal	Input	Ignition switch ON	—	Battery voltage
36 (P)	Ground	Parking brake signal	Input	Ignition switch ON	Parking brake ON.	0 V
					Parking brake OFF.	 <small>JSNIA0007GB</small>

# AV CONTROL UNIT

[WITH MOBILE ENTERTAINMENT SYSTEM]

< ECU DIAGNOSIS >

Terminal (Wire color)		Description		Condition		Reference value (Approx.)
+	-	Signal name	Input/ Output	Condition	Reference value (Approx.)	
37 (O)	Ground	Reverse signal	Input	Ignition switch ON	R position.	12 V
				Other than R position.	0 V	
38 (G)	Ground	Vehicle speed signal (8-pulse)	Input	Ignition switch ON	When vehicle speed is approx. 40 km/h (25MPH).	<p><b>NOTE:</b> Maximum voltage may be 12 V due to specifications (connected units).</p>  <p style="text-align: right; font-size: small;">SKIA6649J</p>
40 (W/R)	Ground	Camera-connection recognition signal	Input	Ignition switch ON	Connected to camera control unit connector.	0 V
					Not connected to camera control unit connector.	5 V
48 (W)	—	AV communication signal (H)	Input/Output	—	—	—
49 (R)	—	AV communication signal (L)	Input/Output	—	—	—
50 (BR)	—	AV communication signal (H)	Input/Output	—	—	—
51 (B/R)	—	AV communication signal (L)	Input/Output	—	—	—
52 (L)	—	CAN-H	Input/Output	—	—	—
53 (P)	—	CAN-L	Input/Output	—	—	—
67 (B/R)	83 (BR)	BOSE 2ch models • Sound signal LH (DVD, AUX and iPod sound)	Input	Ignition switch ON	When DVD, AUX or iPod mode is selected.	 <p style="text-align: right; font-size: small;">SKIB3609E</p>
		BOSE surround audio 5.1ch models • Sound signal LH (AUX and iPod sound)			When AUX or iPod mode is selected.	
68 (B/W)	84 (L)	BOSE 2ch models • Sound signal RH (DVD, AUX and iPod sound)	Input	Ignition switch ON	When DVD, AUX or iPod mode is selected.	 <p style="text-align: right; font-size: small;">SKIB3609E</p>
		BOSE surround audio 5.1ch models • Sound signal RH (AUX and iPod sound)			When AUX or iPod mode is selected.	
93 (G/O)	Ground	RGB signal (R: red) for front display unit	Output	Ignition switch ON	Start confirmation/adjustment mode, and then display color bar by selecting "Color Spectrum Bar" on DISPLAY DIAGNOSIS screen.	 <p style="text-align: right; font-size: small;">JSNIA1029ZZ</p>

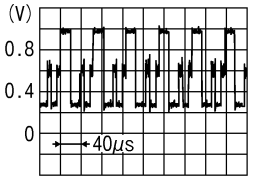
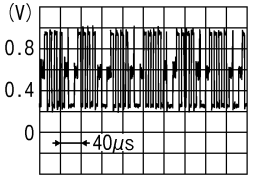
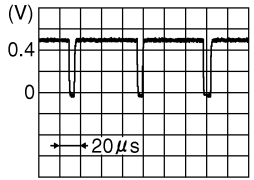
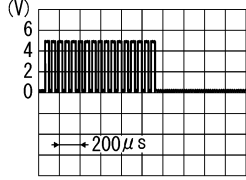
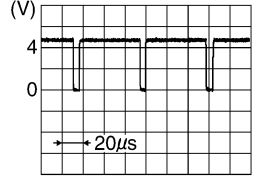
A  
B  
C  
D  
E  
F  
G  
H  
I  
J  
K  
L  
M  
N  
O  
P

AV

# AV CONTROL UNIT

**[WITH MOBILE ENTERTAINMENT SYSTEM]**

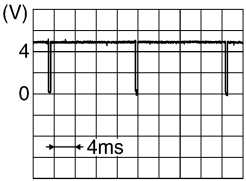
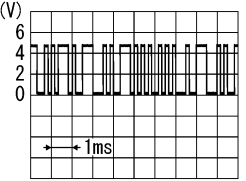
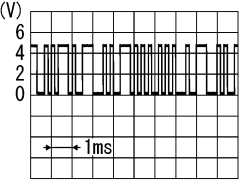
< ECU DIAGNOSIS >

Terminal (Wire color)		Description		Condition		Reference value (Approx.)
+	-	Signal name	Input/ Output			
94 (G/R)	Ground	RGB signal (G: green) for front display unit	Output	Ignition switch ON	Start confirmation/adjustment mode, and then display color bar by selecting "Color Spectrum Bar" on DISPLAY DIAGNOSIS screen.	 <p style="text-align: right; font-size: small;">JSNIA1030ZZ</p>
95 (G/Y)	Ground	RGB signal (B: blue) for front display unit	Output	Ignition switch ON	Start confirmation/adjustment mode, and then display color bar by selecting "Color Spectrum Bar" on DISPLAY DIAGNOSIS screen.	 <p style="text-align: right; font-size: small;">JSNIA1031ZZ</p>
96 (P)	Ground	RGB ground for front display unit	—	Ignition switch ON	—	0 V
97 (L)	Ground	RGB synchronizing signal for front display unit	Output	Ignition switch ON	—	 <p style="text-align: right; font-size: small;">JPNIA0461GB</p>
98 (B)	Ground	RGB synchronizing signal ground for front display unit	—	Ignition switch ON	—	0 V
99 (G)	Ground	RGB area (YS) signal for front display unit	Output	Ignition switch ON	When RGB image is displayed.	5 V
					When rear view camera image is displayed.	 <p style="text-align: right; font-size: small;">PKIB4948J</p>
100 (W)	Ground	Horizontal synchronizing (HP) signal for front display unit	Input	Ignition switch ON	—	 <p style="text-align: right; font-size: small;">SKIB3601E</p>

# AV CONTROL UNIT

[WITH MOBILE ENTERTAINMENT SYSTEM]

< ECU DIAGNOSIS >

Terminal (Wire color)		Description		Condition		Reference value (Approx.)
+	-	Signal name	Input/ Output			
101 (R)	Ground	Vertical synchronizing (VP) signal for display unit	Input	Ignition switch ON	—	 <p style="text-align: right; font-size: small;">SKIB3598E</p>
102 (O/L)	Ground	Communication signal (CONT→DISP)	Output	Ignition switch ON	When adjusting front display brightness.	 <p style="text-align: right; font-size: small;">PKIB5039J</p>
103 (W/L)	Ground	Communication signal (DISP→CONT)	Input	Ignition switch ON	When adjusting front display brightness.	 <p style="text-align: right; font-size: small;">PKIB5039J</p>
105	Ground	GPS antenna signal	Input	Ignition switch ON	Not connected to GPS antenna connector.	5 V
106	—	Shield	—	—	—	—
107	Ground	Antenna amp. ON signal	Output	Ignition switch ON	—	12 V
108	—	AM-FM main	Input	—	—	—
109	—	FM sub	Input	—	—	—
110	Ground	Satellite antenna signal	Input	Ignition switch ON	Not connected to satellite antenna connector.	5 V
111	—	Shield	—	—	—	—

\*1: BOSE surround audio 5.1ch system models.

\*2: BOSE 2ch system models.

A  
B  
C  
D  
E  
F  
G  
H  
I  
J  
L  
M  
N  
O  
P

AV

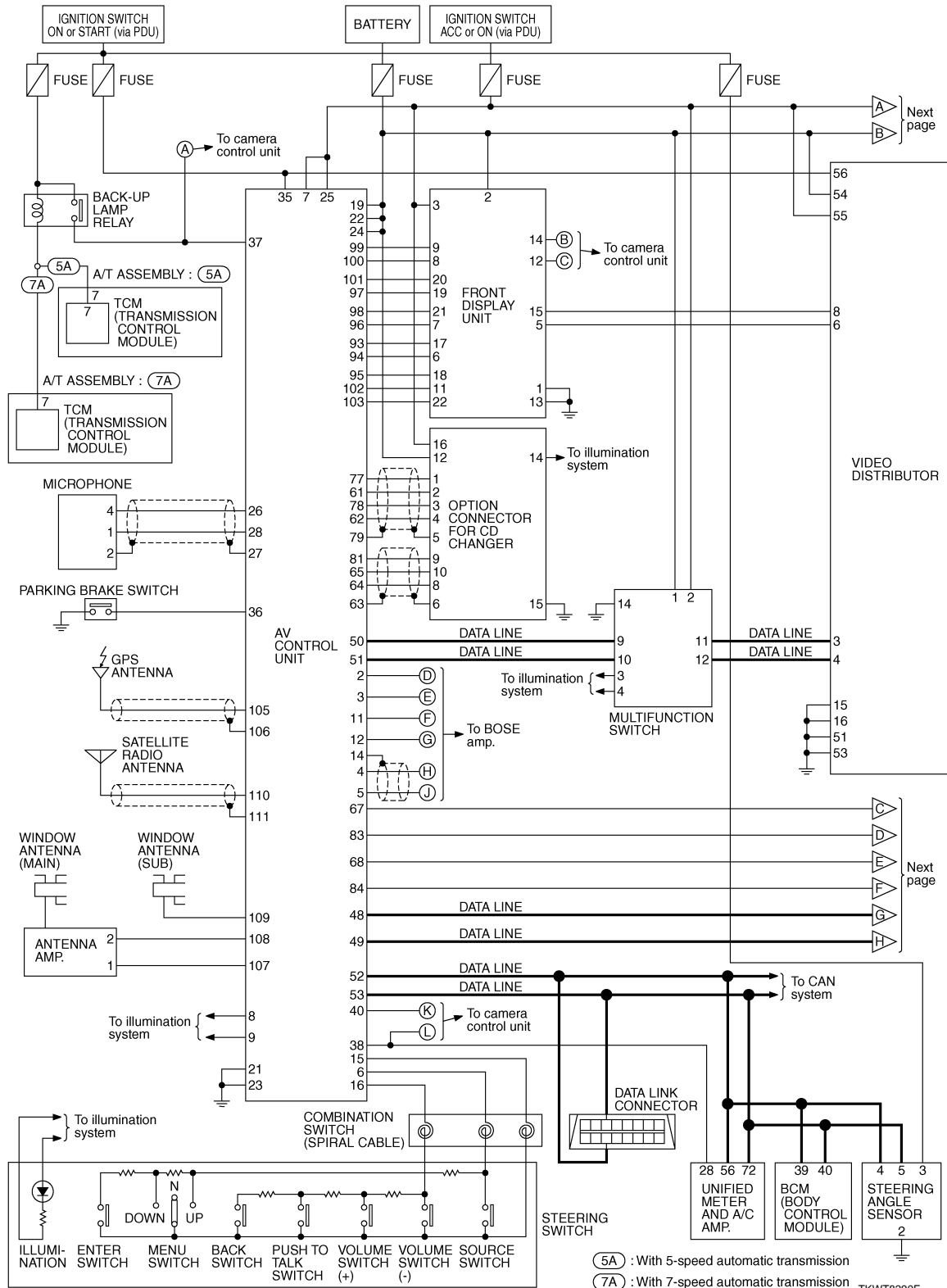
# AV CONTROL UNIT

[WITH MOBILE ENTERTAINMENT SYSTEM]

< ECU DIAGNOSIS >

## Schematic - BOSE Audio 2ch System-

INFOID:000000005350595

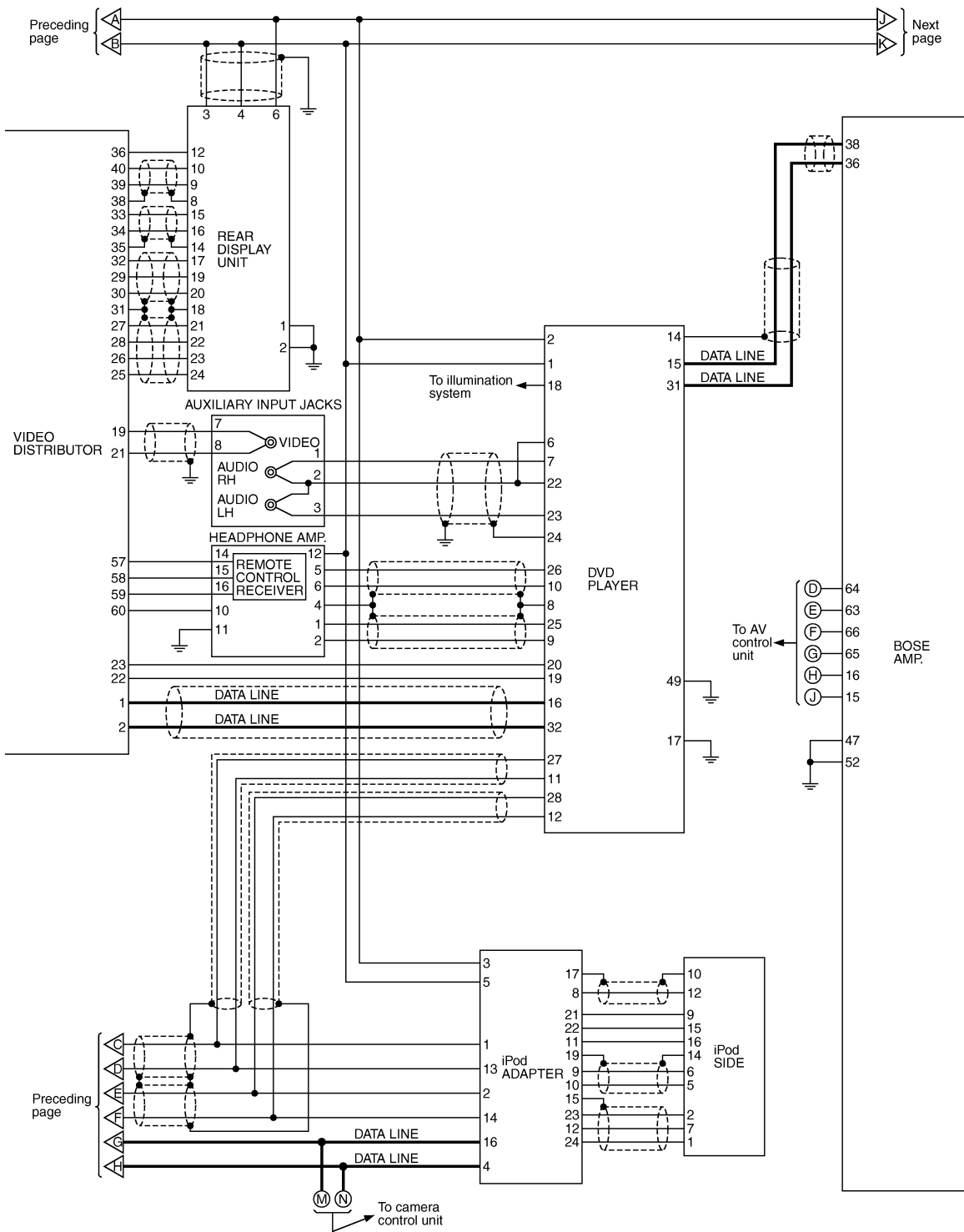




# AV CONTROL UNIT

[WITH MOBILE ENTERTAINMENT SYSTEM]

< ECU DIAGNOSIS >



A  
B  
C  
D  
E  
F  
G  
H  
I  
J  
K  
L  
M  
N  
O  
P

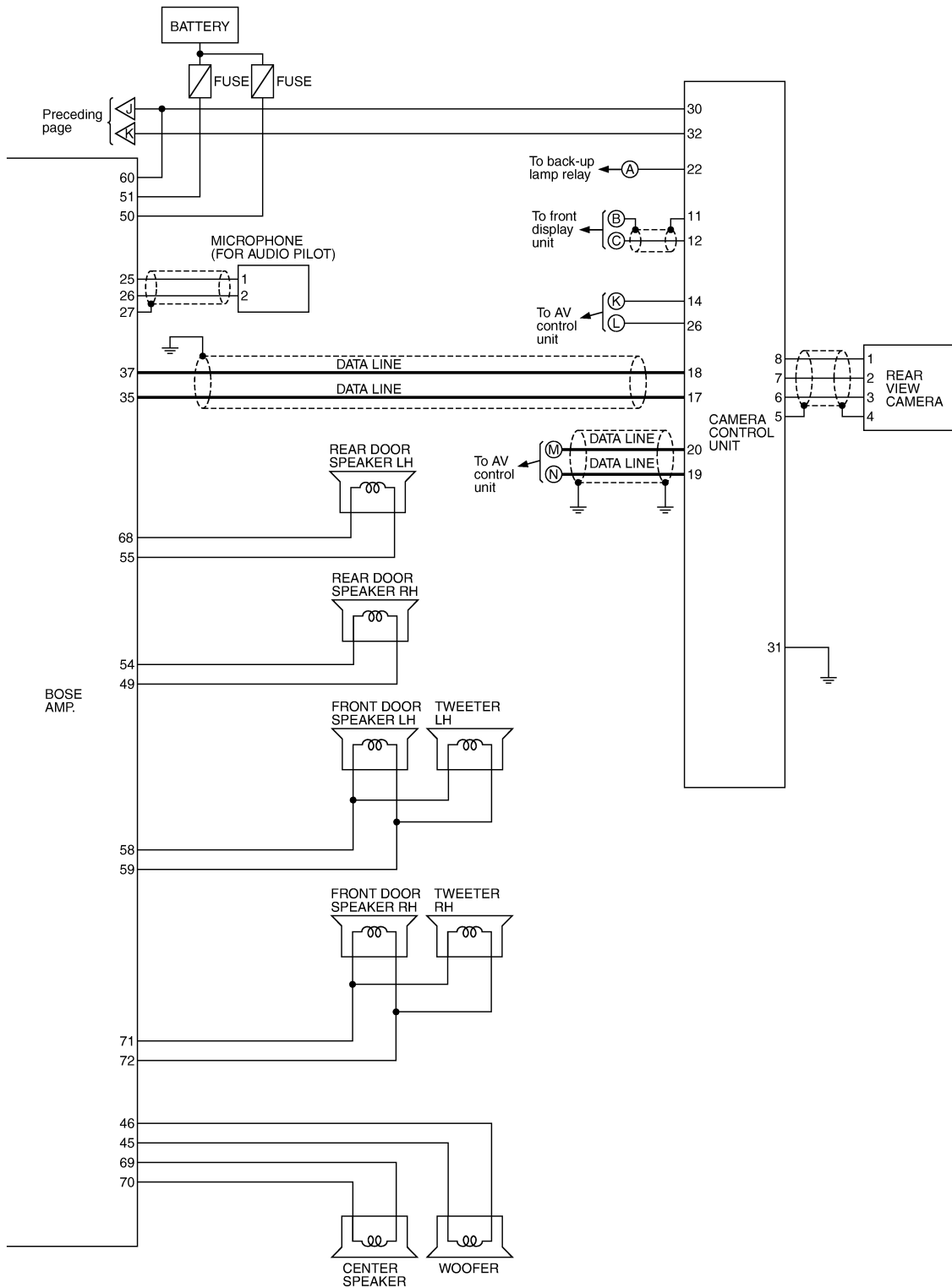
AV

TKWT6722E

# AV CONTROL UNIT

[WITH MOBILE ENTERTAINMENT SYSTEM]

< ECU DIAGNOSIS >



TKWT6723E

Wiring Diagram - AV - / BOSE Audio 2ch System

INFOID:000000005350596

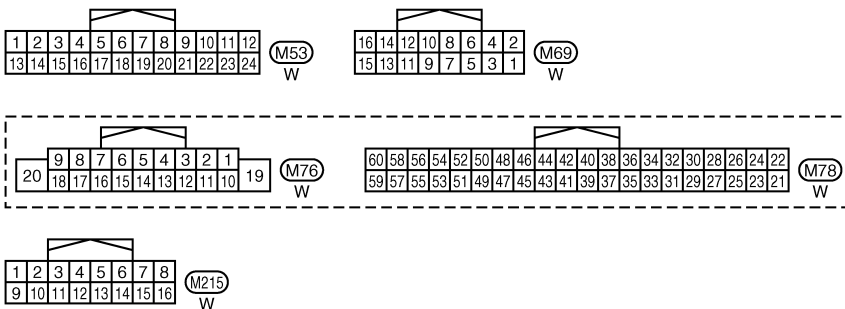
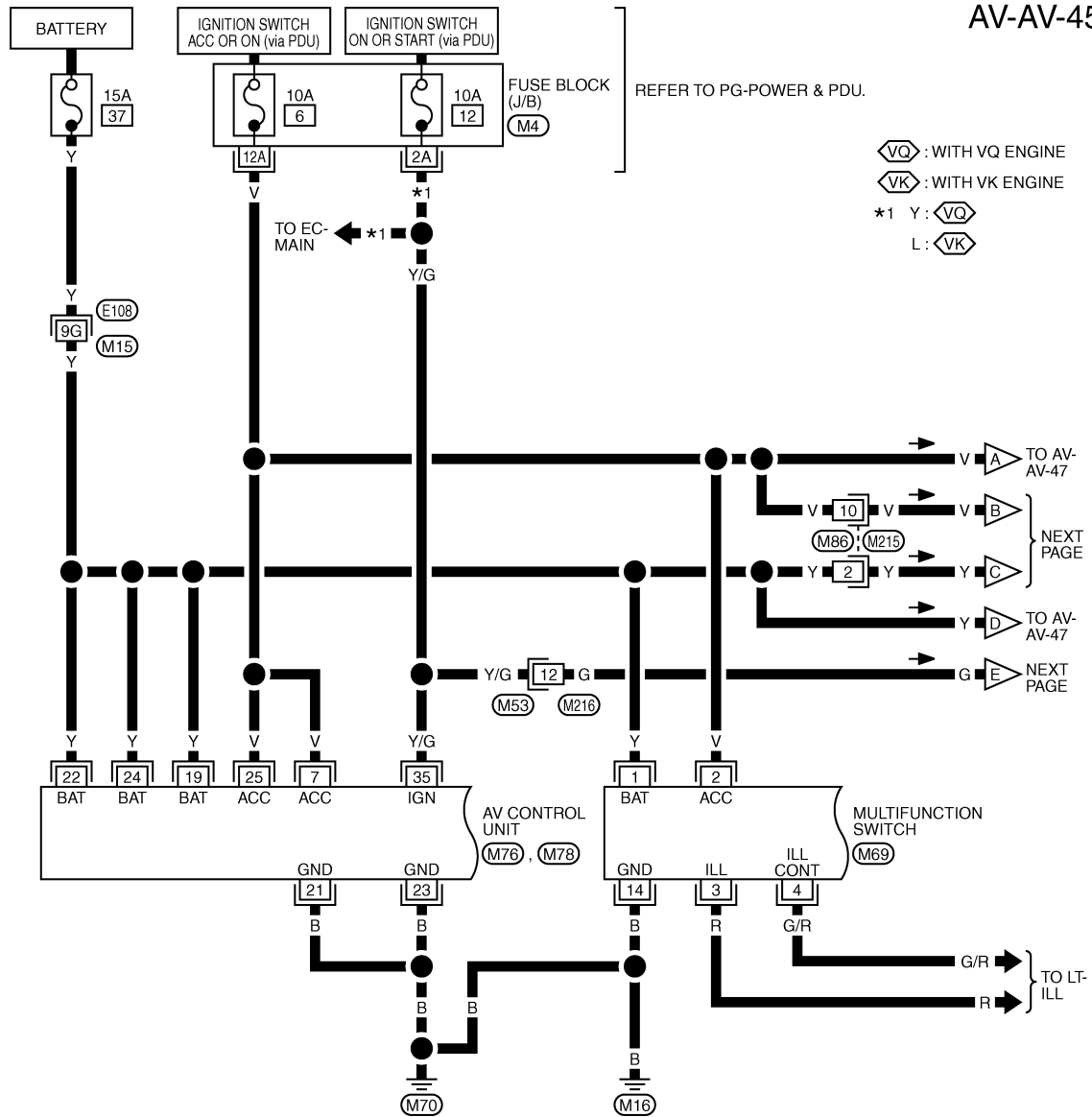
**NOTE:**

# AV CONTROL UNIT

[WITH MOBILE ENTERTAINMENT SYSTEM]

< ECU DIAGNOSIS >

The name MULTIFUNCTION SWITCH indicates the integration of PRESET SWITCH and MULTIFUNCTION SWITCH virtually.



REFER TO THE FOLLOWING.

(E108) -SUPER MULTIPLE JUNCTION (SMJ)

(M4) -FUSE BLOCK-JUNCTION BOX (J/B)

TKWT8291E

A  
B  
C  
D  
E  
F  
G  
H  
I  
J  
K  
L  
M  
N  
O  
P

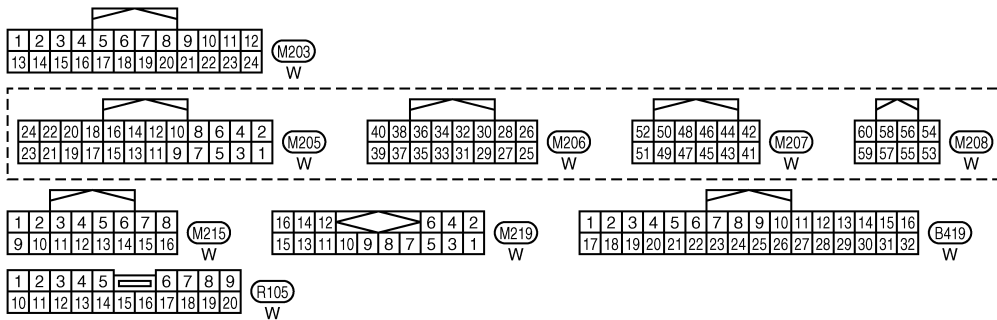
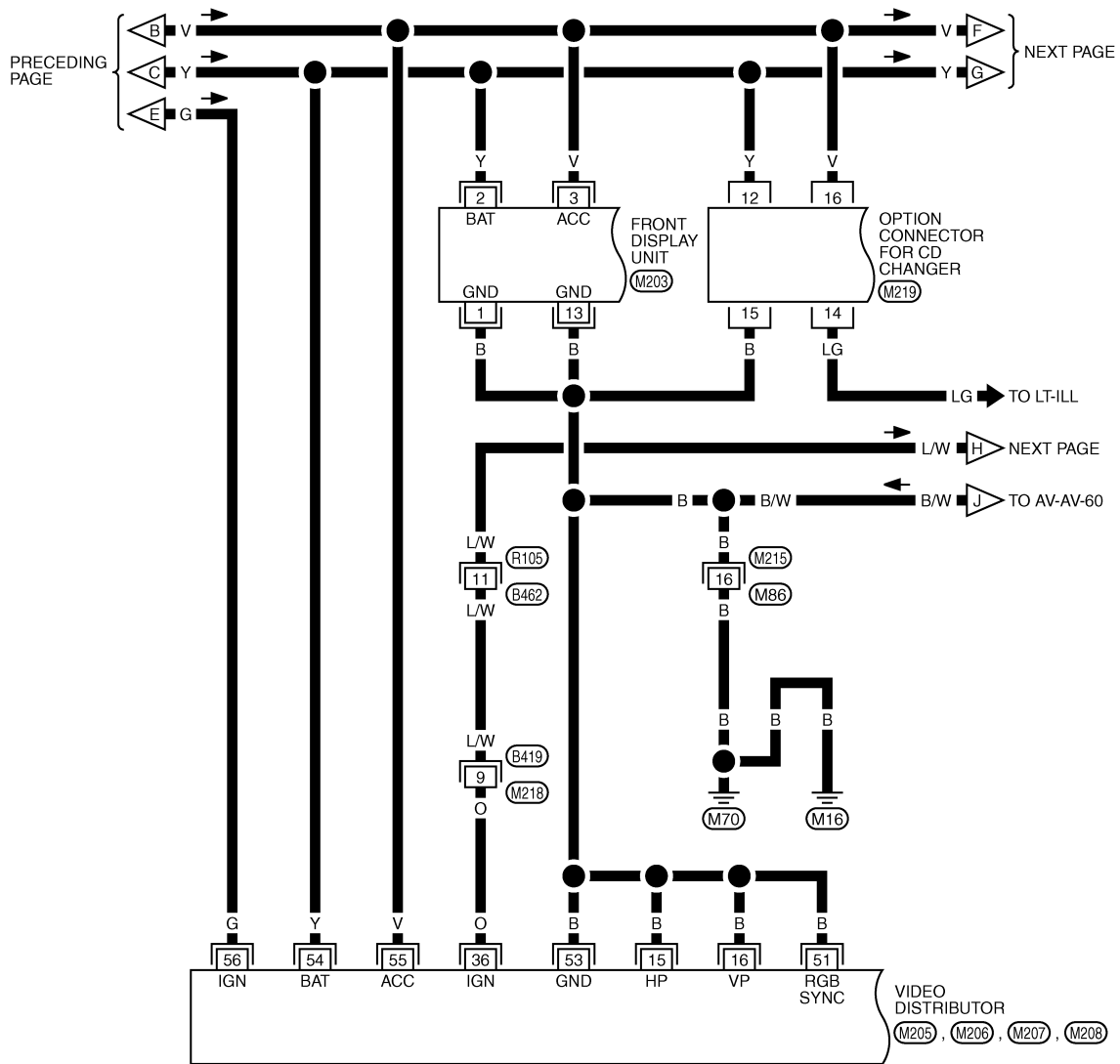
AV

# AV CONTROL UNIT

[WITH MOBILE ENTERTAINMENT SYSTEM]

< ECU DIAGNOSIS >

AV-AV-46



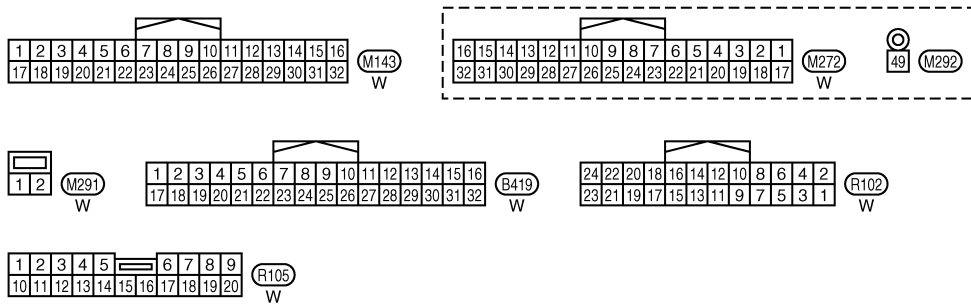
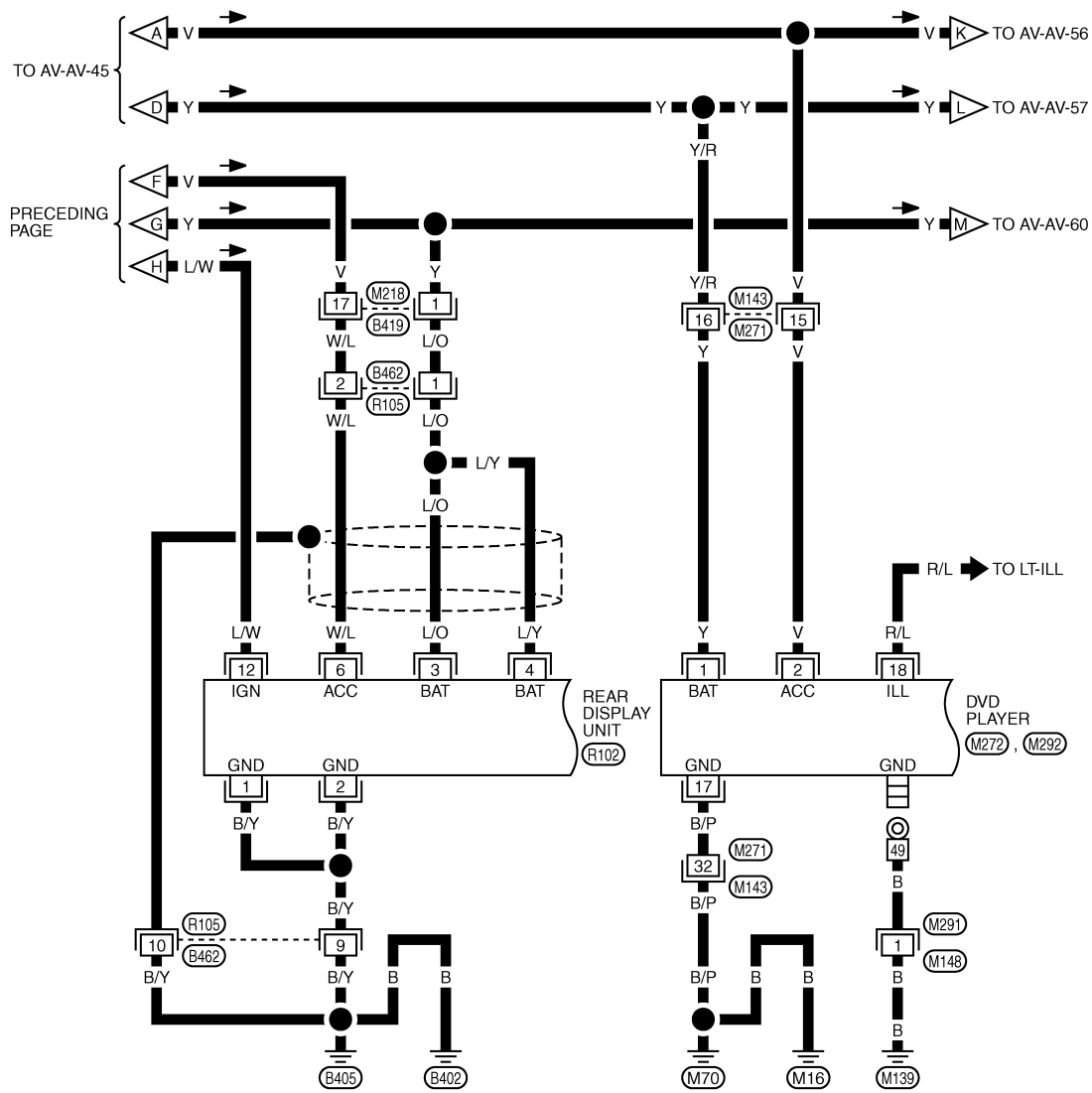
TKWT8292E

# AV CONTROL UNIT

[WITH MOBILE ENTERTAINMENT SYSTEM]

< ECU DIAGNOSIS >

AV-AV-47



TKWT8293E

A  
B  
C  
D  
E  
F  
G  
H  
I  
J  
K  
L  
M  
N  
O  
P

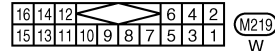
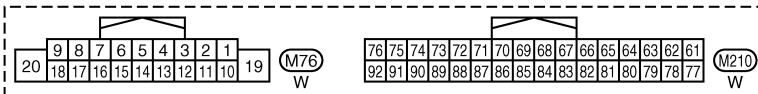
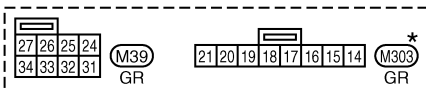
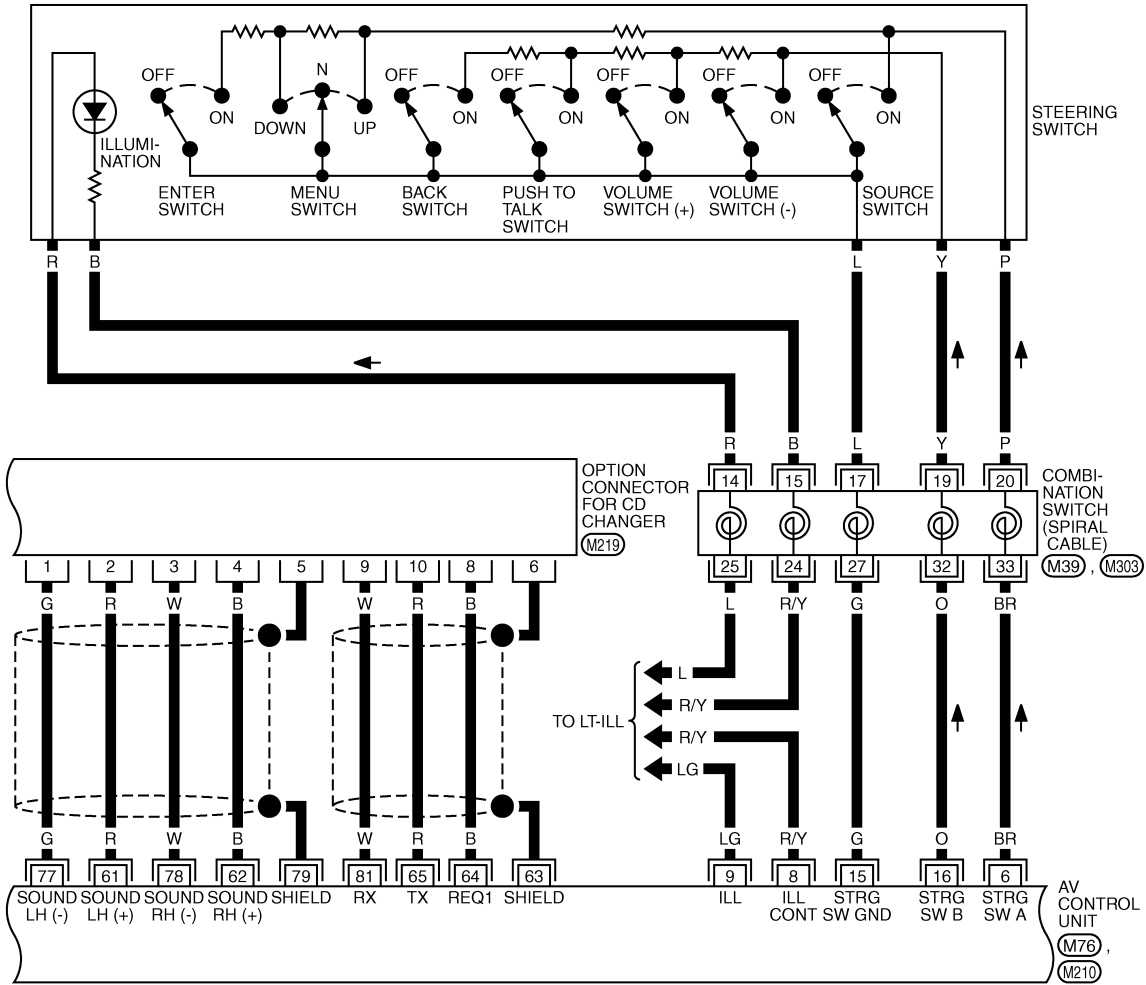
AV

# AV CONTROL UNIT

[WITH MOBILE ENTERTAINMENT SYSTEM]

< ECU DIAGNOSIS >

AV-AV-48



\*: THIS CONNECTOR IS NOT SHOWN IN "HARNESS LAYOUT", PG SECTION.

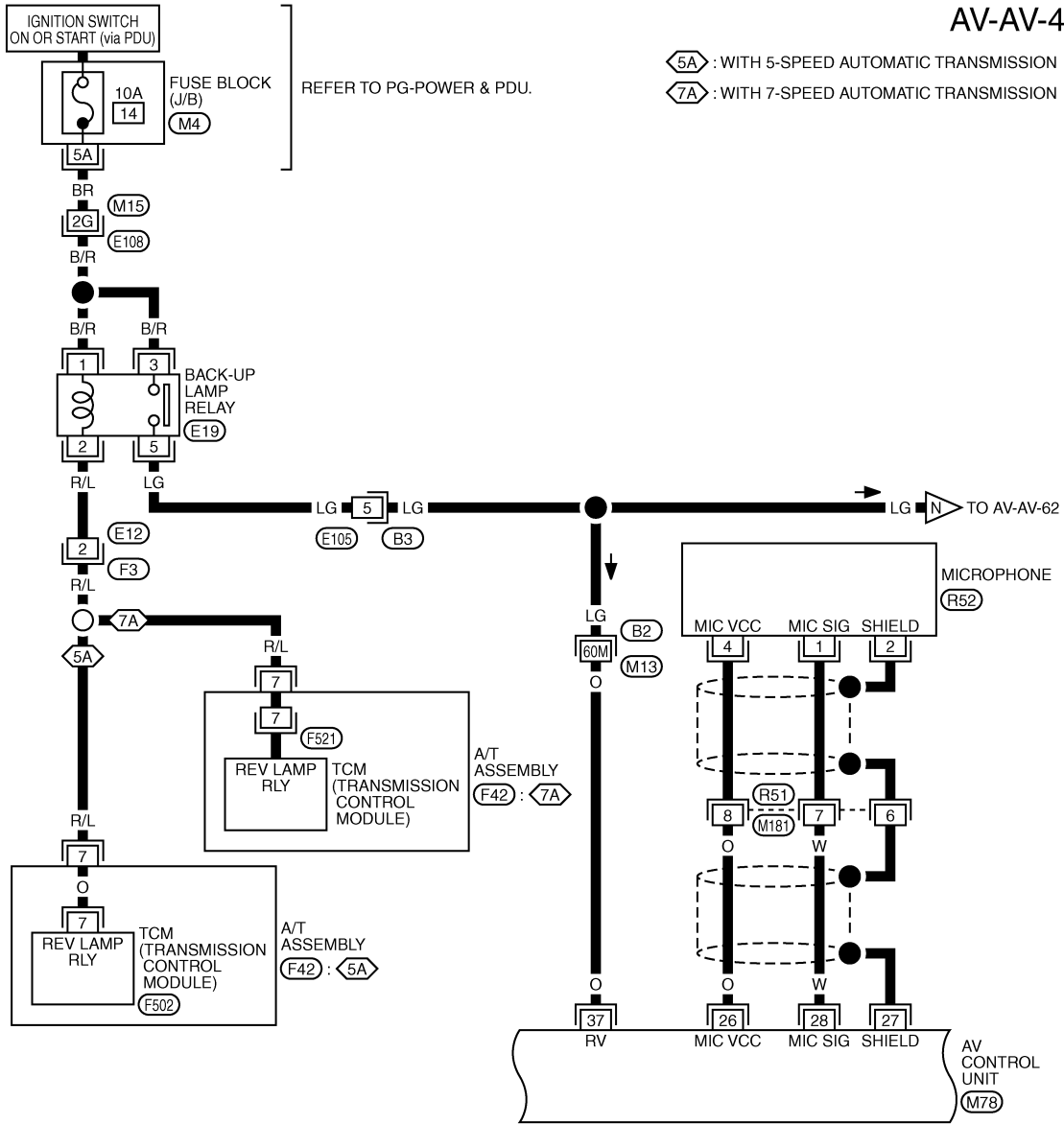
TKWT8294E

# AV CONTROL UNIT

[WITH MOBILE ENTERTAINMENT SYSTEM]

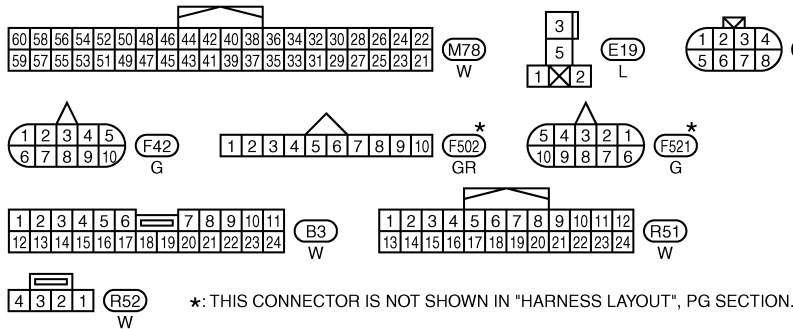
< ECU DIAGNOSIS >

AV-AV-49



5A : WITH 5-SPEED AUTOMATIC TRANSMISSION  
 7A : WITH 7-SPEED AUTOMATIC TRANSMISSION

REFER TO PG-POWER & PDU.



REFER TO THE FOLLOWING.  
 E108, B2 -SUPER MULTIPLE JUNCTION (SMJ)  
 M4 -FUSE BLOCK-JUNCTION BOX (J/B)

TKWT8295E

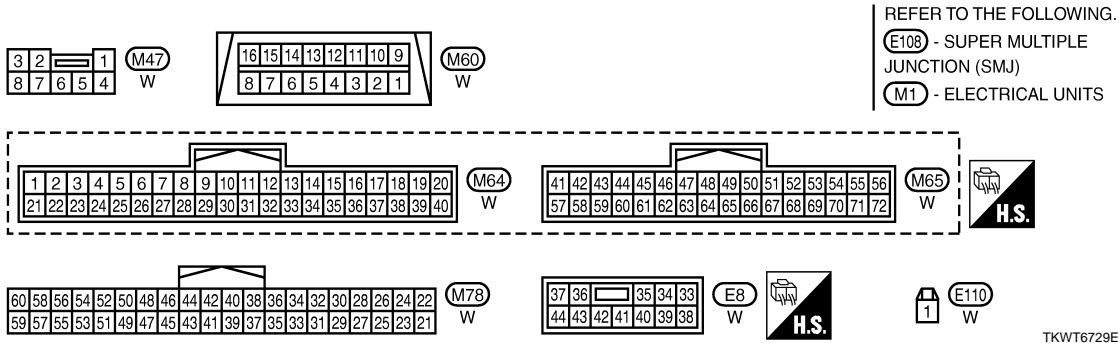
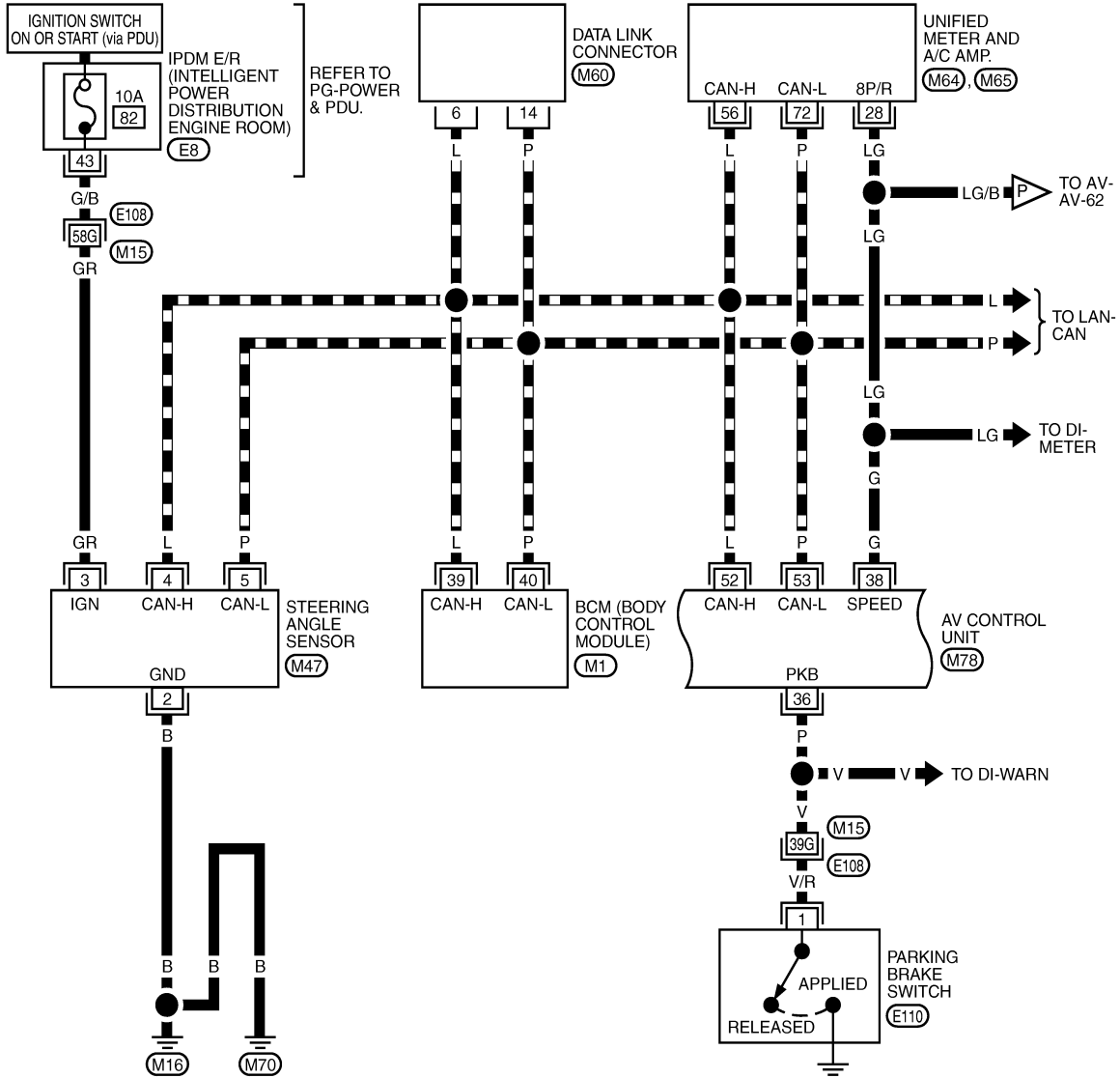
# AV CONTROL UNIT

[WITH MOBILE ENTERTAINMENT SYSTEM]

< ECU DIAGNOSIS >

AV-AV-50

▬ : DATA LINE



TKWT6729E



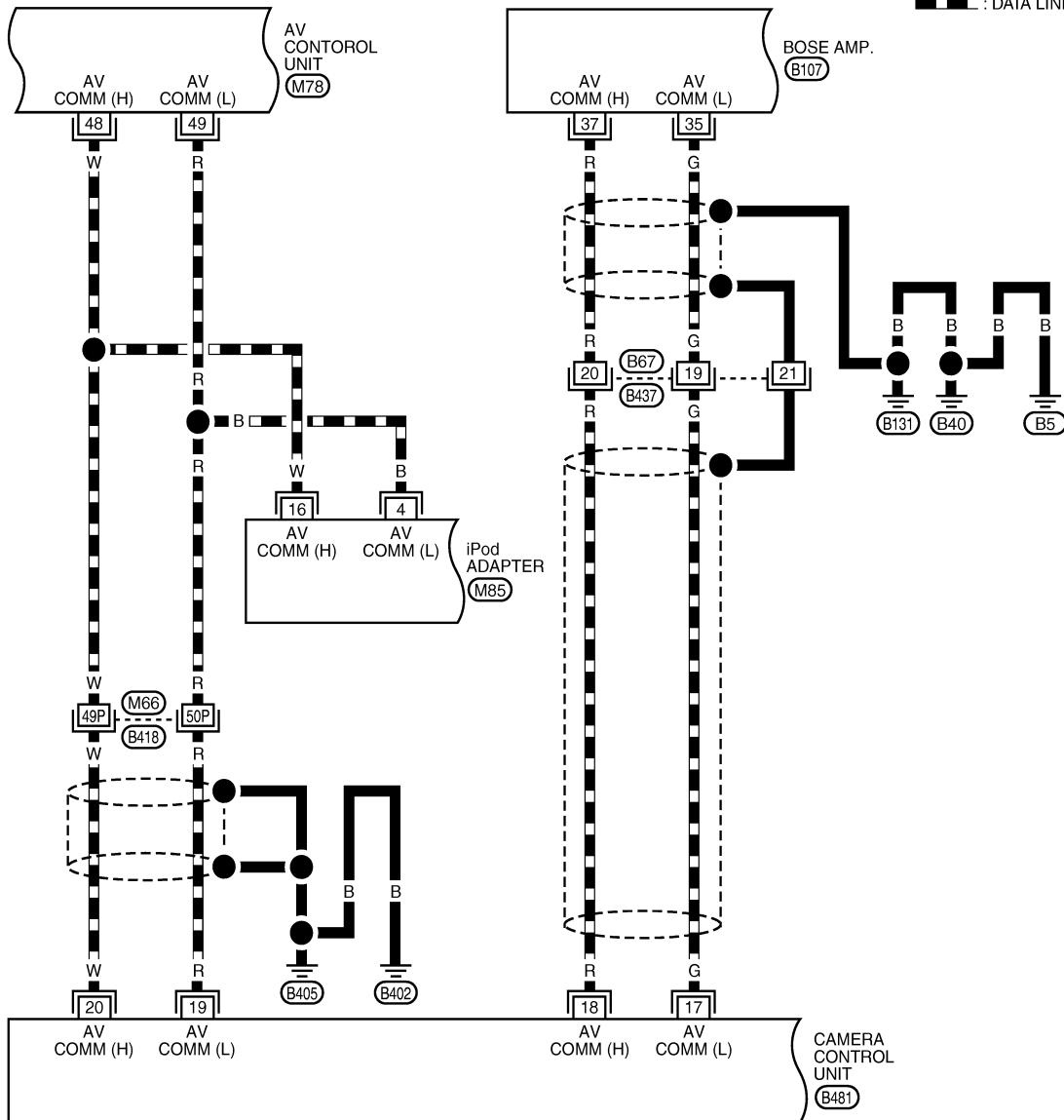
# AV CONTROL UNIT

[WITH MOBILE ENTERTAINMENT SYSTEM]

< ECU DIAGNOSIS >

AV-AV-51

— : DATA LINE



60	58	56	54	52	50	48	46	44	42	40	38	36	34	32	30	28	26	24	22
59	57	55	53	51	49	47	45	43	41	39	37	35	33	31	29	27	25	23	21

(M78) W

12	11	10	9	8	7	6	5	4	3	2	1
24	23	22	21	20	19	18	17	16	15	14	13

(M85) W

1	2	3	4	5	6	7	8	9	10	11	12	13	14	15	16	17	18	19	20
21	22	23	24	25	26	27	28	29	30	31	32	33	34	35	36	37	38	39	40

(B107) W

1	2	3	4	5	6	7	8	9	10	11		
12	13	14	15	16	17	18	19	20	21	22	23	24

(B437) BR

32	30	28	26	24	22	20	18	16	14	12	10	8	6	4	2
31	29	27	25	23	21	19	17	15	13	11	9	7	5	3	1

(B481) W

REFER TO THE FOLLOWING.

(B418) - SUPER MULTIPLE JUNCTION (SMJ)

TKWT6730E

A  
B  
C  
D  
E  
F  
G  
H  
I  
J  
K  
L  
M  
N  
O  
P

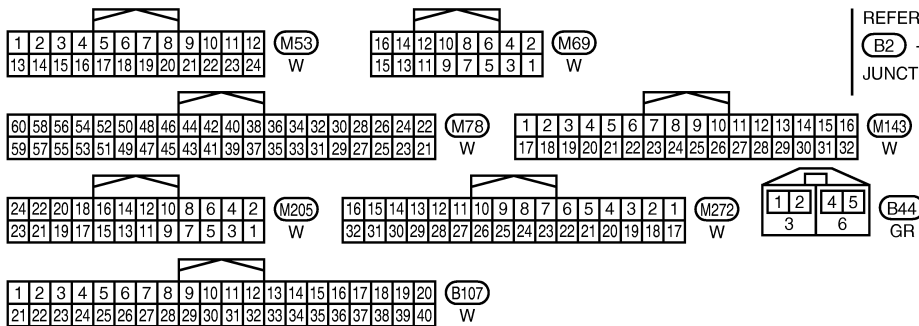
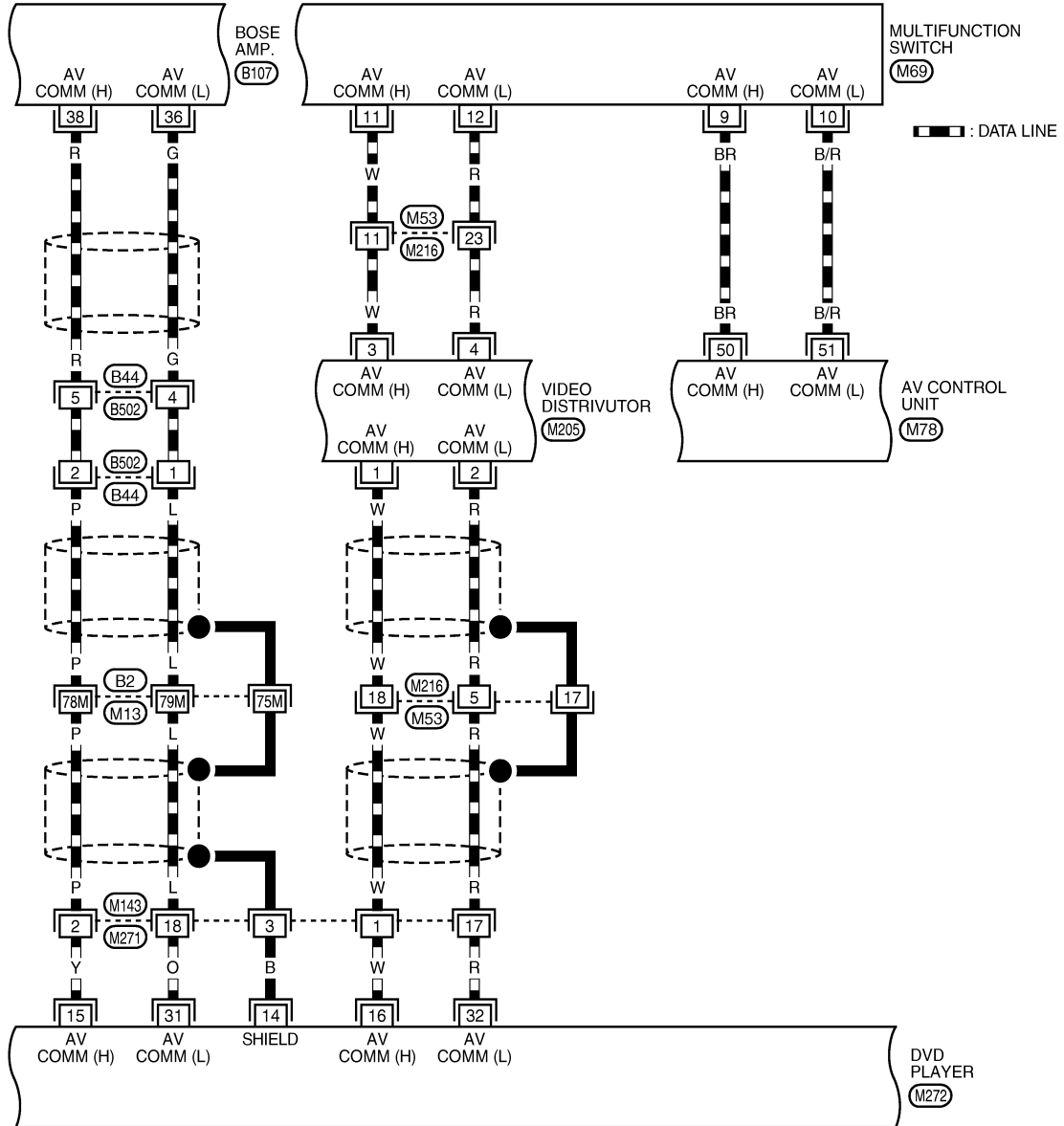
AV

# AV CONTROL UNIT

[WITH MOBILE ENTERTAINMENT SYSTEM]

< ECU DIAGNOSIS >

AV-AV-52



REFER TO THE FOLLOWING.

**(B2)** - SUPER MULTIPLE JUNCTION (SMJ)

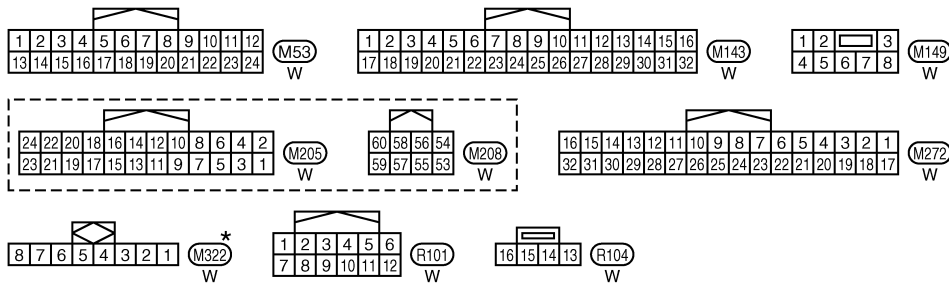
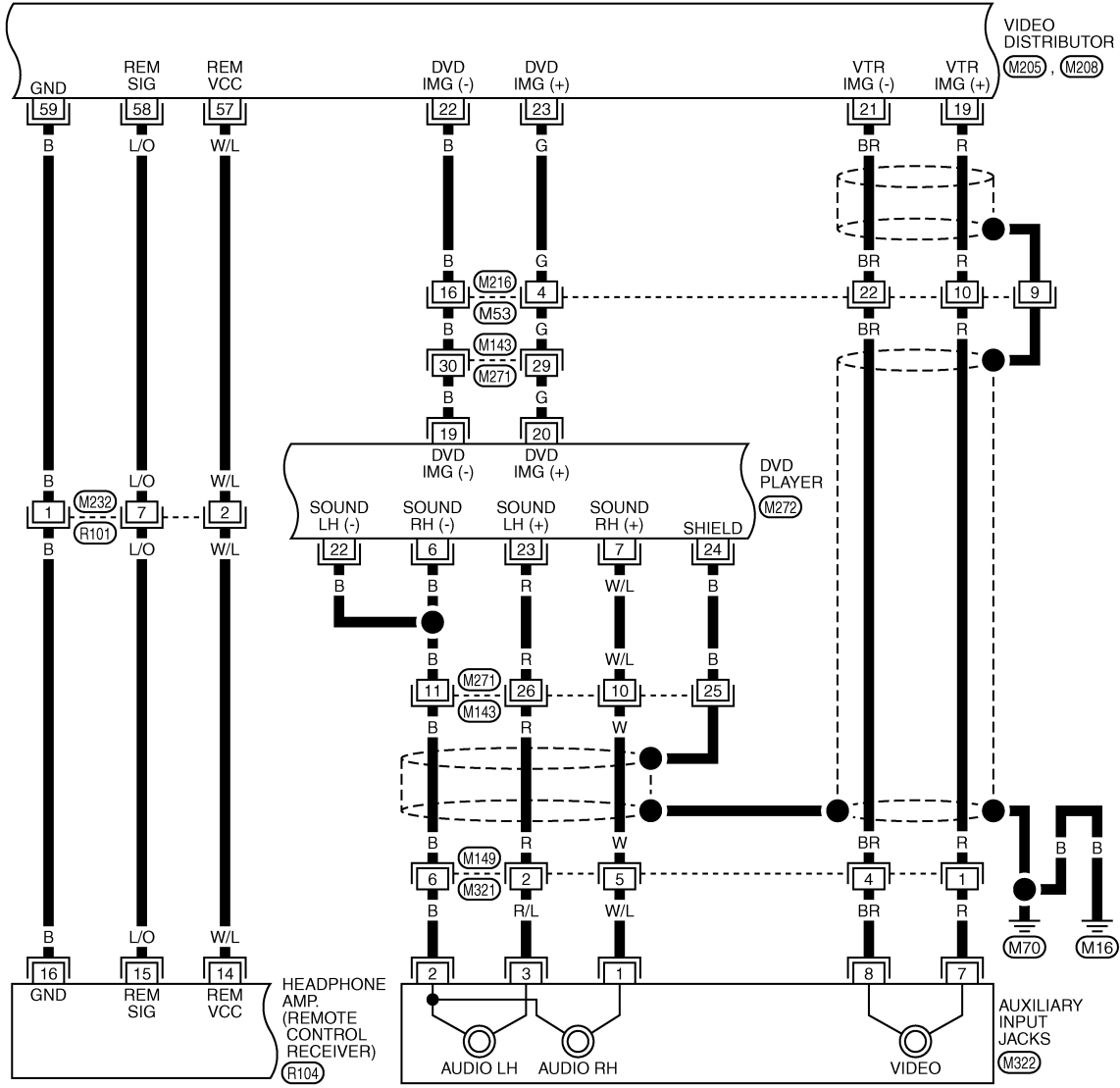
TKWT6731E

# AV CONTROL UNIT

[WITH MOBILE ENTERTAINMENT SYSTEM]

< ECU DIAGNOSIS >

AV-AV-53



\*: THIS CONNECTOR IS NOT SHOWN IN "HARNESS LAYOUT", PG SECTION.

TKWT8296E

A  
B  
C  
D  
E  
F  
G  
H  
I  
J  
L  
M  
N  
O  
P

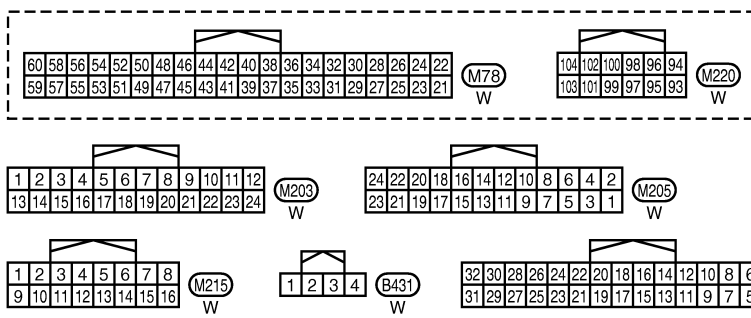
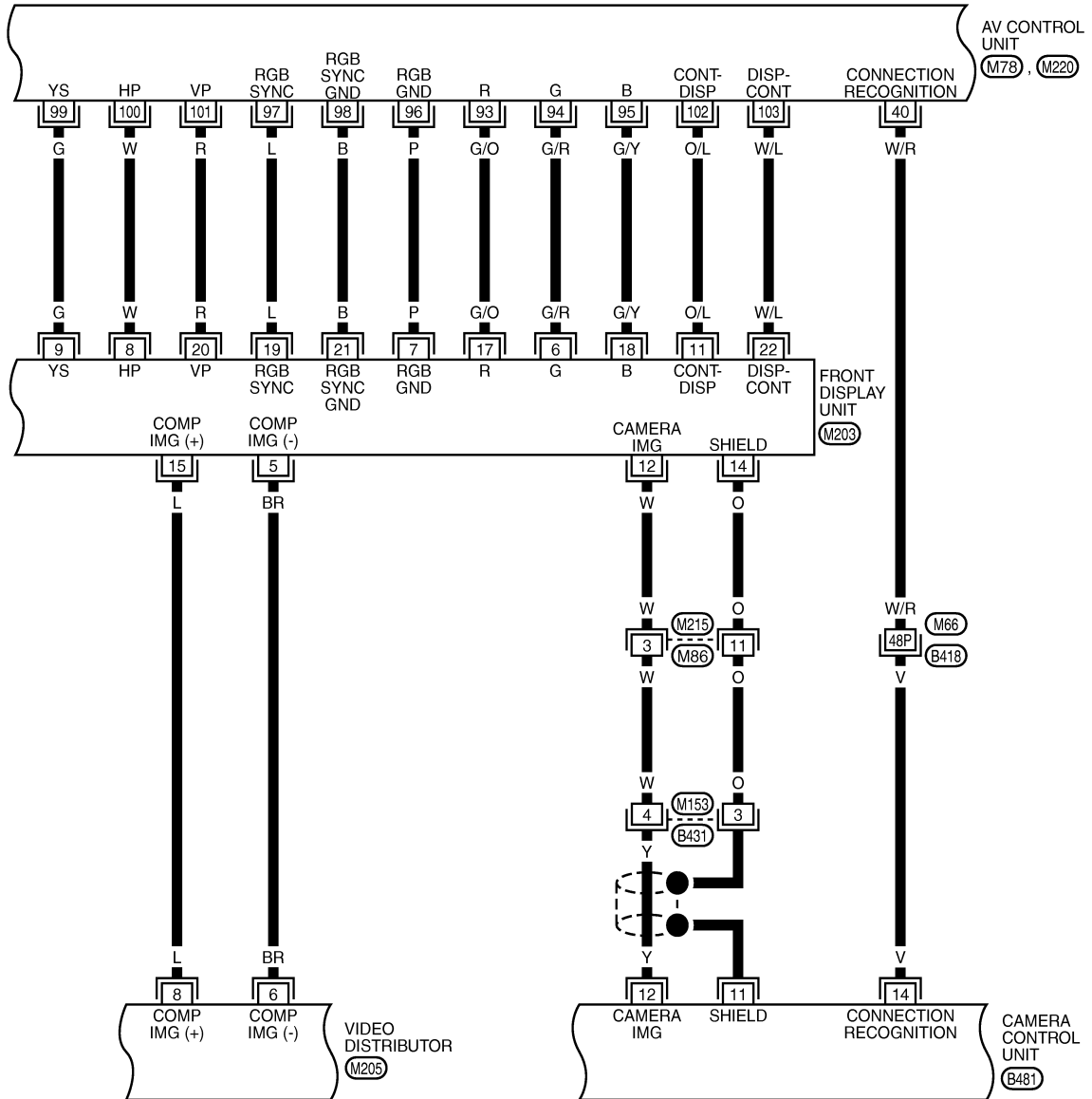
AV

# AV CONTROL UNIT

[WITH MOBILE ENTERTAINMENT SYSTEM]

< ECU DIAGNOSIS >

AV-AV-54



REFER TO THE FOLLOWING.

(B418) -SUPER MULTIPLE JUNCTION (SMJ)

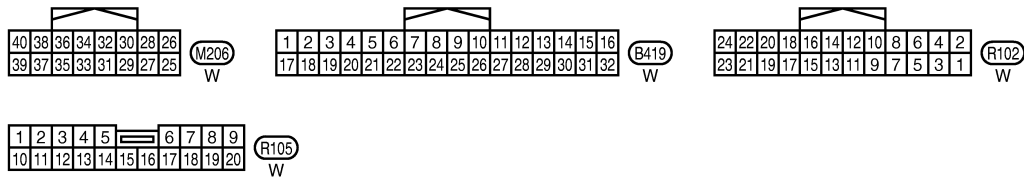
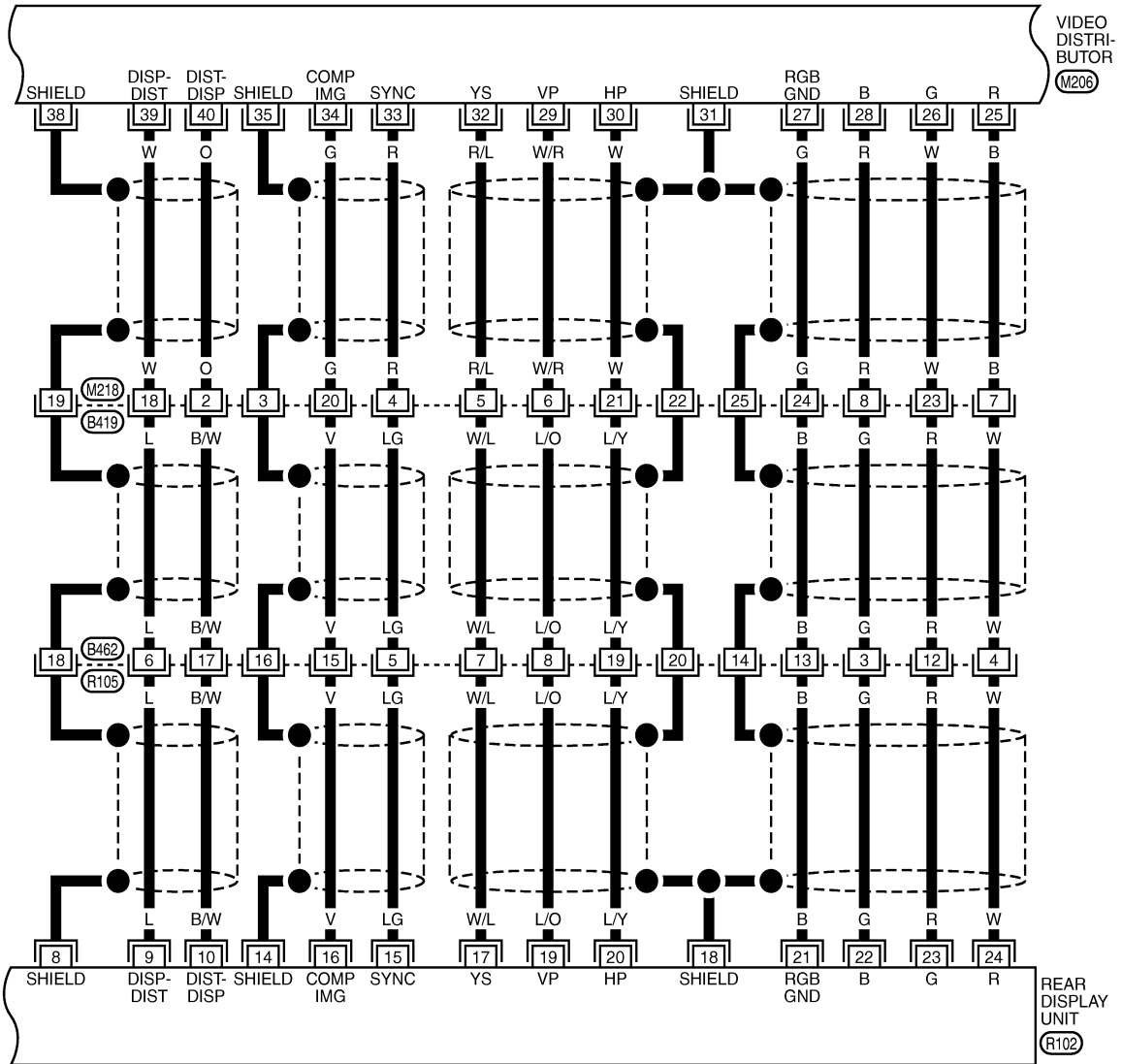
TKWT6733E

# AV CONTROL UNIT

[WITH MOBILE ENTERTAINMENT SYSTEM]

< ECU DIAGNOSIS >

AV-AV-55



TKWT6734E

A  
B  
C  
D  
E  
F  
G  
H  
I  
J  
K  
L  
M  
N  
O  
P

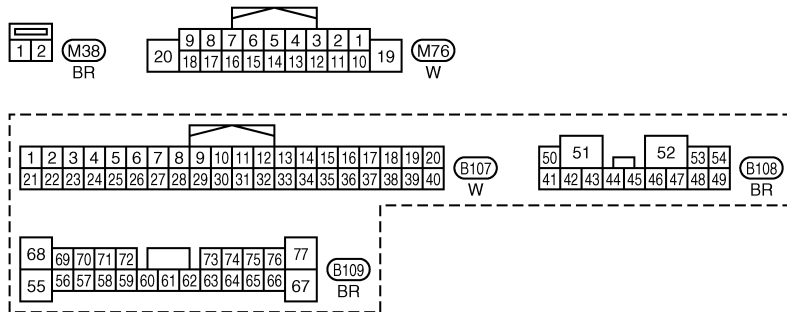
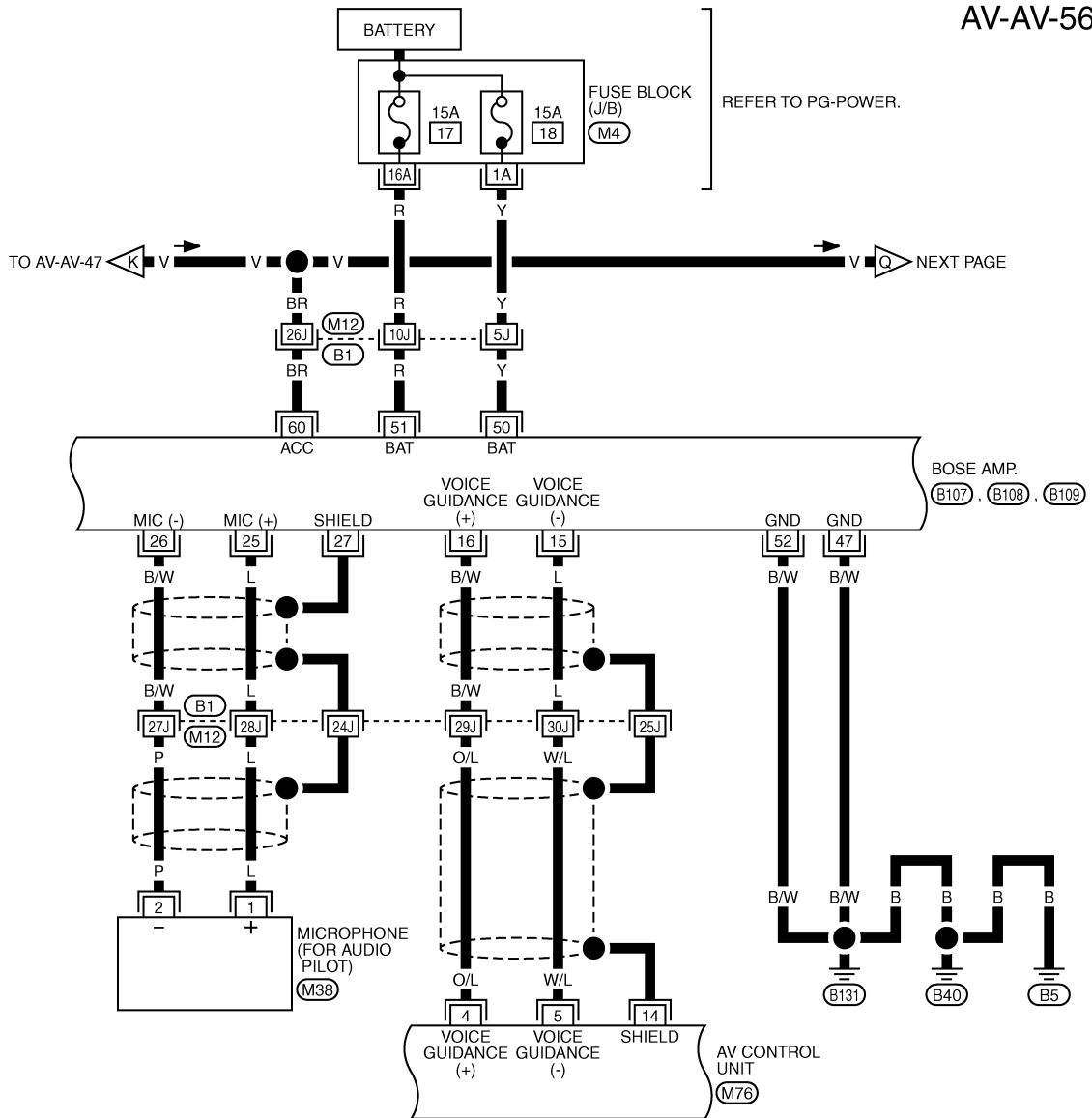
AV

# AV CONTROL UNIT

[WITH MOBILE ENTERTAINMENT SYSTEM]

< ECU DIAGNOSIS >

AV-AV-56



REFER TO THE FOLLOWING.

(B1) -SUPER MULTIPLE JUNCTION (SMJ)

(M4) -FUSE BLOCK-JUNCTION BOX (J/B)

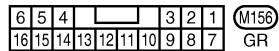
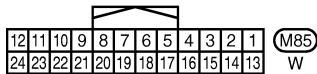
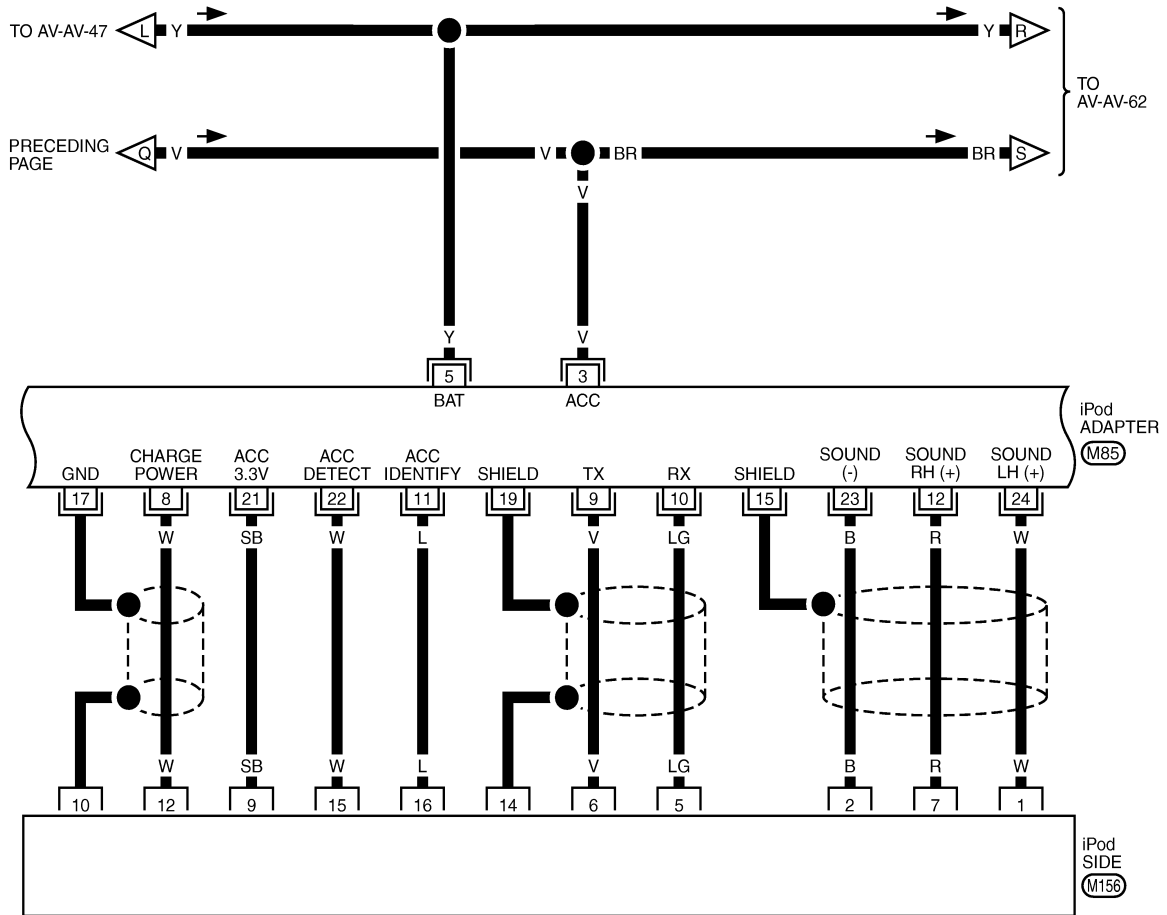
TKWT8297E

# AV CONTROL UNIT

[WITH MOBILE ENTERTAINMENT SYSTEM]

< ECU DIAGNOSIS >

AV-AV-57



TKWT6737E

A  
B  
C  
D  
E  
F  
G  
H  
I  
J  
K  
L  
M  
N  
O  
P

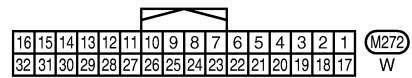
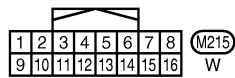
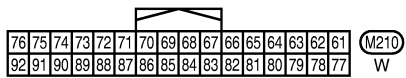
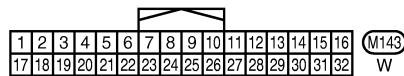
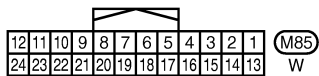
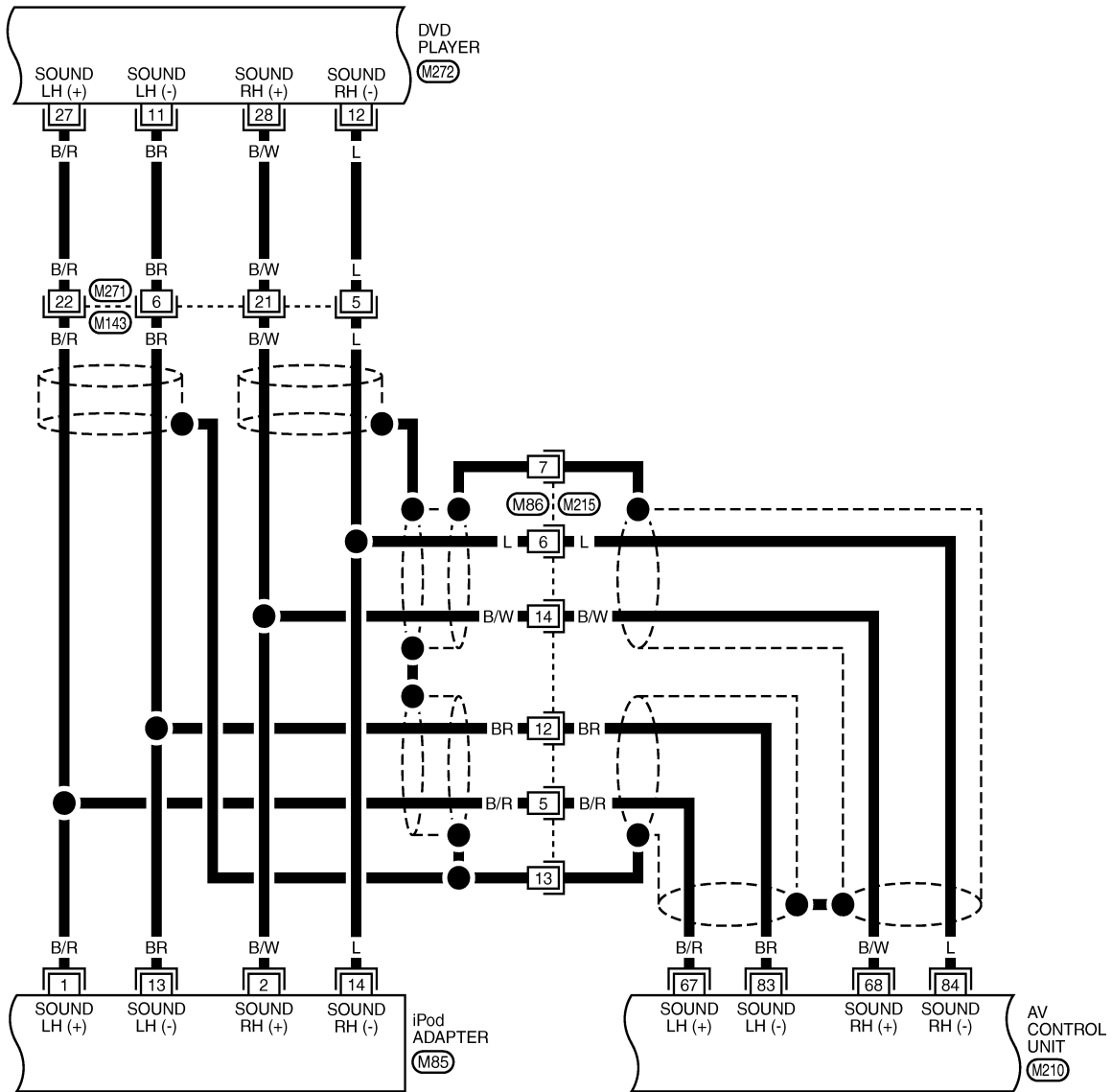
AV

# AV CONTROL UNIT

[WITH MOBILE ENTERTAINMENT SYSTEM]

< ECU DIAGNOSIS >

AV-AV-58



TKWT6738E

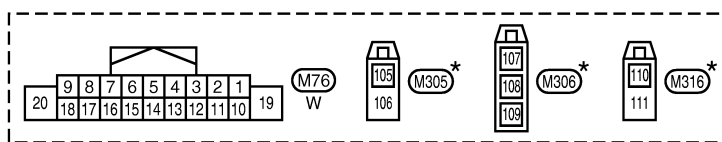
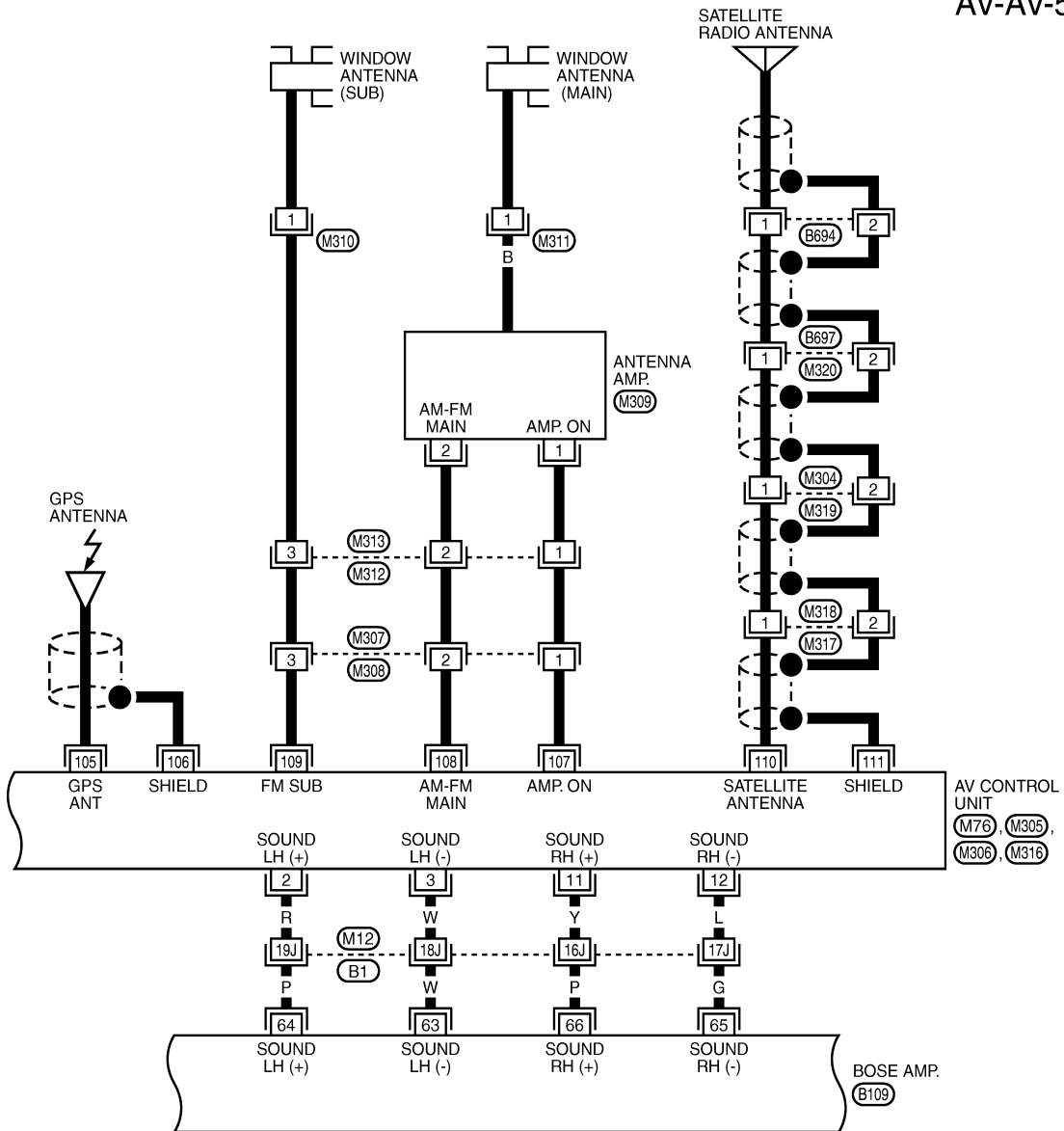


# AV CONTROL UNIT

[WITH MOBILE ENTERTAINMENT SYSTEM]

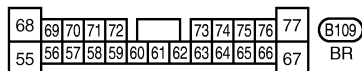
< ECU DIAGNOSIS >

AV-AV-59



REFER TO THE FOLLOWING.

(B1) - SUPER MULTIPLE JUNCTION (SMJ)



\* : THIS CONNECTOR IS NOT SHOWN IN "HARNESS LAYOUT", PG SECTION.

TKWT6739E

A  
B  
C  
D  
E  
F  
G  
H  
I  
J  
K  
L  
M  
N  
O  
P

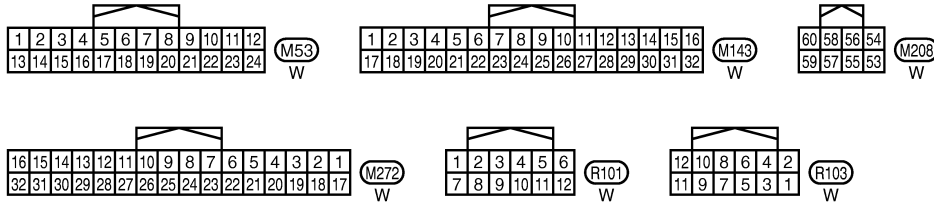
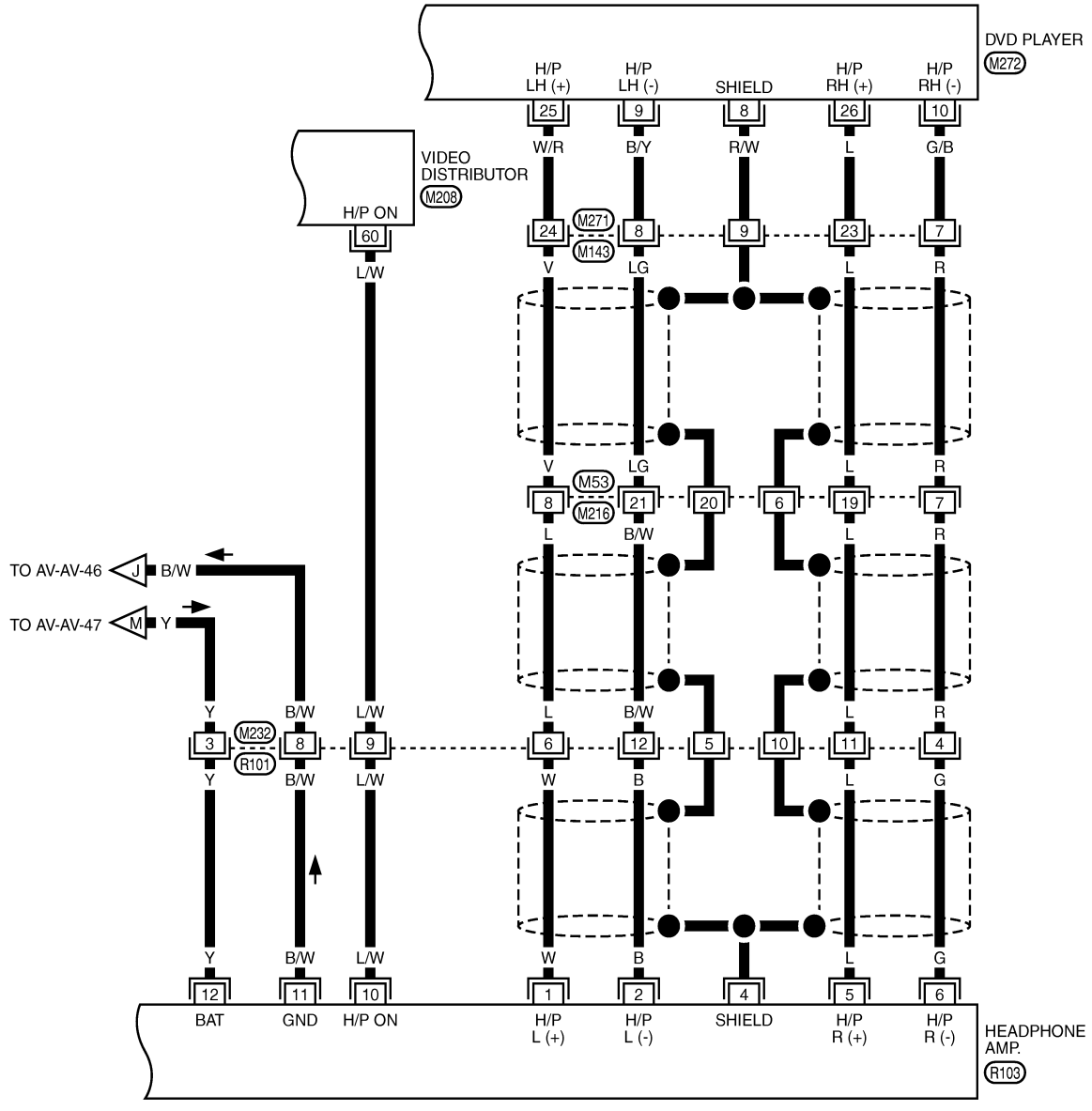
AV

# AV CONTROL UNIT

[WITH MOBILE ENTERTAINMENT SYSTEM]

< ECU DIAGNOSIS >

AV-AV-60



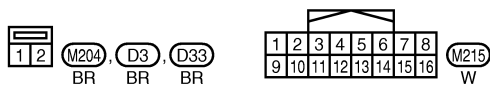
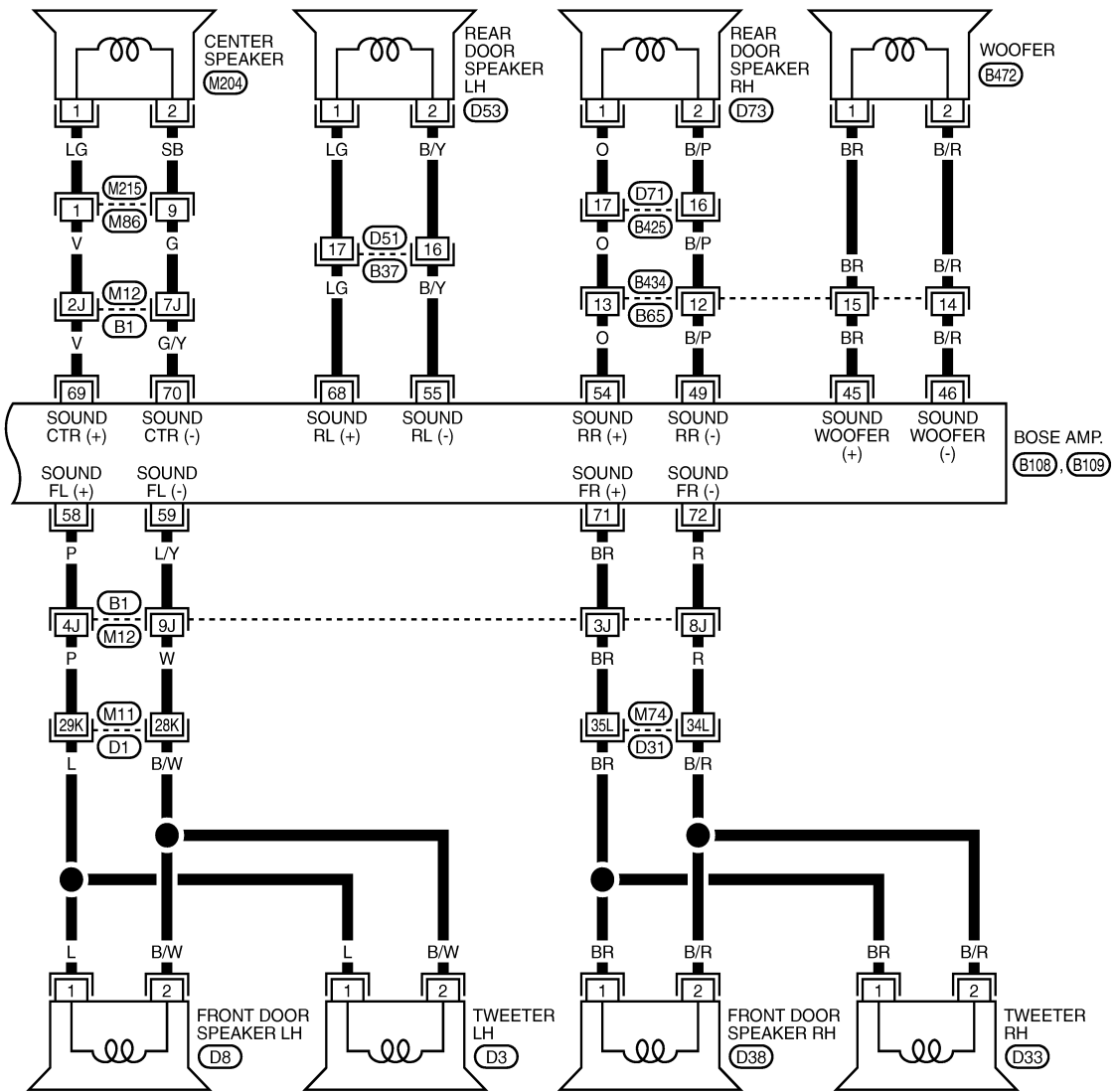
TKWT6740E

# AV CONTROL UNIT

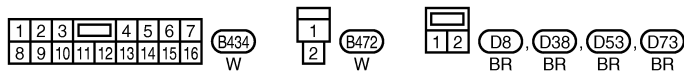
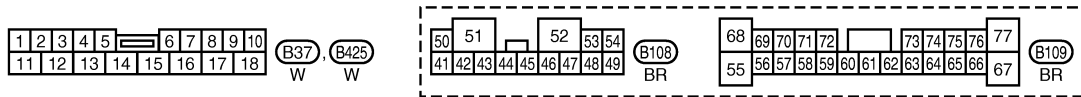
[WITH MOBILE ENTERTAINMENT SYSTEM]

< ECU DIAGNOSIS >

AV-AV-61



REFER TO THE FOLLOWING.  
 (B1), (D1), (D31) - SUPER  
 MULTIPLE JUNCTION (SMJ)



TKWT6741E

A  
B  
C  
D  
E  
F  
G  
H  
I  
J  
K  
L  
M  
N  
O  
P

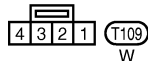
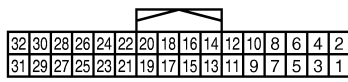
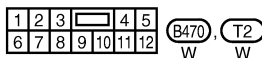
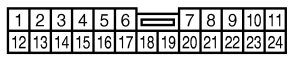
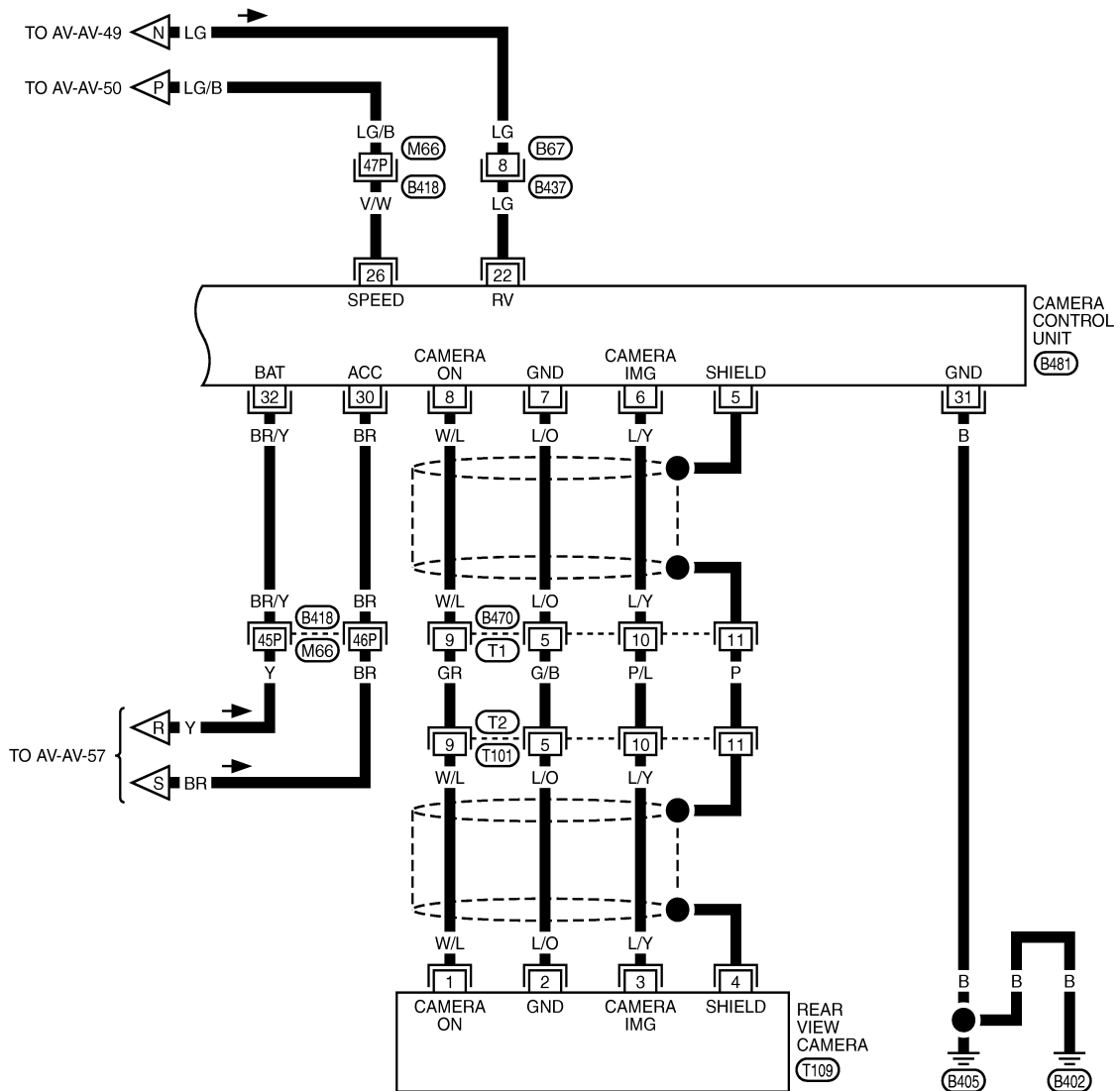
AV

# AV CONTROL UNIT

[WITH MOBILE ENTERTAINMENT SYSTEM]

< ECU DIAGNOSIS >

AV-AV-62



REFER TO THE FOLLOWING.

(B418) - SUPER MULTIPLE JUNCTION (SMJ)

TKWT6742E

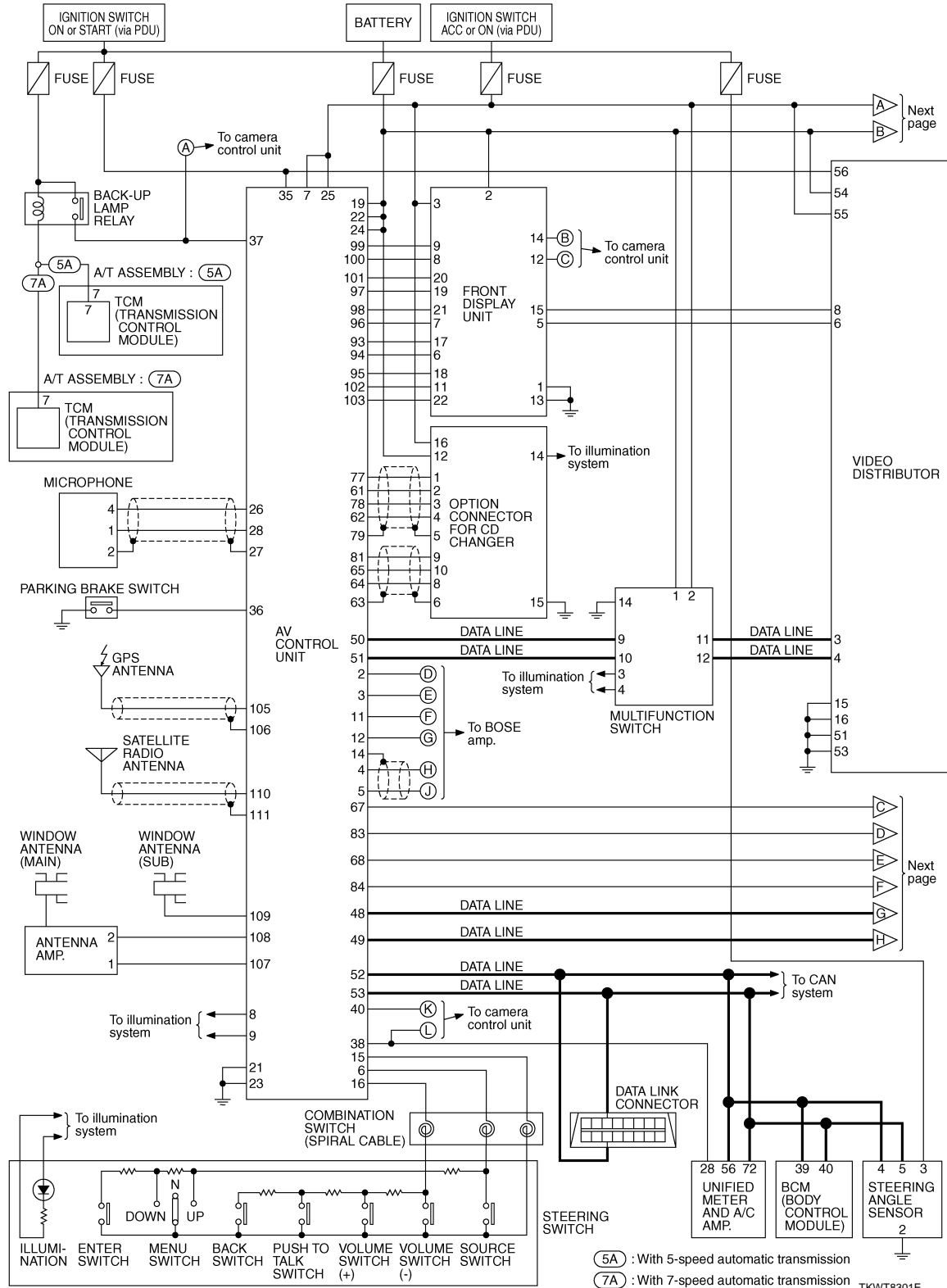
# AV CONTROL UNIT

[WITH MOBILE ENTERTAINMENT SYSTEM]

< ECU DIAGNOSIS >

## Schematic - BOSE 5.1ch Surround Audio System -

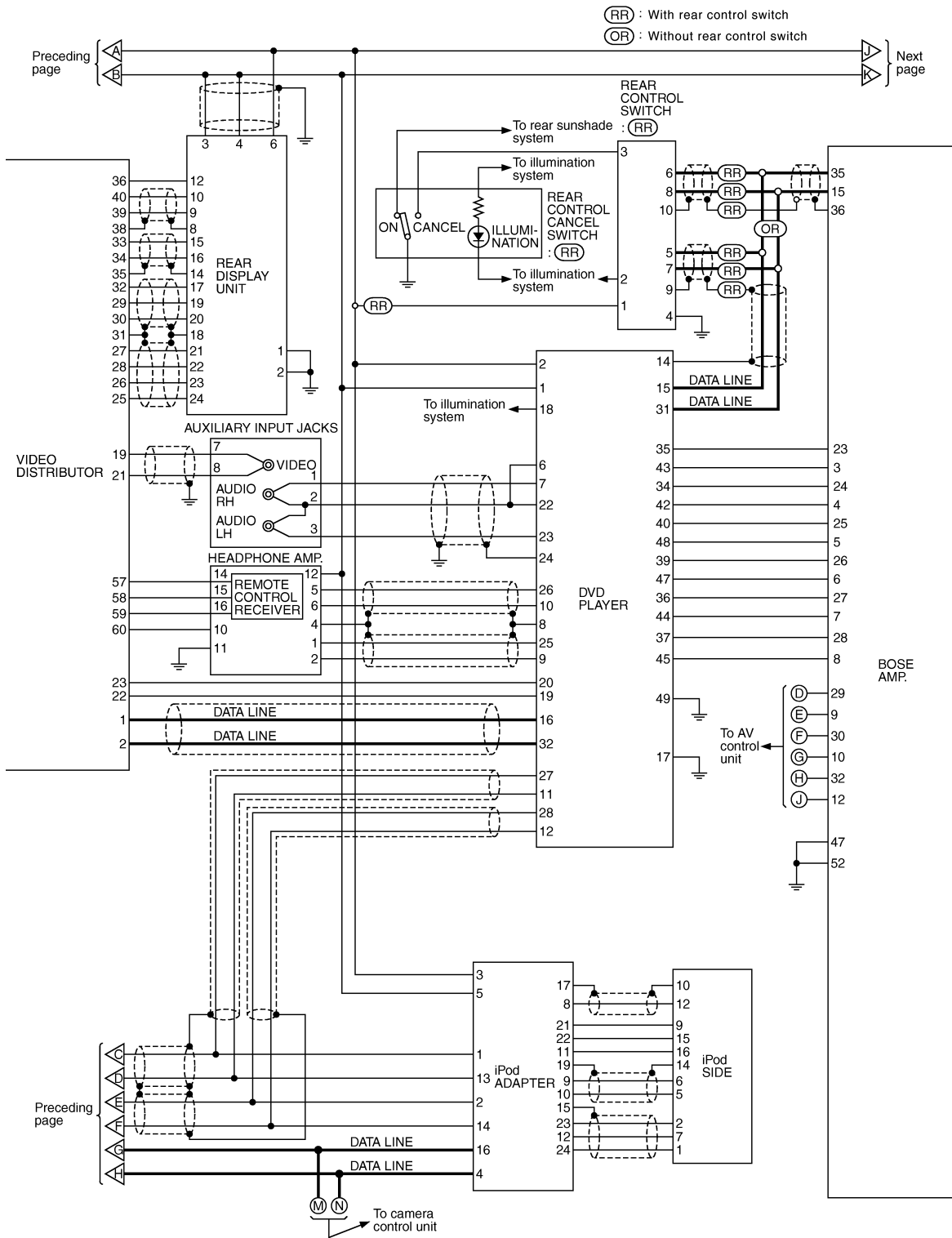
INFOID:000000005350597



# AV CONTROL UNIT

[WITH MOBILE ENTERTAINMENT SYSTEM]

< ECU DIAGNOSIS >

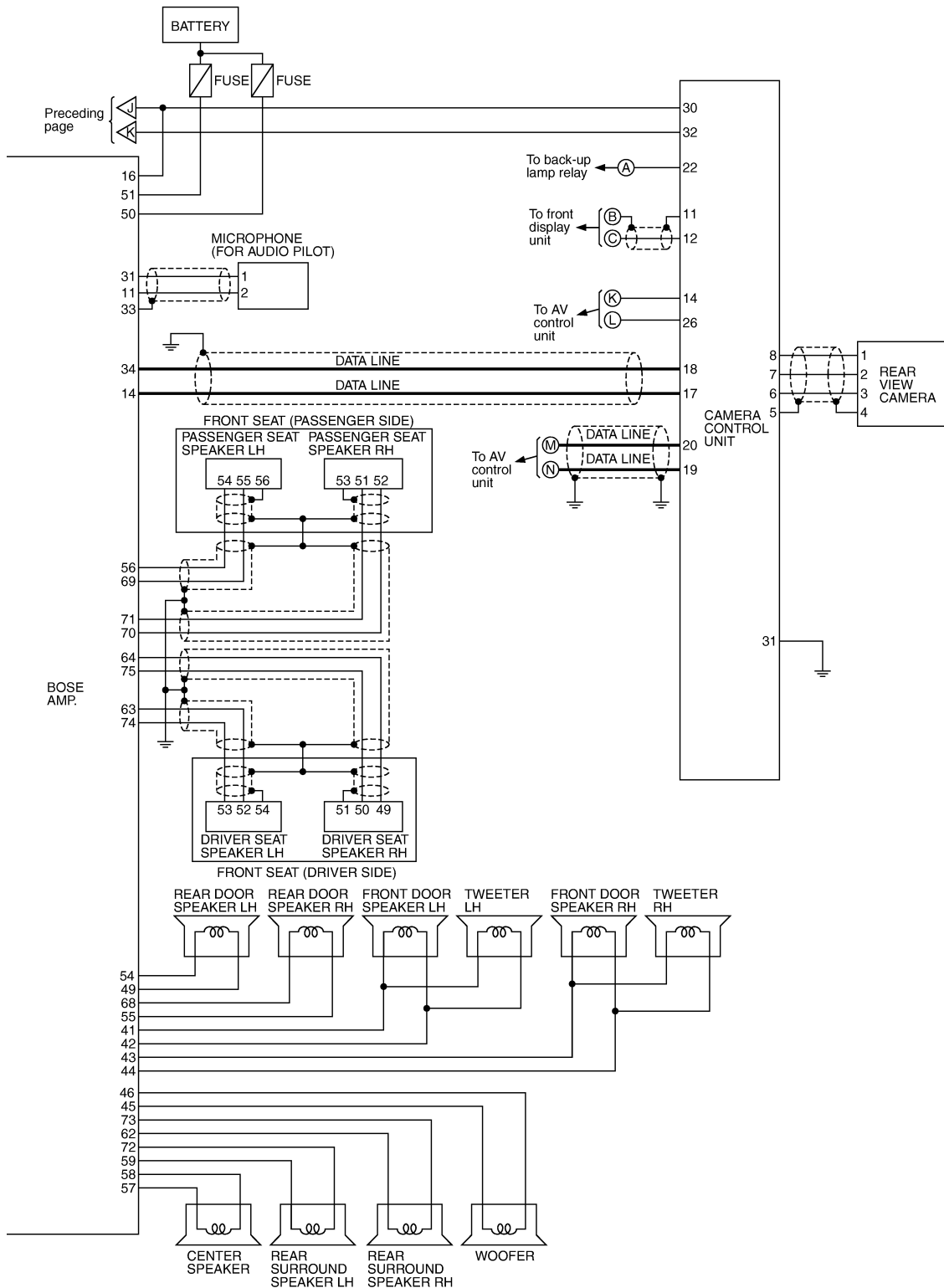


TKWT6744E

# AV CONTROL UNIT

[WITH MOBILE ENTERTAINMENT SYSTEM]

< ECU DIAGNOSIS >



A  
B  
C  
D  
E  
F  
G  
H  
I  
J  
L  
M  
N  
O  
P

AV

Wiring Diagram - AV - / BOSE Surround Audio 5.1ch System

NOTE:

TKWT6745E  
INFOID:000000005350598

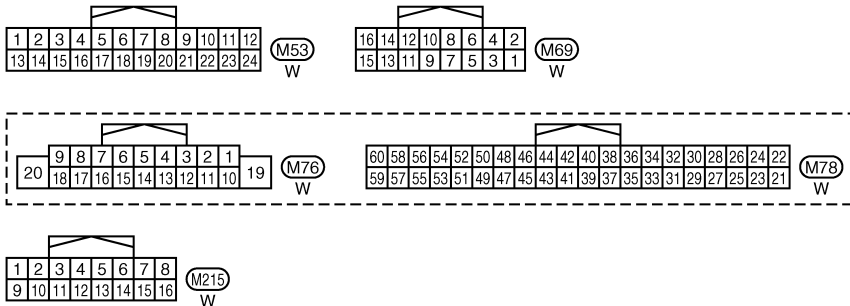
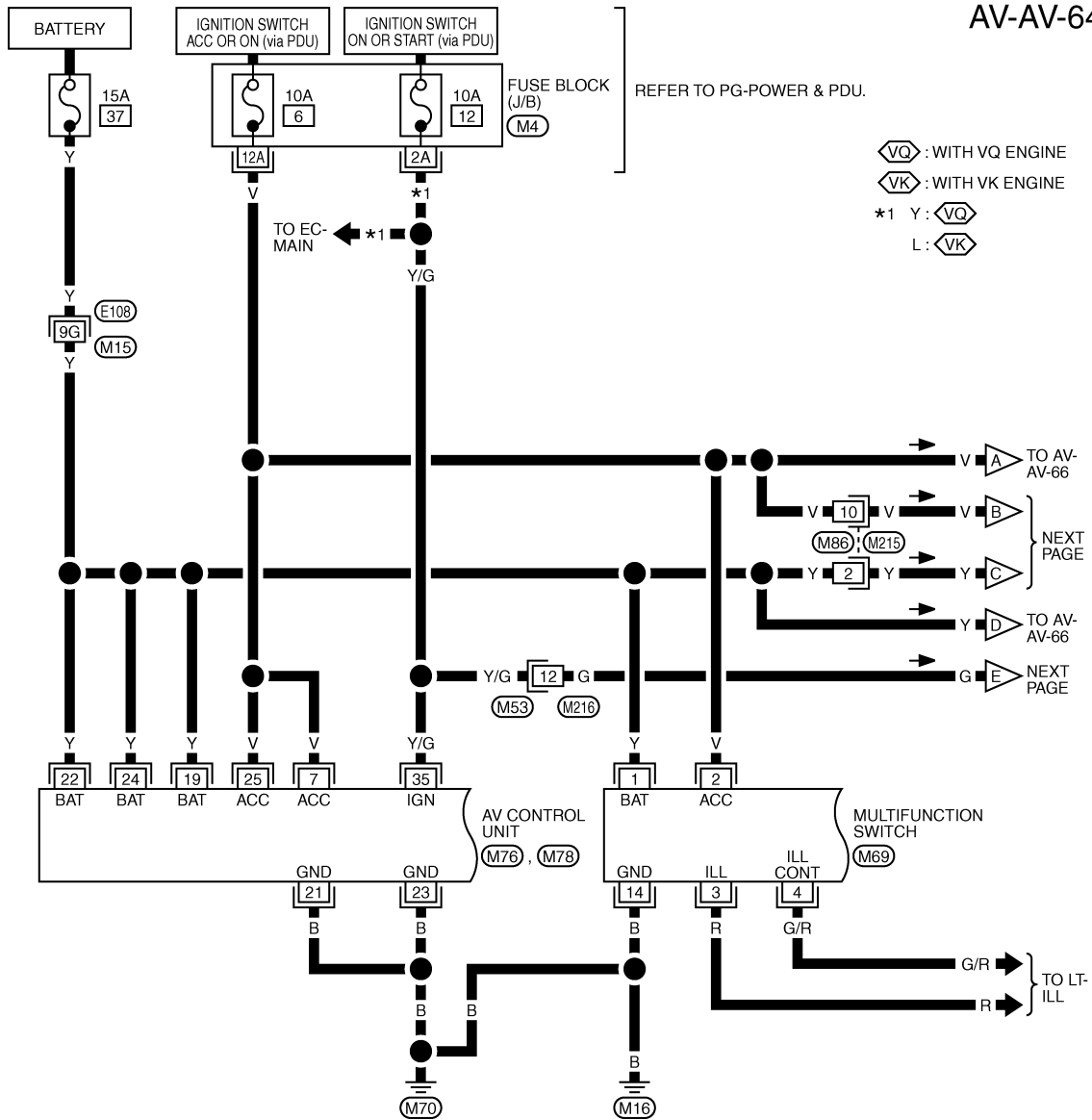
# AV CONTROL UNIT

[WITH MOBILE ENTERTAINMENT SYSTEM]

< ECU DIAGNOSIS >

The name MULTIFUNCTION SWITCH indicates the integration of PRESET SWITCH and MULTIFUNCTION SWITCH virtually.

AV-AV-64



REFER TO THE FOLLOWING.

- (E108) -SUPER MULTIPLE JUNCTION (SMJ)
- (M4) -FUSE BLOCK-JUNCTION BOX (J/B)

TKWT8302E

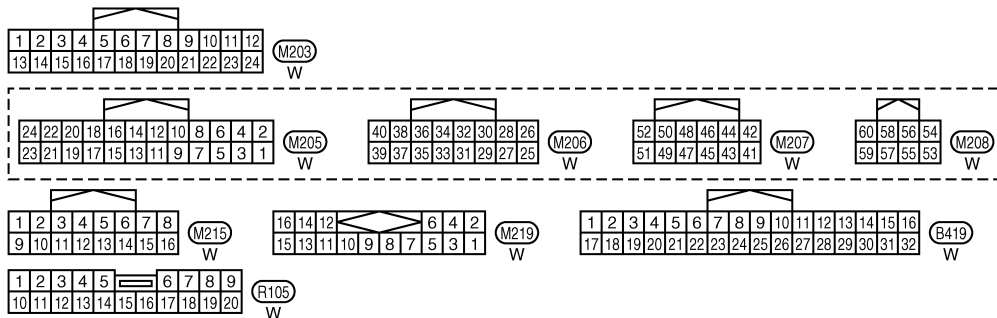
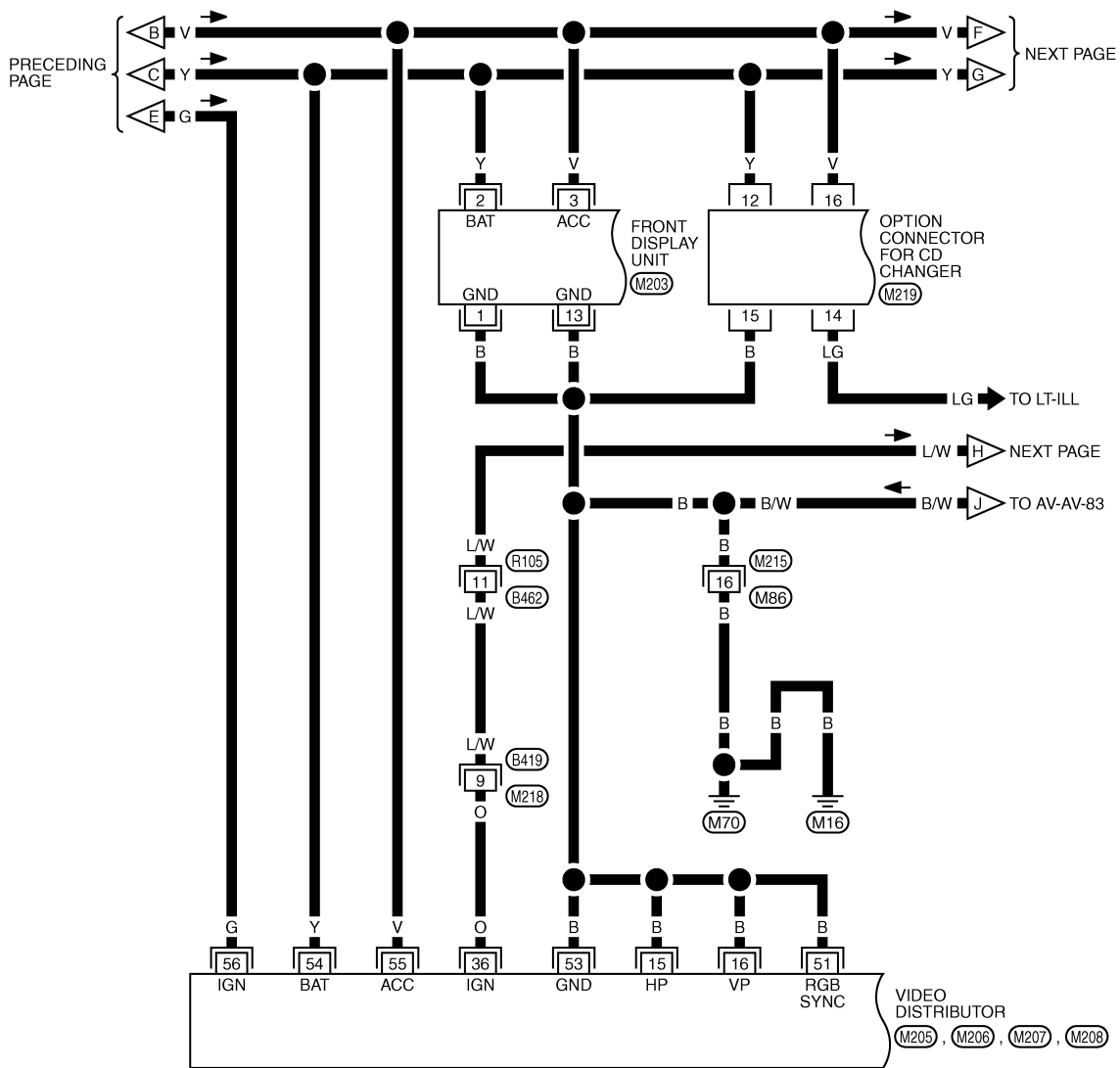


# AV CONTROL UNIT

[WITH MOBILE ENTERTAINMENT SYSTEM]

< ECU DIAGNOSIS >

AV-AV-65



TKWT8303E

A  
B  
C  
D  
E  
F  
G  
H  
I  
J  
K  
L  
M  
N  
O  
P

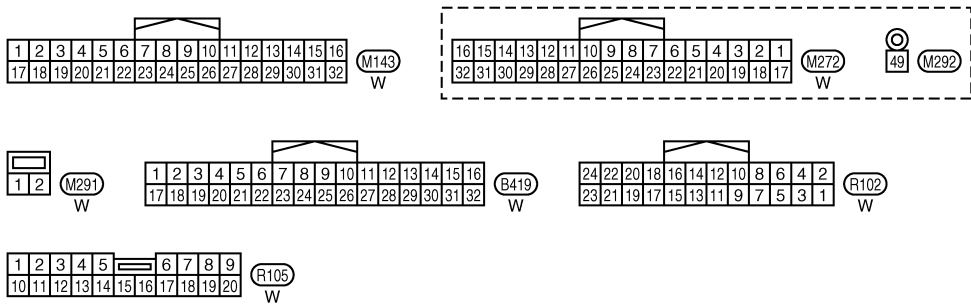
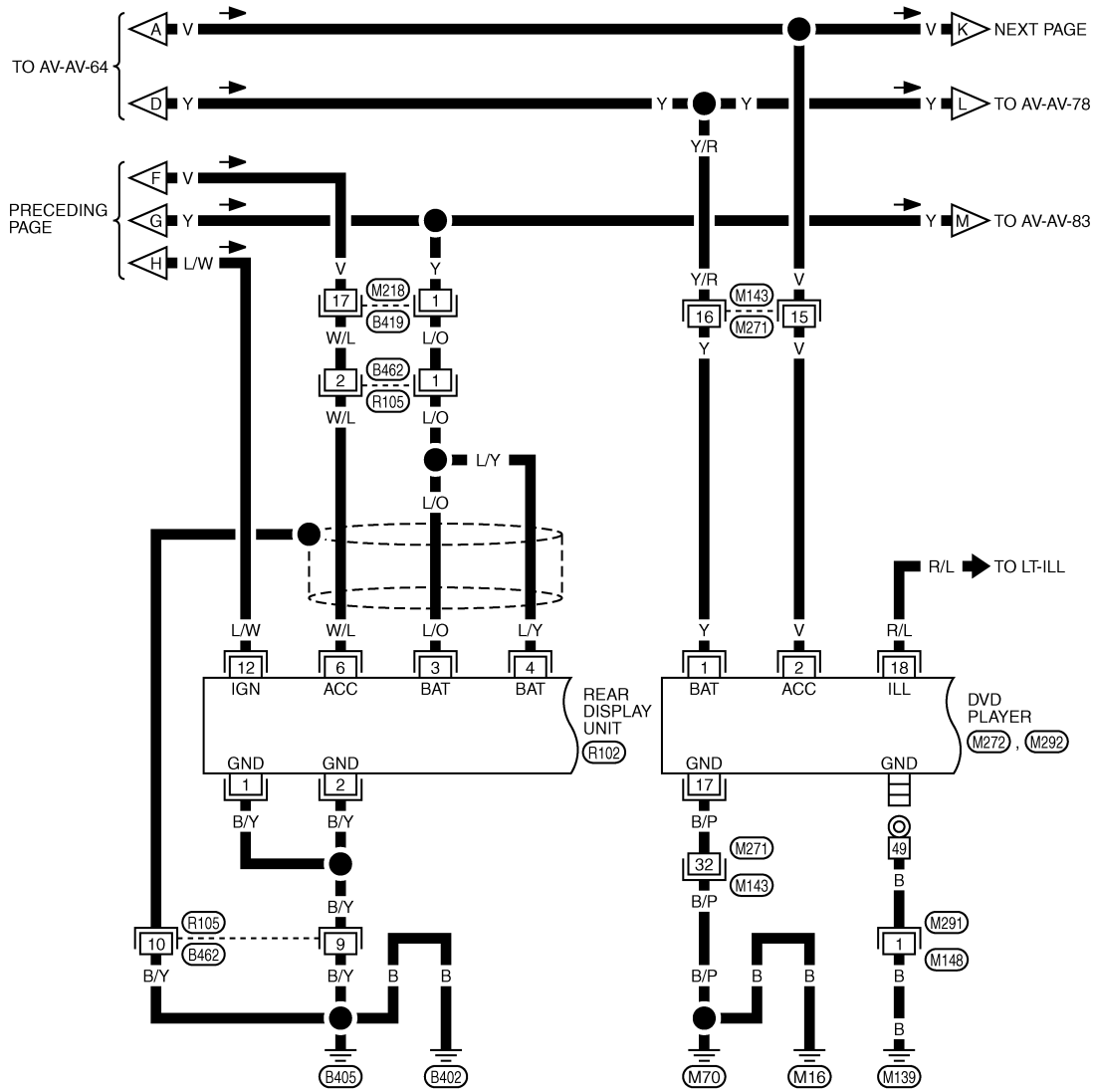
AV

# AV CONTROL UNIT

[WITH MOBILE ENTERTAINMENT SYSTEM]

< ECU DIAGNOSIS >

AV-AV-66



TKWT8304E

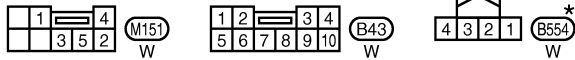
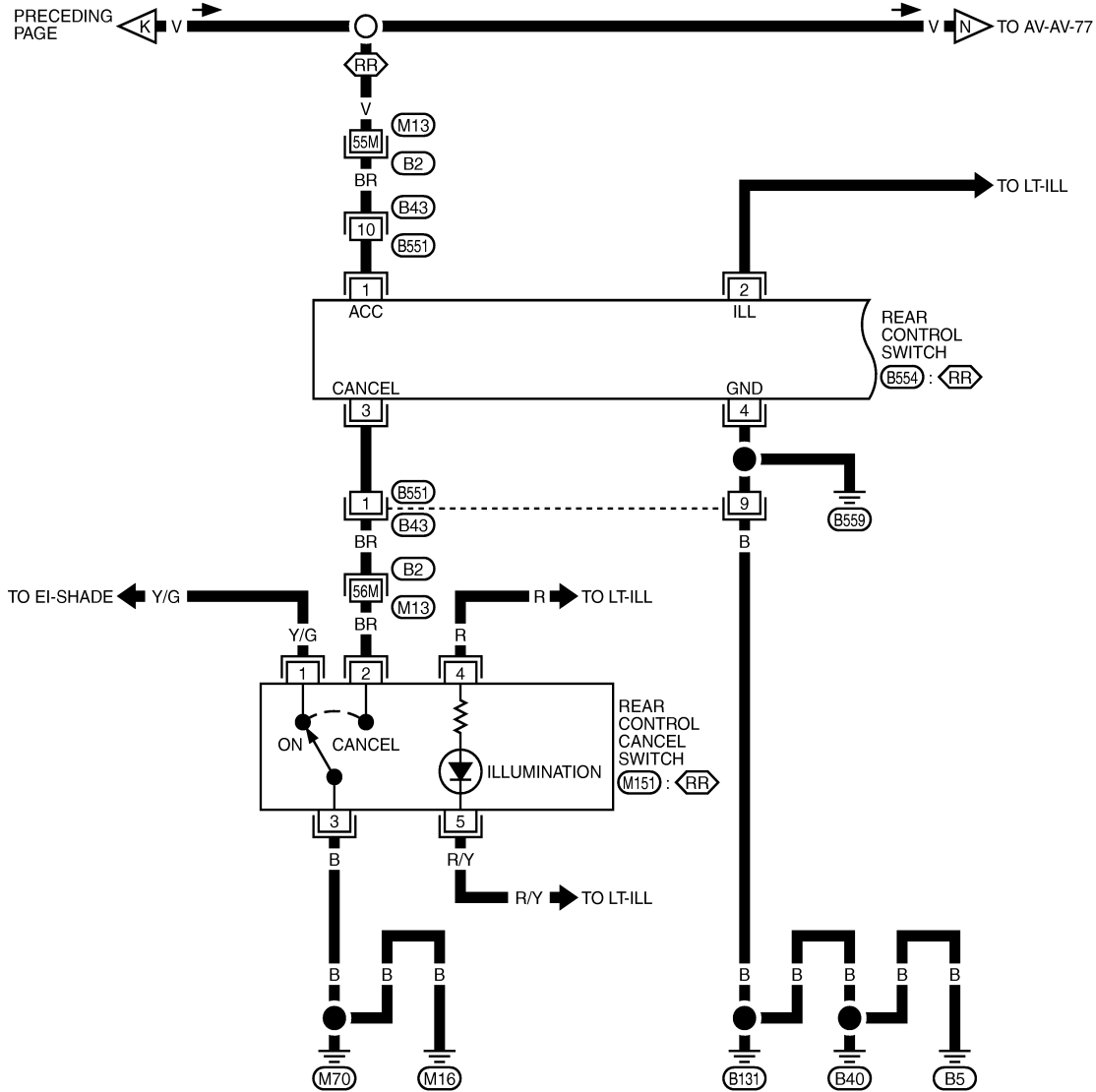
# AV CONTROL UNIT

[WITH MOBILE ENTERTAINMENT SYSTEM]

< ECU DIAGNOSIS >

AV-AV-67

(RR) : WITH REAR CONTROL SWITCH



\*: THIS CONNECTOR IS NOT SHOWN IN "HARNESS LAYOUT", PG SECTION.

REFER TO THE FOLLOWING.

(B2) - SUPER MULTIPLE JUNCTION (SMJ)

TKWT6749E

A  
B  
C  
D  
E  
F  
G  
H  
I  
J  
L  
M  
N  
O  
P

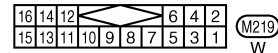
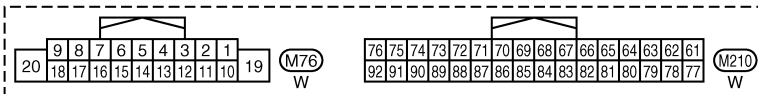
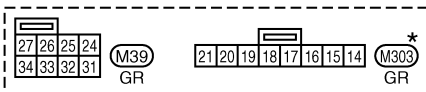
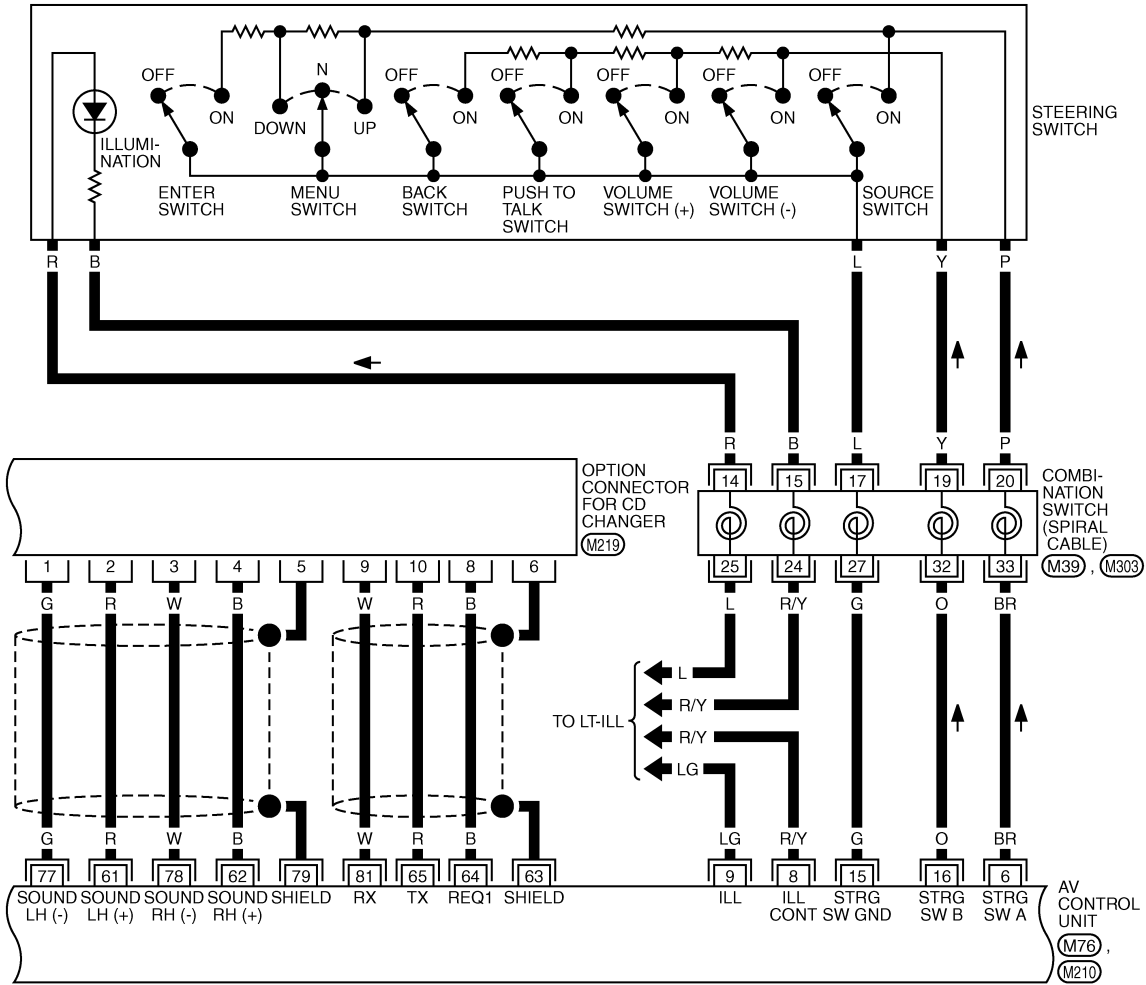
AV

# AV CONTROL UNIT

[WITH MOBILE ENTERTAINMENT SYSTEM]

< ECU DIAGNOSIS >

AV-AV-68



\*: THIS CONNECTOR IS NOT SHOWN IN "HARNESS LAYOUT", PG SECTION.

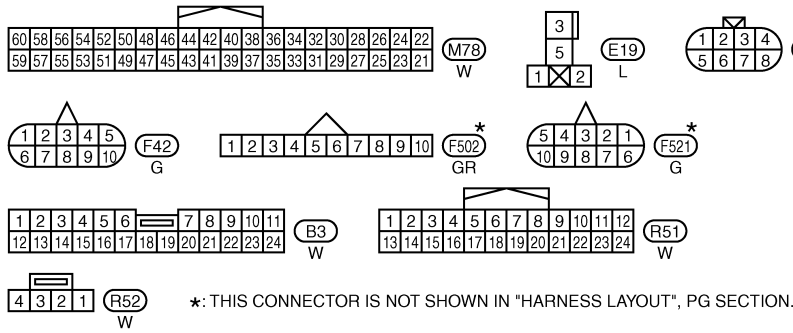
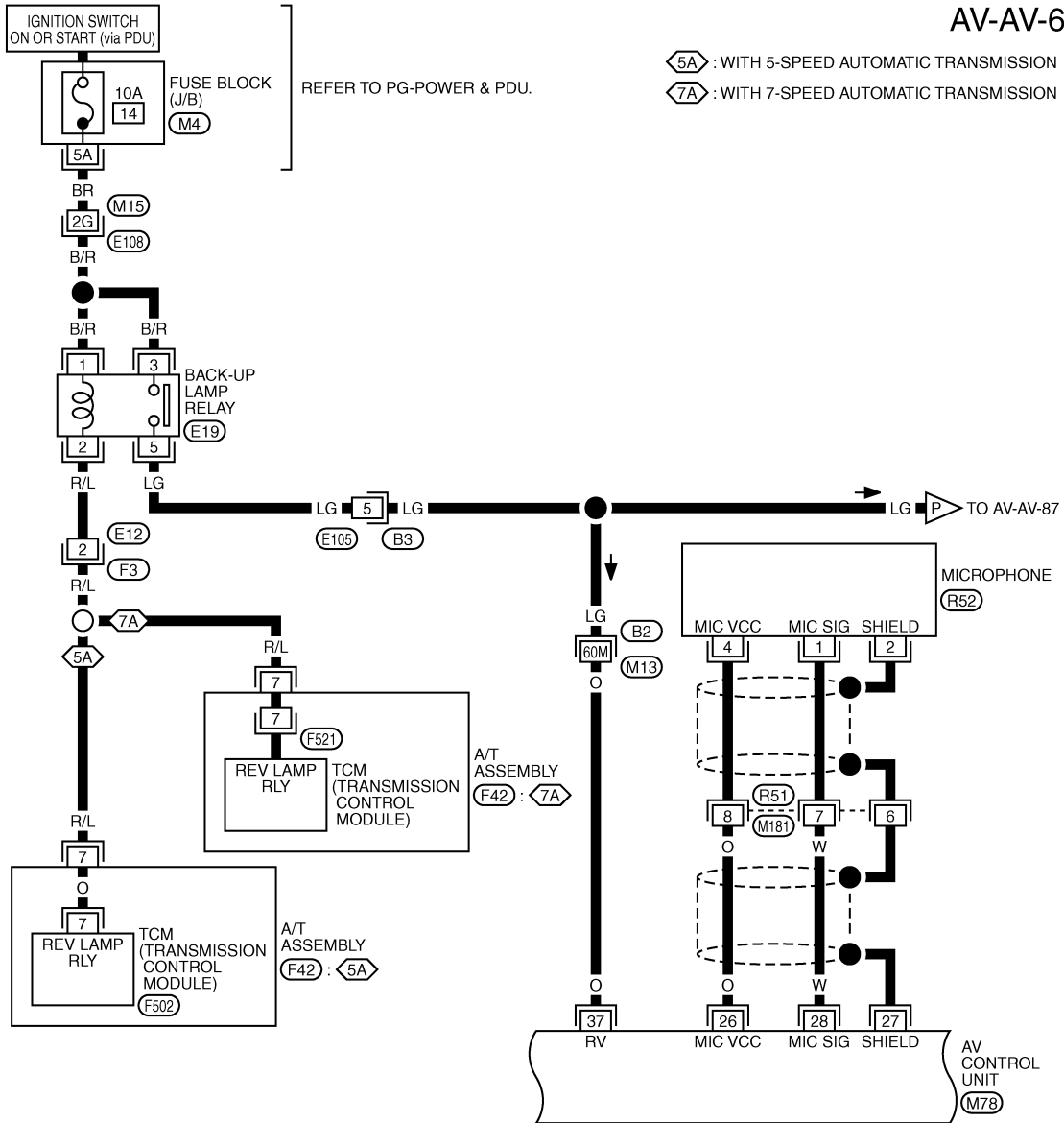
TKWT8305E

# AV CONTROL UNIT

[WITH MOBILE ENTERTAINMENT SYSTEM]

< ECU DIAGNOSIS >

AV-AV-69



REFER TO THE FOLLOWING.  
E108, B2 -SUPER MULTIPLE JUNCTION (SMJ)  
M4 -FUSE BLOCK-JUNCTION BOX (J/B)

TKWT8306E

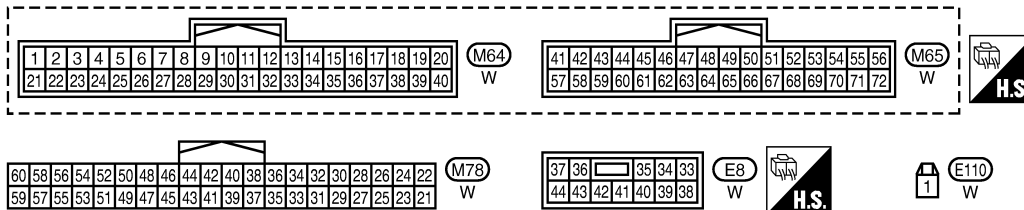
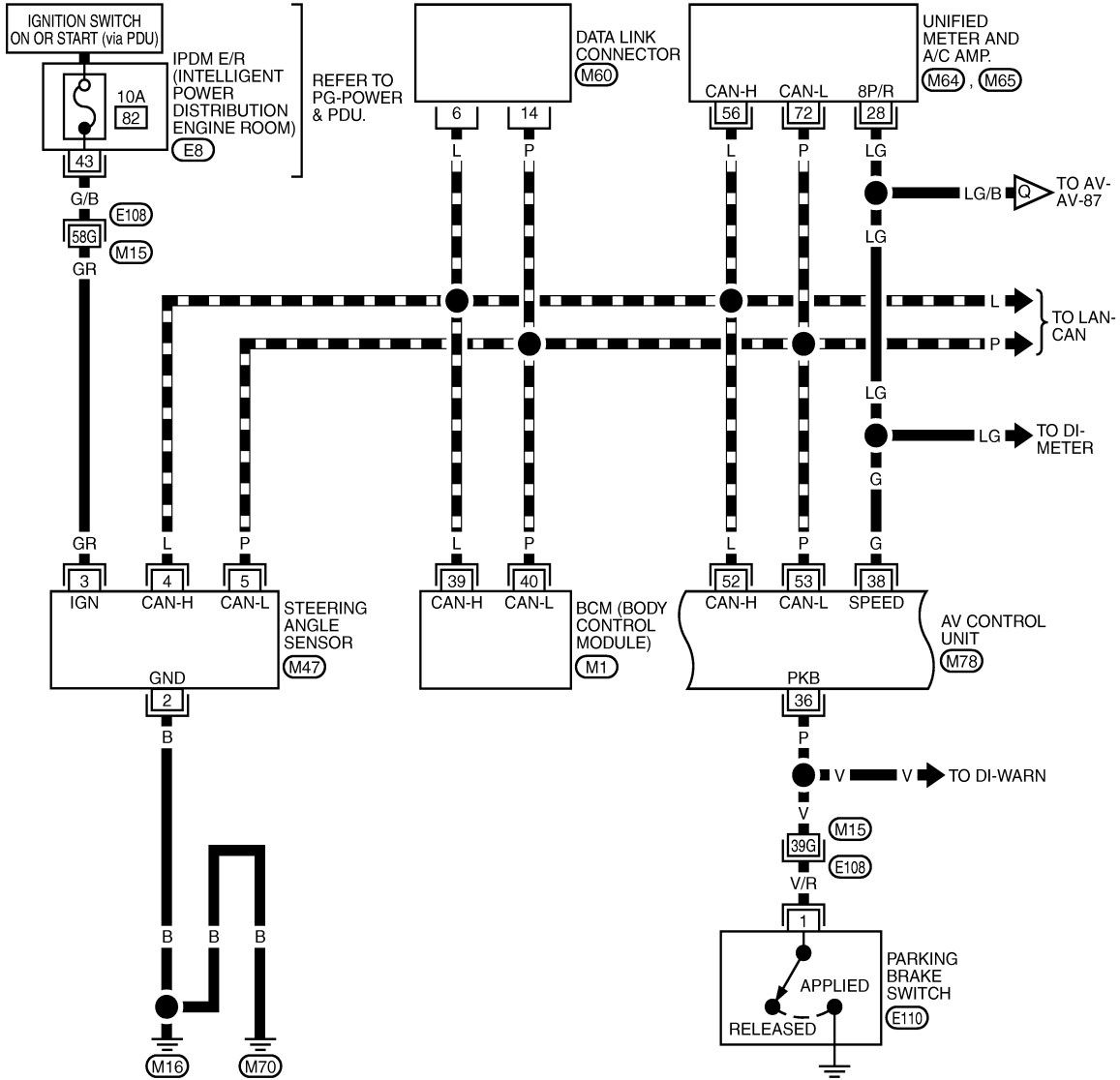
# AV CONTROL UNIT

[WITH MOBILE ENTERTAINMENT SYSTEM]

< ECU DIAGNOSIS >

AV-AV-70

▬ : DATA LINE



TKWT6752E

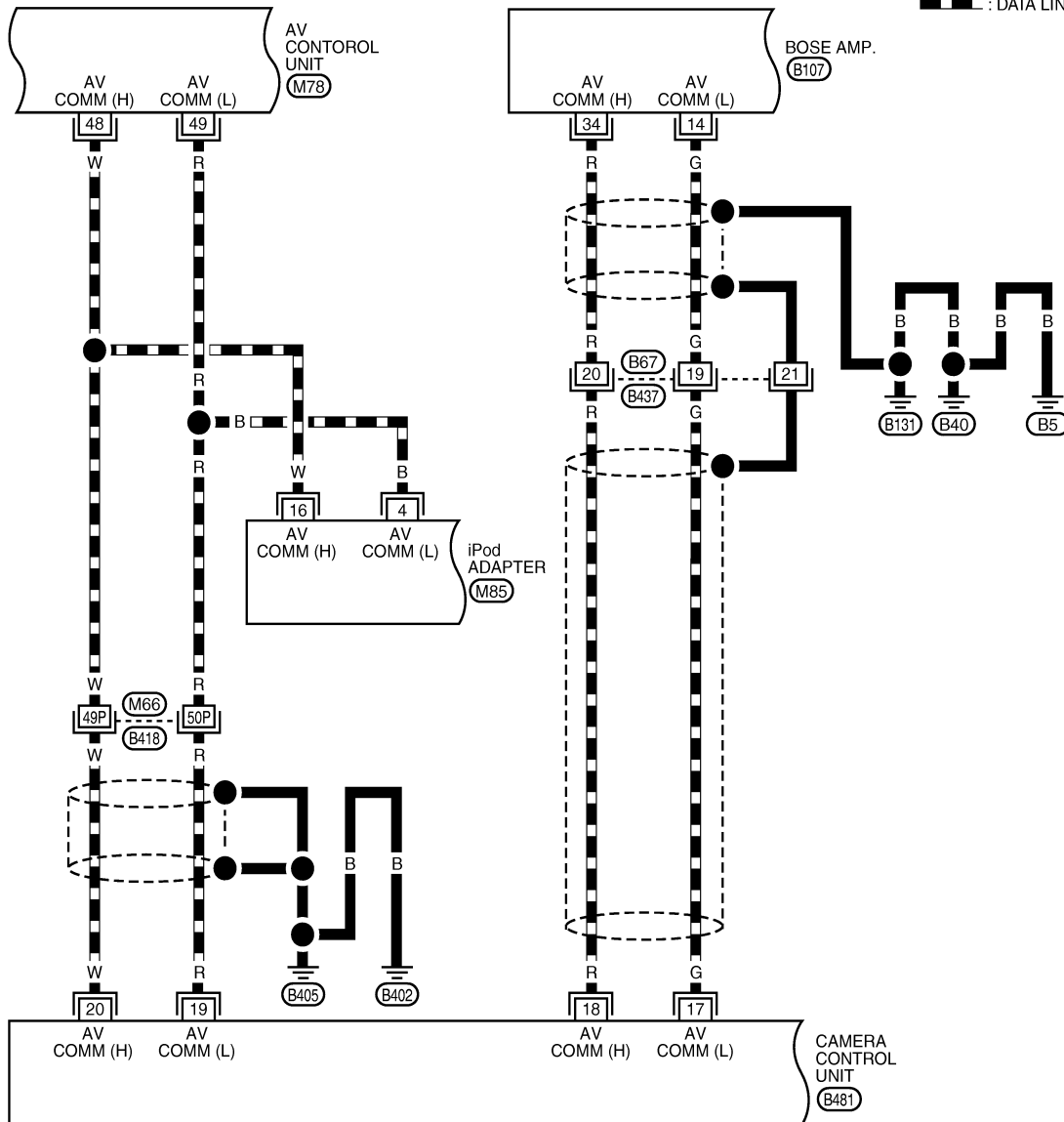
# AV CONTROL UNIT

[WITH MOBILE ENTERTAINMENT SYSTEM]

< ECU DIAGNOSIS >

AV-AV-71

— : DATA LINE



60	58	56	54	52	50	48	46	44	42	40	38	36	34	32	30	28	26	24	22
59	57	55	53	51	49	47	45	43	41	39	37	35	33	31	29	27	25	23	21

(M78) W

12	11	10	9	8	7	6	5	4	3	2	1
24	23	22	21	20	19	18	17	16	15	14	13

(M85) W

1	2	3	4	5	6	7	8	9	10	11	12	13	14	15	16	17	18	19	20
21	22	23	24	25	26	27	28	29	30	31	32	33	34	35	36	37	38	39	40

(B107) W

1	2	3	4	5	6	7	8	9	10	11		
12	13	14	15	16	17	18	19	20	21	22	23	24

(B437) BR

32	30	28	26	24	22	20	18	16	14	12	10	8	6	4	2
31	29	27	25	23	21	19	17	15	13	11	9	7	5	3	1

(B481) W

REFER TO THE FOLLOWING.

(B418) - SUPER MULTIPLE JUNCTION (SMJ)

TKWT6753E

A  
B  
C  
D  
E  
F  
G  
H  
I  
J  
K  
L  
M  
N  
O  
P

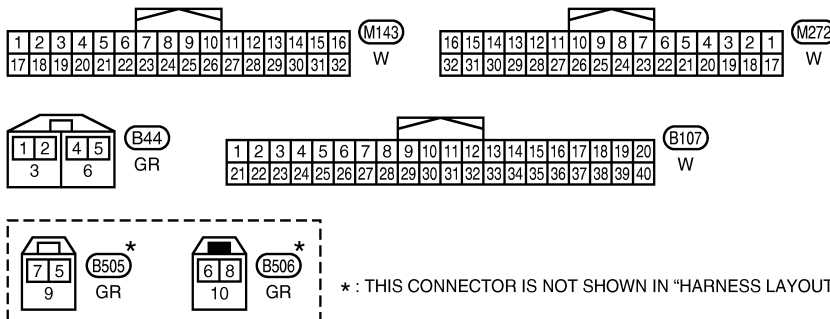
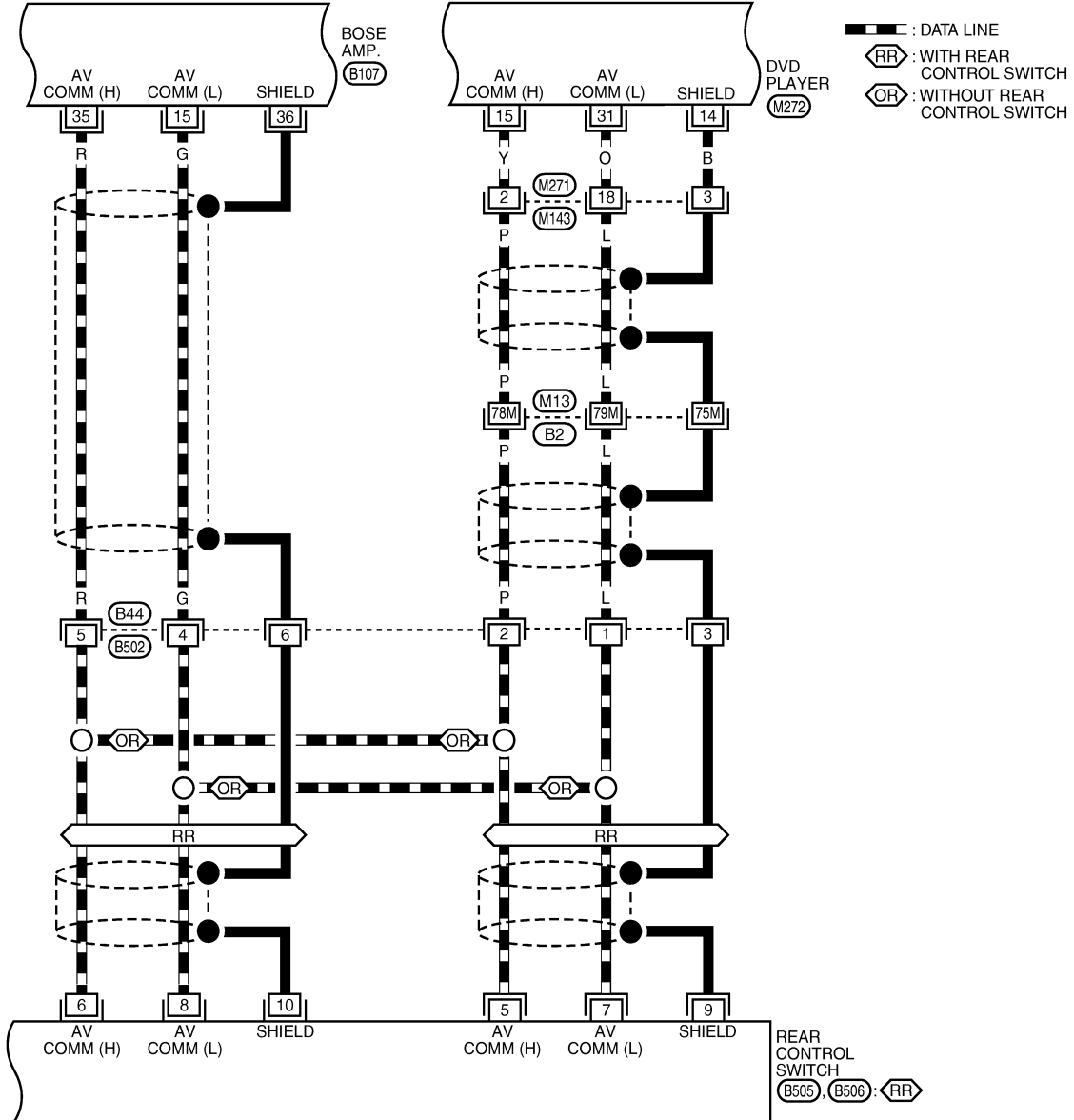
AV

# AV CONTROL UNIT

[WITH MOBILE ENTERTAINMENT SYSTEM]

< ECU DIAGNOSIS >

AV-AV-72



REFER TO THE FOLLOWING.

(B2) - SUPER MULTIPLE JUNCTION (SMJ)

TKWT6754E



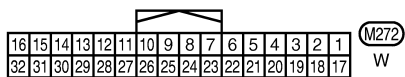
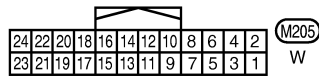
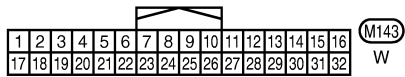
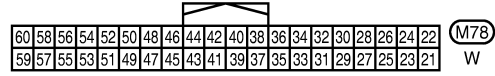
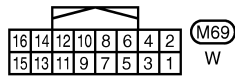
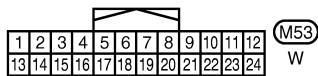
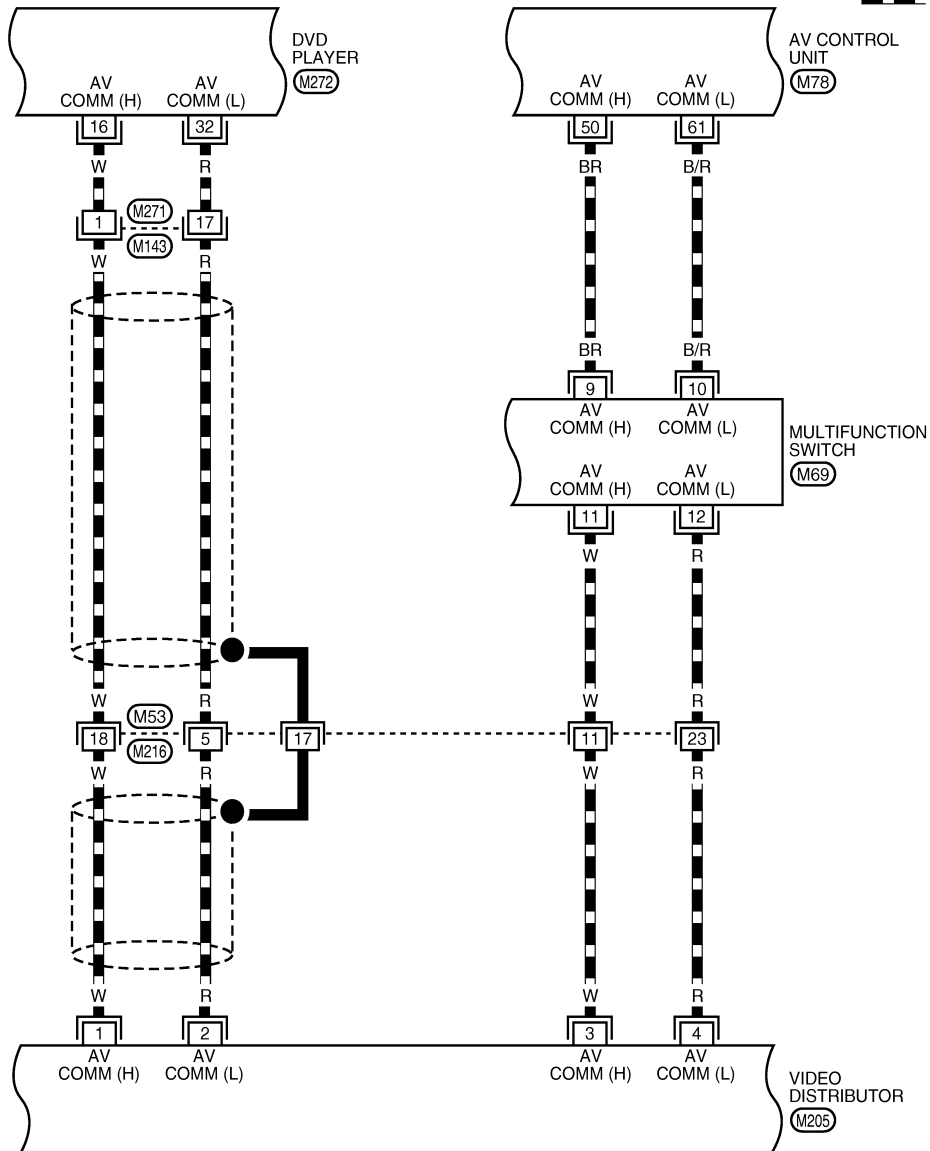
# AV CONTROL UNIT

[WITH MOBILE ENTERTAINMENT SYSTEM]

< ECU DIAGNOSIS >

AV-AV-73

DATA LINE



TKWT6755E

A  
B  
C  
D  
E  
F  
G  
H  
I  
J  
K  
L  
M  
N  
O  
P

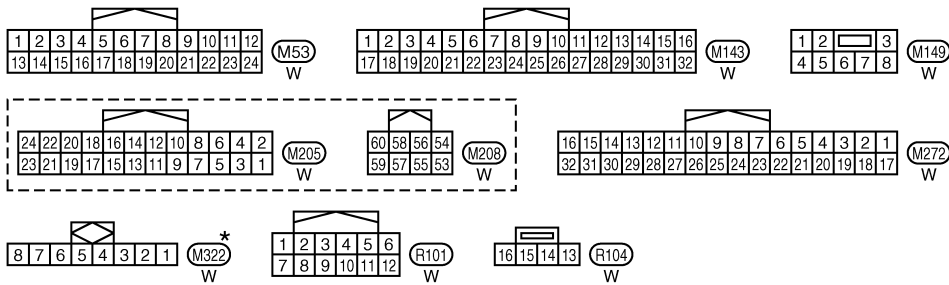
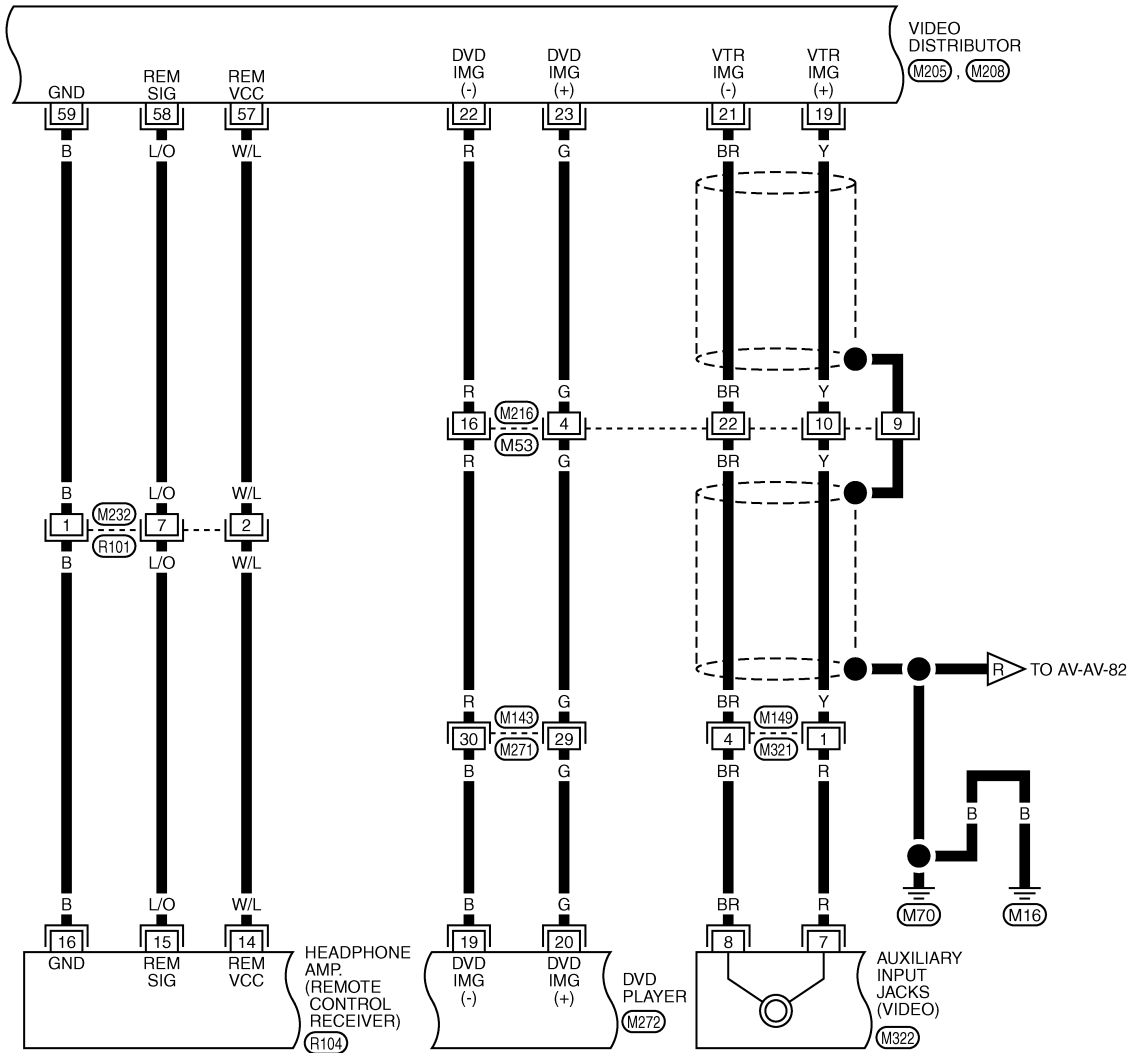
AV

# AV CONTROL UNIT

[WITH MOBILE ENTERTAINMENT SYSTEM]

< ECU DIAGNOSIS >

AV-AV-74



\*: THIS CONNECTOR IS NOT SHOWN IN "HARNESS LAYOUT", PG SECTION.

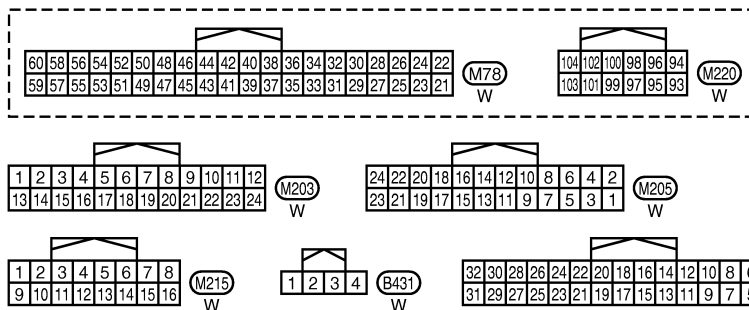
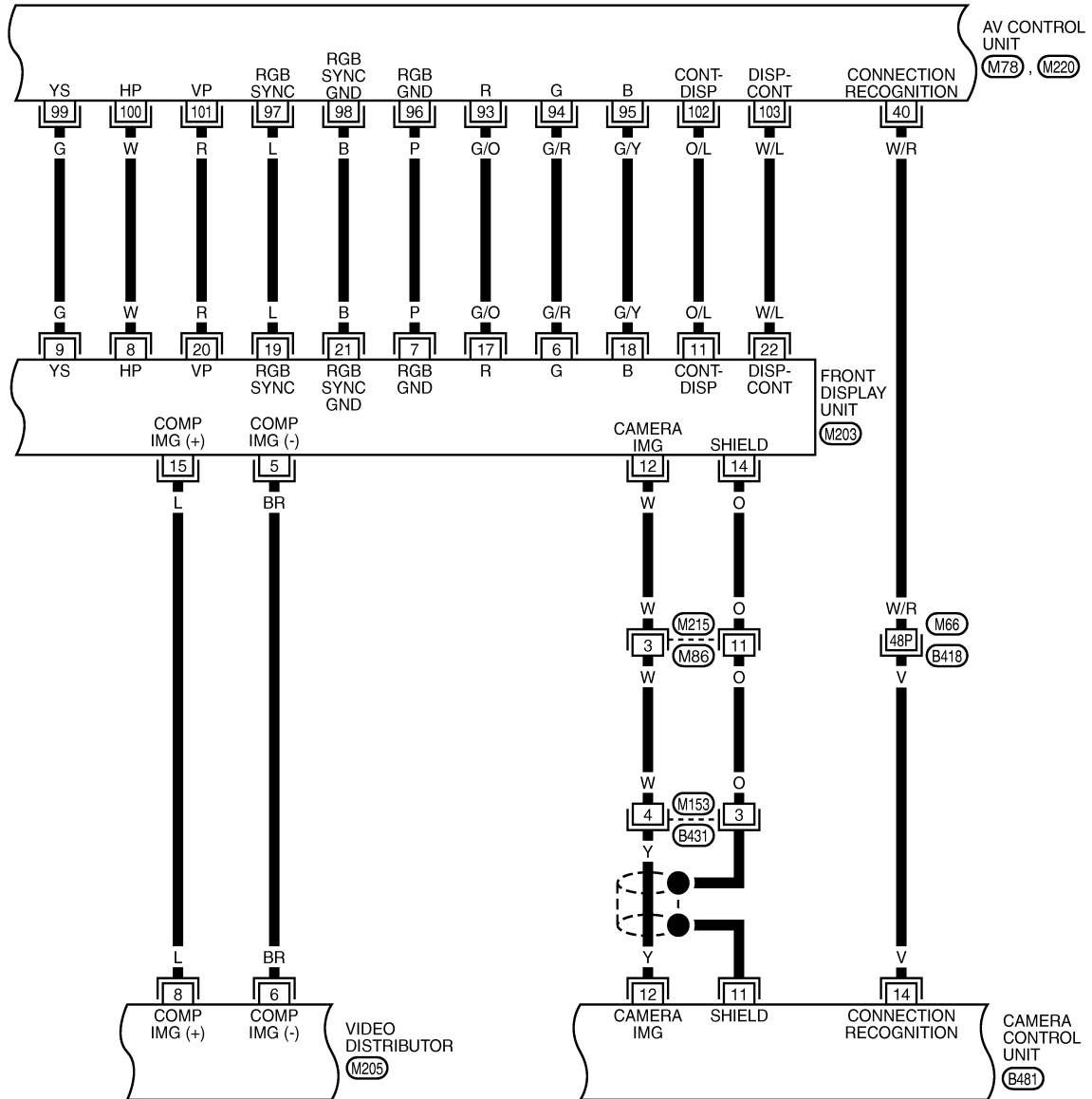
TKWT8307E

# AV CONTROL UNIT

[WITH MOBILE ENTERTAINMENT SYSTEM]

< ECU DIAGNOSIS >

AV-AV-75



REFER TO THE FOLLOWING.

(B418) -SUPER MULTIPLE JUNCTION (SMJ)

TKWT6757E

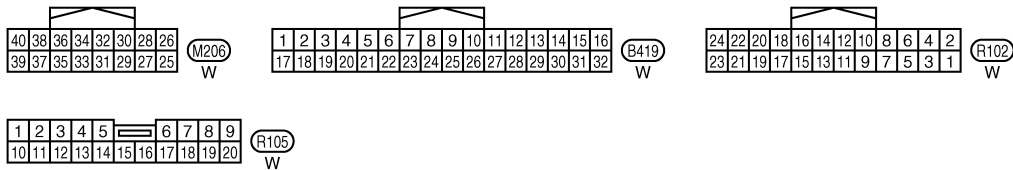
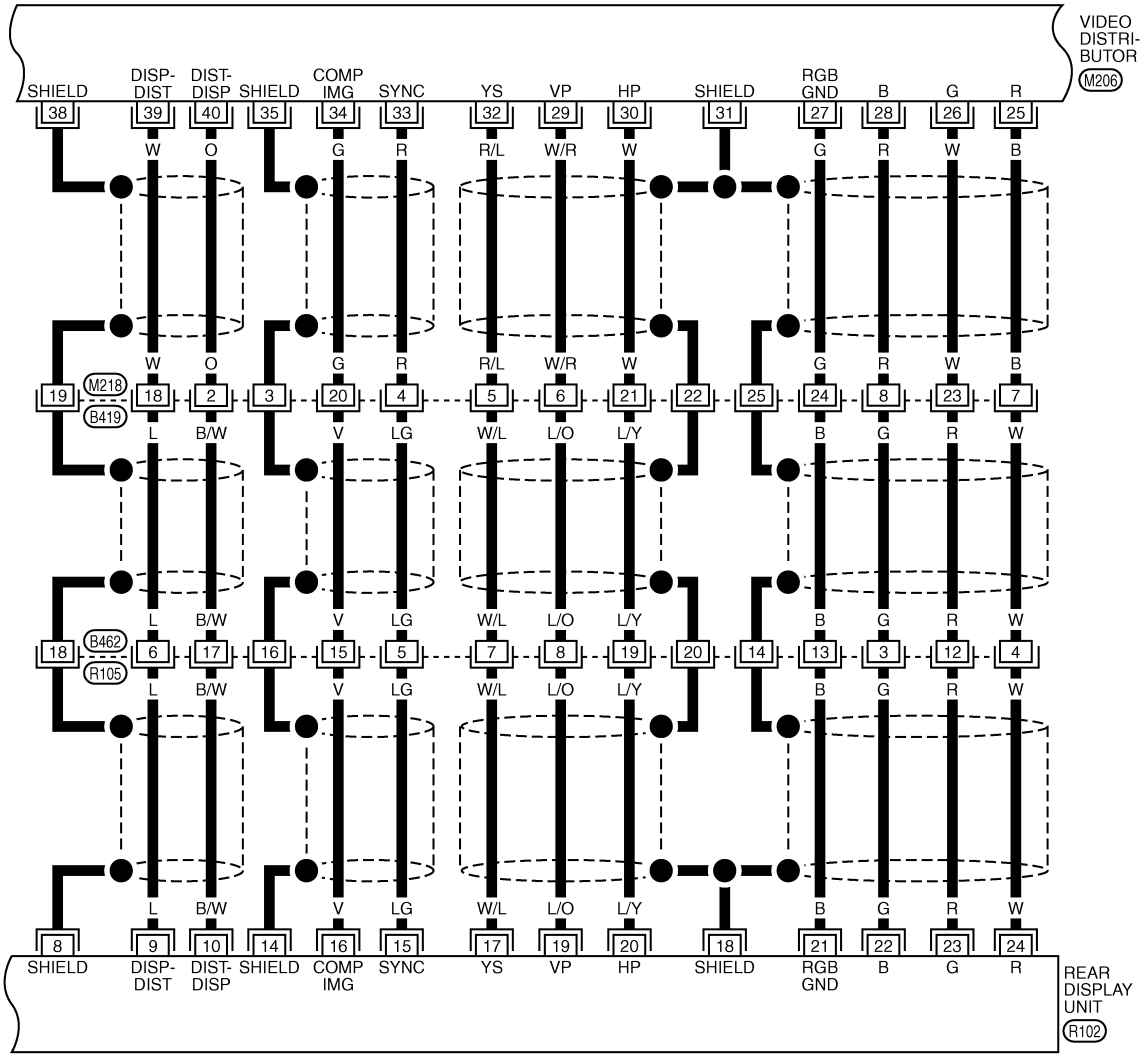
A  
B  
C  
D  
E  
F  
G  
H  
I  
J  
AV  
L  
M  
N  
O  
P

# AV CONTROL UNIT

[WITH MOBILE ENTERTAINMENT SYSTEM]

< ECU DIAGNOSIS >

AV-AV-76



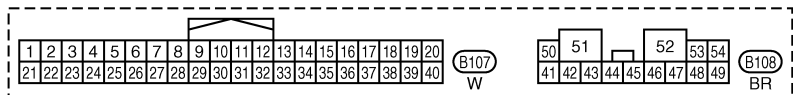
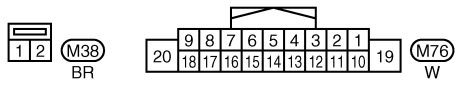
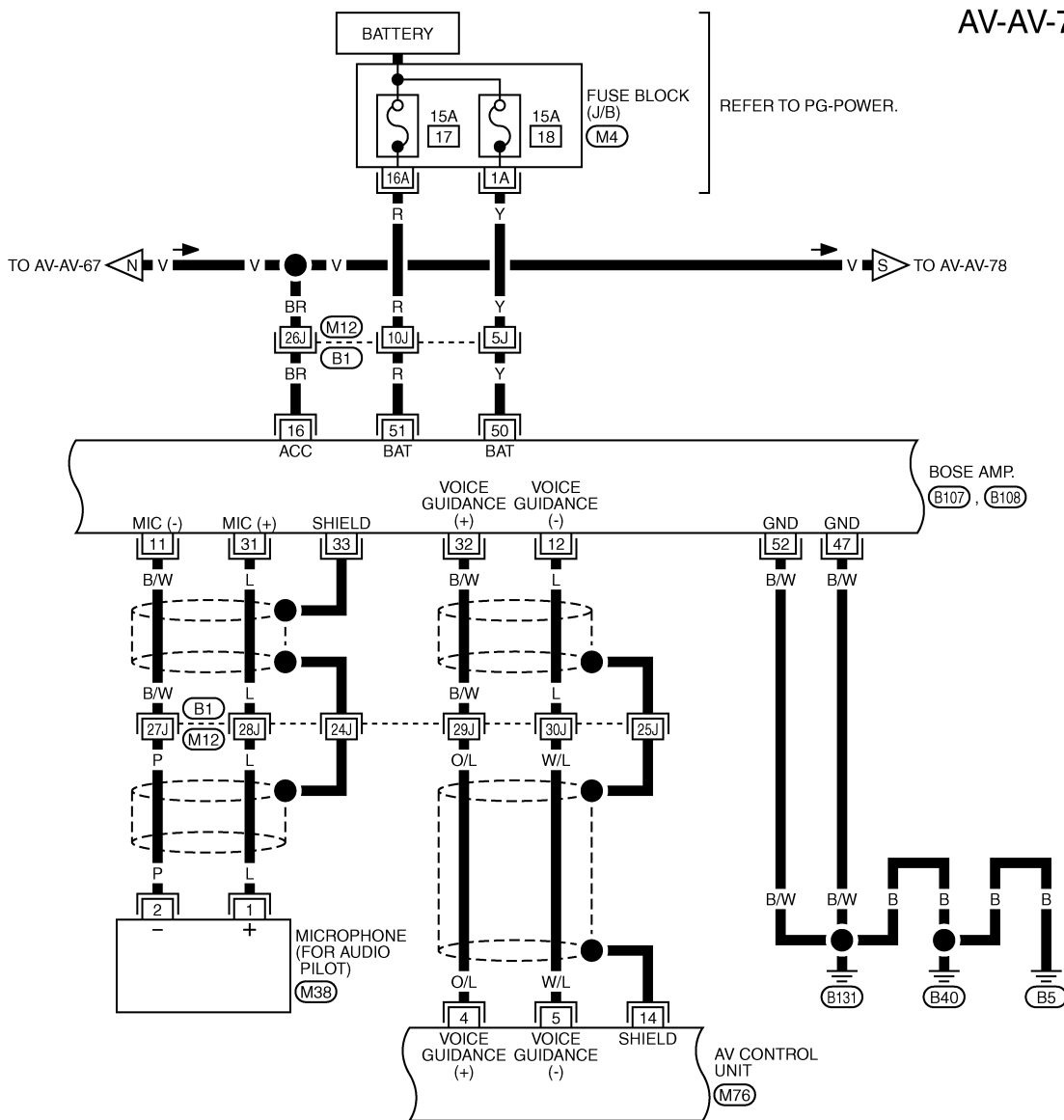
TKWT5152E

# AV CONTROL UNIT

[WITH MOBILE ENTERTAINMENT SYSTEM]

< ECU DIAGNOSIS >

AV-AV-77



REFER TO THE FOLLOWING.  
 (B1) -SUPER MULTIPLE JUNCTION (SMJ)  
 (M4) -FUSE BLOCK-JUNCTION BOX (J/B)

TKWT8308E

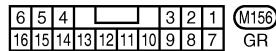
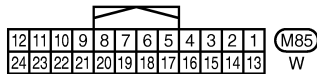
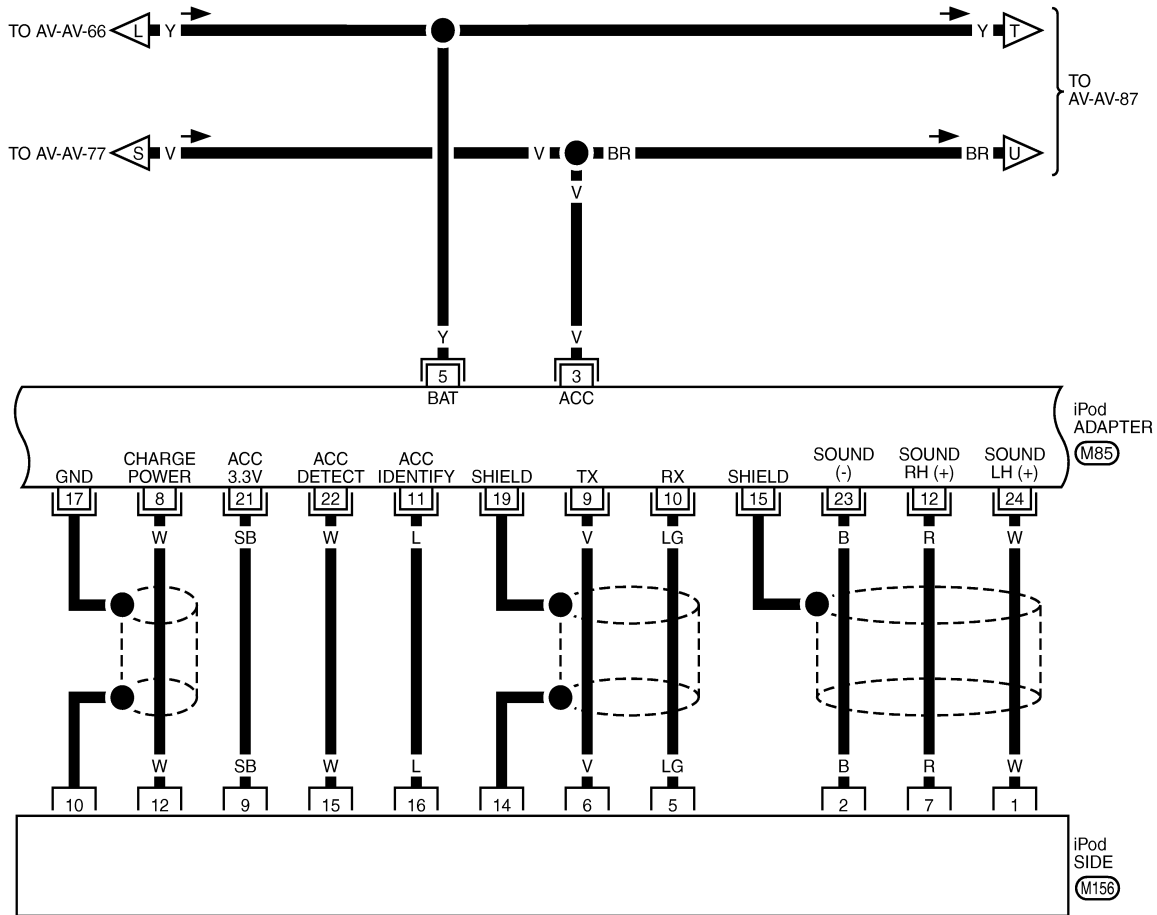
A  
B  
C  
D  
E  
F  
G  
H  
I  
J  
AV  
L  
M  
N  
O  
P

# AV CONTROL UNIT

[WITH MOBILE ENTERTAINMENT SYSTEM]

< ECU DIAGNOSIS >

AV-AV-78



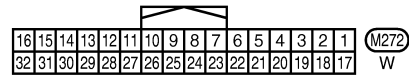
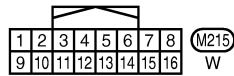
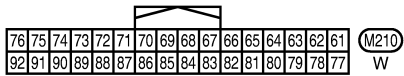
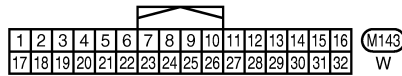
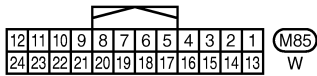
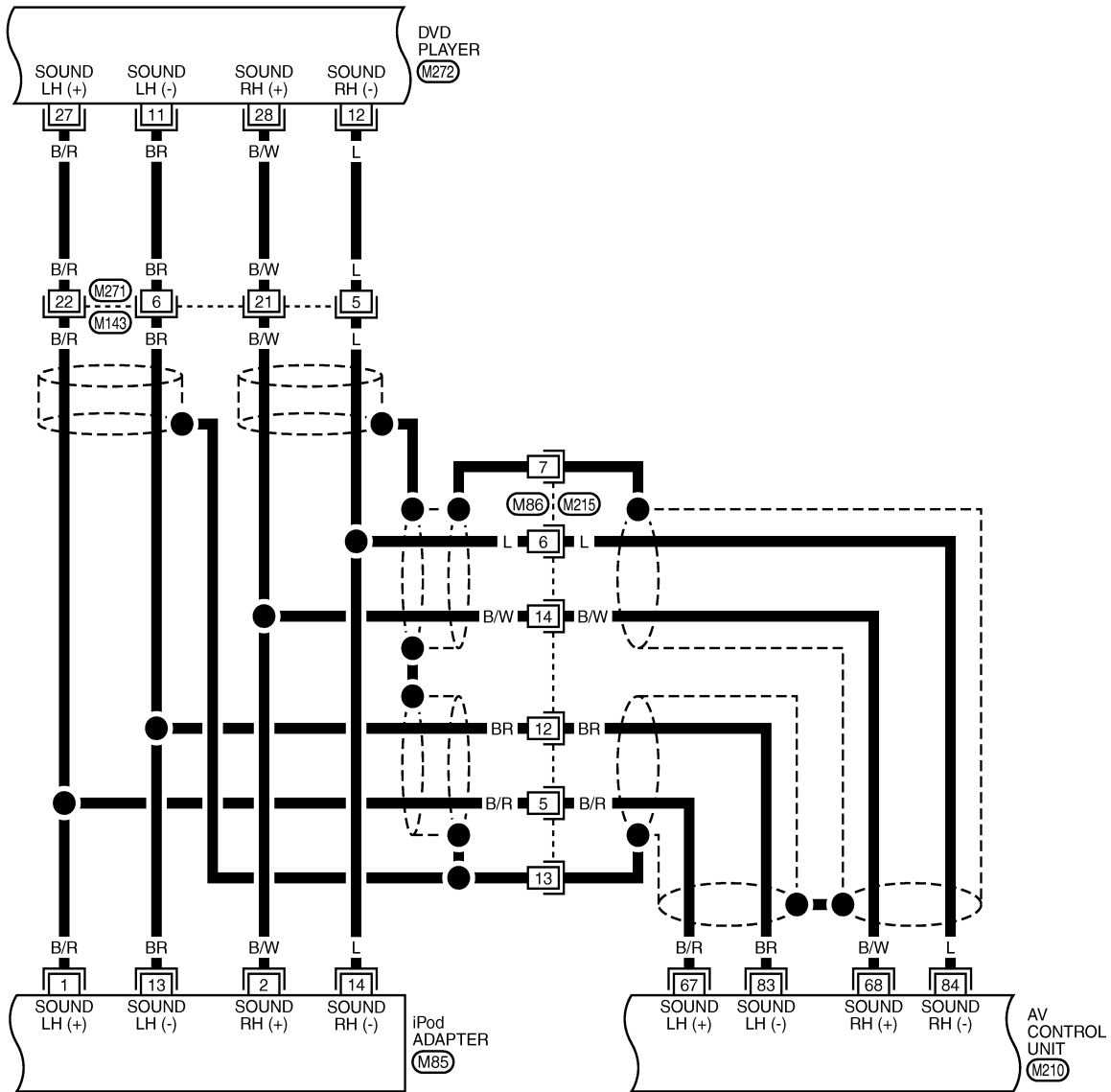
TKWT6761E

# AV CONTROL UNIT

[WITH MOBILE ENTERTAINMENT SYSTEM]

< ECU DIAGNOSIS >

AV-AV-79



TKWT6762E

A  
B  
C  
D  
E  
F  
G  
H  
I  
J  
L  
M  
N  
O  
P

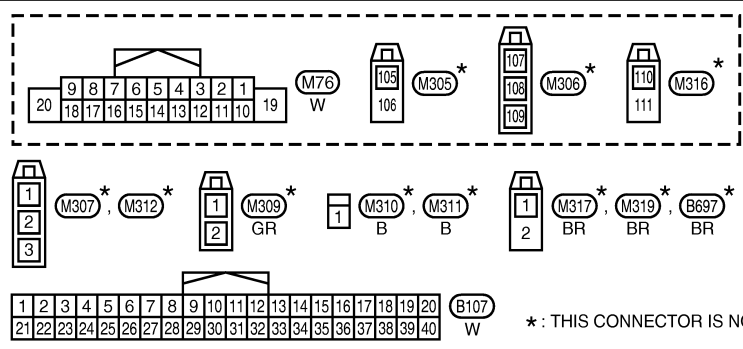
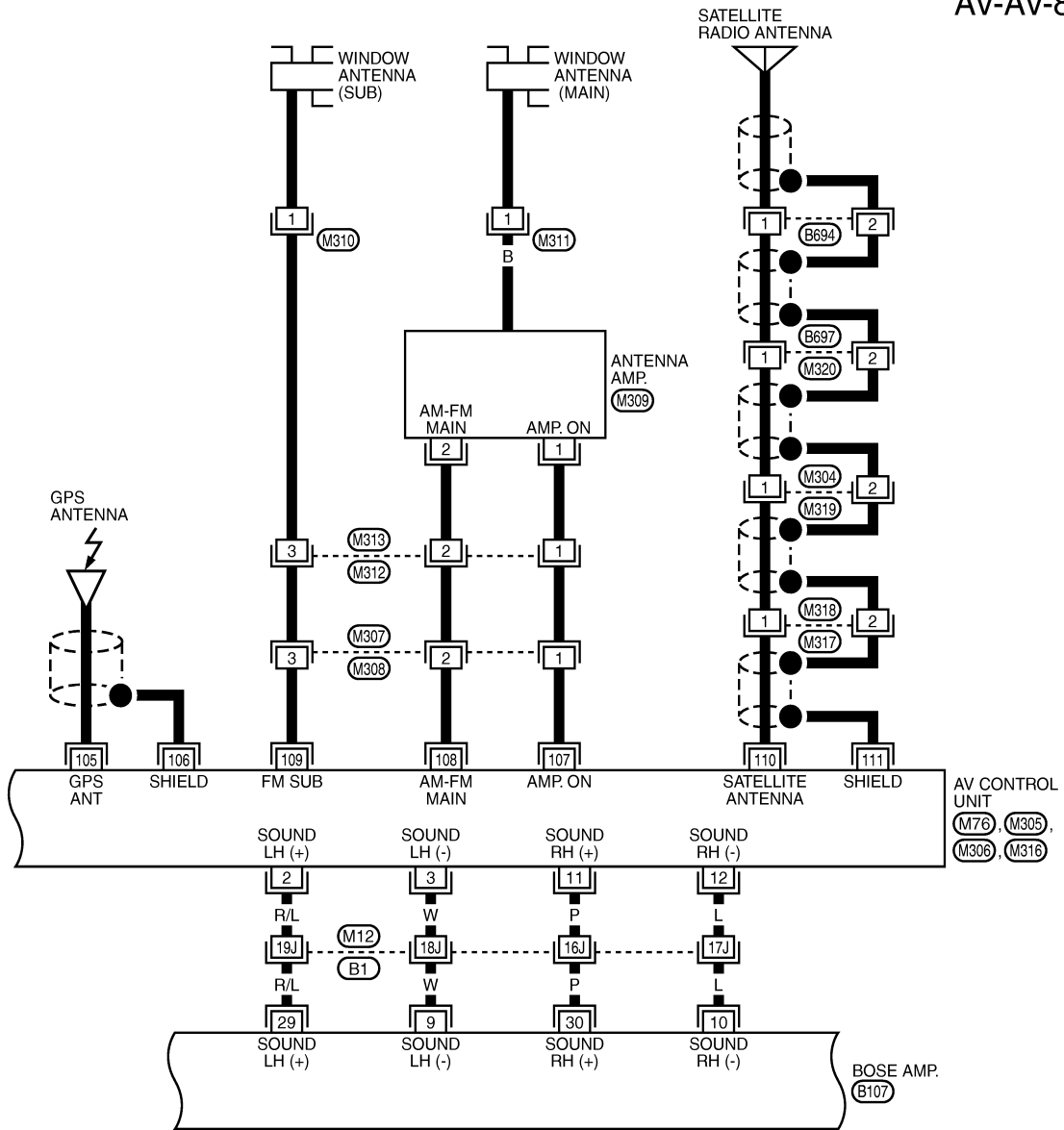
AV

# AV CONTROL UNIT

[WITH MOBILE ENTERTAINMENT SYSTEM]

< ECU DIAGNOSIS >

AV-AV-80



REFER TO THE FOLLOWING.

(B1) - SUPER MULTIPLE JUNCTION (SMJ)

\* : THIS CONNECTOR IS NOT SHOWN IN "HARNESS LAYOUT", PG SECTION.

TKWT6763E

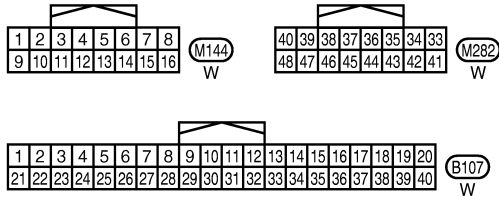
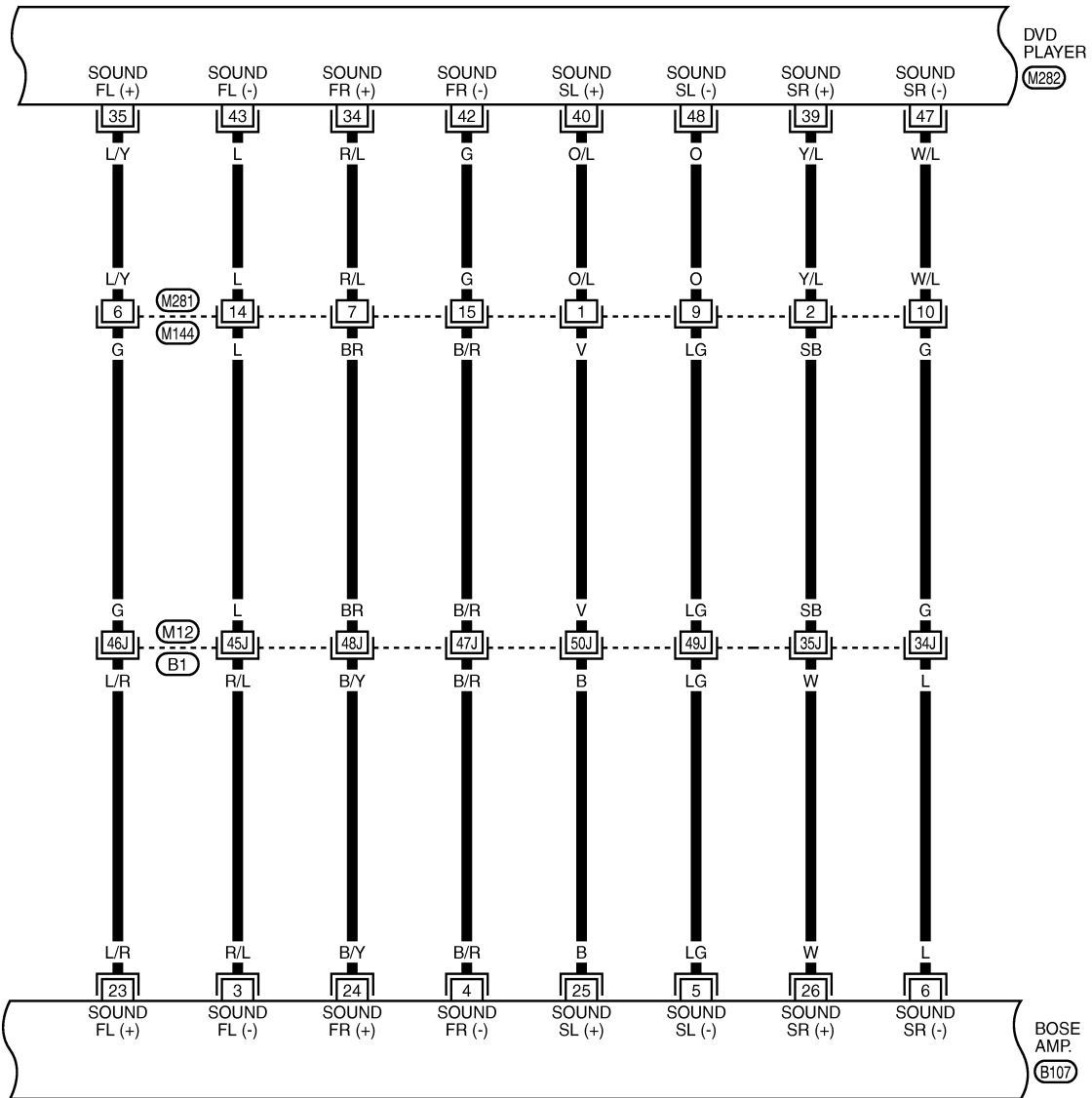


# AV CONTROL UNIT

[WITH MOBILE ENTERTAINMENT SYSTEM]

< ECU DIAGNOSIS >

AV-AV-81



REFER TO THE FOLLOWING.

(B1) - SUPER MULTIPLE JUNCTION (SMJ)

TKWT6764E

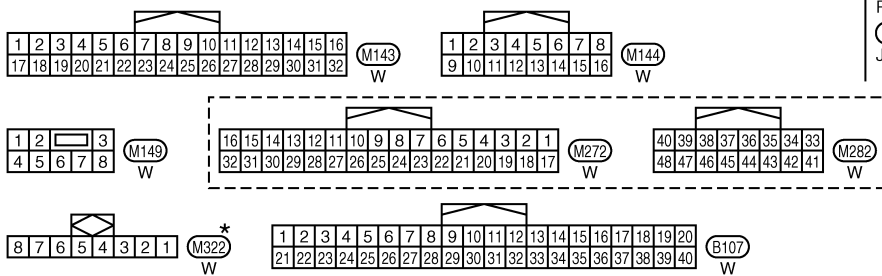
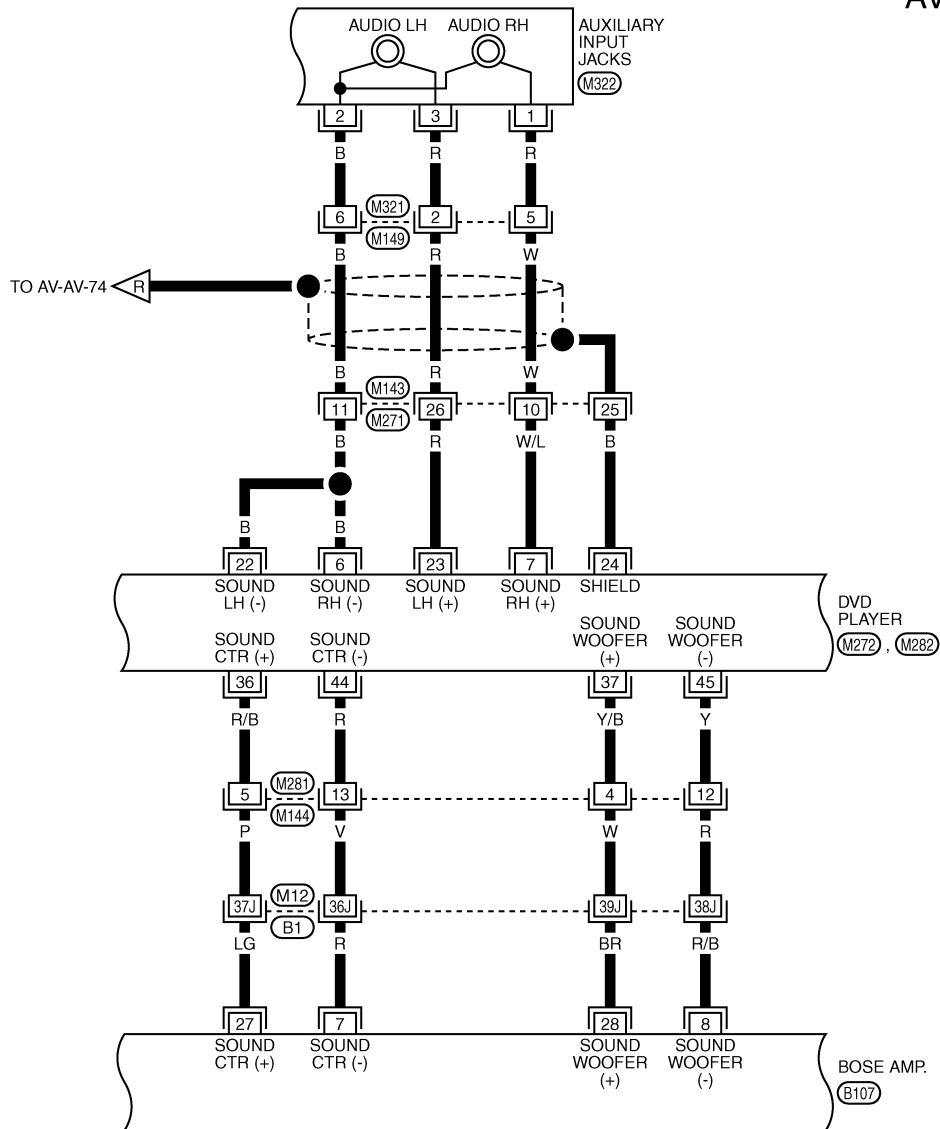
A  
B  
C  
D  
E  
F  
G  
H  
I  
J  
AV  
L  
M  
N  
O  
P

# AV CONTROL UNIT

[WITH MOBILE ENTERTAINMENT SYSTEM]

< ECU DIAGNOSIS >

AV-AV-82



REFER TO THE FOLLOWING.  
**(B1)** -SUPER MULTIPLE JUNCTION (SMJ)

\*: THIS CONNECTOR IS NOT SHOWN IN "HARNESS LAYOUT", PG SECTION.

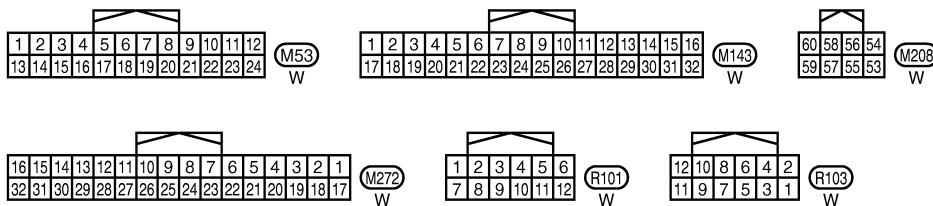
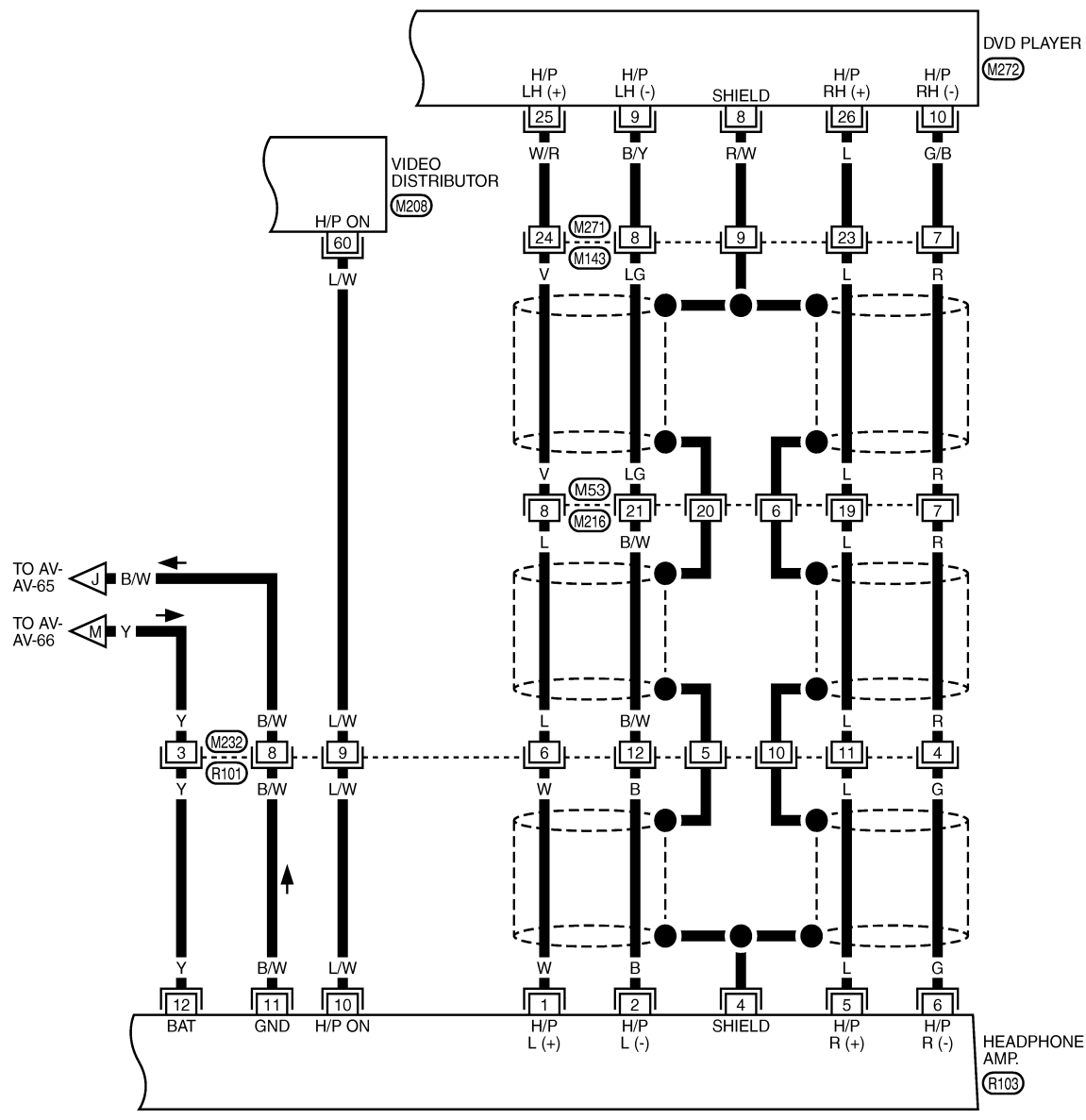
TKWT8309E

# AV CONTROL UNIT

[WITH MOBILE ENTERTAINMENT SYSTEM]

< ECU DIAGNOSIS >

AV-AV-83



TKWT6766E

A  
B  
C  
D  
E  
F  
G  
H  
I  
J  
L  
M  
N  
O  
P

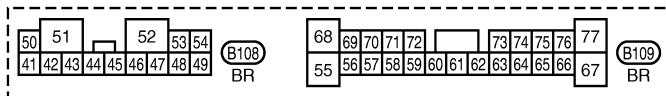
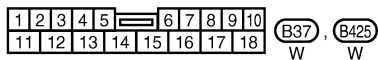
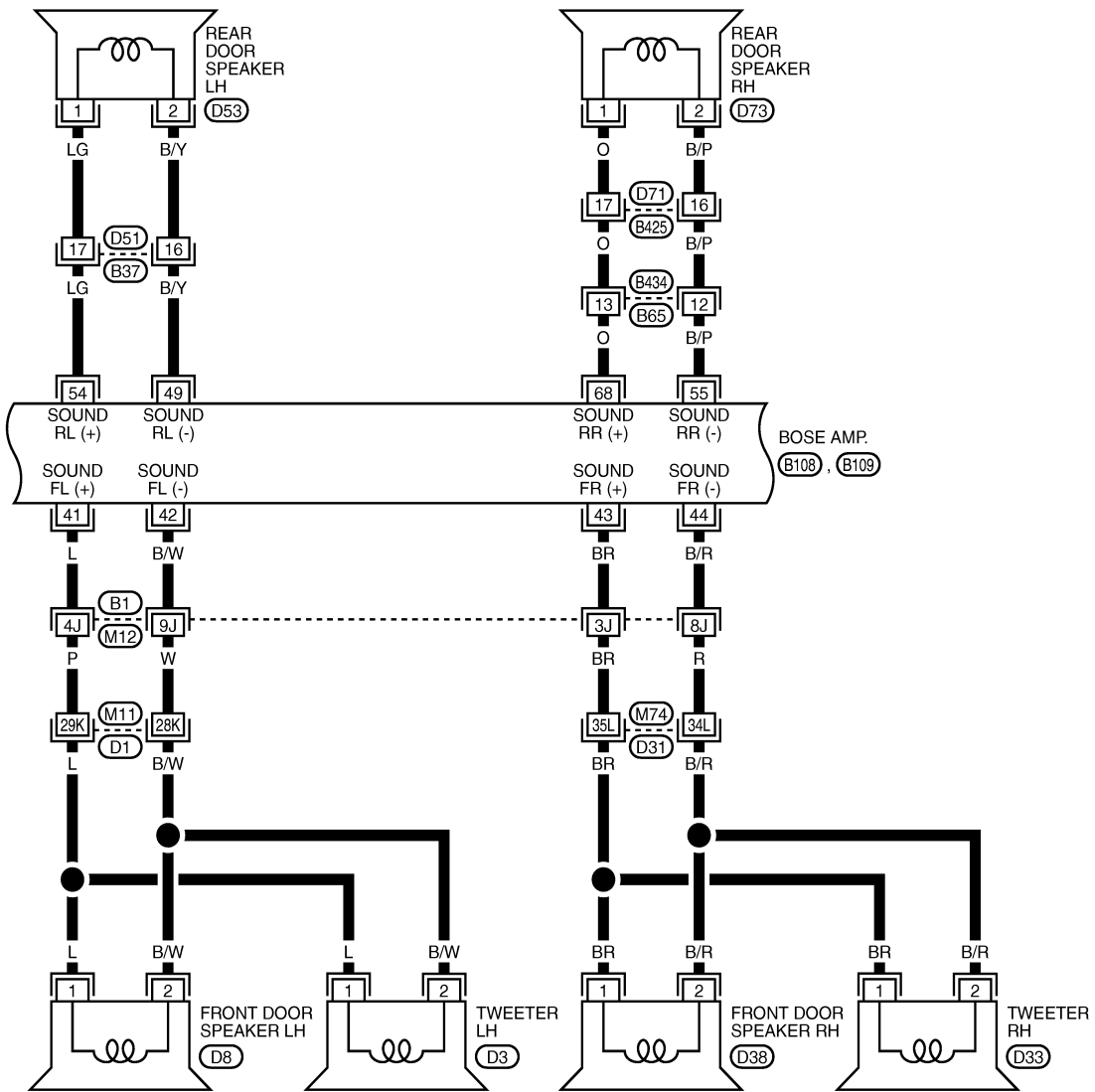
AV

# AV CONTROL UNIT

[WITH MOBILE ENTERTAINMENT SYSTEM]

< ECU DIAGNOSIS >

AV-AV-84



REFER TO THE FOLLOWING.

(B1), (D1), (D31) - SUPER MULTIPLE JUNCTION (SMJ)

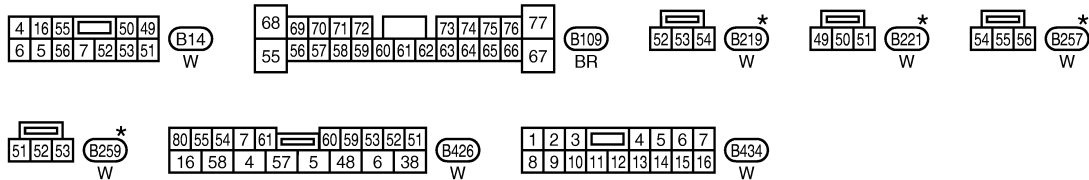
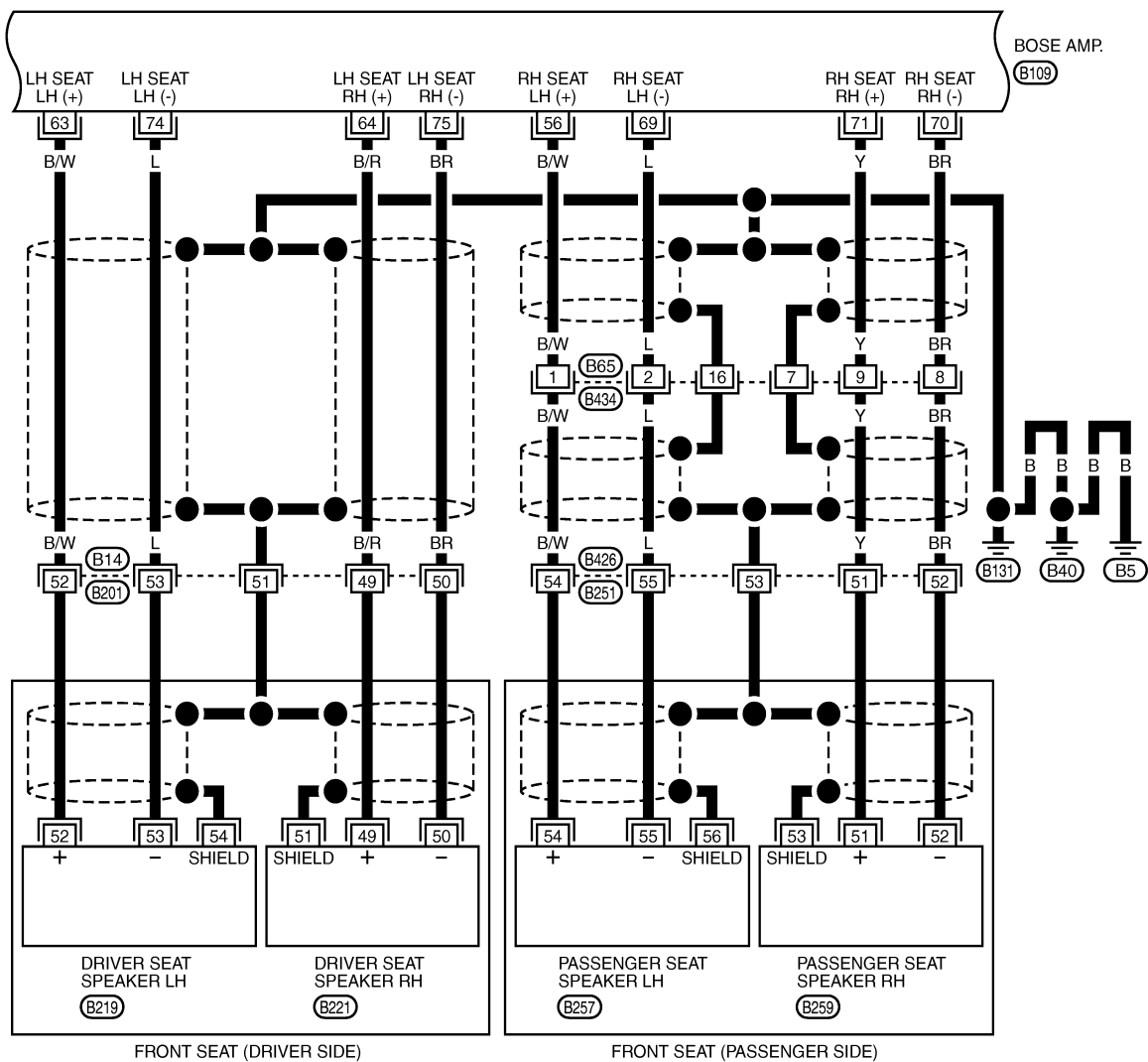
TKWT6767E

# AV CONTROL UNIT

[WITH MOBILE ENTERTAINMENT SYSTEM]

< ECU DIAGNOSIS >

AV-AV-85



\*: THIS CONNECTOR IS NOT SHOWN IN "HARNESS LAYOUT", PG SECTION.

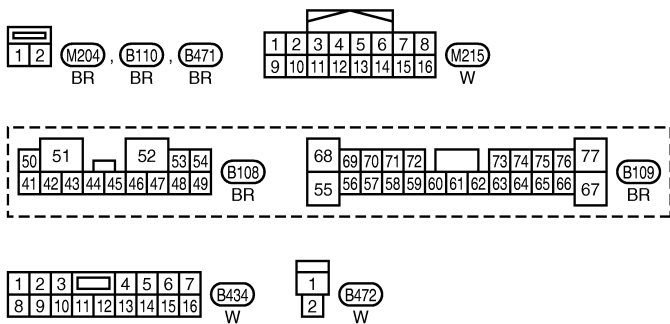
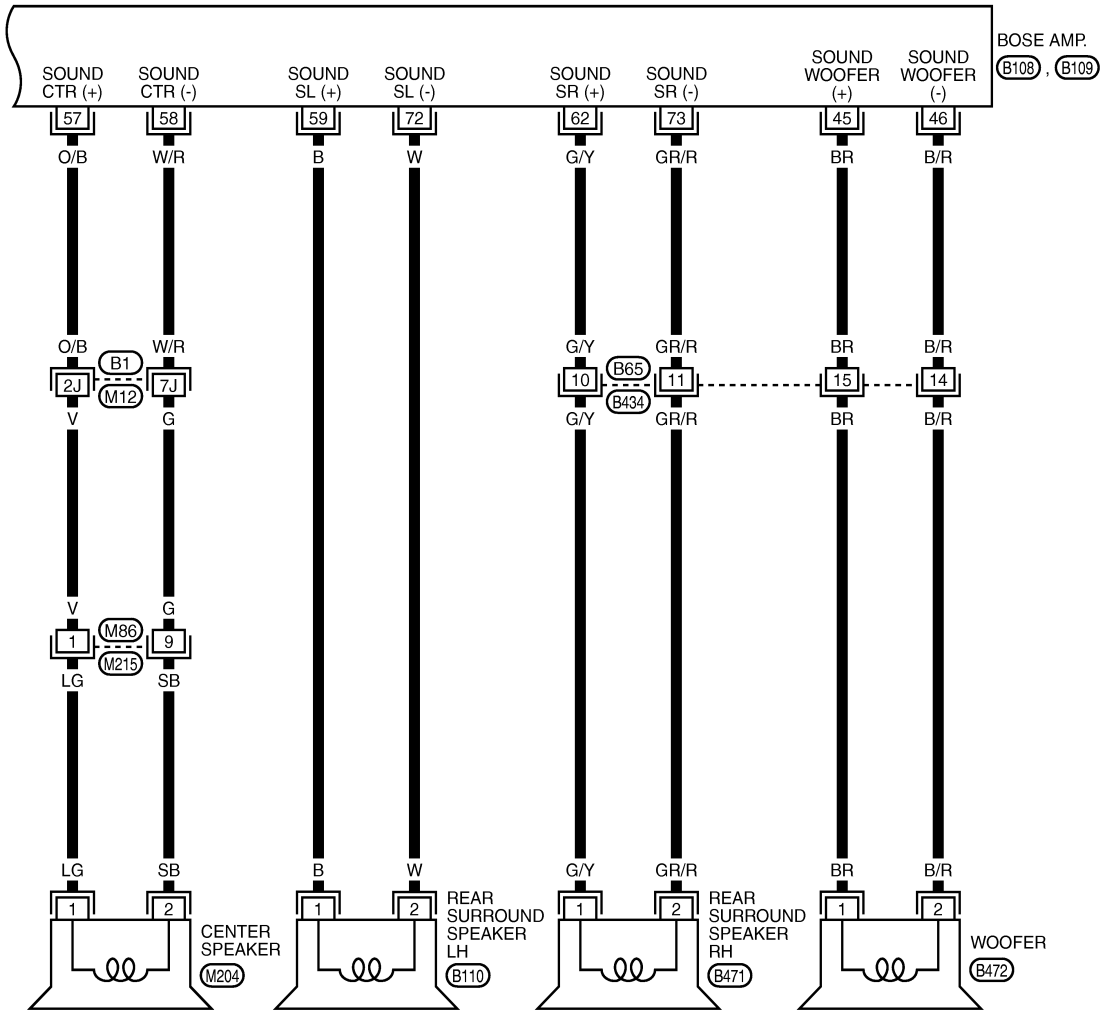
TKWT6768E

# AV CONTROL UNIT

[WITH MOBILE ENTERTAINMENT SYSTEM]

< ECU DIAGNOSIS >

AV-AV-86



REFER TO THE FOLLOWING.

(B1) - SUPER MULTIPLE JUNCTION (SMJ)

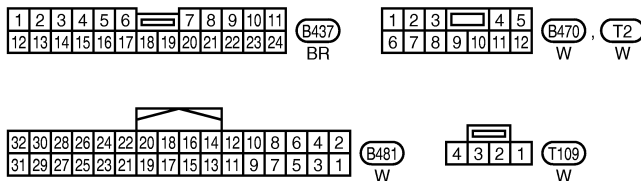
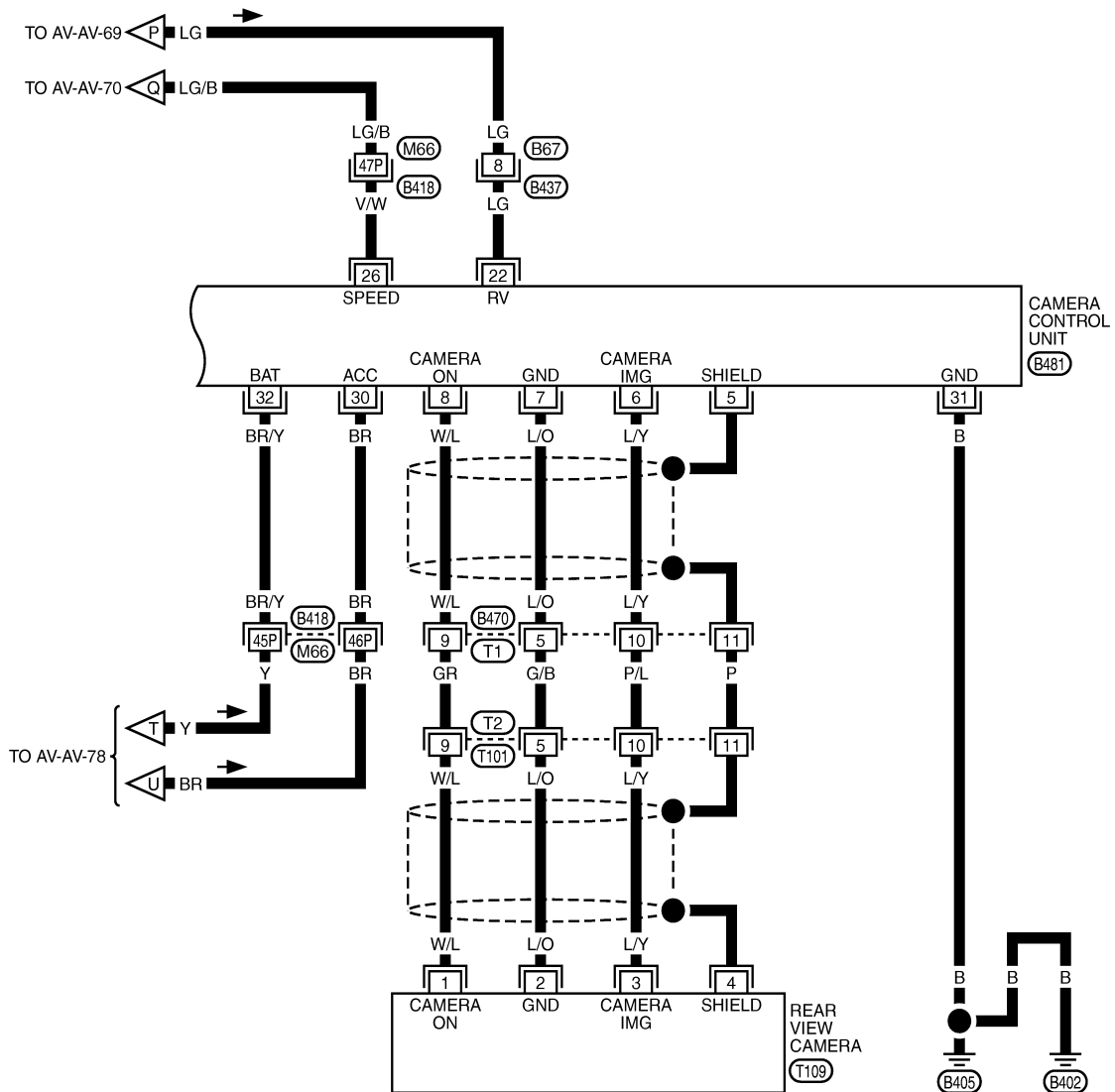
TKWT6769E

# AV CONTROL UNIT

[WITH MOBILE ENTERTAINMENT SYSTEM]

< ECU DIAGNOSIS >

AV-AV-87



REFER TO THE FOLLOWING.

**B418** - SUPER MULTIPLE JUNCTION (SMJ)

TKWT6770E

## Fail-Safe

When the ambience temperature becomes extremely low or extremely high, or when HDD is malfunctioning, AV control unit displays the message and limits the AV control unit function.

### FAIL-SAFE CONDITIONS

- When the ambience temperature is  $-20^{\circ}\text{C}$  ( $-4^{\circ}\text{F}$ ) or lower, or when it is  $70^{\circ}\text{C}$  ( $158^{\circ}\text{F}$ ) or higher
- When HDD is malfunctioning

A  
B  
C  
D  
E  
F  
G  
H  
I  
J  
K  
L  
M  
N  
O  
P

AV

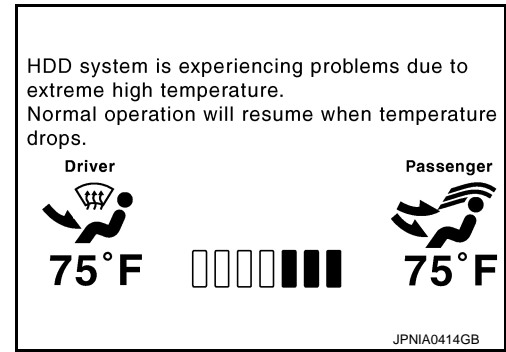
# AV CONTROL UNIT

[WITH MOBILE ENTERTAINMENT SYSTEM]

## < ECU DIAGNOSIS >

### Display

The messages displayed on fail-safe conditions are as shown below:



Fail-safe mode	Display (display of the fail-safe condition)
When HDD temperature is low	HDD system is experiencing problems due to extreme low temperature. Normal operation will resume when temperature rises.
When HDD temperature is high	HDD system is experiencing problems due to extreme high temperature. Normal operation will resume when temperature drops.
When HDD is malfunctioning	HDD system is not functioning. Please contact your dealer for assistance.

## DESCRIPTION OF CONTROLS

Function		When Fail-safe Function is activated
Air conditioner	Operation	Only multifunction switch (preset switch) can be operated.
	Display	<ul style="list-style-type: none"> <li>• LED of multifunction switch (preset switch) illuminates.</li> <li>• Aimed temperature, blow angle, and flow rate are displayed in simplified mode.</li> </ul>
Audio	Operation	Only ON/OFF and volume control operations by multifunction switch (preset switch) are possible.
	Display	No display ("Fail-safe mode" is displayed)
Camera	Operation	Image tone cannot be controlled.
	Display	Cannot be superimposed. (warning display, tone control display)
Hands-free phone	Operation	Cannot be operated.
Navigation	Operation	Cannot be operated.
Self diagnosis		The display in simplified mode of fail-safe condition
CONSULT-III diagnosis		Cannot be operated.

### Ability Operation Mode

There is an ability operation mode for Fail-safes due to low or high ambient temperature.

If HDD data can be read, fail-safe is shown, then normal displays are displayed only for functions which can be operated.

### RELEASE CONDITIONS OF FAIL-SAFE

Fail-safe is released on following conditions and normal mode is restored.

When the temperature of HDD is low or high

If the ambient temperature becomes out of fail-safe condition range, normal mode is restored.

When HDD is malfunctioning

If the malfunction disappears, normal mode is restored.

### NOTE:

- If fail-safe mode due to HDD malfunction is seen continuously, replace AV control unit.
- If fail-safe mode due to HDD malfunction is seen temporarily, check the "Error History" of Confirmation/Adjustment mode. If this is normal, then continue the normal operation, observing the function. (It might be a temporary malfunction of HDD.)



# AV CONTROL UNIT

[WITH MOBILE ENTERTAINMENT SYSTEM]

< ECU DIAGNOSIS >

## DTC Index

INFOID:000000005350600

### SELF-DIAGNOSIS RESULTS DISPLAY ITEM

DTC	Display item	Refer to
U1000	CAN COMM CIRCUIT [U1000]	<a href="#">AV-565, "Diagnosis Procedure"</a>
U1010	CONTROL UNIT (CAN) [1010]	<a href="#">AV-566, "Diagnosis Procedure"</a>
U1310	CONTROL UNIT (AV) [U1310]	<a href="#">AV-567, "DTC Logic"</a>
U1200	Control Unit FLASH-ROM [1200]	<a href="#">AV-568, "DTC Logic"</a>
U1201	Gyro NO CONN [1201]	<a href="#">AV-569, "DTC Logic"</a>
U1216	CAN CONT [U1216]	<a href="#">AV-570, "DTC Logic"</a>
U1217	BLUETOOTH CONN [U1217]	<a href="#">AV-571, "DTC Logic"</a>
U1218	HDD CONN [U1218]	<a href="#">AV-572, "DTC Logic"</a>
U1219	HDD READ [U1219]	<a href="#">AV-573, "DTC Logic"</a>
U1220	XM SERIAL COMM [U1220]	<a href="#">AV-574, "DTC Logic"</a>
U121A	HDD WRITE [U121A]	<a href="#">AV-575, "DTC Logic"</a>
U121B	HDD COMM [U121B]	<a href="#">AV-576, "DTC Logic"</a>
U121C	HDD ACCESS [U121C]	<a href="#">AV-577, "DTC Logic"</a>
U121D	DSP CONN [U121D]	<a href="#">AV-578, "DTC Logic"</a>
U121E	DSP COMM [U121E]	<a href="#">AV-579, "DTC Logic"</a>
U121F	INTERNAL COMM [U121F]	<a href="#">AV-580, "DTC Logic"</a>
U1204	GPS COMM [U1204]	<a href="#">AV-581, "DTC Logic"</a>
U1205	GPS ROM [U1205]	<a href="#">AV-582, "DTC Logic"</a>
U1206	GPS RAM [U1206]	<a href="#">AV-583, "DTC Logic"</a>
U1207	GPS RTC [U1207]	<a href="#">AV-584, "DTC Logic"</a>
U1243	FRONT DISP CONN [U1243]	<a href="#">AV-585, "DTC Logic"</a>
U1247	REAR DISP CONN [U1247]	<a href="#">AV-588, "DTC Logic"</a>
U1244	GPS ANTENNA CONN [U1244]	<a href="#">AV-587, "DTC Logic"</a>
U1250	CAMERA CONT. CONN [U1250]	<a href="#">AV-590, "DTC Logic"</a>
U1258	XM ANTENNA CONN [U1258]	<a href="#">AV-591, "DTC Logic"</a>
U1300	AV COMM CIRCUIT [U1300]	<a href="#">AV-592, "Description"</a>
U1300 U121F	<ul style="list-style-type: none"> <li>• AV COMM CIRCUIT [U1300]</li> <li>• INTERNAL COMM [U121F]</li> </ul>	<a href="#">AV-592, "Description"</a>
U1300 U1240	<ul style="list-style-type: none"> <li>• AV COMM CIRCUIT [U1300]</li> <li>• SWITCH CONN [U1240]</li> </ul>	<a href="#">AV-592, "Description"</a>
U1300 U1246	<ul style="list-style-type: none"> <li>• AV COMM CIRCUIT [U1300]</li> <li>• VIDEO DIST CONN [U1246]</li> </ul>	<a href="#">AV-592, "Description"</a>
U1300 U1248	<ul style="list-style-type: none"> <li>• AV COMM CIRCUIT [U1300]</li> <li>• DVD DECK CONN [U1248]</li> </ul>	<a href="#">AV-592, "Description"</a>
U1300 U124E	<ul style="list-style-type: none"> <li>• AV COMM CIRCUIT [U1300]</li> <li>• AMP CONN [U124E]</li> </ul>	<a href="#">AV-592, "Description"</a>
U1300 U1252	<ul style="list-style-type: none"> <li>• AV COMM CIRCUIT [U1300]</li> <li>• REAR CAMERA LAN CONN [U1252]</li> </ul>	<a href="#">AV-592, "Description"</a>
U1300 U1254	<ul style="list-style-type: none"> <li>• AV COMM CIRCUIT [U1300]</li> <li>• IPOD CONN [U1254]</li> </ul>	<a href="#">AV-592, "Description"</a>
U1300 U1252 U1254	<ul style="list-style-type: none"> <li>• AV COMM CIRCUIT [U1300]</li> <li>• REAR CAMERA LAN CONN [U1252]</li> <li>• IPOD CONN [U1254]</li> </ul>	<a href="#">AV-592, "Description"</a>

# AV CONTROL UNIT

[WITH MOBILE ENTERTAINMENT SYSTEM]

< ECU DIAGNOSIS >

DTC	Display item	Refer to
U1300 U124E U1252 U1254	<ul style="list-style-type: none"> <li>• AV COMM CIRCUIT [U1300]</li> <li>• AMP CONN [U124E]</li> <li>• REAR CAMERA LAN CONN [U1252]</li> <li>• IPOD CONN [U1254]</li> </ul>	<a href="#">AV-592, "Description"</a>
U1300 U1248 U124E U1252 U1254	<ul style="list-style-type: none"> <li>• AV COMM CIRCUIT [U1300]</li> <li>• DVD DECK CONN [U1248]</li> <li>• AMP CONN [U124E]</li> <li>• REAR CAMERA LAN CONN [U1252]</li> <li>• IPOD CONN [U1254]</li> </ul>	<a href="#">AV-592, "Description"</a>
U1300 U1246 U1248 U124E U1252 U1254	<ul style="list-style-type: none"> <li>• AV COMM CIRCUIT [U1300]</li> <li>• VIDEO DIST CONN [U1246]</li> <li>• DVD DECK CONN [U1248]</li> <li>• AMP CONN [U124E]</li> <li>• REAR CAMERA LAN CONN [U1252]</li> <li>• IPOD CONN [U1254]</li> </ul>	<a href="#">AV-592, "Description"</a>
U1300 U1240 U1246 U1248 U124E U1252 U1254	<ul style="list-style-type: none"> <li>• AV COMM CIRCUIT [U1300]</li> <li>• SWITCH CONN [U1240]</li> <li>• VIDEO DIST CONN [U1246]</li> <li>• DVD DECK CONN [U1248]</li> <li>• AMP CONN [U124E]</li> <li>• REAR CAMERA LAN CONN [U1252]</li> <li>• IPOD CONN [U1254]</li> </ul>	<a href="#">AV-592, "Description"</a>
U1300 U121F U1240 U1246 U1248 U124E U1252 U1254	<ul style="list-style-type: none"> <li>• AV COMM CIRCUIT [U1300]</li> <li>• INTERNAL COMM [U121F]</li> <li>• SWITCH CONN [U1240]</li> <li>• VIDEO DIST CONN [U1246]</li> <li>• DVD DECK CONN [U1248]</li> <li>• AMP CONN [U124E]</li> <li>• REAR CAMERA LAN CONN [U1252]</li> <li>• IPOD CONN [U1254]</li> </ul>	<a href="#">AV-592, "Description"</a>

# FRONT DISPLAY UNIT

[WITH MOBILE ENTERTAINMENT SYSTEM]

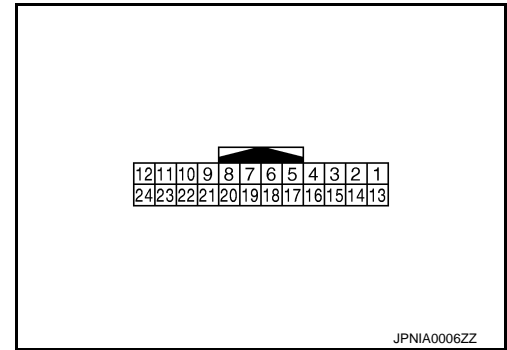
< ECU DIAGNOSIS >

## FRONT DISPLAY UNIT

Reference Value

INFOID:000000005350601

TERMINAL LAYOUT



PHYSICAL VALUES

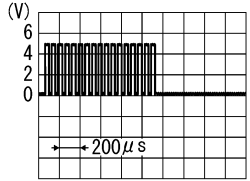
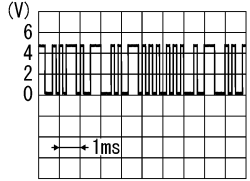
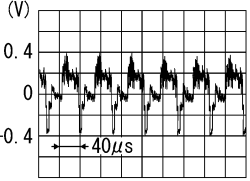
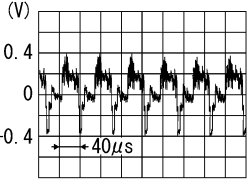
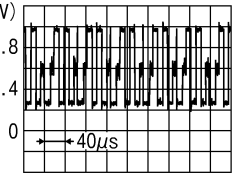
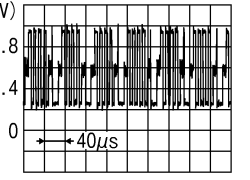
Terminal (Wire color)		Description		Condition		Reference value (Approx.)
+	-	Signal name	Input/ Output			
1 (B)	Ground	Ground	—	Ignition switch ON	—	0 V
2 (Y)	Ground	Battery power supply	Input	Ignition switch OFF	—	Battery voltage
3 (V)	Ground	ACC power supply	Input	Ignition switch ACC	—	Battery voltage
5 (BR)	Ground	Composite image ground	—	Ignition switch ON	—	0 V
6 (G/R)	Ground	RGB signal (G: green)	Input	Ignition switch ON	Start confirmation/adjust- ment mode, and then dis- play color bar by selecting "Color Spectrum Bar" on DISPLAY DIAGNOSIS screen.	<p>JSNIA1030ZZ</p>
7 (P)	Ground	RGB signal ground	—	Ignition switch ON	—	0 V
8 (W)	Ground	Horizontal synchronizing (HP) signal	Output	Ignition switch ON	—	<p>SKIB3601E</p>

A  
B  
C  
D  
E  
F  
G  
H  
I  
J  
AV  
L  
M  
N  
O  
P

# FRONT DISPLAY UNIT

[WITH MOBILE ENTERTAINMENT SYSTEM]

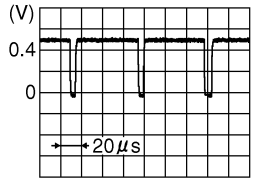
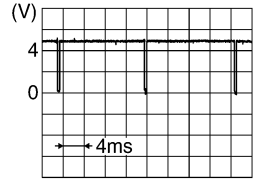
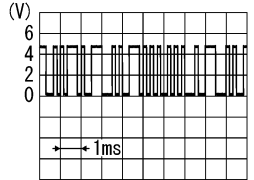
< ECU DIAGNOSIS >

Terminal (Wire color)		Description		Condition		Reference value (Approx.)
+	-	Signal name	Input/ Output			
9 (G)	Ground	RGB area (YS) signal	Input	Ignition switch ON	When RGB image is displayed on front display.	5 V
					When rear view camera image is displayed.	 <p style="text-align: right; font-size: small;">PKIB4948J</p>
11 (O/L)	Ground	Communication signal (CONT→DISP)	Input	Ignition switch ON	When adjusting front display brightness.	 <p style="text-align: right; font-size: small;">PKIB5039J</p>
12 (W)	Ground	Camera image signal	Input	Ignition switch ON	When rear view camera image is displayed.	 <p style="text-align: right; font-size: small;">SKIB2251J</p>
13 (B)	Ground	Ground	—	Ignition switch ON	—	0 V
14	—	Shield	—	—	—	—
15 (L)	5 (BR)	Composite image signal (AUX and DVD images)	Input	Ignition switch ON	When AUX or DVD image is displayed on front display.	 <p style="text-align: right; font-size: small;">SKIB2251J</p>
17 (G/O)	Ground	RGB signal (R: red)	Input	Ignition switch ON	Start confirmation/adjustment mode, and then display color bar by selecting "Color Spectrum Bar" on DISPLAY DIAGNOSIS screen.	 <p style="text-align: right; font-size: small;">JSNIA1029ZZ</p>
18 (G/Y)	Ground	RGB signal (B: blue)	Input	Ignition switch ON	Start confirmation/adjustment mode, and then display color bar by selecting "Color Spectrum Bar" on DISPLAY DIAGNOSIS screen.	 <p style="text-align: right; font-size: small;">JSNIA1031ZZ</p>

# FRONT DISPLAY UNIT

[WITH MOBILE ENTERTAINMENT SYSTEM]

< ECU DIAGNOSIS >

Terminal (Wire color)		Description		Condition		Reference value (Approx.)
+	-	Signal name	Input/ Output			
19 (L)	Ground	RGB synchronizing signal	Input	Ignition switch ON	—	 <p style="text-align: right; font-size: small;">JPNIA0461GB</p>
20 (R)	Ground	Vertical synchronizing (VP) signal	Output	Ignition switch ON	—	 <p style="text-align: right; font-size: small;">SKIB3598E</p>
21 (B)	Ground	RGB synchronizing signal ground	—	Ignition switch ON	—	0 V
22 (W/L)	Ground	Communication signal (DISP→CONT)	Output	Ignition switch ON	When adjusting front dis- play brightness.	 <p style="text-align: right; font-size: small;">PKIB5039J</p>

A  
B  
C  
D  
E  
F  
G  
H  
I  
J

AV

L  
M  
N  
O  
P

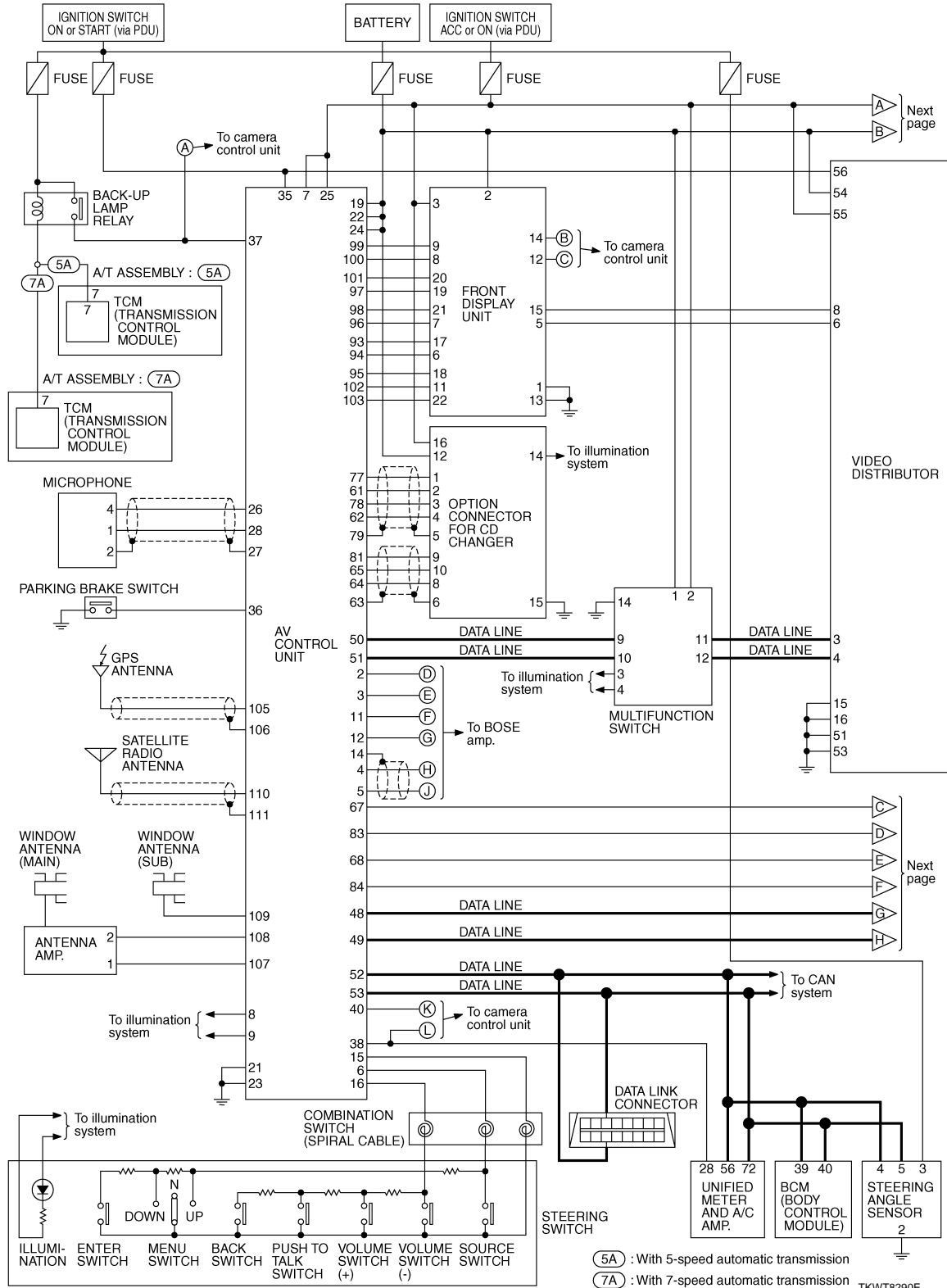
# FRONT DISPLAY UNIT

[WITH MOBILE ENTERTAINMENT SYSTEM]

< ECU DIAGNOSIS >

## Schematic - BOSE Audio 2ch System-

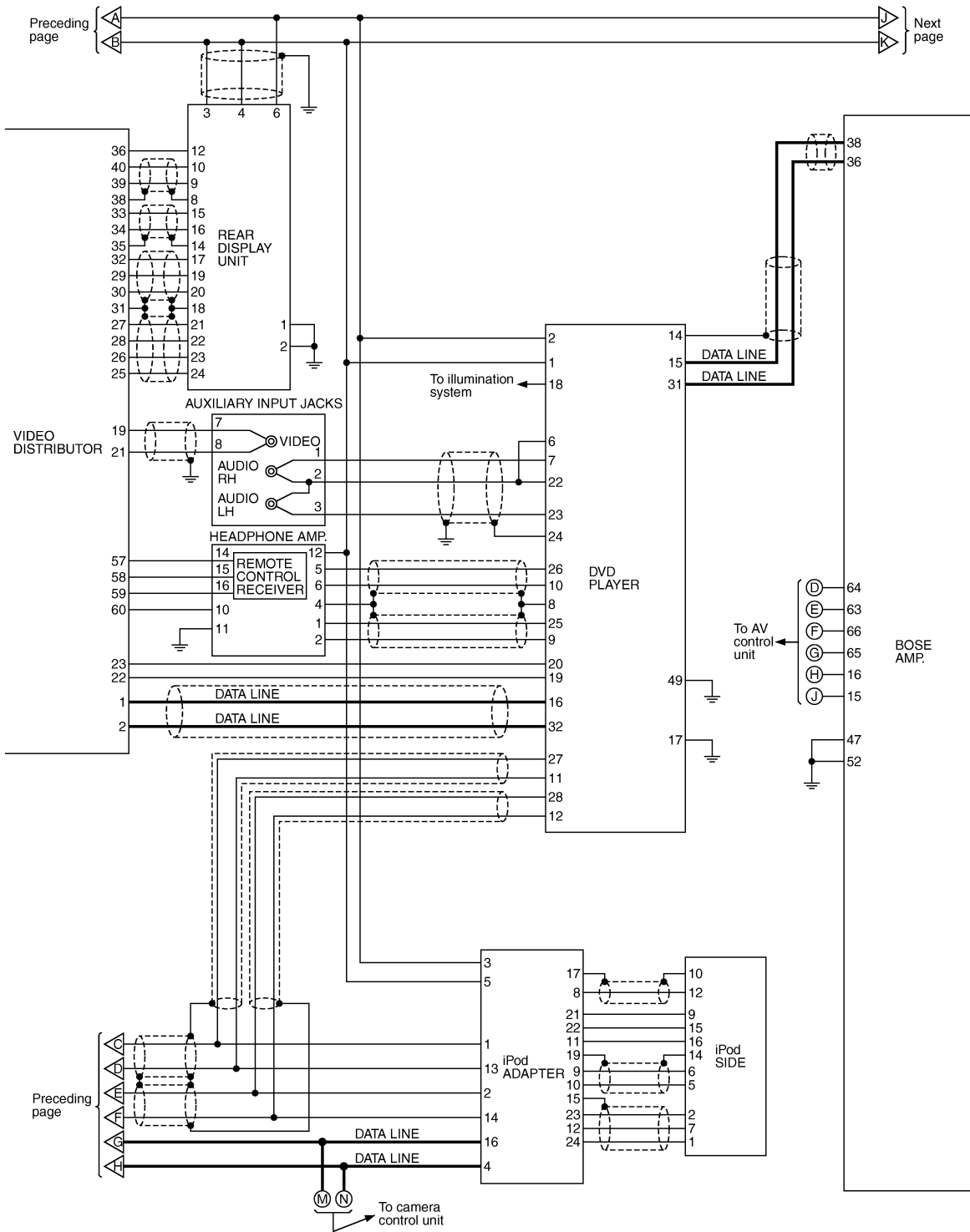
INFOID:000000005350602



# FRONT DISPLAY UNIT

[WITH MOBILE ENTERTAINMENT SYSTEM]

< ECU DIAGNOSIS >



A  
B  
C  
D  
E  
F  
G  
H  
I  
J  
K  
L  
M  
N  
O  
P

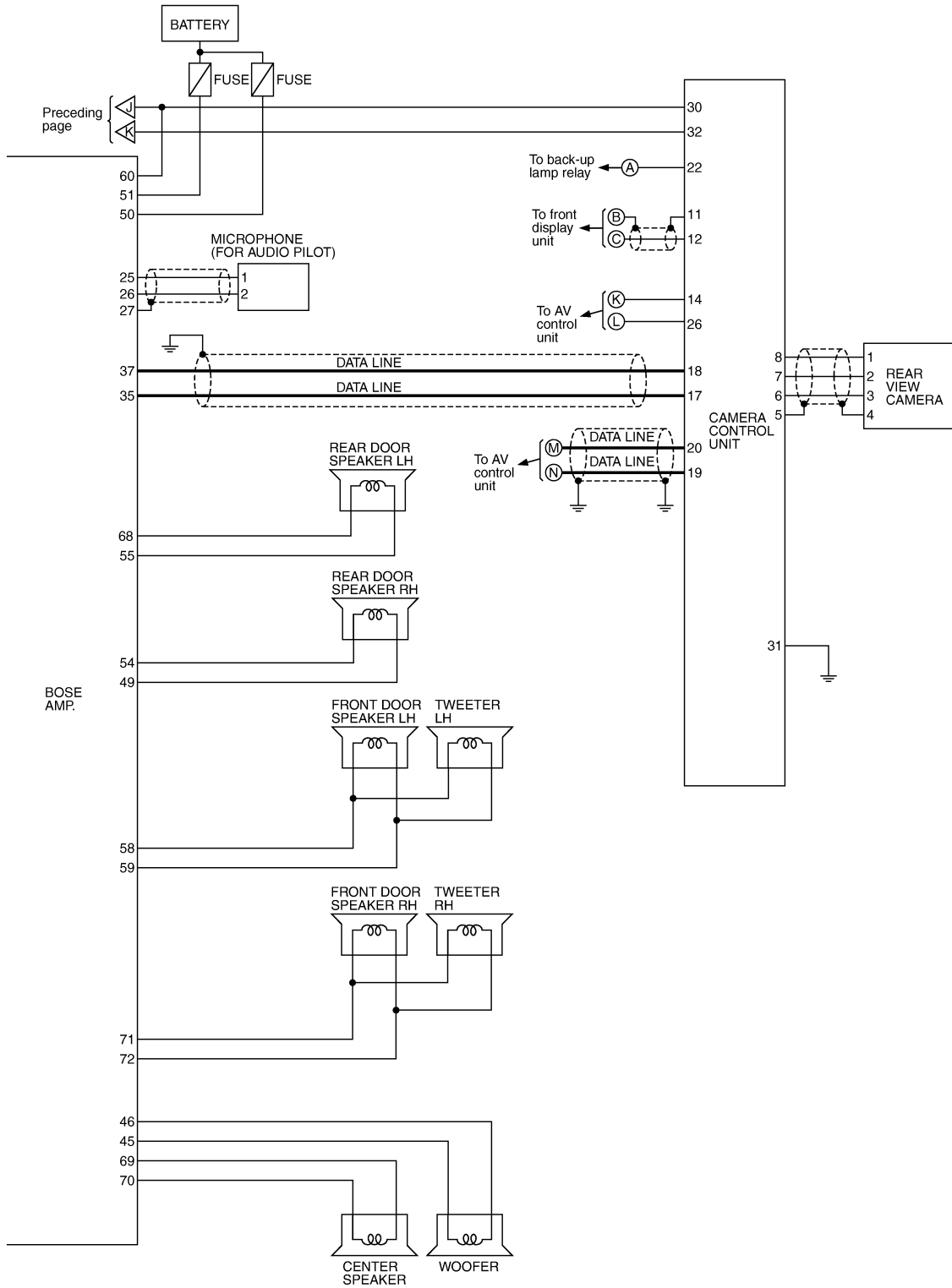
AV

TKWT6722E

# FRONT DISPLAY UNIT

[WITH MOBILE ENTERTAINMENT SYSTEM]

< ECU DIAGNOSIS >



TKWT6723E

Wiring Diagram - AV - / BOSE Audio 2ch System

INFOID:000000005350603

**NOTE:**

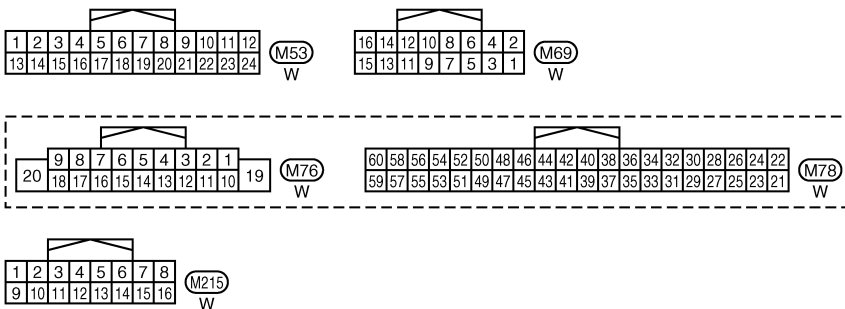
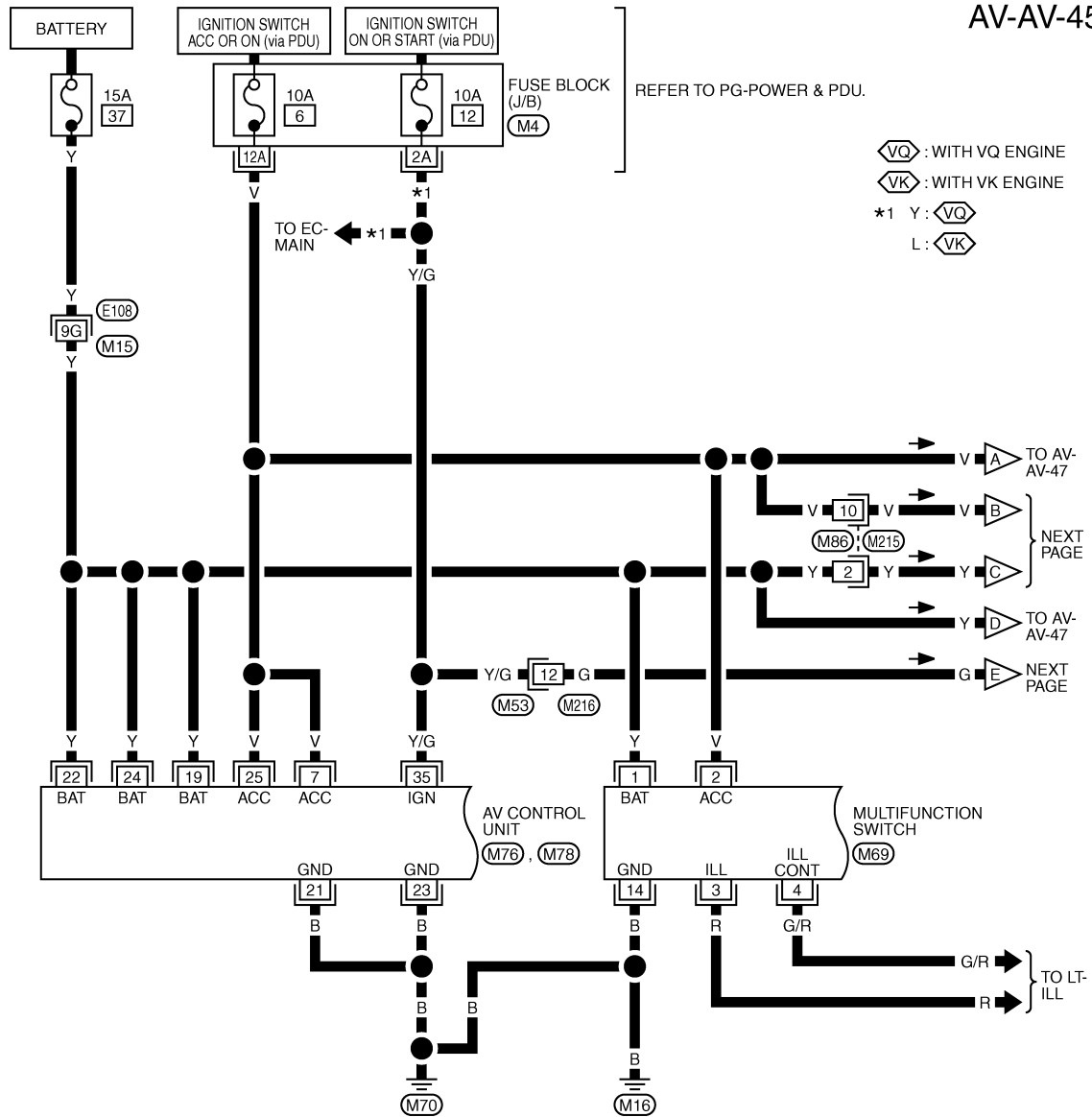


# FRONT DISPLAY UNIT

[WITH MOBILE ENTERTAINMENT SYSTEM]

< ECU DIAGNOSIS >

The name MULTIFUNCTION SWITCH indicates the integration of PRESET SWITCH and MULTIFUNCTION SWITCH virtually.



REFER TO THE FOLLOWING.

(E108) -SUPER MULTIPLE JUNCTION (SMJ)

(M4) -FUSE BLOCK-JUNCTION BOX (J/B)

TKWT8291E

A  
B  
C  
D  
E  
F  
G  
H  
I  
J  
K  
L  
M  
N  
O  
P

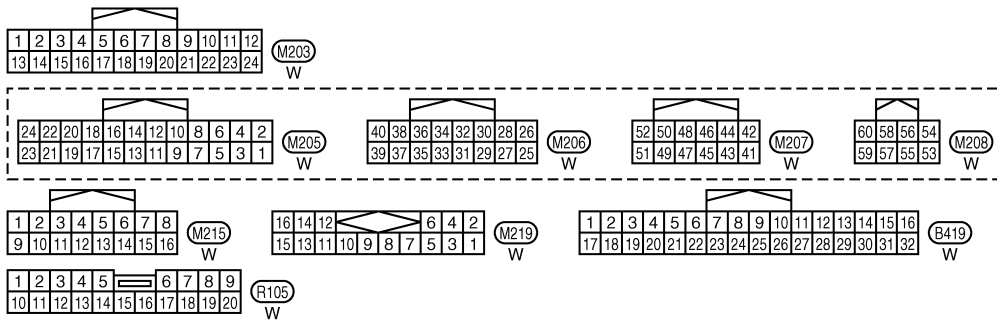
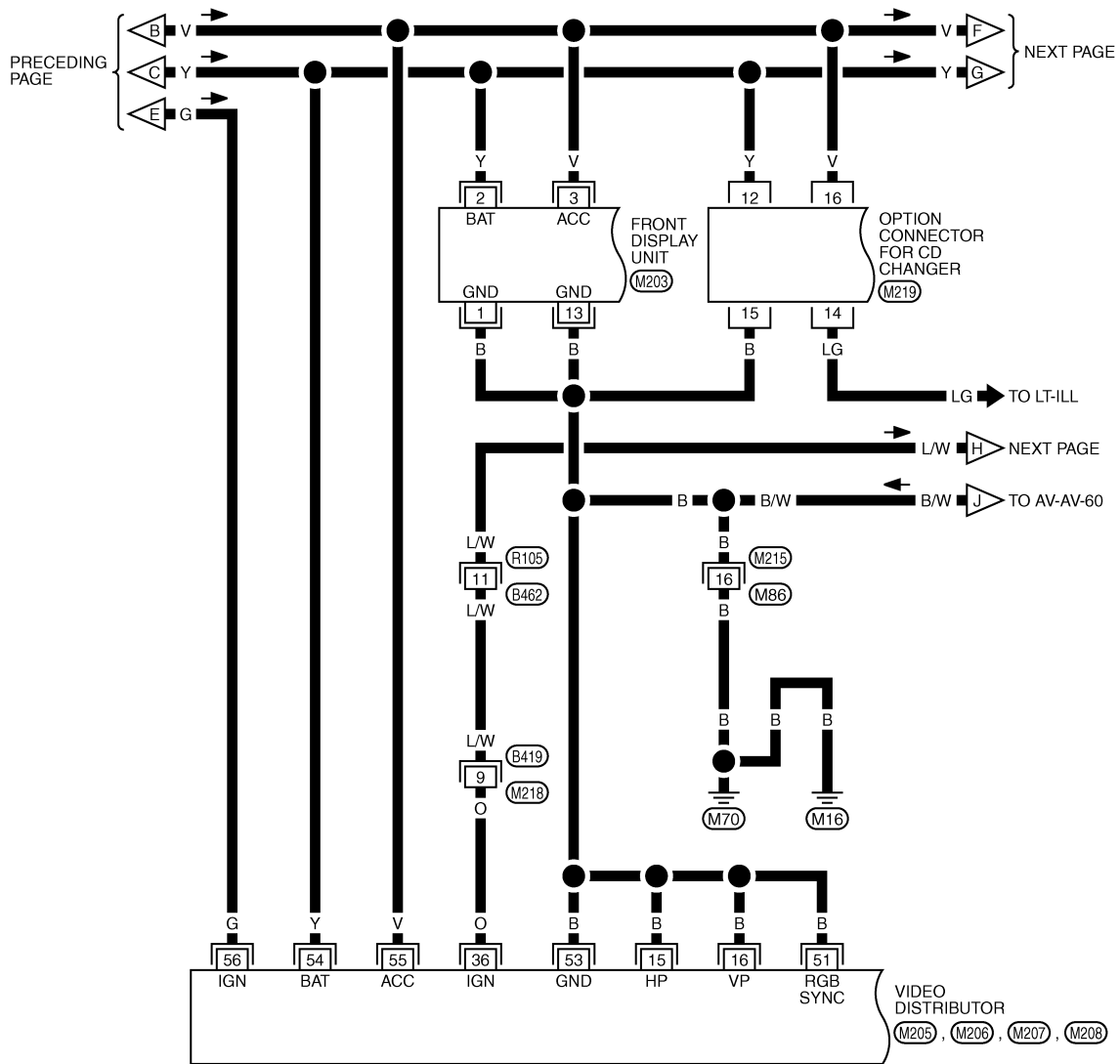
AV

# FRONT DISPLAY UNIT

[WITH MOBILE ENTERTAINMENT SYSTEM]

< ECU DIAGNOSIS >

AV-AV-46



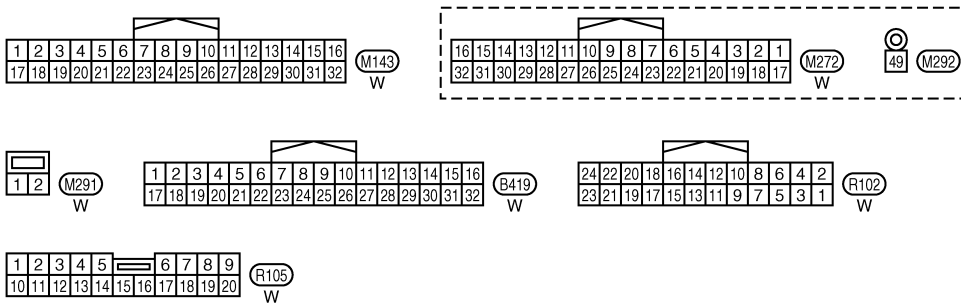
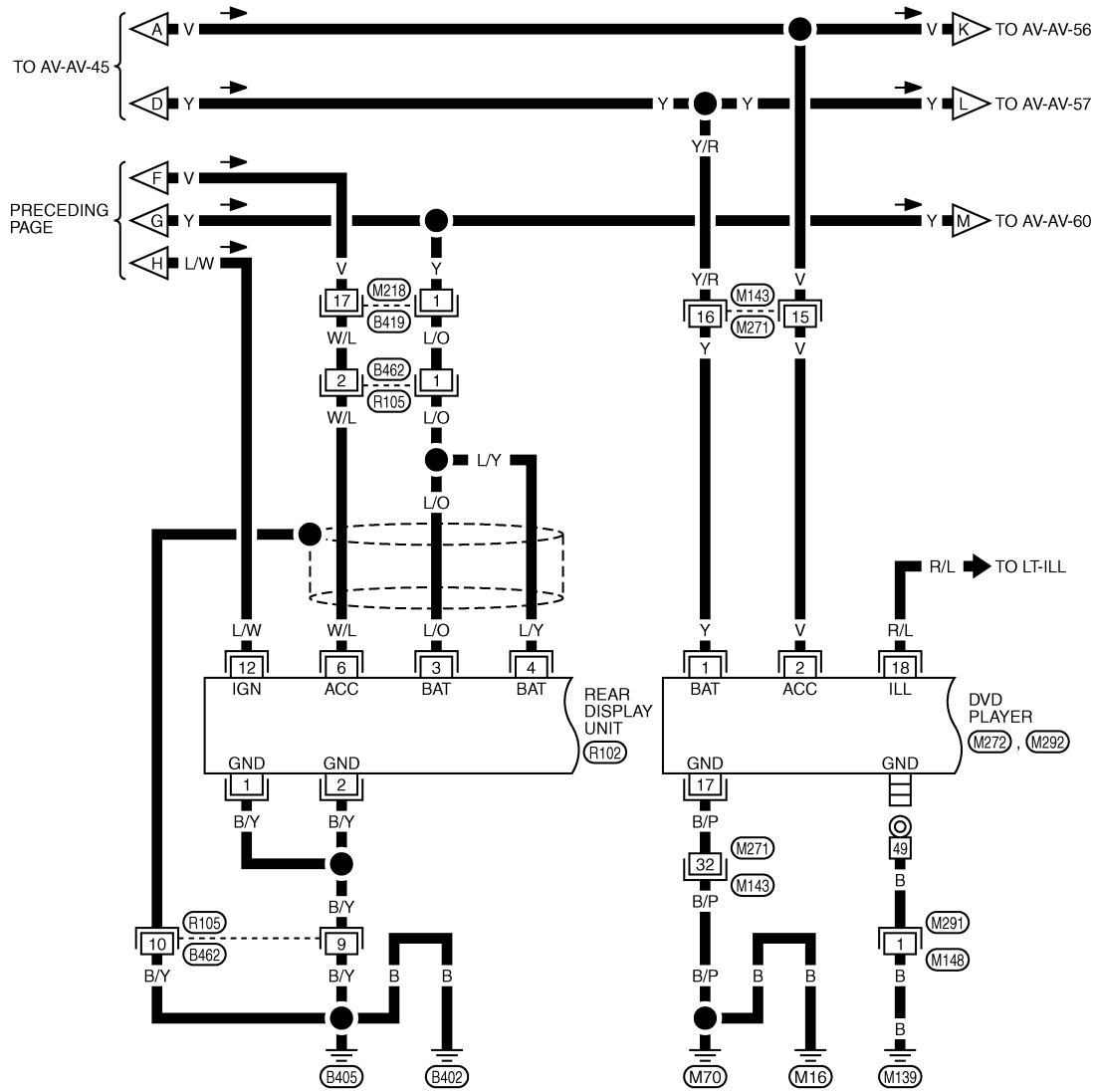
TKWT8292E

# FRONT DISPLAY UNIT

[WITH MOBILE ENTERTAINMENT SYSTEM]

< ECU DIAGNOSIS >

AV-AV-47



TKWT8293E

A  
B  
C  
D  
E  
F  
G  
H  
I  
J  
K  
L  
M  
N  
O  
P

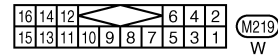
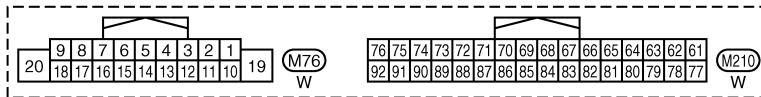
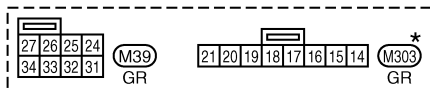
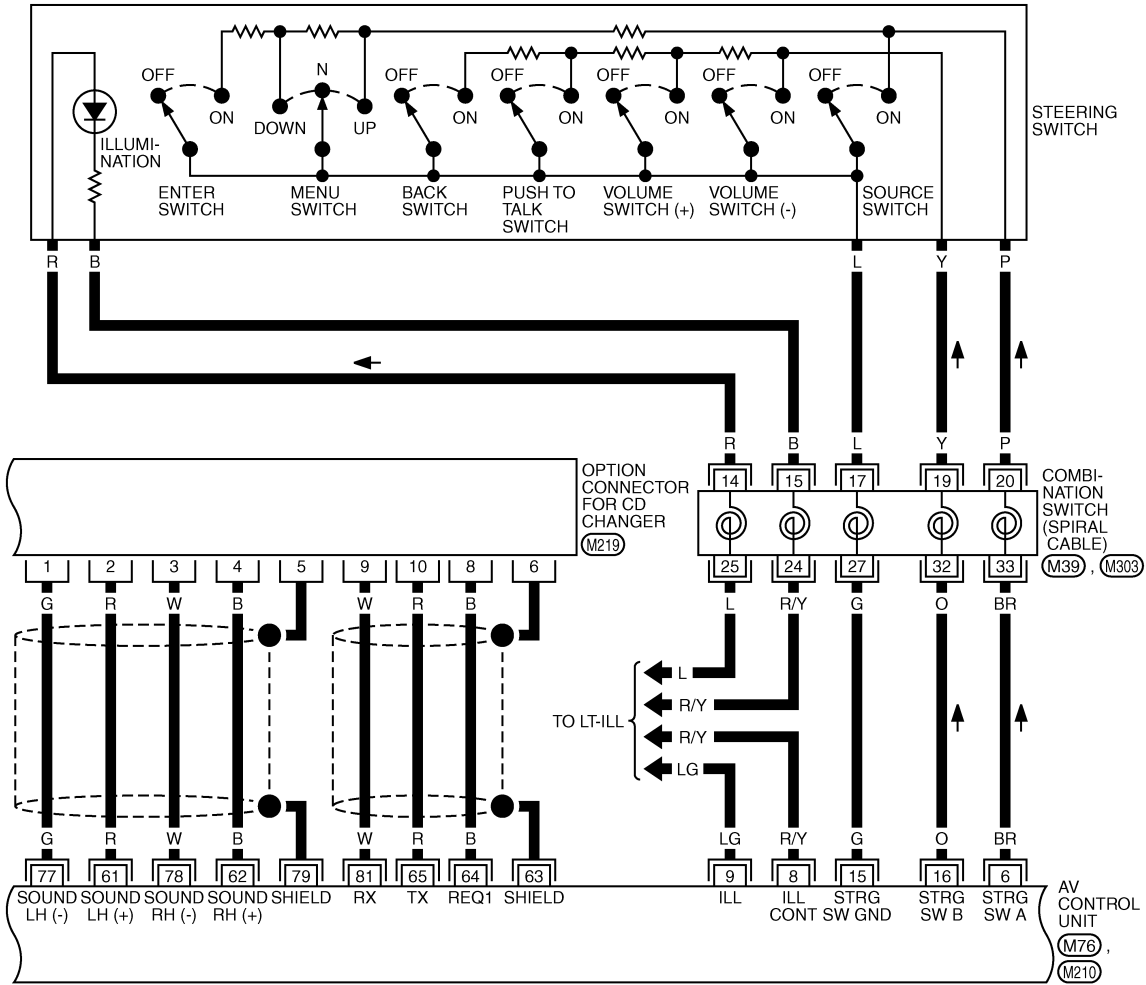
AV

# FRONT DISPLAY UNIT

[WITH MOBILE ENTERTAINMENT SYSTEM]

< ECU DIAGNOSIS >

AV-AV-48



\*: THIS CONNECTOR IS NOT SHOWN IN "HARNESS LAYOUT", PG SECTION.

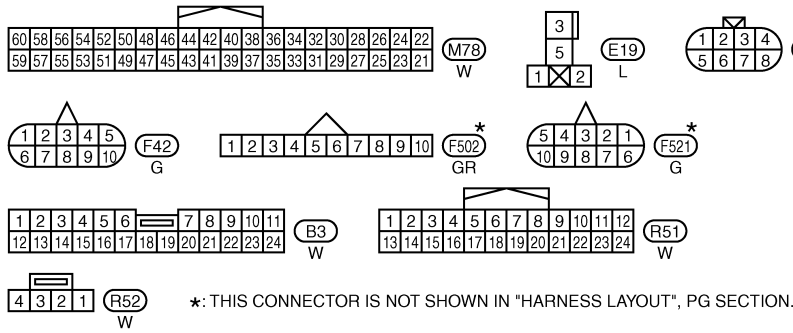
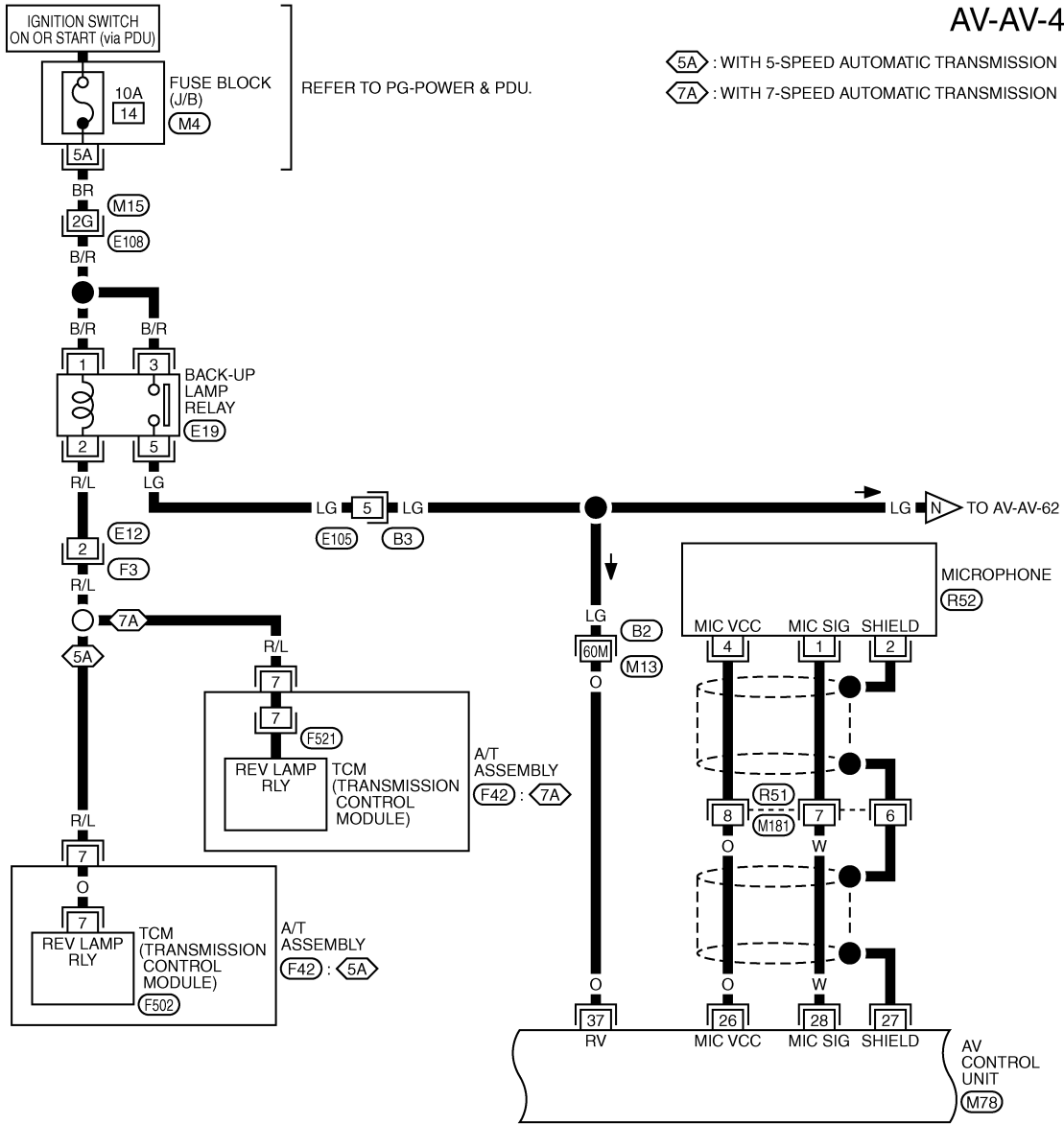
TKWT8294E

# FRONT DISPLAY UNIT

[WITH MOBILE ENTERTAINMENT SYSTEM]

< ECU DIAGNOSIS >

AV-AV-49



REFER TO THE FOLLOWING.  
E108, B2 -SUPER MULTIPLE JUNCTION (SMJ)  
M4 -FUSE BLOCK-JUNCTION BOX (J/B)

TKWT8295E

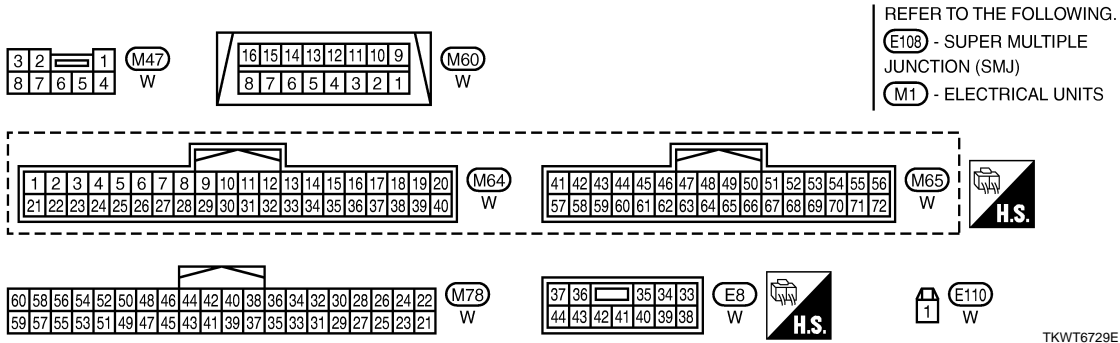
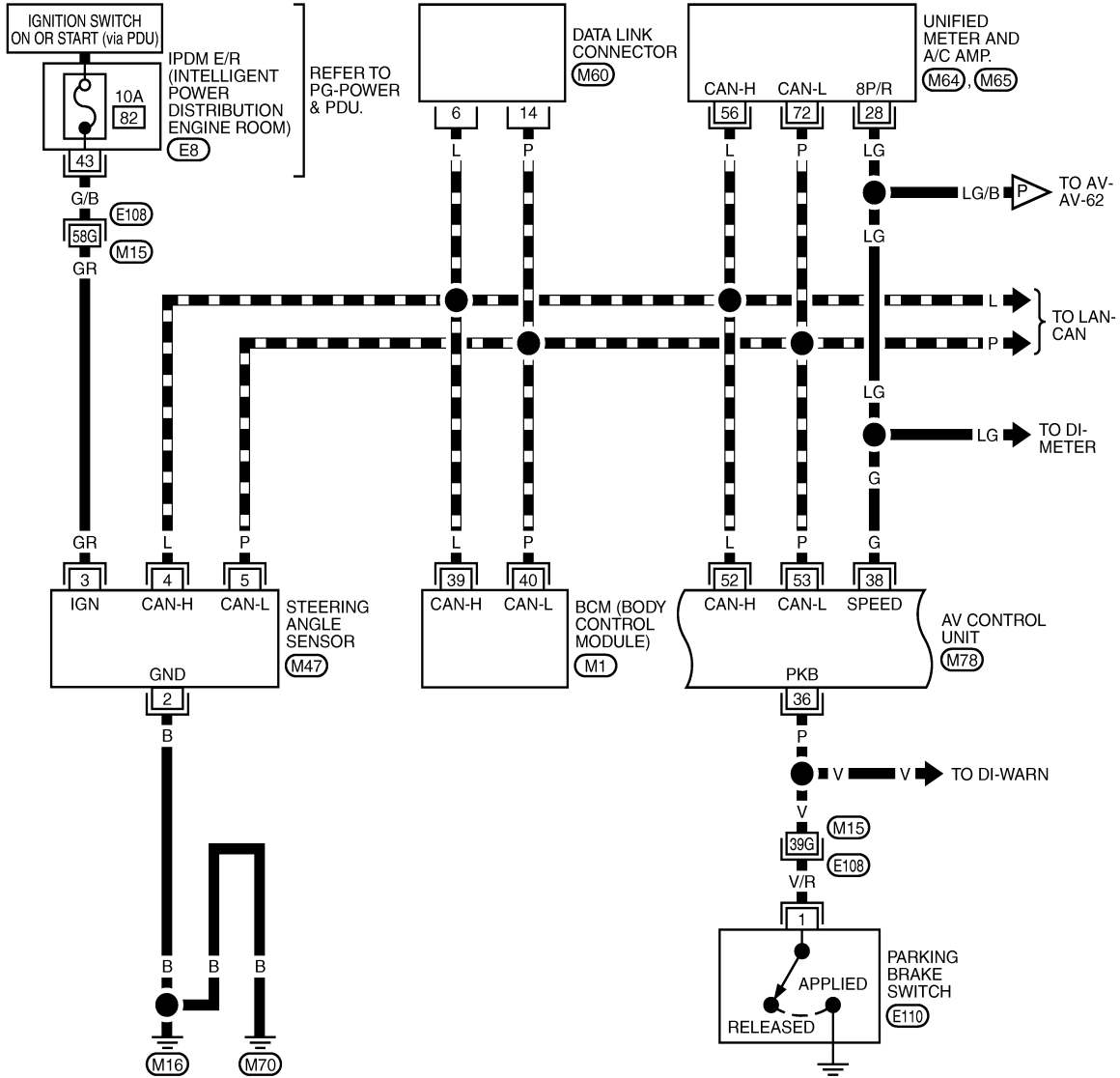
# FRONT DISPLAY UNIT

[WITH MOBILE ENTERTAINMENT SYSTEM]

< ECU DIAGNOSIS >

AV-AV-50

DATA LINE



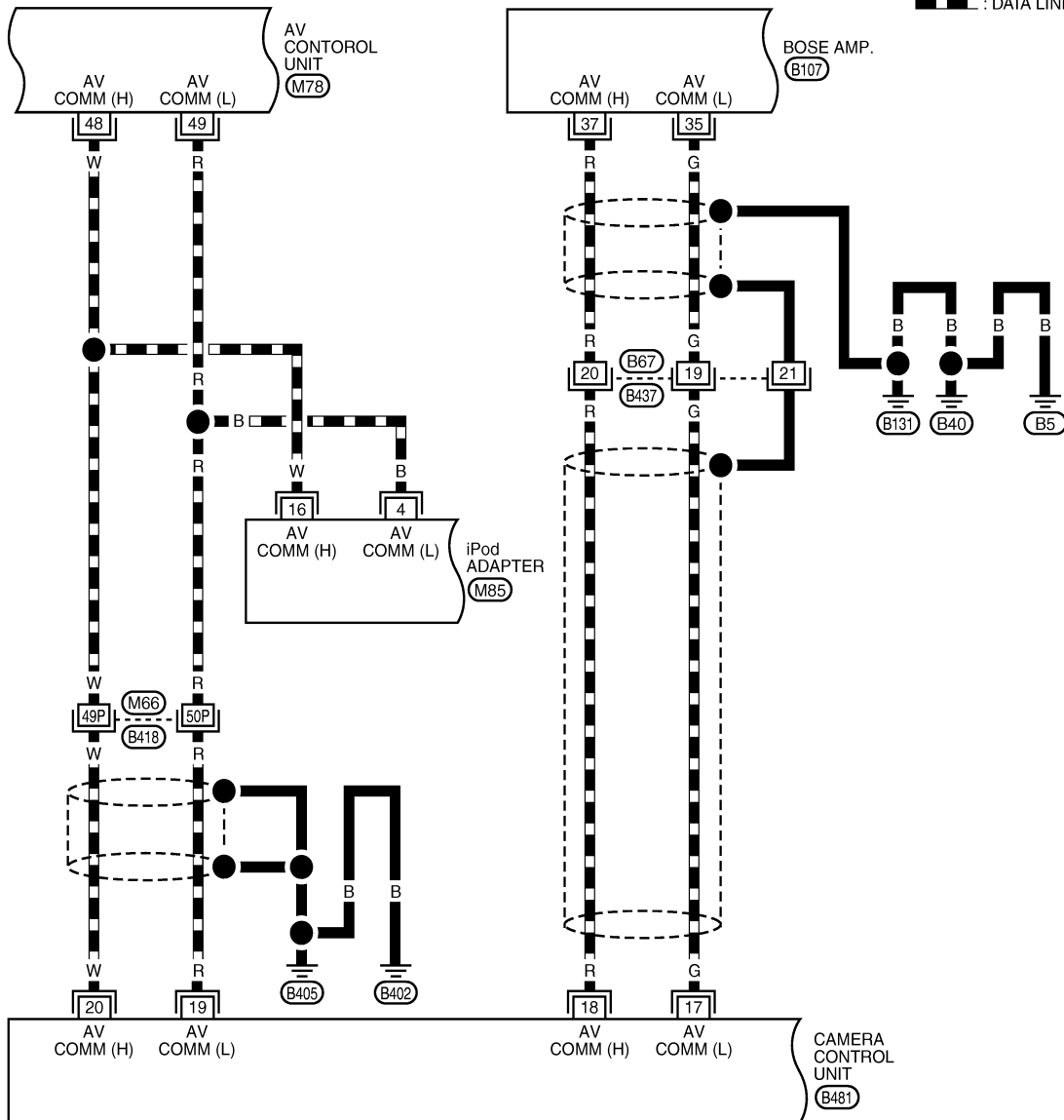
# FRONT DISPLAY UNIT

[WITH MOBILE ENTERTAINMENT SYSTEM]

< ECU DIAGNOSIS >

AV-AV-51

— : DATA LINE



60	58	56	54	52	50	48	46	44	42	40	38	36	34	32	30	28	26	24	22
59	57	55	53	51	49	47	45	43	41	39	37	35	33	31	29	27	25	23	21

(M78) W

12	11	10	9	8	7	6	5	4	3	2	1
24	23	22	21	20	19	18	17	16	15	14	13

(M85) W

1	2	3	4	5	6	7	8	9	10	11	12	13	14	15	16	17	18	19	20
21	22	23	24	25	26	27	28	29	30	31	32	33	34	35	36	37	38	39	40

(B107) W

1	2	3	4	5	6	7	8	9	10	11		
12	13	14	15	16	17	18	19	20	21	22	23	24

(B437) BR

32	30	28	26	24	22	20	18	16	14	12	10	8	6	4	2
31	29	27	25	23	21	19	17	15	13	11	9	7	5	3	1

(B481) W

REFER TO THE FOLLOWING.

(B418) - SUPER MULTIPLE JUNCTION (SMJ)

TKWT6730E

A  
B  
C  
D  
E  
F  
G  
H  
I  
J  
K  
L  
M  
N  
O  
P

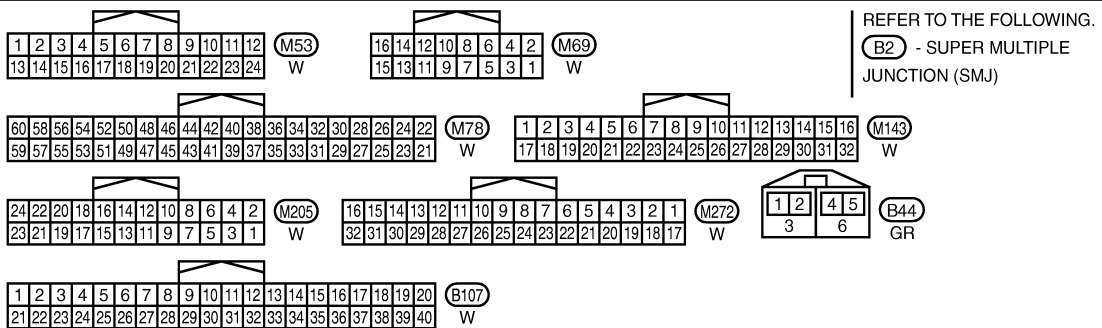
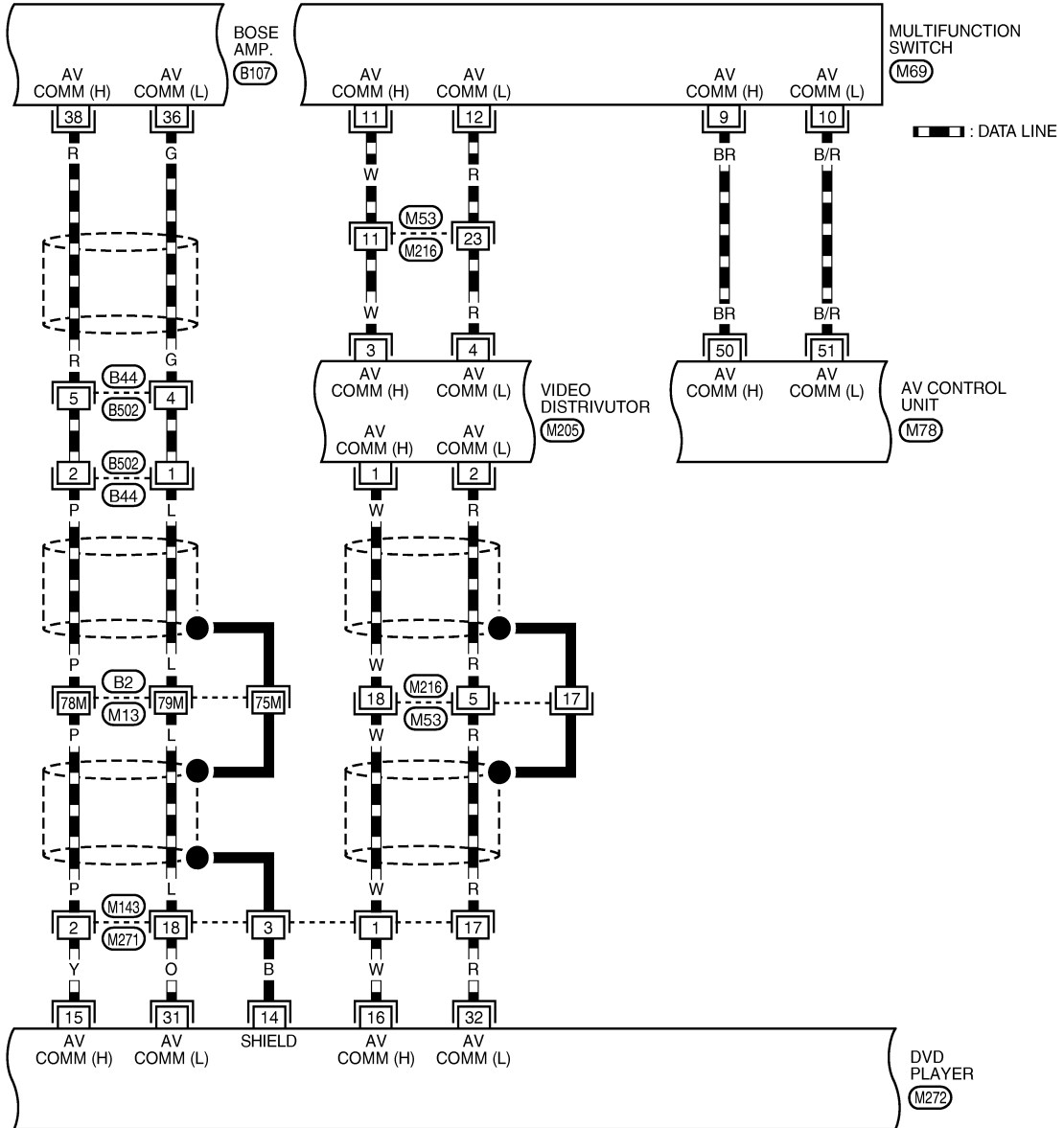
AV

# FRONT DISPLAY UNIT

[WITH MOBILE ENTERTAINMENT SYSTEM]

< ECU DIAGNOSIS >

AV-AV-52



TKWT6731E

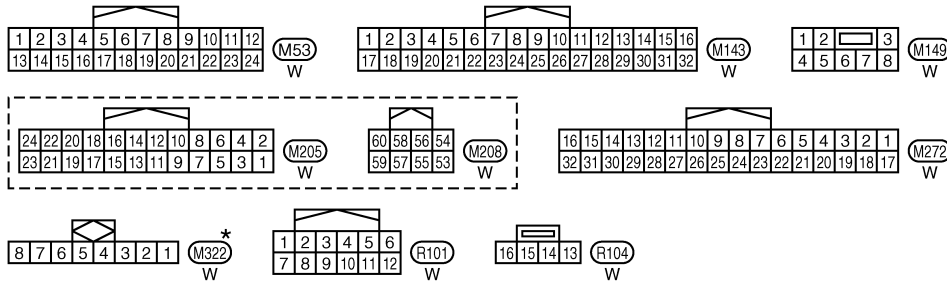
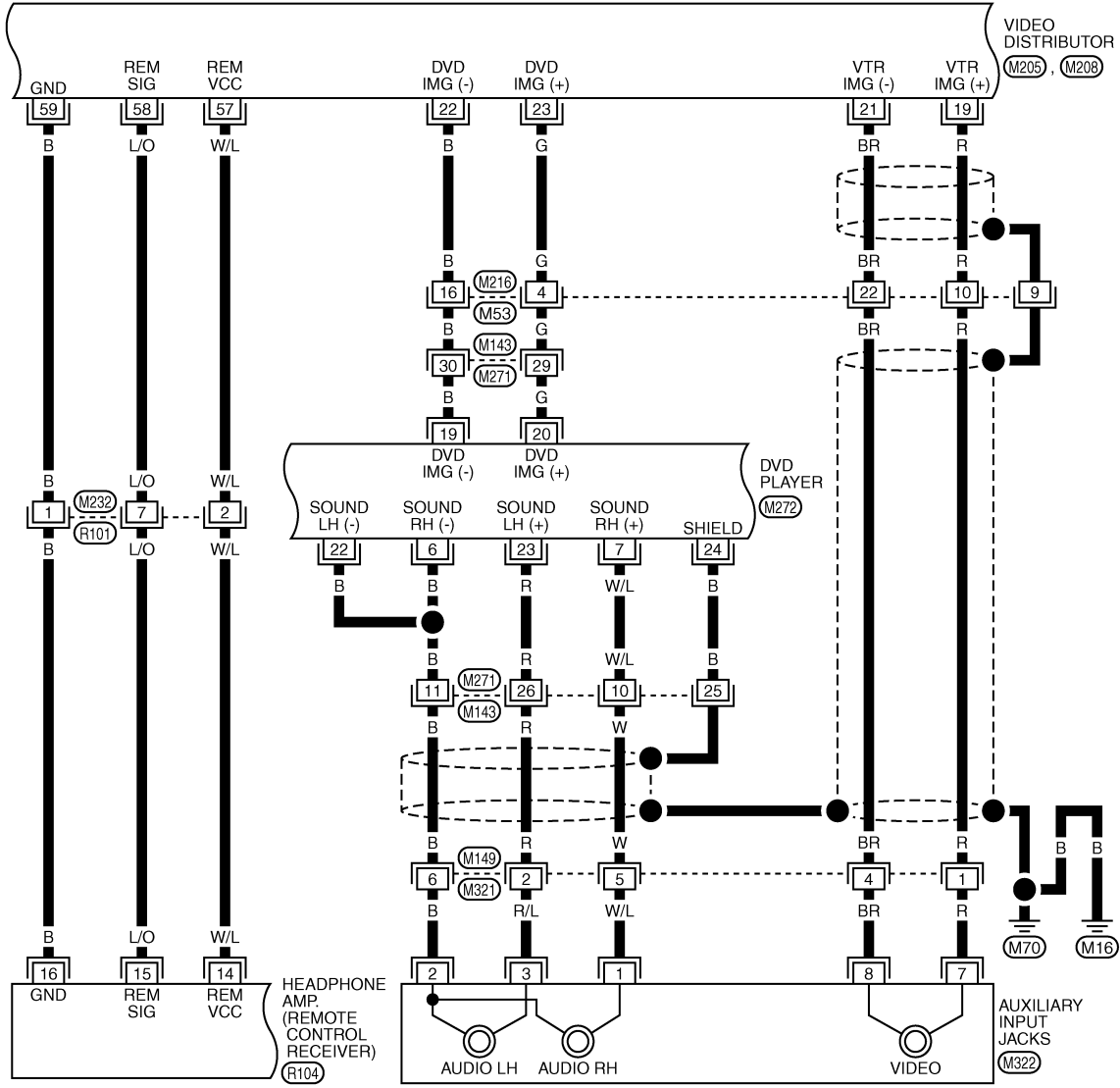


# FRONT DISPLAY UNIT

[WITH MOBILE ENTERTAINMENT SYSTEM]

< ECU DIAGNOSIS >

AV-AV-53



\*: THIS CONNECTOR IS NOT SHOWN IN "HARNESS LAYOUT", PG SECTION.

TKWT8296E

A  
B  
C  
D  
E  
F  
G  
H  
I  
J  
K  
L  
M  
N  
O  
P

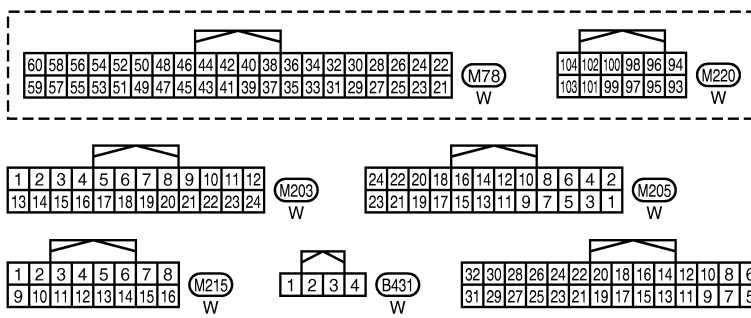
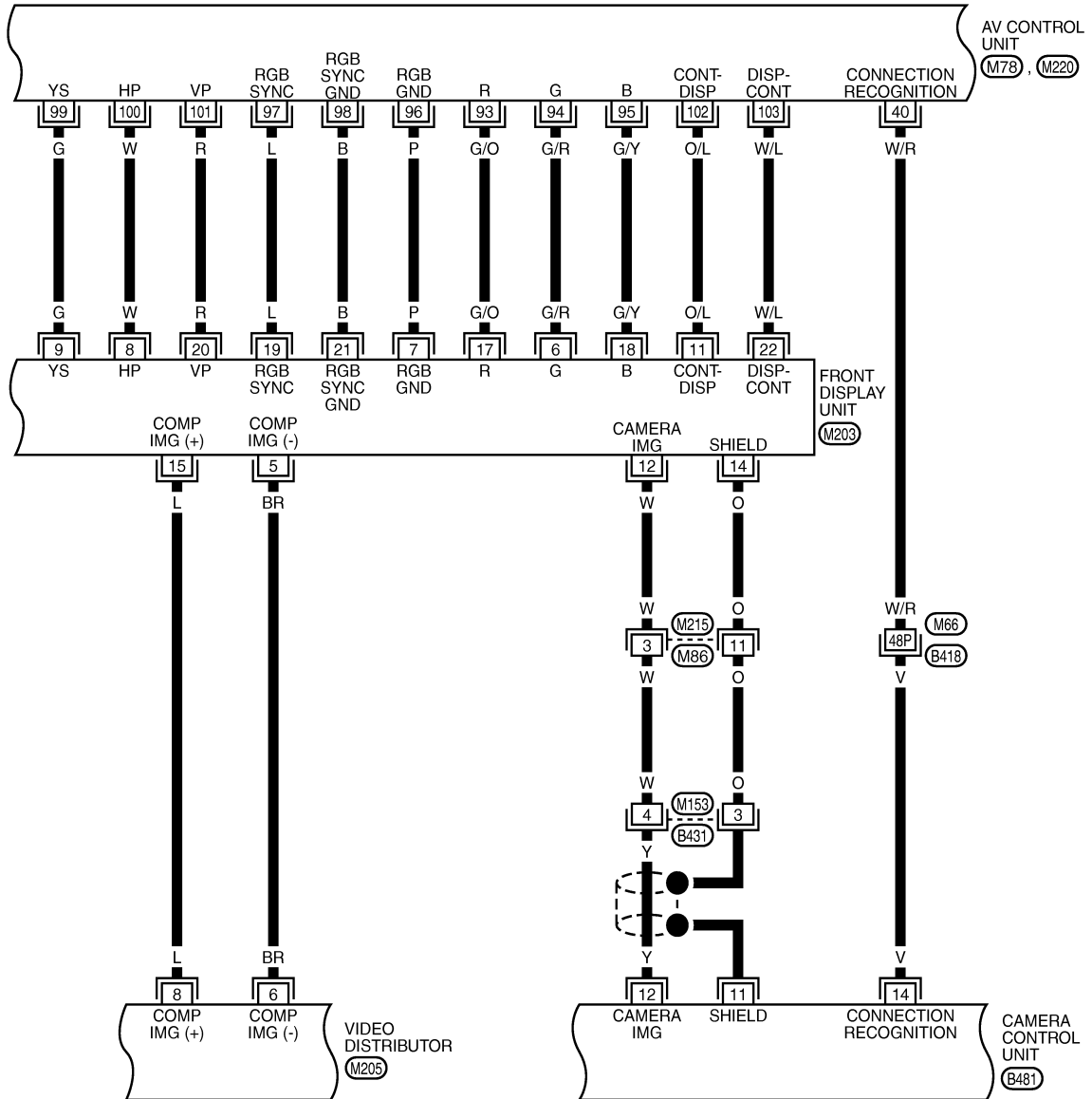
AV

# FRONT DISPLAY UNIT

[WITH MOBILE ENTERTAINMENT SYSTEM]

< ECU DIAGNOSIS >

AV-AV-54



REFER TO THE FOLLOWING.

(B418) -SUPER MULTIPLE JUNCTION (SMJ)

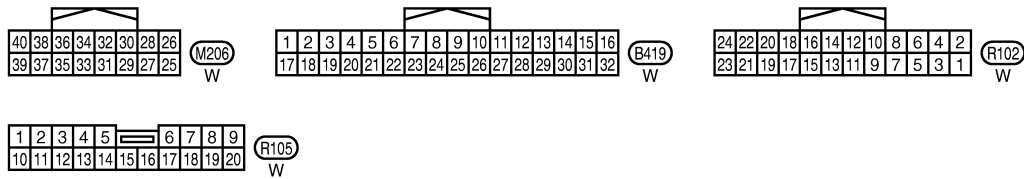
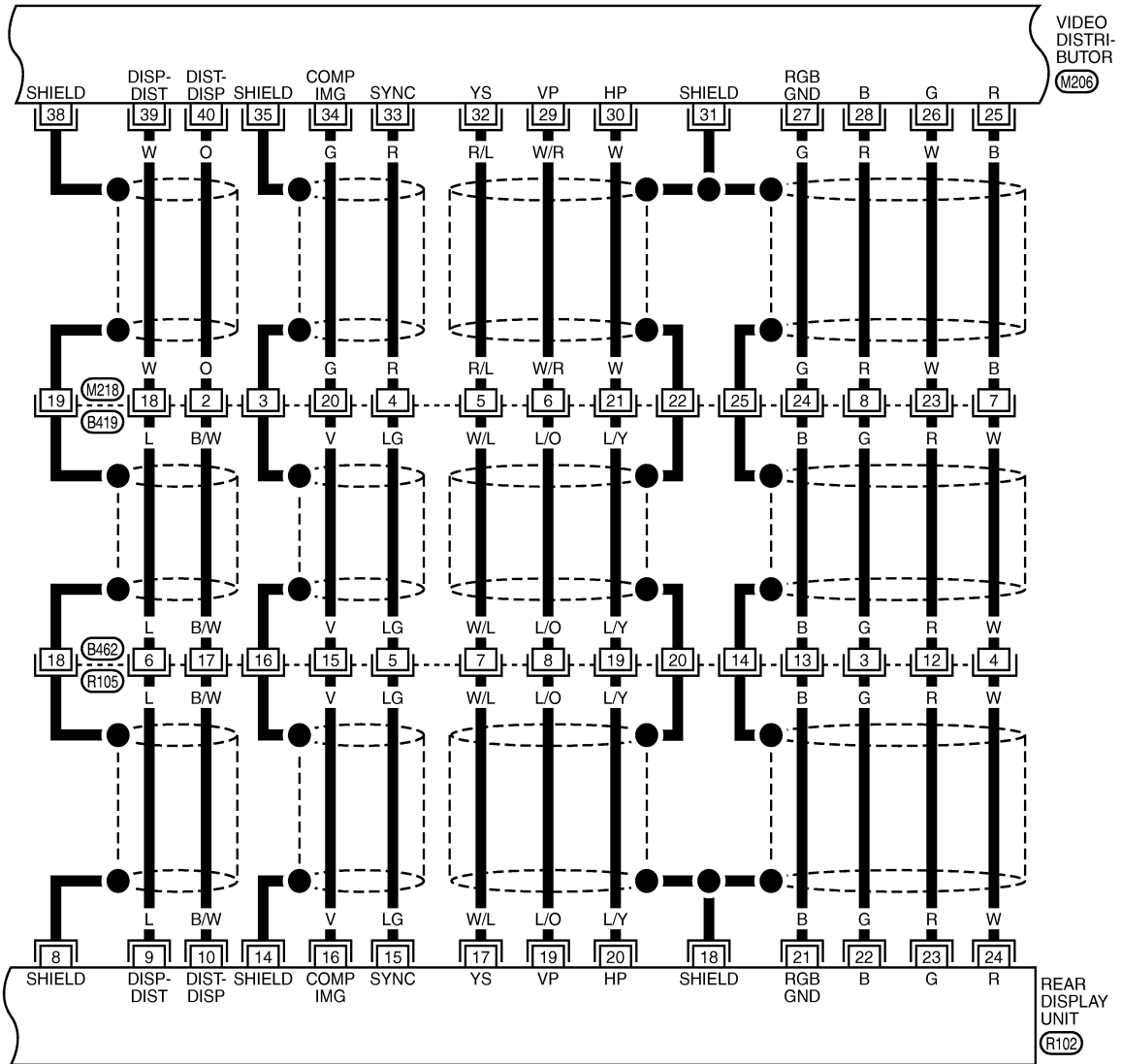
TKWT6733E

# FRONT DISPLAY UNIT

[WITH MOBILE ENTERTAINMENT SYSTEM]

< ECU DIAGNOSIS >

AV-AV-55



TKWT6734E

A  
B  
C  
D  
E  
F  
G  
H  
I  
J  
K  
L  
M  
N  
O  
P

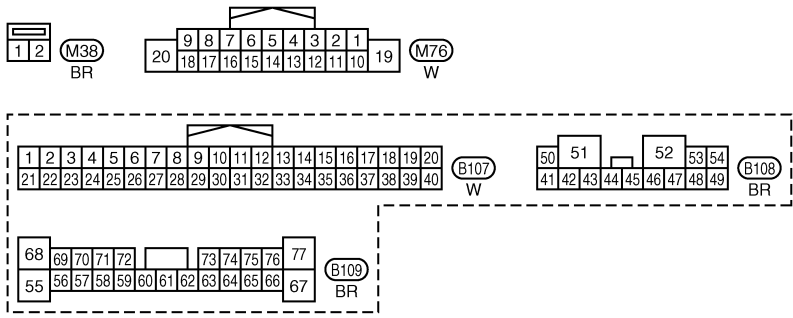
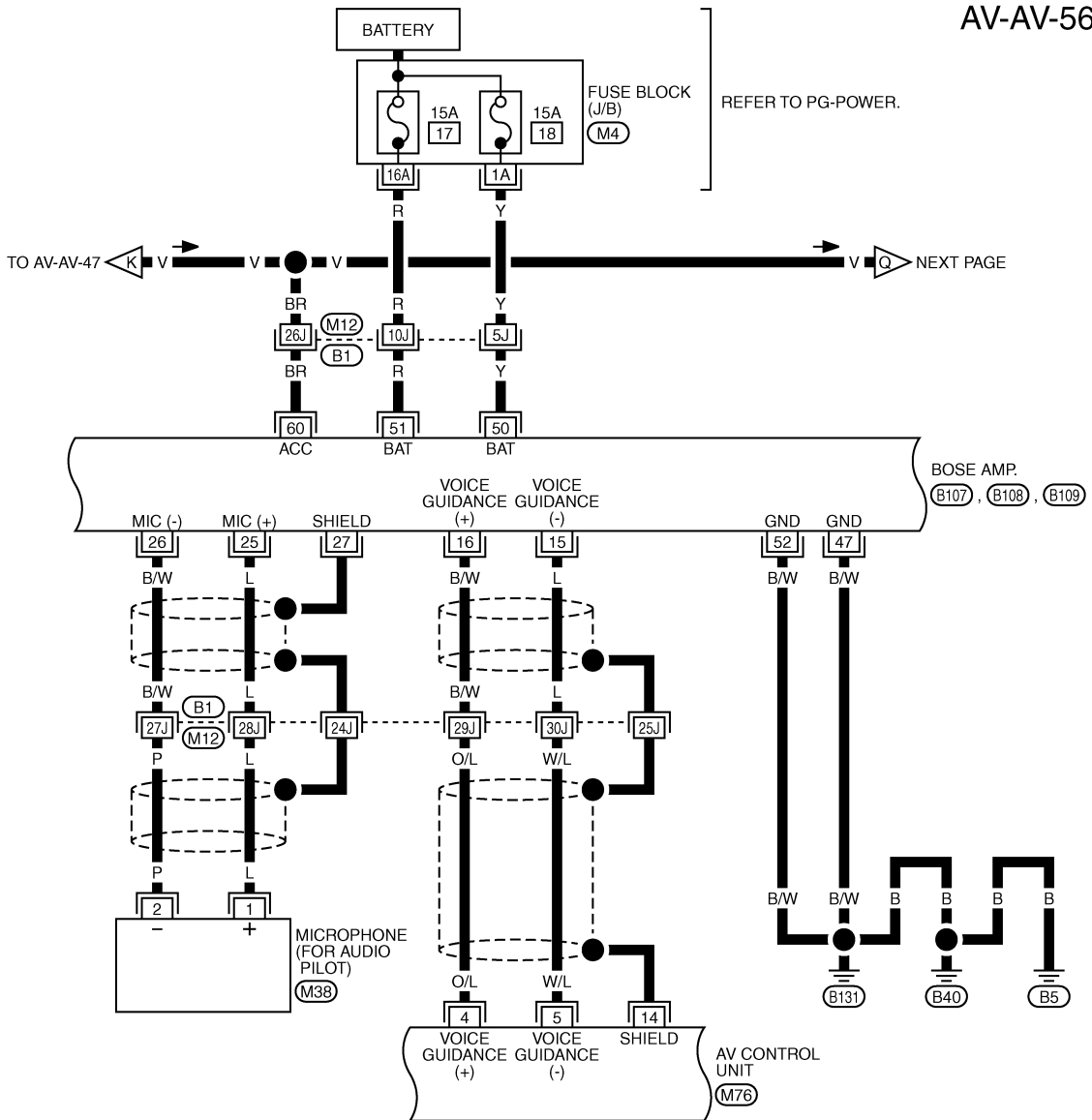
AV

# FRONT DISPLAY UNIT

[WITH MOBILE ENTERTAINMENT SYSTEM]

< ECU DIAGNOSIS >

AV-AV-56



REFER TO THE FOLLOWING.  
 (B1) -SUPER MULTIPLE JUNCTION (SMJ)  
 (M4) -FUSE BLOCK-JUNCTION BOX (J/B)

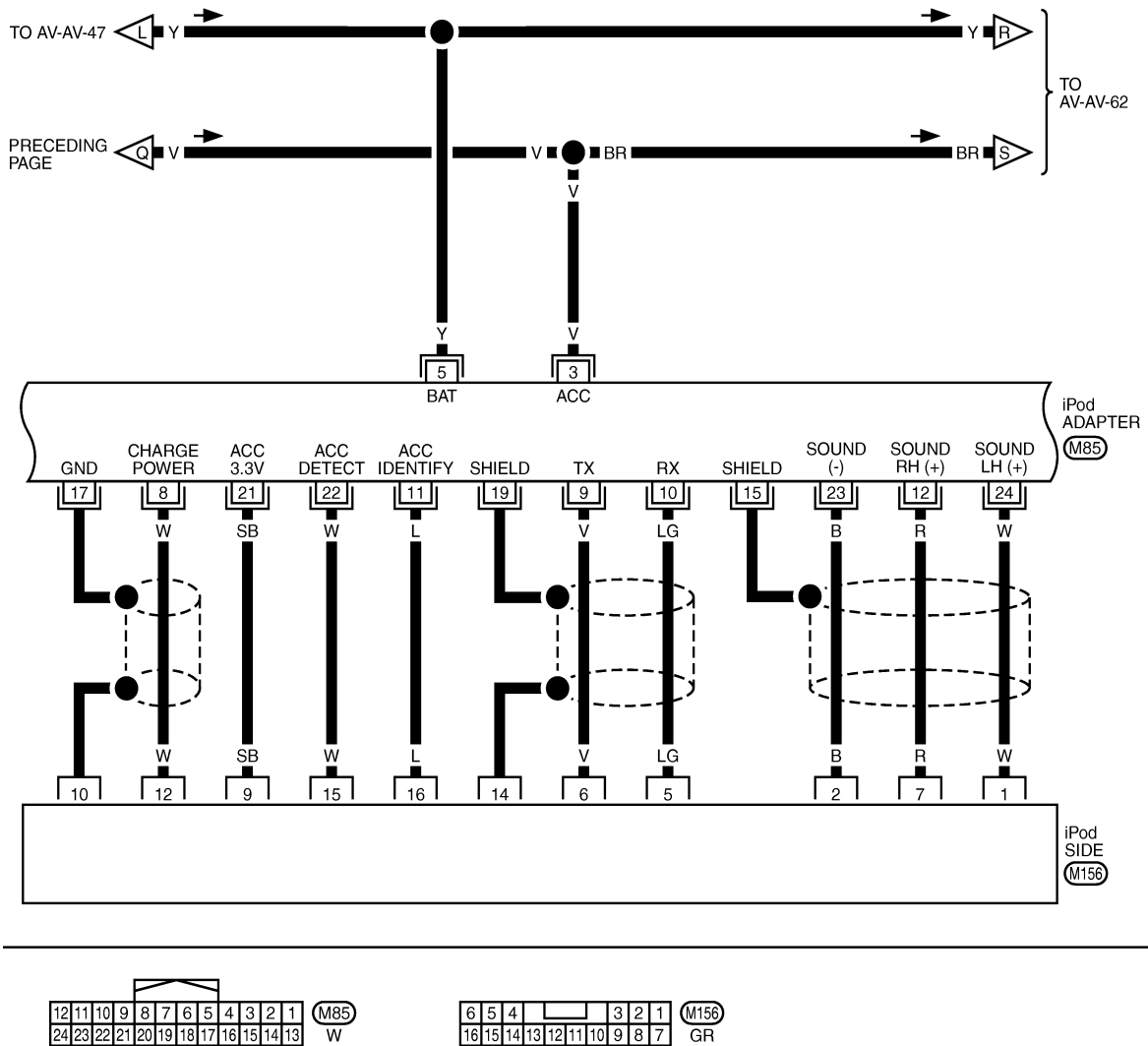
TKWT8297E

# FRONT DISPLAY UNIT

[WITH MOBILE ENTERTAINMENT SYSTEM]

< ECU DIAGNOSIS >

AV-AV-57



A  
B  
C  
D  
E  
F  
G  
H  
I  
J  
K  
L  
M  
N  
O  
P

AV

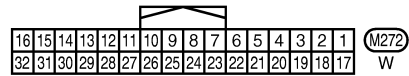
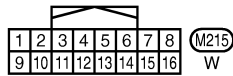
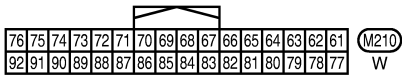
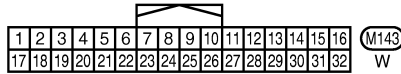
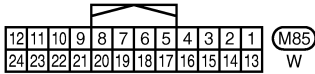
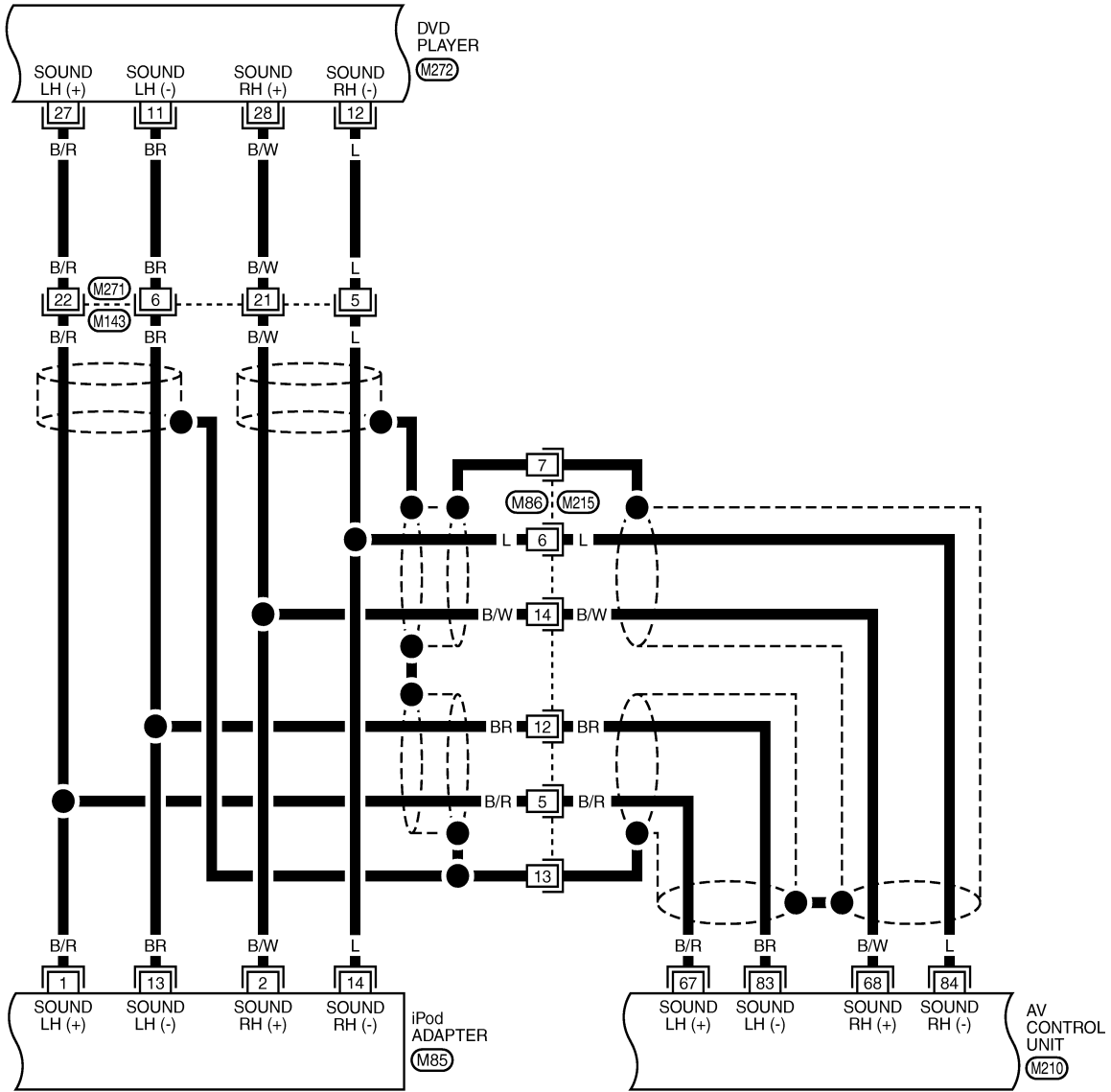
TKWT6737E

# FRONT DISPLAY UNIT

[WITH MOBILE ENTERTAINMENT SYSTEM]

< ECU DIAGNOSIS >

AV-AV-58



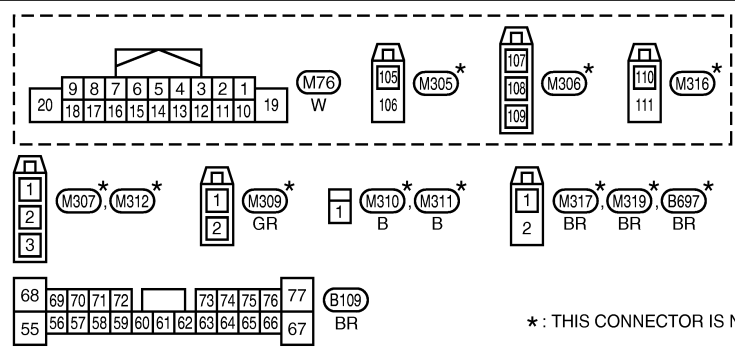
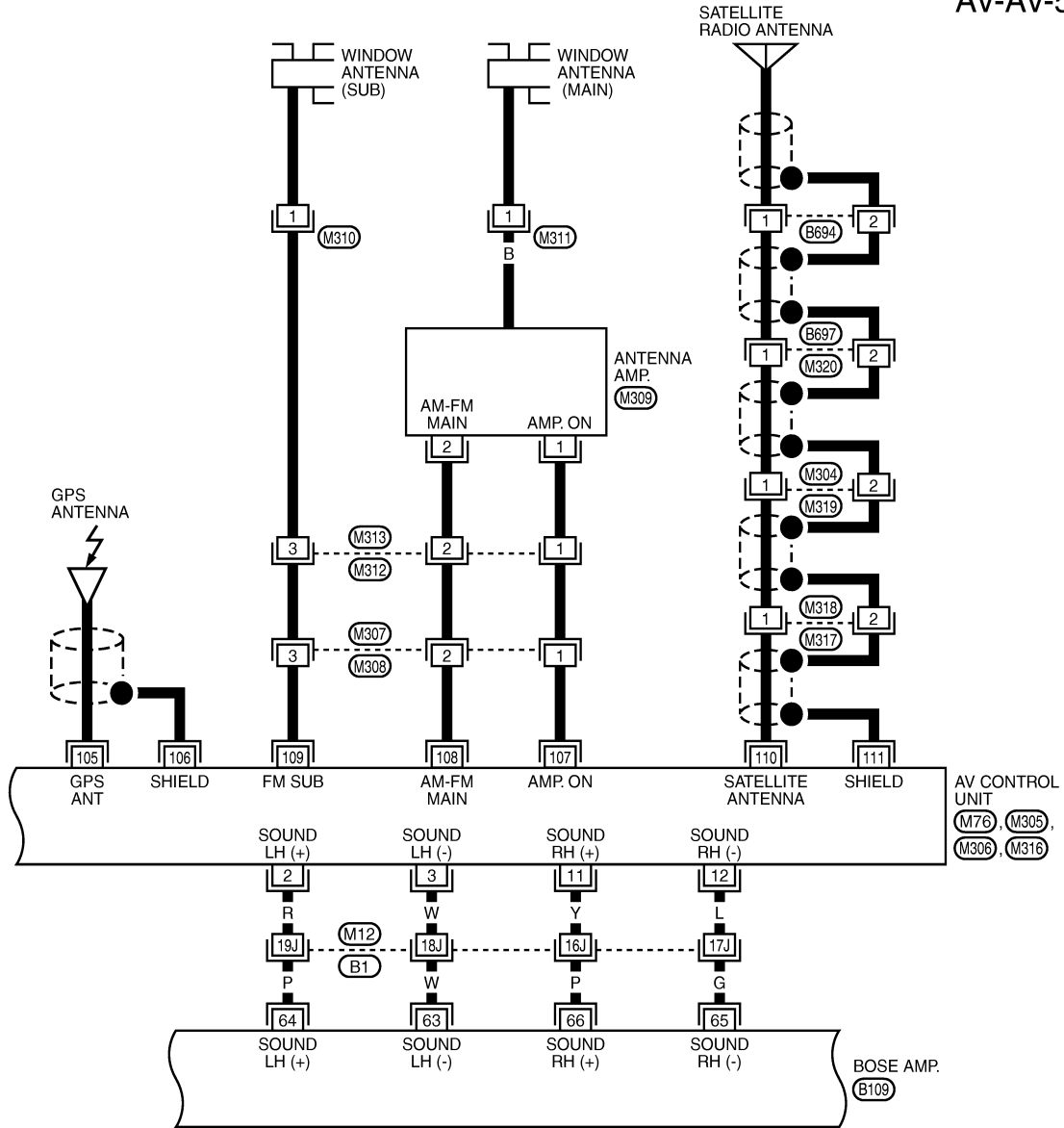
TKWT6738E

# FRONT DISPLAY UNIT

[WITH MOBILE ENTERTAINMENT SYSTEM]

< ECU DIAGNOSIS >

AV-AV-59



REFER TO THE FOLLOWING.  
 (B1) - SUPER MULTIPLE JUNCTION (SMJ)

\* : THIS CONNECTOR IS NOT SHOWN IN "HARNESS LAYOUT", PG SECTION.  
 TKWT6739E

A  
B  
C  
D  
E  
F  
G  
H  
I  
J  
K  
L  
M  
N  
O  
P

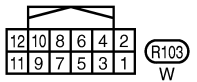
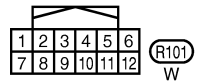
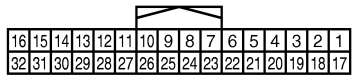
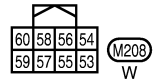
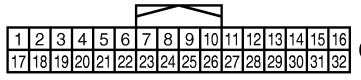
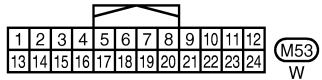
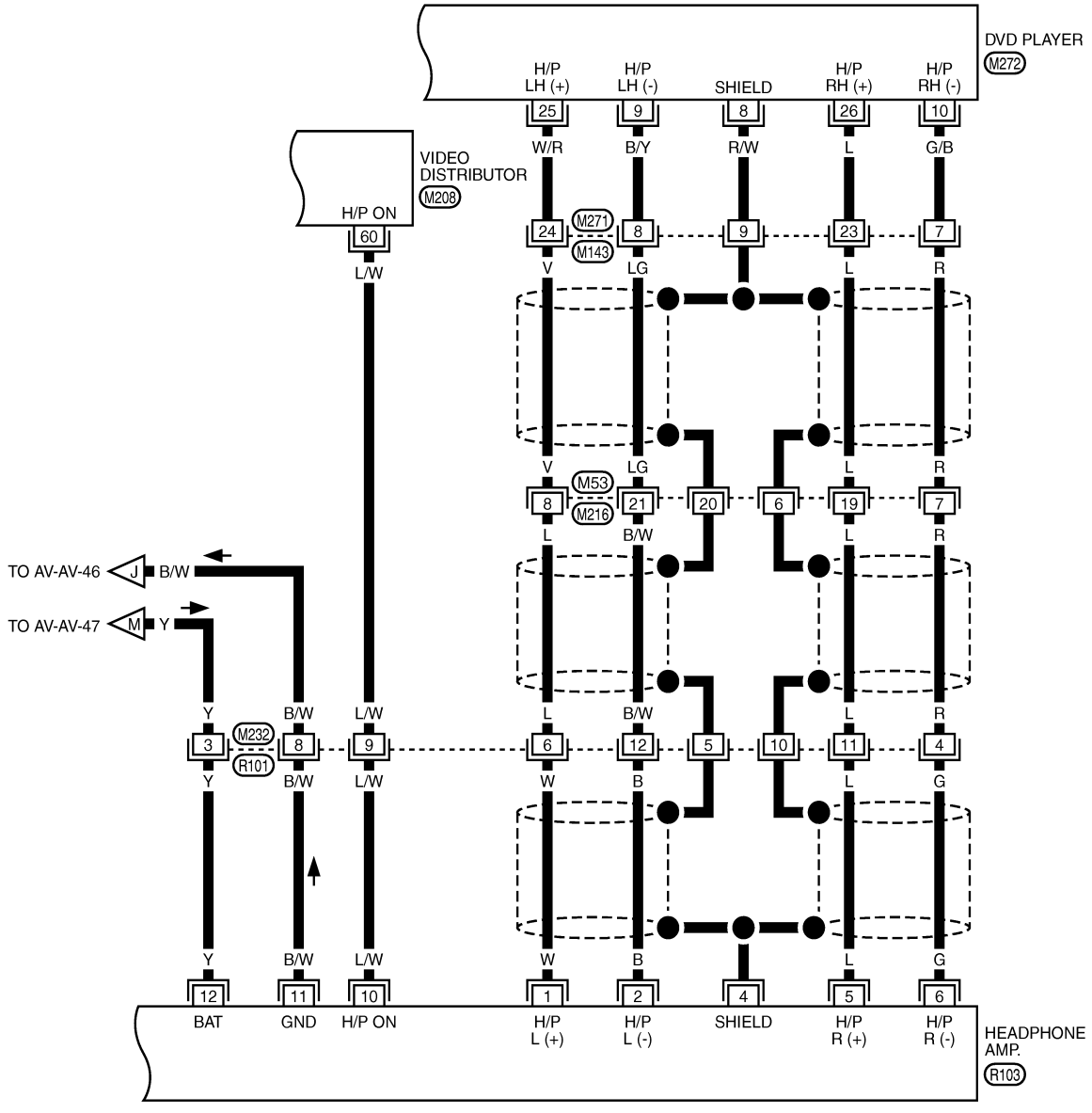
AV

# FRONT DISPLAY UNIT

[WITH MOBILE ENTERTAINMENT SYSTEM]

< ECU DIAGNOSIS >

AV-AV-60



TKWT6740E

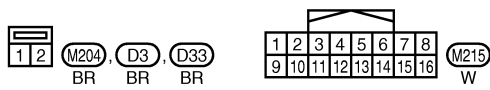
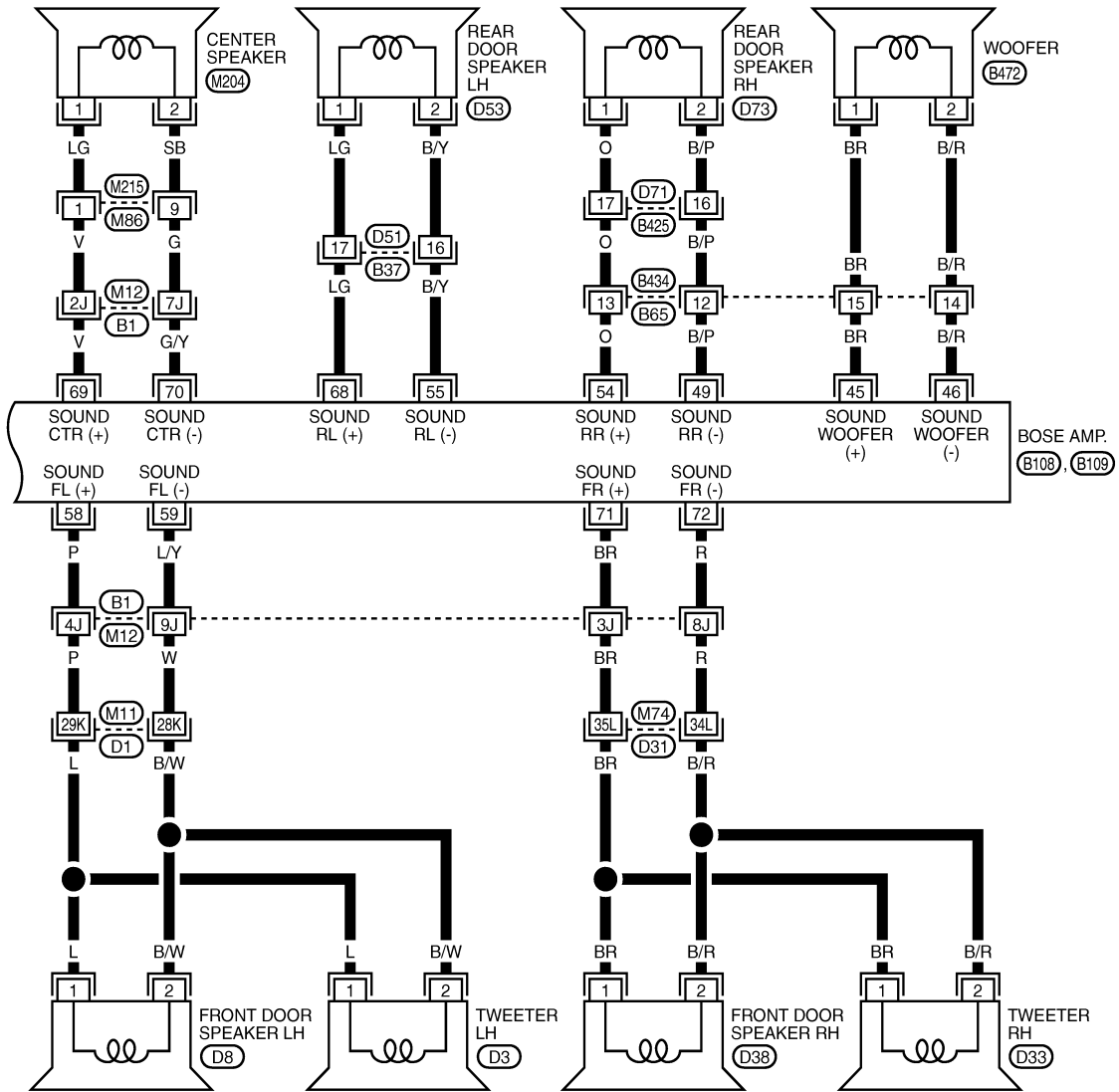


# FRONT DISPLAY UNIT

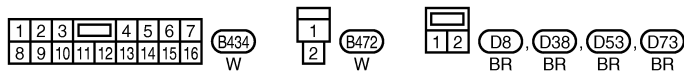
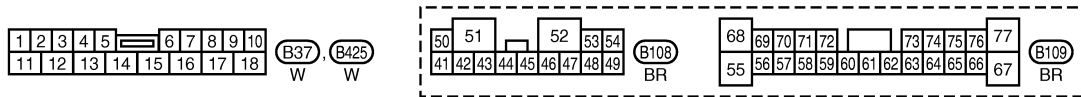
[WITH MOBILE ENTERTAINMENT SYSTEM]

< ECU DIAGNOSIS >

AV-AV-61



REFER TO THE FOLLOWING.  
 (B1), (D1), (D31) - SUPER  
 MULTIPLE JUNCTION (SMJ)



TKWT6741E

A  
B  
C  
D  
E  
F  
G  
H  
I  
J  
K  
L  
M  
N  
O  
P

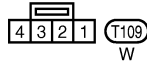
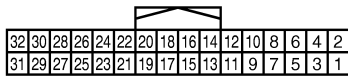
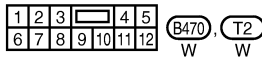
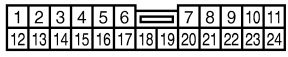
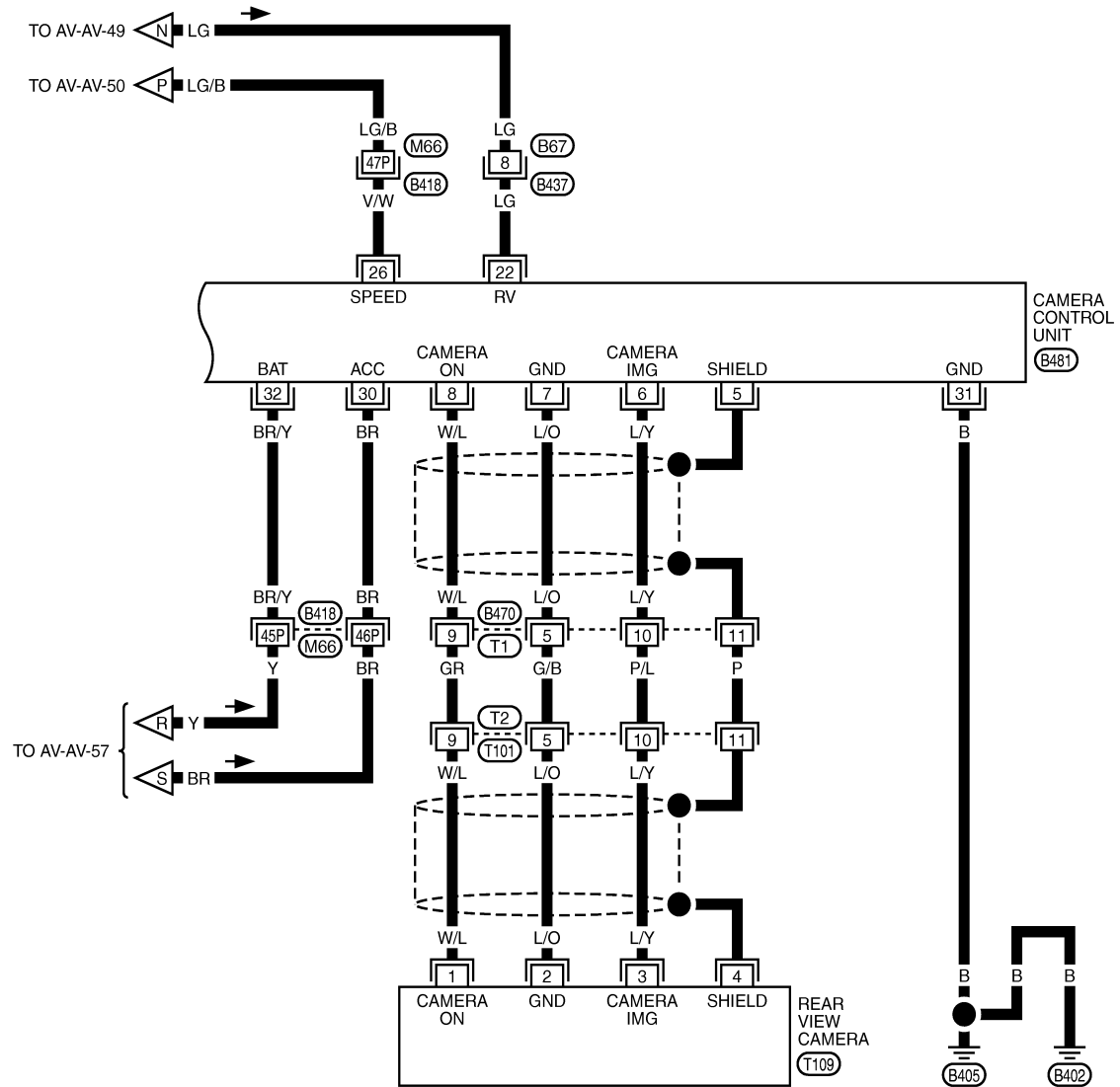
AV

# FRONT DISPLAY UNIT

[WITH MOBILE ENTERTAINMENT SYSTEM]

< ECU DIAGNOSIS >

AV-AV-62



REFER TO THE FOLLOWING.

B418 - SUPER MULTIPLE JUNCTION (SMJ)

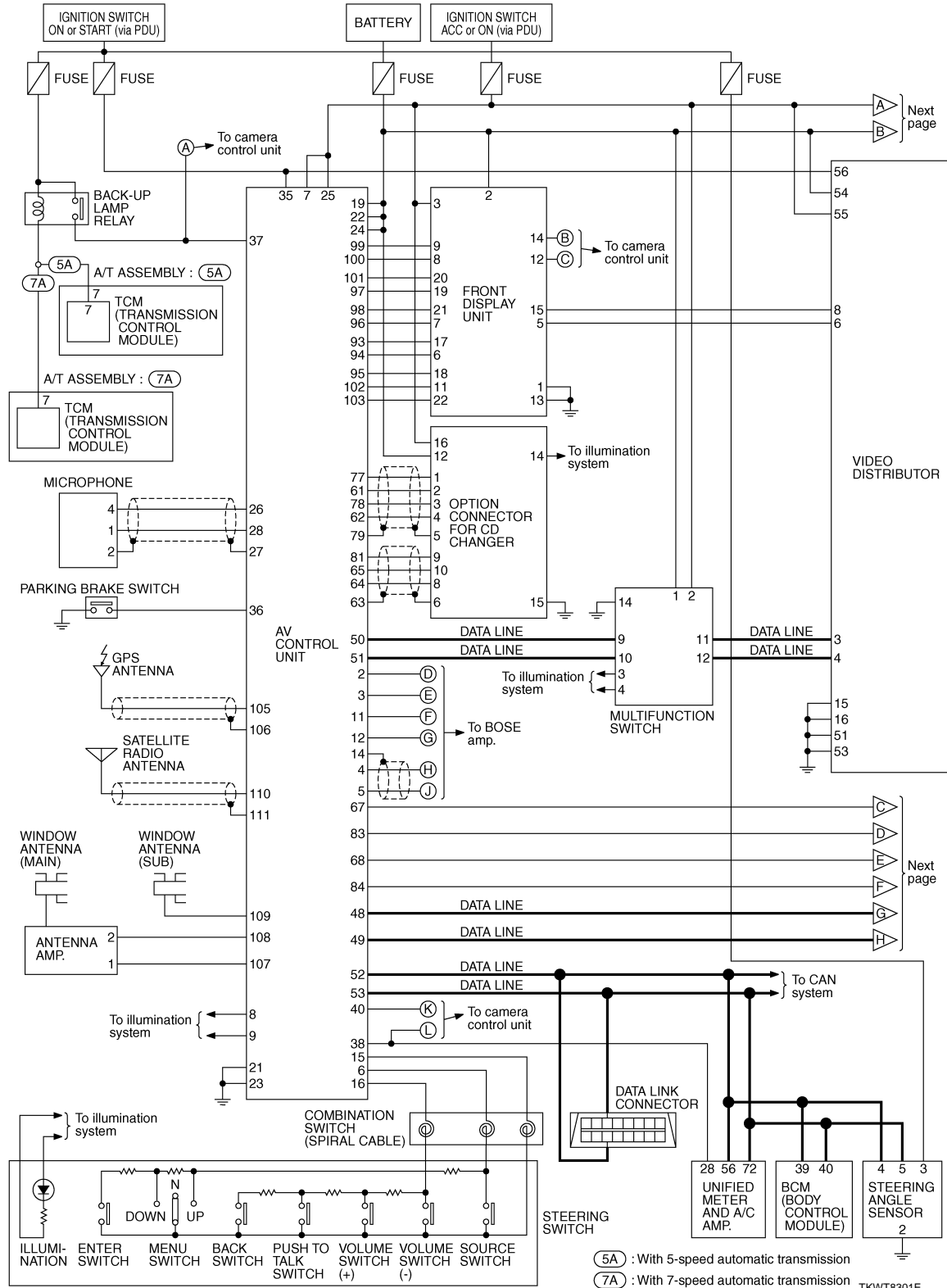
# FRONT DISPLAY UNIT

[WITH MOBILE ENTERTAINMENT SYSTEM]

< ECU DIAGNOSIS >

## Schematic - BOSE 5.1ch Surround Audio System -

INFOID:000000005350604



(5A) : With 5-speed automatic transmission

(7A) : With 7-speed automatic transmission

TKWT8301E

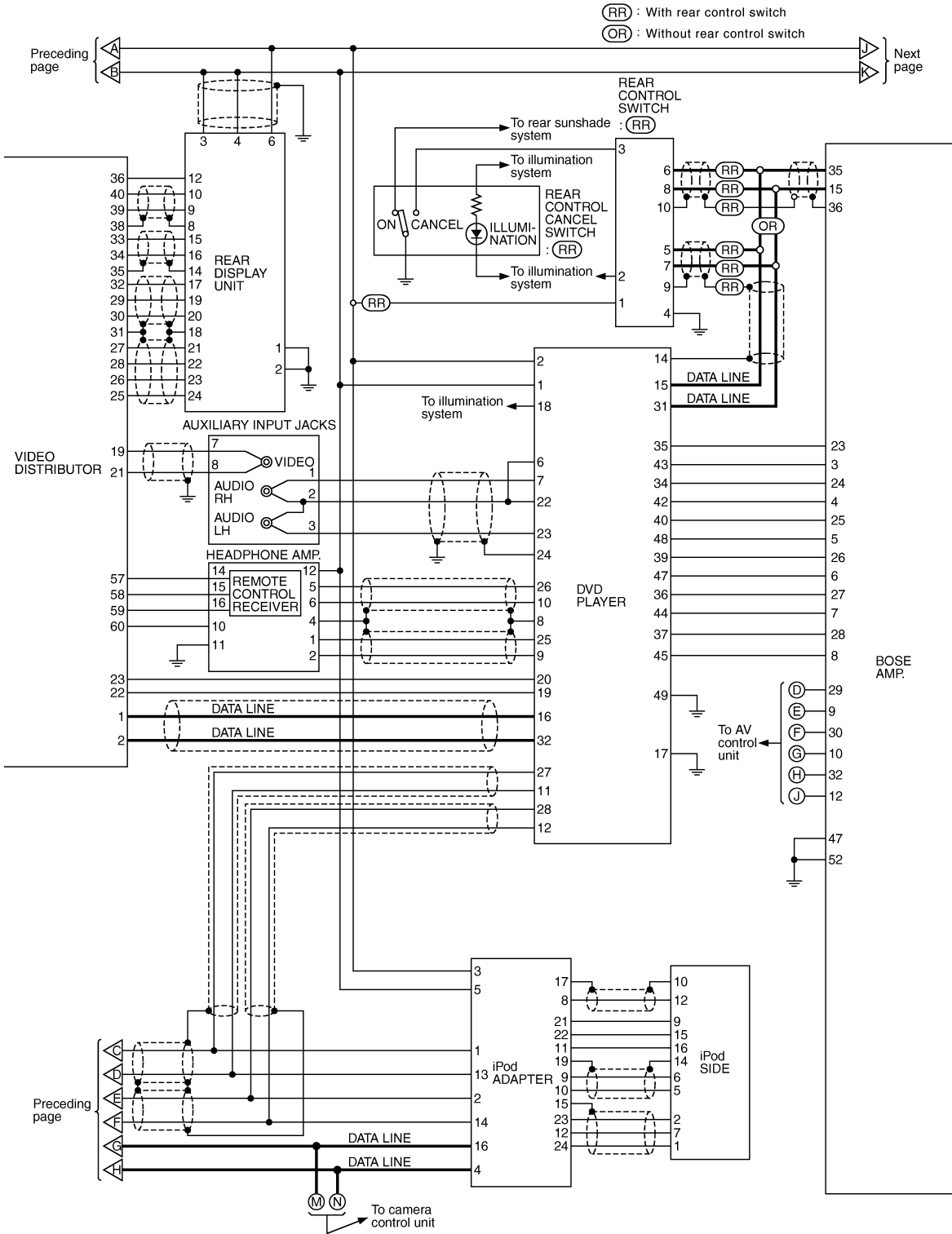
A  
B  
C  
D  
E  
F  
G  
H  
I  
J  
K  
L  
M  
N  
O  
P

AV

# FRONT DISPLAY UNIT

[WITH MOBILE ENTERTAINMENT SYSTEM]

< ECU DIAGNOSIS >

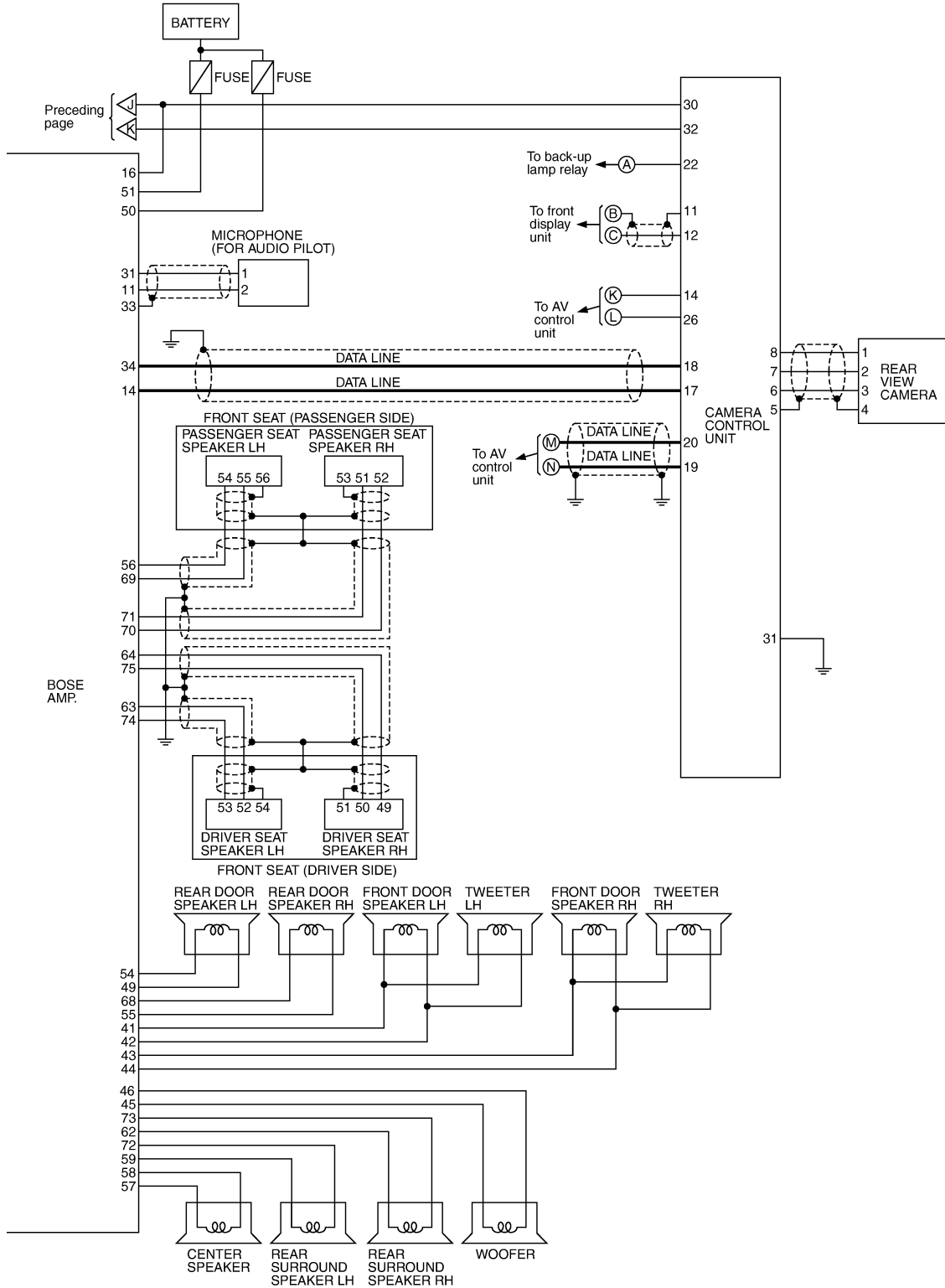


TKWT6744E

# FRONT DISPLAY UNIT

[WITH MOBILE ENTERTAINMENT SYSTEM]

< ECU DIAGNOSIS >



A  
B  
C  
D  
E  
F  
G  
H  
I  
J  
L  
M  
N  
O  
P

AV

Wiring Diagram - AV - / BOSE Surround Audio 5.1ch System

NOTE:

TKWT6745E  
INFOID:000000005350605

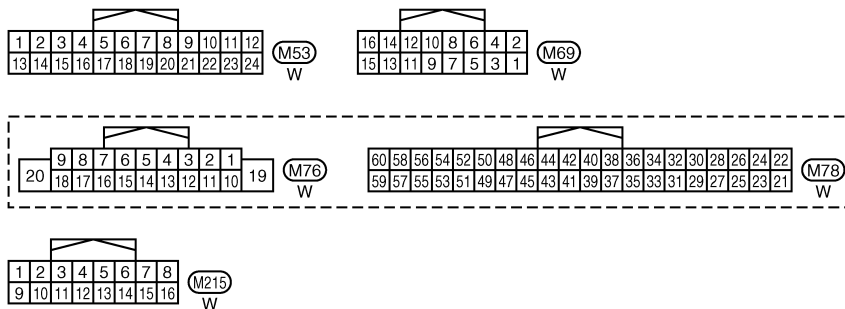
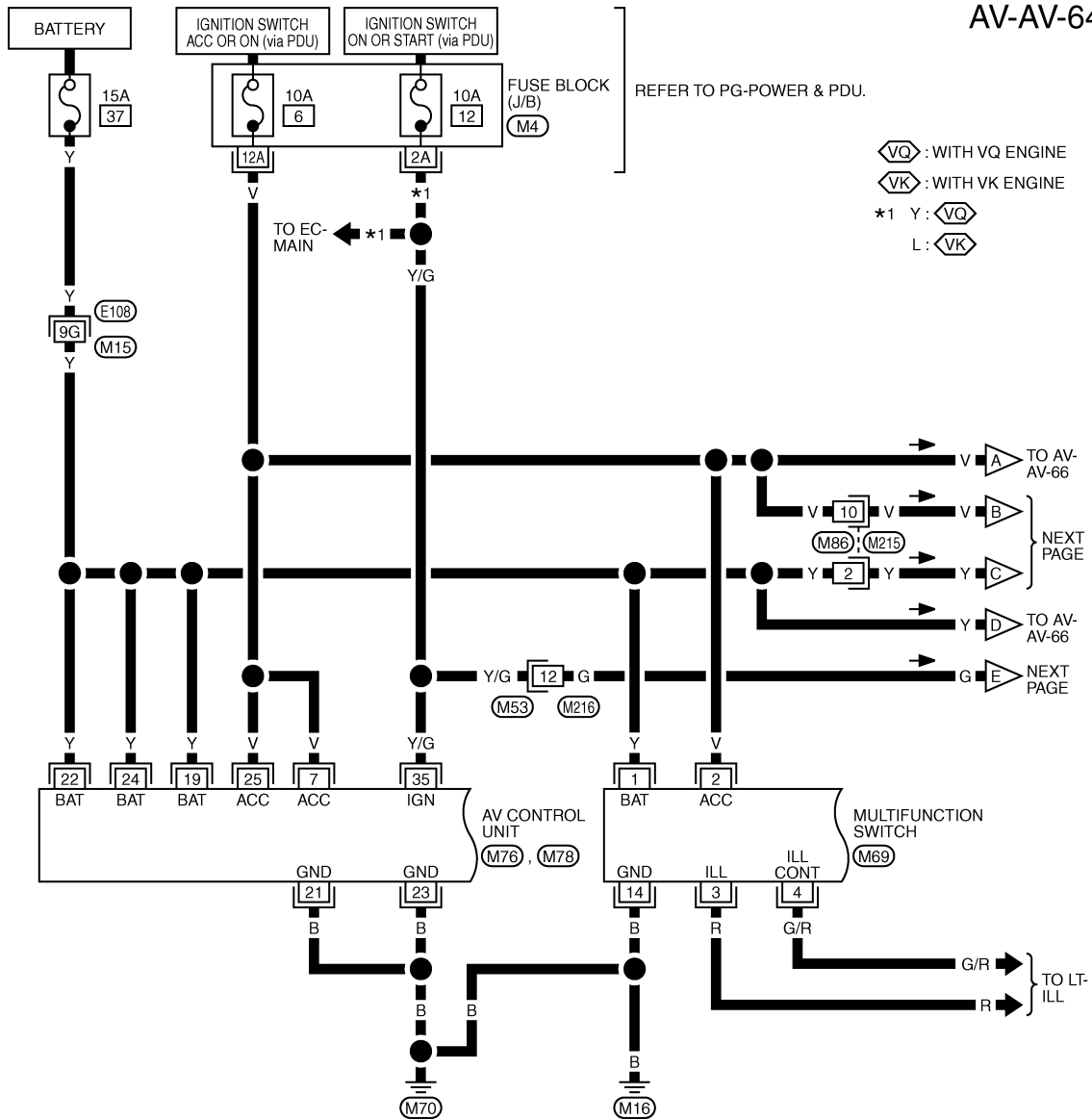
# FRONT DISPLAY UNIT

[WITH MOBILE ENTERTAINMENT SYSTEM]

< ECU DIAGNOSIS >

The name MULTIFUNCTION SWITCH indicates the integration of PRESET SWITCH and MULTIFUNCTION SWITCH virtually.

AV-AV-64



REFER TO THE FOLLOWING.  
 (E108) -SUPER MULTIPLE JUNCTION (SMJ)  
 (M4) -FUSE BLOCK-JUNCTION BOX (J/B)

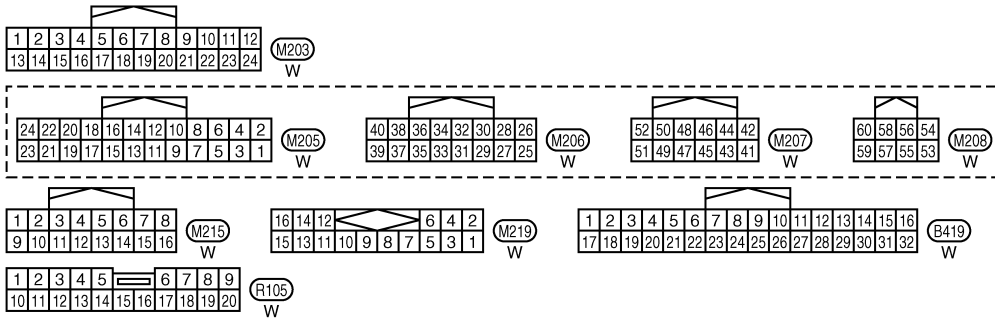
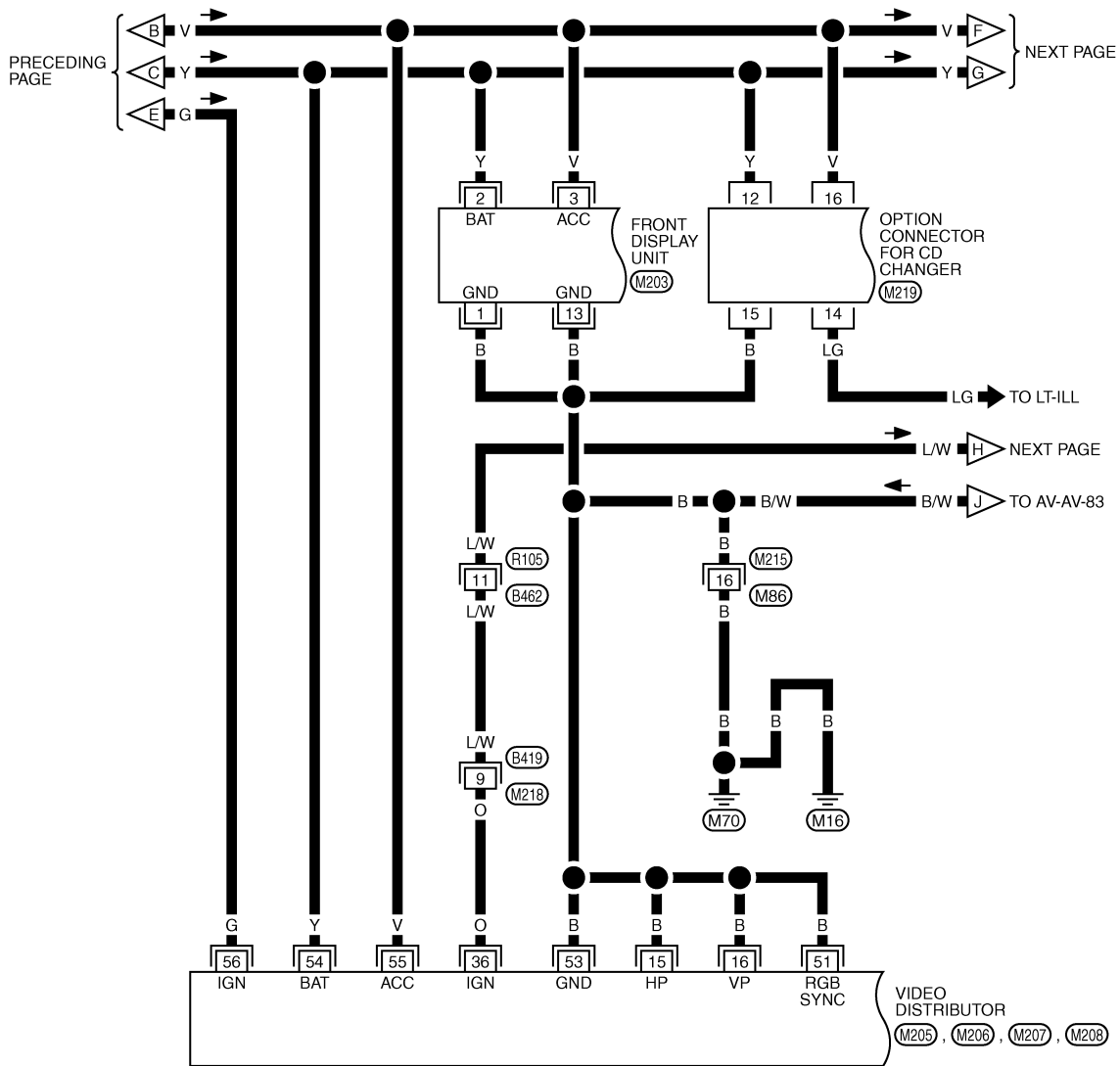
TKWT8302E

# FRONT DISPLAY UNIT

[WITH MOBILE ENTERTAINMENT SYSTEM]

< ECU DIAGNOSIS >

AV-AV-65



TKWT8303E

A  
B  
C  
D  
E  
F  
G  
H  
I  
J  
L  
M  
N  
O  
P

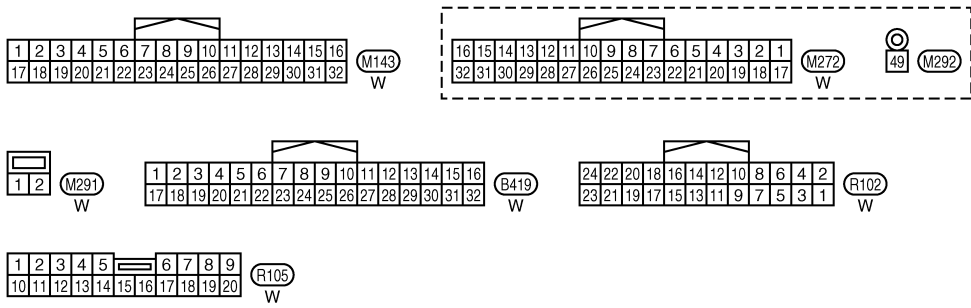
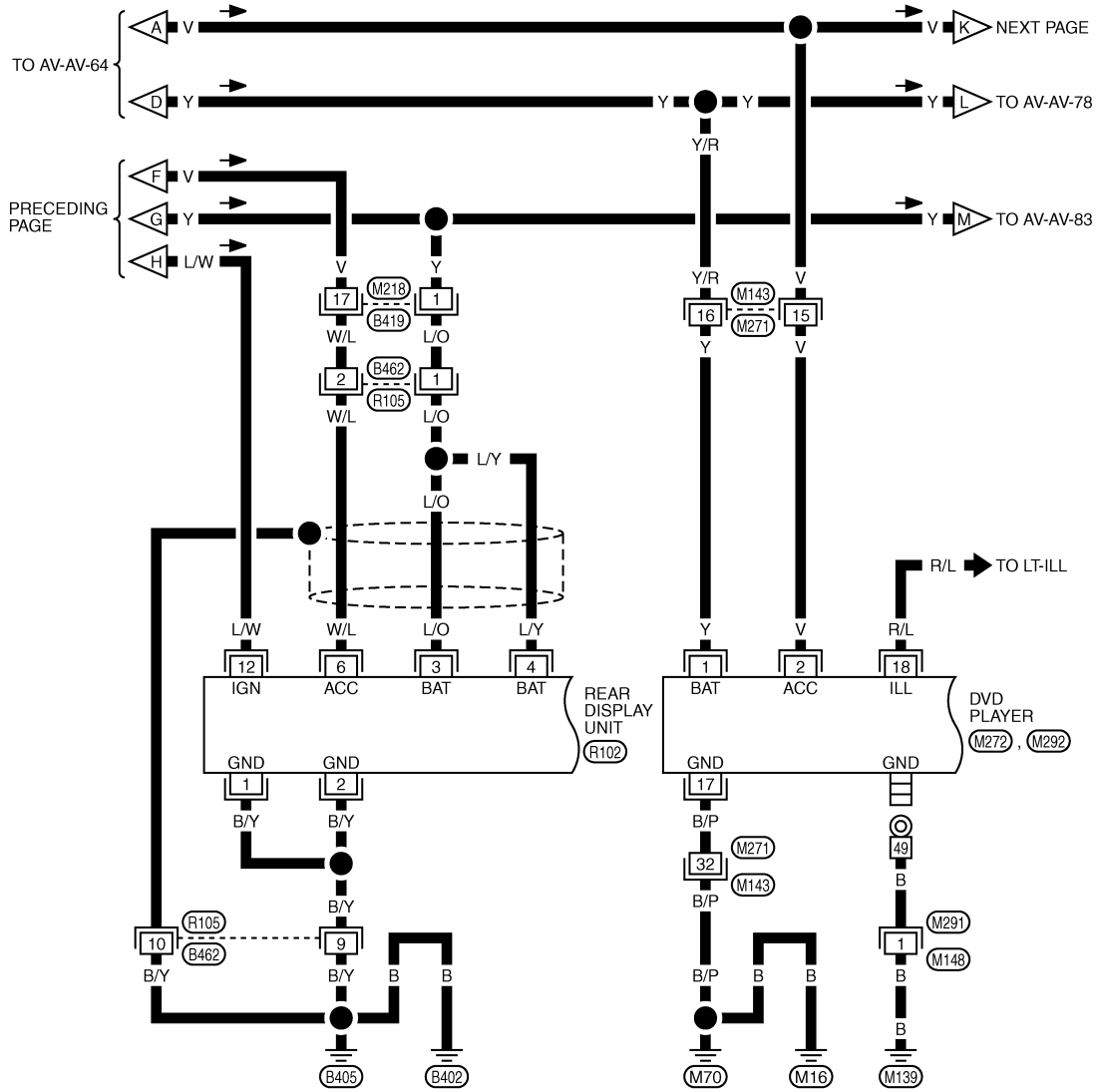
AV

# FRONT DISPLAY UNIT

[WITH MOBILE ENTERTAINMENT SYSTEM]

< ECU DIAGNOSIS >

AV-AV-66



TKWT8304E



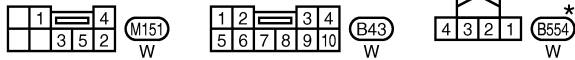
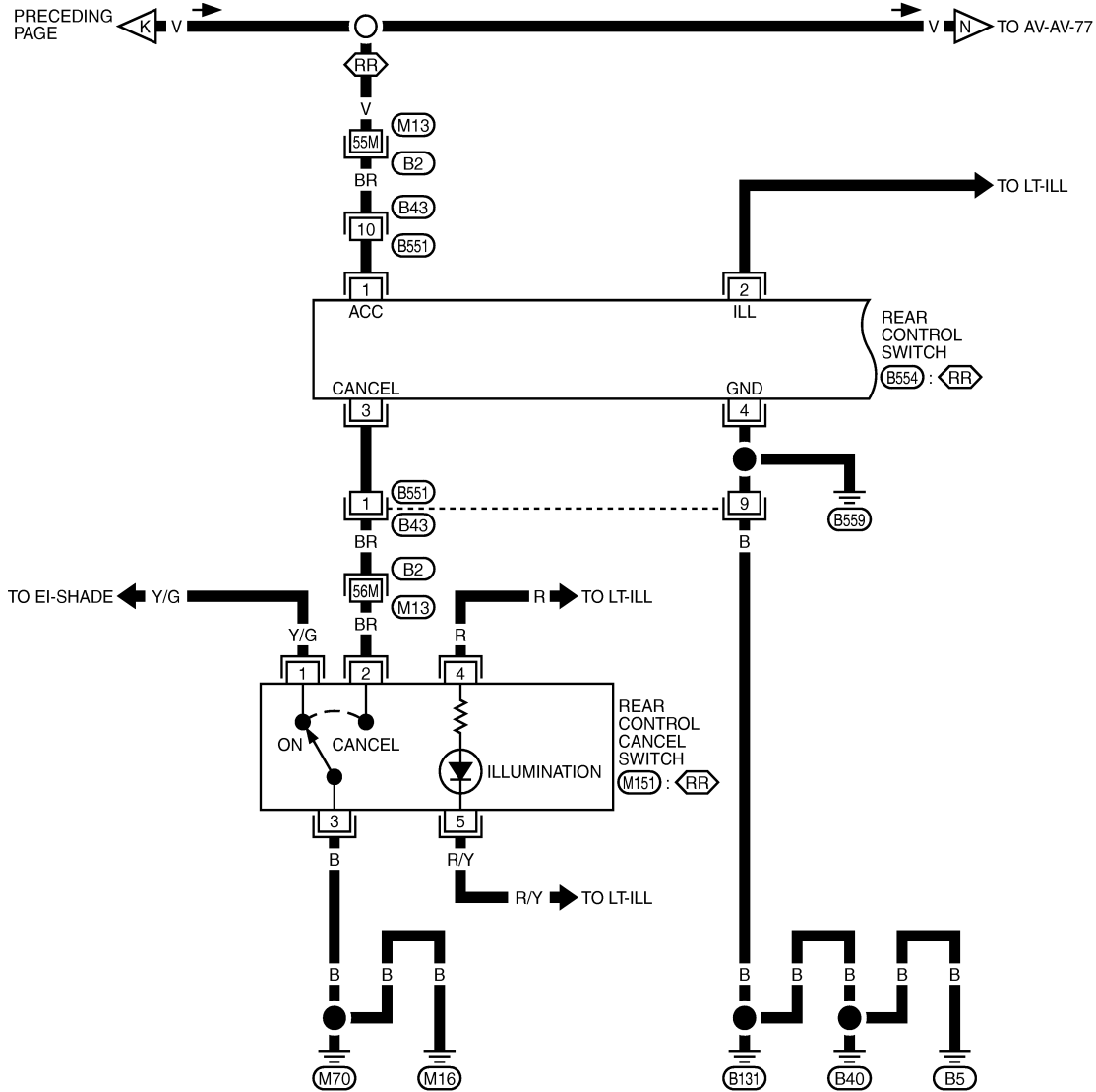
# FRONT DISPLAY UNIT

[WITH MOBILE ENTERTAINMENT SYSTEM]

< ECU DIAGNOSIS >

AV-AV-67

(RR) : WITH REAR CONTROL SWITCH



\*: THIS CONNECTOR IS NOT SHOWN IN "HARNESS LAYOUT", PG SECTION.

REFER TO THE FOLLOWING.

(B2) - SUPER MULTIPLE JUNCTION (SMJ)

TKWT6749E

A  
B  
C  
D  
E  
F  
G  
H  
I  
J  
L  
M  
N  
O  
P

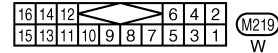
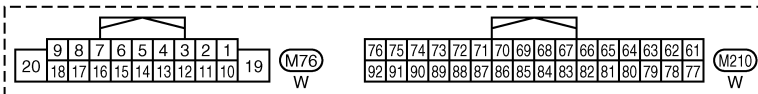
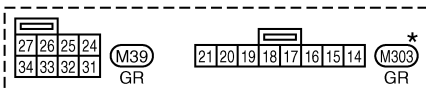
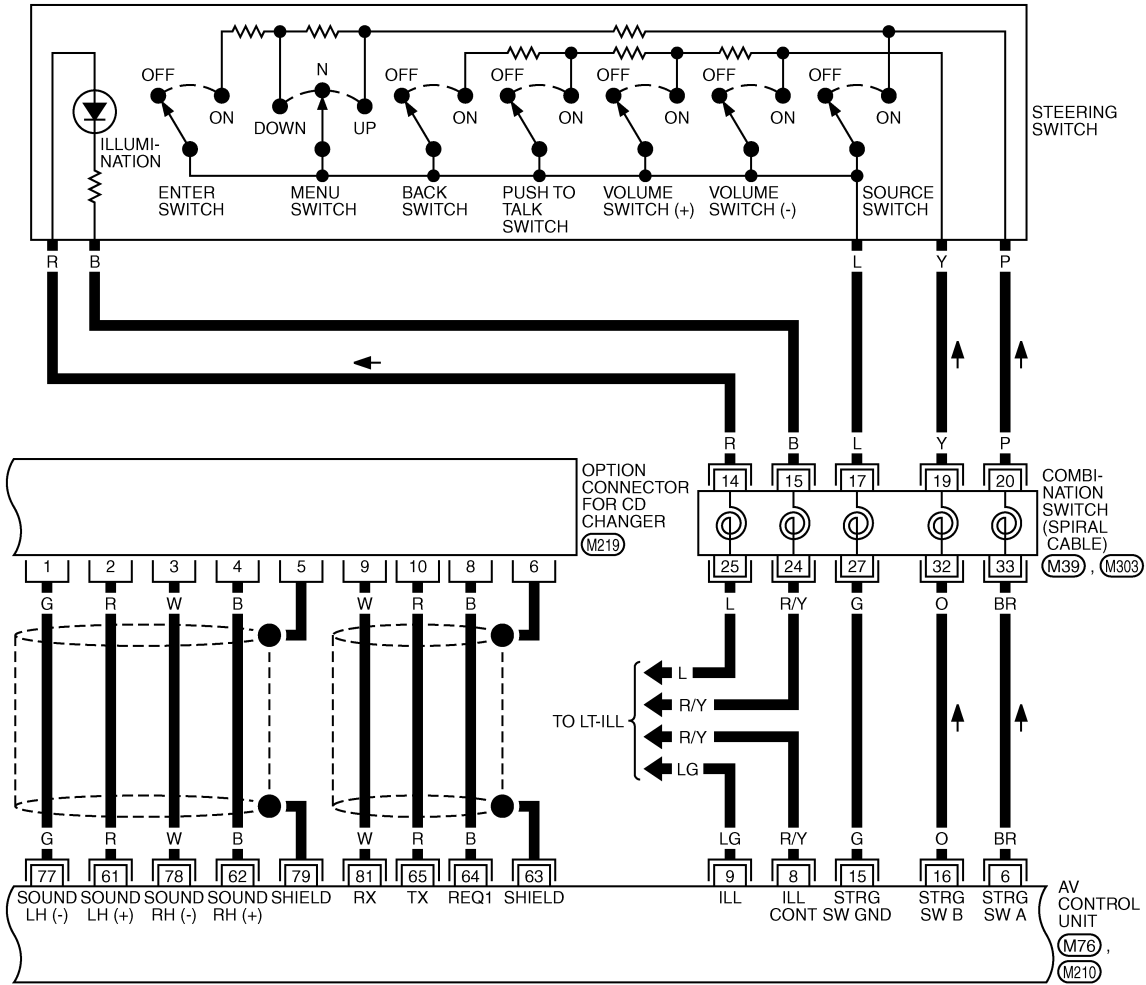
AV

# FRONT DISPLAY UNIT

[WITH MOBILE ENTERTAINMENT SYSTEM]

< ECU DIAGNOSIS >

AV-AV-68



\*: THIS CONNECTOR IS NOT SHOWN IN "HARNESS LAYOUT", PG SECTION.

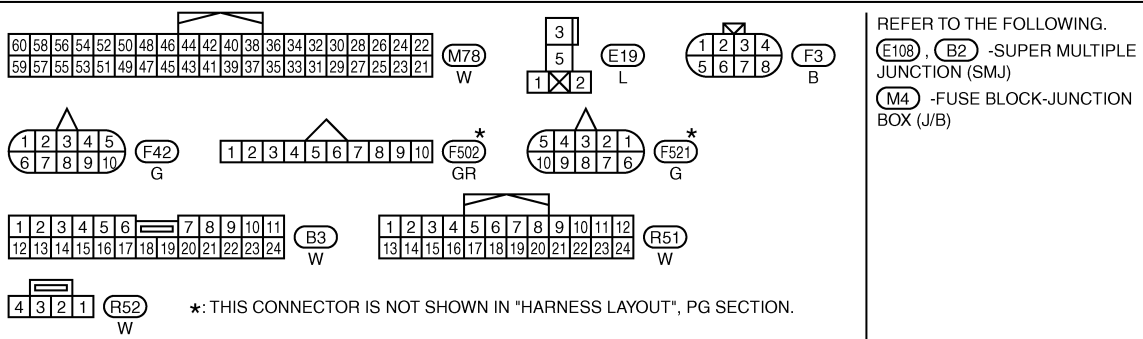
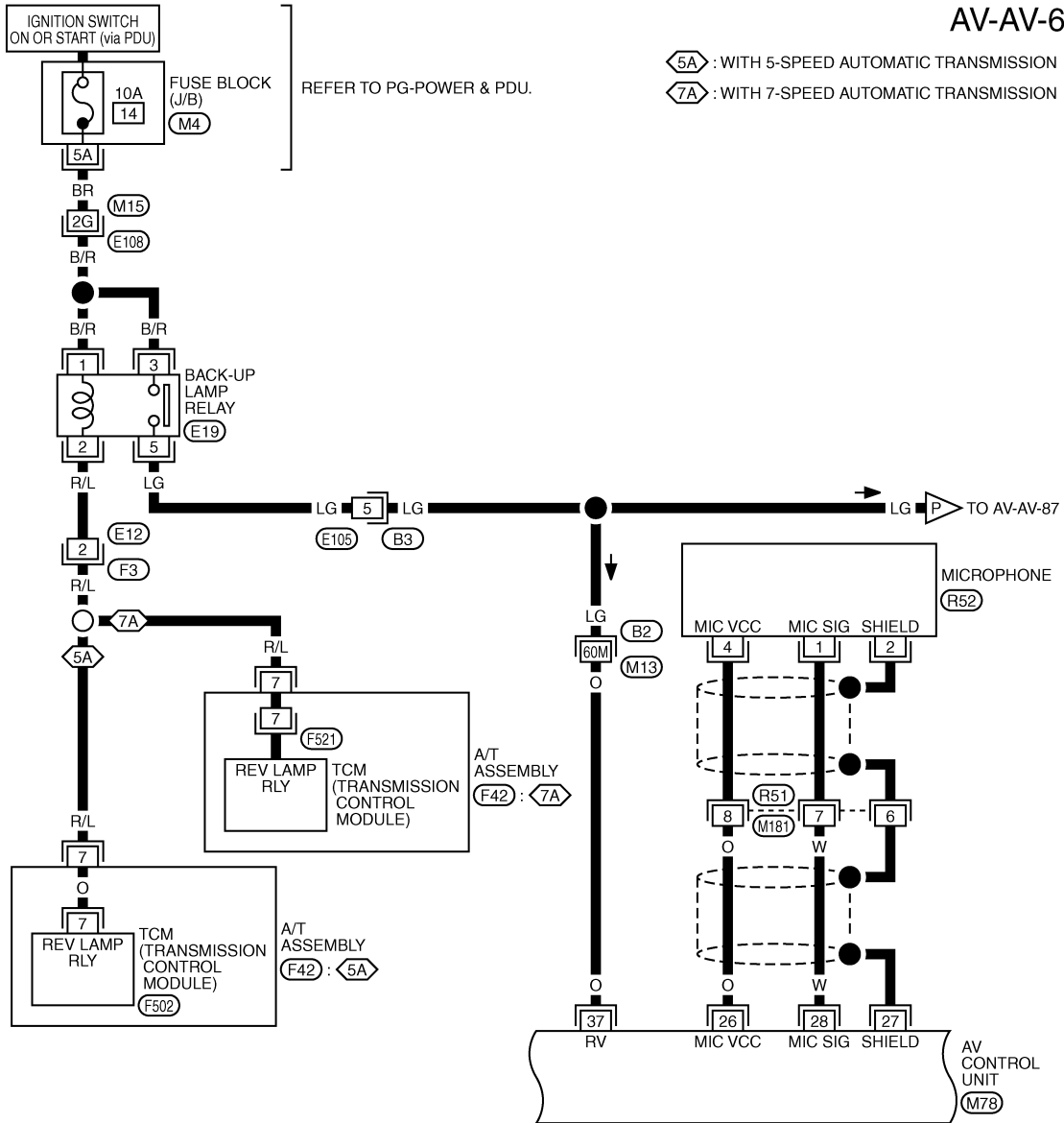
TKWT8305E

# FRONT DISPLAY UNIT

[WITH MOBILE ENTERTAINMENT SYSTEM]

< ECU DIAGNOSIS >

AV-AV-69



TKWT8306E

A  
B  
C  
D  
E  
F  
G  
H  
I  
J  
K  
L  
M  
N  
O  
P

AV

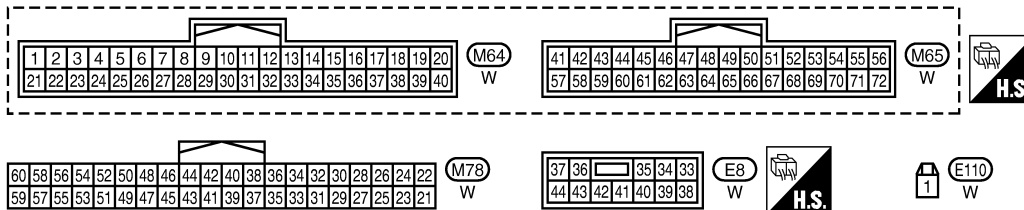
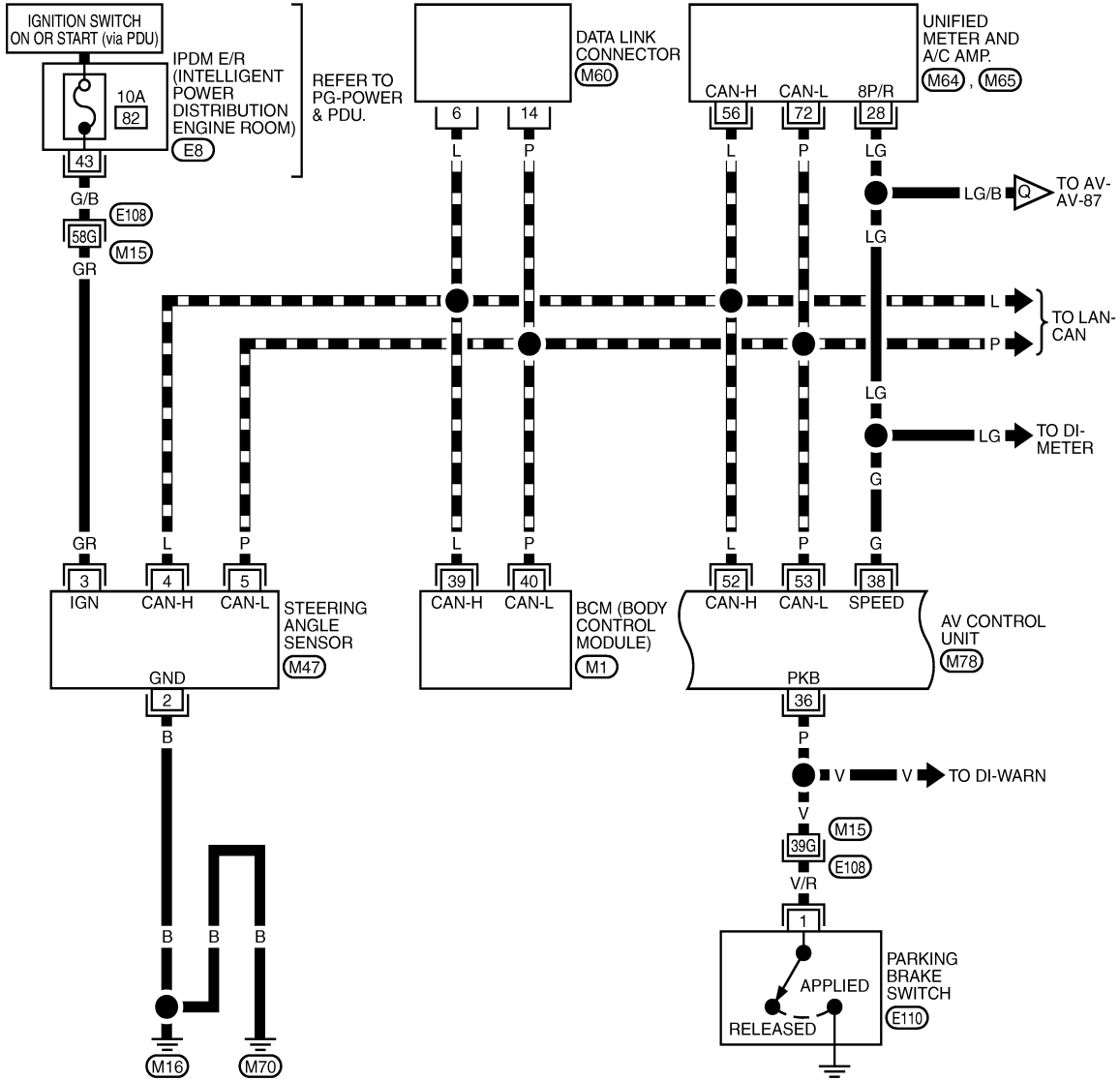
# FRONT DISPLAY UNIT

[WITH MOBILE ENTERTAINMENT SYSTEM]

< ECU DIAGNOSIS >

AV-AV-70

DATA LINE



TKWT6752E

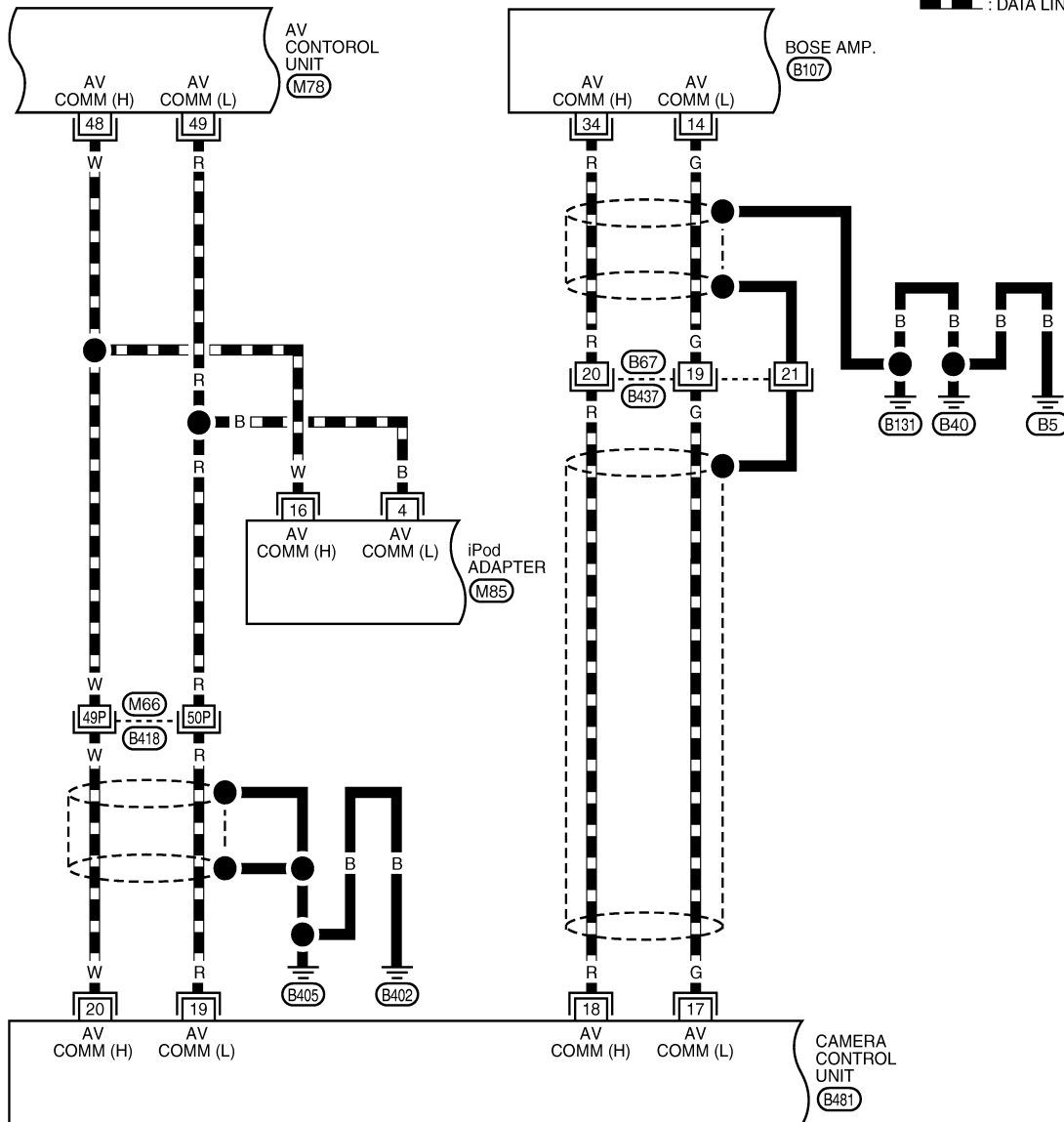
# FRONT DISPLAY UNIT

[WITH MOBILE ENTERTAINMENT SYSTEM]

< ECU DIAGNOSIS >

AV-AV-71

— : DATA LINE



60	58	56	54	52	50	48	46	44	42	40	38	36	34	32	30	28	26	24	22
59	57	55	53	51	49	47	45	43	41	39	37	35	33	31	29	27	25	23	21

(M78) W

12	11	10	9	8	7	6	5	4	3	2	1
24	23	22	21	20	19	18	17	16	15	14	13

(M85) W

1	2	3	4	5	6	7	8	9	10	11	12	13	14	15	16	17	18	19	20
21	22	23	24	25	26	27	28	29	30	31	32	33	34	35	36	37	38	39	40

(B107) W

1	2	3	4	5	6	7	8	9	10	11		
12	13	14	15	16	17	18	19	20	21	22	23	24

(B437) BR

32	30	28	26	24	22	20	18	16	14	12	10	8	6	4	2
31	29	27	25	23	21	19	17	15	13	11	9	7	5	3	1

(B481) W

REFER TO THE FOLLOWING.

(B418) - SUPER MULTIPLE JUNCTION (SMJ)

TKWT6753E

A  
B  
C  
D  
E  
F  
G  
H  
I  
J  
K  
L  
M  
N  
O  
P

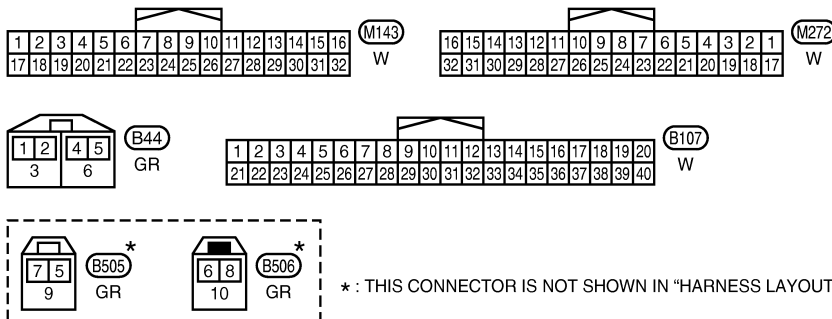
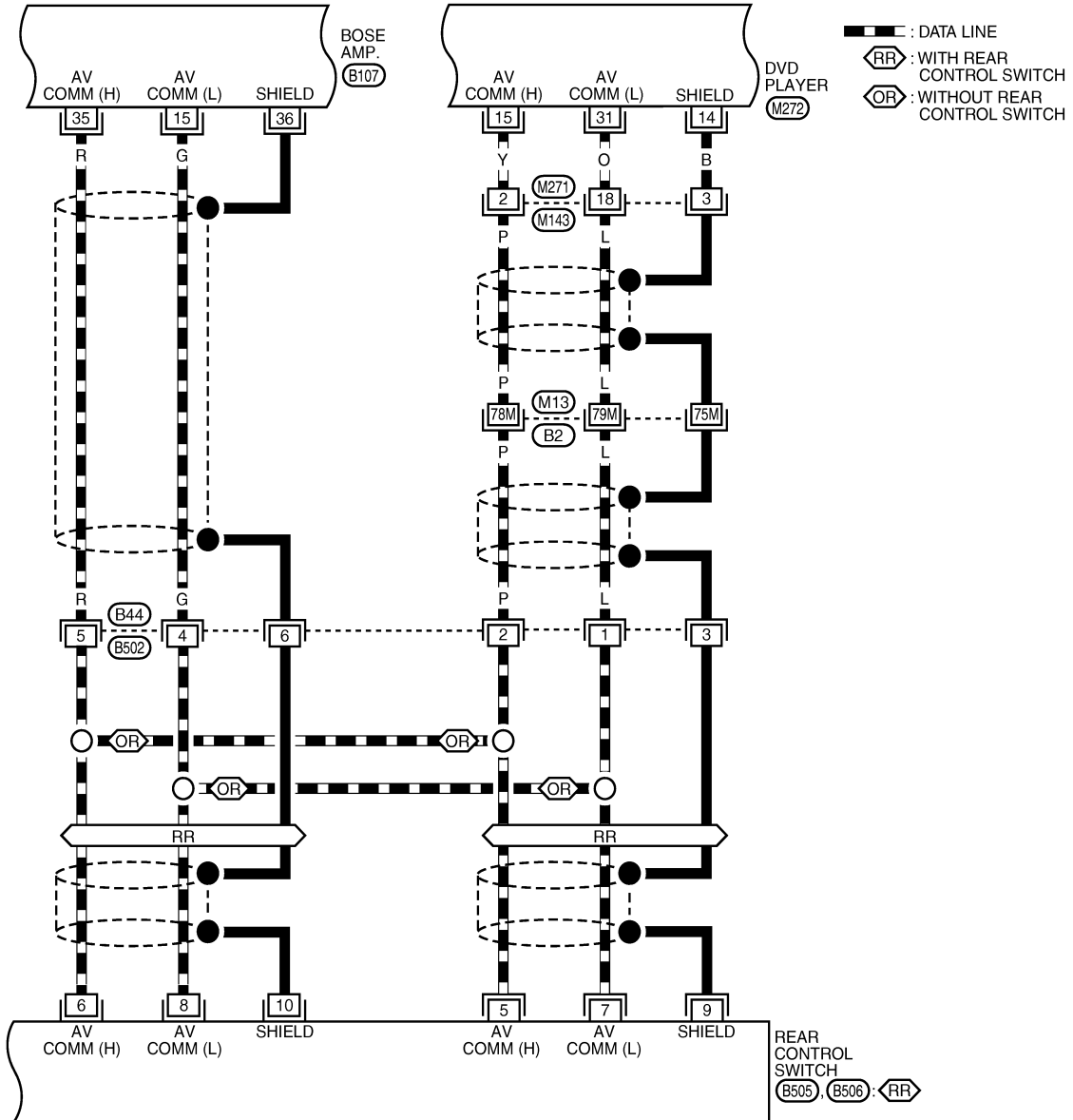
AV

# FRONT DISPLAY UNIT

[WITH MOBILE ENTERTAINMENT SYSTEM]

< ECU DIAGNOSIS >

AV-AV-72



REFER TO THE FOLLOWING.

[B2] - SUPER MULTIPLE JUNCTION (SMJ)

TKWT6754E

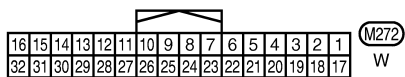
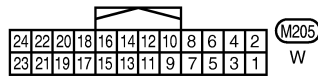
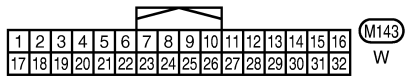
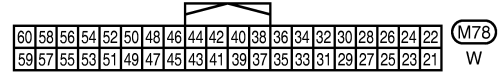
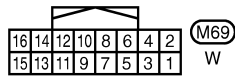
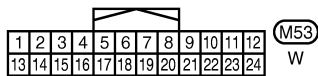
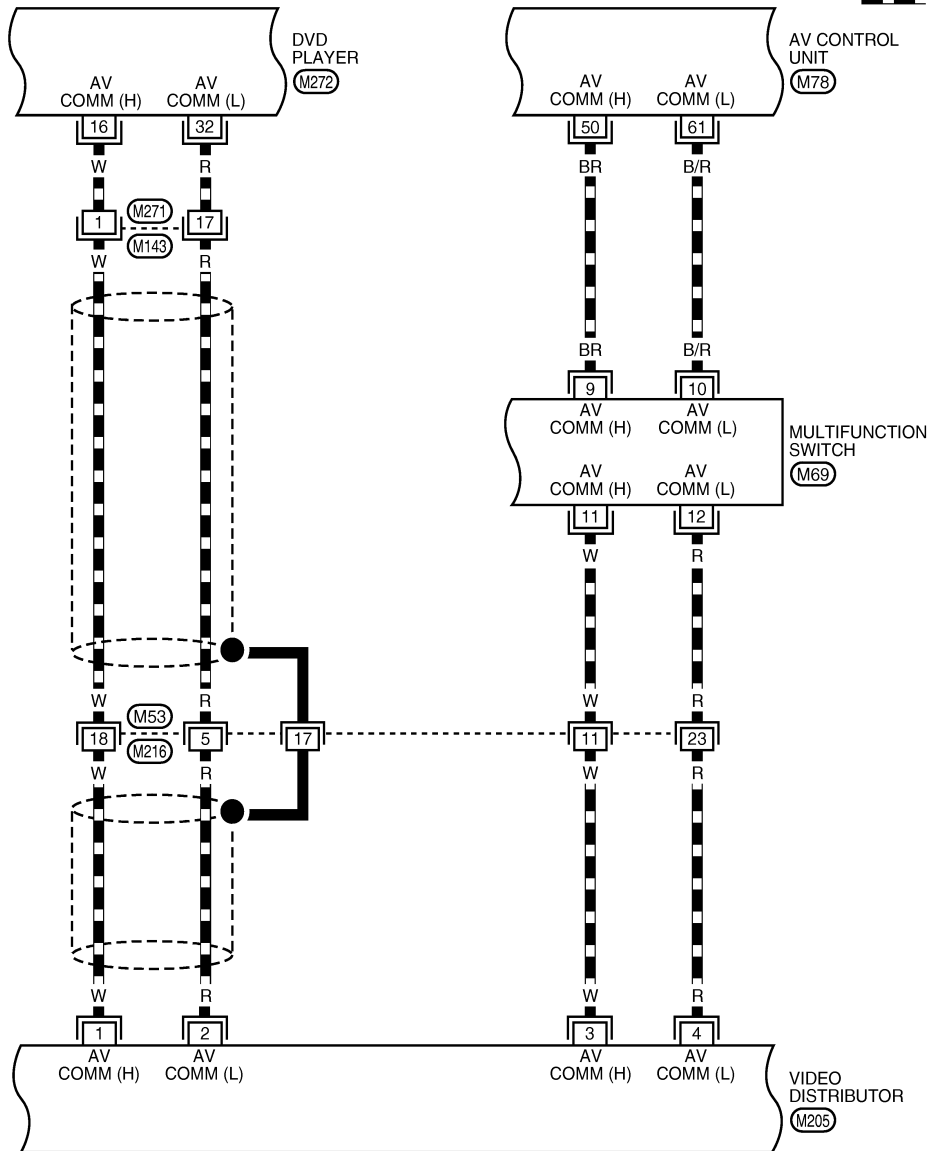
# FRONT DISPLAY UNIT

[WITH MOBILE ENTERTAINMENT SYSTEM]

< ECU DIAGNOSIS >

AV-AV-73

DATA LINE



TKWT6755E

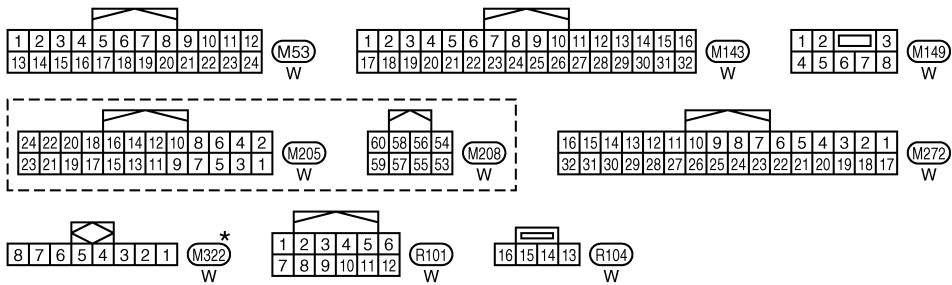
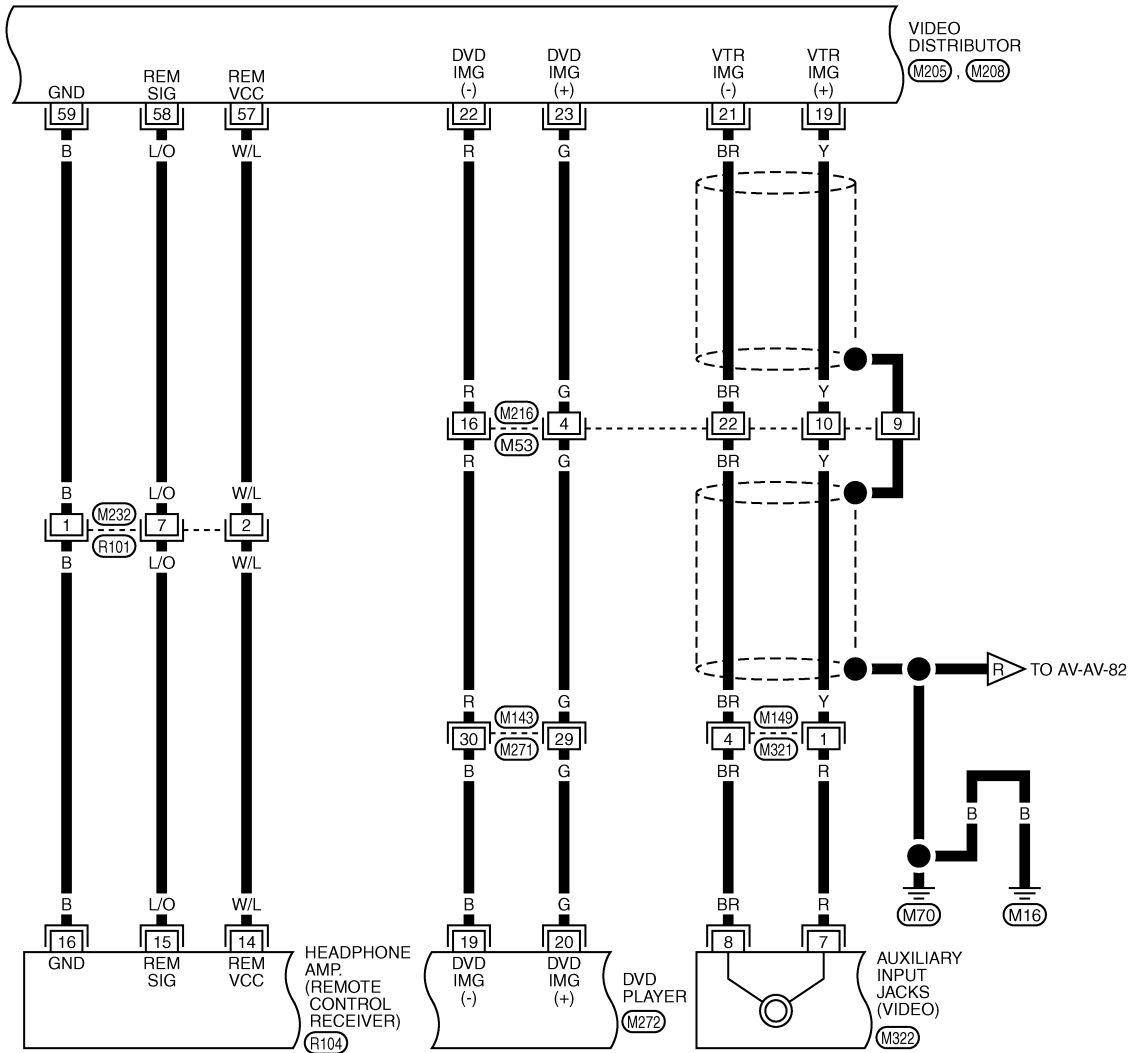
A  
B  
C  
D  
E  
F  
G  
H  
I  
J  
AV  
L  
M  
N  
O  
P

# FRONT DISPLAY UNIT

[WITH MOBILE ENTERTAINMENT SYSTEM]

< ECU DIAGNOSIS >

AV-AV-74



\*: THIS CONNECTOR IS NOT SHOWN IN "HARNESS LAYOUT", PG SECTION.

TKWT8307E

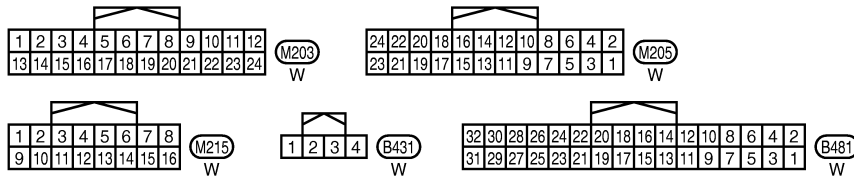
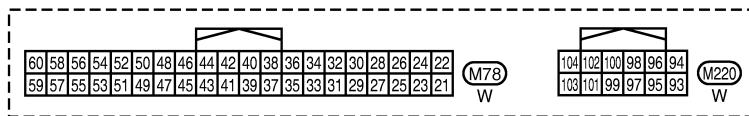
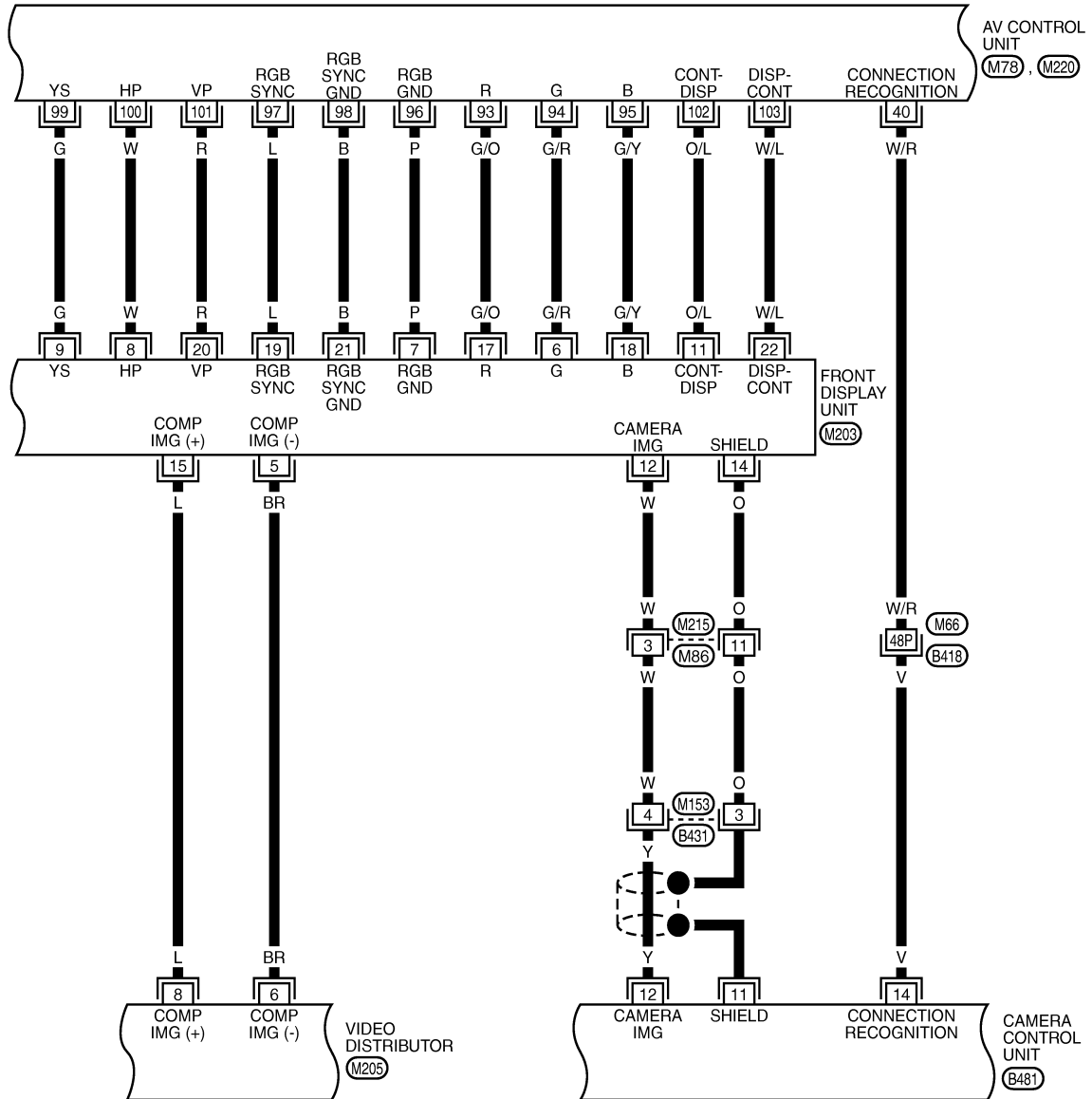


# FRONT DISPLAY UNIT

[WITH MOBILE ENTERTAINMENT SYSTEM]

< ECU DIAGNOSIS >

AV-AV-75



REFER TO THE FOLLOWING.

(B418) -SUPER MULTIPLE JUNCTION (SMJ)

TKWT6757E

A  
B  
C  
D  
E  
F  
G  
H  
I  
J  
K  
L  
M  
N  
O  
P

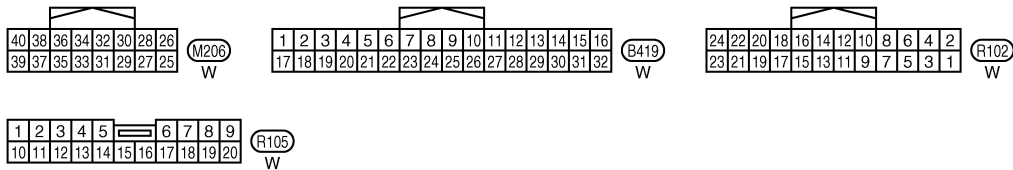
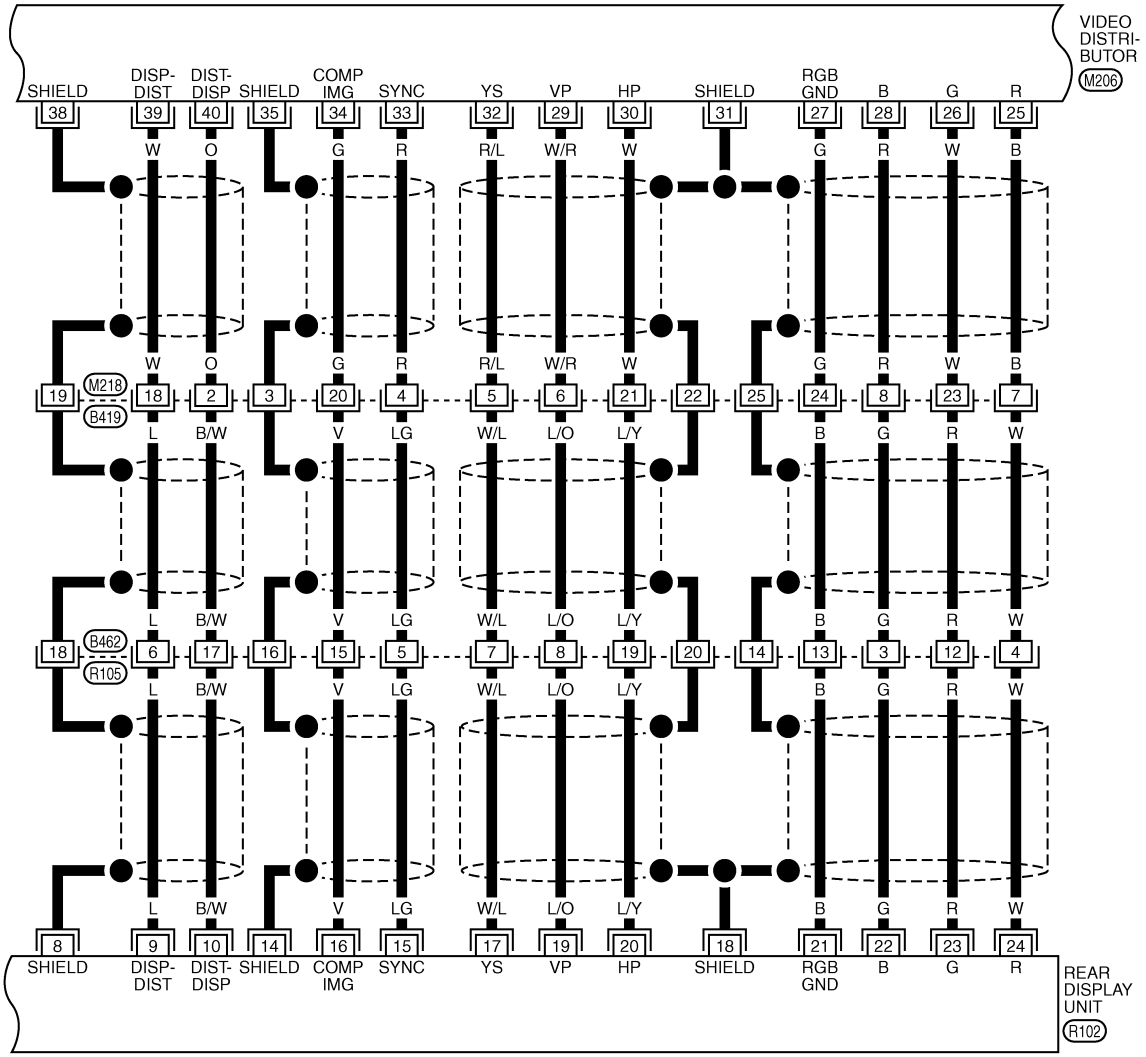
AV

# FRONT DISPLAY UNIT

[WITH MOBILE ENTERTAINMENT SYSTEM]

< ECU DIAGNOSIS >

AV-AV-76



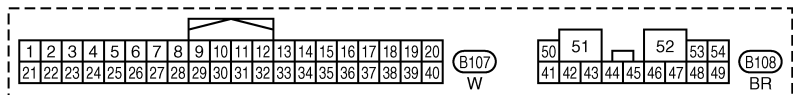
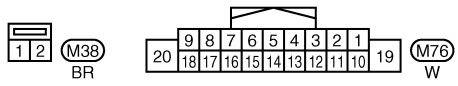
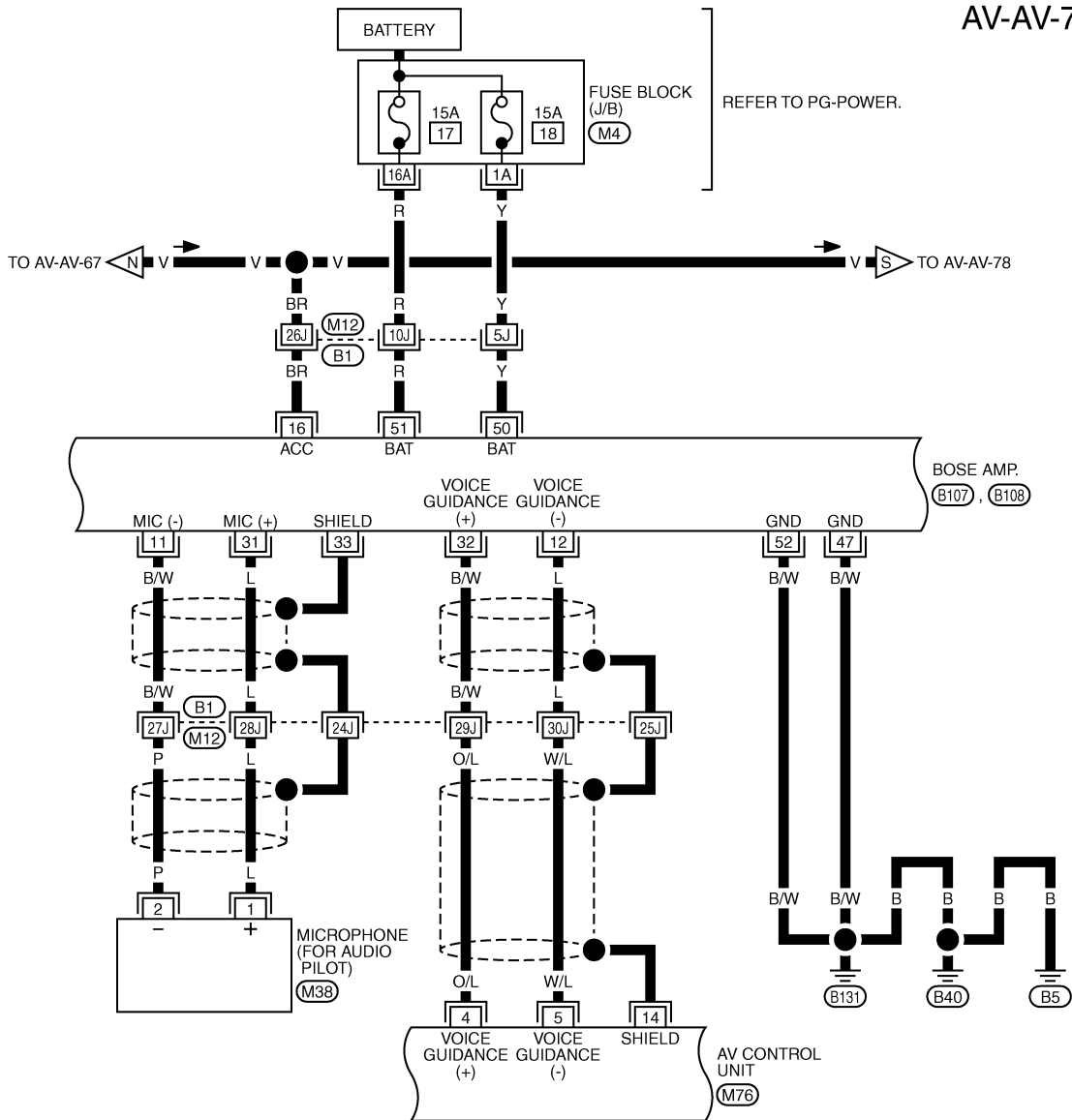
TKWT5152E

# FRONT DISPLAY UNIT

[WITH MOBILE ENTERTAINMENT SYSTEM]

< ECU DIAGNOSIS >

AV-AV-77



REFER TO THE FOLLOWING.  
 (B1) -SUPER MULTIPLE JUNCTION (SMJ)  
 (M4) -FUSE BLOCK-JUNCTION BOX (J/B)

TKWT8308E

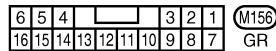
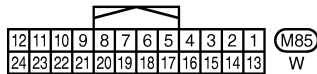
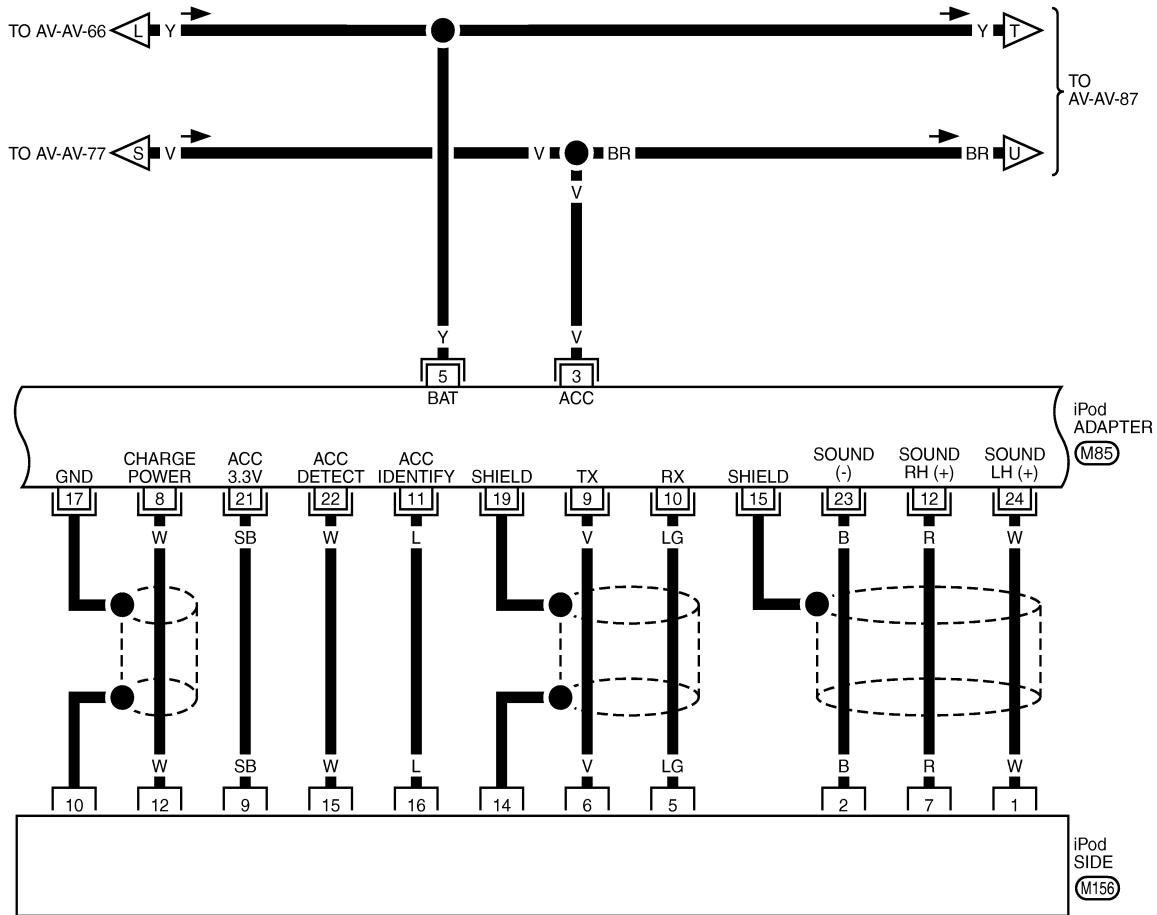
A  
B  
C  
D  
E  
F  
G  
H  
I  
J  
AV  
L  
M  
N  
O  
P

# FRONT DISPLAY UNIT

[WITH MOBILE ENTERTAINMENT SYSTEM]

< ECU DIAGNOSIS >

AV-AV-78



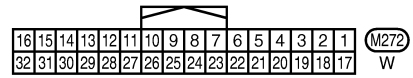
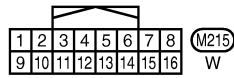
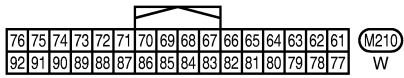
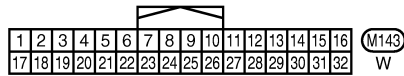
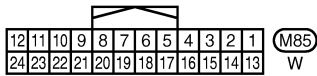
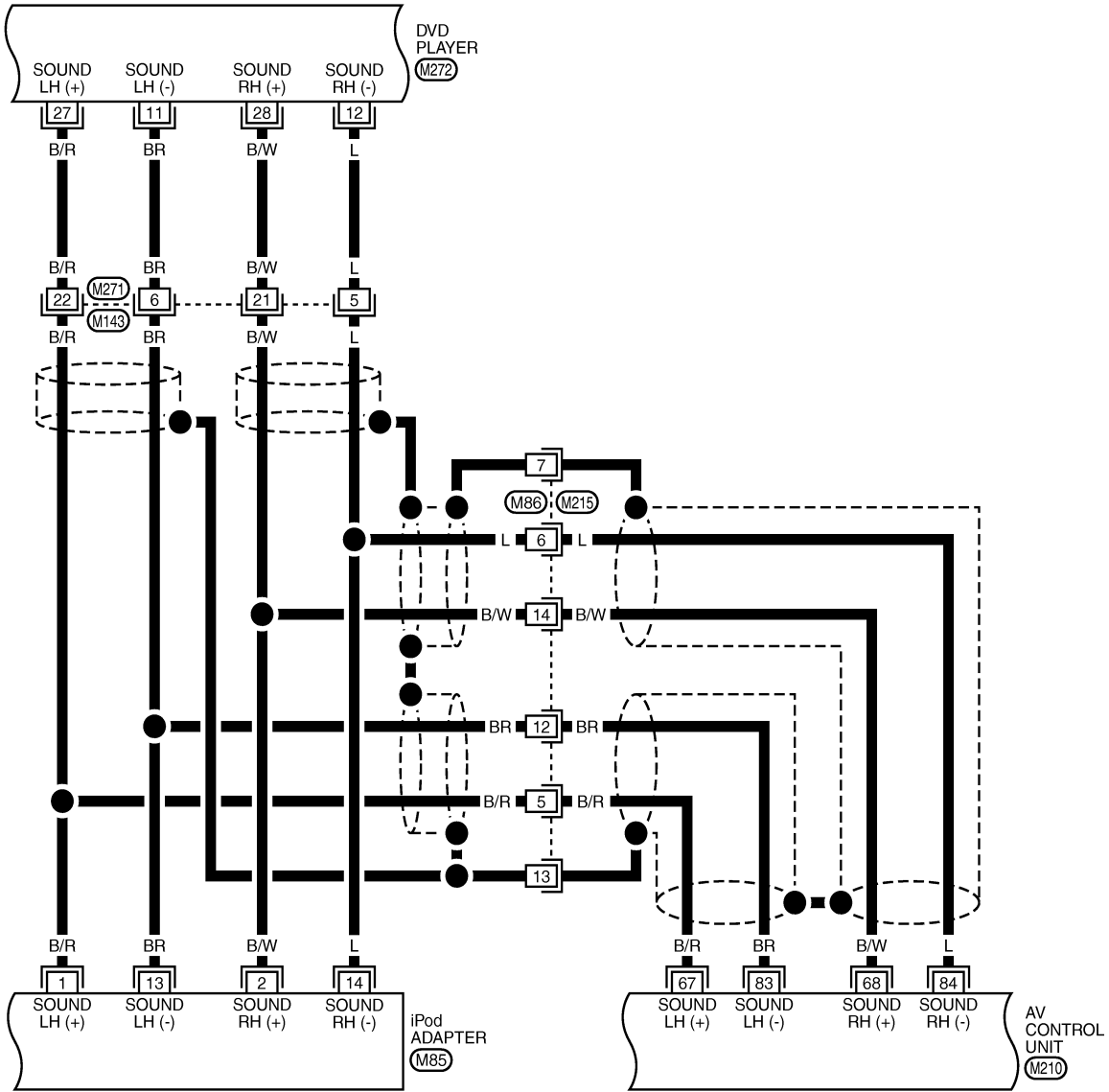
TKWT6761E

# FRONT DISPLAY UNIT

[WITH MOBILE ENTERTAINMENT SYSTEM]

< ECU DIAGNOSIS >

AV-AV-79



TKWT6762E

A  
B  
C  
D  
E  
F  
G  
H  
I  
J  
K  
L  
M  
N  
O  
P

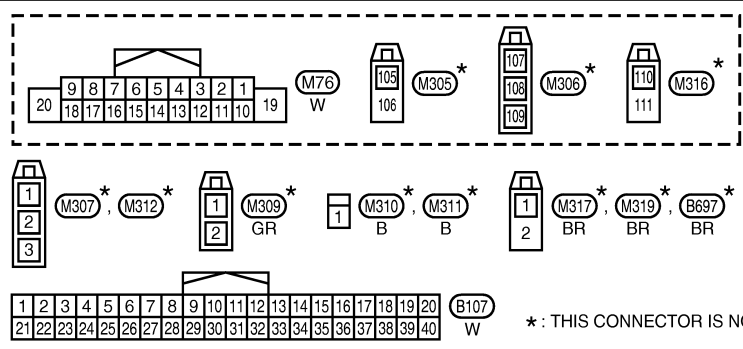
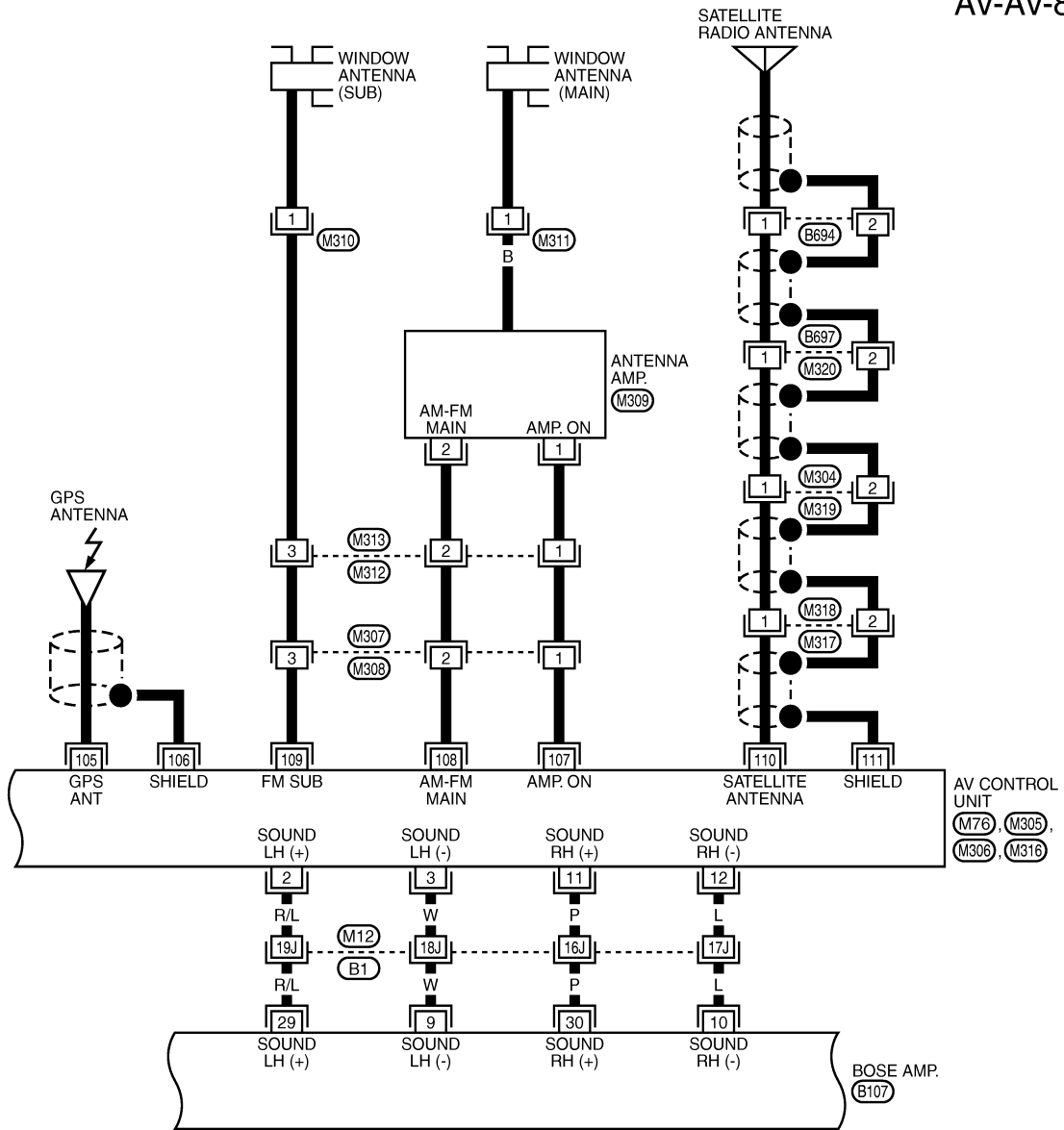
AV

# FRONT DISPLAY UNIT

[WITH MOBILE ENTERTAINMENT SYSTEM]

< ECU DIAGNOSIS >

AV-AV-80



REFER TO THE FOLLOWING.

(B1) - SUPER MULTIPLE JUNCTION (SMJ)

\* : THIS CONNECTOR IS NOT SHOWN IN "HARNESS LAYOUT", PG SECTION.

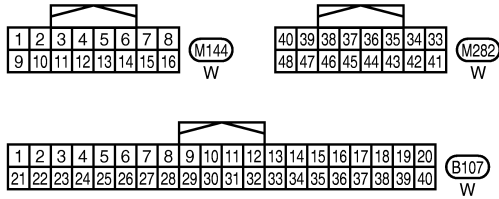
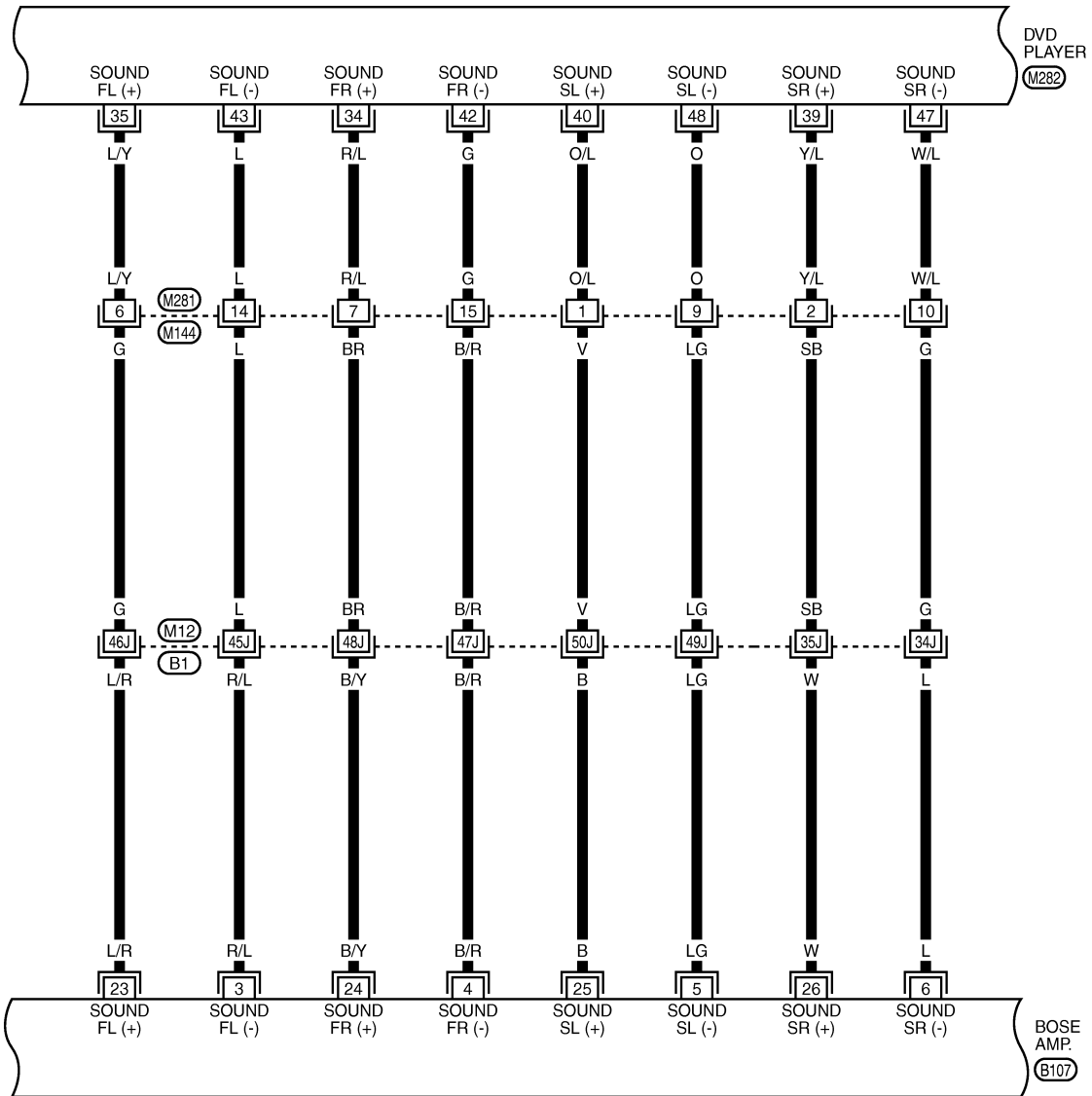
TKWT6763E

# FRONT DISPLAY UNIT

[WITH MOBILE ENTERTAINMENT SYSTEM]

< ECU DIAGNOSIS >

AV-AV-81



REFER TO THE FOLLOWING.

(B1) - SUPER MULTIPLE JUNCTION (SMJ)

TKWT6764E

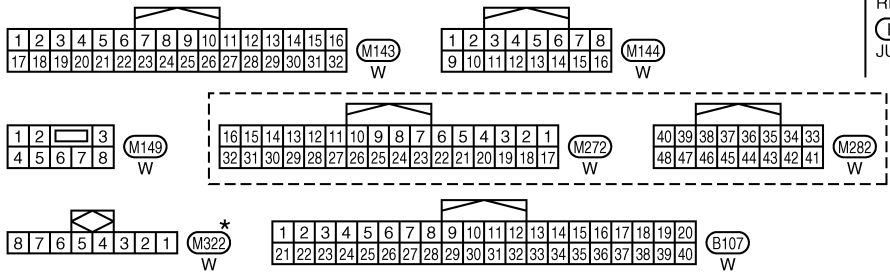
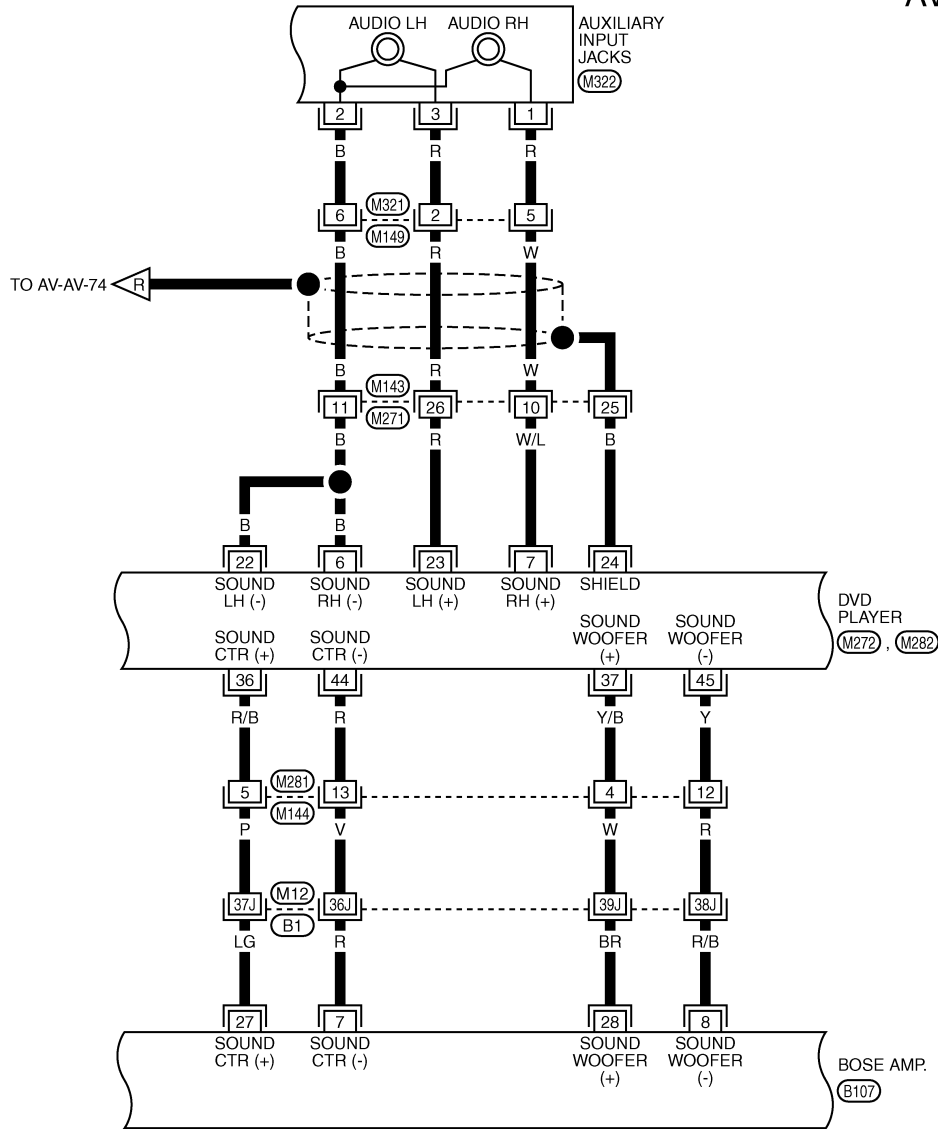
A  
B  
C  
D  
E  
F  
G  
H  
I  
J  
AV  
L  
M  
N  
O  
P

# FRONT DISPLAY UNIT

[WITH MOBILE ENTERTAINMENT SYSTEM]

< ECU DIAGNOSIS >

AV-AV-82



REFER TO THE FOLLOWING.  
 (B1) -SUPER MULTIPLE JUNCTION (SMJ)

\*: THIS CONNECTOR IS NOT SHOWN IN "HARNESS LAYOUT", PG SECTION.

TKWT8309E

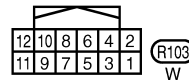
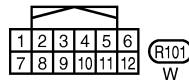
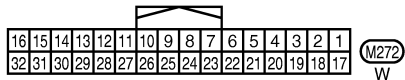
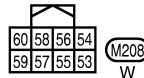
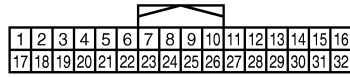
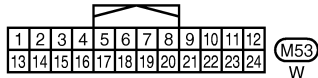
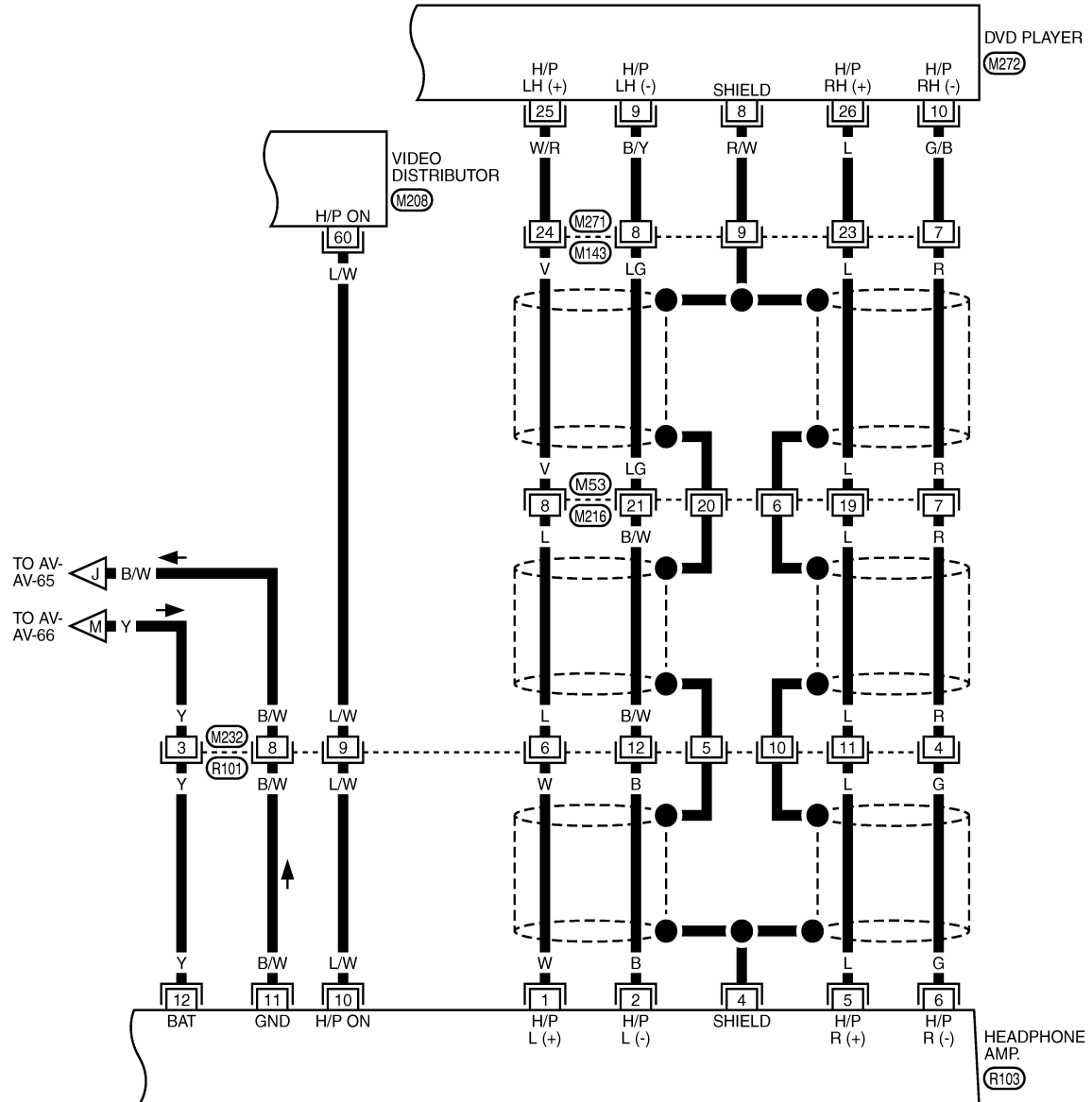


# FRONT DISPLAY UNIT

[WITH MOBILE ENTERTAINMENT SYSTEM]

< ECU DIAGNOSIS >

AV-AV-83



TKWT6766E

A  
B  
C  
D  
E  
F  
G  
H  
I  
J  
L  
M  
N  
O  
P

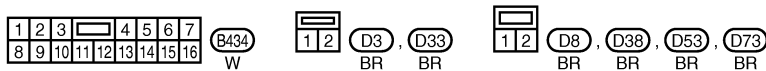
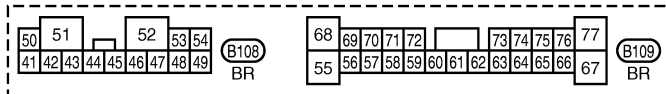
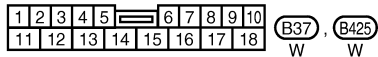
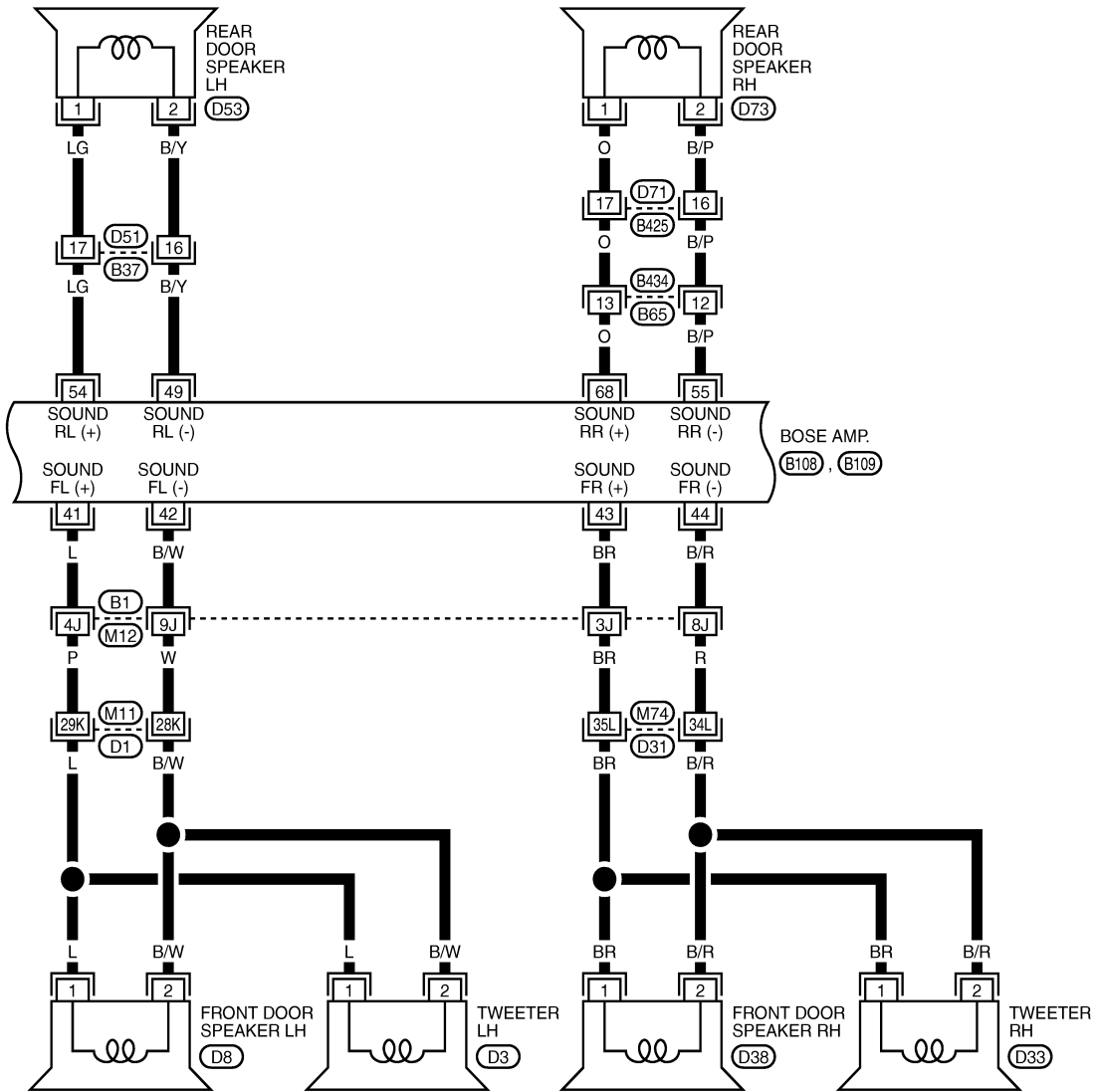
AV

# FRONT DISPLAY UNIT

[WITH MOBILE ENTERTAINMENT SYSTEM]

< ECU DIAGNOSIS >

AV-AV-84



REFER TO THE FOLLOWING.  
(B1, D1, D31) - SUPER  
MULTIPLE JUNCTION (SMJ)

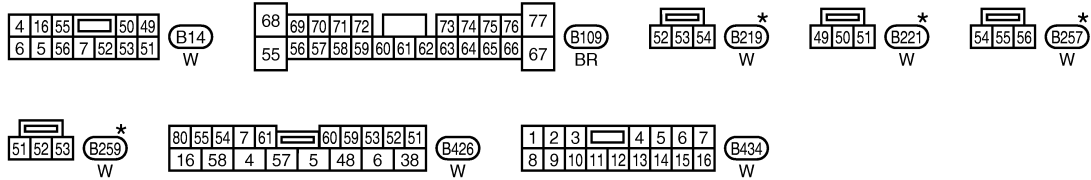
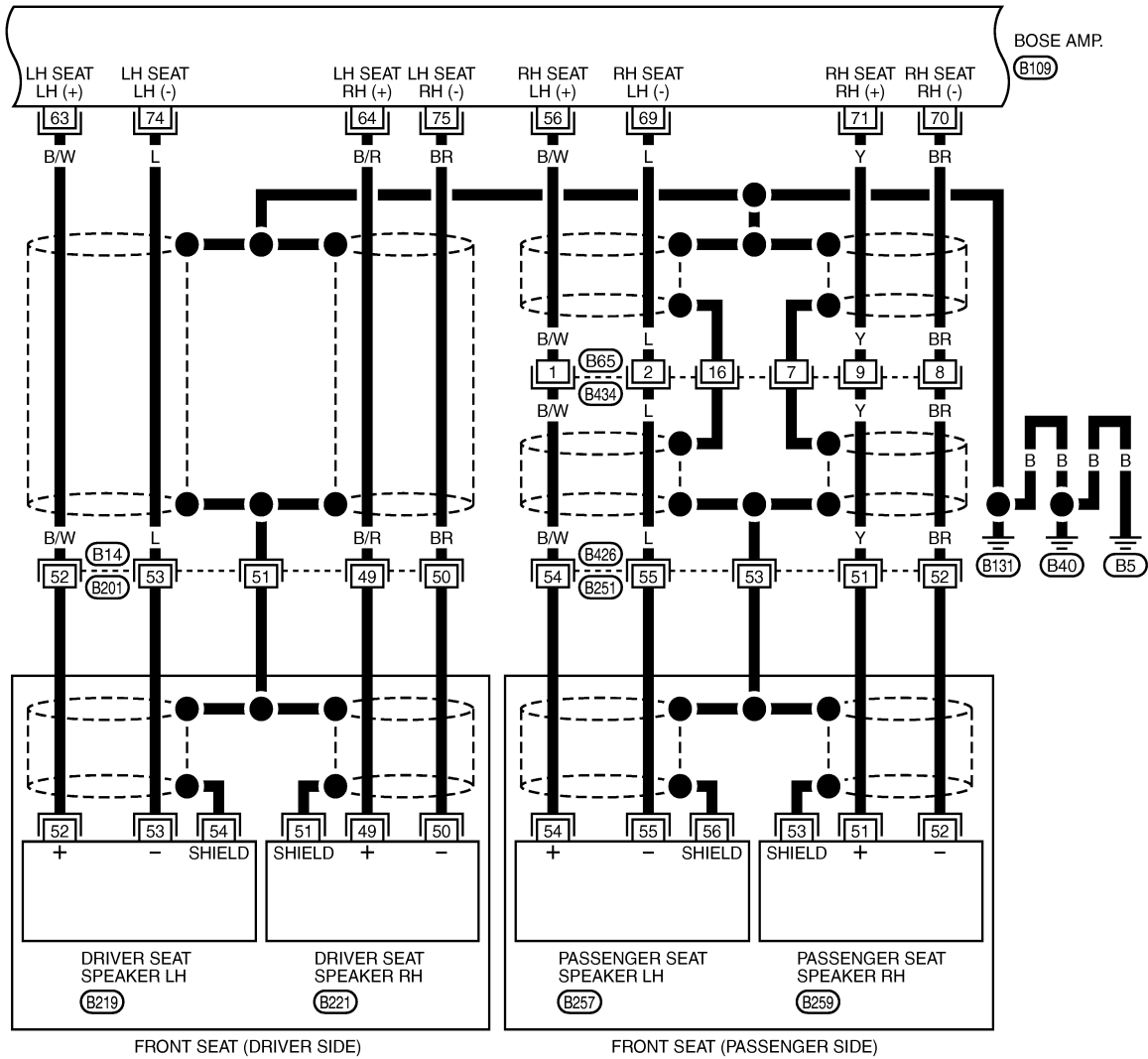
TKWT6767E

# FRONT DISPLAY UNIT

[WITH MOBILE ENTERTAINMENT SYSTEM]

< ECU DIAGNOSIS >

AV-AV-85



\*: THIS CONNECTOR IS NOT SHOWN IN "HARNESS LAYOUT", PG SECTION.

TKWT6768E

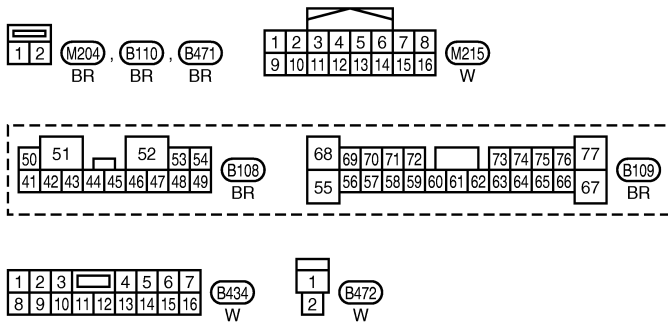
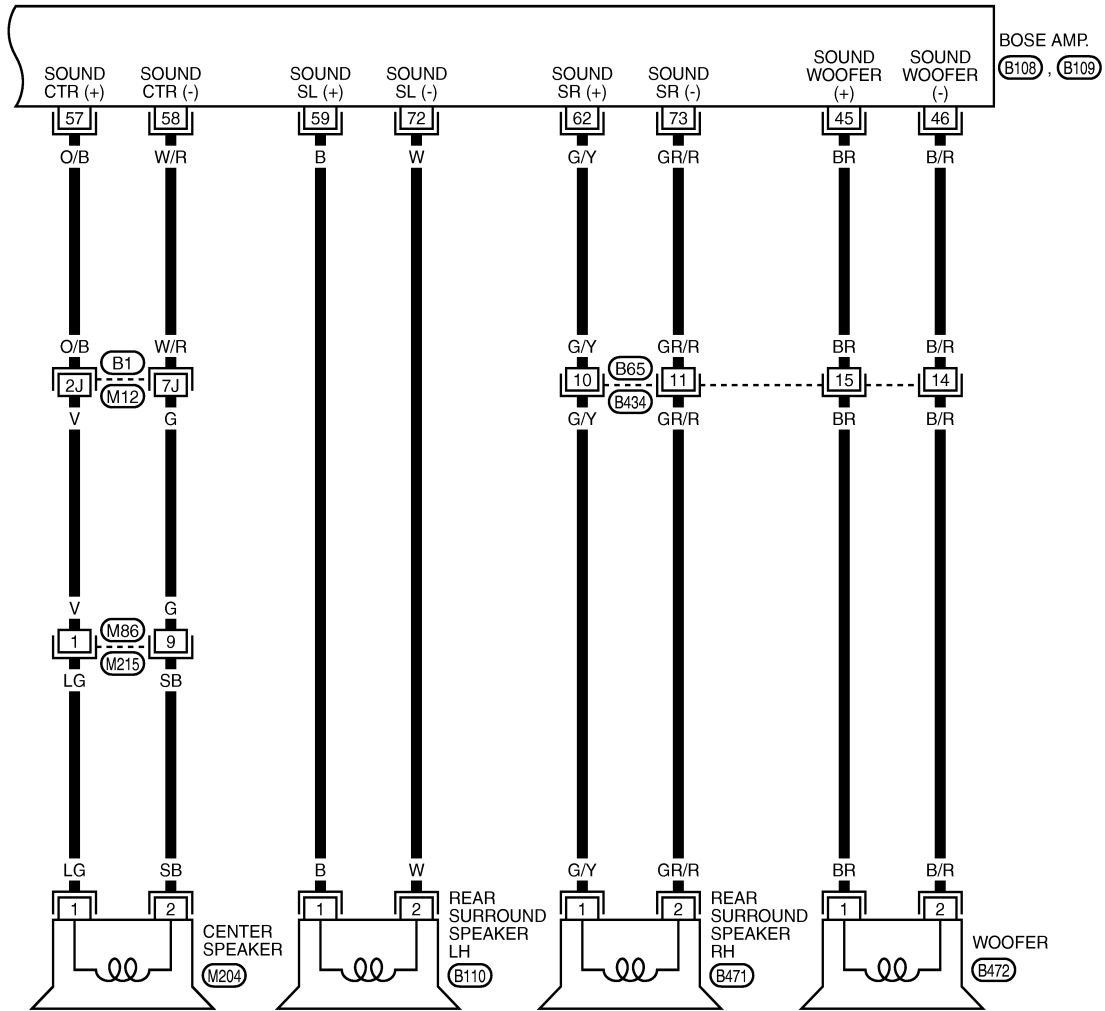
A  
B  
C  
D  
E  
F  
G  
H  
I  
J  
AV  
L  
M  
N  
O  
P

# FRONT DISPLAY UNIT

[WITH MOBILE ENTERTAINMENT SYSTEM]

< ECU DIAGNOSIS >

AV-AV-86



REFER TO THE FOLLOWING.

(B1) - SUPER MULTIPLE JUNCTION (SMJ)

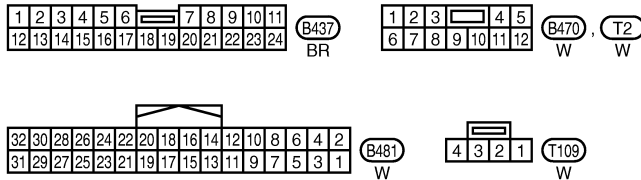
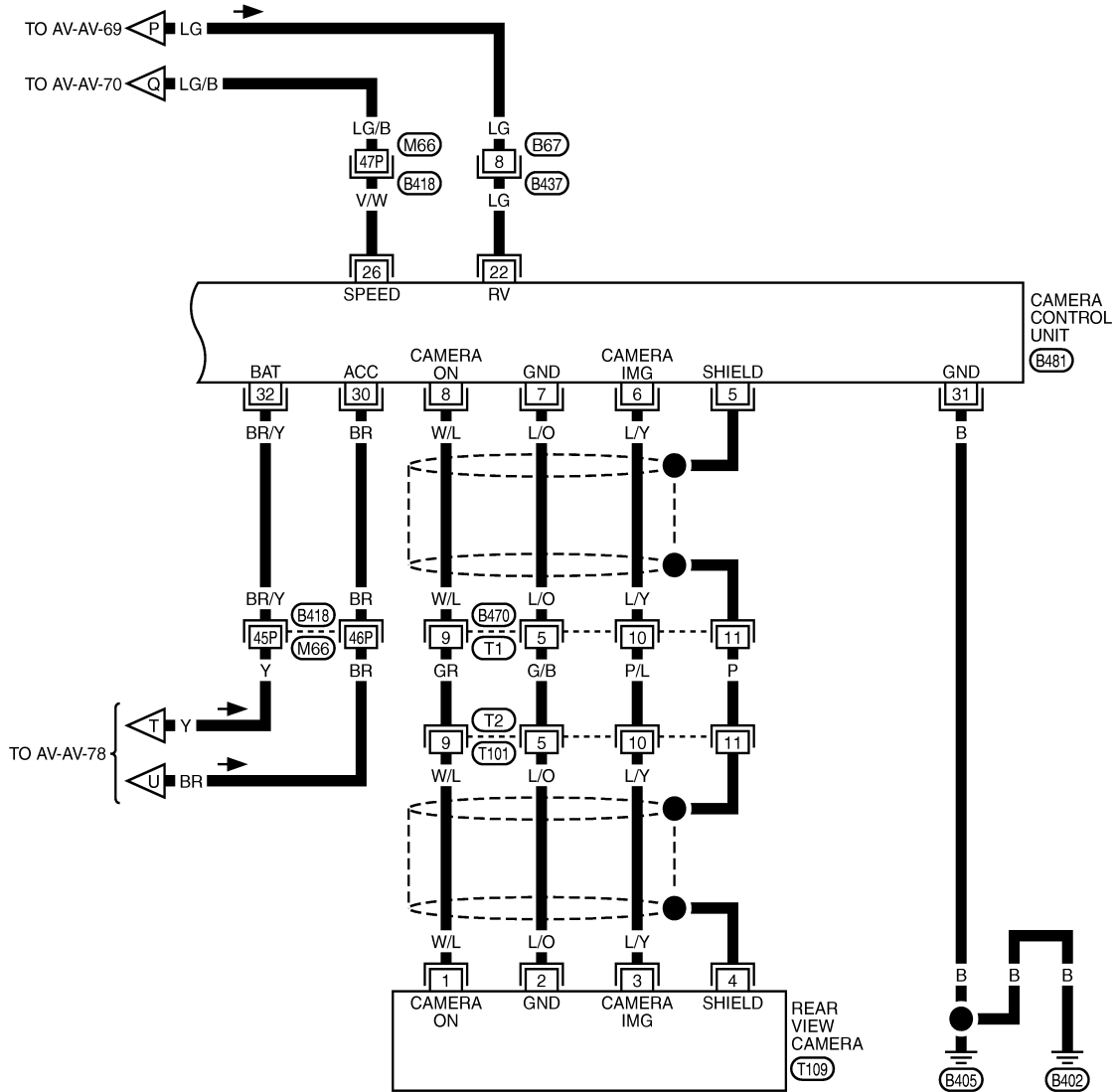
TKWT6769E

# FRONT DISPLAY UNIT

[WITH MOBILE ENTERTAINMENT SYSTEM]

< ECU DIAGNOSIS >

AV-AV-87



REFER TO THE FOLLOWING.

(B418) - SUPER MULTIPLE JUNCTION (SMJ)

TKWT6770E

A  
B  
C  
D  
E  
F  
G  
H  
I  
J  
K  
L  
M  
N  
O  
P

AV

# REAR DISPLAY UNIT

[WITH MOBILE ENTERTAINMENT SYSTEM]

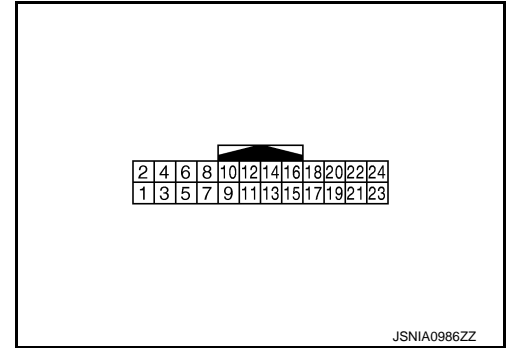
< ECU DIAGNOSIS >

## REAR DISPLAY UNIT

Reference Value

INFOID:000000005350606

TERMINAL LAYOUT



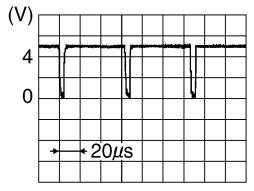
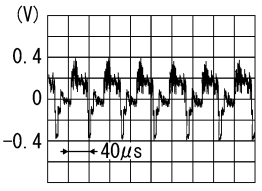
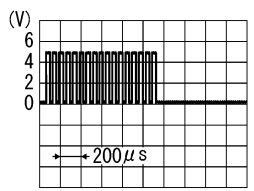
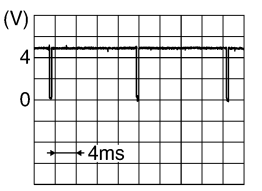
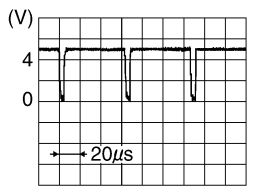
PHYSICAL VALUES

Terminal (Wire color)		Description		Condition		Reference value (Approx.)
+	-	Signal name	Input/ Output			
1 (B/Y)	Ground	Ground	—	Ignition switch ON	—	0 V
2 (B/Y)	Ground	Ground	—	Ignition switch ON	—	0 V
3 (L/O)	Ground	Battery power supply	Input	Ignition switch ON	—	Battery voltage
4 (L/Y)	Ground	Battery power supply	Input	Ignition switch ON	—	Battery voltage
6 (W/L)	Ground	ACC power supply	Input	Ignition switch ACC	—	Battery voltage
8	—	Shield	—	—	—	—
9 (L)	Ground	Communication signal (DISP→DIST)	Output	Ignition switch ON	Rear seat remote controller operation when AUX or DVD image is displayed on rear displayed.	<p style="text-align: right;">PKIB5039J</p>
10 (B/W)	Ground	Communication signal (DIST→DISP)	Input	Ignition switch ON	Rear seat remote controller operation when AUX or DVD image is displayed on rear displayed.	<p style="text-align: right;">PKIB5039J</p>

# REAR DISPLAY UNIT

[WITH MOBILE ENTERTAINMENT SYSTEM]

< ECU DIAGNOSIS >

Terminal (Wire color)		Description		Condition		Reference value (Approx.)
+	-	Signal name	Input/ Output			
12 (LW)	Ground	Ignition signal	Input	Ignition switch ON	—	0 V
				Ignition switch ACC	—	5 V
14	—	Shield	—	—	—	—
15 (LG)	Ground	Composite image synchronizing signal	Input	Ignition switch ON	When AUX or DVD image is displayed on rear display unit.	 <p style="text-align: right; font-size: small;">SKIB0825E</p>
16 (V)	Ground	Composite image signal	Input	Ignition switch ON	When AUX or DVD image is displayed on rear display unit.	 <p style="text-align: right; font-size: small;">SKIB2251J</p>
17 (W/L)	Ground	RGB area (YS) signal	Input	Ignition switch ON	When AUX or DVD image is displayed.	0 V
				Ignition switch ON	Rear seat remote controller operation when AUX or DVD image is displayed on rear display.	 <p style="text-align: right; font-size: small;">PKIB4948J</p>
18	—	Shield	—	—	—	—
19 (L/O)	Ground	Vertical synchronizing (VP) signal	Output	Ignition switch ON	—	 <p style="text-align: right; font-size: small;">SKIB3598E</p>
20 (L/Y)	Ground	Horizontal synchronizing (HP) signal	Output	Ignition switch ON	—	 <p style="text-align: right; font-size: small;">SKIB0825E</p>
21 (B)	Ground	RGB ground	—	Ignition switch ON	—	0 V

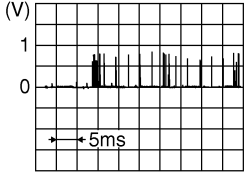
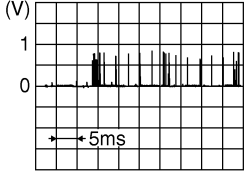
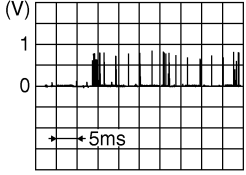
A  
B  
C  
D  
E  
F  
G  
H  
I  
J  
L  
M  
N  
O  
P

AV

# REAR DISPLAY UNIT

[WITH MOBILE ENTERTAINMENT SYSTEM]

< ECU DIAGNOSIS >

Terminal (Wire color)		Description		Condition		Reference value (Approx.)
+	-	Signal name	Input/ Output			
22 (G)	Ground	RGB signal (B: blue) for rear display unit	Input	Ignition switch ON	Rear seat remote controller operation when AUX or DVD image is displayed on rear display unit.	 <p style="text-align: right; font-size: small;">JSNIA0984ZZ</p>
23 (R)	Ground	RGB signal (G: green)	Input	Ignition switch ON	Rear seat remote controller operation when AUX or DVD image is displayed on rear display unit.	 <p style="text-align: right; font-size: small;">JSNIA0984ZZ</p>
24 (W)	Ground	RGB signal (R: red)	Input	Ignition switch ON	Rear seat remote controller operation when AUX or DVD image is displayed on rear display unit.	 <p style="text-align: right; font-size: small;">JSNIA0984ZZ</p>



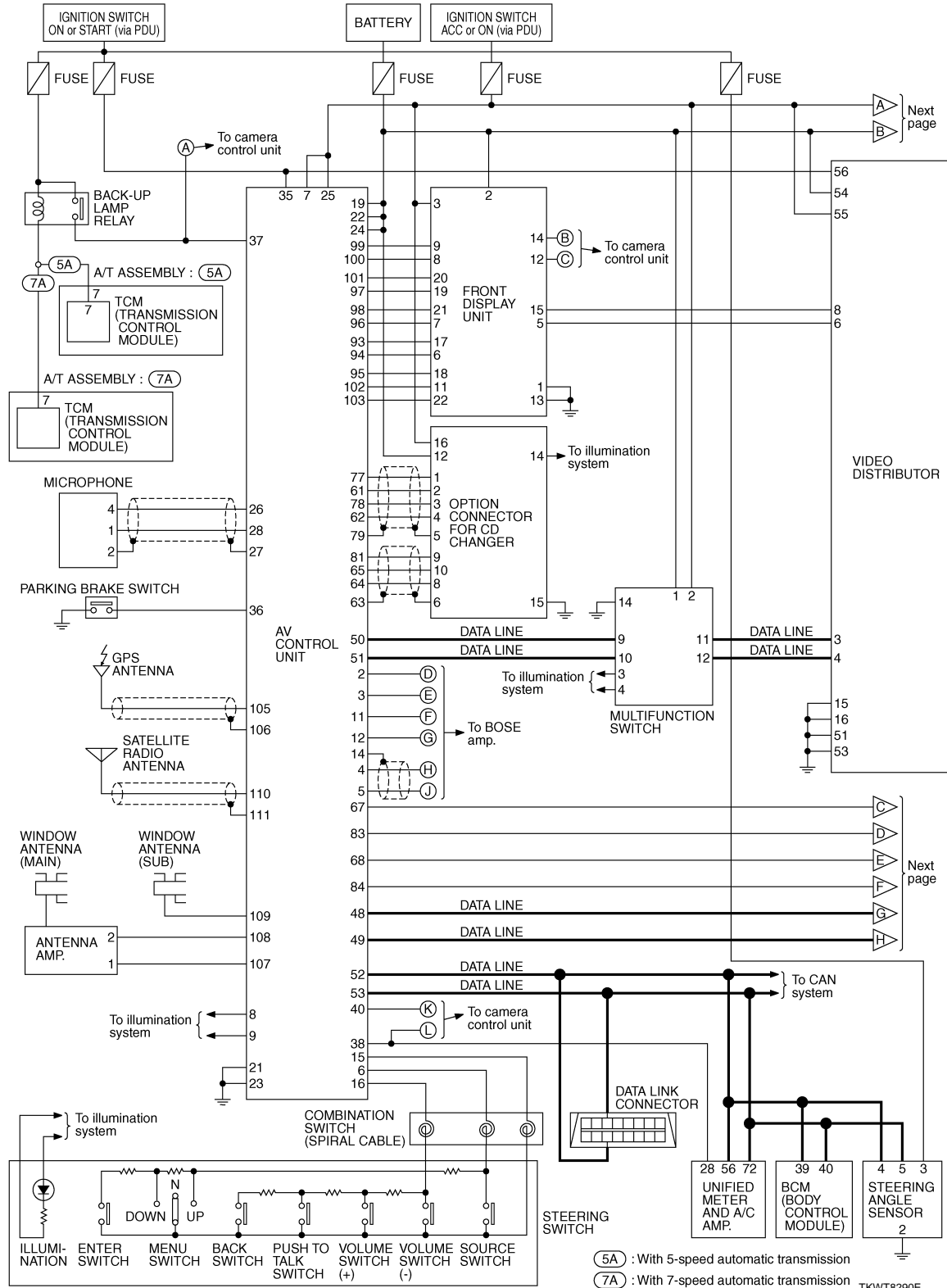
# REAR DISPLAY UNIT

[WITH MOBILE ENTERTAINMENT SYSTEM]

< ECU DIAGNOSIS >

## Schematic - BOSE Audio 2ch System-

INFOID:000000005350607



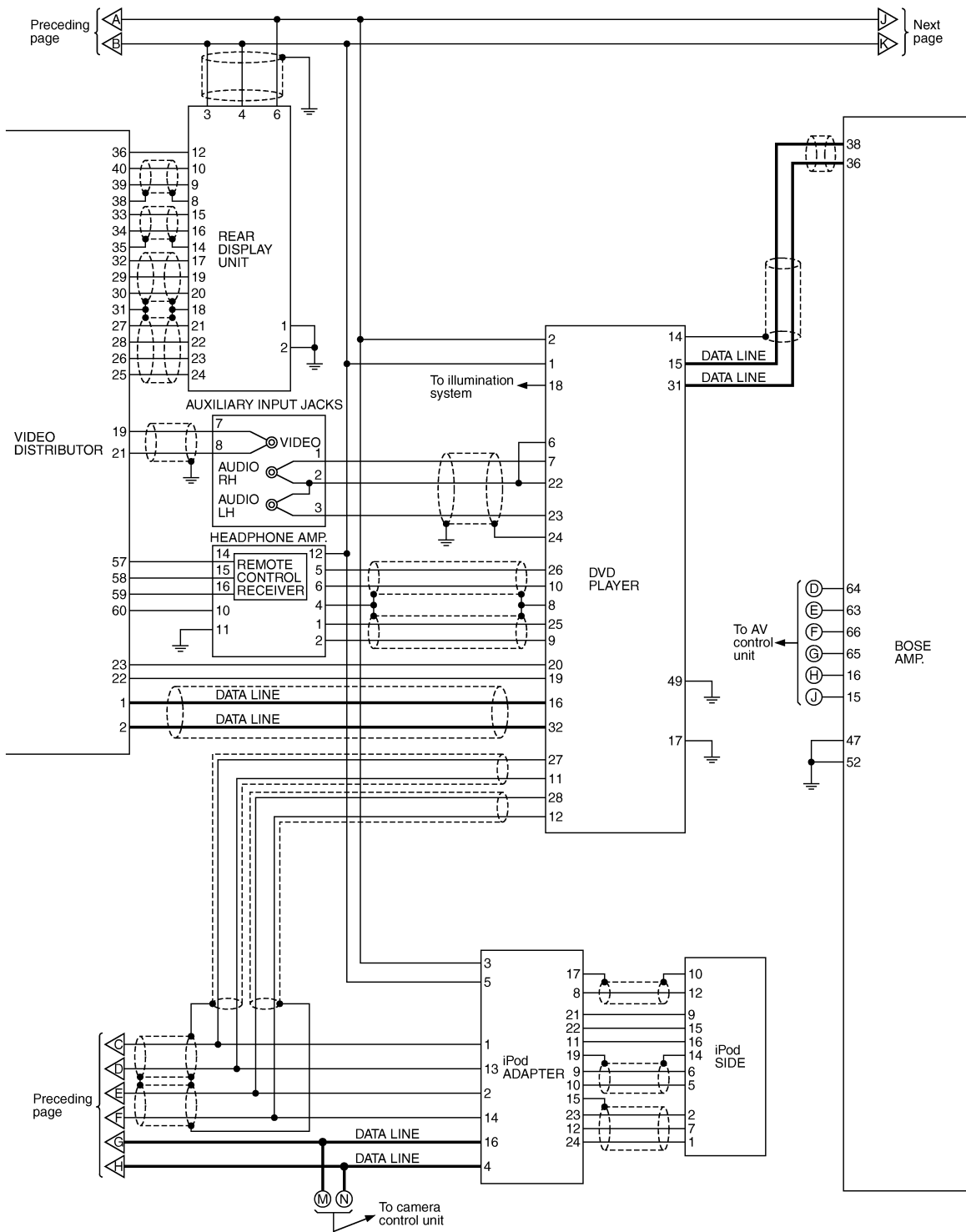
A  
B  
C  
D  
E  
F  
G  
H  
I  
J  
K  
L  
M  
N  
O  
P

AV

# REAR DISPLAY UNIT

[WITH MOBILE ENTERTAINMENT SYSTEM]

< ECU DIAGNOSIS >

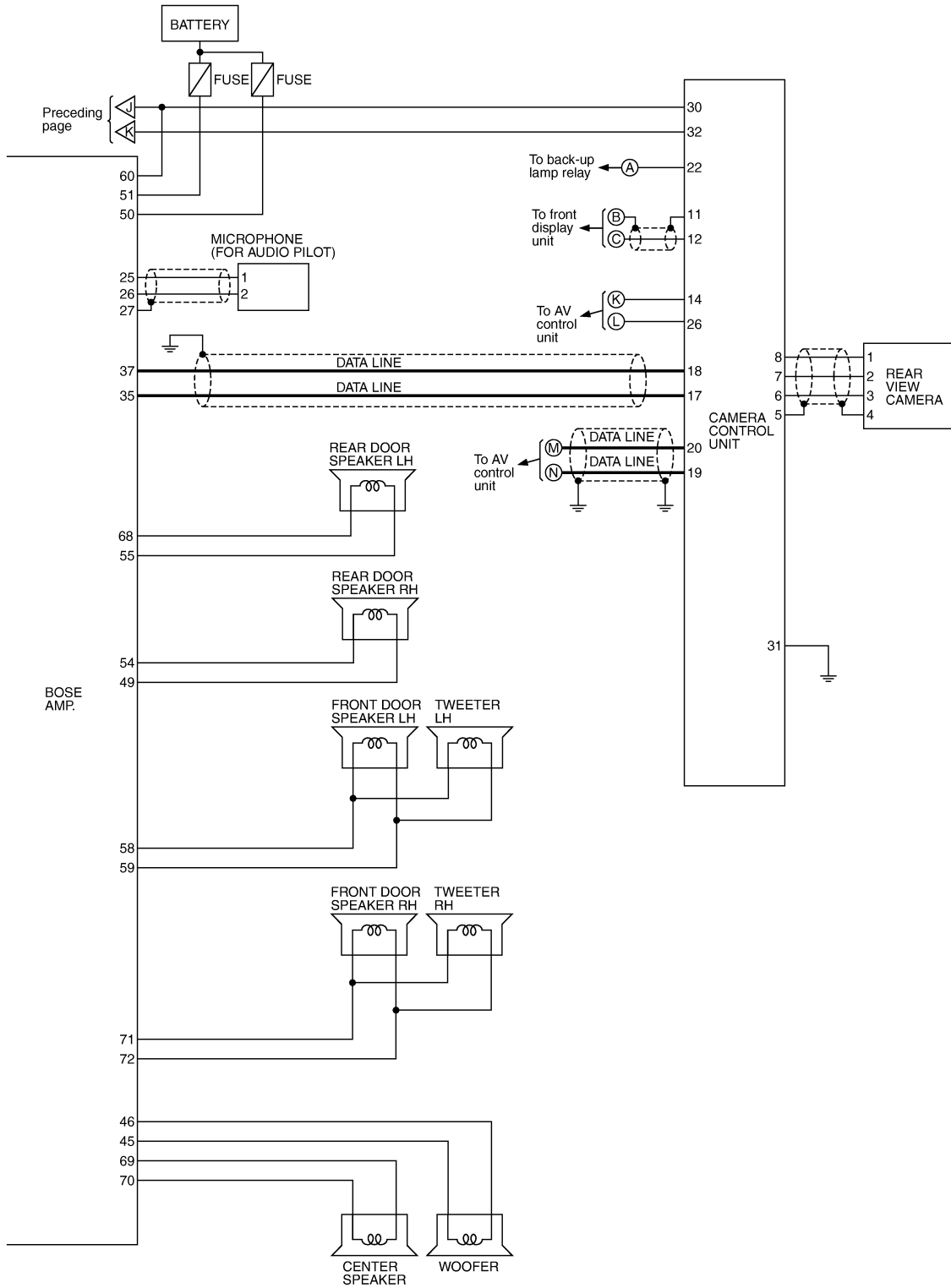


TKWT6722E

# REAR DISPLAY UNIT

[WITH MOBILE ENTERTAINMENT SYSTEM]

< ECU DIAGNOSIS >



A  
B  
C  
D  
E  
F  
G  
H  
I  
J  
K  
L  
M  
N  
O  
P

AV

Wiring Diagram - AV - / BOSE Audio 2ch System

**NOTE:**

TKWT6723E

INFOID:000000005350608

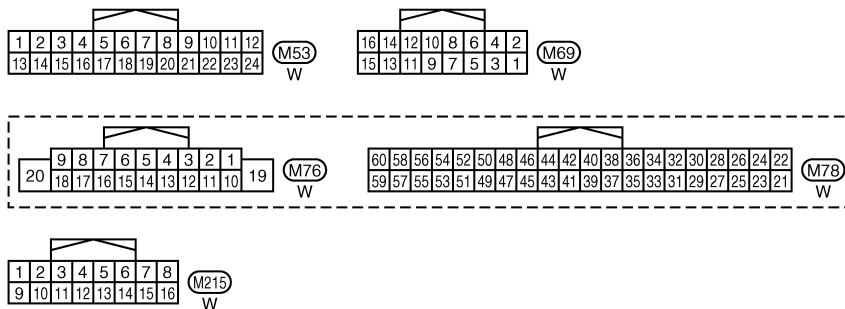
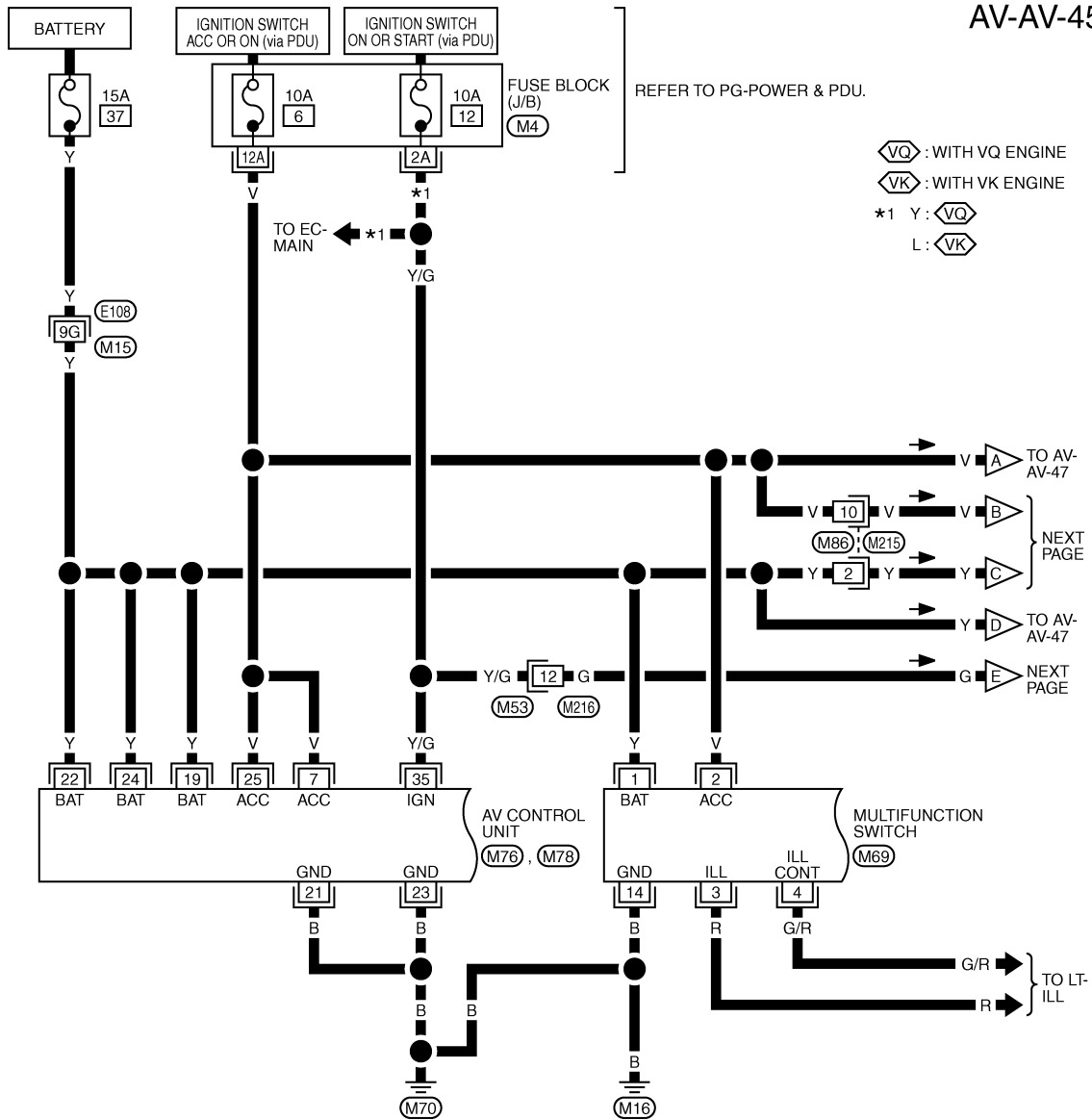
# REAR DISPLAY UNIT

[WITH MOBILE ENTERTAINMENT SYSTEM]

< ECU DIAGNOSIS >

The name MULTIFUNCTION SWITCH indicates the integration of PRESET SWITCH and MULTIFUNCTION SWITCH virtually.

AV-AV-45



REFER TO THE FOLLOWING.  
 (E108) -SUPER MULTIPLE JUNCTION (SMJ)  
 (M4) -FUSE BLOCK-JUNCTION BOX (J/B)

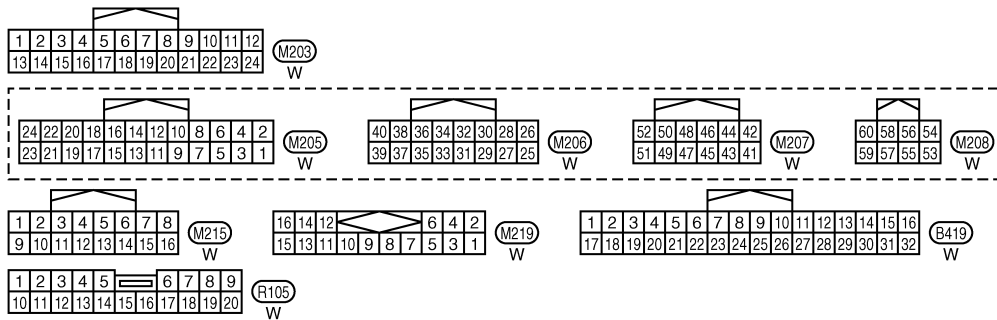
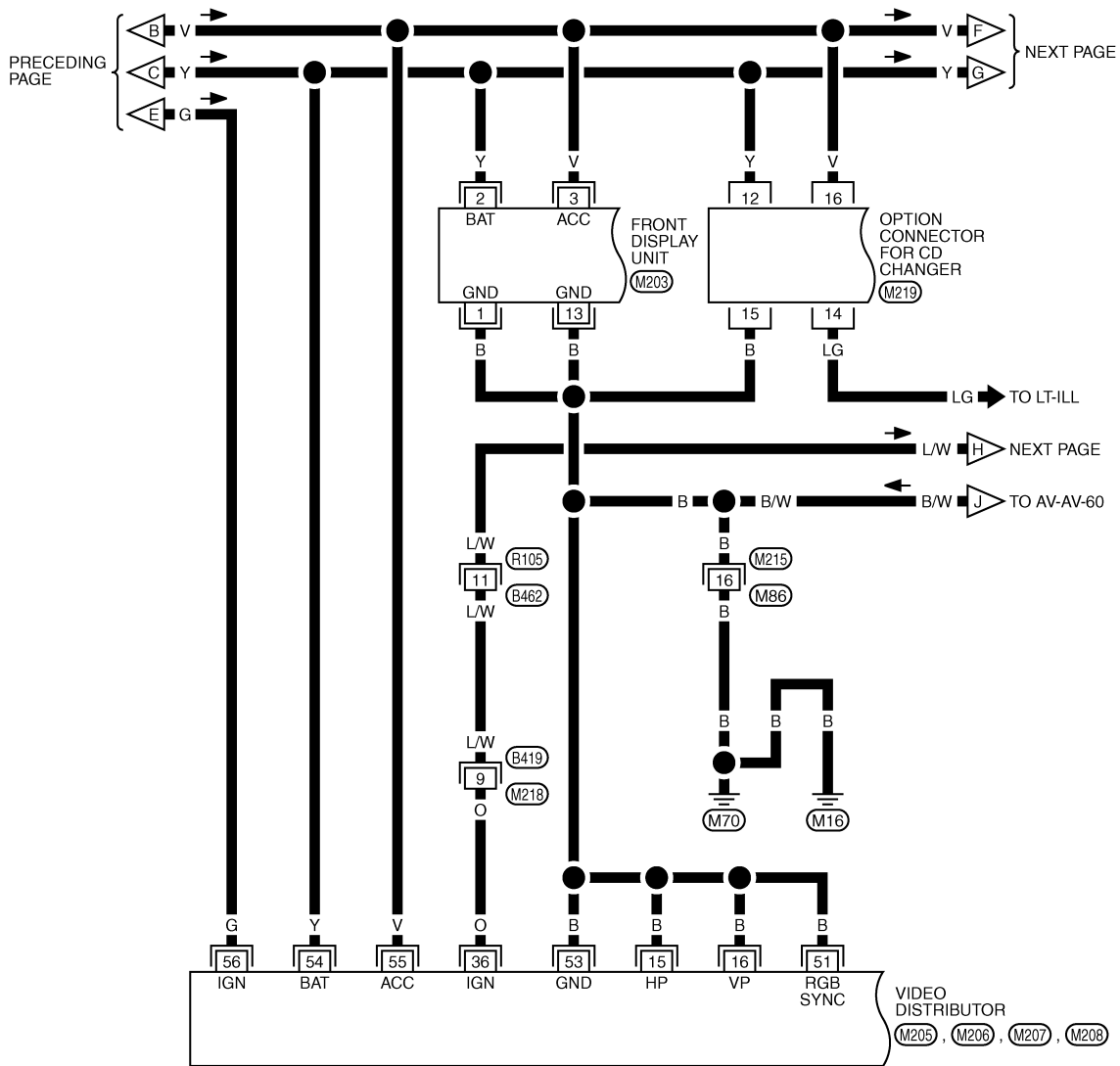
TKWT8291E

# REAR DISPLAY UNIT

[WITH MOBILE ENTERTAINMENT SYSTEM]

< ECU DIAGNOSIS >

AV-AV-46



TKWT8292E

A  
B  
C  
D  
E  
F  
G  
H  
I  
J  
L  
M  
N  
O  
P

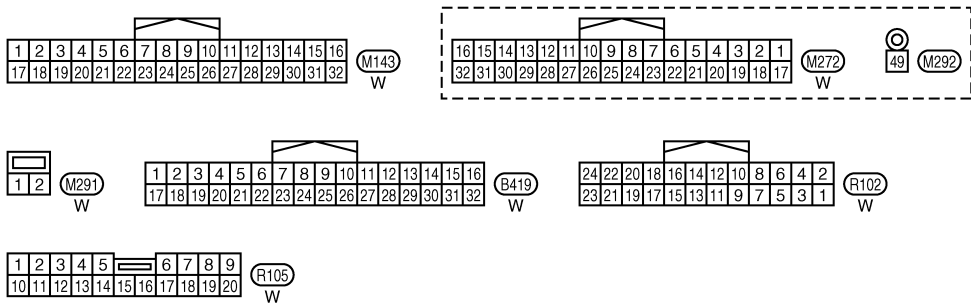
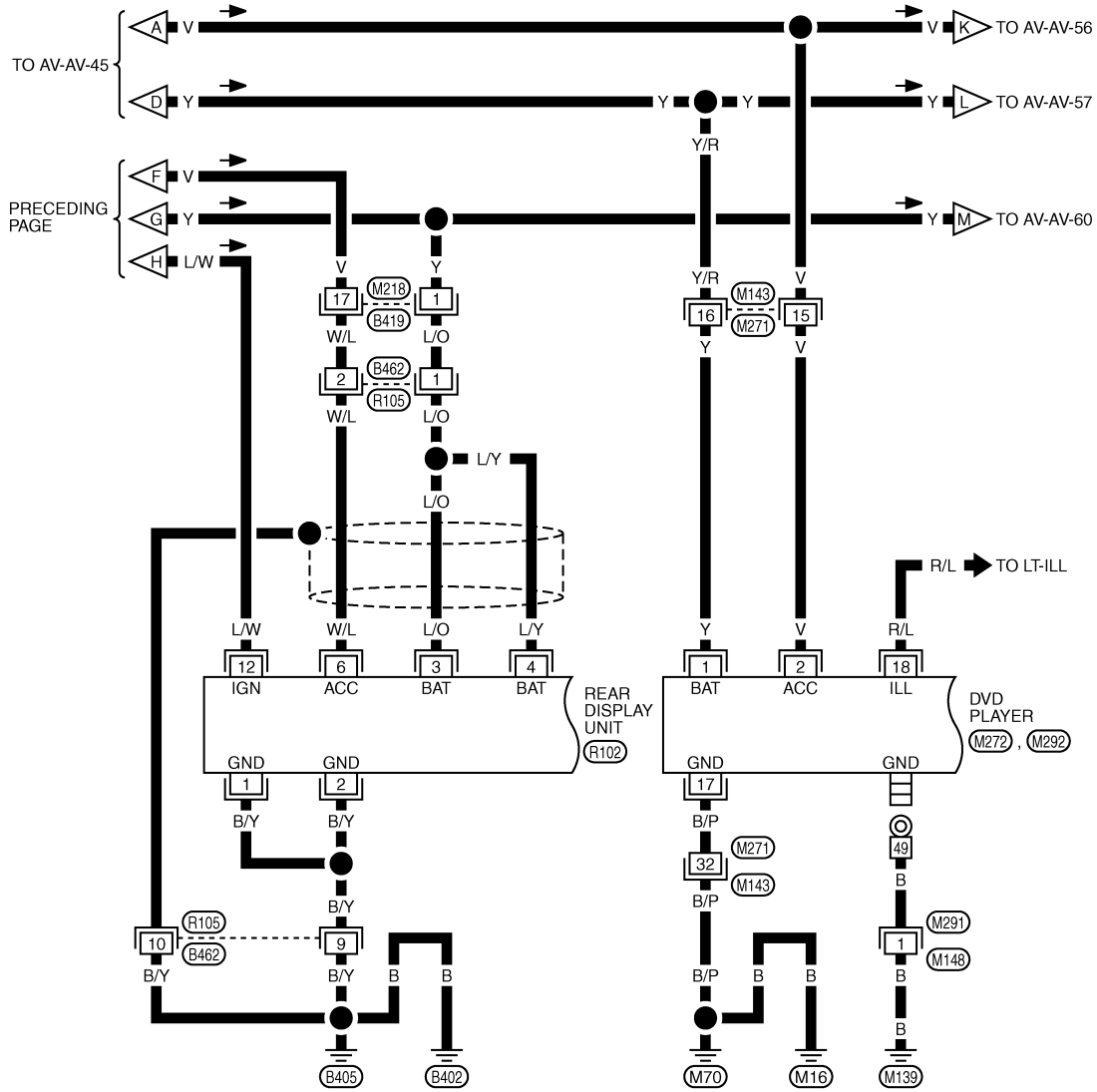
AV

# REAR DISPLAY UNIT

[WITH MOBILE ENTERTAINMENT SYSTEM]

< ECU DIAGNOSIS >

AV-AV-47



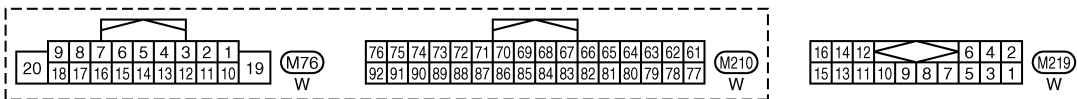
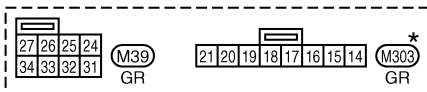
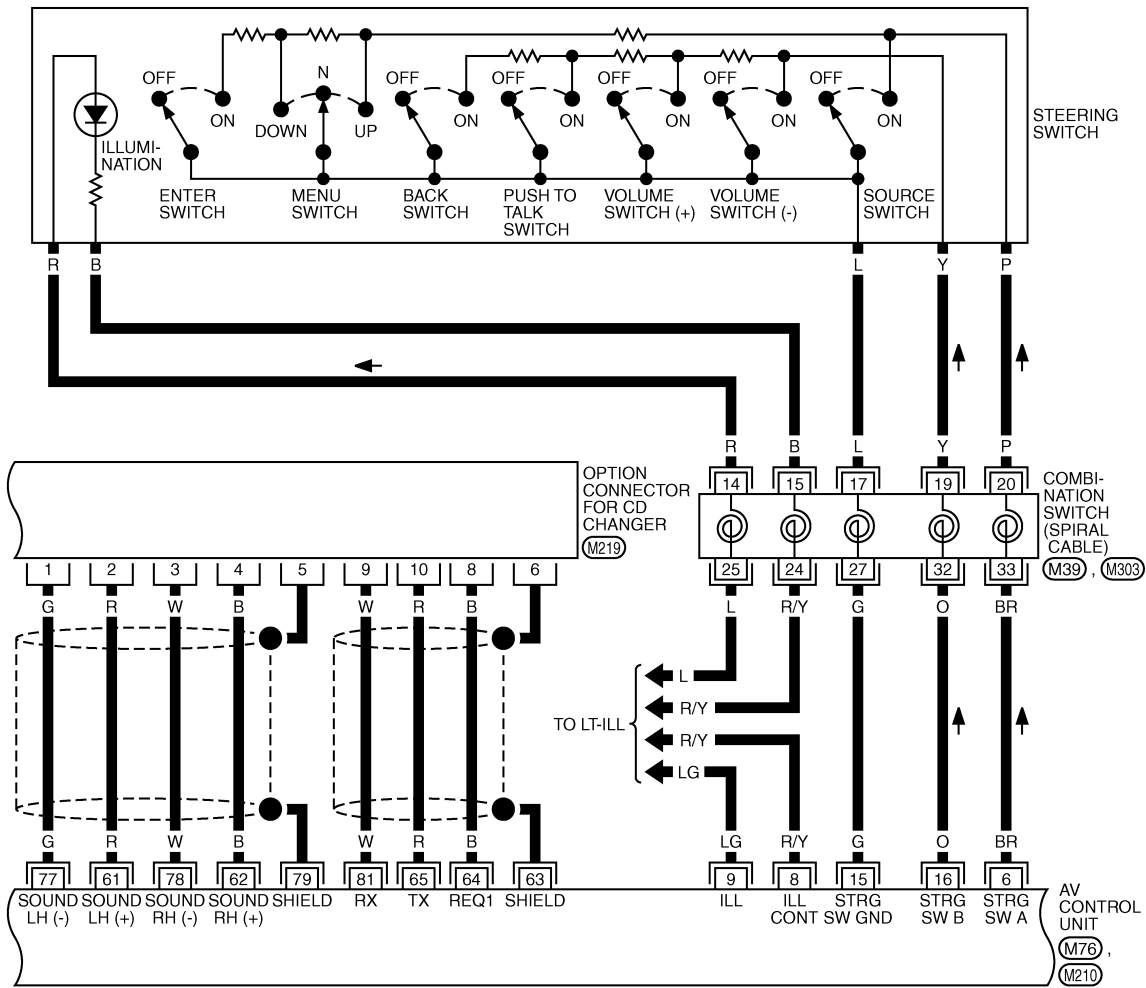
TKWT8293E

# REAR DISPLAY UNIT

[WITH MOBILE ENTERTAINMENT SYSTEM]

< ECU DIAGNOSIS >

AV-AV-48



\*: THIS CONNECTOR IS NOT SHOWN IN "HARNESS LAYOUT", PG SECTION.

TKWT8294E

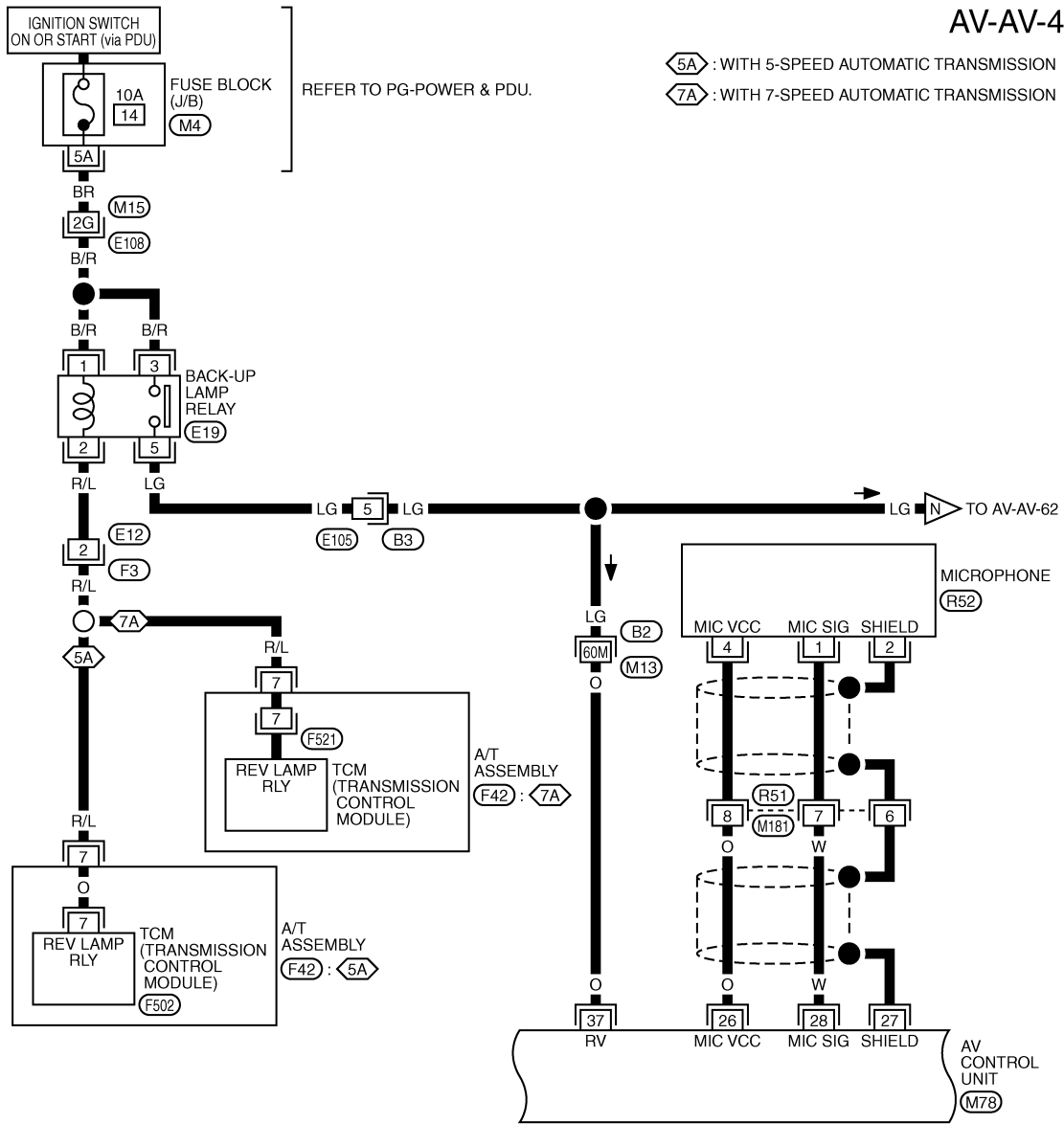
A  
B  
C  
D  
E  
F  
G  
H  
I  
J  
AV  
L  
M  
N  
O  
P

# REAR DISPLAY UNIT

[WITH MOBILE ENTERTAINMENT SYSTEM]

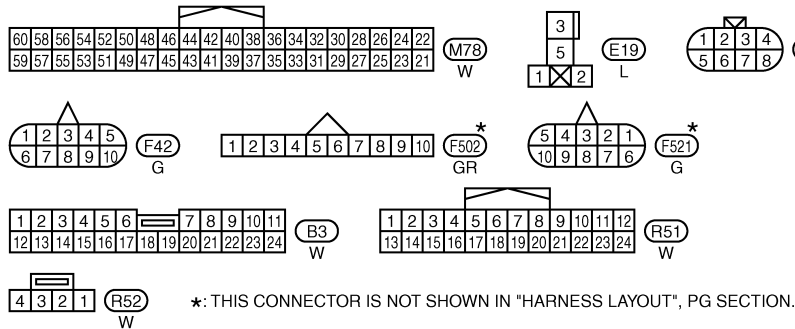
< ECU DIAGNOSIS >

AV-AV-49



◁ 5A ▷ : WITH 5-SPEED AUTOMATIC TRANSMISSION  
 ▷ 7A ▷ : WITH 7-SPEED AUTOMATIC TRANSMISSION

REFER TO PG-POWER & PDU.



REFER TO THE FOLLOWING.  
 (E108), (B2) -SUPER MULTIPLE JUNCTION (SMJ)  
 (M4) -FUSE BLOCK-JUNCTION BOX (J/B)

TKWT8295E



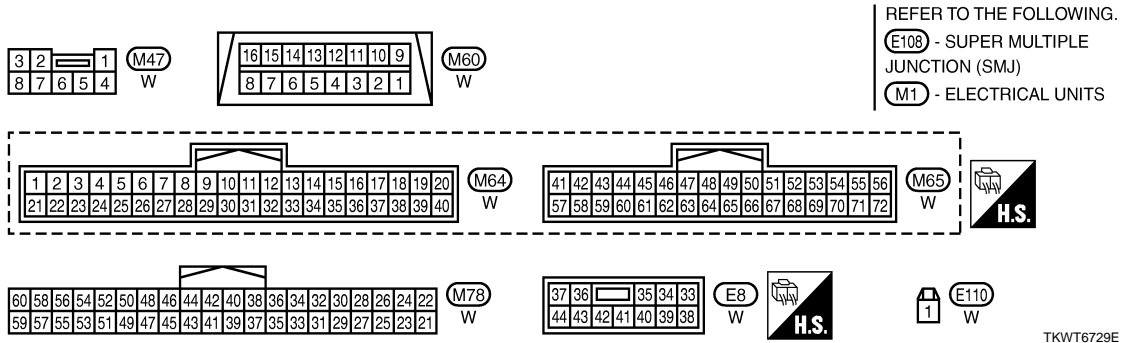
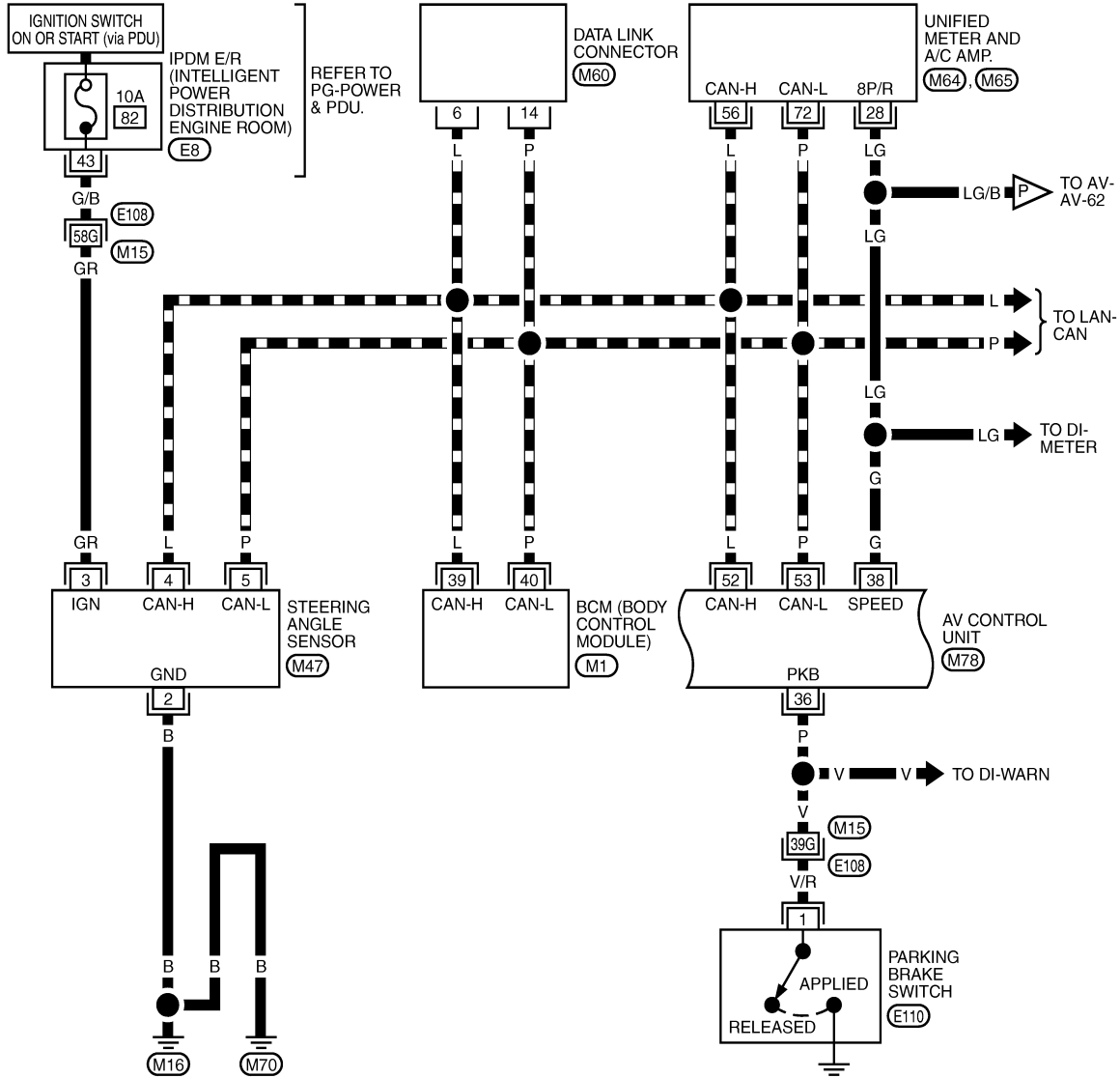
# REAR DISPLAY UNIT

[WITH MOBILE ENTERTAINMENT SYSTEM]

< ECU DIAGNOSIS >

AV-AV-50

▬ : DATA LINE



TKWT6729E

A  
B  
C  
D  
E  
F  
G  
H  
I  
J  
L  
M  
N  
O  
P

AV

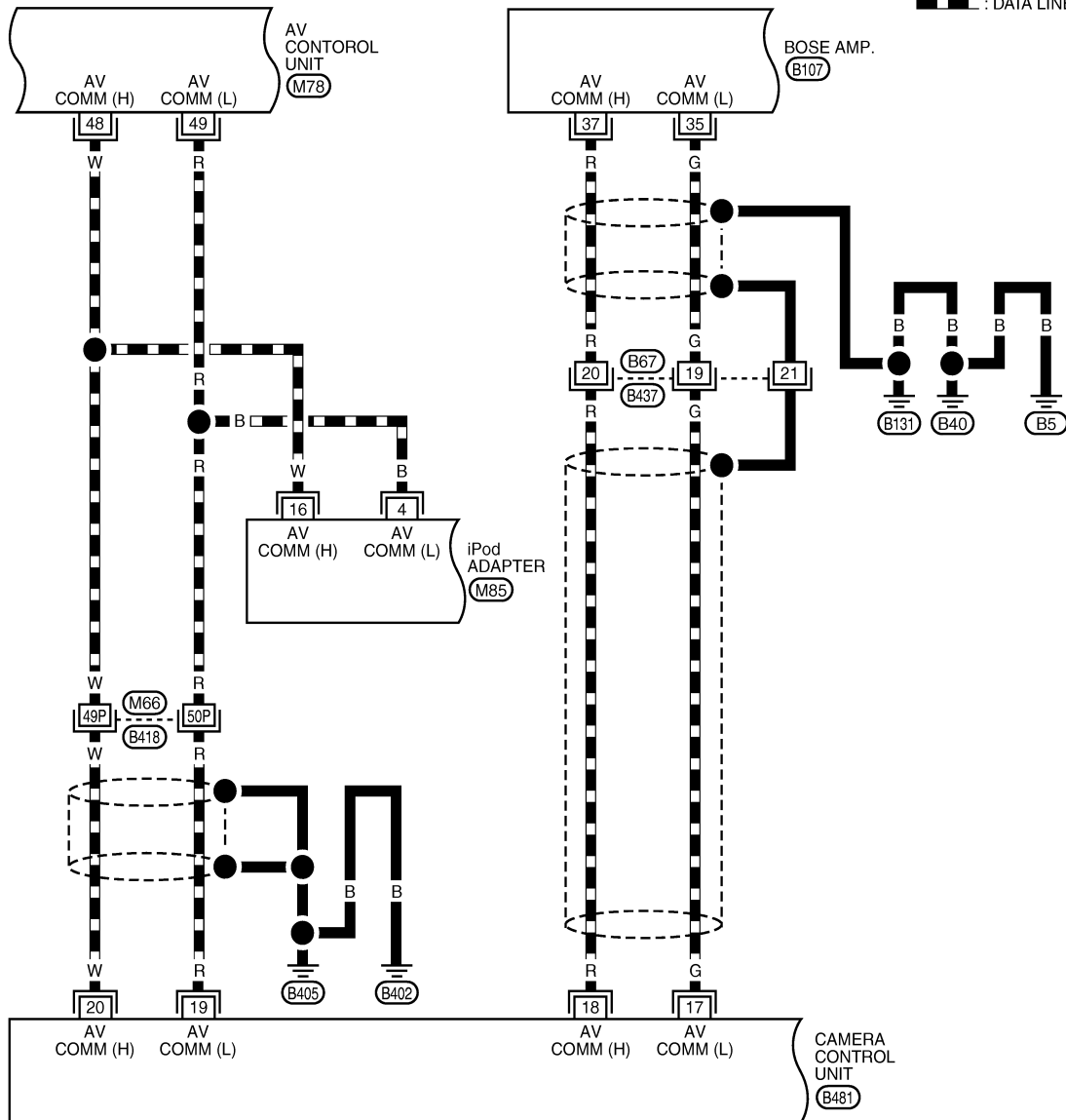
# REAR DISPLAY UNIT

[WITH MOBILE ENTERTAINMENT SYSTEM]

< ECU DIAGNOSIS >

AV-AV-51

— : DATA LINE



60	58	56	54	52	50	48	46	44	42	40	38	36	34	32	30	28	26	24	22
59	57	55	53	51	49	47	45	43	41	39	37	35	33	31	29	27	25	23	21

(M78) W

12	11	10	9	8	7	6	5	4	3	2	1
24	23	22	21	20	19	18	17	16	15	14	13

(M85) W

1	2	3	4	5	6	7	8	9	10	11	12	13	14	15	16	17	18	19	20
21	22	23	24	25	26	27	28	29	30	31	32	33	34	35	36	37	38	39	40

(B107) W

1	2	3	4	5	6	7	8	9	10	11		
12	13	14	15	16	17	18	19	20	21	22	23	24

(B437) BR

32	30	28	26	24	22	20	18	16	14	12	10	8	6	4	2
31	29	27	25	23	21	19	17	15	13	11	9	7	5	3	1

(B481) W

REFER TO THE FOLLOWING.

(B418) - SUPER MULTIPLE JUNCTION (SMJ)

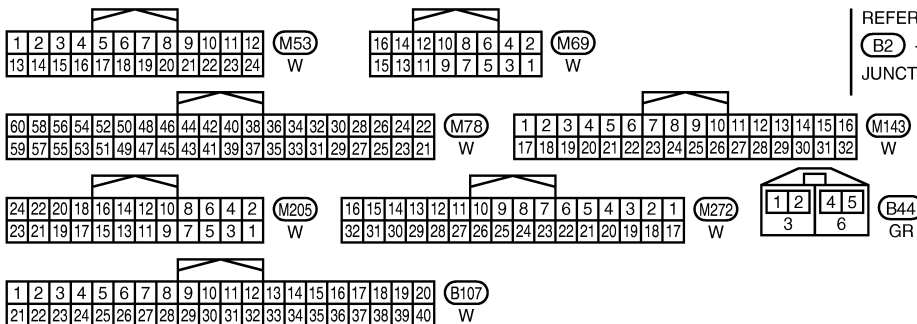
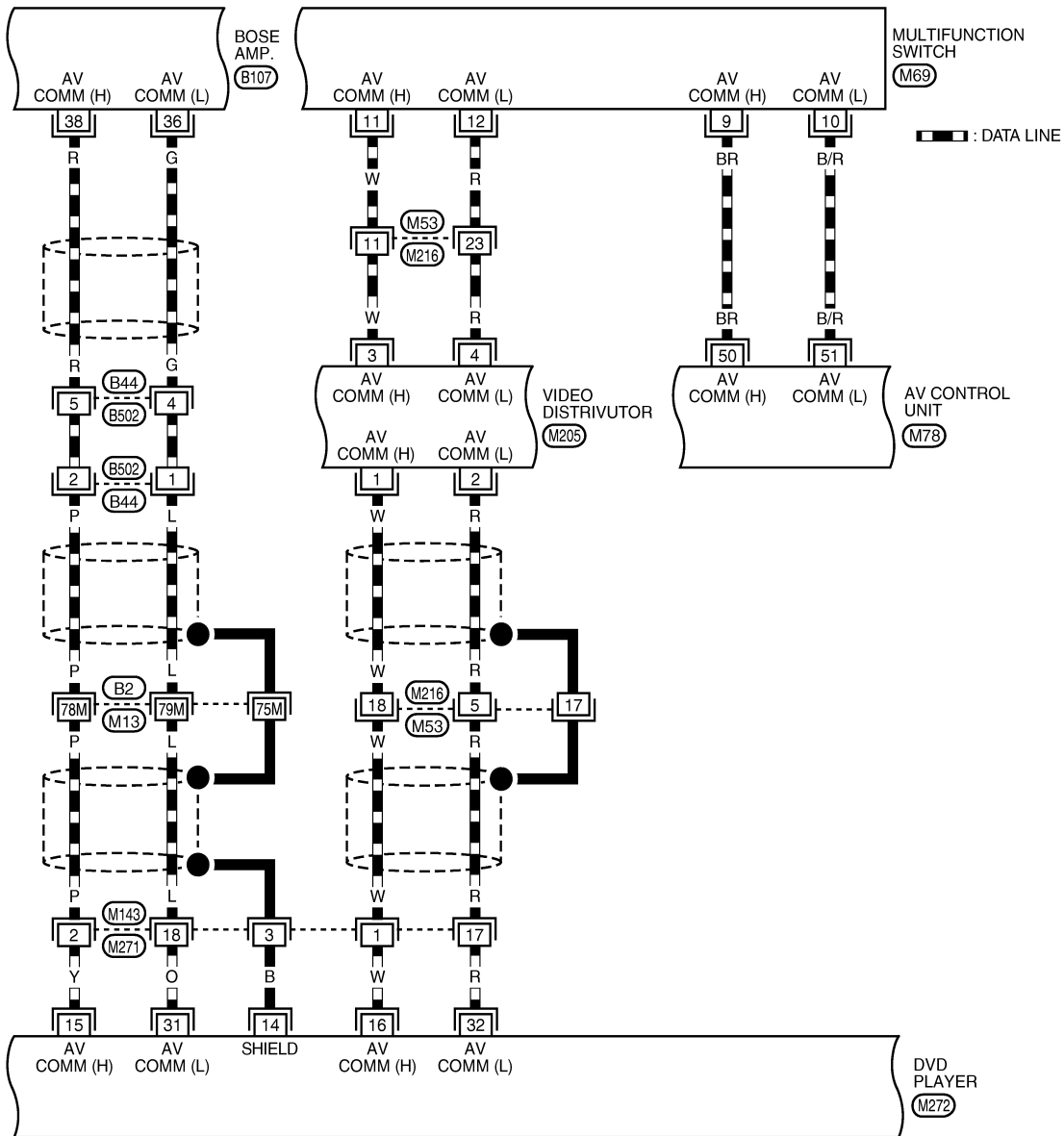
TKWT6730E

# REAR DISPLAY UNIT

## [WITH MOBILE ENTERTAINMENT SYSTEM]

< ECU DIAGNOSIS >

### AV-AV-52



REFER TO THE FOLLOWING.

B2 - SUPER MULTIPLE JUNCTION (SMJ)

TKWT6731E

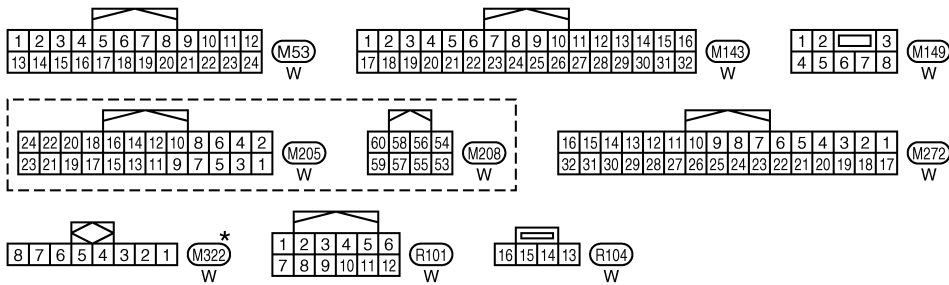
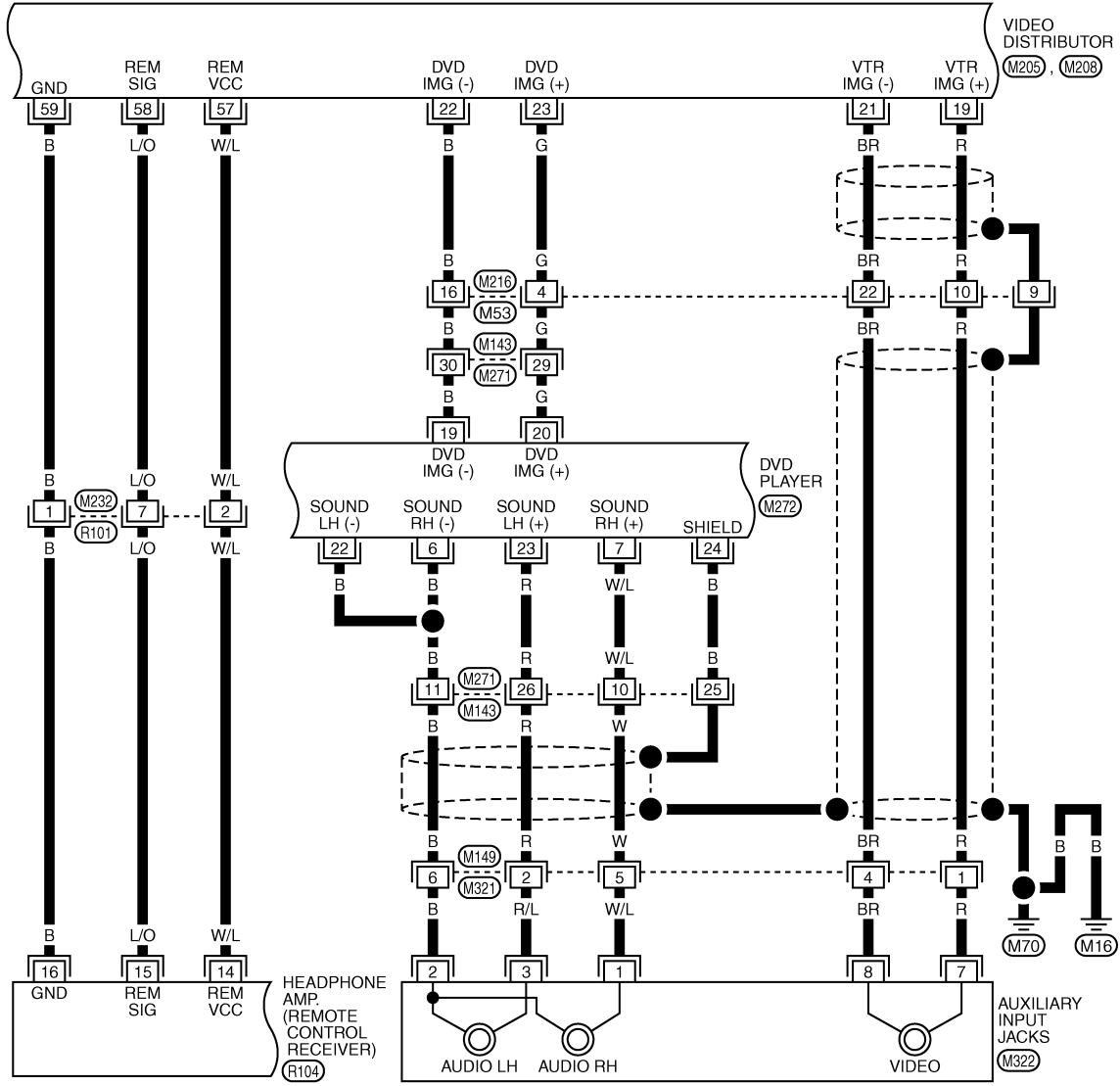
A  
B  
C  
D  
E  
F  
G  
H  
I  
J  
**AV**  
L  
M  
N  
O  
P

# REAR DISPLAY UNIT

[WITH MOBILE ENTERTAINMENT SYSTEM]

< ECU DIAGNOSIS >

AV-AV-53



\*: THIS CONNECTOR IS NOT SHOWN IN "HARNESS LAYOUT", PG SECTION.

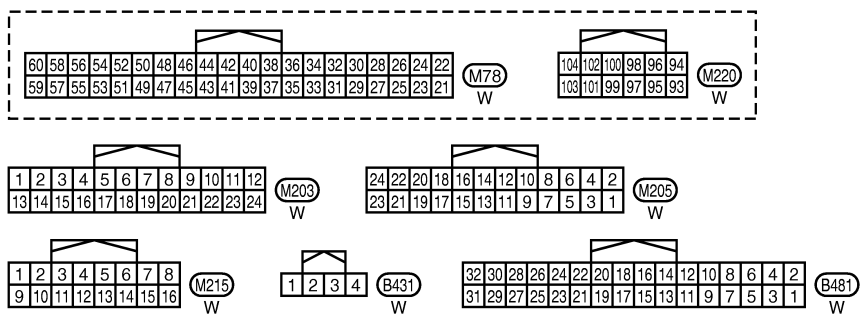
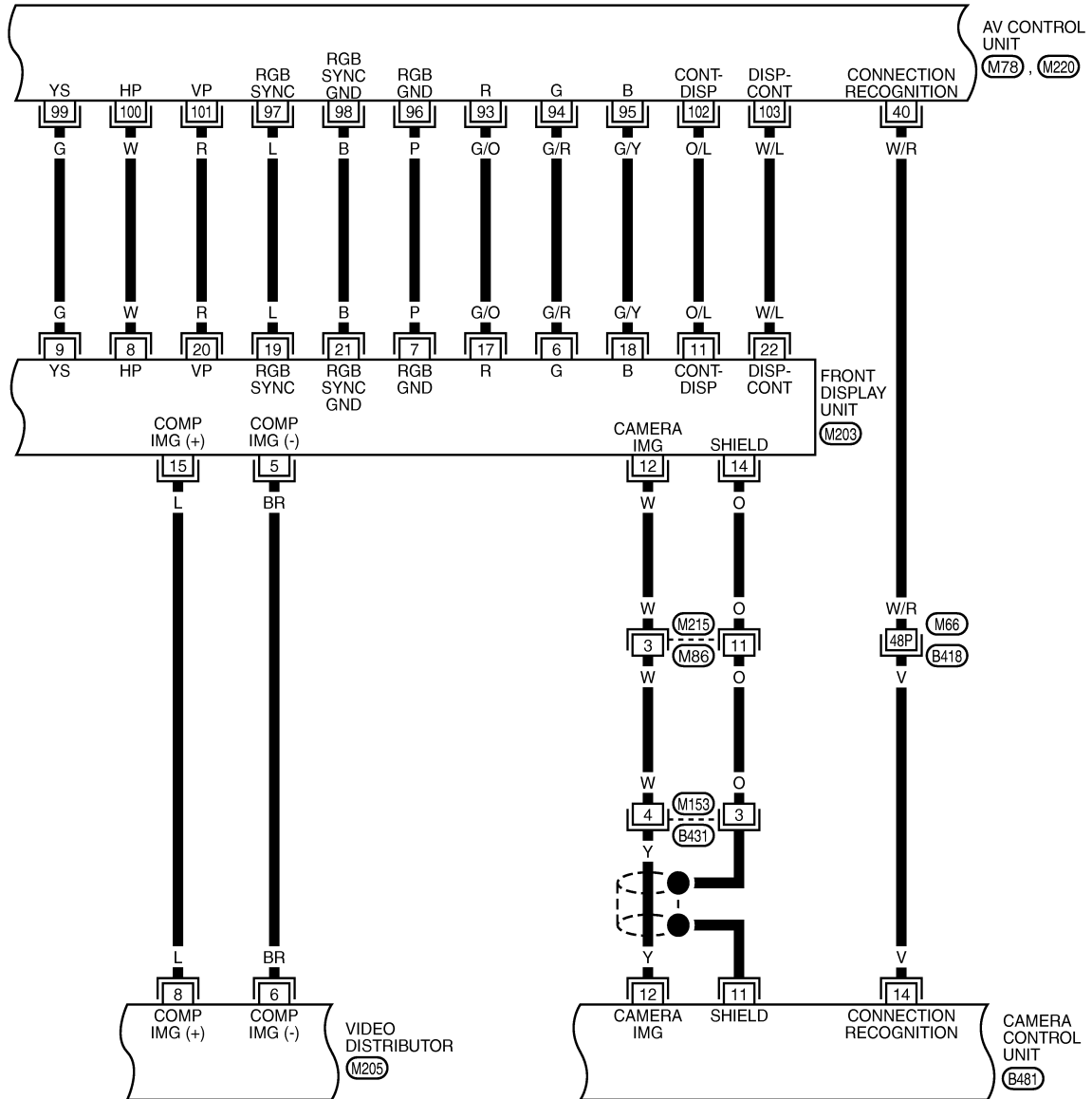
TKWT8296E

# REAR DISPLAY UNIT

[WITH MOBILE ENTERTAINMENT SYSTEM]

< ECU DIAGNOSIS >

AV-AV-54



REFER TO THE FOLLOWING.

(B418) -SUPER MULTIPLE JUNCTION (SMJ)

TKWT6733E

A  
B  
C  
D  
E  
F  
G  
H  
I  
J  
K  
L  
M  
N  
O  
P

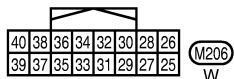
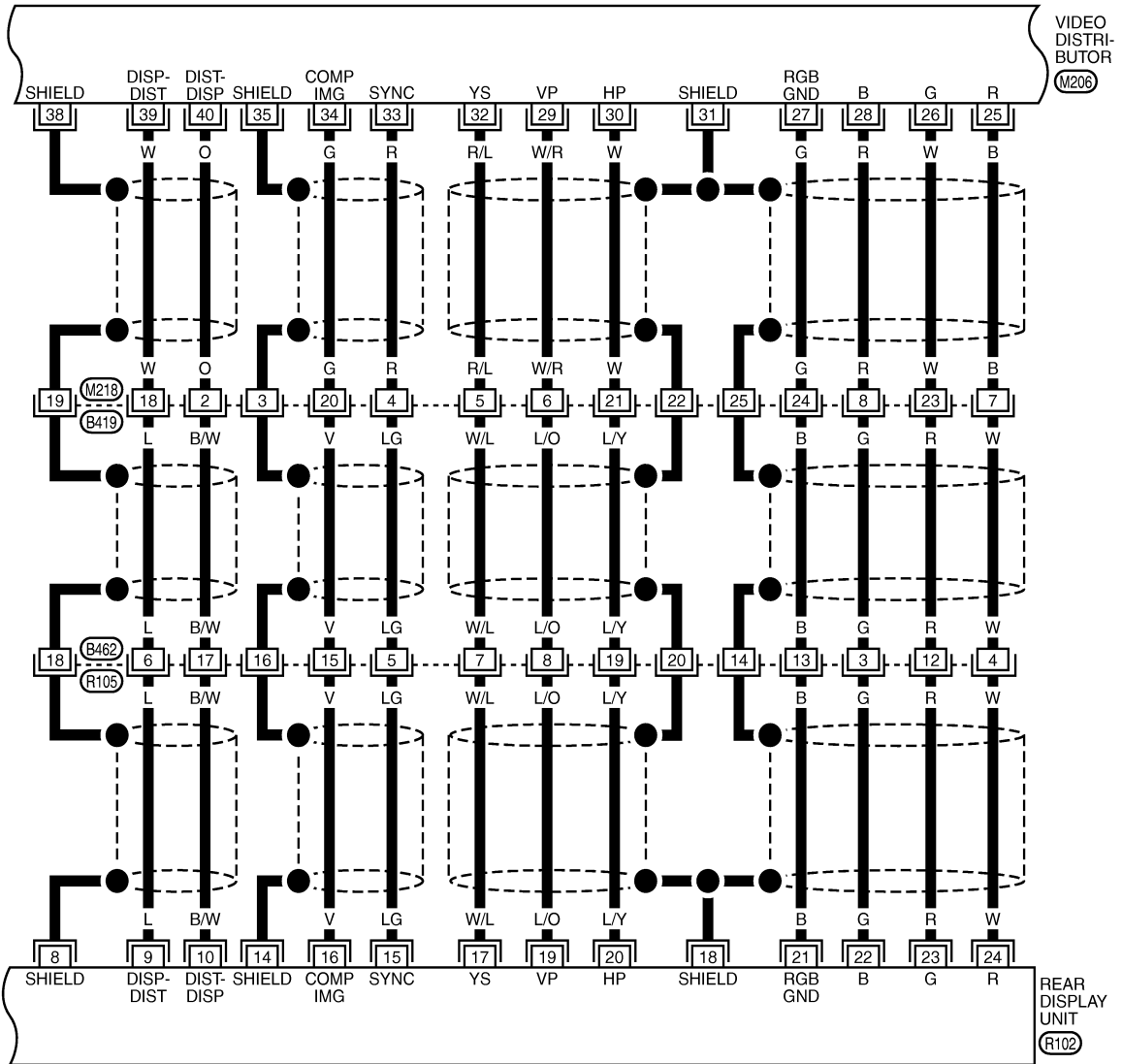
AV

# REAR DISPLAY UNIT

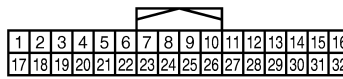
< ECU DIAGNOSIS >

[WITH MOBILE ENTERTAINMENT SYSTEM]

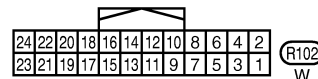
AV-AV-55



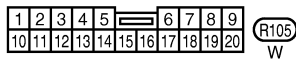
M206  
W



B419  
W



R102  
W



R105  
W

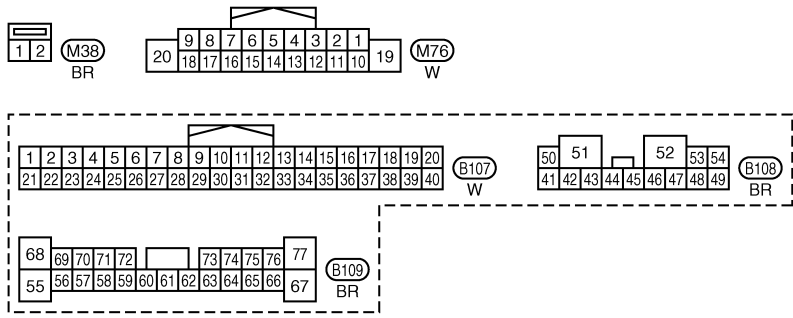
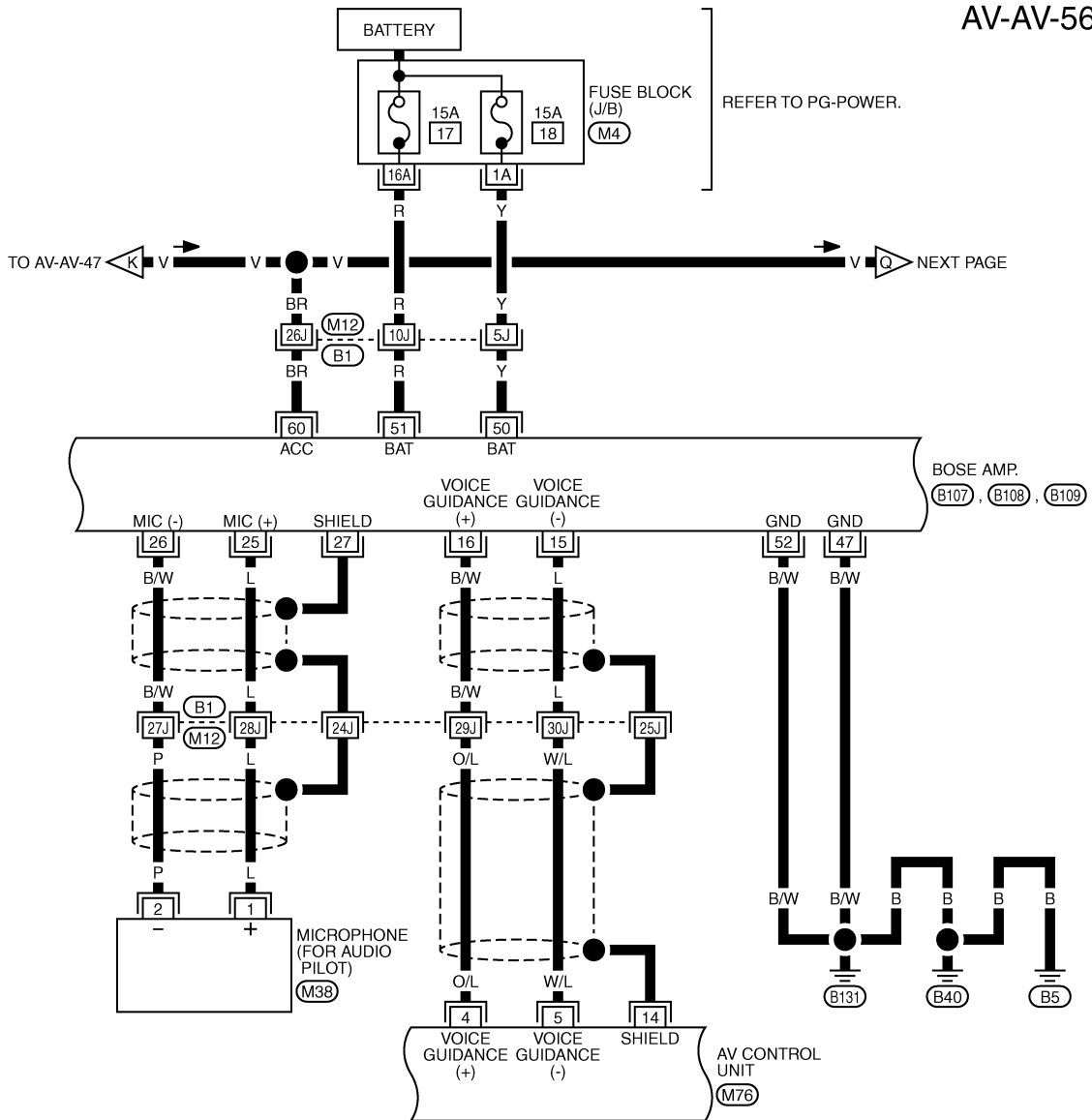
TKWT6734E

# REAR DISPLAY UNIT

[WITH MOBILE ENTERTAINMENT SYSTEM]

< ECU DIAGNOSIS >

AV-AV-56



REFER TO THE FOLLOWING.  
 (B1) -SUPER MULTIPLE JUNCTION (SMJ)  
 (M4) -FUSE BLOCK-JUNCTION BOX (J/B)

TKWT8297E

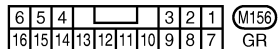
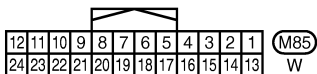
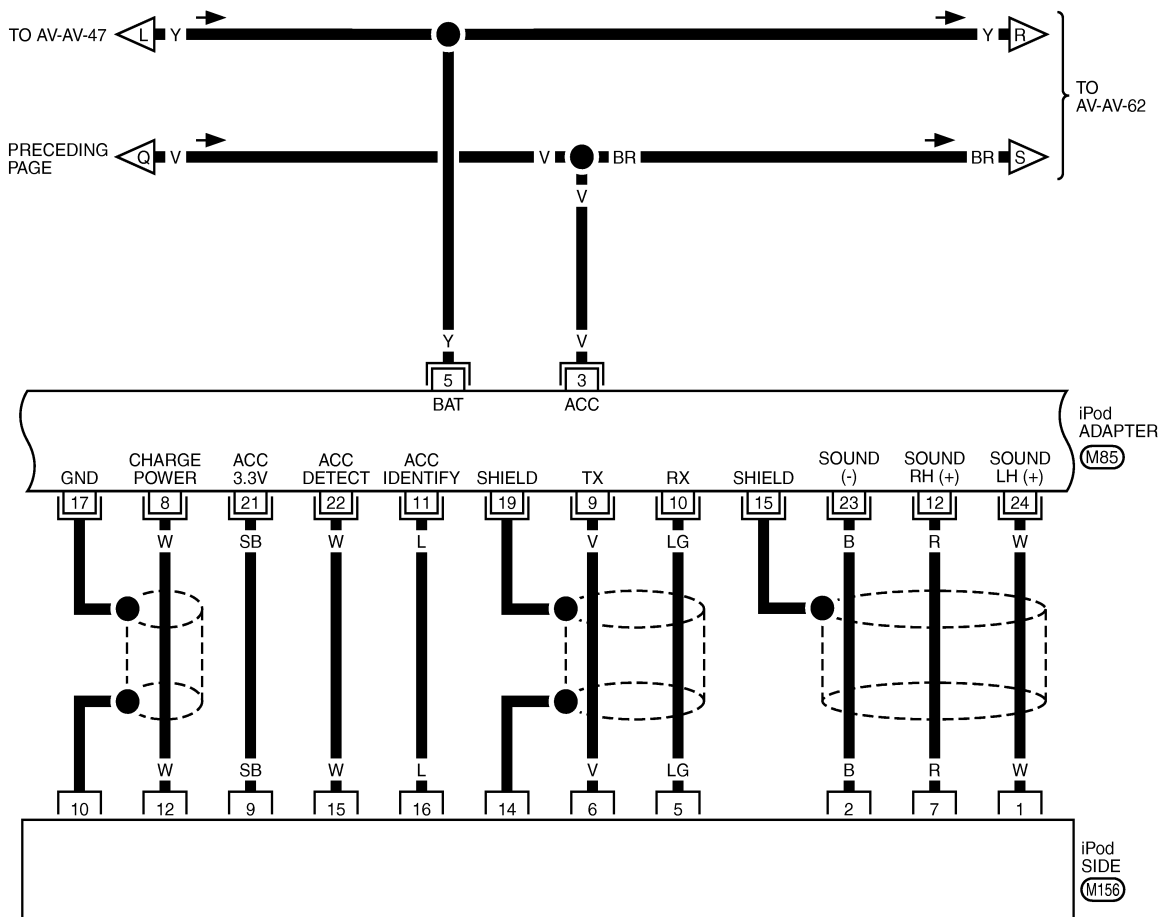
A  
B  
C  
D  
E  
F  
G  
H  
I  
J  
AV  
L  
M  
N  
O  
P

# REAR DISPLAY UNIT

[WITH MOBILE ENTERTAINMENT SYSTEM]

< ECU DIAGNOSIS >

AV-AV-57



TKWT6737E

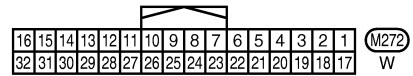
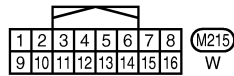
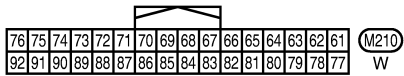
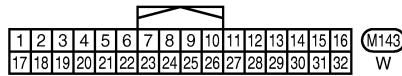
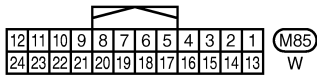
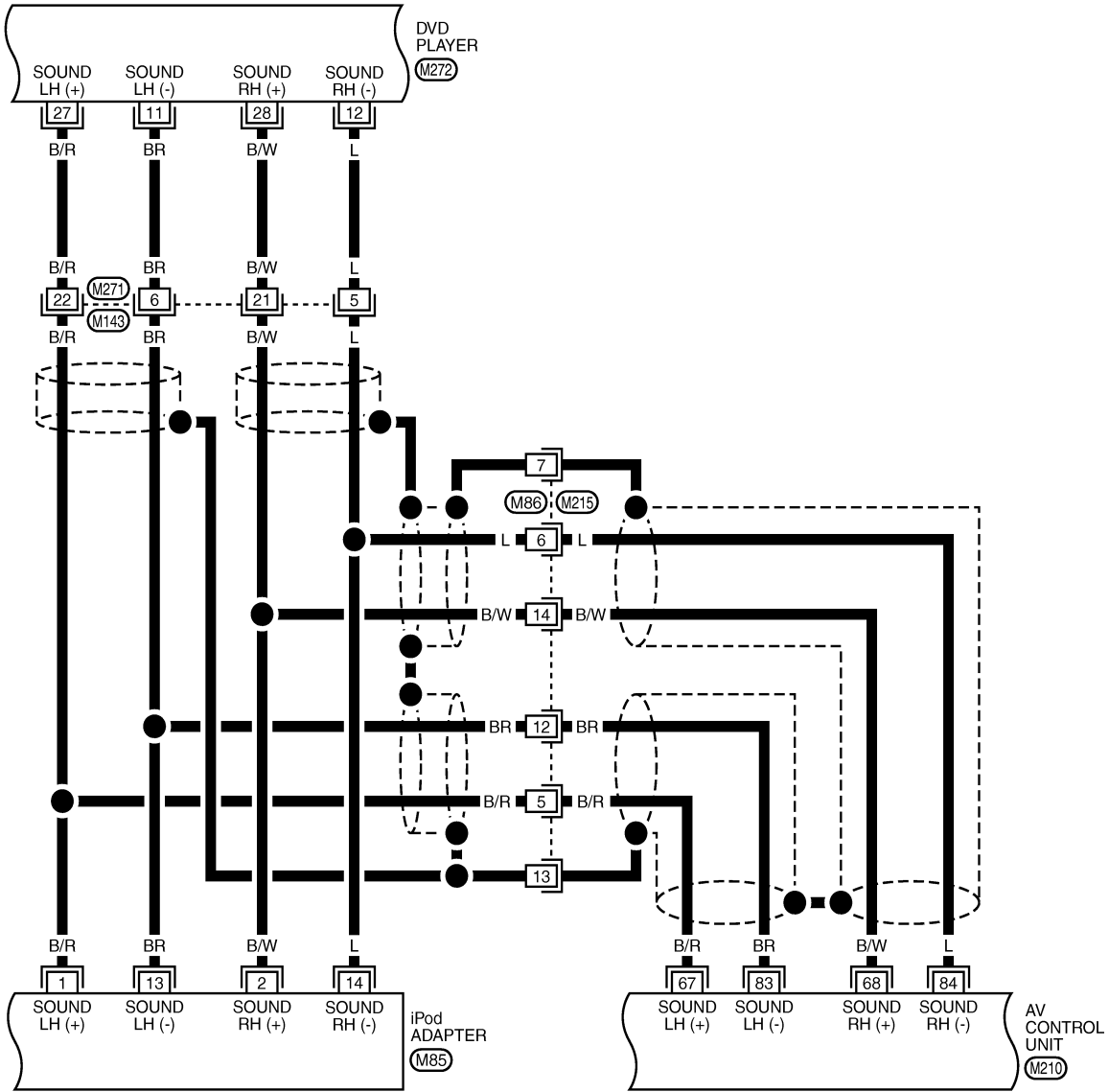


# REAR DISPLAY UNIT

[WITH MOBILE ENTERTAINMENT SYSTEM]

< ECU DIAGNOSIS >

AV-AV-58



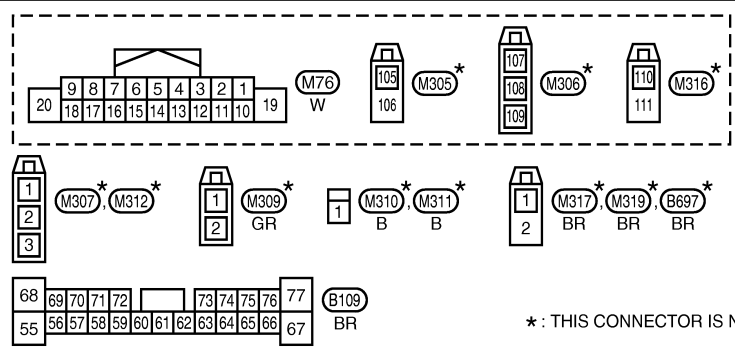
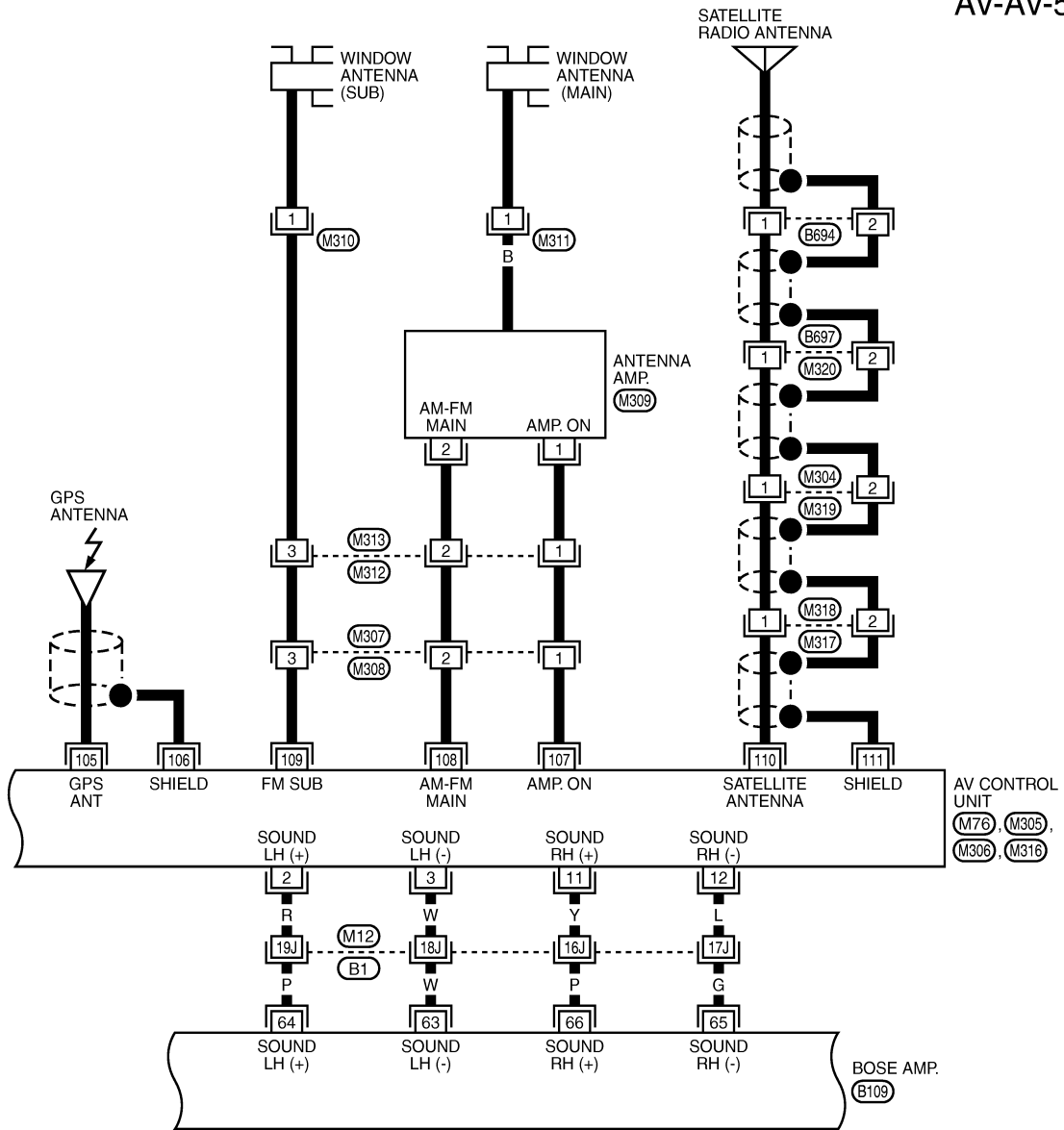
TKWT6738E

# REAR DISPLAY UNIT

[WITH MOBILE ENTERTAINMENT SYSTEM]

< ECU DIAGNOSIS >

AV-AV-59



REFER TO THE FOLLOWING.

(B1) - SUPER MULTIPLE JUNCTION (SMJ)

\* : THIS CONNECTOR IS NOT SHOWN IN "HARNESS LAYOUT", PG SECTION.

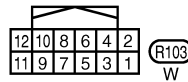
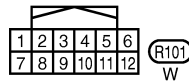
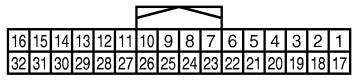
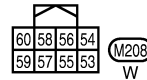
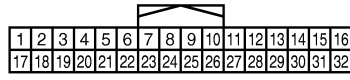
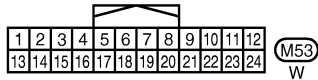
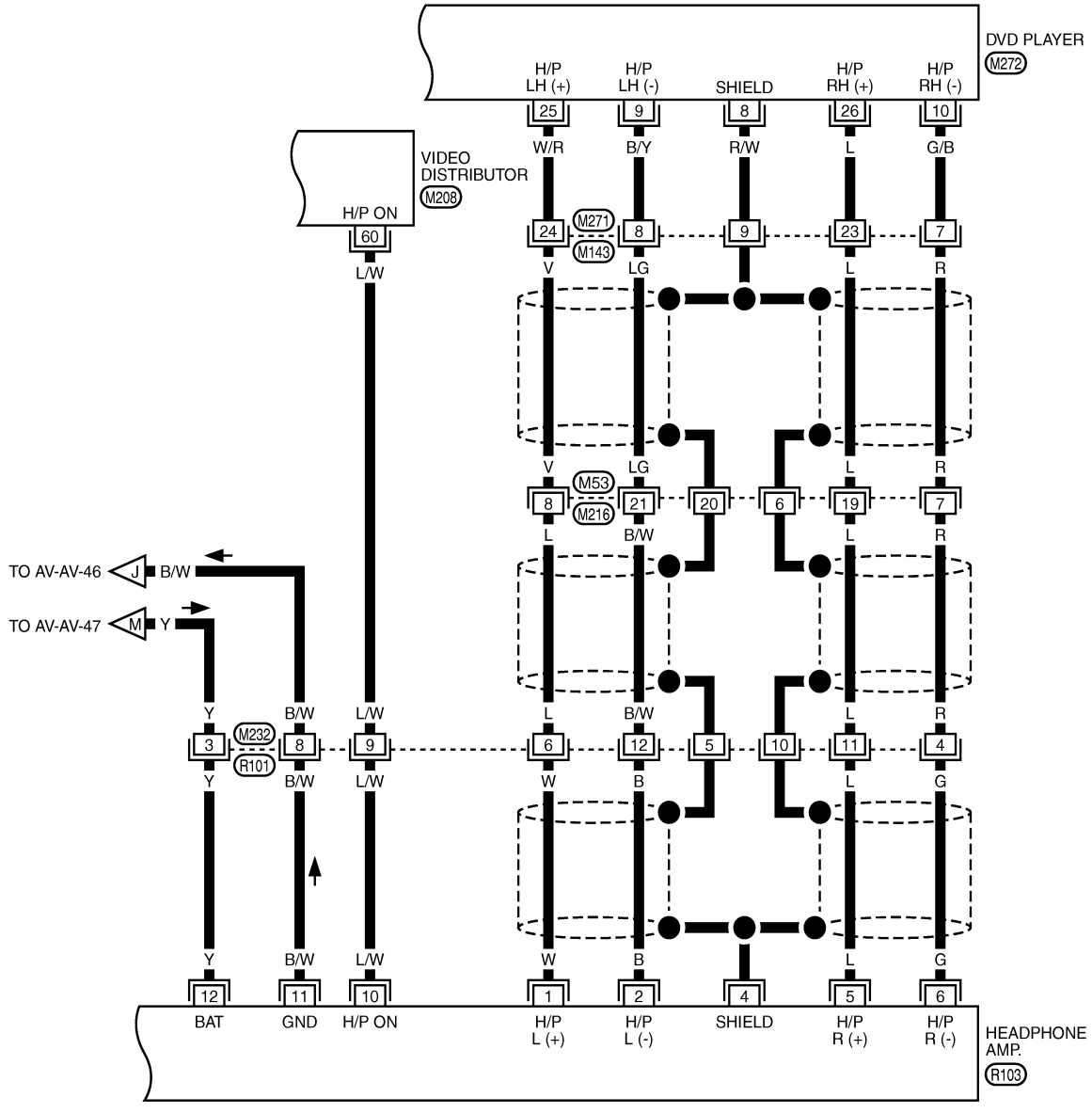
TKWT6739E

# REAR DISPLAY UNIT

[WITH MOBILE ENTERTAINMENT SYSTEM]

< ECU DIAGNOSIS >

AV-AV-60



TKWT6740E

A  
B  
C  
D  
E  
F  
G  
H  
I  
J  
L  
M  
N  
O  
P

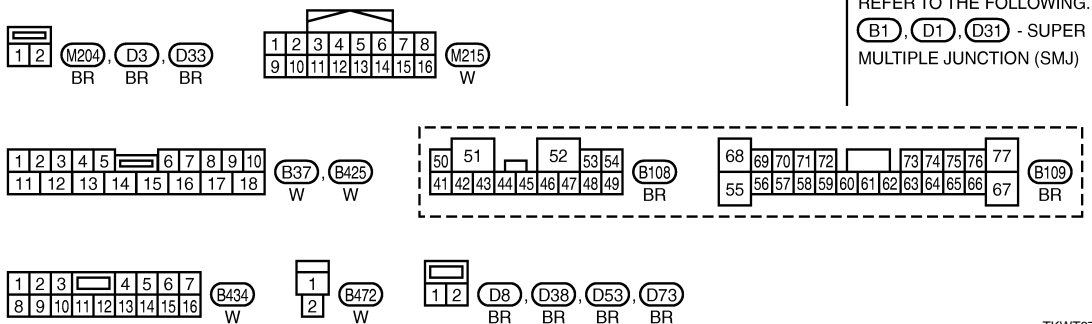
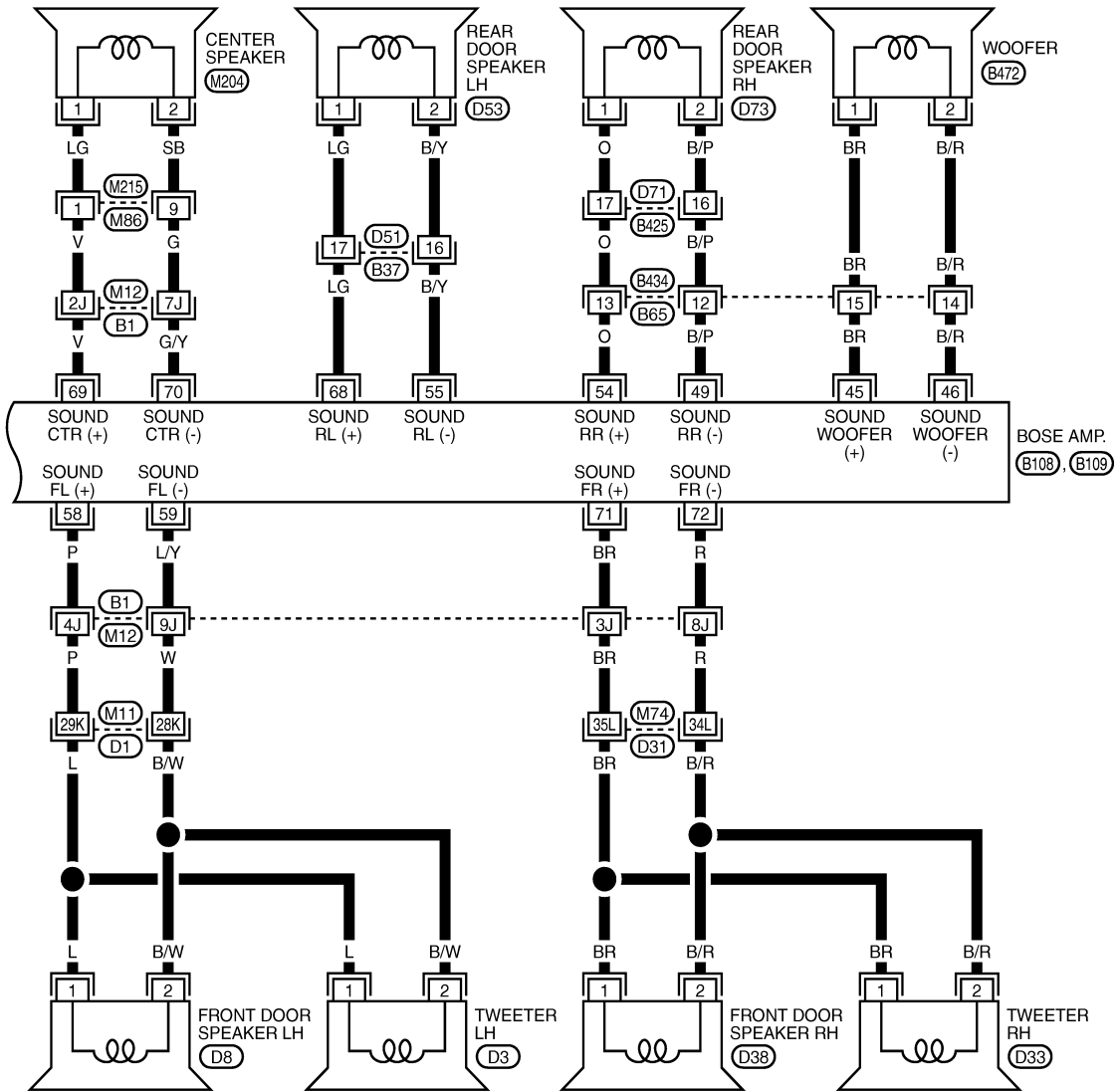
AV

# REAR DISPLAY UNIT

[WITH MOBILE ENTERTAINMENT SYSTEM]

< ECU DIAGNOSIS >

AV-AV-61



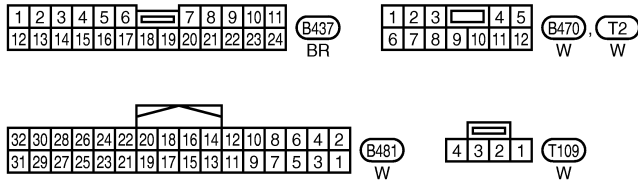
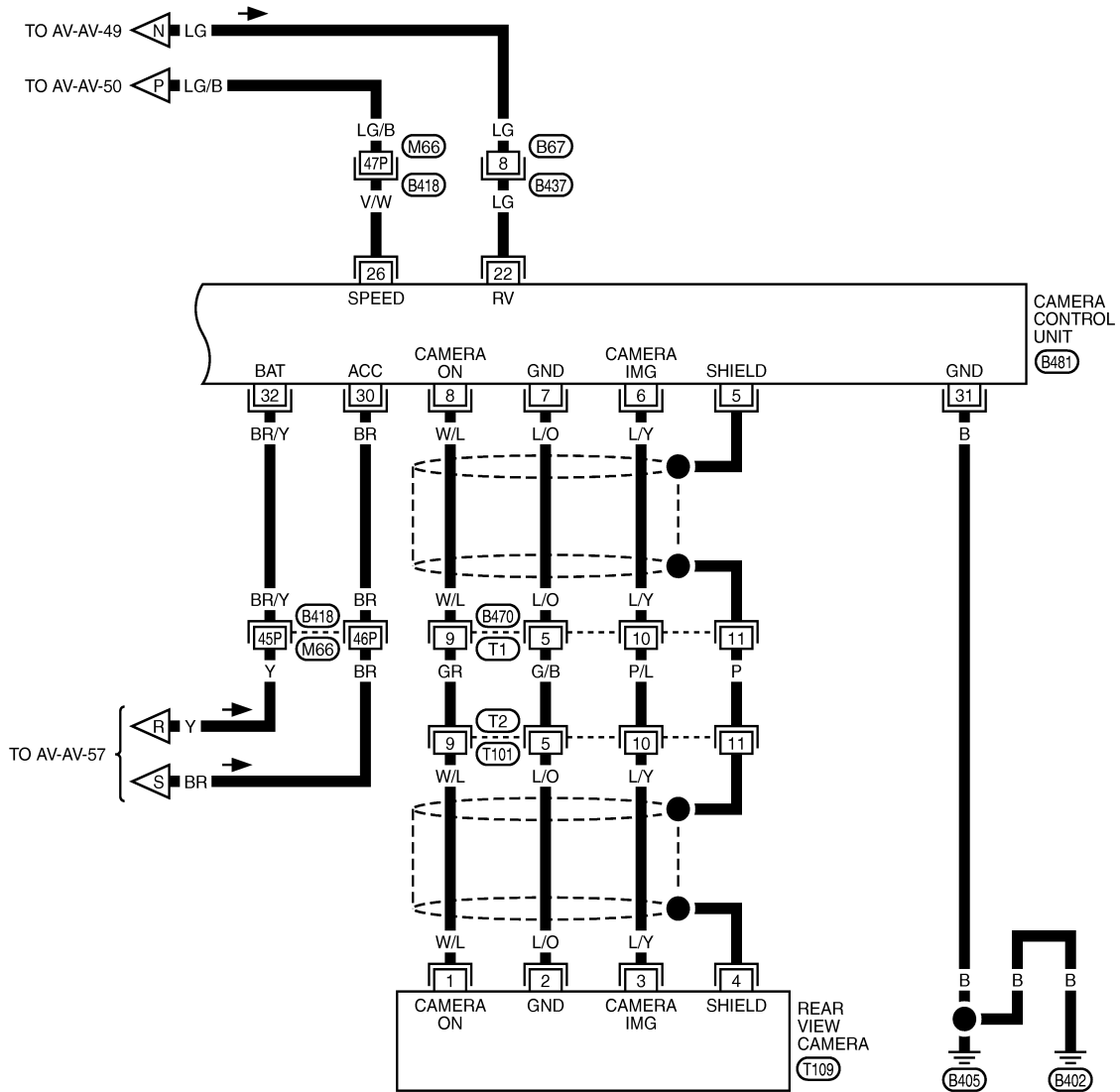
TKWT6741E

# REAR DISPLAY UNIT

[WITH MOBILE ENTERTAINMENT SYSTEM]

< ECU DIAGNOSIS >

AV-AV-62



REFER TO THE FOLLOWING.

(B418) - SUPER MULTIPLE JUNCTION (SMJ)

TKWT6742E

A  
B  
C  
D  
E  
F  
G  
H  
I  
J  
K  
L  
M  
N  
O  
P

AV

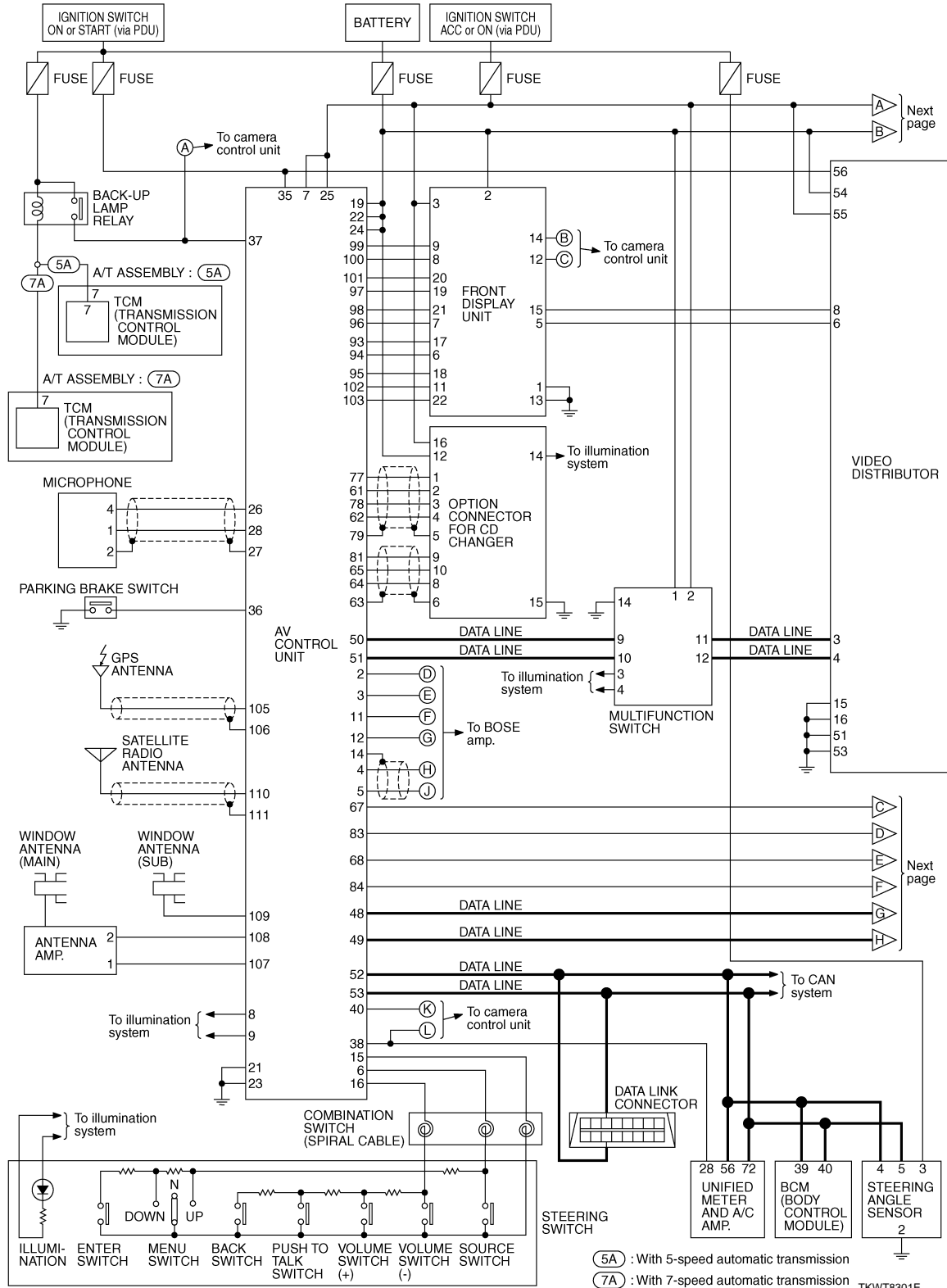
# REAR DISPLAY UNIT

[WITH MOBILE ENTERTAINMENT SYSTEM]

< ECU DIAGNOSIS >

## Schematic - BOSE 5.1ch Surround Audio System -

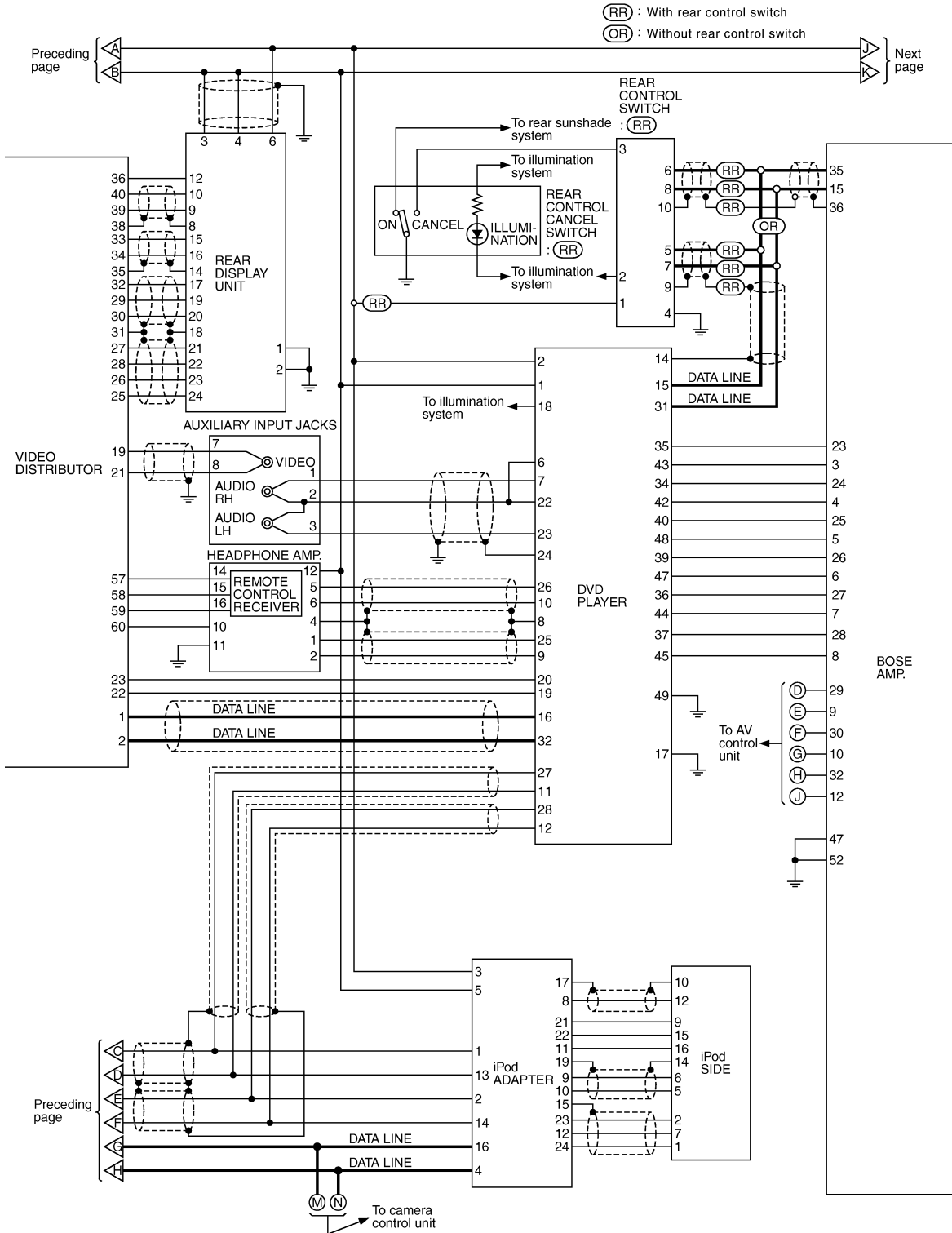
INFOID:00000005350609



# REAR DISPLAY UNIT

[WITH MOBILE ENTERTAINMENT SYSTEM]

< ECU DIAGNOSIS >



A  
B  
C  
D  
E  
F  
G  
H  
I  
J  
K  
L  
M  
N  
O  
P

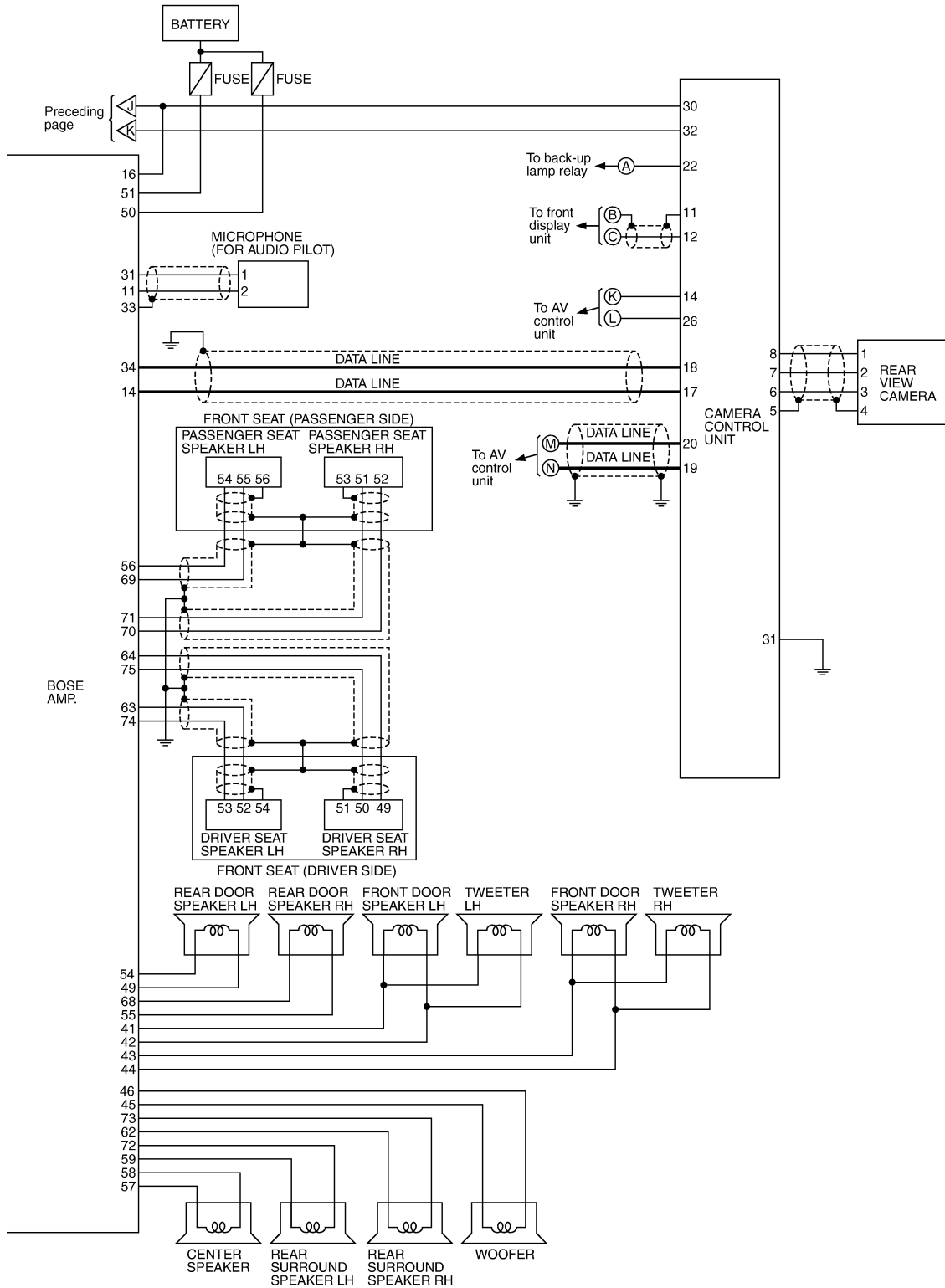
AV

TKWT6744E

# REAR DISPLAY UNIT

[WITH MOBILE ENTERTAINMENT SYSTEM]

< ECU DIAGNOSIS >



TKWT6745E

INFOID:000000005350610

Wiring Diagram - AV - / BOSE Surround Audio 5.1ch System

NOTE:



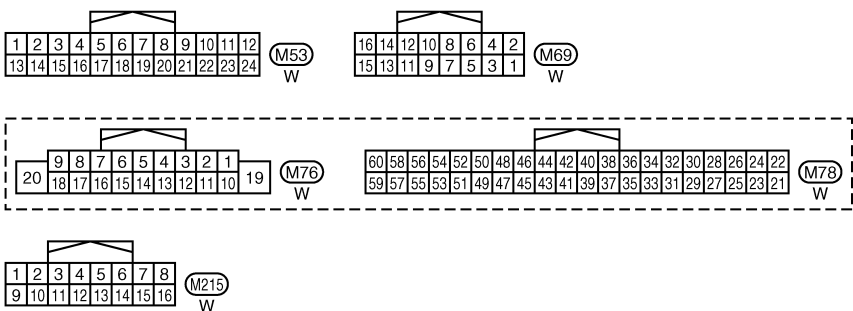
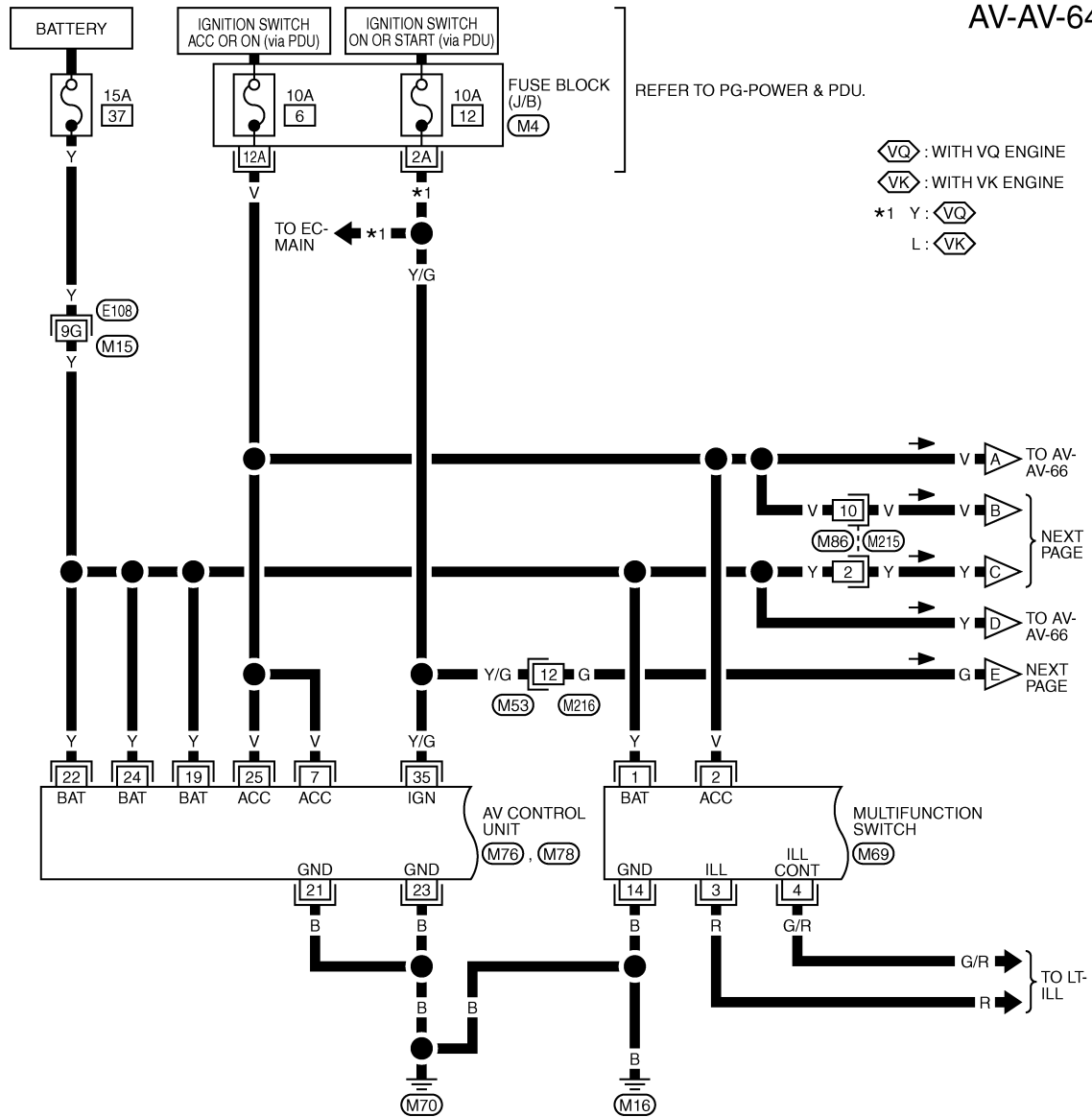
# REAR DISPLAY UNIT

[WITH MOBILE ENTERTAINMENT SYSTEM]

< ECU DIAGNOSIS >

The name MULTIFUNCTION SWITCH indicates the integration of PRESET SWITCH and MULTIFUNCTION SWITCH virtually.

AV-AV-64



REFER TO THE FOLLOWING.  
 (E108) -SUPER MULTIPLE JUNCTION (SMJ)  
 (M4) -FUSE BLOCK-JUNCTION BOX (J/B)

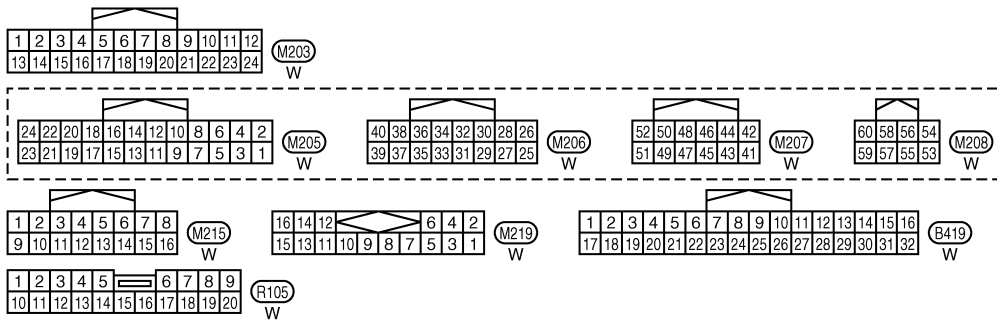
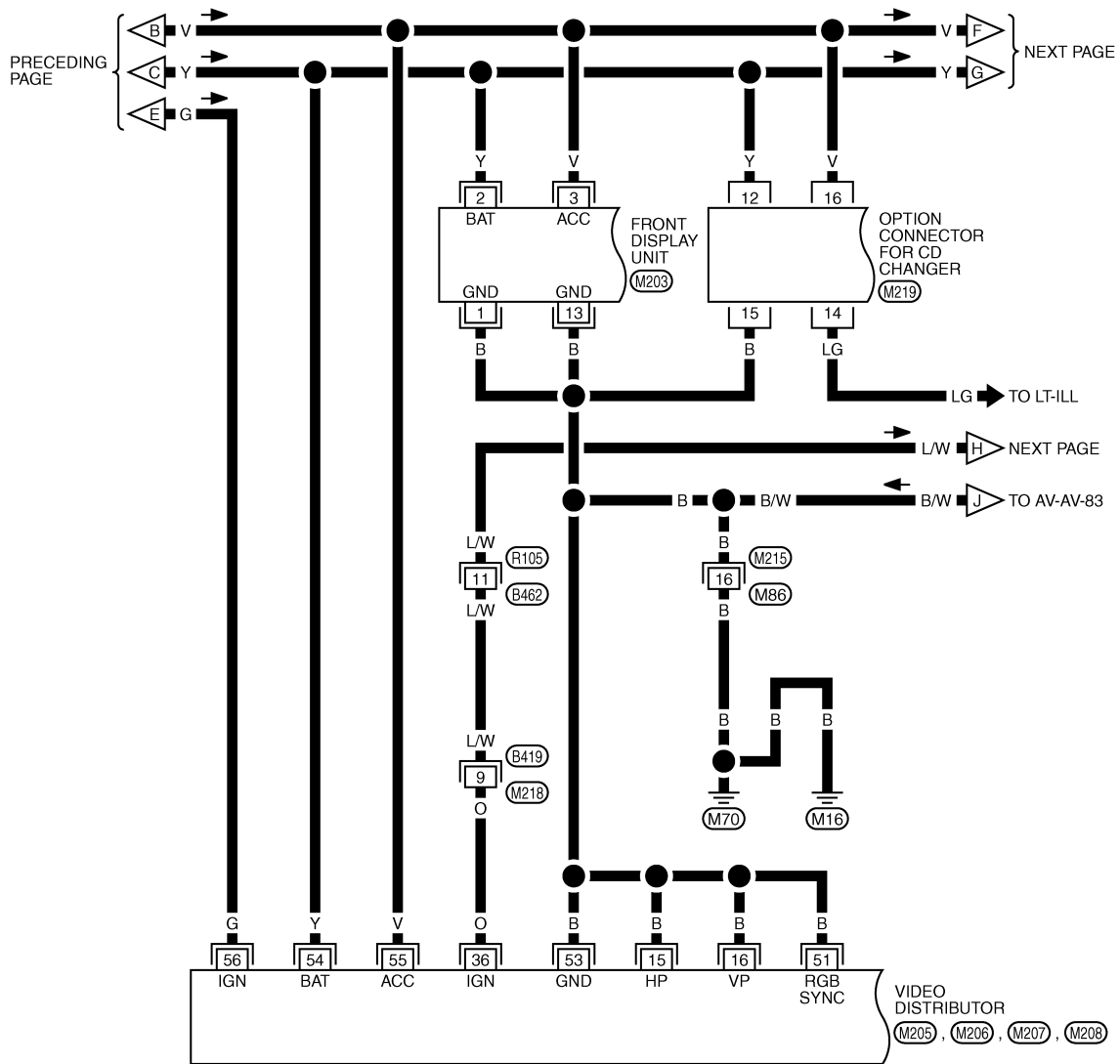
TKWT8302E

# REAR DISPLAY UNIT

[WITH MOBILE ENTERTAINMENT SYSTEM]

< ECU DIAGNOSIS >

AV-AV-65



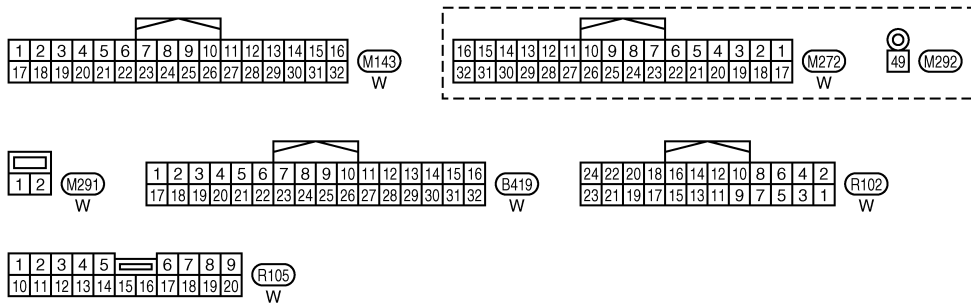
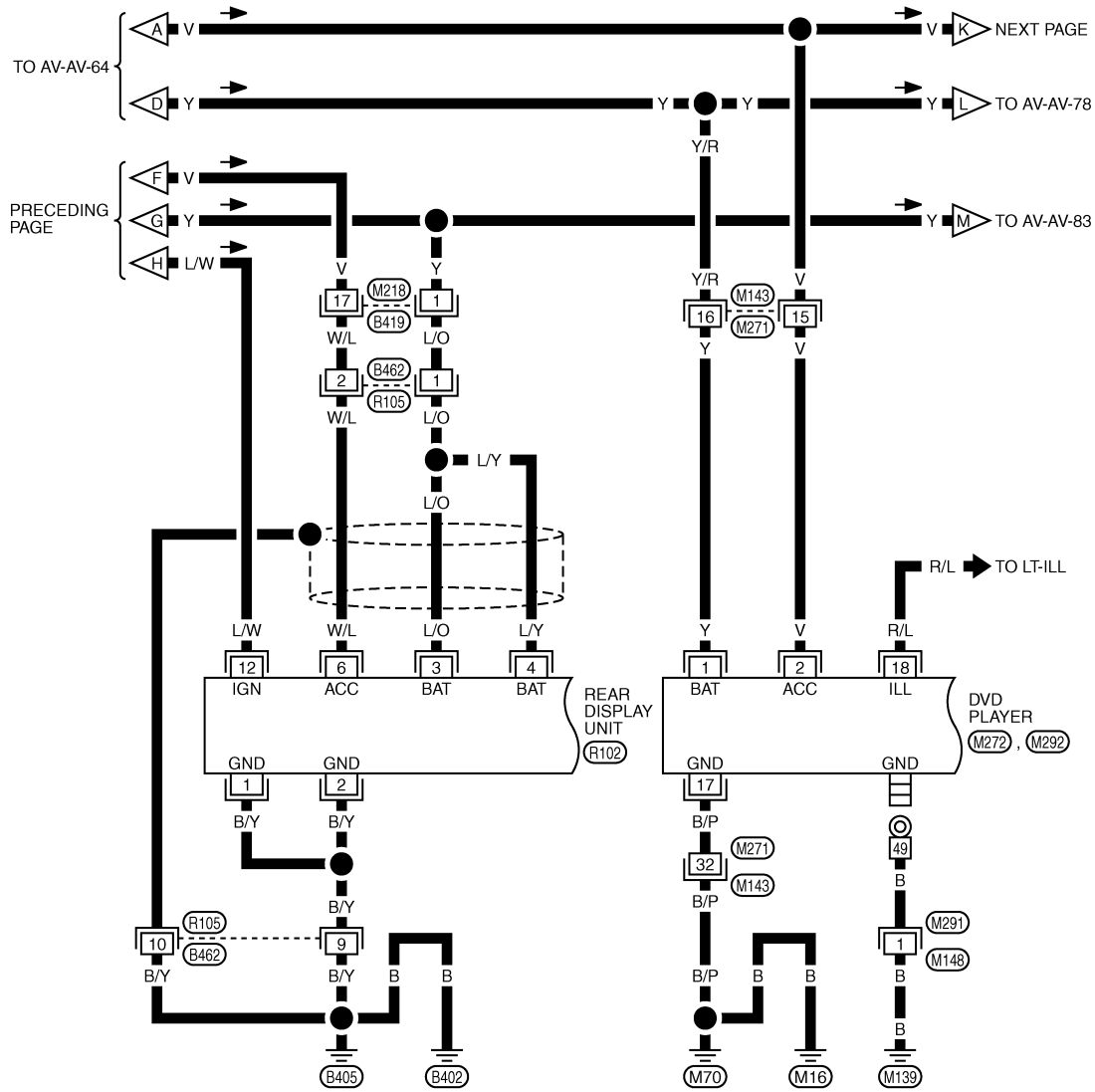
TKWT8303E

# REAR DISPLAY UNIT

[WITH MOBILE ENTERTAINMENT SYSTEM]

< ECU DIAGNOSIS >

AV-AV-66



TKWT8304E

A  
B  
C  
D  
E  
F  
G  
H  
I  
J  
K  
L  
M  
N  
O  
P

AV

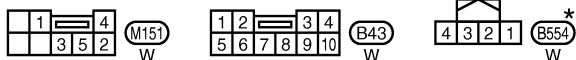
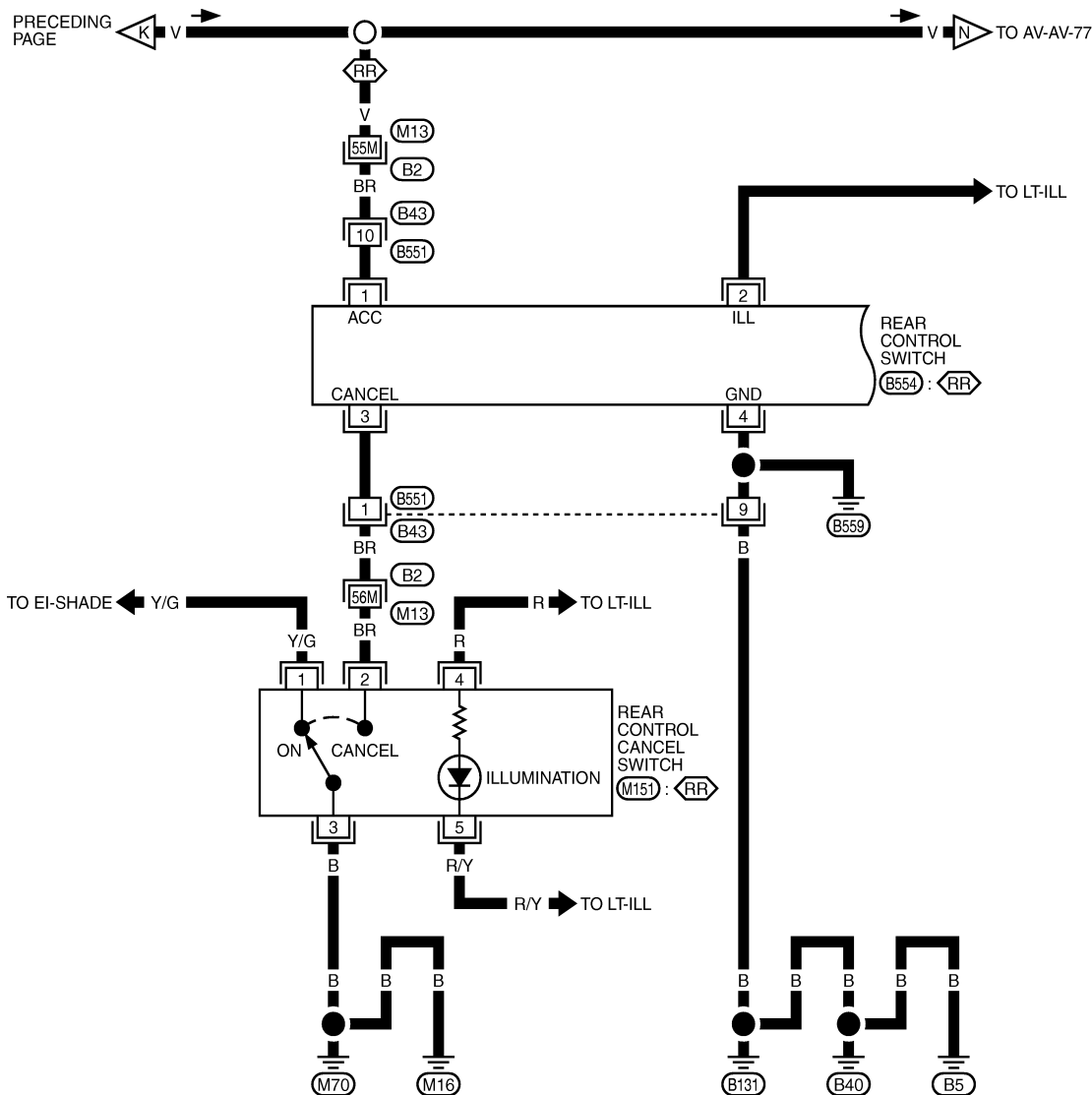
# REAR DISPLAY UNIT

[WITH MOBILE ENTERTAINMENT SYSTEM]

< ECU DIAGNOSIS >

AV-AV-67

(RR) : WITH REAR CONTROL SWITCH



\*: THIS CONNECTOR IS NOT SHOWN IN "HARNESS LAYOUT", PG SECTION.

REFER TO THE FOLLOWING.

(B2) - SUPER MULTIPLE JUNCTION (SMJ)

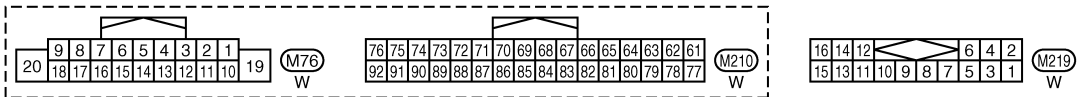
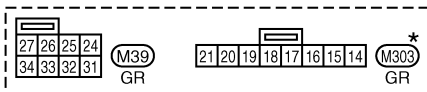
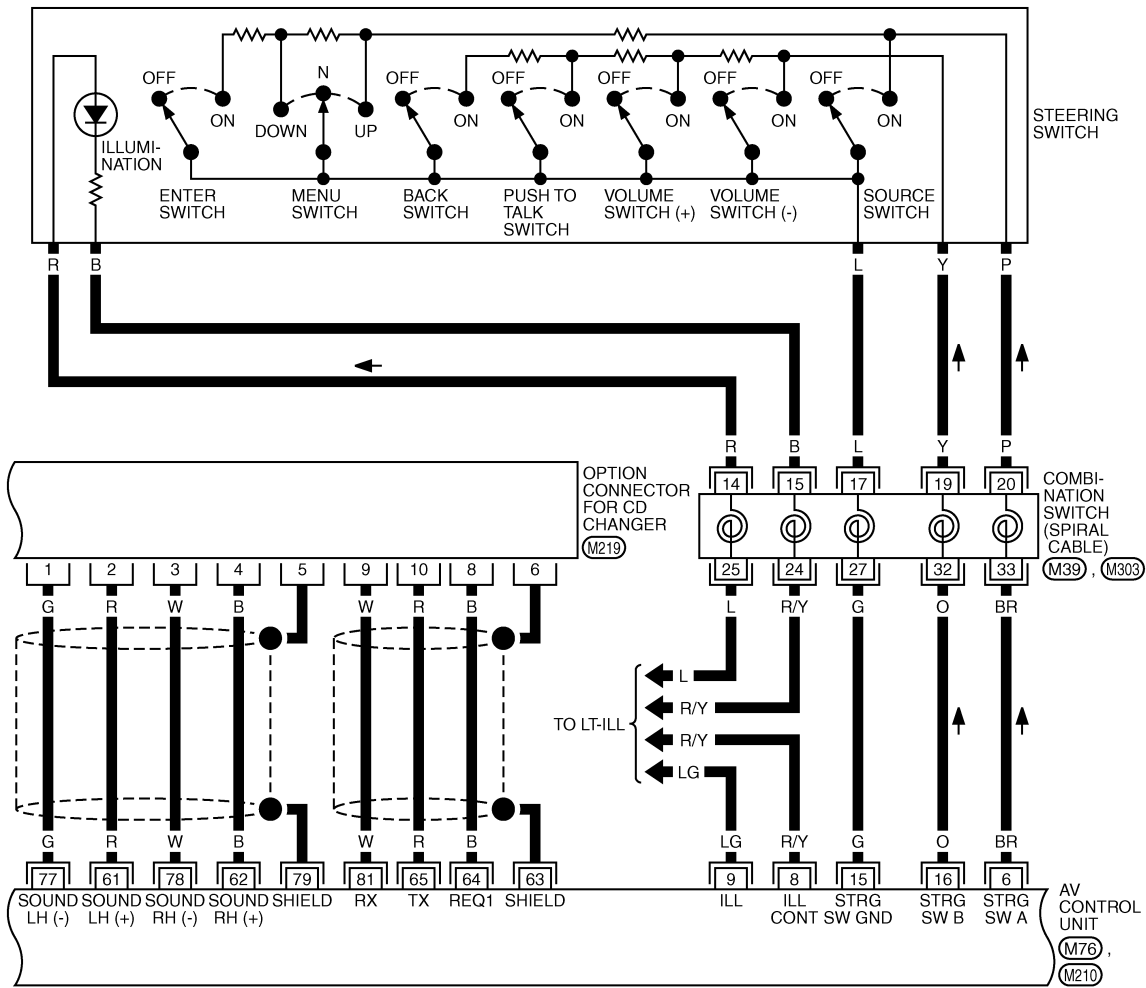
TKWT6749E

# REAR DISPLAY UNIT

[WITH MOBILE ENTERTAINMENT SYSTEM]

< ECU DIAGNOSIS >

AV-AV-68



\*: THIS CONNECTOR IS NOT SHOWN IN "HARNESS LAYOUT", PG SECTION.

TKWT8305E

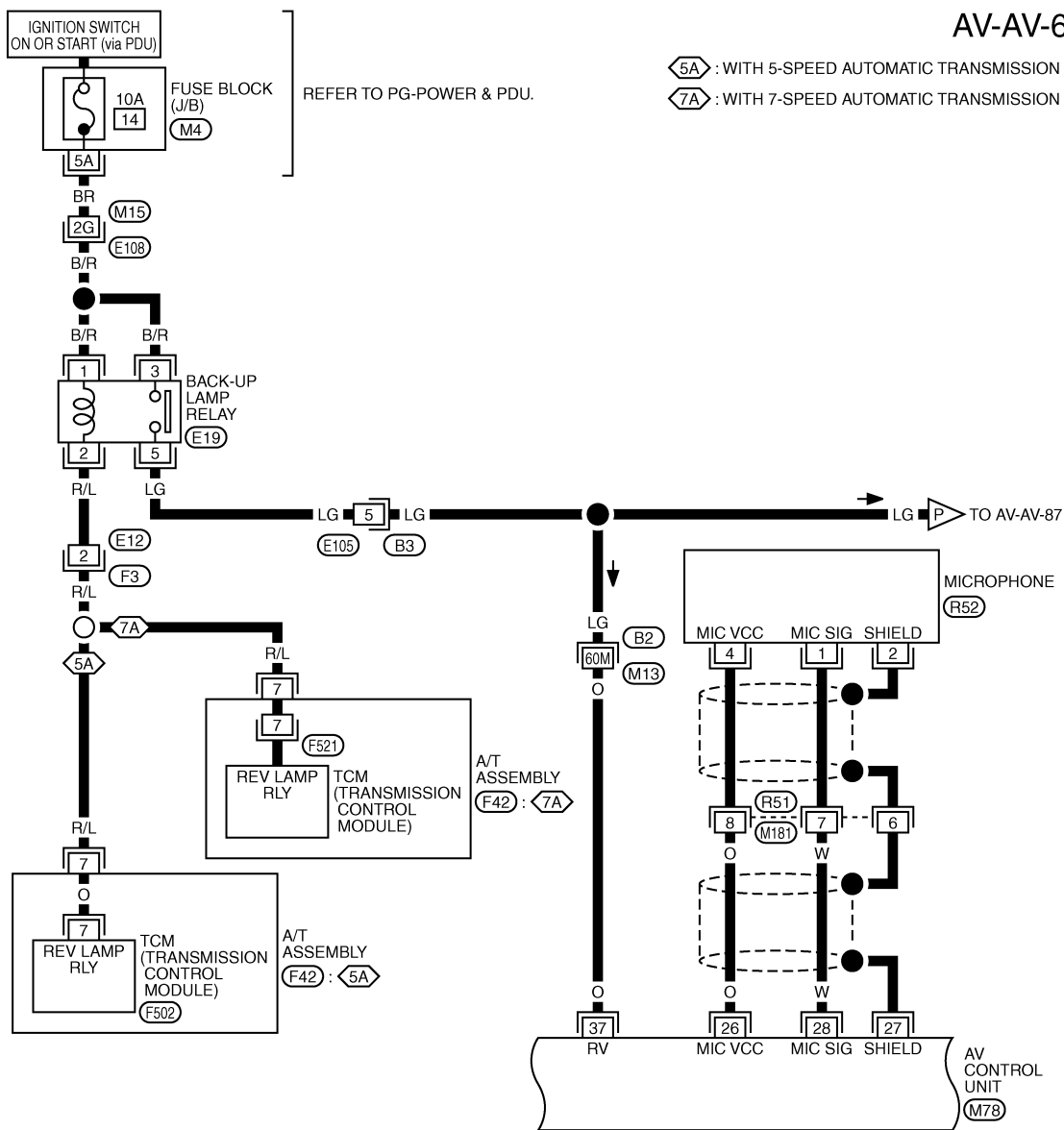
A  
B  
C  
D  
E  
F  
G  
H  
I  
J  
AV  
L  
M  
N  
O  
P

# REAR DISPLAY UNIT

[WITH MOBILE ENTERTAINMENT SYSTEM]

< ECU DIAGNOSIS >

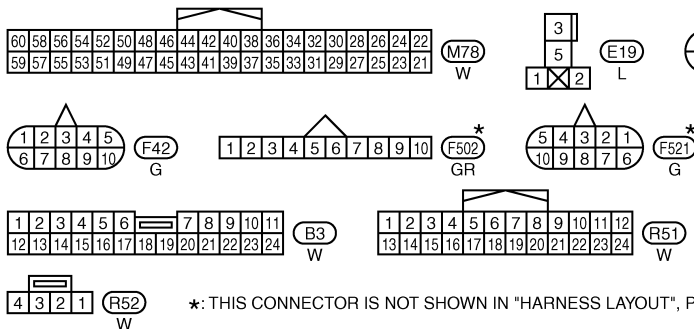
AV-AV-69



5A : WITH 5-SPEED AUTOMATIC TRANSMISSION  
 7A : WITH 7-SPEED AUTOMATIC TRANSMISSION

REFER TO PG-POWER & PDU.

REFER TO THE FOLLOWING.  
 E108, B2 -SUPER MULTIPLE JUNCTION (SMJ)  
 M4 -FUSE BLOCK-JUNCTION BOX (J/B)



\*: THIS CONNECTOR IS NOT SHOWN IN "HARNESS LAYOUT", PG SECTION.

TKWT8306E

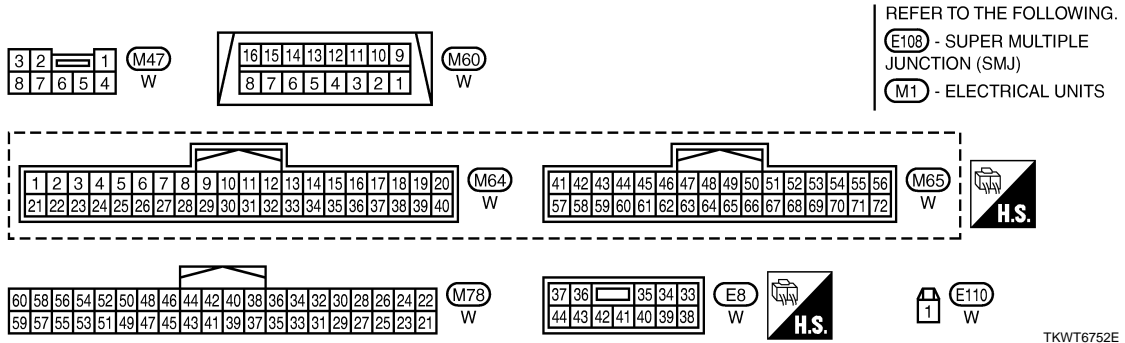
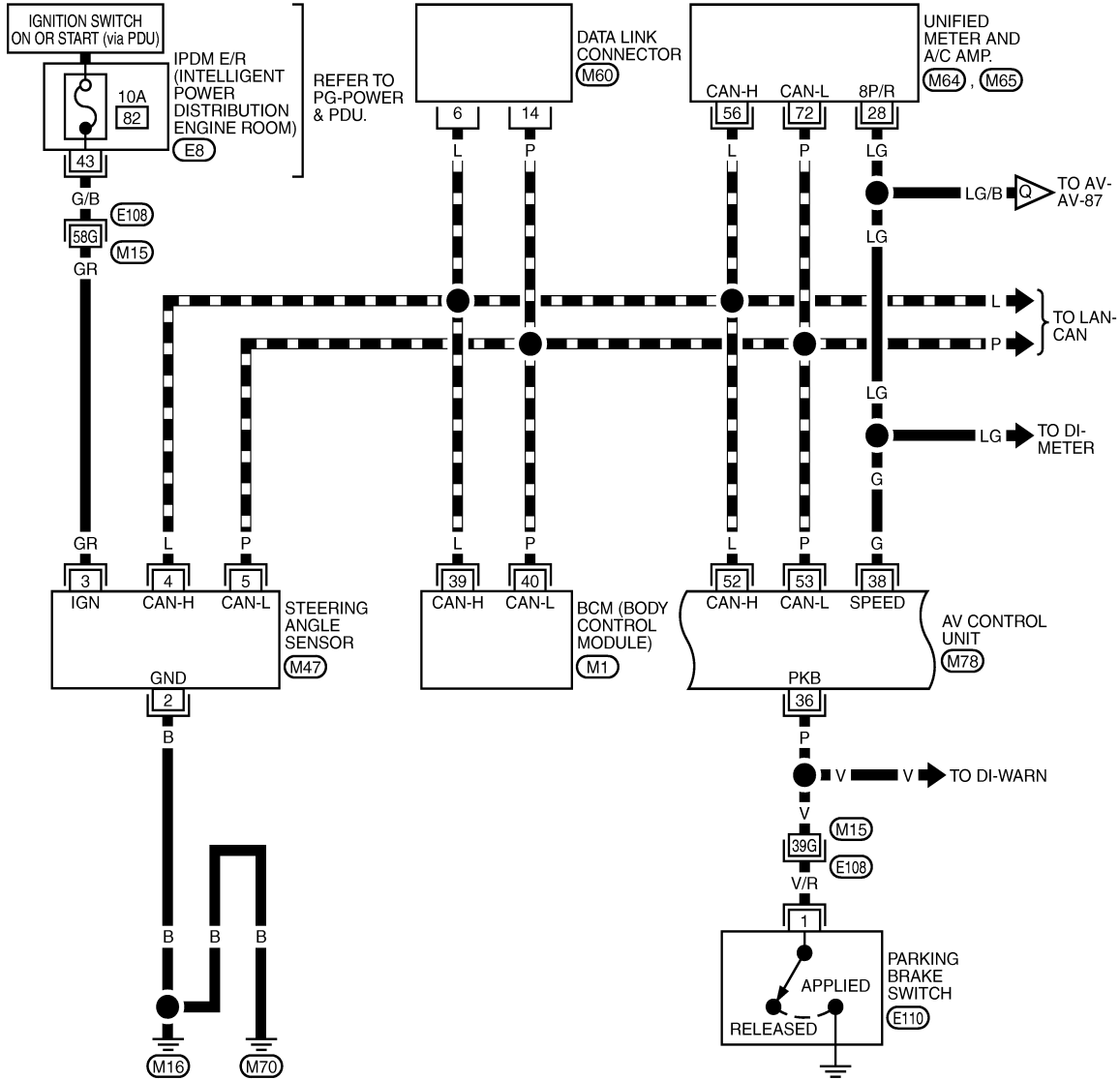
# REAR DISPLAY UNIT

[WITH MOBILE ENTERTAINMENT SYSTEM]

< ECU DIAGNOSIS >

AV-AV-70

▬ : DATA LINE



TKWT6752E

A  
B  
C  
D  
E  
F  
G  
H  
I  
J  
K  
L  
M  
N  
O  
P

AV

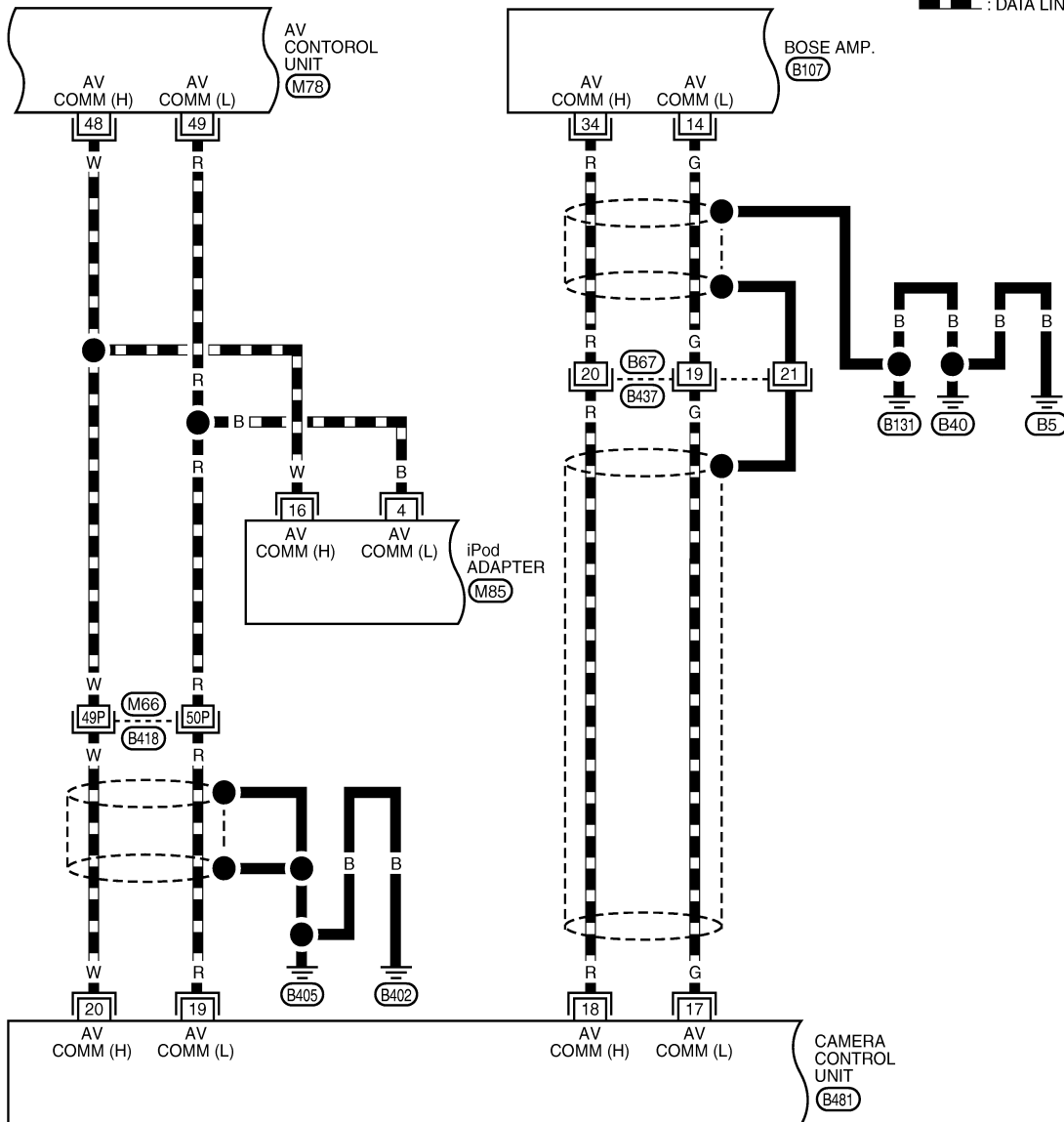
# REAR DISPLAY UNIT

[WITH MOBILE ENTERTAINMENT SYSTEM]

< ECU DIAGNOSIS >

AV-AV-71

— : DATA LINE



60	58	56	54	52	50	48	46	44	42	40	38	36	34	32	30	28	26	24	22
59	57	55	53	51	49	47	45	43	41	39	37	35	33	31	29	27	25	23	21

(M78) W

12	11	10	9	8	7	6	5	4	3	2	1
24	23	22	21	20	19	18	17	16	15	14	13

(M85) W

1	2	3	4	5	6	7	8	9	10	11	12	13	14	15	16	17	18	19	20
21	22	23	24	25	26	27	28	29	30	31	32	33	34	35	36	37	38	39	40

(B107) W

1	2	3	4	5	6	7	8	9	10	11		
12	13	14	15	16	17	18	19	20	21	22	23	24

(B437) BR

32	30	28	26	24	22	20	18	16	14	12	10	8	6	4	2
31	29	27	25	23	21	19	17	15	13	11	9	7	5	3	1

(B481) W

REFER TO THE FOLLOWING.

(B418) - SUPER MULTIPLE JUNCTION (SMJ)

TKWT6753E

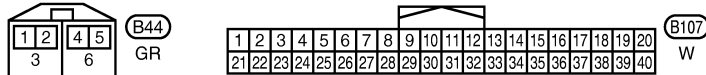
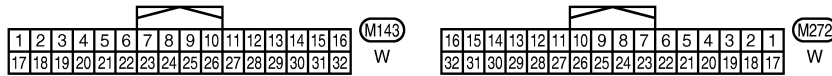
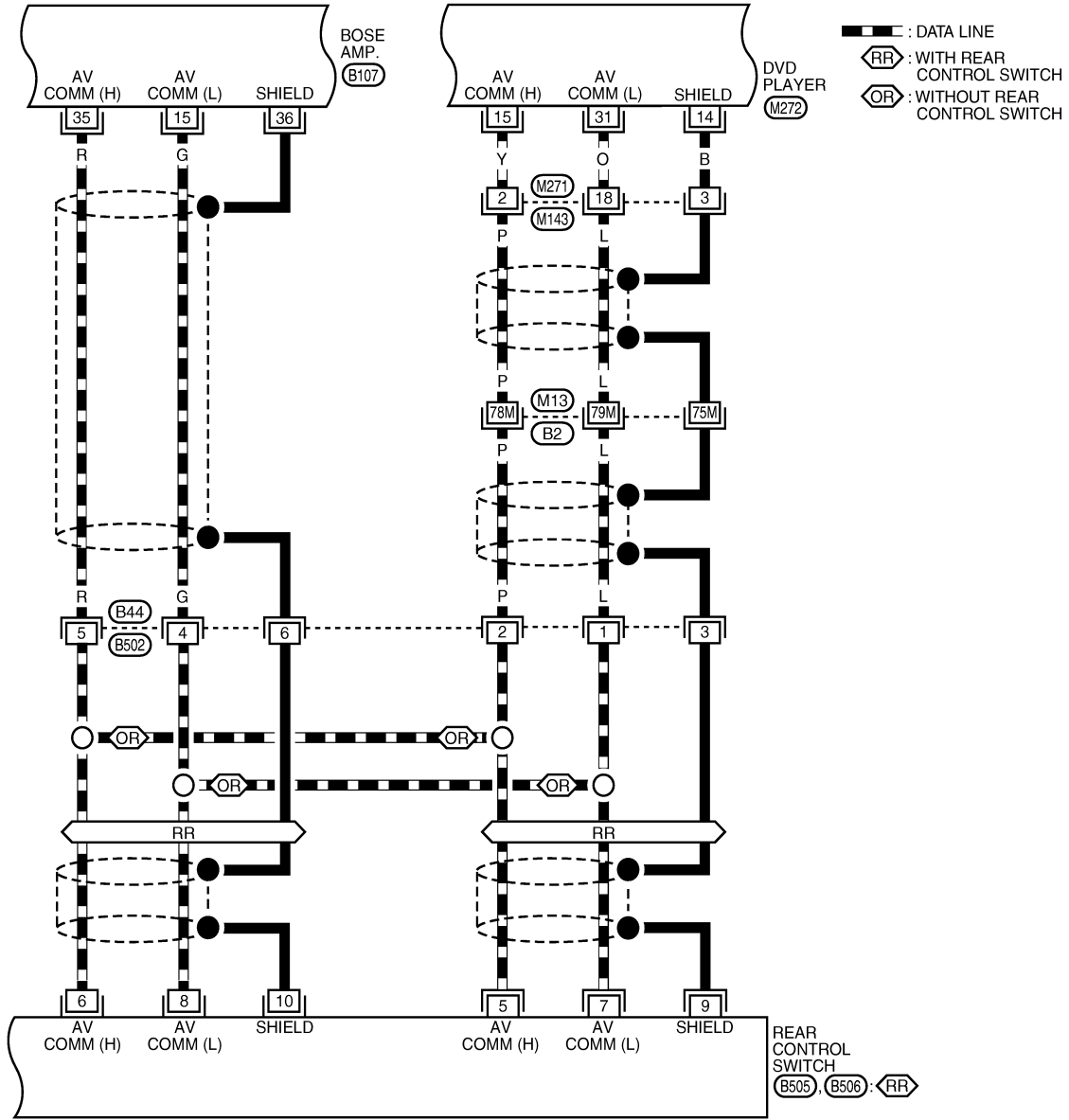


# REAR DISPLAY UNIT

[WITH MOBILE ENTERTAINMENT SYSTEM]

< ECU DIAGNOSIS >

AV-AV-72



\* : THIS CONNECTOR IS NOT SHOWN IN "HARNESS LAYOUT", PG SECTION.

REFER TO THE FOLLOWING.

[B2] - SUPER MULTIPLE JUNCTION (SMJ)

TKWT6754E

A  
B  
C  
D  
E  
F  
G  
H  
I  
J  
L  
M  
N  
O  
P

AV

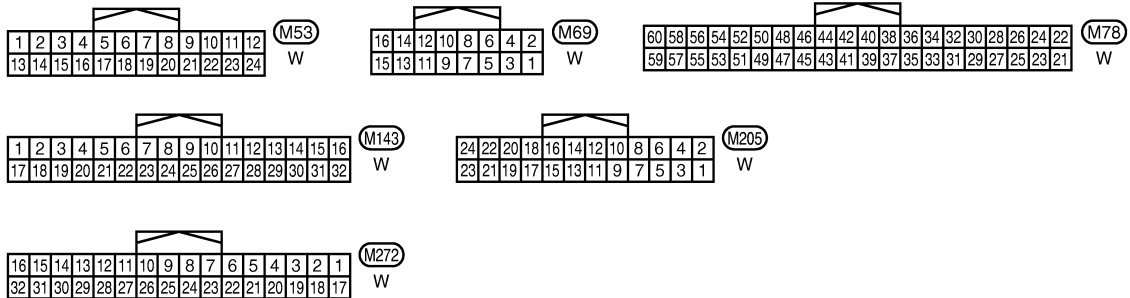
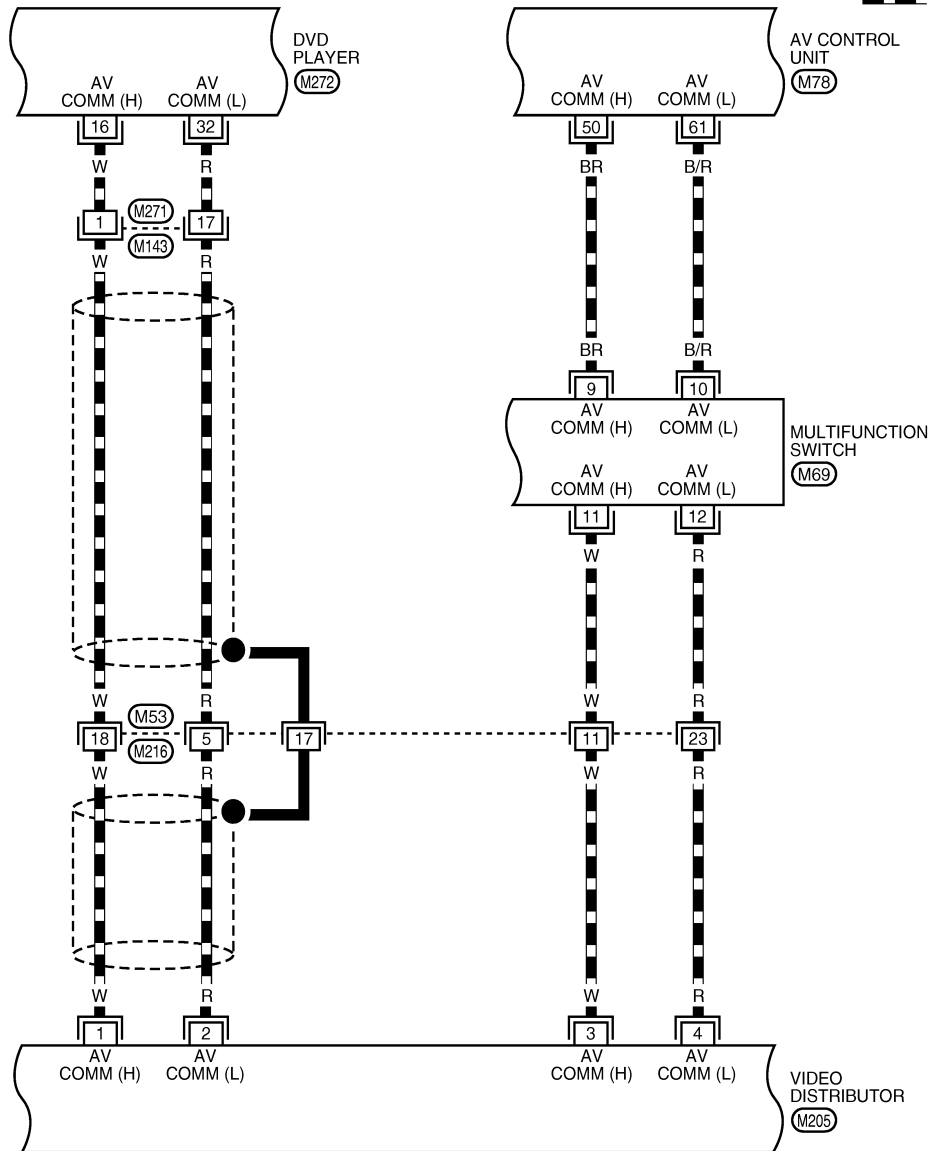
# REAR DISPLAY UNIT

[WITH MOBILE ENTERTAINMENT SYSTEM]

< ECU DIAGNOSIS >

AV-AV-73

DATA LINE



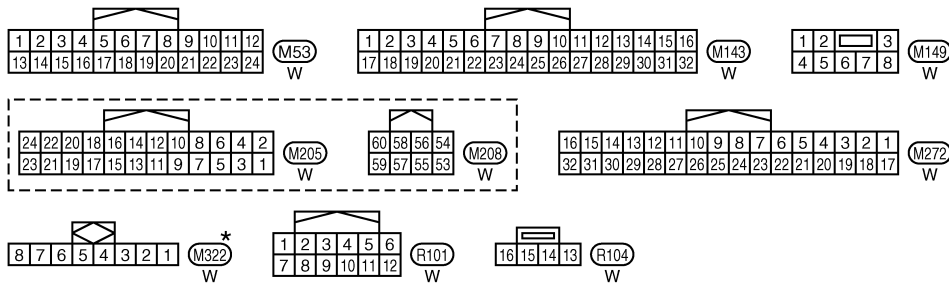
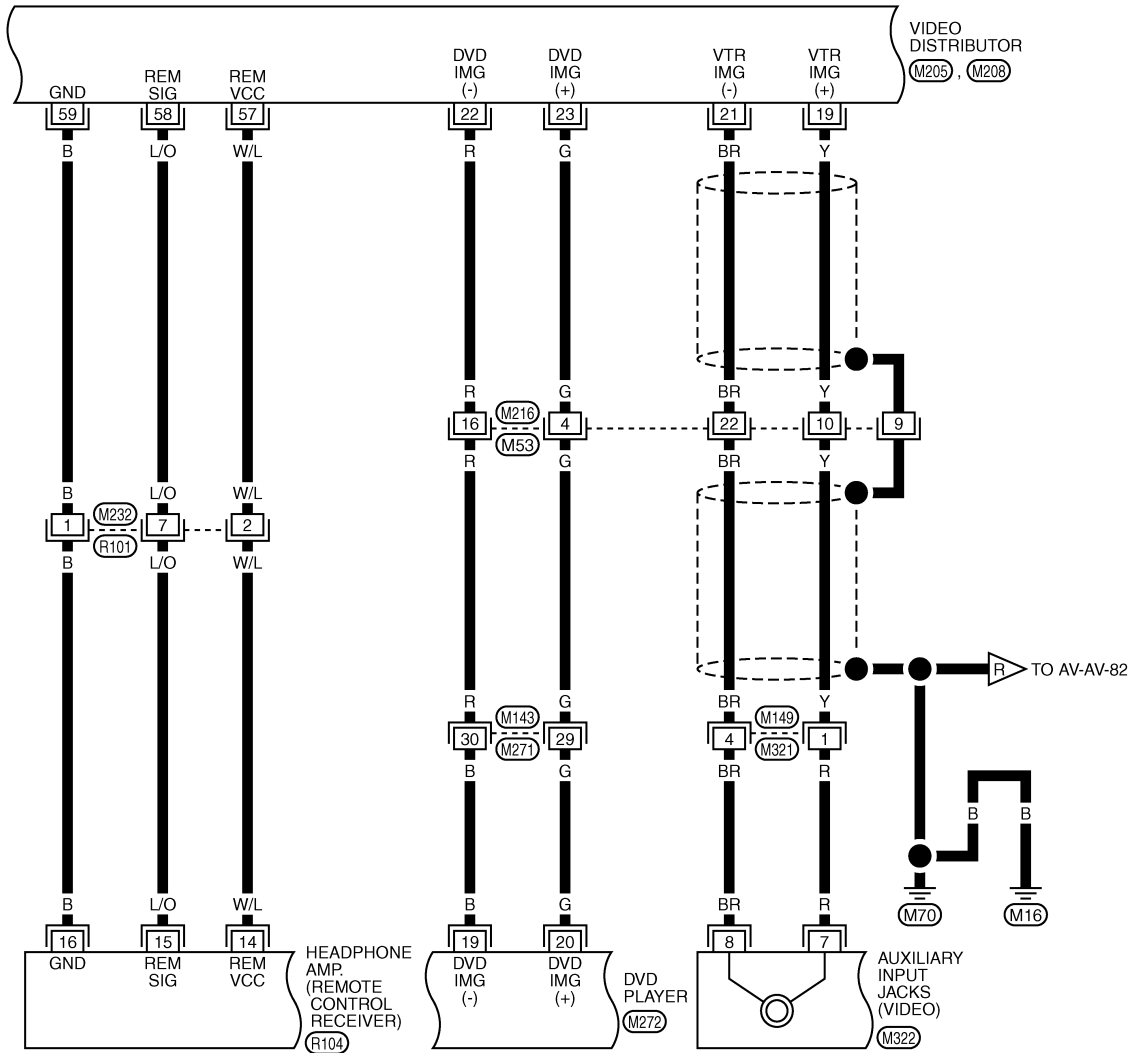
TKWT6755E

# REAR DISPLAY UNIT

[WITH MOBILE ENTERTAINMENT SYSTEM]

< ECU DIAGNOSIS >

AV-AV-74



\*: THIS CONNECTOR IS NOT SHOWN IN "HARNESS LAYOUT", PG SECTION.

TKWT8307E

A  
B  
C  
D  
E  
F  
G  
H  
I  
J  
K  
L  
M  
N  
O  
P

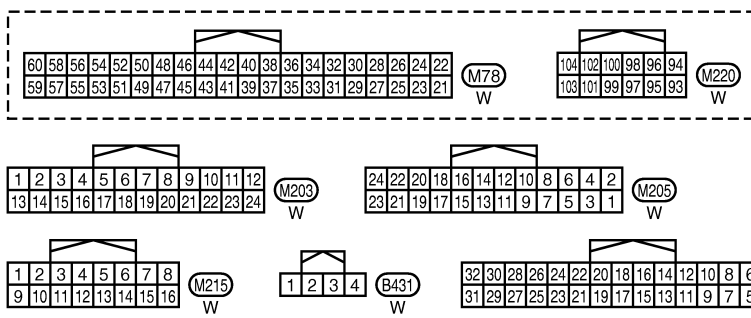
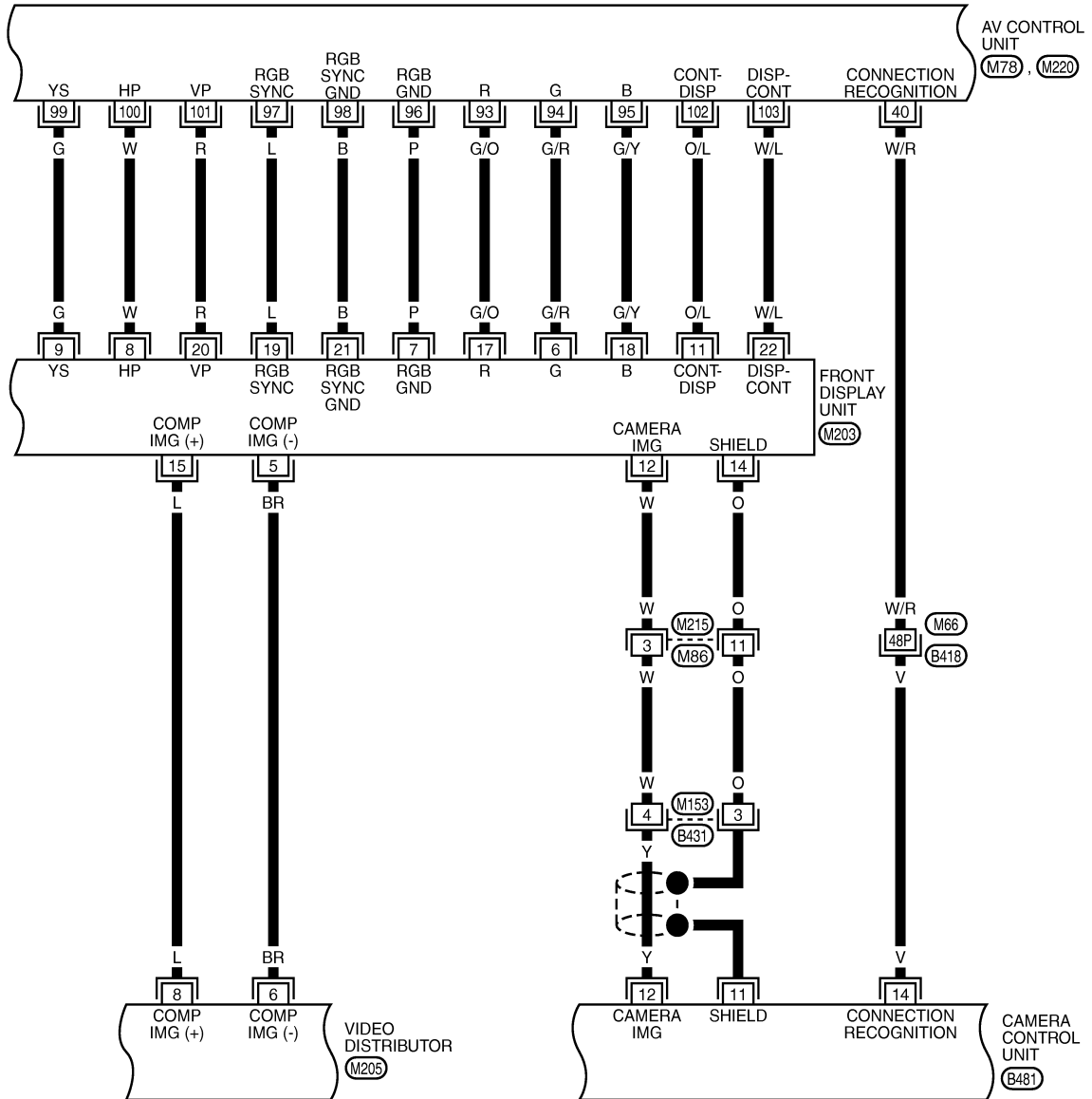
AV

# REAR DISPLAY UNIT

[WITH MOBILE ENTERTAINMENT SYSTEM]

< ECU DIAGNOSIS >

AV-AV-75



REFER TO THE FOLLOWING.

(B418) -SUPER MULTIPLE JUNCTION (SMJ)

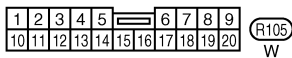
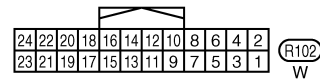
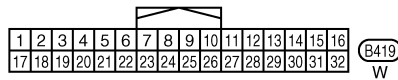
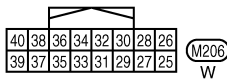
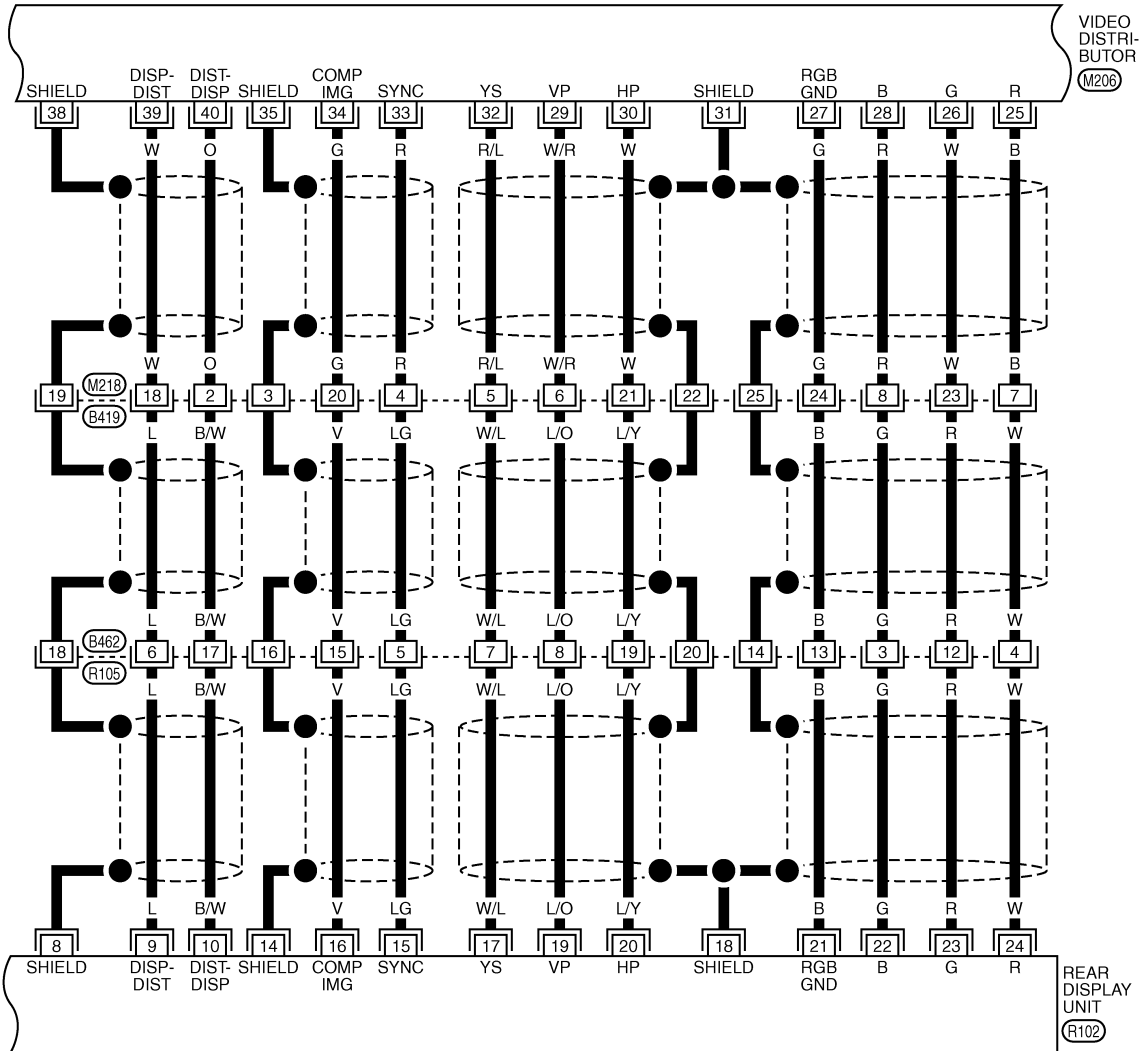
TKWT6757E

# REAR DISPLAY UNIT

[WITH MOBILE ENTERTAINMENT SYSTEM]

< ECU DIAGNOSIS >

AV-AV-76



TKWT5152E

A  
B  
C  
D  
E  
F  
G  
H  
I  
J  
K  
L  
M  
N  
O  
P

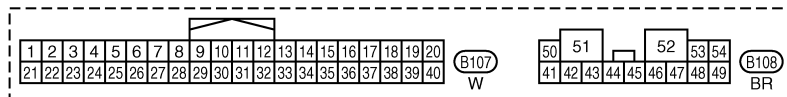
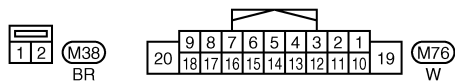
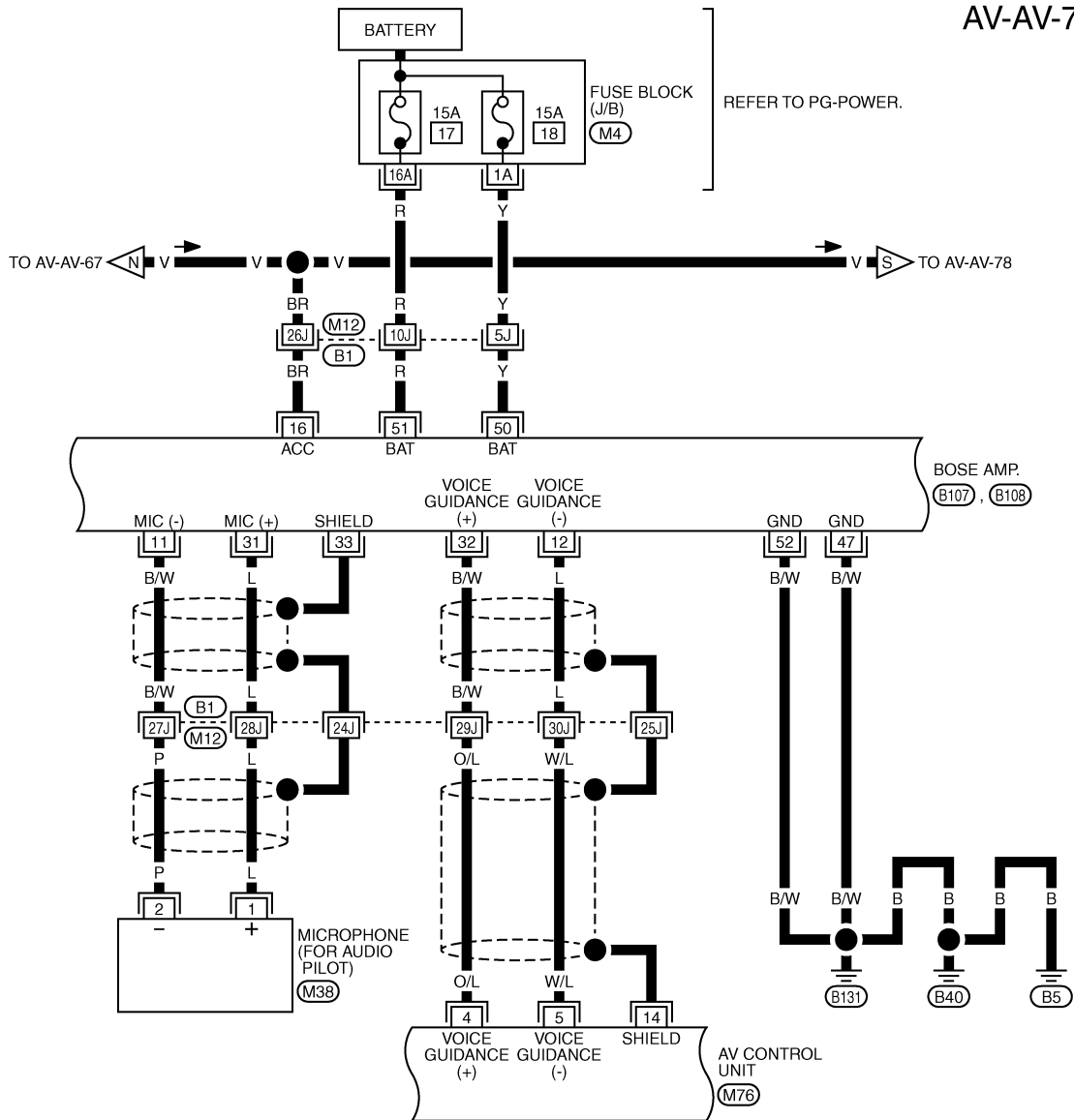
AV

# REAR DISPLAY UNIT

[WITH MOBILE ENTERTAINMENT SYSTEM]

< ECU DIAGNOSIS >

AV-AV-77



REFER TO THE FOLLOWING.  
 (B1) -SUPER MULTIPLE JUNCTION (SMJ)  
 (M4) -FUSE BLOCK-JUNCTION BOX (J/B)

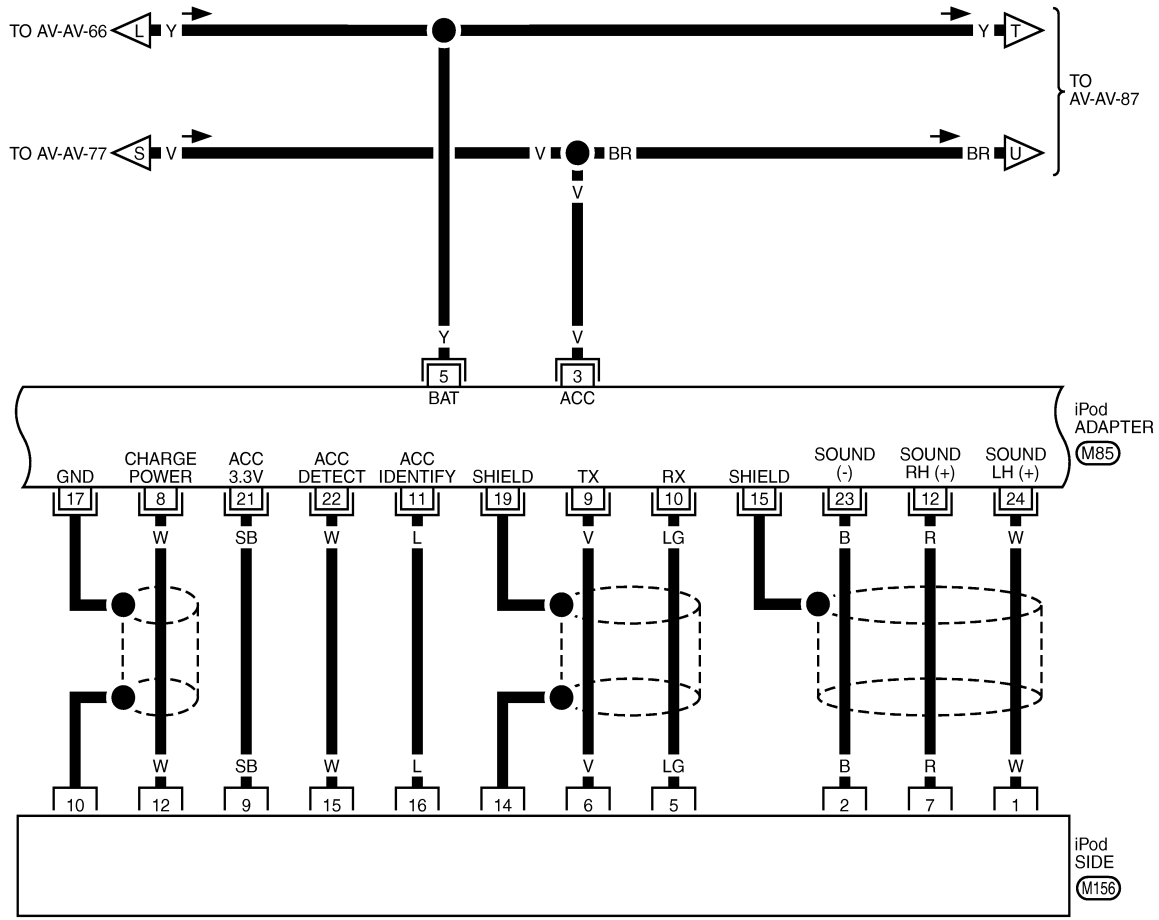
TKWT8308E

# REAR DISPLAY UNIT

[WITH MOBILE ENTERTAINMENT SYSTEM]

< ECU DIAGNOSIS >

AV-AV-78



12	11	10	9	8	7	6	5	4	3	2	1
24	23	22	21	20	19	18	17	16	15	14	13

(M85) W

6	5	4		3	2	1			
16	15	14	13	12	11	10	9	8	7

(M156) GR

TKWT6761E

A  
B  
C  
D  
E  
F  
G  
H  
I  
J  
K  
L  
M  
N  
O  
P

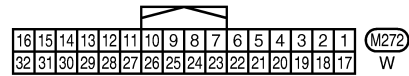
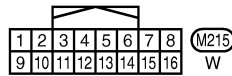
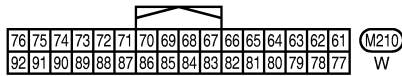
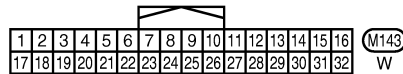
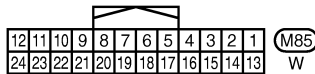
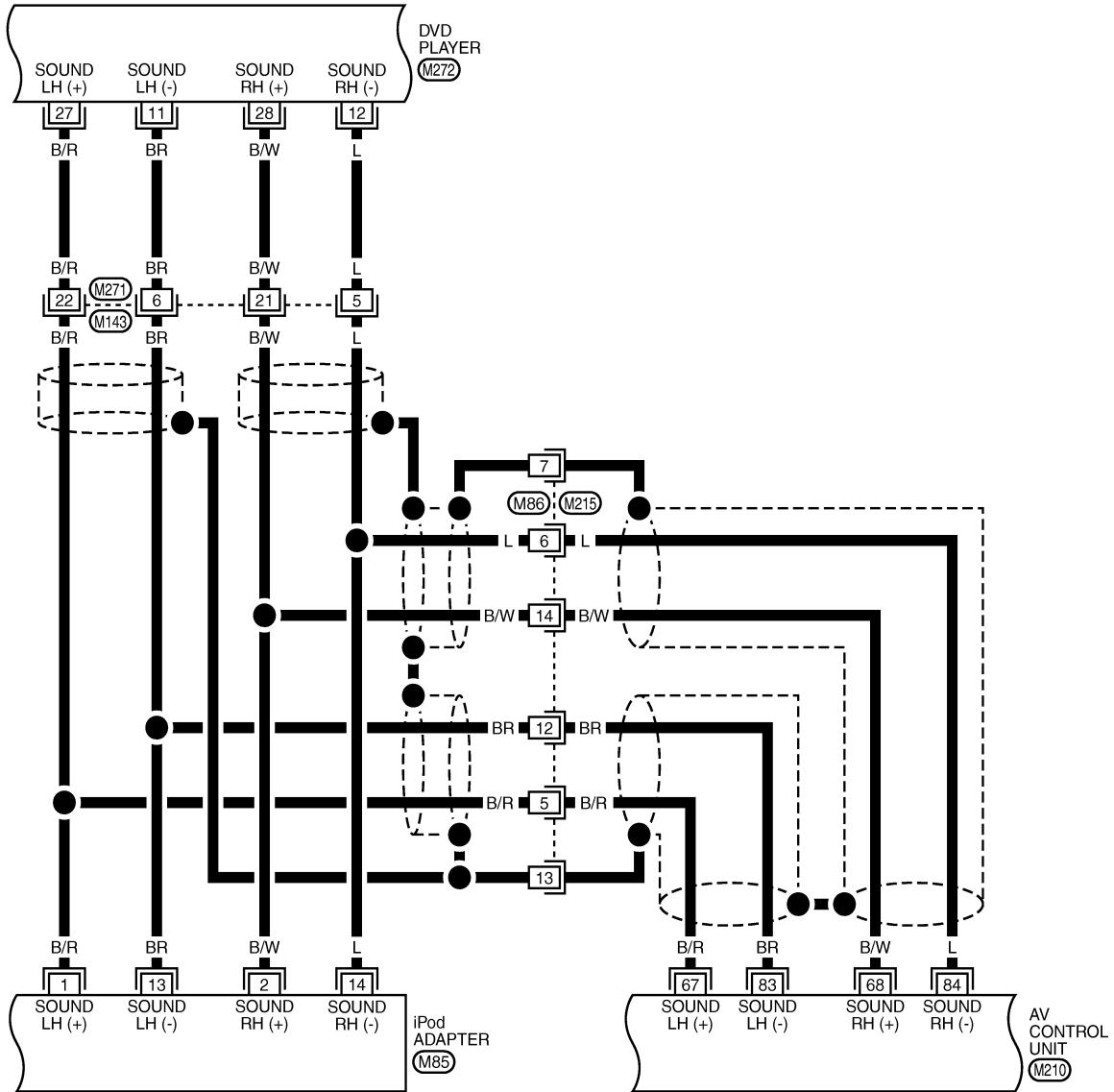
AV

# REAR DISPLAY UNIT

[WITH MOBILE ENTERTAINMENT SYSTEM]

< ECU DIAGNOSIS >

AV-AV-79



TKWT6762E

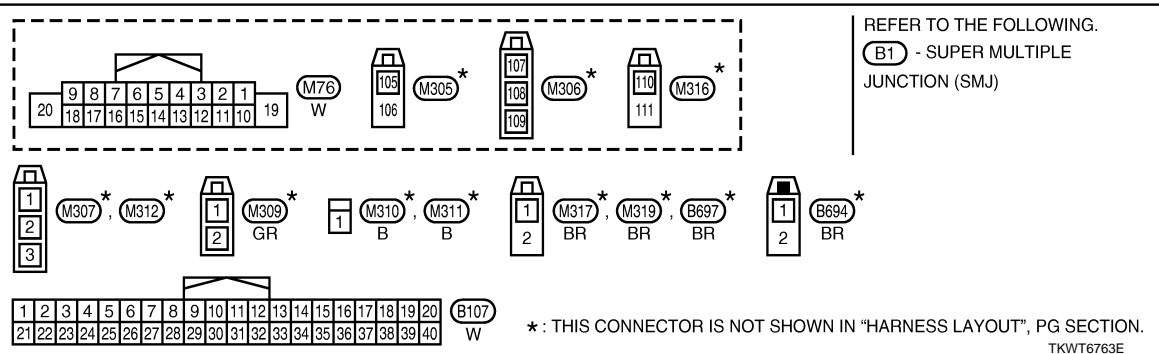
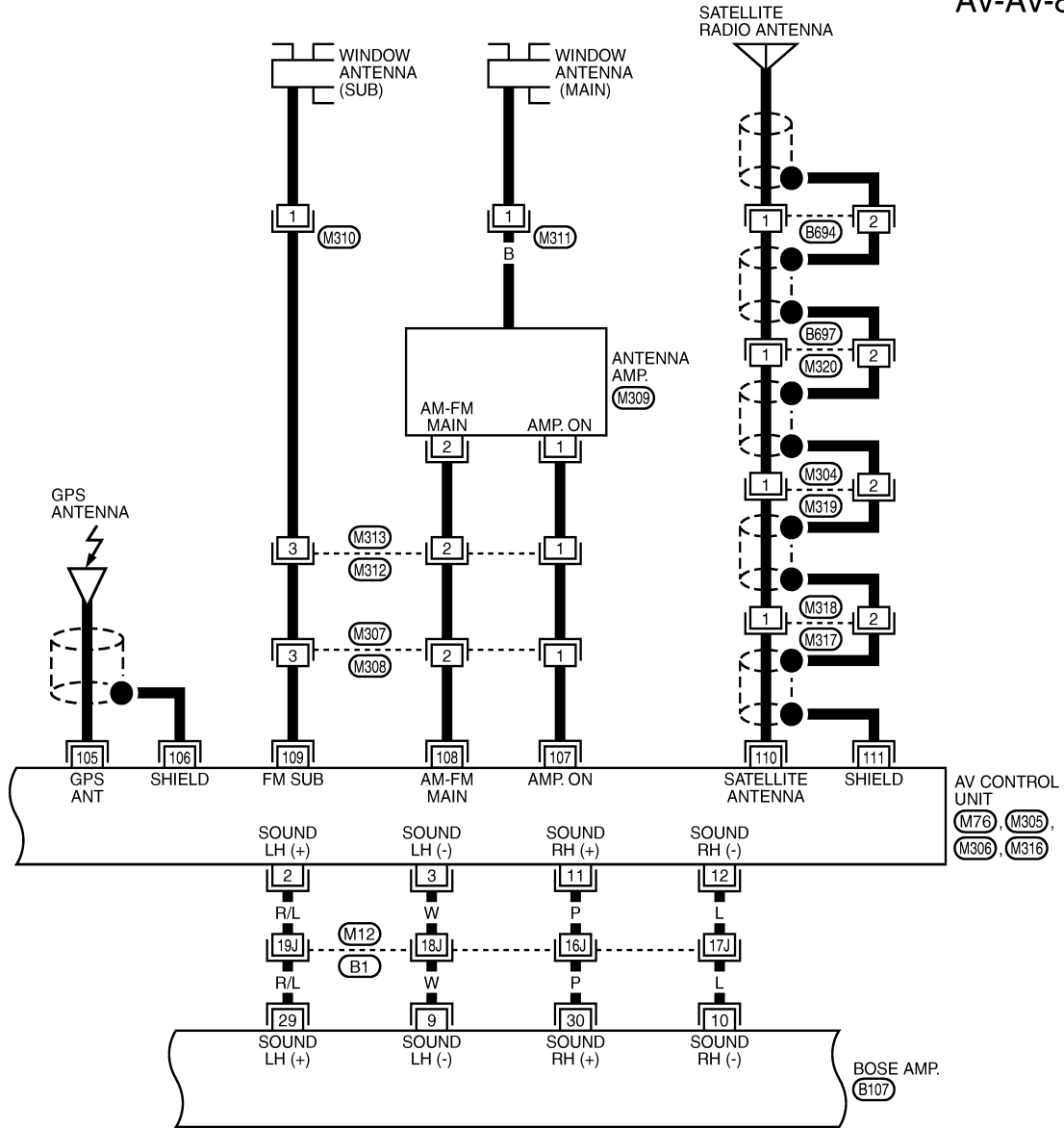


# REAR DISPLAY UNIT

[WITH MOBILE ENTERTAINMENT SYSTEM]

< ECU DIAGNOSIS >

AV-AV-80

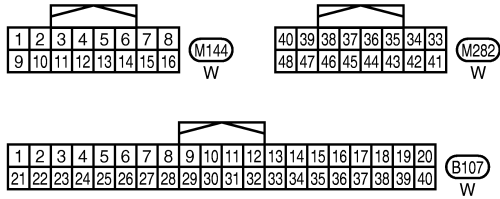
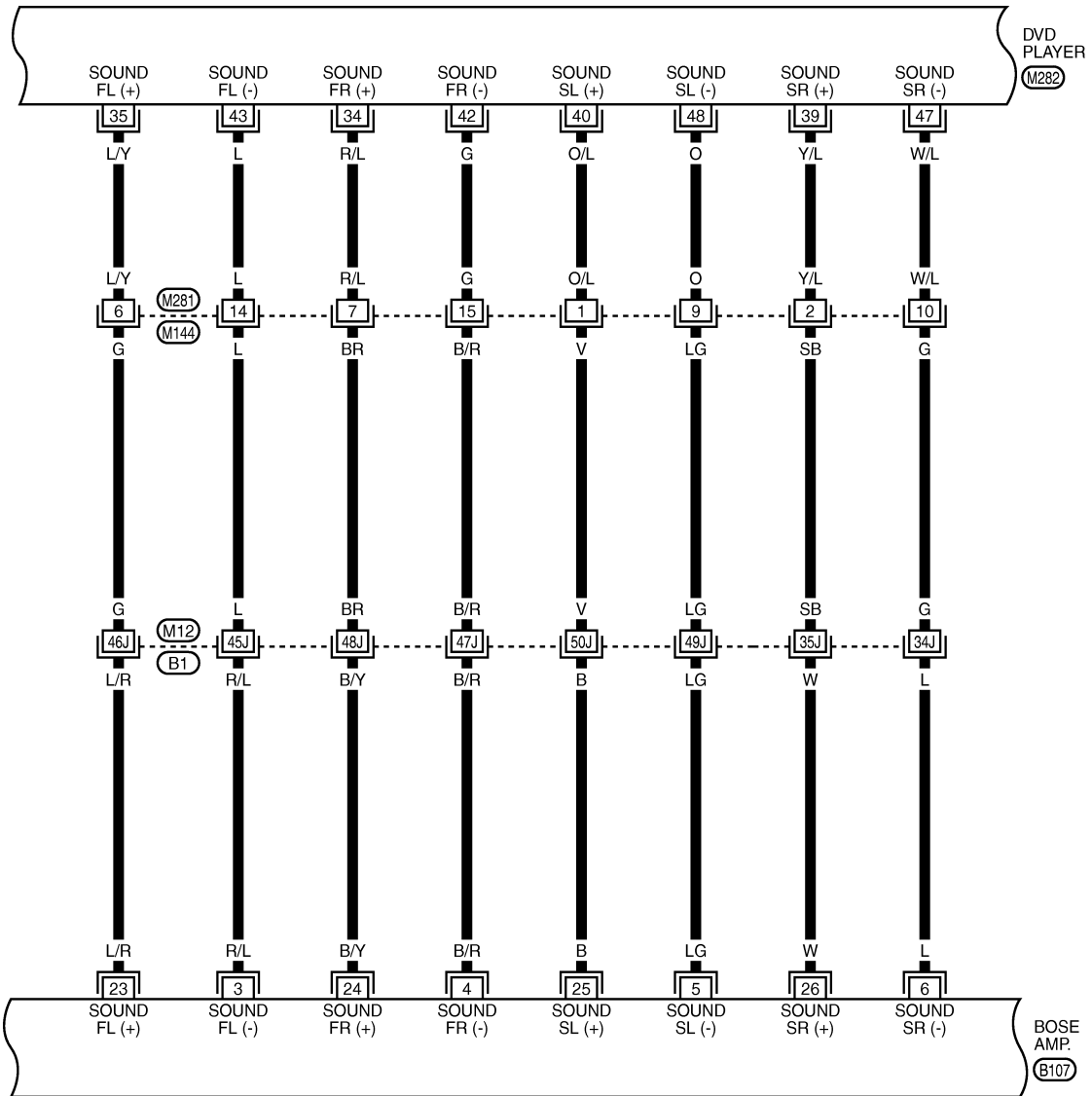


# REAR DISPLAY UNIT

[WITH MOBILE ENTERTAINMENT SYSTEM]

< ECU DIAGNOSIS >

AV-AV-81



REFER TO THE FOLLOWING.

(B1) - SUPER MULTIPLE JUNCTION (SMJ)

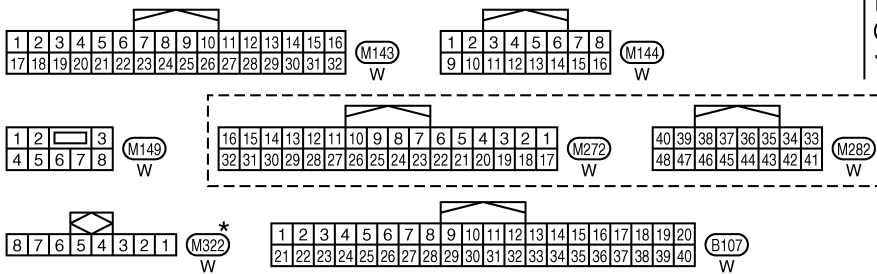
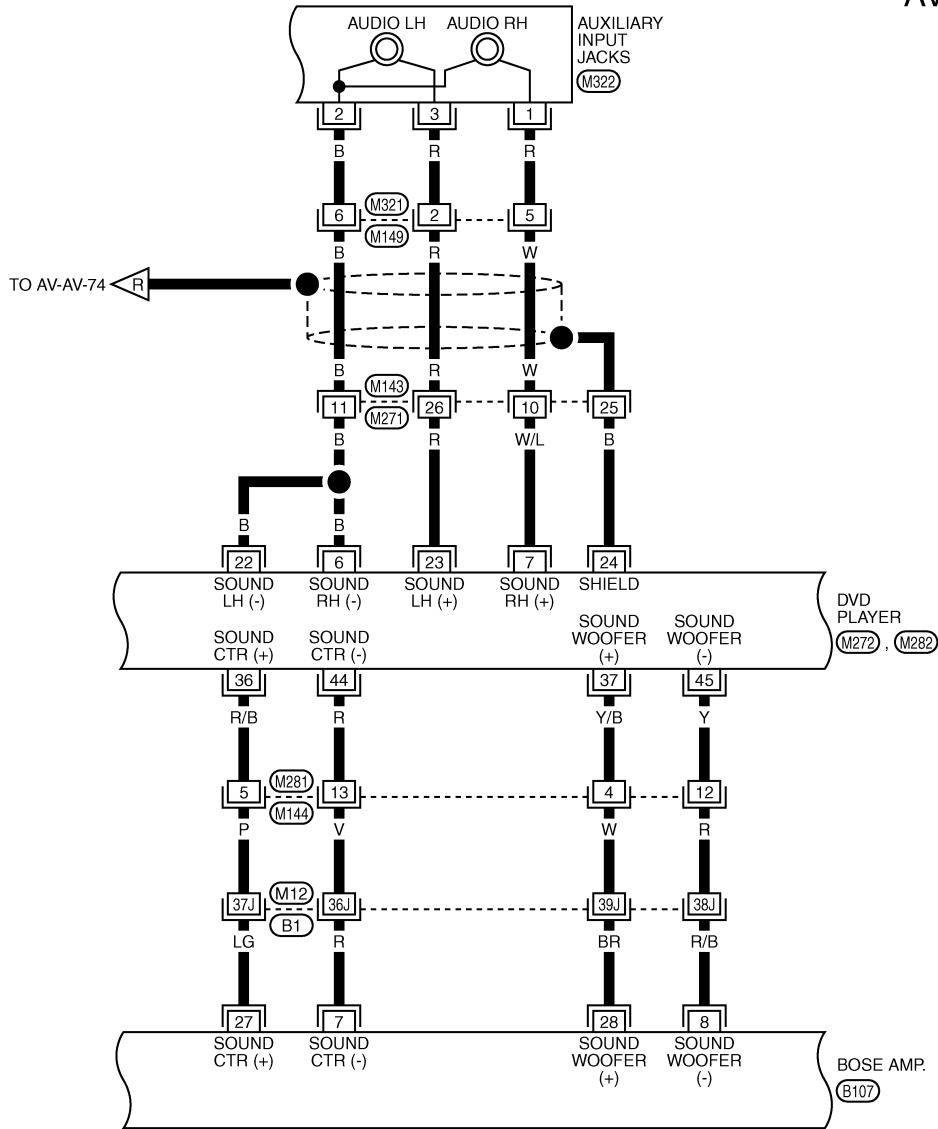
TKWT6764E

# REAR DISPLAY UNIT

[WITH MOBILE ENTERTAINMENT SYSTEM]

< ECU DIAGNOSIS >

AV-AV-82



REFER TO THE FOLLOWING.  
**(B1)** -SUPER MULTIPLE JUNCTION (SMJ)

\*: THIS CONNECTOR IS NOT SHOWN IN "HARNESS LAYOUT", PG SECTION.

TKWT8309E

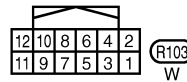
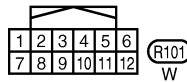
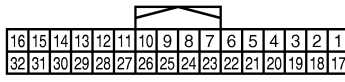
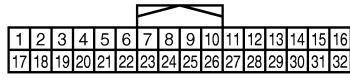
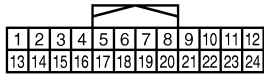
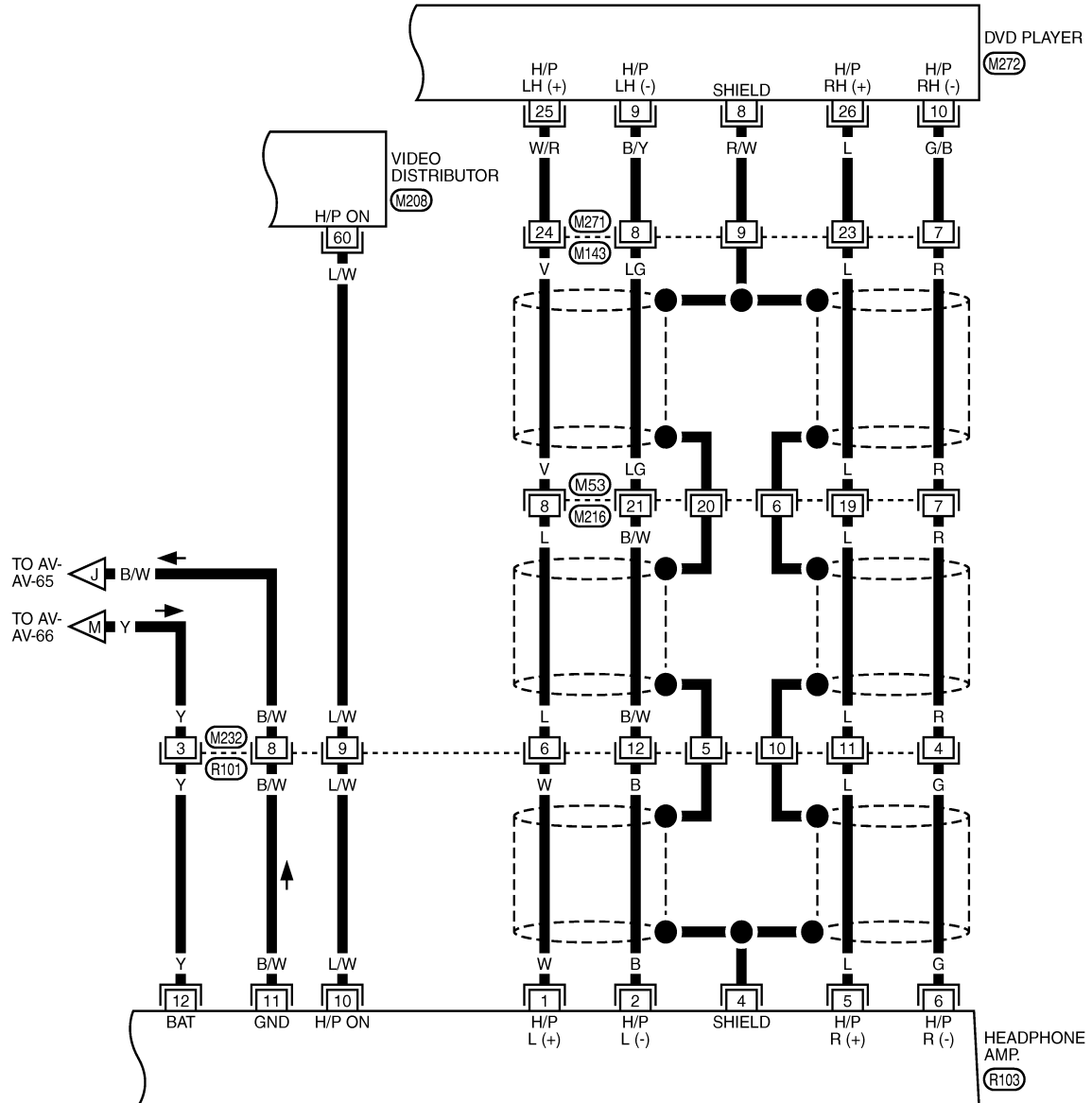
A  
B  
C  
D  
E  
F  
G  
H  
I  
J  
AV  
L  
M  
N  
O  
P

# REAR DISPLAY UNIT

[WITH MOBILE ENTERTAINMENT SYSTEM]

< ECU DIAGNOSIS >

AV-AV-83



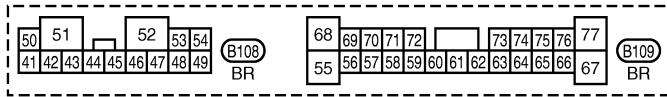
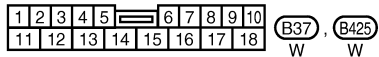
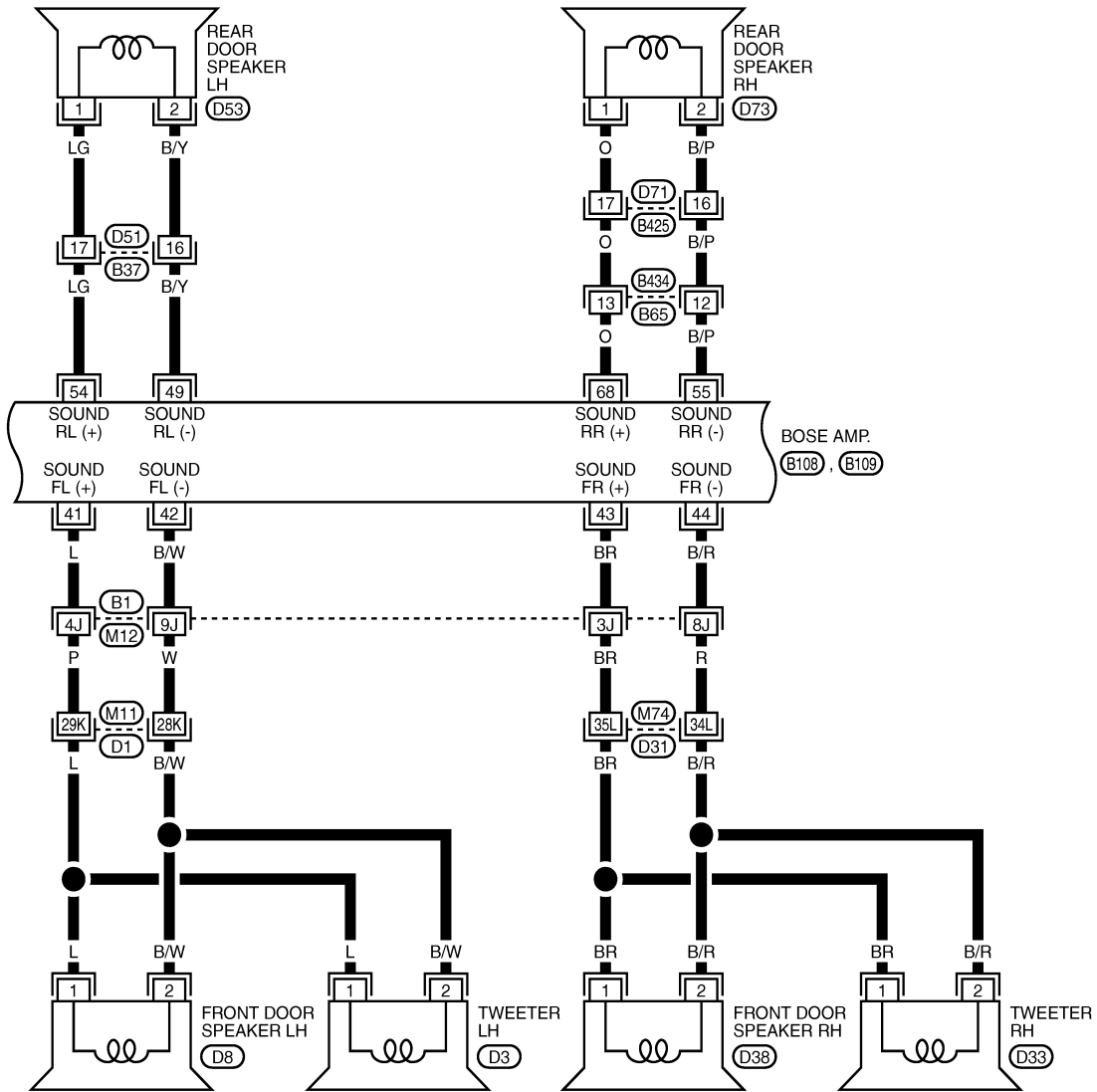
TKWT6766E

# REAR DISPLAY UNIT

[WITH MOBILE ENTERTAINMENT SYSTEM]

< ECU DIAGNOSIS >

AV-AV-84



REFER TO THE FOLLOWING.  
 (B1), (D1), (D31) - SUPER  
 MULTIPLE JUNCTION (SMJ)

TKWT6767E

A  
B  
C  
D  
E  
F  
G  
H  
I  
J  
K  
L  
M  
N  
O  
P

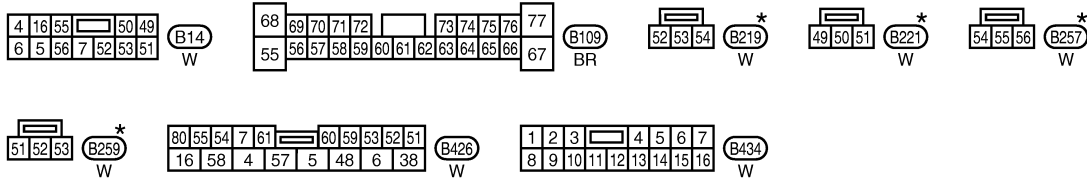
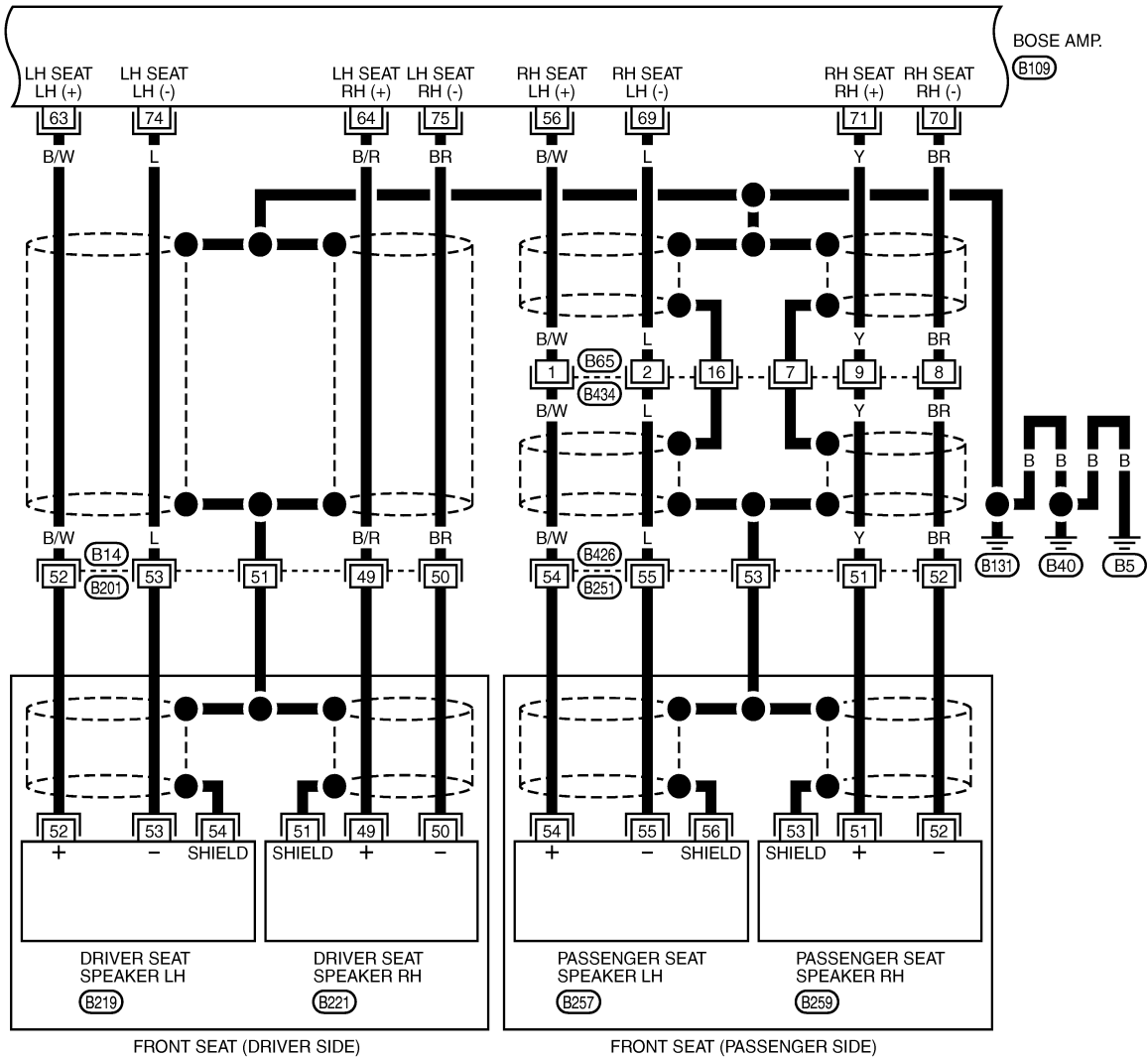
AV

# REAR DISPLAY UNIT

[WITH MOBILE ENTERTAINMENT SYSTEM]

< ECU DIAGNOSIS >

AV-AV-85



\*: THIS CONNECTOR IS NOT SHOWN IN "HARNESS LAYOUT", PG SECTION.

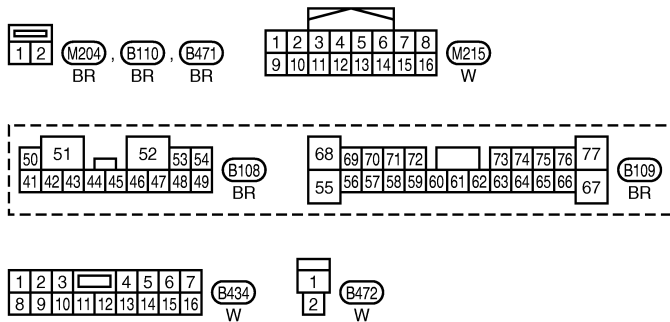
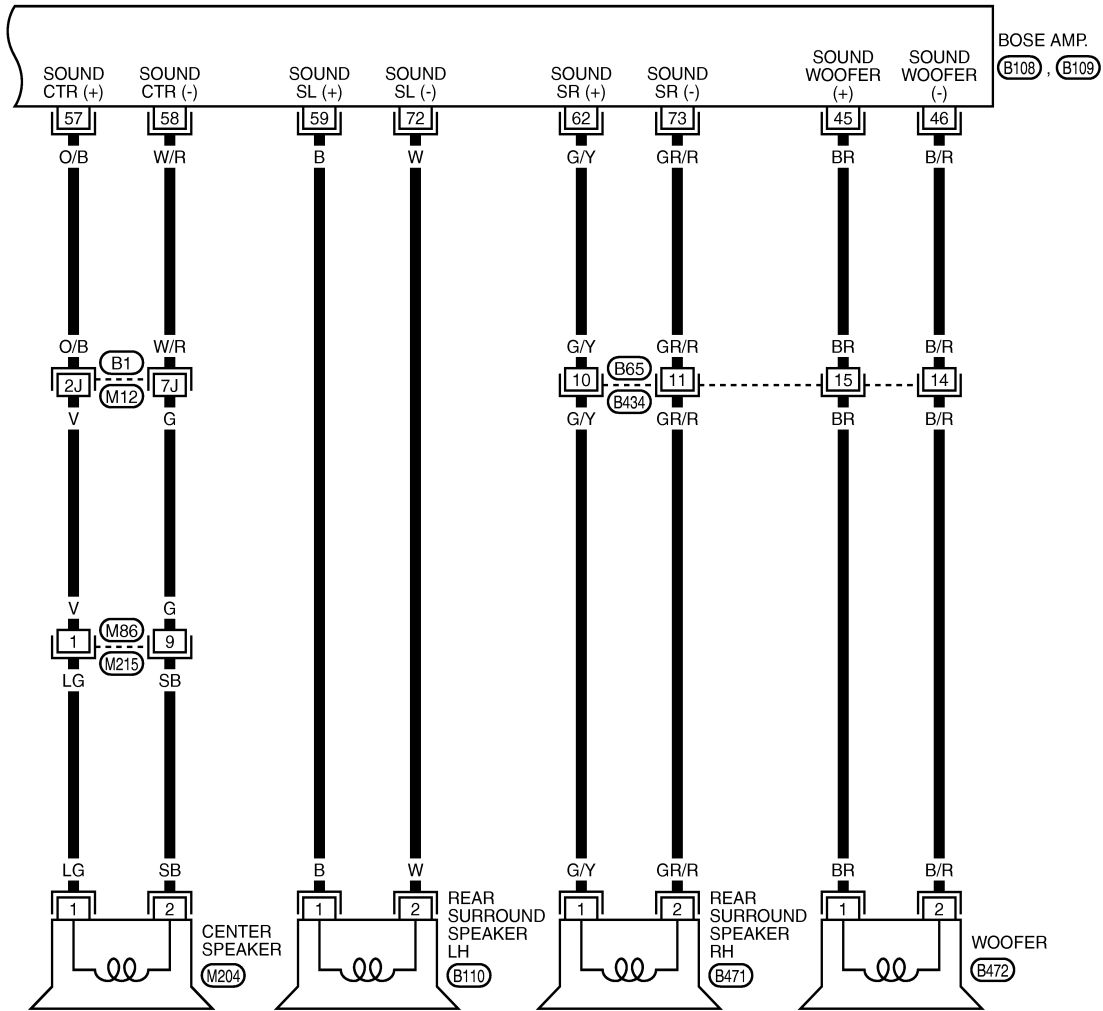
TKWT6768E

# REAR DISPLAY UNIT

[WITH MOBILE ENTERTAINMENT SYSTEM]

< ECU DIAGNOSIS >

AV-AV-86



REFER TO THE FOLLOWING.

(B1) - SUPER MULTIPLE JUNCTION (SMJ)

TKWT6769E

A  
B  
C  
D  
E  
F  
G  
H  
I  
J  
K  
L  
M  
N  
O  
P

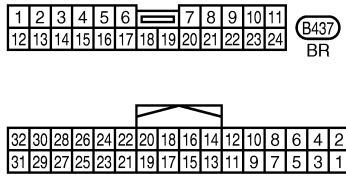
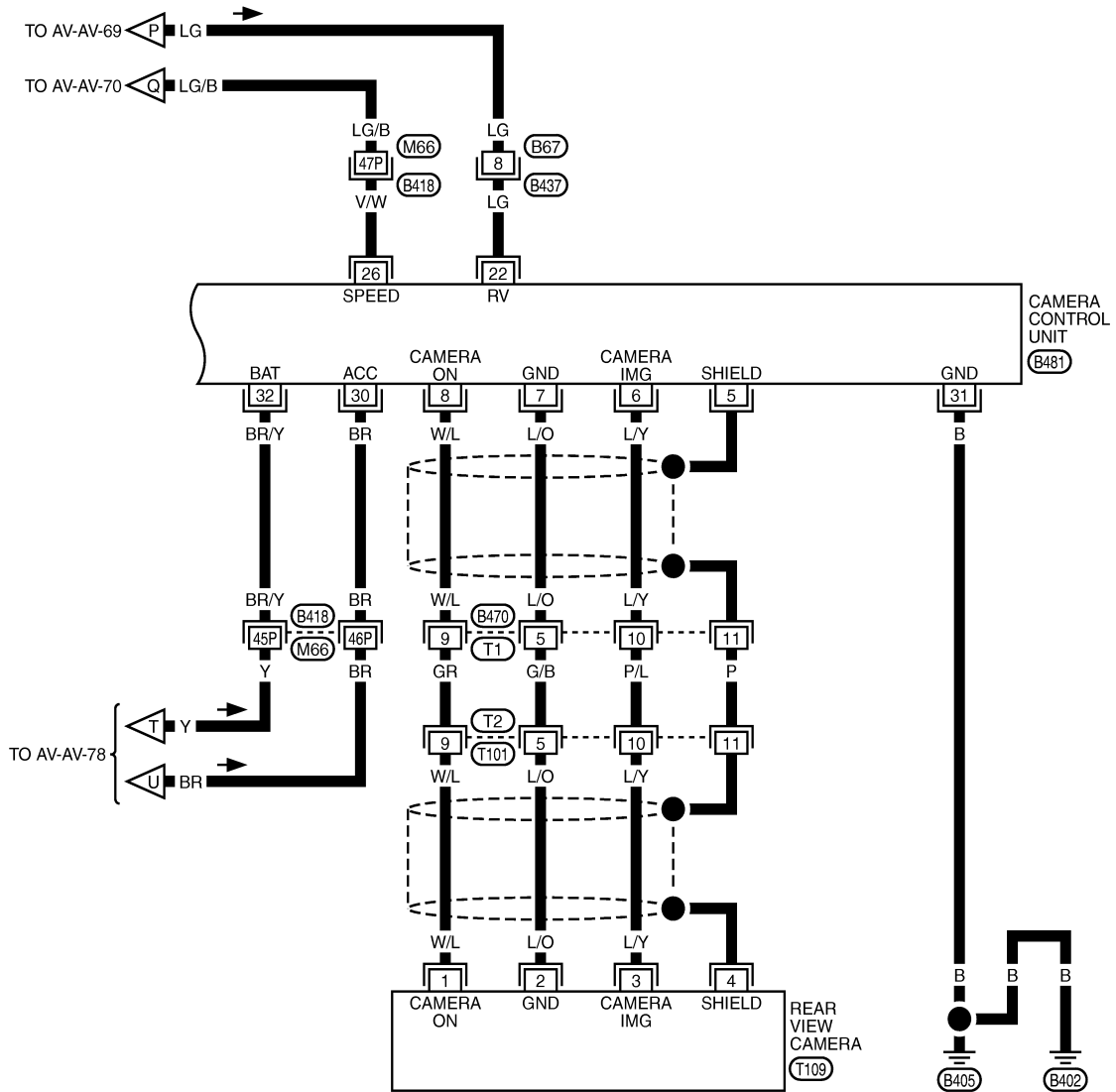
AV

# REAR DISPLAY UNIT

[WITH MOBILE ENTERTAINMENT SYSTEM]

< ECU DIAGNOSIS >

AV-AV-87



REFER TO THE FOLLOWING.

**(B418)** - SUPER MULTIPLE JUNCTION (SMJ)

TKWT6770E



# VIDEO DISTRIBUTOR

< ECU DIAGNOSIS >

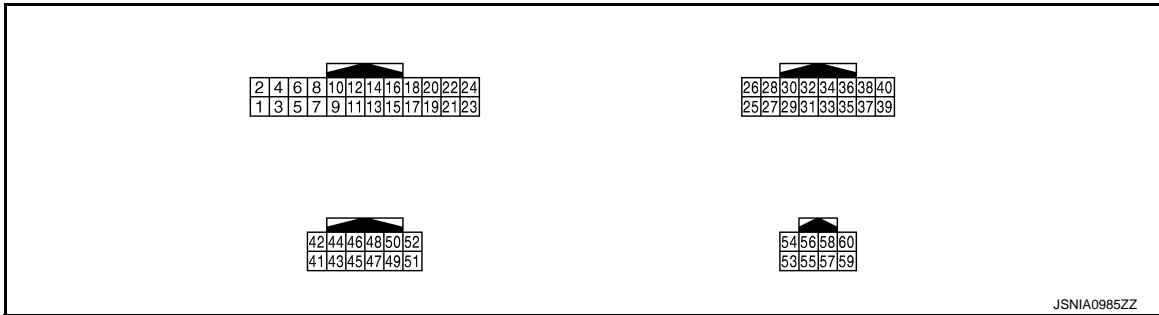
[WITH MOBILE ENTERTAINMENT SYSTEM]

## VIDEO DISTRIBUTOR

Reference Value

INFOID:000000005350611

### TERMINAL LAYOUT



JSNIA0985ZZ

### PHYSICAL VALUES

Terminal (Wire color)		Description		Condition		Reference value (Approx.)
+	-	Signal name	Input/ Output			
1 (W)	—	AV communication signal (H)	Input/ Output	—	—	—
2 (R)	—	AV communication signal (L)	Input/ Output	—	—	—
3 (W)	—	AV communication signal (H)	Input/ Output	—	—	—
4 (R)	—	AV communication signal (L)	Input/ Output	—	—	—
8 (L)	6 (BR)	Composite image signal for front display unit	Output	Ignition switch ON	When AUX or DVD image is displayed on front display unit.	
15 (B)	Ground	Ground	—	Ignition switch ON	—	0 V
16 (B)	Ground	Ground	—	Ignition switch ON	—	0 V
19 (Y) <sup>*1</sup> (R) <sup>*2</sup>	21 (BR)	AUX image signal	Input	Ignition switch ON	When AUX image is dis- played.	

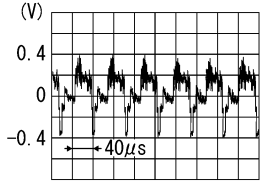
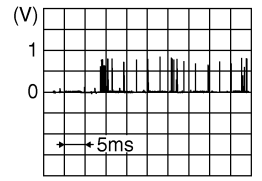
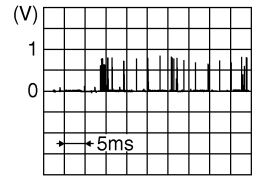
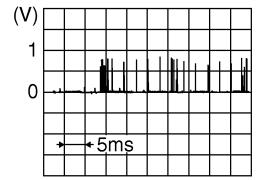
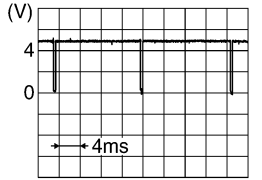
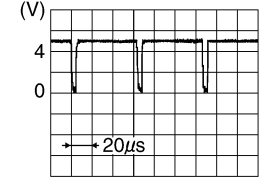
A  
B  
C  
D  
E  
F  
G  
H  
I  
J  
L  
M  
N  
O  
P

AV

# VIDEO DISTRIBUTOR

< ECU DIAGNOSIS >

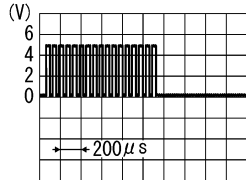
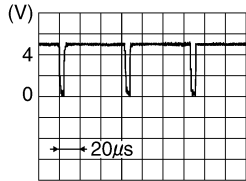
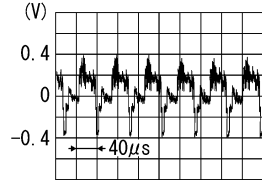
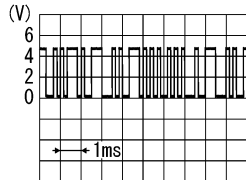
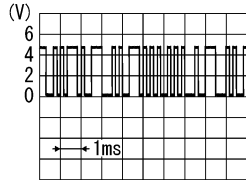
[WITH MOBILE ENTERTAINMENT SYSTEM]

Terminal (Wire color)		Description		Condition		Reference value (Approx.)
+	-	Signal name	Input/ Output			
23 (G)	22 (R) <sup>*1</sup> (B) <sup>*2</sup>	DVD image signal	Input	Ignition switch ON	When DVD image is displayed.	 <p style="text-align: right; font-size: small;">SKIB2251J</p>
25 (B)	Ground	RGB signal (R: red) for rear display unit	Output	Ignition switch ON	Rear seat remote controller operation when AUX or DVD image is displayed on rear display unit.	 <p style="text-align: right; font-size: small;">JSNIA0984ZZ</p>
26 (W)	Ground	RGB signal (G: green) for rear display unit	Output	Ignition switch ON	Rear seat remote controller operation when AUX or DVD image is displayed on rear display unit.	 <p style="text-align: right; font-size: small;">JSNIA0984ZZ</p>
27 (G)	Ground	RGB ground for rear display unit	—	Ignition switch ON	—	0 V
28 (R)	Ground	RGB signal (B: blue) for rear display unit	Output	Ignition switch ON	Rear seat remote controller operation when AUX or DVD image is displayed on rear display unit.	 <p style="text-align: right; font-size: small;">JSNIA0984ZZ</p>
29 (W/R)	Ground	Vertical synchronizing (VP) signal for rear display unit	Input	Ignition switch ON	—	 <p style="text-align: right; font-size: small;">SKIB3598E</p>
30 (W)	Ground	Horizontal synchronizing (HP) signal for rear display	Input	Ignition switch ON	—	 <p style="text-align: right; font-size: small;">SKIB0825E</p>
31	—	Shield	—	—	—	—

# VIDEO DISTRIBUTOR

[WITH MOBILE ENTERTAINMENT SYSTEM]

< ECU DIAGNOSIS >

Terminal (Wire color)		Description		Condition	Reference value (Approx.)
+	-	Signal name	Input/ Output		
32 (R/L)	Ground	RGB area (YS) signal for rear display	Output	Ignition switch ON	0 V
				Rear seat remote controller operation when AUX or DVD image is displayed on rear display unit.	 <p style="text-align: right; font-size: small;">PKIB4948J</p>
33 (R)	Ground	Composite image synchronizing signal for rear display	Output	Ignition switch ON	 <p style="text-align: right; font-size: small;">SKIB0825E</p>
34 (G)	Ground	Composite image signal for rear display unit	Output	Ignition switch ON	 <p style="text-align: right; font-size: small;">SKIB2251J</p>
35	—	Shield	—	—	—
36 (O)	Ground	Ignition signal	Output	Ignition switch ON	0 V
				Ignition switch ACC	5 V
38	—	Shield	—	—	—
39 (W)	Ground	Communication signal (DISP→DIST)	Input	Ignition switch ON	 <p style="text-align: right; font-size: small;">PKIB5039J</p>
40 (O)	Ground	Communication signal (DIST→DISP)	Output	Ignition switch ON	 <p style="text-align: right; font-size: small;">PKIB5039J</p>
51 (B)	Ground	Ground	—	Ignition switch ON	0 V

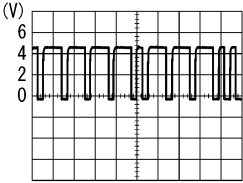
A  
B  
C  
D  
E  
F  
G  
H  
I  
J  
L  
M  
N  
O  
P

AV

# VIDEO DISTRIBUTOR

[WITH MOBILE ENTERTAINMENT SYSTEM]

< ECU DIAGNOSIS >

Terminal (Wire color)		Description		Condition		Reference value (Approx.)
+	-	Signal name	Input/ Output			
53 (B)	Ground	Ground	—	Ignition switch ON	—	0 V
54 (Y)	Ground	Battery power supply	Input	Ignition switch OFF	—	Battery voltage
55 (V)	Ground	ACC power supply	Input	Ignition switch ACC	—	Battery voltage
56 (G)	Ground	Ignition signal	Input	Ignition switch ON	—	Battery voltage
57 (W/L)	Ground	Remote control receiver VCC	Output	Ignition switch ON	—	5 V
58 (L/O)	Ground	Remote control signal	Input	Ignition switch ON	Rear seat remote controller operation.	 <p style="text-align: right; font-size: small;">PKIB6988J</p>
59 (B)	Ground	Headphone amp. ground	—	Ignition switch ON	—	0 V
60 (L/W)	Ground	Headphone amp. ON sig- nal	Output	Ignition switch ON	Headphone mode is ON.	4 V
					Headphone mode is OFF.	0 V

\*1: BOSE surround audio 5.1ch system models.

\*2: BOSE 2ch system models.

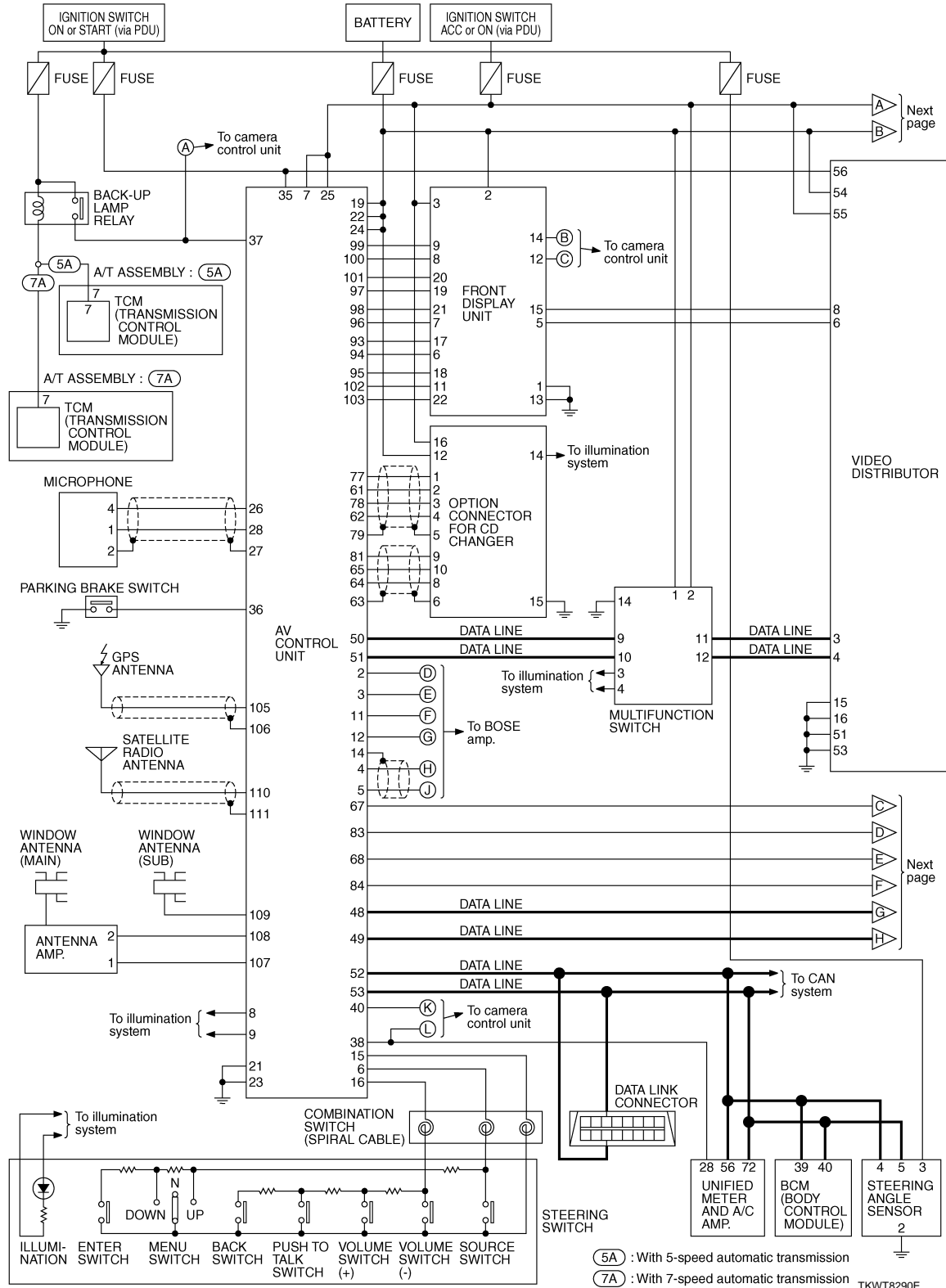
# VIDEO DISTRIBUTOR

[WITH MOBILE ENTERTAINMENT SYSTEM]

< ECU DIAGNOSIS >

## Schematic - BOSE Audio 2ch System-

INFOID:000000005350612



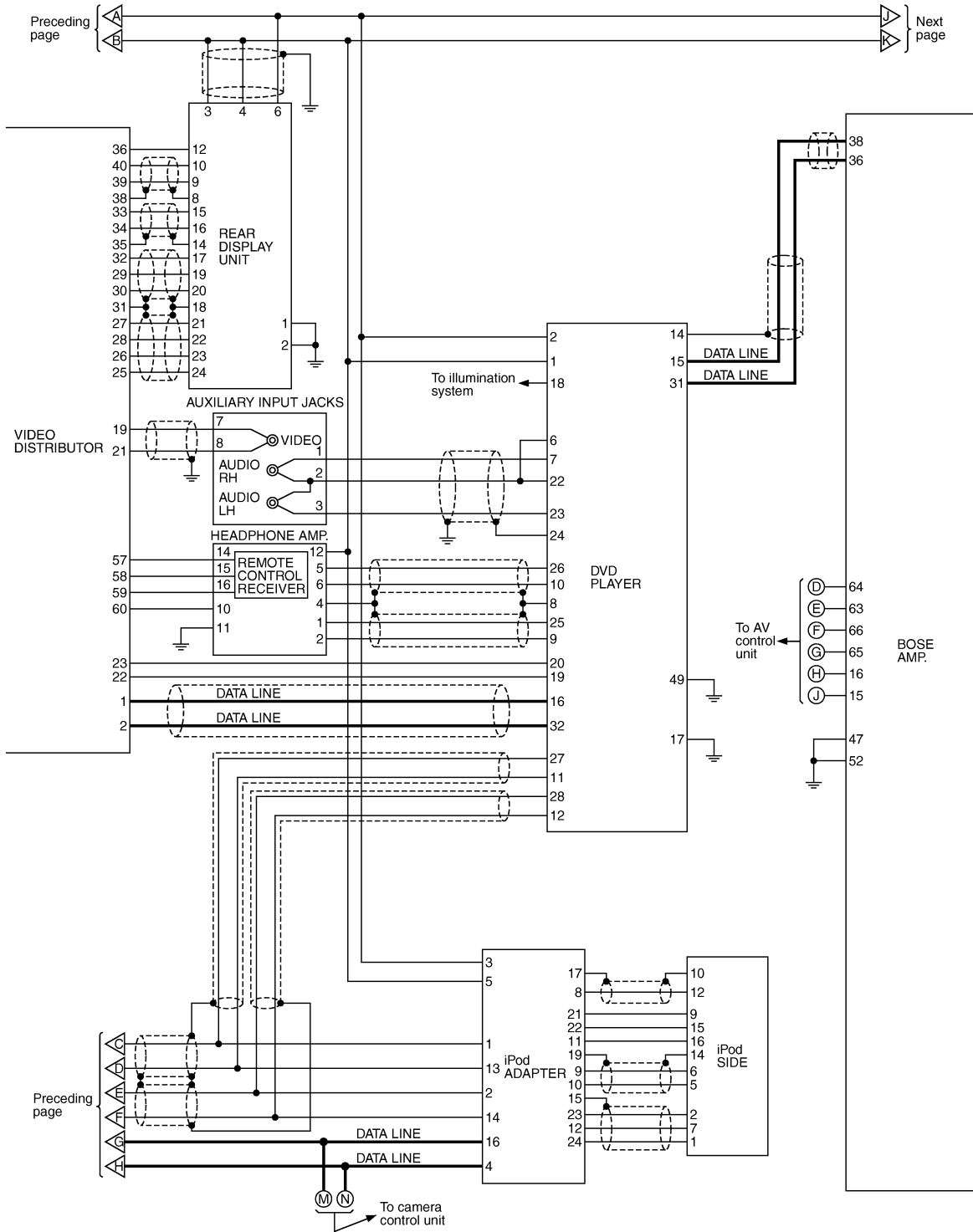
A  
B  
C  
D  
E  
F  
G  
H  
I  
J  
K  
L  
M  
N  
O  
P

AV

# VIDEO DISTRIBUTOR

[WITH MOBILE ENTERTAINMENT SYSTEM]

< ECU DIAGNOSIS >

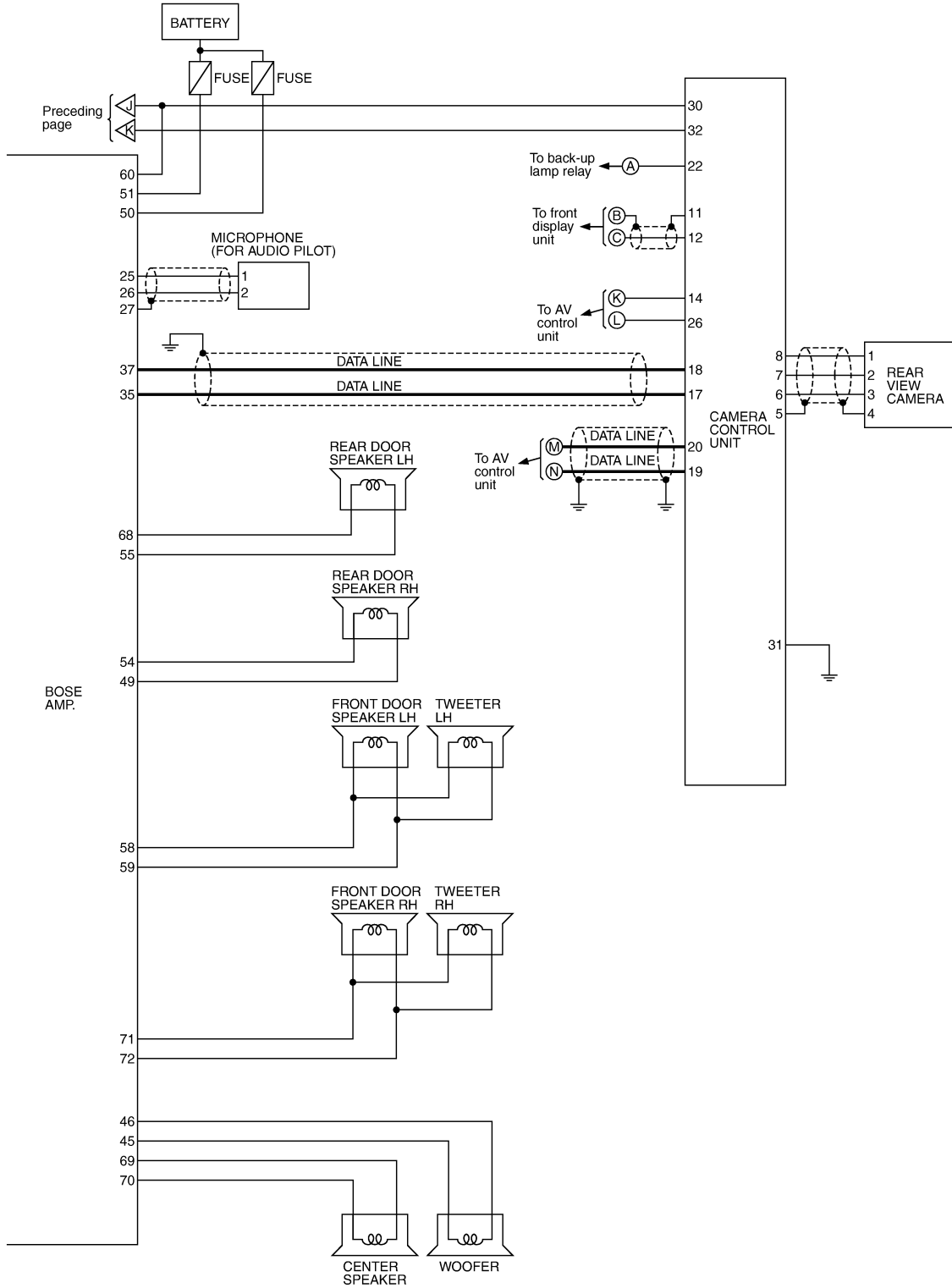


TKWT6722E

# VIDEO DISTRIBUTOR

[WITH MOBILE ENTERTAINMENT SYSTEM]

< ECU DIAGNOSIS >



A  
B  
C  
D  
E  
F  
G  
H  
I  
J  
K  
L  
M  
N  
O  
P

AV

Wiring Diagram - AV - / BOSE Audio 2ch System

**NOTE:**

TKWT6723E

INFOID:000000005350613

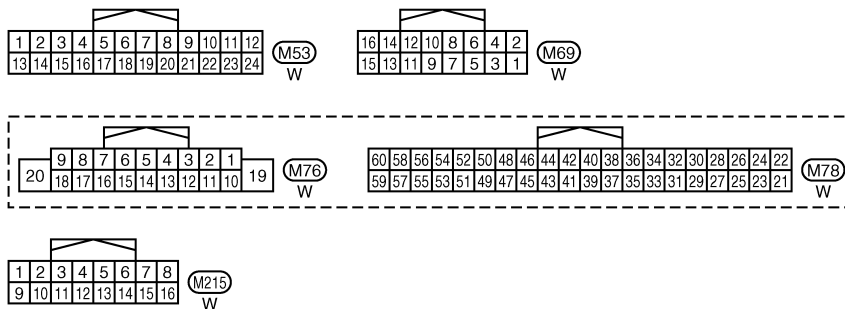
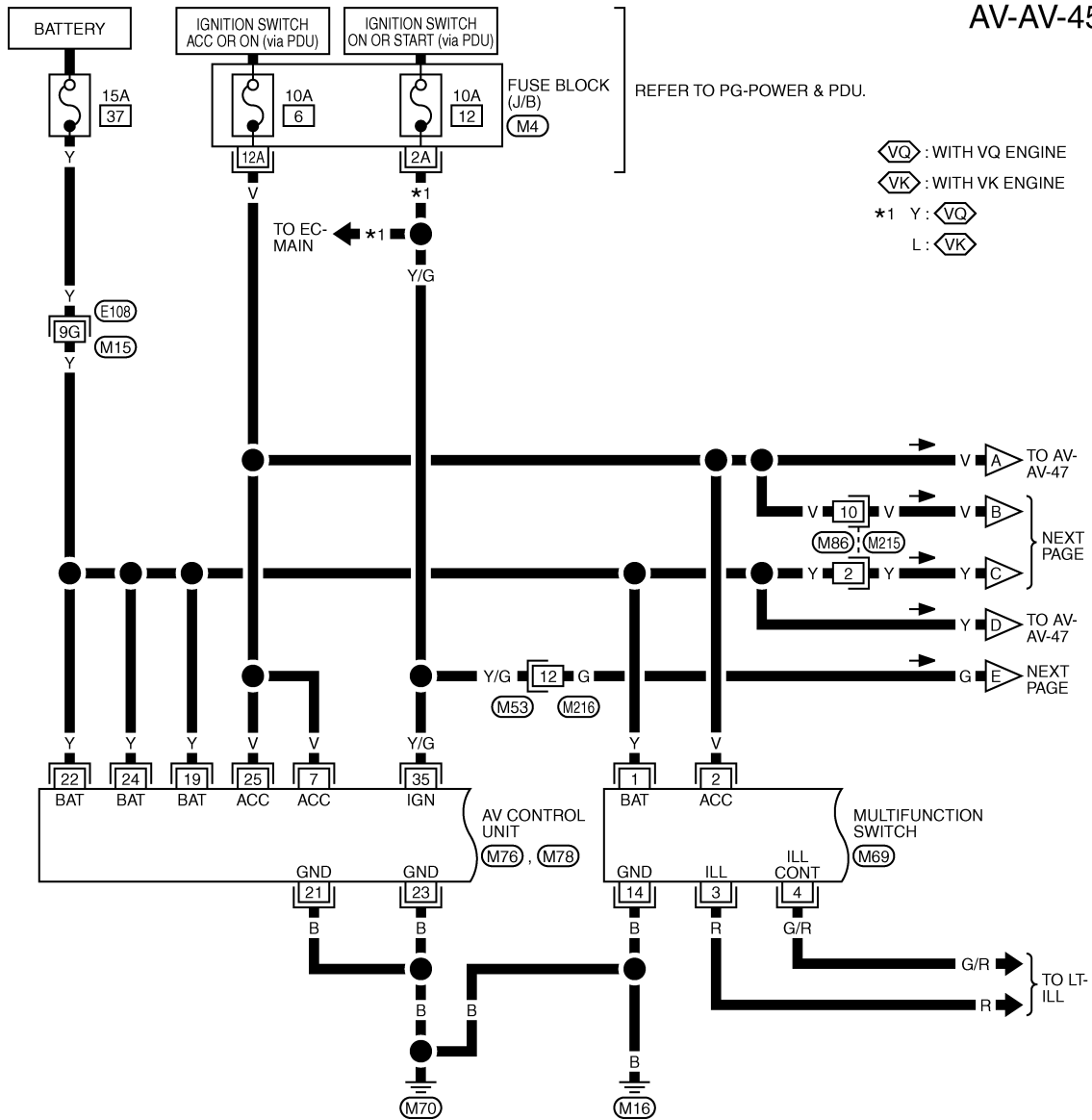
# VIDEO DISTRIBUTOR

[WITH MOBILE ENTERTAINMENT SYSTEM]

< ECU DIAGNOSIS >

The name MULTIFUNCTION SWITCH indicates the integration of PRESET SWITCH and MULTIFUNCTION SWITCH virtually.

AV-AV-45



REFER TO THE FOLLOWING.

(E108) -SUPER MULTIPLE JUNCTION (SMJ)

(M4) -FUSE BLOCK-JUNCTION BOX (J/B)

TKWT8291E

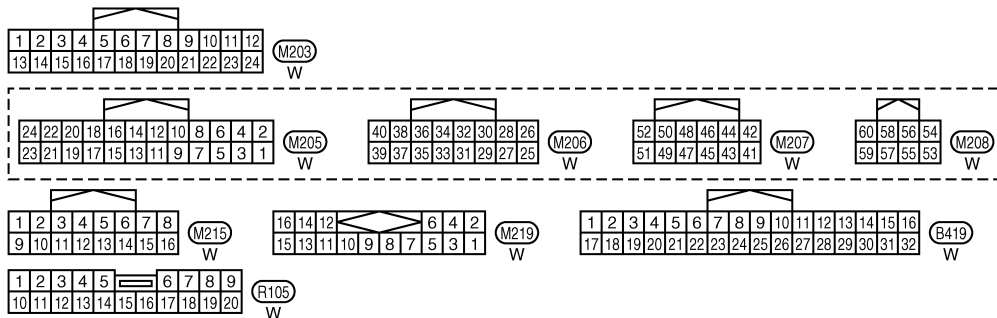
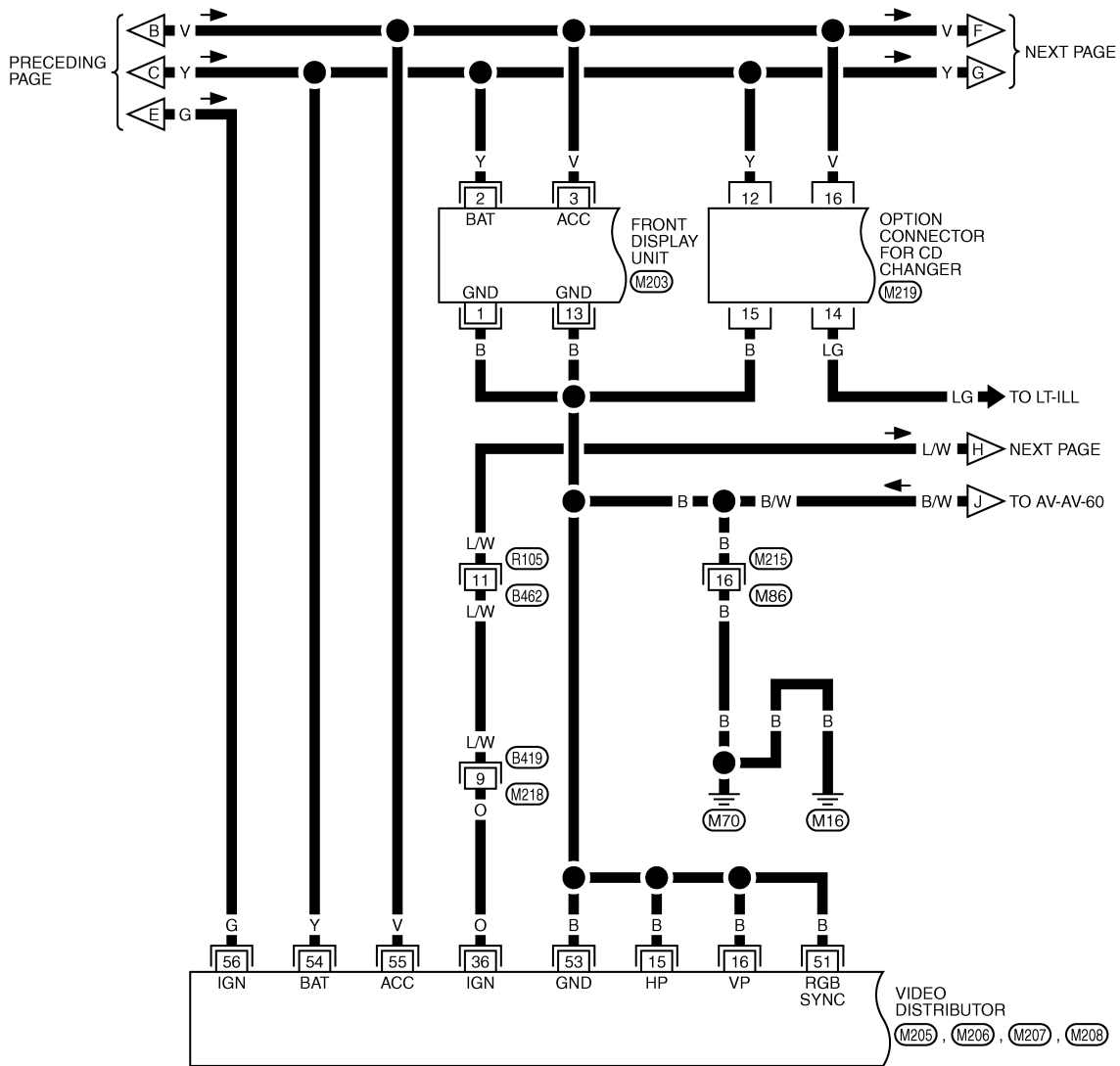


# VIDEO DISTRIBUTOR

[WITH MOBILE ENTERTAINMENT SYSTEM]

< ECU DIAGNOSIS >

AV-AV-46



TKWT8292E

A  
B  
C  
D  
E  
F  
G  
H  
I  
J  
L  
M  
N  
O  
P

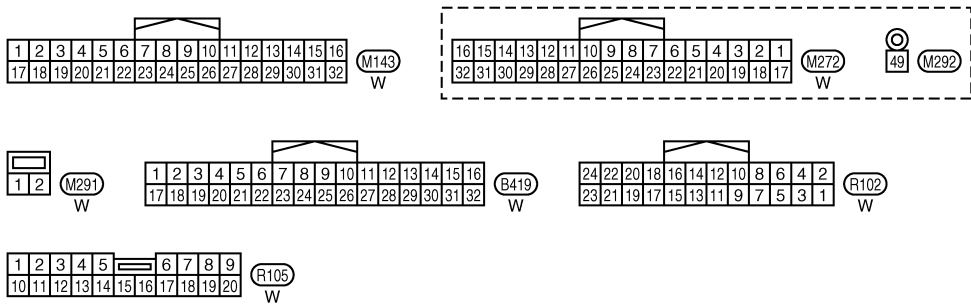
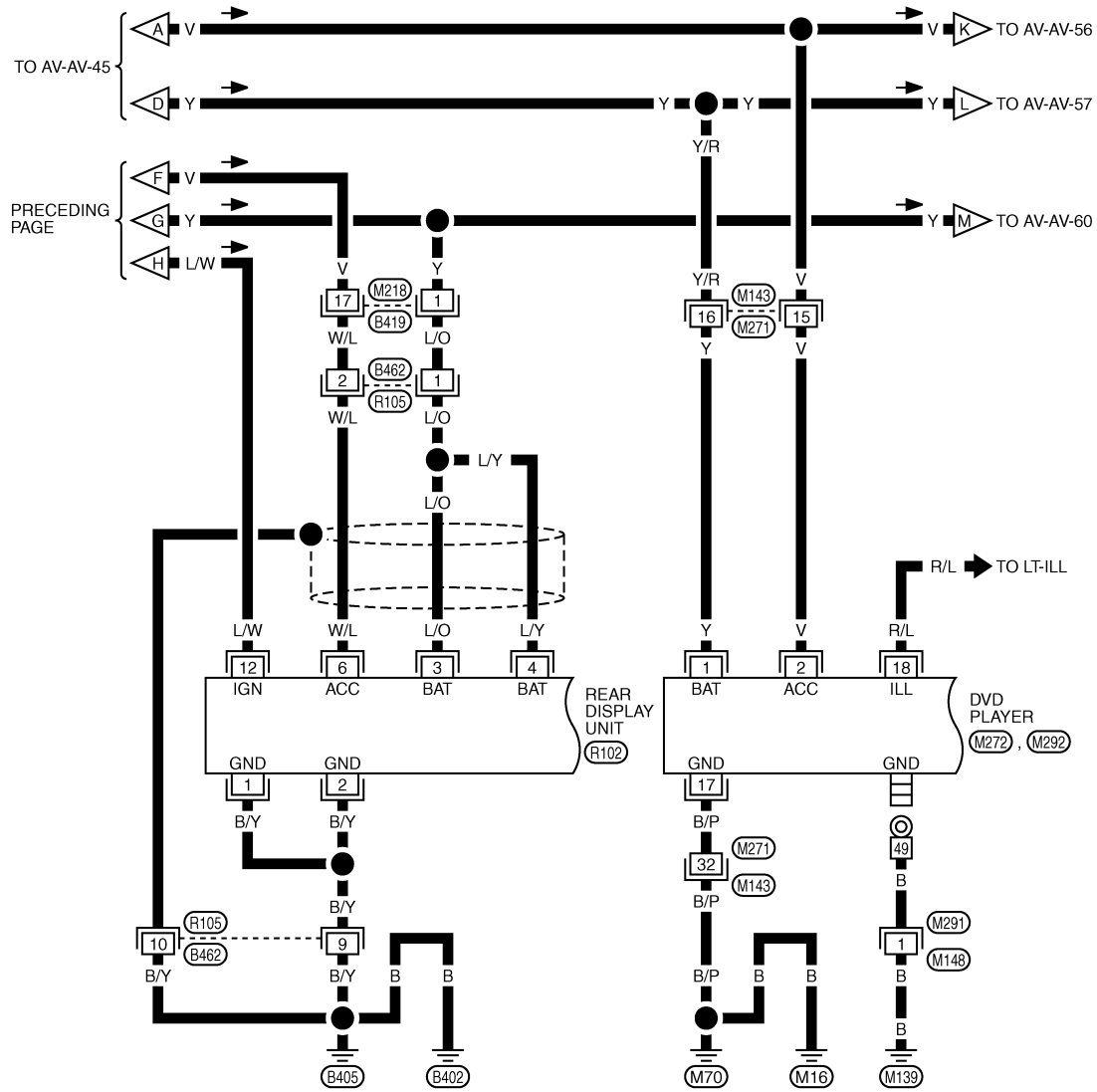
AV

# VIDEO DISTRIBUTOR

[WITH MOBILE ENTERTAINMENT SYSTEM]

< ECU DIAGNOSIS >

AV-AV-47



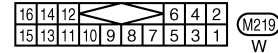
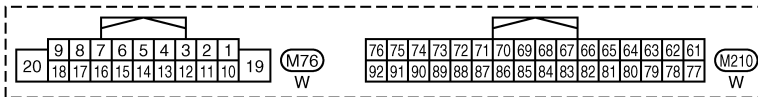
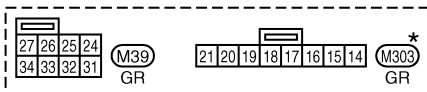
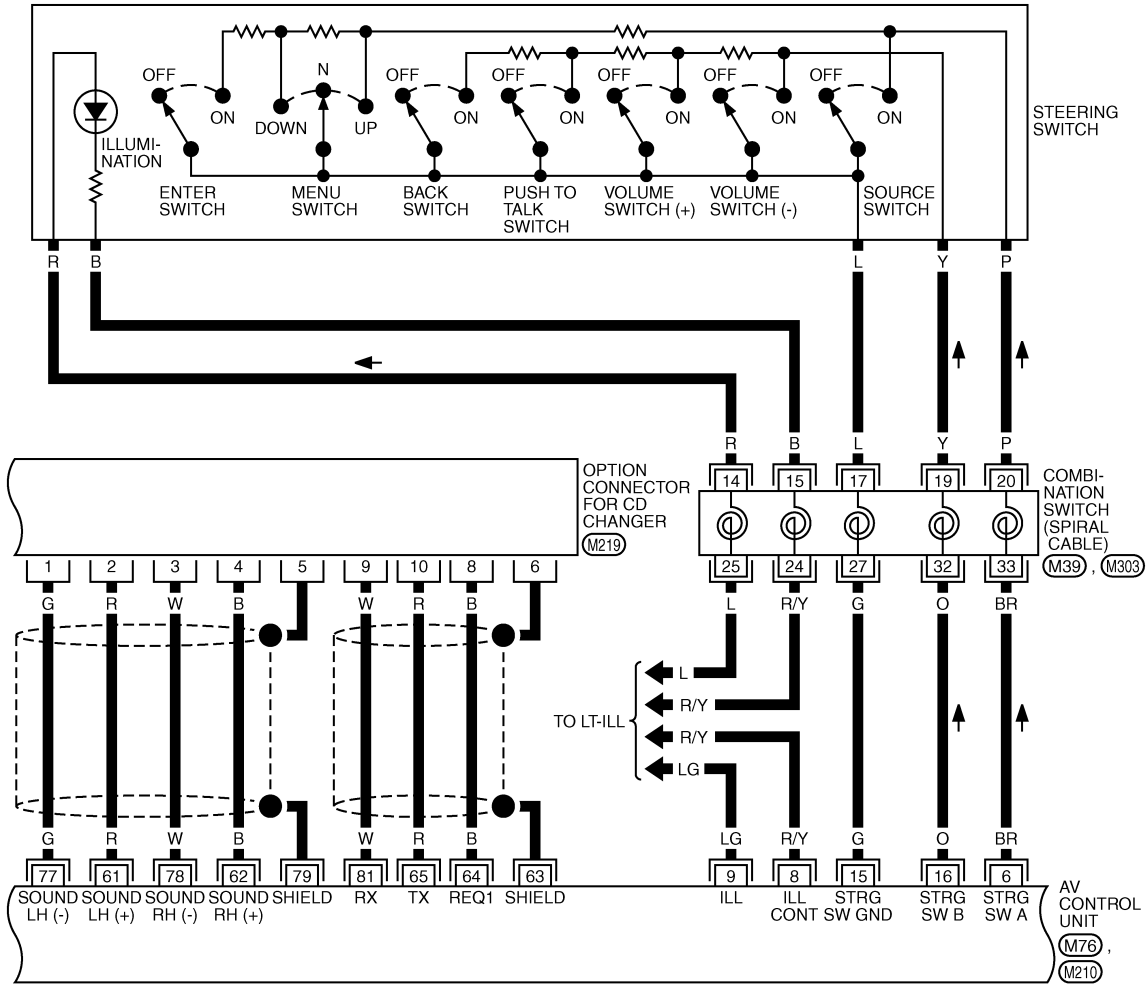
TKWT8293E

# VIDEO DISTRIBUTOR

[WITH MOBILE ENTERTAINMENT SYSTEM]

< ECU DIAGNOSIS >

AV-AV-48



\*: THIS CONNECTOR IS NOT SHOWN IN "HARNESS LAYOUT", PG SECTION.

TKWT8294E

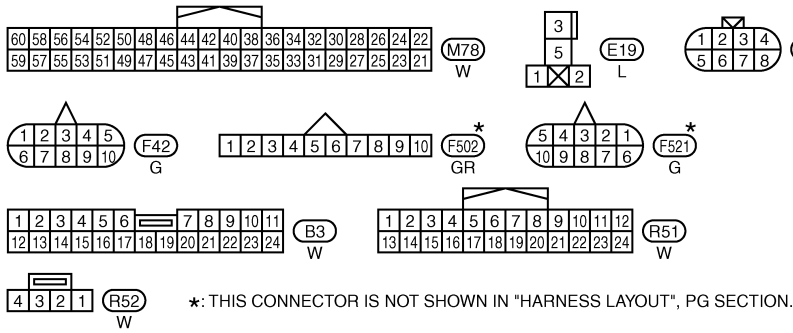
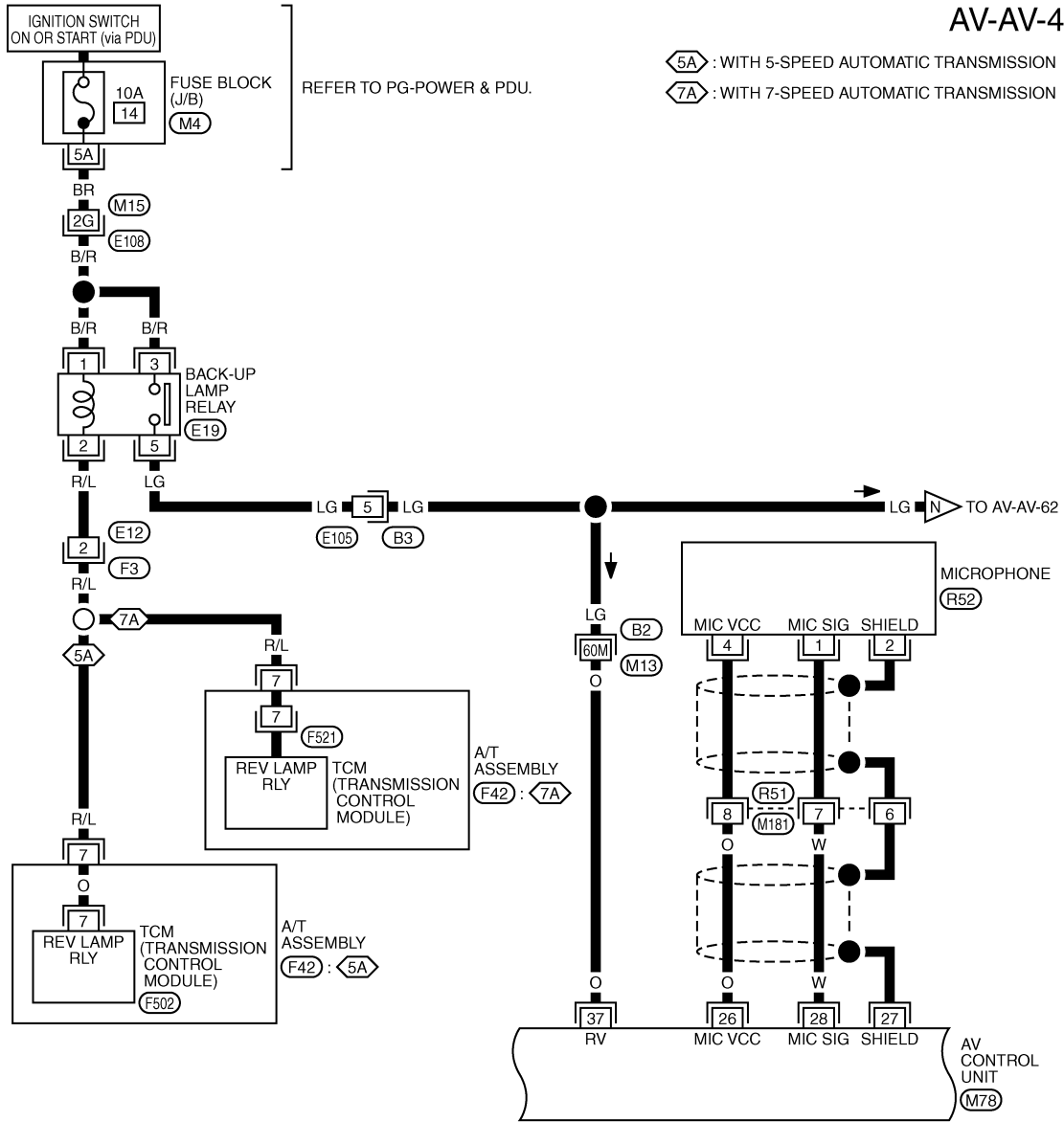
A  
B  
C  
D  
E  
F  
G  
H  
I  
J  
AV  
L  
M  
N  
O  
P

# VIDEO DISTRIBUTOR

[WITH MOBILE ENTERTAINMENT SYSTEM]

< ECU DIAGNOSIS >

AV-AV-49



REFER TO THE FOLLOWING.

(E108), (B2) -SUPER MULTIPLE JUNCTION (SMJ)

(M4) -FUSE BLOCK-JUNCTION BOX (J/B)

TKWT8295E

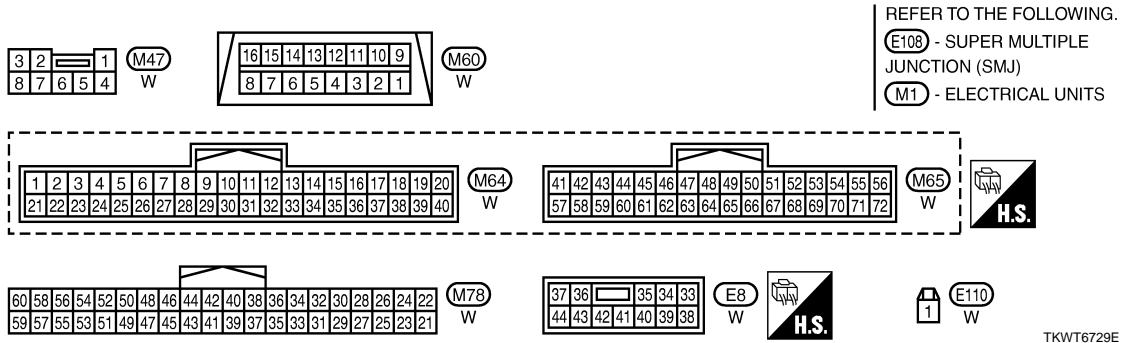
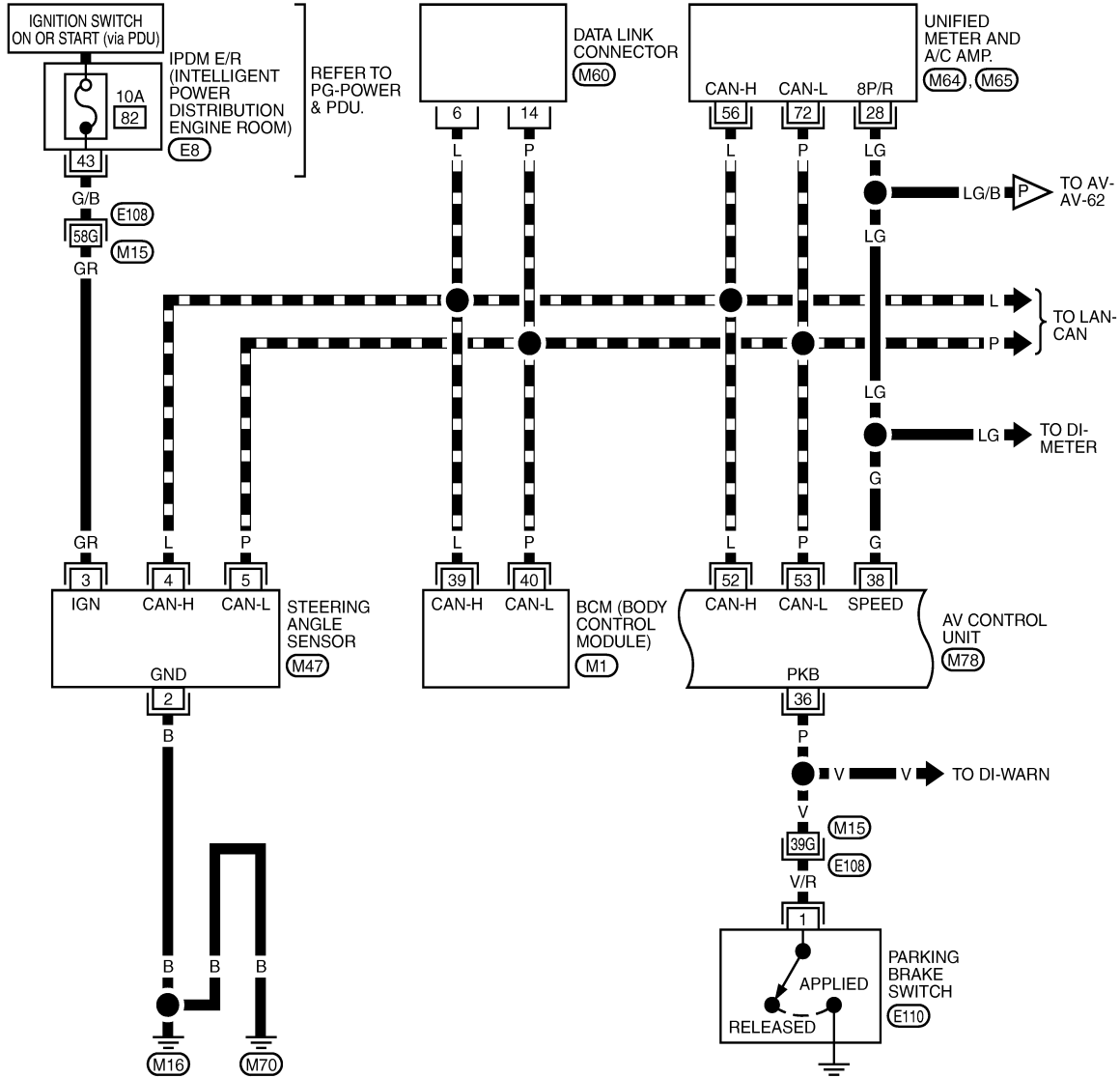
# VIDEO DISTRIBUTOR

[WITH MOBILE ENTERTAINMENT SYSTEM]

< ECU DIAGNOSIS >

AV-AV-50

▬ : DATA LINE



TKWT6729E

A  
B  
C  
D  
E  
F  
G  
H  
I  
J  
K  
L  
M  
N  
O  
P

AV

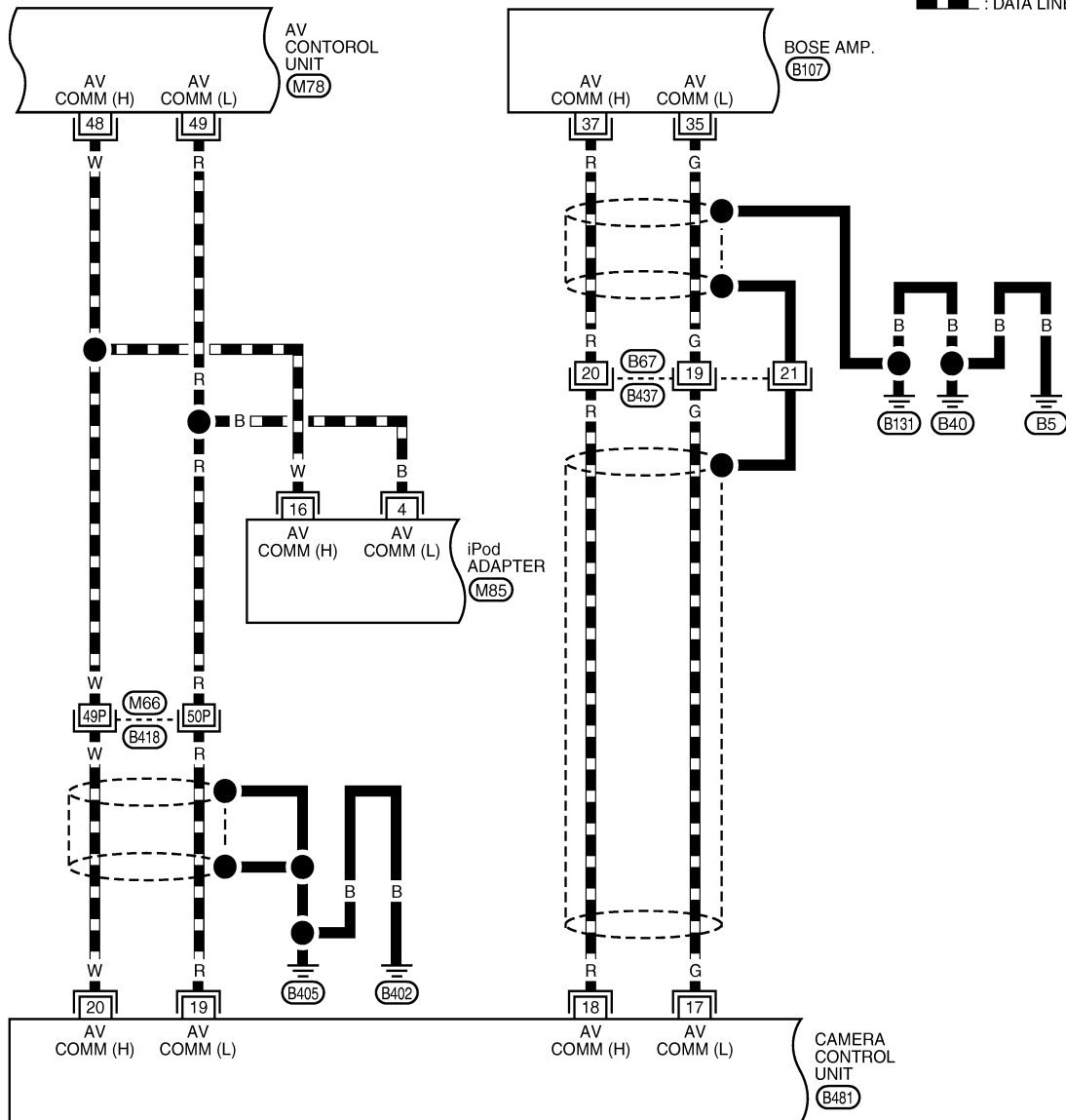
# VIDEO DISTRIBUTOR

[WITH MOBILE ENTERTAINMENT SYSTEM]

< ECU DIAGNOSIS >

AV-AV-51

— : DATA LINE



60	58	56	54	52	50	48	46	44	42	40	38	36	34	32	30	28	26	24	22
59	57	55	53	51	49	47	45	43	41	39	37	35	33	31	29	27	25	23	21

(M78) W

12	11	10	9	8	7	6	5	4	3	2	1
24	23	22	21	20	19	18	17	16	15	14	13

(M85) W

1	2	3	4	5	6	7	8	9	10	11	12	13	14	15	16	17	18	19	20
21	22	23	24	25	26	27	28	29	30	31	32	33	34	35	36	37	38	39	40

(B107) W

1	2	3	4	5	6	7	8	9	10	11		
12	13	14	15	16	17	18	19	20	21	22	23	24

(B437) BR

32	30	28	26	24	22	20	18	16	14	12	10	8	6	4	2
31	29	27	25	23	21	19	17	15	13	11	9	7	5	3	1

(B481) W

REFER TO THE FOLLOWING.

(B418) - SUPER MULTIPLE JUNCTION (SMJ)

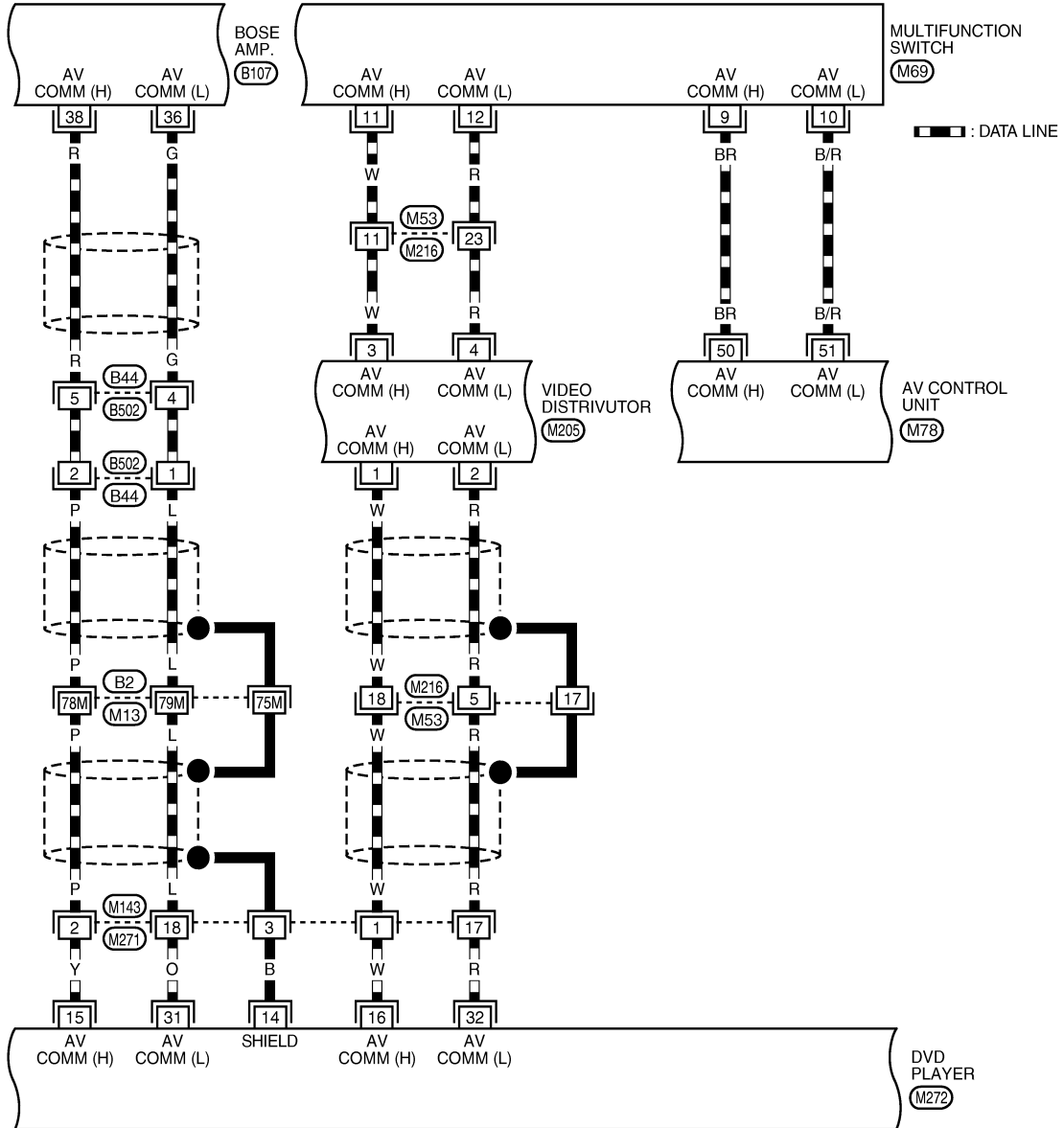
TKWT6730E

# VIDEO DISTRIBUTOR

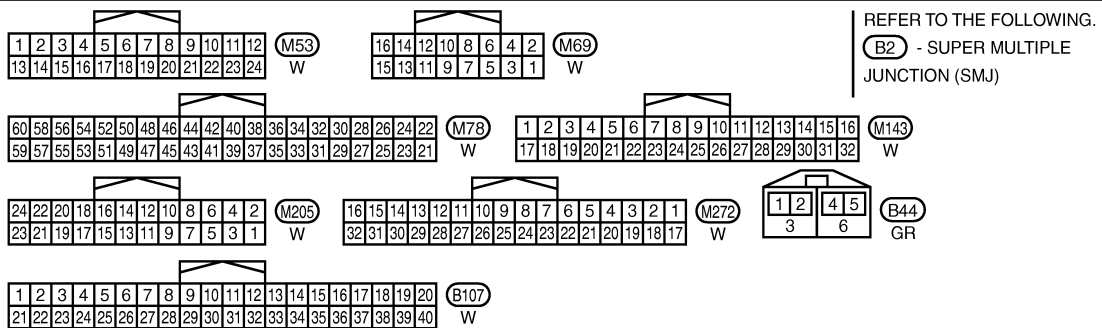
[WITH MOBILE ENTERTAINMENT SYSTEM]

< ECU DIAGNOSIS >

AV-AV-52



A  
B  
C  
D  
E  
F  
G  
H  
I  
J  
AV  
L  
M  
N  
O  
P



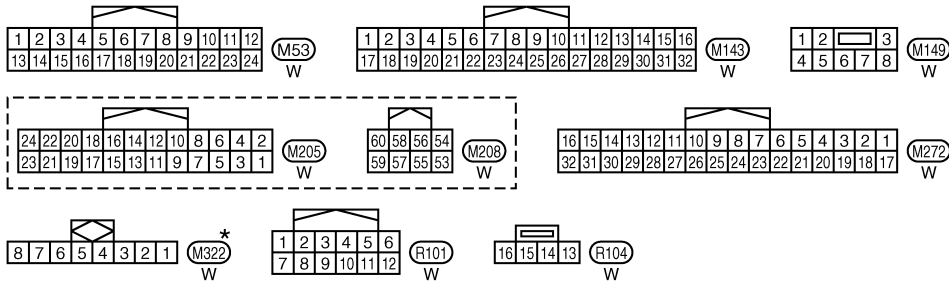
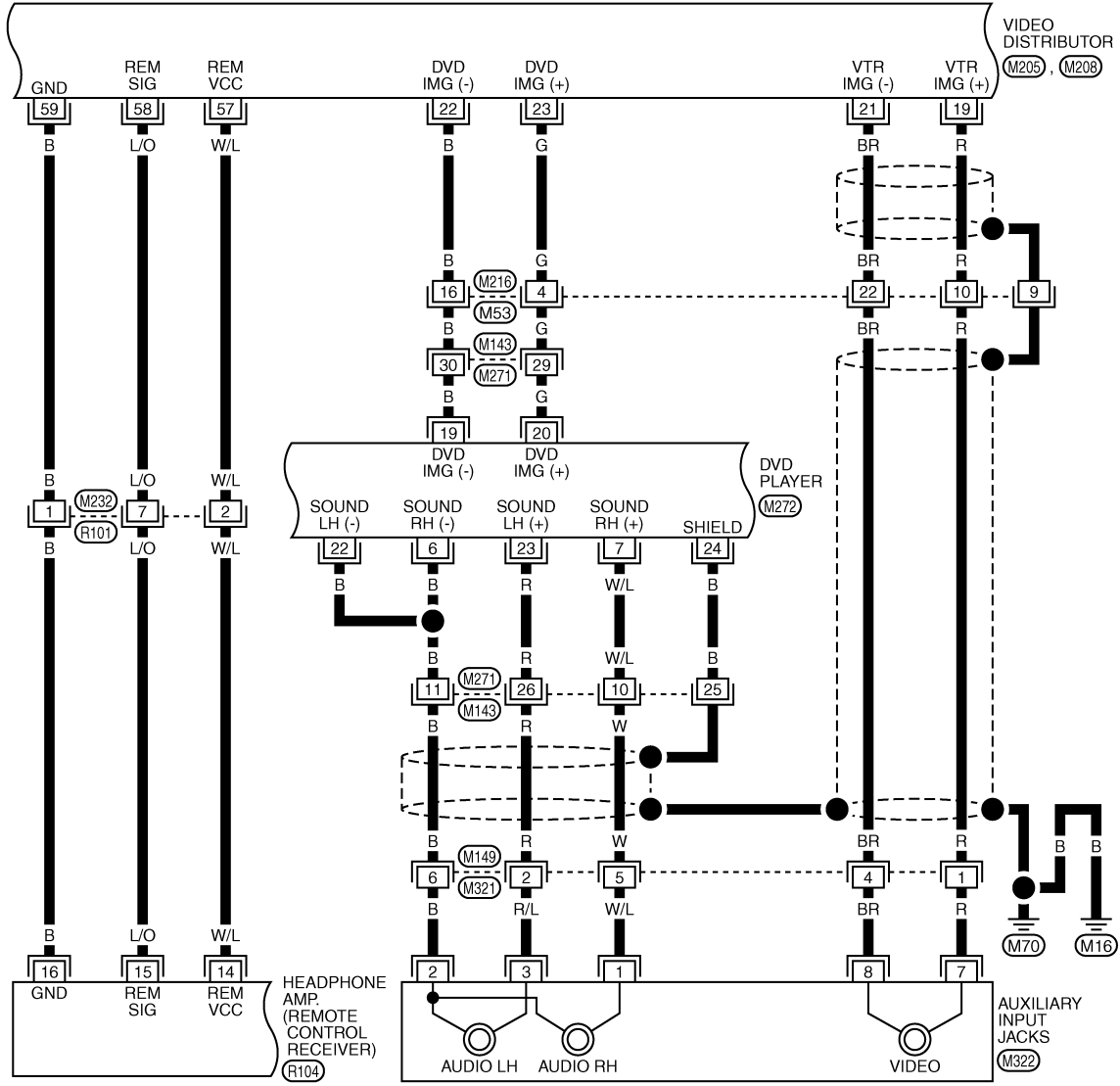
TKWT6731E

# VIDEO DISTRIBUTOR

[WITH MOBILE ENTERTAINMENT SYSTEM]

< ECU DIAGNOSIS >

AV-AV-53



\*: THIS CONNECTOR IS NOT SHOWN IN "HARNESS LAYOUT", PG SECTION.

TKWT8296E

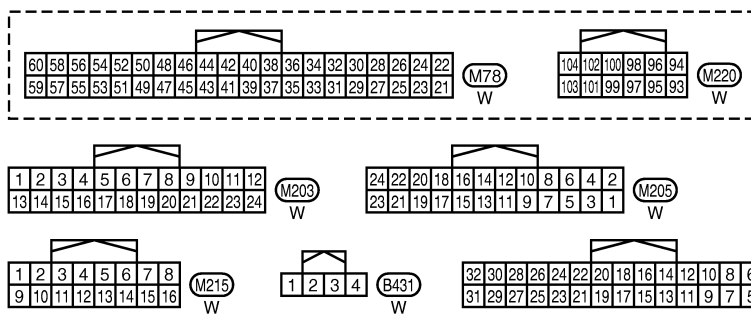
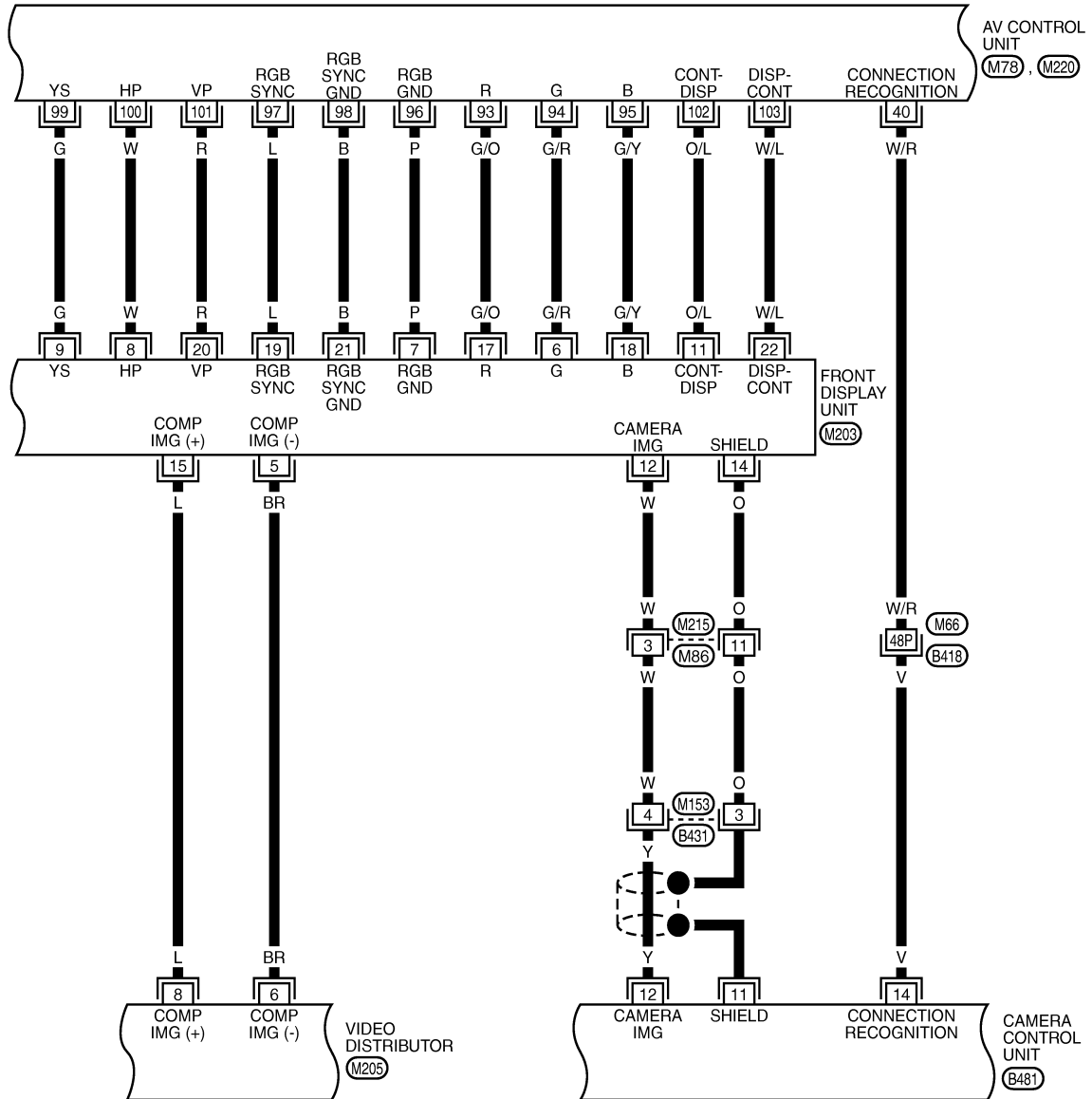


# VIDEO DISTRIBUTOR

[WITH MOBILE ENTERTAINMENT SYSTEM]

< ECU DIAGNOSIS >

AV-AV-54



REFER TO THE FOLLOWING.

(B418) -SUPER MULTIPLE JUNCTION (SMJ)

TKWT6733E

A  
B  
C  
D  
E  
F  
G  
H  
I  
J  
K  
L  
M  
N  
O  
P

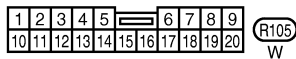
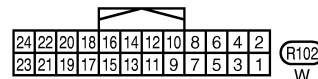
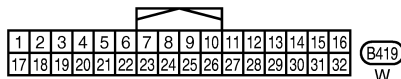
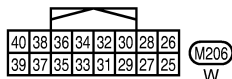
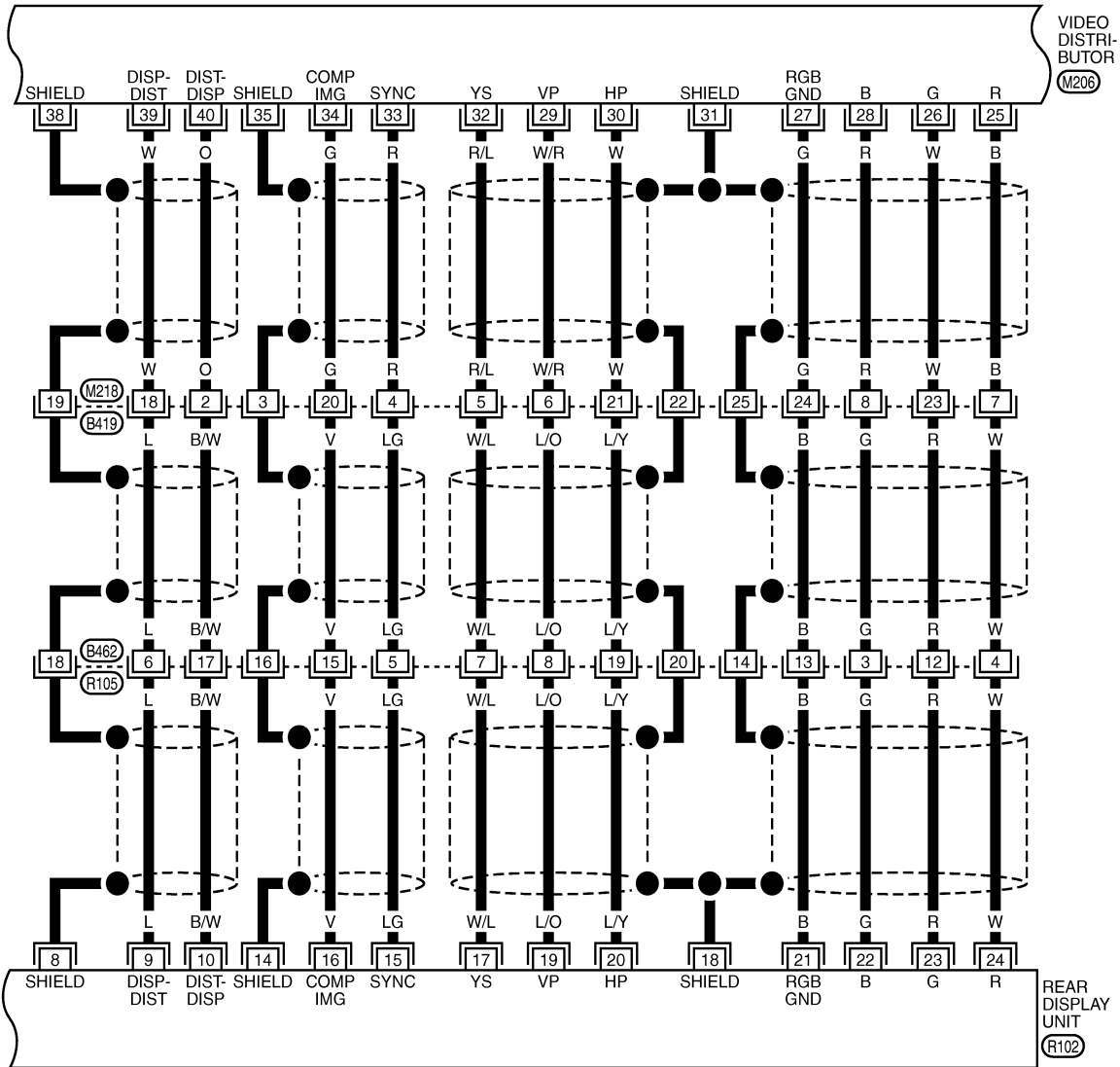
AV

# VIDEO DISTRIBUTOR

< ECU DIAGNOSIS >

[WITH MOBILE ENTERTAINMENT SYSTEM]

AV-AV-55



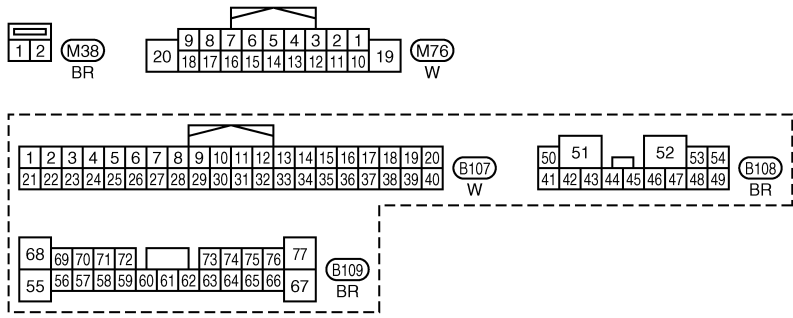
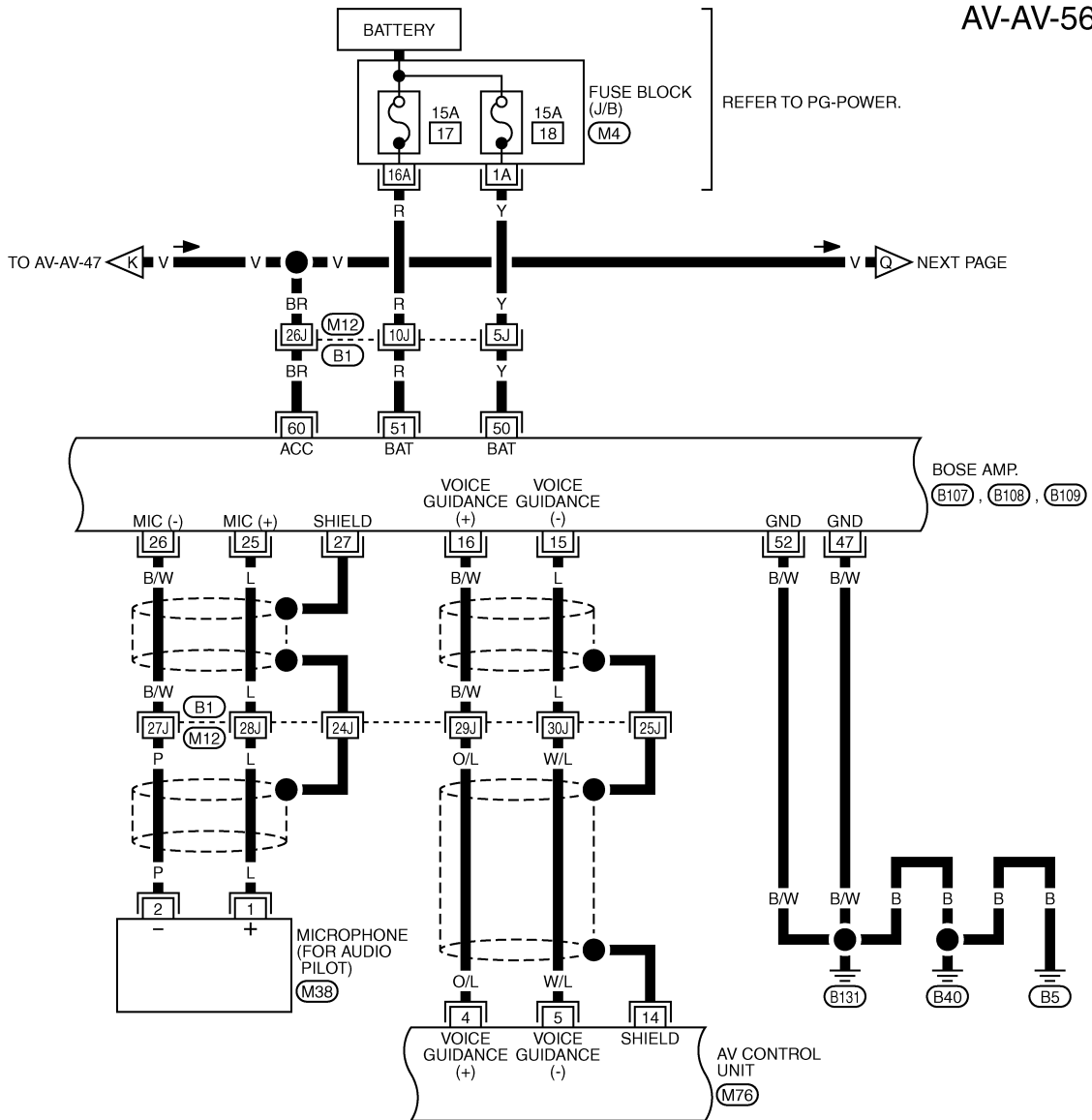
TKWT6734E

# VIDEO DISTRIBUTOR

[WITH MOBILE ENTERTAINMENT SYSTEM]

< ECU DIAGNOSIS >

AV-AV-56



REFER TO THE FOLLOWING.  
 (B1) -SUPER MULTIPLE JUNCTION (SMJ)  
 (M4) -FUSE BLOCK-JUNCTION BOX (J/B)

TKWT8297E

A  
B  
C  
D  
E  
F  
G  
H  
I  
J  
L  
M  
N  
O  
P

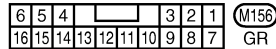
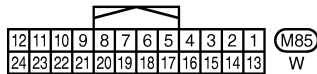
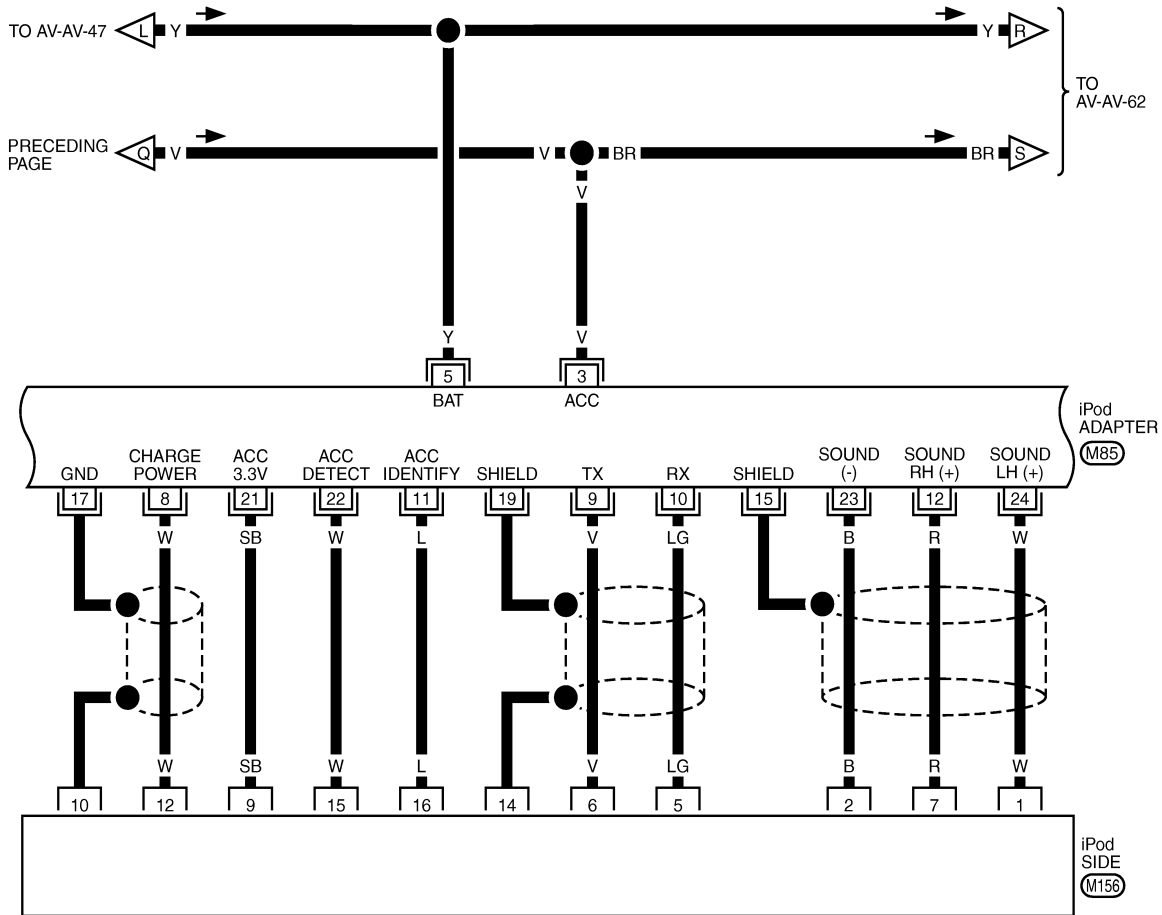
AV

# VIDEO DISTRIBUTOR

[WITH MOBILE ENTERTAINMENT SYSTEM]

< ECU DIAGNOSIS >

AV-AV-57



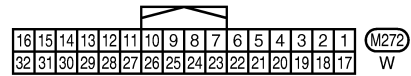
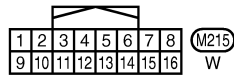
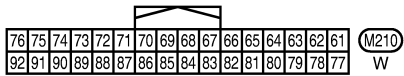
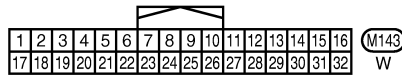
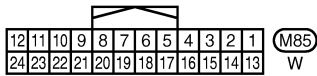
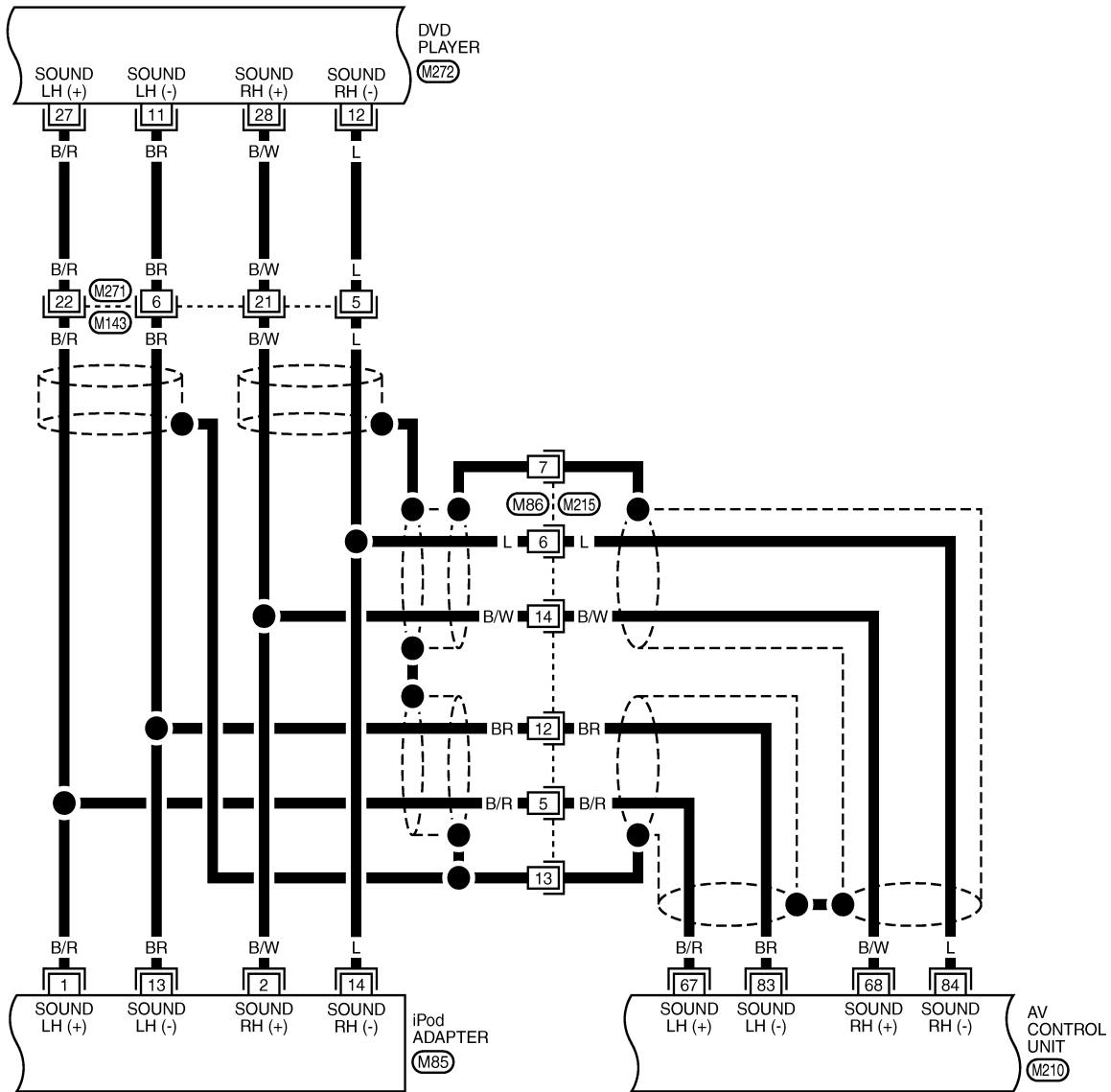
TKWT6737E

# VIDEO DISTRIBUTOR

[WITH MOBILE ENTERTAINMENT SYSTEM]

< ECU DIAGNOSIS >

AV-AV-58



TKWT6738E

A  
B  
C  
D  
E  
F  
G  
H  
I  
J  
K  
L  
M  
N  
O  
P

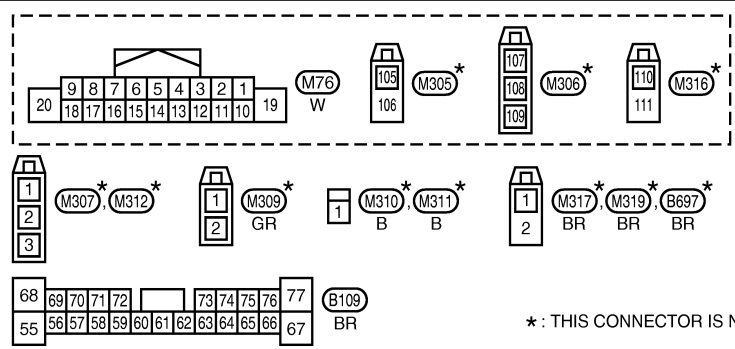
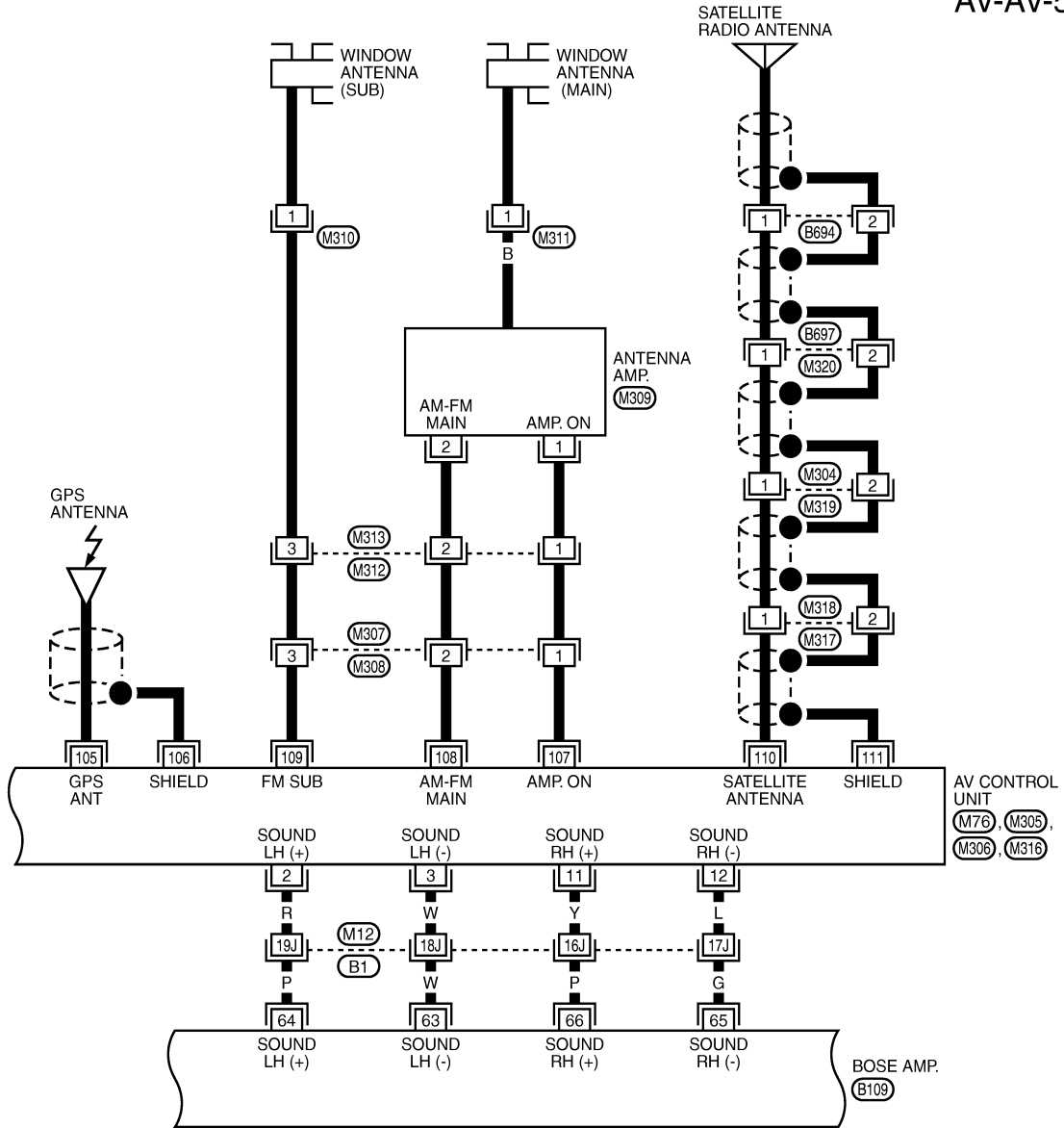
AV

# VIDEO DISTRIBUTOR

[WITH MOBILE ENTERTAINMENT SYSTEM]

< ECU DIAGNOSIS >

AV-AV-59



REFER TO THE FOLLOWING.

(B1) - SUPER MULTIPLE JUNCTION (SMJ)

\* : THIS CONNECTOR IS NOT SHOWN IN "HARNESS LAYOUT", PG SECTION.

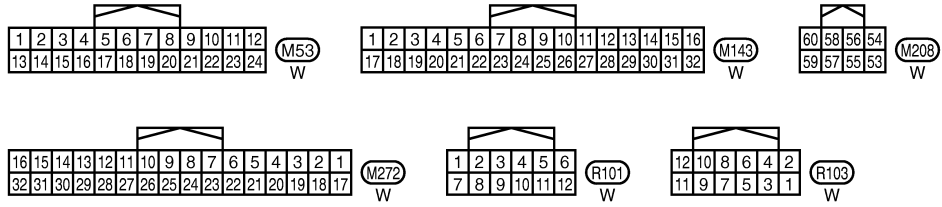
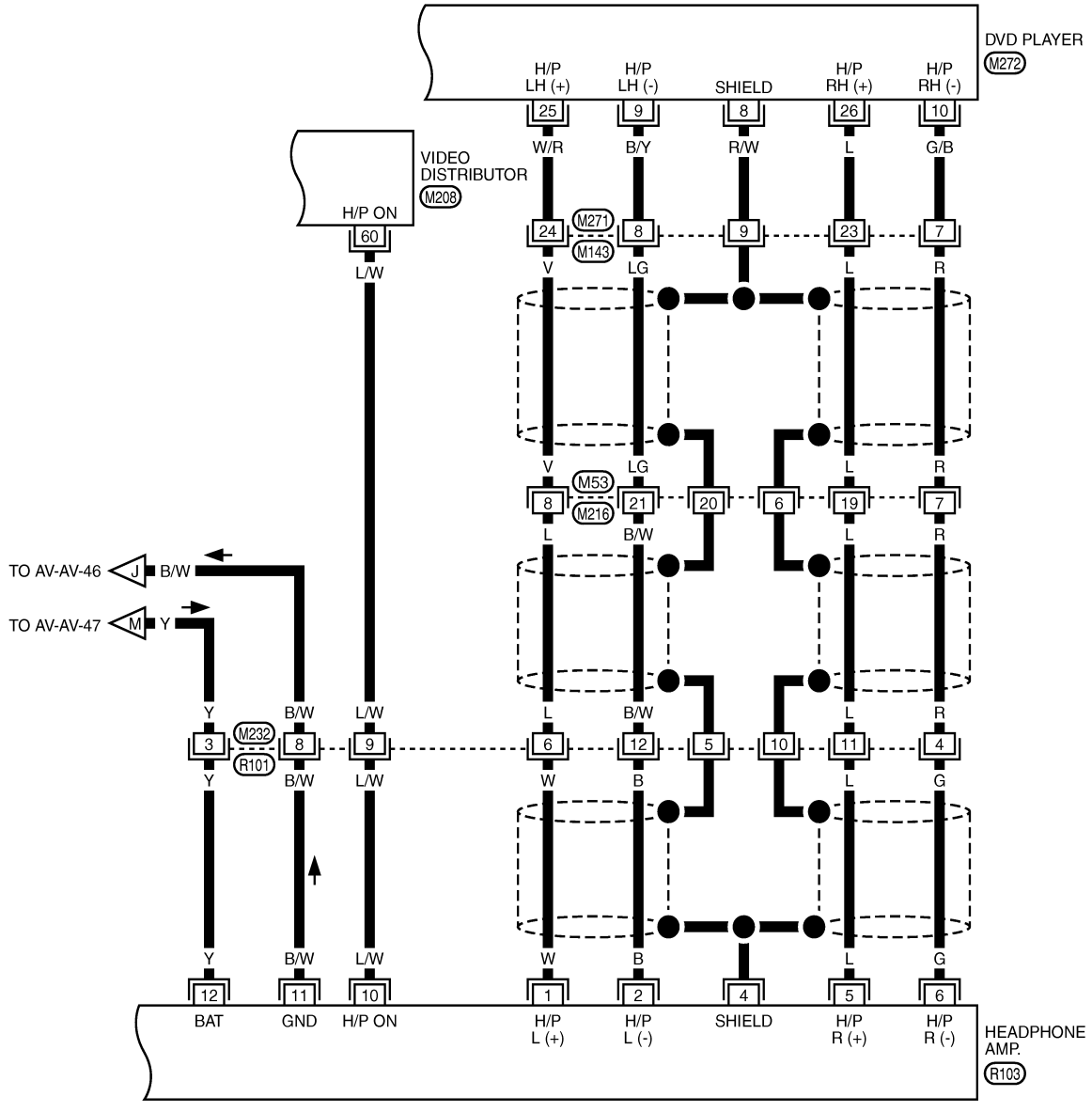
TKWT6739E

# VIDEO DISTRIBUTOR

[WITH MOBILE ENTERTAINMENT SYSTEM]

< ECU DIAGNOSIS >

AV-AV-60



TKWT6740E

A  
B  
C  
D  
E  
F  
G  
H  
I  
J  
K  
L  
M  
N  
O  
P

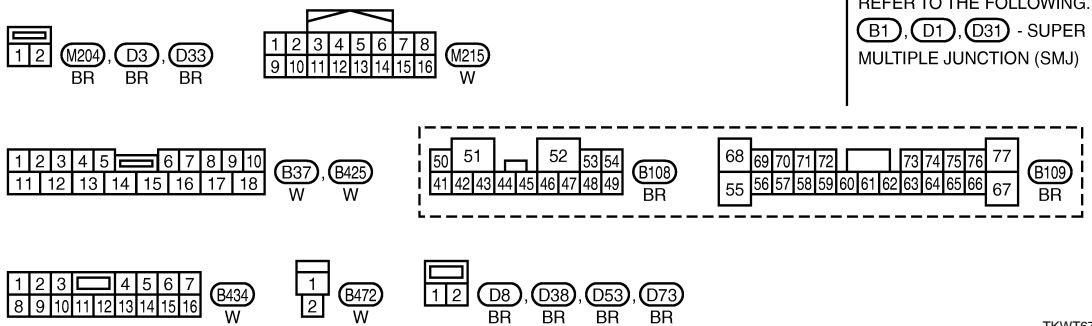
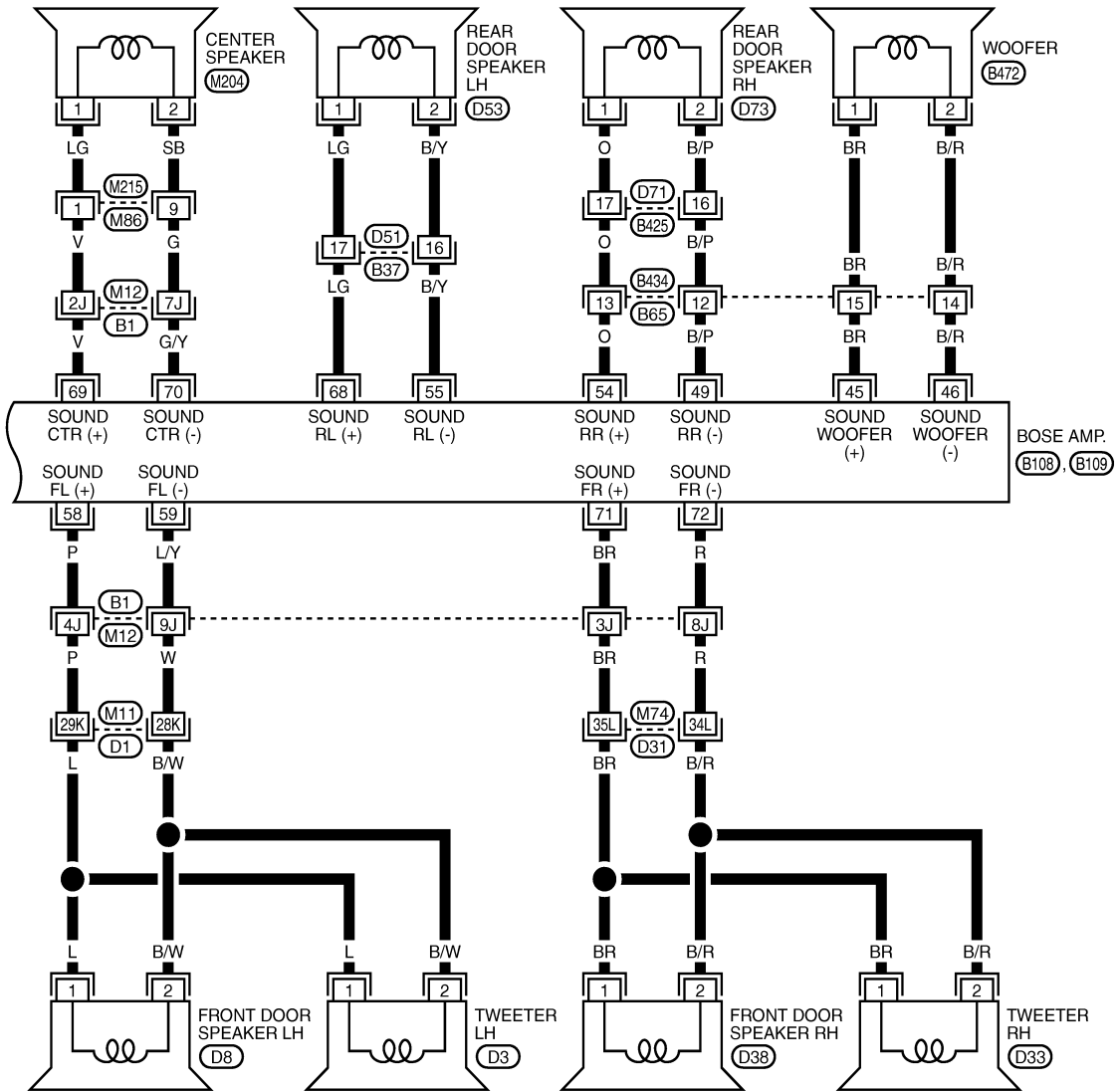
AV

# VIDEO DISTRIBUTOR

[WITH MOBILE ENTERTAINMENT SYSTEM]

< ECU DIAGNOSIS >

AV-AV-61



TKWT6741E

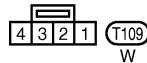
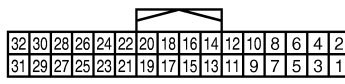
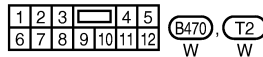
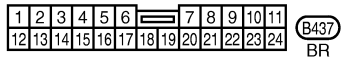
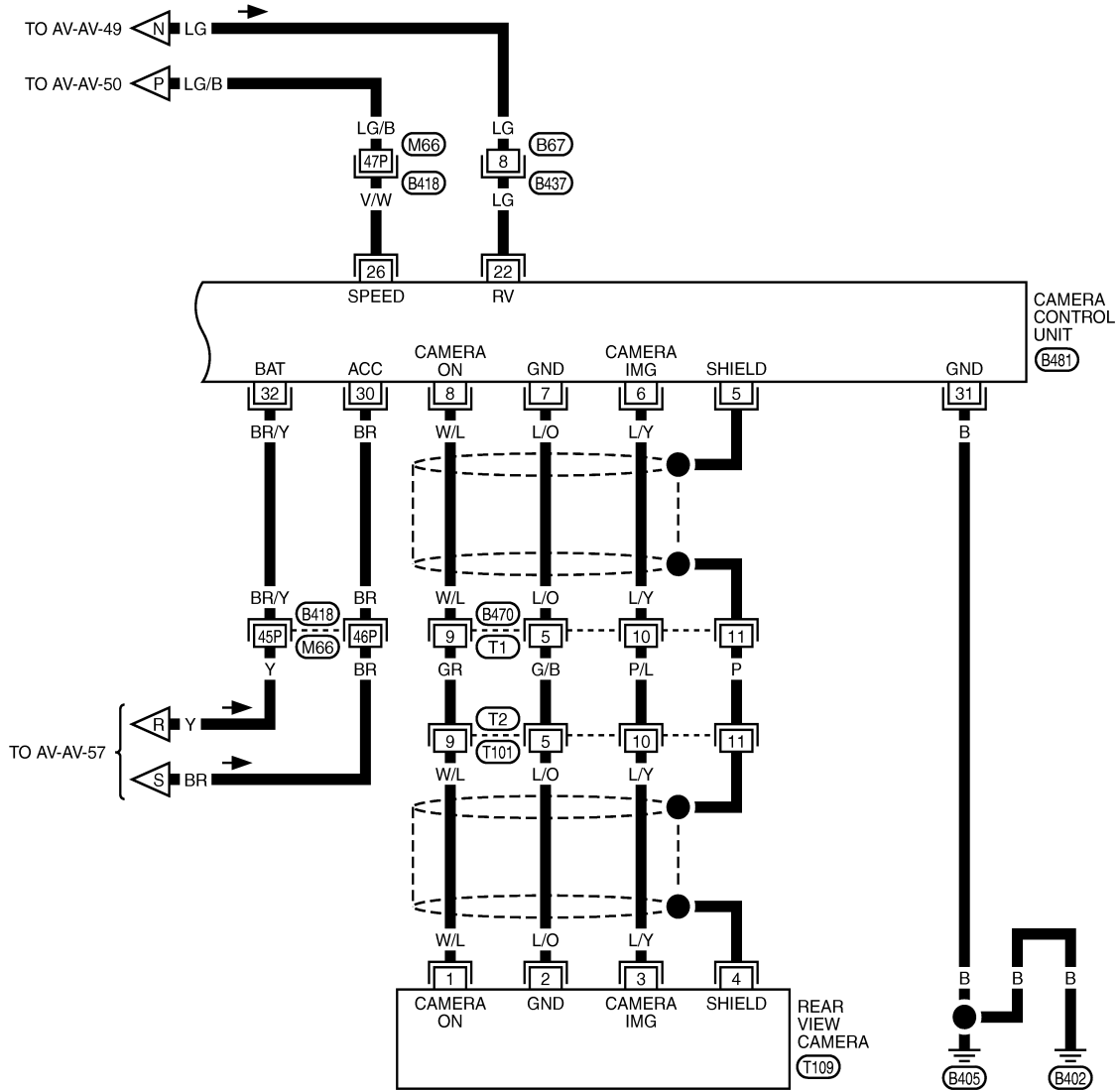


# VIDEO DISTRIBUTOR

[WITH MOBILE ENTERTAINMENT SYSTEM]

< ECU DIAGNOSIS >

AV-AV-62



REFER TO THE FOLLOWING.

(B418) - SUPER MULTIPLE JUNCTION (SMJ)

TKWT6742E

A  
B  
C  
D  
E  
F  
G  
H  
I  
J  
K  
L  
M  
N  
O  
P

AV

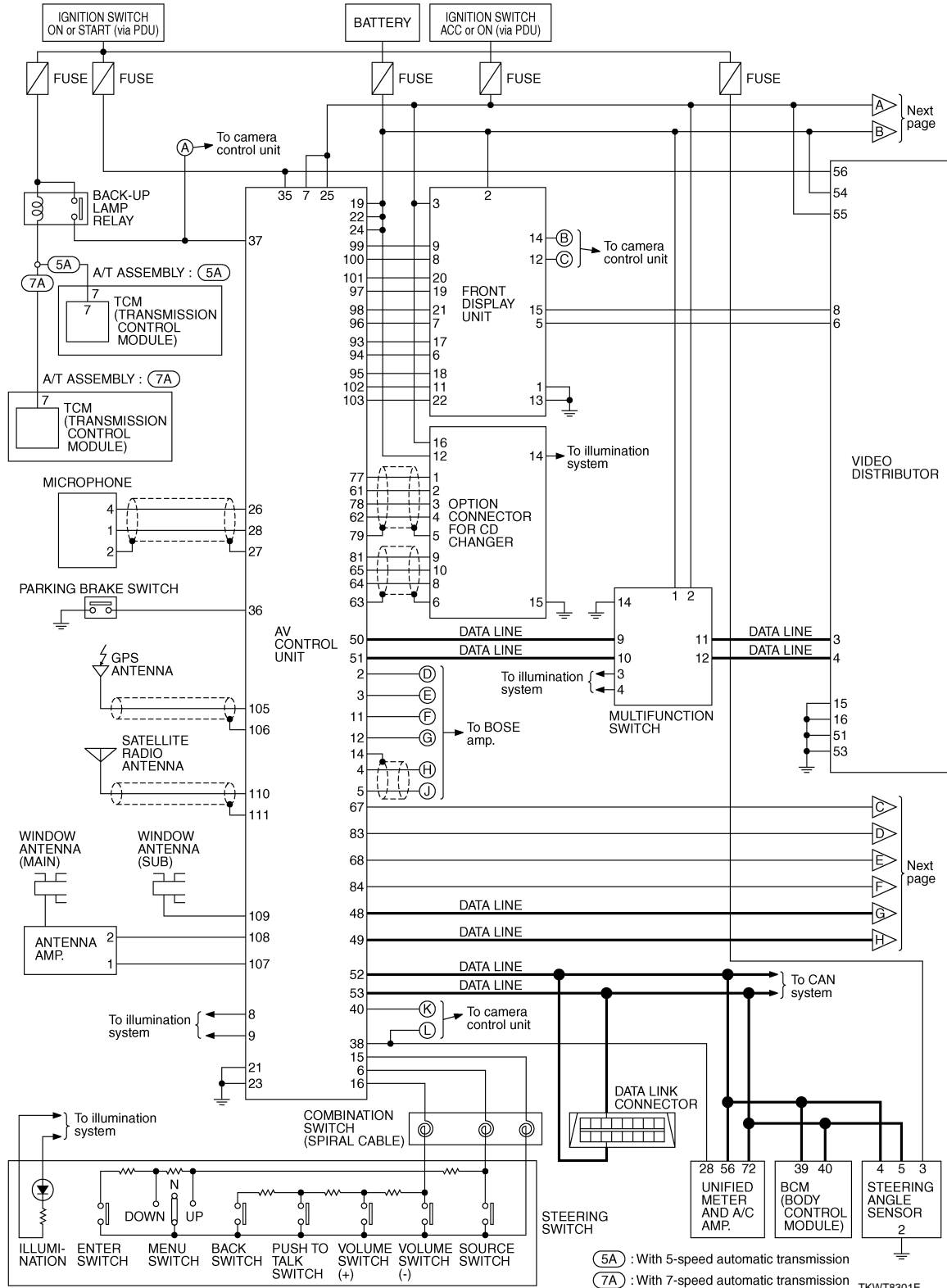
# VIDEO DISTRIBUTOR

[WITH MOBILE ENTERTAINMENT SYSTEM]

< ECU DIAGNOSIS >

## Schematic - BOSE 5.1ch Surround Audio System -

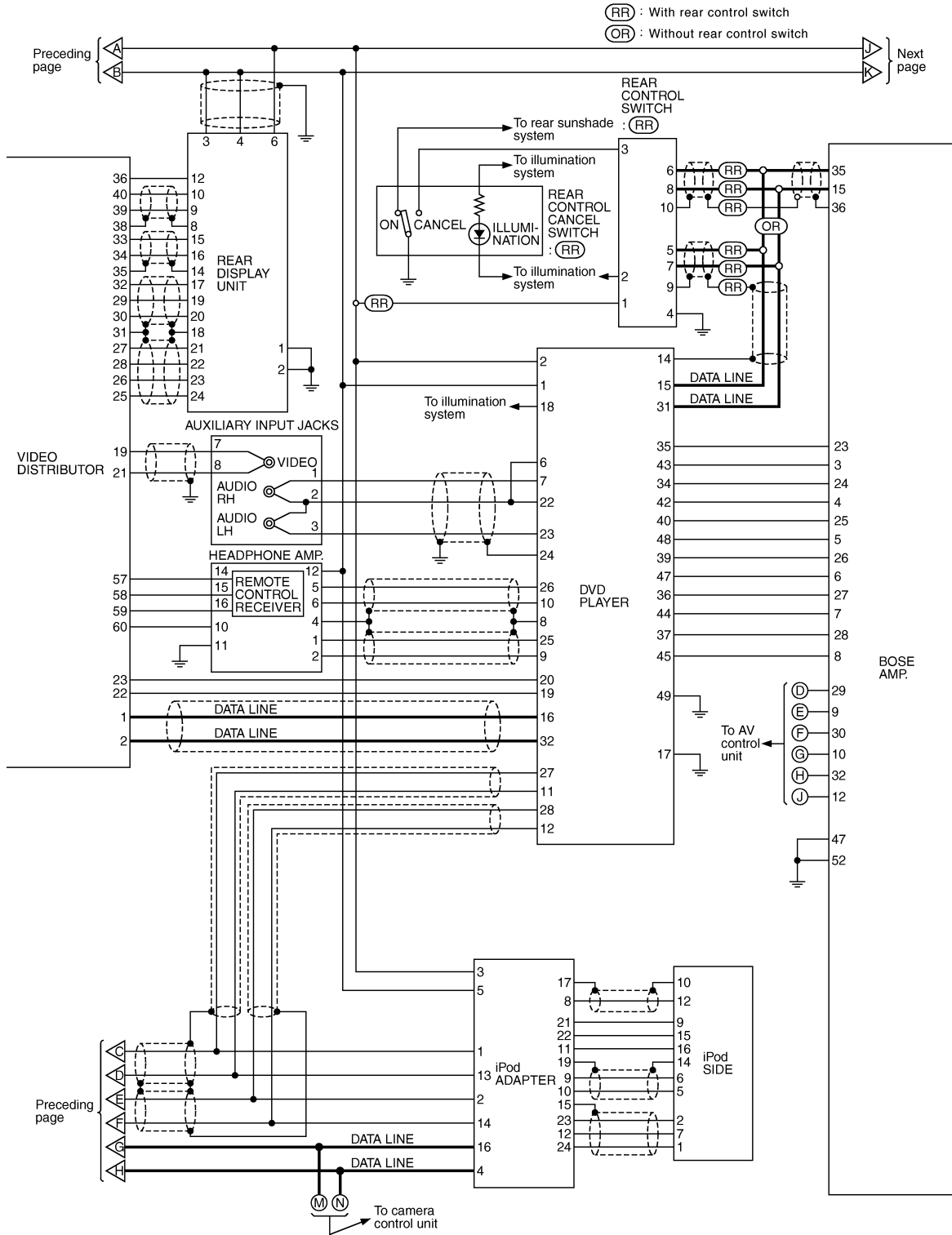
INFOID:000000005350614



# VIDEO DISTRIBUTOR

[WITH MOBILE ENTERTAINMENT SYSTEM]

< ECU DIAGNOSIS >



TKWT6744E

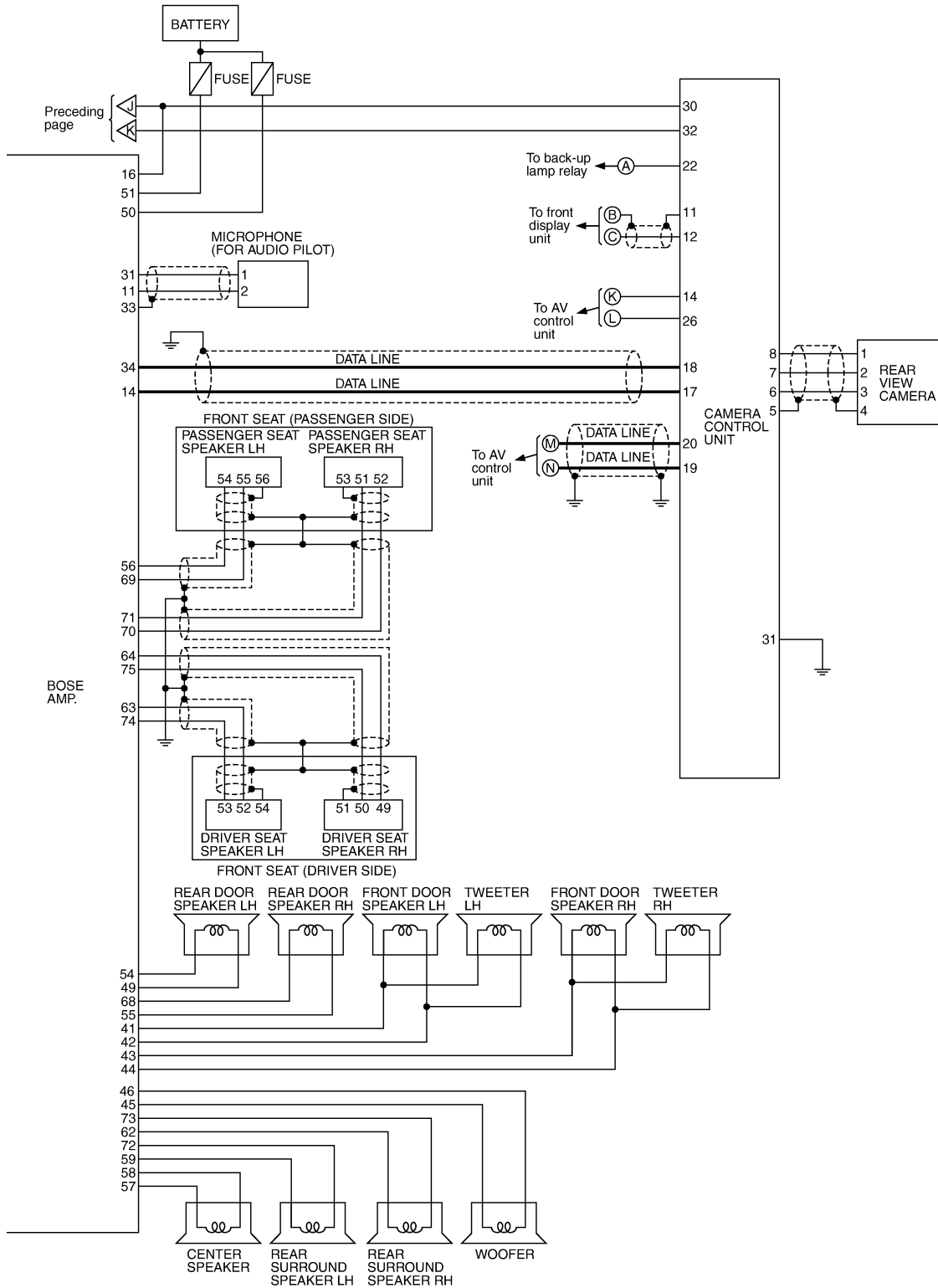
A  
B  
C  
D  
E  
F  
G  
H  
I  
J  
K  
L  
M  
N  
O  
P

AV

# VIDEO DISTRIBUTOR

[WITH MOBILE ENTERTAINMENT SYSTEM]

< ECU DIAGNOSIS >



TKWT6745E

INFOID:000000005350615

Wiring Diagram - AV - / BOSE Surround Audio 5.1ch System

**NOTE:**

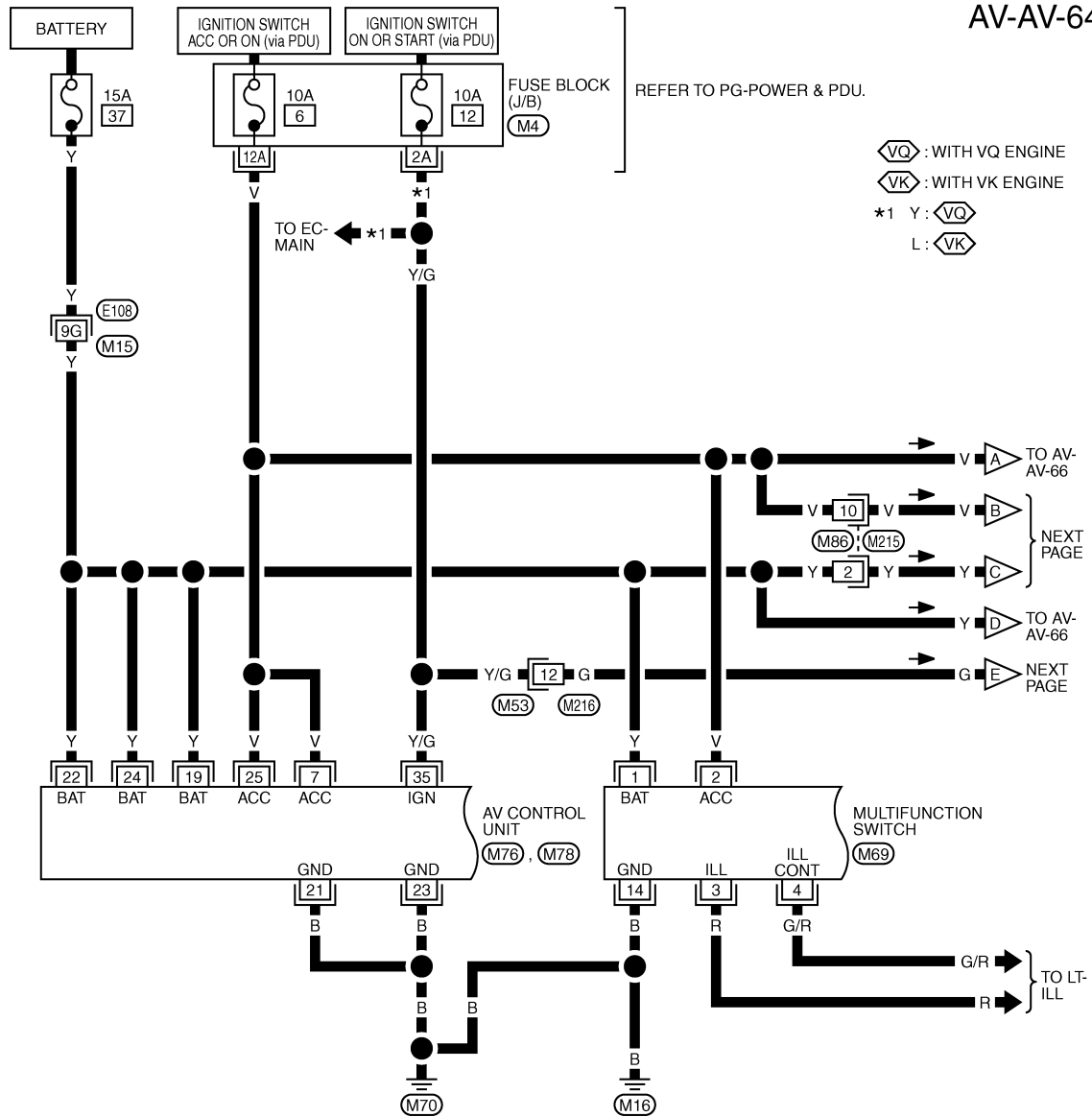
# VIDEO DISTRIBUTOR

[WITH MOBILE ENTERTAINMENT SYSTEM]

< ECU DIAGNOSIS >

The name MULTIFUNCTION SWITCH indicates the integration of PRESET SWITCH and MULTIFUNCTION SWITCH virtually.

AV-AV-64

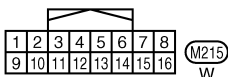
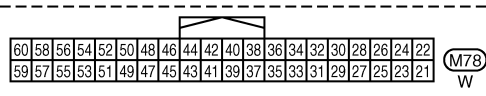
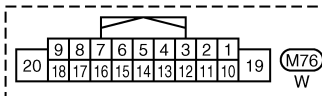
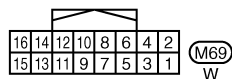
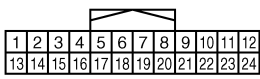


∇VQ : WITH VQ ENGINE

∇VK : WITH VK ENGINE

\*1 Y : ∇VQ

L : ∇VK



REFER TO THE FOLLOWING.

(E108) -SUPER MULTIPLE JUNCTION (SMJ)

(M4) -FUSE BLOCK-JUNCTION BOX (J/B)

TKWT8302E

A  
B  
C  
D  
E  
F  
G  
H  
I  
J  
K  
L  
M  
N  
O  
P

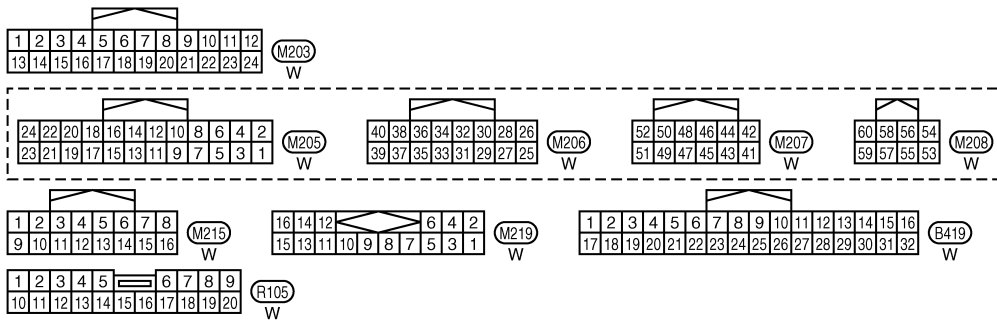
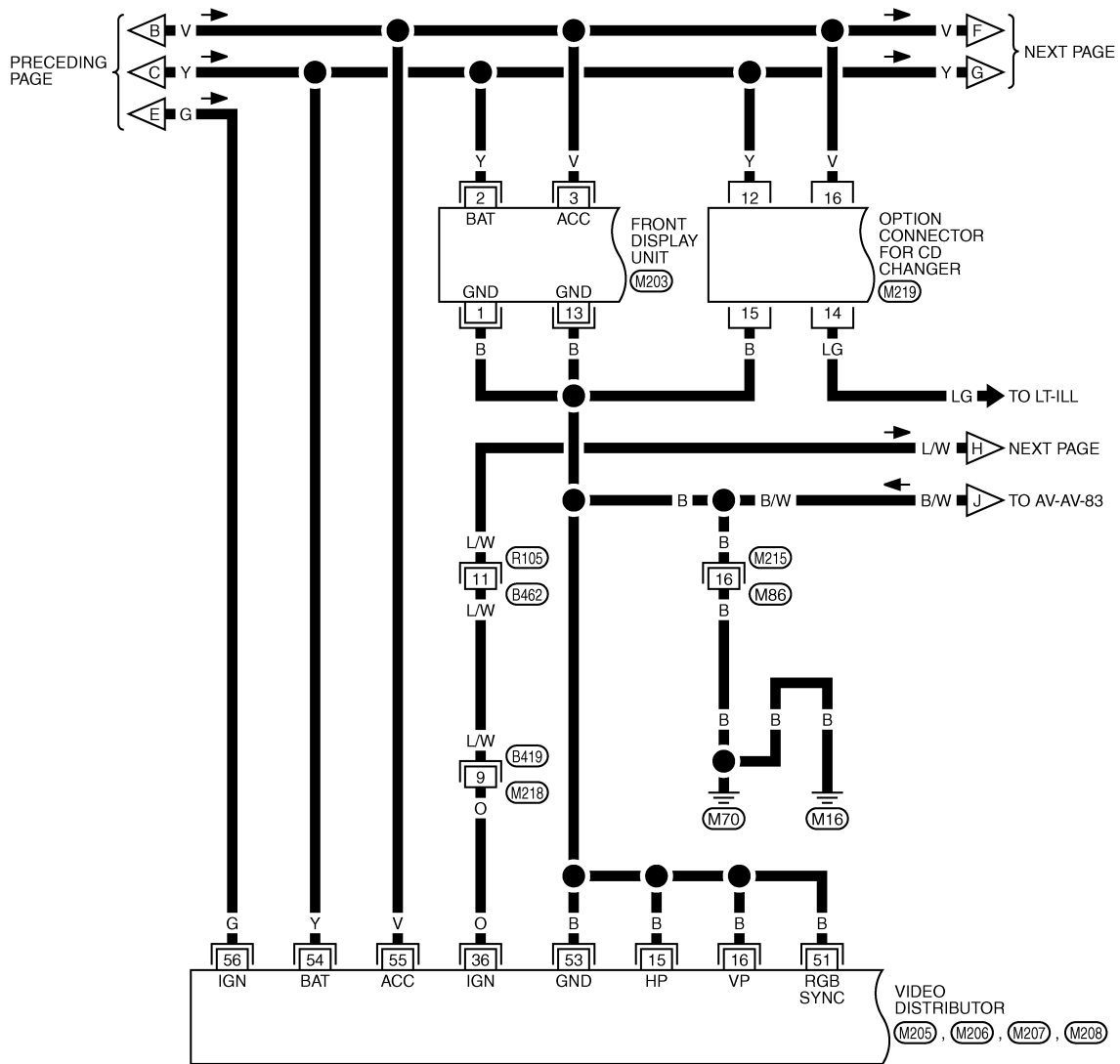
AV

# VIDEO DISTRIBUTOR

[WITH MOBILE ENTERTAINMENT SYSTEM]

< ECU DIAGNOSIS >

AV-AV-65



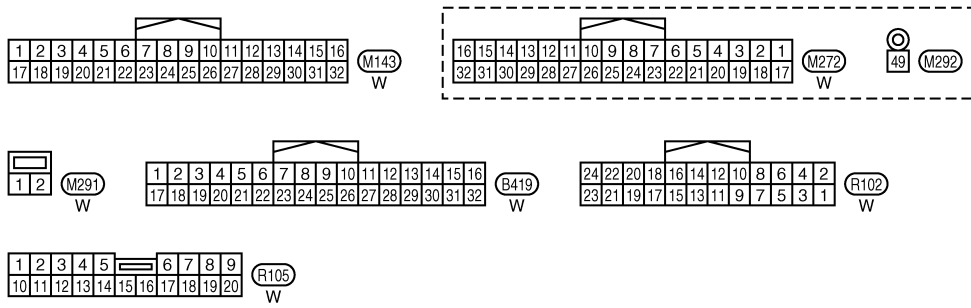
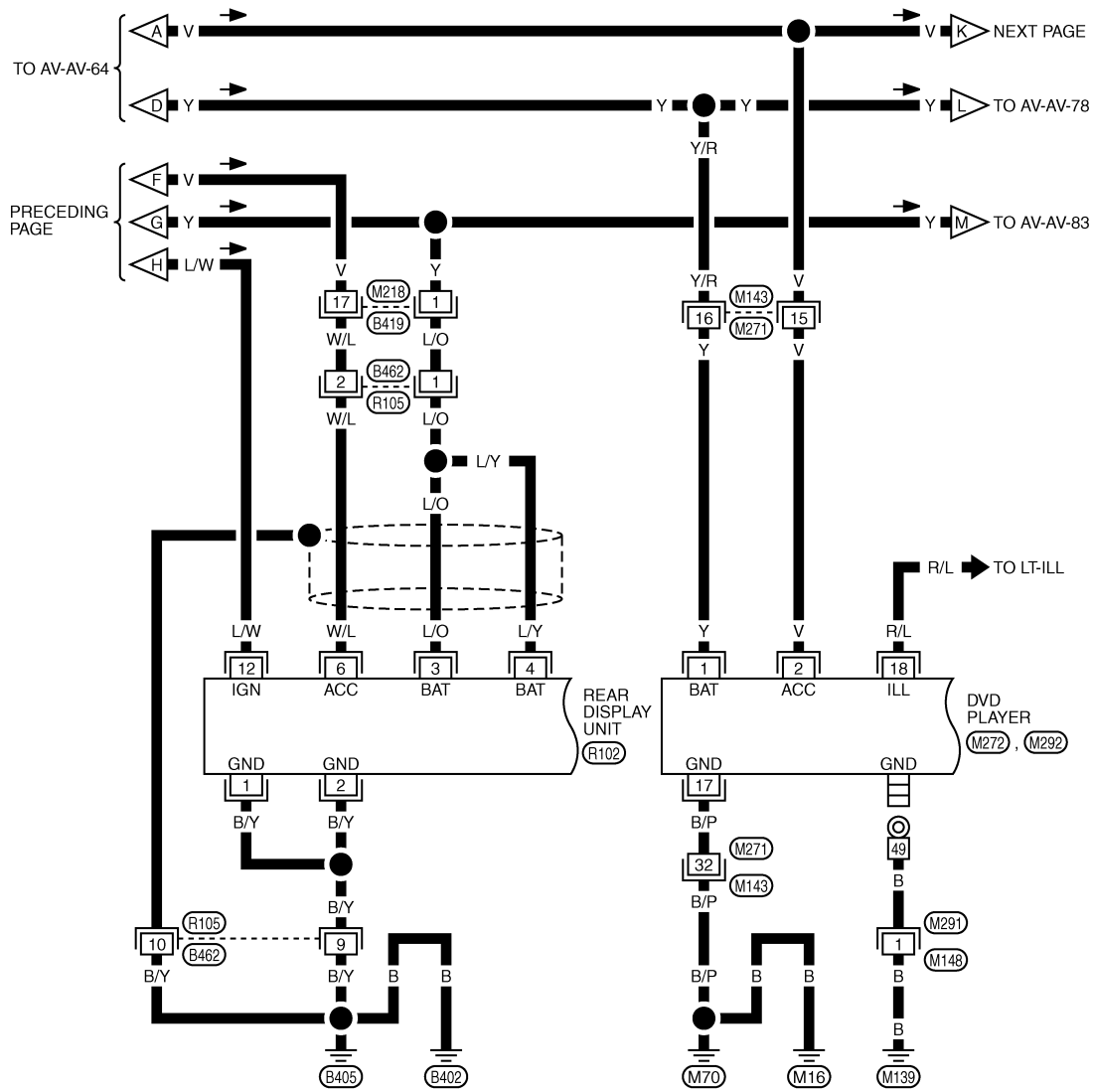
TKWT8303E

# VIDEO DISTRIBUTOR

[WITH MOBILE ENTERTAINMENT SYSTEM]

< ECU DIAGNOSIS >

AV-AV-66



TKWT8304E

A  
B  
C  
D  
E  
F  
G  
H  
I  
J  
K  
L  
M  
N  
O  
P

AV

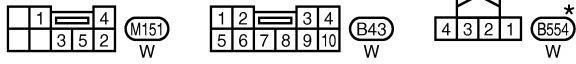
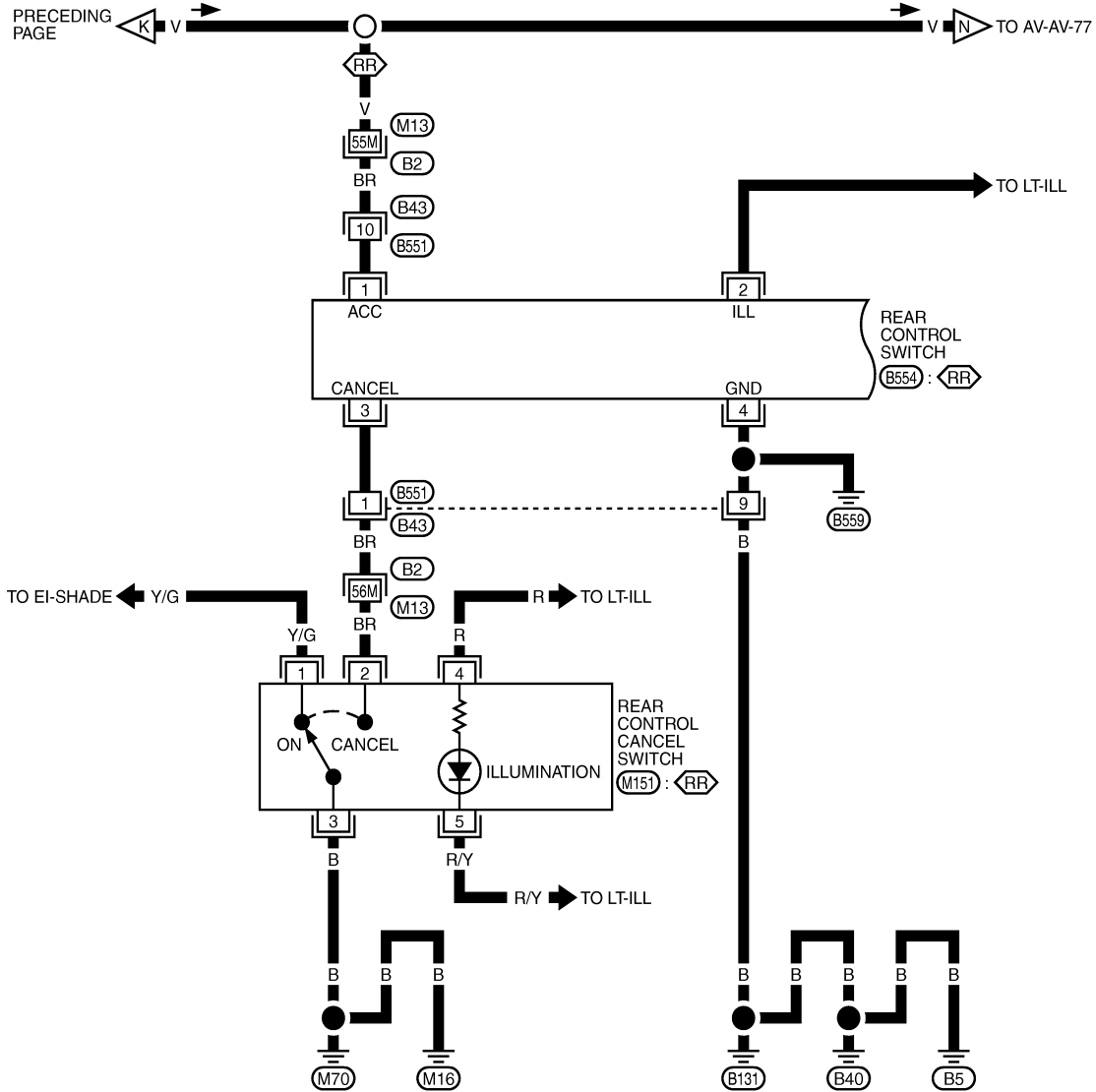
# VIDEO DISTRIBUTOR

[WITH MOBILE ENTERTAINMENT SYSTEM]

< ECU DIAGNOSIS >

AV-AV-67

(RR) : WITH REAR CONTROL SWITCH



\*: THIS CONNECTOR IS NOT SHOWN IN "HARNESS LAYOUT", PG SECTION.

REFER TO THE FOLLOWING.  
(B2) - SUPER MULTIPLE JUNCTION (SMJ)

TKWT6749E

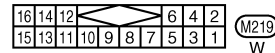
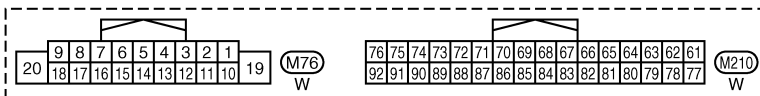
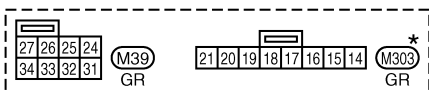
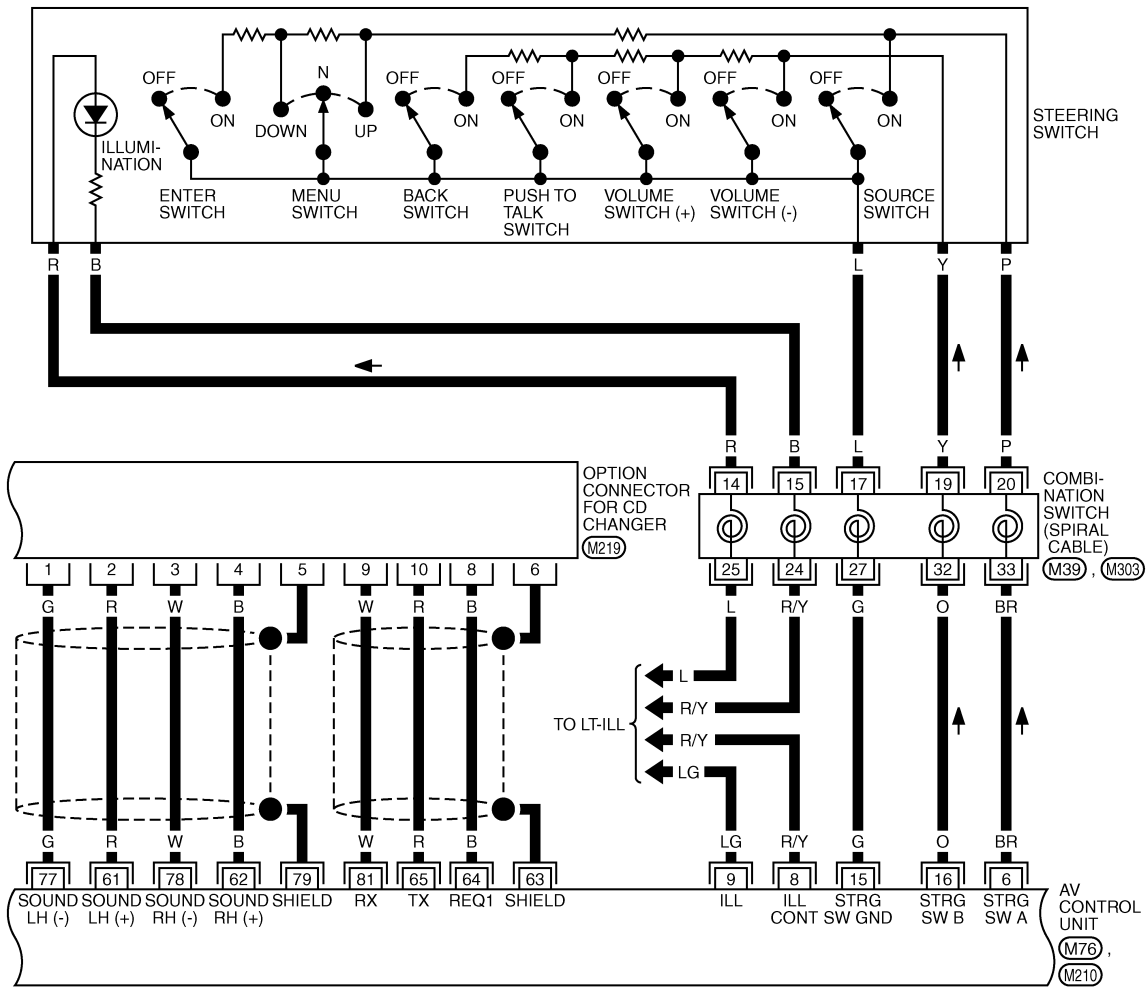


# VIDEO DISTRIBUTOR

[WITH MOBILE ENTERTAINMENT SYSTEM]

< ECU DIAGNOSIS >

AV-AV-68



\*: THIS CONNECTOR IS NOT SHOWN IN "HARNESS LAYOUT", PG SECTION.

TKWT8305E

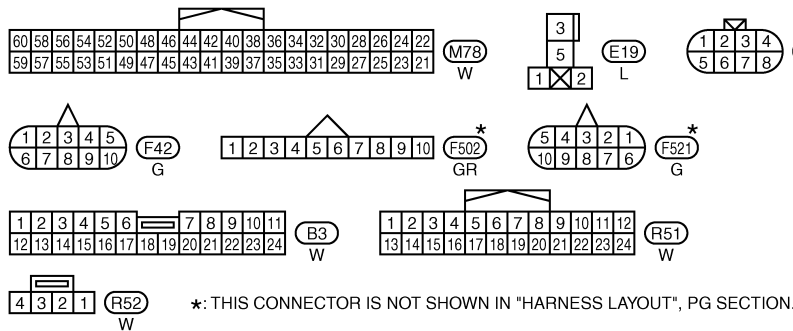
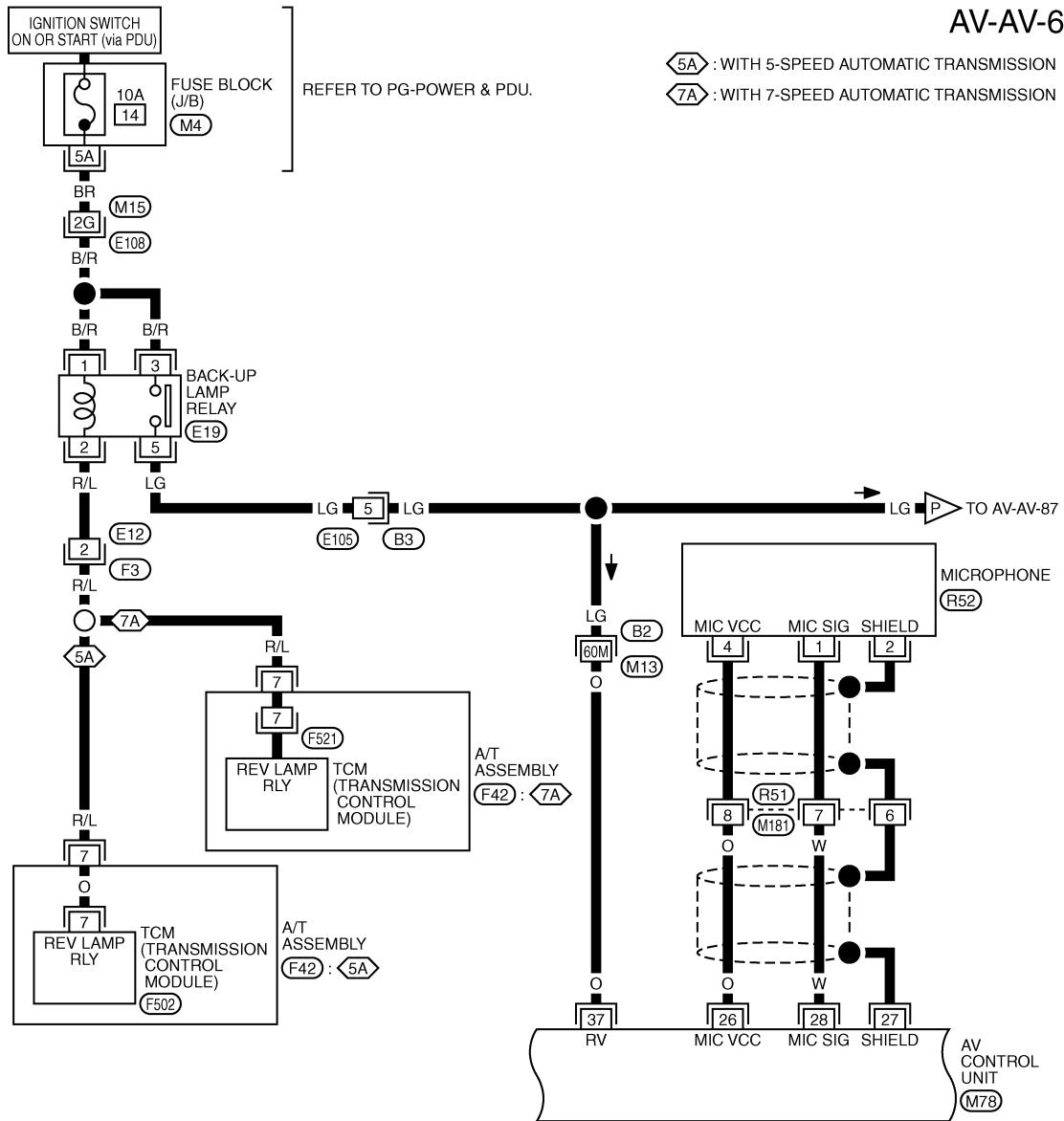
A  
B  
C  
D  
E  
F  
G  
H  
I  
J  
AV  
L  
M  
N  
O  
P

# VIDEO DISTRIBUTOR

[WITH MOBILE ENTERTAINMENT SYSTEM]

< ECU DIAGNOSIS >

AV-AV-69



REFER TO THE FOLLOWING.

(E108), (B2) -SUPER MULTIPLE JUNCTION (SMJ)

(M4) -FUSE BLOCK-JUNCTION BOX (J/B)

TKWT8306E

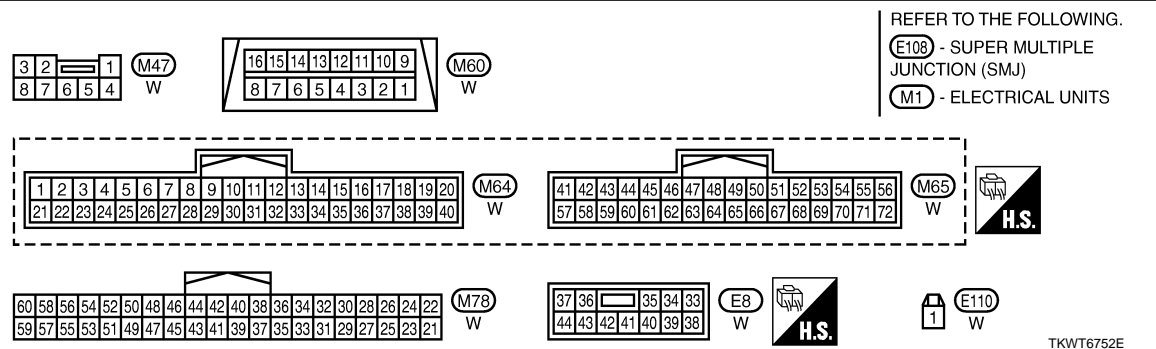
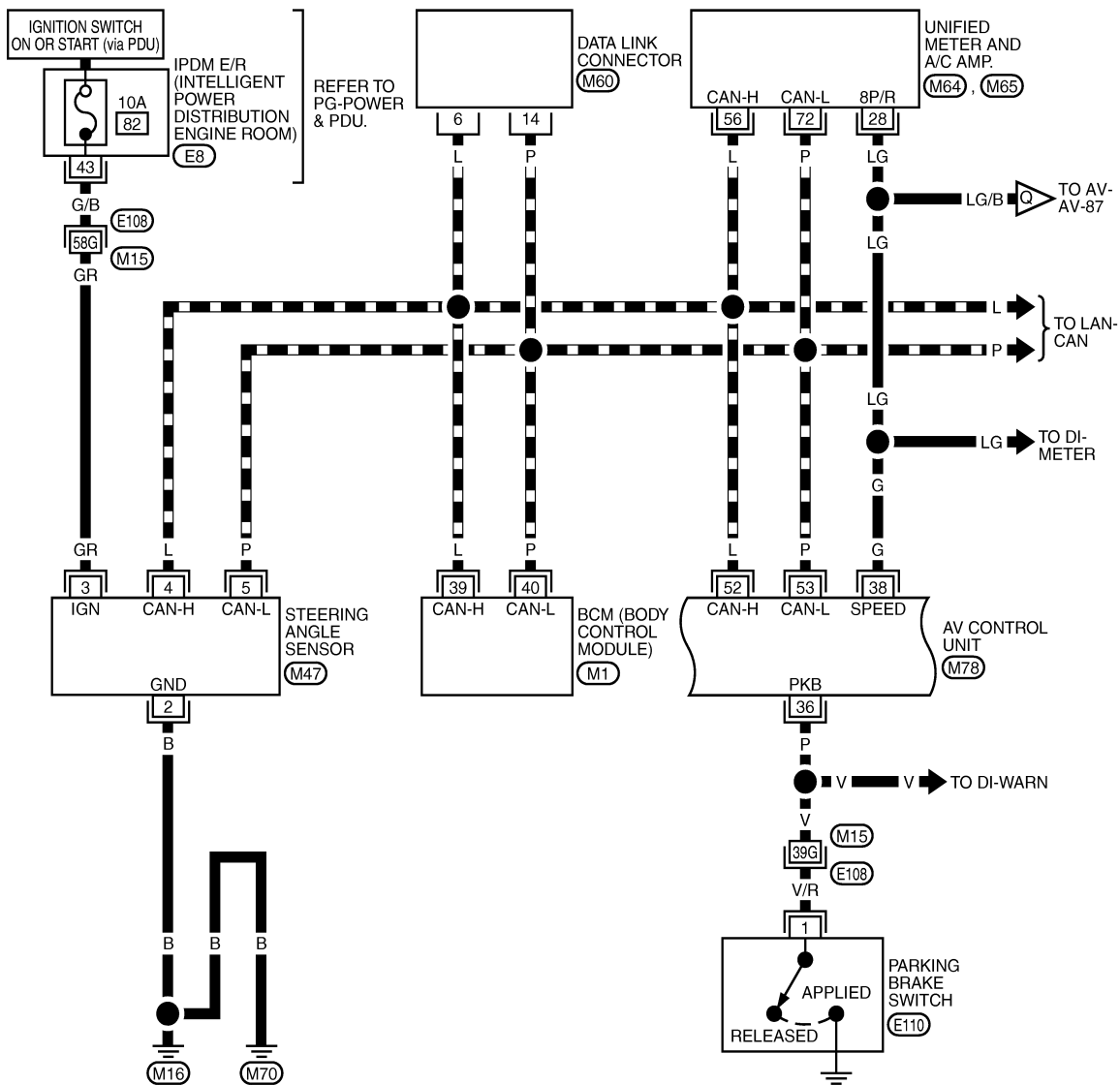
# VIDEO DISTRIBUTOR

[WITH MOBILE ENTERTAINMENT SYSTEM]

< ECU DIAGNOSIS >

AV-AV-70

▬ : DATA LINE



A  
B  
C  
D  
E  
F  
G  
H  
I  
J  
AV  
L  
M  
N  
O  
P

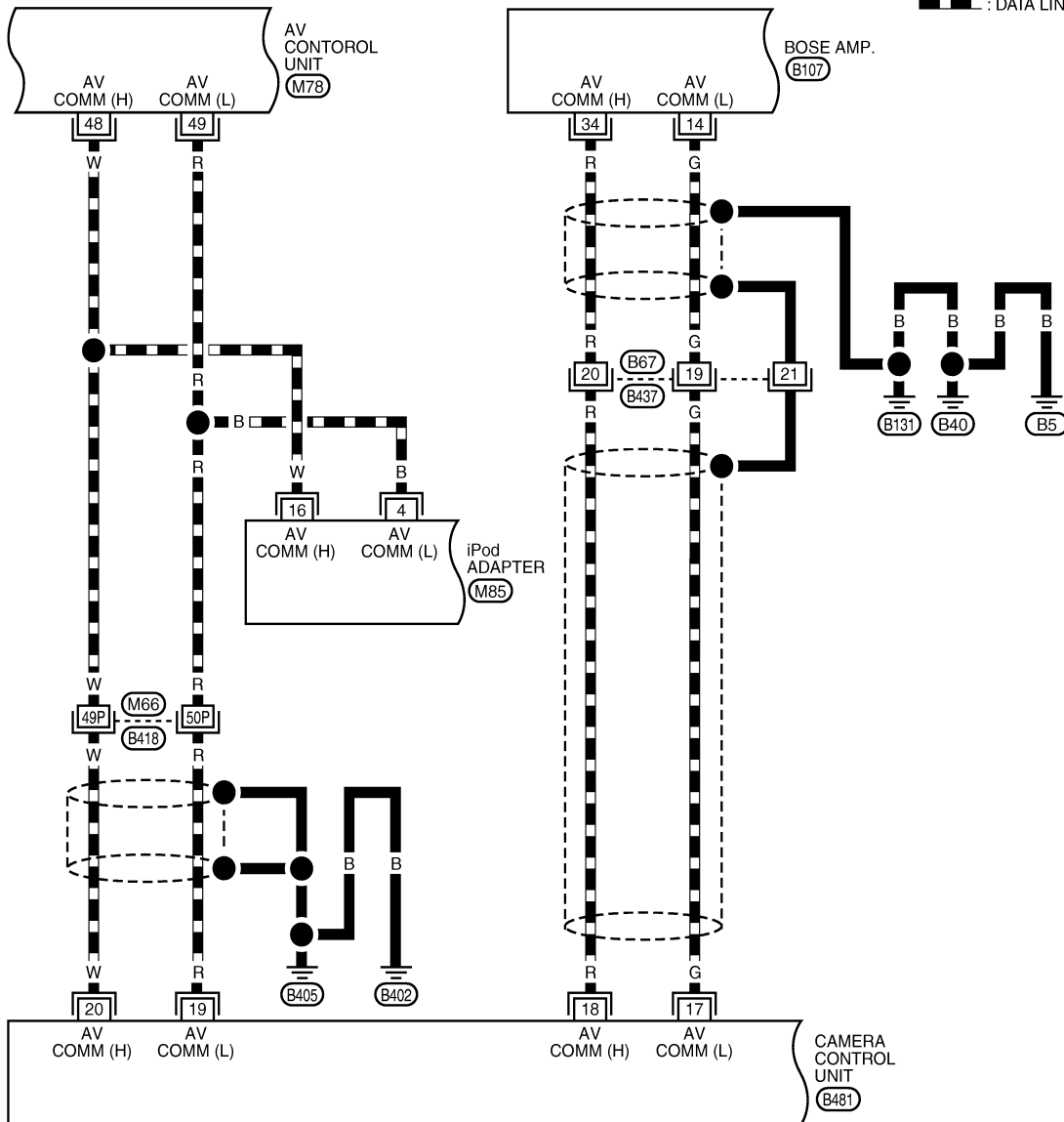
# VIDEO DISTRIBUTOR

[WITH MOBILE ENTERTAINMENT SYSTEM]

< ECU DIAGNOSIS >

AV-AV-71

— : DATA LINE



60	58	56	54	52	50	48	46	44	42	40	38	36	34	32	30	28	26	24	22
59	57	55	53	51	49	47	45	43	41	39	37	35	33	31	29	27	25	23	21

(M78) W

12	11	10	9	8	7	6	5	4	3	2	1
24	23	22	21	20	19	18	17	16	15	14	13

(M85) W

1	2	3	4	5	6	7	8	9	10	11	12	13	14	15	16	17	18	19	20
21	22	23	24	25	26	27	28	29	30	31	32	33	34	35	36	37	38	39	40

(B107) W

1	2	3	4	5	6	7	8	9	10	11		
12	13	14	15	16	17	18	19	20	21	22	23	24

(B437) BR

32	30	28	26	24	22	20	18	16	14	12	10	8	6	4	2
31	29	27	25	23	21	19	17	15	13	11	9	7	5	3	1

(B481) W

REFER TO THE FOLLOWING.

(B418) - SUPER MULTIPLE JUNCTION (SMJ)

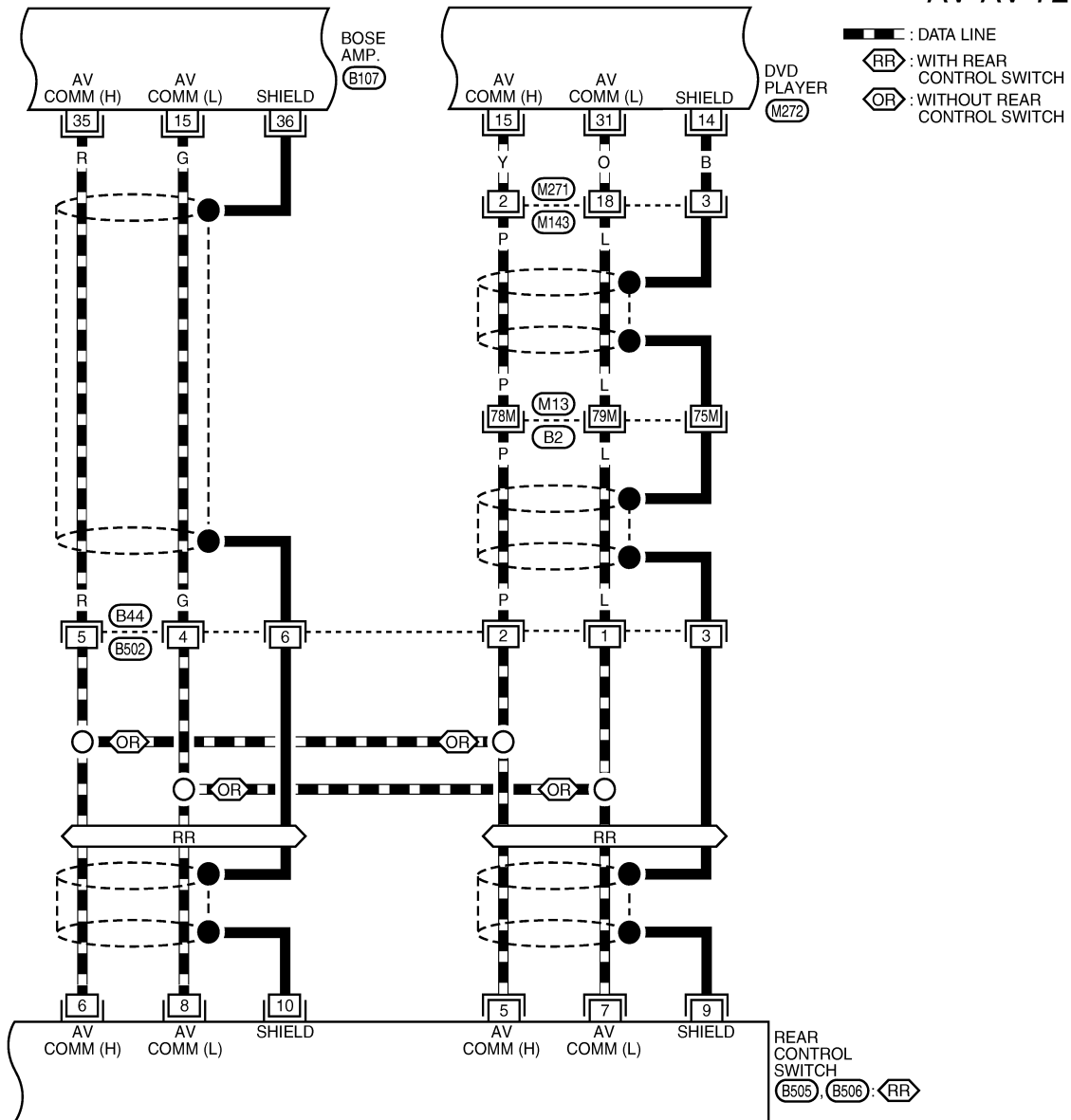
TKWT6753E

# VIDEO DISTRIBUTOR

[WITH MOBILE ENTERTAINMENT SYSTEM]

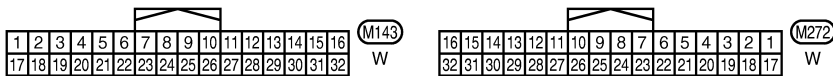
< ECU DIAGNOSIS >

AV-AV-72



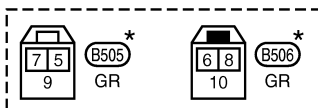
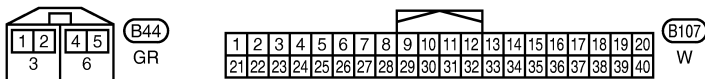
A  
B  
C  
D  
E  
F  
G  
H  
I  
J  
L  
M  
N  
O  
P

AV



REFER TO THE FOLLOWING.

B2 - SUPER MULTIPLE JUNCTION (SMJ)



\* : THIS CONNECTOR IS NOT SHOWN IN "HARNESS LAYOUT", PG SECTION.

TKWT6754E

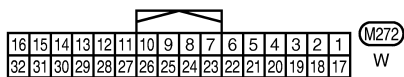
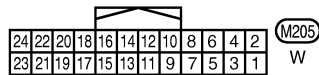
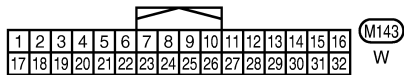
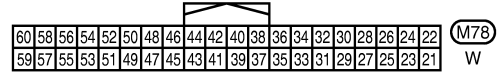
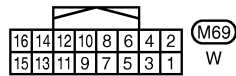
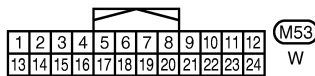
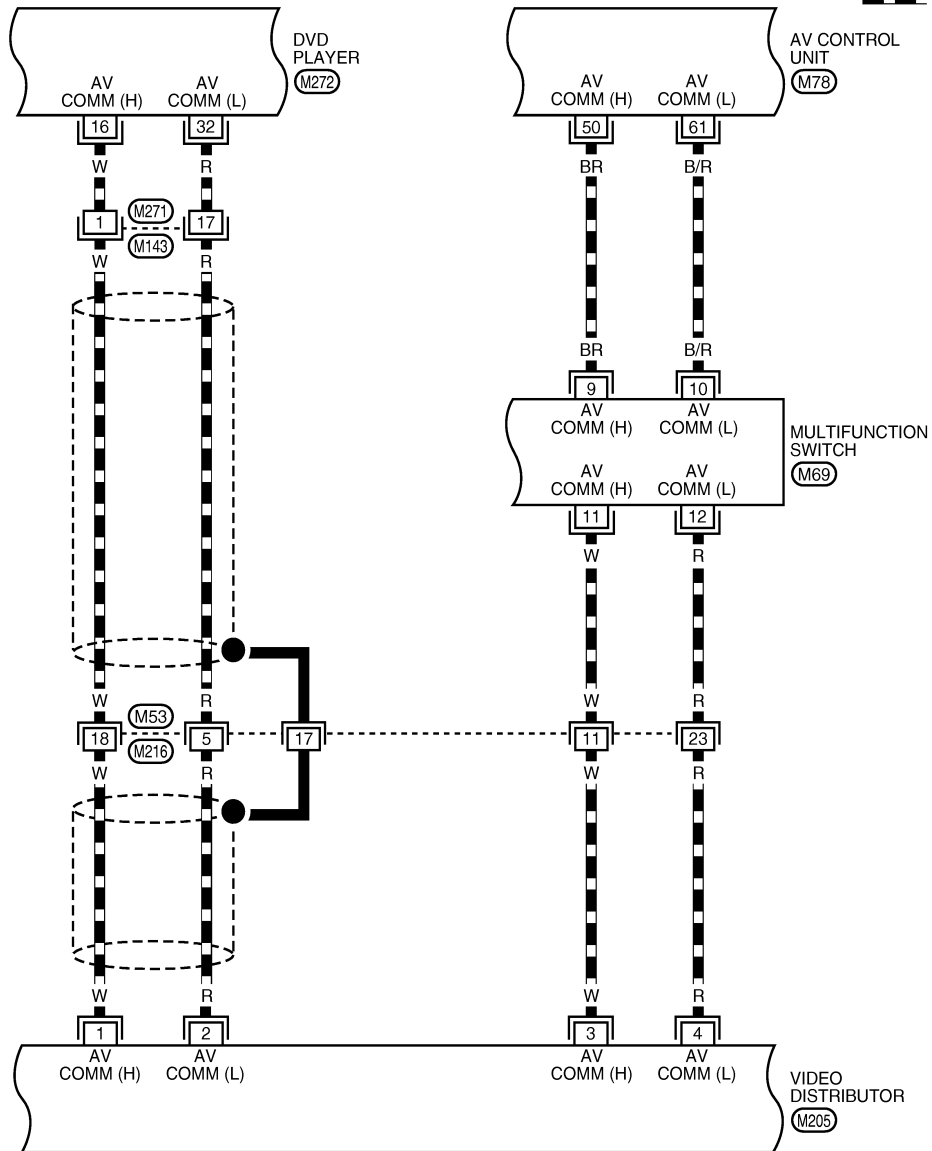
# VIDEO DISTRIBUTOR

[WITH MOBILE ENTERTAINMENT SYSTEM]

< ECU DIAGNOSIS >

AV-AV-73

DATA LINE



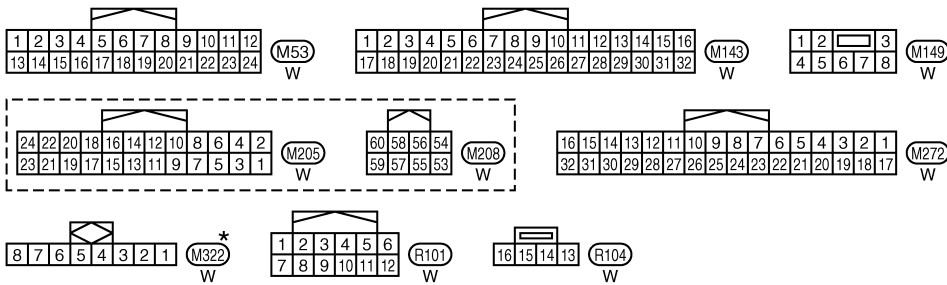
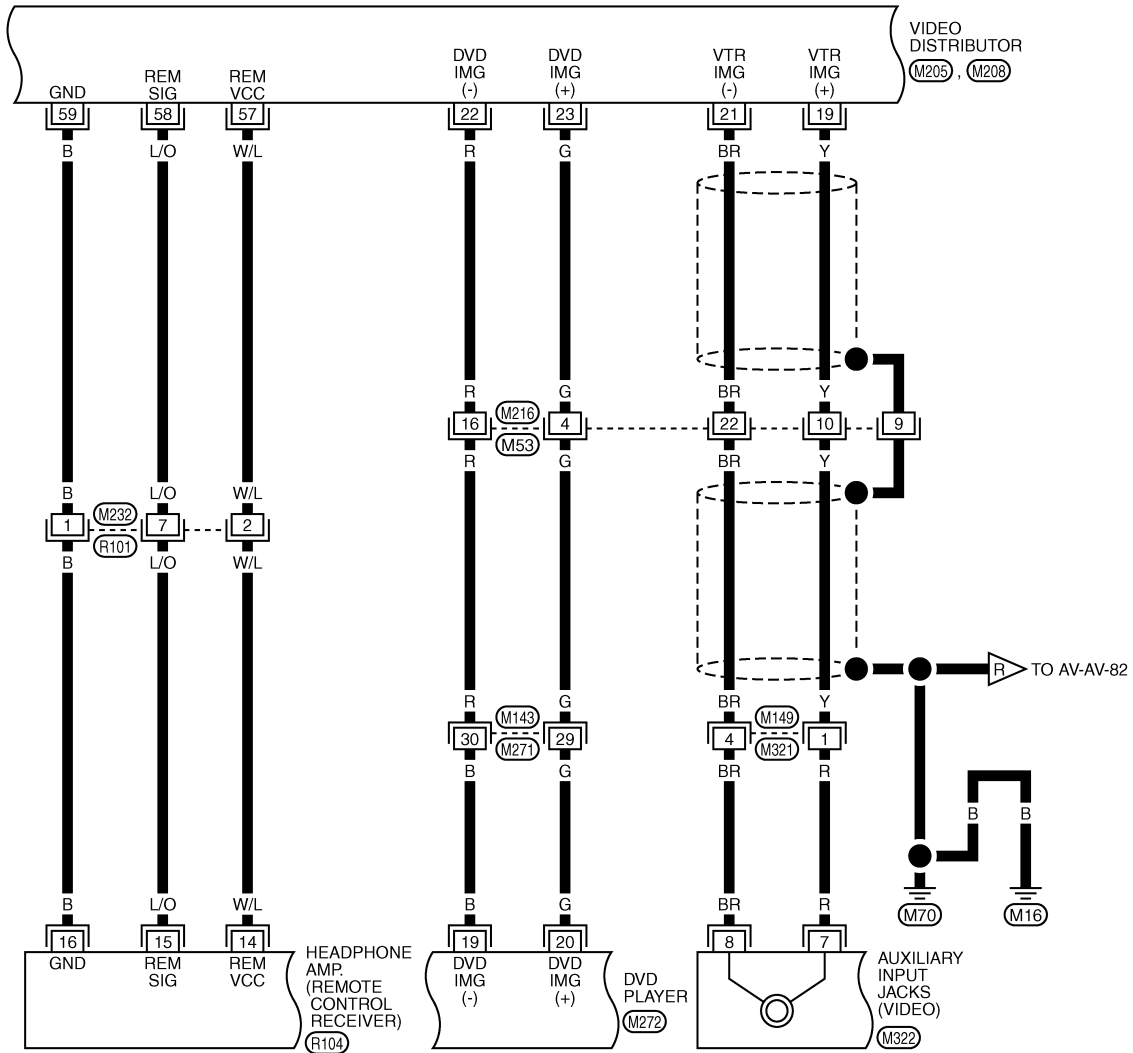
TKWT6755E

# VIDEO DISTRIBUTOR

[WITH MOBILE ENTERTAINMENT SYSTEM]

< ECU DIAGNOSIS >

AV-AV-74



\*: THIS CONNECTOR IS NOT SHOWN IN "HARNESS LAYOUT", PG SECTION.

TKWT8307E

A  
B  
C  
D  
E  
F  
G  
H  
I  
J  
K  
L  
M  
N  
O  
P

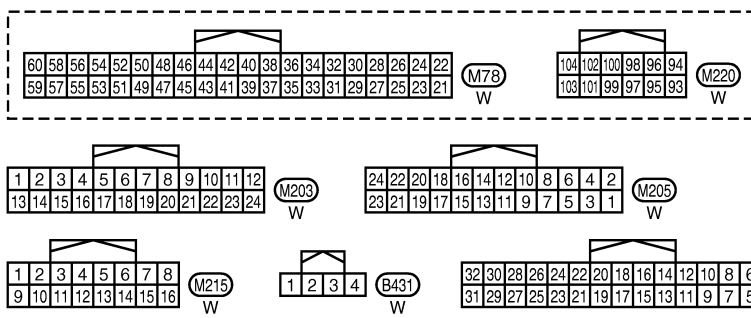
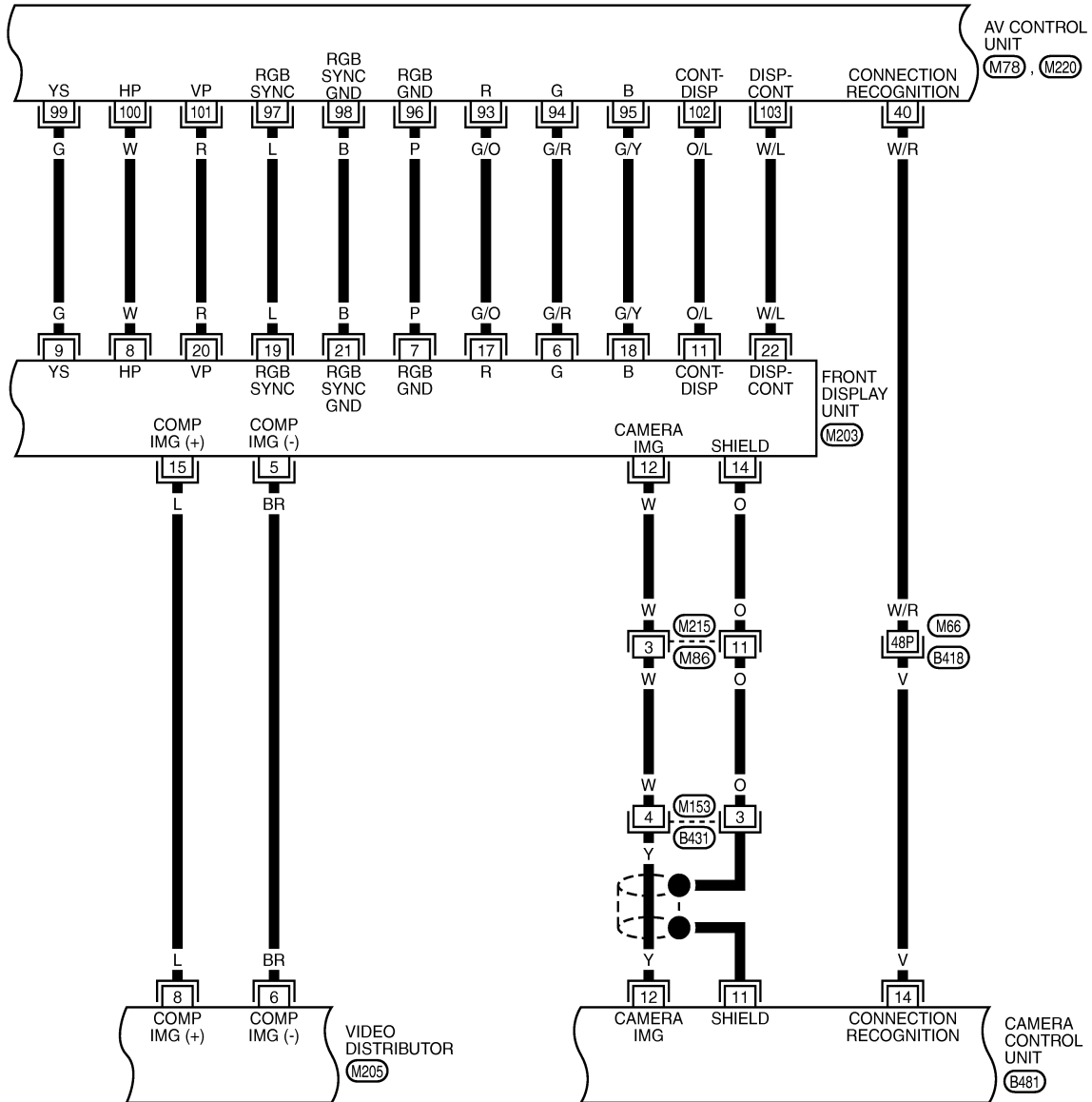
AV

# VIDEO DISTRIBUTOR

[WITH MOBILE ENTERTAINMENT SYSTEM]

< ECU DIAGNOSIS >

AV-AV-75



REFER TO THE FOLLOWING.

(B418) -SUPER MULTIPLE JUNCTION (SMJ)

TKWT6757E

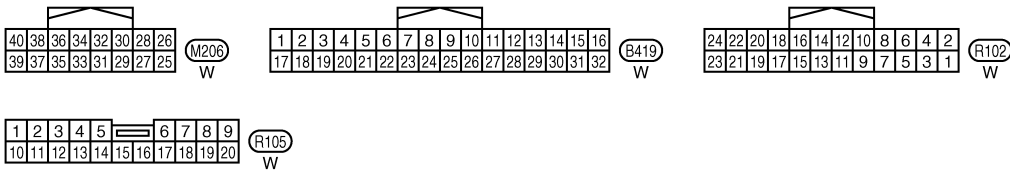
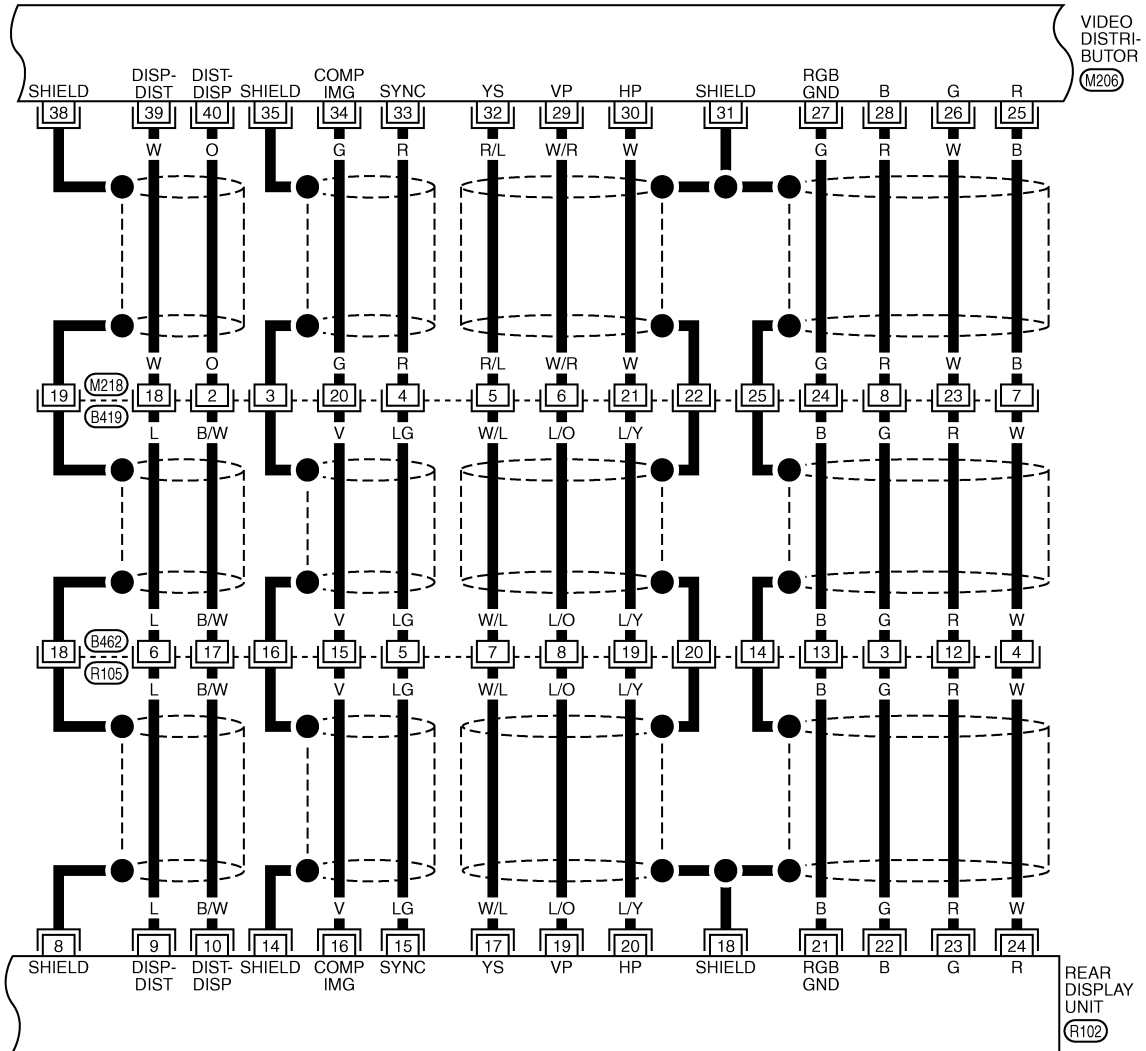


# VIDEO DISTRIBUTOR

[WITH MOBILE ENTERTAINMENT SYSTEM]

< ECU DIAGNOSIS >

AV-AV-76



TKWT5152E

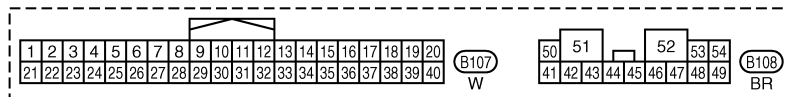
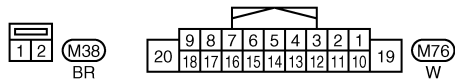
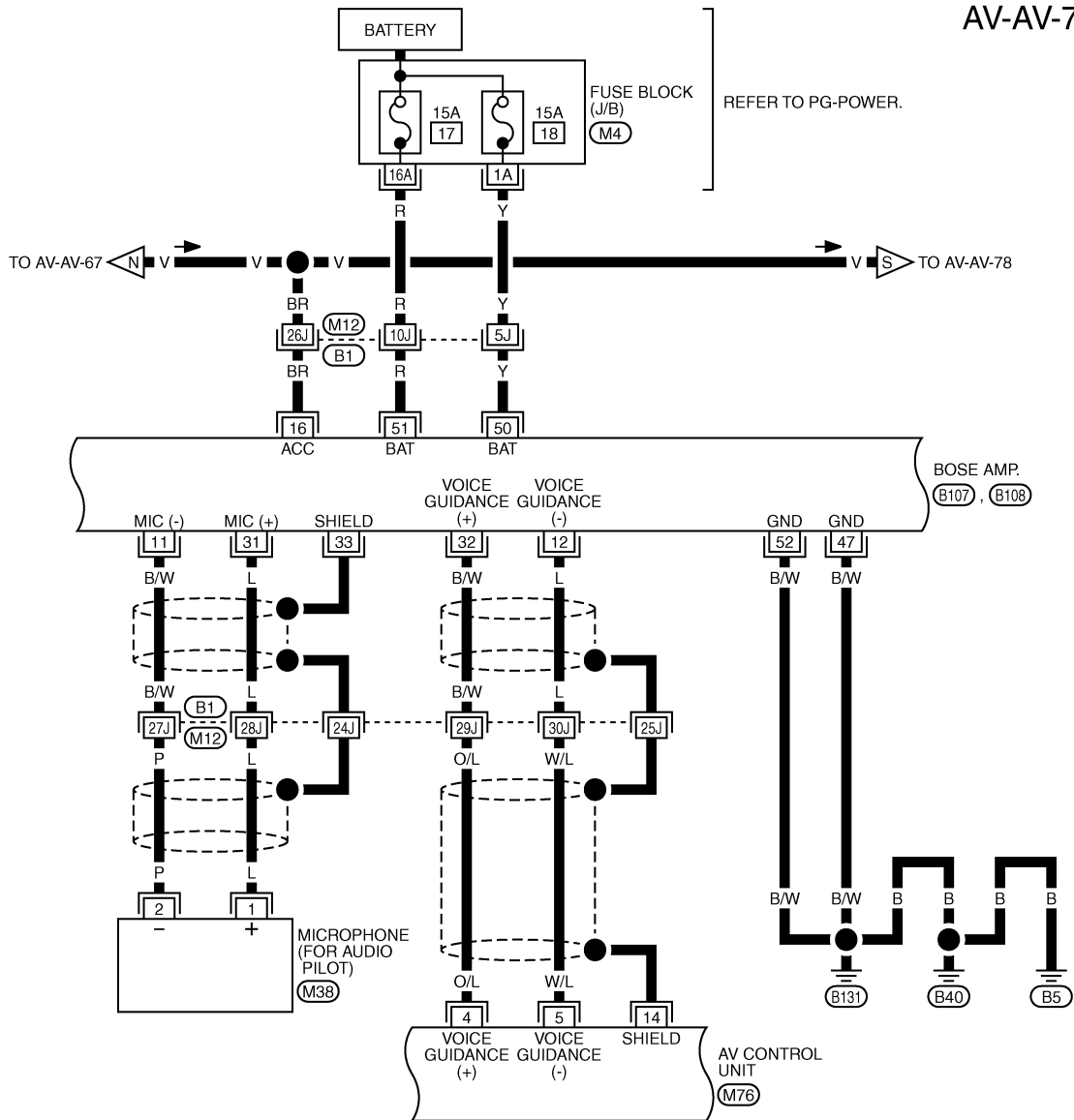
A  
B  
C  
D  
E  
F  
G  
H  
I  
J  
AV  
L  
M  
N  
O  
P

# VIDEO DISTRIBUTOR

[WITH MOBILE ENTERTAINMENT SYSTEM]

< ECU DIAGNOSIS >

AV-AV-77



REFER TO THE FOLLOWING.  
 (B1) -SUPER MULTIPLE JUNCTION (SMJ)  
 (M4) -FUSE BLOCK-JUNCTION BOX (J/B)

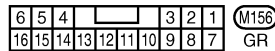
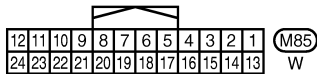
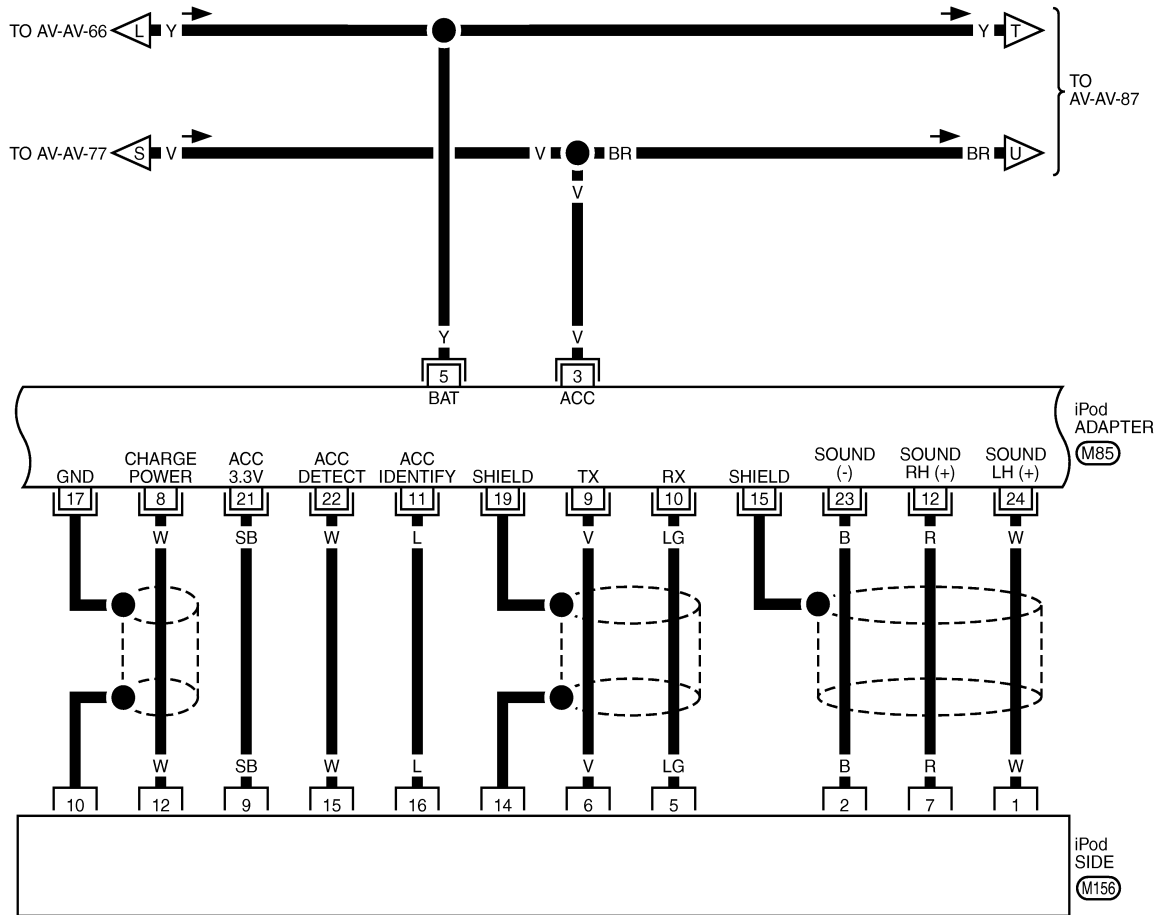
TKWT8308E

# VIDEO DISTRIBUTOR

[WITH MOBILE ENTERTAINMENT SYSTEM]

< ECU DIAGNOSIS >

AV-AV-78



TKWT6761E

A  
B  
C  
D  
E  
F  
G  
H  
I  
J  
K  
L  
M  
N  
O  
P

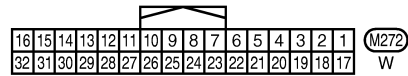
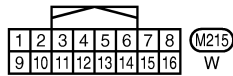
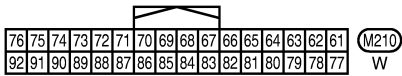
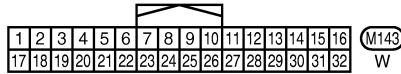
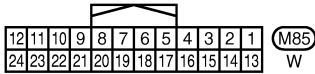
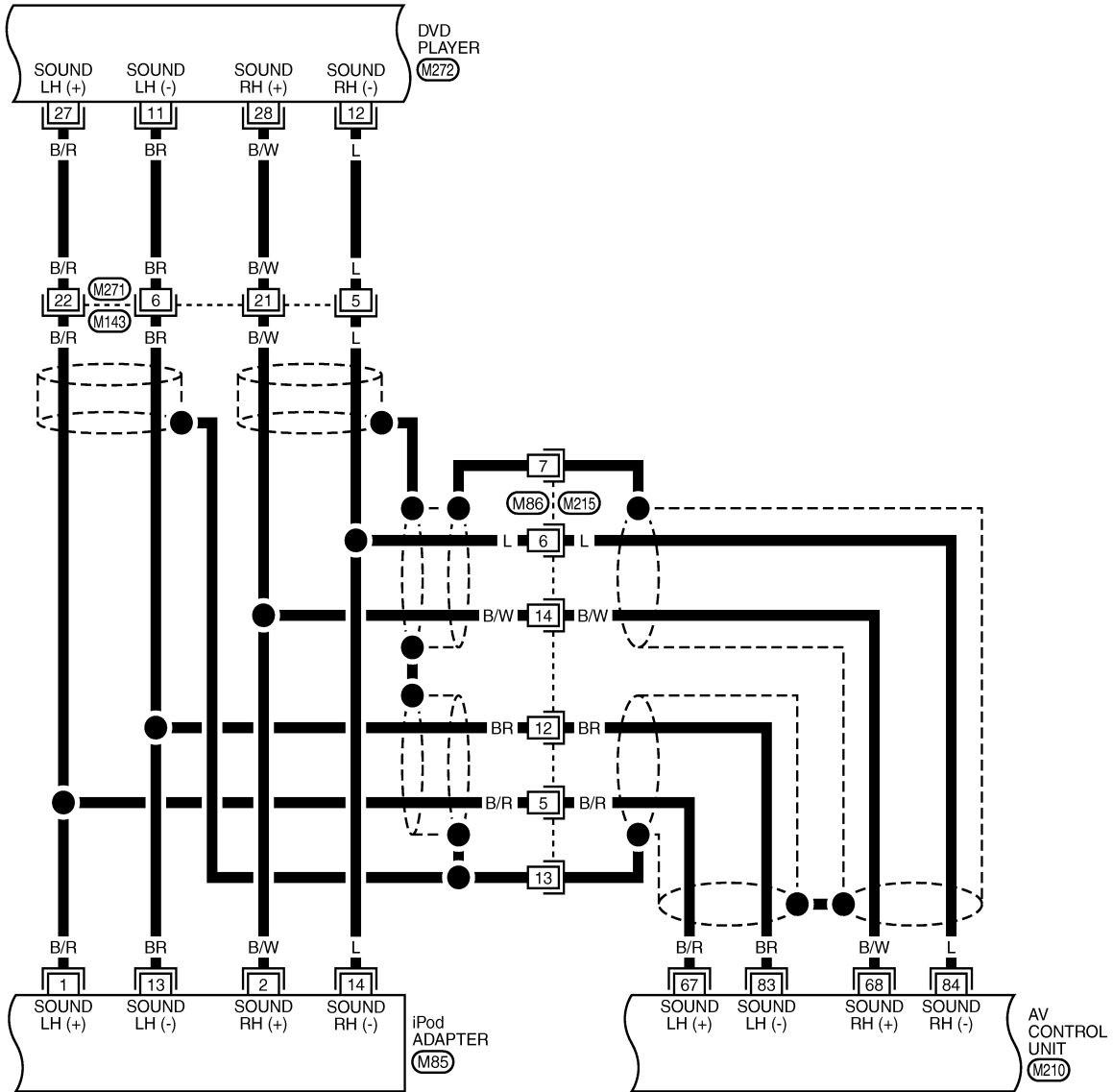
AV

# VIDEO DISTRIBUTOR

[WITH MOBILE ENTERTAINMENT SYSTEM]

< ECU DIAGNOSIS >

AV-AV-79



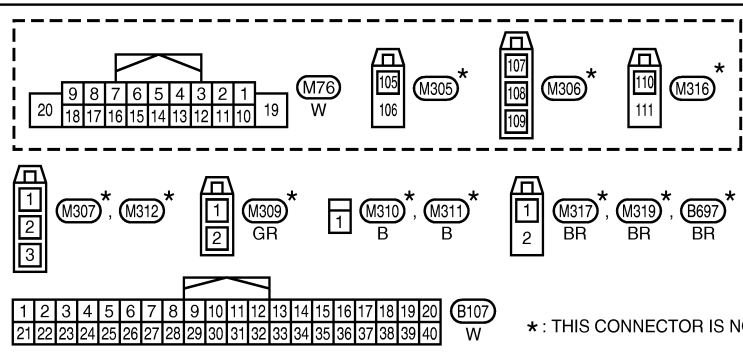
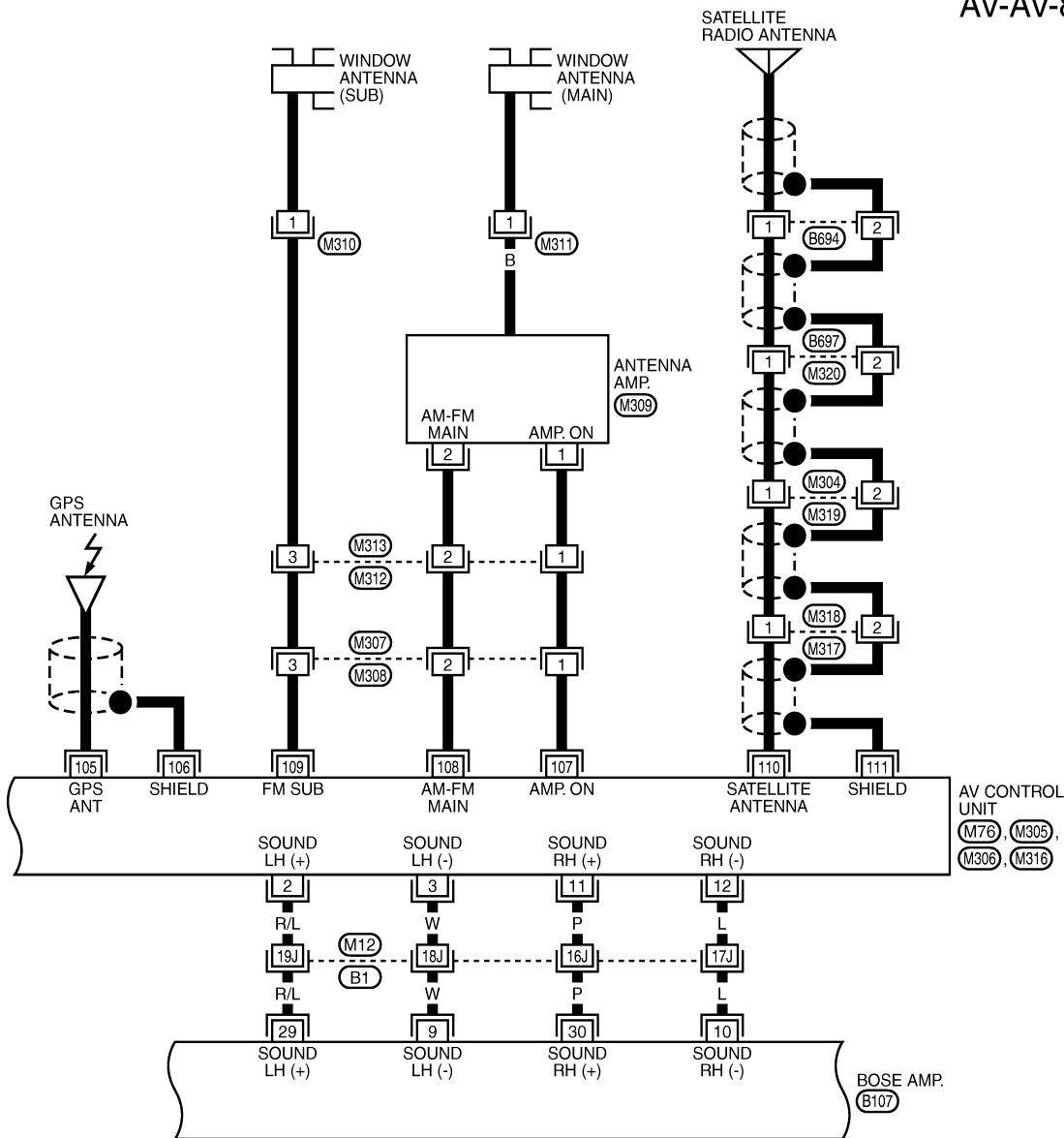
TKWT6762E

# VIDEO DISTRIBUTOR

[WITH MOBILE ENTERTAINMENT SYSTEM]

< ECU DIAGNOSIS >

AV-AV-80



REFER TO THE FOLLOWING.

(B1) - SUPER MULTIPLE JUNCTION (SMJ)

\* : THIS CONNECTOR IS NOT SHOWN IN "HARNESS LAYOUT", PG SECTION.

TKWT6763E

A  
B  
C  
D  
E  
F  
G  
H  
I  
J  
K  
L  
M  
N  
O  
P

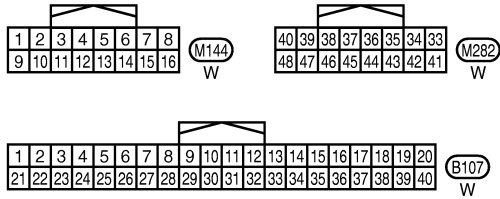
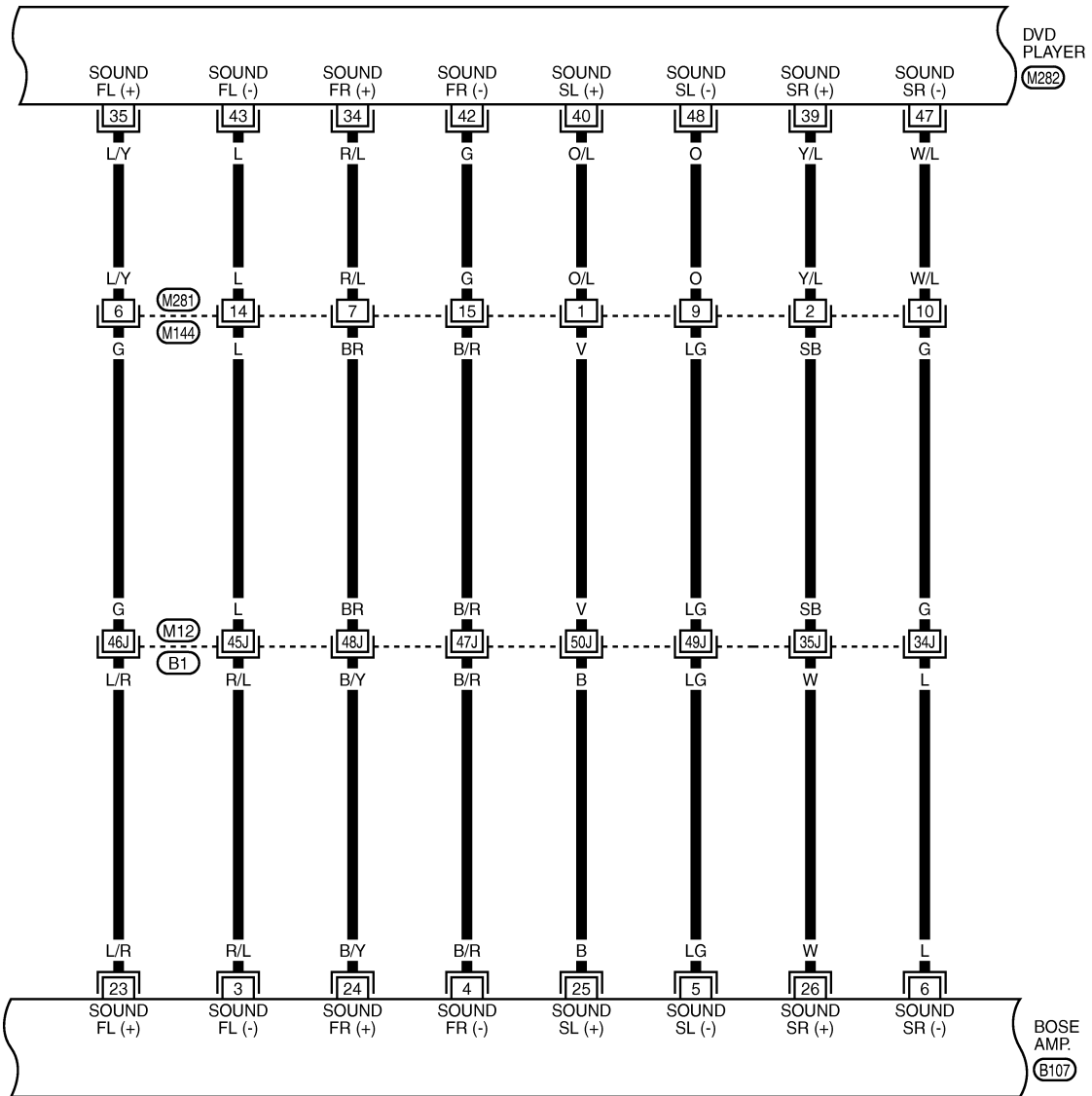
AV

# VIDEO DISTRIBUTOR

[WITH MOBILE ENTERTAINMENT SYSTEM]

< ECU DIAGNOSIS >

AV-AV-81



REFER TO THE FOLLOWING.

(B1) - SUPER MULTIPLE JUNCTION (SMJ)

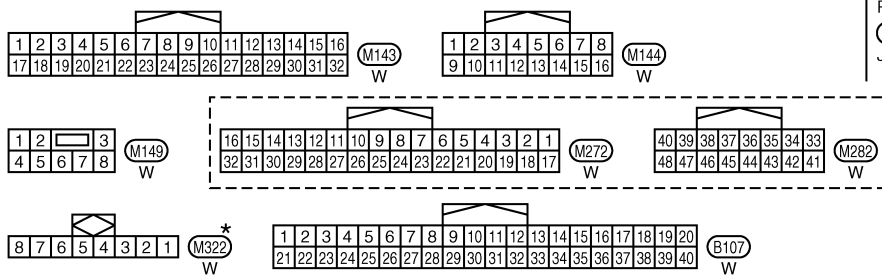
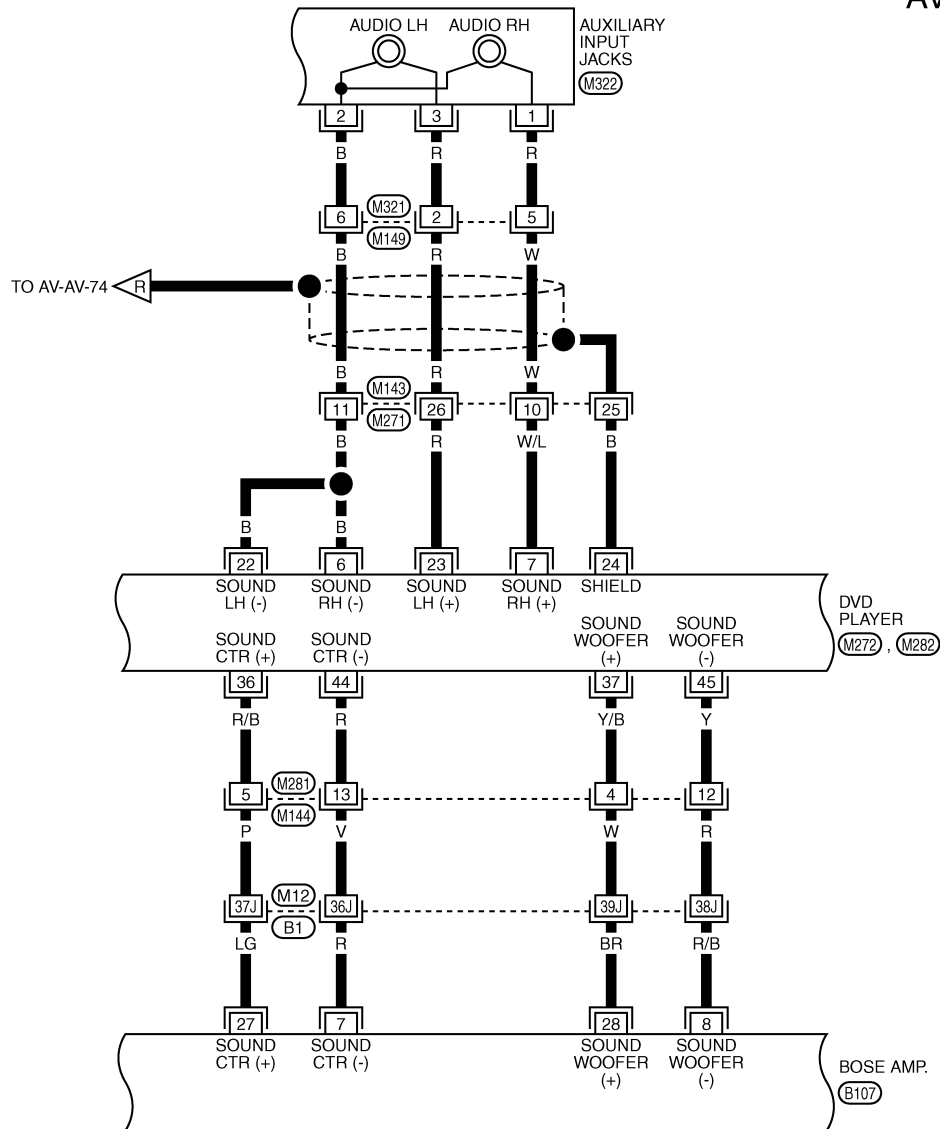
TKWT6764E

# VIDEO DISTRIBUTOR

[WITH MOBILE ENTERTAINMENT SYSTEM]

< ECU DIAGNOSIS >

AV-AV-82



REFER TO THE FOLLOWING.  
 (B1) -SUPER MULTIPLE JUNCTION (SMJ)

\*: THIS CONNECTOR IS NOT SHOWN IN "HARNESS LAYOUT", PG SECTION.

TKWT8309E

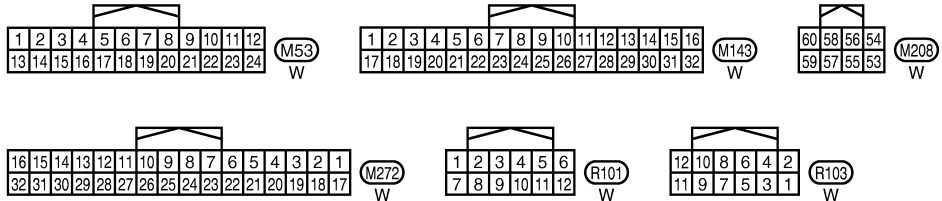
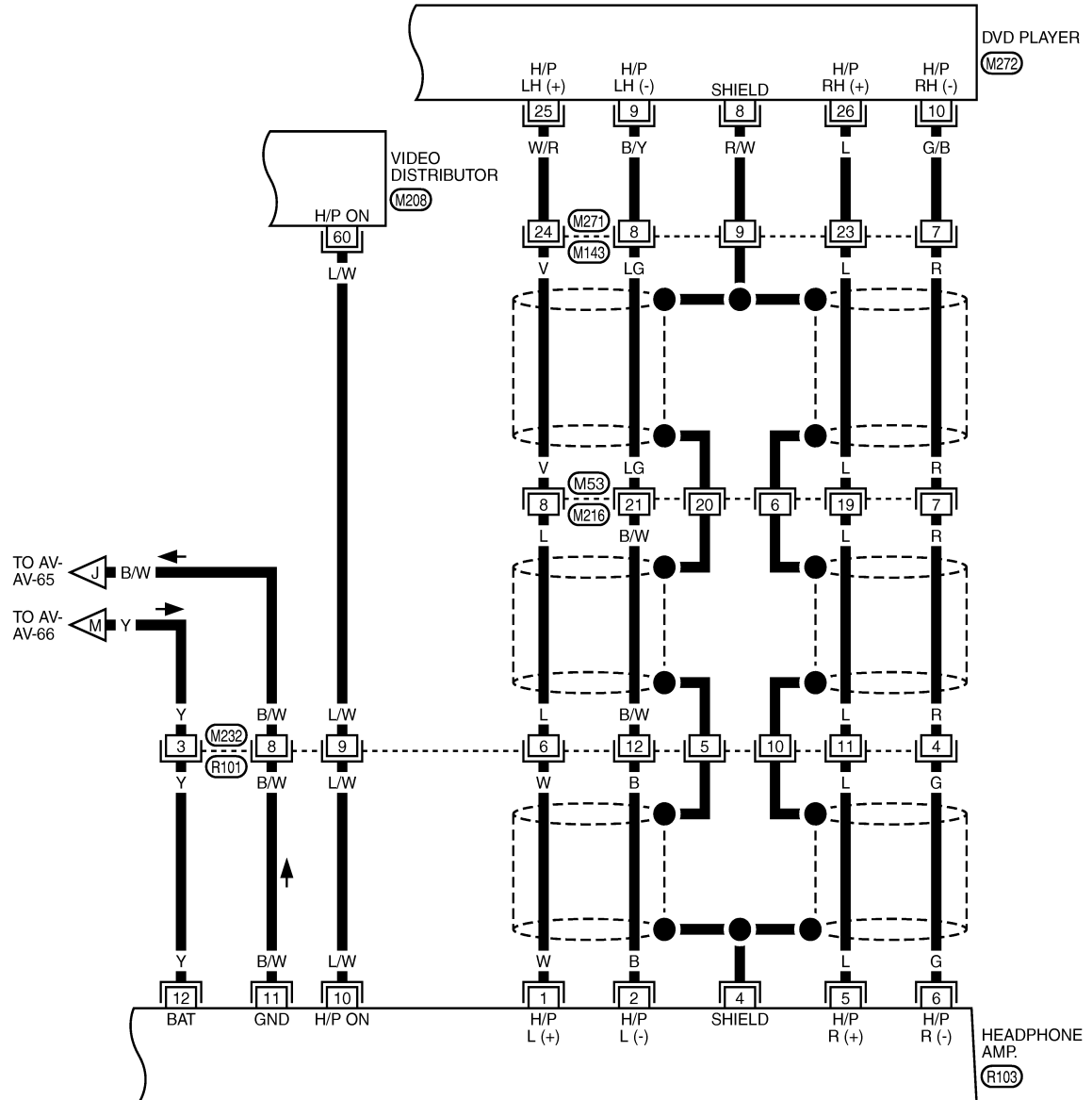
A  
B  
C  
D  
E  
F  
G  
H  
I  
J  
AV  
L  
M  
N  
O  
P

# VIDEO DISTRIBUTOR

[WITH MOBILE ENTERTAINMENT SYSTEM]

< ECU DIAGNOSIS >

AV-AV-83



TKWT6766E

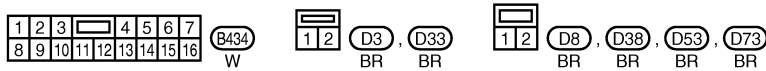
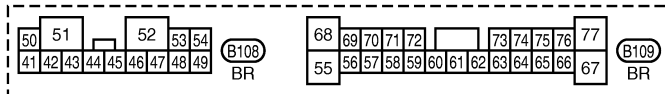
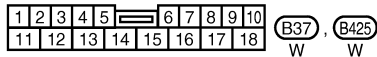
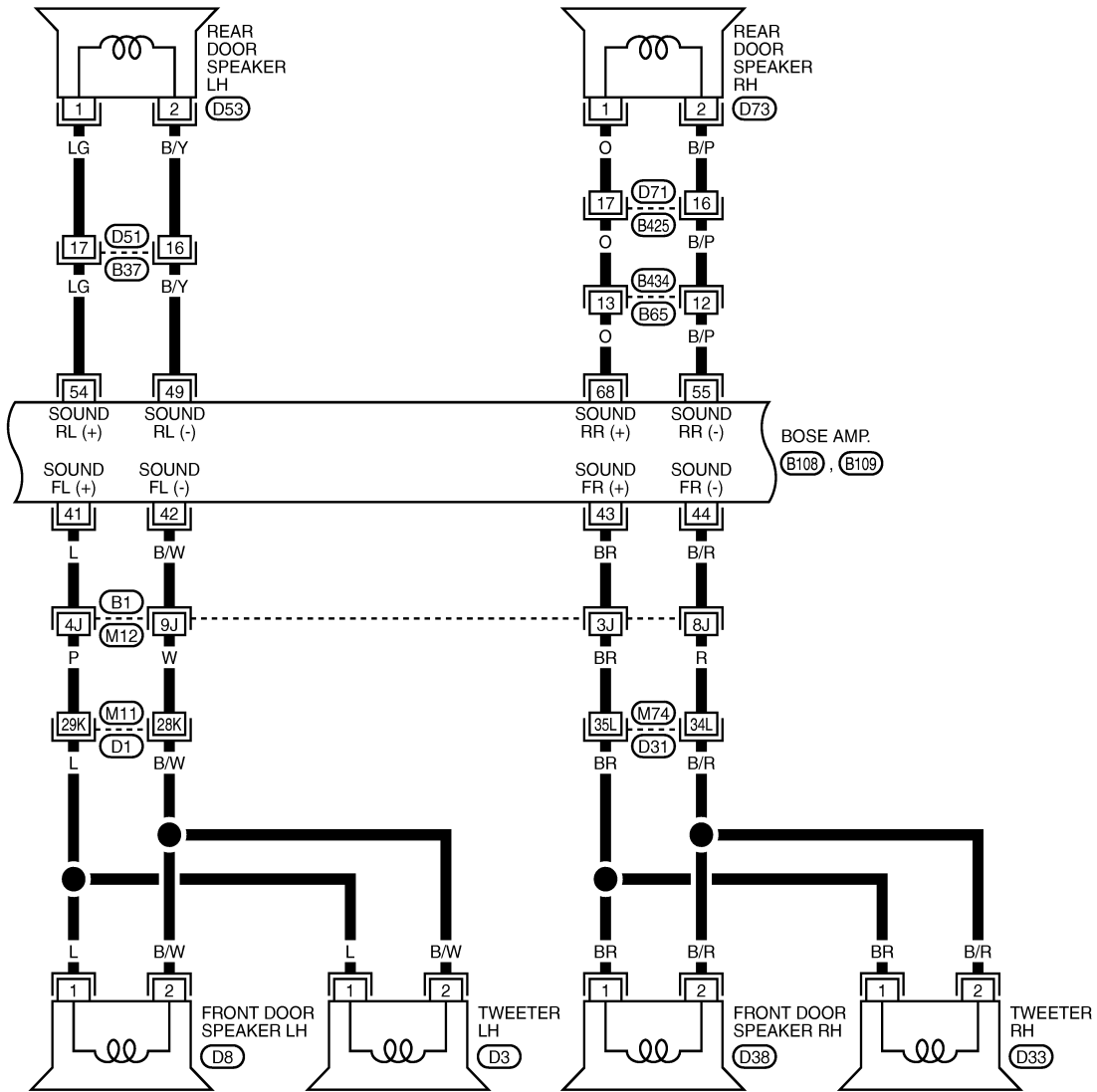


# VIDEO DISTRIBUTOR

[WITH MOBILE ENTERTAINMENT SYSTEM]

< ECU DIAGNOSIS >

AV-AV-84



REFER TO THE FOLLOWING.

(B1), (D1), (D31) - SUPER  
MULTIPLE JUNCTION (SMJ)

TKWT6767E

A  
B  
C  
D  
E  
F  
G  
H  
I  
J  
K  
L  
M  
N  
O  
P

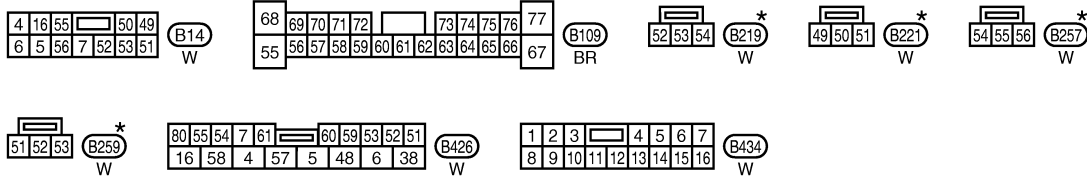
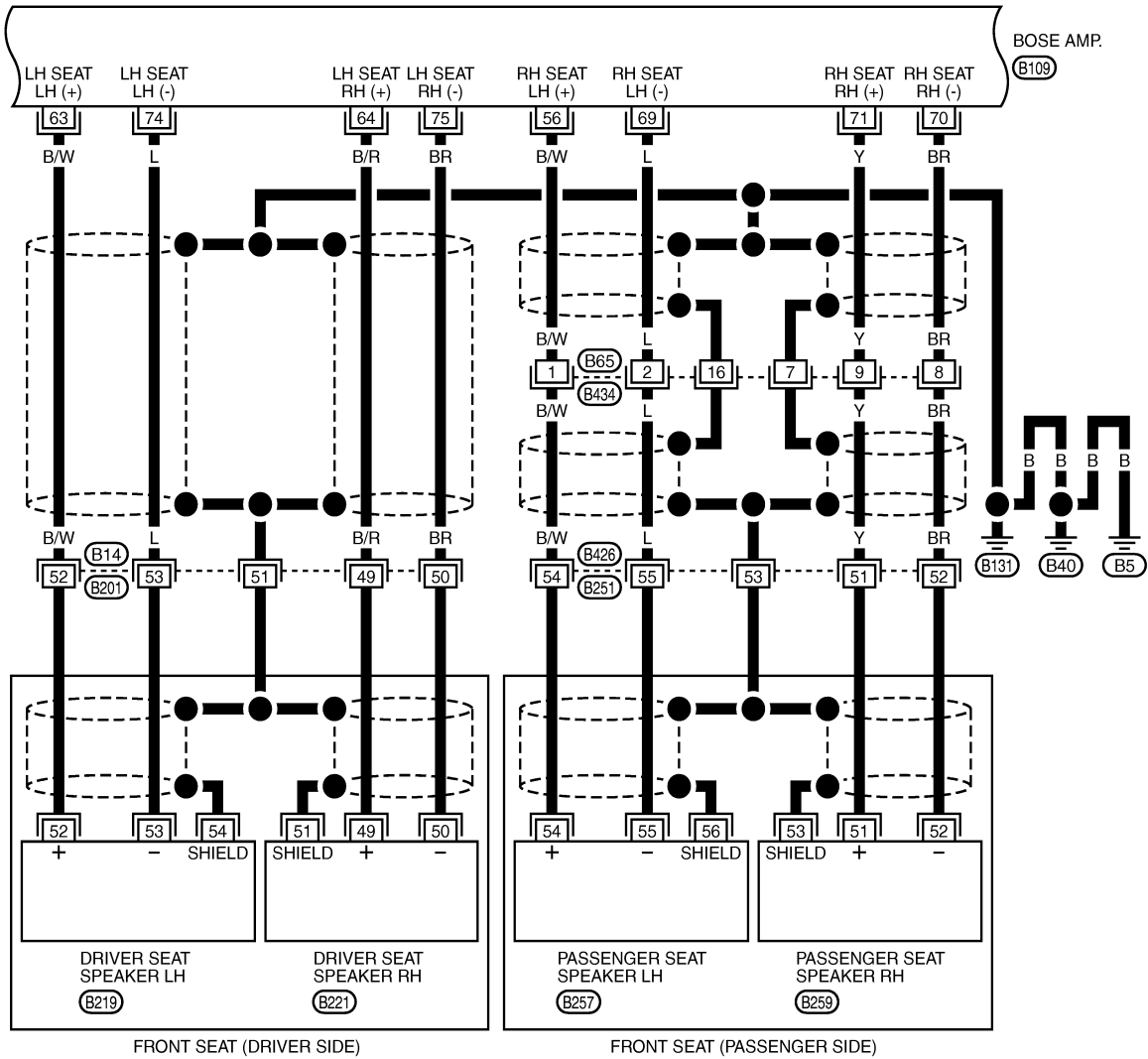
AV

# VIDEO DISTRIBUTOR

[WITH MOBILE ENTERTAINMENT SYSTEM]

< ECU DIAGNOSIS >

AV-AV-85



\*: THIS CONNECTOR IS NOT SHOWN IN "HARNESS LAYOUT", PG SECTION.

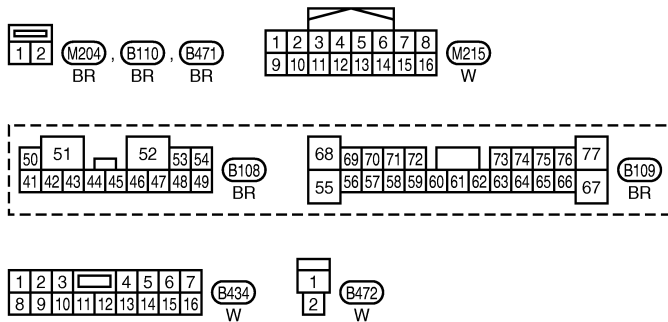
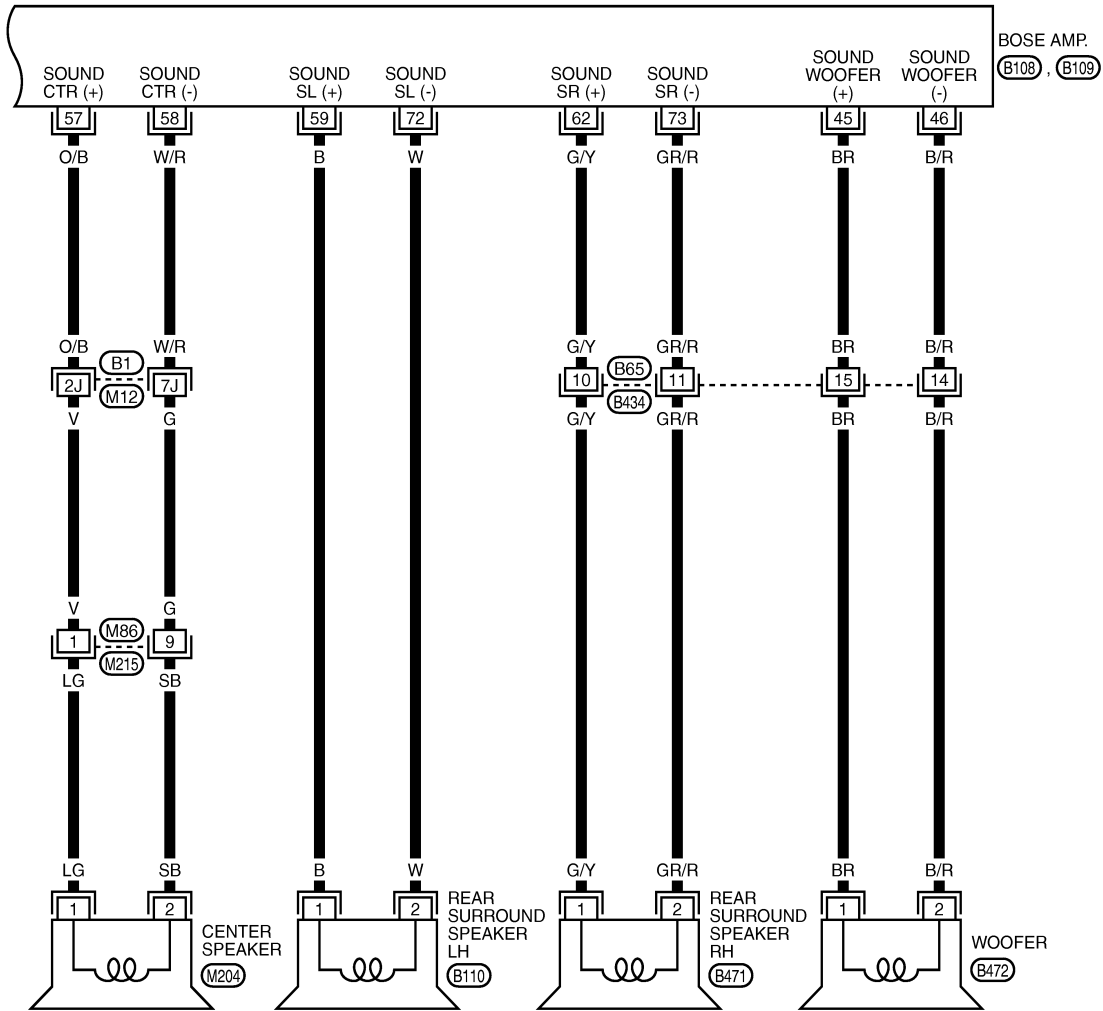
TKWT6768E

# VIDEO DISTRIBUTOR

[WITH MOBILE ENTERTAINMENT SYSTEM]

< ECU DIAGNOSIS >

AV-AV-86



REFER TO THE FOLLOWING.

(B1) - SUPER MULTIPLE JUNCTION (SMJ)

TKWT6769E

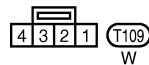
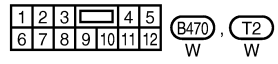
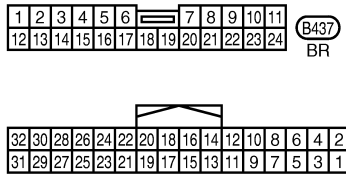
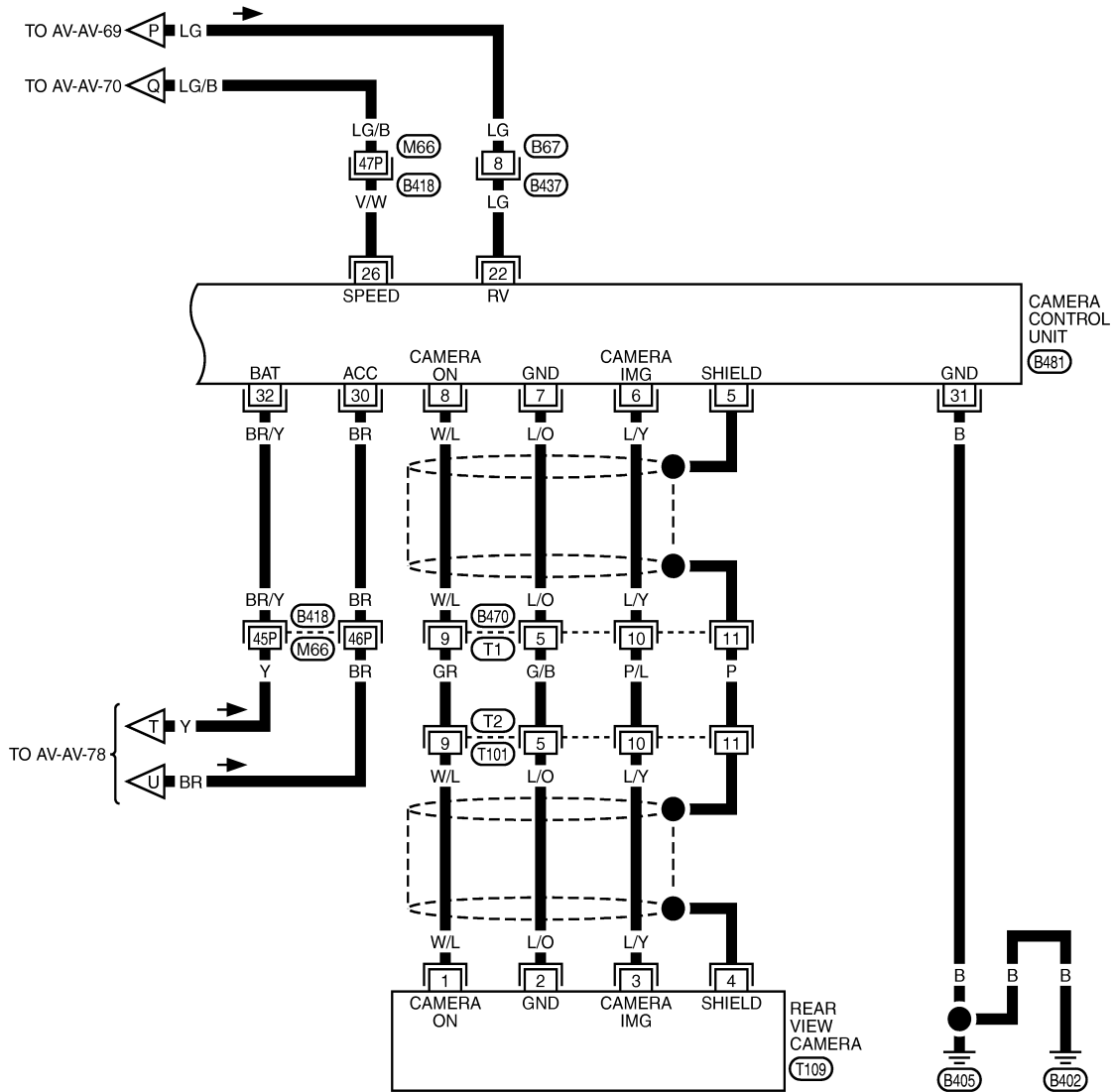
A  
B  
C  
D  
E  
F  
G  
H  
I  
J  
AV  
L  
M  
N  
O  
P

# VIDEO DISTRIBUTOR

[WITH MOBILE ENTERTAINMENT SYSTEM]

< ECU DIAGNOSIS >

AV-AV-87



REFER TO THE FOLLOWING.

(B418) - SUPER MULTIPLE JUNCTION (SMJ)

TKWT6770E

# BOSE AMP.

[WITH MOBILE ENTERTAINMENT SYSTEM]

< ECU DIAGNOSIS >

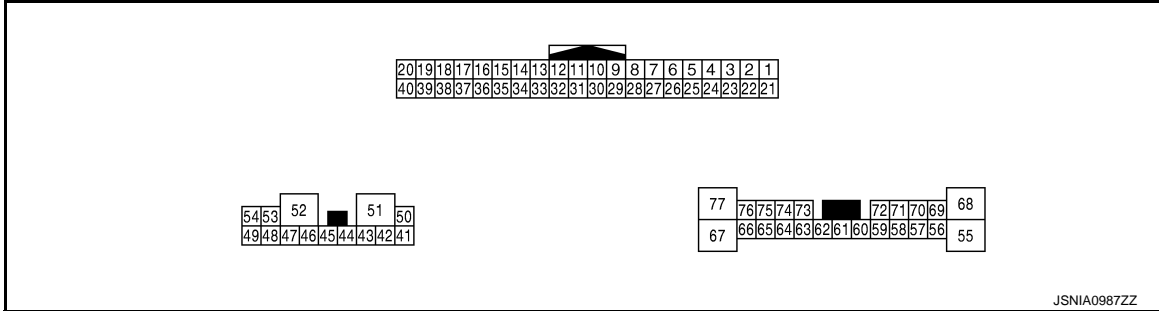
## BOSE AMP.

### BOSE AUDIO 2CH SYSTEM

### BOSE AUDIO 2CH SYSTEM : Reference Value

INFOID:000000005350616

#### TERMINAL LAYOUT



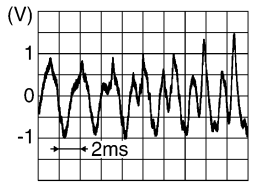
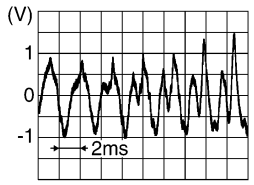
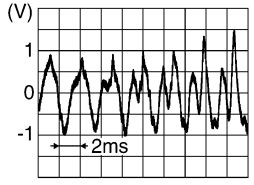
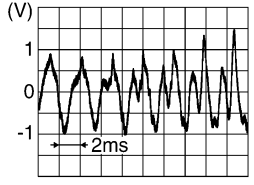
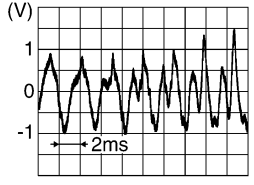
#### PHYSICAL VALUES

Terminal (Wire color)		Description		Condition		Reference value (Approx.)
+	-	Signal name	Input/ Output			
16 (B/W)	15 (L)	Voice guidance signal	Input	Ignition switch ON	When inputting voice guid- ance.	<p>SKIB3609E</p>
25 (L)	26 (B/W)	MIC. signal (for AudioPilot®)	Input	Ignition switch ON	When inputting noise.	<p>(reference value) PKIA2104E</p>
27	—	Shield	—	—	—	—
35 (G)	—	AV communication signal (L)	Input/ Output	—	—	—
36 (G)	—	AV communication signal (L)	Input/ Output	—	—	—
37 (R)	—	AV communication signal (H)	Input/ Output	—	—	—
38 (R)	—	AV communication signal (H)	Input/ Output	—	—	—
45 (BR)	46 (B/R)	Sound signal woofer	Output	Ignition switch ON	Sound output.	<p>PKIB6116J</p>

# BOSE AMP.

**[WITH MOBILE ENTERTAINMENT SYSTEM]**

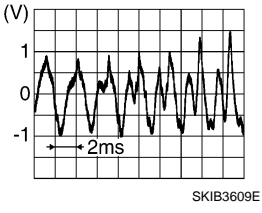
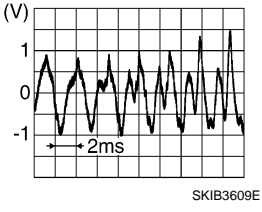
< ECU DIAGNOSIS >

Terminal (Wire color)		Description		Condition		Reference value (Approx.)
+	-	Signal name	Input/ Output			
47 (B/W)	Ground	Ground	—	Ignition switch ON	—	0 V
50 (Y)	Ground	Battery power supply	Input	Ignition switch OFF	—	Battery voltage
51 (R)	Ground	Battery power supply	Input	Ignition switch OFF	—	Battery voltage
52 (B/W)	Ground	Ground	—	Ignition switch ON	—	0 V
54 (O)	49 (B/P)	Sound signal rear door speaker RH	Output	Ignition switch ON	Sound output.	 <p style="text-align: right; font-size: small;">SKIB3609E</p>
58 (P)	59 (L/Y)	Sound signal front door speaker RH	Output	Ignition switch ON	Sound output.	 <p style="text-align: right; font-size: small;">SKIB3609E</p>
60 (BR)	Ground	ACC power supply	Input	Ignition switch ACC	—	Battery voltage
64 (P)	63 (W)	Sound signal LH	Input	Ignition switch ON	Audio sound output.	 <p style="text-align: right; font-size: small;">SKIB3609E</p>
66 (P)	65 (G)	Sound signal RH	Input	Ignition switch ON	Audio sound output.	 <p style="text-align: right; font-size: small;">SKIB3609E</p>
68 (LG)	55 (B/Y)	Sound signal rear door speaker LH	Output	Ignition switch ON	Sound output.	 <p style="text-align: right; font-size: small;">SKIB3609E</p>

# BOSE AMP.

**[WITH MOBILE ENTERTAINMENT SYSTEM]**

< ECU DIAGNOSIS >

Terminal (Wire color)		Description		Condition		Reference value (Approx.)
+	-	Signal name	Input/ Output			
69 (V)	70 (G/Y)	Sound signal center speaker	Output	Ignition switch ON	Sound output.	
71 (BR)	72 (R)	Sound signal front door speaker RH	Output	Ignition switch ON	Sound output.	

A  
B  
C  
D  
E  
F  
G  
H  
I  
J  
L  
M  
N  
O  
P

AV

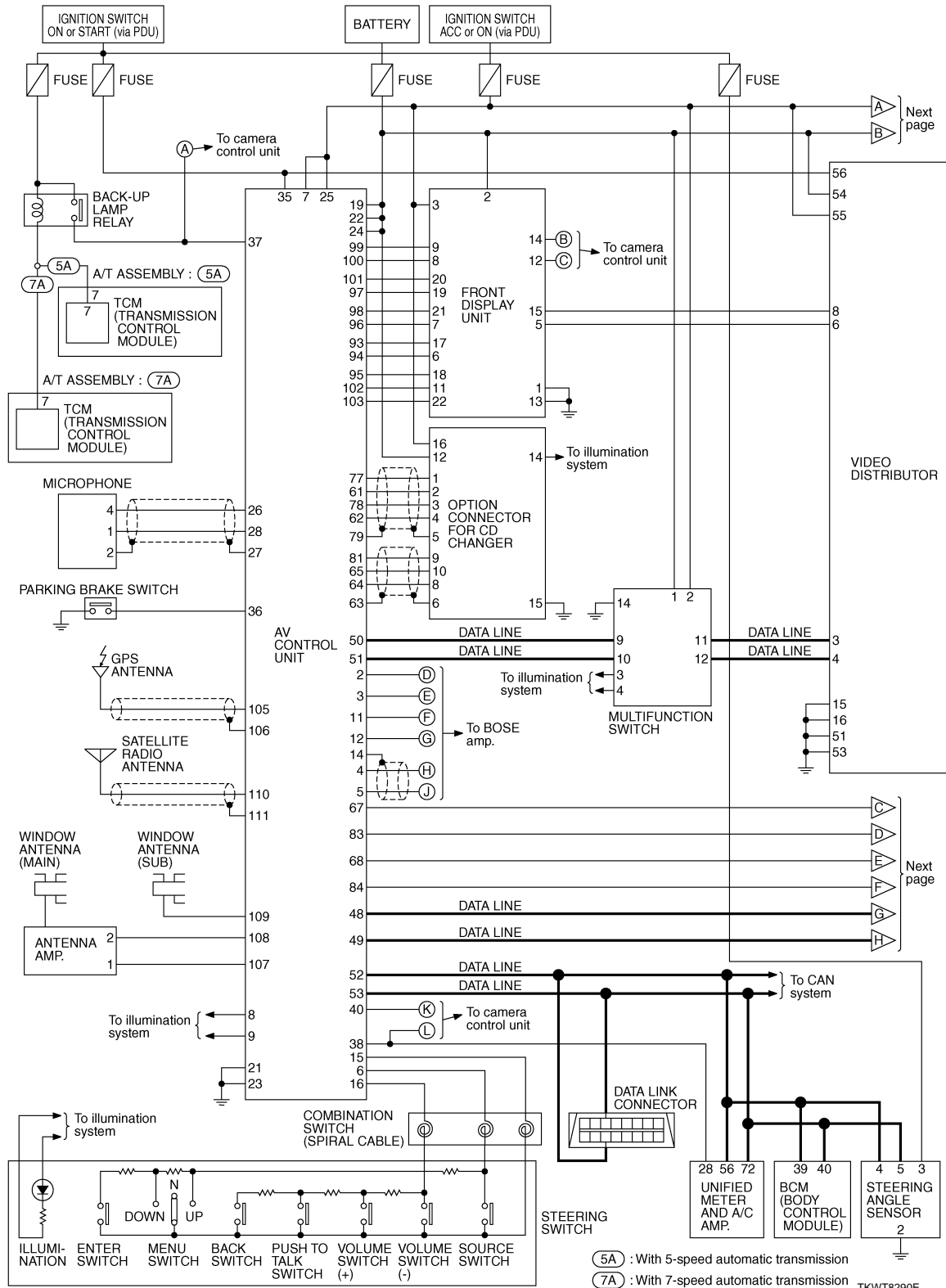
# BOSE AMP.

[WITH MOBILE ENTERTAINMENT SYSTEM]

< ECU DIAGNOSIS >

## BOSE AUDIO 2CH SYSTEM : Schematic - BOSE Audio 2ch System-

INFOID:000000005350617

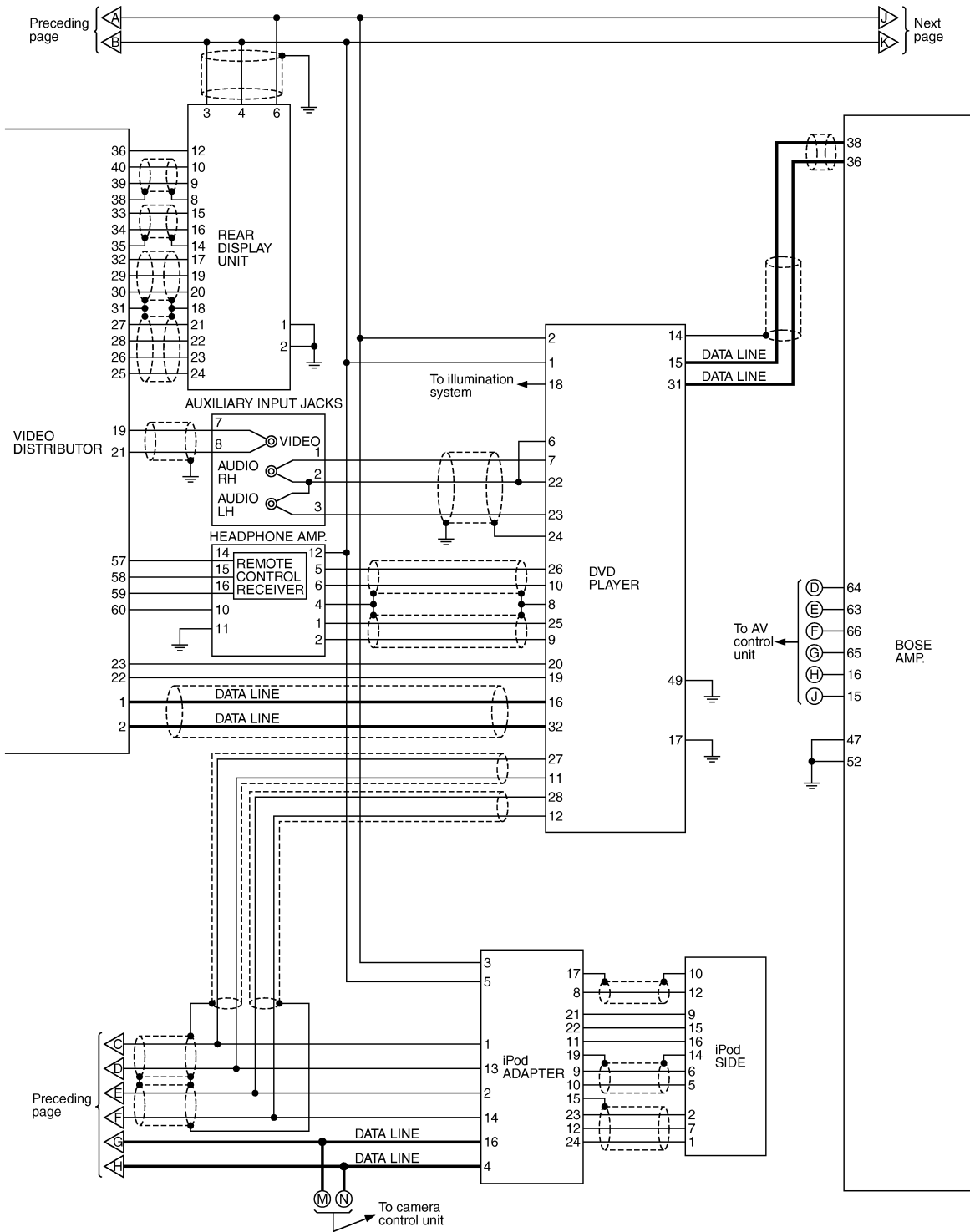




# BOSE AMP.

[WITH MOBILE ENTERTAINMENT SYSTEM]

< ECU DIAGNOSIS >



A  
B  
C  
D  
E  
F  
G  
H  
I  
J  
K  
L  
M  
N  
O  
P

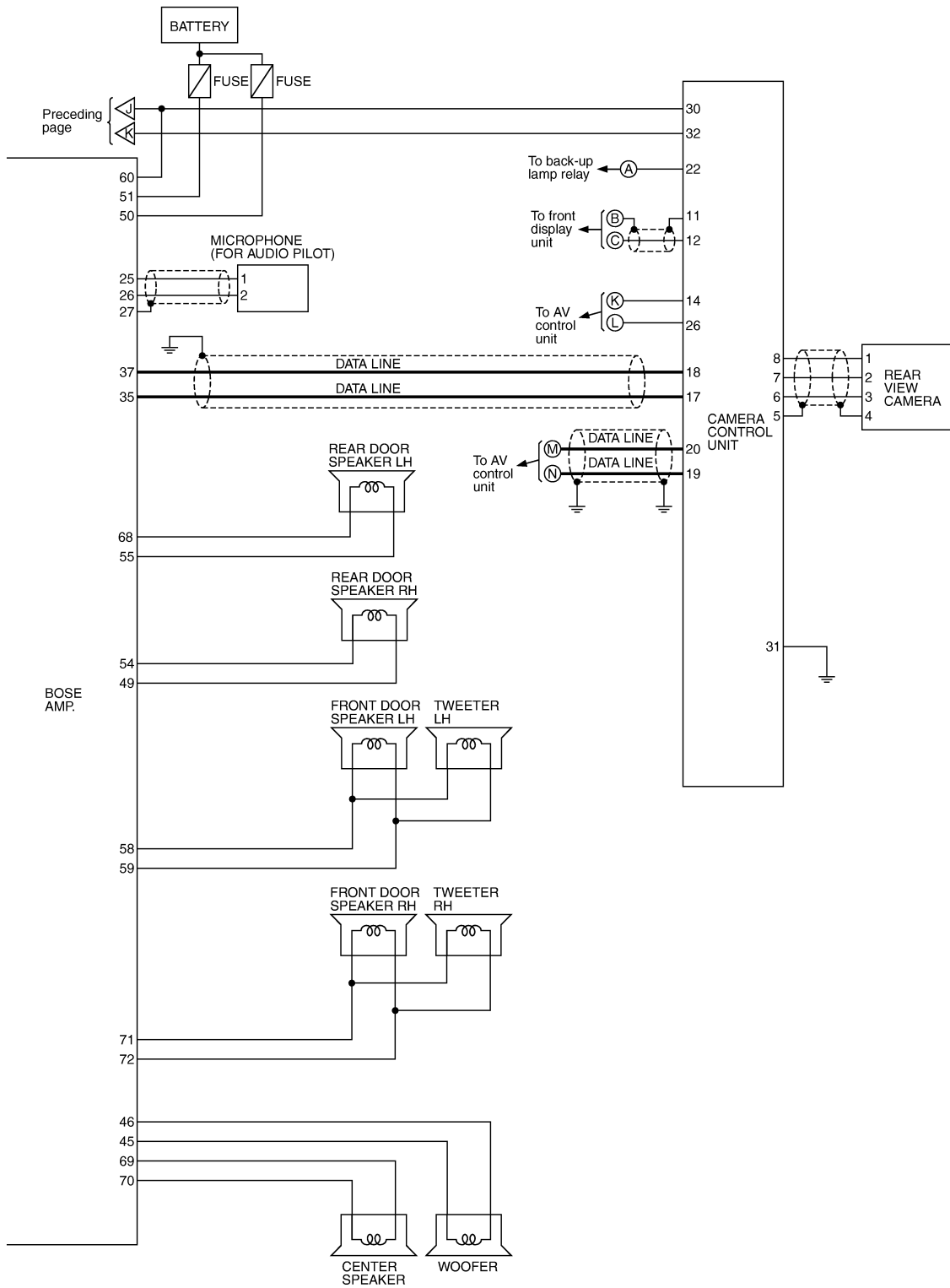
AV

TKWT6722E

# BOSE AMP.

[WITH MOBILE ENTERTAINMENT SYSTEM]

< ECU DIAGNOSIS >



TKWT6723E

## BOSE AUDIO 2CH SYSTEM : Wiring Diagram - AV - / BOSE Audio 2ch System

INFOID:000000005350618

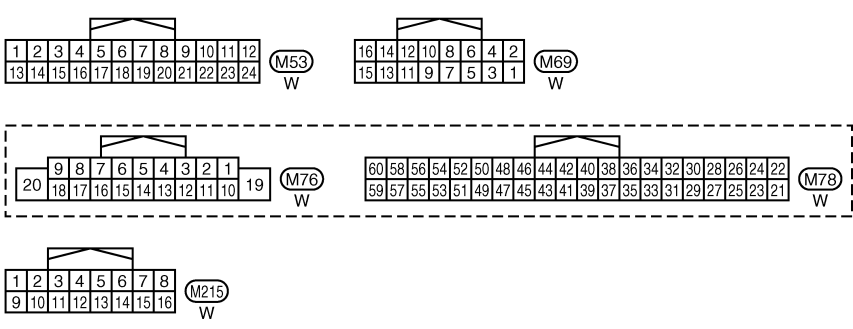
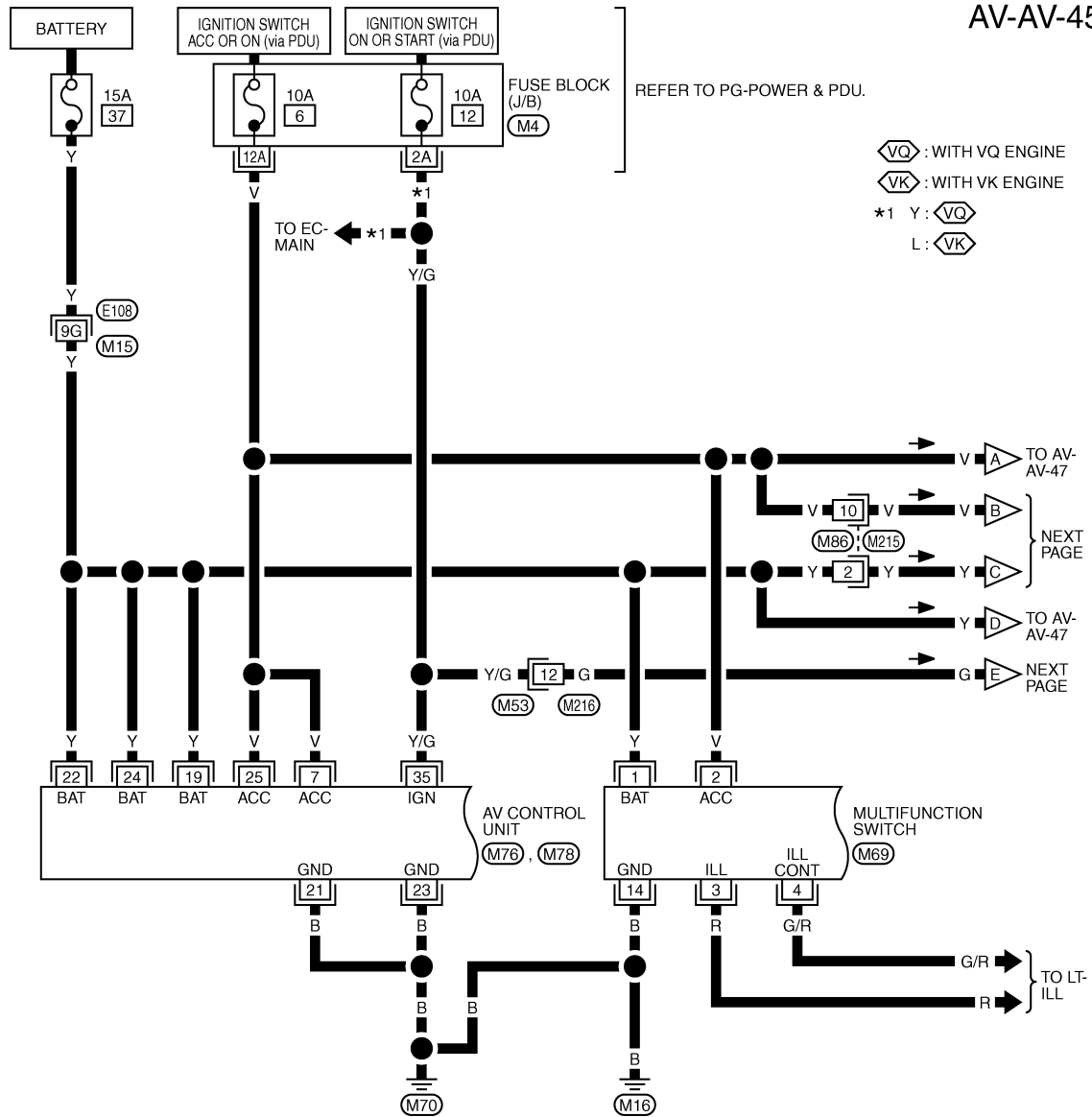
**NOTE:**

# BOSE AMP.

[WITH MOBILE ENTERTAINMENT SYSTEM]

< ECU DIAGNOSIS >

The name MULTIFUNCTION SWITCH indicates the integration of PRESET SWITCH and MULTIFUNCTION SWITCH virtually.



REFER TO THE FOLLOWING.  
 (E108) -SUPER MULTIPLE JUNCTION (SMJ)  
 (M4) -FUSE BLOCK-JUNCTION BOX (J/B)

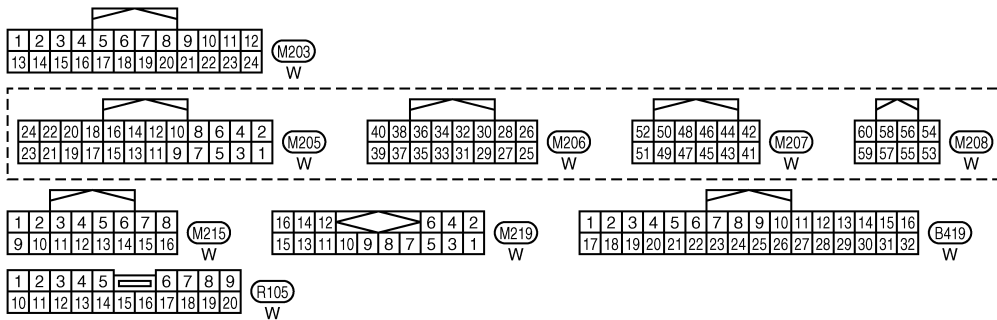
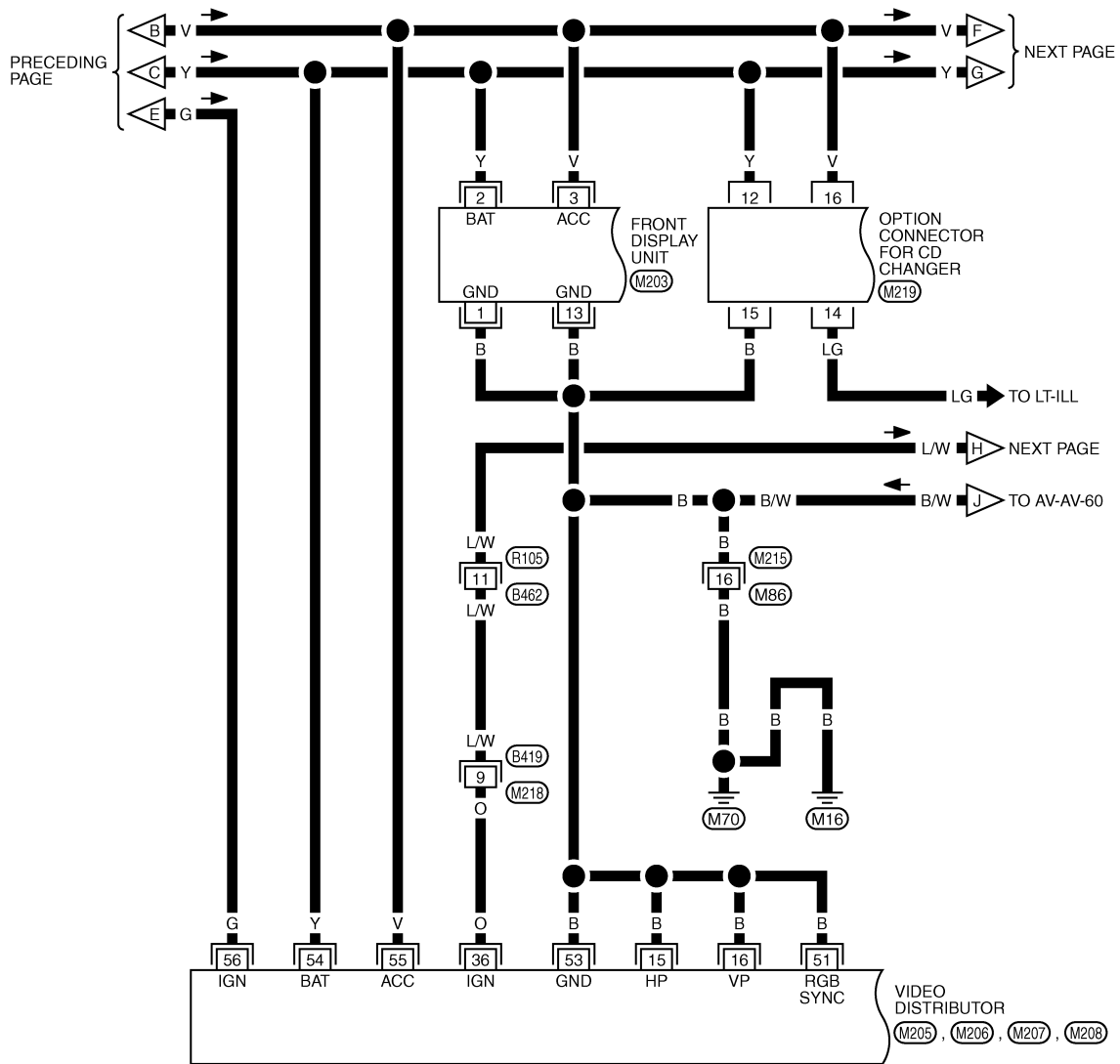
TKWT8291E

# BOSE AMP.

[WITH MOBILE ENTERTAINMENT SYSTEM]

< ECU DIAGNOSIS >

AV-AV-46



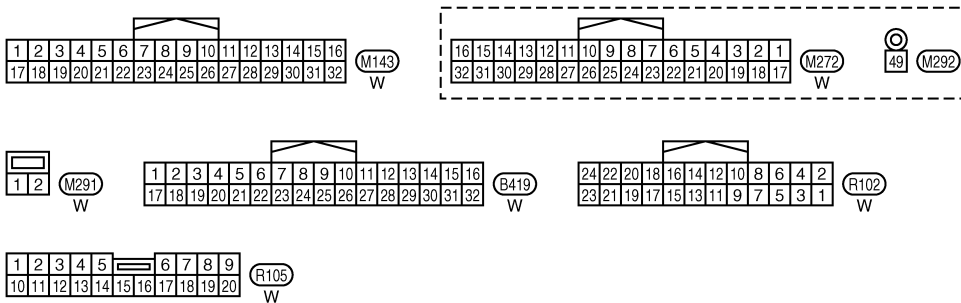
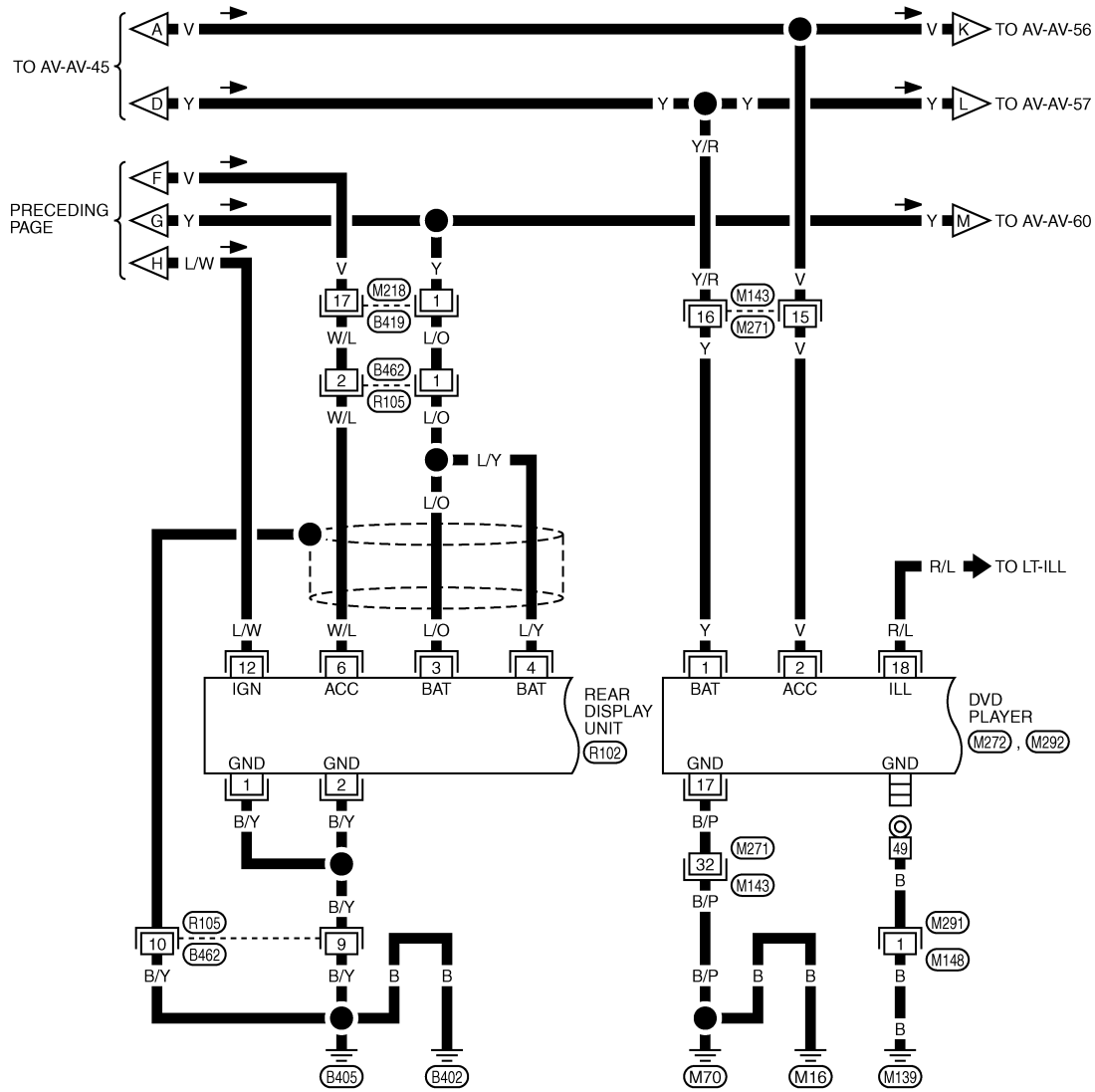
TKWT8292E

# BOSE AMP.

[WITH MOBILE ENTERTAINMENT SYSTEM]

< ECU DIAGNOSIS >

AV-AV-47



TKWT8293E

A  
B  
C  
D  
E  
F  
G  
H  
I  
J  
K  
L  
M  
N  
O  
P

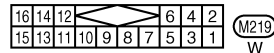
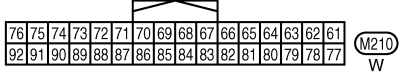
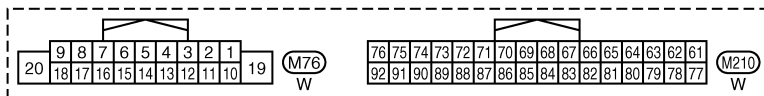
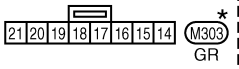
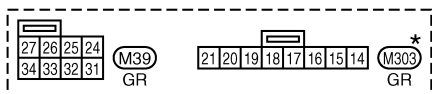
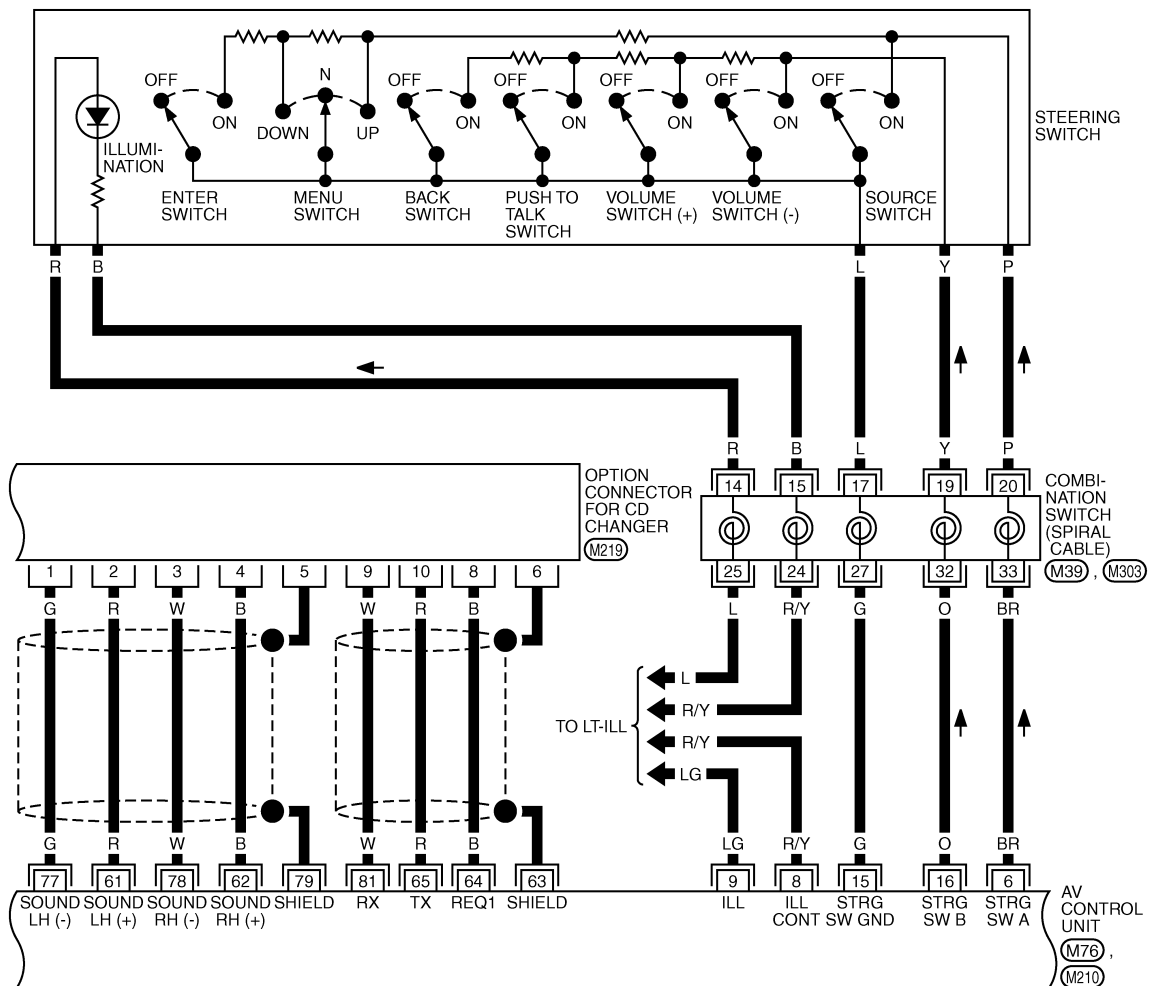
AV

# BOSE AMP.

[WITH MOBILE ENTERTAINMENT SYSTEM]

< ECU DIAGNOSIS >

AV-AV-48



\*: THIS CONNECTOR IS NOT SHOWN IN "HARNESS LAYOUT", PG SECTION.

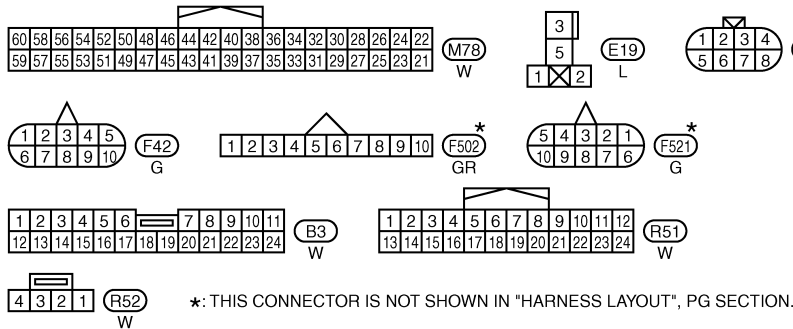
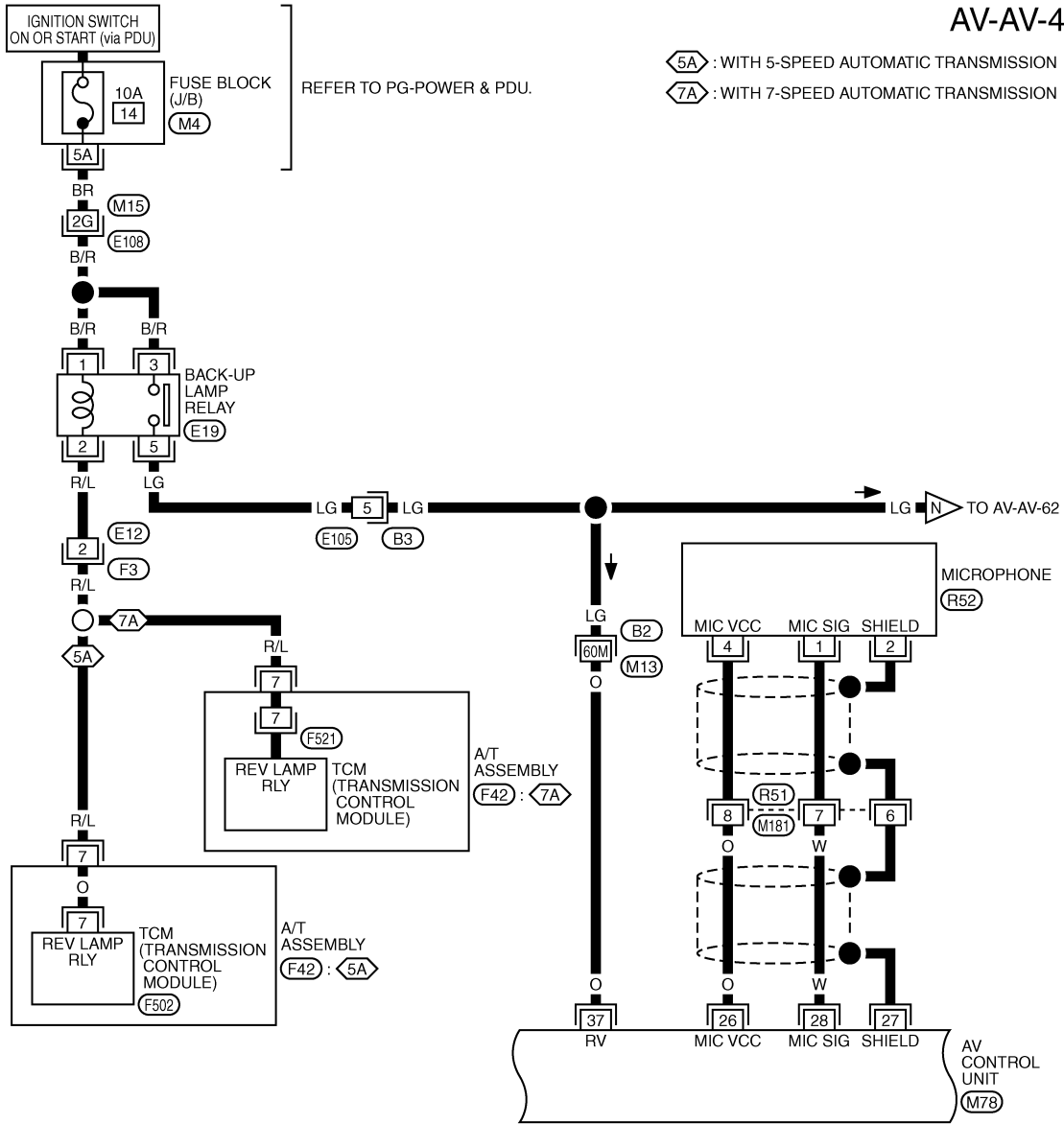
TKWT8294E

# BOSE AMP.

## [WITH MOBILE ENTERTAINMENT SYSTEM]

< ECU DIAGNOSIS >

AV-AV-49



REFER TO THE FOLLOWING.  
E108, B2 -SUPER MULTIPLE JUNCTION (SMJ)  
M4 -FUSE BLOCK-JUNCTION BOX (J/B)

TKWT8295E

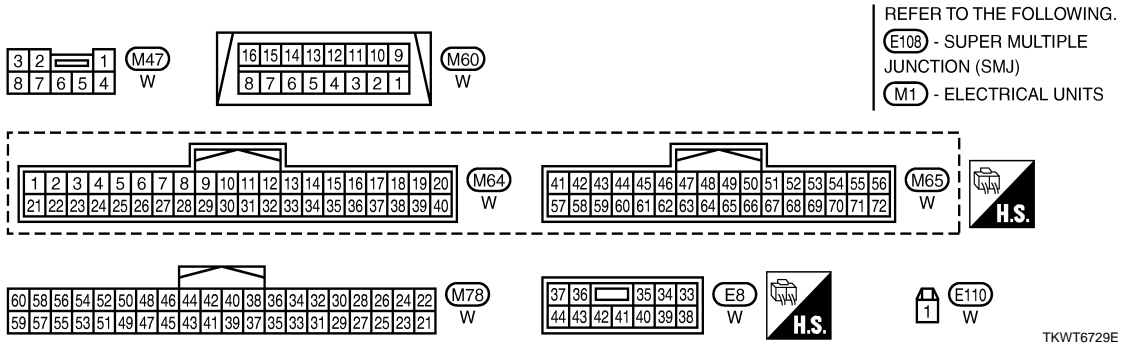
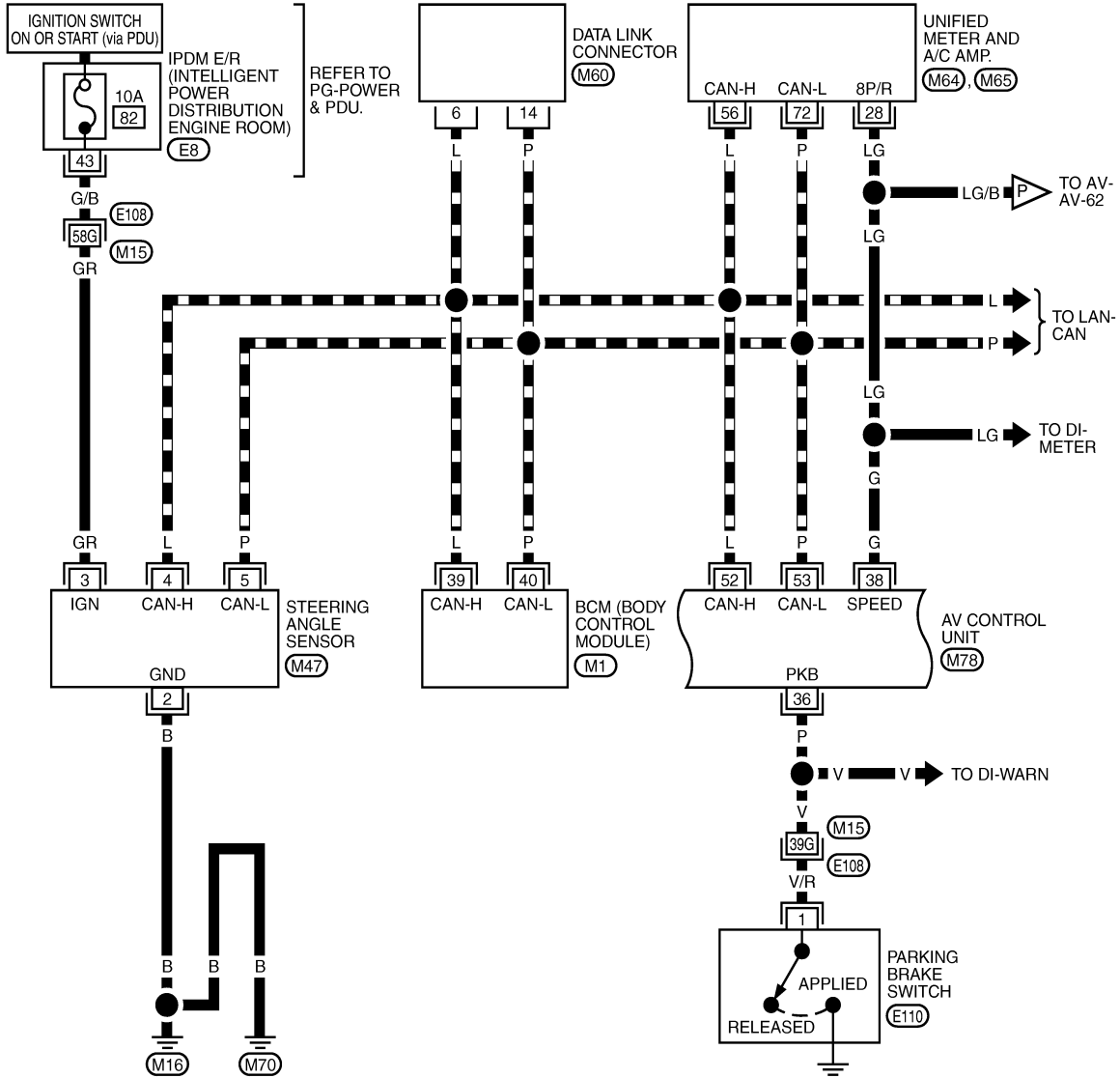
# BOSE AMP.

[WITH MOBILE ENTERTAINMENT SYSTEM]

< ECU DIAGNOSIS >

AV-AV-50

▬ : DATA LINE



TKWT6729E



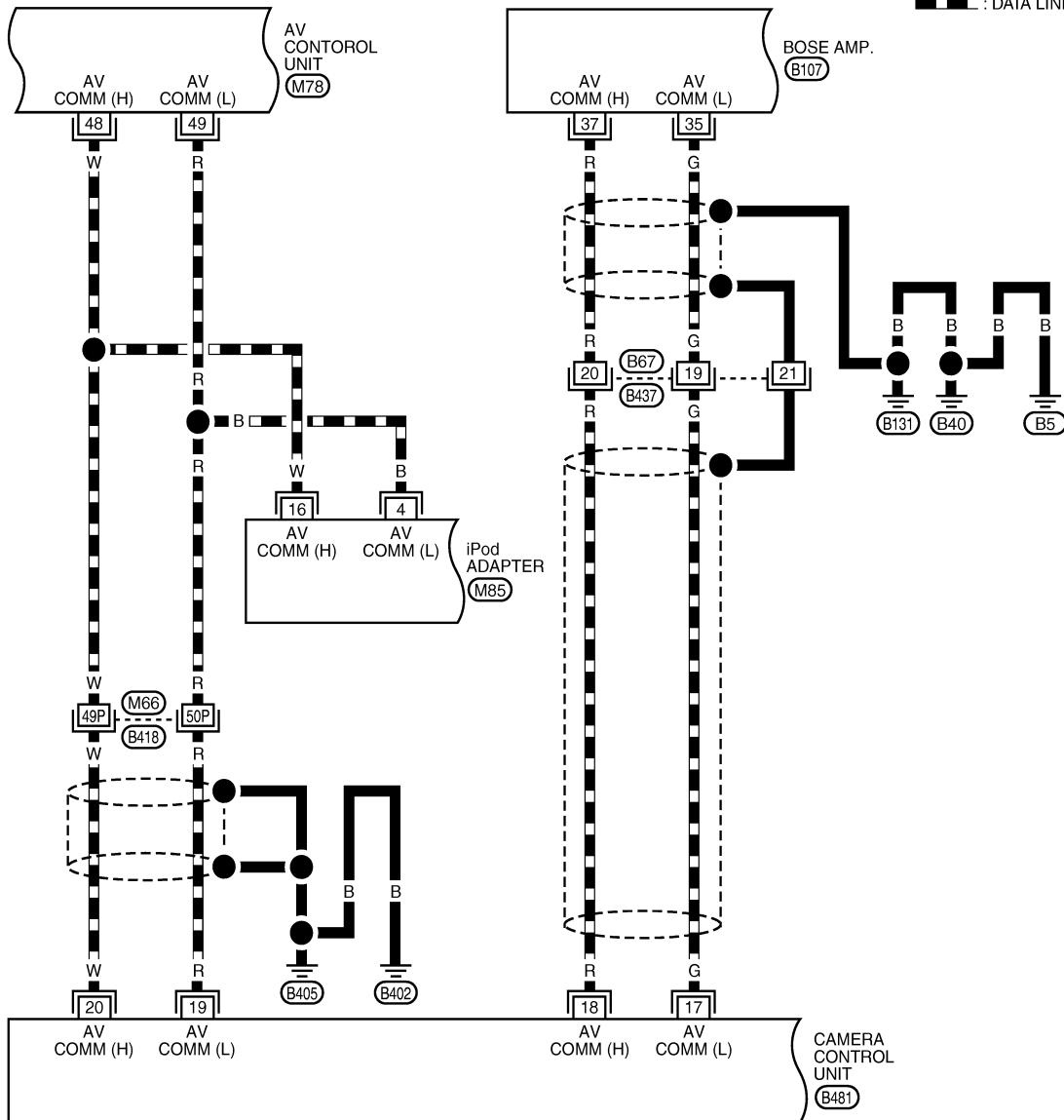
# BOSE AMP.

[WITH MOBILE ENTERTAINMENT SYSTEM]

< ECU DIAGNOSIS >

AV-AV-51

— : DATA LINE



60	58	56	54	52	50	48	46	44	42	40	38	36	34	32	30	28	26	24	22
59	57	55	53	51	49	47	45	43	41	39	37	35	33	31	29	27	25	23	21

(M78) W

12	11	10	9	8	7	6	5	4	3	2	1
24	23	22	21	20	19	18	17	16	15	14	13

(M85) W

1	2	3	4	5	6	7	8	9	10	11	12	13	14	15	16	17	18	19	20
21	22	23	24	25	26	27	28	29	30	31	32	33	34	35	36	37	38	39	40

(B107) W

1	2	3	4	5	6	7	8	9	10	11		
12	13	14	15	16	17	18	19	20	21	22	23	24

(B437) BR

32	30	28	26	24	22	20	18	16	14	12	10	8	6	4	2
31	29	27	25	23	21	19	17	15	13	11	9	7	5	3	1

(B481) W

REFER TO THE FOLLOWING.

(B418) - SUPER MULTIPLE JUNCTION (SMJ)

TKWT6730E

A  
B  
C  
D  
E  
F  
G  
H  
I  
J  
K  
L  
M  
N  
O  
P

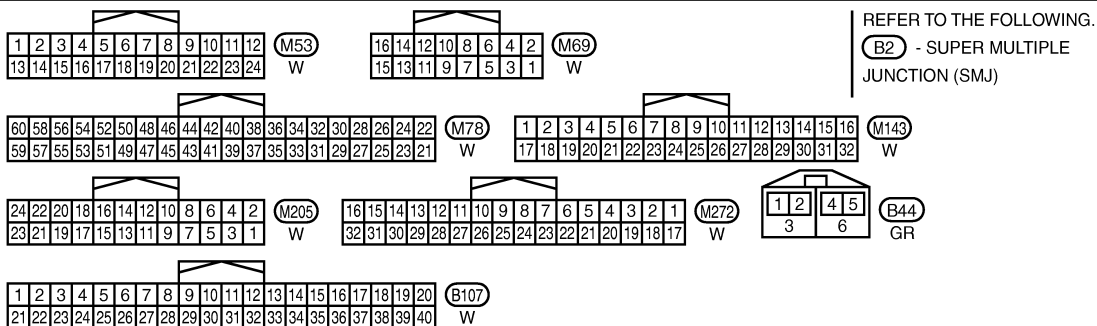
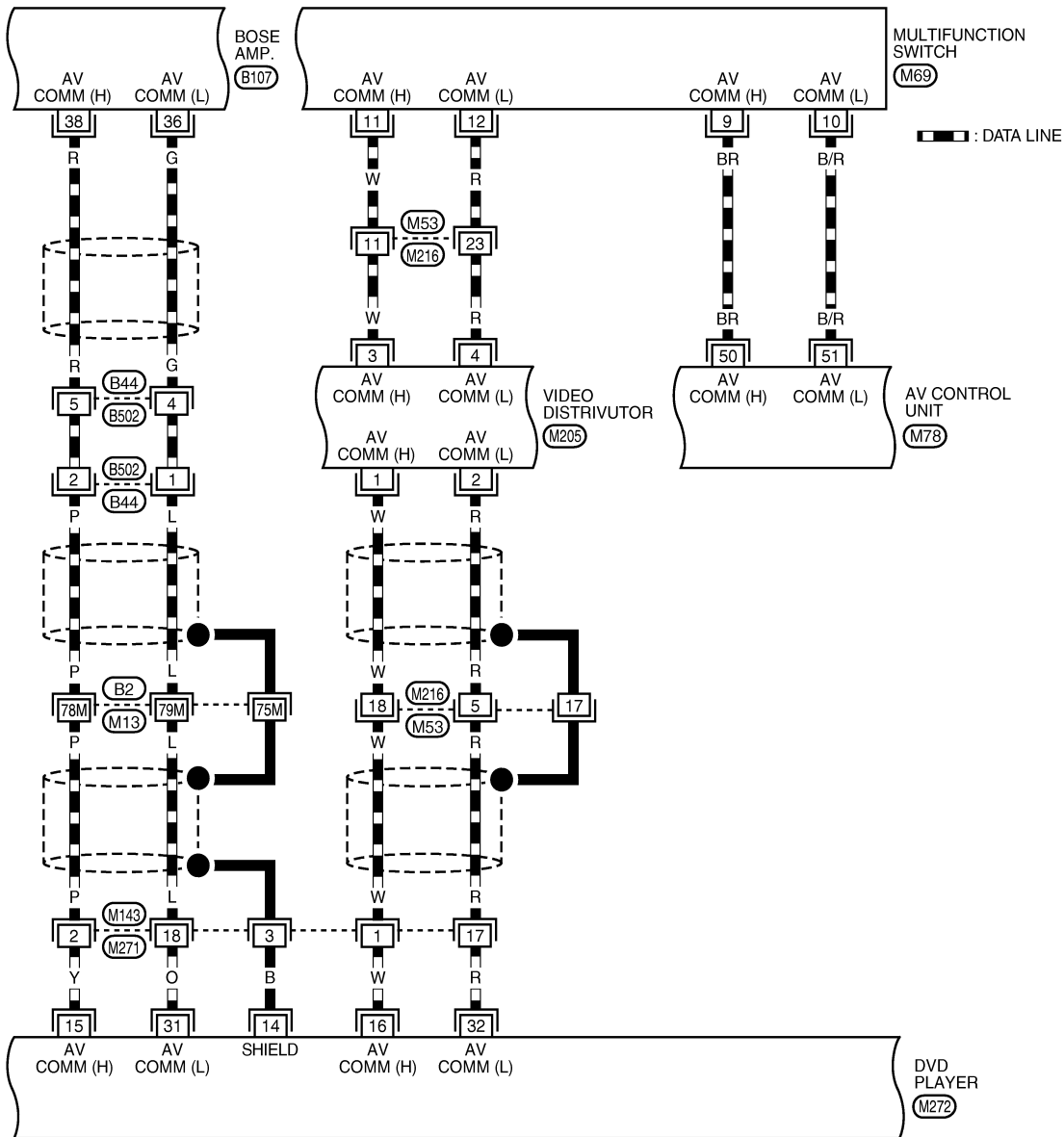
AV

# BOSE AMP.

[WITH MOBILE ENTERTAINMENT SYSTEM]

< ECU DIAGNOSIS >

AV-AV-52



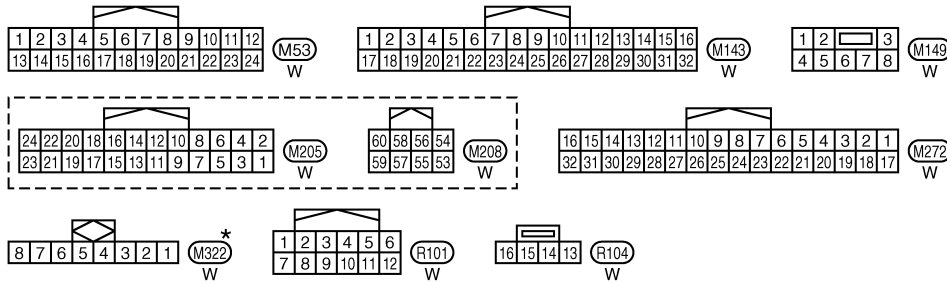
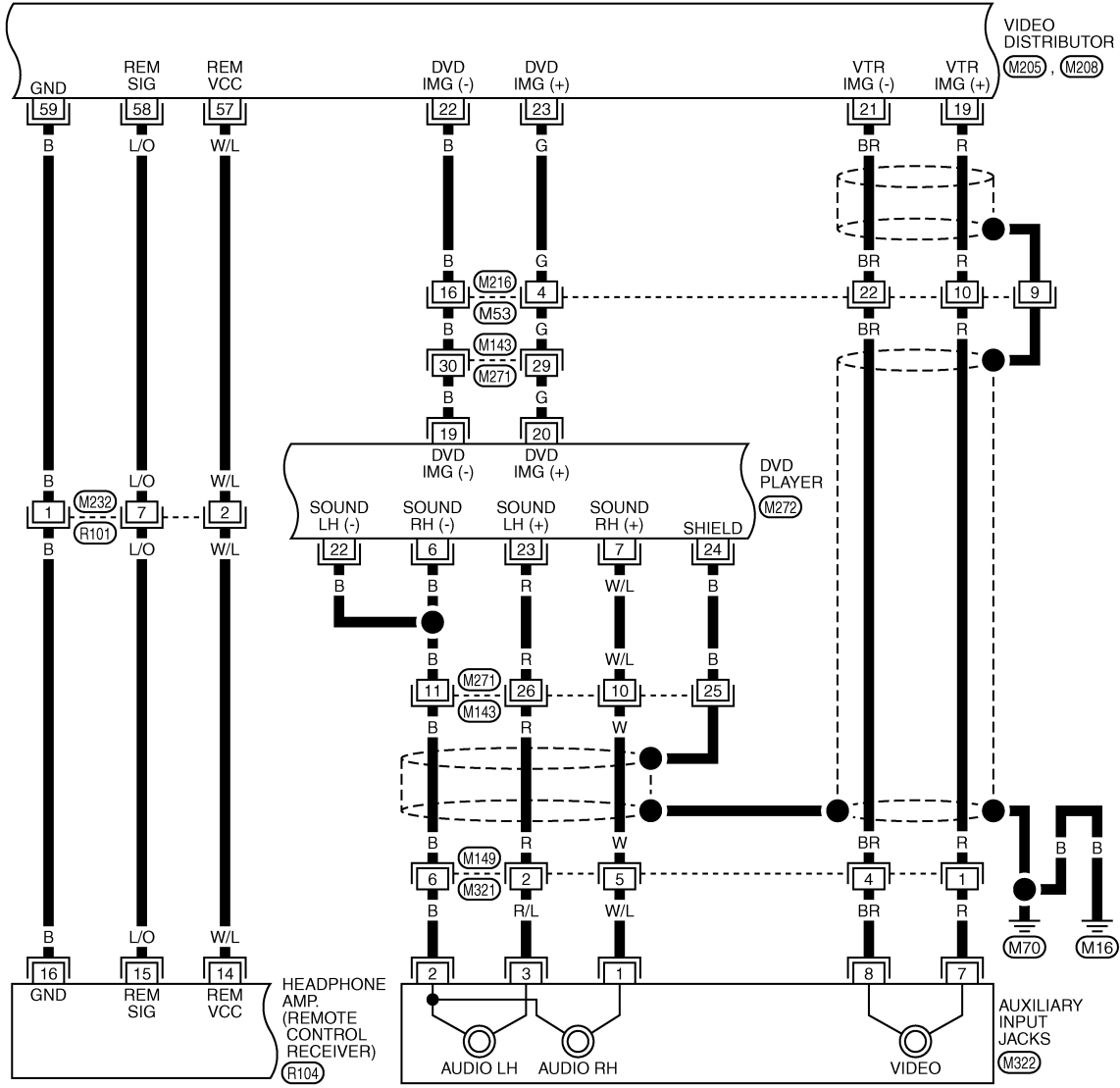
TKWT6731E

# BOSE AMP.

[WITH MOBILE ENTERTAINMENT SYSTEM]

< ECU DIAGNOSIS >

AV-AV-53



\*: THIS CONNECTOR IS NOT SHOWN IN "HARNESS LAYOUT", PG SECTION.

TKWT8296E

A  
B  
C  
D  
E  
F  
G  
H  
I  
J  
L  
M  
N  
O  
P

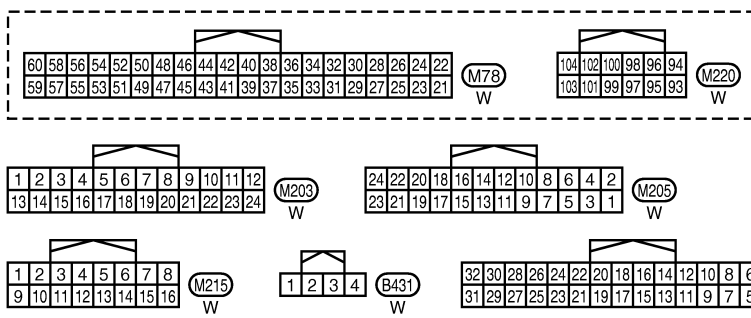
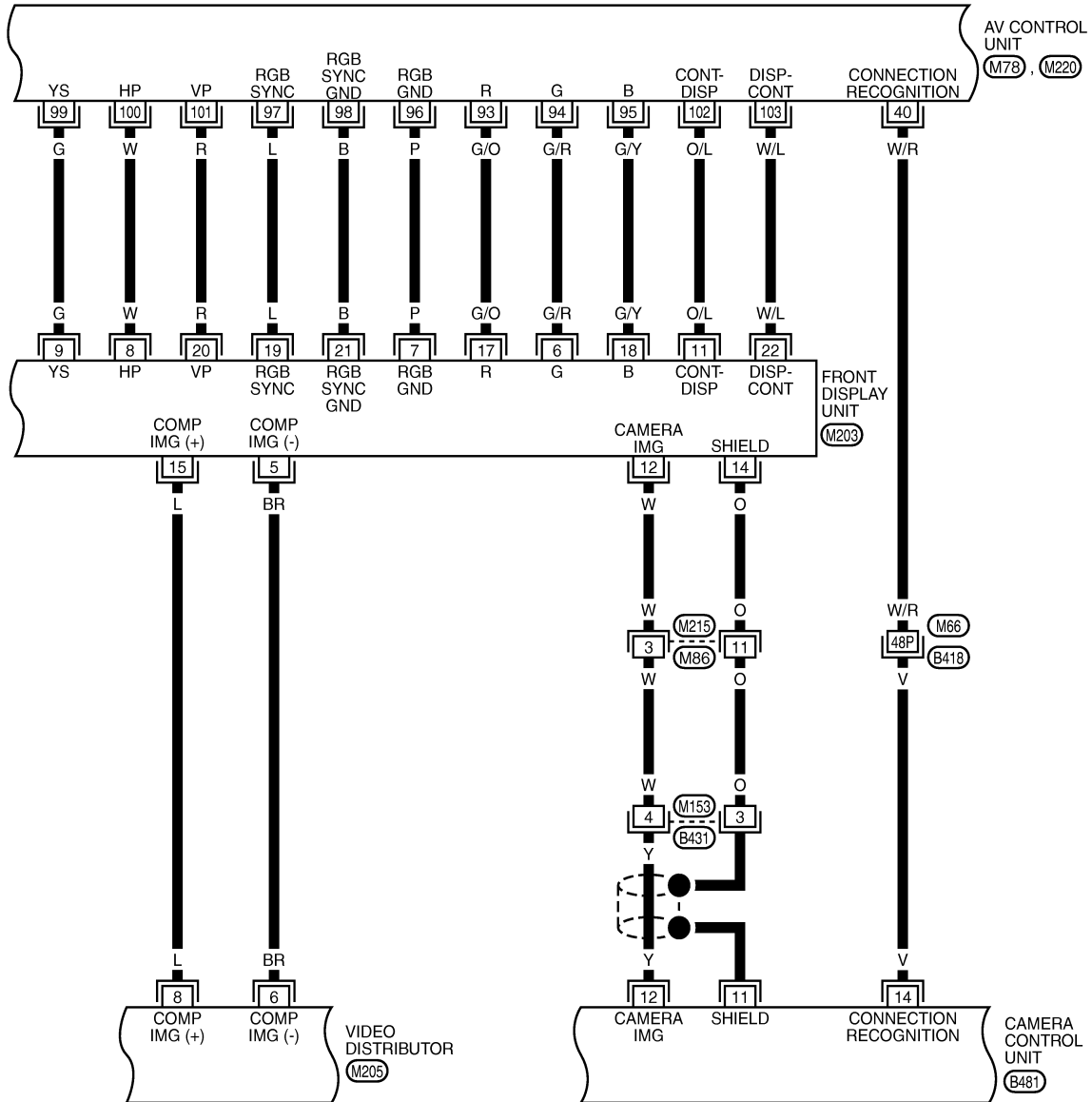
AV

# BOSE AMP.

< ECU DIAGNOSIS >

[WITH MOBILE ENTERTAINMENT SYSTEM]

AV-AV-54



REFER TO THE FOLLOWING.

(B418) -SUPER MULTIPLE JUNCTION (SMJ)

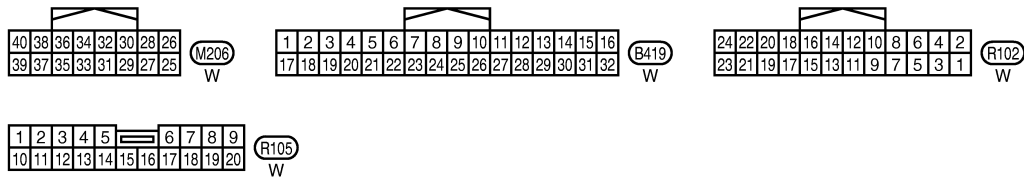
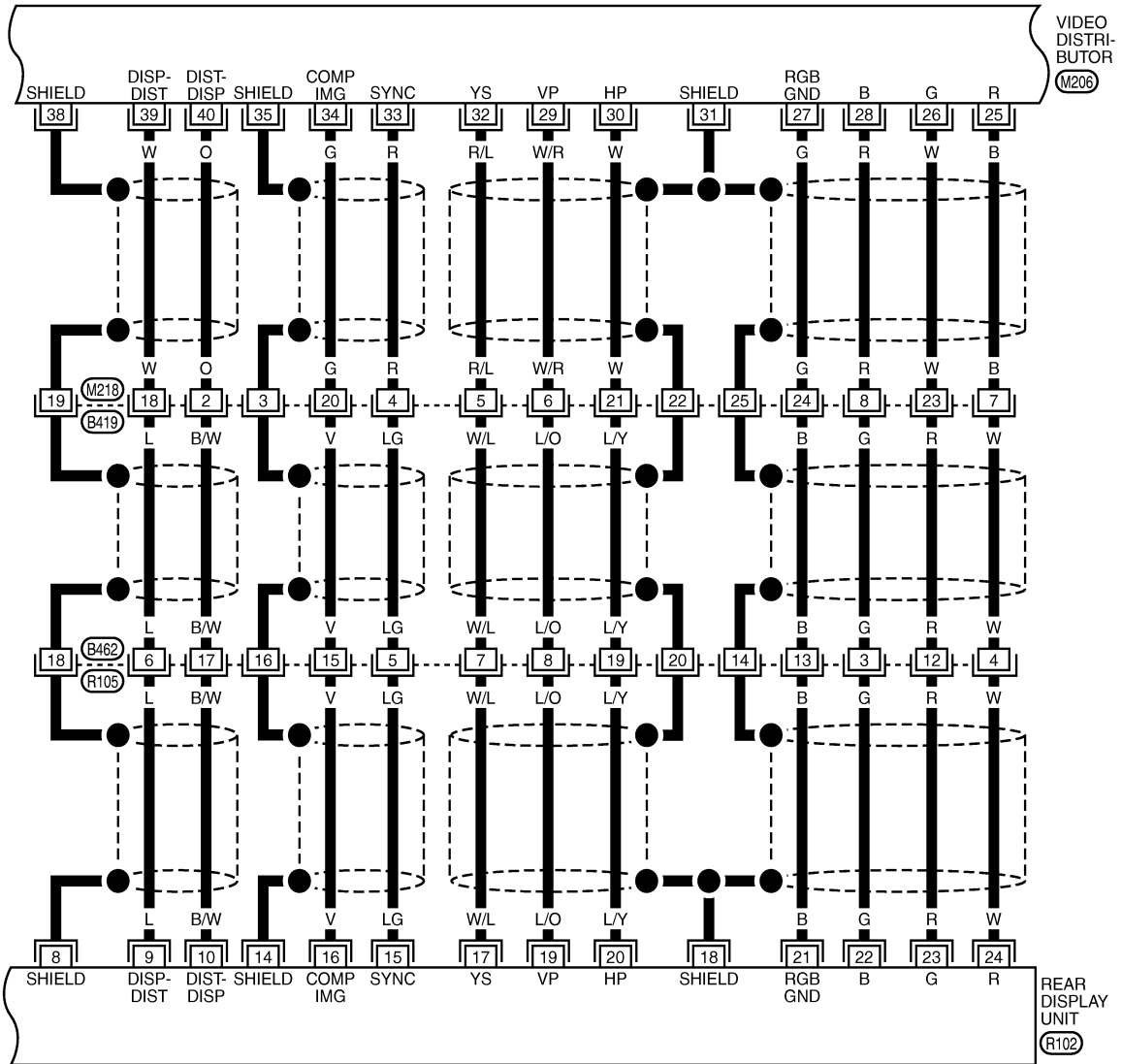
TKWT6733E

# BOSE AMP.

[WITH MOBILE ENTERTAINMENT SYSTEM]

< ECU DIAGNOSIS >

AV-AV-55



TKWT6734E

A  
B  
C  
D  
E  
F  
G  
H  
I  
J  
K  
L  
M  
N  
O  
P

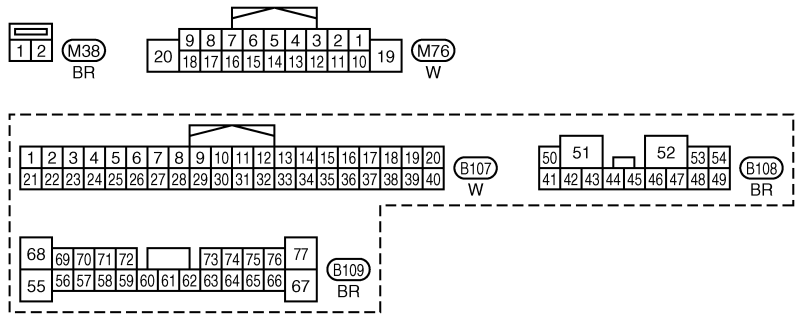
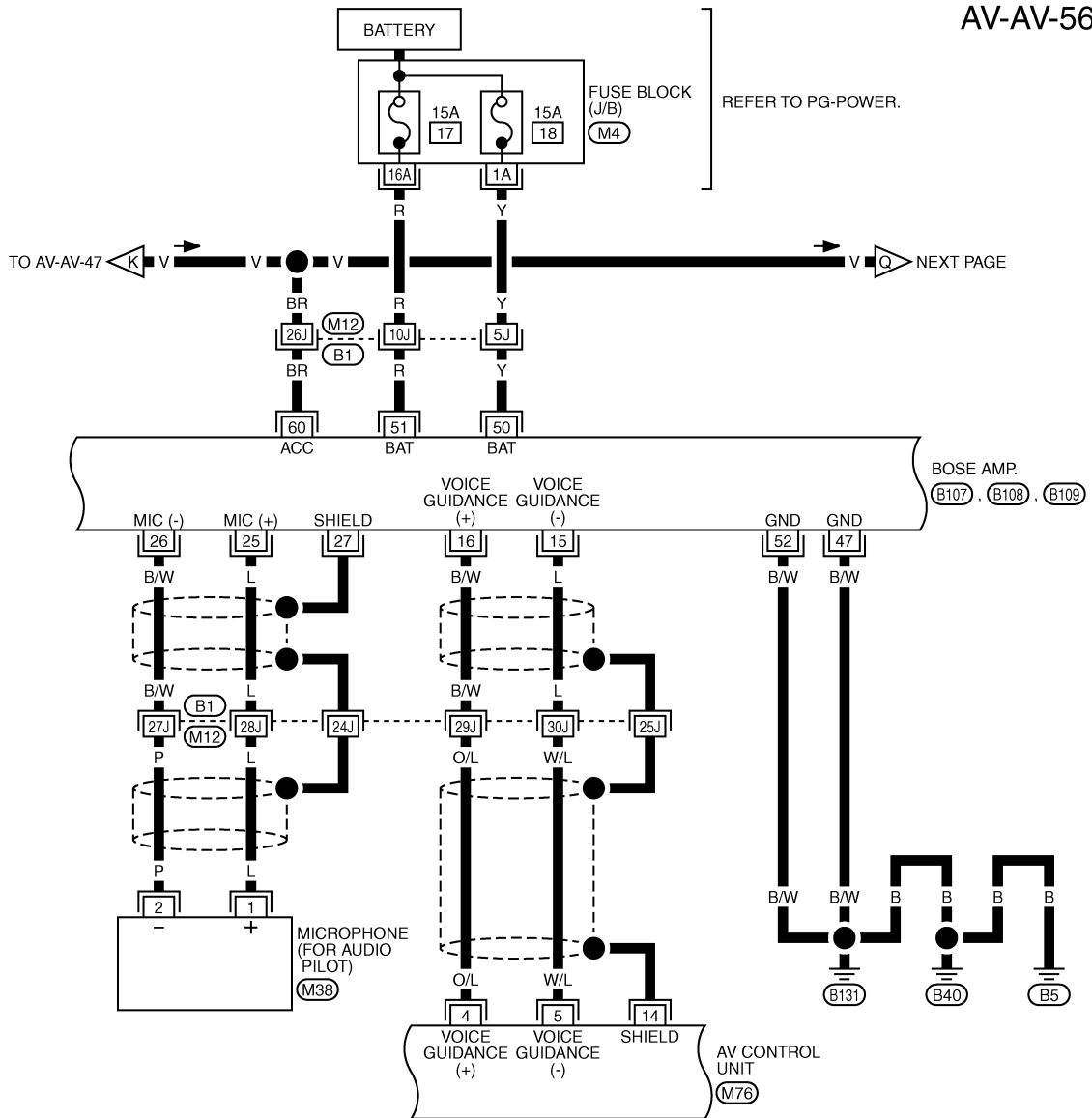
AV

# BOSE AMP.

[WITH MOBILE ENTERTAINMENT SYSTEM]

< ECU DIAGNOSIS >

AV-AV-56



REFER TO THE FOLLOWING.

(B1) -SUPER MULTIPLE JUNCTION (SMJ)

(M4) -FUSE BLOCK-JUNCTION BOX (J/B)

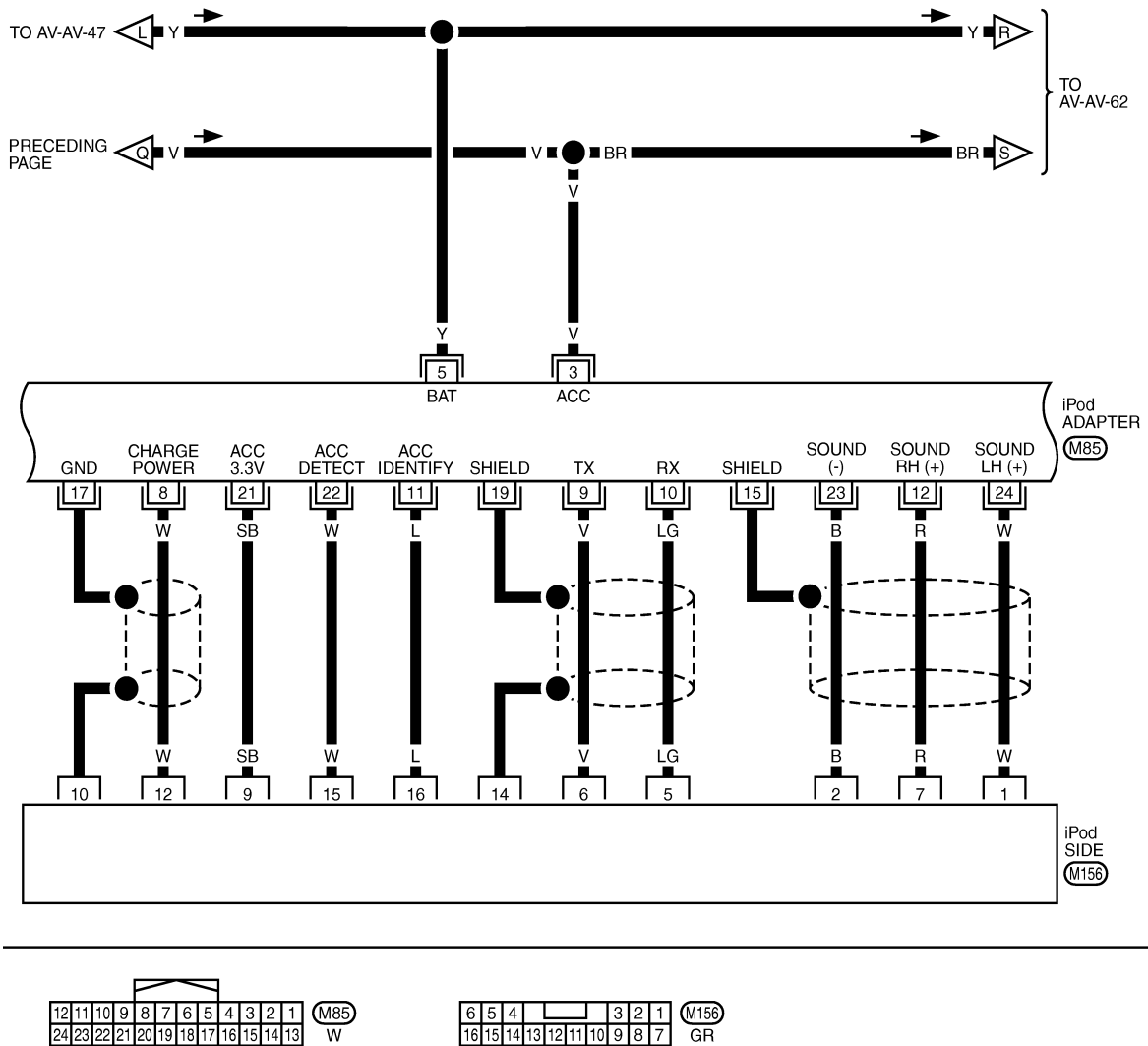
TKWT8297E

# BOSE AMP.

[WITH MOBILE ENTERTAINMENT SYSTEM]

< ECU DIAGNOSIS >

AV-AV-57



A  
B  
C  
D  
E  
F  
G  
H  
I  
J  
K  
L  
M  
N  
O  
P

AV

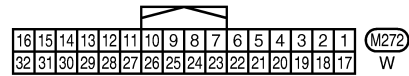
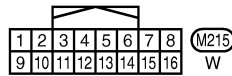
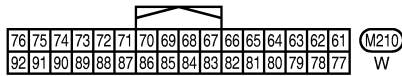
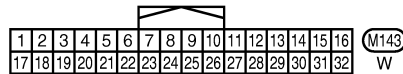
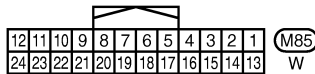
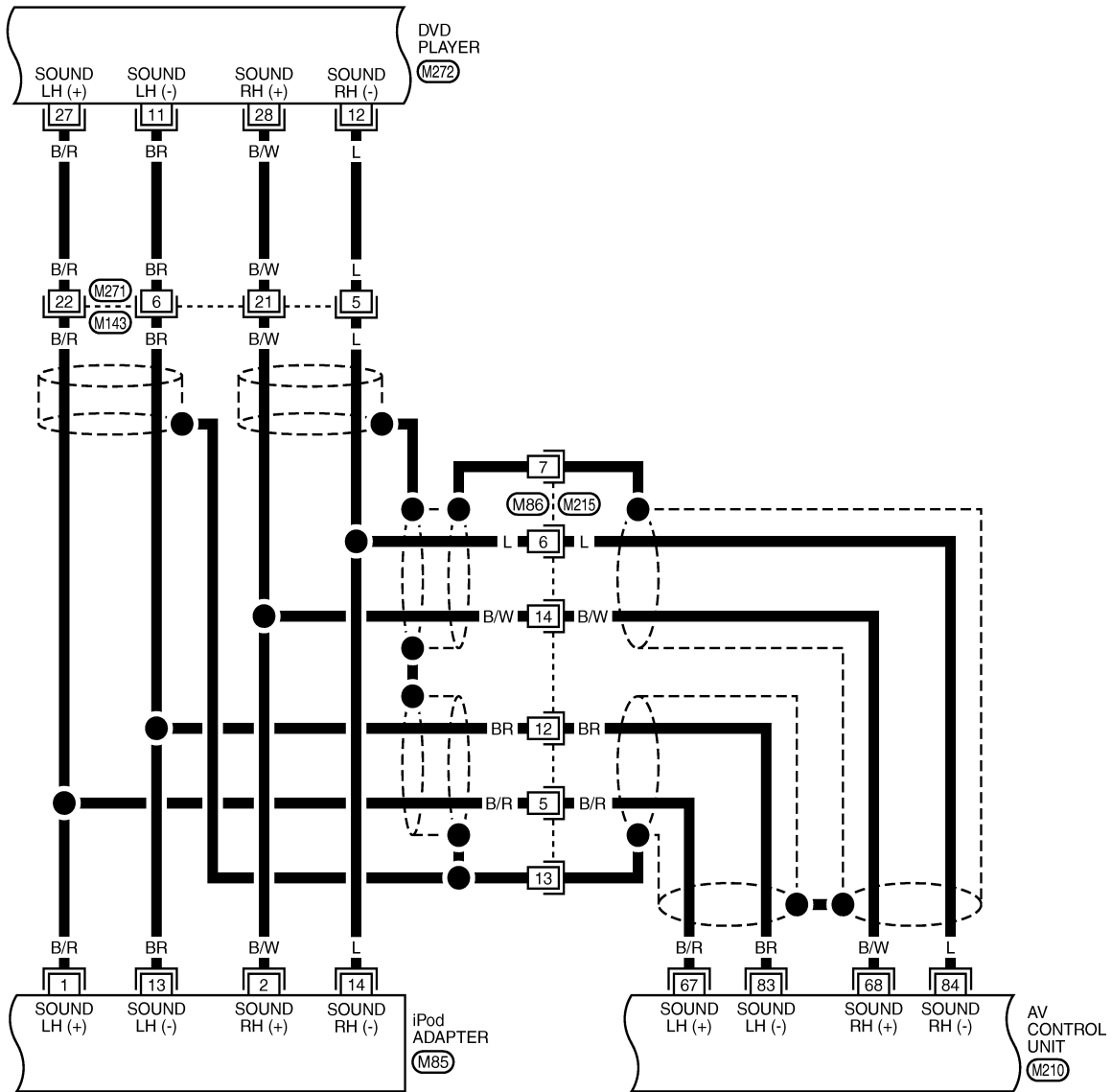
TKWT6737E

# BOSE AMP.

[WITH MOBILE ENTERTAINMENT SYSTEM]

< ECU DIAGNOSIS >

AV-AV-58



TKWT6738E

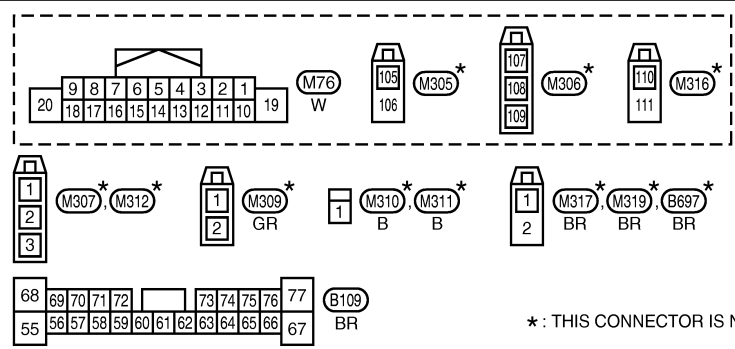
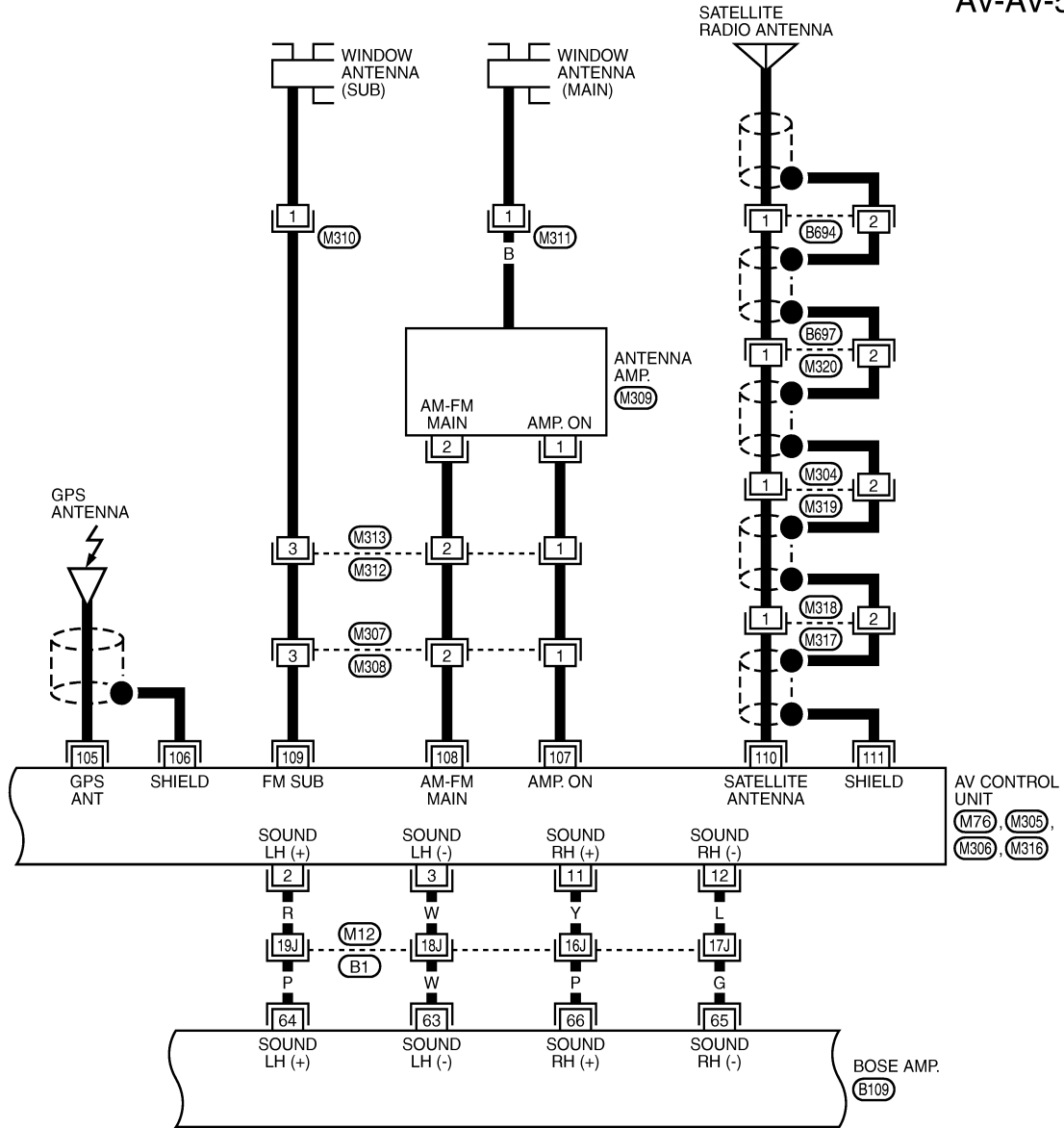


# BOSE AMP.

[WITH MOBILE ENTERTAINMENT SYSTEM]

< ECU DIAGNOSIS >

AV-AV-59



REFER TO THE FOLLOWING.

(B1) - SUPER MULTIPLE JUNCTION (SMJ)

\* : THIS CONNECTOR IS NOT SHOWN IN "HARNESS LAYOUT", PG SECTION.

TKWT6739E

A  
B  
C  
D  
E  
F  
G  
H  
I  
J  
K  
L  
M  
N  
O  
P

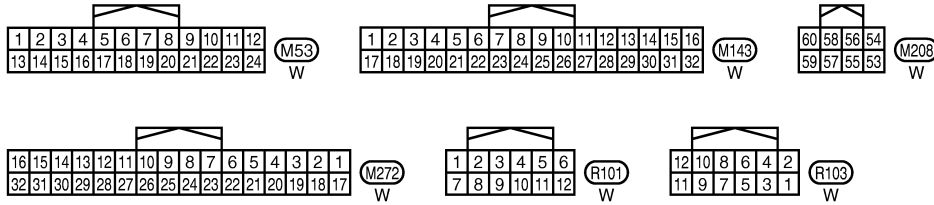
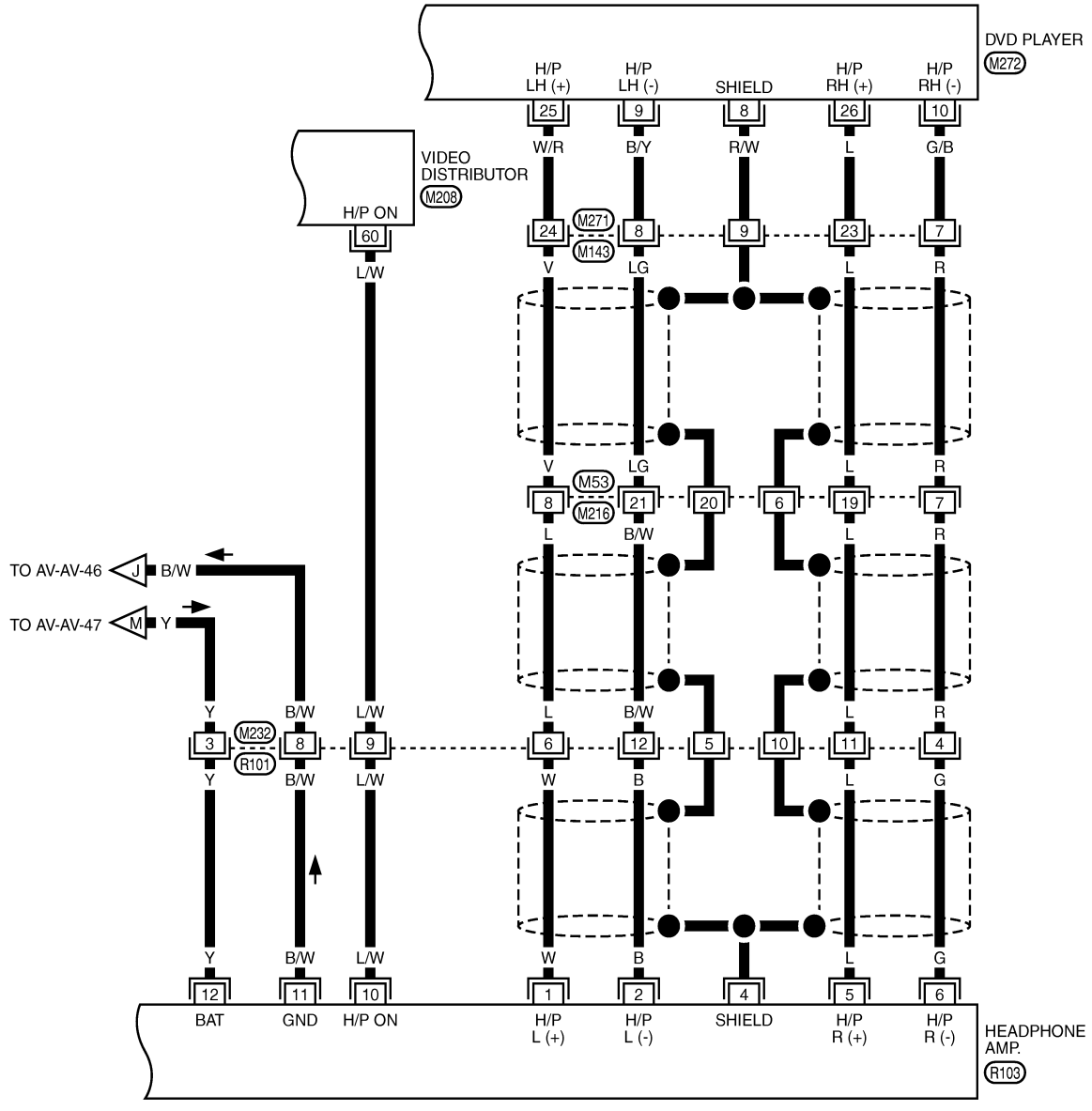
AV

# BOSE AMP.

[WITH MOBILE ENTERTAINMENT SYSTEM]

< ECU DIAGNOSIS >

AV-AV-60



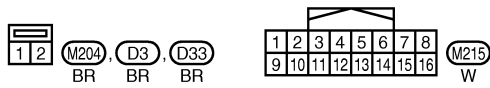
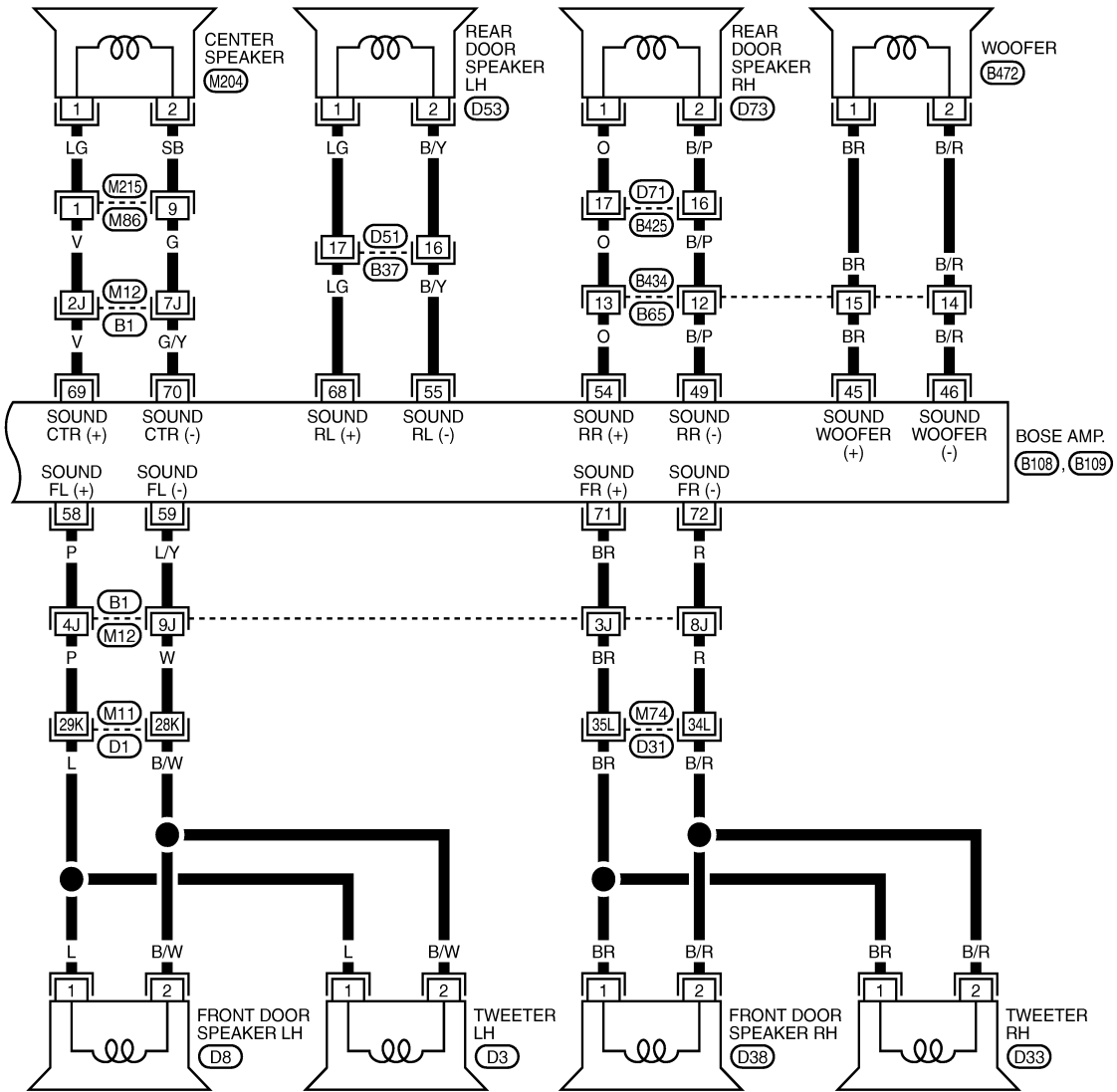
TKWT6740E

# BOSE AMP.

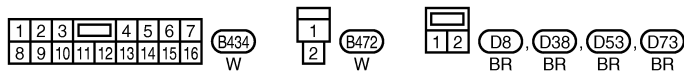
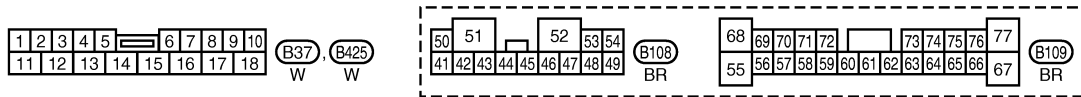
[WITH MOBILE ENTERTAINMENT SYSTEM]

< ECU DIAGNOSIS >

AV-AV-61



REFER TO THE FOLLOWING.  
 (B1), (D1), (D31) - SUPER  
 MULTIPLE JUNCTION (SMJ)



TKWT6741E

A  
B  
C  
D  
E  
F  
G  
H  
I  
J  
K  
L  
M  
N  
O  
P

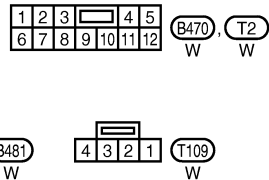
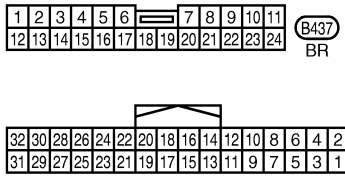
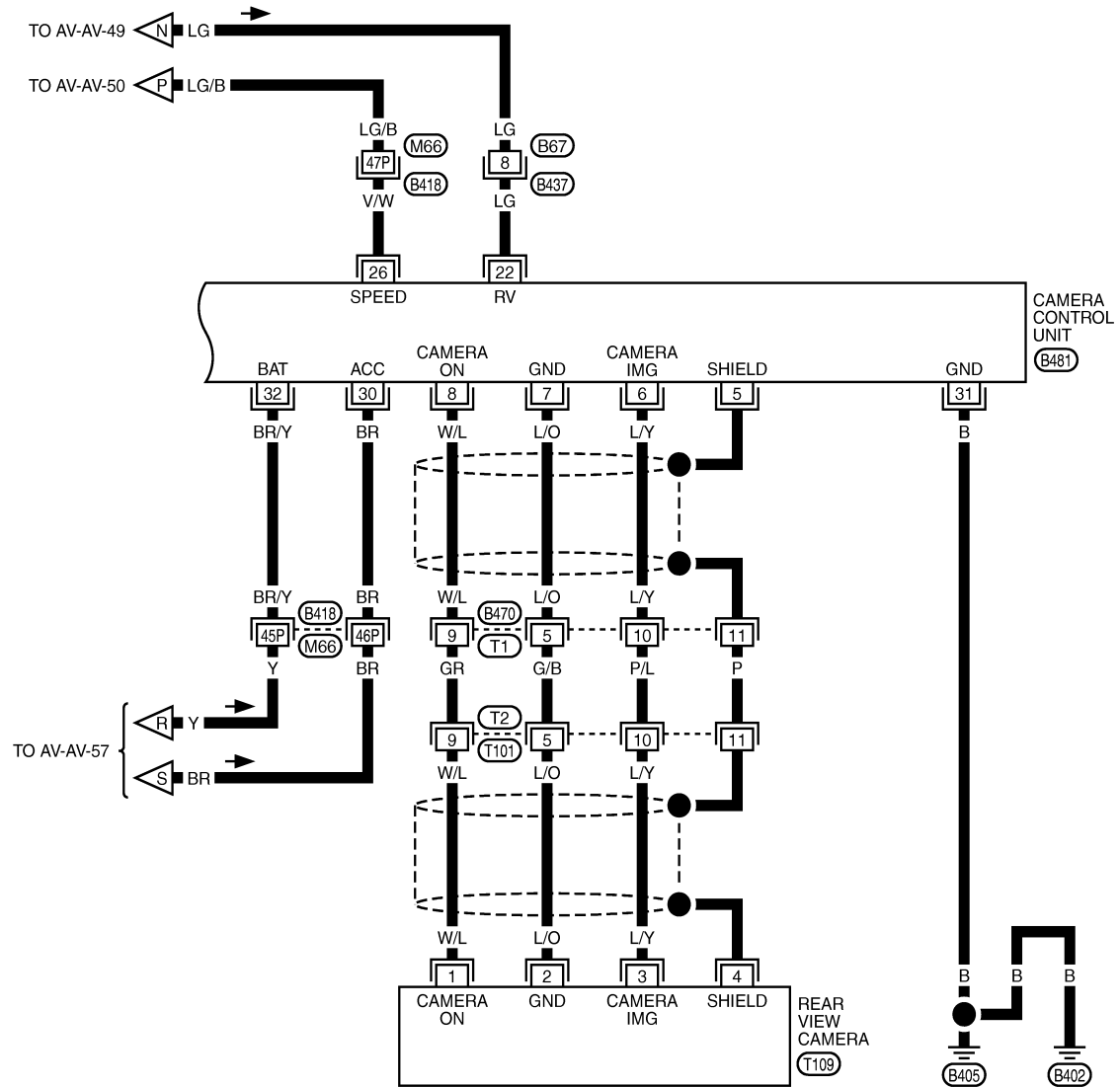
AV

# BOSE AMP.

[WITH MOBILE ENTERTAINMENT SYSTEM]

< ECU DIAGNOSIS >

AV-AV-62



REFER TO THE FOLLOWING.

(B418) - SUPER MULTIPLE JUNCTION (SMJ)

## BOSE SURROUND AUDIO 5.1CH SYSTEM

TKWT6742E

# BOSE AMP.

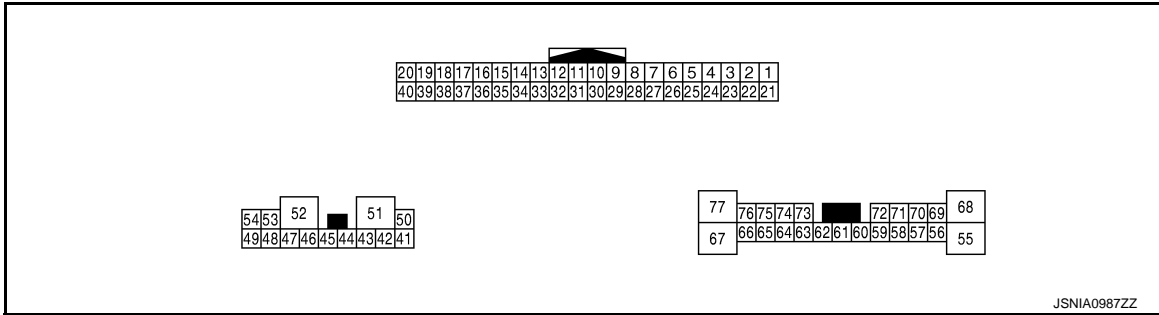
[WITH MOBILE ENTERTAINMENT SYSTEM]

< ECU DIAGNOSIS >

## BOSE SURROUND AUDIO 5.1CH SYSTEM : Reference Value

INFOID:000000005350619

### TERMINAL LAYOUT



### PHYSICAL VALUES

Terminal (Wire color)		Description		Condition		Reference value (Approx.)
+	-	Signal name	Input/ Output			
14 (G)	—	AV communication signal (L)	Input/ Output	—	—	—
15 (G)	—	AV communication signal (L)	Input/ Output	—	—	—
16 (BR)	Ground	ACC power supply	Input	Ignition switch ACC	—	Battery voltage
23 (L/R)	3 (R/L)	DVD surround signal front LH	Input	Ignition switch ON	When the DVD player is played.	<p style="text-align: right;">SKIB3609E</p>
24 (B/Y)	4 (B/R)	DVD surround signal front RH	Input	Ignition switch ON	When the DVD player is played.	<p style="text-align: right;">SKIB3609E</p>
25 (B)	5 (LG)	DVD surround signal rear LH	Input	Ignition switch ON	When the DVD player is played.	<p style="text-align: right;">SKIB3609E</p>

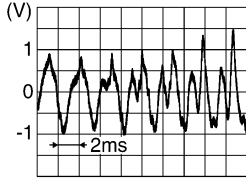
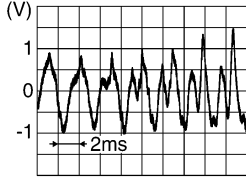
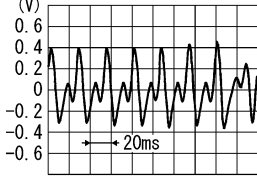
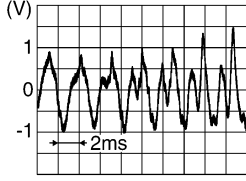
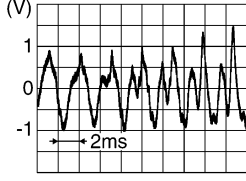
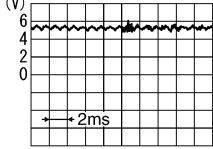
A  
B  
C  
D  
E  
F  
G  
H  
I  
J  
L  
M  
N  
O  
P

AV

# BOSE AMP.

## [WITH MOBILE ENTERTAINMENT SYSTEM]

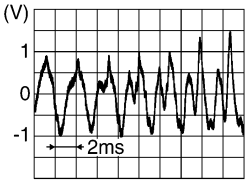
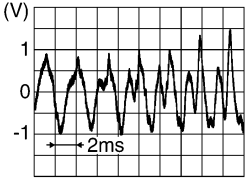
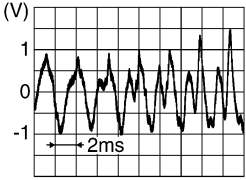
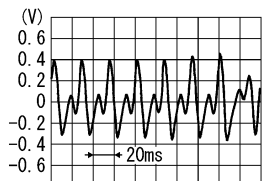
### < ECU DIAGNOSIS >

Terminal (Wire color)		Description		Condition		Reference value (Approx.)
+	-	Signal name	Input/ Output			
26 (W)	6 (L)	DVD surround signal rear RH	Input	Ignition switch ON	When the DVD player is played.	 <p style="text-align: right; font-size: small;">SKIB3609E</p>
27 (LG)	7 (R)	DVD surround signal center	Input	Ignition switch ON	When the DVD player is played.	 <p style="text-align: right; font-size: small;">SKIB3609E</p>
28 (BR)	8 (R/B)	DVD surround signal woof- er	Input	Ignition switch ON	When the DVD player is played.	 <p style="text-align: right; font-size: small;">PKIB6116J</p>
29 (R/L)	9 (W)	Sound signal LH	Input	Ignition switch ON	Audio sound output. (except DVD mode)	 <p style="text-align: right; font-size: small;">SKIB3609E</p>
30 (P)	10 (L)	Sound signal RH	Input	Ignition switch ON	Audio sound output. (except DVD mode)	 <p style="text-align: right; font-size: small;">SKIB3609E</p>
31 (L)	11 (B/W)	MIC. signal (for AudioPilot®)	Input	Ignition switch ON	When inputting noise.	 <p style="text-align: center;">(reference value)</p> <p style="text-align: right; font-size: small;">PKIA2104E</p>

# BOSE AMP.

**[WITH MOBILE ENTERTAINMENT SYSTEM]**

< ECU DIAGNOSIS >

Terminal (Wire color)		Description		Condition		Reference value (Approx.)
+	-	Signal name	Input/ Output			
32 (B/W)	12 (L)	Voice guidance signal	Input	Ignition switch ON	When inputting voice guid- ance.	 <p style="text-align: right; font-size: small;">SKIB3609E</p>
33	—	Shield	—	—	—	—
34 (R)	—	AV communication signal (H)	Input/ Output	—	—	—
35 (R)	—	AV communication signal (H)	Input/ Output	—	—	—
36	—	Shield	—	—	—	—
41 (L)	42 (B/W)	Sound signal front door speaker LH	Output	Ignition switch ON	Sound output.	 <p style="text-align: right; font-size: small;">SKIB3609E</p>
43 (BR)	44 (B/R)	Sound signal front door speaker RH	Output	Ignition switch ON	Sound output.	 <p style="text-align: right; font-size: small;">SKIB3609E</p>
45 (BR)	46 (B/R)	Sound signal woofer	Output	Ignition switch ON	Sound output.	 <p style="text-align: right; font-size: small;">PKIB6116J</p>
47 (B/W)	Ground	Ground	—	Ignition switch ON	—	0 V
50 (Y)	Ground	Battery power supply	Input	Ignition switch OFF	—	Battery voltage
51 (R)	Ground	Battery power supply	Input	Ignition switch OFF	—	Battery voltage
52 (B/W)	Ground	Ground	—	Ignition switch ON	—	0 V

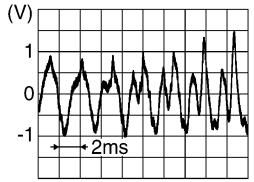
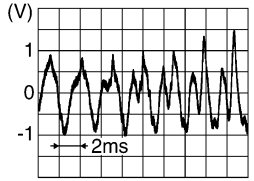
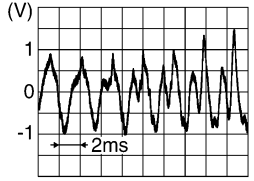
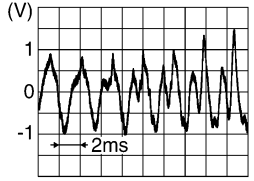
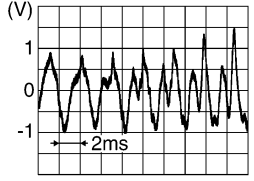
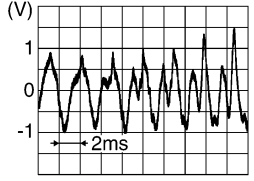
A  
B  
C  
D  
E  
F  
G  
H  
I  
J  
L  
M  
N  
O  
P

AV

# BOSE AMP.

**[WITH MOBILE ENTERTAINMENT SYSTEM]**

< ECU DIAGNOSIS >

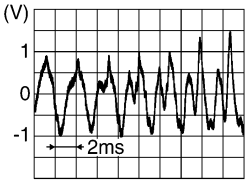
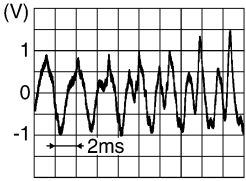
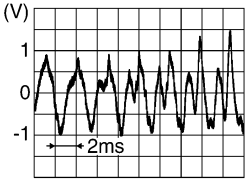
Terminal (Wire color)		Description		Condition		Reference value (Approx.)
+	-	Signal name	Input/ Output			
54 (LG)	49 (B/Y)	Sound signal rear door speaker LH	Output	Ignition switch ON	Sound output.	 <p style="text-align: right; font-size: small;">SKIB3609E</p>
56 (B/W)	69 (L)	Sound signal passenger seat speaker LH	Output	Ignition switch ON	Sound output.	 <p style="text-align: right; font-size: small;">SKIB3609E</p>
57 (O/B)	58 (W/R)	Sound signal center speak- er	Output	Ignition switch ON	Sound output.	 <p style="text-align: right; font-size: small;">SKIB3609E</p>
59 (B)	72 (W)	Sound signal rear surround speaker LH	Output	Ignition switch ON	Sound output.	 <p style="text-align: right; font-size: small;">SKIB3609E</p>
62 (G/Y)	73 (GR/R)	Sound signal rear surround speaker RH	Output	Ignition switch ON	Sound output.	 <p style="text-align: right; font-size: small;">SKIB3609E</p>
63 (B/W)	74 (L)	Sound signal driver seat speaker LH	Output	Ignition switch ON	Sound output.	 <p style="text-align: right; font-size: small;">SKIB3609E</p>



# BOSE AMP.

[WITH MOBILE ENTERTAINMENT SYSTEM]

< ECU DIAGNOSIS >

Terminal (Wire color)		Description		Condition		Reference value (Approx.)
+	-	Signal name	Input/ Output			
64 (B/R)	75 (BR)	Sound signal driver seat speaker RH	Output	Ignition switch ON	Sound output.	 <p>SKIB3609E</p>
68 (O)	55 (B/P)	Sound signal rear door speaker RH	Output	Ignition switch ON	Sound output.	 <p>SKIB3609E</p>
71 (Y)	70 (BR)	Sound signal passenger seat speaker RH	Output	Ignition switch ON	Sound output.	 <p>SKIB3609E</p>

BOSE SURROUND AUDIO 5.1CH SYSTEM : Schematic - BOSE 5.1ch Surround Au-

A  
B  
C  
D  
E  
F  
G  
H  
I  
J  
L  
M  
N  
O  
P

AV

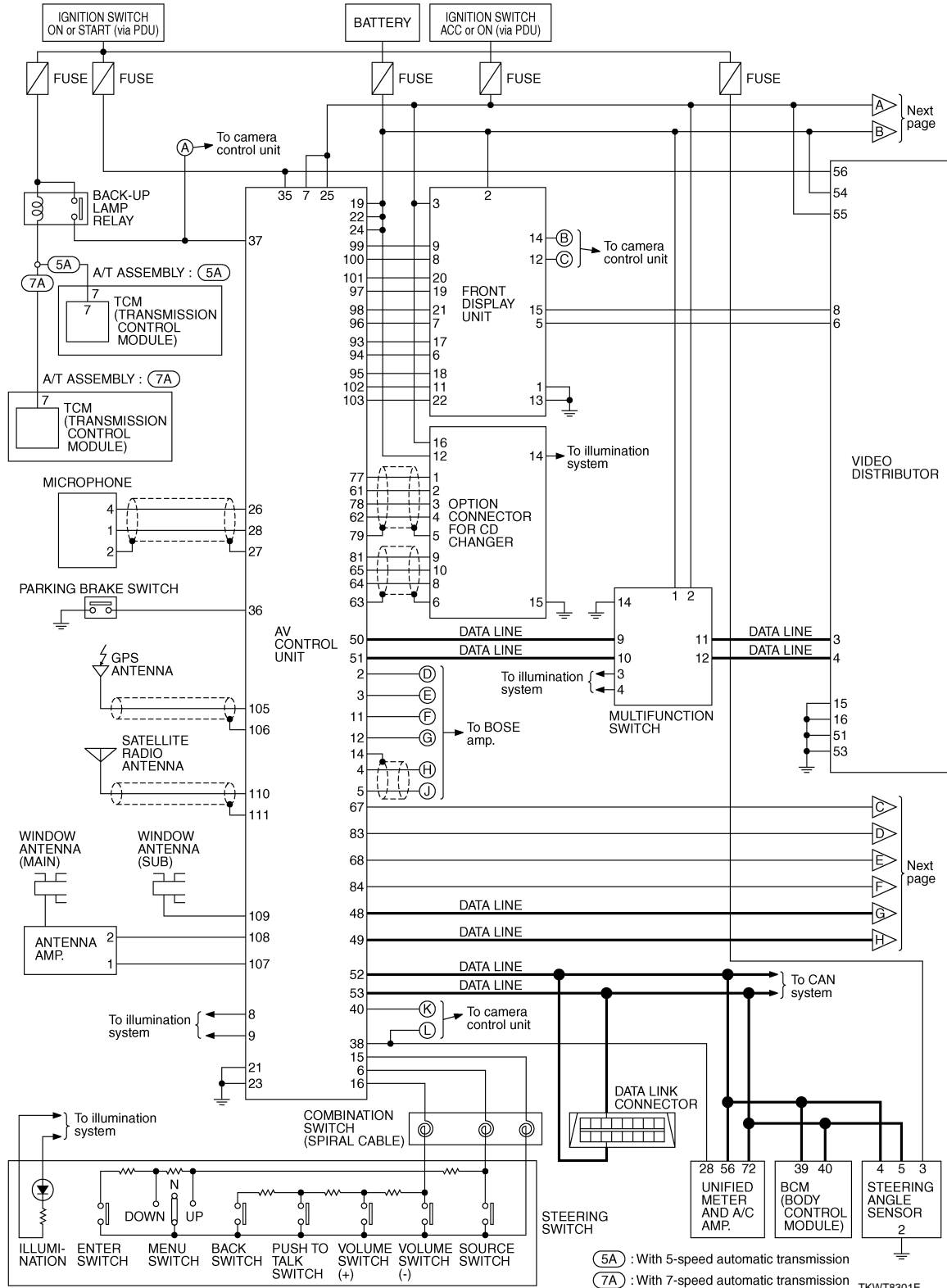
# BOSE AMP.

[WITH MOBILE ENTERTAINMENT SYSTEM]

< ECU DIAGNOSIS >

dio System -

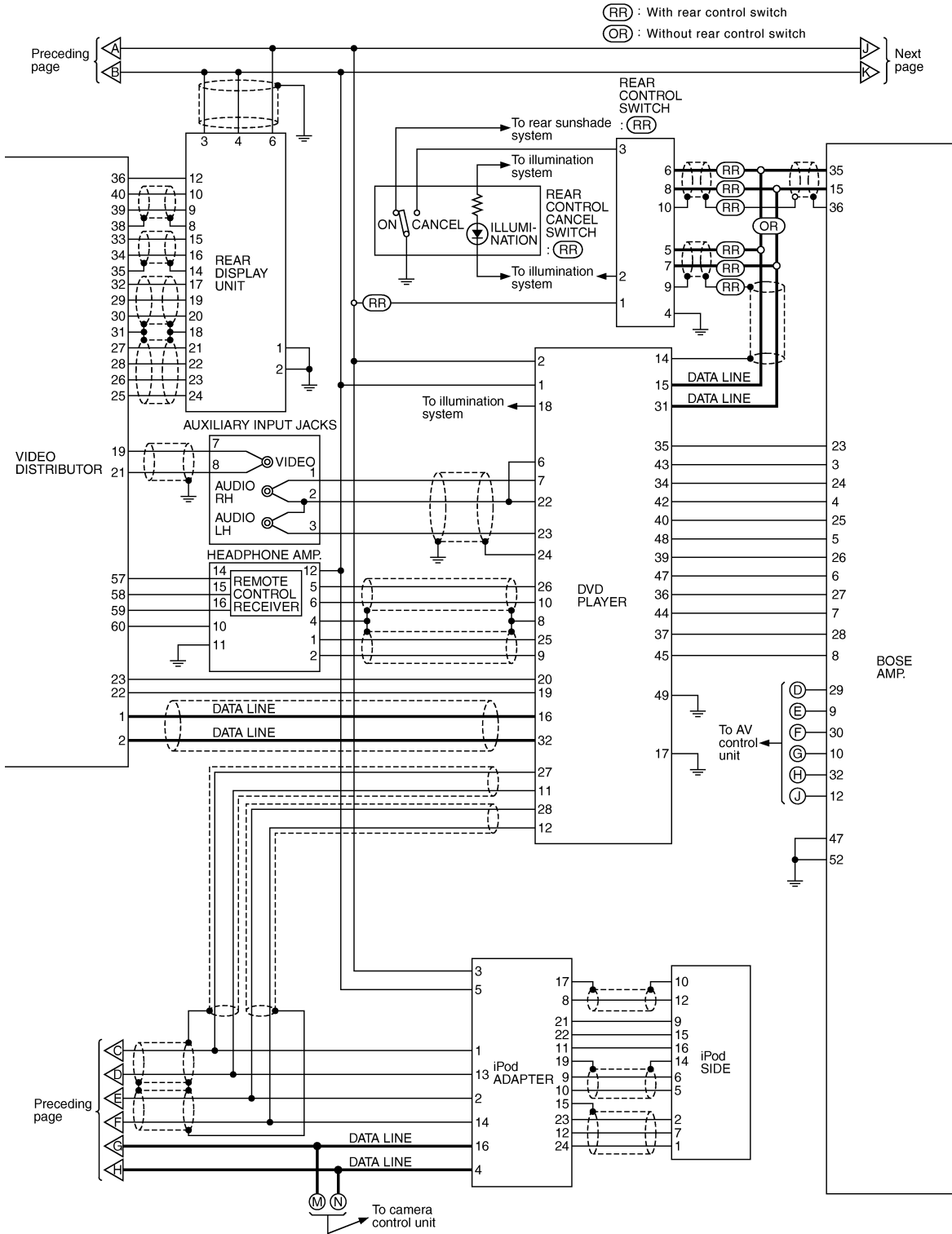
INFOID:000000005350620



# BOSE AMP.

[WITH MOBILE ENTERTAINMENT SYSTEM]

< ECU DIAGNOSIS >



TKWT6744E

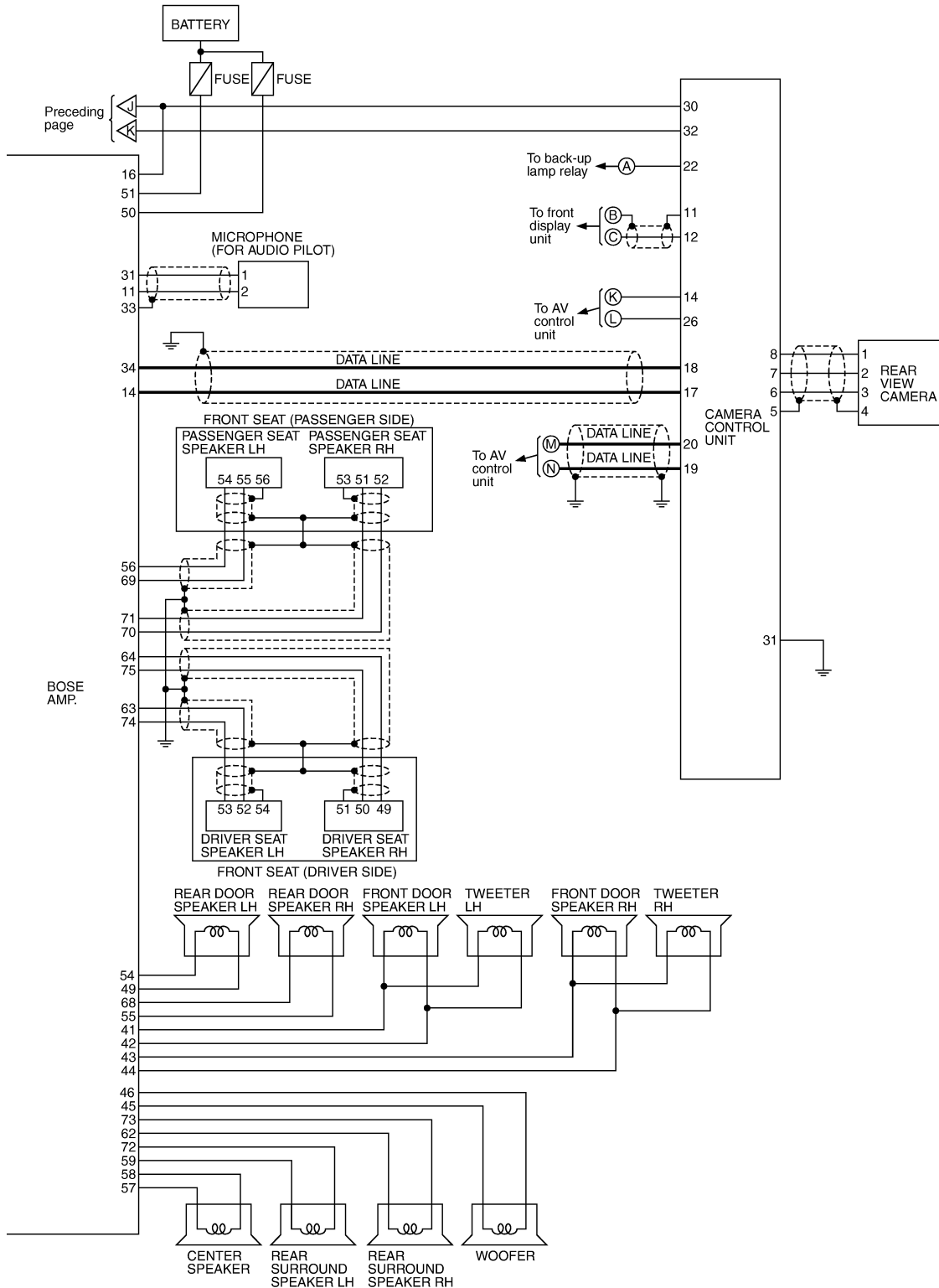
A  
B  
C  
D  
E  
F  
G  
H  
I  
J  
K  
L  
M  
N  
O  
P

AV

# BOSE AMP.

[WITH MOBILE ENTERTAINMENT SYSTEM]

< ECU DIAGNOSIS >



TKWT6745E

## BOSE SURROUND AUDIO 5.1CH SYSTEM : Wiring Diagram - AV - / BOSE Surround Audio 5.1ch System

INFOID:000000005350621

**NOTE:**

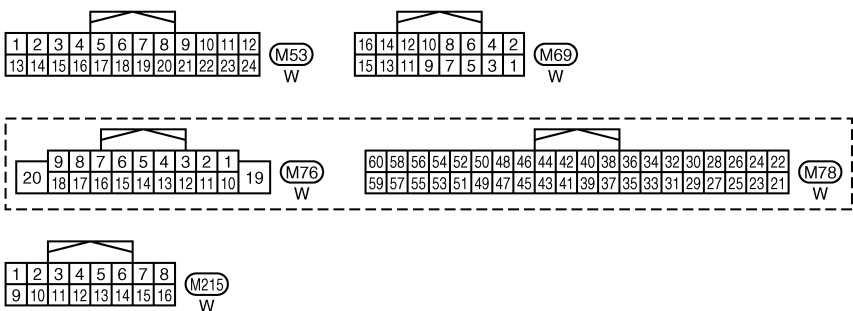
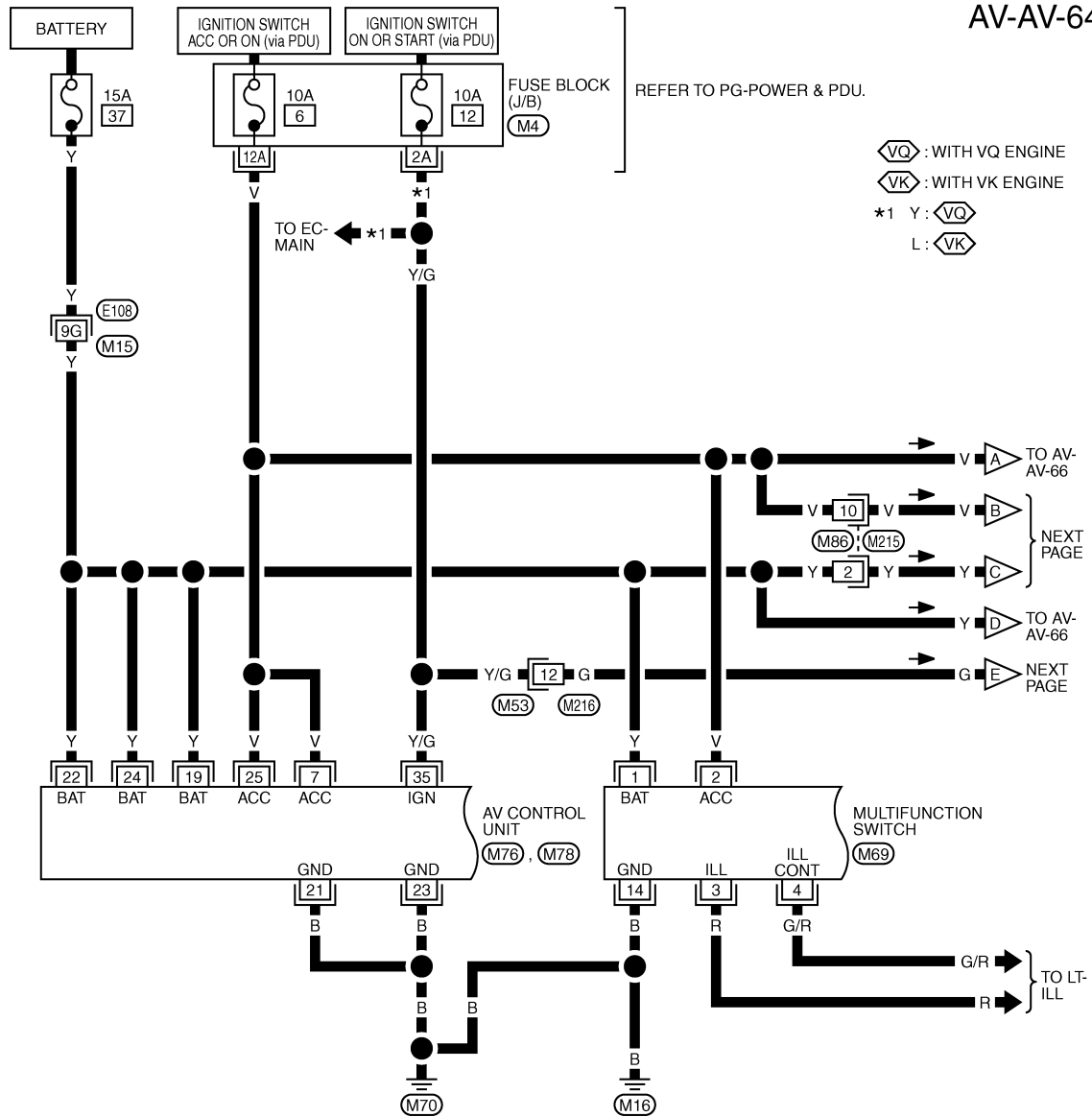
# BOSE AMP.

[WITH MOBILE ENTERTAINMENT SYSTEM]

< ECU DIAGNOSIS >

The name MULTIFUNCTION SWITCH indicates the integration of PRESET SWITCH and MULTIFUNCTION SWITCH virtually.

AV-AV-64



REFER TO THE FOLLOWING.  
 (E108) -SUPER MULTIPLE JUNCTION (SMJ)  
 (M4) -FUSE BLOCK-JUNCTION BOX (J/B)

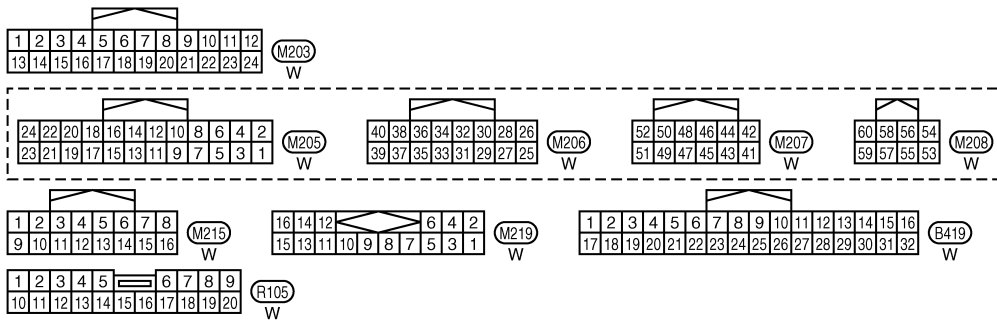
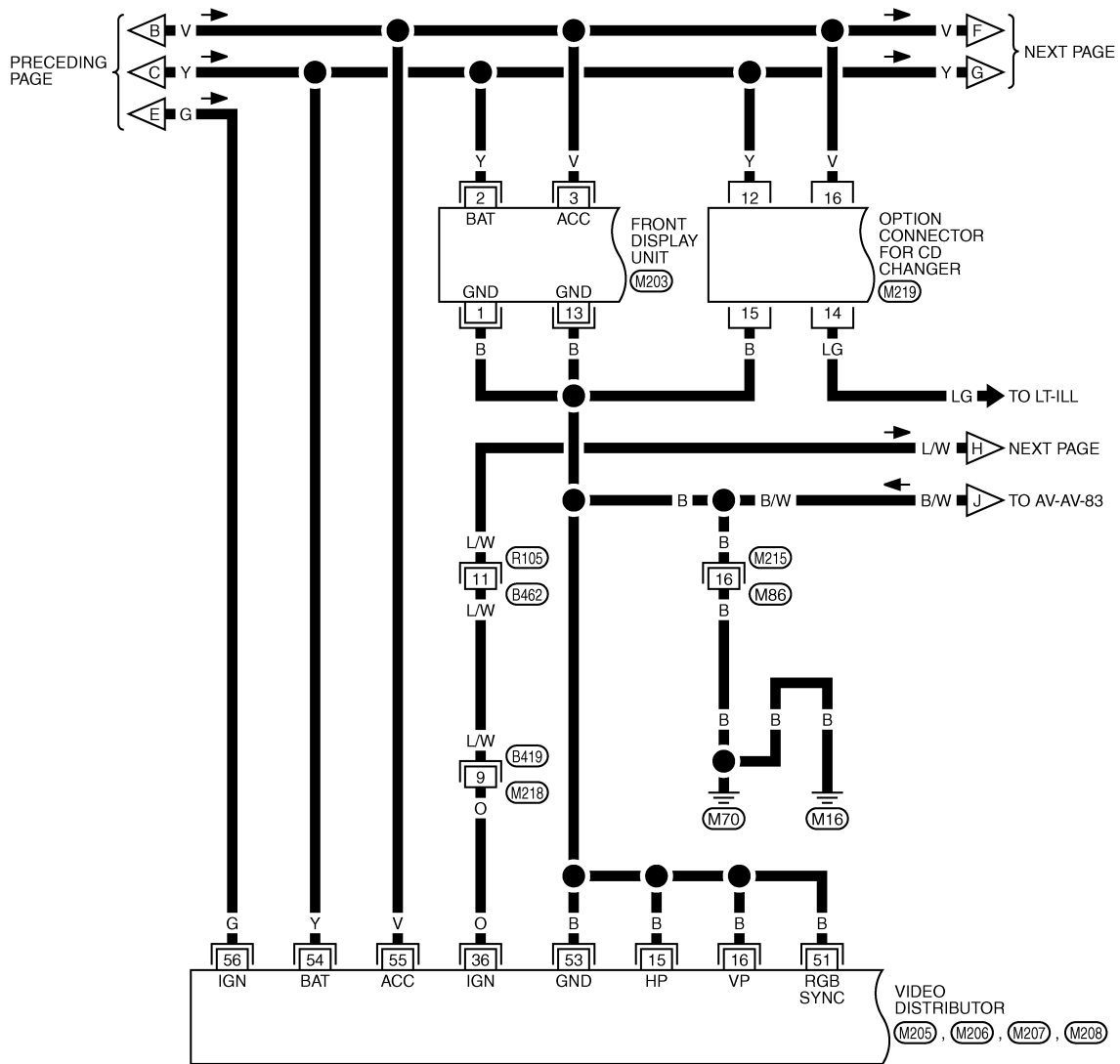
TKWT8302E

# BOSE AMP.

[WITH MOBILE ENTERTAINMENT SYSTEM]

< ECU DIAGNOSIS >

AV-AV-65



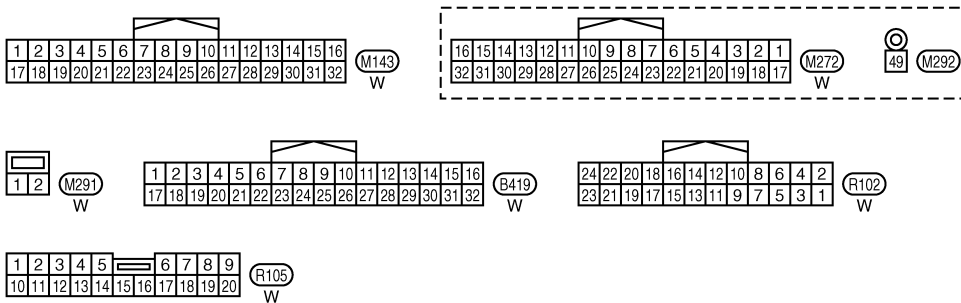
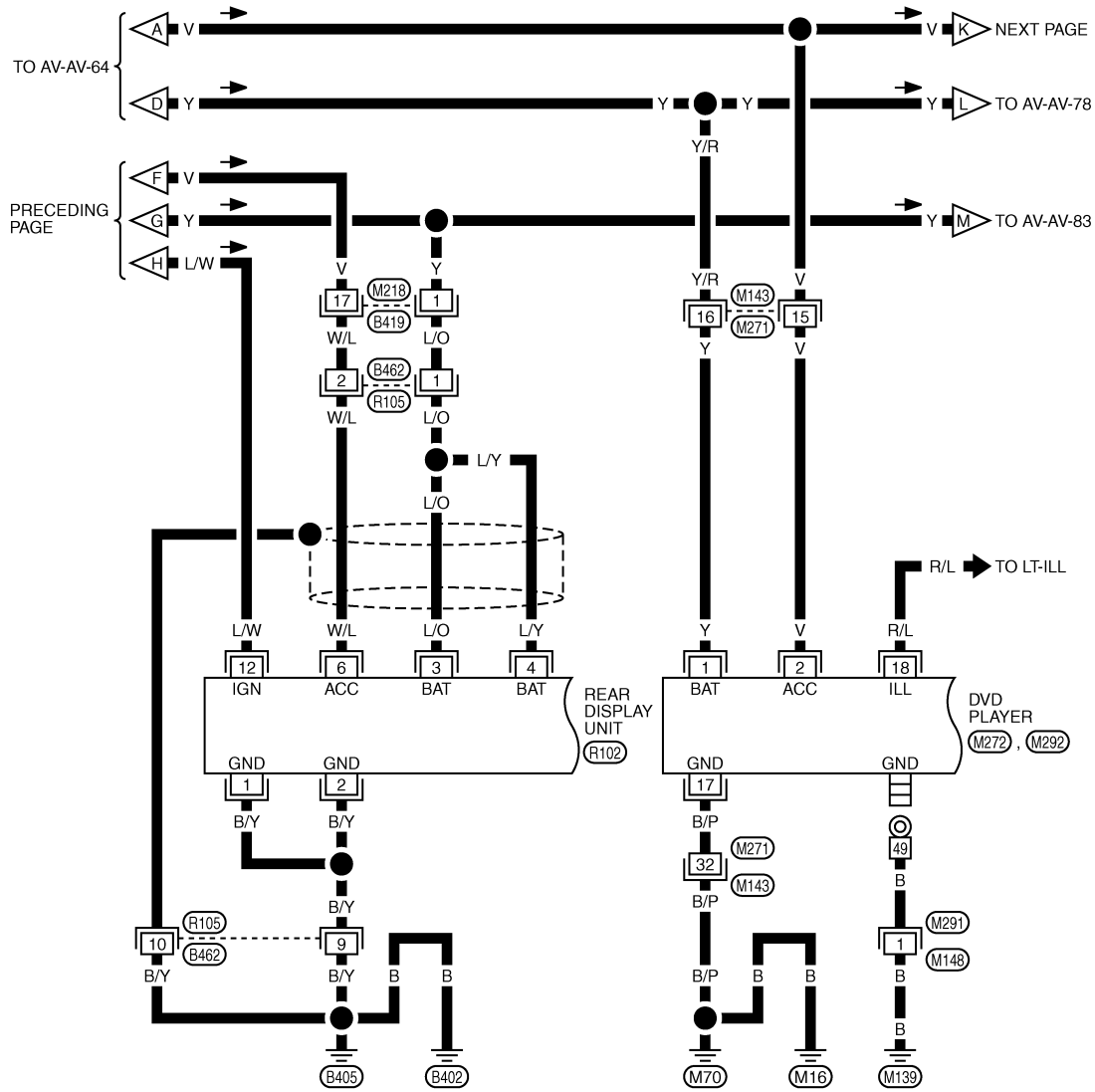
TKWT8303E

# BOSE AMP.

[WITH MOBILE ENTERTAINMENT SYSTEM]

< ECU DIAGNOSIS >

AV-AV-66



TKWT8304E

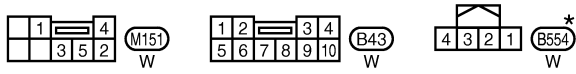
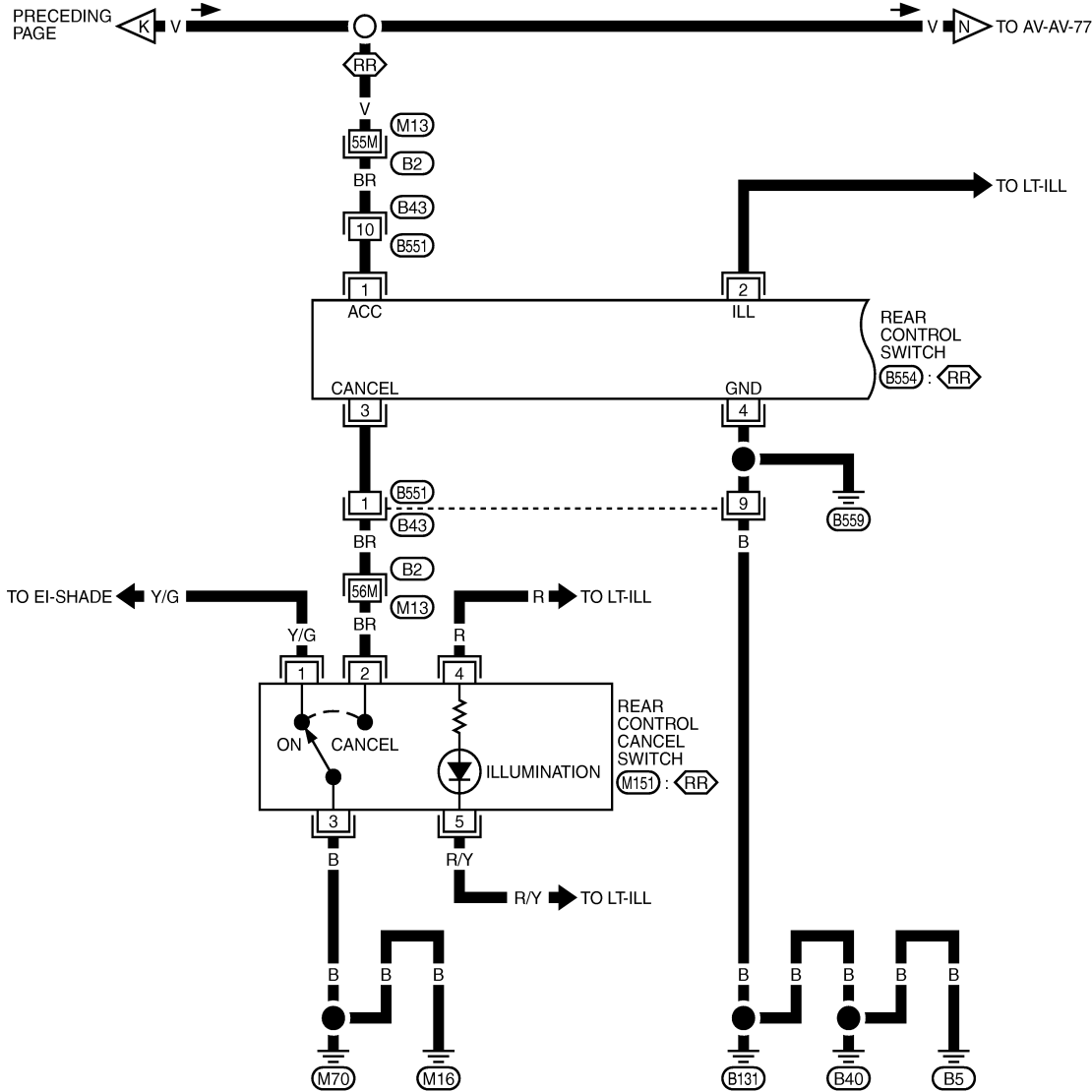
# BOSE AMP.

[WITH MOBILE ENTERTAINMENT SYSTEM]

< ECU DIAGNOSIS >

AV-AV-67

(RR) : WITH REAR CONTROL SWITCH



\*: THIS CONNECTOR IS NOT SHOWN IN "HARNESS LAYOUT", PG SECTION.

REFER TO THE FOLLOWING.

(B2) - SUPER MULTIPLE JUNCTION (SMJ)

TKWT6749E

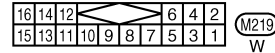
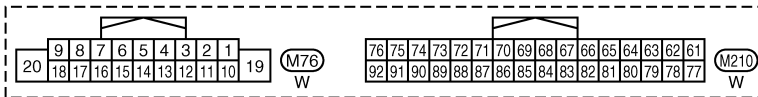
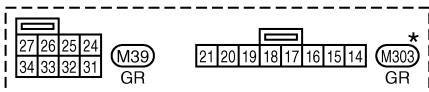
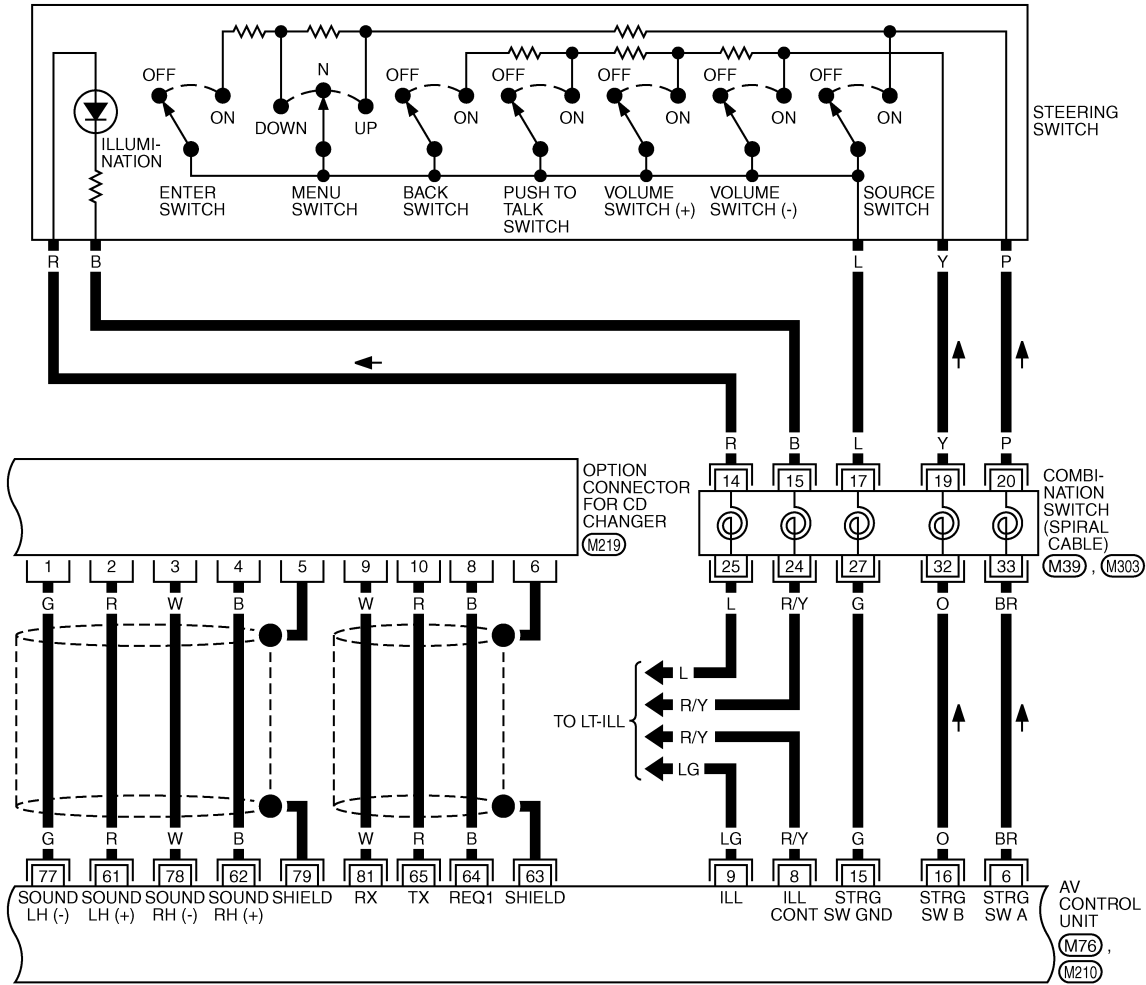


# BOSE AMP.

[WITH MOBILE ENTERTAINMENT SYSTEM]

< ECU DIAGNOSIS >

AV-AV-68



\*: THIS CONNECTOR IS NOT SHOWN IN "HARNESS LAYOUT", PG SECTION.

TKWT8305E

A  
B  
C  
D  
E  
F  
G  
H  
I  
J  
L  
M  
N  
O  
P

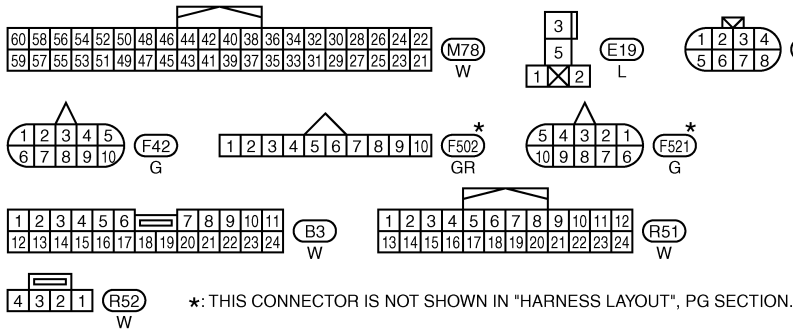
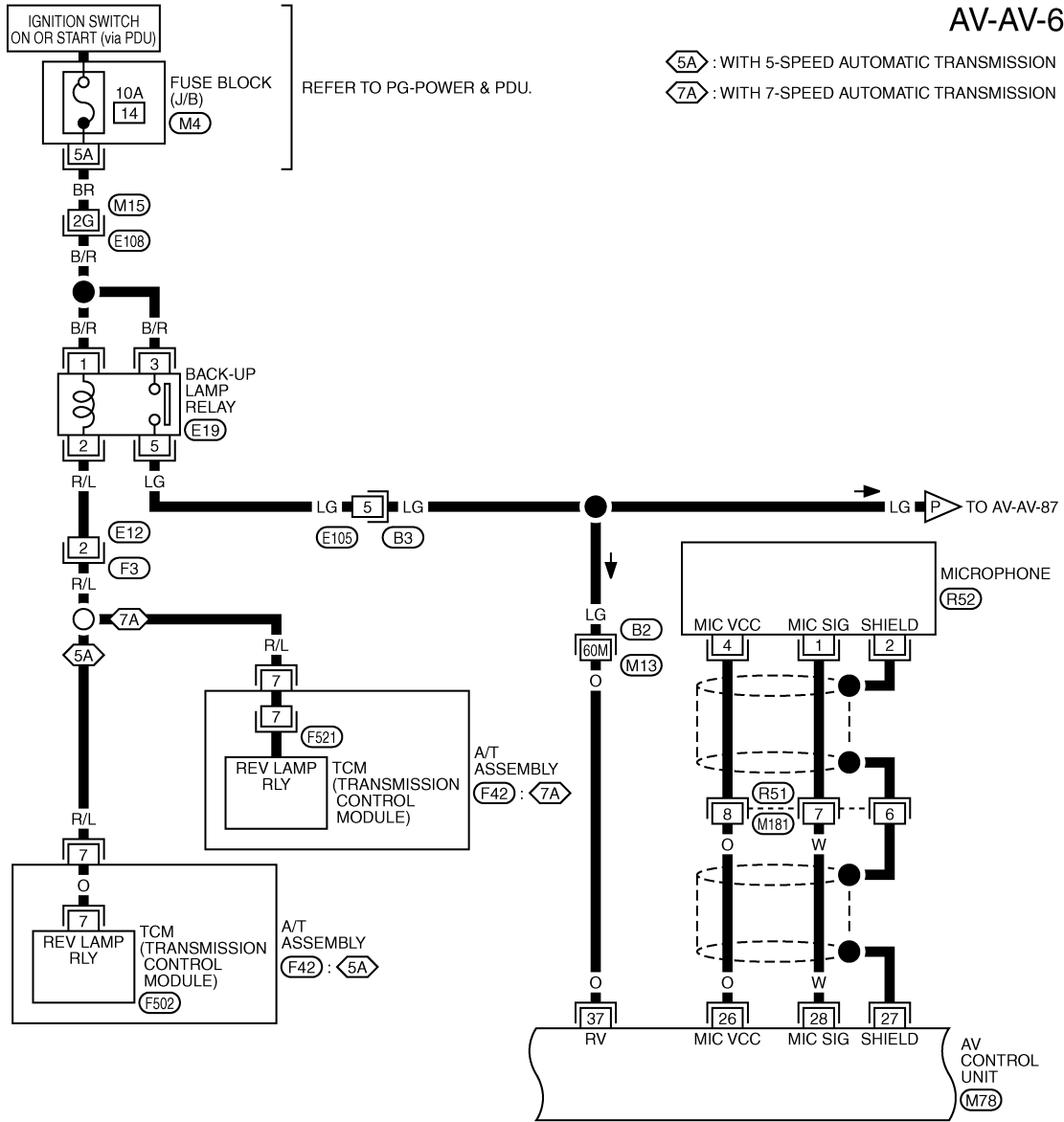
AV

# BOSE AMP.

## [WITH MOBILE ENTERTAINMENT SYSTEM]

< ECU DIAGNOSIS >

AV-AV-69



REFER TO THE FOLLOWING.

(E108), (B2) -SUPER MULTIPLE JUNCTION (SMJ)

(M4) -FUSE BLOCK-JUNCTION BOX (J/B)

TKWT8306E

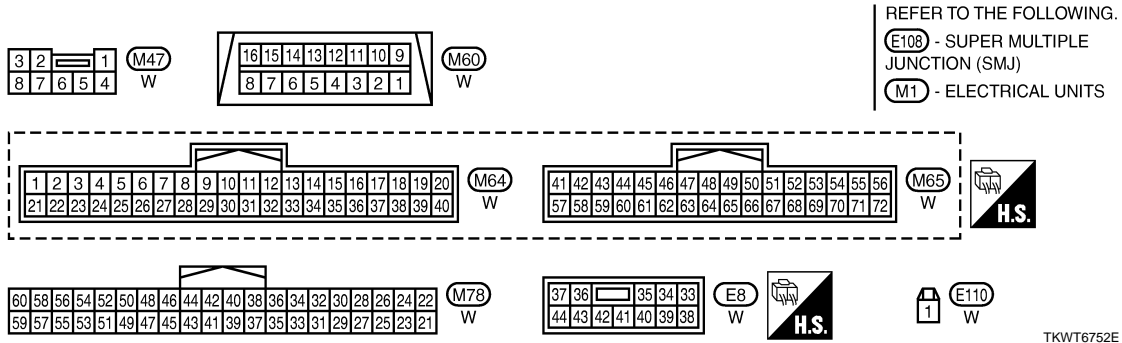
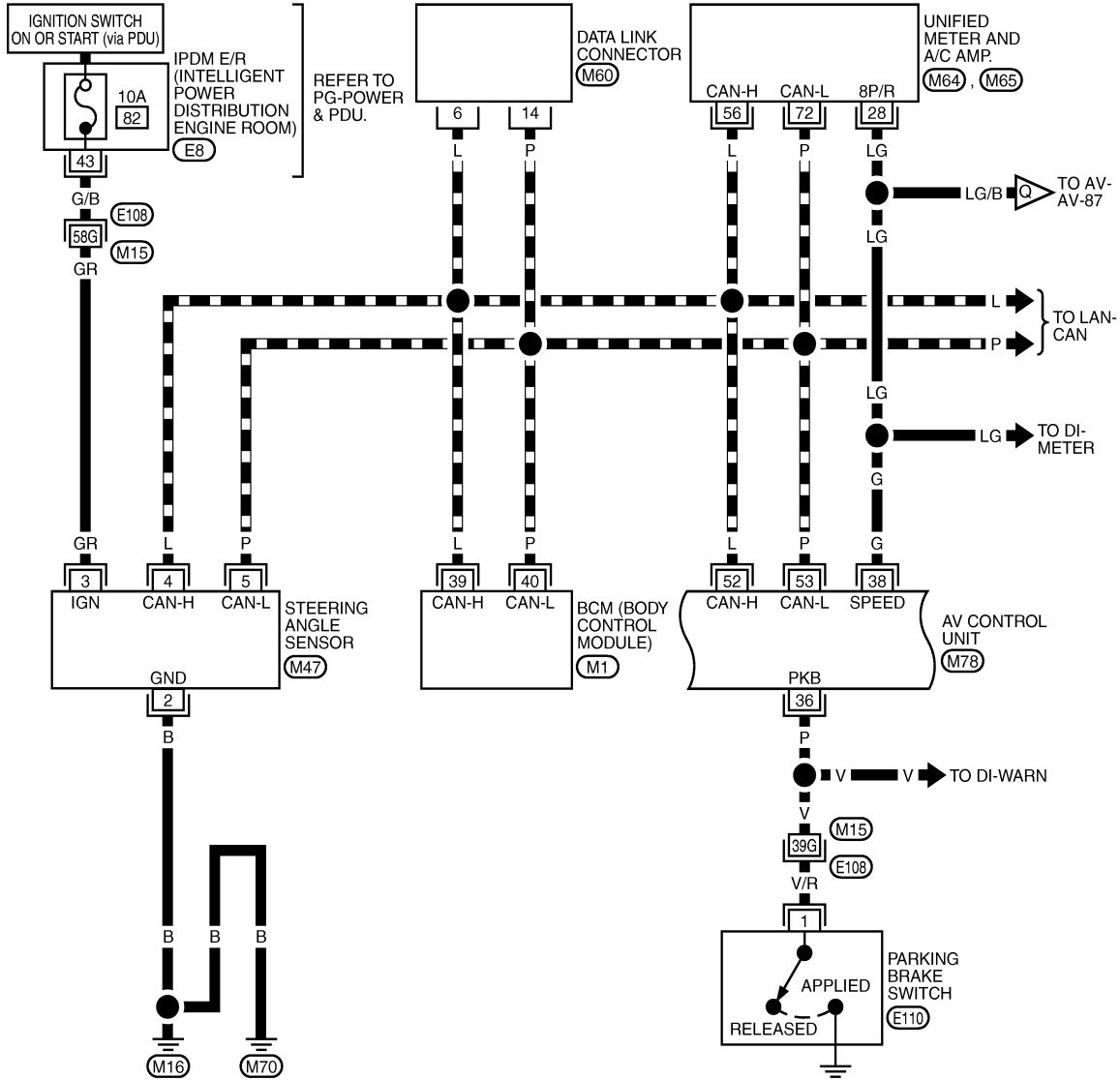
# BOSE AMP.

[WITH MOBILE ENTERTAINMENT SYSTEM]

< ECU DIAGNOSIS >

AV-AV-70

▬ : DATA LINE



TKWT6752E

A  
B  
C  
D  
E  
F  
G  
H  
I  
J  
AV  
L  
M  
N  
O  
P

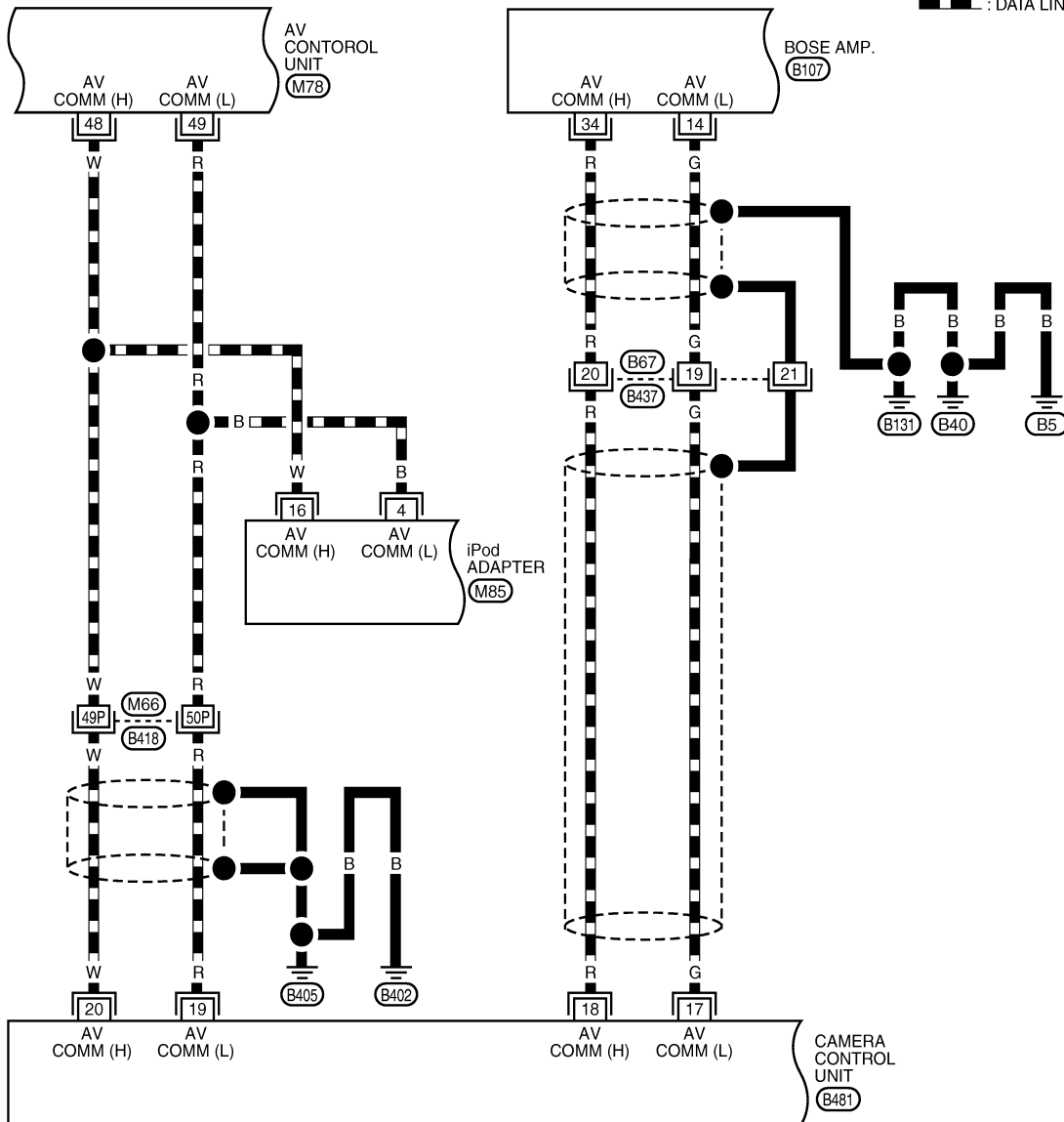
# BOSE AMP.

[WITH MOBILE ENTERTAINMENT SYSTEM]

< ECU DIAGNOSIS >

AV-AV-71

— : DATA LINE



60	58	56	54	52	50	48	46	44	42	40	38	36	34	32	30	28	26	24	22
59	57	55	53	51	49	47	45	43	41	39	37	35	33	31	29	27	25	23	21

(M78) W

12	11	10	9	8	7	6	5	4	3	2	1
24	23	22	21	20	19	18	17	16	15	14	13

(M85) W

1	2	3	4	5	6	7	8	9	10	11	12	13	14	15	16	17	18	19	20
21	22	23	24	25	26	27	28	29	30	31	32	33	34	35	36	37	38	39	40

(B107) W

1	2	3	4	5	6	7	8	9	10	11		
12	13	14	15	16	17	18	19	20	21	22	23	24

(B437) BR

32	30	28	26	24	22	20	18	16	14	12	10	8	6	4	2
31	29	27	25	23	21	19	17	15	13	11	9	7	5	3	1

(B481) W

REFER TO THE FOLLOWING.

(B418) - SUPER MULTIPLE JUNCTION (SMJ)

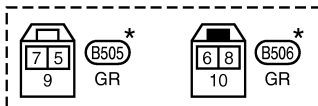
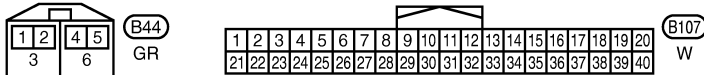
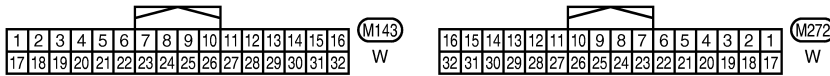
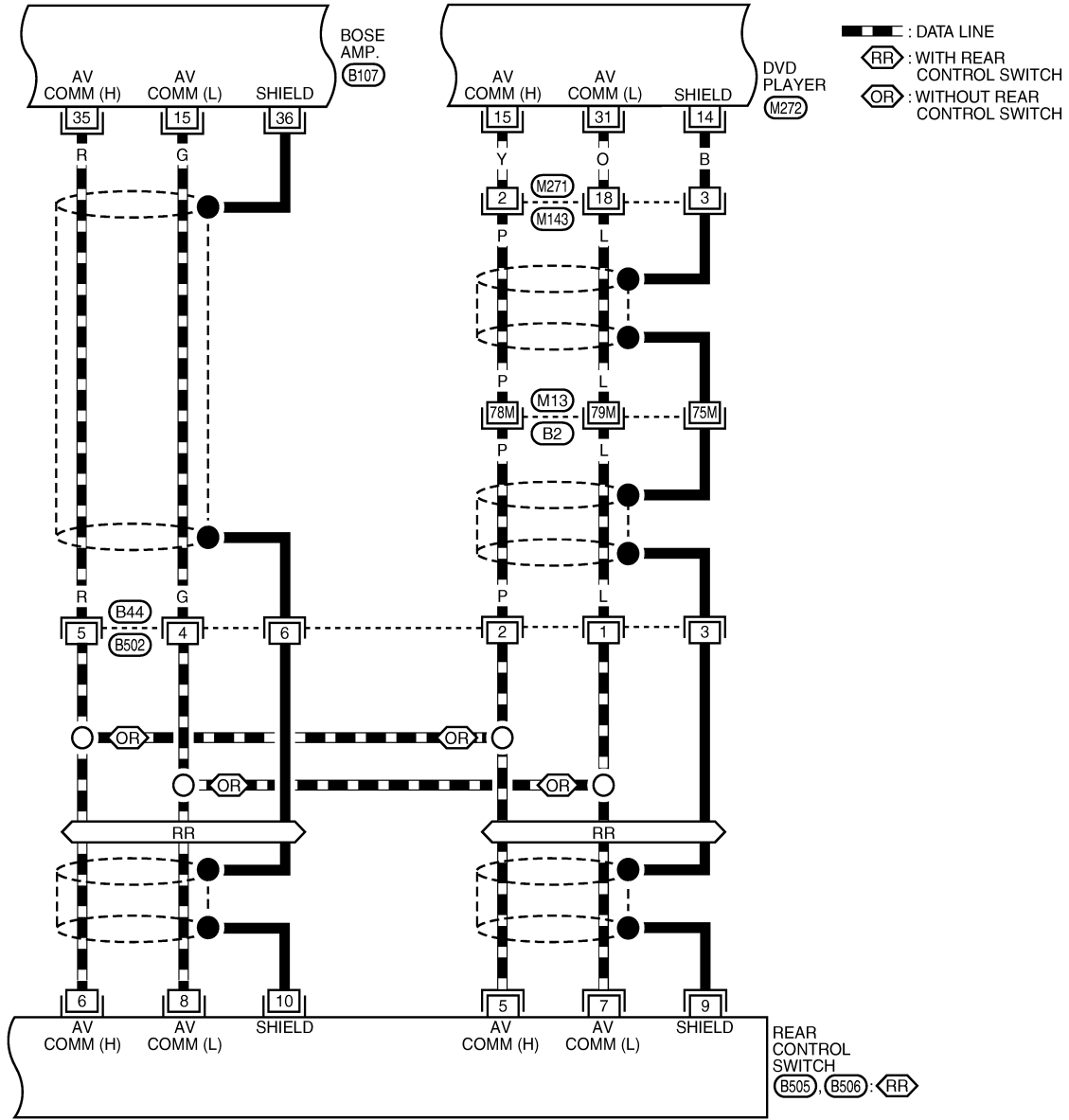
TKWT6753E

# BOSE AMP.

[WITH MOBILE ENTERTAINMENT SYSTEM]

< ECU DIAGNOSIS >

## AV-AV-72



REFER TO THE FOLLOWING.

B2 - SUPER MULTIPLE JUNCTION (SMJ)

TKWT6754E

A  
B  
C  
D  
E  
F  
G  
H  
I  
J  
L  
M  
N  
O  
P

AV

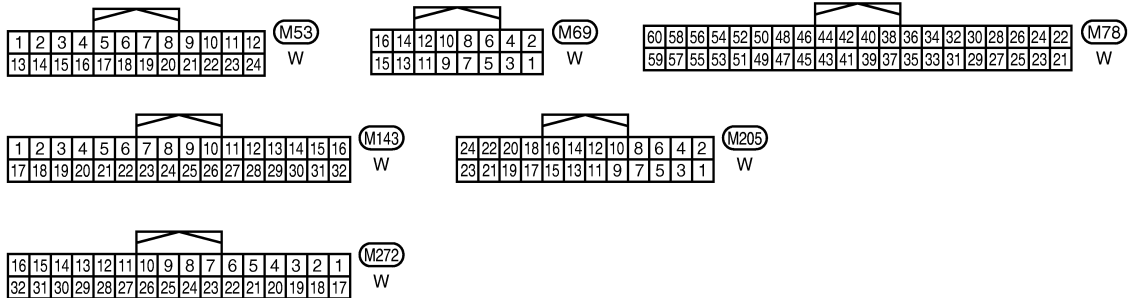
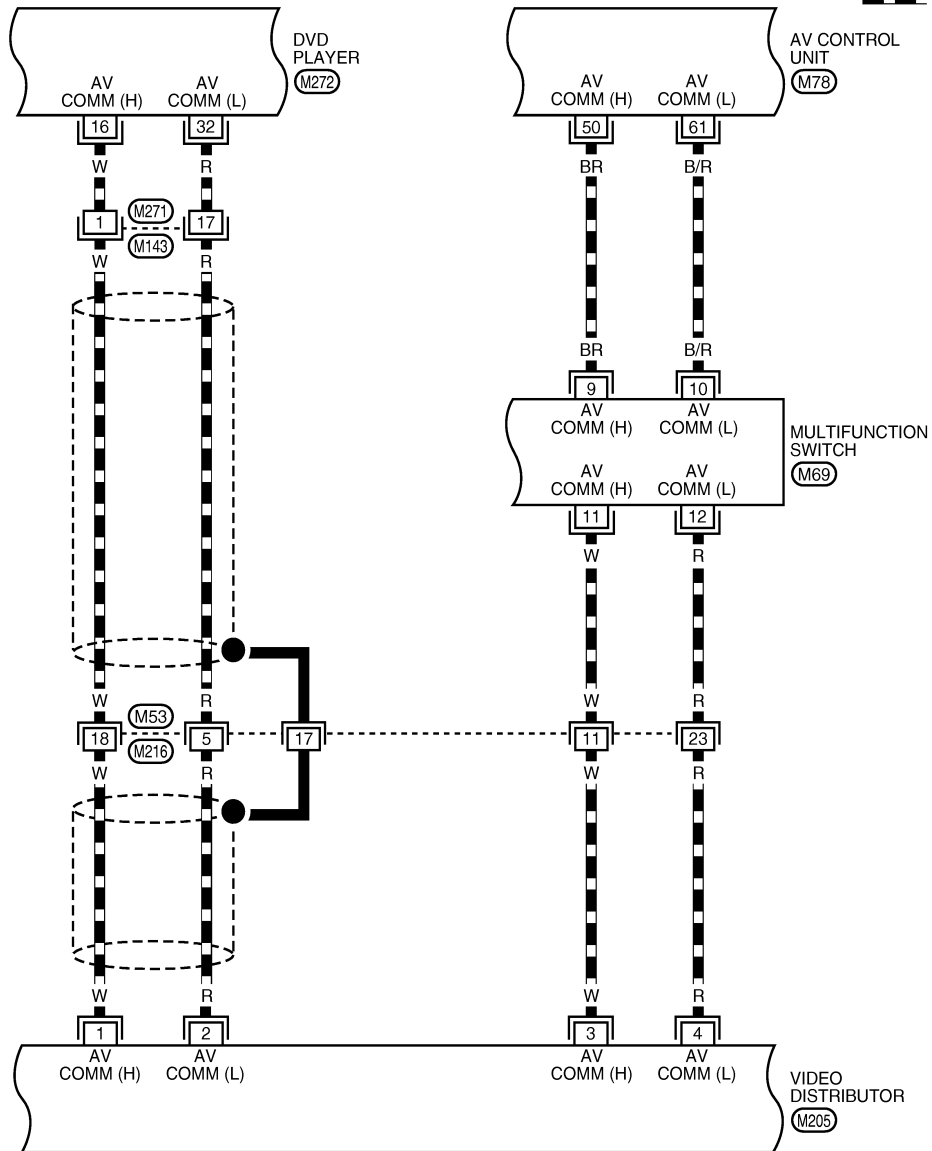
# BOSE AMP.

[WITH MOBILE ENTERTAINMENT SYSTEM]

< ECU DIAGNOSIS >

AV-AV-73

DATA LINE



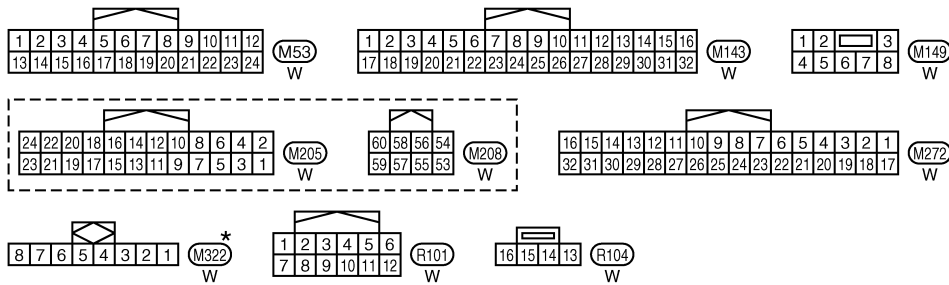
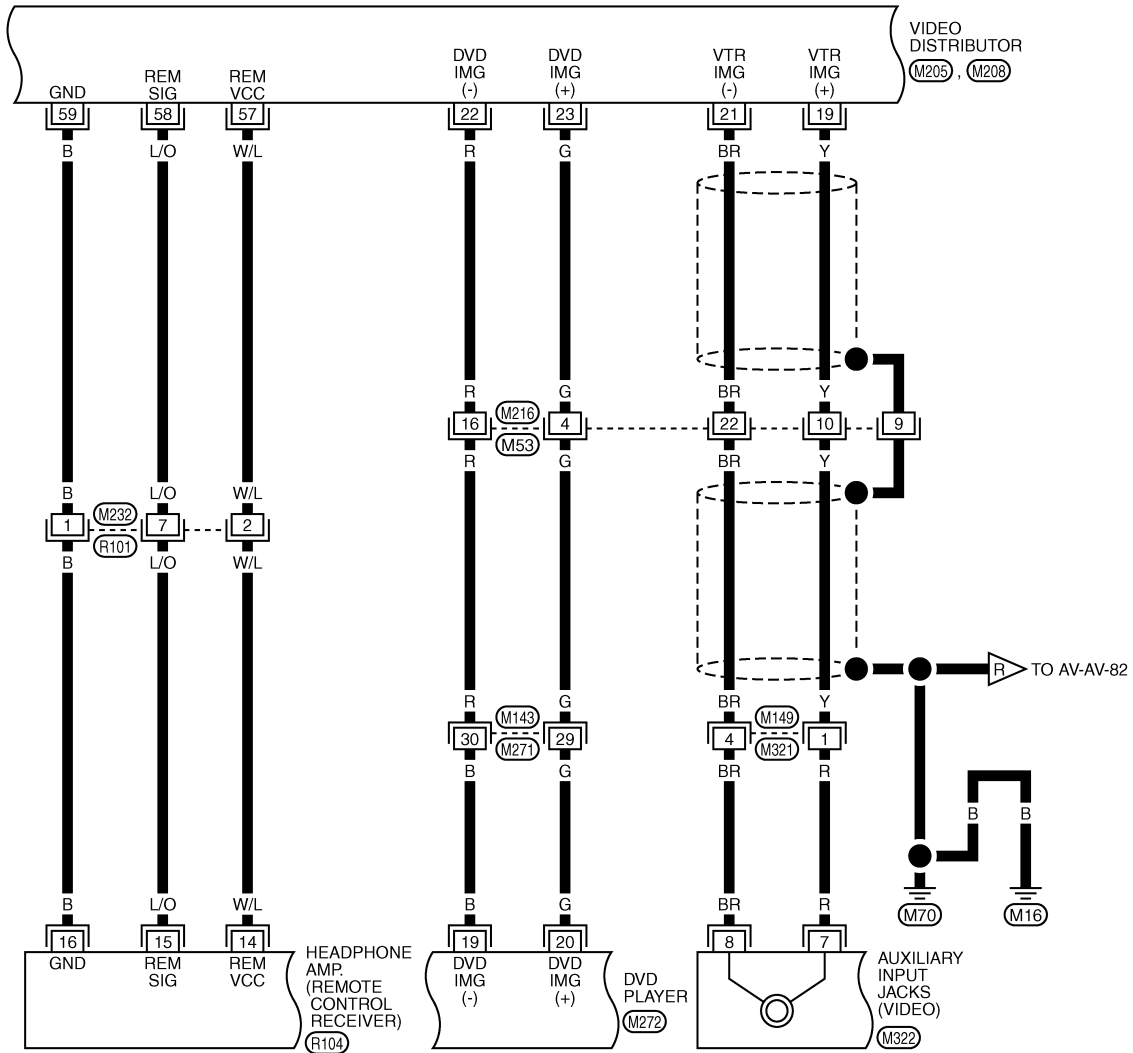
TKWT6755E

# BOSE AMP.

[WITH MOBILE ENTERTAINMENT SYSTEM]

< ECU DIAGNOSIS >

AV-AV-74



\*: THIS CONNECTOR IS NOT SHOWN IN "HARNESS LAYOUT", PG SECTION.

TKWT8307E

A  
B  
C  
D  
E  
F  
G  
H  
I  
J  
K  
L  
M  
N  
O  
P

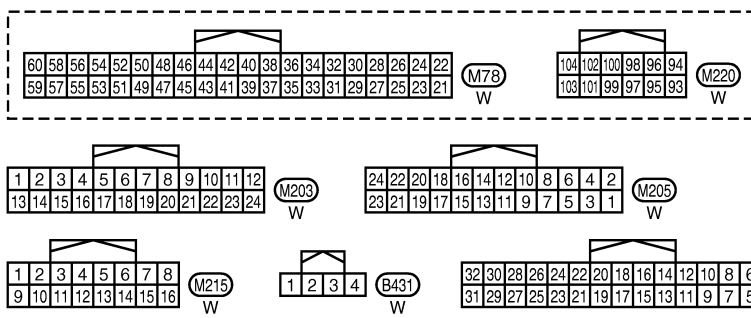
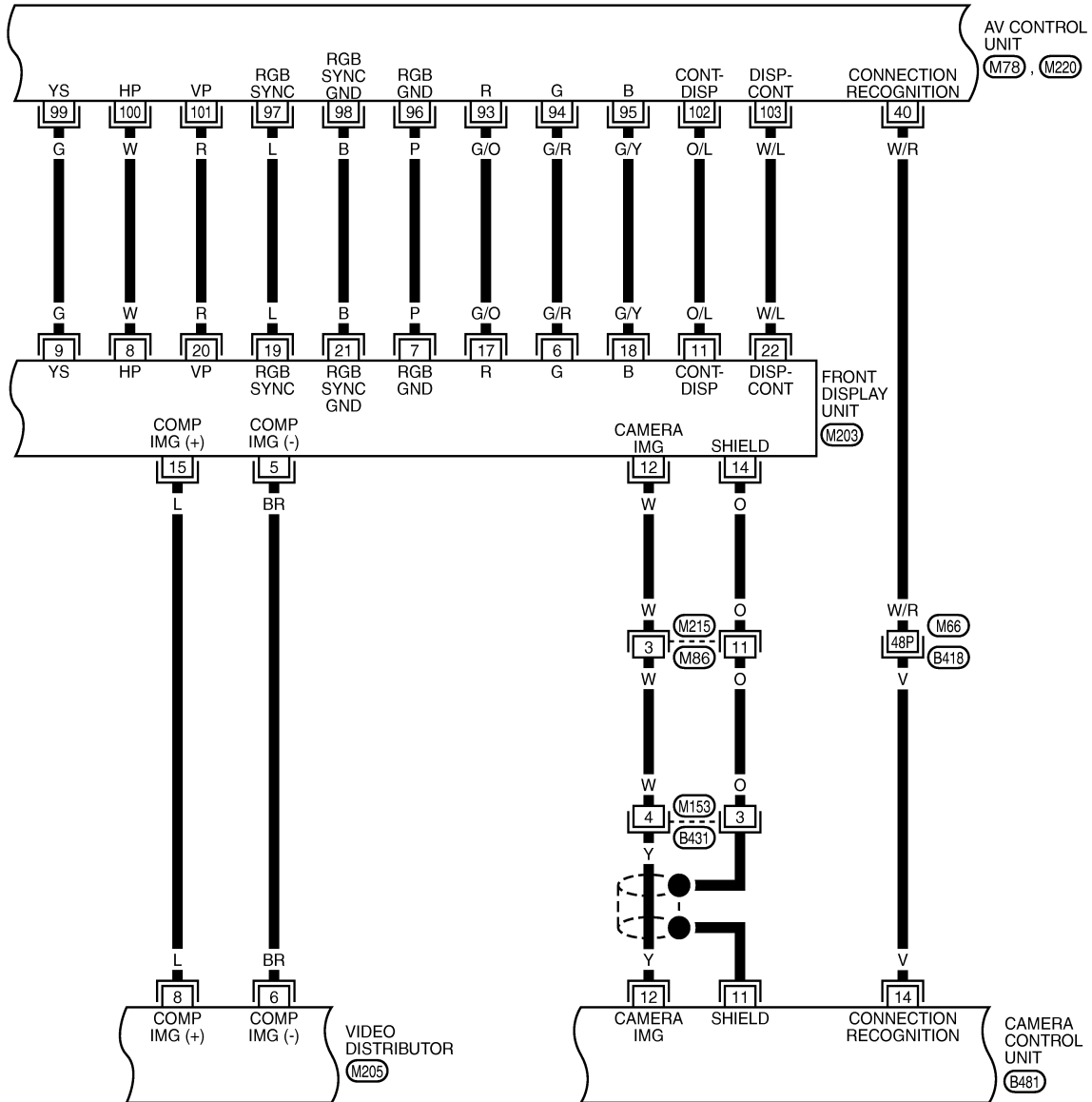
AV

# BOSE AMP.

< ECU DIAGNOSIS >

[WITH MOBILE ENTERTAINMENT SYSTEM]

AV-AV-75



REFER TO THE FOLLOWING.

(B418) -SUPER MULTIPLE JUNCTION (SMJ)

TKWT6757E

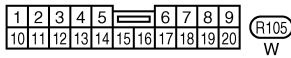
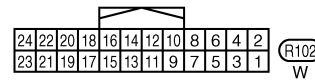
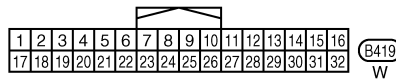
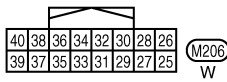
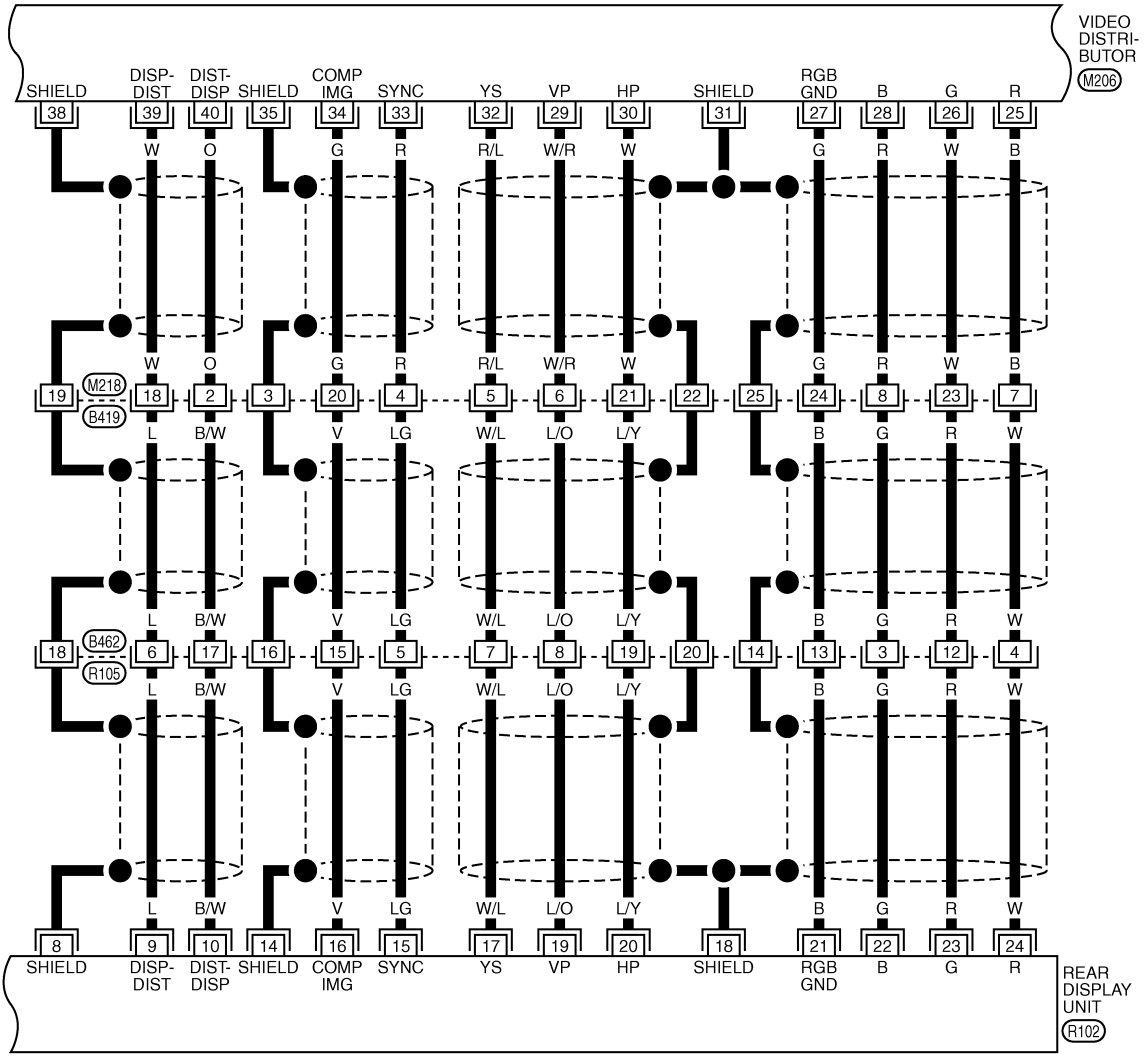


# BOSE AMP.

[WITH MOBILE ENTERTAINMENT SYSTEM]

< ECU DIAGNOSIS >

AV-AV-76



TKWT5152E

A  
B  
C  
D  
E  
F  
G  
H  
I  
J  
L  
M  
N  
O  
P

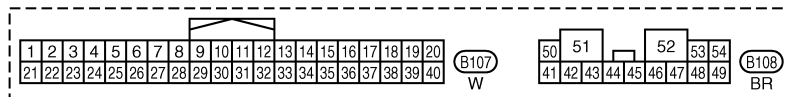
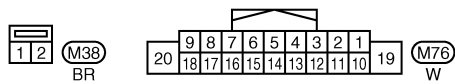
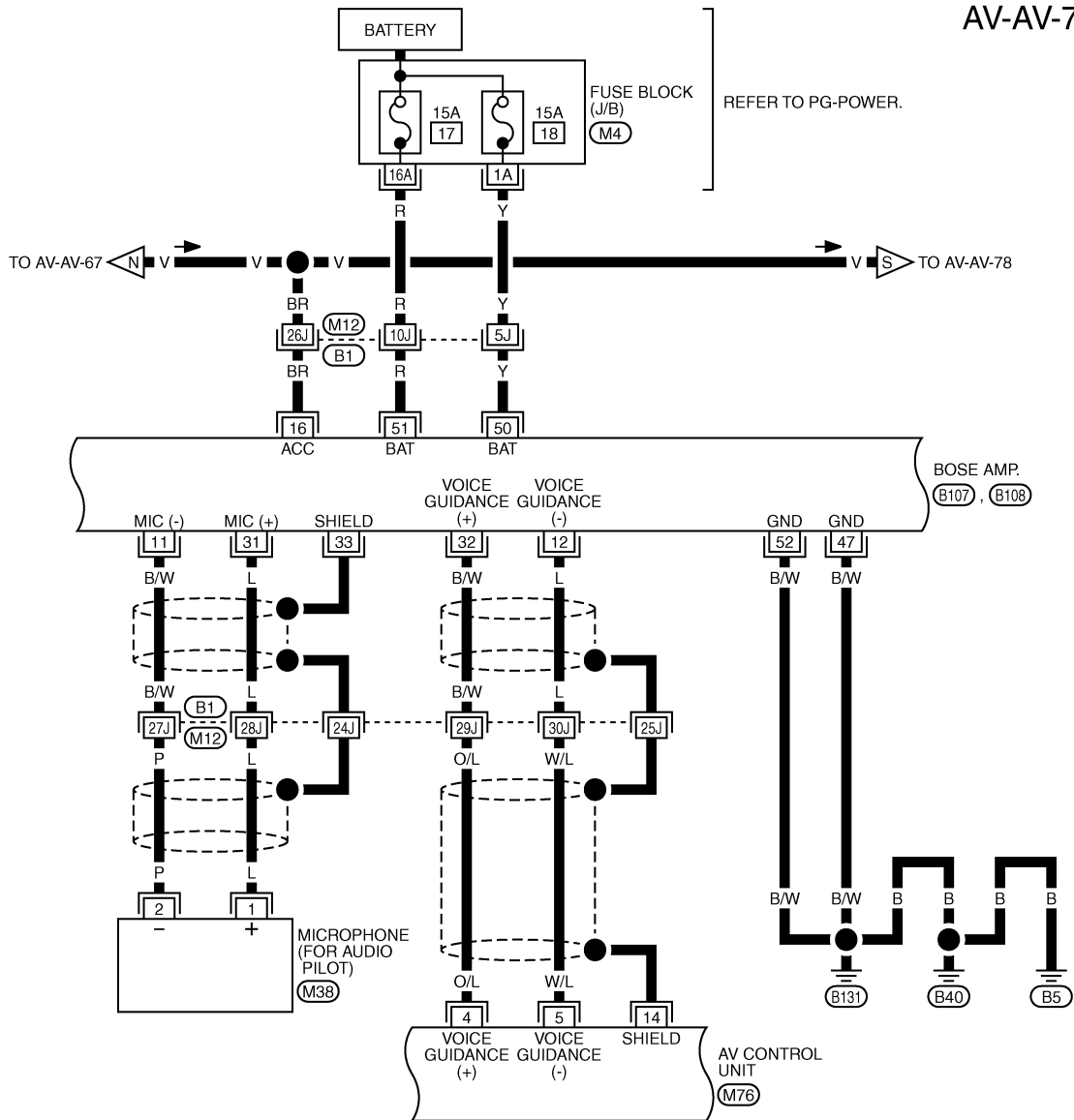
AV

# BOSE AMP.

[WITH MOBILE ENTERTAINMENT SYSTEM]

< ECU DIAGNOSIS >

AV-AV-77



REFER TO THE FOLLOWING.

(B1) -SUPER MULTIPLE JUNCTION (SMJ)

(M4) -FUSE BLOCK-JUNCTION BOX (J/B)

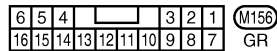
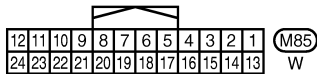
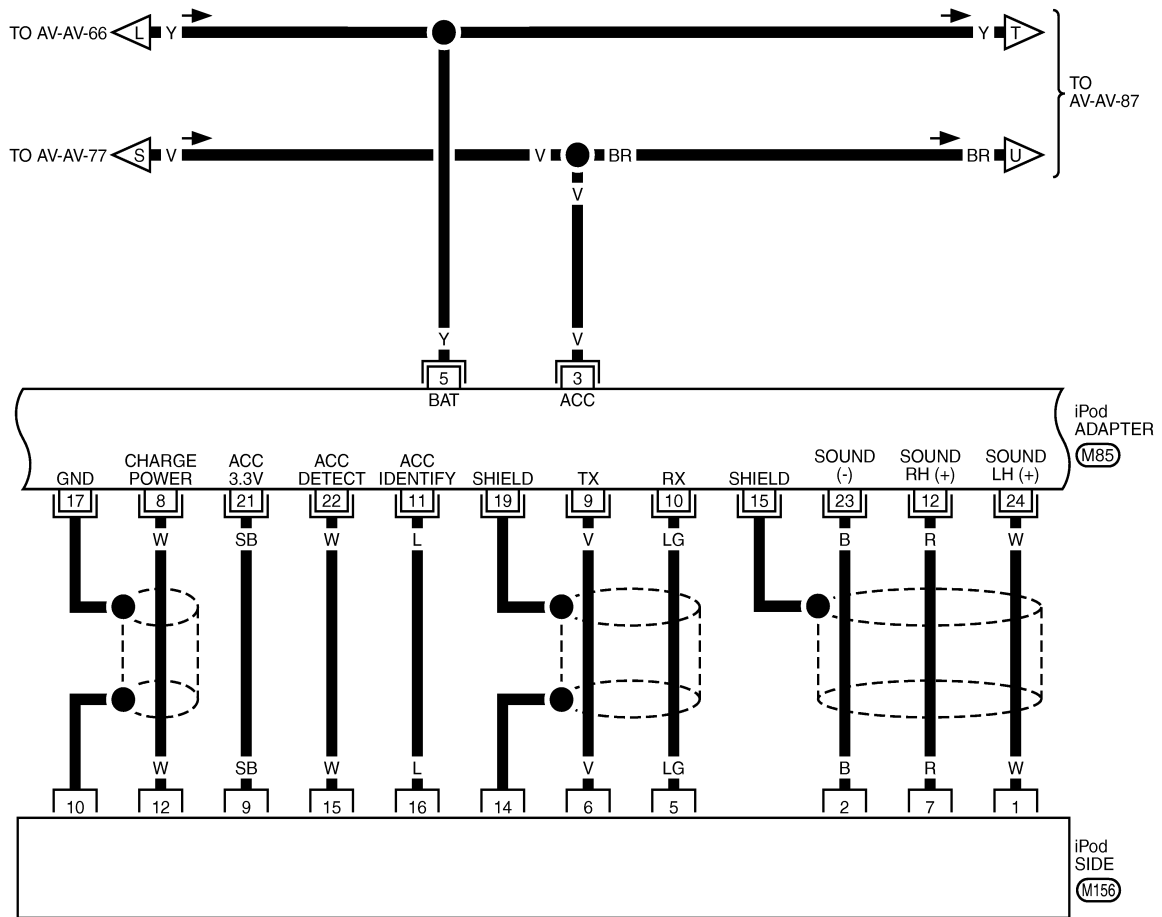
TKWT8308E

# BOSE AMP.

[WITH MOBILE ENTERTAINMENT SYSTEM]

< ECU DIAGNOSIS >

AV-AV-78



TKWT6761E

A  
B  
C  
D  
E  
F  
G  
H  
I  
J  
K  
L  
M  
N  
O  
P

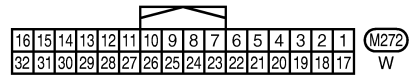
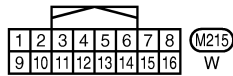
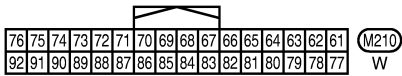
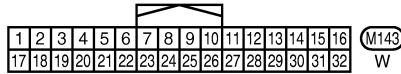
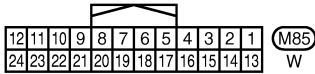
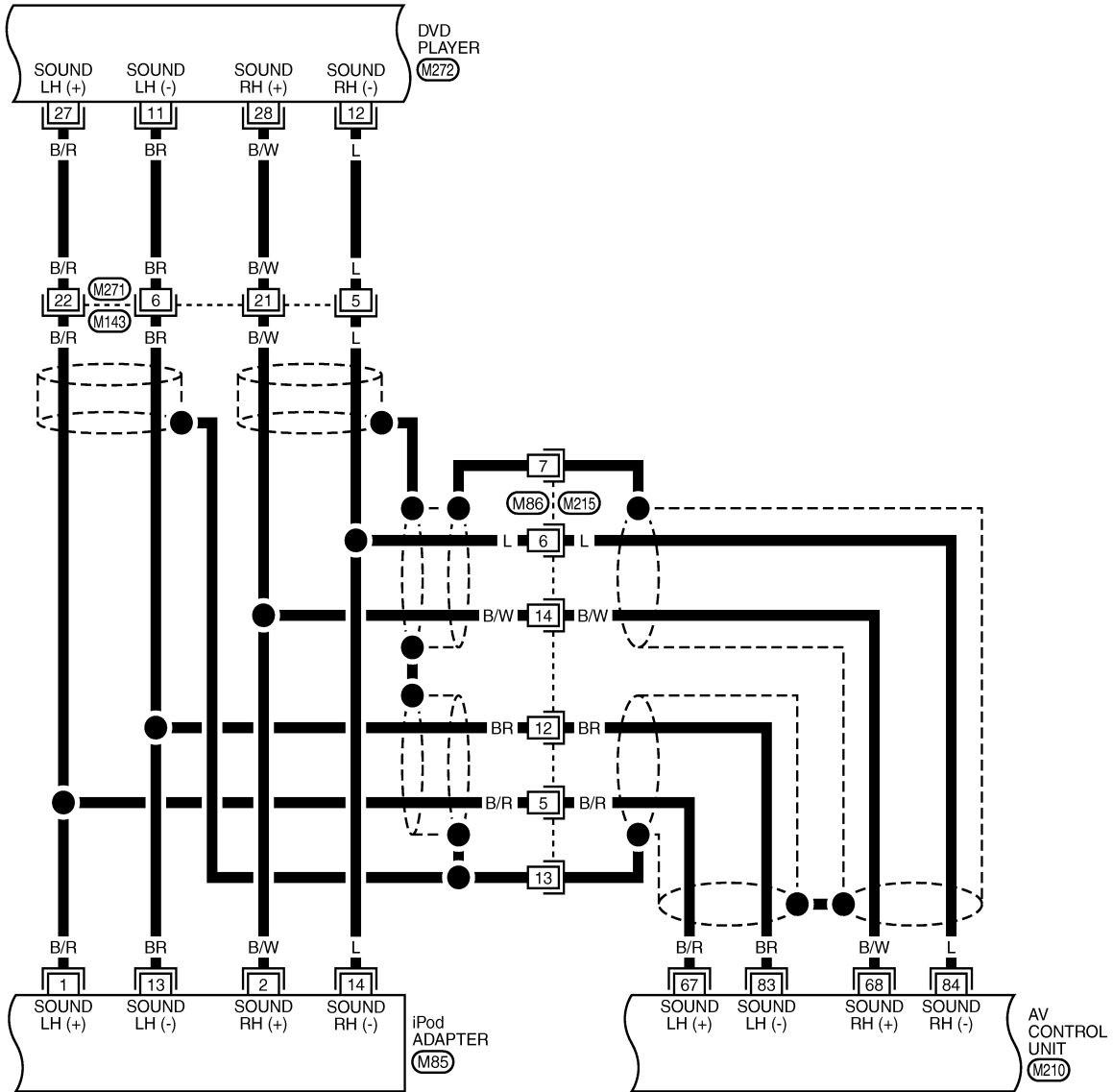
AV

# BOSE AMP.

[WITH MOBILE ENTERTAINMENT SYSTEM]

< ECU DIAGNOSIS >

AV-AV-79



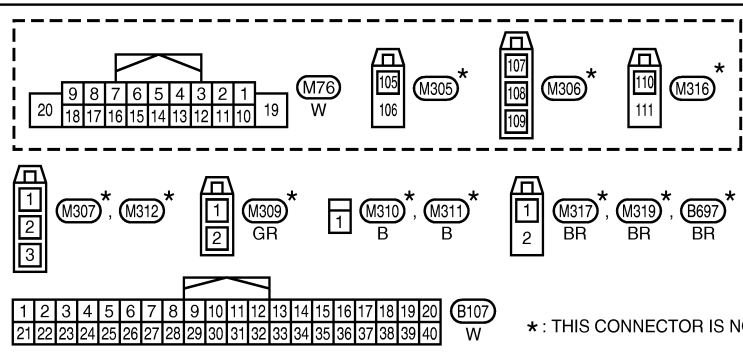
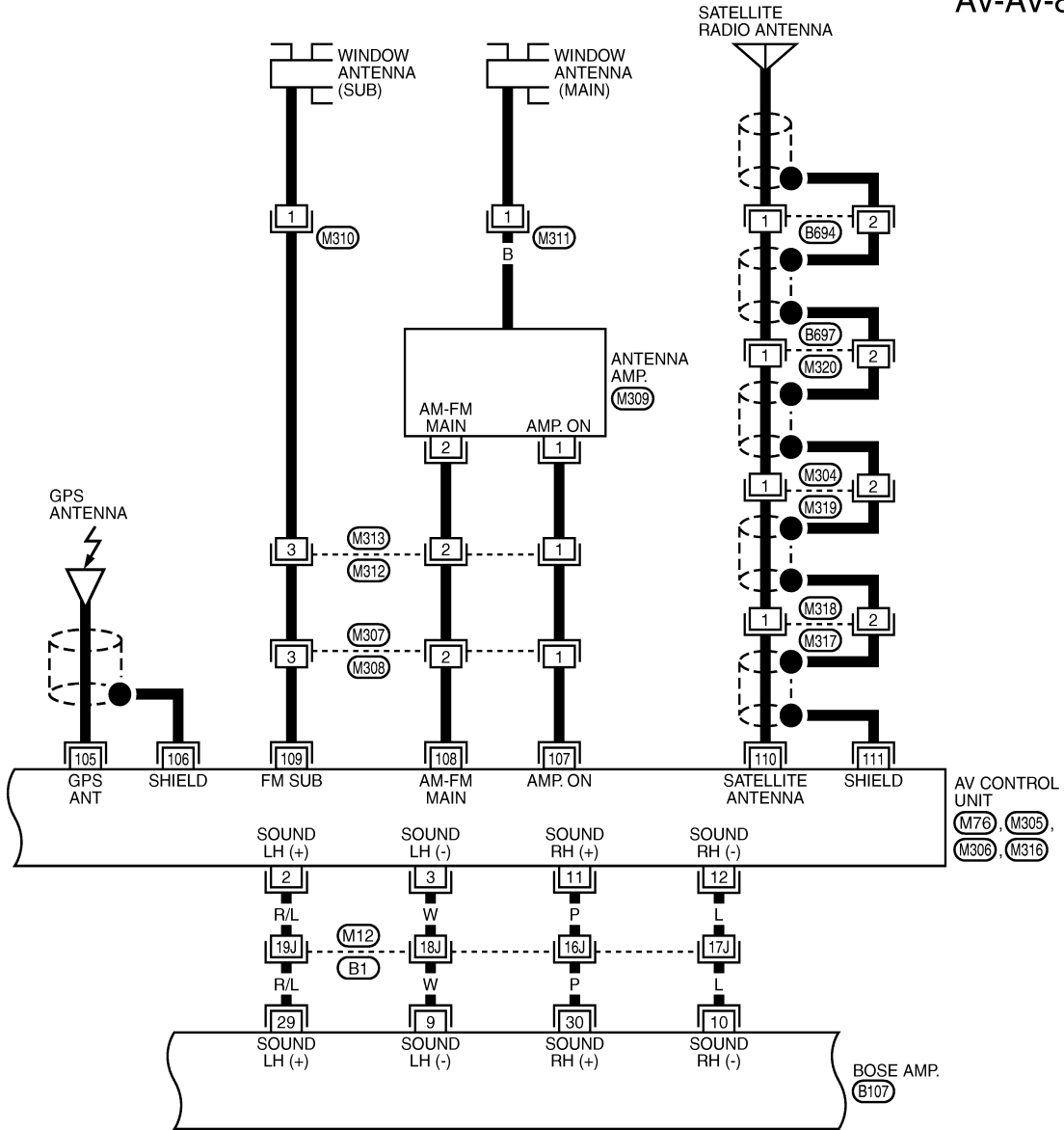
TKWT6762E

# BOSE AMP.

[WITH MOBILE ENTERTAINMENT SYSTEM]

< ECU DIAGNOSIS >

AV-AV-80



REFER TO THE FOLLOWING.

(B1) - SUPER MULTIPLE JUNCTION (SMJ)

\* : THIS CONNECTOR IS NOT SHOWN IN "HARNESS LAYOUT", PG SECTION.

TKWT6763E

A  
B  
C  
D  
E  
F  
G  
H  
I  
J  
K  
L  
M  
N  
O  
P

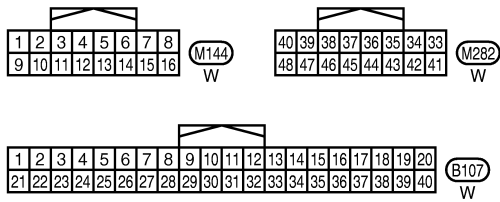
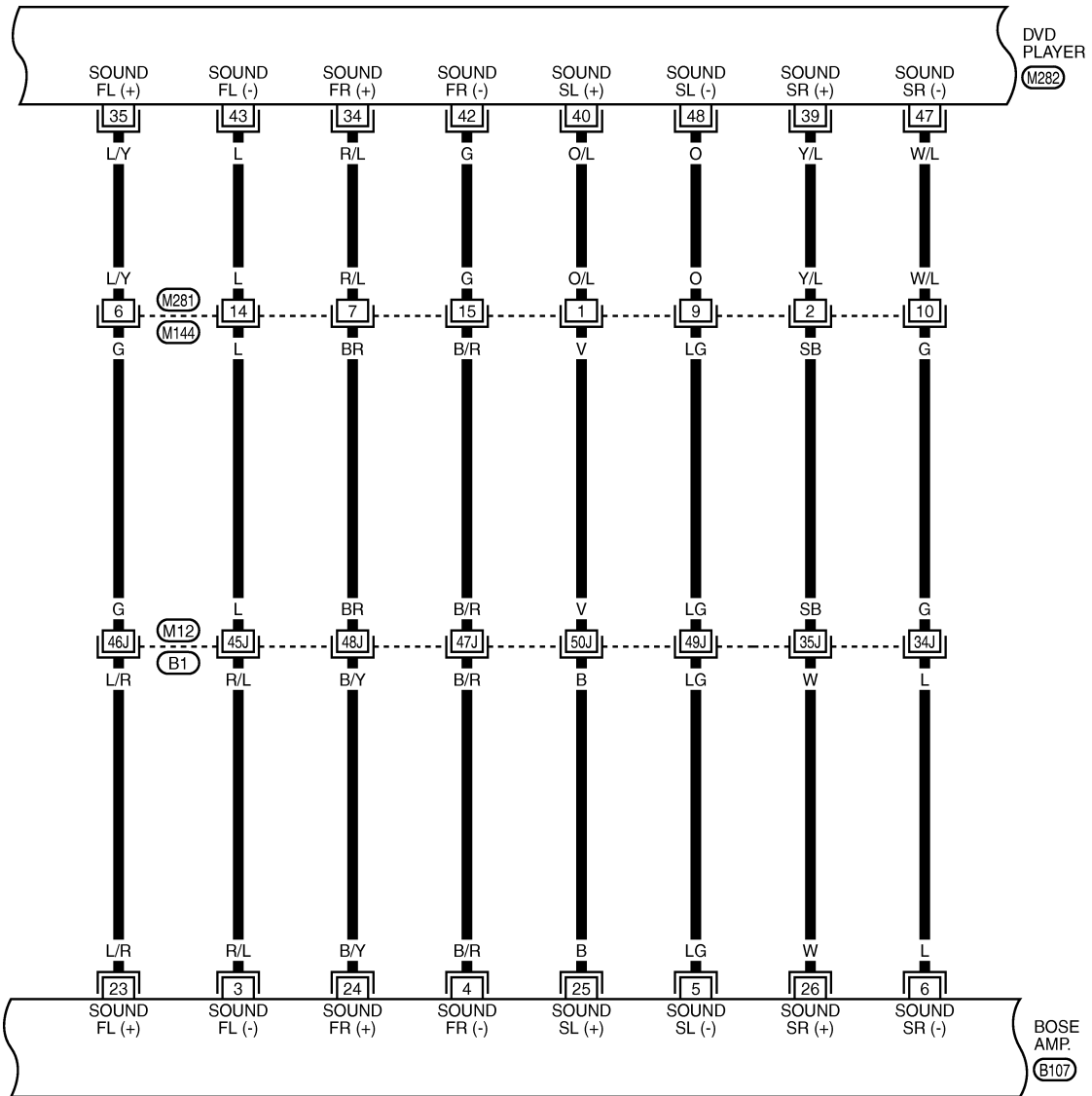
AV

# BOSE AMP.

[WITH MOBILE ENTERTAINMENT SYSTEM]

< ECU DIAGNOSIS >

AV-AV-81



REFER TO THE FOLLOWING.

(B1) - SUPER MULTIPLE JUNCTION (SMJ)

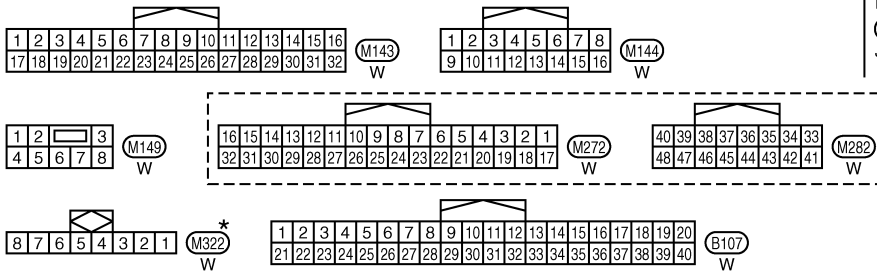
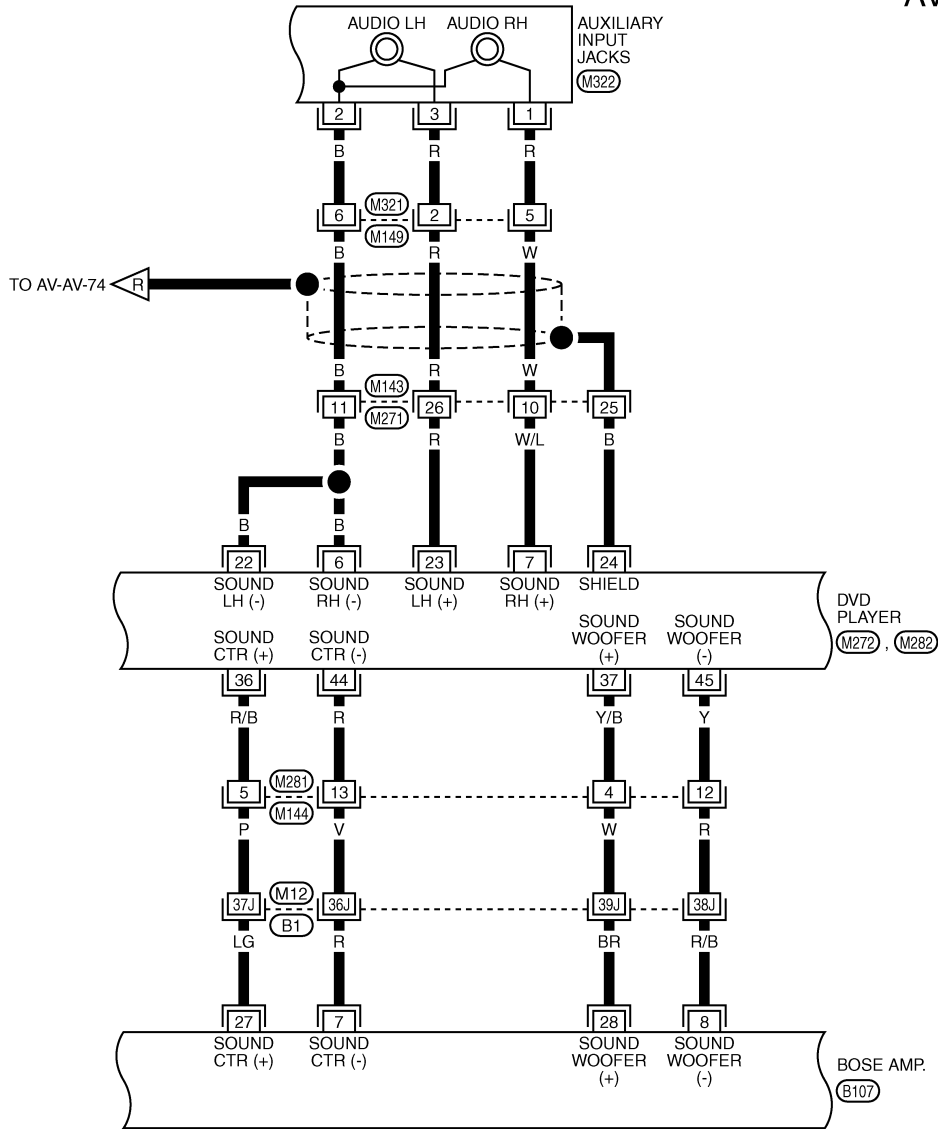
TKWT6764E

# BOSE AMP.

[WITH MOBILE ENTERTAINMENT SYSTEM]

< ECU DIAGNOSIS >

AV-AV-82



REFER TO THE FOLLOWING.  
 (B1) -SUPER MULTIPLE JUNCTION (SMJ)

\*: THIS CONNECTOR IS NOT SHOWN IN "HARNESS LAYOUT", PG SECTION.

TKWT8309E

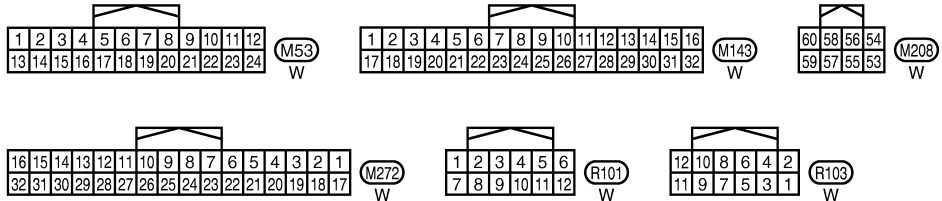
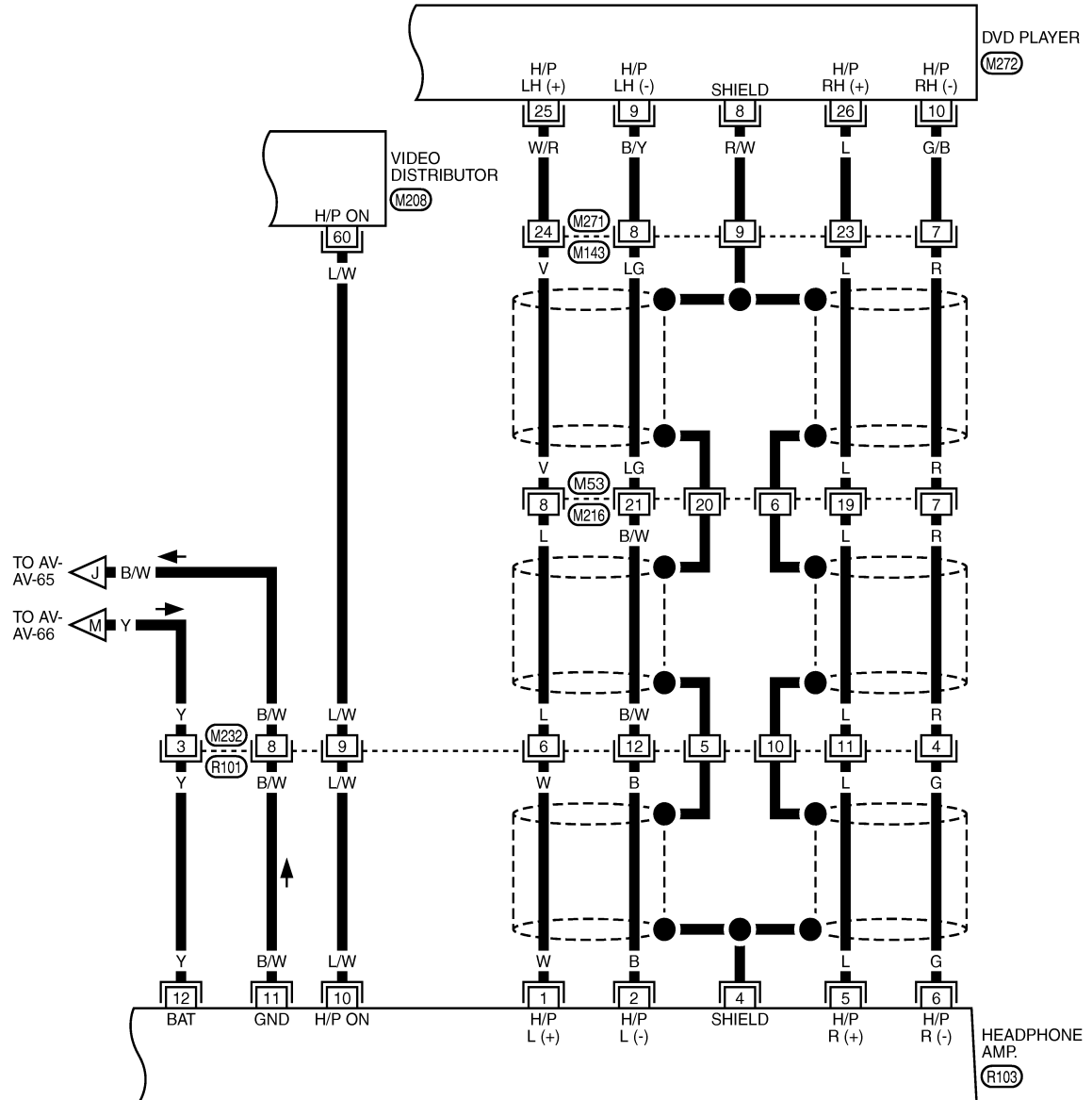
A  
B  
C  
D  
E  
F  
G  
H  
I  
J  
AV  
L  
M  
N  
O  
P

# BOSE AMP.

[WITH MOBILE ENTERTAINMENT SYSTEM]

< ECU DIAGNOSIS >

AV-AV-83



TKWT6766E

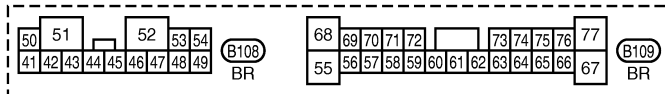
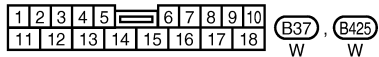
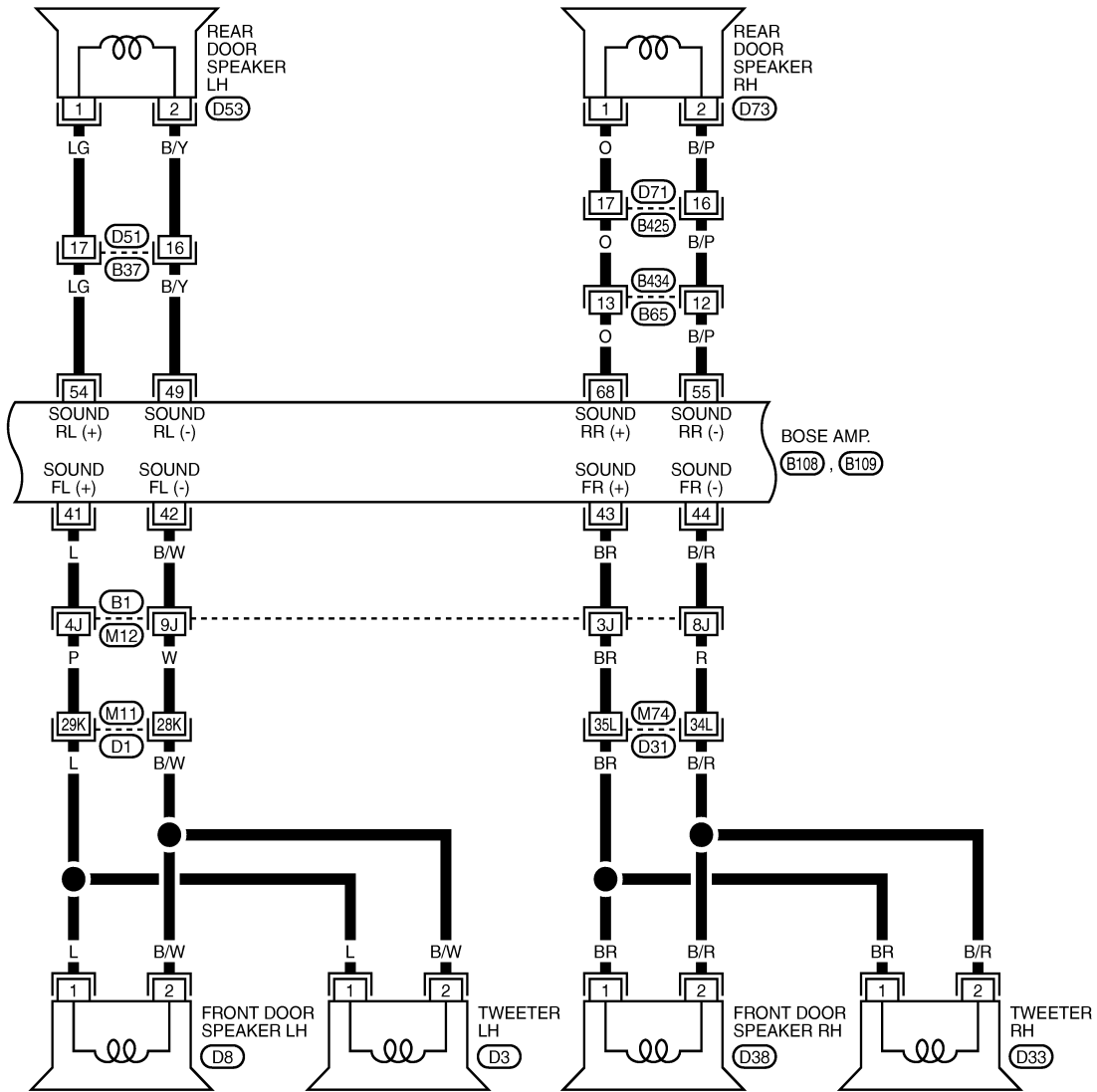


# BOSE AMP.

[WITH MOBILE ENTERTAINMENT SYSTEM]

< ECU DIAGNOSIS >

AV-AV-84



REFER TO THE FOLLOWING.

(B1), (D1), (D31) - SUPER  
MULTIPLE JUNCTION (SMJ)

TKWT6767E

A  
B  
C  
D  
E  
F  
G  
H  
I  
J  
K  
L  
M  
N  
O  
P

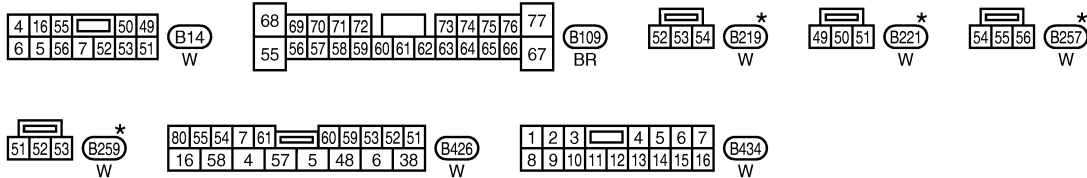
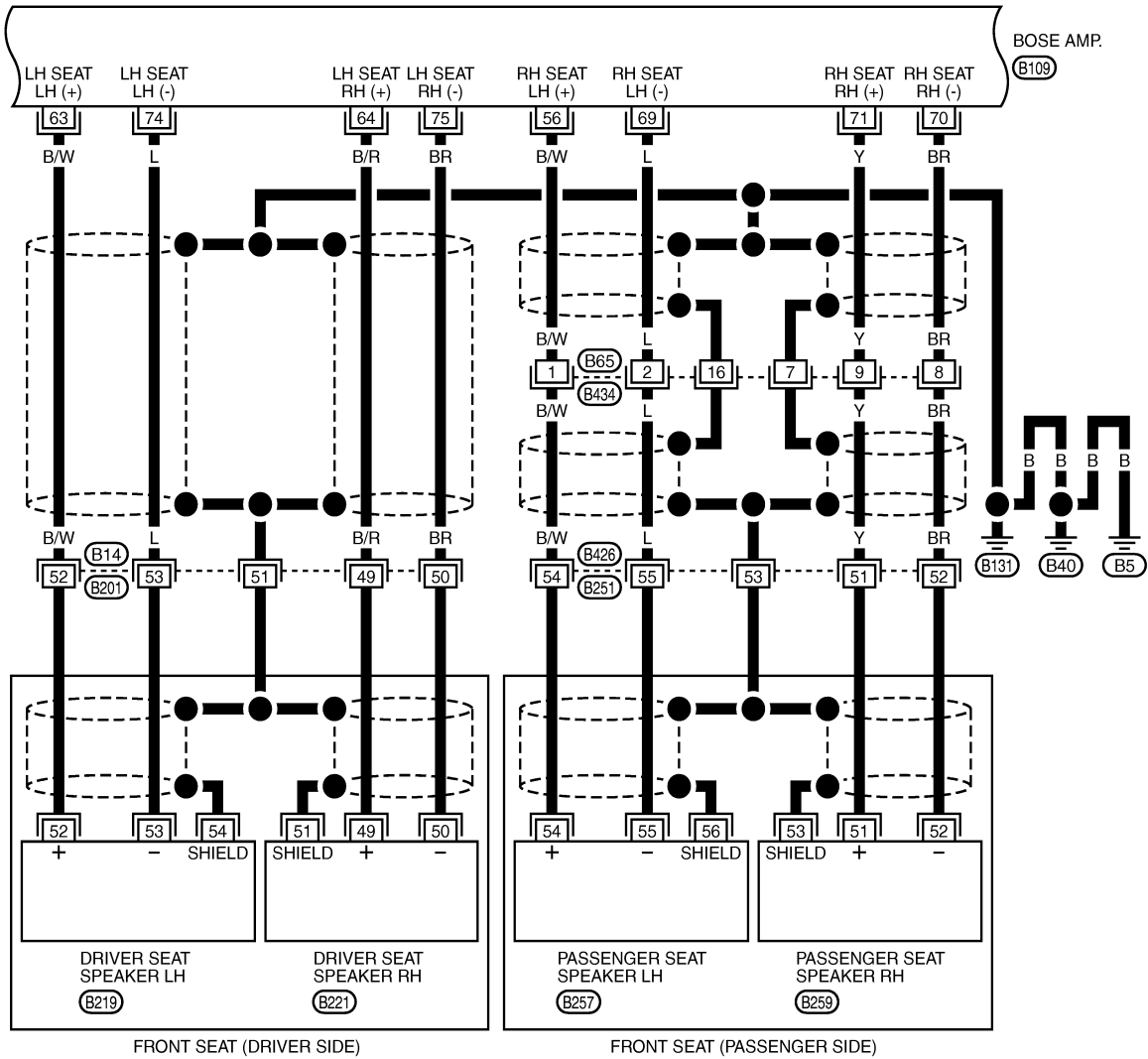
AV

# BOSE AMP.

[WITH MOBILE ENTERTAINMENT SYSTEM]

< ECU DIAGNOSIS >

AV-AV-85



\*: THIS CONNECTOR IS NOT SHOWN IN "HARNESS LAYOUT", PG SECTION.

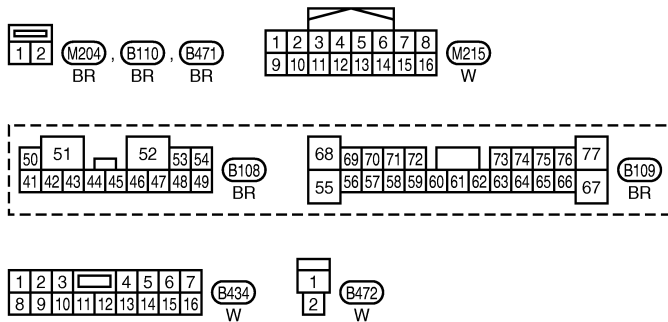
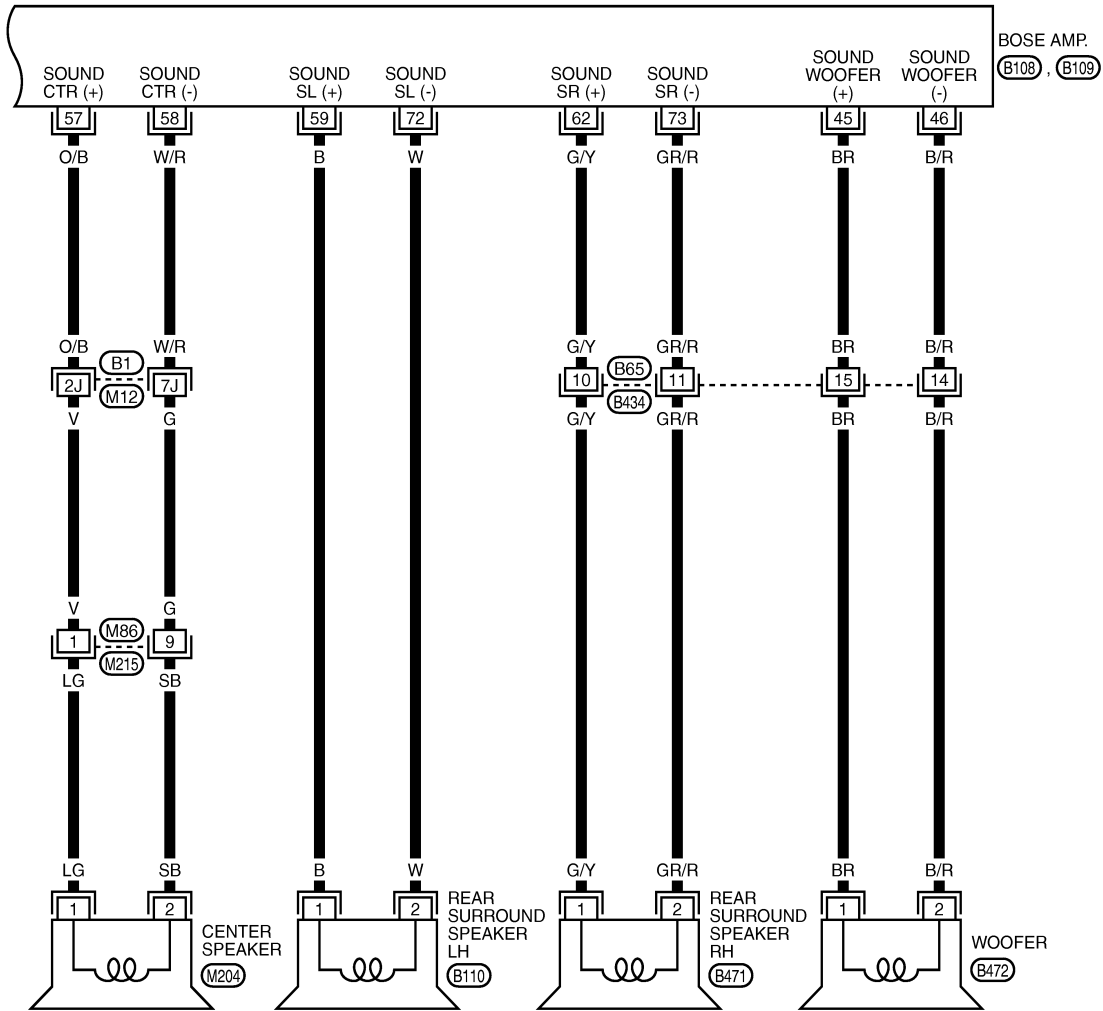
TKWT6768E

# BOSE AMP.

[WITH MOBILE ENTERTAINMENT SYSTEM]

< ECU DIAGNOSIS >

AV-AV-86



REFER TO THE FOLLOWING.

(B1) - SUPER MULTIPLE JUNCTION (SMJ)

TKWT6769E

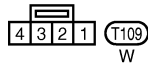
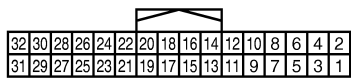
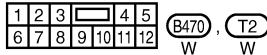
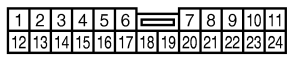
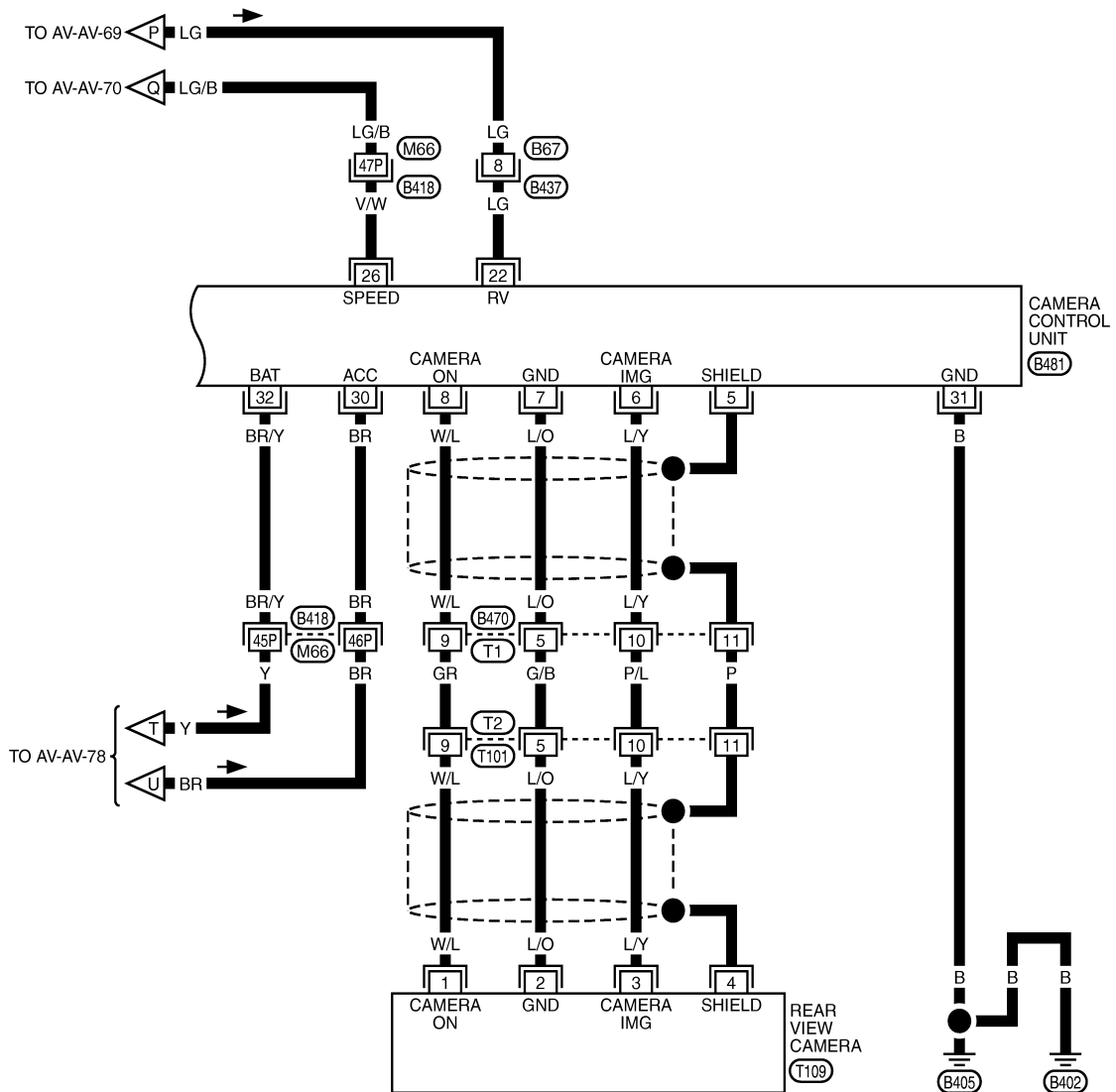
A  
B  
C  
D  
E  
F  
G  
H  
I  
J  
AV  
L  
M  
N  
O  
P

# BOSE AMP.

[WITH MOBILE ENTERTAINMENT SYSTEM]

< ECU DIAGNOSIS >

AV-AV-87



REFER TO THE FOLLOWING.

(B418) - SUPER MULTIPLE JUNCTION (SMJ)

TKWT6770E

# IPOD ADAPTER

[WITH MOBILE ENTERTAINMENT SYSTEM]

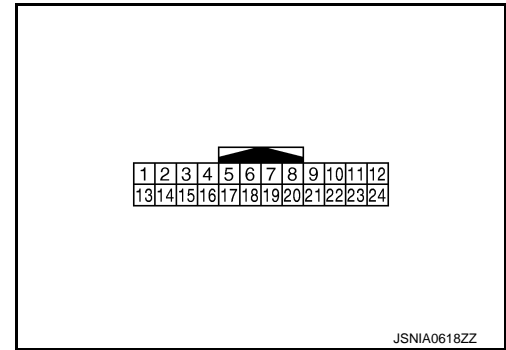
< ECU DIAGNOSIS >

## IPOD ADAPTER

Reference Value

INFOID:000000005350622

TERMINAL LAYOUT



PHYSICAL VALUES

Terminal (Wire color)		Description		Condition		Reference value (Approx.)
+	-	Signal name	Input/ Output			
1 (B/R)	13 (BR)	iPod sound signal LH	Output	Ignition switch ON	Connect and play iPod®.	<p style="text-align: right;">SKIB3609E</p>
2 (B/W)	14 (L)	iPod sound signal RH	Output	Ignition switch ON	Connect and play iPod®.	<p style="text-align: right;">SKIB3609E</p>
3 (V)	Ground	ACC power supply	Input	Ignition switch ACC	—	Battery voltage
4 (B)	—	AV communication signal (L)	Input/ Output	—	—	—
5 (Y)	Ground	Battery power supply	Input	Ignition switch OFF	—	Battery voltage
8 (W)	Ground	iPod battery charge	Output	Ignition switch ON	Connected to iPod®.	12 V

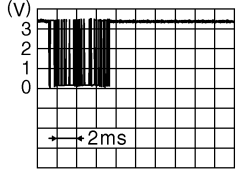
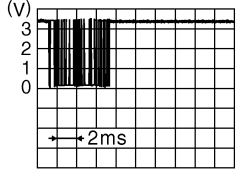
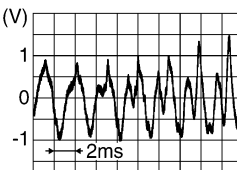
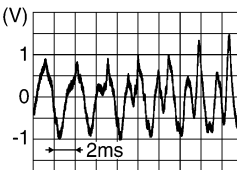
A  
B  
C  
D  
E  
F  
G  
H  
I  
J  
L  
M  
N  
O  
P

AV

# IPOD ADAPTER

[WITH MOBILE ENTERTAINMENT SYSTEM]

< ECU DIAGNOSIS >

Terminal (Wire color)		Description		Condition		Reference value (Approx.)
+	-	Signal name	Input/ Output	Ignition switch ON		
9 (V)	Ground	Communication signal (iPod adapter→iPod®)	Output	Ignition switch ON	The wave pattern is displayed just after iPod connection.	<p><b>NOTE:</b> After the wave pattern display, the value continues Approx 3.3 V</p>  <p style="text-align: right;">JPNIA0462GB</p>
10 (LG)	Ground	Communication signal (iPod®→iPod adapter)	Input	Ignition switch ON	Connected to iPod®.	 <p style="text-align: right;">JPNIA0462GB</p>
11 (L)	Ground	ACCESSORY-IDENTIFY	—	Ignition switch ON	Connected to iPod®.	0 V
12 (R)	23 (B)	iPod sound signal RH	Input	Ignition switch ON	Connect and play iPod®.	 <p style="text-align: right;">SKIB3609E</p>
15	—	Shield	—	—	—	—
16 (W)	—	AV communication signal (H)	Input/ Output	—	—	—
17	Ground	Ground	—	Ignition switch ON	—	0 V
19	—	Shield	—	—	—	—
21 (SB)	Ground	iPod connection recognition signal	Input	Ignition switch ON	Not connected to iPod®.	4 V
					Connected to iPod®.	0 V
22 (W)	Ground	ACCESSORY-DETECT	—	Ignition switch ON	Connected to iPod®.	0 V
24 (W)	23 (B)	iPod sound signal LH	Input	Ignition switch ON	Connect and play iPod®.	 <p style="text-align: right;">SKIB3609E</p>

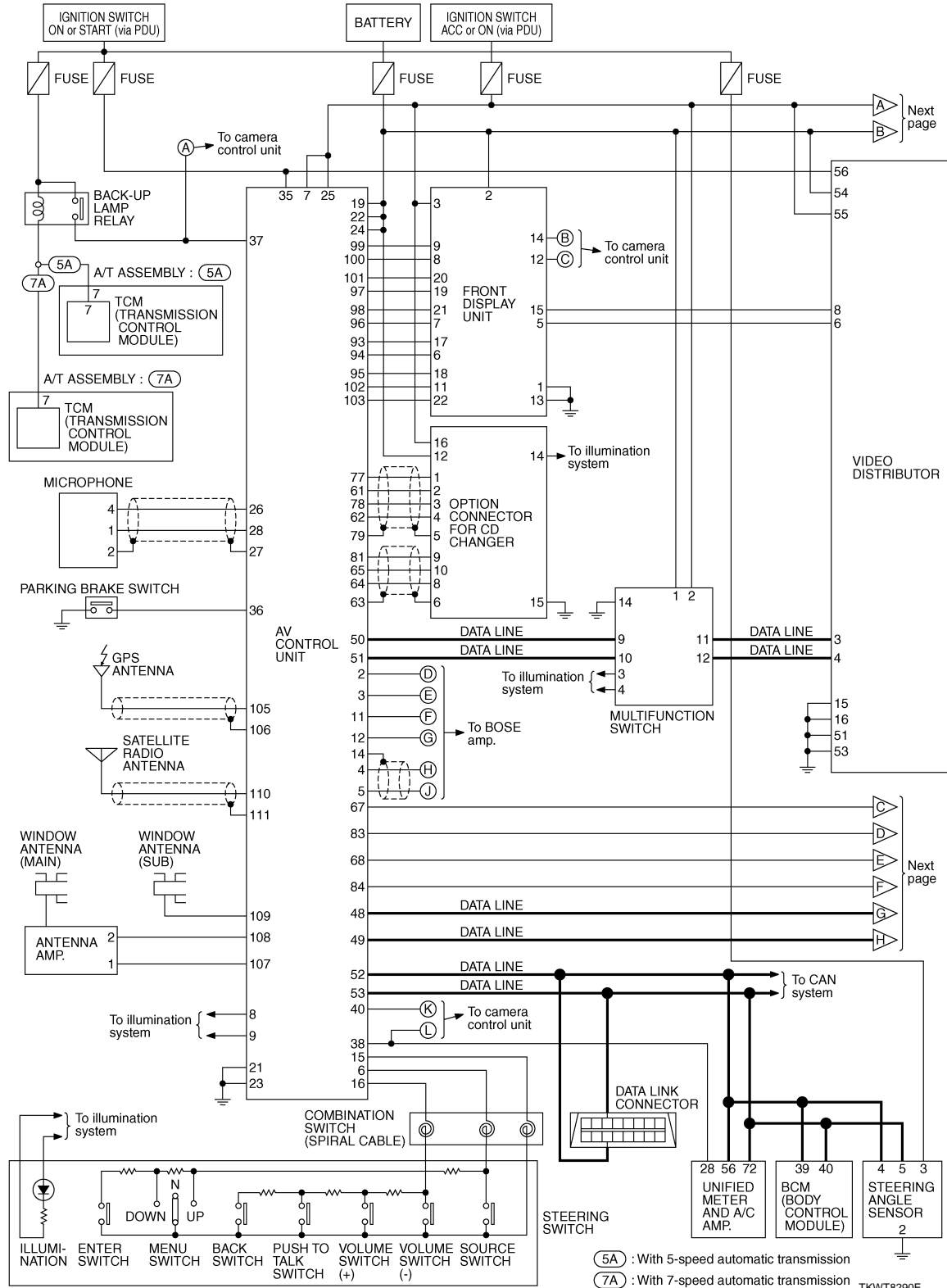
# IPOD ADAPTER

[WITH MOBILE ENTERTAINMENT SYSTEM]

< ECU DIAGNOSIS >

## Schematic - BOSE Audio 2ch System-

INFOID:000000005350623



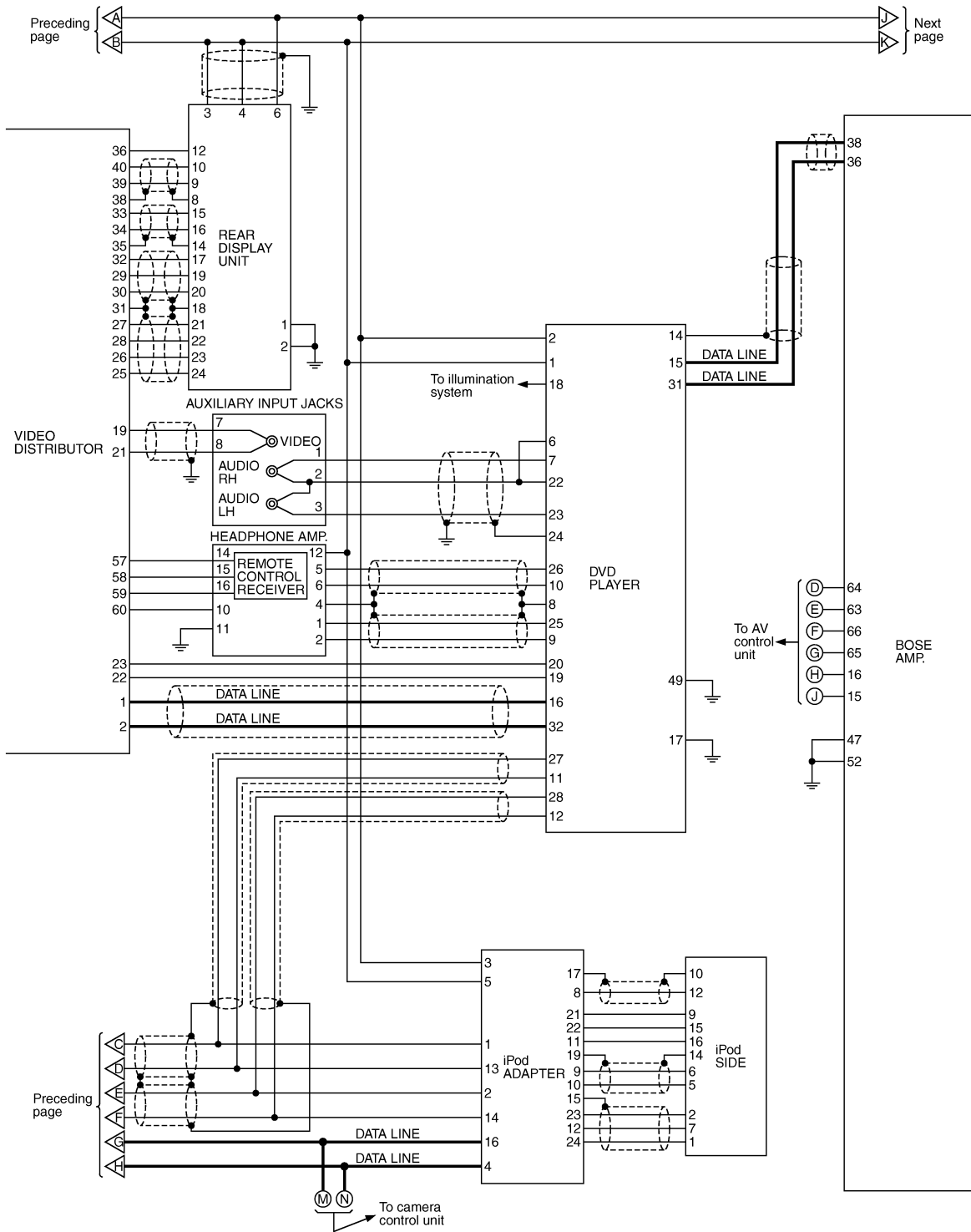
A  
B  
C  
D  
E  
F  
G  
H  
I  
J  
K  
L  
M  
N  
O  
P

AV

# IPOD ADAPTER

[WITH MOBILE ENTERTAINMENT SYSTEM]

< ECU DIAGNOSIS >



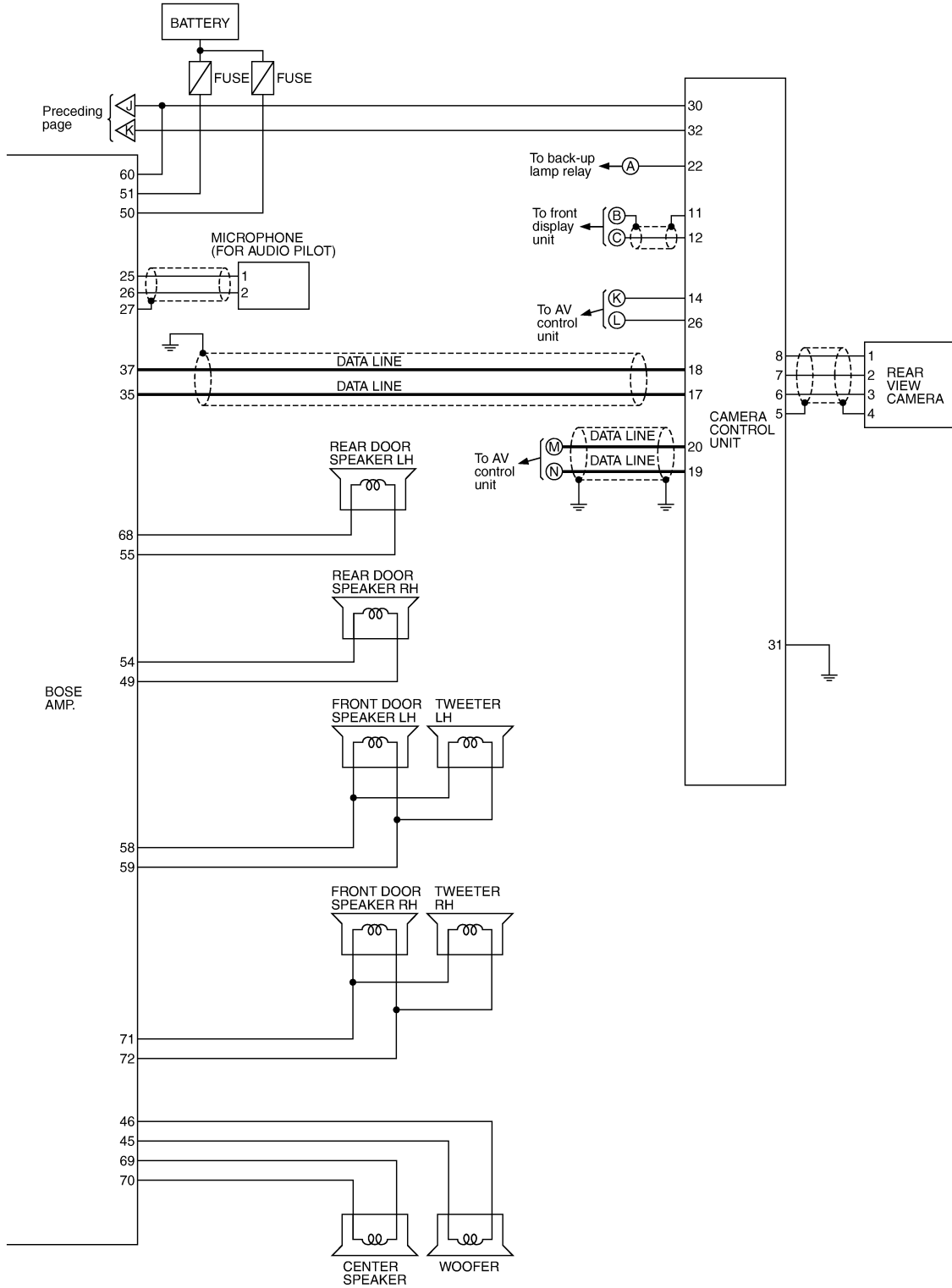
TKWT6722E



# IPOD ADAPTER

[WITH MOBILE ENTERTAINMENT SYSTEM]

< ECU DIAGNOSIS >



A  
B  
C  
D  
E  
F  
G  
H  
I  
J  
K  
L  
M  
N  
O  
P

AV

TKWT6723E

INFOID:000000005350624

Wiring Diagram - AV - / BOSE Audio 2ch System

**NOTE:**

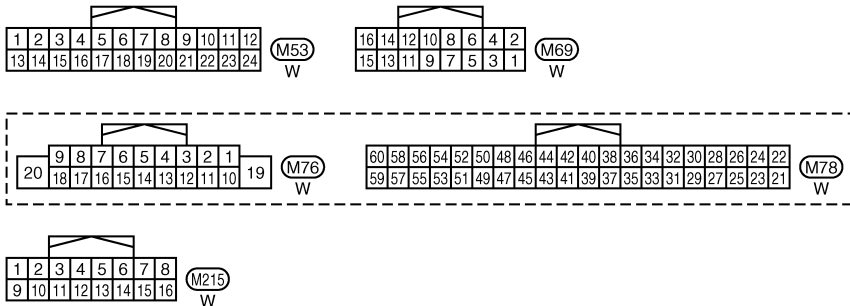
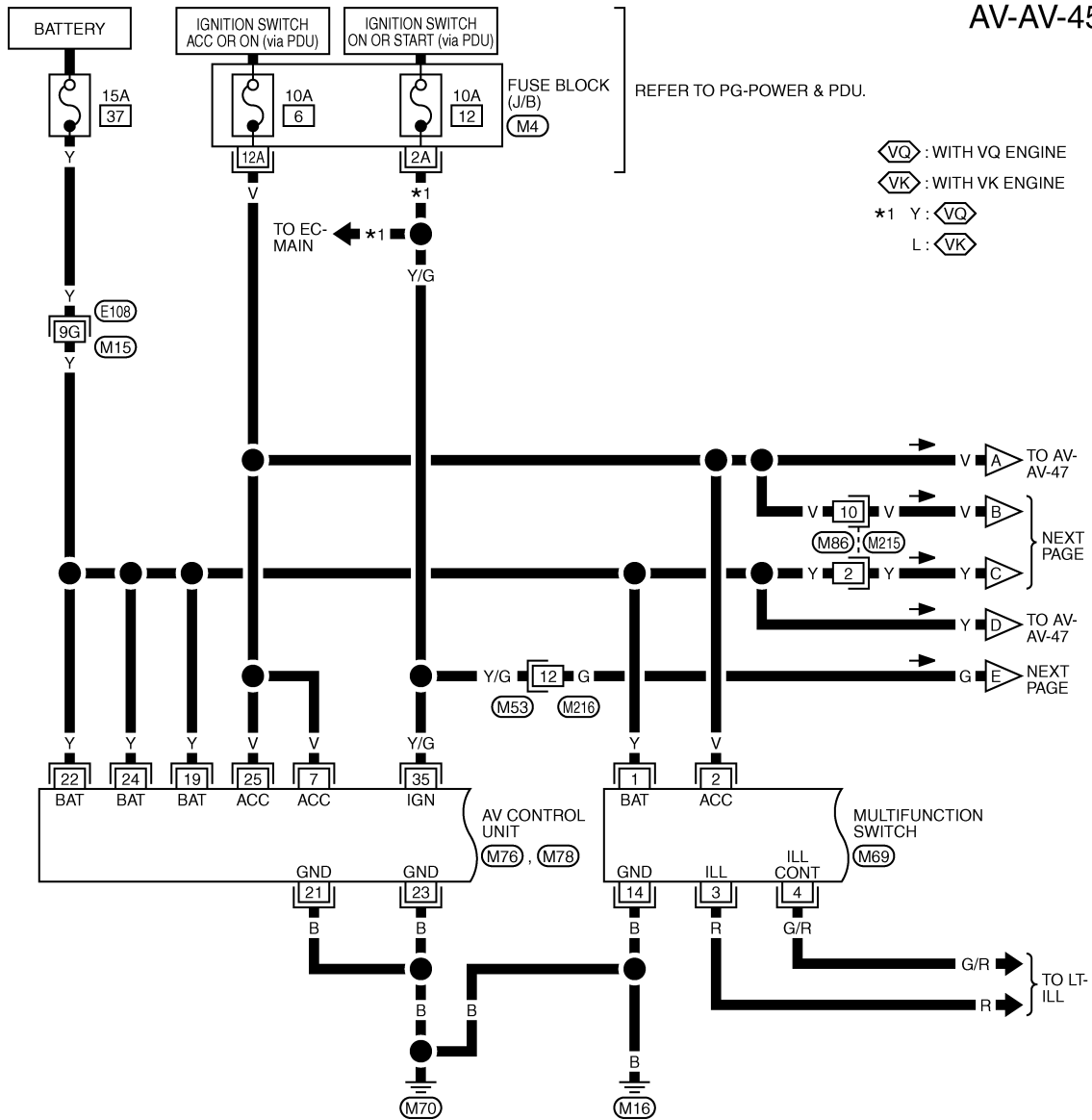
# IPOD ADAPTER

[WITH MOBILE ENTERTAINMENT SYSTEM]

< ECU DIAGNOSIS >

The name MULTIFUNCTION SWITCH indicates the integration of PRESET SWITCH and MULTIFUNCTION SWITCH virtually.

AV-AV-45



REFER TO THE FOLLOWING.  
 (E108) -SUPER MULTIPLE JUNCTION (SMJ)  
 (M4) -FUSE BLOCK-JUNCTION BOX (J/B)

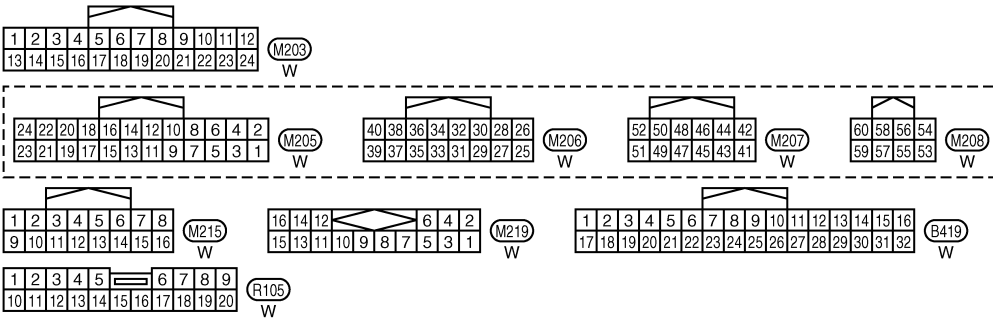
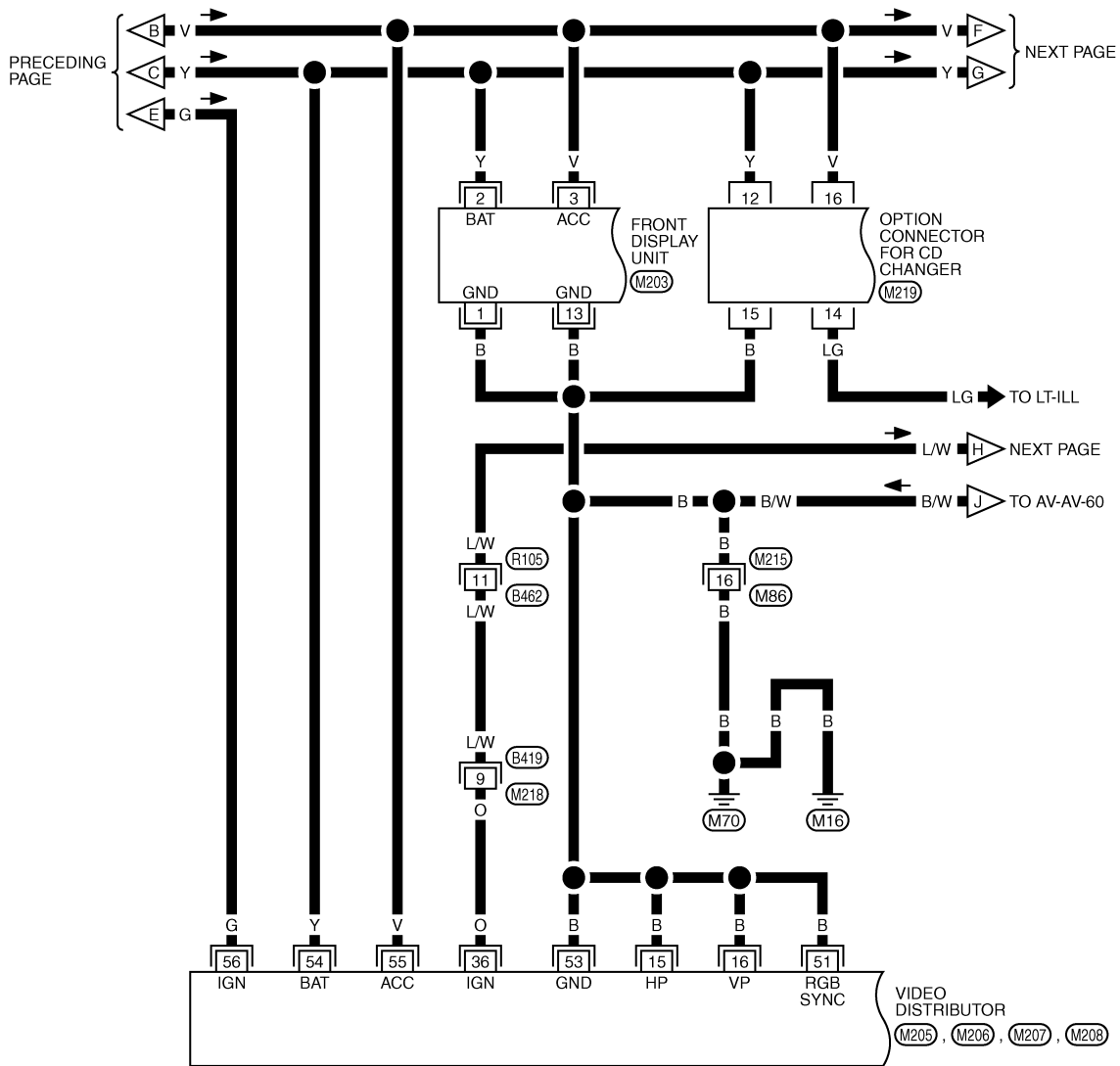
TKWT8291E

# IPOD ADAPTER

[WITH MOBILE ENTERTAINMENT SYSTEM]

< ECU DIAGNOSIS >

AV-AV-46



TKWT8292E

A  
B  
C  
D  
E  
F  
G  
H  
I  
J  
L  
M  
N  
O  
P

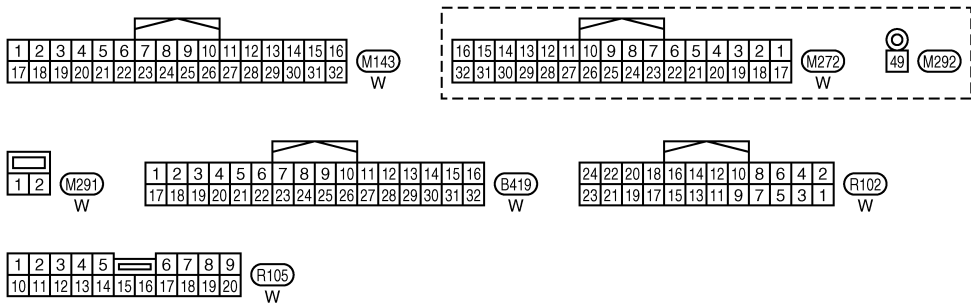
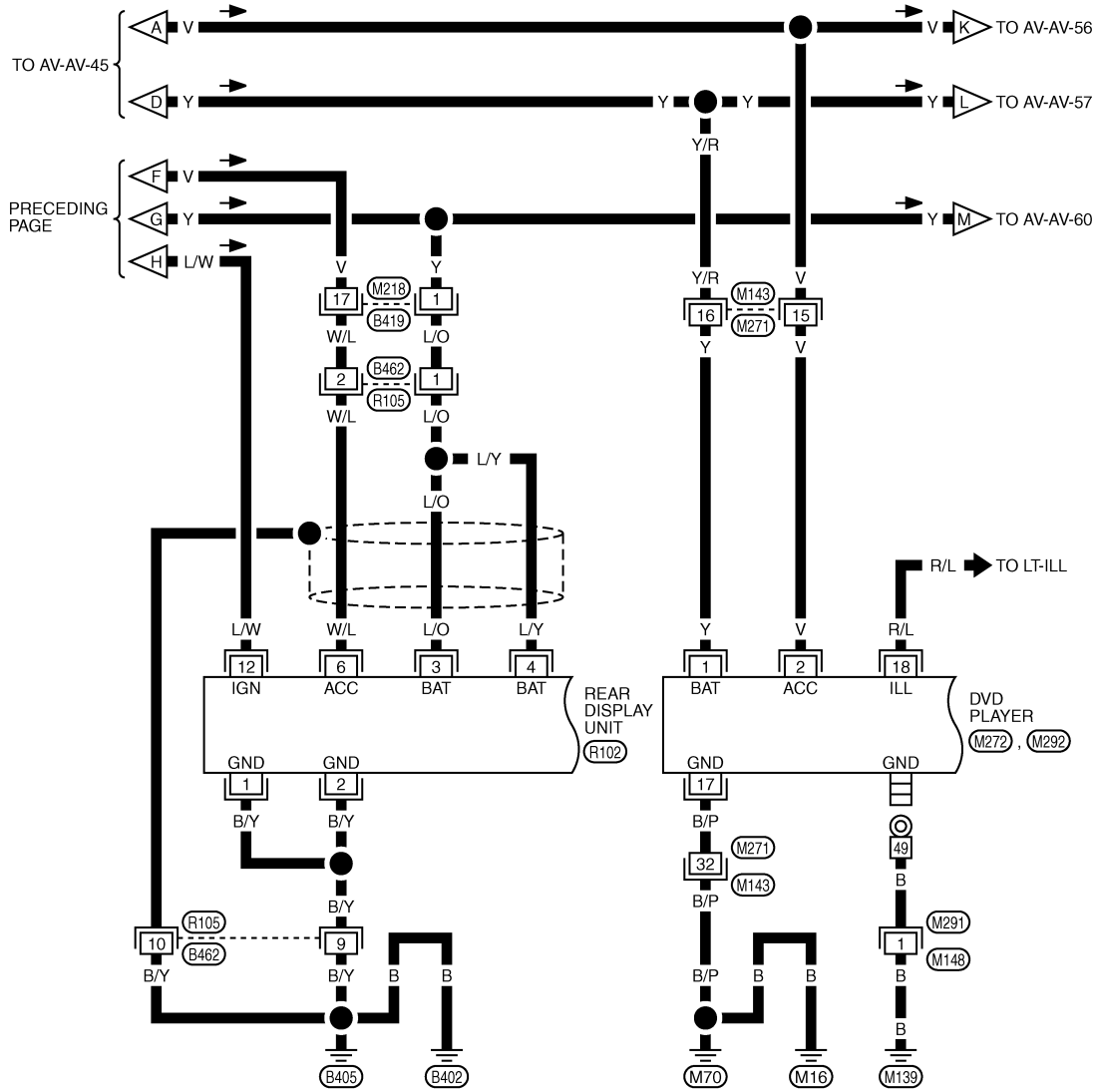
AV

# IPOD ADAPTER

[WITH MOBILE ENTERTAINMENT SYSTEM]

< ECU DIAGNOSIS >

AV-AV-47



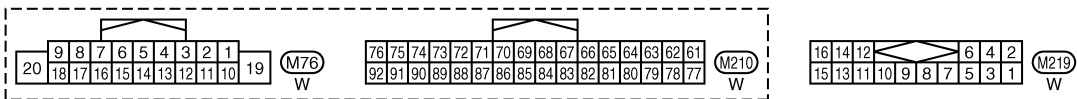
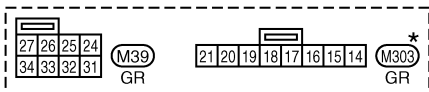
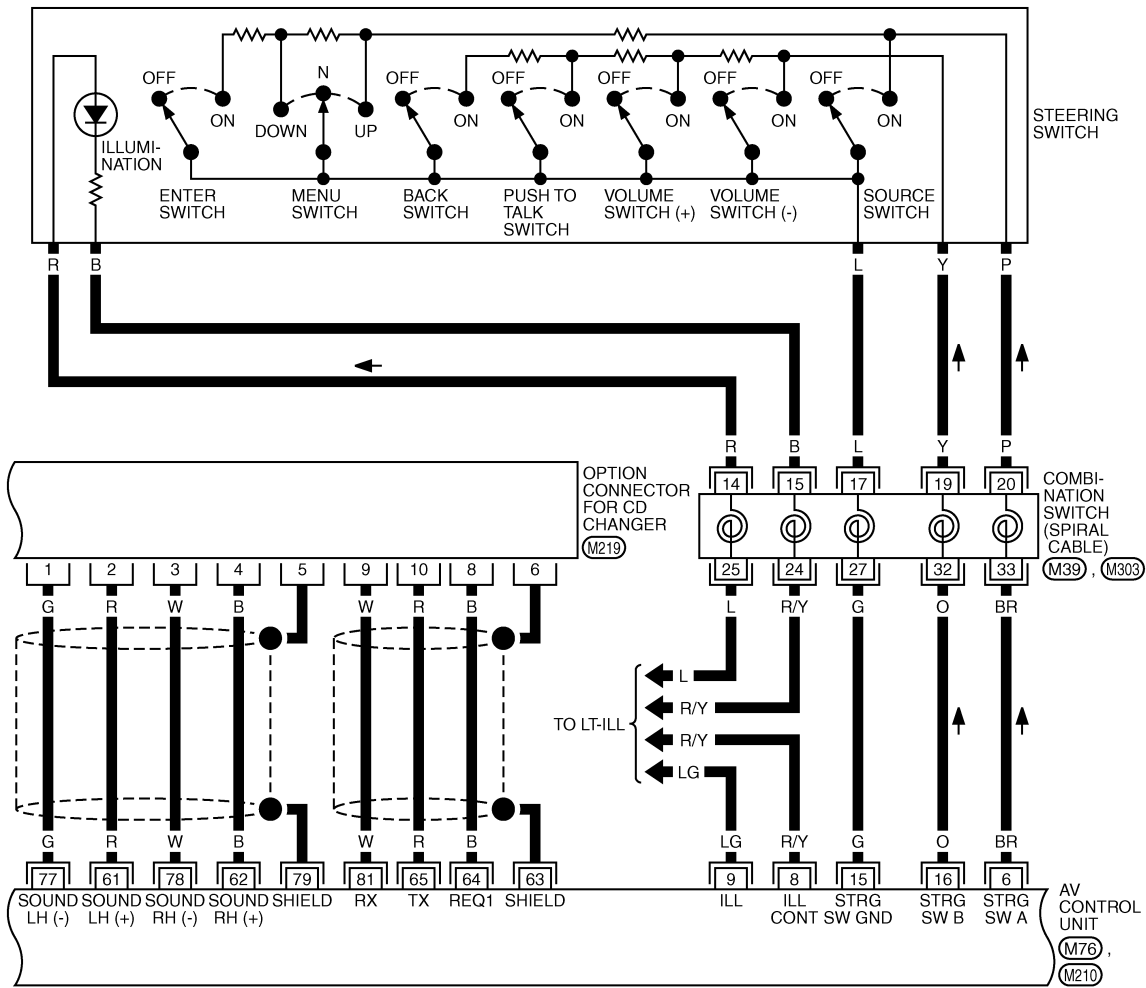
TKWT8293E

# IPOD ADAPTER

[WITH MOBILE ENTERTAINMENT SYSTEM]

< ECU DIAGNOSIS >

AV-AV-48



\*: THIS CONNECTOR IS NOT SHOWN IN "HARNESS LAYOUT", PG SECTION.

TKWT8294E

A  
B  
C  
D  
E  
F  
G  
H  
I  
J  
L  
M  
N  
O  
P

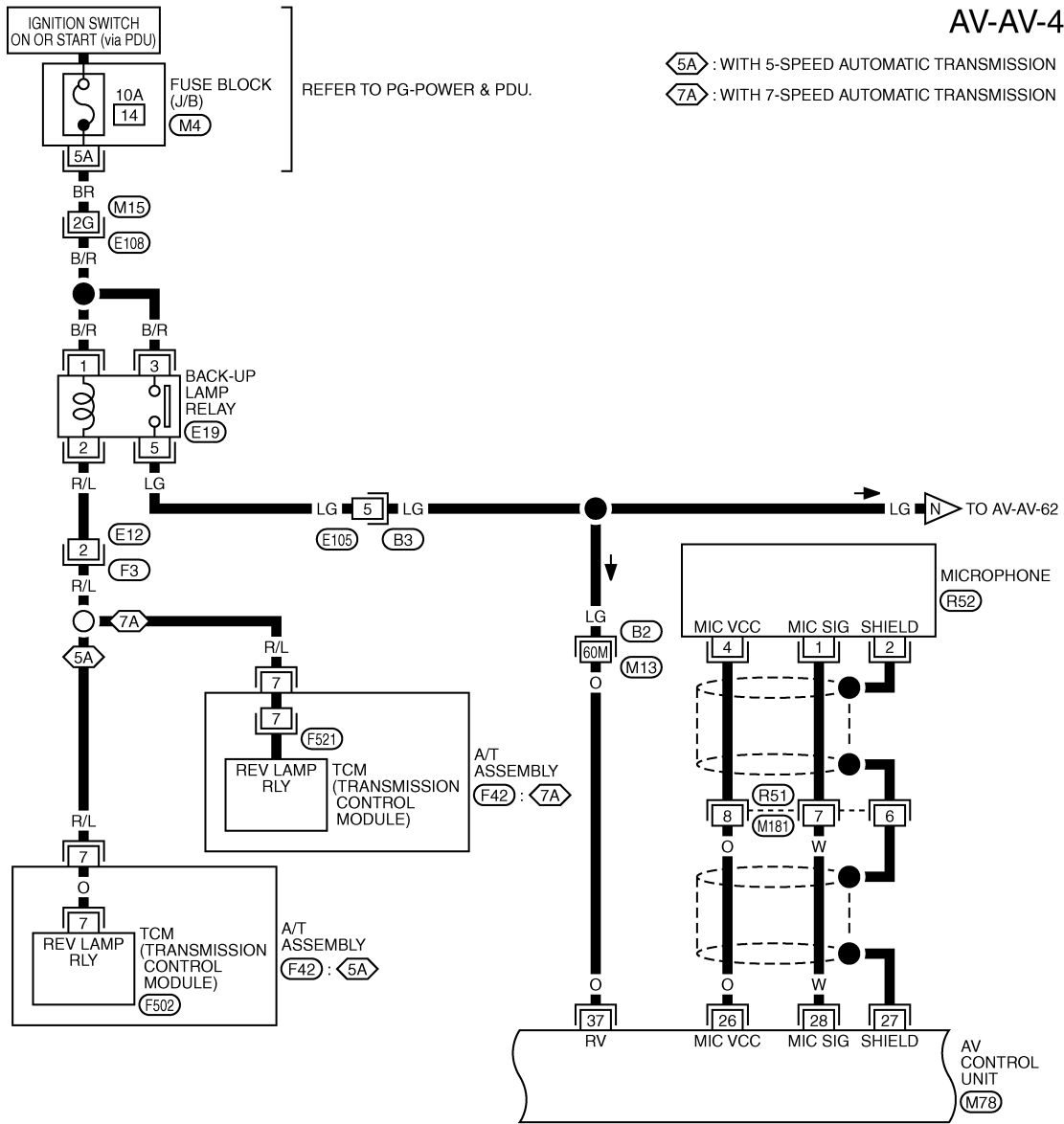
AV

# IPOD ADAPTER

[WITH MOBILE ENTERTAINMENT SYSTEM]

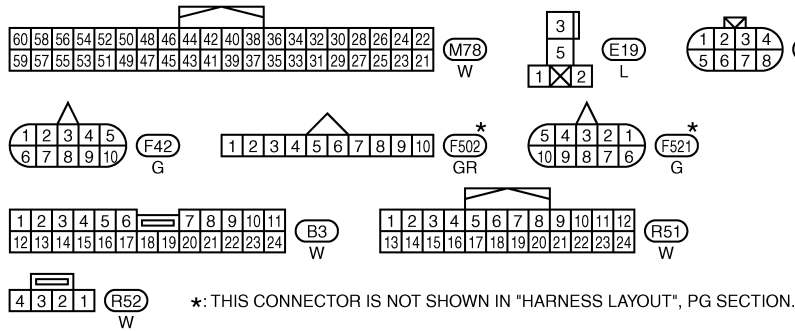
< ECU DIAGNOSIS >

AV-AV-49



5A : WITH 5-SPEED AUTOMATIC TRANSMISSION  
 7A : WITH 7-SPEED AUTOMATIC TRANSMISSION

REFER TO PG-POWER & PDU.



REFER TO THE FOLLOWING.  
 E108, B2 -SUPER MULTIPLE JUNCTION (SMJ)  
 M4 -FUSE BLOCK-JUNCTION BOX (J/B)

TKWT8295E

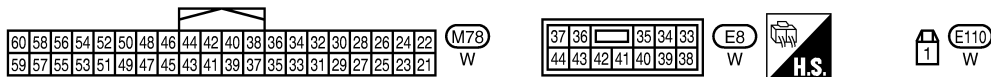
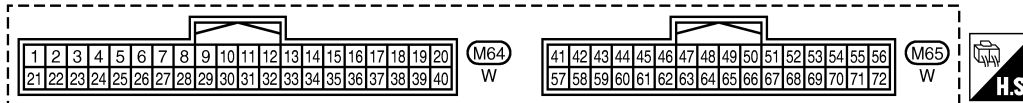
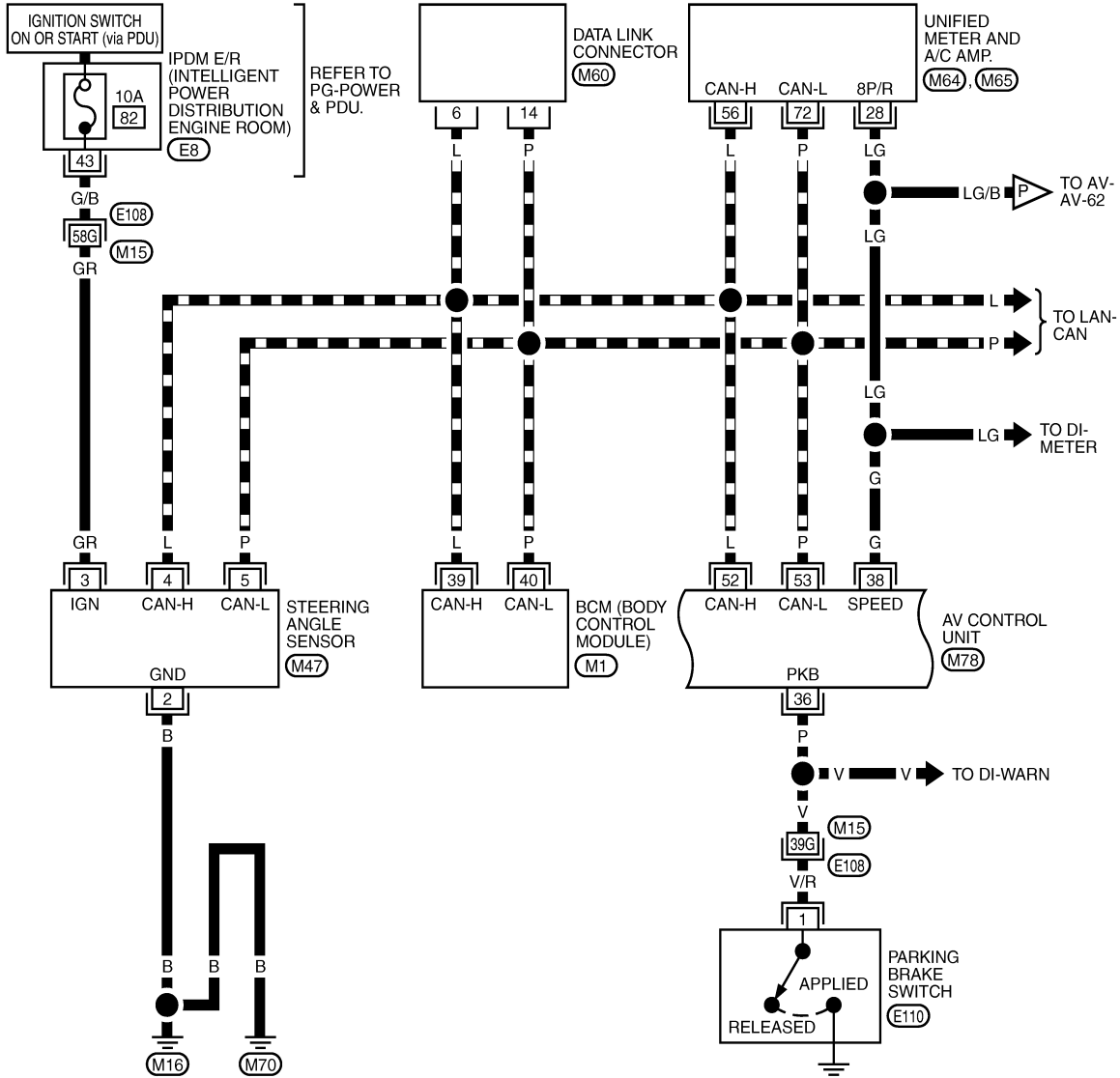
# IPOD ADAPTER

[WITH MOBILE ENTERTAINMENT SYSTEM]

< ECU DIAGNOSIS >

AV-AV-50

▬ : DATA LINE



TKWT6729E

A  
B  
C  
D  
E  
F  
G  
H  
I  
J  
K  
L  
M  
N  
O  
P

AV

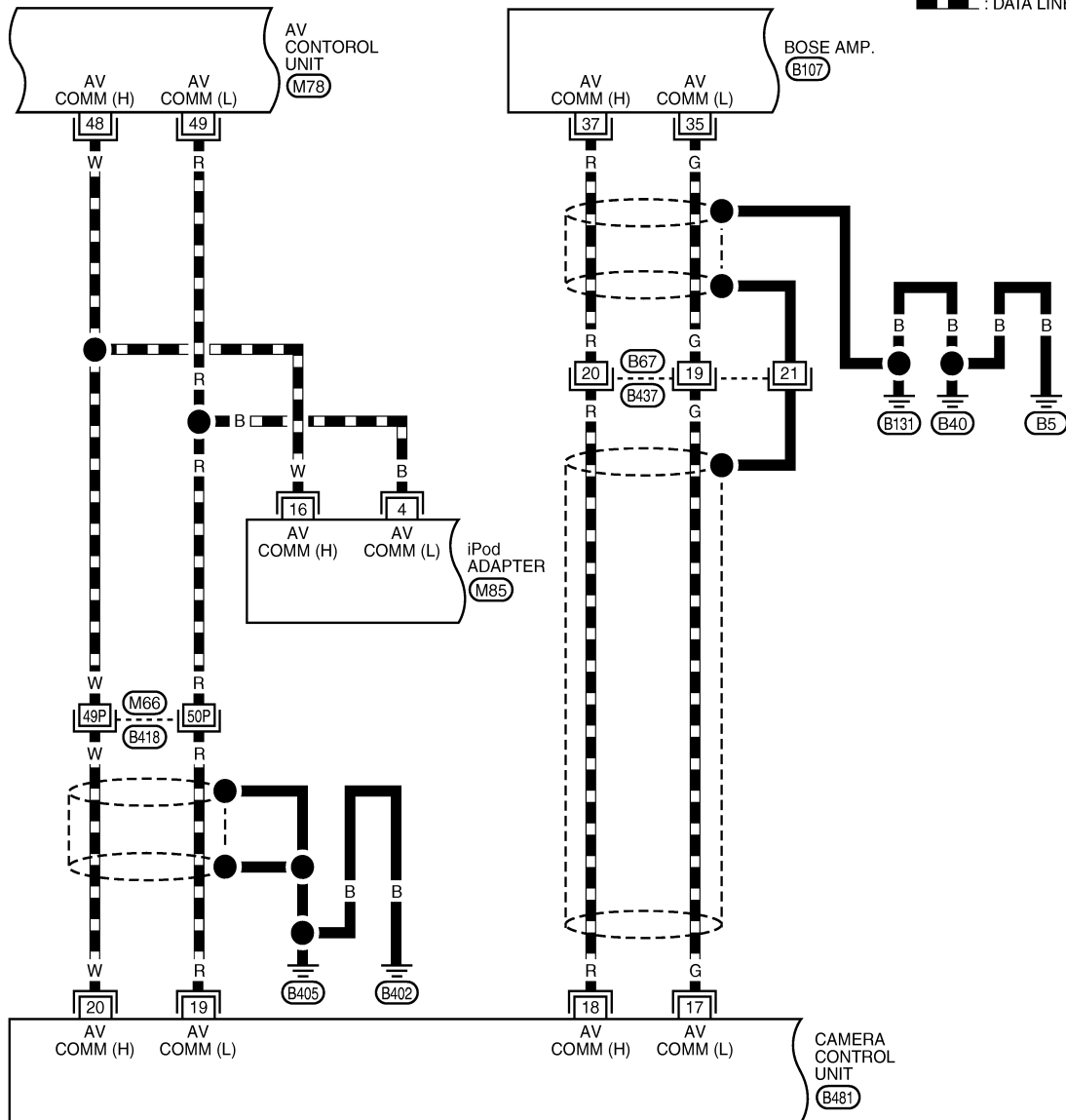
# IPOD ADAPTER

[WITH MOBILE ENTERTAINMENT SYSTEM]

< ECU DIAGNOSIS >

AV-AV-51

— : DATA LINE



60	58	56	54	52	50	48	46	44	42	40	38	36	34	32	30	28	26	24	22
59	57	55	53	51	49	47	45	43	41	39	37	35	33	31	29	27	25	23	21

(M78) W

12	11	10	9	8	7	6	5	4	3	2	1
24	23	22	21	20	19	18	17	16	15	14	13

(M85) W

1	2	3	4	5	6	7	8	9	10	11	12	13	14	15	16	17	18	19	20
21	22	23	24	25	26	27	28	29	30	31	32	33	34	35	36	37	38	39	40

(B107) W

1	2	3	4	5	6	7	8	9	10	11		
12	13	14	15	16	17	18	19	20	21	22	23	24

(B437) BR

32	30	28	26	24	22	20	18	16	14	12	10	8	6	4	2
31	29	27	25	23	21	19	17	15	13	11	9	7	5	3	1

(B481) W

REFER TO THE FOLLOWING.

(B418) - SUPER MULTIPLE JUNCTION (SMJ)

TKWT6730E

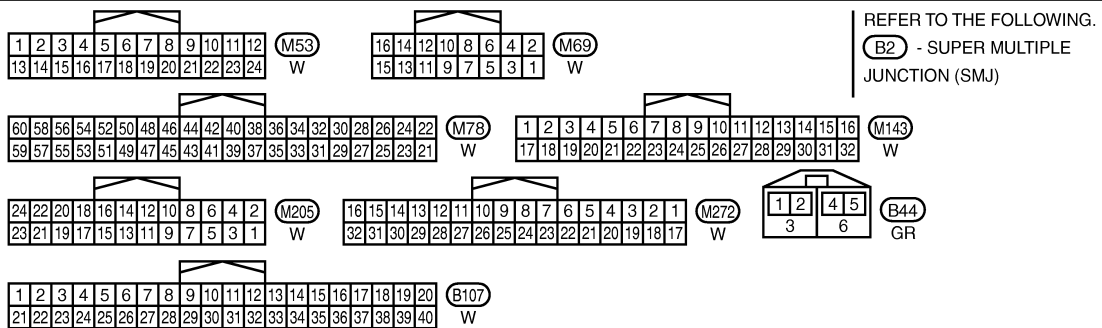
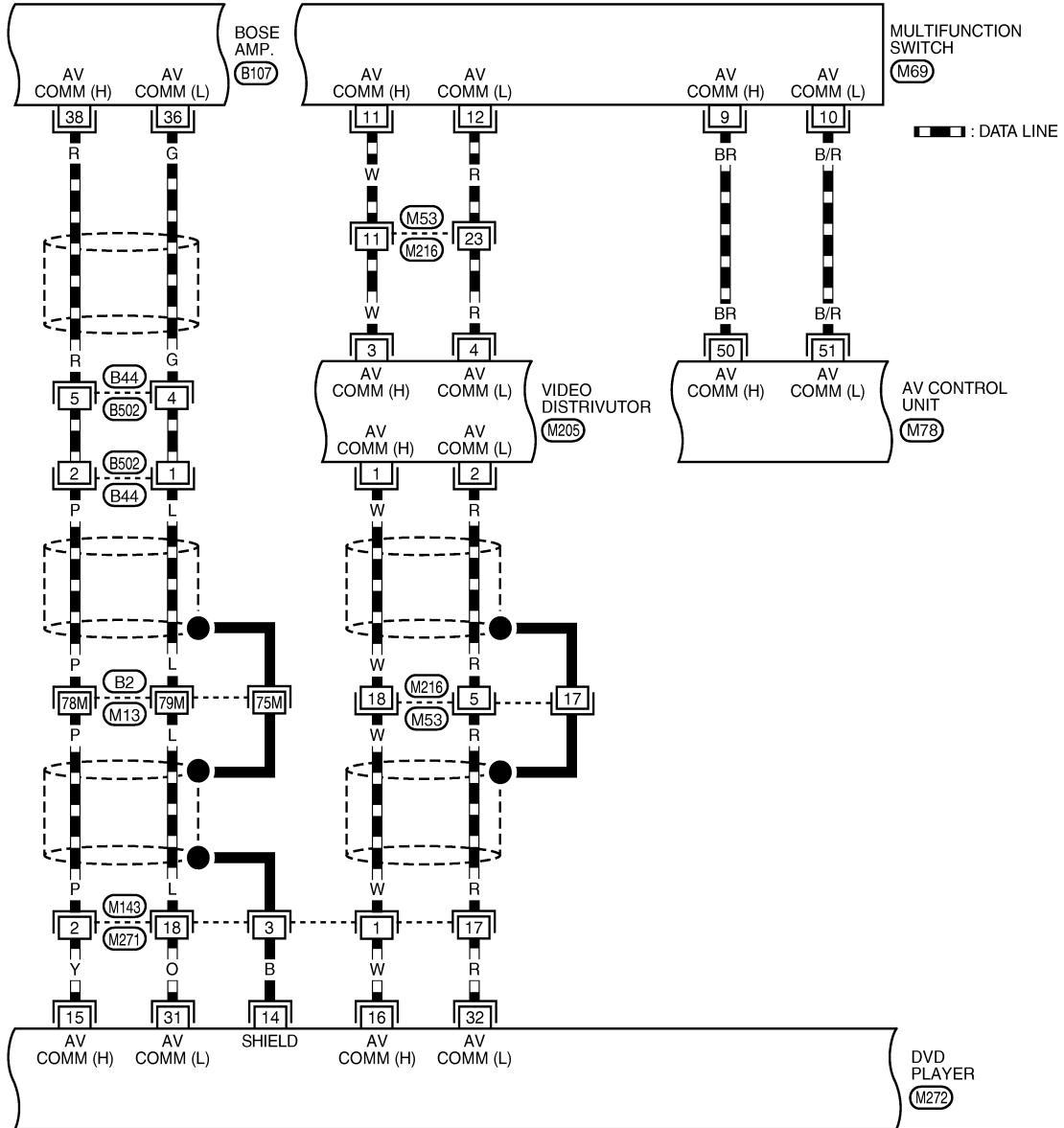


# IPOD ADAPTER

[WITH MOBILE ENTERTAINMENT SYSTEM]

< ECU DIAGNOSIS >

AV-AV-52



TKWT6731E

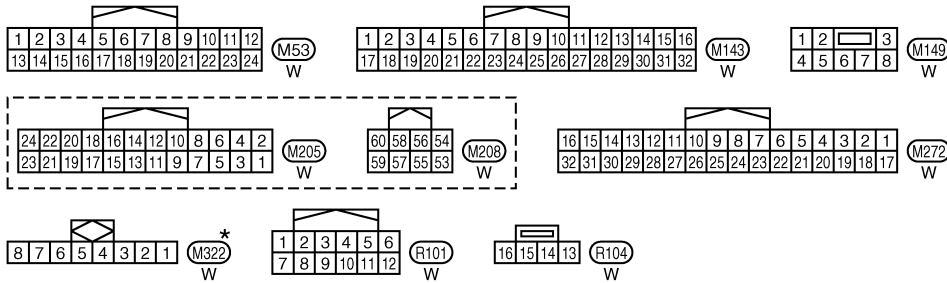
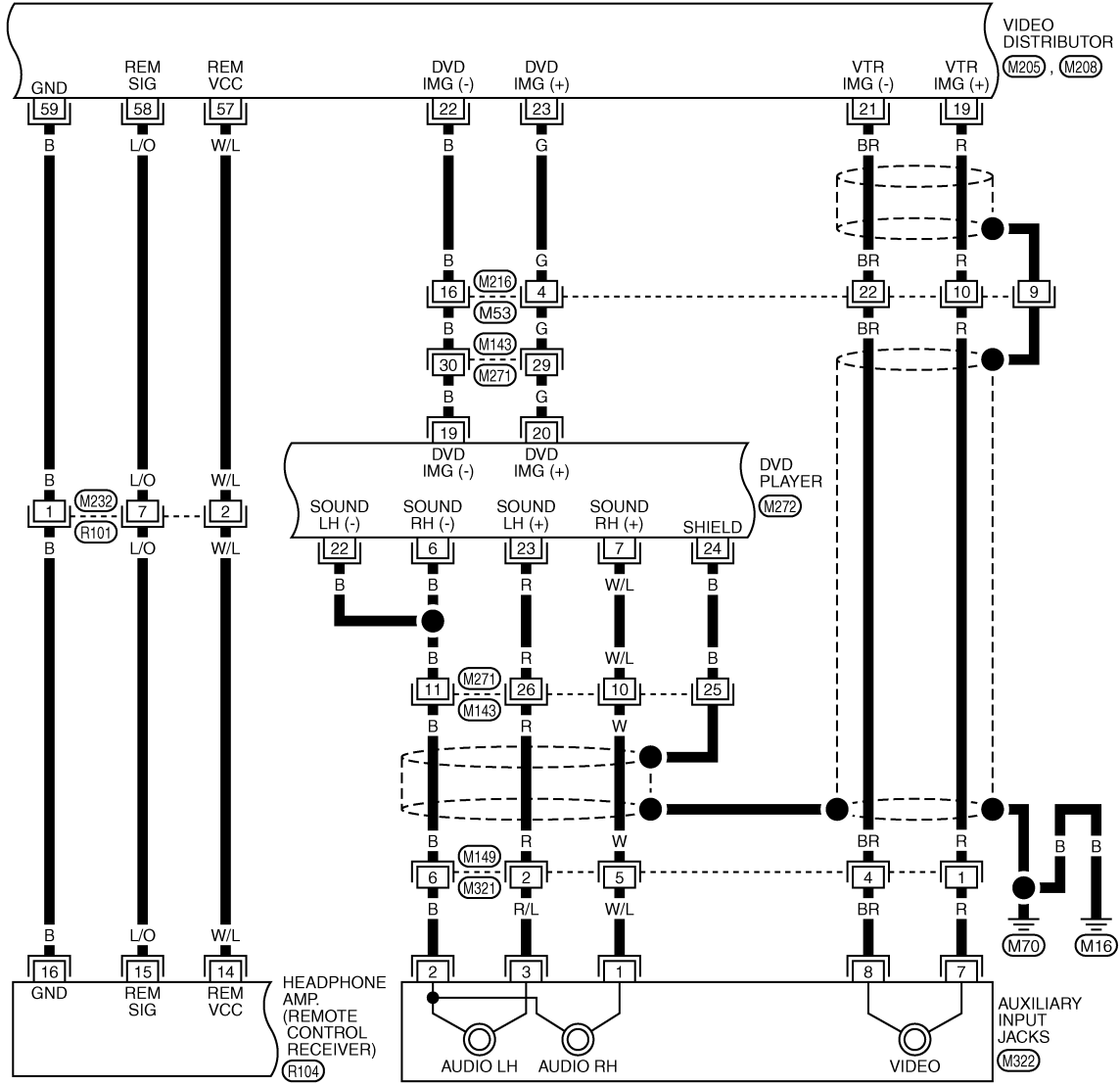
A  
B  
C  
D  
E  
F  
G  
H  
I  
J  
AV  
L  
M  
N  
O  
P

# IPOD ADAPTER

[WITH MOBILE ENTERTAINMENT SYSTEM]

< ECU DIAGNOSIS >

AV-AV-53



\*: THIS CONNECTOR IS NOT SHOWN IN "HARNESS LAYOUT", PG SECTION.

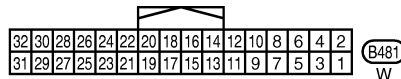
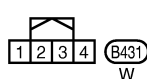
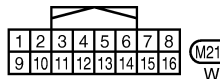
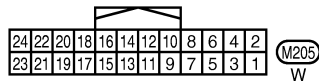
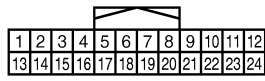
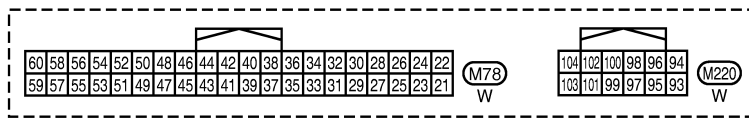
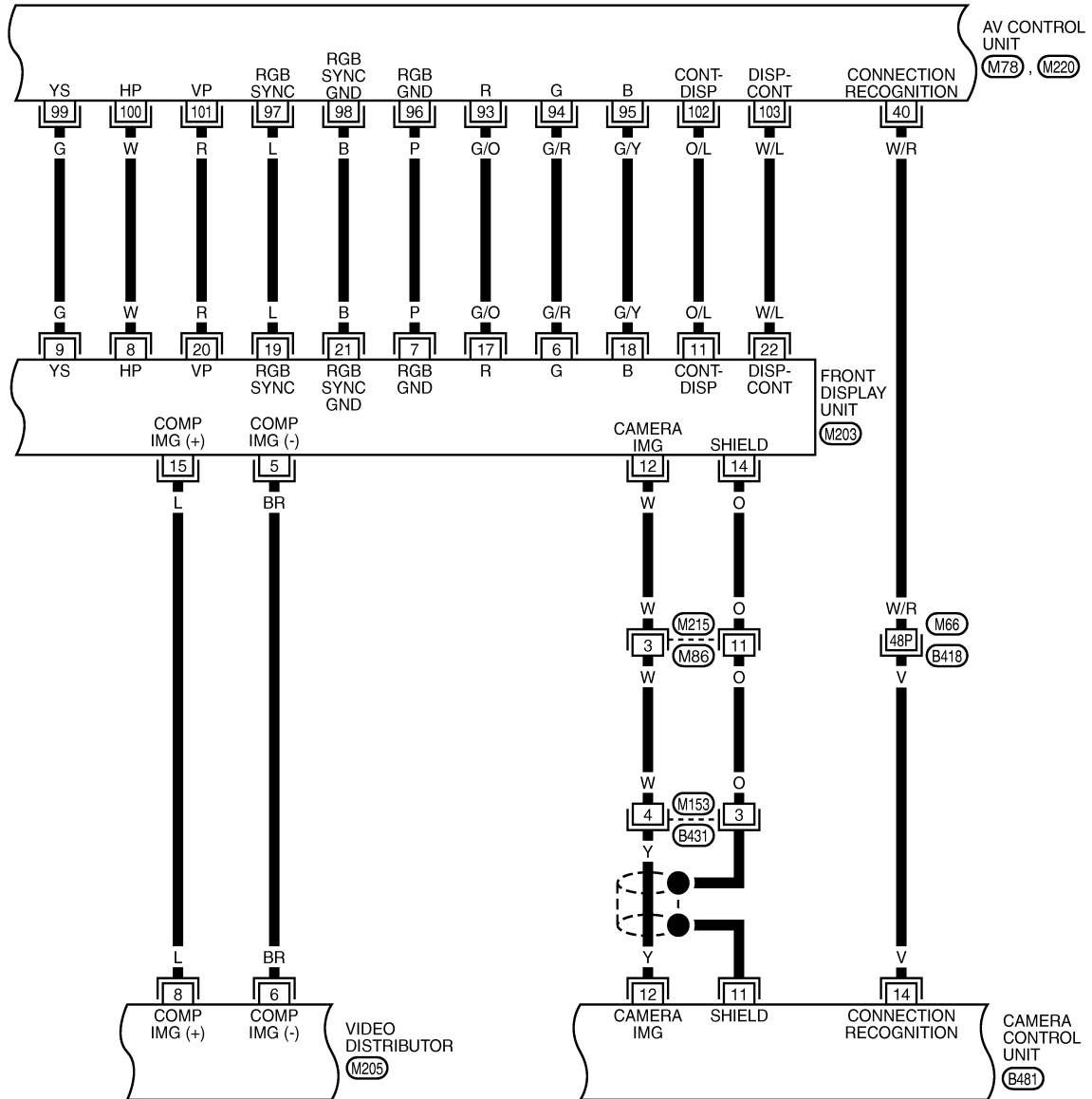
TKWT8296E

# IPOD ADAPTER

[WITH MOBILE ENTERTAINMENT SYSTEM]

< ECU DIAGNOSIS >

AV-AV-54



REFER TO THE FOLLOWING.

(B418) -SUPER MULTIPLE JUNCTION (SMJ)

TKWT6733E

A  
B  
C  
D  
E  
F  
G  
H  
I  
J  
K  
L  
M  
N  
O  
P

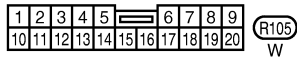
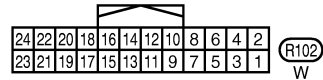
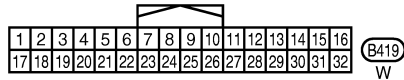
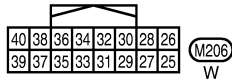
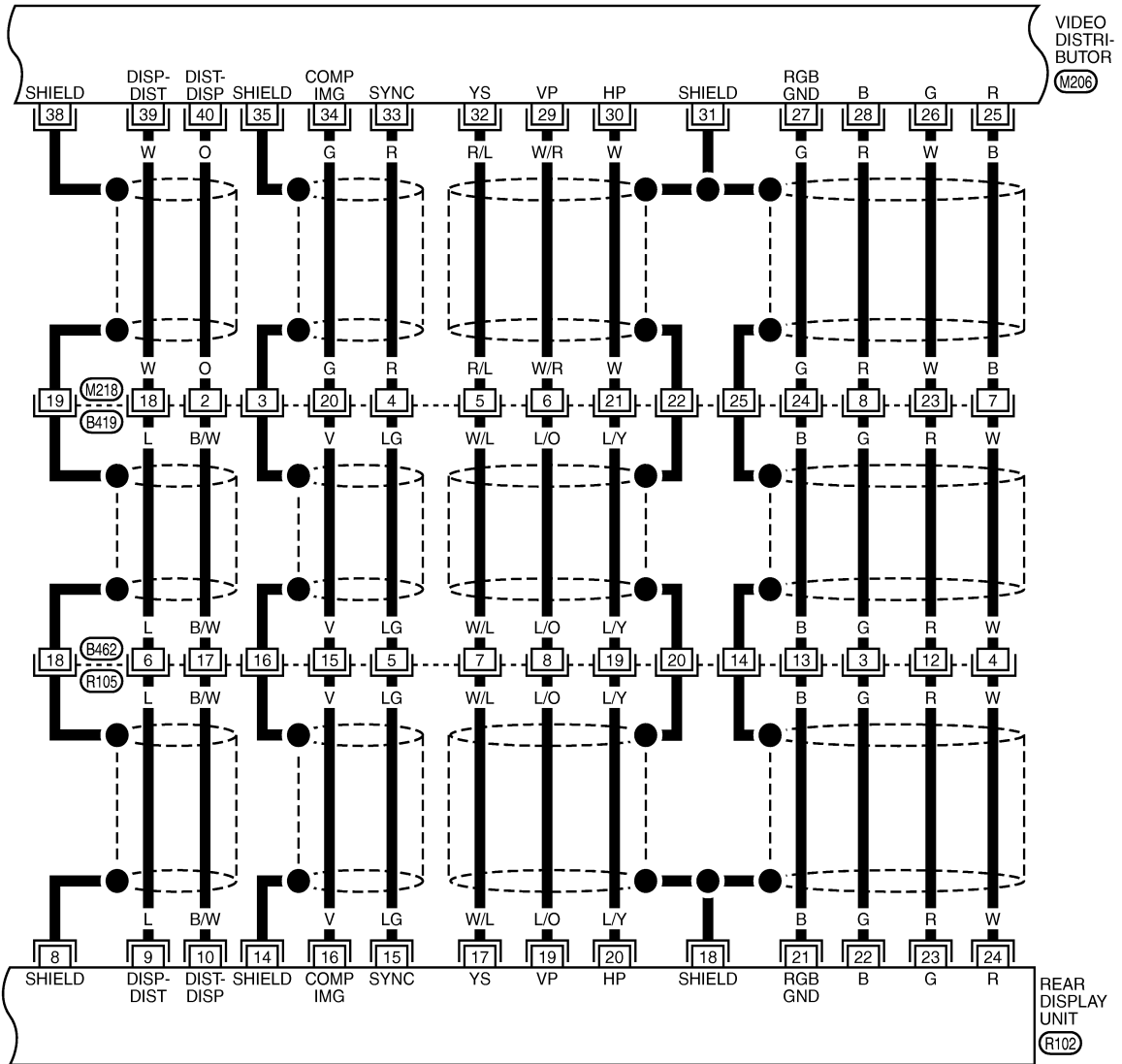
AV

# IPOD ADAPTER

< ECU DIAGNOSIS >

[WITH MOBILE ENTERTAINMENT SYSTEM]

AV-AV-55



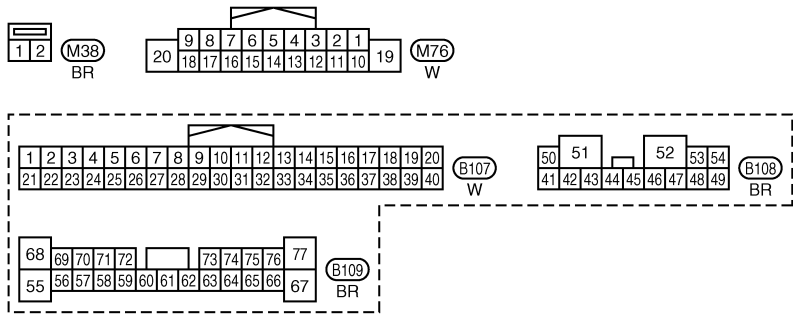
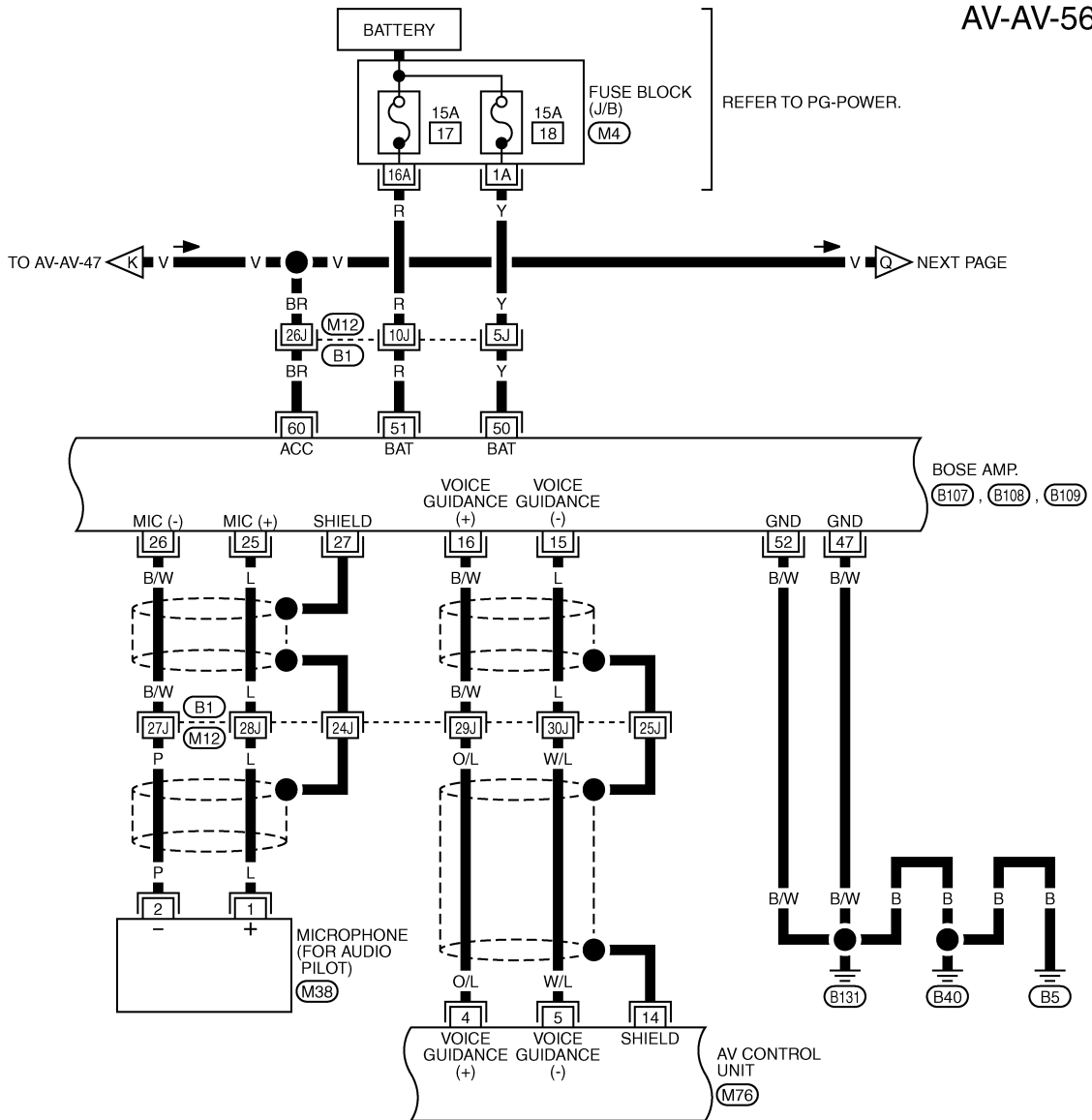
TKWT6734E

# IPOD ADAPTER

[WITH MOBILE ENTERTAINMENT SYSTEM]

< ECU DIAGNOSIS >

AV-AV-56



REFER TO THE FOLLOWING.  
 (B1) -SUPER MULTIPLE JUNCTION (SMJ)  
 (M4) -FUSE BLOCK-JUNCTION BOX (J/B)

TKWT8297E

A  
B  
C  
D  
E  
F  
G  
H  
I  
J  
L  
M  
N  
O  
P

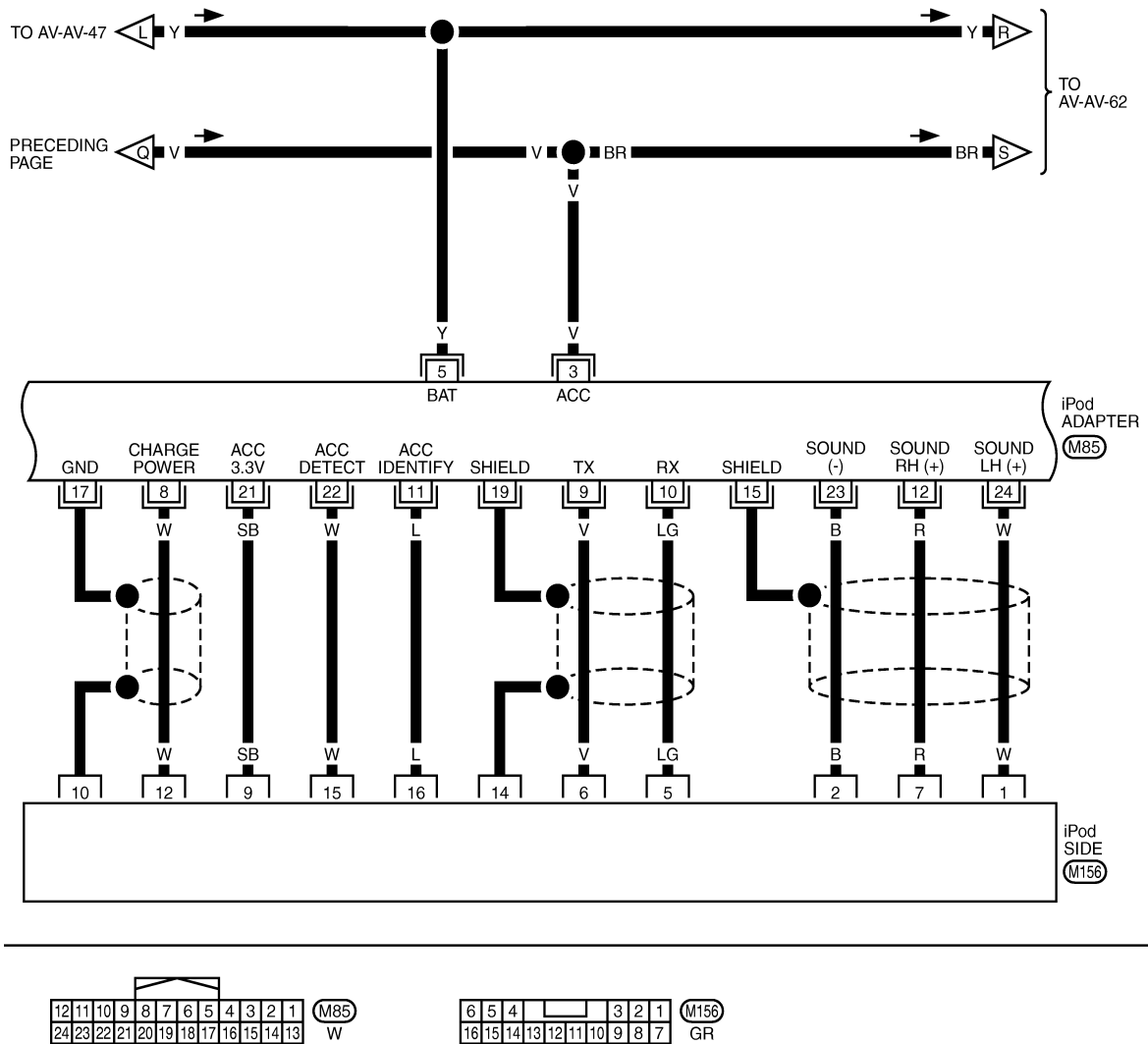
AV

# IPOD ADAPTER

[WITH MOBILE ENTERTAINMENT SYSTEM]

< ECU DIAGNOSIS >

AV-AV-57



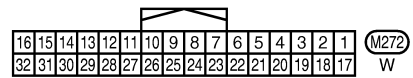
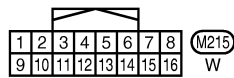
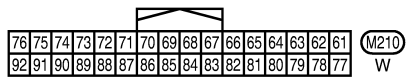
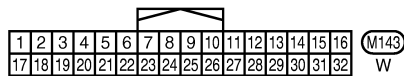
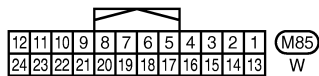
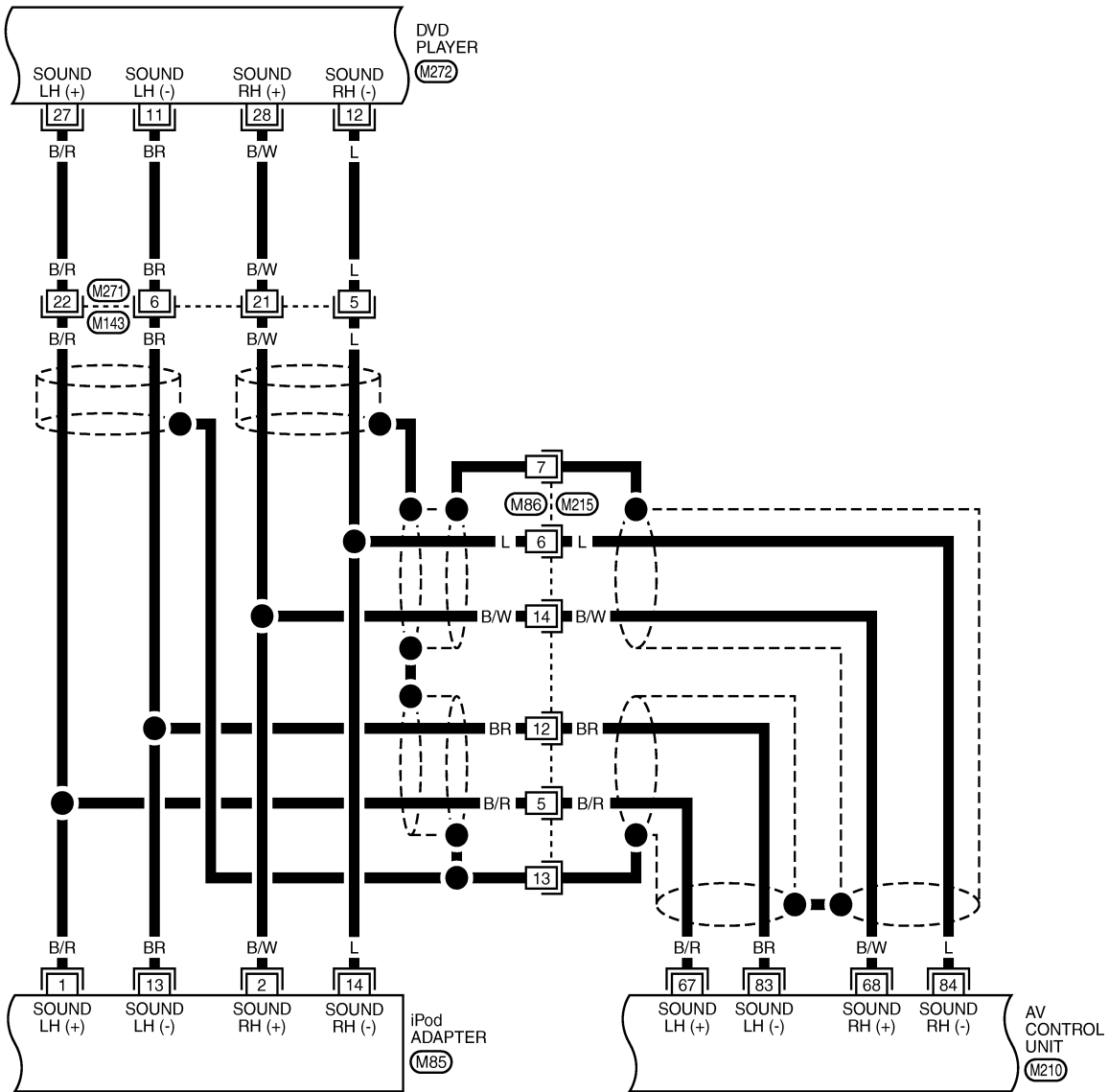
TKWT6737E

# IPOD ADAPTER

[WITH MOBILE ENTERTAINMENT SYSTEM]

< ECU DIAGNOSIS >

AV-AV-58



TKWT6738E

A  
B  
C  
D  
E  
F  
G  
H  
I  
J  
L  
M  
N  
O  
P

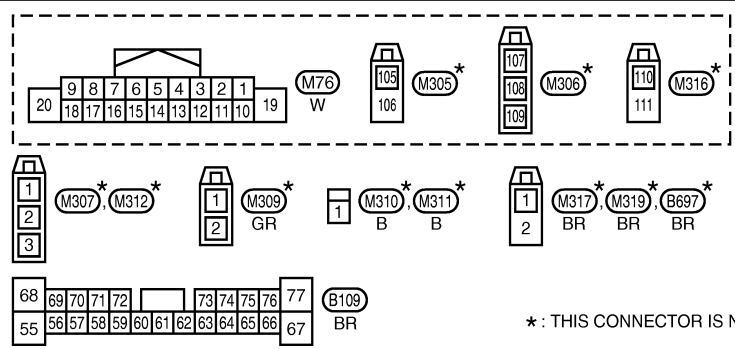
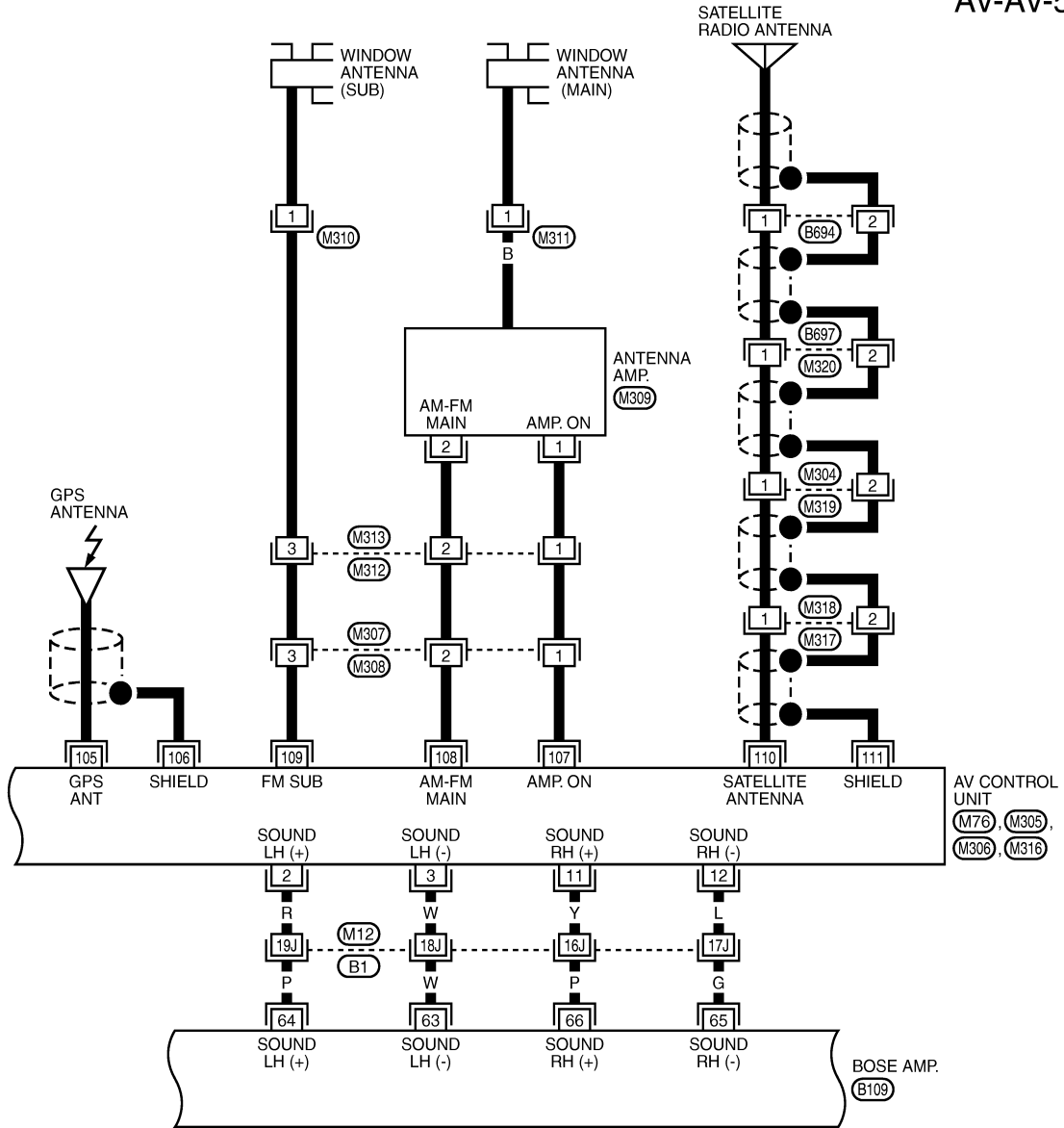
AV

# IPOD ADAPTER

[WITH MOBILE ENTERTAINMENT SYSTEM]

< ECU DIAGNOSIS >

AV-AV-59



REFER TO THE FOLLOWING.

(B1) - SUPER MULTIPLE JUNCTION (SMJ)

\* : THIS CONNECTOR IS NOT SHOWN IN "HARNESS LAYOUT", PG SECTION.

TKWT6739E

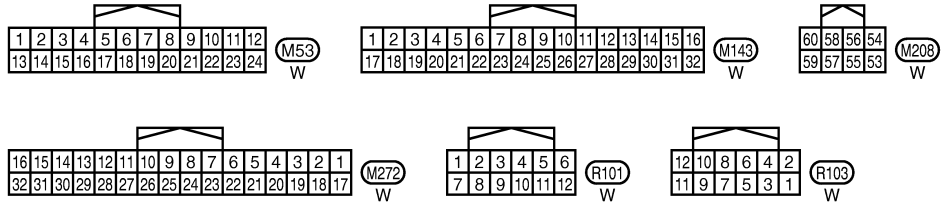
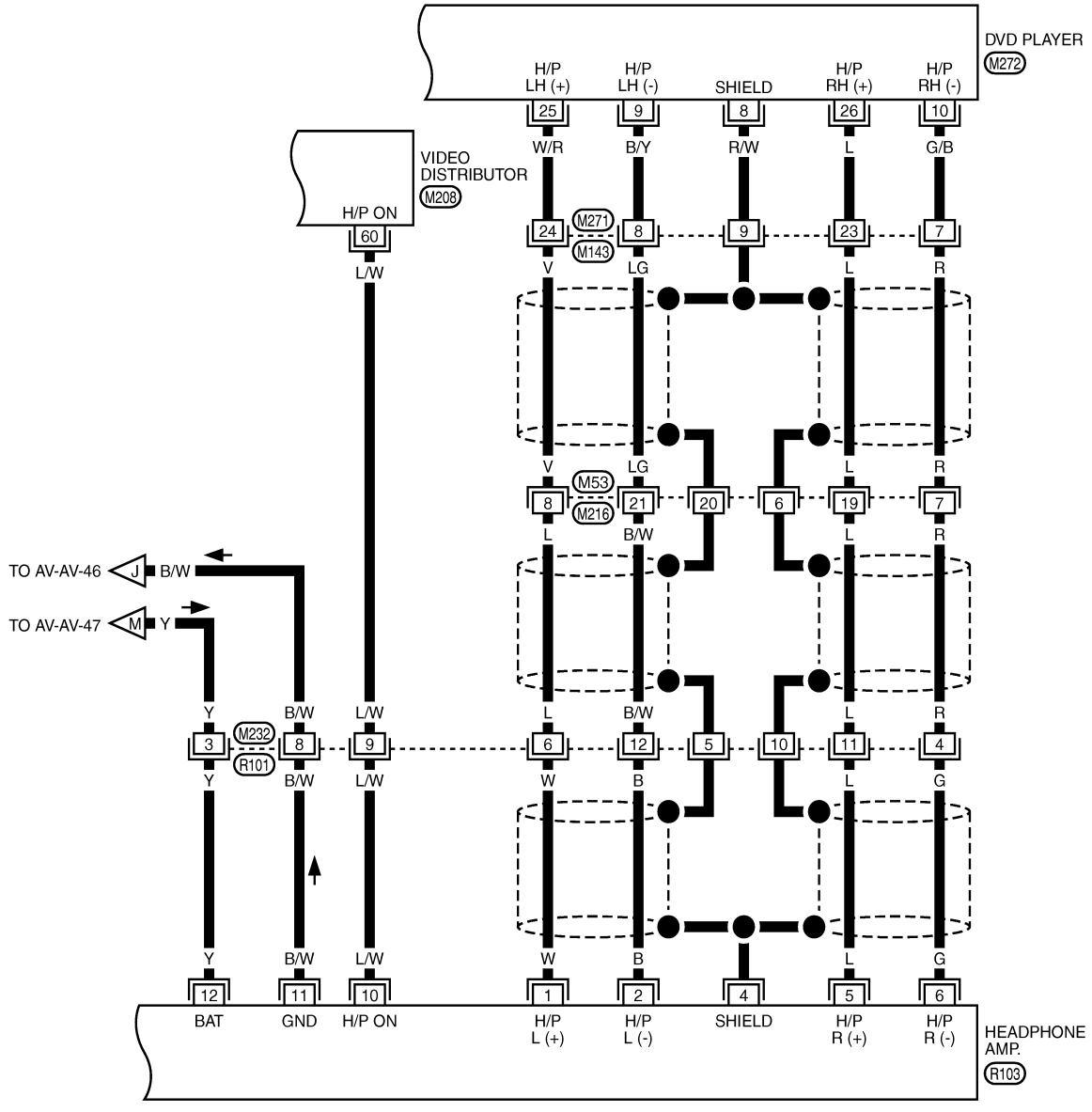


# IPOD ADAPTER

[WITH MOBILE ENTERTAINMENT SYSTEM]

< ECU DIAGNOSIS >

AV-AV-60



TKWT6740E

A  
B  
C  
D  
E  
F  
G  
H  
I  
J  
L  
M  
N  
O  
P

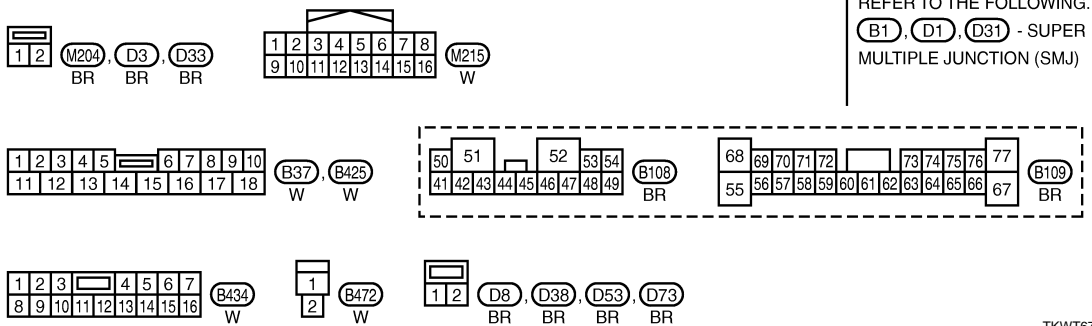
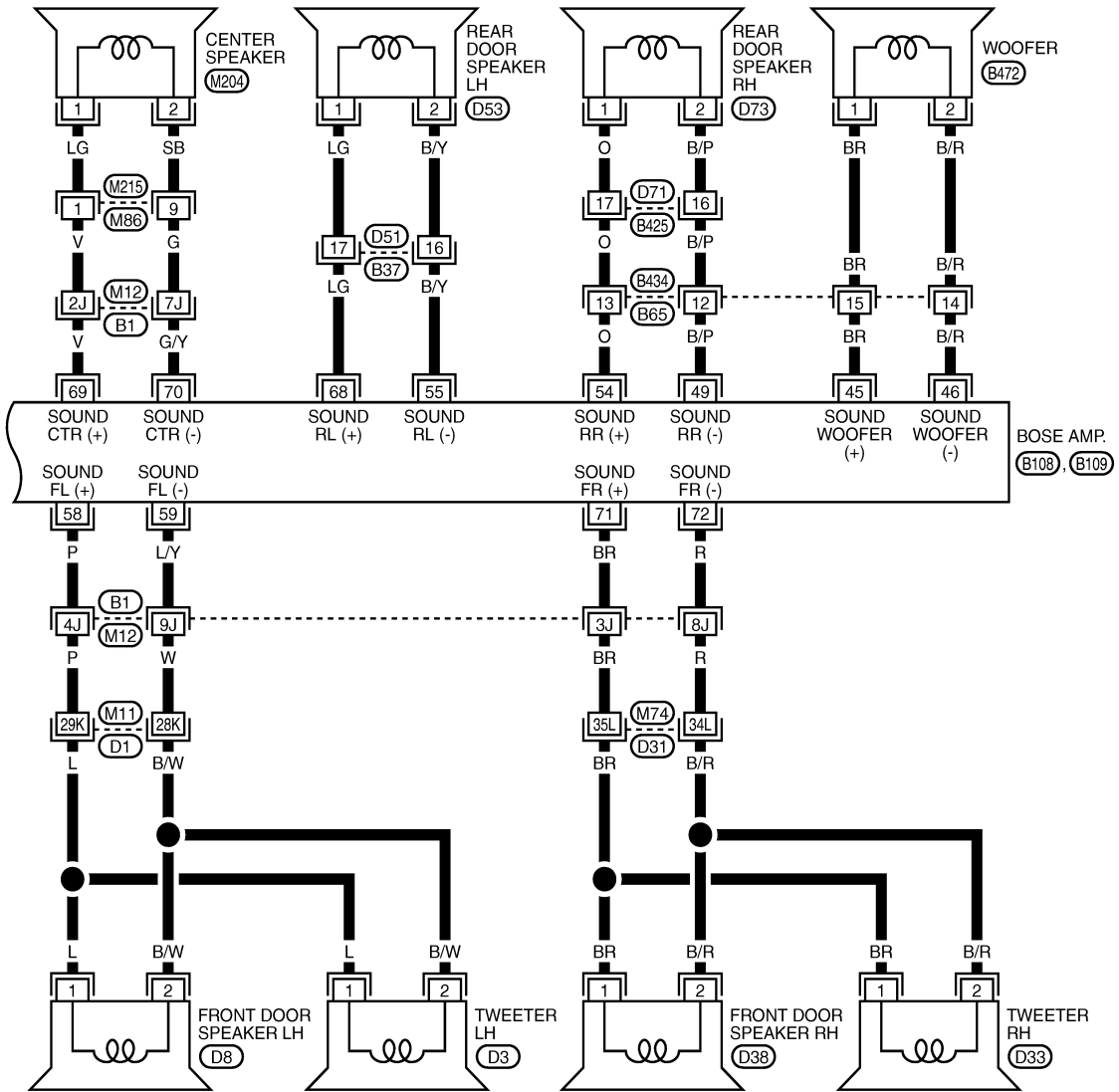
AV

# IPOD ADAPTER

[WITH MOBILE ENTERTAINMENT SYSTEM]

< ECU DIAGNOSIS >

AV-AV-61



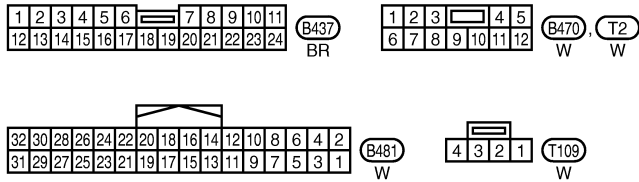
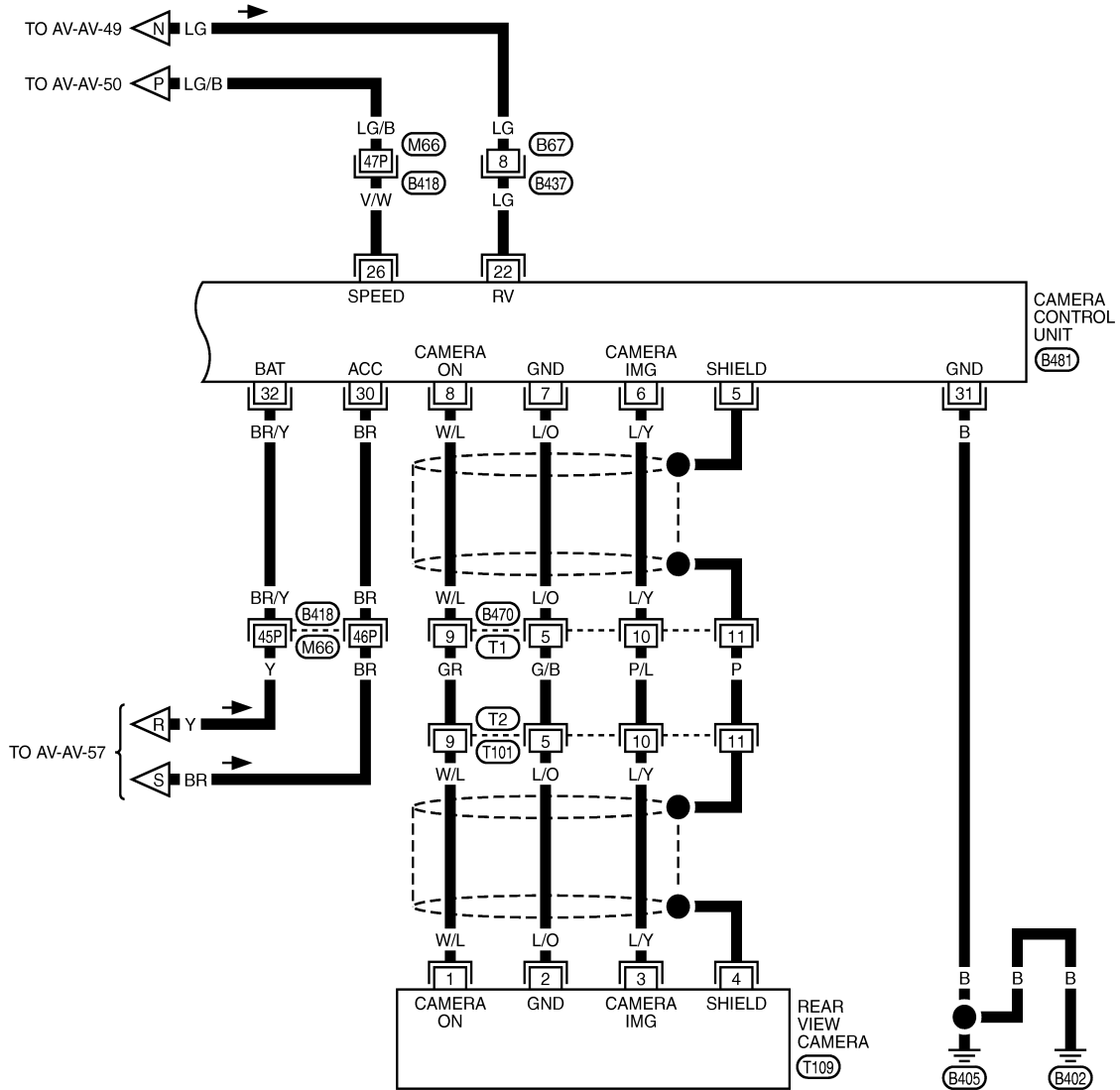
TKWT6741E

# IPOD ADAPTER

[WITH MOBILE ENTERTAINMENT SYSTEM]

< ECU DIAGNOSIS >

AV-AV-62



REFER TO THE FOLLOWING.

(B418) - SUPER MULTIPLE JUNCTION (SMJ)

TKWT6742E

A  
B  
C  
D  
E  
F  
G  
H  
I  
J  
K  
L  
M  
N  
O  
P

AV

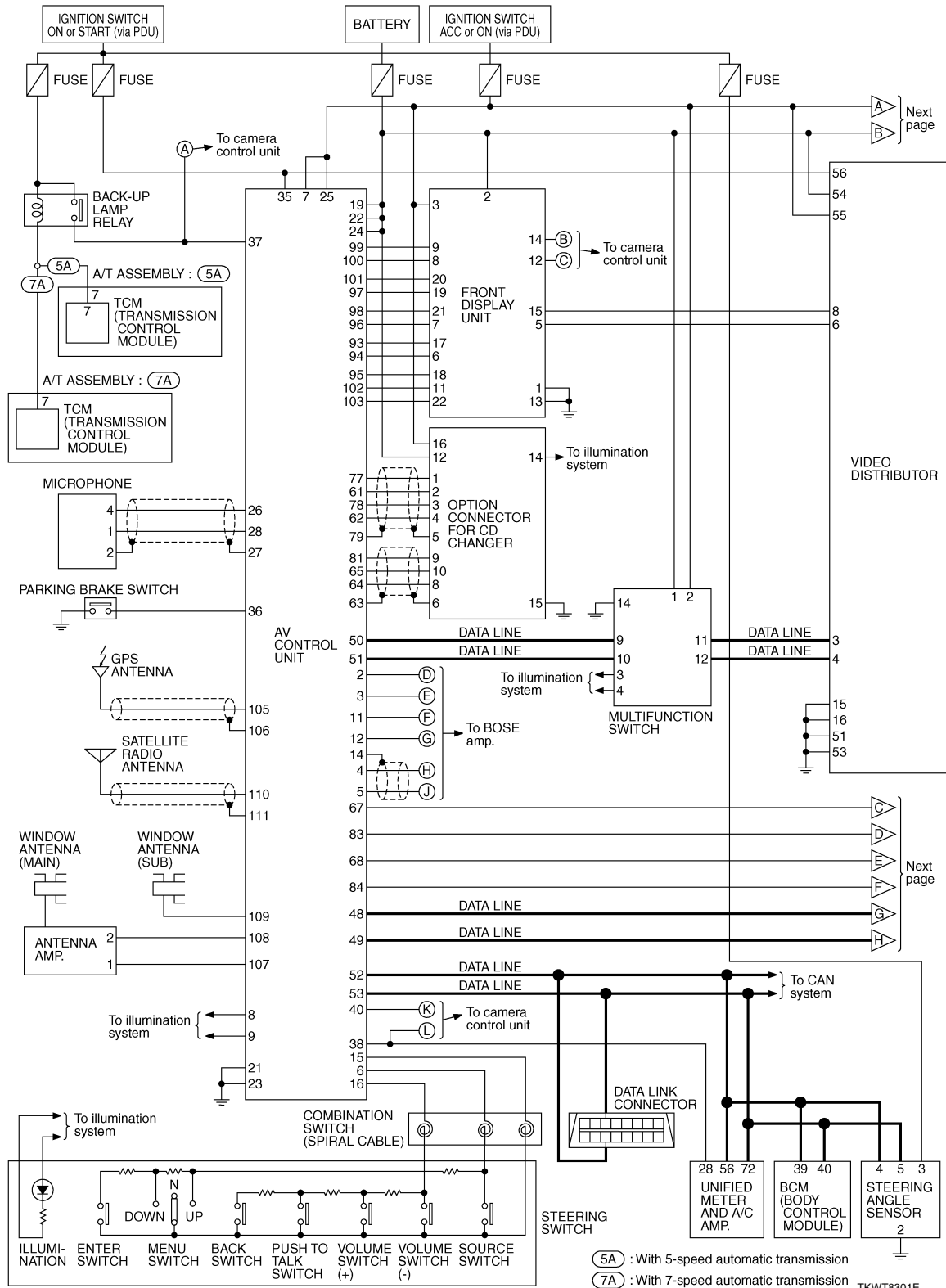
# IPOD ADAPTER

[WITH MOBILE ENTERTAINMENT SYSTEM]

< ECU DIAGNOSIS >

## Schematic - BOSE 5.1ch Surround Audio System -

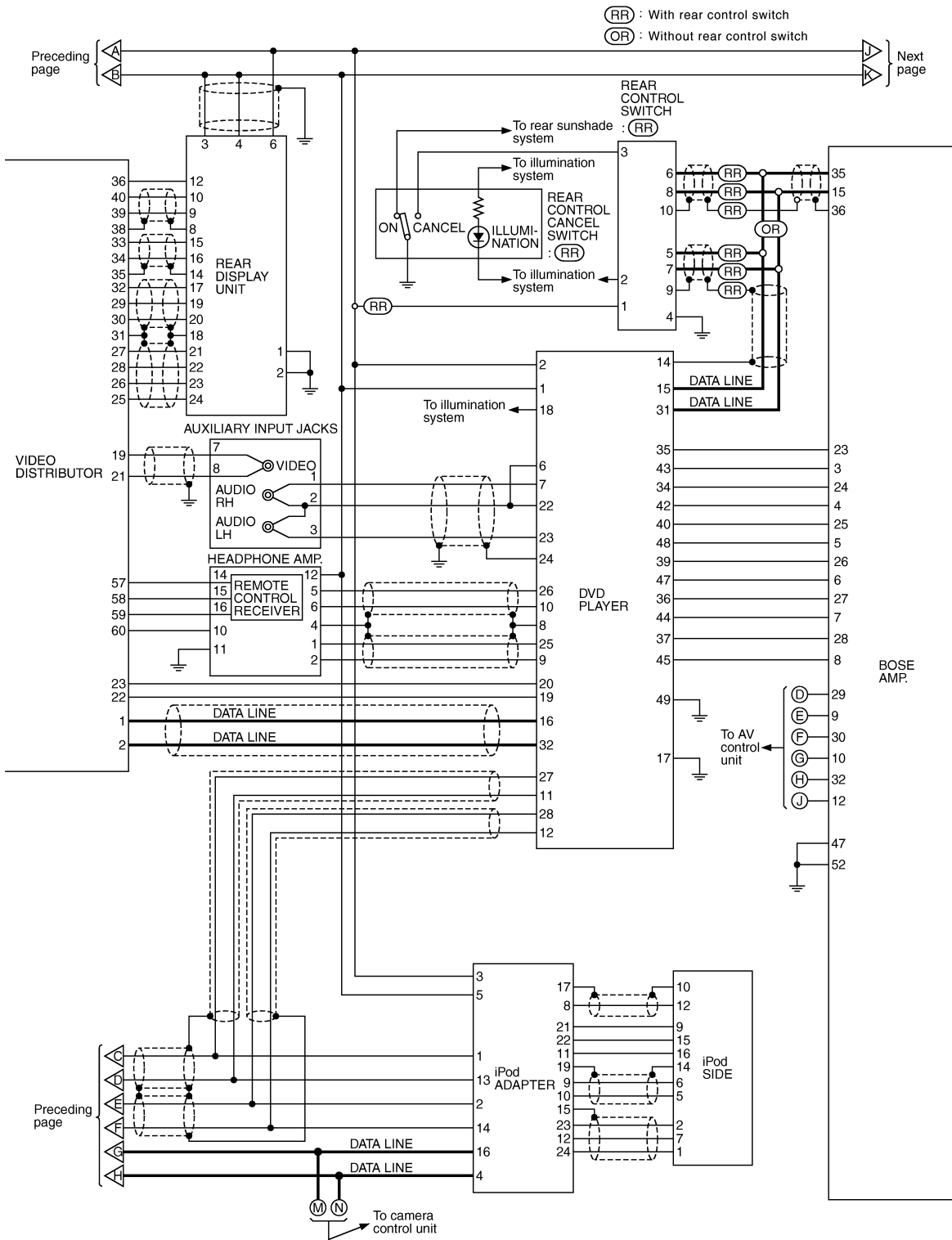
INFOID:000000005350625



# IPOD ADAPTER

[WITH MOBILE ENTERTAINMENT SYSTEM]

< ECU DIAGNOSIS >



TKWT6744E

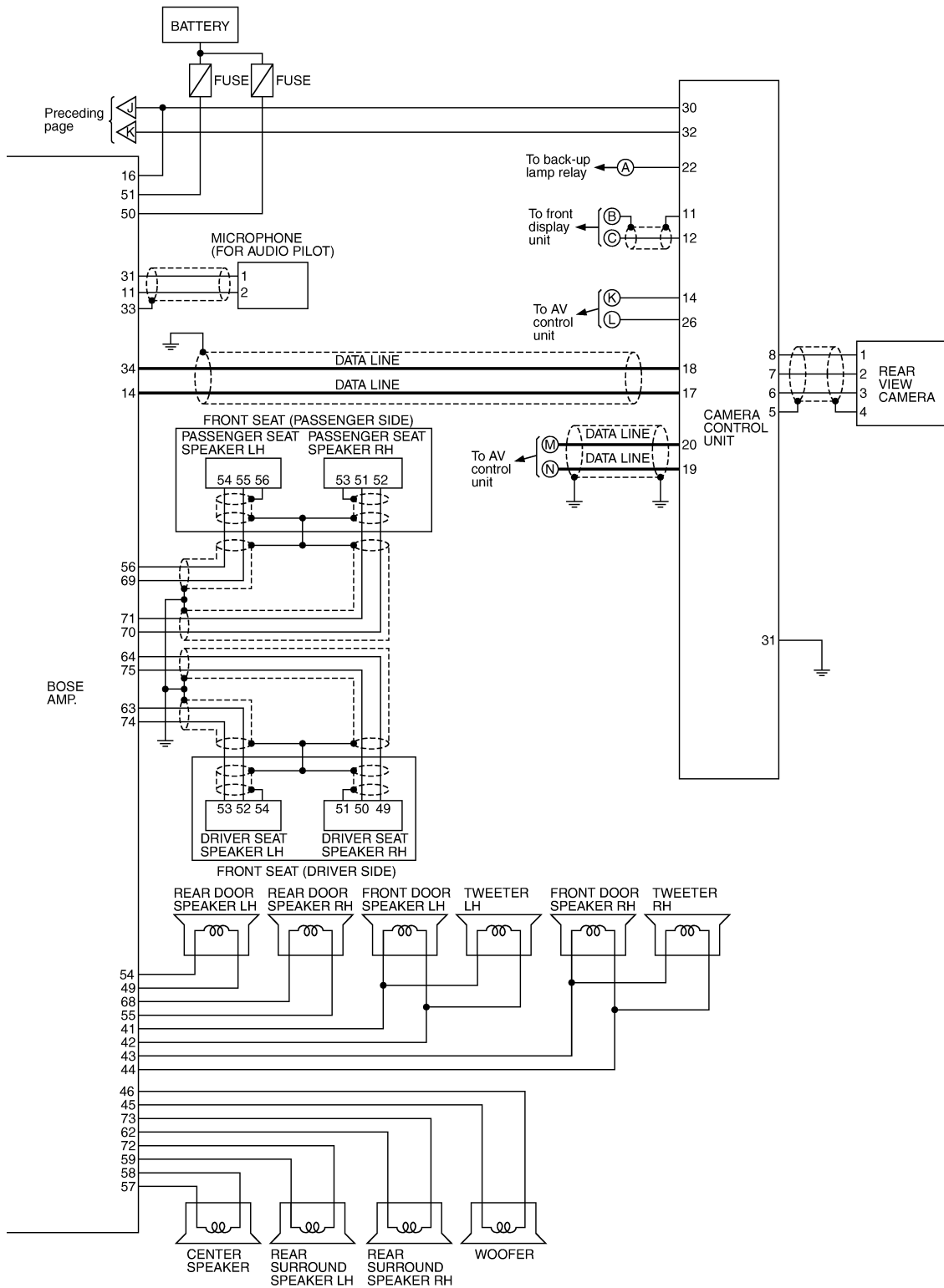
A  
B  
C  
D  
E  
F  
G  
H  
I  
J  
K  
L  
M  
N  
O  
P

AV

# IPOD ADAPTER

[WITH MOBILE ENTERTAINMENT SYSTEM]

< ECU DIAGNOSIS >



TKWT6745E

INFOID:000000005350626

Wiring Diagram - AV - / BOSE Surround Audio 5.1ch System

NOTE:

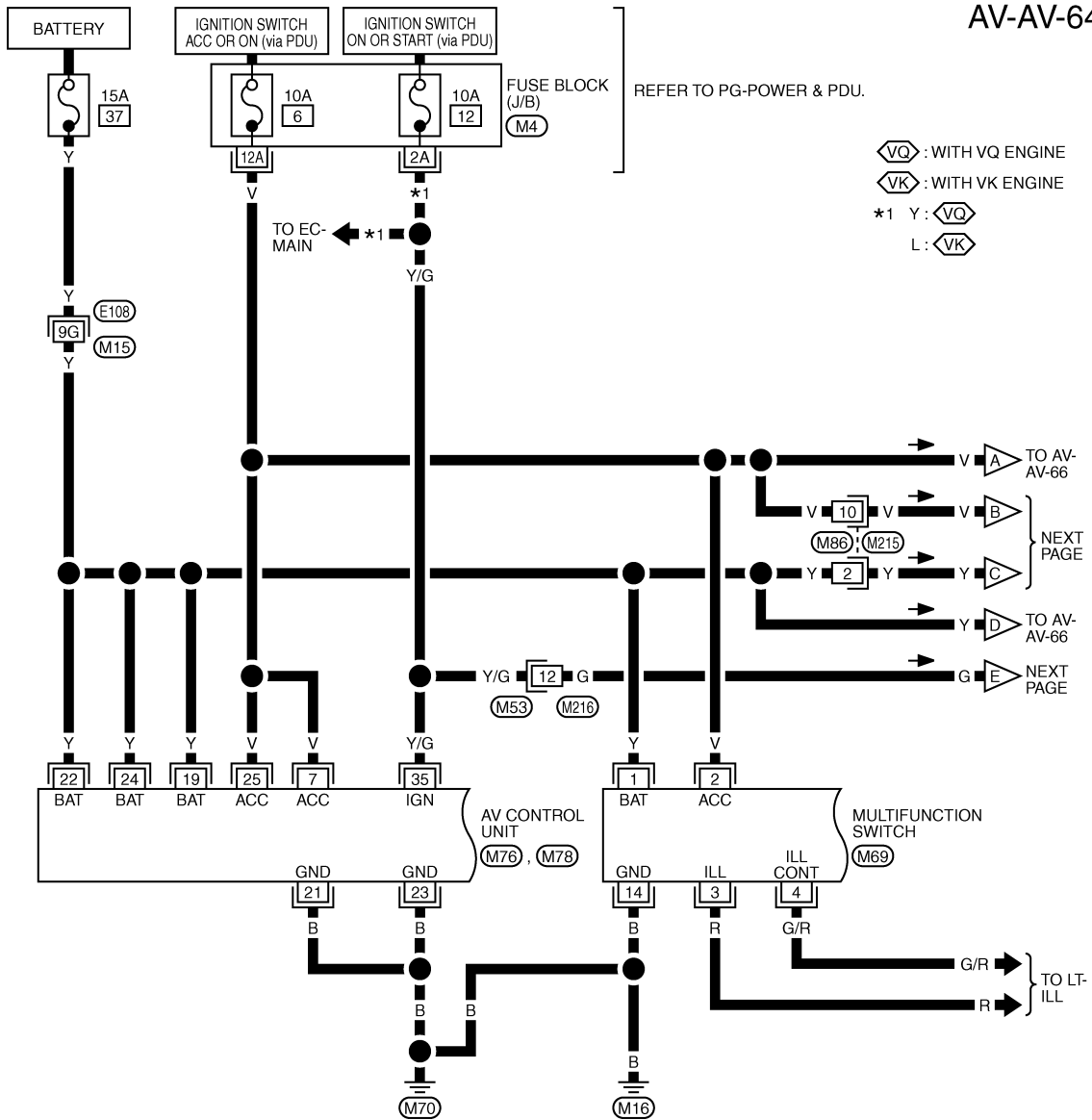
# IPOD ADAPTER

[WITH MOBILE ENTERTAINMENT SYSTEM]

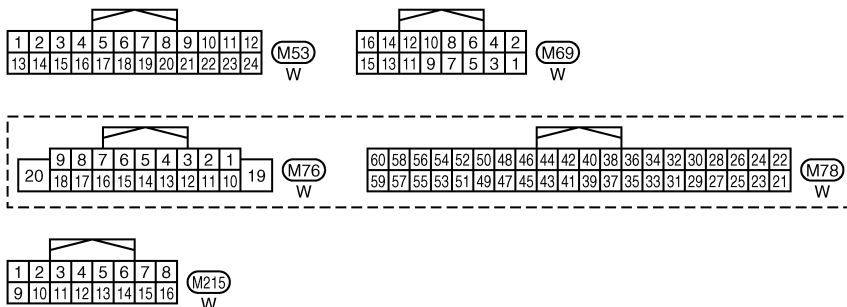
< ECU DIAGNOSIS >

The name MULTIFUNCTION SWITCH indicates the integration of PRESET SWITCH and MULTIFUNCTION SWITCH virtually.

AV-AV-64



VQ : WITH VQ ENGINE  
 VK : WITH VK ENGINE  
 \*1 Y : VQ  
 L : VK



REFER TO THE FOLLOWING.

- (E108) -SUPER MULTIPLE JUNCTION (SMJ)
- (M4) -FUSE BLOCK-JUNCTION BOX (J/B)

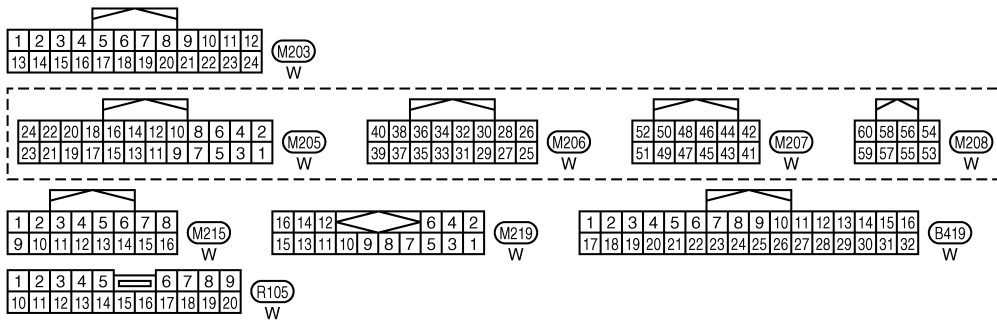
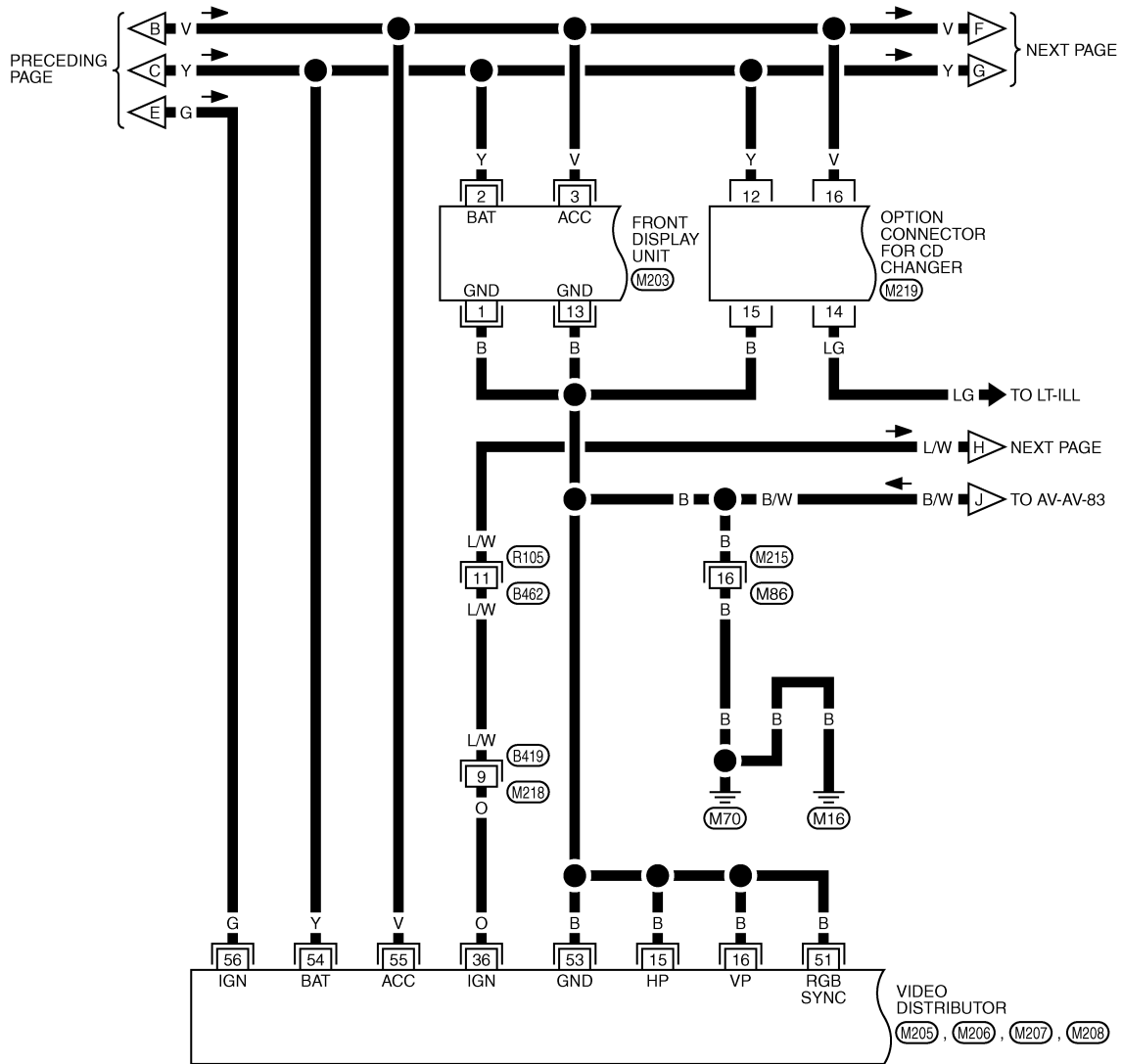
TKWT8302E

# IPOD ADAPTER

[WITH MOBILE ENTERTAINMENT SYSTEM]

< ECU DIAGNOSIS >

AV-AV-65



TKWT8303E

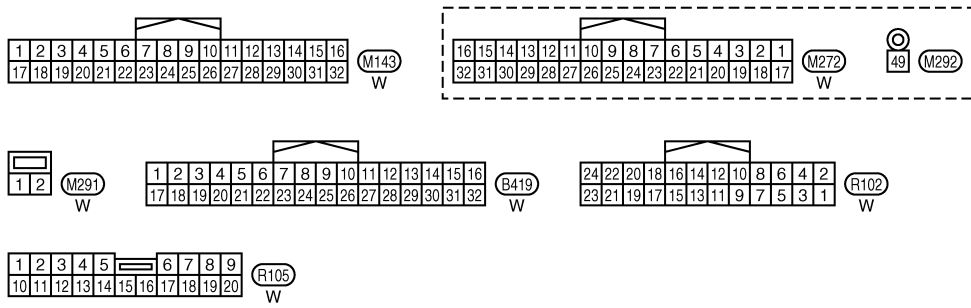
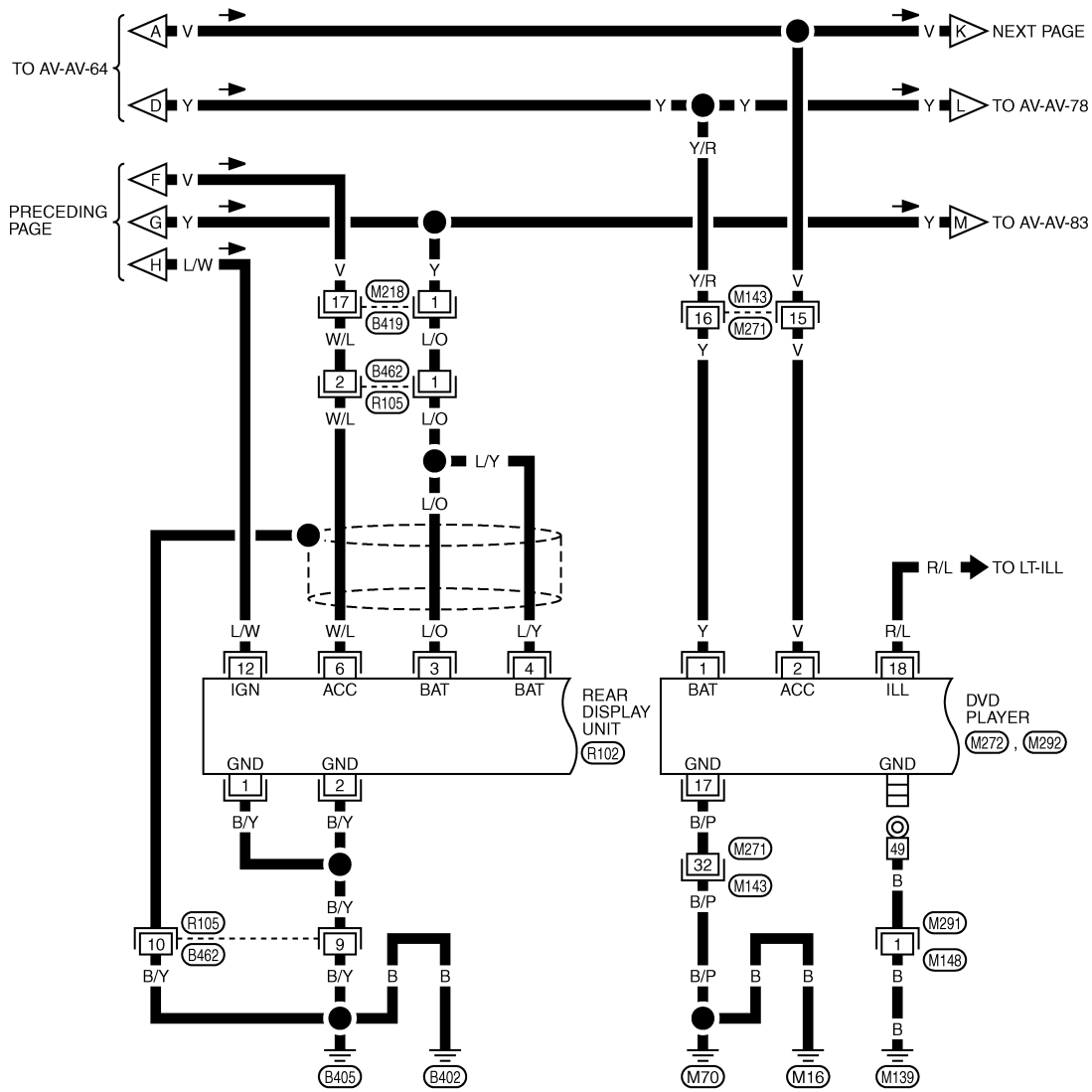


# IPOD ADAPTER

[WITH MOBILE ENTERTAINMENT SYSTEM]

< ECU DIAGNOSIS >

AV-AV-66



TKWT8304E

A  
B  
C  
D  
E  
F  
G  
H  
I  
J  
K  
L  
M  
N  
O  
P

AV

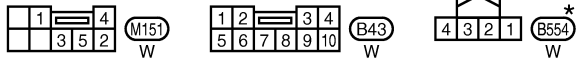
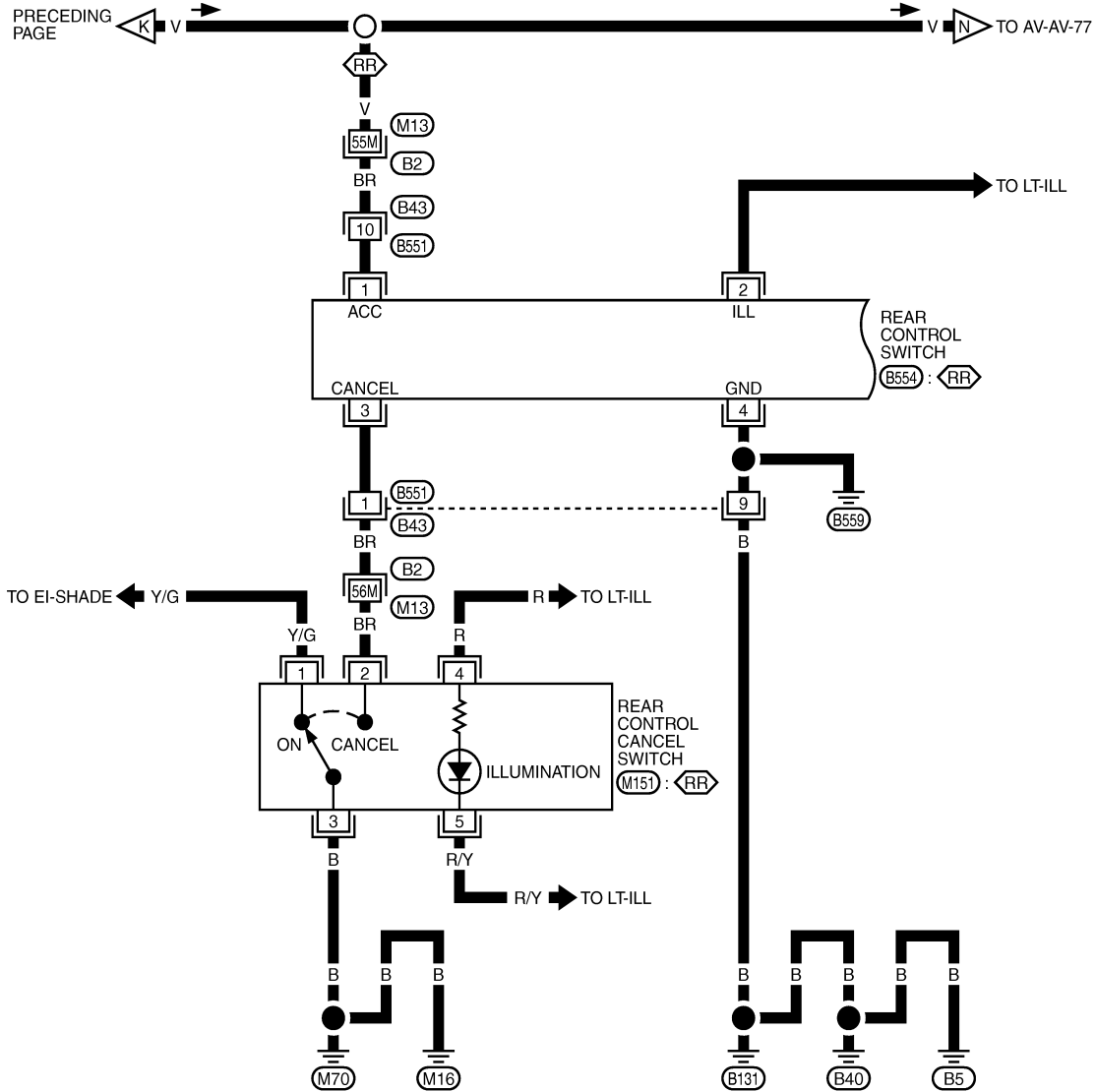
# IPOD ADAPTER

[WITH MOBILE ENTERTAINMENT SYSTEM]

< ECU DIAGNOSIS >

AV-AV-67

(RR) : WITH REAR CONTROL SWITCH



\*: THIS CONNECTOR IS NOT SHOWN IN "HARNESS LAYOUT", PG SECTION.

REFER TO THE FOLLOWING.

(B2) - SUPER MULTIPLE JUNCTION (SMJ)

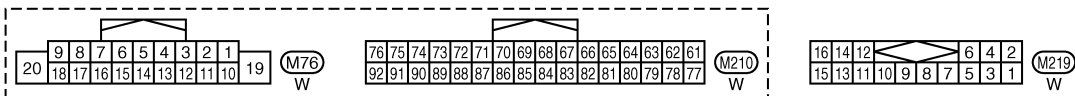
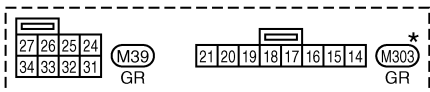
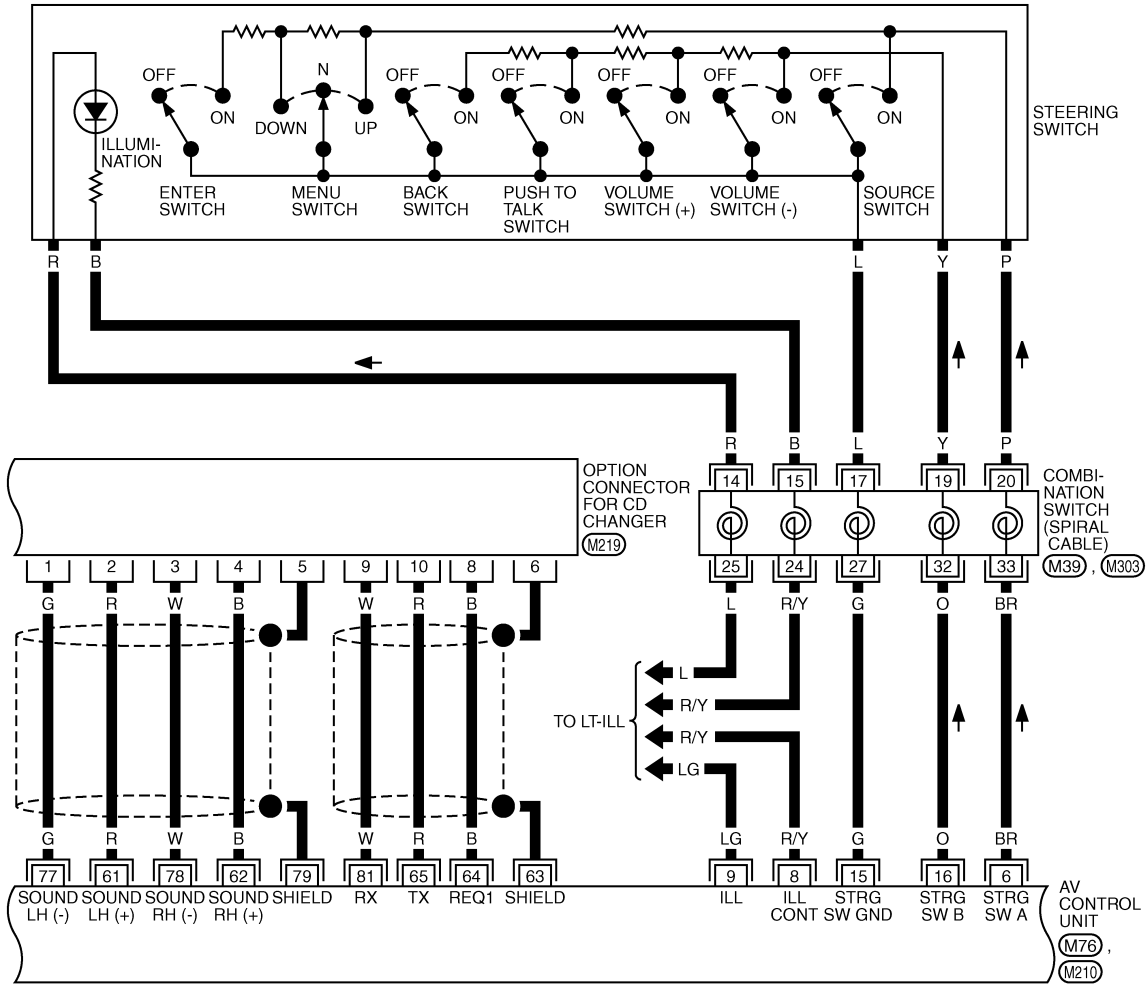
TKWT6749E

# IPOD ADAPTER

[WITH MOBILE ENTERTAINMENT SYSTEM]

< ECU DIAGNOSIS >

AV-AV-68



\*: THIS CONNECTOR IS NOT SHOWN IN "HARNESS LAYOUT", PG SECTION.

TKWT8305E

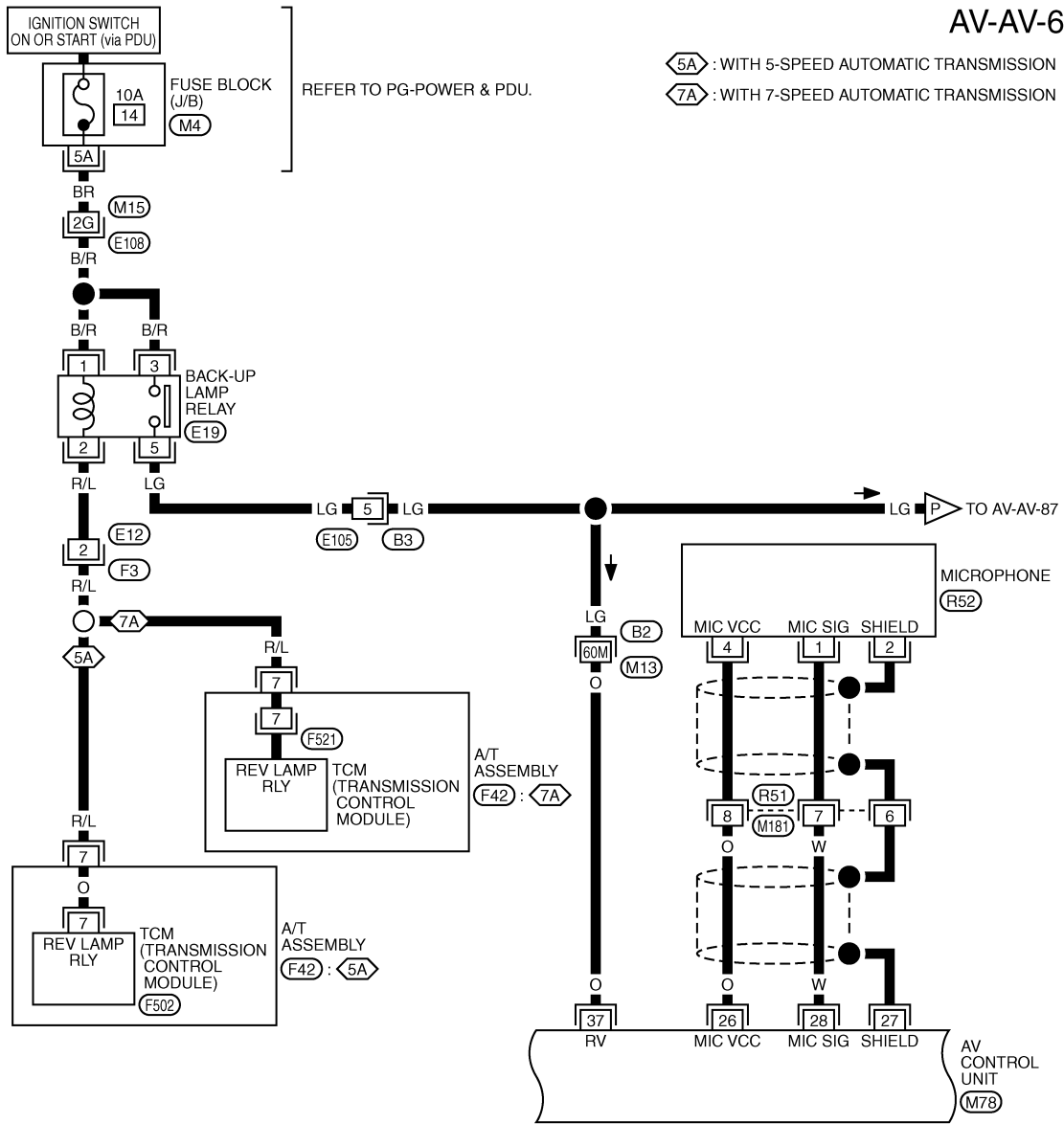
A  
B  
C  
D  
E  
F  
G  
H  
I  
J  
AV  
L  
M  
N  
O  
P

# IPOD ADAPTER

[WITH MOBILE ENTERTAINMENT SYSTEM]

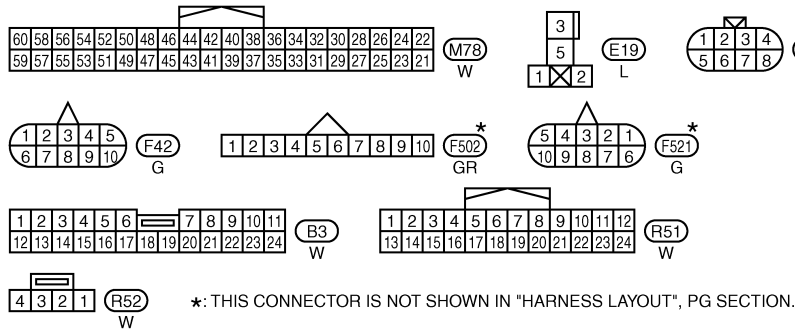
< ECU DIAGNOSIS >

AV-AV-69



◁5A : WITH 5-SPEED AUTOMATIC TRANSMISSION  
 ▷7A : WITH 7-SPEED AUTOMATIC TRANSMISSION

REFER TO PG-POWER & PDU.



REFER TO THE FOLLOWING.  
 (E108), (B2) -SUPER MULTIPLE JUNCTION (SMJ)  
 (M4) -FUSE BLOCK-JUNCTION BOX (J/B)

TKWT8306E

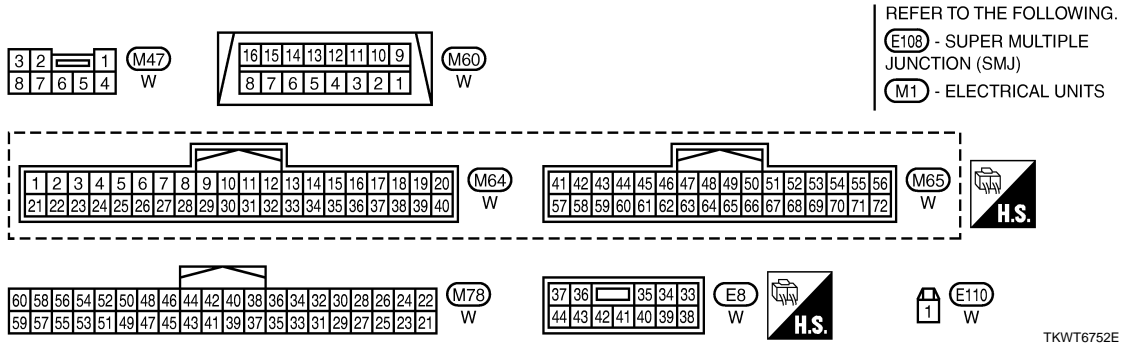
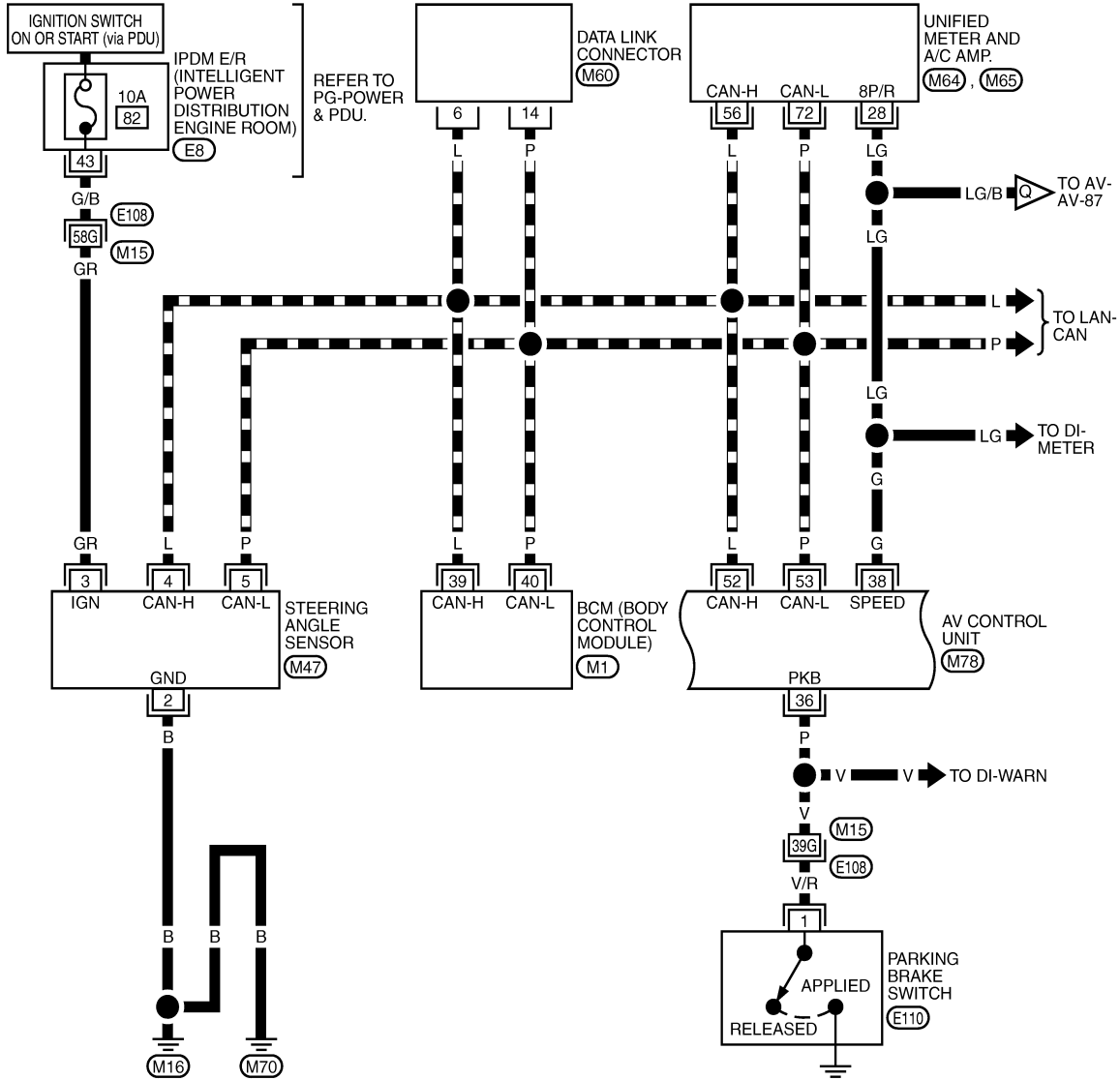
# IPOD ADAPTER

[WITH MOBILE ENTERTAINMENT SYSTEM]

< ECU DIAGNOSIS >

AV-AV-70

▬ : DATA LINE



TKWT6752E

A  
B  
C  
D  
E  
F  
G  
H  
I  
J  
AV  
L  
M  
N  
O  
P

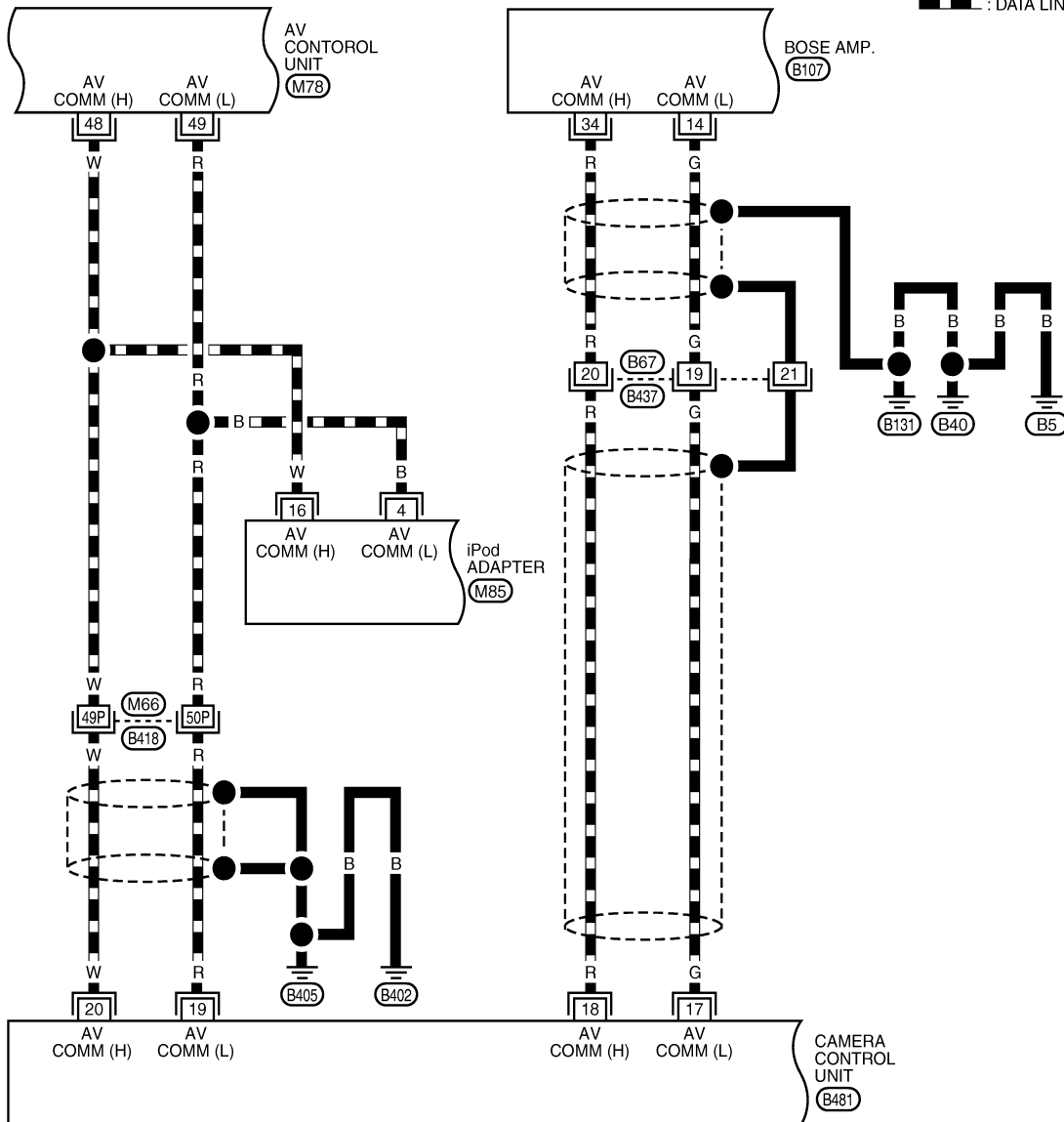
# IPOD ADAPTER

[WITH MOBILE ENTERTAINMENT SYSTEM]

< ECU DIAGNOSIS >

AV-AV-71

▬ : DATA LINE



60	58	56	54	52	50	48	46	44	42	40	38	36	34	32	30	28	26	24	22
59	57	55	53	51	49	47	45	43	41	39	37	35	33	31	29	27	25	23	21

(M78) W

12	11	10	9	8	7	6	5	4	3	2	1
24	23	22	21	20	19	18	17	16	15	14	13

(M85) W

1	2	3	4	5	6	7	8	9	10	11	12	13	14	15	16	17	18	19	20
21	22	23	24	25	26	27	28	29	30	31	32	33	34	35	36	37	38	39	40

(B107) W

1	2	3	4	5	6	7	8	9	10	11		
12	13	14	15	16	17	18	19	20	21	22	23	24

(B437) BR

32	30	28	26	24	22	20	18	16	14	12	10	8	6	4	2
31	29	27	25	23	21	19	17	15	13	11	9	7	5	3	1

(B481) W

REFER TO THE FOLLOWING.

(B418) - SUPER MULTIPLE JUNCTION (SMJ)

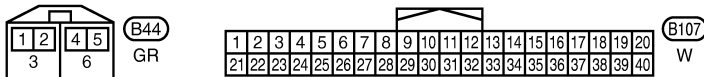
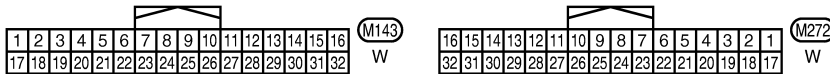
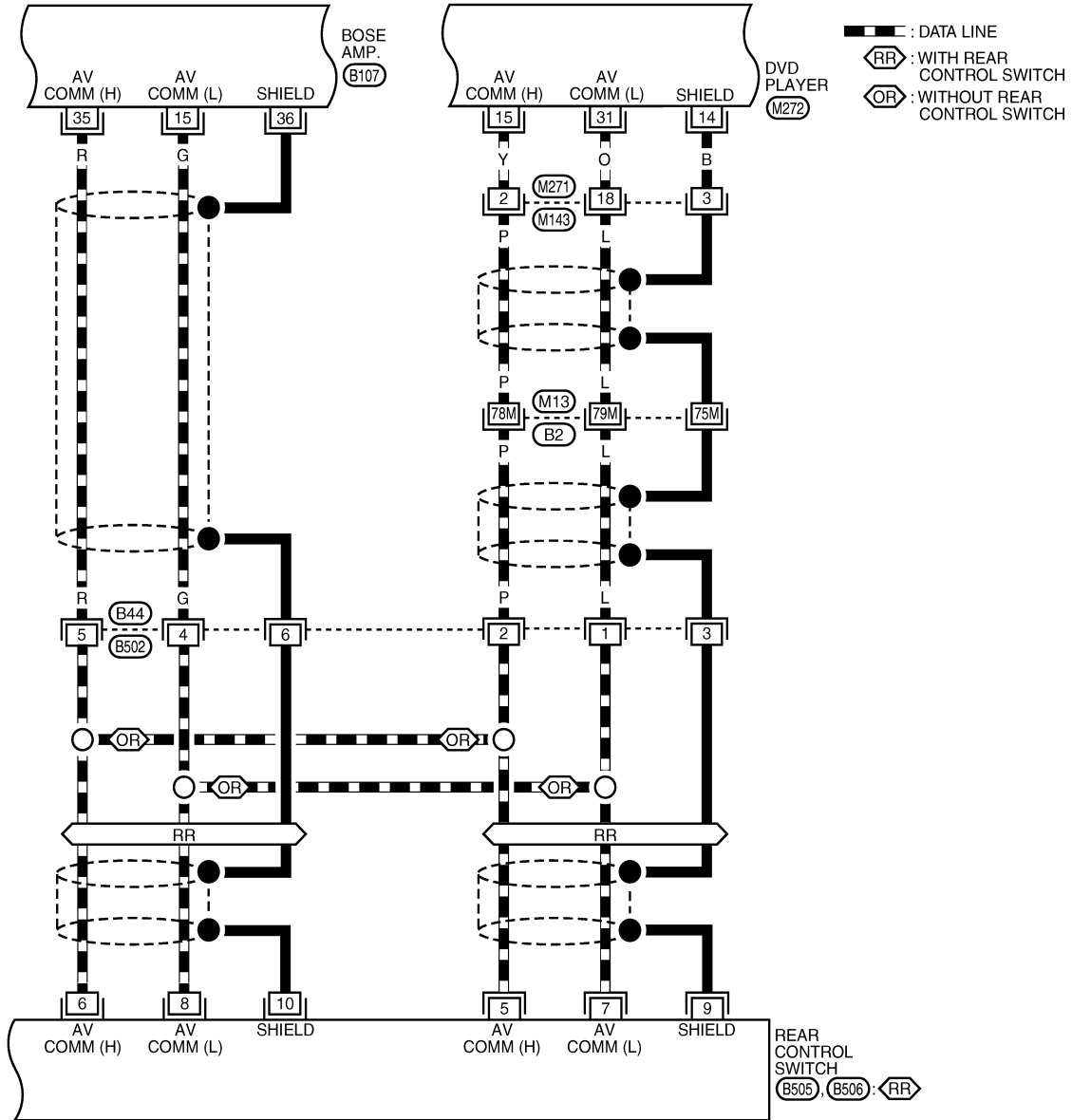
TKWT6753E

# IPOD ADAPTER

[WITH MOBILE ENTERTAINMENT SYSTEM]

< ECU DIAGNOSIS >

AV-AV-72



\* : THIS CONNECTOR IS NOT SHOWN IN "HARNESS LAYOUT", PG SECTION.

REFER TO THE FOLLOWING.

B2 - SUPER MULTIPLE JUNCTION (SMJ)

TKWT6754E

A  
B  
C  
D  
E  
F  
G  
H  
I  
J  
L  
M  
N  
O  
P

AV

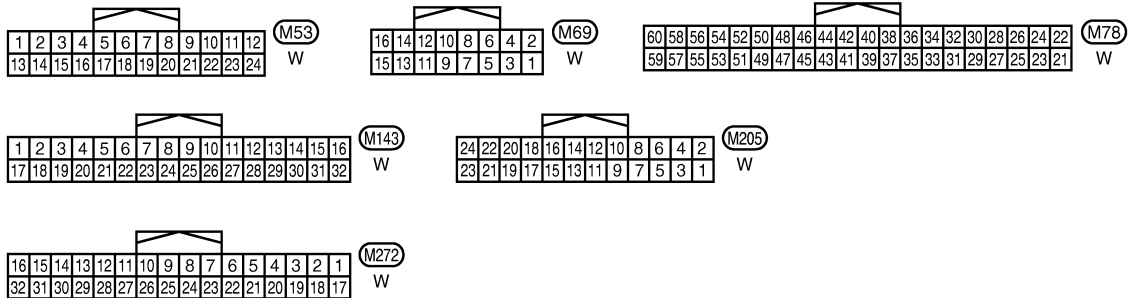
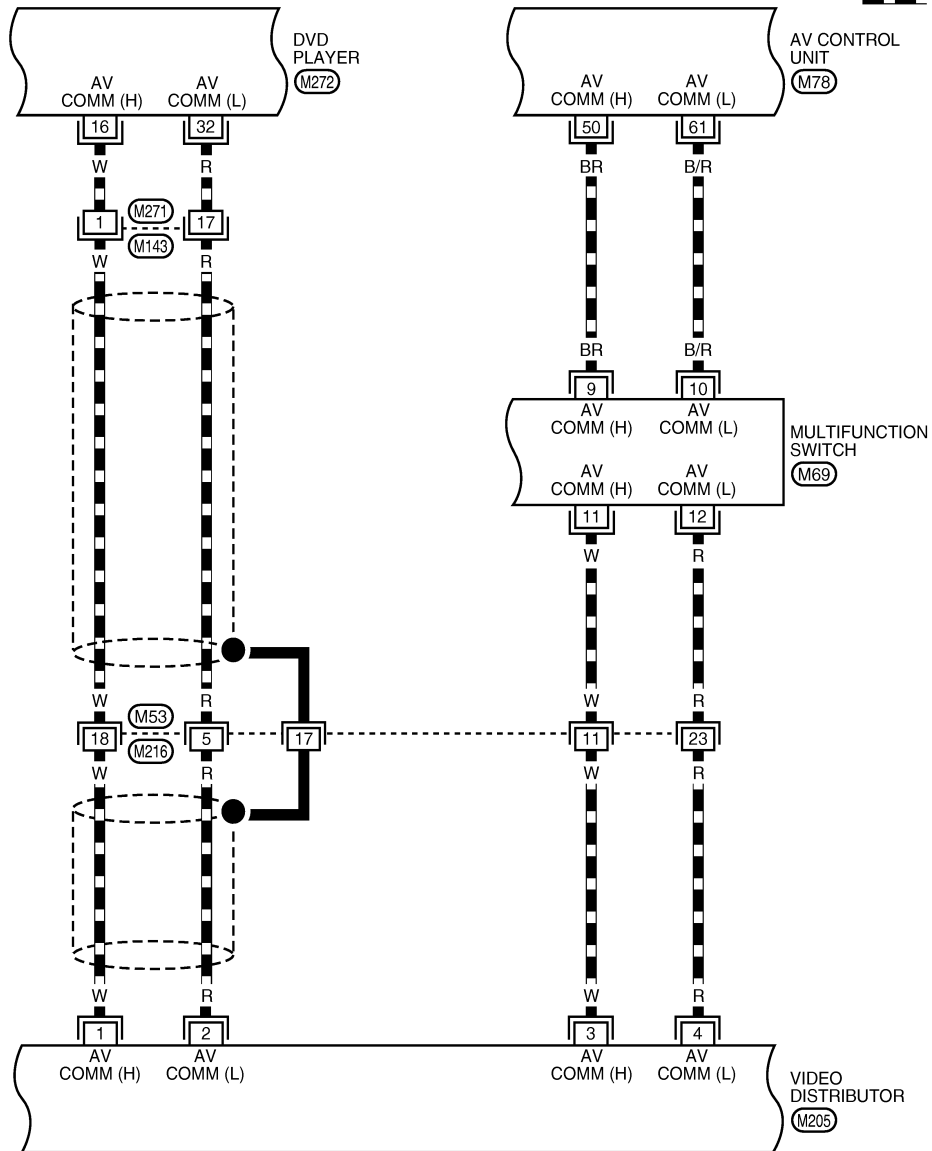
# IPOD ADAPTER

[WITH MOBILE ENTERTAINMENT SYSTEM]

< ECU DIAGNOSIS >

AV-AV-73

DATA LINE



TKWT6755E

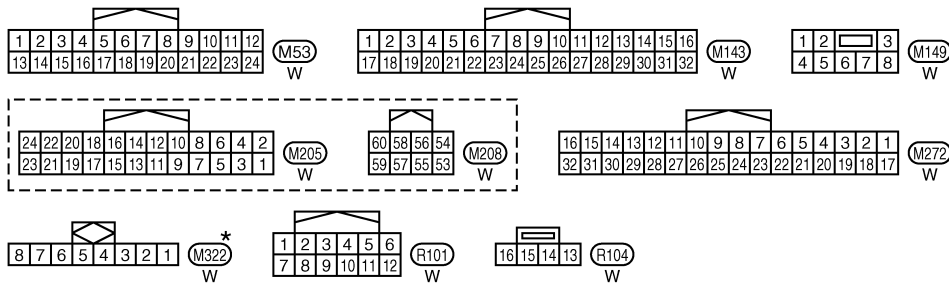
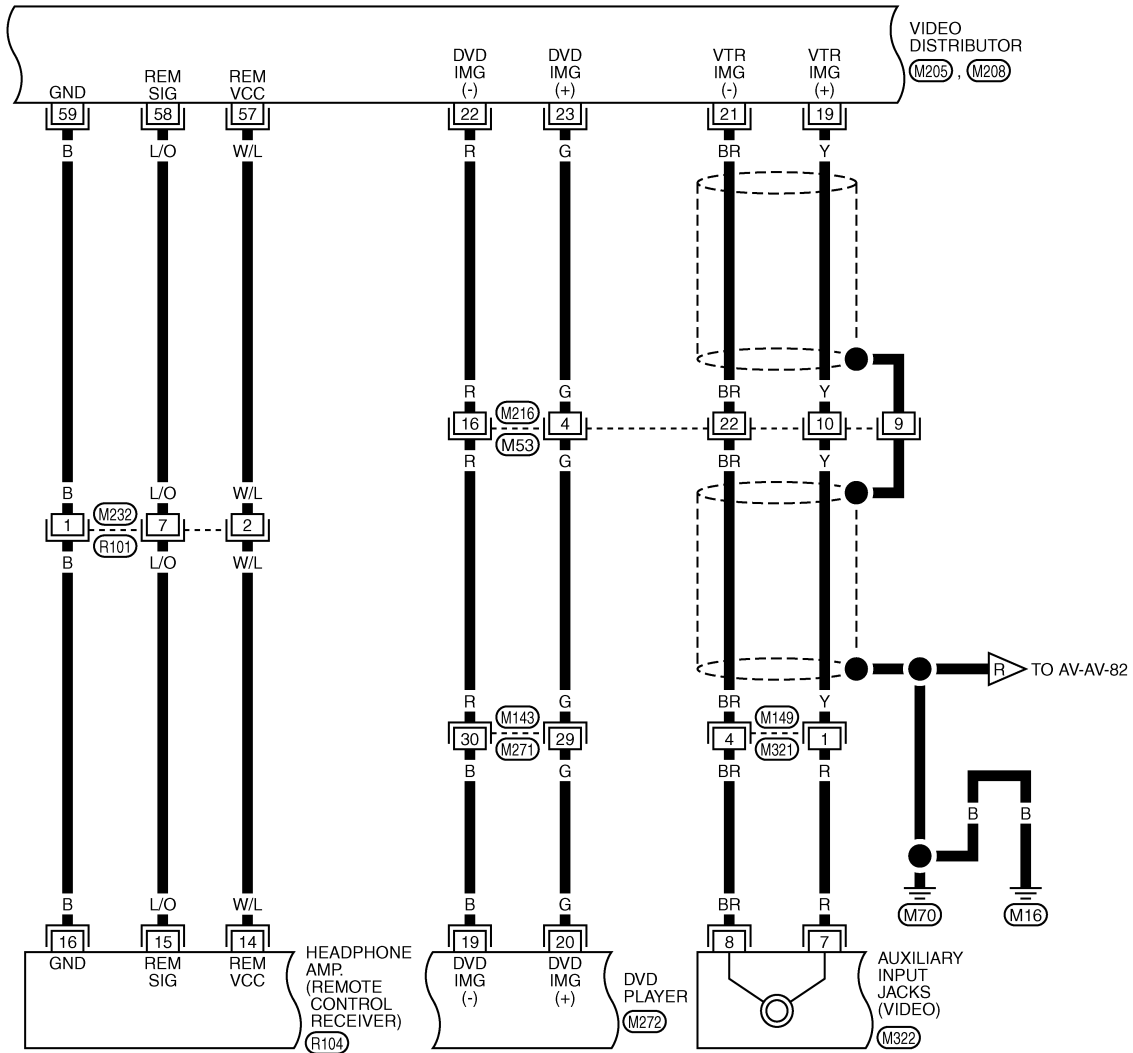


# IPOD ADAPTER

< ECU DIAGNOSIS >

[WITH MOBILE ENTERTAINMENT SYSTEM]

AV-AV-74



\*: THIS CONNECTOR IS NOT SHOWN IN "HARNESS LAYOUT", PG SECTION.

TKWT8307E

A  
B  
C  
D  
E  
F  
G  
H  
I  
J  
K  
L  
M  
N  
O  
P

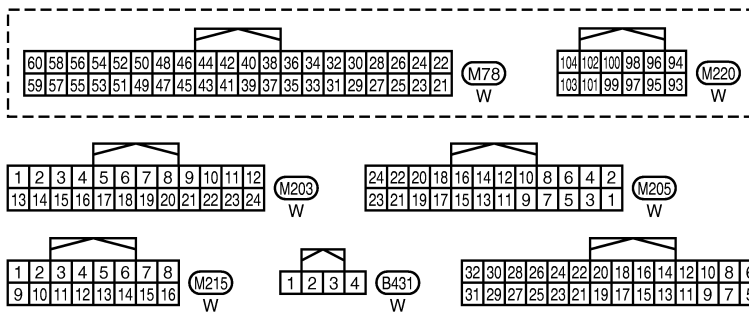
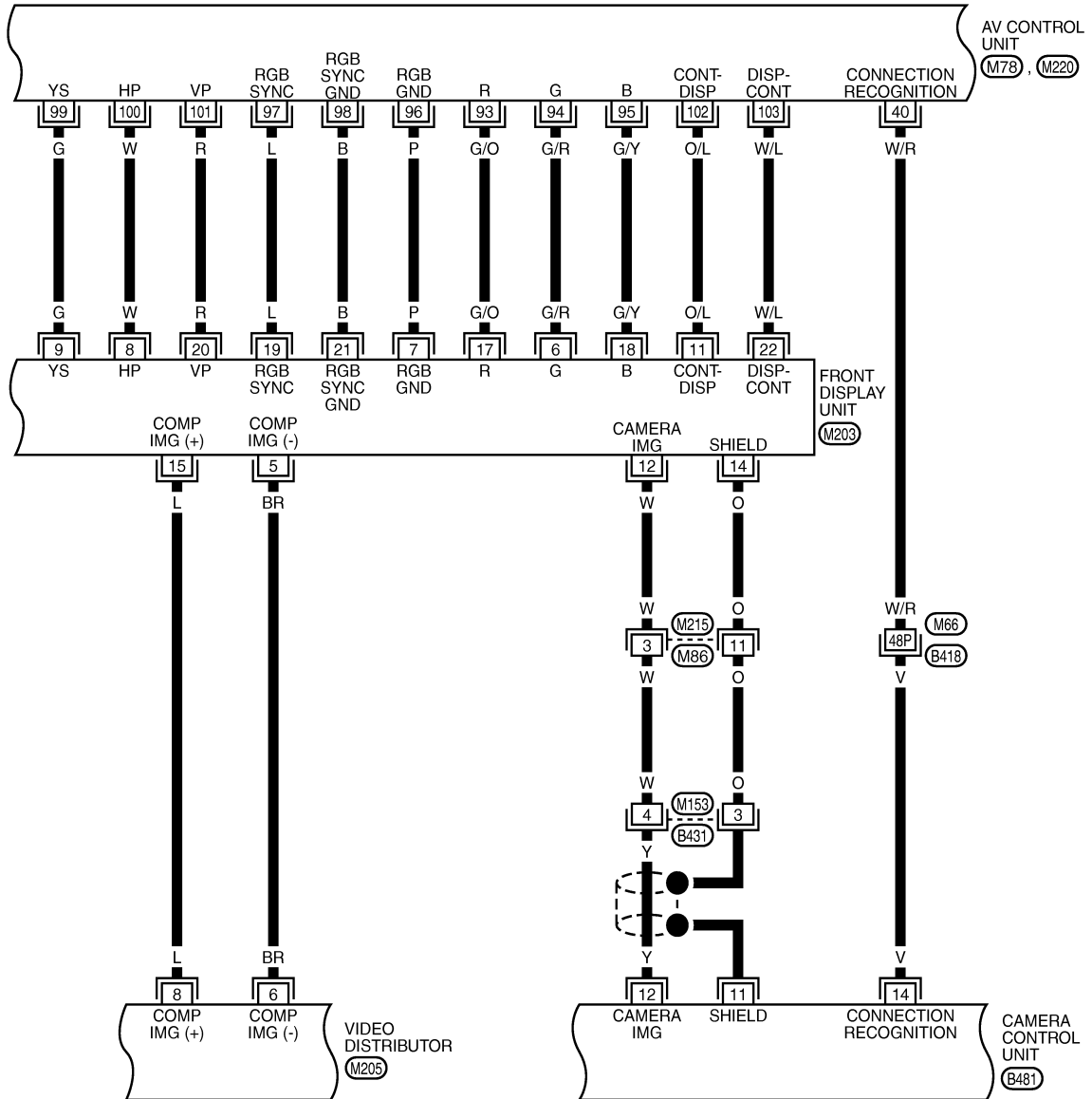
AV

# IPOD ADAPTER

[WITH MOBILE ENTERTAINMENT SYSTEM]

< ECU DIAGNOSIS >

AV-AV-75



REFER TO THE FOLLOWING.

(B418) -SUPER MULTIPLE JUNCTION (SMJ)

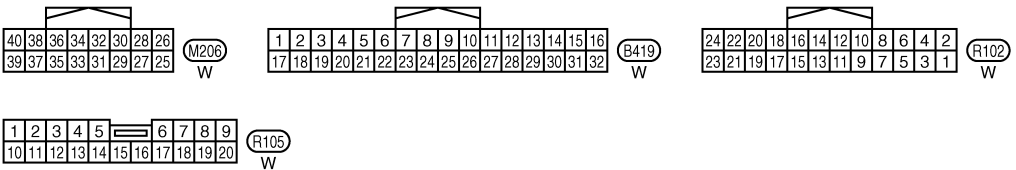
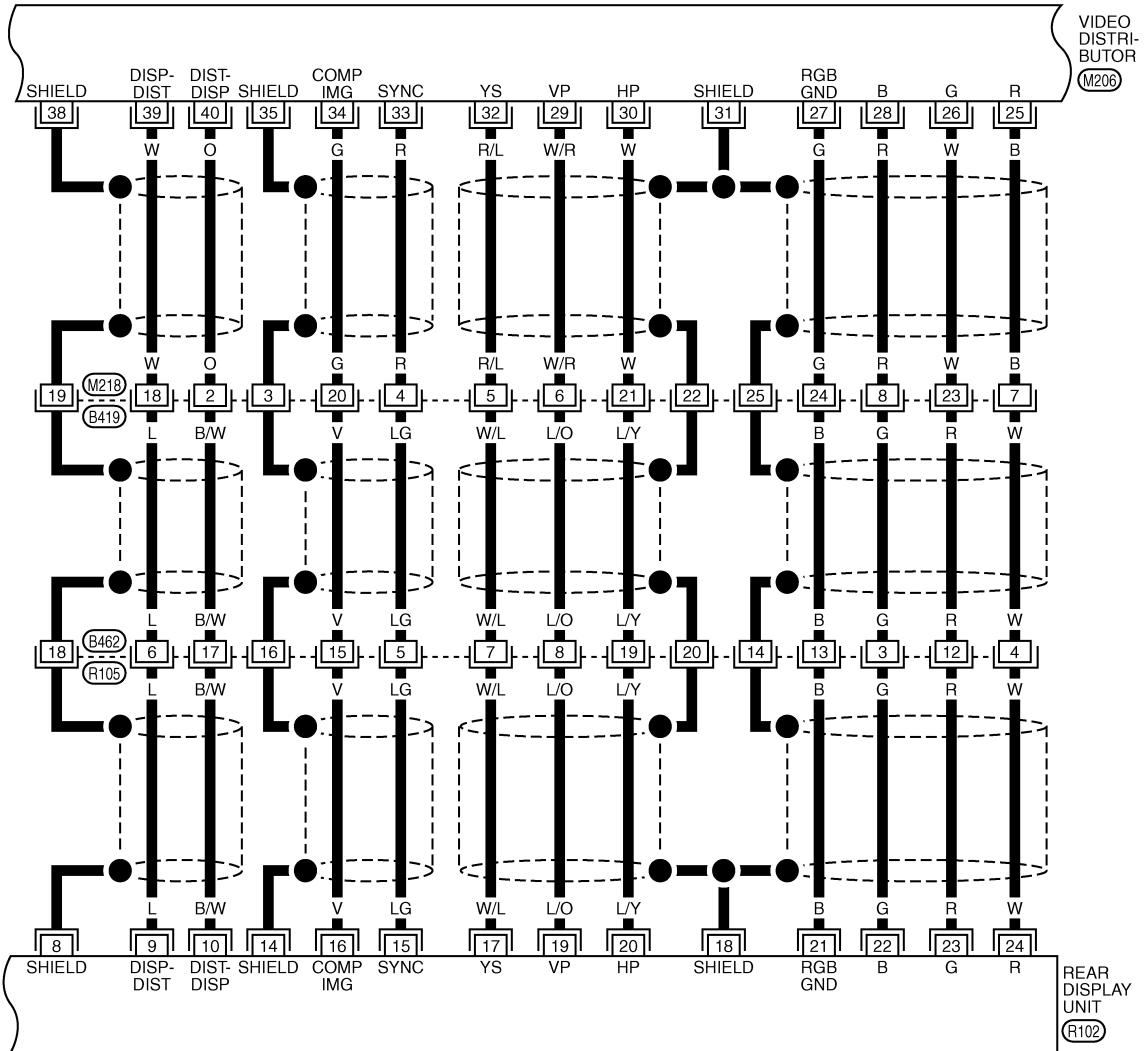
TKWT6757E

# IPOD ADAPTER

[WITH MOBILE ENTERTAINMENT SYSTEM]

< ECU DIAGNOSIS >

AV-AV-76



A  
B  
C  
D  
E  
F  
G  
H  
I  
J  
K  
L  
M  
N  
O  
P

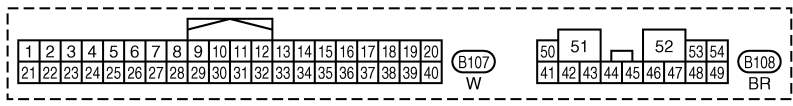
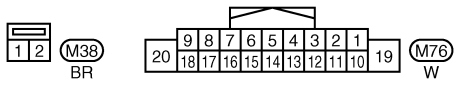
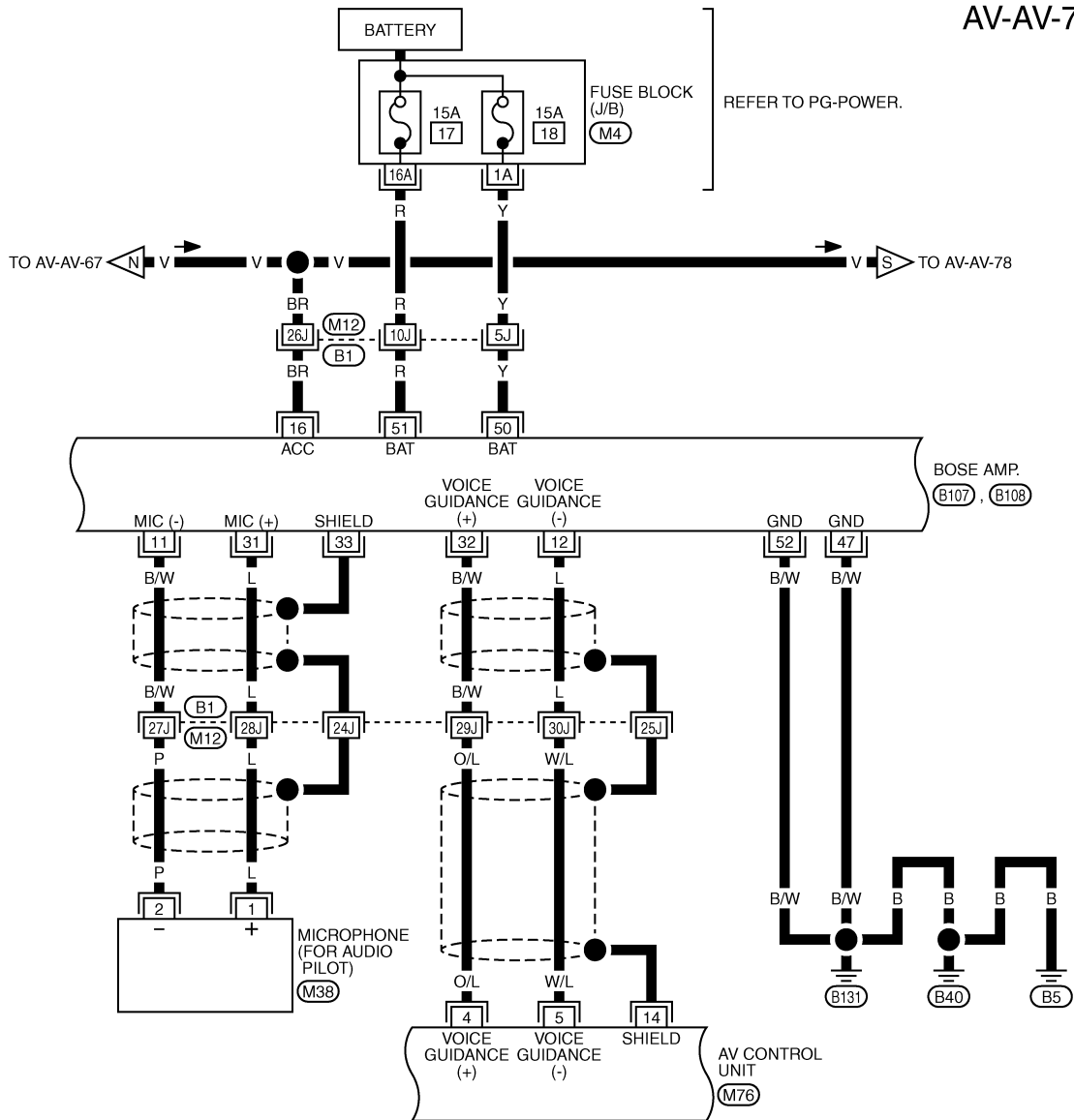
AV

# IPOD ADAPTER

[WITH MOBILE ENTERTAINMENT SYSTEM]

< ECU DIAGNOSIS >

AV-AV-77



REFER TO THE FOLLOWING.  
 (B1) -SUPER MULTIPLE JUNCTION (SMJ)  
 (M4) -FUSE BLOCK-JUNCTION BOX (J/B)

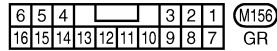
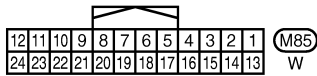
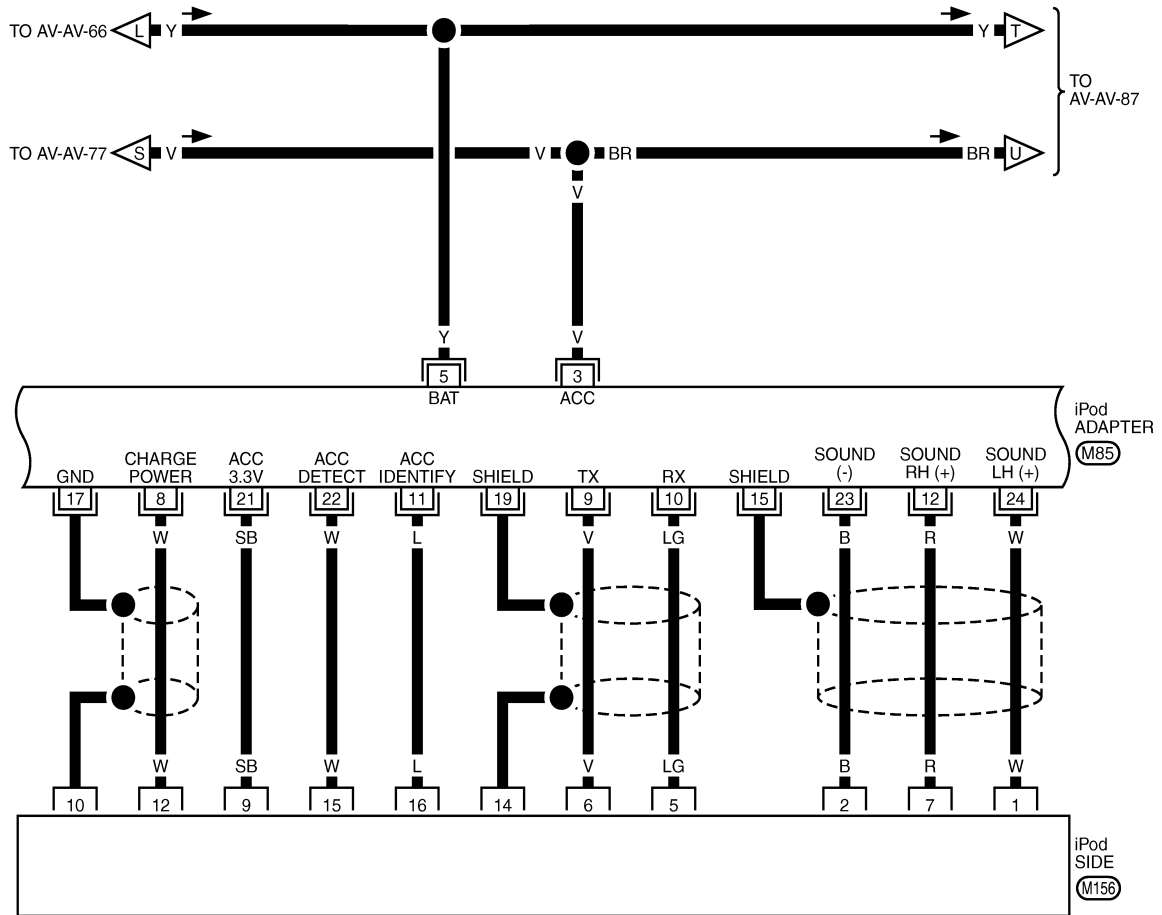
TKWT8308E

# IPOD ADAPTER

[WITH MOBILE ENTERTAINMENT SYSTEM]

< ECU DIAGNOSIS >

AV-AV-78



TKWT6761E

A  
B  
C  
D  
E  
F  
G  
H  
I  
J  
K  
L  
M  
N  
O  
P

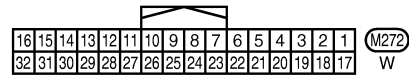
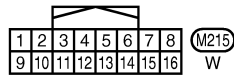
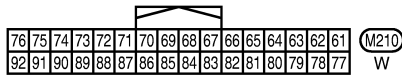
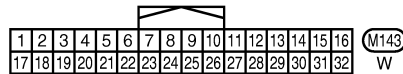
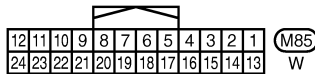
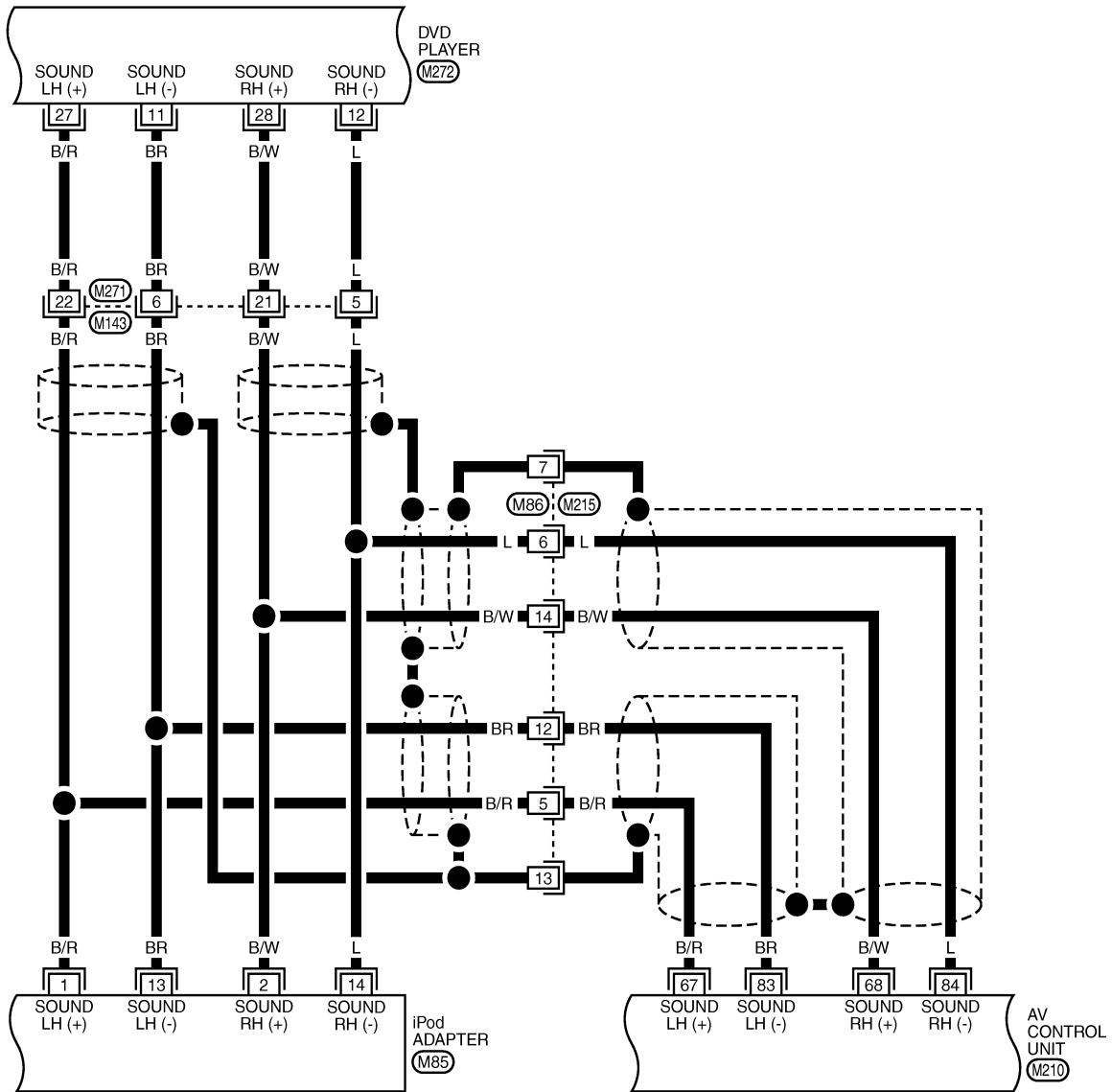
AV

# IPOD ADAPTER

[WITH MOBILE ENTERTAINMENT SYSTEM]

< ECU DIAGNOSIS >

AV-AV-79



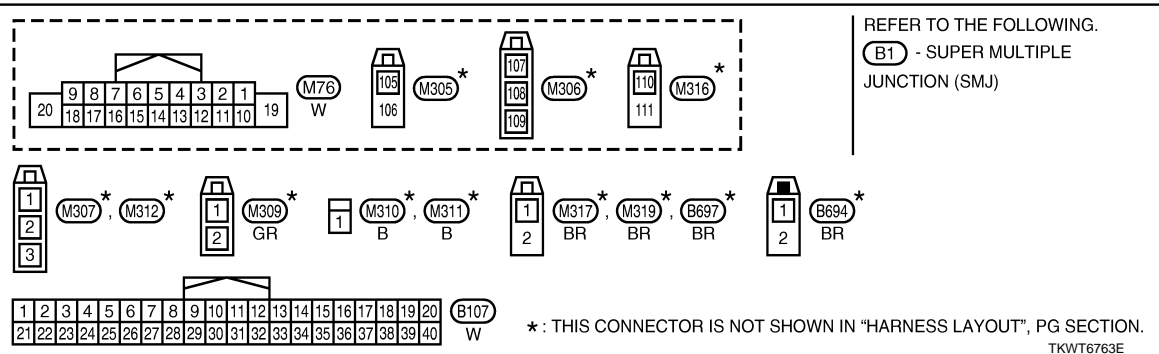
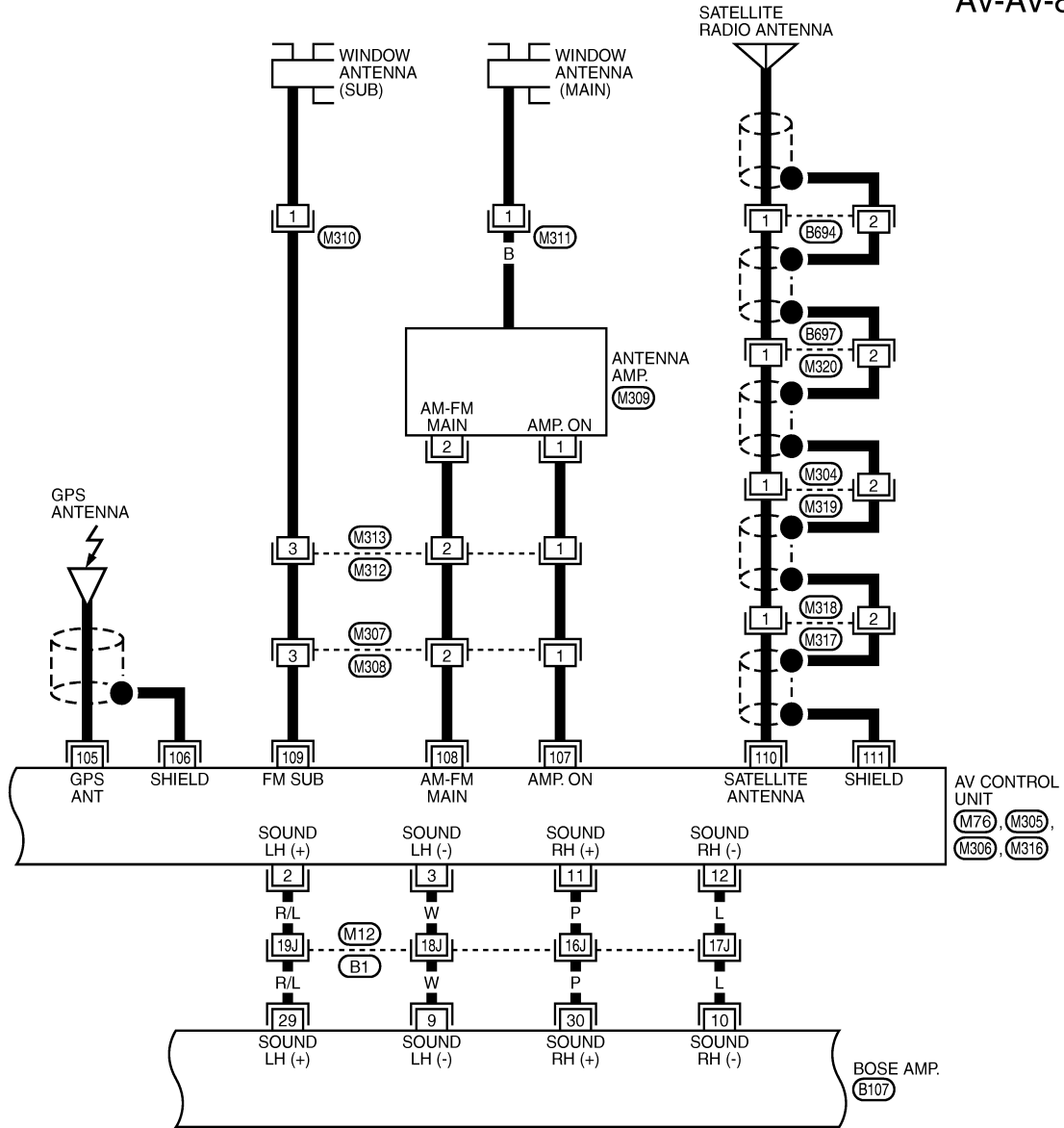
TKWT6762E

# IPOD ADAPTER

[WITH MOBILE ENTERTAINMENT SYSTEM]

< ECU DIAGNOSIS >

AV-AV-80



A  
B  
C  
D  
E  
F  
G  
H  
I  
J  
K  
L  
M  
N  
O  
P

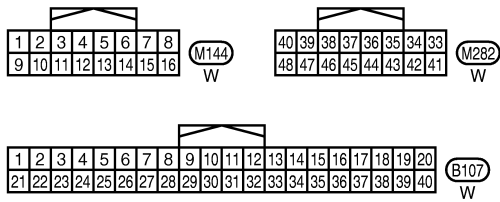
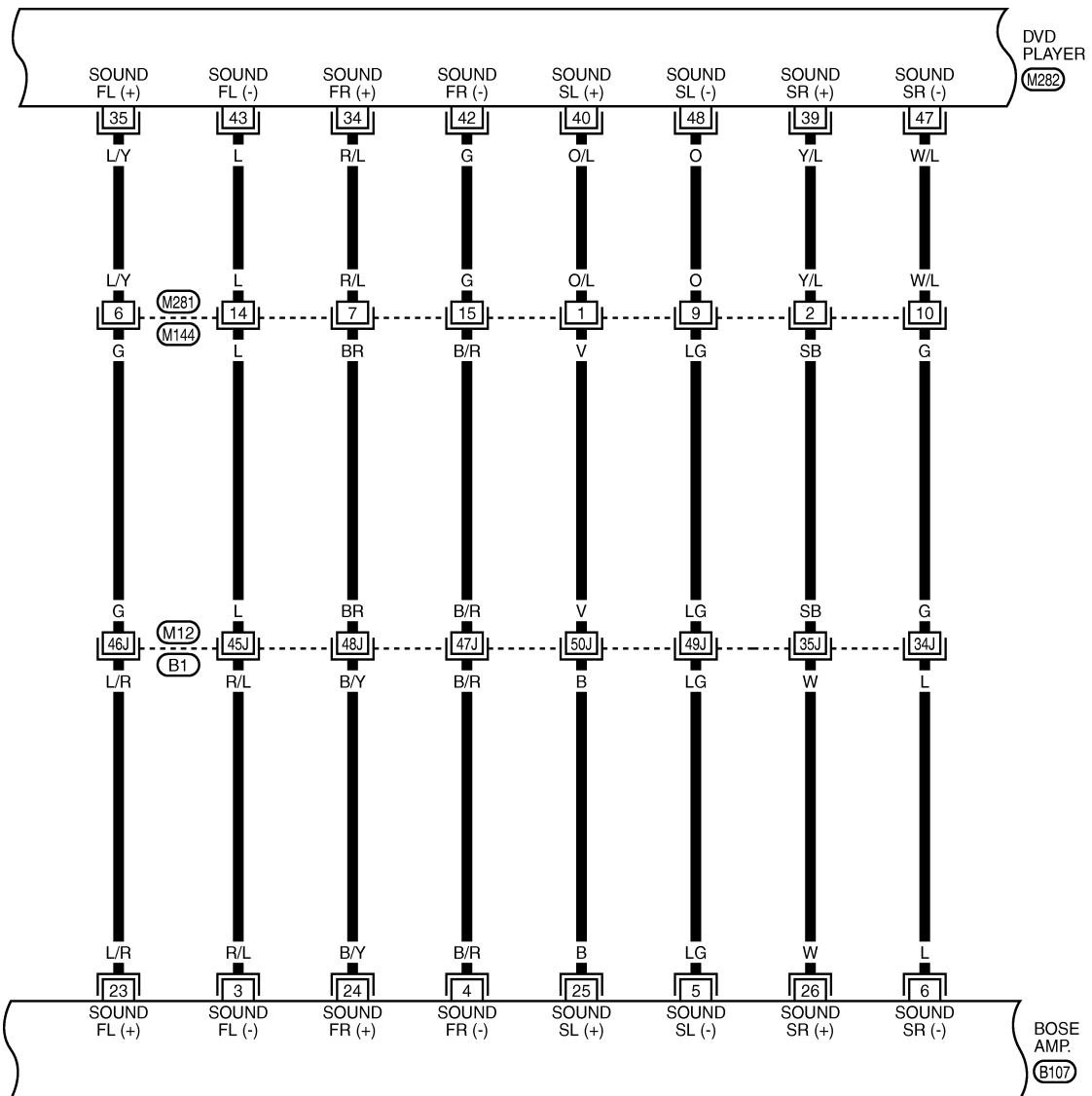
AV

# IPOD ADAPTER

[WITH MOBILE ENTERTAINMENT SYSTEM]

< ECU DIAGNOSIS >

AV-AV-81



REFER TO THE FOLLOWING.

(B1) - SUPER MULTIPLE JUNCTION (SMJ)

TKWT6764E

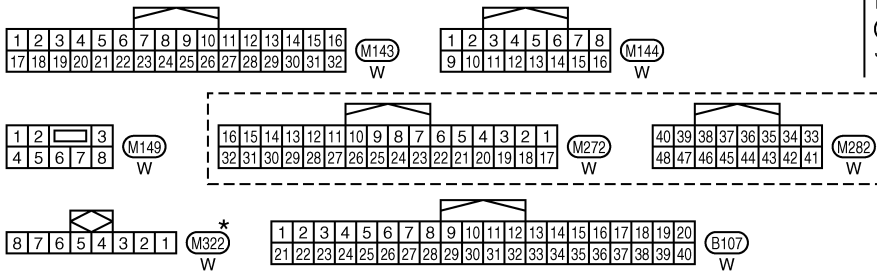
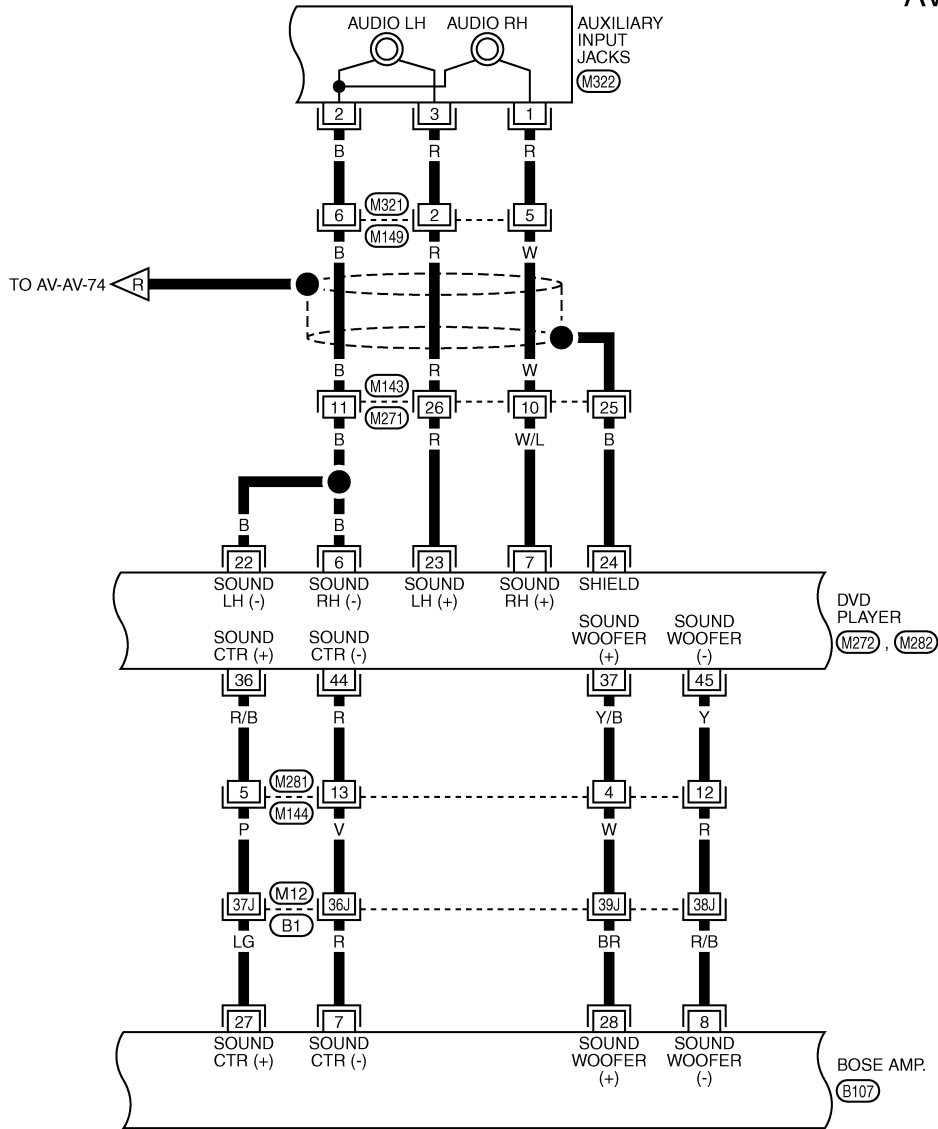


# IPOD ADAPTER

[WITH MOBILE ENTERTAINMENT SYSTEM]

< ECU DIAGNOSIS >

AV-AV-82



REFER TO THE FOLLOWING.  
 (B1) -SUPER MULTIPLE JUNCTION (SMJ)

\*: THIS CONNECTOR IS NOT SHOWN IN "HARNESS LAYOUT", PG SECTION.

TKWT8309E

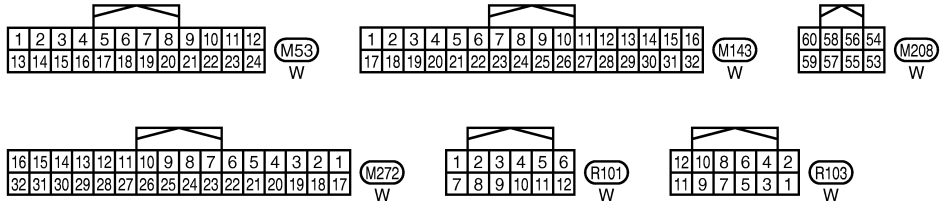
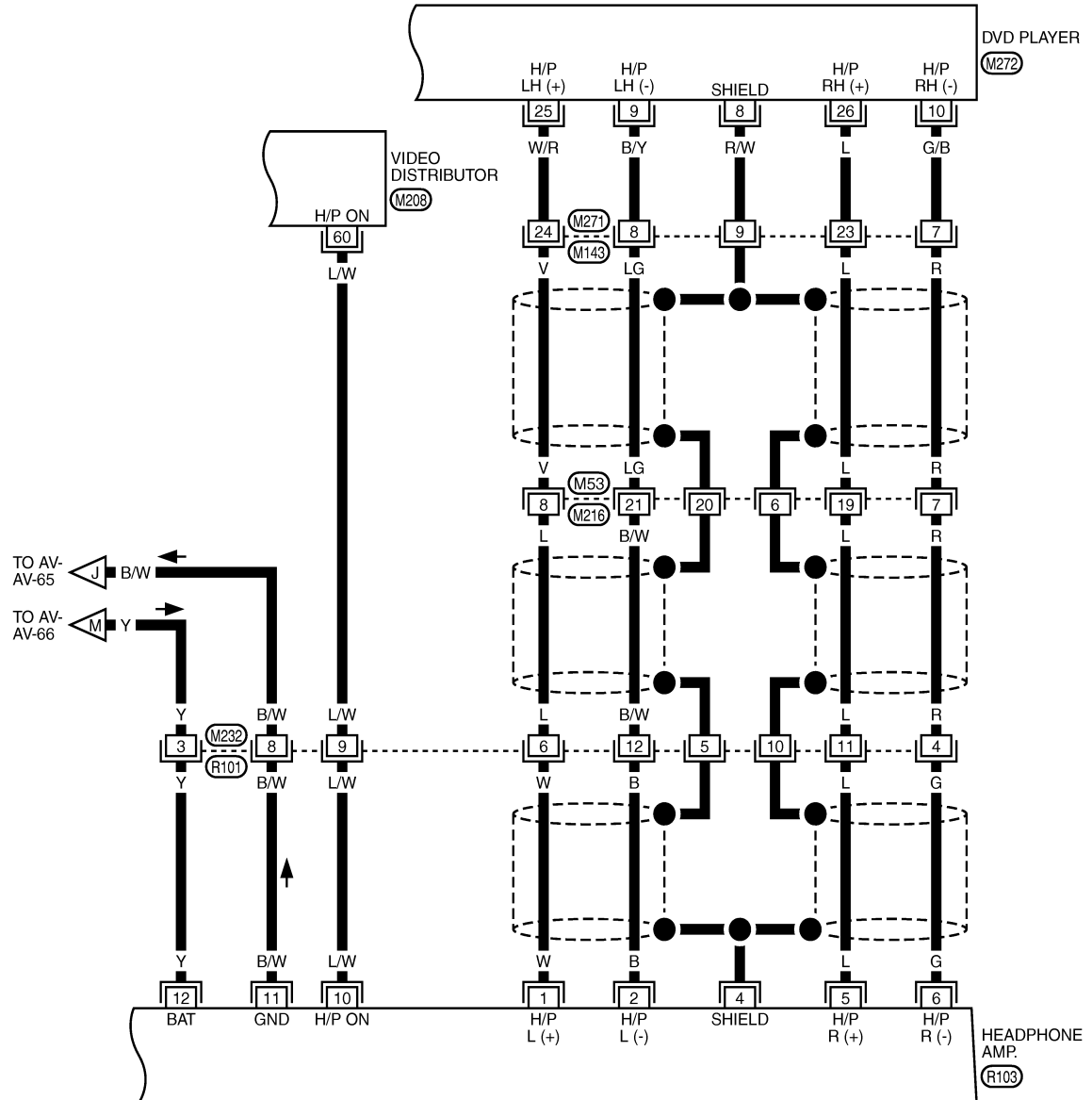
A  
B  
C  
D  
E  
F  
G  
H  
I  
J  
AV  
L  
M  
N  
O  
P

# IPOD ADAPTER

[WITH MOBILE ENTERTAINMENT SYSTEM]

< ECU DIAGNOSIS >

AV-AV-83



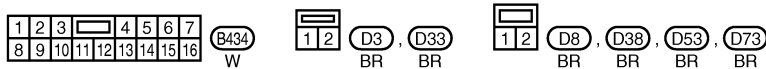
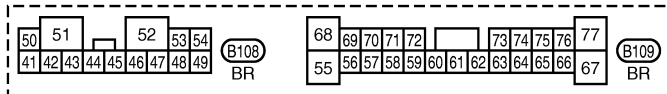
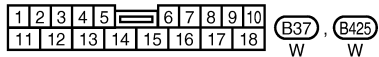
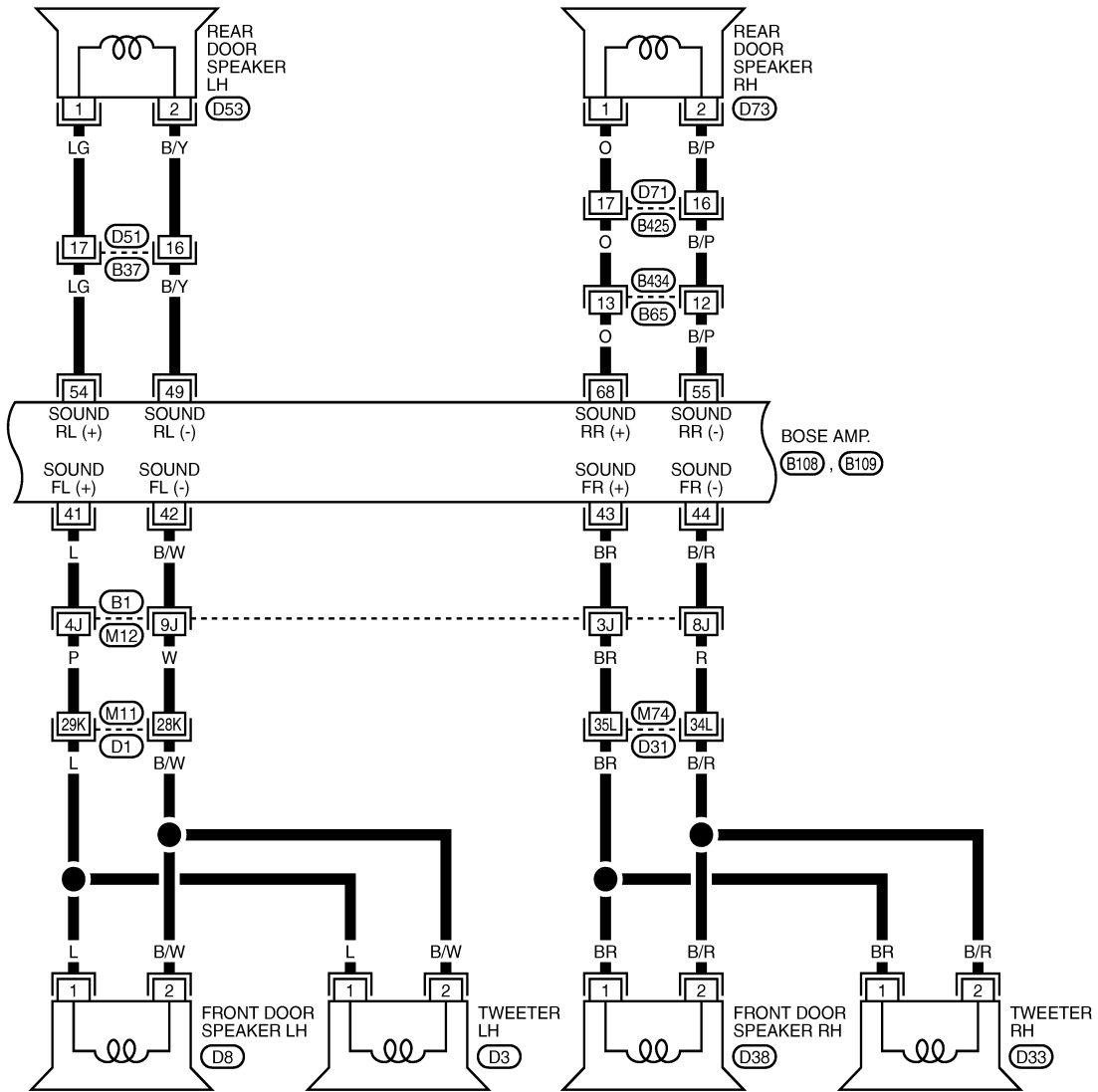
TKWT6766E

# IPOD ADAPTER

[WITH MOBILE ENTERTAINMENT SYSTEM]

< ECU DIAGNOSIS >

AV-AV-84



REFER TO THE FOLLOWING.

(B1), (D1), (D31) - SUPER MULTIPLE JUNCTION (SMJ)

TKWT6767E

A  
B  
C  
D  
E  
F  
G  
H  
I  
J  
K  
L  
M  
N  
O  
P

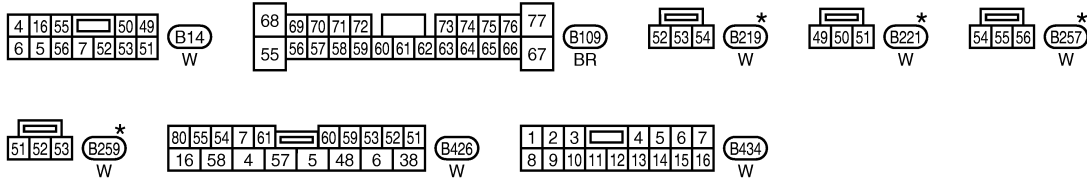
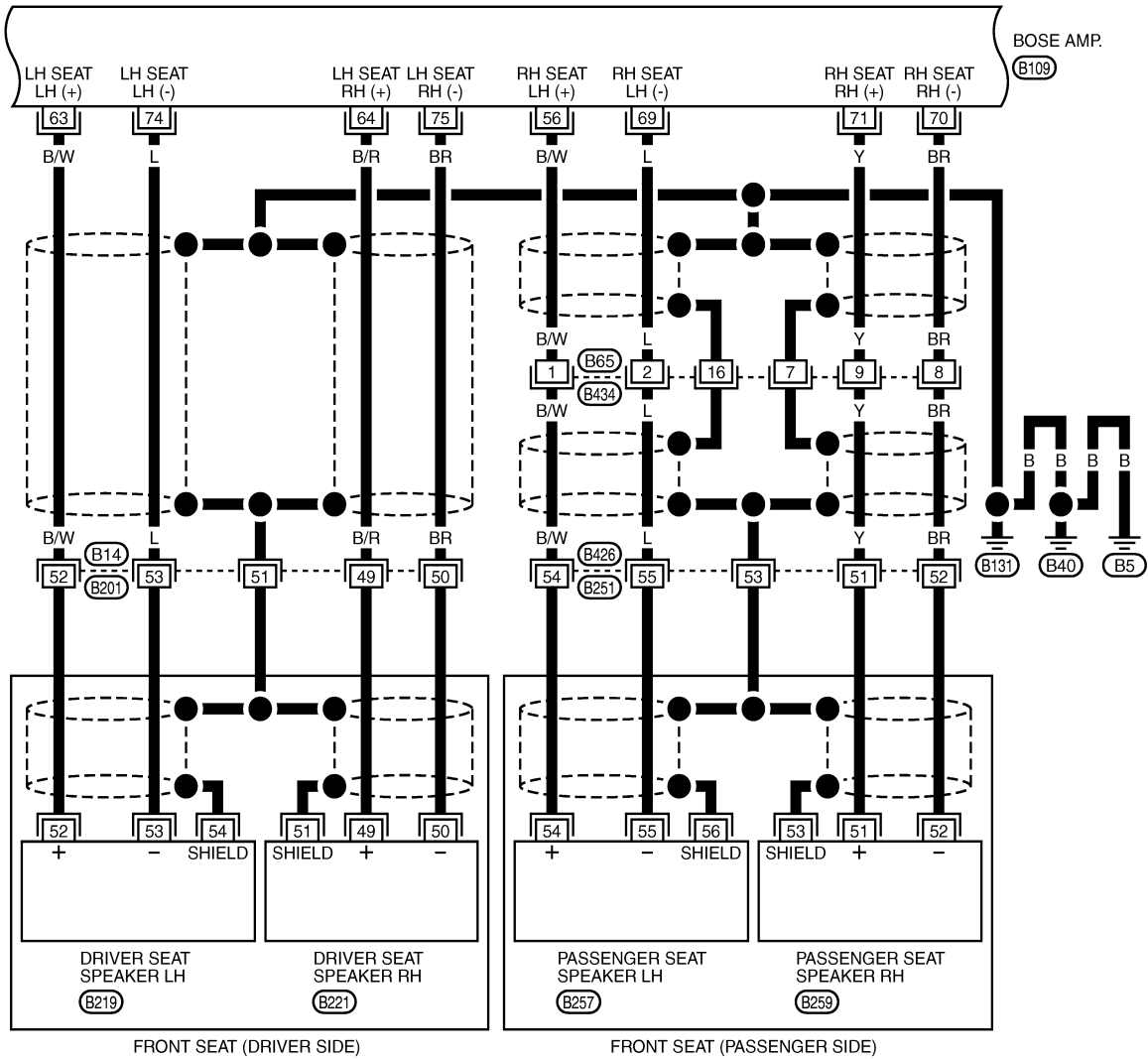
AV

# IPOD ADAPTER

[WITH MOBILE ENTERTAINMENT SYSTEM]

< ECU DIAGNOSIS >

AV-AV-85



\*: THIS CONNECTOR IS NOT SHOWN IN "HARNESS LAYOUT", PG SECTION.

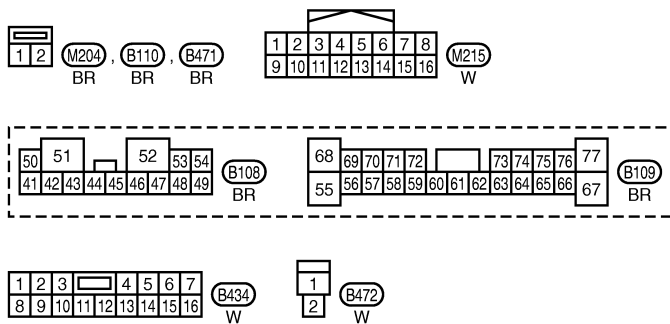
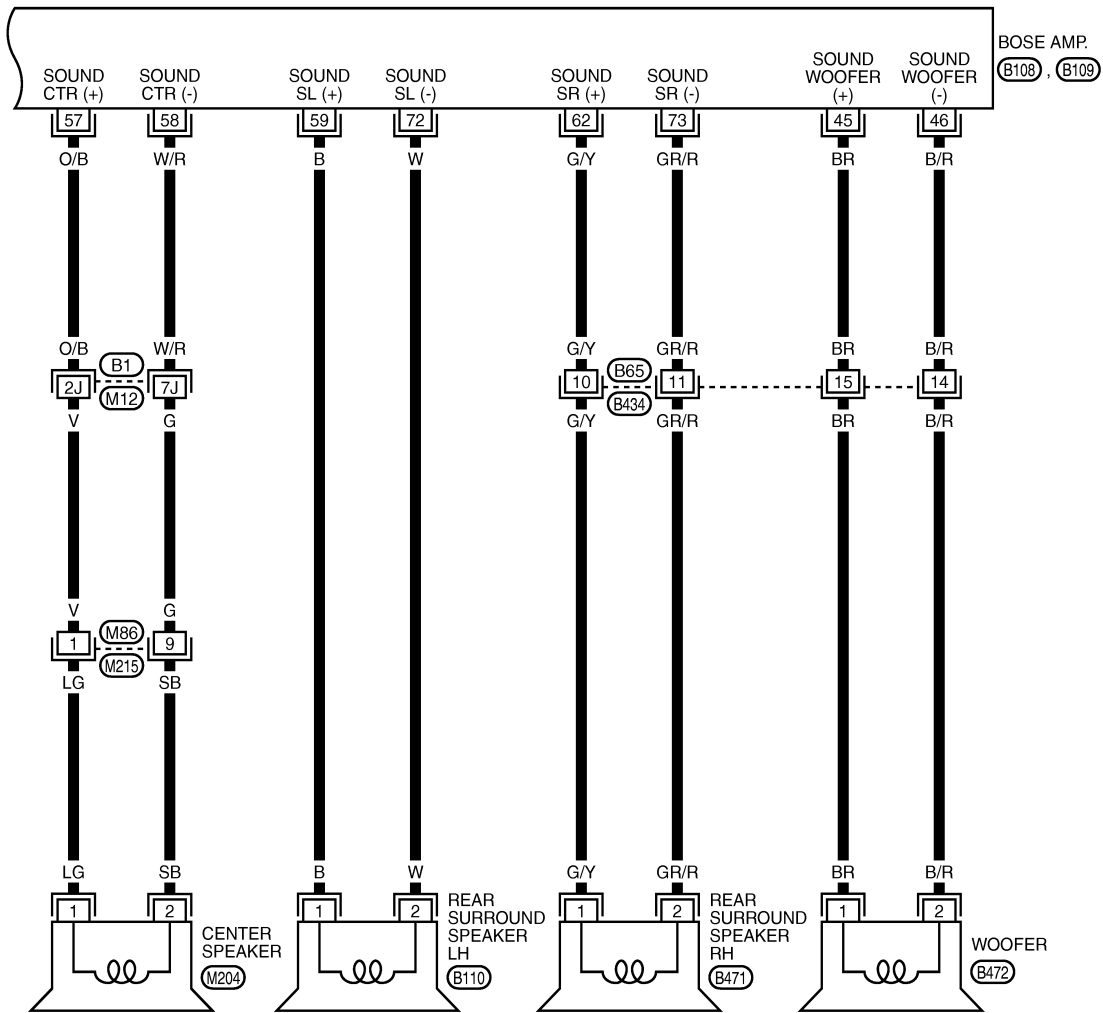
TKWT6768E

# IPOD ADAPTER

< ECU DIAGNOSIS >

[WITH MOBILE ENTERTAINMENT SYSTEM]

AV-AV-86



REFER TO THE FOLLOWING.

(B1) - SUPER MULTIPLE JUNCTION (SMJ)

TKWT6769E

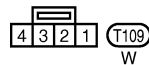
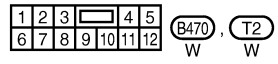
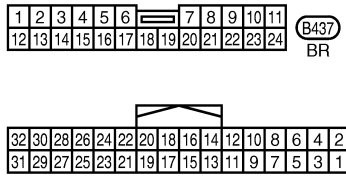
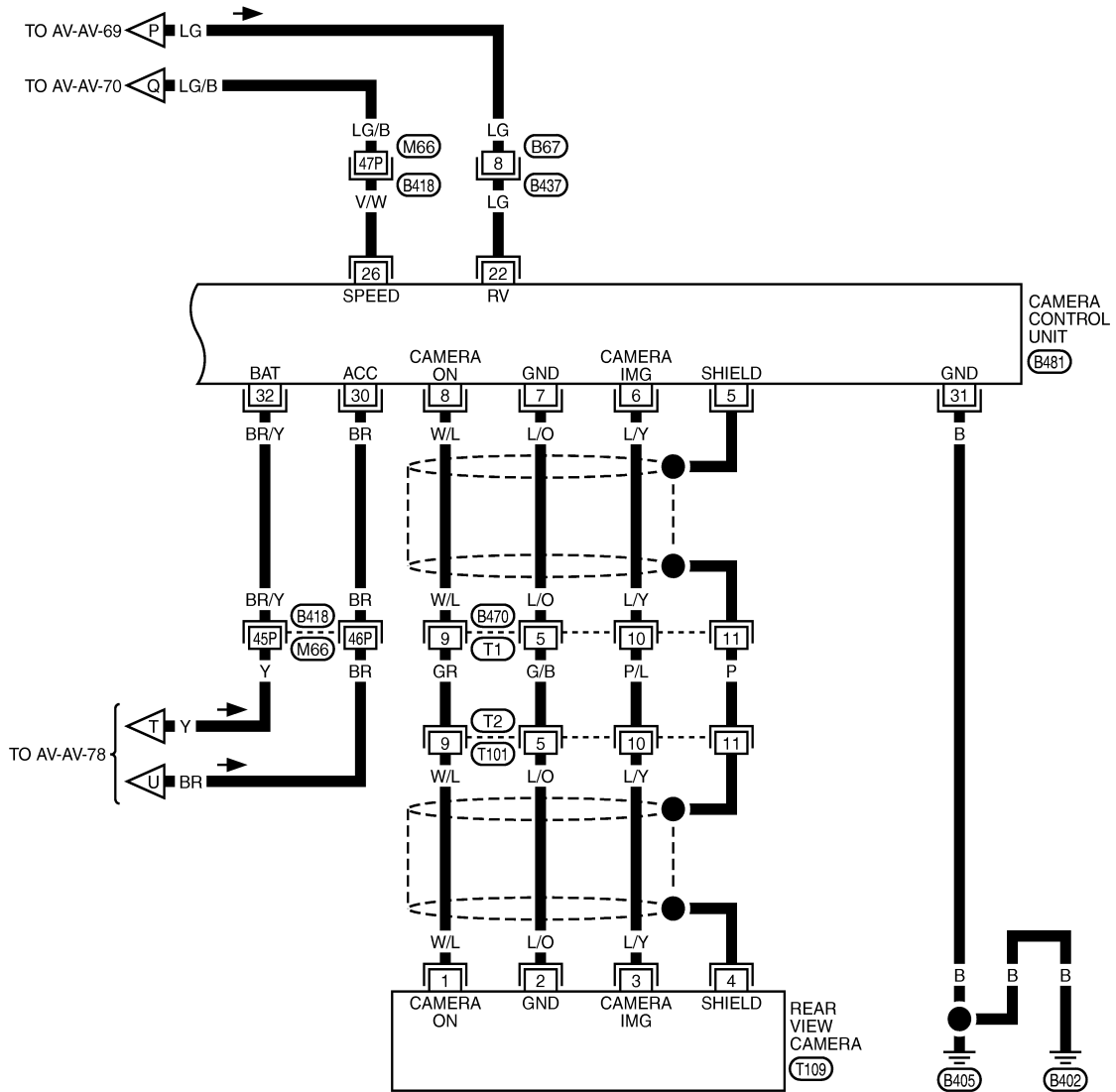
A  
B  
C  
D  
E  
F  
G  
H  
I  
J  
AV  
L  
M  
N  
O  
P

# IPOD ADAPTER

[WITH MOBILE ENTERTAINMENT SYSTEM]

< ECU DIAGNOSIS >

AV-AV-87



REFER TO THE FOLLOWING.

(B418) - SUPER MULTIPLE JUNCTION (SMJ)

TKWT6770E

# CAMERA CONTROL UNIT

[WITH MOBILE ENTERTAINMENT SYSTEM]

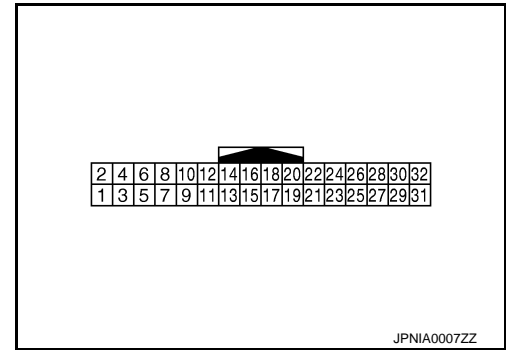
< ECU DIAGNOSIS >

## CAMERA CONTROL UNIT

Reference Value

INFOID:000000005350627

TERMINAL LAYOUT



PHYSICAL VALUES

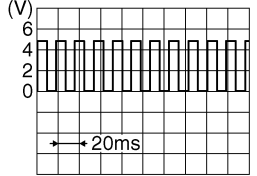
Terminal (Wire color)		Description		Condition		Reference value (Approx.)
+	-	Signal name	Input/ Output			
5	—	Shield	—	—	—	—
6 (L/Y)	Ground	Camera image signal	Input	Ignition switch ON	When rear view camera im- age is displayed.	
7 (L/O)	Ground	Rear view camera ground	—	Ignition switch ON	—	0 V
8 (W/L)	Ground	Camera ON signal	Output	Ignition switch ON	R position. Other than R position.	6 V 0 V
11	—	Shield	—	—	—	—
12 (Y)	Ground	Camera image signal	Output	Ignition switch ON	When rear view camera im- age is displayed.	
14 (V)	Ground	Camera-connection recog- nition signal	Output	Ignition switch ON	Connected to camera con- trol unit connector. Not connected to camera control unit connector.	0 V 5 V
17 (G)	—	AV communication signal (L)	Input/ Output	—	—	—
18 (R)	—	AV communication signal (H)	Input/ Output	—	—	—
19 (R)	—	AV communication signal (L)	Input/ Output	—	—	—

A  
B  
C  
D  
E  
F  
G  
H  
I  
J  
AV  
L  
M  
N  
O  
P

# CAMERA CONTROL UNIT

[WITH MOBILE ENTERTAINMENT SYSTEM]

< ECU DIAGNOSIS >

Terminal (Wire color)		Description		Condition		Reference value (Approx.)
+	-	Signal name	Input/ Output			
20 (W)	—	AV communication signal (H)	Input/ Output	—	—	—
22 (LG)	Ground	Reverse signal	Input	Ignition switch ON	R position.	12 V
					Other than R position.	0 V
26 (V/W)	Ground	Vehicle speed signal (8-pulse)	Input	Ignition switch ON	When vehicle speed is ap- prox. 40 km/h (25 MPH).	<p><b>NOTE:</b> Maximum voltage may be 12 V due to specifications (connected units).</p>  <p style="text-align: right; font-size: small;">SKIA6649J</p>
30 (BR)	Ground	ACC power supply	Input	Ignition switch ACC	—	Battery voltage
31 (B)	Ground	Ground	—	Ignition switch ON	—	0 V
32 (BR/Y)	Ground	Battery power supply	Input	Ignition switch OFF	—	Battery voltage



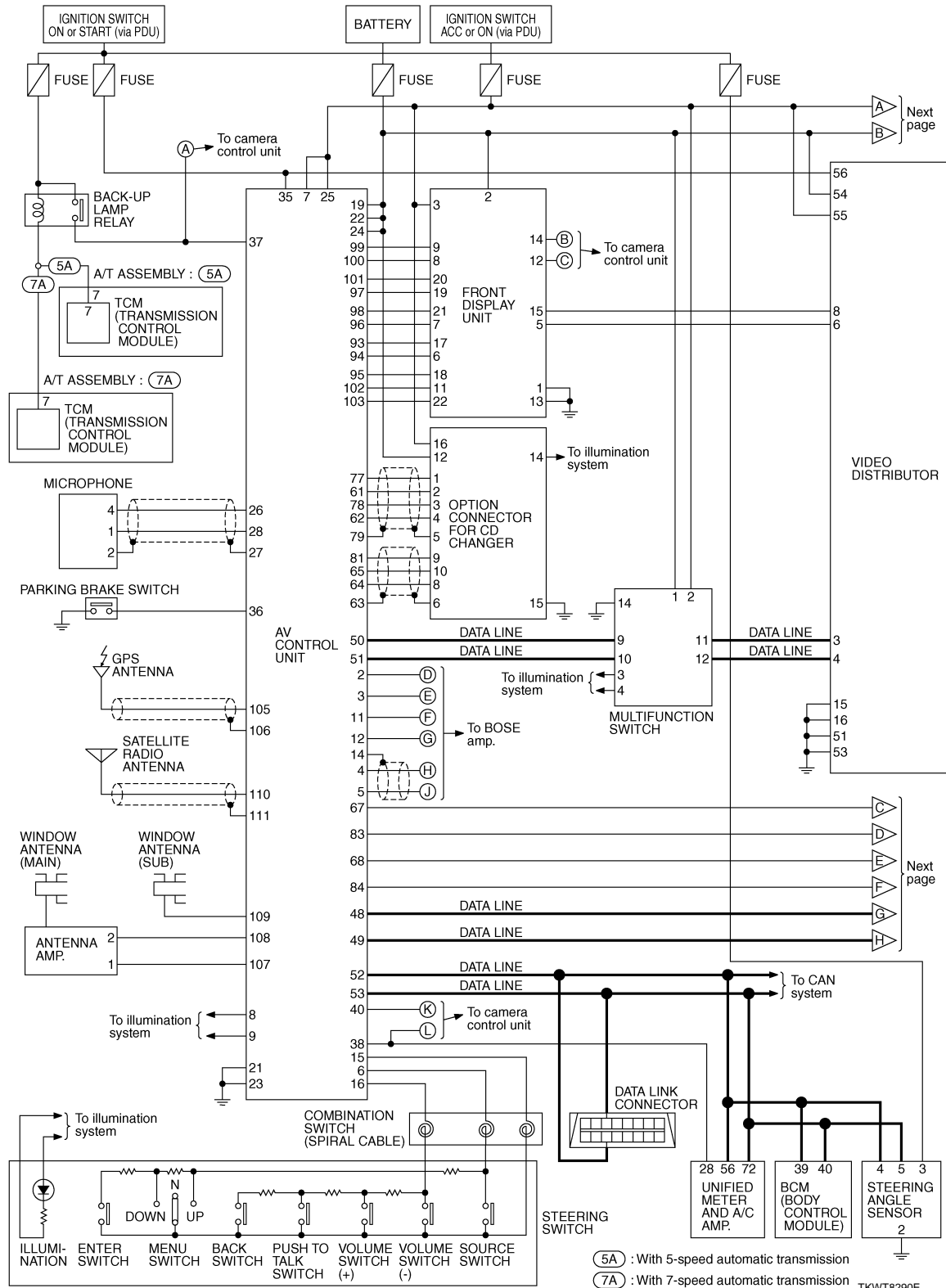
# CAMERA CONTROL UNIT

[WITH MOBILE ENTERTAINMENT SYSTEM]

< ECU DIAGNOSIS >

## Schematic - BOSE Audio 2ch System-

INFOID:000000005350628



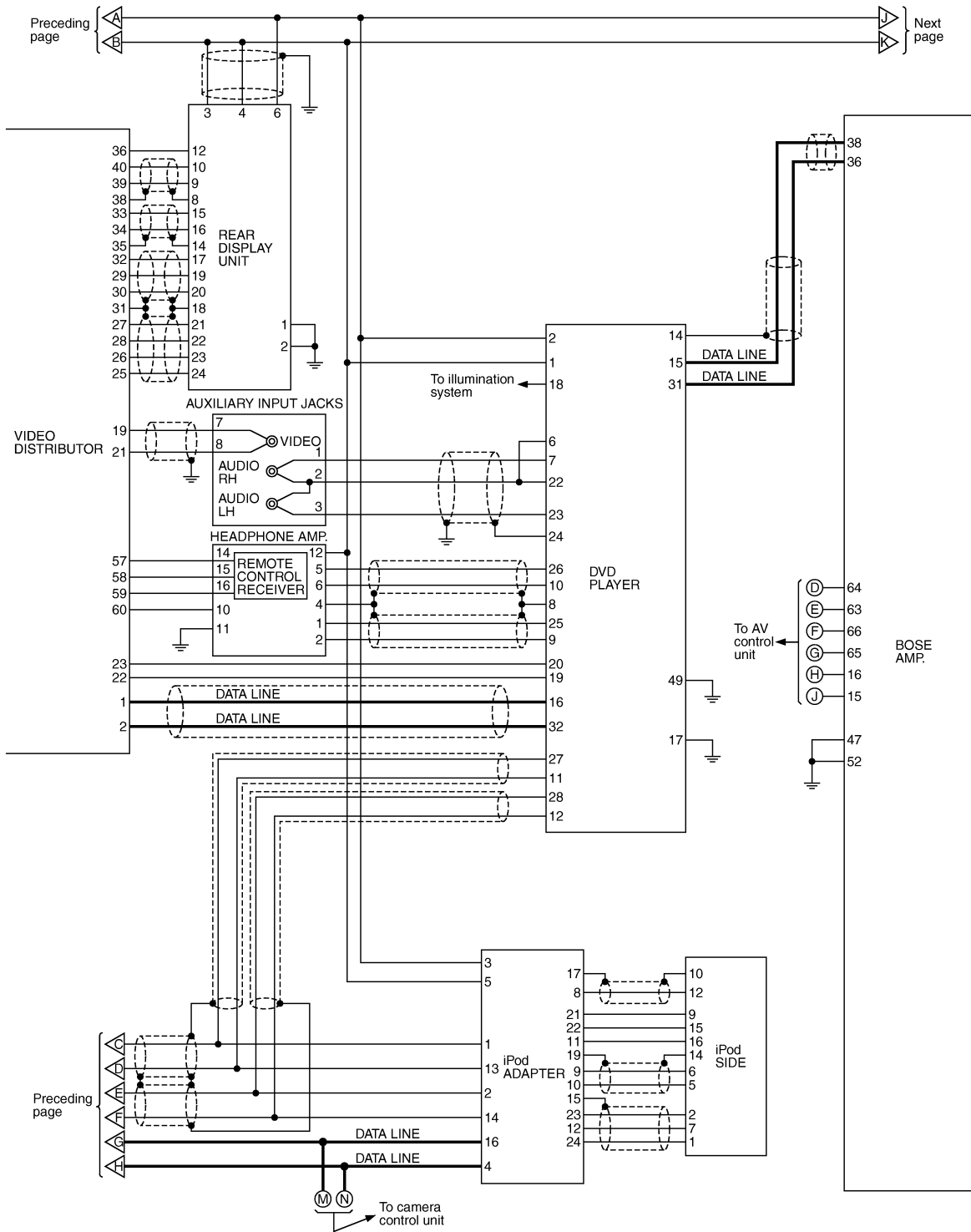
A  
B  
C  
D  
E  
F  
G  
H  
I  
J  
K  
L  
M  
N  
O  
P

AV

# CAMERA CONTROL UNIT

[WITH MOBILE ENTERTAINMENT SYSTEM]

< ECU DIAGNOSIS >

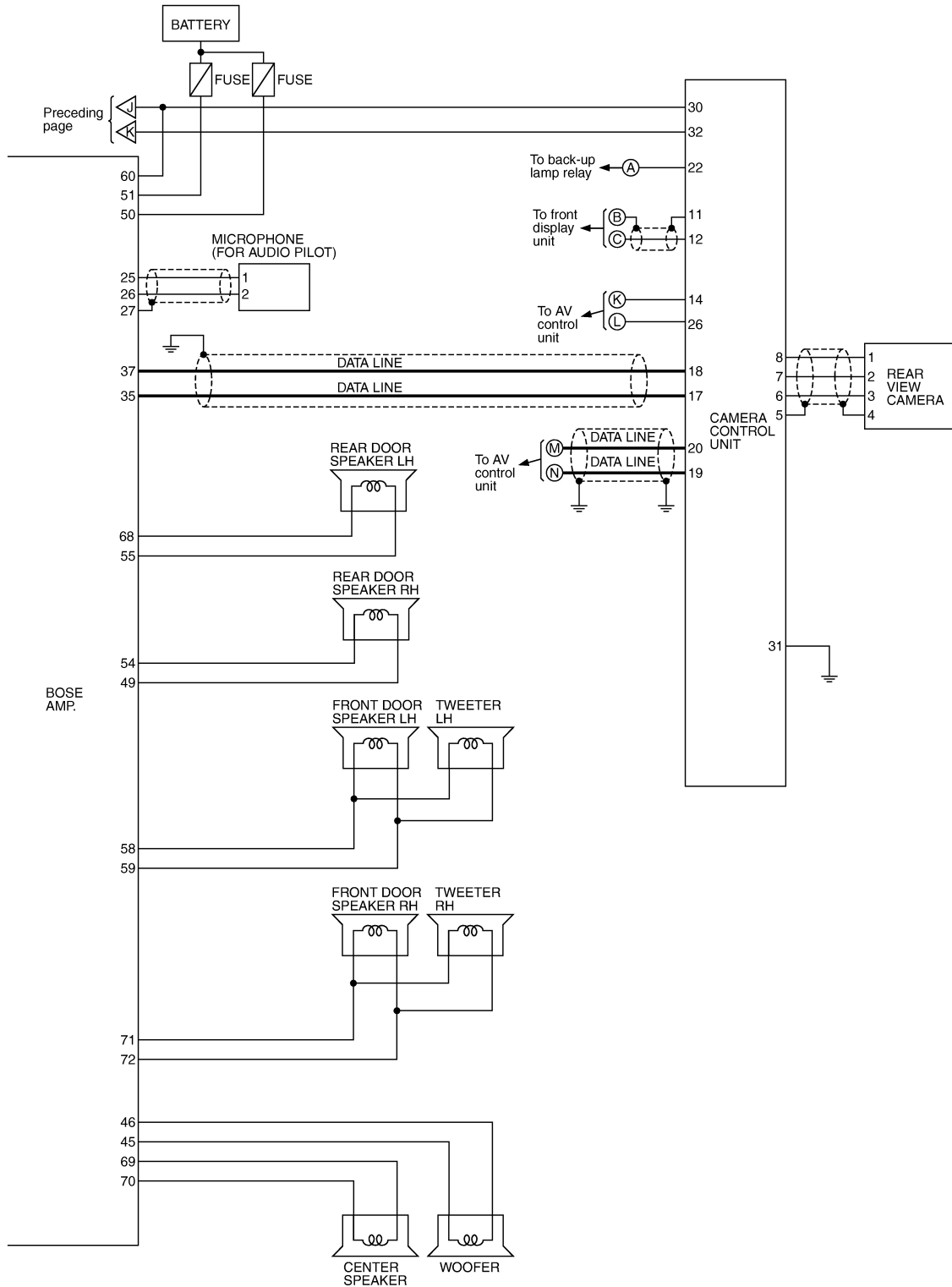


TKWT6722E

# CAMERA CONTROL UNIT

[WITH MOBILE ENTERTAINMENT SYSTEM]

< ECU DIAGNOSIS >



A  
B  
C  
D  
E  
F  
G  
H  
I  
J  
K  
L  
M  
N  
O  
P

AV

TKWT6723E

Wiring Diagram - AV - / BOSE Audio 2ch System

**NOTE:**

INFOID:000000005350629

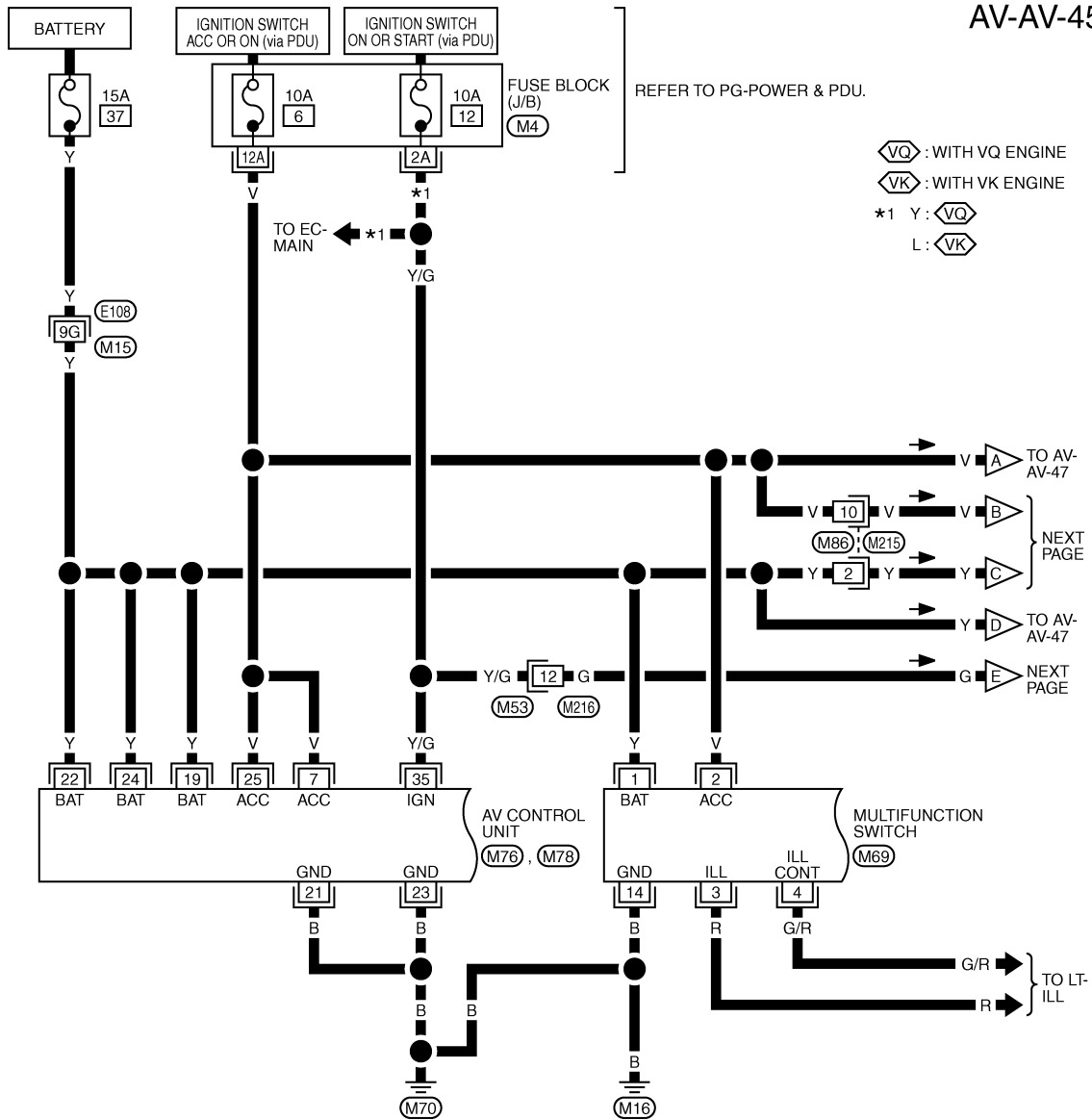
# CAMERA CONTROL UNIT

[WITH MOBILE ENTERTAINMENT SYSTEM]

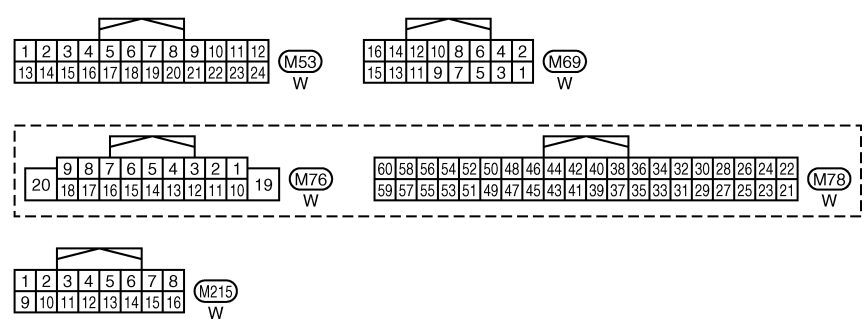
< ECU DIAGNOSIS >

The name MULTIFUNCTION SWITCH indicates the integration of PRESET SWITCH and MULTIFUNCTION SWITCH virtually.

AV-AV-45



VQ : WITH VQ ENGINE  
 VK : WITH VK ENGINE  
 \*1 Y : VQ  
 L : VK



REFER TO THE FOLLOWING.

- (E108) -SUPER MULTIPLE JUNCTION (SMJ)
- (M4) -FUSE BLOCK-JUNCTION BOX (J/B)

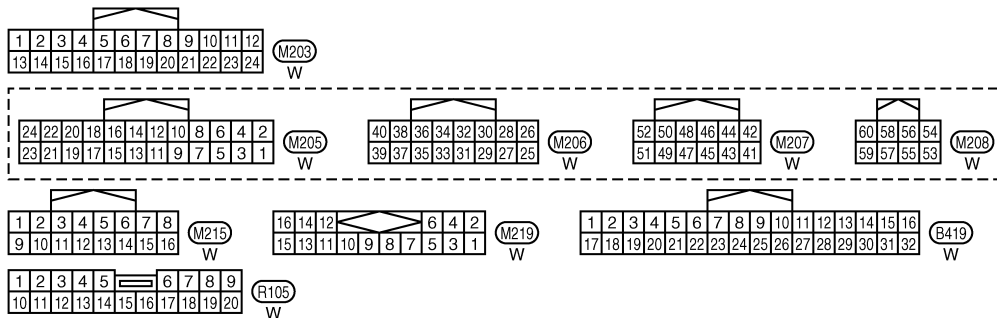
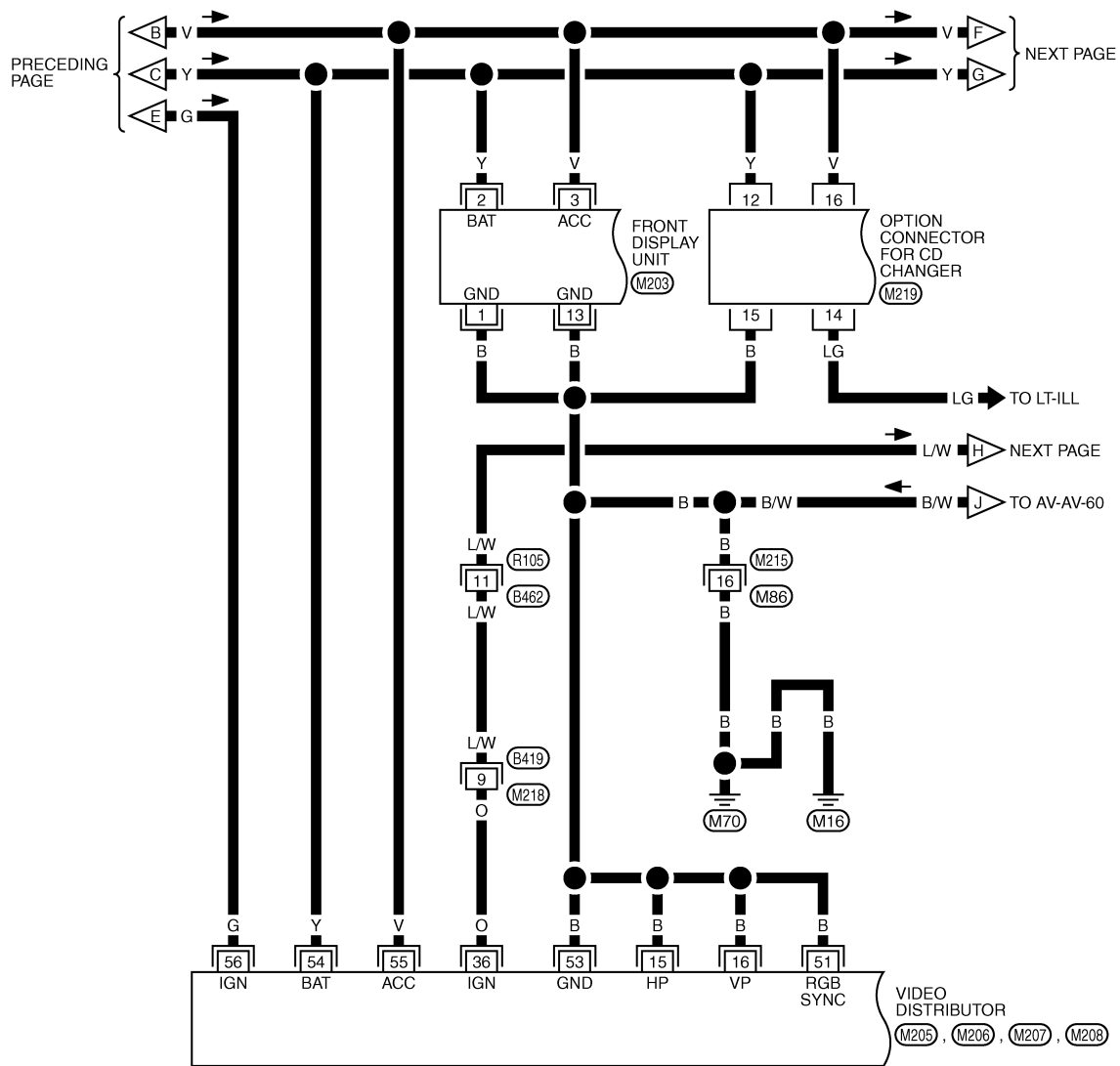
TKWT8291E

# CAMERA CONTROL UNIT

[WITH MOBILE ENTERTAINMENT SYSTEM]

< ECU DIAGNOSIS >

AV-AV-46



TKWT8292E

A  
B  
C  
D  
E  
F  
G  
H  
I  
J  
L  
M  
N  
O  
P

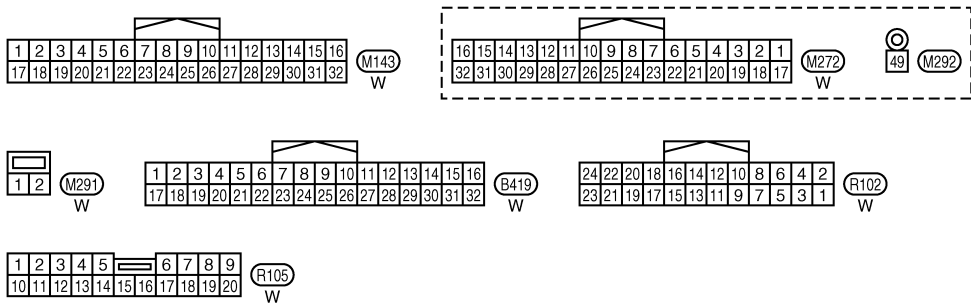
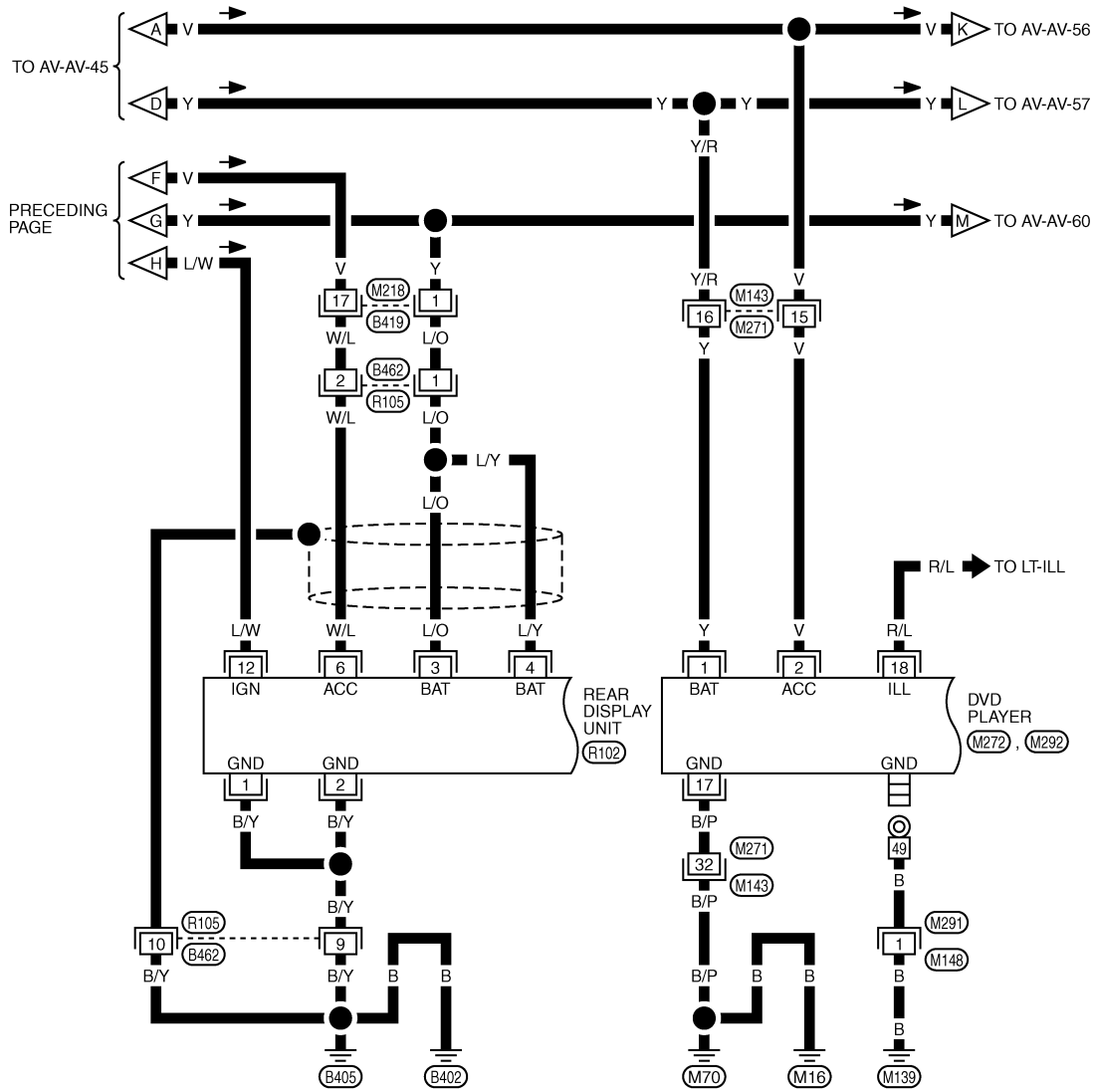
AV

# CAMERA CONTROL UNIT

[WITH MOBILE ENTERTAINMENT SYSTEM]

< ECU DIAGNOSIS >

AV-AV-47



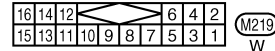
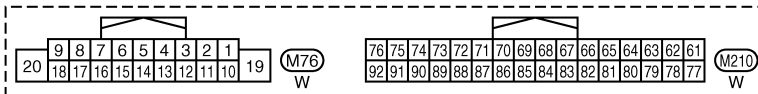
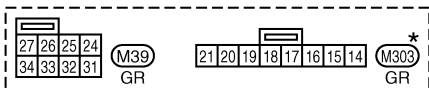
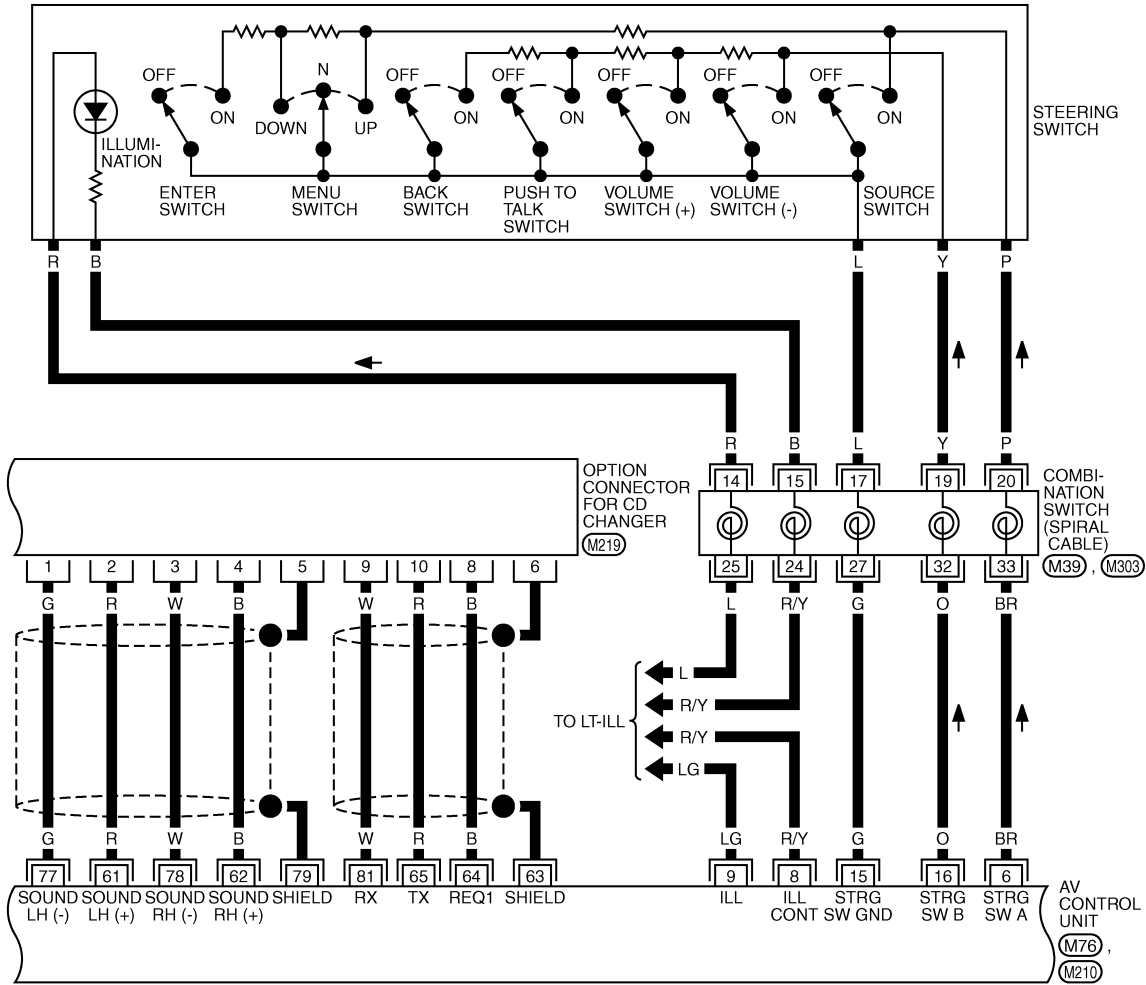
TKWT8293E

# CAMERA CONTROL UNIT

[WITH MOBILE ENTERTAINMENT SYSTEM]

< ECU DIAGNOSIS >

AV-AV-48



\*: THIS CONNECTOR IS NOT SHOWN IN "HARNESS LAYOUT", PG SECTION.

TKWT8294E

A  
B  
C  
D  
E  
F  
G  
H  
I  
J  
L  
M  
N  
O  
P

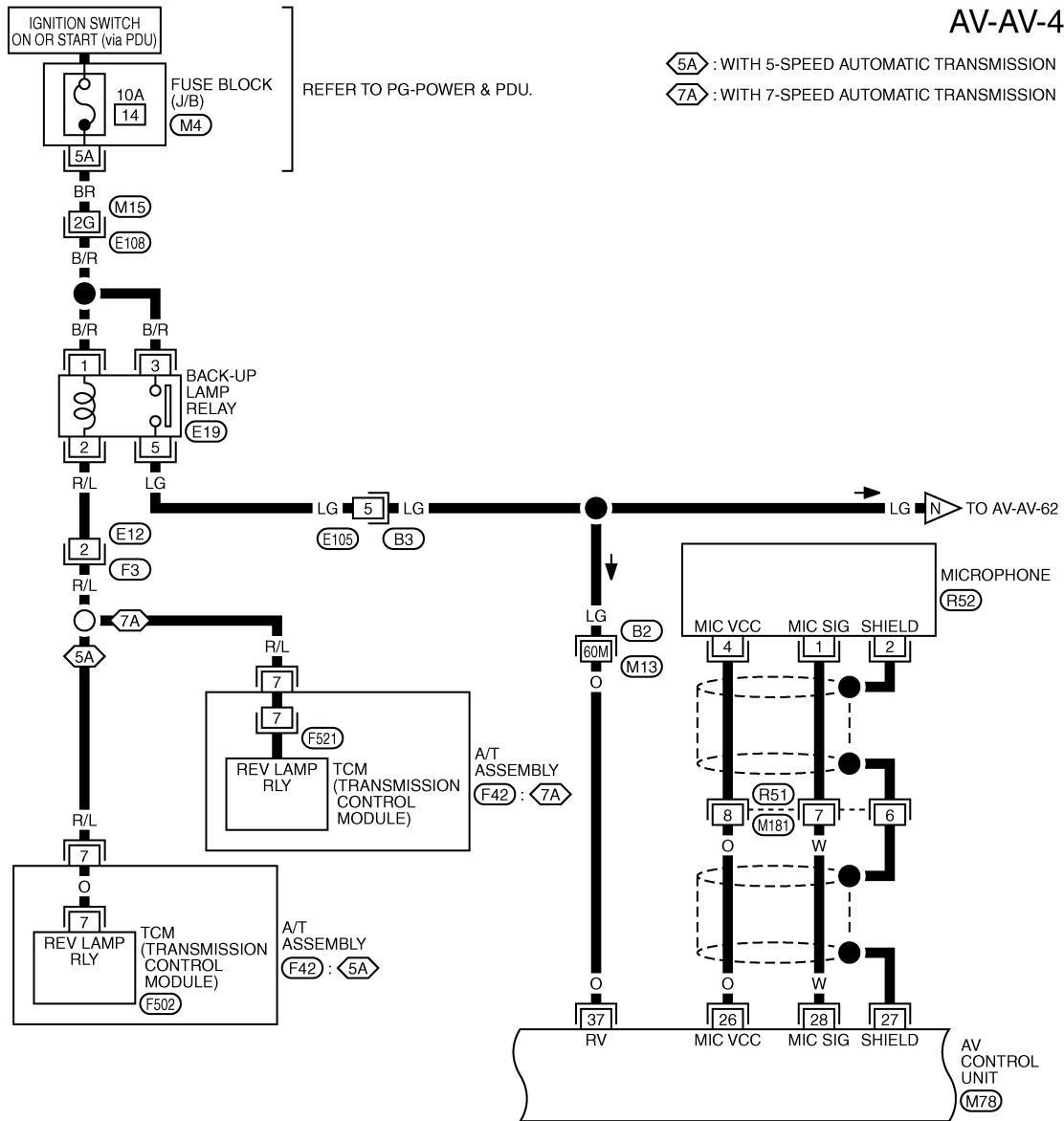
AV

# CAMERA CONTROL UNIT

[WITH MOBILE ENTERTAINMENT SYSTEM]

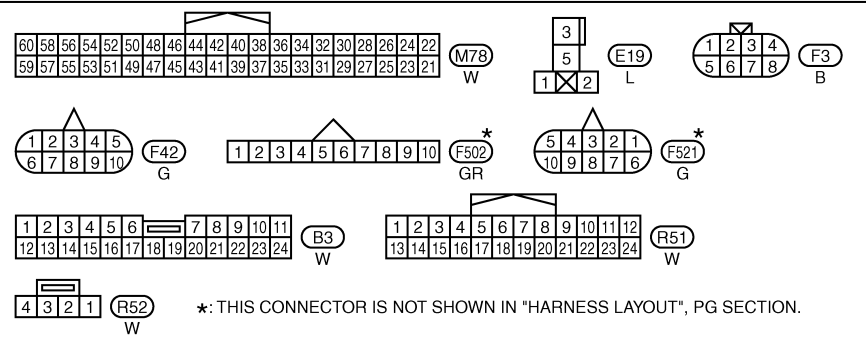
< ECU DIAGNOSIS >

AV-AV-49



5A : WITH 5-SPEED AUTOMATIC TRANSMISSION  
 7A : WITH 7-SPEED AUTOMATIC TRANSMISSION

REFER TO PG-POWER & PDU.



REFER TO THE FOLLOWING.  
 E108, B2 -SUPER MULTIPLE JUNCTION (SMJ)  
 M4 -FUSE BLOCK-JUNCTION BOX (J/B)

\*: THIS CONNECTOR IS NOT SHOWN IN "HARNESS LAYOUT", PG SECTION.

TKWT8295E



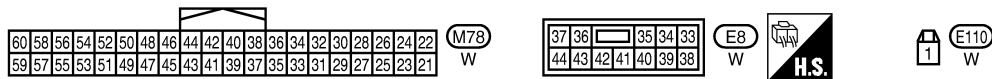
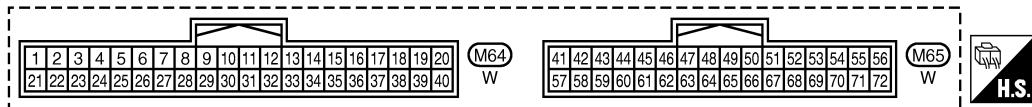
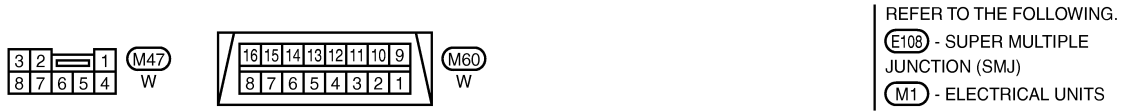
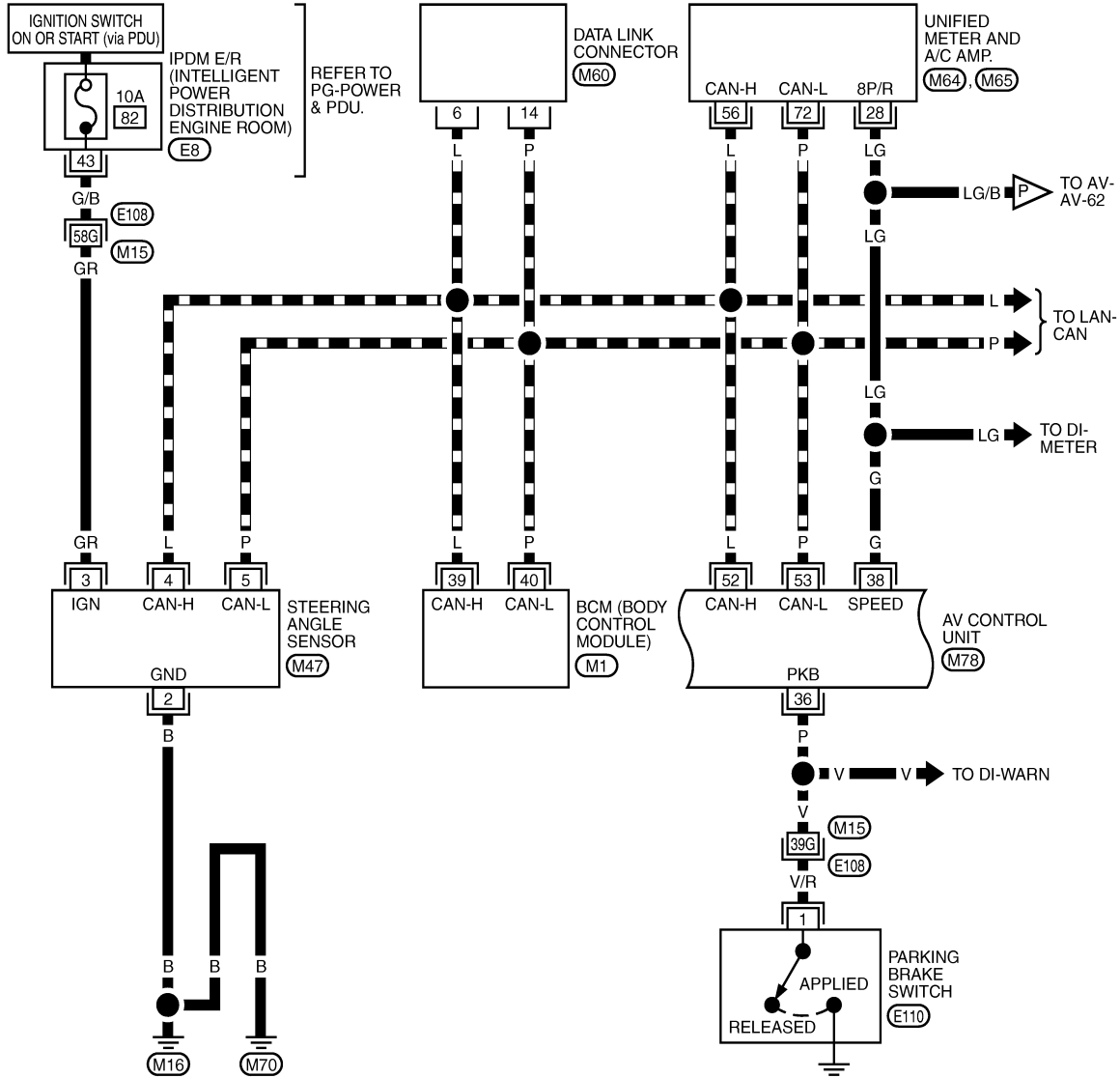
# CAMERA CONTROL UNIT

[WITH MOBILE ENTERTAINMENT SYSTEM]

< ECU DIAGNOSIS >

AV-AV-50

▬ : DATA LINE



TKWT6729E

A  
B  
C  
D  
E  
F  
G  
H  
I  
J  
L  
M  
N  
O  
P

AV

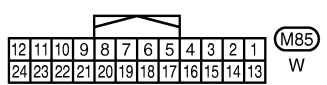
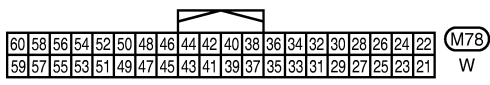
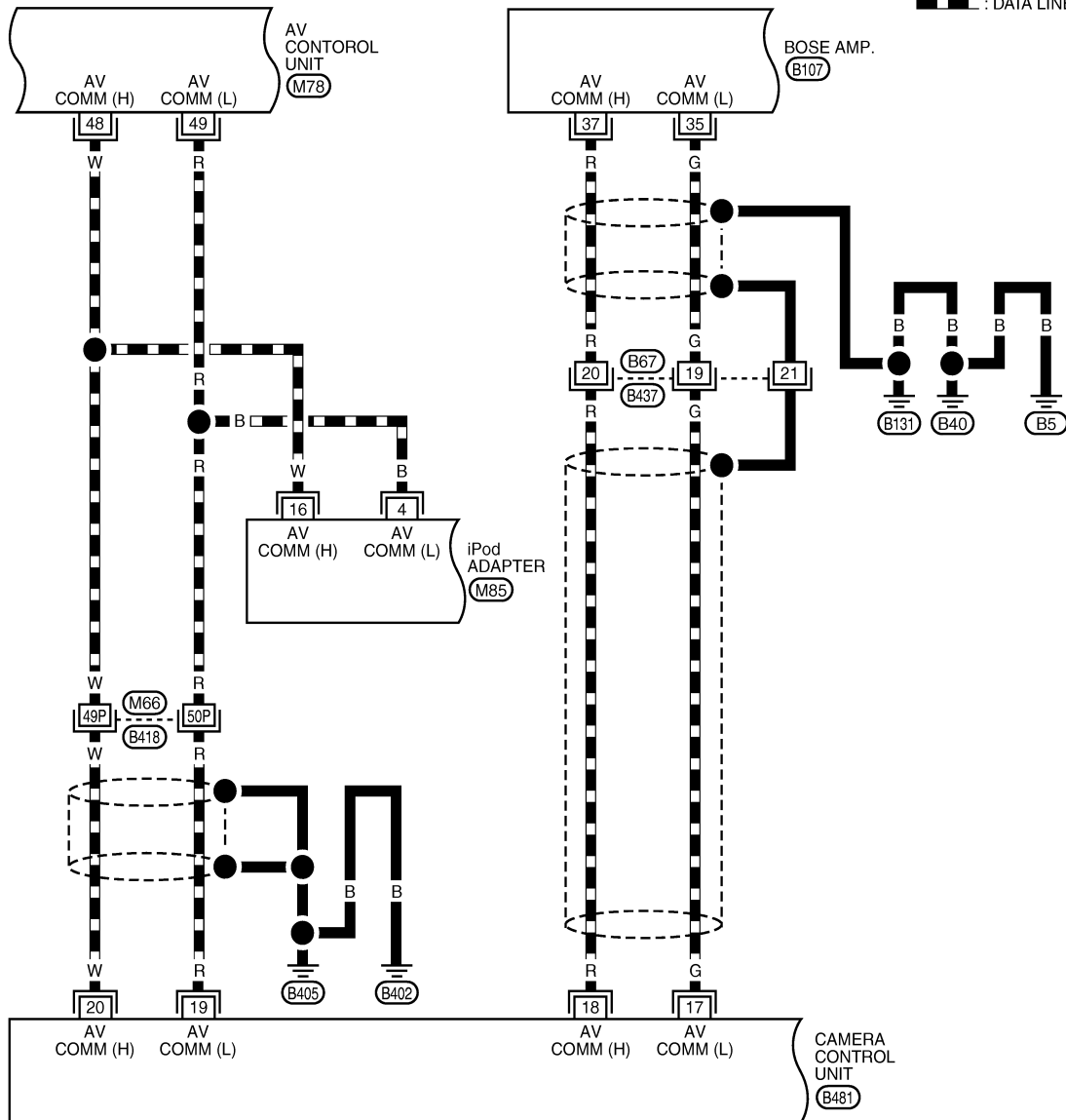
# CAMERA CONTROL UNIT

[WITH MOBILE ENTERTAINMENT SYSTEM]

< ECU DIAGNOSIS >

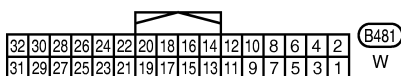
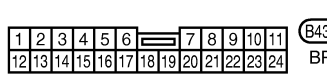
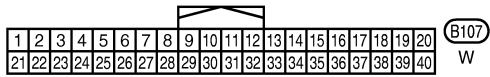
AV-AV-51

— : DATA LINE



REFER TO THE FOLLOWING.

(B418) - SUPER MULTIPLE JUNCTION (SMJ)



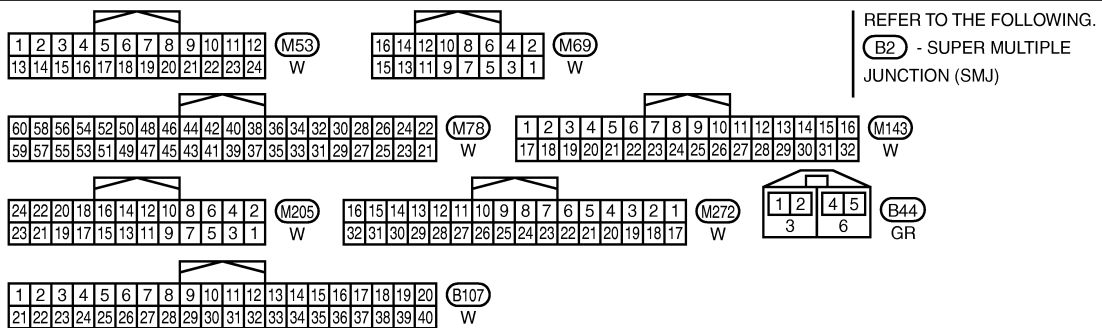
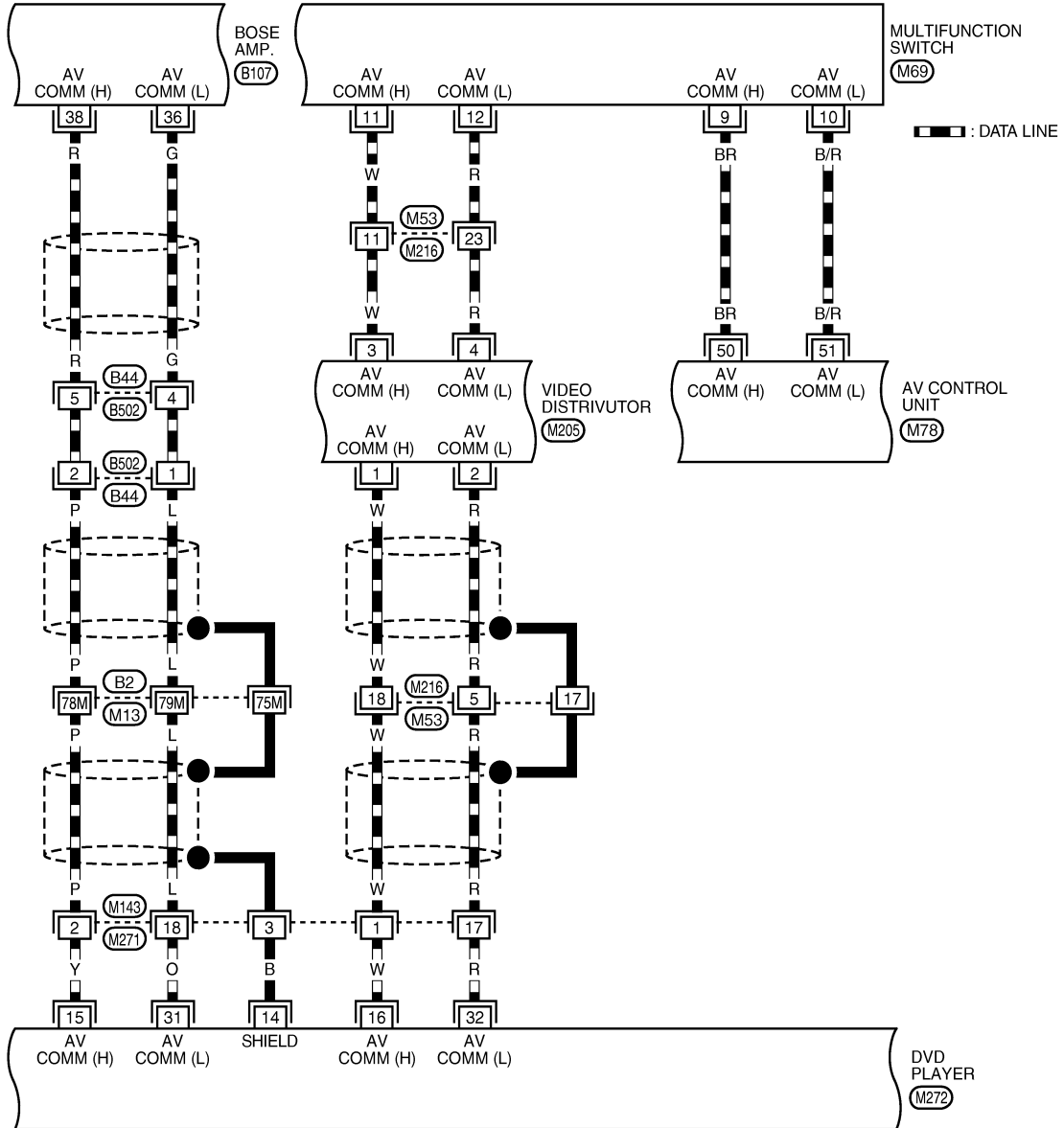
TKWT6730E

# CAMERA CONTROL UNIT

[WITH MOBILE ENTERTAINMENT SYSTEM]

< ECU DIAGNOSIS >

AV-AV-52



REFER TO THE FOLLOWING.

(B2) - SUPER MULTIPLE JUNCTION (SMJ)

TKWT6731E

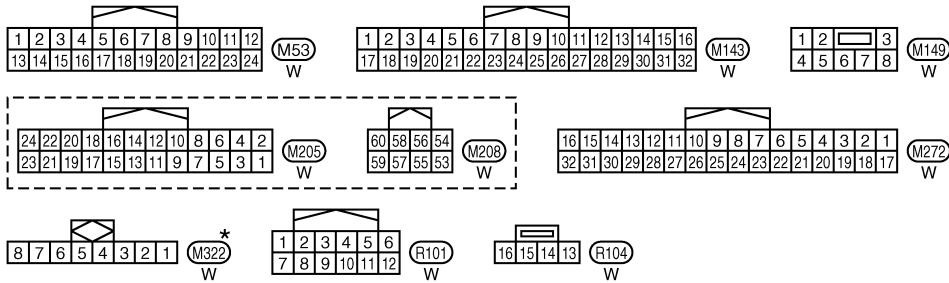
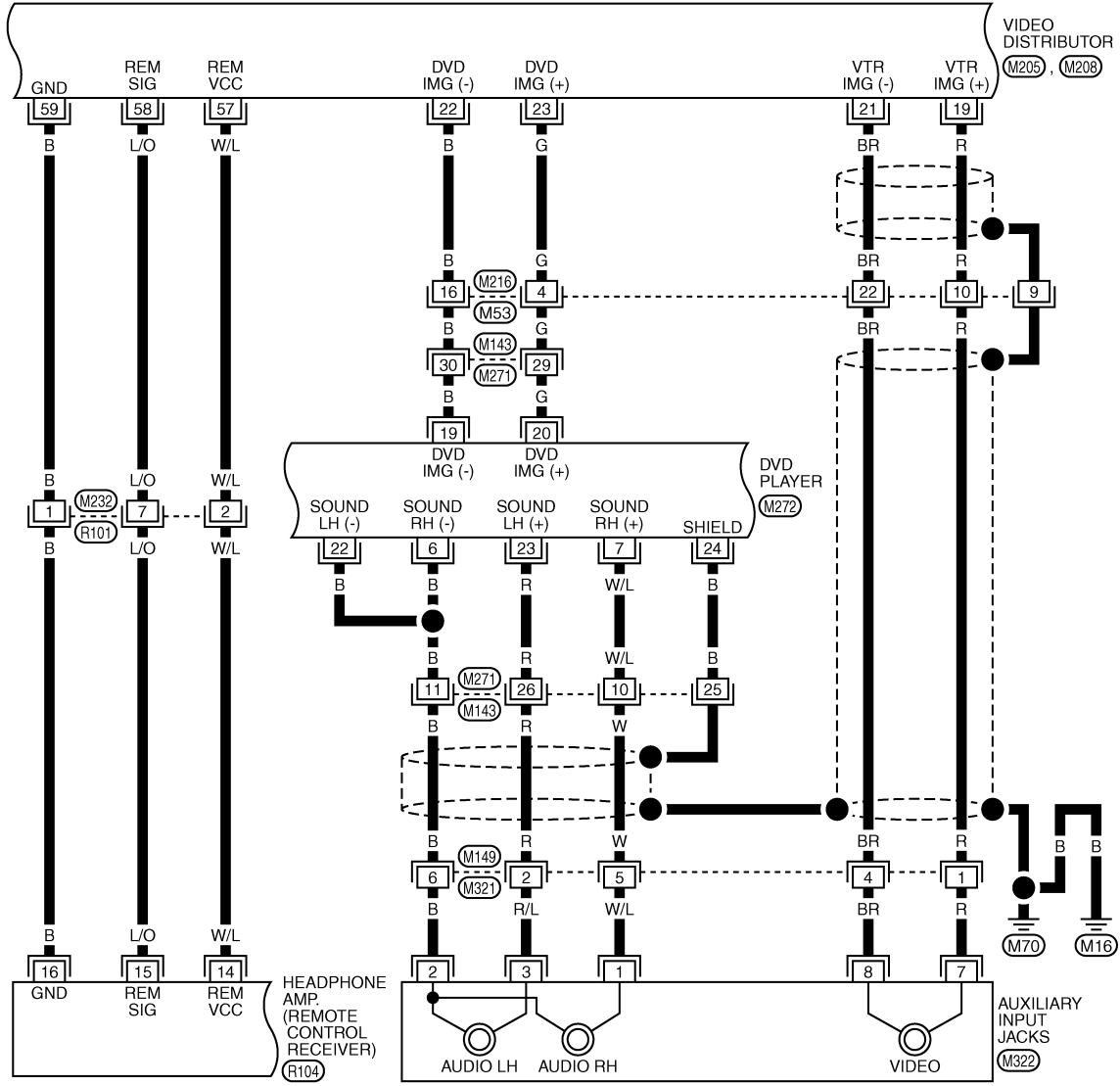
A  
B  
C  
D  
E  
F  
G  
H  
I  
J  
AV  
L  
M  
N  
O  
P

# CAMERA CONTROL UNIT

[WITH MOBILE ENTERTAINMENT SYSTEM]

< ECU DIAGNOSIS >

AV-AV-53



\*: THIS CONNECTOR IS NOT SHOWN IN "HARNESS LAYOUT", PG SECTION.

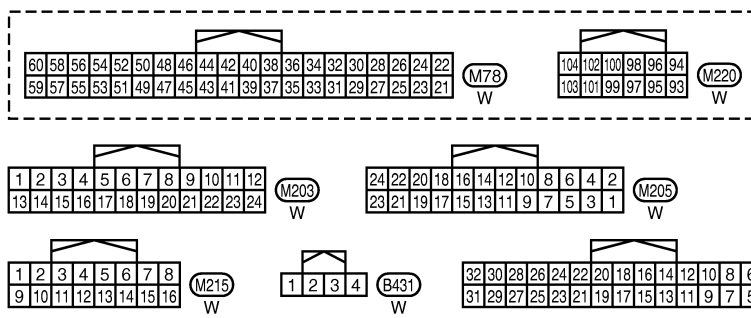
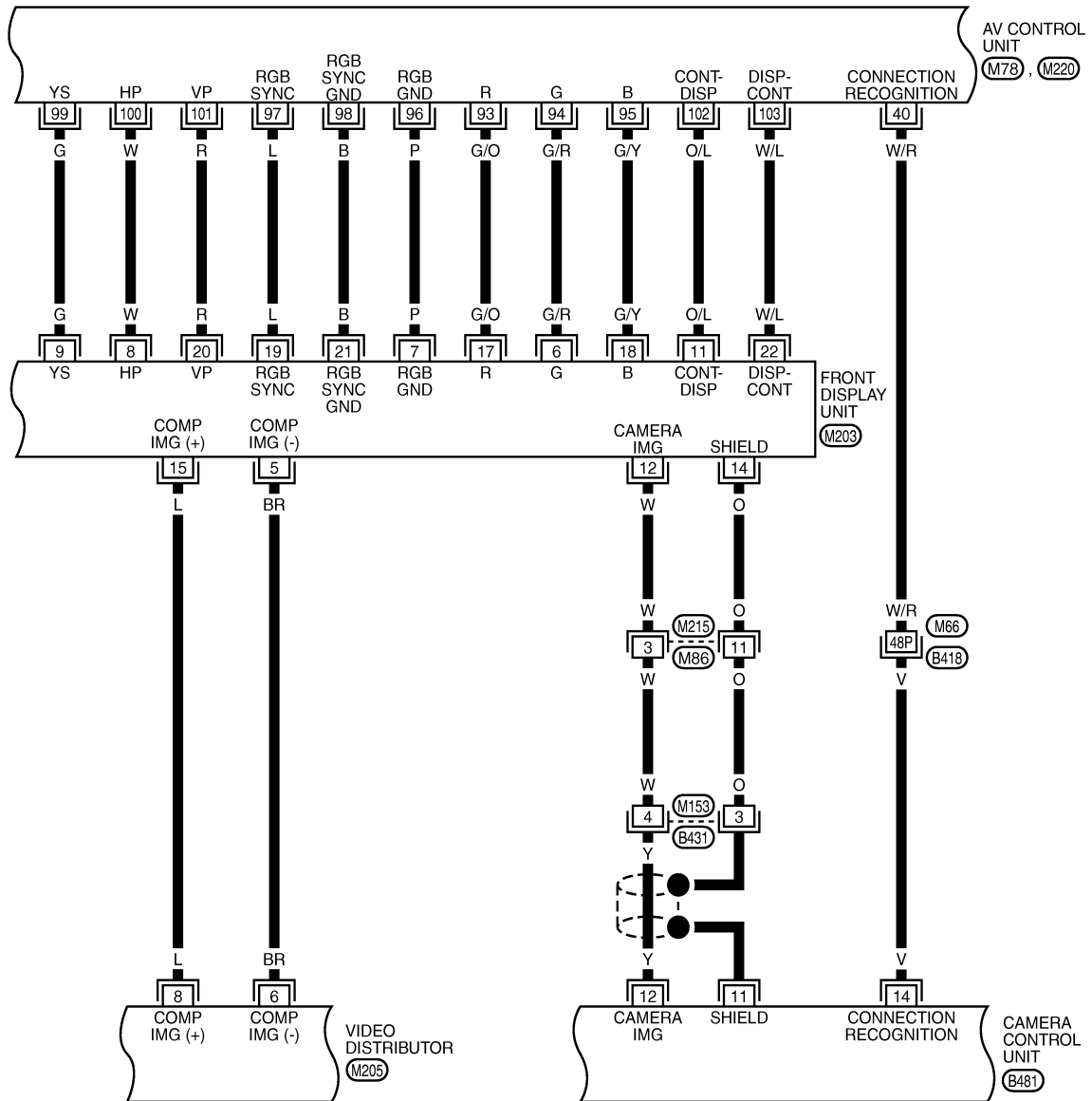
TKWT8296E

# CAMERA CONTROL UNIT

[WITH MOBILE ENTERTAINMENT SYSTEM]

< ECU DIAGNOSIS >

AV-AV-54



REFER TO THE FOLLOWING.

**B418** -SUPER MULTIPLE JUNCTION (SMJ)

TKWT6733E

A  
B  
C  
D  
E  
F  
G  
H  
I  
J  
K  
L  
M  
N  
O  
P

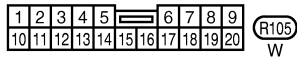
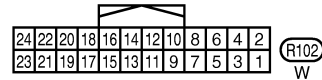
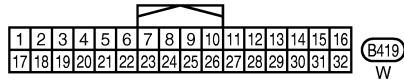
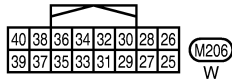
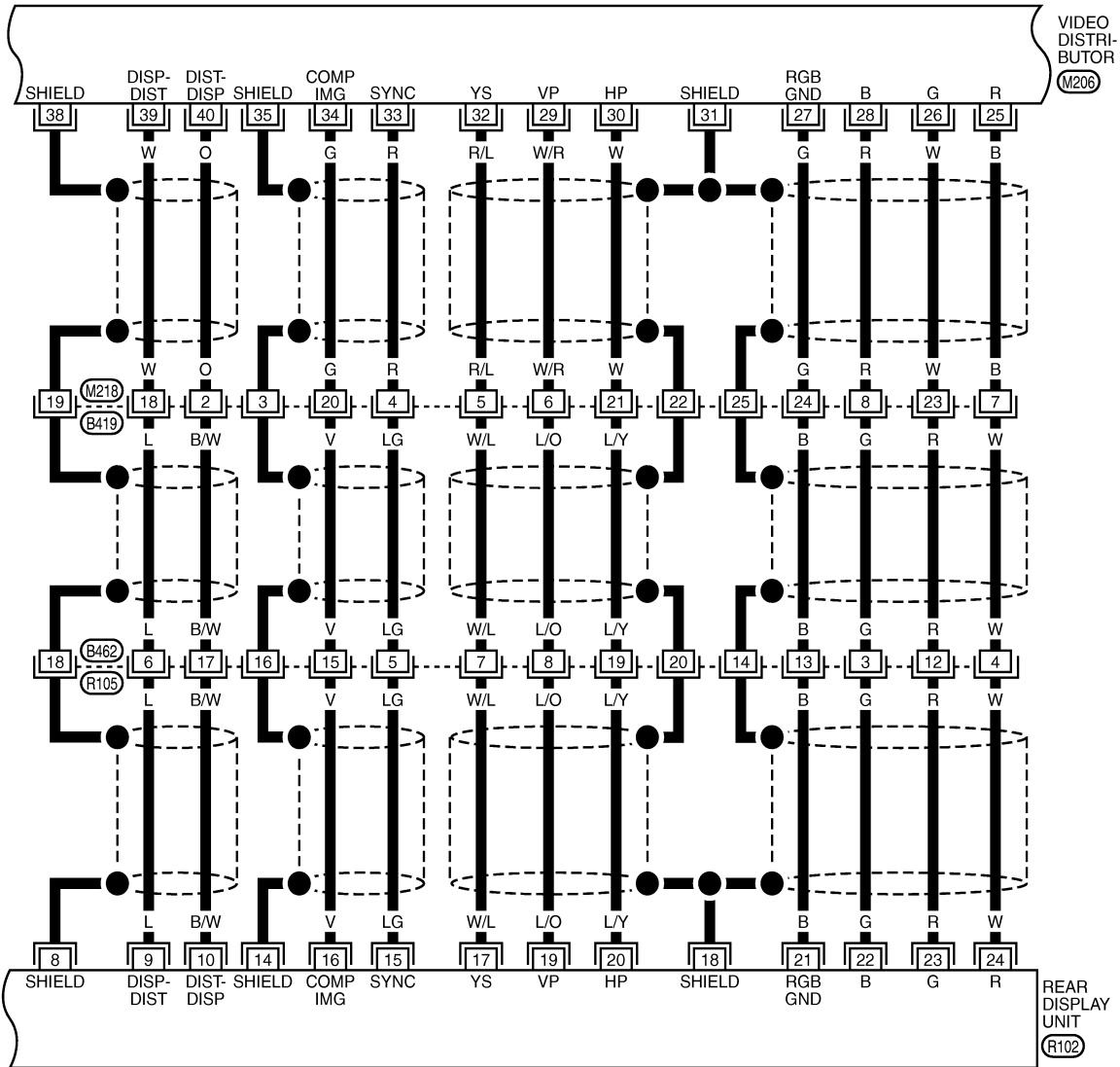
AV

# CAMERA CONTROL UNIT

[WITH MOBILE ENTERTAINMENT SYSTEM]

< ECU DIAGNOSIS >

AV-AV-55



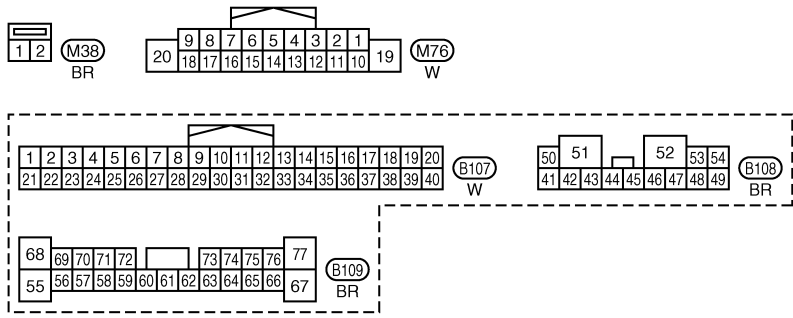
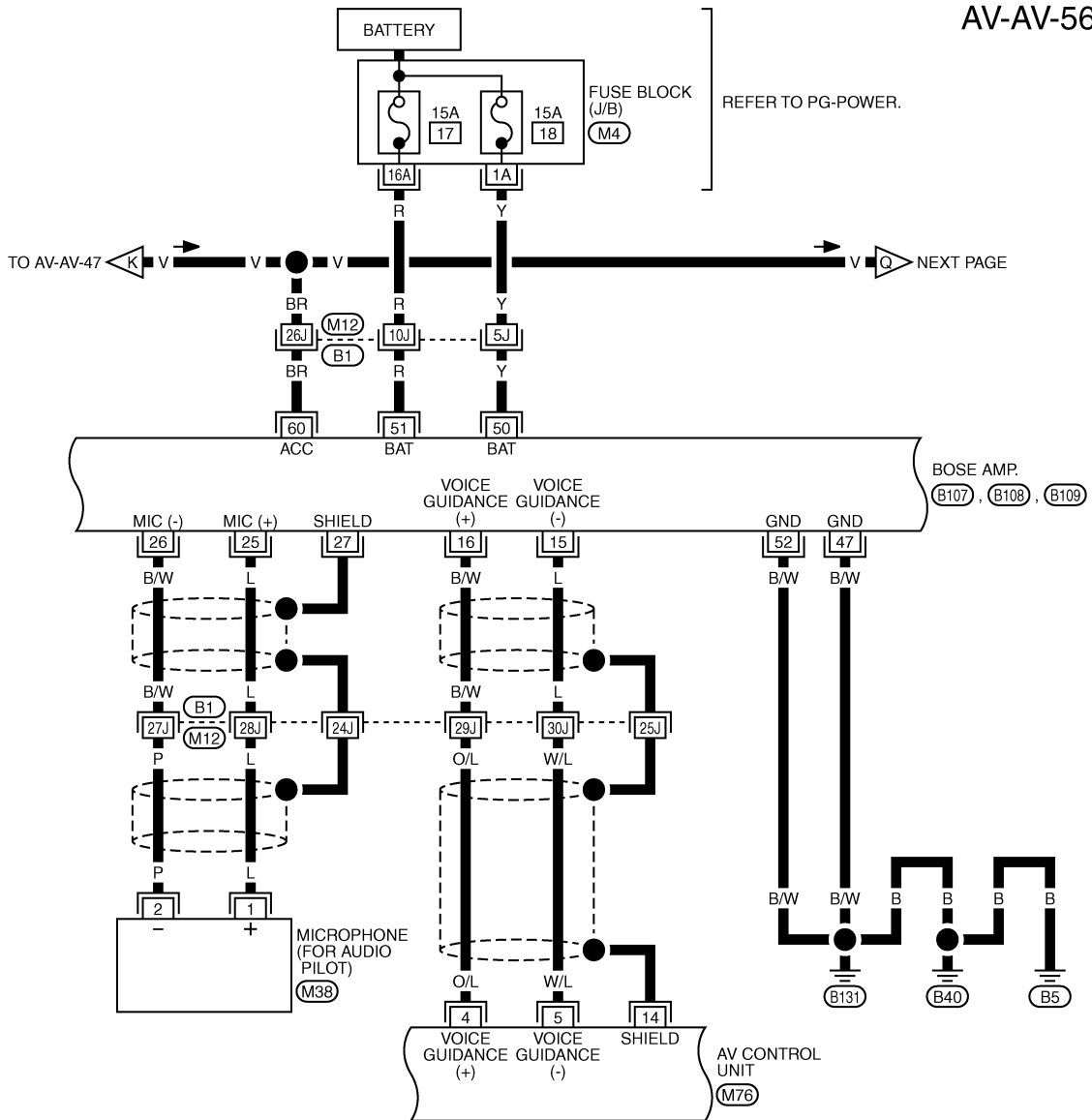
TKWT6734E

# CAMERA CONTROL UNIT

[WITH MOBILE ENTERTAINMENT SYSTEM]

< ECU DIAGNOSIS >

AV-AV-56



REFER TO THE FOLLOWING.  
 (B1) -SUPER MULTIPLE JUNCTION (SMJ)  
 (M4) -FUSE BLOCK-JUNCTION BOX (J/B)

TKWT8297E

A  
B  
C  
D  
E  
F  
G  
H  
I  
J  
K  
L  
M  
N  
O  
P

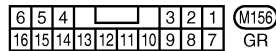
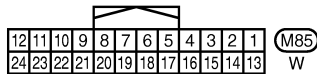
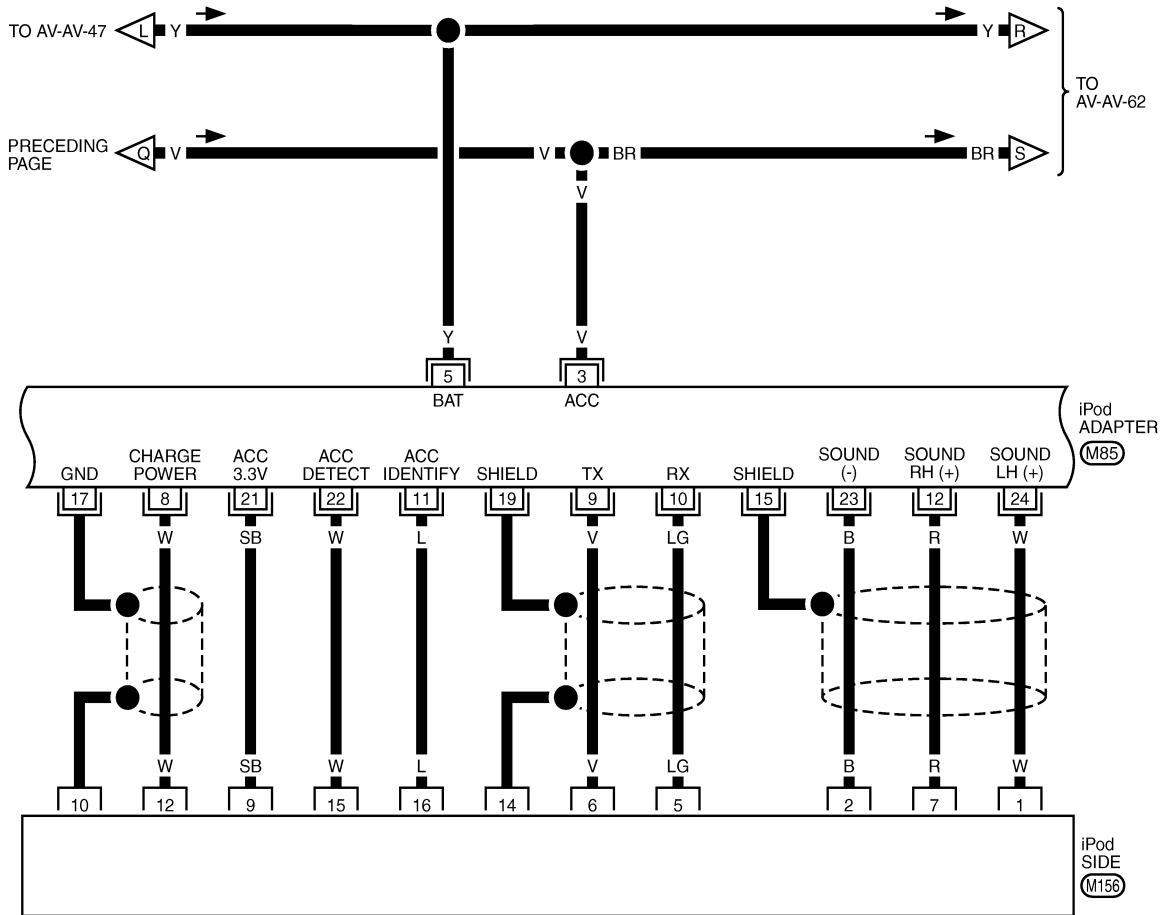
AV

# CAMERA CONTROL UNIT

[WITH MOBILE ENTERTAINMENT SYSTEM]

< ECU DIAGNOSIS >

AV-AV-57



TKWT6737E

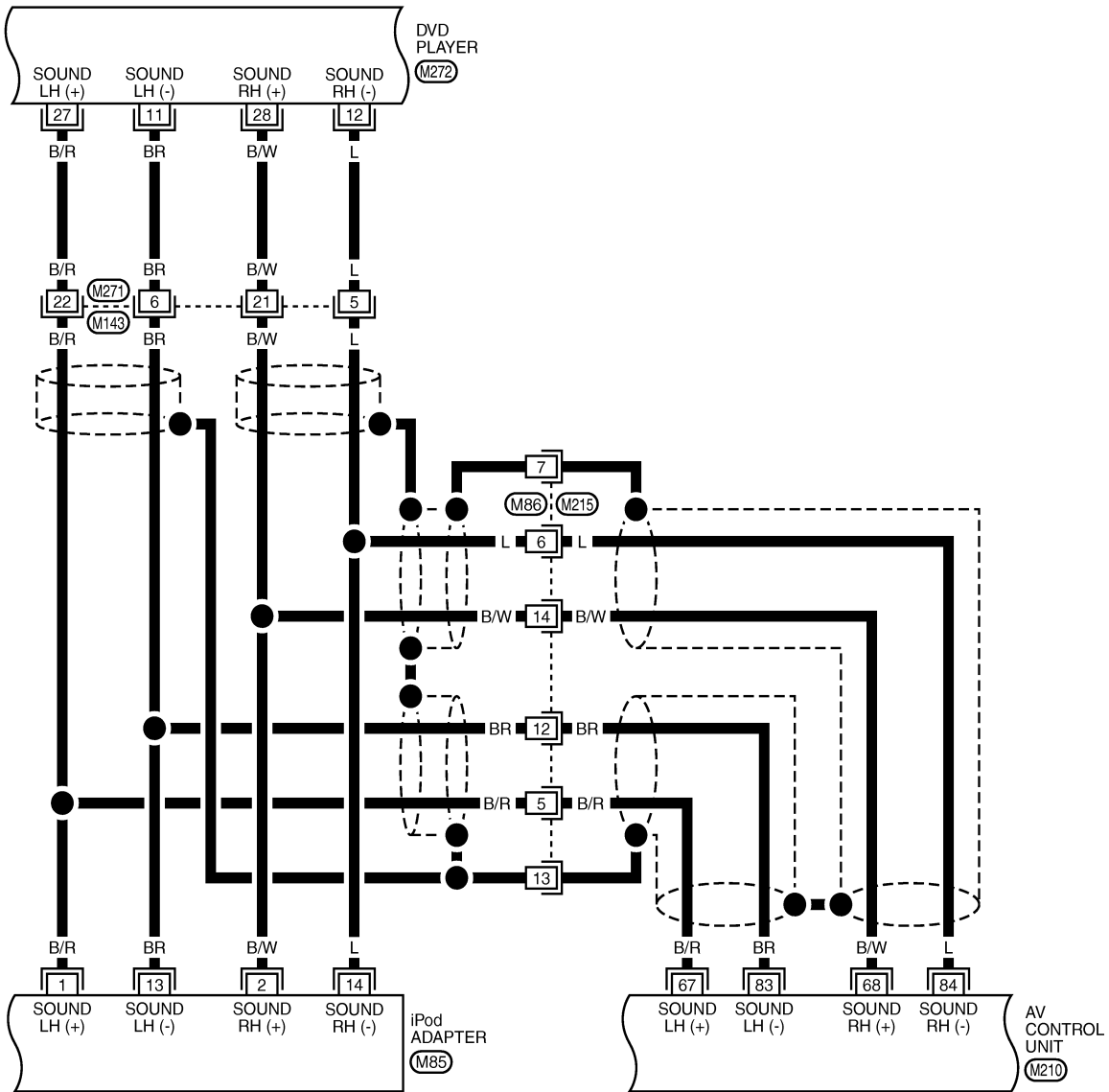


# CAMERA CONTROL UNIT

[WITH MOBILE ENTERTAINMENT SYSTEM]

< ECU DIAGNOSIS >

AV-AV-58



12	11	10	9	8	7	6	5	4	3	2	1
24	23	22	21	20	19	18	17	16	15	14	13

(M85) W

1	2	3	4	5	6	7	8	9	10	11	12	13	14	15	16
17	18	19	20	21	22	23	24	25	26	27	28	29	30	31	32

(M143) W

76	75	74	73	72	71	70	69	68	67	66	65	64	63	62	61
92	91	90	89	88	87	86	85	84	83	82	81	80	79	78	77

(M210) W

1	2	3	4	5	6	7	8
9	10	11	12	13	14	15	16

(M215) W

16	15	14	13	12	11	10	9	8	7	6	5	4	3	2	1
32	31	30	29	28	27	26	25	24	23	22	21	20	19	18	17

(M272) W

TKWT6738E

A  
B  
C  
D  
E  
F  
G  
H  
I  
J  
K  
L  
M  
N  
O  
P

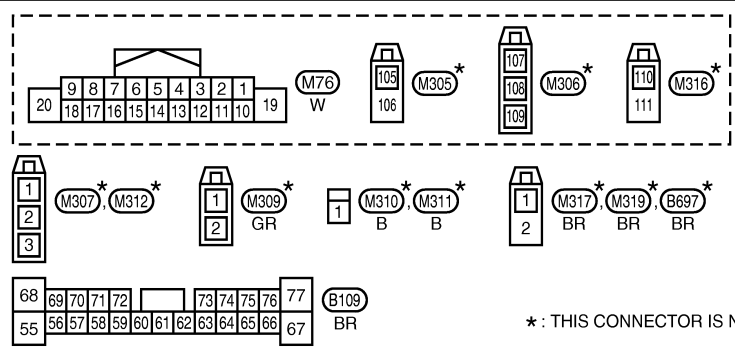
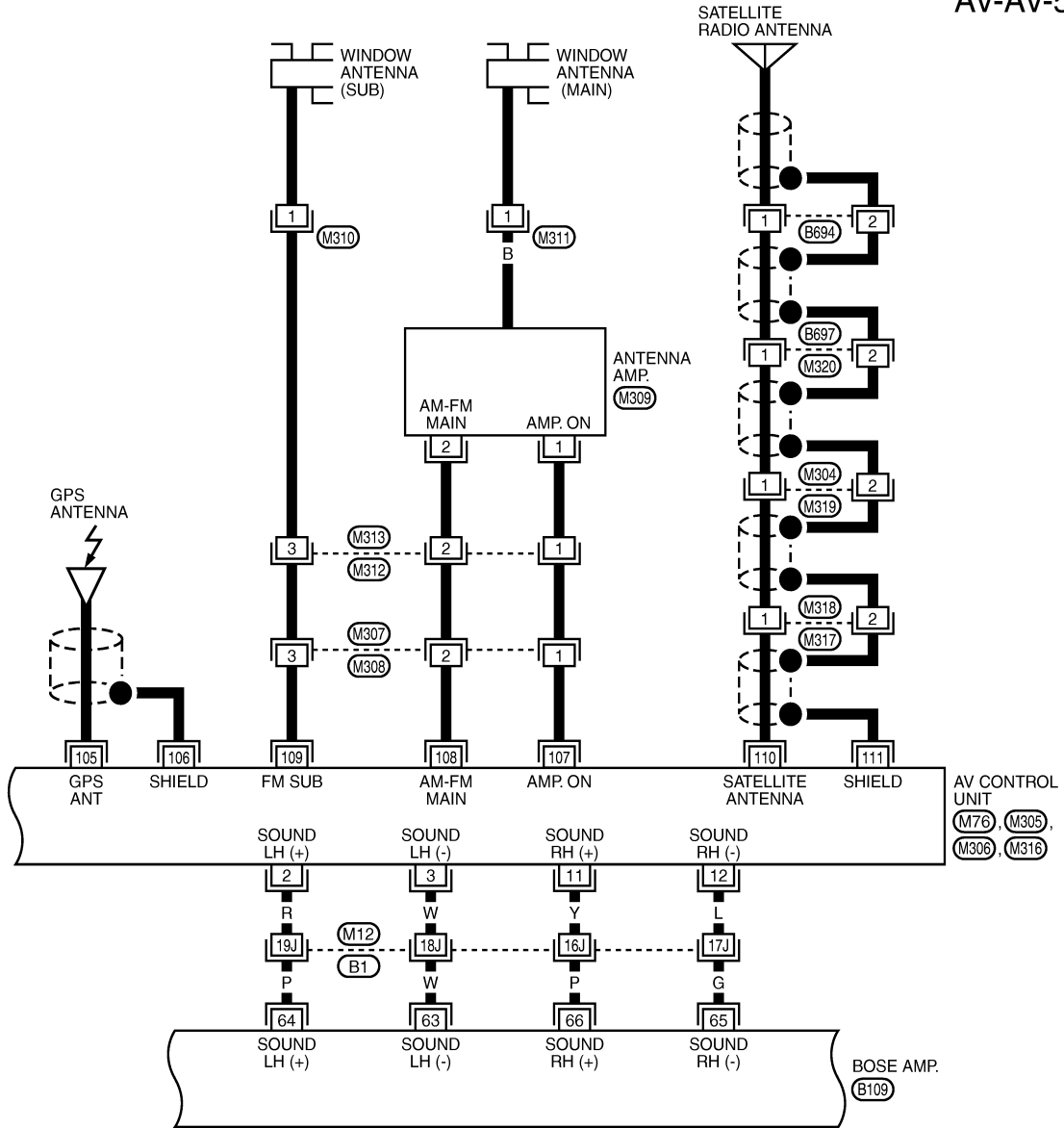
AV

# CAMERA CONTROL UNIT

[WITH MOBILE ENTERTAINMENT SYSTEM]

< ECU DIAGNOSIS >

AV-AV-59



REFER TO THE FOLLOWING.

(B1) - SUPER MULTIPLE JUNCTION (SMJ)

\* : THIS CONNECTOR IS NOT SHOWN IN "HARNESS LAYOUT", PG SECTION.

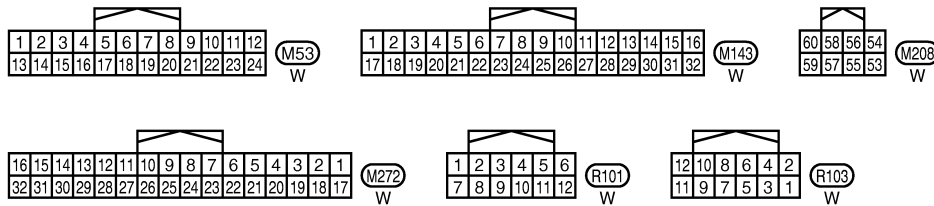
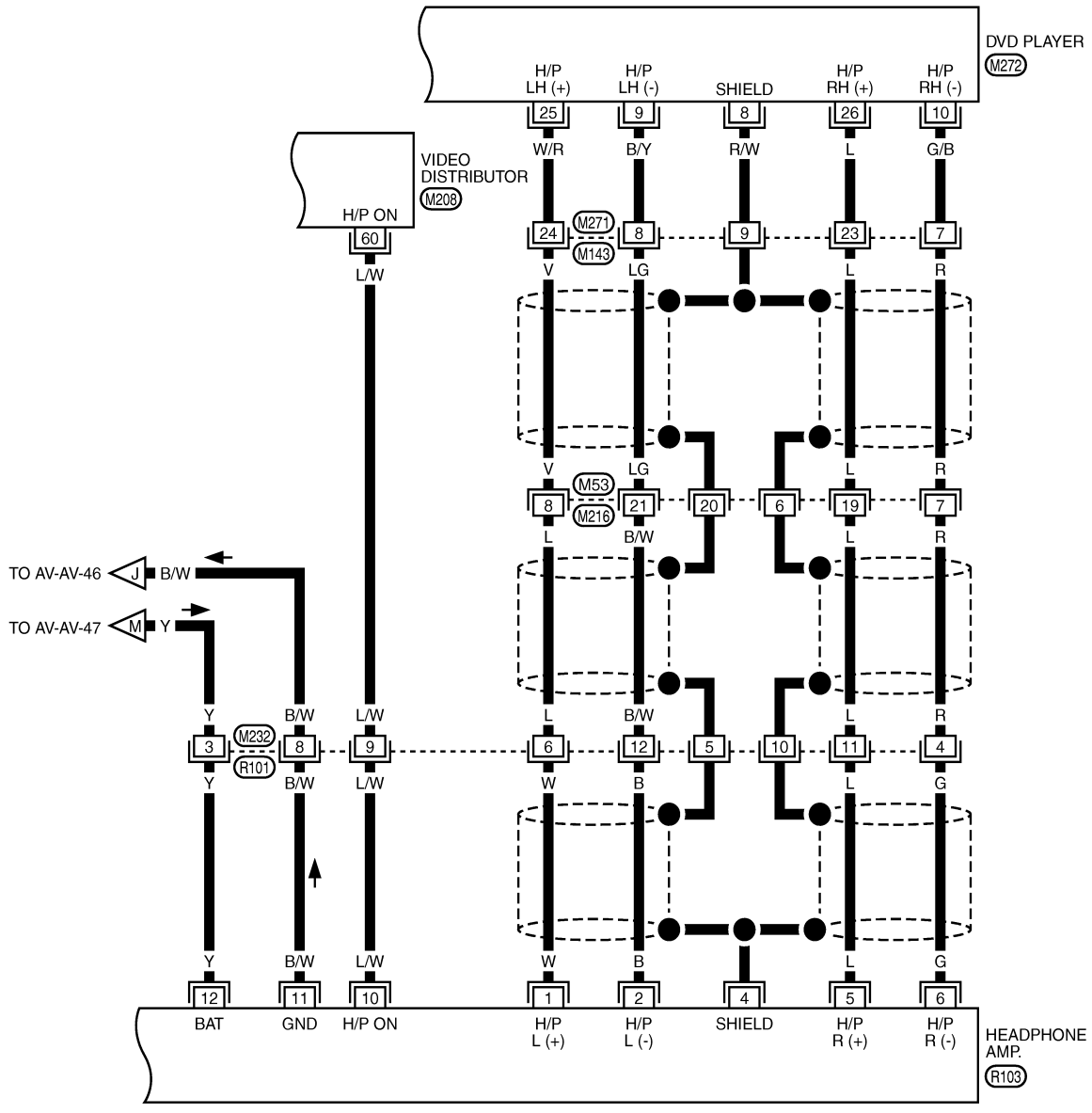
TKWT6739E

# CAMERA CONTROL UNIT

[WITH MOBILE ENTERTAINMENT SYSTEM]

< ECU DIAGNOSIS >

AV-AV-60



TKWT6740E

A  
B  
C  
D  
E  
F  
G  
H  
I  
J  
K  
L  
M  
N  
O  
P

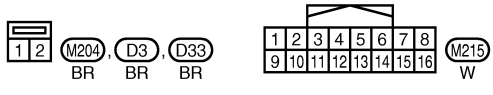
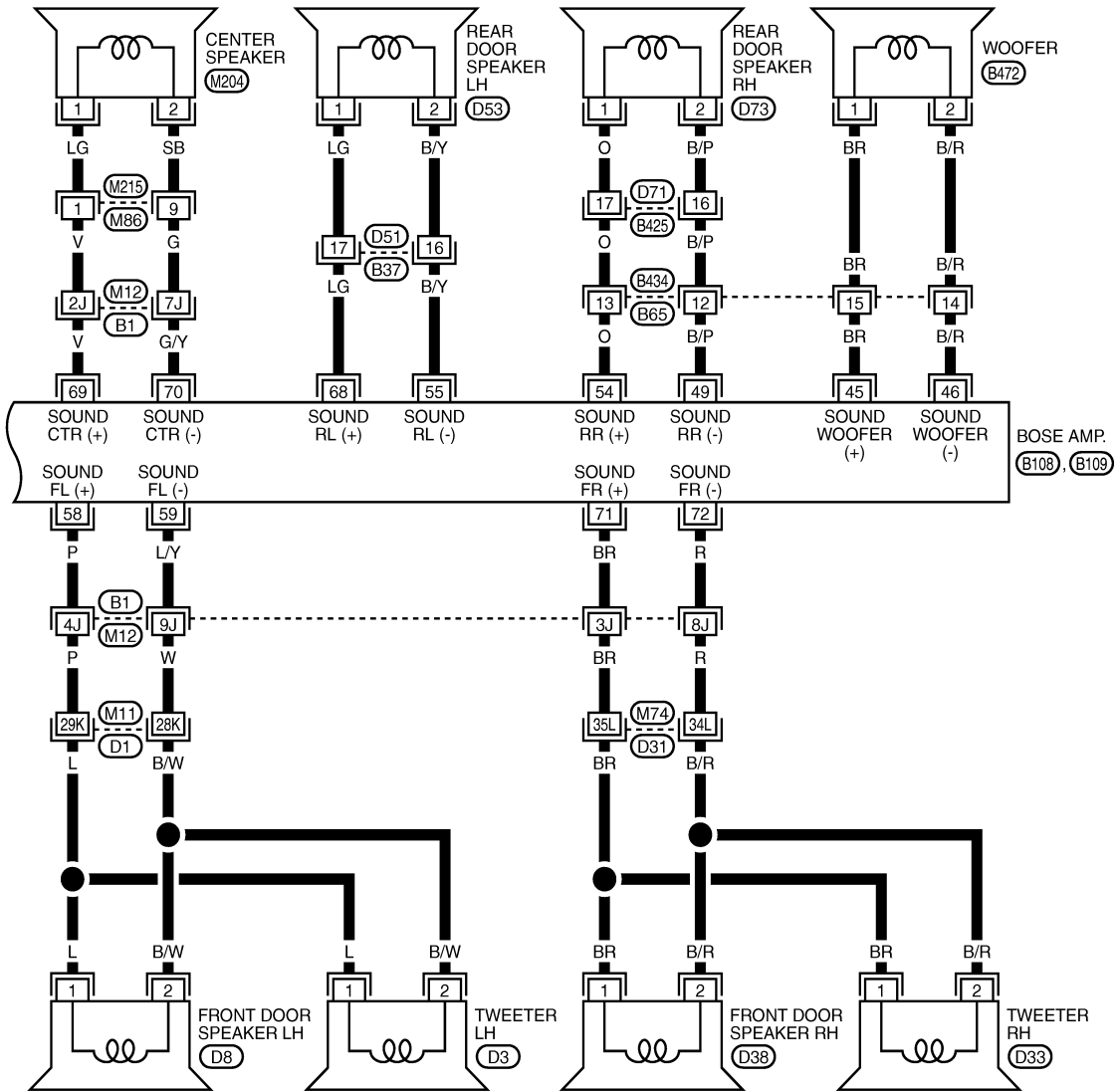
AV

# CAMERA CONTROL UNIT

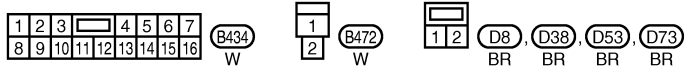
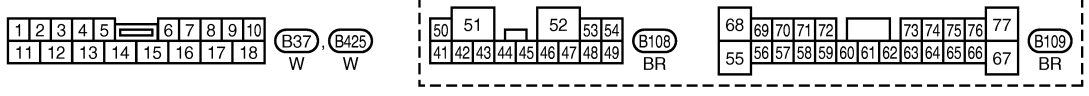
[WITH MOBILE ENTERTAINMENT SYSTEM]

< ECU DIAGNOSIS >

AV-AV-61



REFER TO THE FOLLOWING.  
 (B1), (D1), (D31) - SUPER  
 MULTIPLE JUNCTION (SMJ)



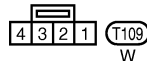
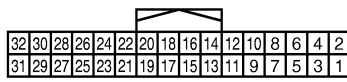
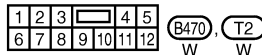
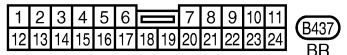
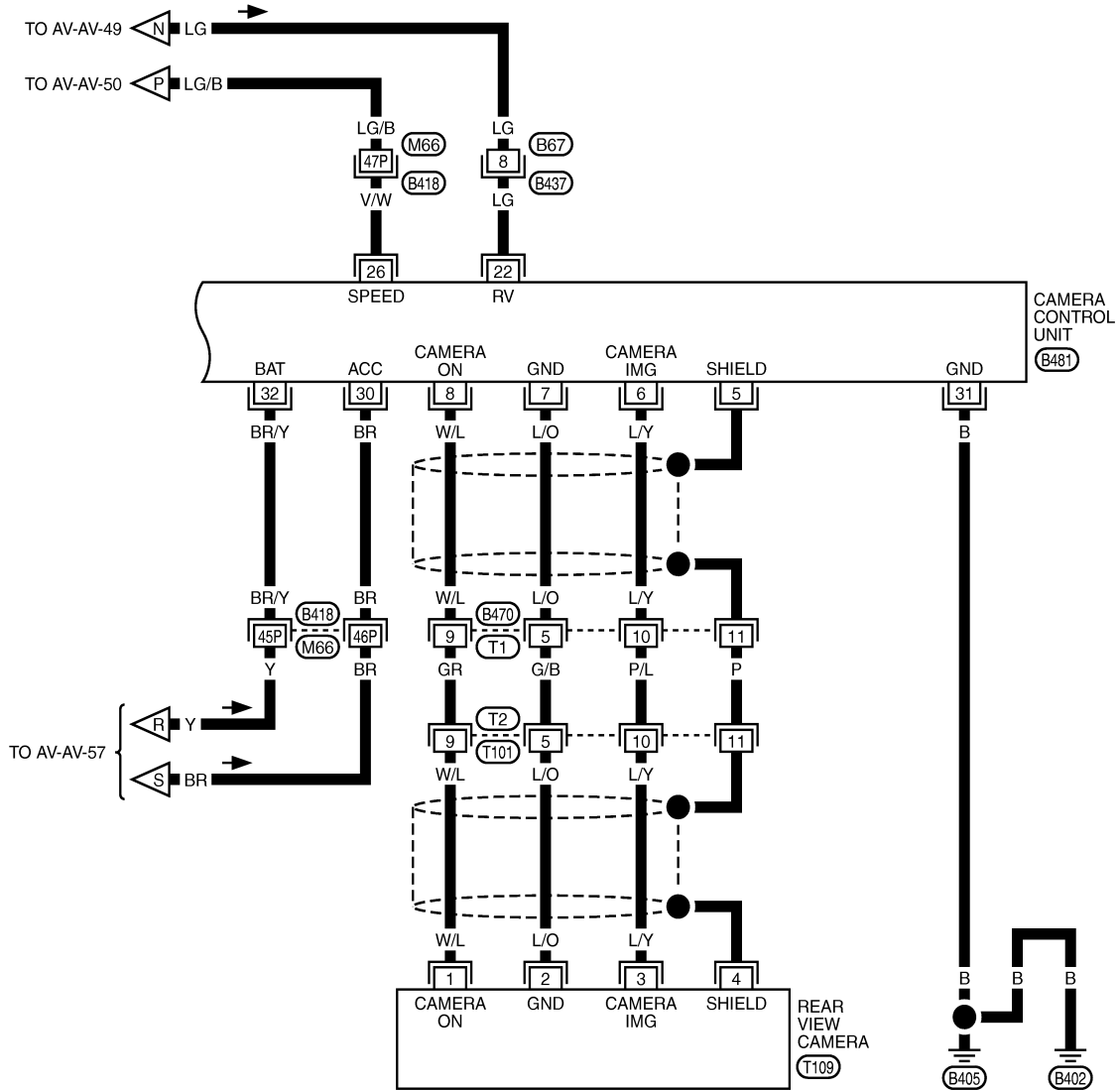
TKWT6741E

# CAMERA CONTROL UNIT

[WITH MOBILE ENTERTAINMENT SYSTEM]

< ECU DIAGNOSIS >

AV-AV-62



REFER TO THE FOLLOWING.

**(B418)** - SUPER MULTIPLE JUNCTION (SMJ)

TKWT6742E

A  
B  
C  
D  
E  
F  
G  
H  
I  
J  
K  
L  
M  
N  
O  
P

AV

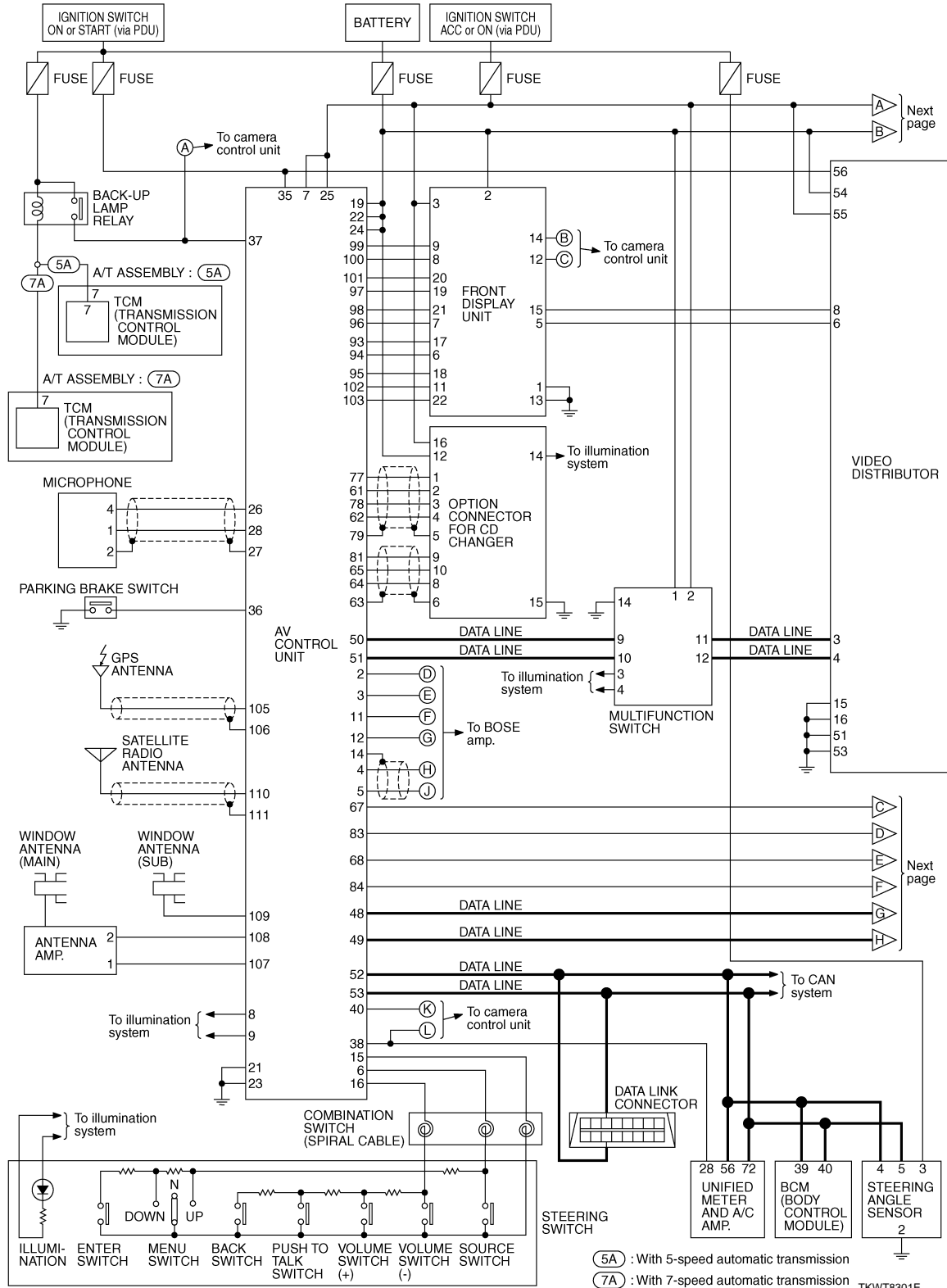
# CAMERA CONTROL UNIT

[WITH MOBILE ENTERTAINMENT SYSTEM]

< ECU DIAGNOSIS >

## Schematic - BOSE 5.1ch Surround Audio System -

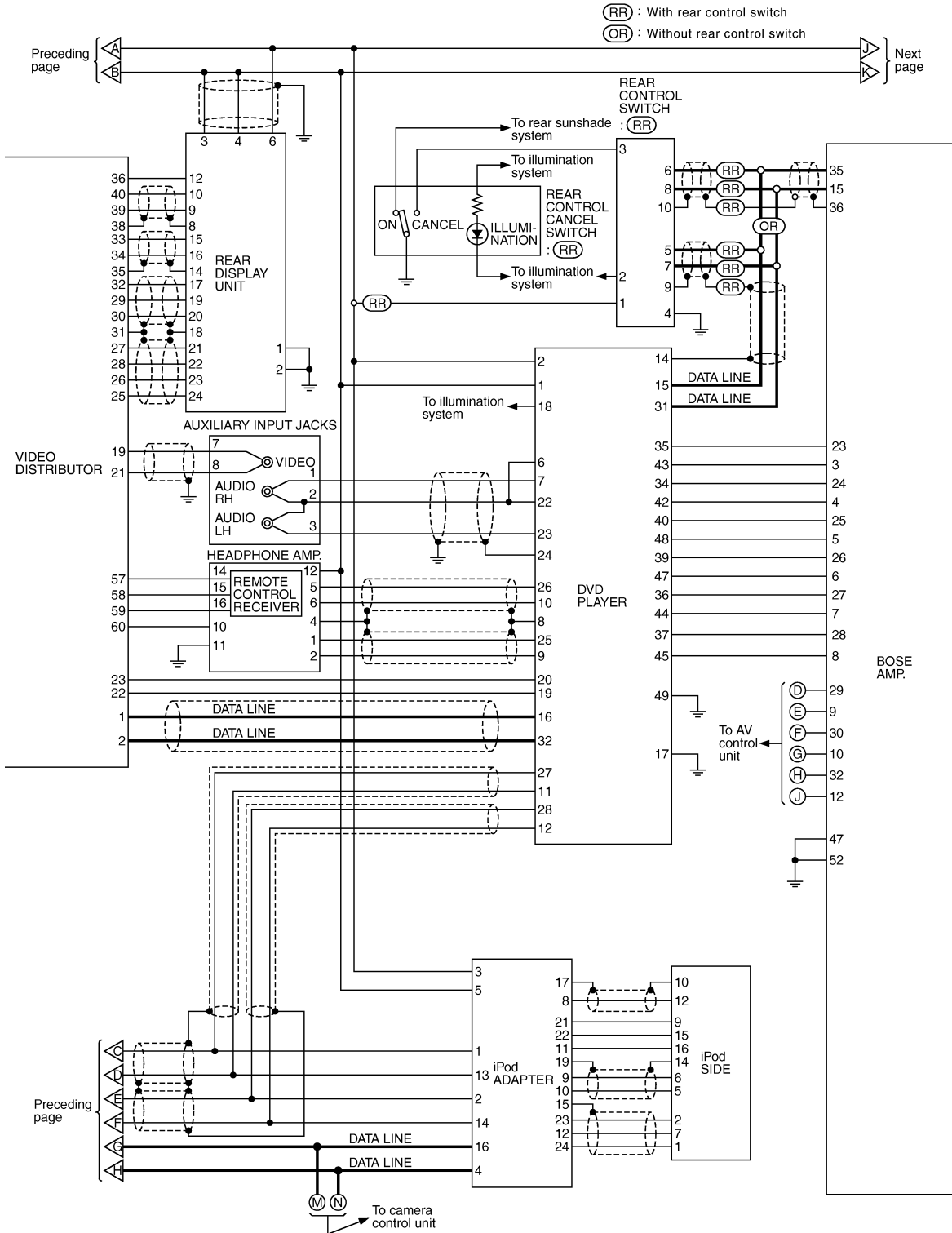
INFOID:00000005350630



# CAMERA CONTROL UNIT

[WITH MOBILE ENTERTAINMENT SYSTEM]

< ECU DIAGNOSIS >



A  
B  
C  
D  
E  
F  
G  
H  
I  
J  
K  
L  
M  
N  
O  
P

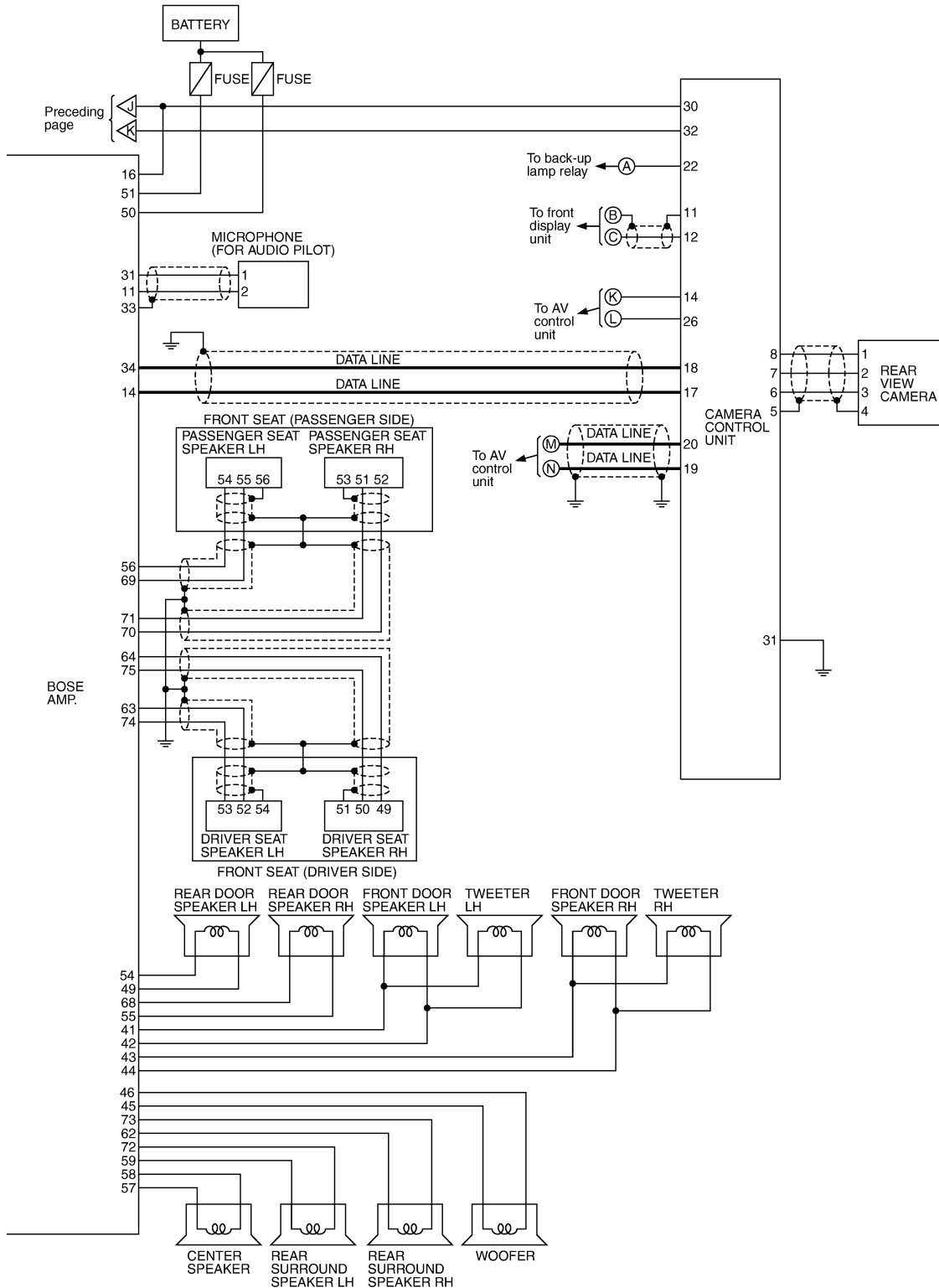
AV

TKWT6744E

# CAMERA CONTROL UNIT

[WITH MOBILE ENTERTAINMENT SYSTEM]

< ECU DIAGNOSIS >



TKWT6745E

INFOID:000000005350631

Wiring Diagram - AV - / BOSE Surround Audio 5.1ch System

**NOTE:**



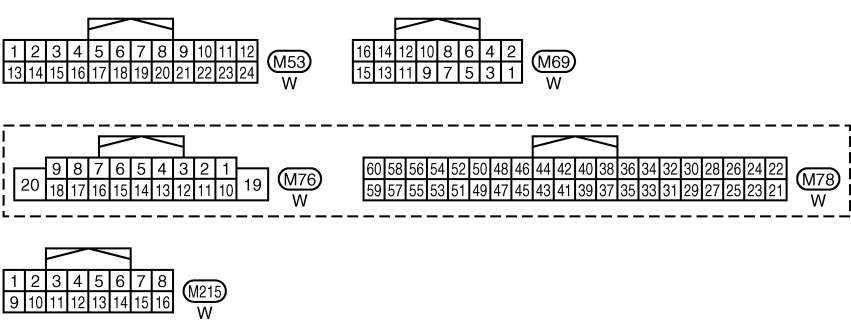
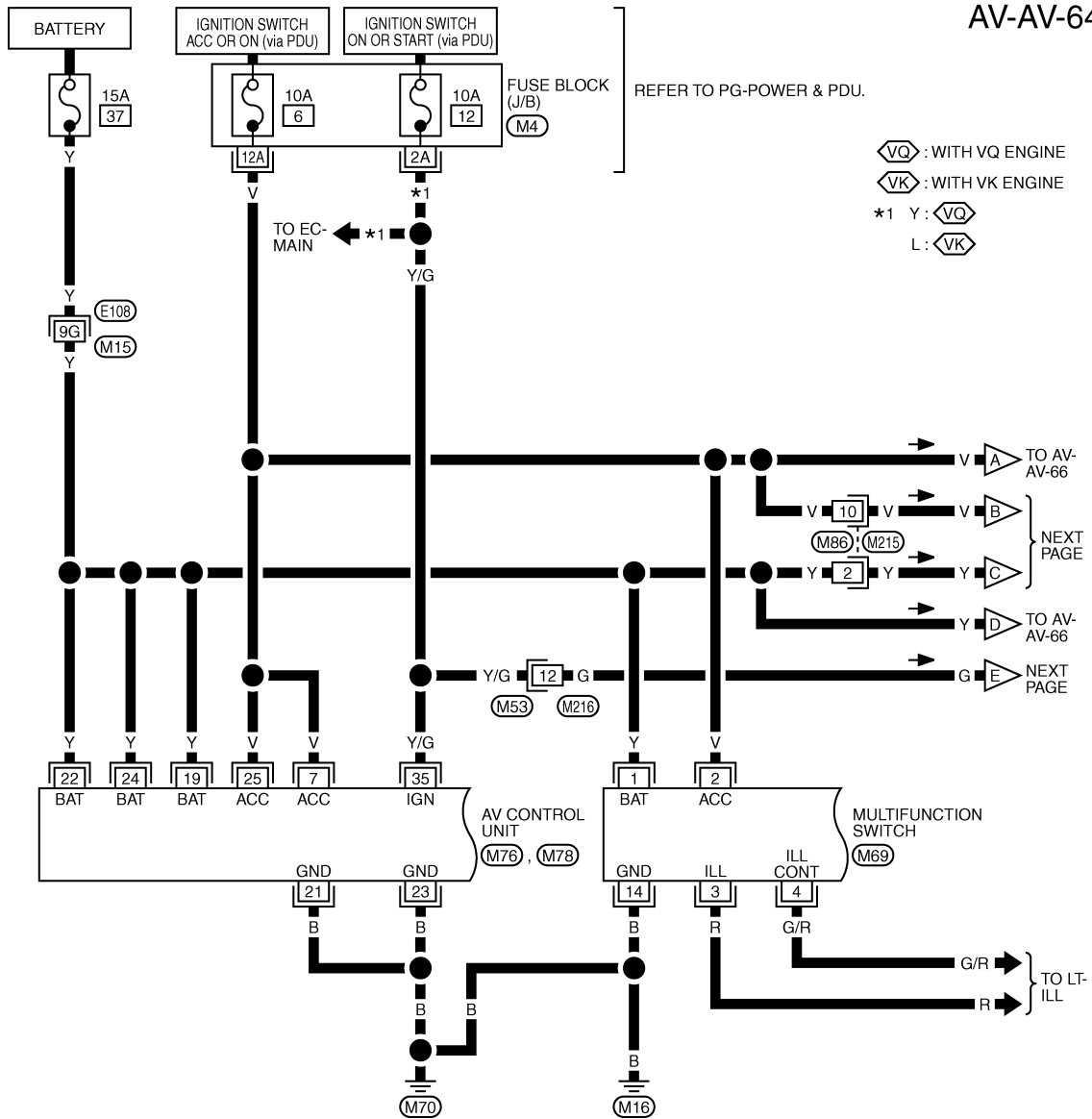
# CAMERA CONTROL UNIT

[WITH MOBILE ENTERTAINMENT SYSTEM]

< ECU DIAGNOSIS >

The name MULTIFUNCTION SWITCH indicates the integration of PRESET SWITCH and MULTIFUNCTION SWITCH virtually.

AV-AV-64



REFER TO THE FOLLOWING.  
 (E108) -SUPER MULTIPLE JUNCTION (SMJ)  
 (M4) -FUSE BLOCK-JUNCTION BOX (J/B)

TKWT8302E

A  
B  
C  
D  
E  
F  
G  
H  
I  
J  
K  
L  
M  
N  
O  
P

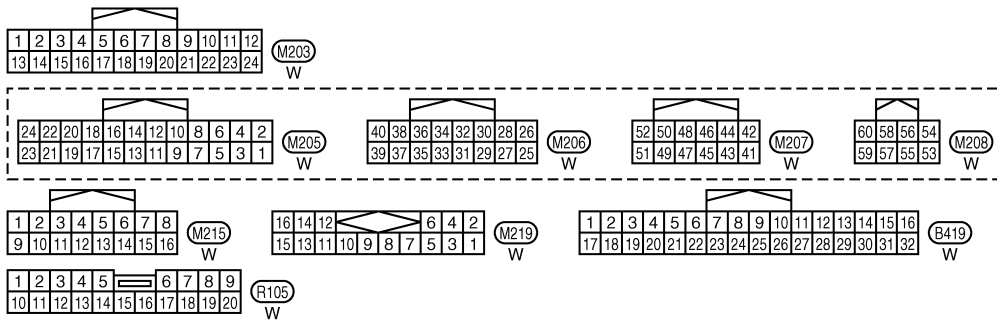
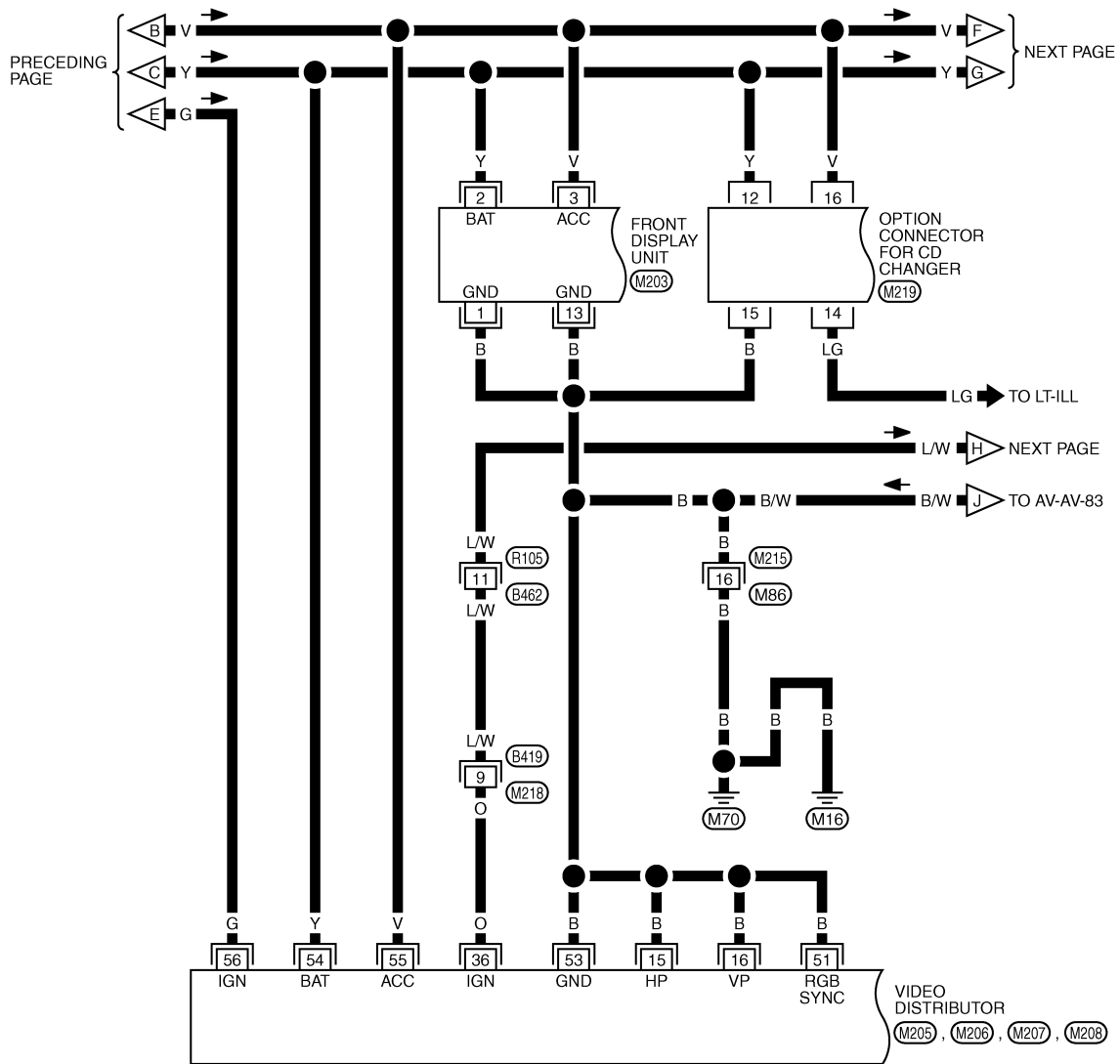
AV

# CAMERA CONTROL UNIT

[WITH MOBILE ENTERTAINMENT SYSTEM]

< ECU DIAGNOSIS >

AV-AV-65



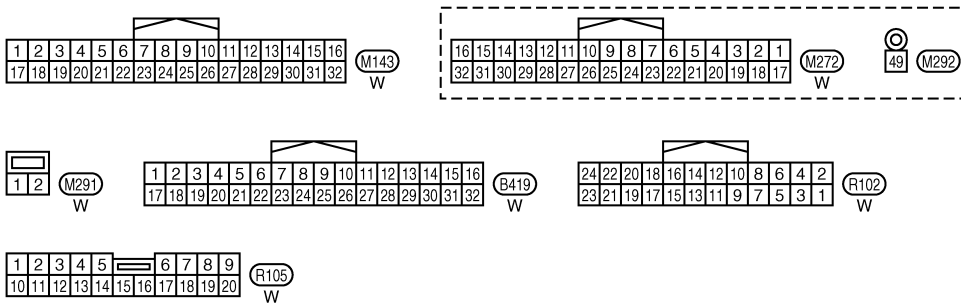
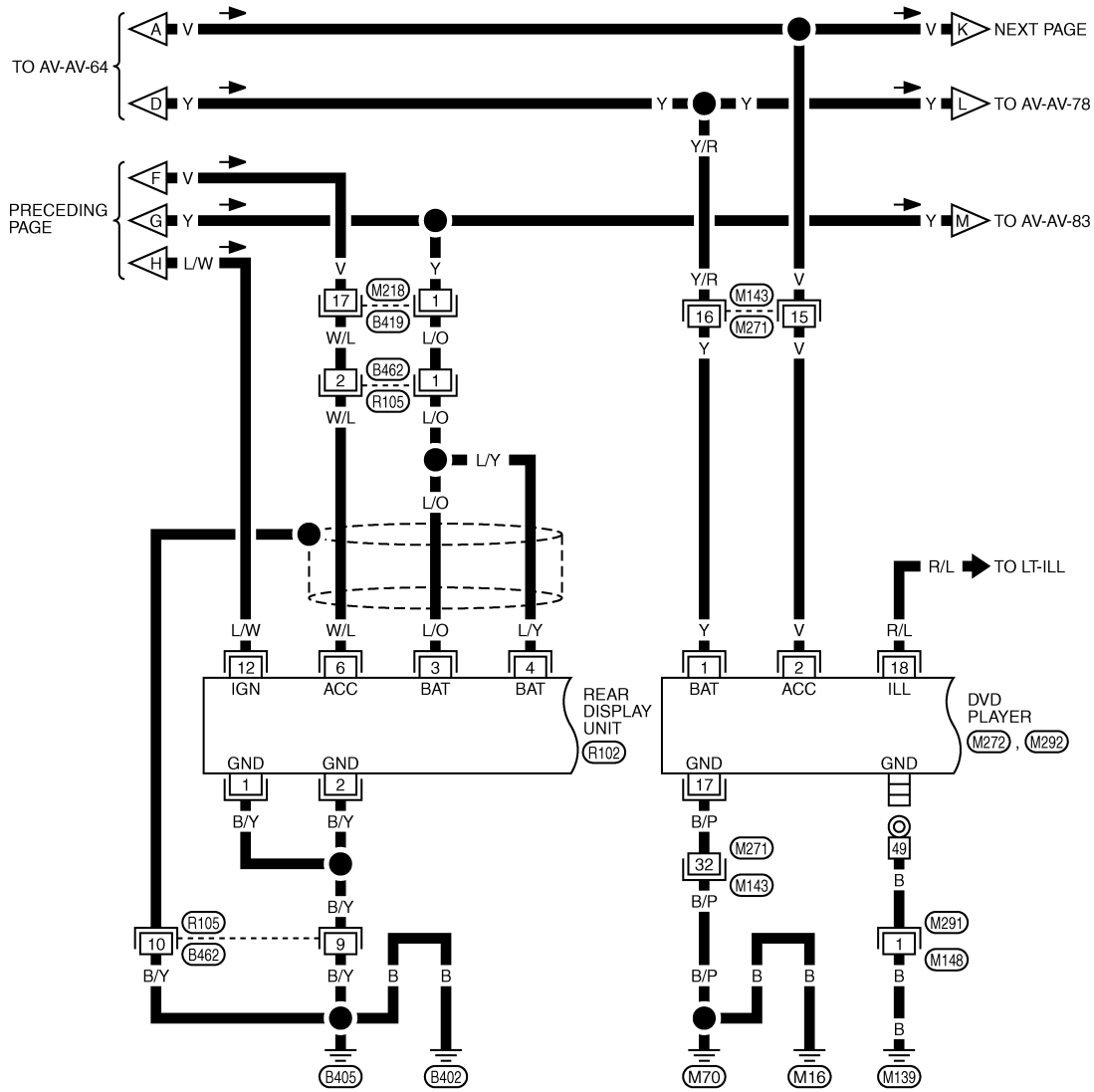
TKWT8303E

# CAMERA CONTROL UNIT

[WITH MOBILE ENTERTAINMENT SYSTEM]

< ECU DIAGNOSIS >

AV-AV-66



TKWT8304E

A  
B  
C  
D  
E  
F  
G  
H  
I  
J  
K  
L  
M  
N  
O  
P

AV

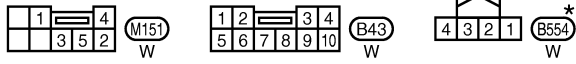
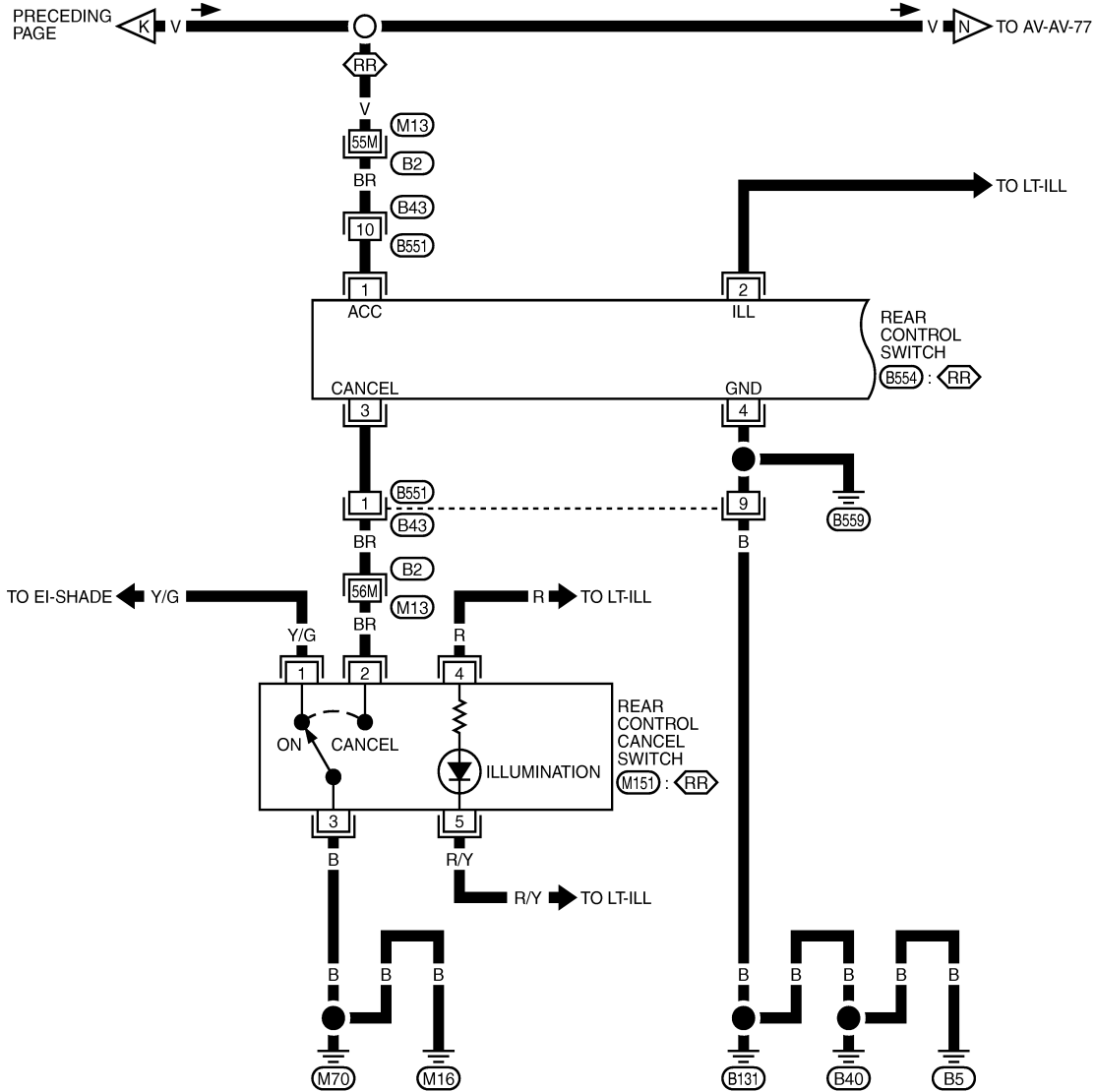
# CAMERA CONTROL UNIT

[WITH MOBILE ENTERTAINMENT SYSTEM]

< ECU DIAGNOSIS >

AV-AV-67

(RR) : WITH REAR CONTROL SWITCH



\*: THIS CONNECTOR IS NOT SHOWN IN "HARNESS LAYOUT", PG SECTION.

REFER TO THE FOLLOWING.

(B2) - SUPER MULTIPLE JUNCTION (SMJ)

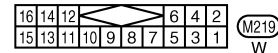
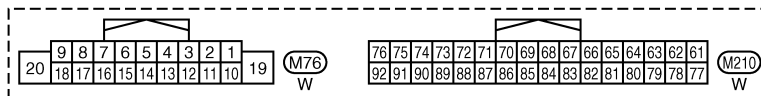
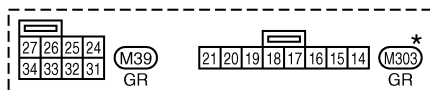
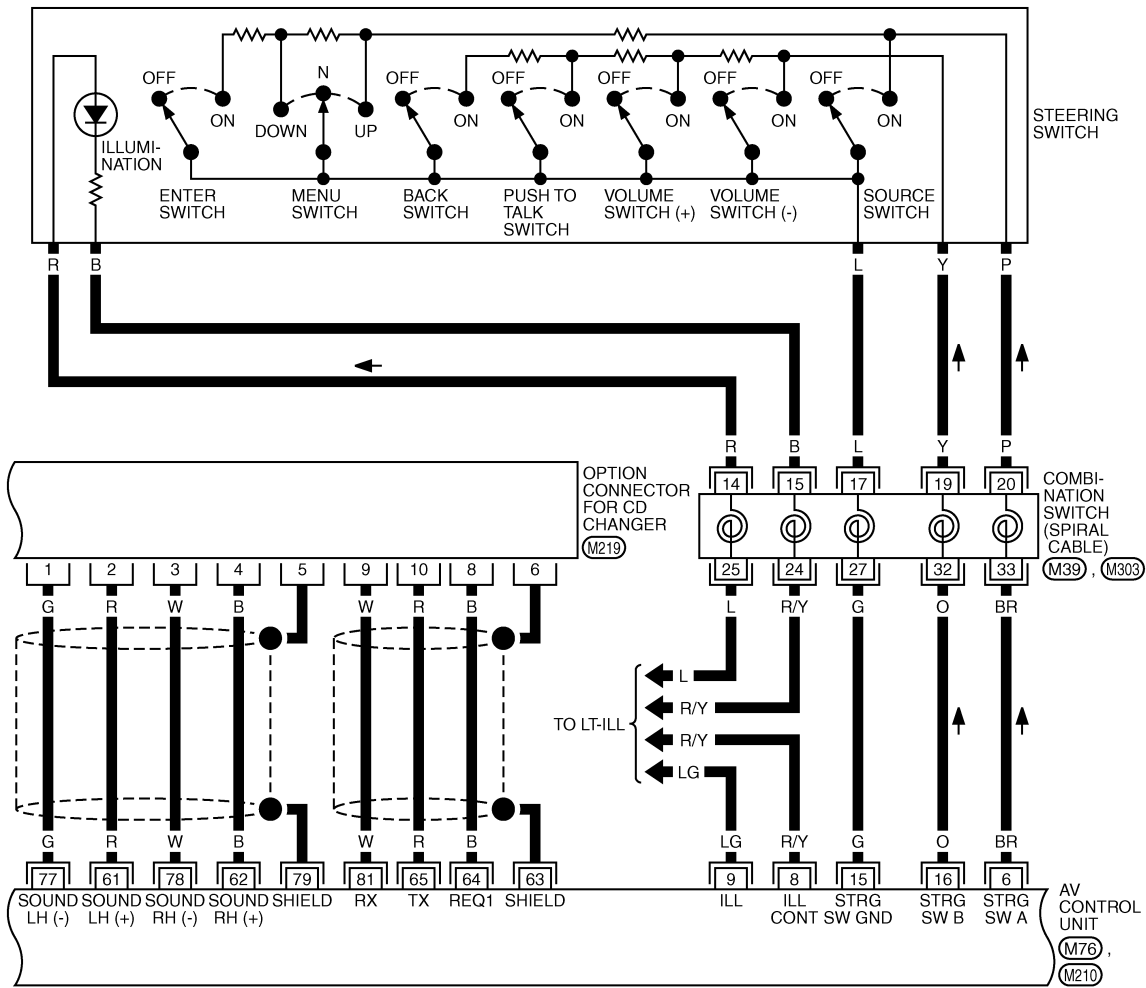
TKWT6749E

# CAMERA CONTROL UNIT

[WITH MOBILE ENTERTAINMENT SYSTEM]

< ECU DIAGNOSIS >

AV-AV-68



\*: THIS CONNECTOR IS NOT SHOWN IN "HARNESS LAYOUT", PG SECTION.

TKWT8305E

A  
B  
C  
D  
E  
F  
G  
H  
I  
J  
L  
M  
N  
O  
P

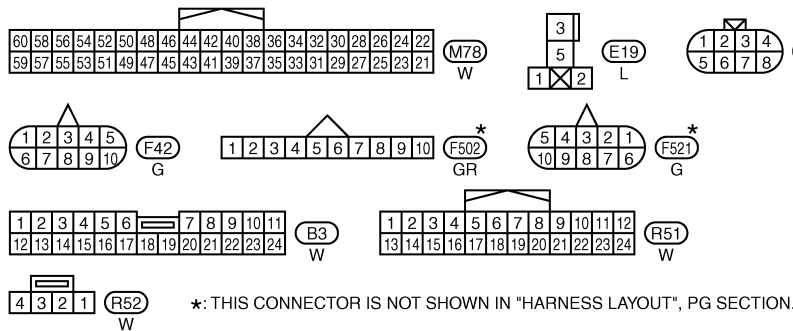
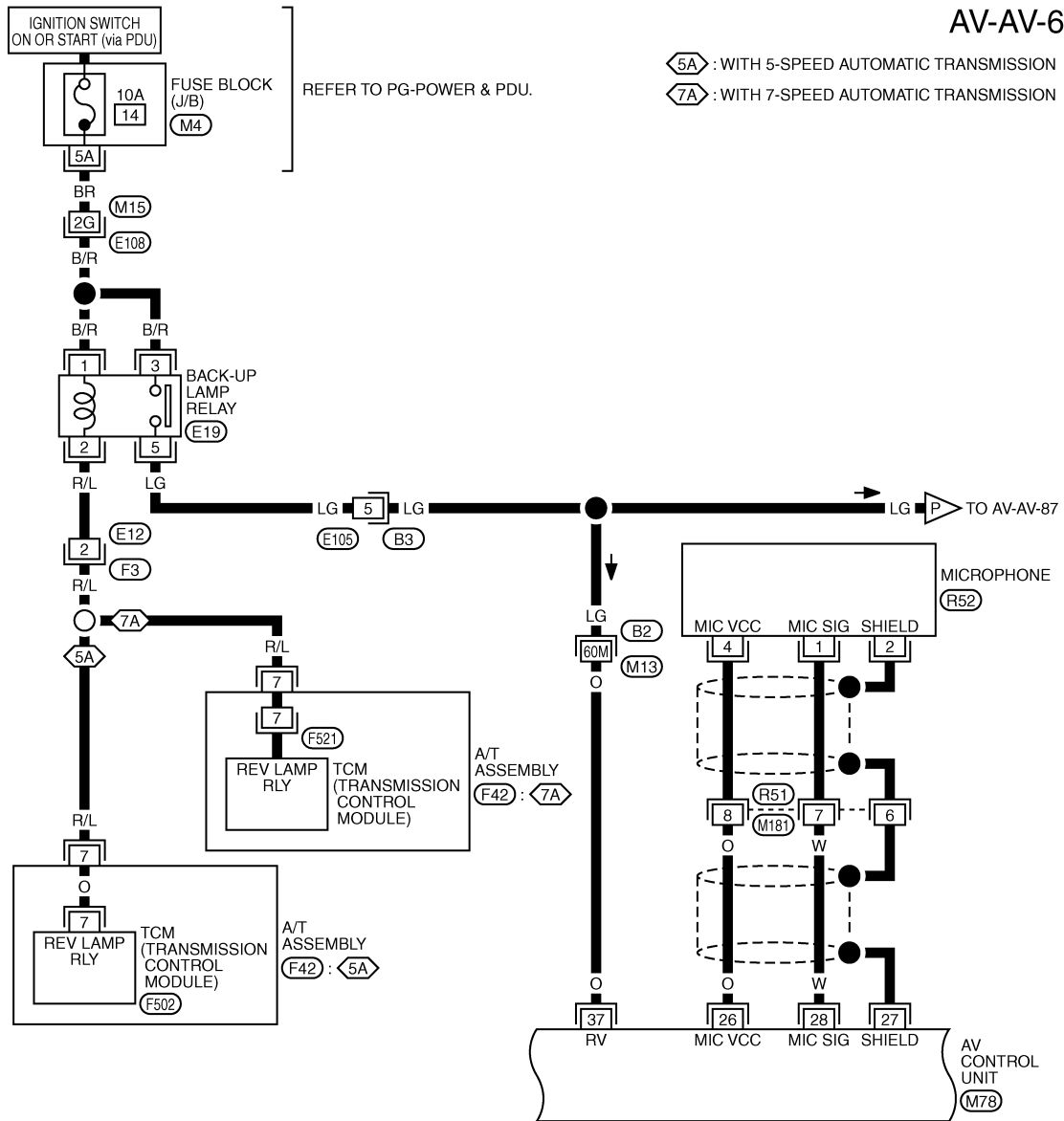
AV

# CAMERA CONTROL UNIT

[WITH MOBILE ENTERTAINMENT SYSTEM]

< ECU DIAGNOSIS >

AV-AV-69



REFER TO THE FOLLOWING.

E108, B2 -SUPER MULTIPLE JUNCTION (SMJ)

M4 -FUSE BLOCK-JUNCTION BOX (J/B)

TKWT8306E

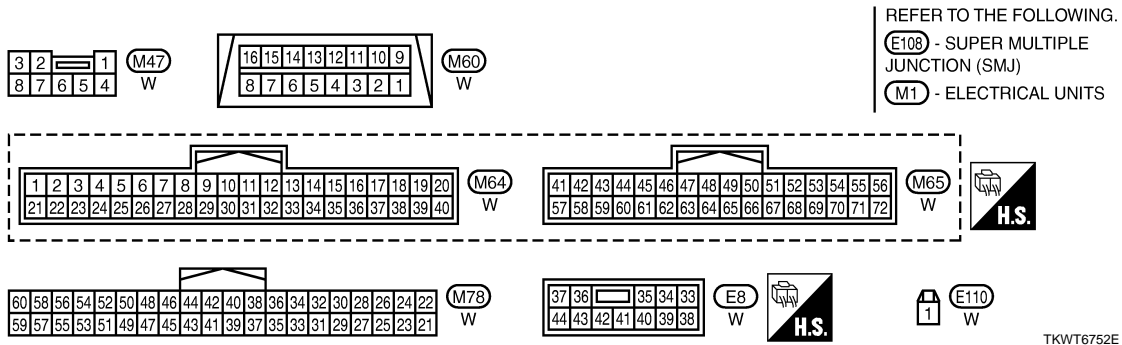
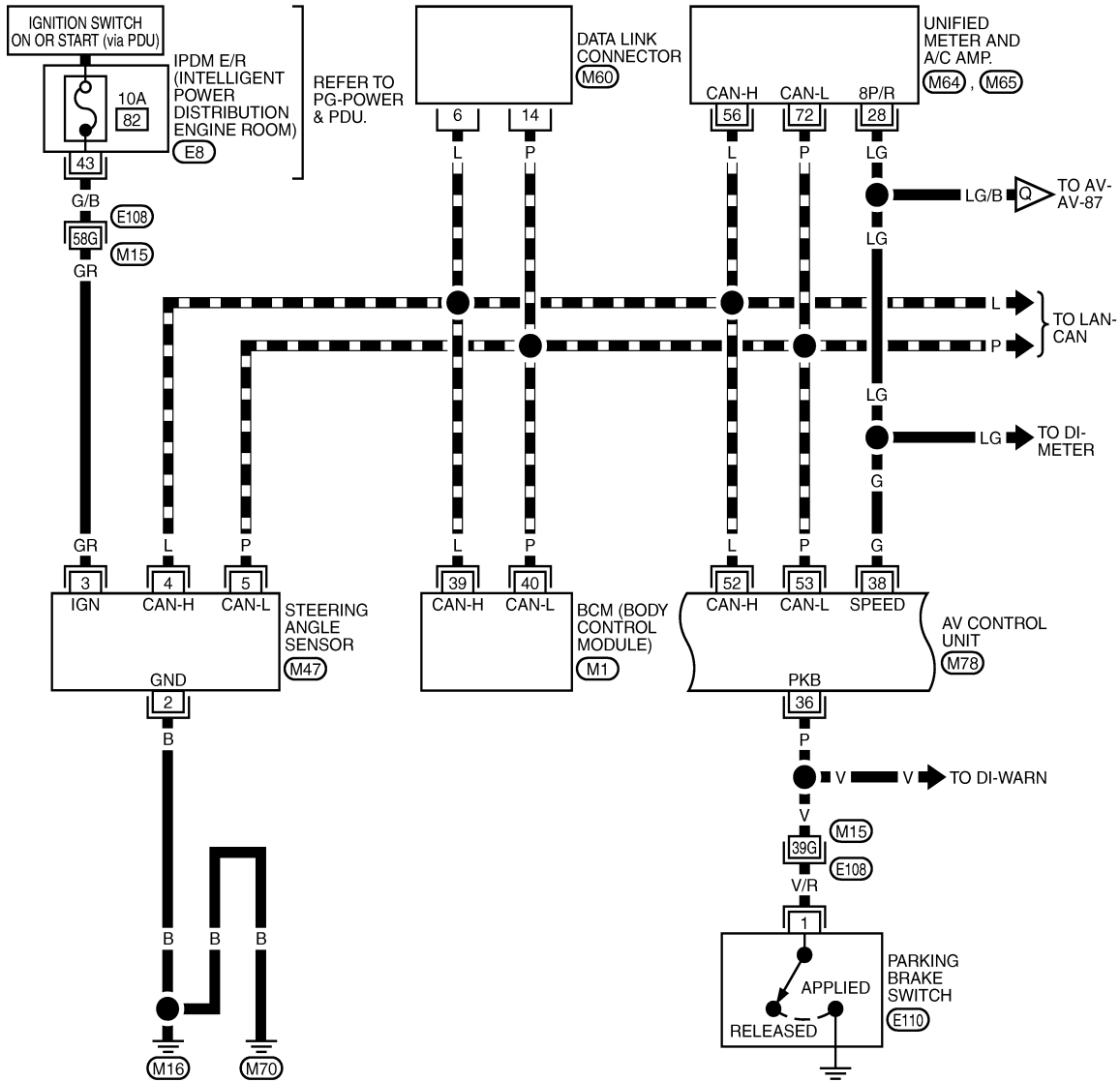
# CAMERA CONTROL UNIT

[WITH MOBILE ENTERTAINMENT SYSTEM]

< ECU DIAGNOSIS >

AV-AV-70

▬ : DATA LINE



TKWT6752E

A  
B  
C  
D  
E  
F  
G  
H  
I  
J  
AV  
L  
M  
N  
O  
P

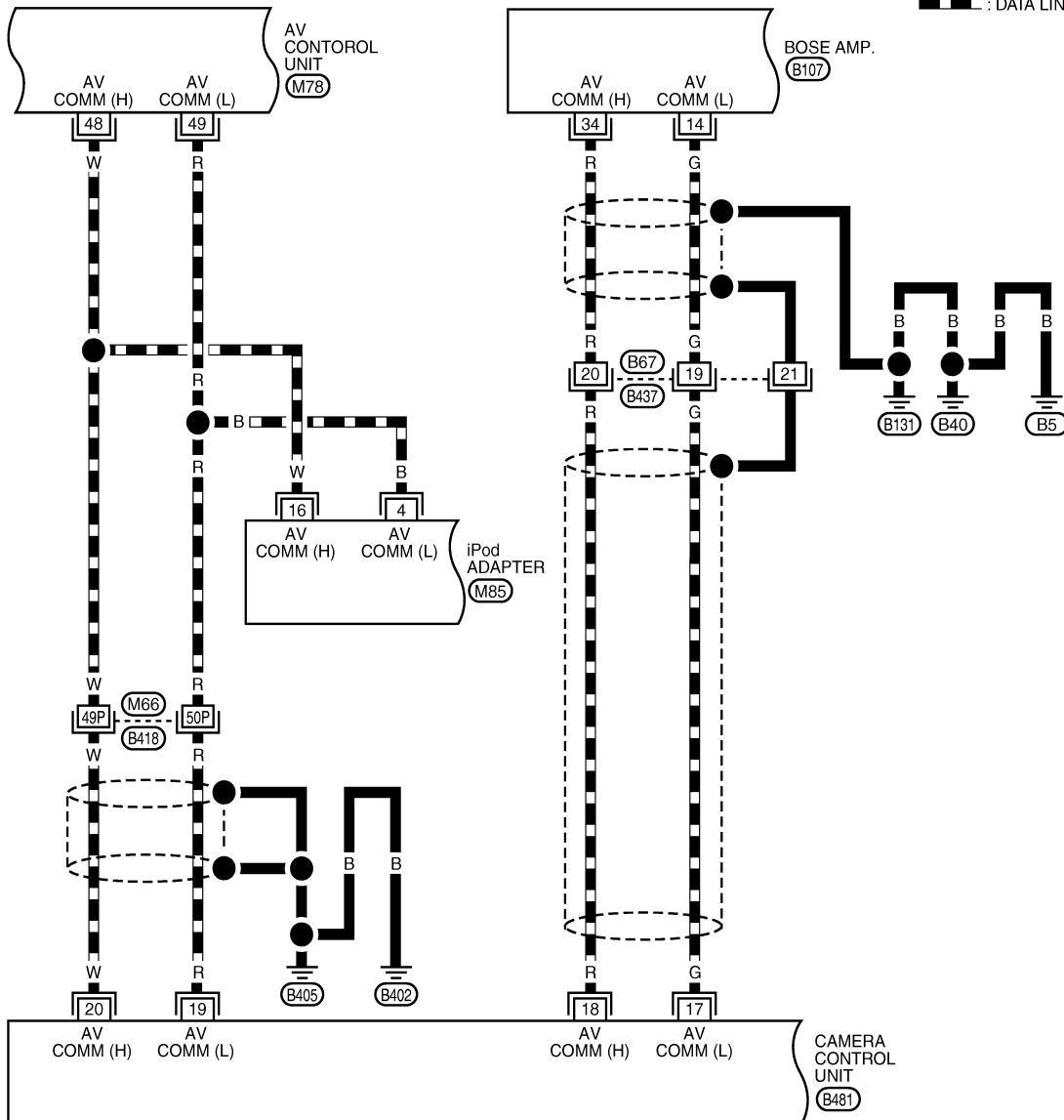
# CAMERA CONTROL UNIT

[WITH MOBILE ENTERTAINMENT SYSTEM]

< ECU DIAGNOSIS >

AV-AV-71

— : DATA LINE



60	58	56	54	52	50	48	46	44	42	40	38	36	34	32	30	28	26	24	22
59	57	55	53	51	49	47	45	43	41	39	37	35	33	31	29	27	25	23	21

(M78) W

12	11	10	9	8	7	6	5	4	3	2	1
24	23	22	21	20	19	18	17	16	15	14	13

(M85) W

1	2	3	4	5	6	7	8	9	10	11	12	13	14	15	16	17	18	19	20
21	22	23	24	25	26	27	28	29	30	31	32	33	34	35	36	37	38	39	40

(B107) W

1	2	3	4	5	6	7	8	9	10	11		
12	13	14	15	16	17	18	19	20	21	22	23	24

(B437) BR

32	30	28	26	24	22	20	18	16	14	12	10	8	6	4	2
31	29	27	25	23	21	19	17	15	13	11	9	7	5	3	1

(B481) W

REFER TO THE FOLLOWING.

(B418) - SUPER MULTIPLE JUNCTION (SMJ)

TKWT6753E

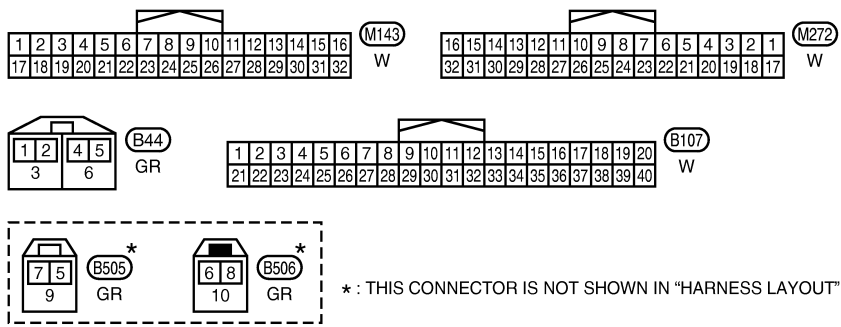
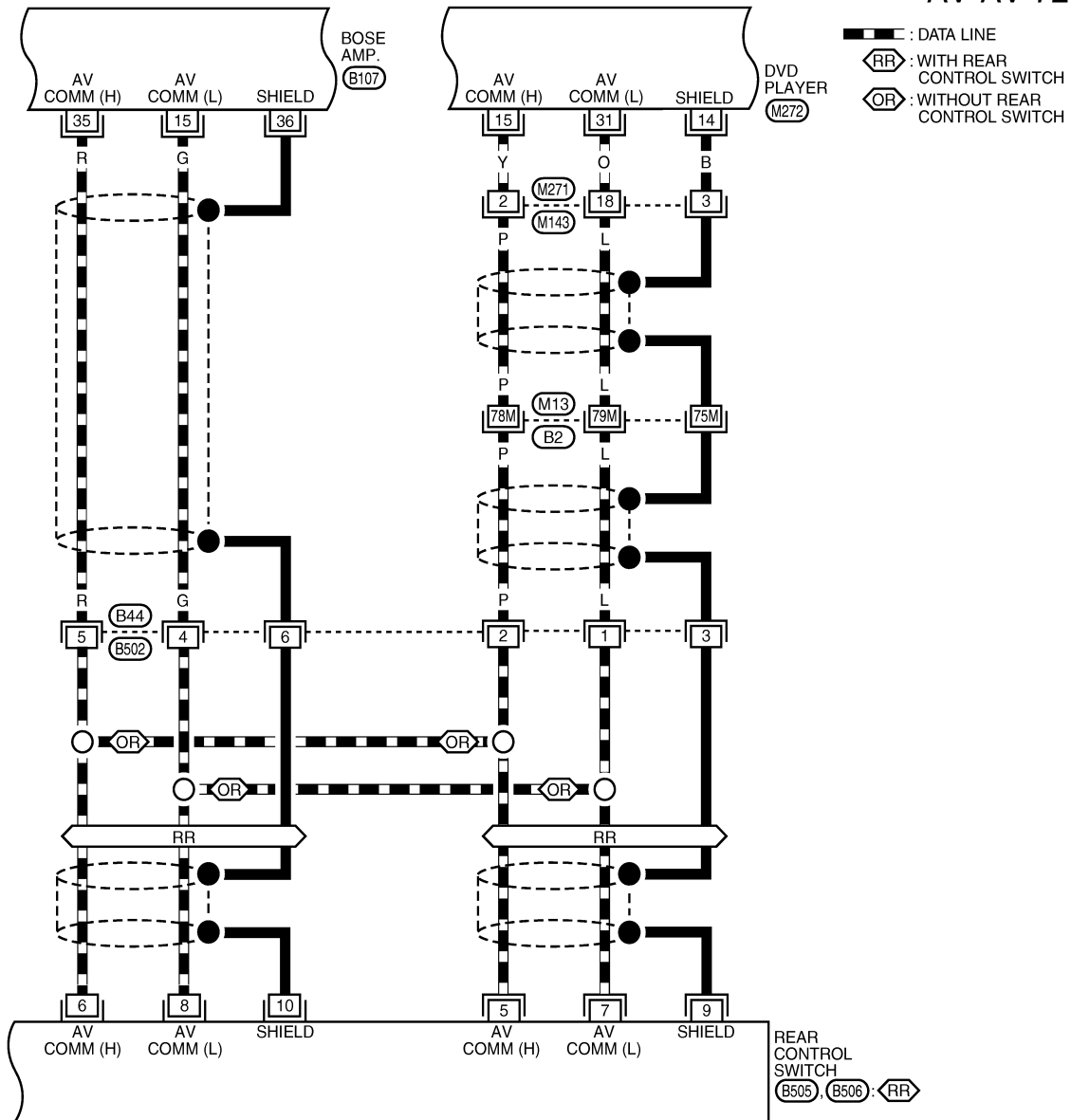


# CAMERA CONTROL UNIT

[WITH MOBILE ENTERTAINMENT SYSTEM]

< ECU DIAGNOSIS >

AV-AV-72



REFER TO THE FOLLOWING.  
 B2 - SUPER MULTIPLE JUNCTION (SMJ)

\* : THIS CONNECTOR IS NOT SHOWN IN "HARNESS LAYOUT", PG SECTION.

TKWT6754E

A  
B  
C  
D  
E  
F  
G  
H  
I  
J  
L  
M  
N  
O  
P

AV

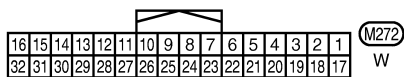
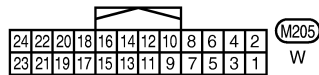
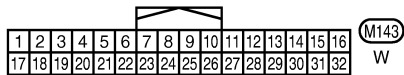
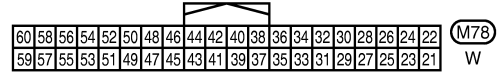
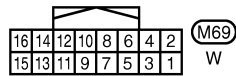
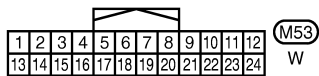
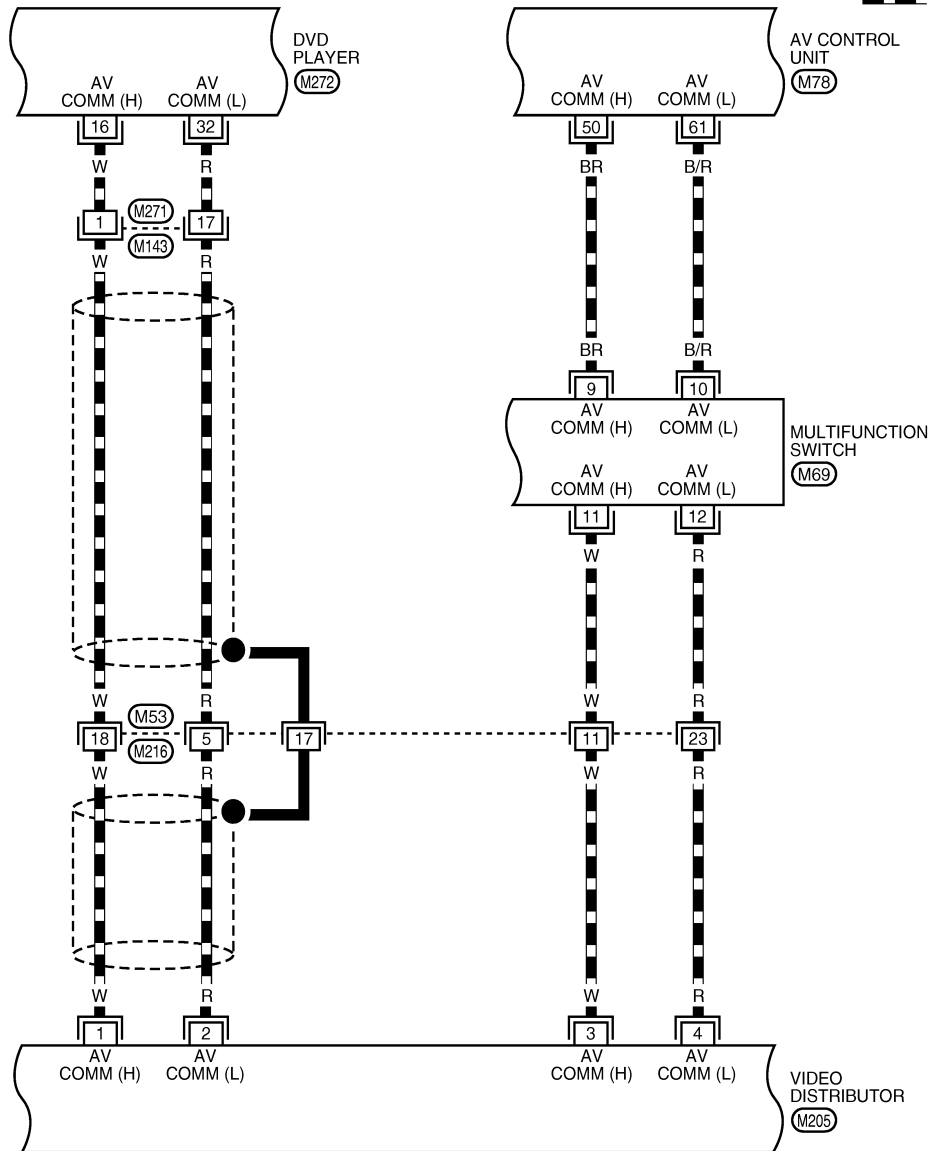
# CAMERA CONTROL UNIT

[WITH MOBILE ENTERTAINMENT SYSTEM]

< ECU DIAGNOSIS >

AV-AV-73

DATA LINE



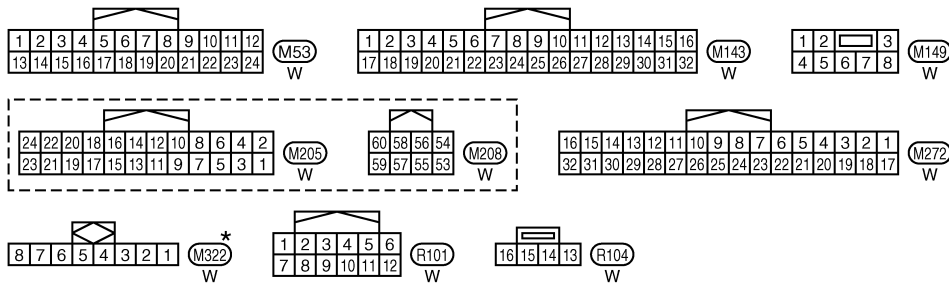
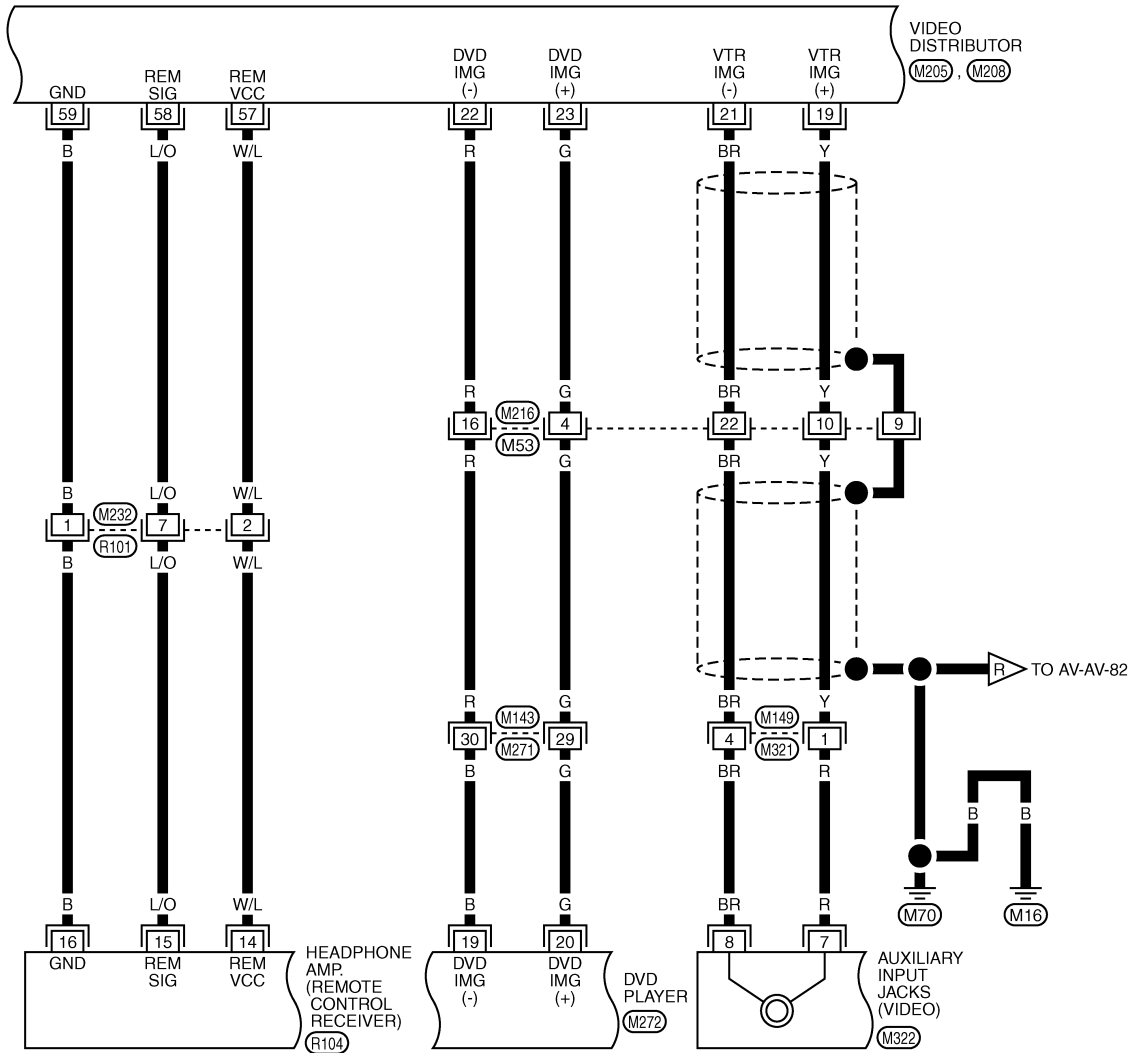
TKWT6755E

# CAMERA CONTROL UNIT

[WITH MOBILE ENTERTAINMENT SYSTEM]

< ECU DIAGNOSIS >

AV-AV-74



\*: THIS CONNECTOR IS NOT SHOWN IN "HARNESS LAYOUT", PG SECTION.

TKWT8307E

A  
B  
C  
D  
E  
F  
G  
H  
I  
J  
K  
L  
M  
N  
O  
P

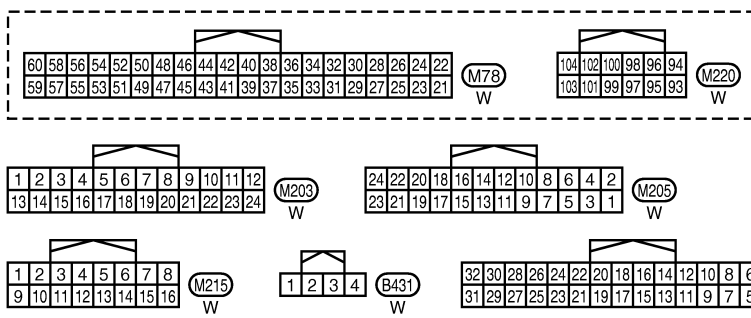
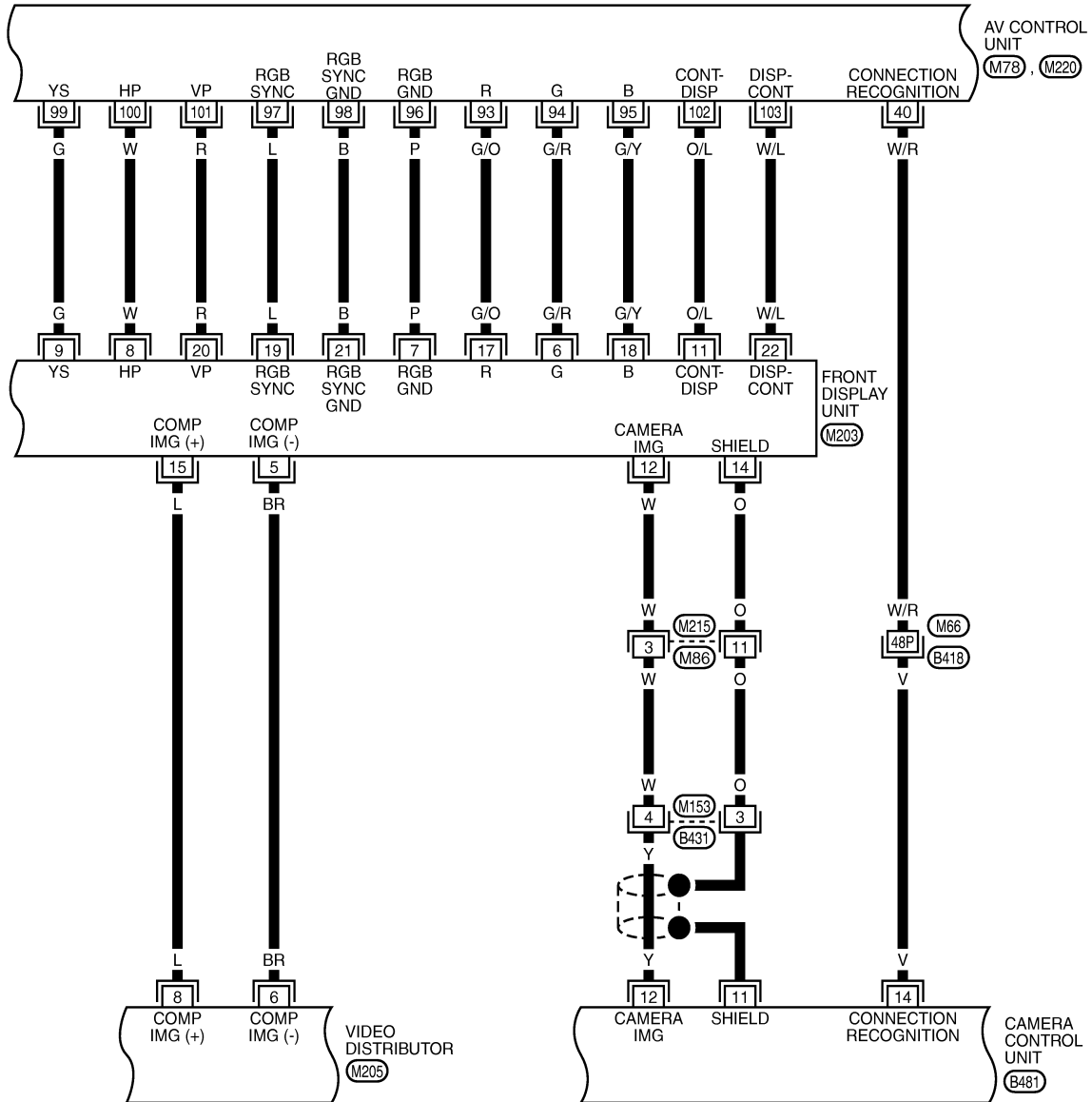
AV

# CAMERA CONTROL UNIT

[WITH MOBILE ENTERTAINMENT SYSTEM]

< ECU DIAGNOSIS >

AV-AV-75



REFER TO THE FOLLOWING.

(B418) -SUPER MULTIPLE JUNCTION (SMJ)

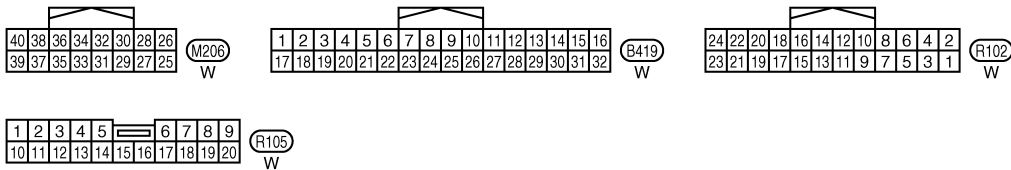
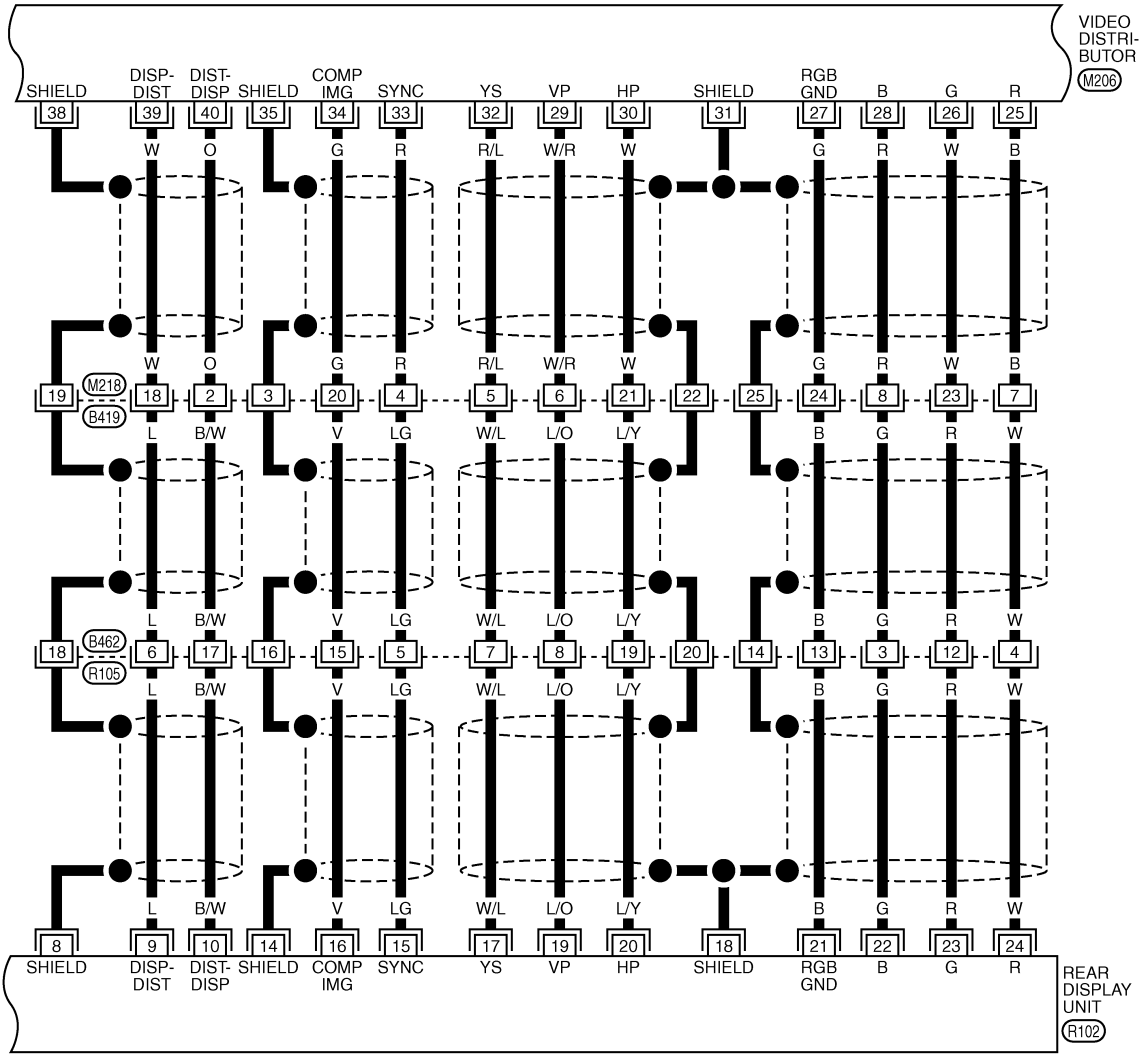
TKWT6757E

# CAMERA CONTROL UNIT

[WITH MOBILE ENTERTAINMENT SYSTEM]

< ECU DIAGNOSIS >

AV-AV-76



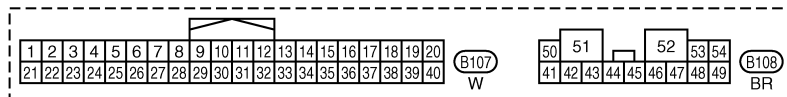
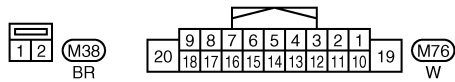
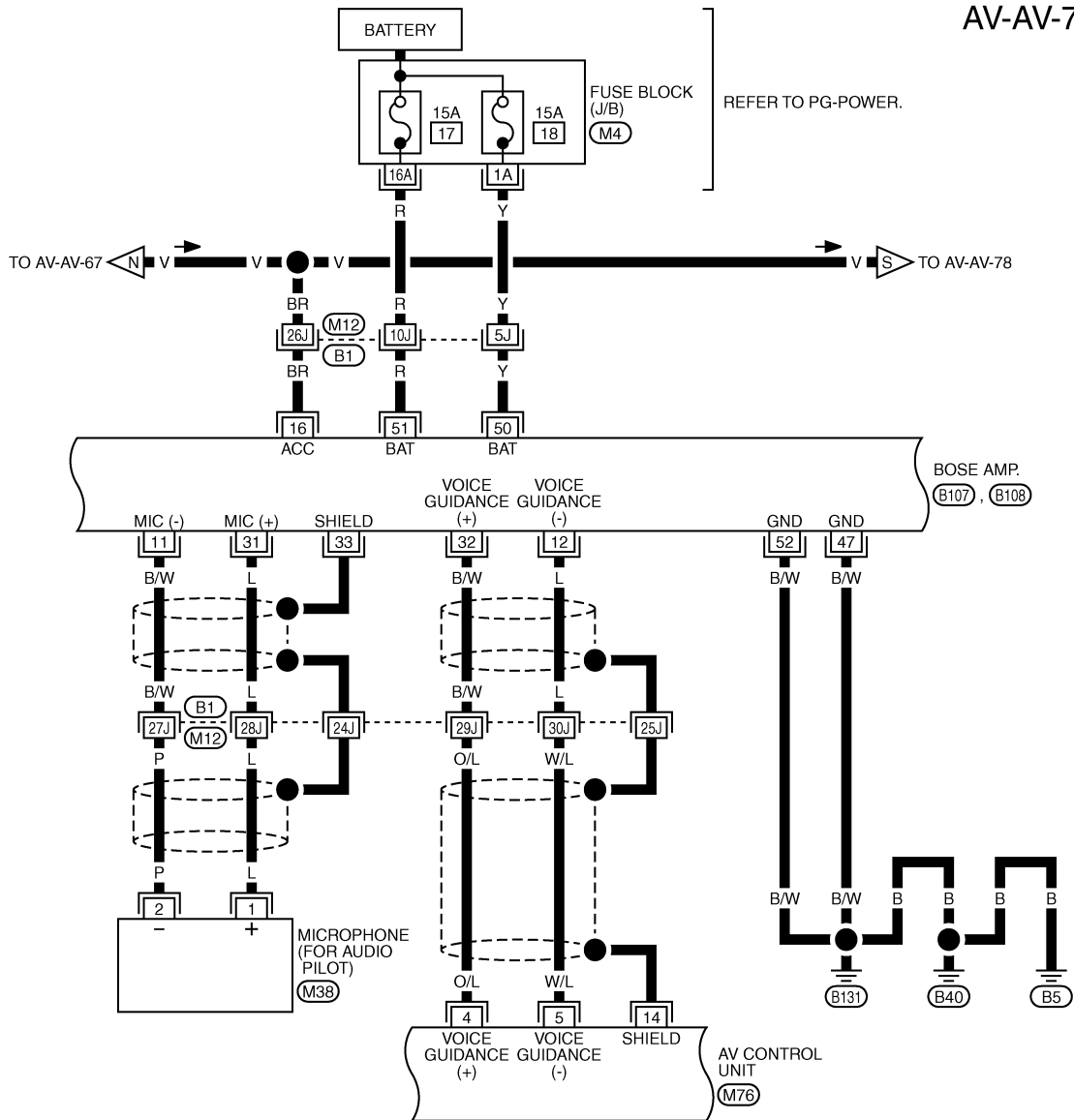
TKWT5152E

# CAMERA CONTROL UNIT

[WITH MOBILE ENTERTAINMENT SYSTEM]

< ECU DIAGNOSIS >

AV-AV-77



REFER TO THE FOLLOWING.

- (B1) -SUPER MULTIPLE JUNCTION (SMJ)
- (M4) -FUSE BLOCK-JUNCTION BOX (J/B)

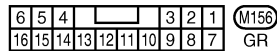
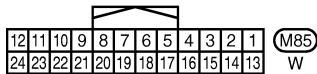
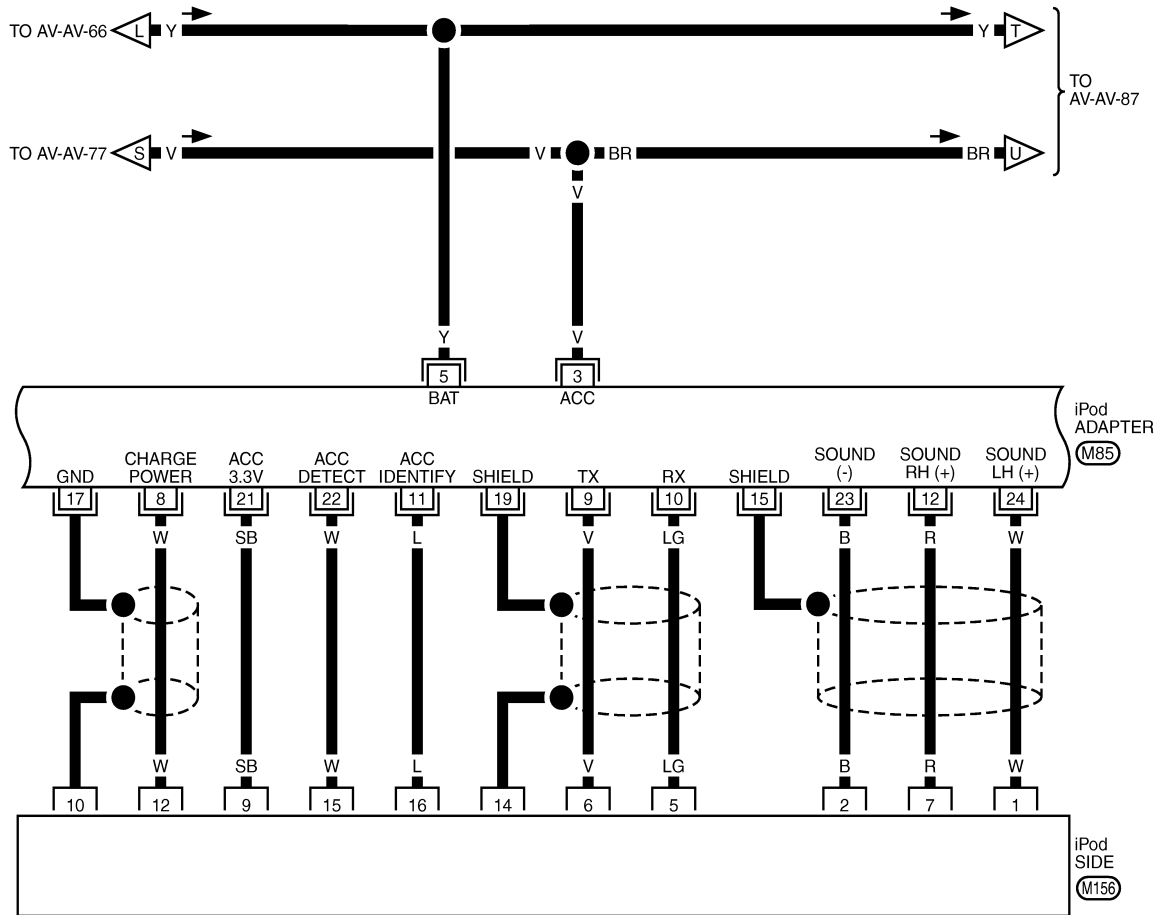
TKWT8308E

# CAMERA CONTROL UNIT

[WITH MOBILE ENTERTAINMENT SYSTEM]

< ECU DIAGNOSIS >

AV-AV-78



TKWT6761E

A  
B  
C  
D  
E  
F  
G  
H  
I  
J  
K  
L  
M  
N  
O  
P

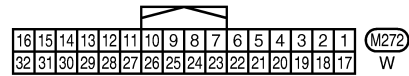
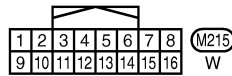
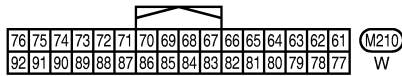
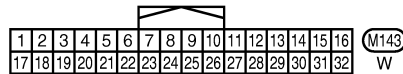
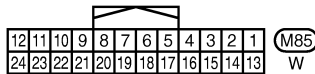
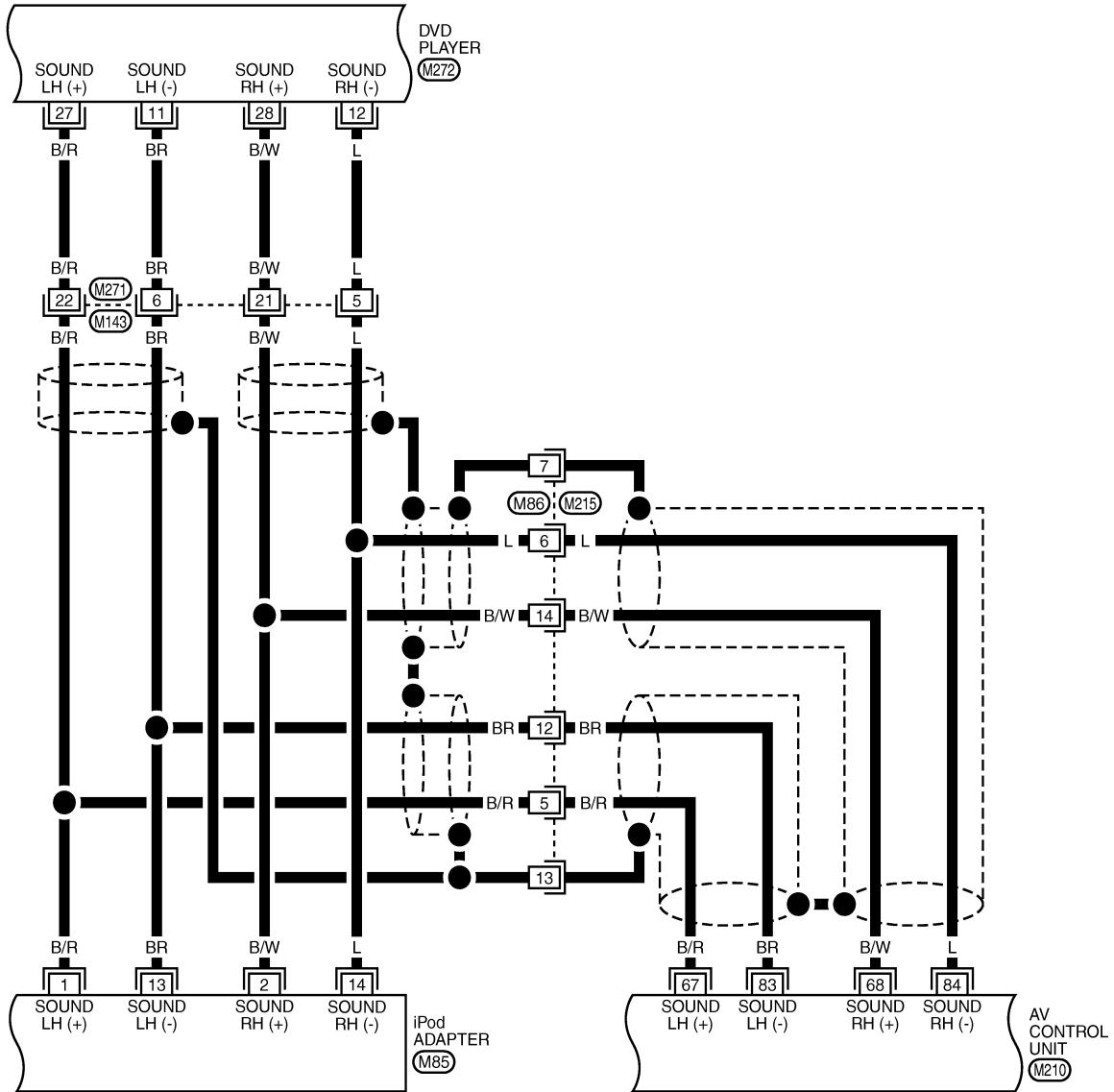
AV

# CAMERA CONTROL UNIT

[WITH MOBILE ENTERTAINMENT SYSTEM]

< ECU DIAGNOSIS >

AV-AV-79



TKWT6762E

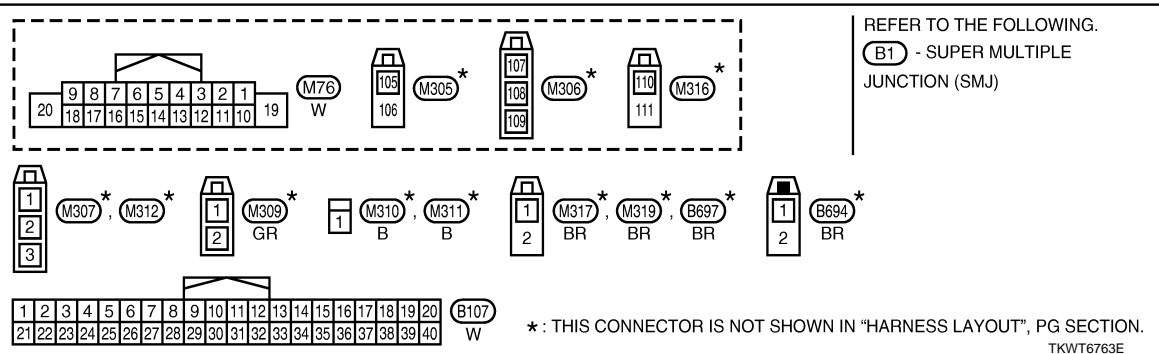
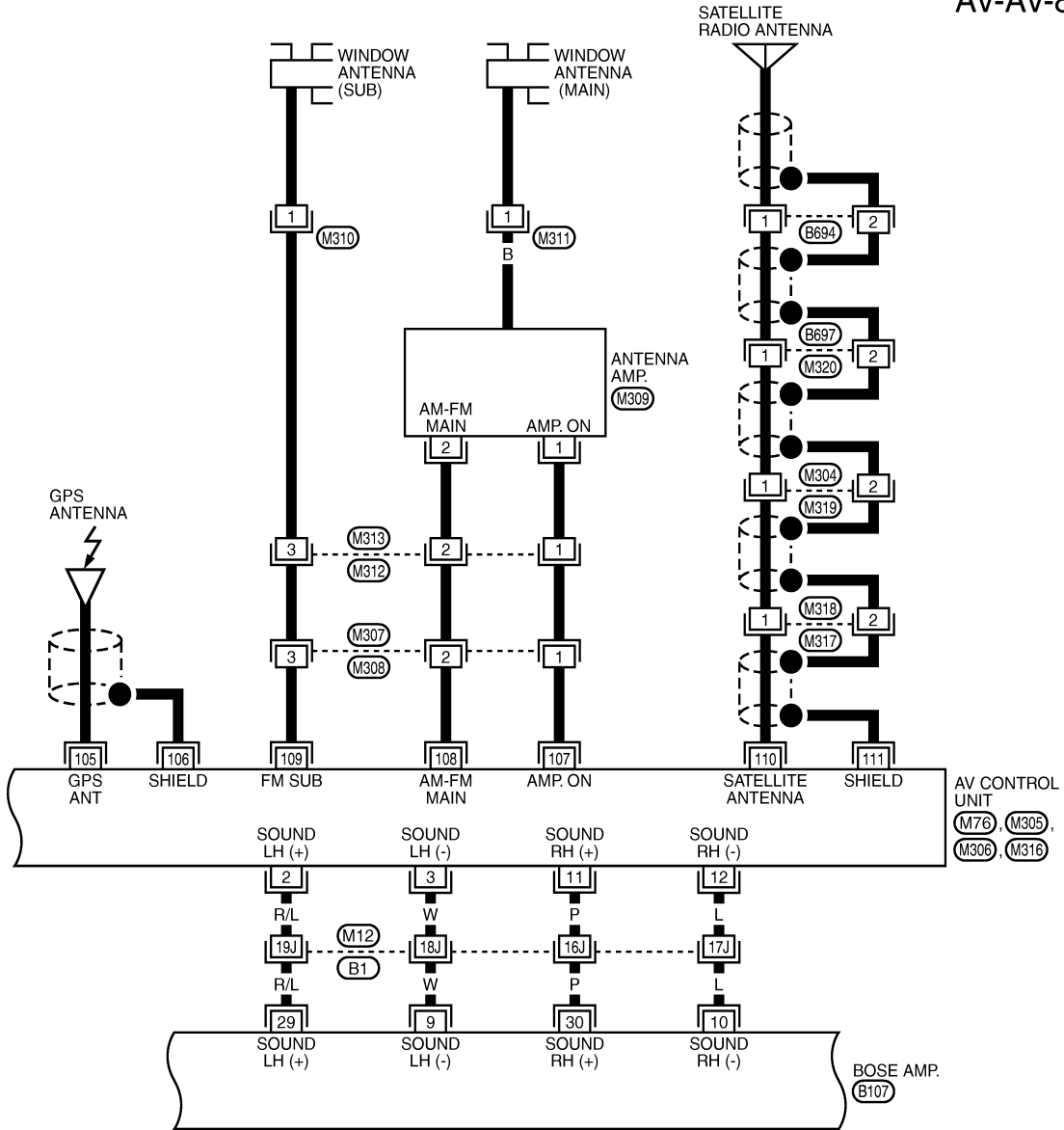


# CAMERA CONTROL UNIT

[WITH MOBILE ENTERTAINMENT SYSTEM]

< ECU DIAGNOSIS >

AV-AV-80



A  
B  
C  
D  
E  
F  
G  
H  
I  
J  
K  
L  
M  
N  
O  
P

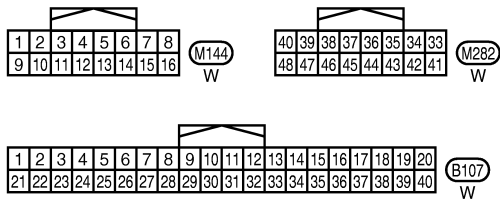
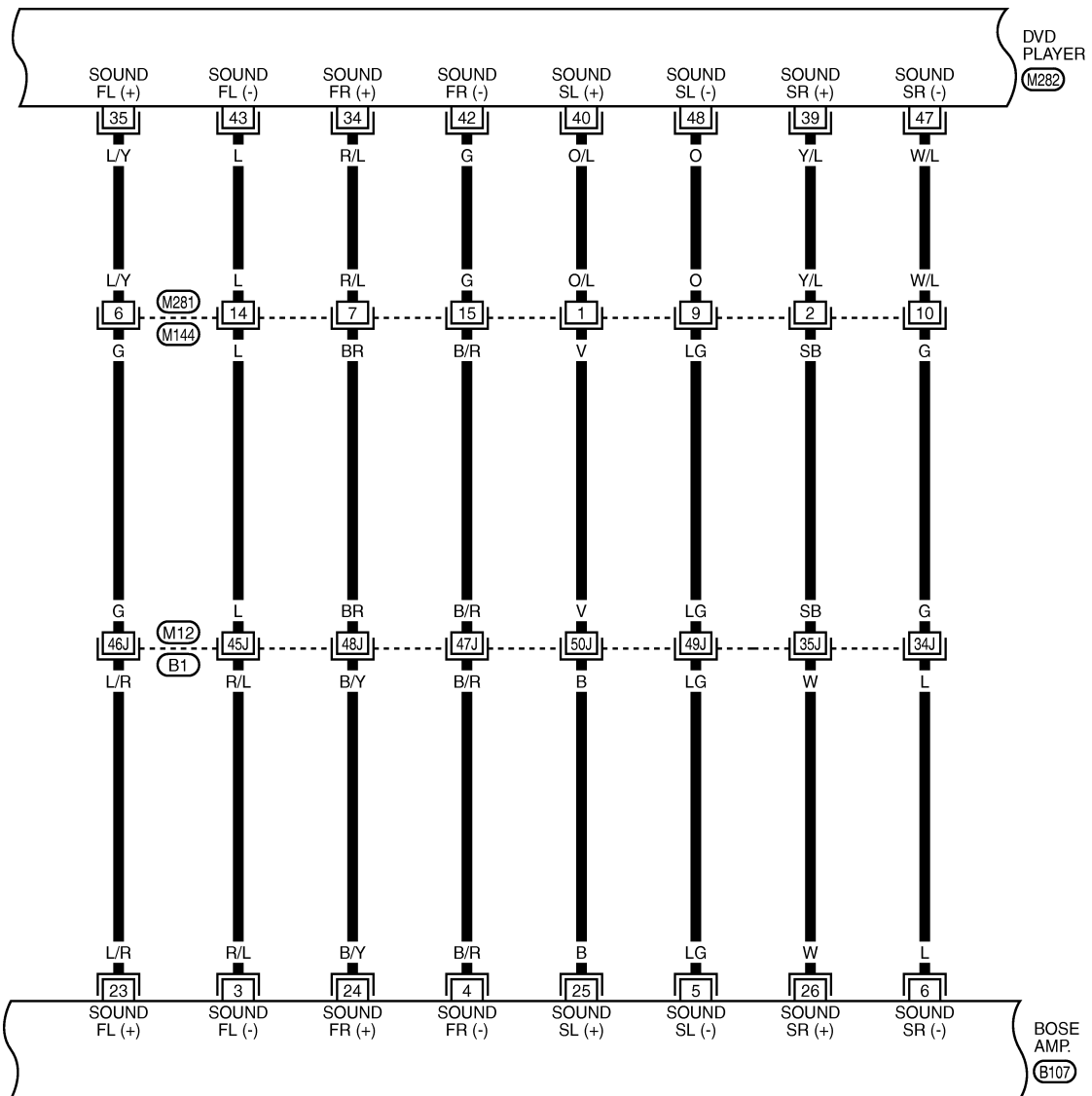
AV

# CAMERA CONTROL UNIT

[WITH MOBILE ENTERTAINMENT SYSTEM]

< ECU DIAGNOSIS >

AV-AV-81



REFER TO THE FOLLOWING.

(B1) - SUPER MULTIPLE JUNCTION (SMJ)

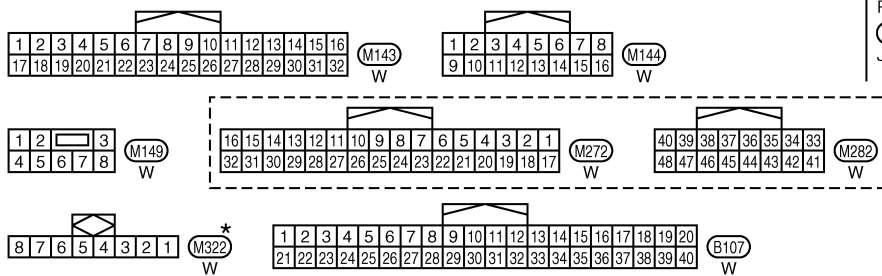
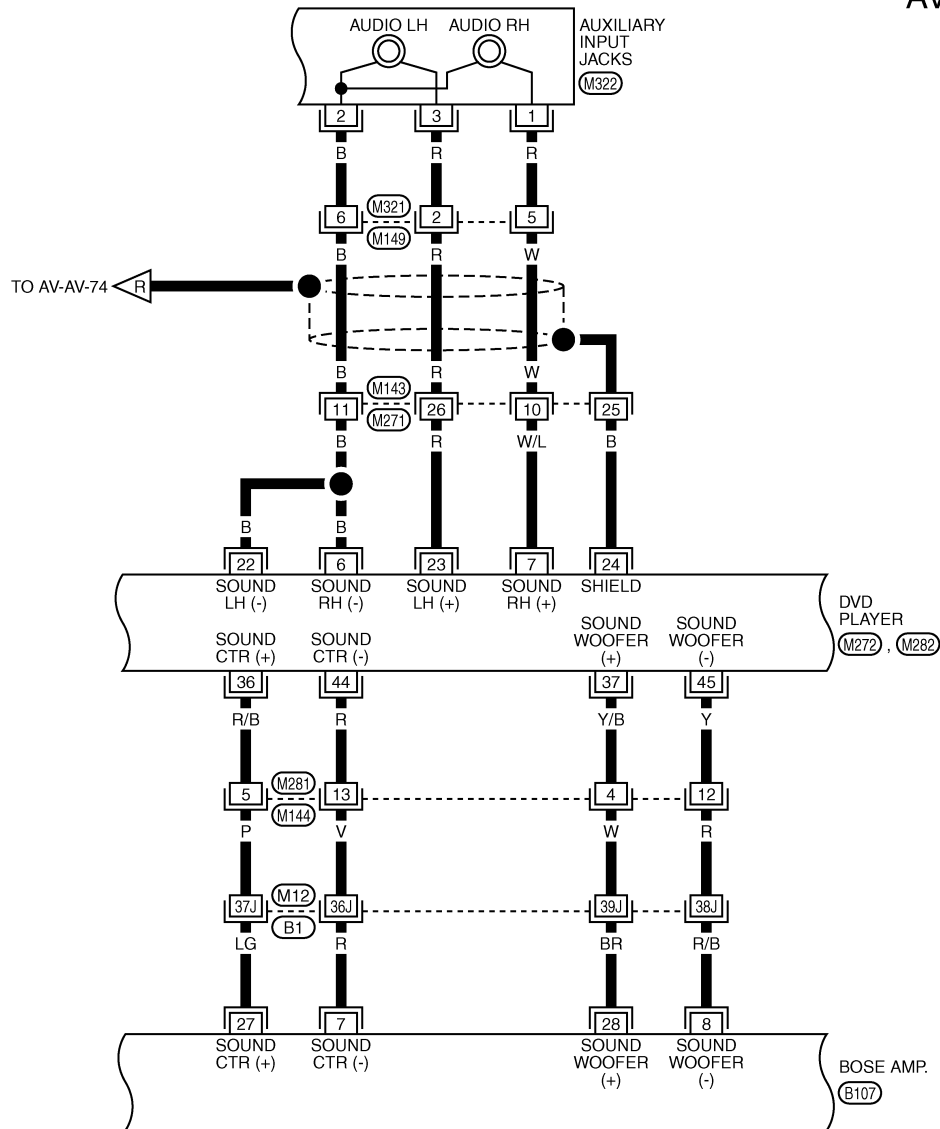
TKWT6764E

# CAMERA CONTROL UNIT

[WITH MOBILE ENTERTAINMENT SYSTEM]

< ECU DIAGNOSIS >

AV-AV-82



REFER TO THE FOLLOWING.  
 (B1) -SUPER MULTIPLE JUNCTION (SMJ)

\*: THIS CONNECTOR IS NOT SHOWN IN "HARNESS LAYOUT", PG SECTION.

TKWT8309E

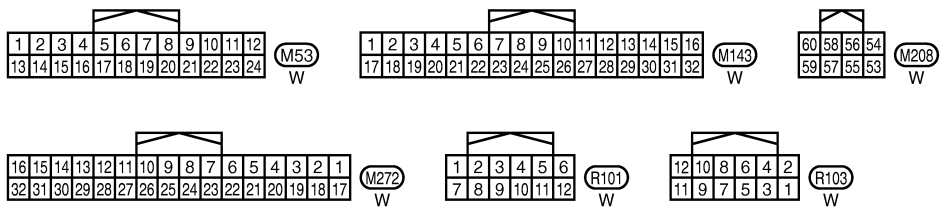
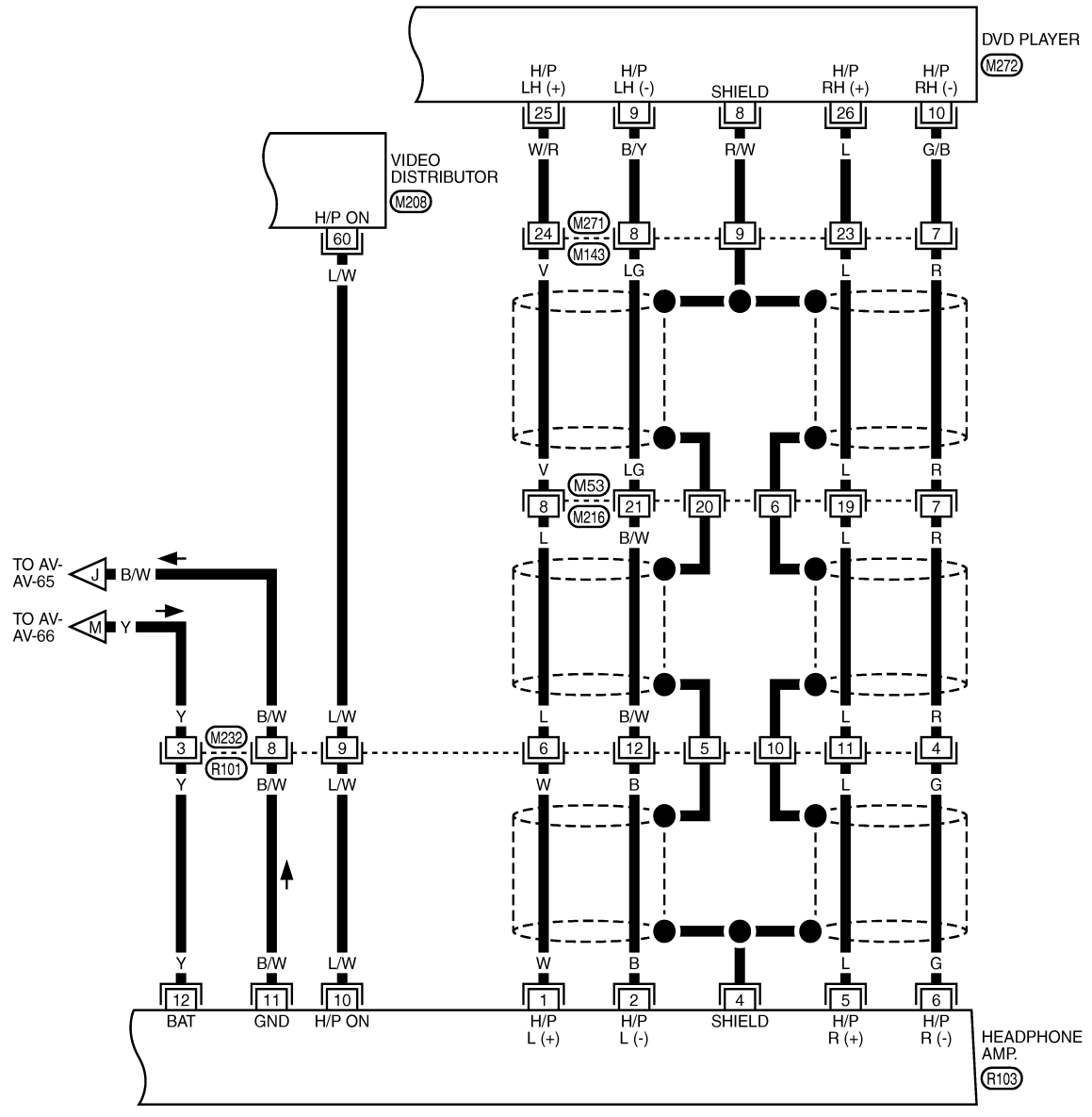
A  
B  
C  
D  
E  
F  
G  
H  
I  
J  
AV  
L  
M  
N  
O  
P

# CAMERA CONTROL UNIT

[WITH MOBILE ENTERTAINMENT SYSTEM]

< ECU DIAGNOSIS >

AV-AV-83



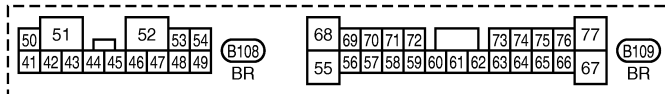
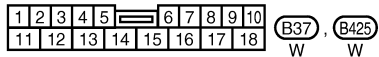
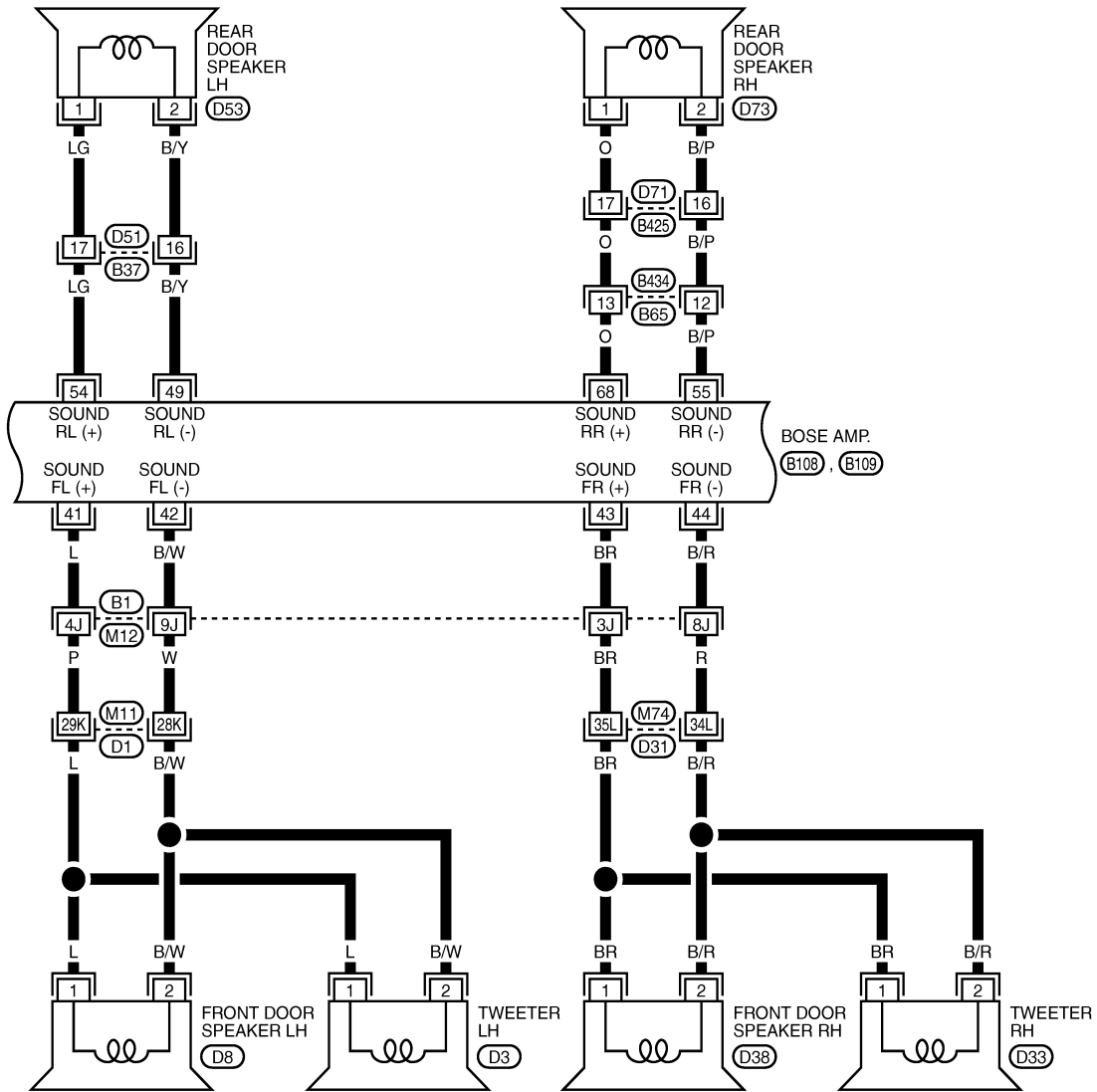
TKWT6766E

# CAMERA CONTROL UNIT

[WITH MOBILE ENTERTAINMENT SYSTEM]

< ECU DIAGNOSIS >

AV-AV-84



REFER TO THE FOLLOWING.

(B1, D1, D31) - SUPER MULTIPLE JUNCTION (SMJ)

TKWT6767E

A  
B  
C  
D  
E  
F  
G  
H  
I  
J  
K  
L  
M  
N  
O  
P

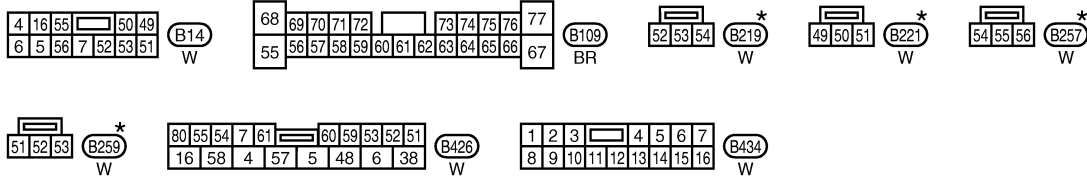
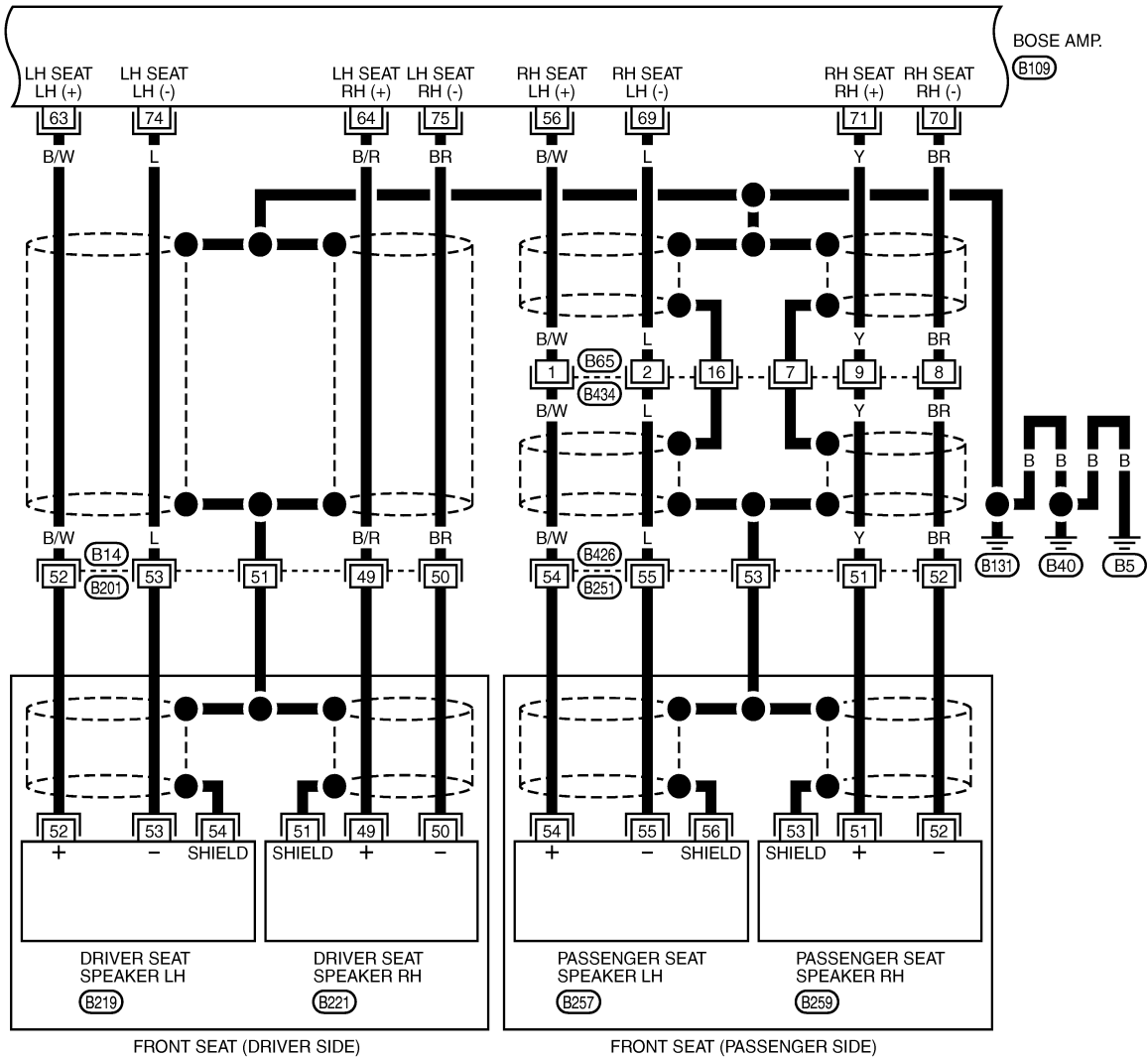
AV

# CAMERA CONTROL UNIT

[WITH MOBILE ENTERTAINMENT SYSTEM]

< ECU DIAGNOSIS >

AV-AV-85



\*: THIS CONNECTOR IS NOT SHOWN IN "HARNESS LAYOUT", PG SECTION.

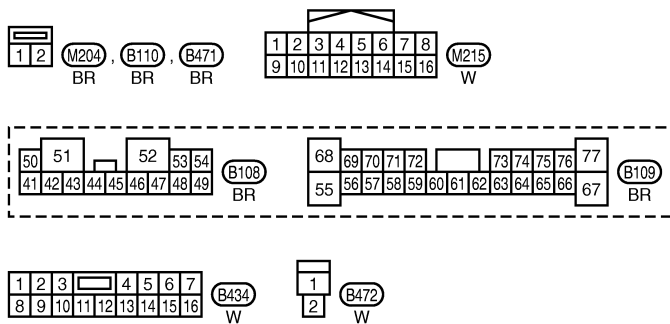
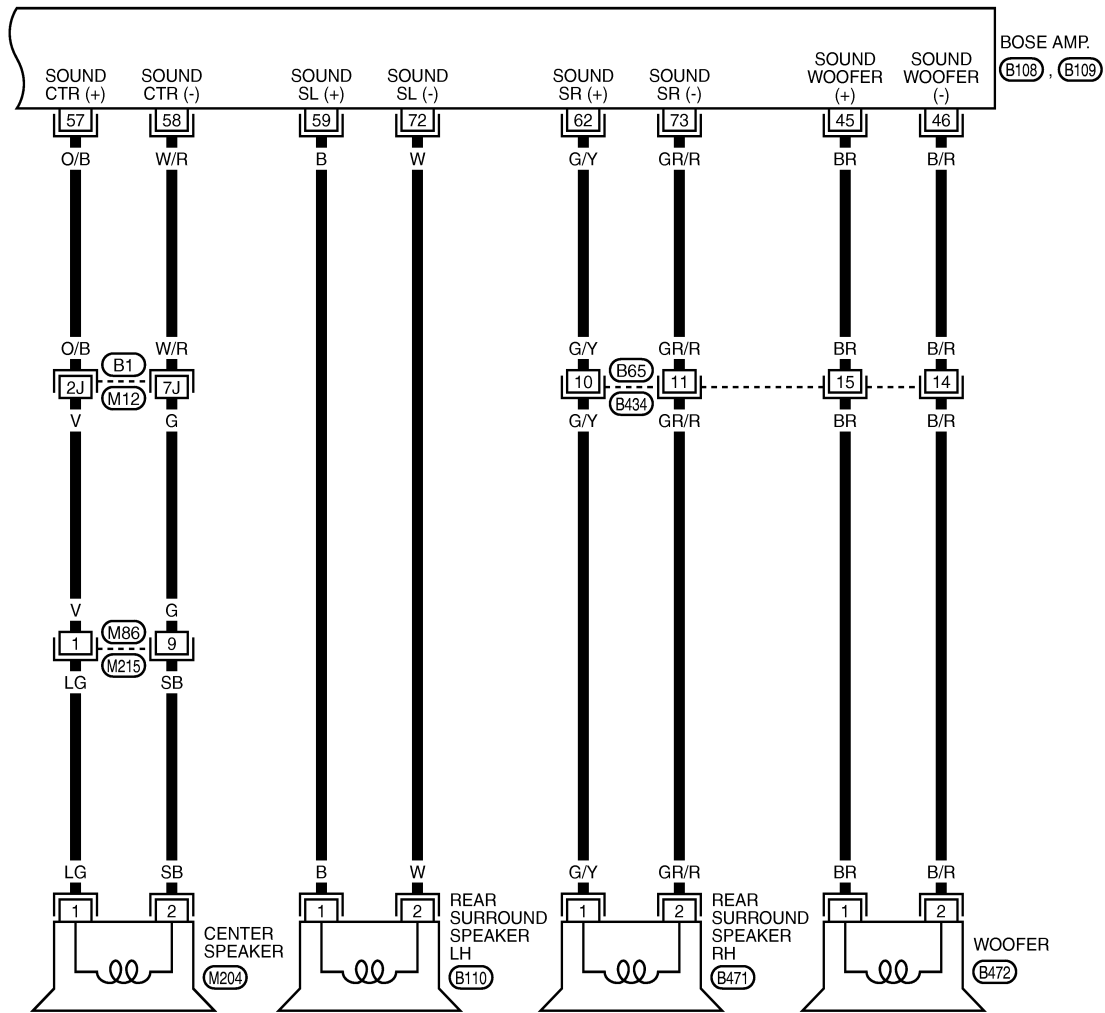
TKWT6768E

# CAMERA CONTROL UNIT

[WITH MOBILE ENTERTAINMENT SYSTEM]

< ECU DIAGNOSIS >

AV-AV-86



REFER TO THE FOLLOWING.

(B1) - SUPER MULTIPLE JUNCTION (SMJ)

TKWT6769E

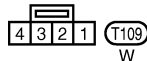
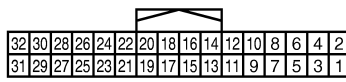
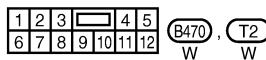
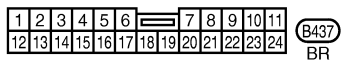
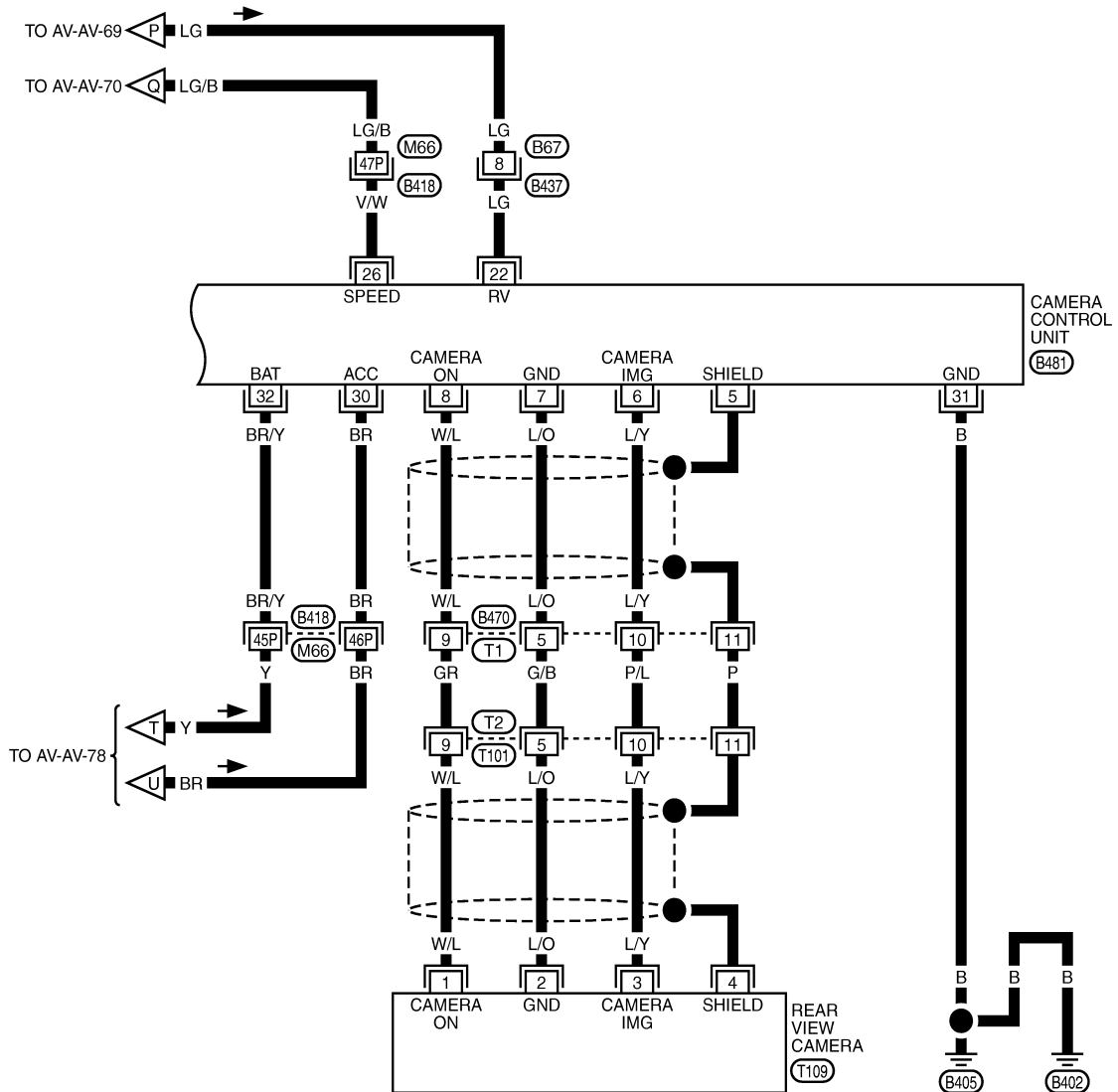
A  
B  
C  
D  
E  
F  
G  
H  
I  
J  
AV  
L  
M  
N  
O  
P

# CAMERA CONTROL UNIT

[WITH MOBILE ENTERTAINMENT SYSTEM]

< ECU DIAGNOSIS >

AV-AV-87



REFER TO THE FOLLOWING.

(B418) - SUPER MULTIPLE JUNCTION (SMJ)



# DVD PLAYER

[WITH MOBILE ENTERTAINMENT SYSTEM]

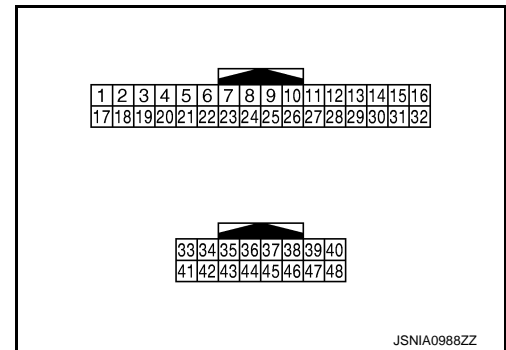
< ECU DIAGNOSIS >

## DVD PLAYER

Reference Value

INFOID:000000005350632

### TERMINAL LAYOUT



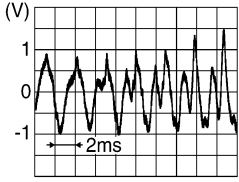
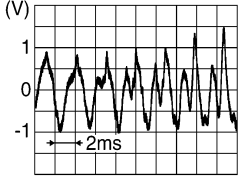
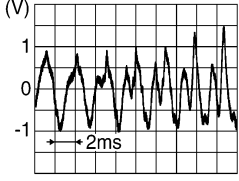
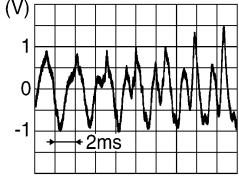
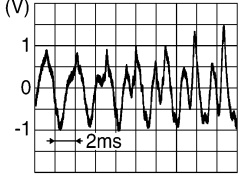
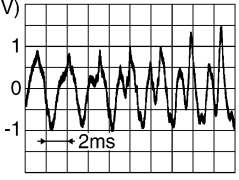
### PHYSICAL VALUES

Terminal (Wire color)		Description		Condition		Reference value (Approx.)
+	-	Signal name	Input/ Output			
1 (Y)	Ground	Battery power supply	Input	Ignition switch OFF	—	Battery voltage
2 (V)	Ground	ACC power supply	Input	Ignition switch ACC	—	Battery voltage
7 (W/L)	6 (B)	AUX sound signal RH	Input	Ignition switch ON	AUX sound output.	<p>SKIB3609E</p>
8	—	Shield	—	—	—	—
14	—	Shield	—	—	—	—
15 (Y)	—	AV communication signal (H)	Input/ Output	—	—	—
16 (W)	—	AV communication signal (H)	Input/ Output	—	—	—
17 (B/P)	Ground	Ground	—	Ignition switch ON	—	0 V
18 (R/L)	Ground	Illumination signal	Input	Ignition switch ON	Lighting switch is OFF.	0 V
					Lighting switch is ON.	12 V
20 (G)	19 (B)	DVD image signal	Output	Ignition switch ON	When DVD image is displayed.	<p>SKIB2251J</p>

# DVD PLAYER

**[WITH MOBILE ENTERTAINMENT SYSTEM]**

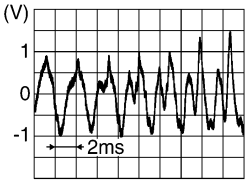
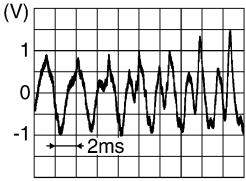
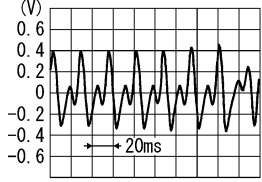
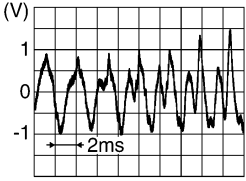
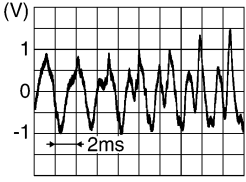
**< ECU DIAGNOSIS >**

Terminal (Wire color)		Description		Condition		Reference value (Approx.)
+	-	Signal name	Input/ Output			
23 (R)	22 (B)	AUX sound signal LH	Input	Ignition switch ON	AUX sound output.	 <p style="text-align: right; font-size: small;">SKIB3609E</p>
24	—	Shield	—	—	—	—
25 (W/R)	9 (B/Y)	Headphone sound signal LH	Output	Ignition switch ON	Headphone sound output.	 <p style="text-align: right; font-size: small;">SKIB3609E</p>
26 (L)	10 (G/B)	Headphone sound signal RH	Output	Ignition switch ON	Headphone sound output.	 <p style="text-align: right; font-size: small;">SKIB3609E</p>
27 (B/R)	11 (BR)	BOSE 2ch models • Sound signal LH (DVD and AUX sound)	Output	Ignition switch ON	AUX or DVD sound output.	 <p style="text-align: right; font-size: small;">SKIB3609E</p>
		BOSE surround audio 5.1ch models • Sound signal LH (AUX sound)			AUX sound output.	
28 (B/W)	12 (L)	BOSE 2ch models • Sound signal RH (DVD and AUX sound)	Output	Ignition switch ON	AUX or DVD sound output.	 <p style="text-align: right; font-size: small;">SKIB3609E</p>
		BOSE surround audio 5.1ch models • Sound signal RH (AUX sound)			AUX sound output.	
31 (O)	—	AV communication signal (L)	Input/ Output	—	—	—
32 (R)	—	AV communication signal (L)	Input/ Output	—	—	—
34* (R/L)	42* (G)	DVD surround signal front RH	Output	Ignition switch ON	When the DVD player is played.	 <p style="text-align: right; font-size: small;">SKIB3609E</p>

# DVD PLAYER

**[WITH MOBILE ENTERTAINMENT SYSTEM]**

< ECU DIAGNOSIS >

Terminal (Wire color)		Description		Condition		Reference value (Approx.)
+	-	Signal name	Input/ Output			
35* (L/Y)	43* (L)	DVD surround signal front LH	Output	Ignition switch ON	When the DVD player is played.	 <p style="text-align: right; font-size: small;">SKIB3609E</p>
36* (R/B)	44* (R)	DVD surround signal center	Output	Ignition switch ON	When the DVD player is played.	 <p style="text-align: right; font-size: small;">SKIB3609E</p>
37* (Y/B)	45* (Y)	DVD surround signal woofer	Output	Ignition switch ON	When the DVD player is played.	 <p style="text-align: right; font-size: small;">PKIB6116J</p>
39* (Y/L)	47* (W/L)	DVD surround signal rear RH	Output	Ignition switch ON	When the DVD player is played.	 <p style="text-align: right; font-size: small;">SKIB3609E</p>
40* (O/L)	48* (O)	DVD surround signal rear LH	Output	Ignition switch ON	When the DVD player is played.	 <p style="text-align: right; font-size: small;">SKIB3609E</p>
49 (B)	Ground	Ground	—	Ignition switch ON	—	0 V

\*: Only for BOSE surround audio 5.1ch system models.

A  
B  
C  
D  
E  
F  
G  
H  
I  
J  
AV  
L  
M  
N  
O  
P

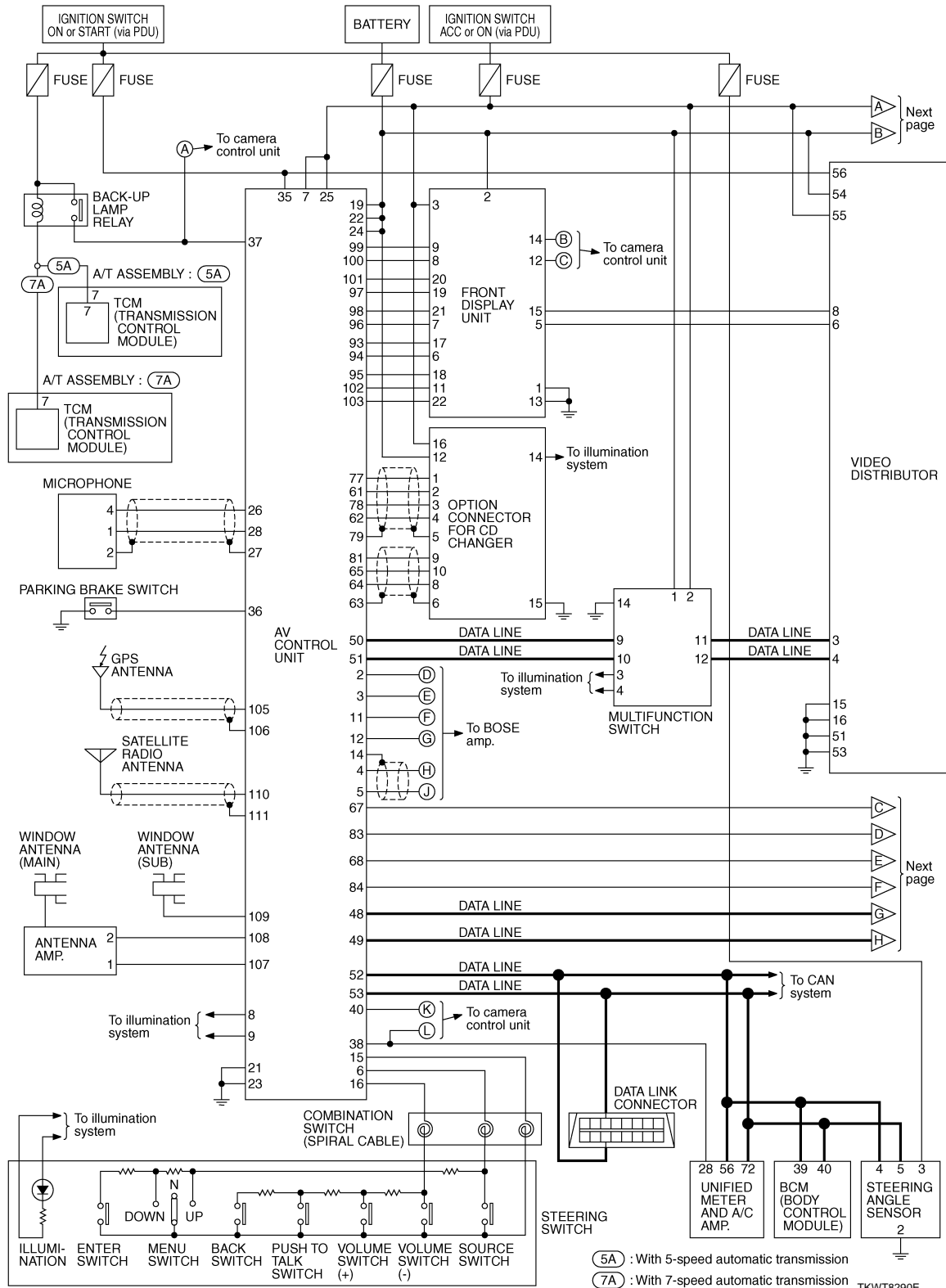
# DVD PLAYER

[WITH MOBILE ENTERTAINMENT SYSTEM]

< ECU DIAGNOSIS >

## Schematic - BOSE Audio 2ch System-

INFOID:000000005350633



(5A) : With 5-speed automatic transmission

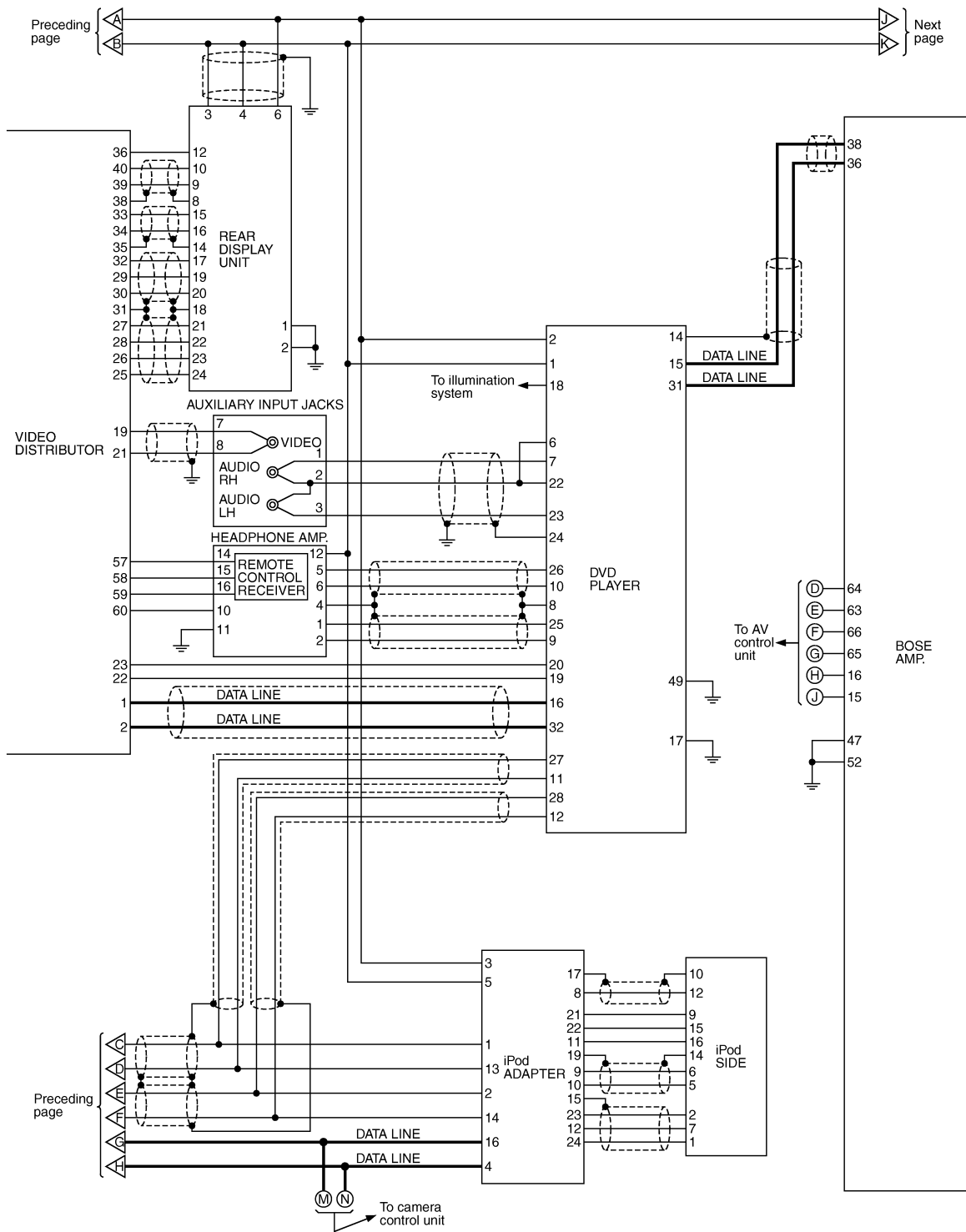
(7A) : With 7-speed automatic transmission

TKWT8290E

# DVD PLAYER

[WITH MOBILE ENTERTAINMENT SYSTEM]

< ECU DIAGNOSIS >



A  
B  
C  
D  
E  
F  
G  
H  
I  
J  
K  
L  
M  
N  
O  
P

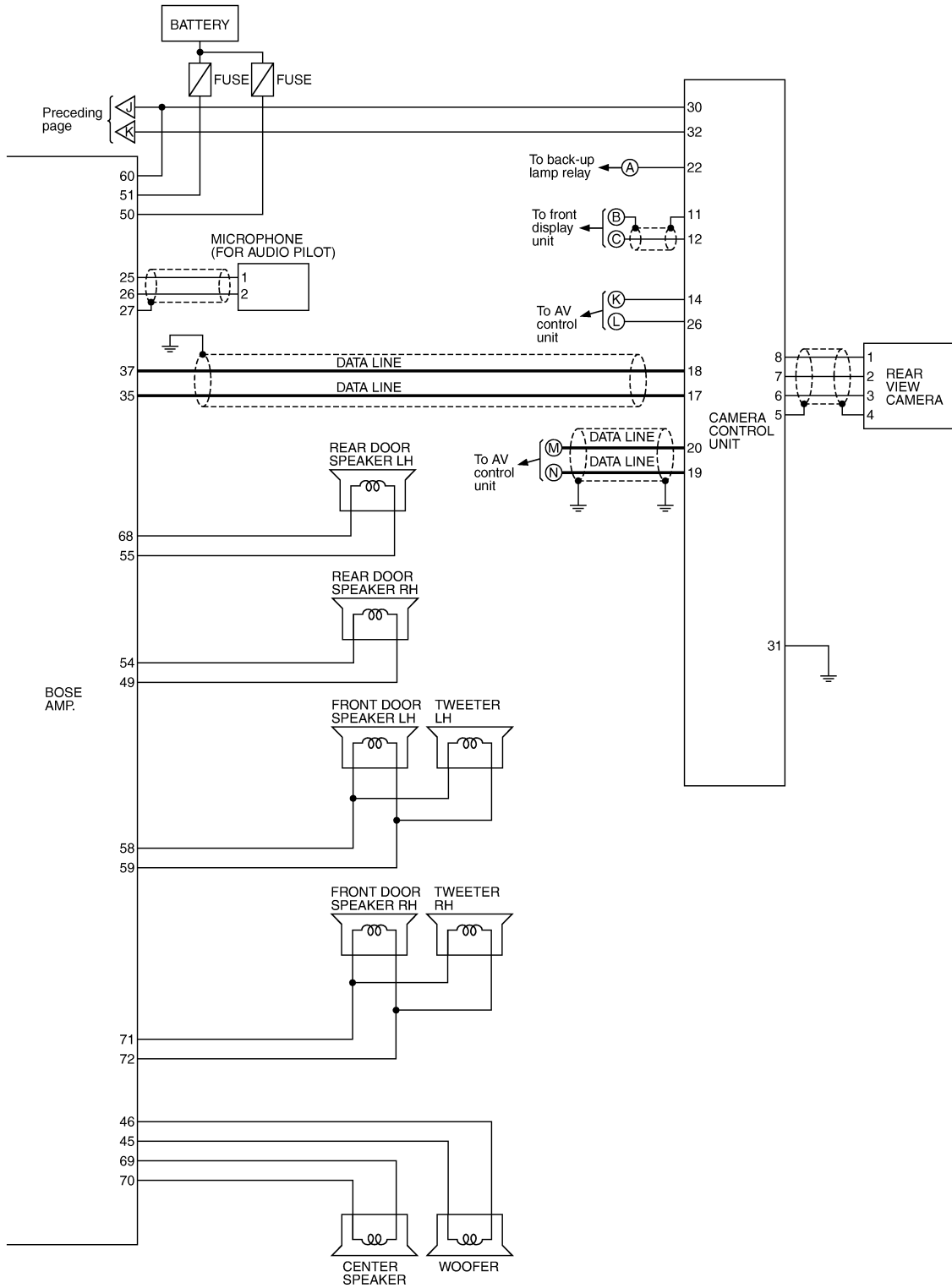
AV

TKWT6722E

# DVD PLAYER

[WITH MOBILE ENTERTAINMENT SYSTEM]

< ECU DIAGNOSIS >



TKWT6723E

## Wiring Diagram - AV - / BOSE Audio 2ch System

INFOID:000000005350634

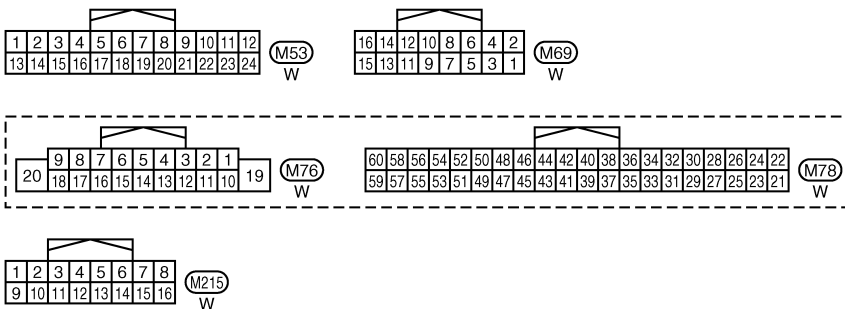
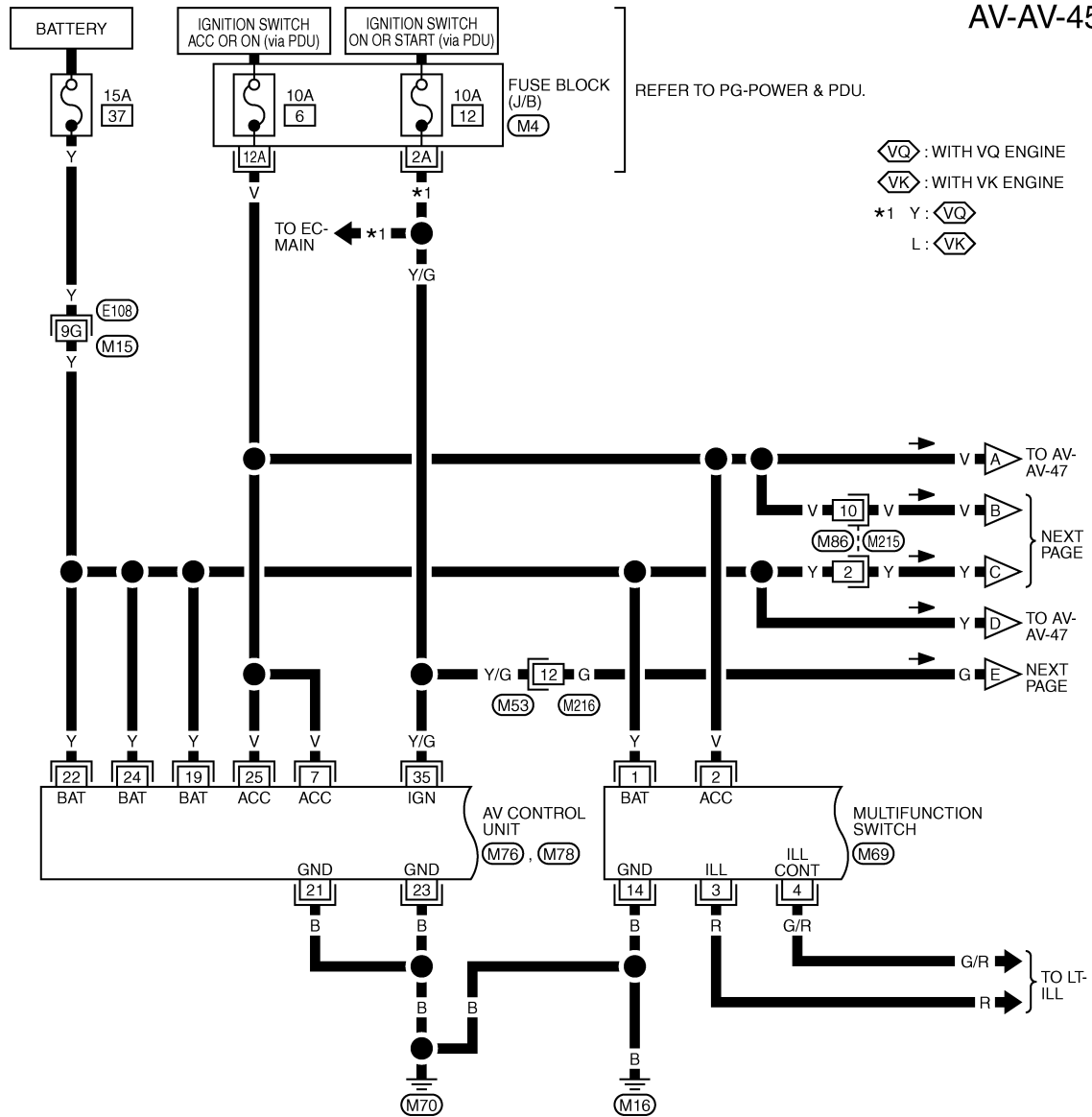
**NOTE:**

# DVD PLAYER

[WITH MOBILE ENTERTAINMENT SYSTEM]

< ECU DIAGNOSIS >

The name MULTIFUNCTION SWITCH indicates the integration of PRESET SWITCH and MULTIFUNCTION SWITCH virtually.



REFER TO THE FOLLOWING.

- (E108) -SUPER MULTIPLE JUNCTION (SMJ)
- (M4) -FUSE BLOCK-JUNCTION BOX (J/B)

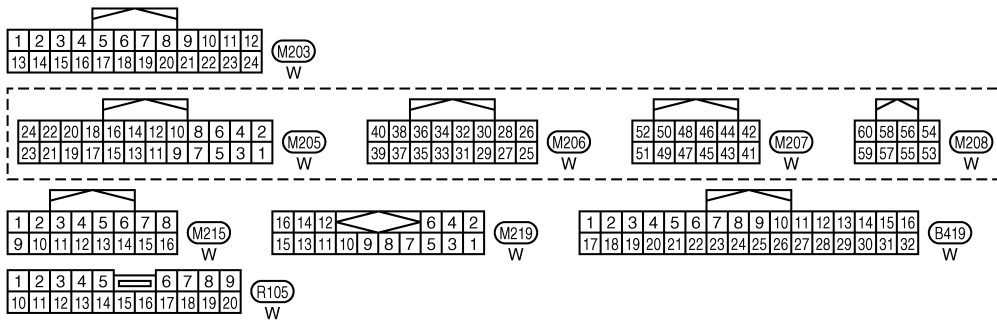
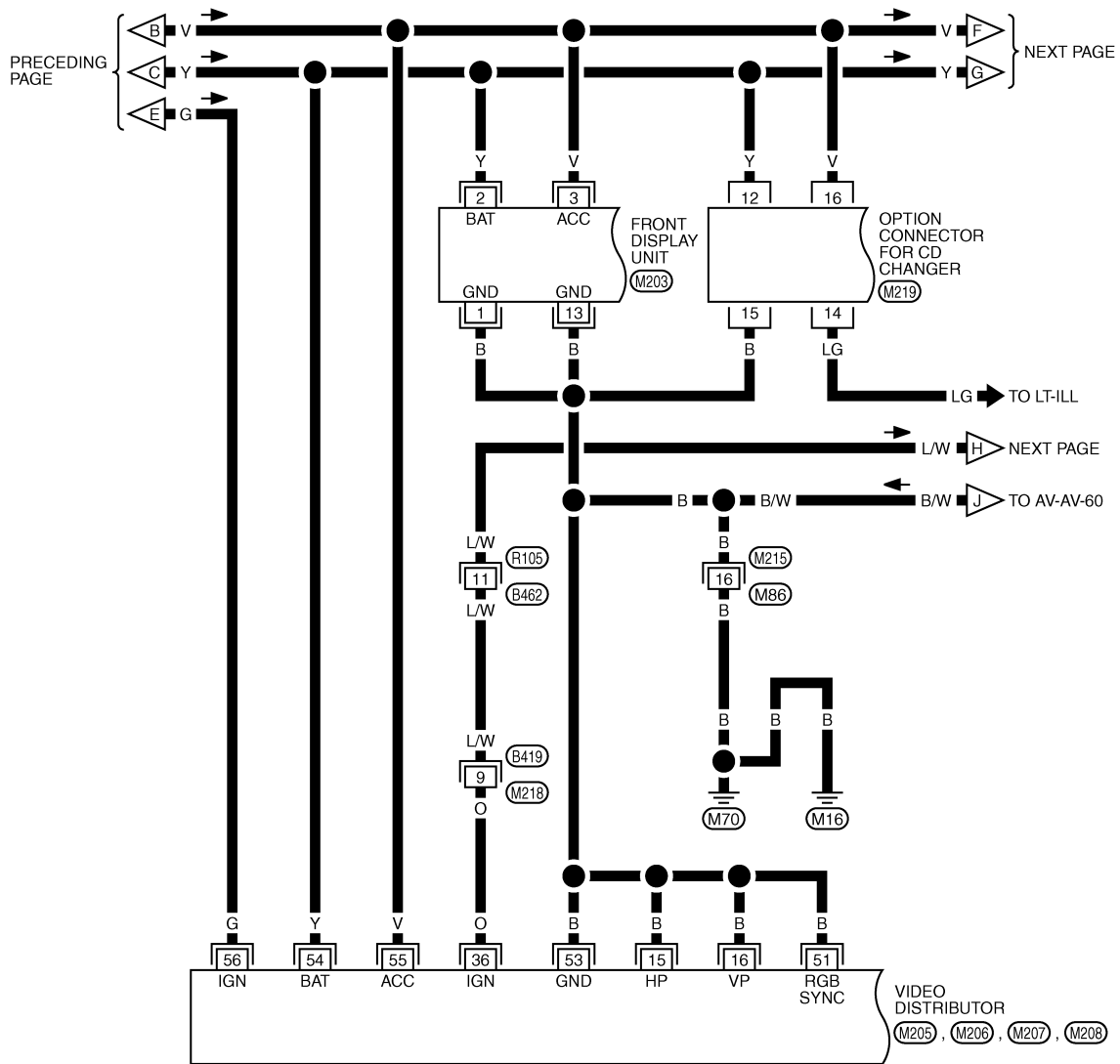
TKWT8291E

# DVD PLAYER

[WITH MOBILE ENTERTAINMENT SYSTEM]

< ECU DIAGNOSIS >

AV-AV-46



TKWT8292E

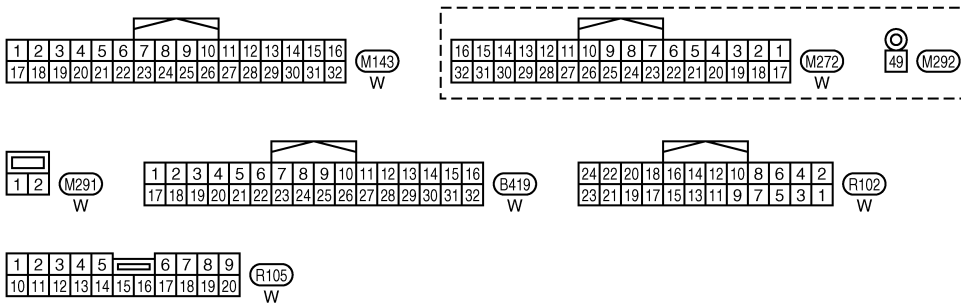
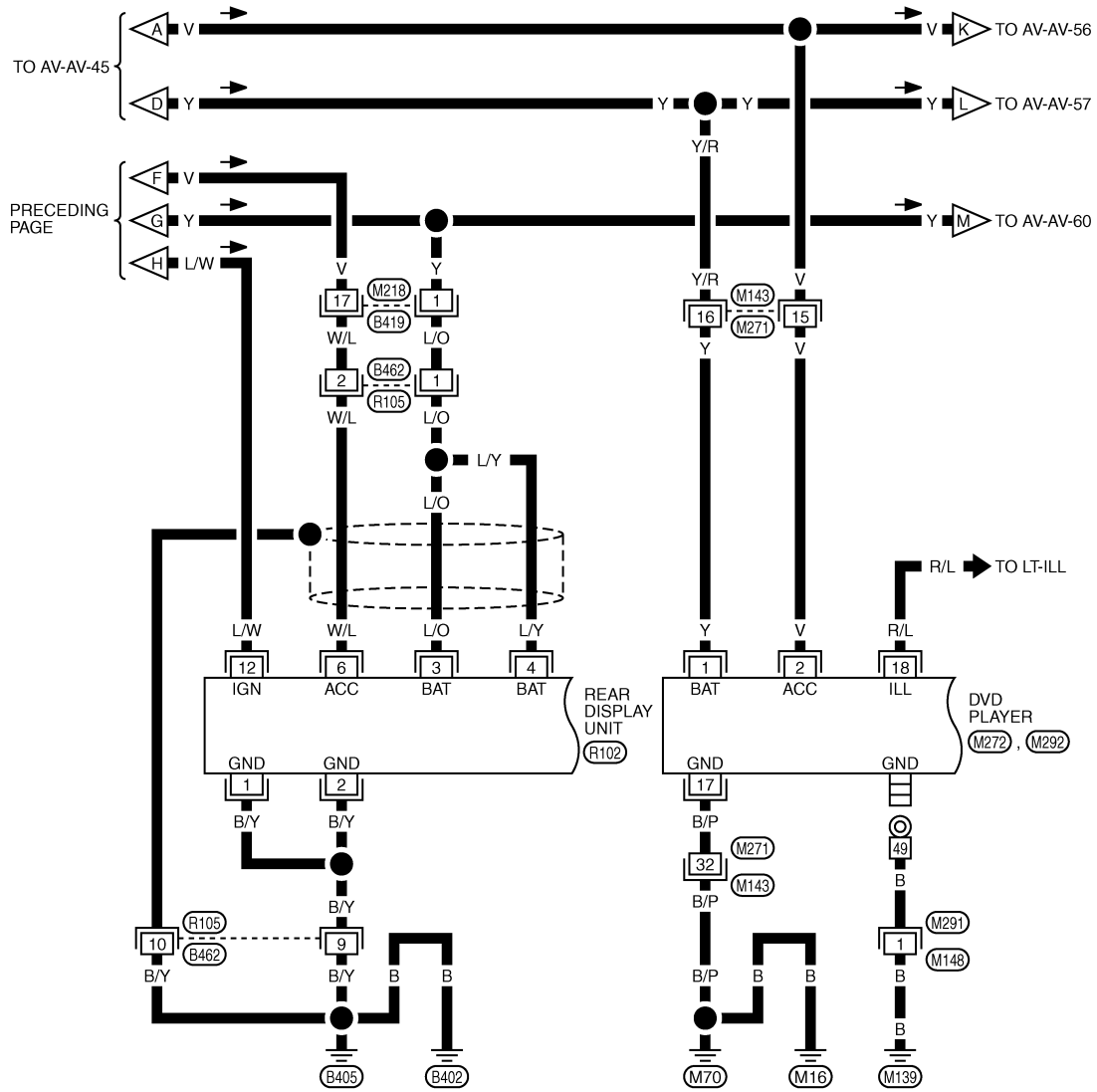


# DVD PLAYER

[WITH MOBILE ENTERTAINMENT SYSTEM]

< ECU DIAGNOSIS >

AV-AV-47



TKWT8293E

A  
B  
C  
D  
E  
F  
G  
H  
I  
J  
K  
L  
M  
N  
O  
P

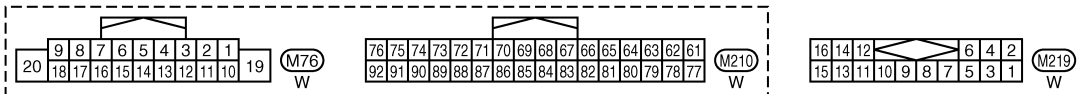
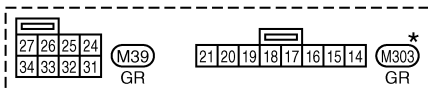
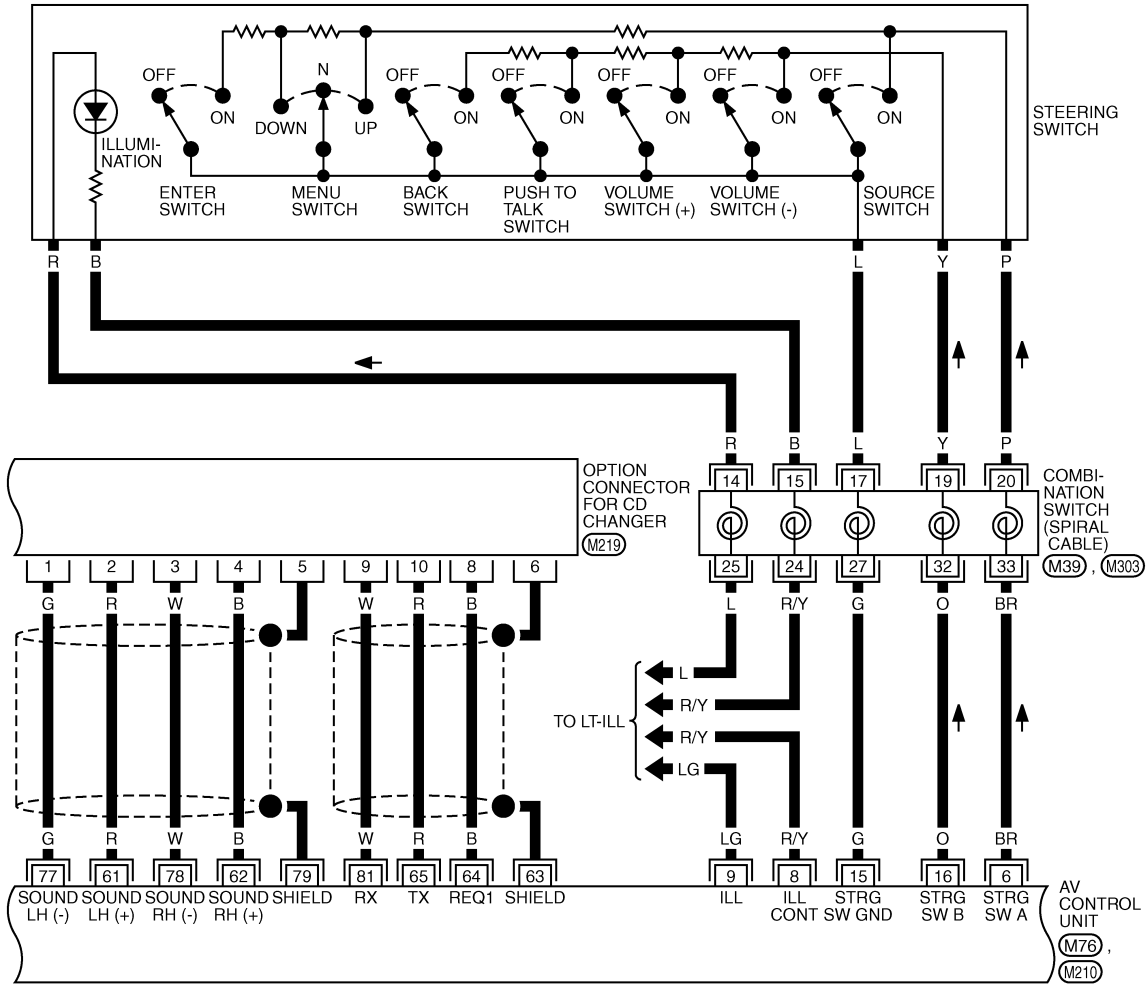
AV

# DVD PLAYER

[WITH MOBILE ENTERTAINMENT SYSTEM]

< ECU DIAGNOSIS >

AV-AV-48



\*: THIS CONNECTOR IS NOT SHOWN IN "HARNESS LAYOUT", PG SECTION.

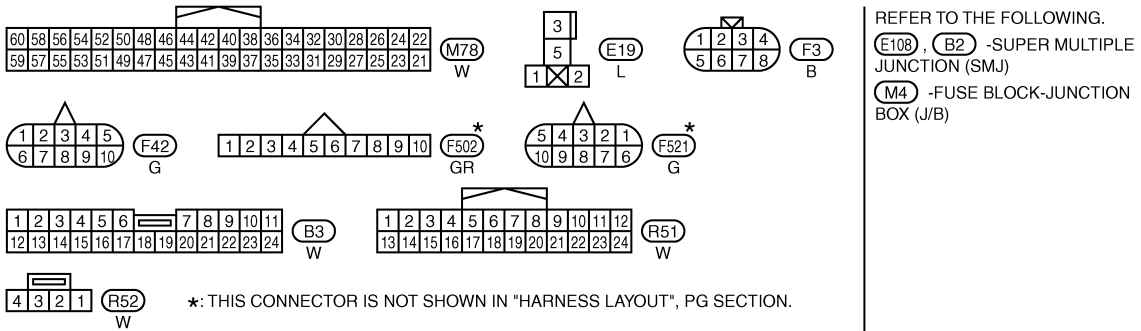
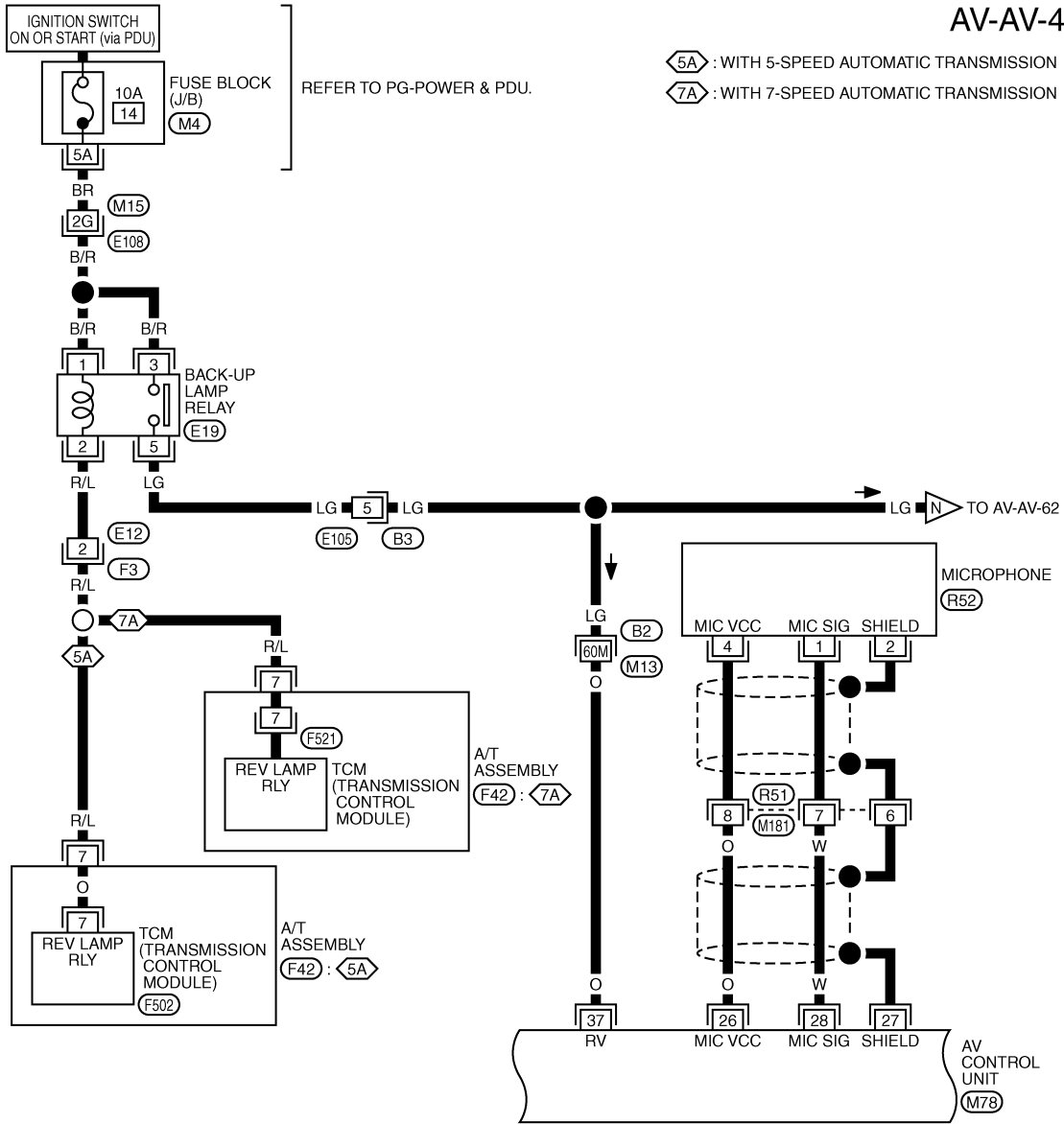
TKWT8294E

# DVD PLAYER

## [WITH MOBILE ENTERTAINMENT SYSTEM]

< ECU DIAGNOSIS >

AV-AV-49



TKWT8295E

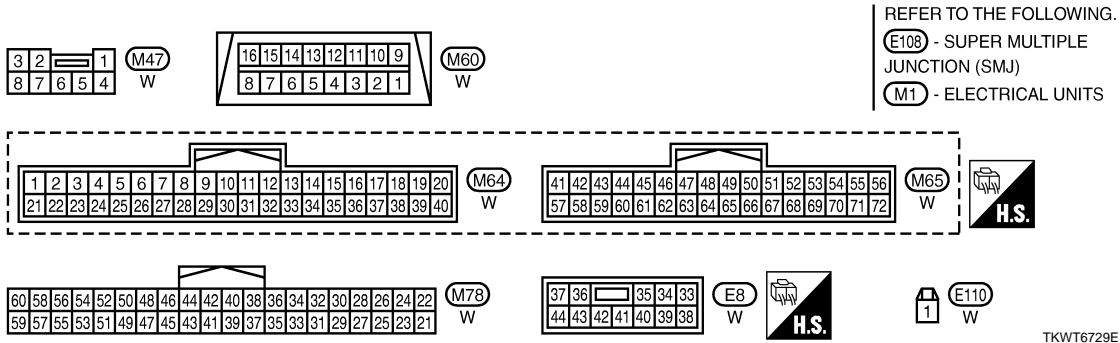
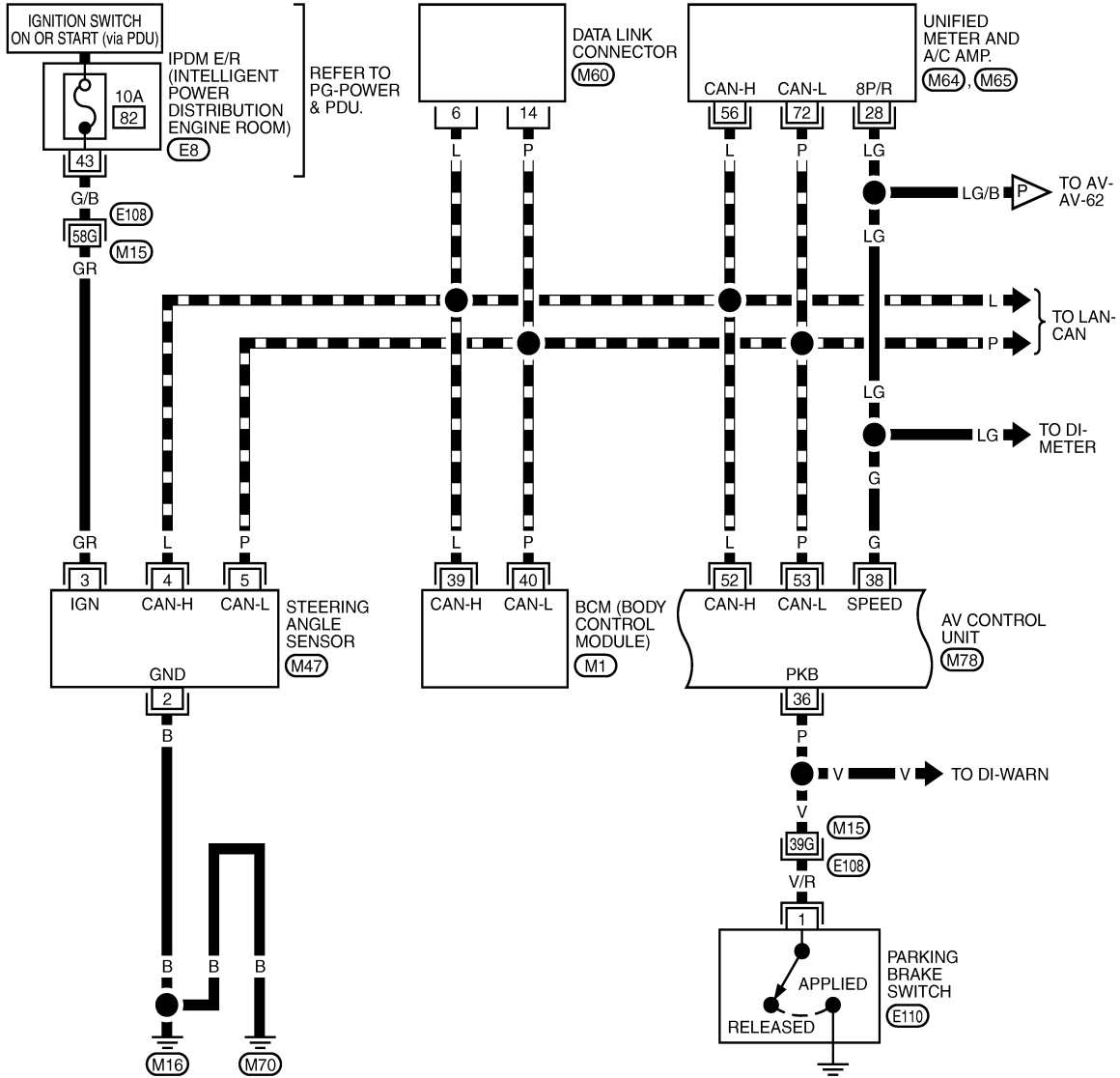
# DVD PLAYER

[WITH MOBILE ENTERTAINMENT SYSTEM]

< ECU DIAGNOSIS >

AV-AV-50

DATA LINE



TKWT6729E

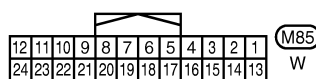
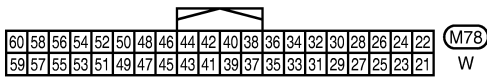
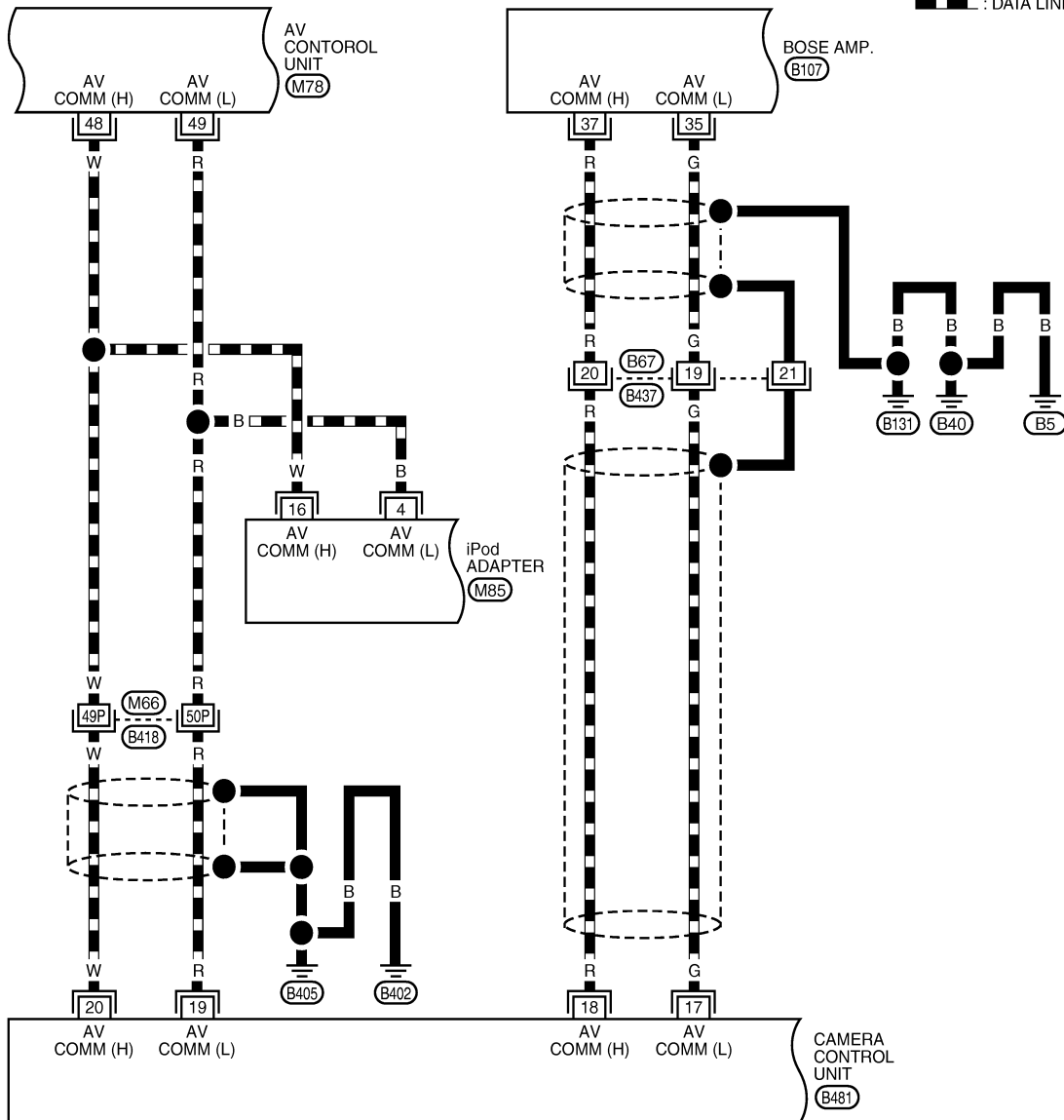
# DVD PLAYER

[WITH MOBILE ENTERTAINMENT SYSTEM]

< ECU DIAGNOSIS >

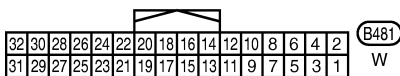
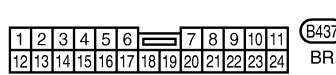
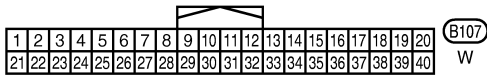
AV-AV-51

— : DATA LINE



REFER TO THE FOLLOWING.

(B418) - SUPER MULTIPLE JUNCTION (SMJ)



TKWT6730E

A  
B  
C  
D  
E  
F  
G  
H  
I  
J  
K  
L  
M  
N  
O  
P

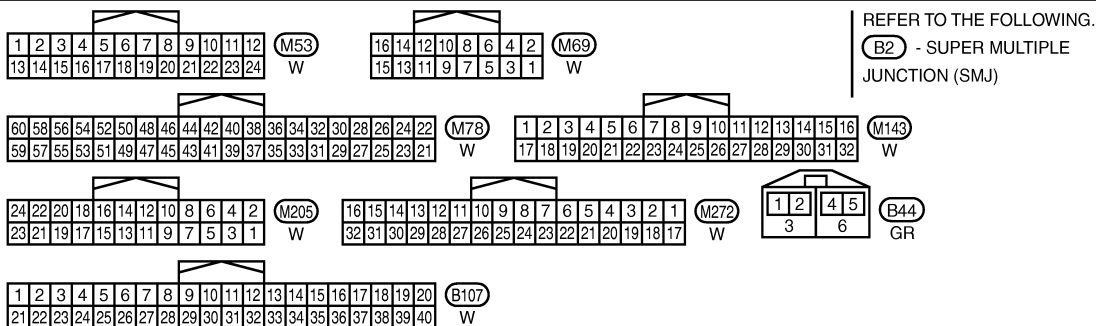
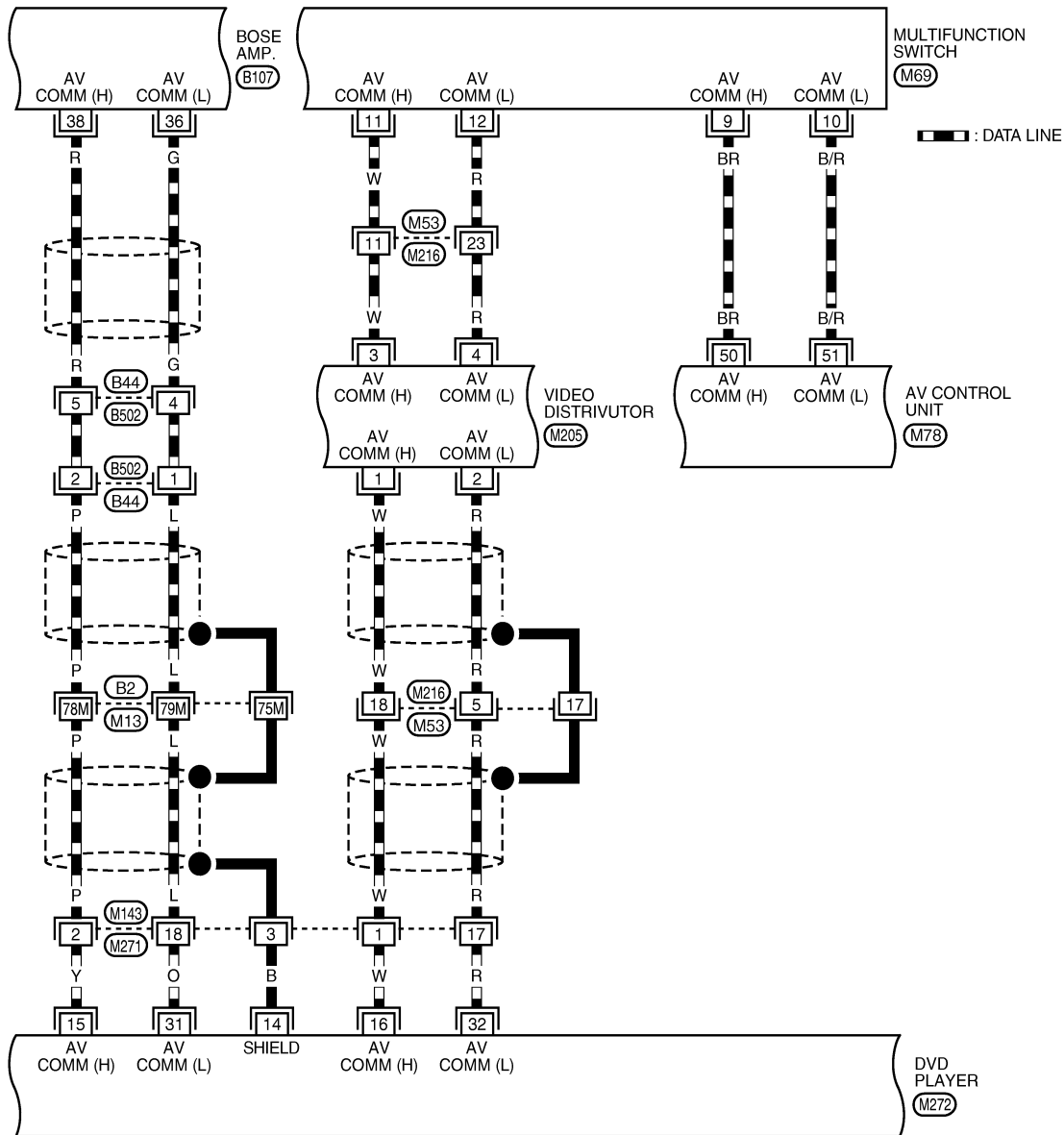
AV

# DVD PLAYER

[WITH MOBILE ENTERTAINMENT SYSTEM]

< ECU DIAGNOSIS >

AV-AV-52



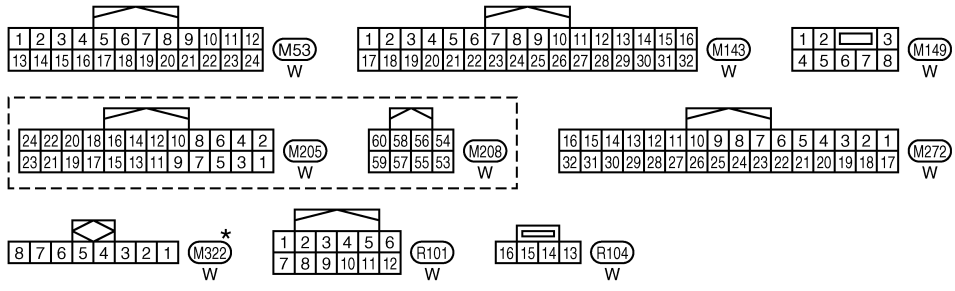
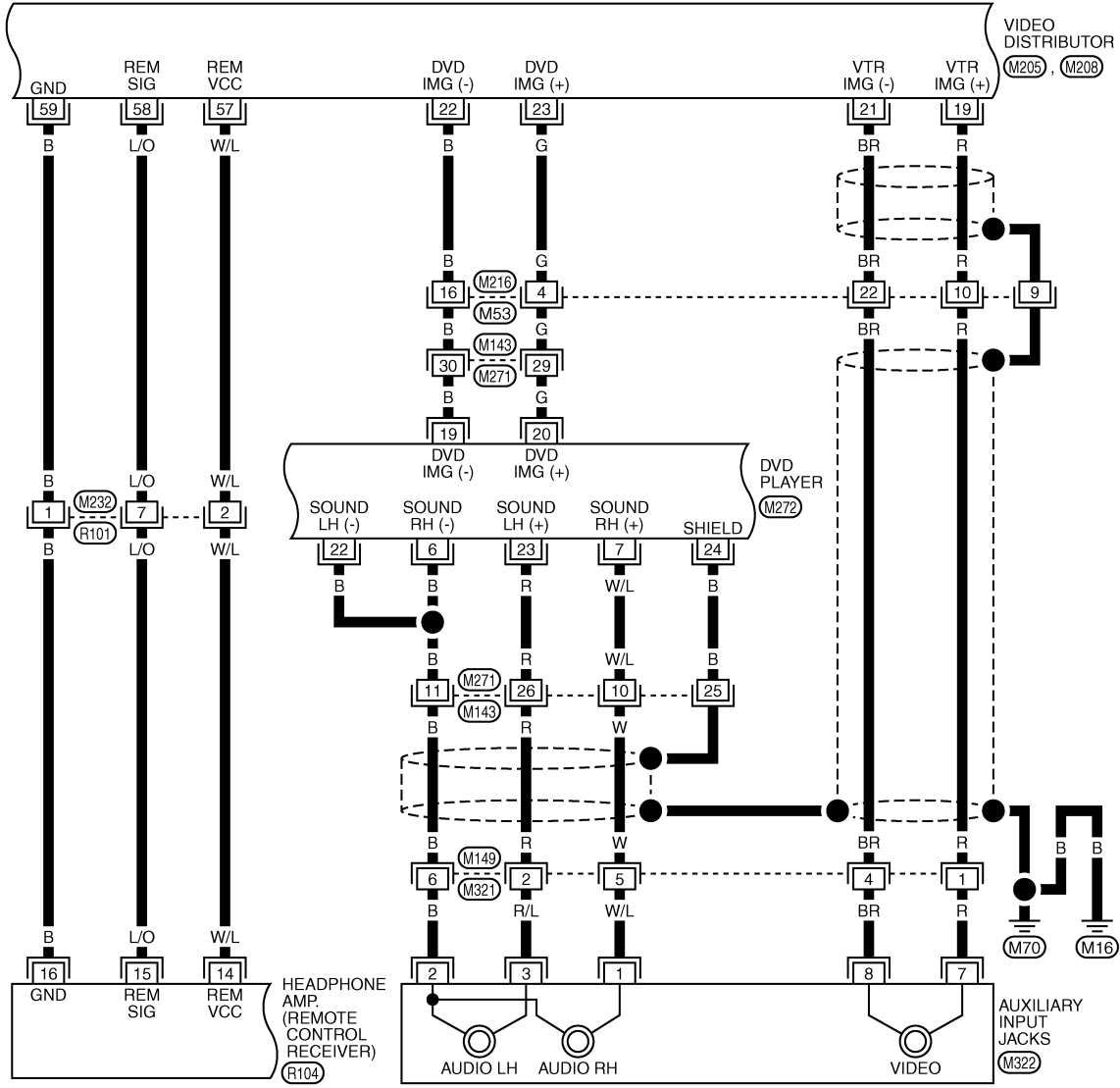
TKWT6731E

# DVD PLAYER

[WITH MOBILE ENTERTAINMENT SYSTEM]

< ECU DIAGNOSIS >

AV-AV-53



\*: THIS CONNECTOR IS NOT SHOWN IN "HARNESS LAYOUT", PG SECTION.

TKWT8296E

A  
B  
C  
D  
E  
F  
G  
H  
I  
J  
L  
M  
N  
O  
P

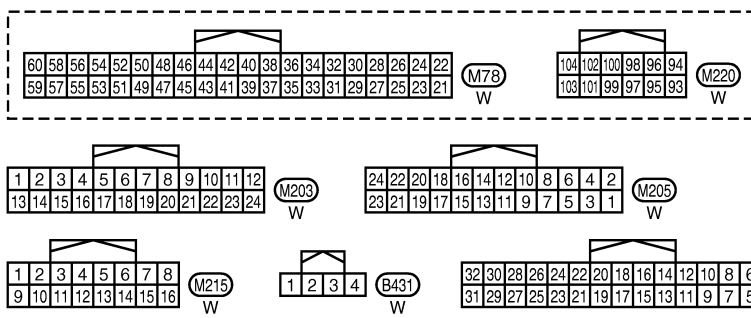
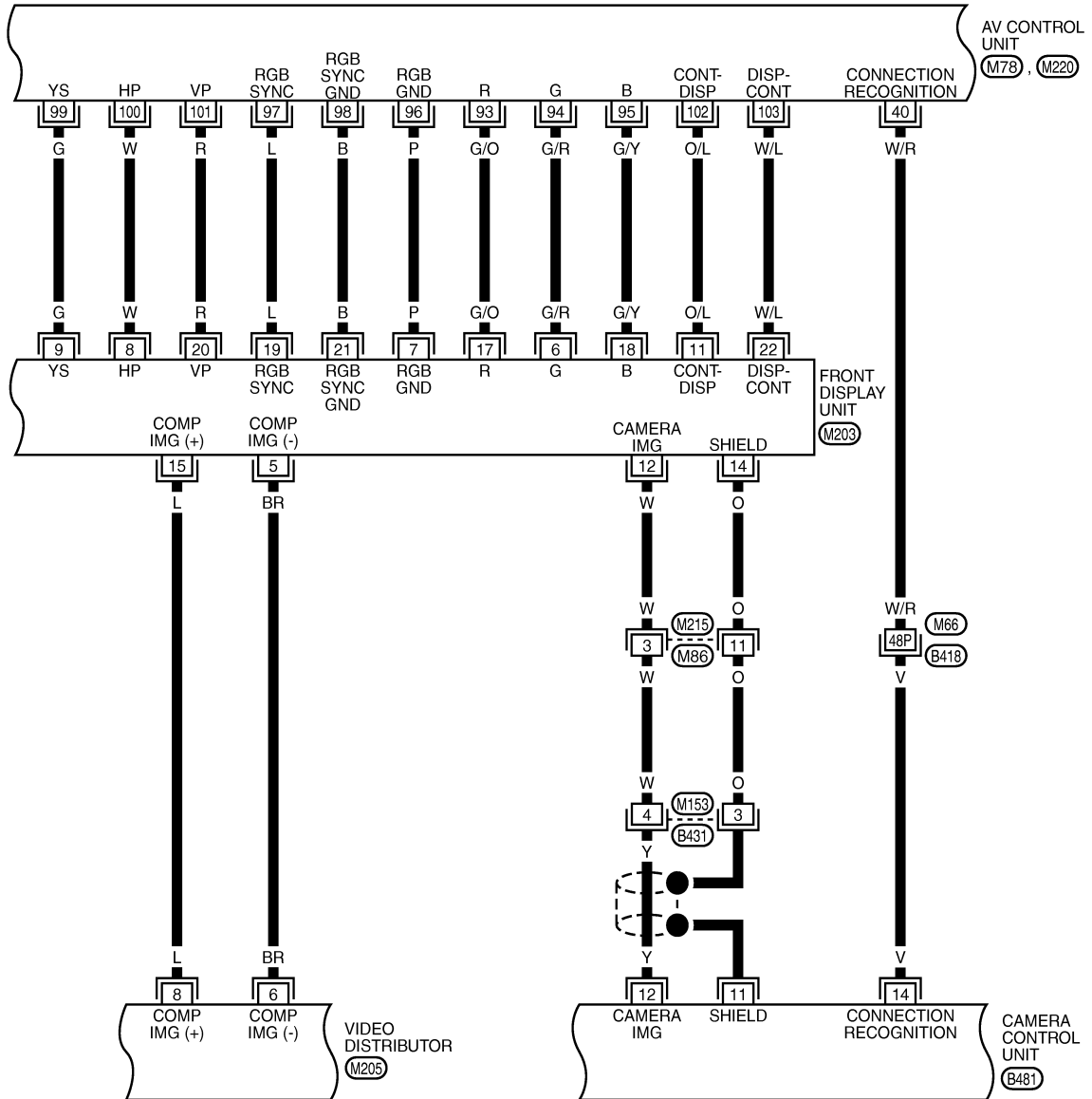
AV

# DVD PLAYER

[WITH MOBILE ENTERTAINMENT SYSTEM]

< ECU DIAGNOSIS >

AV-AV-54



REFER TO THE FOLLOWING.

(B418) -SUPER MULTIPLE JUNCTION (SMJ)

TKWT6733E

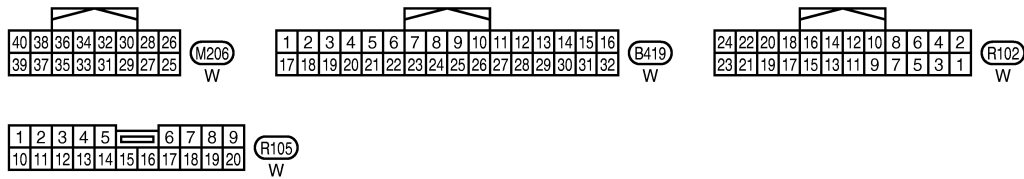
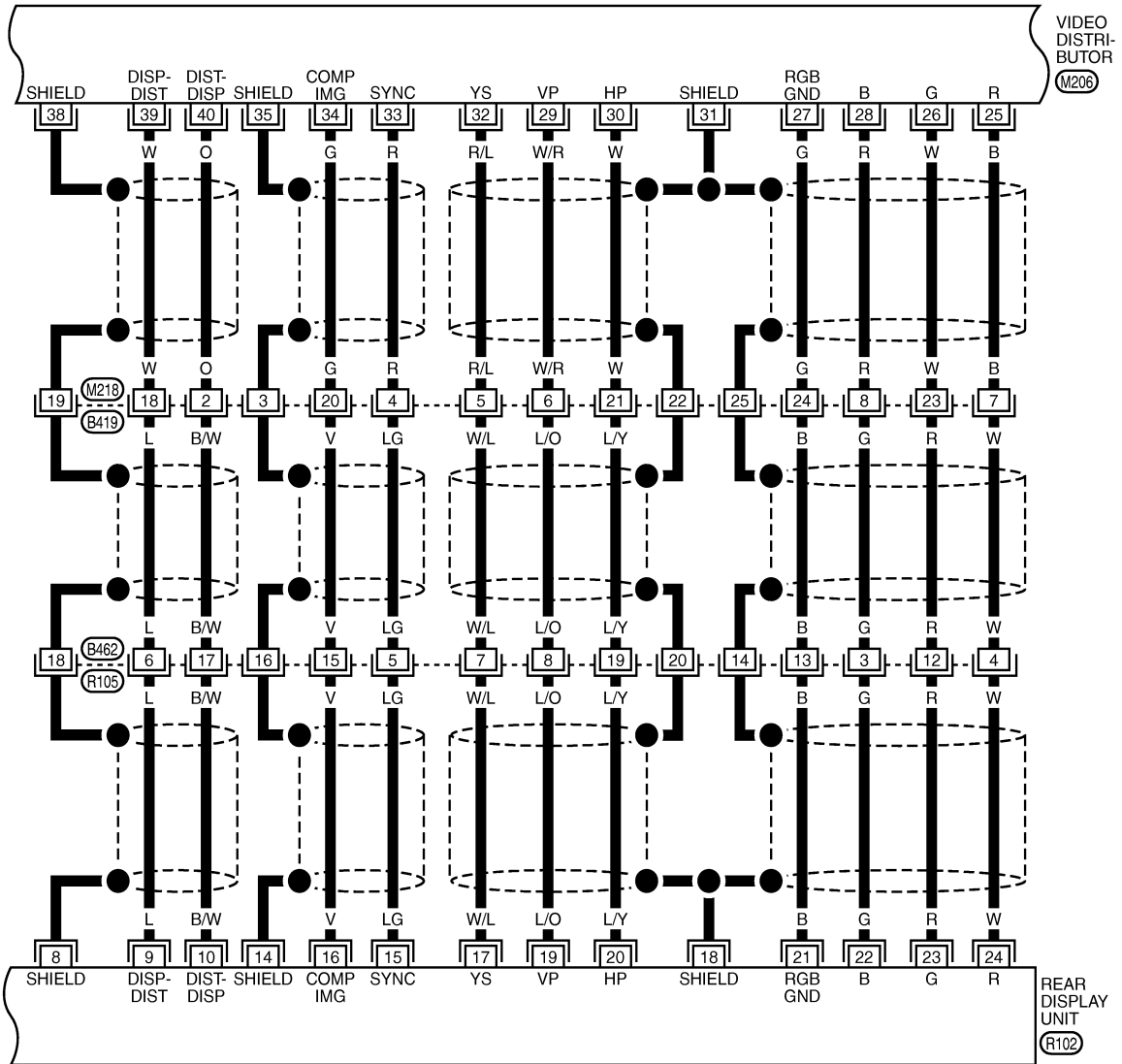


# DVD PLAYER

[WITH MOBILE ENTERTAINMENT SYSTEM]

< ECU DIAGNOSIS >

AV-AV-55



TKWT6734E

A  
B  
C  
D  
E  
F  
G  
H  
I  
J  
K  
L  
M  
N  
O  
P

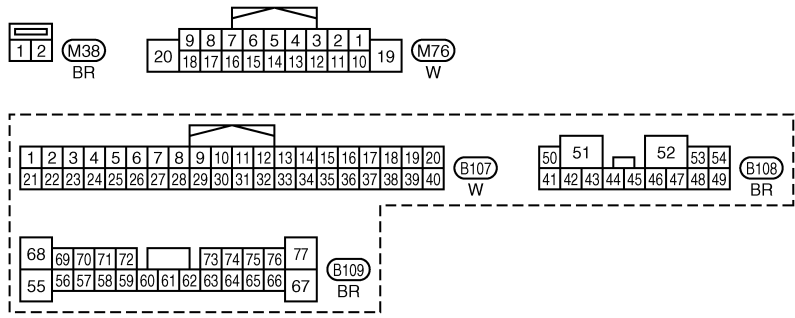
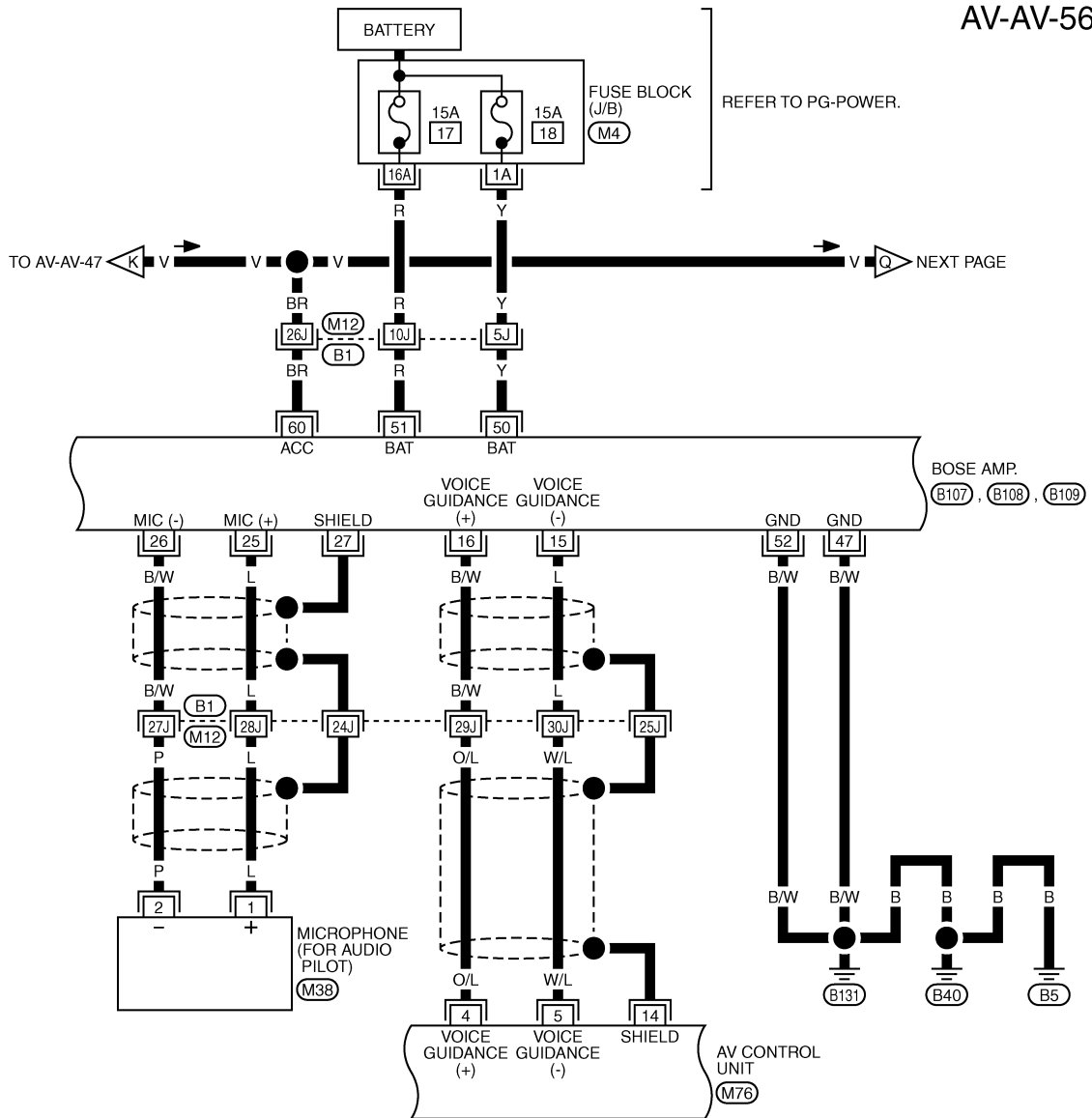
AV

# DVD PLAYER

[WITH MOBILE ENTERTAINMENT SYSTEM]

< ECU DIAGNOSIS >

AV-AV-56



REFER TO THE FOLLOWING.  
 (B1) -SUPER MULTIPLE JUNCTION (SMJ)  
 (M4) -FUSE BLOCK-JUNCTION BOX (J/B)

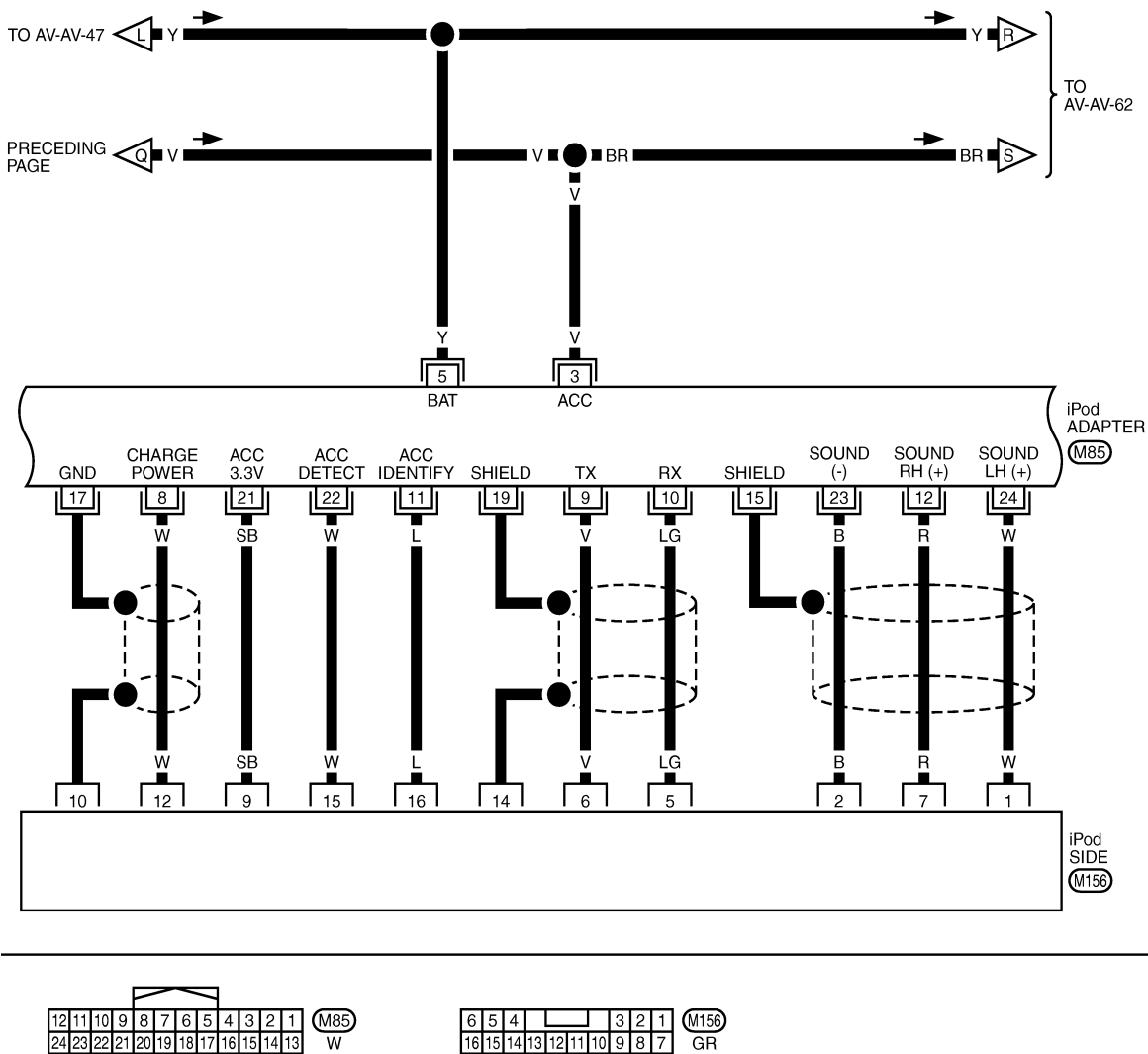
TKWT8297E

# DVD PLAYER

[WITH MOBILE ENTERTAINMENT SYSTEM]

< ECU DIAGNOSIS >

AV-AV-57



A  
B  
C  
D  
E  
F  
G  
H  
I  
J  
K  
L  
M  
N  
O  
P

AV

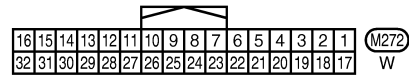
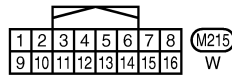
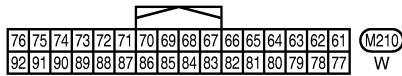
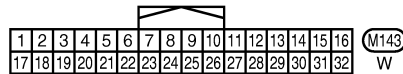
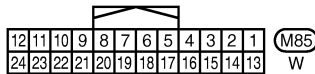
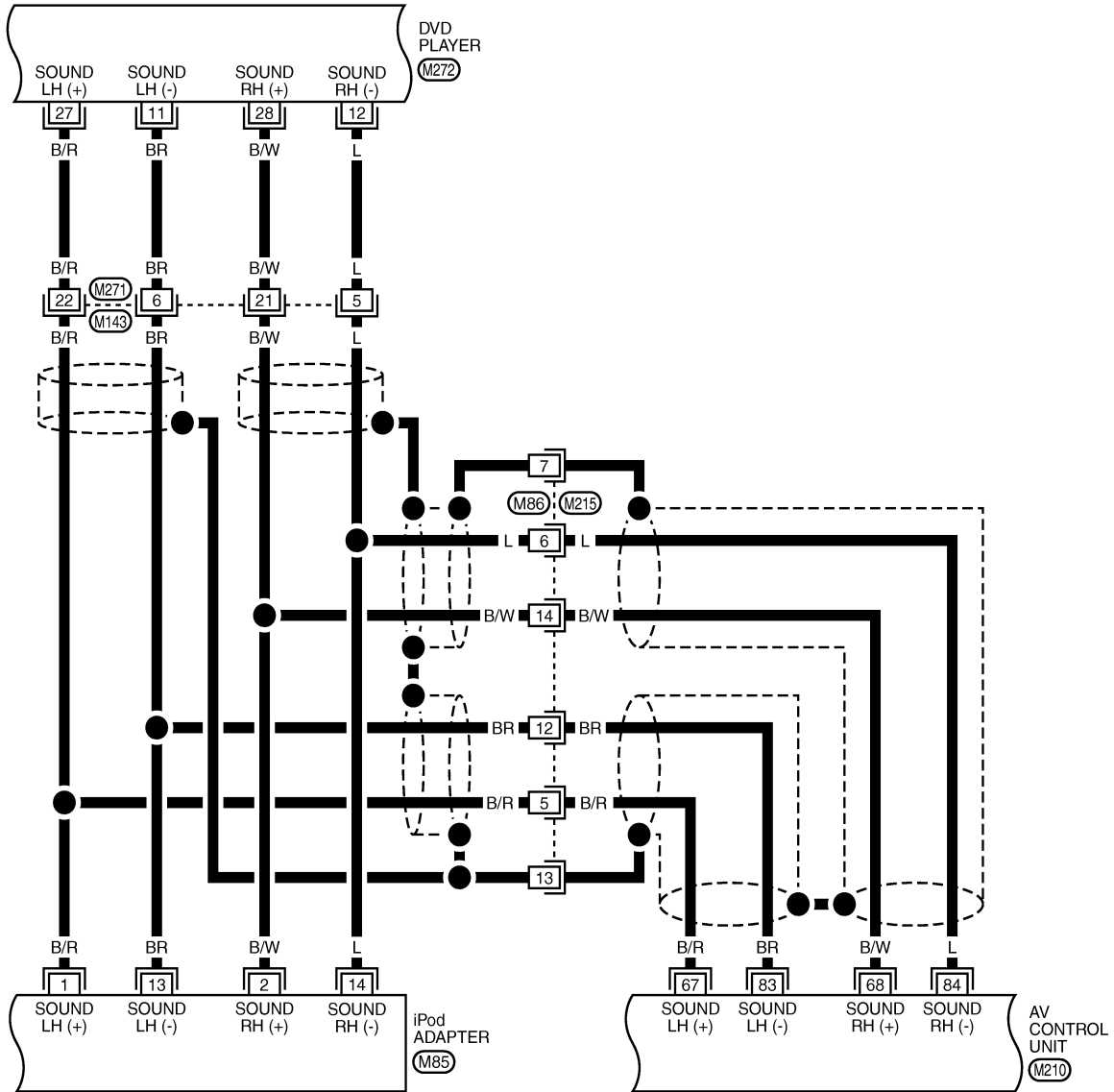
TKWT6737E

# DVD PLAYER

[WITH MOBILE ENTERTAINMENT SYSTEM]

< ECU DIAGNOSIS >

AV-AV-58



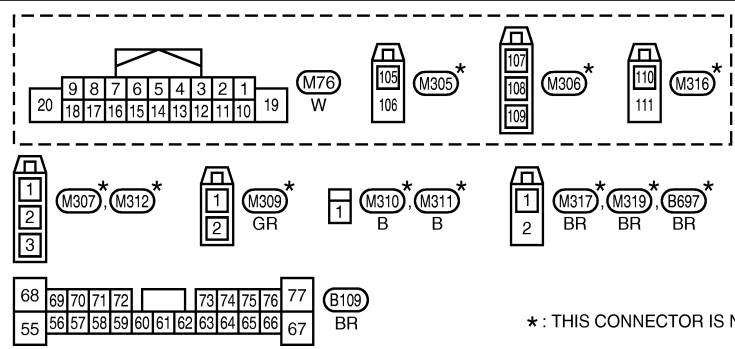
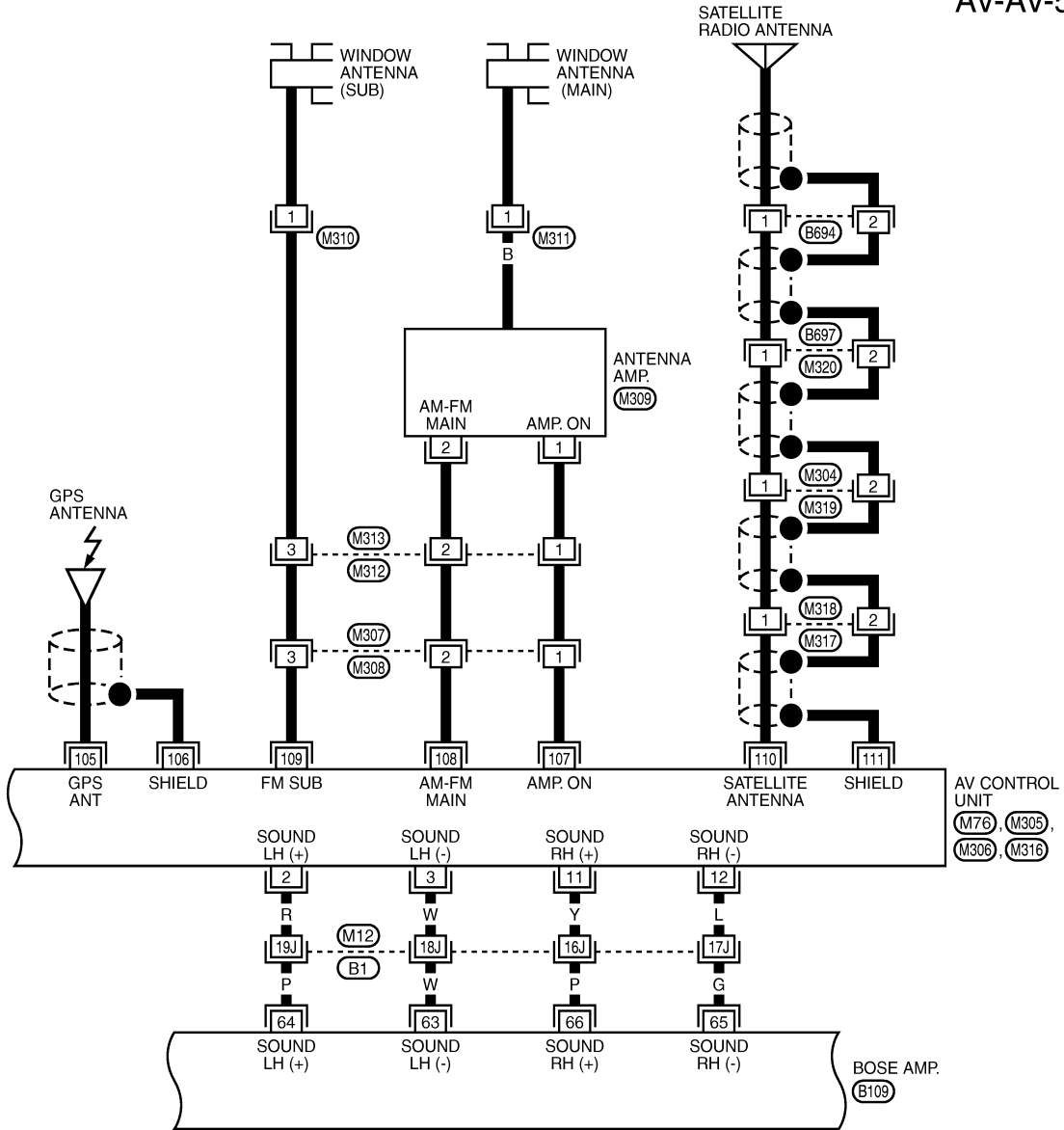
TKWT6738E

# DVD PLAYER

[WITH MOBILE ENTERTAINMENT SYSTEM]

< ECU DIAGNOSIS >

AV-AV-59



REFER TO THE FOLLOWING.

(B1) - SUPER MULTIPLE JUNCTION (SMJ)

\* : THIS CONNECTOR IS NOT SHOWN IN "HARNESS LAYOUT", PG SECTION.

TKWT6739E

A  
B  
C  
D  
E  
F  
G  
H  
I  
J  
K  
L  
M  
N  
O  
P

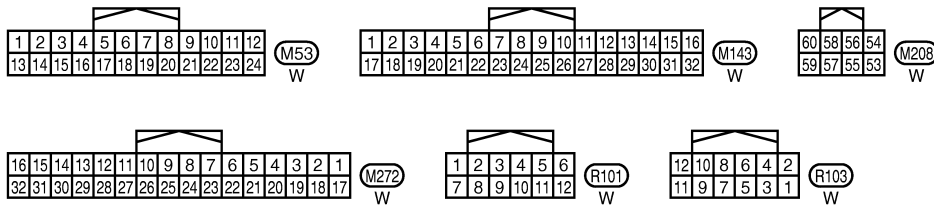
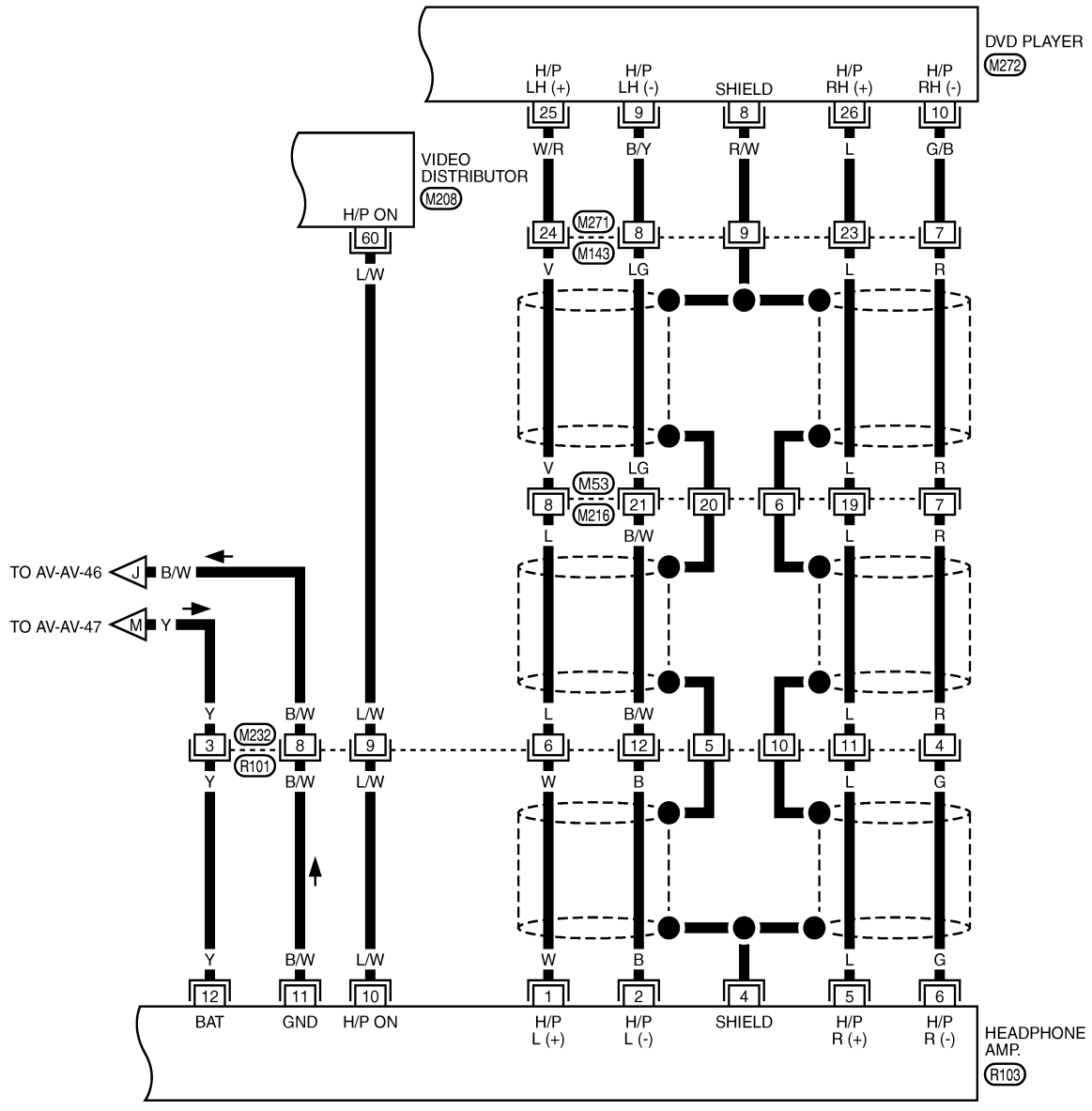
AV

# DVD PLAYER

[WITH MOBILE ENTERTAINMENT SYSTEM]

< ECU DIAGNOSIS >

AV-AV-60



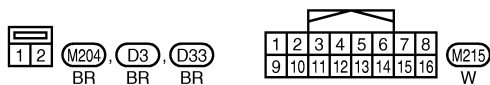
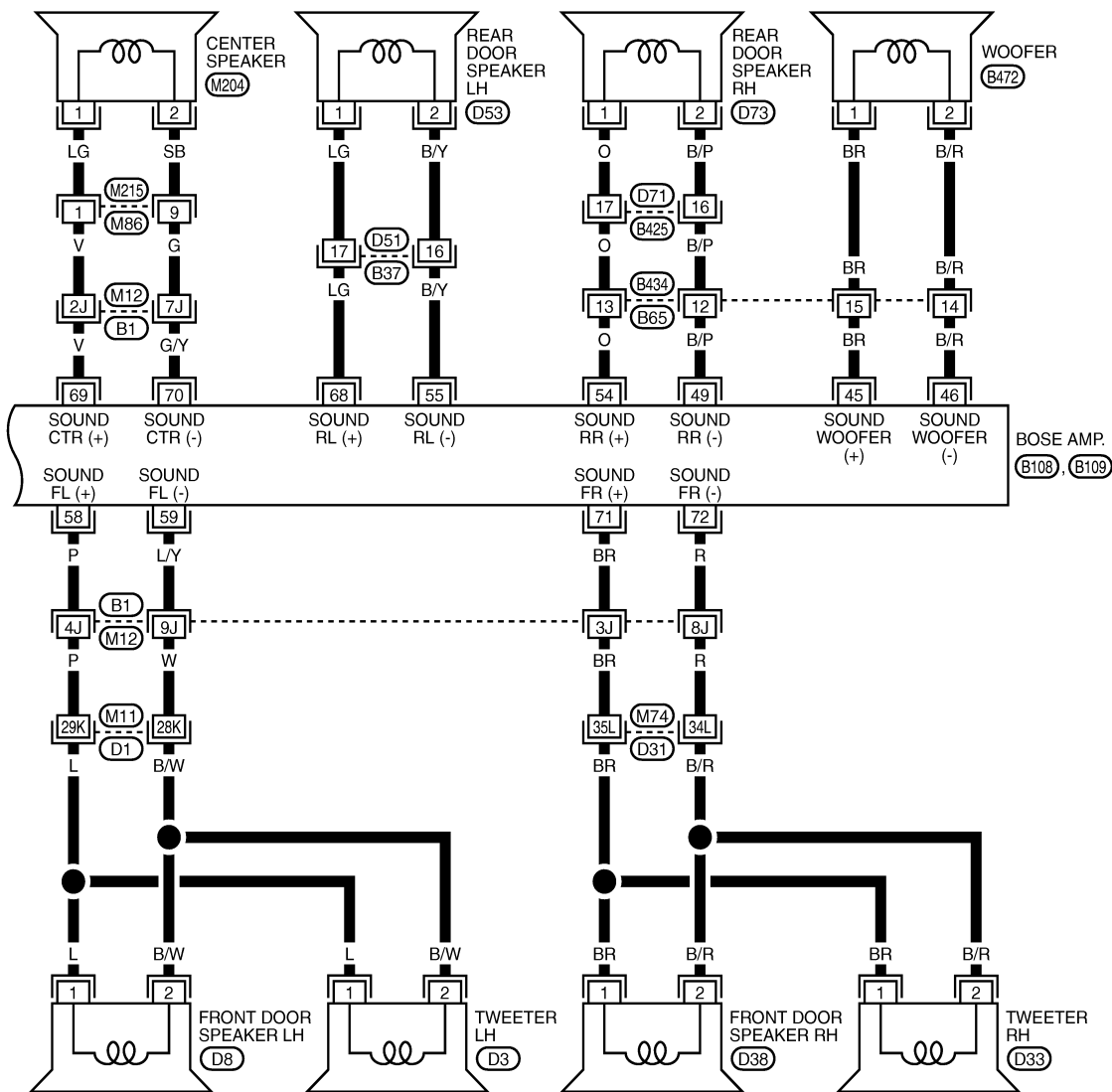
TKWT6740E

# DVD PLAYER

[WITH MOBILE ENTERTAINMENT SYSTEM]

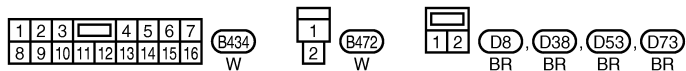
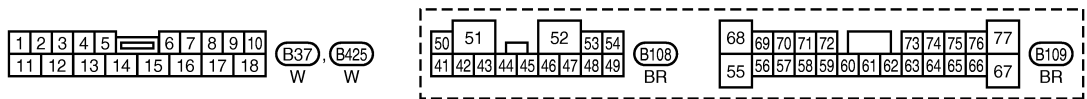
< ECU DIAGNOSIS >

AV-AV-61



REFER TO THE FOLLOWING.

(B1, D1, D31) - SUPER MULTIPLE JUNCTION (SMJ)



TKWT6741E

A  
B  
C  
D  
E  
F  
G  
H  
I  
J  
K  
L  
M  
N  
O  
P

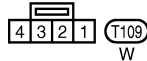
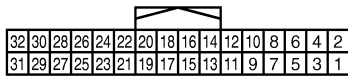
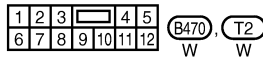
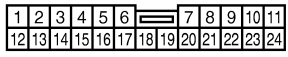
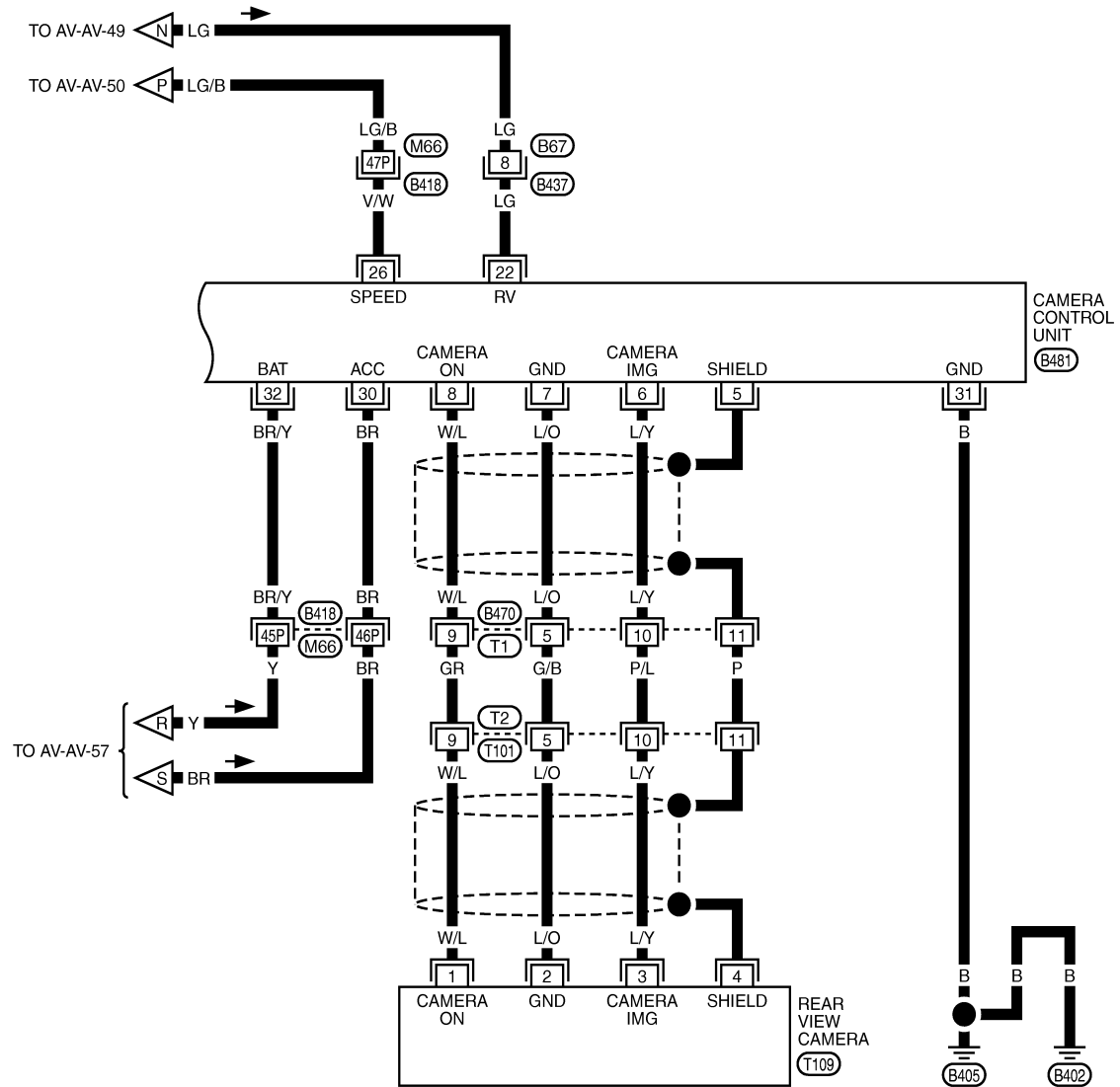
AV

# DVD PLAYER

[WITH MOBILE ENTERTAINMENT SYSTEM]

< ECU DIAGNOSIS >

AV-AV-62



REFER TO THE FOLLOWING.

B418 - SUPER MULTIPLE JUNCTION (SMJ)

TKWT6742E



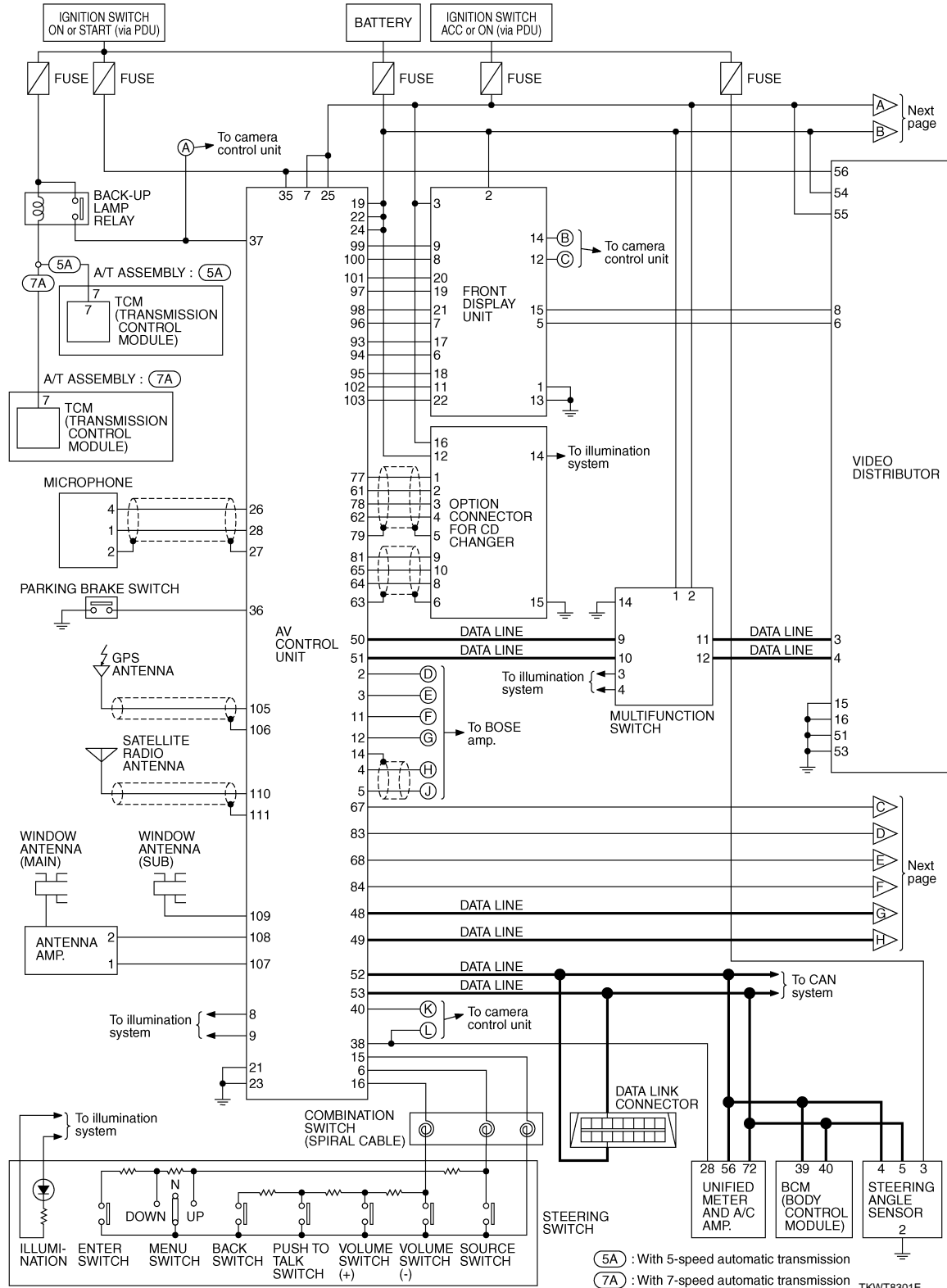
# DVD PLAYER

[WITH MOBILE ENTERTAINMENT SYSTEM]

< ECU DIAGNOSIS >

## Schematic - BOSE 5.1ch Surround Audio System -

INFOID:000000005350635



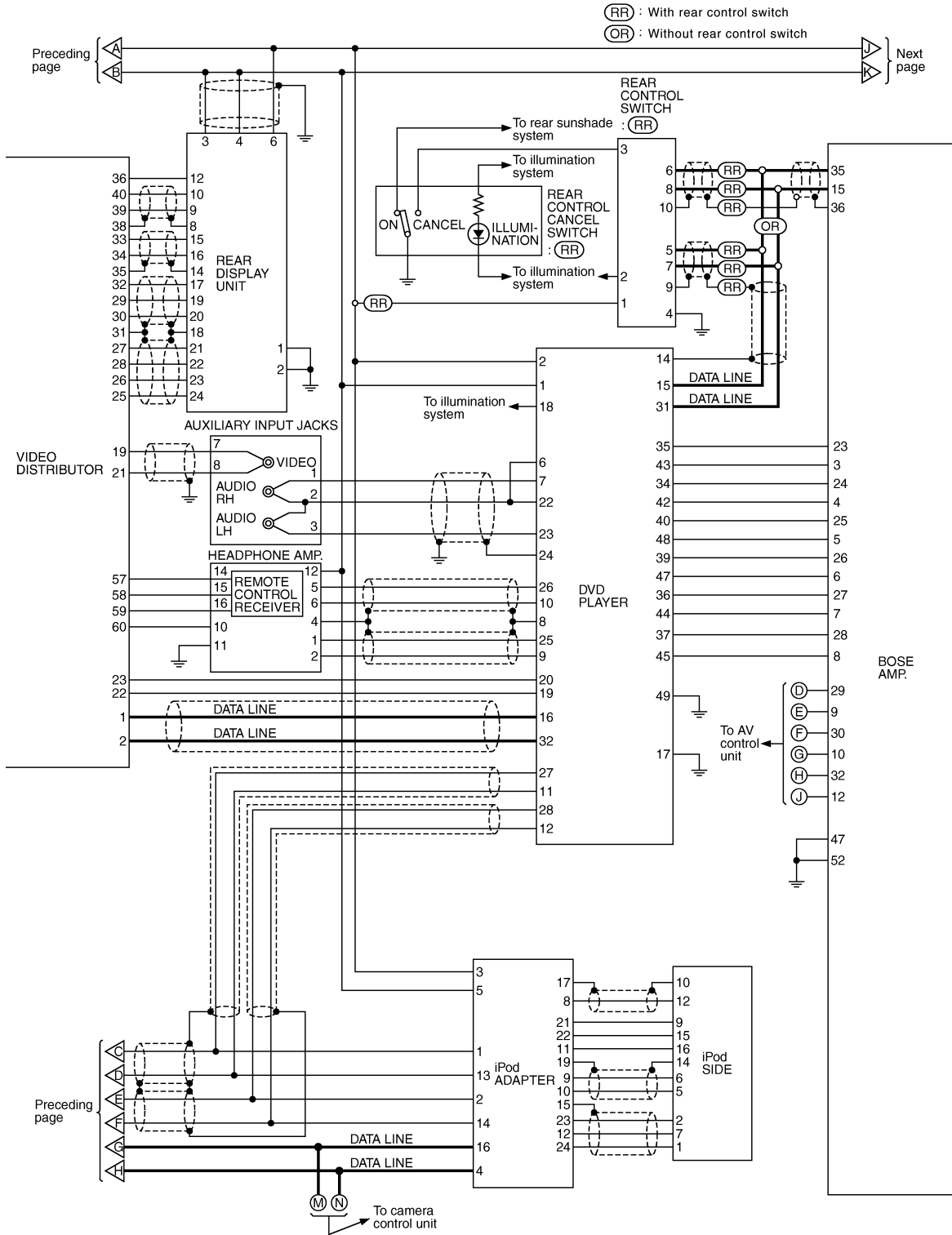
A  
B  
C  
D  
E  
F  
G  
H  
I  
J  
K  
L  
M  
N  
O  
P

AV

# DVD PLAYER

[WITH MOBILE ENTERTAINMENT SYSTEM]

< ECU DIAGNOSIS >

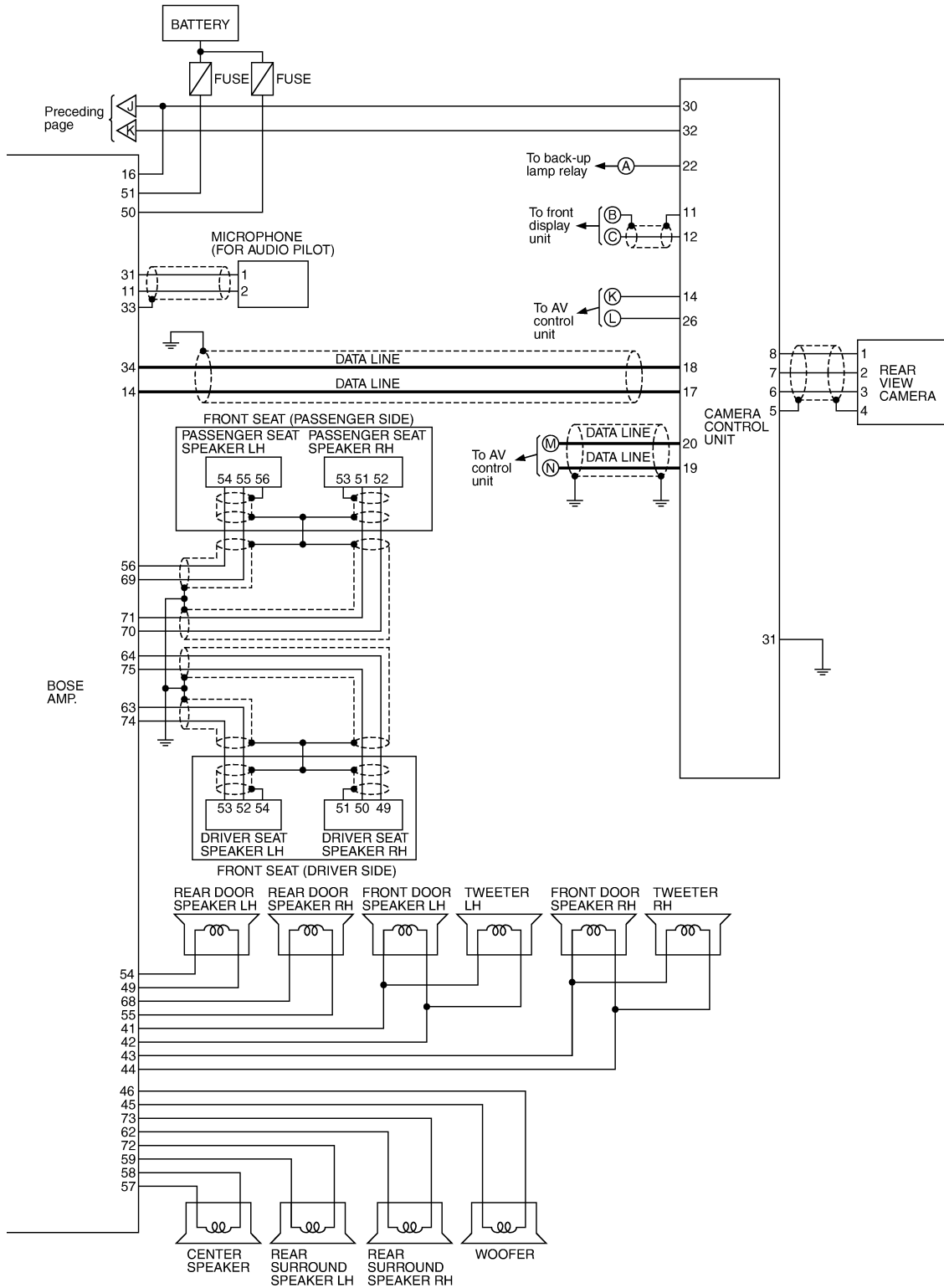


TKWT6744E

# DVD PLAYER

[WITH MOBILE ENTERTAINMENT SYSTEM]

< ECU DIAGNOSIS >



A  
B  
C  
D  
E  
F  
G  
H  
I  
J  
K  
L  
M  
N  
O  
P

AV

Wiring Diagram - AV - / BOSE Surround Audio 5.1ch System

NOTE:

TKWT6745E  
INFOID:000000005350636

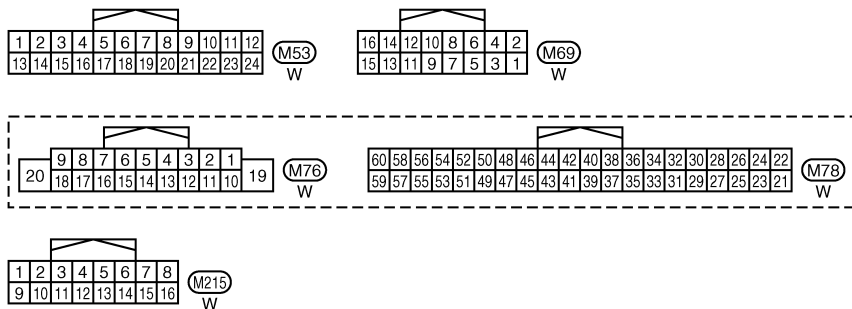
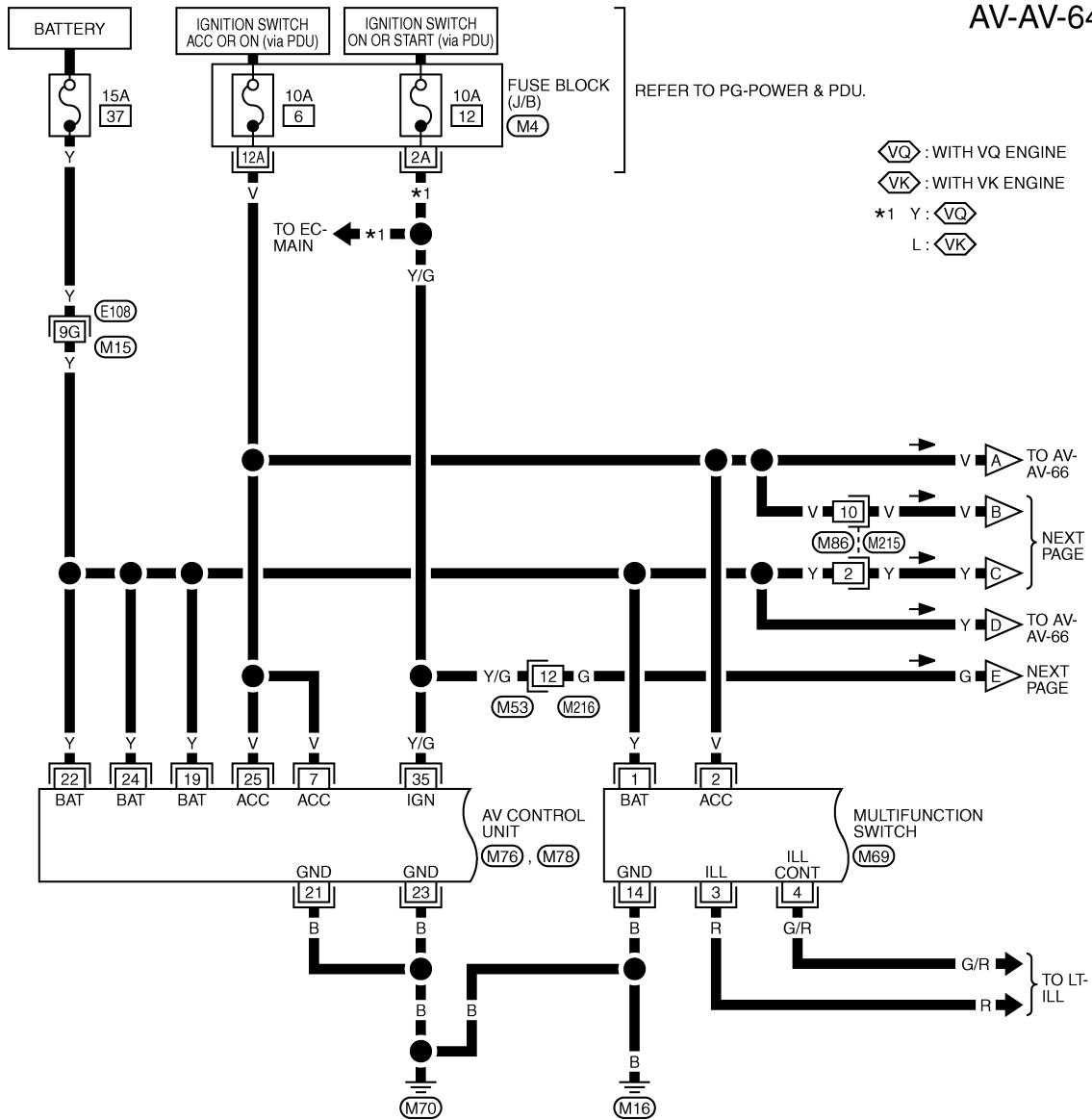
# DVD PLAYER

[WITH MOBILE ENTERTAINMENT SYSTEM]

< ECU DIAGNOSIS >

The name MULTIFUNCTION SWITCH indicates the integration of PRESET SWITCH and MULTIFUNCTION SWITCH virtually.

AV-AV-64



REFER TO THE FOLLOWING.  
 (E108) -SUPER MULTIPLE JUNCTION (SMJ)  
 (M4) -FUSE BLOCK-JUNCTION BOX (J/B)

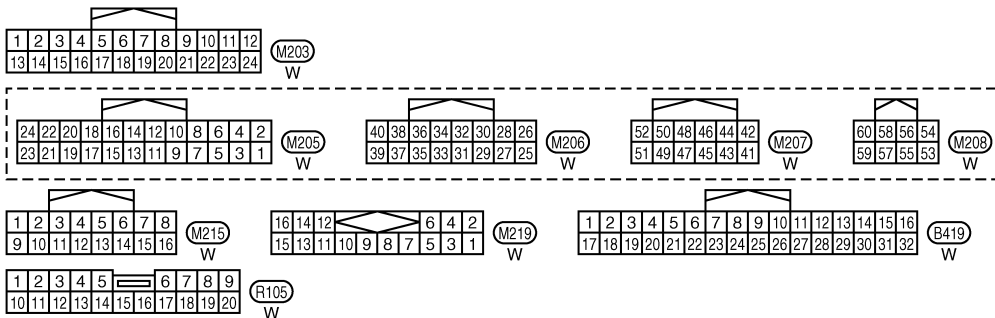
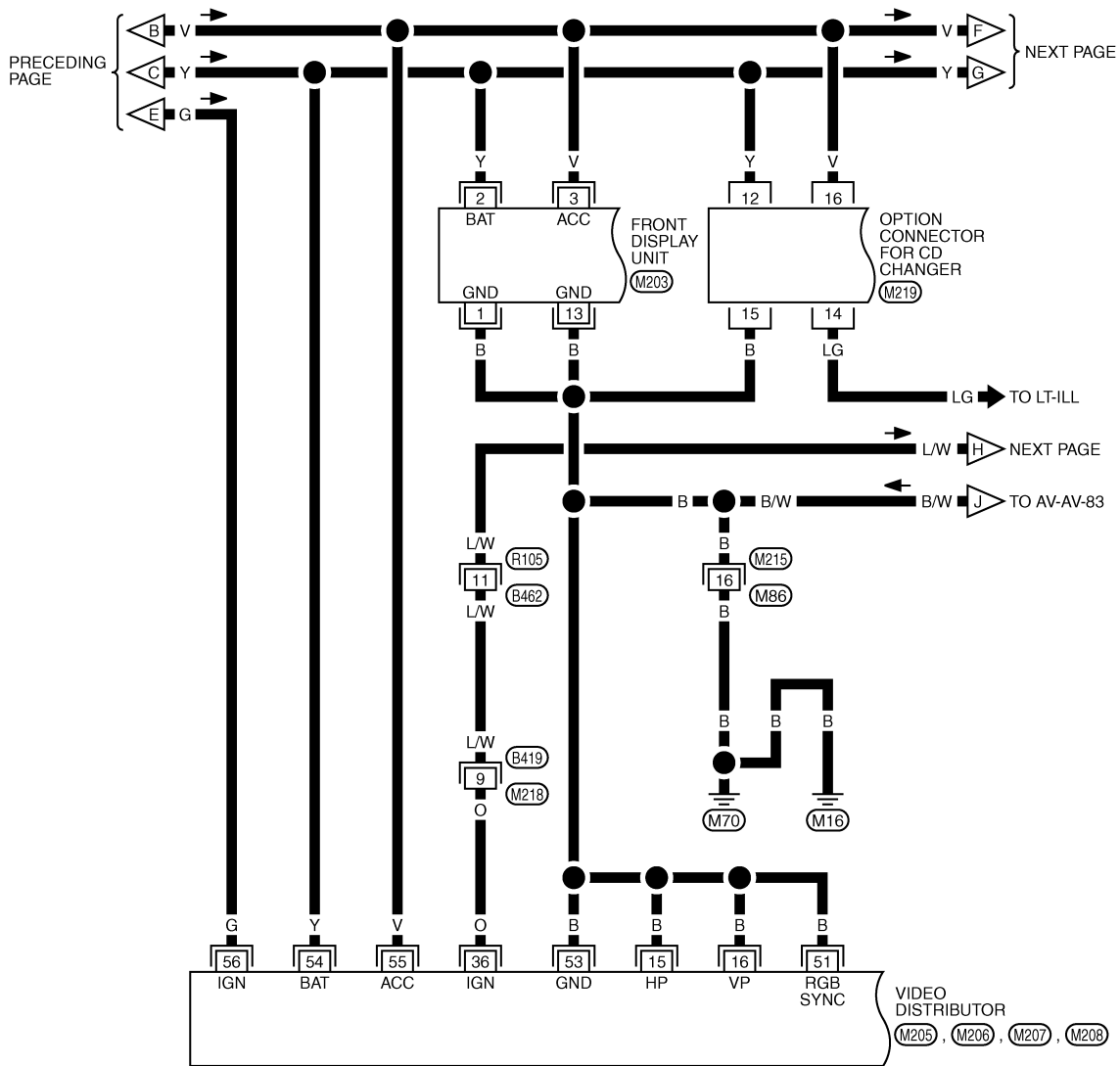
TKWT8302E

# DVD PLAYER

[WITH MOBILE ENTERTAINMENT SYSTEM]

< ECU DIAGNOSIS >

AV-AV-65



TKWT8303E

A  
B  
C  
D  
E  
F  
G  
H  
I  
J  
L  
M  
N  
O  
P

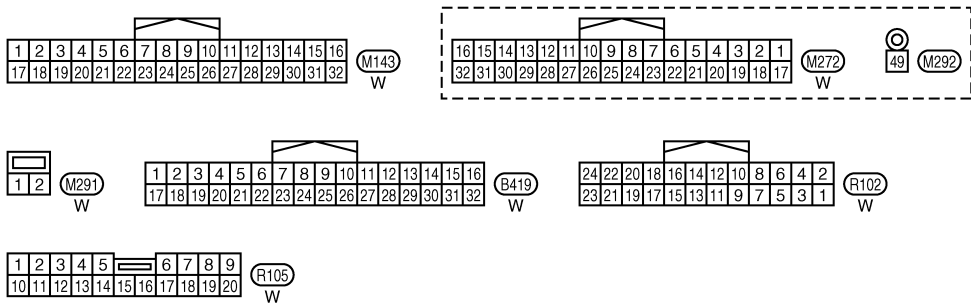
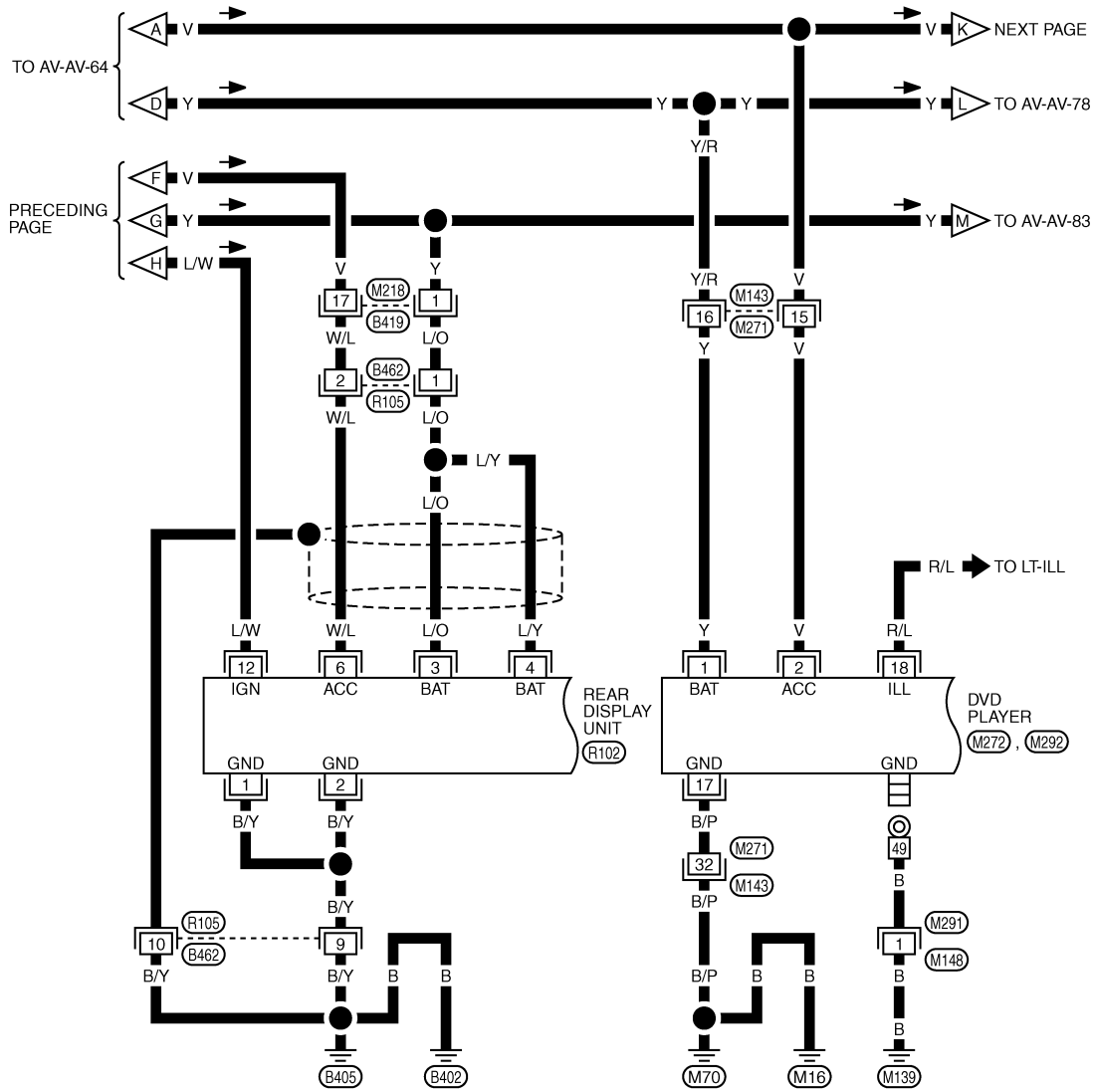
AV

# DVD PLAYER

[WITH MOBILE ENTERTAINMENT SYSTEM]

< ECU DIAGNOSIS >

AV-AV-66



TKWT8304E

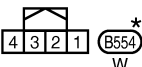
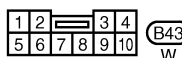
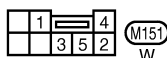
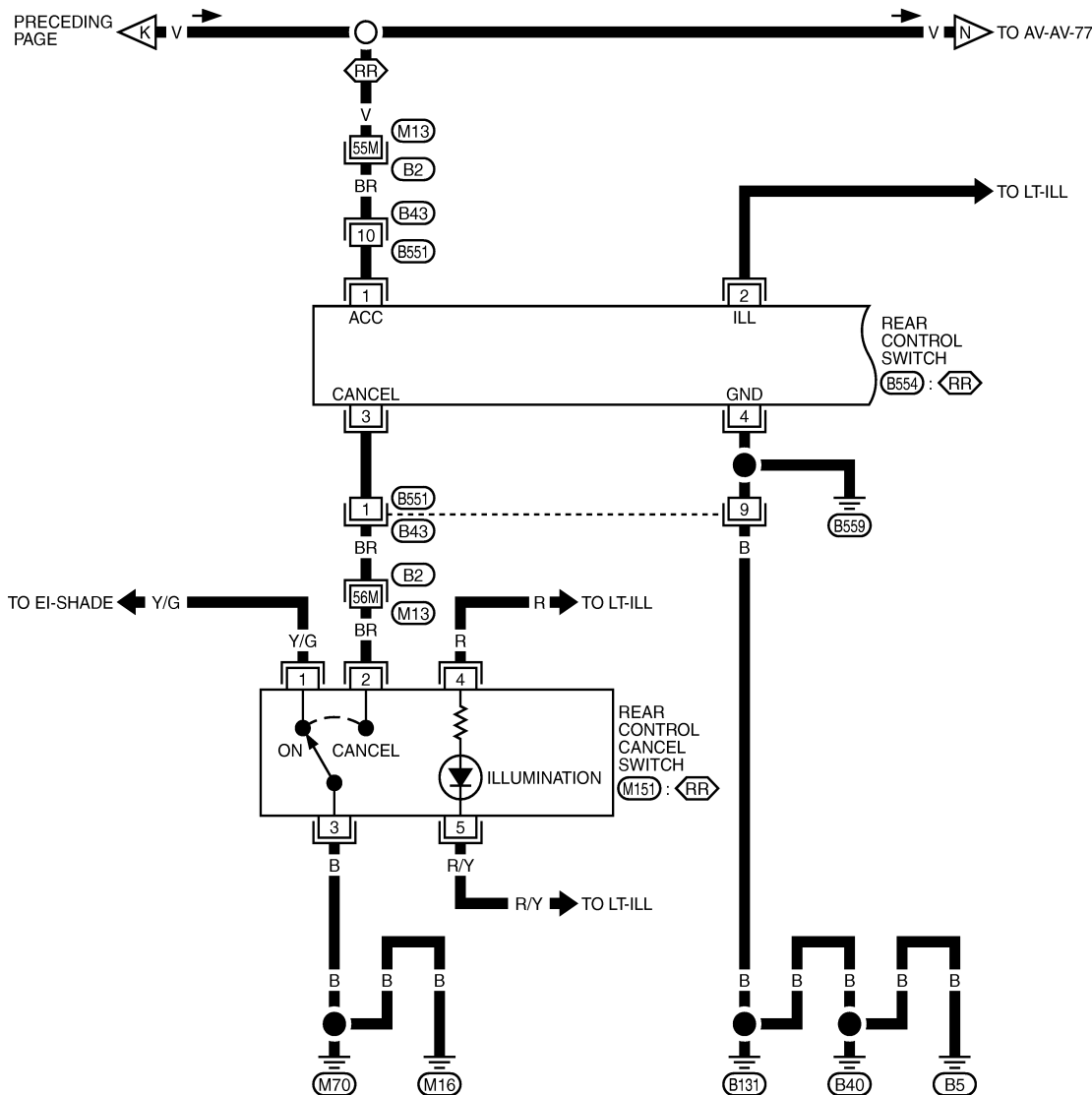
# DVD PLAYER

[WITH MOBILE ENTERTAINMENT SYSTEM]

< ECU DIAGNOSIS >

AV-AV-67

(RR) : WITH REAR CONTROL SWITCH



\*: THIS CONNECTOR IS NOT SHOWN IN "HARNESS LAYOUT", PG SECTION.

REFER TO THE FOLLOWING.

(B2) - SUPER MULTIPLE JUNCTION (SMJ)

TKWT6749E

A  
B  
C  
D  
E  
F  
G  
H  
I  
J  
L  
M  
N  
O  
P

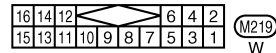
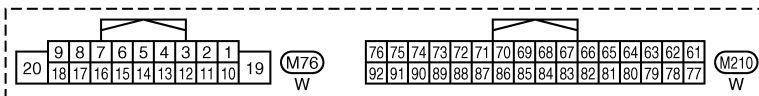
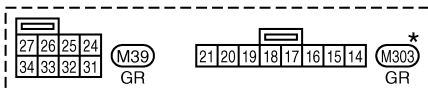
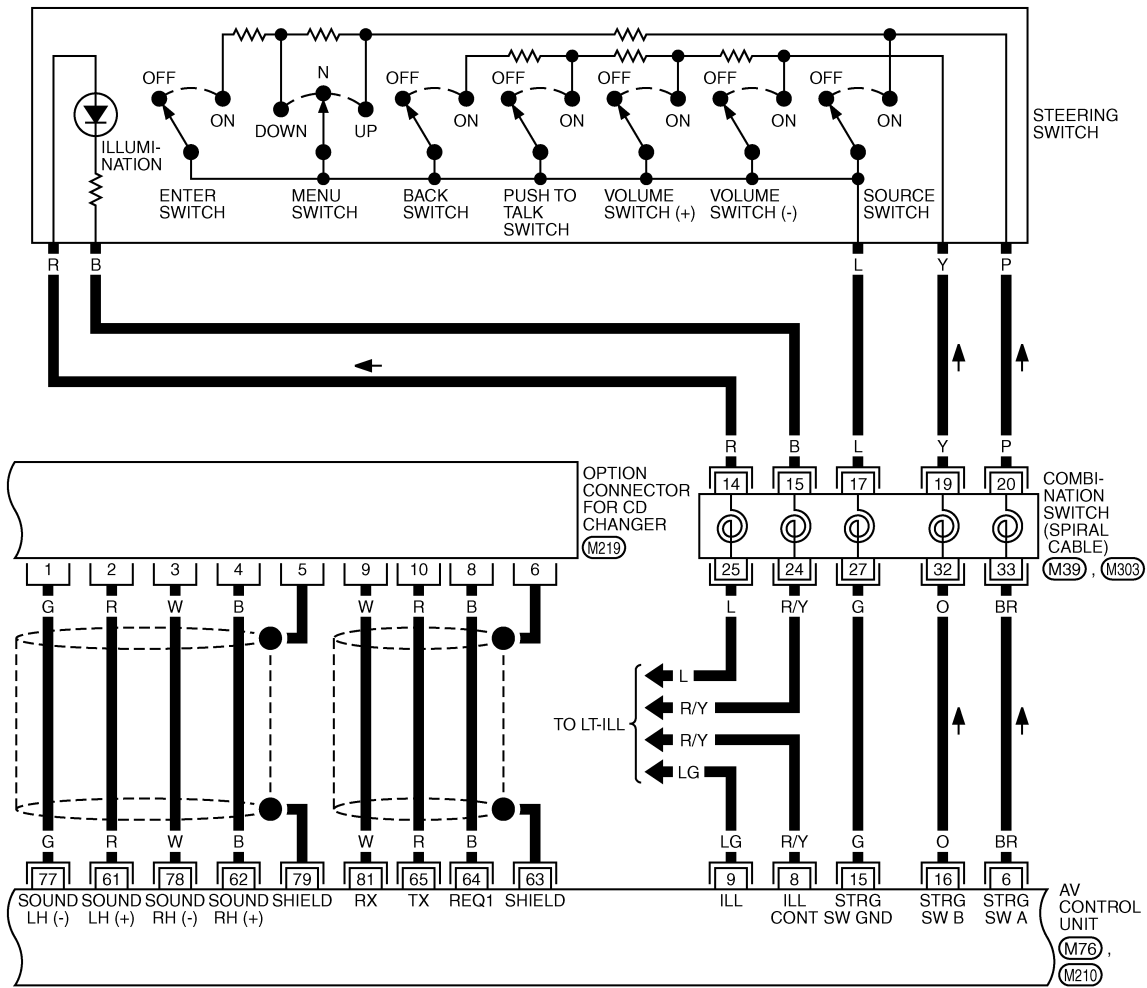
AV

# DVD PLAYER

[WITH MOBILE ENTERTAINMENT SYSTEM]

< ECU DIAGNOSIS >

AV-AV-68



\*: THIS CONNECTOR IS NOT SHOWN IN "HARNESS LAYOUT", PG SECTION.

TKWT8305E

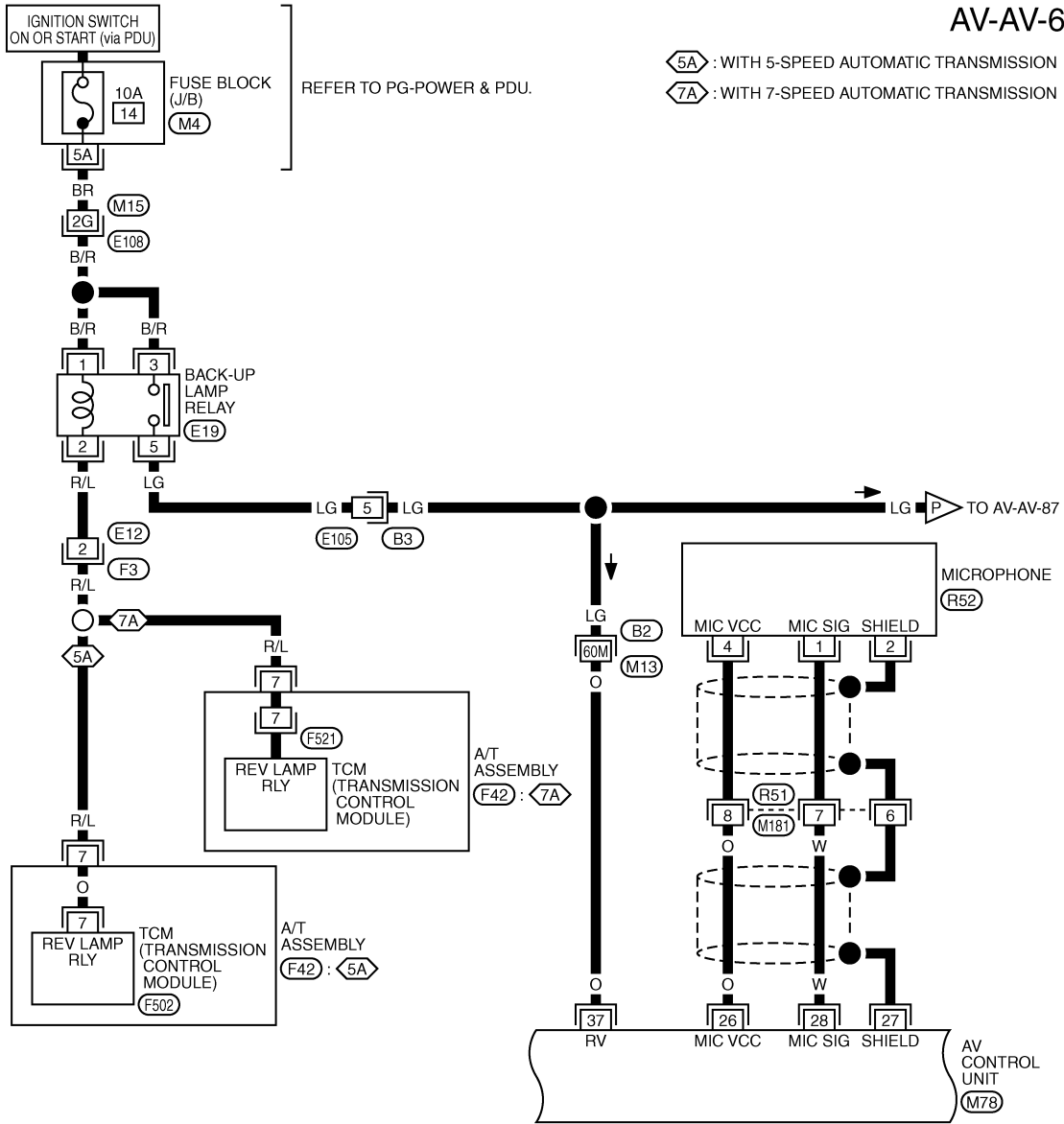


# DVD PLAYER

[WITH MOBILE ENTERTAINMENT SYSTEM]

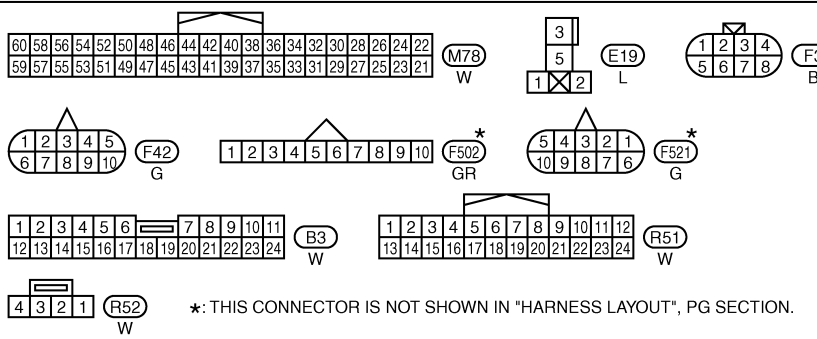
< ECU DIAGNOSIS >

AV-AV-69



5A : WITH 5-SPEED AUTOMATIC TRANSMISSION  
 7A : WITH 7-SPEED AUTOMATIC TRANSMISSION

REFER TO PG-POWER & PDU.



REFER TO THE FOLLOWING.  
 E108, B2 -SUPER MULTIPLE JUNCTION (SMJ)  
 M4 -FUSE BLOCK-JUNCTION BOX (J/B)

\*: THIS CONNECTOR IS NOT SHOWN IN "HARNESS LAYOUT", PG SECTION.

TKWT8306E

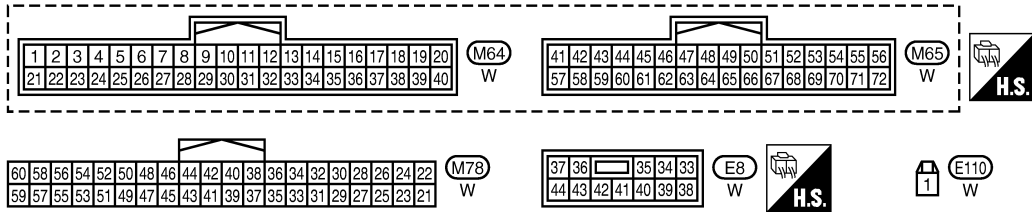
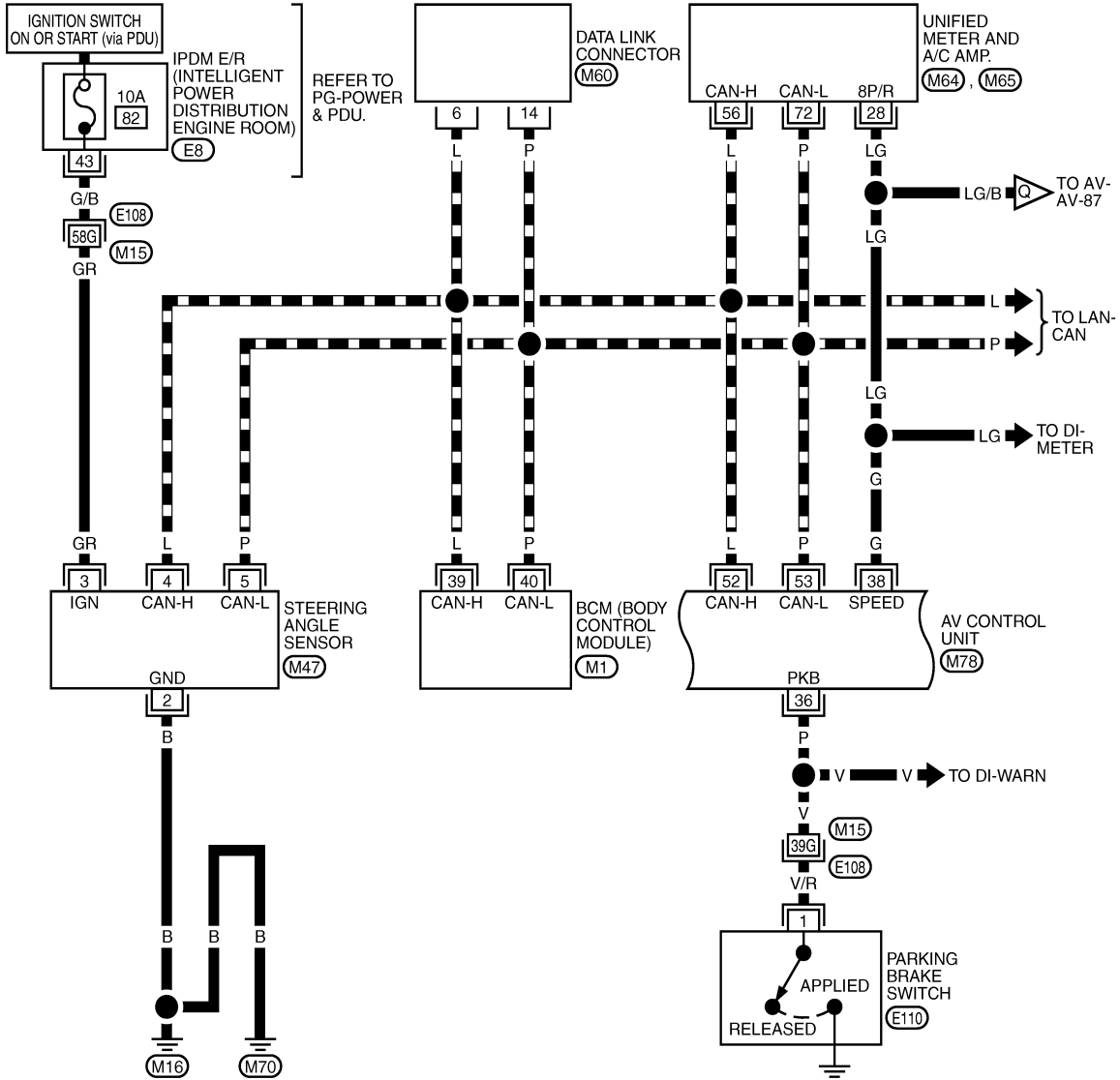
# DVD PLAYER

[WITH MOBILE ENTERTAINMENT SYSTEM]

< ECU DIAGNOSIS >

AV-AV-70

▬ : DATA LINE



TKWT6752E

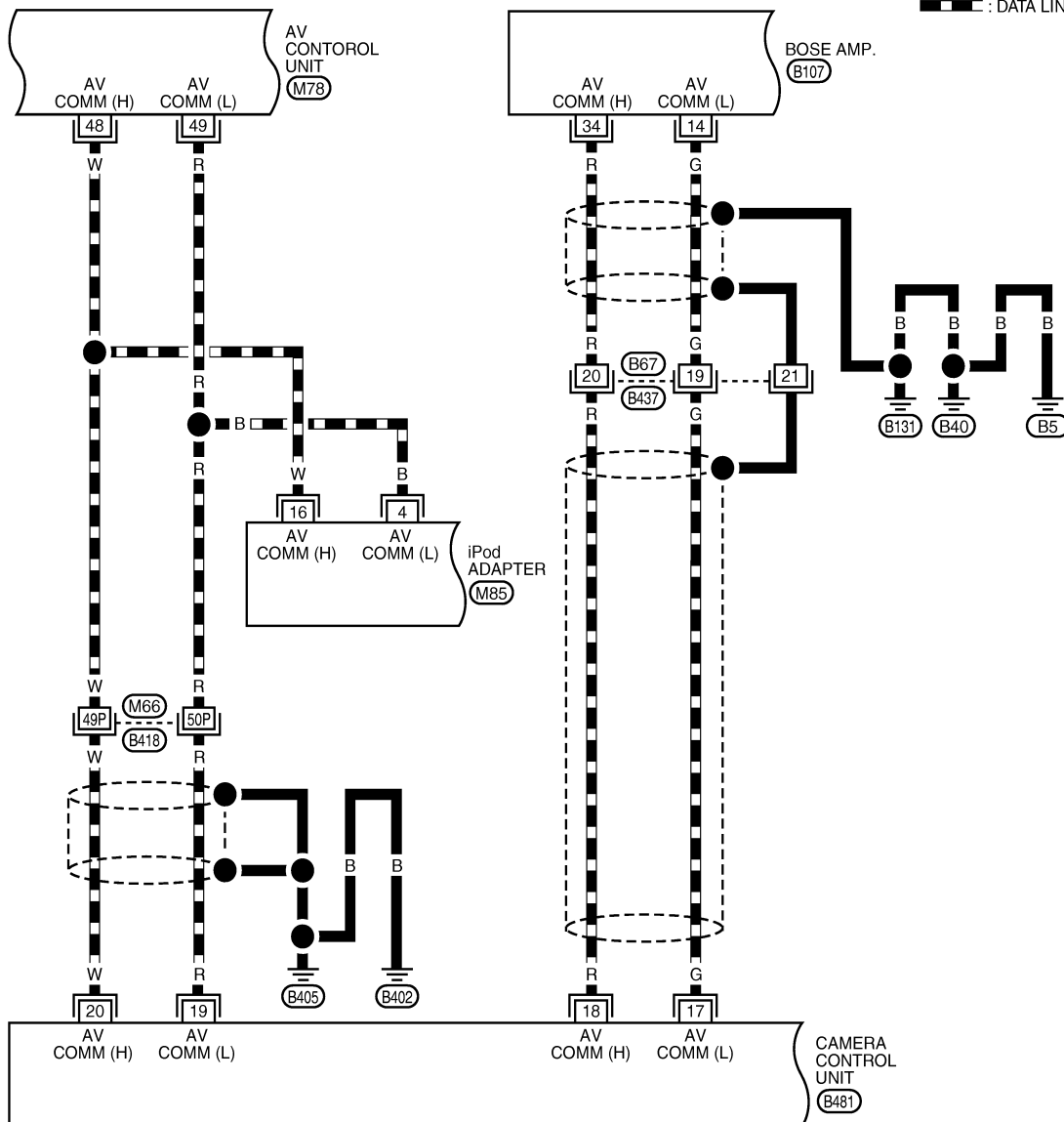
# DVD PLAYER

[WITH MOBILE ENTERTAINMENT SYSTEM]

< ECU DIAGNOSIS >

AV-AV-71

— : DATA LINE



60	58	56	54	52	50	48	46	44	42	40	38	36	34	32	30	28	26	24	22
59	57	55	53	51	49	47	45	43	41	39	37	35	33	31	29	27	25	23	21

(M78) W

12	11	10	9	8	7	6	5	4	3	2	1
24	23	22	21	20	19	18	17	16	15	14	13

(M85) W

1	2	3	4	5	6	7	8	9	10	11	12	13	14	15	16	17	18	19	20
21	22	23	24	25	26	27	28	29	30	31	32	33	34	35	36	37	38	39	40

(B107) W

1	2	3	4	5	6	7	8	9	10	11		
12	13	14	15	16	17	18	19	20	21	22	23	24

(B437) BR

32	30	28	26	24	22	20	18	16	14	12	10	8	6	4	2
31	29	27	25	23	21	19	17	15	13	11	9	7	5	3	1

(B481) W

REFER TO THE FOLLOWING.  
(B418) - SUPER MULTIPLE JUNCTION (SMJ)

TKWT6753E

A  
B  
C  
D  
E  
F  
G  
H  
I  
J  
K  
L  
M  
N  
O  
P

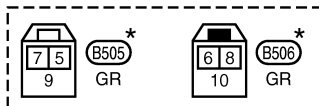
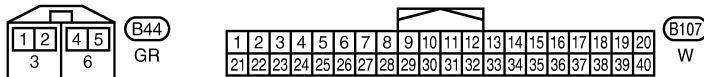
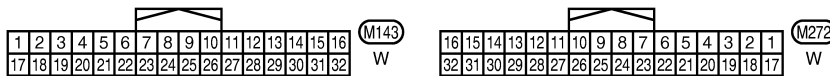
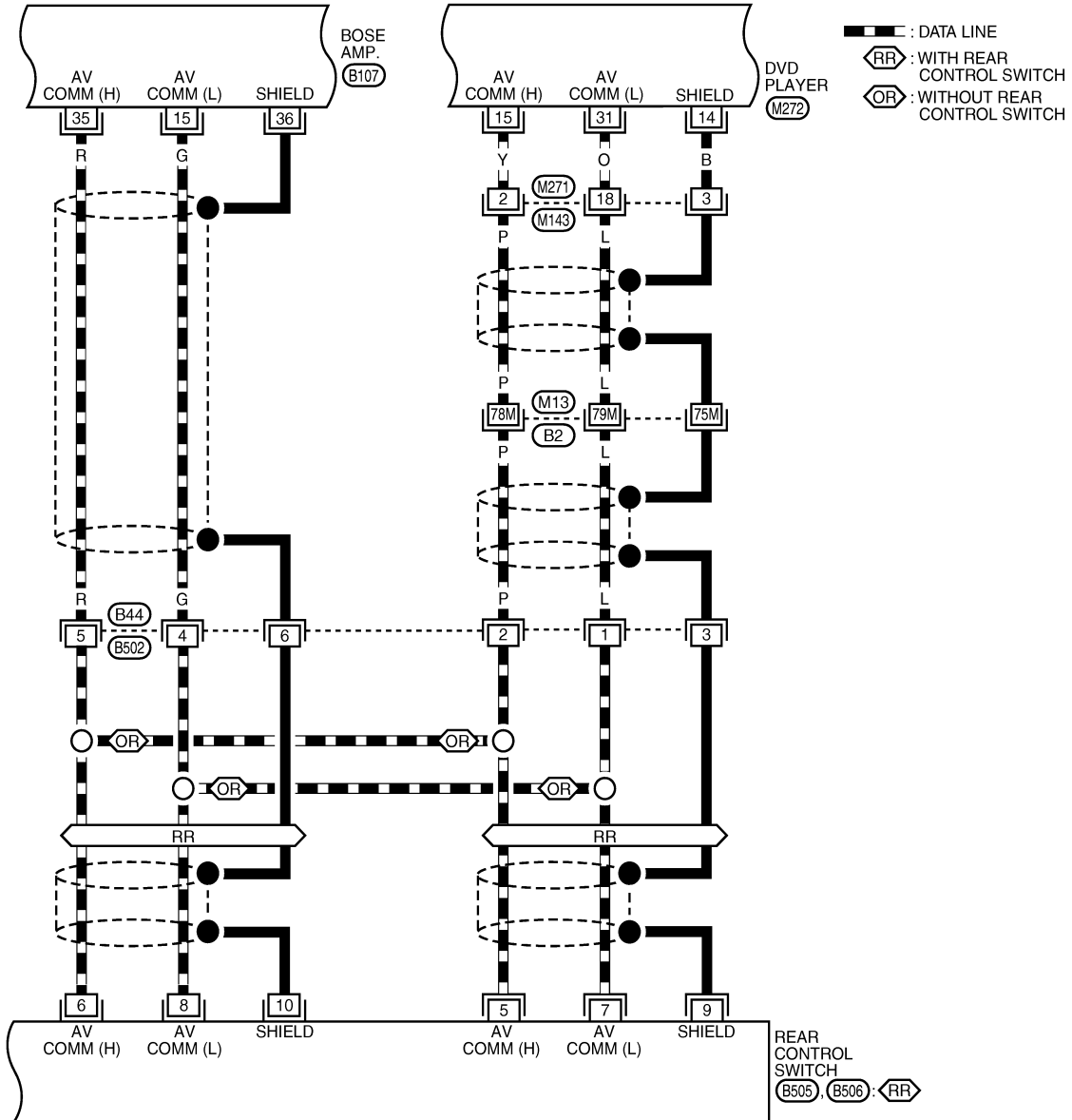
AV

# DVD PLAYER

[WITH MOBILE ENTERTAINMENT SYSTEM]

< ECU DIAGNOSIS >

AV-AV-72



\* : THIS CONNECTOR IS NOT SHOWN IN "HARNESS LAYOUT", PG. SECTION.

REFER TO THE FOLLOWING.

B2 - SUPER MULTIPLE JUNCTION (SMJ)

TKWT6754E

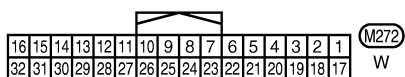
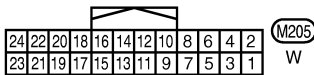
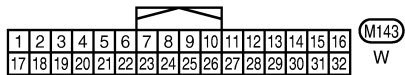
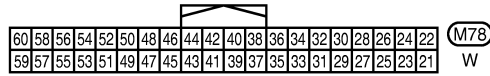
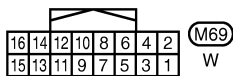
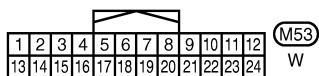
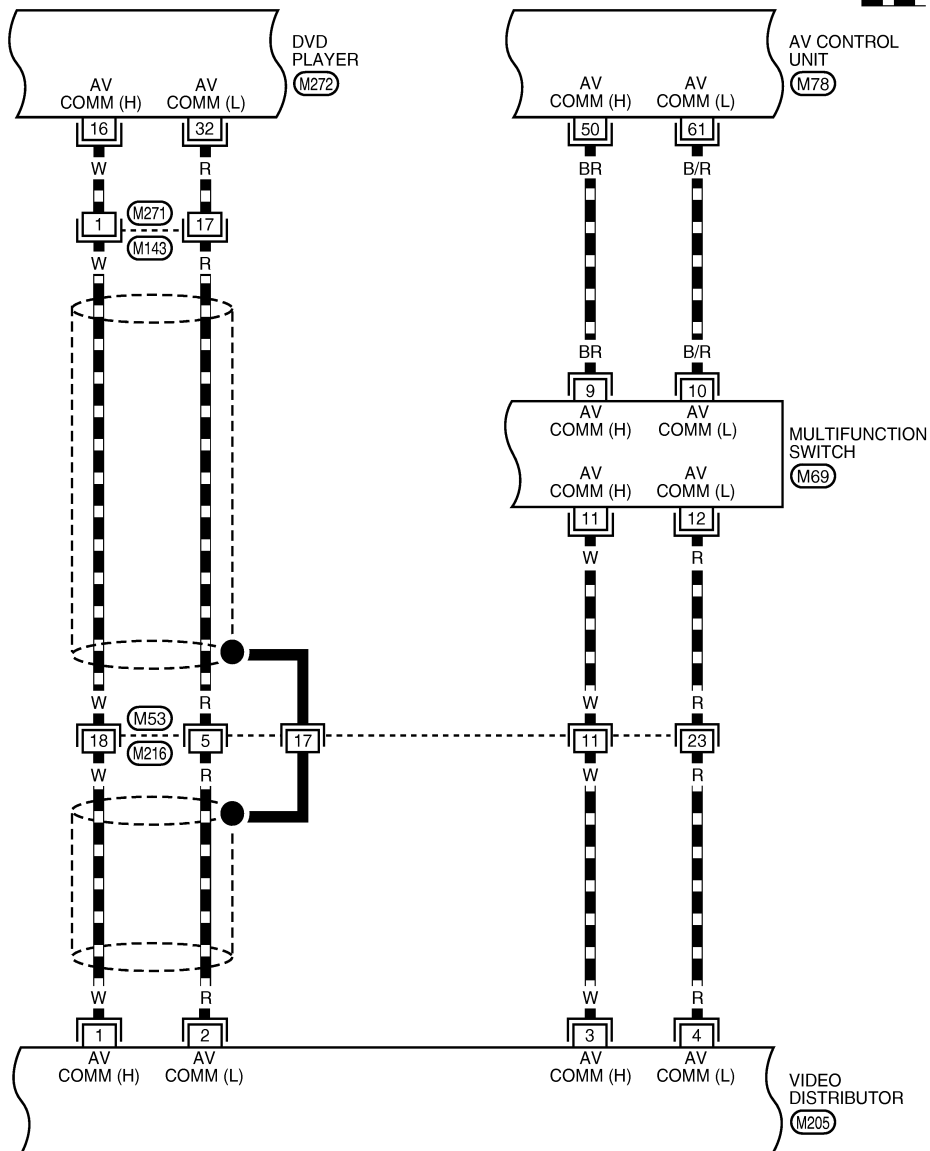
# DVD PLAYER

[WITH MOBILE ENTERTAINMENT SYSTEM]

< ECU DIAGNOSIS >

AV-AV-73

DATA LINE



TKWT6755E

A  
B  
C  
D  
E  
F  
G  
H  
I  
J  
K  
L  
M  
N  
O  
P

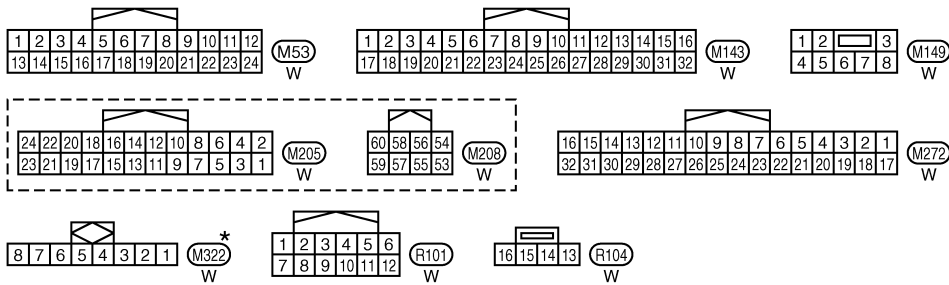
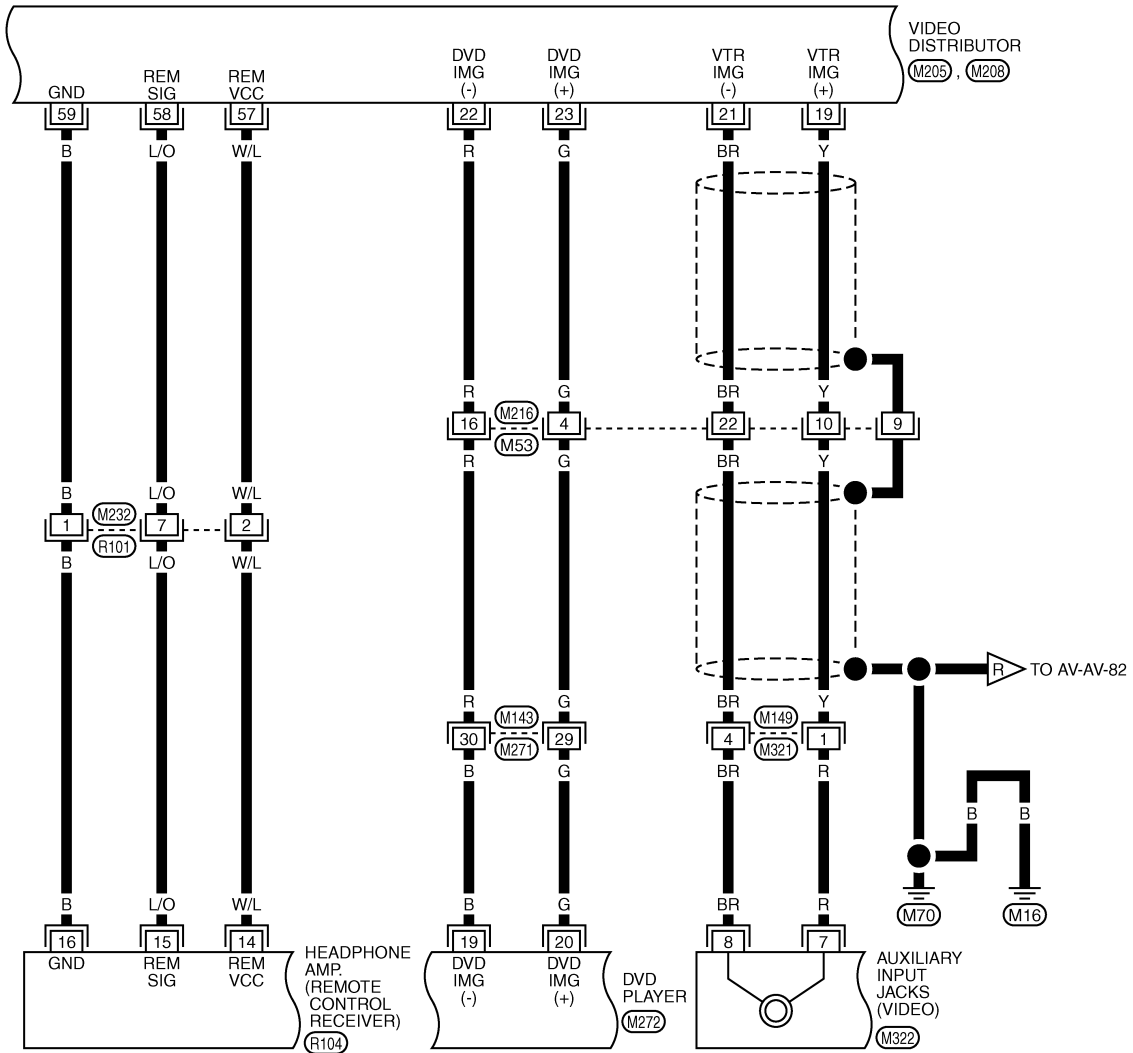
AV

# DVD PLAYER

< ECU DIAGNOSIS >

[WITH MOBILE ENTERTAINMENT SYSTEM]

AV-AV-74



\*: THIS CONNECTOR IS NOT SHOWN IN "HARNESS LAYOUT", PG SECTION.

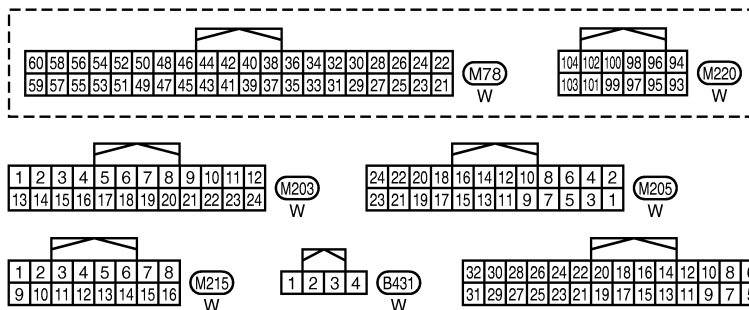
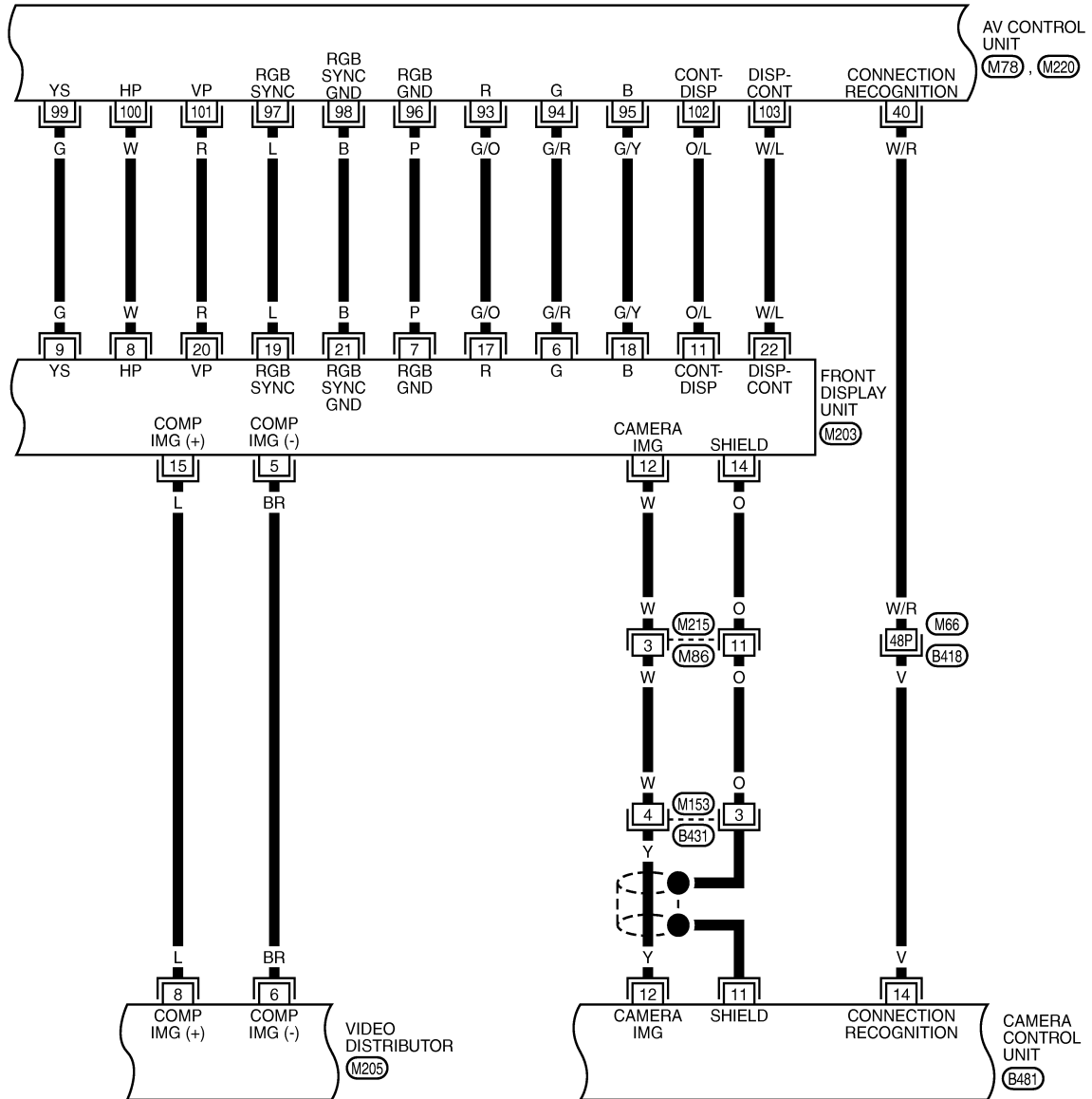
TKWT8307E

# DVD PLAYER

[WITH MOBILE ENTERTAINMENT SYSTEM]

< ECU DIAGNOSIS >

AV-AV-75



REFER TO THE FOLLOWING.

(B418) -SUPER MULTIPLE JUNCTION (SMJ)

TKWT6757E

A  
B  
C  
D  
E  
F  
G  
H  
I  
J  
K  
L  
M  
N  
O  
P

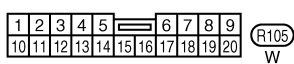
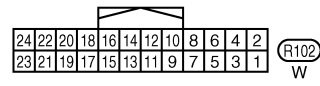
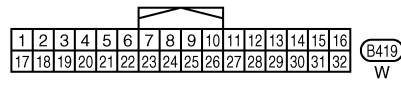
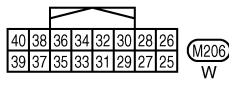
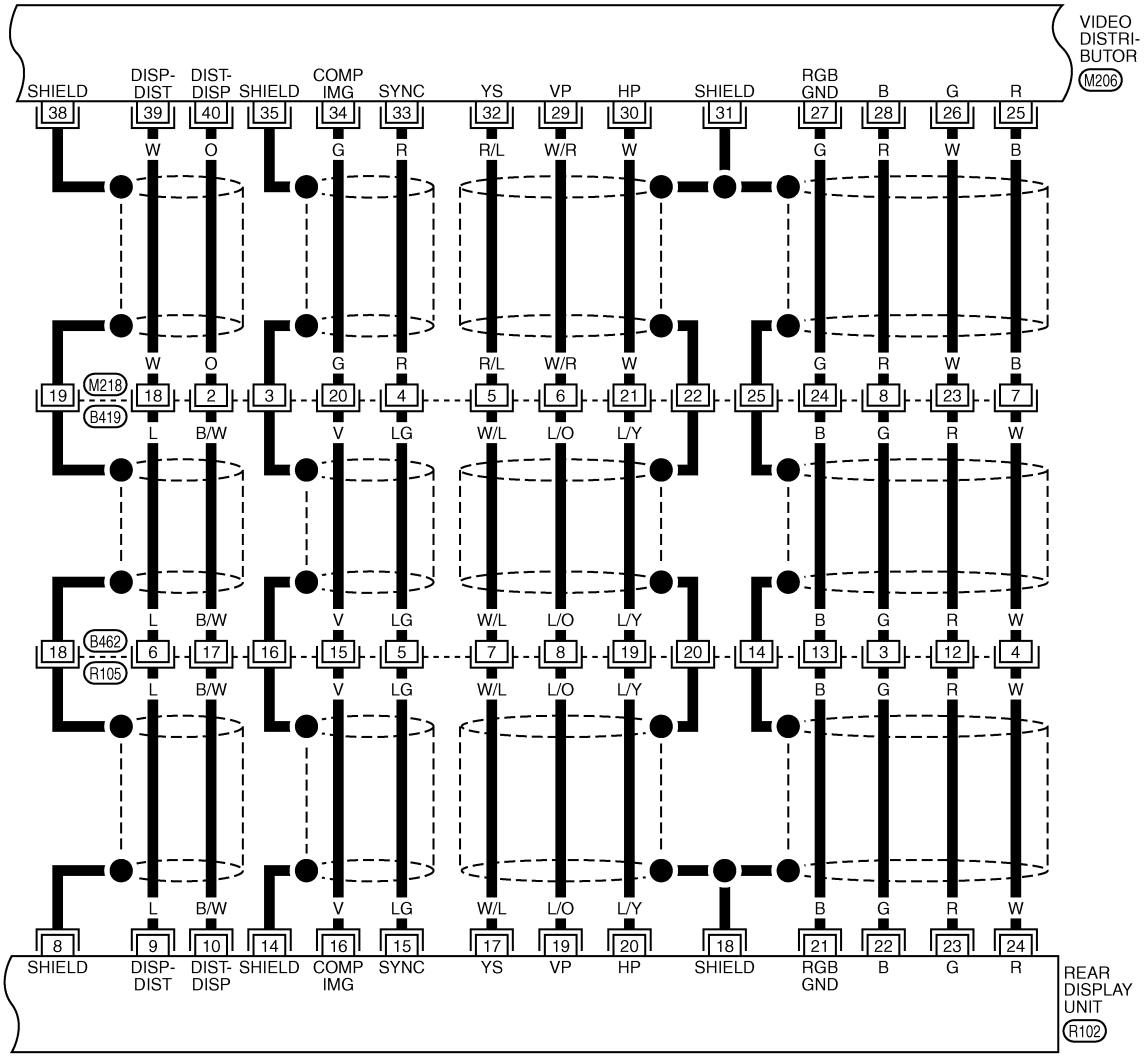
AV

# DVD PLAYER

[WITH MOBILE ENTERTAINMENT SYSTEM]

< ECU DIAGNOSIS >

AV-AV-76



TKWT5152E

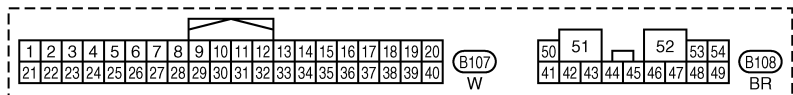
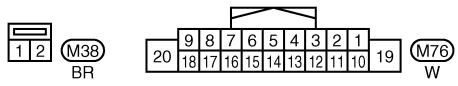
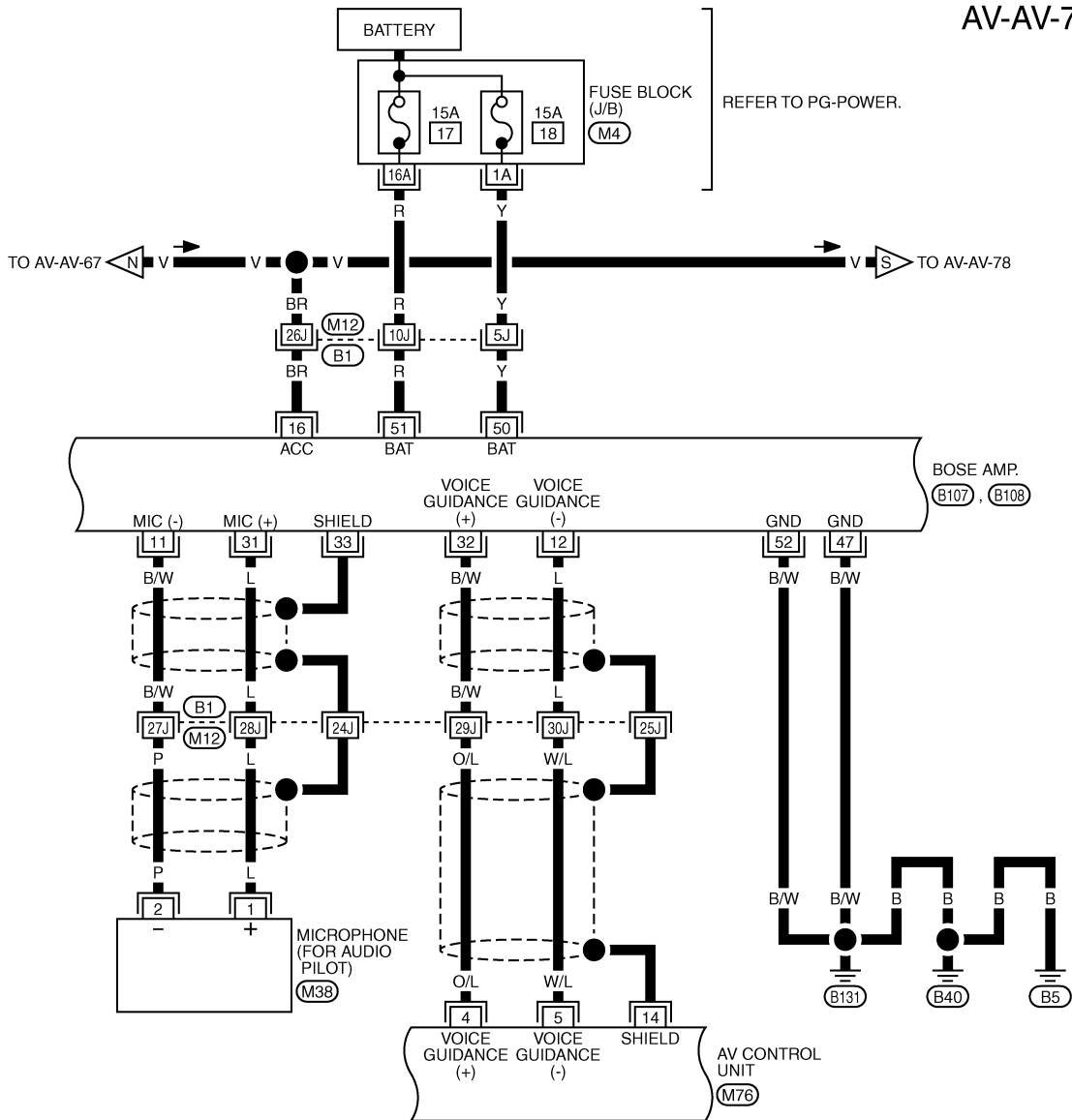


# DVD PLAYER

[WITH MOBILE ENTERTAINMENT SYSTEM]

< ECU DIAGNOSIS >

AV-AV-77



REFER TO THE FOLLOWING.  
 (B1) -SUPER MULTIPLE JUNCTION (SMJ)  
 (M4) -FUSE BLOCK-JUNCTION BOX (J/B)

TKWT8308E

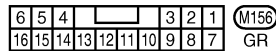
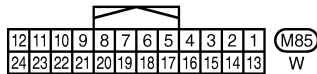
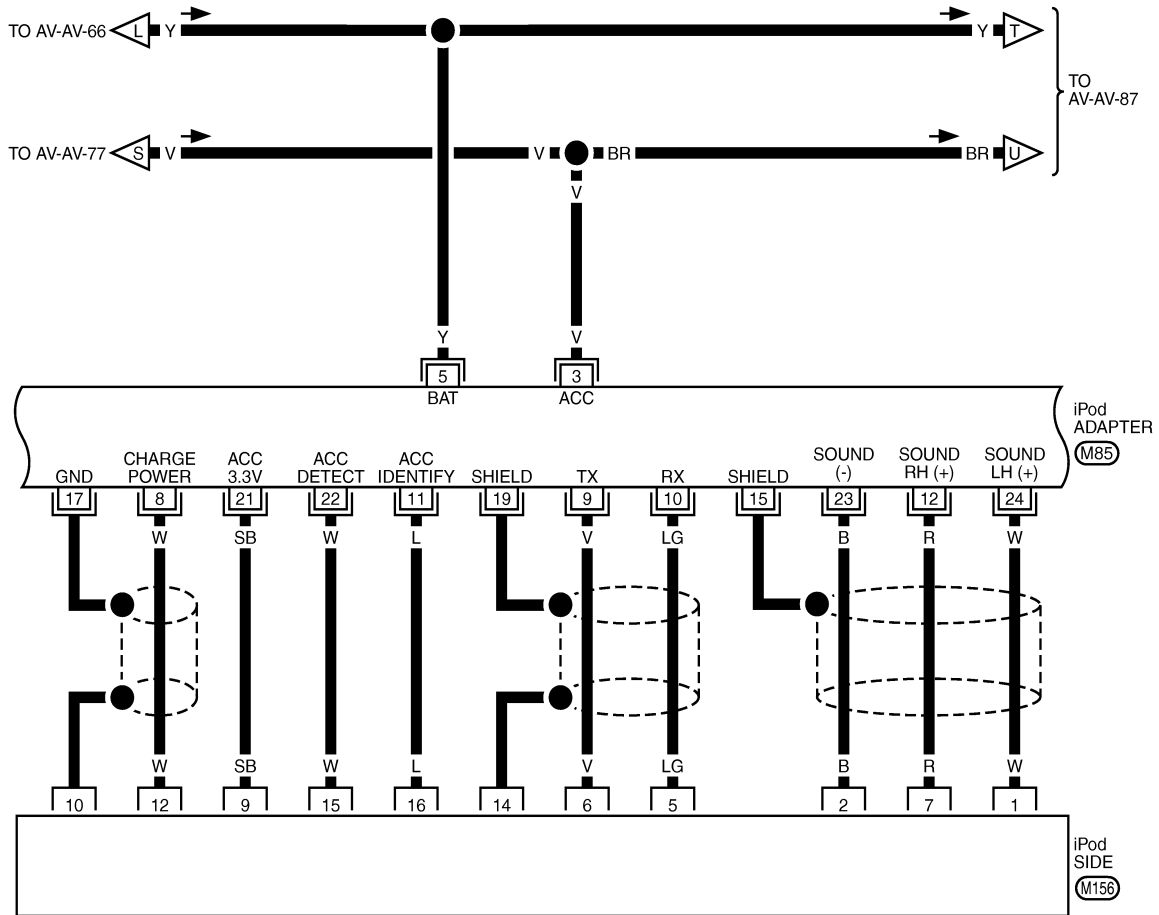
A  
B  
C  
D  
E  
F  
G  
H  
I  
J  
AV  
L  
M  
N  
O  
P

# DVD PLAYER

[WITH MOBILE ENTERTAINMENT SYSTEM]

< ECU DIAGNOSIS >

AV-AV-78



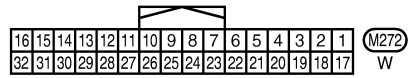
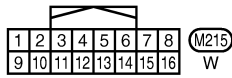
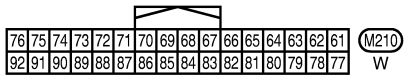
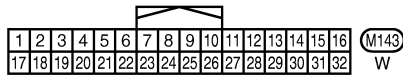
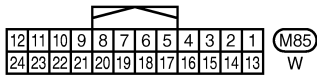
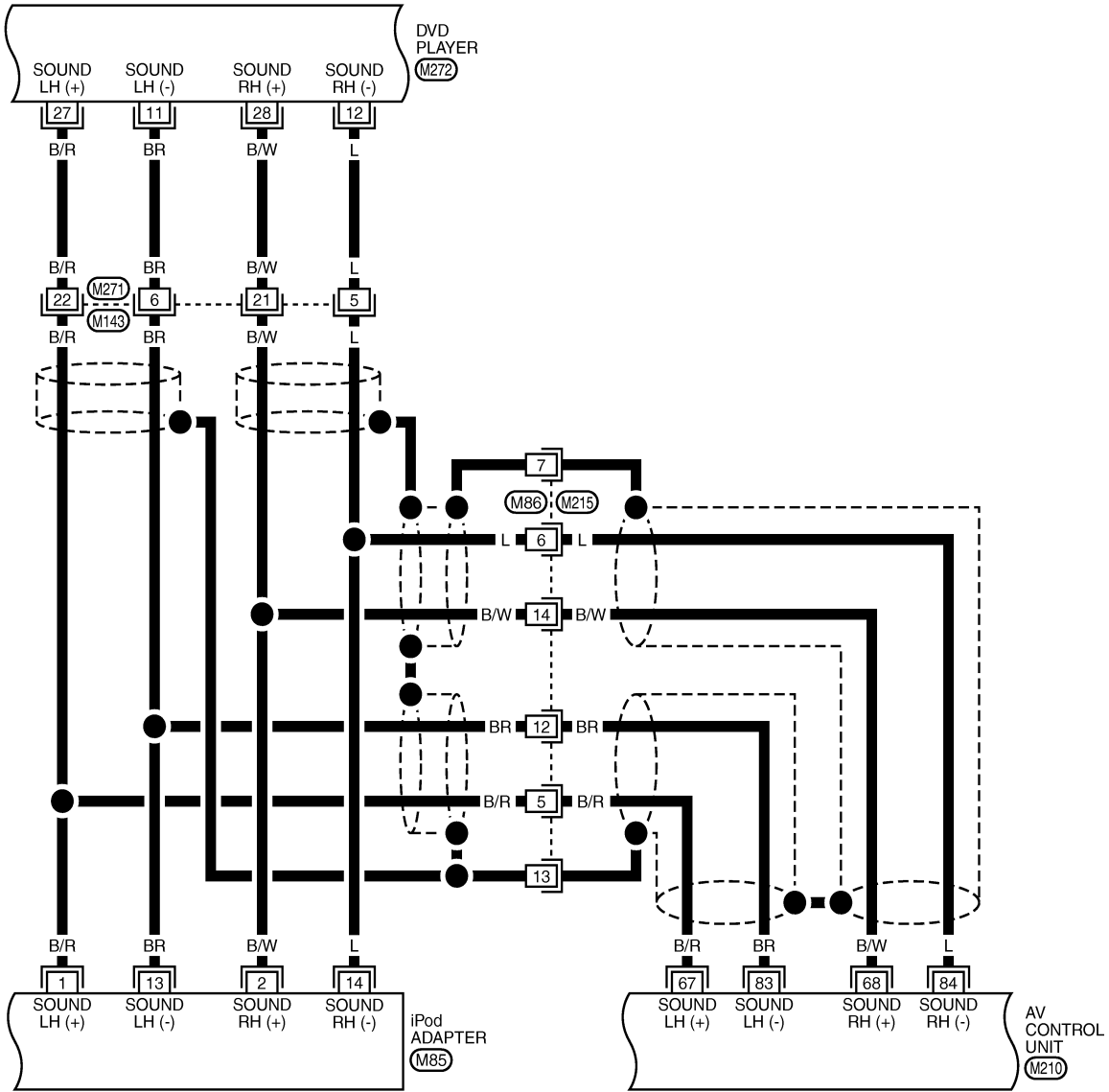
TKWT6761E

# DVD PLAYER

[WITH MOBILE ENTERTAINMENT SYSTEM]

< ECU DIAGNOSIS >

AV-AV-79



TKWT6762E

A  
B  
C  
D  
E  
F  
G  
H  
I  
J  
K  
L  
M  
N  
O  
P

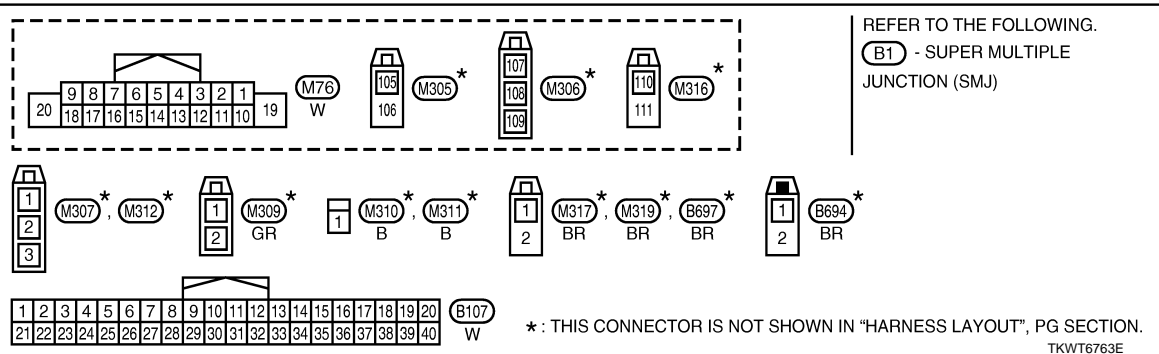
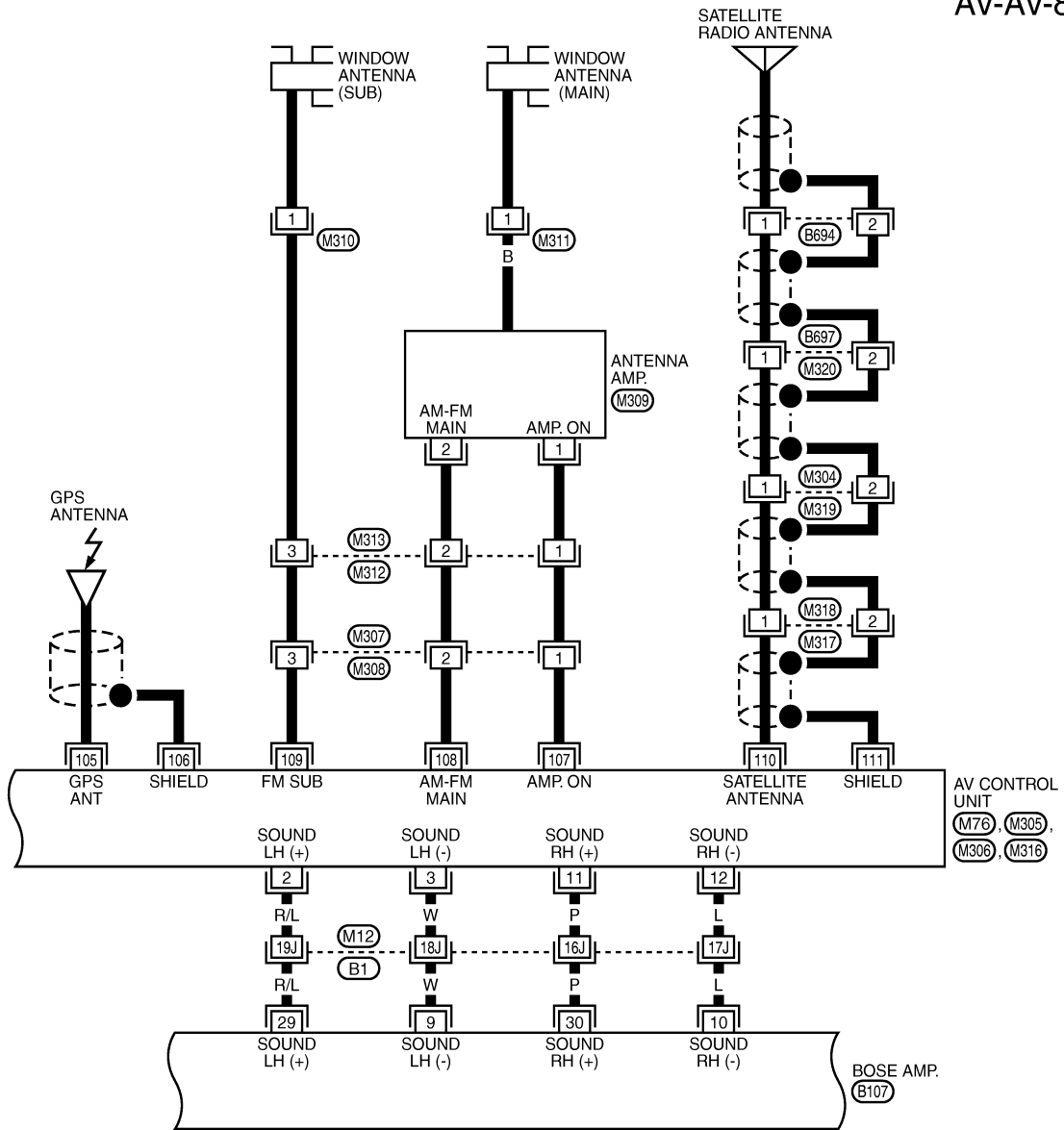
AV

# DVD PLAYER

[WITH MOBILE ENTERTAINMENT SYSTEM]

< ECU DIAGNOSIS >

AV-AV-80

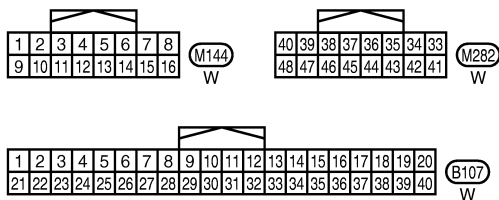
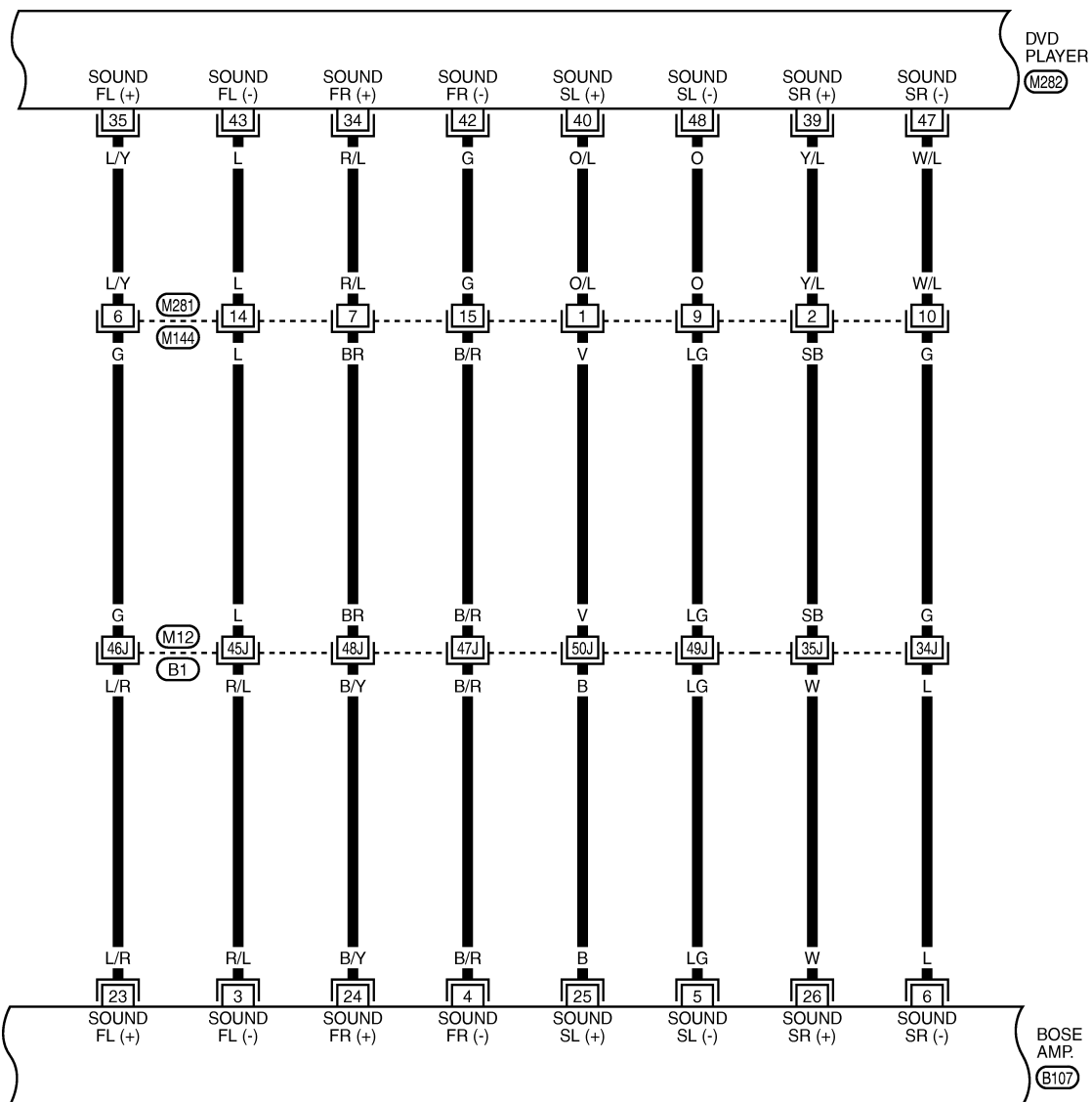


# DVD PLAYER

[WITH MOBILE ENTERTAINMENT SYSTEM]

< ECU DIAGNOSIS >

AV-AV-81



REFER TO THE FOLLOWING.

(B1) - SUPER MULTIPLE JUNCTION (SMJ)

TKWT6764E

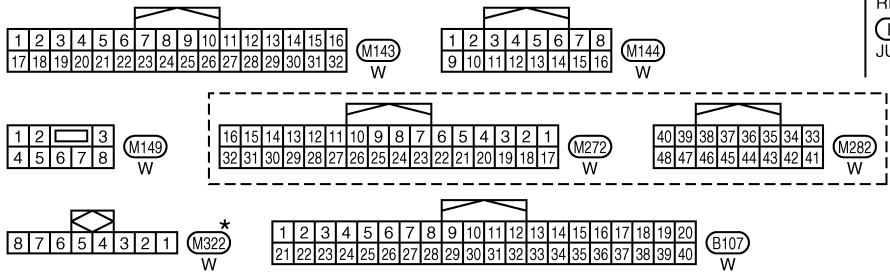
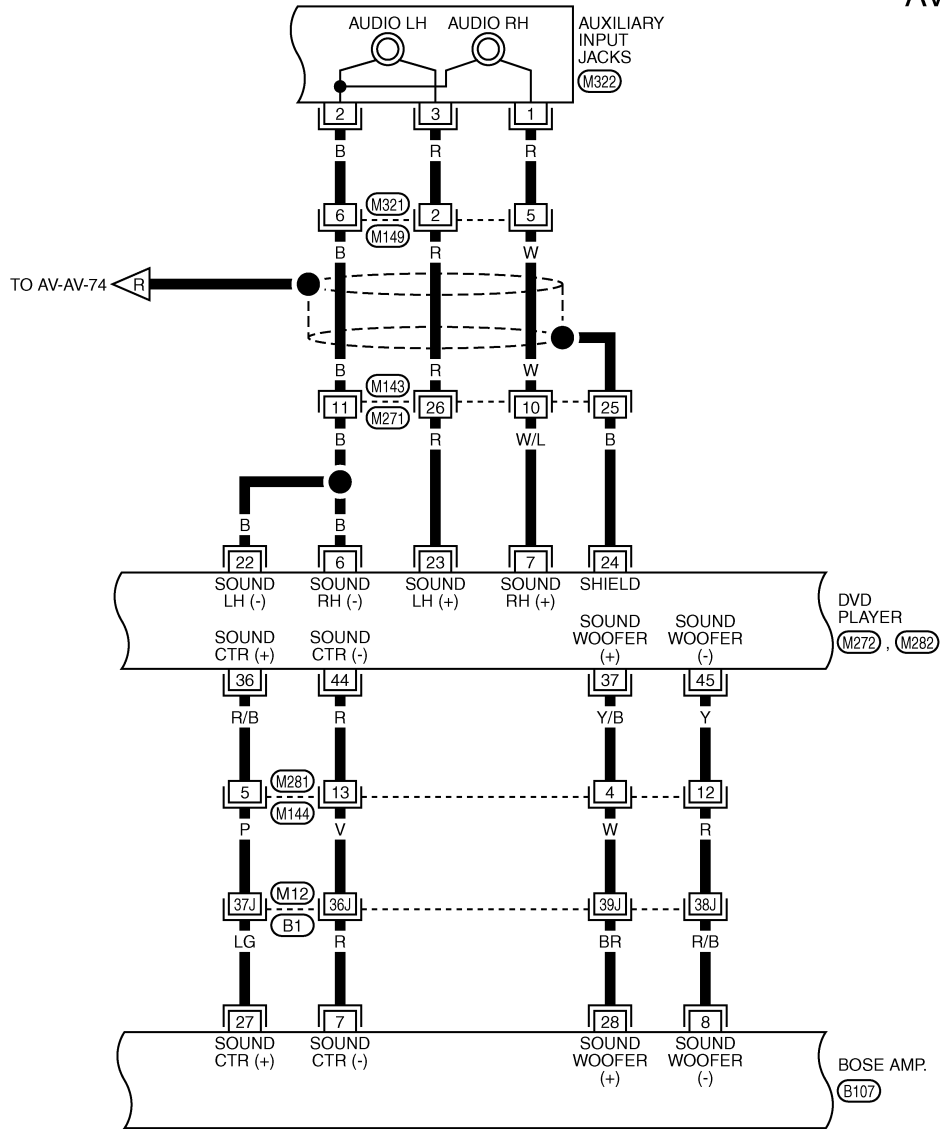
A  
B  
C  
D  
E  
F  
G  
H  
I  
J  
AV  
L  
M  
N  
O  
P

# DVD PLAYER

[WITH MOBILE ENTERTAINMENT SYSTEM]

< ECU DIAGNOSIS >

AV-AV-82



REFER TO THE FOLLOWING.  
 (B1) -SUPER MULTIPLE JUNCTION (SMJ)

\*: THIS CONNECTOR IS NOT SHOWN IN "HARNESS LAYOUT", PG SECTION.

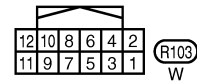
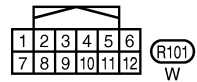
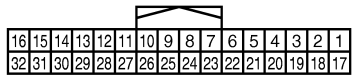
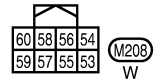
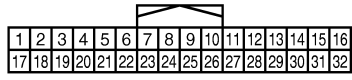
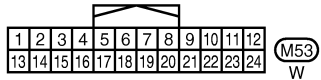
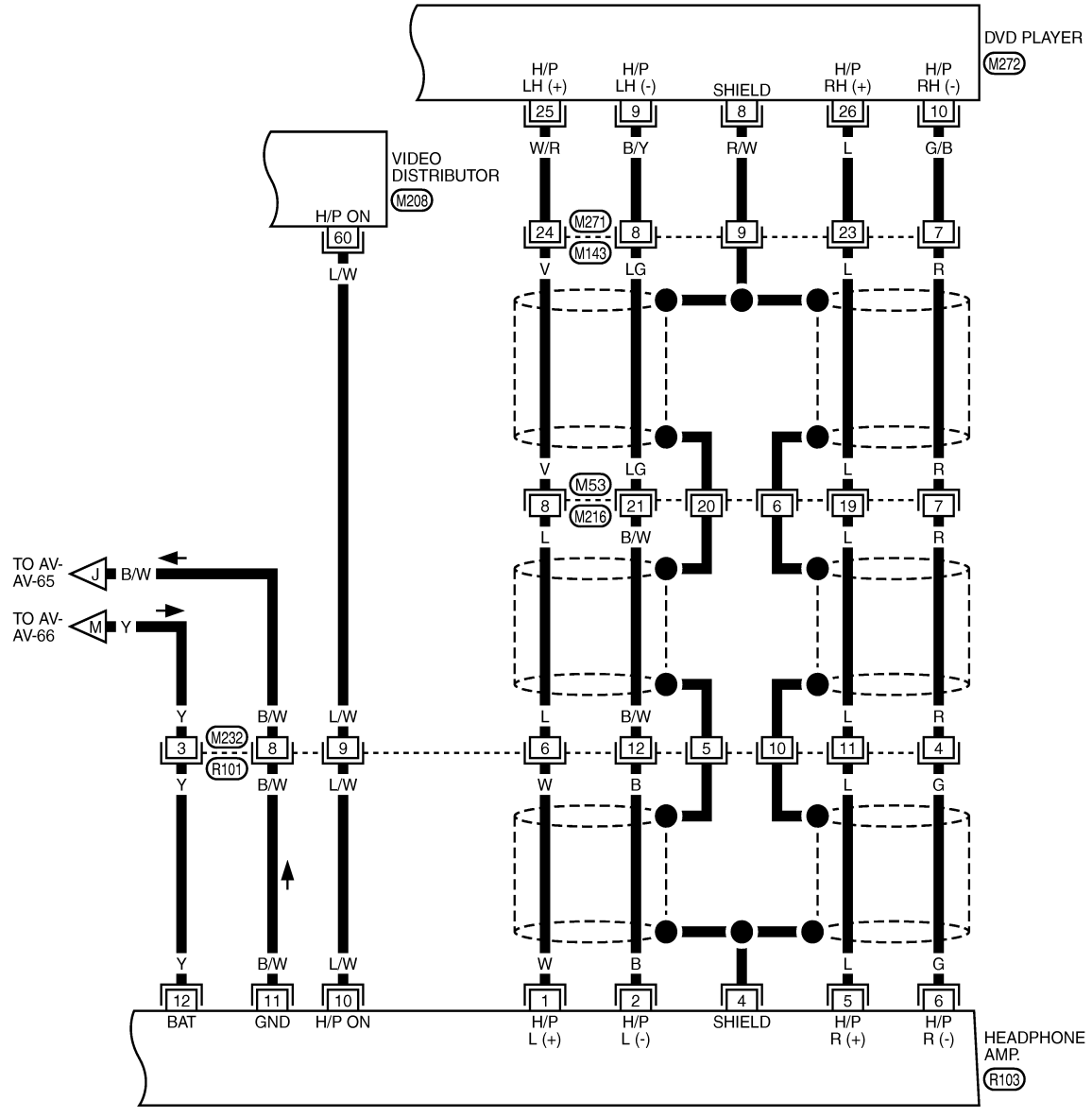
TKWT8309E

# DVD PLAYER

[WITH MOBILE ENTERTAINMENT SYSTEM]

< ECU DIAGNOSIS >

AV-AV-83



TKWT6766E

A  
B  
C  
D  
E  
F  
G  
H  
I  
J  
L  
M  
N  
O  
P

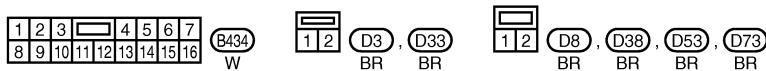
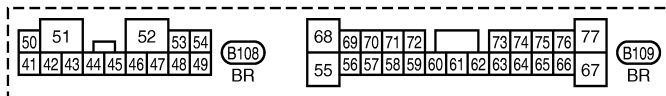
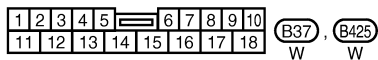
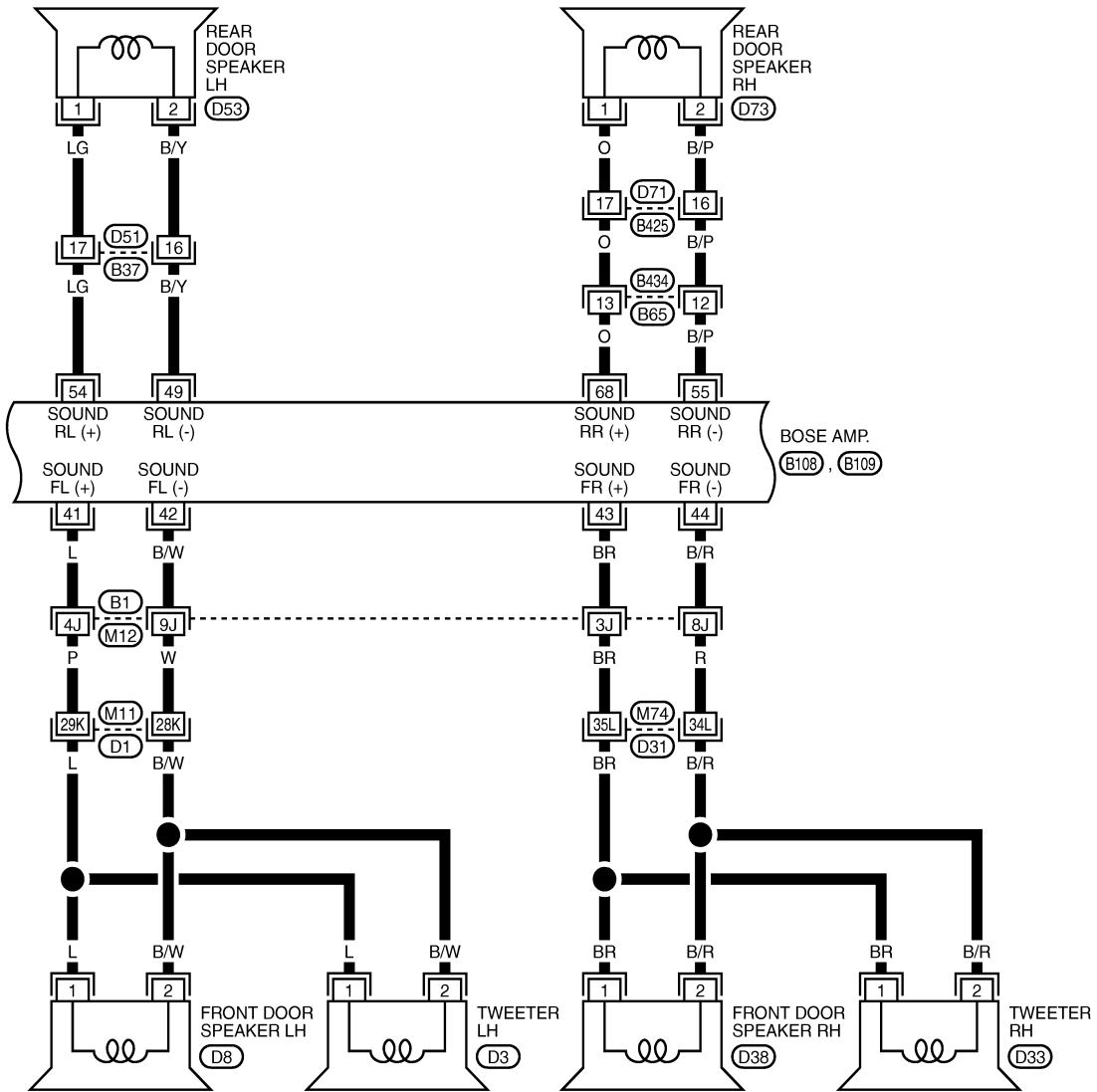
AV

# DVD PLAYER

[WITH MOBILE ENTERTAINMENT SYSTEM]

< ECU DIAGNOSIS >

AV-AV-84



REFER TO THE FOLLOWING.

(B1), (D1), (D31) - SUPER MULTIPLE JUNCTION (SMJ)

TKWT6767E

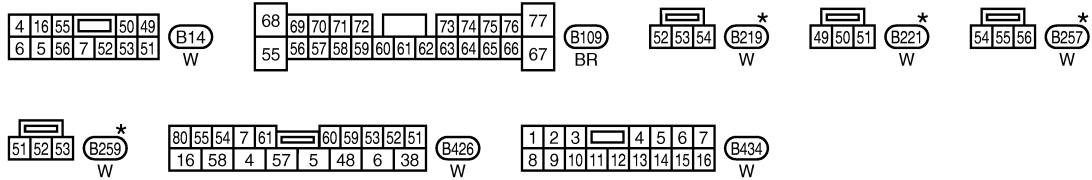
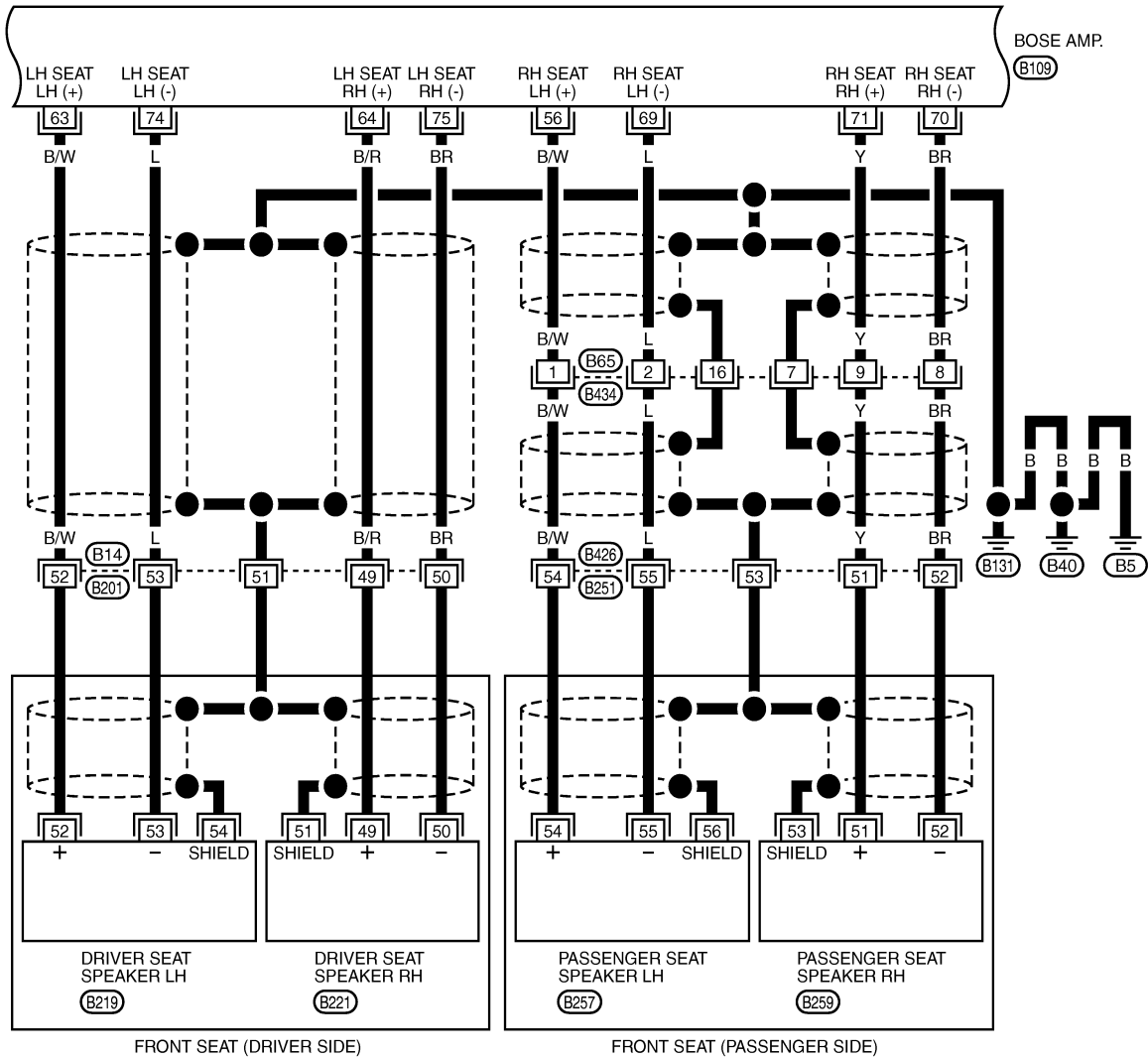


# DVD PLAYER

[WITH MOBILE ENTERTAINMENT SYSTEM]

< ECU DIAGNOSIS >

AV-AV-85



\*: THIS CONNECTOR IS NOT SHOWN IN "HARNESS LAYOUT", PG SECTION.

TKWT6768E

A  
B  
C  
D  
E  
F  
G  
H  
I  
J  
K  
L  
M  
N  
O  
P

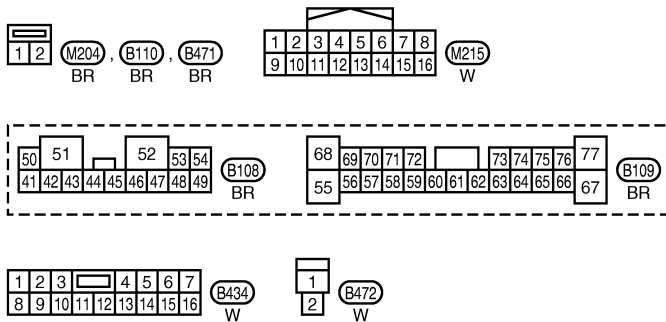
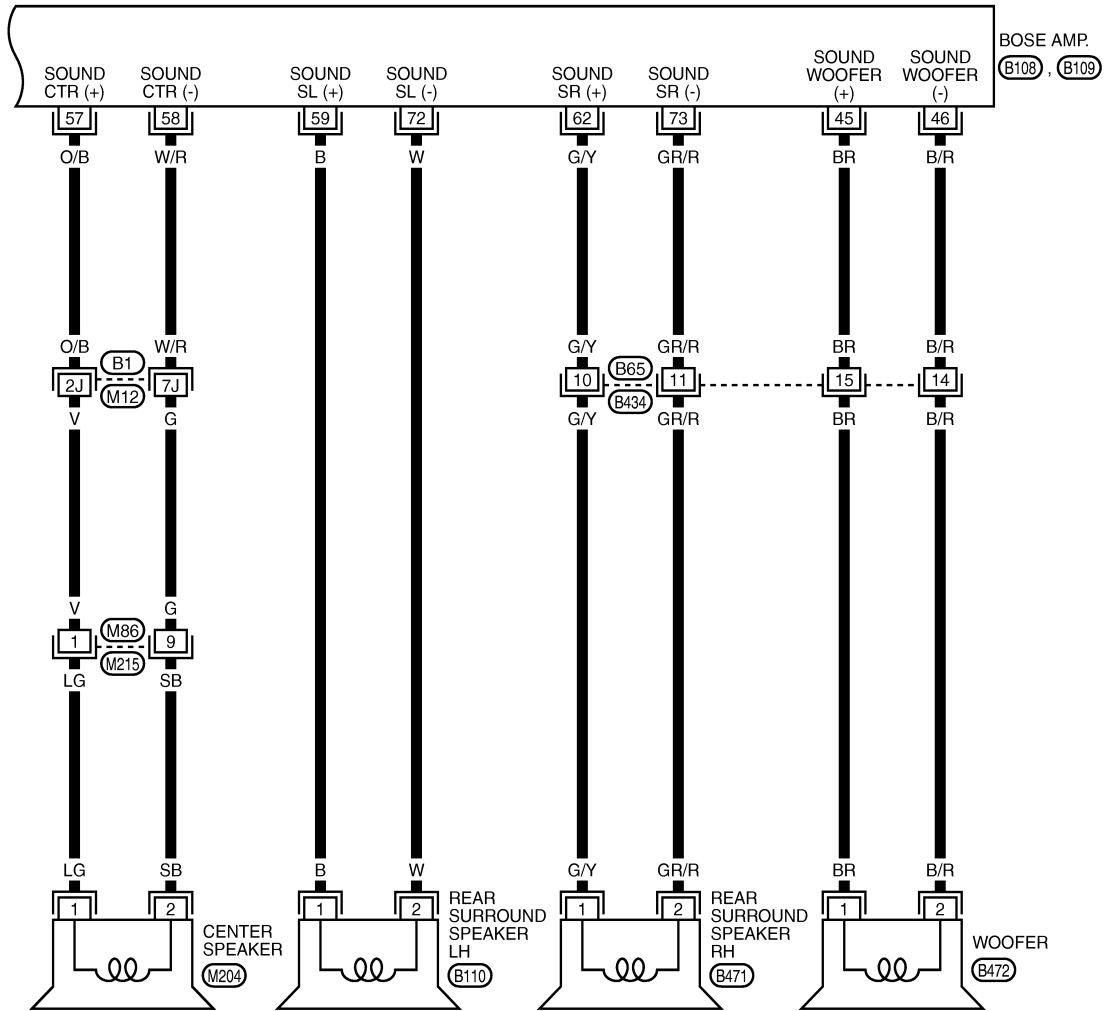
AV

# DVD PLAYER

[WITH MOBILE ENTERTAINMENT SYSTEM]

< ECU DIAGNOSIS >

AV-AV-86



REFER TO THE FOLLOWING.

(B1) - SUPER MULTIPLE JUNCTION (SMJ)

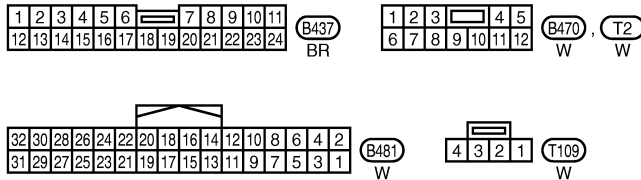
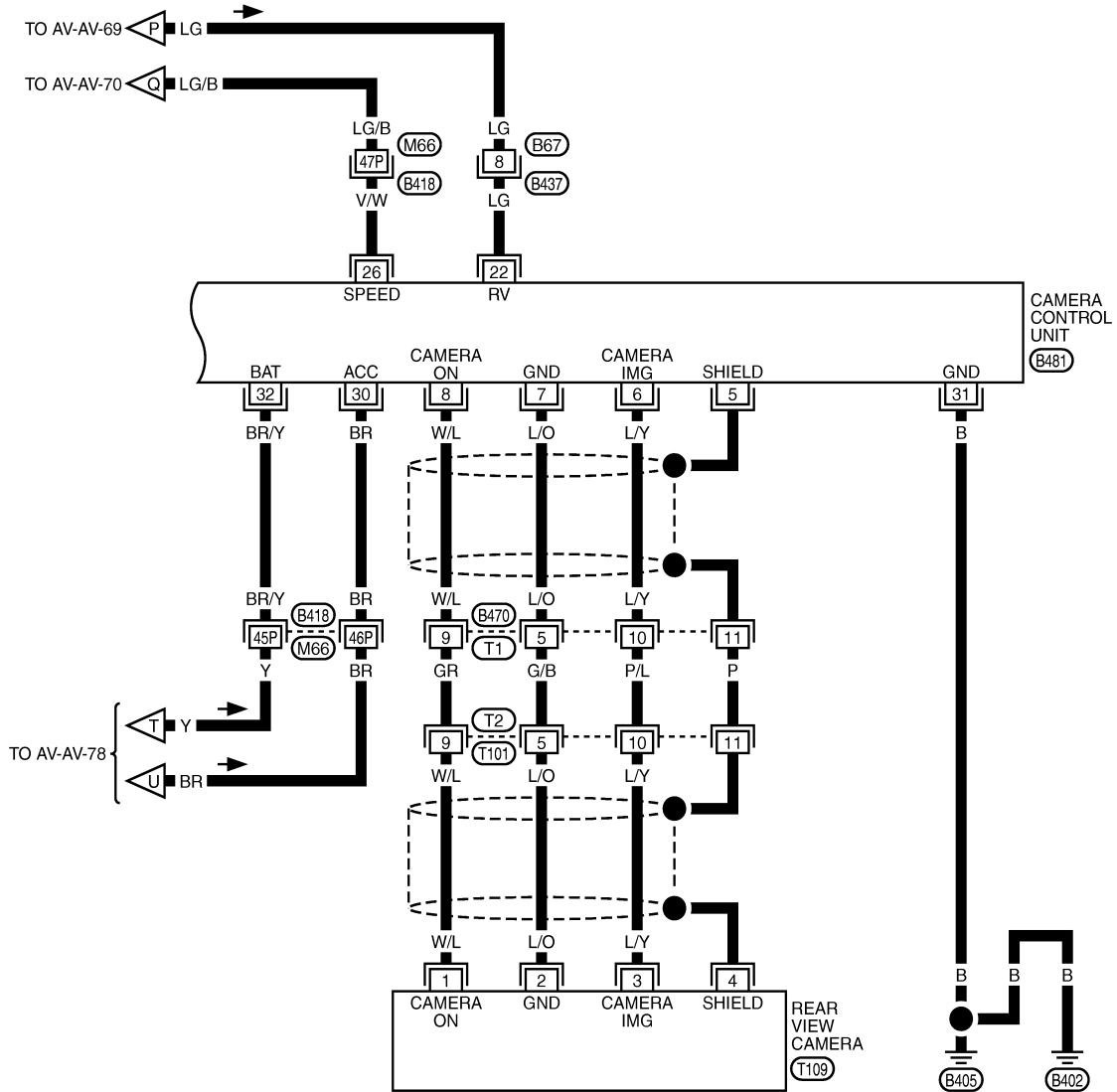
TKWT6769E

# DVD PLAYER

[WITH MOBILE ENTERTAINMENT SYSTEM]

< ECU DIAGNOSIS >

AV-AV-87



REFER TO THE FOLLOWING.

B418 - SUPER MULTIPLE JUNCTION (SMJ)

TKWT6770E

A  
B  
C  
D  
E  
F  
G  
H  
I  
J  
K  
L  
M  
N  
O  
P

AV

# MULTI AV SYSTEM SYMPTOMS

< SYMPTOM DIAGNOSIS >

[WITH MOBILE ENTERTAINMENT SYSTEM]

## SYMPTOM DIAGNOSIS

### MULTI AV SYSTEM SYMPTOMS

#### Symptom Table

INFOID:000000005350637

#### RELATED TO NAVIGATION

Trouble diagnosis chart by symptom

Symptoms	Check items	Possible malfunction location / Action to take
Multifunction switch and preset switch operation does not work.	<ul style="list-style-type: none"> <li>All switches cannot be operated.</li> <li>"MULTI AV" is displayed on system selection screen when the CONSULT-III is started.</li> </ul>	<ul style="list-style-type: none"> <li>Multifunction switch power supply and ground circuit.</li> <li>AV communication circuit between AV control unit and multifunction switch.</li> </ul> Perform CONSULT-III self-diagnosis. Refer to <a href="#">AV-560, "CONSULT-III Function (MULTI AV)"</a> .
	<ul style="list-style-type: none"> <li>All switches cannot be operated.</li> <li>"MULTI AV" is not displayed on system selection screen when the CONSULT-III is initialized.</li> </ul>	AV control unit power supply and ground circuit malfunction. Refer to <a href="#">AV-594, "AV CONTROL UNIT : Diagnosis Procedure"</a> .
	Only specified switch cannot be operated.	Multifunction switch or preset switch malfunction. Perform multifunction switch and preset switch self-diagnosis function. Refer to <a href="#">AV-545, "Diagnosis Description"</a> .
Rear control switch operation does not work.	There is malfunction in the on board-diagnosis result.	Perform on board-diagnosis. Refer to <a href="#">AV-545, "Diagnosis Description"</a> .
	Only specified switch cannot be operated.	Rear control switch malfunction. Replace rear control switch. Refer to <a href="#">AV-1080, "Removal and Installation"</a> .
Fuel economy display, vehicle setting operation is abnormal.	There is malfunction in the CONSULT-III self-diagnosis result.	Perform detected DTC self-diagnosis. Refer to <a href="#">AV-560, "CONSULT-III Function (MULTI AV)"</a> .
	There is no malfunction in the self-diagnosis results.	AV control unit Ignition signal circuit malfunction. Refer to <a href="#">AV-594, "AV CONTROL UNIT : Diagnosis Procedure"</a> .
Guide sound is not heard.	On the setting display select "system sound (guide sound volume, etc.)," and confirm that guide sound is ON.	AV control unit malfunction. Replace AV control unit. Refer to <a href="#">AV-1064, "Exploded View"</a> .

#### RELATED TO HANDS-FREE PHONE

- Check that the cellular phone is corresponding type (Bluetooth™ correspond) when the hands-free related malfunction vehicle is in service before performing a diagnosis.
- There is a case that malfunction occurs due to the version change of the phone type, etc. even though it is a corresponding type. Therefore, confirm it by changing the cellular phone to another corresponding type phone, and check that it operates normally. It is necessary to distinguish whether the cause is the vehicle or cellular phone.

Simple check for Bluetooth™ communication

If cellular phone and AV control unit cannot be connected with Bluetooth™ communication, following procedure allows the technician to judge which device has malfunction.

- Turn on a cellular phone, not connecting Bluetooth™ communication.
- Start CONSULT-III, then start Windows®.
- Set CONSULT-III near a cellular phone.

# MULTI AV SYSTEM SYMPTOMS

[WITH MOBILE ENTERTAINMENT SYSTEM]

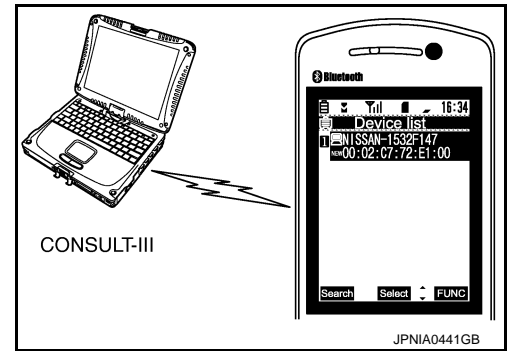
## < SYMPTOM DIAGNOSIS >

4. When operated Bluetooth™ registration by cellular phone, check if CONSULT-III\* would be displayed on the device name.  
(If other Bluetooth™ device is located near cellular phone, a name of the device would be displayed also.)

**NOTE:**

\*:Displayed device name is "NISSAN-\*\*\*\*\*".

- If no device name is displayed, cellular phone is malfunctioning. Repair the cellular phone first, then perform diagnosis.
- If CONSULT-III is displayed on device name, cellular phone is normal. Perform diagnosis as per the following table.



### Trouble diagnosis chart by symptom

Symptoms	Check items	Probable malfunction location
Does not recognize cellular phone connection. (no connection is displayed on the display at the guide.)	Repeat the registration of cellular phone.	AV control unit malfunction. Replace AV control unit. Refer to <a href="#">AV-1064, "Exploded View"</a> .
Hands-free phone cannot be established.	<ul style="list-style-type: none"> <li>• Hands-free phone operation can be made, but the communication cannot be established.</li> <li>• Hands-free phone operation can be performed, however, voice between each other cannot be heard during the conversation.</li> </ul>	AV control unit malfunction. Replace AV control unit. Refer to <a href="#">AV-1064, "Exploded View"</a> .
The other party's voice cannot be heard by hands-free phone.	Check the "microphone speaker" in Inspection & Adjustment Mode if sound is heard.	AV control unit malfunction. Replace AV control unit. Refer to <a href="#">AV-1064, "Exploded View"</a> .
	Check the "microphone speaker" in Inspection & Adjustment Mode if sound is not heard.	AV control unit malfunction. Replace AV control unit. Refer to <a href="#">AV-1064, "Exploded View"</a> .
Originating sound is not heard by the other party with hands-free phone communication.	Sound operation function is normal.	AV control unit malfunction. Replace AV control unit. Refer to <a href="#">AV-1064, "Exploded View"</a> .
	Sound operation function does not work.	Microphone signal circuit malfunction. Refer to <a href="#">AV-619, "Diagnosis Procedure"</a> .

## RELATED TO CAMERA

### Trouble diagnosis chart by symptom

Symptoms	Check items	Probable malfunction location
Camera image is not displayed (displayed in black and nothing can be displayed).	For front display unit, AUX and DVD image are not displayed.	<ul style="list-style-type: none"> <li>• Horizontal synchronizing (HP) signal circuit malfunction between AV control unit and front display unit. Refer to <a href="#">AV-606, "Diagnosis Procedure"</a>.</li> <li>• Vertical synchronizing (VP) signal circuit malfunction between AV control unit and front display unit. Refer to <a href="#">AV-607, "Diagnosis Procedure"</a>.</li> </ul>
Camera image is not shown. (Vehicle width and possible route line is displayed.)	—	<ul style="list-style-type: none"> <li>• Camera image signal circuit between camera control unit and rear view camera. Refer to <a href="#">AV-622, "Diagnosis Procedure"</a>.</li> <li>• Rear view camera ON signal circuit. Refer to <a href="#">AV-623, "Diagnosis Procedure"</a>.</li> </ul>

## MULTI AV SYSTEM SYMPTOMS

< SYMPTOM DIAGNOSIS >

[WITH MOBILE ENTERTAINMENT SYSTEM]

Symptoms	Check items	Probable malfunction location
Camera image is not displayed. (Only warning message under area is displayed.)	There is malfunction in the CONSULT-III self-diagnosis result.	Perform detected DTC self-diagnosis. Refer to <a href="#">AV-560, "CONSULT-III Function (MULTI AV)"</a> .
	For front display unit, AUX and DVD image are normal.	Camera image signal circuit malfunction between camera control unit and front display unit. Refer to <a href="#">AV-624, "Diagnosis Procedure"</a> .
	For front display unit, AUX and DVD image are not displayed.	RGB area (YS) signal circuit malfunction between AV control unit and front display unit. Refer to <a href="#">AV-605, "Diagnosis Procedure"</a> .
	Select "Camera Cont." of Confirmation/Adjustment mode, Reverse Sensor is not turned ON at "Connection Confirmation".	Reverse signal circuit malfunction (camera control unit).
Camera image is rolling.	For front display unit, AUX and DVD image are also rolling.	<ul style="list-style-type: none"> <li>• Horizontal synchronizing (HP) signal circuit malfunction between AV control unit and front display unit. Refer to <a href="#">AV-606, "Diagnosis Procedure"</a>.</li> <li>• Vertical synchronizing (VP) signal circuit malfunction between AV control unit and front display unit. Refer to <a href="#">AV-607, "Diagnosis Procedure"</a>.</li> </ul>
Camera image does not switch.	Malfunction of self-diagnosis result is indicated.	Camera-connection recognition signal circuit malfunction between AV control unit and camera control unit. Refer to <a href="#">AV-590, "Diagnosis Procedure"</a> .
	Malfunction of self-diagnosis result is not indicated.	Reverse signal circuit malfunction (AV control unit).
Possible route line is indicated abnormally when camera image is displayed.	There is malfunction in the CONSULT-III self-diagnosis result.	Perform detected DTC self-diagnosis. Refer to <a href="#">AV-560, "CONSULT-III Function (MULTI AV)"</a> .

### RELATED TO RGB IMAGE (FRONT DISPLAY UNIT)

Trouble diagnosis chart by symptom

Symptoms	Check items	Possible malfunction location / Action to take
RGB image is not shown.	<ul style="list-style-type: none"> <li>• All RGB images are not shown.</li> <li>• "MULTI AV" is displayed on system selection screen when the CONSULT-III is started.</li> </ul>	Perform CONSULT-III self-diagnosis. Refer to <a href="#">AV-560, "CONSULT-III Function (MULTI AV)"</a> .
	<ul style="list-style-type: none"> <li>• All RGB images are not shown.</li> <li>• "MULTI AV" is not displayed on system selection screen when the CONSULT-III is started.</li> </ul>	AV control unit power supply and ground circuit malfunction. Refer to <a href="#">AV-594, "AV CONTROL UNIT : Diagnosis Procedure"</a> .
Color of RGB image is not proper.	Light blue (Cyan) tint.	RGB signal (R: red) circuit malfunction between AV control unit and front display unit. Refer to <a href="#">AV-601, "Diagnosis Procedure"</a> .
	Purple (Magenta) tint.	RGB signal (G: green) circuit malfunction between AV control unit and front display unit. Refer to <a href="#">AV-602, "Diagnosis Procedure"</a> .
	Screen looks yellowish.	RGB signal (B: blue) circuit malfunction between AV control unit and front display unit. Refer to <a href="#">AV-603, "Diagnosis Procedure"</a> .
RGB screen is rolling.	Front display unit, AUX and DVD image are normal.	RGB synchronizing signal circuit malfunction between AV control unit and front display unit. Refer to <a href="#">AV-604, "Diagnosis Procedure"</a> .

### RELATED TO REAR DISPLAY

# MULTI AV SYSTEM SYMPTOMS

[WITH MOBILE ENTERTAINMENT SYSTEM]

< SYMPTOM DIAGNOSIS >

Trouble diagnosis chart by symptom

Symptoms	Check items	Possible malfunction location / Action to take	
The menu screen is not displayed.	For rear display unit, AUX and DVD image are normal.	<ul style="list-style-type: none"> <li>Vertical synchronizing (VP) signal circuit malfunction between video distributor and rear display unit. Refer to <a href="#">AV-614, "Diagnosis Procedure"</a>.</li> <li>Horizontal synchronizing (HP) signal circuit malfunction between video distributor and rear display unit. Refer to <a href="#">AV-615, "Diagnosis Procedure"</a>.</li> <li>RGB area (YS) signal circuit malfunction between video distributor and rear display unit. Refer to <a href="#">AV-616, "Diagnosis Procedure"</a>.</li> </ul>	A B C
Color of RGB image (menu display screen) is not proper.	Light blue (Cyan) tint.	RGB signal (R: red) circuit malfunction between video distributor and rear display unit. Refer to <a href="#">AV-610, "Diagnosis Procedure"</a> .	D
	Purple (Magenta) tint.	RGB signal (G: green) circuit malfunction between video distributor and rear display unit. Refer to <a href="#">AV-611, "Diagnosis Procedure"</a> .	E
	Screen looks yellowish.	RGB signal (B: blue) circuit malfunction between video distributor and rear display unit. Refer to <a href="#">AV-612, "Diagnosis Procedure"</a> .	F
AUX and DVD image are not displayed.	Also, front display unit is not displayed.	Perform CONSULT-III self-diagnosis. Refer to <a href="#">AV-560, "CONSULT-III Function (MULTI AV)"</a> .	G
	Front display unit is normal.	Composite image signal circuit malfunction between video distributor and rear display unit. Refer to <a href="#">AV-609, "Diagnosis Procedure"</a> .	H
AUX and DVD image are rolling.	Front display unit displayed, AUX and DVD image are not rolling.	Composite synchronizing signal circuit malfunction between video distributor and rear display unit. Refer to <a href="#">AV-613, "Diagnosis Procedure"</a> .	I
Rear display unit does not open.	For front display unit, AUX and DVD image are not displayed.	Video distributor power supply and ground circuits malfunction. Refer to <a href="#">AV-596, "VIDEO DISTRIBUTOR : Diagnosis Procedure"</a> .	J
	For front display unit, AUX image displayed.	Perform detected DTC self-diagnosis. Refer to <a href="#">AV-560, "CONSULT-III Function (MULTI AV)"</a> .	

## RELATED TO VOICE CONTROL

Trouble diagnosis chart by symptom

Symptoms	Check items	Probable malfunction location	
The voice cannot be controlled even if the voice control screen is displayed.	Voice sounds at "Voice Microphone Test" of Confirmation/Adjustment mode.	AV control unit malfunction. Replace AV control unit. Refer to <a href="#">AV-1064, "Exploded View"</a> .	L
	Voice does not sound at "Voice Microphone Test" of Confirmation/Adjustment mode.	Microphone circuit malfunction. Refer to <a href="#">AV-619, "Diagnosis Procedure"</a> .	M
The voice cannot be controlled (Voice control screen is not displayed).	Steering switch's "VOL DOWN", "VOL UP", "⤴" switch works, but "⤵" it does not work.	Steering switch malfunction. Replace steering switch. Refer to <a href="#">AV-1079, "Exploded View"</a> .	N
	Steering switch's "VOL DOWN", "VOL UP", "⤴", "⤵" switches do not work.	Steering switch signal B circuit malfunction. Refer to <a href="#">AV-625, "Diagnosis Procedure"</a> .	O
	All steering switches do not work.	Steering switch signal GND circuit malfunction. Refer to <a href="#">AV-629, "Diagnosis Procedure"</a> .	P

## RELATED TO AUDIO

## MULTI AV SYSTEM SYMPTOMS

**[WITH MOBILE ENTERTAINMENT SYSTEM]**

< SYMPTOM DIAGNOSIS >

Trouble diagnosis chart by symptom

Symptoms	Check items	Possible malfunction location / Action to take
The CD cannot be removed.	Check the mechanical operation of eject switch.	Perform CONSULT-III self-diagnosis. When detecting no malfunction in those components, replace AV control unit. Refer to <a href="#">AV-560, "CONSULT-III Function (MULTI AV)"</a> .
Audio sound is not heard.	No sound from all speakers.	Perform CONSULT-III self-diagnosis. Refer to <a href="#">AV-560, "CONSULT-III Function (MULTI AV)"</a> .
There is no sound from speaker on the right or left side.	—	Sound signal circuit malfunction between AV control unit and BOSE amp. at the side where there is no sound.
There is no sound from front door and tweeter on the right or left side.	—	Sound signal circuits malfunction between BOSE amp. and speaker on the side where there is no sound.
There is no sound from one of speakers.	—	Sound signal circuit malfunction between BOSE amp. and speaker on the side where there is no sound.
AudioPilot® does not work.	—	AudioPilot® Microphone circuits malfunction between BOSE amp. and AudioPilot® Microphone. <ul style="list-style-type: none"> <li>• BOSE 2ch system refer to <a href="#">AV-620, "BOSE AUDIO 2CH SYSTEM : Diagnosis Procedure"</a>.</li> <li>• BOSE surround audio 5.1ch system refer to <a href="#">AV-621, "BOSE SURROUND AUDIO 5.1CH SYSTEM : Diagnosis Procedure"</a>.</li> </ul>
Satellite radio is not received.	There is malfunction in the CONSULT-III self-diagnosis result.	Perform CONSULT-III self-diagnosis. Refer to <a href="#">AV-560, "CONSULT-III Function (MULTI AV)"</a> .
	There is no malfunction in the CONSULT-III self-diagnosis result.	Perform the following inspection procedure. <ol style="list-style-type: none"> <li>1. Check satellite radio antenna mounting nut for looseness. <b>NOTE:</b> Tightening torque: 6.5 N·m (0.66 kg·m, 58 in·lb)</li> <li>2. Visually check for satellite radio antenna feeder.</li> <li>3. Replace the satellite radio antenna. Refer to <a href="#">AV-1091, "Exploded View"</a>.</li> <li>4. Replace the AV control unit. Refer to <a href="#">AV-1064, "Exploded View"</a>.</li> </ol>
AM/FM radio is not received.	Other audio sounds are normal.	<ul style="list-style-type: none"> <li>• Antenna amp. ON signal circuit.</li> <li>• Antenna feeder.</li> </ul>

### RELATED TO iPod®

Connect another iPod® and check if the symptom is reproduced or not. If the symptom is reproduced, diagnose the vehicle. If no malfunction is detected, replace the iPod harness.

**NOTE:**

It is unable to check that between iPod® and iPod harness.

Trouble diagnosis chart by symptom

Symptoms	Check items	Possible malfunction location / Action to take
The sound of iPod® is not heard.	Other audio sounds are normal.	<ul style="list-style-type: none"> <li>• iPod sound signal circuit between AV control unit and iPod adapter.</li> <li>• iPod sound signal circuit between iPod® and iPod adapter.</li> </ul>
It does not change to iPod mode.	There is malfunction in the CONSULT-III self-diagnosis.	Perform CONSULT-III self-diagnosis. Refer to <a href="#">AV-560, "CONSULT-III Function (MULTI AV)"</a> .
"iPod is not connected" is displayed when it comes to iPod mode.	Connected to iPod®.	iPod connection recognition signal circuit between iPod® and iPod adapter.
iPod® cannot charge the battery.	—	iPod battery charge circuit between iPod® and iPod adapter.



# MULTI AV SYSTEM SYMPTOMS

< SYMPTOM DIAGNOSIS >

[WITH MOBILE ENTERTAINMENT SYSTEM]

Symptoms	Check items	Possible malfunction location / Action to take
The title of music file in the iPod® is not indicated.	—	Serial communication circuit between iPod® and iPod adapter.
Accessing the iPod® is unavailable from the vehicle.		

## RELATED TO STEERING SWITCH

Trouble diagnosis chart by symptom

Symptoms	Probable malfunction location
None of the steering switch operations work.	Steering switch signal GND circuit malfunction. Refer to <a href="#">AV-629, "Diagnosis Procedure"</a> .
Only specified switch (1) cannot be operated.	Steering switch malfunction. Refer to <a href="#">AV-1079, "Exploded View"</a> .
Steering switch's "SOURCE", "MENU UP", "MENU", "DOWN", "ENTER" switches do not work.	Steering switch signal A circuit malfunction. Refer to <a href="#">AV-625, "Diagnosis Procedure"</a> .
Steering switch's "↶", "VOL UP", "VOL DOWN", "↷" switches do not work.	Steering switch signal B circuit malfunction. Refer to <a href="#">AV-627, "Diagnosis Procedure"</a> .

## RELATED TO AUXILIARY INPUT

### NOTE:

Check that there is no malfunction of AUX equipment main body before performing a diagnosis.

Trouble diagnosis chart by symptom

Symptoms	Check items	Probable malfunction location
Front display unit and rear display unit, AUX image is not displayed.	Also, DVD image is not displayed.	Perform CONSULT-III self-diagnosis. Refer to <a href="#">AV-560, "CONSULT-III Function (MULTI AV)"</a> .
For front display unit, AUX image is not displayed (Menu display is normal).	DVD image is normal.	AUX image signal circuit malfunction between auxiliary input jacks and video distributor.
	Also, DVD image is not displayed (Menu display is normal).	Perform CONSULT-III self-diagnosis. Refer to <a href="#">AV-560, "CONSULT-III Function (MULTI AV)"</a> . When detecting no malfunction in those components, the following items are a possible cause. <ul style="list-style-type: none"> <li>• Composite image signal circuits malfunction between video distributor and front display unit. Refer to <a href="#">AV-608, "Diagnosis Procedure"</a>.</li> <li>• RGB area (YS) signal circuit malfunction between AV control unit and front display unit. Refer to <a href="#">AV-605, "Diagnosis Procedure"</a>.</li> </ul>
For front display unit, AUX image is not displayed (Menu display is not displayed, too).	Also, DVD image is not displayed (Also, menu display is not displayed).	<ul style="list-style-type: none"> <li>• Horizontal synchronizing (HP) signal circuit malfunction between AV control unit and front display unit. Refer to <a href="#">AV-606, "Diagnosis Procedure"</a>.</li> <li>• Vertical synchronizing (VP) signal circuit malfunction between AV control unit and front display unit. Refer to <a href="#">AV-607, "Diagnosis Procedure"</a>.</li> </ul>
For front display unit, AUX image is rolling.	DVD image is rolling.	<ul style="list-style-type: none"> <li>• Horizontal synchronizing (HP) signal circuit malfunction between AV control unit and front display unit. Refer to <a href="#">AV-606, "Diagnosis Procedure"</a>.</li> <li>• Vertical synchronizing (VP) signal circuit malfunction between AV control unit and front display unit. Refer to <a href="#">AV-607, "Diagnosis Procedure"</a>.</li> </ul>
For rear display unit, AUX image is not displayed (Menu display is normal).	Also, DVD image is not displayed (Menu display is normal).	Composite image signal circuits malfunction between video distributor and rear display unit. Refer to <a href="#">AV-609, "Diagnosis Procedure"</a> .

# MULTI AV SYSTEM SYMPTOMS

< SYMPTOM DIAGNOSIS >

[WITH MOBILE ENTERTAINMENT SYSTEM]

Symptoms	Check items	Probable malfunction location
At AUX of rear display, menu display is not displayed.	AUX image is normal.	<ul style="list-style-type: none"> <li>Vertical synchronizing (VP) signal circuit malfunction between video distributor and rear display unit. Refer to <a href="#">AV-614, "Diagnosis Procedure"</a>.</li> <li>Horizontal synchronizing (HP) signal circuit malfunction between video distributor and rear display unit. Refer to <a href="#">AV-615, "Diagnosis Procedure"</a>.</li> <li>RGB area (YS) signal circuit malfunction between video distributor and rear display unit. Refer to <a href="#">AV-616, "Diagnosis Procedure"</a>.</li> </ul>
For rear display unit, AUX and DVD image are rolling.	Front display unit displayed, AUX and DVD image are not rolling.	Composite synchronizing signal circuit malfunction between video distributor and rear display unit. Refer to <a href="#">AV-613, "Diagnosis Procedure"</a> .
There is no AUX sound.	—	Perform CONSULT-III self-diagnosis. Refer to <a href="#">AV-560, "CONSULT-III Function (MULTI AV)"</a> .
There is no AUX sound from speaker on the right or left side.	BOSE 2ch models. <ul style="list-style-type: none"> <li>DVD sound is not normal, neither.</li> </ul>	BOSE 2ch models. <ul style="list-style-type: none"> <li>DVD and AUX sound signal circuit malfunction between DVD player and AV control unit at the side where there is no sound.</li> </ul>
	The sound other than AUX sound is normal.	BOSE 2ch models. <ul style="list-style-type: none"> <li>AUX sound signal circuit malfunction between auxiliary input jacks and DVD player at the side where there is no sound.</li> </ul> BOSE surround audio 5.1ch models. <ul style="list-style-type: none"> <li>AUX sound signal circuit malfunction between auxiliary input jacks and DVD player at the side where there is no sound.</li> <li>AUX sound signal circuit malfunction between AV control unit and DVD player at the side where there is no sound.</li> </ul>
It does not change to AUX mode.	There is malfunction in the CONSULT-III self-diagnosis result.	Perform CONSULT-III self-diagnosis. Refer to <a href="#">AV-560, "CONSULT-III Function (MULTI AV)"</a> .

## RELATED TO DVD MODE

Trouble diagnosis chart by symptom

Symptoms	Check items	Probable malfunction location
Front display unit and rear display unit, DVD image is not displayed.	Also, AUX image is not displayed.	Perform CONSULT-III self-diagnosis. Refer to <a href="#">AV-560, "CONSULT-III Function (MULTI AV)"</a> .
For front display unit, DVD image is not displayed (Menu display is normal).	Also, AUX image is not displayed (Menu display is normal).	Perform CONSULT-III self-diagnosis. Refer to <a href="#">AV-560, "CONSULT-III Function (MULTI AV)"</a> . When detecting no malfunction in those components, the following items are a possible cause. <ul style="list-style-type: none"> <li>Composite image signal circuits malfunction between video distributor and front display unit. Refer to <a href="#">AV-608, "Diagnosis Procedure"</a>.</li> <li>RGB area (YS) signal circuit malfunction between AV control unit and front display unit. Refer to <a href="#">AV-605, "Diagnosis Procedure"</a>.</li> </ul>
For front display unit, DVD image is not displayed (Also, menu display is not displayed).	Also, AUX image is not displayed (Also, menu display is not displayed).	<ul style="list-style-type: none"> <li>Horizontal synchronizing (HP) signal circuit malfunction between AV control unit and front display unit. Refer to <a href="#">AV-606, "Diagnosis Procedure"</a>.</li> <li>Vertical synchronizing (VP) signal circuit malfunction between AV control unit and front display unit. Refer to <a href="#">AV-607, "Diagnosis Procedure"</a>.</li> </ul>
For front display, DVD image is rolling.	AUX image is rolling.	<ul style="list-style-type: none"> <li>Horizontal synchronizing (HP) signal circuit malfunction between AV control unit and front display unit. Refer to <a href="#">AV-606, "Diagnosis Procedure"</a>.</li> <li>Vertical synchronizing (VP) signal circuit malfunction between AV control unit and front display unit. Refer to <a href="#">AV-607, "Diagnosis Procedure"</a>.</li> </ul>

# MULTI AV SYSTEM SYMPTOMS

[WITH MOBILE ENTERTAINMENT SYSTEM]

< SYMPTOM DIAGNOSIS >

Symptoms	Check items	Probable malfunction location
For rear display, DVD image is not displayed (Menu display is normal).	Also, AUX image is not displayed (Menu display is normal).	Composite image signal circuits malfunction between video distributor and rear display unit. Refer to <a href="#">AV-609, "Diagnosis Procedure"</a> .
At DVD of rear display unit, menu display is not displayed.	DVD image is normal.	<ul style="list-style-type: none"> <li>Vertical synchronizing (VP) signal circuit malfunction between video distributor and rear display unit. Refer to <a href="#">AV-614, "Diagnosis Procedure"</a>.</li> <li>Horizontal synchronizing (HP) signal circuit malfunction between video distributor and rear display unit. Refer to <a href="#">AV-615, "Diagnosis Procedure"</a>.</li> <li>RGB area (YS) signal circuit malfunction between video distributor and rear display unit. Refer to <a href="#">AV-616, "Diagnosis Procedure"</a>.</li> </ul>
For rear display unit, DVD and AUX image are rolling.	Front display unit displayed, DVD and AUX image are not rolling.	Composite synchronizing signal circuit malfunction between video distributor and rear display unit. Refer to <a href="#">AV-613, "Diagnosis Procedure"</a> .
There is no DVD sound.	—	Perform CONSULT-III self-diagnosis. Refer to <a href="#">AV-560, "CONSULT-III Function (MULTI AV)"</a> .
There is no DVD sound from one of speakers.	BOSE surround audio 5.1ch models. <ul style="list-style-type: none"> <li>Other audio sounds are normal.</li> </ul>	BOSE 5.1ch models. <ul style="list-style-type: none"> <li>Sound signal circuit malfunction between BOSE amp. and DVD player on the side where there is no sound.</li> </ul>
There is no DVD sound from speaker on the right or left side.	BOSE 2ch models. <ul style="list-style-type: none"> <li>AUX sound is not normal, neither.</li> </ul>	BOSE 2ch models. <ul style="list-style-type: none"> <li>DVD and AUX sound signal circuit malfunction between DVD player and AV control unit at the side where there is no sound.</li> </ul>
It does not change to DVD mode.	There is malfunction in the CONSULT-III self-diagnosis result.	Perform CONSULT-III self-diagnosis. Refer to <a href="#">AV-560, "CONSULT-III Function (MULTI AV)"</a> .

## RELATED TO REMOTE CONTROL AND HEADPHONE

Trouble diagnosis chart by symptom

Symptoms	Check items	Probable malfunction location
Headphone does not work	Change headphones to another set.	They operate normally. <ul style="list-style-type: none"> <li>Battery of headphones.</li> <li>Headphones.</li> </ul>
		It does not operate normally. <ul style="list-style-type: none"> <li>Headphone sound signal circuit malfunction between DVD player and headphone amp.</li> <li>Headphone ON signal circuit malfunction between video distributor and headphone amp.</li> </ul>
Remote control does not work.	Change remote controller to another one.	They operate normally. <ul style="list-style-type: none"> <li>Battery of remote controller.</li> <li>Remote controller body.</li> </ul>
		It does not operate normally. <ul style="list-style-type: none"> <li>Remote control power supply (VCC signal) circuit between video distributor and remote control receiver.</li> <li>Remote control signal circuit between video distributor and remote control receiver.</li> </ul>

A  
B  
C  
D  
E  
F  
G  
H  
I  
J  
L  
M  
N  
O  
P

AV

# NORMAL OPERATING CONDITION

< SYMPTOM DIAGNOSIS >

[WITH MOBILE ENTERTAINMENT SYSTEM]

## NORMAL OPERATING CONDITION

### Description

INFOID:000000005350638

**NOTE:**

For Navigation system operation information, refer to Navigation system Owner's Manual.

### BASIC OPERATIONS


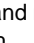
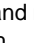
Symptom	Possible cause	Possible solution
No image is displayed.	The brightness is at the lowest setting.	Adjust the brightness of the display.
	The systems in the video mode.	Push <DISC-AUX> to change the mode.
	The display is turned off.	Push <Day/Night> to turn on the display.
No voice guidance is available. Or The volume is too high or too low.	The volume is not set correctly, or it is turned off.	Adjust the volume of voice guidance.
	Voice guidance is not provided for certain streets (roads displayed in gray).	This is not a malfunction.
No map is displayed on the screen.	A screen other than map screen is displayed.	Push <MAP>.
The screen is too dim. The movement is slow.	The temperature in the interior of the vehicle is low.	Wait until the interior of the vehicle has warmed up.
Some pixels in the display are darker or brighter than others.	This condition is an inherent characteristic of liquid crystal displays.	This is not a malfunction.
Some menu items cannot be selected.	Some menu items become unavailable while the vehicle is driven.	Park the vehicle in a safe location, and then operate the navigation system.

**NOTE:**

Locations stored in the Address Book and other memory functions may be lost if the vehicle's battery is disconnected or becomes discharged. If this occurs, service the vehicle's battery as necessary and re-enter the information in the Address Book.

### RELATED TO VOICE RECOGNITION

Related to basic operation

Symptom	Possible cause	Possible solution
The system does not recognize your command. or The system recognizes your command incorrectly	The interior of the vehicle is too noisy.	Close the windows or have other occupants quiet.
	The volume of your voice is too low.	Speak louder.
	The volume of your voice is too loud.	Speak softer.
	Your pronunciation is unclear.	Speak clearly.
	You are speaking before the voice recognition is ready	Push and release "  " switch on the steering switch, and speak a command after the tone sounds.
	8 seconds or more have passed after you pushed and released "  " switch on the steering switch.	Make sure to speak a command within 8 seconds after you push and release "  " switch on the steering switch.
	Only a limited range of voice commands is usable for each screen.	Use a correct voice command appropriate for the current screen.
	The fan of the air conditioner is too loud.	If the air conditioner is set to "Auto", the fan speed is automatically lowered and voice commands can be recognized more easily. Lower the fan speed as necessary or set the air conditioner to "Auto".

Related to item choice

The system should respond correctly to all voice commands without difficulty. If problems are encountered, follow the solutions given in this guide for the appropriate error.

## NORMAL OPERATING CONDITION

< SYMPTOM DIAGNOSIS >

[WITH MOBILE ENTERTAINMENT SYSTEM]

Where the solutions are listed by number, try each solution in turn, starting with number one, until the problem is resolved.

Symptom/ error message	Solution
Displays "COMMAND NOT RECOGNIZED" or the system fails to interpret the command correctly.	1. Ensure that the command format is valid.
	2. Speak clearly without pausing between words and at a level appropriate to the ambient noise level.
	3. Ensure that the ambient noise level is not excessive, for example, windows open or defrost on. <b>NOTE:</b> If it is too noisy to use the phone, it is likely that voice commands will not be recognized.
	4. If optional words of the command have been omitted, then command should be tried with these in place.
The system consistently selects the wrong voicetag	1. Ensure that the voicetag requested matches what was originally stored. This can be confirmed by giving the "Addressbook" Directory or Phone Directory command.
	2. Replace one of the voicetags being confused with a different voicetag.

Related to telephone

The system should respond correctly to all voice commands without difficulty. If problems are encountered, try the following solutions.

Where the solutions are listed by number, try each solution in turn, starting with number 1, until the problem is resolved.

Symptom	Solution
System fails to interpret the command correctly.	1. Ensure that the command is valid.
	2. Ensure that the command is spoken after the tone.
	3. Speak clearly without pausing between words and at level appropriate to the ambient noise level in the vehicle.
	4. Ensure that the ambient noise level is not excessive (for example, windows open or defroster on). <b>NOTE:</b> If it is too noisy to use the phone, it is likely that the voice commands will not be recognized.
	5. If more than one command was said at a time, try saying the commands separately.
	6. If the system consistently fails to recognize commands, the voice training procedure should be carried out to improve the recognition response for the speaker. See "Speaker adaptation (SA) mode" earlier in this section. Refer to "OWNER'S MANUAL".
The system consistently selects the wrong voicetag	1. Ensure that the phone book entry name requested matches what was originally stored. This can be confirmed by using the "List Names" command.
	2. Replace one of the names being confused with a new name.

### RELATED TO AUDIO

- The majority of the audio malfunctions are the result of outside causes (bad CD/cassette, electromagnetic interference, etc.). Check the symptoms below to diagnose the malfunction.
- The vehicle itself can be a source of noise if noise prevention parts or electrical equipment is malfunctioning. Check if noise is caused and/or changed by engine speed, ignition switch turned to each position, and operation of each piece of electrical equipment, and then determine the cause.

**NOTE:**

- CD-R is not guaranteed to play because they can contain compressed audio (MP3, WMA) or could be incorrectly mastered by the customer on a computer.
- Check if the CDs carry the Compact Disc Logo. If not, the disc is not mastered to the "red book" Compact Disc Standard and may not play.

## NORMAL OPERATING CONDITION

< SYMPTOM DIAGNOSIS >

[WITH MOBILE ENTERTAINMENT SYSTEM]

Symptom	Cause and Counter measure
Cannot play	Check if the CD/CF was inserted correctly.
	Check if the CD/CF is scratched or dirty.
	Check if there is condensation inside the player, and if there is, wait until the condensation is gone (about 1 hour) before using the player.
	If there is a temperature increase error, the player will play correctly after it returns to the normal temperature.
	If there is a mixture of music CD files (CD-DA data) and MP3/WMA files on a CD, only the music CD files (CD-DA data) will be played.
	Files with extensions other than ".MP3", ".WMA", ".mp3", or ".wma" cannot be played. In addition, the character codes and number of characters for folder names and file names should be in compliance with the specifications.
	Check if the disc or the file is generated in an irregular format, This may occur depending on the variation or the setting of MP3/WMA writing applications or other text editing applications.
Poor sound quality	Check if the CD/CF is scratched or dirty.
	If there are many folder or file levels on the MP3/WMA CD/CF, or if it is a multisession disc, some time may be required before the music starts playing.
	The writing software and hardware combination might not match, or the writing speed, writing depth, writing width might not match the specifications. Try using the slowest writing speed.
	Skipping may occur with large quantities if data such as for high bit rate data.
It takes a relatively long time before the music starts playing.	When a non-MP3/WMA file has been given an extension of ".MP3", ".WMA", ".mp3", or ".wma", or when play is prohibited by copyright protection, the player will skip to the next song.
Music cuts off or skips	The playback order is the order in which the files were written by the software, so the files might not play in the desired order.
Skipping with high bit rate files	
Move immediately to the next song when playing	
The songs do not play back in the desired order.	

Noise resulting from variations in field strength, such as fading noise and multi-path noise, or external noise from trains and other sources, is not a malfunction.

### NOTE:

- Fading noise: This noise occurs because of variations in the field strength in a narrow range due to mountains or buildings blocking the signal.
- Multi-path noise: This noise results from a time difference between the broadcast waves directly from the station arriving at the antenna and the waves reflected by mountains or buildings.

### RELATED TO VEHICLE ICON

Symptom	Possible cause	Possible solution
Names of roads differ between Plan View and Birdview®.	This is because the quantity of the displayed information is reduced so that the screen does not become too crowded. There is also a chance that names of the roads may be displayed multiple times, and the names appearing on the screen may be different because of a processing procedure.	This is not a malfunction.
The vehicle icon is not displayed in the correct position.	The vehicle was transported after the ignition switch was pushed off, for example, by a ferry or car transporter.	Drive the vehicle for a while on a road where GPS signals can be received.
	The position and direction of the vehicle icon may be incorrect depending on the driving environments and the levels of positioning accuracy of the navigation system.	This is not a malfunction. Drive the vehicle for a while to automatically correct the position and direction of the vehicle icon.
When the vehicle is traveling on a new road, the vehicle icon is located on another road nearby.	Because the new road is not stored in the map data, the system automatically places the vehicle icon on the nearest road available.	Updated road information will be included in the next version of the map data.

## NORMAL OPERATING CONDITION

< SYMPTOM DIAGNOSIS >

[WITH MOBILE ENTERTAINMENT SYSTEM]

Symptom	Possible cause	Possible solution
The screen does not switch to the night screen even after turning on the headlights.	The daytime screen was set the last time the headlights were turned on.	Set the screen to the night screen mode using <Day/Night> when you turn on the headlights.
The map does not scroll even when the vehicle is moving.	The current location map screen is not displayed.	Push <MAP>.
The vehicle icon is not displayed.	The current location map screen is not displayed.	Push <MAP>.
The location of the vehicle icon is misaligned from the actual position.	When using tire chains or replacing the tires, speed calculations based on the speed sensor may be incorrect.	Drive the vehicle for a while (at approximately 19 MPH for about 30 minutes) to automatically correct the vehicle icon position. If this does not correct the vehicle icon position, contact an INFINITI dealer.
	The map data has a mistake or is incomplete (the vehicle icon position is always misaligned in the same area).	Updated road information will be included in the next version of the map data.

### RELATED TO ROUTE CALCULATION AND VISUAL GUIDANCE

Symptom	Possible cause	Possible solution
Waypoints are not included in the auto reroute calculation.	Waypoints that you have already passed are not included in the auto reroute calculation.	If you want to go to that waypoint again, you need to edit the route.
Route information is not displayed.	Route calculation has not yet been performed.	Set the destination and perform route calculation.
	You are not driving on the suggested route.	Drive on the suggested route.
	Route guidance is set to off.	Turn on route guidance.
	Route information is not provided for certain types of roads (roads displayed in gray).	This is not a malfunction.
The auto reroute calculation (or detour calculation) suggests the same route as the one previously suggested.	Route calculations took priority conditions into consideration, but the same route was calculated.	This is not a malfunction.
A waypoint cannot be added.	Five waypoints are already set on the route, including ones that you have already passed.	A maximum of 5 waypoints can be set on the route. If you want to go to 6 or more waypoints, perform route calculations multiple times as necessary.
The suggested route is not displayed.	Roads near the destination cannot be calculated.	Reset the destination to a main or ordinary road, and recalculate the route.
	The starting point and destination are too close.	Set a more distant destination.
	The starting point and destination are too far away.	Divide your trip by selecting one or two intermediate destinations, and perform route calculations multiple times.
	There are time restricted roads (by the day of the week, by time) near the current vehicle location or destination.	Set [Use Time Restricted Roads] to off.
The part of the route that you have already passed is deleted.	A route is managed by sections between waypoints. If you passed the first waypoint, the section between the starting point and the waypoint is deleted. (It may not be deleted depending on the area.)	This is not a malfunction.
An indirect route is suggested.	If there are restrictions (such as one-way streets) on roads close to the starting point or destination, the system may suggest an indirect route.	Adjust the location of the starting of the starting point or destination.
	The system may suggest an indirect route because route calculation does not take into consideration some areas such as narrow streets (gray roads.)	Reset the destination to a main or ordinary road, and recalculate the route.

## NORMAL OPERATING CONDITION

< SYMPTOM DIAGNOSIS >

[WITH MOBILE ENTERTAINMENT SYSTEM]

Symptom	Possible cause	Possible solution
The landmark information does not correspond to the actual information.	This may be caused by insufficient or incorrect map data.	Updated information will be included in the next version of the data.
The suggested route does not exactly connect to the starting point, waypoints, or destination.	There is no data for route calculation closes to these locations.	Set the starting point, waypoints and destination on a main road, and perform route calculation.

### RELATED TO VOICE GUIDANCE

Symptom	Possible cause	Possible solution
Voice guidance is not available	Voice guidance is only available at certain intersections marked with? In some case, voice guidance is not available even when the vehicle should make a turn.	This is not a malfunction.
	The vehicle has deviated from the suggested route.	Go back to the suggested route or request route calculation again
	Voice guide is set to off.	Turn on voice guidance.
	Route guidance is set to off.	Turn on voice guidance.
The guidance contact does not correspond to the actual condition.	The contact of voice guidance may vary, depending on the types of intersections at which turn are made.	Follow all traffic rules and regulations.

### RELATED TO TRAFFIC INFORMATION

Symptom	Possible cause	Possible solution
The traffic information is not displayed	The traffic information is not set to on.	Set the traffic information to on.
	You are in an area where traffic information is not available	Scroll to an area where traffic information is available
	You have not subscribed to XM NavTraffic or, your subscription to XM NavTraffic has expired.	Check your subscription status of XM NavTraffic.
	The map scale is set at a level where the display of icons is impossible.	Check that the map scale is set at a level in which the display of icons is possible.
With the automatic detour route search ON, no detour route is set to avoid congested areas.	There is no faster route compared to the current route, based on the road network and traffic information.	The automatic detour search is not intended for avoiding traffic jams. It searches for the fastest route taking into consideration such things as traffic jams.
The route does not avoid road section with traffic information stating it is closed due to road construction.	The navigation system is designed not to avoid this event because the actual period of closure may differ from the declared roadwork period.	Observe the actual road condition and follow the instructions on road for detour when necessary. If the road closure is for certain, use detour function and set the detour distance to avoid the closed road section.
Traffic information displayed differs from information from other media (e.g. radio).	Other media may use different information sources.	Observe the actual road conditions and regulations. Always observe safe driving practices and follow all traffic regulations.



# PRECAUTIONS

[WITH MOBILE ENTERTAINMENT SYSTEM]

< PRECAUTION >

## PRECAUTION

### PRECAUTIONS

#### Precaution for Supplemental Restraint System (SRS) "AIR BAG" and "SEAT BELT PRE-TENSIONER"

INFOID:000000005350639

The Supplemental Restraint System such as "AIR BAG" and "SEAT BELT PRE-TENSIONER", used along with a front seat belt, helps to reduce the risk or severity of injury to the driver and front passenger for certain types of collision. This system includes seat belt switch inputs and dual stage front air bag modules. The SRS system uses the seat belt switches to determine the front air bag deployment, and may only deploy one front air bag, depending on the severity of a collision and whether the front occupants are belted or unbelted. Information necessary to service the system safely is included in the "SUPPLEMENTAL RESTRAINT SYSTEM" and "SEAT BELTS" of this Service Manual.

#### **WARNING:**

- To avoid rendering the SRS inoperative, which could increase the risk of personal injury or death in the event of a collision which would result in air bag inflation, all maintenance must be performed by an authorized NISSAN/INFINITI dealer.
- Improper maintenance, including incorrect removal and installation of the SRS, can lead to personal injury caused by unintentional activation of the system. For removal of Spiral Cable and Air Bag Module, see the "SUPPLEMENTAL RESTRAINT SYSTEM".
- Do not use electrical test equipment on any circuit related to the SRS unless instructed to in this Service Manual. SRS wiring harnesses can be identified by yellow and/or orange harnesses or harness connectors.

#### PRECAUTIONS WHEN USING POWER TOOLS (AIR OR ELECTRIC) AND HAMMERS

#### **WARNING:**

- When working near the Air Bag Diagnosis Sensor Unit or other Air Bag System sensors with the ignition ON or engine running, DO NOT use air or electric power tools or strike near the sensor(s) with a hammer. Heavy vibration could activate the sensor(s) and deploy the air bag(s), possibly causing serious injury.
- When using air or electric power tools or hammers, always switch the ignition OFF, disconnect the battery, and wait at least 3 minutes before performing any service.

#### Precaution for SRS "AIR BAG" and "SEAT BELT PRE-TENSIONER" Service

INFOID:000000005350640

- Do not use electrical test equipment to check SRS circuits unless instructed to in this Service Manual.
- Before servicing the SRS, turn ignition switch OFF, disconnect both battery cables and wait at least 3 minutes.  
For approximately 3 minutes after the cables are removed, it is still possible for the air bag and seat belt pretensioner to deploy. Therefore, do not work on any SRS connectors or wires until at least 3 minutes have passed.
- Diagnosis sensor unit must always be installed with their arrow marks "←" pointing towards the front of the vehicle for proper operation. Also check diagnosis sensor unit for cracks, deformities or rust before installation and replace as required.
- The spiral cable must be aligned with the neutral position since its rotations are limited. Do not turn steering wheel and column after removal of steering gear.
- Handle air bag module carefully. Always place driver and front passenger air bag modules with the pad side facing upward and seat mounted front side air bag module standing with the stud bolt side facing down.
- Conduct self-diagnosis to check entire SRS for proper function after replacing any components.
- After air bag inflates, the front instrument panel assembly should be replaced if damaged.
- Always replace instrument panel pad following front passenger air bag deployment.

#### Precaution for Trouble Diagnosis

INFOID:000000005350641

#### AV COMMUNICATION SYSTEM

- Do not apply voltage of 7.0 V or higher to the measurement terminals.
- Use the tester with its open terminal voltage being 7.0 V or less.
- Be sure to turn ignition switch OFF and disconnect the battery cable from the negative terminal before checking the circuit.

A  
B  
C  
D  
E  
F  
G  
H  
I  
J  
AV  
L  
M  
N  
O  
P

# PRECAUTIONS

[WITH MOBILE ENTERTAINMENT SYSTEM]

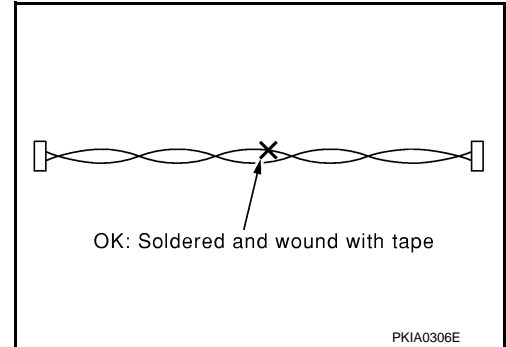
< PRECAUTION >

## Precaution for Harness Repair

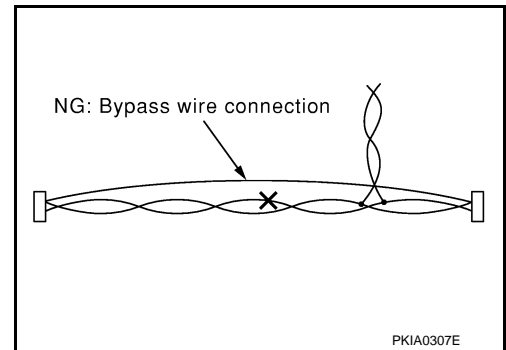
INFOID:000000005350642

### AV COMMUNICATION SYSTEM

- Solder the repaired parts, and wrap with tape. [Frays of twisted line must be within 110 mm (4.33 in).]



- Do not perform bypass wire connections for the repair parts. (The spliced wire will become separated and the characteristics of twisted line will be lost.)



# PREPARATION

[WITH MOBILE ENTERTAINMENT SYSTEM]

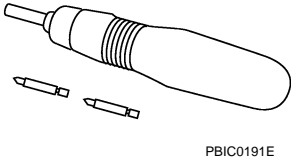
< PREPARATION >

## PREPARATION

### PREPARATION

#### Commercial Service Tools

INFOID:000000005350643

Tool name	Description
<p>Power tool</p>  <p>PBIC0191E</p>	<p>Loosening screws</p>

A  
B  
C  
D  
E  
F  
G  
H  
I  
J  
AV  
L  
M  
N  
O  
P

AV

# AV CONTROL UNIT

[WITH MOBILE ENTERTAINMENT SYSTEM]

< ON-VEHICLE REPAIR >

## ON-VEHICLE REPAIR

### AV CONTROL UNIT

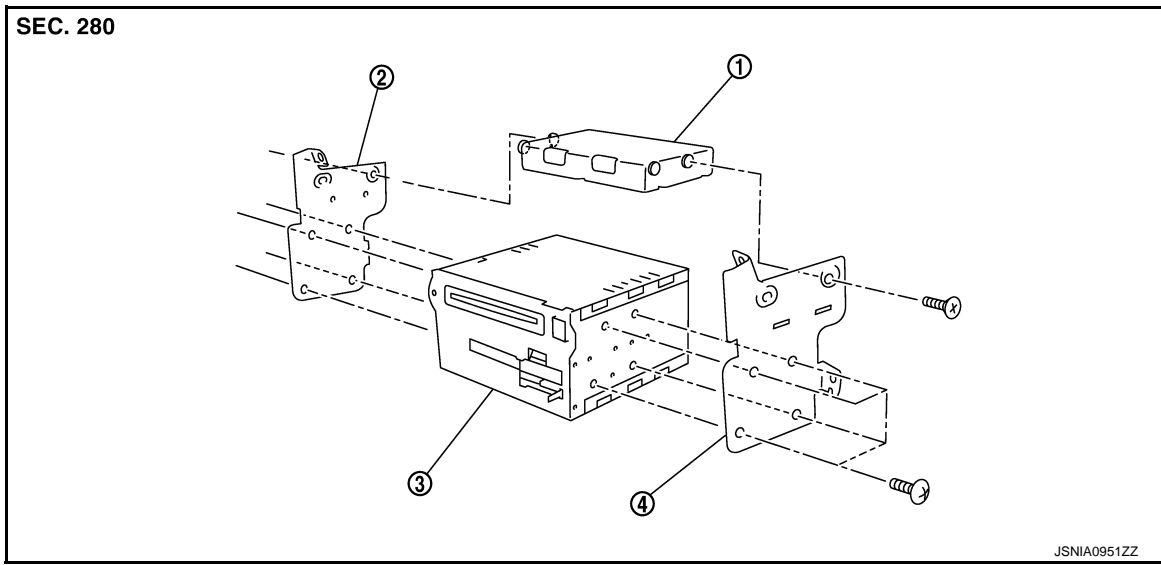
#### Exploded View

INFOID:000000005350644

#### REMOVAL

Refer to [IP-11. "INSTRUMENT PANEL : Component Parts Location"](#).

#### DISASSEMBLY



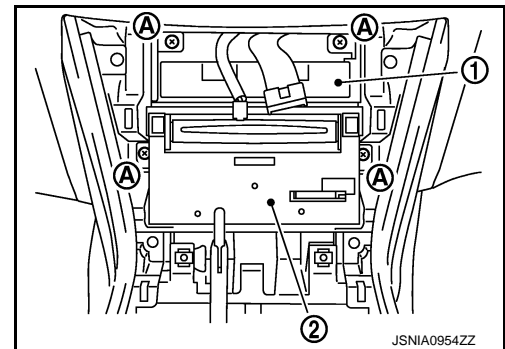
1. Unified meter and A/C amp.
2. Bracket LH
3. AV control unit
4. Bracket RH

#### Removal and Installation

INFOID:000000005350645

#### REMOVAL

1. Remove cluster lid C. Refer to [IP-18. "CLUSTER LID C : Removal and Installation"](#).
2. Remove screws (A) and remove AV control unit (2) in conjunction with unified meter and A/C amp. (1).
3. Remove bracket screws, and then remove AV control unit.



#### INSTALLATION

Install in the reverse order of removal.

#### CAUTION:

Unified meter and A/C amp. screws are different from other securing screws. Never confuse them when installing.

# FRONT DISPLAY UNIT

[WITH MOBILE ENTERTAINMENT SYSTEM]

< ON-VEHICLE REPAIR >

## FRONT DISPLAY UNIT

### Exploded View

INFOID:000000005350646

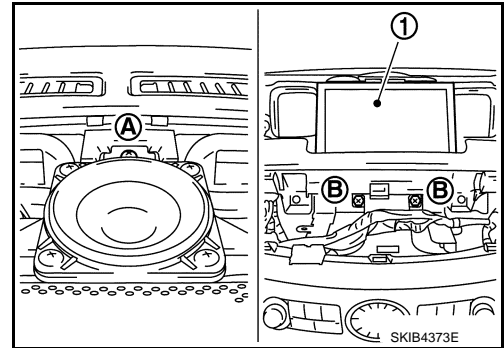
Refer to [IP-11, "INSTRUMENT PANEL : Component Parts Location"](#).

### Removal and Installation

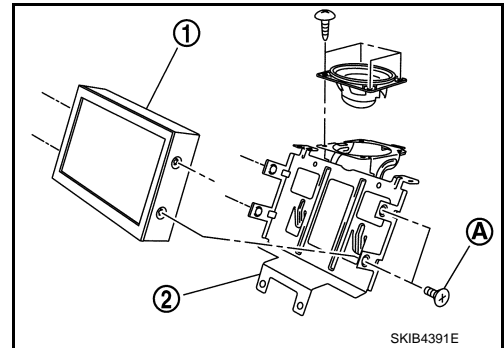
INFOID:000000005350647

#### REMOVAL

1. Remove center ventilator grille. Refer to [IP-11, "INSTRUMENT PANEL : Component Parts Location"](#).
2. Remove multifunction switch. Refer to [AV-1077, "Removal and Installation"](#).
3. Remove screw (A).
4. Remove screws (B) and disconnect connector, and remove display (1) center speaker comes off accordingly.



5. Remove screws (A) separate front display unit (1) from bracket (2).



#### INSTALLATION

Install in the reverse order of removal.

A  
B  
C  
D  
E  
F  
G  
H  
I  
J  
AV  
L  
M  
N  
O  
P

# REAR DISPLAY UNIT

[WITH MOBILE ENTERTAINMENT SYSTEM]

< ON-VEHICLE REPAIR >

## REAR DISPLAY UNIT

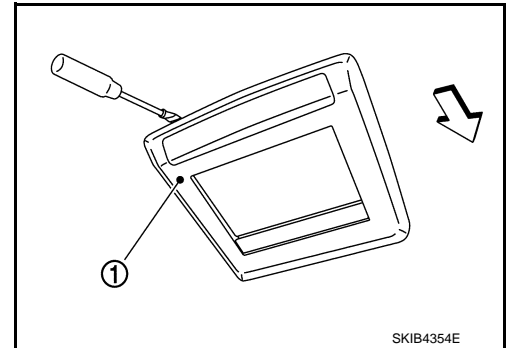
### Removal and Installation

INFOID:000000005350648

#### REMOVAL

1. Insert cloth-covered driver into gaps between rear display cover (1) and headlining, and remove rear display cover.

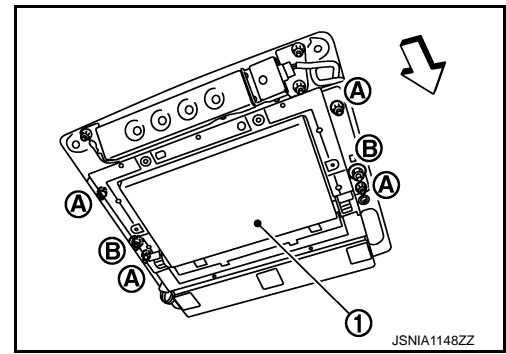
←: Vehicle front



2. Remove nuts (A) and plastic nuts (B).

←: Vehicle front

3. Disconnect connector, and remove rear display unit (1).



#### INSTALLATION

Install in the reverse order of removal.

# VIDEO DISTRIBUTOR

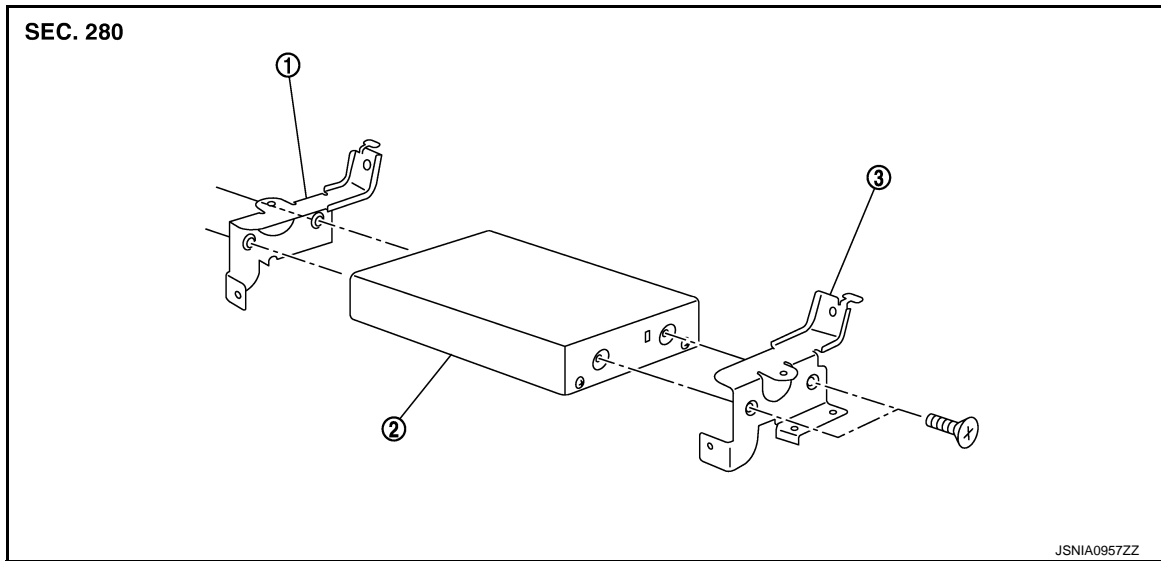
[WITH MOBILE ENTERTAINMENT SYSTEM]

< ON-VEHICLE REPAIR >

## VIDEO DISTRIBUTOR

### Exploded View

INFOID:000000005350649



1. Bracket LH

2. Video distributor

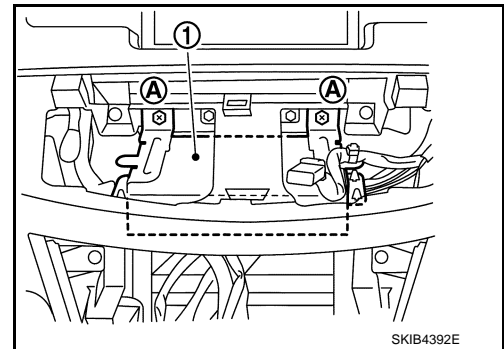
3. Bracket RH

### Removal and Installation

INFOID:000000005350650

#### REMOVAL

1. Remove multifunction switch. Refer to [AV-1077, "Removal and Installation"](#).
2. Remove AV control unit. Refer to [AV-1064, "Removal and Installation"](#).
3. Remove screws (A).
4. Disconnect connector and remove video distributor (1)



#### INSTALLATION

Install in the reverse order of removal.

A  
B  
C  
D  
E  
F  
G  
H  
I  
J  
AV  
L  
M  
N  
O  
P

# FRONT DOOR SPEAKER

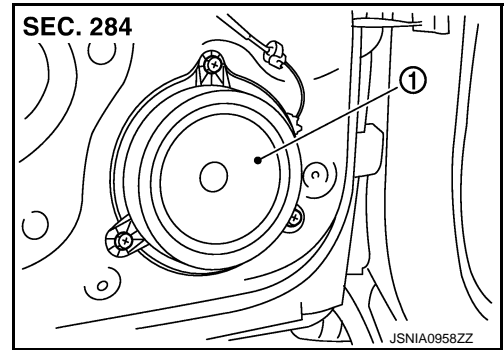
[WITH MOBILE ENTERTAINMENT SYSTEM]

< ON-VEHICLE REPAIR >

## FRONT DOOR SPEAKER

Exploded View

INFOID:000000005350651



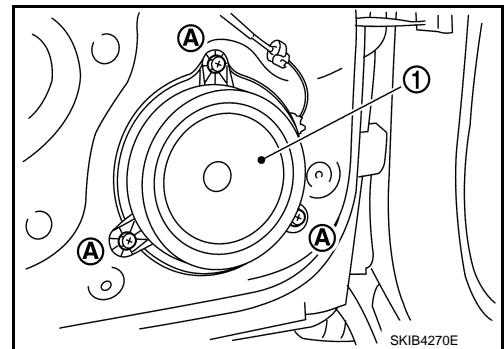
1. Front door speaker

## Removal and Installation

INFOID:000000005350652

### REMOVAL

1. Remove front door finisher. Refer to [EI-45. "Removal and Installation"](#).
2. Remove screws (A) and remove front door speaker (1).



### INSTALLATION

Install in the reverse order of removal.



# REAR DOOR SPEAKER

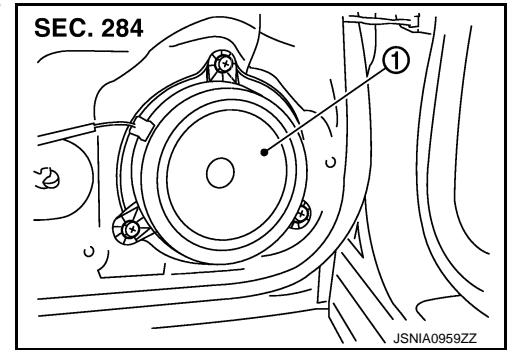
[WITH MOBILE ENTERTAINMENT SYSTEM]

< ON-VEHICLE REPAIR >

## REAR DOOR SPEAKER

Exploded View

INFOID:000000005350653



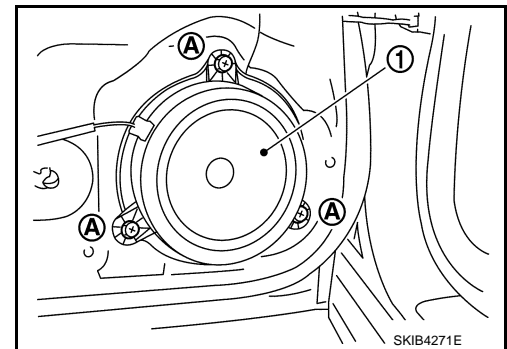
1. Rear door speaker

## Removal and Installation

INFOID:000000005350654

### REMOVAL

1. Remove rear door finisher. Refer to [EI-45. "Removal and Installation"](#).
2. Remove screws (A) and remove rear door speaker (1).



### INSTALLATION

Install in the reverse order of removal.

A  
B  
C  
D  
E  
F  
G  
H  
I  
J  
AV  
L  
M  
N  
O  
P

# CENTER SPEAKER

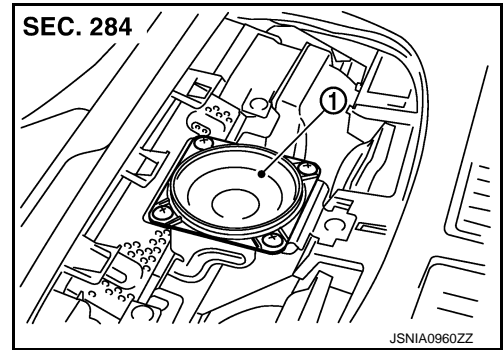
[WITH MOBILE ENTERTAINMENT SYSTEM]

< ON-VEHICLE REPAIR >

## CENTER SPEAKER

Exploded View

INFOID:000000005350655



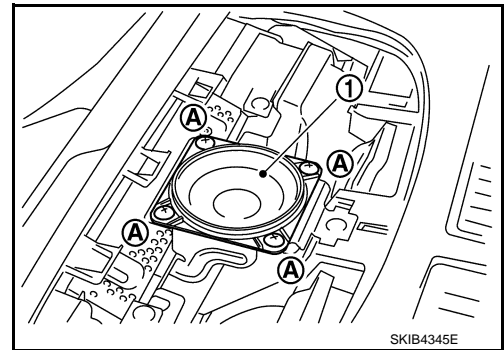
1. Center speaker

## Removal and Installation

INFOID:000000005350656

### REMOVAL

1. Remove upper ventilator grill. Refer to [IP-11. "INSTRUMENT PANEL : Component Parts Location"](#).
2. Remove screws (A) and disconnect connector.
3. Remove center speaker (1).



### INSTALLATION

Install in the reverse order of removal.

# TWEETER

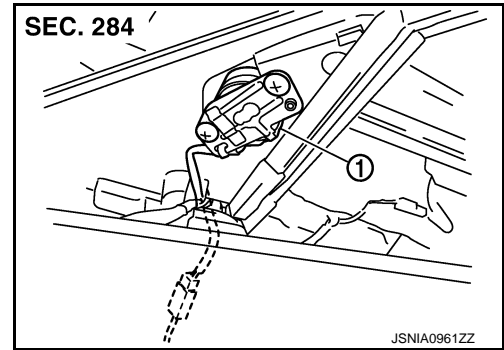
[WITH MOBILE ENTERTAINMENT SYSTEM]

< ON-VEHICLE REPAIR >

## TWEETER

### Exploded View

INFOID:000000005350657



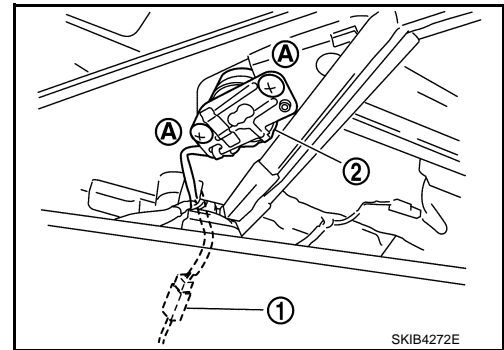
1. Tweeter

### Removal and Installation

INFOID:000000005350658

#### REMOVAL

1. Remove front door finisher. Refer to [EI-45. "Removal and Installation"](#).
2. Remove door sash inner cover (front). Refer to [EI-45. "Component Parts Location"](#).
3. Remove screws (A), and disconnect connector (1).
4. Remove tweeter (2).



#### INSTALLATION

Install in the reverse order of removal.

A  
B  
C  
D  
E  
F  
G  
H  
I  
J  
AV  
L  
M  
N  
O  
P

# SEAT SPEAKER

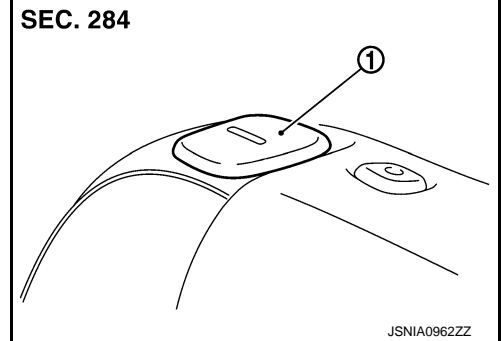
[WITH MOBILE ENTERTAINMENT SYSTEM]

< ON-VEHICLE REPAIR >

## SEAT SPEAKER

### Exploded View

INFOID:000000005350659



1. Seat speaker

### Removal and Installation

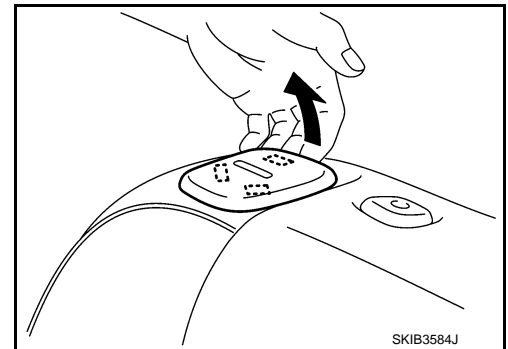
INFOID:000000005350660

#### REMOVAL

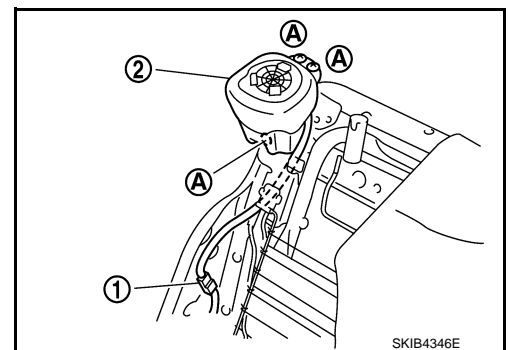
1. Remove seat speaker grill as shown in the figure.

**CAUTION:**

Never reuse seat speaker grill. The pawl is broken when removing.



2. Remove front seat back trim and pad. Refer to [SE-146. "Removal and Installation"](#).
3. Remove screws (A) and disconnect connector (1).
4. Remove seat speaker (2).



#### INSTALLATION

Install in the reverse order of removal.

# WOOFER

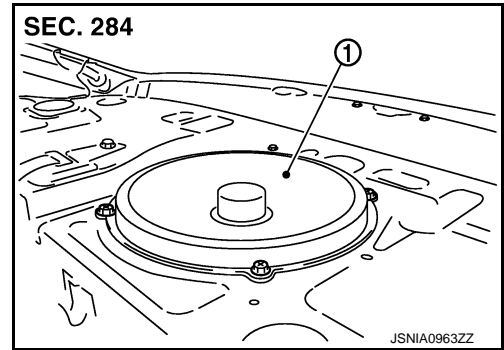
[WITH MOBILE ENTERTAINMENT SYSTEM]

< ON-VEHICLE REPAIR >

## WOOFER

Exploded View

INFOID:000000005350661



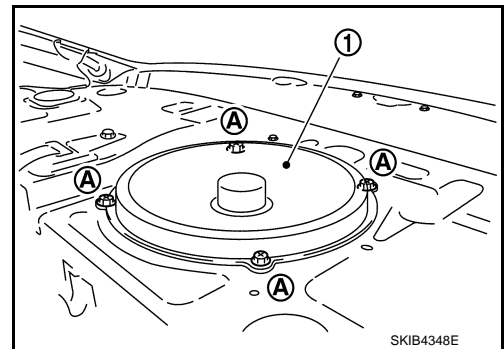
1. Woofer

## Removal and Installation

INFOID:000000005350662

### REMOVAL

1. Remove rear parcel shelf finisher. Refer to [EI-52. "Removal and Installation"](#).
2. Remove screws (A) and disconnect connector.
3. Remove rear woofer (1) from rear parcel shelf.



### INSTALLATION

Install in the reverse order of removal.

A  
B  
C  
D  
E  
F  
G  
H  
I  
J  
AV  
L  
M  
N  
O  
P

## REAR SURROUND SPEAKER

< ON-VEHICLE REPAIR >

[WITH MOBILE ENTERTAINMENT SYSTEM]

---

### REAR SURROUND SPEAKER

#### Removal and Installation

INFOID:000000005350663

#### REMOVAL

1. Remove rear parcel shelf finisher. Refer to [EI-52, "Removal and Installation"](#).
2. Remove rear surround speaker from rear parcel shelf.

#### INSTALLATION

Install in the reverse order of removal.

# BOSE AMP.

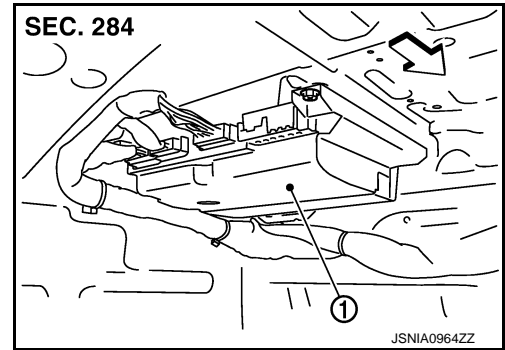
[WITH MOBILE ENTERTAINMENT SYSTEM]

< ON-VEHICLE REPAIR >

## BOSE AMP.

### Exploded View

INFOID:000000005350664



← Vehicle front

1. BOSE amp.

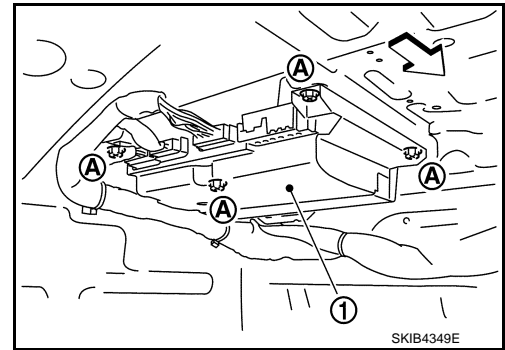
### Removal and Installation

INFOID:000000005350665

#### REMOVAL

1. Remove trunk front finisher. Refer to [EI-65. "Component Parts Location"](#).
2. Remove screws (A), and disconnect connector.
3. Remove BOSE amp. (1).

← Vehicle front



#### INSTALLATION

Install in the reverse order of removal.

A  
B  
C  
D  
E  
F  
G  
H  
I  
J  
AV  
L  
M  
N  
O  
P

# ANTENNA AMP.

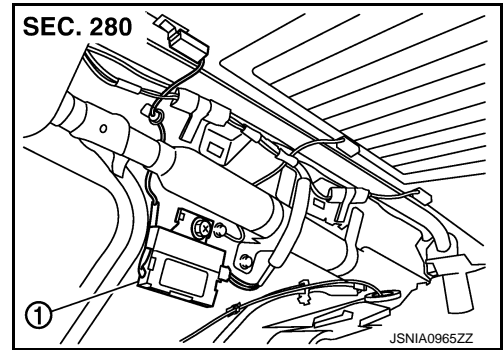
[WITH MOBILE ENTERTAINMENT SYSTEM]

< ON-VEHICLE REPAIR >

## ANTENNA AMP.

Exploded View

INFOID:000000005350666



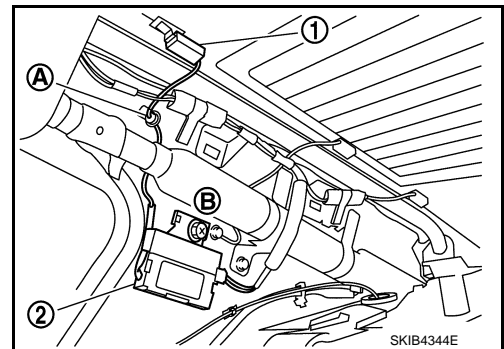
1. Antenna amp.

## Removal and Installation

INFOID:000000005350667

### REMOVAL

1. Remove back pillar garnish RH. Refer to [EI-48. "Component Parts Location"](#).
2. Disengaged the clip (A) to separate glass terminal (1).
3. Remove screw (B) and remove antenna amp. (2) from vehicle.



### INSTALLATION

Install in the reverse order of removal.



# MULTIFUNCTION SWITCH

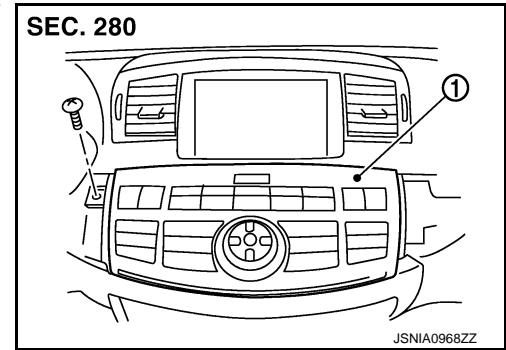
[WITH MOBILE ENTERTAINMENT SYSTEM]

< ON-VEHICLE REPAIR >

## MULTIFUNCTION SWITCH

### Exploded View

INFOID:000000005350668



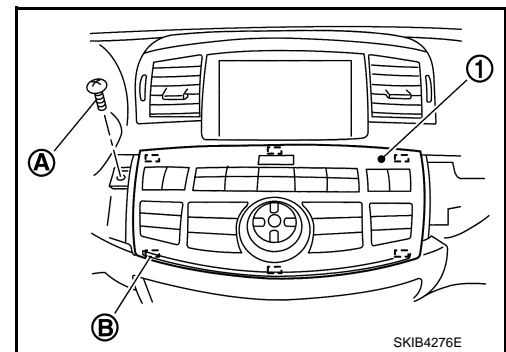
1. Multifunction switch

### Removal and Installation

INFOID:000000005350669

#### REMOVAL

1. Remove instrument panel finisher B and C. Refer to [IP-11. "INSTRUMENT PANEL : Component Parts Location"](#).
2. Remove screw (A).
3. Disengage tabs (B) and connector to separate multifunction switch (1) from instrument panel.



#### INSTALLATION

Install in the reverse order of removal.

A  
B  
C  
D  
E  
F  
G  
H  
I  
J  
AV  
L  
M  
N  
O  
P

# PRESET SWITCH

[WITH MOBILE ENTERTAINMENT SYSTEM]

< ON-VEHICLE REPAIR >

## PRESET SWITCH

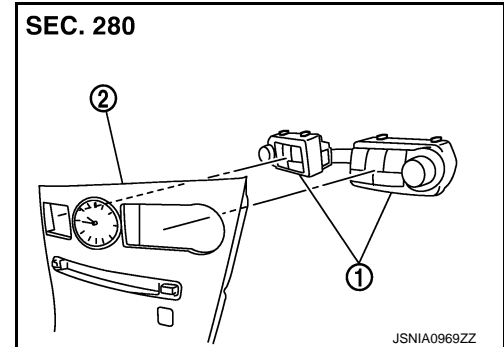
### Exploded View

INFOID:000000005350670

### REMOVAL

Refer to [IP-18, "CLUSTER LID C : Component Parts Location"](#).

### DISASSEMBLY



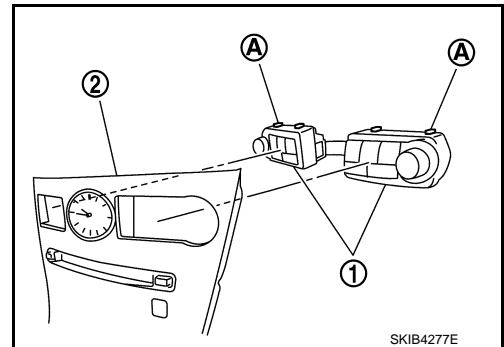
1. Preset switch
2. Cluster lid C

### Removal and Installation

INFOID:000000005350671

### REMOVAL

1. Remove cluster lid C. Refer to [IP-18, "CLUSTER LID C : Removal and Installation"](#).
2. Disengage tabs (A) to separate preset switch (1) from cluster lid C (2).



### INSTALLATION

Install in the reverse order of removal.

#### NOTE:

When installing preset switch, do not allow the print wire that connects preset switch and multifunction switch to get caught in between AV control unit and preset switch.

# STEERING SWITCH

[WITH MOBILE ENTERTAINMENT SYSTEM]

< ON-VEHICLE REPAIR >

## STEERING SWITCH

### Exploded View

INFOID:000000005350672

Refer to [PS-10, "Removal and Installation"](#).

### Removal and Installation

INFOID:000000005350673

#### REMOVAL

Refer to [PS-10, "Removal and Installation"](#).

#### INSTALLATION

Install in the reverse order of removal.

A

B

C

D

E

F

G

H

I

J

AV

L

M

N

O

P

# REAR CONTROL SWITCH

[WITH MOBILE ENTERTAINMENT SYSTEM]

< ON-VEHICLE REPAIR >

## REAR CONTROL SWITCH

### Exploded View

INFOID:000000005350674

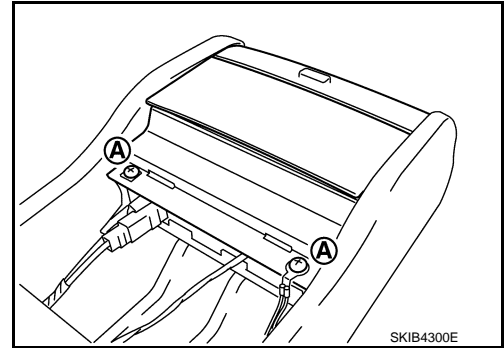
Refer to [SE-155, "Disassembly and Assembly"](#).

### Removal and Installation

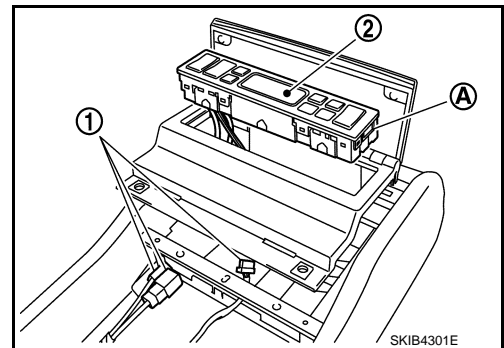
INFOID:000000005350675

#### REMOVAL

1. Remove tray box from armrest. Refer to [SE-155, "Disassembly and Assembly"](#).
2. Remove screw (A).



3. Disconnect connector (1) and disengage tabs (A) to separate rear control switch (2).



#### INSTALLATION

Install in the reverse order of removal.

# IPOD ADAPTER

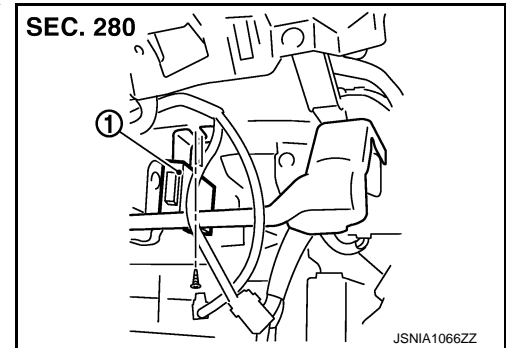
[WITH MOBILE ENTERTAINMENT SYSTEM]

< ON-VEHICLE REPAIR >

## IPOD ADAPTER

### Exploded View

INFOID:000000005350676



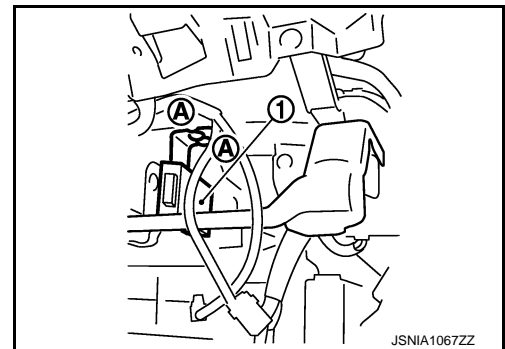
1. iPod adapter

### Removal and Installation

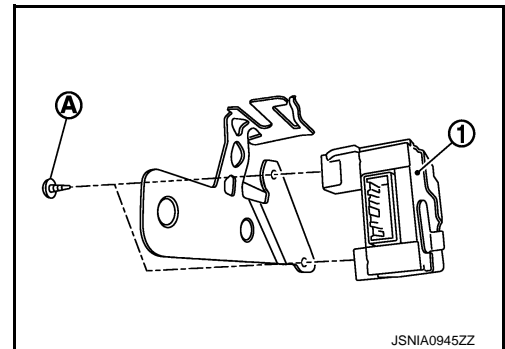
INFOID:000000005350677

#### REMOVAL

1. Remove glove box cover. Refer to [IP-19. "GLOVE BOX : Removal and Installation"](#).
2. Remove screws (A) and remove iPod adapter bracket and iPod adapter (1).



3. Remove screws (A) and remove iPod adapter (1) from iPod adapter bracket.



#### INSTALLATION

Install in the reverse order of removal.

A  
B  
C  
D  
E  
F  
G  
H  
I  
J  
AV  
L  
M  
N  
O  
P

# IPOD CONNECTOR

[WITH MOBILE ENTERTAINMENT SYSTEM]

< ON-VEHICLE REPAIR >

## IPOD CONNECTOR

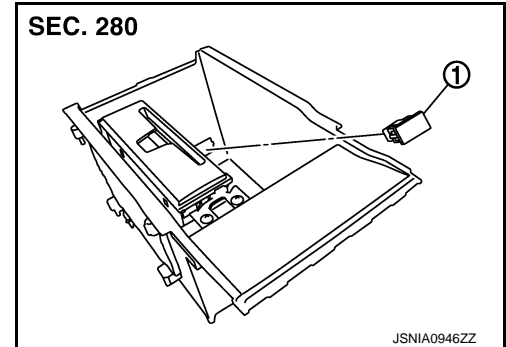
### Exploded View

INFOID:000000005350678

### REMOVAL

Refer to [IP-21, "CENTER CONSOLE : Component Parts Location"](#).

### DISASSEMBLY



1. iPod connector

### Removal and Installation

INFOID:000000005350679

### REMOVAL

1. Remove center console. Refer to [IP-21, "CENTER CONSOLE : Component Parts Location"](#).
2. Push the pawl from the back of center console to remove iPod connector.

### INSTALLATION

Install in the reverse order of removal.

# DVD PLAYER

[WITH MOBILE ENTERTAINMENT SYSTEM]

< ON-VEHICLE REPAIR >

## DVD PLAYER

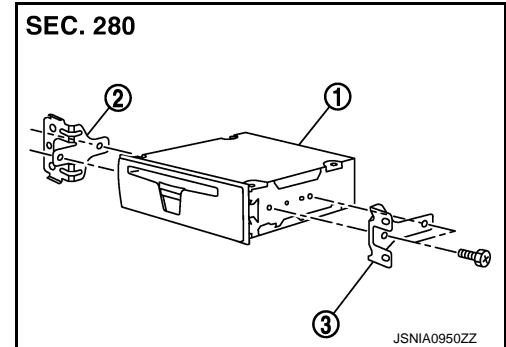
### Exploded View

INFOID:000000005350680

#### REMOVAL

Refer to [IP-21, "CENTER CONSOLE : Component Parts Location"](#).

#### DISASSEMBLY



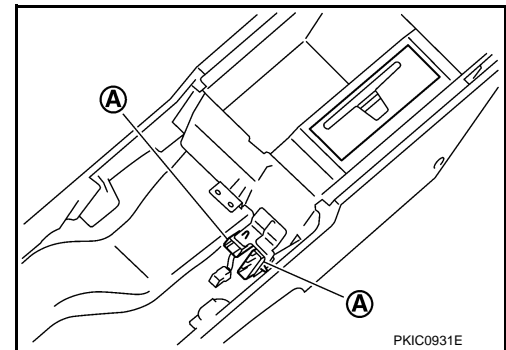
1. DVD player
2. Bracket LH
3. Bracket RH

### Removal and Installation

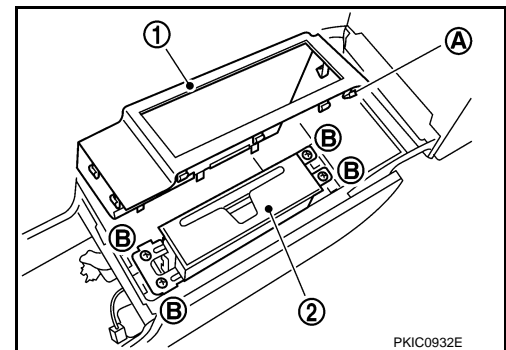
INFOID:000000005350681

#### REMOVAL

1. Remove cup holder. Refer to [IP-21, "CENTER CONSOLE : Disassembly and Assembly"](#).
2. Disconnect sub harness connector.
3. Remove sub harness connectors (A) from bracket.



4. Remove metal clips (A) and 8 pawls. Then DVD player cover (1).
5. Remove screws (B) and remove DVD player (2).



#### INSTALLATION

Install in the reverse order of removal.

A  
B  
C  
D  
E  
F  
G  
H  
I  
J  
AV  
L  
M  
N  
O  
P

# AUXILIARY INPUT JACKS

[WITH MOBILE ENTERTAINMENT SYSTEM]

< ON-VEHICLE REPAIR >

## AUXILIARY INPUT JACKS

### Exploded View

INFOID:000000005350682

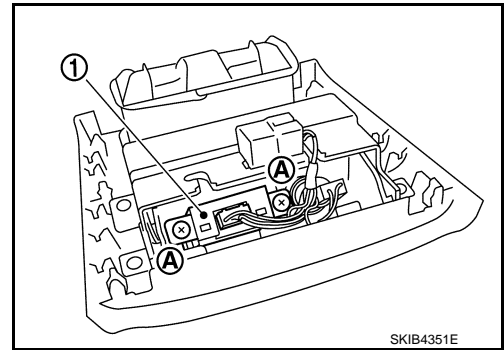
Refer to [IP-21, "CENTER CONSOLE : Component Parts Location"](#).

### Removal and Installation

INFOID:000000005350683

#### REMOVAL

1. Remove center console rear finisher. Refer to [IP-21, "CENTER CONSOLE : Component Parts Location"](#).
2. Remove screws (A) and disconnect connector. Remove auxiliary input jacks (1) from center console rear finisher.



#### INSTALLATION

Install in the reverse order of removal.



# MICROPHONE

[WITH MOBILE ENTERTAINMENT SYSTEM]

< ON-VEHICLE REPAIR >

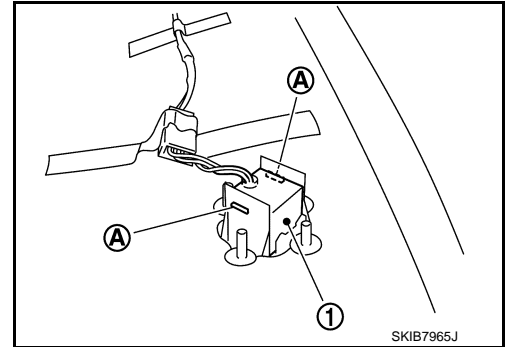
## MICROPHONE

### Removal and Installation

INFOID:000000005350684

#### REMOVAL

1. Remove headlining. Refer to [EI-62. "Component Parts Location"](#).
2. Remove connector.
3. Raise tab (A) and remove microphone (1).



#### INSTALLATION

Install in the reverse order of removal.

A  
B  
C  
D  
E  
F  
G  
H  
I  
J  
L  
M  
N  
O  
P

AV

# AUDIOPILOT® MICROPHONE

[WITH MOBILE ENTERTAINMENT SYSTEM]

< ON-VEHICLE REPAIR >

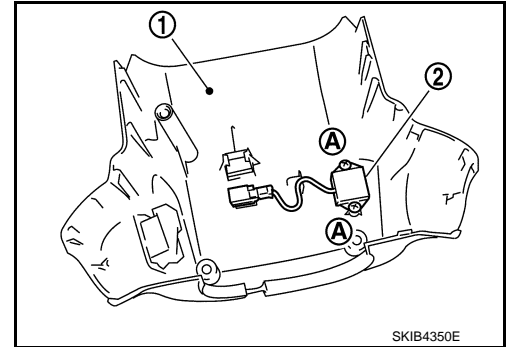
## AUDIOPILOT® MICROPHONE

### Removal and Installation

INFOID:000000005350685

#### REMOVAL

1. Remove steering column lower cover. Refer to [IP-11, "INSTRUMENT PANEL : Component Parts Location"](#).
2. Remove screws (A) and disconnect connector.
3. Remove Microphone (2) from steering column lower cover (1).



#### INSTALLATION

Install in the reverse order of removal.

# CAMERA CONTROL UNIT

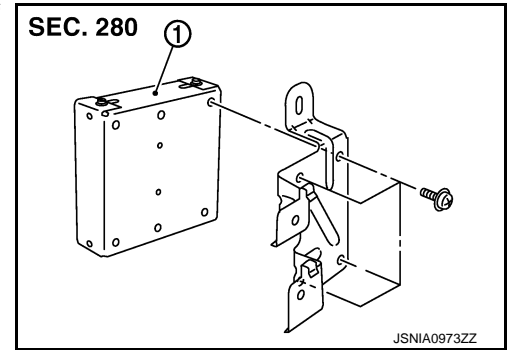
[WITH MOBILE ENTERTAINMENT SYSTEM]

< ON-VEHICLE REPAIR >

## CAMERA CONTROL UNIT

### Exploded View

INFOID:000000005350686



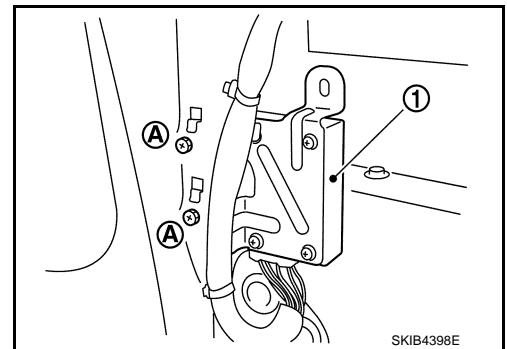
1. Camera control unit

### Removal and Installation

INFOID:000000005350687

#### REMOVAL

1. Remove trunk side finisher (RH). Refer to [EI-65. "Component Parts Location"](#).
2. Remove screws (A) and disconnect connector, and remove camera control unit (1).



#### INSTALLATION

Install in the reverse order of removal.

#### Adjustment

INFOID:000000005350688

#### ADJUSTMENT

There may be a misalignment of possible route line center position of rear view monitor after removing camera control unit. Therefore, correct neutral position with the following procedure.

1. Steer the steering wheel to the leftmost and rightmost ends.
2. Drive vehicle at 30 km/h (18.6 MPH) min. speed at least 100 m (328.1 ft).

A  
B  
C  
D  
E  
F  
G  
H  
I  
J  
AV  
L  
M  
N  
O  
P

# REAR VIEW CAMERA

[WITH MOBILE ENTERTAINMENT SYSTEM]

< ON-VEHICLE REPAIR >

## REAR VIEW CAMERA

### Exploded View

INFOID:000000005350689

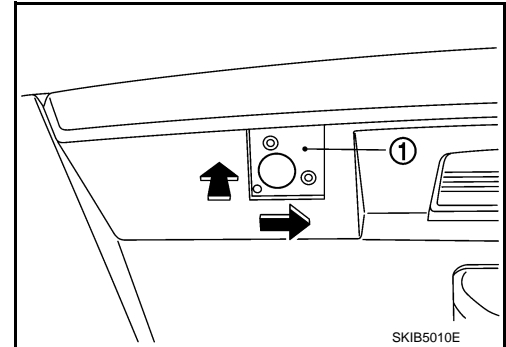
Refer to [EI-67, "Component Parts Location"](#).

### Removal and Installation

INFOID:000000005350690

#### REMOVAL

1. Remove trunk lid finisher inner. Refer to [EI-67, "Removal and Installation"](#).
2. Remove screws attaching camera and camera bracket.
3. Remove connector and connector clip.
4. Remove camera bracket (1) while pushing right direction of vehicle.



#### INSTALLATION

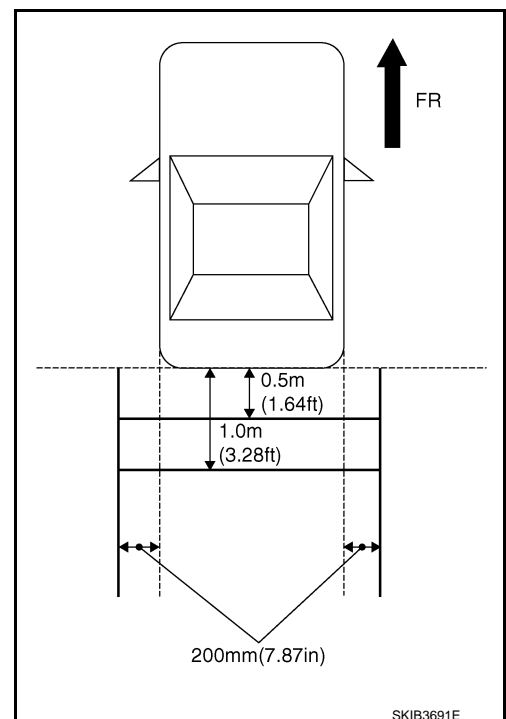
1. Install rear view camera and camera bracket while pressing to trunk room side.
2. Install connector and connector clip.
3. Install trunk lid finisher inner.

#### Adjustment

INFOID:000000005350691

Adjust the guide line position if the guide line position is shifted after installing the rear view camera.

1. Draw lines on rearward area of the vehicle passing through the following points: 200 mm (7.87 in) from both sides of the vehicle, and 0.5 m (1.64 ft), 1.0 m (3.28 ft) from the rear end of the bumper.
2. Set into "Adjust offset of rear view camera" mode of Confirmation / Adjustment mode.



# REAR VIEW CAMERA

[WITH MOBILE ENTERTAINMENT SYSTEM]

< ON-VEHICLE REPAIR >

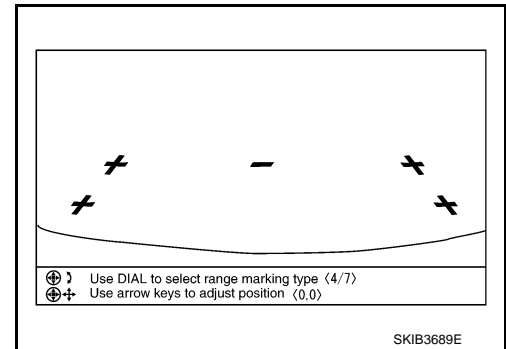
3. Rotate the center dial, and then select the guiding line pattern so that its angle is aligned with the correction line of the rear of the vehicle.

**Selected pattern : 7**

4. Make fine adjustment to the correction line of the rear of the vehicle with up/down/left/right switches so that its position is aligned with the guiding line. Press “”

**Up/Down adjustment range : -20 - 20**

**Left/Right adjustment range : -20 - 20**



### CAUTION:

Never operate other function such as pressing BACK while writing index data.

If Confirmation/Adjustment mode does not function in the above procedure, perform one of the following service to adjust the index again.

- Remove battery for five min. Then reconnect battery.
- Remove camera control unit connector for five min. Then reconnect camera control unit connector.

A  
B  
C  
D  
E  
F  
G  
H  
I  
J  
L  
M  
N  
O  
P

AV

# STEERING ANGLE SENSOR

[WITH MOBILE ENTERTAINMENT SYSTEM]

< ON-VEHICLE REPAIR >

## STEERING ANGLE SENSOR

### Exploded View

INFOID:000000005350692

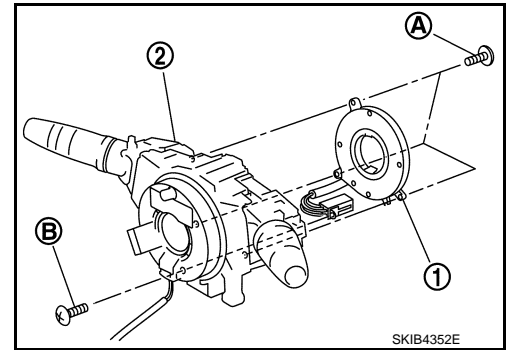
Refer to [PS-9. "On-Vehicle Inspection and Service"](#).

### Removal and Installation

INFOID:000000005350693

#### REMOVAL

1. Remove combination switch. Refer to [LT-177. "Removal and Installation"](#).
2. Remove screws (A) and remove connector mount screw (B).
3. Remove steering angle sensor (1) from combination switch (2).



#### INSTALLATION

Install in the reverse order of removal.

**CAUTION:**

Insert the projection area, and install steering wheel angle sensor while fitting adjusting the triangle marks (Larger mark should be upward.).

# SATELLITE RADIO ANTENNA

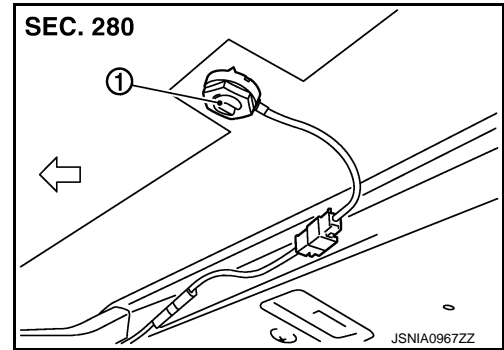
< ON-VEHICLE REPAIR >

[WITH MOBILE ENTERTAINMENT SYSTEM]

## SATELLITE RADIO ANTENNA

### Exploded View

INFOID:000000005350694



←: Vehicle front

1. Satellite radio antenna

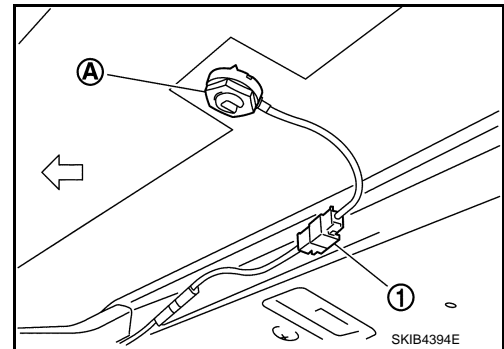
### Removal and Installation

INFOID:000000005350695

#### REMOVAL

1. Remove headlining assembly (rear) to secure work space between vehicle and headlining. Refer to [EI-62, "Removal and Installation"](#) [with normal roof] [EI-62, "Removal and Installation"](#) [with sunroof].
2. Remove nuts (A), and then disconnect connector (1).
3. Remove satellite radio antenna from roof panel.

←: Vehicle front



#### INSTALLATION

Install in the reverse order of removal.

**Satellite radio antenna  
mounting nut**

: 6.5 N·m (0.66 kg-m, 58 in-lb)

#### CAUTION:

Be careful about tightening torque. Antenna sensitivity becomes poor, and when it is excessive, roof panel may be deformed, when satellite radio antenna mounting nut tightening torque is loose.

# ANTENNA FEEDER (RADIO)

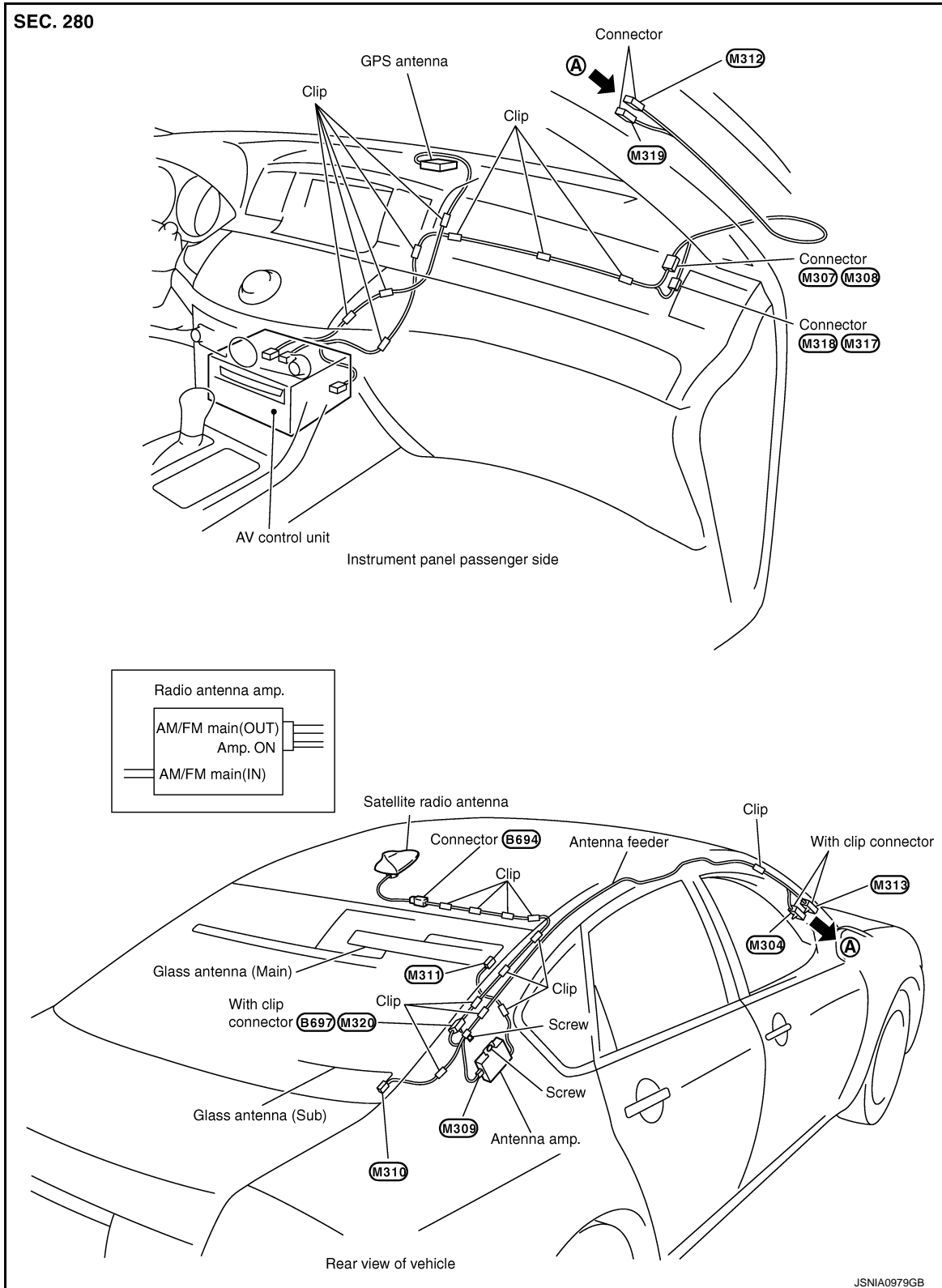
[WITH MOBILE ENTERTAINMENT SYSTEM]

< ON-VEHICLE REPAIR >

## ANTENNA FEEDER (RADIO)

### Harness Layout

INFOID:000000005350696





# ANTENNA FEEDER (SATELLITE RADIO)

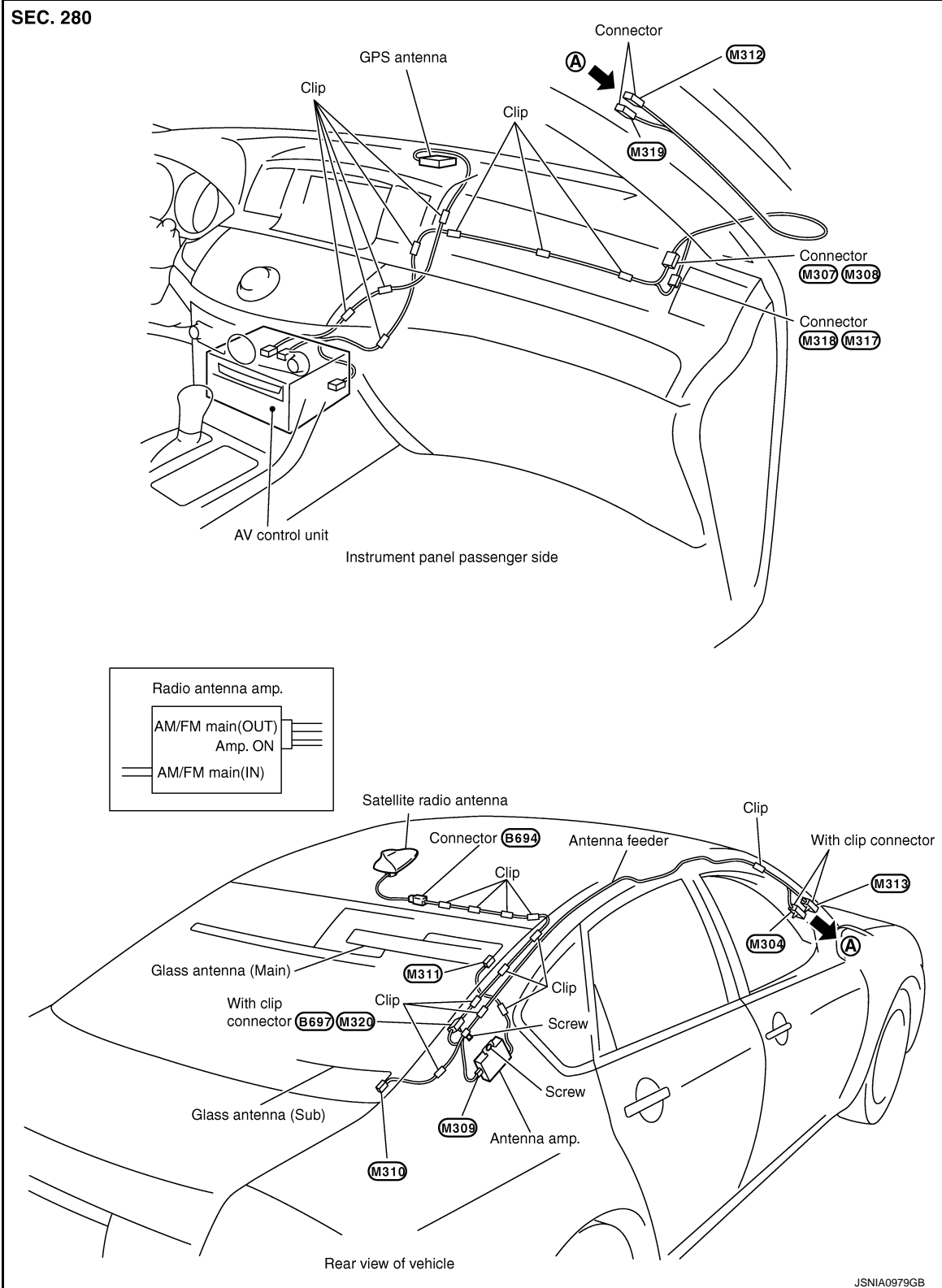
< ON-VEHICLE REPAIR >

[WITH MOBILE ENTERTAINMENT SYSTEM]

## ANTENNA FEEDER (SATELLITE RADIO)

### Harness Layout

INFOID:000000005350697



A  
B  
C  
D  
E  
F  
G  
H  
I  
J  
AV  
L  
M  
N  
O  
P

# ANTENNA FEEDER (GPS)

[WITH MOBILE ENTERTAINMENT SYSTEM]

< ON-VEHICLE REPAIR >

## ANTENNA FEEDER (GPS)

### Harness Layout

INFOID:000000005350698

