

SECTION **RAX**
REAR AXLE

A
B
C

RAX

CONTENTS

E

PRECAUTIONS	2	On-Vehicle Service	5	F
Precautions	2	REAR WHEEL BEARING	5	
PREPARATION	3	Removal and Installation	6	
Special Service Tools	3	REMOVAL	6	G
Commercial Service Tools	3	INSPECTION AFTER REMOVAL	7	
NOISE, VIBRATION, AND HARSHNESS(NVH)		INSTALLATION	7	H
TROUBLESHOOTING	4	SERVICE DATA AND SPECIFICATIONS (SDS)	8	
NVH Troubleshooting Chart	4	Wheel Bearing (Rear)	8	
WHEEL HUB	5			I

J
K
L
M

PRECAUTIONS

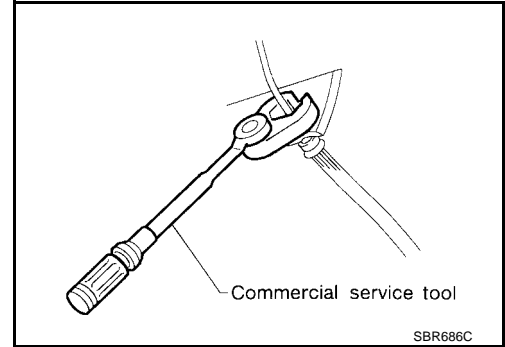
PRECAUTIONS

PFP:00001

Precautions

EDS000VB

- When installing each rubber part, final tightening must be carried out under unladen condition* with tires on ground.
*: Fuel, radiator coolant and engine oil full. Spare tire, jack, hand tools and mats in designated positions.
- Use flare nut wrench when removing or installing brake tubes.
- After installing removed suspension parts, check wheel alignment.
- Do not jack up at the trailing arm and lateral link.
- Always torque brake lines when installing.



PREPARATION

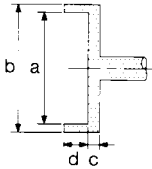
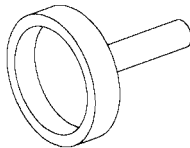
PREPARATION

PFP:00002

Special Service Tools

EDS000VC

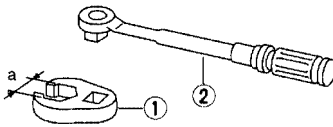
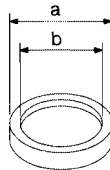
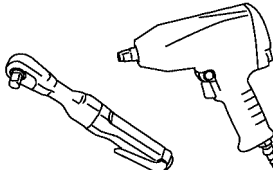
The actual shapes of Kent-Moore tools may differ from those of special service tools illustrated here.

Tool number (Kent-Moore No.) Tool name	Description
ST15310000 (—) Drift   <p style="text-align: center;">NT607</p>	Install ABS sensor rotor a: 84 mm (3.31 in) dia. b: 96 mm (3.78 in) dia. c: 8 mm (0.31 in) d: 20 mm (0.79 in)

A
B
C
RAX

Commercial Service Tools

EDS000VD

Tool name	Description
GG94310000 1 Flare nut crowfoot 2 Torque wrench  <p style="text-align: center;">NT360</p>	Removing and installing brake piping a: 10 mm (0.39 in)
Drift  <p style="text-align: center;">NT371</p>	Install ABS sensor rotor a: 75 mm (2.95 in) dia. b: 62 mm (2.44 in) dia.
Power tool  <p style="text-align: center;">PBIC0190E</p>	Loosening bolts and nuts

E
F
G
H
I
J
K
L
M

NOISE, VIBRATION, AND HARSHNESS(NVH) TROUBLESHOOTING

NOISE, VIBRATION, AND HARSHNESS(NVH) TROUBLESHOOTING

PF0:00003

NVH Troubleshooting Chart

EDS000VE

Use the chart below to help you find the cause of the symptom. If necessary, repair or replace these parts.

Reference page			RSU-8, "Removal and Installation"	RSU-8, "Removal and Installation"	RAX-5	WT-2, "NVH Troubleshooting Chart"	WT-2, "NVH Troubleshooting Chart"
Possible cause and SUSPECTED PARTS			Improper installation, looseness	Parts interference	Wheel bearing damage	TIRES	ROAD WHEEL
Symptom	REAR AXLE	Noise	x	x		x	x
		Shake	x	x		x	x
		Vibration	x	x		x	
		Shimmy	x	x		x	x
		Judder	x			x	x
		Poor quality ride or handling	x	x	x	x	x

x: Applicable

WHEEL HUB

PFP:43202

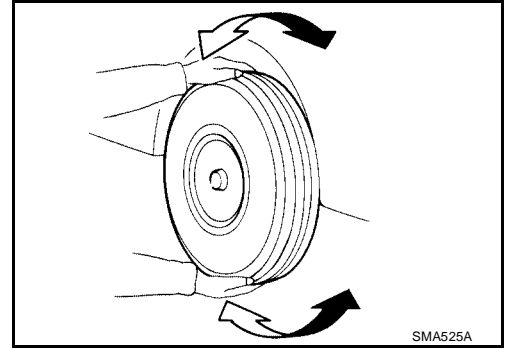
EDS000VF

WHEEL HUB

On-Vehicle Service

Check axle and suspension parts for excessive play, wear or damage.

- Shake each rear wheel to check for excessive play.

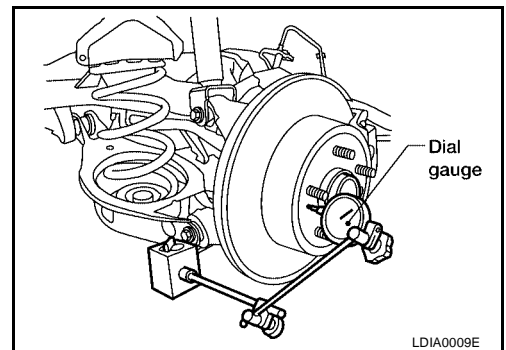


REAR WHEEL BEARING

- Check axial end play.

Axial end play : 0.1 mm (0.004 in) or less

- Check that wheel hub bearings operate smoothly.
- Replace wheel bearing assembly if there is axial end play or wheel bearing does not turn smoothly. Refer to [RAX-6](#), "[Removal and Installation](#)".



A

B

C

RAX

E

F

G

H

I

J

K

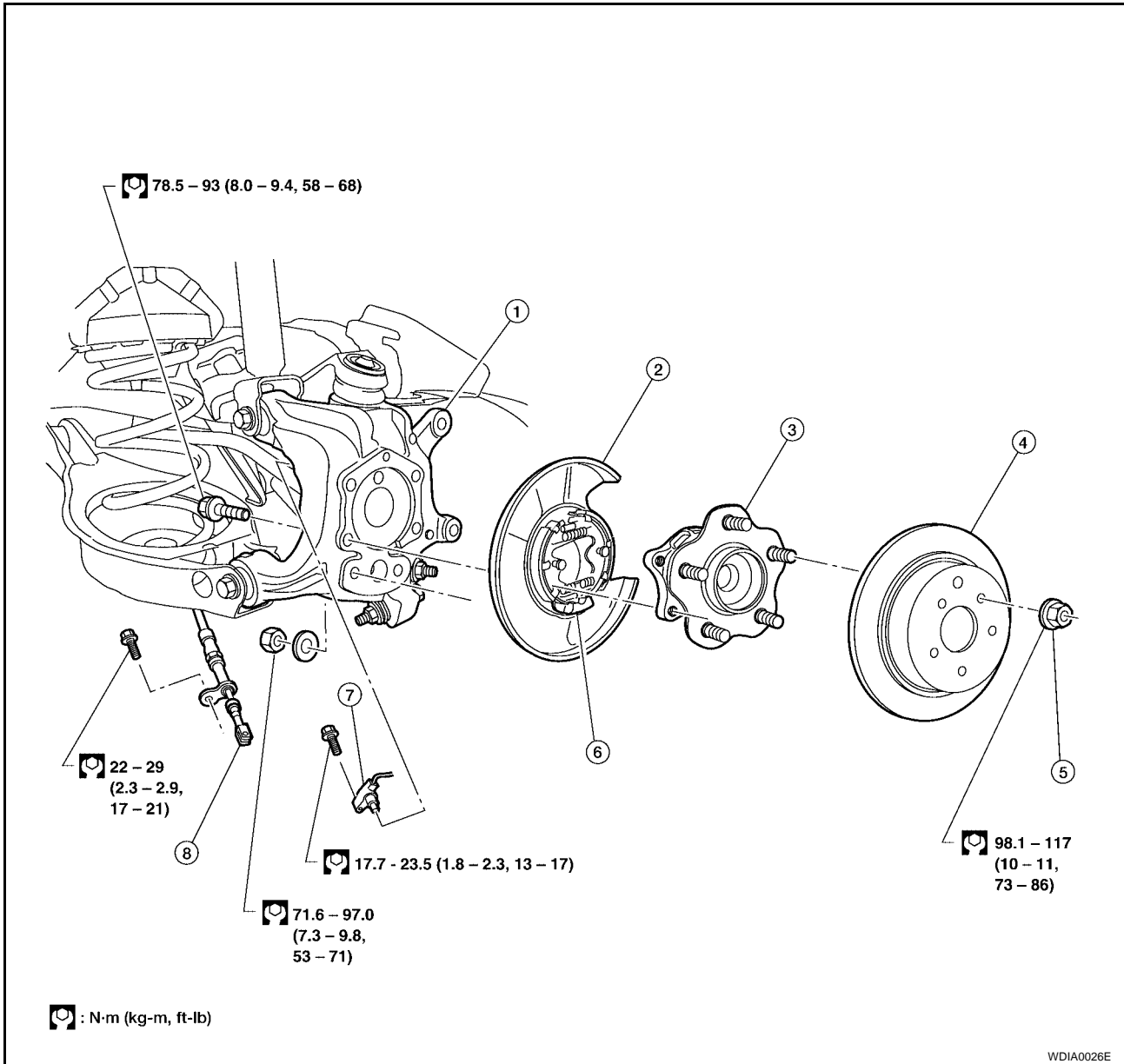
L

M

WHEEL HUB

Removal and Installation

EDS000VG



- | | | |
|----------------|------------------------|-----------------|
| 1. Knuckle | 2. Baffle plate | 3. Wheel hub |
| 4. Brake rotor | 5. Wheel nut | 6. Anchor block |
| 7. ABS sensor | 8. Parking brake cable | |

REMOVAL

CAUTION:

- Wheel hub bearing does not require maintenance. If any of the following symptoms are noted, replace wheel hub bearing assembly.
 - Growling noise is emitted from wheel hub bearing during operation.
 - Wheel hub bearing drags or turns roughly. This occurs when turning hub by hand after bearing lock nut is tightened to specified torque.
1. Remove rear wheel using power tool.
 2. Remove brake caliper assembly, using power tool.
 - Brake hose does not need to be disconnected from brake caliper.
 - Suspend caliper assembly with wire so as not to stretch brake hose.
 - Be careful not to depress brake pedal, or piston will pop out.
 - Make sure brake hose is not twisted.

WHEEL HUB

3. Remove brake rotor.
4. Remove the rear ABS sensor, then move it away from the hub assembly.

CAUTION:

- Failure to remove ABS sensor may result in damage to the sensor wires and the sensor becoming inoperative.

5. Disconnect the parking brake cable from the parking brake. Refer to [PB-2, "Removal and Installation"](#).
6. Remove wheel hub from knuckle.

INSPECTION AFTER REMOVAL

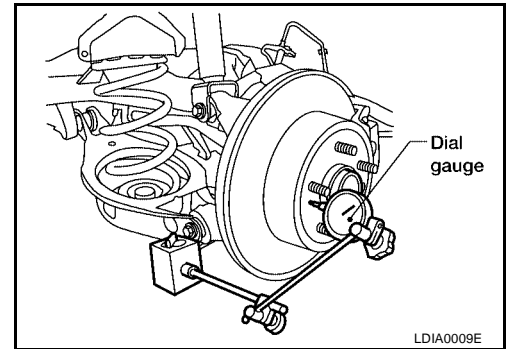
Check for deformity, cracks and damage on wheel hub, replace if necessary.

INSTALLATION

Installation is in the reverse order of removal.

- Check that wheel bearings operate smoothly.
- Check wheel hub bearing axial end play.

Axial end play : 0.1 mm (0.004 in) or less



A
B
C
RAX
E
F
G
H
I
J
K
L
M

SERVICE DATA AND SPECIFICATIONS (SDS)

SERVICE DATA AND SPECIFICATIONS (SDS)

PF0:00030

Wheel Bearing (Rear)

EDS000VH

Wheel bearing axial end play	0.1 mm (0.004 in) or less
------------------------------	---------------------------
