

SECTION **PWO**
POWER OUTLET

A
B
C
D
E
F
G
H
I
J
K
L
N
O
P

CONTENTS

PRECAUTION	2	SYSTEM DESCRIPTION	4
PRECAUTIONS	2	COMPONENT PARTS	4
Precaution for Supplemental Restraint System (SRS) "AIR BAG" and "SEAT BELT PRE-TEN- SIONER"	2	Component Parts Location	4
Precaution for Work	2	WIRING DIAGRAM	5
PREPARATION	3	POWER SOCKET	5
PREPARATION	3	Wiring Diagram	5
Special Service Tool	3	REMOVAL AND INSTALLATION	8
		POWER SOCKET	8
		Removal and Installation	8

PWO

PRECAUTIONS

< PRECAUTION >

PRECAUTION

PRECAUTIONS

Precaution for Supplemental Restraint System (SRS) "AIR BAG" and "SEAT BELT PRE-TENSIONER"

INFOID:000000011933504

The Supplemental Restraint System such as "AIR BAG" and "SEAT BELT PRE-TENSIONER", used along with a front seat belt, helps to reduce the risk or severity of injury to the driver and front passenger for certain types of collision. Information necessary to service the system safely is included in the SR and SB section of this Service Manual.

WARNING:

- To avoid rendering the SRS inoperative, which could increase the risk of personal injury or death in the event of a collision which would result in air bag inflation, all maintenance must be performed by an authorized NISSAN/INFINITI dealer.
- Improper maintenance, including incorrect removal and installation of the SRS, can lead to personal injury caused by unintentional activation of the system. For removal of Spiral Cable and Air Bag Module, see the SR section.
- Do not use electrical test equipment on any circuit related to the SRS unless instructed to in this Service Manual. SRS wiring harnesses can be identified by yellow and/or orange harnesses or harness connectors.

PRECAUTIONS WHEN USING POWER TOOLS (AIR OR ELECTRIC) AND HAMMERS

WARNING:

- When working near the Airbag Diagnosis Sensor Unit or other Airbag System sensors with the Ignition ON or engine running, DO NOT use air or electric power tools or strike near the sensor(s) with a hammer. Heavy vibration could activate the sensor(s) and deploy the air bag(s), possibly causing serious injury.
- When using air or electric power tools or hammers, always switch the Ignition OFF, disconnect the battery and wait at least three minutes before performing any service.

Precaution for Work

INFOID:000000011933505

- When removing or disassembling each component, be careful not to damage or deform it. If a component may be subject to interference, be sure to protect it with a shop cloth.
- When removing (disengaging) components with a screwdriver or similar tool, be sure to wrap the component with a shop cloth or vinyl tape to protect it.
- Protect the removed parts with a shop cloth and prevent them from being dropped.
- Replace a deformed or damaged clip.
- If a part is specified as a non-reusable part, always replace it with a new one.
- Be sure to tighten bolts and nuts securely to the specified torque.
- After installation is complete, be sure to check that each part works properly.
- Follow the steps below to clean components:
 - Water soluble dirt:
 - Dip a soft cloth into lukewarm water, wring the water out of the cloth and wipe the dirty area.
 - Then rub with a soft, dry cloth.
 - Oily dirt:
 - Dip a soft cloth into lukewarm water with mild detergent (concentration: within 2 to 3%) and wipe the dirty area.
 - Then dip a cloth into fresh water, wring the water out of the cloth and wipe the detergent off.
 - Then rub with a soft, dry cloth.
 - Do not use organic solvent such as thinner, benzene, alcohol or gasoline.
 - For genuine leather seats, use a genuine leather seat cleaner.

PREPARATION

< PREPARATION >

PREPARATION

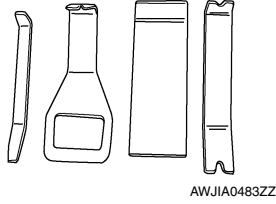
PREPARATION

Special Service Tool

INFOID:0000000011933507

The actual shape of the tools may differ from those illustrated here.

Tool number (TechMate No.) Tool name	Description
— (J-46534) Trim Tool Set	Removing trim components



A
B
C
D
E
F
G
H
I
J
K
L

PWO

COMPONENT PARTS

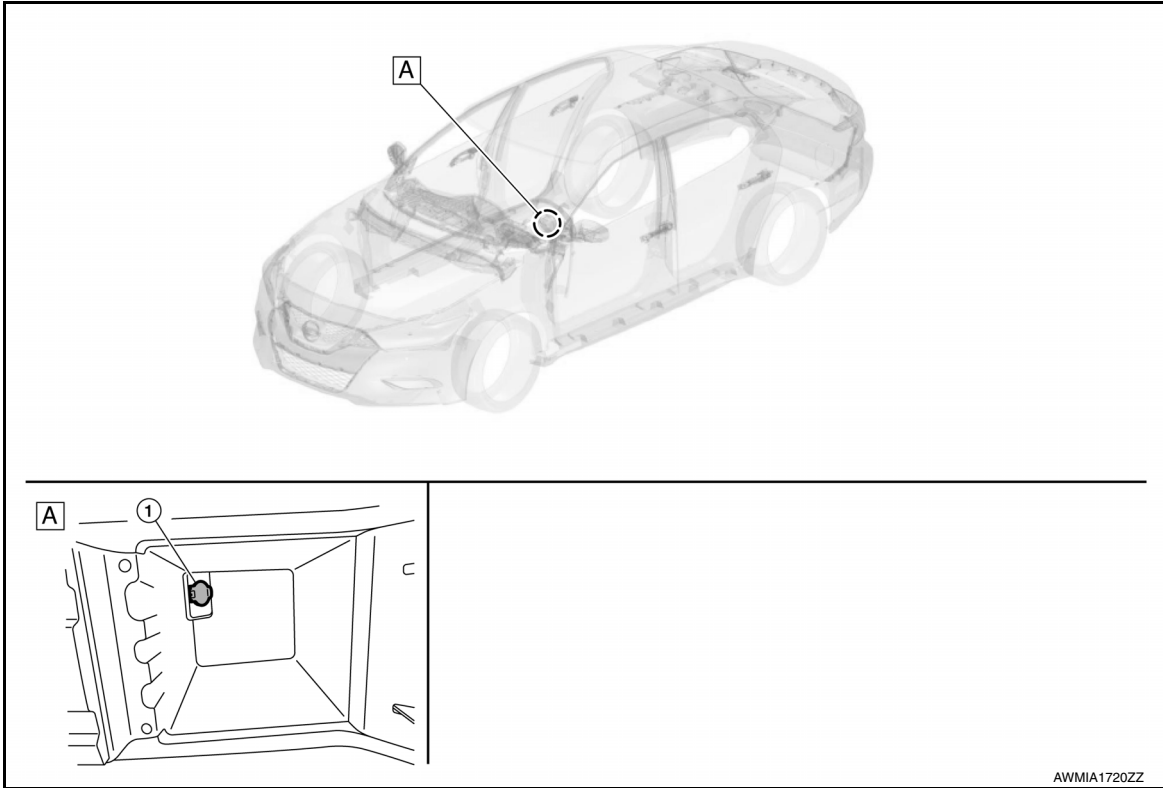
< SYSTEM DESCRIPTION >

SYSTEM DESCRIPTION

COMPONENT PARTS

Component Parts Location

INFOID:000000012219082



- A. Center console
- 1. Front console power socket

POWER SOCKET

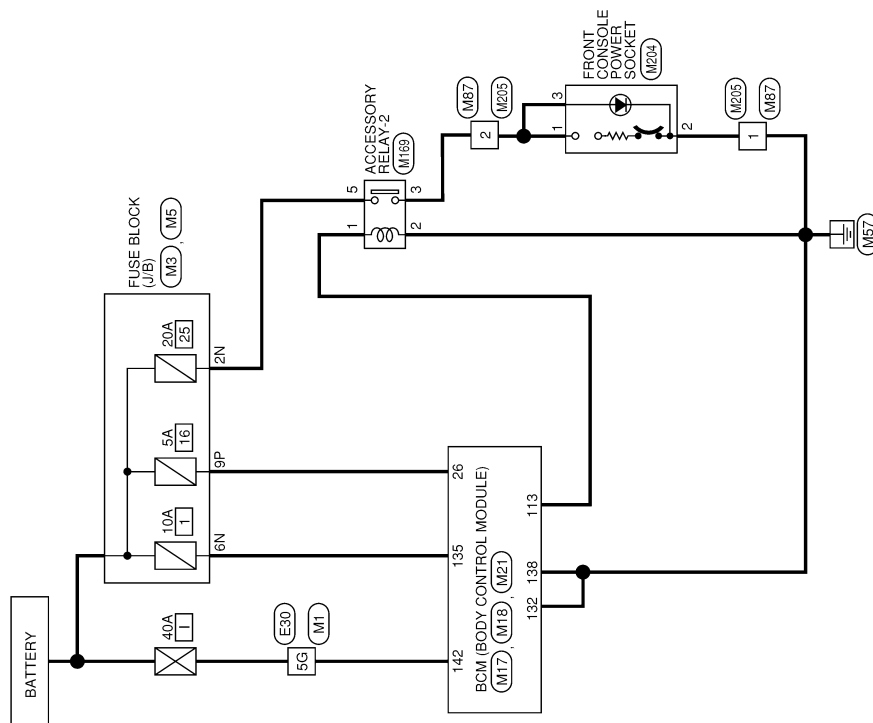
< WIRING DIAGRAM >

WIRING DIAGRAM

POWER SOCKET

Wiring Diagram

INFOID:000000011933506



POWER SOCKET

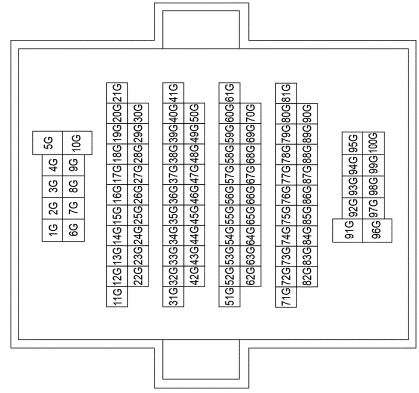
PWO

POWER SOCKET

< WIRING DIAGRAM >

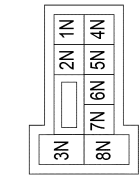
POWER SOCKET CONNECTORS

Connector No.	M1
Connector Name	WIRE TO WIRE
Connector Type	TH80FW-CST6-TM4
Connector Color	WHITE



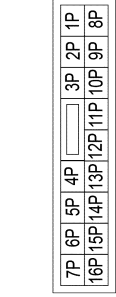
Terminal No.	5G	W	Signal Name	-
--------------	----	---	-------------	---

Connector No.	M3
Connector Name	FUSE BLOCK (J/B)
Connector Type	CS06FW-M2
Connector Color	WHITE



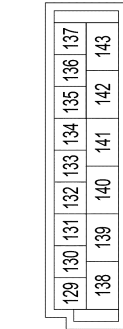
Terminal No.	2N	L	Signal Name	-
6N	LG			

Connector No.	M5
Connector Name	FUSE BLOCK (J/B)
Connector Type	NS16FW-CS
Connector Color	WHITE



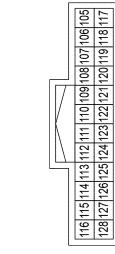
Terminal No.	9P	Y	Signal Name	-
--------------	----	---	-------------	---

Connector No.	M17
Connector Name	BCM (BODY CONTROL MODULE)
Connector Type	FEA09FW-FHA6-SA
Connector Color	WHITE



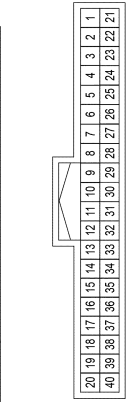
Terminal No.	Color of Wire	Signal Name
132	B	GND2
135	LG	BAT BCM FUSE
138	B	GND1
142	W	BAT-POWER F/L

Connector No.	M18
Connector Name	BCM (BODY CONTROL MODULE)
Connector Type	TH24FB-NH
Connector Color	BLACK



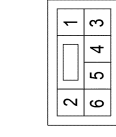
Terminal No.	Color of Wire	Signal Name
--------------	---------------	-------------

113	BR	ACC RELAY OUT
Connector No.	M21	
Connector Name	BCM (BODY CONTROL MODULE)	
Connector Type	TH40FG-NH	
Connector Color	GREEN	



Terminal No.	26	Y	Signal Name	SHORTING INPUT
--------------	----	---	-------------	----------------

Connector No.	M87
Connector Name	WIRE TO WIRE
Connector Type	NS06FW-CS
Connector Color	WHITE

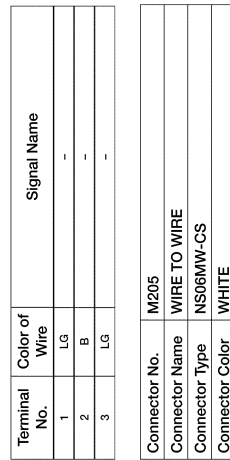
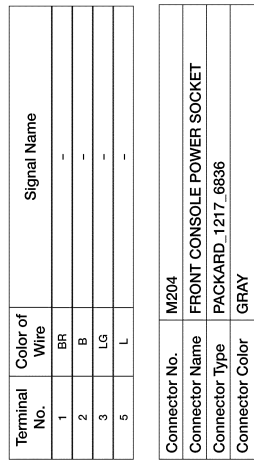
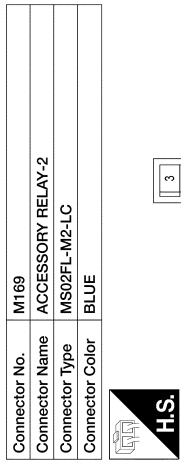
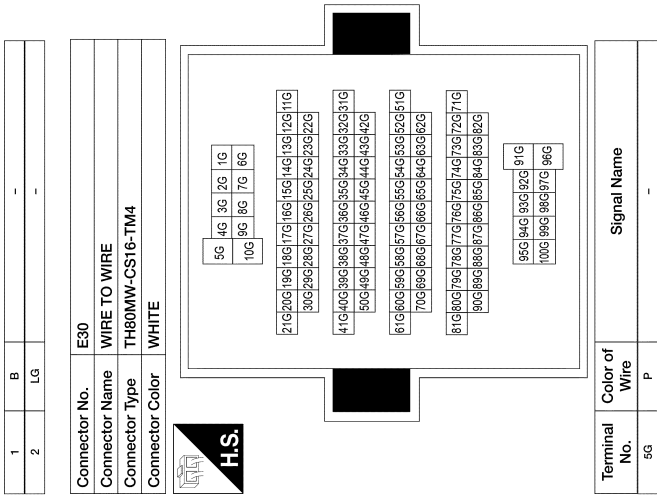


Terminal No.	Color of Wire	Signal Name
1	B	-
2	LG	-

POWER SOCKET

< WIRING DIAGRAM >

A
B
C
D
E
F
G
H
I
J
K
L
P



PWO

AAMIA3404GB

POWER SOCKET

< REMOVAL AND INSTALLATION >

REMOVAL AND INSTALLATION

POWER SOCKET

Removal and Installation

INFOID:000000011933508

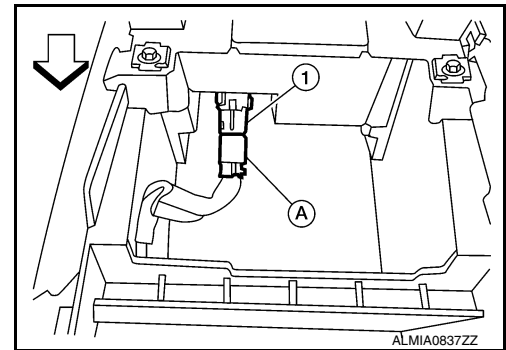
POWER SOCKET

Removal


CAUTION:

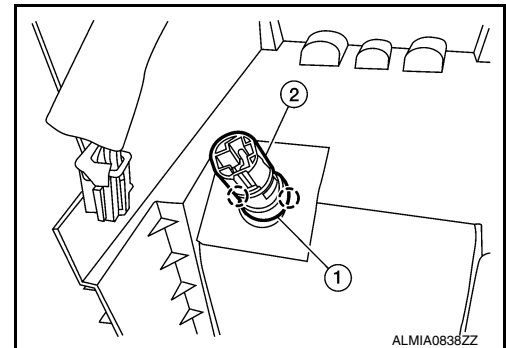
Be careful not to damage Center Console Bin if electrical content (12V Power Socket -or- USB/AUX Port, if so equipped) is removed for repair. If bin is damaged, replace Center Console.

1. Remove shift selector handle. Refer to [TM-185, "Removal and Installation"](#).
2. Remove the shift selector finisher. Refer to [IP-20, "Exploded View"](#).
3. Disconnect the harness connector (A) from the power socket (1).



4. Disengage pawls and remove power socket finisher (1) and power socket (2).

 : Pawl



5. Remove power socket from power socket finisher.

Installation

Installation is in the reverse order of removal.

NOTE:

Make sure to align the tab with the square notched area during installation.

