

## SECTION **BT**

### CONTENTS

<b>PRECAUTIONS</b> .....	2	<b>TRUNK ROOM TRIM</b> .....	31
Service Notice.....	2	Removal and Installation .....	31
Supplemental Restraint System (SRS) "AIR BAG" and "SEAT BELT PRE-TENSIONER" .....	2	<b>EXTERIOR</b> .....	32
<b>CLIP AND FASTENER</b> .....	3	Removal and Installation .....	32
Description .....	3	<b>FRONT SEAT</b> .....	38
<b>BODY FRONT END</b> .....	5	Removal and Installation .....	38
Removal and Installation .....	5	POWER SEAT .....	39
FRONT BUMPER ASSEMBLY .....	5	HEATED SEAT .....	40
<b>BODY REAR END AND OPENER</b> .....	8	Active Head Restraint.....	40
Removal and Installation .....	8	OPERATION OUTLINE .....	40
REAR BUMPER ASSEMBLY .....	8	<b>REAR SEAT</b> .....	41
<b>DOOR</b> .....	11	Removal and Installation .....	41
Adjustment .....	11	<b>SUNROOF</b> .....	42
STRIKER ADJUSTMENT .....	11	Adjustment .....	42
Front Door Glass .....	12	Removal.....	42
FRONT DOOR GLASS AND REGULATOR .....	12	Trouble Diagnoses.....	46
Front Door Limit Switch Reset (Driver side only).....	13	DIAGNOSTIC TABLE.....	46
RESET CONDITIONS .....	13	WIND DEFLECTOR .....	46
RESET PROCEDURES .....	13	ADJUSTMENT .....	47
Rear Door Glass.....	14	DRAIN HOSES .....	48
REAR DOOR GLASS AND REGULATOR .....	14	WEATHERSTRIP .....	48
Front Door Lock.....	16	LINK AND WIRE ASSEMBLY .....	49
BELL CRANK ADJUSTMENT.....	16	<b>WINDSHIELD AND WINDOWS</b> .....	50
OUTSIDE HANDLE ROD ADJUSTMENT .....	16	Removal and Installation .....	50
REMOVAL.....	17	REMOVAL.....	50
Rear Door Lock .....	18	INSTALLATION.....	50
OUTSIDE HANDLE ROD ADJUSTMENT .....	18	WINDSHIELD .....	51
REMOVAL.....	19	<b>DOOR MIRROR</b> .....	52
<b>INSTRUMENT PANEL ASSEMBLY</b> .....	20	Removal and Installation .....	52
Removal and Installation .....	20	<b>REAR VIEW MIRROR</b> .....	53
<b>SIDE AND FLOOR TRIM</b> .....	24	Removal and Installation .....	53
Removal and Installation .....	24	REMOVAL.....	53
<b>DOOR TRIM</b> .....	27	INSTALLATION.....	53
Removal and Installation .....	27	<b>BODY (ALIGNMENT)</b> .....	54
<b>ROOF TRIM</b> .....	29	Alignment.....	54
Removal and Installation .....	29	ENGINE COMPARTMENT .....	55
		UNDERBODY .....	57

## PRECAUTIONS

Service Notice

### Service Notice

NFBT0033

- When removing or installing various parts, place a cloth or padding onto the vehicle body to prevent scratches.
- Handle trim, molding, instruments, grille, etc. carefully during removing or installing. Be careful not to soil or damage them.
- Apply sealing compound where necessary when installing parts.
- When applying sealing compound, be careful that the sealing compound does not protrude from parts.
- When replacing any metal parts (for example body outer panel, members, etc.), be sure to take rust prevention measures.

### Supplemental Restraint System (SRS) “AIR BAG” and “SEAT BELT PRE-TENSIONER”

NFBT0034

The Supplemental Restraint System such as “AIR BAG” and “SEAT BELT PRE-TENSIONER” used along with a seat belt, helps to reduce the risk or severity of injury to the driver and front passenger for certain types of collision. The SRS system composition which is available to NISSAN MODEL A33 is as follows (The composition varies according to the destination and optional equipment.):

- For a frontal collision  
The Supplemental Restraint System consists of driver air bag module (located in the center of the steering wheel), front passenger air bag module (located on the instrument panel on passenger side), seat belt pre-tensioners, a diagnosis sensor unit, warning lamp, wiring harness and spiral cable.
- For a side collision  
The Supplemental Restraint System consists of front side air bag module (located in the outer side of front seat), satellite sensor, diagnosis sensor unit (one of components of air bags for a frontal collision), wiring harness, warning lamp (one of components of air bags for a frontal collision).

Information necessary to service the system safely is included in the **RS section** of this Service Manual.

#### **WARNING:**

- To avoid rendering the SRS inoperative, which could increase the risk of personal injury or death in the event of a collision which would result in air bag inflation, all maintenance should be performed by an authorized NISSAN dealer.
- Improper maintenance, including incorrect removal and installation of the SRS, can lead to personal injury caused by unintentional activation of the system. For removal of Spiral Cable and Air Bag Module, see the RS section.
- Do not use electrical test equipment on any circuit related to the SRS unless instructed to in this Service Manual. SRS wiring harnesses can be identified with yellow harness connector (and with yellow harness protector or yellow insulation tape before the harness connectors).


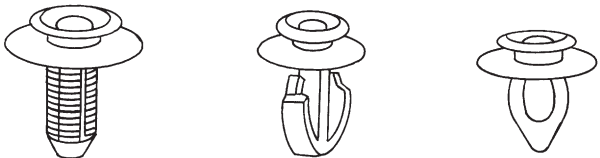


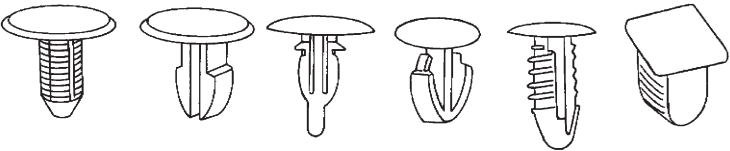
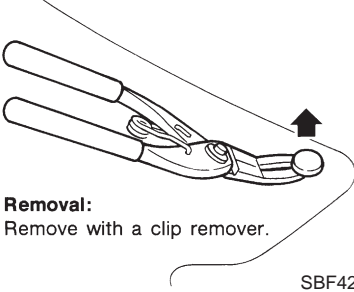

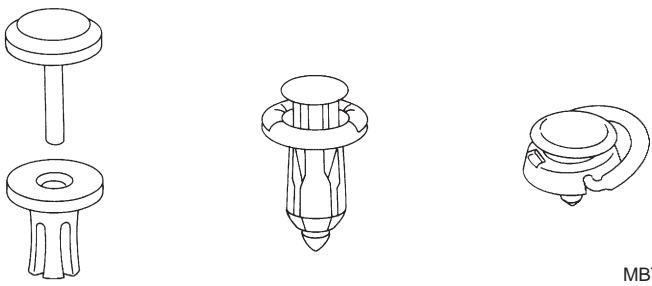
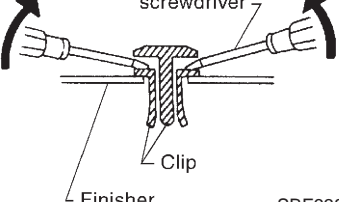

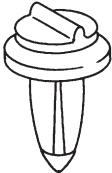
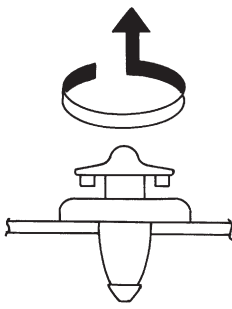

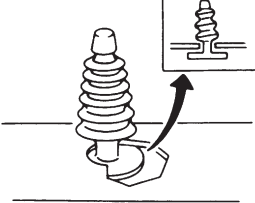
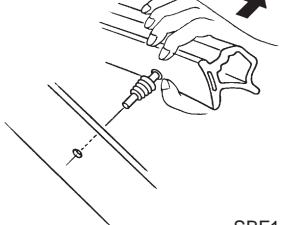
# CLIP AND FASTENER

Description

## Description


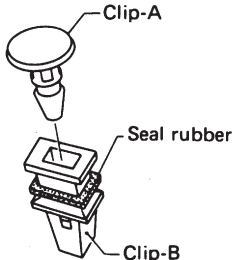
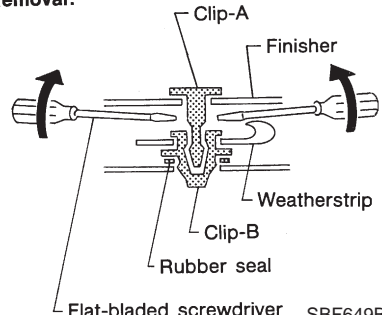

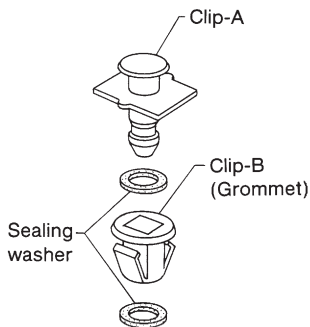
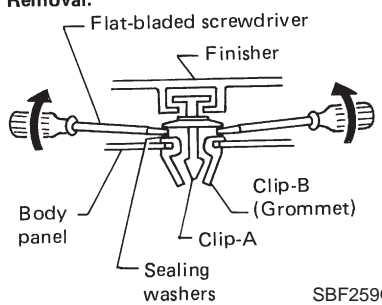

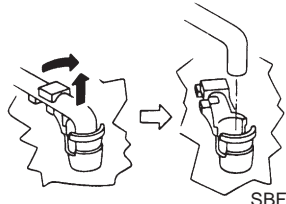
NFBT0003

- Clips and fasteners in BT section correspond to the following numbers and symbols.
- Replace any clips and/or fasteners which are damaged during removal or installation.

Symbol No.	Shapes	Removal & Installation
<p>C101</p> 	 <p style="text-align: right;">SBF302H</p>	<p><b>Removal:</b> Remove by bending up with flat-bladed screwdrivers or clip remover.</p>  <p style="text-align: right;">SBF367BA</p>
<p>C103</p> 	 <p style="text-align: right;">SBT095</p>	<p><b>Removal:</b> Remove with a clip remover.</p>  <p style="text-align: right;">SBF423H</p>
<p>C205</p> 	 <p style="text-align: right;">MBT080A</p>	<p><b>Removal:</b> Flat-bladed screwdriver</p>  <p style="text-align: right;">SBF638CA</p>
<p>C206</p> 	 <p style="text-align: right;">MBF519B</p>	 <p style="text-align: right;">MBF520B</p>
<p>CE103</p> 	 <p style="text-align: right;">SBF104B</p>	<p><b>Removal:</b></p>  <p style="text-align: right;">SBF147B</p>

# CLIP AND FASTENER

Description (Cont'd)

Symbol No.	Shapes	Removal & Installation
<p>CF110</p> 	 <p style="text-align: right;">SBF648B</p>	<p><b>Removal:</b></p>  <p style="text-align: right;">SBF649B</p>
<p>CF118</p> 	 <p style="text-align: right;">SBF151D</p>	<p><b>Removal:</b></p>  <p style="text-align: right;">SBF259G</p>
<p>CR103</p>	 <p style="text-align: right;">SBF768B</p>	<p><b>Removal:</b> Holder portion of clip must be spread out to remove rod.</p>  <p style="text-align: right;">SBF770B</p>

## Removal and Installation

NFBT0004

- When removing or installing hood, place a cloth or other padding on hood. This prevents vehicle body from being scratched.
- Bumper fascia is made of plastic. Do not use excessive force and be sure to keep oil away from it.
- Hood adjustment: Adjust at hinge portion.
- Hood lock adjustment: After adjusting, check hood lock control operation. Apply a coat of grease to hood locks engaging mechanism.
- Hood opener: Do not attempt to bend cable forcibly. Doing so increases effort required to unlock hood.

**WARNING:**

- **Be careful not to scratch hood stay when installing hood. A scratched stay may cause gas leakage.**
- **The contents of the hood stay are under pressure. Do not take apart, puncture, apply heat or allow fire near it.**

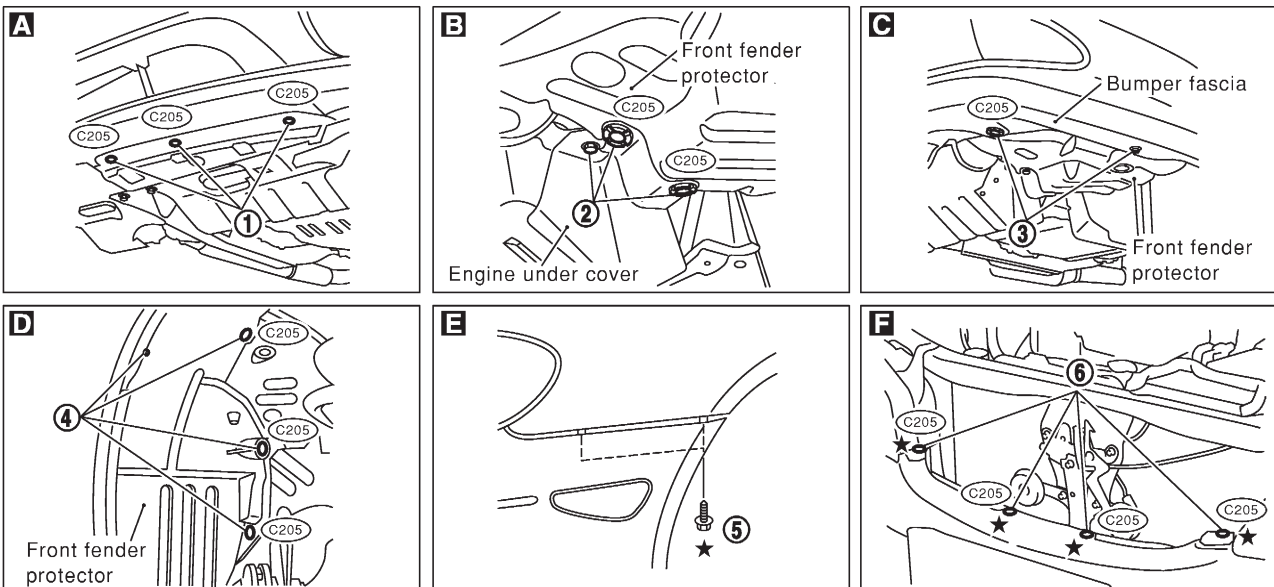
### FRONT BUMPER ASSEMBLY

NFBT0004S01

1. Remove clips securing engine undercover to bumper fascia. **A**
2. Remove clips and bolts securing left and right sides of front fender protectors. **B**
3. Remove screws and clips securing left and right sides of front fender protectors. **C**
4. Remove clips and screws securing left and right sides of front fender protectors in wheelhouse. **D**
5. Remove screws securing left and right front fenders to bumper fascia. **E**
6. Remove clips securing bumper fascia. **F**
7. Extract bumper fascia assembly, then disconnect fog lamp assembly harness connectors.
8. Remove energy absorber.
9. Remove bolts and hook securing headlamp assembly, then disconnect harness connectors. **G**
10. Remove nuts securing bumper reinforcement to left and right bumper stays. **H**
11. Extract bumper reinforcement.
12. Remove bolts and nuts securing front bumper bracket. **J**
13. Remove bolts and nut securing bumper stays, then remove the bumper stays. **K**

### Fog lamp assembly

14. Remove bolt securing fog lamp assembly. **L**
15. Extract fog lamp assembly. **L**



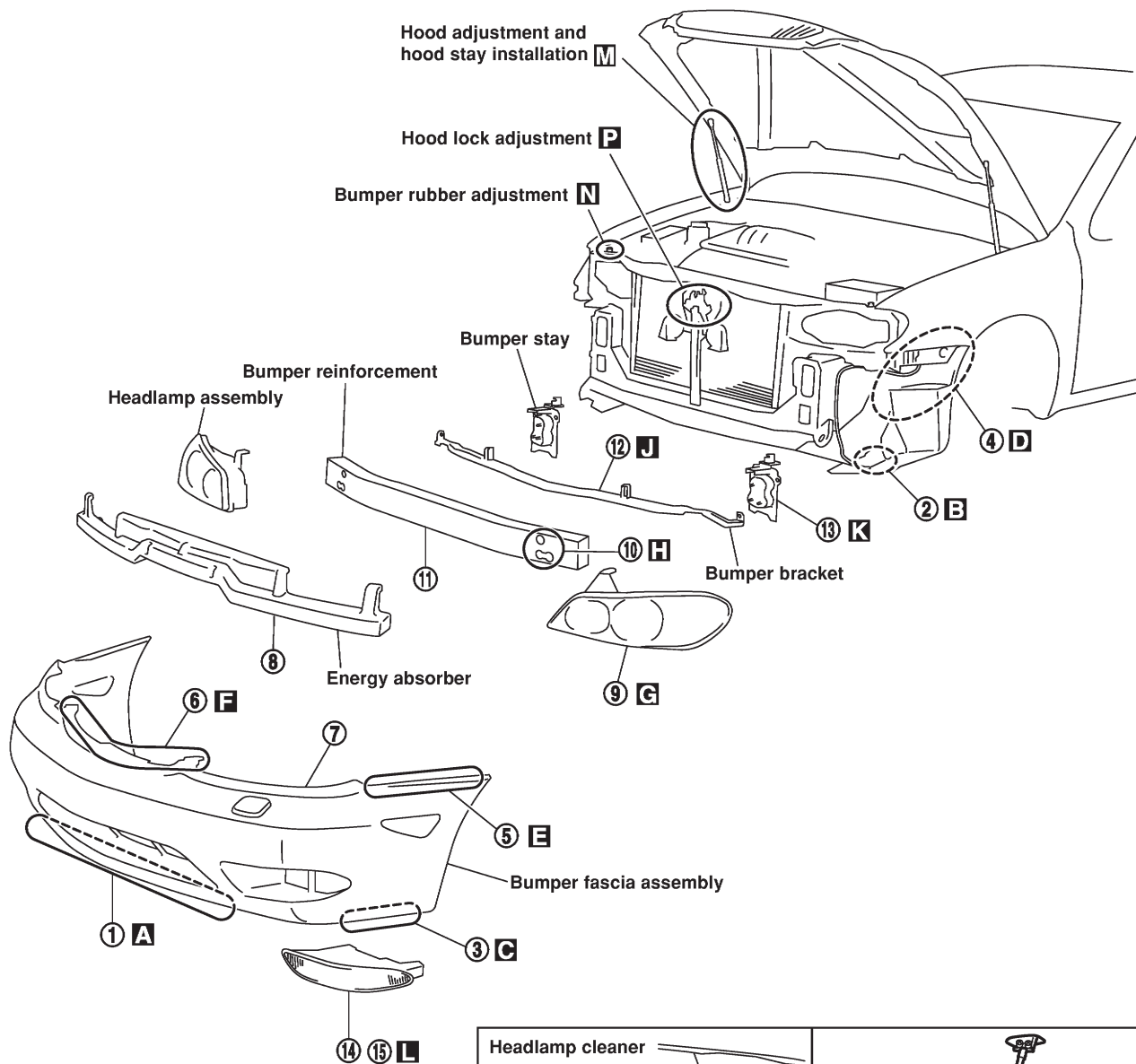
★ : Bumper assembly mounting screws and clips

SBT896

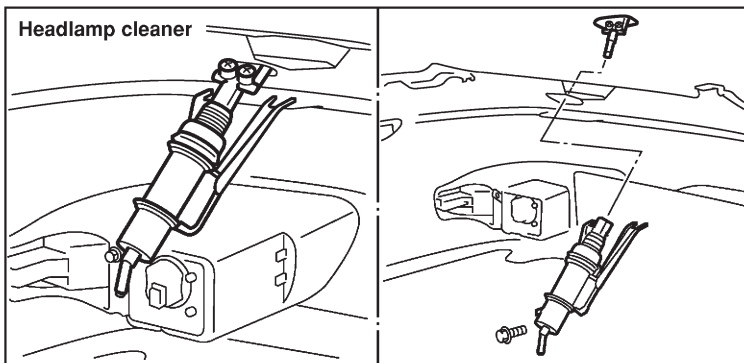
# BODY FRONT END

Removal and Installation (Cont'd)

SEC. 260•261•262•620•630•650



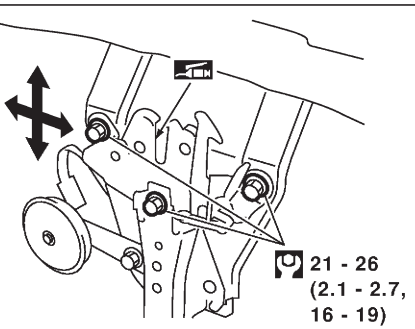
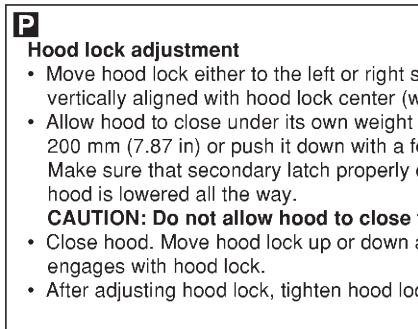
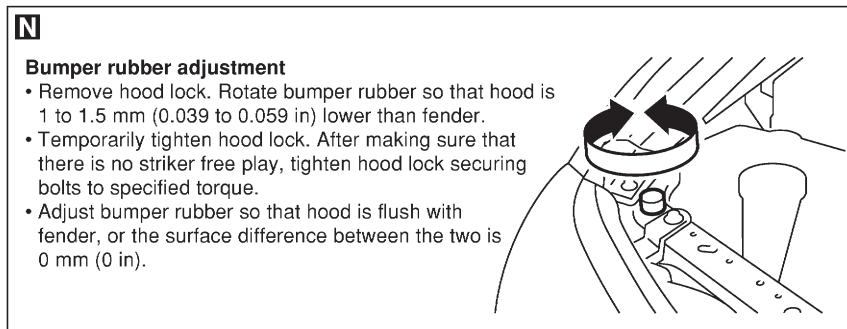
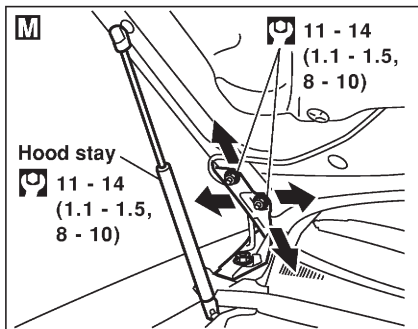
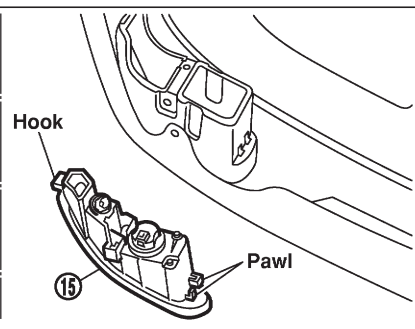
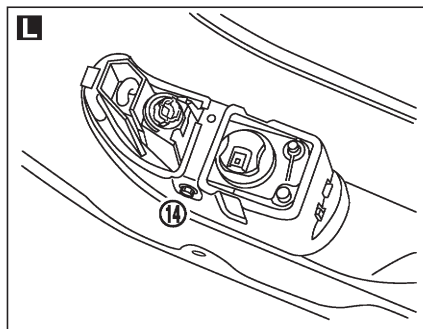
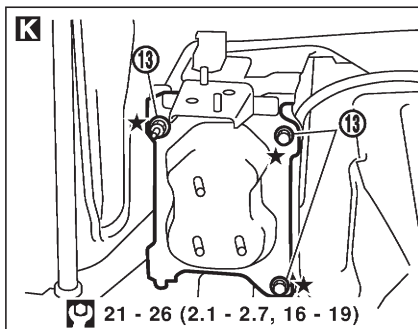
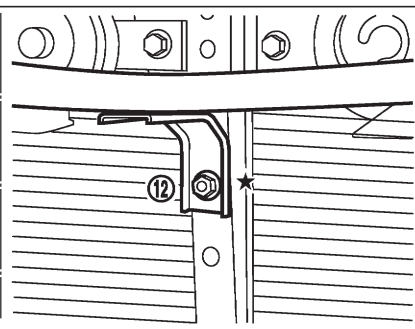
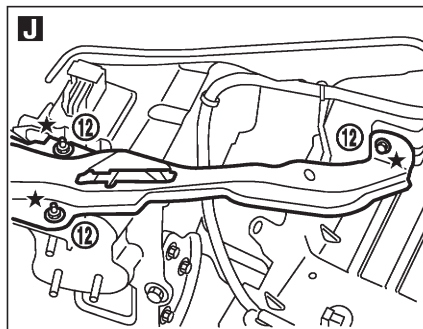
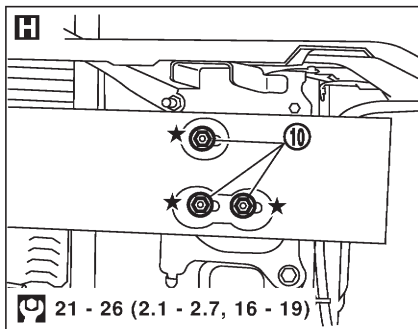
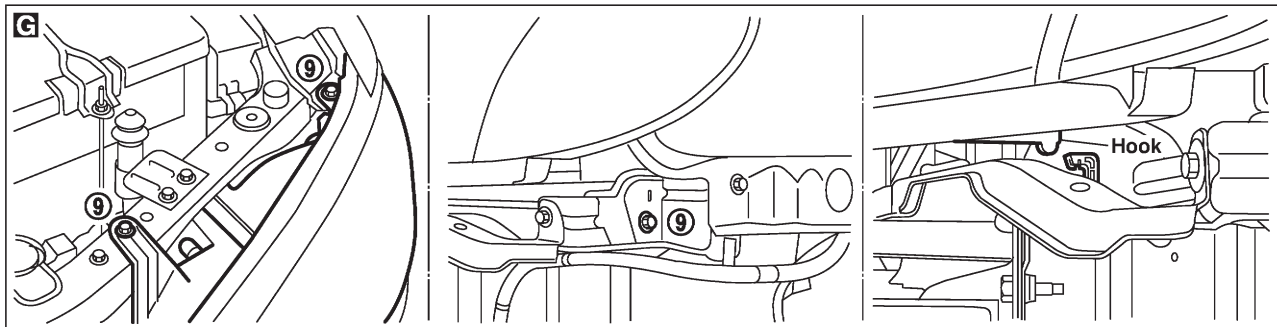
- H** : 21 - 26 (2.1 - 2.7, 16 - 19)
- K** : 21 - 26 (2.1 - 2.7, 16 - 19)
- M** : 11 - 14 (1.1 - 1.5, 8 - 10)
- P** : 21 - 26 (2.1 - 2.7, 16 - 19)
- G** : N•m (kg-m, ft-lb)



SBT897

# BODY FRONT END

Removal and Installation (Cont'd)



★ : Bumper assembly mounting bolts and nuts

: N•m (kg•m, ft•lb)

SBT898

## BODY REAR END AND OPENER

Removal and Installation

### Removal and Installation

NFBT0005

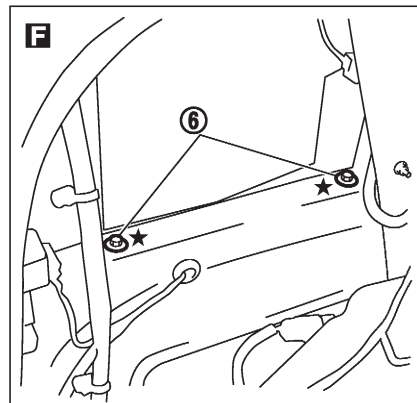
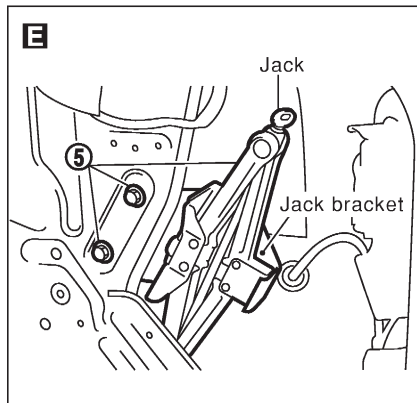
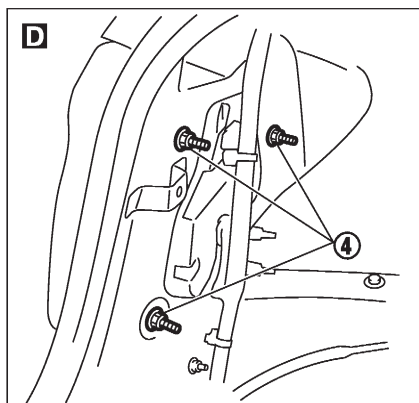
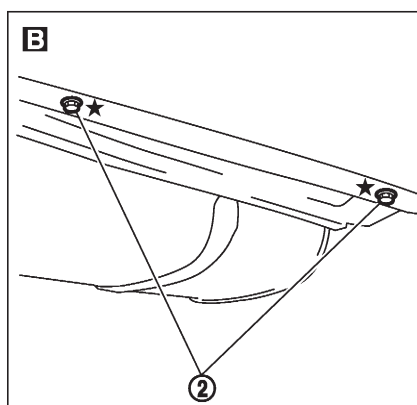
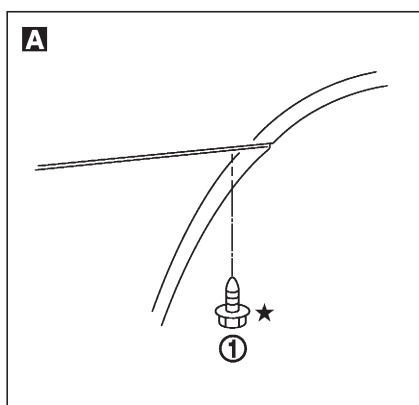
- When removing or installing trunk lid, place a cloth or other padding on trunk lid. This prevents vehicle body from being scratched.
- Bumper fascia is made of plastic. Do not use excessive force and be sure to keep oil away from it.
- Trunk lid adjustment: Adjust at hinge-trunk lid portion for proper trunk lid fit.
- Trunk lid lock system adjustment: Adjust striker so that it is in the center of the lock. After adjustment, check trunk lid lock operation.
- After installation, make sure that trunk lid and fuel filler lid open smoothly.

★ For Wiring Diagram, refer to EL-207, "TRUNK LID AND FUEL FILLER LID OPENER".

### REAR BUMPER ASSEMBLY

NFBT0005S01

1. Remove screws securing left and right rear fenders to bumper fascia. **A**
2. Remove screws securing left and right rear fenders to bumper fascia lower side. **B**
3. Remove trunk room trim. Refer to "TRUNK ROOM TRIM" for details, BT-31.
4. Working from inside trunk, remove nuts securing rear combination lamp assembly, then disconnect harness connectors. **D**
5. Working from inside trunk, remove jack then remove nuts securing jack bracket. **E**
6. Working from inside trunk, remove bolts securing left and right rear fenders to bumper fascia. **F**
7. Working from inside trunk, remove nuts securing left and right rear fenders to bumper fascia. **G**
8. Remove clips securing left and right rear bumper bracket assembly to bumper fascia. **H**
9. Extract rear bumper fascia assembly after removing the clamps securing it. **J**
10. Remove energy absorber.
11. Remove nuts securing bumper reinforcement to left and right bumper stays. **K**
12. Extract bumper reinforcement.
13. Remove nuts securing bumper stays, then remove the bumper stays. **L**



★ : Bumper assembly mounting screws, clips and bolts

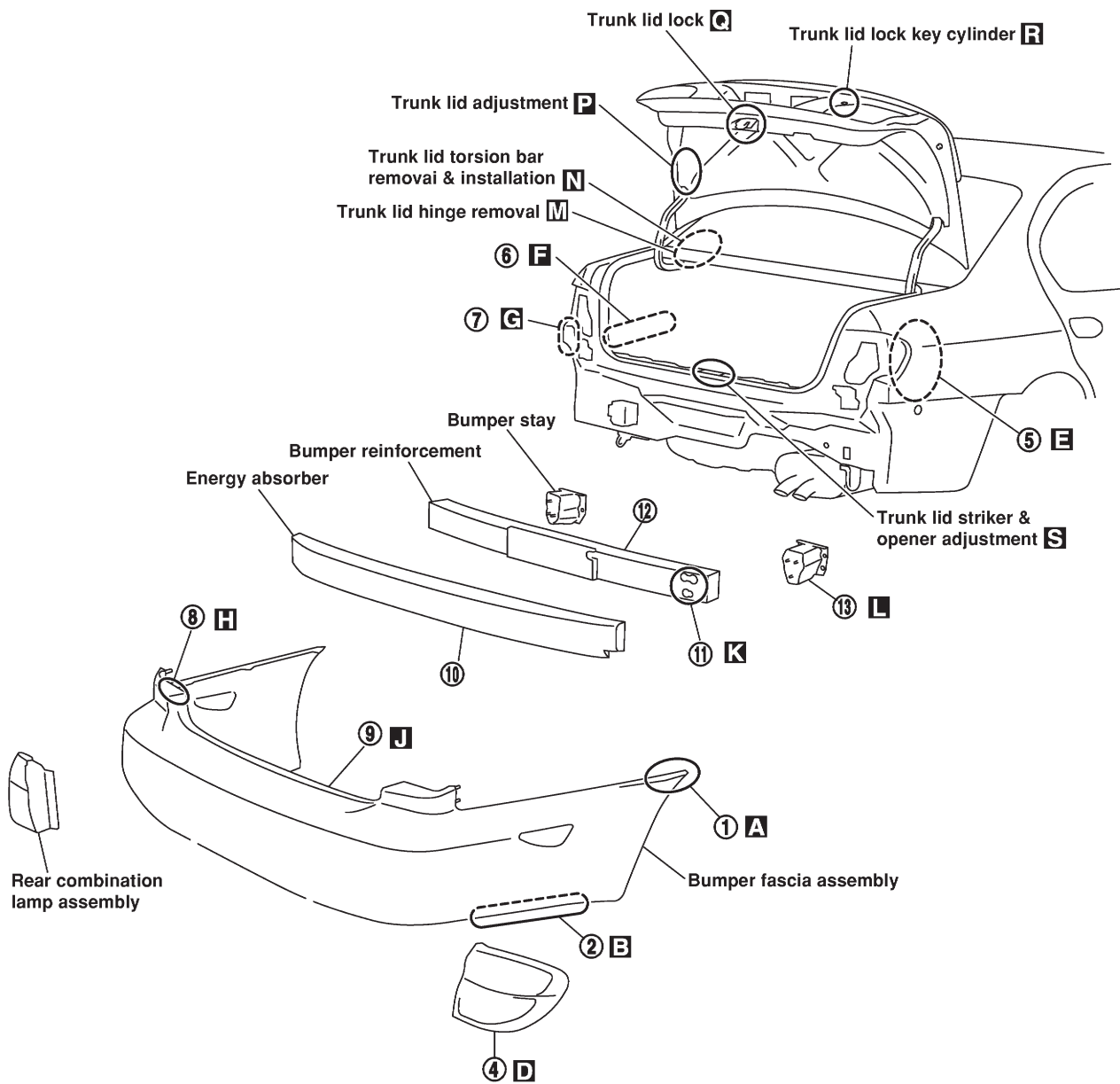
SBT082A



# BODY REAR END AND OPENER

Removal and Installation (Cont'd)

SEC. 843-850

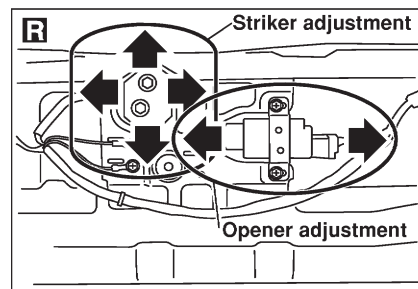
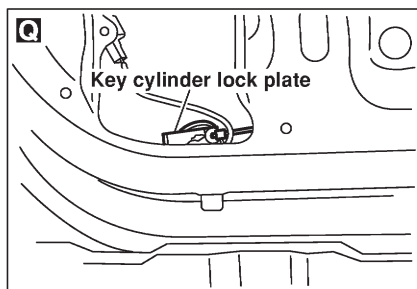
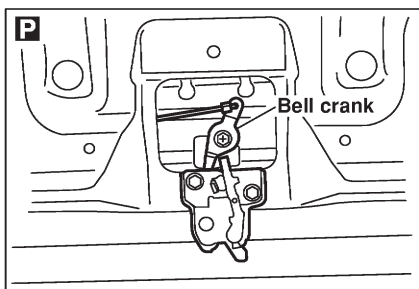
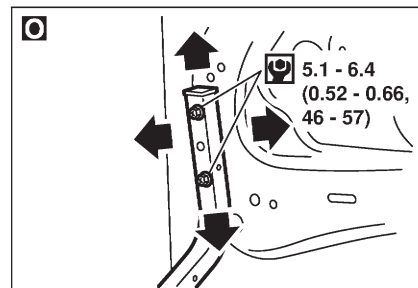
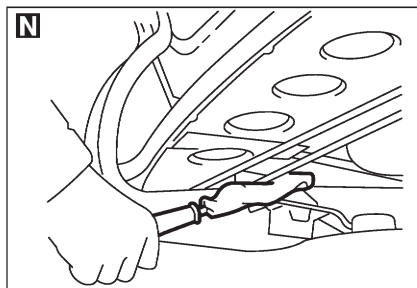
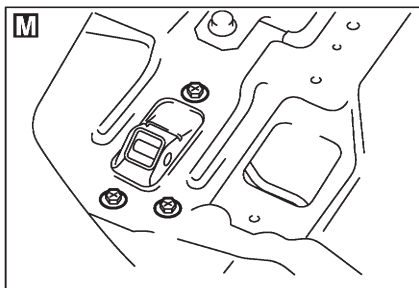
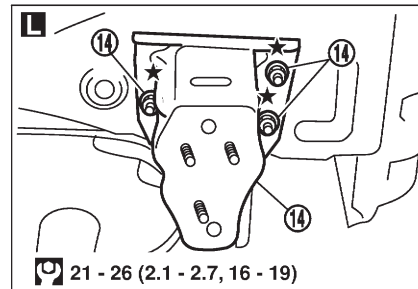
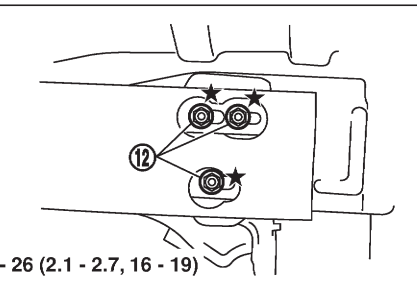
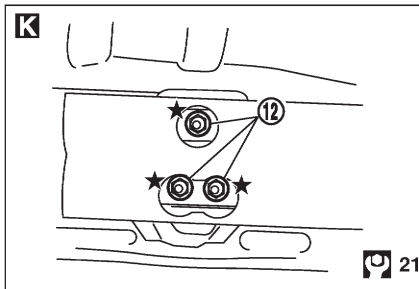
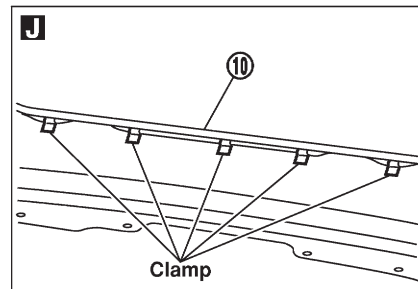
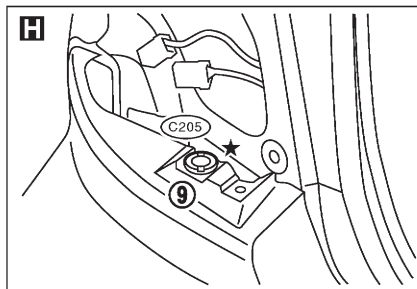
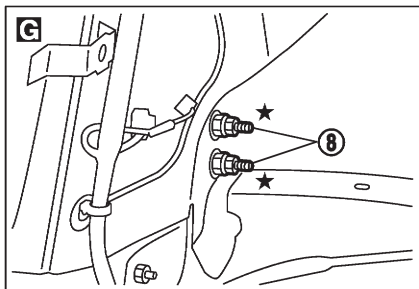


- K** : 21 - 26 N·m (2.1 - 2.7 kg-m, 16 - 19 ft-lb)
- L** : 21 - 26 N·m (2.1 - 2.7 kg-m, 16 - 19 ft-lb)
- P** : 5.1 - 6.4 N·m (0.52 - 0.66 kg-m, 46 - 57 in-lb)

SBT081A

# BODY REAR END AND OPENER

Removal and Installation (Cont'd)



★ : Bumper assembly mounting nuts and clips

🔩 : N•m (kg-m, ft-lb)

🔩 : N•m (kg-m, in-lb)

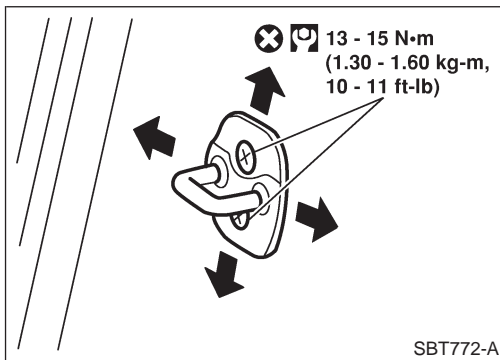
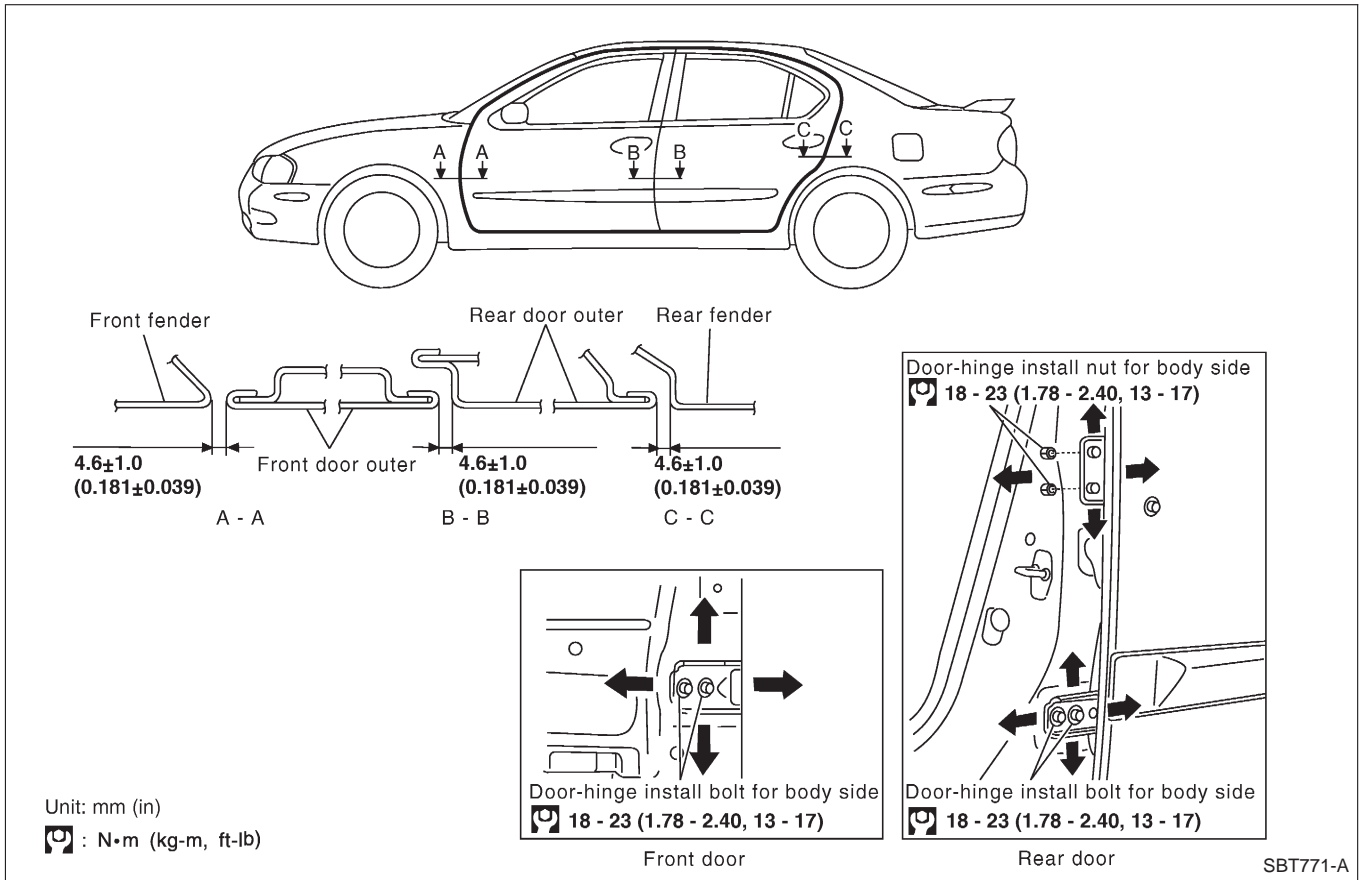
SBT866-A

# DOOR

Adjustment

## Adjustment

NFBT0006



### STRIKER ADJUSTMENT

Adjust striker so that it is parallel with advancing direction of door lock.

NFBT0006S01

# DOOR

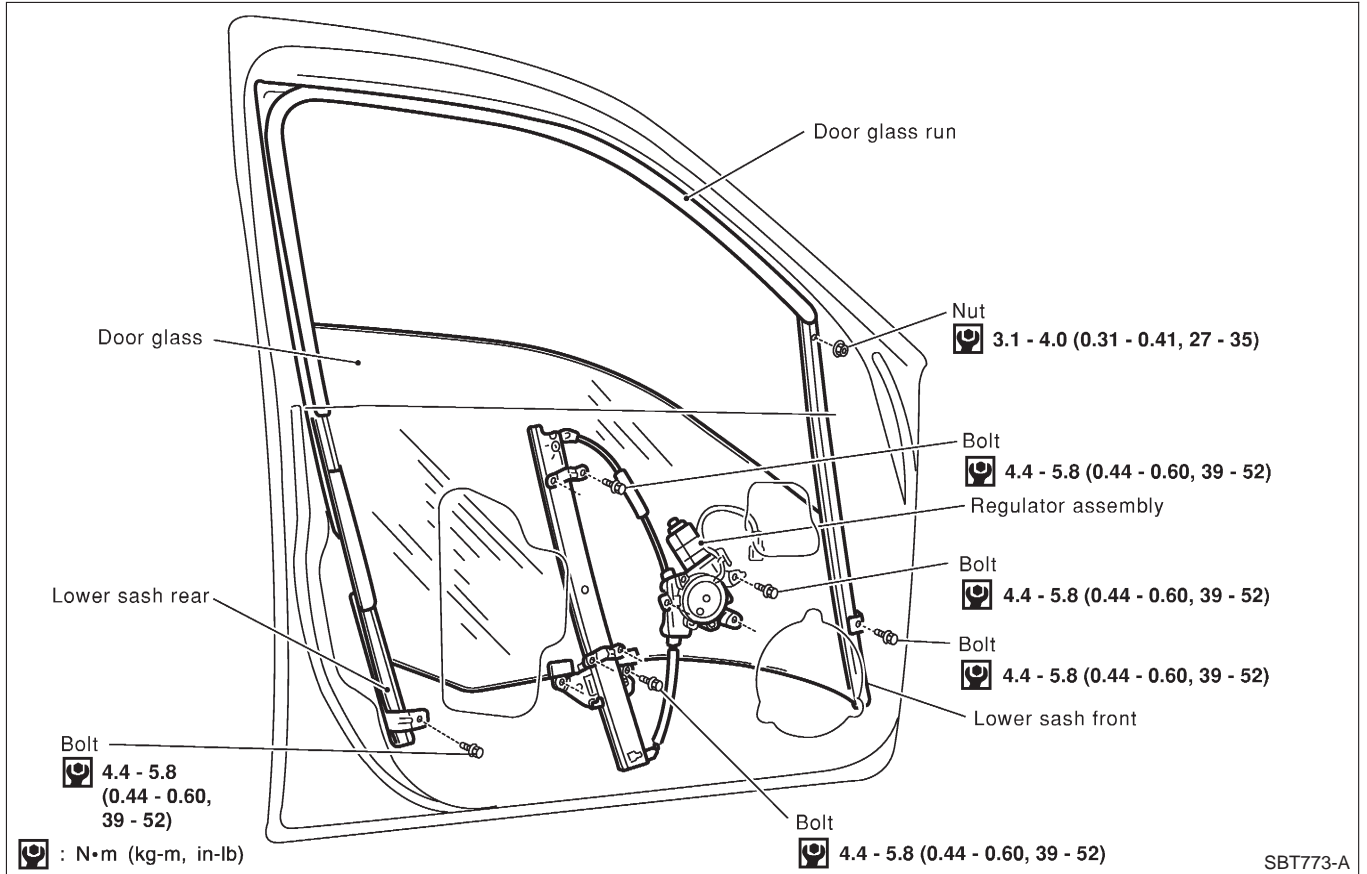
## Front Door Glass

=NFBT0007

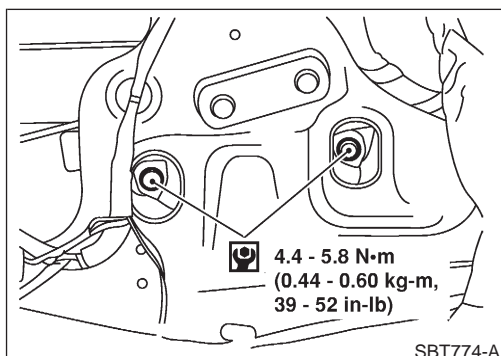
- Make sure that door glass is positioned in glass run groove.
- Make sure that there is no abnormality when door glass is raised or lowered.

## FRONT DOOR GLASS AND REGULATOR

NFBT0007S01



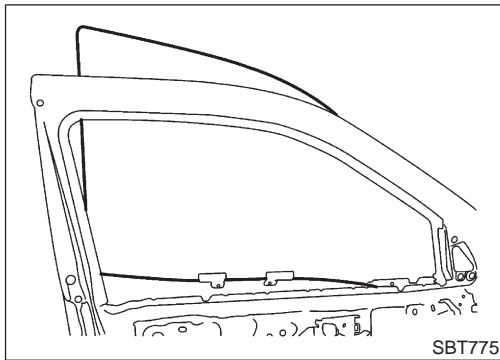
- For removal of front door trim, refer to "DOOR TRIM", BT-27.
- For removal of door mirror, refer to "DOOR MIRROR", BT-52.
- For removal of door outside molding, refer to "EXTERIOR", BT-32.
- Remove sealing screen.



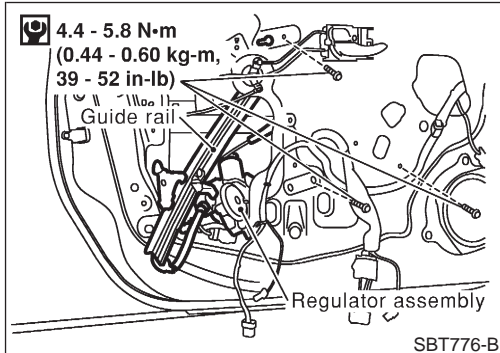
1. Using power window main switch, raise or lower door glass until carrier plate securing bolts are visible.
2. Remove bolts securing carrier plate.

# DOOR

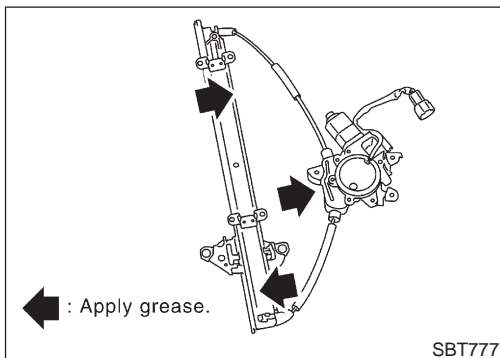
Front Door Glass (Cont'd)



3. Hold door glass with both hands. While raising rear end of door glass, remove door glass from sash and away from outside the door.



4. Disconnect regulator assembly connector.
5. Remove bolts securing regulator assembly and guide rail, then remove regulator assembly and guide rail.



## Inspection

Check regulator assembly for the following parts. Replace faulty parts with new ones. NFBT0007S0101

- Wire for wear
- Regulator for deformation
- Sliding parts for lubrication

## Front Door Limit Switch Reset (Driver side only)

### RESET CONDITIONS

After each of the following operations are performed, reset the limit switch (with built-in motor). NFBT0008

- Regulator removal and installation
- Removal of motor from regulator
- Operation of regulator as a single unit
- Door glass removal and installation
- Glass run removal and installation

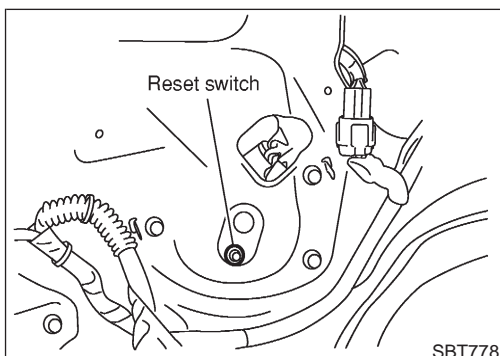
### RESET PROCEDURES

After installing parts, proceed as follows: NFBT0008S01

1. Close the door window completely.
2. Press the reset switch and open the door window completely.
3. Release the reset switch. After making sure the reset switch has returned to the original position, close the door window completely.
4. The limit switch is now reset. NFBT0008S02

### CAUTION:

Be sure to manually open or close the door window. (Do not use the automatic open-close procedures.)



# DOOR

## Rear Door Glass

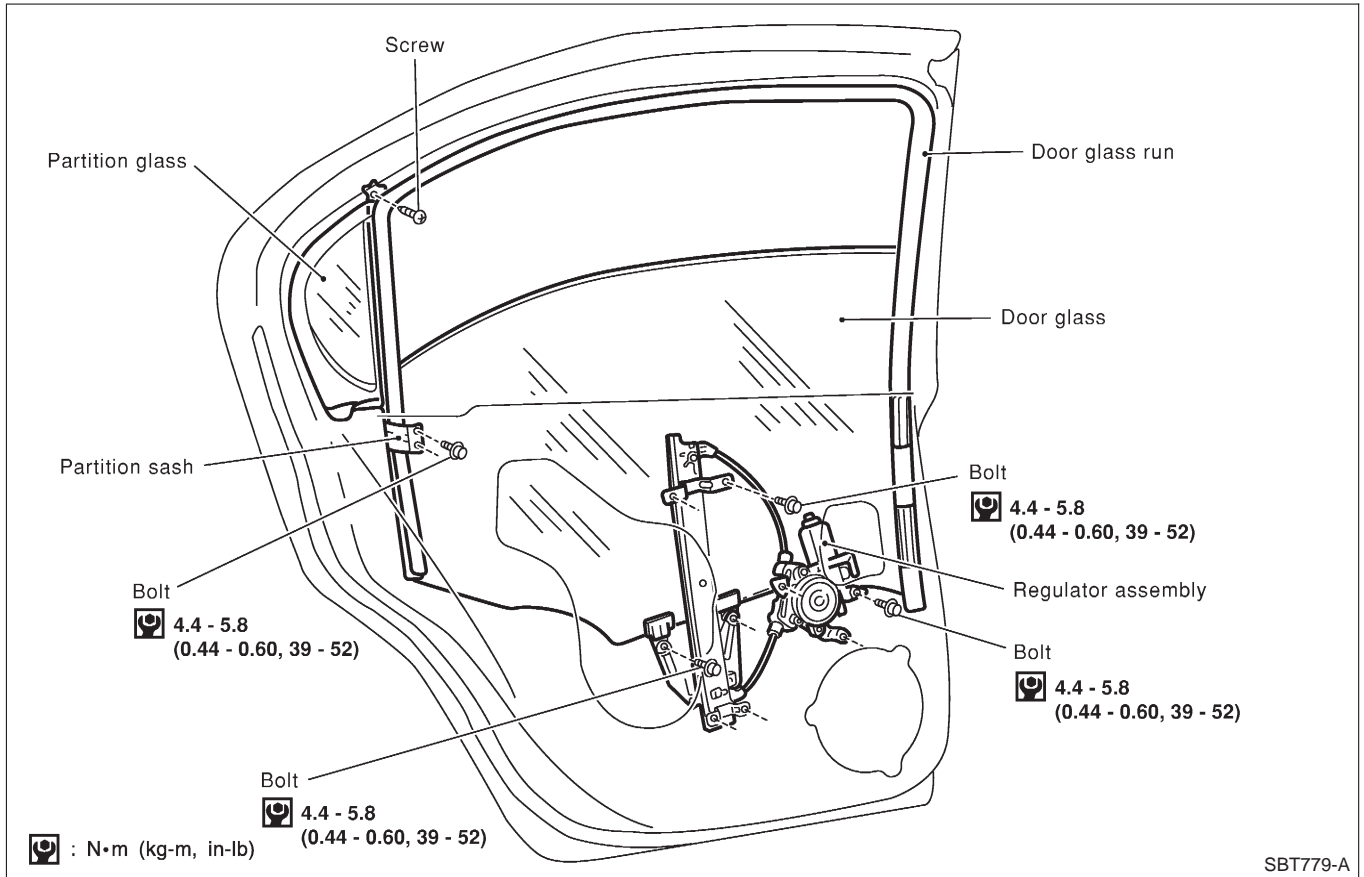
### Rear Door Glass

NFBT0009

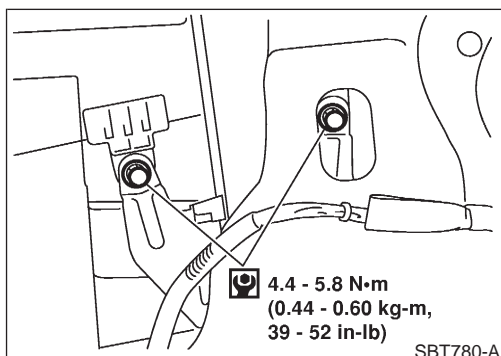
- Make sure that door glass is positioned in glass run groove.
- Make sure that there is no abnormality when door glass is raised or lowered.

### REAR DOOR GLASS AND REGULATOR

NFBT0009S01



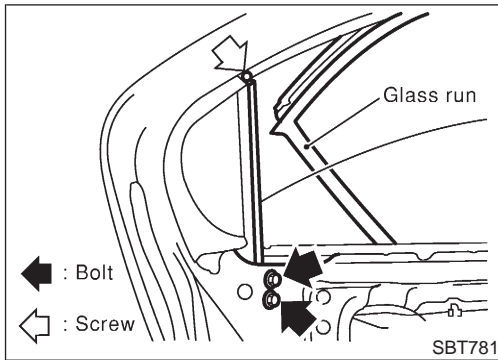
- For removal of rear door trim, refer to “DOOR TRIM”, BT-27.
- For removal of door outside molding, refer to “EXTERIOR”, BT-32.
- Remove sealing screen.



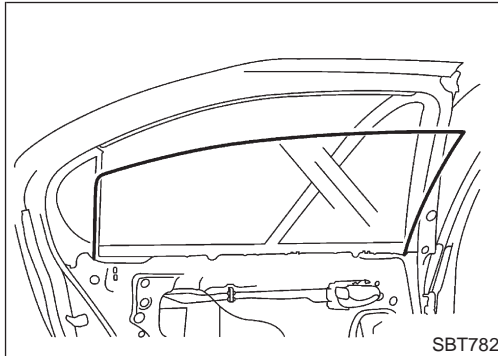
1. Using power window main switch, raise or lower door glass until carrier plate securing bolts are visible.
2. Remove bolts securing carrier plate.

# DOOR

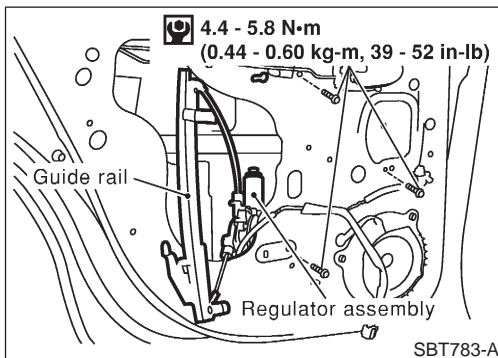
Rear Door Glass (Cont'd)



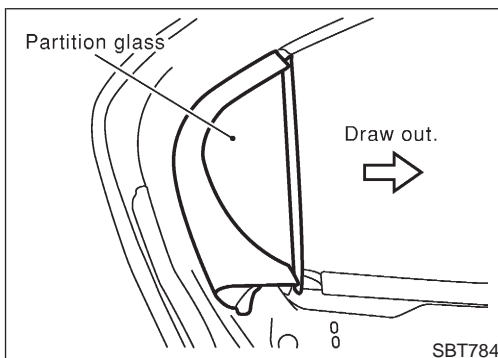
3. Remove partition sash at glass run.
4. Remove bolts and screw securing partition sash.



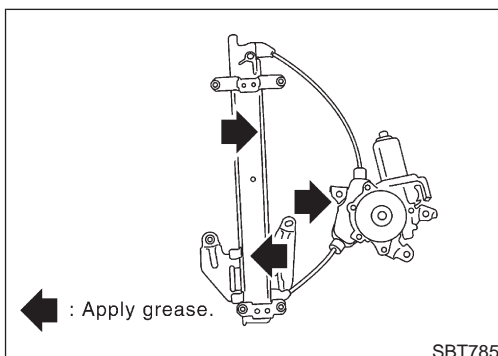
5. Hold door glass with both hands. While raising rear end of door glass, remove door glass from sash and away from inside the door.



6. Disconnect regulator assembly connector.
7. Remove bolts securing regulator assembly and guide rail, then remove regulator assembly and guide rail.



8. Remove partition glass.



## Inspection

Check regulator assembly for the following parts. Replace faulty parts with new ones.

NFBT0009S0101

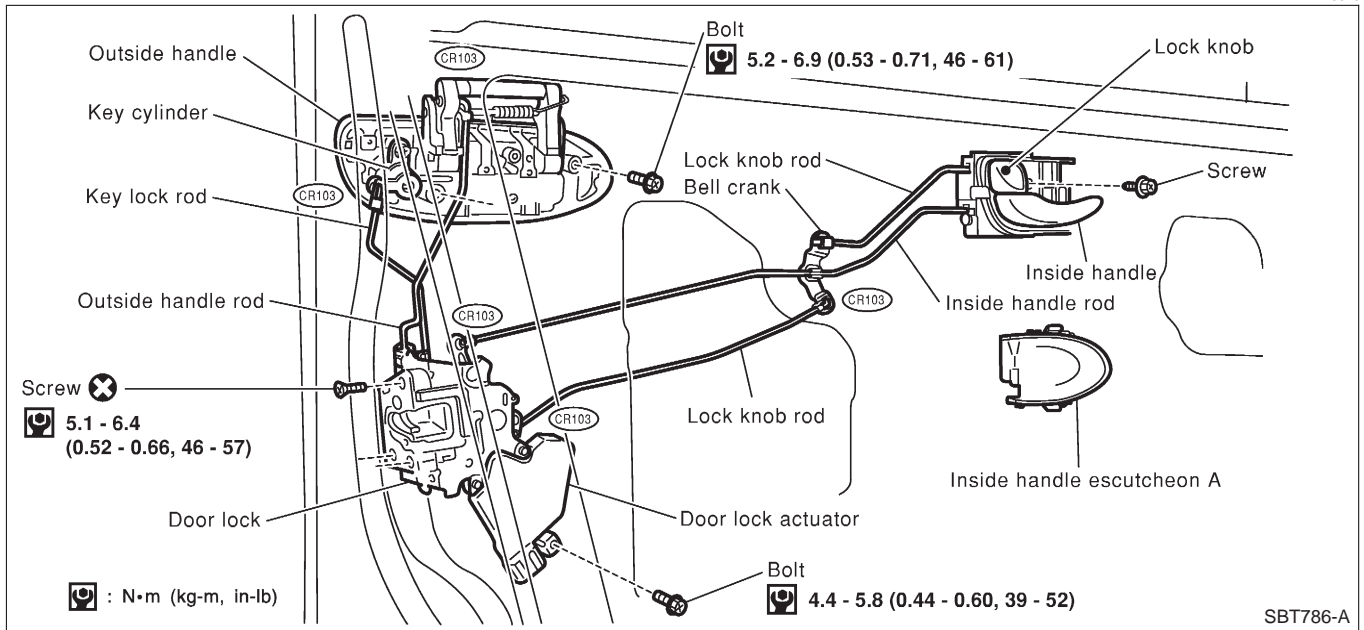
- Wire for wear
- Regulator for deformation
- Sliding parts for lubrication

# DOOR

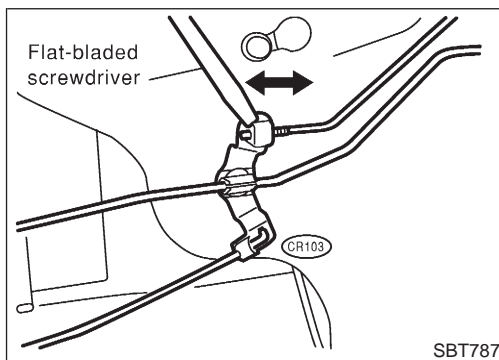
## Front Door Lock

### Front Door Lock

NFBT0010



- For removal of front door trim, refer to "DOOR TRIM", BT-27.
- Remove sealing screen.

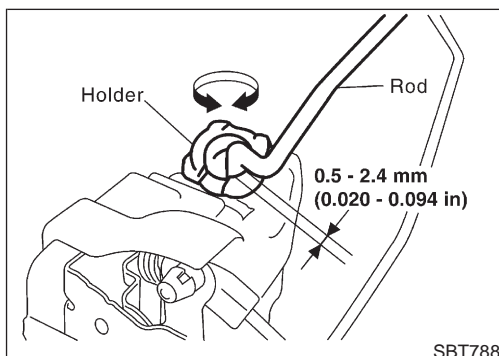


### BELL CRANK ADJUSTMENT

NFBT0010S01

**CAUTION:**  
Before adjusting bell crank, make sure that rod is installed to inside handle.

After installing door lock and inside handle, set them in the lock position. Using a flat-bladed screwdriver, expand rod holder. Remove rod free play at joining area and set rod in position. After adjusting bell crank adjustments have been made, operate door lock knob, door lock switch and door key to make sure that they lock and unlock properly.



### OUTSIDE HANDLE ROD ADJUSTMENT

NFBT0010S02

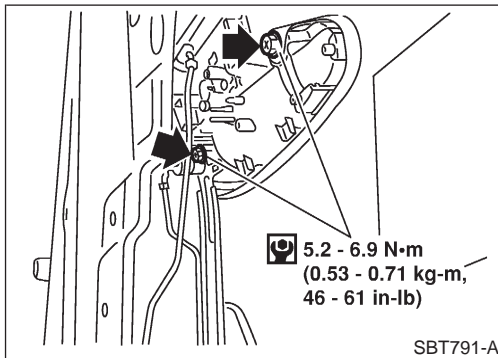
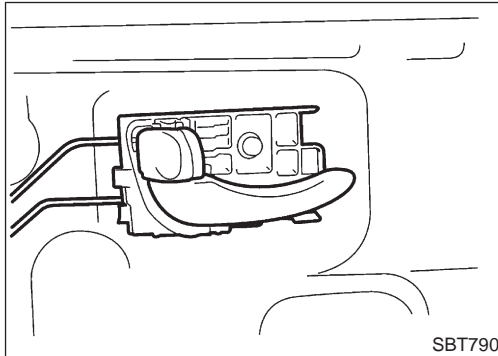
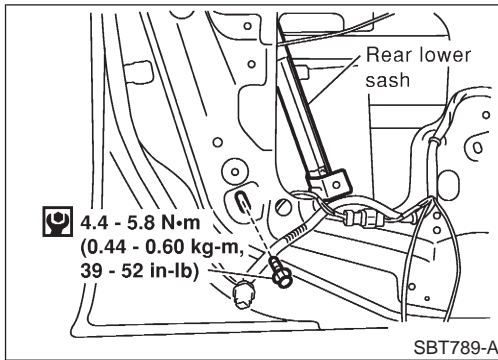
Rotate rod holder so that rod-to-holder clearance is adjusted as shown in the figure at left.

**CAUTION:**  
Make sure that rod-to-holder clearance is not "0" mm (0 in), and that rod is not held pressed.



# DOOR

Front Door Lock (Cont'd)



## REMOVAL

NFBT0010S03

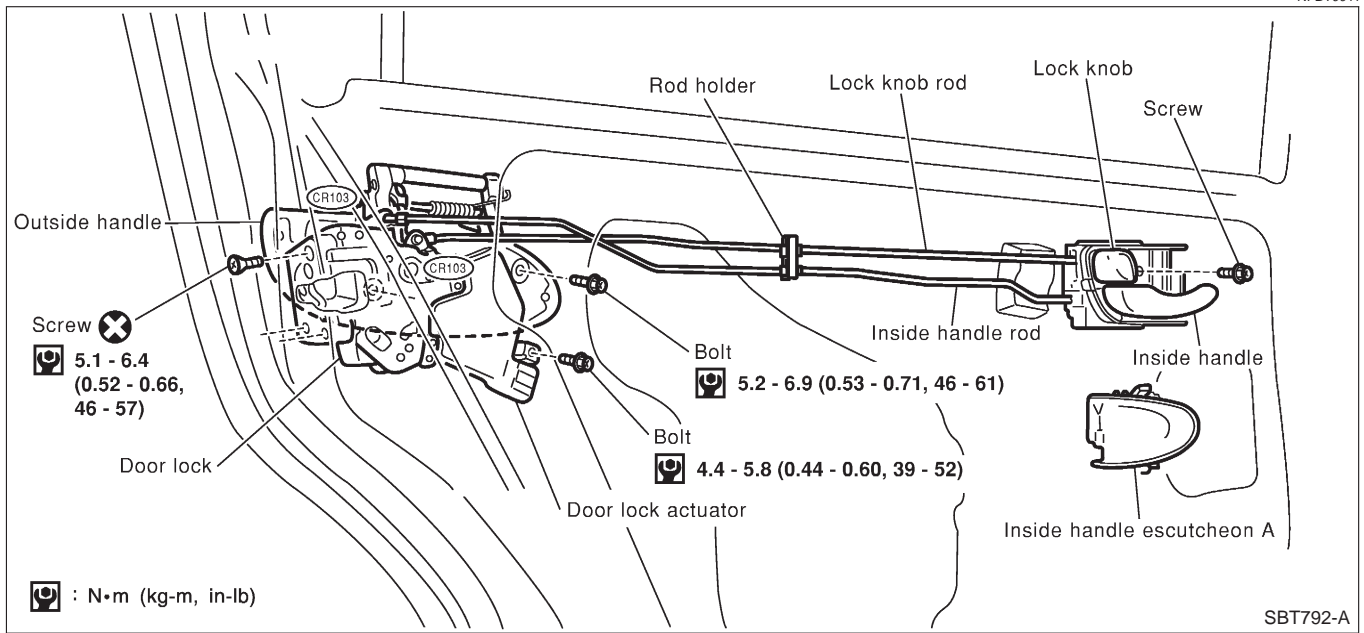
- For removal of front door trim, refer to "DOOR TRIM", BT-27.
  - Remove sealing screen.
  - For removal of front door glass, refer to "Front Door Glass", BT-12.
1. Remove lower rear sash (unitized with glass run) securing bolts. Remove lower rear sash from door panel and away from door lock.
  2. Remove inside handle escutcheon A.
  3. Remove screw securing inside handle.
  4. Detach bell crank at lock knob joining area.
  5. Detach inside handle rod on the door lock assembly side.
  6. Slide inside handle backward and remove inside handle.
  7. Remove rod from inside handle.
  8. Detach key lock rod and outside handle rod at joining area (on the outside handle side).
  9. Disconnect door lock actuator connector.
  10. Remove screws securing door lock assembly, then remove door lock assembly.
  11. Remove bolts securing outside handle, then remove outside handle assembly.

# DOOR

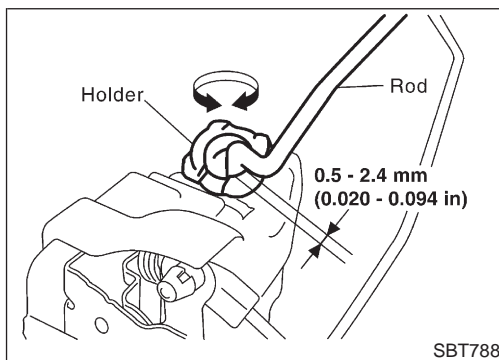
Rear Door Lock

## Rear Door Lock

=NFBT0011



- For removal of rear door trim, refer to "DOOR TRIM", BT-27.
- Remove sealing screen.



### OUTSIDE HANDLE ROD ADJUSTMENT

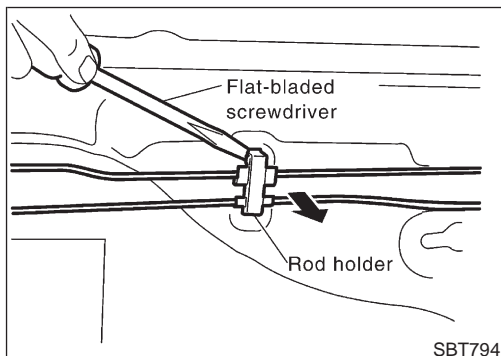
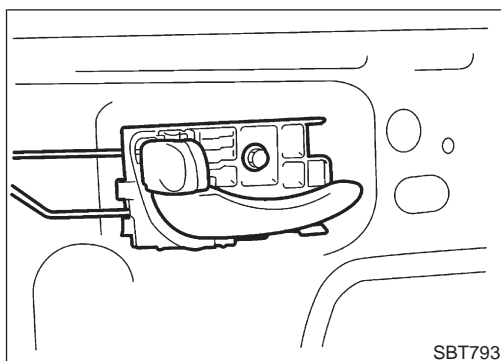
NFBT0011S01

Rotate rod holder so that rod-to-holder clearance is adjusted as shown in the figure at left.

**CAUTION:**  
Make sure that rod-to-holder clearance is not "0" mm (0 in), and that rod is not held pressed.

## DOOR

Rear Door Lock (Cont'd)



### REMOVAL

- For removal of rear door trim, refer to "DOOR TRIM", BT-27.<sup>=NFBT0011S02</sup>
  - Remove sealing screen.
  - For removal of rear door glass, refer to "Rear Door Glass", BT-14.
1. Remove inside handle escutcheon A.
  2. Remove screw securing inside handle.
  3. Detach inside handle rod on the door lock assembly side.
  4. Detach lock knob rod (on the door lock assembly side).
  5. Using a flat-bladed screwdriver, expand rod holder. Remove rod from rod holder.
  6. Slide inside handle backward and remove inside handle.
  7. Remove rod from inside handle.
  8. Disconnect door lock actuator connector.
  9. Remove screws securing door lock assembly, then remove door lock assembly.
  10. Remove bolts securing outside handle, then remove outside handle.

# INSTRUMENT PANEL ASSEMBLY

*Removal and Installation*

---

## Removal and Installation

NFBT0012

### **CAUTION:**

- Disconnect ground terminal from battery in advance.
- Disconnect air bag system line in advance.
- Never tamper with or force air bag lid open, as this may adversely affect air bag performance.
- Be careful not to scratch pad and other parts.

# INSTRUMENT PANEL ASSEMBLY

Removal and Installation (Cont'd)

Instrument panel assembly	Combination meter	Audio & A/C control	Console box
Remove air bag module (driver) and steering wheel. Refer to "Driver Air Bag Module and Spiral Cable" for details. (*1)		a	
Remove dash side lower finishers. Refer to "SIDE AND FLOOR TRIM" for details. (*2)			
① Instrument lower panel on driver side • Remove bolts.			<b>A</b>
② Steering column cover and combination switch • Remove screws and disconnect harness connectors.		a	
③ Instrument lower reinforcement • Remove bolts.			
Remove steering column mounting nuts. Refer to "Steering Wheel and Steering Column" for details. (*3)			
④ Cluster lid A • Remove screws then disconnect harness connectors.			<b>B</b>
⑤ Combination meter • Remove screws then disconnect harness connectors.			
⑥ Center ventilator assembly • Remove clips.			<b>C</b>
⑦ Console A/T finisher • Remove clips.			<b>D</b>
⑧ Audio & A/C control unit assembly • Remove screws then disconnect harness connectors.			
⑨ Cluster lid D • Remove screws and clips then disconnect harness connector.			<b>E</b>
⑩ Display unit (Model with navigation) • Remove screws. • Then disconnect harness connectors.			
⑪ Glove box assembly • Remove screws. • Then disconnect passenger air bag module connector and remove bracket.			<b>F</b>
⑫ Passenger air bag assembly • Refer to "Front Passenger Air Bag Module" for details. (*4)			
⑬ Instrument stay cover • Remove screws and clips.			<b>G</b>
⑭ Console box assembly • Remove screws then disconnect harness connectors.			
⑮ Defroster grille • Disconnect connector.			<b>H</b>
⑯ Front pillar garnish • Refer to "SIDE AND FLOOR TRIM" for details. (*2)			
⑰ Door mirror control unit • Remove clips then disconnect harness connector.			<b>J</b>
⑱ Instrument panel and pad assembly • Remove parking brake release lever mount bolts. • Remove bolts, nuts and screw.			<b>K</b>

SBT956

\*1 RS-17

\*3 ST-10

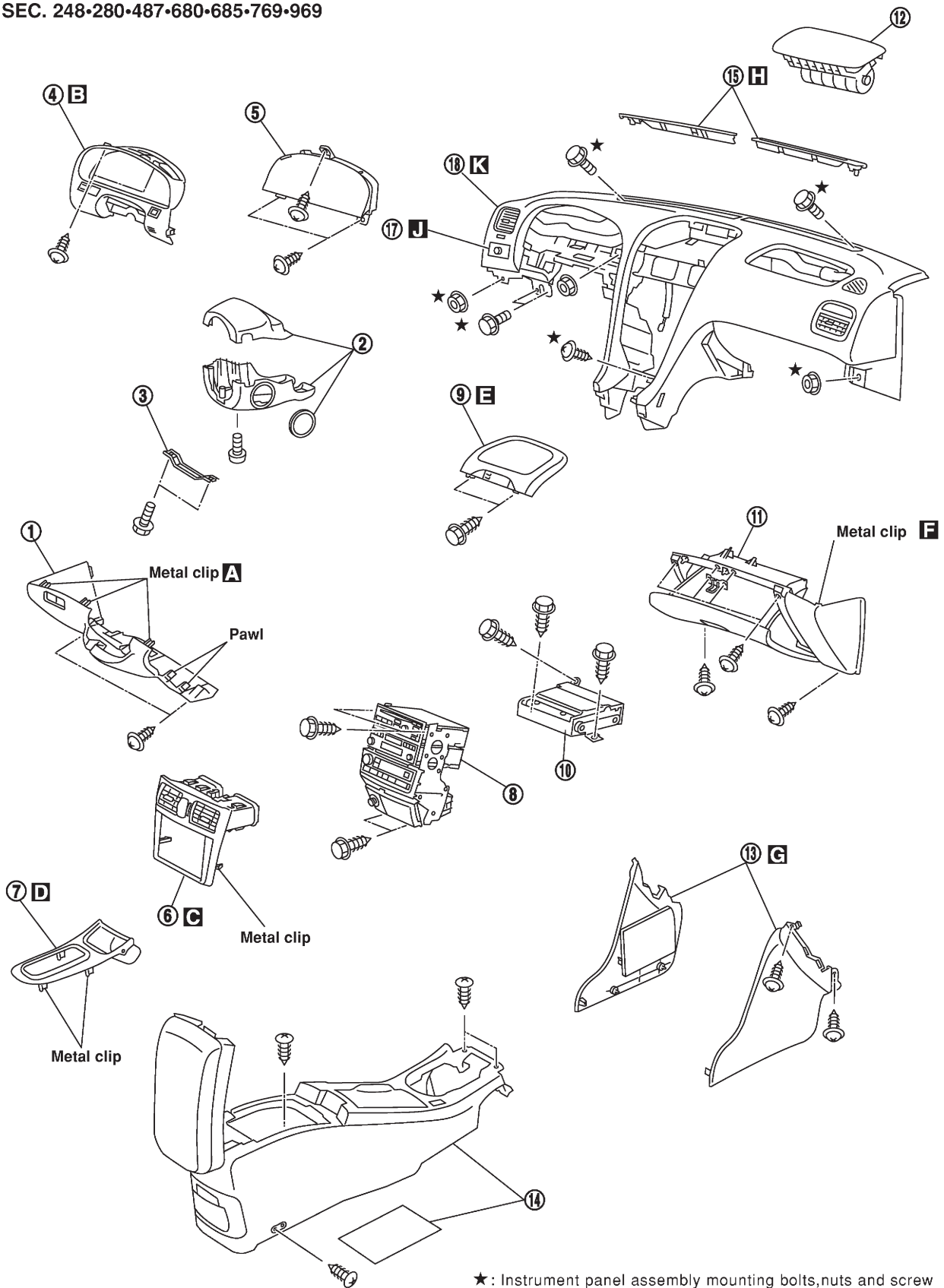
\*4 RS-19

\*2 BT-24

# INSTRUMENT PANEL ASSEMBLY

Removal and Installation (Cont'd)

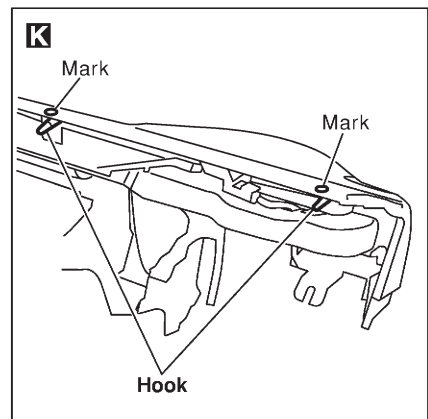
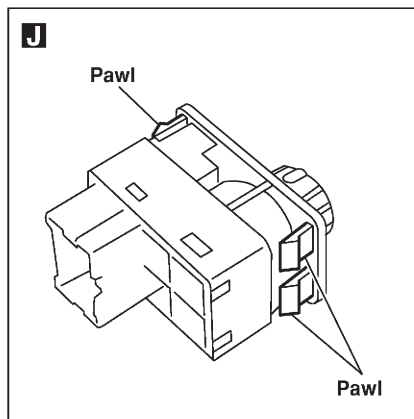
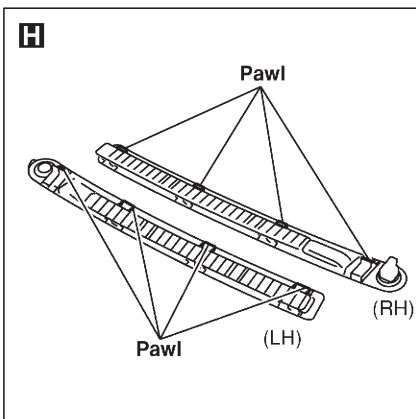
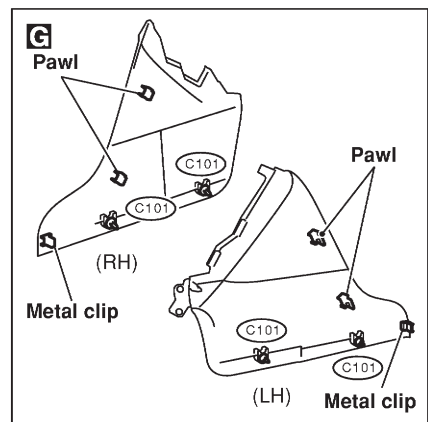
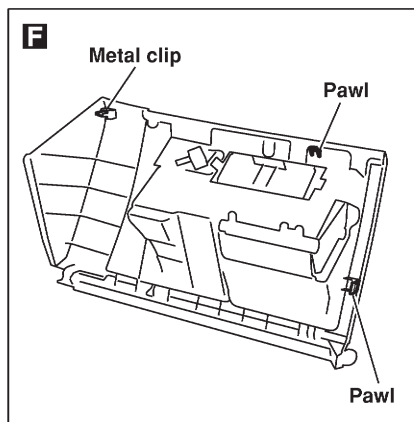
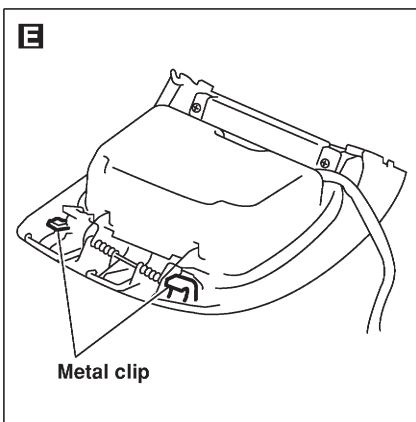
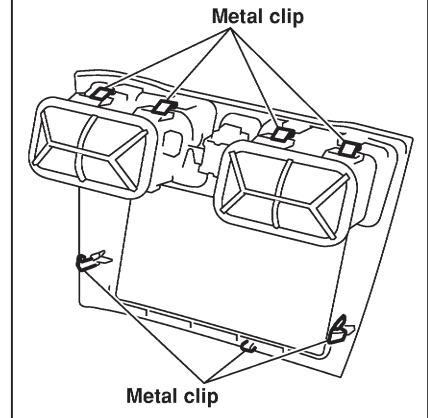
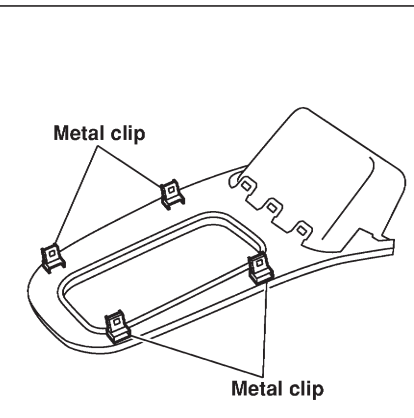
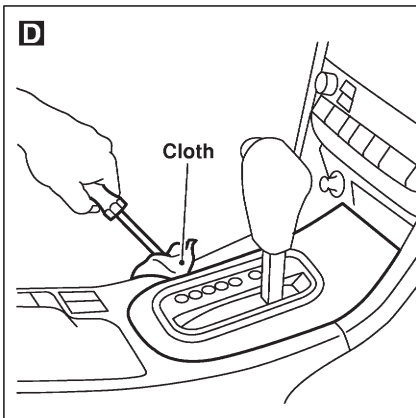
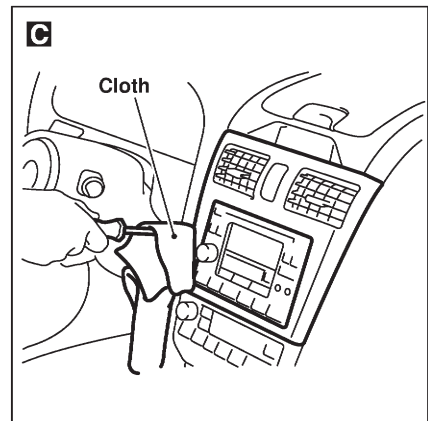
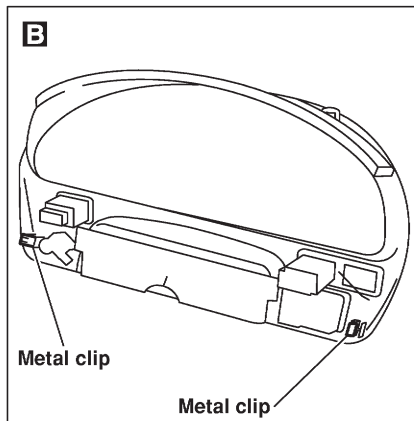
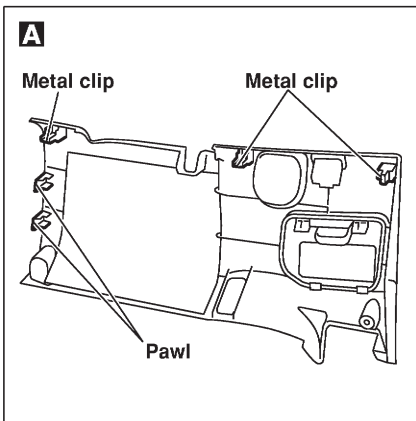
SEC. 248•280•487•680•685•769•969



SBT900

# INSTRUMENT PANEL ASSEMBLY

Removal and Installation (Cont'd)



SBT948

## SIDE AND FLOOR TRIM

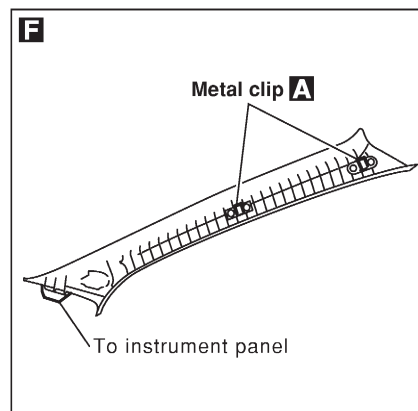
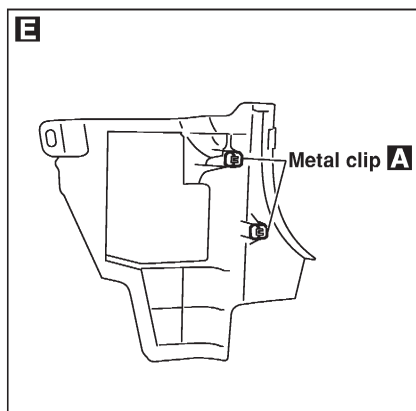
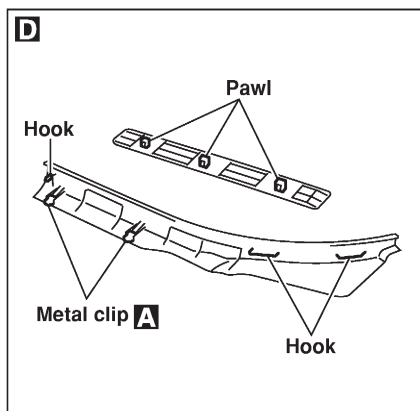
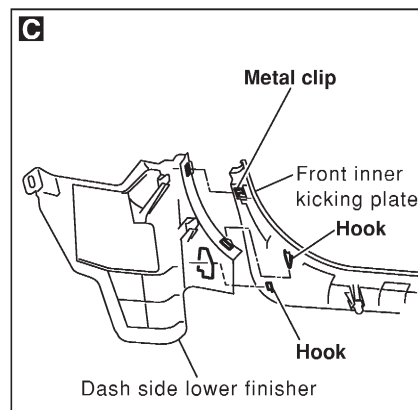
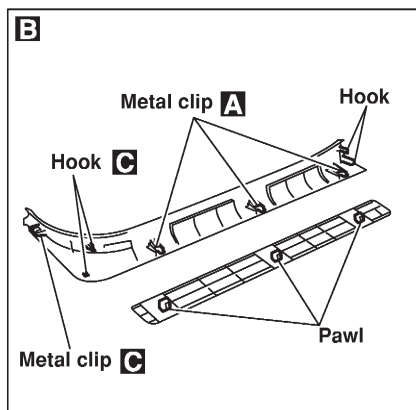
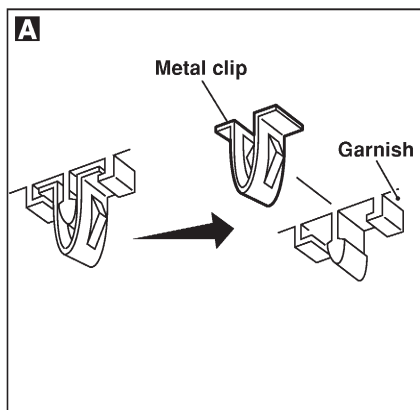
Removal and Installation

### Removal and Installation

NFBT0013

#### CAUTION:

- Wrap the tip of flat-bladed screwdriver with a cloth when removing metal clips from garnishes.
  - When removing or installing body side welts, do not allow butyl seal to come in contact with pillar garnish.
1. Remove front and rear seats. Refer to "FRONT SEAT" and "REAR SEAT" for details, BT-38 and BT-41.
  2. Remove front and rear seat belts. Refer to RS-5 and RS-7, "Front Seat Belt" and "Rear Seat Belt" for details.
  3. Remove front and rear outer kicking plates. **B D**
  4. Remove front and rear inner kicking plates. **B C D**
  5. Remove dash side lower finisher. **E**
  6. Remove front and rear body side welts.
  7. Remove front pillar garnishes. **F**
  8. Remove center pillar upper garnishes. **G**
  9. Remove center pillar lower garnishes. **G H**
  10. Remove rear pillar garnishes. **J**
  11. Remove high-mounted stop lamp. (Model without rear air spoiler)
  12. Remove seatback center finisher.
  13. Remove seatback side finishers.
  14. Remove rear parcel shelf finisher. **K L M**
  15. Remove instrument lower covers.
  16. Remove accelerator pedal stopper.
  17. Remove carpet hook.
  18. Remove floor carpet.



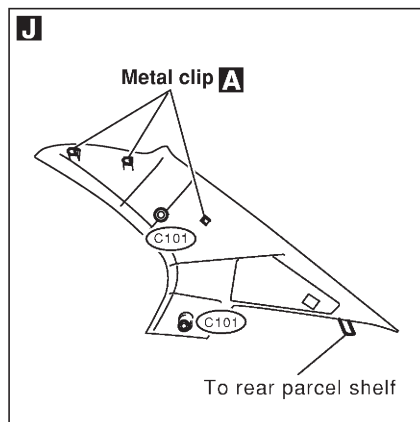
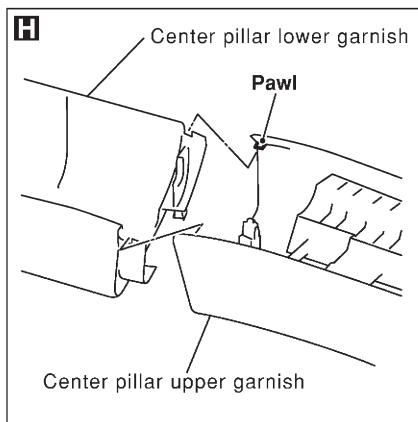
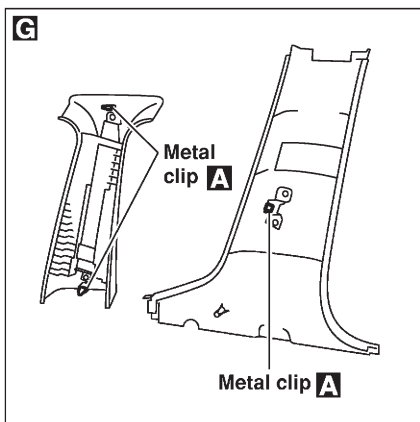
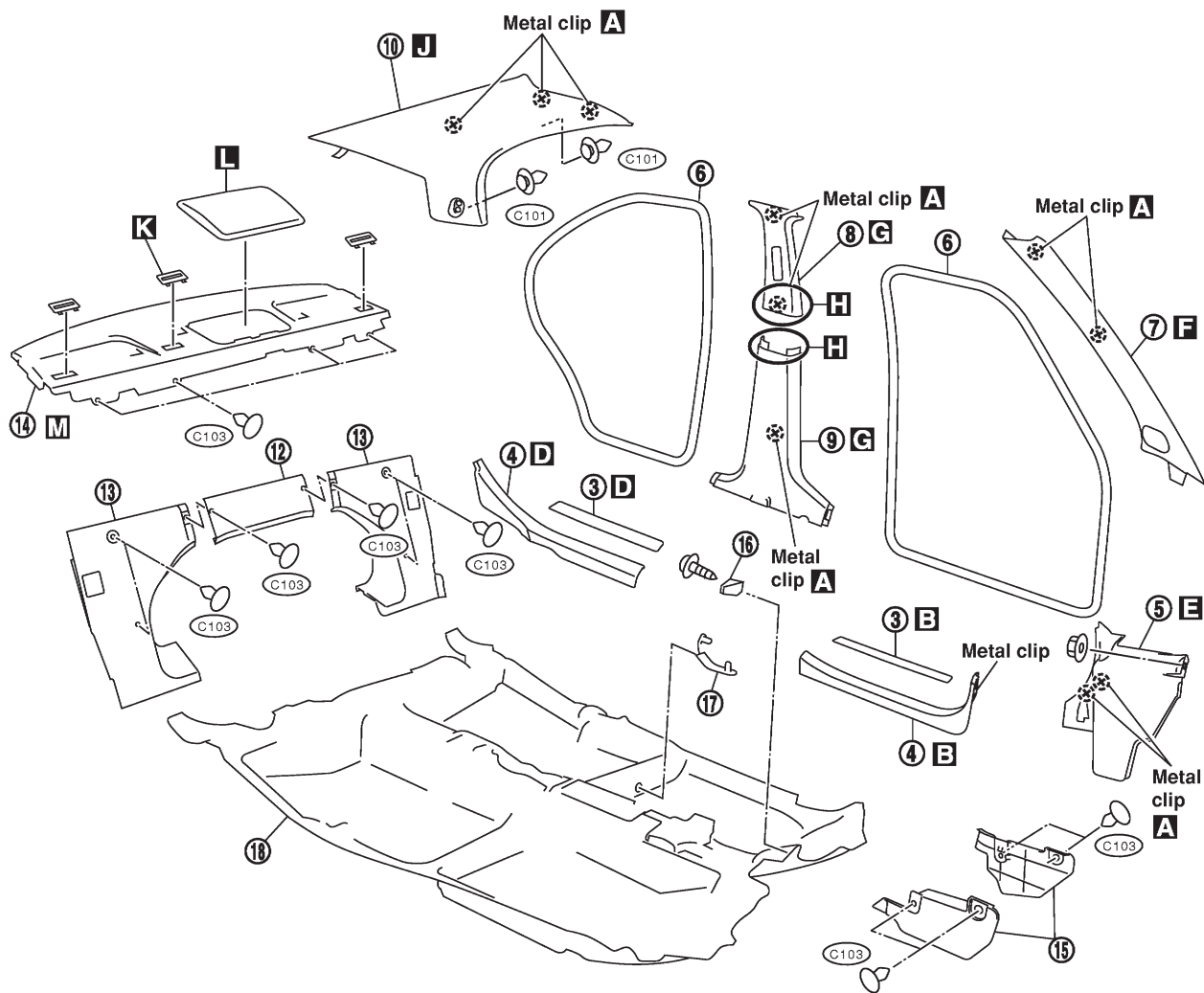
SBT837



# SIDE AND FLOOR TRIM

Removal and Installation (Cont'd)

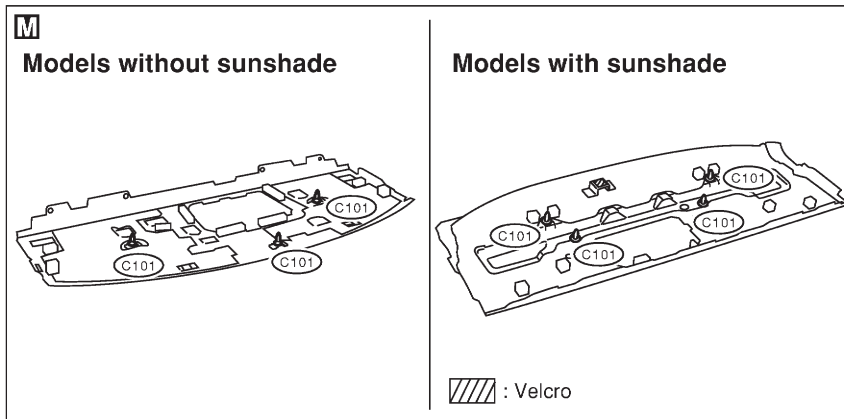
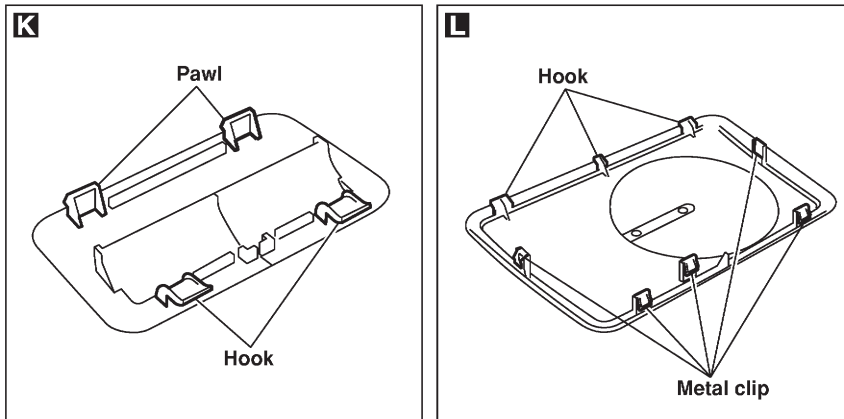
SEC. 678-749-769-799



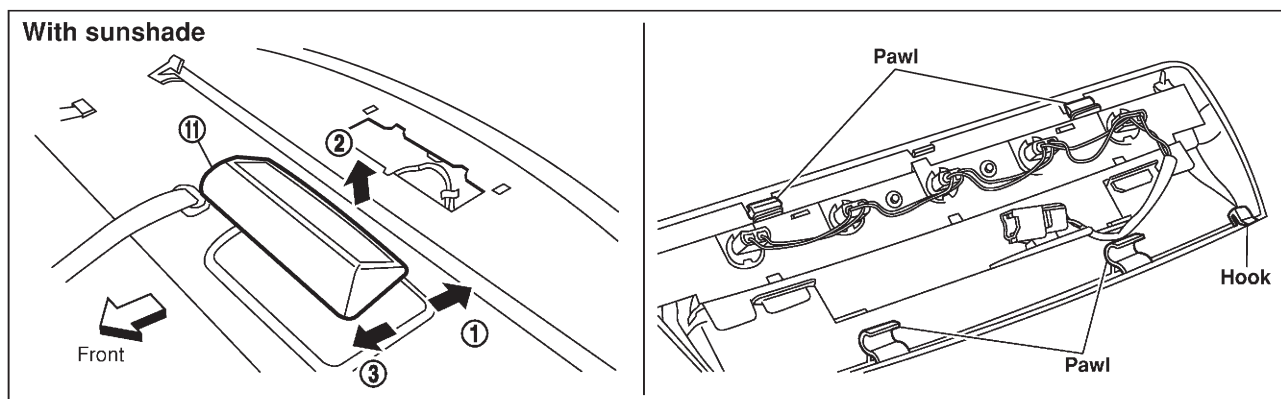
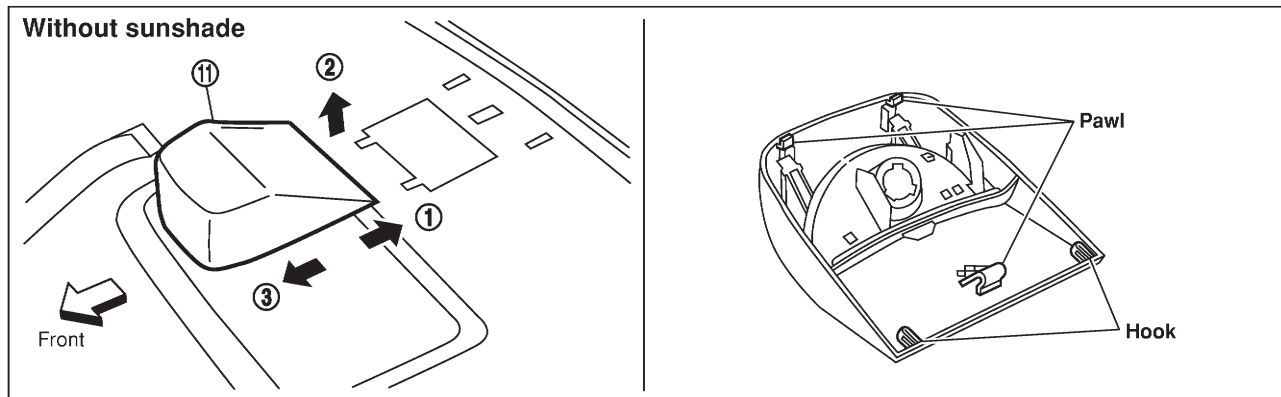
SBT949

## SIDE AND FLOOR TRIM

Removal and Installation (Cont'd)



### Remove high-mounted stop lamp. (Models without rear air spoiler)



SBT950

# DOOR TRIM

Removal and Installation

## Removal and Installation

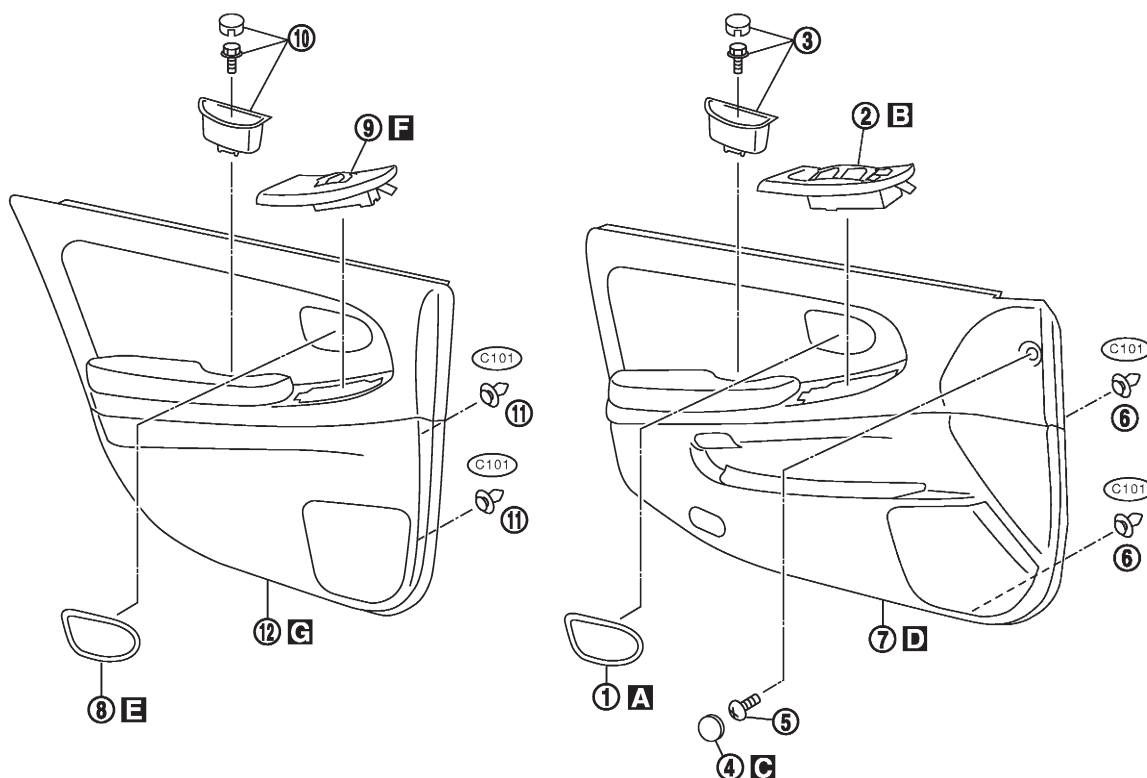
NFBT0014

### Front door finisher

1. Remove inside handle escutcheon. **A**
2. Remove power window switch finisher, then disconnect the connectors. **B**
3. Remove screw securing pull handle, and then remove pull handle.
4. Remove mask securing front door finisher. **C**
5. Remove screw securing front door finisher.
6. Remove clips securing front door finisher.
7. Lift out front door finisher. Disconnect harness connectors. **D**

### Rear door finisher

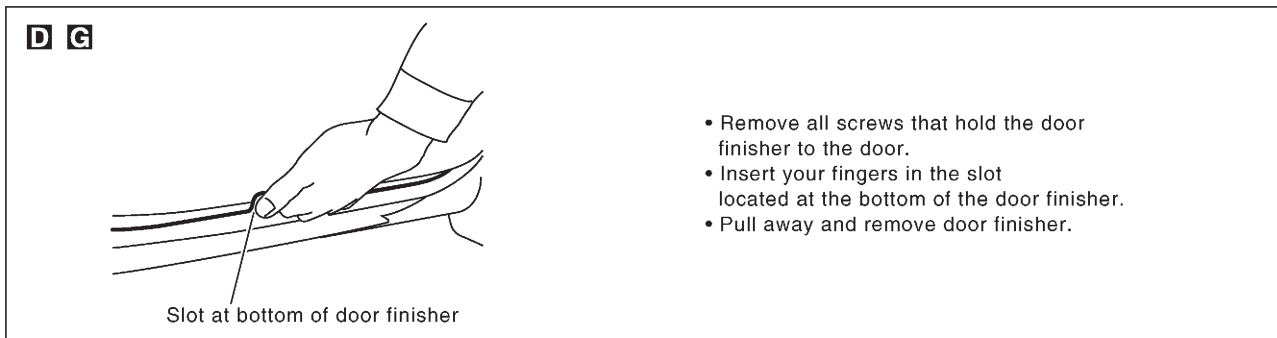
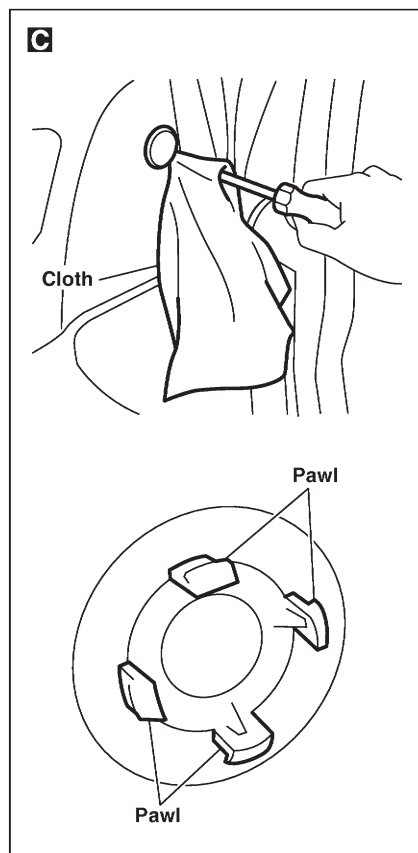
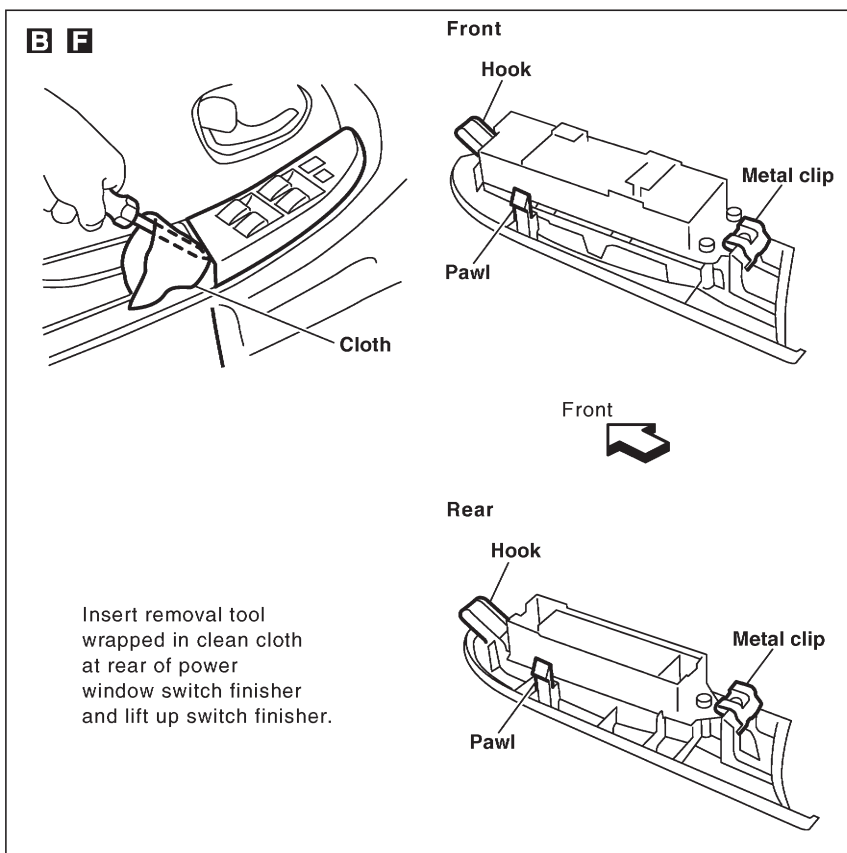
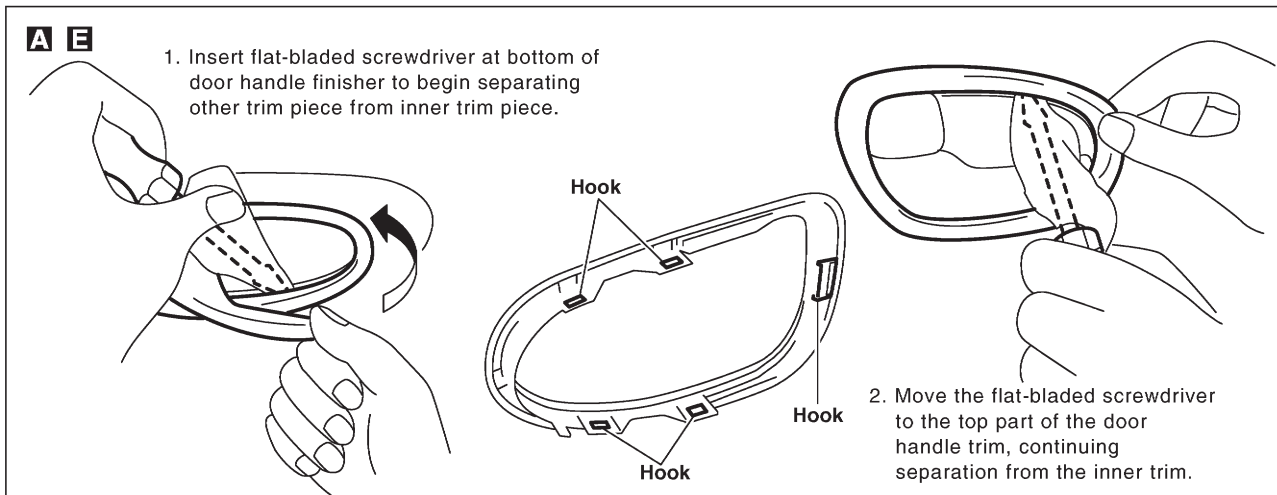
8. Remove inside handle escutcheon. **E**
9. Remove power window switch finisher, then disconnect the connector. **F**
10. Remove screw securing pull handle, and then remove pull handle.
11. Remove clips securing rear door finisher.
12. Lift out rear door finisher. **G**



SBT951

# DOOR TRIM

Removal and Installation (Cont'd)



SBT050A

# ROOF TRIM

Removal and Installation

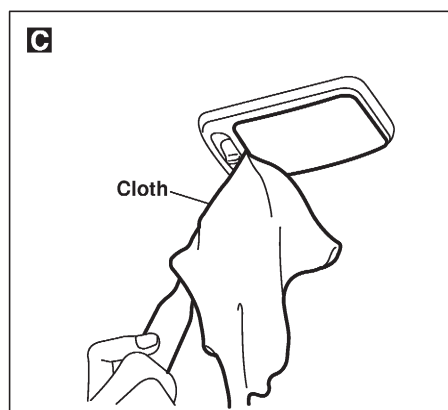
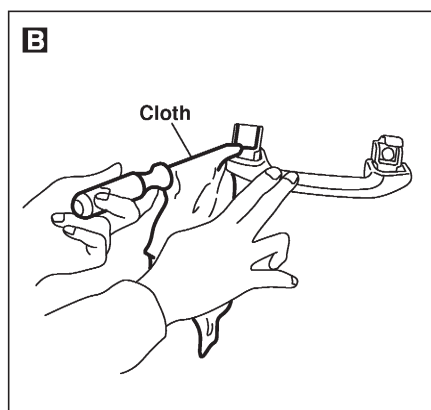
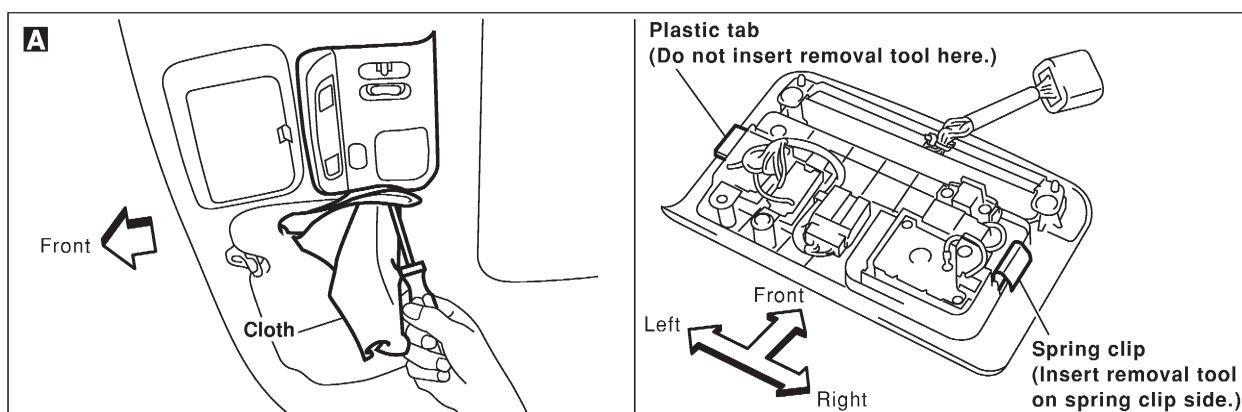
## Removal and Installation

NFBT0015

### CAUTION:

When removing or installing body side welts, do not allow butyl seal to come in contact with pillar garnish and headlining.

1. Remove rear seats. Refer to "REAR SEAT" for details, BT-41.
2. Remove shoulder anchor bolts. Refer to RS-5, "Front Seat Belt" for details.
3. Remove front pillar garnishes, center pillar upper garnishes and rear pillar garnishes. Refer to "SIDE AND FLOOR TRIM" for details, BT-24.
4. Remove steering wheel. Refer to RS-17, "Driver Air Bag Module and Spiral Cable" for details.
5. Push back the front seat back.
6. Insert a removal tool wrapped in a clean cloth between the right-hand side of the map light and the sun-roof finisher, then disconnect connectors. **A**
7. Remove roof console.
8. Remove sun visors.
9. Remove assist grips. **B**
10. Remove interior lamp assembly, then disconnect connectors. **C**
11. Remove metal clip securing headlining, then remove headlining from vehicle through front passenger side.

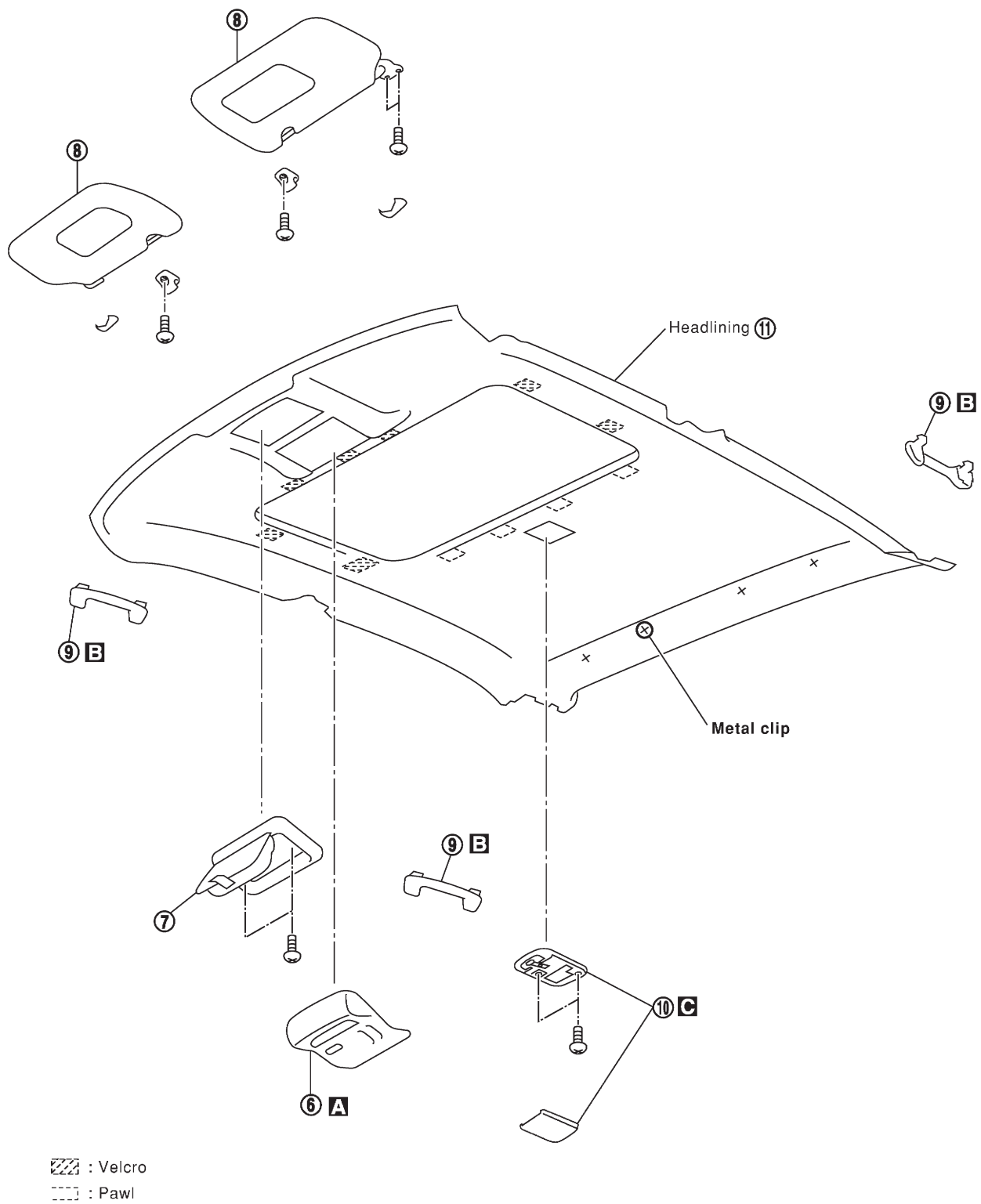


SBT051A

# ROOF TRIM

Removal and Installation (Cont'd)

SEC. 264-738-964



SBT952

BT-30

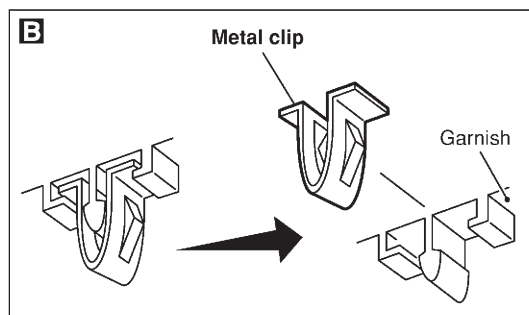
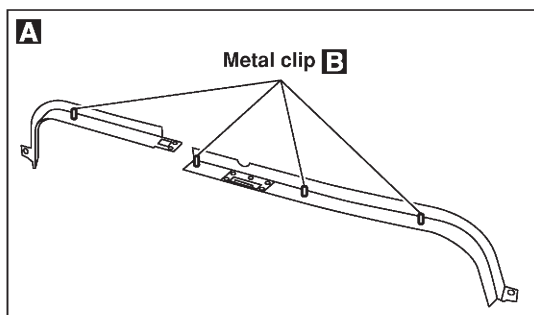
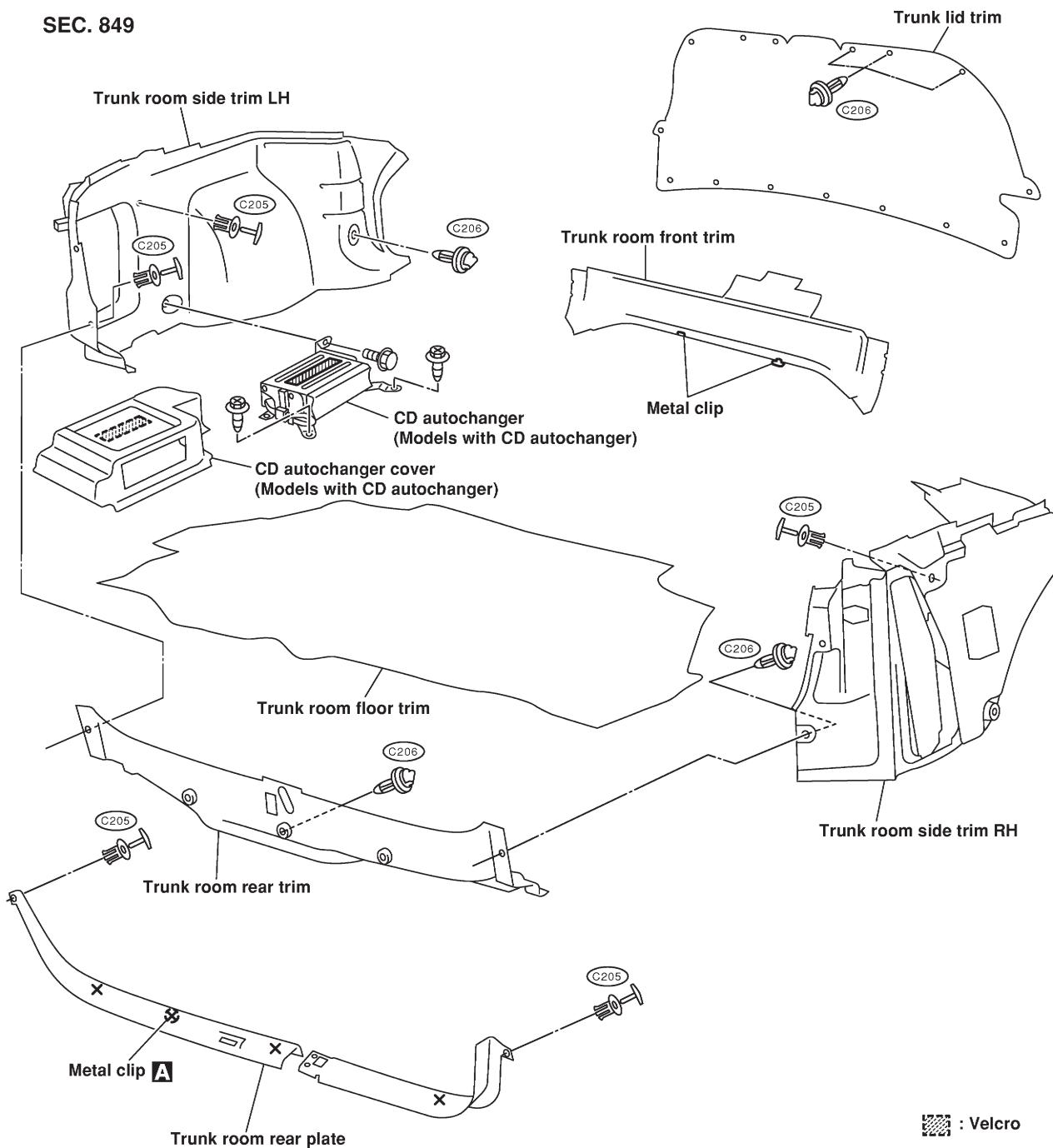
# TRUNK ROOM TRIM

Removal and Installation

NFBT0016

## Removal and Installation

SEC. 849



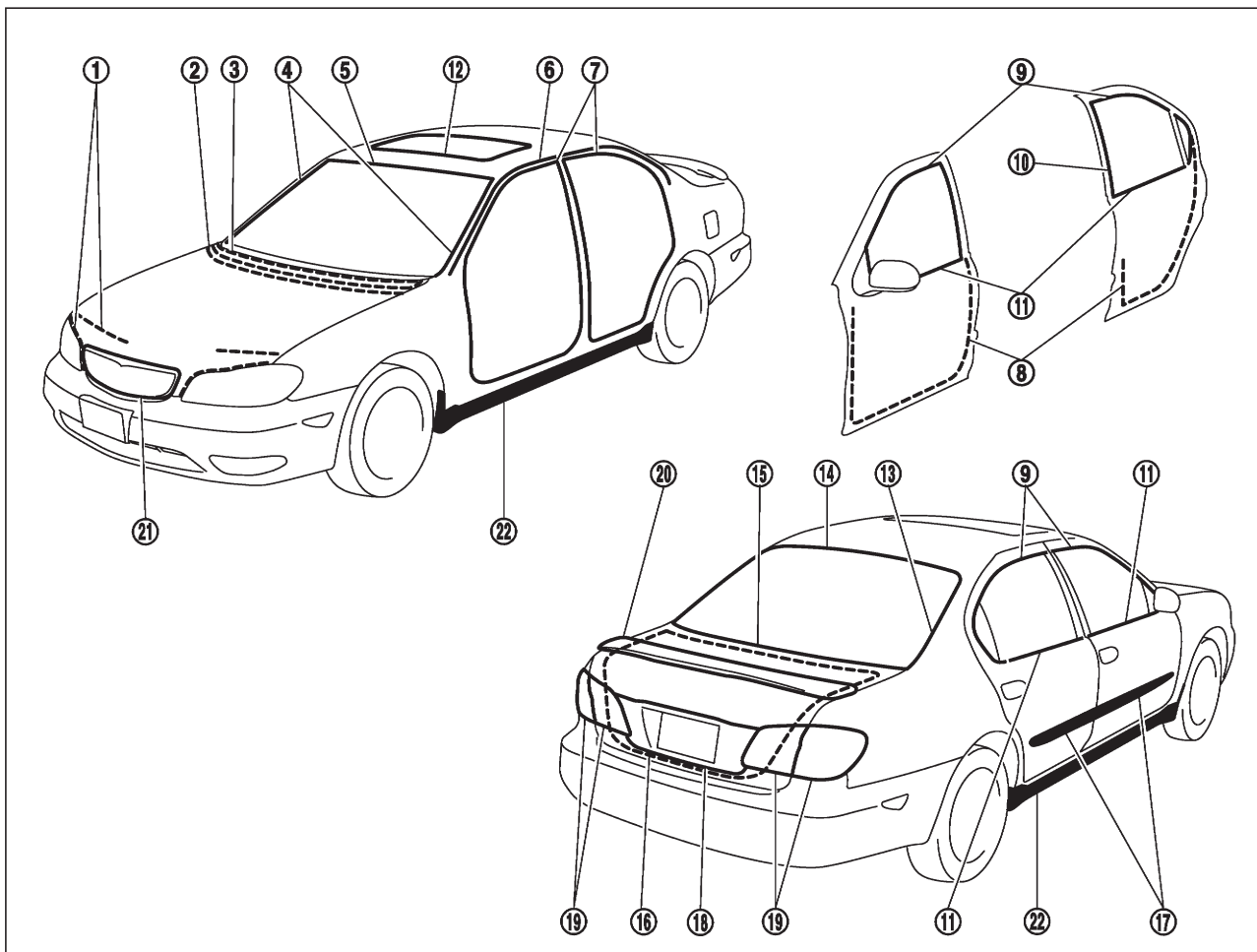
SBT953

# EXTERIOR

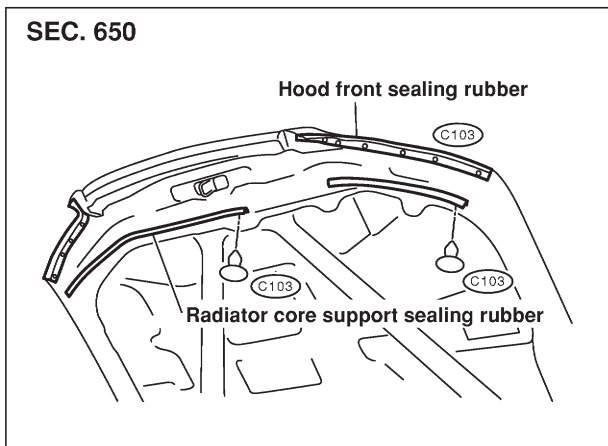
Removal and Installation

## Removal and Installation

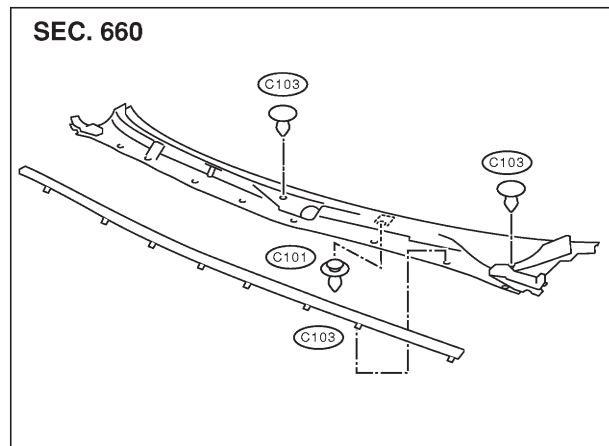
NFBT0017



### ① Radiator core support sealing rubber



### ② ③ Cowl top seal and cowl top grille



### ④ Windshield side molding Mounted with screws.

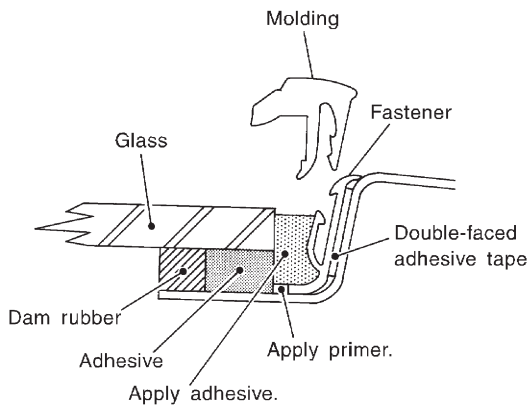
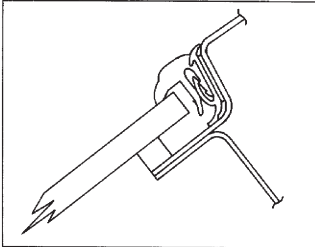
SBT874



## ⑤ Windshield upper molding

### SEC. 720

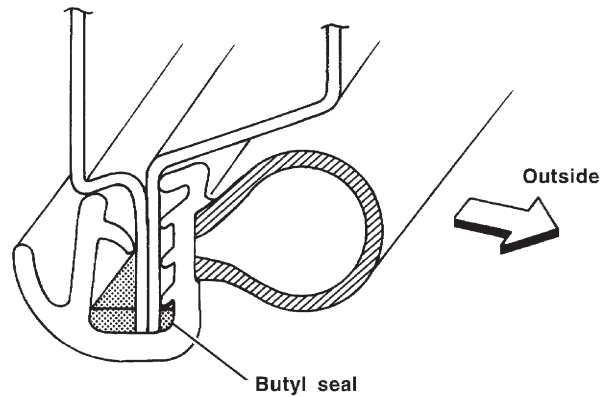
1. Cut off adhesive at glass end.
2. Remove old adhesive from panel surface.
3. Set molding fastener and apply primer to body panel, and apply adhesive to body.



4. Install molding by aligning the molding mark located on center with vehicle center. Be sure to install tightly so that there is no gap around the corner.

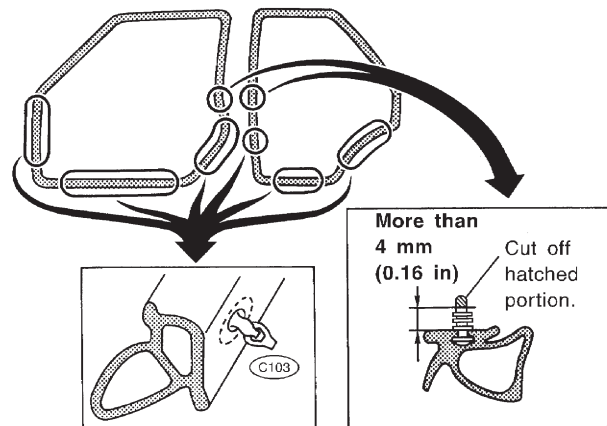
## ⑦ Body side welt

### SEC. 767



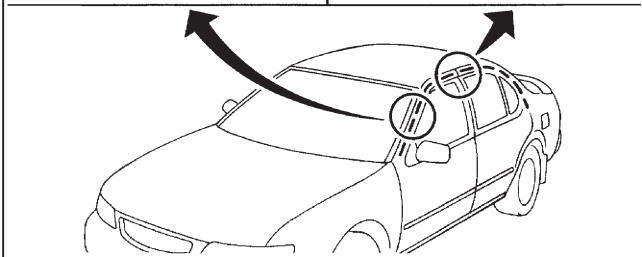
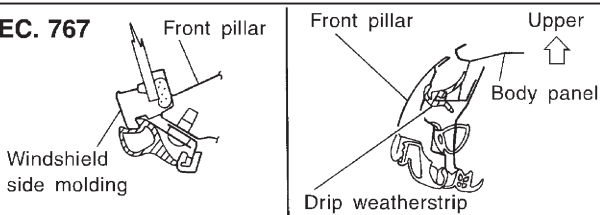
## ⑧ Door weatherstrip

### SEC. 800•820



## ⑥ Drip weatherstrip

### SEC. 767

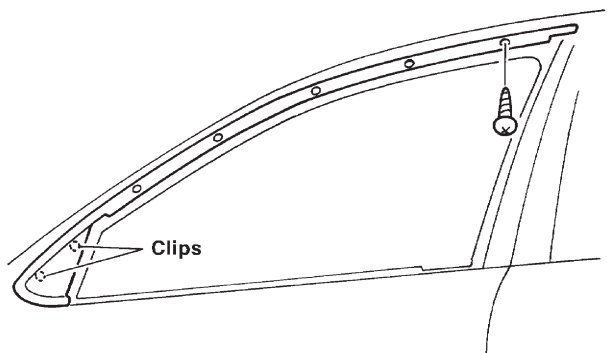


# EXTERIOR

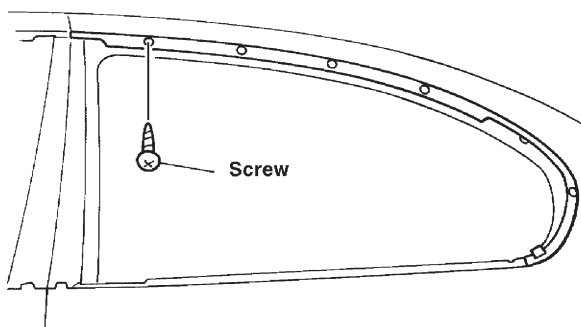
Removal and Installation (Cont'd)

## ⑨ Door sash molding

SEC. 800•820  
Front

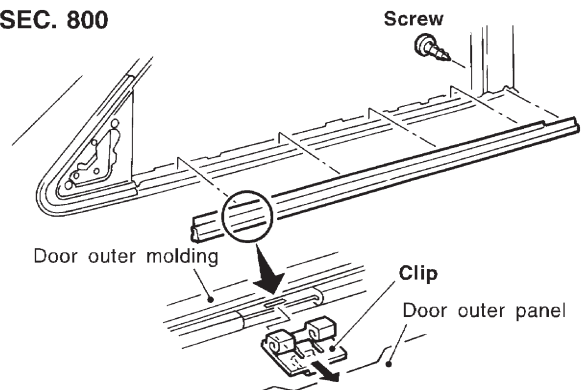


Rear

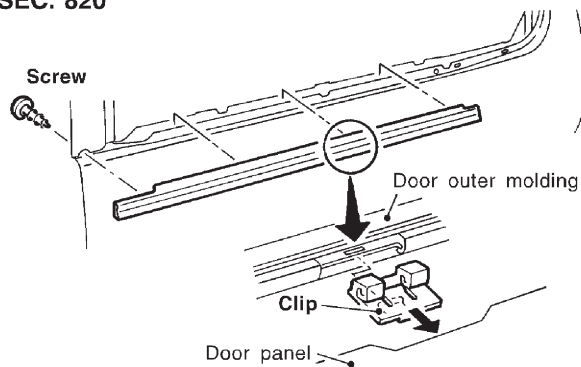


## ⑪ Door outside molding

Front door  
SEC. 800

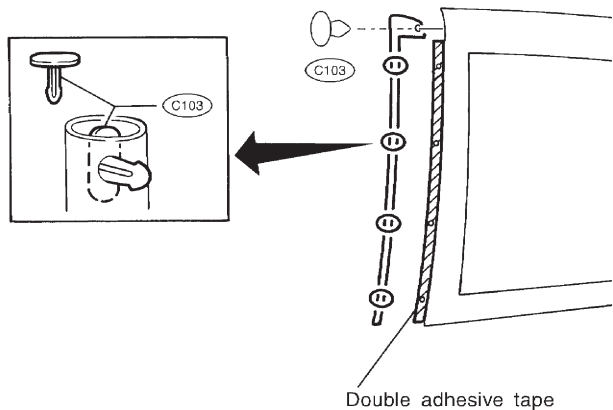


Rear door  
SEC. 820



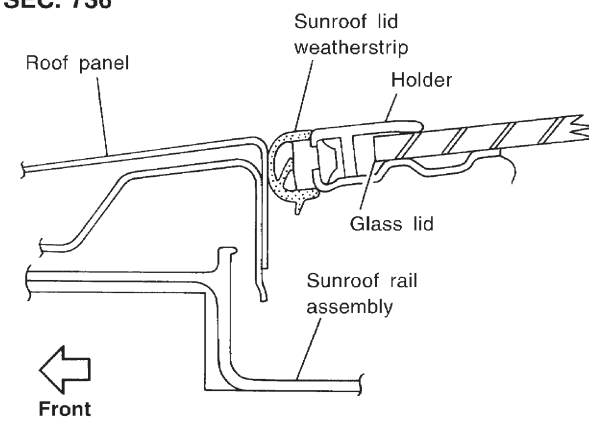
## ⑩ Front door parting seal

SEC. 800



## ⑫ Sunroof lid weatherstrip

SEC. 736

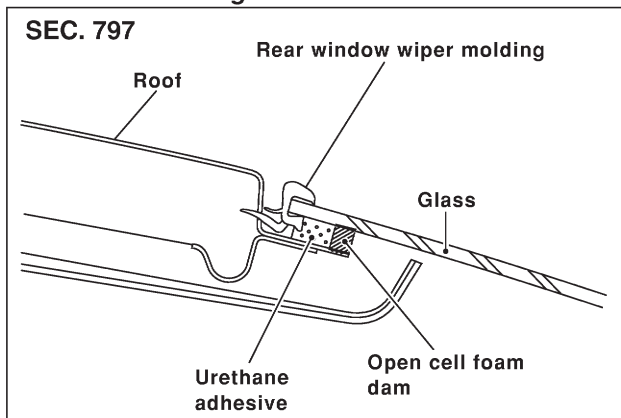


SBT807

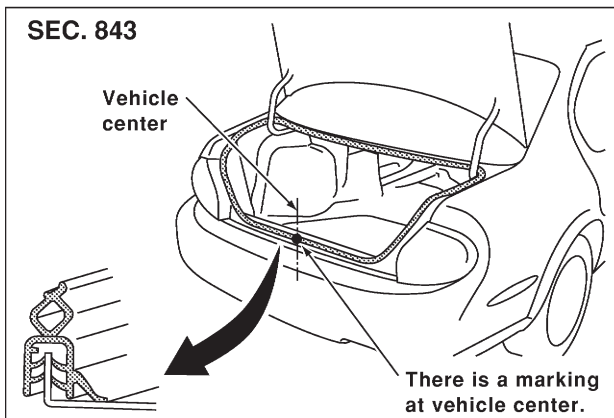
# EXTERIOR

Removal and Installation (Cont'd)

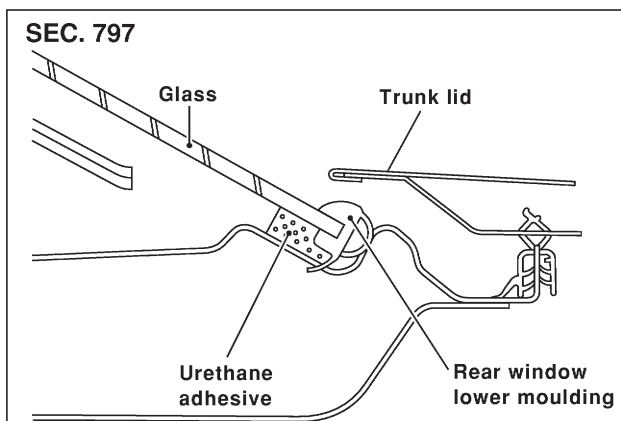
## ⑬ ⑭ Rear window upper molding and side molding



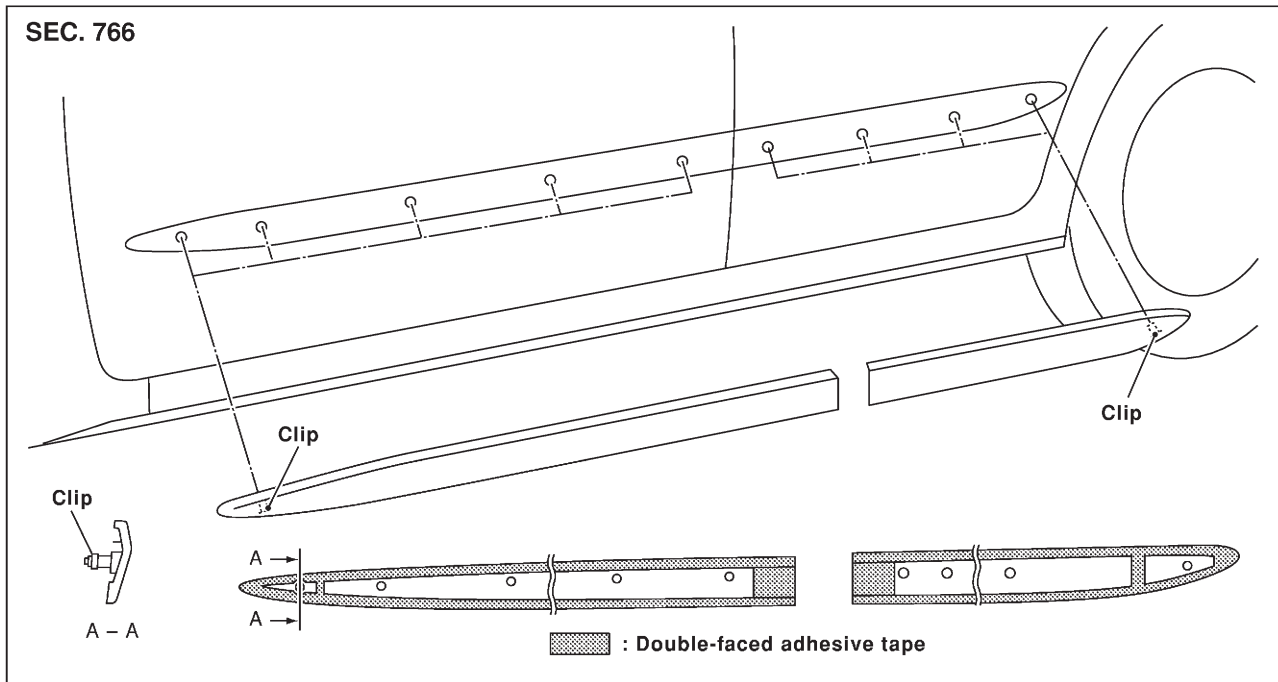
## ⑯ Trunk lid weatherstrip



## ⑮ Rear window lower molding



## ⑰ Side guard molding

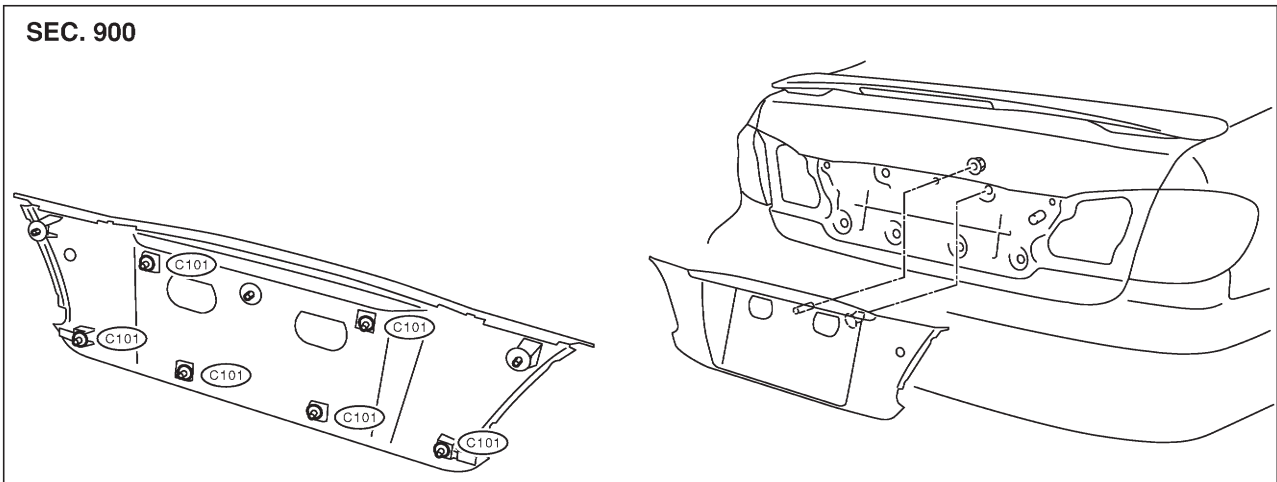


SBT808

## EXTERIOR

Removal and Installation (Cont'd)

### 18 Licence plate finisher

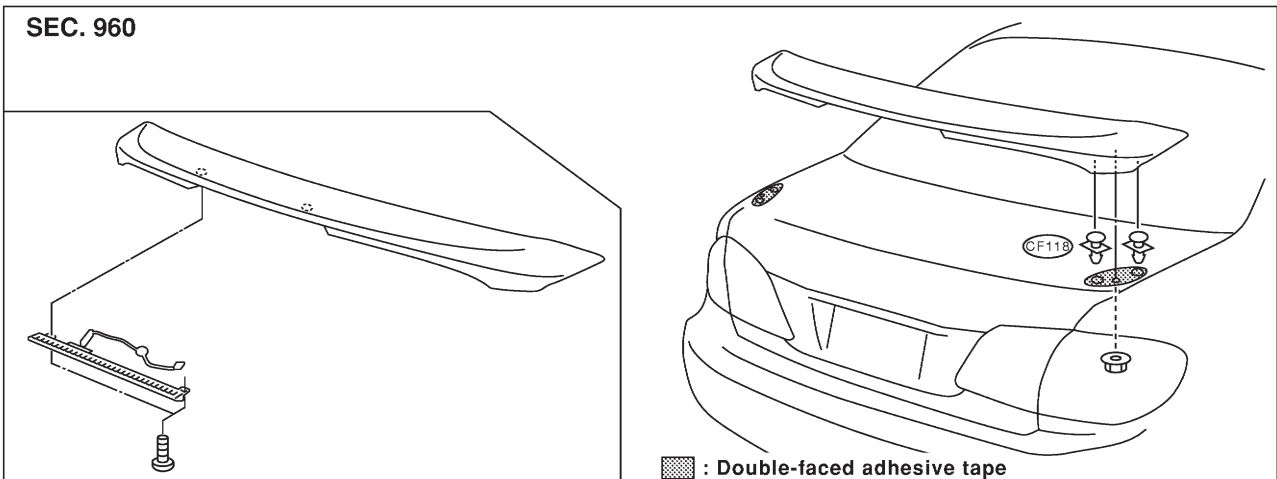


### 19 Rear combination lamp

- Rear combination lamps are installed with nuts.

### 20 Rear air spoiler

- When removing, first disconnect high-mounted stop lamp connector located on the back of trunk lid, then remove air spoiler taking care the stop lamp harness does not get caught.
- When installing, make sure that there are not gaps or waves at ends of air spoiler.
- Before installing spoiler, clean and remove oil from surface where spoiler will be mounted.

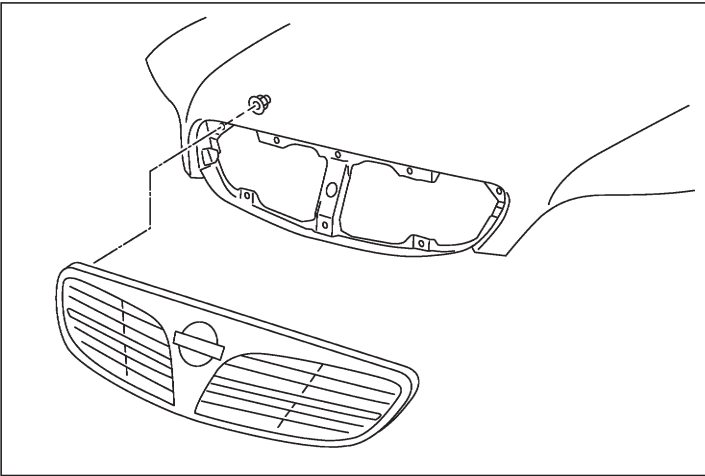


SBT080A

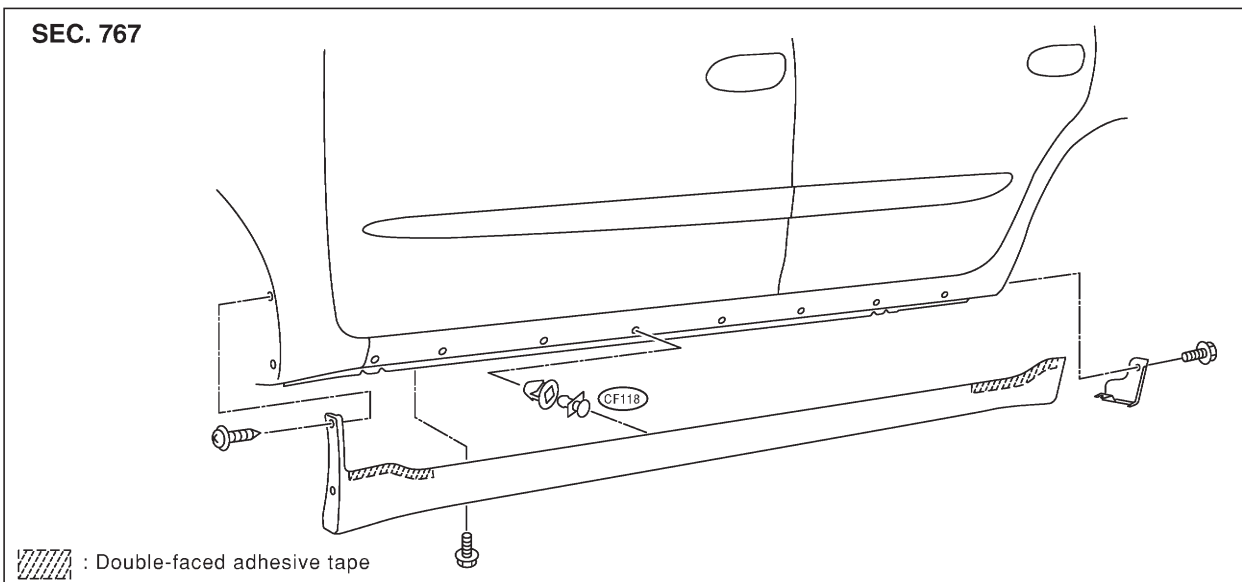
## EXTERIOR

Removal and Installation (Cont'd)

### 21 Front hood grille



### 22 Mudguard center



- With a vehicle coated with Hard Clear Coat, use double-faced 3M adhesive tape Product No. 4210 or equivalent, after priming with 3M primer Product No. N-200 or C-100 or equivalent.

SBT052A

## FRONT SEAT

Removal and Installation

---

### Removal and Installation

NFBT0018

- When removing or installing the seat trim, carefully handle it to keep dirt out and avoid damage.
- ★ For Wiring Diagram, refer to EL-210, "POWER SEAT" for details.

**CAUTION:**

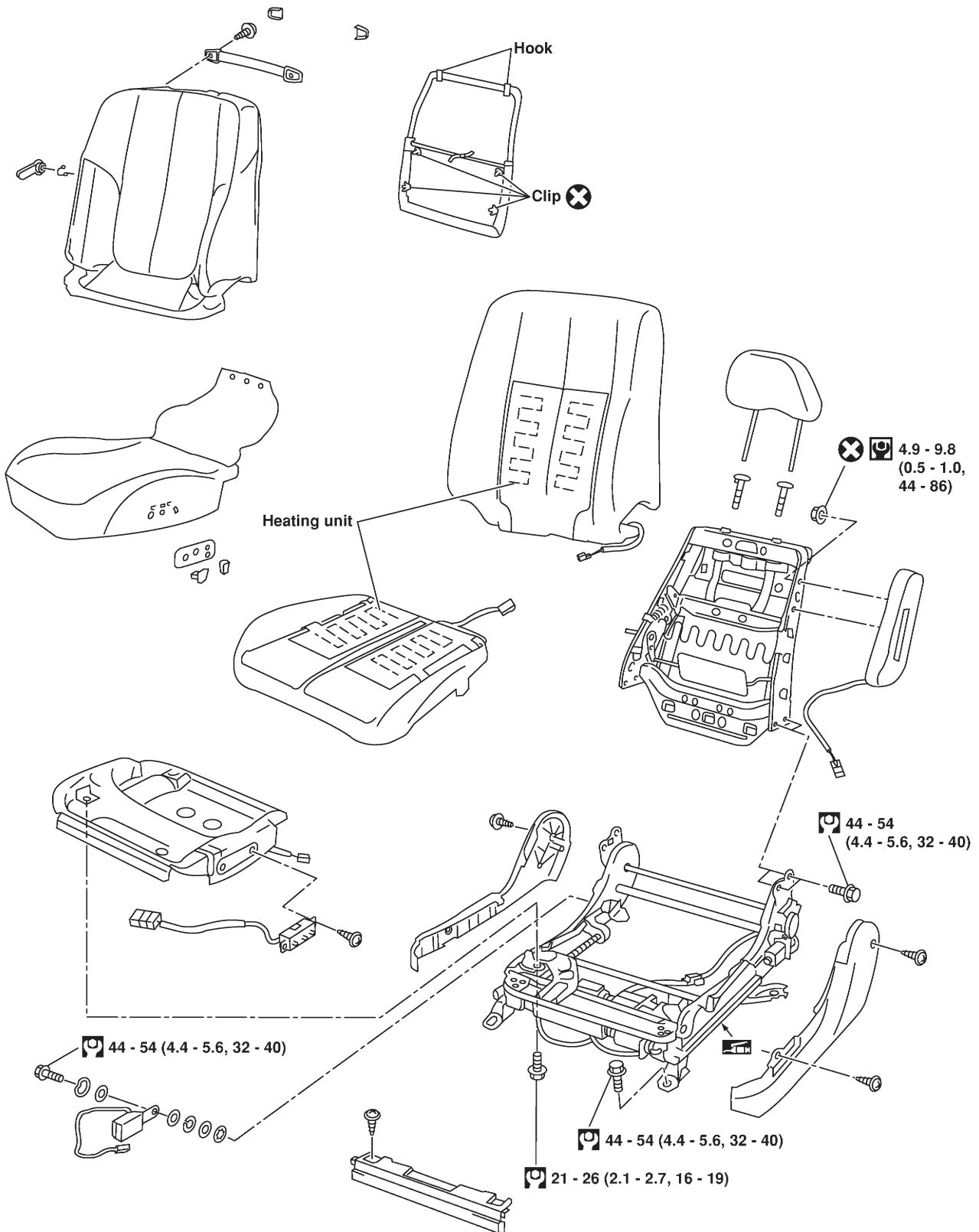
- Before removing the front seat, turn the ignition switch off, disconnect both battery cables and wait at least 3 minutes.
- When checking the power seat circuit for continuity using a circuit tester, do not confuse its connector with the side air bag module connector. Such an error may cause the air bag to deploy.
- Do not drop, tilt, or bump the side air bag module installed in the seat. Always handle it with care.

# FRONT SEAT

Removal and Installation (Cont'd)

## POWER SEAT

NFBT0018S01



: N•m (kg-m, ft-lb)

: N•m (kg-m, in-lb)

SBT877

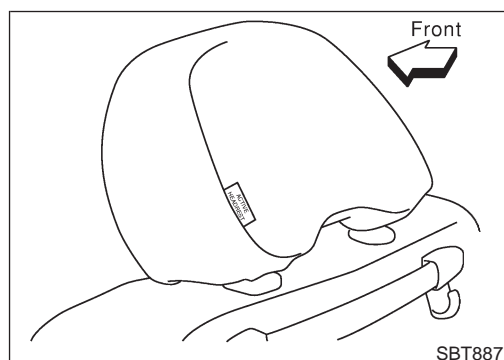
## FRONT SEAT

Removal and Installation (Cont'd)

### HEATED SEAT

NFBT0018S03

- When handling seat, be extremely careful not to scratch heating unit.
  - To replace heating unit, seat trim and pad should be separated.
  - Do not use any organic solvent, such as thinner, benzene, alcohol, gasoline, etc. to clean trims.
- ★ For Wiring Diagram, refer to EL-213, "HEATED SEAT" for details.



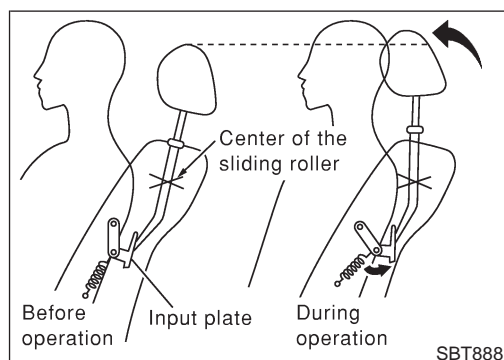
### Active Head Restraint

NFBT0032

The active head restraint system is designed so that the headrest instantaneously moves towards the front upper direction by utilizing the force at the seatback during a rear-end collision.

As a result, the occupant's head is protected from being overextended, reducing the chance for neck injury as much as possible.

Seat with active head restraint have the labels shown in figures at left.



### OPERATION OUTLINE

NFBT0032S01

When the seatback receives a sharp backward force during a rear-end collision, the input plate moves with the link rotating center as a pivot. The headrest will then move towards the front upper direction with the center of the sliding roller as a pivot.

As the backward force on the seat back is eliminated, spring tension returns the headrest to its original position.



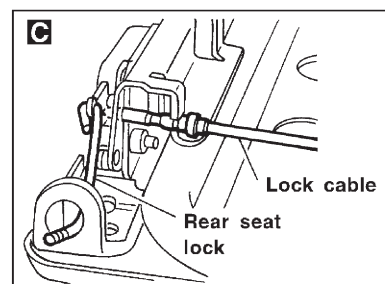
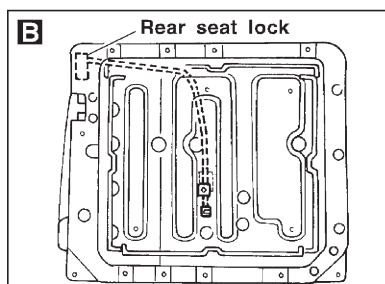
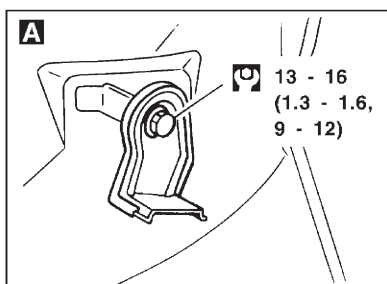
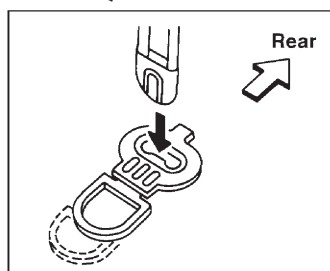
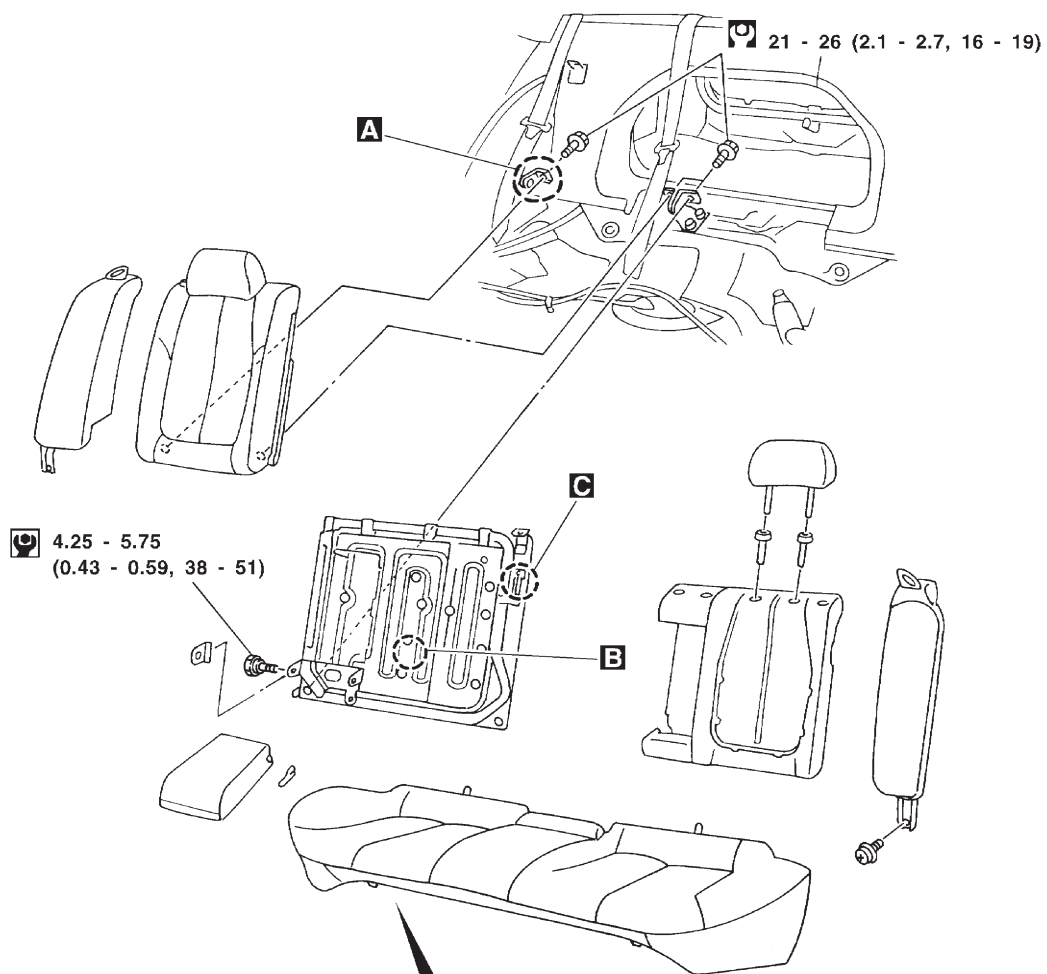
# REAR SEAT

Removal and Installation

## Removal and Installation

NFBT0019

SEC. 880



: N•m (kg-m, ft-lb)  
 : N•m (kg-m, in-lb)

SBT079A

# SUNROOF

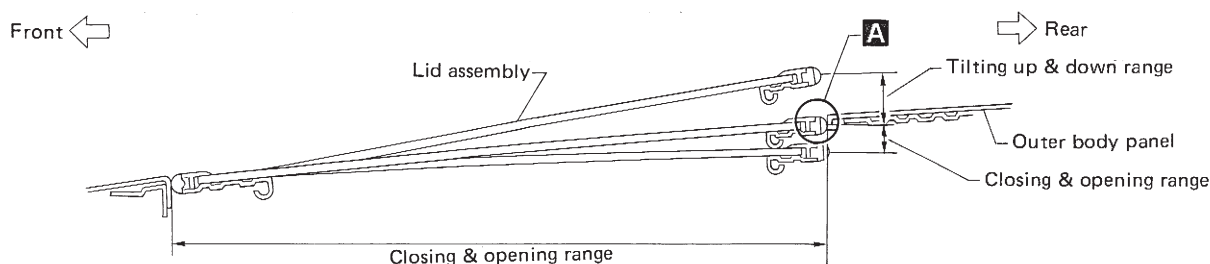
Adjustment

## Adjustment

NFBT0035

**Install motor & limit SW assembly and sunroof rail assembly in the following sequence:**

1. Arrange equal lengths of link and wire assemblies on both sides of sunroof opening.
2. Connect sunroof connector to sunroof switch and positive (+) power supply.
3. Set lid assembly to fully closed position **A** by operating OPEN switch and TILT switch.
4. Fit outer side of lid assembly to the surface of roof on body outer panel.
5. Remove motor, and keep OPEN switch pressed until motor pinion gear reaches the end of its rotating range.
6. Install motor.
7. Check that motor drive gear fits properly in wires.
8. Press TILT-UP switch to check lid assembly for normal tilting.
9. Check sunroof lid assembly for normal operations (tilt-up, tilt-down, open, and close).



SBF920F

## Removal

NFBT0036

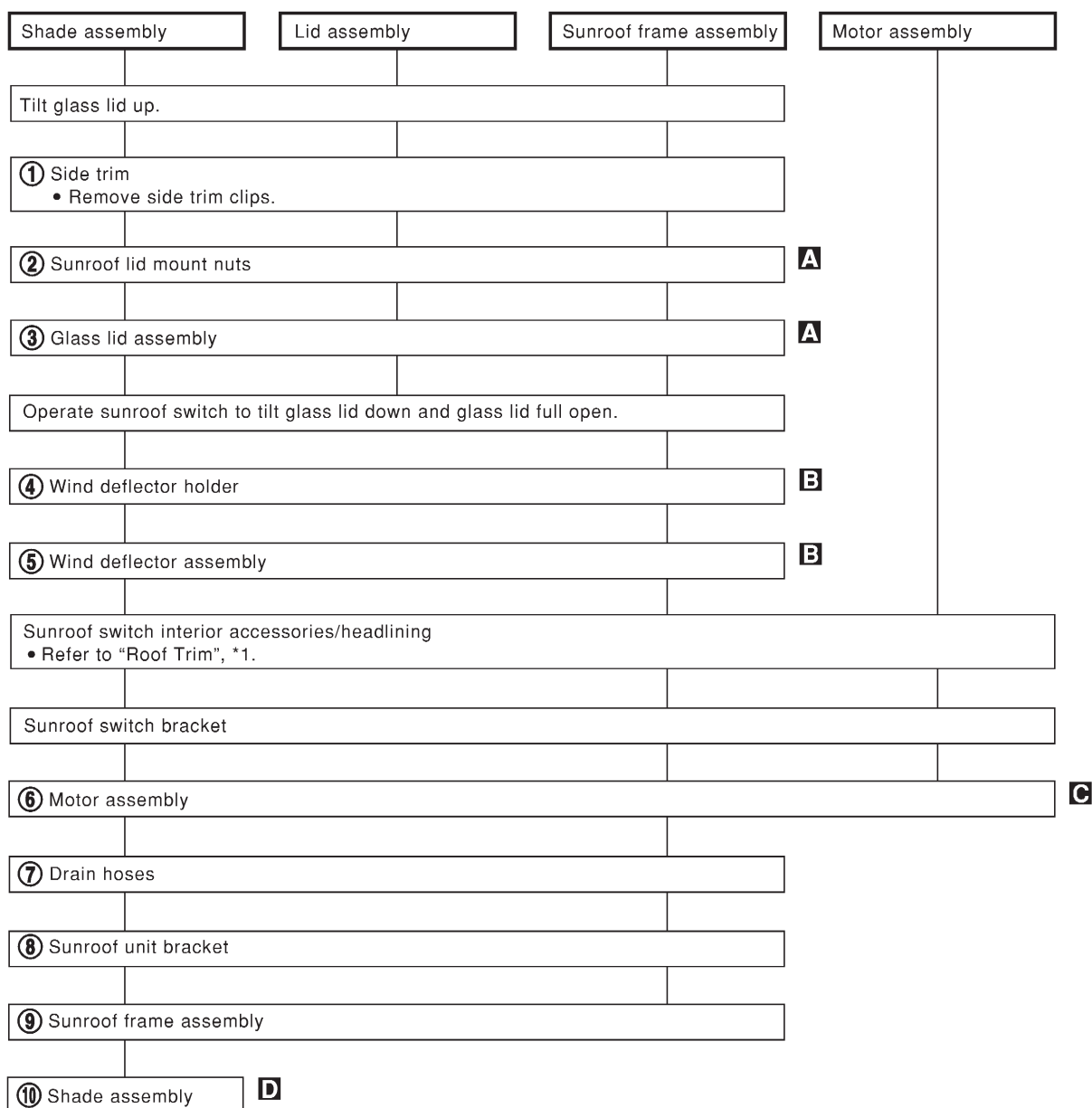
- After any adjustment, check sunroof operation and lid alignment.
- Handle finisher plate and glass lid with care so not to cause damage.
- It is desirable for easy installation to mark each point before removal.

### CAUTION:

- **Always work with a helper.**
- **Before removal, fully close the glass lid assembly, then after removal, do not move motor assembly.**

# SUNROOF

Removal (Cont'd)



★ For Wiring Diagram, refer to (\*2), "POWER SUNROOF" for details.

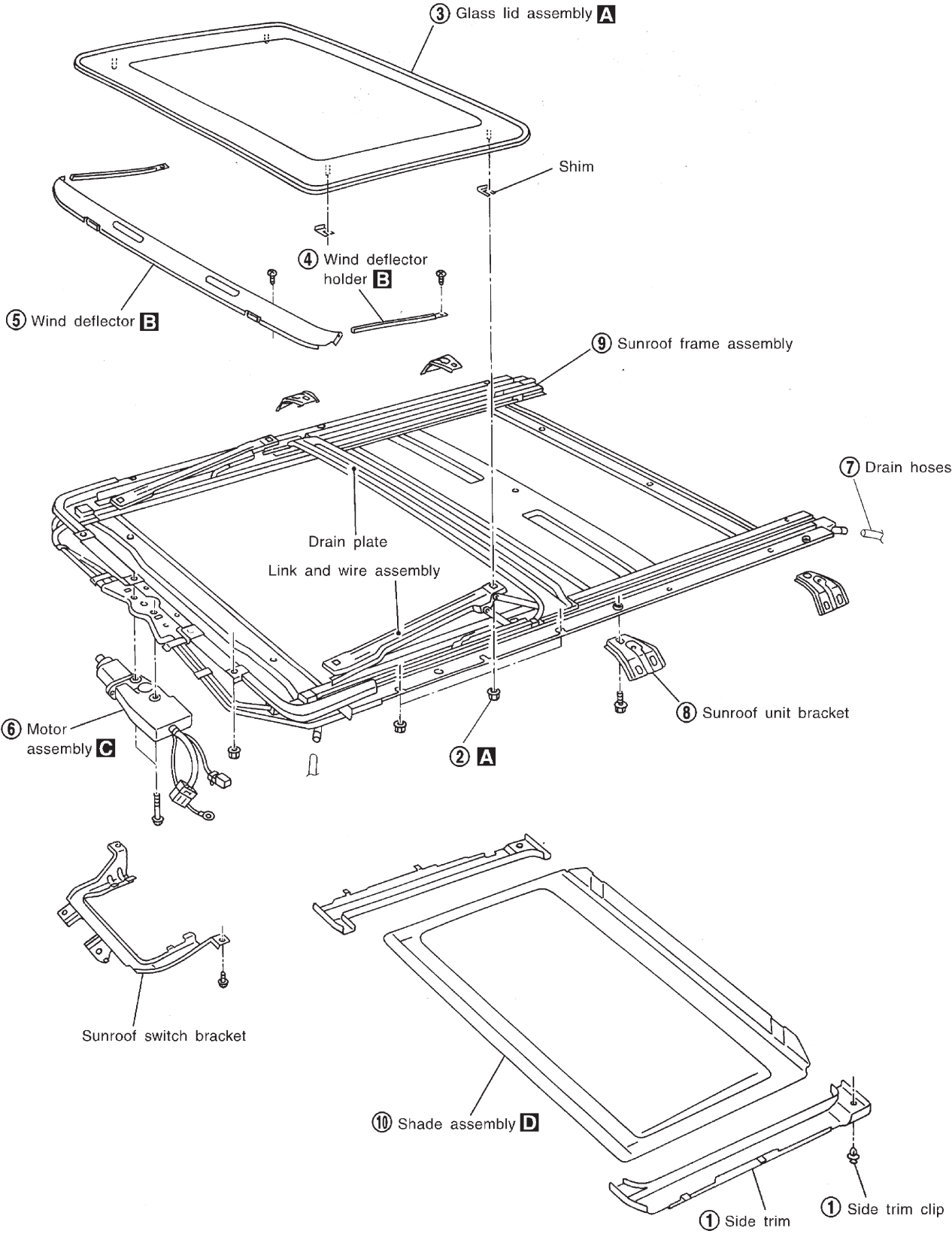
SBT838

\*1 BT-29

\*2 EL-202

# SUNROOF

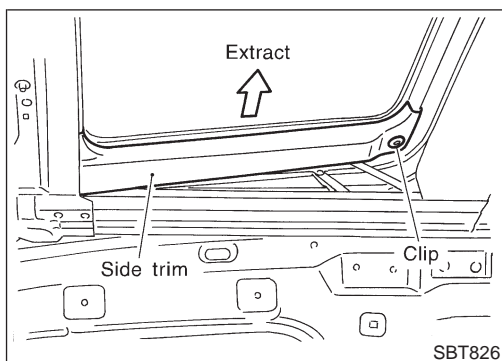
Removal (Cont'd)



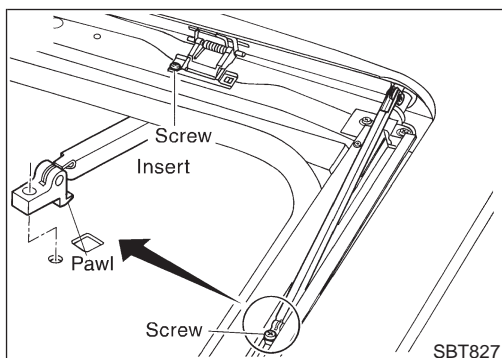
SBT878

## SUNROOF

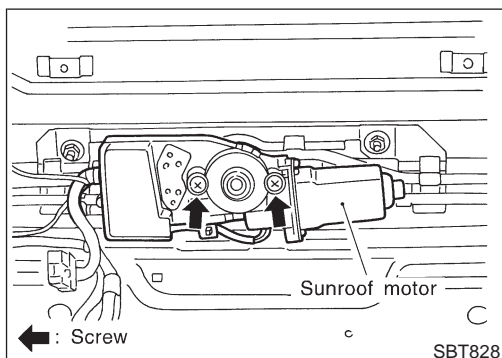
Removal (Cont'd)



**A** Record the number of shims placed between glass lid assembly and link and wire assembly. Remove securing nuts and glass lid assembly.



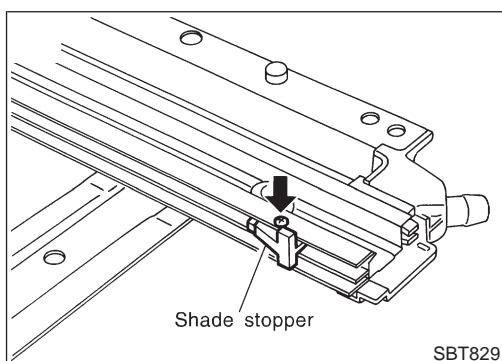
**B** Remove screws from left and right sides of each wind deflector holder. Extract pawls through rail holes, then remove left and right sides of wind deflector holder. Remove screws from front end of sunroof unit. Extract pawls through frame holes, then remove wind deflector from frame assembly.



**C**

### CAUTION:

- Before removing sunroof motor, make sure that sunroof is fully closed.
- After removing sunroof motor, never attempt to rotate sunroof motor as a single unit.



**D** Remove shade stoppers (2 points) from rear end of sunroof frame assembly. Remove sun shade from rear end of sunroof frame assembly.

# SUNROOF

## Trouble Diagnoses DIAGNOSTIC TABLE

=NFBT0022

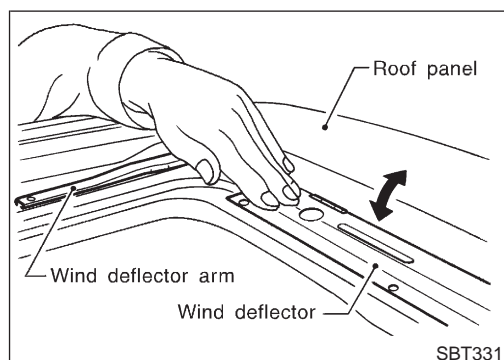
NFBT0022S01

### NOTE:

For diagnosing electric problem, refer to "ELECTRIC SUNROOF" in EL section.

		Check items (Components)				
		Wind deflector	Adjustment	Drain hoses	Weatherstrip	Link and wire assembly
	Reference page	BT-46	BT-47	BT-48	BT-48	BT-49
Symptom	Excessive wind noise	1	2		3	
	Water leaks		1	2	3	
	Sunroof rattles		1	4	2	3
	Excessive operation noise		1		2	3

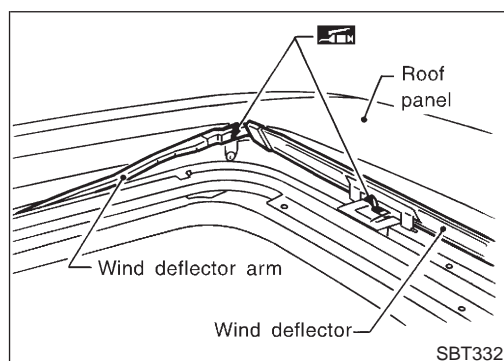
The numbers in this table mean checking order.



### WIND DEFLECTOR

NFBT0022S02

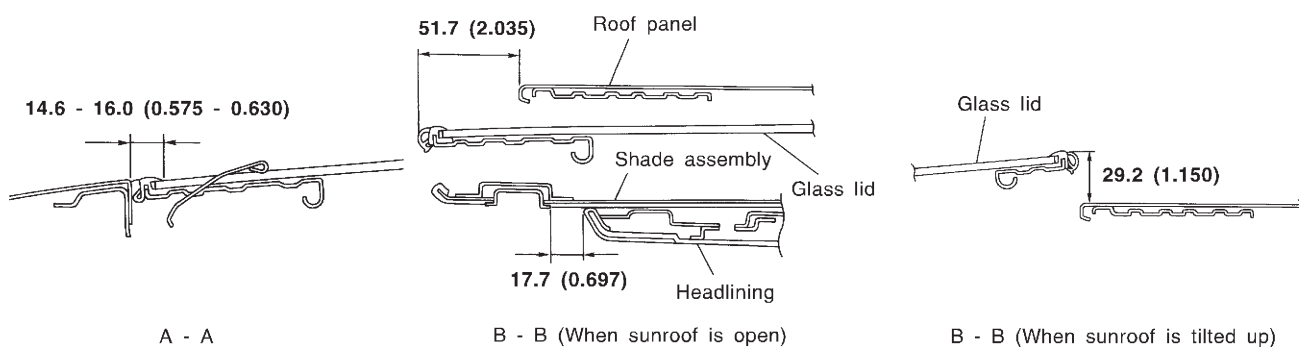
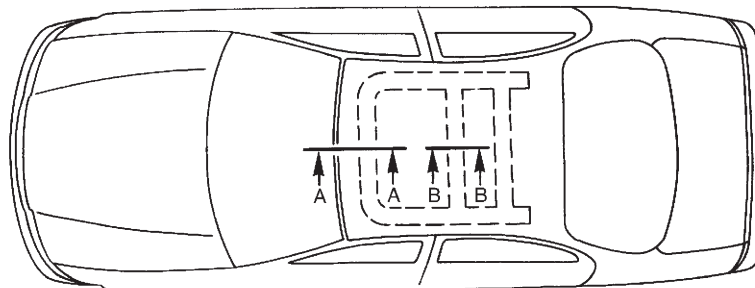
1. Open lid.
2. Check visually for proper installation.
3. Check to ensure a proper amount of petroleum jelly has been applied to wind deflector connection points; apply if necessary.
4. Check that wind deflector is properly retracted by hand. If it is not, remove and visually check condition. (Refer to removal procedures, BT-42.) If wind deflector is damaged, replace with new one. If wind deflector is not damaged, re-install properly.



## ADJUSTMENT

NFBT0022S03

SEC. 736



Unit: mm (in)

SBT482-A

If any gap or height difference between glass lid and roof is found, check glass lid fit and adjust as follows:

### Gap Adjustment

NFBT0022S0301

1. Open shade assembly.
2. Tilt glass lid up then remove side trim.
3. Loosen glass lid securing nuts (3 each on left and right sides), then tilt glass lid down.
4. Adjust glass lid from outside of vehicle so it resembles "A-A" as shown in the figure above.
5. Tilt glass lid up and down until it is adjusted to "B-B" as shown in the figure above.
6. After adjusting glass lid, tilt glass lid up and tighten nuts.
7. Tilt glass lid up and down several times to check that it moves smoothly.

### Height Difference Adjustment

NFBT0022S0302

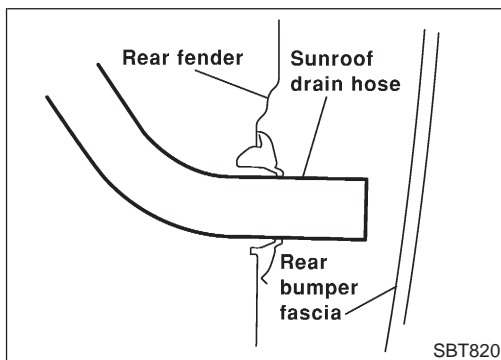
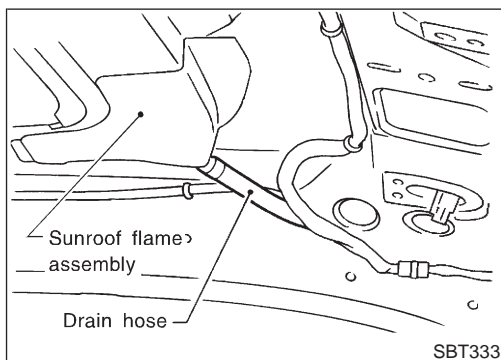
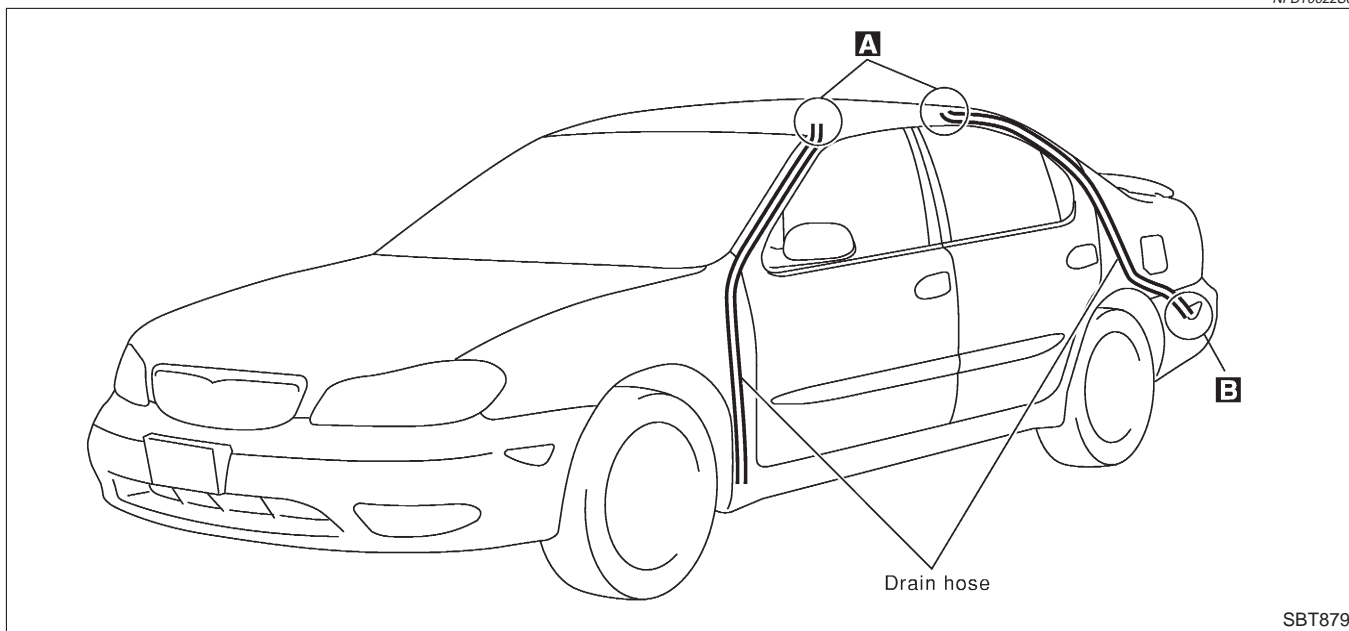
1. Tilt glass lid up and down.
2. Check height difference between roof panel and glass lid to see if it is as "A-A" as shown in the figure above.
3. If necessary, adjust it by using one of following procedures.
  - Adjust by adding or removing adjustment shim(s) between glass lid and link assembly.
  - If glass lid protrudes above roof panel, add shim(s) or plain washer(s) at sunroof mounting bracket or stud bolt locations to adjust sunroof installation as required.

# SUNROOF

Trouble Diagnoses (Cont'd)

## DRAIN HOSES

NFBT0022S04



1. Remove headlining to access drain hose connections. (Refer to "ROOF TRIM", BT-29, for detail.)
2. Check visually for proper connections, damage or deterioration. **A** (The figure shows only the front side.)

3. If leakage occurs around luggage room, remove luggage room side trim and check connecting area. Check for proper connection, damage or tear. **B**
4. Remove drain hoses and check visually for any damage, cracks, or deterioration.
5. Pour water into drain hoses and find damaged portion.
  - If any damaged portion is found at each step, replace the damaged part.

## WEATHERSTRIP

NFBT0022S05

- In the case of leakage around glass lid, close glass lid and pour water over glass lid to find damaged or gap portion.
1. Remove glass lid assembly. (Refer to removal procedures, BT-42, for details.)
  2. Visually check weatherstrip for proper installation. If a gap exists between glass lid and weatherstrip, check for sufficient amount of butyl seal. If required, remove weatherstrip and apply butyl seal.  
Refer to "EXTERIOR", BT-32, for details.



## SUNROOF

*Trouble Diagnoses (Cont'd)*

---

3. Check weatherstrip visually for any damage, deterioration, or flattening.
  - If any damage is found, replace weatherstrip.

**CAUTION:**

**Do not remove weatherstrip except when replacing, or filling up butyl seal.**

### LINK AND WIRE ASSEMBLY

NFBT0022S06

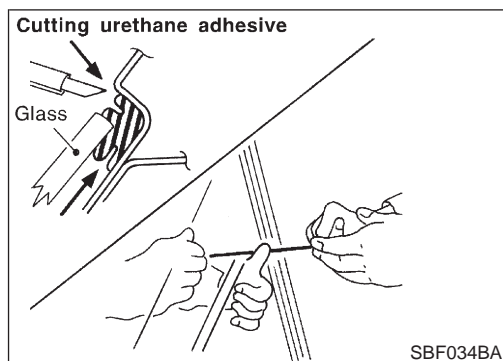
**NOTE:**

Before replacing a suspect part, carefully ensure it is the source of noise being experienced.

1. Check link to determine if coating film has peeled off to such an extent that substrate is visible. Check also to determine if link is the source of noise. If it is, replace it.
2. Visually check to determine if a sufficient amount of petroleum jelly has been applied to wire or rail groove. If not, add petroleum jelly as required.
3. Check wire for any damage or deterioration. If any damage is found, remove rear guide (refer to removal procedures, BT-42, for details), then replace wire.

# WINDSHIELD AND WINDOWS

## Removal and Installation



## Removal and Installation

NFBT0023

### REMOVAL

NFBT0023S01

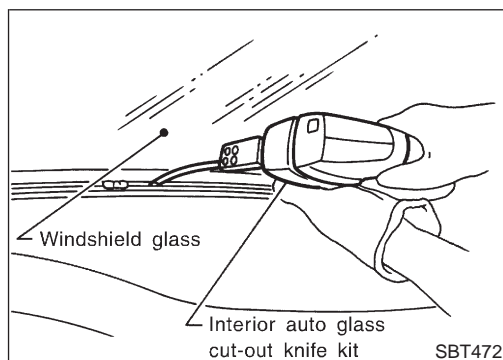
After removing moldings, remove glass using piano wire or power cutting tool and an inflatable pump bag.

### WARNING:

When cutting the glass from the vehicle, always wear safety glasses and heavy gloves to help prevent glass splinters from entering your eyes or cutting your hands.

### CAUTION:

- Be careful not to scratch the glass when removing.
- Do not set or stand the glass on its edge. Small chips may develop into cracks.



### INSTALLATION

NFBT0023S02

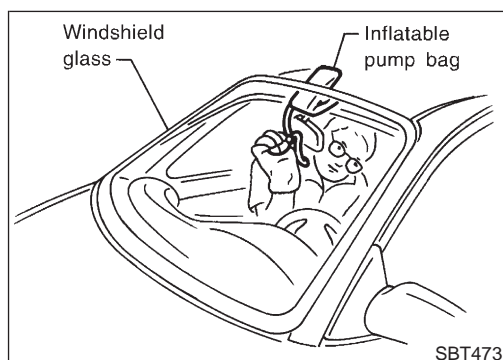
- Use a genuine Nissan Urethane Adhesive Kit or equivalent and follow the instructions furnished with it.
- While the urethane adhesive is curing, open a door window. This will prevent the glass from being forced out by passenger compartment air pressure when a door is closed.
- The molding must be installed securely so that it is in position and leaves no gap.
- Inform the customer that the vehicle should remain stationary until the urethane adhesive has completely cured (preferably 24 hours). Curing time varies with temperature and humidity.

### WARNING:

- Keep heat and open flames away as primers and adhesive are flammable.
- The materials contained in the kit are harmful if swallowed, and may irritate skin and eyes. Avoid contact with the skin and eyes.
- Use in an open, well ventilated location. Avoid breathing the vapors. They can be harmful if inhaled. If affected by vapor inhalation, immediately move to an area with fresh air.
- Driving the vehicle before the urethane adhesive has completely cured may affect the performance of the windshield in case of an accident.

### CAUTION:

- Do not use an adhesive which is past its usable term. Shelf life of this product is limited to six months after the date of manufacture. Carefully adhere to the expiration or manufacture date printed on the box.
- Keep primers and adhesive in a cool, dry place. Ideally, they should be stored in a refrigerator.



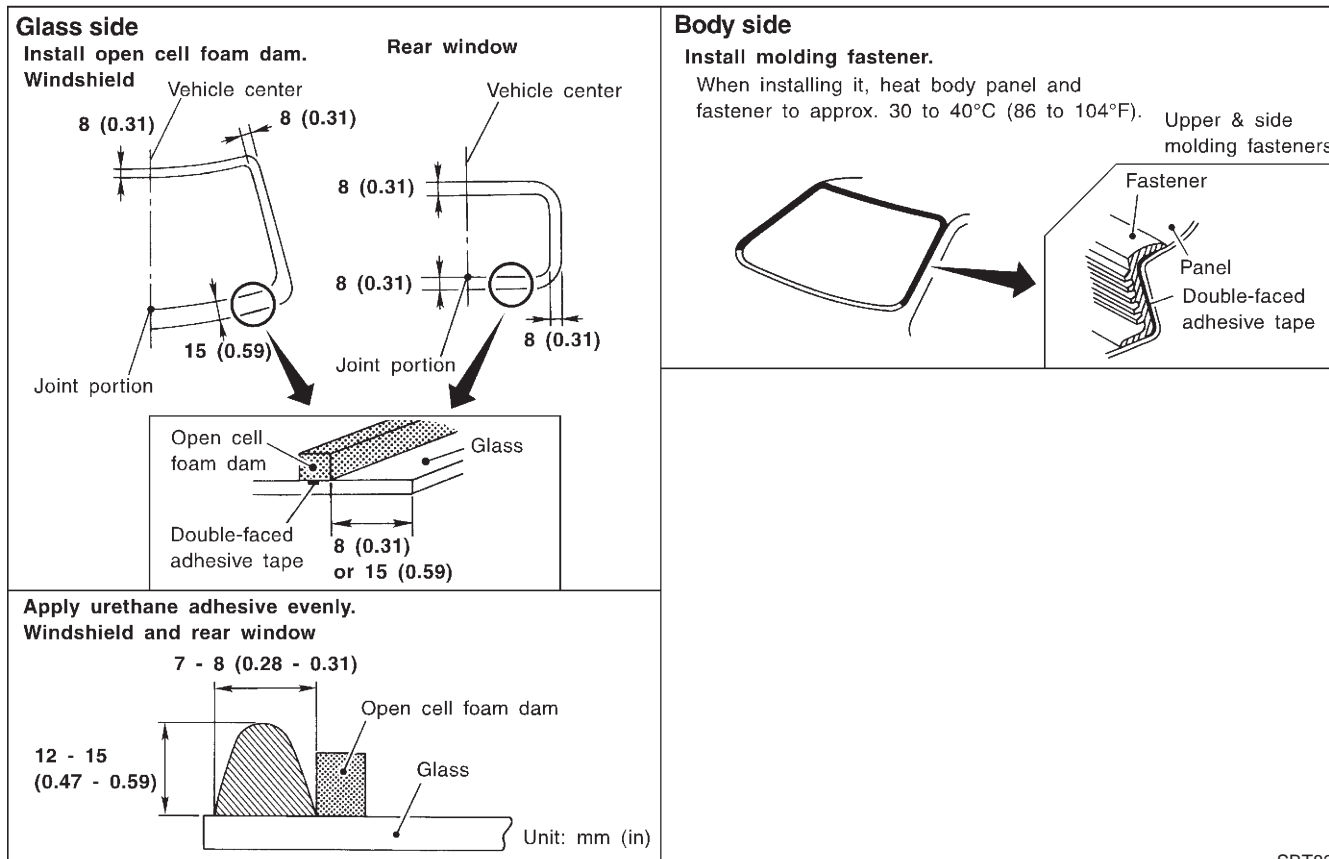
# WINDSHIELD AND WINDOWS

Removal and Installation (Cont'd)

- Do not leave primers or adhesive cartridge unattended with their caps open or off.
- The vehicle should not be driven for at least 24 hours or until the urethane adhesive has completely cured. Curing time varies depending on temperature and humidities. The curing time will increase under higher temperatures and lower humidities.

## WINDSHIELD

NFBT0023S03



SBT823

## Repairing Water Leaks for Windshield

NFBT0023S0301

Leaks can be repaired without removing and reinstalling glass. **If water is leaking between the urethane adhesive material and body or glass, determine the extent of leakage. This can be done by applying water to the windshield area while pushing glass outward.**

To stop the leak, apply primer (if necessary) and then urethane adhesive to the leak point.

## DOOR MIRROR

Removal and Installation

### Removal and Installation

NFBT0024

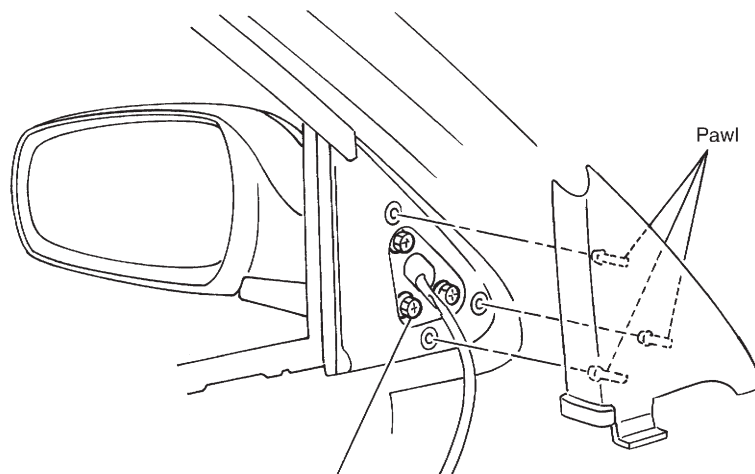
#### CAUTION:

Be careful not to scratch door rearview mirror body.

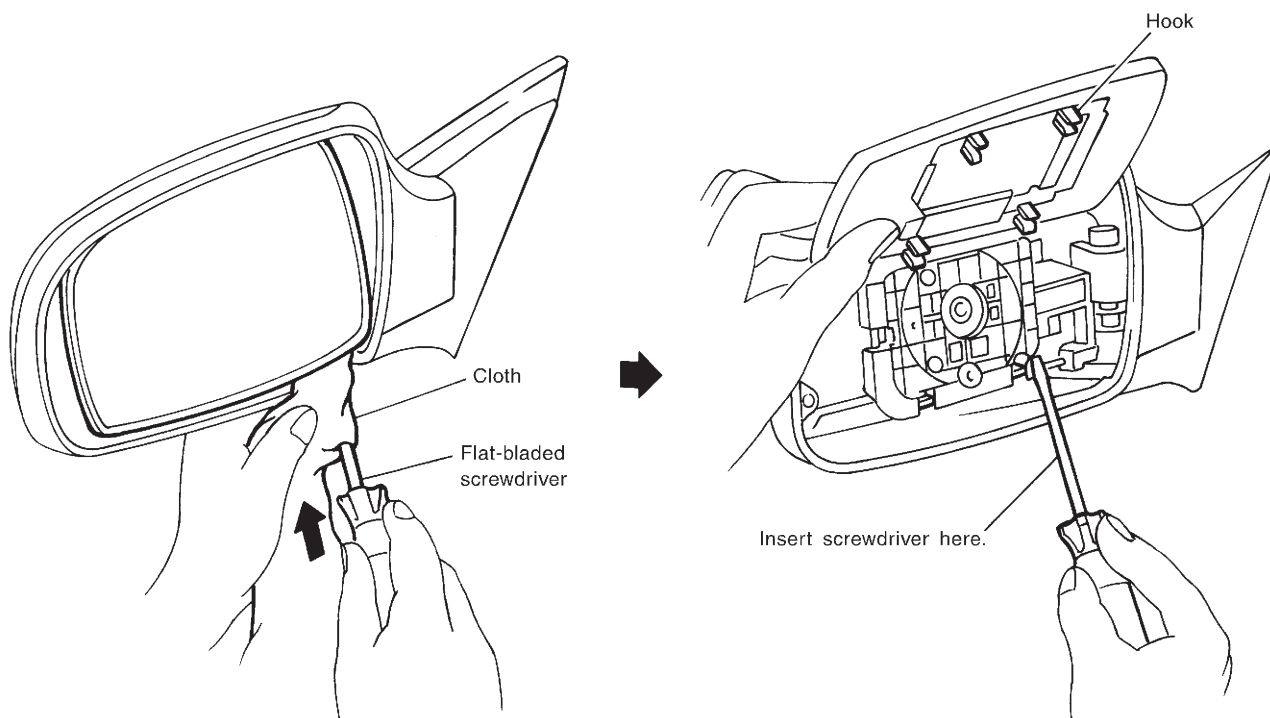
★ For Wiring Diagram, refer to EL-204, "DOOR MIRROR" for details.

1. Remove door trim. Refer to "DOOR TRIM" for details, BT-27.
2. Remove inner cover front corner of door.
3. Disconnect door mirror harness connector.
4. Remove door mirror harness clips.
5. Remove bolts securing door mirror assembly.
6. Remove the mirror glass. Do not insert screwdriver too far.

SEC. 963



 2.9 - 4.1 N•m (0.30 - 0.42 kg-m, 26.0 - 36.5 in-lb)



SBT813

# REAR VIEW MIRROR

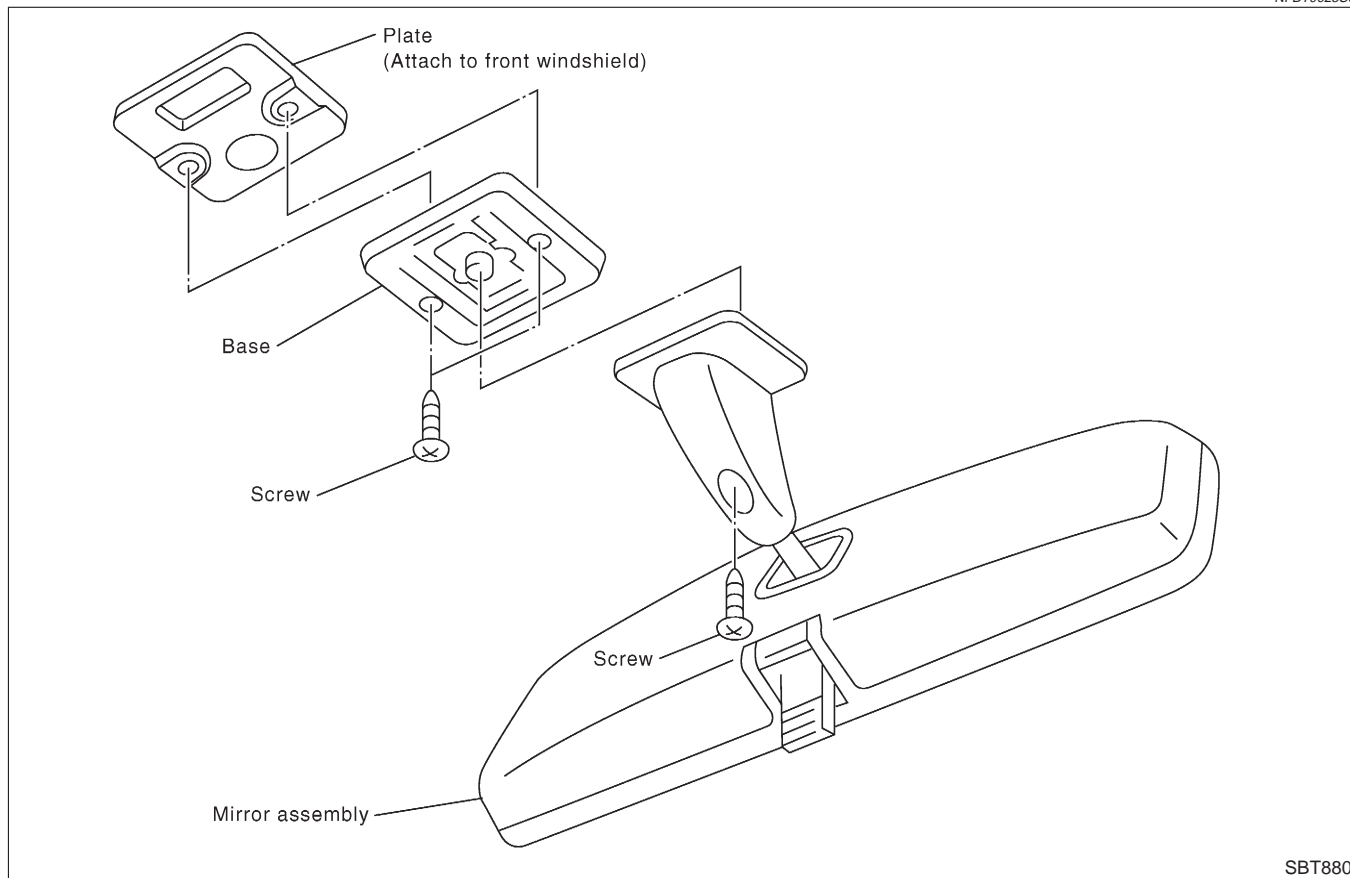
Removal and Installation

## Removal and Installation

### REMOVAL

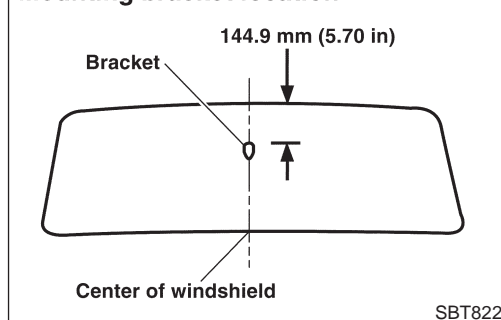
NFBT0025

NFBT0025S01



SBT880

### Mounting bracket location



SBT822

### INSTALLATION

NFBT0025S02

1. Install mirror base as follows:
  - a. Determine mirror base position on windshield by measuring from top of windshield to top of mirror base as shown in the figure.
  - b. Mark location on outside of windshield with wax pencil or equivalent.
  - c. Clean attaching point on inside of windshield with an alcohol-saturated panel towel.
  - d. Sand bonding surface of mirror base with sandpaper (No. 320 or No. 360).
  - e. Clean bonding surface of mirror base with an alcohol-saturated paper towel.
  - f. Apply Loctite Adhesive 11067-2 or equivalent to bonding surface of mirror base.
  - g. Install mirror base at premarked position and press mirror base against glass for 30 to 60 seconds.
  - h. After five minutes, wipe off excess adhesive with an alcohol-moistened paper towel.
2. Install rearview mirror.

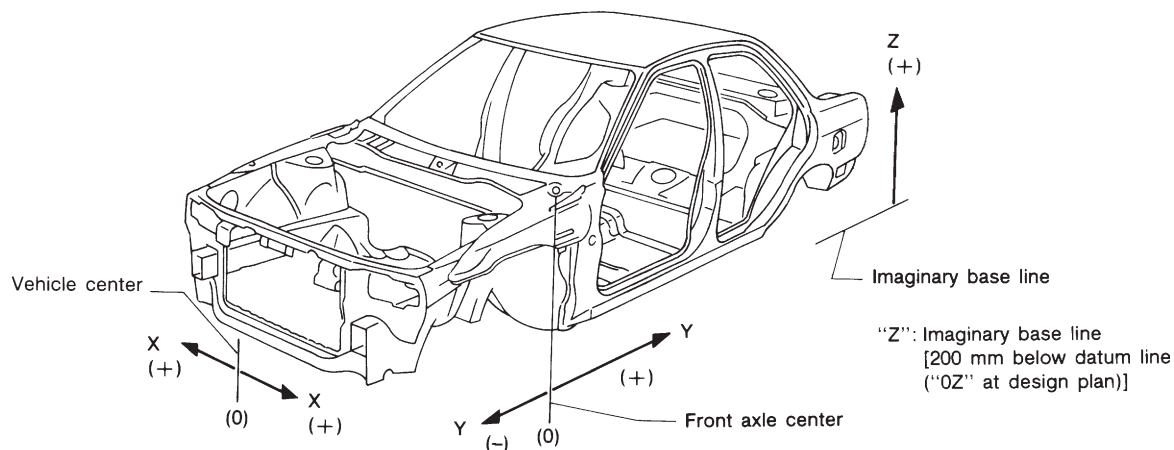
# BODY (ALIGNMENT)

Alignment

## Alignment

NFBT0026

- All dimensions indicated in figures are actual ones.
- When using a tracking gauge, adjust both pointers to equal length. Then check the pointers and gauge itself to make sure there is no free play.
- When a measuring tape is used, check to be sure there is no elongation, twisting or bending.
- Measurements should be taken at the center of the mounting holes.
- An asterisk (\*) following the value at the measuring point indicates that the measuring point on the other side is symmetrically the same value.
- The coordinates of the measurement points are the distances measured from the standard line of "X", "Y" and "Z".



SBF874GB

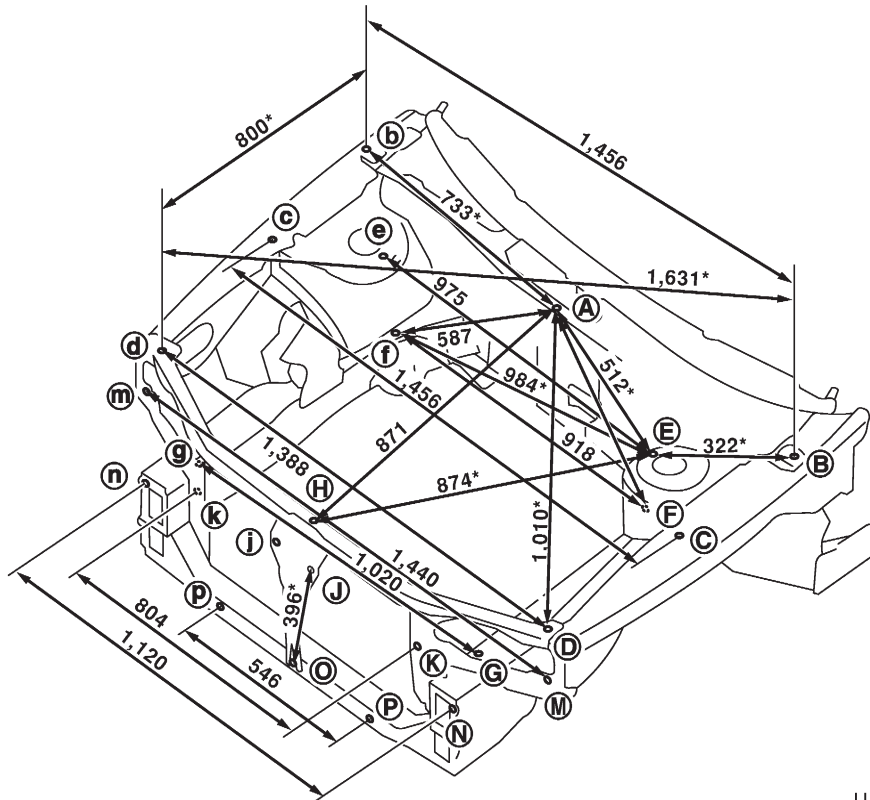
# BODY (ALIGNMENT)

Alignment (Cont'd)

## ENGINE COMPARTMENT Measurement

NFBT0026S01

NFBT0026S0101



Unit: mm

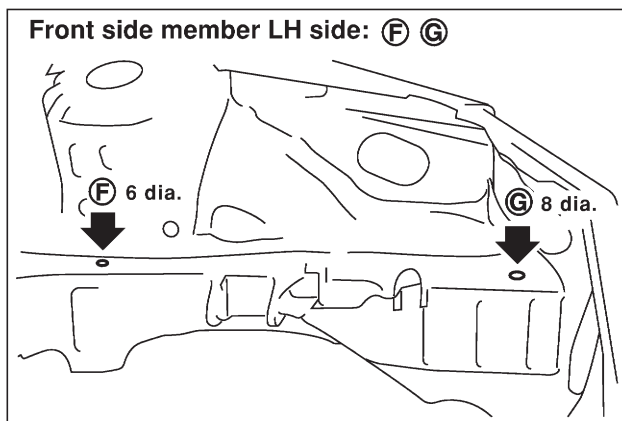
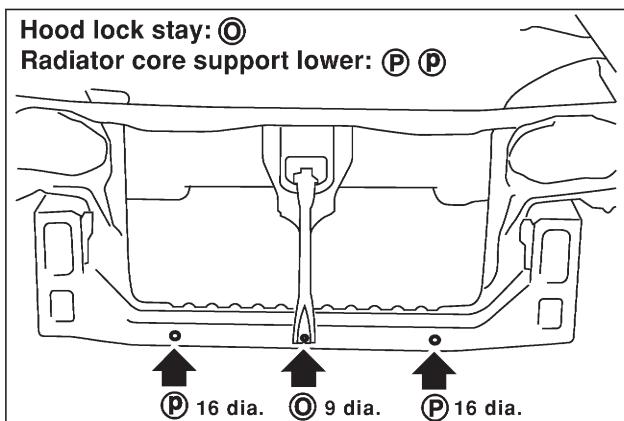
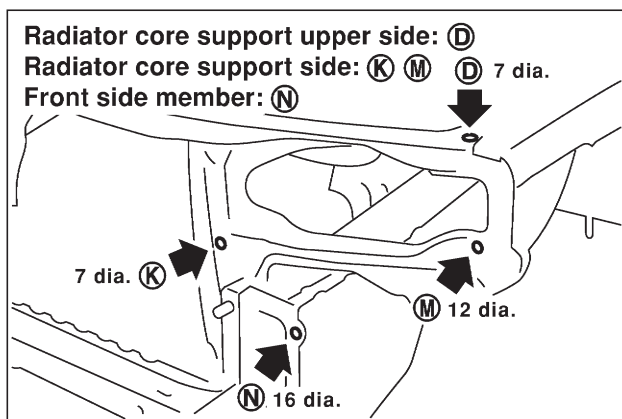
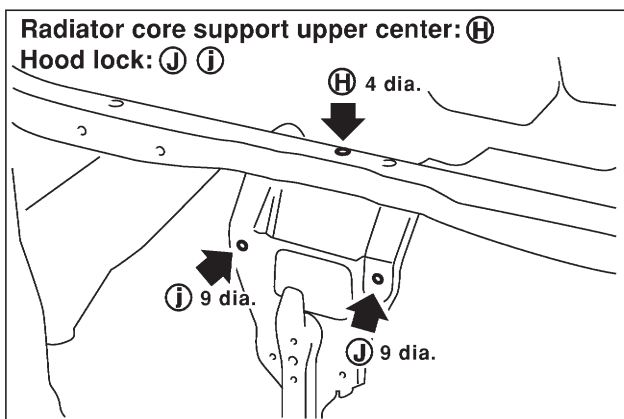
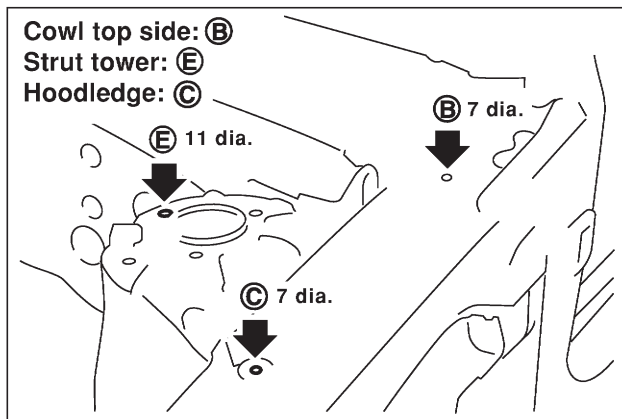
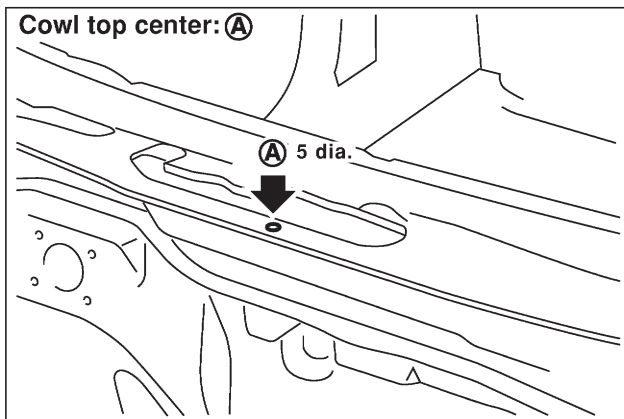
SBT881

# BODY (ALIGNMENT)

Alignment (Cont'd)

## Measurement Points

NFBT0026S0102



SBT882



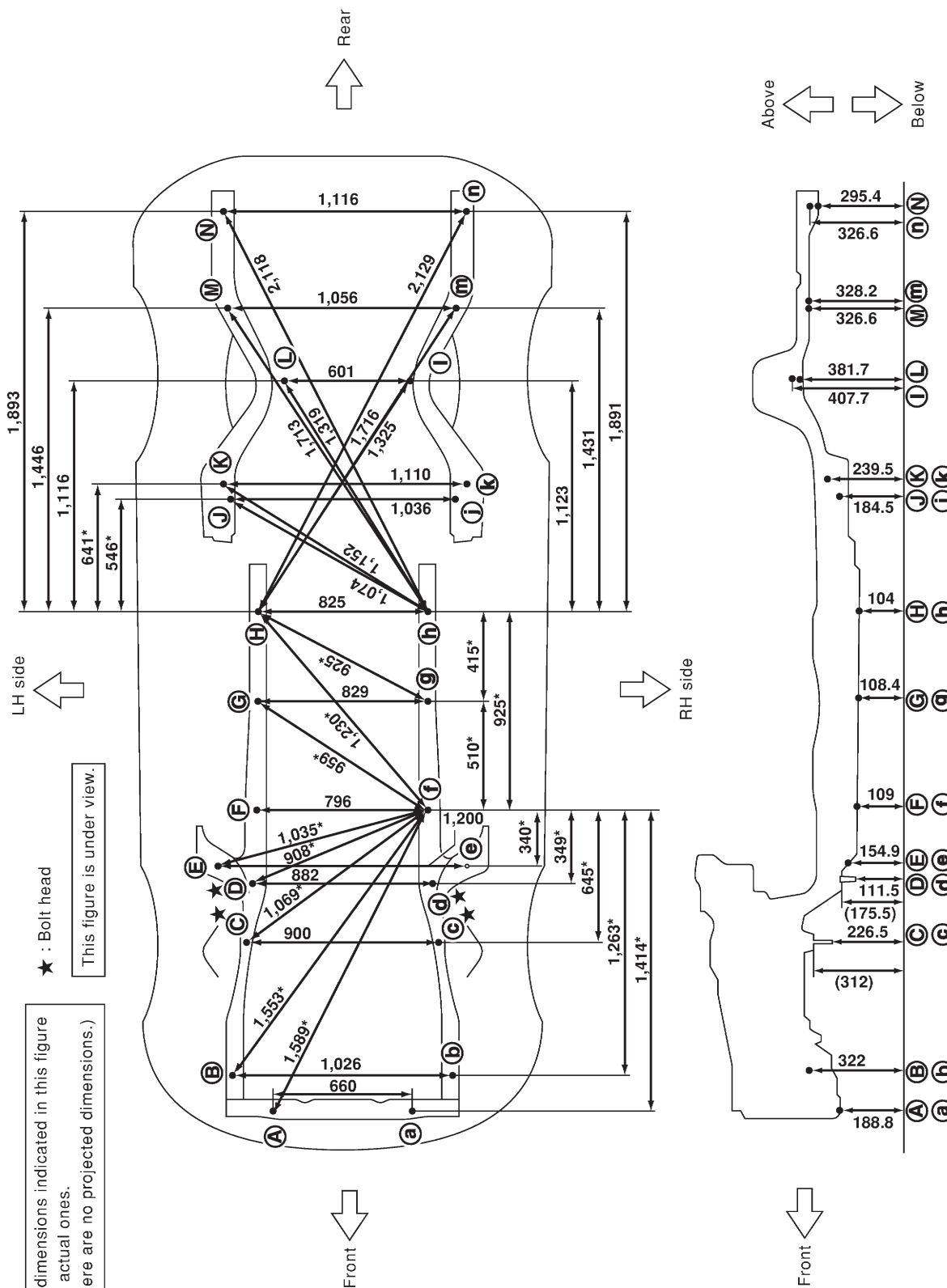
# BODY (ALIGNMENT)

Alignment (Cont'd)

## UNDERBODY Measurement

NFBT0026S02

NFBT0026S0201

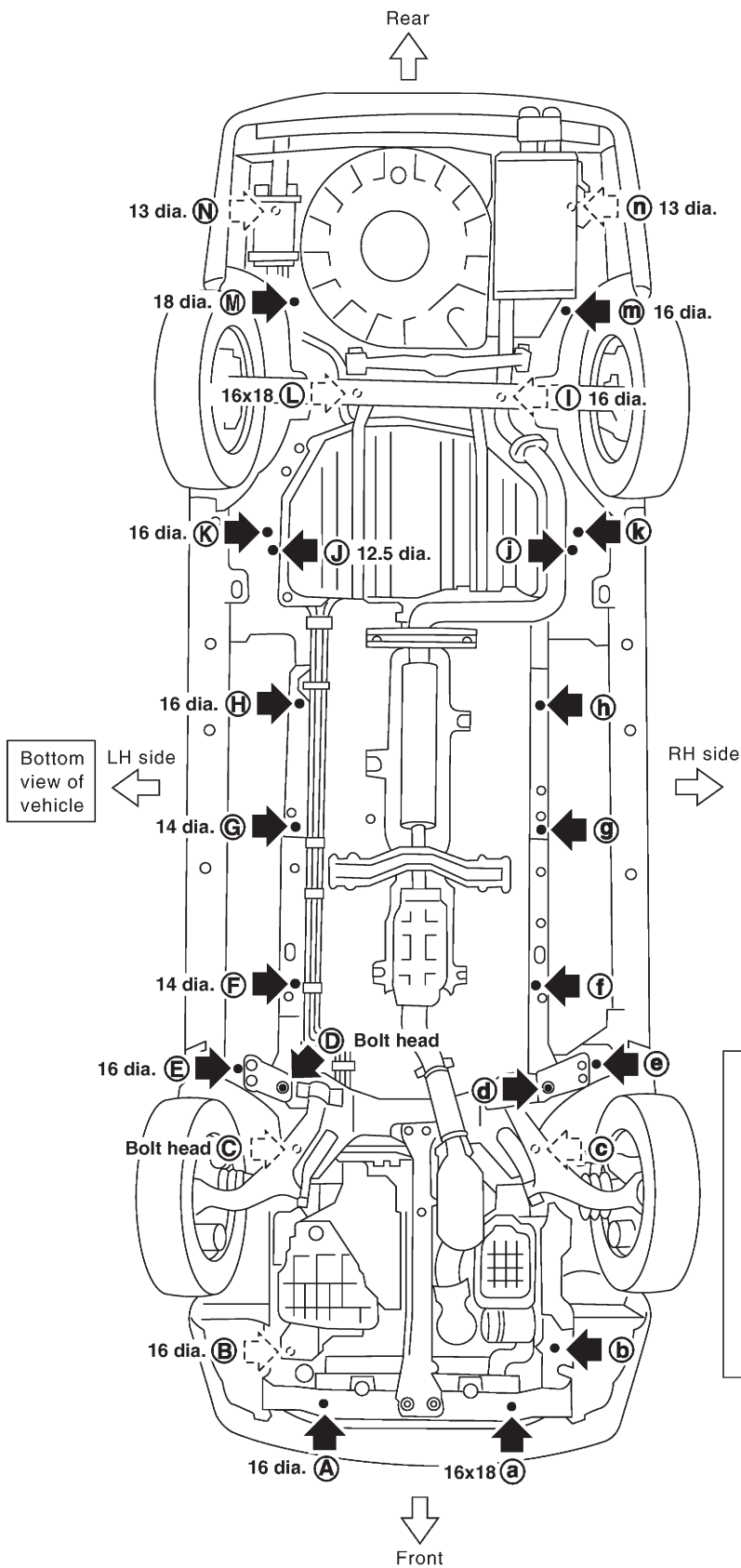


# BODY (ALIGNMENT)

Alignment (Cont'd)

## Measurement Points

NFBT0026S0202



Coordinates

(A), (a)	(K), (k)
X : 330	X : 555
Y : -710	Y : 2,235
Z : 188.8	Z : 239.5
(B), (b)	(L)
X : 513	X : 300
Y : -540	Y : 2,700
Z : 322	Z : 381.7
(C), (c)	(I)
X : 450	X : -300
Y : 68	Y : 2,700
Z : 226.5	Z : 407.7
(D), (d)	(M)
X : 441	X : 512
Y : 354	Y : 3,050
Z : 111.5	Z : 326.6
(E), (e)	(m)
X : 600	X : -544
Y : 430	Y : 3,032
Z : 154.9	Z : 328.2
(F), (f)	(N)
X : 398	X : 546
Y : 700	Y : 3,504
Z : 109	Z : 295.4
(G), (g)	(n)
X : 414	X : -570.5
Y : 1,210	Y : 3,500
Z : 108.4	Z : 326.6
(H), (h)	
X : 412.5	
Y : 1,625	
Z : 104	
(J), (j)	
X : 518.2	
Y : 2,155	
Z : 184.5	

### Front and rear strut tower centers

Coordinates:

(O), (o)	
X : 548.8	
Y : 28.7	
Z : 779.3	
(Q), (q)	Front: (O), (o) 87 dia.
X : 490.1	Rear: (Q), (q) 61.4 dia.
Y : 2,670.6	
Z : 538.5	

Unit: mm

SBT884