

Edition: July 2005  
 Revision: October 2006  
 Publication No. SM6E-1A34U1

**QUICK REFERENCE INDEX**

<b>A GENERAL INFORMATION</b>	<b>GI General Information</b>
<b>B ENGINE</b>	<b>EM Engine Mechanical</b>
	<b>LU Engine Lubrication System</b>
	<b>CO Engine Cooling System</b>
	<b>EC Engine Control System</b>
	<b>FL Fuel System</b>
	<b>EX Exhaust System</b>
	<b>ACC Accelerator Control System</b>
<b>C TRANSMISSION/ TRANSAXLE</b>	<b>CL Clutch</b>
	<b>MT Manual Transaxle</b>
	<b>AT Automatic Transaxle</b>
<b>D DRIVELINE/AXLE</b>	<b>FAX Front Axle</b>
	<b>RAX Rear Axle</b>
<b>E SUSPENSION</b>	<b>FSU Front Suspension</b>
	<b>RSU Rear Suspension</b>
	<b>WT Road Wheels &amp; Tires</b>
<b>F BRAKES</b>	<b>BR Brake System</b>
	<b>PB Parking Brake System</b>
	<b>BRC Brake Control System</b>
<b>G STEERING</b>	<b>PS Power Steering System</b>
<b>H RESTRAINTS</b>	<b>SB Seat Belts</b>
	<b>SRS Supplemental Restraint System (SRS)</b>
<b>I BODY</b>	<b>BL Body, Lock &amp; Security System</b>
	<b>GW Glasses, Window System &amp; Mirrors</b>
	<b>RF Roof</b>
	<b>EI Exterior &amp; Interior</b>
	<b>IP Instrument Panel</b>
	<b>SE Seat</b>
<b>J AIR CONDITIONER</b>	<b>ATC Automatic Air Conditioner</b>
<b>K ELECTRICAL</b>	<b>SC Starting &amp; Charging System</b>
	<b>LT Lighting System</b>
	<b>DI Driver Information System</b>
	<b>WW Wiper, Washer &amp; Horn</b>
	<b>BCS Body Control System</b>
	<b>LAN LAN System</b>
	<b>AV Audio Visual, Navigation &amp; Telephone System</b>
	<b>ACS Auto Cruise Control System</b>
	<b>PG Power Supply, Ground &amp; Circuit Elements</b>
<b>L MAINTENANCE</b>	<b>MA Maintenance</b>
<b>M INDEX</b>	<b>IDX Alphabetical Index</b>

**A**  
**B**  
**C**  
**D**  
**E**  
**F**  
**G**  
**H**  
**I**  
**J**  
**K**  
**L**  
**M**

# NISSAN MAXIMA

**MODEL A34 SERIES**

# FOREWORD

---

This manual contains maintenance and repair procedures for the 2006 NISSAN MAXIMA.

In order to assure your safety and the efficient functioning of the vehicle, this manual should be read thoroughly. It is especially important that the PRECAUTIONS in the GI section be completely understood before starting any repair task.

All information in this manual is based on the latest product information at the time of publication. The right is reserved to make changes in specifications and methods at any time without notice.

---

## IMPORTANT SAFETY NOTICE

The proper performance of service is essential for both the safety of the technician and the efficient functioning of the vehicle.

The service methods in this Service Manual are described in such a manner that the service may be performed safely and accurately. Service varies with the procedures used, the skills of the technician and the tools and parts available. Accordingly, anyone using service procedures, tools or parts which are not specifically recommended by NISSAN must first be completely satisfied that neither personal safety nor the vehicle's safety will be jeopardized by the service method selected.



**NISSAN NORTH AMERICA, INC.**  
Technical Publications Department



# PLEASE HELP MAKE THIS SERVICE MANUAL BETTER!

Your comments are important to NISSAN and will help us to improve our Service Manuals. Use this form to report any issues or comments you may have regarding our Service Manuals. Please print this form and type or write your comments below. Mail or fax to:

Nissan North America, Inc.  
Technical Service Information  
39001 Sunrise Drive, P.O. Box 9200  
Farmington Hills, MI USA 48331  
FAX: (248) 488-3910

**SERVICE MANUAL: Model:** \_\_\_\_\_ **Year:** \_\_\_\_\_

**PUBLICATION NO. (Refer to Quick Reference Index):** \_\_\_\_\_

Please describe any Service Manual issues or problems in detail:

Page number(s) \_\_\_\_\_ *Note: Please include a copy of each page, marked with your comments.*

---

---

---

---

---

---

---

---

**Are the trouble diagnosis procedures logical and easy to use? (circle your answer) YES NO**

If no, what page number(s)? \_\_\_\_\_ *Note: Please include a copy of each page, marked with your comments.*

Please describe the issue or problem in detail: \_\_\_\_\_

---

---

---

**Is the organization of the manual clear and easy to follow? (circle your answer) YES NO**

Please comment: \_\_\_\_\_

---

---

---

---

**What information should be included in NISSAN Service Manuals to better support you in servicing or repairing customer vehicles?**

---

---

---

---

DATE: \_\_\_\_\_ YOUR NAME: \_\_\_\_\_ POSITION: \_\_\_\_\_

DEALER: \_\_\_\_\_ DEALER NO.: \_\_\_\_\_ ADDRESS: \_\_\_\_\_

CITY: \_\_\_\_\_ STATE/PROV./COUNTRY: \_\_\_\_\_ ZIP/POSTAL CODE: \_\_\_\_\_

# QUICK REFERENCE CHART: MAXIMA

2006

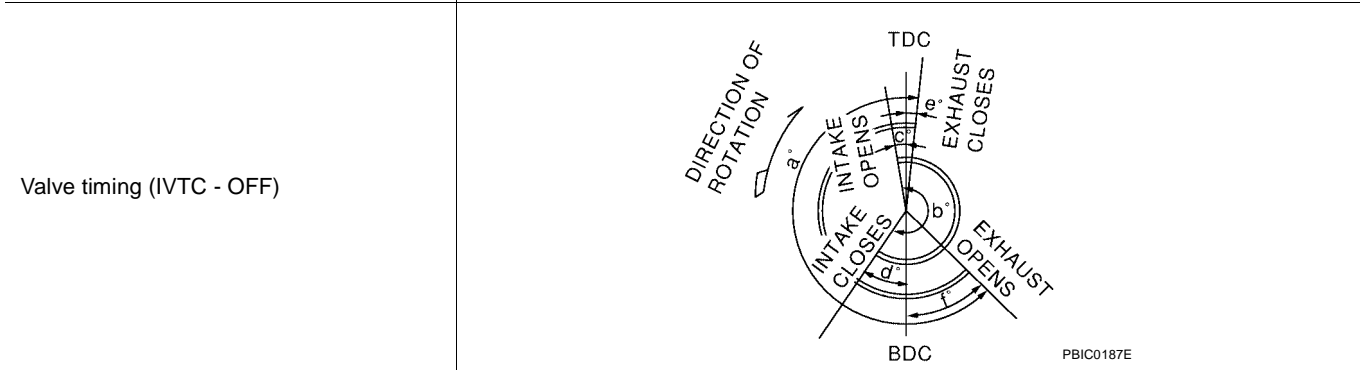
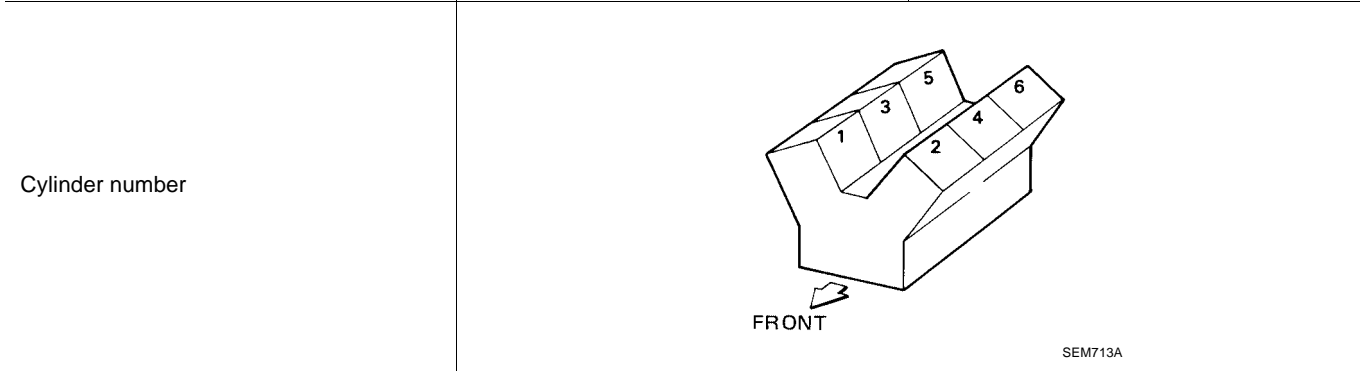
## QUICK REFERENCE CHART: MAXIMA

PFP:00000

### Engine Tune-Up Data

*ELS001PU*

Cylinder arrangement		V-6
Displacement		3,498 cm <sup>3</sup> (213.45 in <sup>3</sup> )
Bore and stroke		95.5 x 81.4 mm (3.76 x 3.205 in)
Valve arrangement		DOHC
Firing order		1-2-3-4-5-6
Number of piston rings	Compression	2
	Oil	1
Number of main bearings		4
Compression ratio		10.0:1
Compression pressure	Standard	1,275 kPa (13.0 cm <sup>2</sup> , 185 psi) / 300 rpm
	Minimum	981 kPa (10.0 cm <sup>2</sup> , 142 psi) / 300 rpm
	Differential limit between cylinders	98 kPa (1.0 cm <sup>2</sup> , 14 psi) / 300 rpm



Unit: degree					
a	b	c	d	e	f
240°	238°	- 6°	64°	8°	52°

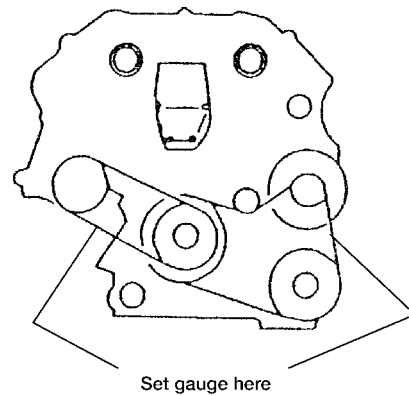
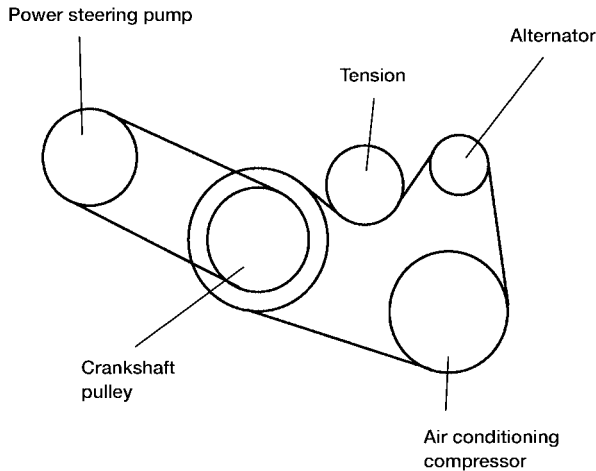
# QUICK REFERENCE CHART: MAXIMA

2006

## Spark Plugs (Double-Platinum Tipped)

Make	NGK
Standard type	PLFR5A-11
Hot type	PLFR4A-11
Cold type	PLFR6A-11
Gap (nominal)	1.1 mm (0.043 in)

## Drive Belt Deflection and Tension



LBIA0076E

	Deflection adjustment			Unit: mm (in)	Tension adjustment*		Unit: N (kg, lb)
	Used belt		New belt	Used belt		New belt	
	Limit	After adjustment		Limit	After adjustment		
Alternator and air conditioning compressor	7 (0.28)	4.2 - 4.6 (0.17 - 0.18)	3.7 - 4.1 (0.15 - 0.16)	294 (30, 66)	730 - 818 (74.5 - 83.5, 164 - 184)	838 - 926 (85.5 - 94.5, 188 - 208)	
Power steering pump	11 (0.43)	7.3 - 8 (0.29 - 0.30)	6.5 - 7.2 (0.26 - 0.28)	196 (20, 44)	495 - 583 (50.5 - 59.5, 111 - 131)	603 - 691 (61.5 - 70.5, 135.6 - 155.4)	
Applied pushing force	98 (10, 22)			—			

\*: If belt tension gauge cannot be installed at check points shown, check drive belt tension at different location on the belt.

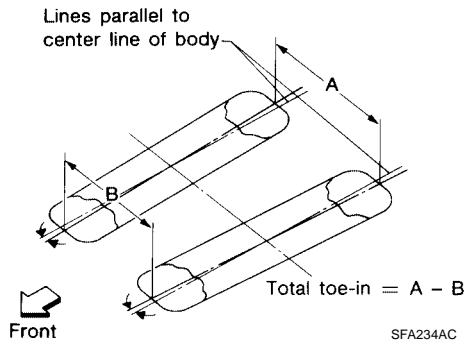
# QUICK REFERENCE CHART: MAXIMA

2006

## Front Wheel Alignment (Unladen\*1)

ELS001PV

Market		United States and Canada		Mexico
		225/55R17	245/45R18	All
Camber degree minute (decimal degree)	Minimum	-1°00' (-1.00°)		-0°50' (-0.83°)
	Nominal	-0°15' (-0.25°)		-0°05' (-0.08°)
	Maximum	0°30' (0.50°)		0°40' (0.67°)
	Left and right difference	45' (0.75°) or less		
Caster degree minute (decimal degree)	Minimum	2°05' (2.08°)		1°55' (1.92°)
	Nominal	2°50' (2.83°)		2°40' (2.67°)
	Maximum	3°35' (3.58°)		3°25' (3.42°)
	Left and right difference	45' (0.75°) or less		
Kingpin inclination degree minute (decimal degree)	Minimum	13°50' (13.83°)		13°10' (13.17°)
	Nominal	14°35' (14.58°)		13°55' (13.92°)
	Maximum	15°20' (15.33°)		14°40' (14.67°)



Total toe-in	Distance (A - B) mm (in)	Minimum	-0.5 (-0.020)		0.0 (0.000)
		Nominal	0.5 (0.020)		1.0 (0.040)
		Maximum	1.5 (0.059)		2.0 (0.080)
	Angle (left plus right) degree minute (decimal degree)	Minimum	—		—
		Nominal	2' (0.03°)		3' (0.05°)
		Maximum	—		—
Wheel turning angle full turn*2	Inside degree minute (decimal degree)	Minimum	32°00' (32.0°)	31°00' (31.0°)	—
		Nominal	35°30' (35.5°)	34°30' (34.5°)	—
		Maximum	36°30' (36.5°)	35°30' (35.5°)	—
	Outside degree minute (decimal degree)	Nominal	29°00' (29.0°)	28°30' (28.5°)	—

\*1: Fuel, radiator coolant and engine oil full. Spare tire, jack, hand tools and mats in designated positions.

\*2: On power steering models, wheel turning force (at circumference of steering wheel) of 98 to 147 N (10 to 15 kg, 22 to 33 lb) with engine idle.

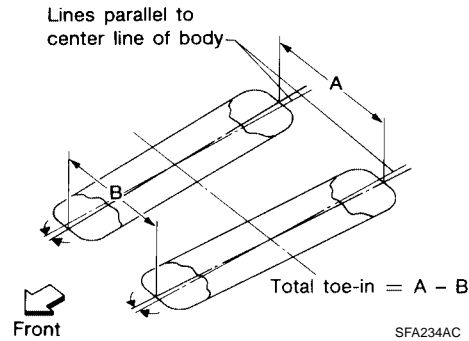
# QUICK REFERENCE CHART: MAXIMA

2006

## Rear Wheel Alignment (Unladen\*)

ELS001PW

Market		United States and Canada	Mexico
Camber Degree minute (Decimal degree)	Minimum	-0° 08' (-0.13°)	-0° 30' (-0.5°)
	Nominal	-0° 38' (-0.63°)	0° 0' (0°)
	Maximum	-0° 68' (-1.13°)	0° 30' (0.5°)



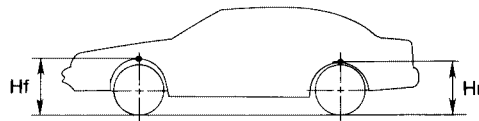
Total toe-in	Distance (A - B) mm (in)	Minimum	2.3 (0.091)	1.3 (0.051)
		Nominal	3.8 (0.150)	2.8 (0.110)
		Maximum	5.3 (0.209)	4.3 (0.169)
	Distance difference between RH and LH side mm (in)	Minimum	-2.0 (-0.079)	
		Nominal	0 (0)	
		Maximum	2.0 (0.079)	
	Angle (left plus right) Degree minute (Decimal degree)	Minimum	0° 6' (0.10°)	0° 3' (0.05°)
		Nominal	0° 10' (0.17°)	0° 7' (0.12°)
		Maximum	0° 14' (0.23°)	0° 11' (0.18°)

\*: Fuel, radiator coolant and engine oil full. Spare tire, jack, hand tools and mats in designated positions.

## Wheelarch Height (Unladen\*)

EES0025Q

Unit: mm (in)



SFA818A

Market	United States and Canada		Mexico	
	225/55R17	245/45R18	225/55R17	245/45R18
Front (Hf)	738 (29.06)	737 (29.02)	787 (30.98)	761 (29.96)
Rear (Hr)	705 (27.76)	705 (27.76)	743 (29.25)	726 (28.58)

\*: Fuel, radiator coolant and engine oil full. Spare tire, jack, hand tools and mats in designated positions.

# QUICK REFERENCE CHART: MAXIMA

**2006**

## Brake

ELS001PX

Unit: mm (in)

Front brake	Brake model		CLZ25VE disc brake
	Cylinder bore diameter		57.2 (2.25)
	Pad Length × width × thickness		111.0 × 62.5 × 9.5 (4.37 × 2.46 × 0.37)
	Rotor outer diameter × thickness		320 × 28 (12.60 × 1.10)
Rear brake	Brake model		AD9A disc brake
	Cylinder bore diameter		34.9 (1.374)
	Pad Length × width × thickness		83.0 × 33.0 × 8.5 (3.27 × 1.30 × 0.33)
	Rotor outer diameter × thickness		292 × 9 (11.50 × 0.35)
Master cylinder	Cylinder bore diameter		23.81 (15/16)
Control valve	Screw in type		30 × 0.4 (1.18 × 0.02)
Brake booster	Booster model		M215T
	Diaphragm diameter	Primary	230 (9.06)
		Secondary	205 (8.07)
Recommended brake fluid			Genuine NISSAN Super Heavy Duty Brake Fluid, or equivalent DOT 3 (US FMVSS No. 116)

## Disc Brake - Repair Limits

Unit: mm (in)

Brake model		CLZ25VE	AD9A
Pad wear limit	Minimum thickness	2.0 (0.079)	2.0 (0.079)
	Maximum runout	0.07 (0.0028)	0.05 (0.0020)
Rotor repair limit	Minimum thickness	26.0 (1.02)	8.0 (0.31)
	Maximum uneven wear (measured at 8 positions)	0.015 (0.0006) or less	

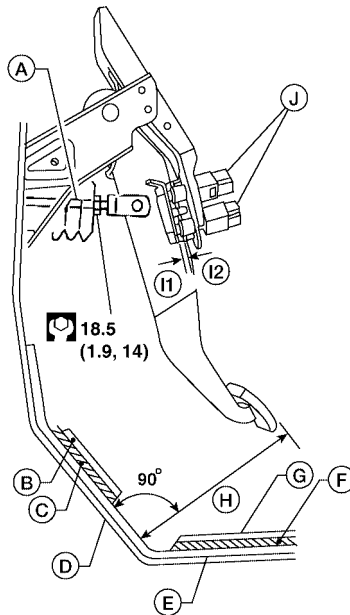


# QUICK REFERENCE CHART: MAXIMA

2006

## Brake Pedal

Unit: mm (in)



WFIA0423E

Free height "H"	M/T	164.1 - 174.1 (6.46 - 6.85)
	A/T	173.1 - 183.1 (6.81 - 7.21)
Pedal height (with engine running, brake pedal force 490 N {50 kg-f, 110 lb-f} "H")	M/T	More than 84 (3.31)
	A/T	More than 90.3 (3.55)
Clearance "I1" or "I2" between pedal stopper and threaded end of stop lamp switch or ASCD switch		0.74 - 1.96 (0.0291 - 0.0772)
Pedal play		3 - 11 (0.12 - 0.43)

\*: Measured from surface of dash reinforcement panel to surface of pedal pad

A: Input rod

B: Floor carpet

C: Dash Insulator

D: Floor Panel

E: Dash reinforcement panel

F: Dash insulator

G: Floor carpet

I1, I2: Gap

J: Stop lamp switch and ASCD switch

# QUICK REFERENCE CHART: MAXIMA

2006

## Refill Capacities

ELS001PY

Description		Capacity (approximate)		
		Liter	US measure	Imp measure
Fuel		75.6	20 gal	16 5/8 gal
Engine oil	With oil filter change	4.2	4 1/2 qt	3 3/4 qt
Drain and refill	Without oil filter change	4.0	4 1/4 qt	3 1/2 qt
Dry engine (engine overhaul)		4.6	4 7/8 qt	4 qt
Cooling system	With reservoir at MAX level	8.5	2 1/4 gal	1 7/8 gal
Manual transaxle fluid (MTF)		2.2	2 3/8 qt	2 qt
Transaxle fluid (ATF)	5 A/T	7.3	7 3/4 qt	6 3/8 qt
Power steering fluid (PSF)		1.0	2 1/8 pt	1 3/4 pt
Air conditioning system refrigerant		0.55 ± 0.025 kg	1.21 ± 0.055 lb	1.21 ± 0.055 lb
Air conditioning system lubricant		150 m ℓ	5.03 fl oz	5.3 fl oz