

A
B
C

WW

SECTION

WIPER, WASHER & HORN

CONTENTS

<p>PRECAUTION 2</p> <p> Precautions for Supplemental Restraint System (SRS) “AIR BAG” and “SEAT BELT PRE-TENSIONER” 2</p> <p>FRONT WIPER AND WASHER SYSTEM 3</p> <p> Components Parts and Harness Connector Location 3</p> <p> System Description 3</p> <p> LOW SPEED WIPER OPERATION 4</p> <p> HI SPEED WIPER OPERATION 4</p> <p> INTERMITTENT OPERATION 5</p> <p> AUTO STOP OPERATION 5</p> <p> WASHER OPERATION 5</p> <p> MIST OPERATION 5</p> <p> FAIL-SAFE FUNCTION 6</p> <p> COMBINATION SWITCH READING FUNCTION... 6</p> <p> CAN Communication System Description 6</p> <p> Wiring Diagram — WIPER — 7</p> <p> Terminals and Reference Values for BCM 9</p> <p> Terminals and Reference Values for IPDM E/R 10</p> <p> Work Flow 10</p> <p> Preliminary Inspection 11</p> <p> INSPECTION FOR POWER SUPPLY AND GROUND CIRCUIT 11</p> <p> CONSULT-II Function (BCM) 12</p> <p> CONSULT-II OPERATION 12</p> <p> WORK SUPPORT 13</p> <p> DATA MONITOR 13</p> <p> ACTIVE TEST 14</p> <p> CONSULT-II Function (IPDM E/R) 14</p> <p> CONSULT-II OPERATION 14</p> <p> DATA MONITOR 15</p> <p> ACTIVE TEST 16</p> <p> Front Wiper Does Not Operate 16</p> <p> Front Wiper Stop Position Is Incorrect 19</p>	<p> Only Front Wiper Low Does Not Operate 20</p> <p> Only Front Wiper High Does Not Operate 20</p> <p> Only Front Wiper INT Does Not Operate 22</p> <p> Front Wiper INT Operation Switch Position Cannot Be Adjusted 22</p> <p> Wipers Do Not Wipe When Front Washer Operates.. 22</p> <p> Front Wipers Operate For 10 Seconds, Stop For 20 Seconds, And After Repeating This Operation Five Times, They Become Inoperative 23</p> <p> Front Wiper Arms 25</p> <p> REMOVAL AND INSTALLATION 25</p> <p> WIPER ARM ADJUSTMENT 25</p> <p> Wiper Motor and Linkage 26</p> <p> REMOVAL AND INSTALLATION 26</p> <p> REMOVAL 26</p> <p> INSTALLATION 26</p> <p> Washer Nozzle Adjustment 27</p> <p> Washer Tube Layout 27</p> <p> Wiper and Washer Switch 27</p> <p> REMOVAL AND INSTALLATION 27</p> <p> Washer Fluid Reservoir 28</p> <p> REMOVAL AND INSTALLATION 28</p> <p> Washer Motor 28</p> <p> REMOVAL AND INSTALLATION 28</p> <p> POWER SOCKET 29</p> <p> Wiring Diagram — P/SCKT — 29</p> <p> Power Sockets 30</p> <p> REMOVAL AND INSTALLATION 30</p> <p> HORN 31</p> <p> Wiring Diagram — HORN — 31</p> <p> Horn (High) 32</p> <p> REMOVAL AND INSTALLATION 32</p> <p> Horn (Low) 32</p> <p> REMOVAL 32</p> <p> INSTALLATION 32</p>
---	--

A
B
C
D
E
F
G
H
I
J
L
M

WW

PRECAUTION

PRECAUTION

PF0:00011

Precautions for Supplemental Restraint System (SRS) “AIR BAG” and “SEAT BELT PRE-TENSIONER”

EKS0094G

The Supplemental Restraint System such as “AIR BAG” and “SEAT BELT PRE-TENSIONER”, used along with a front seat belt, helps to reduce the risk or severity of injury to the driver and front passenger for certain types of collision. This system includes seat belt switch inputs and dual stage front air bag modules. The SRS system uses the seat belt switches to determine the front air bag deployment, and may only deploy one front air bag, depending on the severity of a collision and whether the front occupants are belted or unbelted. Information necessary to service the system safely is included in the SRS and SB section of this Service Manual.

WARNING:

- To avoid rendering the SRS inoperative, which could increase the risk of personal injury or death in the event of a collision which would result in air bag inflation, all maintenance must be performed by an authorized NISSAN/INFINITI dealer.
- Improper maintenance, including incorrect removal and installation of the SRS, can lead to personal injury caused by unintentional activation of the system. For removal of Spiral Cable and Air Bag Module, see the SRS section.
- Do not use electrical test equipment on any circuit related to the SRS unless instructed to in this Service Manual. SRS wiring harnesses can be identified by yellow and/or orange harnesses or harness connectors.

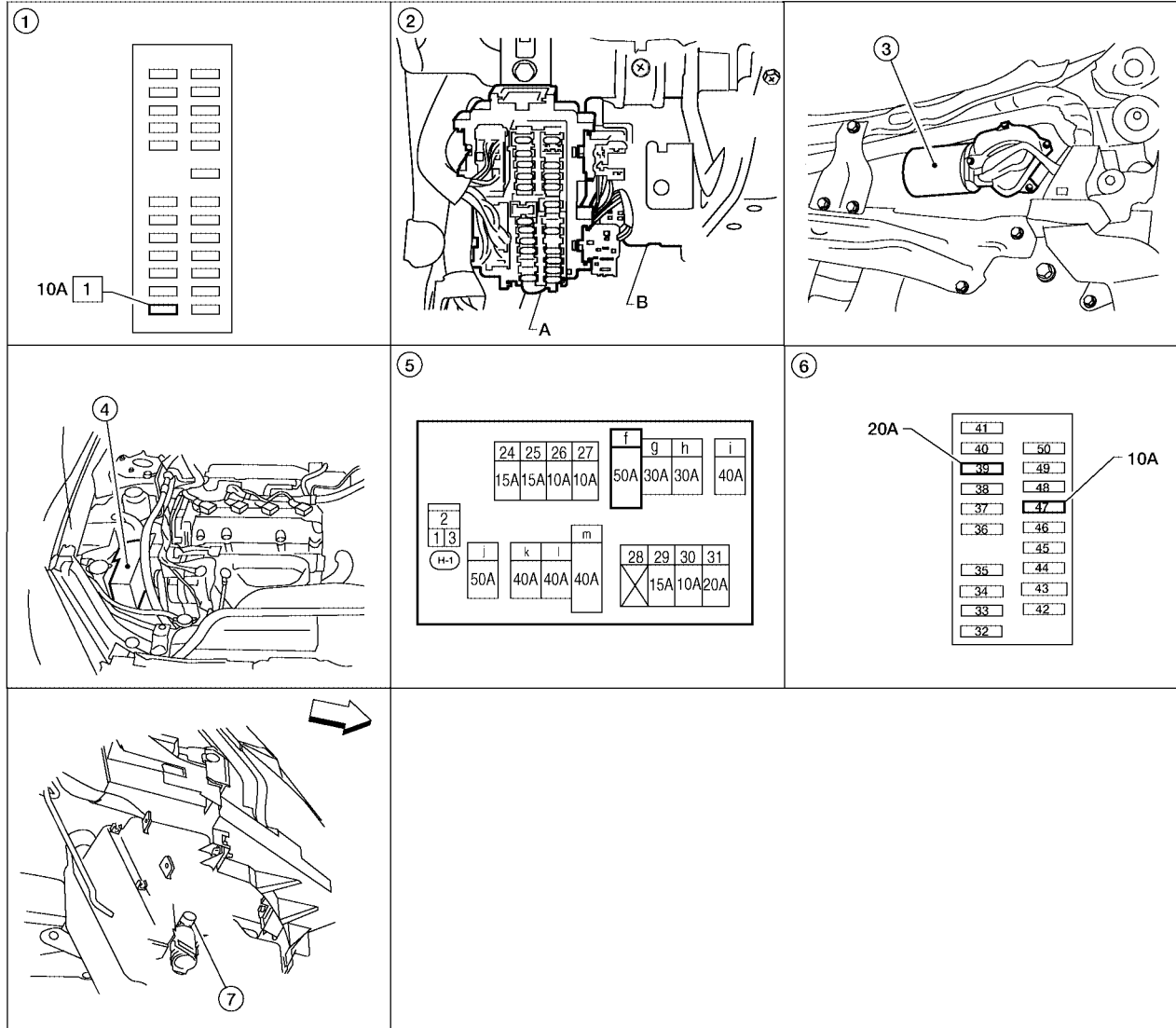
FRONT WIPER AND WASHER SYSTEM

FRONT WIPER AND WASHER SYSTEM

PF28810

Components Parts and Harness Connector Location

EKS0094I



←: Front

- | | | |
|---|---|--------------------------|
| 1. Fuse block (J/B) | 2. A. Fuse block (J/B)
B. BCM M18, M19
(View with instrument panel removed) | 3. Front wiper motor E23 |
| 4. IPDM E/R E118, E119, E120, E121, E122, E123, E124
(View with RH side cover removed) | 5. Fuse and fusible link box | 6. IPDM E/R fuse layout |
| 7. Front washer motor E105 | | |

WKIA4551E

System Description

EKS0094J

- Both front wiper relays are located in the IPDM E/R (intelligent power distribution module engine room).
- Wiper switch (combination switch) is composed of a combination of 5 output terminals and 5 input terminals. Terminal combination status is read by BCM (body control module) when switch is turned ON.
- BCM controls front wiper LO, HI, and INT (intermittent) operation.
- IPDM E/R operates wiper motor according to CAN communication signals from the BCM.

A
B
C
D
E
F
G
H
I
J
L
M

WW

FRONT WIPER AND WASHER SYSTEM

Power is supplied at all times

- to ignition relay, located in the IPDM E/R, and
- through 50A fusible link (letter f , located in the fuse and fusible link box)
- to BCM terminal 55, and
- through 20A fuse (No. 39, located in the IPDM E/R)
- to front wiper relay, located in the IPDM E/R.

With the ignition switch in ON or START position, power is supplied

- to ignition relay, located in the IPDM E/R, and
- through 10A fuse [No. 1, located in the fuse block (J/B)]
- to BCM terminal 38, and
- through 10A fuse (No. 47, located in the IPDM E/R)
- through IPDM E/R terminal 44
- to front washer motor terminal +.

Ground is supplied

- to BCM terminal 52
- to combination switch terminal 12
- through grounds M57, M61 and M79, and
- to IPDM E/R terminals 38 and 60
- to front wiper motor terminal E
- through grounds E15 and E24.

LOW SPEED WIPER OPERATION

When the ignition switch is in the ON or START position, and the front wiper switch is turned to low position, the BCM detects a low speed wiper ON signal by BCM wiper switch reading function.

BCM then sends front wiper (low) request signal over CAN communication lines

- from BCM terminals 39 and 40
- to IPDM E/R terminals 48 and 49.

When IPDM E/R receives front wiper (low) request signal, it supplies ground to energize the front wiper relay.

With the front wiper relay energized, power is supplied

- through front wiper relay
- to front wiper high relay
- through IPDM E/R terminal 21
- to front wiper motor terminal L.

With power and ground supplied, the front wiper motor operates at low speed.

HI SPEED WIPER OPERATION

When the ignition switch is in the ON or START position, and the front wiper switch is turned to high position, the BCM detects a high speed wiper ON signal by BCM wiper switch reading function.

BCM then sends front wiper (high) request signal over CAN communication lines

- from BCM terminals 39 and 40
- to IPDM E/R terminals 48 and 49.

When IPDM E/R receives front wiper (high) request signal, it supplies ground to energize the front wiper and the front wiper high relays.

With the front wiper and the front wiper high relays energized, power is supplied

- through front wiper relay
- to front wiper high relay
- through IPDM E/R terminal 31
- to front wiper motor terminal H.

With power and ground supplied, the front wiper motor operates at high speed.

FRONT WIPER AND WASHER SYSTEM

INTERMITTENT OPERATION

Wiper intermittent operation delay interval is determined from the combination of the intermittent wiper dial position inputs and vehicle speed. During each intermittent operation delay interval, the BCM sends a front wiper request signal to the IPDM E/R to operate the wipers.

When the ignition switch is in ON or START position, and the front wiper switch is turned to intermittent position, the BCM detects a front wiper (intermittent) ON signal by BCM wiper switch reading function.

BCM then sends front wiper (intermittent) request signal over CAN communication lines

- from BCM terminals 39 and 40
- to IPDM E/R terminals 48 and 49.

When BCM determines that combination switch status is front wiper intermittent ON, it performs the following operations.

- BCM detects ON/OFF status of intermittent wiper dial position
- BCM calculates operation interval from wiper dial position and vehicle speed signal received from unified meter and A/C amp. through CAN communications.
- BCM sends front wiper request signal (INT) to IPDM E/R at calculated operation interval.

When IPDM E/R receives front wiper request signal (INT), it supplies ground to energize the front wiper relay. It then sends auto-stop signal to BCM and conducts intermittent front wiper motor operation.

AUTO STOP OPERATION

When the wiper arms are not located at the base of the windshield and the wiper switch is turned OFF, the wiper motor will continue to operate until the wiper arms reach windshield base. When wiper arms reach base of windshield, front wiper motor terminals P and E are connected.

Ground is supplied

- to IPDM E/R terminal 32
- through front wiper motor terminal P
- through front wiper motor terminal E
- through grounds E15 and E24.

The IPDM E/R sends auto stop operation signal to BCM through CAN communication lines.

When BCM receives auto stop operation signal, BCM sends wiper stop signal to IPDM E/R with CAN communication lines. The IPDM E/R then de-energizes the front wiper relay.

Wiper motor will then stop wiper arms at the STOP position.

WASHER OPERATION

When wiper switch is in front wiper washer position, BCM detects front wiper washer signal by BCM wiper switch reading function. Refer to [BCS-3, "COMBINATION SWITCH READING FUNCTION"](#).

When the ignition switch is in ON or START position, power is supplied

- through 10A fuse (No. 47, located in the IPDM E/R)
- through IPDM E/R terminal 44
- to front washer motor terminal +.

When front wiper switch is placed in washer position, ground is supplied

- to front washer motor terminal –
- through combination switch terminal 11
- through combination switch terminal 12
- through grounds M57, M61 and M79.

With power and ground supplied, the front washer motor is operated.

When BCM detects that front washer motor has operated for 0.4 seconds or longer, BCM uses CAN communication and sends wiper request signal to IPDM E/R for low speed operation of wipers.

When BCM detects that washer switch is OFF, low speed operation cycles approximately 3 times and then stops.

MIST OPERATION

When the wiper switch is temporarily placed in the mist position, wiper low speed operation cycles once and then stops.

For additional information about wiper operation under this condition, refer to [WW-4, "LOW SPEED WIPER OPERATION"](#).

If the switch is held in the mist position, low speed operation continues.

A

B

C

D

E

F

G

H

I

J

WW

L

M

FRONT WIPER AND WASHER SYSTEM

FAIL-SAFE FUNCTION

BCM includes fail-safe function to prevent malfunction of electrical components controlled by CAN communications if a malfunction in CAN communications occurs.

BCM uses CAN communications to stop output of electrical components it controls.

Until ignition switch is turned off, front wiper remains in same status as just before fail-safe control was initiated. (If wiper was in low speed operation just before fail-safe, it continues low speed operation until ignition switch is turned OFF.)

When fail-safe status is initiated, BCM remains in standby until normal signals are received.

When normal signals are received, fail-safe status is canceled.

COMBINATION SWITCH READING FUNCTION

Refer to [BCS-3, "COMBINATION SWITCH READING FUNCTION"](#) .

CAN Communication System Description

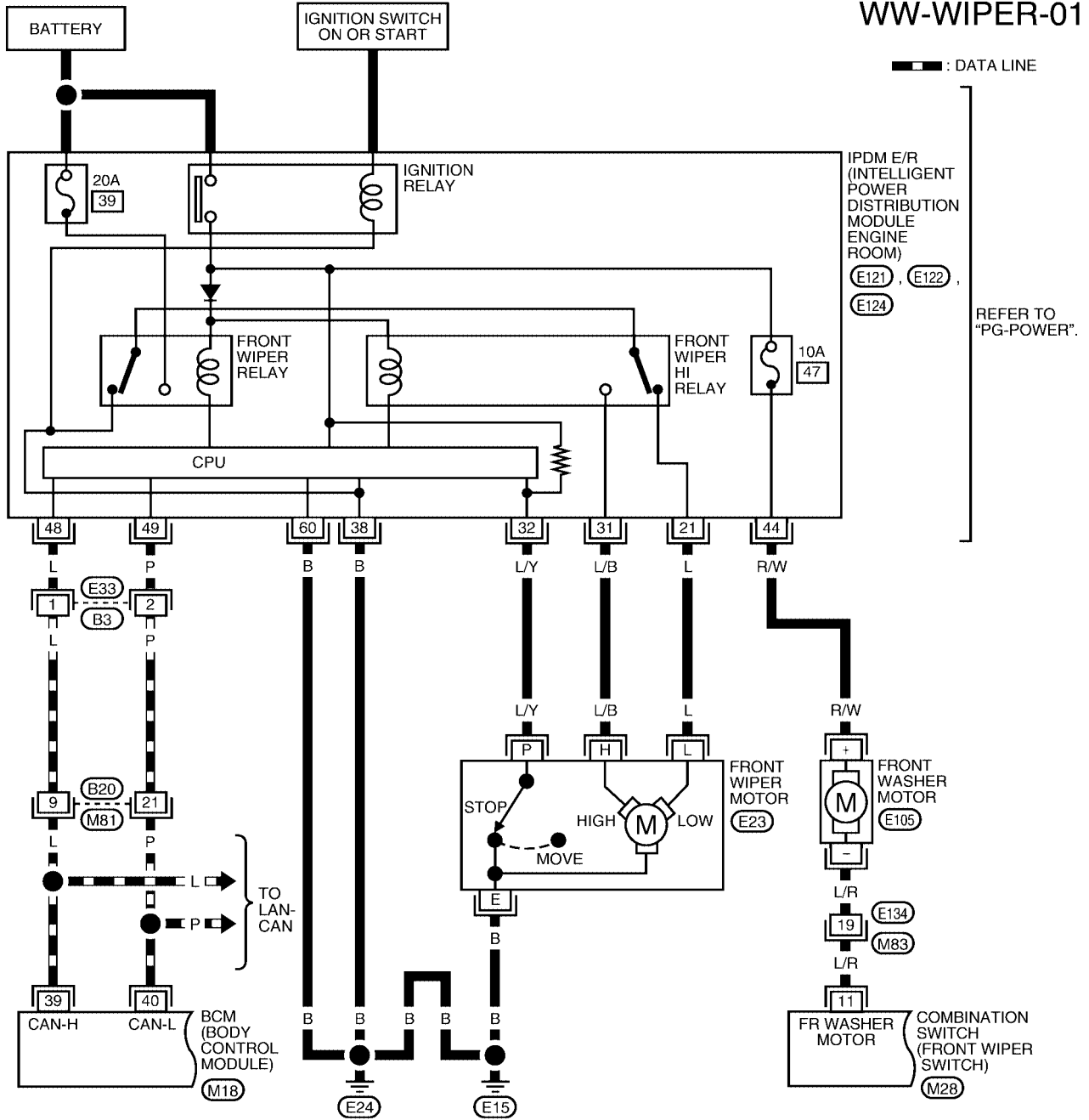
EKS0094K

Refer to [LAN-25, "CAN COMMUNICATION"](#) .

FRONT WIPER AND WASHER SYSTEM

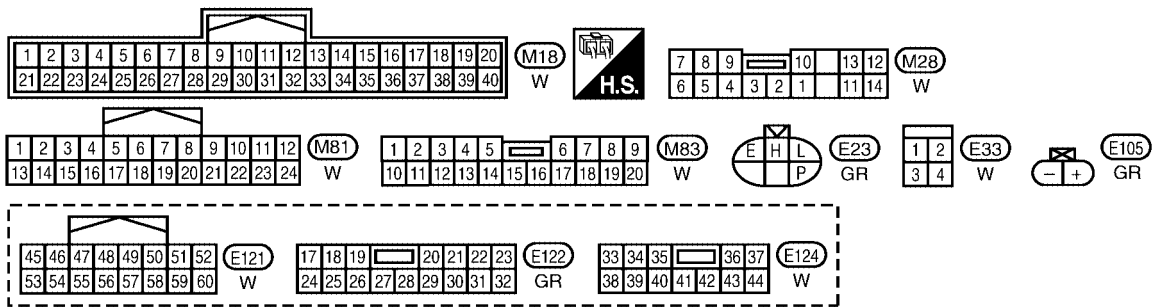
Wiring Diagram — WIPER —

EKS0094L



A
B
C
D
E
F
G
H
I
J
L
M

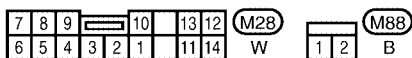
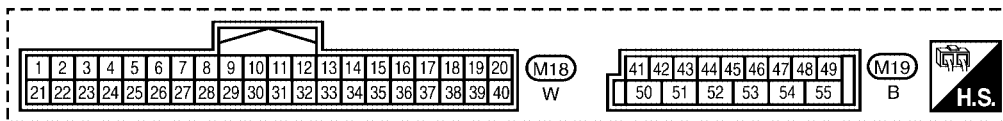
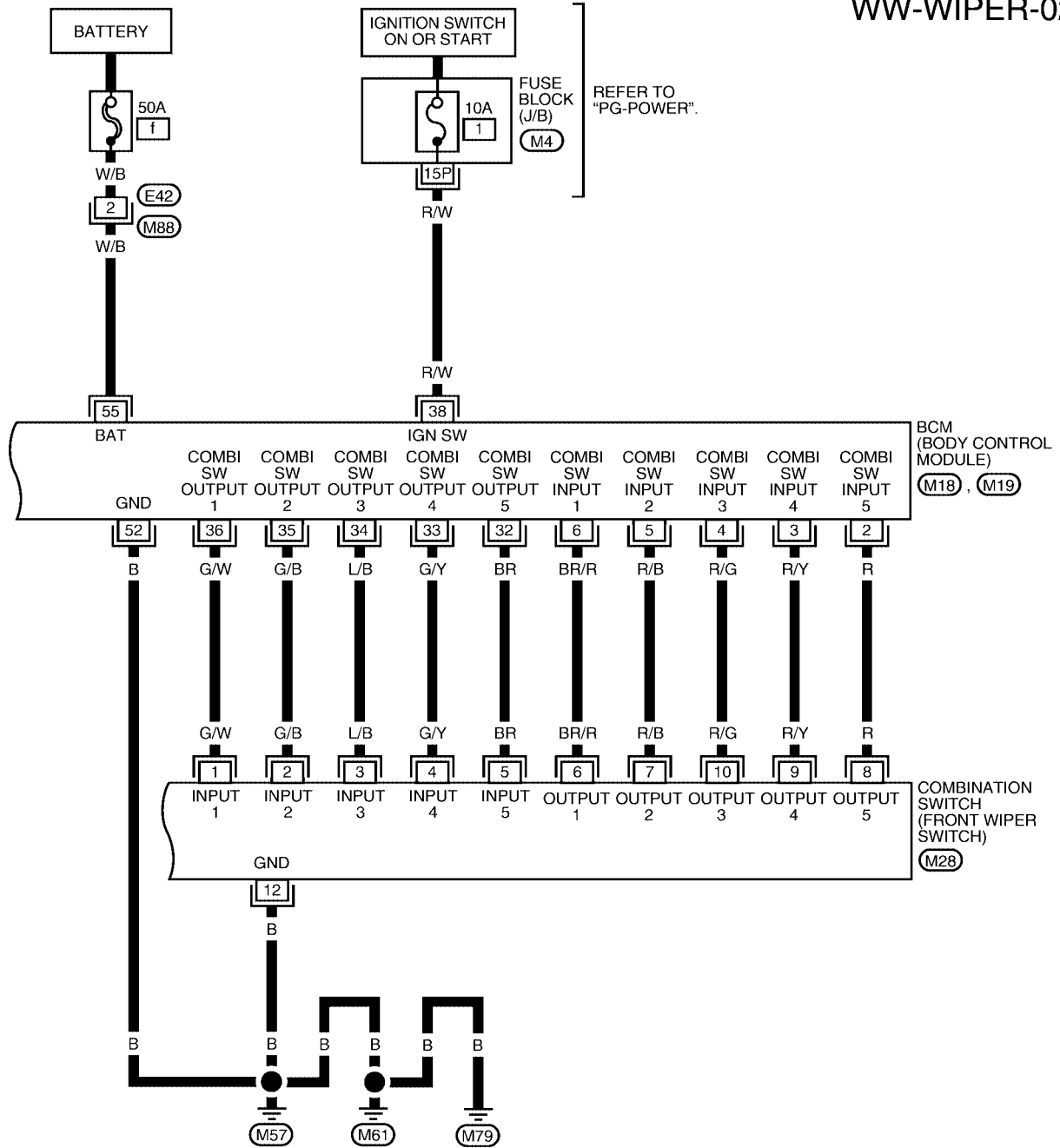
WW



WKWA3572E

FRONT WIPER AND WASHER SYSTEM

WW-WIPER-02

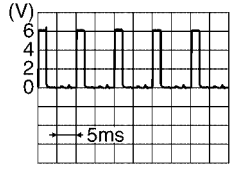
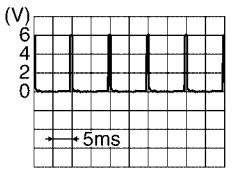
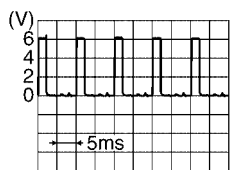
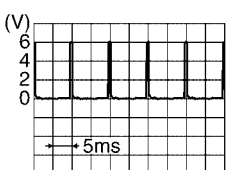
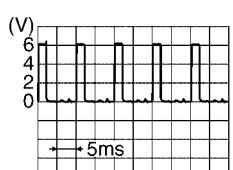
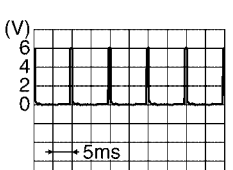
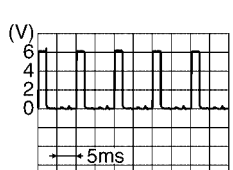


WKWA3573E

FRONT WIPER AND WASHER SYSTEM

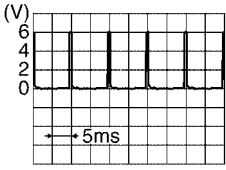
Terminals and Reference Values for BCM

EKS0094M

Terminal No.	Wire color	Signal name	Measuring condition		Reference Value (V) (Approx.)
			Ignition switch	Operation or condition	
2	R	Combination switch input 5	ON	<ul style="list-style-type: none"> Light switch and wiper switch OFF Wiper dial position 4 	 <p style="text-align: right; font-size: small;">SKIA5291E</p>
3	R/Y	Combination switch input 4	ON	<ul style="list-style-type: none"> Light switch and wiper switch OFF Wiper dial position 4 	 <p style="text-align: right; font-size: small;">SKIA5292E</p>
4	R/G	Combination switch input 3	ON	<ul style="list-style-type: none"> Light switch and wiper switch OFF Wiper dial position 4 	 <p style="text-align: right; font-size: small;">SKIA5291E</p>
5	R/B	Combination switch input 2	ON	<ul style="list-style-type: none"> Light switch and wiper switch OFF Wiper dial position 4 	 <p style="text-align: right; font-size: small;">SKIA5292E</p>
6	BR/R	Combination switch input 1			
32	BR	Combination switch output 5	ON	<ul style="list-style-type: none"> Light switch and wiper switch OFF Wiper dial position 4 	 <p style="text-align: right; font-size: small;">SKIA5291E</p>
33	G/Y	Combination switch output 4	ON	<ul style="list-style-type: none"> Light switch and wiper switch OFF Wiper dial position 4 	 <p style="text-align: right; font-size: small;">SKIA5292E</p>
34	L/B	Combination switch output 3	ON	<ul style="list-style-type: none"> Light switch and wiper switch OFF Wiper dial position 4 	 <p style="text-align: right; font-size: small;">SKIA5291E</p>

A
B
C
D
E
F
G
H
I
J
WW
L
M

FRONT WIPER AND WASHER SYSTEM

Terminal No.	Wire color	Signal name	Measuring condition		Reference Value (V) (Approx.)
			Ignition switch	Operation or condition	
35	G/B	Combination switch output 2	ON	<ul style="list-style-type: none"> ● Light switch and wiper switch OFF ● Wiper dial position 4 	
36	G/W	Combination switch output 1			
38	R/W	Ignition switch (ON)	ON	—	Battery voltage
39	L	CAN-H	—	—	—
40	P	CAN-L	—	—	—
52	B	Ground	ON	—	0V
55	W/B	Battery power	OFF	—	Battery voltage

SKIA5292E

Terminals and Reference Values for IPDM E/R

EKS0094N

Terminal No.	Wire color	Signal name	Measuring condition		Reference value (V) (Approx.)	
			Ignition switch	Operation or condition		
21	L	Low speed signal	ON	Wiper switch	OFF	0V
					LO	Battery voltage
31	L/B	High speed signal	ON	Wiper switch	OFF	0V
					HI	Battery voltage
32	L/Y	Wiper auto stop signal	ON	Wiper operating		Battery voltage
				Wiper stopped		0V
38	B	Ground	ON	—	0V	
44	R/W	Front washer motor power	ON	—	Battery voltage	
48	L	CAN-H	—	—	—	
49	P	CAN-L	—	—	—	
60	B	Ground	ON	—	0V	

Work Flow

EKS0094O

1. Confirm the symptom or customer complaint.
2. Understand the system description, refer to [WW-3, "System Description"](#) .
3. Perform preliminary inspection, refer to [WW-11, "Preliminary Inspection"](#) .
4. Check symptom and repair or replace the cause of malfunction.
5. Does wiper function operate normally? If it operates normally, GO TO 6. If not, GO TO 4.
6. Inspection End.

FRONT WIPER AND WASHER SYSTEM

EKS0094P

Preliminary Inspection INSPECTION FOR POWER SUPPLY AND GROUND CIRCUIT

Inspection procedure

1. CHECK FUSE

Check if wiper and washer fuse is blown.

Unit	Power source	Fuse and fusible link No.
Front washer motor	Ignition ON or START	47
Front wiper relay	Battery	39
BCM	Ignition ON or START	1
	Battery	f

OK or NG

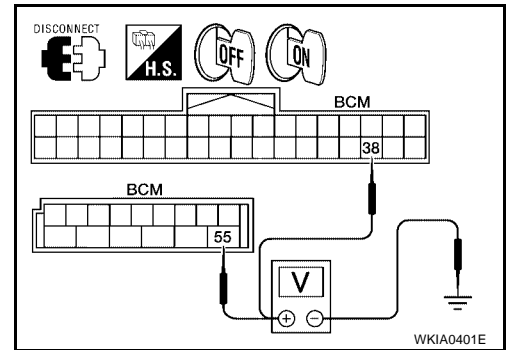
OK >> GO TO 2.

NG >> If fuse or fusible link is blown, be sure to eliminate cause of malfunction before installing new fuse or fusible link. Refer to [PG-4, "POWER SUPPLY ROUTING CIRCUIT"](#).

2. CHECK POWER SUPPLY CIRCUIT

- Disconnect BCM connectors.
- Check voltage between BCM harness connector terminals and ground.

BCM (+)		(-)	Ignition switch position	
Connector	Terminal		OFF	ON
M18	38	Ground	0V	Battery voltage
M19	55		Battery voltage	Battery voltage



OK or NG

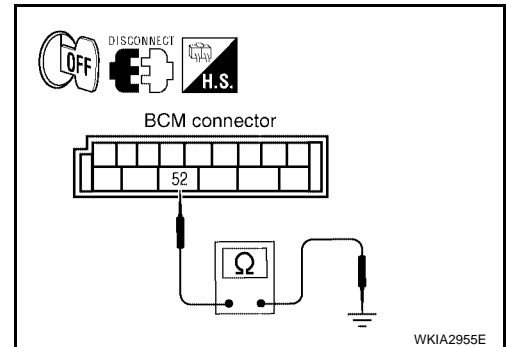
OK >> GO TO 3.

NG >> Check harness for open between BCM and fuse or fusible link.

3. GROUND CIRCUIT INSPECTION (BCM)

Check for continuity between the following terminal on BCM connector and ground.

BCM (+)		(-)	Ignition switch condition	Continuity
Connector	Terminal			
M19	52	Ground	OFF	Yes



OK or NG

OK >> Inspection End.

NG >> Repair/replace BCM ground circuit.

A
B
C
D
E
F
G
H
I
J
WW
L
M

FRONT WIPER AND WASHER SYSTEM

CONSULT-II Function (BCM)

EKS0094Q

CONSULT-II can display each diagnostic item using the diagnostic test modes shown following.

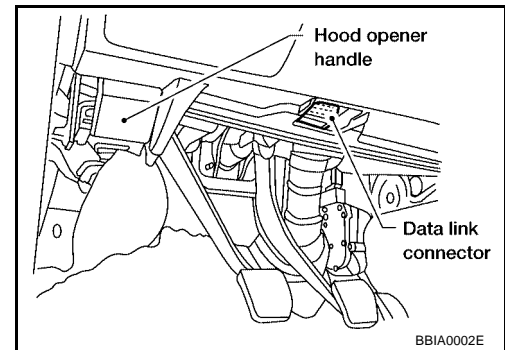
BCM diagnostic test item	Diagnostic mode	Description
Inspection by part	WORK SUPPORT	Supports inspections and adjustments. Commands are transmitted to the BCM for setting the status suitable for required operation, input/output signals are received from the BCM and received data is displayed.
	DATA MONITOR	Displays BCM input/output data in real time.
	ACTIVE TEST	Operation of electrical loads can be checked by sending drive signal to them.
	SELF-DIAG RESULTS	Displays BCM self-diagnosis results.
	CAN DIAG SUPPORT MNTR	The result of transmit/receive diagnosis of CAN communication can be read.
	ECU PART NUMBER	BCM part number can be read.
	CONFIGURATION	Performs BCM configuration read/write functions.

CONSULT-II OPERATION

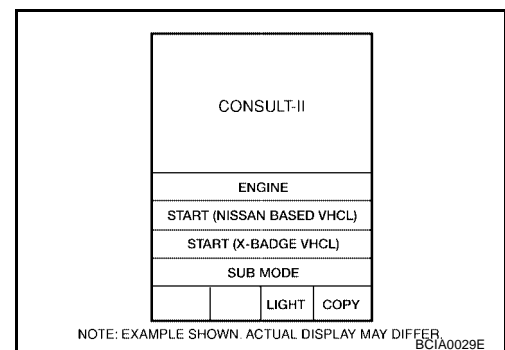
CAUTION:

If CONSULT-II is used with no connection of CONSULT-II CONVERTER, malfunctions might be detected in self-diagnosis depending on control unit which carries out CAN communication.

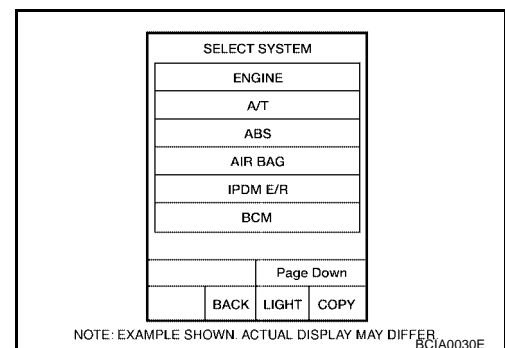
1. With the ignition switch OFF, connect CONSULT-II and CONSULT-II CONVERTER to the data link connector, then turn the ignition switch ON.



2. Touch "START (NISSAN BASED VHCL)".

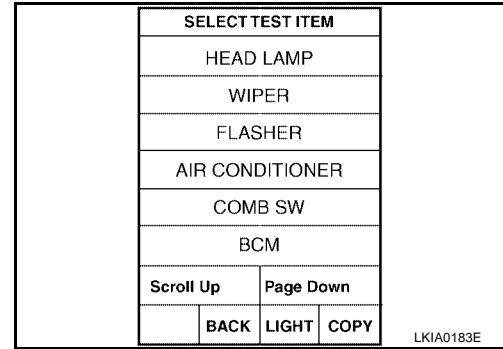


3. Touch "BCM" on the "SELECT SYSTEM" screen. If "BCM" is not indicated, go to [GI-39, "CONSULT-II Data Link Connector \(DLC\) Circuit"](#).



FRONT WIPER AND WASHER SYSTEM

4. Select the desired part to be diagnosed on the "SELECT TEST ITEM" screen.



A
B
C
D
E
F
G
H
I
J

WORK SUPPORT

Operation Procedure

1. Touch "WIPER" on the "SELECT TEST ITEM" screen.
2. Touch "WORK SUPPORT" on the "SELECT DIAG MODE" screen.
3. Touch "WIPER SPEED SETTING" on the "SELECT WORK ITEM" screen.
4. Touch "START".
5. Touch "CHANGE SETT".
6. The setting will be changed and "CUSTOMIZING COMPLETED" will be displayed.
7. Touch "END".

Work Support Setting Item

Item	Description	CONSULT-II
WIPER SPEED SETTING	When wiper switch is at INTERMITTENT, front wiper intermittent time can be selected according to vehicle speed. ● ON (Operated)/OFF ^{NOTE} (Not operated)	ON/OFF

NOTE:

Factory setting

DATA MONITOR

Operation Procedure

1. Touch "WIPER" on the "SELECT TEST ITEM" screen.
2. Touch "DATA MONITOR" on the "SELECT DIAG MODE" screen.
3. Touch either "ALL SIGNALS" or "SELECTION FROM MENU" on the "SELECT MONITOR ITEM" screen.

ALL SIGNALS	Monitors all the items.
SELECTION FROM MENU	Selects and monitors the individual item selected.

4. Touch "START".
5. When "SELECTION FROM MENU" is selected, touch items to be monitored. When "ALL SIGNALS" is selected, all the items will be monitored.
6. Touch "RECORD" while monitoring to record the status of the item being monitored. To stop recording, touch "STOP".

Display Item List

Monitor item name "OPERATION OR UNIT"	Contents
IGN ON SW "ON/OFF"	Displays "IGN Position (ON)/OFF, ACC Position (OFF)" status as judged from ignition switch signal.
IGN SW CAN "ON/OFF"	Displays "IGN switch ON (ON)/Other OFF or ACC (OFF)" status as judged from CAN communications.
FR WIPER HI "ON/OFF"	Displays "Front Wiper HI (ON)/Other (OFF)" status as judged from wiper switch signal.
FR WIPER LOW "ON/OFF"	Displays "Front Wiper LOW (ON)/Other (OFF)" status as judged from wiper switch signal.
FR WIPER INT "ON/OFF"	Displays "Front Wiper INT (ON)/Other (OFF)" status as judged from wiper switch signal.

WW

L
M

FRONT WIPER AND WASHER SYSTEM

Monitor item name "OPERATION OR UNIT"	Contents
FR WASHER SW "ON/OFF"	Displays "Front Washer Switch (ON)/Other (OFF)" status as judged from wiper switch signal.
INT VOLUME (1 - 7)	Displays intermittent operation dial position setting (1 - 7) as judged from wiper switch signal.
FR WIPER STOP "ON/OFF"	Displays "Stopped (ON)/Operating (OFF)" status as judged from the auto stop signal.
VEHICLE SPEED "ON/OFF"	Displays "Driving (ON)/Stopped (OFF)" status as judged from vehicle speed signal.

ACTIVE TEST

Operation Procedure

1. Touch "WIPER" on the "SELECT TEST ITEM" screen.
2. Touch "ACTIVE TEST" on the "SELECT DIAG MODE" screen.
3. Touch item(s) to be tested and check operation of the selected item(s).
4. During the operation check, touching "BACK" deactivates the operation.

Display Item List

Test item	Display on CONSULT-II screen	Description
Front wiper HI output	FR WIPER (HI)	Front wiper HI can be operated by any ON-OFF operation.
Front wiper LO output	FR WIPER (LO)	Front wiper LO can be operated by any ON-OFF operation.
Front wiper INT output	FR WIPER (INT)	Front wiper INT can be operated by any ON-OFF operation.

CONSULT-II Function (IPDM E/R)

EKS0094R

CONSULT-II can display each diagnostic item using the diagnostic test modes shown following.

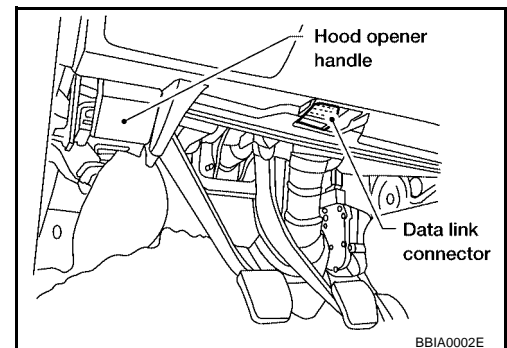
IPDM E/R diagnostic Mode	Description
SELF-DIAG RESULTS	Displays IPDM E/R self-diagnosis results.
DATA MONITOR	Displays IPDM E/R input/output data in real time.
CAN DIAG SUPPORT MNTR	The result of transmit/receive diagnosis of CAN communication can be read.
ACTIVE TEST	Operation of electrical loads can be checked by sending drive signal to them.

CONSULT-II OPERATION

CAUTION:

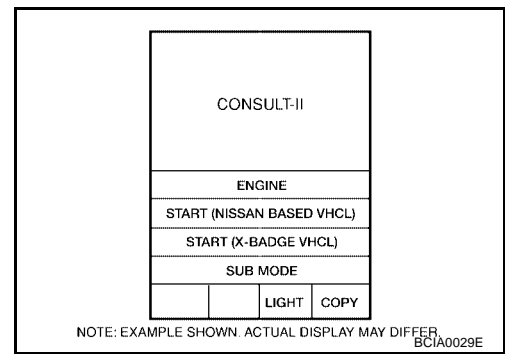
If CONSULT-II is used with no connection of CONSULT-II CONVERTER, malfunctions might be detected in self-diagnosis depending on control unit which carries out CAN communication.

1. With the ignition switch OFF, connect CONSULT-II and CONSULT-II CONVERTER to the data link connector, then turn the ignition switch ON.

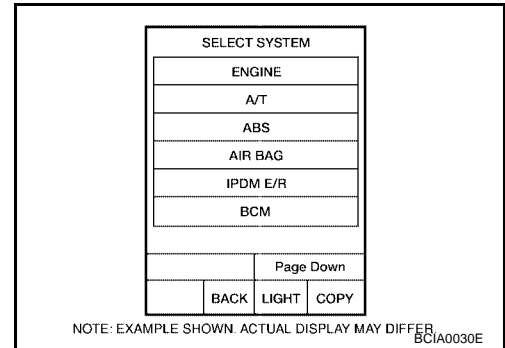


FRONT WIPER AND WASHER SYSTEM

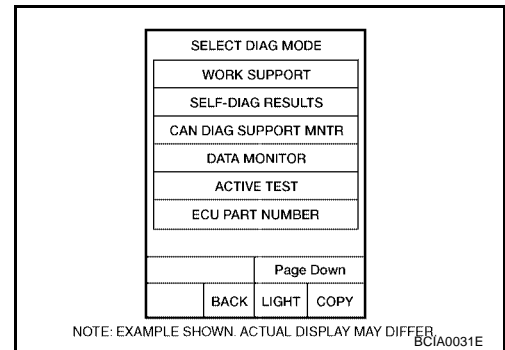
2. Touch "START (NISSAN BASED VHCL)".



3. Touch "IPDM E/R" on "SELECT SYSTEM" screen. If "IPDM E/R" is not displayed, go to [GI-39, "CONSULT-II Data Link Connector \(DLC\) Circuit"](#).



4. Select the desired part to be diagnosed on the "SELECT DIAG MODE" screen.



DATA MONITOR

Operation Procedure

1. Touch "DATA MONITOR" on the "SELECT DIAG MODE" screen.
2. Touch "ALL SIGNALS", "MAIN SIGNALS" or "SELECTION FROM MENU" on the "SELECT MONITOR ITEM" screen.

ALL SIGNALS	Monitors all the items.
MAIN SIGNALS	Monitors predetermined items.
SELECTION FROM MENU	Selects and monitors the individual item selected.

3. Touch "START".
4. When "SELECTION FROM MENU" is selected, touch items to be monitored. When "ALL SIGNALS" is selected, all the items will be monitored. When "MAIN SIGNALS" is selected, predetermined items are monitored.
5. Touch "RECORD" while monitoring to record the status of the item being monitored. To stop recording, touch "STOP".

A
B
C
D
E
F
G
H
I
J
L
M



FRONT WIPER AND WASHER SYSTEM

All Items, Main Items, Select Item Menu

Item name	CONSULT-II screen display	Display or unit	Monitor item selection			Description
			ALL SIGNALS	MAIN SIGNALS	SELECTION FROM MENU	
Front wiper request	FR WIP REQ	STOP/1LO/LO/HI	x	x	x	Signal status input from BCM.
Wiper auto stop	WIP AUTO STOP	ACT P/STOP P	x	x	x	Output status of IPDM E/R.
Wiper protection	WIP PROT	OFF/LS/HS/BLOCK	x	x	x	Control status of IPDM E/R.

NOTE:

Perform monitoring of IPDM E/R data with the ignition switch ON. When the ignition switch is at ACC, the display may not be correct.

ACTIVE TEST

Operation Procedure

1. Touch "ACTIVE TEST" on the "SELECT DIAG MODE" screen.
2. Touch item(s) to be tested and check operation of the selected item(s).
3. During the operation check, touching "BACK" deactivates the operation.

Display Item List

Test item	CONSULT-II screen display	Description
Front wiper (HI, LO) output	FRONT WIPER	With a certain operation (OFF, HI, LO) front wiper relays can be operated.

Front Wiper Does Not Operate

EKS0094S

1. CHECK IPDM E/R TO FRONT WIPER MOTOR

ⓅWith CONSULT-II

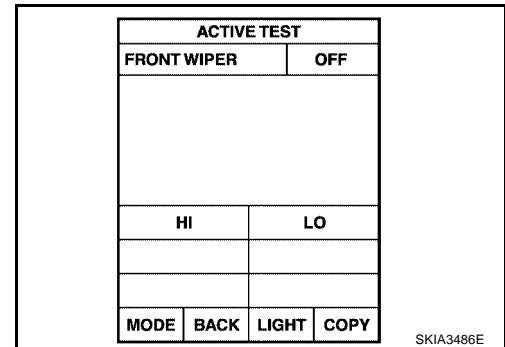
1. Select "IPDM E/R" with CONSULT-II, and select "ACTIVE TEST" on "SELECT DIAG MODE" screen.
2. Select "FRONT WIPER" on "SELECT TEST ITEM" screen.

ⓧWithout CONSULT-II

1. Turn on front wipers using auto active test. Refer to [PG-24, "Auto Active Test"](#).
2. Confirm front wiper operation.

OK or NG

- OK >> GO TO 4.
 NG >> GO TO 2.

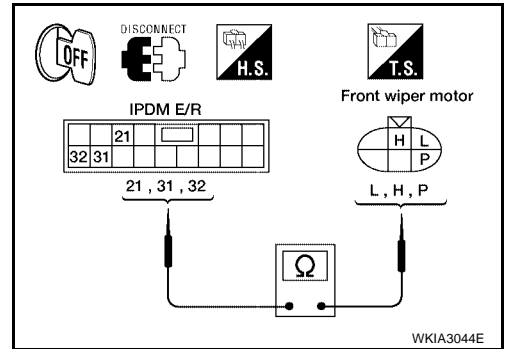


FRONT WIPER AND WASHER SYSTEM

2. IPDM E/R TO FRONT WIPER MOTOR CIRCUIT INSPECTION

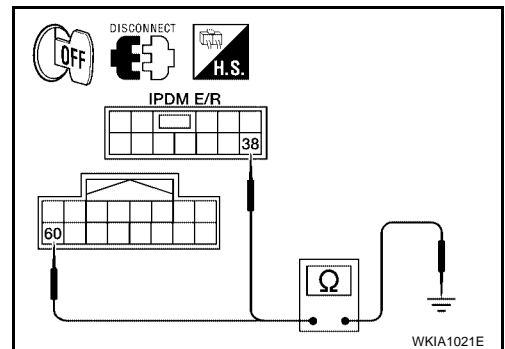
1. Turn ignition switch OFF.
2. Disconnect IPDM E/R connector and front wiper motor connector.
3. Check continuity between IPDM E/R harness connector terminals and front wiper motor harness connector terminals.

IPDM E/R		Front wiper motor		Continuity
Connector	Terminal	Connector	Terminal	
E122	31	E23	H	Yes
	21		L	
	32		P	



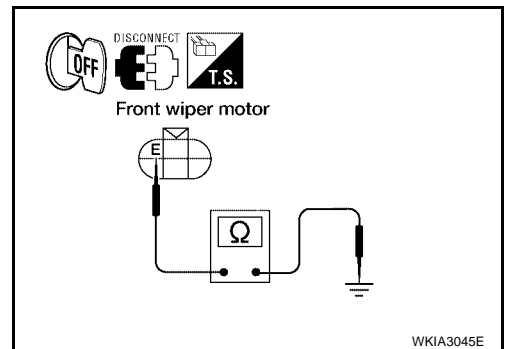
4. Check continuity between IPDM E/R harness connector terminal and ground.

IPDM E/R			Continuity
Connector	Terminal		
E121	60	Ground	Yes
E124	38		



5. Check continuity between front wiper motor harness connector terminal E and ground.

Front wiper motor			Continuity
Connector	Terminal		
E23	E	Ground	Yes



OK or NG

- OK >> Connect connectors. GO TO 3.
- NG >> Repair harness or connector.

A
B
C
D
E
F
G
H
I
J
L
M

WW

FRONT WIPER AND WASHER SYSTEM

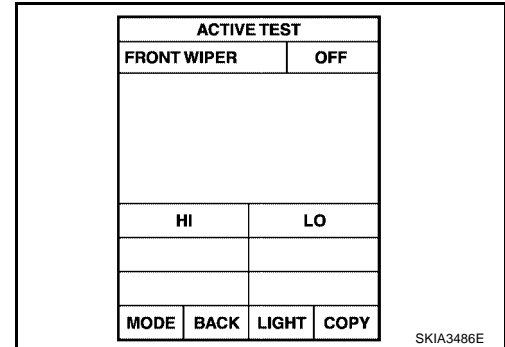
3. IPDM E/R INSPECTION

① With CONSULT-II

1. Select "IPDM E/R" with CONSULT-II, and select "ACTIVE TEST" on "SELECT DIAG MODE" screen.
2. Select "FRONT WIPER" on "SELECT TEST ITEM" screen.

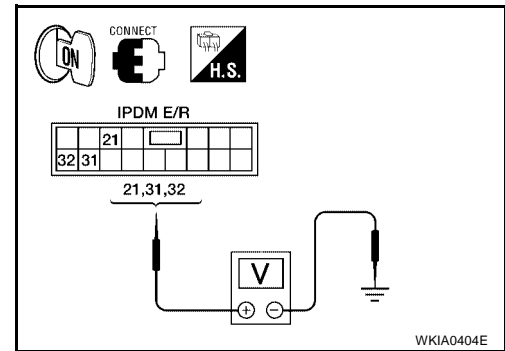
⊗ Without CONSULT-II

1. Turn on front wipers using auto active test. Refer to [PG-24, "Auto Active Test"](#).



When front wiper relay and front wiper high relay are operating, check voltage between IPDM E/R terminals and ground.

IPDM E/R		(-)	Condition	Voltage (Approx.)
Connector	Terminal			
E122	21	Ground	Stopped	0V
			LO operation	Battery voltage
	31		Stopped	0V
			HI operation	Battery voltage
	32		LO operation	Battery voltage
			Stopped	0V



OK or NG

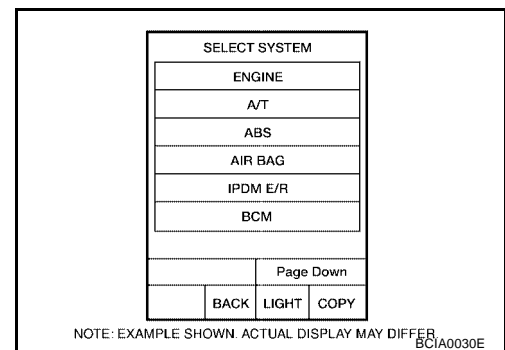
- OK >> Replace wiper motor. Refer to [WW-26, "Wiper Motor and Linkage"](#).
- NG >> Replace IPDM E/R. Refer to [PG-30, "Removal and Installation of IPDM E/R"](#).

4. COMBINATION SWITCH TO BCM INSPECTION

Select "BCM" on CONSULT-II. Carry out self-diagnosis of BCM.

Displayed self-diagnosis results

- No malfunction detected>> GO TO 5.
- CAN communications or CAN system>> Inspect the BCM CAN communication system. Go to [BCS-13, "CAN Communication Inspection Using CONSULT-II \(Self-Diagnosis\)"](#).
- OPEN DETECT 1 - 5>> Combination switch system malfunction. Go to [BCS-3, "COMBINATION SWITCH READING FUNCTION"](#).



FRONT WIPER AND WASHER SYSTEM

5. BCM INSPECTION

Select "BCM" on CONSULT-II. With "WIPER" data monitor, check that "FR WIPER INT", "FR WIPER LOW" and "FR WIPER HI" turn ON-OFF according to operation of wiper switch.

OK or NG

- OK >> Replace BCM. Refer to [BCS-20, "BCM"](#).
- NG >> Replace wiper switch. Refer to [WW-27, "Wiper and Washer Switch"](#).

DATA MONITOR	
MONITOR	
IGN ON SW	OFF
IGN SW CAN	ON
FR WIPER HI	OFF
FR WIPER LOW	OFF
FR WIPER INT	OFF
FR WASHER SW	OFF
INT VOLUME	7
FR WIPER STOP	ON
VEHICLE SPEED	0.0 km/h
PAGE DOWN	
RECORD	
MODE	BACK
LIGHT	COPY

WKIA1018E

Front Wiper Stop Position Is Incorrect

1. CHECK IPDM E/R TO FRONT WIPER MOTOR

Ⓜ With CONSULT-II

Select "IPDM E/R" with CONSULT-II. With "DATA MONITOR", confirm that "WIP AUTO STOP" changes from "ACT P" to "STOP P" according to wiper operation.

ⓧ Without CONSULT-II

GO TO 2.

OK or NG

- OK >> Replace IPDM E/R. Refer to [PG-30, "Removal and Installation of IPDM E/R"](#).
- NG >> GO TO 2.

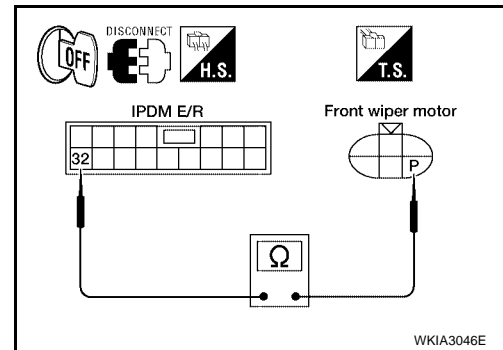
DATA MONITOR	
MONITOR	
MOTOR FAN REQ	1
AC COMP REQ	OFF
TAIL&CLR REQ	OFF
HL LO REQ	OFF
HL HI REQ	OFF
FR FOG REQ	OFF
FR WIP REQ	STOP
WIP AUTO STOP	STOP P
WIP PROT	OFF
Page DOWN	
RECORD	
MODE	BACK
LIGHT	COPY

SKIA5301E

2. CHECK IPDM E/R AND FRONT WIPER MOTOR STOP CIRCUITS

1. Turn ignition switch OFF.
2. Disconnect IPDM E/R connector and front wiper motor connector.
3. Check continuity between IPDM E/R harness connector terminal and front wiper motor harness connector terminal.

IPDM E/R		Front wiper motor		Continuity
Connector	Terminal	Connector	Terminal	
E122	32	E23	P	Yes

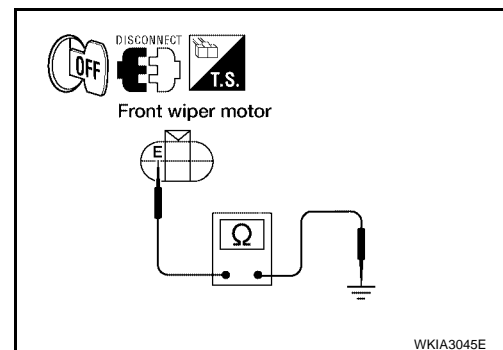


4. Check continuity between front wiper motor harness connector terminal E and ground.

Front wiper motor		Continuity
Connector	Terminal	
E23	E	Ground
		Yes

OK or NG

- OK >> Connect connectors. GO TO 3.
- NG >>
 - Check for short circuit or open circuit in harness between IPDM E/R and front wiper motor.
 - Check for open circuit in harness between front wiper motor and ground.

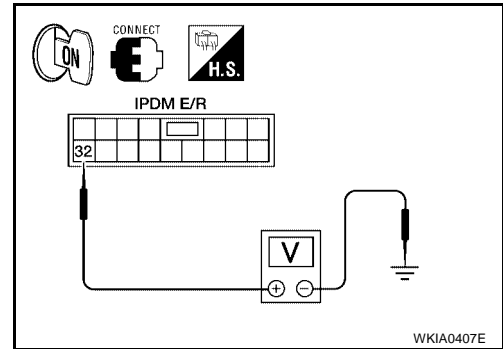


FRONT WIPER AND WASHER SYSTEM

3. CHECK IPDM E/R TO FRONT WIPER MOTOR AUTO STOP CIRCUIT VOLTAGE

1. Turn ignition switch ON.
2. Select "LO" on "ACTIVE TEST" screen.
3. While front wiper motor is stopped and while operating, measure voltage between IPDM E/R terminal 32 and ground.

IPDM E/R		(-)	Condition	Voltage (Approx.)
(+) Connector Terminal				
E122	32	Ground	Wiper operating	Battery voltage
			Wiper stopped	0V



OK or NG

- OK >> Replace IPDM E/R. Refer to [PG-30, "Removal and Installation of IPDM E/R"](#).
- NG >> Replace front wiper motor. Refer to [WW-26, "Wiper Motor and Linkage"](#).

Only Front Wiper Low Does Not Operate

EKS00FQ7

1. COMBINATION SWITCH TO BCM INSPECTION

Select "BCM" on CONSULT-II. With "WIPER" data monitor, check that "FR WIPER LOW" turns ON-OFF according to operation of wiper switch.

OK or NG

- OK >> Replace BCM. Refer to [BCS-20, "BCM"](#).
- NG >> Replace wiper switch. Refer to [WW-27, "Wiper and Washer Switch"](#).

DATA MONITOR	
MONITOR	
IGN ON SW	OFF
IGN SW CAN	ON
FR WIPER HI	OFF
FR WIPER LOW	OFF
FR WIPER INT	OFF
FR WASHER SW	OFF
INT VOLUME	7
FR WIPER STOP	ON
VEHICLE SPEED	0.0 km/h
PAGE DOWN	
RECORD	
MODE	BACK
LIGHT	COPY

WKIA1018E

Only Front Wiper High Does Not Operate

EKS00FQ8

1. CHECK IPDM E/R TO FRONT WIPER MOTOR

Ⓜ With CONSULT-II

1. Select "IPDM E/R" with CONSULT-II, and select "ACTIVE TEST" on "SELECT DIAG MODE" screen.
2. Select "FRONT WIPER" on "SELECT TEST ITEM" screen.
3. Select "HI" on "ACTIVE TEST" screen.

ⓧ Without CONSULT-II

1. Turn on front wipers using auto active test. Refer to [PG-24, "Auto Active Test"](#).
2. Confirm front wiper operation.

OK or NG

- OK >> GO TO 4.
- NG >> GO TO 2.

ACTIVE TEST	
FRONT WIPER	OFF
HI	LO
MODE	BACK
LIGHT	COPY

SKIA3486E

FRONT WIPER AND WASHER SYSTEM

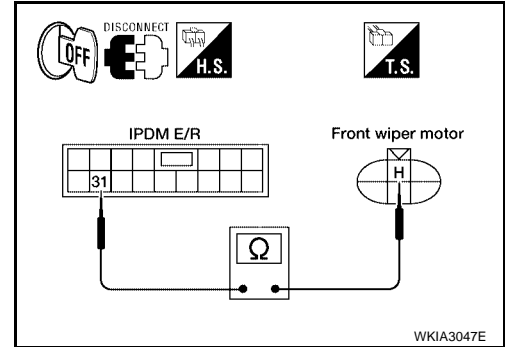
2. IPDM E/R TO FRONT WIPER CIRCUIT INSPECTION

1. Turn ignition switch OFF.
2. Disconnect IPDM E/R connector and front wiper motor connector.
3. Check continuity between IPDM E/R harness connector E122 terminal 31 and front wiper motor harness connector E23 terminal H.

IPDM E/R		Front wiper motor		Continuity
Connector	Terminal	Connector	Terminal	
E122	31	E23	H	Yes

OK or NG

- OK >> Connect connectors. GO TO 3.
 NG >> Check for short circuit or open circuit in harness between IPDM E/R and front wiper motor.



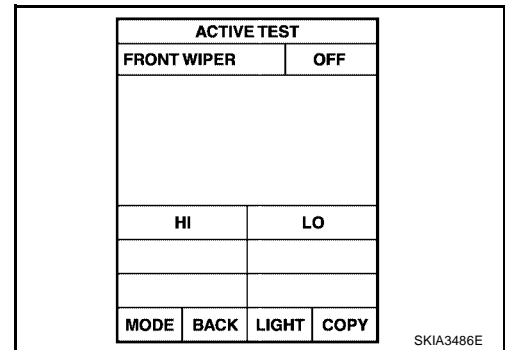
3. IPDM E/R INSPECTION

Ⓜ With CONSULT-II

1. Select "IPDM E/R" with CONSULT-II, and select "ACTIVE TEST" on "SELECT DIAG MODE" screen.
2. Select "FRONT WIPER" on "SELECT TEST ITEM" screen.
3. Select "HI" on "ACTIVE TEST" screen.

ⓧ Without CONSULT-II

1. Turn on front wipers using auto active test. Refer to [PG-24, "Auto Active Test"](#).

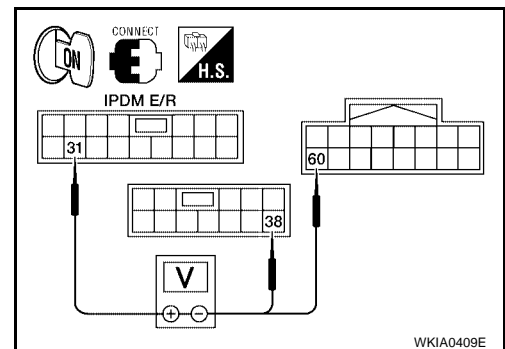


When front wiper high relay is operating, check voltage between IPDM E/R terminal 31 and terminals 38, 60.

IPDM E/R				Voltage (Approx.)
(+)		(-)		
Connector	Terminal	Connector	Terminal	
E122	31	E124	38	Battery voltage
		E121	60	

OK or NG

- OK >> Replace wiper motor. Refer to [WW-26, "Wiper Motor and Linkage"](#).
 NG >> Replace IPDM E/R. Refer to [PG-30, "Removal and Installation of IPDM E/R"](#).



FRONT WIPER AND WASHER SYSTEM

4. COMBINATION SWITCH TO BCM INSPECTION

Select "BCM" on CONSULT-II. With "WIPER" data monitor, check that "FR WIPER HI" turns ON-OFF according to operation of wiper switch.

OK or NG

- OK >> Replace BCM. Refer to [BCS-20, "BCM"](#).
- NG >> Replace wiper switch. Refer to [WW-27, "Wiper and Washer Switch"](#).

DATA MONITOR			
MONITOR			
IGN ON SW		OFF	
IGN SW CAN		ON	
FR WIPER HI		OFF	
FR WIPER LOW		OFF	
FR WIPER INT		OFF	
FR WASHER SW		OFF	
INT VOLUME		7	
FR WIPER STOP		ON	
VEHICLE SPEED		0.0 km/h	
		PAGE DOWN	
		RECORD	
MODE	BACK	LIGHT	COPY

WKIA1018E

EKS00FQ9

Only Front Wiper INT Does Not Operate

1. COMBINATION SWITCH TO BCM INSPECTION

Select "BCM" on CONSULT-II. With "WIPER" data monitor, check that "FR WIPER INT" turns ON-OFF according to operation of wiper switch.

OK or NG

- OK >> Replace BCM. Refer to [BCS-20, "BCM"](#).
- NG >> Replace wiper switch. Refer to [WW-27, "Wiper and Washer Switch"](#).

DATA MONITOR			
MONITOR			
IGN ON SW		OFF	
IGN SW CAN		ON	
FR WIPER HI		OFF	
FR WIPER LOW		OFF	
FR WIPER INT		OFF	
FR WASHER SW		OFF	
INT VOLUME		7	
FR WIPER STOP		ON	
VEHICLE SPEED		0.0 km/h	
		PAGE DOWN	
		RECORD	
MODE	BACK	LIGHT	COPY

WKIA1018E

EKS00FQA

Front Wiper INT Operation Switch Position Cannot Be Adjusted

1. COMBINATION SWITCH TO BCM INSPECTION

Select "BCM" on CONSULT-II. With "WIPER" data monitor, check that "INT VOLUME" changes in order from 1 to 7 according to operation of the intermittent switch dial position.

OK or NG

- OK >> Replace BCM. Refer to [BCS-20, "BCM"](#).
- NG >> Replace wiper switch. Refer to [WW-27, "Wiper and Washer Switch"](#).

DATA MONITOR			
MONITOR			
IGN ON SW		OFF	
IGN SW CAN		ON	
FR WIPER HI		OFF	
FR WIPER LOW		OFF	
FR WIPER INT		OFF	
FR WASHER SW		OFF	
INT VOLUME		7	
FR WIPER STOP		ON	
VEHICLE SPEED		0.0 km/h	
		PAGE DOWN	
		RECORD	
MODE	BACK	LIGHT	COPY

WKIA1018E

EKS00FQB

Wipers Do Not Wipe When Front Washer Operates

1. COMBINATION SWITCH TO BCM INSPECTION

Select "BCM" on CONSULT-II. With "WIPER" data monitor, check that "FR WASHER SW" turns ON-OFF according to operation of front washer switch.

OK or NG

- OK >> Replace BCM. Refer to [BCS-20, "BCM"](#).
- NG >> Replace wiper switch. Refer to [WW-27, "Wiper and Washer Switch"](#).

DATA MONITOR			
MONITOR			
IGN ON SW		OFF	
IGN SW CAN		ON	
FR WIPER HI		OFF	
FR WIPER LOW		OFF	
FR WIPER INT		OFF	
FR WASHER SW		OFF	
INT VOLUME		7	
FR WIPER STOP		ON	
VEHICLE SPEED		0.0 km/h	
		PAGE DOWN	
		RECORD	
MODE	BACK	LIGHT	COPY

WKIA1018E

FRONT WIPER AND WASHER SYSTEM

Front Wipers Operate For 10 Seconds, Stop For 20 Seconds, And After Repeating This Operation Five Times, They Become Inoperative

EKS00FQC

CAUTION:

- When auto stop signal has not varied for 10 seconds or longer while IPDM E/R is operating front wipers, IPDM E/R considers front wipers locked and stops wiper output, which causes this symptom.
- This status can be checked by using IPDM E/R "DATA MONITOR". Under this condition, "WIP PROT" reads "BLOCK".

1. CHECK IPDM E/R TO FRONT WIPER MOTOR

☐ With CONSULT-II

Select "IPDM E/R" with CONSULT-II. With "DATA MONITOR", confirm that "WIP AUTO STOP" changes from "ACT P" to "STOP P" according to wiper operation.

⊗ Without CONSULT-II

GO TO 2.

OK or NG

OK >> Replace IPDM E/R. Refer to [PG-30, "Removal and Installation of IPDM E/R"](#).

NG >> GO TO 2.

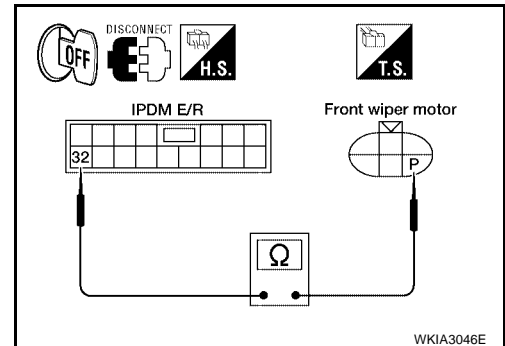
DATA MONITOR	
MONITOR	
MOTOR FAN REQ	1
AC COMP REQ	OFF
TAIL&CLR REQ	OFF
HL LO REQ	OFF
HL HI REQ	OFF
FR FOG REQ	OFF
FR WIP REQ	STOP
WIP AUTO STOP	STOP P
WIP PROT	OFF
Page DOWN	
RECORD	
MODE	BACK LIGHT COPY

SKIA5301E

2. IPDM E/R TO FRONT WIPER MOTOR AUTO STOP CIRCUIT INSPECTION

- Turn ignition switch OFF.
- Disconnect IPDM E/R connector and front wiper motor connector.
- Check continuity between IPDM E/R harness connector terminal and front wiper motor harness connector terminal.

IPDM E/R		Front wiper motor		Continuity
Connector	Terminal	Connector	Terminal	
E122	32	E23	P	Yes



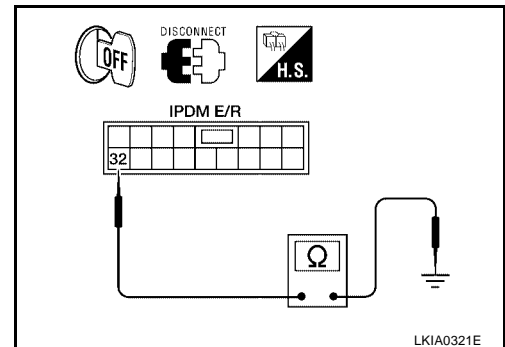
- Check continuity between IPDM E/R harness connector terminal and ground.

IPDM E/R		Continuity
Connector	Terminal	
E122	32	No

OK or NG

OK >> Connect connectors. GO TO 3.

NG >> Repair harness or connector.

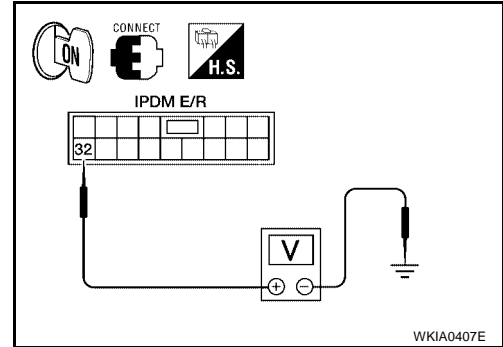


FRONT WIPER AND WASHER SYSTEM

3. IPDM E/R TO FRONT WIPER MOTOR AUTO STOP CIRCUIT VOLTAGE

1. Turn ignition switch ON.
2. Select "LO" on "ACTIVE TEST" screen.
3. While front wiper motor is stopped and while operating, measure voltage between IPDM E/R terminal 32 and ground.

IPDM E/R		(-)	Condition	Voltage (Approx.)
(+) Connector Terminal				
E122	32	Ground	Wiper operating	Battery voltage
			Wiper stopped	0V



OK or NG

- OK >> Replace IPDM E/R. Refer to [PG-30, "Removal and Installation of IPDM E/R"](#) .
- NG >> Replace front wiper motor. Refer to [WW-26, "Wiper Motor and Linkage"](#) .

FRONT WIPER AND WASHER SYSTEM

EKS0094T

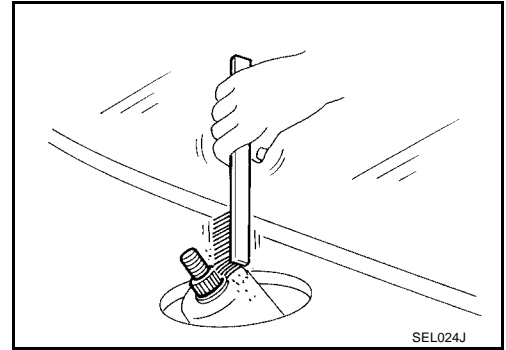
Front Wiper Arms REMOVAL AND INSTALLATION

Removal

1. Operate front wiper motor one full cycle, then turn "OFF" (Auto Stop).
2. Remove wiper arm nut covers and wiper arm nuts.
3. Remove wiper arms.

Installation

1. Operate front wiper motor one full cycle, then turn "OFF" (Auto Stop).
2. Clean up the pivot area as illustrated. This will reduce possibility of wiper arm looseness.



3. Eject washer fluid. Turn on wiper switch to operate wiper motor and then turn it "OFF".
4. Ensure that wiper blades stop within proper clearance. Refer to wiper arm adjustment.
5. Tighten wiper arm nuts to specified torque, and install wiper arm covers.

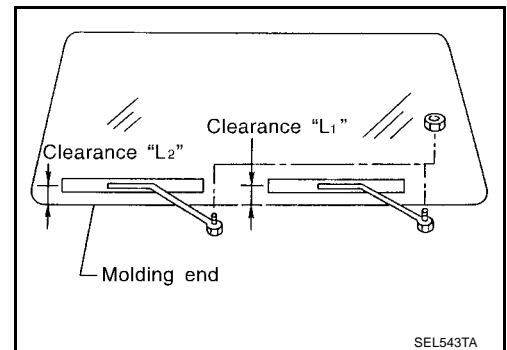
Front wiper arm nuts : 20.6 - 26.5 N·m (2.1 - 2.7 kg·m, 16 - 19 ft·lb)

WIPER ARM ADJUSTMENT

1. Operate front wiper motor one full cycle, then turn "OFF" (Auto Stop).
2. Lift the wiper blade up and then rest it onto glass surface, check the blade clearance "L1" and "L2".

Clearance "L1" : 30.5 - 45.5 mm (1.201 - 1.791 in)

Clearance "L2" : 32.5 - 47.5 mm (1.280 - 1.870 in)



3. If adjustment is necessary, reposition wiper arm on wiper motor pivot shaft to above specified blade clearance.
4. Tighten wiper arm nut to specified torque, and install wiper arm covers. Refer to wiper arm installation.

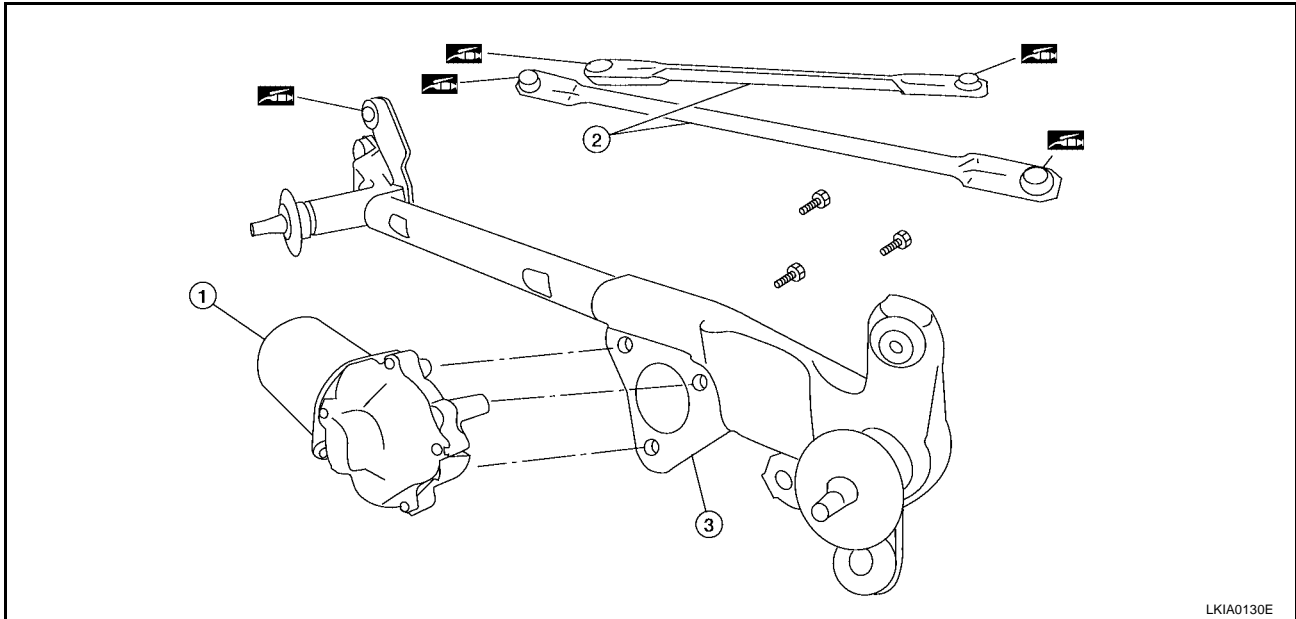
A
B
C
D
E
F
G
H
I
J
L
M

WW

FRONT WIPER AND WASHER SYSTEM

EKS0094U

Wiper Motor and Linkage REMOVAL AND INSTALLATION



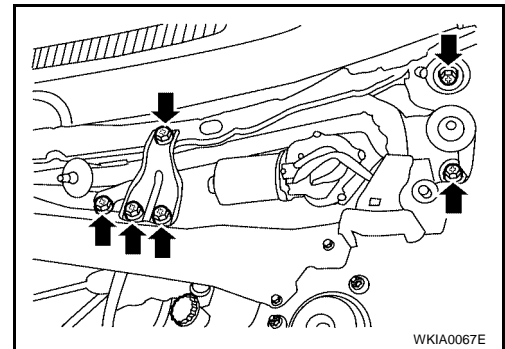
1. Front wiper motor

2. Wiper link

3. Wiper frame

REMOVAL

1. Operate front wiper motor one full cycle, then turn "OFF" (Auto Stop).
2. Remove wiper arms from the vehicle. Refer to [WW-25, "Front Wiper Arms"](#).
3. Remove the cowl top cover. Refer to [EI-19, "Removal and Installation"](#).
4. Disconnect wiper motor connector.
5. Remove bracket and wiper motor assembly.



6. Remove wiper link from wiper frame.
7. Remove wiper motor from wiper frame.

INSTALLATION

CAUTION:

- Do not drop the wiper motor or cause it to contact other parts.
 - Check the grease conditions of the motor arm and wiper link joint(s). Apply grease if necessary.
1. Operate front wiper motor one full cycle, then turn "OFF" (Auto Stop).
 2. Disconnect wiper motor connector. Operate front wiper motor one full cycle, then turn "OFF" (Auto Stop).
 3. Install wiper motor to bracket and wiper link, and install assembly to the vehicle.

Wiper motor assembly bolts : 3.8 - 5.1 N·m (0.39 - 0.52 kg·m, 33.9 - 45.1 in-lb)

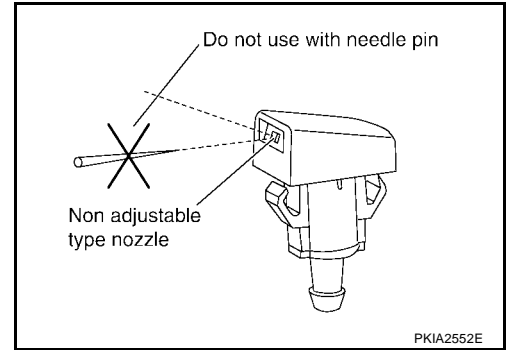
4. Connect wiper motor connector. Turn the wiper switch ON to operate the wiper motor, then turn wiper switch OFF (auto stop).
5. Install cowl top cover. Refer to [EI-19, "Removal and Installation"](#).
6. Install wiper arms. Refer to [WW-25, "Front Wiper Arms"](#).

FRONT WIPER AND WASHER SYSTEM

Washer Nozzle Adjustment

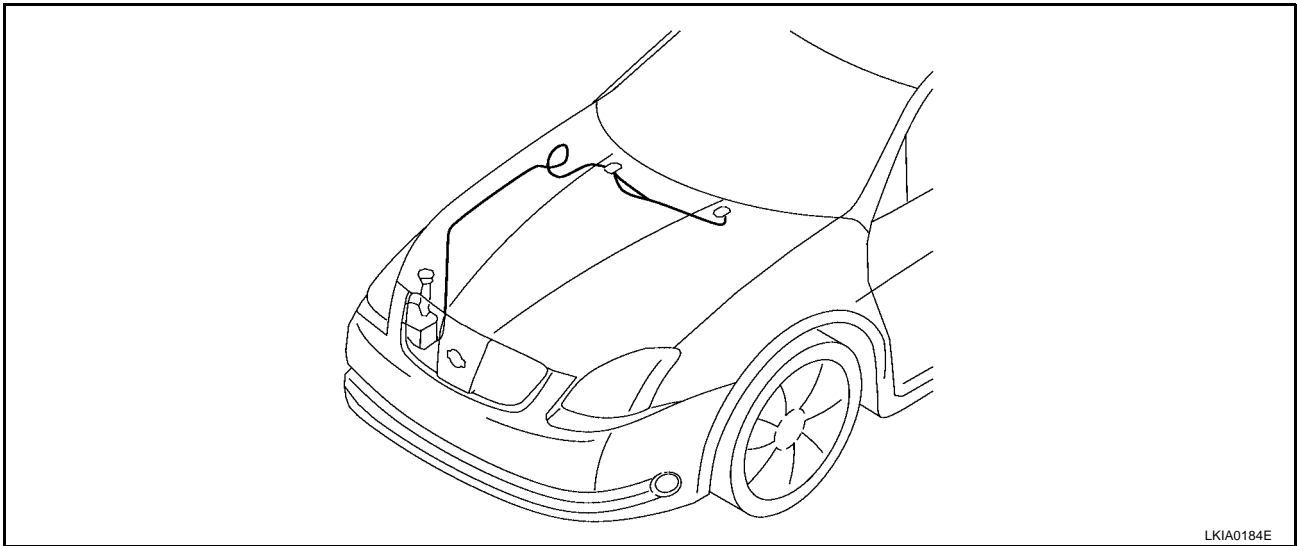
EKS0094V

- This vehicle is equipped with non-adjustable washer nozzles.
- If not satisfied with washer fluid spray coverage, confirm that the washer nozzle is installed correctly.
- If the washer nozzle is installed correctly and the washer fluid spray coverage is not satisfactory, replace washer nozzle.



Washer Tube Layout

EKS0094W

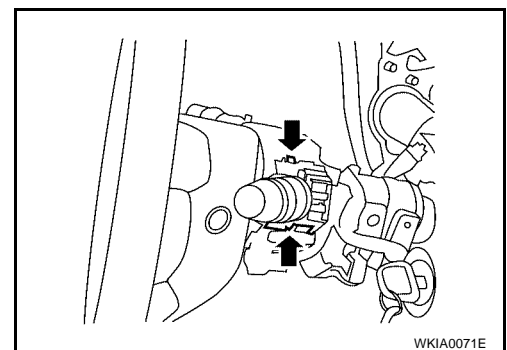


Wiper and Washer Switch REMOVAL AND INSTALLATION

EKS0094X

Removal

1. Remove steering column cover.
2. Remove wiper washer switch connector.
3. Pinch tabs at wiper and washer switch base and slide switch away from steering column to remove.



Installation

Installation is in the reverse order of removal.

A
B
C
D
E
F
G
H
I
J

WW

L
M

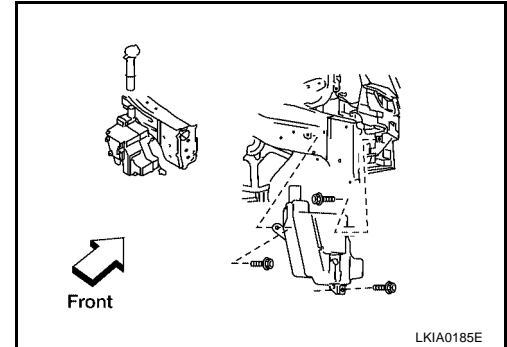
FRONT WIPER AND WASHER SYSTEM

EKS0094Y

Washer Fluid Reservoir REMOVAL AND INSTALLATION

Removal

1. Pull out washer fluid reservoir inlet.
2. Remove fender protector. Refer to [EI-22, "Removal and Installation"](#) .
3. Remove front washer motor connector and washer fluid level switch connector.
4. Remove washer fluid reservoir screws.
5. Remove washer hose and remove the washer fluid reservoir from the vehicle.



Installation

CAUTION:

After installation, add water up to the upper level of the washer fluid reservoir inlet and check for water leaks.

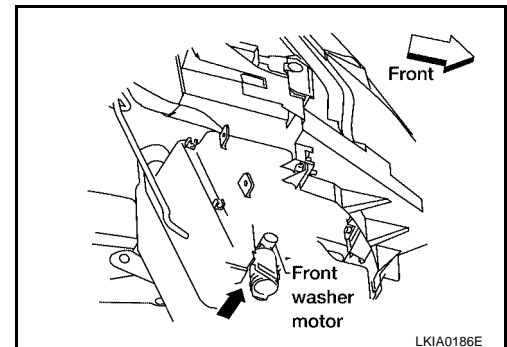
Installation is in the reverse order of removal.

Washer Motor REMOVAL AND INSTALLATION

EKS0094Z

Removal

1. Remove fender protector. Refer to [EI-22, "Removal and Installation"](#) .
2. Remove front washer motor connector and hose.
3. Pull out front washer motor in the direction of the arrow as shown and remove the washer pump from the washer fluid reservoir.



Installation

CAUTION:

When installing front washer motor, there should be no packing twists, etc.

Installation is in the reverse order of removal.

POWER SOCKET

PF-P:253A2

EKS00952

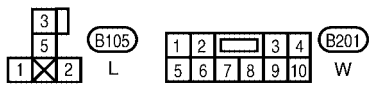
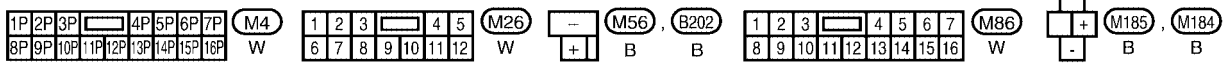
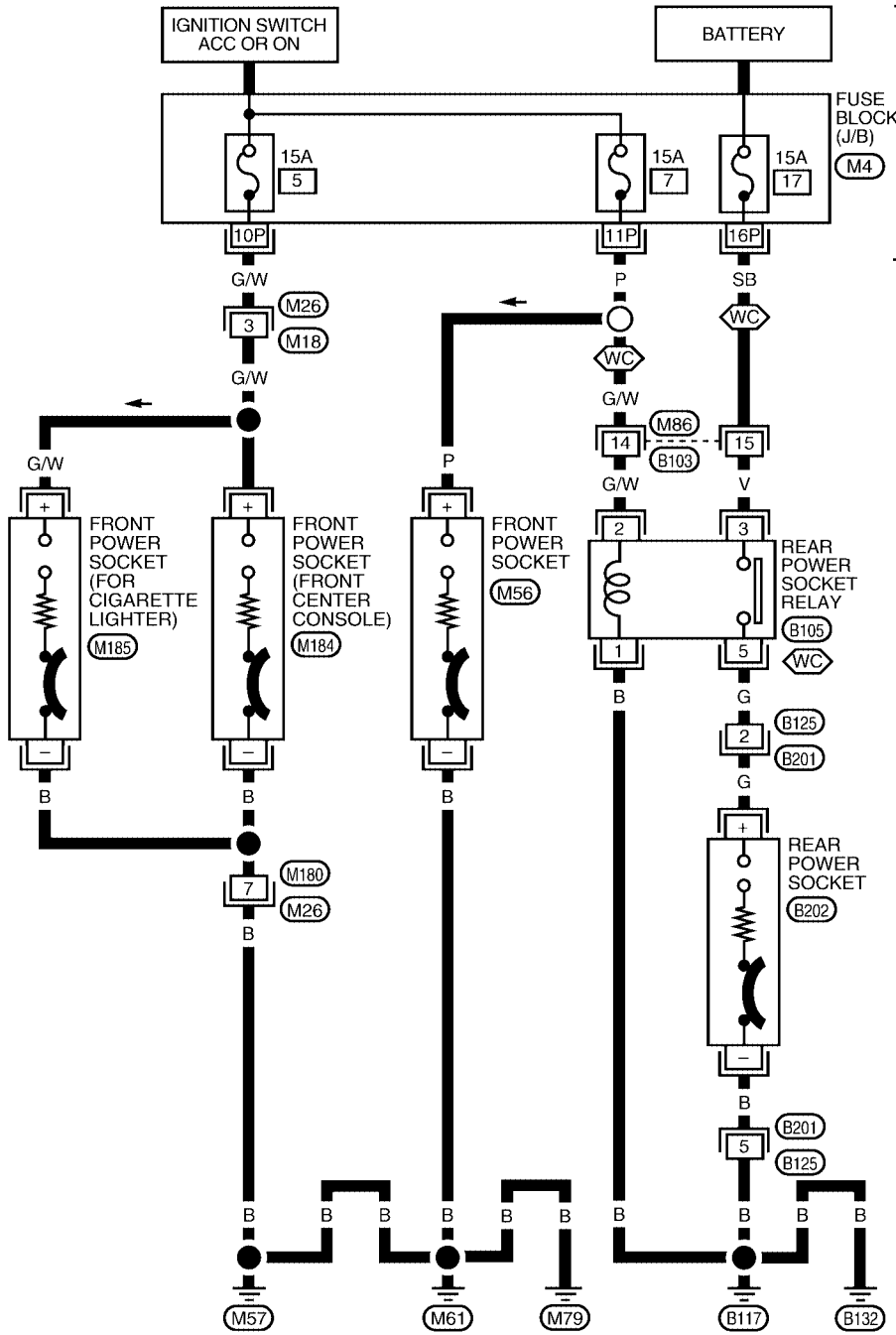
POWER SOCKET

Wiring Diagram — P/SCKT —

WW-P/SCKT-01

WC : WITH REAR CONSOLE

REFER TO "PG-POWER".



POWER SOCKET

EKS00951

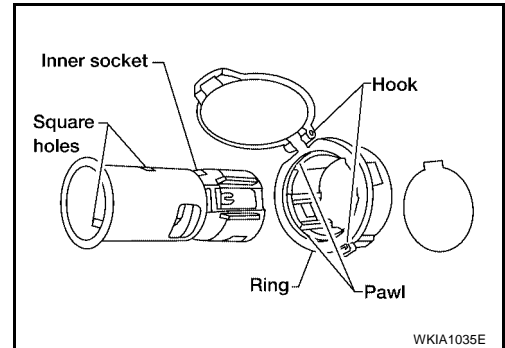
Power Sockets REMOVAL AND INSTALLATION

Removal

NOTE:

Removal and Installation is common for all power sockets.

1. Remove inner socket from the ring, while pressing the hook on the ring out from square hole.
2. Disconnect power socket electrical connector.
3. Remove ring from power socket finisher while pressing pawls.



Installation

Installation is in the reverse order of removal.

HORN

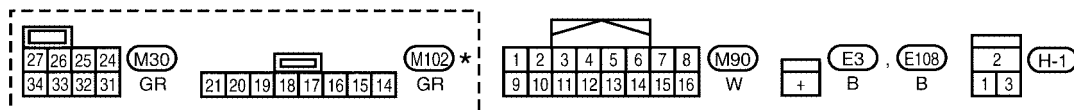
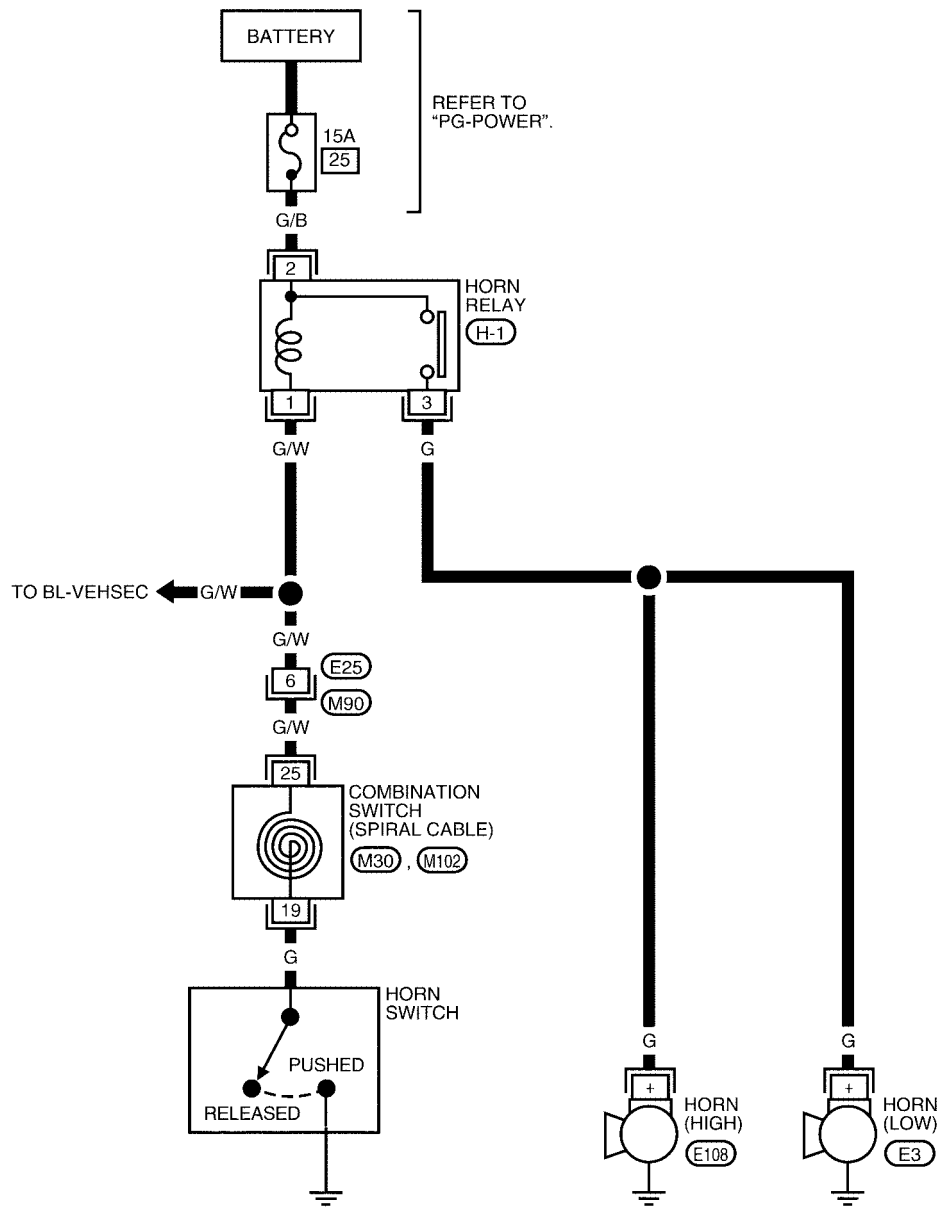
HORN

Wiring Diagram — HORN —

PF-P:25610

EKS00954

WW-HORN-01



*: THIS CONNECTOR IS NOT SHOWN IN "HARNESS LAYOUT" OF PG SECTION.

WKWA3574E

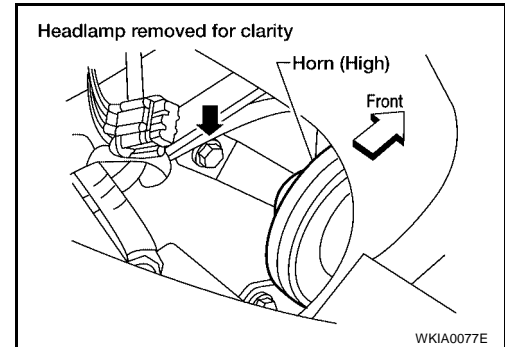
HORN

EKS00955

Horn (High) REMOVAL AND INSTALLATION

Removal

1. Remove right headlamp. Refer to [LT-41, "Removal and Installation"](#).
2. Disconnect horn electrical connector.
3. Remove horn bolt and remove horn.



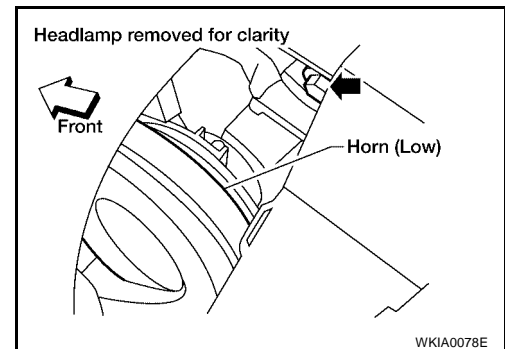
Installation

Installation is in the reverse order of removal.

Horn (Low) REMOVAL

EKS00GKK

1. Remove left headlamp. Refer to [LT-41, "Removal and Installation"](#).
2. Disconnect horn electrical connector.
3. Remove horn bolt and remove horn.



INSTALLATION

Installation is in the reverse order of removal.