

SECTION **EX**
EXHAUST SYSTEM

A
EX
C

CONTENTS

PREPARATION	2	Checking Exhaust System	3	F
Special Service Tool	2	Removal and Installation	3	
Commercial Service Tools	2	REMOVAL	5	
EXHAUST SYSTEM	3	INSTALLATION	5	G
		INSPECTION AFTER INSTALLATION	5	

D
E
H
I
J
K
L
M

PREPARATION

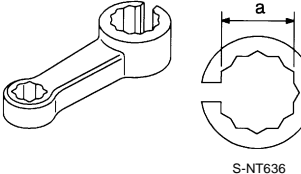
PFP:00002

EBS00JTB

PREPARATION

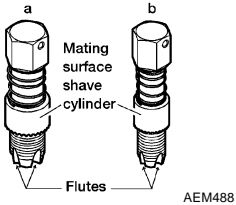

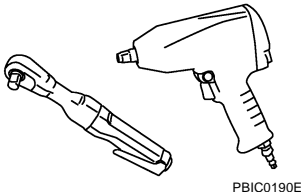
Special Service Tool

The actual shapes of Kent-Moore tools may differ from those of special service tools illustrated here.

Tool number (Kent-Moore No.) Tool name	Description
KV10114400 (J-38365) Heated oxygen sensor wrench <div style="text-align: center;">  <p style="text-align: center;">S-NT636</p> </div>	Loosening or tightening heated oxygen sensors: a: 22 mm (0.87 in)

Commercial Service Tools

EBS00JTC

(Kent-Moore No.) Tool name	Description
(J-43897-18) (J-43897-12) Oxygen sensor thread cleaner <div style="text-align: center;">  <p style="text-align: center;">AEM488</p> </div>	Reconditioning the exhaust system threads before installing a new oxygen sensor (Use with anti-seize lubricant shown below): a: J-43897-18 (18 mm, 0.47 in) dia. for zirconia oxygen sensor b: J-43897-12 (12 mm, 0.47 in) dia. for titania oxygen sensor
Anti-seize lubricant (Permatex 133AR or equivalent meeting MIL specification MIL-A-907) <div style="text-align: center;">  <p style="text-align: center;">AEM489</p> </div>	Lubricating oxygen sensor thread cleaning tool when reconditioning exhaust system threads
Power tool <div style="text-align: center;">  <p style="text-align: center;">PBIC0190E</p> </div>	Loosening nuts and bolts

EXHAUST SYSTEM

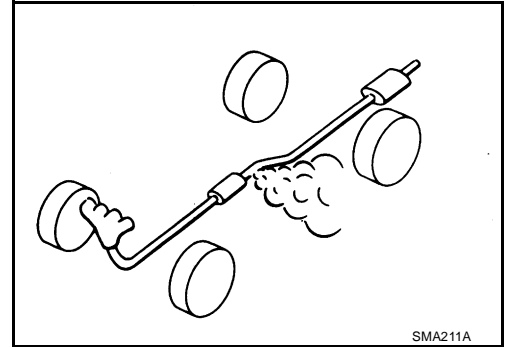
EXHAUST SYSTEM

PFP:20100

Checking Exhaust System

EBS00JTD

Check the exhaust pipes, muffler, and mounting components for incorrect attachment, leaks, cracks, damage, or deterioration.



Removal and Installation

EBS00JTE

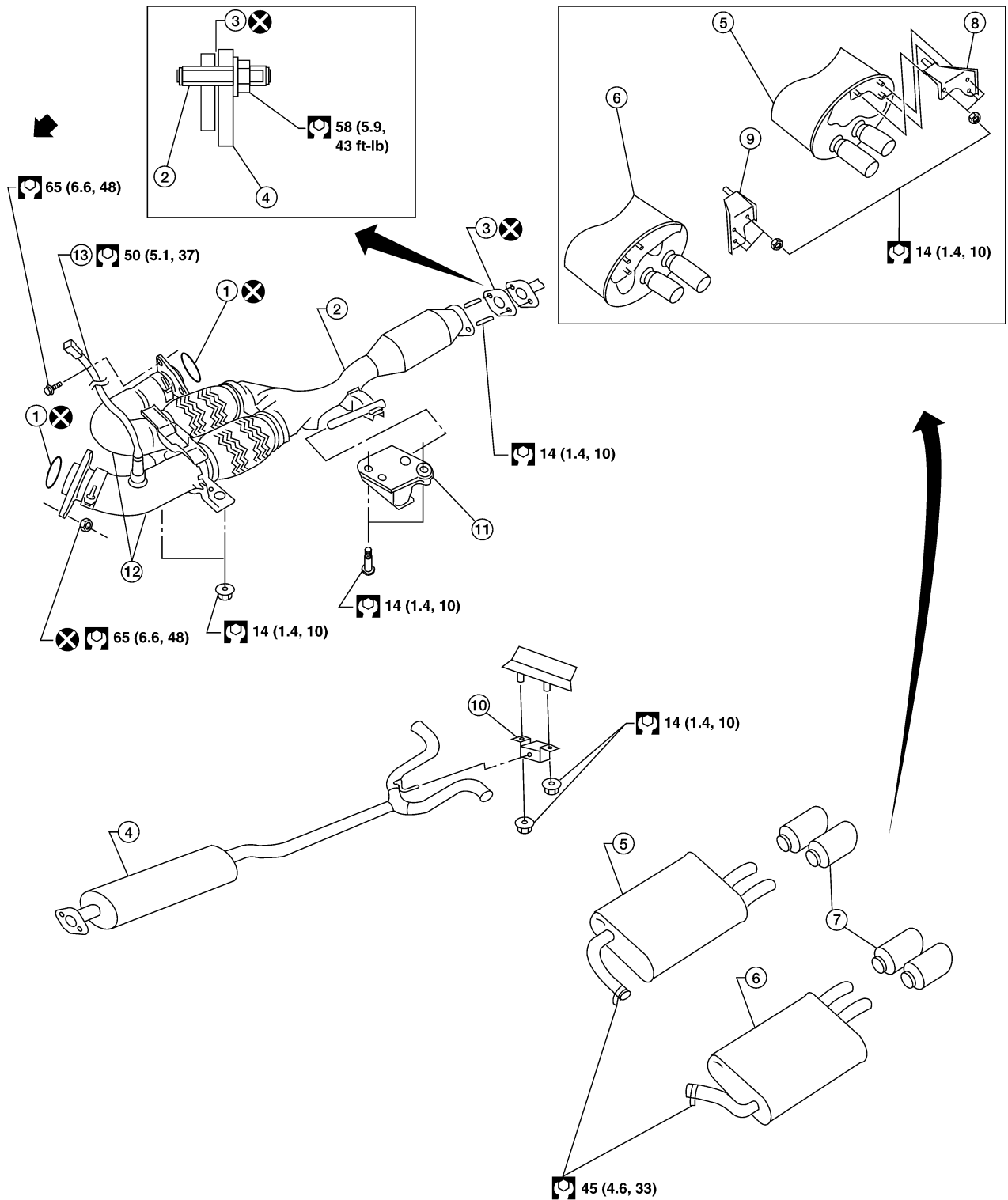
WARNING:

- Perform the procedures with the exhaust system fully cooled down to avoid injury from the hot exhaust system.
- Be careful not to cut your hand on the insulator edge.

NOTE:

Use genuine NISSAN exhaust system parts or equivalent, which are specifically designed for heat resistance, corrosion resistance, and shape.

EXHAUST SYSTEM



- | | | |
|--------------------------------|--|----------------------------------|
| 1. Ring gasket | 2. Front exhaust tube | 3. Gasket |
| 4. Center exhaust tube | 5. RH rear muffler | 6. LH rear muffler |
| 7. Finisher | 8. RH rear muffler bracket with ground strap | 9. LH rear muffler bracket |
| 10. Center exhaust tube hanger | 11. Front exhaust tube hanger | 12. Front exhaust tube insulator |
| 13. Heated oxygen sensor 2 | ← Front | |

WBIA0758E

EXHAUST SYSTEM

REMOVAL

- Remove exhaust system components using power tool.
- When removing center exhaust tube, remove tunnel stay bracket.

INSTALLATION

Installation is in the reverse order of removal.

CAUTION:

- Always replace exhaust gaskets with new ones when reassembling.
- Before installing a new oxygen sensor, clean the exhaust tube threads using Oxygen Sensor Thread Cleaner tool J-43897-18 or J-43897-12 and approved anti-seize lubricant.
- Discard any heated oxygen sensor which has been dropped from a height of more than 0.5 m (19.7 in) onto a hard surface such as a concrete floor; install a new one.
- Do not over-tighten the oxygen sensor. Doing so may damage the oxygen sensor, resulting in the MIL coming on.
- If any insulator is badly deformed, repair or replace it. If deposits such as mud pile up on the insulator, clean and inspect them.
- Temporarily tighten the nuts on the exhaust manifold side and the bolts on the vehicle side. Check each part for interference with other components, and then tighten the nuts and bolts to specification.

INSPECTION AFTER INSTALLATION

- With the engine running, check the exhaust tube joints for exhaust gas leaks and unusual noises.
- Check that the mounting brackets and mounting insulators are installed properly and free from excessive stress. Improper installation could result in excessive noise, leaks, and vibration.

A

EX

C

D

E

F

G

H

I

J

K

L

M

EXHAUST SYSTEM
