

SECTION **RAX**
REAR AXLE

A
B
C

RAX

CONTENTS

E

SERVICE INFORMATION	2	NVH Troubleshooting Chart	4	F
PRECAUTIONS	2	WHEEL HUB	5	G
Precaution	2	On-Vehicle Service	5	
PREPARATION	3	Removal and Installation	6	
Commercial Service Tool	3	SERVICE DATA AND SPECIFICATIONS		
NOISE, VIBRATION, AND HARSHNESS		(SDS)	8	H
(NVH) TROUBLESHOOTING	4	Wheel Hub Assembly (Rear)	8	

I

J

K

L

M

N

O

P

PRECAUTIONS

< SERVICE INFORMATION >

SERVICE INFORMATION

PRECAUTIONS

Precaution

INFOID:000000001720261

- **When installing each rubber part, the final tightening must be carried out under unladen condition* with the tires on the ground.**
 - * Fuel, radiator coolant and engine oil full. Spare tire, jack, hand tools and mats in designated positions.
- **After installing the suspension components, check the wheel alignment.**
- **Do not jack up the vehicle at the rear lower link, front lower link, or the radius rod.**

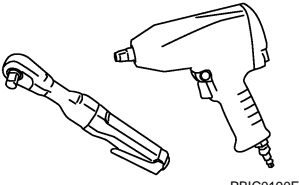
PREPARATION

< SERVICE INFORMATION >

PREPARATION

Commercial Service Tool

INFOID:000000001720262

Tool name	Description
<p data-bbox="162 352 272 378">Power tool</p>  <p data-bbox="852 571 922 588">PBIC0190E</p>	<p data-bbox="1015 352 1263 378">Loosening bolts and nuts</p>

A

B

C

RAX

E

F

G

H

I

J

K

L

M

N

O

P

NOISE, VIBRATION, AND HARSHNESS (NVH) TROUBLESHOOTING

< SERVICE INFORMATION >

NOISE, VIBRATION, AND HARSHNESS (NVH) TROUBLESHOOTING

NVH Troubleshooting Chart

INFOID:000000001720263

Use the chart below to help you find the cause of the symptom. If necessary, repair or replace these parts.

Reference page		RAX-6, "Removal and Installation"	RAX-6, "Removal and Installation"	RAX-5	WT-4, "NVH Troubleshooting Chart"	WT-4, "NVH Troubleshooting Chart"	
Possible cause and SUSPECTED PARTS		Improper installation, looseness	Parts interference	Wheel bearing damage	TIRES	ROAD WHEEL	
Symptom	REAR AXLE	Noise	×	×	×	×	
		Shake	×	×	×	×	
		Vibration	×	×	×		
		Shimmy	×	×	×	×	
		Shudder	×			×	×
		Poor quality ride or handling	×	×	×	×	×

×: Applicable

WHEEL HUB

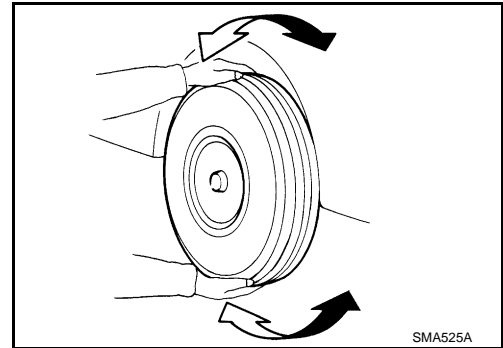
< SERVICE INFORMATION >

WHEEL HUB

On-Vehicle Service

INFOID:000000001720264

- Check the axle and suspension parts for excessive play, wear or damage.
- Shake each rear wheel to check for excessive play as shown.

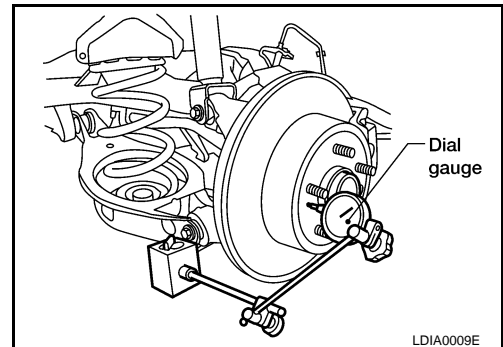


REAR WHEEL BEARING

- Check that the axial end play is within specification.

Axial end play : 0.1 mm (0.004 in) or less

- Check that the wheel hub bearings operate smoothly.
- Replace the wheel hub assembly if the axial end play is not within specification or the wheel hub assembly does not turn smoothly. Refer to [RAX-6. "Removal and Installation"](#).



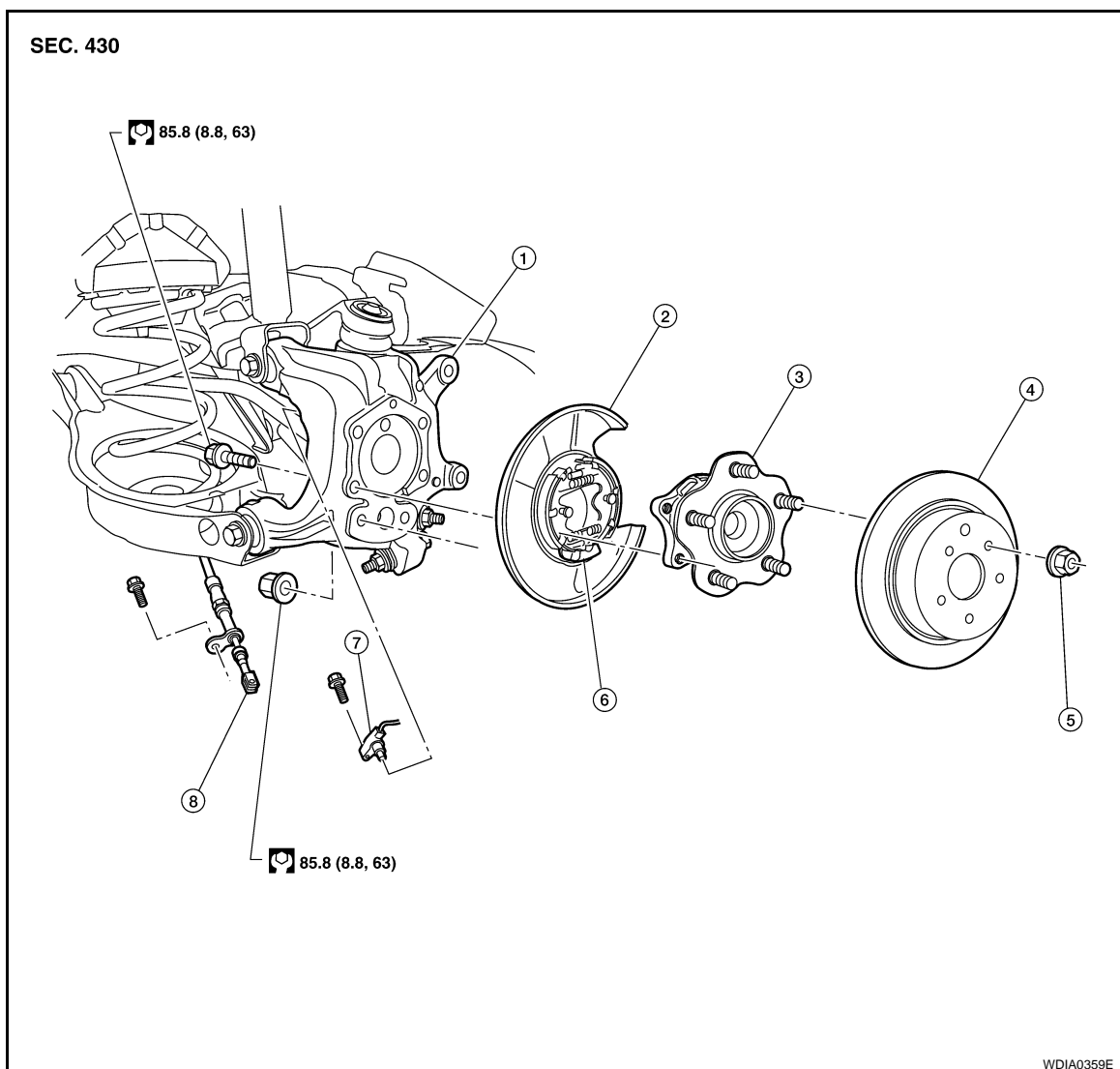
A
B
C
RAX
E
F
G
H
I
J
K
L
M
N
O
P

WHEEL HUB

< SERVICE INFORMATION >

Removal and Installation

INFOID:000000001720265



- | | | |
|----------------|------------------------|-----------------------|
| 1. Knuckle | 2. Baffle plate | 3. Wheel hub assembly |
| 4. Brake rotor | 5. Wheel nut | 6. Anchor block |
| 7. ABS sensor | 8. Parking brake cable | |

REMOVAL

CAUTION:

Wheel hub assembly does not require maintenance. If any of the following symptoms are noted, replace the wheel hub assembly.

- A growling noise is emitted from the wheel hub assembly while driving.
- The wheel hub assembly drags or turns roughly.

1. Remove the brake rotor. Refer to [BR-28. "Removal and Installation of Caliper Assembly and Disc Rotor"](#).
2. Remove the rear ABS sensor, then move it away from the wheel hub assembly. Refer to [BRC-46. "Removal and Installation" \(VCD/TCS/ABS\)](#).

CAUTION:

- Failure to remove the ABS sensor may result in damage to the sensor wires and the sensor being inoperative.

3. Remove the wheel hub bolts from knuckle and remove the wheel hub assembly.

INSPECTION AFTER REMOVAL

Check for any deformity, cracks, or damage on the wheel hub assembly, replace if necessary.

WHEEL HUB

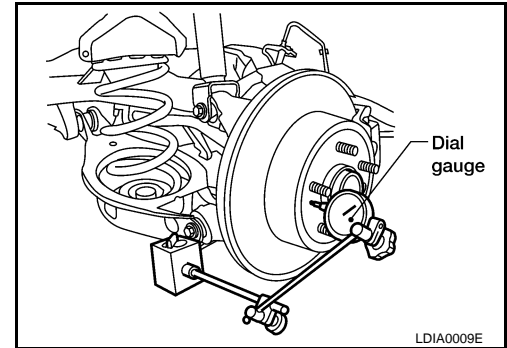
< SERVICE INFORMATION >

INSTALLATION

Installation is in the reverse order of removal.

- Check that the wheel bearings operate smoothly.
- Check that the wheel hub bearing axial end play is within specification.

Axial end play : 0.1 mm (0.004 in) or less



A

B

C

RAX

E

F

G

H

I

J

K

L

M

N

O

P

SERVICE DATA AND SPECIFICATIONS (SDS)

< SERVICE INFORMATION >

SERVICE DATA AND SPECIFICATIONS (SDS)

Wheel Hub Assembly (Rear)

INFOID:000000001720266

Axial end play	0.1 mm (0.004 in) or less
----------------	---------------------------
