

SECTION **RAX**
REAR AXLE

A
B
C

RAX

CONTENTS

E

PRECAUTION	2	PERIODIC MAINTENANCE	5	F
PRECAUTIONS	2	WHEEL HUB	5	G
Precaution for Supplemental Restraint System (SRS) "AIR BAG" and "SEAT BELT PRE-TENSIONER"	2	On-vehicle Service	5	
Precaution	2	Inspection	5	
PREPARATION	3	REMOVAL AND INSTALLATION	6	H
PREPARATION	3	WHEEL HUB	6	I
Commercial Service Tool	3	Removal and Installation	6	
SYMPTOM DIAGNOSIS	4	SERVICE DATA AND SPECIFICATIONS (SDS)	8	J
NOISE, VIBRATION, AND HARSHNESS(NVH) TROUBLESHOOTING	4	SERVICE DATA AND SPECIFICATIONS (SDS)	8	K
NVH Troubleshooting Chart	4	Wheel Bearing (Rear)	8	

L

M

N

O

P

PRECAUTIONS

< PRECAUTION >

PRECAUTION

PRECAUTIONS

Precaution for Supplemental Restraint System (SRS) "AIR BAG" and "SEAT BELT PRE-TENSIONER"

INFOID:000000008642871

The Supplemental Restraint System such as "AIR BAG" and "SEAT BELT PRE-TENSIONER", used along with a front seat belt, helps to reduce the risk or severity of injury to the driver and front passenger for certain types of collision. This system includes seat belt switch inputs and dual stage front air bag modules. The SRS system uses the seat belt switches to determine the front air bag deployment, and may only deploy one front air bag, depending on the severity of a collision and whether the front occupants are belted or unbelted. Information necessary to service the system safely is included in the SR and SB section of this Service Manual.

WARNING:

- To avoid rendering the SRS inoperative, which could increase the risk of personal injury or death in the event of a collision which would result in air bag inflation, all maintenance must be performed by an authorized NISSAN/INFINITI dealer.
- Improper maintenance, including incorrect removal and installation of the SRS, can lead to personal injury caused by unintentional activation of the system. For removal of Spiral Cable and Air Bag Module, see the SR section.
- Do not use electrical test equipment on any circuit related to the SRS unless instructed to in this Service Manual. SRS wiring harnesses can be identified by yellow and/or orange harnesses or harness connectors.

PRECAUTIONS WHEN USING POWER TOOLS (AIR OR ELECTRIC) AND HAMMERS

WARNING:

- When working near the Airbag Diagnosis Sensor Unit or other Airbag System sensors with the Ignition ON or engine running, DO NOT use air or electric power tools or strike near the sensor(s) with a hammer. Heavy vibration could activate the sensor(s) and deploy the air bag(s), possibly causing serious injury.
- When using air or electric power tools or hammers, always switch the Ignition OFF, disconnect the battery, and wait at least 3 minutes before performing any service.

Precaution

INFOID:000000008642872

- When installing each rubber part, final tightening must be carried out under unladen condition* with tires on ground.
*: Fuel, radiator coolant and engine oil full. Spare tire, jack, hand tools and mats in designated positions.
- After installing removed suspension parts, check wheel alignment.
- Do not jack up at the trailing arm and lateral link.

PREPARATION


< PREPARATION >

PREPARATION

PREPARATION

Commercial Service Tool

INFOID:000000008642873

Tool name	Description
<p data-bbox="162 411 272 436">Power tool</p>  <p data-bbox="831 630 906 646">PIIB1407E</p>	<p data-bbox="1010 411 1347 436">Loosening nuts, screws and bolts</p>

A

B

C

RAX

E

F

G

H

I

J

K

L

M

N

O

P

NOISE, VIBRATION, AND HARSHNESS(NVH) TROUBLESHOOTING

< SYMPTOM DIAGNOSIS >

SYMPTOM DIAGNOSIS

NOISE, VIBRATION, AND HARSHNESS(NVH) TROUBLESHOOTING

NVH Troubleshooting Chart

INFOID:000000008642870

Use the chart below to help you find the cause of the symptom. If necessary, repair or replace these parts.

Reference page		RAX-6	RAX-6	RAX-6	WT-55. "NVH Troubleshooting Chart"	WT-55. "NVH Troubleshooting Chart"	BR-6. "NVH Troubleshooting Chart"	
Possible cause and SUSPECTED PARTS		Improper installation, looseness	Parts interference	Wheel bearing damage	TIRES	ROAD WHEEL	BRAKE	
Symptom	REAR AXLE	Noise	x	x		x	x	x
		Shake	x	x		x	x	x
		Vibration	x	x		x		
		Shimmy	x	x		x	x	x
		Shudder	x			x	x	x
		Poor quality ride or handling	x	x	x	x	x	

x: Applicable

WHEEL HUB

< PERIODIC MAINTENANCE >

PERIODIC MAINTENANCE

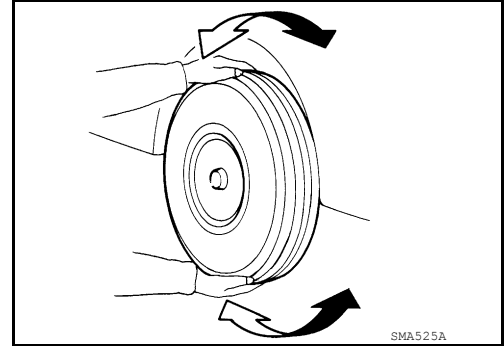
WHEEL HUB

On-vehicle Service

INFOID:000000008642874

Check axle and suspension parts for excessive play, wear or damage.

- Shake each rear wheel to check for excessive play.



INFOID:000000008642875

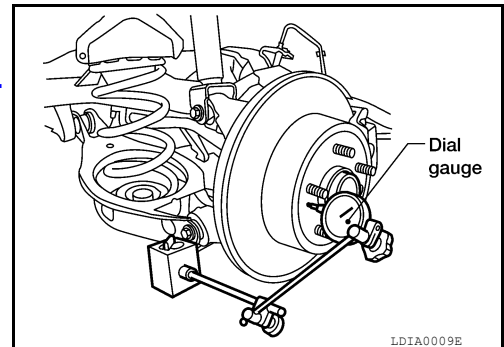
Inspection

Rear Wheel Bearing

- Check axial end play.

Axial end play : Refer to [RAX-8, "Wheel Bearing \(Rear\)"](#).

- Check that wheel hub bearings operate smoothly.
- Replace wheel bearing assembly if there is axial end play or wheel bearing does not turn smoothly. Refer to [FAX-7, "Removal and Installation"](#).



WHEEL HUB

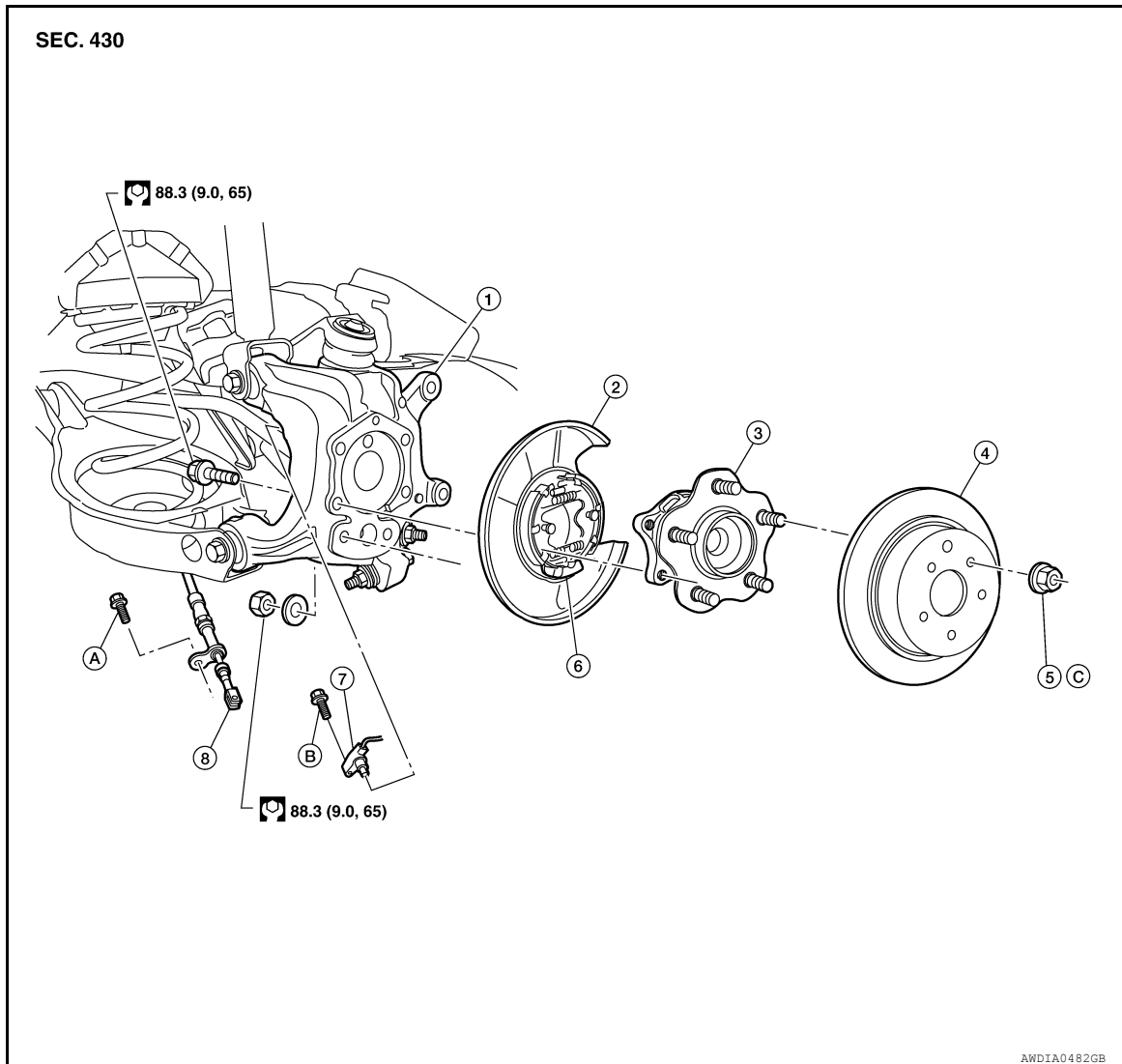
< REMOVAL AND INSTALLATION >

REMOVAL AND INSTALLATION

WHEEL HUB

Removal and Installation

INFOID:000000008642876



- | | | |
|--|---|---|
| 1. Knuckle | 2. Baffle plate | 3. Wheel hub assembly |
| 4. Brake rotor | 5. Wheel nut | 6. Anchor block |
| 7. Wheel sensor | 8. Parking brake cable | A. Refer to PB-6, "Exploded View" . |
| B. Refer to BRC-102, "Removal and Installation - Front Wheel Sensor" . | C. Refer to WT-65, "Road Wheel" . | |

REMOVAL

CAUTION:

Wheel hub assembly does not require maintenance. If any of the following symptoms are noted, replace the wheel hub assembly.

- A growling noise is emitted from the wheel hub assembly while driving.
- The wheel hub assembly drags or turns roughly.

1. Remove the rear wheel and tire using power tool.
2. Remove the brake caliper assembly and brake rotor using power tool. Refer to [BR-36, "Removal and Installation of Brake Caliper and Rotor"](#).
 - The brake hose does not need to be disconnected from the brake caliper.

WHEEL HUB

< REMOVAL AND INSTALLATION >

CAUTION:

- Suspend the brake caliper assembly using wire, do not stretch the brake hose.
- Do not depress the brake pedal, or the caliper piston will pop out.
- Do not twist the brake hose.

3. Remove the rear wheel sensor, then move it away from the wheel hub assembly. Refer to [BRC-102, "Removal and Installation - Front Wheel Sensor"](#).

CAUTION:

Failure to remove the wheel sensor may result in damage to the sensor wires and the sensor being inoperative.

4. Remove the wheel hub assembly from knuckle.

INSPECTION AFTER REMOVAL

Check for any deformity, cracks, or damage on the wheel hub assembly, replace if necessary.

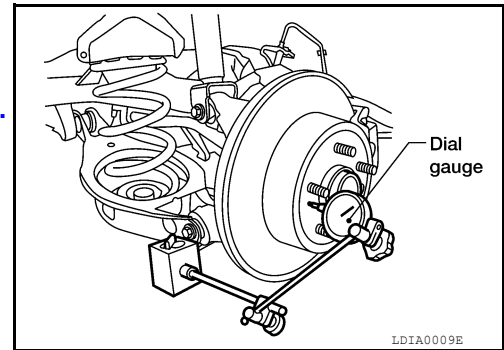
INSTALLATION

Installation is in the reverse order of removal.

- Check that the wheel bearings operate smoothly.
- Check that the wheel hub bearing axial end play is within specification.

Axial end play : Refer to [RAX-8, "Wheel Bearing \(Rear\)"](#).

- Tighten wheel nut to specification. Refer to [WT-65, "Road Wheel"](#).



SERVICE DATA AND SPECIFICATIONS (SDS)

< SERVICE DATA AND SPECIFICATIONS (SDS)

SERVICE DATA AND SPECIFICATIONS (SDS)

SERVICE DATA AND SPECIFICATIONS (SDS)

Wheel Bearing (Rear)

INFOID:000000008642877

Wheel bearing axial end play	0.1 mm (0.004 in) or less
------------------------------	---------------------------