

A  
B  
C  
D  
E  
F  
G  
H  
VTL  
J  
K  
L  
M  
N  
O  
P

# SECTION VTL

## VENTILATION SYSTEM

### CONTENTS

<b>PRECAUTION</b> .....	3	FRONT FLOOR DUCT : Removal and Installation	
<b>PRECAUTIONS</b> .....	3	- Front Floor Connecting Duct (LH/RH) .....	10
Precaution for Supplemental Restraint System (SRS) "AIR BAG" and "SEAT BELT PRE-TENSIONER" .....	3	FRONT FLOOR DUCT : Removal and Installation	
Precaution for Work .....	3	- Front Floor Duct (LH/RH) .....	10
Precaution for Procedure without Cowl Top Cover.....	4	FRONT FLOOR DUCT : Removal and Installation	
<b>PREPARATION</b> .....	5	- Front Floor Duct Nozzle (LH/RH) .....	10
<b>PREPARATION</b> .....	5	<b>ADAPTOR DUCT</b> .....	10
Special Service Tool .....	5	ADAPTOR DUCT : Removal and Installation - Adaptor Duct .....	10
Commercial Service Tool .....	5	ADAPTOR DUCT : Removal and Installation - Adaptor Connecting Duct .....	11
<b>SYSTEM DESCRIPTION</b> .....	6	<b>REAR CENTER VENTILATOR DUCT</b> .....	11
<b>VENTILATION SYSTEM</b> .....	6	REAR CENTER VENTILATOR DUCT : Removal and Installation .....	11
System Description .....	6	Exploded View .....	12
<b>PERIODIC MAINTENANCE</b> .....	7	<b>CENTER VENTILATOR GRILLES</b> .....	12
<b>IN-CABIN MICROFILTER</b> .....	7	CENTER VENTILATOR GRILLES : Removal and Installation .....	12
Removal and Installation .....	7	<b>SIDE VENTILATOR GRILLES</b> .....	13
<b>REMOVAL AND INSTALLATION</b> .....	8	SIDE VENTILATOR GRILLES : Removal and Installation .....	13
<b>DUCTS AND GRILLES</b> .....	8	<b>SIDE DEFROSTER GRILLES</b> .....	14
Exploded View .....	8	SIDE DEFROSTER GRILLES : Removal and Installation .....	14
<b>DEFROSTER NOZZLE</b> .....	9	<b>REAR CENTER VENTILATOR GRILLE</b> .....	14
DEFROSTER NOZZLE : Removal and Installation .....	9	REAR CENTER VENTILATOR GRILLE : Removal and Installation .....	14
<b>CENTER VENTILATOR DUCT</b> .....	9	<b>BLOWER UNIT</b> .....	15
CENTER VENTILATOR DUCT : Removal and Installation .....	9	<b>BLOWER UNIT</b> .....	15
<b>SIDE DEFROSTER DUCT</b> .....	9	BLOWER UNIT : Exploded View .....	15
SIDE DEFROSTER DUCT : Removal and Installation .....	9	BLOWER UNIT : Removal and Installation .....	15
<b>FRONT FLOOR DUCT</b> .....	10	<b>BLOWER MOTOR</b> .....	15
		BLOWER MOTOR : Removal and Installation .....	15

---

<b>SERVICE DATA AND SPECIFICATIONS</b>	
<b>(SDS)</b> .....	17

<b>SERVICE DATA AND SPECIFICATIONS</b>	
<b>(SDS)</b> .....	17
In-cabin Microfilter .....	17

# PRECAUTIONS

< PRECAUTION >

## PRECAUTION

### PRECAUTIONS

#### Precaution for Supplemental Restraint System (SRS) "AIR BAG" and "SEAT BELT PRE-TENSIONER"

INFOID:000000012219088

The Supplemental Restraint System such as "AIR BAG" and "SEAT BELT PRE-TENSIONER", used along with a front seat belt, helps to reduce the risk or severity of injury to the driver and front passenger for certain types of collision. Information necessary to service the system safely is included in the SR and SB section of this Service Manual.

#### **WARNING:**

- To avoid rendering the SRS inoperative, which could increase the risk of personal injury or death in the event of a collision which would result in air bag inflation, all maintenance must be performed by an authorized NISSAN/INFINITI dealer.
- Improper maintenance, including incorrect removal and installation of the SRS, can lead to personal injury caused by unintentional activation of the system. For removal of Spiral Cable and Air Bag Module, see the SR section.
- Do not use electrical test equipment on any circuit related to the SRS unless instructed to in this Service Manual. SRS wiring harnesses can be identified by yellow and/or orange harnesses or harness connectors.

#### PRECAUTIONS WHEN USING POWER TOOLS (AIR OR ELECTRIC) AND HAMMERS

#### **WARNING:**

- When working near the Airbag Diagnosis Sensor Unit or other Airbag System sensors with the Ignition ON or engine running, DO NOT use air or electric power tools or strike near the sensor(s) with a hammer. Heavy vibration could activate the sensor(s) and deploy the air bag(s), possibly causing serious injury.
- When using air or electric power tools or hammers, always switch the Ignition OFF, disconnect the battery and wait at least three minutes before performing any service.

#### Precaution for Work

INFOID:000000011933807

- When removing or disassembling each component, be careful not to damage or deform it. If a component may be subject to interference, be sure to protect it with a shop cloth.
- When removing (disengaging) components with a screwdriver or similar tool, be sure to wrap the component with a shop cloth or vinyl tape to protect it.
- Protect the removed parts with a shop cloth and prevent them from being dropped.
- Replace a deformed or damaged clip.
- If a part is specified as a non-reusable part, always replace it with a new one.
- Be sure to tighten bolts and nuts securely to the specified torque.
- After installation is complete, be sure to check that each part works properly.
- Follow the steps below to clean components:
  - Water soluble dirt:
    - Dip a soft cloth into lukewarm water, wring the water out of the cloth and wipe the dirty area.
    - Then rub with a soft, dry cloth.
  - Oily dirt:
    - Dip a soft cloth into lukewarm water with mild detergent (concentration: within 2 to 3%) and wipe the dirty area.
    - Then dip a cloth into fresh water, wring the water out of the cloth and wipe the detergent off.
    - Then rub with a soft, dry cloth.
  - Do not use organic solvent such as thinner, benzene, alcohol or gasoline.
  - For genuine leather seats, use a genuine leather seat cleaner.

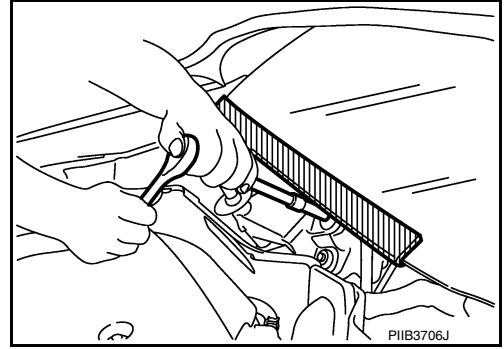
## PRECAUTIONS

< PRECAUTION >

### Precaution for Procedure without Cowl Top Cover

INFOID:000000012219092

When performing the procedure after removing cowl top cover, cover the lower end of windshield with urethane, etc to prevent damage to windshield.



# PREPARATION

< PREPARATION >

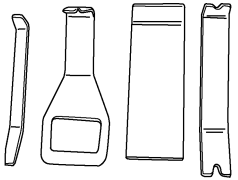
## PREPARATION

### PREPARATION

#### Special Service Tool


INFOID:0000000011933808

The actual shape of the tools may differ from those illustrated here.

Tool number (TechMate No.) Tool name	Description
— (J-46534) Trim Tool Set  AWJIA0483ZZ	Removing trim components

#### Commercial Service Tool

INFOID:0000000011933809

Tool name	Description
Power tool  PIIB1407E	Removing nuts, screws and bolts

A  
B  
C  
D  
E  
F  
G  
H  
VTL  
J  
K  
L  
M  
N  
O  
P

# VENTILATION SYSTEM

< SYSTEM DESCRIPTION >

## SYSTEM DESCRIPTION

### VENTILATION SYSTEM

#### System Description

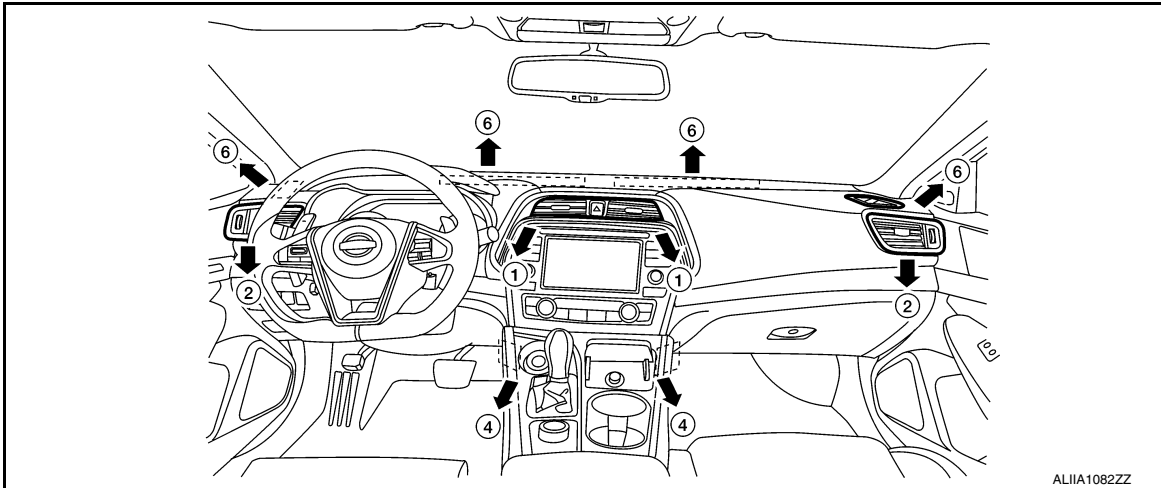
INFOID:000000012219108

#### OUTLINE

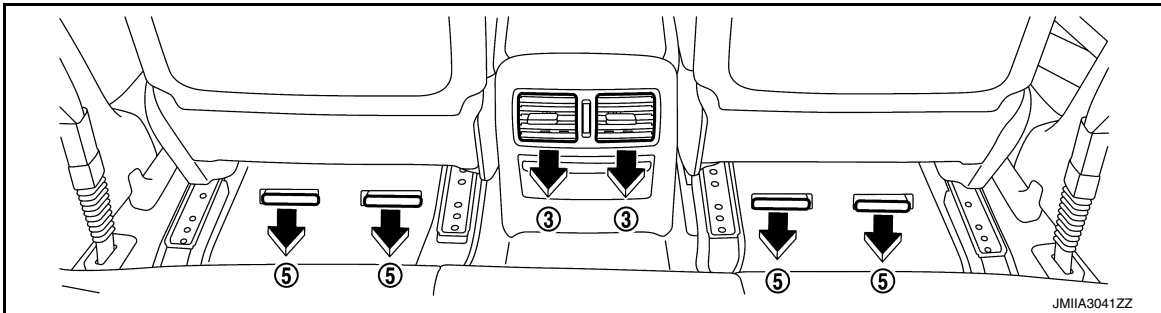
Ventilation system is controlled by A/C auto amp.. For details of automatic air conditioner system, refer to [HAC-12. "A/C Auto Amp."](#)

#### AIR FLOW

Front



Rear



×: Applicable

#### Discharge air flow

MODE/DEF setting position	Air outlet/distribution					
	Ventilator			Foot		Defroster (6)
	Front		Rear (3)	Front (4)	Rear (5)	
	Center (1)	Side (2)				
	×	×	×	—	—	—
	×	×	×	×	×	—
	—	×	×	×	×	×
	—	×	×	×	×	×
	—	×	×	—	—	×

# IN-CABIN MICROFILTER

< PERIODIC MAINTENANCE >

## PERIODIC MAINTENANCE

### IN-CABIN MICROFILTER

#### Removal and Installation

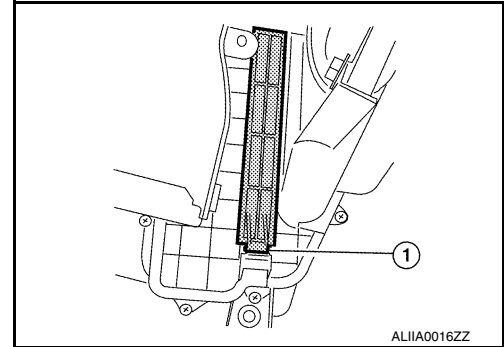
INFOID:000000012219114

#### REMOVAL

1. Remove glove box assembly. Refer to [IP-24. "Removal and Installation"](#).
2. Release in-cabin microfilter cover tab (1) and remove the cover from under the RH side of the instrument panel.

**CAUTION:**

Use care when lifting up on the in-cabin microfilter tab to avoid damaging it.



3. Remove in-cabin microfilter.

**CAUTION:**

If the in-cabin microfilter is deformed/damaged when removing, replace it with a new one. A deformed or damaged in-cabin microfilter may affect the dust collecting performance.

#### INSTALLATION

Installation is in reverse order of removal.

**CAUTION:**

When installing, handle the in-cabin microfilter with care to avoid deformation or damage.

**NOTE:**

The in-cabin microfilter is marked with an air flow arrow. The end of the in-cabin microfilter with the arrow should face the passenger side of the vehicle. The arrow should point toward the rear of the vehicle.

A

B

C

D

E

F

G

H

VTL

J

K

L

M

N

O

P

# DUCTS AND GRILLES

< REMOVAL AND INSTALLATION >

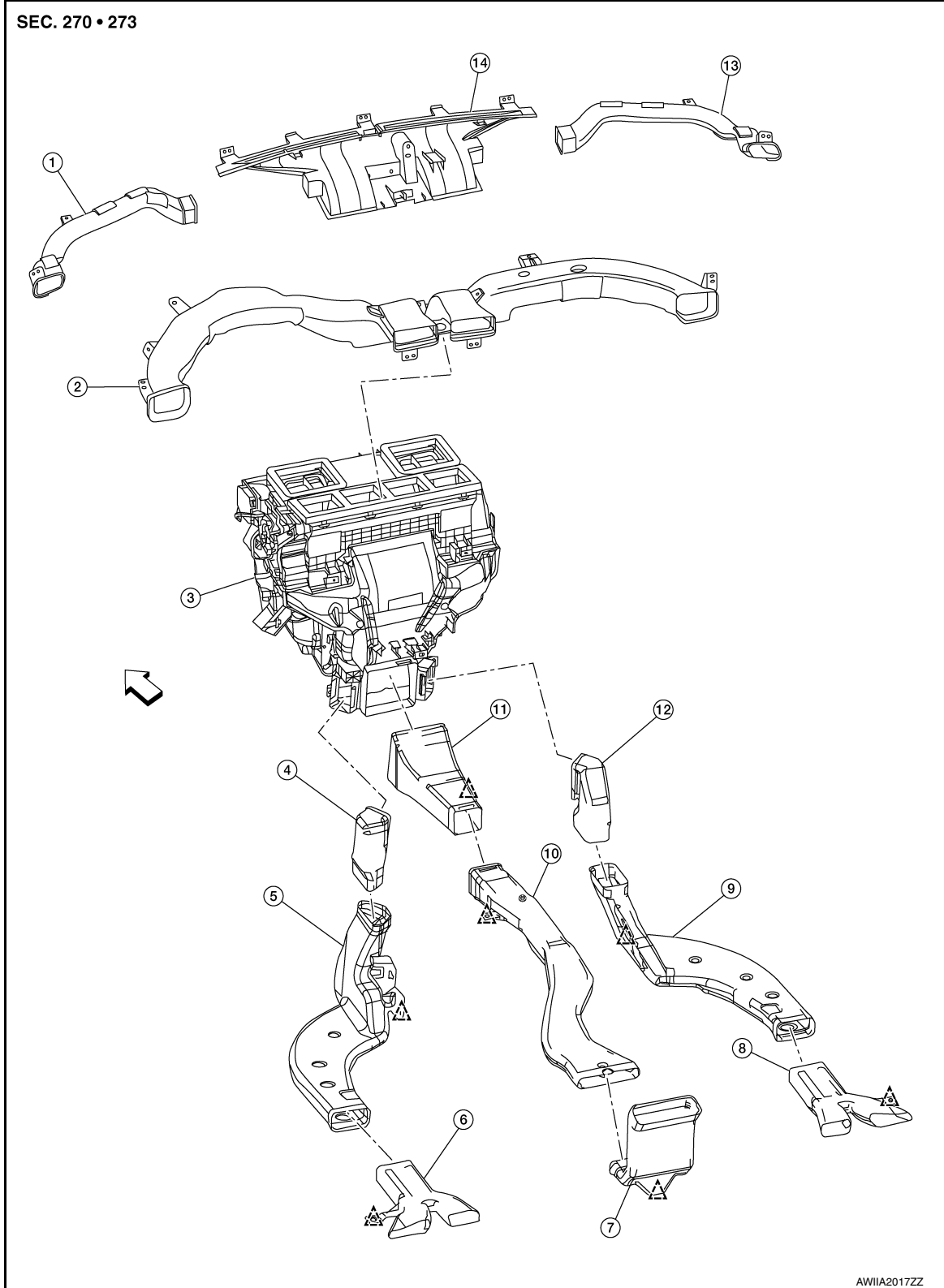
## REMOVAL AND INSTALLATION

### DUCTS AND GRILLES

Exploded View

INFOID:000000011933815

#### Ducts





# DUCTS AND GRILLES

## < REMOVAL AND INSTALLATION >

- |                                     |                                 |                                      |
|-------------------------------------|---------------------------------|--------------------------------------|
| 1. Side defroster duct (LH)         | 2. Center ventilator duct       | 3. Heating and cooling unit assembly |
| 4. Front floor connecting duct (LH) | 5. Front floor duct (LH)        | 6. Front floor duct nozzle (LH)      |
| 7. Rear center ventilator duct      | 8. Front floor duct nozzle (RH) | 9. Front floor duct (RH)             |
| 10. Adaptor connecting duct         | 11. Adaptor duct                | 12. Front floor connecting duct (RH) |
| 13. Side defroster duct (RH)        | 14. Defroster nozzle            | ⇐ Front                              |


## DEFROSTER NOZZLE

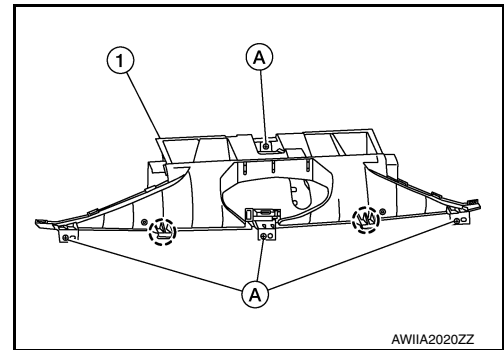
### DEFROSTER NOZZLE : Removal and Installation

INFOID:000000012250276

#### REMOVAL

1. Remove side defroster ducts (LH/RH). Refer to [VTL-9, "SIDE DEFROSTER DUCT : Removal and Installation"](#).
2. Remove screws (A) from defroster nozzle (1).
3. Release pawls and remove defroster nozzle (1).

 : Pawl



#### INSTALLATION

Installation is in reverse order of removal.

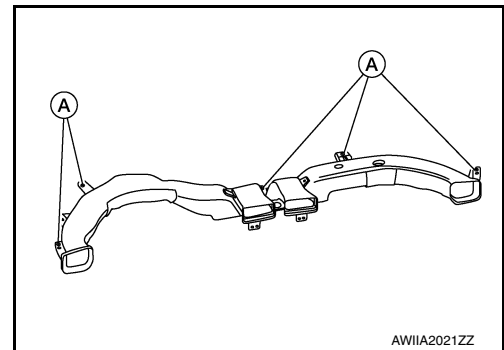
## CENTER VENTILATOR DUCT

### CENTER VENTILATOR DUCT : Removal and Installation

INFOID:000000012219141

#### REMOVAL

1. Remove instrument panel assembly. Refer to [IP-15, "Removal and Installation"](#).
2. Remove screws (A), then remove center ventilator duct.



#### INSTALLATION

Installation is in reverse order of removal.

## SIDE DEFROSTER DUCT

### SIDE DEFROSTER DUCT : Removal and Installation

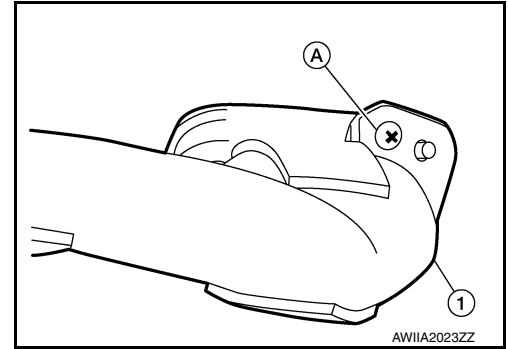
INFOID:000000012219142

#### REMOVAL

## DUCTS AND GRILLES

### < REMOVAL AND INSTALLATION >

1. Remove center ventilator duct. Refer to [VTL-9, "CENTER VENTILATOR DUCT : Removal and Installation"](#).
2. Remove screw (A), then remove side defroster duct (1) from instrument panel.



### INSTALLATION

Installation is in reverse order of removal.

### FRONT FLOOR DUCT

#### FRONT FLOOR DUCT : Removal and Installation - Front Floor Connecting Duct (LH/RH)

INFOID:0000000012219144

### REMOVAL

1. Remove center console side finisher. Refer to [IP-20, "Exploded View"](#).
2. Remove front floor connecting duct (LH/RH).

### INSTALLATION

Installation is in reverse order of removal.

#### FRONT FLOOR DUCT : Removal and Installation - Front Floor Duct (LH/RH)

INFOID:0000000012219143

### REMOVAL

1. Remove floor trim. Refer to [INT-44, "Removal and Installation"](#).
2. Release clip and remove front floor duct (LH/RH).

### INSTALLATION

Installation is in reverse order of removal.

#### FRONT FLOOR DUCT : Removal and Installation - Front Floor Duct Nozzle (LH/RH)

INFOID:0000000012219145

### REMOVAL

1. Remove front floor trim. Refer to [INT-44, "Removal and Installation"](#).
2. Remove clip and front floor duct nozzle (LH/RH) from the front floor duct.

### INSTALLATION

Installation is in reverse order of removal.

### ADAPTOR DUCT

#### ADAPTOR DUCT : Removal and Installation - Adaptor Duct

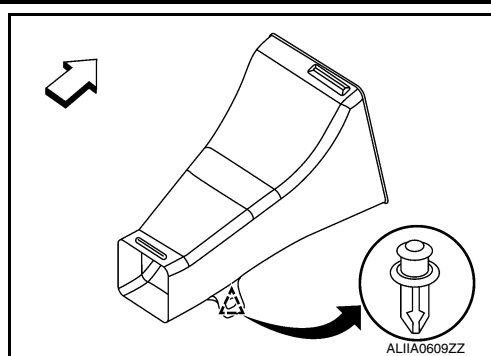
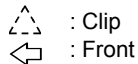
INFOID:0000000012219146

### REMOVAL

# DUCTS AND GRILLES

## < REMOVAL AND INSTALLATION >

1. Remove center console assembly. Refer to [IP-20, "Removal and Installation"](#).
2. Release clip and remove adaptor duct.



## INSTALLATION

Installation is in reverse order of removal.

## ADAPTOR DUCT : Removal and Installation - Adaptor Connecting Duct

INFOID:000000012219147

## REMOVAL

1. Remove center console assembly. Refer to [IP-20, "Removal and Installation"](#).
2. Release clip and remove adaptor connecting duct.

## INSTALLATION

Installation is in reverse order of removal.

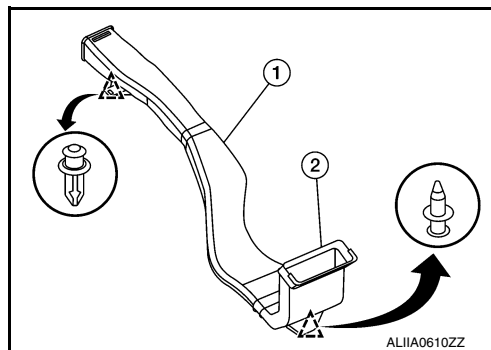
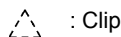
## REAR CENTER VENTILATOR DUCT

## REAR CENTER VENTILATOR DUCT : Removal and Installation

INFOID:000000012219148

## REMOVAL

1. Remove center console rear finisher. Refer to [IP-20, "Exploded View"](#).
2. Release clip and remove rear center ventilator duct (2) from the adaptor connecting duct (1).



## INSTALLATION

Installation is in reverse order of removal.

A  
B  
C  
D  
E  
F  
G  
H  
J  
K  
L  
M  
N  
O  
P

VTL

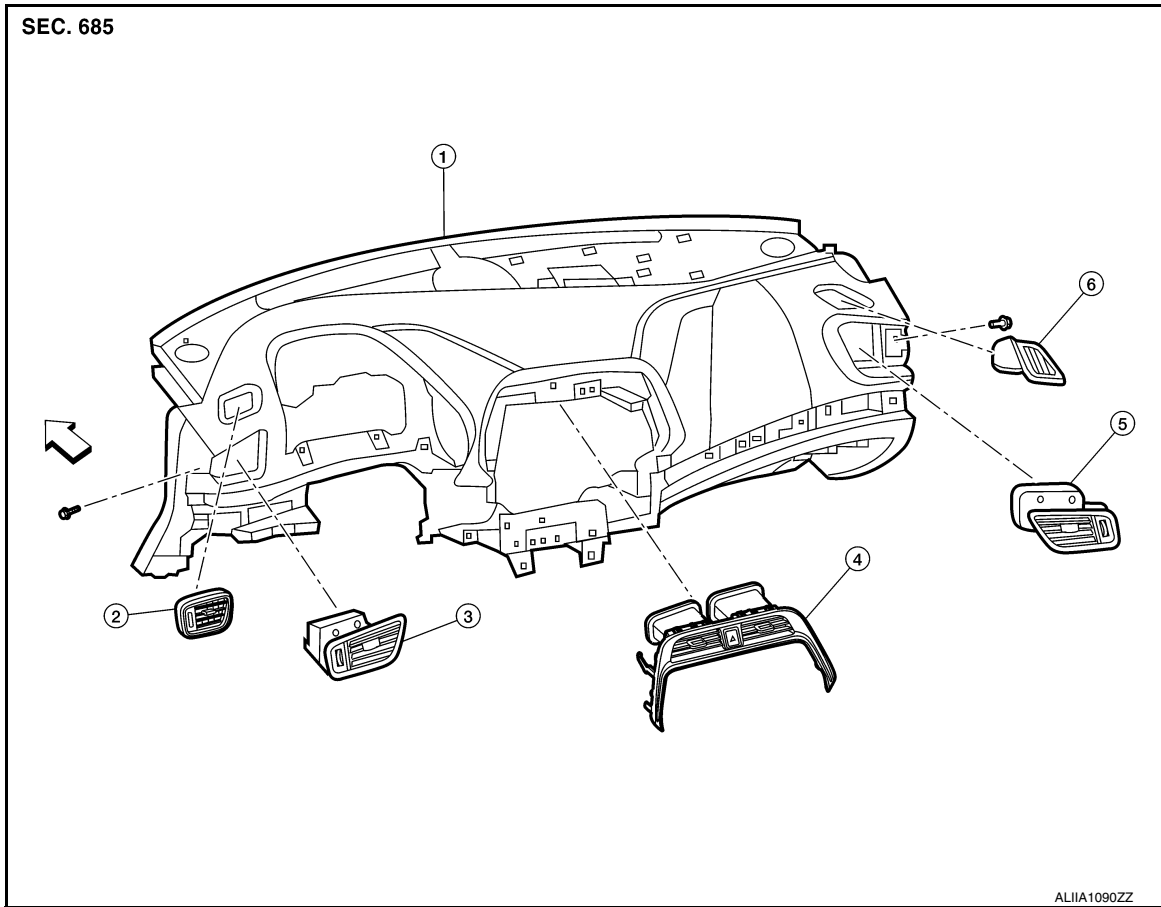
# DUCTS AND GRILLES

< REMOVAL AND INSTALLATION >

Exploded View

INFOID:000000012233906

## Grilles



- |                             |                                |                                |
|-----------------------------|--------------------------------|--------------------------------|
| 1. Instrument panel         | 2. Side defroster grille (LH)  | 3. Side ventilator grille (LH) |
| 4. Center ventilator grille | 5. Side ventilator grille (RH) | 6. Side defroster grille (RH)  |
| ⊖ Pawl                      | ← Front                        |                                |

## CENTER VENTILATOR GRILLES

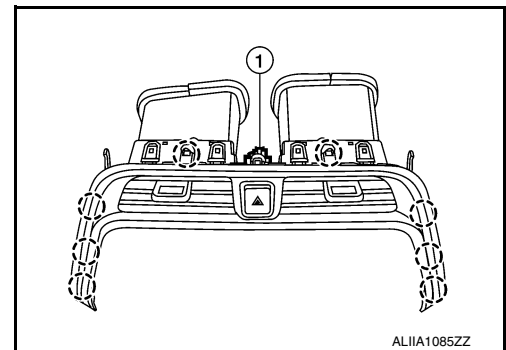
### CENTER VENTILATOR GRILLES : Removal and Installation

INFOID:000000012238666

#### REMOVAL

1. Release pawls and disconnect harness connector from hazard lamp switch (1).

⊖ : Pawl




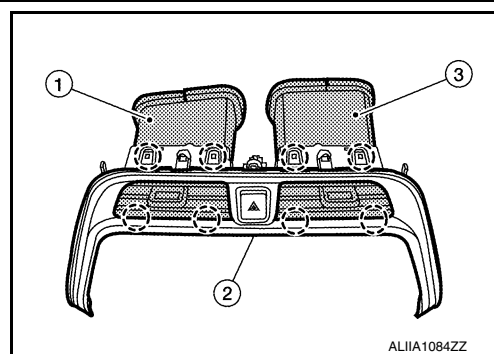
2. Remove center ventilator grille assembly.

# DUCTS AND GRILLES

## < REMOVAL AND INSTALLATION >

3. Release pawls, then remove center ventilator grille (LH) (1) and ventilator grille (RH) (3) from center ventilator finisher (2).

 : Pawl



## INSTALLATION

Installation is in reverse order of removal.

## SIDE VENTILATOR GRILLES


### SIDE VENTILATOR GRILLES : Removal and Installation

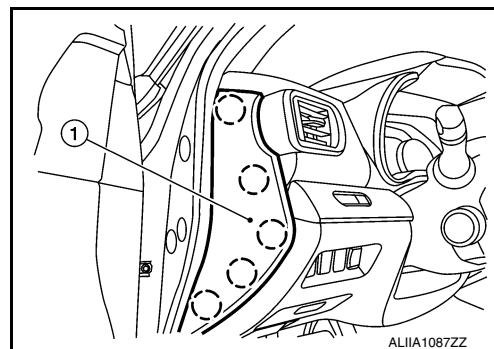
INFOID:000000011933823

## REMOVAL

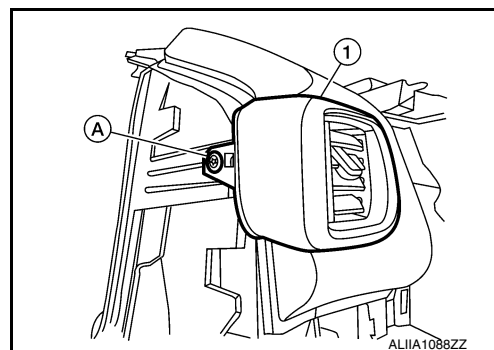
Side ventilator grille (LH)

1. Release pawls using a suitable tool and remove instrument side finisher (LH) (1).

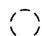
 : Pawl

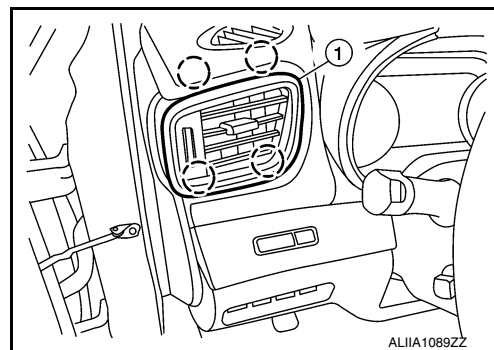


2. Remove screw (A) from side ventilator (LH) (1).



3. Release pawls using a suitable tool and remove side ventilator grille (LH) (1).

 : Pawl



## NOTE:

LH side shown; RH side similar.

A  
B  
C  
D  
E  
F  
G  
H  
VTL  
J  
K  
L  
M  
N  
O  
P

# DUCTS AND GRILLES

< REMOVAL AND INSTALLATION >

## INSTALLATION

Installation is in reverse order of removal.

### **CAUTION:**

Use care when inserting the side ventilator grille so as not to damage the instrument panel.

## SIDE DEFROSTER GRILLES

### SIDE DEFROSTER GRILLES : Removal and Installation

INFOID:000000011933825

#### REMOVAL

1. Remove side defroster duct. Refer to [VTL-9, "SIDE DEFROSTER DUCT : Removal and Installation"](#).
2. Remove side defroster grille.

#### INSTALLATION

Installation is in reverse order of removal.

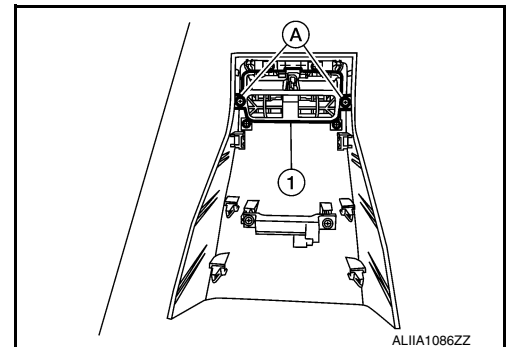
## REAR CENTER VENTILATOR GRILLE

### REAR CENTER VENTILATOR GRILLE : Removal and Installation

INFOID:000000012241184

#### REMOVAL

1. Remove center console rear finisher. Refer to [IP-20, "Exploded View"](#).
2. Remove screws (A) and rear center ventilator grille (1).



#### INSTALLATION

Installation is in reverse order of removal.

# BLOWER UNIT

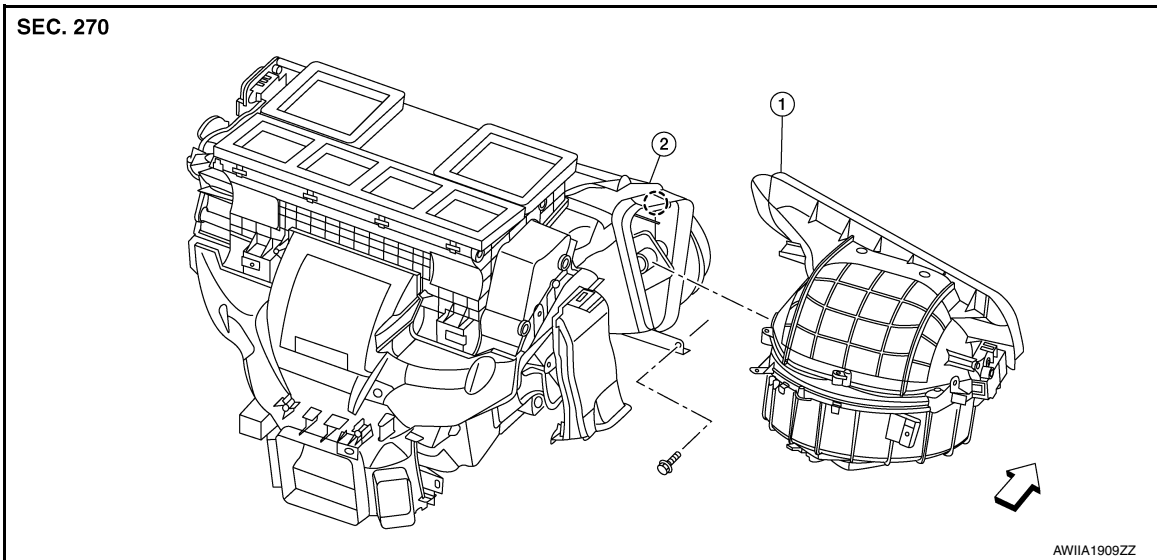
< REMOVAL AND INSTALLATION >

## BLOWER UNIT

## BLOWER UNIT

## BLOWER UNIT : Exploded View

INFOID:000000012219128



1. Blower unit

2. Heating and cooling unit assembly ← Front

## BLOWER UNIT : Removal and Installation

INFOID:000000012219129

### REMOVAL

1. Remove heating and cooling unit assembly. Refer to [HA-45. "HEATER & COOLING UNIT ASSEMBLY : Removal and Installation"](#).
2. Disconnect harness connector from the blower motor.
3. Remove screw and blower unit from the heating and cooling unit assembly.

### INSTALLATION

Installation is in reverse order of removal.

## BLOWER MOTOR

## BLOWER MOTOR : Removal and Installation

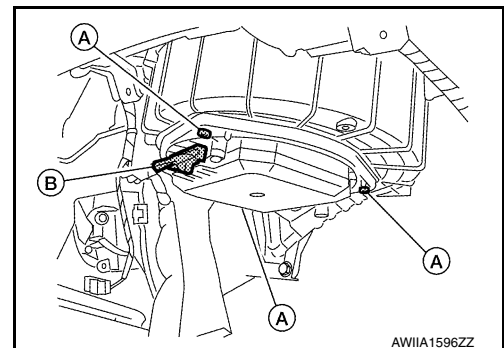
INFOID:000000012219130

### REMOVAL

1. Remove glove box assembly. Refer to [IP-24. "Removal and Installation"](#).
2. Disconnect harness connector from the blower motor.
3. Remove screws (A) and blower motor from the blower unit.

#### NOTE:

Do not disassemble the blower motor to replace individual components; replace as an assembly.



## BLOWER UNIT

< REMOVAL AND INSTALLATION >

### INSTALLATION

---

Installation is in reverse order of removal.



# SERVICE DATA AND SPECIFICATIONS (SDS)

< SERVICE DATA AND SPECIFICATIONS (SDS)

## SERVICE DATA AND SPECIFICATIONS (SDS)

SERVICE DATA AND SPECIFICATIONS (SDS)

In-cabin Microfilter

INFOID:0000000012219124

Replacement interval	Refer to <a href="#">MA-10. "FOR USA AND CANADA : Introduction of Periodic Maintenance"</a> (USA and Canada) or <a href="#">MA-13. "FOR MEXICO : Periodic Maintenance"</a> (Mexico).
----------------------	--

A  
B  
C  
D  
E  
F  
G  
H  
VTL  
J  
K  
L  
M  
N  
O  
P