

SECTION **SR**

SRS AIRBAG

A
B
C
D
E
F
G
SR
I
J
K
L
M
N
O
P

CONTENTS

| | | | |
|--|----|--|----|
| PRECAUTION | 2 | Removal and Installation | 11 |
| PRECAUTIONS | 2 | SPIRAL CABLE | 14 |
| Precaution for Supplemental Restraint System (SRS) "AIR BAG" and "SEAT BELT PRE-TENSIONER" | 2 | Exploded View | 14 |
| Service Procedure Precautions for Models with a Pop-up Roll Bar | 2 | Removal and Installation | 14 |
| Precaution for Battery Service | 2 | FRONT PASSENGER AIR BAG MODULE | 17 |
| Occupant Classification System | 2 | Exploded View | 17 |
| Service | 3 | Removal and Installation | 17 |
| PREPARATION | 4 | DOOR-MOUNTED CURTAIN AIR BAG MODULE | 19 |
| PREPARATION | 4 | Exploded View | 19 |
| Commercial Service Tools | 4 | Removal and Installation | 19 |
| BASIC INSPECTION | 5 | POP-UP ROLL BAR | 21 |
| COLLISION DIAGNOSIS | 5 | Exploded View | 21 |
| FOR FRONTAL COLLISION | 5 | Removal and Installation | 21 |
| FOR FRONTAL COLLISION : When SRS is activated in a collision | 5 | CRASH ZONE SENSOR | 26 |
| FOR FRONTAL COLLISION : When SRS is not activated in a collision | 6 | Exploded View | 26 |
| FOR SIDE AND ROLLOVER COLLISION | 7 | Removal and Installation | 26 |
| FOR SIDE AND ROLLOVER COLLISION : When SRS is activated in a collision | 7 | SATELLITE SENSOR | 28 |
| FOR SIDE AND ROLLOVER COLLISION : When SRS is not activated in a collision | 8 | Exploded View | 28 |
| REMOVAL AND INSTALLATION | 11 | Removal and Installation | 28 |
| DRIVER AIR BAG MODULE | 11 | DIAGNOSIS SENSOR UNIT | 30 |
| Exploded View | 11 | Exploded View | 30 |
| | | Removal and Installation | 30 |
| | | FRONT SEAT BELT PRE-TENSIONER | 32 |
| | | Removal and Installation | 32 |
| | | OCCUPANT CLASSIFICATION SYSTEM CONTROL UNIT | 33 |
| | | Removal and Installation | 33 |

PRECAUTIONS

< PRECAUTION >

PRECAUTION

PRECAUTIONS

Precaution for Supplemental Restraint System (SRS) "AIR BAG" and "SEAT BELT PRE-TENSIONER"

INFOID:000000008462927

The Supplemental Restraint System such as "AIR BAG" and "SEAT BELT PRE-TENSIONER", used along with a front seat belt, helps to reduce the risk or severity of injury to the driver and front passenger for certain types of collision. This system includes seat belt switch inputs and dual stage front air bag modules. The SRS system uses the seat belt switches to determine the front air bag deployment, and may only deploy one front air bag, depending on the severity of a collision and whether the front occupants are belted or unbelted. Information necessary to service the system safely is included in the "SRS AIR BAG" and "SEAT BELT" of this Service Manual.

WARNING:

Always observe the following items for preventing accidental activation.

- To avoid rendering the SRS inoperative, which could increase the risk of personal injury or death in the event of a collision that would result in air bag inflation, all maintenance must be performed by an authorized NISSAN/INFINITI dealer.
- Improper maintenance, including incorrect removal and installation of the SRS, can lead to personal injury caused by unintentional activation of the system. For removal of Spiral Cable and Air Bag Module, see "SRS AIR BAG".
- Never use electrical test equipment on any circuit related to the SRS unless instructed to in this Service Manual. SRS wiring harnesses can be identified by yellow and/or orange harnesses or harness connectors.

PRECAUTIONS WHEN USING POWER TOOLS (AIR OR ELECTRIC) AND HAMMERS

WARNING:

Always observe the following items for preventing accidental activation.

- When working near the Air Bag Diagnosis Sensor Unit or other Air Bag System sensors with the ignition ON or engine running, never use air or electric power tools or strike near the sensor(s) with a hammer. Heavy vibration could activate the sensor(s) and deploy the air bag(s), possibly causing serious injury.
- When using air or electric power tools or hammers, always switch the ignition OFF, disconnect the battery, and wait at least 3 minutes before performing any service.

Service Procedure Precautions for Models with a Pop-up Roll Bar

INFOID:000000008462928

WARNING:

Always observe the following items for preventing accidental activation.

- Risk of passenger injury or death may increase if the pop-up roll bar does not deploy during a roll over collision. In order to reduce the chance of an incident where the pop-up roll bar is inoperative, all maintenance must be performed by a NISSAN or INFINITI dealer.
- Before removing and installing the pop-up roll bar component parts and harness, always turn the ignition switch OFF, disconnect the battery negative terminal, and wait for 3 minutes or more. (The purpose of this operation is to discharge electricity that is accumulated in the auxiliary power supply circuit in the air bag diagnosis sensor unit.)
- When repairing, removing, and installing a pop-up roll bar, always refer to SRS AIR BAG and SRS AIR BAG CONTROL warnings in the Service Manual.

Precaution for Battery Service

INFOID:000000008462929

Before disconnecting the battery, lower both the driver and passenger windows. This will prevent any interference between the window edge and the vehicle when the door is opened/closed. During normal operation, the window slightly raises and lowers automatically to prevent any window to vehicle interference. The automatic window function will not work with the battery disconnected.

Occupant Classification System

INFOID:000000008462930

- Replace occupant classification system control unit and passenger front seat cushion as an assembly. Refer to [SE-39, "Removal and Installation"](#).

PRECAUTIONS

< PRECAUTION >

Service

INFOID:000000008462931

- Never use electrical test equipment to check SRS circuits unless instructed to in this Service Manual.
- Before servicing the SRS, turn ignition switch OFF, disconnect battery negative terminal and wait 3 minutes or more.
For approximately 3 minutes or more after the cables are removed, it is still possible for the air bag and seat belt pre-tensioner to deploy. Therefore, never work on any SRS connectors or wires until at least 3 minutes have elapsed.
- Diagnosis sensor unit must always be installed with their arrow marks “←” pointing towards the front of the vehicle for proper operation. Also check diagnosis sensor unit for cracks, deformities or rust before installation and replace as required.
- The spiral cable must be aligned in the neutral position since its rotations are limited. Never turn steering wheel and column after removal of steering gear.
- Handle air bag module carefully. Always place driver and passenger air bag modules with the pad side facing upward and seat mounted side air bag module standing with the stud bolt side facing down.
- Conduct self-diagnosis to check entire SRS for proper functioning after replacing any components.
- After air bag inflates, the front instrument panel assembly should be replaced if damaged.
- Always replace instrument panel pad following passenger air bag deployment.
- Never allow harness to come in contact with oil, grease, waste oil, or water.
- Never insert foreign materials, such as a screwdriver, into the harness connector. (This is to prevent accidental activation caused by static electricity.)
- Never enter in the deployment area of pop-up roll bar. Never put an object in the deployment area of pop-up roll bar. (This is to prevent an unintentional deployment.)
- When handling pop-up roll bar, always grip frame and handle carefully.
- Never reuse pop-up roll bar that is deployed once.
- Modification of pop-up roll bar may cause unintentional deployment or a malfunction. Never disassemble or apply modification to the pop-up roll bar. (Non-disassembly)
- Never apply impact to pop-up roll bar by dropping or others. Always replace if an impact is applied.
- When repairing surrounding area of pop-up roll bar, be careful not to apply over voltage of welding and others. Remove pop-up roll bar in advance if necessary. Be careful for modification of mounting area or installation of other parts because these may cause damage or a malfunction.
- Never disassemble the pop-up roll bar.
- Never expose the pop-up roll bar to temperatures exceeding 90 °C (194 °F).
- Never allow oil, grease, detergent, or water to come in contact with the pop-up roll bar.

A
B
C
D
E
F
G
SR
I
J
K
L
M
N
O
P

PREPARATION

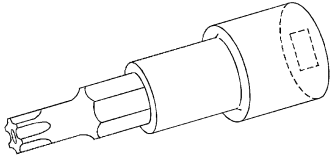
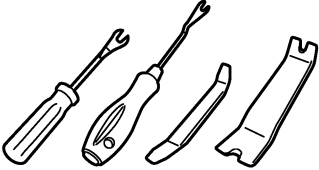
< PREPARATION >

PREPARATION

PREPARATION

Commercial Service Tools

INFOID:000000008462932

| Tool name | Description |
|---|--|
| <p data-bbox="181 514 451 546">Tamper resistant TORX bit</p>  <p data-bbox="820 630 876 646">S-NT757</p> | <p data-bbox="987 514 1302 546">Removes driver air bag module</p> |
| <p data-bbox="181 766 321 798">Remover tool</p>  <p data-bbox="820 882 909 898">JMKIA3050ZZ</p> | <p data-bbox="987 766 1356 798">Removes clips, pawls, and metal clip</p> |

COLLISION DIAGNOSIS

< BASIC INSPECTION >

BASIC INSPECTION

COLLISION DIAGNOSIS FOR FRONTAL COLLISION

FOR FRONTAL COLLISION : When SRS is activated in a collision

INFOID:000000008462933

CAUTION:

Due to varying models and option levels, not all parts listed in the chart below apply to all vehicles.

WORK PROCEDURE

1. Before performing any of the following steps, ensure that all vehicle body and structural repairs have been completed.
2. Replace the diagnosis sensor unit.
3. Remove the front air bag modules, crash zone sensor, bracket and seat belt pre-tensioner assemblies.
4. Check the SRS components using the table below:
Replace any SRS components showing visible signs of damage. (dents, cracks and deformation, etc.)
5. Install new front air bag modules, crash zone sensor assembly, bracket and seat belt pre-tensioner assemblies.
6. Perform self-diagnosis using CONSULT or air bag warning lamp. Refer to [SRC-13, "On Board Diagnosis Function"](#) or [SRC-17, "CONSULT Function"](#) for details. Ensure entire SRS operates properly.
7. After the work is completed, perform self-diagnosis to check that no malfunction is detected. Refer to [SRC-13, "On Board Diagnosis Function"](#) or [SRC-17, "CONSULT Function"](#).

SRS INSPECTION (FOR FRONTAL COLLISION)

| Part | Inspection |
|--|--|
| Driver air bag module | If the driver air bag has deployed: REPLACE Install with new fasteners. |
| Front passenger air bag module (if equipped) | If the front passenger air bag has deployed: REPLACE Install with new fasteners. |
| Crash zone sensor | If any of the front air bags or seat belt pre-tensioners* have been activated: REPLACE the crash zone sensor and bracket with new fasteners. *: Confirm seat belt pre-tensioner activation using CONSULT only. |
| Seat belt pre-tensioner assemblies (All applicable locations: buckle, retractor, lap outer) | If either the driver or passenger seat belt pre-tensioner* has been activated: REPLACE all seat belt pre-tensioner assemblies with new fasteners. *: Confirm seat belt pre-tensioner activation using CONSULT only. |
| Diagnosis sensor unit | If any of the SRS components have been activated: REPLACE the diagnosis sensor unit. Install with new fasteners. |
| Steering wheel | <ol style="list-style-type: none"> 1. Visually check steering wheel for deformities. 2. Check harness (built into steering wheel) and connectors for damage, and terminals for deformities. 3. Install driver air bag module into the steering wheel to check fit and alignment with the wheel. 4. Check steering wheel for excessive free play. 5. If no damage is found, reinstall. 6. If damaged – REPLACE. |
| Spiral cable | If the driver front air bag has deployed: REPLACE the spiral cable. |
| Occupant classification system (Passenger seat) | <ol style="list-style-type: none"> 1. Remove passenger seat assembly. 2. Check control unit case for dents, cracks or deformities. 3. Check connectors and pressure sensor tube for damage, and terminals for deformities. 4. Check seat frame and cushion pan for dents or deformities. 5. If no damage is found, reinstall seat with new fasteners. 6. If damaged – REPLACE seat cushion assembly with new fasteners. |

COLLISION DIAGNOSIS

< BASIC INSPECTION >

| Part | Inspection |
|---------------------------|--|
| Harness and connectors | <ol style="list-style-type: none"> 1. Check connectors for poor connection, damage, and terminals for deformities. 2. Check harness for binding, chafing, cuts, or deformities. 3. If no damage is found, reinstall the harness and connectors. 4. If damaged – REPLACE the damaged harness. Do not attempt to repair, splice or modify any SRS harness. |
| Instrument panel assembly | If the front passenger air bag has deployed: REPLACE the instrument panel assembly. (integrated type) |

FOR FRONTAL COLLISION : When SRS is not activated in a collision

INFOID:000000008462934

CAUTION:

Due to varying models and option levels, not all parts listed in the chart below apply to all vehicles.

WORK PROCEDURE

1. Before performing any of the following steps, ensure that all vehicle body and structural repairs have been completed.
2. Check the SRS components using the table below:
Replace any SRS components showing visible signs of damage. (dents, cracks and deformation, etc.)
3. Perform self-diagnosis using CONSULT or air bag warning lamp. Refer to [SRC-13. "On Board Diagnosis Function"](#) or [SRC-17. "CONSULT Function"](#) for details. Ensure entire SRS operates properly.
4. After the work is completed, perform self-diagnosis to check that no malfunction is detected. Refer to [SRC-13. "On Board Diagnosis Function"](#) or [SRC-17. "CONSULT Function"](#).

SRS INSPECTION (FOR FRONTAL COLLISION)

| Part | Inspection |
|--|--|
| Driver air bag module | <p>If the driver air bag has NOT been deployed:</p> <ol style="list-style-type: none"> 1. Remove driver air bag module. Check harness cover and connectors for damage, terminals for deformities, and harness for binding. 2. Install driver air bag module into the steering wheel to check fit and alignment with the wheel. 3. If no damage is found, reinstall with new fasteners. 4. If damaged – REPLACE. Install driver air bag module with new fasteners. |
| Front passenger air bag module (if equipped) | <p>If the front passenger air bag has NOT been deployed:</p> <ol style="list-style-type: none"> 1. Remove front passenger air bag module. Check harness cover and connectors for damage, terminals for deformities, and harness for binding. 2. Install front passenger air bag module into the instrument panel to check fit with the instrument panel. 3. If no damage is found, reinstall with new fasteners. 4. If damaged – REPLACE. Install front passenger air bag modules with new fasteners. |
| Crash zone sensor | <p>If the front air bags or seat belt pre-tensioners have NOT been activated:</p> <ol style="list-style-type: none"> 1. Remove the crash zone sensor. Check harness connectors for damage, terminals for deformities, and harness for binding. 2. Check for visible signs of damage (dents, cracks, deformation, etc.) of the crash zone sensor and bracket. 3. Install the crash zone sensor to check fit. 4. If no damage is found, reinstall with new fasteners. 5. If damaged – REPLACE the crash zone sensor and bracket with new fasteners. |
| Seat belt pre-tensioner assemblies (All applicable locations: buckle, retractor, lap outer) | <p>If the pre-tensioners have NOT been activated:</p> <ol style="list-style-type: none"> 1. Remove seat belt pre-tensioners. Check harness cover and connectors for damage, terminals for deformities, and harness for binding. 2. Check belts for damage and anchors for loose mounting. 3. Check retractor for smooth operation. 4. Check seat belt adjuster for damage. 5. Check for deformities of the center pillar inner. 6. If the center pillar inner has no damage, REPLACE the seat belt pre-tensioner assembly. 7. If no damage is found, reinstall seat belt pre-tensioner assembly. 8. If damaged – REPLACE. Install the seat belt pre-tensioners with new fasteners. |

COLLISION DIAGNOSIS

< BASIC INSPECTION >

| Part | Inspection |
|---|---|
| Diagnosis sensor unit | If none of the SRS components have been activated: 1. Check case for dents, cracks or deformities. 2. Check connectors for damage, and terminals for deformities. 3. If no damage is found, reinstall with new fasteners. 4. If damaged – REPLACE. Install diagnosis sensor unit with new fasteners. |
| Steering wheel | 1. Visually check steering wheel for deformities. 2. Check harness (built into steering wheel) and connectors for damage, and terminals for deformities. 3. Install driver air bag module into the steering wheel to check fit and alignment with the wheel. 4. Check steering wheel for excessive free play. 5. If no damage is found, reinstall. 6. If damaged – REPLACE. |
| Spiral cable | If the driver front air bag has not deployed: 1. Visually check spiral cable and combination switch for damage. 2. Check connectors and protective tape for damage. 3. Check steering wheel for noise, binding or heavy operation. 4. If no damage is found, reinstall. 5. If damaged – REPLACE. |
| Occupant classification system (Passenger seat) | 1. Remove passenger seat assembly. 2. Check control unit case for dents, cracks or deformities. 3. Check connectors and pressure sensor tube for damage, and terminals for deformities. 4. Check seat frame and cushion pan for dents or deformities. 5. If no damage is found, reinstall seat with new fasteners. 6. If damaged – REPLACE seat cushion assembly with new fasteners. |
| Harness and connectors | 1. Check connectors for poor connection, damage, and terminals for deformities. 2. Check harness for binding, chafing, cuts, or deformities. 3. If no damage is found, reinstall the harness and connectors. 4. If damaged – REPLACE the damaged harness. Do not attempt to repair, splice or modify any SRS harness. |
| Instrument panel assembly | If the front passenger air bag has NOT deployed: 1. Visually check instrument panel assembly for damage. 2. If no damage is found, reinstall the instrument panel assembly. 3. If damaged – REPLACE the instrument panel assembly. |

A
B
C
D
E
F
G
SR
I
J

FOR SIDE AND ROLLOVER COLLISION

FOR SIDE AND ROLLOVER COLLISION : When SRS is activated in a collision

INFOID:000000008462935

CAUTION:

Due to varying models and option levels, not all parts listed in the chart below apply to all vehicles.

WORK PROCEDURE

1. Before performing any of the following steps, ensure that all vehicle body and structural repairs have been completed.
2. Replace the following components:
 - Front seat back assembly (on the side on which side air bag is activated)
 - Door finisher (on the side on which door-mounted curtain air bag is activated)
 - Pop-up roll bar assemblies and pop-up roll bar covers
 - Side air bag (satellite) sensor LH/RH (on the side on which side air bag is activated)
 - Diagnosis sensor unit
 - Seat belt pre-tensioner assemblies
3. Check the SRS components and the related parts using the following table. Replace any SRS components and the related parts showing visible signs of damage. (dents, cracks, deformation, etc.)
4. Perform self-diagnosis using CONSULT and "AIR BAG" warning lamp. Refer to [SRC-13, "On Board Diagnosis Function"](#) or [SRC-17, "CONSULT Function"](#) for details. Make sure entire SRS operates properly.
5. After the work is completed, perform self-diagnosis to check that no malfunction is detected. Refer to [SRC-13, "On Board Diagnosis Function"](#) or [SRC-17, "CONSULT Function"](#).

K
L
M
N
O
P

COLLISION DIAGNOSIS

< BASIC INSPECTION >

SRS INSPECTION (FOR SIDE AND ROLLOVER COLLISION)

| Part | Inspection |
|--|---|
| Side curtain air bag module LH | If the side curtain air bag LH has deployed: REPLACE the side curtain air bag module LH. Install with new fasteners. |
| Side curtain air bag module RH | If the side curtain air bag RH has deployed: REPLACE the side curtain air bag module RH. Install with new fasteners. |
| Front side air bag module LH | If the front side air bag LH has deployed: REPLACE front seatback assembly LH. |
| Front side air bag module RH | If the front side air bag RH has deployed: REPLACE front seatback assembly RH. |
| Side air bag (satellite) sensor (LH or RH) | If any of the SRS components have deployed: REPLACE the side air bag (satellite) sensor on the collision side with new fasteners. |
| Diagnosis sensor unit | If any of the SRS components have deployed: REPLACE the diagnosis sensor unit with new fasteners. |
| Seat belt pre-tensioner assemblies (All applicable locations: buckle, retractor, lap outer) | If either the driver or passenger seat belt pre-tensioner* has been activated: REPLACE all seat belt pre-tensioner assemblies with new fasteners. *: Confirm seat belt pre-tensioner activation using CONSULT only. |
| Center inner pillar | 1. Check the center inner pillar on the collision side for damage (dents, cracks, deformation, etc.). 2. If damaged – REPAIR the center inner pillar. |
| Trim/headlining | 1. Check for visible signs of damage (dents, cracks, deformation, etc.) of the interior trim on the collision side. 2. If damaged – REPLACE the damaged trim parts. |
| Door-mounted curtain air bag module LH | If the door-mounted curtain air bag module LH has deployed: REPLACE the door finisher LH and door-mounted curtain air bag module. Install with new fasteners. |
| Door-mounted curtain air bag module RH | If the door-mounted curtain air bag module RH has deployed: REPLACE the door finisher RH and door-mounted curtain air bag module. Install with new fasteners. |
| Pop-up roll bar assemblies | If the pop-up roll bar has deployed: REPLACE pop-up roll bar assemblies and pop-up roll bar covers. Install with new fasteners. |

FOR SIDE AND ROLLOVER COLLISION : When SRS is not activated in a collision

INFOID:000000008462936

CAUTION:

Due to varying models and option levels, not all parts listed in the chart below apply to all vehicles.

WORK PROCEDURE

1. Before performing any of the following steps, ensure that all vehicle body and structural repairs have been completed.
2. Check the SRS components and the related parts using the following table.
 - If the front seat back assembly is damaged, the front seat back assembly must be replaced.
 - If the door finisher assembly is damaged, the door finisher assembly and door-mounted curtain air bag module must be replaced.
3. Perform self-diagnosis using CONSULT and "AIR BAG" warning lamp. Refer to [SRC-17. "CONSULT Function"](#) for details. Make sure entire SRS operates properly.
4. After the work is completed, perform self-diagnosis to check that no malfunction is detected. Refer to [SRC-17. "CONSULT Function"](#).

SRS INSPECTION (FOR SIDE AND ROLLOVER COLLISION)

COLLISION DIAGNOSIS

< BASIC INSPECTION >

| Part | Inspection | |
|--|---|----------------|
| Side curtain air bag module LH | If the side curtain air bag LH has NOT deployed: 1. Check for visible signs of damage (dents, tears, deformation, etc.) of the center pillar on the collision side. 2. If damaged – Remove the side curtain air bag module LH. 3. Check for visible signs of damage (tears etc.) of the side curtain air bag module LH. 4. Check harness and connectors for damage, and terminals for deformities. 5. If no damage is found, reinstall the side curtain air bag module LH with new fasteners. 6. If damaged – REPLACE the side curtain air bag module LH with new fasteners. | A B C |
| Side curtain air bag module RH | If the side curtain air bag RH has NOT deployed: 1. Check for visible signs of damage (dents, tears, deformation, etc.) of the center pillar on the collision side. 2. If damaged – Remove the side curtain air bag module RH. 3. Check for visible signs of damage (tears etc.) of the side curtain air bag module RH. 4. Check harness and connectors for damage, and terminals for deformities. 5. If no damage is found, reinstall the side curtain air bag module RH with new fasteners. 6. If damaged – REPLACE the side curtain air bag module RH with new fasteners. | D E |
| Front side air bag module LH | If the front side air bag LH has NOT deployed: 1. Check for visible signs of damage (dents, tears, deformation, etc.) of the seat back on the collision side. 2. Check harness and connectors for damage, and terminals for deformities. 3. If damaged – REPLACE the front seatback assembly LH. | F |
| Front side air bag module RH | If the front side air bag RH has NOT deployed: 1. Check for visible signs of damage (dents, tears, deformation, etc.) of the seat back on the collision side. 2. Check harness and connectors for damage, and terminals for deformities. 3. If damaged – REPLACE the front seatback assembly RH. | G SR |
| Side air bag (satellite) sensor (LH or RH) | If none of the SRS components have been activated: 1. Remove the side air bag (satellite) sensor (LH or RH) on the collision side. Check harness connectors for damage, terminals for deformities, and harness for binding. 2. Check for visible signs of damage (dents, cracks, deformation, etc.) of the side air bag (satellite) sensor (LH or RH). 3. Install the side air bag (satellite) sensor (LH or RH) to check fit. 4. If no damage is found, reinstall the side air bag (satellite) sensor (LH or RH) with new fasteners. 5. If damaged – REPLACE the side air bag (satellite) sensor (LH or RH) with new fasteners. | I J |
| Diagnosis sensor unit | If none of the SRS components have been activated: 1. Check case and bracket for dents, cracks or deformities. 2. Check connectors for damage, and terminals for deformities. 3. If no damage is found, reinstall the diagnosis sensor unit with new fasteners. 4. If damaged – REPLACE the diagnosis sensor unit with new fasteners. | K L |
| Seat belt pre-tensioner assemblies (All applicable locations: buckle, retractor, lap outer) | If the pre-tensioners have NOT been activated: 1. Remove seat belt pre-tensioners. Check harness cover and connectors for damage, terminals for deformities, and harness for binding. 2. Check belts for damage and anchors for loose mounting. 3. Check retractor for smooth operation. 4. Check seat belt adjuster for damage. 5. Check for deformities of the center pillar inner. 6. If the center pillar inner has no damage, REPLACE the seat belt pre-tensioner assembly. 7. If no damage is found, reinstall seat belt pre-tensioner assembly. 8. If damaged – REPLACE. Install the seat belt pre-tensioners with new fasteners. | M N O |
| Seat (with front side air bag) | If the front LH or front RH side air bag modules have NOT deployed: 1. Visually check the seat on the collision side. 2. Remove the seat on the collision side and check the following for damage and deformities. - Harness, connectors and terminals - Frame and recliner (for front and rear seat), and also adjuster and slides (for front seat) 3. If no damage is found, reinstall the seat. 4. If damaged – REPLACE the damaged seat parts using new fasteners. If the front seat back is damaged, the front seat back assembly must be replaced. | P |
| Center inner pillar | 1. Check the center inner pillar on the collision side for damage (dents, cracks, deformation, etc.). 2. If damaged – REPAIR the center inner pillar. | |

COLLISION DIAGNOSIS

< BASIC INSPECTION >

| Part | Inspection |
|--|--|
| Trim/headlining | <ol style="list-style-type: none"> 1. Check for visible signs of damage (dents, cracks, deformation, etc.) of the interior trim on the collision side. 2. If damaged – REPLACE the damaged trim parts. |
| Door-mounted curtain air bag module LH | <p>If the door-mounted curtain air bag LH has NOT deployed:</p> <ol style="list-style-type: none"> 1. Check for visible signs of damage (dents, tears, deformation, etc.) of the door finisher on the collision side. 2. If damaged – REPLACE the door finisher LH with new fasteners. 3. Check for visible signs of damaged (tears etc.) of the door-mounted curtain air bag module LH. 4. Check harness and connectors for damage, and terminals for deformities. 5. If no damage is found, reinstall door finisher. CAUTION: When removing door-mounted curtain air bag module from door finisher, never reuse door finisher. 6. If damaged – REPLACE the door finisher LH and door-mounted curtain air bag module LH with new fasteners. |
| Door-mounted curtain air bag module RH | <p>If the door-mounted curtain air bag RH has NOT deployed:</p> <ol style="list-style-type: none"> 1. Check for visible signs of damage (dents, tears, deformation, etc.) of the door finisher on the collision side. 2. If damaged – REPLACE the door finisher RH with new fasteners. 3. Check for visible signs of damage (tears etc.) of the door-mounted curtain air bag module RH. 4. Check harness and connectors for damage, and terminals for deformities. 5. If no damage is found, reinstall door finisher. CAUTION: When removing door-mounted curtain air bag module from door finisher, never reuse door finisher. 6. If damaged – REPLACE the door finisher RH and door-mounted curtain air bag module RH with new fasteners. |
| Pop-up roll bar | <p>If the pop-up roll bar has NOT deployed:</p> <ol style="list-style-type: none"> 1. Check for visible signs of damage (dents, tears, deformation, etc.) of the pop-up roll bar. 2. If damaged – REPLACE the pop-up roll bar with new fasteners. 3. Check harness and connectors for damage, and terminals for deformities. 4. If no damage is found, reinstall the pop-up roll bar with new fasteners. 5. Check for visible signs of damage (dents, cracks, deformation, etc.) of the seatback support brace assembly. 6. If damaged – REPAIR the seatback support brace assembly. |

DRIVER AIR BAG MODULE

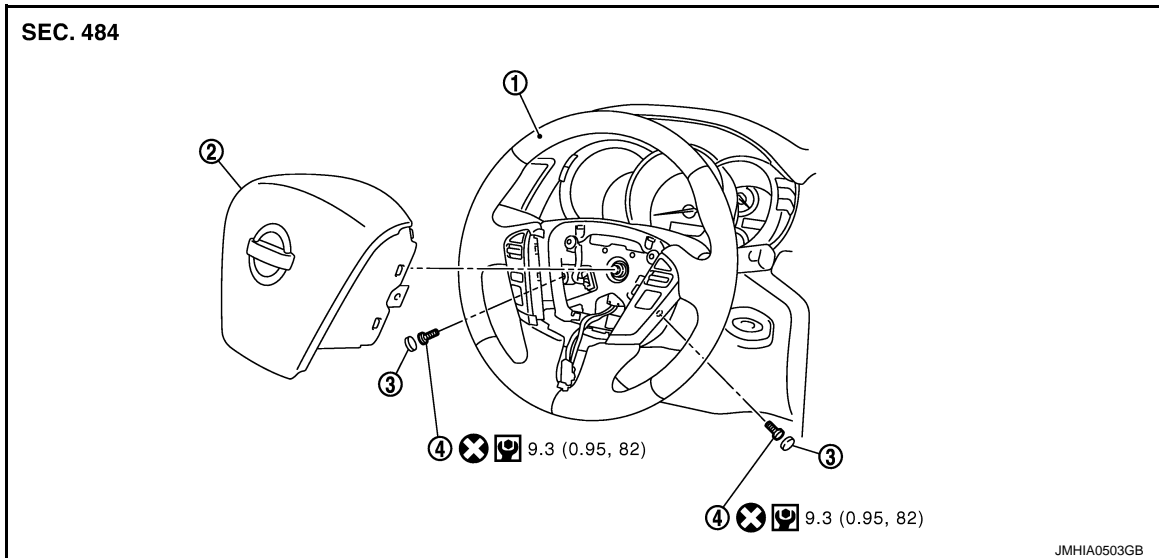
< REMOVAL AND INSTALLATION >

REMOVAL AND INSTALLATION

DRIVER AIR BAG MODULE

Exploded View

INFOID:000000008462937



1. Steering wheel 2. Driver air bag module 3. Side lid (LH/RH)
4. TORX bolt (LH/RH)

⊗ : Always replace after every disassembly.

🔧 : N·m (kg·m, in·lb)

Removal and Installation

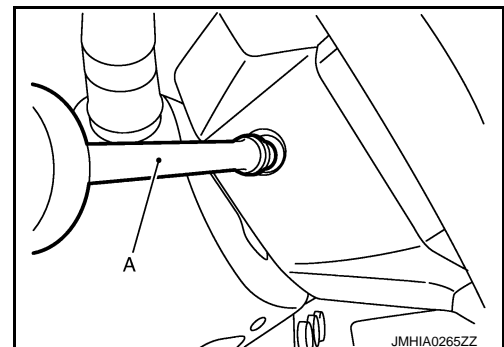
INFOID:000000008462938

WARNING:

- Before servicing, turn ignition switch OFF, disconnect battery negative terminal and wait for 3 minutes or more.
- Always work from the side of air bag module. Never work in front of it.
- Never use air tools or electric tools for servicing.

REMOVAL

1. Remove side lids (LH and RH).
2. Remove TORX bolts (LH and RH) from steering wheel (1) lower side using TORX bit (A).



3. Pull out driver air bag module.

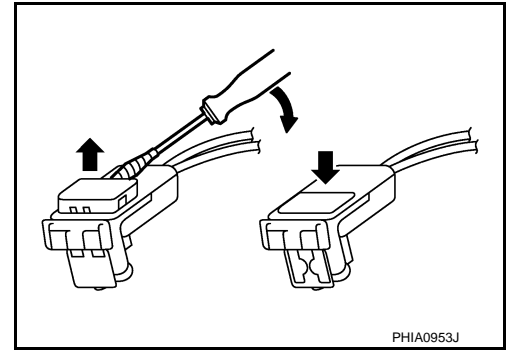
DRIVER AIR BAG MODULE

< REMOVAL AND INSTALLATION >

4. Disconnect driver air bag harness connector.

CAUTION:

- For installing/removing the driver air bag harness connector, insert thin screwdriver wrapped in tape into notch, lift lock and remove the connector.
- Install the connector with lock raised, and push lock into the connector.
- After installing the connector, check that the lock is pushed securely into it.

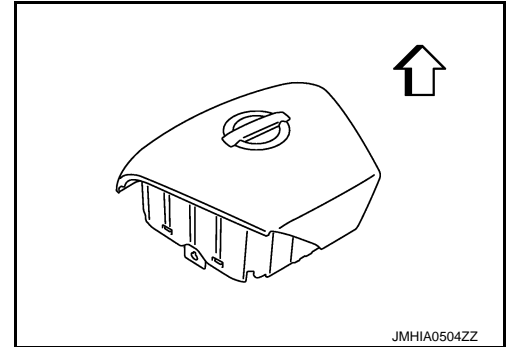


5. Remove driver air bag module.

CAUTION:

- Always place the driver air bag module with pad side facing upward.

↖ : Upward



- Never impact the driver air bag module.
- Replace the driver air bag module if it is dropped or sustains an impact.



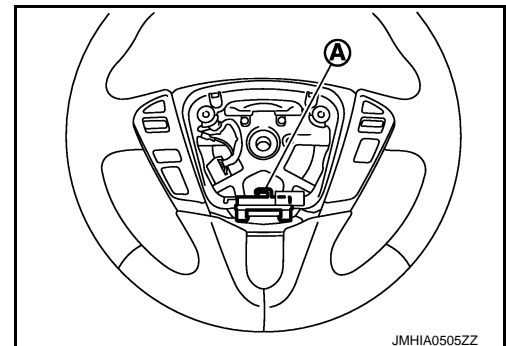
- Never insert any foreign objects (screwdriver, etc.) into the driver air bag module.
- Never disassemble the driver air bag module.
- Never expose the driver air bag module to temperatures exceeding 90 °C (194 °F).
- Never allow oil, grease, detergent, or water to come in contact with the driver air bag module.

INSTALLATION

Install in the reverse order of removal.

CAUTION:

- Never reuse TORX bolts after removal, replace with new bolts.
- Fix the driver air bag harness to the harness fixing hook (A).



DRIVER AIR BAG MODULE

< REMOVAL AND INSTALLATION >

- Tighten the TORX bolts after completely adjusting the centers of fixing holes on the driver air bag module side and the steering wheel side. If the holes are misaligned, the bolt threads are damaged and the module is not installed securely.
- If malfunction is detected by the air bag warning lamp, after repair or replacement of the malfunctioning parts, reset the memory using self-diagnosis or CONSULT. Refer to [SRC-17, "CONSULT Function"](#).
- After the work is completed, check that no system malfunction is detected by air bag warning lamp.

A

B

C

D

E

F

G

SR

I

J

K

L

M

N

O

P

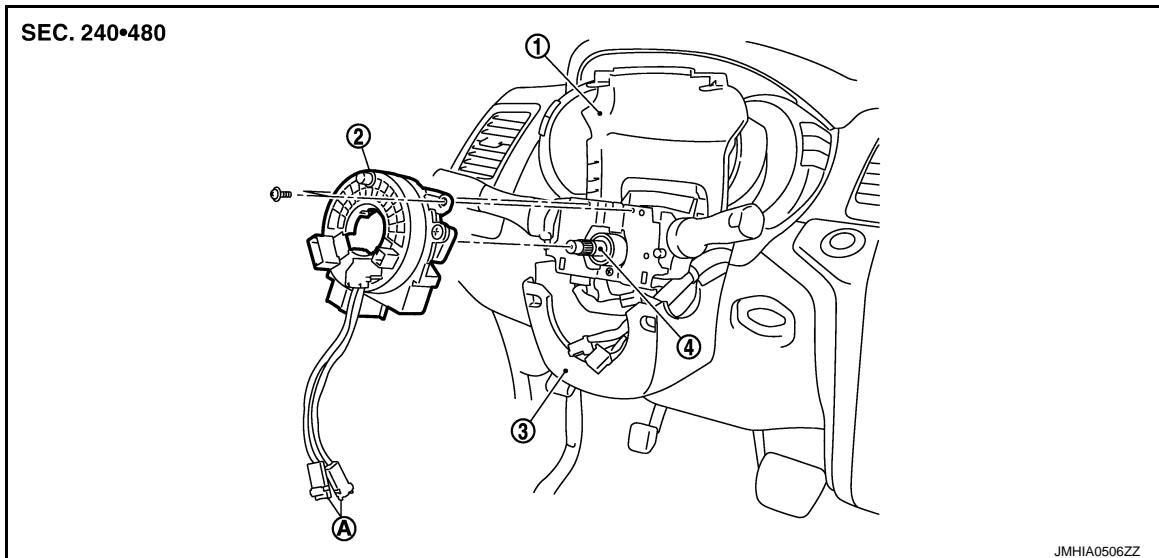
SPIRAL CABLE

< REMOVAL AND INSTALLATION >

SPIRAL CABLE

Exploded View

INFOID:000000008462939



1. Steering column cover (upper)
 2. Spiral cable
 3. Steering column cover (lower)
 4. Steering column assembly
- A : Driver air bag harness connector

Removal and Installation

INFOID:000000008462940

WARNING:

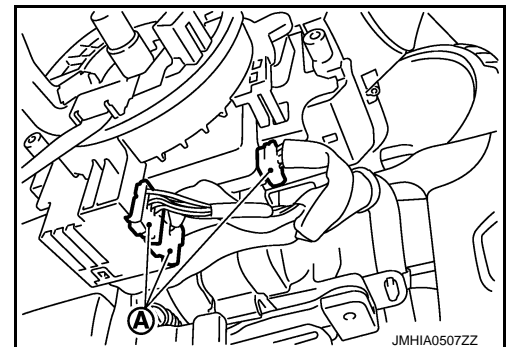
- Before servicing, turn ignition switch OFF, disconnect battery negative terminal and wait for 3 minutes or more.
- Never use air tools or electric tools for servicing.

REMOVAL

1. Remove driver air bag module. Refer to [SR-11, "Removal and Installation"](#).
2. Remove steering wheel. Refer to [ST-30, "Removal and Installation"](#).
3. Remove steering column cover (upper/lower). Refer to [IP-12, "Exploded View"](#).
4. Disconnect spiral cable and steering angle sensor harness connectors (A).

NOTE:

Disconnect spiral cable and steering angle sensor body side harness connectors after removing the spiral cable.

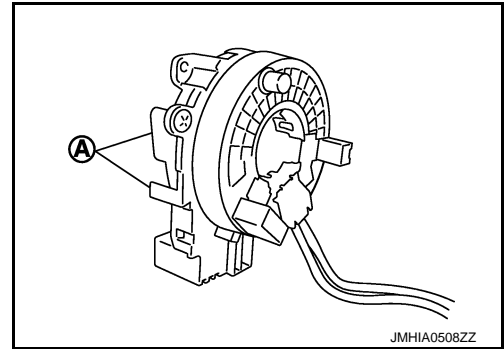


5. Remove spiral cable fixing screws.

SPIRAL CABLE

< REMOVAL AND INSTALLATION >

6. Remove spiral cable side pawls (A).



7. Pull out forward spiral cable.

8. Remove steering angle sensor. Refer to [BRC-105, "Removal and Installation"](#).

CAUTION:

- Never impact the spiral cable.
- Never impact the spiral cable by dropping, etc. Replace the spiral cable if it is dropped or sustains an impact.



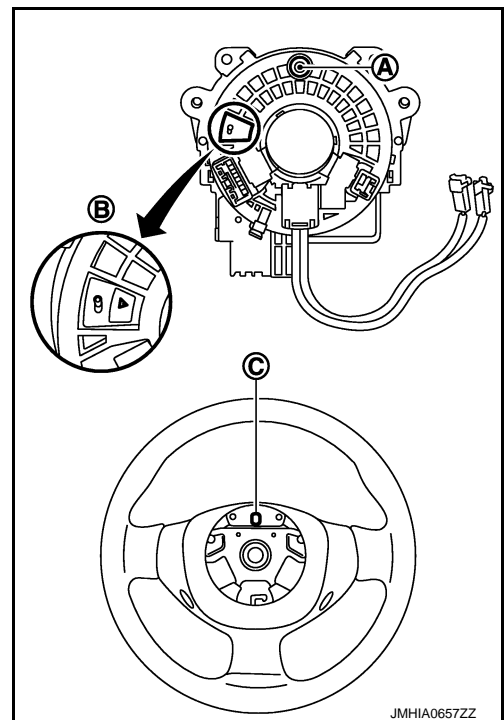
- Never disassemble the spiral cable.
- Never apply lubricant to the spiral cable.
- Never allow oil, grease, detergent, or water to come in contact with the spiral cable.

INSTALLATION

Install in the reverse order of removal.

CAUTION:

- The spiral cable may snap during steering operation if the cable is installed in an improper position. The neutral position is set as per the following.
- Turn carefully the spiral cable clockwise to the end position. Then turn it counterclockwise (about 2 and a half turns) and stop turning at the mark (B) on which the stopper insertion holes are in the same position.
- The service part is installed in the neutral position by the stopper and can be set without adjusting after the stopper is removed.
- Never over turn the spiral cable or go beyond number of turns required. (This will cause the cable to snap.)
- Adjust the spiral cable locating pin (A) to the steering wheel locating pin hole (C).



SPIRAL CABLE

< REMOVAL AND INSTALLATION >

- If malfunction is detected by the air bag warning lamp, after repair or replacement of the malfunctioning parts, reset the memory using self-diagnosis or CONSULT. Refer to [SRC-17, "CONSULT Function"](#).
- After the work is completed, check that no system malfunction is detected by air bag warning lamp.

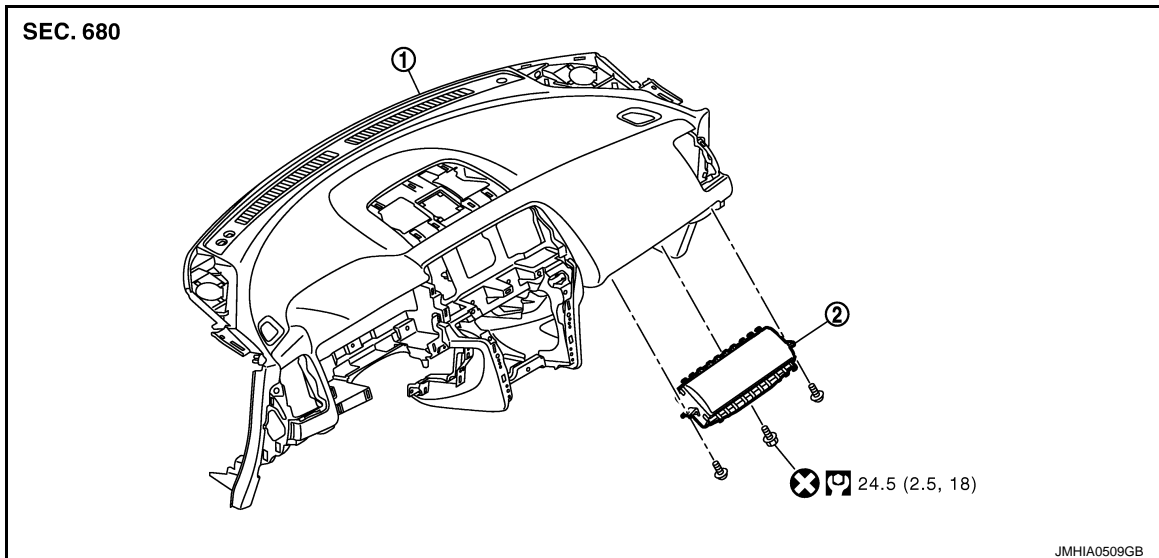
FRONT PASSENGER AIR BAG MODULE

< REMOVAL AND INSTALLATION >

FRONT PASSENGER AIR BAG MODULE

Exploded View

INFOID:000000008462941



1. Instrument panel assembly 2. Front passenger air bag module

⊗ : Always replace after every disassembly.

Ⓜ : N·m (kg-m, ft-lb)

Removal and Installation

INFOID:000000008462942

WARNING:

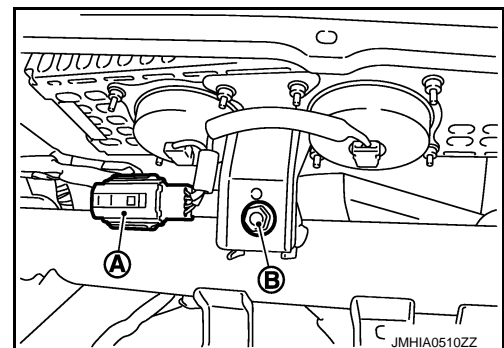
- Before servicing, turn ignition switch OFF, disconnect battery negative terminal and wait for 3 minutes or more.
- Always work from the side of air bag module. Never work in front of it.
- Never use air tools or electric tools for servicing.

REMOVAL

1. Remove instrument panel assembly. Refer to [IP-13, "Removal and Installation"](#).
2. Disconnect front passenger air bag harness connector (A).
3. Remove front passenger air bag module mounting bolt (B).

NOTE:

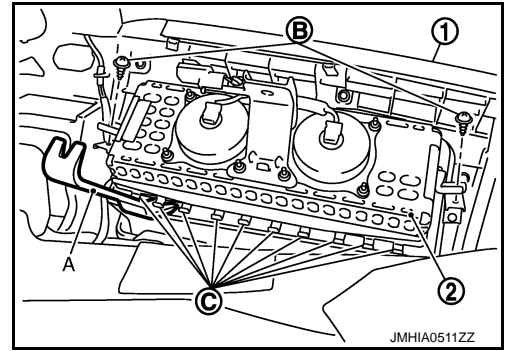
The figure shows the installed front passenger air bag module.
(Under view of the module installed without glove box cover.)



FRONT PASSENGER AIR BAG MODULE

< REMOVAL AND INSTALLATION >

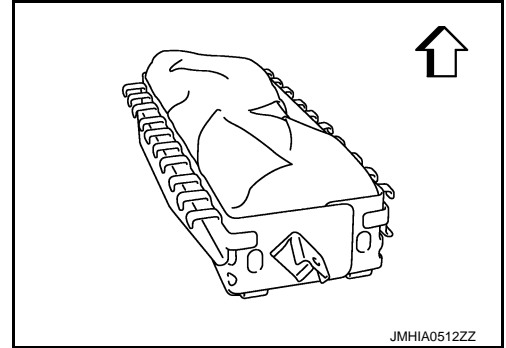
4. Remove front passenger air bag module fixing screws (B) from instrument panel assembly (1).
5. Disconnect pawls (C) by using remover tool (A), and then remove front passenger air bag module (2) from instrument panel assembly.



CAUTION:

- Always place the front passenger air bag module with pad side facing upward.

↕ : Upward



- Never impact the passenger air bag module.
- Replace the front passenger air bag module if it is dropped or sustains an impact.



- Never insert any foreign objects (screwdriver, etc.) into front passenger air bag module.
- Never disassembly the front passenger air bag module.
- Never expose the front passenger air bag module to temperatures exceeding 90 °C (194 °F).
- Never allow oil, grease, detergent, or water to come in contact with the front passenger air bag module.

INSTALLATION

Install in the reverse order of removal.

CAUTION:

- Never reuse fixing bolts after removal, replace with new bolts.
- Never damage the harness while installing.
- If malfunction is detected by the air bag warning lamp, after repair or replacement of the malfunctioning parts, reset the memory using self-diagnosis or CONSULT. Refer to [SRC-17. "CONSULT Function"](#).
- After the work is completed, check that no system malfunction is detected by air bag warning lamp.

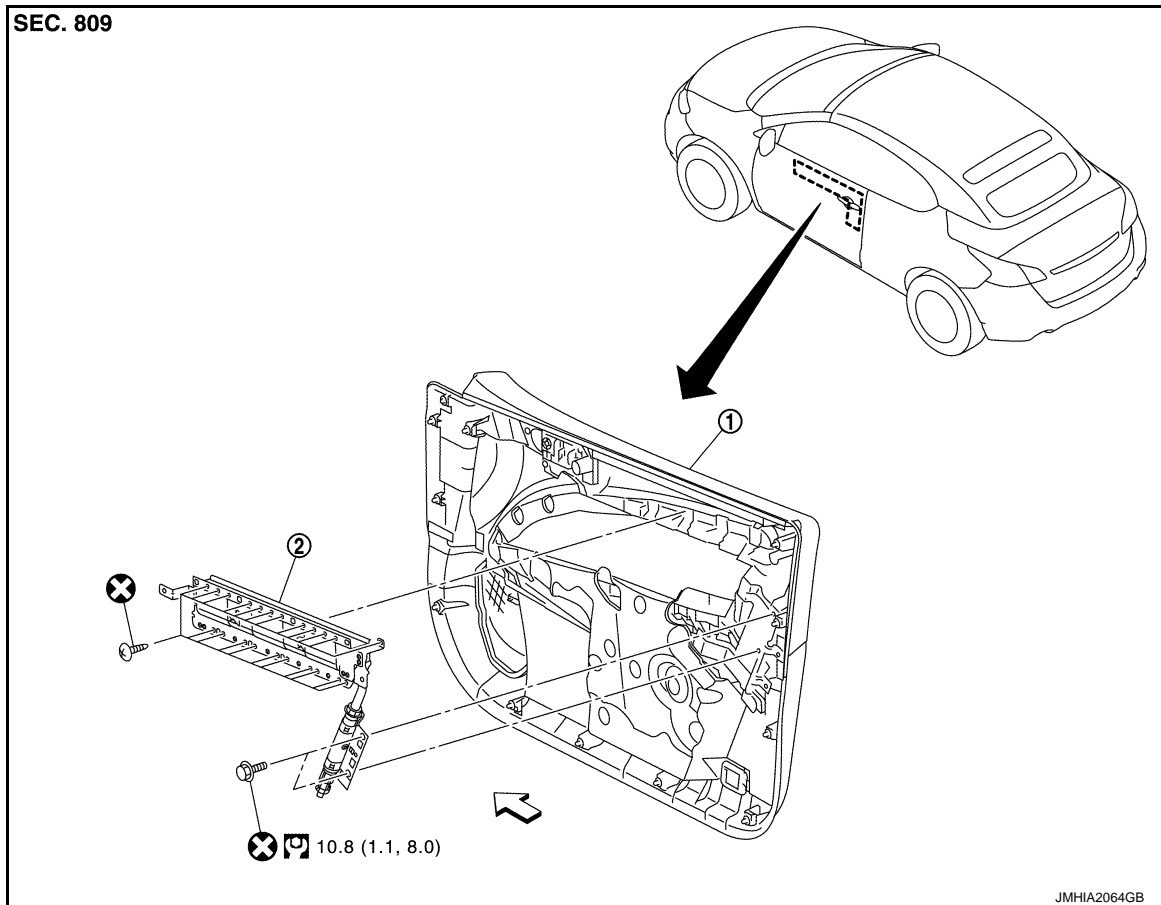
DOOR-MOUNTED CURTAIN AIR BAG MODULE

< REMOVAL AND INSTALLATION >

DOOR-MOUNTED CURTAIN AIR BAG MODULE

Exploded View

INFOID:000000008462943



1. Door finisher
2. Door-mounted curtain air bag module

← : Vehicle front

⊗ : Always replace after every disassembly.

Ⓞ : N·m (kg·m, ft·lb)

Removal and Installation

INFOID:000000008462944

WARNING:

- Before servicing, turn ignition switch OFF, disconnect battery negative terminal and wait for 3 minutes or more.
- Before starting removal and installation operation, always eliminate static electricity from door finisher, door-mounted curtain air bag module, and body of the technician (to prevent an accidental activation due to static electricity).
- Never use air tools or electric tools for servicing.
- When replacing door-mounted curtain air bag module, always replace it together with door finisher as a set.

REMOVAL

1. Remove door finisher. Refer to [INT-13. "Removal and Installation"](#).

CAUTION:

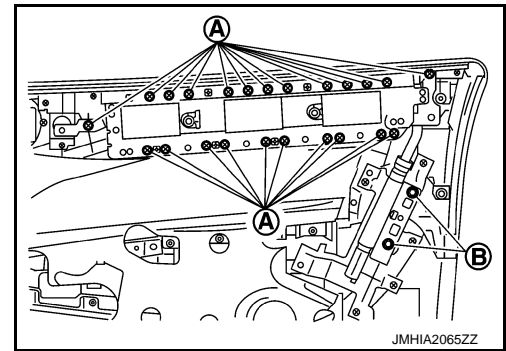
Disconnect first the door-mounted curtain air bag harness connector before disconnecting the other harness connectors.

A
B
C
D
E
F
G
SR
I
J
K
L
M
N
O
P

DOOR-MOUNTED CURTAIN AIR BAG MODULE

< REMOVAL AND INSTALLATION >

2. Remove door-mounted curtain air bag module fixing screws (A) and mounting bolts (B).

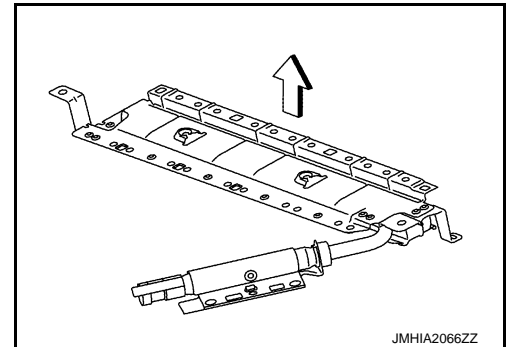


3. Remove door-mounted curtain air bag module.

CAUTION:

- Never place any object in deploying path of door-mounted curtain air bag module. Never lean door-mounted curtain air bag module against wall or others.
- Always place air bag module so that inflator label is visible.

↖ : Upward



- Never impact the door-mounted curtain air bag module.
- Replace door-mounted curtain air bag module if it is dropped or sustains an impact.



- Never insert any foreign objects (screwdriver, etc.) into the door-mounted curtain air bag module.
- Never disassemble the door-mounted curtain air bag module.
- Never expose the door-mounted curtain air bag module to temperatures exceeding 90°C (194°F).
- Never allow oil, grease, detergent, or water to come in contact with the door-mounted curtain air bag module.

INSTALLATION

Note the following items, and then install in the reverse order of removal.

CAUTION:

- When removing door-mounted curtain air bag module from door finisher, never reuse door finisher.
- Never forget to tighten the mounting bolts and fixing screws of door-mounted curtain air bag module.
- Never damage the harness while installing.
- If malfunction is detected by the air bag warning lamp, after repair or replacement of the malfunctioning parts, reset the memory using self-diagnosis or CONSULT. Refer to [SRC-13. "On Board Diagnosis Function"](#) or [SRC-17. "CONSULT Function"](#).
- After the work is completed, check that no system malfunction is detected by air bag warning lamp.

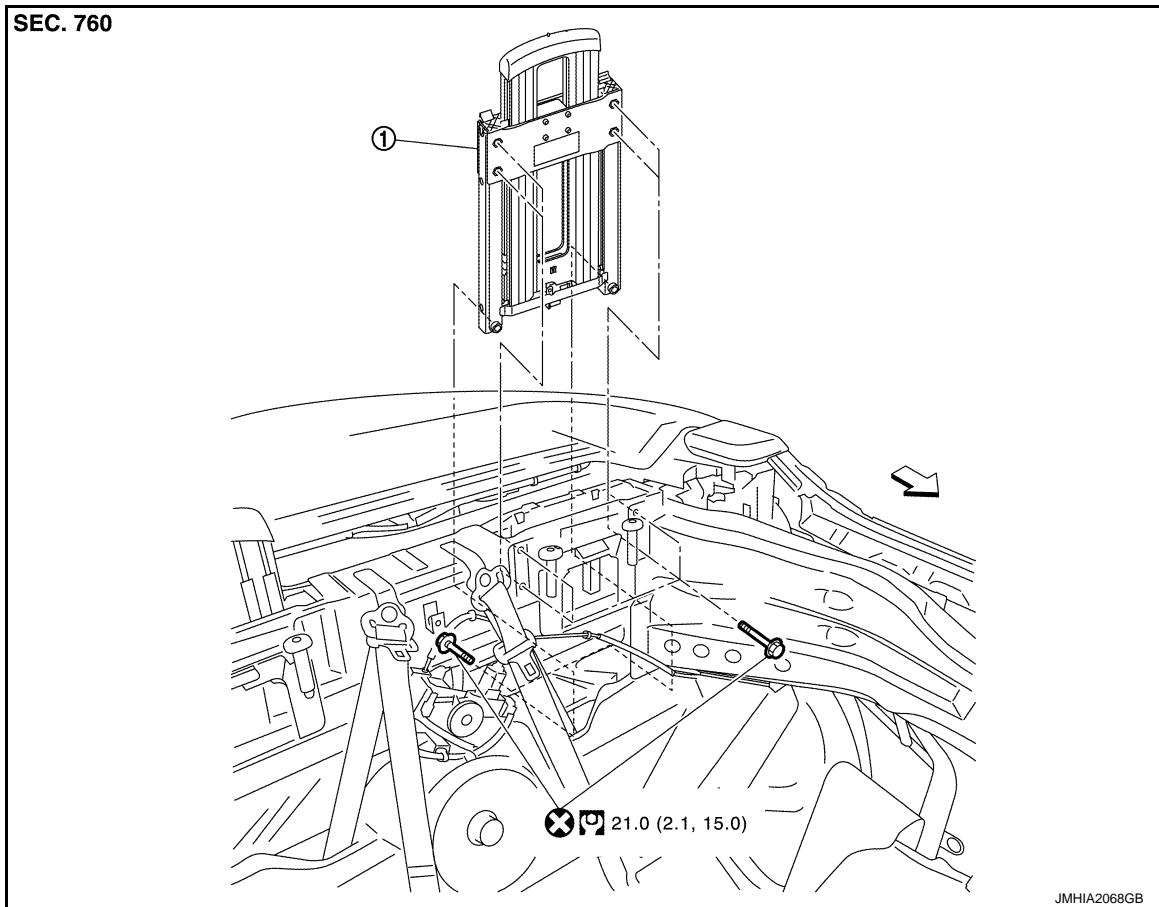
POP-UP ROLL BAR

< REMOVAL AND INSTALLATION >

POP-UP ROLL BAR

Exploded View

INFOID:000000008462945



1. Pup-up roll bar assembly

← : Vehicle front

⊗ : Always replace after every disassembly.

🔧 : N·m (kg·m, ft·lb)

Removal and Installation

INFOID:000000008462946

WARNING:

- Before servicing, turn ignition switch OFF, disconnect battery negative terminal and wait for 3 minutes or more.
- Never use air tools or electric tools for servicing.
- When repairing, removing and installing pop-up roll bar, always refer to SRS AIR BAG and SRS AIR BAG CONTROL SYSTEM.

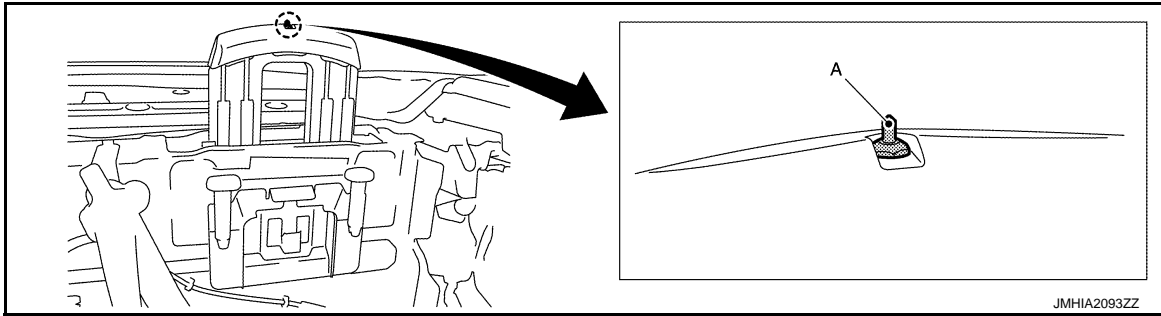
CAUTION:

A
B
C
D
E
F
G
SR
I
J
K
L
M
N
O
P

POP-UP ROLL BAR

< REMOVAL AND INSTALLATION >

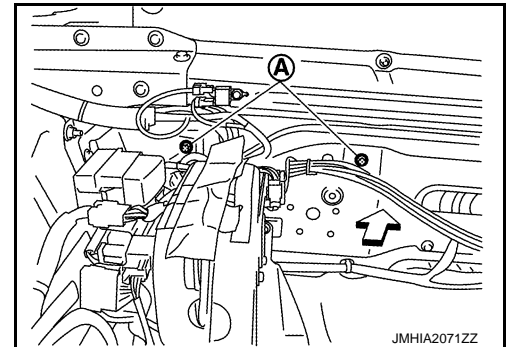
Glass breaking pin is sharp. For safety purposes, protect glass breaking pin (A) of pop-up roll bar using polystyrene foam or rubber sheet so that glass breaking pin does not contact operator during removal and installation.



REMOVAL

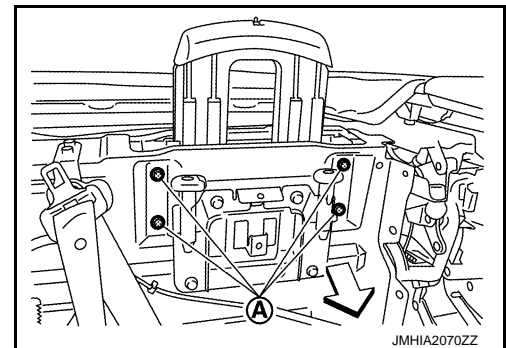
1. Open trunk lid.
2. Remove trunk front finisher. Refer to [INT-36. "TRUNK FRONT FINISHER : Removal and Installation"](#).
3. Remove pop-up roll bar assembly mounting bolts (A) for trunk room side.

← : Vehicle front



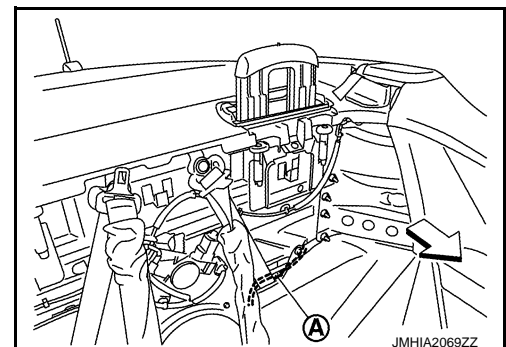
4. Close trunk lid.
5. Fully open soft top.
6. Remove rear seatback. Refer to [SE-49. "SEATBACK : Removal and Installation"](#).
7. Remove rear parcel shelf front finisher. Refer to [INT-30. "REAR PARCEL SHELF FRONT FINISHER : Removal and Installation"](#).
8. Remove pop-up roll bar assembly mounting bolts (A) for rear seatback side.

← : Vehicle front



9. Disconnect pop-up roll bar assembly harness connector (A).

← : Vehicle front



10. Pull up and remove pop-up roll bar assembly.

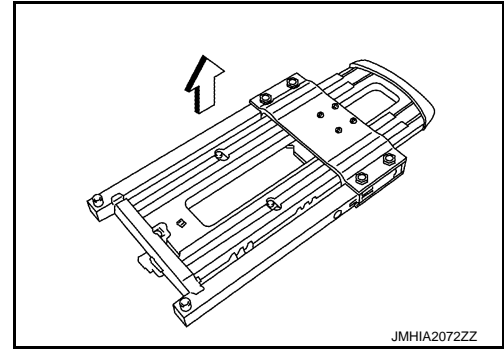
POP-UP ROLL BAR

< REMOVAL AND INSTALLATION >

CAUTION:

- Always place the pop-up roll bar assembly with special bolts side facing upward.
- Never place any object in deploying path of pop-up roll bar assembly. Never lean pop-up roll bar assembly against a wall or others.

↖ : Upward



- Never impact the pop-up roll bar assembly.
- Replace pop-up roll bar assembly if it is dropped or sustained an impact.



- Never insert any foreign objects (screwdriver, etc.) into the pop-up roll bar assembly.
- Never disassemble the pop-up roll bar assembly.
- Never expose the pop-up roll bar assembly to temperatures of more than 90°C (194°F).
- Never allow oil, grease, detergent, or water to come in contact with the pop-up roll bar assembly.

INSTALLATION

Note the following items, and then install in the reverse order of removal.

CAUTION:

- Never reuse old mounting bolts after removal, replace with new bolts.
- Never damage the harness while installing.
- If malfunction is detected by the air bag warning lamp, after repair or replacement of the malfunctioning parts, reset the memory using self-diagnosis or CONSULT. Refer to [SRC-13, "On Board Diagnosis Function"](#) or [SRC-17, "CONSULT Function"](#).
- After the work is completed, check that no system malfunction is detected by air bag warning lamp.

Removal When Pop-up Roll Bar is Activated While Soft Top is Closed

When rear glass is broken and pop-up roll bar is deployed

WARNING:

Before servicing, turn ignition switch OFF, disconnect battery negative terminal and wait for 3 minutes or more.

CAUTION:

Remove broken pieces of rear glass in advance for preventing injury.

1. Open trunk lid.
2. Remove trunk front finisher. Refer to [INT-36, "TRUNK FRONT FINISHER : Removal and Installation"](#).

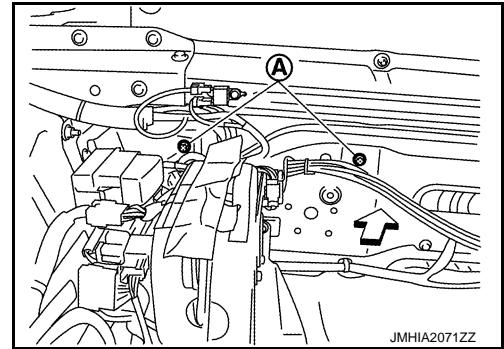
A
B
C
D
E
F
G
SR
I
J
K
L
M
N
O
P

POP-UP ROLL BAR

< REMOVAL AND INSTALLATION >

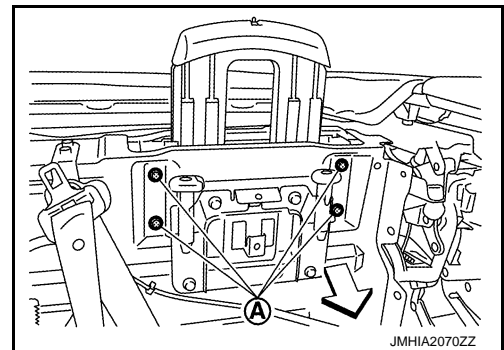
3. Remove pop-up roll bar assembly mounting bolts (A) of trunk room side.

← : Vehicle front



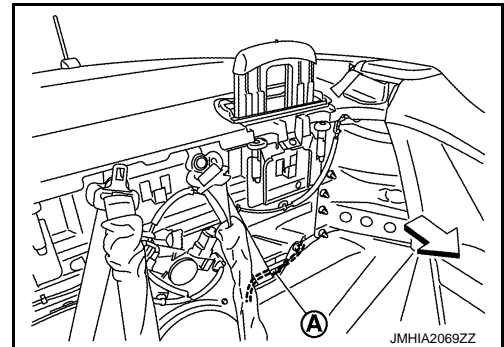
4. Close trunk lid.
5. Remove rear seatback. Refer to [SE-49, "SEATBACK : Removal and Installation"](#).
6. Remove rear parcel shelf front finisher. Refer to [INT-30, "REAR PARCEL SHELF FRONT FINISHER : Removal and Installation"](#).
7. Remove pop-up roll bar assembly mounting bolts (A) of rear seatback side.

← : Vehicle front



8. Disconnect pop-up roll bar assembly harness connector (A).

← : Vehicle front



9. Pull out pop-up roll bar from rear glass portion to upward.

When pop-up roll bar is deployed and rear glass is not broken

WARNING:

Before servicing, turn ignition switch OFF, disconnect battery negative terminal and wait for 3 minutes or more.

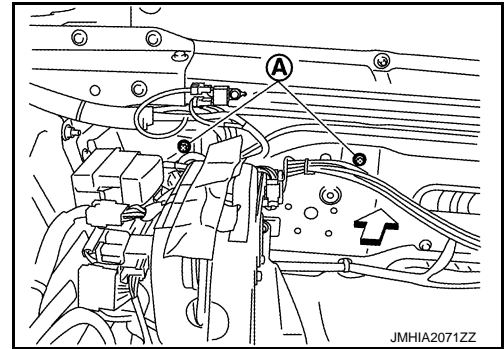
1. Open trunk lid.
2. Remove trunk front finisher. Refer to [INT-36, "TRUNK FRONT FINISHER : Removal and Installation"](#).

POP-UP ROLL BAR

< REMOVAL AND INSTALLATION >

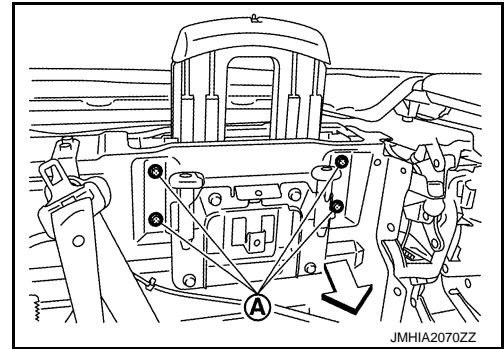
3. Remove pop-up roll bar assembly mounting bolts (A) of trunk room side.

← : Vehicle front



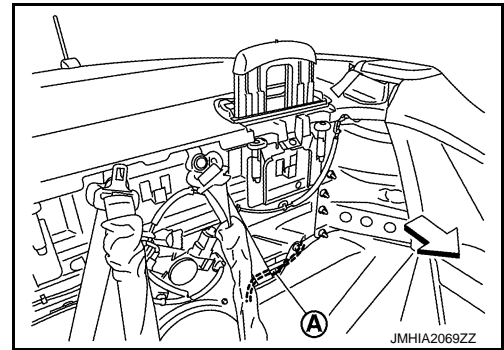
4. Close trunk lid.
5. Slide down pop-up roll bar.
CAUTION:
Fix pop-up roll bar using fixing band so that pop-up roll bar may not move upward.
6. Fully open soft top.
7. Remove rear seatback. Refer to [SE-49, "SEATBACK : Removal and Installation"](#).
8. Remove rear parcel shelf front finisher. Refer to [INT-30, "REAR PARCEL SHELF FRONT FINISHER : Removal and Installation"](#).
9. Remove pop-up roll bar assembly mounting bolts (A) of rear seatback side.

← : Vehicle front



10. Disconnect pop-up roll bar assembly harness connector (A).

← : Vehicle front



11. Pull up and remove pop-up roll bar assembly.

A
B
C
D
E
F
G
SR
I
J
K
L
M
N
O
P

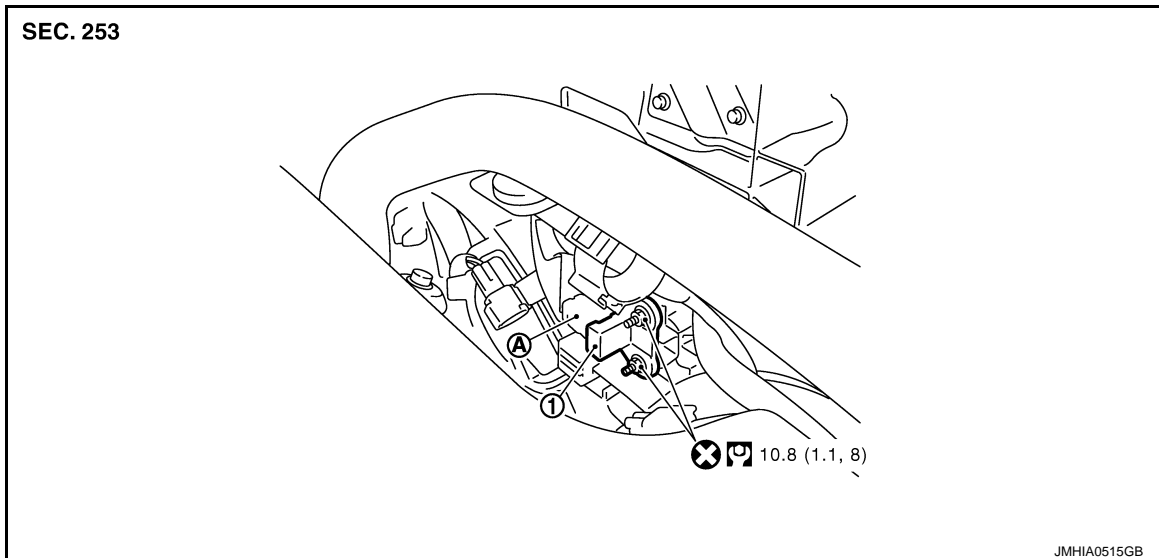
CRASH ZONE SENSOR

< REMOVAL AND INSTALLATION >

CRASH ZONE SENSOR

Exploded View

INFOID:000000008462947



- 1. Crash zone sensor
- A : Crash zone sensor harness connector
- ⊗ : Always replace after every disassembly.
- Ⓜ : N-m (kg-m, ft-lb)

Removal and Installation

INFOID:000000008462948

WARNING:

- Before servicing, turn ignition switch OFF, disconnect battery negative terminal and wait for 3 minutes or more.
- Never use air tools or electric tools for servicing.

REMOVAL

1. Remove radiator cover grill (RH). Refer to [EM-24. "Exploded View"](#).
2. Remove air duct (inlet). Refer to [EM-26. "Exploded View"](#).
3. Remove crash zone sensor fixing nuts.
4. Disconnect crash zone sensor harness connector, and then remove the crash zone sensor.

CAUTION:

- Never impact the crash zone sensor.
- Replace the crash zone sensor if it is dropped or sustains an impact.



- Replace the crash zone sensor of deployed SRS driver air bag and deployed SRS front passenger air bag.

INSTALLATION

CRASH ZONE SENSOR

< REMOVAL AND INSTALLATION >

Install in the reverse order of removal.

CAUTION:

- Never reuse old fixing nuts after removal, replace with new nuts.
- If malfunction is detected by the air bag warning lamp, after repair or replacement of the malfunctioning parts, reset the memory using self-diagnosis or CONSULT. Refer to [SRC-17, "CONSULT Function"](#).
- After the work is completed, check that no system malfunction is detected by air bag warning lamp.

A
B
C
D
E
F
G
SR
I
J
K
L
M
N
O
P



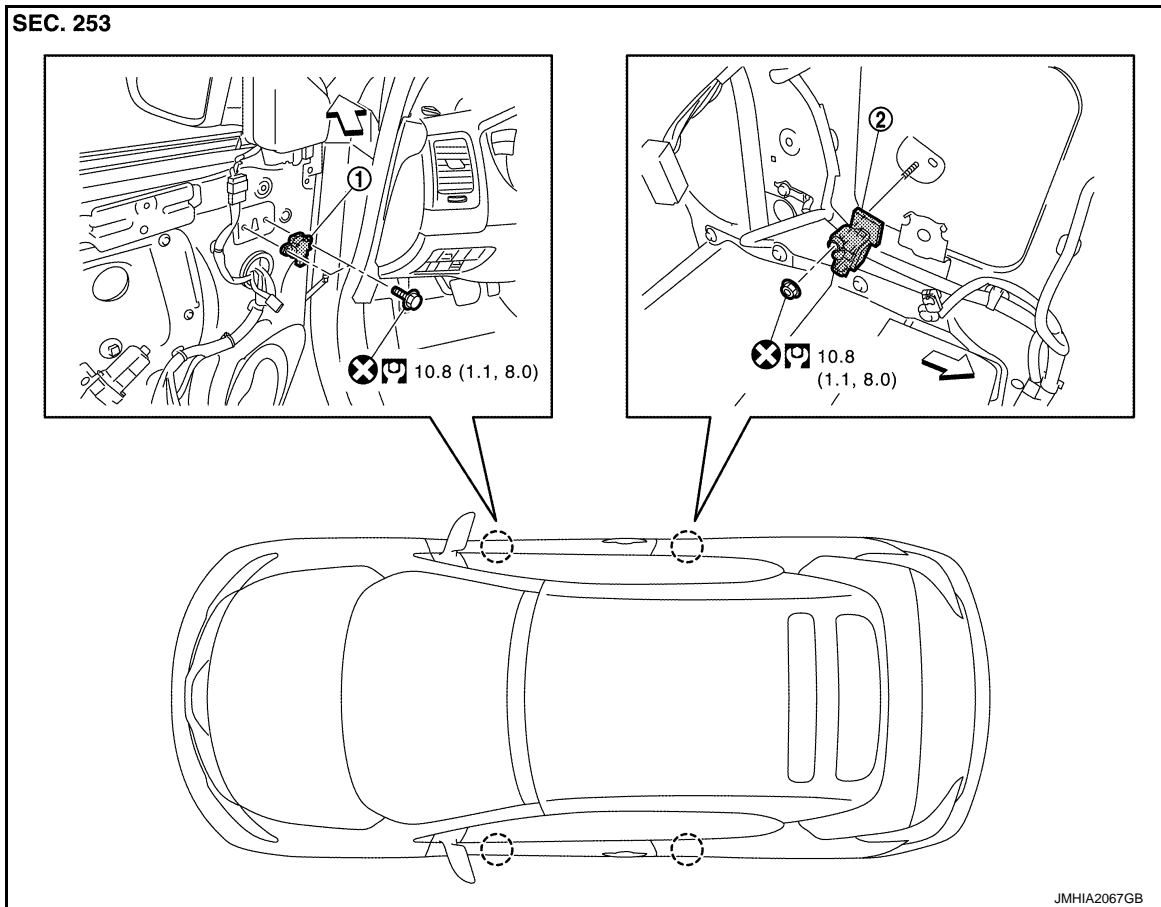
SATELLITE SENSOR

< REMOVAL AND INSTALLATION >

SATELLITE SENSOR

Exploded View

INFOID:000000008462949



1. Door satellite sensor 2. Satellite sensor

↔ : Vehicle front

⊗ : Always replace after every disassembly.

Ⓜ : N·m (kg·m, ft·lb)

Removal and Installation

INFOID:000000008462950

WARNING:

- Before servicing, turn ignition switch OFF, disconnect battery negative terminal and wait for 3 minutes or more.
- Never use air tools or electric tools for servicing.

DOOR SATELLITE SENSOR

Removal

1. Remove door finisher. Refer to [INT-13, "Removal and Installation"](#).
2. Remove door satellite sensor mounting bolt.
3. Disconnect harness connector, and then remove door satellite sensor.

CAUTION:

SATELLITE SENSOR

< REMOVAL AND INSTALLATION >

- Never impact the door satellite sensor.
- Replace the door satellite sensor if it is dropped or sustains an impact.



- Replace the door satellite sensor of deployed side air bag module and deployed door-mounted curtain air bag module.

Installation

Note the following items, and then install in the reverse order of removal.

CAUTION:

- Never reuse fixing nut after removal, replace with new nut.
- Never damage the harness while installing.
- If malfunction is detected by the air bag warning lamp, after repair or replacement of the malfunctioning parts, reset the memory using self-diagnosis or CONSULT. Refer to [SRC-13, "On Board Diagnosis Function"](#) or [SRC-17, "CONSULT Function"](#).
- After the work is completed, check that no system malfunction is detected by air bag warning lamp.

SATELLITE SENSOR

Removal

1. Remove rear side finisher. Refer to [INT-22, "REAR SIDE FINISHER : Removal and Installation"](#).
2. Remove front seat belt retractor. Refer to [SB-5, "SEAT BELT RETRACTOR : Removal and Installation"](#).
3. Remove satellite sensor mounting nut.
4. Disconnect harness connector, and then remove satellite sensor.

CAUTION:

- Never impact the satellite sensor.
- Replace the satellite sensor if it is dropped or sustains an impact.



- Replace the satellite sensor of deployed side air bag module and deployed door-mounted curtain air bag module.

Installation

Note the following items, and then install in the reverse order of removal.

CAUTION:

- Never reuse fixing nut after removal, replace with new nut.
- Never damage the harness while installing.
- If malfunction is detected by the air bag warning lamp, after repair or replacement of the malfunctioning parts, reset the memory using self-diagnosis or CONSULT. Refer to [SRC-13, "On Board Diagnosis Function"](#) or [SRC-17, "CONSULT Function"](#).
- After the work is completed, check that no system malfunction is detected by air bag warning lamp.

A
B
C
D
E
F
G
SR
I
J
K
L
M
N
O
P

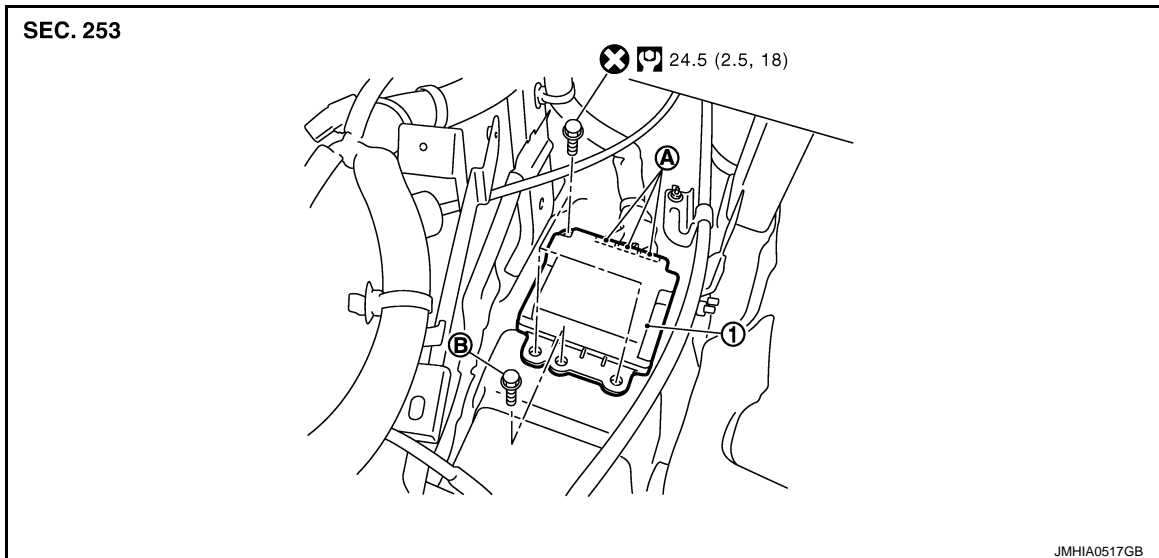
DIAGNOSIS SENSOR UNIT

< REMOVAL AND INSTALLATION >

DIAGNOSIS SENSOR UNIT

Exploded View

INFOID:000000008462951



1. Diagnosis sensor unit
- A : Diagnosis sensor unit harness connector
- B : Ground bolt
- ⊗ : Always replace after every disassembly.
- Ⓝ : N·m (kg-m, ft-lb)

Removal and Installation

INFOID:000000008462952

WARNING:

- Before servicing, turn ignition switch OFF, disconnect battery negative terminal and wait for 3 minutes or more.
- Before disconnecting the air bag sensor unit harness connector, be sure to disconnect the each harness connector of the air bag module and pre-tensioner seat belt to prevent air bag deployment by static electricity and pre-tensioner seat belt operation.
- Never use air tools or electric tools for servicing.
- When replacing the air bag diagnosis sensor unit, always check with the parts department for the latest parts information. Installing an incorrect air bag diagnosis sensor unit may or may not cause the air bag warning lamp to illuminate and may cause incorrect deployment of the supplemental air bags and seat belt pre-tensioners in a collision resulting in serious personal injury or death.

REMOVAL

1. Always check the air bag diagnosis sensor unit ECU discriminated number (identification number) using CONSULT.
2. Disconnect each connector of all air bag modules and pre-tensioner seat belts.
3. Remove instrument lower cover (LH and RH). Refer to [IP-12. "Exploded View"](#).
4. Remove rear foot duct 1 (LH and RH). Refer to [VTL-8. "Exploded View"](#).
5. Remove instrument stay LH. Refer to [IP-12. "Exploded View"](#).
6. Remove front console bracket. Refer to [IP-12. "Exploded View"](#).
7. Disconnect diagnosis sensor unit harness connectors.
8. Remove fixing bolts, ground bolt, and then remove diagnosis sensor unit.

CAUTION:

DIAGNOSIS SENSOR UNIT

< REMOVAL AND INSTALLATION >

- Replace the diagnosis sensor unit if it is dropped or sustains an impact.



- Replace the diagnosis sensor unit of deployed SRS air bag and deployed SRS front seat belt pretensioner.

INSTALLATION

Install air bag diagnosis sensor unit in the reverse order of removal.

CAUTION:

- Never reuse mounting bolts after removal, replace with new mounting bolts.
- If malfunction is detected by the air bag warning lamp, after repair or replacement of the malfunctioning parts, reset the memory using self-diagnosis or CONSULT. Refer to [SRC-17. "CONSULT Function"](#).
- After the work is completed, check that no system malfunction is detected by air bag warning lamp.
- After replacing the air bag diagnosis sensor unit, confirm using CONSULT that the ECU discriminated number (identification number) of the new replacement air bag sensor unit matches the ECU discriminated number (identification number) of the replaced (old) air bag diagnosis sensor unit.

NOTE:

If the ECU discriminated number of the new replacement air bag diagnosis sensor unit differs from the ECU discriminated number of the replaced air bag diagnosis sensor unit, reconfirm the parts information and verify that the correct air bag diagnosis sensor unit is installed.

A
B
C
D
E
F
G
SR
I
J
K
L
M
N
O
P

FRONT SEAT BELT PRE-TENSIONER

< REMOVAL AND INSTALLATION >

FRONT SEAT BELT PRE-TENSIONER

Removal and Installation

INFOID:000000008462953

For removal and installation procedures, refer to [SB-5. "SEAT BELT RETRACTOR : Removal and Installation"](#).

OCCUPANT CLASSIFICATION SYSTEM CONTROL UNIT

< REMOVAL AND INSTALLATION >

OCCUPANT CLASSIFICATION SYSTEM CONTROL UNIT

Removal and Installation

INFOID:000000008462954

For removal and installation

The occupant classification system control unit and seat sensor mat are an integral part of the front passenger seat cushion and are replaced as an assembly. Refer to [SE-39, "Removal and Installation"](#).

A

B

C

D

E

F

G

SR

I

J

K

L

M

N

O

P