

A
B
C
D
E
F
PS
H
I
J
K
L
M

SECTION PS

POWER STEERING SYSTEM

CONTENTS

PRECAUTIONS	2	POWER STEERING GEAR	16
Precautions for Supplemental Restraint System (SRS) "AIR BAG" and "SEAT BELT PRE-TENSIONER"	2	Removal and Installation	16
Precautions Necessary for Steering Wheel Rotation After Battery Disconnect	2	COMPONENTS	16
OPERATION PROCEDURE	2	REMOVAL	16
Precautions for Steering System	3	INSTALLATION	20
PREPARATION	4	INSPECTION AFTER INSTALLATION	20
Special Service Tools	4	Disassembly and Assembly	21
Commercial Service Tools	5	COMPONENTS	21
NOISE, VIBRATION AND HARSHNESS (NVH)		DISASSEMBLY	22
TROUBLESHOOTING	6	INSPECTION AFTER DISASSEMBLY	24
NVH Troubleshooting Chart	6	ASSEMBLY	25
POWER STEERING FLUID	7	POWER STEERING OIL PUMP	30
Checking Fluid Level	7	On-Vehicle Service	30
Checking Fluid Leakage	7	RELIEF OIL PRESSURE	30
Air Bleeding Hydraulic System	8	Removal and Installation	31
STEERING WHEEL	9	REMOVAL	31
On-Vehicle Service	9	INSTALLATION	31
CONDITION OF INSTALLATION	9	Disassembly and Assembly	32
STEERING WHEEL PLAY	9	COMPONENTS	32
NEUTRAL POSITION ON STEERING WHEEL	9	DISASSEMBLY	32
STEERING WHEEL TURNING FORCE	9	INSPECTION AFTER DISASSEMBLY	33
RACK SLIDING FORCE	10	ASSEMBLY	33
FRONT WHEEL TURNING ANGLE	10	HYDRAULIC LINE	36
Removal and Installation	11	Removal and Installation	36
REMOVAL	11	SERVICE DATA AND SPECIFICATIONS (SDS)	38
INSTALLATION	11	General Specifications	38
STEERING COLUMN	12	Inspection and Adjustment	38
Removal and Installation	12	STEERING WHEEL AXIAL END PLAY AND PLAY	38
COMPONENTS	12	STEERING WHEEL TURNING FORCE	38
REMOVAL	12	STEERING COLUMN LENGTH	38
INSPECTION AFTER REMOVAL	14	STEERING ANGLE	38
INSTALLATION	14	RACK SLIDING FORCE	39
INSPECTION AFTER INSTALLATION	14	RACK STROKE	39
Disassembly and Assembly	15	SOCKET SWING TORQUE AND ROTATING TORQUE	39
COMPONENTS	15	SOCKET AXIAL END PLAY	39
DISASSEMBLY	15	INNER SOCKET LENGTH	40
ASSEMBLY	15		

PRECAUTIONS

PRECAUTIONS

PFP:00001

Precautions for Supplemental Restraint System (SRS) “AIR BAG” and “SEAT BELT PRE-TENSIONER”

NGS000FA

The Supplemental Restraint System such as “AIR BAG” and “SEAT BELT PRE-TENSIONER”, used along with a front seat belt, helps to reduce the risk or severity of injury to the driver and front passenger for certain types of collision. This system includes seat belt switch inputs and dual stage front air bag modules. The SRS system uses the seat belt switches to determine the front air bag deployment, and may only deploy one front air bag, depending on the severity of a collision and whether the front occupants are belted or unbelted. Information necessary to service the system safely is included in the SRS and SB section of this Service Manual.

WARNING:

- To avoid rendering the SRS inoperative, which could increase the risk of personal injury or death in the event of a collision which would result in air bag inflation, all maintenance must be performed by an authorized NISSAN/INFINITI dealer.
- Improper maintenance, including incorrect removal and installation of the SRS, can lead to personal injury caused by unintentional activation of the system. For removal of Spiral Cable and Air Bag Module, see the SRS section.
- Do not use electrical test equipment on any circuit related to the SRS unless instructed to in this Service Manual. SRS wiring harnesses can be identified by yellow and/or orange harnesses or harness connectors.

Precautions Necessary for Steering Wheel Rotation After Battery Disconnect

NGS000FB

NOTE:

- This Procedure is applied only to models with Intelligent Key system and NVIS/IVIS (NISSAN/INFINITI VEHICLE IMMOBILIZER SYSTEM - NATS).
- Remove and install all control units after disconnecting both battery cables with the ignition knob in the “LOCK” position.
- Always use CONSULT-II to perform self-diagnosis as a part of each function inspection after finishing work. If DTC is detected, perform trouble diagnosis according to self-diagnostic results.

For models equipped with the Intelligent Key system and NVIS/IVIS, an electrically controlled steering lock mechanism is adopted on the key cylinder.

For this reason, if the battery is disconnected or if the battery is discharged, the steering wheel will lock and steering wheel rotation will become impossible.

If steering wheel rotation is required when battery power is interrupted, follow the procedure below before starting the repair operation.

OPERATION PROCEDURE

1. Connect both battery cables.

NOTE:

Supply power using jumper cables if battery is discharged.

2. Use the Intelligent Key or mechanical key to turn the ignition switch to the “ACC” position. At this time, the steering lock will be released.
3. Disconnect both battery cables. The steering lock will remain released and the steering wheel can be rotated.
4. Perform the necessary repair operation.
5. When the repair work is completed, return the ignition switch to the “LOCK” position before connecting the battery cables. (At this time, the steering lock mechanism will engage.)
6. Perform a self-diagnosis check of all control units using CONSULT-II.

PRECAUTIONS

Precautions for Steering System

NGS0003B

- In case of removing steering gear assembly, make the final tightening with grounded and unloaded vehicle condition, and then check wheel alignment.
- Observe the following precautions when disassembling.
 - Before disassembly, thoroughly clean the outside of the unit.
 - Disassembly should be done in a clean work area. It is important to prevent the internal parts from becoming contaminated by dirt or other foreign matter.
 - For easier and proper assembly, place disassembled parts in order on a parts rack.
 - Use nylon cloth or paper towels to clean the parts; common shop rags can leave lint that might interfere with their operation.
 - Do not reuse non-reusable parts.
 - Before assembling, apply the specified grease to the directed parts.

A

B

C

D

E

F

PS

H

I

J

K

L

M

PREPARATION

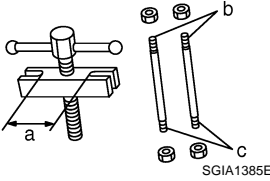
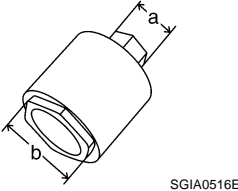
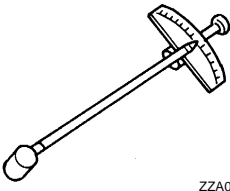
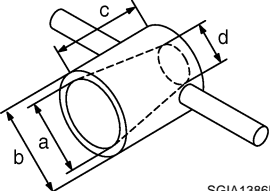
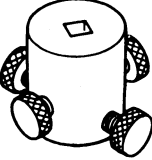
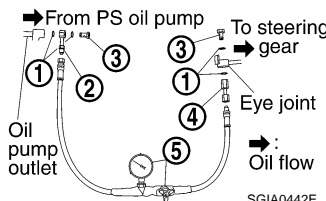
PREPARATION

PFP:00002

Special Service Tools

NGS000BJ

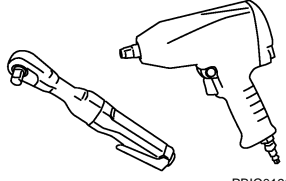
The actual shapes of Kent-Moore tools may differ from those of special service tools illustrated here.

Tool number (Kent-Moore No.) Tool name	Description
ST27180001 (J-25726-A) Steering wheel puller a: 29 mm (1.14 in) b: M10 × 1.25P c: M8 × 1.25P	Removing steering wheel 
KV48104400 (J-46213) Rear cover wrench a: 19 mm (0.75 in) b: 34.9 mm (1.374 in)	Removing rear cover 
ST3127S000 (J-25726-A)	 <ul style="list-style-type: none"> ● Inspecting sliding torque ● Inspecting steering torque ● Inspecting rotating torque for ball joint
KV48104400 (—) Teflon ring correcting tool a: 50 mm (1.97 in) dia. b: 58 mm (2.28 in) dia. c: 100 mm (3.94 in) d: 36 mm (1.42 in) dia.	Installing rack Teflon ring 
KV48103400 (—) Torque adapter	Inspecting pinon rotating torque 
<ol style="list-style-type: none"> 1. KV48102500-04 (—) Washer 2. KV48102500-01 (—) Eye joint 3. KV48102500-03 (—) Bolt 4. KV48102500-02 (—) Flare Joint 5. KV48103500 (J-26357 and J-26357-10) Oil pressure gauge 	Measuring power steering oil pump relief pressure 

PREPARATION

Commercial Service Tools

NGS000BK

Tool name	Description
Power tool  PBIC0190E	Loosening nuts and bolts

A
B
C
D
E
F
PS
H
I
J
K
L
M

PS

NOISE, VIBRATION AND HARSHNESS (NVH) TROUBLESHOOTING

NOISE, VIBRATION AND HARSHNESS (NVH) TROUBLESHOOTING

PFP:00003

NVH Troubleshooting Chart

NGS0003E

Use chart below to help you find the cause of the symptom. If necessary, repair or replace these parts.

Symptom		Possible cause and suspected parts	Reference page																						
			PS-7	PS-8	PS-24	PS-24	PS-24	PS-7	PS-9	PS-10	EM-13	PS-9	PS-12	PS-16	PS-14	PS-12	PS-16	NVH in PR section	NVH in RFD section	NVH in FAX, RAX, FSU, RSU section	NVH in WT section	NVH in WT section	NVH in FAX section	NVH in BR section	
STEERING	Noise	Fluid level	x	x	x	x	x	x	x	x	x	x	x	x	x	x	x	x	x	x	x	x	x	x	x
	Shake	Air in hydraulic system																							
	Vibration	Tie-rod ball joint swinging force																							
	Shimmy	Tie-rod ball joint rotating torque																							
	Judder	Tie-rod ball joint end play																							
		Steering fluid leakage																							
		Steering wheel play																							
		Steering gear rack sliding force																							
		Drive belt looseness																							
		Improper steering wheel																							
		Improper installation or looseness of tilt lock lever																							
		Mounting rubber deterioration																							
		Steering column deformation or damage																							
		Improper installation or looseness of steering column																							
		Steering linkage looseness																							
		PROPELLER SHAFT																							
		DIFFERENTIAL																							
		AXLE and SUSPENSION																							
		TIRES																							
		ROAD WHEEL																							
		DRIVE SHAFT																							
		BRAKES																							

x: Applicable

POWER STEERING FLUID

POWER STEERING FLUID

PFP:KLF20

Checking Fluid Level

NGS0003F

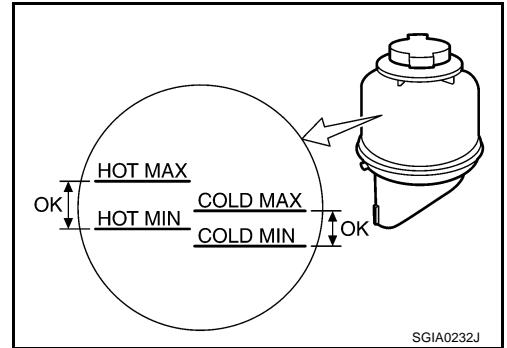
1. Check fluid level with engine stopped.
2. Make sure that fluid level is between MIN and MAX.
3. Fluid levels at HOT and COLD are different. Do not confuse them.

HOT : Fluid temperature 50 - 80 °C (122 - 176°F)

COLD : Fluid temperature 0 - 30°C (32 - 86°F)

CAUTION:

- The fluid level should not exceed the MAX line. Excessive fluid will cause fluid leakage from the cap.
- Do not reuse drained power steering fluid.



Checking Fluid Leakage

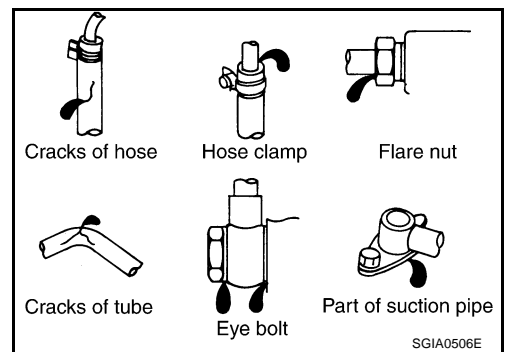
NGS0003G

1. Check the lines for improper attachment and for leaks, cracks, damage, loose connections, chafing or deterioration.
2. Run engine until fluid temperature reaches 50 to 80° C (122 to 176°F) in reservoir tank. Keep engine speed idle.
3. Turn steering wheel right-to-left several times.
4. Hold steering wheel at each "lock" position for five seconds to check fluid leakage.

CAUTION:

Do not hold steering wheel in a locked position for more than 10 seconds. (There is the possibility that oil pump may be damaged.)

5. If fluid leakage at connections is noticed, then loosen flare nut and then retighten. Do not over tighten connector as this can damage O-ring, washer and connector.
6. If fluid leakage from oil pump is noticed, check oil pump. Refer to [PS-30. "POWER STEERING OIL PUMP"](#) .
7. Check steering gear boots for accumulation of power steering fluid indicating a steering gear leak.



Air Bleeding Hydraulic System

NGS0003H

1. Turn steering wheel several times from full left stop to full right stop with engine off.

CAUTION:

- Turn steering wheel while filling reservoir tank with fluid so as not to lower fluid level below the MIN line.
 - When air bleeding is incomplete, the following phenomena occur. Although a fluid sound can be heard from the gear and pump when turning the steering wheel all the way or slowly, this is not a malfunction.
 - Bubbles are created in reservoir tank.
 - Clicking noise can be heard from power steering oil pump.
 - Excessive buzzing in the power steering oil pump.
2. Start engine and hold steering wheel at each lock position for 3 seconds at idle to check for fluid leakage.
 3. Repeat step 2 above several times at approximately 3 second intervals.

CAUTION:

Do not hold the steering wheel in a locked position for more than 10 seconds. (There is the possibility that power steering oil pump may be damaged.)

4. Check fluid for bubbles and white contamination.
5. Stop engine if bubbles and white contamination do not drain out. Perform steps 2 and 3 above after waiting until bubbles and white contamination drain out.
6. Stop the engine, and then check fluid level.

STEERING WHEEL

STEERING WHEEL

PFP:48430

On-Vehicle Service

NGS000BL

CONDITION OF INSTALLATION

1. Check installation conditions of steering gear assembly, front suspension, axle and steering column.
2. Check if movement exists when steering wheel is moved up and down, to the left and right and to the axial direction.

Steering wheel axial end play : 0 mm (0 in)

3. Check the following items when steering wheel axial end play is out of the standard.
 - a. Check the mounting nut and bolt of steering column assembly. Refer to [PS-16, "COMPONENTS"](#) .
 - b. Check steering column. Refer to [PS-14, "INSPECTION AFTER REMOVAL"](#) .
4. Check steering gear assembly mounting bolts and nut for looseness. Refer to [PS-12, "COMPONENTS"](#) .

STEERING WHEEL PLAY

1. Set tires to the straight ahead, start engine, then turn steering wheel to the left and right lightly, and measure steering wheel movement on the outer circumference when steering wheel is turned up to the point where tires start moving.

Steering wheel play : 0 - 35 mm (0 - 1.37 in)

2. Check the following items when steering wheel play is out of the standard.
 - a. Check backlash for each joint of steering column.
 - b. Check installation condition of steering gear assembly.

NEUTRAL POSITION ON STEERING WHEEL

1. Make sure that steering gear assembly, steering column assembly and steering wheel are installed in the correct position.
2. Perform neutral position inspection after wheel alignment. Refer to [FSU-5, "Wheel Alignment Inspection"](#) .
3. Set vehicle to the straight-ahead position and confirm steering wheel is in the neutral position.
4. Loosen outer socket lock nut and turn inner socket to left and right equally to make fine adjustments if steering wheel is not in the neutral position.

STEERING WHEEL TURNING FORCE

1. Park vehicle on a level and dry surface, set parking brake.
2. Tires need to be inflated normal pressure.
3. Start engine.
4. Bring power steering fluid up to adequate operating temperature. [Make sure temperature of fluid is approximately 50 to 80°C (122 to 176°F).]
5. Check steering wheel turning force when steering wheel has been turned 540° from neutral position.

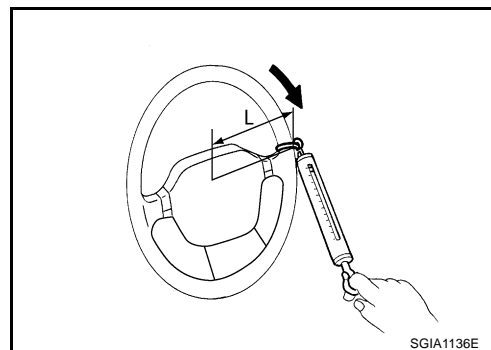
Steering wheel turning force:

7.45 N-m (0.76 kg-m, 66 in-lb) or less

NOTE:

Multiply the distance (L) from the hook of spring scale to the center of steering wheel by the measurement value with a spring scale.

6. Check the following items when steering wheel turning force is more than the standard.
 - a. Check relief oil pressure of power steering oil pump. Refer to [PS-30, "RELIEF OIL PRESSURE"](#) .



STEERING WHEEL

RACK SLIDING FORCE

1. Start engine.
2. Bring power steering fluid up to adequate operating temperature. [Make sure temperature of fluid is approximately 50 to 80°C (122 to 176°F).]
3. Disconnect lower joint and steering knuckle from steering gear assembly. Refer to [PS-12, "COMPONENTS"](#).
4. While pulling outer socket slowly in ± 11.5 mm (± 0.453 in) range from neutral position, make sure rack sliding force is within specification.

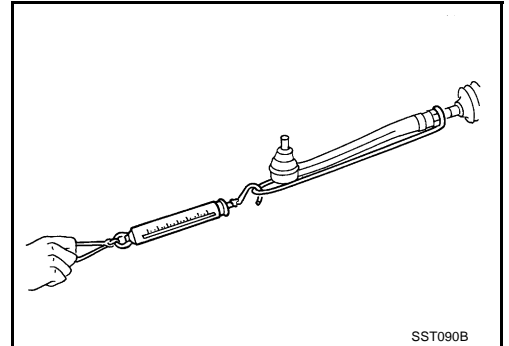
Rack sliding force (2WD)

: 215.8 - 274.6 N (22.1 - 28.0 kg, 48.6 - 61.7 lb)

Rack sliding force (AWD)

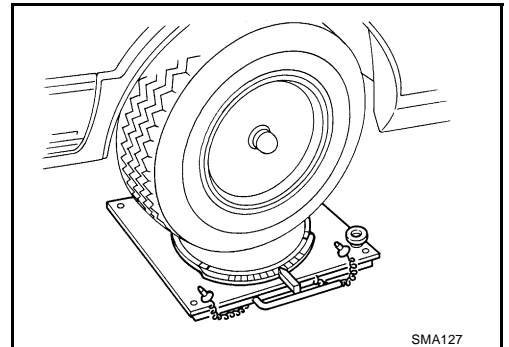
: 225.4 - 284.2 N (23.0 - 28.9 kg, 50.7 - 63.8 lb)

5. If rack sliding force is not within specification, overhaul steering gear assembly. Refer to [PS-21, "Disassembly and Assembly"](#).



FRONT WHEEL TURNING ANGLE

1. Check toe-in. Refer to [FSU-5, "Wheel Alignment Inspection"](#).
2. Place front wheels on turning radius gauges and rear wheels on stands so that vehicle can be level. Check the maximum inner and outer wheel turning angles for LH and RH road wheels.



3. Start engine and run at idle, turn steering wheel all the way right and left, measure the turning angle.

Inner wheel (Angle: A)

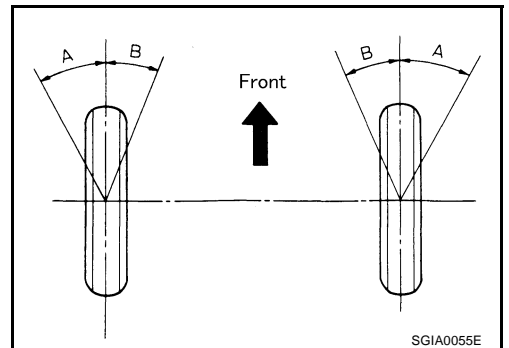
Minimum : 34°30' (34.5°)

Nominal : 38°00' (38.0°)

Maximum : 39°00' (39.0°)

Outer wheel (Angle: B)

Nominal : 31°30' (31.5°)



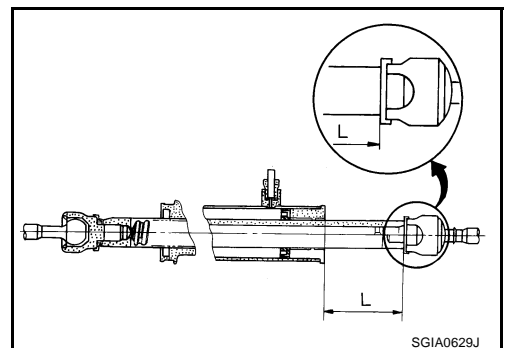
4. Check the following items when turning angle is out of the standard.

- a. Check rack stroke.

Rack stroke "L" : 71.5 mm (2.815 in)

- b. Disassemble steering gear assembly to check the cause that rack stroke is outside of the standard. Refer to [PS-21, "Disassembly and Assembly"](#).

- c. Steering angles are not adjustable. Check steering gear assembly, steering column assembly and front suspension components for wear or damage if any of the turning angles are different from the specified value. Replace any of them, if any non-standard condition exists.



STEERING WHEEL

NGS0003J

Removal and Installation

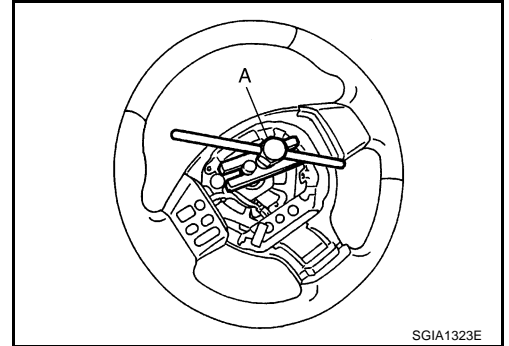
REMOVAL

NOTE:

When reconnecting spiral cable, fix cable with a tape so that fixing case and rotating part keep aligned. This will omit neutral position alignment procedure during spiral cable installation.

1. Set vehicle to the straight-ahead position.
2. Remove driver air bag module. Refer to [SRS-43, "DRIVER AIR BAG MODULE"](#).
3. Remove steering wheel lock nut after steering is locked.
4. Remove steering wheel with the steering wheel puller (A).

Tool number **A: ST27180001 (J-25726-A)**



INSTALLATION

Note the following, and installation is in the reverse order of removal.

- When installing the steering wheel, tighten lock nut to the specified torque.

Steering wheel lock nut : 34.3 N·m (3.5 kg·m, 25 in·lb)

CAUTION:

Check the spiral cable neutral position after replacing or rotating spiral cable. Refer to [SRS-45, "INSTALLATION"](#).

A
B
C
D
E
F
PS
H
I
J
K
L
M

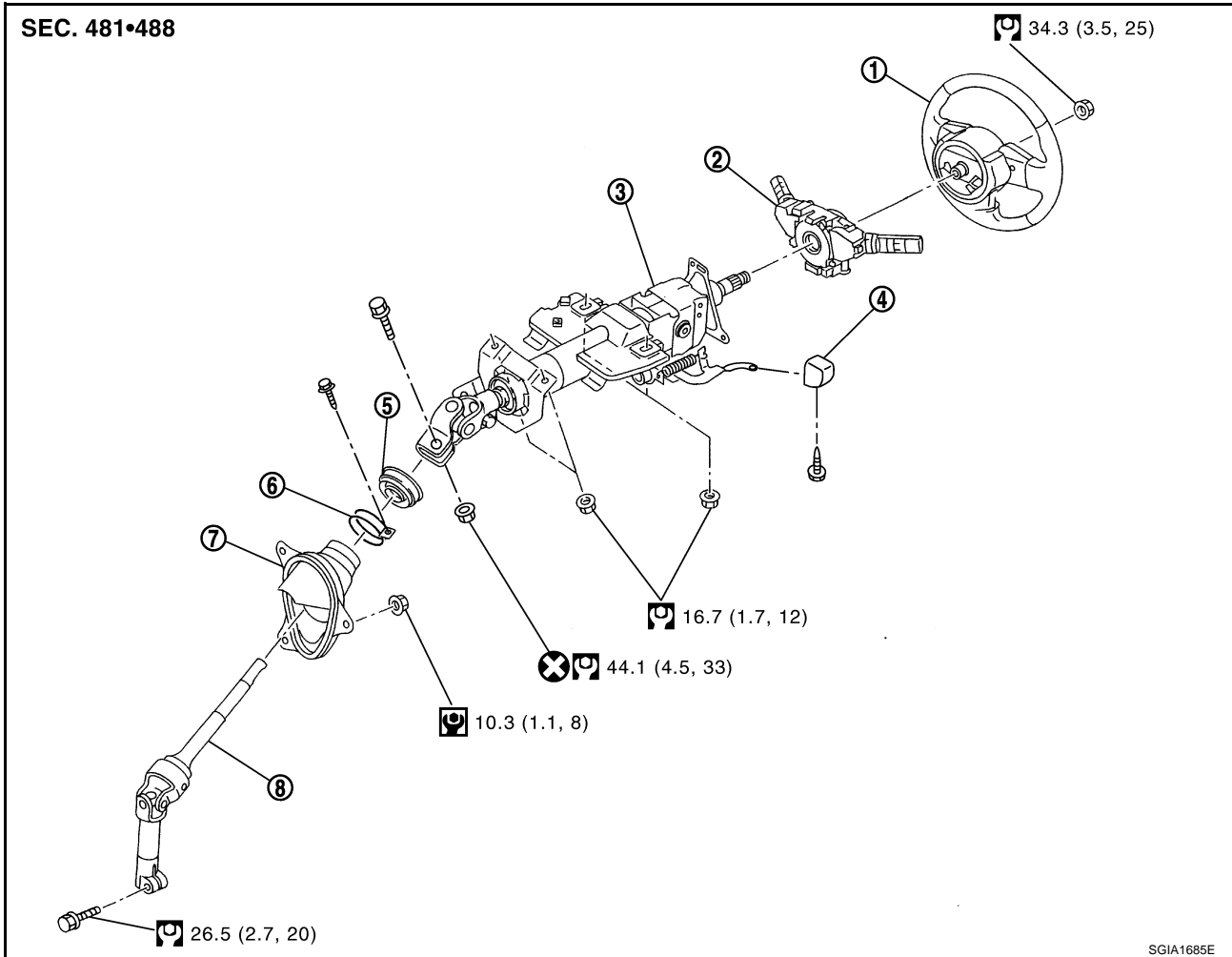
STEERING COLUMN

PFP:48810

NGS0003K

STEERING COLUMN

Removal and Installation COMPONENTS

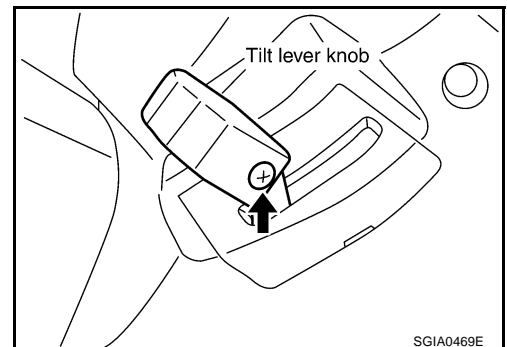


- | | | |
|--------------------|--------------------------------------|-----------------------------|
| 1. Steering wheel | 2. Combination switch & spiral cable | 3. Steering column assembly |
| 4. Tilt lever knob | 5. Hole cover seal | 6. Clamp |
| 7. Hole cover | 8. Lower shaft | |

Refer to [GI-10, "Components"](#), for the symbols in the figure.

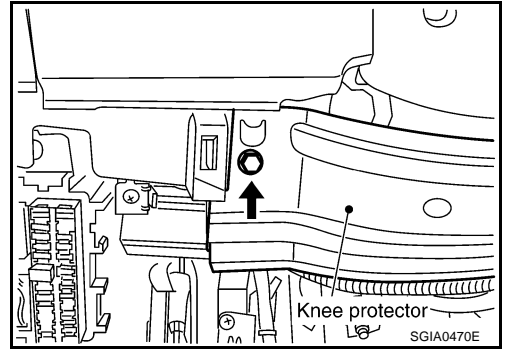
REMOVAL

1. Set vehicle to the straight ahead-direction.
2. Remove driver air bag module from steering wheel. Refer to [SRS-43, "DRIVER AIR BAG MODULE"](#).
3. Disconnect steering switch connector, remove steering wheel lock nut, then remove steering wheel. Refer to [SRS-45, "SPIRAL CABLE"](#).
4. Remove fixing screw of tilt lever knob, then remove tilt lever knob from tilt lever.
5. Remove instrument driver lower panel. Refer to [IP-10, "INSTRUMENT PANEL ASSEMBLY"](#).
6. Remove steering column cover and ignition key finisher. Refer to [IP-10, "INSTRUMENT PANEL ASSEMBLY"](#).
7. Remove NATS antenna amp. Refer to [BL-255, "How to Replace NATS Antenna Amp."](#)

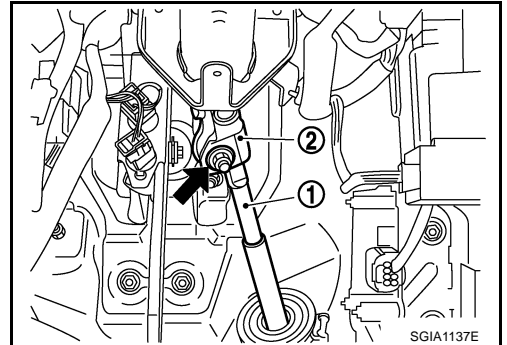


STEERING COLUMN

8. Remove fixing screws of knee protector, then remove knee protector from vehicle.
9. Remove combination switch and spiral cable from steering column assembly. Refer to [SRS-45, "SPIRAL CABLE"](#).
10. Disconnect harness connector from each switch on steering column shaft, then separate vehicle side harness from it.



11. Remove lock nut and bolt, then separate lower shaft (1) from upper joint (2).

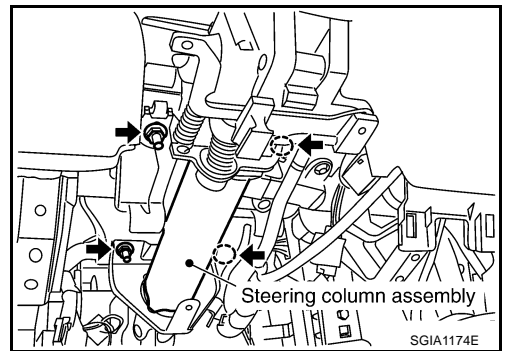


12. Remove mounting nuts from steering member, remove steering column assembly from steering member.

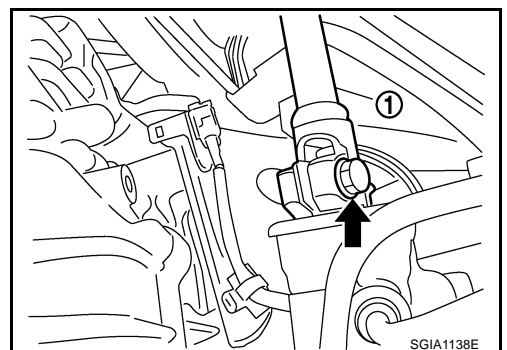
CAUTION:

- Do not give axial impact to steering column assembly during removal.
- Do not move steering gear assembly when removing steering column assembly.

13. Loosen clamp, and then remove hole cover seal from hole cover.
14. Remove mounting nuts of hole cover, and then remove clamp and hole cover from dash panel.



15. Raise vehicle, and then remove mounting bolt (lower side) of lower shaft (1) and remove lower shaft (1) from vehicle.



A
B
C
D
E
F
PS
H
I
J
K
L
M

STEERING COLUMN

INSPECTION AFTER REMOVAL

- Check each part of steering column assembly, hole cover seal, clamp, hole cover and lower shaft for damage or other malfunctions. Replace if there are.
- Measure the length "L1" or "L2" as shown in the figure if vehicle has been involved in a minor collision. Replace steering column assembly if outside the standard.

Steering column length

L1: 182 mm (7.17 in)

L2: 242.6 mm (9.55 in)

- Measure steering column rotating torque using preload gauge. Replace steering column assembly if outside the standard.

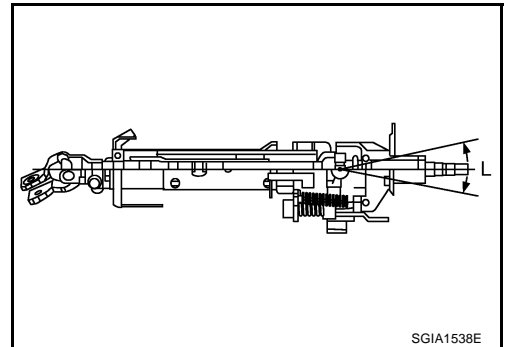
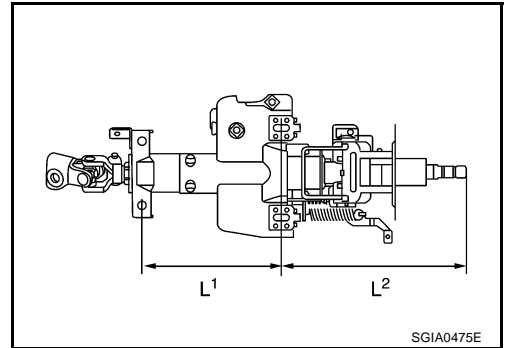
Turning torque : 0 - 0.2 N·m (0 - 0.02 kg·m, 0 - 2 in·lb)

- Check tilt mechanism operating range "L" as shown in the figure.

Operating range "L" : 49.4 mm (1.945 in)

CAUTION:

Measure the operating range "L" at the end of the shaft.



INSTALLATION

Note the following, and installation is in the reverse order of removal.

- Refer to [PS-12, "COMPONENTS"](#) about each tightening torque.
- When installing steering column assembly to steering member, install mounting nuts from front side of vehicle with tilt neutral position.

CAUTION:

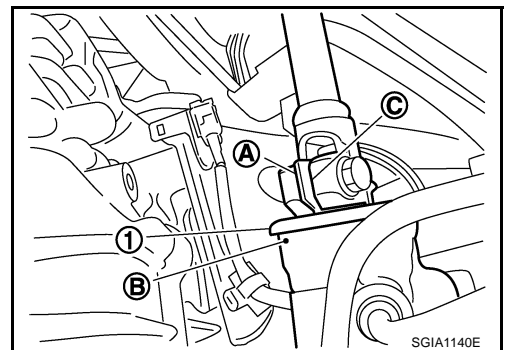
Do not give axial impact to steering column assembly during installation.

- When installing lower shaft to steering gear assembly, follow the procedure listed below.
 - Set rack of steering gear in the neutral position.

NOTE:

To get the neutral position of rack, turn sub-gear assembly and measure the distance of inner socket, and then measure the intermediate position of the distance.

- Align rear cover cap projection (A) with the marking position (B) of gear housing assembly.
- Install slit part of lower shaft (C) aligning with the projection (A) of rear cover cap (1). Make sure that the slit part of lower shaft (C) is aligned with both the projection (A) of rear cover cap (1) and the marking position (B) of gear housing assembly.



INSPECTION AFTER INSTALLATION

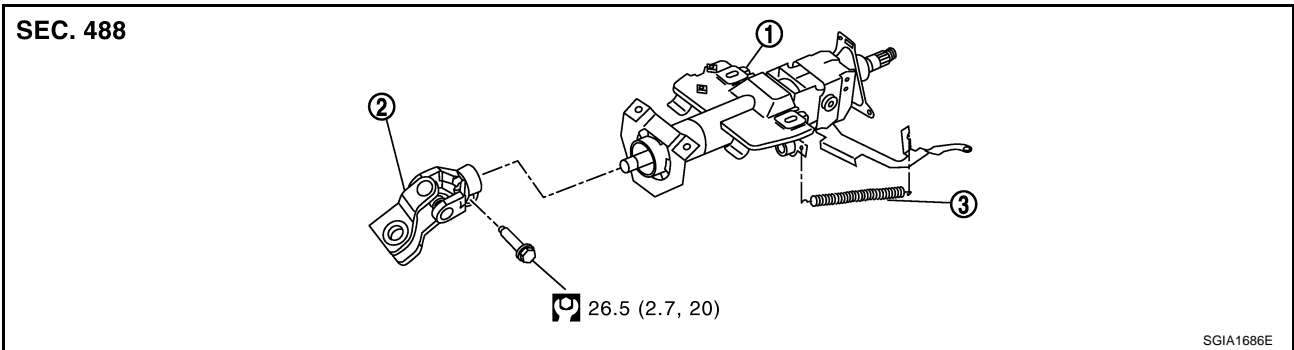
- Make sure that steering wheel operates smoothly by turning several times from full left stop to full right stop.

STEERING COLUMN

Disassembly and Assembly COMPONENTS

NGS0003L

A
B
C
D
E
F
PS
H
I
J
K
L
M

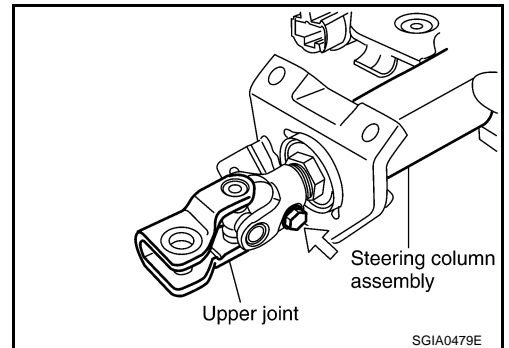


1. Steering column
2. Upper joint
3. Spring

Refer to [GI-10, "Components"](#), for the symbols in the figure.

DISASSEMBLY

1. Remove spring from steering column assembly and tilt lever.
2. Remove fixing bolt of upper joint, then remove upper joint from steering column assembly.



ASSEMBLY

Note the following, and assembly is in the reverse order of disassembly.

- Refer to [PS-15, "COMPONENTS"](#) about each tightening torque.

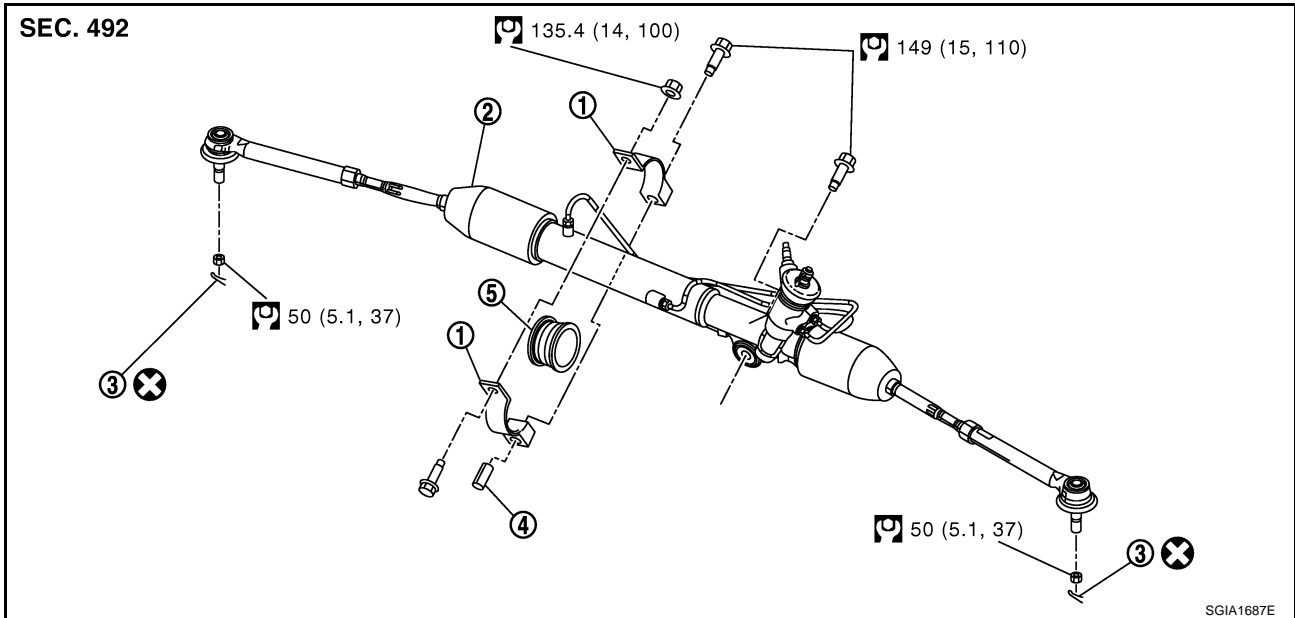
POWER STEERING GEAR

PFP:49001

NGS0003M

POWER STEERING GEAR

Removal and Installation COMPONENTS



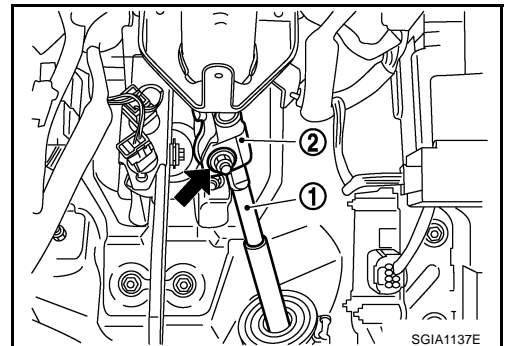
- | | | |
|--------------------------|----------------------------|---------------|
| 1. Rack mounting bracket | 2. Steering gear assembly | 3. Cotter pin |
| 4. Sleeve | 5. Rack mounting insulator | |

Refer to [GI-10. "Components"](#) , for the symbols in the figure.

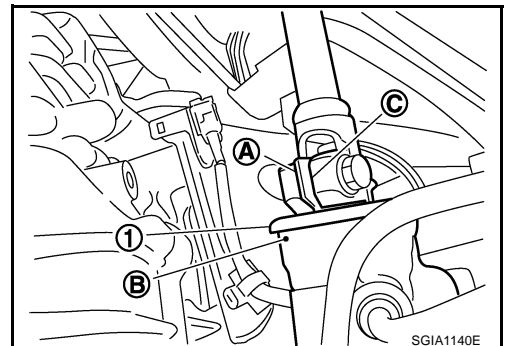
REMOVAL

2WD

1. Set vehicle to the straight-ahead position.
2. Remove lock nut and bolt, then separate lower shaft (1) from upper joint (2).
3. Remove tires from vehicle with power tool.



4. Confirm slit of lower shaft (C) fits with the projection (A) on rear cover cap (1), furthermore marking position (B) on steering gear assembly nearly fits with the projection (A) on rear cover cap (1).
5. Remove cotter pin at steering knuckle, then loosen mounting nut.

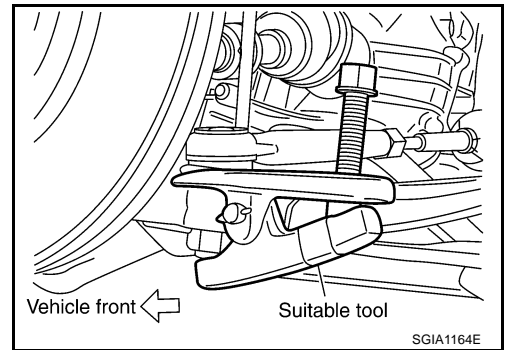


POWER STEERING GEAR

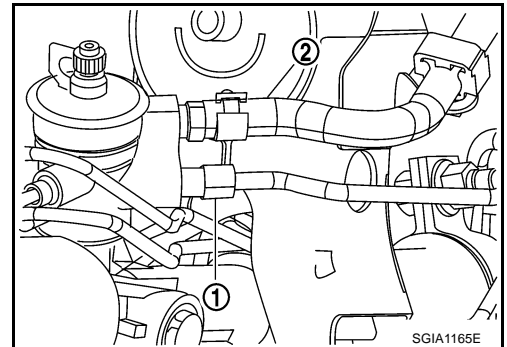
6. Remove steering outer socket from steering knuckle so as not to damage ball joint boot using the ball joint remover [suitable tool].

CAUTION:

Temporarily tighten the nut to prevent damage to threads and to prevent the ball joint remover [suitable tool] from suddenly coming off.



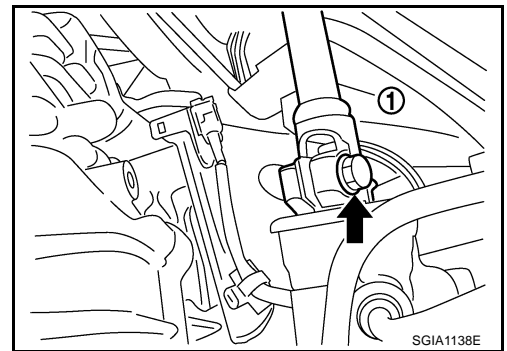
7. Remove high-pressure piping (1) and low-pressure hose (2) of hydraulic piping, and then drain power steering fluid. Refer to [PS-36, "Removal and Installation"](#).



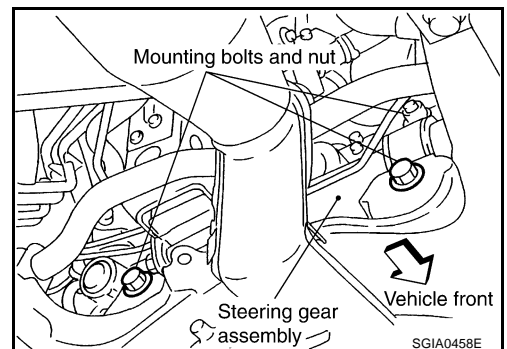
8. Remove mounting bolt (lower side) of lower shaft (1).

CAUTION:

Spiral cable may snap due to steering operation if steering column is separated from steering gear assembly. Therefore fix steering wheel with a string to avoid turns.



9. Remove mounting bolts and nut of steering gear assembly, and then remove steering gear assembly, rack mounting bracket, rack mounting insulator and sleeve from vehicle.

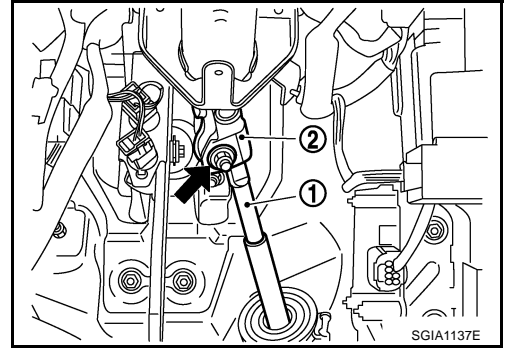


A
B
C
D
E
F
PS
H
I
J
K
L
M

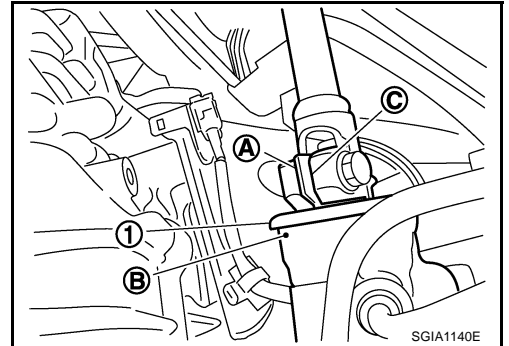
POWER STEERING GEAR

AWD

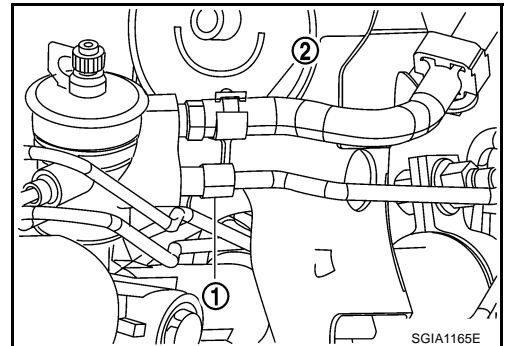
1. Set vehicle to the straight-ahead position.
2. Remove lock nut and bolt, then separate lower shaft (1) from upper joint (2).
3. Remove tires from vehicle with power tool.
4. Remove undercover from vehicle with power tool.



5. Confirm slit of lower shaft (C) fits with the projection (A) on rear cover cap (1), furthermore marking position (B) on steering gear assembly nearly fits with the projection (A) on rear cover cap (1).



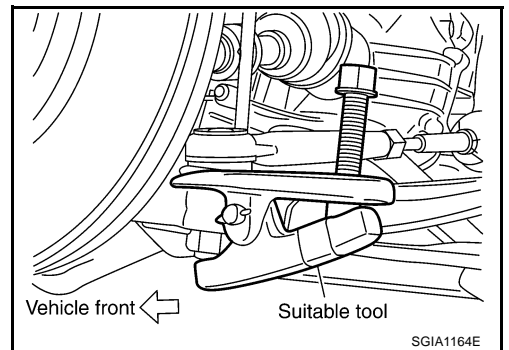
6. Remove high-pressure piping (1) and low-pressure hose (2) of hydraulic piping, and then drain power steering fluid. Refer to [PS-36, "Removal and Installation"](#).
7. Remove cotter pin at steering knuckle, then loosen mounting nut.



8. Remove steering outer socket from steering knuckle so as not to damage ball joint boot using the ball joint remover [suitable tool].

CAUTION:

Temporarily tighten the nut to prevent damage to threads and to prevent the ball joint remover [suitable tool] from suddenly coming off.



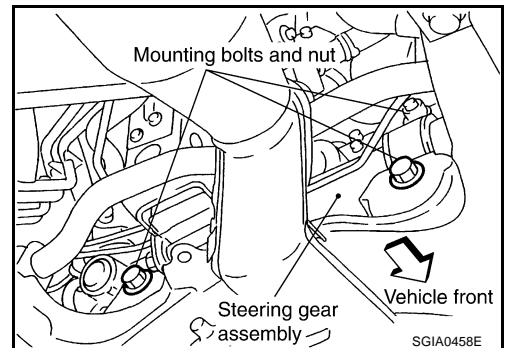
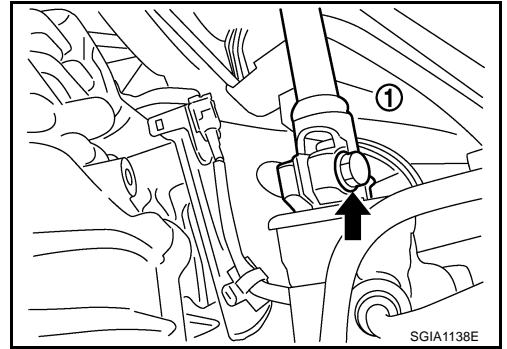
POWER STEERING GEAR

9. Remove mounting bolt (lower side) of lower shaft (1).

CAUTION:

Spiral cable may snap due to steering operation if steering column is separated from steering gear assembly. Therefore fix steering wheel with a string to avoid turns.

10. Remove front exhaust tube with power tool. Refer to [EX-3, "EXHAUST SYSTEM"](#).
11. Remove rear propeller shaft. Refer to [PR-4, "REAR PROPELLER SHAFT"](#).
12. Remove mounting nuts on lower position of stabilizer connecting rod with power tool.
13. Remove mounting bolts of stabilizer clamp and hang stabilizer on vehicle with power tool.
14. Remove steering hydraulic piping bracket from front suspension member. Refer to [PS-36, "HYDRAULIC LINE"](#).
15. Disconnect electrical rear engine mounting actuator harness connector. Refer to [EM-108, "ENGINE ASSEMBLY"](#).
16. Set jack under engine and front suspension member.
17. Remove mounting bolts of rear engine mounting insulator with power tool. Refer to [EM-108, "ENGINE ASSEMBLY"](#).
18. Loosen mounting nuts of front suspension member (front side).
19. Remove mounting bolts of member stay (body side) with power tool, then loosen mounting nuts of member stay (front suspension member side).
20. Move jack down slowly (front suspension member side) to remove rear engine mounting insulator from engine and front suspension member.
21. Remove mounting bolts and nut of steering gear assembly, and then remove steering gear assembly, rack mounting bracket, rack mounting insulator and sleeve from vehicle.



A
B
C
D
E
F
PS
H
I
J
K
L
M

POWER STEERING GEAR

INSTALLATION

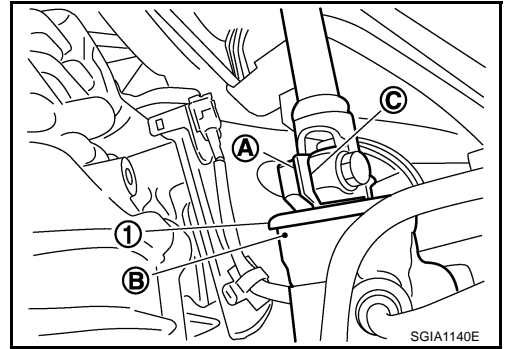
Note the following, and install is in the reverse order of removal.

- Refer to [PS-16, "COMPONENTS"](#) about each tightening torque.
- When installing lower shaft to steering gear assembly, follow the procedure listed below.
- Set rack of steering gear in the neutral position.

NOTE:

To get the neutral position of rack, turn pinion assembly and measure the distance of inner socket, and then measure the intermediate position of the distance.

- Align rear cover cap projection (A) with the marking position (B) of gear housing assembly.
- Install slit part of lower shaft (C) aligning with the projection (A) of rear cover cap (1). Make sure that the slit part of lower shaft (C) is aligned with both the projection (A) of rear cover cap (1) and the marking position (B) of gear housing assembly.
- After installation, bleed air from the steering hydraulic system. Refer to [PS-8, "Air Bleeding Hydraulic System"](#).
- Perform final tightening of nuts and bolts on each part under unladen conditions with tires on level ground when removing steering gear assembly. Check wheel alignment. Refer to [FSU-5, "Wheel Alignment Inspection"](#).
- Adjust neutral position of steering angle sensor after checking wheel alignment. Refer to [SRS-45, "INSTALLATION"](#).



INSPECTION AFTER INSTALLATION

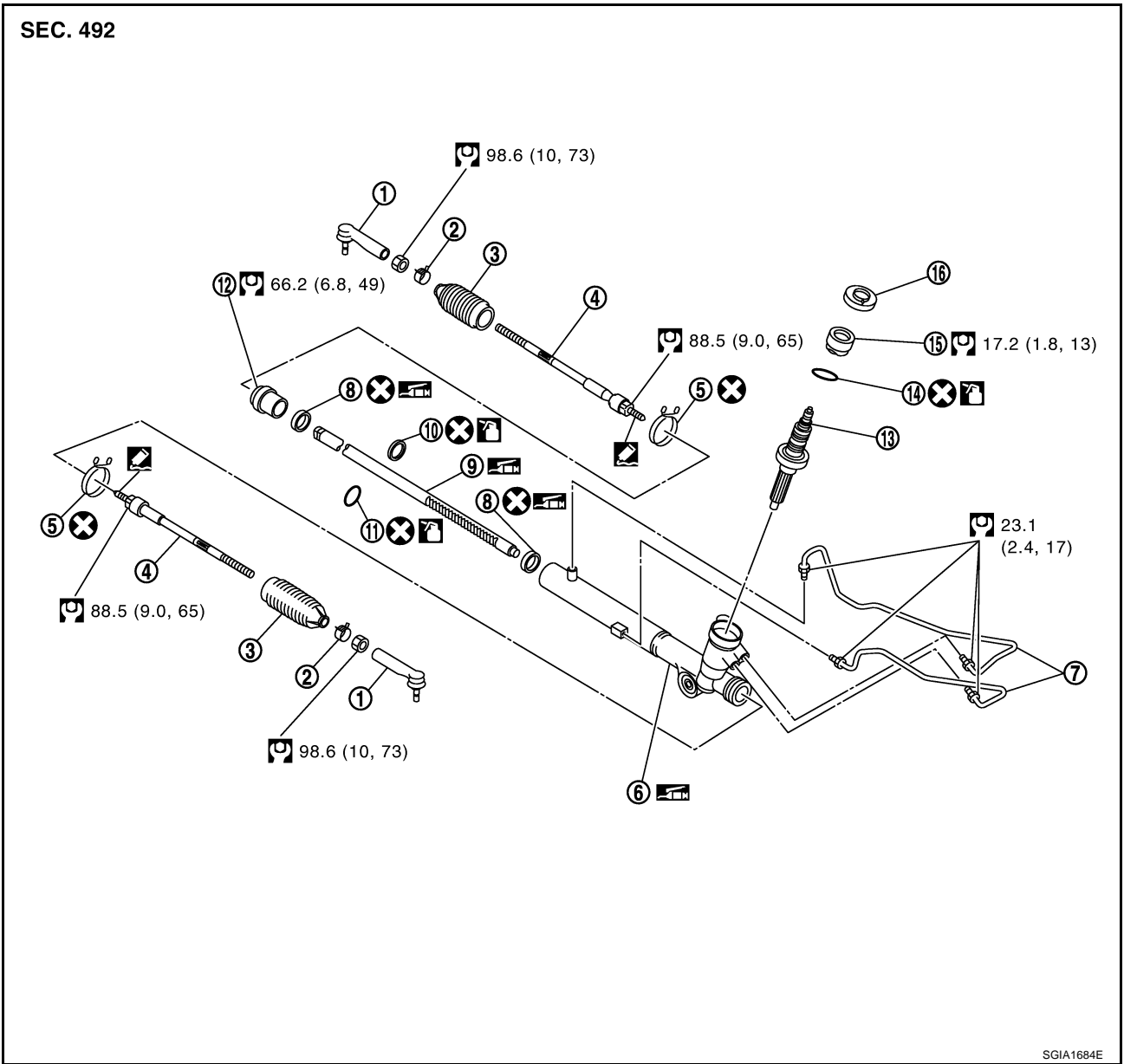
- Make sure that steering wheel operates smoothly by turning several times from full left stop to full right stop.

POWER STEERING GEAR

Disassembly and Assembly COMPONENTS

NGS0003N

A
B
C
D
E
F
PS
H
I
J
K
L
M



- | | | |
|----------------------|------------------|--------------------------|
| 1. Outer socket | 2. Boot clamp | 3. Boot |
| 4. Inner socket | 5. Boot clamp | 6. Gear housing assembly |
| 7. Cylinder tubes | 8. Rack oil seal | 9. Rack assembly |
| 10. Rack Teflon ring | 11. O-ring | 12. End cover assembly |
| 13. Pinion assembly | 14. O-ring | 15. Rear cover |
| 16. Rear cover cap | | |

Refer to [GI-10. "Components"](#) and the followings for the symbols in the figure.

- Apply power steering fluid.
- Apply Genuine Liquid Gasket, Three Bond 1111B or equivalent.
- Apply multi-purpose grease.

POWER STEERING GEAR

DISASSEMBLY

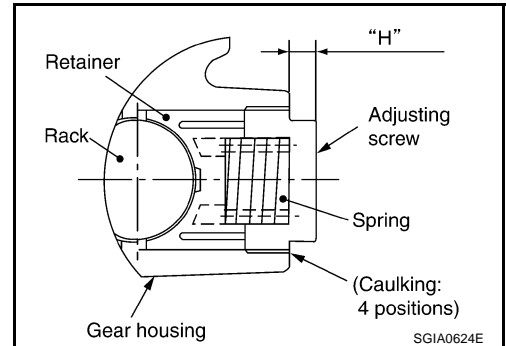
CAUTION:

- Disassemble steering gear assembly by securing the mounting area in a vise using copper plates.
- Clean steering gear assembly with kerosene before disassembling. Be careful to avoid splashing or applying any kerosene over connector of discharge port or return port.

1. Remove cylinder tubes from gear housing assembly.
2. Remove rear cover cap from gear housing assembly.
3. Measure adjusting screw height "H", and loosen adjusting screw.

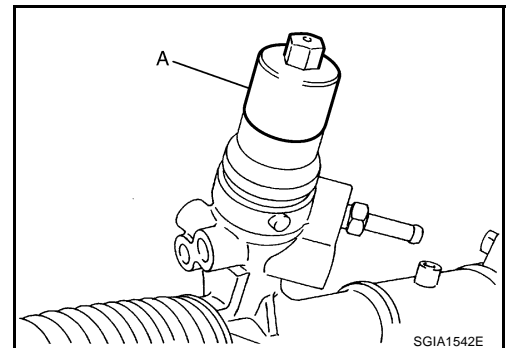
CAUTION:

- Do not loosen adjusting screw 2 turns or more.
- Replace steering gear assembly if adjusting screw is loosened 2 turns or more and it is removed.



5. Use a Tool (A) to remove rear cover from pinion assembly.

Tool number **A: KV48104400 (J-46213)**



6. Remove O-ring with a flat-bladed screwdriver, and pull out rear cover.
7. Remove pinion assembly from gear housing assembly.

CAUTION:

In order to protect oil seal from any damage, pull pinion assembly out straightly.

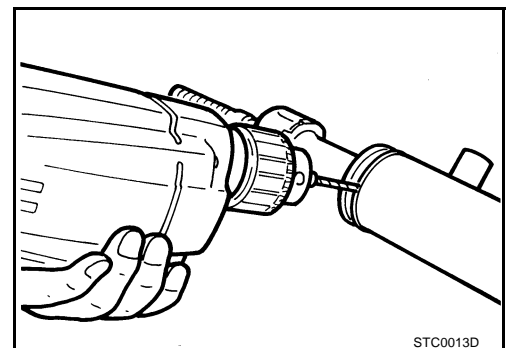
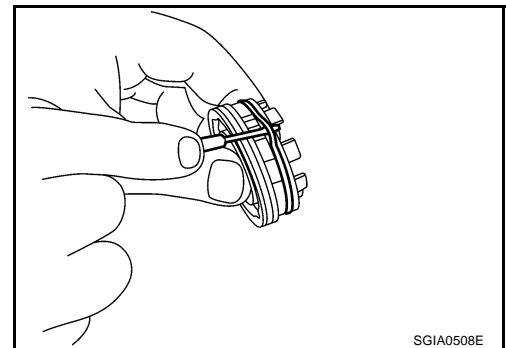
8. Loosen lock nut of outer socket, and remove outer socket.
9. Remove boot clamp, and then remove boot from inner socket.

CAUTION:

- Do not damage inner socket and gear housing assembly when removing boot.

- Inner socket and gear housing assembly must be replaced if inner socket and gear housing assembly are damaged because it may cause foreign material interfusion.

10. Drill out the clinching part of gear housing assembly (end cover assembly side) outer rim with a 3 mm (0.12 in) drill bit. [Drill for approximately 1.5 mm (0.059 in) depth.]



POWER STEERING GEAR

11. Remove end cover assembly with a 45 mm (1.77 in) open head (suitable tool).

CAUTION:

- Do not damage rack assembly surface when removing.
- Rack assembly must be replaced if damaged because it may cause fluid leakage.

12. Pull rack assembly together with rack oil seal (outer side) out from gear housing assembly.

CAUTION:

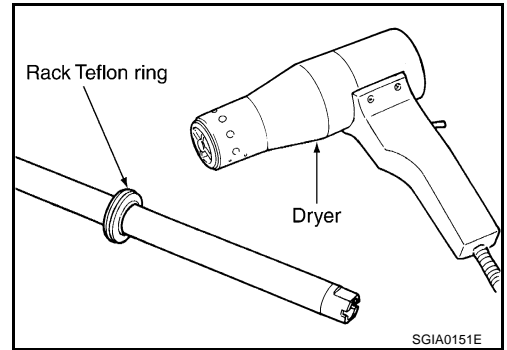
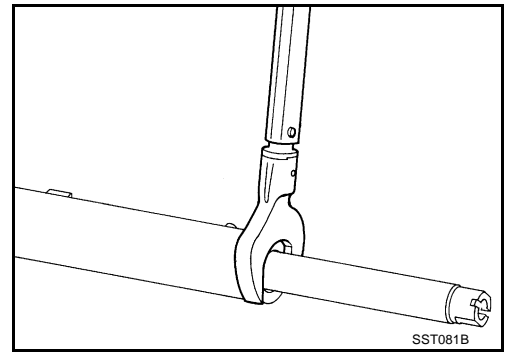
- Do not damage cylinder inner wall when removing rack assembly.

- Gear housing assembly must be replaced if damaged because it may cause fluid leakage.

13. Heat rack Teflon ring to approximately 40°C (104°F) with a dryer, then remove it and O-ring from rack.

CAUTION:

- Do not damage rack assembly. Rack assembly must be replaced if damaged because it may cause fluid leakage.**

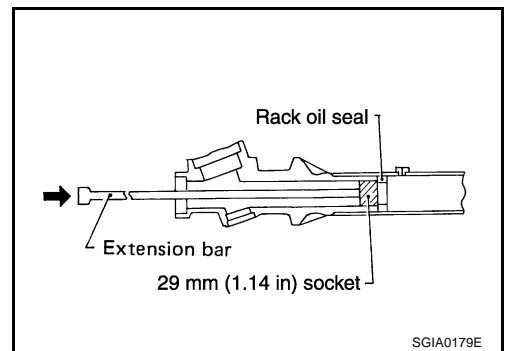


14. Push rack oil seal inside with a 29 mm (1.14 in) socket and an extension bar to push out rack oil seal (inner side) from gear housing assembly.

CAUTION:

- Do not damage gear housing assembly and cylinder inner wall.

- Gear housing assembly must be replaced if damaged because it may cause fluid leakage.



A
B
C
D
E
F
PS
H
I
J
K
L
M

POWER STEERING GEAR

INSPECTION AFTER DISASSEMBLY

Boot

Check boot for cracks and deformation. Replace it, if necessary.

Rack

Check rack for damage and wear. Replace it, if necessary.

Pinion Assembly

- Check pinion gear for damage and wear. Replace it, if necessary.
- Rotate pinion and check for torque variation or rattle. Replace if there are.

Gear Housing Assembly

Check gear housing assembly for damage and scratches (inner wall). Replace it, if necessary.

Outer Socket and Inner Socket

Swing Torque

- Hook a spring balance at the point shown in the figure and pull the spring balance. Make sure that the spring balance reads the specified value when ball stud and inner socket start to move. Replace outer socket and steering gear assembly if they are outside the standard.

Swing torque

Measuring point:

Outer socket: Cotter pin hole of stud

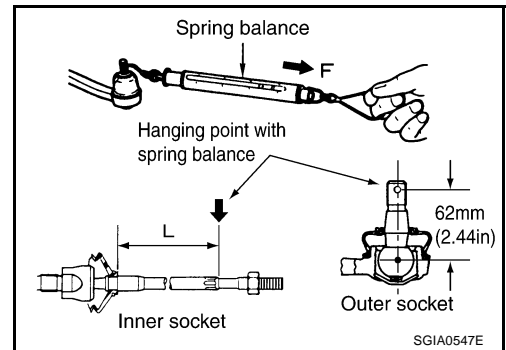
Inner socket: ["L" = 83.2 mm (3.276 in)]

Outer socket:

4.84 - 46.7 N (0.50 - 4.7 kg, 1.09 - 10.4 lb)

Inner socket:

12.1 - 93.7 N (1.3 - 9.5, kg, 2.8 - 21.0 lb)



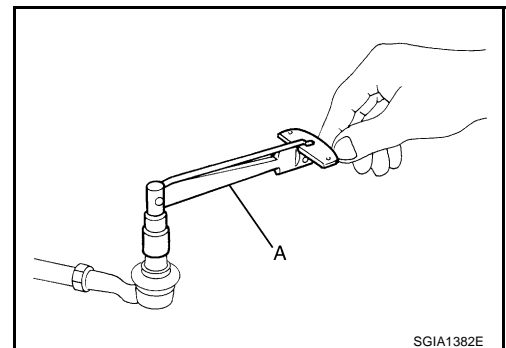
Rotating Torque

- Make sure that the reading is within the following specified range using Tool. Replace outer socket if the reading is outside the specified value.

Tool number A: ST3127S000 (—)

Outer socket:

0.3 - 2.9 N-m (0.03 - 0.29 kg-m, 3 - 25 in-lb)

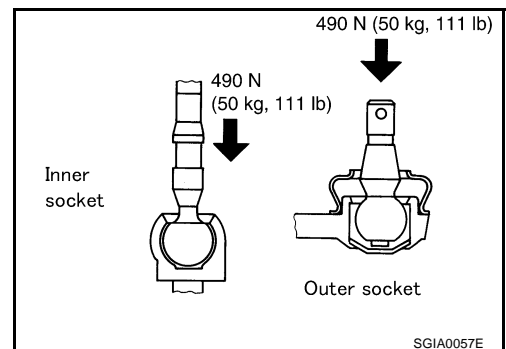


Axial End Play

- Apply an axial load of 490 N (50 kg, 111 lb) to ball stud using a dial gauge. Measure amount of stud movement, and then make sure that the value is within the following specified range. Replace outer socket and inner socket if the measured value is outside the standard.

Outer socket : 0.5 mm (0.02 in) or less

Inner socket : 0.2 mm (0.008 in) or less



POWER STEERING GEAR

ASSEMBLY

CAUTION:

Assemble steering gear assembly by securing the mounting area in a vise using copper plates.

1. Apply recommended fluid to O-ring. Put an O-ring into rack Teflon ring.

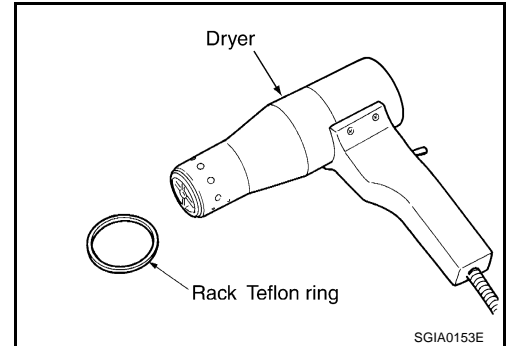
CAUTION:

Do not reuse O-ring.

2. Heat rack Teflon ring to approximately 40°C (104°F) with a dryer. Assemble it to mounting groove of rack assembly.

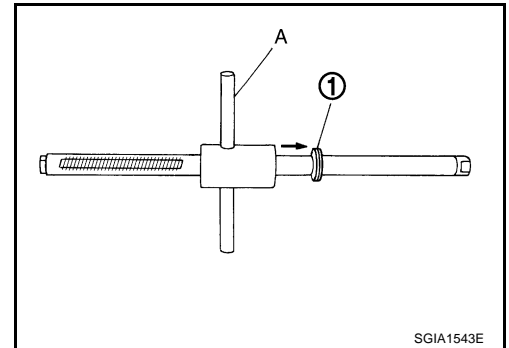
CAUTION:

Do not reuse rack Teflon ring.



3. Install the Tool (A) from tooth side of rack to fit rack Teflon ring (1) on rack. Compress the ring with tool.

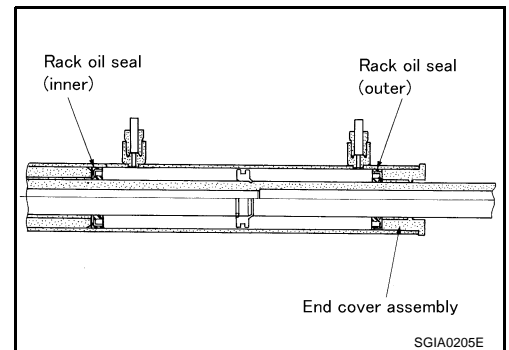
Tool number A: KV48104400 (—)



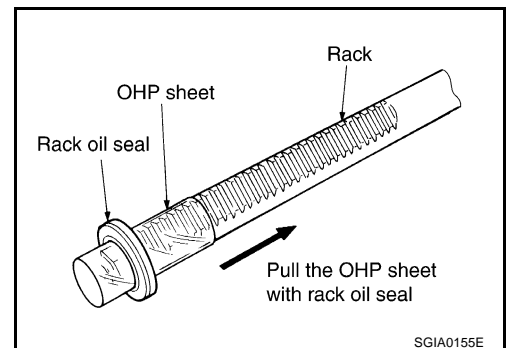
4. Apply recommended grease to rack oil seal. And install rack oil seal in the following procedure. Then assemble rack assembly to gear housing assembly.

CAUTION:

- Do not reuse rack oil seal.
- Install rack oil seal in a direction so that the lip of inner oil seal and the lip of outer oil seal face each other.
- Do not damage retainer sliding surface by rack assembly. Replace gear housing assembly if damaged.
- Do not damage gear housing assembly inner wall by rack assembly. Gear housing assembly must be replaced if damaged because it may cause fluid leakage.



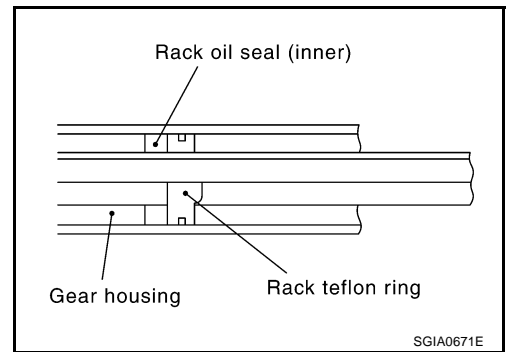
- a. Wrap an OHP sheet [approximately 70 mm (2.76 in) × 100 mm (3.94 in).] Around rack assembly teeth to avoid damaging rack oil seal (inner). Install rack oil seal over sheet. Then, pull oil seal along with OHP sheet until they pass rack assembly teeth, and remove OHP sheet.



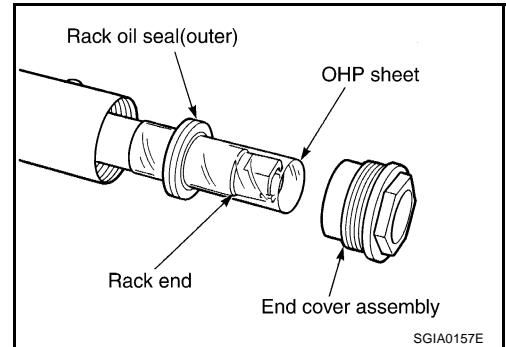
A
B
C
D
E
F
PS
H
I
J
K
L
M

POWER STEERING GEAR

- b. Insert rack oil seal (inner) into rack assembly piston (rack Teflon ring).
- c. Push retainer to adjusting screw side by hand, and move the rack assembly inside the gear housing assembly so that the rack oil seal (inner) can be pressed against the gear housing assembly.



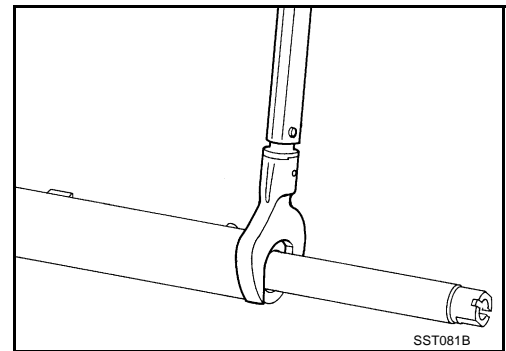
- d. Wrap an OHP sheet [approximately 70 mm (2.76 in) × 100 mm (3.94 in.)] Around the edge to avoid damaging rack oil seal (outer). Install rack oil seal over sheet. Then, pull oil seal along with OHP sheet until they pass rack edge, and remove OHP sheet.
- e. Install end cover assembly to rack edge, and move rack oil seal (outer) until it contacts with gear housing assembly.



5. Tighten end cover assembly to specified torque using a 45 mm (1.77 in) open head (suitable tool).

CAUTION:

Do not damage rack assembly. Replace it if damaged because it may cause fluid leakage.



6. Crimp gear housing assembly at one point using a punch as shown in the figure so as to prevent end cover assembly from getting loose after tightening end cover assembly.
7. Install pinion assembly to gear housing assembly.

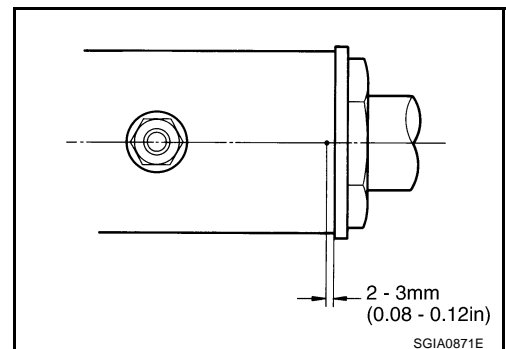
CAUTION:

In order to protect oil seal from any damage, insert pinion assembly out straightly.

8. Apply recommended fluid to O-ring. Install O-ring to rear cover.

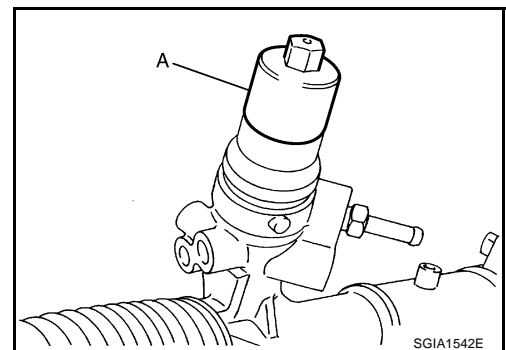
CAUTION:

Do not reuse O-ring.



9. Using a Tool (A), install rear cover to gear housing assembly.

Tool number A: KV48104400 (J-46213)



POWER STEERING GEAR

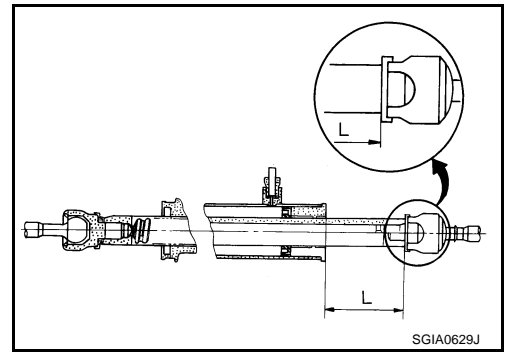
10. Decide on the neutral position for the rack.

Rack stroke "L" : 71.5 mm (2.815 in)

11. Install rear cover cap to gear housing assembly.

CAUTION:

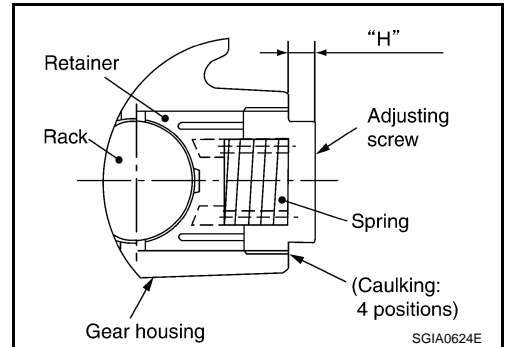
Make sure that the projection of rear cover cap is aligned with the marking position of gear housing assembly.



12. Apply Three Bond TB1111 or equivalent to the thread (2 turns thread), and then screw in the adjusting screw until it reaches height "H" from gear housing assembly measured before disassembling.

CAUTION:

- Do not turn adjusting screw more than twice.
- Replace steering gear assembly when adjusting screw is removed or more than twice.

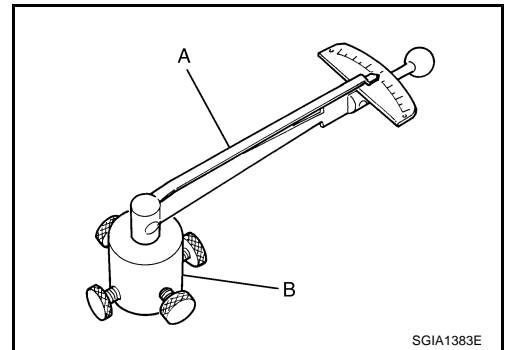


13. Adjust pinion rotating torque with the following procedure.

a. Measure pinion rotating torque within $\pm 180^\circ$ of neutral position of the rack assembly using Tools. Stop the gear at the point where highest torque is read.

Tool number A: ST3127S000 (J-25765-A)
B: KV48103400 (—)

b. After loosening adjusting screw once, tighten it again with torque of 4.9 - 5.9 N·m (0.50 - 0.60 kg·m, 44 - 52 in·lb). Furthermore loosen it within from 20° to 40° .



c. Measure pinion rotating torque using Tools to make sure that the measured value is within the standard. Readjust if the value is outside the standard. Replace steering gear assembly if the value is outside the standard after readjusting or adjusting screw rotating torque is 5 N·m (0.51 kg·m, 44 in·lb) or less.

Pinion rotating torque

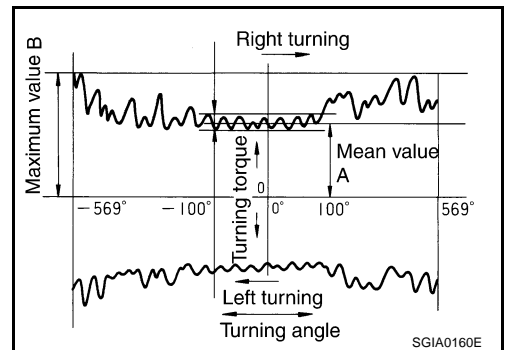
Maximum variation "B":

2.3 N·m (0.23 kg·m, 20 in·lb)

Around neutral position (without $\pm 100^\circ$) fluctuation

Average "A":

0.8 - 2.0 N·m (0.09 - 0.20 kg·m, 7 - 17 in·lb)



d. Turn pinion fully to the end of the left with inner socket to gear housing assembly.

A
B
C
D
E
F
PS
H
I
J
K
L
M

POWER STEERING GEAR

- e. Install dial indicator (B) at 5mm (L) from the edge of housing (2), and tooth point.
- f. Measure vertical movement of rack assembly when pinion is turned counterclockwise with torque of 4.9 N·m (0.5 kg·m, 43 in·lb), using Tool.

Tool number **A: ST3127S000 (—)**

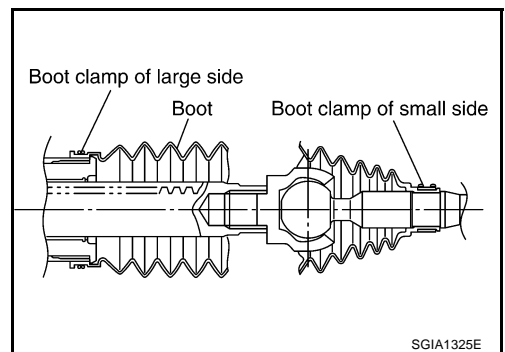
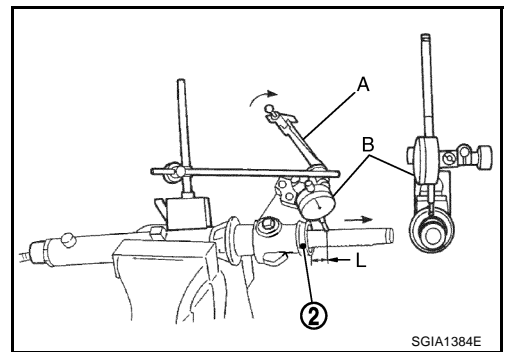
Vertical movement **: 0.265 mm (0.0104 in)**

- If reading is outside of the specification, readjust screw angle with adjusting screw.

CAUTION:

- If reading is still out side of specification, or if the rotating torque of adjusting screw is less than 5 N·m (0.51 kg·m, 44 in·lb), replace steering gear assembly.
- Do not turn adjusting screw more than twice.
- Replace steering gear assembly when adjusting screw is removed or more than twice.

14. Install large side of boot to gear housing assembly.
15. Install small side of boot to the mounting groove of inner socket boot.
16. Install boot clamp to the small side of boot.



17. Install boot clamp to the large side of boot with the following procedure.

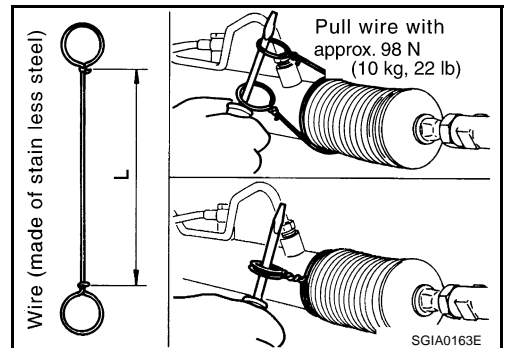
CAUTION:

Do not reuse boot clamp.

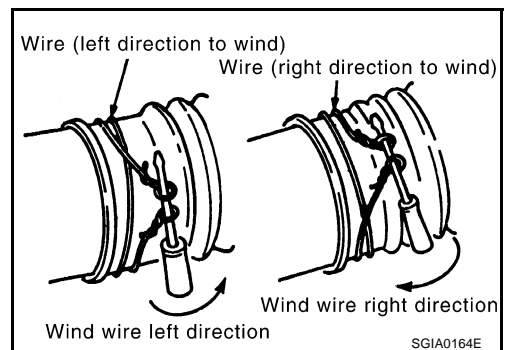
- a. Tighten large side of RH/LH boot with boot clamp (stainless steel wire).

Wire length "L" **: 390 mm (15.35 in)**

- b. After wrapping clamp around boot groove for two turns, insert screwdriver in loop on both ends of wire. Twist 4 to 4.5 turns while pulling with a force of approx. 98 N (10 kg, 22.1 lb).



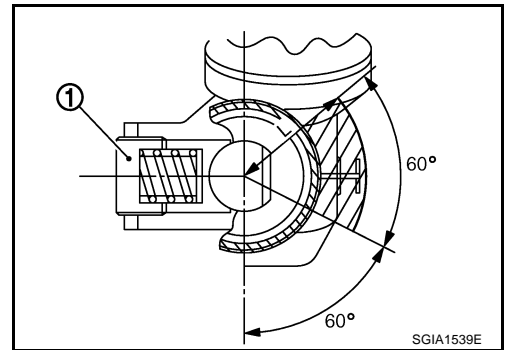
- c. Twist boot clamp as shown in the figure, pay attention to relationship between winding and twisting directions.



POWER STEERING GEAR

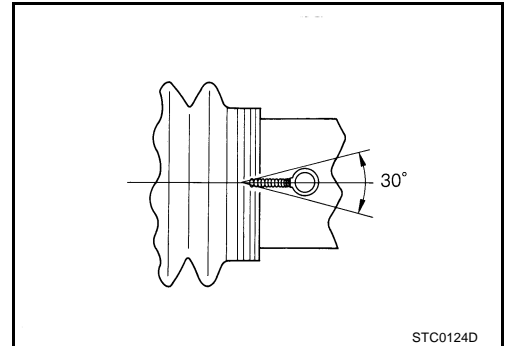
- d. Twisted point of clamp is in the opposite side of adjusting screw (1) as shown in the hatched area in the figure (to prevent contact with other parts).

Wire length "L" : 40 mm (1.57 in) or less

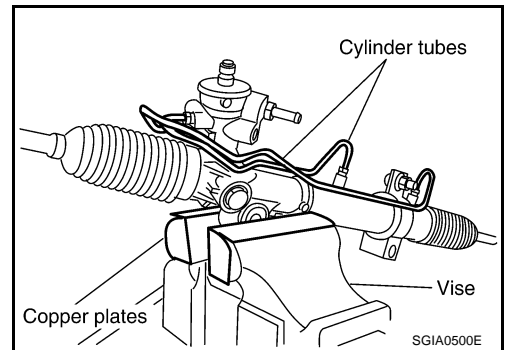


- e. Bent cut end of the wire toward rack axial as shown in the figure after twisting the wire 4 to 4.5 turns so that cut end does not contact with boot.

CAUTION:
Keep gap from cylinder tube 5 mm (0.20 in) or more.



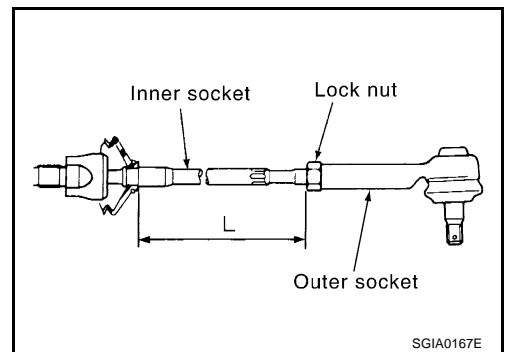
18. Install cylinder tubes to gear housing assembly. Tighten the bolts to the specified torque. Refer to [PS-21, "COMPONENTS"](#).
19. Install lock nut and outer socket to inner socket.



20. Adjust inner socket to standard length "L", and then tighten lock nut to the specified torque. Refer to [PS-21, "COMPONENTS"](#). Check length of inner socket "L" again after tightening lock nut. Make sure that the length is the standard.

Inner socket length "L" : 147.7 mm (5.81 in)

CAUTION:
Adjust toe-in after this procedure. Length achieved after toe-in adjustment is not necessary the above value.



A
B
C
D
E
F
PS
H
I
J
K
L
M

POWER STEERING OIL PUMP

PFP:49110

NGS000BM

POWER STEERING OIL PUMP

On-Vehicle Service RELIEF OIL PRESSURE

CAUTION:

Before starting work, confirm belt tension is proper.

1. Connect pressure gauge (SST) and pressure gauge adapter (SST) between power steering oil pump discharge connector and high pressure hose. Bleed air from the hydraulic circuit while opening valve fully. Refer to [PS-8, "Air Bleeding Hydraulic System"](#).

Tool number : KV48103500 (J-26357 and J-26357-10)

2. Start engine. Allow engine to run until tank temperature reaches 50 to 80°C (122 to 176°F).

CAUTION:

- Warm up engine with shut-off valve fully opened. If engine is started with shut-off valve closed, fluid pressure in power steering pump increases to maximum. This will raise fluid temperature excessively.

- Be careful not to contact hose with belt when engine is started.

3. Fully close the pressure gauge [SST] valve with engine at idle and measure the relief oil pressure.

Tool number : KV48103500 (J-26357 and J-26357-10)

Relief oil pressure:

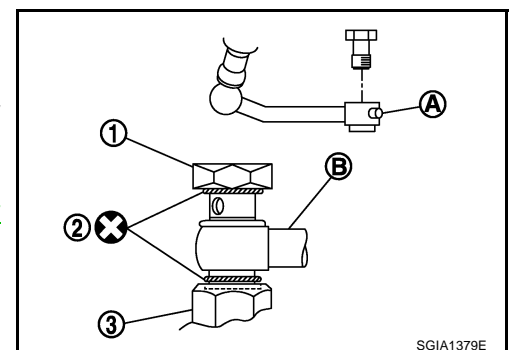
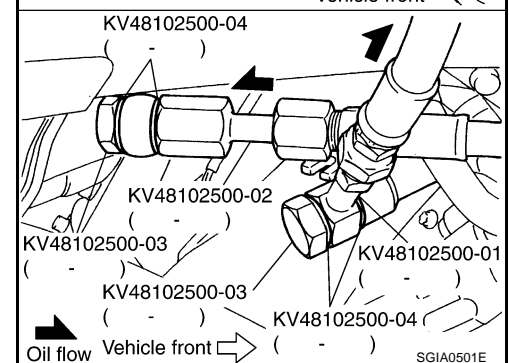
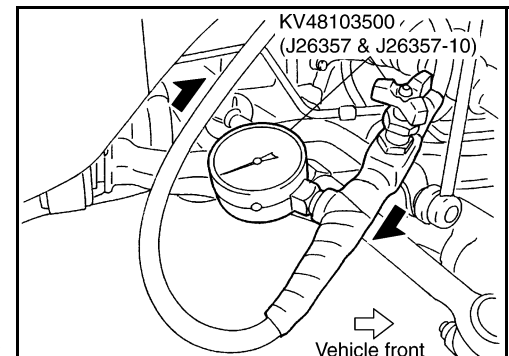
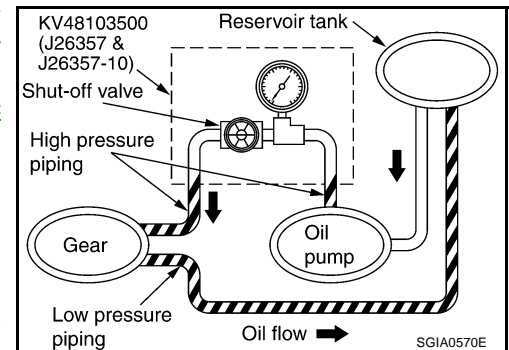
8,500 - 9,300 kPa (88 - 94 kg/cm² , 1,251 - 1,337 psi)

CAUTION:

Never keep valve closed for 10 seconds or longer.

4. Open the valve slowly after measuring. Repair power steering oil pump is the relief oil pressure is outside the standard. Refer to [PS-32, "Disassembly and Assembly"](#).

5. Apply recommended fluid to around O-ring (2), then install eye-bolt (1). Install eye-bolt (1) with eye-joint (assembled to high pressure hose) (B) protrusion (A) facing with pump side cutout, and then tighten it to the specified torque after tightening by hand. Refer to [PS-36, "Removal and Installation"](#).
6. After inspection, disconnect the pressure gauge [SST] from hydraulic circuit, then add fluid and bleed air. Refer to [PS-8, "Air Bleeding Hydraulic System"](#).



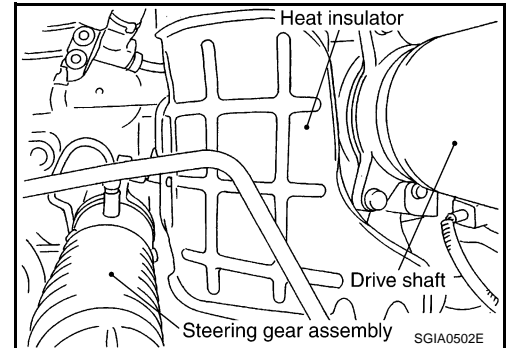
POWER STEERING OIL PUMP

NGS0003P

Removal and Installation

REMOVAL

1. Drain power steering fluid from reservoir tank.
2. Remove tires with power tool.
3. Remove side splash guard from vehicle with power tool.
4. Remove heat insulator from vehicle.
5. Loosen adjust screw and oil pump fixing bolt, then remove belt from oil pump pulley. Refer to [EM-108, "ENGINE ASSEMBLY"](#) .
6. Remove piping of high pressure and low pressure (drain fluid from their pipings). Refer to [PS-36, "Removal and Installation"](#) .
7. Remove mounting bolts, then remove power steering pump.



INSTALLATION

Note the following, and installation in the reverse order of removal.

- Refer to [PS-36, "Removal and Installation"](#) about each tightening torque.
- Install eye-bolt, high pressure hose and suction hose. Refer to [PS-36, "Removal and Installation"](#) .
- Perform the following procedure after installing.
 - Adjust belt tension. Refer to [EM-13, "DRIVE BELTS"](#) .
 - Bleed air. Refer to [PS-8, "Air Bleeding Hydraulic System"](#) .

A

B

C

D

E

F

PS

H

I

J

K

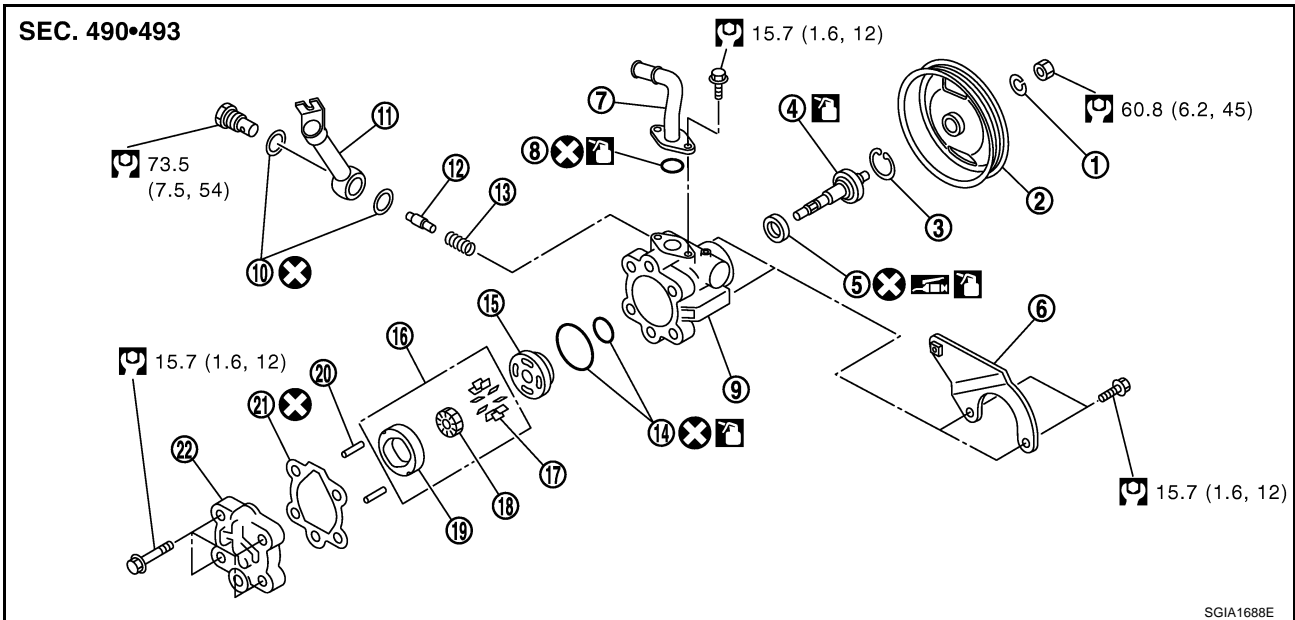
L

M

POWER STEERING OIL PUMP

NGS0003Q

Disassembly and Assembly COMPONENTS



- | | | |
|-------------------|---------------|------------------------|
| 1. Spring washer | 2. Pulley | 3. Snap ring |
| 4. Drive shaft | 5. Oil seal | 6. Bracket |
| 7. Suction hose | 8. O-ring | 9. Body assembly |
| 10. Copper washer | 11. Joint | 12. Flow control valve |
| 13. Spring | 14. O-ring | 15. Side plate |
| 16. Cartridge | 17. Vane | 18. Rotor |
| 19. Cam ring | 20. Dowel pin | 21. Gasket |
| 22. Rear cover | | |

Refer to [GI-10, "Components"](#), and the followings for the symbols in the figure.

: Apply power steering fluid.

: Apply multi-purpose grease

DISASSEMBLY

NOTE:

Secure oil pump in a vise if necessary.

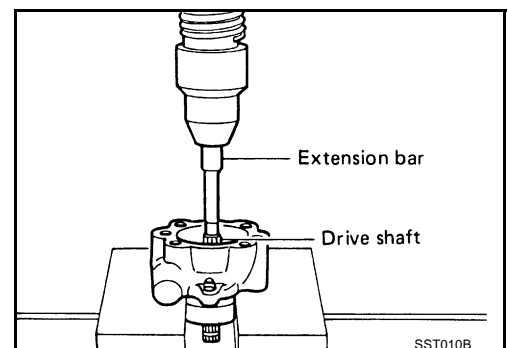
CAUTION:

When retaining drive shaft in a vise, always use copper or aluminum plates between vise and shaft.

1. Remove rear cover mounting bolts and then remove rear cover from body assembly.
2. Remove gasket from body assembly.
3. Remove dowel pin, cartridge and side plate from body assembly.
4. Remove pulley mounting nut and then remove pulley from drive shaft.
5. Remove bracket mounting bolts and then remove bracket from body assembly.
6. Remove snap ring from drive shaft assembly and press out it.

CAUTION:

When removing snap ring, be careful not to damage drive shaft assembly.



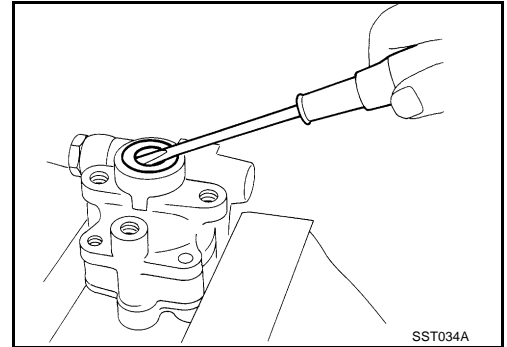
POWER STEERING OIL PUMP

7. Remove oil seal from body assembly using a flat-bladed screwdriver.

CAUTION:

Do not damage body assembly.

8. Remove O-ring from body assembly.

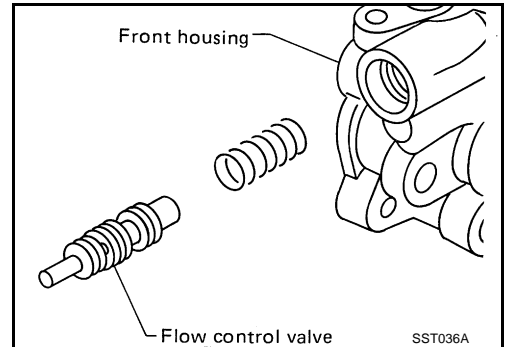


9. Loosen eye bolt and remove joint and washer, then pull out flow control valve and spring from body assembly.

CAUTION:

Be careful not to drop and deform the flow control valve.

10. Remove suction hose from body assembly.
11. Remove O-ring for suction hose.



INSPECTION AFTER DISASSEMBLY

Body Assembly and Rear Cover Inspection

Check body assembly and the inside of rear cover for damage. If any damage is found, replace with new part for rear cover, and replace with new power steering pump assembly for body assembly.

Cartridge Assembly Inspection

Check cam ring, side plate, rotor and vane for damage. If any damage is found, replace cartridge assembly with new one.

Side Plate Inspection

Check side plate for damage. Replace side plate if there are.

Flow Control Valve Inspection

Check flow control valve and spring for damage. Replace if there are.

ASSEMBLY

NOTE:

Secure oil pump in a vise if necessary.

CAUTION:

Use copper plates when securing in a vise.

1. Apply recommended grease to oil seal lips (1). Apply recommended fluid to around oil seal, and then install oil seal to body assembly.

CAUTION:

Do not reuse oil seal

2. Apply recommended fluid to drive shaft, and press drive shaft into body assembly, then install snap ring.

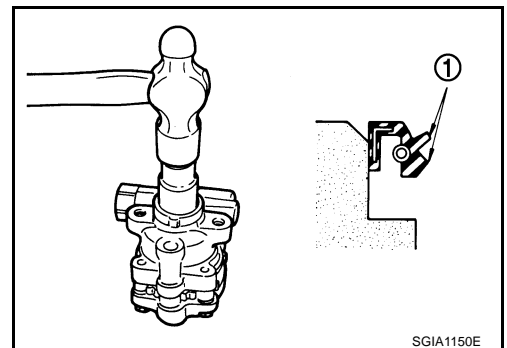
CAUTION:

Do not reuse snap ring.

3. Apply recommended fluid to O-ring, and install O-ring into body assembly.

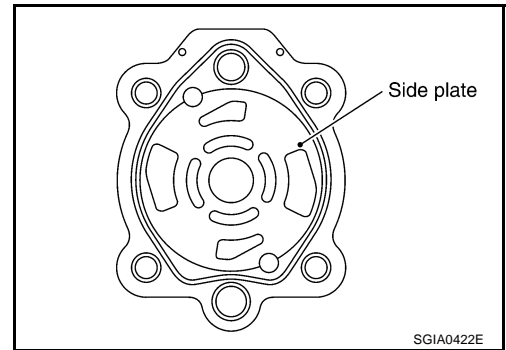
CAUTION:

Do not reuse O-ring.



POWER STEERING OIL PUMP

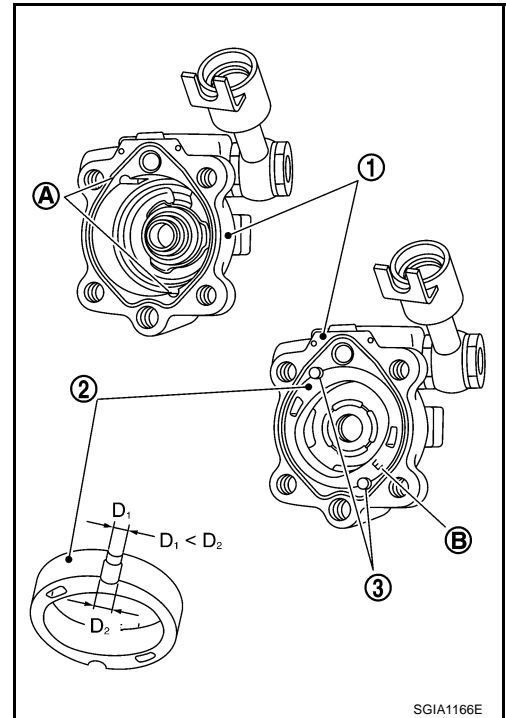
4. Install side plate to body assembly.



5. Install dowel pin (3) into dowel pin hole (A), and install cam ring (2) pointing its D1 side toward the body assembly (1) side as shown in the figure.

CAUTION:

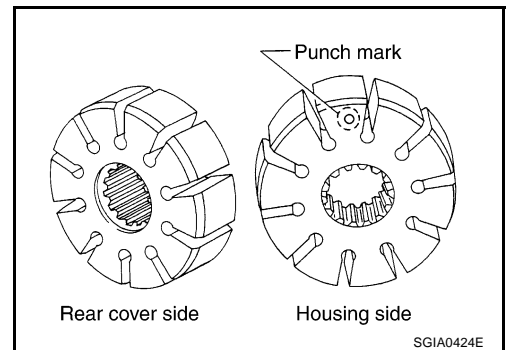
- When installing cam-ring, turn carved face with a letter E (B) of it to rear cover.
- Do not confuse the assembling direction of cam ring. If cam ring is installed facing the incorrect direction, it may cause pump operation malfunction.



6. Install rotor to body assembly.

CAUTION:

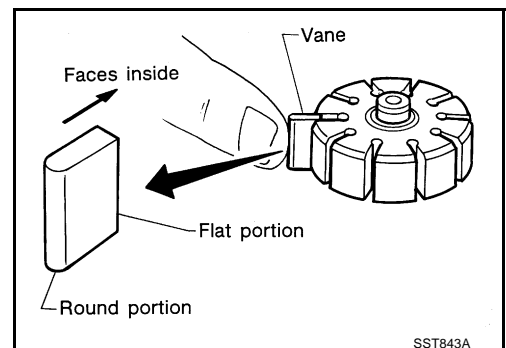
When installing rotor, turn punch mark face on rotor to body assembly.



7. Install vane to rotor with arc of vane in contact with cam ring.
8. Check if drive shaft assembly turns smoothly.
9. Install gasket to body assembly.

CAUTION:

Do not reuse gasket.



POWER STEERING OIL PUMP

10. Install rear cover to body assembly and tighten bolts to the specified torque.
11. Install bracket to body assembly, and tighten the two mounting bolts to the specified torque.
12. Install pulley to drive shaft assembly, then tighten lock nut to the specified torque.
13. Install spring, flow control valve, washer, joint and eye bolt to body assembly. Then tighten eye bolt to the specified torque.

CAUTION:

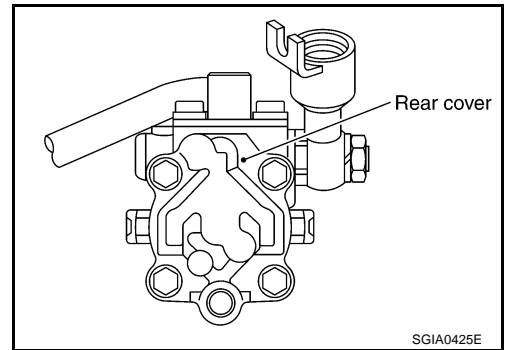
Does not reuse spring and washer.

14. Apply recommended fluid to O-ring and Install O-ring to suction hose.

CAUTION:

Do not reuse O-ring.

15. Install suction hose to body assembly.



A

B

C

D

E

F

PS

H

I

J

K

L

M

HYDRAULIC LINE

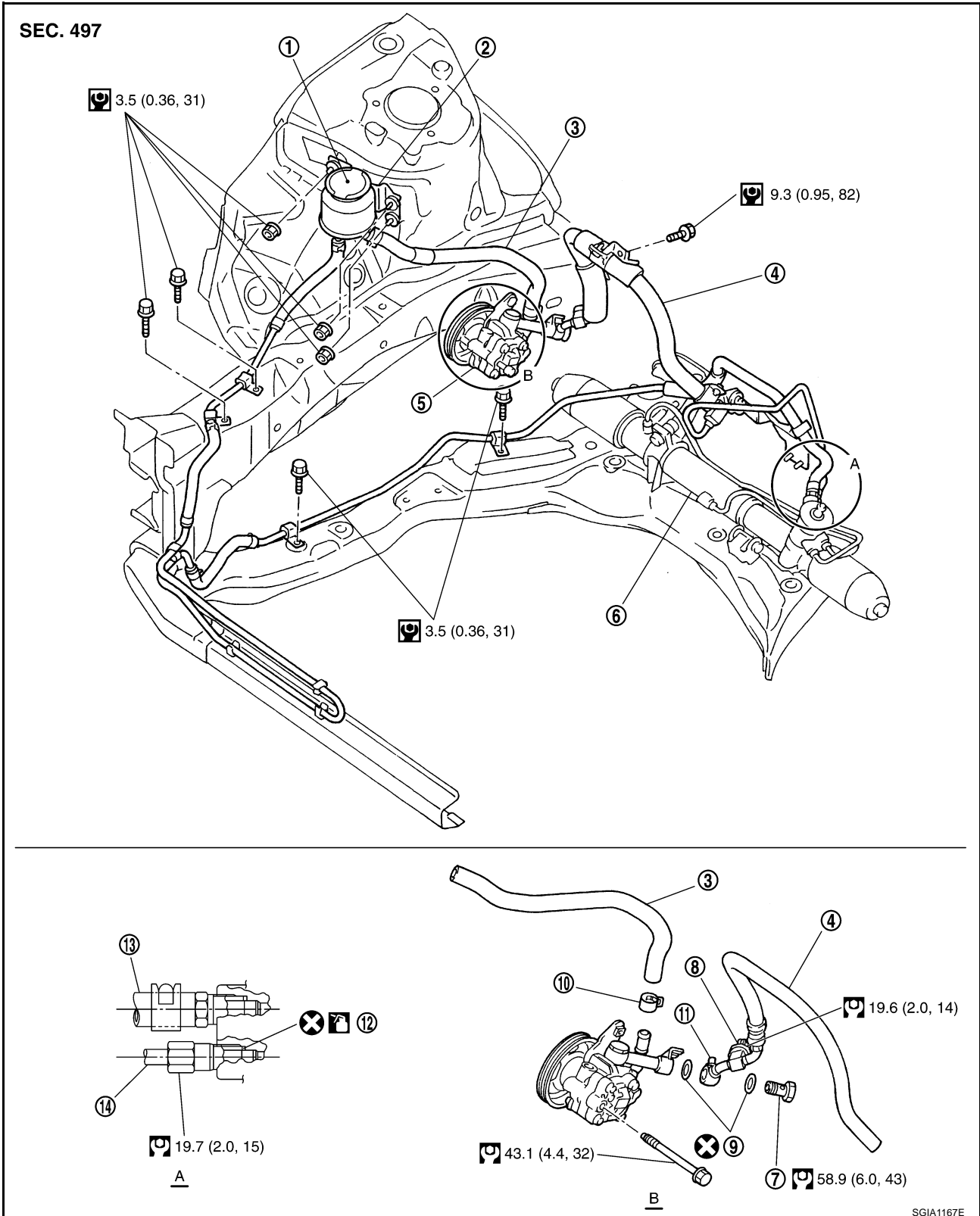
HYDRAULIC LINE

PFP:49721

Removal and Installation

NGS0003R

Refer to the figure for tightening torque. Install in the reverse order of removal.



SGIA1167E

- | | | |
|-----------------------|---------------------------|---------------------------|
| 1. Reservoir tank | 2. Reservoir tank bracket | 3. Suction hose |
| 4. High-pressure hose | 5. Oil pump assembly | 6. Steering gear assembly |
| 7. Eye-bolt | 8. Pressure sensor | 9. Copper washer |

HYDRAULIC LINE

10. Clamp

11. Eye-joint

12. O-ring

13. Low pressure piping

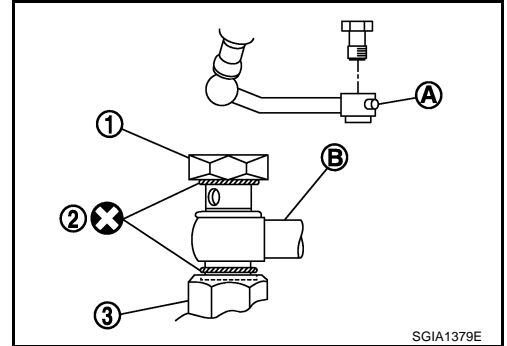
14. High pressure piping

Refer to [GI-10, "Components"](#) and the followings for the symbols in the figure.

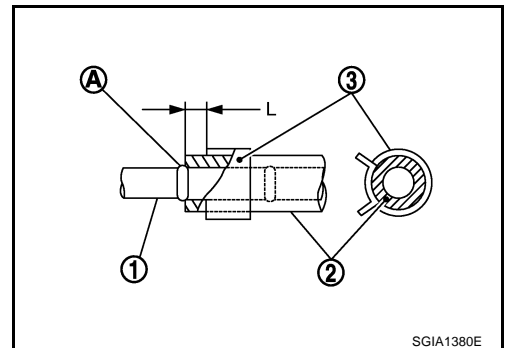
: Nissan PSF or equivalent.

CAUTION:

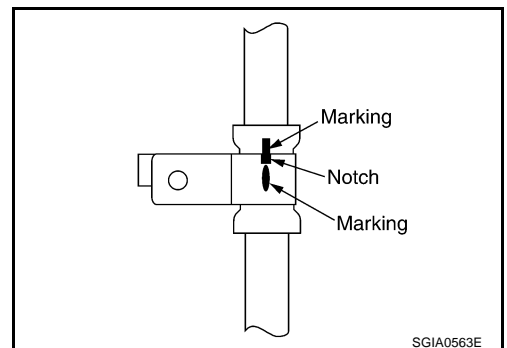
- Securely insert harness connector to pressure sensor.
- Do not reuse O-ring (2)
- Apply Genuine Nissan PSF or equivalent to around O-ring (2), then install eye-bolt (1).
- Install eye-bolt (1) with eye-joint (assembled to high pressure hose) (B) protrusion (A) facing with pump side cutout, and then tighten it to the specified torque after tightening by hand. Refer to [PS-36, "Removal and Installation"](#).



- Do not apply fluid to hose (2) and tube (1).
- Insert hose (2) securely until it contacts spool (A) of tube (1).
- Install clamp (3) to hose (2) at 3 to 8 mm (L) from the edge of the hose (2).



- Confirm with mating marking that if it is in phase with hose and clamp, then correct if needs.



A
B
C
D
E
F
PS
H
I
J
K
L
M

SERVICE DATA AND SPECIFICATIONS (SDS)

SERVICE DATA AND SPECIFICATIONS (SDS)

PFP:00030

General Specifications

NGS000BF

Applied model		VQ35DE
Steering gear model		PR26AM
Fluid capacity (Approx.)	ℓ (US qt, Imp qt)	1.0 (1-1/8, 7/8)
Relief oil pressure	kPa (kg/cm ² , psi)	8,500 - 9,300 (88 - 94, 1,251 - 1,337)

Inspection and Adjustment

NGS000BG

STEERING WHEEL AXIAL END PLAY AND PLAY

Unit: mm (in)

Item		Standard
End play of the axial direction for steering wheel		0 (0)
Steering wheel play on the outer circumference		0 - 35 (0 - 1.37)

STEERING WHEEL TURNING FORCE

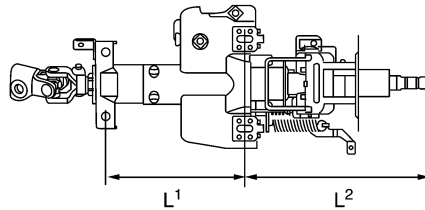
Unit: N·m (kg·m, in·lb)

Item		Standard
Steering wheel turning force		7.45 (0.76, 66) or less

STEERING COLUMN LENGTH

Unit: mm (in)

Item		Standard
Steering column length "L1"		182 mm (7.17 in)
Steering column length "L2"		242.6 mm (9.55 in)



SGIA0475E

STEERING ANGLE

Unit: Degree minute (Decimal degree)

Item		Standard
Inner wheel	Minimum	34°30' (34.5°)
	Nominal	38°00' (38.0°)
	Maximum	39°00' (39.0°)
Outer wheel	Nominal	31°30' (31.5°)

SERVICE DATA AND SPECIFICATIONS (SDS)

RACK SLIDING FORCE

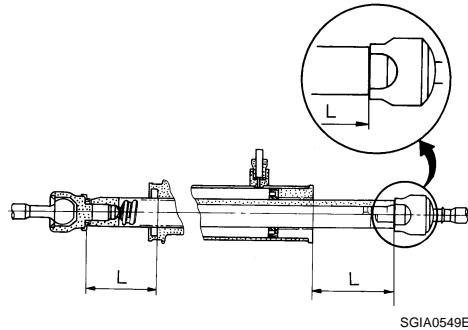
Unit: N (kg, lb)

Item	Standard	
	2WD	AWD
Rack sliding force	215.8 - 274.6 (22.1 - 28.0, 48.6 - 61.7)	225.4 - 284.2 (23.0 - 28.9, 50.7 - 63.8)

RACK STROKE

Unit: mm (in)

Item	Standard
Rack neutral position, dimension "L"	71.5 (2.815)

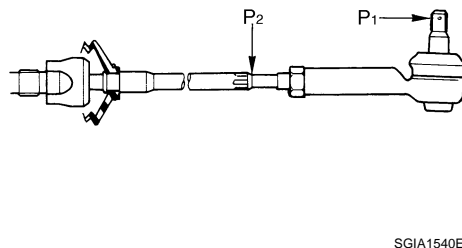


SOCKET SWING TORQUE AND ROTATING TORQUE

Swing Torque

Unit: N (kg, lb)

Item	Measuring value
Outer socket "P1 "	4.84 - 46.7 (0.50 - 4.7, 1.09 - 10.4)
Inner socket "P2 "	12.1 - 93.7 (1.3 - 9.5, 2.8 - 21.0)



Rotating Torque

Unit: N·m (kg·m, in·lb)

Item	Standard
Outer socket	0.3 - 2.9 (0.03 - 0.29, 3 - 25)

SOCKET AXIAL END PLAY

Unit: mm (in)

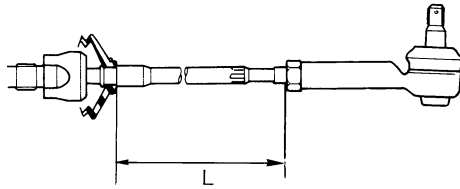
Item	Standard
Outer socket	0.5 (0.02) or less
Inner socket	0.2 (0.008) or less

SERVICE DATA AND SPECIFICATIONS (SDS)

INNER SOCKET LENGTH

Unit: mm (in)

Item	Standard
Inner socket length "L"	147.7 (5.81)



SGIA1512E