

A

# SECTION STR

STR

## STARTING SYSTEM

C

### CONTENTS

D

E

<b>PRECAUTION</b> .....	2	<b>BASIC INSPECTION</b> .....	11	F
<b>PRECAUTIONS</b> .....	2	<b>DIAGNOSIS AND REPAIR WORKFLOW</b> .....	11	
Precaution for Supplemental Restraint System (SRS) "AIR BAG" and "SEAT BELT PRE-TENSIONER" .....	2	Work Flow (With GR8-1200 NI) .....	11	G
Precaution for Power Generation Voltage Variable Control System .....	2	Work Flow (Without GR8-1200 NI) .....	15	
<b>PREPARATION</b> .....	3	<b>DTC/CIRCUIT DIAGNOSIS</b> .....	17	H
<b>PREPARATION</b> .....	3	<b>B TERMINAL CIRCUIT</b> .....	17	
Special Service Tool .....	3	Diagnosis Procedure .....	17	I
Commercial Service Tools .....	3	<b>S CONNECTOR CIRCUIT</b> .....	18	
<b>SYSTEM DESCRIPTION</b> .....	4	Diagnosis Procedure .....	18	J
<b>COMPONENT PARTS</b> .....	4	<b>SYMPTOM DIAGNOSIS</b> .....	19	
Component Parts Location .....	4	<b>STARTING SYSTEM</b> .....	19	K
Component Description .....	5	Symptom Table .....	19	
<b>STARTING SYSTEM</b> .....	6	<b>REMOVAL AND INSTALLATION</b> .....	20	L
System Diagram .....	6	<b>STARTER MOTOR</b> .....	20	
System Description .....	6	Exploded View .....	20	M
<b>WIRING DIAGRAM</b> .....	7	Removal and Installation .....	20	
<b>STARTING SYSTEM</b> .....	7	<b>SERVICE DATA AND SPECIFICATIONS (SDS)</b> .....	21	N
Wiring Diagram .....	7	<b>STARTER MOTOR</b> .....	21	
		Starter .....	21	O
				P

# PRECAUTIONS

< PRECAUTION >

## PRECAUTION

### PRECAUTIONS

#### Precaution for Supplemental Restraint System (SRS) "AIR BAG" and "SEAT BELT PRE-TENSIONER"

INFOID:000000011573892

The Supplemental Restraint System such as "AIR BAG" and "SEAT BELT PRE-TENSIONER", used along with a front seat belt, helps to reduce the risk or severity of injury to the driver and front passenger for certain types of collision. Information necessary to service the system safely is included in the SR and SB section of this Service Manual.

**WARNING:**

- To avoid rendering the SRS inoperative, which could increase the risk of personal injury or death in the event of a collision which would result in air bag inflation, all maintenance must be performed by an authorized NISSAN/INFINITI dealer.
- Improper maintenance, including incorrect removal and installation of the SRS, can lead to personal injury caused by unintentional activation of the system. For removal of Spiral Cable and Air Bag Module, see the SR section.
- Do not use electrical test equipment on any circuit related to the SRS unless instructed to in this Service Manual. SRS wiring harnesses can be identified by yellow and/or orange harnesses or harness connectors.

#### PRECAUTIONS WHEN USING POWER TOOLS (AIR OR ELECTRIC) AND HAMMERS

**WARNING:**

- When working near the Airbag Diagnosis Sensor Unit or other Airbag System sensors with the Ignition ON or engine running, DO NOT use air or electric power tools or strike near the sensor(s) with a hammer. Heavy vibration could activate the sensor(s) and deploy the air bag(s), possibly causing serious injury.
- When using air or electric power tools or hammers, always switch the Ignition OFF, disconnect the battery and wait at least three minutes before performing any service.

#### Precaution for Power Generation Voltage Variable Control System

INFOID:000000011573893

**CAUTION:**

For this model, the battery current sensor that is installed to the battery cable at the negative terminal measures the charging/discharging current of the battery, and performs various controls. If the electrical component or the ground wire is connected directly to the battery terminal, the current other than that being measured with the battery current sensor is charging to or discharging from the battery. This condition causes the malfunction of the control, and then the battery discharge may occur. Do not connect the electrical component or the ground wire directly to the battery terminal.

# PREPARATION

< PREPARATION >

## PREPARATION

### PREPARATION

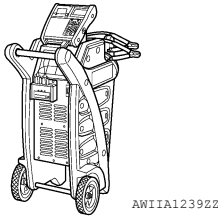
#### Special Service Tool

INFOID:000000011221182

A

STR

The actual shape of the tools may differ from those illustrated here.

Tool number (TechMate No.) Tool name	Description
<p>— (165-GR8-1200KIT-NI) Nissan battery and electronics tester</p> 	<p>Tests batteries, starting and charging systems and charges batteries. For operating instructions, refer to diagnostic station instruction manual.</p>

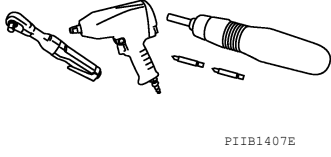
C

D

E

#### Commercial Service Tools

INFOID:000000011221183

Tool name	Description
<p>Power tools</p> 	<p>Loosening nuts, screws and bolts</p>

F

G

H

I

J

K

L

M

N

O

P

# COMPONENT PARTS

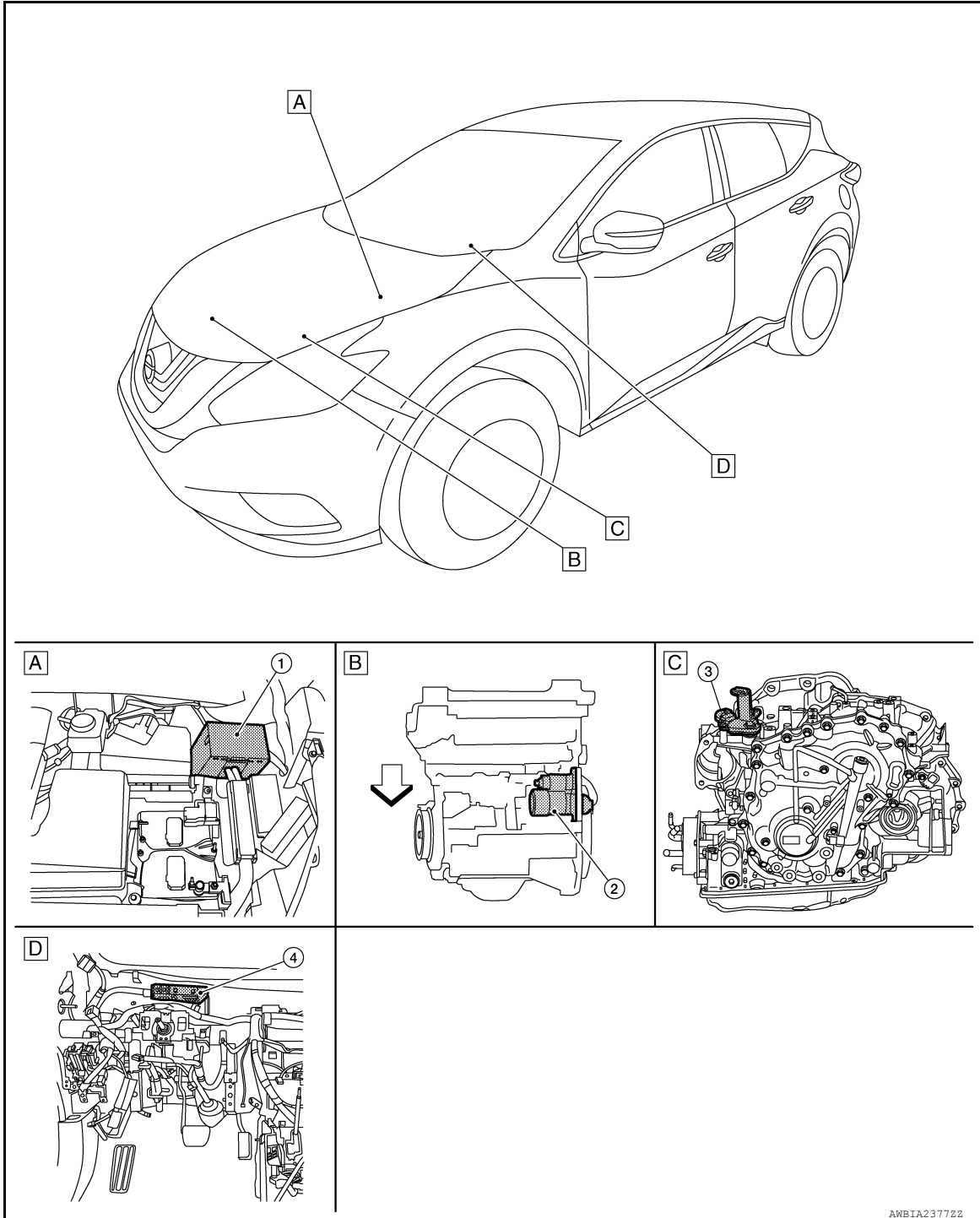
< SYSTEM DESCRIPTION >

## SYSTEM DESCRIPTION

### COMPONENT PARTS

#### Component Parts Location

INFOID:000000011221184



A. Engine room left side

B. Engine room center (view with engine removed)

C. Engine room left side (view with transmission removed)

D. BCM (view with instrument panel removed)

# COMPONENT PARTS

< SYSTEM DESCRIPTION >

## Component Description

INFOID:000000011221185

No.	Component part	Description
1.	IPDM E/R	CPU inside IPDM E/R operates the starter relay when the ignition switch is in the start position. Refer to <a href="#">STR-4, "Component Parts Location"</a> .
2.	Starter motor	The starter motor plunger closes and the motor is supplied with battery power, which in turn cranks the engine, when the S terminal is supplied with electric power.
3.	Transmission range switch	Transmission range switch supplies power to the starter relay and starter control relay inside IPDM E/R when the selector lever is shifted to the P or N position. Refer to <a href="#">TM-13, "CVT CONTROL SYSTEM : Transmission Range Switch"</a> .
4.	BCM	BCM controls the starter relay inside IPDM E/R. Refer to <a href="#">BCS-4, "BODY CONTROL SYSTEM : Component Parts Location"</a> .

A

STR

C

D

E

F

G

H

I

J

K

L

M

N

O

P

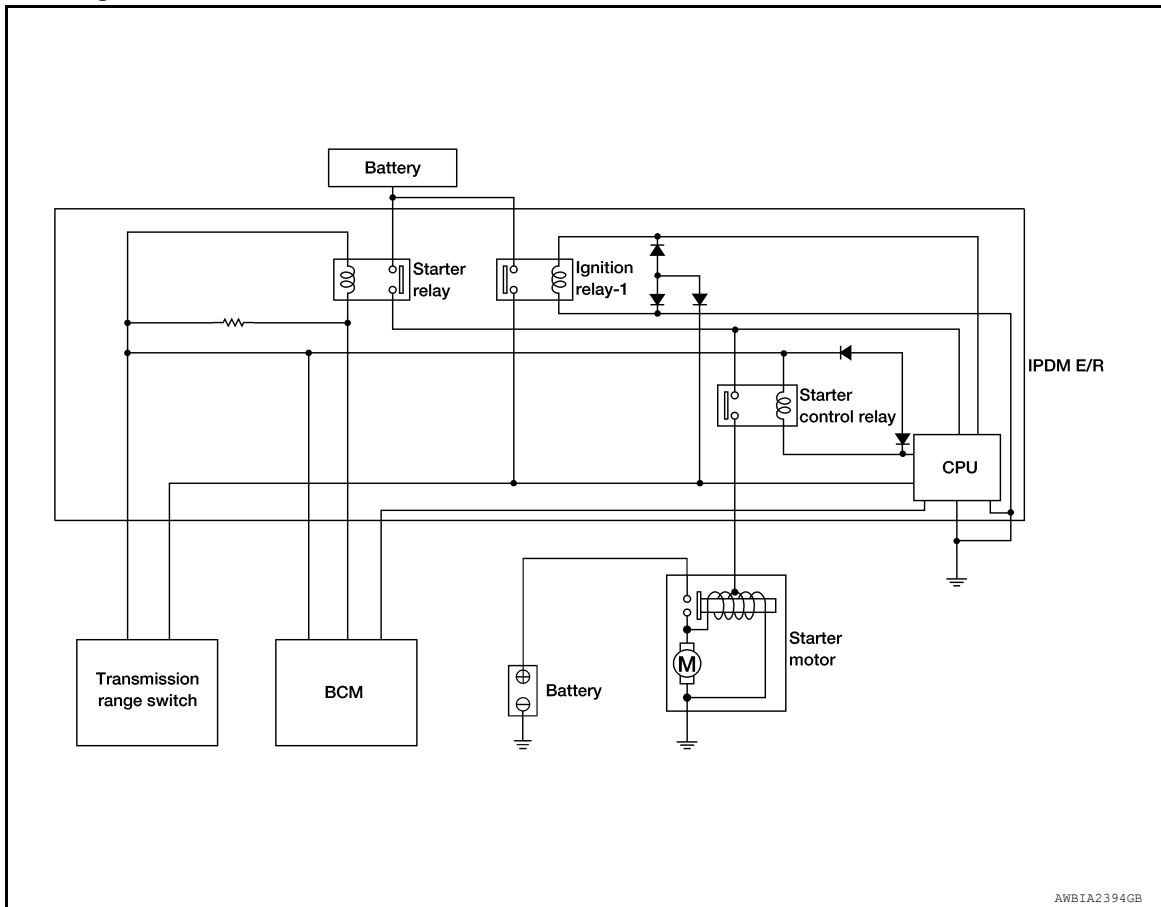
# STARTING SYSTEM

< SYSTEM DESCRIPTION >

## STARTING SYSTEM

### System Diagram

INFOID:000000011221186



AWBIA2394GB

### System Description

INFOID:000000011221187

The starter motor plunger closes and provides a closed circuit between the battery and the starter motor. The starter motor is grounded to the cylinder block. With power and ground supplied, the starter motor operates.

# STARTING SYSTEM

< WIRING DIAGRAM >

## WIRING DIAGRAM

### STARTING SYSTEM

Wiring Diagram

INFOID:000000011221188

A

STR

C

D

E

F

G

H

I

J

K

L

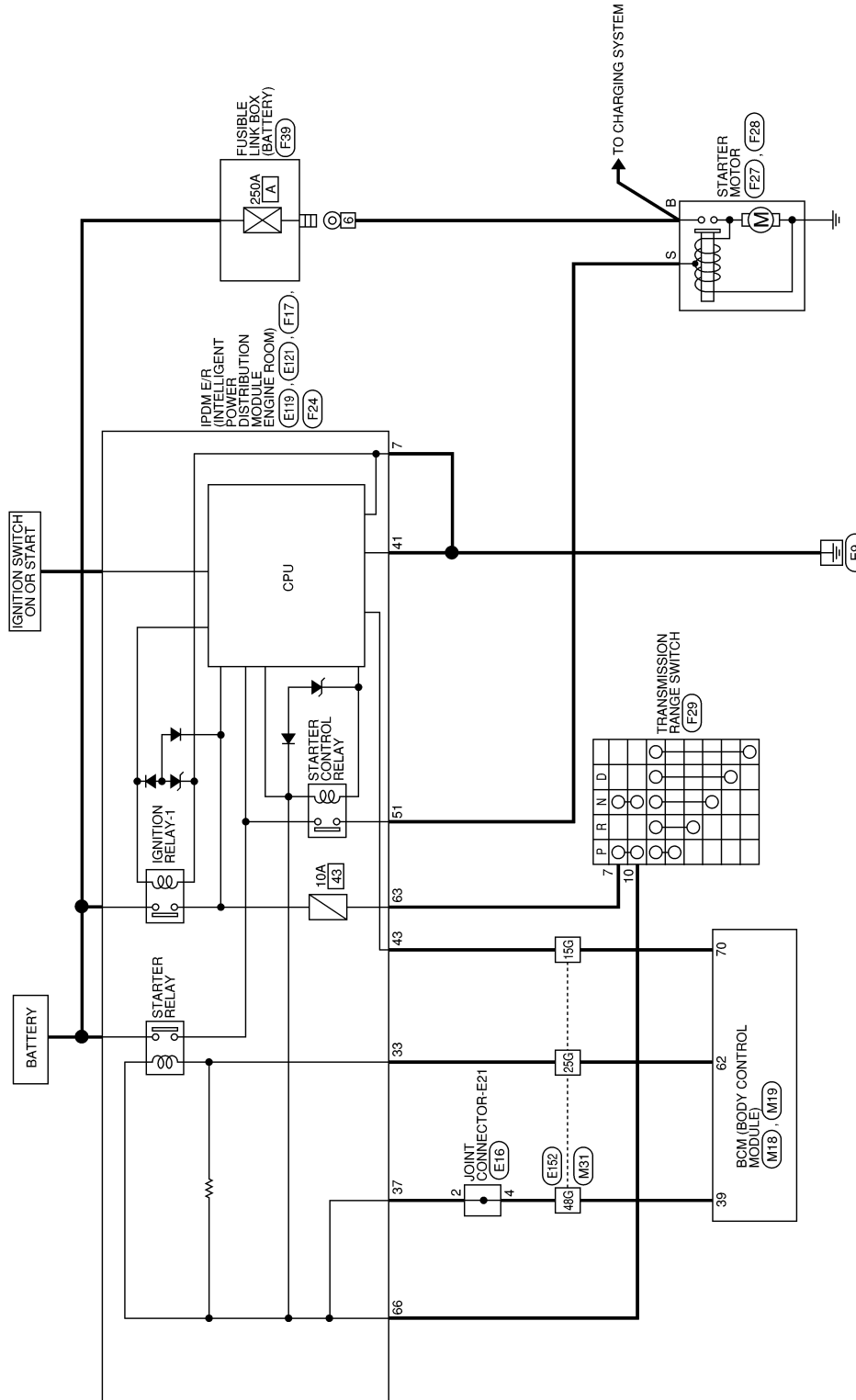
M

N

O

P

### STARTING SYSTEM



AABWA0958GB

# STARTING SYSTEM

< WIRING DIAGRAM >

## STARTING SYSTEM CONNECTORS

Connector No.	M18
Connector Name	BCM (BODY CONTROL MODULE)
Connector Color	GREEN



20	19	18	17	16	15	14	13	12	11	10	9	8	7	6	5	4	3	2	1
40	39	38	37	36	35	34	33	32	31	30	29	28	27	26	25	24	23	22	21

Terminal No.	Color of Wire	Signal Name
39	G	SHIFT N/P

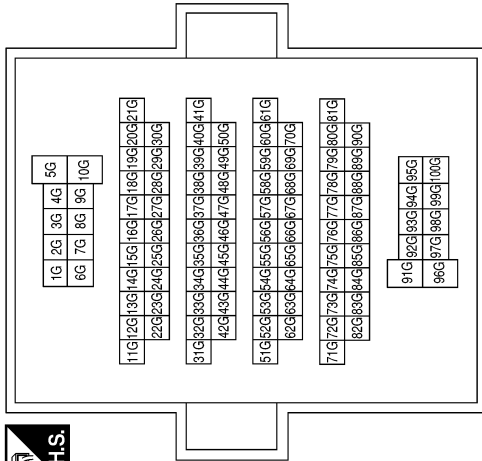
Connector No.	M19
Connector Name	BCM (BODY CONTROL MODULE)
Connector Color	BLACK



60	59	58	57	56	55	54	53	52	51	50	49	48	47	46	45	44	43	42	41
80	79	78	77	76	75	74	73	72	71	70	69	68	67	66	65	64	63	62	61

Terminal No.	Color of Wire	Signal Name
62	W	STARTER RELAY OUT
70	P	IGN USM OUT 1

Connector No.	M31
Connector Name	WIRE TO WIRE
Connector Color	WHITE



Terminal No.	Color of Wire	Signal Name
15G	P	-
25G	W	-
48G	G	-

Connector No.	E16
Connector Name	JOINT CONNECTOR-E21
Connector Color	WHITE



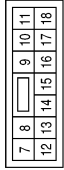
Terminal No.	Color of Wire	Signal Name
2	W	-
4	LG	-



# STARTING SYSTEM

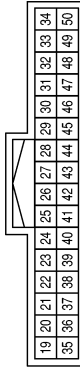
< WIRING DIAGRAM >

Connector No.	E121
Connector Name	IPDM E/R (INTELLIGENT POWER DISTRIBUTION MODULE ENGINE ROOM)
Connector Color	WHITE



Terminal No.	Color of Wire	Signal Name
7	B	P-GND

Connector No.	E119
Connector Name	IPDM E/R (INTELLIGENT POWER DISTRIBUTION MODULE ENGINE ROOM)
Connector Color	WHITE



Terminal No.	Color of Wire	Signal Name
33	R	START CONT
37	W	CLUTCH I/L SW
41	B	S-GND
43	L	IGN SIGNAL

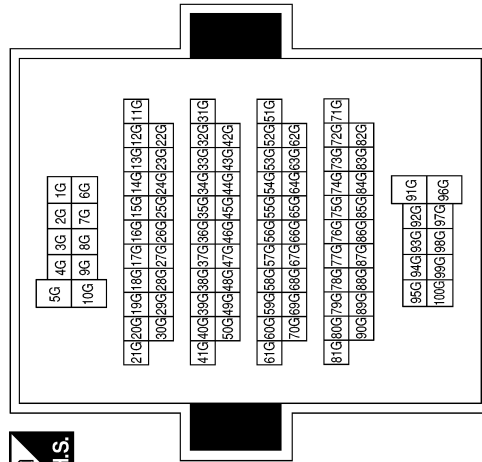
Connector No.	F17
Connector Name	IPDM E/R (INTELLIGENT POWER DISTRIBUTION MODULE ENGINE ROOM)
Connector Color	BLACK



Terminal No.	Color of Wire	Signal Name
51	W	STARTER MOTOR

Terminal No.	Color of Wire	Signal Name
15G	L	-
25G	R	-
48G	LG	-

Connector No.	E152
Connector Name	WIRE TO WIRE
Connector Color	WHITE



AABIA1448GB

A  
STR  
C  
D  
E  
F  
G  
H  
I  
J  
K  
L  
M  
N  
O  
P

# STARTING SYSTEM

< WIRING DIAGRAM >

Connector No.	F28
Connector Name	STARTER MOTOR
Connector Color	GRAY



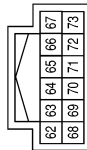
Terminal No.	Color of Wire	Signal Name
S	W	-

Connector No.	F27
Connector Name	STARTER MOTOR
Connector Color	-



Terminal No.	Color of Wire	Signal Name
B	B/R	-

Connector No.	F24
Connector Name	IPDM E/R (INTELLIGENT POWER DISTRIBUTION MODULE ENGINE ROOM)
Connector Color	WHITE



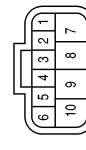
Terminal No.	Color of Wire	Signal Name
63	L	INHIBIT SW
66	G	NPSW

Connector No.	F39
Connector Name	FUSIBLE LINK BOX (BATTERY)
Connector Color	-



Terminal No.	Color of Wire	Signal Name
6	B/R	-

Connector No.	F29
Connector Name	TRANSMISSION RANGE SWITCH
Connector Color	BLACK



Terminal No.	Color of Wire	Signal Name
7	L	-
10	G	-

AABIA1449GB

# DIAGNOSIS AND REPAIR WORKFLOW

< BASIC INSPECTION >

## BASIC INSPECTION

### DIAGNOSIS AND REPAIR WORKFLOW

Work Flow (With GR8-1200 NI)

INFOID:000000011221189

A

STR

#### STARTING SYSTEM DIAGNOSIS WITH GR8-1200 NI

To test the starting system, use the following special service tool:

- GR8-1200 NI Multitasking battery and electrical diagnostic station

**NOTE:**

Refer to the diagnostic station instruction manual for proper starting system diagnosis procedures.

C

D

E

F

G

H

I

J

K

L

M

N

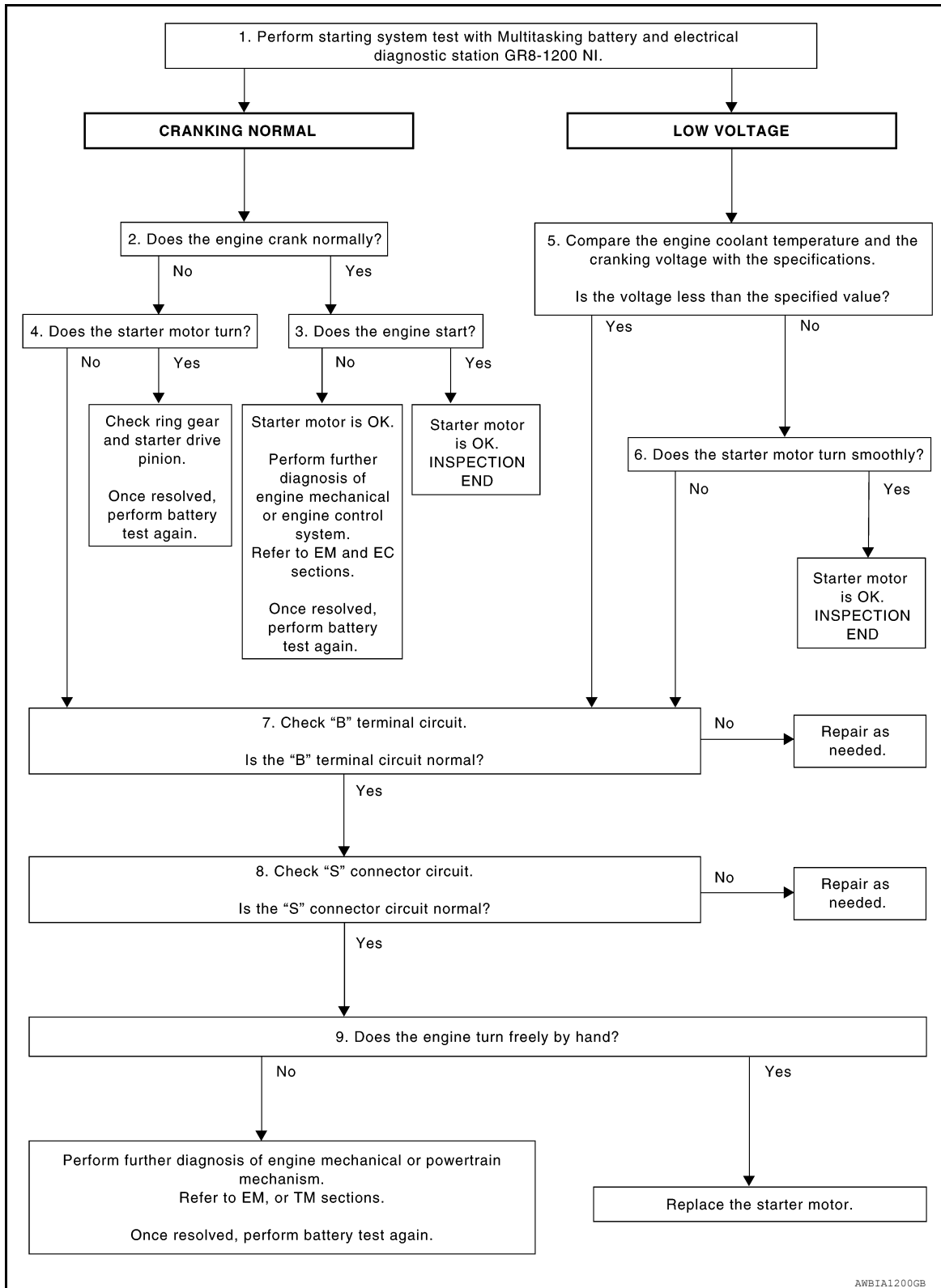
O

P

# DIAGNOSIS AND REPAIR WORKFLOW

< BASIC INSPECTION >

## OVERALL SEQUENCE



## DETAILED FLOW

### NOTE:

To ensure a complete and thorough diagnosis, the battery, starter motor and generator test segments must be done as a set from start to finish.

1. DIAGNOSIS WITH MULTITASKING BATTERY AND ELECTRICAL DIAGNOSTIC STATION GR8-1200 NI

# DIAGNOSIS AND REPAIR WORKFLOW

## < BASIC INSPECTION >

Perform the starting system test with multitasking battery and electrical diagnostic station GR8-1200 NI. For details and operating instructions, refer to diagnostic station instruction manual.

### Test result

CRANKING NORMAL>>GO TO 2.

LOW VOLTAGE>>GO TO 5.

CHARGE BATTERY>>Perform the slow battery charging procedure. (Initial rate of charge is 10A for 12 hours.) Perform battery test again. Refer to diagnostic station instruction manual.

REPLACE BATTERY>>Before replacing battery, clean the battery cable clamps and battery posts. Perform battery test again. Refer to diagnostic station instruction manual. If second test result is "REPLACE BATTERY", then do so. Perform battery test again to confirm repair.

## 2. CRANKING CHECK

Check that the starter motor operates properly.

### Does the engine crank normally?

YES >> GO TO 3.

NO >> GO TO 4.

## 3. ENGINE START CHECK

Check that the engine starts.

### Does the engine start?

YES >> Inspection End.

NO >> Perform further diagnosis of engine mechanical or engine control system. Refer to EM and EC sections. Once resolved, perform battery test again.

## 4. STARTER MOTOR ACTIVATION

Check that the starter motor operates.

### Does the starter motor turn?

YES >> Check ring gear and starter motor drive pinion. Once resolved, perform battery test again.

NO >> GO TO 7.

## 5. COMPARISON BETWEEN ENGINE COOLANT AND CRANKING VOLTAGE

Compare the engine coolant temperature and verify the cranking voltage is within specifications.

### Minimum Specification of Cranking Voltage Referencing Coolant Temperature

Engine coolant temperature [°C (°F)]	Voltage [V]
-30 to -20 (-22 to -4)	8.6
-19 to -10 (-2 to 14)	9.1
-9 to 0 (16 to 32)	9.5
More than 1 (More than 34)	9.9

### Is the voltage less than the specified value?

YES >> GO TO 7.

NO >> GO TO 6.

## 6. STARTER OPERATION

Check the starter operation.

### Does the starter motor turn smoothly?

YES >> Inspection End.

NO >> GO TO 7.

## 7. "B" TERMINAL CIRCUIT INSPECTION

Check "B" terminal circuit. Refer to [STR-17, "Diagnosis Procedure"](#).

### Is "B" terminal circuit normal?

YES >> GO TO 8.

NO >> Repair as needed.

## 8. "S" CONNECTOR CIRCUIT INSPECTION

Check "S" connector circuit. Refer to [STR-18, "Diagnosis Procedure"](#).

## DIAGNOSIS AND REPAIR WORKFLOW

< BASIC INSPECTION >

---

Is "S" connector circuit normal?

YES >> GO TO 9.

NO >> Repair as needed.

**9**.ENGINE ROTATION STATUS

---

Check that the engine can be rotated by hand.

Does the engine turn freely by hand?

YES >> Replace starter motor. Refer to [STR-20. "Removal and Installation"](#).

NO >> Perform further diagnosis of engine mechanical or powertrain mechanism. Refer to EM or TM sections. Once resolved, perform battery test again using multitasking battery and electrical diagnostic station GR8-1200 NI. Refer to the diagnostic station instruction manual for proper testing procedures.

# DIAGNOSIS AND REPAIR WORKFLOW

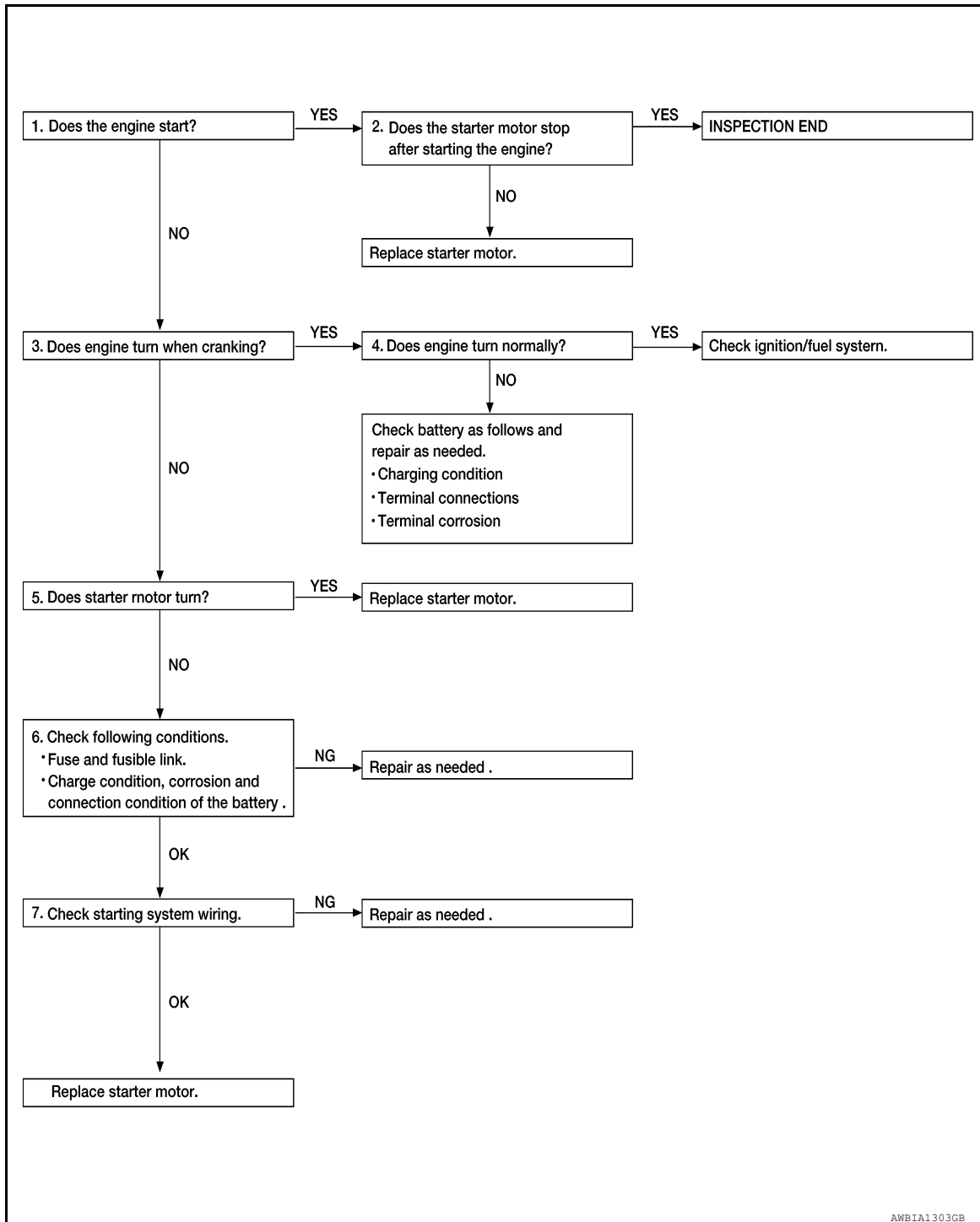
< BASIC INSPECTION >

Work Flow (Without GR8-1200 NI)

INFOID:000000011221190

A

## OVERALL SEQUENCE



STR

C

D

E

F

G

H

I

J

K

L

M

N

O

## DETAILED FLOW

### NOTE:

If any malfunction is found, immediately disconnect the battery cable from the negative terminal.

### 1. CHECK ENGINE START

Crank the engine and check that the engine starts.

Does the engine start?

YES >> GO TO 2.

NO >> GO TO 3.

# DIAGNOSIS AND REPAIR WORKFLOW

< BASIC INSPECTION >

---

## 2. CHECK THAT THE STARTER MOTOR STOPS

---

Check that the starter motor stops after starting the engine.

Does the starter motor stop?

YES >> Inspection End.

NO >> Replace starter motor. Refer to [STR-20. "Removal and Installation"](#).

---

## 3. CHECK THAT THE ENGINE TURNS WHEN CRANKING

---

Check that the engine turns when cranking.

Does engine turn when cranking?

YES >> GO TO 4.

NO >> GO TO 5.

---

## 4. CHECK THE ENGINE SPEED WHEN CRANKING

---

Check that the engine speed is not low when cranking.

Does engine turn normally?

YES >> Check ignition/fuel system.

NO >> Check charge condition, corrosion and connection condition of the battery. Refer to [PG-77. "How to Handle Battery"](#).

---

## 5. CHECK STARTER MOTOR ACTIVATION

---

Check that the starter motor runs at cranking.

Does starter motor turn?

YES >> Replace starter motor. Refer to [STR-20. "Removal and Installation"](#).

NO >> GO TO 6.

---

## 6. CHECK POWER SUPPLY CIRCUIT

---

Check the following conditions:

- Fuse and fusible link
- Charge condition, corrosion and connection of the battery.

Are these inspection results normal?

YES >> GO TO 7.

NO >> Repair as needed.

---

## 7. CHECK STARTING SYSTEM WIRING

---

Check the following:

- "B" terminal circuit. Refer to [STR-17. "Diagnosis Procedure"](#).
- "S" terminal circuit. Refer to [STR-18. "Diagnosis Procedure"](#).

Are the inspection results normal?

YES >> Replace starter motor. Refer to [STR-20. "Removal and Installation"](#).

NO >> Repair as needed.



# B TERMINAL CIRCUIT

< DTC/CIRCUIT DIAGNOSIS >

## DTC/CIRCUIT DIAGNOSIS

### B TERMINAL CIRCUIT

#### Diagnosis Procedure

INFOID:000000011221192

A

STR

Regarding Wiring Diagram information, refer to [STR-7, "Wiring Diagram"](#).

C

#### CAUTION:

Perform diagnosis under the condition that the engine cannot start by the following procedure:

1. Remove fuel pump fuse.
2. Crank or start the engine (where possible) until the fuel pressure is depleted.

D

#### 1. CHECK TERMINAL B POWER SUPPLY VOLTAGE

E

1. Turn ignition switch OFF.
2. Make sure that starter motor connector F27 connection is clean and tight.
3. Check voltage between starter motor connector F27 and ground.

F

(+)		(-)	Voltage (Approx.)
Connector	Terminal		
F27	B	Ground	Battery voltage

G

Is the inspection result normal?

H

YES >> GO TO 2.

NO >> Check harness between battery and starter motor for open circuit.

#### 2. CHECK BATTERY CABLE (VOLTAGE DROP TEST)

I

1. Shift the transmission into P (Park) or N (Neutral).
2. Check voltage between battery positive terminal and starter motor connector F27 while cranking the engine.

J

(+)	(-)		Condition	Voltage (Approx.)
	Connector	Terminal		
Battery (+) terminal	F27	B	While cranking the engine	Less than 0.5V

K

Is the inspection result normal?

L

YES >> GO TO 3.

NO >> Check harness between the battery and the starter motor for high resistance.

#### 3. CHECK GROUND CIRCUIT STATUS (VOLTAGE DROP TEST)

M

Check voltage between starter motor case and battery negative terminal while cranking the engine.

(+)	(-)	Condition	Voltage (Approx.)
Starter motor case	Battery (-) terminal	While cranking the engine	Less than 0.5V

N

Is the inspection result normal?

O

YES >> Terminal B circuit is OK. Further inspection is necessary. Refer to [STR-11, "Work Flow \(With GR8-1200 NI\)"](#) or [STR-15, "Work Flow \(Without GR8-1200 NI\)"](#).

NO >> Check the starter motor case to engine mounting for high resistance.

P

# S CONNECTOR CIRCUIT

< DTC/CIRCUIT DIAGNOSIS >

## S CONNECTOR CIRCUIT

### Diagnosis Procedure

INFOID:0000000011221194

Regarding Wiring Diagram information, refer to [STR-7, "Wiring Diagram"](#).

#### CAUTION:

Perform diagnosis under the condition that engine cannot start by the following procedure:

1. Remove fuel pump fuse.
2. Crank or start the engine (where possible) until the fuel pressure is released.

#### 1. CHECK STARTER MOTOR MAGNETIC SWITCH CIRCUIT

1. Turn ignition switch OFF.
2. Disconnect starter motor connector F28.
3. Shift transmission into P (Park) or N (Neutral).
4. Check voltage between starter motor connector F28 and ground with the ignition in START.

(+)		(-)	Condition	Voltage (Approx.)
Connector	Terminal			
F28	S	Ground	Ignition switch in START position	Battery voltage

Is the inspection result normal?

YES >> Magnetic switch circuit is OK. Further inspection is necessary. Refer to [STR-11, "Work Flow \(With GR8-1200 NI\)"](#) or [STR-15, "Work Flow \(Without GR8-1200 NI\)"](#).

NO >> GO TO 2.

#### 2. CHECK CONNECTOR

1. Turn ignition switch OFF.
2. Check the IPDM E/R connector F17 and starter motor connector F28 for damage, bent pins and loose connections.

Is the inspection result normal?

YES >> GO TO 3.

NO >> Repair the terminal and connector.

#### 3. CHECK HARNESS CONTINUITY (OPEN CIRCUIT)

1. Disconnect IPDM E/R connector F17 and starter motor connector F28.
2. Check continuity between starter motor connector F28 and IPDM E/R connector F17.

Connector	Terminal	Connector	Terminal	Continuity
F28	S	F17	51	Yes

3. Check continuity between starter motor connector F28 and ground.

Connector	Terminal	—	Continuity
F28	S	Ground	No

Is the inspection result normal?

YES >> Further inspection is necessary. Refer to [STR-11, "Work Flow \(With GR8-1200 NI\)"](#) or [STR-15, "Work Flow \(Without GR8-1200 NI\)"](#).

NO >> Repair the harness.

# STARTING SYSTEM

< SYMPTOM DIAGNOSIS >

## SYMPTOM DIAGNOSIS

### STARTING SYSTEM

#### Symptom Table

INFOID:000000011221195

A

STR

Symptom	Reference
No normal cranking	Refer to <a href="#">STR-11. "Work Flow (With GR8-1200 NI)"</a> or <a href="#">STR-15. "Work Flow (Without GR8-1200 NI)"</a> .
Starter motor does not rotate	

C

D

E

F

G

H

I

J

K

L

M

N

O

P

# STARTER MOTOR

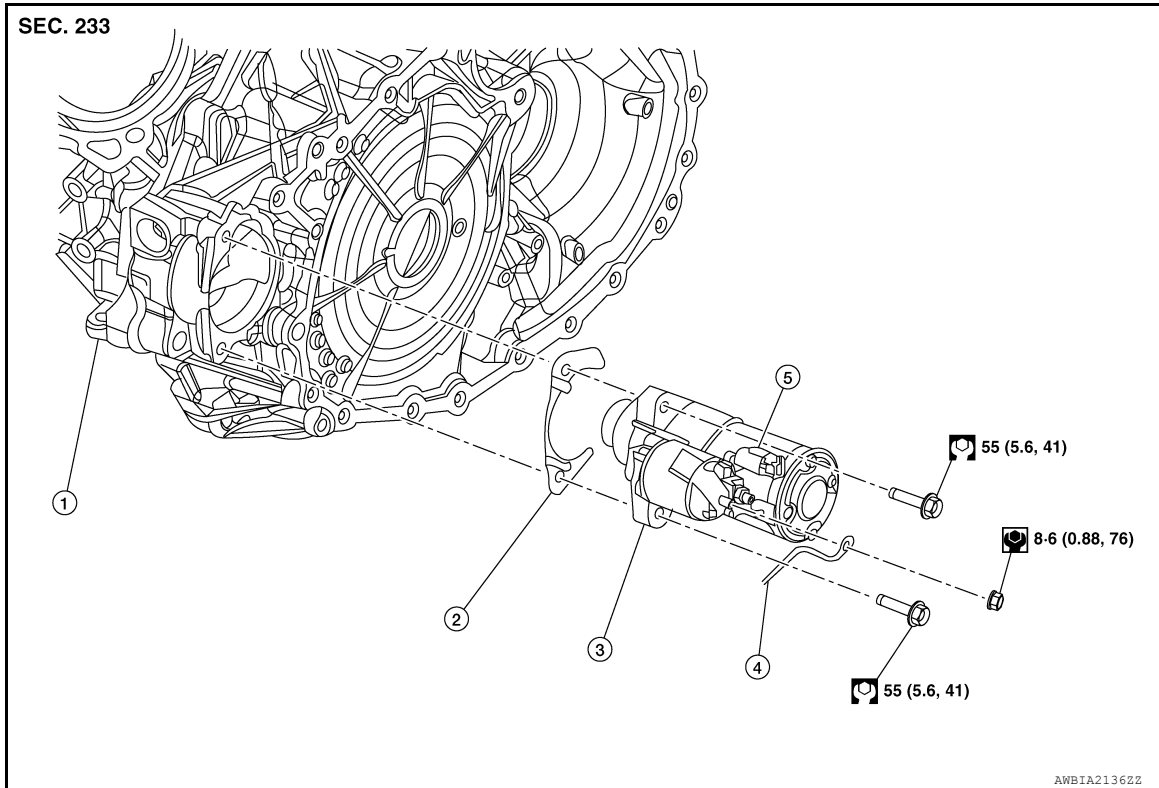
< REMOVAL AND INSTALLATION >

## REMOVAL AND INSTALLATION

### STARTER MOTOR

Exploded View

INFOID:000000011221196



- |                         |                  |            |
|-------------------------|------------------|------------|
| 1. Cylinder block       | 2. Shim          | 3. Starter |
| 4. "B" terminal harness | 5. "S" connector |            |

### Removal and Installation

INFOID:000000011221197

#### NOTE:

When removing components such as hoses, tubes/ lines, etc., cap or plug openings to prevent fluid from spilling.

#### REMOVAL

1. Remove the engine room cover. Refer to [EM-25. "Removal and Installation"](#).
2. Remove the battery tray. Refer to [PG-88. "Removal and Installation"](#).
3. Remove the bolts, then remove the CVT oil charging tube and seal. Refer to [TM-219. "Exploded View"](#).
4. Disconnect the "S" connector, and the "B" terminal harness.
5. Remove the starter motor bolts, then remove the starter motor.

#### INSTALLATION

Installation is in the reverse order of removal.

- Perform "Throttle Valve Closed Position Learning". Refer to [EC-157. "Work Procedure"](#).
- Perform "Accelerator Pedal Released Position Learning". Refer to [EC-156. "Work Procedure"](#).
- Adjust the neutral position of the steering angle sensor. Refer to [BRC-64. "Work Procedure"](#).

# STARTER MOTOR

< SERVICE DATA AND SPECIFICATIONS (SDS)

## SERVICE DATA AND SPECIFICATIONS (SDS)

### STARTER MOTOR

Starter

INFOID:0000000011221198

A

STR

Application		VQ35DE
		CVT model
Type*		Mitsubishi M000TB0271ZC
		Reduction gear type
System voltage		12V
No-load	Terminal voltage	11V
	Current	Less than 90A
	Revolution	More than 2,370 rpm

\*: Always check with the Parts Department for the latest parts information.

C

D

E

F

G

H

I

J

K

L

M

N

O

P