

A

ACC

SECTION ACC

ACCELERATOR CONTROL SYSTEM

C

CONTENTS

D

E

ACCELERATOR CONTROL SYSTEM	2	SERVICE DATA AND SPECIFICATIONS (SDS)	4	F
Removal and Installation	2	Tightening Torque	4	
REMOVAL	2			G
INSTALLATION	2			
INSPECTION AFTER INSTALLATION	2			H

I

J

K

L

M

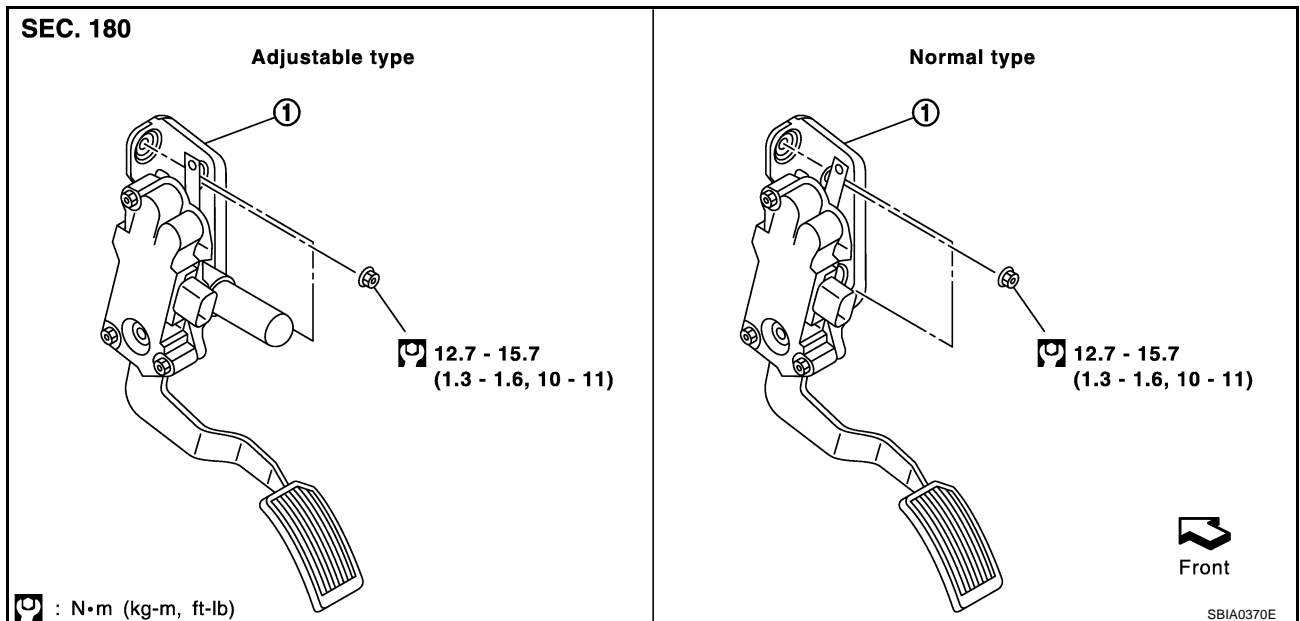
ACCELERATOR CONTROL SYSTEM

ACCELERATOR CONTROL SYSTEM

PFP:18005

Removal and Installation

ABS0033R



1. Accelerator pedal assembly

REMOVAL

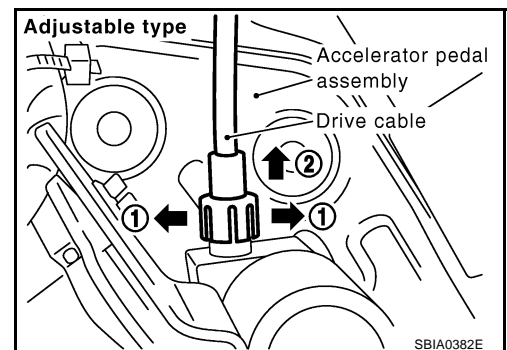
1. Move the accelerator and brake pedals to the front most position (Adjustable type).
2. Turn "OFF" ignition switch and disconnect the negative battery cable.
3. Disconnect accelerator pedal position sensor harness connector.
4. Disconnect drive cable from accelerator pedal assembly (Adjustable type).
 - Unlock (1) then pull (2) to disconnect the drive cable.
5. Loosen nuts, and remove accelerator pedal assembly.

CAUTION:

- Before removal and installation accelerator and brake pedals must be in front most position. This is to align the base position of accelerator and brake pedals (Adjustable type).
- Do not disassemble the accelerator pedal assembly. Do not remove the accelerator pedal position sensor from the accelerator pedal assembly.
- Adjusting mechanism for accelerator pedal position is not able to disassemble (Adjustable type).
- Avoid impact from dropping etc. during handling.
- Be careful to keep the accelerator pedal assembly away from water.

NOTE:

The drive cable of the adjustable type accelerator pedal assembly is a component of the brake pedal. Refer to [BR-6, "BRAKE PEDAL"](#).



INSTALLATION

Install in the reverse order of removal.

INSPECTION AFTER INSTALLATION

- Make sure the accelerator pedal moves smoothly within the whole operation range when it is fully depressed and released.
- Make sure the accelerator pedal securely returns to the fully released position.
- Check operation conditions in forward and rearward movement of accelerator pedal assembly (Adjustable type). Refer to [BR-6, "BRAKE PEDAL"](#).

ACCELERATOR CONTROL SYSTEM

- For the electrical inspection of the accelerator pedal position sensor, refer to [EC-589, "DTC P2138 APP SENSOR"](#) .
CAUTION:
When the harness connector of the accelerator pedal position sensor is disconnected, perform "Accelerator Pedal Released Position Learning". Refer to [EC-63, "Accelerator Pedal Released Position Learning"](#) .

A

ACC

C

D

E

F

G

H

I

J

K

L

M

SERVICE DATA AND SPECIFICATIONS (SDS)

SERVICE DATA AND SPECIFICATIONS (SDS)

PFP:00030

Tightening Torque

ABS0033S

Unit: N·m (Kg·m, ft·lb)

Accelerator pedal assembly	12.7 - 15.7 (1.3 - 1.6, 10 - 11)
----------------------------	----------------------------------