

SECTION **PWO**
POWER OUTLET

A
B
C
D
E
F
G
H
I
J
K
L
N
O
P

CONTENTS

DTC/CIRCUIT DIAGNOSIS	2	CIGARETTE LIGHTER	11
CIGARETTE LIGHTER	2	Exploded View	11
Wiring Diagram - CIGARETTE LIGHTER -	2	Removal and Installation	11
POWER SOCKET	4	POWER SOCKET	12
Wiring Diagram - POWER SOCKET -	4	FRONT POWER SOCKET	12
PRECAUTION	9	FRONT POWER SOCKET : Exploded View	12
PRECAUTIONS	9	FRONT POWER SOCKET : Removal and Installation	12
FOR USA AND CANADA	9	CONSOLE POWER SOCKET	12
FOR USA AND CANADA : Precaution for Supplemental Restraint System (SRS) "AIR BAG" and "SEAT BELT PRE-TENSIONER"	9	CONSOLE POWER SOCKET : Exploded View	12
FOR MEXICO	9	CONSOLE POWER SOCKET : Removal and Installation	13
FOR MEXICO : Precaution for Supplemental Restraint System (SRS) "AIR BAG" and "SEAT BELT PRE-TENSIONER"	9	LUGGAGE ROOM POWER SOCKET	13
REMOVAL AND INSTALLATION	11	LUGGAGE ROOM POWER SOCKET : Exploded View	14
		LUGGAGE ROOM POWER SOCKET : Removal and Installation	14

PWO

CIGARETTE LIGHTER

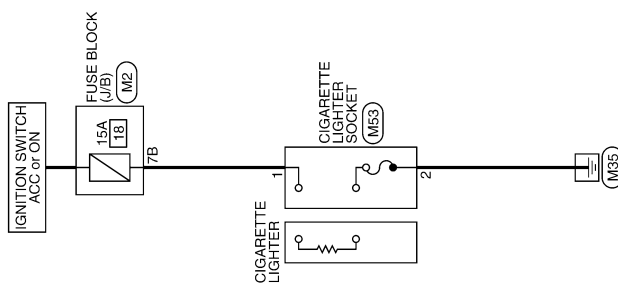
< DTC/CIRCUIT DIAGNOSIS >

DTC/CIRCUIT DIAGNOSIS

CIGARETTE LIGHTER

Wiring Diagram - CIGARETTE LIGHTER -

INFOID:000000005513235



CIGARETTE LIGHTER

2008/09/23

JCMWM3147GB

CIGARETTE LIGHTER

< DTC/CIRCUIT DIAGNOSIS >

A
B
C
D
E
F
G
H
I
J
K
L
N
O
P

CIGARETTE LIGHTER

Connector No.	M2
Connector Name	FUSE BLOCK (J/B)
Connector Type	MS10FN-CS



Terminal No.	Color of Wire	Signal Name [Specification]
1B	W	-
3B	L	-
4B	G	-
5B	I	-
6B	Y	-
7B	R	-
8B	R	-
9B	GR	-

Connector No.	M53
Connector Name	CIGARETTE LIGHTER SOCKET
Connector Type	P02FE-Z



Terminal No.	Color of Wire	Signal Name [Specification]
1	R	-
2	B	-

JCMWM4860GB

PWO

POWER SOCKET

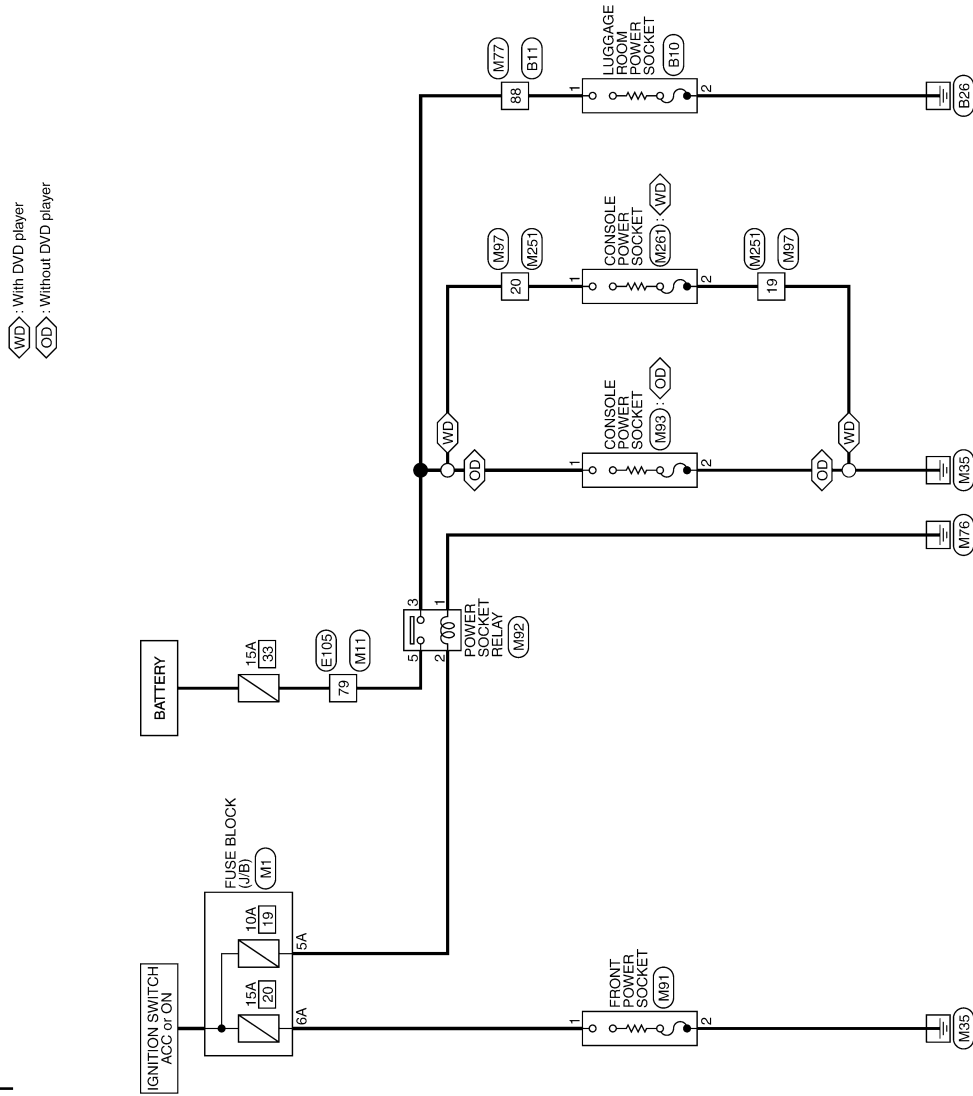
< DTC/CIRCUIT DIAGNOSIS >

POWER SOCKET

Wiring Diagram - POWER SOCKET -

INFOID:000000005513236

POWER SOCKET



WD : With DVD player
OD : Without DVD player

2008/09/23

JCMWM3149GB

POWER SOCKET

< DTC/CIRCUIT DIAGNOSIS >

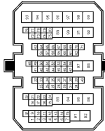
POWER SOCKET

Connector No.	B10
Connector Name	LUGGAGE ROOM POWER SOCKET
Connector Type	PO2PE-Z



Terminal No.	Color of Wire	Signal Name [Specification]
1	G	-
2	B/W	-

Connector No.	B11
Connector Name	WIRE TO WIRE
Connector Type	TH80MW-CS19

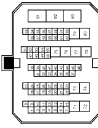


Terminal No.	Color of Wire	Signal Name [Specification]
1	SHIELD	-
2	B	-
3	R/L	-
4	R/W	-
5	SB	-
6	P	-
7	Y	-
8	SHIELD	-
9	BR/L	-
10	Y/G	-
11	Y/L	-
12	W/L	-
13	L	-
14	BR	-
15	SB	-
16	BR	-
17	V	-
18	SB	-
19	R	-
20	P	-

21	LG	-	-
22	W	-	-
23	Y	-	-
24	GR	-	-
25	Y	-	-
27	V	-	-
28	W/L	-	-
30	P	-	-
31	O	-	-
32	BR	-	-
34	SB	-	-
35	SHIELD	-	-
36	L/O	-	-
37	LG	-	-
40	Y	-	-
41	O	-	-
42	SR	-	-
43	G	-	-
44	BR	-	-
45	GR	-	-
46	GR	-	-
47	V	-	-
48	GR	-	-
49	Y	-	-
50	SHIELD	-	-
51	B	-	-
52	B	-	-
53	Y	-	-
54	LG	-	-
55	BR	-	-
56	P	-	-
57	L	-	-
58	R	-	-
59	SHIELD	-	-
60	B	-	-
61	R/L	-	-
62	R/W	-	-
63	LG	-	-
64	Y	-	-
66	GR	-	-
67	G	-	-
68	R	-	-
69	SHIELD	-	-
70	W/R	-	-
71	B/R	-	-
72	Y	-	-
73	LG	-	-
74	SR	-	-
75	L	-	-
76	G	-	-
77	R	-	-

78	SHIELD	-	-
79	B	-	-
80	W	-	-
81	R	-	-
82	L	-	-
83	BR	-	-
84	O	-	-
85	G	-	-
86	SB	-	-
87	R	-	-
88	G	-	-
89	GR	-	-
90	Y	-	-
91	G	-	-
92	BR	-	-
93	G	-	-
94	V	-	-
95	BR	-	-
96	GR	-	-
97	R	-	-
98	LG	-	-
99	O	-	-

Connector No.	E105
Connector Name	WIRE TO WIRE
Connector Type	TH10MW-CS10-M3



Terminal No.	Color of Wire	Signal Name [Specification]
2	BR	-
3	Y	-
4	W	-
5	LG	-
6	GR	-
8	G	-
11	P	-
12	L	-
13	Y	-
14	O	-
15	BR	-
20	Y	-
21	BR	-
22	P	-

23	P	-	-
24	L	-	-
25	O	-	-
26	G	-	-
27	V	-	-
28	SB	-	-
29	W	-	-
30	Y	-	-
47	P	-	-
48	L	-	-
49	SR	-	-
50	GR	-	-
51	LG	-	-
52	V	-	-
53	GR	-	-
54	BR	-	-
55	Y	-	-
56	W/L	-	-
60	V	-	-
61	BR	-	-
82	O	-	-
83	L/O	-	-
84	SHIELD	-	-
86	W	-	-
67	BR	-	-
68	Y	-	-
69	SB	-	-
70	GR	-	-
71	SR	-	-
72	Y	-	-
73	L	-	-
74	W	-	-
75	BR	-	-
76	GR	-	-
77	O	-	-
78	V	-	-
79	Y	-	-
80	R	-	-
81	W	-	-
82	LG	-	-
83	O	-	-

A
B
C
D
E
F
G
H
I
J
K
L
N
O
P

PWO

JCMWM4861GB

POWER SOCKET

< DTC/CIRCUIT DIAGNOSIS >

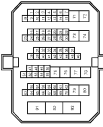
POWER SOCKET

Connector No.	M1
Connector Name	FUSE BLOCK (J/B)
Connector Type	HS08FW-MZ



Terminal No.	Color of Wire	Signal Name [Specification]
1A	Y	-
2A	G	-
3A	Y	-
4A	GR	-
5A	R	-
6A	W	-
7A	LG	-
8A	Y	-

Connector No.	M11
Connector Name	WIRE TO WIRE
Connector Type	TH70FW-CS10-M3



Terminal No.	Color of Wire	Signal Name [Specification]
2	L	-
3	P	-
4	O	-
5	O	-
6	G	-
8	R	-
11	P	-
12	L	-
13	Y	-
14	Y	-
15	R	-
20	Y	-
21	BR	-
22	G	-

23	P	-
24	Y	-
25	L	-
26	L	-
27	O	-
28	BR	-
29	L	-
30	R	-
47	P	-
48	L	-
49	W	-
50	GR	-
51	LG	-
52	Y	-
53	V	-
54	SB	-
55	P	-
56	SB	-
60	V	-
61	GR	-
62	V	-
63	V	-
64	SHIELD	-
66	W	-
67	R	-
68	W	-
69	P	-
70	G	-
71	G	-
72	BR	-
73	L	-
74	W	-
75	BR	-
76	R	-
77	G	-
78	Y	-
79	G	-
80	R	-
81	W	-
82	W	-
83	O	-

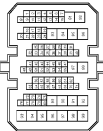
JCMWM4862GB

POWER SOCKET

< DTC/CIRCUIT DIAGNOSIS >

POWER SOCKET

Connector No.	M77
Connector Name	WIRE TO WIRE
Connector Type	TH80PW-CS1.9



Terminal No.	Color of Wire	Signal Name [Specification]
1	SHIELD	
2	B	
3	W	
4	R	
5	Y	
6	W	
7	G	
8	SHIELD	
9	W	
10	R	
11	G	
12	B	
13	O	
14	R	
15	SB	
16	R	
17	V	
18	P	
19	P	
20	LG	
21	Y	
22	O	
23	LG	
24	SB	
25	Y	
27	Y	
28	R	
30	Y	
31	W	
32	BR	
34	Y	
35	SHIELD	
36	G	
37	Y	
40	O	
41	O	
42	SB	
43	L	

44	V	
45	P	
46	R	
47	Y	
48	L	
49	G	
50	SHIELD	
51	W	
52	B	
53	BR	
54	B	
55	G	
56	P	
57	L	
58	SB	
59	SHIELD	
60	B	
61	R	
62	W	
63	O	
64	Y	
66	L	
67	R	
68	G	
69	SHIELD	
70	L	
71	R	
72	LG	
73	Y	
74	R	
75	P	
76	L	
77	BR	
78	SHIELD	
79	B	
80	W	
81	LG	
82	L	
83	GR	
84	R	
85	V	
85	GR	
86	W	
87	R	
88	G	
89	B	
90	G	
91	G	
92	BR	
93	P	
94	V	

95	O	
96	SB	
97	L	
98	LG	
99	Y	



Connector No.	M81
Connector Name	FRONT POWER SOCKET
Connector Type	P02FB-Z



Terminal No.	Color of Wire	Signal Name [Specification]
1	W	
2	B	

Connector No.	M82
Connector Name	POWER SOCKET RELAY
Connector Type	MS02FL-MZ-LC



Terminal No.	Color of Wire	Signal Name [Specification]
1	B	
2	R	
3	G	
5	G	

Connector No.	M83
Connector Name	CONSOLE POWER SOCKET (WITHOUT DVD PLAYER)
Connector Type	P02FB-Z



Terminal No.	Color of Wire	Signal Name [Specification]
1	G	
2	B	

Connector No.	M87
Connector Name	WIRE TO WIRE
Connector Type	TH18PW-CS2



Terminal No.	Color of Wire	Signal Name [Specification]
1	W	
2	SHIELD	
5	SHIELD	
8	W	
8	B	
9	Y	
10	B	
11	B	
14	R	
15	B	
17	SHIELD	
18	B	
18	BR	
19	B	
20	G	

JCMWM4863GB

A
B
C
D
E
F
G
H
I
J
K
L
N
O
P

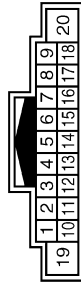
PWO

POWER SOCKET

< DTC/CIRCUIT DIAGNOSIS >

POWER SOCKET

Connector No.	M281
Connector Name	WIRE TO WIRE
Connector Type	TH18MW-C52



Terminal No.	Color of Wire	Signal Name [Specification]
1	W	-
2	SHIELD	-
5	SHIELD	-
6	W	-
8	SHIELD	-
9	G	-
10	B	-
11	SHIELD	-
14	R	-
15	B	-
17	SHIELD	-
18	R	-
19	B	-
20	G	-

Connector No.	M281
Connector Name	CONSOLE POWER SOCKET (WITH DVD PLAYER)
Connector Type	PO2FE-Z



Terminal No.	Color of Wire	Signal Name [Specification]
1	G	-
2	B	-

JCMWM4864GB

PRECAUTIONS

< PRECAUTION >

PRECAUTION

PRECAUTIONS FOR USA AND CANADA

FOR USA AND CANADA : Precaution for Supplemental Restraint System (SRS) "AIR BAG" and "SEAT BELT PRE-TENSIONER"

INFOID:000000005550004

The Supplemental Restraint System such as "AIR BAG" and "SEAT BELT PRE-TENSIONER", used along with a front seat belt, helps to reduce the risk or severity of injury to the driver and front passenger for certain types of collision. This system includes seat belt switch inputs and dual stage front air bag modules. The SRS system uses the seat belt switches to determine the front air bag deployment, and may only deploy one front air bag, depending on the severity of a collision and whether the front occupants are belted or unbelted. Information necessary to service the system safely is included in the "SRS AIR BAG" and "SEAT BELT" of this Service Manual.

WARNING:

- To avoid rendering the SRS inoperative, which could increase the risk of personal injury or death in the event of a collision which would result in air bag inflation, all maintenance must be performed by an authorized NISSAN/INFINITI dealer.
- Improper maintenance, including incorrect removal and installation of the SRS, can lead to personal injury caused by unintentional activation of the system. For removal of Spiral Cable and Air Bag Module, see the "SRS AIR BAG".
- Do not use electrical test equipment on any circuit related to the SRS unless instructed to in this Service Manual. SRS wiring harnesses can be identified by yellow and/or orange harnesses or harness connectors.

PRECAUTIONS WHEN USING POWER TOOLS (AIR OR ELECTRIC) AND HAMMERS

WARNING:

- When working near the Air Bag Diagnosis Sensor Unit or other Air Bag System sensors with the ignition ON or engine running, DO NOT use air or electric power tools or strike near the sensor(s) with a hammer. Heavy vibration could activate the sensor(s) and deploy the air bag(s), possibly causing serious injury.
- When using air or electric power tools or hammers, always switch the ignition OFF, disconnect the battery, and wait at least 3 minutes before performing any service.

FOR MEXICO

FOR MEXICO : Precaution for Supplemental Restraint System (SRS) "AIR BAG" and "SEAT BELT PRE-TENSIONER"

INFOID:000000005550005

The Supplemental Restraint System such as "AIR BAG" and "SEAT BELT PRE-TENSIONER", used along with a front seat belt, helps to reduce the risk or severity of injury to the driver and front passenger for certain types of collision. Information necessary to service the system safely is included in the "SRS AIR BAG" and "SEAT BELT" of this Service Manual.

WARNING:

- To avoid rendering the SRS inoperative, which could increase the risk of personal injury or death in the event of a collision which would result in air bag inflation, all maintenance must be performed by an authorized NISSAN/INFINITI dealer.
- Improper maintenance, including incorrect removal and installation of the SRS, can lead to personal injury caused by unintentional activation of the system. For removal of Spiral Cable and Air Bag Module, see the "SRS AIR BAG".
- Do not use electrical test equipment on any circuit related to the SRS unless instructed to in this Service Manual. SRS wiring harnesses can be identified by yellow and/or orange harnesses or harness connectors.

PRECAUTIONS WHEN USING POWER TOOLS (AIR OR ELECTRIC) AND HAMMERS

WARNING:

- When working near the Air Bag Diagnosis Sensor Unit or other Air Bag System sensors with the ignition ON or engine running, DO NOT use air or electric power tools or strike near the sensor(s)

A
B
C
D
E
F
G
H
I
J
K
L

PWO

N
O
P

PRECAUTIONS

< PRECAUTION >

- with a hammer. Heavy vibration could activate the sensor(s) and deploy the air bag(s), possibly causing serious injury.
- When using air or electric power tools or hammers, always switch the ignition OFF, disconnect the battery, and wait at least 3 minutes before performing any service.

CIGARETTE LIGHTER

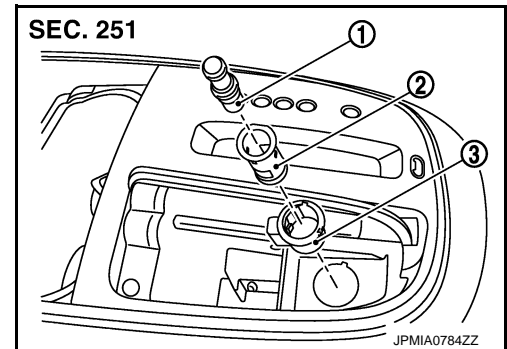
< REMOVAL AND INSTALLATION >

REMOVAL AND INSTALLATION

CIGARETTE LIGHTER

Exploded View

- 1 : Cigarette lighter
- 2 : Cigarette lighter socket
- 3 : Cigarette lighter ring



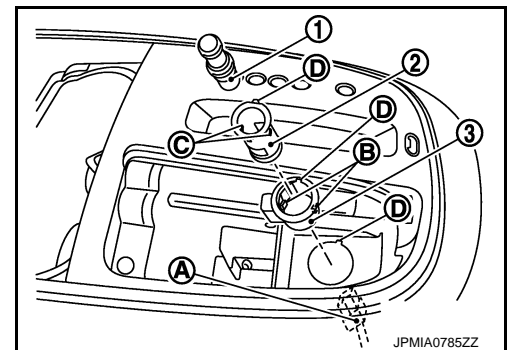
Removal and Installation

REMOVAL

1. Remove console finisher assembly. Refer to [IP-20, "Exploded View"](#).
2. Pull out cigarette lighter (1).

D : Cut out

3. Disconnect cigarette lighter connector (A).
4. Pull out cigarette lighter socket (2) by pushing the cigarette lighter ring pawl (B) from the cigarette lighter socket hole (square) (C).
5. Remove cigarette lighter ring (3) from console finisher assembly while pressing pawls.



INSTALLATION

Install in the reverse order of removal.

NOTE:

Align the cut outs of cigarette lighter socket, cigarette lighter ring, and console finisher assembly.

A
B
C
D
E
F
G
H
I
J
K
L

PWO

POWER SOCKET

< REMOVAL AND INSTALLATION >

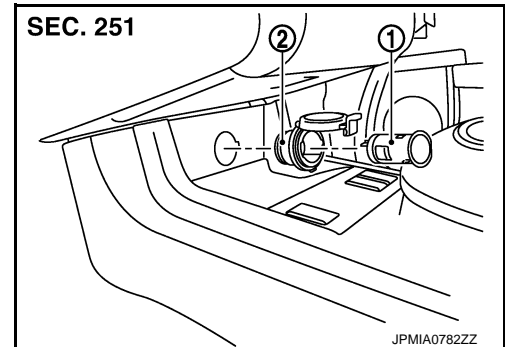
POWER SOCKET

FRONT POWER SOCKET

FRONT POWER SOCKET : Exploded View

INFOID:000000005513240

- 1 : Inner socket
- 2 : Ring



FRONT POWER SOCKET : Removal and Installation

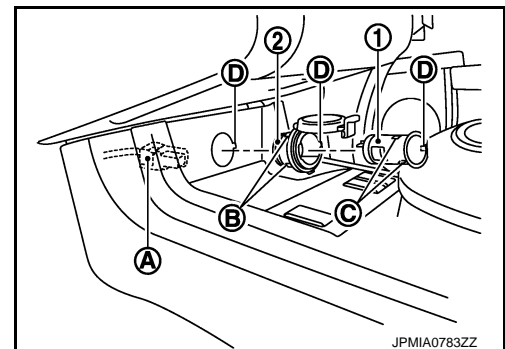
INFOID:000000005513241

REMOVAL

1. Remove front console pocket. Refer to [IP-20, "Exploded View"](#).
2. Disconnect power socket connector (A).

D : Cut out

3. Pull out inner socket (1) by pushing the ring pawl (B) from the inner socket hole (square) (C).
4. Remove ring (2) from front console pocket while pressing pawls.



INSTALLATION

Install in the reverse order of removal.

NOTE:

Align the cut outs of inner socket, ring, and front console pocket.

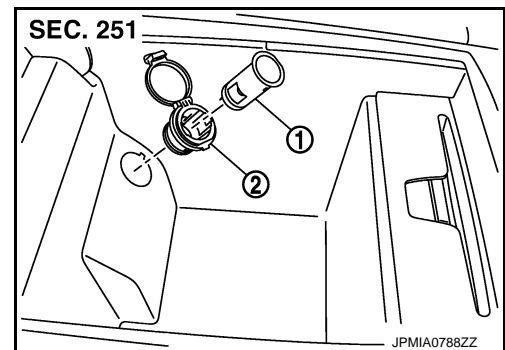
CONSOLE POWER SOCKET

CONSOLE POWER SOCKET : Exploded View

INFOID:000000005513242

Console Power Socket with DVD Player

- 1 : Inner socket
- 2 : Ring

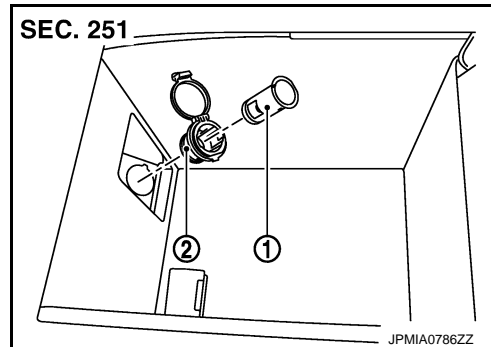


Console Power Socket without DVD Player

POWER SOCKET

< REMOVAL AND INSTALLATION >

- 1 : Inner socket
- 2 : Ring



CONSOLE POWER SOCKET : Removal and Installation

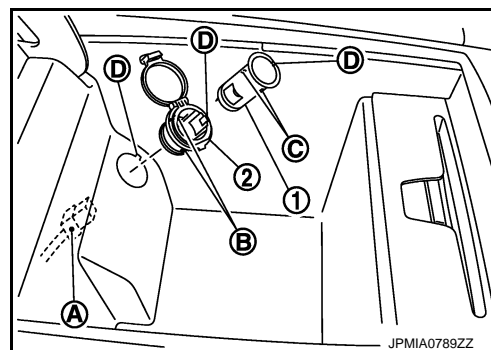
INFOID:000000005513243

REMOVAL (WITH DVD PLAYER)

1. Remove console rear finisher. Refer to [IP-20. "Exploded View"](#).
2. Disconnect power socket connector (A).

D : Cut out

3. Pull out inner socket (1) by pushing the ring pawl (B) from the inner socket hole (square) (C).
4. Remove ring (2) from console box while pressing pawls.

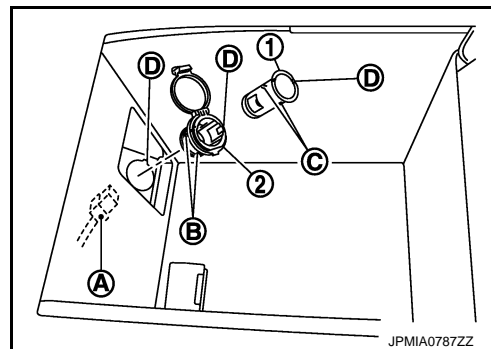


REMOVAL (WITHOUT DVD PLAYER)

1. Remove console finisher assembly. Refer to [IP-20. "Exploded View"](#).
2. Disconnect power socket connector (A).

D : Cut out

3. Pull out inner socket (1) by pushing the ring pawl (B) from the inner socket hole (square) (C).
4. Remove ring (2) from console box while pressing pawls.



INSTALLATION

Install in the reverse order of removal.

NOTE:

Align the cut outs of inner socket, ring, and console box.

LUGGAGE ROOM POWER SOCKET

A
B
C
D
E
F
G
H
I
J
K
L
PWO
N
O
P

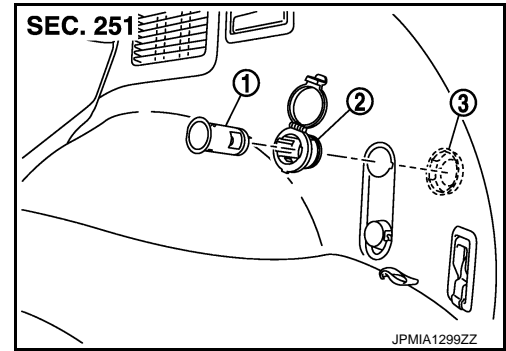
POWER SOCKET

< REMOVAL AND INSTALLATION >

LUGGAGE ROOM POWER SOCKET : Exploded View

INFOID:000000005513244

- 1 : Inner socket
- 2 : Ring
- 3 : Retainer



LUGGAGE ROOM POWER SOCKET : Removal and Installation

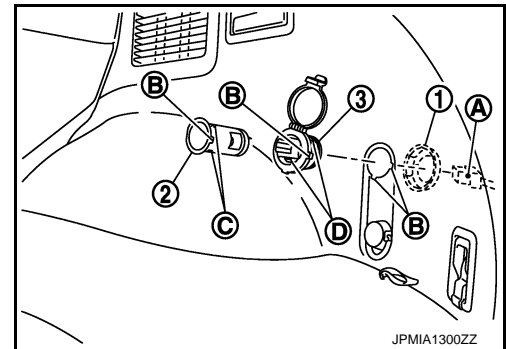
INFOID:000000005513245

REMOVAL

1. Remove luggage side finisher lower (RH). Refer to [INT-34, "Exploded View"](#).
2. Disconnect power socket connector (A).

B : Cut out

3. Remove retainer (1) and remove power socket assembly.
4. Pull out inner socket (2) by pushing the ring pawl (D) from the inner socket hole (square) (C).
5. Remove ring (3) from luggage side finisher lower (RH) while pressing pawls.



INSTALLATION

Install in the reverse order of removal.

NOTE:

Align the cut outs of inner socket, ring, and luggage side finisher lower (RH).