

# SECTION **STC**

## STEERING CONTROL SYSTEM

A  
B  
C  
D  
E  
F  
**STC**  
H  
I  
J  
K  
L  
M  
N  
O  
P

### CONTENTS

<b>BASIC INSPECTION</b> .....	2	Wiring Diagram - ELECTRONICALLY CONTROLLED POWER STEERING SYSTEM - .....	14
<b>DIAGNOSIS AND REPAIR WORK FLOW</b> .....	2	Fail-Safe .....	16
Work Flow .....	2	<b>SYMPTOM DIAGNOSIS</b> .....	18
<b>SYSTEM DESCRIPTION</b> .....	3	<b>UNBALANCE STEERING WHEEL TURNING FORCE (TORQUE VARIATION)</b> .....	18
<b>EPS SYSTEM</b> .....	3	Description .....	18
System Diagram .....	3	Diagnosis Procedure .....	18
System Description .....	3	<b>PRECAUTION</b> .....	19
Component Parts Location .....	5	<b>PRECAUTIONS</b> .....	19
Component Description .....	5	<b>FOR USA AND CANADA</b> .....	19
<b>DTC/CIRCUIT DIAGNOSIS</b> .....	6	FOR USA AND CANADA : Precaution for Supplemental Restraint System (SRS) "AIR BAG" and "SEAT BELT PRE-TENSIONER" .....	19
<b>POWER SUPPLY AND GROUND CIRCUIT</b> .....	6	FOR USA AND CANADA : Precaution Necessary for Steering Wheel Rotation after Battery Disconnect .....	19
Description .....	6	<b>FOR MEXICO</b> .....	20
Diagnosis Procedure .....	6	FOR MEXICO : Precaution for Supplemental Restraint System (SRS) "AIR BAG" and "SEAT BELT PRE-TENSIONER" .....	20
<b>POWER STEERING SOLENOID VALVE</b> .....	7	FOR MEXICO : Precaution Necessary for Steering Wheel Rotation after Battery Disconnect .....	20
Description .....	7	<b>REMOVAL AND INSTALLATION</b> .....	21
Diagnosis Procedure .....	7	<b>POWER STEERING CONTROL UNIT</b> .....	21
Component Inspection .....	8	Removal and Installation .....	21
<b>ENGINE SPEED SIGNAL CIRCUIT</b> .....	9		
Description .....	9		
Diagnosis Procedure .....	9		
<b>VEHICLE SPEED SIGNAL CIRCUIT</b> .....	11		
Description .....	11		
Diagnosis Procedure .....	11		
<b>ECU DIAGNOSIS INFORMATION</b> .....	13		
<b>POWER STEERING CONTROL UNIT</b> .....	13		
Reference Value .....	13		

# DIAGNOSIS AND REPAIR WORK FLOW

< BASIC INSPECTION >

## BASIC INSPECTION

### DIAGNOSIS AND REPAIR WORK FLOW

Work Flow

INFOID:000000005515239

DETAILED FLOW

#### 1. COLLECT THE INFORMATION FROM THE CUSTOMER

It is also important to clarify customer complaints before inspection. First of all, reproduce symptoms and understand them fully. Ask customer about his/her complaints carefully. In some cases, it is necessary to check symptoms by driving vehicle with customer.

**CAUTION:**

**Customers are not professional. It is dangerous to make an easy guess like “maybe the customer means that...,” or “maybe the customer mentions this symptom”.**

>> GO TO 2.

#### 2. CHECK THE STATUS

1. Power steering fluid leakage and check the power steering fluid level. Refer to [ST-12. "Inspection"](#).
2. Check the drive belt tension. Refer to [EM-17. "Checking"](#).
3. Check the power steering gear for damages, cracks and fluid leakage. Refer to [ST-36. "Inspection"](#).
4. Check the relief oil pressure. Refer to [ST-42. "Inspection"](#).

>> GO TO 3.

#### 3. DIAGNOSIS CHART BY SYMPTOM

Perform the diagnosis by symptom. Refer to [STC-18. "Diagnosis Procedure"](#).

>> GO TO 4.

#### 4. FINAL CHECK

Check the input/output standard values for the power steering control unit.

Are the power steering control unit input/output values within standard ranges respectively?

- YES >> INSPECTION END  
NO >> GO TO 2.

# EPS SYSTEM

< SYSTEM DESCRIPTION >

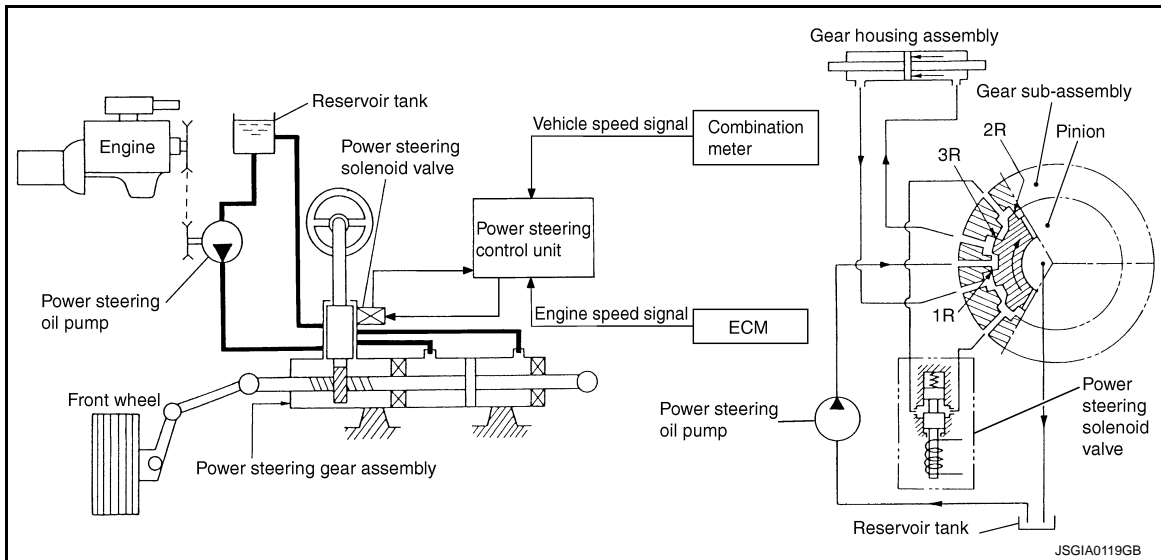
## SYSTEM DESCRIPTION

### EPS SYSTEM

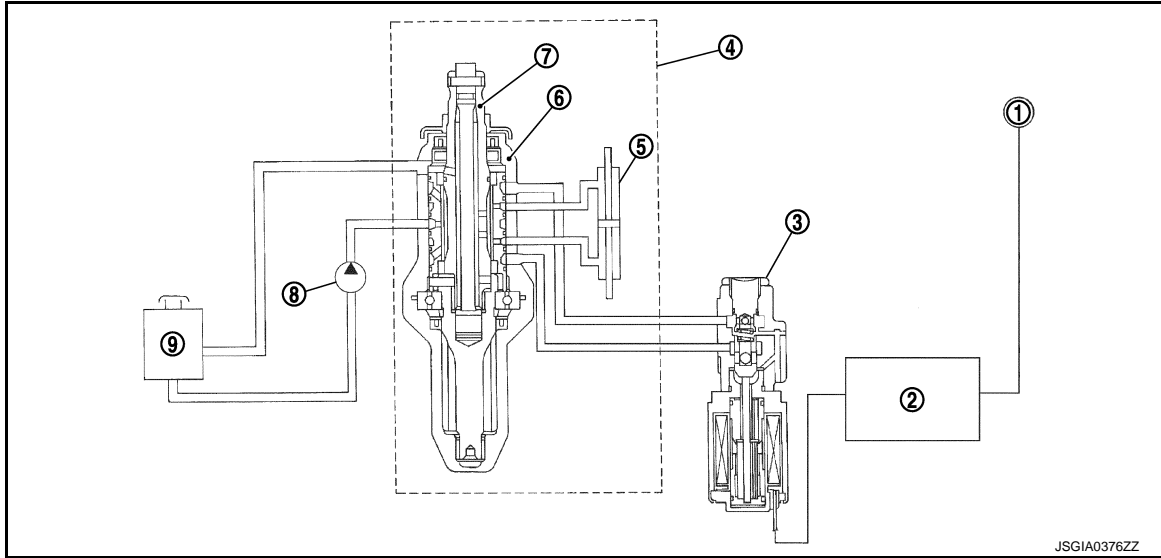
#### System Diagram

INFOID:000000005515240

#### CONTROL DIAGRAM



#### CROSS-SECTIONAL VIEW



- |                           |                                |                                  |
|---------------------------|--------------------------------|----------------------------------|
| 1. Combination meter      | 2. Power steering control unit | 3. Power steering solenoid valve |
| 4. Steering gear assembly | 5. Gear housing assembly       | 6. Gear sub-assembly             |
| 7. Pinion                 | 8. Power steering oil pump     | 9. Reservoir tank                |

#### System Description

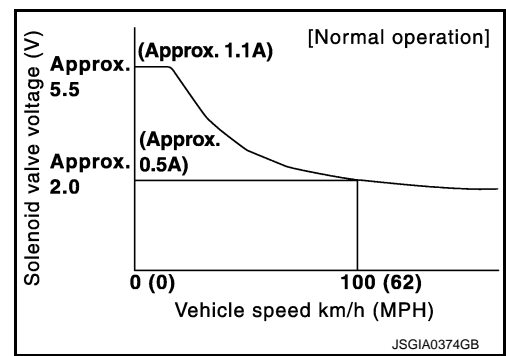
INFOID:000000005515241

- The EPS system controls the power steering solenoid valve through the power steering control unit.

# EPS SYSTEM

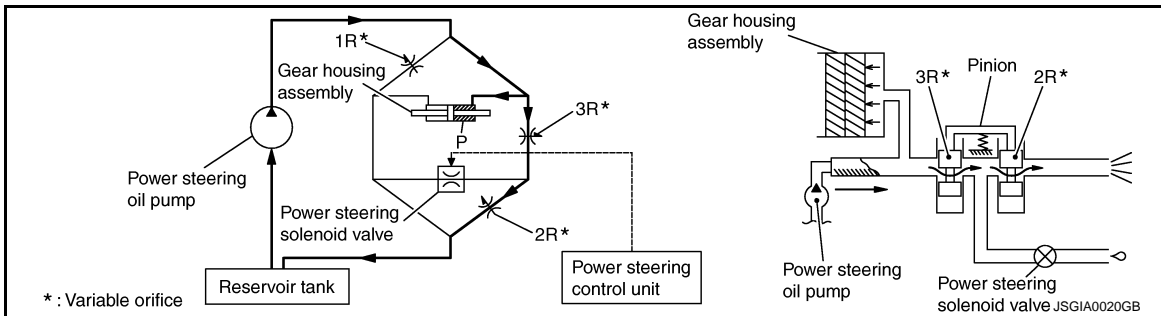
## < SYSTEM DESCRIPTION >

- The valve driving voltage to control the power steering solenoid valve varies according to the vehicle speed.



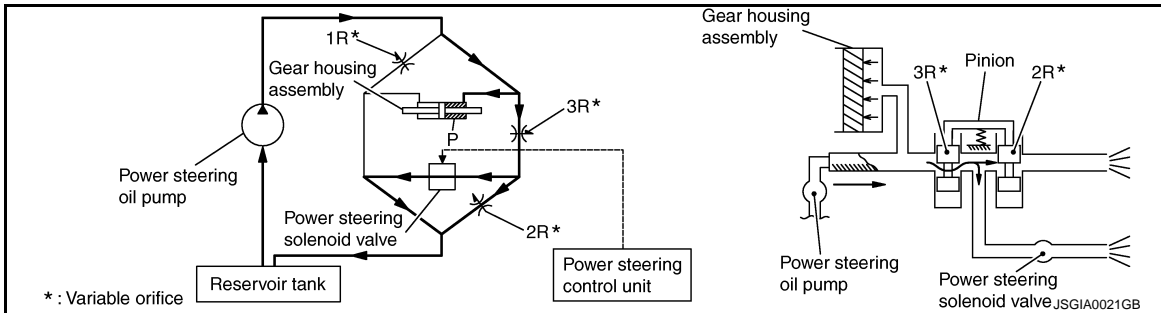
## OPERATION PRINCIPLE

During Parking (When Turning The Steering Wheel To The Right.)



- Power steering solenoid valve is closed while a vehicle is stopped.
- Pinion "1R", "2R" and "3R" are closed depending on steering torque of steering wheel.
- Oil pressure "P" in the gear housing assembly is the sum of oil pressures occurred in "2R" and "3R". This results in a light steering force because of high pressure.

During High-speed Operation



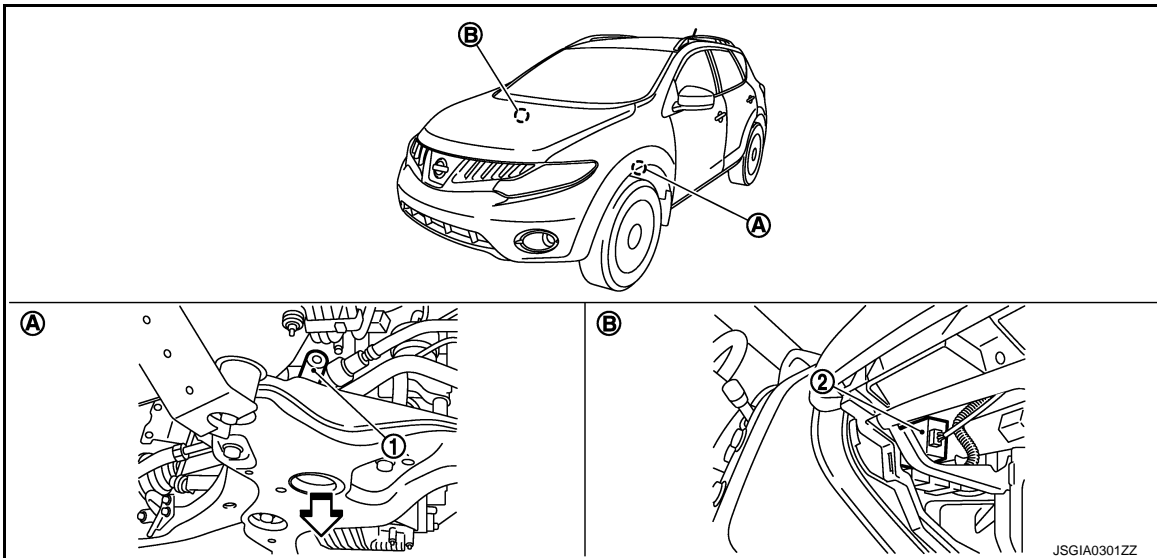
- Power steering solenoid valve is opened during high-speed operation.
- Pinion "1R", "2R" and "3R" are closed depending on steering torque of steering wheel.
- Oil pressure "2R" does not occur because the power steering solenoid valve is on full throttle.
- Oil pressure "P" in the gear housing assembly includes only oil pressure occurred in "3R" and results in a heavy steering force.

# EPS SYSTEM

< SYSTEM DESCRIPTION >

## Component Parts Location

INFOID:000000005515242



- |                                  |                                |
|----------------------------------|--------------------------------|
| 1. Power steering solenoid valve | 2. Power steering control unit |
| A. Steering gear assembly        | B. Glove box assembly removed  |

←: Vehicle front

## Component Description

INFOID:000000005515243

Component parts	Reference/Function
Power steering control unit	<ul style="list-style-type: none"> <li>• Signals from various sensors control the driving voltage to the power steering solenoid valve.</li> <li>• The power steering control unit controls the driving voltage to the power steering solenoid valve for maintaining the power steering assist force when the fail-safe function is activated. (The engine speed signals control EPS system if any vehicle speed signal error is detected.)</li> </ul>
Combination meter	<a href="#">STC-11. "Description"</a>
ECM	<a href="#">STC-9. "Description"</a>
Power steering solenoid valve	<a href="#">STC-7. "Description"</a>

# POWER SUPPLY AND GROUND CIRCUIT

< DTC/CIRCUIT DIAGNOSIS >

## DTC/CIRCUIT DIAGNOSIS

### POWER SUPPLY AND GROUND CIRCUIT

#### Description

INFOID:000000005515244

Power supply to EPS system

#### Diagnosis Procedure

INFOID:000000005515245

#### 1. CHECK POWER SUPPLY

1. Turn the ignition switch OFF.
2. Disconnect power steering control unit harness connector.
3. Check voltage between power steering control unit harness connector and ground.

Power steering control unit		—	Voltage
Connector	Terminal		
M61	3	Ground	0 V

4. Turn the ignition switch ON.  
**CAUTION:**  
**Never start the engine.**
5. Check voltage between power steering control unit harness connector and ground.

Power steering control unit		—	Voltage
Connector	Terminal		
M61	3	Ground	Battery voltage

Is the inspection result normal?

YES >> GO TO 2.

NO >> Check the following. If any items are damaged, repair or replace damaged parts.

- 10A fuses (#3) open
- Harness for short or open between ignition switch and power steering control unit harness connector No. 3 terminal.
- Ignition switch. Refer to [PCS-66. "Component Inspection"](#).

#### 2. CHECK GROUND CIRCUIT

1. Turn the ignition switch OFF.
2. Check continuity between power steering control unit harness connector and ground.

Power steering control unit		—	Continuity
Connector	Terminal		
M61	6	Ground	Existed

Is the inspection result normal?

YES >> GO TO 3.

NO >> Repair open circuit or short to power in harness or connectors.

#### 3. CHECK TERMINALS AND HARNESS CONNECTORS

Check power steering control unit pin terminals for damage or loose connection with harness connector.

Is the inspection result normal?

YES >> INSPECTION END

NO >> Repair or replace damaged parts.

# POWER STEERING SOLENOID VALVE

< DTC/CIRCUIT DIAGNOSIS >

## POWER STEERING SOLENOID VALVE

### Description

INFOID:000000005515246

Power steering solenoid valve controls the power steering oil pressure in the gear housing assembly.

### Diagnosis Procedure

INFOID:000000005515247

#### 1. CHECK POWER STEERING SOLENOID VALVE SIGNAL

1. Turn the ignition switch OFF.
2. Check voltage between power steering control unit harness connector and ground.

Power steering control unit		—	Condition	Voltage (Approx.)
Connector	Terminal			
M61	1	Ground	Vehicle speed: 0 km/h (0 MPH) (Engine is running)	4.4 – 6.6 V
			Vehicle speed: 100 km/h (62 MPH)	2.4 – 3.6 V

Is the inspection result normal?

YES >> GO TO 4.

NO >> GO TO 2.

#### 2. CHECK HARNESS BETWEEN POWER STEERING SOLENOID VALVE AND POWER STEERING CONTROL UNIT

1. Turn the ignition switch OFF.
2. Disconnect power steering solenoid valve harness connector.
3. Disconnect power steering control unit harness connector.
4. Check the continuity between power steering solenoid valve harness connector and the power steering control unit harness connector.

Power steering solenoid valve		Power steering control unit		Continuity
Connector	Terminal	Connector	Terminal	
E52	1	M61	1	Existed
E52	2	M61	5	Existed

5. Check continuity between power steering control unit harness connector and ground.

Power steering control unit		—	Continuity
Connector	Terminal		
M61	1	Ground	Not existed
M61	5		

Is the inspection result normal?

YES >> GO TO 3.

NO >> Repair or replace damaged parts.

#### 3. CHECK POWER STEERING SOLENOID VALVE

Check power steering solenoid valve. Refer to [STC-8, "Component Inspection"](#).

Is the inspection result normal?

YES >> GO TO 4.

NO >> Replace gear-sub assembly. Refer to [ST-26, "Exploded View"](#).

#### 4. CHECK TERMINALS AND HARNESS CONNECTORS

- Check power steering control unit pin terminals for damage or loose connection with harness connector.
- Check power steering solenoid valve pin terminals for damage or loose connection with harness connector.

Is the inspection result normal?

A  
B  
C  
D  
E  
F  
H  
I  
J  
K  
L  
M  
N  
O  
P

STC

# POWER STEERING SOLENOID VALVE

## < DTC/CIRCUIT DIAGNOSIS >

- YES >> INSPECTION END  
NO >> Repair or replace damaged parts.

## Component Inspection

INFOID:000000005515248

### 1. CHECK POWER STEERING SOLENOID VALVE

1. Turn the ignition switch OFF.
2. Disconnect power steering solenoid valve harness connector.
3. Check resistance between power steering solenoid valve connector terminals.

Power steering solenoid valve		Resistance (Approx.)
Terminal		
1	2	4 – 6 Ω

4. Check power steering solenoid valve by listening for its operation sound while applying battery voltage to power steering solenoid valve connector E52 terminals 1 (positive) and 2 (negative).

#### Is the inspection result normal?

- YES >> INSPECTION END  
NO >> Replace gear-sub assembly. Refer to [ST-26, "Exploded View"](#).



# ENGINE SPEED SIGNAL CIRCUIT

< DTC/CIRCUIT DIAGNOSIS >

## ENGINE SPEED SIGNAL CIRCUIT

### Description

INFOID:000000005515249

ECM sends engine speed signal to power steering control unit.

### Diagnosis Procedure

INFOID:000000005515250

#### 1. PERFORM ECM SELF-DIAGNOSIS

##### With CONSULT-III

1. Turn the ignition switch ON.

##### **CAUTION:**

**Never start the engine**

2. Perform "ENGINE" self-diagnosis. Refer to [EC-116, "CONSULT-III Function"](#).

##### Is any DTC detected?

- YES >> Check the DTC.  
NO >> GO TO 2.

#### 2. CHECK HARNESS BETWEEN ECM AND POWER STEERING CONTROL UNIT

1. Turn the ignition switch OFF.
2. Disconnect ECM harness connectors.
3. Disconnect power steering control unit harness connector.
4. Check continuity between ECM harness connector and power steering control unit harness connector.

ECM		Power steering control unit		Continuity
Connector	Terminal	Connector	Terminal	
E16	94	M61	10	Existed

5. Check continuity between power steering control unit harness connector and ground.

Power steering control unit		—	Continuity
Connector	Terminal		
M61	10	Ground	Not existed

##### Is the inspection result normal?

- YES >> GO TO 3.  
NO >> Repair or replace damaged parts.

#### 3. CHECK ENGINE SPEED SIGNAL (1)

1. Turn the ignition switch OFF.
2. Connect ECM harness connectors.
3. Check signal between ECM harness connector and ground with oscilloscope.

A  
B  
C  
D  
E  
F  
H  
I  
J  
K  
L  
M  
N  
O  
P

STC

# ENGINE SPEED SIGNAL CIRCUIT

## < DTC/CIRCUIT DIAGNOSIS >

ECM		Ground	Condition	Voltage (Approx.)
Connector	Terminal			
E16	94	Ground	Engine is running • Warm-up condition • Idle speed	
			Engine is running • Warm-up condition • Engine speed: Approx. 2,000 rpm	

Is the inspection result normal?

YES >> GO TO 4.

NO >> Replace ECM. Refer to [EC-16, "ADDITIONAL SERVICE WHEN REPLACING CONTROL UNIT : Description"](#).

### 4. CHECK ENGINE SPEED SIGNAL (2)

- Turn the ignition switch OFF.
- Connect power steering control unit harness connector.
- Check signal between power steering control unit harness connector and ground with oscilloscope.

Power steering control unit		—	Condition	Voltage (Approx.)
Connector	Terminal			
M61	10	Ground	Engine is running • Warm-up condition • Idle speed	
			Engine is running • Warm-up condition • Engine speed: Approx. 2,000 rpm	

Is the inspection result normal?

YES >> GO TO 5.

NO >> Replace power steering control unit. Refer to [STC-21, "Removal and Installation"](#).

### 5. CHECK TERMINALS AND HARNESS CONNECTORS

- Check power steering control unit pin terminals for damage or loose connection with harness connector.
- Check ECM pin terminals for damage or loose connection with harness connector.

Is the inspection result normal?

YES >> INSPECTION END

NO >> Repair or replace damaged parts.

# VEHICLE SPEED SIGNAL CIRCUIT

< DTC/CIRCUIT DIAGNOSIS >

## VEHICLE SPEED SIGNAL CIRCUIT

### Description

INFOID:000000005515251

Combination meter sends vehicle speed signal to power steering control unit.

### Diagnosis Procedure

INFOID:000000005515252

#### 1. PERFORM COMBINATION METER SELF-DIAGNOSIS

##### With CONSULT-III

1. Turn the ignition switch ON.

##### **CAUTION:**

**Never start the engine**

2. Perform "METER/M&A" self-diagnosis. Refer to [MWI-34, "CONSULT-III Function \(METER/M&A\)"](#).

##### Is any DTC detected?

- YES >> Check the DTC.  
NO >> GO TO 2.

#### 2. CHECK HARNESS BETWEEN COMBINATION METER AND POWER STEERING CONTROL UNIT

1. Turn the ignition switch OFF.
2. Disconnect combination meter harness connector.
3. Disconnect power steering control unit harness connector.
4. Check continuity between combination meter harness connector and power steering control unit harness connector.

Combination meter		Power steering control unit		Continuity
Connector	Terminal	Connector	Terminal	
M34	30	M61	8	Existed

5. Check continuity between power steering control unit harness connector and ground.

Power steering control unit		—	Continuity
Connector	Terminal		
M61	8	Ground	Not existed

##### Is the inspection result normal?

- YES >> GO TO 3.  
NO >> Repair or replace damaged parts.

#### 3. CHECK VEHICLE SPEED SIGNAL (1)

1. Turn the ignition switch OFF.
2. Connect combination meter harness connector.
3. Check combination meter input/output standard values. Refer to [MWI-58, "Reference Value"](#).

##### Is the inspection result normal?

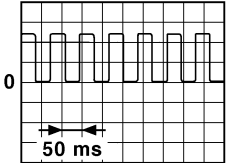
- YES >> GO TO 4.  
NO >> Replace combination meter Refer to [MWI-103, "Exploded View"](#).

#### 4. CHECK VEHICLE SPEED SIGNAL (2)

1. Turn the ignition switch OFF.
2. Connect power steering control unit harness connector.
3. Check signal between power steering control unit harness connector and ground with oscilloscope.

# VEHICLE SPEED SIGNAL CIRCUIT

## < DTC/CIRCUIT DIAGNOSIS >

Power steering control unit		—	Condition	Voltage (Approx.)
Connector	Terminal			
M61	8	Ground	Vehicle speed: 40 km/h (25 MPH) <b>CAUTION:</b> Check air pressure of tire under standard condition.	 <small>JSNIA0015GB</small>

Is the inspection result normal?

YES >> GO TO 5.

NO >> Replace power steering control unit. Refer to [STC-21, "Removal and Installation"](#).

### 5. CHECK TERMINALS AND HARNESS CONNECTORS

- Check power steering control unit pin terminals for damage or loose connection with harness connector.
- Check combination meter pin terminals for damage or loose connection with harness connector.

Is the inspection result normal?

YES >> INSPECTION END

NO >> Repair or replace damaged parts.

# POWER STEERING CONTROL UNIT

< ECU DIAGNOSIS INFORMATION >

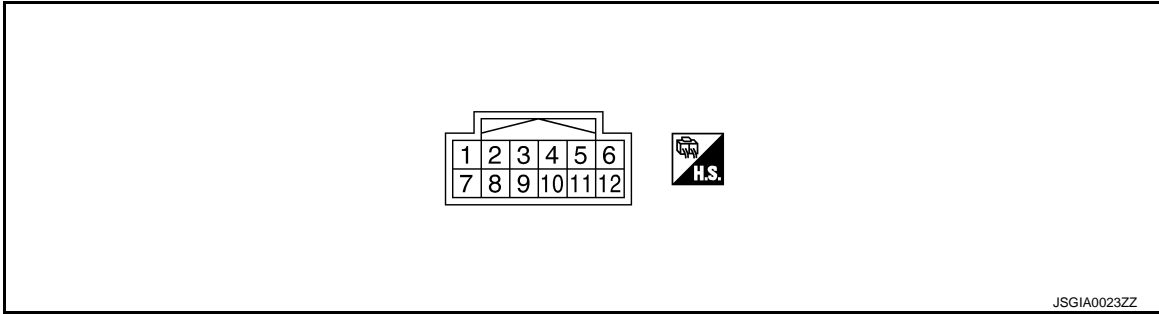
## ECU DIAGNOSIS INFORMATION

### POWER STEERING CONTROL UNIT

Reference Value

INFOID:000000005515253

#### TERMINAL LAYOUT



#### PHYSICAL VALUES

Terminal No. (Wire color)		Description		Condition	Value (Approx.)
+	-	Signal name	Input/ Output		
1 (Y)	Ground	Power steering solenoid valve voltage	Output	Vehicle speed: 0 km/h (0 MPH) (Engine is running)	4.4 – 6.6 V
				Vehicle speed: 100 km/h (62 MPH)	2.4 – 3.6 V
3 (G)	Ground	Ignition switch power supply	Input	Ignition switch: ON	Battery voltage
				Ignition switch: OFF	0 V
5 (LG)	Ground	Power steering solenoid valve ground	—	Always	0 V
6 (B)	Ground	Ground	—	Always	0 V
8 (P)	Ground	Vehicle speed signal	Input	Vehicle speed: 40 km/h (25 MPH) <b>CAUTION:</b> Check air pressure of tire under standard condition.	 JSNIA0015GB
10 (V)	Ground	Engine speed signal	Input	Engine is running • Warm-up condition • Idle speed	 JMBIA0076GB
				Engine is running • Warm-up condition • Engine speed: Approx. 2,000 rpm	 JMBIA0077GB

# POWER STEERING CONTROL UNIT

< ECU DIAGNOSIS INFORMATION >

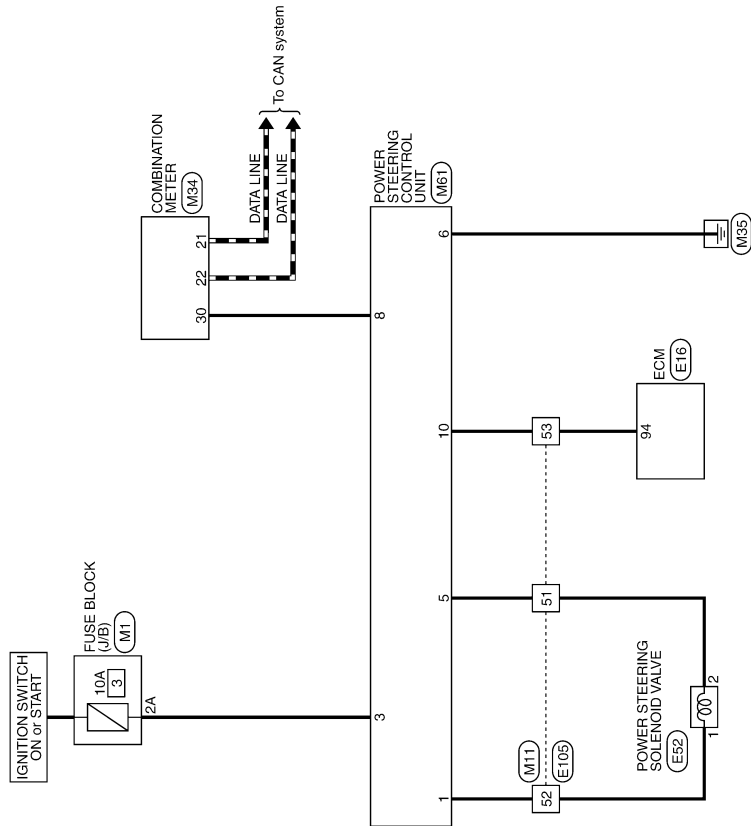
**CAUTION:**

When using circuit tester or oscilloscope to measure voltage for inspection, be sure not to forcibly extend any connector terminals.

## Wiring Diagram - ELECTRONICALLY CONTROLLED POWER STEERING SYSTEM -

INFOID:000000005515254

### ELECTRONICALLY CONTROLLED POWER STEERING SYSTEM



2008/09/23

JCGWM0180GB

# POWER STEERING CONTROL UNIT

< ECU DIAGNOSIS INFORMATION >

## ELECTRONICALLY CONTROLLED POWER STEERING SYSTEM

Connector No.	E16
Connector Name	ECM
Connector Type	FR24FB-F28-L-H



81	85	89	93	97	101	105	109
82	86	90	94	98	102	106	110
83	87	91	95	99	103	107	111
84	88	92	96	100	104	108	112



Connector No.	E52
Connector Name	POWER STEERING SOLENOID VALVE
Connector Type	RH02MB



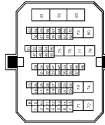
29	W	--	--
30	Y	--	--
47	P	--	--
48	L	--	--
49	SB	--	--
50	GR	--	--
51	LG	--	--
52	V	--	--
53	GR	--	--
54	BR	--	--
55	Y	--	--
56	W/L	--	--
60	V	--	--
61	BR	--	--
62	O	--	--
63	L/O	--	--
64	SHIELD	--	--
66	W	--	--
67	BR	--	--
68	Y	--	--
69	SB	--	--
70	GR	--	--
71	SB	--	--
72	Y	--	--
73	L	--	--
74	W	--	--
75	BR	--	--
76	GR	--	--
77	O	--	--
78	V	--	--
79	Y	--	--
80	R	--	--
81	W	--	--
82	LG	--	--
83	O	--	--

2A	G
3A	Y
4A	GR
5A	R
6A	W
7A	LG
8A	Y

Terminal No.	Color of Wire	Signal Name [Specification]
81	W	APS1
82	O	APS2
83	BR	AVCC1-APS1
84	B	GND-APS1
85	B	ASCD SW
86	SB	FTPRES
87	GR	AVCC2-APS2
88	O	KLINE
91	L	AVCC2-FTPRES
92	BR	GND-ASCDSW
93	BR	IGN SW
94	GR	TACHO(CABIN)
95	Y	TF
96	GR	GND-FTPRES
97	P	VEHGAN-L
98	L	VEHGAN-H
100	G	GND-APS2
102	R	NEUT-H
104	SB	GND-TF
105	V	VGR
106	SB	BRAKE
107	B	GND
108	B	GND
109	W	CDCV
110	G	ENCSW
111	B	GND
112	B	GND

Terminal No.	Color of Wire	Signal Name [Specification]
1	V	EPS SOL+
2	LG	EPS SOL-

Connector No.	E105
Connector Name	WIRE TO WIRE
Connector Type	TH120MW-CS10-M3



Terminal No.	Color of Wire	Signal Name [Specification]
2	BR	E105
3	Y	--
4	W	--
5	LG	--
6	GR	--
8	G	--
11	P	--
12	L	--
13	Y	--
14	O	--
15	BR	--
20	Y	--
21	BR	--
22	P	--
23	P	--
24	L	--
25	O	--
26	G	--
27	V	--
28	SB	--

Connector No.	M1
Connector Name	FUSE BLOCK (J/B)
Connector Type	NS06FW-M2



Terminal No.	Color of Wire	Signal Name [Specification]
1A	Y	--

A  
B  
C  
D  
E  
F  
H  
I  
J  
K  
L  
M  
N  
O  
P

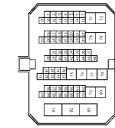
STC

# POWER STEERING CONTROL UNIT

< ECU DIAGNOSIS INFORMATION >

## ELECTRONICALLY CONTROLLED POWER STEERING SYSTEM

Connector No.	M11
Connector Name	WIRE TO WIRE
Connector Type	TH12FW-CSD-M3



Terminal No.	Color of Wire	Signal Name [Specification]
2	L	-
3	P	-
4	O	-
5	O	-
6	G	-
8	R	-
11	P	-
12	L	-
13	Y	-
14	Y	-
15	R	-
20	Y	-
21	BR	-
22	G	-
23	P	-
24	Y	-
25	L	-
26	L	-
27	O	-
28	BR	-
29	L	-
30	R	-
47	P	-
48	L	-
59	W	-
50	GR	-
51	LG	-
52	Y	-
53	V	-
54	SB	-
55	P	-
56	SB	-
60	V	-
61	GR	-
62	O	-
63	V	-
64	SHIELD	-
66	W	-

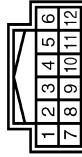
Connector No.	M34
Connector Name	COMBINATION METER
Connector Type	TH14FPV-NH



Terminal No.	Color of Wire	Signal Name [Specification]
1	Y	BAT
2	O	IGN
3	B	GROUND
4	B	GROUND
5	SB	ILLUMINATION CONTROL
8	SB	TRIP RESET SWITCH
9	W	SW ILL POWER
10	O	METER CONTROL SW GND
11	L	ENTER SWITCH
12	R	SELECT SWITCH
13	Y	ILLUMINATION CONTROL SWITCH (30Wb automatic drive position)
14	GR	ILLUMINATION CONTROL SWITCH (-)
15	BR	AIR BAG
18	L	AMBIENT SENSOR
19	P	AMBIENT SENSOR POWER
20	Y	AMBIENT SENSOR GROUND
21	L	CAN-H
22	P	CAN-L

23	B	GROUND
24	W	FUEL LEVEL SENSOR GROUND
25	BR	CHG
26	G	PARKING BRAKE SWITCH
27	V	BRAKE FLUID LEVEL SWITCH
28	R	WASHER LEVEL SWITCH
30	P	VEHICLE SPEED (2-PULSE)
31	V	VEHICLE SPEED (8-PULSE)
32	LG	OD OFF/SPORTS
34	G	FUEL LEVEL SENSOR
35	SB	SEAT BELT BUCKLE SWITCH (DRIVER SIDE)
36	R	SEAT BELT BUCKLE SWITCH (PASSENGER SIDE)

Connector No.	M61
Connector Name	POWER STEERING CONTROL UNIT
Connector Type	TH12FW-NH



Terminal No.	Color of Wire	Signal Name [Specification]
1	Y	EPS SOL+
3	G	IGN
5	LG	EPS SOL-
6	B	GND
8	P	VEHICLE SPEED(ZP)
10	V	ENG TACHO

Fail-Safe

EPS system

JCGWM0270GB

INFOID:000000005515255



# POWER STEERING CONTROL UNIT

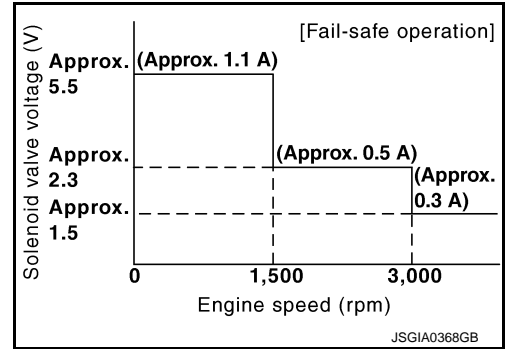
## < ECU DIAGNOSIS INFORMATION >

- EPS system enters the fail-safe mode (that allows the steering force to be controlled without impairing the drivability) if any of the input/output values to/from EPS system (power steering control unit) deviate from the standard range.

**NOTE:**

The system enters the fail-safe mode if the engine speed remains at 1,500 rpm or more for over 10 seconds while the vehicle is stopped. This is normal.

- The fail-safe function is canceled when a vehicle speed signal of 2 km/h (1.2 MPH) or more is inputted or the ignition switch is turned OFF→ON. EPS system restores the normal operation at that time.



Mode	Warning lamp	DTC	Detection point (malfunction part)	Error area and root cause
Fail-safe function	—	—	Vehicle speed signal input	<ul style="list-style-type: none"> <li>• Engine speed is 1,500 rpm or more and there is no vehicle speed signal input for over 10 seconds during vehicle travel.</li> <li>• Vehicle speed signal has abruptly dropped from 30 km/h (19 MPH) or more to 2 km/h (1.2 MPH) or less within 1.4 seconds.</li> </ul>

A  
B  
C  
D  
E  
F  
H  
I  
J  
K  
L  
M  
N  
O  
P

**STC**

# UNBALANCE STEERING WHEEL TURNING FORCE (TORQUE VARIATION)

< SYMPTOM DIAGNOSIS >

## SYMPTOM DIAGNOSIS

### UNBALANCE STEERING WHEEL TURNING FORCE (TORQUE VARIATION)

#### Description

INFOID:000000005515256

- Hard steering when fully turning the steering wheel.
- Light steering when driving at a high speed.

#### Diagnosis Procedure

INFOID:000000005515257

#### 1. CHECK SYSTEM FOR POWER SUPPLY AND GROUND

Perform trouble diagnosis for power supply and ground. Refer to [STC-6, "Diagnosis Procedure"](#).

Is the inspection result normal?

- YES >> GO TO 2.
- NO >> Repair or replace damaged parts.

#### 2. CHECK SYSTEM FOR VEHICLE SPEED SIGNAL

Perform trouble diagnosis for vehicle speed signal. Refer to [STC-11, "Diagnosis Procedure"](#).

Is the inspection result normal?

- YES >> GO TO 3.
- NO >> Repair or replace damaged parts.

#### 3. CHECK SYSTEM FOR ENGINE SPEED SIGNAL

Perform trouble diagnosis for engine speed signal. Refer to [STC-9, "Diagnosis Procedure"](#).

Is the inspection result normal?

- YES >> GO TO 4.
- NO >> Repair or replace damaged parts.

#### 4. CHECK SYSTEM FOR POWER STEERING SOLENOID VALVE

Perform trouble diagnosis for power steering solenoid valve. Refer to [STC-7, "Diagnosis Procedure"](#).

Is the inspection result normal?

- YES >> Perform the symptom diagnosis for the steering system. Refer to [ST-3, "NVH Troubleshooting Chart"](#).
- NO >> Repair or replace damaged parts.

# PRECAUTIONS

< PRECAUTION >

## PRECAUTION

### PRECAUTIONS FOR USA AND CANADA

#### FOR USA AND CANADA : Precaution for Supplemental Restraint System (SRS) "AIR BAG" and "SEAT BELT PRE-TENSIONER"

INFOID:000000005688811

The Supplemental Restraint System such as "AIR BAG" and "SEAT BELT PRE-TENSIONER", used along with a front seat belt, helps to reduce the risk or severity of injury to the driver and front passenger for certain types of collision. This system includes seat belt switch inputs and dual stage front air bag modules. The SRS system uses the seat belt switches to determine the front air bag deployment, and may only deploy one front air bag, depending on the severity of a collision and whether the front occupants are belted or unbelted. Information necessary to service the system safely is included in the "SRS AIR BAG" and "SEAT BELT" of this Service Manual.

#### **WARNING:**

- To avoid rendering the SRS inoperative, which could increase the risk of personal injury or death in the event of a collision which would result in air bag inflation, all maintenance must be performed by an authorized NISSAN/INFINITI dealer.
- Improper maintenance, including incorrect removal and installation of the SRS, can lead to personal injury caused by unintentional activation of the system. For removal of Spiral Cable and Air Bag Module, see the "SRS AIR BAG".
- Do not use electrical test equipment on any circuit related to the SRS unless instructed to in this Service Manual. SRS wiring harnesses can be identified by yellow and/or orange harnesses or harness connectors.

#### PRECAUTIONS WHEN USING POWER TOOLS (AIR OR ELECTRIC) AND HAMMERS

#### **WARNING:**

- When working near the Air Bag Diagnosis Sensor Unit or other Air Bag System sensors with the ignition ON or engine running, DO NOT use air or electric power tools or strike near the sensor(s) with a hammer. Heavy vibration could activate the sensor(s) and deploy the air bag(s), possibly causing serious injury.
- When using air or electric power tools or hammers, always switch the ignition OFF, disconnect the battery, and wait at least 3 minutes before performing any service.

#### FOR USA AND CANADA : Precaution Necessary for Steering Wheel Rotation after Battery Disconnect

INFOID:000000005688813

#### **NOTE:**

- Before removing and installing any control units, first turn the push-button ignition switch to the LOCK position, then disconnect both battery cables.
- After finishing work, confirm that all control unit connectors are connected properly, then re-connect both battery cables.

This vehicle is equipped with a push-button ignition switch and a steering lock unit.

If the battery is disconnected or discharged, the steering wheel will lock and cannot be turned.

If turning the steering wheel is required with the battery disconnected or discharged, follow the procedure below before starting the repair operation.

#### OPERATION PROCEDURE

1. Connect both battery cables.

#### **NOTE:**

Supply power using jumper cables if battery is discharged.

2. Turn the push-button ignition switch to ACC position.  
(At this time, the steering lock will be released.)
3. Disconnect both battery cables. The steering lock will remain released with both battery cables disconnected and the steering wheel can be turned.
4. Perform the necessary repair operation.

# PRECAUTIONS

## < PRECAUTION >

5. When the repair work is completed, re-connect both battery cables. With the brake pedal released, turn the push-button ignition switch from ACC position to ON position, then to LOCK position. (The steering wheel will lock when the push-button ignition switch is turned to LOCK position.)

## FOR MEXICO

### FOR MEXICO : Precaution for Supplemental Restraint System (SRS) "AIR BAG" and "SEAT BELT PRE-TENSIONER"

INFOID:00000000568812

The Supplemental Restraint System such as "AIR BAG" and "SEAT BELT PRE-TENSIONER", used along with a front seat belt, helps to reduce the risk or severity of injury to the driver and front passenger for certain types of collision. Information necessary to service the system safely is included in the "SRS AIR BAG" and "SEAT BELT" of this Service Manual.

#### **WARNING:**

- To avoid rendering the SRS inoperative, which could increase the risk of personal injury or death in the event of a collision which would result in air bag inflation, all maintenance must be performed by an authorized NISSAN/INFINITI dealer.
- Improper maintenance, including incorrect removal and installation of the SRS, can lead to personal injury caused by unintentional activation of the system. For removal of Spiral Cable and Air Bag Module, see the "SRS AIR BAG".
- Do not use electrical test equipment on any circuit related to the SRS unless instructed to in this Service Manual. SRS wiring harnesses can be identified by yellow and/or orange harnesses or harness connectors.

## PRECAUTIONS WHEN USING POWER TOOLS (AIR OR ELECTRIC) AND HAMMERS

#### **WARNING:**

- When working near the Air Bag Diagnosis Sensor Unit or other Air Bag System sensors with the ignition ON or engine running, DO NOT use air or electric power tools or strike near the sensor(s) with a hammer. Heavy vibration could activate the sensor(s) and deploy the air bag(s), possibly causing serious injury.
- When using air or electric power tools or hammers, always switch the ignition OFF, disconnect the battery, and wait at least 3 minutes before performing any service.

### FOR MEXICO : Precaution Necessary for Steering Wheel Rotation after Battery Disconnect

INFOID:00000000568814

#### **NOTE:**

- Before removing and installing any control units, first turn the push-button ignition switch to the LOCK position, then disconnect both battery cables.
- After finishing work, confirm that all control unit connectors are connected properly, then re-connect both battery cables.

This vehicle is equipped with a push-button ignition switch and a steering lock unit.

If the battery is disconnected or discharged, the steering wheel will lock and cannot be turned.

If turning the steering wheel is required with the battery disconnected or discharged, follow the procedure below before starting the repair operation.

## OPERATION PROCEDURE

1. Connect both battery cables.

#### **NOTE:**

Supply power using jumper cables if battery is discharged.

2. Turn the push-button ignition switch to ACC position.  
(At this time, the steering lock will be released.)
3. Disconnect both battery cables. The steering lock will remain released with both battery cables disconnected and the steering wheel can be turned.
4. Perform the necessary repair operation.
5. When the repair work is completed, re-connect both battery cables. With the brake pedal released, turn the push-button ignition switch from ACC position to ON position, then to LOCK position. (The steering wheel will lock when the push-button ignition switch is turned to LOCK position.)

# POWER STEERING CONTROL UNIT

< REMOVAL AND INSTALLATION >

## REMOVAL AND INSTALLATION

### POWER STEERING CONTROL UNIT

#### Removal and Installation

INFOID:000000005515261

#### REMOVAL

1. Remove instrument lower panel RH. Refer to [IP-12. "Exploded View"](#).
2. Disconnect power steering control unit connector.
3. Remove power steering control unit.

#### INSTALLATION

Install in the reverse order of removal.

A

B

C

D

E

F

STC

H

I

J

K

L

M

N

O

P