

SECTION **CHG**
CHARGING SYSTEM

A
B
C

CONTENTS

| | | | | |
|---|----|---|----|-----|
| BASIC INSPECTION | 3 | CHARGING SYSTEM | 20 | F |
| DIAGNOSIS AND REPAIR WORK FLOW | 3 | Symptom Table | 20 | |
| Work Flow (With EXP-800 NI or GR8-1200 NI) | 3 | PRECAUTION | 21 | G |
| Work Flow (Without EXP-800 NI or GR8-1200 NI)..... | 7 | PRECAUTIONS | 21 | |
| SYSTEM DESCRIPTION | 10 | FOR USA AND CANADA | 21 | H |
| CHARGING SYSTEM | 10 | FOR USA AND CANADA : Precaution for Supplemental Restraint System (SRS) "AIR BAG" and "SEAT BELT PRE-TENSIONER" | 21 | I |
| System Diagram | 10 | FOR USA AND CANADA : Precaution for Power Generation Voltage Variable Control System | 21 | |
| System Description | 10 | FOR MEXICO | 21 | J |
| Component Parts Location | 10 | FOR MEXICO : Precaution for Supplemental Restraint System (SRS) "AIR BAG" and "SEAT BELT PRE-TENSIONER" | 21 | K |
| Component Description | 10 | FOR MEXICO : Precaution for Power Generation Voltage Variable Control System | 22 | |
| POWER GENERATION VOLTAGE VARIABLE CONTROL SYSTEM | 12 | PREPARATION | 23 | L |
| System Diagram | 12 | PREPARATION | 23 | |
| System Description | 12 | Special Service Tools | 23 | |
| Component Parts Location | 12 | Commercial Service Tools | 23 | CHG |
| Component Description | 13 | PERIODIC MAINTENANCE | 24 | |
| DTC/CIRCUIT DIAGNOSIS | 14 | CHARGING SYSTEM PRELIMINARY INSPECTION | 24 | N |
| B TERMINAL CIRCUIT | 14 | Inspection Procedure | 24 | O |
| Description | 14 | POWER GENERATION VOLTAGE VARIABLE CONTROL SYSTEM OPERATION INSPECTION | 25 | P |
| Diagnosis Procedure | 14 | Inspection Procedure | 25 | |
| L TERMINAL CIRCUIT (OPEN) | 15 | REMOVAL AND INSTALLATION | 27 | |
| Description | 15 | ALTERNATOR | 27 | |
| Diagnosis Procedure | 15 | Exploded View | 27 | |
| L TERMINAL CIRCUIT (SHORT) | 17 | Removal and Installation | 28 | |
| Description | 17 | | | |
| Diagnosis Procedure | 17 | | | |
| S TERMINAL CIRCUIT | 18 | | | |
| Description | 18 | | | |
| Diagnosis Procedure | 18 | | | |
| CHARGING SYSTEM | 19 | | | |
| Wiring Diagram - CHARGING SYSTEM - | 19 | | | |
| SYMPTOM DIAGNOSIS | 20 | | | |

D
E

F
G

H
I

J
K

L
CHG

N
O

P

Inspection 29

**SERVICE DATA AND SPECIFICATIONS
(SDS) 30**

**SERVICE DATA AND SPECIFICATIONS
(SDS) 30**

 Alternator 30

DIAGNOSIS AND REPAIR WORK FLOW

< BASIC INSPECTION >

BASIC INSPECTION

DIAGNOSIS AND REPAIR WORK FLOW

Work Flow (With EXP-800 NI or GR8-1200 NI)

INFOID:000000008891169

CHARGING SYSTEM DIAGNOSIS WITH EXP-800 NI OR GR8-1200 NI

To test the charging system, use the following special service tools:

- EXP-800 NI Battery and electrical diagnostic analyzer
- GR8-1200 NI Multitasking battery and electrical diagnostic station

NOTE:

Refer to the applicable Instruction Manual for proper charging system diagnosis procedures.

A

B

C

D

E

F

G

H

I

J

K

L

CHG

N

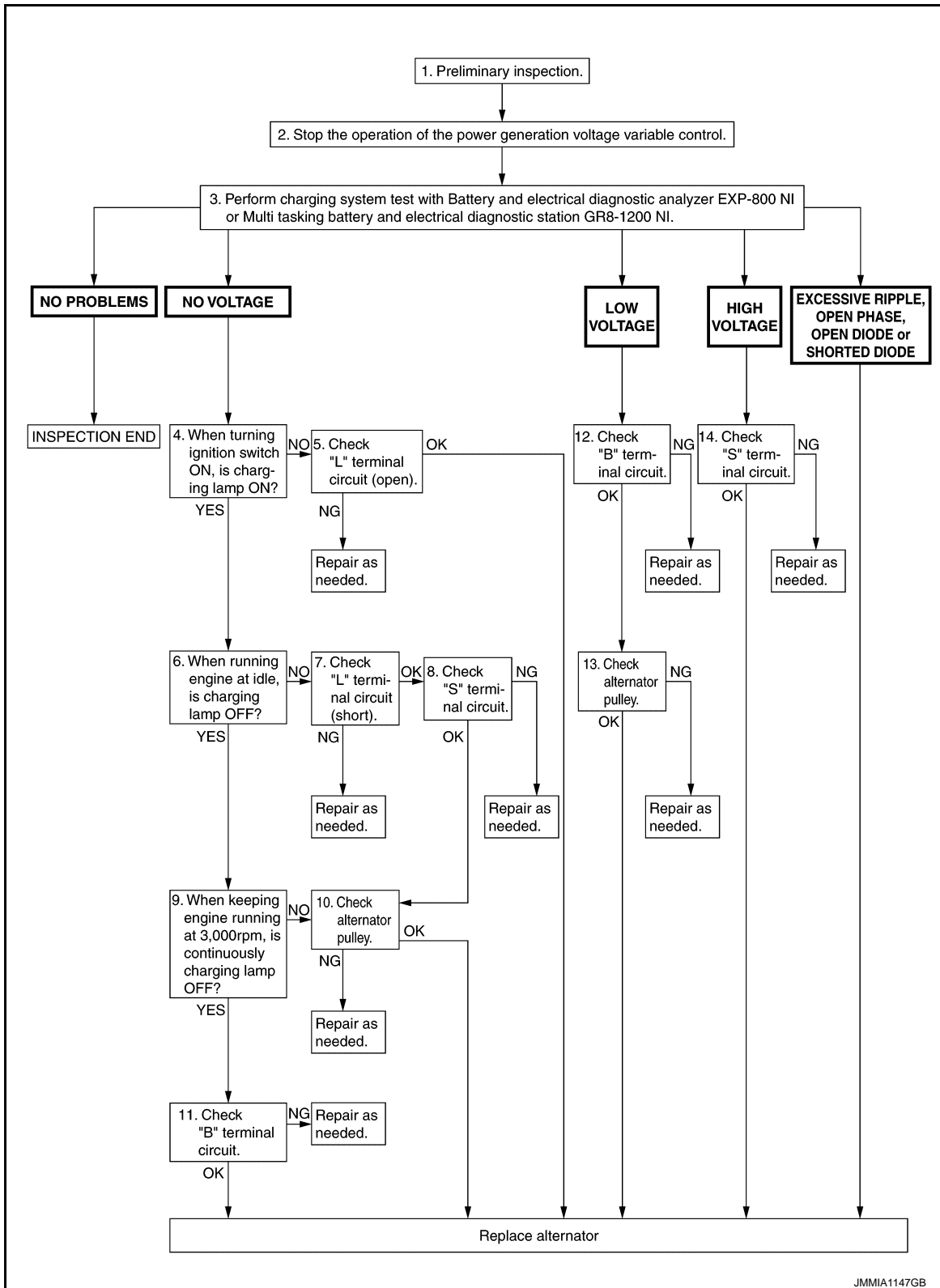
O

P

DIAGNOSIS AND REPAIR WORK FLOW

< BASIC INSPECTION >

OVERALL SEQUENCE



DETAILED FLOW

NOTE:

To ensure a complete and thorough diagnosis, the battery, starter and alternator test segments must be done as a set from start to finish.

1. PRELIMINARY INSPECTION

Perform the preliminary inspection. Refer to [CHG-25, "Inspection Procedure"](#).

DIAGNOSIS AND REPAIR WORK FLOW

< BASIC INSPECTION >

>> GO TO 2.

2. STOP POWER GENERATION VOLTAGE VARIABLE CONTROL SYSTEM

Stop the operation of the power generation voltage variable control in either of the following procedures.

- After selecting “ENGINE” of “SELECT SYSTEM” using CONSULT, set the DUTY value of “ALTERNATOR DUTY” to 0 % by selecting “ALTERNATOR DUTY” of “Active Test”. Continue “Active Test” until the end of inspection. (When the DUTY value is 0 or 100 %, the normal power generation is performed according to the characteristic of the IC voltage regulator of the alternator.)
- Turn the ignition switch OFF, and disconnect the battery current sensor connector. [However, DTC (P1550 - P1554) of the engine might remain. After finishing the inspection, connect the battery current sensor connector and erase the self-diagnosis results history of the engine using CONSULT.]

>> GO TO 3.

3. DIAGNOSIS WITH EXP-800 NI OR GR8-1200 NI

Perform the charging system test using Multitasking battery and electrical diagnostic station GR8-1200 NI or Battery and electrical diagnostic analyzer EXP-800 NI. Refer to the applicable Instruction Manual for proper testing procedures.

Test result

NO PROBLEMS>>Charging system is normal and will also show “DIODE RIPPLE” test result.

NO VOLTAGE>>GO TO 4.

LOW VOLTAGE>>GO TO 12.

HIGH VOLTAGE>>GO TO 14.

EXCESSIVE RIPPLE, OPEN PHASE, OPEN DIODE or SHORTED DIODE>>Replace the alternator. Perform “DIODE RIPPLE” test again using Multitasking battery and electrical diagnostic station GR8-1200 NI or Battery and electrical diagnostic analyzer EXP-800 NI to confirm repair.

4. INSPECTION WITH CHARGE WARNING LAMP (IGNITION SWITCH IS ON)

Turn the ignition switch ON.

Does the charge warning lamp illuminate?

YES >> GO TO 6.

NO >> GO TO 5.

5. “L” TERMINAL CIRCUIT (OPEN) INSPECTION

Check “L” terminal circuit (open). Refer to [CHG-15, "Diagnosis Procedure"](#).

Is the “L” terminal circuit normal?

YES >> Replace alternator. Refer to [CHG-28, "Removal and Installation"](#).

NO >> Repair as needed.

6. INSPECTION WITH CHARGE WARNING LAMP (IDLING)

Start the engine and run it at idle.

Does the charge warning lamp turn OFF?

YES >> GO TO 9.

NO >> GO TO 7.

7. “L” TERMINAL CIRCUIT (SHORT) INSPECTION

Check “L” terminal circuit (short). Refer to [CHG-17, "Diagnosis Procedure"](#).

Is the “L” terminal circuit normal?

YES >> GO TO 8.

NO >> Repair as needed.

8. “S” TERMINAL CIRCUIT INSPECTION

Check “S” terminal circuit. Refer to [CHG-18, "Diagnosis Procedure"](#).

Is the “S” terminal circuit normal?

YES >> GO TO 10.

NO >> Repair as needed.

A

B

C

D

E

F

G

H

I

J

K

L

CHG

N

O

P

DIAGNOSIS AND REPAIR WORK FLOW

< BASIC INSPECTION >

9. INSPECTION WITH CHARGE WARNING LAMP (ENGINE AT 3,000 RPM)

Increase and maintain the engine speed at 3,000 rpm.

Does the charge warning lamp remain off?

YES >> GO TO 11.

NO >> GO TO 10.

10. INSPECTION OF ALTERNATOR PULLEY

Check alternator pulley. Refer to [CHG-29, "Inspection"](#).

Is alternator pulley normal?

YES >> Replace alternator. Refer to [CHG-28, "Removal and Installation"](#).

NO >> Repair as needed.

11. "B" TERMINAL CIRCUIT INSPECTION

Check "B" terminal circuit. Refer to [CHG-14, "Diagnosis Procedure"](#).

Is "B" terminal circuit normal?

YES >> Replace alternator. Refer to [CHG-28, "Removal and Installation"](#).

NO >> Repair as needed.

12. "B" TERMINAL CIRCUIT INSPECTION

Check "B" terminal circuit. Refer to [CHG-14, "Diagnosis Procedure"](#).

Is "B" terminal circuit normal?

YES >> GO TO 13.

NO >> Repair as needed.

13. INSPECTION OF ALTERNATOR PULLEY

Check alternator pulley. Refer to [CHG-29, "Inspection"](#).

Is alternator pulley normal?

YES >> Replace alternator. Refer to [CHG-28, "Removal and Installation"](#).

NO >> Repair as needed.

14. "S" TERMINAL CIRCUIT INSPECTION

Check "S" terminal circuit. Refer to [CHG-18, "Diagnosis Procedure"](#).

Is the "S" terminal circuit normal?

YES >> Replace alternator. Refer to [CHG-28, "Removal and Installation"](#).

NO >> Repair as needed.

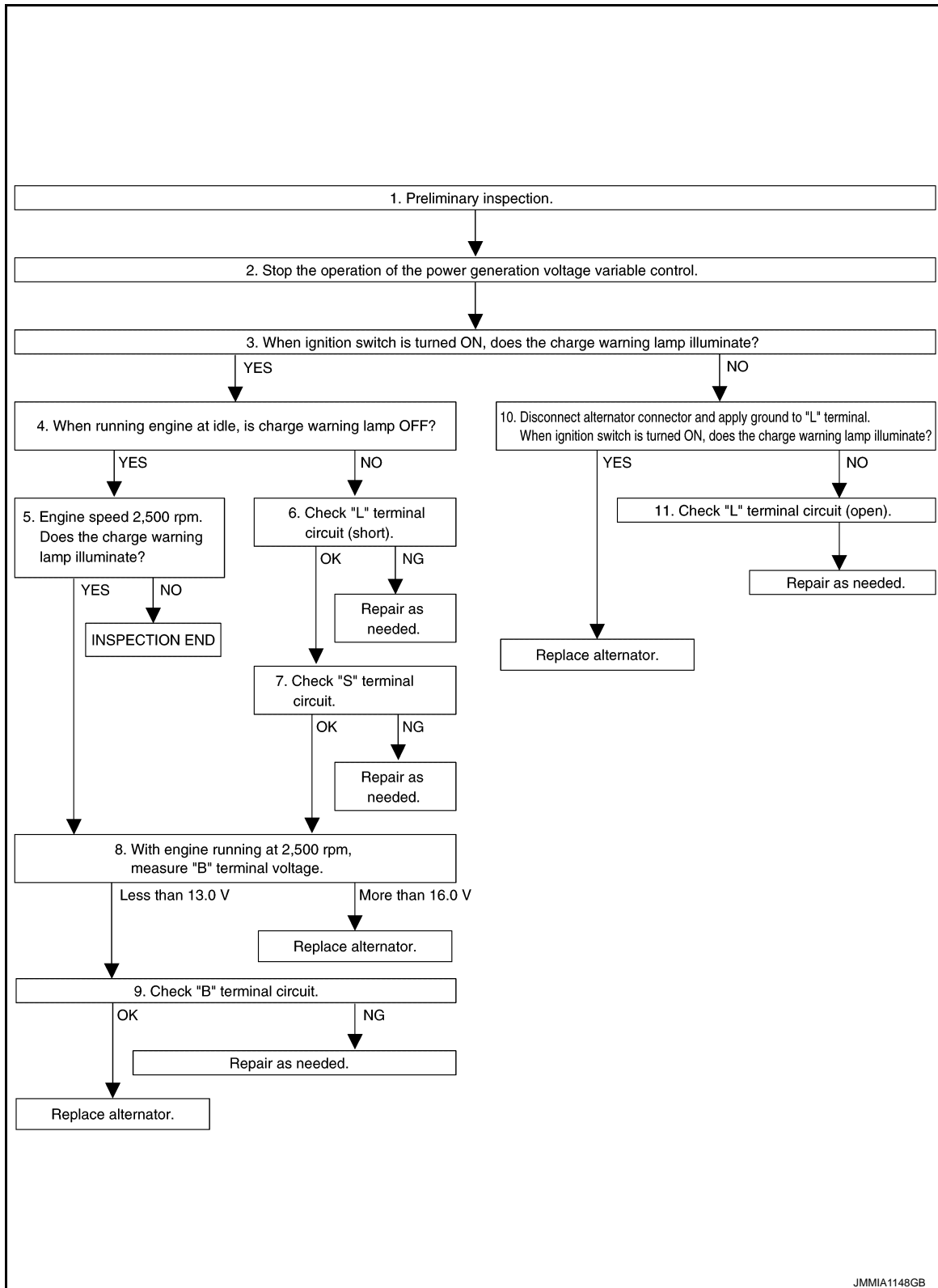
DIAGNOSIS AND REPAIR WORK FLOW

< BASIC INSPECTION >

Work Flow (Without EXP-800 NI or GR8-1200 NI)

INFOID:000000008891170

OVERALL SEQUENCE



DETAILED FLOW

1. PRELIMINARY INSPECTION

Perform the preliminary inspection. Refer to [CHG-25, "Inspection Procedure"](#).

DIAGNOSIS AND REPAIR WORK FLOW

< BASIC INSPECTION >

>> GO TO 2.

2. STOP POWER GENERATION VOLTAGE VARIABLE CONTROL SYSTEM

Stop the operation of the power generation voltage variable control in either of the following procedures.

- After selecting "ENGINE" of "SELECT SYSTEM" using CONSULT, set the DUTY value of "ALTERNATOR DUTY" to 0 % by selecting "ALTERNATOR DUTY" of "Active Test". Continue "Active Test" until the end of inspection. (When the DUTY value is 0 or 100 %, the normal power generation is performed according to the characteristic of the IC regulator of the alternator.)
- Turn the ignition switch OFF, and disconnect the battery current sensor connector. [However, DTC (P1550 - P1554) of the engine might remain. After finishing the inspection, connect the battery current sensor connector and erase the self-diagnostic results history of the engine using CONSULT.]

>> GO TO 3.

3. INSPECTION WITH CHARGE WARNING LAMP (IGNITION SWITCH IS TURNED ON)

When ignition switch is turned ON

Does the charge warning lamp illuminate?

YES >> GO TO 4.

NO >> GO TO 10.

4. INSPECTION WITH CHARGE WARNING LAMP (IDLING)

Start the engine and run it at idle.

Does the charge warning lamp turn OFF?

YES >> GO TO 5.

NO >> GO TO 6.

5. INSPECTION WITH CHARGE WARNING LAMP (ENGINE AT 2,500 RPM)

Increase and maintain the engine speed at 2,500 rpm.

Does the charge warning lamp illuminate?

YES >> GO TO 8.

NO >> INSPECTION END

6. "L" TERMINAL CIRCUIT (SHORT) INSPECTION

Check "L" terminal circuit (short). Refer to [CHG-17, "Diagnosis Procedure"](#).

Is the inspection result normal?

YES >> GO TO 7.

NO >> Repair as needed.

7. "S" TERMINAL CIRCUIT INSPECTION

Check "S" terminal circuit. Refer to [CHG-18, "Diagnosis Procedure"](#).

Is the inspection result normal?

YES >> GO TO 8.

NO >> Repair as needed.

8. MEASURE "B" TERMINAL VOLTAGE

Start engine. With engine running at 2,500 rpm, measure "B" terminal voltage.

What voltage does the measurement result show?

Less than 13.0 V >> GO TO 9.

More than 16.0 V >> Replace alternator. Refer to [CHG-28, "Removal and Installation"](#).

9. "B" TERMINAL CIRCUIT INSPECTION

Check "B" terminal circuit. Refer to [CHG-14, "Diagnosis Procedure"](#).

Is the inspection result normal?

YES >> Replace alternator. Refer to [CHG-28, "Removal and Installation"](#).

NO >> Repair as needed.

10. INSPECTION WITH CHARGE WARNING LAMP (IGNITION SWITCH IS ON)

DIAGNOSIS AND REPAIR WORK FLOW

< BASIC INSPECTION >

1. Disconnect alternator connector and apply ground to "L" terminal.
2. Turn the ignition switch ON.

Does the charge warning lamp illuminate?

YES >> Replace alternator. Refer to [CHG-28. "Removal and Installation"](#).

NO >> GO TO 11.

11. CHECK "L" TERMINAL CIRCUIT (OPEN)

Check "L" terminal circuit (open). Refer to [CHG-15. "Diagnosis Procedure"](#).

>> Repair as needed.

A
B
C
D
E
F
G
H
I
J
K
L
N
O
P

CHG

CHARGING SYSTEM

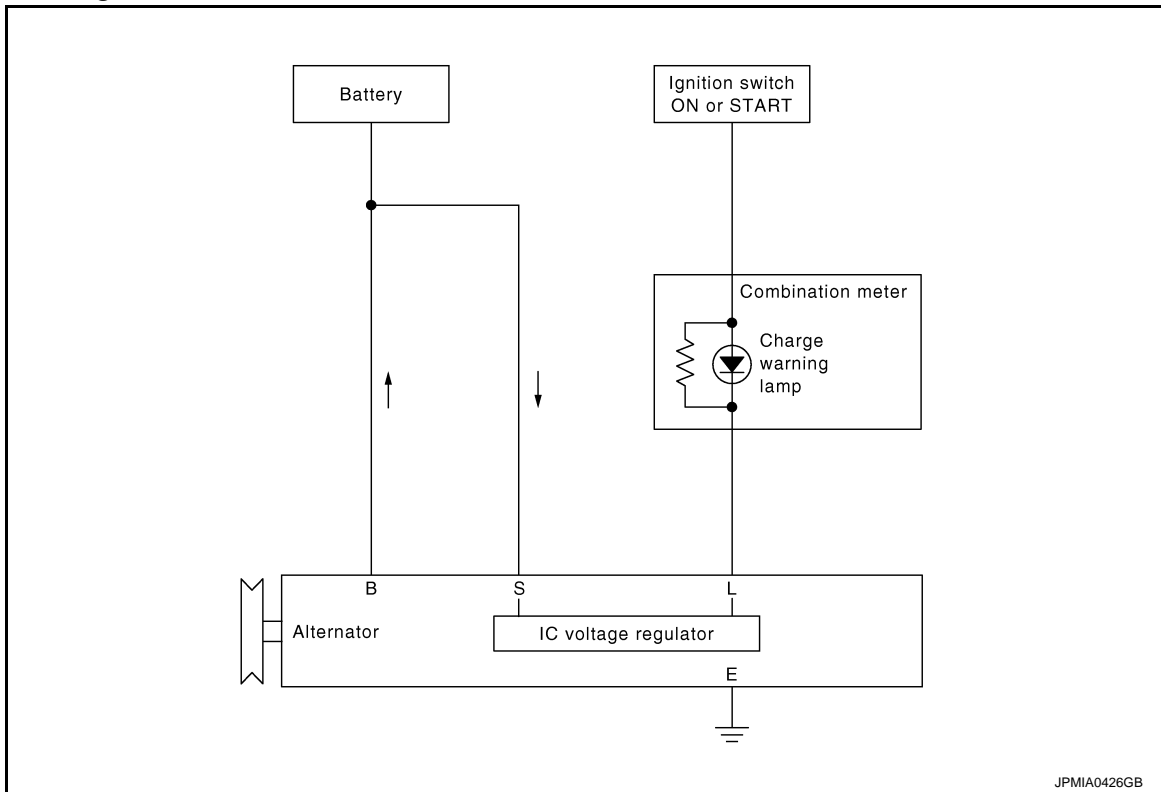
< SYSTEM DESCRIPTION >

SYSTEM DESCRIPTION

CHARGING SYSTEM

System Diagram

INFOID:000000008457802



JPMIA0426GB

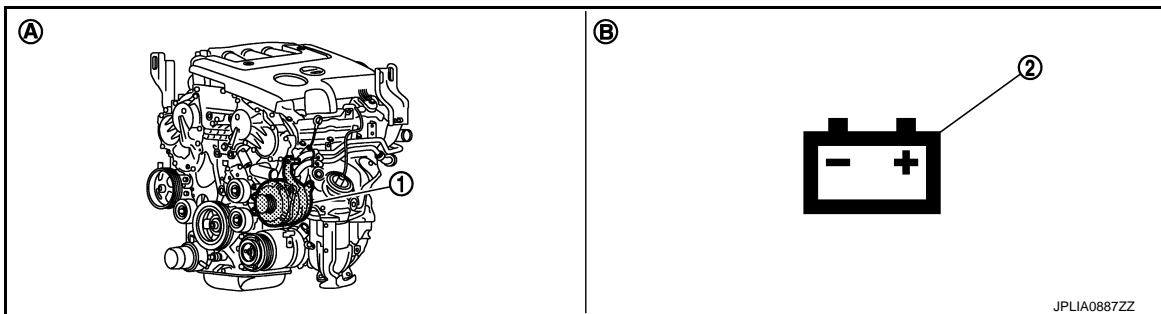
System Description

INFOID:000000008457803

The voltage output is controlled by the IC voltage regulator.

Component Parts Location

INFOID:000000008457804



JPLIA0887ZZ

- | | |
|-----------------------------|------------------------|
| 1. Alternator | 2. Charge warning lamp |
| A. Cylinder block left side | B. Combination meter |

Component Description

INFOID:000000008457805

CHARGING SYSTEM

< SYSTEM DESCRIPTION >

| Component part | Description | |
|---|---|------------|
| Alternator | The alternator provides DC voltage to operate the vehicle's electrical system and to keep the battery charged. | A |
| Combination meter (Charge warning lamp) | The IC voltage regulator warning function activates to illuminate the charge warning lamp, if any of the following symptoms occur while alternator is operating: <ul style="list-style-type: none">• Excessive voltage is produced.• No voltage is produced. | B C |
| | | D |
| | | E |
| | | F |
| | | G |
| | | H |
| | | I |
| | | J |
| | | K |
| | | L |
| | | CHG |
| | | N |
| | | O |
| | | P |

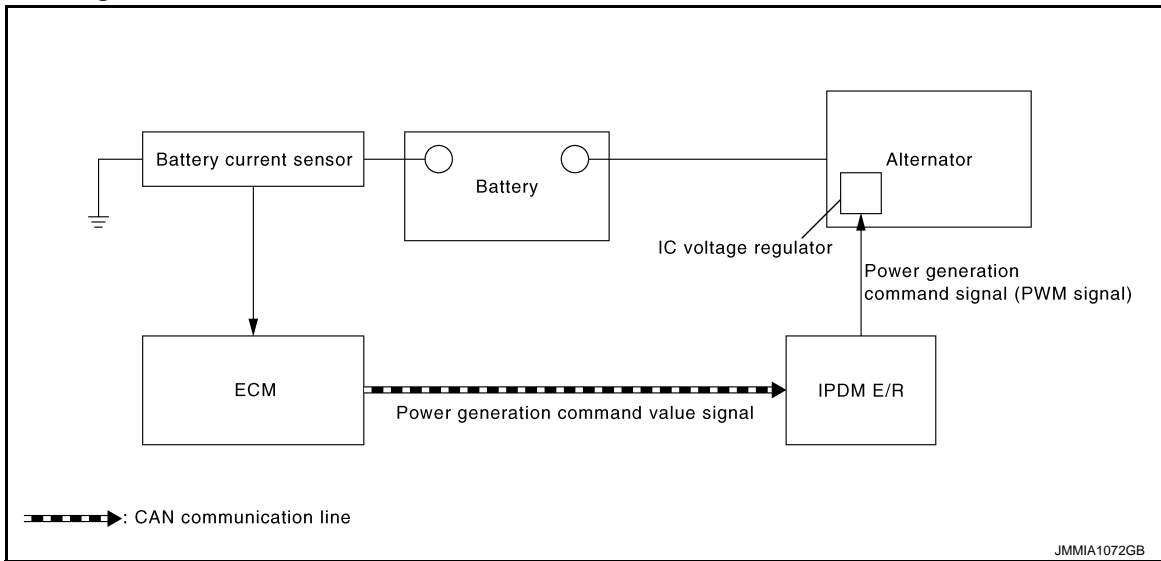
POWER GENERATION VOLTAGE VARIABLE CONTROL SYSTEM

< SYSTEM DESCRIPTION >

POWER GENERATION VOLTAGE VARIABLE CONTROL SYSTEM

System Diagram

INFOID:000000008457806



System Description

INFOID:000000008457807

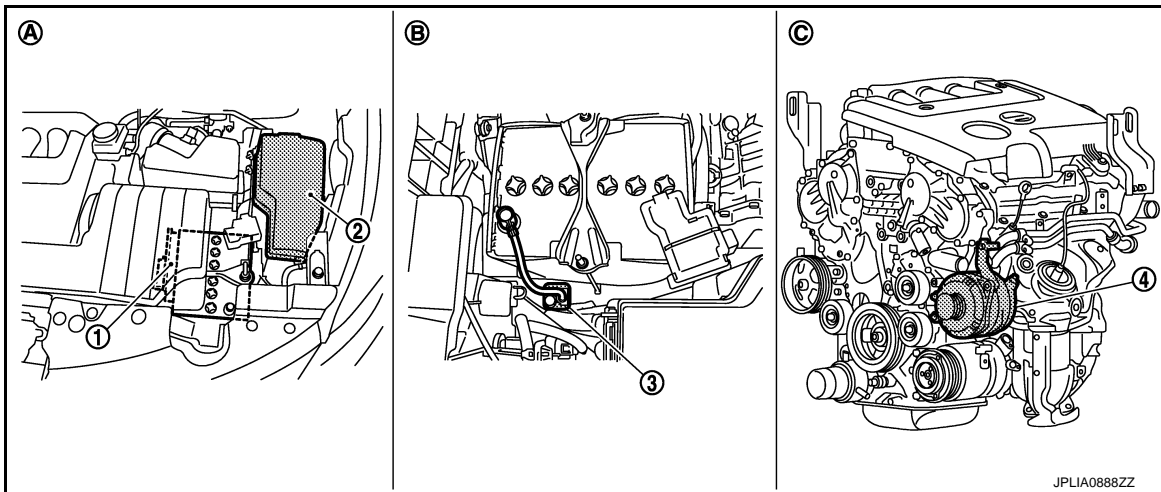
By performing the power generation voltage variable control, the engine load due to the power generation of the alternator is reduced and fuel consumption is decreased.

NOTE:

When any malfunction is detected in the power generation voltage variable control system, the power generation is performed according to the characteristic of the IC voltage regulator of the alternator.

Component Parts Location

INFOID:000000008457808



- | | | |
|--------------------------------|-------------|-----------------------------|
| 1. ECM | 2. IPDM E/R | 3. Battery current sensor |
| 4. Alternator | | |
| A. Engine room dash panel (LH) | B. Battery | C. Cylinder block left side |

POWER GENERATION VOLTAGE VARIABLE CONTROL SYSTEM

< SYSTEM DESCRIPTION >

Component Description

INFOID:000000008457809

| Component part | Description |
|-----------------------------------|---|
| Battery current sensor | Battery current sensor is installed to the battery cable at the negative terminal, and it detects the charging/discharging current of the battery and sends the voltage signal to ECM according to the current value. |
| ECM | Battery current sensor detects the charging/discharging current of the battery. ECM judges the battery condition based on this signal. ECM judges whether to perform the power generation voltage variable control according to the battery condition. When performing the power generation voltage variable control, ECM calculates the target power generation voltage according to the battery condition and sends the calculated value as the power generation command value to IPDM E/R. |
| IPDM E/R | IPDM E/R converts the received power generation command value into the power generation command signal (PWM signal) and sends it to the IC voltage regulator. |
| Alternator (IC voltage regulator) | IC voltage regulator controls the power generation voltage by the target power generation voltage based on the received power generation command signal. When there is no power generation command signal, the alternator performs the normal power generation according to the characteristic of the IC voltage regulator. |

A
B
C
D
E
F
G
H
I
J
K
L

CHG

N
O
P

B TERMINAL CIRCUIT

< DTC/CIRCUIT DIAGNOSIS >

DTC/CIRCUIT DIAGNOSIS

B TERMINAL CIRCUIT

Description

INFOID:000000008457810

"B" terminal circuit supplies power to charge the battery and to operate the vehicle's electrical system.

Diagnosis Procedure

INFOID:000000008457811

1. CHECK "B" TERMINAL CONNECTION

1. Turn ignition switch OFF.
2. Check if "B" terminal is clean and tight.

Is the inspection result normal?

YES >> GO TO 2.

NO >> Repair "B" terminal connection. Confirm repair by performing complete Charging system test using EXP-800 NI or GR8-1200 NI (if available). Refer to the applicable Instruction Manual for proper testing procedures.

2. CHECK "B" TERMINAL CIRCUIT

Check voltage between alternator "B" terminal and ground.

| Terminals | | | Voltage (Approx.) |
|-------------------------|----------|--------|-------------------|
| (+) | (-) | | |
| Alternator "B" terminal | Terminal | | |
| F59 | 1 | Ground | Battery voltage |

Is the inspection result normal?

YES >> GO TO 3.

NO >> Check harness for open between alternator and fusible link.

3. CHECK "B" TERMINAL CONNECTION (VOLTAGE DROP TEST)

1. Start engine, then engine running at idle and warm.
2. Check voltage between battery positive terminal and alternator "B" terminal.

| Terminals | | | Voltage (Approx.) |
|---------------------------|-------------------------|----------|-------------------|
| (+) | (-) | | |
| Battery positive terminal | Alternator "B" terminal | Terminal | Less than 0.2 V |
| | F59 | 1 | |

Is the inspection result normal?

YES >> "B" terminal circuit is normal. Refer to [CHG-3. "Work Flow \(With EXP-800 NI or GR8-1200 NI\)"](#) or [CHG-7. "Work Flow \(Without EXP-800 NI or GR8-1200 NI\)"](#).

NO >> Check harness between battery and alternator for poor continuity.

L TERMINAL CIRCUIT (OPEN)

< DTC/CIRCUIT DIAGNOSIS >

L TERMINAL CIRCUIT (OPEN)

Description

INFOID:000000008457812

The "L" terminal circuit controls the charge warning lamp. The charge warning lamp illuminates when the ignition switch is set to ON or START. When the alternator is providing sufficient voltage with the engine running, the charge warning lamp will go off. If the charge warning lamp illuminates with the engine running, a malfunction is indicated.

Diagnosis Procedure

INFOID:000000008457813

1. CHECK "L" TERMINAL CONNECTION

1. Turn ignition switch OFF.
2. Check if "L" terminal is clean and tight.

Is the inspection result normal?

YES >> GO TO 2.

NO >> Repair "L" terminal connection. Confirm repair by performing complete Charging system test using EXP-800 NI or GR8-1200 NI (if available). Refer to the applicable Instruction Manual for proper testing procedures.

2. CHECK "L" TERMINAL CIRCUIT (OPEN)

1. Disconnect alternator connector.
2. Apply ground to alternator harness connector terminal.
3. Check condition of the charge warning lamp with the ignition switch in the ON position.

| Alternator harness connector | Terminal | Ground | Condition | |
|------------------------------|----------|--------|--------------------------|---------------------|
| | | | Ignition switch position | Charge warning lamp |
| F60 | 3 | | ON | illuminate |

Does it illuminate?

YES >> "L" terminal circuit is normal. Refer to [CHG-3, "Work Flow \(With EXP-800 NI or GR8-1200 NI\)"](#) or [CHG-7, "Work Flow \(Without EXP-800 NI or GR8-1200 NI\)"](#).

NO >> GO TO 3.

3. CHECK HARNESS CONTINUITY (OPEN CIRCUIT)

1. Disconnect the battery cable from the negative terminal.
2. Disconnect the combination meter connector.
3. Check continuity between alternator harness connector and combination meter harness connector.

| Alternator harness connector | | Combination meter harness connector | | Continuity |
|------------------------------|--------------|-------------------------------------|--------------|------------|
| Connector No. | Terminal No. | Connector No. | Terminal No. | |
| F60 | 3 | M34 | 25 | Existed |

Is the inspection result normal?

YES >> GO TO 4.

NO >> Repair the harness or connector.

4. CHECK HARNESS CONTINUITY (OPEN CIRCUIT)

Check continuity between combination meter harness connector and fuse block.

| Combination meter harness connector | | Fuse block | | Continuity |
|-------------------------------------|--------------|---------------|--------------|------------|
| Connector No. | Terminal No. | Connector No. | Terminal No. | |
| M34 | 2 | M3 | 12C | Existed |

Is the inspection result normal?

YES >> GO TO 5.

NO >> Repair the harness.

A
B
C
D
E
F
G
H
I
J
K
L

CHG

N
O
P

L TERMINAL CIRCUIT (OPEN)

< DTC/CIRCUIT DIAGNOSIS >

5. CHECK POWER SUPPLY CIRCUIT

1. Connect the battery cable to the negative terminal.
2. Check voltage between combination meter harness connector and ground.

| Terminals | | (-) | Condition | Voltage (Approx.) |
|-------------------------------------|----------|--------|--|-------------------|
| (+) | Terminal | | | |
| Combination meter harness connector | | | | |
| M34 | 2 | Ground | When the ignition switch is in ON position | Battery voltage |

Is the inspection result normal?

YES >> Replace combination meter.

NO >> Inspect the power supply circuit. Refer to [PG-21. "Wiring Diagram - IGNITION POWER SUPPLY -](#)
".

L TERMINAL CIRCUIT (SHORT)

< DTC/CIRCUIT DIAGNOSIS >

L TERMINAL CIRCUIT (SHORT)

Description

INFOID:000000008457814

The "L" terminal circuit controls the charge warning lamp. The charge warning lamp illuminates when the ignition switch is set to ON or START. When the alternator is providing sufficient voltage with the engine running, the charge warning lamp will go off. If the charge warning lamp illuminates with the engine running, a malfunction is indicated.

Diagnosis Procedure

INFOID:000000008457815

1. CHECK "L" TERMINAL CIRCUIT (SHORT)

1. Turn ignition switch OFF.
2. Disconnect alternator connector.
3. Turn ignition switch ON.

Does charge warning lamp illuminate?

YES >> GO TO 2.

NO >> Refer to [CHG-3. "Work Flow \(With EXP-800 NI or GR8-1200 NI\)"](#) or [CHG-7. "Work Flow \(Without EXP-800 NI or GR8-1200 NI\)"](#).

2. CHECK HARNESS CONTINUITY (SHORT CIRCUIT)

1. Turn ignition switch OFF.
2. Disconnect the battery cable from the negative terminal.
3. Disconnect combination meter connector.
4. Check continuity between combination meter harness connector and ground.

| Combination meter harness connector | | Ground | Continuity |
|-------------------------------------|--------------|--------|-------------|
| Connector No. | Terminal No. | | |
| M34 | 25 | | Not existed |

Is the inspection result normal?

YES >> Replace combination meter.

NO >> Repair the harness.

A
B
C
D
E
F
G
H
I
J
K
L

CHG

S TERMINAL CIRCUIT

< DTC/CIRCUIT DIAGNOSIS >

S TERMINAL CIRCUIT

Description

INFOID:000000008457816

The output voltage of the alternator is controlled by the IC voltage regulator at the "S" terminal detecting the input voltage.

The "S" terminal circuit detects the battery voltage to adjust the alternator output voltage with the IC voltage regulator.

Diagnosis Procedure

INFOID:000000008457817

1. CHECK "S" TERMINAL CONNECTION

1. Turn ignition switch OFF.
2. Check if "S" terminal is clean and tight.

Is the inspection result normal?

YES >> GO TO 2.

NO >> Repair "S" terminal connection. Confirm repair by performing complete Charging system test using EXP-800 NI or GR8-1200 NI (if available). Refer to the applicable Instruction Manual for proper testing procedures.

2. CHECK "S" TERMINAL CIRCUIT

Check voltage between alternator harness connector and ground.

| Terminals | | Voltage (Approx.) |
|------------------------------|----------|-------------------|
| (+) | (-) | |
| Alternator harness connector | Terminal | |
| F60 | 4 | Battery voltage |

Is the inspection result normal?

YES >> Refer to [CHG-3, "Work Flow \(With EXP-800 NI or GR8-1200 NI\)"](#) or [CHG-7, "Work Flow \(Without EXP-800 NI or GR8-1200 NI\)"](#).

NO >> Check harness for open between alternator and fuse.

CHARGING SYSTEM

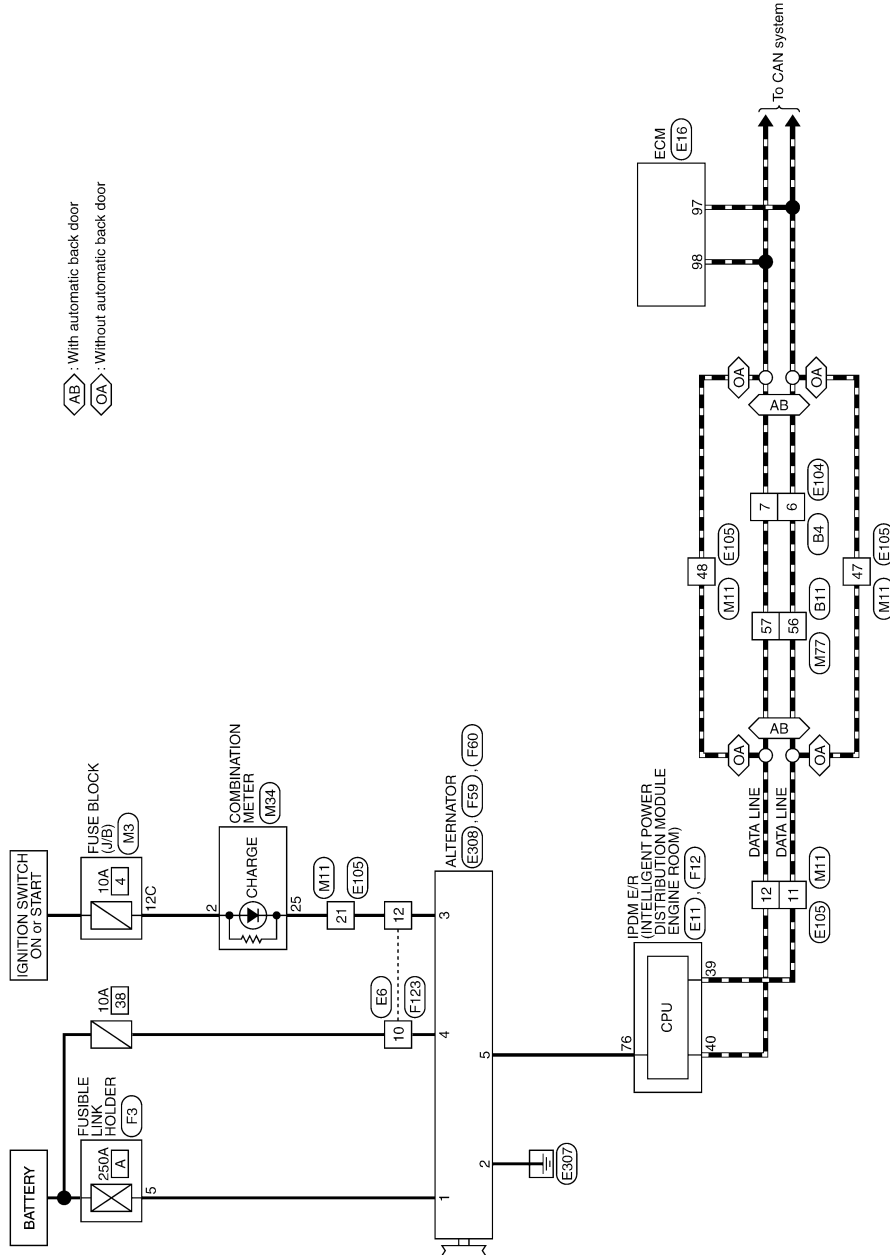
< DTC/CIRCUIT DIAGNOSIS >

CHARGING SYSTEM

Wiring Diagram - CHARGING SYSTEM -

INFOID:000000008457818

CHARGING SYSTEM



◁AB▷ : With automatic back door
 ◁OA▷ : Without automatic back door

A
B
C
D
E
F
G
H
I
J
K
L
N
O
P

CHG

2008/09/23

JCMWM3186GB

CHARGING SYSTEM

< SYMPTOM DIAGNOSIS >

SYMPTOM DIAGNOSIS

CHARGING SYSTEM

Symptom Table

INFOID:000000008457819

| Symptom | Reference |
|--|--|
| Discharged battery | Refer to CHG-3, "Work Flow (With EXP-800 NI or GR8-1200 NI)" or CHG-7, "Work Flow (Without EXP-800 NI or GR8-1200 NI)" . |
| The charge warning lamp does not illuminate when the ignition switch is set to ON. | |
| The charge warning lamp does not turn OFF after the engine starts. | |
| The charging warning lamp turns ON when increasing the engine speed. | |

PRECAUTIONS

< PRECAUTION >

PRECAUTION

PRECAUTIONS

FOR USA AND CANADA

FOR USA AND CANADA : Precaution for Supplemental Restraint System (SRS) "AIR BAG" and "SEAT BELT PRE-TENSIONER"

INFOID:000000008457820

The Supplemental Restraint System such as "AIR BAG" and "SEAT BELT PRE-TENSIONER", used along with a front seat belt, helps to reduce the risk or severity of injury to the driver and front passenger for certain types of collision. This system includes seat belt switch inputs and dual stage front air bag modules. The SRS system uses the seat belt switches to determine the front air bag deployment, and may only deploy one front air bag, depending on the severity of a collision and whether the front occupants are belted or unbelted. Information necessary to service the system safely is included in the "SRS AIR BAG" and "SEAT BELT" of this Service Manual.

WARNING:

Always observe the following items for preventing accidental activation.

- To avoid rendering the SRS inoperative, which could increase the risk of personal injury or death in the event of a collision that would result in air bag inflation, all maintenance must be performed by an authorized NISSAN/INFINITI dealer.
- Improper maintenance, including incorrect removal and installation of the SRS, can lead to personal injury caused by unintentional activation of the system. For removal of Spiral Cable and Air Bag Module, see "SRS AIR BAG".
- Never use electrical test equipment on any circuit related to the SRS unless instructed to in this Service Manual. SRS wiring harnesses can be identified by yellow and/or orange harnesses or harness connectors.

PRECAUTIONS WHEN USING POWER TOOLS (AIR OR ELECTRIC) AND HAMMERS

WARNING:

Always observe the following items for preventing accidental activation.

- When working near the Air Bag Diagnosis Sensor Unit or other Air Bag System sensors with the ignition ON or engine running, never use air or electric power tools or strike near the sensor(s) with a hammer. Heavy vibration could activate the sensor(s) and deploy the air bag(s), possibly causing serious injury.
- When using air or electric power tools or hammers, always switch the ignition OFF, disconnect the battery, and wait at least 3 minutes before performing any service.

FOR USA AND CANADA : Precaution for Power Generation Voltage Variable Control System

INFOID:000000008457821

CAUTION:

For this model, the battery current sensor that is installed to the battery cable at the negative terminal measures the charging/discharging current of the battery, and performs various controls. If the electrical component or the ground wire is connected directly to the battery terminal, the current other than that being measured with the battery current sensor is charging to or discharging from the battery. This condition causes the malfunction of the control, and then the battery discharge may occur. Do not connect the electrical component or the ground wire directly to the battery terminal.

FOR MEXICO

FOR MEXICO : Precaution for Supplemental Restraint System (SRS) "AIR BAG" and "SEAT BELT PRE-TENSIONER"

INFOID:000000008457822

The Supplemental Restraint System such as "AIR BAG" and "SEAT BELT PRE-TENSIONER", used along with a front seat belt, helps to reduce the risk or severity of injury to the driver and front passenger for certain types of collision. Information necessary to service the system safely is included in the "SRS AIR BAG" and "SEAT BELT" of this Service Manual.

WARNING:

Always observe the following items for preventing accidental activation.

A
B
C
D
E
F
G
H
I
J
K
L

CHG

N
O
P

PRECAUTIONS

< PRECAUTION >

- To avoid rendering the SRS inoperative, which could increase the risk of personal injury or death in the event of a collision that would result in air bag inflation, all maintenance must be performed by an authorized NISSAN/INFINITI dealer.
- Improper maintenance, including incorrect removal and installation of the SRS, can lead to personal injury caused by unintentional activation of the system. For removal of Spiral Cable and Air Bag Module, see "SRS AIR BAG".
- Never use electrical test equipment on any circuit related to the SRS unless instructed to in this Service Manual. SRS wiring harnesses can be identified by yellow and/or orange harnesses or harness connectors.

PRECAUTIONS WHEN USING POWER TOOLS (AIR OR ELECTRIC) AND HAMMERS

WARNING:

Always observe the following items for preventing accidental activation.

- When working near the Air Bag Diagnosis Sensor Unit or other Air Bag System sensors with the ignition ON or engine running, never use air or electric power tools or strike near the sensor(s) with a hammer. Heavy vibration could activate the sensor(s) and deploy the air bag(s), possibly causing serious injury.
- When using air or electric power tools or hammers, always switch the ignition OFF, disconnect the battery, and wait at least 3 minutes before performing any service.

FOR MEXICO : Precaution for Power Generation Voltage Variable Control System

INFOID:000000008457823

CAUTION:

For this model, the battery current sensor that is installed to the battery cable at the negative terminal measures the charging/discharging current of the battery, and performs various controls. If the electrical component or the ground wire is connected directly to the battery terminal, the current other than that being measured with the battery current sensor is charging to or discharging from the battery. This condition causes the malfunction of the control, and then the battery discharge may occur. Do not connect the electrical component or the ground wire directly to the battery terminal.

PREPARATION


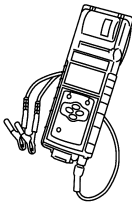
< PREPARATION >

PREPARATION

PREPARATION


Special Service Tools

INFOID:000000008891168

| Tool number (Kent-Moore No.) Tool name | Description |
|---|--|
| <p>— (—) Model GR8-1200 NI Multitasking battery and electrical diagnostic station</p>  <p style="text-align: center;">AWIA1239ZZ</p> | <p>Tests batteries, starting and charging systems and charges batteries. For operating instructions, refer to diagnostic station instruction manual.</p> |
| <p>— (—) Model EXP-800 NI Battery and electrical diagnostic analyzer</p>  <p style="text-align: center;">JSMIA0806ZZ</p> | <p>Tests batteries and charging systems. For operating instructions, refer to diagnostic analyzer instruction manual.</p> |

Commercial Service Tools

INFOID:000000008457825

| Tool name | Description |
|--|---|
| <p>Power tool</p>  <p style="text-align: center;">PIIB1407E</p> | <p>Loosening bolts, nuts and screws</p> |

A

B

C

D

E

F

G

H

I

J

K

L

CHG

N

O

P

CHARGING SYSTEM PRELIMINARY INSPECTION

< PERIODIC MAINTENANCE >

PERIODIC MAINTENANCE

CHARGING SYSTEM PRELIMINARY INSPECTION

Inspection Procedure

INFOID:000000008457826

1. CHECK BATTERY TERMINALS CONNECTION

Check if battery terminals are clean and tight.

Is the inspection result normal?

YES >> GO TO 2.

NO >> Repair battery terminals connection.

2. CHECK FUSE

Check for blown fuse.

| Unit | Power source (Power supply terminals) | Fuse No. |
|-------------------|---------------------------------------|----------|
| Alternator | Battery ("S" terminal) | 38 |
| Combination meter | Ignition switch ON ("L" terminal) | 4 |

Is the inspection result normal?

YES >> GO TO 3.

NO >> Be sure to eliminate the cause of malfunction before installing new fuse.

3. CHECK "E" TERMINAL CONNECTION

Check if "E" terminal (alternator ground harness) is clean and tight.

Is the inspection result normal?

YES >> GO TO 4.

NO >> Repair "E" terminal connection.

4. CHECK DRIVE BELT TENSION

Check drive belt tension. Refer to [EM-16. "Checking"](#).

Is the inspection result normal?

YES >> INSPECTION END

NO >> Repair as needed.

POWER GENERATION VOLTAGE VARIABLE CONTROL SYSTEM OPERATION INSPECTION

< PERIODIC MAINTENANCE >

POWER GENERATION VOLTAGE VARIABLE CONTROL SYSTEM OPERATION INSPECTION

Inspection Procedure

INFOID:000000008457827

CAUTION:

When performing this inspection, always use a charged battery that has completed the battery inspection. (When the charging rate of the battery is low, the response speed of the voltage change will become slow. This can cause an incorrect inspection.)

1. CHECK ECM (CONSULT)

Perform ECM self-diagnosis with CONSULT. Refer to [EC-128, "CONSULT Function"](#).

Self-diagnostic results content

No malfunction detected>> GO TO 2.

Malfunction detected>> Check applicable parts, and repair or replace corresponding parts.

2. CHECK OPERATION OF POWER GENERATION VOLTAGE VARIABLE CONTROL SYSTEM

1. Connect CONSULT and start the engine.
2. The selector lever is in "P" or "N" position and all of the electric loads and A/C, etc. are turned OFF.
3. Select "ALTERNATOR DUTY" at "Active Test" of "ENGINE", and then check the value of "BATTERY VOLT" monitor when DUTY value of "ALTERNATOR DUTY" is set to 40.0 %.

"BATTERY VOLT"

2 seconds after setting the DUTY value of "ALTERNATOR DUTY" to 40.0 % : 12 - 13.6 V

4. Check the value of "BATTERY VOLT" monitor when DUTY value of "ALTERNATOR DUTY" is set to 80.0%.

"BATTERY VOLT"

20 seconds after setting the DUTY value of "ALTERNATOR DUTY" to 80.0 % : +0.5 V or more against the value of "BATTERY VOLT" monitor when DUTY value is 40.0 %

Is the measurement value within the specification?

YES >> INSPECTION END

NO >> GO TO 3.

3. CHECK IPDM E/R (CONSULT)

Perform IPDM E/R self-diagnosis with CONSULT. Refer to [PCS-12, "CONSULT Function \(IPDM E/R\)"](#).

Self-diagnostic results content

No malfunction detected>> GO TO 4.

Malfunction detected>> Check applicable parts, and repair or replace corresponding parts.

4. CHECK HARNESS BETWEEN ALTERNATOR AND IPDM E/R

1. Turn ignition switch OFF.
2. Disconnect alternator connector and IPDM E/R connector.
3. Check continuity between alternator harness connector and IPDM E/R harness connector.

| Alternator harness connector | | IPDM E/R harness connector | | Continuity |
|------------------------------|----------|----------------------------|----------|------------|
| Connector | Terminal | Connector | Terminal | |
| F60 | 5 | F12 | 76 | Existed |

4. Check continuity between alternator harness connector and ground.

POWER GENERATION VOLTAGE VARIABLE CONTROL SYSTEM OPERATION INSPECTION

< PERIODIC MAINTENANCE >

| Alternator harness connector | | Ground | Continuity |
|------------------------------|----------|--------|-------------|
| Connector | Terminal | | |
| F60 | 5 | | Not existed |

Is the inspection result normal?

YES >> Replace IPDM E/R.

NO >> Repair harness or connector between IPDM E/R and alternator.

ALTERNATOR

< REMOVAL AND INSTALLATION >

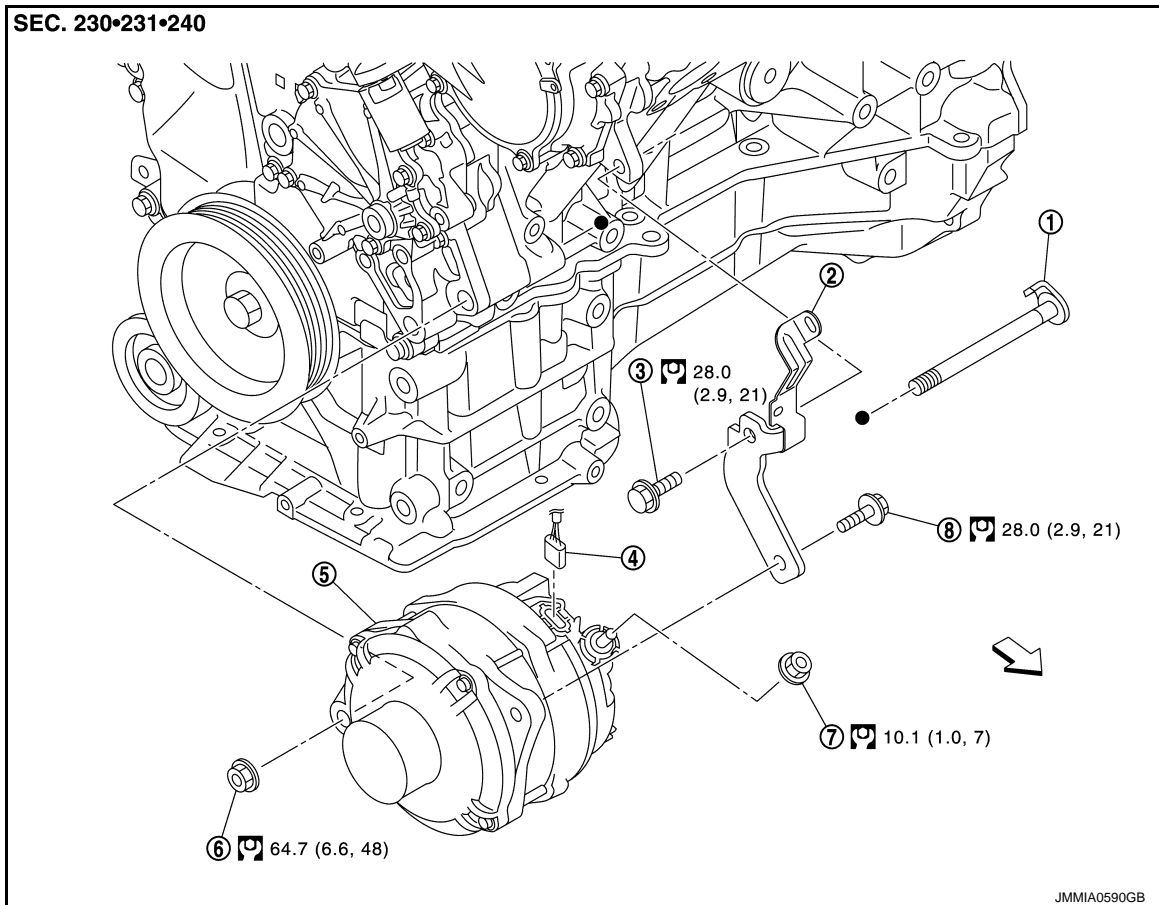
REMOVAL AND INSTALLATION

ALTERNATOR

Exploded View

INFOID:000000008457828

REMOVAL



- | | | |
|-------------------------------------|-------------------------------------|-------------------------------------|
| 1. Alternator mounting bolt (lower) | 2. Alternator bracket | 3. Alternator bracket mounting bolt |
| 4. Alternator connector | 5. Alternator | 6. Alternator mounting nut (lower) |
| 7. "B" terminal nut | 8. Alternator mounting bolt (upper) | |

⇐ : Vehicle front

Refer to [GI-4, "Components"](#) for symbols in the figure.

DISASSEMBLY

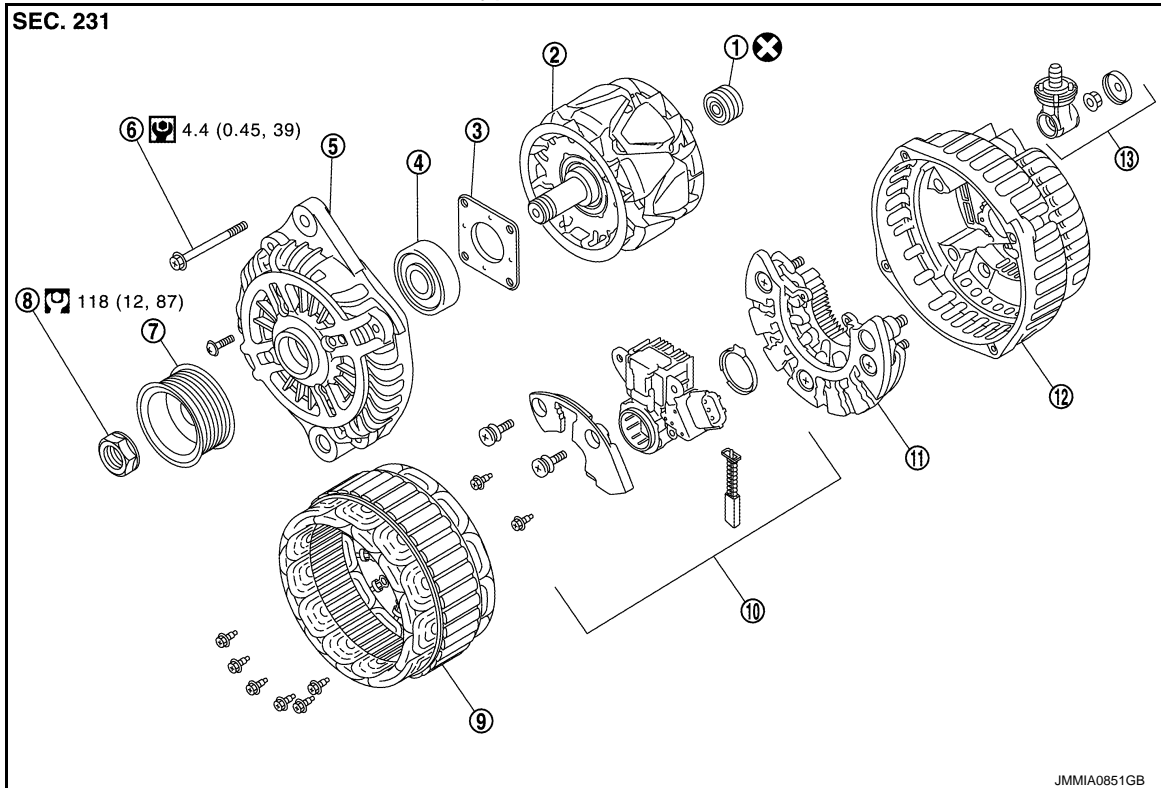
A
B
C
D
E
F
G
H
I
J
K
L
N
O
P

CHG

ALTERNATOR

< REMOVAL AND INSTALLATION >

Type: A003TJ1791



- | | | |
|-----------------------------------|---------------------------|---------------------------|
| 1. Rear bearing | 2. Rotor assembly | 3. Retainer |
| 4. Front bearing | 5. Front bracket assembly | 6. Through bolt |
| 7. Pulley | 8. Pulley nut | 9. Stator assembly |
| 10. IC voltage regulator assembly | 11. Diode assembly | 12. Rear bracket assembly |

Refer to [GI-4, "Components"](#) for symbols in the figure.

Removal and Installation

INFOID:000000008457829

REMOVAL

1. Disconnect the negative battery terminal.
2. Remove engine cover.
3. Remove front wheel and tire (RH).
4. Remove splash guard (RH) Refer to [EXT-23, "FENDER PROTECTOR : Exploded View"](#).
5. Remove air cleaner and air duct assembly. Refer to [EM-30, "Removal and Installation"](#).
6. Remove drive belt. Refer to [EM-16, "Removal and Installation"](#).
7. Remove A/C compressor. Refer to [HA-36, "COMPRESSOR : Removal and Installation"](#).
8. Remove idler pulley.
9. Disconnect the oil pressure switch.
10. Disconnect the alternator harness connectors.
11. Remove the alternator bolt and nuts, using power tools.
12. Slide the alternator out and remove.

INSTALLATION

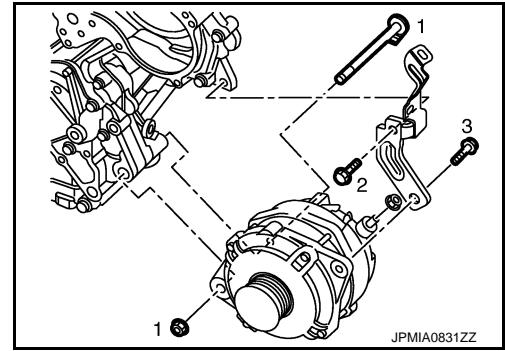
Installation is in the reverse order of removal.

CAUTION:

ALTERNATOR

< REMOVAL AND INSTALLATION >

- Temporarily tighten all of alternator bolt and nuts. And then tighten them in numerical order shown in the figure.



- Be sure to tighten "B" terminal nut carefully.
- Install alternator and check tension of belt. Refer to [EM-29, "Exploded View"](#).
- For this model, the power generation voltage variable control system that controls the power generation voltage of the alternator has been adopted. Therefore, the power generation voltage variable control system operation inspection should be performed after replacing the alternator, and then make sure that the system operates normally. Refer to [CHG-25, "Inspection Procedure"](#).

Inspection

INFOID:000000008457830

ALTERNATOR PULLEY INSPECTION

Perform the following.

- Make sure that alternator pulley does not rattle.
- Make sure that alternator pulley nut is tight.

A
B
C
D
E
F
G
H
I
J
K
L
N
O
P

CHG

SERVICE DATA AND SPECIFICATIONS (SDS)

< SERVICE DATA AND SPECIFICATIONS (SDS)

SERVICE DATA AND SPECIFICATIONS (SDS)

SERVICE DATA AND SPECIFICATIONS (SDS)

Alternator

INFOID:000000008457831

| | | |
|---|---------|--|
| Type | | A003TJ1791 |
| | | MITSUBISHI make |
| Nominal rating | [V - A] | 12 - 130 |
| Ground polarity | | Negative |
| Minimum revolution under no-load (When 13.5 V is applied) | [rpm] | Less than 1,300 |
| Hot output current (When 13.5 V is applied) | [A/rpm] | More than 61/1,500 More than 109/2,500 More than 129/5,000 |
| Regulated output voltage | [V] | 14.1 - 14.7* |

*: Adjustment range of power generation voltage variable control is 11.4 - 15.6 V.