

MWI

SECTION

METER, WARNING LAMP & INDICATOR

A
B
C
D
E
F
G
H
I
J
K
L
M
O
P

CONTENTS

BASIC INSPECTION	4	ODO/TRIP METER	18
DIAGNOSIS AND REPAIR WORKFLOW	4	ODO/TRIP METER : System Diagram	18
Work flow	4	ODO/TRIP METER : System Description	18
SYSTEM DESCRIPTION	6	ODO/TRIP METER : Component Parts Location	19
METER SYSTEM	6	ODO/TRIP METER : Component Description	20
METER SYSTEM	6	SHIFT POSITION INDICATOR	20
METER SYSTEM : System Diagram	6	SHIFT POSITION INDICATOR : System Diagram	20
METER SYSTEM : System Description	6	SHIFT POSITION INDICATOR : System Description	20
METER SYSTEM : Component Parts Location	9	SHIFT POSITION INDICATOR : Component Parts Location	21
METER SYSTEM : Component Description	10	SHIFT POSITION INDICATOR : Component Description	22
SPEEDOMETER	10	WARNING LAMPS/INDICATOR LAMPS	22
SPEEDOMETER : System Diagram	10	WARNING LAMPS/INDICATOR LAMPS : System Diagram	22
SPEEDOMETER : System Description	10	WARNING LAMPS/INDICATOR LAMPS : System Description	22
SPEEDOMETER : Component Parts Location	11	WARNING LAMPS/INDICATOR LAMPS : Component Parts Location	23
SPEEDOMETER : Component Description	12	WARNING LAMPS/INDICATOR LAMPS : Component Description	24
TACHOMETER	12	METER ILLUMINATION CONTROL	24
TACHOMETER : System Diagram	12	METER ILLUMINATION CONTROL : System Diagram	24
TACHOMETER : System Description	12	METER ILLUMINATION CONTROL : System Description	24
TACHOMETER : Component Parts Location	13	METER ILLUMINATION CONTROL : Component Parts Location	25
TACHOMETER : Component Description	14	METER ILLUMINATION CONTROL : Component Description	26
ENGINE COOLANT TEMPERATURE GAUGE	14	INFORMATION DISPLAY	26
ENGINE COOLANT TEMPERATURE GAUGE : System Diagram	14	INFORMATION DISPLAY : System Diagram	26
ENGINE COOLANT TEMPERATURE GAUGE : System Description	14	INFORMATION DISPLAY : System Description	26
ENGINE COOLANT TEMPERATURE GAUGE : Component Parts Location	15	INFORMATION DISPLAY : Component Parts Location	30
ENGINE COOLANT TEMPERATURE GAUGE : Component Description	16	INFORMATION DISPLAY : Component Description	31
FUEL GAUGE	16		
FUEL GAUGE : System Diagram	16		
FUEL GAUGE : System Description	16		
FUEL GAUGE : Component Parts Location	17		
FUEL GAUGE : Component Description	18		

MWI

COMPASS	32	Component Function Check	52
Description	32	Diagnosis Procedure	52
Component Parts Location	33	Component Inspection	52
Special Repair Requirement	33		
DIAGNOSIS SYSTEM (METER)	34	PARKING BRAKE SWITCH SIGNAL CIR-	
Diagnosis Description	34	CUIT	54
CONSULT Function (METER/M&A)	35	Description	54
		Diagnosis Procedure	54
		Component Inspection	54
DTC/CIRCUIT DIAGNOSIS	39	WASHER LEVEL SWITCH SIGNAL CIRCUIT..	55
U1000 CAN COMM CIRCUIT	39	Description	55
Description	39	Diagnosis Procedure	55
DTC Logic	39	Component Inspection	55
Diagnosis Procedure	39		
U1010 CONTROL UNIT (CAN)	40	A/C AUTO AMP. CONNECTION RECOGNI-	
Description	40	TION SIGNAL CIRCUIT	56
DTC Logic	40	Description	56
Diagnosis Procedure	40	Diagnosis Procedure	56
B2205 VEHICLE SPEED	41		
Description	41	COMPASS	57
DTC Logic	41	Wiring Diagram - COMPASS -	57
Diagnosis Procedure	41		
B2267 ENGINE SPEED	42	ECU DIAGNOSIS INFORMATION	58
Description	42		
DTC Logic	42	COMBINATION METER	58
Diagnosis Procedure	42	Reference Value	58
		Wiring Diagram - METER -	64
		Fail-Safe	66
		DTC Index	67
B2268 WATER TEMP	43	IPDM E/R (INTELLIGENT POWER DISTRI-	
Description	43	BUTION MODULE ENGINE ROOM)	69
DTC Logic	43	Reference Value	69
Diagnosis Procedure	43	Wiring Diagram - IPDM E/R -	77
		Fail-safe	79
		DTC Index	81
POWER SUPPLY AND GROUND CIRCUIT	44	SYMPTOM DIAGNOSIS	82
COMBINATION METER	44		
COMBINATION METER : Diagnosis Procedure ...	44	THE FUEL GAUGE POINTER DOES NOT	
		MOVE	82
IPDM E/R (INTELLIGENT POWER DISTRI-		Description	82
BUTION MODULE ENGINE ROOM)	44	Diagnosis Procedure	82
IPDM E/R (INTELLIGENT POWER DISTRI-			
BUTION MODULE ENGINE ROOM) : Diagnosis Pro-		THE METER CONTROL SWITCH IS INOPER-	
cedure	44	ATIVE	83
		Description	83
FUEL LEVEL SENSOR SIGNAL CIRCUIT	46	Diagnosis Procedure	83
Description	46		
Component Function Check	46	THE OIL PRESSURE WARNING LAMP	
Diagnosis Procedure	46	DOES NOT TURN ON	84
Component Inspection	47	Description	84
		Diagnosis Procedure	84
METER CONTROL SWITCH SIGNAL CIR-			
CUIT	49	THE OIL PRESSURE WARNING LAMP	
Description	49	DOES NOT TURN OFF	85
Diagnosis Procedure	49	Description	85
Component Inspection	50	Diagnosis Procedure	85
OIL PRESSURE SWITCH SIGNAL CIRCUIT ...	52		
Description	52		

THE PARKING BRAKE RELEASE WARNING CONTINUES DISPLAYING, OR DOES NOT DISPLAY	86	PRECAUTIONS	91	A
Description	86	FOR USA AND CANADA	91	B
Diagnosis Procedure	86	FOR USA AND CANADA : Precaution for Supplemental Restraint System (SRS) "AIR BAG" and "SEAT BELT PRE-TENSIONER"	91	C
THE LOW WASHER FLUID WARNING CONTINUES DISPLAYING, or DOES NOT DISPLAY	87	FOR MEXICO	91	D
Description	87	FOR MEXICO : Precaution for Supplemental Restraint System (SRS) "AIR BAG" and "SEAT BELT PRE-TENSIONER"	91	E
Diagnosis Procedure	87	PREPARATION	93	F
THE DOOR OPEN WARNING CONTINUES DISPLAYING, OR DOES NOT DISPLAY	88	PREPARATION	93	G
Description	88	Commercial Service Tools	93	H
Diagnosis Procedure	88	REMOVAL AND INSTALLATION	94	I
THE AMBIENT TEMPERATURE DISPLAY IS INCORRECT	89	COMBINATION METER	94	J
Description	89	Exploded View	94	K
Diagnosis Procedure	89	Removal and Installation	94	L
NORMAL OPERATING CONDITION	90	Disassembly and Assembly	94	M
COMPASS	90	METER CONTROL SWITCH	95	
COMPASS : Description	90	Exploded View	95	
INFORMATION DISPLAY	90	Removal and Installation	95	
INFORMATION DISPLAY : Description	90	COMPASS	96	
PRECAUTION	91	Exploded View	96	
		Removal and Installation	96	

DIAGNOSIS AND REPAIR WORKFLOW

< BASIC INSPECTION >

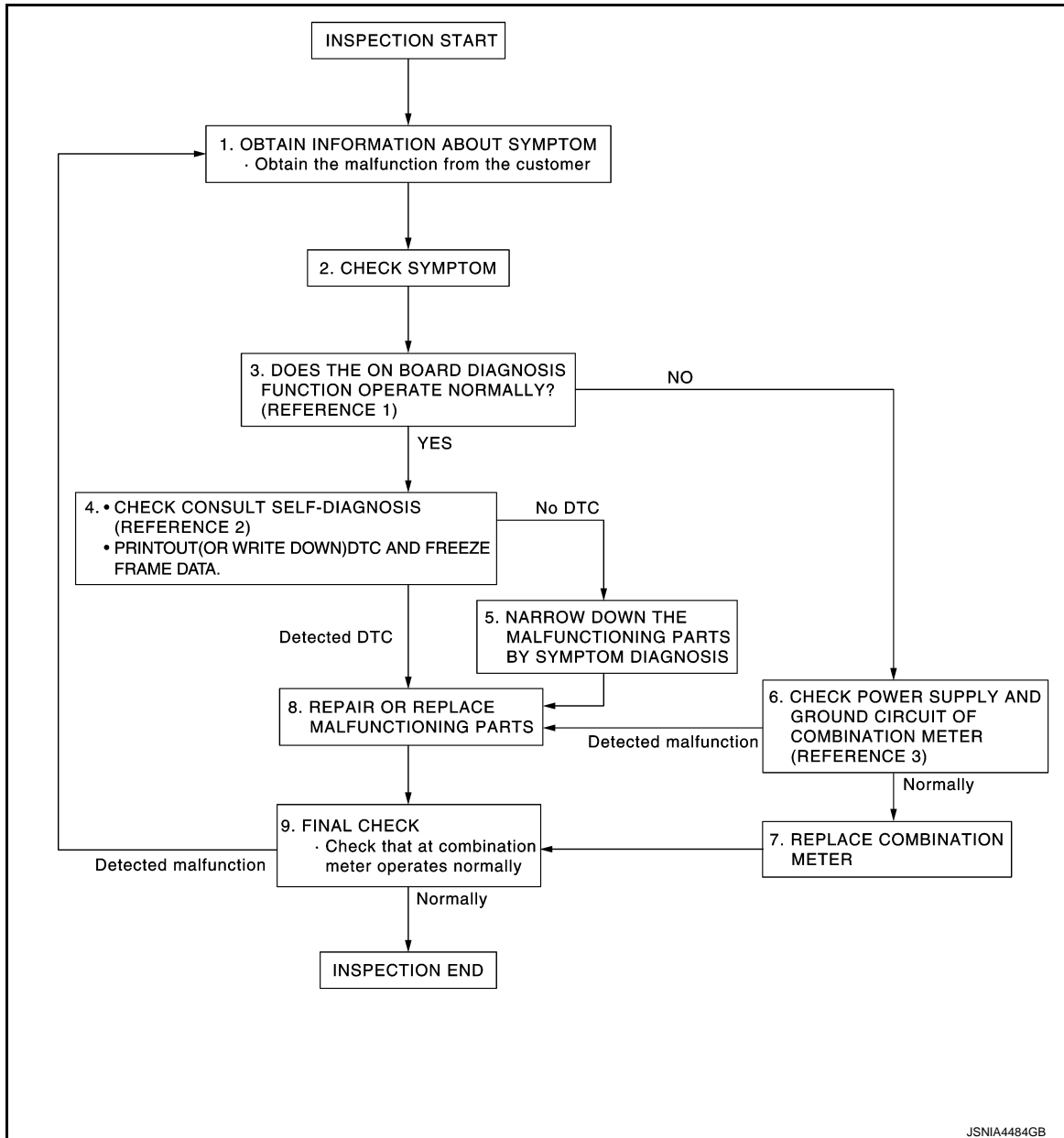
BASIC INSPECTION

DIAGNOSIS AND REPAIR WORKFLOW

Work flow

INFOID:000000008459029

OVERALL SEQUENCE



- Reference 1...[MWI-34, "Diagnosis Description"](#).
- Reference 2...[MWI-67, "DTC Index"](#).
- Reference 3...[MWI-44, "COMBINATION METER : Diagnosis Procedure"](#).

DETAILED FLOW

1.OBTAIN INFORMATION ABOUT SYMPTOM

Interview the customer to obtain as much information as possible about the conditions and environment under which the malfunction occurred.

>> GO TO 2.

2.CHECK SYMPTOM

DIAGNOSIS AND REPAIR WORKFLOW

< BASIC INSPECTION >

- Check the symptom based on the information obtained from the customer.
- Check that any other malfunctions are present.

>> GO TO 3.

3.CHECK ON BOARD DIAGNOSIS OPERATION

Check that the on board diagnosis function operates. Refer to [MWI-34, "Diagnosis Description"](#).

Does the on board diagnosis function operate normally?

YES >> GO TO 4.

NO >> GO TO 6.

4.CHECK CONSULT SELF-DIAGNOSIS RESULTS

1. Connect CONSULT and perform self-diagnosis. Refer to [MWI-67, "DTC Index"](#).

2. When DTC is detected, follow the instructions below:

- Record DTC and Freeze Frame Data.

Are self-diagnosis results normal?

YES >> GO TO 5.

NO >> GO TO 8.

5.NARROW DOWN THE MALFUNCTIONING PARTS BY SYMPTOM DIAGNOSIS

Perform symptom diagnosis and narrow down the malfunctioning parts.

>> GO TO 8.

6.CHECK COMBINATION METER POWER SUPPLY AND GROUND CIRCUITS

Inspect combination meter power supply and ground circuits. Refer to [MWI-44, "COMBINATION METER : Diagnosis Procedure"](#).

Is inspection result OK?

YES >> GO TO 7.

NO >> GO TO 8.

7.REPLACE COMBINATION METER

Replace combination meter.

>> GO TO 9.

8.REPAIR OR REPLACE MALFUNCTIONING PARTS

Repair or replace the malfunctioning parts.

NOTE:

If DTC is displayed, erase DTC after repair or replace malfunctioning parts.

>> GO TO 9.

9.FINAL CHECK

Check that the combination meter operates normally.

Do they operate normally?

YES >> INSPECTION END

NO >> GO TO 1.

A
B
C
D
E
F
G
H
I
J
K
L
M
O
P

MWI

METER SYSTEM

< SYSTEM DESCRIPTION >

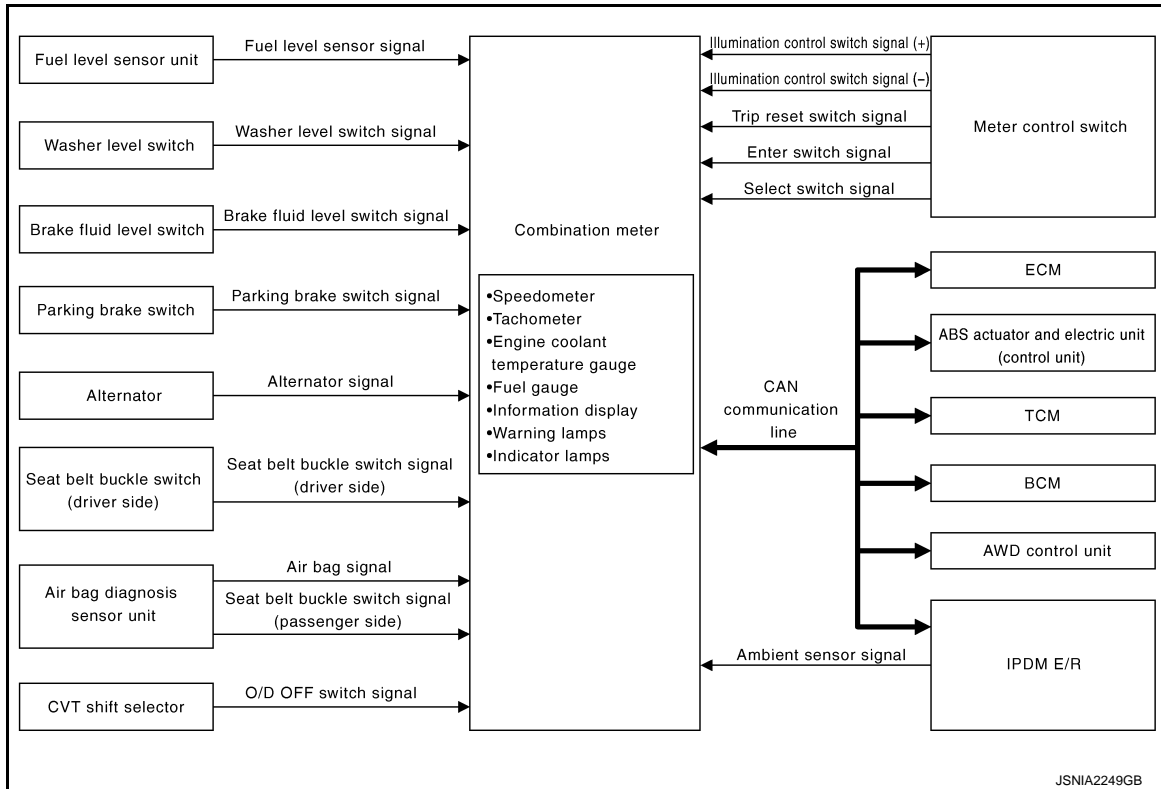
SYSTEM DESCRIPTION

METER SYSTEM

METER SYSTEM

METER SYSTEM : System Diagram

INFOID:000000008459030



METER SYSTEM : System Description

INFOID:000000008459031

COMBINATION METER

- The combination meter receives the information required to control the operation of each gauge, indicator/warning lamp, and information display via CAN communication from each unit, each switch, and sensor.
- The combination meter incorporates a trip computer that displays warnings and messages on the information display according to the information received from various units.
- The combination meter incorporates a buzzer function that sounds an audible alarm with the integrated buzzer device. Refer to [WCS-5. "WARNING CHIME SYSTEM : System Description"](#) for further details.
- The combination meter integrates the meter circuit check function and the segment check function that checks the information display operation.

IPDM E/R

- IPDM E/R reads the ON/OFF signals of the oil pressure switch and transmits the oil pressure switch signal to the combination meter via BCM with the CAN communication line.
- IPDM E/R is equipped with the diagnosis function. It can perform the operation check of oil pressure warning lamp with the auto active test and the diagnosis with CONSULT.

METER CONTROL FUNCTION LIST

METER SYSTEM

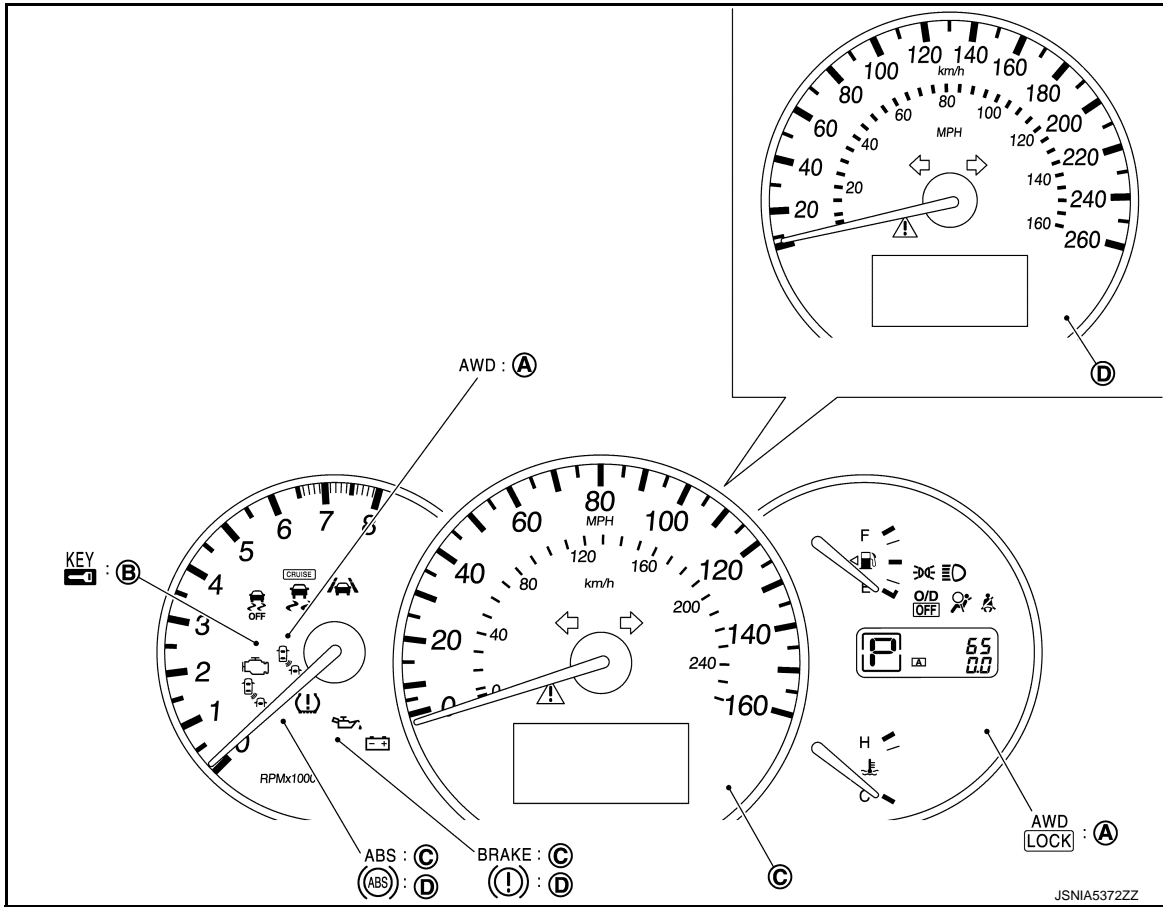
< SYSTEM DESCRIPTION >

System		Description	Signal source	
Meter/gauge	Speedometer	Receives vehicle speed signal and indicates vehicle speed.	ABS actuator and electric unit (control unit)	A
	Tachometer	Receives engine speed signal and indicates engine speed.	ECM	B
	Fuel gauge	Receives fuel level sensor signal and indicates fuel level.	Fuel level sensor unit	
	Engine coolant temperature gauge	Receives engine coolant temperature signal and indicates coolant temperature.	ECM	C
Warning lamp/indicator lamp	Oil pressure warning lamp	Receives oil pressure warning lamp signal and illuminates warning lamp.	IPDM E/R	
	Master warning	Illuminates according to warning output on information display.	—	D
Information display	Door open warning	Receives door switch signals and displays warning.	BCM	
	Parking brake release warning	Receives parking brake switch signal and vehicle speed signal and displays warnings.	Parking brake switch	E
			ABS actuator and electric unit (control unit)	
	Low fuel warning	Receives fuel gauge signal and displays warning if fuel level decreases to 11 ℓ (2-7/8 US gal, 2-3/8 Imp gal) or less.	Fuel level sensor unit	F
	Low washer fluid warning	Receives washer level switch signal and displays warning.	Washer level switch	
	Low outside temperature warning	Monitors ambient sensor signal and displays warning if ambient temperature decreases to 3°C (37°F) or less. (If enabled)	Ambient sensor	G
	Low tire pressure warning	Receives low tire pressure warning lamp signal and displays warning.	BCM	H
	Fuel filler cap warning	Receives fuel filler cap warning display signals and displays warning.	ECM	
	Instantaneous fuel consumption	Calculates instantaneous fuel consumption based on received vehicle speed signals and fuel consumption monitor signal and displays it.	ECM	I
			ABS actuator and electric unit (control unit)	J
	Average fuel consumption	Calculates average fuel consumption in a reset-to-reset interval based on received vehicle speed signals and fuel consumption monitor signal and displays it.	ECM	
			ABS actuator and electric unit (control unit)	K
	Average vehicle speed	Calculates average vehicle speed in a reset-to-reset interval based on received vehicle speed signals and displays it.	ABS actuator and electric unit (control unit)	
	Travel time	Displays accumulated key switch ON time from reset to reset.	—	L
	Travel distance	Calculates accumulated travel distance in a reset-to-reset interval based on received vehicle speed signals and displays it.	ABS actuator and electric unit (control unit)	
Possible driving distance	Calculates possible driving distance based on received fuel consumption monitor signal, vehicle speed signals and fuel level sensor signal and displays it.	ABS actuator and electric unit (control unit)	M	
		ECM		
		Fuel level sensor unit	MWI	
Ambient air temperature	Corrects ambient air temperature value based on received ambient sensor signals and displays it.	Ambient sensor		

METER SYSTEM

< SYSTEM DESCRIPTION >

ARRANGEMENT OF COMBINATION METER



A. With AWD models

B. With Intelligent Key models

C. For U.S.A.

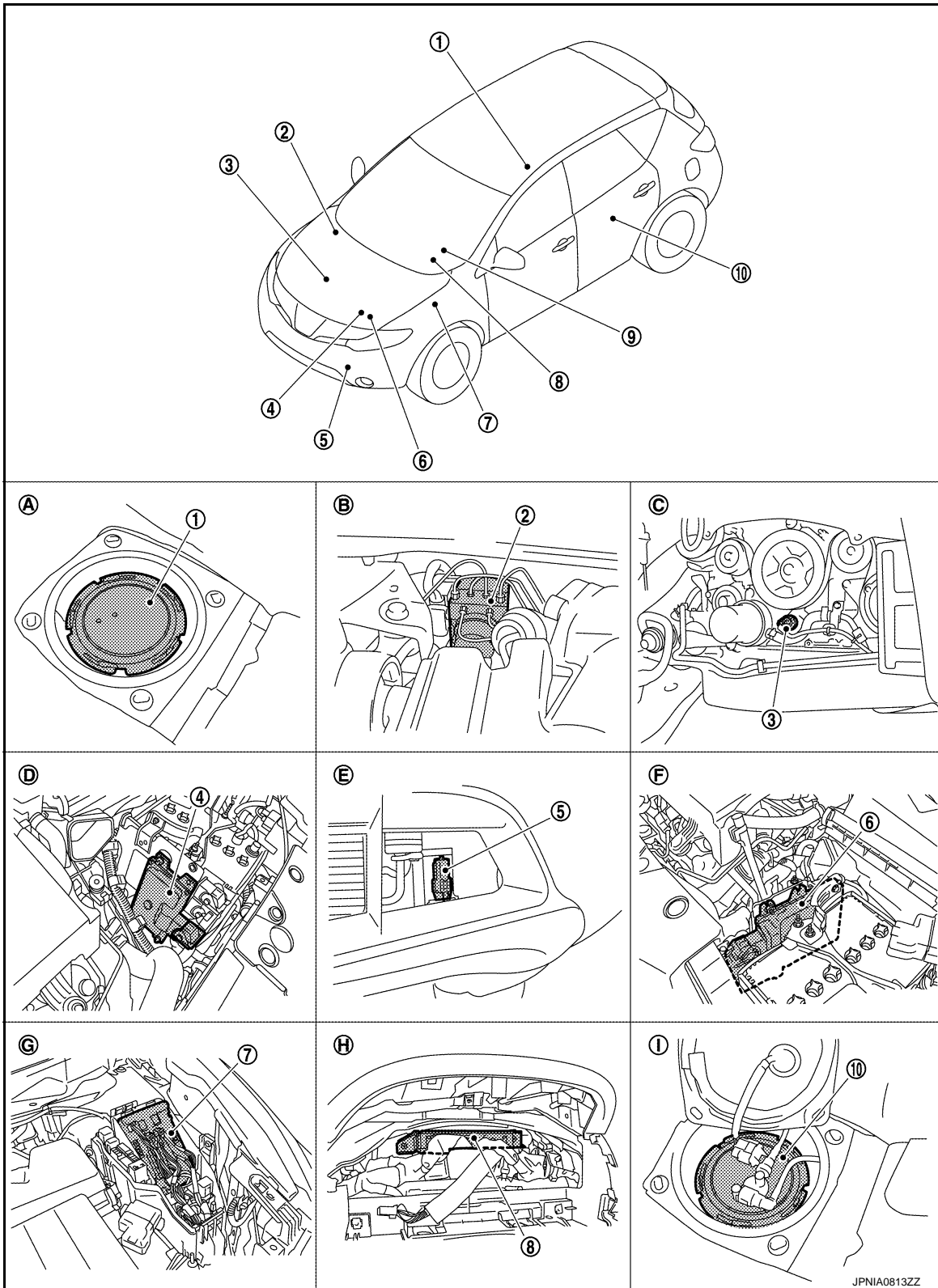
D. Except for U.S.A.

METER SYSTEM

< SYSTEM DESCRIPTION >

METER SYSTEM : Component Parts Location

INFOID:000000008459032



- | | | |
|---|--|------------------------|
| 1. Fuel level sensor unit (sub) | 2. ABS actuator and electric unit (control unit) | 3. Oil pressure switch |
| 4. TCM | 5. Ambient sensor | 6. ECM |
| 7. IPDM E/R | 8. BCM | 9. Combination meter |
| 10. Fuel level sensor unit and fuel pump (main) | | |

A
B
C
D
E
F
G
H
I
J
K
L
M
N
O
P

MWI

METER SYSTEM

< SYSTEM DESCRIPTION >

- | | | |
|----------------------------------|---------------------------------|---------------------------------|
| A. Lower right side of rear seat | B. Engine room (RH) | C. Engine front side |
| D. Engine room (LH) | E. Front bumper (left back) | F. Engine room (LH) |
| G. Engine room (LH) | H. Behind the combination meter | I. Lower left side of rear seat |

METER SYSTEM : Component Description

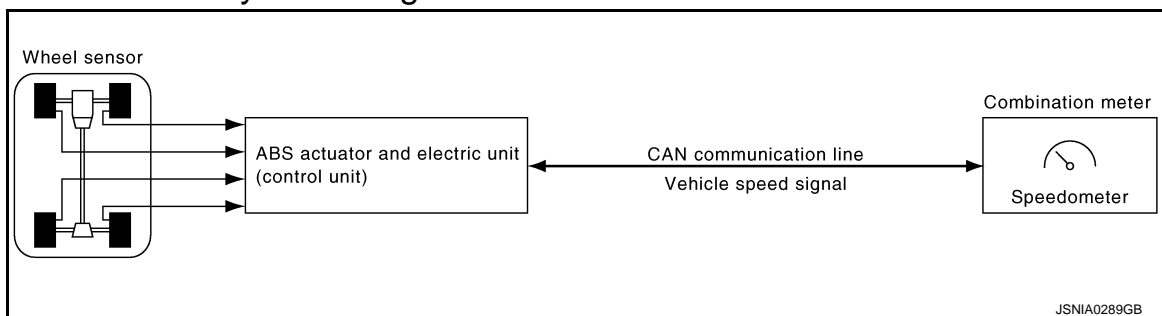
INFOID:000000008459033

Unit	Description
Combination meter	Controls the following with the signals received from each unit via CAN communication and the signals from switches and sensors. <ul style="list-style-type: none"> • Speedometer • Engine coolant temperature gauge • Warning lamps • Information display • Tachometer • Fuel gauge • Indicator lamps
IPDM E/R	IPDM E/R reads the ON/OFF signals of the oil pressure switch and transmits the oil pressure switch signal to the combination meter via BCM with CAN communication line.
Fuel level sensor unit	Refer to MWI-46, "Description" .
Oil pressure switch	Refer to MWI-52, "Description" .
ECM	Transmits the following signals to the combination meter with CAN communication line. <ul style="list-style-type: none"> • Engine speed signal • Fuel consumption monitor signal • Engine coolant temperature signal • Fuel filler cap warning display signal
ABS actuator and electric unit (control unit)	Transmits the vehicle speed signal to the combination meter with CAN communication line.
BCM	Transmits signals provided by various units to the combination meter with CAN communication line.
CVT shift selector	Transmits the O/D OFF switch signal to the combination meter.
TCM	Transmits the shift position signal to the combination meter with CAN communication line.
Meter control switch	Refer to MWI-49, "Description" .
Washer level switch	Transmits the washer level signal to the combination meter.
Brake fluid level switch	Transmits the brake fluid level switch signal to the combination meter.
Parking brake switch	Refer to MWI-54, "Description" .

SPEEDOMETER

SPEEDOMETER : System Diagram

INFOID:000000008459034



SPEEDOMETER : System Description

INFOID:000000008459035

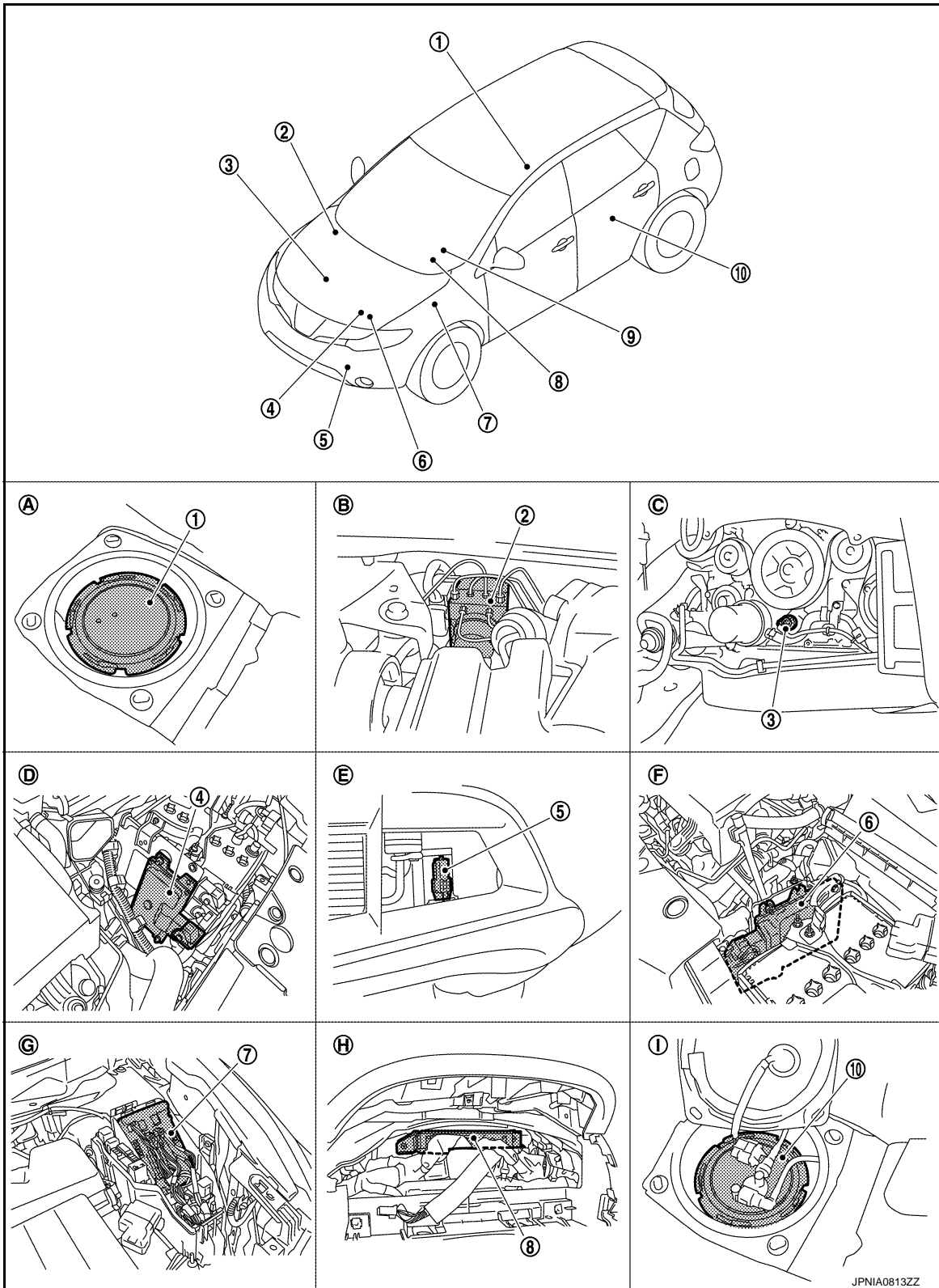
- The ABS actuator and electric unit (control unit) converts the rectangular wave signal provided by the wheel sensor to a vehicle speed signal and transmits it to the combination meter via CAN communication.
- The combination meter indicates the vehicle speed to the speedometer according to the vehicle speed signal received via CAN communication.

METER SYSTEM

< SYSTEM DESCRIPTION >

SPEEDOMETER : Component Parts Location

INFOID:000000008459036



- | | | |
|---|--|------------------------|
| 1. Fuel level sensor unit (sub) | 2. ABS actuator and electric unit (control unit) | 3. Oil pressure switch |
| 4. TCM | 5. Ambient sensor | 6. ECM |
| 7. IPDM E/R | 8. BCM | 9. Combination meter |
| 10. Fuel level sensor unit and fuel pump (main) | | |

JPNIA0813ZZ

A
B
C
D
E
F
G
H
I
J
K
L
M
N
O
P

MWI

METER SYSTEM

< SYSTEM DESCRIPTION >

- | | | |
|----------------------------------|---------------------------------|---------------------------------|
| A. Lower right side of rear seat | B. Engine room (RH) | C. Engine front side |
| D. Engine room (LH) | E. Front bumper (left back) | F. Engine room (LH) |
| G. Engine room (LH) | H. Behind the combination meter | I. Lower left side of rear seat |

SPEEDOMETER : Component Description

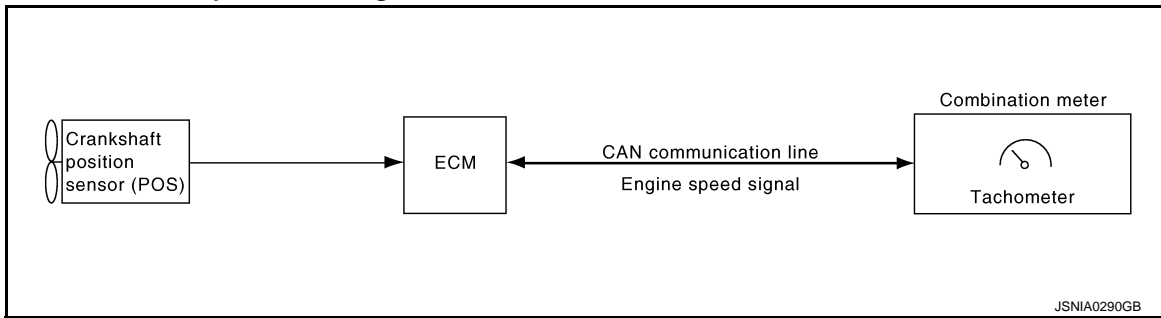
INFOID:000000008459037

Unit	Description
Combination meter	Indicates the vehicle speed to the speedometer according to the vehicle speed signal received from ABS actuator and electric unit (control unit) via CAN communication.
ABS actuator and electric unit (control unit)	Transmits the vehicle speed signal to the combination meter with CAN communication line.

TACHOMETER

TACHOMETER : System Diagram

INFOID:000000008459038



TACHOMETER : System Description

INFOID:000000008459039

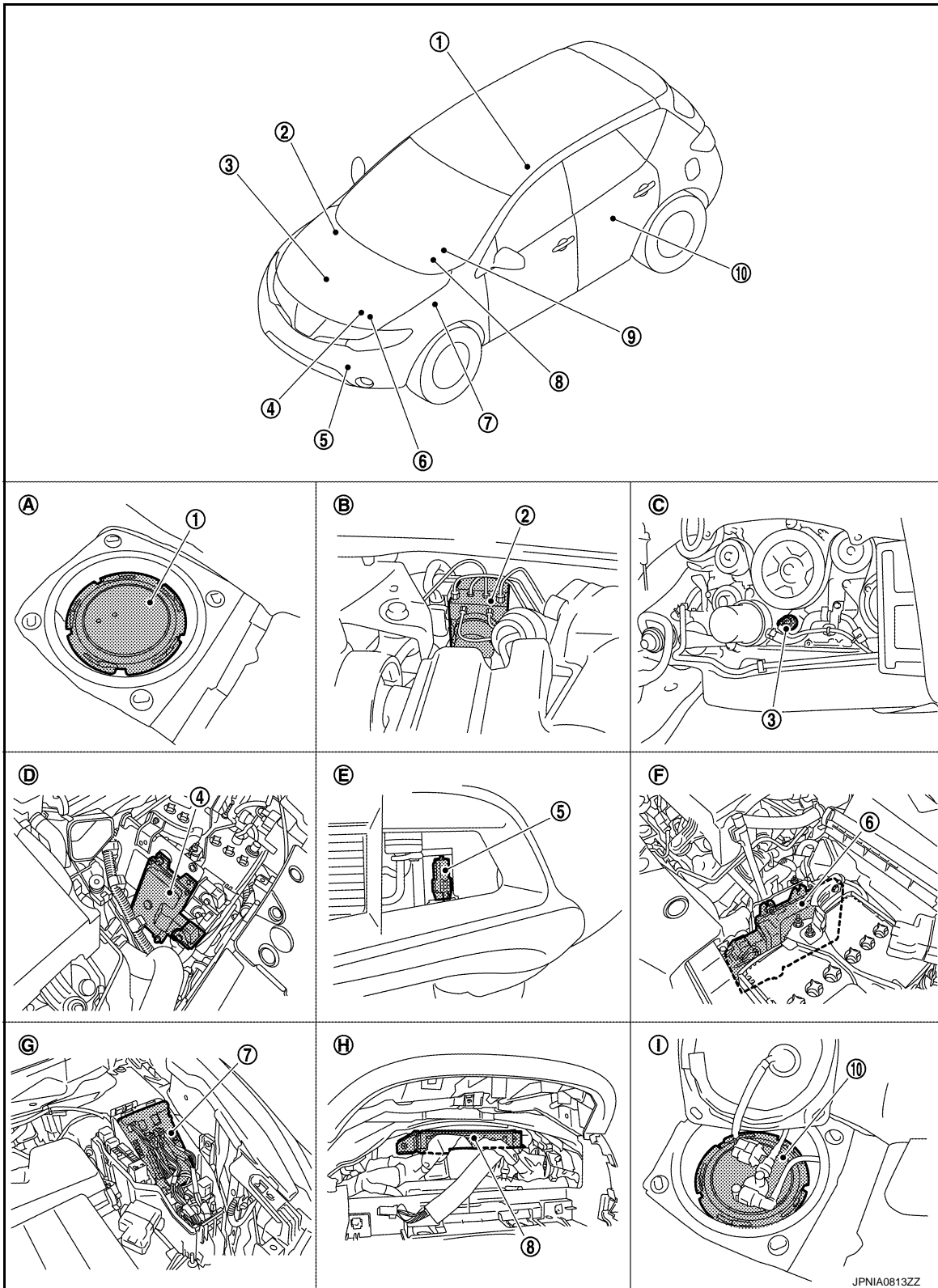
- ECM converts the pulse signal provided by the crankshaft position sensor to an engine speed signal and transmits it to the combination meter with CAN communication line.
- The combination meter indicates the engine speed to the tachometer according to the engine speed signal received via CAN communication.

METER SYSTEM

< SYSTEM DESCRIPTION >

TACHOMETER : Component Parts Location

INFOID:000000008459040



- | | | |
|---|--|------------------------|
| 1. Fuel level sensor unit (sub) | 2. ABS actuator and electric unit (control unit) | 3. Oil pressure switch |
| 4. TCM | 5. Ambient sensor | 6. ECM |
| 7. IPDM E/R | 8. BCM | 9. Combination meter |
| 10. Fuel level sensor unit and fuel pump (main) | | |

METER SYSTEM

< SYSTEM DESCRIPTION >

- | | | |
|----------------------------------|---------------------------------|---------------------------------|
| A. Lower right side of rear seat | B. Engine room (RH) | C. Engine front side |
| D. Engine room (LH) | E. Front bumper (left back) | F. Engine room (LH) |
| G. Engine room (LH) | H. Behind the combination meter | I. Lower left side of rear seat |

TACHOMETER : Component Description

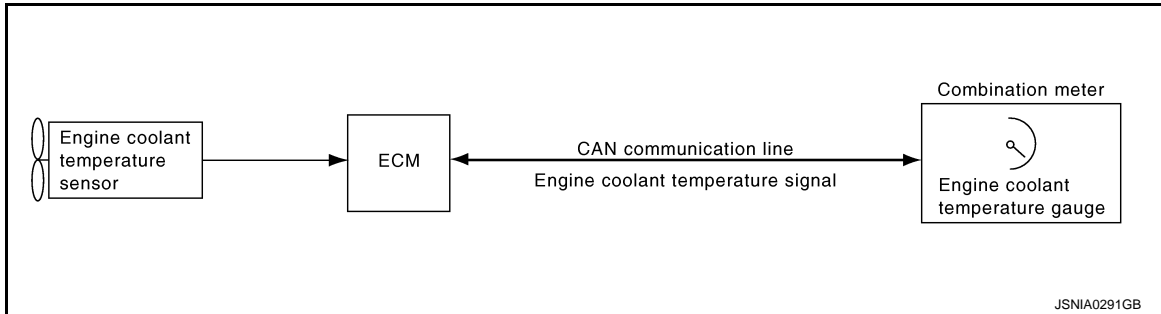
INFOID:000000008459041

Unit	Description
Combination meter	Indicates the engine speed to the tachometer according to the engine speed signal received from ECM via CAN communication.
ECM	Transmits the engine speed signal to the combination meter with CAN communication line.

ENGINE COOLANT TEMPERATURE GAUGE

ENGINE COOLANT TEMPERATURE GAUGE : System Diagram

INFOID:000000008459042



ENGINE COOLANT TEMPERATURE GAUGE : System Description

INFOID:000000008459043

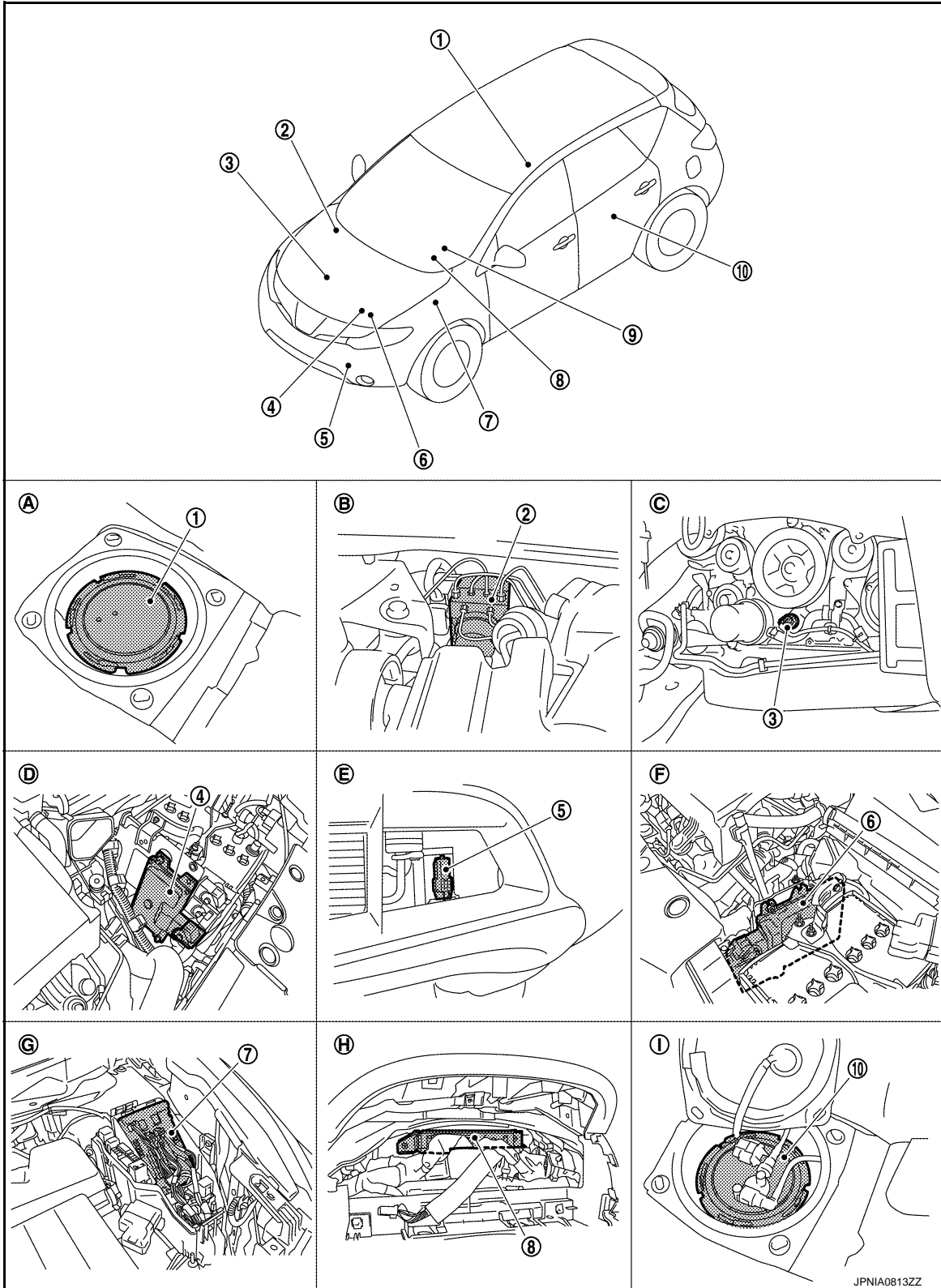
- ECM reads the engine coolant temperature signal from the engine coolant temperature sensor and transmits the signal to the combination meter via CAN communication.
- The combination meter indicates the engine coolant temperature to the engine coolant temperature gauge according to the engine coolant temperature signal received via CAN communication.

METER SYSTEM

< SYSTEM DESCRIPTION >

ENGINE COOLANT TEMPERATURE GAUGE : Component Parts Location

INFOID:000000008459044



1. Fuel level sensor unit (sub)

4. TCM

7. IPDM E/R

10. Fuel level sensor unit and fuel pump (main)

2. ABS actuator and electric unit (control unit)

5. Ambient sensor

8. BCM

3. Oil pressure switch

6. ECM

9. Combination meter

JPNIA0813ZZ

A
B
C
D
E
F
G
H
I
J
K
L
M
N
O
P

MWI

METER SYSTEM

< SYSTEM DESCRIPTION >

- | | | |
|----------------------------------|---------------------------------|---------------------------------|
| A. Lower right side of rear seat | B. Engine room (RH) | C. Engine front side |
| D. Engine room (LH) | E. Front bumper (left back) | F. Engine room (LH) |
| G. Engine room (LH) | H. Behind the combination meter | I. Lower left side of rear seat |

ENGINE COOLANT TEMPERATURE GAUGE : Component Description

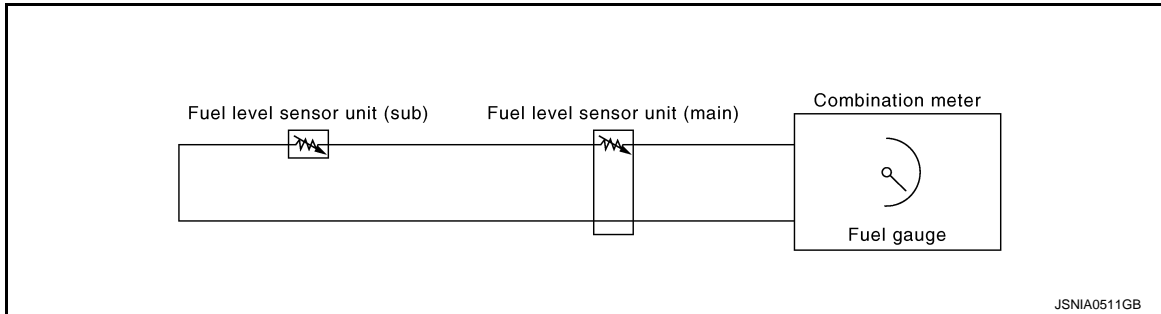
INFOID:000000008459045

Unit	Description
Combination meter	Indicates the engine coolant temperature to the engine coolant temperature gauge according to the engine coolant temperature signal received from ECM via CAN communication.
ECM	Transmits the engine coolant temperature signal to the combination meter via CAN communication.

FUEL GAUGE

FUEL GAUGE : System Diagram

INFOID:000000008459046



FUEL GAUGE : System Description

INFOID:000000008459047

CONTROL OUTLINE

The combination meter reads the fuel level sensor signal from the fuel level sensor unit and indicates the fuel level to the fuel gauge.

REFUEL CONTROL

The combination meter accelerates the fuel gauge segment if the all conditions listed below are met, or the ignition switch is ON from OFF.

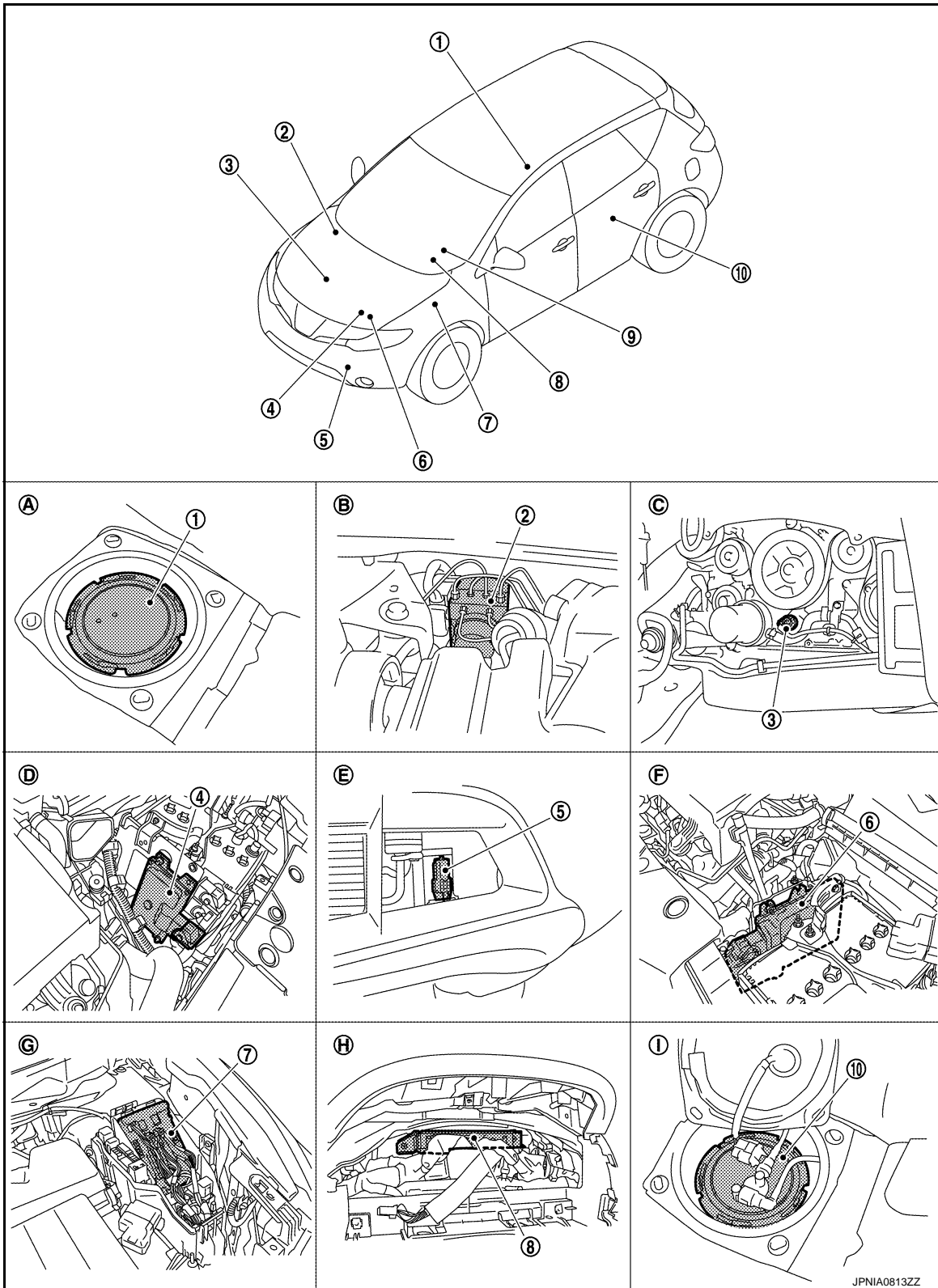
- Ignition switch is ON position.
- The vehicle is not moving.
- The fuel level change by 15 ℓ (4 US gal, 3-1/4 Imp gal) or more.

METER SYSTEM

< SYSTEM DESCRIPTION >

FUEL GAUGE : Component Parts Location

INFOID:000000008459048



- | | | |
|---|--|------------------------|
| 1. Fuel level sensor unit (sub) | 2. ABS actuator and electric unit (control unit) | 3. Oil pressure switch |
| 4. TCM | 5. Ambient sensor | 6. ECM |
| 7. IPDM E/R | 8. BCM | 9. Combination meter |
| 10. Fuel level sensor unit and fuel pump (main) | | |

JPNIA0813ZZ

A
B
C
D
E
F
G
H
I
J
K
L
M
N
O
P

MWI

METER SYSTEM

< SYSTEM DESCRIPTION >

- | | | |
|----------------------------------|---------------------------------|---------------------------------|
| A. Lower right side of rear seat | B. Engine room (RH) | C. Engine front side |
| D. Engine room (LH) | E. Front bumper (left back) | F. Engine room (LH) |
| G. Engine room (LH) | H. Behind the combination meter | I. Lower left side of rear seat |

FUEL GAUGE : Component Description

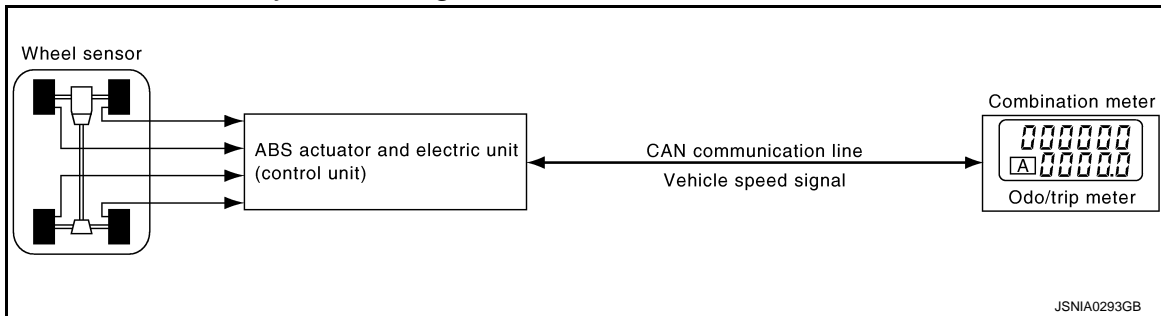
INFOID:000000008459049

Unit	Description
Combination meter	Indicates the fuel gauge according to the fuel level sensor signal received from the fuel level sensor unit.
Fuel level sensor unit	Refer to MWI-46. "Description" .

ODO/TRIP METER

ODO/TRIP METER : System Diagram

INFOID:000000008459050



ODO/TRIP METER : System Description

INFOID:000000008459051

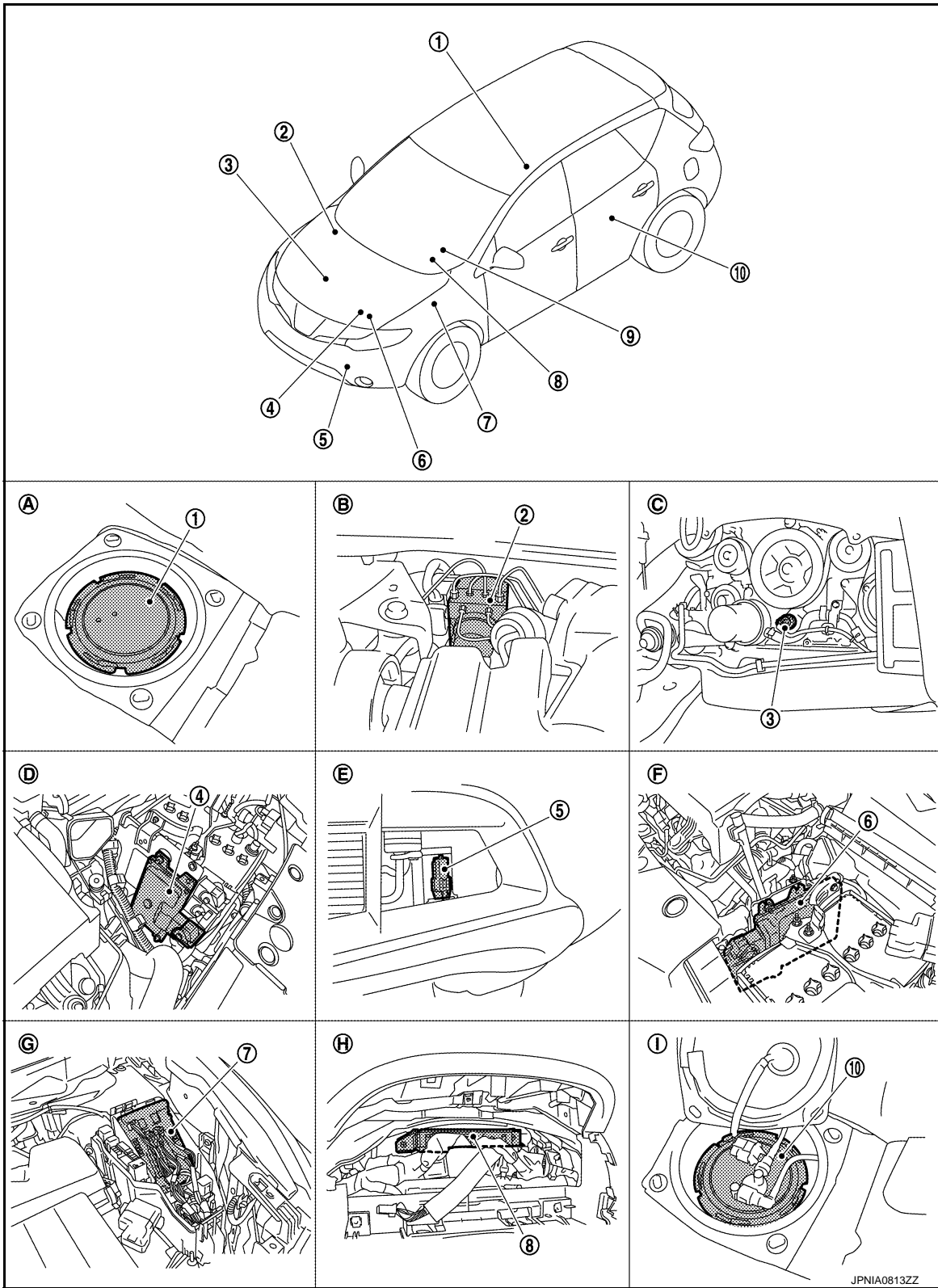
- The ABS actuator and electric unit (control unit) reads the rectangular wave signal provided by the wheel sensor and transmits the vehicle speed signal to the combination meter via CAN communication.
- The combination meter converts the vehicle speed signal received via CAN communication to mileage, and it displays the accumulated mileage to the odo/trip meter.

METER SYSTEM

< SYSTEM DESCRIPTION >

ODO/TRIP METER : Component Parts Location

INFOID:000000008459052



- | | | |
|---|--|------------------------|
| 1. Fuel level sensor unit (sub) | 2. ABS actuator and electric unit (control unit) | 3. Oil pressure switch |
| 4. TCM | 5. Ambient sensor | 6. ECM |
| 7. IPDM E/R | 8. BCM | 9. Combination meter |
| 10. Fuel level sensor unit and fuel pump (main) | | |

JPNIA0813ZZ

A
B
C
D
E
F
G
H
I
J
K
L
M
N
O
P

MWI

METER SYSTEM

< SYSTEM DESCRIPTION >

- | | | |
|----------------------------------|---------------------------------|---------------------------------|
| A. Lower right side of rear seat | B. Engine room (RH) | C. Engine front side |
| D. Engine room (LH) | E. Front bumper (left back) | F. Engine room (LH) |
| G. Engine room (LH) | H. Behind the combination meter | I. Lower left side of rear seat |

ODO/TRIP METER : Component Description

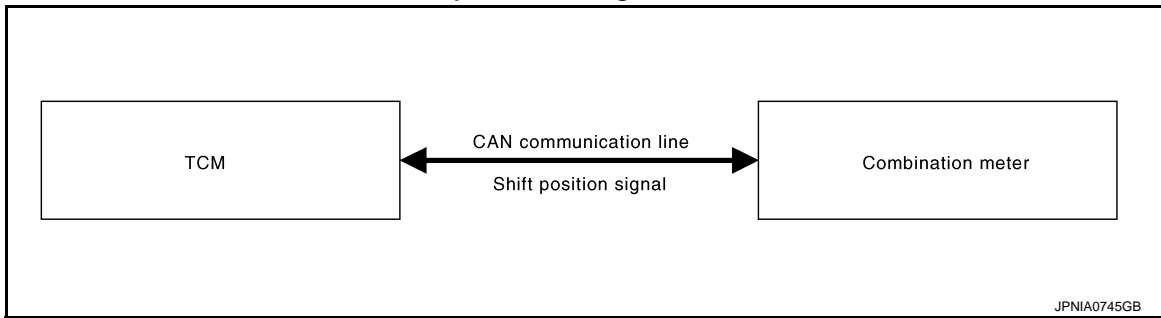
INFOID:000000008459053

Unit	Description
Combination meter	Converts the vehicle speed signal received from the ABS actuator and electric unit (control unit) via CAN communication to mileage, and it displays the accumulated mileage to the odo/trip meter.
ABS actuator and electric unit (control unit)	Transmits the vehicle speed signal to the combination meter via CAN communication.

SHIFT POSITION INDICATOR

SHIFT POSITION INDICATOR : System Diagram

INFOID:000000008459054



SHIFT POSITION INDICATOR : System Description

INFOID:000000008459055

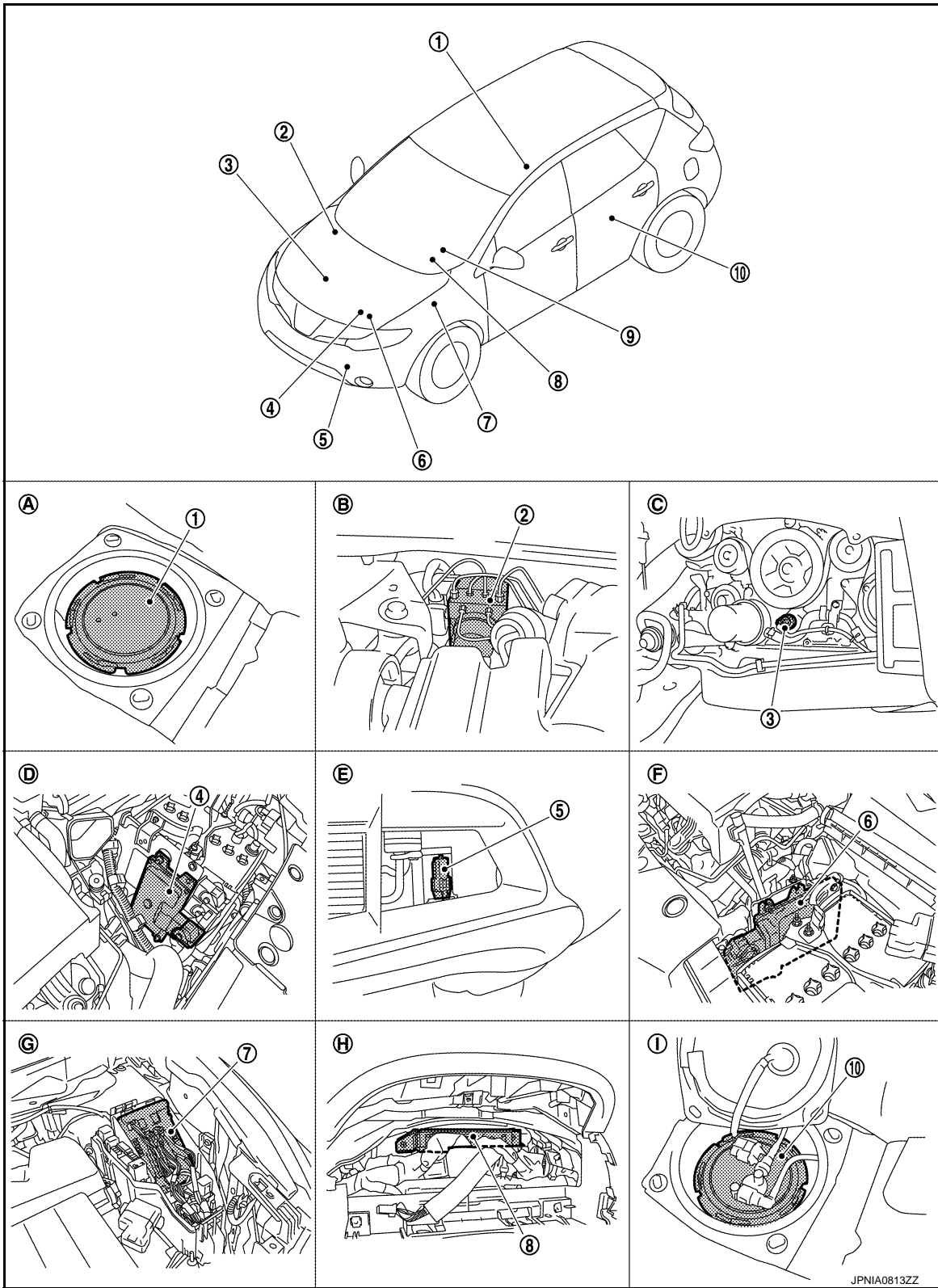
- Shift position is displayed in the shift position indicator in the combination meter.
- TCM transmits the shift position signal to the combination meter via CAN communication.
- The combination meter indicates shift position according to the shift position signal received via CAN communication.

METER SYSTEM

< SYSTEM DESCRIPTION >

SHIFT POSITION INDICATOR : Component Parts Location

INFOID:000000008459056



- | | | |
|---|--|------------------------|
| 1. Fuel level sensor unit (sub) | 2. ABS actuator and electric unit (control unit) | 3. Oil pressure switch |
| 4. TCM | 5. Ambient sensor | 6. ECM |
| 7. IPDM E/R | 8. BCM | 9. Combination meter |
| 10. Fuel level sensor unit and fuel pump (main) | | |

JPNIA0813ZZ

A
B
C
D
E
F
G
H
I
J
K
L
M
N
O
P

MWI

METER SYSTEM

< SYSTEM DESCRIPTION >

- | | | |
|----------------------------------|---------------------------------|---------------------------------|
| A. Lower right side of rear seat | B. Engine room (RH) | C. Engine front side |
| D. Engine room (LH) | E. Front bumper (left back) | F. Engine room (LH) |
| G. Engine room (LH) | H. Behind the combination meter | I. Lower left side of rear seat |

SHIFT POSITION INDICATOR : Component Description

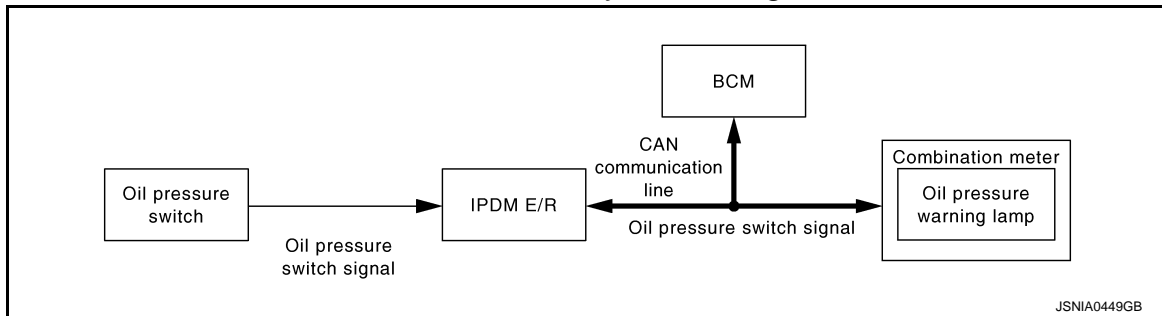
INFOID:000000008459057

Unit	Description
Combination meter	Displays the shift position on the shift position indicator with shift position signal received from TCM via CAN communication.
TCM	Transmits shift position signal to the combination meter with CAN communication.

WARNING LAMPS/INDICATOR LAMPS

WARNING LAMPS/INDICATOR LAMPS : System Diagram

INFOID:000000008459058



WARNING LAMPS/INDICATOR LAMPS : System Description

INFOID:000000008459059

OIL PRESSURE WARNING LAMP

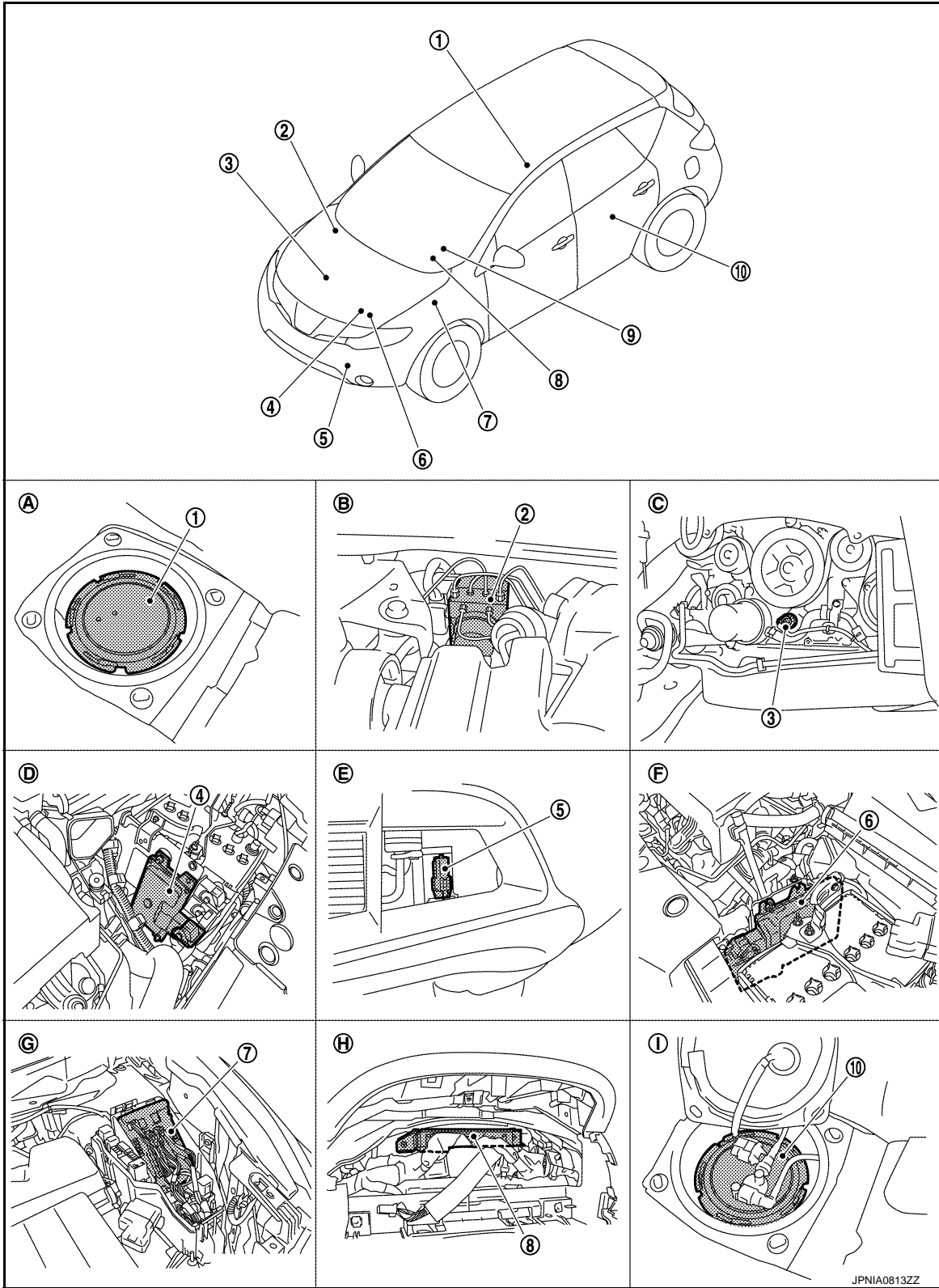
- IPDM E/R reads the ON/OFF signals from the oil pressure switch and transmits the oil pressure switch signal to the combination meter via BCM with the CAN communication line.
- The combination meter turns the oil pressure warning lamp ON/OFF according to the oil pressure switch signal received via CAN communication.

METER SYSTEM

< SYSTEM DESCRIPTION >

WARNING LAMPS/INDICATOR LAMPS : Component Parts Location

INFOID:000000008459060



- | | | |
|---|--|------------------------|
| 1. Fuel level sensor unit (sub) | 2. ABS actuator and electric unit (control unit) | 3. Oil pressure switch |
| 4. TCM | 5. Ambient sensor | 6. ECM |
| 7. IPDM E/R | 8. BCM | 9. Combination meter |
| 10. Fuel level sensor unit and fuel pump (main) | | |

JPNIA0813ZZ

A
B
C
D
E
F
G
H
I
J
K
L
M
N
O
P

MWI

METER SYSTEM

< SYSTEM DESCRIPTION >

- | | | |
|----------------------------------|---------------------------------|---------------------------------|
| A. Lower right side of rear seat | B. Engine room (RH) | C. Engine front side |
| D. Engine room (LH) | E. Front bumper (left back) | F. Engine room (LH) |
| G. Engine room (LH) | H. Behind the combination meter | I. Lower left side of rear seat |

WARNING LAMPS/INDICATOR LAMPS : Component Description

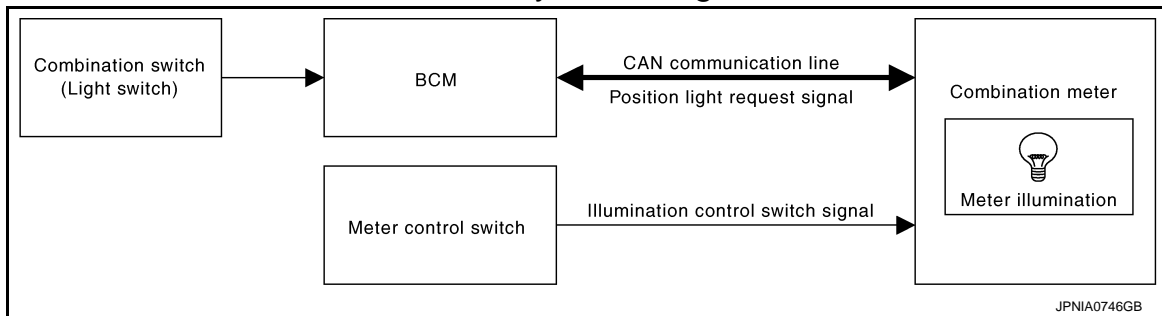
INFOID:000000008459061

Unit	Description
Combination meter	Turns the oil pressure warning lamp ON/OFF according to the oil pressure switch signal received from BCM via CAN communication.
IPDM E/R	Reads the ON/OFF signals from the oil pressure switch and transmits the oil pressure switch signal to the combination meter via BCM and CAN communication.
Oil pressure switch	Refer to MWI-52, "Description" .
BCM	Transmits the oil pressure switch signal received from IPDM E/R via CAN communication to the combination meter via CAN communication.

METER ILLUMINATION CONTROL

METER ILLUMINATION CONTROL : System Diagram

INFOID:000000008459062



METER ILLUMINATION CONTROL : System Description

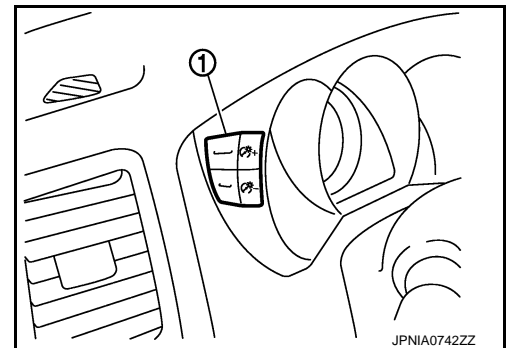
INFOID:000000008459063

SYSTEM DESCRIPTION

The combination meter controls the meter illumination by the illumination control switch signal from the meter control switch and the position light request signal transmitted by the BCM via CAN communication.

Daytime Mode

Meter illumination level can be adjusted in 22 steps using the illumination control switch (1) in daytime mode.



Nighttime Mode

- Combination meter changes the meter illumination to the nighttime mode by the position light request signal from BCM via CAN communication.
- Meter illumination can be adjusted in 22 steps using the illumination control switch in nighttime mode.

Driver Welcome Function

Ring illumination gradually turns ON when a driver gets in the vehicle with intelligent key and closes the driver side door.

NOTE:

Ring illumination gradually turns OFF when not turning the ignition switch ON at a certain period of time.

METER SYSTEM

< SYSTEM DESCRIPTION >

Dial Effects Function

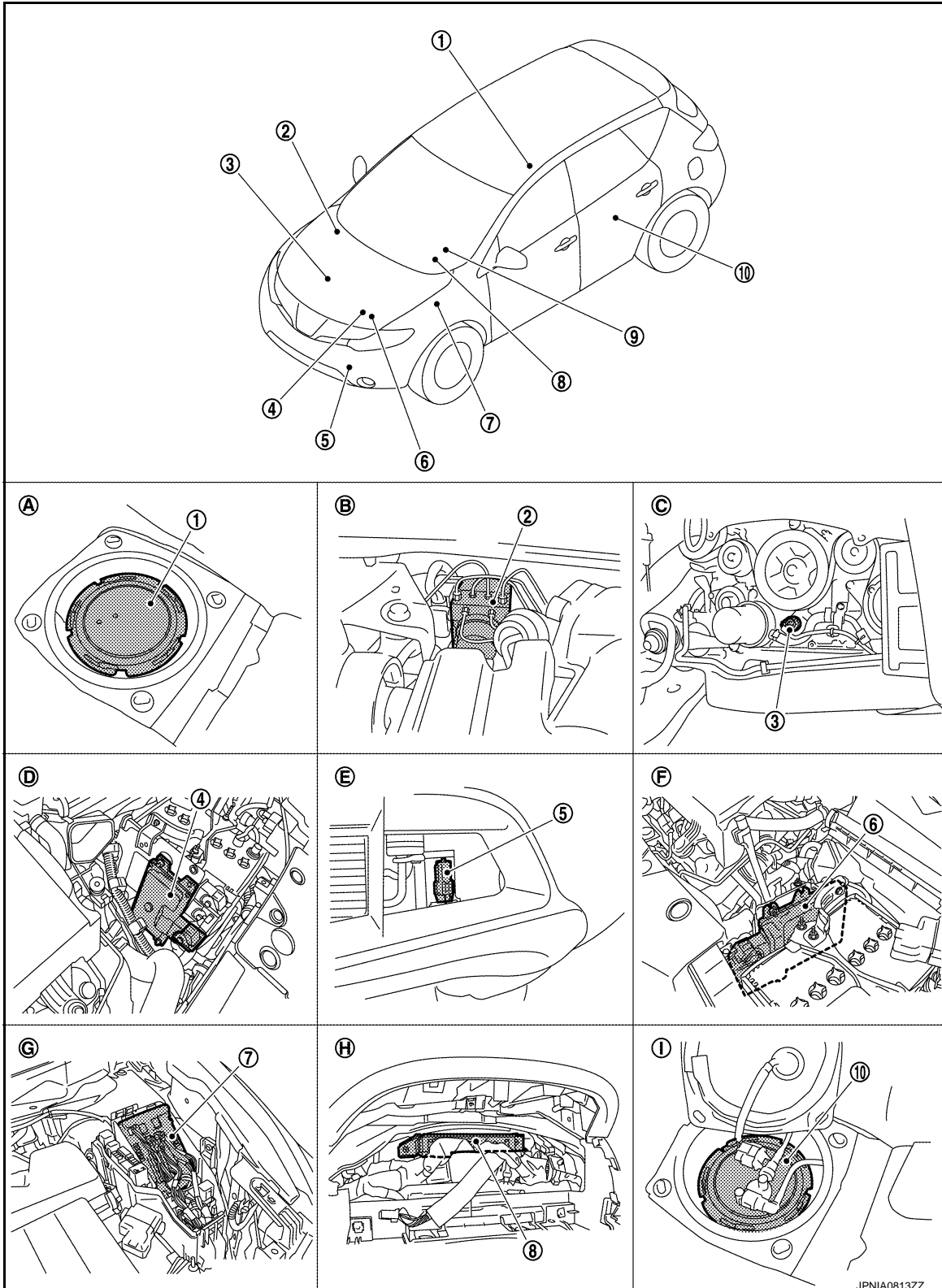
Combination meter detects the engine start when input engine speed signal at first. Pointers of speed meter and tachometer sweep and ring illumination gradually turns ON when combination meter detects the engine start. Then, combination meter starts the normal control.

NOTE:

- Engine coolant temperature gauge and fuel gauge do not function.
- Dial Effects Function can be turned ON/OFF from "SETTING" on the information display.

METER ILLUMINATION CONTROL : Component Parts Location

INFOID:000000008459064



JPNIA0813ZZ

A
B
C
D
E
F
G
H
I
J
K
L
M
N
O
P

MWI

METER SYSTEM

< SYSTEM DESCRIPTION >

- | | | |
|---|--|---------------------------------|
| 1. Fuel level sensor unit (sub) | 2. ABS actuator and electric unit (control unit) | 3. Oil pressure switch |
| 4. TCM | 5. Ambient sensor | 6. ECM |
| 7. IPDM E/R | 8. BCM | 9. Combination meter |
| 10. Fuel level sensor unit and fuel pump (main) | | |
| A. Lower right side of rear seat | B. Engine room (RH) | C. Engine front side |
| D. Engine room (LH) | E. Front bumper (left back) | F. Engine room (LH) |
| G. Engine room (LH) | H. Behind the combination meter | I. Lower left side of rear seat |

METER ILLUMINATION CONTROL : Component Description

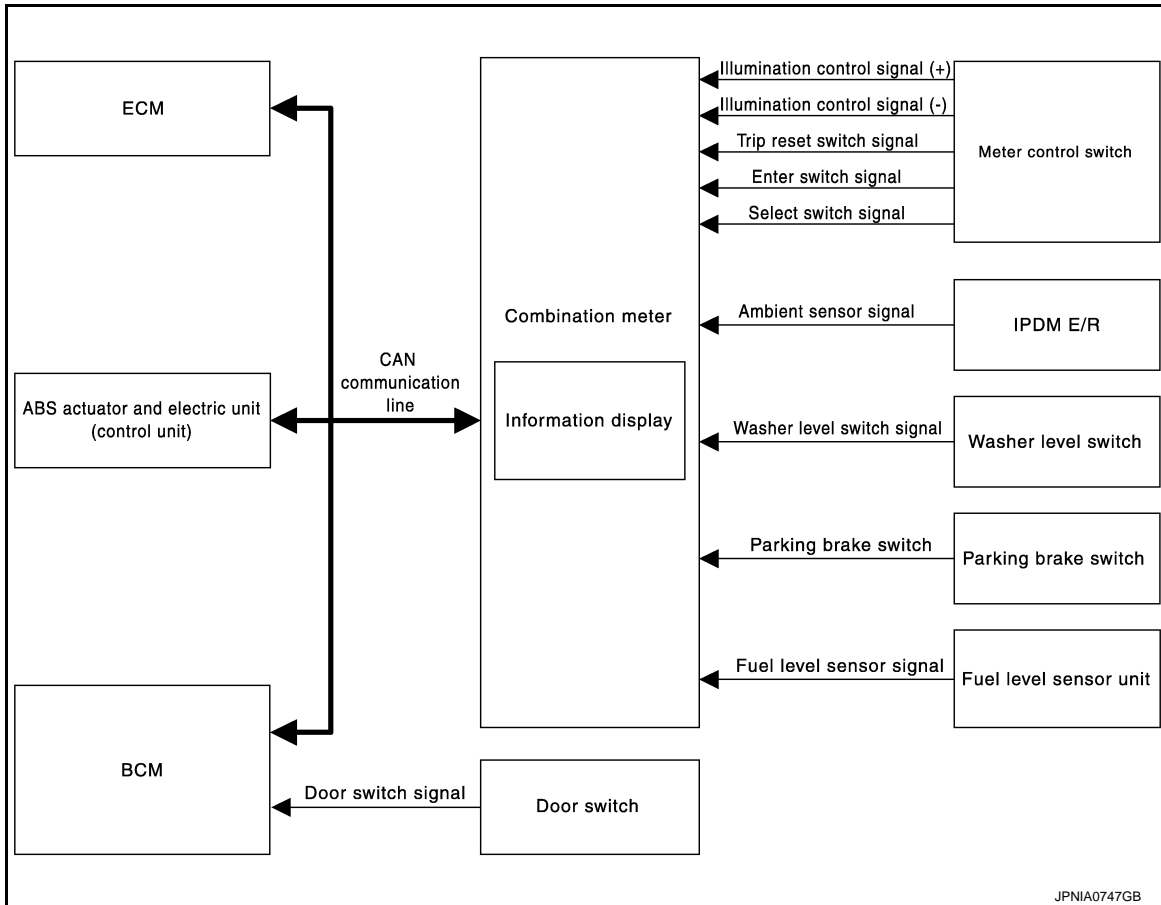
INFOID:000000008459065

Unit	Description
Combination meter	Controls the meter illumination with the illumination control switch signal from the meter control switch and the position light request signal from BCM via CAN communication.
BCM	Transmits the position light request signal to the combination meter via CAN communication.
Meter control switch	Transmits the following signals to the combination meter. <ul style="list-style-type: none"> • Illumination control switch signal (+) • Illumination control switch signal (-)

INFORMATION DISPLAY

INFORMATION DISPLAY : System Diagram

INFOID:000000008459066



INFORMATION DISPLAY : System Description

INFOID:000000008459067

DESCRIPTION

METER SYSTEM

< SYSTEM DESCRIPTION >

- The combination meter receives the information required for controlling the operations of the information display from the BCM via CAN communication.
- The combination meter incorporates a trip computer that displays the warning / information according to the information received from various units.

PARKING BRAKE RELEASE WARNING

The combination meter indicates the parking brake release warning judged by the vehicle speed signal received from the ABS actuator and electric unit (control unit) via CAN communication and the parking brake switch signal from the parking brake switch.

Warning Operation Condition

Parking brake release warning is judged if all of the following conditions are fulfilled.

- Vehicle speed is 7 km/h (4.3 MPH) or higher
- Parking brake switch ON

LOW FUEL WARNING

The combination meter indicates the low fuel warning judged by the fuel level sensor signal received from the fuel level sensor unit.

Warning Operation Condition

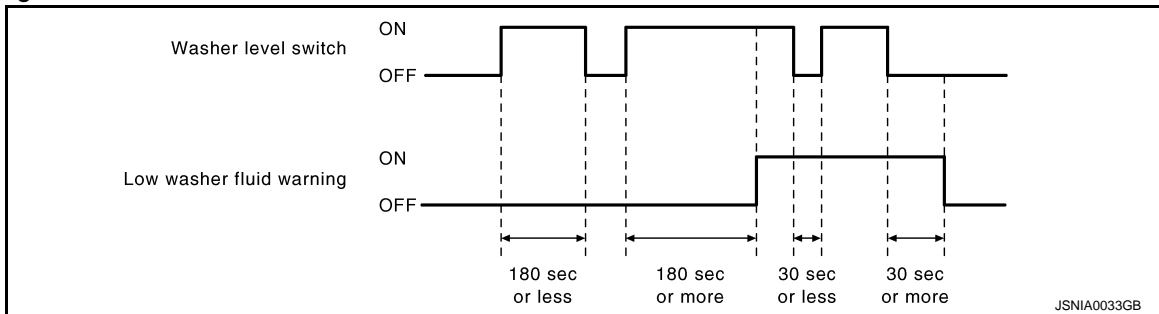
- Fuel level: Approx. 9.8 ℓ (2-5/8 US gal, 2-1/8 Imp gal) or less

LOW WASHER FLUID WARNING

The combination meter indicates the low washer fluid warning judged by the signal from the washer level switch.

Warning Operation Condition

- Indicates the warning when the washer level switch is ON for 180 seconds or more. Stops indicating the warning when the washer level switch is OFF for 30 seconds or more.



LOW TIRE PRESSURE WARNING

- The combination meter receives remaining low tire pressure warning lamp signal from the BCM with CAN communication line.
- The combination meter indicates low tire pressure warning when receiving remaining low tire pressure warning lamp signal.
- The combination meter indicates low tire pressure warning judged with the low tire pressure warning lamp signal received from the BCM.

For details, refer to [WT-7. "System Description"](#).

FUEL FILLER CAP WARNING

- The combination meter receives remaining fuel filler cap warning display signal from the ECM with CAN communication line.
- The combination meter indicates fuel filler cap warning when receiving remaining fuel filler cap warning display signal.
- The combination meter indicates fuel filler cap warning judged with the fuel filler cap warning display signal received from the ECM.

For details, refer to [EC-107. "System Description"](#).

DOOR OPEN WARNING

- The combination meter indicates the door open warning judged by each door switch signal received from the BCM via CAN communication line.

INSTANTANEOUS FUEL CONSUMPTION

A
B
C
D
E
F
G
H
I
J
K
L
M
O
P

MWI

METER SYSTEM

< SYSTEM DESCRIPTION >

- The combination meter receives the fuel consumption monitor signal from the ECM and the vehicle speed signal from the ABS actuator and electric unit (control unit) via CAN communication.
- The combination meter calculates instantaneous fuel consumption according to the fuel consumption monitor signal and the vehicle speed signal received via CAN communication.

AVERAGE FUEL CONSUMPTION

- The combination meter receives the fuel consumption monitor signal from the ECM and the vehicle speed signal from the ABS actuator and electric unit (control unit) via CAN communication.
- The combination meter calculates the average fuel consumption according to the fuel consumption monitor signal and the vehicle speed signal received via CAN communication.
- The average fuel consumption displayed on the information display is uploaded in approximately 30-second intervals.

NOTE:

When turning ON the ignition switch after triggering a reset or removing/installing the battery, “——” is indicated until 30-seconds/500 m (0.31 miles) of driving.

AVERAGE VEHICLE SPEED

- The combination meter receives the vehicle speed signal from the ABS actuator and electric unit (control unit) via CAN communication.
- Measures the time while the ignition switch is ON through the combination meter.
- The combination meter the average vehicle speed according to the above signals.
- The average vehicle speed displayed on the information display is uploaded in approximately 30-second intervals.

NOTE:

When turning ON the ignition switch after triggering a reset or removing/installing the battery, “——” is indicated until 30 seconds.

TRAVEL TIME

Measures the time while the ignition switch is ON through the combination meter.

TRAVEL DISTANCE

- The combination meter receives the vehicle speed signal from the ABS actuator and electric unit (control unit) via CAN communication.
- The combination meter calculates the vehicle distance according to the vehicle speed signal. The vehicle distance is displayed.

POSSIBLE DRIVING DISTANCE

The combination meter calculates possible driving distance according to the vehicle speed signal and fuel consumption monitor signal transmitted via CAN communication and the fuel level sensor signal transmitted from the fuel level sensor.

NOTE:

- When turning ON the ignition switch after removing/installing the battery, “——” is indicated until 30 seconds.
- The indicated values may not match each other when refueling with the ignition switch ON. Refer to [MWI-90. "INFORMATION DISPLAY : Description"](#).

AMBIENT AIR TEMPERATURE

- The combination meter receives the ambient sensor signal from the ambient sensor.
- The combination meter calculates the ambient temperature according to the ambient sensor signal.
- The indicated temperature does not increase if the vehicle speed is less than 20 km/h (12 MPH).

NOTE:

- The ambient sensor input value that is displayed on “Data Monitor” of CONSULT is the value before the correction. It may not match the indicated temperature on the information display.
- The ambient temperature may be indicated higher than the actual temperature, depending on heat in the engine, the road surface temperature, and so on.

SETTING

METER SYSTEM

< SYSTEM DESCRIPTION >

Setting item list

Items		Setting range	Setting unit	Description
ALERT	TIME TO REST	No setting - 6 hours	30 minutes, [60 minutes]*	Time to rest is displayed on the information display if the vehicle reached the set travel distance.
	ICY	ON/OFF	—	Low outside temp is displayed on the information display if the ambient temperature is 3°C (37°F) or less.
MAINTENANCE	ENGINE OIL	No setting - 18,500 miles, (No setting - 30,000 km)	250 miles (500 km), [500 miles (1,000 km)]*	The engine oil replacement interval is displayed on the information display if the vehicle reached the set distance.
	OIL FILTER	No setting - 18,500 miles, (No setting - 30,000 km)	250 miles (500 km), [500 miles (1,000 km)]*	The oil filter replacement interval is displayed on the information display if the vehicle reached the set distance.
	TIRE	No setting - 18,500 miles, (No setting - 30,000 km)	250 miles (500 km), [500 miles (1,000 km)]*	The tire replacement interval is displayed on the information display if the vehicle reached the set distance.
	OTHER	No setting - 18,500 miles, (No setting - 30,000 km)	250 miles (500 km), [500 miles (1,000 km)]*	The other replacement interval is displayed on the information display if the vehicle reached the set distance.
DISPLAY	LANGUAGE	ENGLISH/FRANCAIS	—	The language setting can be changed.
	UNIT	US/METRIC	—	The unit setting can be changed.
	DIAL EFFECTS	ON/OFF	—	The dial effects setting can be changed.

* : Press and hold the switch (1 second or more).

A
B
C
D
E
F
G
H
I
J
K
L
M
N
O
P

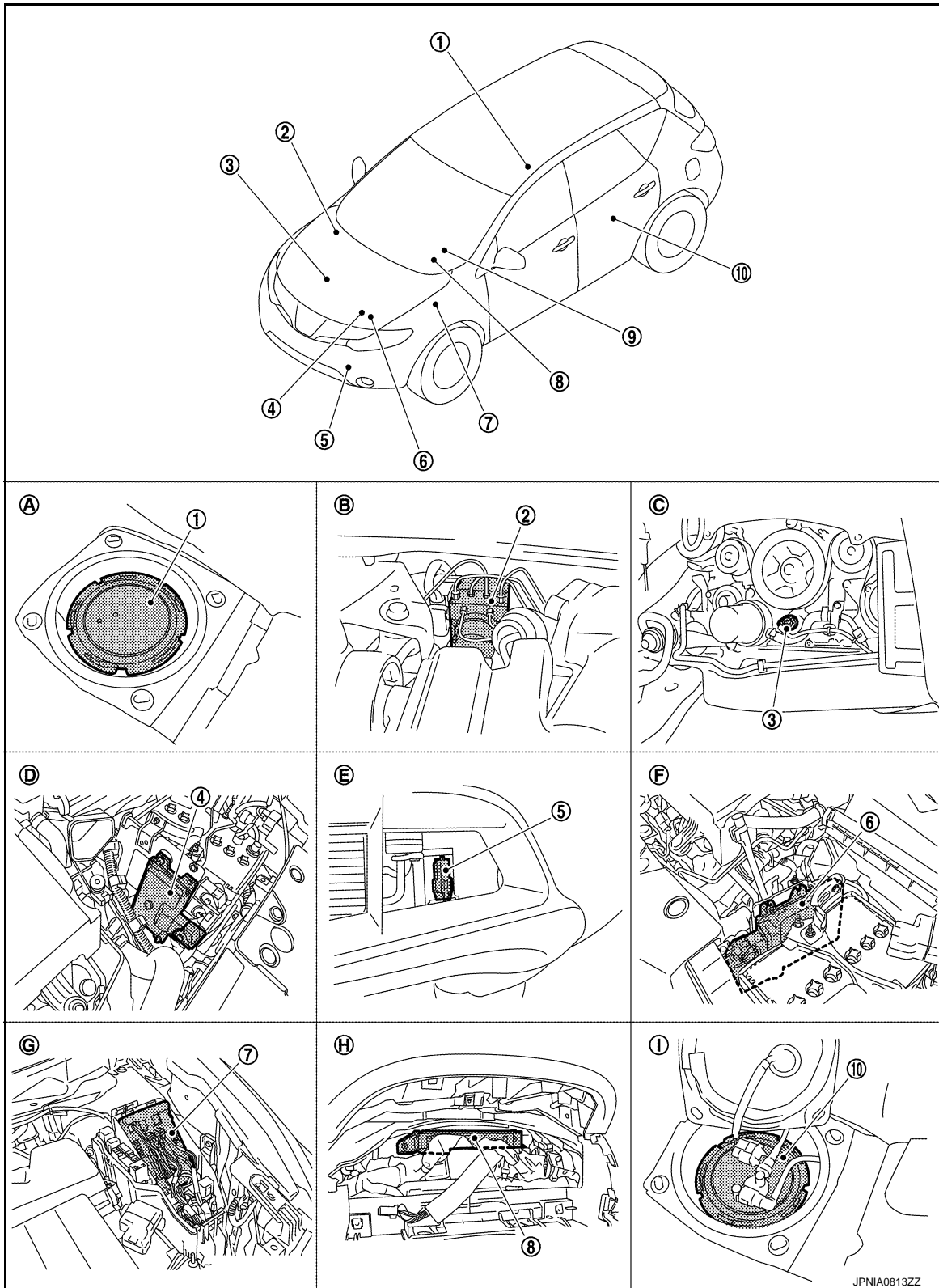
MWI

METER SYSTEM

< SYSTEM DESCRIPTION >

INFORMATION DISPLAY : Component Parts Location

INFOID:000000008459068



JPNIA0813ZZ

- | | | |
|---|--|------------------------|
| 1. Fuel level sensor unit (sub) | 2. ABS actuator and electric unit (control unit) | 3. Oil pressure switch |
| 4. TCM | 5. Ambient sensor | 6. ECM |
| 7. IPDM E/R | 8. BCM | 9. Combination meter |
| 10. Fuel level sensor unit and fuel pump (main) | | |

METER SYSTEM

< SYSTEM DESCRIPTION >

- | | | |
|----------------------------------|---------------------------------|---------------------------------|
| A. Lower right side of rear seat | B. Engine room (RH) | C. Engine front side |
| D. Engine room (LH) | E. Front bumper (left back) | F. Engine room (LH) |
| G. Engine room (LH) | H. Behind the combination meter | I. Lower left side of rear seat |

INFORMATION DISPLAY : Component Description

INFOID:000000008459069

Unit	Description
Combination meter	Controls the information display according to the signal received from each unit.
Fuel level sensor unit	Refer to MWI-46, "Description" .
ECM	Transmits the following signals to the combination meter via CAN communication. <ul style="list-style-type: none"> • Engine speed signal • Fuel filler cap warning display signal • Fuel consumption monitor signal
ABS actuator and electric unit (control unit)	Transmits the vehicle speed signal to the combination meter via CAN communication.
BCM	Transmits signals provided by various units to the combination meter via CAN communication.
Meter control switch	Transmits the following signals to the combination meter. <ul style="list-style-type: none"> • Enter switch signal • Select switch signal
Washer level switch	Transmits the washer level signal to the combination meter.
Parking brake switch	Refer to MWI-54, "Description" .
Door switch	Transmits the door switch signals to BCM.
IPDM E/R	Transmits the ambient sensor signal to the combination meter.
Ambient sensor	Detects the ambient air temperature and transmits the ambient sensor signal to the IPDM E/R.

A
B
C
D
E
F
G
H
I
J
K
L
M
N
O
P

MWI

COMPASS

< SYSTEM DESCRIPTION >

COMPASS

Description

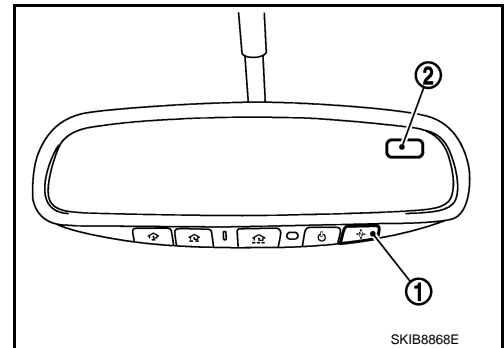
INFOID:000000008459070

DESCRIPTION

- This electronic compass is able to display 8 primary directions: N, NE, E, SE, S, SW, W, NW.
- The compass switch (1) is used to operate the compass.

Switch Operation

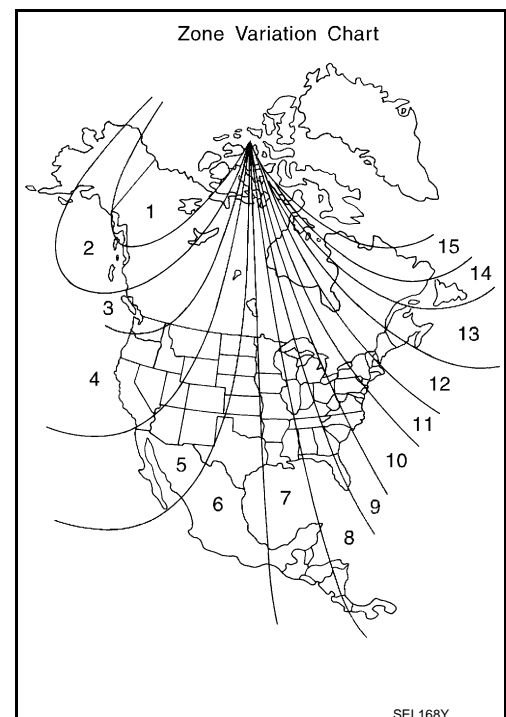
Press	Compass is turned ON/OFF
Press and hold (for 3- 9 sec.)	Compass display (2) turns to zone variation change mode
Press and hold (for more than 9 sec.)	Compass display turns to calibration mode



- All standard compasses determine direction relative to magnetic north, however, this electronic compass is designed to display direction relative to true north.
- The difference between magnetic north and true north varies from place to place across the surface of the earth.
- This electronic compass must be “told” approximately where it is on the earth’s surface so that the magnetic north reading can be properly converted into a true north display.
- To tell the electronic compass where it’s at, the earth is separated into numbered “Zone Variances”. The zone variance number in which the compass is to function must be entered into this electronic compass.
- Each zone is magnetically about 4.2° wide. Typically, anything under a 22.5° total zone change is not noticed on the electronic compass display. However, if a change over 22.5° occurs, a reading may be off by one or more primary directions.
- On long trips, the vehicle may leave its original zone and enter one or more new zones. Generally, you do not need to reset the compass zone if you travel between 3 or 4 zones, such as business travel or vacation. The typical driver will not notice any difference on the display within 3 or 4 zones. However, if the vehicle is “permanently” moved to a new location, it is recommended that the compass zone be reset.

ZONE VARIATION SETTING PROCEDURE

1. Press and hold the compass switch for 3 – 9 seconds.
2. The current zone setting appears on the compass display.
3. Find the current geographical location number in the zone variation chart.
4. Select the new zone number. (Press the compass switch until the new zone number appears on the compass display.)
5. After select the new zone number, the compass display will automatically shows a direction within a few seconds.
6. Perform the following calibration procedure for more accurate indications.



COMPASS

< SYSTEM DESCRIPTION >

CALIBRATION PROCEDURE

NOTE:

The compass calibrates itself under normal driving conditions. However, occasional circumstances may cause the compass to operate inaccurately. Example: Driving from rural (wide open) areas to crowded city areas, or if an aftermarket (i.e., non original equipment) antenna with a magnetic base is attached to the vehicle. Calibrate the mirror compass if the display shows only one direction or a limited number of directions.

NOTE:

- If “magnetic hats” are used in the dealership for vehicle identification, remove the hat from the vehicle before performing the following steps. Do not put the hat back on the vehicle after the procedure is completed.
- Drive the vehicle to an open level area; away from large metallic objects, structures, and overhead power lines.
- Turn off “non-essential” electrical accessories (rear window defrost, heater/air conditioning, wipers) and close the doors.

1. Verify the correct compass zone setting for the geographical location.
2. Press and hold the compass switch for more than 9 seconds.
3. “C” is displayed on the compass display when calibration starts.
4. Drive slowly [less than 8 km/h (5 MPH)] in a circle until the “C / CAL” is replaced with primary headings (N, NE, E, SE, S, SW, W, or NW).

NOTE:

This will require driving at least 2 complete 360 degree circles, 3 complete circles may be required.

5. The compass calibration procedure is now complete. The compass should operate normally.

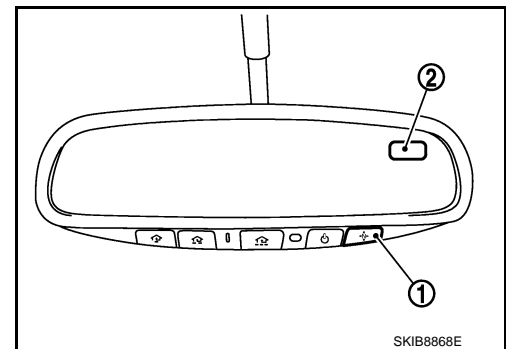
NOTE:

If at any time the compass continually displays the incorrect direction or the reading is erratic or locked, repeat the calibration procedure.

Component Parts Location

INFOID:000000008459071

- 1 : Compass switch
- 2 : Compass display



Special Repair Requirement

INFOID:000000008459072

1.PERFORM ZONE VARIATION SETTING

Perform the zone variation setting. Refer to [MWI-32, "Description"](#).

>> GO TO 2.

2.PERFORM CALIBRATION

Perform the calibration. Refer to [MWI-32, "Description"](#).

>> Setting completion

DIAGNOSIS SYSTEM (METER)

< SYSTEM DESCRIPTION >

DIAGNOSIS SYSTEM (METER)

Diagnosis Description

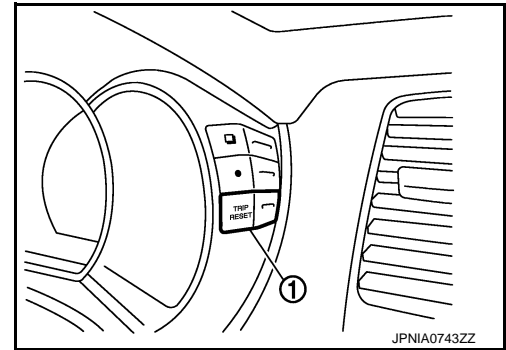
INFOID:000000008459073

SELF-DIAGNOSIS MODE

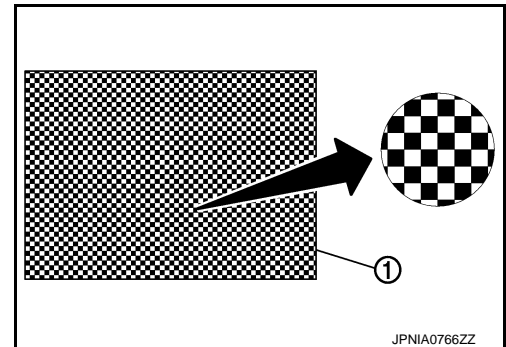
- Information display LCD segment operation can be checked in self-diagnosis mode.
- Meters/gauges can be checked in self-diagnosis mode.

OPERATION PROCEDURE

1. Turn ignition switch OFF.
2. While pressing the trip reset switch (1), turn ignition switch ON.
NOTE:
If the diagnosis function is activated with "trip A" displayed, the mileage on "trip A" is reset to "0000.0". (The same way for "trip B".)
3. Make sure that the trip meter displays "0000.0".
4. Press the trip reset switch at least 3 times. (Within 7 seconds after the ignition switch is turned ON.)

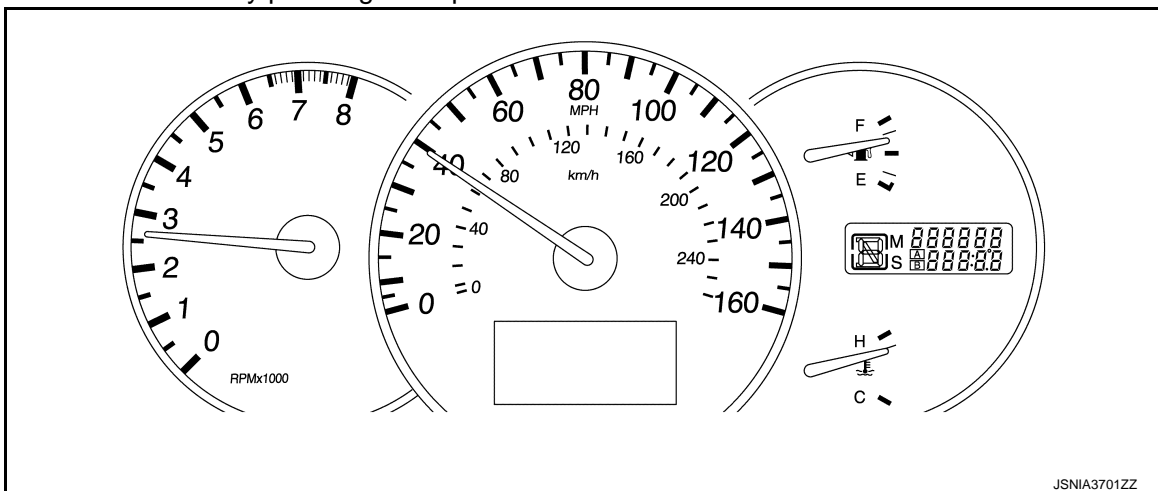


5. The unified meter control unit is turned to self-diagnosis mode.
 - All the segments on the odo/trip meter and shift position indicator illuminate.
 - The segment dots of the information display LCD (1) blink alternately.
 - Engine coolant temperature gauge and fuel gauge return to zero, simultaneously.



NOTE:

- Check combination meter power supply and ground circuit when the self-diagnosis mode of the combination meter does not start. Replace combination meter if abnormal.
 - If any of the segments are not displayed, replace combination meter.
6. Each meter activates by pressing the trip reset switch.



NOTE:

DIAGNOSIS SYSTEM (METER)

< SYSTEM DESCRIPTION >

- If any of the meters or gauges are not activated, replace combination meter.
- The figure is reference.

CONSULT Function (METER/M&A)

INFOID:000000008459074

CONSULT APPLICATION ITEMS

CONSULT can perform the following diagnosis modes via CAN communication and the combination meter.

System	Diagnosis mode	Description
METER/M&A	Self Diagnostic Result	The combination meter checks the conditions and displays memorized errors.
	Data Monitor	Displays the combination meter input/output data in real time.
	W/L ON History	Lighting history of the warning lamp and indicator lamp can be checked.

SELF DIAG RESULT

Refer to [MWI-67, "DTC Index"](#).

DATA MONITOR

NOTE:

The following table includes information (items) inapplicable to this vehicle. For information (items) applicable to this vehicle, refer to CONSULT display items.

Display Item List

X: Applicable

Display item [Unit]	MAIN SIGNALS	Description
SPEED METER [km/h]	X	Value of vehicle speed signal received from ABS actuator and electric unit (control unit) via CAN communication. NOTE: 655.35 is displayed when the malfunction signal is received.
SPEED OUTPUT [km/h]	X	Vehicle speed signal value transmitted to other units via CAN communication. NOTE: 655.35 is displayed when the malfunction signal is received.
ODO OUTPUT [km/h or mph]		Odometer signal value transmitted to other units via CAN communication.
TACHO METER [rpm]	X	Value of the engine speed signal received from ECM via CAN communication. NOTE: 8191.875 is displayed when the malfunction signal is received.
FUEL METER [L]	X	Fuel level indicated on combination meter.
W TEMP METER [°C]	X	Value of engine coolant temperature signal is received from ECM via CAN communication. NOTE: 215 is displayed when the malfunction signal is input.
FUEL CAP W/L [On/Off]		Status of fuel filler cap warning display detected from fuel filler cap warning display signal received from ECM via CAN communication.
ABS W/L [On/Off]		Status of ABS warning lamp detected from ABS warning lamp signal is received from ABS actuator and electric unit (control unit) via CAN communication.
VDC/TCS IND [On/Off]		Status of VDC OFF indicator lamp detected from VDC OFF indicator lamp signal is received from ABS actuator and electric unit (control unit) via CAN communication.
SLIP IND [On/Off]		Status of VDC warning lamp detected from VDC warning lamp signal received from ABS actuator and electric unit (control unit) via CAN communication.
BRAKE W/L [On/Off]		Status of brake warning lamp detected from brake warning lamp signal is received from ABS actuator and electric unit (control unit) via CAN communication. NOTE: Displays "Off" if the brake warning lamp is illuminated when the valve check starts, the parking brake switch is turned ON or the brake fluid level switch is turned ON.



DIAGNOSIS SYSTEM (METER)

< SYSTEM DESCRIPTION >

Display item [Unit]	MAIN SIGNALS	Description
DOOR W/L [On/Off]		Status of door warning detected from door switch signal received from BCM via CAN communication.
HI-BEAM IND [On/Off]		Status of high beam indicator lamp detected from high beam request signal is received from BCM via CAN communication.
TURN IND [On/Off]		Status of turn indicator lamp detected from turn indicator signal is received from BCM via CAN communication.
LIGHT IND [On/Off]		Status of light indicator lamp detected from position light request signal is received from BCM via CAN communication.
OIL W/L [On/Off]		Status of oil pressure warning lamp detected from oil pressure switch signal is received from BCM via CAN communication.
MIL [On/Off]		Status of malfunction indicator lamp detected from malfunctioning indicator lamp signal is received from ECM via CAN communication.
CRUISE IND [On/Off]		Status of CRUISE indicator detected from ASCD status signal is received from ECM via CAN communication.
O/D OFF IND [On/Off]		Status of O/D OFF indicator detected from O/D OFF indicator signal is received from CVT shift selector.
4WD W/L [On/Off]		Status of AWD warning lamp detected from AWD warning lamp signal is received from AWD control unit via CAN communication.
4WD LOCK IND [On/Off]		Status of AWD LOCK warning lamp detected from AWD LOCK warning lamp signal is received from AWD control unit via CAN communication.
FUEL W/L [On/Off]		Low-fuel warning lamp status detected by the identified fuel level.
WASHER W/L [On/Off]		Status of washer warning lamp judged from washer level switch input to combination meter.
AIR PRES W/L [On/Off]		Status of low tire pressure warning lamp detected from TPMS malfunction warning lamp signal is received from BCM via CAN communication.
KEY G/W W/L [On/Off]		Status of key warning lamp (G/Y) detected from key warning signal is received from BCM via CAN communication.
LCD [B&P N, B&P I, ID NG, ROTAT, SFT P, INSRT, BATT, NO KY, OUTKY, LK WN]		Displays status of Intelligent Key system warning detected from meter display signal is received from BCM via CAN communication.
SHIFT IND [P, R, N, D, L]		Status of shift position indicator detected from shift position signal is received from TCM via CAN communication.
O/D OFF SW [On/Off]		Status of O/D OFF switch.
M RANGE SW [Off]		This item is displayed, but cannot be monitored.
NM RANGE SW [Off]		This item is displayed, but cannot be monitored.
AT SFT UP SW [Off]		This item is displayed, but cannot be monitored.
AT SFT DWN SW [Off]		This item is displayed, but cannot be monitored.
ST SFT UP SW [Off]		This item is displayed, but cannot be monitored.
ST SFT DWN SW [Off]		This item is displayed, but cannot be monitored.
PKB SW [On/Off]		Status of parking brake switch.
BUCKLE SW [On/Off]		Status of seat belt buckle switch (driver side).

DIAGNOSIS SYSTEM (METER)

< SYSTEM DESCRIPTION >

Display item [Unit]	MAIN SIGNALS	Description
BRAKE OIL SW [On/Off]		Status of brake fluid level switch.
DISTANCE [km]		Value of possible driving distance calculated by combination meter.
A/C AMP CONN [On/Off]		Status of A/C auto amp. connection recognition signal.
ENTER SW [On/Off]		Status of  (ENTER) switch.
SELECT SW [On/Off]		Status of  (SELECT) switch.
OUTSIDE TEMP [°C or °F]		Ambient air temperature value converted from ambient sensor signal received from ambient sensor. NOTE: This may not match with the temperature value indicated on the information display. (Because the information display value is a corrected value from the ambient sensor input value.)
FUEL LOW SIG [On/Off]		Status of fuel level low warning signal to output to AV control unit via CAN communication.
BUZZER [On/Off]	X	Buzzer status (in the combination meter) is detected from the buzzer output signal received from each unit via CAN communication and the warning output condition of the combination meter.
BSW IND [On/Off]		Status of Blind Spot Intervention ON indicator (green) judged from Blind Spot Intervention ON indicator signal received from camera control unit with CAN communication line.
BSW W/L [On/Off]		Status of BSW/Blind Spot Intervention warning lamp (yellow) judged from BSW/Blind Spot Intervention warning lamp signal received from camera control unit with CAN communication line.
LDW IND [On/Off]		<ul style="list-style-type: none"> • Status of lane departure warning lamp (yellow) judged from lane departure warning lamp signal received from camera control unit with CAN communication line. • Status of LDW ON indicator lamp (green) judged from LDW ON indicator lamp signal received from camera control unit with CAN communication line.

NOTE:

Some items are not available according to vehicle specification.

W/L ON HISTORY

- Stores histories when warning/indicator lamp is turned on.
- “W/L ON HISTORY” indicates the “TIME” when the warning/indicator lamp is turned on.
- The “TIME” above is:
 - 0: The condition that the warning/indicator lamp has been turned on 1 or more times after starting the engine and waiting for 30 seconds.
 - 1 - 39: The number of times the engine was restarted after the 0 condition.
 - NO W/L ON HISTORY: Stores NO (0) turning on history of warning/indicator lamp.

NOTE:

- W/L ON HISTORY is not stored for approximately 30 seconds after the engine starts.
- Brake warning lamp does not store any history when parking the brake is applied or the brake fluid level gets low.

Display Item

Display item	Description
ABS W/L	Lighting history of ABS warning lamp.
VDC/TCS IND	Lighting history of VDC OFF indicator lamp.
SLIP IND	Lighting history of VDC warning lamp.
BRAKE W/L	Lighting history of brake warning lamp.

DIAGNOSIS SYSTEM (METER)

< SYSTEM DESCRIPTION >

Display item	Description
DOOR W/L	Lighting history of door warning.
OIL W/L	Lighting history of oil pressure warning lamp.
C-ENG W/L	Lighting history of malfunction indicator lamp.
CRUISE IND	Lighting history of CRUISE indicator lamp.
SET IND	Lighting history of SET indicator.
O/D OFF IND	Lighting history of O/D OFF indicator lamp.
4WD W/L	Lighting history of AWD warning lamp.
FUEL W/L	Lighting history of low fuel level warning.
WASHER W/L	Lighting history of low washer fluid warning
AIR PRES W/L	Lighting history of low tire pressure warning lamp.
KEY G/Y W/L	Lighting history of key warning lamp (green/yellow).
KEY R W/L	Lighting history of key warning lamp (red).
CHAGE W/L	Lighting history of charge warning lamp.
BSW W/L	Lighting history of BSW/Blind Spot Intervention warning lamp (yellow).
LDW IND	Lighting history of lane departure warning lamp (yellow) or LDW ON indicator lamp (green).

NOTE:

In items displayed on the CONSULT screen, only those listed in the above table are used.

U1000 CAN COMM CIRCUIT

< DTC/CIRCUIT DIAGNOSIS >

DTC/CIRCUIT DIAGNOSIS

U1000 CAN COMM CIRCUIT

Description

INFOID:000000008459075

CAN (Controller Area Network) is a serial communication system for real time application. It is an on-vehicle multiplex communication system with high data communication speed and excellent error detectability. Many electronic control units are equipped onto vehicles, and each control unit shares information and links with other control units during operation (not independent). In CAN communication, control units are connected with two communication lines (CAN-H line, CAN-L line) allowing a high rate of information transmission with less wiring. Each control unit transmits/receives data but selectively reads required data only.

CAN Communication Signal Chart. Refer to [LAN-29, "CAN Communication Signal Chart"](#).

DTC Logic

INFOID:000000008459076

DTC DETECTION LOGIC

DTC	Display contents of CONSULT	Diagnostic item is detected when ...	Probable malfunction location
U1000	CAN COMM CIRCUIT	When combination meter is not transmitting or receiving CAN communication signal for 2 seconds or more.	CAN communication system

Diagnosis Procedure

INFOID:000000008459077

1. PERFORM SELF DIAGNOSTIC

1. Turn ignition switch ON and wait for 2 seconds or more.
2. Check "Self Diagnostic Result" of "METER/M&A".

Is "CAN COMM CIRCUIT" displayed?

- YES >> Refer to [LAN-18, "Trouble Diagnosis Flow Chart"](#).
NO >> Refer to [GI-45, "Intermittent Incident"](#).

A
B
C
D
E
F
G
H
I
J
K
L
M
O
P

MWI

U1010 CONTROL UNIT (CAN)

< DTC/CIRCUIT DIAGNOSIS >

U1010 CONTROL UNIT (CAN)

Description

INFOID:000000008459078

Initial diagnosis of combination meter.

DTC Logic

INFOID:000000008459079

DTC DETECTION LOGIC

DTC	Display contents of CONSULT	Diagnostic item is detected when ...	Probable malfunction location
U1010	CONTROL UNIT (CAN)	If any malfunction is detected during initial diagnosis of combination meter CAN controller	Combination meter

Diagnosis Procedure

INFOID:000000008459080

1. REPLACE COMBINATION METER

When DTC "U1010" is detected, replace combination meter.

>> INSPECTION END

B2205 VEHICLE SPEED

< DTC/CIRCUIT DIAGNOSIS >

B2205 VEHICLE SPEED

Description

INFOID:000000008459081

Vehicle speed signal is transmitted from ABS actuator and electric unit (control unit) via CAN communication to combination meter.

DTC Logic

INFOID:000000008459082

DTC DETECTION LOGIC

DTC	Display contents of CONSULT	Diagnostic item is detected when ...	Probable malfunction location
B2205	VEHICLE SPEED	An abnormal vehicle speed signal is input from ABS actuator and electric unit (control unit) for 2 seconds or more	<ul style="list-style-type: none">• Wheel sensor• ABS actuator and electric unit (control unit)

Diagnosis Procedure

INFOID:000000008459083

1. PERFORM SELF-DIAGNOSIS OF ABS ACTUATOR AND ELECTRIC UNIT (CONTROL UNIT)

Perform "Self Diagnostic Result" of ABS actuator and electric unit (control unit), and repair or replace malfunctioning parts.

>> Refer to [BRC-28, "CONSULT Function"](#).

A
B
C
D
E
F
G
H
I
J
K
L
M
O
P

MWI

B2267 ENGINE SPEED

< DTC/CIRCUIT DIAGNOSIS >

B2267 ENGINE SPEED

Description

INFOID:000000008459084

The engine speed signal is transmitted from ECM to the combination meter via CAN communication.

DTC Logic

INFOID:000000008459085

DTC DETECTION LOGIC

DTC	Display contents of CONSULT	Diagnostic item is detected when ...	Probable malfunction location
B2267	ENGINE SPEED	ECM continuously transmits abnormal engine speed signals for 2 seconds or more	<ul style="list-style-type: none">• Crankshaft position sensor (POS)• ECM

Diagnosis Procedure

INFOID:000000008459086

1. PERFORM SELF-DIAGNOSIS OF ECM

Perform "Self Diagnostic Result" of ECM, and repair or replace malfunctioning parts.

>> Refer to [EC-128, "CONSULT Function"](#).

B2268 WATER TEMP

< DTC/CIRCUIT DIAGNOSIS >

B2268 WATER TEMP

Description

INFOID:000000008459087

The engine coolant temperature signal is transmitted from ECM to the combination meter via CAN communication.

DTC Logic

INFOID:000000008459088

DTC DETECTION LOGIC

DTC	Display contents of CONSULT	Diagnostic item is detected when ...	Probable malfunction location
B2268	WATER TEMP	ECM continuously transmits abnormal engine coolant temperature signals for 60 seconds or more	<ul style="list-style-type: none">• Engine coolant temperature sensor• ECM

Diagnosis Procedure

INFOID:000000008459089

1. PERFORM SELF-DIAGNOSIS OF ECM

Perform "Self Diagnosis Result" of ECM, and repair or replace malfunctioning parts.

>> Refer to [EC-128, "CONSULT Function"](#).

A
B
C
D
E
F
G
H
I
J
K
L
M
O
P

MWI

POWER SUPPLY AND GROUND CIRCUIT

< DTC/CIRCUIT DIAGNOSIS >

POWER SUPPLY AND GROUND CIRCUIT COMBINATION METER

COMBINATION METER : Diagnosis Procedure

INFOID:000000008459090

1. CHECK FUSE

Check for blown fuses.

Power source	Fuse No.
Battery	11
Ignition switch ON or START	4

Is the inspection result normal?

YES >> GO TO 2.

NO >> Be sure to eliminate cause of malfunction before installing new fuse.

2. CHECK POWER SUPPLY CIRCUIT

Check voltage between combination meter harness connector terminals and ground.

Terminals		Ignition switch position	Voltage (Approx.)
(+)	(-)		
Combination meter		OFF	Battery voltage
Connector	Terminal		
M34	1		
	2		
Ground		ON	

Is the inspection result normal?

YES >> GO TO 3.

NO >> Check harness between combination meter and fuse.

3. CHECK GROUND CIRCUIT

1. Turn ignition switch OFF.
2. Disconnect combination meter connector.
3. Check continuity between combination meter harness connector terminals and ground.

Terminals		Continuity
(+)	(-)	
Combination meter		Existed
Connector	Terminal	
M34	3	
	23	
Ground		

Is the inspection result normal?

YES >> INSPECTION END

NO >> Repair harness or connector.

IPDM E/R (INTELLIGENT POWER DISTRIBUTION MODULE ENGINE ROOM)

IPDM E/R (INTELLIGENT POWER DISTRIBUTION MODULE ENGINE ROOM) : Diagnosis Procedure

INFOID:000000008459091

1. CHECK FUSES AND FUSIBLE LINK

Check that the following IPDM E/R fuses or fusible links are not blown.

POWER SUPPLY AND GROUND CIRCUIT

< DTC/CIRCUIT DIAGNOSIS >

Signal name	Fuses and fusible link No.	
Battery power supply	E	A
	50	B
	51	B

Is the fuse fusing?

YES >> Replace the blown fuse or fusible link after repairing the affected circuit if a fuse or fusible link is blown.

NO >> GO TO 2.

2.CHECK POWER SUPPLY CIRCUIT

1. Turn the ignition switch OFF.
2. Disconnect IPDM E/R connector.
3. Check voltage between IPDM E/R harness connector and the ground.

Terminals		Voltage (Approx.)	
(+)	(-)		
IPDM E/R		Battery voltage	Ground
Connector	Terminal		
E9	1		

Is the measurement value normal?

YES >> GO TO 3.

NO >> Repair the harness or connector.

3.CHECK GROUND CIRCUIT

Check continuity between IPDM E/R harness connectors and the ground.

IPDM E/R		Ground	Continuity
Connector	Terminal		
E10	12		Existed
E11	41		

Does continuity exist?

YES >> INSPECTION END

NO >> Repair the harness or connector.

MWI

FUEL LEVEL SENSOR SIGNAL CIRCUIT

< DTC/CIRCUIT DIAGNOSIS >

FUEL LEVEL SENSOR SIGNAL CIRCUIT

Description

INFOID:000000008459092

The fuel level sensor unit and fuel pump (main) and the fuel level sensor unit (sub) detect the fuel level in the fuel tank and transmit the fuel gauge signal to the combination meter.

Component Function Check

INFOID:000000008459093

1. CHECK COMBINATION METER OUTPUT SIGNAL

Select the "Data Monitor" for the "METER/M&A" and compare the "FUEL METER" monitor value with the fuel gauge reading on the combination meter.

Fuel gauge pointer	Reference value of data monitor [lit.]
Full	Approx. 77.8
Three quarters	Approx. 63.0
Half	Approx. 42.5
A quarter	Approx. 22.0
Empty	Approx. 7.1

Does monitor value match fuel gauge reading?

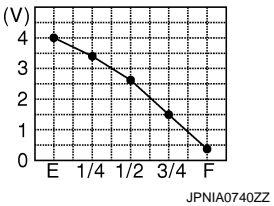
- YES >> INSPECTION END
NO >> Replace combination meter.

Diagnosis Procedure

INFOID:000000008459094

1. CHECK COMBINATION METER INPUT SIGNAL

1. Turn ignition switch ON.
2. Check voltage between combination meter harness connector terminal and ground.

Terminals		Voltage (Approx.)
(+)	(-)	
Combination meter		
Terminal	Connector	
M34	34	
	Ground	

Does it match fuel gauge reading?

- YES >> GO TO 2.
NO >> Replace the combination meter.

2. CHECK FUEL LEVEL SENSOR CIRCUIT

1. Turn ignition switch OFF.
2. Disconnect combination meter connector and fuel level sensor unit (main) connector.
3. Check continuity between combination meter harness connector terminal and fuel level sensor unit (main) harness connector terminal.

FUEL LEVEL SENSOR SIGNAL CIRCUIT

< DTC/CIRCUIT DIAGNOSIS >

Terminals				Continuity
(+)		(-)		
Combination meter		Fuel level sensor unit (main)		
Connector	Terminal	Connector	Terminal	Existed
M34	34	B40	2	

4. Check continuity between combination meter harness connector terminal and ground.

Terminals				Continuity
(+)		(-)		
Combination meter		Ground		
Connector	Terminal	Ground		Not existed
M34	34			

Is the inspection result normal?

YES >> GO TO 3.

NO >> Repair harness or connector.

3.CHECK FUEL LEVEL SENSOR GROUND CIRCUIT

Check continuity between fuel level sensor unit (main) harness connector terminal and combination meter harness connector terminal.

Terminals				Continuity
(+)		(-)		
Fuel level sensor unit (main)		Combination meter		
Connector	Terminal	Connector	Terminal	Existed
B40	5	M34	24	

Is the inspection result normal?

YES >> INSPECTION END

NO >> Repair harness or connector.

Component Inspection

INFOID:000000008459095

1.REMOVE FUEL LEVEL SENSOR UNIT

Remove the fuel level sensor unit. Refer to [FL-6, "Removal and Installation"](#).

>> GO TO 2.

2.CHECK FUEL LEVEL SENSOR UNIT AND FUEL PUMP (MAIN)

Check the resistance between fuel level sensor unit and fuel pump (main).

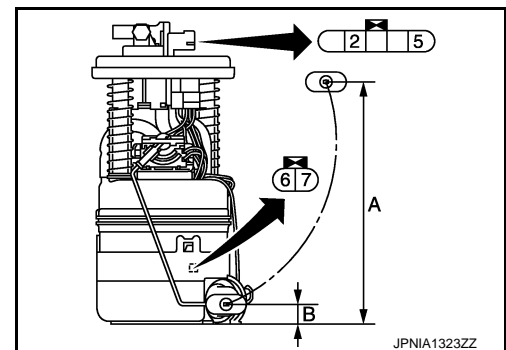
Terminals		Condition	Resistance (Ω) (Approx.)	Height [mm (in)] (Approx.)
Fuel level sensor unit (main)				
5	6	Full (A)	2.4	189.7 (7.47)
		Empty (B)	79	16.8 (0.661)
2	7	—	0	—

Is the inspection result normal?

YES >> GO TO 3.

NO >> Replace fuel level sensor unit and fuel pump (main).

3.CHECK FUEL LEVEL SENSOR UNIT (SUB)



FUEL LEVEL SENSOR SIGNAL CIRCUIT

< DTC/CIRCUIT DIAGNOSIS >

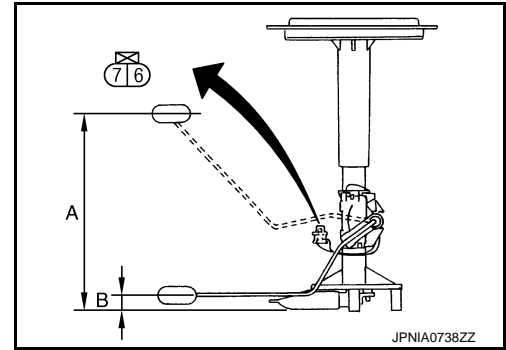
Inspect the resistance of fuel level sensor unit (sub).

Terminals		Condi- tion	Resistance (Ω) (Approx.)	Height [mm (in)] (Approx.)
Fuel level sen- sor unit (sub)	(+)			
6	7	Full (A)	2.4	200.3 (7.89)
		Empty (B)	45.2	22.6 (0.890)

Is the inspection result normal?

YES >> INSPECTION END

NO >> Replace fuel level sensor unit (sub).



METER CONTROL SWITCH SIGNAL CIRCUIT





< DTC/CIRCUIT DIAGNOSIS >

METER CONTROL SWITCH SIGNAL CIRCUIT

Description

INFOID:000000008459096

Transmits the following signals to the combination meter.



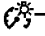

-  (illumination control) switch signal (+)
-  (illumination control) switch signal (-)
- Trip reset switch signal
-  (select) switch signal
-  (enter) switch is pressed

Diagnosis Procedure

INFOID:000000008459097

1. CHECK METER CONTROL SWITCH INPUT SIGNAL

1. Turn the ignition switch ON.
2. Check voltage between the following terminals of the combination meter.

Terminals				Condition	Voltage (Approx.)
Combination meter					
(+)		(-)			
Connector	Terminal	Connector	Terminal		
M34	12	M34	10	When  (select) switch is pressed	0 V
				Other than the above	5 V
	11			When  (enter) switch is pressed	0 V
				Other than the above	5 V
	8			When trip reset switch is pressed	0 V
				Other than the above	5 V
	14			When  (illumination control) switch is pressed	0 V
				Other than the above	5 V
13	When  (illumination control) switch is pressed	0 V			
	Other than the above	5 V			

Is the inspection result normal?

- YES >> INSPECTION END
 NO >> GO TO 2.

2. CHECK METER CONTROL SWITCH SIGNAL CIRCUIT

1. Turn the ignition switch OFF.
2. Disconnect the combination meter and meter control switch connectors.
3. Check continuity between combination meter harness connector terminals and meter control switch harness connector terminals.

MWI

METER CONTROL SWITCH SIGNAL CIRCUIT

< DTC/CIRCUIT DIAGNOSIS >

Terminals				Continuity
Combination meter		Meter control switch		
(+)		(-)		
Connector	Terminal	Connector	Terminal	Existed
M34	8	M83	11	
	10		5	
	11		12	
	12		1	
	13		6	
	14		4	

4. Check continuity between combination meter harness connector terminals and ground.

Terminals			Continuity
(+)		(-)	
Combination meter		Ground	Not existed
Connector	Terminal		
M34	8		
	10		
	11		
	12		
	13		
	14		

Is the inspection result normal?

YES >> INSPECTION END

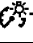

NO >> Repair harness or connector.

Component Inspection

INFOID:000000008459098

1. CHECK METER CONTROL SWITCH

1. Turn the ignition switch OFF.
2. Disconnect the meter control switch connector.
3. Check continuity between the following terminals of the meter control switch.

Terminal No.	Operation and status	Continuity
1	5 Press the ● (select) switch	Existed
	Other than the above	Not existed
12	5 Press the □ (enter) switch	Existed
	Other than the above	Not existed
11	5 Press the trip reset switch.	Existed
	Other than the above	Not existed
4	5 Press the  (illumination control) switch	Existed
	Other than the above	Not existed
6	5 Press the  (illumination control) switch	Existed
	Other than the above	Not existed

Is the inspection result normal?

YES >> INSPECTION END

METER CONTROL SWITCH SIGNAL CIRCUIT

< DTC/CIRCUIT DIAGNOSIS >

NO >> Replace the meter control switch.

A

B

C

D

E

F

G

H

I

J

K

L

M

MWI

O

P

OIL PRESSURE SWITCH SIGNAL CIRCUIT

< DTC/CIRCUIT DIAGNOSIS >

OIL PRESSURE SWITCH SIGNAL CIRCUIT

Description

INFOID:000000008459099

Detects the engine oil pressure and transmits the oil pressure switch signal to IPDM E/R.

Component Function Check

INFOID:000000008459100

1.CHECK COMBINATION METER INPUT SIGNAL

Select the "Data Monitor" for the "METER/M&A" and check the "OIL W/L" monitor value.

"OIL W/L"

Ignition switch ON : On

Engine running : Off

>> INSPECTION END

Diagnosis Procedure

INFOID:000000008459101

1.CHECK OIL PRESSURE SWITCH CIRCUIT

1. Turn ignition switch OFF.
2. Disconnect IPDM E/R connector and oil pressure switch connector.
3. Check continuity between IPDM E/R harness connector terminal and oil pressure switch harness connector terminal.

Terminals				Continuity
(+)		(-)		
IPDM E/R		Oil pressure switch		
Connector	Terminal	Connector	Terminal	
F12	75	F63	1	Existed

4. Check continuity between IPDM E/R harness connector terminal and ground.

Terminals				Continuity
(+)		(-)		
IPDM E/R		Ground		
Connector	Terminal			
F12	75			Not existed

Is the inspection result normal?

YES >> INSPECTION END

NO >> Repair harness or connector.

Component Inspection

INFOID:000000008459102

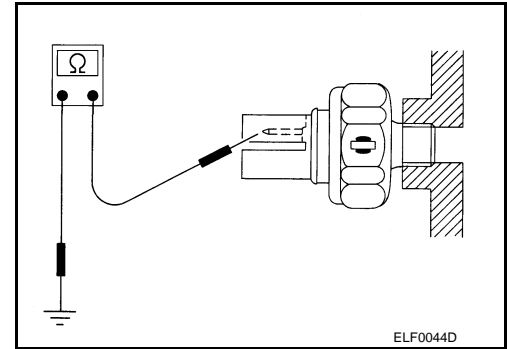
1.CHECK OIL PRESSURE SWITCH

OIL PRESSURE SWITCH SIGNAL CIRCUIT

< DTC/CIRCUIT DIAGNOSIS >

Check continuity between oil pressure switch and ground.

Condition	Continuity
Engine stopped	Existed
Engine running	Not existed



Is the inspection result normal?

YES >> INSPECTION END

NO >> Replace oil pressure switch. Refer to [EM-42, "Removal and Installation"](#).

A
B
C
D
E
F
G
H
I
J
K
L
M
O
P

MWI

PARKING BRAKE SWITCH SIGNAL CIRCUIT

< DTC/CIRCUIT DIAGNOSIS >

PARKING BRAKE SWITCH SIGNAL CIRCUIT

Description

INFOID:000000008459103

Transmits the parking brake switch signal to the combination meter.

Diagnosis Procedure

INFOID:000000008459104

1. CHECK COMBINATION METER INPUT SIGNAL

1. Turn ignition switch ON.
2. Check the voltage between combination meter harness connector terminal and ground.

Terminals		Ground	Condition	Voltage (Approx.)
(+)	(-)			
Combination meter				
Connector	Terminal			
M34	26		When parking brake is applied	0 V
			When parking brake is released	5 V

Is the inspection result normal?

- YES >> INSPECTION END
NO >> GO TO 2.

2. CHECK PARKING BRAKE SWITCH SIGNAL CIRCUIT

1. Turn ignition switch OFF.
2. Disconnect combination meter connector and parking brake switch connector.
3. Check continuity between combination meter harness connector terminal and parking brake switch harness connector terminal.

Terminals				Continuity
(+) Combination meter		(-) Parking brake switch		
Connector	Terminal	Connector	Terminal	
M34	26	E27	1	Existed

4. Check continuity between combination meter harness connector terminal and ground.

Terminals		Ground	Continuity
(+)	(-)		
Combination meter			
Connector	Terminal		
M34	26		Not existed

Is the inspection result normal?

- YES >> INSPECTION END
NO >> Repair harness or connector.

Component Inspection

INFOID:000000008459105

1. CHECK PARKING BRAKE SWITCH

Check parking brake switch. Refer to [BRC-92. "Component Inspection"](#).

Is the inspection result normal?

- YES >> INSPECTION END
NO >> Replace parking brake switch.

WASHER LEVEL SWITCH SIGNAL CIRCUIT

< DTC/CIRCUIT DIAGNOSIS >

WASHER LEVEL SWITCH SIGNAL CIRCUIT

Description

INFOID:000000008459106

Transmits the washer level switch signal to the combination meter.

Diagnosis Procedure

INFOID:000000008459107

1. CHECK WASHER LEVEL SWITCH SIGNAL CIRCUIT

1. Turn ignition switch OFF.
2. Disconnect combination meter connector and washer level switch connector.
3. Check continuity between combination meter harness connector terminal and washer level switch harness connector terminal.

Terminals				Continuity
Combination meter		Washer level switch		
(+)		(-)		
Connector	Terminal	Connector	Terminal	
M34	29	E338	1	Existed

4. Check continuity between combination meter harness connector terminal and ground.

Terminals				Continuity
(+)		(-)		
Combination meter		Ground		
Connector	Terminal			
M34	29			Not existed

Is the inspection result normal?

YES >> INSPECTION END

NO >> Repair harness or connector.

Component Inspection

INFOID:000000008459108

1. CHECK WASHER LEVEL SWITCH

1. Turn ignition switch OFF.
2. Disconnect washer level switch connector.
3. Check washer level switch.

Terminals		Condition	Continuity
Washer level switch			
1	2	Washer level switch ON	Existed
		Washer level switch OFF	Not existed

Is the inspection result normal?

YES >> INSPECTION END

NO >> Replace washer level switch. Refer to [WW-104, "Removal and Installation"](#).

A
B
C
D
E
F
G
H
I
J
K
L
M
O
P

MWI

A/C AUTO AMP. CONNECTION RECOGNITION SIGNAL CIRCUIT

< DTC/CIRCUIT DIAGNOSIS >

A/C AUTO AMP. CONNECTION RECOGNITION SIGNAL CIRCUIT

Description

INFOID:000000008459109

A/C auto amp. transmit the A/C auto amp. connection recognition signal to the combination meter.

Diagnosis Procedure

INFOID:000000008459110

1. CHECK A/C AUTO AMP. CONNECTION RECOGNITION SIGNAL

1. Turn ignition switch ON.
2. Check voltage between combination meter harness connector terminal and ground.

Terminals		Voltage (Approx.)
(+)	(-)	
Combination meter		5 V
Connector	Terminal	
M34	19	

Is the inspection result normal?

YES >> INSPECTION END

NO >> GO TO 2.

2. CHECK A/C AUTO AMP. CONNECTION RECOGNITION SIGNAL CIRCUIT

1. Turn ignition switch OFF.
2. Disconnect combination meter connector and A/C auto amp. connector.
3. Check continuity between combination meter harness connector terminal and A/C auto amp. harness connector terminal.

Combination meter		A/C auto amp.		Continuity
Connector	Terminal	Connector	terminal	
M34	19	M50	34	Existed

4. Check continuity between combination meter harness connector and ground.

Combination meter		Ground	Continuity
Connector	Terminal		
M34	19		Not existed

Is the inspection result normal?

YES >> INSPECTION END

NO >> Repair harness or connector.

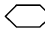
COMPASS

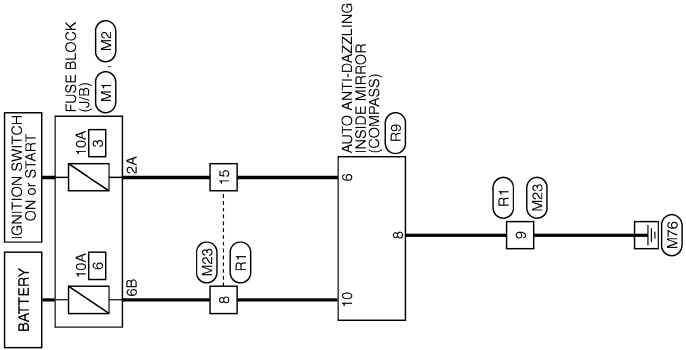
< DTC/CIRCUIT DIAGNOSIS >

COMPASS

Wiring Diagram - COMPASS -

INFOID:000000008459111

For connector terminal arrangements, harness layouts, and alphabets in a  (option abbreviation; if not described in wiring diagram), refer to [GI-12, "Connector Information"](#).



COMPASS

2010/09/06

JCNWM5352GB

A
B
C
D
E
F
G
H
I
J
K
L
M
O
P

COMBINATION METER

< ECU DIAGNOSIS INFORMATION >

ECU DIAGNOSIS INFORMATION

COMBINATION METER

Reference Value

INFOID:000000008459112

VALUES ON THE DIAGNOSIS TOOL

NOTE:

The following table includes information (items) inapplicable to this vehicle. For information (items) applicable to this vehicle, refer to CONSULT display items.

Monitor Item	Condition		Value/Status
SPEED METER [km/h]	Ignition switch ON	While driving	Equivalent to speedometer reading NOTE: 655.35 is displayed when the malfunction signal is received
SPEED OUTPUT [km/h]	Ignition switch ON	While driving	Equivalent to speedometer reading NOTE: 655.35 is displayed when the malfunction signal is received
ODO OUTPUT [km/h or mph]	Ignition switch ON	—	Equivalent to odometer reading in combination meter
TACHO METER [rpm]	Ignition switch ON	While driving	Equivalent to tachometer reading NOTE: 8191.875 is displayed when the malfunction signal is received
FUEL METER [L]	Ignition switch ON	—	Values according to fuel level
W TEMP METER [°C]	Ignition switch ON	—	Values according to engine coolant temperature NOTE: 215 is displayed when the malfunction signal is input
FUEL CAP W/L	Ignition switch ON	Fuel filler cap warning display ON	On
		Fuel filler cap warning display OFF	Off
ABS W/L	Ignition switch ON	ABS warning lamp ON	On
		ABS warning lamp OFF	Off
VDC/TCS IND	Ignition switch ON	VDC OFF indicator lamp ON	On
		VDC OFF indicator lamp OFF	Off
SLIP IND	Ignition switch ON	VDC warning lamp ON	On
		VDC warning lamp OFF	Off
BRAKE W/L	Ignition switch ON	Brake warning lamp ON	On
		Brake warning lamp OFF	Off
DOOR W/L	Ignition switch ON	Door warning lamp ON	On
		Door warning lamp OFF	Off
HI-BEAM IND	Ignition switch ON	High-beam indicator lamp ON	On
		High-beam indicator lamp OFF	Off
TURN IND	Ignition switch ON	Turn signal indicator lamp ON	On
		Turn signal indicator lamp OFF	Off
LIGHT IND	Ignition switch ON	Light indicator lamp ON	On
		Light indicator lamp OFF	Off
OIL W/L	Ignition switch ON	Oil pressure warning lamp ON	On
		Oil pressure warning lamp OFF	Off



COMBINATION METER

< ECU DIAGNOSIS INFORMATION >

Monitor Item	Condition		Value/Status	
MIL	Ignition switch ON	Malfunction indicator lamp ON	On	A
		Malfunction indicator lamp OFF	Off	
CRUISE IND	Ignition switch ON	CRUISE indicator lamp ON	On	B
		CRUISE indicator lamp OFF	Off	
O/D OFF IND	Ignition switch ON	O/D OFF indicator lamp ON	On	C
		O/D OFF indicator lamp OFF	Off	
4WD W/L	Ignition switch ON	AWD warning lamp ON	On	D
		AWD warning lamp OFF	Off	
4WD LOCK IND	Ignition switch ON	AWD LOCK indicator lamp ON	On	E
		AWD LOCK indicator lamp OFF	Off	
FUEL W/L	Ignition switch ON	Low-fuel warning lamp ON	On	F
		Low-fuel warning lamp OFF	Off	
WASHER W/L	Ignition switch ON	Washer warning displayed	On	G
		Washer warning not displayed	Off	
AIR PRES W/L	Ignition switch ON	Low tire pressure lamp ON	On	H
		Low tire pressure lamp OFF	Off	
KEY G/Y W/L	Ignition switch ON	Key warning lamp (green/yellow) ON	On	I
		Key warning lamp (green/yellow) OFF	Off	
LCD	Ignition switch ON	Engine start information display	B&P I	J
	Ignition switch ACC	Engine start information display	B&P N	
	Ignition switch LOCK	Key ID warning display	ID NG	K
	Ignition switch LOCK	Steering lock information display	ROTAT	
	Ignition switch LOCK	P position warning display	SFT P	L
	Ignition switch LOCK	Intelligent Key insert information display	INSRT	
	Ignition switch LOCK	Intelligent Key low battery warning display	BATT	M
	Ignition switch ON	Take away warning display	NO KY	
	Ignition switch LOCK	Key warning display	OUTKY	MWI
	Ignition switch ON	ACC warning display	LK WN	
SHIFT IND	Ignition switch ON	Shift position indicator P display	P	O
		Shift position indicator R display	R	
		Shift position indicator N display	N	P
		Shift position indicator D display	D	
		Shift position indicator L display	L	
O/D OFF SW	Ignition switch ON	Overdrive control switch ON	On	
		Overdrive control switch OFF	Off	
M RANGE SW	Ignition switch ON	NOTE: This item is displayed, but cannot be monitored.	Off	

COMBINATION METER

< ECU DIAGNOSIS INFORMATION >

Monitor Item	Condition		Value/Status
NM RANGE SW	Ignition switch ON	NOTE: This item is displayed, but cannot be monitored.	Off
AT SFT UP SW	Ignition switch ON	NOTE: This item is displayed, but cannot be monitored.	Off
AT SFT DWN SW	Ignition switch ON	NOTE: This item is displayed, but cannot be monitored.	Off
ST SFT UP SW	Ignition switch ON	NOTE: This item is displayed, but cannot be monitored.	Off
ST SFT DWN SW	Ignition switch ON	NOTE: This item is displayed, but cannot be monitored.	Off
PKB SW	Ignition switch ON	Parking brake switch ON	On
		Parking brake switch OFF	Off
BUCKLE SW	Ignition switch ON	Seat belt (driver side) not fastened	On
		Seat belt (driver side) fastened	Off
BRAKE OIL SW	Ignition switch ON	Brake fluid level switch ON	On
		Brake fluid level switch OFF	Off
DISTANCE [km]	Ignition switch ON	—	Possible driving distance calculated by combination meter
A/C AMP CONN	Ignition switch ON	Other than the following	On
		Receives ambient sensor power signal	Off
ENTER SW	Ignition switch ON	When  is pressed	On
		Other than the above	Off
SELECT SW	Ignition switch ON	When  is pressed	On
		Other than the above	Off
OUTSIDE TEMP [°C] or [°F]	Ignition switch ON	—	Equivalent to ambient temperature NOTE: This may not match the indicated value on the information display.
FUEL LOW SIG	Ignition switch ON	Low fuel warning displayed	On
		Low fuel warning not displayed	Off
BUZZER	Ignition switch ON	Buzzer ON	On
		Buzzer OFF	Off
BSW IND	Ignition switch ON	Blind Spot Intervention ON indicator (green) ON	On
		Blind Spot Intervention ON indicator (green) OFF	Off
BSW W/L	Ignition switch ON	BSW/Blind Spot Intervention warning lamp (yellow) ON	On
		BSW/Blind Spot Intervention warning lamp (yellow) OFF	Off
LDW IND	Ignition switch ON	Lane departure warning lamp (yellow) or LDW ON indicator lamp (green) ON	On
		Lane departure warning lamp (yellow) and LDW ON indicator lamp (green) OFF	Off

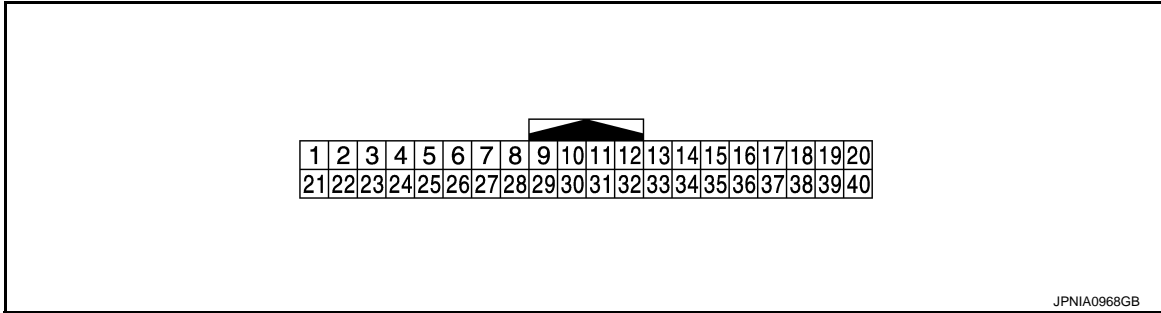
NOTE:

Some items are not available according to vehicle specification.

COMBINATION METER

< ECU DIAGNOSIS INFORMATION >

TERMINAL LAYOUT



PHYSICAL VALUES


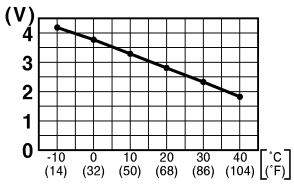
Terminal No. (Wire color)		Description		Condition		Value (Approx.)
+	-	Signal name	Input/ Output			
1 (Y)	Ground	Battery power supply	Input	Ignition switch OFF	—	Battery voltage
2 (LG)	Ground	IGN signal	Input	Ignition switch ON	—	Battery voltage
3 (B)	Ground	Ground	—	Ignition switch ON	—	0 V
5 (SB)	Ground	Illumination control signal	Output	Ignition switch ON	<ul style="list-style-type: none"> Lighting switch 1ST When meter illumination is maximum 	<p style="text-align: right; font-size: small;">JPNIA0828GB</p>
					<ul style="list-style-type: none"> Lighting switch 1ST When meter illumination is minimum 	<p style="text-align: right; font-size: small;">JPNIA0827GB</p>
8 (SB)	10 (LG)	Trip reset signal	Input	Ignition switch ON	When trip reset switch is pressed.	0 V
					Other than the above	5 V
10 (LG)	Ground	Meter control switch ground	—	Ignition switch ON	—	0 V
11 (L)	10 (LG)	Enter switch signal	Input	Ignition switch ON	When is pressed.	0 V
					Other than the above	5 V
12 (R)	10 (LG)	Select switch signal	Input	Ignition switch ON	When is pressed.	0 V
					Other than the above	5 V
13 (Y*1 or V*2)	10 (LG)	Illumination control switch signal (+)	Input	Ignition switch ON	When is pressed.	0 V
					Other than the above	5 V

A
B
C
D
E
F
G
H
I
J
K
L
M
N
O
P

MWI

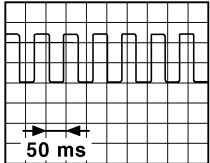
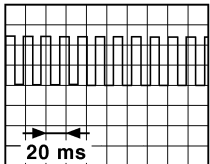
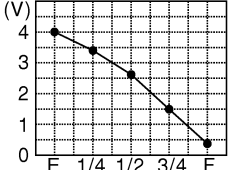
COMBINATION METER

< ECU DIAGNOSIS INFORMATION >

Terminal No. (Wire color)		Description		Condition		Value (Approx.)
+	-	Signal name	Input/ Output			
14 (GR)	10 (LG)	Illumination control switch signal (-)	Input	Ignition switch ON	When  is pressed.	0 V
					Other than the above	5 V
15 (BR)	Ground	Air bag signal	Input	Ignition switch ON	Air bag warning lamp ON	4 V
					Air bag warning lamp OFF	0 V
18 (L)	Ground	Ambient sensor signal	Input	Ignition switch ON	Changes depending to amb- ient temperature.	 <p style="text-align: center; font-size: small;">JSNIA0014GB</p>
19 (P)	Ground	Ambient sensor power	Input	Ignition switch ON	—	5 V
20 (Y)	Ground	Ambient sensor ground	Input	Ignition switch ON	—	0 V
21 (L)	—	CAN-H	—	—	—	—
22 (P)	—	CAN-L	—	—	—	—
23 (B)	Ground	Ground	—	Ignition switch ON	—	0 V
24 (W)	Ground	Fuel level sensor ground	—	Ignition switch ON	—	0 V
25 (BR)	Ground	Alternator signal	Input	Ignition switch ON	Charge warning lamp ON	2 V
					Charge warning lamp OFF	12 V
26 (G)	Ground	Parking brake switch signal	Input	Ignition switch ON	Parking brake ON	0 V
					Parking brake OFF	5 V
27 (V)	Ground	Brake fluid level switch sig- nal	Input	Ignition switch ON	Brake fluid level is normal	12 V
					Brake fluid level is less than LOW level	0 V
29 (R)	Ground	Washer level switch signal	Input	Ignition switch ON	Washer level switch ON	0 V
					Washer level switch OFF	5 V

COMBINATION METER

< ECU DIAGNOSIS INFORMATION >

Terminal No. (Wire color)		Description		Condition	Value (Approx.)
+	-	Signal name	Input/ Output		
30 (P)	Ground	Vehicle speed signal (2-pulse)	Output	Ignition switch ON Speedometer operated [When vehicle speed is ap- prox. 40 km/h (25 MPH)]	NOTE: The maximum voltage varies de- pending on the specification (destination unit).  <small>JSNIA0015GB</small>
31 (V)	Ground	Vehicle speed signal (8-pulse)	Output	Ignition switch ON Speedometer operated [When vehicle speed is ap- prox. 40 km/h (25 MPH)]	NOTE: The maximum voltage varies de- pending on the specification (destination unit).  <small>JSNIA0012GB</small>
32 (LG)	Ground	Overdrive control switch signal	Input	Ignition switch ON Overdrive control switch pressed.	0 V
				Overdrive control switch not pressed.	12 V
34 (G)	Ground	Fuel level sensor signal	Input	Ignition switch ON —	 <small>JPNIA0740ZZ</small>
35 (SB)	Ground	Seat belt buckle switch sig- nal (driver side)	Input	Ignition switch ON When driver seat belt is fas- tened.	12 V
				When driver seat belt is un- fastened.	0 V
36 (R)	Ground	Seat belt buckle switch sig- nal (passenger side)	Input	Ignition switch ON • When getting in the pas- senger seat. • When passenger seat belt is fastened.	12 V
				• When getting in the pas- senger seat. • When passenger seat belt is unfastened.	0 V

*1: Without automatic drive positioner

*2: With automatic drive positioner

A
B
C
D
E
F
G
H
I
J
K
L
M
N
O
P

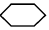
MWI

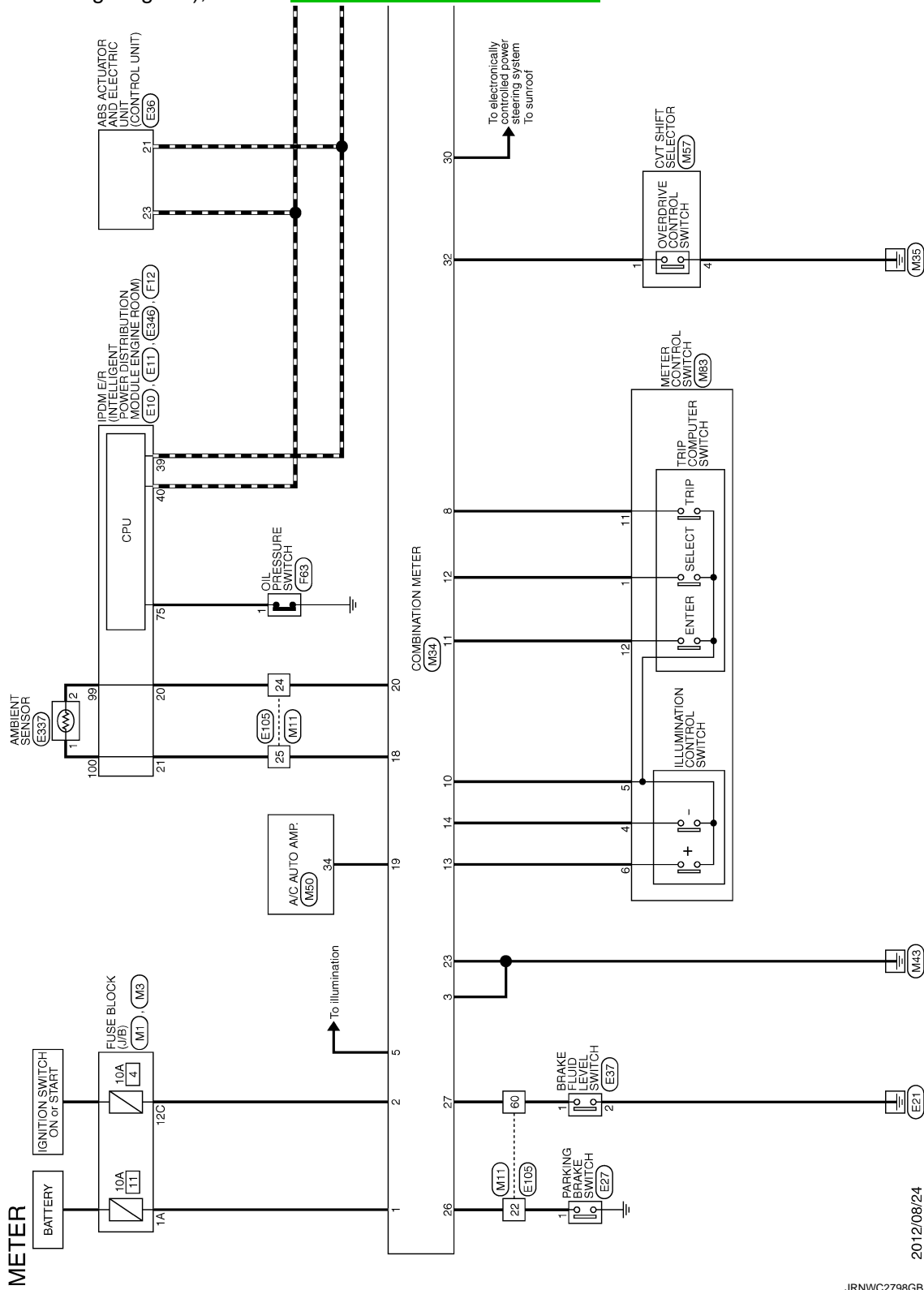
COMBINATION METER

< ECU DIAGNOSIS INFORMATION >

Wiring Diagram - METER -

INFOID:000000008459113

For connector terminal arrangements, harness layouts, and alphabets in a  (option abbreviation; if not described in wiring diagram), refer to [GI-12, "Connector Information"](#).

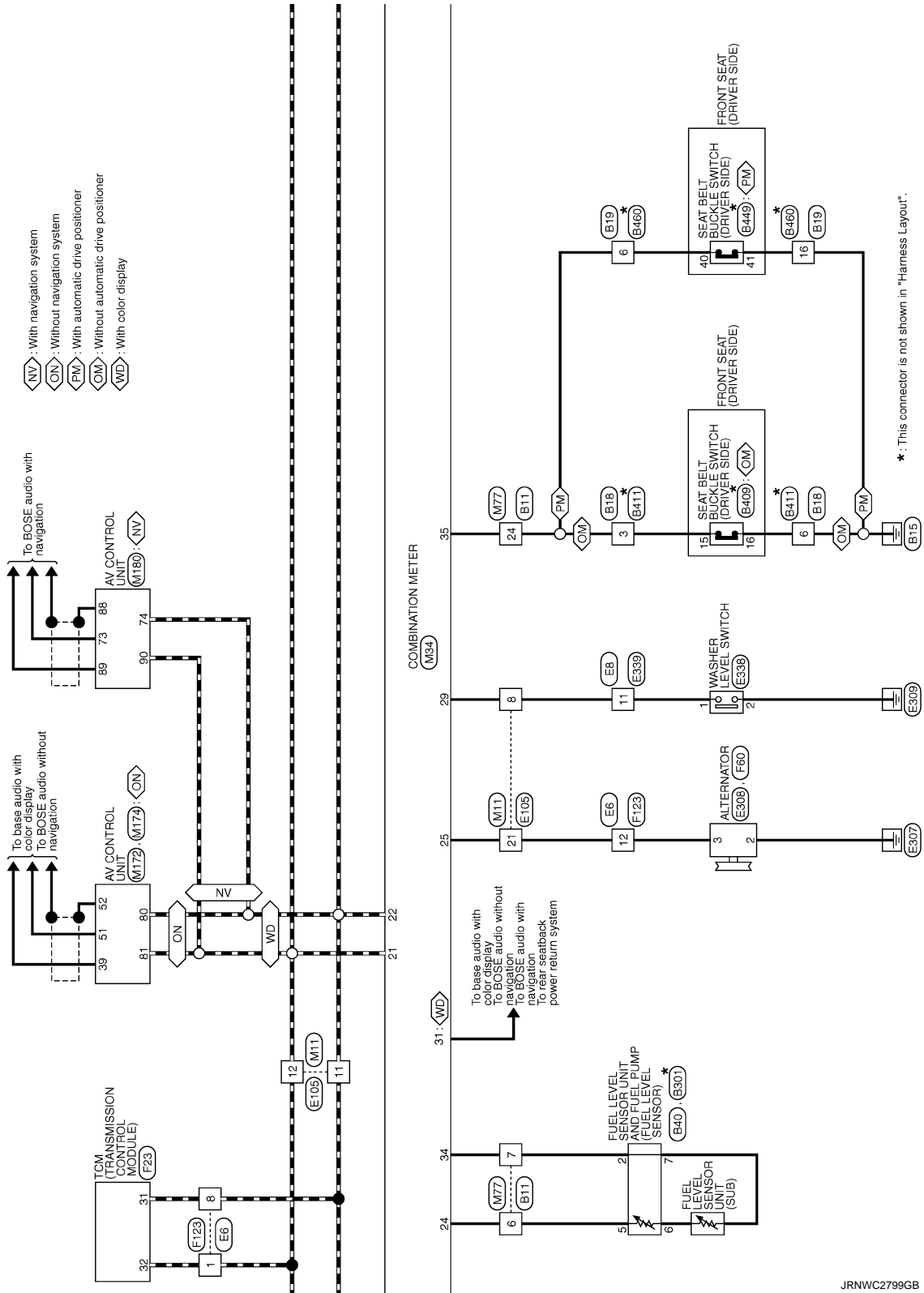


2012/08/24

JRNWC2798GB

COMBINATION METER

< ECU DIAGNOSIS INFORMATION >



JRNWC2799GB

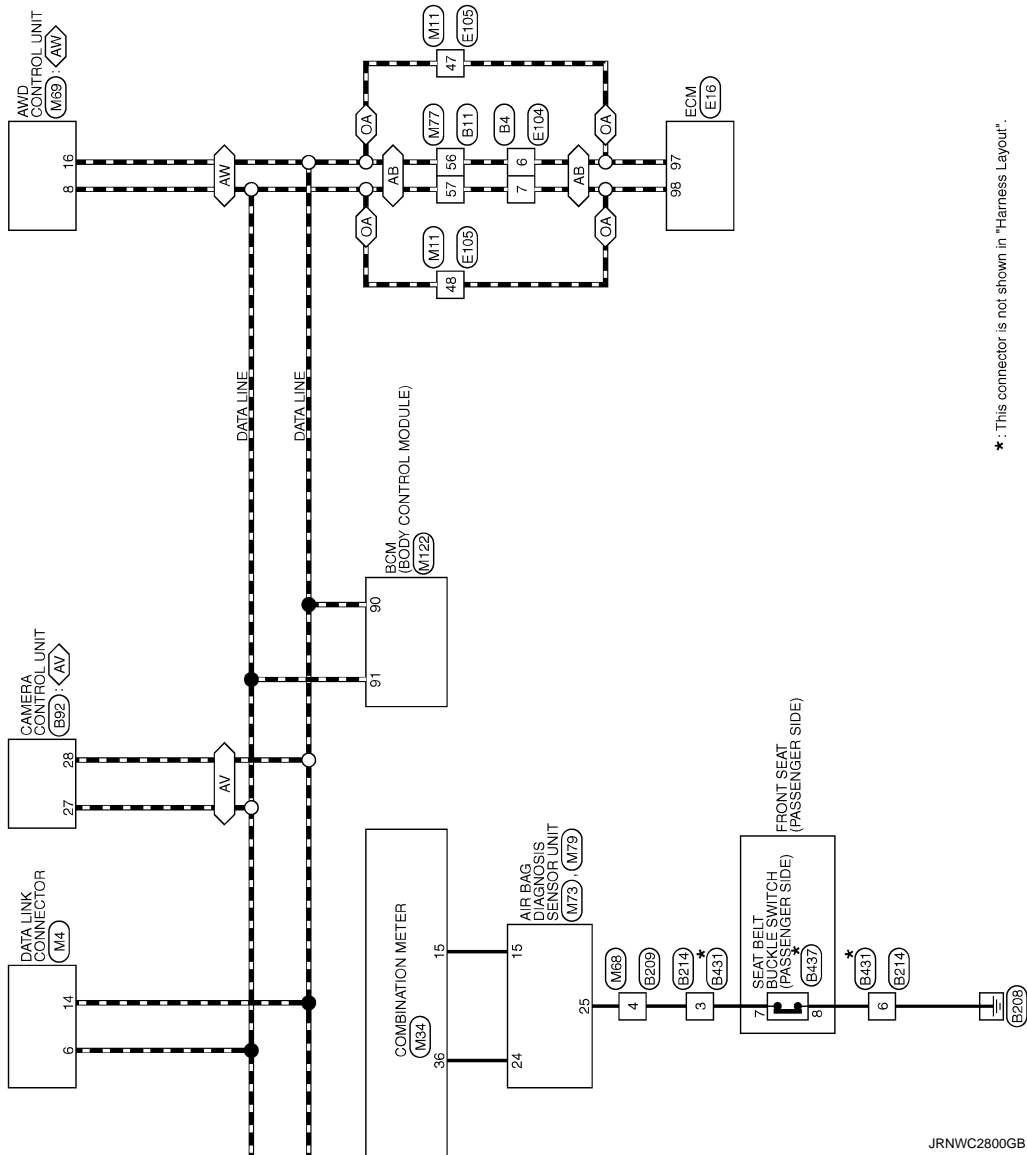
A
B
C
D
E
F
G
H
I
J
K
L
M
N
O
P



COMBINATION METER

< ECU DIAGNOSIS INFORMATION >

- : AWD models
- : With automatic back door
- : Without automatic back door
- : With around view monitor



* : This connector is not shown in "Harness Layout".

Fail-Safe

INFOID:000000008459114

FAIL-SAFE

The combination meter activates the fail-safe control if CAN communication with each unit is malfunctioning.

COMBINATION METER

< ECU DIAGNOSIS INFORMATION >

Function		Specifications	
Speedometer		Reset to zero by suspending communication.	A
Tachometer			B
Engine coolant temperature gauge			C
Illumination control		When suspending communication, changes to nighttime mode.	
Information display	Door open warning	The display turns off by suspending communication.	D
	Parking brake release warning		E
	Low tire pressure warning		F
	Fuel filler cap warning		
	Instantaneous fuel warning	<ul style="list-style-type: none"> When reception time of an abnormal signal is 2 seconds or less, the last received datum is used for calculation to indicate the result. When reception time of an abnormal signal is more than two seconds, the last result calculated during normal condition is indicated. 	
	Average fuel consumption		
	Average vehicle speed		
	Travel distance		
Buzzer		The buzzer turns off by suspending communication.	
Warning lamp/indicator lamp	ABS warning lamp	The lamp turns on by suspending communication.	G
	Brake warning lamp		H
	AWD warning lamp		I
	Malfunction indicator lamp		J
	Low tire pressure warning lamp	The lamp turns ON after flashing for 1 minute.	
	High beam indicator lamp	The lamp turns off by suspending communication.	K
	Turn signal indicator lamp		L
	Light indicator lamp		M
	Oil pressure warning lamp		
	CRUISE indicator lamp		
	O/D OFF indicator lamp		
	VDC warning lamp		
	VDC OFF indicator lamp		
	AWD LOCK indicator lamp		
	Key warning lamp		
Blind Spot Intervention ON indicator			
BSW/Blind Spot Intervention warning lamp			
Lane departure warning lamp			
LDW ON indicator lamp			

MWI

DTC Index

INFOID:000000008459115

Display contents of CONSULT	Diagnostic item is detected when ...	Refer to
CAN COMM CIRCUIT [U1000]	When combination meter is not transmitting or receiving CAN communication signal for 2 seconds or more.	MWI-39. "Diagnosis Procedure"
CONTROL UNIT (CAN) [U1010]	When detecting error during the initial diagnosis of the CAN controller of combination meter.	MWI-40. "Diagnosis Procedure"

COMBINATION METER

< ECU DIAGNOSIS INFORMATION >

Display contents of CONSULT	Diagnostic item is detected when ...	Refer to
VEHICLE SPEED [B2205]	The abnormal vehicle speed signal is input from the ABS actuator and electric unit (control unit) for 2 seconds or more.	MWI-41, "Diagnosis Procedure"
ENGINE SPEED [B2267]	If ECM continuously transmits abnormal engine speed signals for 2 seconds or more.	MWI-42, "Diagnosis Procedure"
WATER TEMP [B2268]	If ECM continuously transmits abnormal engine coolant temperature signals for 60 seconds or more.	MWI-43, "Diagnosis Procedure"

IPDM E/R (INTELLIGENT POWER DISTRIBUTION MODULE ENGINE ROOM)

< ECU DIAGNOSIS INFORMATION >

IPDM E/R (INTELLIGENT POWER DISTRIBUTION MODULE ENGINE ROOM)

Reference Value

INFOID:000000008946097

VALUES ON THE DIAGNOSIS TOOL

NOTE:

The following table includes information (items) inapplicable to this vehicle. For information (items) applicable to this vehicle, refer to CONSULT display items.

Monitor Item	Condition		Value/Status
MOTOR FAN REQ	Engine idle speed	Changes depending on engine coolant temperature, air conditioner operation status, vehicle speed, etc.	1/2/3/4
AC COMP REQ	Engine running	A/C switch OFF	Off
		A/C switch ON (Compressor is operating)	On
TAIL&CLR REQ	Lighting switch OFF		Off
	Lighting switch 1ST, 2ND, HI or AUTO (Light is illuminated)		On
HL LO REQ	Lighting switch OFF		Off
	Lighting switch 2ND HI or AUTO (Light is illuminated)		On
HL HI REQ	Lighting switch OFF		Off
	Lighting switch HI		On
FR FOG REQ	Lighting switch 2ND or AUTO (Light is illuminated)	Front fog lamp switch OFF	Off
		<ul style="list-style-type: none"> • Front fog lamp switch ON • Daytime running light activated (Only for Canada) 	On
FR WIP REQ	Ignition switch ON	Front wiper switch OFF	Stop
		Front wiper switch INT	1LOW
		Front wiper switch LO	Low
		Front wiper switch HI	Hi
WIP AUTO STOP	Ignition switch ON	Front wiper stop position	STOP P
		Any position other than front wiper stop position	ACT P
WIP PROT	Ignition switch ON	Front wiper operates normally	Off
		Front wiper stops at fail-safe operation	BLOCK
IGN RLY1 -REQ	Ignition switch OFF or ACC		Off
	Ignition switch ON		On
IGN RLY	Ignition switch OFF or ACC		Off
	Ignition switch ON		On
PUSH SW	Release the push-button ignition switch		Off
	Press the push-button ignition switch		On
INTER/NP SW	Ignition switch ON	Selector lever in any position other than P or N	Off
		Selector lever in P or N position	On
ST RLY CONT	Ignition switch ON		Off
	At engine cranking		On

IPDM E/R (INTELLIGENT POWER DISTRIBUTION MODULE ENGINE ROOM)

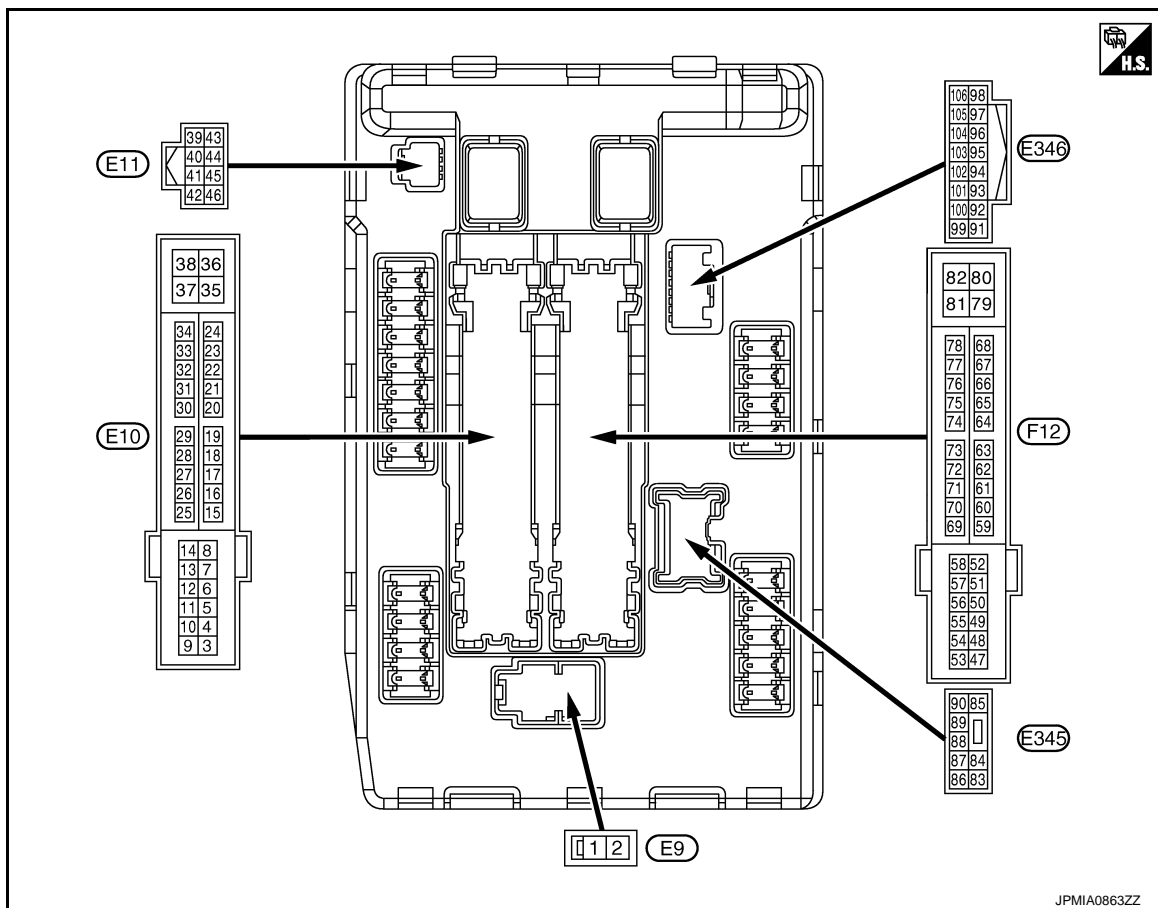
< ECU DIAGNOSIS INFORMATION >

Monitor Item	Condition	Value/Status
IHBT RLY -REQ	Ignition switch ON	Off
	At engine cranking	On
ST/INHI RLY	Ignition switch ON	Off
	At engine cranking	INHI ON → ST ON
	The status of starter relay or starter control relay cannot be recognized by the battery voltage malfunction, etc. when the starter relay is ON and the starter control relay is OFF	UNKWN
DETENT SW	Ignition switch ON	<ul style="list-style-type: none"> • Press the selector button with selector lever in P position • Selector lever in any position other than P
	Release the selector button with selector lever in P position	On
S/L RLY -REQ	NOTE: The item is indicated, but not monitored.	Off
S/L STATE	NOTE: The item is indicated, but not monitored.	UNLOCK
DTRL REQ	NOTE: The item is indicated, but not monitored.	Off
OIL P SW	Ignition switch OFF, ACC or engine running	Open
	Ignition switch ON	Close
HOOD SW	NOTE: The item is indicated, but not monitored.	Off
HL WASHER REQ	NOTE: The item is indicated, but not monitored.	Off
THFT HRN REQ	Not operating	Off
	<ul style="list-style-type: none"> • Panic alarm is activated • Horn is activated with VEHICLE SECURITY (THEFT WARNING) SYSTEM 	On
HORN CHIRP	Not operating	Off
	Door locking with Intelligent Key (horn chirp mode)	On
CRNRNG LMP REQ	NOTE: The item is indicated, but not monitored.	Off

IPDM E/R (INTELLIGENT POWER DISTRIBUTION MODULE ENGINE ROOM)

< ECU DIAGNOSIS INFORMATION >

TERMINAL LAYOUT

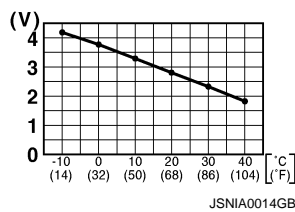


PHYSICAL VALUES

Terminal No. (Wire color)		Description		Condition		Value (Approx.)
+	-	Signal name	Input/ Output			
1 (R)	Ground	Battery power supply	Input	Ignition switch OFF		Battery voltage
2 (L)	Ground	Battery power supply	Input	Ignition switch OFF		Battery voltage
4 (LG)	Ground	Front wiper LO	Output	Ignition switch OFF	Front wiper switch OFF	0 V
				Ignition switch ON	Front wiper switch LO	Battery voltage
5 (Y)	Ground	Front wiper HI	Output	Ignition switch OFF	Front wiper switch OFF	0 V
				Ignition switch ON	Front wiper switch HI	Battery voltage
7 (GR)	Ground	Tail, license plate lamps & illuminations	Output	Ignition switch OFF	Lighting switch OFF	0 V
				Ignition switch ON	Lighting switch 1ST	Battery voltage
10 (BR)	Ground	ECM relay power supply	Output	Ignition switch OFF (More than a few seconds after turning ignition switch OFF)		0 V
				<ul style="list-style-type: none"> Ignition switch ON Ignition switch OFF (For a few seconds after turning ignition switch OFF) 		Battery voltage
12 (B)	Ground	Ground	—	Ignition switch ON		0 V

IPDM E/R (INTELLIGENT POWER DISTRIBUTION MODULE ENGINE ROOM)

< ECU DIAGNOSIS INFORMATION >

Terminal No. (Wire color)		Description		Condition		Value (Approx.)
+	-	Signal name	Input/ Output			
13 (SB)	Ground	Fuel pump power supply	Output	Approximately 1 second or more after turning the ignition switch ON		0 V
				<ul style="list-style-type: none"> Approximately 1 second after turning the ignition switch ON Engine running 		Battery voltage
15 (W)	Ground	Ignition relay power supply	Output	Ignition switch OFF		0 V
				Ignition switch ON		Battery voltage
16 (R)	Ground	Front wiper auto stop	Input	Ignition switch ON	Front wiper stop position	0 V
					Any position other than front wiper stop position	Battery voltage
19 (Y)	Ground	Ignition relay power supply	Output	Ignition switch OFF		0 V
				Ignition switch ON		Battery voltage
20 (L)	Ground	Ambient sensor ground	Output	Ignition switch ON		0 V
21 (O)	Ground	Ambient sensor	Input	Ignition switch ON NOTE: Changes depending to ambient temperature		 <p style="text-align: right; font-size: small;">JSNIA0014GB</p>
22 (SB)	Ground	Refrigerant pressure sensor ground	Output	Engine running	<ul style="list-style-type: none"> Warm-up condition Idle speed 	0 V
23 (GR)	Ground	Refrigerant pressure sensor	Output	Engine running	<ul style="list-style-type: none"> Warm-up condition Both A/C switch and blower fan motor switch ON (Compressor operates) 	1.0 - 4.0 V
24 (G)	Ground	Refrigerant pressure sensor power supply	Input	Ignition switch OFF		0 V
				Ignition switch ON		5.0 V
25 (GR)	Ground	Ignition relay power supply	Output	Ignition switch OFF		0 V
				Ignition switch ON		Battery voltage
26*1 (Y)	Ground	Ignition relay power supply	Output	Ignition switch OFF		0 V
				Ignition switch ON		Battery voltage
27 (W)	Ground	Ignition relay monitor	Input	Ignition switch OFF or ACC		Battery voltage
				Ignition switch ON		0 V
28 (SB)	Ground	Push-button ignition switch	Input	Press the push-button ignition switch		0 V
				Release the push-button ignition switch		Battery voltage
30 (BR)	Ground	Starter relay control	Input	Ignition switch ON	Selector lever in any position other than P or N	0 V
					Selector lever P or N	Battery voltage
34 (O)	Ground	Cooling fan relay-3 control	Input	Cooling fan stopped		Battery voltage
				Cooling fan at HI operation		0 V
35 (P)	Ground	Cooling fan relay-1 power supply	Input	Cooling fan stopped		Battery voltage
				Cooling fan at LO operation		6.0 V
36 (G)	Ground	Battery power supply	Input	Ignition switch OFF		Battery voltage

IPDM E/R (INTELLIGENT POWER DISTRIBUTION MODULE ENGINE ROOM)

< ECU DIAGNOSIS INFORMATION >

Terminal No. (Wire color)		Description		Condition	Value (Approx.)		
+	-	Signal name	Input/ Output				
38 (GR)	Ground	Cooling fan relay-1 power supply	Output	Cooling fan not operating	0 V	A	
				Cooling fan at LO operation	6.0 V	B	
39 (P)	—	CAN-L	Input/ Output	—	—	C	
40 (L)	—	CAN-H	Input/ Output	—	—		
41 (B)	Ground	Ground	—	Ignition switch ON	0 V	D	
42 (SB)	Ground	Cooling fan relay-2 control	Input	Cooling fan stopped	Battery voltage		
				<ul style="list-style-type: none"> Cooling fan MID operating Cooling fan HI operating 	0 V	E	
43 (Y)	Ground	CVT shift selector (Detention switch)	Input	Ignition switch ON	Press the selector button (selector lever P)	Battery voltage	F
					<ul style="list-style-type: none"> Selector lever in any position other than P Release the selector button (selector lever P) 	0 V	G
44 (W)	Ground	Horn relay control	Input	The horn is deactivated	Battery voltage	H	
				The horn is activated	0 V		
45 (G)	Ground	Horn switch	Input	The horn is deactivated	Battery voltage	I	
				The horn is activated	0 V		
46 (BR)	Ground	Starter relay control	Input	Ignition switch ON	Selector lever in any position other than P or N	0 V	J
					Selector lever P or N	Battery voltage	
48 (W)	Ground	A/C relay power supply	Output	Engine running	A/C switch OFF	0 V	K
					A/C switch ON (A/C compressor is operating)	Battery voltage	
49 (R/B)	Ground	ECM relay power supply	Output	Ignition switch OFF (More than a few seconds after turning ignition switch OFF)	0 V	L	
					<ul style="list-style-type: none"> Ignition switch ON Ignition switch OFF (For a few seconds after turning ignition switch OFF) 	Battery voltage	M
51 (LG)	Ground	Ignition relay power supply	Output	Ignition switch OFF	0 V		
				Ignition switch ON	Battery voltage	MWI	
52 (Y/G)	Ground	Ignition relay power supply	Output	Ignition switch OFF	0 V		
				Ignition switch ON	Battery voltage		
53 (R/W)	Ground	ECM relay power supply	Output	Ignition switch OFF (More than a few seconds after turning ignition switch OFF)	0 V	O	
					<ul style="list-style-type: none"> Ignition switch ON Ignition switch OFF (For a few seconds after turning ignition switch OFF) 	Battery voltage	P

IPDM E/R (INTELLIGENT POWER DISTRIBUTION MODULE ENGINE ROOM)

< ECU DIAGNOSIS INFORMATION >

Terminal No. (Wire color)		Description		Condition	Value (Approx.)
+	-	Signal name	Input/ Output		
54 (G/W)	Ground	Throttle control motor re- lay power supply	Output	Ignition switch OFF (More than a few seconds after turning ignition switch OFF)	0 V
				<ul style="list-style-type: none"> Ignition switch ON Ignition switch OFF (For a few seconds after turning igni- tion switch OFF) 	Battery voltage
55 (W/L)	Ground	ECM power supply	Output	Ignition switch OFF	Battery voltage
56 (R/Y)	Ground	Ignition relay power supply	Output	Ignition switch OFF	0 V
				Ignition switch ON	Battery voltage
57 (O)	Ground	Ignition relay power supply	Output	Ignition switch OFF	0 V
				Ignition switch ON	Battery voltage
58 (Y)	Ground	Ignition relay power supply	Output	Ignition switch OFF	0 V
				Ignition switch ON	Battery voltage
69 (W/B)	Ground	ECM relay control	Output	Ignition switch OFF (More than a few seconds after turning ignition switch OFF)	Battery voltage
				<ul style="list-style-type: none"> Ignition switch ON Ignition switch OFF (For a few seconds after turning igni- tion switch OFF) 	0 - 1.5 V
70 (O)	Ground	Throttle control motor re- lay control	Output	Ignition switch ON → OFF	0 - 1.0 V ↓ Battery voltage ↓ 0 V
				Ignition switch ON	0 - 1.0 V
72 (R/B)	Ground	Starter relay control	Input	Ignition switch ON	Selector lever in any posi- tion other than P or N 0 V
				Selector lever P or N	Battery voltage
75 (LG)	Ground	Oil pressure switch	Input	Ignition switch ON	Engine stopped 0 V
				Engine running	Battery voltage

IPDM E/R (INTELLIGENT POWER DISTRIBUTION MODULE ENGINE ROOM)

< ECU DIAGNOSIS INFORMATION >

Terminal No. (Wire color)		Description		Condition		Value (Approx.)
+	-	Signal name	Input/ Output			
76 (SB)	Ground	Power generation command signal	Output	Ignition switch ON		<p>6.3 V</p>
				40% is set on "ACTIVE TEST", "ALTERNATOR DUTY" of "ENGINE"		<p>3.8 V</p>
				80% is set on "ACTIVE TEST", "ALTERNATOR DUTY" of "ENGINE"		<p>1.4 V</p>
77 (GR)	Ground	Fuel pump relay control	Output	<ul style="list-style-type: none"> Approximately 1 second after turning the ignition switch ON Engine running 		0 - 1.5 V
				Approximately 1 second or more after turning the ignition switch ON		Battery voltage
80 (B)	Ground	Starter motor	Output	At engine cranking		Battery voltage
83 (Y)	Ground	Headlamp LO (RH)	Output	Ignition switch ON	Lighting switch OFF	0 V
					Lighting switch 2ND	Battery voltage
84 (L)	Ground	Headlamp LO (LH)	Output	Ignition switch ON	Lighting switch OFF	0 V
					Lighting switch 2ND	Battery voltage
86 (SB)	Ground	Front fog lamp (RH)	Output	Lighting switch 2ND	Front fog lamp switch OFF	0 V
					<ul style="list-style-type: none"> Front fog lamp switch ON Daytime running light activated (Only for Canada) 	Battery voltage
87 (GR)	Ground	Front fog lamp (LH)	Output	Lighting switch 2ND	Front fog lamp switch OFF	0 V
					<ul style="list-style-type: none"> Front fog lamp switch ON Daytime running light activated (Only for Canada) 	Battery voltage
88 (W)	Ground	Washer pump power supply	Output	Ignition switch ON		Battery voltage

A

B

C

D

E

F

G

H

I

J

K

L

M

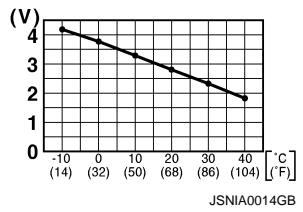
MWI

O

P

IPDM E/R (INTELLIGENT POWER DISTRIBUTION MODULE ENGINE ROOM)

< ECU DIAGNOSIS INFORMATION >

Terminal No. (Wire color)		Description		Condition		Value (Approx.)
+	-	Signal name	Input/ Output			
89 (L)	Ground	Headlamp HI (RH)	Output	Ignition switch ON	Lighting switch OFF	0 V
					<ul style="list-style-type: none"> • Lighting switch HI • Lighting switch PASS 	Battery voltage
90 (G)	Ground	Headlamp HI (LH)	Output	Ignition switch ON	Lighting switch OFF	0 V
					<ul style="list-style-type: none"> • Lighting switch HI • Lighting switch PASS 	Battery voltage
91 (R)	Ground	Parking lamp (RH)	Output	Ignition switch ON	Lighting switch OFF	0 V
					Lighting switch 1ST	Battery voltage
92 (LG)	Ground	Parking lamp (LH)	Output	Ignition switch ON	Lighting switch OFF	0 V
					Lighting switch 1ST	Battery voltage
99 (BR)	Ground	Ambient sensor ground	Input	Ignition switch ON		0 V
100 (SB)	Ground	Ambient sensor	Output	Ignition switch ON NOTE: Changes depending to ambient temperature		 <p style="text-align: right; font-size: small;">JSNIA0014GB</p>
101 (L)	Ground	Refrigerant pressure sensor ground	Input	Engine running	<ul style="list-style-type: none"> • Warm-up condition • Idle speed 	0 V
102 (B)	Ground	Refrigerant pressure sensor	Input	Engine running	<ul style="list-style-type: none"> • Warm-up condition • Both A/C switch and blower fan motor switch ON (Compressor operates) 	1.0 - 4.0 V
103 (P)	Ground	Refrigerant pressure sensor power supply	Output	Ignition switch OFF		0 V
				Ignition switch ON		5.0 V

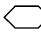
*1: AWD models only

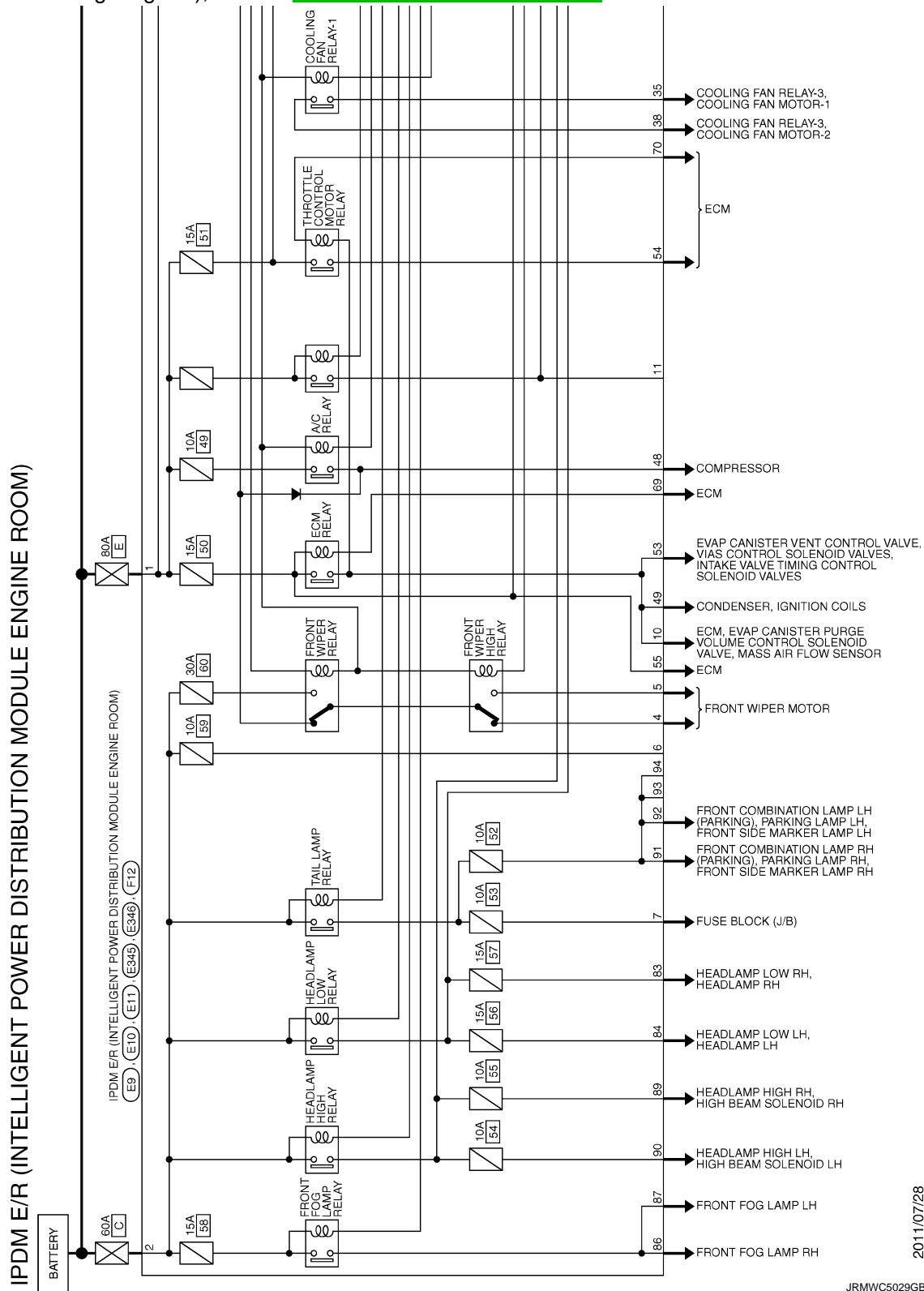
IPDM E/R (INTELLIGENT POWER DISTRIBUTION MODULE ENGINE ROOM)

< ECU DIAGNOSIS INFORMATION >

Wiring Diagram - IPDM E/R -

INFOID:000000008946098

For connector terminal arrangements, harness layouts, and alphabets in a  (option abbreviation; if not described in wiring diagram), refer to [GI-12, "Connector Information"](#).

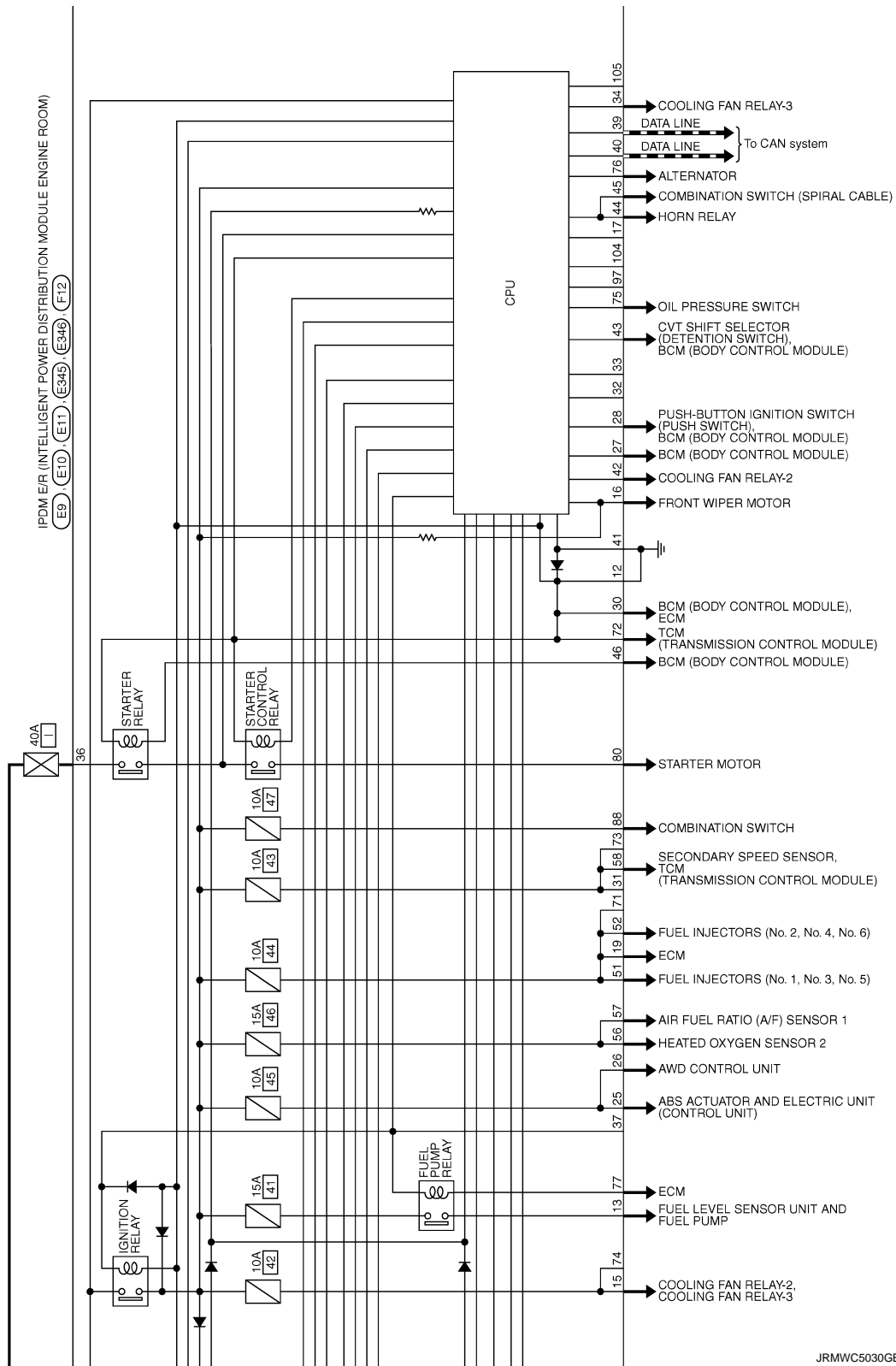


A
B
C
D
E
F
G
H
I
J
K
L
M
N
O
P

MWI

IPDM E/R (INTELLIGENT POWER DISTRIBUTION MODULE ENGINE ROOM)

< ECU DIAGNOSIS INFORMATION >

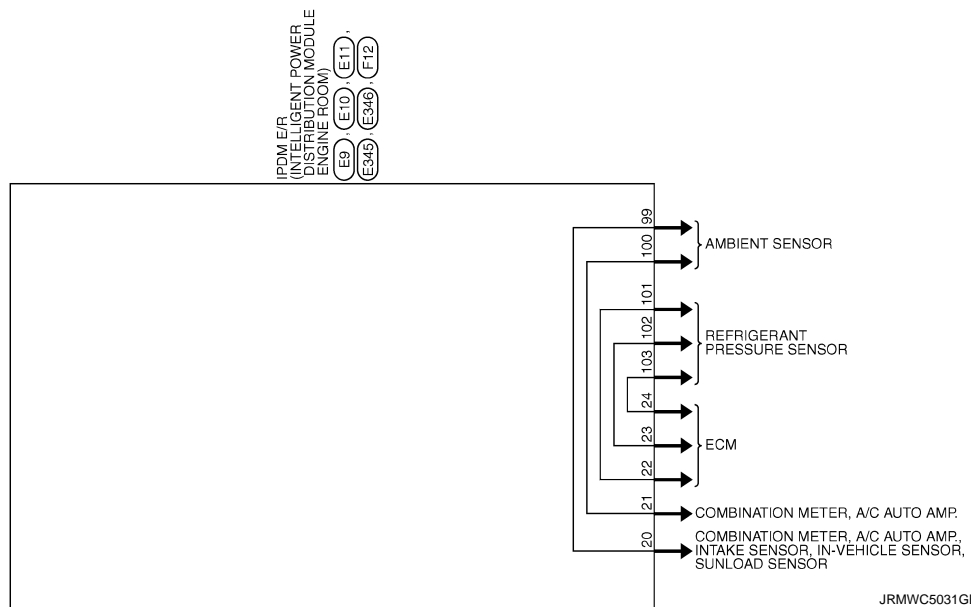


JRMWC5030GB

IPDM E/R (INTELLIGENT POWER DISTRIBUTION MODULE ENGINE ROOM)

< ECU DIAGNOSIS INFORMATION >

A
B
C
D
E
F
G
H
I
J
K
L
M
N
O
P



MWI

Fail-safe

INFOID:000000008946099

CAN COMMUNICATION CONTROL

When CAN communication with ECM and BCM is impossible, IPDM E/R performs fail-safe control. After CAN communication recovers normally, it also returns to normal control.

If No CAN Communication Is Available With ECM

IPDM E/R (INTELLIGENT POWER DISTRIBUTION MODULE ENGINE ROOM)

< ECU DIAGNOSIS INFORMATION >

Control part	Fail-safe operation
Cooling fan	<ul style="list-style-type: none"> • Turns ON the cooling fan relay-2 and the cooling fan relay-3 when ignition switch is turned ON (Cooling fan operates at HI) • Turns OFF the cooling fan relay-1, the cooling fan relay-2 and the cooling fan relay-3 when the ignition switch is turned OFF (Cooling fan does not operate)
A/C compressor	A/C relay OFF
Alternator	Outputs the power generation command signal (PWM signal) 0%

If No CAN Communication Is Available With BCM

Control part	Fail-safe operation
Headlamp	<ul style="list-style-type: none"> • Turns ON the headlamp low relay when the ignition switch is turned ON • Turns OFF the headlamp low relay when the ignition switch is turned OFF • Headlamp high relay OFF
<ul style="list-style-type: none"> • Parking lamps • License plate lamps • Side marker lamps • Illuminations • Tail lamps 	<ul style="list-style-type: none"> • Turns ON the tail lamp relay when the ignition switch is turned ON • Turns OFF the tail lamp relay when the ignition switch is turned OFF
Front wiper	<ul style="list-style-type: none"> • The status just before activation of fail-safe control is maintained until the ignition switch is turned OFF while the front wiper is operating at LO or HI speed. • The wiper is operated at LO speed until the ignition switch is turned OFF if the fail-safe control is activated while the front wiper is set in the INT/AUTO mode and the front wiper motor is operating.
Front fog lamps	Front fog lamp relay OFF
Horn	Horn OFF
Ignition relay	The status just before activation of fail-safe is maintained.
Starter motor	Starter control relay OFF

IGNITION RELAY MALFUNCTION DETECTION FUNCTION

- IPDM E/R monitors the voltage at the contact circuit and excitation coil circuit of the ignition relay inside it.
- IPDM E/R judges the ignition relay error if the voltage differs between the contact circuit and the excitation coil circuit.
- If the ignition relay cannot turn OFF due to contact seizure, it activates the tail lamp relay for 10 minutes to alert the user to the ignition relay malfunction when the ignition switch is turned OFF.

Voltage judgment		IPDM E/R judgment	Operation
Ignition relay contact side	Ignition relay excitation coil side		
ON	ON	Ignition relay ON normal	—
OFF	OFF	Ignition relay OFF normal	—
ON	OFF	Ignition relay ON stuck	<ul style="list-style-type: none"> • Detects DTC "B2098: IGN RELAY ON" • Turns ON the tail lamp relay for 10 minutes
OFF	ON	Ignition relay OFF stuck	Detects DTC "B2099: IGN RELAY OFF"

FRONT WIPER CONTROL

IPDM E/R detects front wiper stop position by a front wiper auto stop signal.

When a front wiper stop position signal is in the conditions listed below, IPDM E/R stops power supply to wiper after repeating a front wiper 10 seconds activation and 20 seconds stop five times.

Ignition switch	Front wiper switch	Front wiper stop position signal
ON	OFF	The front wiper stop position signal (stop position) cannot be input for 10 seconds.
	ON	The front wiper auto stop signal does not change for 10 seconds.

IPDM E/R (INTELLIGENT POWER DISTRIBUTION MODULE ENGINE ROOM)

< ECU DIAGNOSIS INFORMATION >

NOTE:

This operation status can be confirmed on the IPDM E/R “Data Monitor” that displays “BLOCK” for the item “WIP PROT” while the wiper is stopped.

STARTER MOTOR PROTECTION FUNCTION

IPDM E/R turns OFF the starter control relay to protect the starter motor when the starter control relay remains active for 90 seconds.

DTC Index

INFOID:000000008946100

NOTE:

- The details of time display are as follows.
- CRNT: A malfunction is detected now.
- PAST: A malfunction was detected in the past.
- IGN counter is displayed on FFD (Freeze Frame data).
- The number is 0 when is detected now.
- The number increases like 1 → 2 ... 38 → 39 after returning to the normal condition whenever IGN OFF → ON.
- The number is fixed to 39 until the self-diagnosis results are erased if it is over 39.

×: Applicable

CONSULT display	Fail-safe	Refer to
No DTC is detected. further testing may be required.	—	—
U1000: CAN COMM CIRCUIT	×	PCS-15
B2098: IGN RELAY ON	×	PCS-16
B2099: IGN RELAY OFF	—	PCS-17
B210B: START CONT RLY ON	—	SEC-79
B210C: START CONT RLY OFF	—	SEC-80
B210D: STARTER RELAY ON	—	SEC-81
B210E: STARTER RELAY OFF	—	SEC-82
B210F: INTRLCK/PNP SW ON	—	SEC-84
B2110: INTRLCK/PNP SW OFF	—	SEC-86

MWI

THE FUEL GAUGE POINTER DOES NOT MOVE

< SYMPTOM DIAGNOSIS >

SYMPTOM DIAGNOSIS

THE FUEL GAUGE POINTER DOES NOT MOVE

Description

INFOID:000000008459120

Fuel gauge needle will not move from a certain position.

Diagnosis Procedure

INFOID:000000008459121

1. CHECK FOR THE COMBINATION METER IN SELF-DIAGNOSIS MODE

Check that the fuel gauge needle moves normally by using self-diagnosis function of the combination meter.

Is the inspection result normal?

YES >> GO TO 2.

NO >> Replace combination meter. Refer to [MWI-94, "Removal and Installation"](#).

2. CHECK COMBINATION METER OUTPUT SIGNAL

1. Connect CONSULT.

2. Select the "Data Monitor" for the "METER/M&A" and compare the "FUEL METER" monitor value with the fuel gauge reading on the combination meter. Refer to [MWI-46, "Component Function Check"](#).

Does monitor value match fuel gauge reading?

YES >> GO TO 3.

NO >> Replace combination meter.

3. CHECK FUEL LEVEL SENSOR SIGNAL CIRCUIT

Check the fuel level sensor signal circuit. Refer to [MWI-46, "Diagnosis Procedure"](#).

Is the inspection result normal?

YES >> GO TO 4.

NO >> Repair harness or connector.

4. CHECK FUEL LEVEL SENSOR UNIT

Perform a unit check for the fuel level sensor unit. Refer to [MWI-47, "Component Inspection"](#).

Is the inspection result normal?

YES >> GO TO 5.

NO >> Replace fuel level sensor unit. Refer to [FL-6, "Removal and Installation"](#).

5. CHECK FLOAT INTERFERENCE

Check that the float arm interferes with or binds to other components in the fuel tank.

Is the inspection result normal?

YES >> Replace combination meter.

NO >> Repair or replace malfunctioning parts.

THE METER CONTROL SWITCH IS INOPERATIVE

< SYMPTOM DIAGNOSIS >

THE METER CONTROL SWITCH IS INOPERATIVE

Description

INFOID:000000008459122

If any of the following malfunctions is found for the meter control switch operation.

- All switches are inoperative.
- The specified switch cannot be operated.

Diagnosis Procedure

INFOID:000000008459123

1. CHECK METER CONTROL SWITCH SIGNAL CIRCUIT

Check the meter control switch signal circuit. Refer to [MWI-49, "Diagnosis Procedure"](#).

Is the inspection result normal?

YES >> GO TO 2.

NO >> Repair harness or connector.

2. CHECK METER CONTROL SWITCH

Perform a unit check for the meter control switch. Refer to [MWI-50, "Component Inspection"](#).

Is the inspection result normal?

YES >> Replace combination meter.

NG >> Replace meter control switch.

A
B
C
D
E
F
G
H
I
J
K
L
M
O
P

MWI

THE OIL PRESSURE WARNING LAMP DOES NOT TURN ON

< SYMPTOM DIAGNOSIS >

THE OIL PRESSURE WARNING LAMP DOES NOT TURN ON

Description

INFOID:000000008459124

The oil pressure warning lamp stays off when the ignition switch is turned ON.

Diagnosis Procedure

INFOID:000000008459125

1.CHECK OIL PRESSURE WARNING LAMP

Perform auto active test. Refer to [PCS-10, "Diagnosis Description"](#).

Is oil pressure warning lamp blinking?

- YES >> GO TO 2.
- NO >> GO TO 4.

2.CHECK OIL PRESSURE SWITCH SIGNAL CIRCUIT

Check the oil pressure switch signal circuit. Refer to [MWI-52, "Diagnosis Procedure"](#).

Is the inspection result normal?

- YES >> GO TO 3.
- NO >> Repair harness or connector.

3.CHECK OIL PRESSURE SWITCH

Perform a unit check for the oil pressure switch. Refer to [MWI-52, "Component Inspection"](#).

Is the inspection result normal?

- YES >> Replace IPDM E/R.
- NO >> Replace oil pressure switch.

4.CHECK COMBINATION METER INPUT SIGNAL

Connect CONSULT and perform an input signal check for the combination meter. Refer to [MWI-52, "Component Function Check"](#).

Is the inspection result normal?

- YES >> Replace combination meter.
- NO >> Replace IPDM E/R. Refer to [PCS-34, "Removal and Installation"](#).

THE OIL PRESSURE WARNING LAMP DOES NOT TURN OFF

< SYMPTOM DIAGNOSIS >

THE OIL PRESSURE WARNING LAMP DOES NOT TURN OFF

Description

INFOID:000000008459126

The oil pressure warning lamp remains illuminated while the engine is running (normal oil pressure).

Diagnosis Procedure

INFOID:000000008459127

1. CHECK OIL PRESSURE WARNING LAMP

Perform auto active test. Refer to [PCS-10, "Diagnosis Description"](#).

Is oil pressure warning lamp blinking?

- YES >> GO TO 2.
- NO >> GO TO 5.

2. CHECK IPDM E/R OUTPUT VOLTAGE

1. Turn ignition switch OFF.
2. Disconnect the oil pressure switch connector.
3. Turn ignition switch ON.
4. Check voltage between the oil pressure switch harness connector terminal and ground.

Terminals		Voltage (Approx.)
(+)	(-)	
Oil pressure switch		Ground
Connector	Terminal	
F63	1	

Is the inspection result normal?

- YES >> GO TO 3.
- NO >> GO TO 4.

3. CHECK OIL PRESSURE SWITCH

Perform a unit check for the oil pressure switch. Refer to [MWI-52, "Component Inspection"](#).

Is the inspection result normal?

- YES >> Replace IPDM E/R. Refer to [PCS-34, "Removal and Installation"](#).
- NO >> Replace oil pressure switch.

4. CHECK OIL PRESSURE SWITCH SIGNAL CIRCUIT

Check the oil pressure switch signal circuit. Refer to [MWI-52, "Diagnosis Procedure"](#).

Is the inspection result normal?

- YES >> GO TO 5.
- NO >> Repair harness or connector.

5. CHECK COMBINATION METER INPUT SIGNAL

Connect CONSULT and perform an input signal check for the combination meter. Refer to [MWI-52, "Component Function Check"](#).

Is the inspection result normal?

- YES >> Replace combination meter.
- NO >> Replace IPDM E/R. Refer to [PCS-34, "Removal and Installation"](#).

A
B
C
D
E
F
G
H
I
J
K
L
M
O
P

MWI

THE PARKING BRAKE RELEASE WARNING CONTINUES DISPLAYING, OR DOES NOT DISPLAY

< SYMPTOM DIAGNOSIS >

THE PARKING BRAKE RELEASE WARNING CONTINUES DISPLAYING, OR DOES NOT DISPLAY

Description

INFOID:000000008459128

- The parking brake warning is displayed during vehicle travel even though the parking brake is released.
- The parking brake warning is not displayed even though driving the vehicle with the parking brake applied.

Diagnosis Procedure

INFOID:000000008459129

1.CHECK PARKING BRAKE WARNING LAMP OPERATION

1. Start engine.
2. Check the operation of the parking brake warning lamp when operating the parking brake.

Condition	Warning lamp status
When parking brake is applied	ON
When parking brake is released	OFF

Is the inspection result normal?

- YES >> Replace combination meter.
NO >> GO TO 2.

2.CHECK PARKING BRAKE SWITCH SIGNAL CIRCUIT

1. Turn ignition switch OFF.
2. Check the parking brake switch signal circuit. Refer to [MWI-54, "Diagnosis Procedure"](#).

Is the inspection result normal?

- YES >> GO TO 3.
NG >> Repair harness or connector.

3.CHECK PARKING BRAKE SWITCH

Perform a unit check for the parking brake switch. Refer to [MWI-54, "Component Inspection"](#).

Is the inspection result normal?

- YES >> Replace combination meter.
NO >> Replace parking brake switch.

THE LOW WASHER FLUID WARNING CONTINUES DISPLAYING, OR DOES NOT DISPLAY

< SYMPTOM DIAGNOSIS >

THE LOW WASHER FLUID WARNING CONTINUES DISPLAYING, OR DOES NOT DISPLAY

Description

INFOID:000000008459130

- The warning is still displayed even after washer fluid is added.
- The warning is not displayed even though the washer tank is empty.

Diagnosis Procedure

INFOID:000000008459131

1.CHECK WASHER LEVEL SWITCH SIGNAL CIRCUIT

Check the washer level switch signal circuit. Refer to [MWI-55. "Diagnosis Procedure"](#).

Is the inspection result normal?

YES >> GO TO 2.

NO >> Repair harness or connector.

2.CHECK WASHER LEVEL SWITCH

Perform a unit check for the washer level switch. Refer to [MWI-55. "Component Inspection"](#).

Is the inspection result normal?

YES >> Replace combination meter.

NO >> Replace washer level switch. Refer to [WW-104. "Removal and Installation"](#).

A
B
C
D
E
F
G
H
I
J
K
L
M
O
P

MWI

THE DOOR OPEN WARNING CONTINUES DISPLAYING, OR DOES NOT DISPLAY

< SYMPTOM DIAGNOSIS >

THE DOOR OPEN WARNING CONTINUES DISPLAYING, OR DOES NOT DISPLAY

Description

INFOID:000000008459132

- The door ajar warning is displayed even though all of the doors are closed.
- The door ajar warning is not displayed even though a door is ajar.

Diagnosis Procedure

INFOID:000000008459133

1. CHECK BCM INPUT/OUTPUT SIGNAL

Connect CONSULT and check the BCM input signals. Refer to [DLK-97. "WITH AUTOMATIC BACK DOOR : Component Function Check"](#) (with automatic back door) or [DLK-99. "WITHOUT AUTOMATIC BACK DOOR : Component Function Check"](#) (without automatic back door).

Is the inspection result normal?

- YES >> GO TO 2.
- NO >> GO TO 3.

2. CHECK COMBINATION METER INPUT SIGNAL

Select the "Data Monitor" for the "METER/M&A" and check the "DOOR W/L" monitor value.

"DOOR W/L"

Door open	: On
Door closed	: Off

Is the inspection result normal?

- YES >> Replace combination meter.
- NO >> Replace BCM. Refer to [BCS-84. "Removal and Installation"](#).

3. CHECK DOOR SWITCH SIGNAL CIRCUIT

Check the door switch signal circuit. Refer to [DLK-97. "WITH AUTOMATIC BACK DOOR : Diagnosis Procedure"](#) (with automatic back door) or [DLK-99. "WITHOUT AUTOMATIC BACK DOOR : Diagnosis Procedure"](#) (without automatic back door).

Is the inspection result normal?

- YES >> GO TO 4.
- NO >> Repair harness or connector.

4. CHECK DOOR SWITCH

Perform a unit check for the door switch. Refer to [DLK-98. "WITH AUTOMATIC BACK DOOR : Component Inspection"](#) (with automatic back door) or [DLK-101. "WITHOUT AUTOMATIC BACK DOOR : Component Inspection"](#) (without automatic back door).

Is the inspection result normal?

- YES >> Replace combination meter.
- NO >> Replace applicable door switch. Refer to [DLK-313. "Removal and Installation"](#).

THE AMBIENT TEMPERATURE DISPLAY IS INCORRECT

< SYMPTOM DIAGNOSIS >

THE AMBIENT TEMPERATURE DISPLAY IS INCORRECT

Description

INFOID:000000008459134

- The displayed ambient air temperature is higher than the actual temperature.
- The displayed ambient air temperature is lower than the actual temperature.

Diagnosis Procedure

INFOID:000000008459135

NOTE:

Check that the symptom is not applicable to the normal operating condition before starting diagnosis. Refer to [MWI-90, "INFORMATION DISPLAY : Description"](#).

1.CHECK AMBIENT SENSOR SIGNAL CIRCUIT

Check the ambient sensor signal circuit. Refer to [HAC-47, "Diagnosis Procedure"](#) (without 7 inch display) or [HAC-167, "Diagnosis Procedure"](#) (with 7 inch display).

Is the inspection result normal?

YES >> GO TO 2.

NO >> Repair harness or connector.

2.CHECK A/C AUTO AMP. CONNECTION RECOGNITION SIGNAL CIRCUIT

Check the A/C auto amp. connection recognition signal circuit. Refer to [MWI-56, "Diagnosis Procedure"](#).

Is the inspection result normal?

YES >> GO TO 3.

NO >> Repair harness or connector.

3.CHECK AMBIENT SENSOR

Perform a unit check for the ambient sensor. Refer to [HAC-48, "Component Inspection"](#) (without 7 inch display) or [HAC-168, "Component Inspection"](#) (with 7 inch display).

Is the inspection result normal?

YES >> Replace combination meter.

NO >> Replace ambient sensor. Refer to [VTL-25, "Removal and Installation"](#) (without 7 inch display) or [VTL-88, "Removal and Installation"](#) (with 7 inch display).

A
B
C
D
E
F
G
H
I
J
K
L
M
O
P

MWI

NORMAL OPERATING CONDITION

< SYMPTOM DIAGNOSIS >

NORMAL OPERATING CONDITION

COMPASS

COMPASS : Description

INFOID:000000008459136

COMPASS

- The electronic compass is highly protected from changes in most magnetic fields. However, some large changes in magnetic fields can affect it. Some examples are (but not limited to): high tension power lines, large steel buildings, subways, steel bridges, automatic car washes, large piles of scrap metal, etc. While this does not happen very often, it is possible.
- During normal operation, the compass mirror will continuously update the compass calibration to adjust for gradual changes in the vehicle's magnetic "remnant" field. If the vehicle is subjected to high magnetic influences, the compass may appear to indicate false headings, become locked, or appear that it is unable to be calibrated. If this occurs, perform the calibration procedure.
- If at any time the compass continually displays an incorrect direction or the reading is erratic or locked, verify the correct zone variance.

Symptom Chart

Symptom	Cause	Solution / Reference
The compass display reads "C".	<ul style="list-style-type: none"> • Compass is not calibrated. • Incorrect zone variance setting. • Large change in magnetic field (Steel bridges, subways, concentrations of metal, carwashes, etc.) • Compass was calibrated incorrectly or in the presence of a strong magnetic field. 	Perform Calibration. Refer to MWI-32, "Description" .
Compass shows the wrong direction.		
Compass does not change direction appears "Locked".		
Compass does not show all the directions, one or more is missing.		
The compass was calibrated but it "loses" calibration.		
On long trips the compass shows the wrong direction.	Perform zone variation setting if correct reading is desired in that location. Refer to MWI-32, "Description" .	

INFORMATION DISPLAY

INFORMATION DISPLAY : Description

INFOID:000000008459137

AMBIENT AIR TEMPERATURE

The displayed ambient air temperature on the information display may differ from the actual temperature because it is a corrected value calculated from the ambient sensor signal by the combination meter. Refer to [MWI-26, "INFORMATION DISPLAY : System Description"](#) for details on the correction process.

POSSIBLE DRIVING DISTANCE

The calculated possible driving distance may differ from the actual distance to empty if the refueling amount is approximately 15 ℓ (4 US gal, 3-1/4 Imp gal) or less. This is because the refuel control (moves the fuel gauge needle quicker than normal judging that the driver is refueling the vehicle) is not performing.

PRECAUTIONS

< PRECAUTION >

PRECAUTION

PRECAUTIONS FOR USA AND CANADA

FOR USA AND CANADA : Precaution for Supplemental Restraint System (SRS) "AIR BAG" and "SEAT BELT PRE-TENSIONER"

INFOID:000000008459138

The Supplemental Restraint System such as "AIR BAG" and "SEAT BELT PRE-TENSIONER", used along with a front seat belt, helps to reduce the risk or severity of injury to the driver and front passenger for certain types of collision. This system includes seat belt switch inputs and dual stage front air bag modules. The SRS system uses the seat belt switches to determine the front air bag deployment, and may only deploy one front air bag, depending on the severity of a collision and whether the front occupants are belted or unbelted. Information necessary to service the system safely is included in the "SRS AIR BAG" and "SEAT BELT" of this Service Manual.

WARNING:

Always observe the following items for preventing accidental activation.

- To avoid rendering the SRS inoperative, which could increase the risk of personal injury or death in the event of a collision that would result in air bag inflation, all maintenance must be performed by an authorized NISSAN/INFINITI dealer.
- Improper maintenance, including incorrect removal and installation of the SRS, can lead to personal injury caused by unintentional activation of the system. For removal of Spiral Cable and Air Bag Module, see "SRS AIR BAG".
- Never use electrical test equipment on any circuit related to the SRS unless instructed to in this Service Manual. SRS wiring harnesses can be identified by yellow and/or orange harnesses or harness connectors.

PRECAUTIONS WHEN USING POWER TOOLS (AIR OR ELECTRIC) AND HAMMERS

WARNING:

Always observe the following items for preventing accidental activation.

- When working near the Air Bag Diagnosis Sensor Unit or other Air Bag System sensors with the ignition ON or engine running, never use air or electric power tools or strike near the sensor(s) with a hammer. Heavy vibration could activate the sensor(s) and deploy the air bag(s), possibly causing serious injury.
- When using air or electric power tools or hammers, always switch the ignition OFF, disconnect the battery, and wait at least 3 minutes before performing any service.

FOR MEXICO

FOR MEXICO : Precaution for Supplemental Restraint System (SRS) "AIR BAG" and "SEAT BELT PRE-TENSIONER"

INFOID:000000008459139

The Supplemental Restraint System such as "AIR BAG" and "SEAT BELT PRE-TENSIONER", used along with a front seat belt, helps to reduce the risk or severity of injury to the driver and front passenger for certain types of collision. Information necessary to service the system safely is included in the "SRS AIR BAG" and "SEAT BELT" of this Service Manual.

WARNING:

Always observe the following items for preventing accidental activation.

- To avoid rendering the SRS inoperative, which could increase the risk of personal injury or death in the event of a collision that would result in air bag inflation, all maintenance must be performed by an authorized NISSAN/INFINITI dealer.
- Improper maintenance, including incorrect removal and installation of the SRS, can lead to personal injury caused by unintentional activation of the system. For removal of Spiral Cable and Air Bag Module, see "SRS AIR BAG".
- Never use electrical test equipment on any circuit related to the SRS unless instructed to in this Service Manual. SRS wiring harnesses can be identified by yellow and/or orange harnesses or harness connectors.

PRECAUTIONS WHEN USING POWER TOOLS (AIR OR ELECTRIC) AND HAMMERS

WARNING:

A

B

C

D

E

F

G

H

I

J

K

L

M

MWI

O

P

PRECAUTIONS

< PRECAUTION >

Always observe the following items for preventing accidental activation.

- When working near the Air Bag Diagnosis Sensor Unit or other Air Bag System sensors with the ignition ON or engine running, never use air or electric power tools or strike near the sensor(s) with a hammer. Heavy vibration could activate the sensor(s) and deploy the air bag(s), possibly causing serious injury.
- When using air or electric power tools or hammers, always switch the ignition OFF, disconnect the battery, and wait at least 3 minutes before performing any service.

PREPARATION

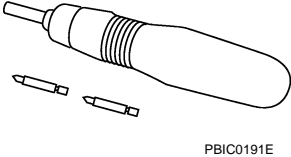
< PREPARATION >

PREPARATION

PREPARATION

Commercial Service Tools

INFOID:000000008459140

Tool name	Description
<p>Power tool</p>  <p>PBIC0191E</p>	<p>Loosening screws</p>

A

B

C

D

E

F

G

H

I

J

K

L

M

MWI

O

P

COMBINATION METER

< REMOVAL AND INSTALLATION >

REMOVAL AND INSTALLATION

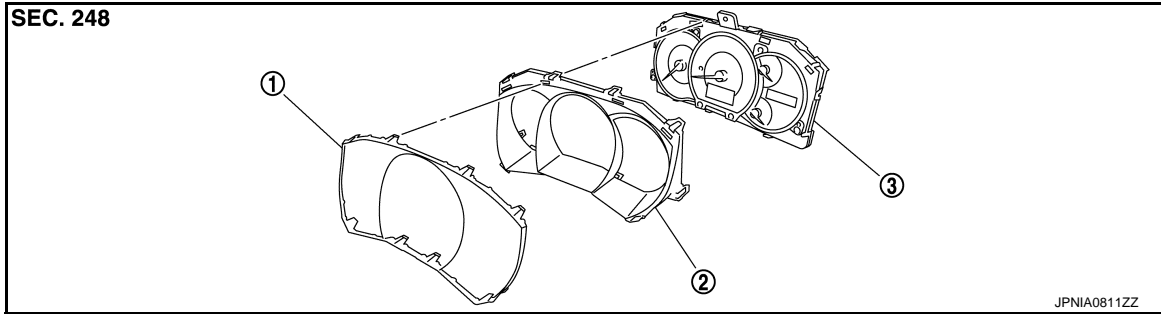
COMBINATION METER

Exploded View

INFOID:000000008459141

Refer to [IP-12, "Exploded View"](#).

DISASSEMBLY



1. Front cover

2. Upper housing

3. Unified meter control unit

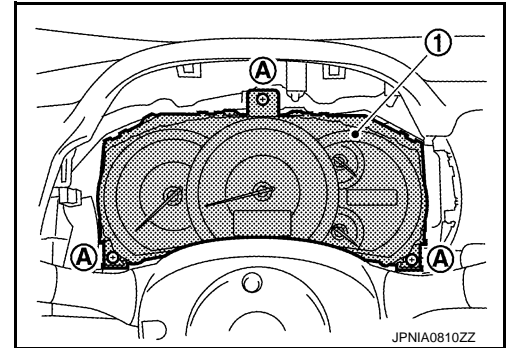
Removal and Installation

INFOID:000000008459142

REMOVAL

Removal

1. Remove the cluster lid A. Refer to [IP-13, "Removal and Installation"](#).
2. Remove screws (A) and connector, and remove combination meter (1).



INSTALLATION

Install in the reverse order of removal.

Disassembly and Assembly

INFOID:000000008459143

DISASSEMBLY

1. Disengage the tabs to separate upper housing.
2. Disengage the tabs to separate front cover.

ASSEMBLY

Assemble in the reverse order of disassembly.

METER CONTROL SWITCH

< REMOVAL AND INSTALLATION >

METER CONTROL SWITCH

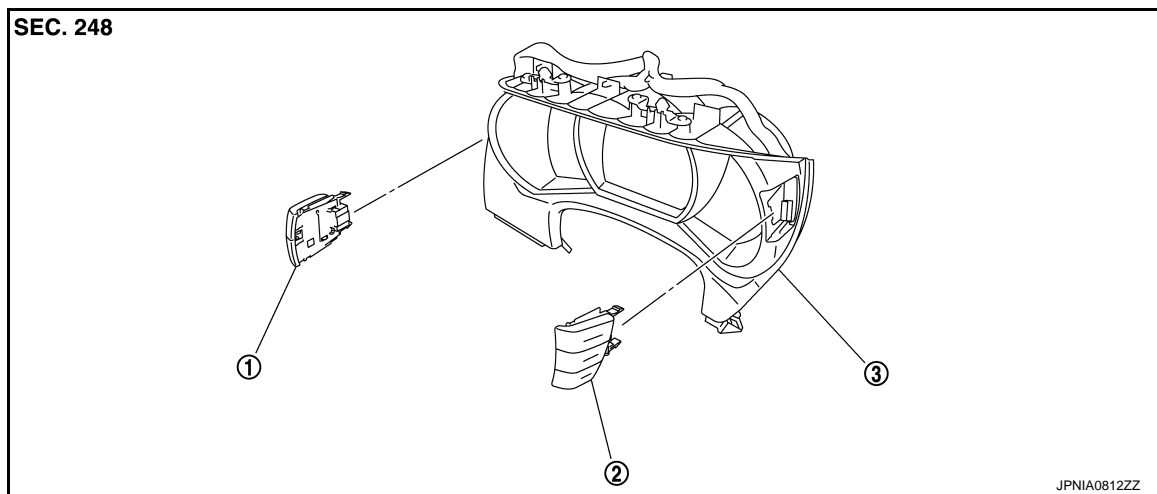
Exploded View

INFOID:000000008459144

REMOVAL

Refer to [IP-12. "Exploded View"](#).

DISASSEMBLY



1. Meter control switch (LH)

2. Meter control switch (RH)

3. Cluster lid A

Removal and Installation

INFOID:000000008459145

REMOVAL

1. Remove cluster lid A. Refer to [IP-12. "Exploded View"](#).
2. Remove meter control switch connectors and remove meter control switches.

INSTALLATION

Install in the reverse order of removal.

A
B
C
D
E
F
G
H
I
J
K
L
M
O
P

MWI

COMPASS

< REMOVAL AND INSTALLATION >

COMPASS

Exploded View

INFOID:000000008459146

Refer to [MIR-44. "Exploded View"](#) (with ADP) or [MIR-63. "Exploded View"](#) (without ADP).

Removal and Installation

INFOID:000000008459147

Refer to [MIR-44. "Removal and Installation"](#) (with ADP) or [MIR-63. "Removal and Installation"](#) (without ADP).