

SECTION **MA**  
 MAINTENANCE

A  
B  
C  
D  
E  
F  
G  
H  
I  
J  
K  
L  
M  
N  
O

MA

CONTENTS

<b>PREPARATION</b> .....	3	FOR MEXICO : Fluids and Lubricants .....	16
<b>PREPARATION</b> .....	3	FOR MEXICO : SAE Viscosity Number .....	17
<b>FOR NORTH AMERICA</b> .....	3	FOR MEXICO : Engine Coolant Mixture Ratio .....	17
FOR NORTH AMERICA : Special Service Tool .....	3	<b>ENGINE MAINTENANCE</b> .....	19
FOR NORTH AMERICA : Commercial Service Tool .....	3	<b>DRIVE BELT</b> .....	19
<b>FOR MEXICO</b> .....	3	DRIVE BELT : Exploded View .....	19
FOR MEXICO : Special Service Tool .....	4	DRIVE BELT : Checking .....	19
FOR MEXICO : Commercial Service Tool .....	4	DRIVE BELT : Tension Adjustment .....	19
<b>PERIODIC MAINTENANCE</b> .....	5	<b>ENGINE COOLANT</b> .....	19
<b>GENERAL MAINTENANCE</b> .....	5	ENGINE COOLANT : Inspection .....	19
<b>FOR NORTH AMERICA</b> .....	5	ENGINE COOLANT : Draining .....	20
FOR NORTH AMERICA : Explanation of General Maintenance .....	5	ENGINE COOLANT : Refilling .....	20
<b>FOR MEXICO</b> .....	6	ENGINE COOLANT : Flushing .....	22
FOR MEXICO : General Maintenance .....	7	<b>RADIATOR CAP</b> .....	23
<b>PERIODIC MAINTENANCE</b> .....	9	RADIATOR CAP : Inspection .....	23
<b>FOR NORTH AMERICA</b> .....	9	<b>RADIATOR</b> .....	23
FOR NORTH AMERICA : Introduction of Periodic Maintenance .....	9	RADIATOR : Inspection .....	24
<b>FOR MEXICO</b> .....	12	<b>FUEL LINES</b> .....	24
FOR MEXICO : Periodic Maintenance .....	12	FUEL LINES : Inspection .....	24
<b>RECOMMENDED FLUIDS AND LUBRICANTS</b> .....	15	<b>AIR CLEANER FILTER</b> .....	24
<b>FOR NORTH AMERICA</b> .....	15	AIR CLEANER FILTER : Removal and Installation .....	24
FOR NORTH AMERICA : Fluids and Lubricants ....	15	<b>ENGINE OIL</b> .....	24
FOR NORTH AMERICA : Engine Oil Recommendation .....	15	ENGINE OIL : Draining .....	24
FOR NORTH AMERICA : Anti-Freeze Coolant Mixture Ratio .....	16	ENGINE OIL : Refilling .....	25
<b>FOR MEXICO</b> .....	16	<b>OIL FILTER</b> .....	25
		OIL FILTER : Removal and Installation .....	25
		OIL FILTER : Inspection .....	26
		<b>SPARK PLUG</b> .....	26
		SPARK PLUG : Removal and Installation .....	26
		SPARK PLUG : Inspection .....	27
		<b>POSITIVE CRANKCASE VENTILATION SYSTEM</b> .....	27

POSITIVE CRANKCASE VENTILATION SYSTEM : Inspection .....	27	<b>STEERING GEAR AND LINKAGE</b> .....	37
		STEERING GEAR AND LINKAGE : Inspection .....	37
<b>EVAP VAPOR LINES</b> .....	28	<b>POWER STEERING FLUID AND LINES</b> .....	37
EVAP VAPOR LINES : Inspection .....	28	POWER STEERING FLUID AND LINES : Inspection .....	38
<b>CHASSIS MAINTENANCE</b> .....	29	<b>AXLE AND SUSPENSION PARTS</b> .....	38
<b>EXHAUST SYSTEM</b> .....	29	AXLE AND SUSPENSION PARTS : Inspection .....	38
EXHAUST SYSTEM : Inspection .....	29	<b>DRIVE SHAFT</b> .....	38
<b>CVT FLUID</b> .....	29	DRIVE SHAFT : Inspection .....	39
CVT FLUID : Inspection .....	29	<b>BODY MAINTENANCE</b> .....	40
CVT FLUID : Changing .....	30	<b>LOCKS, HINGES AND HOOD LATCH</b> .....	40
<b>TRANSFER OIL</b> .....	31	LOCKS, HINGES AND HOOD LATCH : Lubricating .....	40
TRANSFER OIL : Inspection .....	31	<b>SEAT BELT, BUCKLES, RETRACTORS, ANCHORS AND ADJUSTERS</b> .....	40
TRANSFER OIL : Draining .....	31	SEAT BELT, BUCKLES, RETRACTORS, ANCHORS AND ADJUSTERS : Inspection .....	40
TRANSFER OIL : Refilling .....	31	<b>SERVICE DATA AND SPECIFICATIONS (SDS)</b> .....	41
<b>REAR PROPELLER SHAFT</b> .....	32	<b>SERVICE DATA AND SPECIFICATIONS (SDS)</b> .....	41
REAR PROPELLER SHAFT : Inspection .....	32	<b>DRIVE BELT</b> .....	41
<b>REAR DIFFERENTIAL GEAR OIL</b> .....	32	DRIVE BELT : Drive Belt .....	41
REAR DIFFERENTIAL GEAR OIL : Inspection .....	32	<b>ENGINE COOLANT</b> .....	41
REAR DIFFERENTIAL GEAR OIL : Draining .....	33	ENGINE COOLANT : Periodical Maintenance Specification .....	41
REAR DIFFERENTIAL GEAR OIL : Refilling .....	33	<b>ENGINE OIL</b> .....	41
<b>WHEELS (BONDING WEIGHT TYPE)</b> .....	33	ENGINE OIL : Periodical Maintenance Specification .....	41
WHEELS (BONDING WEIGHT TYPE) : Adjustment .....	33	<b>SPARK PLUG</b> .....	41
<b>BRAKE FLUID LEVEL AND LEAKS</b> .....	35	SPARK PLUG : Spark Plug .....	41
BRAKE FLUID LEVEL AND LEAKS : Inspection .....	35	<b>ROAD WHEEL</b> .....	41
<b>BRAKE LINES AND CABLES</b> .....	35	ROAD WHEEL : Road Wheel .....	41
BRAKE LINES AND CABLES : Inspection .....	36		
<b>BRAKE FLUID</b> .....	36		
BRAKE FLUID : Changing .....	36		
<b>DISC BRAKE</b> .....	36		
DISC BRAKE : Inspection .....	36		
DISC BRAKE : Front Disc Brake .....	37		
DISC BRAKE : Rear Disc Brake .....	37		

# PREPARATION

< PREPARATION >

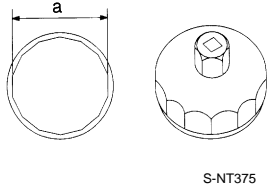
## PREPARATION

PREPARATION  
FOR NORTH AMERICA

FOR NORTH AMERICA : Special Service Tool

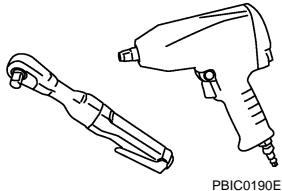
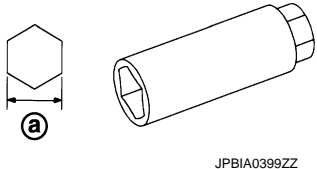
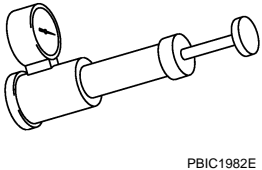
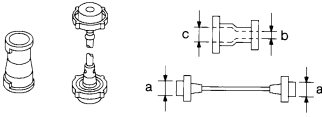
INFOID:000000009722362

The actual shapes of Kent-Moore tools may differ from those of special service tools illustrated here.

Tool number (Kent-Moore No.) Tool name	Description
KV10115801 (J-38956) Oil filter wrench 	Removing and installing oil filter <b>a: 64.3 mm (2.531 in)</b>

FOR NORTH AMERICA : Commercial Service Tool

INFOID:000000009722363

Tool name	Description
Power tool 	Loosening nuts and bolts
Spark plug wrench 	Removing and installing spark plug <b>a: 14 mm (0.55 in)</b>
Radiator cap tester 	Checking radiator and radiator cap
Radiator cap tester adapter 	Adapting radiator cap tester to radiator cap and radiator pipe (upper) filler neck <b>a: 28 (1.10) dia.</b> <b>b: 31.4 (1.236) dia.</b> <b>c: 41.3 (1.626) dia.</b> Unit: mm (in)

FOR MEXICO

A  
B  
C  
D  
E  
F  
G  
H  
I  
J  
K  
L  
M  
N  
O

MA

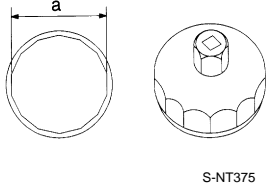
# PREPARATION

< PREPARATION >

## FOR MEXICO : Special Service Tool

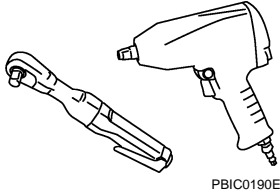
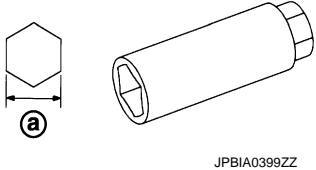
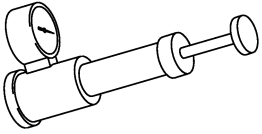
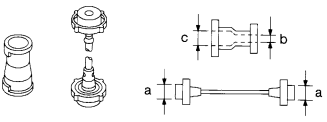
INFOID:000000009722364

The actual shapes of Kent-Moore tools may differ from those of special service tools illustrated here.

Tool number (Kent-Moore No.) Tool name	Description
KV10115801 (J-38956) Oil filter wrench  <p style="text-align: center;">S-NT375</p>	Removing and installing oil filter <b>a: 64.3 mm (2.531 in)</b>

## FOR MEXICO : Commercial Service Tool

INFOID:000000009722365

Tool name	Description
Power tool  <p style="text-align: center;">PBIC0190E</p>	Loosening nuts and bolts
Spark plug wrench  <p style="text-align: center;">JPBIA0399ZZ</p>	Removing and installing spark plug <b>a: 14 mm (0.55 in)</b>
Radiator cap tester  <p style="text-align: center;">PBIC1982E</p>	Checking radiator and radiator cap
Radiator cap tester adapter  <p style="text-align: center;">S-NT564</p>	Adapting radiator cap tester to radiator cap and radiator pipe (upper) filler neck <b>a: 28 (1.10) dia.</b> <b>b: 31.4 (1.236) dia.</b> <b>c: 41.3 (1.626) dia.</b> Unit: mm (in)

# GENERAL MAINTENANCE

< PERIODIC MAINTENANCE >

## PERIODIC MAINTENANCE

### GENERAL MAINTENANCE FOR NORTH AMERICA

#### FOR NORTH AMERICA : Explanation of General Maintenance

INFOID:000000009722366

General maintenance includes those items which should be checked during the normal day-to-day operation of the vehicle. They are essential if the vehicle is to continue operating properly. The owners can perform checks and inspections themselves or have their **NISSAN** dealers do them.

#### OUTSIDE THE VEHICLE

The maintenance items listed here should be performed from time to time, unless otherwise specified.

Item		Reference page
<b>Tires</b>	Check the pressure with a gauge often and always prior to long distance trips. Adjust the pressure in all tires, including the spare, to the pressure specified. Check carefully for damage, cuts or excessive wear.	<a href="#">WT-52</a>
<b>Wheel nuts</b>	When checking the tires, make sure no nuts are missing, and check for any loose nuts. Tighten if necessary.	—
<b>Tire rotation</b>	Tires should be rotated every 5,000 miles (8,000 km).	<a href="#">MA-33</a>
<b>Tire Pressure Monitoring System (TPMS) transmitter components</b>	Replace the TPMS transmitter grommet seal, valve core and cap when the tires are replaced due to wear or age.	<a href="#">WT-48</a>
<b>Wheel alignment and balance</b>	If the vehicle should pull to either side while driving on a straight and level road, or if you detect uneven or abnormal tire wear, there may be a need for wheel alignment. If the steering wheel or seat vibrates at normal highway speeds, wheel balancing may be needed. For additional information regarding tires, refer to "Important Tire Safety Information" (US) or "Tire Safety Information" (Canada) in the NISSAN Warranty Information Booklet.	<a href="#">FSU-7</a> <a href="#">RSU-6</a> <a href="#">MA-33</a>
<b>Windshield</b>	Clean the windshield on a regular basis. Check the windshield at least every six months for cracks or other damage. Repair as necessary.	—
<b>Windshield wiper blades</b>	Check for cracks or wear if they do not wipe properly.	—
<b>Doors and engine hood</b>	Check that all doors and the engine hood operate smoothly as well as the back door. Also make sure that all latches lock securely. Lubricate if necessary. Make sure that the secondary latch keeps the hood from opening when the primary latch is released. When driving in areas using road salt or other corrosive materials, check for lubrication frequently.	<a href="#">MA-40</a>
<b>Lamps</b>	Make sure that the headlamps, stop lamps, tail lamps, turn signal lamps, and other lamps are all operating properly and installed securely. Also check headlamp aim. Clean the headlamps on a regular basis.	—

#### INSIDE THE VEHICLE

The maintenance items listed here should be checked on a regular basis, such as when performing periodic maintenance, cleaning the vehicle, etc.

Item		Reference page
<b>Warning lamps and chimes</b>	Make sure that all warning lamps and chimes are operating properly.	—
<b>Windshield wiper and washer</b>	Check that the wipers and washer operate properly and that the wipers do not streak.	—
<b>Windshield defroster</b>	Check that the air comes out of the defroster outlets properly and in sufficient quantity when operating the heater or air conditioner.	—
<b>Steering wheel</b>	Check that it has the specified play. Check for changes in the steering condition, such as excessive play, hard steering or strange noises. <b>Free play: Less than 35 mm (1.38 in)</b>	—

## GENERAL MAINTENANCE

### < PERIODIC MAINTENANCE >

Item	Reference page	
<b>Seats</b>	Check seat position controls such as seat adjusters, seatback recliner, etc. to make sure they operate smoothly and that all latches lock securely in every position. Check that the head restraints move up and down smoothly and that the locks (if equipped) hold securely in all latched positions. Check that the latches lock securely for folding-down rear seatbacks.	—
<b>Seat belts</b>	Check that all parts of the seat belt system (e.g. buckles, anchors, adjusters and retractors) operate properly and smoothly, and are installed securely. Check the belt webbing for cuts, fraying, wear or damage.	<a href="#">MA-40</a>
<b>Accelerator pedal</b>	Check the pedal for smooth operation and make sure the pedal does not catch or require uneven effort. Keep the floor mats away from the pedal.	—
<b>Brakes</b>	Check that the brake does not pull the vehicle to one side when applied.	—
<b>Brake pedal and booster</b>	Check the pedal for smooth operation and make sure it has the proper distance under it when depressed fully. Check the brake booster function. Be sure to keep the floor mats away from the pedal.	<a href="#">BR-9</a> <a href="#">BR-15</a>
<b>Parking brake</b>	Check that the lever or the pedal has the proper travel and make sure that the vehicle is held securely on a fairly steep hill when only the parking brake is applied.	<a href="#">PB-3</a>
<b>CVT P (Park) position mechanism</b>	On a fairly steep hill check that the vehicle is held securely with the selector lever in the P (Park) position without applying any brakes.	—

### UNDER THE HOOD AND VEHICLE

The maintenance items listed here should be checked periodically (e.g. each time you check the engine oil or refuel).

Item	Reference page	
<b>Windshield washer fluid</b>	Check that there is adequate fluid in the tank.	—
<b>Engine coolant level</b>	Check the coolant level when the engine is cold.	<a href="#">MA-19</a>
<b>Radiator and hoses</b>	Check the front of the radiator and clean off any dirt, insects, leaves, etc., that may have accumulated. Make sure the hoses have no cracks, deformation, deterioration or loose connections.	—
<b>Brake fluid level</b>	Make sure that the brake fluid level is between the "MAX" and "MIN" lines on the reservoir.	<a href="#">MA-35</a>
<b>Battery</b>	Check the fluid level in each cell. It should be between the "MAX" and "MIN" lines. Vehicles operated in high temperatures or under severe conditions require frequent checks of the battery fluid level.	<a href="#">PG-3</a>
<b>Engine drive belts</b>	Make sure that no belt is frayed, worn, cracked or oily.	<a href="#">MA-19</a>
<b>Engine oil level</b>	Check the level on the oil level gauge after parking the vehicle on a level spot and turning off the engine.	<a href="#">LU-8</a>
<b>Power steering fluid level and lines</b>	Check the level on the dipstick with the engine off. Check the lines for improper attachment, leaks, cracks, etc.	<a href="#">MA-38</a>
<b>Exhaust system</b>	Make sure there are no loose supports, cracks or holes. If the sound of the exhaust seems unusual or there is a smell of exhaust fumes, immediately locate the trouble and correct it.	<a href="#">MA-29</a>
<b>Underbody</b>	The underbody is frequently exposed to corrosive substances such as those used on icy roads or to control dust. It is very important to remove these substances, otherwise rust will form on the floor pan, frame, fuel lines and around the exhaust system. At the end of winter, the underbody should be thoroughly flushed with plain water, being careful to clean those areas where mud and dirt can easily accumulate.	—
<b>Fluid leaks</b>	Check under the vehicle for fuel, oil, water or other fluid leaks after the vehicle has been parked for a while. Water dripping from the air conditioner after use is normal. If you should notice any leaks or gasoline fumes are evident, check for the cause and correct it immediately.	—

### FOR MEXICO

# GENERAL MAINTENANCE

< PERIODIC MAINTENANCE >

## FOR MEXICO : General Maintenance

INFOID:00000000972367

General maintenance includes those items which should be checked during the normal day-to-day operation of the vehicle. They are essential if the vehicle is to continue operating properly. The owners can perform the checks and inspections themselves or they can have their **NISSAN** dealers do them.

### OUTSIDE THE VEHICLE

The maintenance items listed here should be performed from time to time, unless otherwise specified.

Item	Reference page	
<b>Doors and hood</b>	Check that all doors and the hood operate smoothly as well as the back door, trunk lid and hatch. Also make sure that all latches lock securely. Lubricate if necessary. Make sure that the secondary latch keeps the hood from opening when the primary latch is released. When driving in areas using road salt or other corrosive materials, check lubrication frequently.	<a href="#">MA-40</a>
<b>Lamps</b>	Clean the headlamps on a regular basis. Make sure that the headlamps, stop lamps, tail lamps, turn signal lamps, and other lamps are all operating properly and installed securely. Also check the aim of the headlamps.	—
<b>Tires</b>	Check the pressure with a gauge often and always prior to long distance trips. Adjust the pressure in all tires, including the spare, to the pressure specified. Check carefully for damage, cuts or excessive wear.	<a href="#">WT-52</a>
<b>Tire rotation</b>	In the case that Two-Wheel Drive (2WD) and front & rear tires are same size; Tires should be rotated every 10,000 km (6,000 miles). Tires marked with directional indicators can only be rotated between front and rear. Make sure that the directional indicators point in the direction of wheel rotation after the tire rotation is completed. In the case that Four-Wheel Drive (4WD) and front & rear tires are same size; Tires should be rotated every 5,000 km (3,000 miles). Tires marked with directional indicators can only be rotated between front and rear. Make sure that the directional indicators point in the direction of wheel rotation after the tire rotation is completed. In the case that front tires are different size from rear tires; Tires cannot be rotated. However, the timing for tire rotation may vary according to your driving habits and the road surface conditions.	<a href="#">MA-33</a>
<b>Tire Pressure Monitoring System (TPMS) transmitter components (if equipped)</b>	Replace the TPMS transmitter grommet seal, valve core and cap when the tires are replaced due to wear or age.	—
<b>Wheel alignment and balance</b>	If the vehicle should pull to either side while driving on a straight and level road, or if you detect uneven or abnormal tire wear, there may be a need for wheel alignment. If the steering wheel or seat vibrates at normal highway speeds, wheel balancing may be needed.	<a href="#">FSU-7</a> <a href="#">RSU-6</a> <a href="#">MA-33</a>
<b>Windshield</b>	Clean the windshield on a regular basis. Check the windshield at least every six months for cracks or other damage. Repair as necessary.	—
<b>Wiper blades</b>	Check for cracks or wear if not functioning correctly.	—

### INSIDE THE VEHICLE

The maintenance items listed here should be checked on a regular basis, such as when performing periodic maintenance, cleaning the vehicle, etc.

Item	Reference page	
<b>Accelerator pedal</b>	Check the pedal for smooth operation and make sure that the pedal does not catch or require uneven effort. Keep the floor mats away from the pedal.	—
<b>Brake pedal</b>	Check the pedal for smooth operation and make sure that it is the proper distance from the floor mat when depressed fully. Check the brake booster function. Be sure to keep the floor mats away from the pedal.	<a href="#">BR-9</a>
<b>Parking brake</b>	Check the parking brake operation regularly. Check that the lever (if equipped) or the pedal (if equipped) has the proper travel. Also make sure that the vehicle is held securely on a fairly steep hill when only the parking brake is applied.	<a href="#">PB-3</a>
<b>Seat belts</b>	Check that all parts of the seat belt system (for example, buckles, anchors, adjusters and retractors) operate properly and smoothly, and are installed securely. Check the belt webbing for cuts, fraying, wear or damage.	<a href="#">MA-40</a>

## GENERAL MAINTENANCE

### < PERIODIC MAINTENANCE >

	Item	Reference page
<b>Steering wheel</b>	Check for changes in the steering condition, such as excessive play, hard steering or strange noises. Check that it has the specified play. <b>Free play: Less than 35 mm (1.38 in)</b>	—
<b>Warning lamps and chimes</b>	Make sure that all warning lamps and chimes are operating properly.	—
<b>Windshield defogger</b>	Check that the air comes out of the defogger outlets properly and in good quantity when operating the heater or air conditioner.	—
<b>Windshield wiper and washer</b>	Check that the wipers and washer operate properly and that the wipers do not streak.	—

### UNDER THE HOOD AND VEHICLE

The maintenance items listed here should be checked periodically (for example, each time you check the engine oil or refuel.)

	Item	Reference page
<b>Battery</b>	Except for maintenance free battery; Check the fluid level in each cell. It should be between the "UPPER" and "LOWER" lines. Vehicles operated in high temperatures or under severe conditions require frequent checks of the battery fluid level.	<a href="#">PG-3</a>
<b>Brake (and clutch) fluid level(s)</b>	For Manual Transmission (MT) model; Make sure that the brake and clutch fluid levels are between the "MAX" and "MIN" lines on the reservoir(s). Except for Manual Transmission (MT) model; Make sure that the brake fluid level is between the "MAX" and "MIN" lines on the reservoir.	<a href="#">MA-35</a>
<b>Coolant level</b>	Check the coolant level when the coolant is cold. Make sure that the coolant level is between the "MAX" and "MIN" lines on the reservoir.	<a href="#">MA-19</a>
<b>Engine drive belt(s)</b>	Make sure that drive belt(s) is/are not frayed, worn, cracked or oily.	<a href="#">MA-19</a>
<b>Engine oil level</b>	Check the level after parking the vehicle (on a level ground) and turning off the engine.	<a href="#">LU-8</a>
<b>Fluid leaks</b>	Check under the vehicle for fuel, oil, water or other fluid leaks after the vehicle has been parked for a while. Water dripping from the air conditioner after use is normal. If you should notice any leaks or if fuel fumes are evident, check for cause and have it corrected immediately.	—
<b>Power steering fluid level and lines</b>	Check the level when the fluid is cold, with the engine off. Check the lines for proper attachment, leaks, cracks, etc.	<a href="#">MA-38</a>
<b>Windshield washer fluid</b>	Check that there is adequate fluid in the reservoir.	—



# PERIODIC MAINTENANCE

< PERIODIC MAINTENANCE >

## PERIODIC MAINTENANCE FOR NORTH AMERICA

### FOR NORTH AMERICA : Introduction of Periodic Maintenance

INFOID:0000000010007315

The following tables show the normal maintenance schedule. Depending upon weather and atmospheric conditions, varying road surfaces, individual driving habits and vehicle usage, additional or more frequent maintenance may be required.

**Periodic maintenance beyond the last period shown on the tables requires similar maintenance.**

#### ENGINE AND EMISSION CONTROL MAINTENANCE

Abbreviations: R = Replace, I = Inspect and correct or replace as necessary

MAINTENANCE OPERATION		MAINTENANCE INTERVAL								
Perform either at number of miles, kilometers or months, whichever comes first.	Miles x 1,000 (km x 1,000)	5 (8)	10 (16)	15 (24)	20 (32)	25 (40)	30 (48)	35 (56)	40 (64)	45 (72)
	Months	6	12	18	24	30	36	42	48	48
Drive belts	NOTE (1)								I*	
Air cleaner filter	NOTE (2)						R			
EVAP vapor lines					I*				I*	
Fuel lines					I*				I*	
Fuel filter	NOTE (3)									
Engine coolant*	NOTE (4)(5)									
Engine oil		R	R	R	R	R	R	R	R	R
Engine oil filter (Use genuine NISSAN engine oil filter or equivalent)		R	R	R	R	R	R	R	R	R
Spark plugs (Iridium-tipped type)	NOTE (6)	Replace every 105,000 miles (168,000 km)								
Intake & exhaust valve clearance	NOTE (7)									

MAINTENANCE OPERATION		MAINTENANCE INTERVAL								
Perform either at number of miles, kilometers or months, whichever comes first.	Miles x 1,000 (km x 1,000)	50 (80)	55 (88)	60 (96)	65 (104)	70 (112)	75 (120)	80 (128)	85 (136)	90 (144)
	Months	60	66	72	78	84	90	96	102	108
Drive belts	NOTE (1)	I*		I*		I*		I*		I*
Air cleaner filter	NOTE (2)			R						R
EVAP vapor lines				I*				I*		
Fuel lines				I*				I*		
Fuel filter	NOTE (3)									
Engine coolant*	NOTE (4)(5)									
Engine oil		R	R	R	R	R	R	R	R	R
Engine oil filter (Use genuine NISSAN engine oil filter or equivalent)		R	R	R	R	R	R	R	R	R
Spark plugs (Iridium-tipped type)	NOTE (6)	Replace every 105,000 miles (168,000 km)								
Intake & exhaust valve clearance	NOTE (7)									

MAINTENANCE OPERATION		MAINTENANCE INTERVAL						Reference Page
Perform either at number of miles, kilometers or months, whichever comes first.	Miles x 1,000 (km x 1,000)	95 (152)	100 (160)	105 (168)	110 (176)	115 (184)	120 (192)	
	Months	114	120	126	132	138	144	
Drive belts	NOTE (1)		I*		I*		I*	<a href="#">MA-19</a>
Air cleaner filter	NOTE (2)						R	<a href="#">MA-24</a>
EVAP vapor lines			I*				I*	<a href="#">MA-28</a>
Fuel lines			I*				I*	<a href="#">MA-24</a>

# PERIODIC MAINTENANCE

## < PERIODIC MAINTENANCE >

MAINTENANCE OPERATION		MAINTENANCE INTERVAL						Reference Page
	Miles x 1,000 (km x 1,000) Months	95 (152) 114	100 (160) 120	105 (168) 126	110 (176) 132	115 (184) 138	120 (192) 144	
Perform either at number of miles, kilometers or months, whichever comes first.								
Fuel filter	NOTE (3)							—
Engine coolant*	NOTE (4)(5)							<a href="#">MA-20</a>
Engine oil		R	R	R	R	R	R	<a href="#">MA-24</a>
Engine oil filter (Use genuine NISSAN engine oil filter or equivalent)		R	R	R	R	R	R	<a href="#">MA-25</a>
Spark plugs (Iridium-tipped type)	NOTE (6)	Replace every 105,000 miles (168,000 km)						<a href="#">MA-26</a>
Intake & exhaust valve clearance	NOTE (7)							<a href="#">EM-22</a>

### NOTE:

- (1) After 40,000 miles (64,000 km) or 48 months, inspect every 10,000 miles (16,000 km) or 12 months. Replace the drive belts if found damaged.
- (2) If operating mainly in dusty conditions, more frequent maintenance may be required.
- (3) Maintenance-free item. For service procedures, refer to FL section.
- (4) First replacement interval is 105,000 miles (168,000 km) or 84 months. After first replacement, replace every 75,000 miles (120,000 km) or 60 months.
- (5) Use only Genuine NISSAN Long Life Antifreeze / Coolant (blue) or equivalent with proper mixture ratio of 50% antifreeze and 50% demineralized or distilled water. Mixing any other type of coolant or the use of non-distilled water will reduce the life expectancy of the factory-fill coolant.
- (6) Replace spark plug when the spark plug gap exceeds 1.4 mm (0.055 in), even if within specified periodic replacement mileage.
- (7) Periodic maintenance is not required. However, if valve noise increases, inspect valve clearance.

\*: Maintenance items and intervals with "\*" are recommended by NISSAN for reliable vehicle operation. The owner need not perform such maintenance in order to maintain the emission warranty or manufacturer recall liability. Other maintenance items and intervals are required.

## CHASSIS AND BODY MAINTENANCE

Abbreviations: R= Replace. I = Inspect. Correct or replace if necessary.

MAINTENANCE OPERATION		MAINTENANCE INTERVAL								
	Miles x 1,000 (km x 1,000) Months	5 (8) 6	10 (16) 12	15 (24) 18	20 (32) 24	25 (40) 30	30 (48) 36	35 (56) 42	40 (64) 48	45 (72) 54
Perform either at number of miles, kilometers or months, whichever comes first.										
Brake line & cables			I		I		I		I	
Brake pads, rotors★			I		I		I		I	
Brake fluid ★					R				R	
CVT fluid	NOTE (1)		I		I		I		I	
Transfer oil & differential gear oil	NOTE (2)		I		I		I		I	
Steering gear and linkage, axle and suspension parts ★					I				I	
Tire rotation	NOTE (3)									
Propeller shaft (AWD) & drive shaft boots★			I		I		I		I	
Exhaust system★					I				I	
In-cabin microfilter				R			R			R

MAINTENANCE OPERATION		MAINTENANCE INTERVAL								
	Miles x 1,000 (km x 1,000) Months	50 (80) 60	55 (88) 66	60 (96) 72	65 (104) 78	70 (112) 84	75 (120) 90	80 (128) 96	85 (136) 102	90 (144) 108
Perform either at number of miles, kilometers or months, whichever comes first.										
Brake line & cables		I		I		I		I		I
Brake pads, rotors ★		I		I		I		I		I

# PERIODIC MAINTENANCE

## < PERIODIC MAINTENANCE >

MAINTENANCE OPERATION	Miles x 1,000 (km x 1,000) Months	MAINTENANCE INTERVAL								
		50 (80) 60	55 (88) 66	60 (96) 72	65 (104) 78	70 (112) 84	75 (120) 90	80 (128) 96	85 (136) 102	90 (144) 108
Perform either at number of miles, kilometers or months, whichever comes first.										
Brake fluid ★				R				R		
CVT fluid	NOTE (1)	I		I		I		I		I
Transfer oil & differential gear oil	NOTE (2)	I		I		I		I		I
Steering gear and linkage, axle and suspension parts ★				I				I		
Tire rotation	NOTE (3)									
Propeller shaft (AWD) & drive shaft boots★		I		I		I		I		I
Exhaust system★				I				I		
In-cabin microfilter				R			R			R

MAINTENANCE OPERATION	Miles x 1,000 (km x 1,000) Months	MAINTENANCE INTERVAL						Reference Page
		95 (152) 114	100 (160) 120	105 (168) 126	110 (176) 132	115 (184) 138	120 (192) 90	
Perform either at number of miles, kilometers or months, whichever comes first.								
Brake line & cables			I		I		I	<a href="#">MA-36</a>
Brake pads, rotors ★			I		I		I	<a href="#">MA-36</a>
Brake fluid ★			R				R	<a href="#">MA-36</a>
CVT fluid	NOTE (1)		I		I		I	<a href="#">MA-29</a>
Transfer oil & differential gear oil	NOTE (2)		I		I		I	<a href="#">MA-31</a> <a href="#">MA-32</a>
Steering gear and linkage, axle and suspension parts ★			I				I	<a href="#">MA-37</a> <a href="#">MA-38</a>
Tire rotation	NOTE (3)							<a href="#">MA-5</a> <a href="#">MA-33</a>
Propeller shaft (AWD) & drive shaft boots★			I		I		I	<a href="#">MA-32</a> <a href="#">MA-39</a>
Exhaust system★			I				I	<a href="#">MA-29</a>
In-cabin microfilter				R			R	<a href="#">VTL-21</a> <a href="#">VTL-87</a>

**NOTE:**

- Maintenance items with “★” should be performed more frequently according to “Maintenance Under Severe Driving Conditions”.
- (1) Use only Genuine NISSAN CVT fluid. If towing a trailer, using a camper or a car-top carrier, of driving on rough or muddy roads, inspect CVT fluid deterioration at a NISSAN dealer every 60,000 miles (96,000 km), then change CVT fluid if necessary. And if the inspection is not performed, change (not just inspect) CVT fluid every 60,000 miles (96,000 km).
- (2) If tower a trailer, using a camper or car-top carrier, or driving on rough or muddy roads, change (not just inspect) oil at every 20,000 miles (32,000 km) or 24 months.
- (3) Refer to “Tire rotation” under “GENERAL MAINTENANCE” heading earlier in this section.

### MAINTENANCE UNDER SEVERE DRIVING CONDITIONS

The maintenance intervals shown on the preceding pages are for normal operating conditions. If the vehicle is mainly operated under severe driving conditions as shown below, more frequent maintenance must be performed on the following items as shown in the table.

**Severe driving conditions**

- Repeated short trips of less than 5 miles (8 km).
- Repeated short trips of less than 10 miles (16 km) with outside temperatures remaining below freezing.
- Operating in hot weather in stop-and-go “rush hour” traffic.
- Extensive idling and/or low speed driving for long distances, such as police, taxi or door-to-door delivery use.
- Driving in dusty conditions.

A  
B  
C  
D  
E  
F  
G  
H  
I  
J  
K  
L  
M  
N  
O

MA

# PERIODIC MAINTENANCE

## < PERIODIC MAINTENANCE >

- Driving on rough, muddy, or salt spread roads.
- Towing a trailer, using a camper or a car-top carrier

Maintenance operation: Check = Check and correct or replace as necessary.

Maintenance item	Maintenance operation	Maintenance interval	Reference page
Brake fluid	Replace	Every 10,000 miles (16,000 km) or 12 months	<a href="#">MA-36</a>
Brake pads, rotors	Inspect	Every 5,000 miles (8,000 km) or 6 months	<a href="#">MA-36</a>
Steering gear & linkage, axle & suspension parts	Inspect	Every 5,000 miles (8,000 km) or 6 months	<a href="#">MA-37</a> <a href="#">MA-38</a>
Propeller shaft (AWD) & drive shaft boots	Inspect	Every 5,000 miles (8,000 km) or 6 months	<a href="#">MA-32</a> <a href="#">MA-39</a>
Exhaust system	Inspect	Every 5,000 miles (8,000 km) or 6 months	<a href="#">MA-29</a>

## FOR MEXICO

### FOR MEXICO : Periodic Maintenance

INFOID:000000009722371

The following tables show the normal maintenance schedule. Depending upon weather and atmospheric conditions, varying road surfaces, individual driving habits and vehicle usage, additional or more frequent maintenance may be required.

**Periodic maintenance beyond the last period shown on the tables requires similar maintenance.**

### ENGINE AND EMISSION CONTROL MAINTENANCE

Abbreviations: I = Inspect and correct or replace as necessary, R = Replace, E = Check and correct the engine coolant mixture ratio.

MAINTENANCE OPERATION		MAINTENANCE INTERVAL								Reference page
Perform either at number of kilometers (miles) or months, whichever comes first.	km x 1,000 (Miles x 1,000) Months	10 (6)	20 (12)	30 (18)	40 (24)	50 (30)	60 (36)	70 (42)	80 (48)	
<b>Underhood and under vehicle</b>										
Intake & exhaust valve clearance	See NOTE (1)									<a href="#">EM-22</a>
Drive belt	See NOTE (2)				I				I	<a href="#">MA-19</a>
Engine oil (Use recommended oil.)★		R	R	R	R	R	R	R	R	<a href="#">MA-24</a>
Engine oil filter (Use genuine NISSAN engine oil filter or equivalent.)★		R	R	R	R	R	R	R	R	<a href="#">MA-25</a>
Engine coolant	See NOTE (3)				E				E	<a href="#">MA-20</a>
Cooling system					I				I	<a href="#">MA-19</a> , <a href="#">MA-23</a> , <a href="#">MA-24</a>
Fuel lines					I				I	<a href="#">MA-24</a>
Air cleaner filter (Viscous paper type)★					R				R	<a href="#">MA-24</a>
Positive crankcase ventilation (PCV) system					I				I	<a href="#">MA-27</a>
Fuel filter (In-tank type)	See NOTE (4)									—
Spark plugs (Iridium-tipped type)	See NOTE (5)	Replace every 100,000 km (60,000 miles)								<a href="#">MA-26</a>
EVAP vapor lines (With carbon canister)					I				I	<a href="#">MA-28</a>

**NOTE:**

# PERIODIC MAINTENANCE

## < PERIODIC MAINTENANCE >

- Maintenance items with “★” should be performed more frequently according to “Maintenance Under Severe Driving Conditions”.
- (1) Periodic maintenance is not required. However, if valve noise increases, check valve clearance.
- (2) Replace the drive belt if found damaged or if the auto belt tensioner reading reaches the maximum limit.
- (3) Use Genuine NISSAN Engine Coolant (blue) or equivalent in its quality, in order to avoid possible aluminium corrosion within the engine cooling system caused by the use of non-genuine engine coolant. Check and correct the engine coolant mixture ratio every 40,000 km (24,000 miles) or 24 months. First replacement interval is 160,000 km (96,000 miles) or 96 months. After first replacement, replace every 80,000 km (48,000 miles) or 48 months.
- (4) Maintenance-free item. For service procedures, refer to FL section.
- (5) Replace spark plug when the spark plug gap exceeds 1.4 mm (0.055 in) even if within specified periodic replacement mileage.

## CHASSIS AND BODY MAINTENANCE

Abbreviations: I = Inspect and correct or replace as necessary, R = Replace

MAINTENANCE OPERATION		MAINTENANCE INTERVAL								Reference page
Perform either at number of kilometers (miles) or months, whichever comes first.	km x 1,000 (Miles x 1,000)	10 (6)	20 (12)	30 (18)	40 (24)	50 (30)	60 (36)	70 (42)	80 (48)	
	Months	6	12	18	24	30	36	42	48	
<b>Underhood and under vehicle</b>										
Brake line & cables			I		I		I		I	<a href="#">MA-36</a>
Brake fluid (For level & leaks)			I		I		I		I	<a href="#">MA-35</a>
Brake fluid★					R				R	<a href="#">MA-36</a>
Exhaust system					I				I	<a href="#">MA-29</a>
Power steering fluid & lines (For level & leaks)			I		I		I		I	<a href="#">MA-38</a>
CVT fluid (For level & leaks)	See NOTE (1)		I		I		I		I	<a href="#">MA-29</a>
Transfer gear oil (For level & leaks)			I		I		I		I	<a href="#">MA-31</a>
Rear differential gear oil (For level & leaks)★			I		I		I		I	<a href="#">MA-32</a>
Propeller shaft (4WD) & drive shafts★			I		I		I		I	<a href="#">MA-32</a> , <a href="#">MA-39</a>
Steering gear & linkage, axle & suspension parts★					I				I	<a href="#">MA-37</a> , <a href="#">MA-38</a>
<b>Outside and inside</b>										
Wheel alignment (If necessary, rotate & balance wheels)			I		I		I		I	<a href="#">FSU-7</a> , <a href="#">RSU-6</a> , <a href="#">MA-33</a>
Brake pads, rotors, drums & linings★			I		I		I		I	<a href="#">MA-36</a> , <a href="#">BR-16</a> , <a href="#">BR-18</a> , <a href="#">PB-9</a>
Seat belts, buckles, retractors, anchors & adjusters			I		I		I		I	<a href="#">MA-40</a>
Foot brake & parking brake (For free play, stroke & operation)			I		I		I		I	<a href="#">BR-9</a> , <a href="#">PB-3</a>
Air conditioner filter★			R		R		R		R	<a href="#">VTL-21</a> , <a href="#">VTL-87</a>

### NOTE:

- Maintenance items with “★” should be performed more frequently according to “Maintenance Under Severe Driving Conditions”.
- (1) Use only Genuine NISSAN CVT fluid. If towing a trailer, using a camper or a car-top carrier or driving on rough or muddy roads, inspect CVT fluid deterioration at NISSAN dealers every 100,000 km (60,000 miles), then change CVT fluid if necessary. And if the inspection is not performed, change (not just inspect) CVT fluid every 100,000 km (60,000 miles). **Using transmission fluid other than Genuine NISSAN CVT Fluid will damage the CVT, which is not covered by the warranty.**

# PERIODIC MAINTENANCE

## < PERIODIC MAINTENANCE >

### MAINTENANCE UNDER SEVERE DRIVING CONDITIONS

The maintenance intervals shown on the preceding pages are for normal operating conditions. If the vehicle is mainly operated under severe driving conditions as shown below, more frequent maintenance must be performed on the following items as shown in the table.

#### Severe driving conditions

A — Driving under dusty conditions

B — Driving repeatedly short distances

C — Towing a trailer or caravan

D — Extensive idling

E — Driving in extremely adverse weather conditions or in areas where ambient temperatures are either extremely low or extremely high

F — Driving in high humidity or mountainous areas

G — Driving in areas using salt or other corrosive areas

H — Driving on rough and/or muddy roads or in the desert

I — Driving with frequent use of braking or in mountainous areas

J — Frequent driving in water

Maintenance operation: Inspect = Inspect. Correct or replace if necessary.

Driving condition										Maintenance item	Maintenance operation	Maintenance interval	Reference page
A	.	.	.	.	.	.	.	.	.	Air cleaner filter (Viscous paper type)	Replace	More frequently	<a href="#">MA-24</a>
A	B	C	D	.	.	.	.	.	.	Engine oil & engine oil filter	Replace	Every 5,000 km (3,000 miles) or 3 months	<a href="#">MA-24</a> , <a href="#">MA-25</a>
.	.	.	.	.	F	.	.	.	.	Brake fluid	Replace	Every 20,000 km (12,000 miles) or 12 months	<a href="#">MA-36</a>
.	.	C	.	.	.	.	H	.	.	Rear differential gear oil	Replace	Every 40,000 km (24,000 miles) or 24 months	<a href="#">MA-33</a>
.	.	.	.	.	.	G	H	.	.	Propeller shaft & drive shafts	Inspect	Every 10,000 km (6,000 miles) or 6 months	<a href="#">MA-32</a> , <a href="#">MA-39</a>
.	.	.	.	.	.	G	H	.	.	Steering gear & linkage, axle & suspension parts	Inspect	Every 20,000 km (12,000 miles) or 12 months	<a href="#">MA-37</a> , <a href="#">MA-38</a>
A	.	C	.	.	.	G	H	I	.	Brake pads, rotors, drums & linings	Inspect	Every 10,000 km (6,000 miles) or 6 months	<a href="#">MA-36</a> , <a href="#">BR-16</a> , <a href="#">BR-18</a> , <a href="#">PB-9</a>
A	.	.	.	.	.	.	.	.	.	Air conditioner filter	Replace	More frequently	<a href="#">VTL-21</a> , <a href="#">VTL-87</a>

# RECOMMENDED FLUIDS AND LUBRICANTS

< PERIODIC MAINTENANCE >

## RECOMMENDED FLUIDS AND LUBRICANTS FOR NORTH AMERICA

FOR NORTH AMERICA : Fluids and Lubricants

INFOID:000000009722372

		Capacity (Approximate)			Recommended Fluids/Lubricants
		US measure	Imp measure	Liter	
Engine oil Drain and refill	With oil filter change	4-7/8 qt	4 qt	4.6	Genuine NISSAN engine oil or equivalent*1 Engine oil with API Certification Mark *2 Viscosity SAE 5W-30
	Without oil filter change	4-1/2 qt	3-3/4 qt	4.3	
Dry engine (Overhaul)		5-5/8 qt	4-5/8 qt	5.3	
Cooling system	With reservoir tank	9-1/2 qt	7-7/8 qt	9.0	Pre-diluted Genuine NISSAN Long Life Anti- freeze/Coolant (blue) or equivalent
	Reservoir tank	7/8 qt	3/4 qt	0.8	
CVT fluid		10-3/4 qt	9 qt	10.2	Genuine NISSAN CVT Fluid NS-3*3
Differential gear oil		1-1/8 pt	1 pt	0.55	Genuine NISSAN Differential Oil Hypoid Su- per GL-5 80W-90 or API GL-5, Viscosity SAE 80W-90*4
Transfer oil		5/8 pt	1/2 pt	0.31	Genuine NISSAN Differential Oil Hypoid Su- per GL-5 80W-90 or API GL-5, Viscosity SAE 80W-90
Power steering fluid (PSF)		1-1/8 qt	7/8 qt	1.0	Genuine NISSAN PSF or equivalent*5
Brake fluid		—	—	—	Genuine NISSAN Super Heavy Duty Brake Fluid*6 or equivalent DOT 3 (US FMVSS No. 116)
Multi-purpose grease		—	—	—	NLGI No. 2 (Lithium soap base)
Windshield washer fluid		—	—	—	Genuine NISSAN Windshield Washer Con- centrate Cleaner & Antifreeze or equivalent
Fuel recommendation		—	—	—	Refer to <a href="#">GI-35. "Fuel"</a>

\*1: NISSAN recommends Genuine NISSAN Ester oil available at a NISSAN dealer.

\*2: For additional information, see "Engine Oil Recommendation".

\*3: Use only Genuine NISSAN CVT Fluid NS-3. Using transmission fluid other than Genuine NISSAN CVT Fluid NS-3 will damage the CVT, which is not covered by the NISSAN new vehicle limited warranty.

\*4: For hot climates, viscosity SAE 90 is suitable for ambient temperatures above 32°F (0°C).

\*5: DEXRON™ VI type ATF may also be used.

\*6: Available in mainland U.S.A. through a NISSAN dealer.

## FOR NORTH AMERICA : Engine Oil Recommendation

INFOID:000000009722373

NISSAN recommends the use of an energy conserving oil in order to improve fuel economy. Select only engine oils that meet the American Petroleum Institute (API) certification and International Lubricant Standardization and Approval Committee (ILSAC) certification and SAE viscosity standard. These oils have the API certification mark on the front of the container. Oils which do not have the specified quality label should not be used as they could cause engine damage.

MA

# RECOMMENDED FLUIDS AND LUBRICANTS

< PERIODIC MAINTENANCE >



1. API certification mark

2. API service symbol

## FOR NORTH AMERICA : Anti-Freeze Coolant Mixture Ratio

INFOID:000000009722374

The engine cooling system is filled at the factory with a pre-diluted mixture of 50% Genuine NISSAN Long Life Antifreeze/Coolant (blue) and 50% water to provide year-round anti-freeze and coolant protection. The anti-freeze solution contains rust and corrosion inhibitors. Additional engine cooling system additives are not necessary.

### WARNING:

- Never remove the radiator or coolant reservoir cap when the engine is hot. Wait until the engine and radiator cool down. Serious burns could be caused by high pressure fluid escaping from the radiator.
- The radiator is equipped with a pressure type radiator cap. To prevent engine damage, use only a genuine NISSAN radiator cap.

### CAUTION:

- When adding or replacing coolant, be sure to use only Genuine NISSAN Long Life Antifreeze/Coolant (blue) or equivalent. Genuine NISSAN Long Life Antifreeze/Coolant (blue) is pre-diluted to provide antifreeze protection to -34°F (-37°C). If additional freeze protection is needed due to weather where you operate your vehicle, add Genuine NISSAN Long Life Antifreeze/Coolant (blue) concentrate following the directions on the container. If an equivalent coolant other than Genuine NISSAN Long Life Antifreeze/Coolant (blue) is used, follow the coolant manufacturer's instructions to maintain minimum antifreeze protection to -34°F (-37°C). The use of other types of coolant solutions other than Genuine NISSAN Long Life Antifreeze/Coolant (blue) or equivalent may damage the engine cooling system.
- Mixing any other type of coolant other than Genuine NISSAN Long Life Antifreeze/Coolant (blue), including Genuine NISSAN Long Life Antifreeze/Coolant (green), or the use of non-distilled water will reduce the life expectancy of the factory-fill coolant.

## FOR MEXICO

### FOR MEXICO : Fluids and Lubricants

INFOID:000000009722375

		Capacity (Approximate)		Recommended Fluids/Lubricants
		Liter	Imp measure	
Engine oil Drain and refill	With oil filter change	4.6	4 qt	Genuine NISSAN engine oil* <sup>1</sup> API grade SL, SM or SN* <sup>1</sup> ILSAC grade GF-3, GF-4 or GF-5* <sup>1</sup> Viscosity SAE 10W-30
	Without oil filter change	4.3	3-3/4 qt	
Dry engine (engine overhaul)		5.3	4-5/8 qt	Genuine NISSAN Engine Coolant (blue) or equivalent* <sup>2</sup>
Cooling system (with reservoir)		9.0	7-7/8 qt	
Reservoir tank		0.8	3/4 qt	
Transfer oil		0.31	1/2 pt	Genuine NISSAN Differential Oil Hypoid Super GL-5 80W-90 or API GL-5, Viscosity SAE 80W-90
Differential gear oil		0.55	1 pt	
CVT fluid		10.2	9 qt	Genuine NISSAN CVT fluid NS-2* <sup>3</sup>
Power steering fluid (PSF)		1.0	7/8 qt	Genuine NISSAN PSF or equivalent* <sup>4</sup>



# RECOMMENDED FLUIDS AND LUBRICANTS

## < PERIODIC MAINTENANCE >

	Capacity (Approximate)		Recommended Fluids/Lubricants
	Liter	Imp measure	
Brake fluid	—	—	Genuine NISSAN Brake Fluid or equivalent DOT 3 (US FMVSS No. 116)
Multi-purpose grease	—	—	NLGI No. 2 (Lithium soap base)

\*1: For additional information, see "SAE Viscosity Number".

\*2: Use Genuine NISSAN Engine Coolant (blue) or equivalent in its quality, in order to avoid possible aluminum corrosion within the engine cooling system caused by the use of non-genuine engine coolant.

**Note that any repairs for the incidents within the engine cooling system while using non-genuine engine coolant may not be covered by the warranty even if such incidents occurred during the warranty period.**

\*3: Use only Genuine NISSAN CVT Fluid NS-2. Using transmission fluid other than Genuine NISSAN CVT fluid NS-2 will damage the CVT, which is not covered by the warranty.

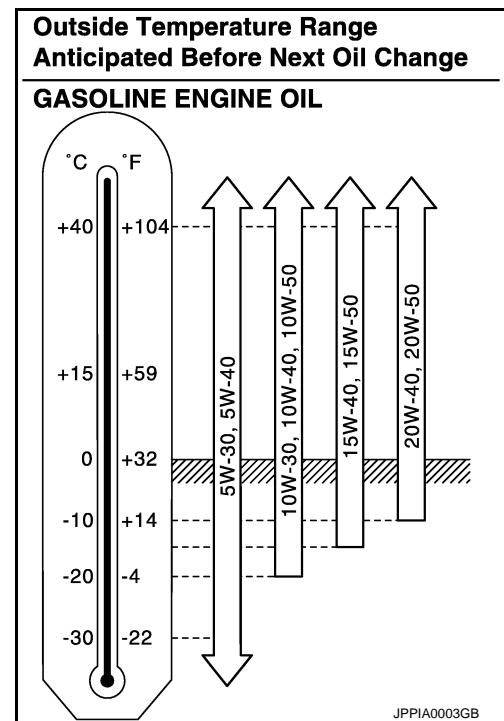
\*4: DEXRON™ VI type ATF may also be used.

## FOR MEXICO : SAE Viscosity Number

INFOID:000000009722376

### GASOLINE ENGINE

- 10W-30 is preferable.  
5W-30 is also preferable and will improve fuel economy.  
If 10W-30 or 5W-30 is not available, select the viscosity, from the chart, that is suitable for the outside temperature range.



## FOR MEXICO : Engine Coolant Mixture Ratio

INFOID:000000009722377

The engine cooling system is filled at the factory with a high-quality, year-round and extended life engine coolant. The high quality engine coolant contains the specific solutions effective for the anti-corrosion and the anti-freeze function. Therefore, additional cooling system additives are not necessary.

### CAUTION:

- When adding or replacing coolant, be sure to use only Genuine NISSAN Engine Coolant or equivalent in its quality with the proper mixture ratio. See the examples shown right.

The use of other types of engine coolant may damage the engine cooling system.

- When checking the engine coolant mixture ratio by the coolant hydrometer, use the chart below to correct your hydrometer reading (specific gravity) according to coolant temperature.

Outside temperature down to		Composition	
°C	°F	Engine coolant (Concentrated)	Demineralized water or distilled water
-15	5	30%	70%
-35	-30	50%	50%

SMA089D

Mixed coolant specific gravity

# RECOMMENDED FLUIDS AND LUBRICANTS

## < PERIODIC MAINTENANCE >

Unit: specific gravity

Engine coolant mixture ratio	Coolant temperature °C (°F)			
	15 (59)	25 (77)	35 (95)	45 (113)
30%	1.046 - 1.050	1.042 - 1.046	1.038 - 1.042	1.033 - 1.038
50%	1.076 - 1.080	1.070 - 1.076	1.065 - 1.071	1.059 - 1.065

**WARNING:**

Never remove the radiator cap when the engine is hot. Serious burns could be caused by high pressure fluid escaping from the radiator. Wait until the engine and radiator cool down.

# ENGINE MAINTENANCE

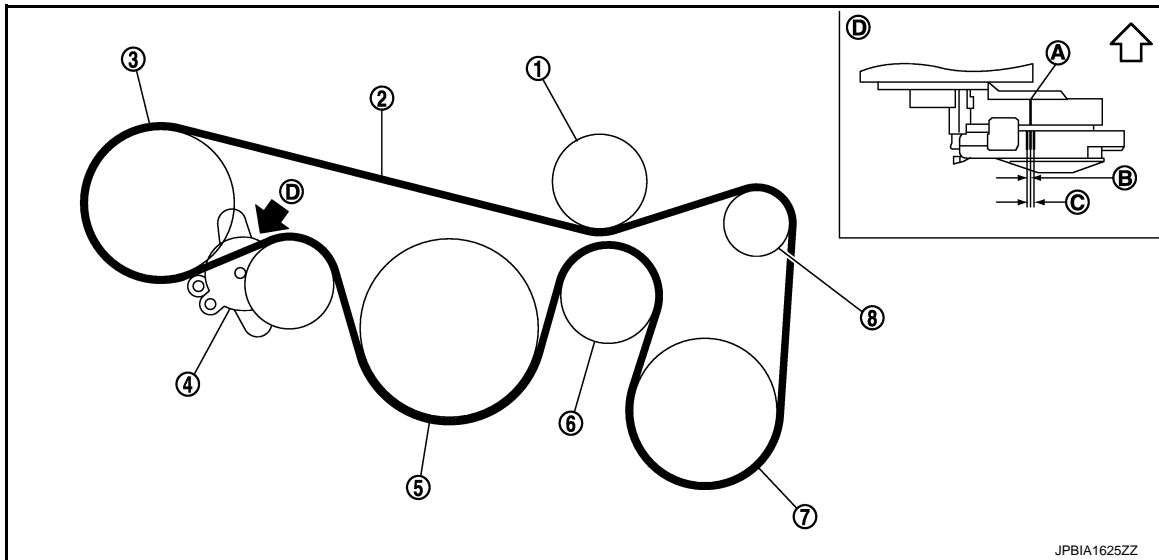
< PERIODIC MAINTENANCE >

## ENGINE MAINTENANCE

### DRIVE BELT

#### DRIVE BELT : Exploded View

INFOID:000000009722378



- |                              |   |                            |
|------------------------------|---|----------------------------|
| 1. Idler pulley              | 2. Drive belt                             | 3. Power steering oil pump |
| 4. Drive belt auto-tensioner | 5. Crankshaft pulley                      | 6. Idler pulley            |
| 7. A/C compressor            | 8. Alternator                             |                            |
| A. Indicator                 | B. Range when new drive belt is installed | C. Possible use range      |
| D. View D                    |   |                            |
- ↶ : Engine front

#### DRIVE BELT : Checking

INFOID:000000009722379

#### **WARNING:**

**Be sure to perform the this step when engine is stopped.**

- Check that the indicator (A) of drive belt auto-tensioner is within the possible use range (C).

#### **NOTE:**

- Check the drive belt auto-tensioner indication when the engine is cold.
- When new drive belt is installed, the indicator should be within the range (B) in the figure.
- Visually check entire drive belt for wear, damage or cracks.
- If the indicator is out of the possible use range or belt is damaged, replace drive belt.

#### DRIVE BELT : Tension Adjustment

INFOID:000000009722380

Refer to [EM-146. "Drive Belt"](#).

### ENGINE COOLANT

#### ENGINE COOLANT : Inspection

INFOID:000000009722381

#### LEVEL

MA

# ENGINE MAINTENANCE

## < PERIODIC MAINTENANCE >

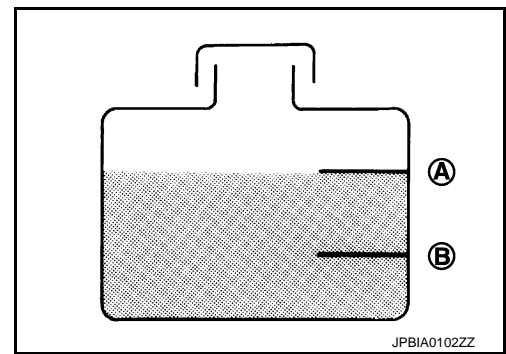
- Check if the reservoir tank engine coolant level is within the "MIN" to "MAX" when the engine is cool.

A : MAX  
B : MIN

- Adjust the engine coolant level if necessary.

### CAUTION:

Refill Genuine NISSAN Long Life Antifreeze/Coolant (blue) or equivalent in its quality mixed with water (distilled or demineralized). Refer to [MA-15, "FOR NORTH AMERICA : Fluids and Lubricants"](#) (FOR NORTH AMERICA). or [MA-16, "FOR MEXICO : Fluids and Lubricants"](#) (FOR MEXICO).



## LEAKAGE

- To check for leakage, apply pressure to the cooling system with the radiator cap tester (commercial service tool) (A) and radiator cap tester adapter (commercial service tool) (B).

Testing pressure : Refer to [CO-31, "Radiator"](#).

### WARNING:

Never remove radiator cap when engine is hot. Serious burns could occur from high-pressure engine coolant escaping from radiator.

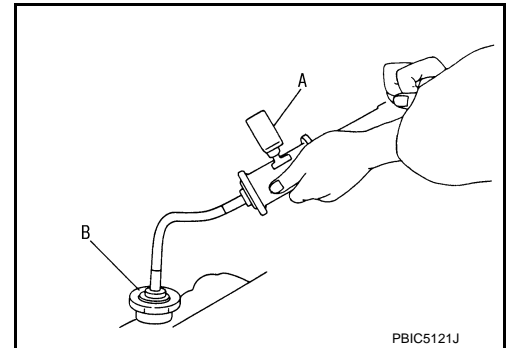
### CAUTION:

Higher test pressure than specified may cause radiator damage.

### NOTE:

In a case that engine coolant decreases, replenish radiator with engine coolant.

- If anything is found, repair or replace damaged parts.



## ENGINE COOLANT : Draining

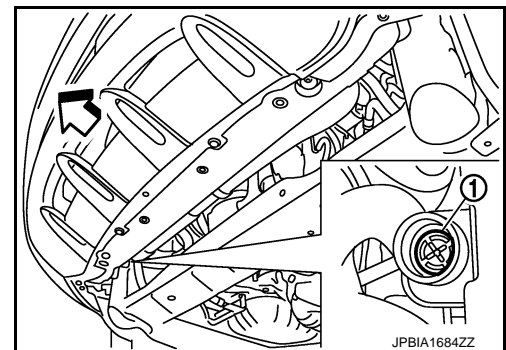
INFOID:000000009722382

### WARNING:

- To avoid being scalded, never change engine coolant when the engine is hot.
- Wrap a thick cloth around radiator cap and carefully remove radiator cap. First, turn radiator cap a quarter of a turn to release built-up pressure. Then turn radiator cap all the way.

1. Remove engine under cover.
2. Open radiator drain plug (1) at the bottom of radiator, and then remove radiator cap.

⇐ : Vehicle front



When draining all of engine coolant in the system, open water drain plugs on cylinder block. Refer to [EM-90, "Setting"](#).

3. Remove reservoir tank if necessary, and drain engine coolant and clean reservoir tank before installing.
4. Check drained engine coolant for contaminants such as rust, corrosion or discoloration. If contaminated, flush the engine cooling system. Refer to [CO-13, "Flushing"](#).

## ENGINE COOLANT : Refilling

INFOID:000000009722383

### CAUTION:

- Do not reuse O-rings.

# ENGINE MAINTENANCE

## < PERIODIC MAINTENANCE >

- Do not put additive such as waterleak preventive, since it may cause cooling waterway clogging.
- When refilling use Genuine NISSAN Long Life Antifreeze/Coolant (blue) or equivalent in its quality mixed with water (distilled or demineralized). Refer to [MA-15, "FOR NORTH AMERICA : Fluids and Lubricants"](#) (for North America) or Refer to [MA-16, "FOR MEXICO : Fluids and Lubricants"](#) (for Mexico).

1. Install reservoir tank if removed and radiator drain plug.

**CAUTION:**

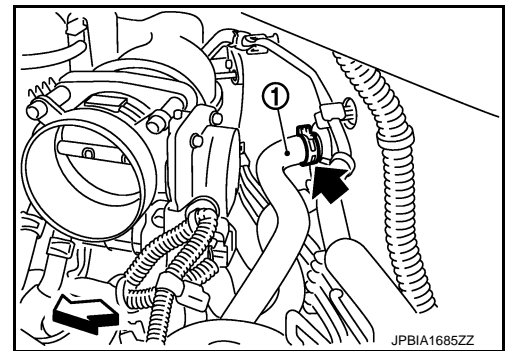
Be sure to clean drain plug and install with new O-ring.

**Tightening torque** : Refer to [CO-16, "Exploded View"](#).

If water drain plugs on cylinder block are removed, close and tighten them. Refer to [EM-123, "Disassembly and Assembly"](#).

2. Check that each hose clamp has been firmly tightened.
3. Remove air duct assembly and air cleaner cases (upper and lower) assembly. Refer to [EM-31, "Exploded View"](#).
4. Disconnect heater hose (1) at the position (◀) in the figure.

◀ : Vehicle front

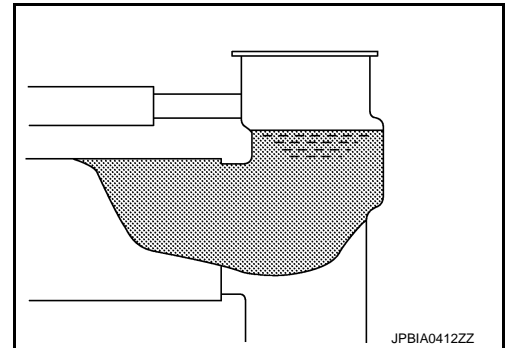


5. Fill radiator, and reservoir tank if removed, to specified level.

**CAUTION:**

Never adhere the engine coolant to electronic equipments. (alternator etc.)

- Pour engine coolant through engine coolant filler neck slowly of less than 2 ℓ (2-1/8 US qt, 1-3/4 Imp qt) a minute to allow air in system to escape.
- When engine coolant overflows disconnected heater hose, connect heater hose, and continue filling the engine coolant.



**Engine coolant capacity**  
(With reservoir tank at "MAX" level)

: Refer to [CO-31, "Periodical Maintenance Specification"](#).

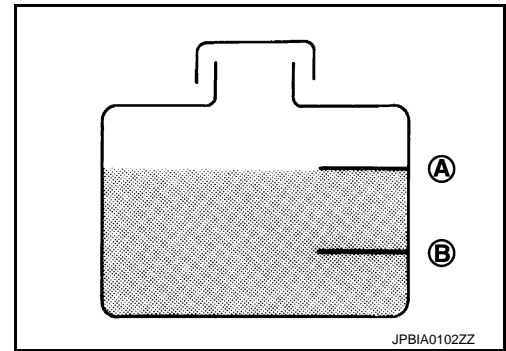
**Reservoir tank engine coolant capacity**  
(At "MAX" level)

: Refer to [CO-31, "Periodical Maintenance Specification"](#).

# ENGINE MAINTENANCE

## < PERIODIC MAINTENANCE >

A : MAX  
B : MIN



6. Install air duct assembly and air cleaner cases (upper and lower) assembly. Refer to [EM-31, "Exploded View"](#).
7. Install radiator cap.
8. Warm up engine until opening thermostat. Standard for warming-up time is approximately 10 minutes at 3,000 rpm.
  - Check thermostat opening condition by touching radiator hose (lower) to see a flow of warm water.**CAUTION:**  
**Watch water temperature gauge so as not to overheat engine.**
9. Stop the engine and cool down to less than approximately 50°C (122°F).
  - Cool down using fan to reduce the time.
  - If necessary, refill radiator up to filler neck with engine coolant.**CAUTION:**  
**Never adhere the engine coolant to electronic equipments. (alternator etc.)**
10. Refill reservoir tank to "MAX" level line with engine coolant.
11. Repeat steps 7 through 10 two or more times with radiator cap installed until engine coolant level no longer drops.
12. Check cooling system for leakage with engine running.
13. Warm up the engine, and check for sound of engine coolant flow while running engine from idle up to 3,000 rpm with heater temperature controller set at several position between "COOL" and "WARM".
  - Sound may be noticeable at heater unit.
14. Repeat step 13 three times.
15. If sound is heard, bleed air from cooling system by repeating step 5, and steps from 7 to 14 until engine coolant level no longer drops.

## ENGINE COOLANT : Flushing

INFOID:000000009722384

1. Install reservoir tank if removed and radiator drain plug.  
**CAUTION:**  
**Be sure to clean drain plug and install with new O-ring.**

**Tightening torque** : Refer to [CO-16, "Exploded View"](#).

**If water drain plugs on cylinder block are removed, close and tighten them. Refer to [EM-90, "Setting"](#).**

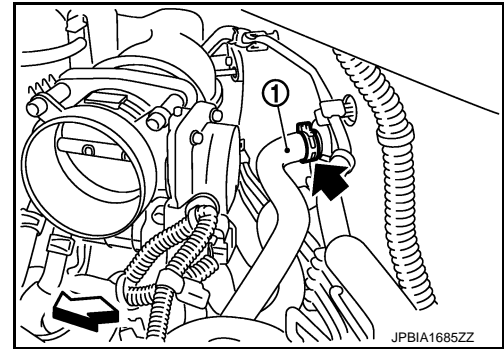
2. Remove air duct assembly and air cleaner cases (upper and lower) assembly. Refer to [EM-31, "Exploded View"](#).

# ENGINE MAINTENANCE

## < PERIODIC MAINTENANCE >

3. Disconnect heater hose (1) at the position (←) in the figure.

← : Vehicle front



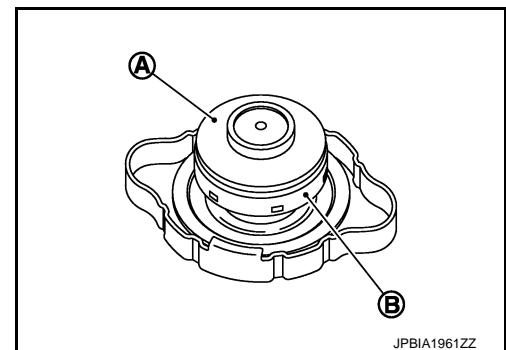
4. Fill radiator and reservoir tank with water and reinstall radiator cap.  
**CAUTION:**  
**Never adhere the water to electronic equipments. (alternator etc.)**
  - When water overflows disconnected heater hose, connect heater hose, and continue filling the water.
5. Run the engine and warm it up to normal operating temperature.
6. Rev the engine two or three times under no-load.
7. Stop the engine and wait until it cools down.
8. Drain water from the system. Refer to [CO-11, "Draining"](#).
9. Repeat steps 1 through 8 until clear water begins to drain from radiator.

## RADIATOR CAP

### RADIATOR CAP : Inspection

INFOID:000000009722385

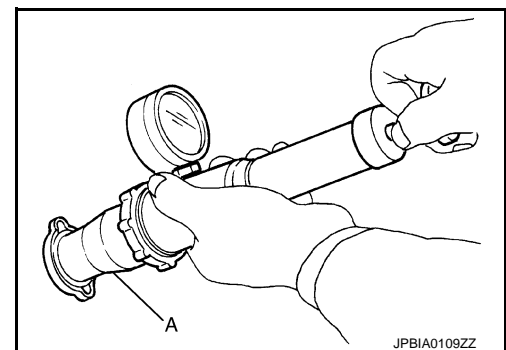
- Check valve seat (A) of radiator cap.
- Check if valve seat is swollen to the extent that the edge of the plunger (B) cannot be seen when watching it vertically from the top.
- Check if valve seat has no soil and damage.
- Check that there is no dirt or damage on the valve seat of radiator cap negative-pressure valve.
- Check that there are no unusualness in the opening and closing conditions of negative-pressure valve.



- Check radiator cap relief pressure.

**Standard and limit** : Refer to [CO-31, "Radiator"](#).

- When connecting radiator cap to the radiator cap tester (commercial service tool) and the radiator cap tester adapter (commercial service tool) (A), apply engine coolant to the cap seal surface.



- Replace radiator cap if there is an unusualness related to the above three.

### **CAUTION:**

**When installing radiator cap, thoroughly wipe out the radiator pipe (upper) filler neck to remove any waxy residue or foreign material.**

## RADIATOR

# ENGINE MAINTENANCE

## < PERIODIC MAINTENANCE >

### RADIATOR : Inspection

INFOID:000000009722386

Check radiator for mud or clogging. If necessary, clean radiator as follows:

#### **CAUTION:**

- Be careful not to bend or damage radiator fins.
- When radiator is cleaned without removal, remove all surrounding parts such as radiator cooling fan assembly and horns. Then tape harness and connectors to prevent water from entering.

1. Apply water by hose to the back side of the radiator core vertically downward.
2. Apply water again to all radiator core surfaces once per minute.
3. Stop washing if any stains no longer flow out from radiator.
4. Blow air into the back side of radiator core vertically downward.
  - Use compressed air lower than 490 kPa (5 kg/cm<sup>2</sup>, 71 psi) and keep distance more than 30 cm (11.81 in).
5. Blow air again into all the radiator core surfaces once per minute until no water sprays out.

### FUEL LINES

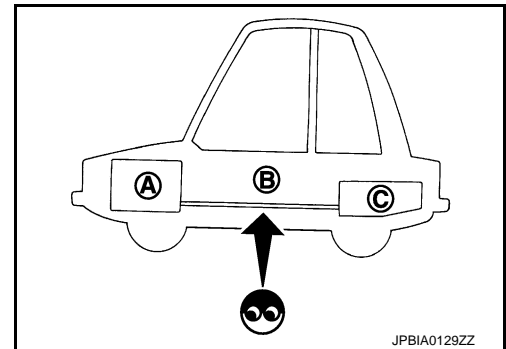
#### FUEL LINES : Inspection

INFOID:000000009722387

Inspect fuel lines, fuel filler cap, and fuel tank for improper attachment, leakage, cracks, damage, loose connections, chafing or deterioration.

- A : Engine
- B : Fuel line
- C : Fuel tank

If necessary, repair or replace damaged parts.



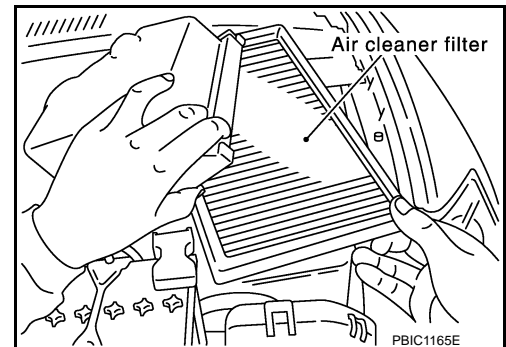
### AIR CLEANER FILTER

#### AIR CLEANER FILTER : Removal and Installation

INFOID:000000009722388

##### REMOVAL

1. Unhook air cleaner case (lower) side clips and lift up air cleaner case (upper).
2. Remove air cleaner filter and holder assembly from air cleaner case (lower).
3. Remove the air cleaner filter from the holder.



##### INSTALLATION

Note the following, and install in the reverse order of removal.

- Install the air cleaner filter by aligning the seal with the notch of air cleaner case.

### ENGINE OIL

#### ENGINE OIL : Draining

INFOID:000000009722389

#### **WARNING:**

- Be careful not to get burn yourself, as engine oil may be hot.



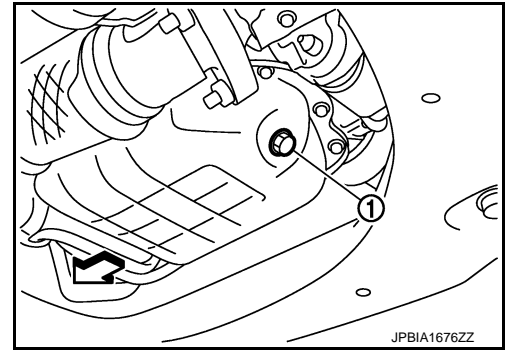
# ENGINE MAINTENANCE

## < PERIODIC MAINTENANCE >

- **Prolonged and repeated contact with used engine oil may cause skin cancer. Try to avoid direct skin contact with used engine oil. If skin contact is made, wash thoroughly with soap or hand cleaner as soon as possible.**

1. Warm up the engine, and check for engine oil leakage from engine components. Refer to [LU-8, "Inspection"](#).
2. Stop the engine and wait for 10 minutes.
3. Loosen oil filler cap.
4. Remove drain plug (1) and then drain engine oil.

↶ : Vehicle front



## ENGINE OIL : Refilling

INFOID:000000009722390

1. Install drain plug with new drain plug washer. Refer to [EM-43, "Exploded View"](#).

### **CAUTION:**

**Be sure to clean drain plug and install with new drain plug washer.**

**Tightening torque** : Refer to [EM-43, "Exploded View"](#).

2. Refill with new engine oil.

**Engine oil specification and viscosity:** Refer to [MA-15, "FOR NORTH AMERICA : Fluids and Lubricants"](#) (for North America) or [MA-16, "FOR MEXICO : Fluids and Lubricants"](#) (for Mexico).

**Engine oil capacity** : Refer to [LU-17, "Periodical Maintenance Specification"](#).

### **CAUTION:**

- **When filling engine oil, never pull out oil level gauge.**
- **The refill capacity depends on the engine oil temperature and drain time. Use these specifications for reference only.**
- **Always use oil level gauge to determine the proper amount of engine oil in engine.**

3. Warm up the engine and check area around drain plug and oil filter for engine oil leakage.
4. Stop the engine and wait for 10 minutes.
5. Check the engine oil level. Refer to [LU-8, "Inspection"](#).

## OIL FILTER

### OIL FILTER : Removal and Installation

INFOID:000000009722391

#### REMOVAL

### **CAUTION:**

- **Oil filter is provided with relief valve. Use genuine NISSAN oil filter or equivalent.**
- **Be careful not to get burned when engine and engine oil may be hot.**
- **When removing, prepare a shop cloth to absorb any engine oil leakage or spillage.**
- **Never allow engine oil to adhere to drive belt.**
- **Completely wipe off any engine oil that adheres to engine and vehicle.**

1. Remove splash guard (RH). Refer to [EXT-26, "FENDER PROTECTOR : Exploded View"](#).

A  
B  
C  
D  
E  
F  
G  
H  
I  
J  
K  
L  
M  
N  
O

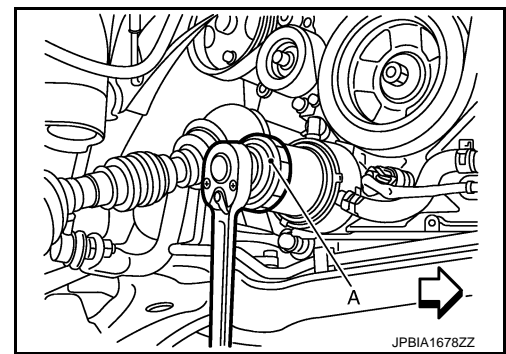
MA

# ENGINE MAINTENANCE

## < PERIODIC MAINTENANCE >

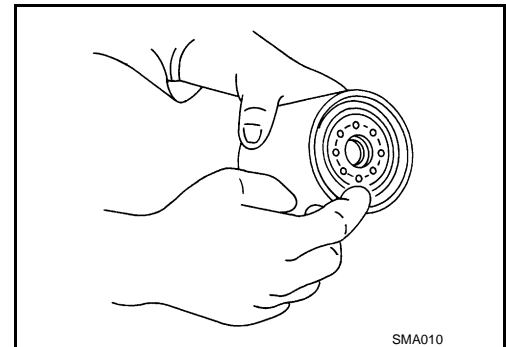
- Using oil filter wrench [SST: KV10115801 (J-38956)] (A), remove oil filter.

↔ : Vehicle front



## INSTALLATION

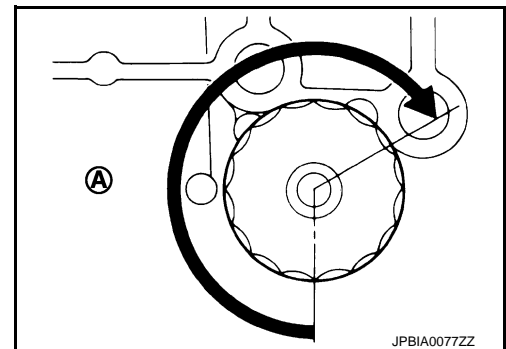
- Remove foreign materials adhering to oil filter installation surface.
- Apply engine oil to the oil seal contact surface of new oil filter.



- Screw oil filter manually until it touches the installation surface, then tighten it by 2/3 turn (A). Or tighten to the specification.

### Oil filter:

: 17.7 N·m (1.8 kg·m, 13 ft·lb)



## OIL FILTER : Inspection

INFOID:000000009722392

### INSPECTION AFTER INSTALLATION

- Check the engine oil level. Refer to [LU-8, "Inspection"](#).
- Start the engine, and check there is no leakage of engine oil.
- Stop the engine and wait for 10 minutes.
- Check the engine oil level, and adjust the level. Refer to [LU-8, "Inspection"](#).

## SPARK PLUG

### SPARK PLUG : Removal and Installation

INFOID:000000009722393

### REMOVAL

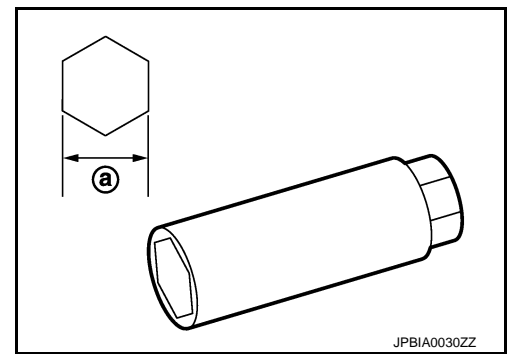
- Remove engine cover. Refer to [EM-29, "Exploded View"](#).
- Remove air cleaner cases (upper and lower) and air duct assembly. Refer to [EM-31, "Exploded View"](#).
- Remove electric throttle control actuator. Refer to [EM-33, "Exploded View"](#).
- Remove intake manifold collector. Refer to [EM-33, "Exploded View"](#).
- Remove ignition coil. Refer to [EM-54, "Exploded View"](#).

# ENGINE MAINTENANCE

## < PERIODIC MAINTENANCE >

6. Remove spark plug with a spark plug wrench (commercial service tool).

a : 14 mm (0.55 in)



## INSTALLATION

Install in the reverse order of removal.

## SPARK PLUG : Inspection

INFOID:000000009722394

## INSPECTION AFTER REMOVAL

Use the standard type spark plug for normal condition.

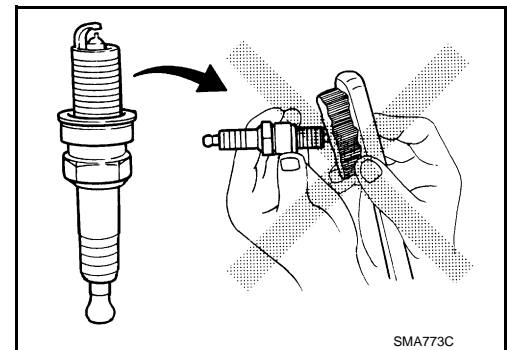
**Spark plug (Standard type) : Refer to [EM-147, "Spark Plug"](#).**

### CAUTION:

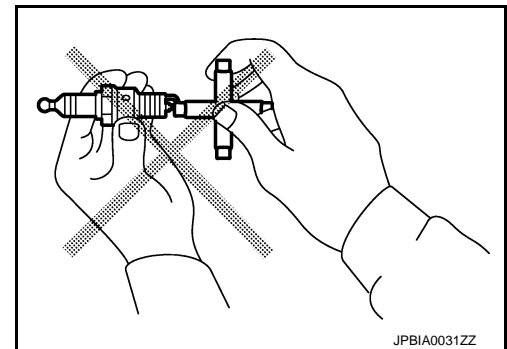
- Never drop or shock spark plug.
- Never use a wire brush for cleaning.
- If plug tip is covered with carbon, spark plug cleaner may be used.

**Cleaner air pressure: Less than 588 kPa (6 kg/cm<sup>2</sup>, 85 psi)**

**Cleaning time: Less than 20 seconds**



- Spark plug gap adjustment is not required between replacement intervals.
- Measure spark plug gap. When it exceeds the limit, replace spark plug even if it is within the specified replacement mileage. Refer to [EM-147, "Spark Plug"](#).



## POSITIVE CRANKCASE VENTILATION SYSTEM

## POSITIVE CRANKCASE VENTILATION SYSTEM : Inspection

INFOID:000000009722395

## PCV (POSITIVE CRANKCASE VENTILATION) VALVE

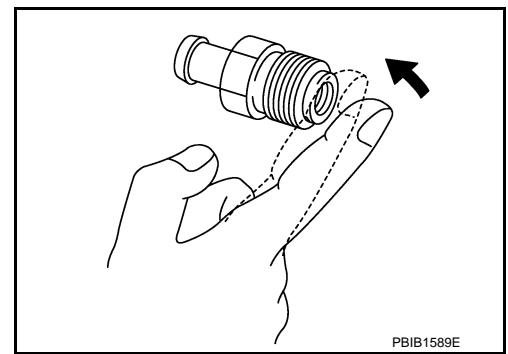
A  
B  
C  
D  
E  
F  
G  
H  
I  
J  
K  
L  
M  
N  
O

MA

# ENGINE MAINTENANCE

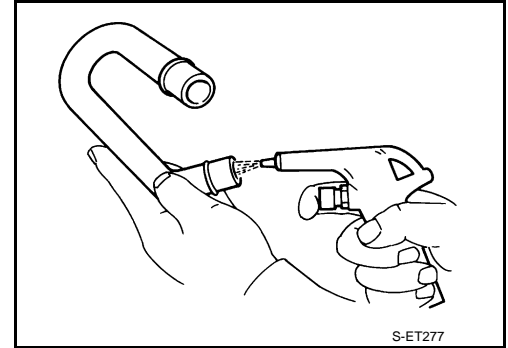
## < PERIODIC MAINTENANCE >

With engine running at idle, remove PCV valve from rocker cover. A properly working valve makes a hissing noise as air passes through it. A strong vacuum should be felt immediately when a finger is placed over valve inlet.



## PCV VALVE VENTILATION HOSE

1. Check hoses and hose connections for leaks.
2. Disconnect all hoses and clean with compressed air. If any hose cannot be freed of obstructions, replace.



## EVAP VAPOR LINES

### EVAP VAPOR LINES : Inspection

INFOID:000000010005029

1. Visually inspect EVAP vapor lines for improper attachment and for cracks, damage, loose connections, chafing and deterioration. Refer to [EC-329, "Component Inspection"](#).
2. Inspect fuel tank filler cap vacuum relief valve for clogging, sticking, etc. Refer to [EC-534, "Inspection"](#).

# CHASSIS MAINTENANCE

< PERIODIC MAINTENANCE >

## CHASSIS MAINTENANCE

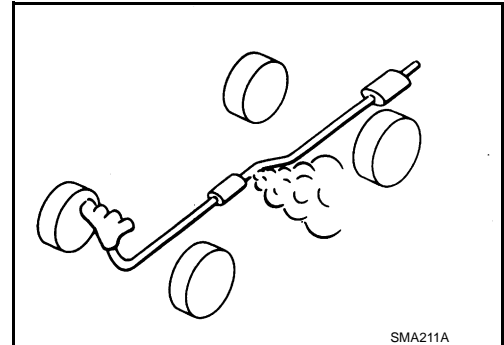
### EXHAUST SYSTEM

#### EXHAUST SYSTEM : Inspection

INFOID:000000009722397

Check exhaust pipes, muffler, and mounting for improper attachment, leakage, cracks, damage or deterioration.

- If anything is found, repair or replace damaged parts.



### CVT FLUID

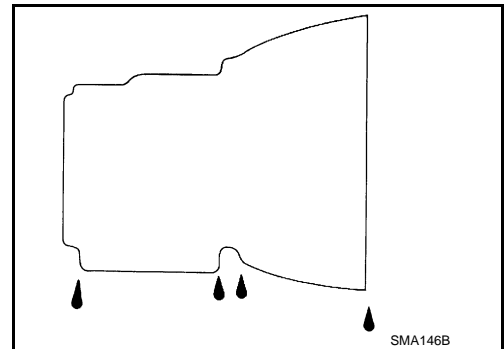
#### CVT FLUID : Inspection

INFOID:000000009722398

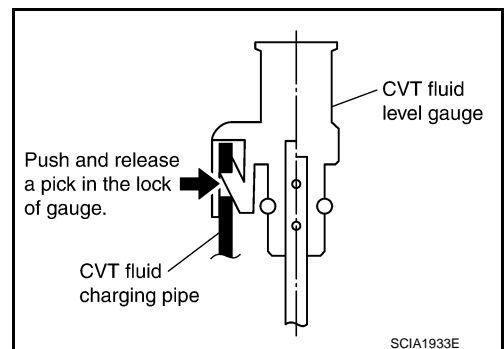
#### CHECKING CVT FLUID

The fluid level should be checked with the fluid warmed up to 50 to 80°C (122 to 176°F). The fluid level check procedure is as follows:

1. Check for fluid leakage.
2. With the engine warmed up, drive the vehicle in an urban area. When ambient temperature is 20°C (68°F), it takes about 10 minutes for the CVT fluid to warm up to 50 to 80°C (122 to 176°F).
3. Park the vehicle on a level surface.
4. Apply parking brake firmly.
5. With engine at idle, while depressing brake pedal, move shift selector throughout the entire shift range.
6. Pull out the CVT fluid level gauge from the CVT fluid charging pipe after pressing the tab on the CVT fluid level gauge to release the lock.



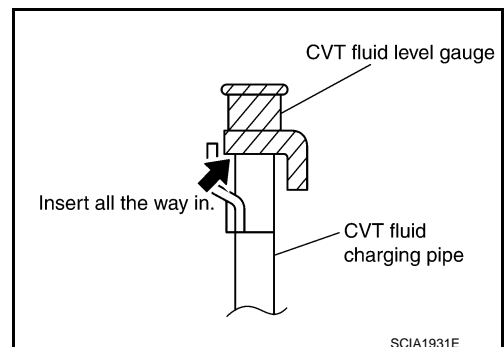
6. Pull out the CVT fluid level gauge from the CVT fluid charging pipe after pressing the tab on the CVT fluid level gauge to release the lock.



7. Wipe fluid off the CVT fluid level gauge. Insert the CVT fluid level gauge rotating 180° from the originally installed position, then securely push the CVT fluid level gauge until it meets the top end of the CVT fluid charging pipe.

**CAUTION:**

**When wiping away the CVT fluid level gauge, always use lint-free paper, not a cloth rag.**



A  
B  
C  
D  
E  
F  
G  
H  
I  
J  
K  
L  
M  
N  
O

MA

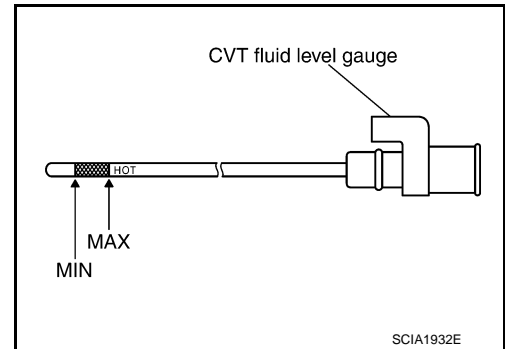
# CHASSIS MAINTENANCE

## < PERIODIC MAINTENANCE >

8. Place the selector lever in "P" or "N" and check that the fluid level is within the specified range.

**CAUTION:**

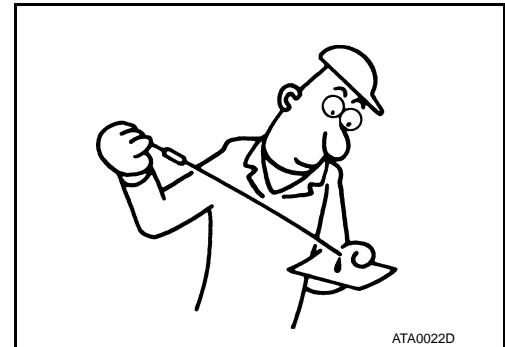
When reinstalling CVT fluid level gauge, insert it into the CVT fluid charging pipe and rotate it to the original installation position until securely locked.



## CVT FLUID CONDITION

Check CVT fluid condition.

- If CVT fluid is very dark or smells burned, check operation of CVT. Flush cooling system after repair of CVT.
- If CVT fluid contains frictional material (clutches, brakes, etc.), replace radiator and flush cooler line using cleaning solvent and compressed air after repair of CVT. Refer to [TM-152, "Changing"](#).



Fluid status	Conceivable cause	Required operation
Varnished (viscous varnish state)	CVT fluid becomes degraded due to high temperatures.	Replace the CVT fluid and check the CVT main unit and the vehicle for malfunctions (wire harnesses, cooler pipes, etc.)
Milky white or cloudy	Water in the fluid	Replace the CVT fluid and check for places where water is getting in.
Large amount of metal powder mixed in	Unusual wear of sliding parts within CVT	Replace the CVT fluid and check for improper operation of the CVT.

## CVT FLUID : Changing

INFOID:000000010005031

**CAUTION:**

Replace an O-ring with new ones at the final stage of the operation when installing.

1. Remove drain plug from oil pan.
2. Remove O-ring from drain plug.
3. Install O-ring to drain plug.

**CAUTION:**

Never reuse O-ring.

4. Install drain plug to oil pan. Refer to [TM-171, "Exploded View"](#).
5. Fill CVT fluid from CVT fluid charging pipe to the specified level.

**CVT fluid** : Refer to [MA-15, "FOR NORTH AMERICA : Fluids and Lubricants"](#) (For North America) or [MA-16, "FOR MEXICO : Fluids and Lubricants"](#) (For Mexico).

**Fluid capacity** : Refer to [MA-15, "FOR NORTH AMERICA : Fluids and Lubricants"](#) (For North America) or [MA-16, "FOR MEXICO : Fluids and Lubricants"](#) (For Mexico).

**CAUTION:**

- Use only recommended fluid. Never mix with other fluid.
- Using CVT fluid other than recommended fluid will deteriorate in driveability and CVT durability, and may damage the CVT, which is not covered by the warranty.
- When filling CVT fluid, take care not to scatter heat generating parts such as exhaust.
- Sufficiently shake the container of CVT fluid before using.
- Delete CVT fluid deterioration date with CONSULT after changing CVT fluid. Refer to [TM-38, "CONSULT Function"](#).

6. With the engine warmed up, drive the vehicle in an urban area.

# CHASSIS MAINTENANCE

## < PERIODIC MAINTENANCE >

### NOTE:

When ambient temperature is 20°C (68°F), it takes about 10 minutes for the CVT fluid to warm up to 50 to 80°C (122 to 176°F).

7. Check CVT fluid level and condition.
8. Repeat steps 1 to 5 if CVT fluid has been contaminated.

## TRANSFER OIL

### TRANSFER OIL : Inspection

INFOID:000000009722400

### OIL LEAKAGE

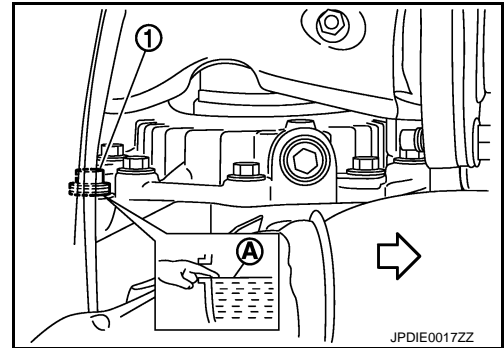
Check transfer surrounding area (oil seal, drain plug, filler plug, and transfer case, etc.) for oil leakage.

### OIL LEVEL

1. Remove filler plug (1) and gasket. Then check that oil is filled up (A) from mounting hole for the filler plug.
2. Before installing filler plug, set a new gasket. Install filler plug on transfer and tighten to the specified torque. Refer to [DLN-57, "Exploded View"](#).

← : Vehicle front

**CAUTION:**  
Never reuse gaskets.



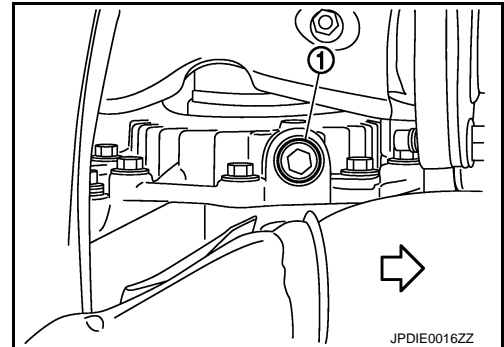
### TRANSFER OIL : Draining

INFOID:000000009722401

1. Run the vehicle to warm up the transfer unit sufficiently.
2. Stop the engine and remove drain plug (1) and gaskets to drain the transfer oil.
3. Before installing drain plug, set a new gasket. Install drain plug on transfer and tighten to the specified torque. Refer to [DLN-57, "Exploded View"](#).

← : Vehicle front

**CAUTION:**  
Never reuse gaskets.



### TRANSFER OIL : Refilling

INFOID:000000009722402

1. Remove filler plug (1) and gasket. Then fill oil up to mounting hole (A) for the filler plug.

← : Vehicle front

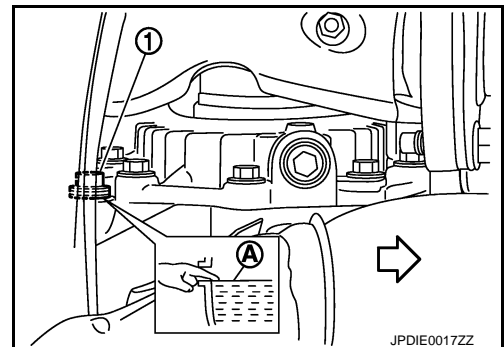
**Oil grade and viscosity**

: Refer to [MA-15, "FOR NORTH AMERICA : Fluids and Lubricants"](#) (For NORTH AMERICA), [MA-16, "FOR MEXICO : Fluids and Lubricants"](#) (For MEXICO).

**Oil capacity**

: Refer to [DLN-80, "General Specifications"](#).

**CAUTION:**  
Carefully fill the oil. (Fill up for approximately 3 minutes.)



A  
B  
C  
D  
E  
F  
G  
H  
I  
J  
K  
L  
M  
N  
O

MA

# CHASSIS MAINTENANCE

## < PERIODIC MAINTENANCE >

2. Leave the vehicle for 3 minutes. Then check oil level again.
3. Before installing filler plug, set a new gasket. Install filler plug on transfer and tighten to the specified torque. Refer to [DLN-57, "Exploded View"](#).

### **CAUTION:**

**Never reuse gasket.**

## REAR PROPELLER SHAFT

### REAR PROPELLER SHAFT : Inspection

INFOID:000000009722403

#### NOISE

- Check the propeller shaft tube surface for dents or cracks. If damaged, replace propeller shaft assembly.
- If center bearing is noisy or damaged, replace propeller shaft assembly.

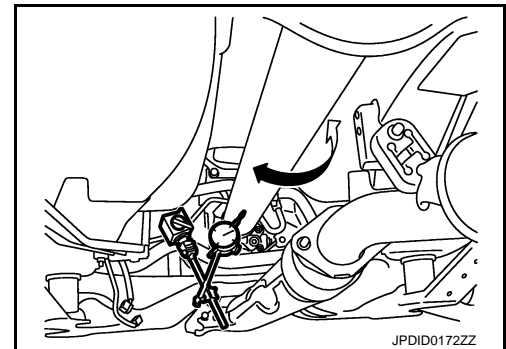
#### VIBRATION

If vibration is present at high speed, inspect propeller shaft runout first.

1. With a dial indicator, measure propeller shaft runout at runout measuring points by rotating final drive companion flange with hands.

#### **Limit**

**Propeller shaft runout** : Refer to [DLN-89, "Propeller Shaft Runout"](#).



- Propeller shaft runout measuring point (Point "△").

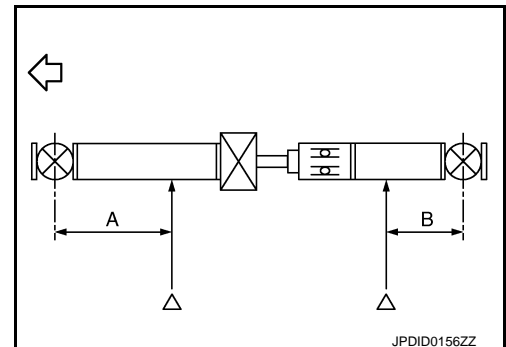
← : Vehicle front

#### **Dimension**

**A: 506.5 mm (19.94 in)**

**B: 497.5 mm (19.59 in)**

2. If runout still exceeds specifications, separate propeller shaft at final drive companion flange or transfer companion flange; then change the phase between companion flange and propeller shaft by the one bolt hole at a time and install propeller shaft.
3. Check runout again. If runout still exceeds specifications, replace propeller shaft assembly.
4. Check the vibration by driving vehicle.



## REAR DIFFERENTIAL GEAR OIL

### REAR DIFFERENTIAL GEAR OIL : Inspection

INFOID:000000009722404

#### OIL LEAKAGE

Check that oil is not leaking from final drive assembly or around it.

#### OIL LEVEL



# CHASSIS MAINTENANCE

## < PERIODIC MAINTENANCE >

- Remove filler plug (1) and check oil level from filler plug mounting hole as shown in the figure.

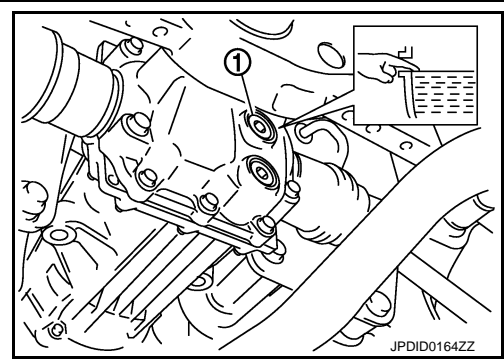
**CAUTION:**

**Never start engine while checking oil level.**

- Set a new gasket on filler plug and install it on final drive assembly. Refer to [DLN-107, "Exploded View"](#).

**CAUTION:**

**Never reuse gasket.**



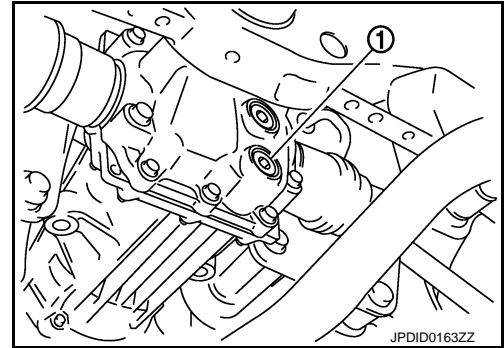
INFOID:000000009722405

## REAR DIFFERENTIAL GEAR OIL : Draining

- Stop engine.
- Remove drain plug (1) and drain gear oil.
- Set a new gasket on drain plug and install it to final drive assembly and tighten to the specified torque. Refer to [DLN-107, "Exploded View"](#).

**CAUTION:**

**Never reuse gasket.**



INFOID:000000009722406

## REAR DIFFERENTIAL GEAR OIL : Refilling

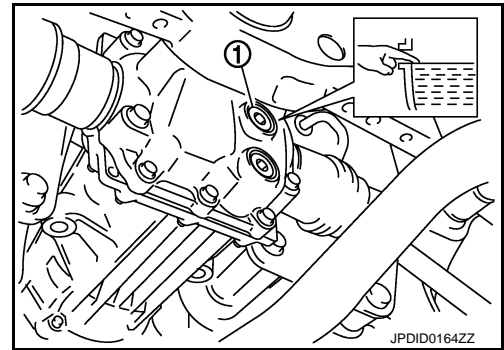
- Remove filler plug (1). Fill with new gear oil until oil level reaches the specified level near filler plug mounting hole.

**Oil grade and viscosity**

: Refer to [MA-15, "FOR NORTH AMERICA : Fluids and Lubricants"](#) (For NORTH AMERICA), [MA-16, "FOR MEXICO : Fluids and Lubricants"](#) (For MEXICO).

**Oil capacity**

: Refer to [DLN-129, "General Specification"](#).



- After refilling oil, check oil level. Set a new gasket to filler plug, then install it to final drive assembly. Refer to [DLN-107, "Exploded View"](#).

**CAUTION:**

**Never reuse gasket.**

## WHEELS (BONDING WEIGHT TYPE)

### WHEELS (BONDING WEIGHT TYPE) : Adjustment

INFOID:000000009722407

### BALANCING WHEELS (BONDING WEIGHT TYPE)

#### Preparation Before Adjustment

Using releasing agent, remove double-faced adhesive tape from the road wheel.

**CAUTION:**

- Be careful not to scratch the road wheel during removal.
- After removing double-faced adhesive tape, wipe clean traces of releasing agent from the road wheel.

#### Wheel Balance Adjustment

A  
B  
C  
D  
E  
F  
G  
H  
I  
J  
K  
L  
M  
N  
O

# CHASSIS MAINTENANCE

## < PERIODIC MAINTENANCE >

- If a tire balance machine has adhesion balance weight mode settings and drive-in weight mode setting, select and adjust a drive-in weight mode suitable for road wheels.
- The details of the adjustment procedure are different for each model of wheel balancer. Therefore, refer to each instruction manual.

1. Set road wheel on tire balance machine using the center hole as a guide. Start the tire balance machine.
2. When inner and outer unbalance values are shown on the tire balance machine indicator, multiply outer unbalance value by  $5/3$  to determine balance weight that should be used. Select the outer balance weight with a value closest to the calculated value above and install to the designated outer position of, or at the designated angle in relation to the road wheel.

### CAUTION:

- Do not install the inner balance weight before installing the outer balance weight.
- Before installing the balance weight, be sure to clean the mating surface of the road wheel.

- a. Indicated unbalance value  $\times 5/3$  = balance weight to be installed

### Calculation example:

$23 \text{ g (0.81 oz)} \times 5/3 = 38.33 \text{ g (1.35 oz)} \Rightarrow 37.5 \text{ g (1.32 oz)}$  balance weight (closer to calculated balance weight value)

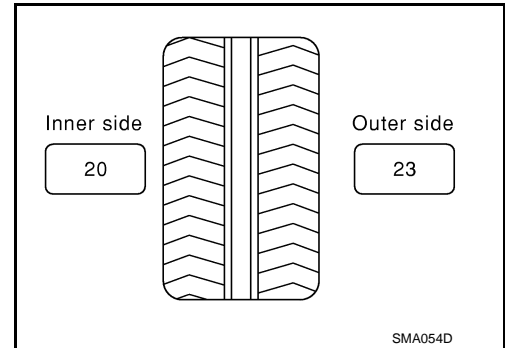
### NOTE:

Note that balance weight value must be closer to the calculated balance weight value.

### Example:

$36.2 \Rightarrow 35 \text{ g (1.23 oz)}$

$36.3 \Rightarrow 37.5 \text{ g (1.32 oz)}$

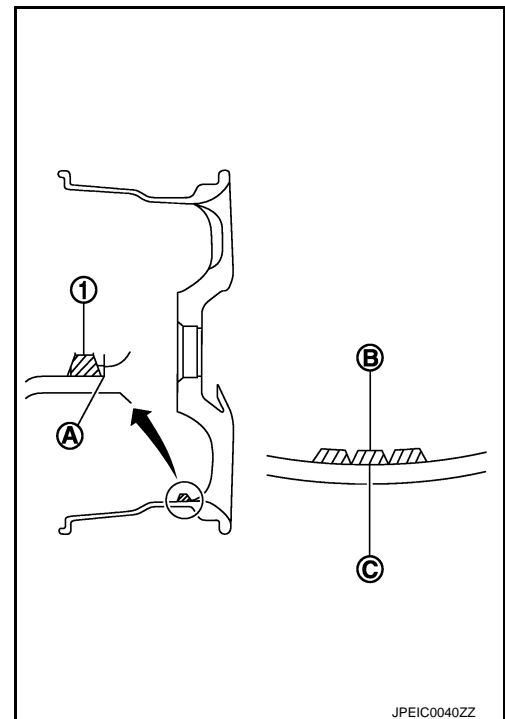


- b. Installed balance weight in the position.

- When installing balance weight (1) to road wheels, set it into the grooved area (A) on the inner wall of the road wheel as shown in the figure so that the balance weight center (B) is aligned with the tire balance machine indication position (angle) (C).

### CAUTION:

- Always use genuine NISSAN adhesion balance weights.
- Balance weights are non-reusable; always replace with new ones.
- Do not install three or more sheets of balance weight.



# CHASSIS MAINTENANCE

## < PERIODIC MAINTENANCE >

- c. If calculated balance weight value exceeds 50 g (1.76 oz), install two balance weight sheets in line with each other as shown in the figure.

**CAUTION:**

**Do not install one balance weight sheet on top of another.**

3. Start the tire balance machine again.
4. Install drive-in balance weight on inner side of road wheel in the tire balance machine indication position (angle).

**CAUTION:**

**Do not install three or more balance weight.**

5. Start the tire balance machine. Check that inner and outer residual unbalance values is within the allowable unbalance value.

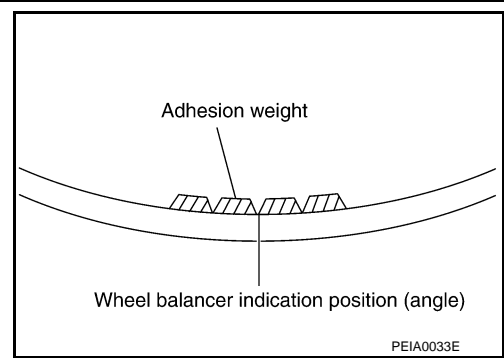
**CAUTION:**

**If either residual unbalance value exceeds limit, repeat installation procedures.**

**Allowable unbalance value**

**Dynamic (At flange):** Refer to [WT-52, "Road Wheel"](#).

**Static (At flange):** Refer to [WT-52, "Road Wheel"](#).

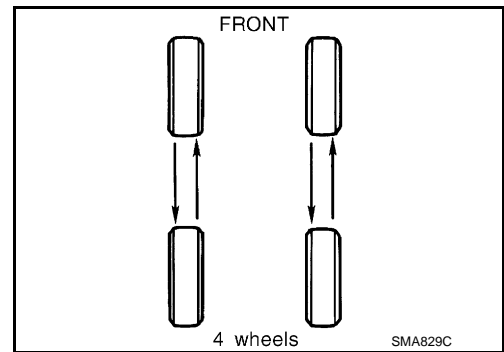


## TIRE ROTATION

- Follow the maintenance schedule for tire rotation service intervals. Refer to [MA-5, "FOR NORTH AMERICA : Explanation of General Maintenance"](#) (For North America), [MA-7, "FOR MEXICO : General Maintenance"](#) (For Mexico).
- When installing the wheel, tighten wheel nuts to the specified torque. Refer to [WT-46, "Exploded View"](#).

**CAUTION:**

- **Do not include the T-type spare tire when rotating the tires.**
- **When installing wheels, tighten them diagonally by dividing the work two to three times in order to prevent the wheels from developing any distortion.**
- **Be careful not to tighten wheel nut at torque exceeding the criteria for preventing strain of disc rotor.**
- **Use NISSAN genuine wheel nuts for aluminum wheels.**
- Perform the ID registration, after tire rotation. Refer to [WT-21, "Work Procedure"](#).

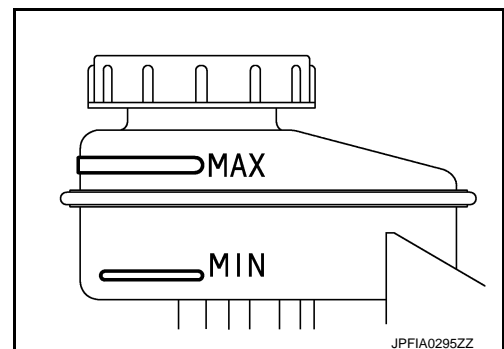


## BRAKE FLUID LEVEL AND LEAKS

### BRAKE FLUID LEVEL AND LEAKS : Inspection

INFOID:000000009722408

- If fluid level is extremely low, check brake system for leaks.



## BRAKE LINES AND CABLES

A  
B  
C  
D  
E  
F  
G  
H  
I  
J  
K  
L  
M  
N  
O  
MA

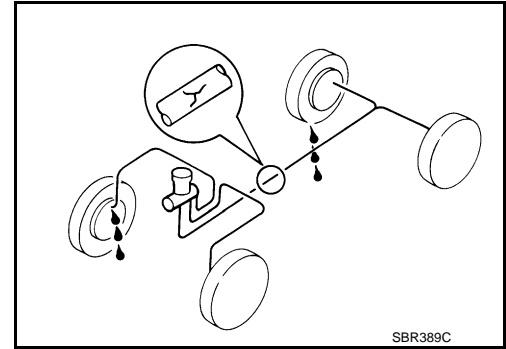
# CHASSIS MAINTENANCE

< PERIODIC MAINTENANCE >

## BRAKE LINES AND CABLES : Inspection

INFOID:000000009722409

- Check brake fluid lines and parking brake cables for improper attachment, leaks, chafing, abrasions, deterioration, etc.

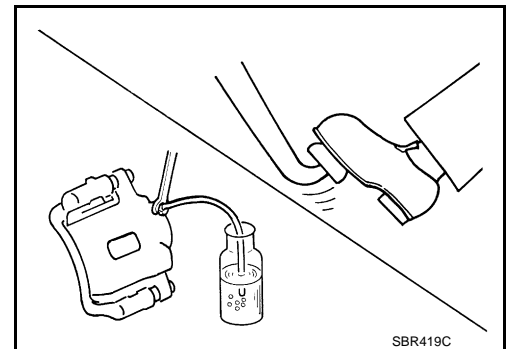


## BRAKE FLUID

### BRAKE FLUID : Changing

INFOID:000000009722410

1. Drain brake fluid from each bleed valve.
2. Refill until new brake fluid comes out from each bleed valve. Use same procedure as in bleeding hydraulic system to refill brake fluid.  
Refer to [BR-13. "Bleeding Brake System"](#).
  - Refill with recommended brake fluid.  
Refer to [MA-15. "FOR NORTH AMERICA : Fluids and Lubricants"](#) (FOR NORTH AMERICA), [MA-16. "FOR MEXICO : Fluids and Lubricants"](#) (FOR MEXICO).
    - Never reuse drained brake fluid.
    - Be careful not to splash brake fluid on painted areas.



## DISC BRAKE

### DISC BRAKE : Inspection

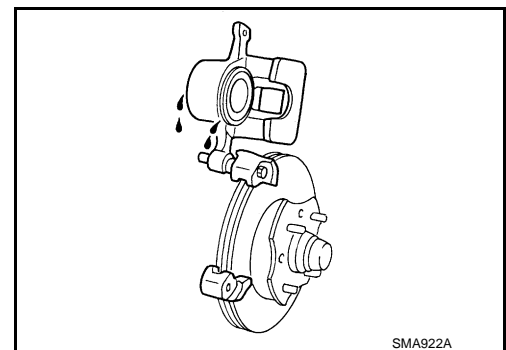
INFOID:000000009722411

#### DISC ROTOR

Check condition, wear, and damage.

#### CALIPER

- Check for leakage.

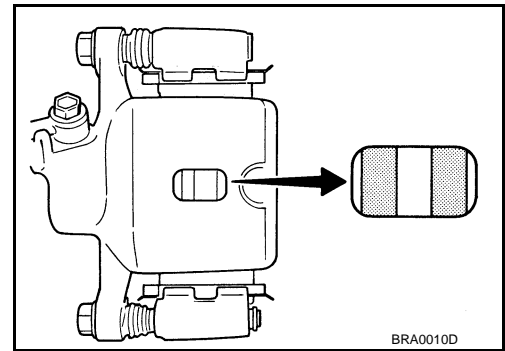


## BRAKE PAD

# CHASSIS MAINTENANCE

## < PERIODIC MAINTENANCE >

- Check for wear or damage.



### DISC BRAKE : Front Disc Brake

INFOID:000000009722412

Unit: mm (in)

Item		Limit
Brake pad	Wear thickness	2.0 (0.079)
	Wear thickness	26.0 (1.024)
Disc rotor	Thickness variation (measured at 8 positions)	0.008 (0.0003)
	Runout (with it attached to the vehicle)	0.040 (0.0016) or less

### DISC BRAKE : Rear Disc Brake

INFOID:000000009722413

Unit: mm (in)

Item		Limit
Brake pad	Wear thickness	2.0 (0.079)
	Wear thickness	14.0 (0.551)
Disc rotor	Thickness variation (measured at 8 positions)	0.020 (0.0008)
	Runout (with it attached to the vehicle)	0.050 (0.0020) or less

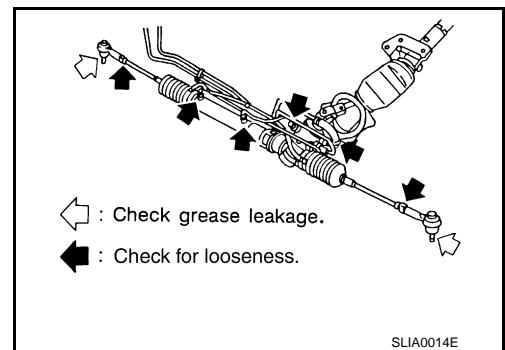
## STEERING GEAR AND LINKAGE

### STEERING GEAR AND LINKAGE : Inspection

INFOID:000000009722414

#### STEERING GEAR

- Check gear housing and boots for looseness, damage and grease leakage.
- Check connection with steering column for looseness.



#### STEERING LINKAGE

Check ball joint, dust cover and other component parts for looseness, wear, damage and grease leakage.

#### POWER STEERING FLUID AND LINES

A  
B  
C  
D  
E  
F  
G  
H  
I  
J  
K  
L  
M  
N  
O

MA

# CHASSIS MAINTENANCE

< PERIODIC MAINTENANCE >

## POWER STEERING FLUID AND LINES : Inspection

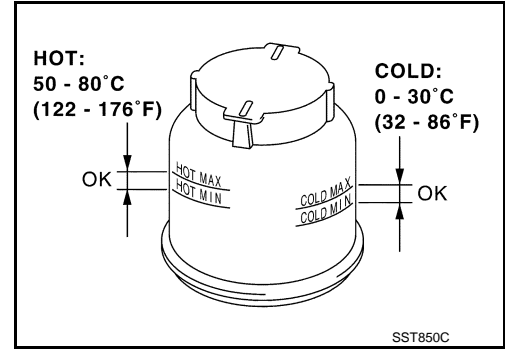
INFOID:000000009722415

Check fluid level in reservoir tank with engine off.

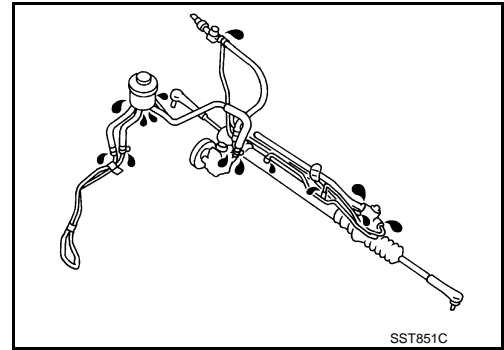
Use "HOT" range at fluid temperatures of 50 to 80°C (122 to 176°F) or "COLD" range at fluid temperatures of 0 to 30°C (32 to 86°F).

### CAUTION:

- Do not overfill.
- Recommended fluid is Genuine NISSAN PSF or equivalent. Refer to [MA-15, "FOR NORTH AMERICA : Fluids and Lubricants"](#) (FOR NORTH AMERICA), [MA-16, "FOR MEXICO : Fluids and Lubricants"](#) (FOR MEXICO).



- Check lines for improper attachment, leaks, cracks, damage, loose connections, chafing and deterioration.
- Check rack boots for accumulation of power steering fluid.



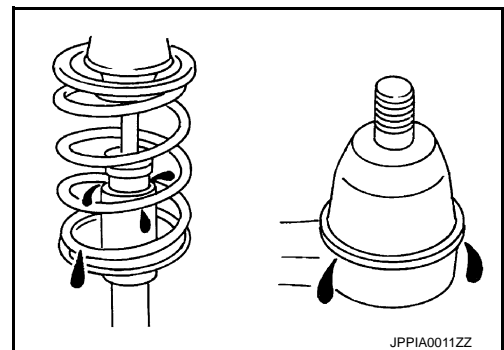
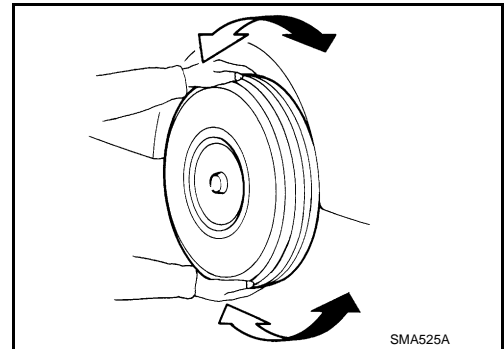
## AXLE AND SUSPENSION PARTS

### AXLE AND SUSPENSION PARTS : Inspection

INFOID:000000009722416

Check front and rear axle and suspension parts for excessive play, cracks, wear or other damage.

- Shake each wheel to check for excessive play.
- Check wheel bearings for smooth operation.
- Check axle and suspension nuts and bolts for looseness.
- Check strut (shock absorber) for oil leakage or other damage.
- Check suspension ball joint for grease leakage and ball joint dust cover for cracks or other damage.



## DRIVE SHAFT

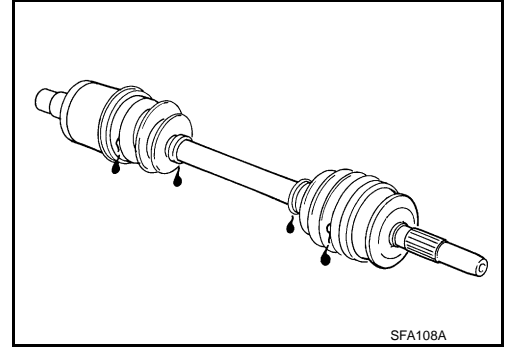
# CHASSIS MAINTENANCE

< PERIODIC MAINTENANCE >

## DRIVE SHAFT : Inspection

INFOID:000000009722417

- Check boot and drive shaft for cracks, wear, damage and grease leakage.



A  
B  
C  
D  
E  
F  
G  
H  
I  
J  
K  
L  
M  
N  
O

MA

# BODY MAINTENANCE

< PERIODIC MAINTENANCE >

## BODY MAINTENANCE

### LOCKS, HINGES AND HOOD LATCH

#### LOCKS, HINGES AND HOOD LATCH : Lubricating

INFOID:000000009722418

For hood and hood lock illustration.

- Hood: Refer to [DLK-308, "HOOD ASSEMBLY : Exploded View"](#)
- Hood lock control: Refer to [DLK-338, "Exploded View"](#).

For door and door lock illustration.

- Front door: Refer to [DLK-318, "DOOR ASSEMBLY : Exploded View"](#).
- Front door lock: Refer to [DLK-340, "DOOR LOCK : Exploded View"](#).
- Rear door: Refer to [DLK-323, "DOOR ASSEMBLY : Exploded View"](#).
- Rear door lock: Refer to [DLK-346, "DOOR LOCK : Exploded View"](#).

For back door and back door lock illustration.

- Back door: Refer to [DLK-328, "BACK DOOR ASSEMBLY : Exploded View"](#).
- Back door lock: Refer to [DLK-351, "DOOR LOCK : Exploded View"](#).

### SEAT BELT, BUCKLES, RETRACTORS, ANCHORS AND ADJUSTERS

#### SEAT BELT, BUCKLES, RETRACTORS, ANCHORS AND ADJUSTERS : Inspection

INFOID:000000009722419

For front seat belt illustration. Refer to [SB-7, "SEAT BELT RETRACTOR : Exploded View"](#).

For rear seat belt illustration. Refer to [SB-12, "SEAT BELT RETRACTOR : Exploded View"](#).

#### **CAUTION:**

- **After any collision, inspect all seat belt assemblies, including retractors and other attached hardwares (I.e. anchor bolt, guide rail set). Nissan recommends to replace all seat belt assemblies in use during a collision, unless not damaged and properly operating after minor collision. Also inspect seat belt assemblies not in use during a collision, and replace if damaged or improperly operating.**

**Seat belt pre-tensioner should be replaced even if the seat belts are not in use during a frontal collision where the driver and passenger air bags are deployed.**

- **If any component of seat belt assembly is questionable, do not repair. Replace as seat belt assembly.**
- **If webbing is cut, frayed, or damaged, replace belt assembly.**
- **Never oil tongue and buckle.**
- **Use a genuine NISSAN seat belt assembly.**

For details, refer to [SB-5, "SEAT BELT RETRACTOR : Inspection"](#) , [SB-10, "SEAT BELT RETRACTOR : Inspection"](#) in SB section.

- Check anchors for loose mounting
- Check belts for damage
- Check retractor for smooth operation
- Check function of buckles and tongues when buckled and released



## SERVICE DATA AND SPECIFICATIONS (SDS)

< SERVICE DATA AND SPECIFICATIONS (SDS)

### SERVICE DATA AND SPECIFICATIONS (SDS)

#### SERVICE DATA AND SPECIFICATIONS (SDS)

##### DRIVE BELT

DRIVE BELT : Drive Belt

INFOID:000000009722420

##### DRIVE BELT

Tension of drive belt	Belt tension is not necessary, as it is automatically adjusted by drive belt auto-tensioner.
-----------------------	--

#### ENGINE COOLANT

ENGINE COOLANT : Periodical Maintenance Specification

INFOID:000000009722421

##### ENGINE COOLANT CAPACITY (APPROXIMATE)

Unit: ℓ (US qt, Imp qt)

Engine coolant capacity (With reservoir tank at "MAX" level)	9.0 (9-1/2, -7-7/8)
Reservoir tank	0.8 (7/8, 3/4)

#### ENGINE OIL

ENGINE OIL : Periodical Maintenance Specification

INFOID:000000009722422

##### ENGINE OIL CAPACITY (APPROXIMATE)

Unit: ℓ (US qt, Imp qt)

Drain and refill	With oil filter change	4.6 (4-7/8, 4)
	Without oil filter change	4.3 (4-1/2, 3-3/4)
Dry engine (Overhaul)		5.3 (5-5/8, 4-5/8)

#### SPARK PLUG

SPARK PLUG : Spark Plug

INFOID:000000009722423

##### SPARK PLUG

Unit: mm (in)

Make	DENSO	
Standard type	FXE22HR11	
Gap	Standard	1.1 (0.043)
	Limit	1.4 (0.055)

#### ROAD WHEEL

ROAD WHEEL : Road Wheel

INFOID:000000009722424

##### ALUMINUM WHEEL (CONVENTIONAL)

Item		Limit
Runout	Axial runout	Less than 0.3 mm (0.012 in)
	Radial runout	
Allowable unbalance	Dynamic (At flange)	Less than 5 g (0.17 oz) (one side)
	Static (At flange)	Less than 10 g (0.35 oz)

##### STEEL WHEEL (FOR EMERGENCY USE)

A  
B  
C  
D  
E  
F  
G  
H  
I  
J  
K  
L  
M  
N  
O

MA

## SERVICE DATA AND SPECIFICATIONS (SDS)

### < SERVICE DATA AND SPECIFICATIONS (SDS)

Item		Limit
Runout	Axial runout (Average)	Less than 1.5 mm (0.059 in)
	Radial runout (Average)	