

A
B
C
D
E
F
G
H
VTL
J
K
L
M
N
O
P

SECTION VTL

VENTILATION SYSTEM

CONTENTS

PRECAUTION	3	FRONT FLOOR DUCT : Removal and Installation	
PRECAUTIONS	3	- Front Floor Connecting Duct	10
Precaution for Supplemental Restraint System (SRS) "AIR BAG" and "SEAT BELT PRE-TENSIONER"	3	FRONT FLOOR DUCT : Removal and Installation	
Precaution for Procedure without Cowl Top Cover.....	3	- Front Floor Duct	10
Precaution for Work	3	ADAPTOR DUCT	11
PREPARATION	5	ADAPTOR DUCT : Removal and Installation	11
PREPARATION	5	REAR CENTER VENTILATOR DUCT	11
Special Service Tool	5	REAR CENTER VENTILATOR DUCT : Removal and Installation	11
Commercial Service Tool	5	CENTER FLOOR DUCT	11
PERIODIC MAINTENANCE	6	CENTER FLOOR DUCT : Removal and Installation - Center Floor Connecting Duct	11
IN-CABIN MICROFILTER	6	CENTER FLOOR DUCT : Removal and Installation - Center Floor Duct	11
Removal and Installation	6	FRONT FLOOR DUCT NOZZLE	11
SYSTEM DESCRIPTION	7	FRONT FLOOR DUCT NOZZLE : Removal and Installation	11
VENTILATION SYSTEM	7	Exploded View	12
System Description	7	CENTER VENTILATOR GRILLE	12
REMOVAL AND INSTALLATION	9	CENTER VENTILATOR GRILLE : Removal and Installation	12
DUCTS AND GRILLES	9	SIDE VENTILATOR GRILLE	13
Exploded View	9	SIDE VENTILATOR GRILLE : Removal and Installation	13
DEFROSTER NOZZLE	10	SIDE DEFROSTER GRILLE	13
DEFROSTER NOZZLE : Removal and Installation	10	SIDE DEFROSTER GRILLE : Removal and Installation	13
CENTER VENTILATOR DUCT	10	REAR CENTER VENTILATOR GRILLE	14
CENTER VENTILATOR DUCT : Removal and Installation	10	REAR CENTER VENTILATOR GRILLE : Removal and Installation	14
SIDE DEFROSTER DUCT	10	BLOWER UNIT	15
SIDE DEFROSTER DUCT : Removal and Installation	10	BLOWER UNIT	15
FRONT FLOOR DUCT	10	BLOWER UNIT : Exploded View	15
		BLOWER UNIT : Removal and Installation	15

BLOWER MOTOR	15	SERVICE DATA AND SPECIFICATIONS	
BLOWER MOTOR : Removal and Installation	15	(SDS)	16
SERVICE DATA AND SPECIFICATIONS		In-cabin Microfilter	16
(SDS)	16		

PRECAUTIONS

< PRECAUTION >

PRECAUTION

PRECAUTIONS

Precaution for Supplemental Restraint System (SRS) "AIR BAG" and "SEAT BELT PRE-TENSIONER"

INFOID:000000011559056

The Supplemental Restraint System such as "AIR BAG" and "SEAT BELT PRE-TENSIONER", used along with a front seat belt, helps to reduce the risk or severity of injury to the driver and front passenger for certain types of collisions. Information necessary to service the system safely is included in the SR and SB sections of this Service Manual.

WARNING:

- To avoid rendering the SRS inoperative, which could increase the risk of personal injury or death in the event of a collision which would result in air bag inflation, all maintenance must be performed by an authorized NISSAN/INFINITI dealer.
- Improper maintenance, including incorrect removal and installation of the SRS, can lead to personal injury caused by unintentional activation of the system. For removal of Spiral Cable and Air Bag Module, see the SR section.
- Do not use electrical test equipment on any circuit related to the SRS unless instructed to in this Service Manual. SRS wiring harnesses can be identified by yellow and/or orange harnesses or harness connectors.

PRECAUTIONS WHEN USING POWER TOOLS (AIR OR ELECTRIC) AND HAMMERS

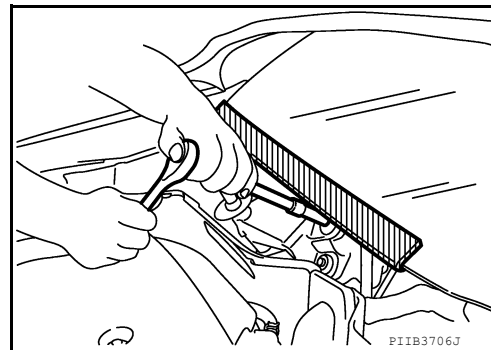
WARNING:

- When working near the Airbag Diagnosis Sensor Unit or other Airbag System sensors with the ignition ON or engine running, DO NOT use air or electric power tools or strike near the sensor(s) with a hammer. Heavy vibration could activate the sensor(s) and deploy the air bag(s), possibly causing serious injury.
- When using air or electric power tools or hammers, always switch the ignition OFF, disconnect the battery and wait at least three minutes before performing any service.

Precaution for Procedure without Cowl Top Cover

INFOID:000000011219321

When performing the procedure after removing cowl top cover, cover the lower end of windshield with urethane, etc., to prevent damage to windshield.



Precaution for Work

INFOID:000000011219322

- When removing or disassembling each component, be careful not to damage or deform it. If a component may be subject to interference, be sure to protect it with a shop cloth.
- When removing (disengaging) components with a screwdriver or similar tool, be sure to wrap the component with a shop cloth or vinyl tape to protect it.
- Protect the removed parts with a shop cloth and prevent them from being dropped.
- Replace a deformed or damaged clip.
- If a part is specified as a non-reusable part, always replace it with a new one.
- Be sure to tighten bolts and nuts securely to the specified torque.
- After installation is complete, be sure to check that each part works properly.
- Follow the steps below to clean components:
 - Water soluble dirt:
 - Dip a soft cloth into lukewarm water, wring the water out of the cloth and wipe the dirty area.
 - Then rub with a soft, dry cloth.
 - Oily dirt:

A
B
C
D
E
F
G
H
VTL

J
K
L
M
N

O
P

PRECAUTIONS

< PRECAUTION >

- Dip a soft cloth into lukewarm water with mild detergent (concentration: within 2 to 3%) and wipe the dirty area.
- Then dip a cloth into fresh water, wring the water out of the cloth and wipe the detergent off.
- Then rub with a soft, dry cloth.
- Do not use organic solvent such as thinner, benzene, alcohol or gasoline.
- For genuine leather seats, use a genuine leather seat cleaner.

PREPARATION

< PREPARATION >

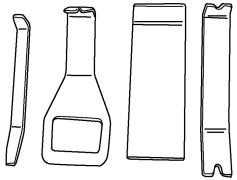
PREPARATION

PREPARATION

Special Service Tool


INFOID:0000000011219323

The actual shape of the tools may differ from those illustrated here.

Tool number (TechMate No.) Tool name	Description
(J-46534) Trim Tool Set  AWJIA04832Z	Removing trim components

Commercial Service Tool

INFOID:0000000011219324

Tool name	Description
PowerTool  PIIB1407E	Loosening nuts, screws and bolts

A
B
C
D
E
F
G
H
J
K
L
M
N
O
P

VTL

IN-CABIN MICROFILTER

< PERIODIC MAINTENANCE >

PERIODIC MAINTENANCE

IN-CABIN MICROFILTER

Removal and Installation

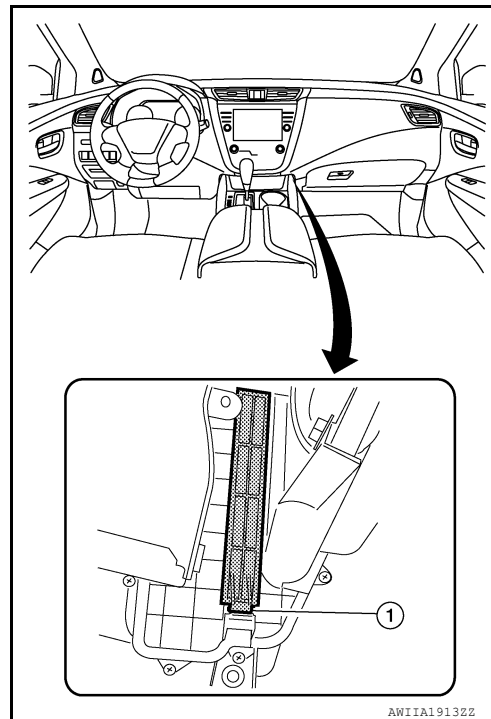
INFOID:000000011219325

REMOVAL

1. Remove the center console side finisher (RH). Refer to [IP-19. "Exploded View"](#).
2. Remove the glove box assembly. Refer to [IP-25. "Removal and Installation"](#).
3. Release the in-cabin microfilter cover tab (1) and remove the cover from under the RH side of the instrument panel.

CAUTION:

Use care when lifting up on the tab to avoid damaging it.



4. Remove the in-cabin microfilter.

CAUTION:

If the filter is deformed/damaged when removing, replace it with a new one. A deformed or damaged filter may affect the dust collecting performance.

INSTALLATION

Installation is in the reverse order of removal.

CAUTION:

When installing, handle the filter with extreme care to avoid deforming or damaging the filter.

NOTE:

The in-cabin microfilter is marked with an air flow arrow. The end of the microfilter with the arrow should face the passenger side of the vehicle. The arrow should point toward the rear of the vehicle.

VENTILATION SYSTEM

< SYSTEM DESCRIPTION >

SYSTEM DESCRIPTION

VENTILATION SYSTEM

System Description

INFOID:000000011554385

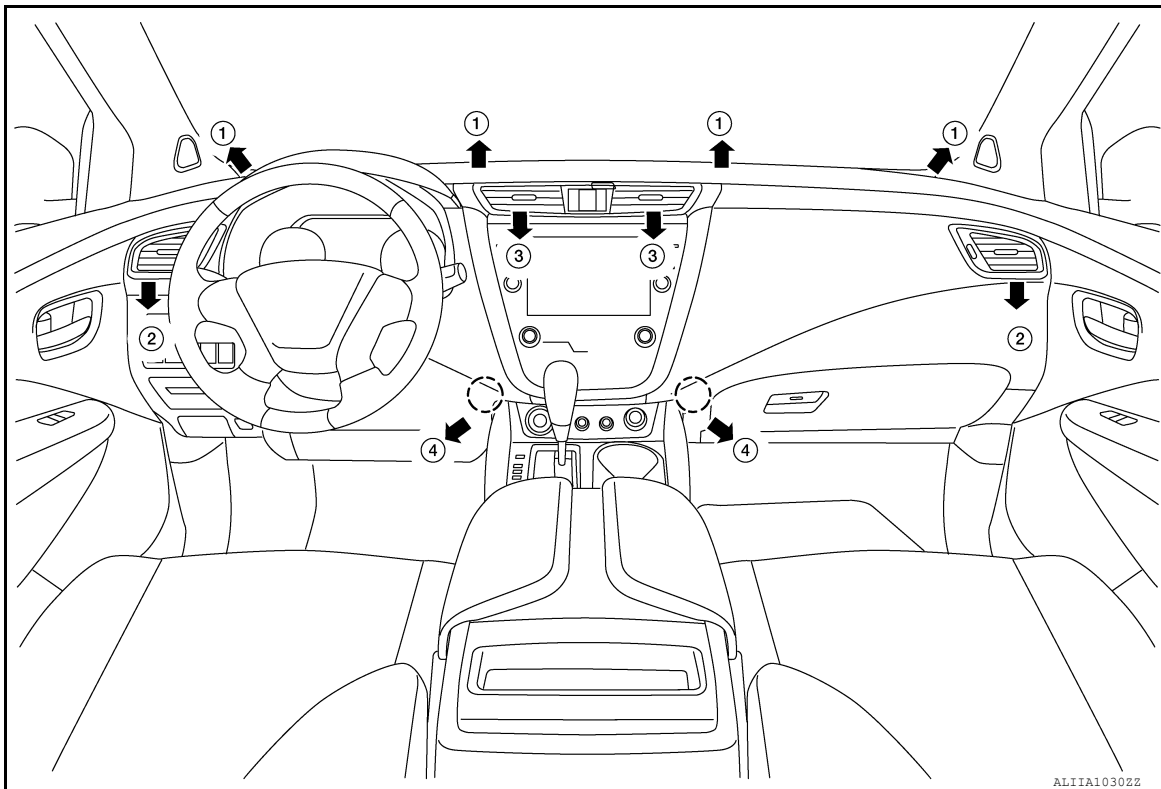
OUTLINE

Automatic A/C

The ventilation system is controlled by the A/C switch assembly. For details on the automatic air conditioner system, refer to [HAC-12. "System Description"](#).

AIR FLOW

Front

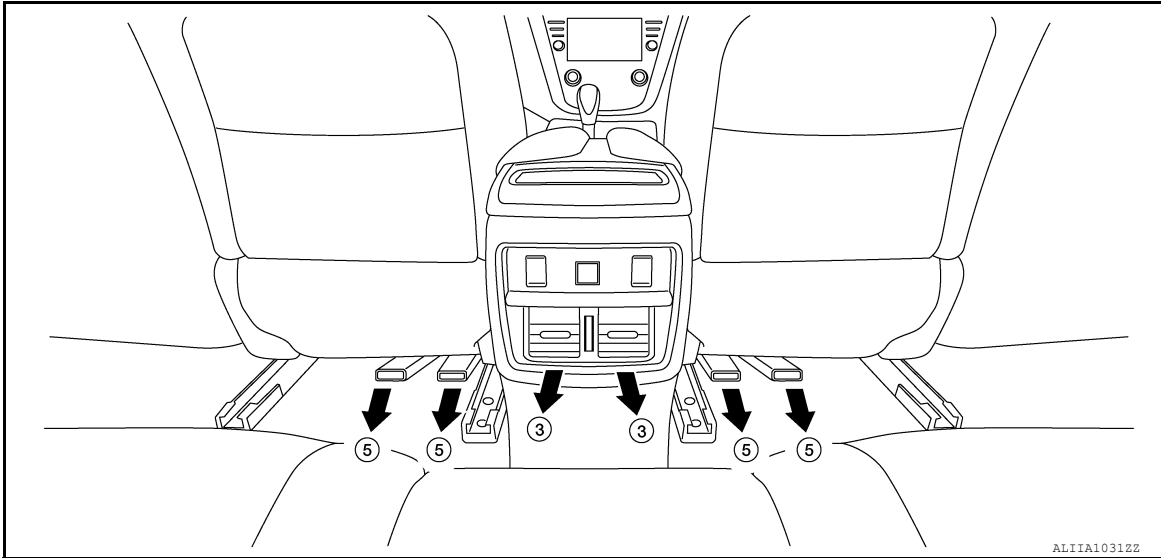


A
B
C
D
E
F
G
H
VTL
J
K
L
M
N
O
P

VENTILATION SYSTEM

< SYSTEM DESCRIPTION >

Rear



Discharge air flow

Mode position	Condition		Air outlet / distribution					
			DEF (1)	VENT		FOOT		
				Side (2)	Center (3)	Front (4)	Center (5)	
	Upper Vent: ON	Temperature control switch	18°C (60°F)	—	×	×	—	—
			Other than 18°C (60°F) ^{*1}	—	×	×	—	—
	—	—	—	×	×	×	×	
	—	—	—	—	×	×	×	
	—	—	×	—	×	×	×	
	—	—	×	—	×	—	—	

- *1: Air flow is also supplied to front foot until passenger room temperature stabilizes when temperature setting is other than 18°C (60°F). At that time, air flowing is the same as the 18°C (60°F) setting.

DUCTS AND GRILLES

< REMOVAL AND INSTALLATION >

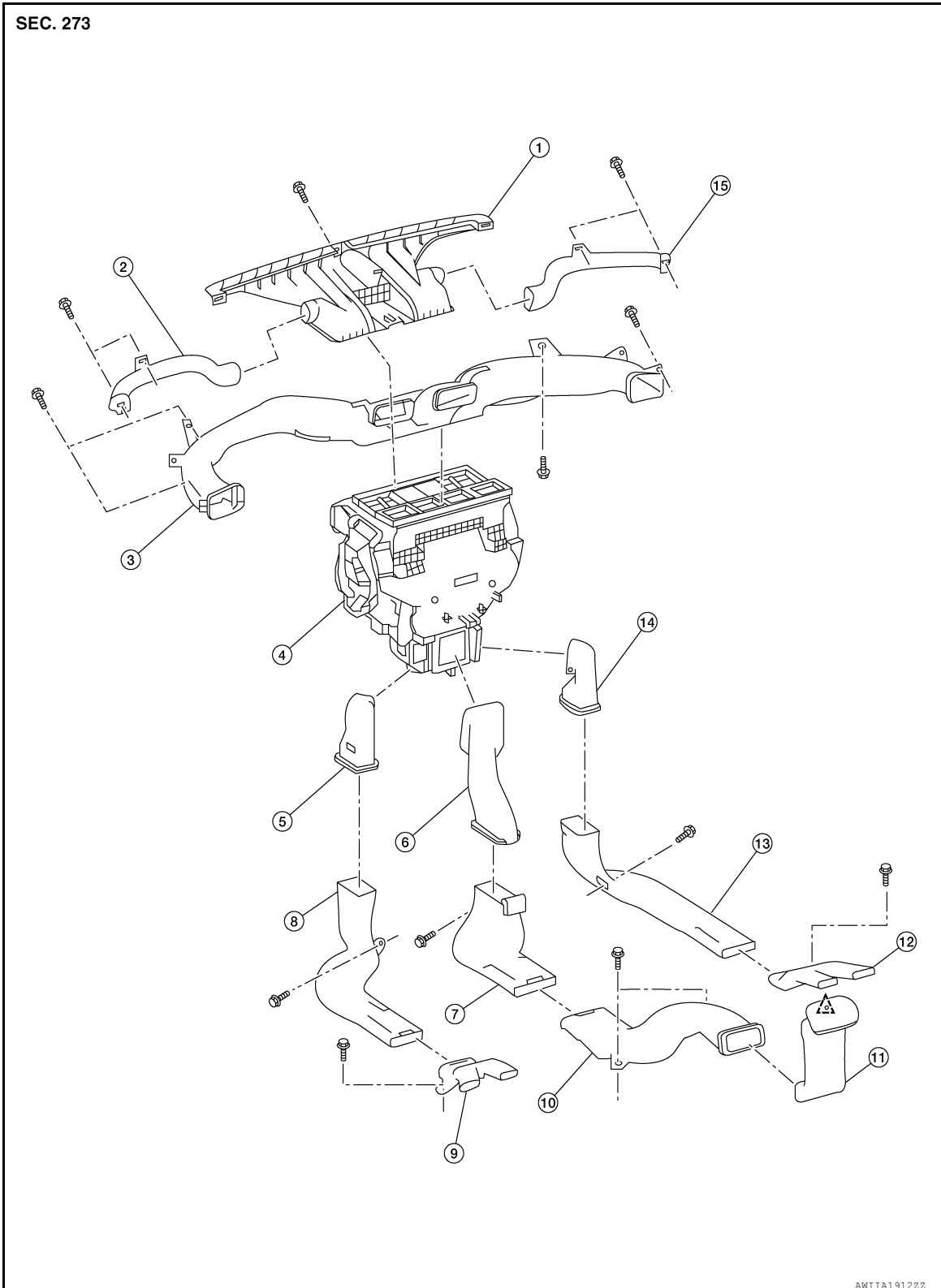
REMOVAL AND INSTALLATION

DUCTS AND GRILLES

Exploded View

INFOID:000000011219327

FRONT



A
B
C
D
E
F
G
H
VTL
J
K
L
M
N
O
P

DUCTS AND GRILLES

< REMOVAL AND INSTALLATION >

- | | | |
|---------------------------------|--------------------------------------|----------------------------------|
| 1. Defroster nozzle | 2. Side defroster duct (LH) | 3. Center ventilator duct |
| 4. Heating and cooling unit | 5. Front floor connecting duct (LH) | 6. Adaptor duct |
| 7. Center floor connecting duct | 8. Front floor duct (LH) | 9. Front floor duct nozzle (LH) |
| 10. Center floor duct | 11. Rear center ventilator duct | 12. Front floor duct nozzle (RH) |
| 13. Front floor duct (RH) | 14. Front floor connecting duct (RH) | 15. Side defroster duct (RH) |

DEFROSTER NOZZLE

DEFROSTER NOZZLE : Removal and Installation

INFOID:000000011559087

REMOVAL

1. Remove the side defroster ducts (LH/RH). Refer to [VTL-10, "SIDE DEFROSTER DUCT : Removal and Installation"](#).
2. Remove the screws and defroster nozzle.

INSTALLATION

Installation is in the reverse order of removal.

CENTER VENTILATOR DUCT

CENTER VENTILATOR DUCT : Removal and Installation

INFOID:000000011219328

REMOVAL

1. Remove the instrument panel. Refer to [IP-15, "INSTRUMENT PANEL ASSEMBLY : Removal and Installation"](#).
2. Remove the screws and the center ventilator duct.

INSTALLATION

Installation is in the reverse order of removal.

SIDE DEFROSTER DUCT

SIDE DEFROSTER DUCT : Removal and Installation

INFOID:000000011219329

REMOVAL

1. Remove the instrument panel assembly. Refer to [IP-15, "INSTRUMENT PANEL ASSEMBLY : Removal and Installation"](#).
2. Remove the screws and the side defroster duct.

INSTALLATION

Installation is in the reverse order of removal.

FRONT FLOOR DUCT

FRONT FLOOR DUCT : Removal and Installation - Front Floor Connecting Duct

INFOID:000000011219330

REMOVAL

1. Remove the center console side finisher. Refer to [IP-19, "Exploded View"](#).
2. Remove the front floor connecting duct.

INSTALLATION

Installation is in the reverse order of removal.

FRONT FLOOR DUCT : Removal and Installation - Front Floor Duct

INFOID:000000011219331

REMOVAL

1. Remove the front floor connecting duct. Refer to [VTL-10, "FRONT FLOOR DUCT : Removal and Installation - Front Floor Connecting Duct"](#).

DUCTS AND GRILLES

< REMOVAL AND INSTALLATION >

2. Remove the floor trim. Refer to [INT-25. "Removal and Installation"](#).
3. Remove the screw and the front floor duct.

INSTALLATION

Installation is in the reverse order of removal.

ADAPTOR DUCT

ADAPTOR DUCT : Removal and Installation

INFOID:0000000011219332

REMOVAL

1. Remove the center console assembly. Refer to [IP-19. "Removal and Installation"](#).
2. Remove the center console bracket.
3. Remove the adaptor duct.

INSTALLATION

Installation is in the reverse order of removal.

REAR CENTER VENTILATOR DUCT

REAR CENTER VENTILATOR DUCT : Removal and Installation

INFOID:0000000011219334

REMOVAL

1. Remove the center console rear finisher. Refer to [IP-19. "Exploded View"](#).
2. Remove the clip and rear center ventilator duct.

INSTALLATION

Installation is in the reverse order of removal.

CENTER FLOOR DUCT

CENTER FLOOR DUCT : Removal and Installation - Center Floor Connecting Duct

INFOID:0000000011219335

REMOVAL

1. Remove the adaptor duct. Refer to [VTL-11. "ADAPTOR DUCT : Removal and Installation"](#).
2. Remove the floor trim. Refer to [INT-25. "Removal and Installation"](#).
3. Remove the screw and center floor connecting duct.

INSTALLATION

Installation is in the reverse order of removal.

CENTER FLOOR DUCT : Removal and Installation - Center Floor Duct

INFOID:0000000011219336

REMOVAL

1. Remove the floor trim. Refer to [INT-25. "Removal and Installation"](#).
2. Remove the screws and center floor duct.

INSTALLATION

Installation is in the reverse order of removal.

FRONT FLOOR DUCT NOZZLE

FRONT FLOOR DUCT NOZZLE : Removal and Installation

INFOID:0000000011560450

REMOVAL

1. Remove the floor trim. Refer to [INT-25. "Removal and Installation"](#).
2. Remove the screw and the front floor duct nozzle.

INSTALLATION

Installation is in the reverse order of removal.

A
B
C
D
E
F
G
H
J
K
L
M
N
O
P

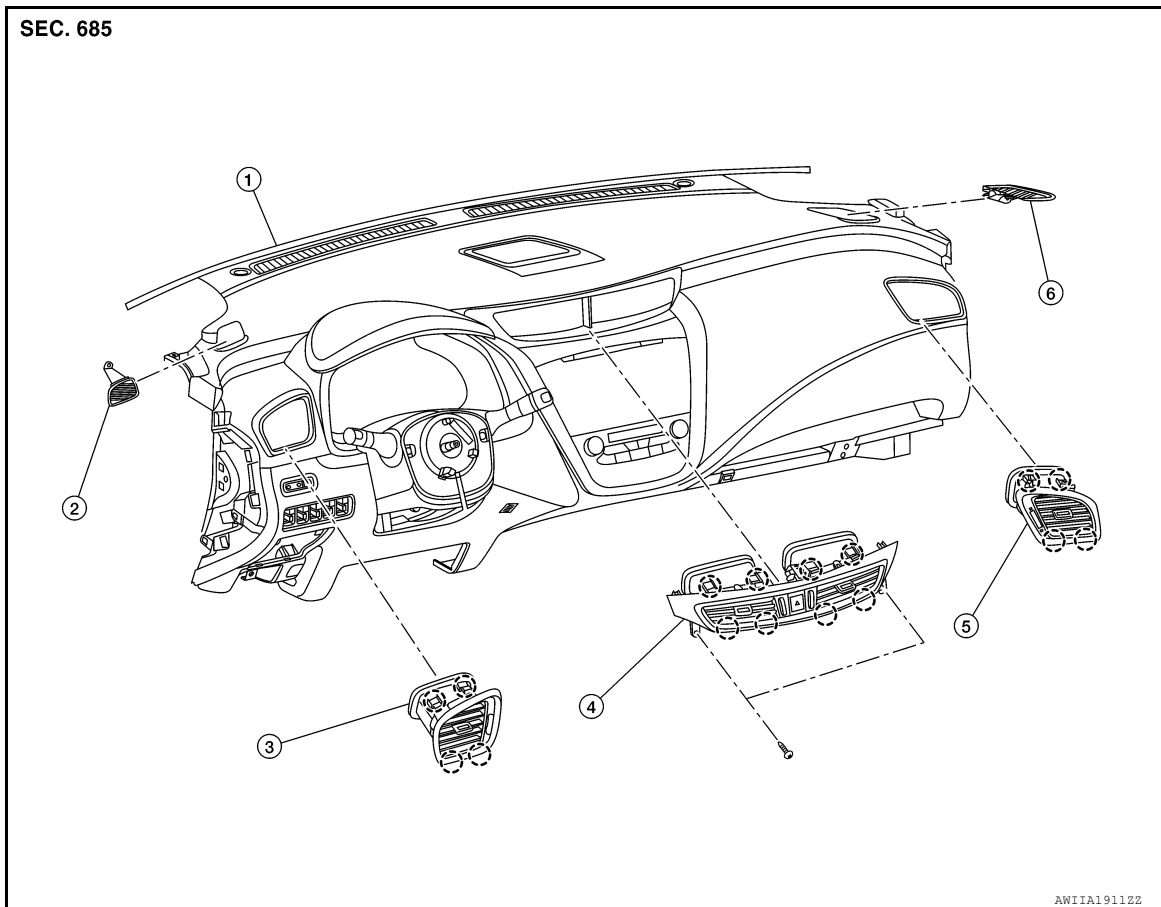
VTL

DUCTS AND GRILLES

< REMOVAL AND INSTALLATION >

Exploded View

INFOID:000000011554399



- | | | |
|-----------------------------|--------------------------------|--------------------------------|
| 1. Instrument panel | 2. Side defroster grille (LH) | 3. Side ventilator grille (LH) |
| 4. Center ventilator grille | 5. Side ventilator grille (RH) | 6. Side defroster grille (RH) |
- : Pawl

CENTER VENTILATOR GRILLE

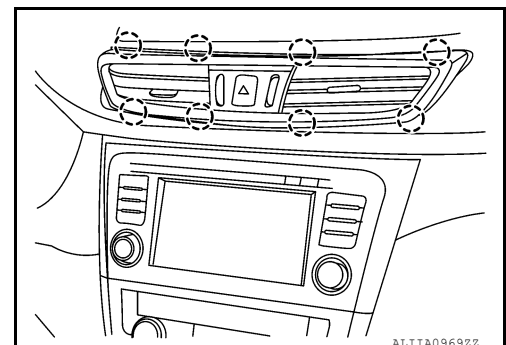
CENTER VENTILATOR GRILLE : Removal and Installation

INFOID:000000011554400

REMOVAL

1. Remove the cluster lid D. Refer to [IP-23, "Removal and Installation"](#).
2. Remove the center ventilator screws. Refer to [VTL-12, "Exploded View"](#).
3. Release the pawls using a suitable tool and remove the center ventilator grille from the instrument panel.

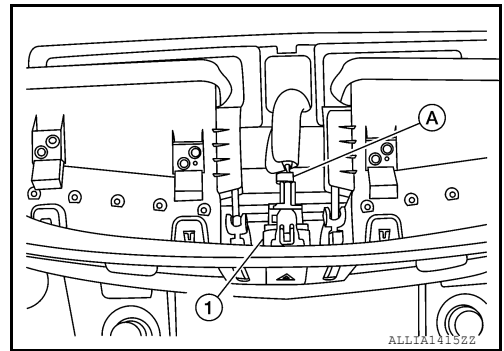
○: Pawl



DUCTS AND GRILLES

< REMOVAL AND INSTALLATION >

4. Disconnect the harness connector (A) from hazard switch (1).



INSTALLATION

Installation is in the reverse order of removal.

SIDE VENTILATOR GRILLE

SIDE VENTILATOR GRILLE : Removal and Installation

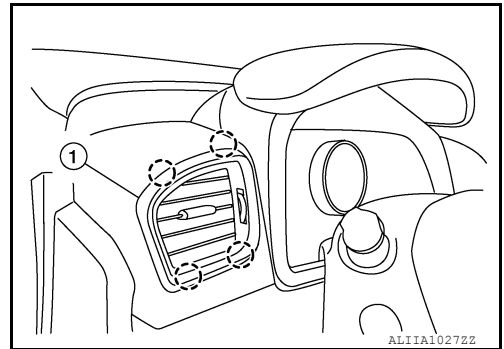
INFOID:000000011554538

REMOVAL

Side ventilator grille (LH)

1. Release the pawls using a suitable tool and remove side ventilator grille (LH) (1).

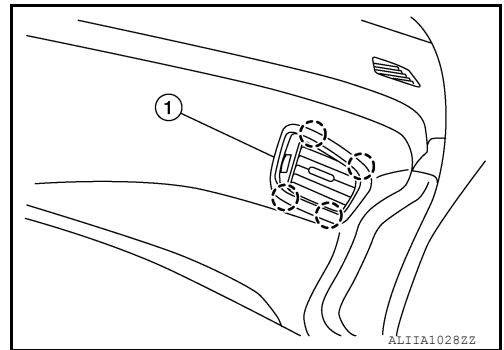
○: Pawl



Side ventilator grille (RH)

1. Release the pawls using a suitable tool and remove side ventilator grille (RH) (1).

○: Pawl



INSTALLATION

Installation is in the reverse order of removal.

SIDE DEFROSTER GRILLE

SIDE DEFROSTER GRILLE : Removal and Installation

INFOID:000000011554533

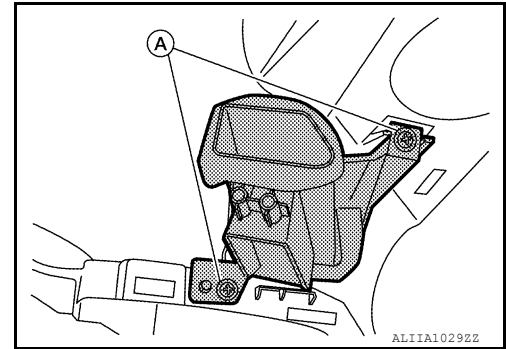
REMOVAL

1. Remove the side defroster duct. Refer to [VTL-10, "SIDE DEFROSTER DUCT : Removal and Installation"](#).

DUCTS AND GRILLES

< REMOVAL AND INSTALLATION >

2. Remove the side defroster grille screws (A).



3. Remove the side defroster grille.

INSTALLATION

Installation is in the reverse order of removal.

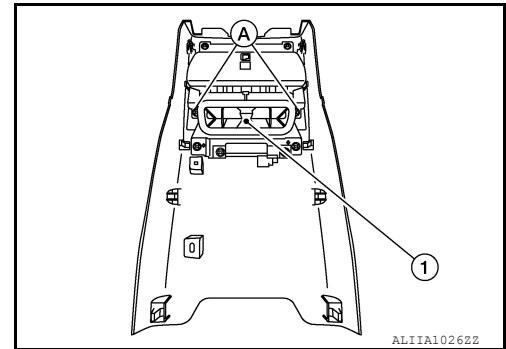
REAR CENTER VENTILATOR GRILLE

REAR CENTER VENTILATOR GRILLE : Removal and Installation

INFOID:000000011554539

REMOVAL

1. Remove the center console rear finisher. Refer to [IP-15. "INSTRUMENT PANEL ASSEMBLY : Removal and Installation"](#).
2. Remove the screws (A) and rear center ventilator grille (1).



INSTALLATION

Installation is in the reverse order of removal.

BLOWER UNIT

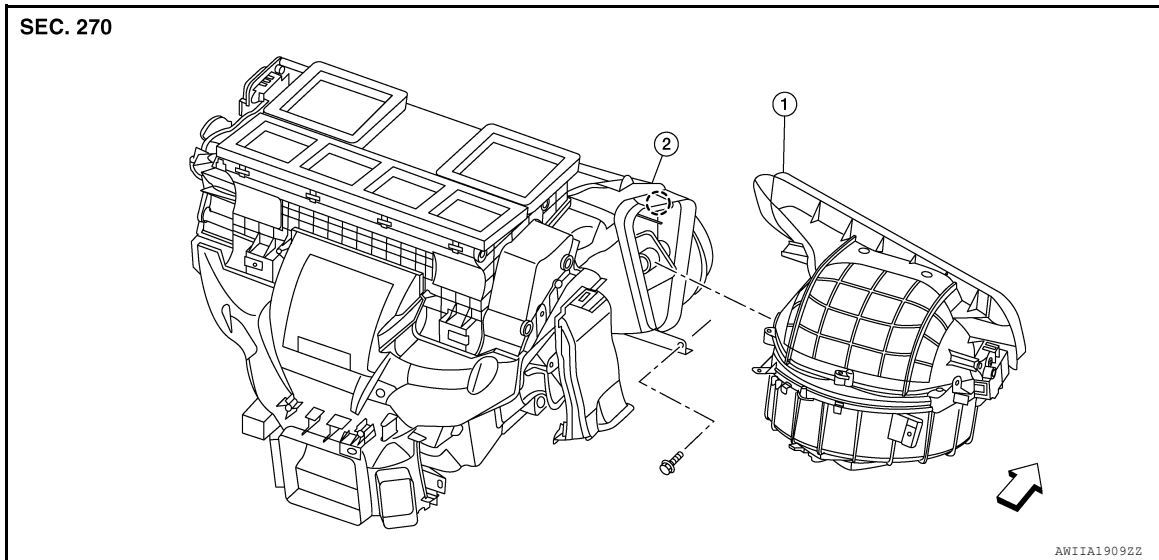
< REMOVAL AND INSTALLATION >

BLOWER UNIT

BLOWER UNIT

BLOWER UNIT : Exploded View

INFOID:000000011554395



1. Blower unit

2. Heating and cooling unit

← Front

BLOWER UNIT : Removal and Installation

INFOID:000000011554396

REMOVAL

1. Remove the heating and cooling unit assembly. Refer to [HA-41. "Removal and Installation"](#).
2. Disconnect the harness connector from the blower motor.
3. Remove the screw and then the blower unit from the heating and cooling unit assembly.

INSTALLATION

Installation is in the reverse order of removal.

BLOWER MOTOR

BLOWER MOTOR : Removal and Installation

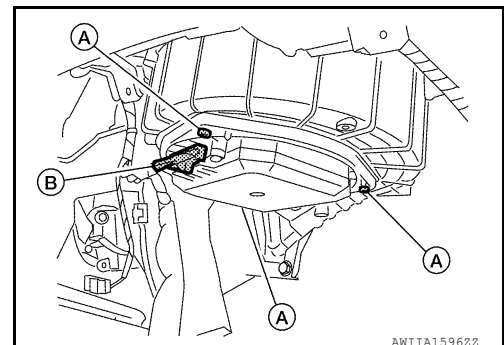
INFOID:000000011554397

REMOVAL

1. Remove the glove box assembly. Refer to [IP-25. "Removal and Installation"](#).
2. Disconnect the harness connector (B) from the blower motor.
3. Remove the blower motor screws (A) and the blower motor from the blower unit.

NOTE:

Do not disassemble the blower motor to replace individual components; replace as an assembly.



INSTALLATION

Installation is in the reverse order of removal.

SERVICE DATA AND SPECIFICATIONS (SDS)

< SERVICE DATA AND SPECIFICATIONS (SDS)

SERVICE DATA AND SPECIFICATIONS (SDS)

SERVICE DATA AND SPECIFICATIONS (SDS)

In-cabin Microfilter

INFOID:000000011554384

Replacement interval	Refer to MA-7. "Introduction of Periodic Maintenance" .
----------------------	---
