

**SECTION VTL**  
**VENTILATION SYSTEM**

A  
B  
C  
D  
E  
F  
G  
H  
I  
J  
K  
L  
M  
N  
O  
P

**CONTENTS**

<b>PRECAUTION</b> .....	3	FRONT FLOOR DUCT : Removal and Installation	F
<b>PRECAUTIONS</b> .....	3	- Front Floor Connecting Duct .....	10
Precaution for Supplemental Restraint System (SRS) "AIR BAG" and "SEAT BELT PRE-TENSIONER" .....	3	FRONT FLOOR DUCT : Removal and Installation	G
Precaution for Procedure without Cowl Top Cover.....	3	- Front Floor Duct .....	10
Precaution for Work .....	3	<b>ADAPTOR DUCT</b> .....	11
<b>PREPARATION</b> .....	5	ADAPTOR DUCT : Removal and Installation .....	11
<b>PREPARATION</b> .....	5	<b>REAR CENTER VENTILATOR DUCT</b> .....	11
Special Service Tool .....	5	REAR CENTER VENTILATOR DUCT : Removal and Installation .....	11
Commercial Service Tool .....	5	<b>CENTER FLOOR DUCT</b> .....	11
<b>PERIODIC MAINTENANCE</b> .....	6	CENTER FLOOR DUCT : Removal and Installation - Center Floor Connecting Duct .....	11
<b>IN-CABIN MICROFILTER</b> .....	6	CENTER FLOOR DUCT : Removal and Installation - Center Floor Duct .....	11
Removal and Installation .....	6	<b>FRONT FLOOR DUCT NOZZLE</b> .....	11
<b>SYSTEM DESCRIPTION</b> .....	7	FRONT FLOOR DUCT NOZZLE : Removal and Installation .....	11
<b>VENTILATION SYSTEM</b> .....	7	Exploded View .....	12
System Description .....	7	<b>CENTER VENTILATOR GRILLE</b> .....	12
<b>REMOVAL AND INSTALLATION</b> .....	9	CENTER VENTILATOR GRILLE : Removal and Installation .....	12
<b>DUCTS AND GRILLES</b> .....	9	<b>SIDE VENTILATOR GRILLE</b> .....	13
Exploded View .....	9	SIDE VENTILATOR GRILLE : Removal and Installation .....	13
<b>DEFROSTER NOZZLE</b> .....	10	<b>SIDE DEFROSTER GRILLE</b> .....	13
DEFROSTER NOZZLE : Removal and Installation .....	10	SIDE DEFROSTER GRILLE : Removal and Installation .....	13
<b>CENTER VENTILATOR DUCT</b> .....	10	<b>REAR CENTER VENTILATOR GRILLE</b> .....	14
CENTER VENTILATOR DUCT : Removal and Installation .....	10	REAR CENTER VENTILATOR GRILLE : Removal and Installation .....	14
<b>SIDE DEFROSTER DUCT</b> .....	10	<b>BLOWER UNIT</b> .....	15
SIDE DEFROSTER DUCT : Removal and Installation .....	10	<b>BLOWER UNIT</b> .....	15
<b>FRONT FLOOR DUCT</b> .....	10	BLOWER UNIT : Exploded View .....	15
		BLOWER UNIT : Removal and Installation .....	15

VTL

---

<b>BLOWER MOTOR</b> .....	15	<b>SERVICE DATA AND SPECIFICATIONS</b>	
BLOWER MOTOR : Removal and Installation .....	15	<b>(SDS)</b> .....	16
<b>SERVICE DATA AND SPECIFICATIONS</b>		In-cabin Microfilter .....	16
<b>(SDS)</b> .....	16		

# PRECAUTIONS

< PRECAUTION >

## PRECAUTION

### PRECAUTIONS

#### Precaution for Supplemental Restraint System (SRS) "AIR BAG" and "SEAT BELT PRE-TENSIONER"

INFOID:000000013384054

The Supplemental Restraint System such as "AIR BAG" and "SEAT BELT PRE-TENSIONER", used along with a front seat belt, helps to reduce the risk or severity of injury to the driver and front passenger for certain types of collision. Information necessary to service the system safely is included in the SR and SB section of this Service Manual.

#### **WARNING:**

- To avoid rendering the SRS inoperative, which could increase the risk of personal injury or death in the event of a collision which would result in air bag inflation, it is recommended that all maintenance and repair be performed by an authorized NISSAN/INFINITI dealer.
- Improper repair, including incorrect removal and installation of the SRS, can lead to personal injury caused by unintentional activation of the system. For removal of Spiral Cable and Air Bag Module, see the SR section.
- Do not use electrical test equipment on any circuit related to the SRS unless instructed to in this Service Manual. SRS wiring harnesses can be identified by yellow and/or orange harnesses or harness connectors.

#### PRECAUTIONS WHEN USING POWER TOOLS (AIR OR ELECTRIC) AND HAMMERS

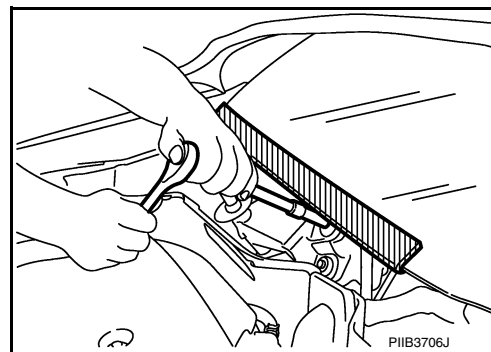
#### **WARNING:**

- When working near the Air Bag Diagnosis Sensor Unit or other Air Bag System sensors with the Ignition ON or engine running, DO NOT use air or electric power tools or strike near the sensor(s) with a hammer. Heavy vibration could activate the sensor(s) and deploy the air bag(s), possibly causing serious injury.
- When using air or electric power tools or hammers, always switch the Ignition OFF, disconnect the battery or batteries, and wait at least three minutes before performing any service.

#### Precaution for Procedure without Cowl Top Cover

INFOID:000000012876648

When performing the procedure after removing cowl top cover, cover the lower end of windshield with urethane, etc., to prevent damage to windshield.



#### Precaution for Work

INFOID:000000012876649

- When removing or disassembling each component, be careful not to damage or deform it. If a component may be subject to interference, be sure to protect it with a shop cloth.
- When removing (disengaging) components with a screwdriver or similar tool, be sure to wrap the component with a shop cloth or vinyl tape to protect it.
- Protect the removed parts with a shop cloth and prevent them from being dropped.
- Replace a deformed or damaged clip.
- If a part is specified as a non-reusable part, always replace it with a new one.
- Be sure to tighten bolts and nuts securely to the specified torque.
- After installation is complete, be sure to check that each part works properly.
- Follow the steps below to clean components:
  - Water soluble dirt:
    - Dip a soft cloth into lukewarm water, wring the water out of the cloth and wipe the dirty area.
    - Then rub with a soft, dry cloth.
  - Oily dirt:

## PRECAUTIONS

### < PRECAUTION >

---

- Dip a soft cloth into lukewarm water with mild detergent (concentration: within 2 to 3%) and wipe the dirty area.
- Then dip a cloth into fresh water, wring the water out of the cloth and wipe the detergent off.
- Then rub with a soft, dry cloth.
- Do not use organic solvent such as thinner, benzene, alcohol or gasoline.
- For genuine leather seats, use a genuine leather seat cleaner.

# PREPARATION

< PREPARATION >

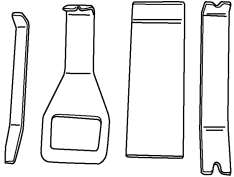
## PREPARATION

### PREPARATION

#### Special Service Tool


INFOID:000000012876650

The actual shape of the tools may differ from those illustrated here.

(TechMate No.) Tool name	Description
(J-46534) Trim Tool Set  <p style="text-align: center;">AWJIA0483ZZ</p>	Removing trim components

#### Commercial Service Tool

INFOID:000000012876651

Tool name	Description
PowerTool  <p style="text-align: center;">PIIB1407E</p>	Loosening nuts, screws and bolts

A

B

C

D

E

F

G

H

VTL

J

K

L

M

N

O

P

# IN-CABIN MICROFILTER

< PERIODIC MAINTENANCE >

## PERIODIC MAINTENANCE

### IN-CABIN MICROFILTER

#### Removal and Installation

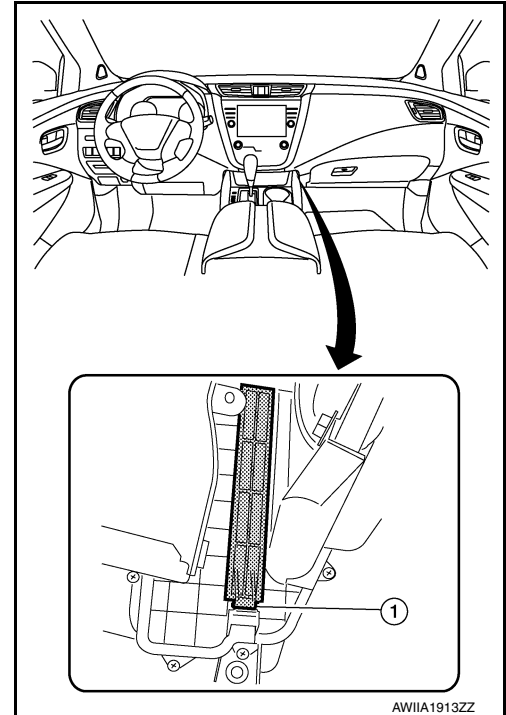
INFOID:000000012876652

#### REMOVAL

1. Remove the center console side finisher (RH). Refer to [IP-19. "Exploded View"](#).
2. Remove the glove box assembly. Refer to [IP-25. "Removal and Installation"](#).
3. Release the in-cabin microfilter cover tab (1) and remove the cover from under the RH side of the instrument panel.

**CAUTION:**

Use care when lifting up on the tab to avoid damaging it.



4. Remove the in-cabin microfilter.

**CAUTION:**

If the filter is deformed/damaged when removing, replace it with a new one. A deformed or damaged filter may affect the dust collecting performance.

#### INSTALLATION

Installation is in the reverse order of removal.

**CAUTION:**

When installing, handle the filter with extreme care to avoid deforming or damaging the filter.

**NOTE:**

The in-cabin microfilter is marked with an air flow arrow. The end of the microfilter with the arrow should face the passenger side of the vehicle. The arrow should point toward the rear of the vehicle.

# VENTILATION SYSTEM

< SYSTEM DESCRIPTION >

## SYSTEM DESCRIPTION

### VENTILATION SYSTEM

#### System Description

INFOID:0000000012876653

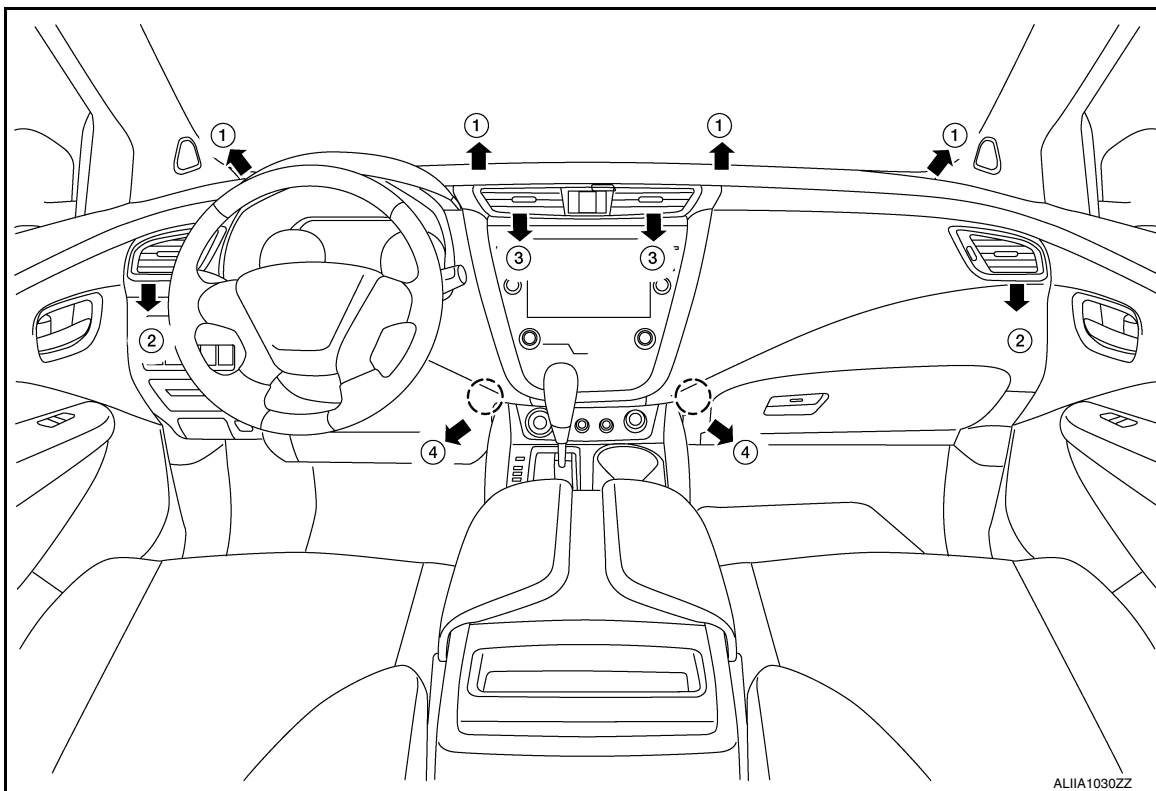
#### OUTLINE

##### Automatic A/C

The ventilation system is controlled by the A/C switch assembly. For details on the automatic air conditioner system, refer to [HAC-12. "System Description"](#).

#### AIR FLOW

Front

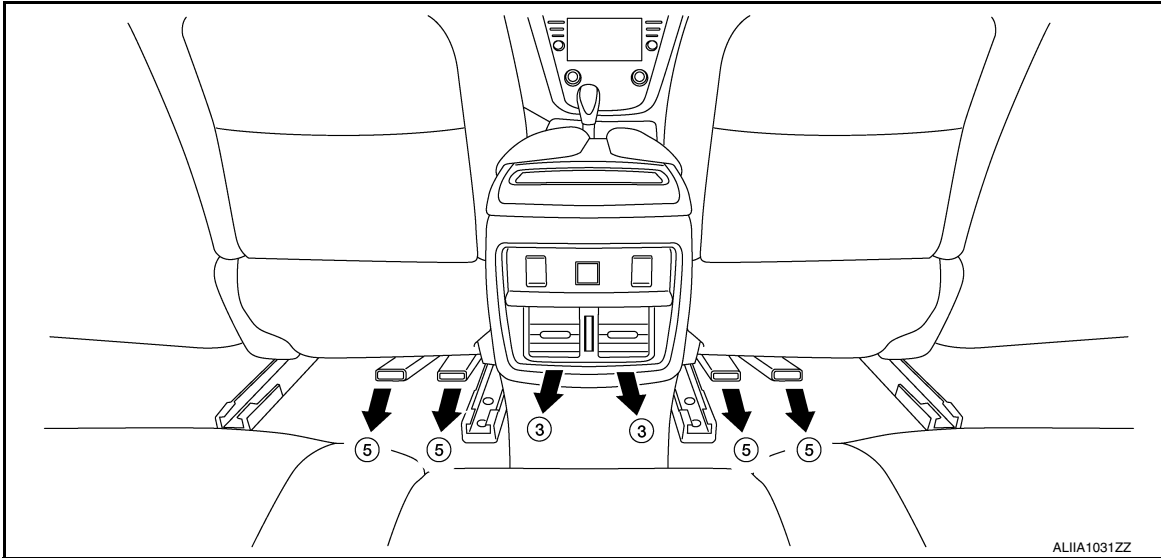


A  
B  
C  
D  
E  
F  
G  
H  
VTL  
J  
K  
L  
M  
N  
O  
P

# VENTILATION SYSTEM

## < SYSTEM DESCRIPTION >

Rear



ALIA1031ZZ

### Discharge air flow

Mode position	Condition		Air outlet / distribution					
			DEF (1)	VENT		FOOT		
				Side (2)	Center (3)	Front (4)	Center (5)	
	Upper Vent: ON	Temperature control switch	18°C (60°F)	—	×	×	—	—
			Other than 18°C (60°F)*1	—	×	×	—	—
	—	—	—	×	×	×	×	
	—	—	—	—	×	×	×	
	—	—	×	—	×	×	×	
	—	—	×	—	×	—	—	

- \*1: Air flow is also supplied to front foot until passenger room temperature stabilizes when temperature setting is other than 18°C (60°F). At that time, air flowing is the same as the 18°C (60°F) setting.



# DUCTS AND GRILLES

< REMOVAL AND INSTALLATION >

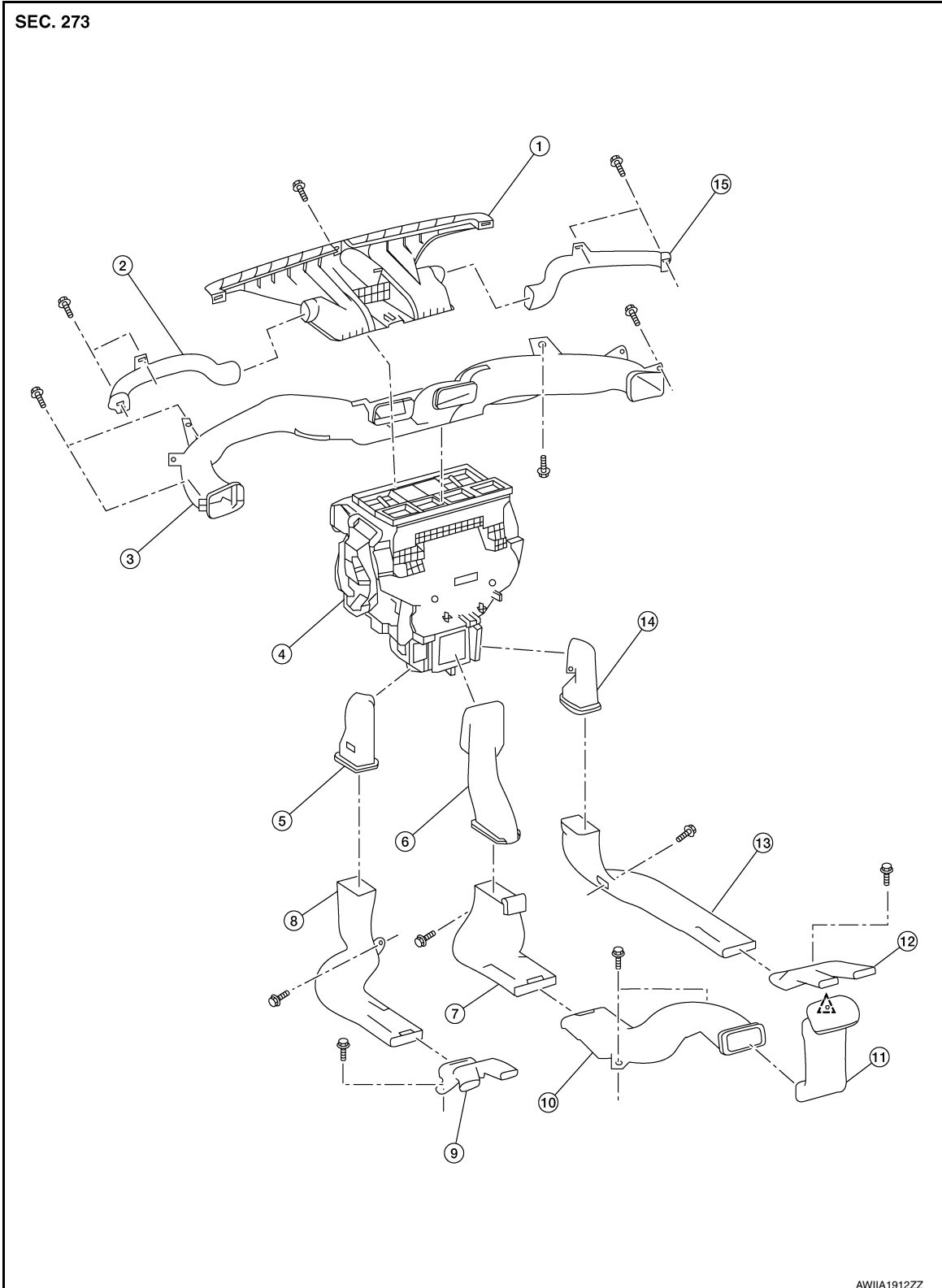
## REMOVAL AND INSTALLATION

### DUCTS AND GRILLES

Exploded View

INFOID:0000000012876654

FRONT



A

B

C

D

E

F

G

H

VTL

J

K

L

M

N

O

P

# DUCTS AND GRILLES

## < REMOVAL AND INSTALLATION >

---

- |                                 |                                      |                                  |
|---------------------------------|--------------------------------------|----------------------------------|
| 1. Defroster nozzle             | 2. Side defroster duct (LH)          | 3. Center ventilator duct        |
| 4. Heating and cooling unit     | 5. Front floor connecting duct (LH)  | 6. Adaptor duct                  |
| 7. Center floor connecting duct | 8. Front floor duct (LH)             | 9. Front floor duct nozzle (LH)  |
| 10. Center floor duct           | 11. Rear center ventilator duct      | 12. Front floor duct nozzle (RH) |
| 13. Front floor duct (RH)       | 14. Front floor connecting duct (RH) | 15. Side defroster duct (RH)     |

## DEFROSTER NOZZLE

### DEFROSTER NOZZLE : Removal and Installation

INFOID:0000000012876655

#### REMOVAL

1. Remove the side defroster ducts (LH/RH). Refer to [VTL-10, "SIDE DEFROSTER DUCT : Removal and Installation"](#).
2. Remove the screws and defroster nozzle.

#### INSTALLATION

Installation is in the reverse order of removal.

## CENTER VENTILATOR DUCT

### CENTER VENTILATOR DUCT : Removal and Installation

INFOID:0000000012876656

#### REMOVAL

1. Remove the instrument panel. Refer to [IP-15, "INSTRUMENT PANEL ASSEMBLY : Removal and Installation"](#).
2. Remove the screws and the center ventilator duct.

#### INSTALLATION

Installation is in the reverse order of removal.

## SIDE DEFROSTER DUCT

### SIDE DEFROSTER DUCT : Removal and Installation

INFOID:0000000012876657

#### REMOVAL

1. Remove the instrument panel assembly. Refer to [IP-15, "INSTRUMENT PANEL ASSEMBLY : Removal and Installation"](#).
2. Remove the screws and the side defroster duct.

#### INSTALLATION

Installation is in the reverse order of removal.

## FRONT FLOOR DUCT

### FRONT FLOOR DUCT : Removal and Installation - Front Floor Connecting Duct

INFOID:0000000012876658

#### REMOVAL

1. Remove the center console side finisher. Refer to [IP-19, "Exploded View"](#).
2. Remove the front floor connecting duct.

#### INSTALLATION

Installation is in the reverse order of removal.

### FRONT FLOOR DUCT : Removal and Installation - Front Floor Duct

INFOID:0000000012876659

#### REMOVAL

1. Remove the front floor connecting duct. Refer to [VTL-10, "FRONT FLOOR DUCT : Removal and Installation - Front Floor Connecting Duct"](#).

# DUCTS AND GRILLES

## < REMOVAL AND INSTALLATION >

2. Remove the floor trim. Refer to [INT-25. "Removal and Installation"](#).
3. Remove the screw and the front floor duct.

### INSTALLATION

Installation is in the reverse order of removal.

## ADAPTOR DUCT

### ADAPTOR DUCT : Removal and Installation

INFOID:0000000012876660

### REMOVAL

1. Remove the center console assembly. Refer to [IP-19. "Removal and Installation"](#).
2. Remove the center console bracket.
3. Remove the adaptor duct.

### INSTALLATION

Installation is in the reverse order of removal.

## REAR CENTER VENTILATOR DUCT

### REAR CENTER VENTILATOR DUCT : Removal and Installation

INFOID:0000000012876661

### REMOVAL

1. Remove the center console rear finisher. Refer to [IP-19. "Exploded View"](#).
2. Remove the clip and rear center ventilator duct.

### INSTALLATION

Installation is in the reverse order of removal.

## CENTER FLOOR DUCT

### CENTER FLOOR DUCT : Removal and Installation - Center Floor Connecting Duct

INFOID:0000000012876662

### REMOVAL

1. Remove the adaptor duct. Refer to [VTL-11. "ADAPTOR DUCT : Removal and Installation"](#).
2. Remove the floor trim. Refer to [INT-25. "Removal and Installation"](#).
3. Remove the screw and center floor connecting duct.

### INSTALLATION

Installation is in the reverse order of removal.

### CENTER FLOOR DUCT : Removal and Installation - Center Floor Duct

INFOID:0000000012876663

### REMOVAL

1. Remove the floor trim. Refer to [INT-25. "Removal and Installation"](#).
2. Remove the screws and center floor duct.

### INSTALLATION

Installation is in the reverse order of removal.

## FRONT FLOOR DUCT NOZZLE

### FRONT FLOOR DUCT NOZZLE : Removal and Installation

INFOID:0000000012876664

### REMOVAL

1. Remove the floor trim. Refer to [INT-25. "Removal and Installation"](#).
2. Remove the screw and the front floor duct nozzle.

### INSTALLATION

Installation is in the reverse order of removal.

A  
B  
C  
D  
E  
F  
G  
H  
J  
K  
L  
M  
N  
O  
P

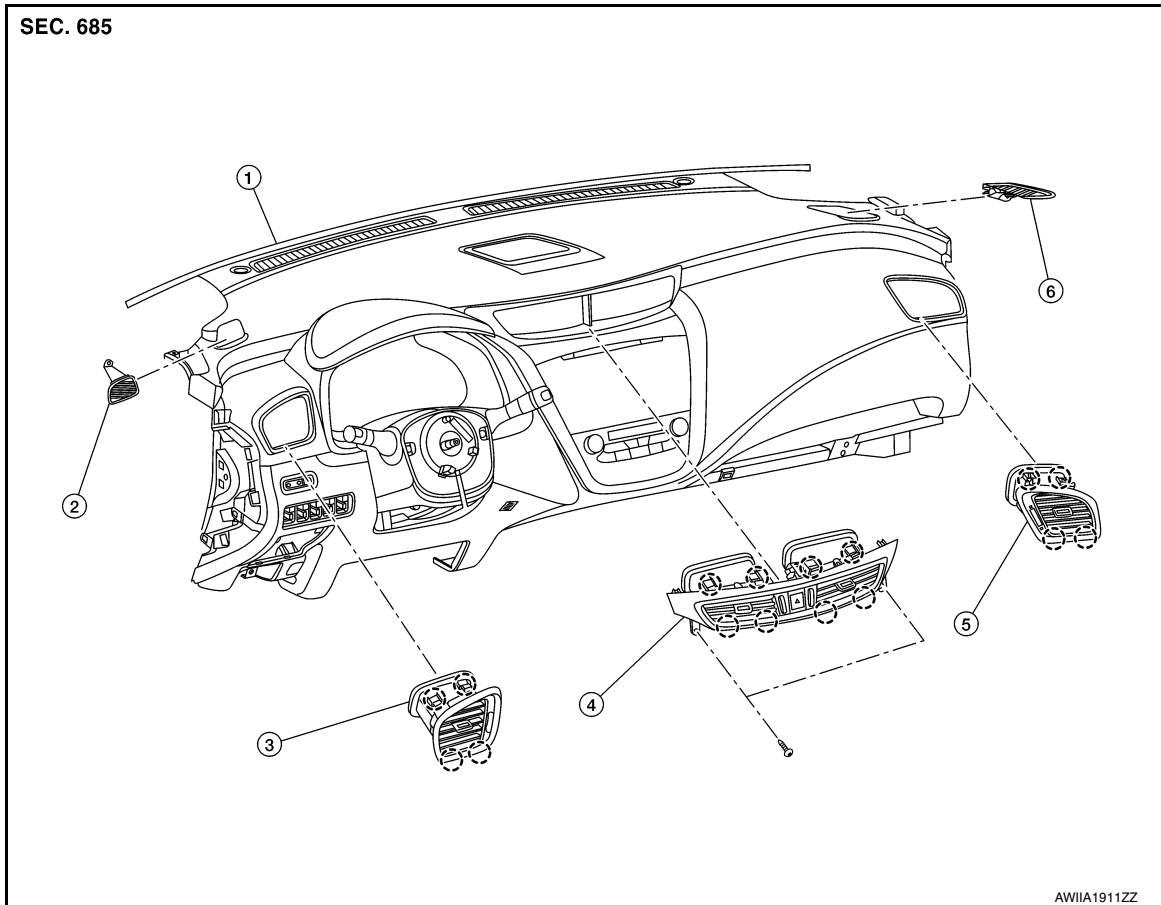
VTL

# DUCTS AND GRILLES

< REMOVAL AND INSTALLATION >

## Exploded View

INFOID:000000012876665



- |                             |                                |                                |
|-----------------------------|--------------------------------|--------------------------------|
| 1. Instrument panel         | 2. Side defroster grille (LH)  | 3. Side ventilator grille (LH) |
| 4. Center ventilator grille | 5. Side ventilator grille (RH) | 6. Side defroster grille (RH)  |

 Pawl

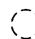
## CENTER VENTILATOR GRILLE

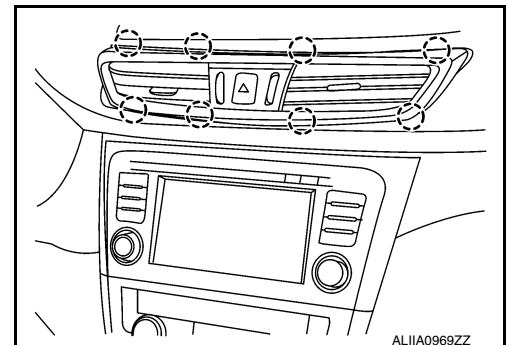
### CENTER VENTILATOR GRILLE : Removal and Installation

INFOID:000000012876666

#### REMOVAL

1. Remove the cluster lid D. Refer to [IP-23, "Removal and Installation"](#).
2. Remove the center ventilator screws. Refer to [VTL-12, "Exploded View"](#).
3. Release the pawls using a suitable tool and remove the center ventilator grille from the instrument panel.

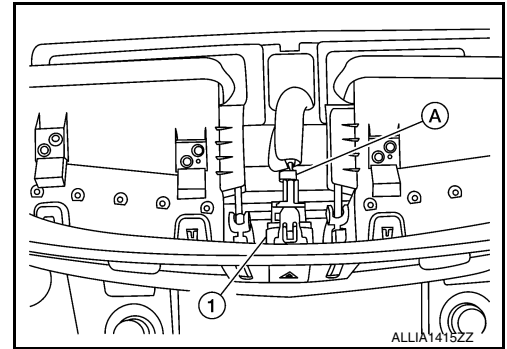
 Pawl



# DUCTS AND GRILLES

## < REMOVAL AND INSTALLATION >

4. Disconnect the harness connector (A) from hazard switch (1).



## INSTALLATION

Installation is in the reverse order of removal.

## SIDE VENTILATOR GRILLE

### SIDE VENTILATOR GRILLE : Removal and Installation

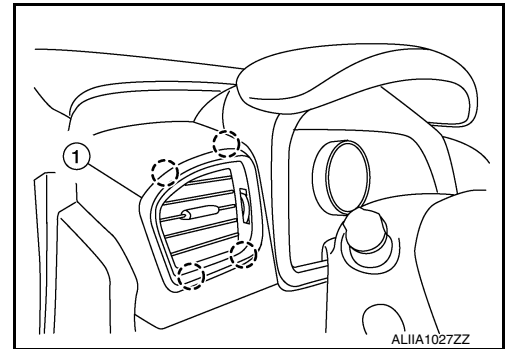
INFOID:000000012876667

## REMOVAL

Side ventilator grille (LH)

1. Release the pawls using a suitable tool and remove side ventilator grille (LH) (1).

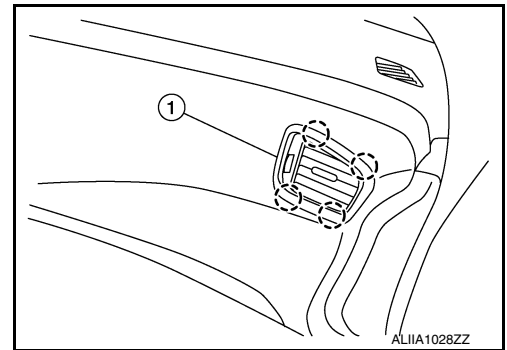
○: Pawl



Side ventilator grille (RH)

1. Release the pawls using a suitable tool and remove side ventilator grille (RH) (1).

○: Pawl



## INSTALLATION

Installation is in the reverse order of removal.

## SIDE DEFROSTER GRILLE

### SIDE DEFROSTER GRILLE : Removal and Installation

INFOID:000000012876668

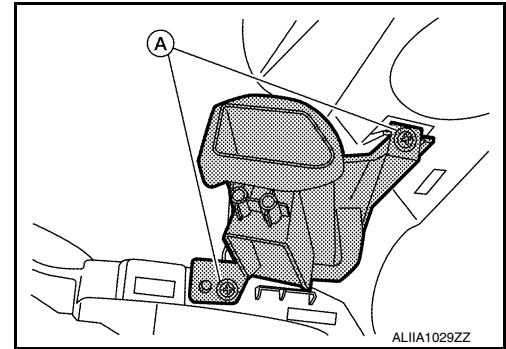
## REMOVAL

1. Remove the side defroster duct. Refer to [VTL-10, "SIDE DEFROSTER DUCT : Removal and Installation"](#).

## DUCTS AND GRILLES

### < REMOVAL AND INSTALLATION >

2. Remove the side defroster grille screws (A).



3. Remove the side defroster grille.

### INSTALLATION

Installation is in the reverse order of removal.

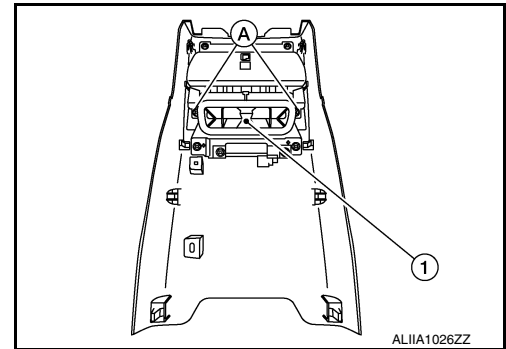
### REAR CENTER VENTILATOR GRILLE

### REAR CENTER VENTILATOR GRILLE : Removal and Installation

INFOID:0000000012876669

### REMOVAL

1. Remove the center console rear finisher. Refer to [IP-15. "INSTRUMENT PANEL ASSEMBLY : Removal and Installation"](#).
2. Remove the screws (A) and rear center ventilator grille (1).



### INSTALLATION

Installation is in the reverse order of removal.

# BLOWER UNIT

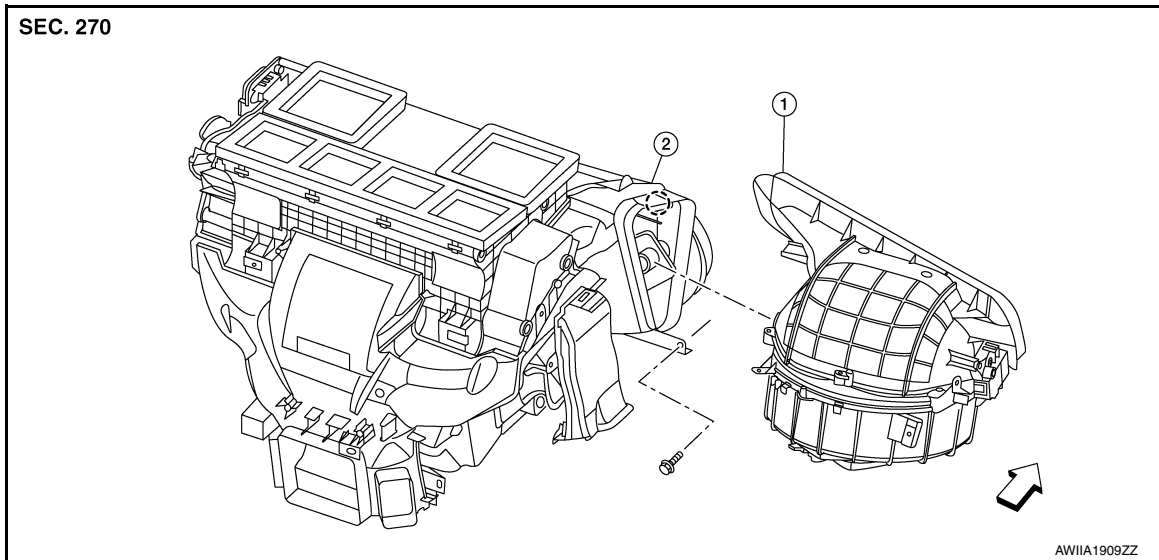
< REMOVAL AND INSTALLATION >

## BLOWER UNIT

## BLOWER UNIT

### BLOWER UNIT : Exploded View

INFOID:000000012876670



1. Blower unit

2. Heating and cooling unit

← Front

### BLOWER UNIT : Removal and Installation

INFOID:000000012876671

#### REMOVAL

1. Remove the heating and cooling unit assembly. Refer to [HA-41. "Removal and Installation"](#).
2. Disconnect the harness connector from the blower motor.
3. Remove the screw and then the blower unit from the heating and cooling unit assembly.

#### INSTALLATION

Installation is in the reverse order of removal.

## BLOWER MOTOR

### BLOWER MOTOR : Removal and Installation

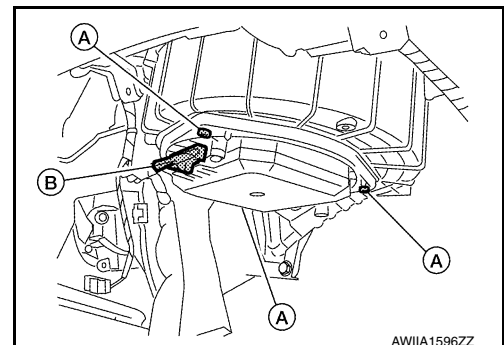
INFOID:000000012876672

#### REMOVAL

1. Remove the glove box assembly. Refer to [IP-25. "Removal and Installation"](#).
2. Disconnect the harness connector (B) from the blower motor.
3. Remove the blower motor screws (A) and the blower motor from the blower unit.

#### NOTE:

Do not disassemble the blower motor to replace individual components; replace as an assembly.



#### INSTALLATION

Installation is in the reverse order of removal.

## SERVICE DATA AND SPECIFICATIONS (SDS)

< SERVICE DATA AND SPECIFICATIONS (SDS)

# SERVICE DATA AND SPECIFICATIONS (SDS)

SERVICE DATA AND SPECIFICATIONS (SDS)

In-cabin Microfilter

INFOID:000000013461034

Replacement interval	Refer to <a href="#">MA-8. "Introduction of Periodic Maintenance"</a> .
----------------------	---