

SECTION **SR**
SRS AIRBAG

A
B
C
D
E
F
G
SR
I
J
K
L
M
N
O
P

CONTENTS

PRECAUTION	2	SIDE CURTAIN AIR BAG MODULE	11
PRECAUTIONS	2	Exploded View	11
Precaution for Supplemental Restraint System (SRS) "AIR BAG" and "SEAT BELT PRE-TEN- SIONER"	2	Removal and Installation	13
Precaution for SRS "AIR BAG" and "SEAT BELT PRE-TENSIONER" Service	2	FRONT SIDE AIR BAG MODULE	17
PREPARATION	3	Exploded View	17
PREPARATION	3	Removal and Installation	17
Special Service Tool	3	CRASH ZONE SENSOR	19
REMOVAL AND INSTALLATION	4	Exploded View	19
DRIVER AIR BAG MODULE	4	Removal and Installation	19
Exploded View	4	SIDE AIR BAG (SATELLITE) SENSOR	21
Removal and Installation	4	Exploded View	21
SPIRAL CABLE	7	Removal and Installation	21
Exploded View	7	FRONT SEAT BELT PRE-TENSIONER	23
Removal and Installation	7	Removal and Installation	23
FRONT PASSENGER AIR BAG MODULE	9	DIAGNOSIS SENSOR UNIT	24
Exploded View	9	Exploded View	24
Removal and Installation	9	Removal and Installation	24
		COLLISION DIAGNOSIS	26
		For Frontal Collision	26
		For Side and Rollover Collision	28

PRECAUTIONS

< PRECAUTION >

PRECAUTION

PRECAUTIONS

Precaution for Supplemental Restraint System (SRS) "AIR BAG" and "SEAT BELT PRE-TENSIONER"

INFOID:000000006749447

The Supplemental Restraint System such as "AIR BAG" and "SEAT BELT PRE-TENSIONER", used along with a front seat belt, helps to reduce the risk or severity of injury to the driver and front passenger for certain types of collision. This system includes seat belt switch inputs and dual stage front air bag modules. The SRS system uses the seat belt switches to determine the front air bag deployment, and may only deploy one front air bag, depending on the severity of a collision and whether the front occupants are belted or unbelted. Information necessary to service the system safely is included in the SR and SB section of this Service Manual.

WARNING:

- To avoid rendering the SRS inoperative, which could increase the risk of personal injury or death in the event of a collision which would result in air bag inflation, all maintenance must be performed by an authorized NISSAN/INFINITI dealer.
- Improper maintenance, including incorrect removal and installation of the SRS, can lead to personal injury caused by unintentional activation of the system. For removal of Spiral Cable and Air Bag Module, see the SR section.
- Do not use electrical test equipment on any circuit related to the SRS unless instructed to in this Service Manual. SRS wiring harnesses can be identified by yellow and/or orange harnesses or harness connectors.

PRECAUTIONS WHEN USING POWER TOOLS (AIR OR ELECTRIC) AND HAMMERS

WARNING:

- When working near the Airbag Diagnosis Sensor Unit or other Airbag System sensors with the Ignition ON or engine running, DO NOT use air or electric power tools or strike near the sensor(s) with a hammer. Heavy vibration could activate the sensor(s) and deploy the air bag(s), possibly causing serious injury.
- When using air or electric power tools or hammers, always switch the Ignition OFF, disconnect the battery, and wait at least 3 minutes before performing any service.

Precaution for SRS "AIR BAG" and "SEAT BELT PRE-TENSIONER" Service

INFOID:000000006749448

- Do not use electrical test equipment to check SRS circuits unless instructed to in this Service Manual.
- Before servicing the SRS, turn ignition switch OFF, disconnect both battery terminals and wait at least 3 minutes.
For approximately 3 minutes after the terminals are removed, it is still possible for the air bags and seat belt pre-tensioners to deploy. Therefore, do not work on any SRS connectors or wires until at least 3 minutes have passed.
- The air bag diagnosis sensor unit must always be installed with the arrow mark "←" pointing toward the front of the vehicle for proper operation. Also check air bag diagnosis sensor unit for cracks, deformities or rust before installation and replace as required.
- The spiral cable must be aligned with the neutral position since its rotations are limited. Do not attempt to turn steering wheel or column after removal of steering gear.
- Handle air bag module carefully. Always place driver and front passenger air bag modules with the pad side facing upward and seat mounted front side air bag module standing with the stud bolt side facing down.
- Conduct self-diagnosis to check entire SRS for proper function after replacing any components.
- After air bag inflates, the front instrument panel assembly should be replaced if damaged.

PREPARATION

< PREPARATION >

PREPARATION

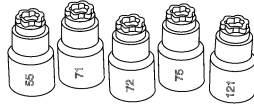
PREPARATION

Special Service Tool

INFOID:000000006749451

The actual shapes of Kent-Moore tools may differ from those of special service tools illustrated here.

Tool number (Kent-Moore No.) Tool name	Description
— (J-42057-UPD) Air bag key set Part of kit (J-42057)	Removing and installing air bag lock



LRS210

A
B
C
D
E
F
G
SR
I
J
K
L
M
N
O
P

DRIVER AIR BAG MODULE

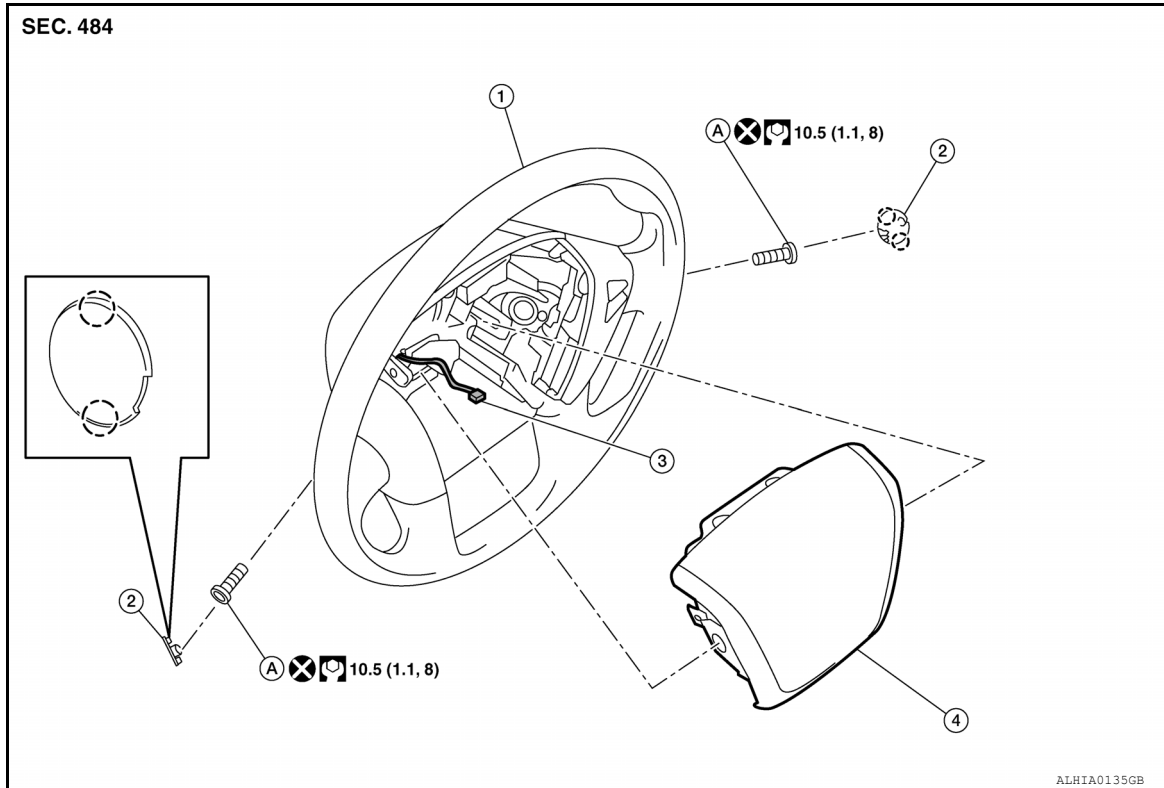
< REMOVAL AND INSTALLATION >

REMOVAL AND INSTALLATION

DRIVER AIR BAG MODULE

Exploded View

INFOID:000000006978680



- | | | |
|--------------------------|-------------------------------|-------------------------------------|
| 1. Steering wheel | 2. Side lid | 3. Driver air bag harness connector |
| 4. Driver air bag module | A. Driver air bag module bolt | ○ Pawl |

Removal and Installation

INFOID:000000006978681

WARNING:

- Before servicing the SRS, turn ignition switch OFF, disconnect both battery terminals and wait at least three minutes.
- Always work from the side of air bag module. Do not work in front of it.
- Do not use air tools or electric tools for servicing.

REMOVAL

1. Disconnect both the negative and positive battery terminals, then wait at least three minutes.
2. Remove the side lids (LH/RH).
3. Remove the driver air bag module bolts (LH/RH).
4. Lift the driver air bag module from the steering wheel.

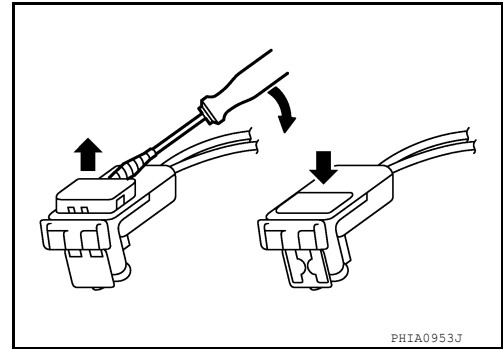
DRIVER AIR BAG MODULE

< REMOVAL AND INSTALLATION >

5. Disconnect the harness connectors from the driver air bag module and horn.

CAUTION:

- For installing/removing the driver air bag module harness connector, insert thin screwdriver wrapped in tape into notch, lift lock and remove the connector.
- Install the connector with lock raised, and push lock into the connector.
- After installing the connector, check that the lock is pushed securely into it.

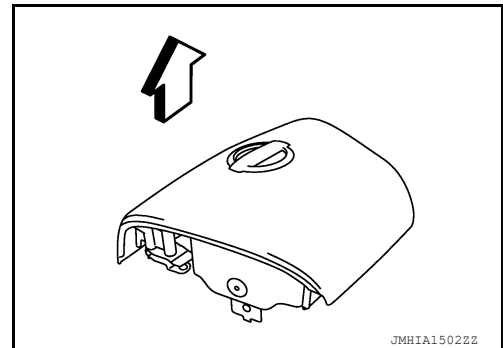


6. Remove the driver air bag module.

CAUTION:

- Always place the driver air bag module with pad side facing upward.

↖ : Upward



- Do not impact the driver air bag module.
- Replace the driver air bag module if it has been dropped or sustained an impact.



- Do not insert any foreign objects (screwdriver, etc.) into the driver air bag module.
- Do not disassemble the driver air bag module.
- Do not expose the driver air bag module to temperatures exceeding 90° C (194°F).
- Do not allow oil, grease, detergent, or water to come in contact with the driver air bag module.

INSTALLATION

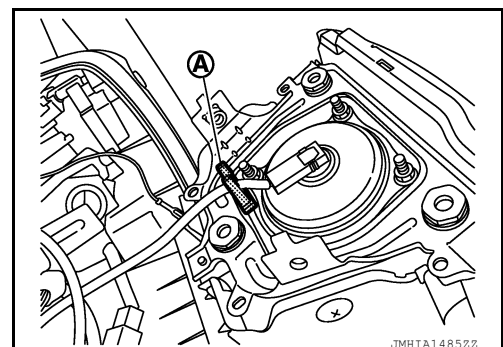
1. Route the driver air bag module harness through the clip (A), then attach the connector.
2. Install the remaining components in the reverse order of removal.

CAUTION:

- Do not use old bolts after removal; replace with new bolts.
- After the work is completed, check that no system malfunction is detected by air bag warning lamp.
- If a malfunction is detected by the air bag warning lamp after repair or replacement of the malfunctioning parts, perform SRS final check. Refer to [SRC-13, "SRS Final Check"](#).

NOTE:

- If driver air bag module is being replaced due to deployment, the spiral cable must also be replaced. Refer to [SR-7, "Removal and Installation"](#).



DRIVER AIR BAG MODULE

< REMOVAL AND INSTALLATION >

- For removal/installation of the direct-connect SRS connectors, refer to [SRC-8, "Direct-connect SRS Component Connectors"](#).

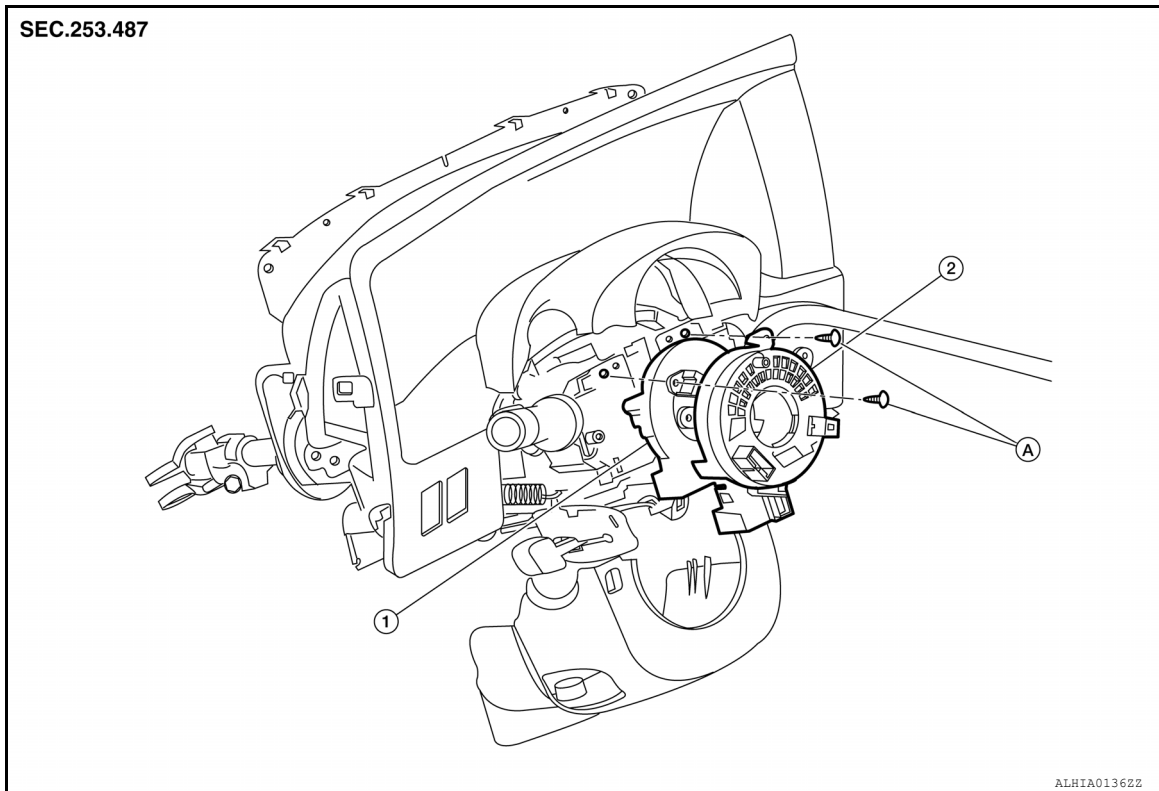
SPIRAL CABLE

< REMOVAL AND INSTALLATION >

SPIRAL CABLE

Exploded View

INFOID:000000006978682



1. Steering angle sensor

2. Spiral cable

A. Screws

Removal and Installation

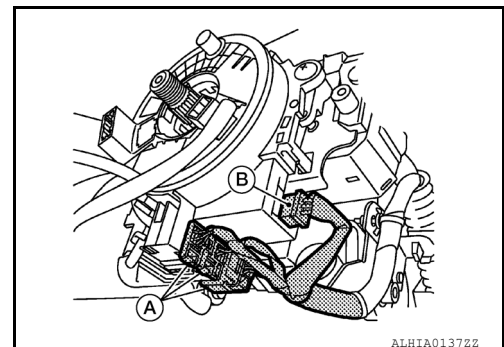
INFOID:000000006978683

WARNING:

- Before servicing the SRS, turn ignition switch OFF, disconnect both battery terminals and wait at least three minutes.
- Do not use air tools or electric tools for servicing.

REMOVAL

1. Disconnect both the negative and positive battery terminals, then wait at least three minutes.
2. Remove the steering wheel. Refer to [ST-10, "Removal and Installation"](#).
3. Remove the steering column upper and lower covers. Refer to [IP-15, "Removal and Installation"](#).
4. Disconnect the harness connectors (A) from the spiral cable and the harness connector (B) from the steering angle sensor.



5. Remove the spiral cable screws, then pull the spiral cable away from the steering column and remove.

CAUTION:

SPIRAL CABLE

< REMOVAL AND INSTALLATION >

With the steering linkage disconnected, the spiral cable may snap when turning the steering wheel beyond the limited number of turns. The spiral cable can only be rotated about 2.5 turns from the neutral position.

NOTE:

Remove spiral cable and steering angle sensor as an assembly.

6. Remove steering angle sensor from spiral cable. Refer to [BRC-118, "Removal and Installation"](#).

CAUTION:

- Do not impact the spiral cable.
- Replace the spiral cable if it has been dropped or sustained an impact.



- Do not disassemble the spiral cable.
- Do not apply lubricant to the spiral cable.
- Do not allow oil, grease, detergent, or water to come in contact with the spiral cable.

INSTALLATION

Installation is in the reverse order of removal.

- After spiral cable installation, align it correctly before installing steering wheel. Make sure that the spiral cable is in the neutral position, ending up with the knob (A) at the top.
- The neutral position is set by carefully turning the spiral cable clockwise to the end position. Then turn it counterclockwise (about two and a half turns) stopping when the knob (A) is at the top most position.

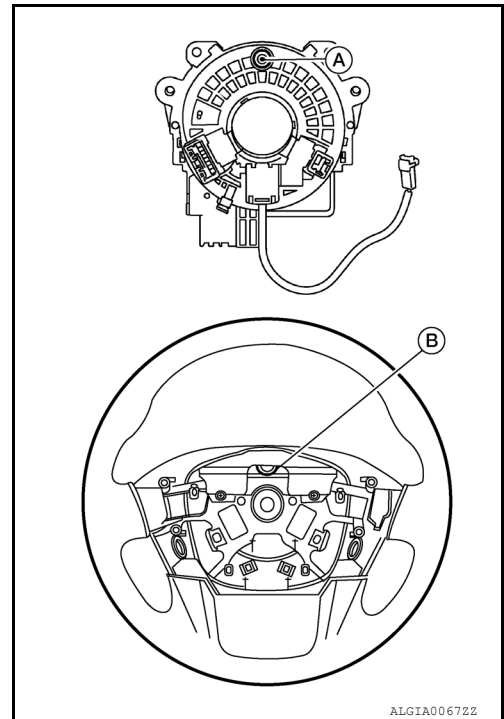
NOTE:

If a service part is installed, the neutral position is already set with the stopper installed into the insertion holes. Make sure the stopper is removed before installing steering wheel.

- During steering wheel installation, make sure the locating pin hole (B) is aligned with the locating pin of the spiral cable (A). Refer to [ST-10, "Removal and Installation"](#).

CAUTION:

- The spiral cable may snap during steering operation if the spiral cable is installed in an improper position.
- Do not overturn the spiral cable or go beyond the maximum number of turns allowed. This will cause the cable to snap.
- The turn signal lever must be in the neutral position for spiral cable installation.
- If a malfunction is detected by the air bag warning lamp after repair or replacement of the malfunctioning parts, perform the SRS final check. Refer to [SRC-13, "SRS Final Check"](#).
- After the work is completed, check that no system malfunction is detected by air bag warning lamp.



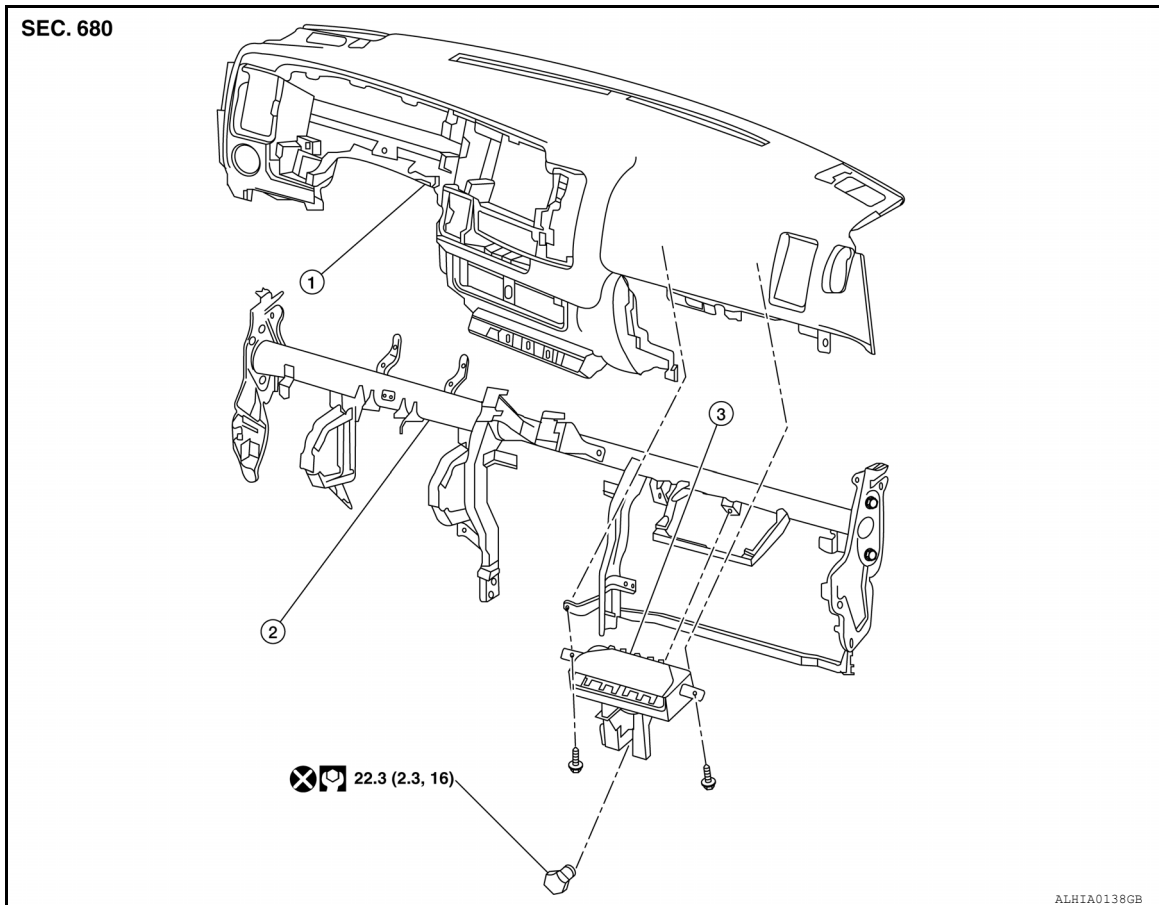
FRONT PASSENGER AIR BAG MODULE

< REMOVAL AND INSTALLATION >

FRONT PASSENGER AIR BAG MODULE

Exploded View

INFOID:000000006978684



1. Instrument panel assembly 2. Steering member assembly 3. Front passenger air bag module

Removal and Installation

INFOID:000000006978685

WARNING:

- Before servicing the SRS, turn the ignition switch OFF, disconnect both battery terminals and wait at least three minutes.
- Always work from the side of air bag module. Do not work in front of it.
- Do not use air tools or electric tools for servicing.

CAUTION:

Do not attempt to repair or replace damaged direct-connect front passenger air bag module connectors. If a direct-connect harness connector is damaged, the front passenger air bag module must be replaced and the wiring harness modified.

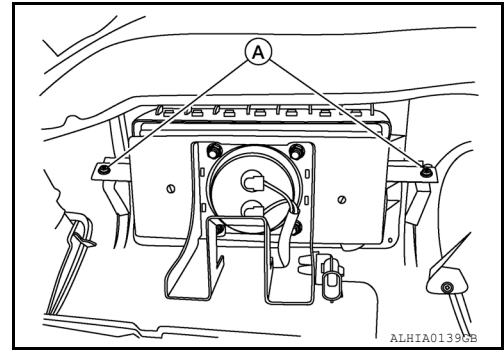
REMOVAL

1. Disconnect both the negative and positive battery terminals, then wait at least three minutes.
2. Remove the instrument panel assembly. Refer to [IP-15. "Removal and Installation"](#).

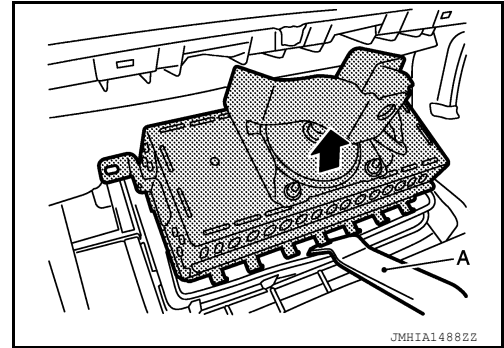
FRONT PASSENGER AIR BAG MODULE

< REMOVAL AND INSTALLATION >

3. Remove the front passenger air bag module screws (A).



4. Release the front passenger air bag module pawls using a suitable tool (A).



5. Lift the front passenger air bag module and remove from the instrument panel.

CAUTION:

- Always place the front passenger air bag module with pad side facing upward.
- Do not impact the front passenger air bag module.
- Replace the front passenger air bag module if it has been dropped or sustained an impact.



- Do not insert any foreign objects (screwdriver, etc.) into the front passenger air bag module.
- Do not disassemble the front passenger air bag module.
- Do not expose the front passenger air bag module to temperatures exceeding 90° C (194° F).
- Do not allow oil, grease, detergent, or water to come in contact with the front passenger air bag module.

INSTALLATION

Installation is in the reverse order of removal.

CAUTION:

- Do not use old bolts after removal; replace with new bolts.
- After the work is completed, check that no system malfunction is detected by air bag warning lamp.
- If a malfunction is detected by the air bag warning lamp after repair or replacement of the malfunctioning parts, perform the SRS final check. Refer to [SRC-13, "SRS Final Check"](#).

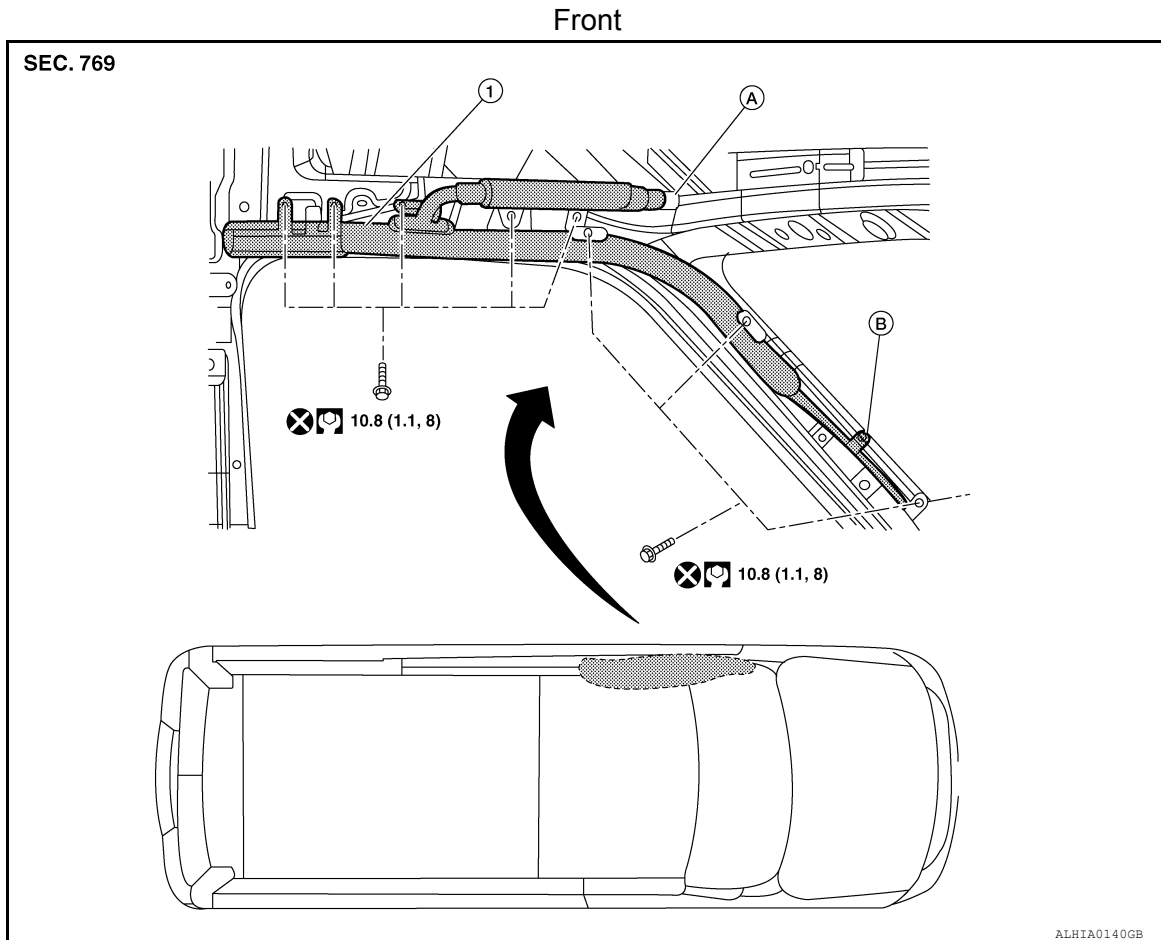
SIDE CURTAIN AIR BAG MODULE

< REMOVAL AND INSTALLATION >

SIDE CURTAIN AIR BAG MODULE

Exploded View

INFOID:000000006978686



1. Front side curtain air bag module LH A. Front side curtain air bag module connector B. Clip C103

NOTE:

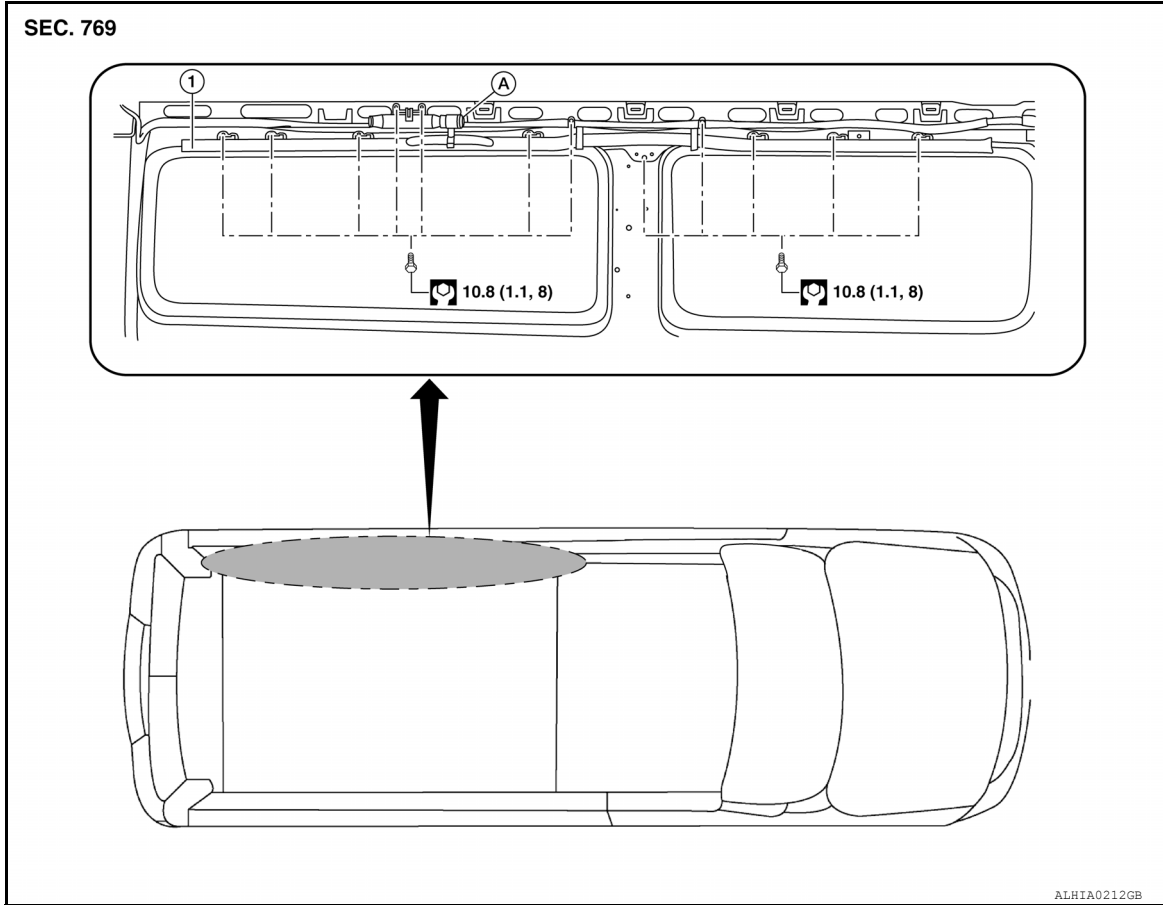
Front side curtain air bag module LH shown; RH similar.

A
B
C
D
E
F
G
SR
I
J
K
L
M
N
O
P

SIDE CURTAIN AIR BAG MODULE

< REMOVAL AND INSTALLATION >

Rear LH

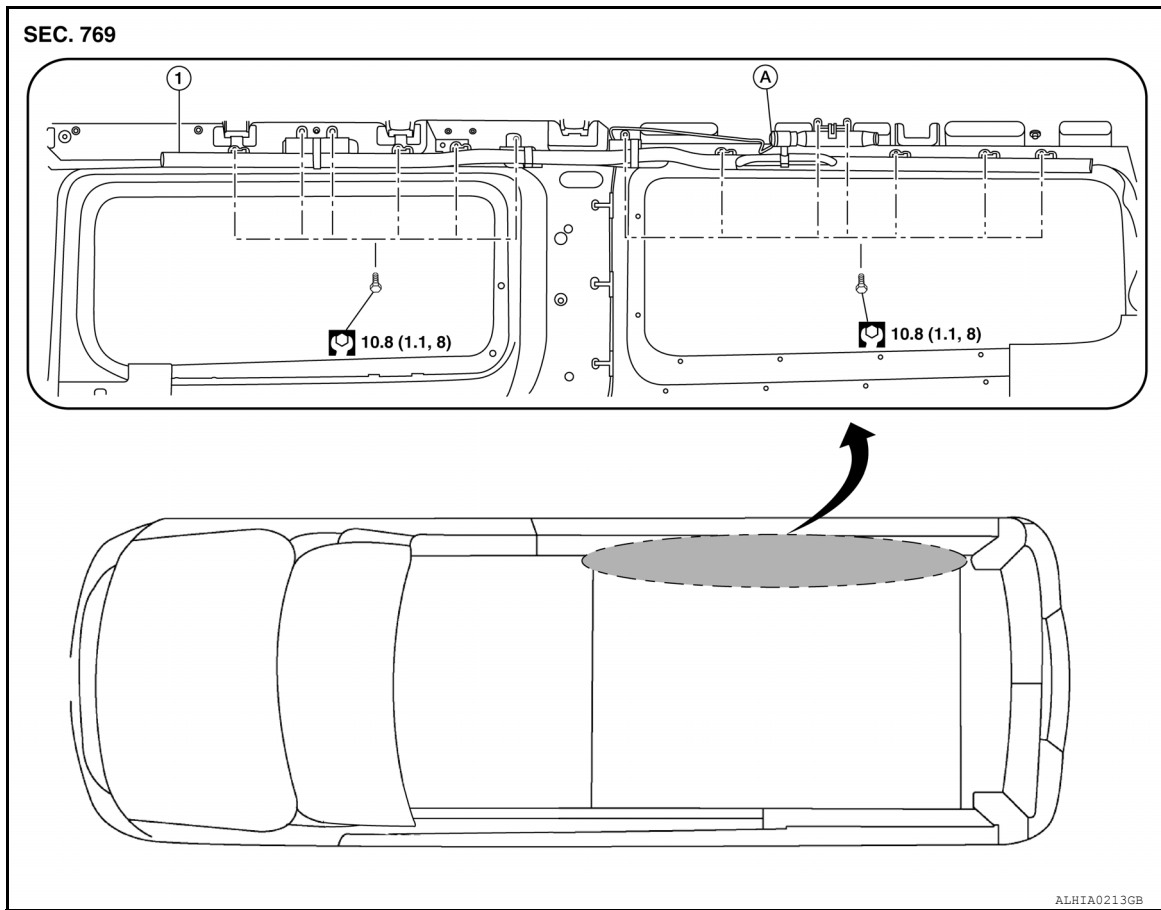


1. Rear side curtain air bag module LH A. Rear side curtain air bag module LH connector

SIDE CURTAIN AIR BAG MODULE

< REMOVAL AND INSTALLATION >

Rear RH



1. Rear side curtain air bag module RH A. Rear side curtain air bag module RH connector

Removal and Installation

INFOID:000000006978687

WARNING:

- Before servicing the SRS, turn the ignition switch OFF, disconnect both battery terminals and wait at least three minutes.
- Always work from the side of side curtain air bag module. Do not work in front of it.
- Do not use the air tools or electric tools for servicing.

CAUTION:

- Do not attempt to repair or replace direct-connect SRS component connectors. If a direct-connect harness connector is damaged, the harness must be replaced.
- Do not insert any foreign objects (screwdriver, etc.) into the side curtain air bag module.
- Do not impact the side curtain air bag module.
- Replace the side curtain air bag module if it has been dropped or sustained an impact.
- Do not disassemble the side curtain air bag module.
- Do not expose the side curtain air bag module to temperatures exceeding 90° C (194°F).
- Do not allow oil, grease, detergent, or water to come in contact with the side curtain air bag module.



FRONT SIDE CURTAIN AIR BAG MODULE

Removal

1. Disconnect both the negative and positive battery terminals, then wait at least three minutes.

A
B
C
D
E
F
G

SR

I
J
K
L
M
N
O
P

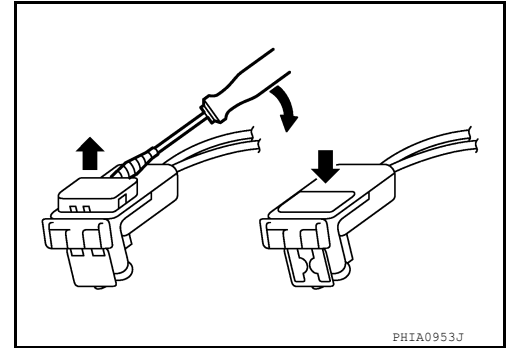
SIDE CURTAIN AIR BAG MODULE

< REMOVAL AND INSTALLATION >

2. Remove the front headlining. Refer to [INT-54, "Front Headlining"](#).
3. Disconnect the harness connector from the front side curtain air bag module.

CAUTION:

- For installing/removing the front side curtain air bag module harness connector, insert thin screwdriver wrapped in tape into notch, lift lock and remove the connector.
- Install the connector with lock raised, and push lock into the connector.
- After installing the connector, check that the lock is pushed securely into it.



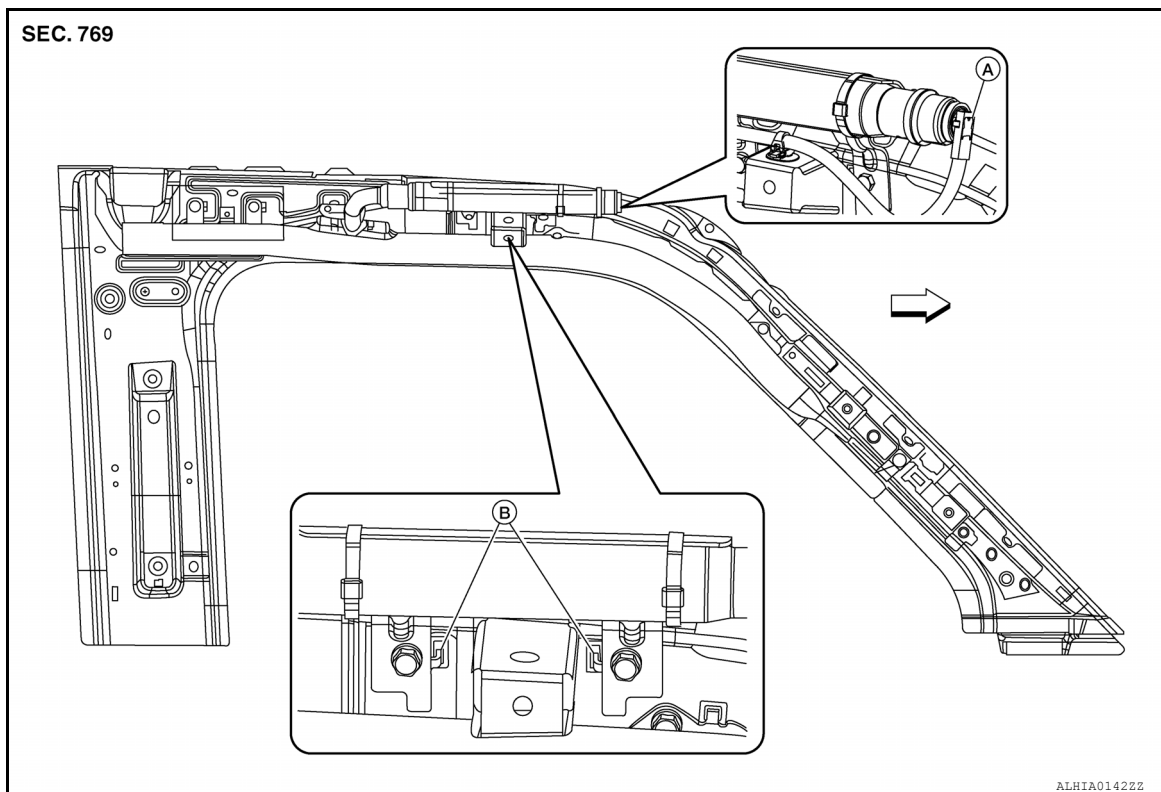
4. Remove the assist grip. Refer to [INT-24, "FRONT PILLAR FINISHER : Removal and Installation"](#).
5. Remove the front side curtain air bag module bolts, and then remove the front side curtain air bag module.

Installation

Installation is in the reverse order of removal.

CAUTION:

- Make sure the direct-connect SRS component connector (A) is pointing down and positioned as shown.

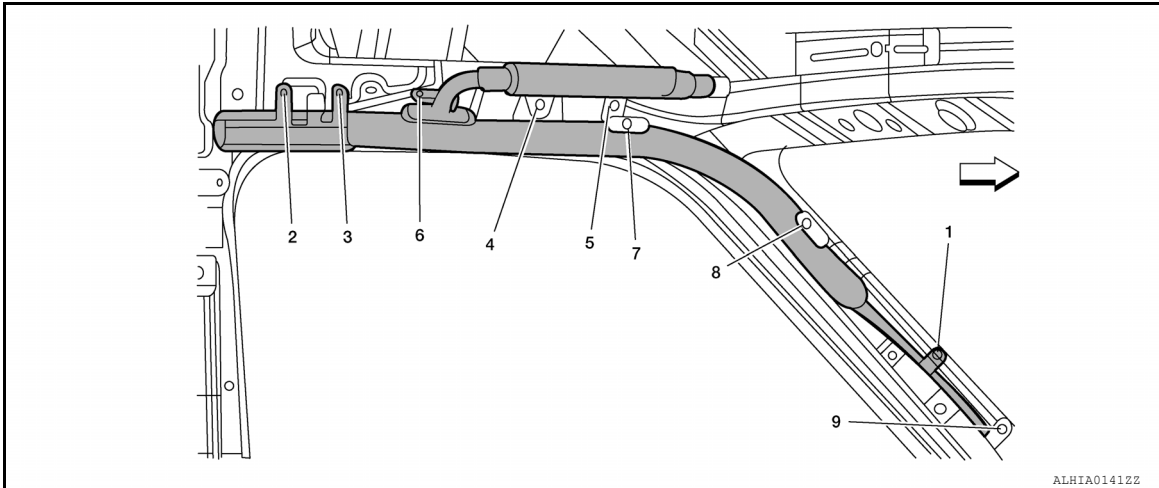


← Front

- Make sure the hooks are fully engaged into the slot of body panel (B) before tightening front side curtain air bag module bolts.
- Make sure the front side air bag module bag does not become twisted during installation.
- Install front side curtain air bag module clip (1) and bolts (2-9) in the order shown in the figure.

SIDE CURTAIN AIR BAG MODULE

< REMOVAL AND INSTALLATION >



⇐: Front

- Use care during installation to avoid damage to wiring harness.

NOTE:

After the work is completed, check that no system malfunction is detected by air bag warning lamp. If a malfunction is detected by the air bag warning lamp after repair or replacement of the malfunctioning parts, perform the SRS final check. Refer to [SRC-13. "SRS Final Check"](#).

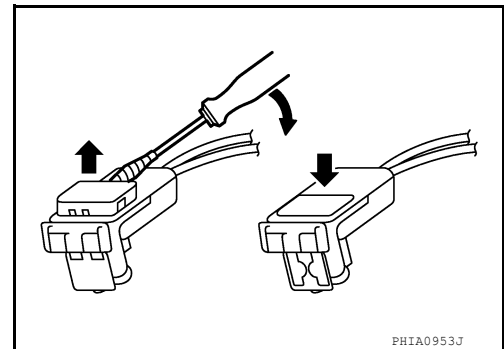
REAR SIDE CURTAIN AIR BAG MODULE

Removal

1. Disconnect both the negative and positive battery terminals, then wait at least three minutes.
2. Remove the headlining assembly. Refer to [INT-56. "Rear Headlining"](#).
3. Disconnect the harness connector from the rear side curtain air bag module.

CAUTION:

- For installing/removing the rear side curtain air bag module harness connector, insert thin screwdriver wrapped in tape into notch, lift lock and remove the connector.
- Install the connector with lock raised, and push lock into the connector.
- After installing the connector, check that the lock is pushed securely into it.



4. Remove the rear side curtain air bag module bolts, and then remove the rear side curtain air bag module.

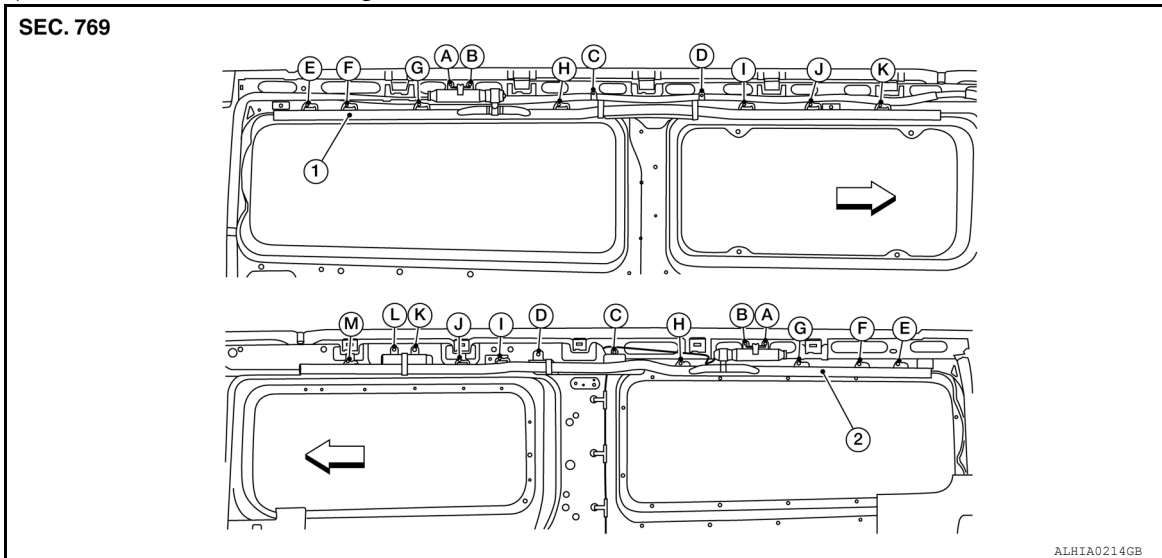
Installation

A
B
C
D
E
F
G
SR
I
J
K
L
M
N
O
P

SIDE CURTAIN AIR BAG MODULE

< REMOVAL AND INSTALLATION >

1. Make sure each rear side curtain air bag module hook bracket is fully engaged into the slot of body first, then install the rear side curtain air bag module bolts (A through K for LH side) and (A through M for RH side) in the order shown in the figure.



↔: Front

2. The remainder of installation is in the reverse order of removal.

CAUTION:

- Make sure the rear side air bag module bag does not become twisted during installation.
- Use care during installation to avoid damage to wiring harness.

NOTE:

After the work is completed, check that no system malfunction is detected by the air bag warning lamp. If a malfunction is detected by the air bag warning lamp after repair or replacement of the malfunctioning parts, perform the SRS final check. Refer to [SRC-13, "SRS Final Check"](#).

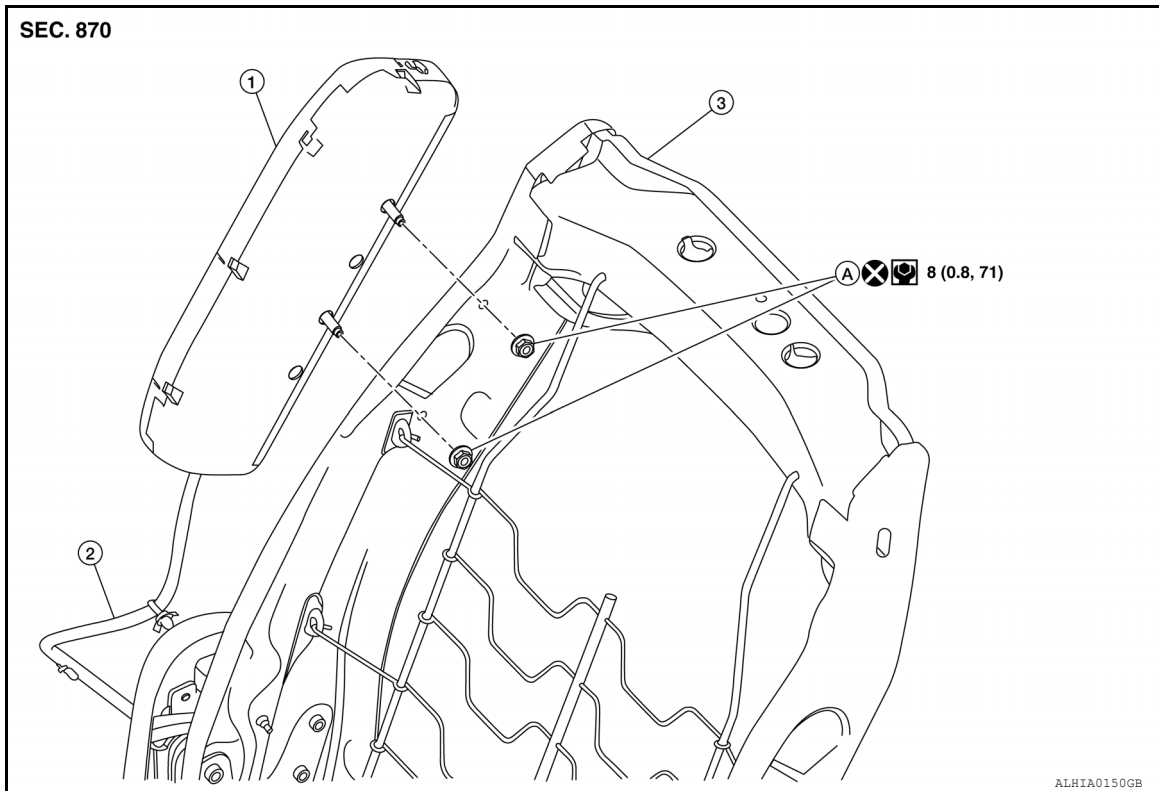
FRONT SIDE AIR BAG MODULE

< REMOVAL AND INSTALLATION >

FRONT SIDE AIR BAG MODULE

Exploded View

INFOID:000000007049884



1. Front side air bag module 2. Front side air bag module harness 3. Front seatback frame (passenger)
A. Nut

Removal and Installation

INFOID:000000007049883

WARNING:

Do not leave any objects (screwdrivers, tools, etc.) on the seat during seatback repair. It can lead to personal injury if the side air bag should accidentally deploy.

CAUTION:

- Before servicing, turn ignition switch OFF, disconnect both battery terminals and wait at least three minutes.
- Handle the side air bag module carefully. During disassembly, always hold the side air bag module, do not let it hang by the wire harness.
- Always place the air bag module with the deployment side facing upward.
- Always work from the side or back of the seatback assembly, do not work in front of seat.
- Do not use air tools or electric tools for servicing the seat assembly.
- Replace the side air bag module if it has been dropped or sustained an impact.
- Do not insert any objects into the side air bag module.
- Do not attempt to disassemble the air bag module.
- Do not expose the side air bag module to temperatures exceeding 90°C (194°F).
- Do not expose the side air bag module to any oil, grease, detergent or water.
- During disassembly, do not damage the seatback cover, chutes, connectors, retainers, clips, module harness or the side air bag module.

NOTE:

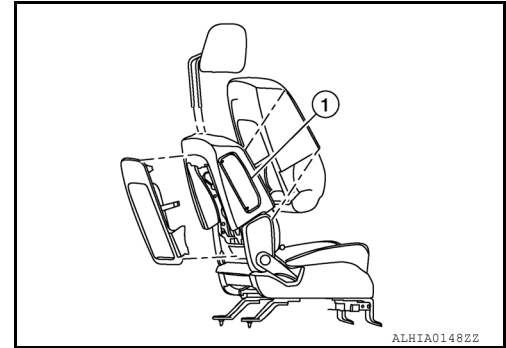
- If the vehicle has been involved in a collision and the side air bag has deployed, the front seatback assembly must be replaced.
- For side air bag module removal and installation, seatback cover and seatback pad must be removed.

REMOVAL

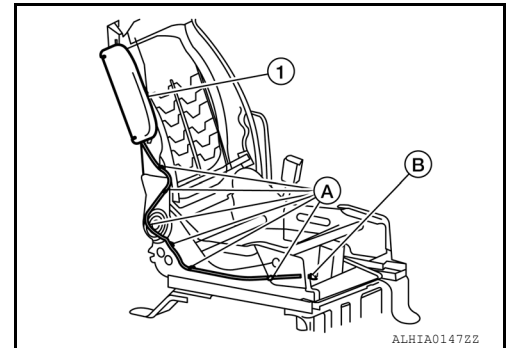
FRONT SIDE AIR BAG MODULE

< REMOVAL AND INSTALLATION >

1. Disconnect both the negative and positive battery terminals, then wait at least three minutes.
2. Remove front seat. Refer to [SE-27, "Removal and Installation"](#).
3. Disassemble front seatback components enough to expose front side air bag module (1). Refer to [SE-46, "Disassembly and Assembly"](#).



4. Release the front side air bag module harness clips (A) and harness connector (B) from seatback and seat cushion frame.
5. Remove the nuts and discard, then remove front side air bag module (1) from the seatback.



INSTALLATION

Installation is in the reverse order of removal.

CAUTION:

Be sure to identify and properly position the front side air bag module pocket in the seatback pad during installation.

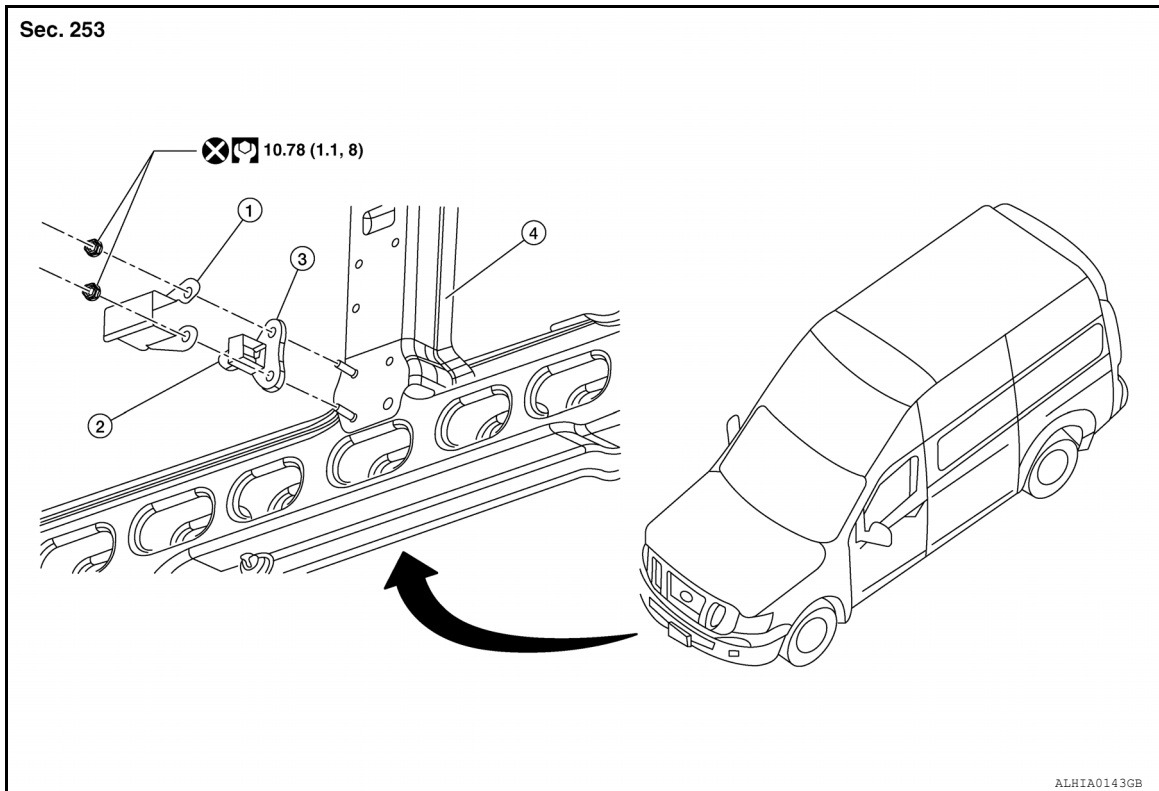
CRASH ZONE SENSOR

< REMOVAL AND INSTALLATION >

CRASH ZONE SENSOR

Exploded View

INFOID:000000006978688



A
B
C
D
E
F
G

SR

I

J

K

L

M

N

O

P

1. Crash zone sensor shield
2. Crash zone sensor connector
3. Crash zone sensor
4. Radiator upper core support

Removal and Installation

INFOID:000000006978689

WARNING:

- Before servicing the SRS, turn the ignition switch OFF, disconnect both battery terminals and wait at least three minutes.
- Do not use air tools or electric tools for servicing.

CAUTION:

- Do not impact the crash zone sensor.
- Replace the crash zone sensor if it has been dropped or sustained an impact.
- Replace the crash zone sensor of a deployed driver air bag and a deployed front passenger air bag.

REMOVAL

1. Disconnect both the negative and positive battery terminals, then wait at least three minutes.
2. Remove the front grille. Refer to [EXT-28, "Removal and Installation"](#).
3. Disconnect harness connector from the crash zone sensor.
4. Remove the crash zone sensor nuts, and then remove crash zone sensor shield and crash zone sensor.

INSTALLATION

Installation is in the reverse order of removal.

CAUTION:

- Do not use old nuts after removal; replace with the new nuts.
- Do not damage the harness connector while installing.
- Check crash zone sensor to make sure it is free of deformities, dents, cracks or rust. If it shows any visible signs of damage, replace it with new one.
- Do not disassemble crash zone sensor.

CRASH ZONE SENSOR

< REMOVAL AND INSTALLATION >

- After the work is completed, check that no system malfunction is detected by the air bag warning lamp.
- If a malfunction is detected by the air bag warning lamp after repair or replacement of the malfunctioning parts, perform the SRS final check. Refer to [SRC-13, "SRS Final Check"](#).

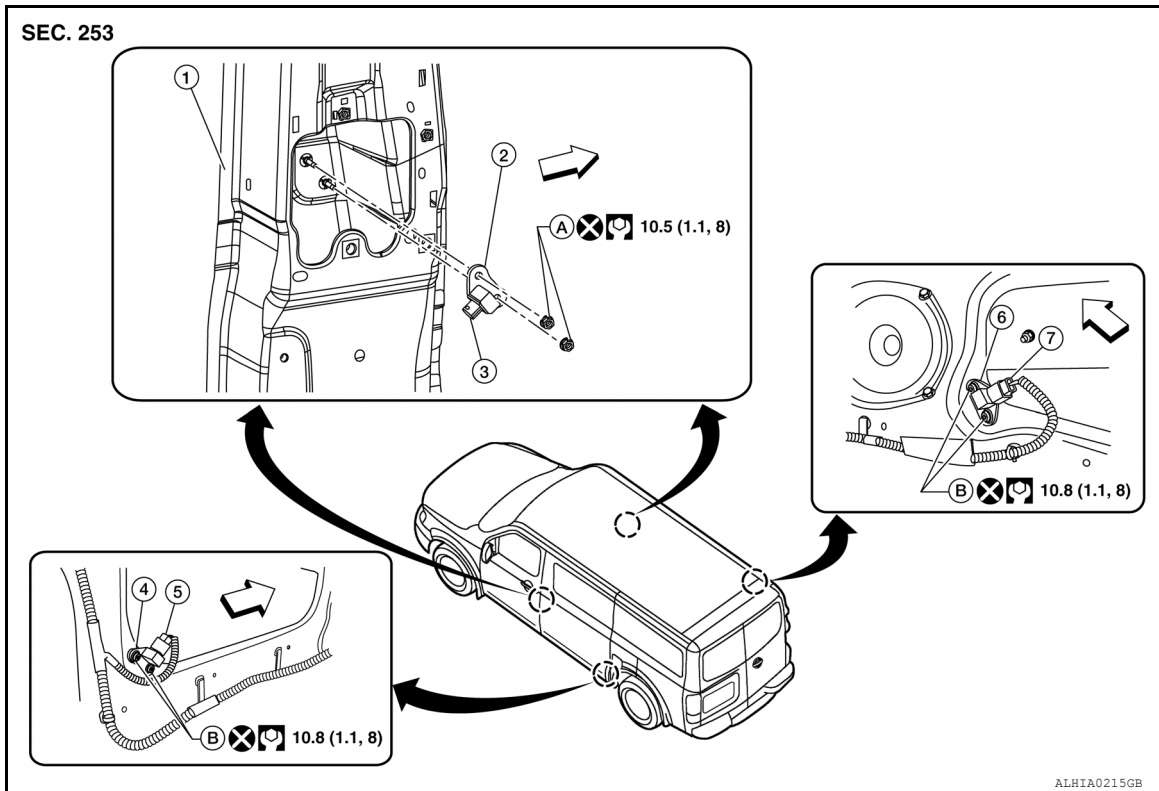
SIDE AIR BAG (SATELLITE) SENSOR

< REMOVAL AND INSTALLATION >

SIDE AIR BAG (SATELLITE) SENSOR

Exploded View

INFOID:000000006978690



- | | | |
|--|---|---|
| 1. Center pillar (LH shown, RH similar) | 2. Front side air bag (satellite) sensor (LH shown, RH similar) | 3. Front side air bag (satellite) sensor connector (LH shown, RH similar) |
| 4. Rear side air bag (satellite) sensor LH | 5. Rear side air bag (satellite) sensor LH harness connector | 6. Rear side air bag (satellite) sensor RH |
| 7. Rear side air bag (satellite) sensor RH harness connector | A. Front side air bag (satellite) sensor nuts | B. Rear side air bag (satellite) sensor bolts |

⇐ Front

Removal and Installation

INFOID:000000006978691

WARNING:

- Before servicing the SRS, turn the ignition switch OFF, disconnect both battery terminals and wait at least three minutes.
- Do not use air tools or electric tools for servicing.

CAUTION:

- Do not impact the side air bag (satellite) zone sensor.
- Replace the side air bag (satellite) sensor if it has been dropped or sustained an impact.
- Replace the side air bag (satellite) sensor of a deployed driver air bag and a deployed front passenger air bag.

FRONT SIDE AIR BAG (SATELLITE) SENSOR

Removal

1. Disconnect both the negative and positive battery terminals, then wait at least three minutes.
2. Remove seat belt retractor, then set assembly aside. Refer to [SB-7. "Front Seat Belt"](#).
3. Remove front side air bag (satellite) sensor nuts.
4. Disconnect the harness connector from front side air bag (satellite) sensor and remove.

Installation

A

B

C

D

E

F

G

SR

I

J

K

L

M

N

O

P

SIDE AIR BAG (SATELLITE) SENSOR

< REMOVAL AND INSTALLATION >

Installation is in the reverse order of removal.

CAUTION:

- Do not use old nuts after removal; replace with the new nuts.
- Do not damage the harness connector while installing.
- Check front side air bag (satellite) sensor to make sure it is free of deformities, dents, cracks or rust. If it shows any visible signs of damage, replace it with new one.
- Do not disassemble front side air bag (satellite) sensor.
- After the work is completed, check that no system malfunction is detected by the air bag warning lamp.
- If a malfunction is detected by the air bag warning lamp after repair or replacement of the malfunctioning parts, perform the SRS final check. Refer to [SRC-13, "SRS Final Check"](#).

REAR SIDE AIR BAG (SATELLITE) SENSOR

Removal

1. Disconnect both the negative and positive battery terminals, then wait at least three minutes.
2. Remove both the rear and center lower finishers (LH/RH). Refer to [INT-32, "REAR SIDE FRONT FINISHER : Removal and Installation - Front Lower Finisher LH \(Passenger Van\)"](#) (Front Lower Finisher LH), or [INT-37, "REAR SIDE FINISHER : Removal and Installation - Center Lower Finisher RH \(Passenger Van\)"](#) (Center Lower Finisher RH), or [INT-35, "REAR SIDE FINISHER : Removal and Installation - Center Lower Finisher LH \(Passenger Van\)"](#) (Center Lower Finisher LH).
3. Remove rear side air bag (satellite) sensor bolts.
4. Disconnect the harness connector from rear side air bag (satellite) sensor and remove.

Installation

Installation is in the reverse order of removal.

CAUTION:

- Do not use old nuts after removal; replace with the new nuts.
- Do not damage the harness connector while installing.
- Check rear side air bag (satellite) sensor to make sure it is free of deformities, dents, cracks or rust. If it shows any visible signs of damage, replace it with new one.
- Do not disassemble rear side air bag (satellite) sensor.
- After the work is completed, check that no system malfunction is detected by the air bag warning lamp.
- If a malfunction is detected by the air bag warning lamp after repair or replacement of the malfunctioning parts, perform the SRS final check. Refer to [SRC-13, "SRS Final Check"](#).

FRONT SEAT BELT PRE-TENSIONER

< REMOVAL AND INSTALLATION >

FRONT SEAT BELT PRE-TENSIONER

Removal and Installation

INFOID:000000006749458

For removal and installation procedures for seat belt and seat belt buckle pre-tensioners, refer to [SB-7, "Front Seat Belt"](#).

- A
- B
- C
- D
- E
- F
- G
- SR
- I
- J
- K
- L
- M
- N
- O
- P

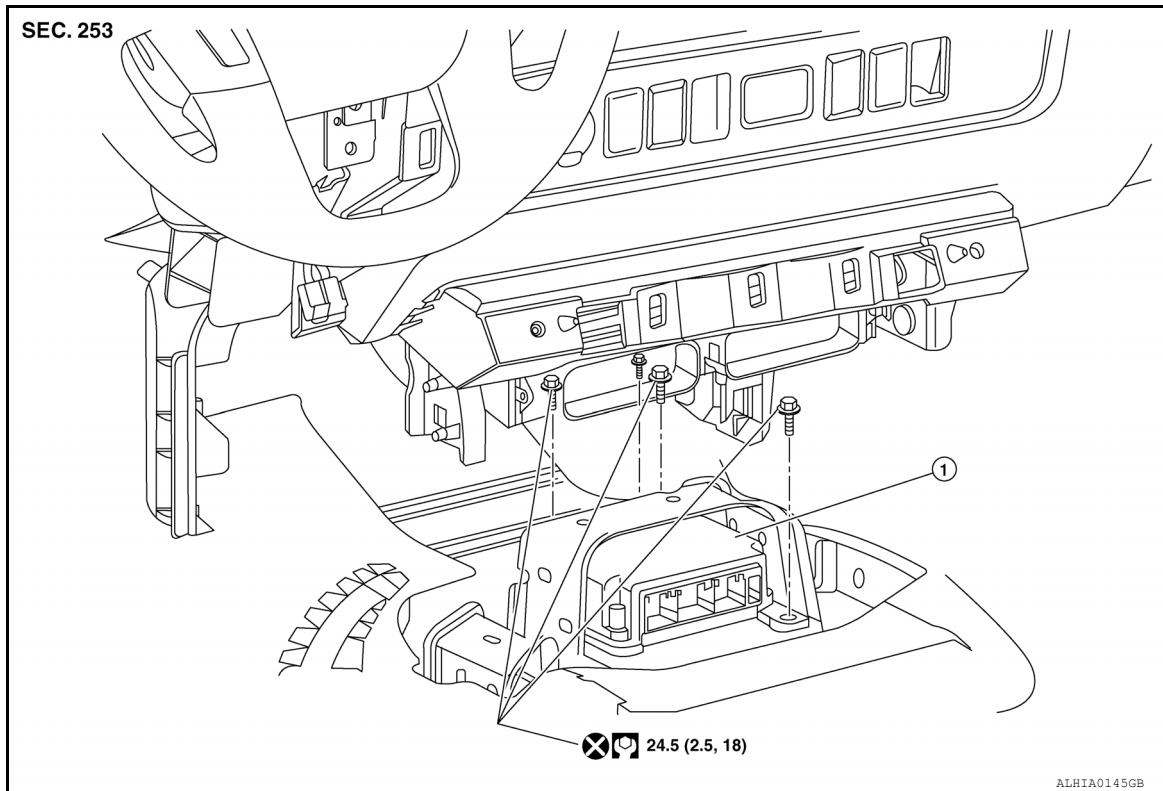
DIAGNOSIS SENSOR UNIT

< REMOVAL AND INSTALLATION >

DIAGNOSIS SENSOR UNIT

Exploded View

INFOID:000000006978692



1. Diagnosis sensor unit

Removal and Installation

INFOID:000000006978693

WARNING:

- Before servicing the SRS, turn the ignition switch OFF, disconnect both battery terminals and wait at least three minutes.
- Always work from the side of air bag module. Do not work in front of it.
- Do not use air tools or electric tools for servicing.

CAUTION:

- Check diagnosis sensor unit bracket to make sure it is free of deformities, dents, cracks or rust. If it shows any visible signs of damage, replace it with new one.
- Do not disassemble diagnosis sensor unit.
- When replacing the air bag diagnosis sensor unit, always check with the parts department for the latest parts information. Installing an incorrect air bag diagnosis sensor unit may or may not cause the air bag warning lamp to illuminate and may cause incorrect deployment of the supplemental air bags and seat belt pre-tensioner in a collision resulting in serious personal injury or death.

REMOVAL

1. Always check the air bag diagnosis sensor unit ECU discriminated number (identification number) or part number using CONSULT.
2. Disconnect the harness connectors for the following SRS components: [SR-13, "Removal and Installation"](#) (Side curtain air bag module), [SB-7, "Front Seat Belt"](#) (Front seat belt pretensioner), and [SE-46, "Disassembly and Assembly"](#) (Front side air bag module).
3. Remove the center lower IP assembly. Refer to [IP-15, "Removal and Installation"](#).
4. Disconnect the harness connectors from the diagnosis sensor unit.
5. Remove the diagnosis sensor unit bolts, ground bolt, and then remove diagnosis sensor unit.

CAUTION:

DIAGNOSIS SENSOR UNIT

< REMOVAL AND INSTALLATION >

- Do not impact the diagnosis sensor unit.
- Replace the diagnosis sensor unit if it has been dropped or sustained an impact.



- Replace the diagnosis sensor unit of a deployed SRS air bag and a deployed front seat belt pre-tensioner.

INSTALLATION

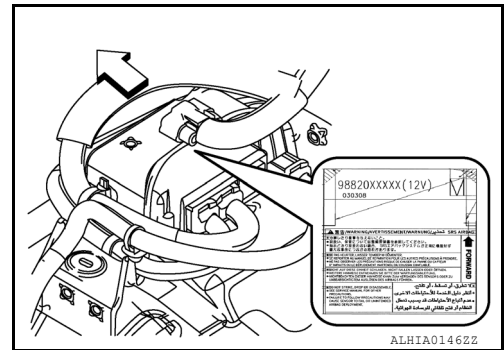
Installation is in the reverse order of removal.

CAUTION:

- The diagnosis sensor unit must always be installed with the arrow mark "←" pointing toward the front of the vehicle for proper operation.

←: Front

- Do not use old bolts after removal; replace with new bolts.
- Do not damage the harness connector while installing.
- If a malfunction is detected by the air bag warning lamp after repair or replacement of the malfunctioning parts, perform the SRS final check. Refer to [SRC-13, "SRS Final Check"](#).
- After the work is completed, check that no system malfunction is detected by air bag warning lamp.
- After replacing the air bag diagnosis sensor unit, confirm using CONSULT that the ECU discriminated number (identification number) or part number of the new replacement air bag sensor unit matches the ECU discriminated number (identification number) of the replaced (old) air bag diagnosis sensor unit.



NOTE:

If the ECU discriminated number or part number of the new replacement air bag diagnosis sensor unit differs from the ECU discriminated number or part number of the replaced air bag diagnosis sensor unit, reconfirm the parts information and verify that the correct air bag diagnosis sensor unit was installed.

A
B
C
D
E
F
G
SR
I
J
K
L
M
N
O
P

COLLISION DIAGNOSIS

< REMOVAL AND INSTALLATION >

COLLISION DIAGNOSIS

For Frontal Collision

INFOID:000000006978694

FOR FRONTAL COLLISION: When SRS is activated in a collision

CAUTION:

Due to varying models and option levels, not all parts listed in the chart below apply to all vehicles.

WORK PROCEDURE

1. Before performing any of the following steps, ensure that all vehicle body and structural repairs have been completed.
2. Replace the diagnosis sensor unit.
3. Remove the front air bag modules, crash zone sensor assembly, bracket and seat belt pre-tensioner assemblies.
4. Check the SRS components using the table below:
Replace any SRS components showing visible signs of damage (dents, cracks and deformation, etc.).
5. Install new front air bag modules, crash zone sensor assembly, bracket and seat belt pre-tensioner assemblies.
6. Perform trouble diagnosis using CONSULT or air bag warning lamp. Refer to [SRC-12, "Trouble Diagnosis with CONSULT"](#) or [SRC-13, "Trouble Diagnosis without CONSULT"](#) for details.
Ensure entire SRS operates properly.
7. After the work is completed, perform self-diagnosis to check that no malfunction is detected. Refer to [SRC-11, "SRS Operation Check"](#).

SRS INSPECTION (FOR FRONTAL COLLISION)

Part	Inspection
Driver air bag module	If the driver air bag has deployed: REPLACE Install with new fasteners.
Front passenger air bag module (if equipped)	If the front passenger air bag has deployed: REPLACE Install with new fasteners.
Crash zone sensor	If any of the front air bags or seat belt pre-tensioners* have been activated: REPLACE the crash zone sensor and bracket with new fasteners. *: Confirm seat belt pre-tensioner activation using CONSULT only.
Seat belt pre-tensioner assemblies (All applicable locations: buckle, retractor, lap outer)	If either the driver or passenger seat belt pre-tensioner* has been activated: REPLACE all seat belt pre-tensioner assemblies with new fasteners. *: Confirm seat belt pre-tensioner activation using CONSULT only.
Diagnosis sensor unit	If any of the SRS components have been activated: REPLACE the diagnosis sensor unit. Install with new fasteners.
Steering wheel	<ol style="list-style-type: none">1. Visually check steering wheel for deformities.2. Check harness (built into steering wheel) and connectors for damage, and terminals for deformities.3. Install driver air bag module into the steering wheel to check fit and alignment with the wheel.4. Check steering wheel for excessive free play.5. If no damage is found, reinstall.6. If damaged—REPLACE.
Spiral cable	If the driver front air bag has deployed: REPLACE the spiral cable.
Harness and connectors	<ol style="list-style-type: none">1. Check connectors for poor connection, damage, and terminals for deformities.2. Check harness for binding, chafing, cuts, or deformities.3. If no damage is found, reinstall the harness and connectors.4. If damaged—REPLACE the damaged harness. Do not attempt to repair, splice or modify any SRS harness.
Instrument panel assembly	If the passenger front air bag has deployed: REPLACE the instrument panel assembly (integrated type).

COLLISION DIAGNOSIS

< REMOVAL AND INSTALLATION >

FOR FRONTAL COLLISION: When SRS is not activated in a collision

CAUTION:

Due to varying models and option levels, not all parts listed in the chart below apply to all vehicles.

WORK PROCEDURE

1. Before performing any of the following steps, ensure that all vehicle body and structural repairs have been completed.
2. Check the SRS components using the table below:
Replace any SRS components showing visible signs of damage (dents, cracks and deformation, etc.).
3. Perform trouble diagnosis using CONSULT or air bag warning lamp. Refer to [SRC-12, "Trouble Diagnosis with CONSULT"](#) or [SRC-13, "Trouble Diagnosis without CONSULT"](#) for details.
Ensure entire SRS operates properly.
4. After the work is completed, perform self-diagnosis to check that no malfunction is detected. Refer to [SRC-11, "SRS Operation Check"](#).

SRS INSPECTION (FOR FRONTAL COLLISION)

Part	Inspection
Driver air bag module	If the driver air bag has NOT been activated: <ol style="list-style-type: none"> 1. Remove driver air bag module. Check harness cover and connectors for damage, terminals for deformities, and harness for binding. 2. Install driver air bag module into the steering wheel to check fit and alignment with the wheel. 3. If no damage is found, reinstall with new fasteners. 4. If damaged—REPLACE. Install driver air bag modules with new fasteners.
Front passenger air bag module (if equipped)	If the front passenger air bag has NOT been activated: <ol style="list-style-type: none"> 1. Remove front passenger air bag module. Check harness cover and connectors for damage, terminals for deformities, and harness for binding. 2. Install front passenger air bag module into the instrument panel to check fit with the instrument panel. 3. If no damage is found, reinstall with new fasteners. 4. If damaged—REPLACE. Install front passenger air bag modules with new fasteners.
Crash zone sensor	If the front air bags or seat belt pre-tensioners have NOT been activated: <ol style="list-style-type: none"> 1. Remove the crash zone sensor. Check harness connectors for damage, terminals for deformities, and harness for binding. 2. Check for visible signs of damage (dents, cracks, deformation) of the crash zone sensor and bracket. 3. Install the crash zone sensor to check fit. 4. If no damage is found, reinstall with new fasteners. 5. If damaged—REPLACE the crash zone sensor and bracket with new fasteners.
Seat belt pre-tensioner assemblies (All applicable locations: buckle, retractor, lap outer)	If the pre-tensioners have NOT been activated: <ol style="list-style-type: none"> 1. Remove seat belt pre-tensioners. Check harness cover and connectors for damage, terminals for deformities, and harness for binding. 2. Check belts for damage and anchors for loose mounting. 3. Check retractor for smooth operation. 4. Check seat belt adjuster for damage. 5. Check for deformities of the center pillar inner. 6. If the center pillar inner has no damage, REPLACE the seat belt pre-tensioner assembly. 7. If no damage is found, reinstall seat belt pre-tensioner assembly. 8. If damaged—REPLACE. Install the seat belt pre-tensioners with new fasteners.
Diagnosis sensor unit	If none of the SRS components have been activated: <ol style="list-style-type: none"> 1. Check case for dents, cracks or deformities. 2. Check connectors for damage, and terminals for deformities. 3. If no damage is found, reinstall with new fasteners. 4. If damaged—REPLACE. Install diagnosis sensor unit with new fasteners.

COLLISION DIAGNOSIS

< REMOVAL AND INSTALLATION >

Part	Inspection
Steering wheel	<ol style="list-style-type: none"> 1. Visually check steering wheel for deformities. 2. Check harness (built into steering wheel) and connectors for damage, and terminals for deformities. 3. Install driver air bag module into the steering wheel to check fit and alignment with the wheel. 4. Check steering wheel for excessive free play. 5. If no damage is found, reinstall. 6. If damaged—REPLACE.
Spiral cable	<p>If the driver front air bag has not deployed:</p> <ol style="list-style-type: none"> 1. Visually check spiral cable and combination switch for damage. 2. Check connectors and protective tape for damage. 3. Check steering wheel for noise, binding or heavy operation. 4. If no damage is found, reinstall. 5. If damaged—REPLACE.
Harness and connectors	<ol style="list-style-type: none"> 1. Check connectors for poor connection, damage, and terminals for deformities. 2. Check harness for binding, chafing, cuts, or deformities. 3. If no damage is found, reinstall the harness and connectors. 4. If damaged—REPLACE the damaged harness. Do not attempt to repair, splice or modify any SRS harness.
Instrument panel assembly	<p>If the passenger front air bag has NOT deployed:</p> <ol style="list-style-type: none"> 1. Visually check instrument panel for damage. 2. If no damage is found, reinstall the instrument panel assembly. 3. If damaged—REPLACE the instrument panel assembly.

For Side and Rollover Collision

INFOID:000000006978695

FOR SIDE AND ROLLOVER COLLISION: When SRS is activated in a collision

CAUTION:

Due to varying models and option levels, not all parts listed in the chart below apply to all vehicles.

WORK PROCEDURE

1. Before performing any of the following steps, ensure that all vehicle body and structural repairs have been completed.
2. Replace the following components:
 - Front seat back assembly (on the side on which side air bag is activated).
 - Door finisher (on the side on which door-mounted curtain air bag is activated).
 - Pop-up roll bar assemblies and pop-up roll bar covers.
 - Side air bag (satellite) sensor LH/RH (on the side on which side air bag is activated).
 - Diagnosis sensor unit.
 - Seat belt pre-tensioner assemblies.
3. Check the SRS components and the related parts using the following table. Replace any SRS components and the related parts showing visible signs of damage (dents, cracks, deformation, etc.).
4. Perform trouble diagnosis using CONSULT or air bag warning lamp. Refer to [SRC-12, "Trouble Diagnosis with CONSULT"](#) or [SRC-13, "Trouble Diagnosis without CONSULT"](#) for details. Ensure entire SRS operates properly.
5. After the work is completed, perform self-diagnosis to check that no malfunction is detected. Refer to [SRC-11, "SRS Operation Check"](#).

SRS INSPECTION (FOR SIDE AND ROLLOVER COLLISION)

Part	Inspection
Side curtain air bag module LH	<p>If the side curtain air bag LH has deployed: REPLACE the side curtain air bag module LH. Install with new fasteners.</p>
Side curtain air bag module RH	<p>If the side curtain air bag RH has deployed: REPLACE the side curtain air bag module RH. Install with new fasteners.</p>
Front side air bag module LH	<p>If the front side air bag LH has deployed: REPLACE front seatback assembly LH.</p>

COLLISION DIAGNOSIS

< REMOVAL AND INSTALLATION >

Part	Inspection
Front side air bag module RH	If the front side air bag RH has deployed: REPLACE front seatback assembly RH.
Side air bag (satellite) sensor (LH or RH)	If any of the SRS components have deployed: REPLACE the side air bag (satellite) sensor on the collision side with new fasteners.
Diagnosis sensor unit	If any of the SRS components have deployed: REPLACE the diagnosis sensor unit with new fasteners.
Seat belt pre-tensioner assemblies (All applicable locations: buckle, retractor, lap outer)	If either the driver or passenger seat belt pre-tensioner* has been activated: REPLACE all seat belt pre-tensioner assemblies with new fasteners. *: Confirm seat belt pre-tensioner activation using CONSULT only.
Center inner pillar	1. Check the center inner pillar on the collision side for damage (dents, cracks, deformation). 2. If damaged—REPAIR the center inner pillar.
Seat (if equipped with front side air bag)	If either the front LH or front RH side air bag modules has been deployed: REPLACE front seatback assembly on the deployed side.
Trim/headlining	1. Check for visible signs of damage (dents, cracks, deformation) of the interior trim on the collision side. 2. If damaged—REPLACE the damaged trim parts.
Door-mounted curtain air bag module LH	If the door-mounted curtain air bag module LH has been deployed: REPLACE the door finisher LH and door-mounted curtain air bag module. Install with new fasteners.
Door-mounted curtain air bag module RH	If the door-mounted curtain air bag module RH has been deployed: REPLACE the door finisher RH and door-mounted curtain air bag module. Install with new fasteners.
Pop-up roll bar assemblies	If the pop-up roll bar has deployed: REPLACE pop-up roll bar assemblies and pop-up roll bar covers. Install with new fasteners.

FOR SIDE AND ROLLOVER COLLISION: When SRS is not activated in a collision

CAUTION:

Due to varying models and option levels, not all parts listed in the chart below apply to all vehicles.

WORK PROCEDURE

1. Before performing any of the following steps, ensure that all vehicle body and structural repairs have been completed.
2. Check the SRS components and the related parts using the following table.
 - If the front seat back assembly is damaged, the front seat back assembly must be replaced.
 - If the door finisher assembly is damaged, the door finisher assembly and door-mounted curtain air bag module must be replaced.
3. Perform trouble diagnosis using CONSULT or air bag warning lamp. Refer to [SRC-12, "Trouble Diagnosis with CONSULT"](#) or [SRC-13, "Trouble Diagnosis without CONSULT"](#) for details.
Ensure entire SRS operates properly.
4. After the work is completed, perform self-diagnosis to check that no malfunction is detected. Refer to [SRC-11, "SRS Operation Check"](#).

SRS INSPECTION (FOR SIDE AND ROLLOVER COLLISION)

COLLISION DIAGNOSIS

< REMOVAL AND INSTALLATION >

Part	Inspection
Side curtain air bag module LH	<p>If the side curtain air bag LH has NOT deployed:</p> <ol style="list-style-type: none"> 1. Check for visible signs of damage (dents, tears, deformation) of the center pillar on the collision side. 2. If damaged—Remove the side curtain air bag module LH. 3. Check for visible signs of damaged (tears etc.) of the side curtain air bag module LH. 4. Check harness and connectors for damage, and terminals for deformities. 5. If no damage is found, reinstall the side curtain air bag module LH with new fasteners. 6. If damaged—REPLACE the side curtain air bag module LH with new fasteners.
Side curtain air bag module RH	<p>If the side curtain air bag RH has NOT deployed:</p> <ol style="list-style-type: none"> 1. Check for visible signs of damage (dents, tears, deformation) of the center pillar on the collision side. 2. If damaged—Remove the side curtain air bag module RH. 3. Check for visible signs of damaged (tears etc.) of the side curtain air bag module RH. 4. Check harness and connectors for damage, and terminals for deformities. 5. If no damage is found, reinstall the side curtain air bag module RH with new fasteners. 6. If damaged—REPLACE the side curtain air bag module RH with new fasteners.
Front side air bag module LH	<p>If the front LH side air bag has NOT deployed:</p> <ol style="list-style-type: none"> 1. Check for visible signs of damage (dents, tears, deformation) of the seat back on the collision side. 2. Check harness and connectors for damage, and terminals for deformities. 3. If damaged—REPLACE the front seatback assembly LH.
Front side air bag module RH	<p>If the front side air bag RH has NOT deployed:</p> <ol style="list-style-type: none"> 1. Check for visible signs of damage (dents, tears, deformation) of the seat back on the collision side. 2. Check harness and connectors for damage, and terminals for deformities. 3. If damaged—REPLACE the front seatback assembly RH.
Side air bag (satellite) sensor (LH or RH)	<p>If none of the SRS components have been activated:</p> <ol style="list-style-type: none"> 1. Remove the side air bag (satellite) sensor (LH or RH) on the collision side. Check harness connectors for damage, terminals for deformities, and harness for binding. 2. Check for visible signs of damage (dents, cracks, deformation) of the side air bag (satellite) sensor (LH or RH). 3. Install the side air bag (satellite) sensor (LH or RH) to check fit. 4. If no damage is found, reinstall the side sir bag (satellite) sensor (LH or RH) with new fasteners. 5. If damaged—REPLACE the side air bag (satellite) sensor (LH or RH) with new fasteners.
Diagnosis sensor unit	<p>If none of the SRS components have been activated:</p> <ol style="list-style-type: none"> 1. Check case and bracket for dents, cracks or deformities. 2. Check connectors for damage, and terminals for deformities. 3. If no damage is found, reinstall the diagnosis sensor unit with new fasteners. 4. If damaged—REPLACE the diagnosis sensor unit with new fasteners.
Seat belt pre-tensioner assemblies (All applicable locations: buckle, retractor, lap outer)	<p>If the pre-tensioners have NOT been activated:</p> <ol style="list-style-type: none"> 1. Remove seat belt pre-tensioners. Check harness cover and connectors for damage, terminals for deformities, and harness for binding. 2. Check belts for damage and anchors for loose mounting. 3. Check retractor for smooth operation. 4. Check seat belt adjuster for damage. 5. Check for deformities of the center pillar inner. 6. If the center pillar inner has no damage, REPLACE the seat belt pre-tensioner assembly. 7. If no damage is found, reinstall seat belt pre-tensioner assembly. 8. If damaged—REPLACE. Install the seat belt pre-tensioners with new fasteners.
Seat (with front side air bag)	<p>If the front LH or front RH side air bag modules have NOT deployed:</p> <ol style="list-style-type: none"> 1. Visually check the seat on the collision side. 2. Remove the seat on the collision side and check the following for damage and deformities. <ul style="list-style-type: none"> - Harness, connectors and terminals - Frame and recliner (for front and rear seat), and also adjuster and slides (for front seat) 3. If no damage is found, reinstall the seat. 4. If damaged—REPLACE the damaged seat parts using new fasteners. If the front seat back is damaged, the front seat back assembly must be replaced.

COLLISION DIAGNOSIS

< REMOVAL AND INSTALLATION >

Part	Inspection	
Center inner pillar	<ol style="list-style-type: none"> 1. Check the center inner pillar on the collision side for damage (dents, cracks, deformation, etc.). 2. If damaged - REPAIR the center inner pillar. 	A
Trim/headlining	<ol style="list-style-type: none"> 1. Check for visible signs of damage (dents, cracks, deformation, etc.) of the interior trim on the collision side. 2. If damaged - REPLACE the damaged trim parts. 	B
Door-mounted curtain air bag module LH	<p>If the door-mounted curtain air bag LH has NOT deployed:</p> <ol style="list-style-type: none"> 1. Check for visible signs of damage (dents, tears, deformation, etc.) of the door finisher on the collision side. 2. If damaged - REPLACE the door finisher LH with new fasteners. 3. Check for visible signs of damaged (tears etc.) of the door-mounted curtain air bag module LH. 4. Check harness and connectors for damage, and terminals for deformities. 5. If no damage is found, reinstall door finisher. <p>CAUTION: When removing door mounted curtain air bag module from door finisher, do not reuse door finisher.</p> <ol style="list-style-type: none"> 6. If damaged - REPLACE the door finisher LH and door-mounted curtain air bag module LH with new fasteners. 	C D E F
Door-mounted curtain air bag module RH	<p>If the door-mounted curtain air bag RH has NOT deployed:</p> <ol style="list-style-type: none"> 1. Check for visible signs of damage (dents, tears, deformation, etc.) of the door finisher on the collision side. 2. If damaged - REPLACE the door finisher RH with new fasteners. 3. Check for visible signs of damaged (tears etc.) of the door-mounted curtain air bag module RH. 4. Check harness and connectors for damage, and terminals for deformities. 5. If no damage is found, reinstall door finisher. <p>CAUTION: When removing door mounted curtain air bag module from door finisher, do not reuse door finisher.</p> <ol style="list-style-type: none"> 6. If damaged - REPLACE the door finisher RH and door-mounted curtain air bag module RH with new fasteners. 	G SR I
Pop-up roll bar	<p>If the pop-up roll bar has NOT deployed:</p> <ol style="list-style-type: none"> 1. Check for visible signs of damage (dents, tears, deformation, etc.) of the pop-up roll bar. 2. If damaged - REPLACE the pop-up roll bar with new fasteners. 3. Check harness and connectors for damage, and terminals for deformities. 4. If no damage is found, reinstall the pop-up roll bar with new fasteners. 5. Check for visible signs of damage (dents, cracks, deformation, etc.) of the seatback support brace assembly. 6. If damaged - REPAIR the seatback support brace assembly. 	J K L