

SECTION **SRC**

SRS AIRBAG CONTROL SYSTEM

A
B
C
D
E
F
G
H
I
J
K
L
M
N
O
P

CONTENTS

| | |
|--|---|
| <p>PRECAUTION 3</p> <p>PRECAUTIONS 3</p> <p style="padding-left: 20px;">Precaution for Supplemental Restraint System (SRS) "AIR BAG" and "SEAT BELT PRE-TENSIONER"3</p> <p style="padding-left: 20px;">Precaution for SRS "AIR BAG" and "SEAT BELT PRE-TENSIONER" Service3</p> <p>SYSTEM DESCRIPTION 4</p> <p>COMPONENT PARTS 4</p> <p style="padding-left: 20px;">Component Parts Location4</p> <p style="padding-left: 20px;">Component Description6</p> <p style="padding-left: 20px;">Driver Air Bag Module6</p> <p style="padding-left: 20px;">Front Passenger Air Bag Module6</p> <p style="padding-left: 20px;">Front Side Air Bag7</p> <p style="padding-left: 20px;">Side Curtain Air Bag7</p> <p style="padding-left: 20px;">Front Seat Belt Pre-tensioner7</p> <p style="padding-left: 20px;">Air Bag Diagnosis Sensor Unit7</p> <p style="padding-left: 20px;">Crash Zone Sensor8</p> <p style="padding-left: 20px;">Side Air Bag Satellite Sensor8</p> <p style="padding-left: 20px;">Direct-connect SRS Component Connectors8</p> <p>SYSTEM 9</p> <p>SRS AIR BAG SYSTEM9</p> <p style="padding-left: 20px;">SRS AIR BAG SYSTEM : System Diagram9</p> <p style="padding-left: 20px;">SRS AIR BAG SYSTEM : System Description9</p> <p>SEAT BELT WARNING LAMP SYSTEM 10</p> <p style="padding-left: 20px;">SEAT BELT WARNING LAMP SYSTEM : System Diagram 10</p> <p style="padding-left: 20px;">SEAT BELT WARNING LAMP SYSTEM : System Description 10</p> <p>DIAGNOSIS SYSTEM (AIR BAG) 11</p> <p style="padding-left: 20px;">Diagnosis Description 11</p> <p style="padding-left: 20px;">SRS Operation Check 11</p> <p style="padding-left: 20px;">Trouble Diagnosis with CONSULT 12</p> <p style="padding-left: 20px;">Trouble Diagnosis without CONSULT 13</p> <p style="padding-left: 20px;">SRS History Check 13</p> | <p style="padding-left: 20px;">SRS Final Check13</p> <p style="padding-left: 20px;">CONSULT Function (AIR BAG)13</p> <p>ECU DIAGNOSIS INFORMATION 14</p> <p>DIAGNOSIS SENSOR UNIT 14</p> <p style="padding-left: 20px;">DTC Index14</p> <p style="padding-left: 20px;">Flash Code Index16</p> <p>WIRING DIAGRAM21</p> <p>SRS AIR BAG CONTROL SYSTEM21</p> <p style="padding-left: 20px;">Wiring Diagram21</p> <p>BASIC INSPECTION33</p> <p>DIAGNOSIS AND REPAIR WORK FLOW33</p> <p style="padding-left: 20px;">Work Flow33</p> <p>INTERMITTENT INCIDENT35</p> <p style="padding-left: 20px;">Inspection Procedure35</p> <p style="padding-left: 20px;">Trouble Diagnosis with CONSULT35</p> <p>DTC/CIRCUIT DIAGNOSIS36</p> <p>B1033 – B1035 CRASH ZONE SENSOR36</p> <p style="padding-left: 20px;">Description36</p> <p style="padding-left: 20px;">DTC Logic36</p> <p style="padding-left: 20px;">Diagnosis Procedure37</p> <p>B1049 – B1052, B1054 – B1057 DRIVER AIR-BAG MODULE39</p> <p style="padding-left: 20px;">Description39</p> <p style="padding-left: 20px;">DTC Logic39</p> <p style="padding-left: 20px;">Diagnosis Procedure40</p> <p>B1065 – B1068, B1070 – B1073 PASSENGER AIRBAG MODULE42</p> <p style="padding-left: 20px;">Description42</p> <p style="padding-left: 20px;">DTC Logic42</p> <p style="padding-left: 20px;">Diagnosis Procedure43</p> |
|--|---|

SRC

| | | | |
|---|-----------|--|-----------|
| B1081 – B1084 SEAT BELT PRE-TENSION- ER RH | 45 | B1193 – B1196 SIDE CURTAIN AIR BAG MODULE RH (REAR) | 69 |
| Description | 45 | Description | 69 |
| DTC Logic | 45 | DTC Logic | 69 |
| Diagnosis Procedure | 46 | Diagnosis Procedure (Component Diagnosis) | 70 |
| B1086 – B1089 SEAT BELT PRE-TENSION- ER LH | 48 | B1198 – B1201 SIDE CURTAIN AIR BAG MODULE LH (REAR) | 72 |
| Description | 48 | Description | 72 |
| DTC Logic | 48 | DTC Logic | 72 |
| Diagnosis Procedure | 49 | Diagnosis Procedure (Component Diagnosis) | 73 |
| B1113 – B1115 SATELLITE SENSOR RH (FRONT) | 51 | B1209 – B1211 COLLISION DETECTION | 75 |
| Description | 51 | Description | 75 |
| DTC Logic | 51 | DTC Logic | 75 |
| Diagnosis Procedure | 52 | Diagnosis Procedure | 75 |
| B1118 – B1120 SATELLITE SENSOR LH (FRONT) | 54 | B1306 – B1308 SATELLITE SENSOR RH (REAR) | 76 |
| Description | 54 | Description | 76 |
| DTC Logic | 54 | DTC Logic | 76 |
| Diagnosis Procedure | 55 | Diagnosis Procedure (Component Diagnosis) | 77 |
| B1129 – B1132 SIDE AIRBAG MODULE RH ... | 57 | B1313 – B1315 SATELLITE SENSOR LH (REAR) | 79 |
| Description | 57 | Description | 79 |
| DTC Logic | 57 | DTC Logic | 79 |
| Diagnosis Procedure | 58 | Diagnosis Procedure (Component Diagnosis) | 80 |
| B1134 – B1137 SIDE AIRBAG MODULE LH ... | 60 | B1XXX AIR BAG DIAGNOSIS SENSOR UNIT.. | 82 |
| Description | 60 | Description | 82 |
| DTC Logic | 60 | DTC Logic | 82 |
| Diagnosis Procedure | 61 | Diagnosis Procedure | 83 |
| B1145 – B1148 SIDE CURTAIN AIR BAG MODULE RH (FRONT) | 63 | SYMPTOM DIAGNOSIS | 84 |
| Description | 63 | SRS AIR BAG WARNING LAMP DOES NOT TURN ON | 84 |
| DTC Logic | 63 | AIR BAG Warning Lamp Does Not Turn On | 84 |
| Diagnosis Procedure | 64 | SRS AIR BAG WARNING LAMP DOES NOT TURN OFF | 85 |
| B1150 – B1153 SIDE CURTAIN AIR BAG MODULE LH (FRONT) | 66 | AIR BAG Warning Lamp Does Not Turn Off | 85 |
| Description | 66 | SEAT BELT WARNING SYSTEM | 86 |
| DTC Logic | 66 | Seat Belt Warning System Does Not Function | 86 |
| Diagnosis Procedure | 67 | | |

PRECAUTIONS

< PRECAUTION >

PRECAUTION

PRECAUTIONS

Precaution for Supplemental Restraint System (SRS) "AIR BAG" and "SEAT BELT PRE-TENSIONER"

INFOID:000000006926665

The Supplemental Restraint System such as "AIR BAG" and "SEAT BELT PRE-TENSIONER", used along with a front seat belt, helps to reduce the risk or severity of injury to the driver and front passenger for certain types of collision. This system includes seat belt switch inputs and dual stage front air bag modules. The SRS system uses the seat belt switches to determine the front air bag deployment, and may only deploy one front air bag, depending on the severity of a collision and whether the front occupants are belted or unbelted. Information necessary to service the system safely is included in the SR and SB section of this Service Manual.

WARNING:

- To avoid rendering the SRS inoperative, which could increase the risk of personal injury or death in the event of a collision which would result in air bag inflation, all maintenance must be performed by an authorized NISSAN/INFINITI dealer.
- Improper maintenance, including incorrect removal and installation of the SRS, can lead to personal injury caused by unintentional activation of the system. For removal of Spiral Cable and Air Bag Module, see the SR section.
- Do not use electrical test equipment on any circuit related to the SRS unless instructed to in this Service Manual. SRS wiring harnesses can be identified by yellow and/or orange harnesses or harness connectors.

PRECAUTIONS WHEN USING POWER TOOLS (AIR OR ELECTRIC) AND HAMMERS

WARNING:

- When working near the Airbag Diagnosis Sensor Unit or other Airbag System sensors with the Ignition ON or engine running, DO NOT use air or electric power tools or strike near the sensor(s) with a hammer. Heavy vibration could activate the sensor(s) and deploy the air bag(s), possibly causing serious injury.
- When using air or electric power tools or hammers, always switch the Ignition OFF, disconnect the battery, and wait at least 3 minutes before performing any service.

Precaution for SRS "AIR BAG" and "SEAT BELT PRE-TENSIONER" Service

INFOID:000000006925420

- Do not use electrical test equipment to check SRS circuits unless instructed to in this Service Manual.
- Before servicing the SRS, turn ignition switch OFF, disconnect both battery cables and wait at least 3 minutes.
For approximately 3 minutes after the cables are removed, it is still possible for the air bag and seat belt pretensioner to deploy. Therefore, do not work on any SRS connectors or wires until at least 3 minutes have passed.
- The air bag diagnosis sensor unit must always be installed with the arrow mark "←" pointing toward the front of the vehicle for proper operation. Also check air bag diagnosis sensor unit for cracks, deformities or rust before installation and replace as required.
- The spiral cable must be aligned with the neutral position since its rotations are limited. Do not attempt to turn steering wheel or column after removal of steering gear.
- Handle air bag module carefully. Always place driver and front passenger air bag modules with the pad side facing upward and seat mounted front side air bag module standing with the stud bolt side facing down.
- Conduct self-diagnosis to check entire SRS for proper function after replacing any components.
- After air bag inflates, the front instrument panel assembly should be replaced if damaged.

COMPONENT PARTS

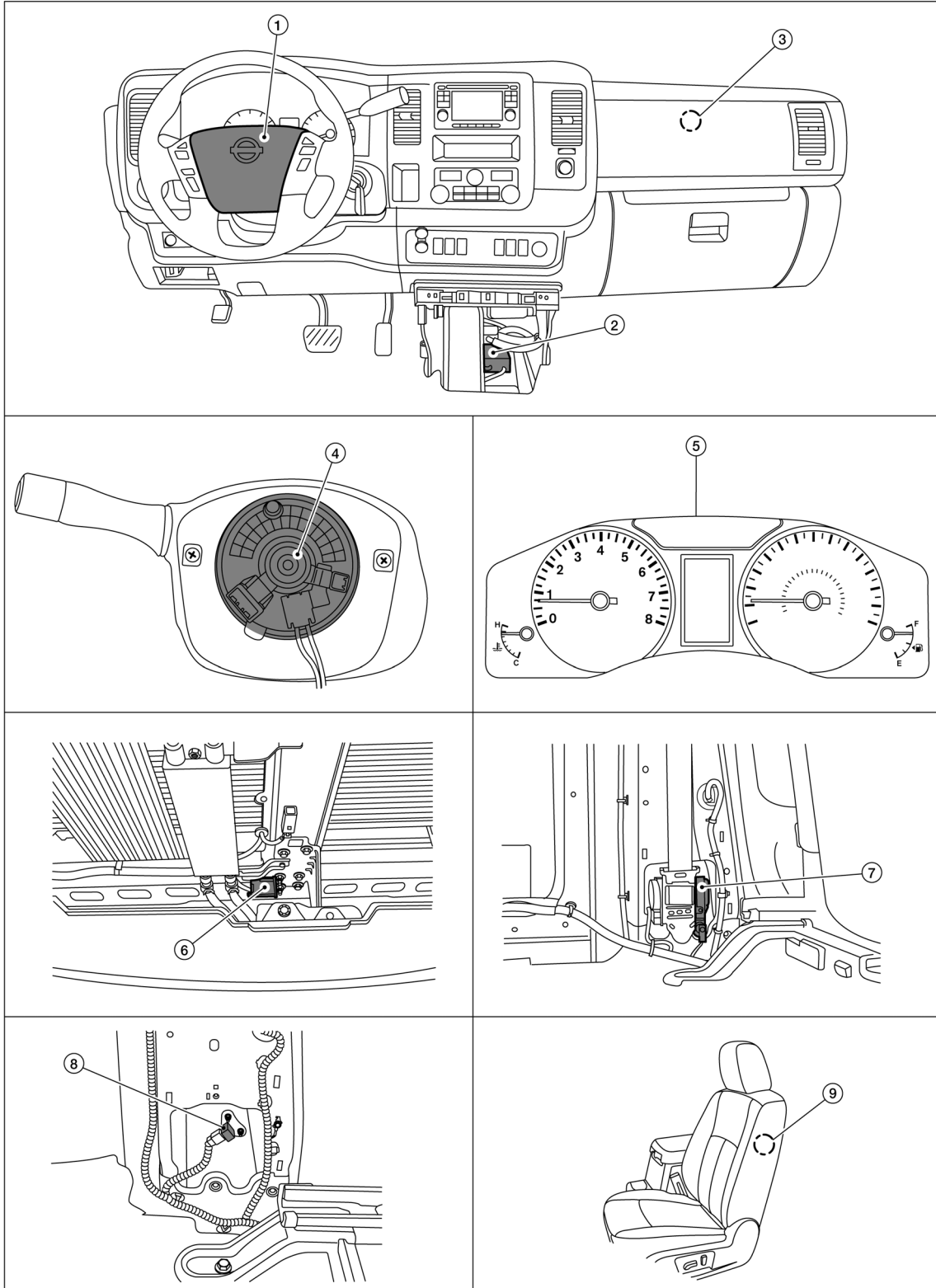
< SYSTEM DESCRIPTION >

SYSTEM DESCRIPTION

COMPONENT PARTS

Component Parts Location

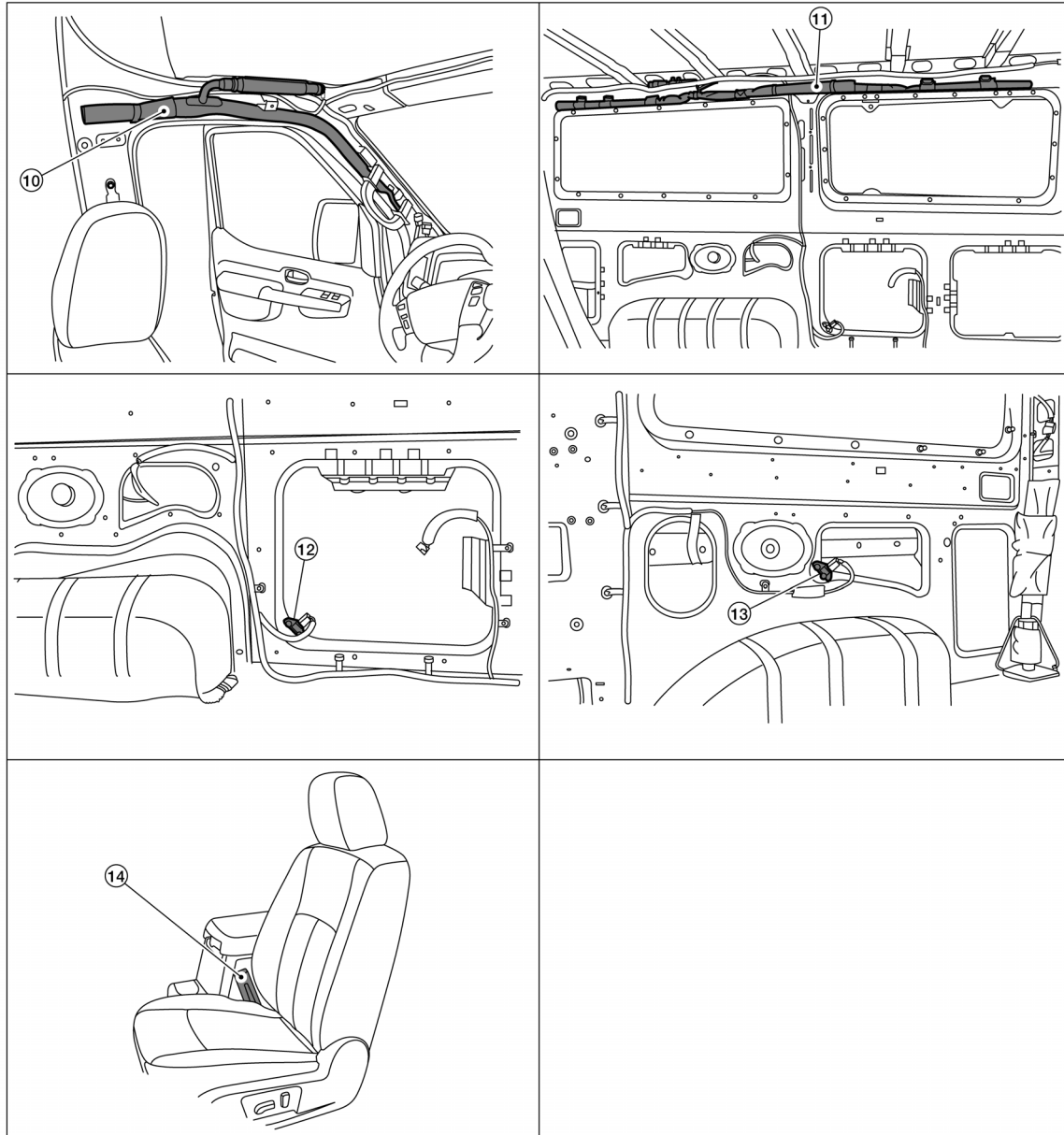
INFOID:000000006925351



ALH1A02102Z

COMPONENT PARTS

< SYSTEM DESCRIPTION >



A
B
C
D
E
F
G
I
J
K
L

SRC

- | | | |
|--|--|---|
| 1. Driver air bag module | 2. Air bag diagnosis sensor unit (view with instrument lower center cover removed) | 3. Front passenger air bag module |
| 4. Spiral cable (view with steering wheel removed) | 5. Combination meter | 6. Crash zone sensor (view with front grill removed) |
| 7. Front LH seat belt pre-tensioner (RH similar) (view with lower center pillar cover removed) | 8. Front side air bag satellite sensor LH (RH similar) (If equipped) (view with front LH seat belt pre-tensioner removed) | 9. Front LH side air bag module (RH similar) (If equipped) |
| 10. LH side front curtain air bag module (RH similar) (If equipped) (view with headliner and A-pillar trim removed) | 11. LH side rear curtain air bag module (RH similar) (If equipped) (view with headliner, upper and lower luggage finish panels removed) | 12. Rear side air bag satellite sensor LH (If equipped) (view with lower luggage finish panel removed) |
| 13. Rear side air bag satellite sensor RH (If equipped) (view with lower luggage finish panel removed) | 14. Seat belt buckle switch LH (RH similar) | |

M
N
O
P

COMPONENT PARTS

< SYSTEM DESCRIPTION >

Component Description

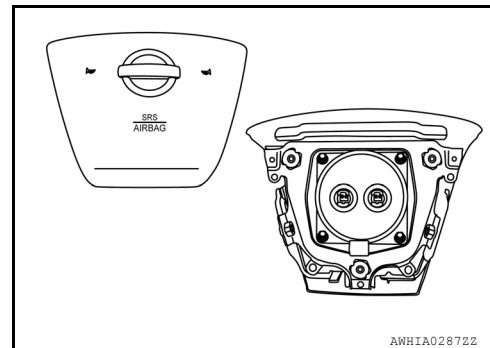
INFOID:000000007049871

| Component | Function |
|---------------------------------|--|
| Air bag diagnosis sensor unit | Refer to SRC-7, "Air Bag Diagnosis Sensor Unit" . |
| Driver air bag module | Refer to SRC-6, "Driver Air Bag Module" . |
| Front passenger air bag module | Refer to SRC-6, "Front Passenger Air Bag Module" . |
| Front side air bag module | Refer to SRC-7, "Front Side Air Bag" . |
| Side curtain air bag module | Refer to SRC-7, "Side Curtain Air Bag" . |
| Front seat belt pre-tensioner | Refer to SRC-7, "Front Seat Belt Pre-tensioner" . |
| Crash zone sensor | Refer to SRC-8, "Crash Zone Sensor" . |
| Side air bag (satellite) sensor | Refer to SRC-8, "Side Air Bag Satellite Sensor" . |
| Seat belt buckle switch | The seat belt buckle switches (LH/RH) provide the seat belt buckle signals to the air bag diagnosis sensor unit and the combination meter. |
| Spiral cable | The spiral cable provides a rotating physical connection to the driver air bag module. |
| Combination meter | The combination meter displays the air bag warning lamp and the driver/passenger seat belt warning lamps. The air bag warning lamp is used in diagnosis in User Mode and may be used to display diagnostic trouble codes without the use of the CONSULT. |

Driver Air Bag Module

INFOID:000000006925352

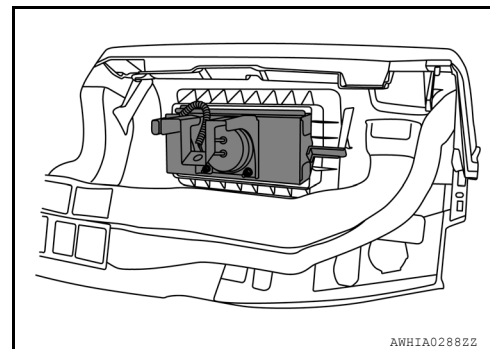
The driver air bag module is dual stage and located in the steering wheel assembly. It operates with the SRS system in a frontal collision exceeding a specified level.



Front Passenger Air Bag Module

INFOID:000000006925353

The front passenger air bag module is located behind the instrument panel assembly. It is dual stage and operates with the SRS system in a frontal collision exceeding a specified level.



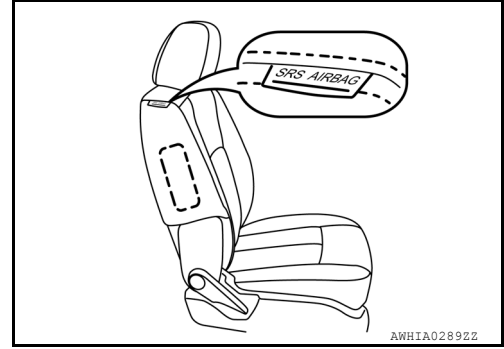
COMPONENT PARTS

< SYSTEM DESCRIPTION >

Front Side Air Bag

INFOID:000000006925354

Front side air bag modules are built into the front seatback assemblies. Vehicles with side air bags are equipped with labels as shown.



Side Curtain Air Bag

INFOID:000000006925355

Front and rear side curtain air bag modules are located above the vehicle headlining. Vehicles with side curtain air bags are equipped with labels on the B-pillar and C-pillar upper finishers as shown.



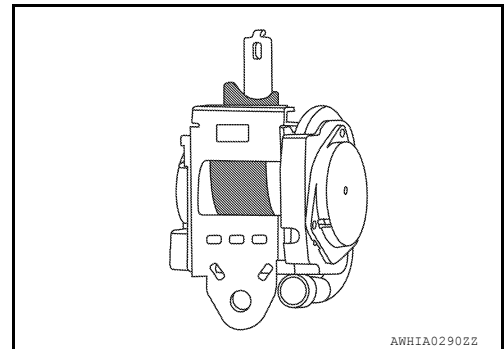
Front Seat Belt Pre-tensioner

INFOID:000000006925356

The seat belt pre-tensioner system with load limiter is installed for both the driver's seat and the front passenger's seat. It operates simultaneously with the SRS air bag system in the event of a frontal or rollover collision with an impact exceeding a specified level.

When the frontal collision with an impact exceeding a specified level occurs, seat belt slack resulting from clothing or other factors is immediately taken up by the pre-tensioner. Vehicle passengers are securely restrained.

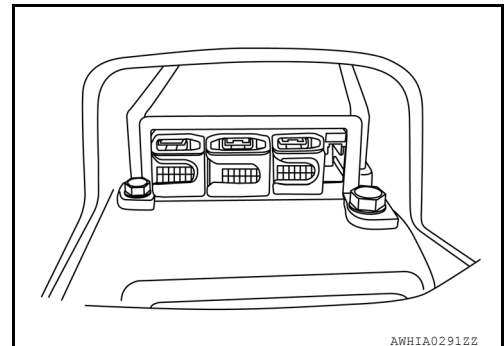
When passengers in a vehicle are thrown forward in a collision and the restraining force of the seat belt exceeds a specified level, the load limiter permits the specified extension of the seat belt by the twisting of the ELR shaft, and a relaxation of the chest-area seat belt web tension while maintaining force.



Air Bag Diagnosis Sensor Unit

INFOID:000000006931350

The air bag diagnosis sensor unit is located under the instrument lower center cover. The air bag diagnosis sensor unit receives signals from multiple SRS sensors and controls the deployment of the air bags. The deployment of the air bags depends on the type and severity of the collision. The air bag diagnosis sensor unit has self-diagnosis capability through the use of the CONSULT as well as flash codes displayed by the air bag warning lamp.



A
B
C
D
E
F
G
SRC
I
J
K
L
M
N
O
P

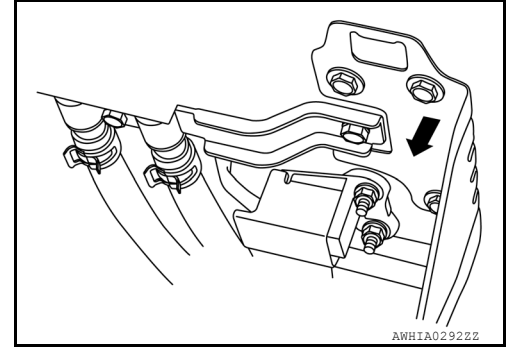
COMPONENT PARTS

< SYSTEM DESCRIPTION >

Crash Zone Sensor

INFOID:000000006931351

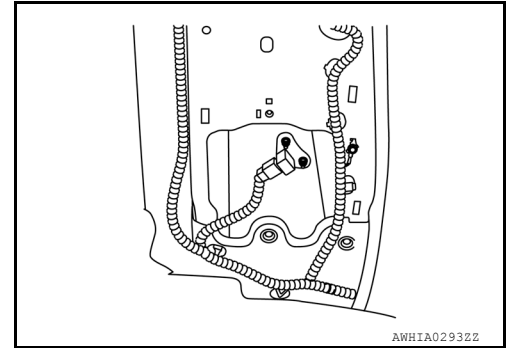
The crash zone sensor is located behind the front grill on the center radiator support. The crash zone sensor sends signals to the air bag diagnosis sensor unit during a frontal collision. This sensor may be identified by a yellow connector.



Side Air Bag Satellite Sensor

INFOID:000000006931352

The front side air bag satellite sensors are located on the B-pillar LH (shown) and RH behind the seat belt pretensioners. The rear side air bag satellite sensors are located on the C-pillar LH and RH. The side air bag satellite sensors send signals to the air bag diagnosis sensor unit during a side collision. These sensors may be identified by yellow connectors.



Direct-connect SRS Component Connectors

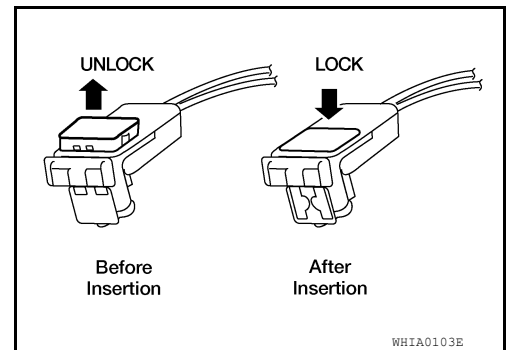
INFOID:000000006925357

The following SRS components use direct-connect style harness connectors.

- Driver air bag module
- Front passenger air bag module
- LH side curtain air bag module
- RH side curtain air bag module
- Front LH seat belt pre-tensioner
- Front RH seat belt pre-tensioner

Always pull up to release locking tab prior to removing connector from SRS component.

Always push down to lock locking tab after installing connector to SRS component. When locked, the locking tab is level with the connector housing.



SYSTEM

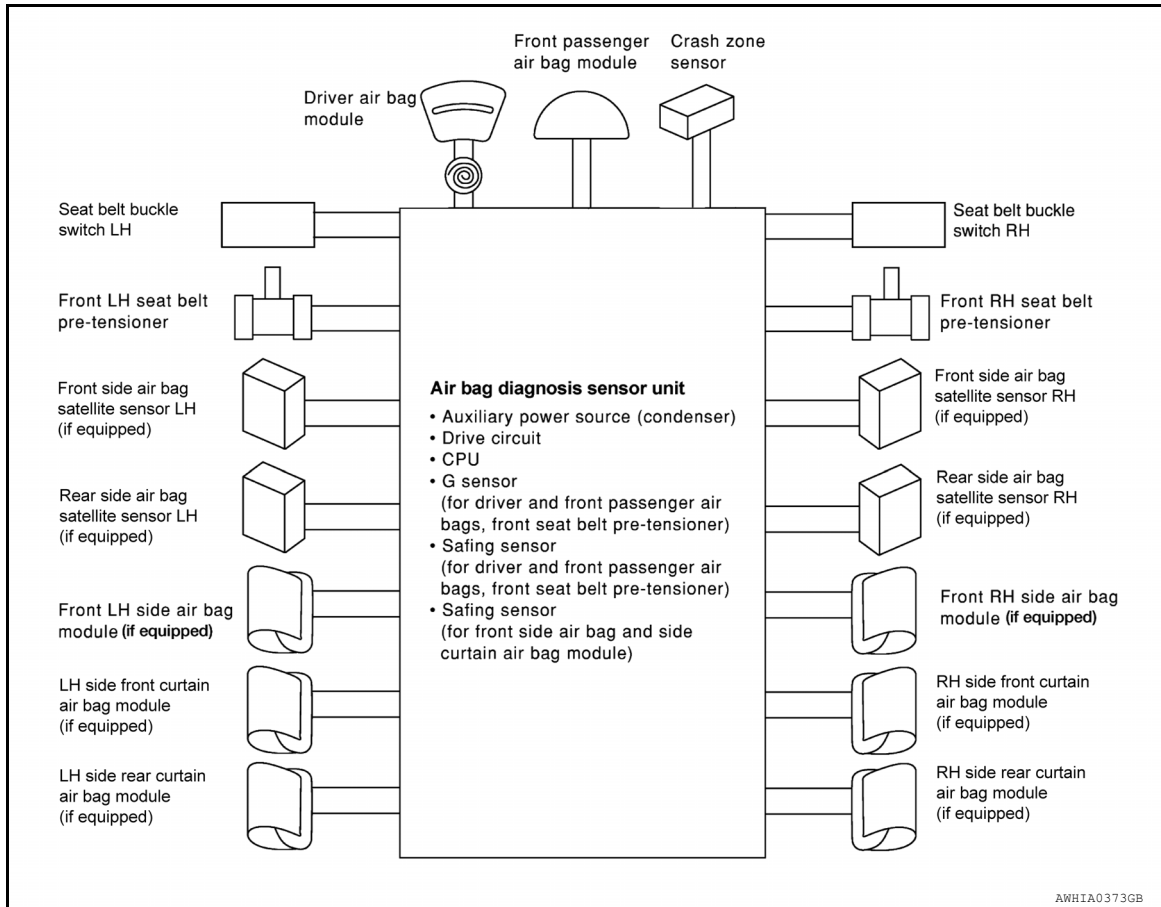
< SYSTEM DESCRIPTION >

SYSTEM

SRS AIR BAG SYSTEM

SRS AIR BAG SYSTEM : System Diagram

INFOID:000000006925350



AWHIA0373GB

SRS AIR BAG SYSTEM : System Description

INFOID:000000007049870

- The air bag deploys if the air bag diagnosis sensor unit is activated while the ignition switch is in the ON or START position.
- The collision modes for which supplemental restraint systems are activated are different among the SRS systems. For example, the driver air bag module, front passenger air bag module and front seat belt pre-tensioners are activated in a frontal collision but not in a side collision.

SRS Collision Modes

| SRS configuration | Frontal collision | Left side collision | Right side collision | Rollover |
|--|-------------------|---------------------|----------------------|----------|
| Driver air bag module | x | — | — | — |
| Front passenger air bag module | x | — | — | — |
| Front LH seat belt pre-tensioner | x | — | — | x |
| Front RH seat belt pre-tensioner | x | — | — | x |
| Front LH side air bag module (if equipped) | — | x | — | — |
| Front RH side air bag module (if equipped) | — | — | x | — |
| LH side front curtain air bag module (if equipped) | — | x | — | x |
| RH side front curtain air bag module (if equipped) | — | — | x | x |
| LH side rear curtain air bag module (if equipped) | — | x | — | x |
| RH side rear curtain air bag module (if equipped) | — | — | x | x |

A
B
C
D
E
F
G
I
J

SRC

K
L
M
N
O
P

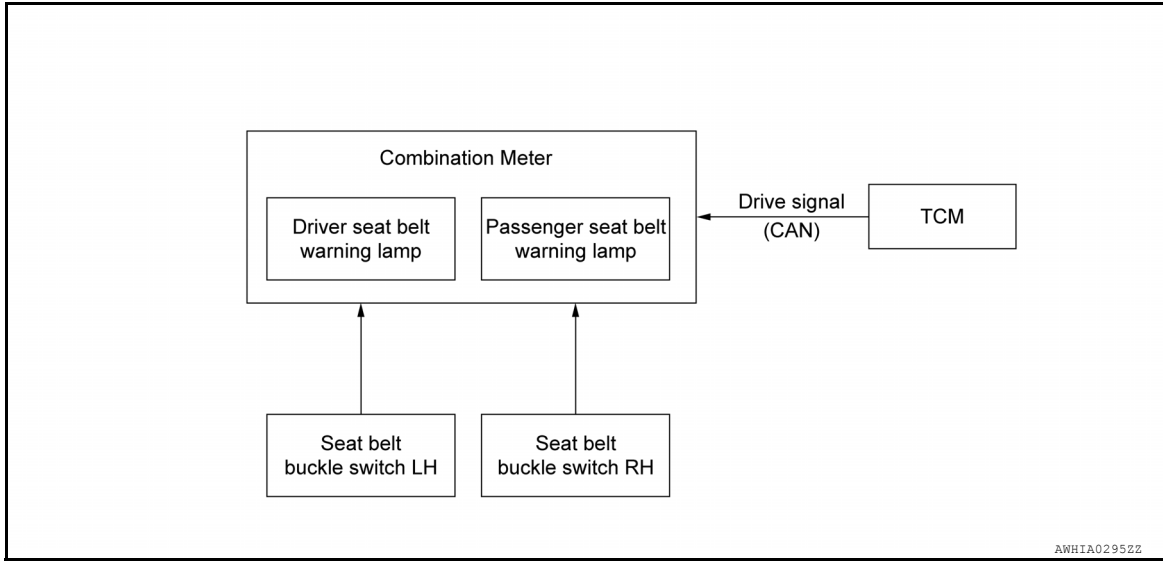
SYSTEM

< SYSTEM DESCRIPTION >

SEAT BELT WARNING LAMP SYSTEM

SEAT BELT WARNING LAMP SYSTEM : System Diagram

INFOID:000000006925360

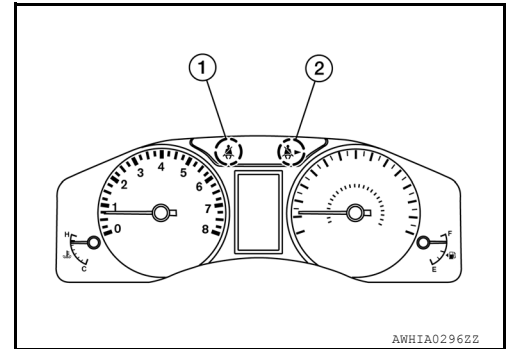


AWHIA02952Z

SEAT BELT WARNING LAMP SYSTEM : System Description

INFOID:000000006925361

The seat belt warning system will remind the driver if the driver or front passenger seat belt should be buckled by turning on the driver (1) or passenger (2) seat belt warning lamps. See the Seat Belt Warning System table below for more information.



AWHIA02962Z

Seat Belt Warning System

| Driver seat status (Ignition switch ON) | Seat belt buckle switch LH status | Seat belt buckle switch RH status | Vehicle (Park) | Vehicle (Drive) (< 30s) | Vehicle (Drive) (> 30s) | Driver seat belt warning lamp | Passenger seat belt warning lamp | |
|---|-----------------------------------|-----------------------------------|----------------|-------------------------|-------------------------|-------------------------------|----------------------------------|----|
| Seat occupied | Buckled | Unbuckled | Yes | No | No | Off | On | |
| | | | No | Yes | No | | | |
| | | | No | No | Yes | | | |
| | Unbuckled | Unbuckled | Buckled | — | — | On | Off | |
| | | | Yes | No | No | | | On |
| | | | | No | Yes | | | |
| Buckled | Buckled | — | — | — | Off | | | |

DIAGNOSIS SYSTEM (AIR BAG)

< SYSTEM DESCRIPTION >

DIAGNOSIS SYSTEM (AIR BAG)

Diagnosis Description

INFOID:000000006925363

CAUTION:

- Do not use electrical test equipment on any circuit related to the SRS unless instructed to do so in this Service Manual. SRS wiring harnesses can be identified by yellow and/or orange harness connectors.
- Do not attempt to repair, splice or modify SRS wiring harnesses. If a harness is damaged, replace it with a new one.
- Keep ground connections clean.

HOW TO PERFORM TROUBLE DIAGNOSES FOR QUICK AND ACCURATE REPAIR

1. Obtain information about the symptom.
 - WHAT - vehicle model
 - WHEN - date, frequencies
 - WHERE - road conditions
 - HOW - operating conditions, symptoms, passengers
2. Perform Preliminary Check.
 - Battery
 - Fuses
 - Harness connections

DIAGNOSIS METHODS

SRS self-diagnosis results can be read by using the AIR BAG warning lamp or CONSULT.

The User Mode is for the customer (driver). This mode warns the driver of a system malfunction through the AIR BAG warning lamp.

The Diagnosis Mode is for the technician. This mode helps the technician locate the malfunctioning circuit or part.

| | User Mode | Diagnosis Mode | Display type |
|----------------------|-----------|----------------|--------------|
| AIR BAG warning lamp | X | X | ON/OFF |
| CONSULT | — | X | Monitoring |

SRS Operation Check

INFOID:000000006925364

USER MODE

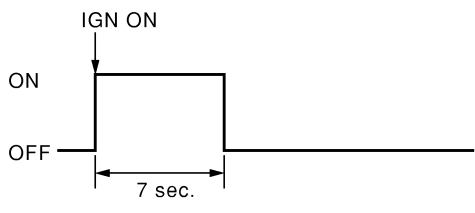
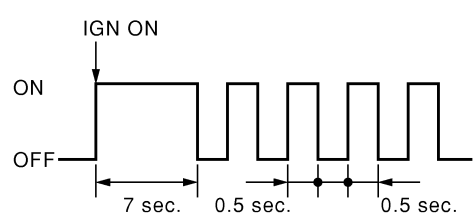
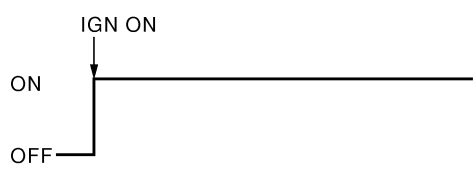
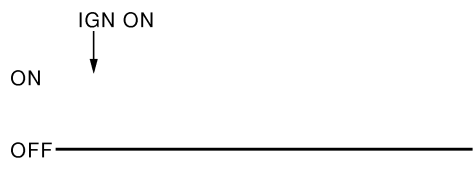
1. Turn the ignition switch from OFF to ON and check that the air bag warning lamp blinks.
2. Compare the blinking pattern with the examples in the table.



DIAGNOSIS SYSTEM (AIR BAG)

< SYSTEM DESCRIPTION >

Air bag warning lamp flashing pattern (User Mode)

| Warning lamp | SRS condition | Reference item |
|--|--|--|
|  <p>SHIA0011E</p> | <ul style="list-style-type: none"> No malfunction is detected. No further action is necessary. | — |
|  <p>SHIA0012E</p> | The system is malfunctioning and needs to be repaired. | Refer to SRC-12, "Trouble Diagnosis with CONSULT" or SRC-13, "Trouble Diagnosis without CONSULT" . |
|  <p>SHIA0013E</p> | <ul style="list-style-type: none"> Air bag is deployed. Seat belt pre-tensioner is deployed. Air bag diagnosis sensor unit is malfunctioning. Air bag power supply circuit is malfunctioning. SRS air bag warning lamp circuit is malfunctioning. | Refer to SR-26, "For Frontal Collision" or SR-28, "For Side and Roll-over Collision" . |
|  <p>SHIA0014E</p> | <ul style="list-style-type: none"> Air bag diagnosis sensor unit is malfunctioning. Air bag warning lamp circuit is malfunctioning. | Refer to SRC-85, "AIR BAG Warning Lamp Does Not Turn Off" . |

Trouble Diagnosis with CONSULT

INFOID:000000006931353

1. Connect CONSULT.
2. DTC is displayed on SELF-DIAG RESULTS.

NOTE:

If a malfunction is not detected on SELF-DIAG RESULTS [CURRENT], but a malfunction is detected during SRS Operation Check, the following cases may exist:

- SELF-DIAG [PAST] memory might not be erased. Refer to [SRC-13, "SRS Final Check"](#).
- SRS system malfunctions intermittently. Refer to [SRC-35, "Inspection Procedure"](#).

DIAGNOSIS SYSTEM (AIR BAG)

< SYSTEM DESCRIPTION >

Trouble Diagnosis without CONSULT

INFOID:000000006925365

DIAGNOSIS MODE

NOTE:

Diagnosis Mode can not be entered if a malfunction is not detected in User Mode.

1. Turn ignition switch ON.
2. After AIR BAG warning lamp lights for 7 seconds, turn ignition switch OFF within 1 second.
3. Wait more than 3 seconds.
4. Repeat steps 1 to 3 two more times (3 times total).
5. Turn ignition switch ON.

SRS is now in Diagnosis Mode. Refer to [SRC-16, "Flash Code Index"](#).

SRS History Check

INFOID:000000006931356

SRS HISTORY CHECK

1. Check repair history of the SRS. If no repairs have been made perform [SRC-11, "SRS Operation Check"](#). If repairs have been made GO TO step 2.
2. Erase "SELF-DIAG [PAST]" after repair. Refer to [SRC-13, "SRS Final Check"](#).

SRS Final Check

INFOID:000000006931354

DIAGNOSIS MODE

1. Connect CONSULT.
2. If no DTCs are detected on "SELF-DIAG RESULTS [CURRENT]", repair of SRS is completed. Go to step 3.

If any DTCs are detected on "SELF-DIAG RESULTS [CURRENT]", the malfunction has not been repaired completely or another malfunction is being detected. Perform SRS Operation Check again. Refer to [SRC-11, "SRS Operation Check"](#).

3. Touch "ERASE".

NOTE:

Touching "ERASE" will clear the SRS memory of the malfunction ("SELF-DIAG [PAST]"). If "SELF-DIAG [PAST]" is not erased, User Mode may show the previous system malfunction even if the malfunction has been repaired completely.

4. Check that no malfunction is detected in "SELF-DIAG [PAST]".
5. Exit Diagnosis Mode and disconnect the CONSULT.
6. Perform SRS Operation Check. Refer to [SRC-11, "SRS Operation Check"](#).

CONSULT Function (AIR BAG)

INFOID:000000006931357

CONSULT can display each diagnostic item using the diagnostic test modes shown following.

| Diagnostic Test Mode | Diagnostic Item | Description |
|------------------------|----------------------------|--|
| Ecu Identification | ECU DISCRIMINATED NO. | Air bag diagnosis sensor unit ECU discriminated number (identification number) or part number is displayed. Air bag diagnosis sensor unit has individual ECU discriminated number (identification number) or part number based on model and equipment. |
| Self Diagnostic Result | SELF-DIAG RESULT [CURRENT] | A current Self-diagnosis result (also indicated by the number of warning lamp flashes in the Diagnosis mode) is displayed on the CONSULT screen in real time. This refers to a malfunctioning part requiring repairs. |
| Function Test | CAR COMPUTER DIAG. | System wide test results are indicated. |
| Special function | SELF-DIAG [PAST] | Diagnosis results previously stored in the memory are displayed on the CONSULT screen. The stored results will remain until memory erasing is executed. |
| | TROUBLE DIAG RECORD | With TROUBLE DIAG RECORD, diagnosis results previously erased by a reset operation can be displayed on the CONSULT screen. |
| | SELF-DIAG RESULT [CAN] | A current Self-diagnosis result [CAN] is displayed on the CONSULT screen in real time. Self-diagnosis result [CAN] can not be erased. |
| | CAUSE OF WARNING | Intermittent conditions not recorded as a DTC can be reviewed. |

DIAGNOSIS SENSOR UNIT

< ECU DIAGNOSIS INFORMATION >

ECU DIAGNOSIS INFORMATION

DIAGNOSIS SENSOR UNIT

DTC Index

INFOID:000000006925413

DIAGNOSTIC CODE CHART

| CONSULT name | DTC | DTC detecting condition | Repair order |
|-------------------------------------|-------|--|--|
| CRASH ZONE SEN [UNIT FAIL] | B1033 | Crash zone sensor has malfunctioned. | Refer to SRC-36 . "Description". |
| | B1034 | | |
| CRASH ZONE SEN [COMM FAIL] | B1035 | Crash zone sensor communication error. | |
| DRIVER AIRBAG MODULE [OPEN] | B1049 | Driver air bag module circuit (DR1) is open (including the spiral cable). | |
| | B1054 | Driver air bag module circuit (DR2) is open (including the spiral cable). | |
| DRIVER AIRBAG MODULE [VB-SHORT] | B1050 | Driver air bag module circuit (DR1) is shorted to a power supply circuit (including the spiral cable). | Refer to SRC-39 . "Description". |
| | B1055 | Driver air bag module circuit (DR2) is shorted to a power supply circuit (including the spiral cable). | |
| DRIVER AIRBAG MODULE [GND-SHORT] | B1051 | Driver air bag module circuit (DR1) is shorted to ground (including the spiral cable). | |
| | B1056 | Driver air bag module circuit (DR2) is shorted to ground (including the spiral cable). | |
| DRIVER AIRBAG MODULE [SHORT] | B1052 | Driver air bag module circuits (DR1) are shorted to each other (including the spiral cable). | |
| | B1057 | Driver air bag module circuits (DR2) are shorted to each other (including the spiral cable). | |
| ASSIST A/B MODULE [OPEN] | B1065 | Front passenger air bag module circuit (AS1) is open. | |
| | B1070 | Front passenger air bag module circuit (AS2) is open. | |
| ASSIST A/B MODULE [VB-SHORT] | B1066 | Front passenger air bag module circuit (AS1) is shorted to a power supply circuit. | Refer to SRC-42 . "Description". |
| | B1071 | Front passenger air bag module circuit (AS2) is shorted to a power supply circuit. | |
| ASSIST A/B MODULE [GND-SHORT] | B1067 | Front passenger air bag module circuit (AS1) is shorted to ground. | |
| | B1072 | Front passenger air bag module circuit (AS2) is shorted to ground. | |
| ASSIST A/B MODULE [SHORT] | B1068 | Front passenger air bag module circuits (AS1) are shorted to each other. | |
| | B1073 | Front passenger air bag module circuits (AS2) are shorted to each other. | |

DIAGNOSIS SENSOR UNIT

< ECU DIAGNOSIS INFORMATION >

| CONSULT name | DTC | DTC detecting condition | Repair order | |
|-------------------------------|-------|--|--|-----|
| PRE-TEN FRONT RH [OPEN] | B1081 | RH seat belt pre-tensioner circuit is open. | Refer to SRC-45, "Description" . | A |
| PRE-TEN FRONT RH [VB-SHORT] | B1082 | RH seat belt pre-tensioner circuit is shorted to a power supply circuit. | | B |
| PRE-TEN FRONT RH [GND-SHORT] | B1083 | RH seat belt pre-tensioner circuit is shorted to ground. | | C |
| PRE-TEN FRONT RH [SHORT] | B1084 | RH seat belt pre-tensioner circuits are shorted to each other. | | |
| PRE-TEN FRONT LH [OPEN] | B1086 | LH seat belt pre-tensioner circuit is open. | Refer to SRC-48, "Description" . | D |
| PRE-TEN FRONT LH [VB-SHORT] | B1087 | LH seat belt pre-tensioner circuit is shorted to a power supply circuit. | | E |
| PRE-TEN FRONT LH [GND-SHORT] | B1088 | LH seat belt pre-tensioner circuit is shorted to ground. | | F |
| PRE-TEN FRONT LH [SHORT] | B1089 | LH seat belt pre-tensioner circuits are shorted to each other. | | |
| SATELLITE SENS RH [UNIT FAIL] | B1113 | Front side air bag satellite sensor RH has malfunctioned. | Refer to SRC-51, "Description" . | G |
| SATELLITE SENS RH [COMM FAIL] | B1114 | | | |
| SATELLITE SENS RH [COMM FAIL] | B1115 | Front side air bag satellite sensor RH communication error. | | |
| SATELLITE SENS LH [UNIT FAIL] | B1118 | Front side air bag satellite sensor LH has malfunctioned. | Refer to SRC-54, "Description" . | SRC |
| SATELLITE SENS LH [UNIT FAIL] | B1119 | | | |
| SATELLITE SENS LH [COMM FAIL] | B1120 | Front side air bag satellite sensor LH communication error. | | I |
| SIDE MODULE RH [OPEN] | B1129 | Front RH side air bag module circuit is open. | Refer to SRC-57, "Description" . | J |
| SIDE MODULE RH [VB-SHORT] | B1130 | Front RH side air bag module circuit is shorted to a power supply circuit. | | |
| SIDE MODULE RH [GND-SHORT] | B1131 | Front RH side air bag module circuit is shorted to ground. | | |
| SIDE MODULE RH [SHORT] | B1132 | Front RH side air bag module circuits are shorted to each other. | | |
| SIDE MODULE LH [OPEN] | B1134 | Front LH side air bag module circuit is open. | Refer to SRC-60, "Description" . | L |
| SIDE MODULE LH [VB-SHORT] | B1135 | Front LH side air bag module circuit is shorted to a power supply circuit. | | |
| SIDE MODULE LH [GND-SHORT] | B1136 | Front LH side air bag module circuit is shorted to ground. | | |
| SIDE MODULE LH [SHORT] | B1137 | Front LH side air bag module circuits are shorted to each other. | | |
| CURTAIN MODULE RH [OPEN] | B1145 | RH side front curtain air bag module circuit is open. | Refer to SRC-63, "Description" . | M |
| CURTAIN MODULE RH [VB-SHORT] | B1146 | RH side front curtain air bag module circuit is shorted to a power supply circuit. | | |
| CURTAIN MODULE RH [GND-SHORT] | B1147 | RH side front curtain air bag module circuit is shorted to ground. | | |
| CURTAIN MODULE RH [SHORT] | B1148 | RH side front curtain air bag module circuits are shorted to each other. | | |

DIAGNOSIS SENSOR UNIT

< ECU DIAGNOSIS INFORMATION >

| CONSULT name | DTC | DTC detecting condition | Repair order |
|---------------------------------|-------|--|---|
| CURTAIN MODULE LH [OPEN] | B1150 | LH side front curtain air bag module circuit is open. | Refer to SRC-66. "Description" . |
| CURTAIN MODULE LH [VB-SHORT] | B1151 | LH side front curtain air bag module circuit is shorted to a power supply circuit. | |
| CURTAIN MODULE LH [GND-SHORT] | B1152 | LH side front curtain air bag module circuit is shorted to ground. | |
| CURTAIN MODULE LH [SHORT] | B1153 | LH side front curtain air bag module circuits are shorted to each other. | |
| FR CURTN MODULE RH [OPEN] | B1193 | RH side rear curtain air bag module circuit is open. | Refer to SRC-69. "Description" . |
| FR CURTN MODULE RH [VB-SHORT] | B1194 | RH side rear curtain air bag module circuit is shorted to a power supply circuit. | |
| FR CURTN MODULE RH [GND-SHORT] | B1195 | RH side rear curtain air bag module circuit is shorted to ground. | |
| FR CURTN MODULE RH [SHORT] | B1196 | RH side rear curtain air bag module circuits are shorted to each other. | |
| FR CURTN MODULE LH [OPEN] | B1198 | LH side rear curtain air bag module circuit is open. | Refer to SRC-72. "Description" . |
| FR CURTN MODULE LH [VB-SHORT] | B1199 | LH side rear curtain air bag module circuit is shorted to a power supply circuit. | |
| FR CURTN MODULE LH [GND-SHORT] | B1200 | LH side rear curtain air bag module circuit is shorted to ground. | |
| FR CURTN MODULE LH [SHORT] | B1201 | LH side rear curtain air bag module circuits are shorted to each other. | |
| FRONTAL COLLISION DETECTION | B1209 | Driver and/or front passenger air bag modules are deployed. | |
| SIDE COLLISION DETECTION | B1210 | Side and/or curtain air bag modules are deployed. | Refer to SR-28. "For Side and Rollover Collision" . |
| ROLLOVER DETECTION | B1211 | Curtain air bag module and seat belt pretensioner are deployed. | |
| C-PILLAR SAT SEN RH [COMM MALF] | B1306 | Rear side air bag satellite sensor RH has malfunctioned. | Refer to SRC-76. "Description" . |
| | B1307 | | |
| C-PILLAR SAT SEN RH [COMM FAIL] | B1308 | Rear side air bag satellite sensor RH communication error. | |
| C-PILLAR SAT SEN LH [COMM MALF] | B1313 | Rear side air bag satellite sensor LH has malfunctioned. | Refer to SRC-79. "Description" . |
| | B1314 | | |
| C-PILLAR SAT SEN LH [COMM FAIL] | B1315 | Rear side air bag satellite sensor LH communication error. | |
| CONTROL UNIT | B1XXX | Air bag diagnosis sensor unit is malfunctioning. | Refer to SRC-82. "Description" . |

Flash Code Index

INFOID:000000006925414

NOTE:

Follow the procedures in numerical order when repairing malfunctioning parts. Confirm whether malfunction is eliminated using air bag warning lamp (Diagnosis Mode) each time repair is finished. If malfunction is still observed, proceed to the next step. When malfunction is eliminated, further repair work is not required.

FRONT AIR BAG SYSTEM WARNING LAMP FLASH CODE CHART

DIAGNOSIS SENSOR UNIT

< ECU DIAGNOSIS INFORMATION >

| <Crash zone sensor> | |
|--|---|
| Flash pattern | Repair order |
| <p>a through d are repeated. d: Six flashes indicate malfunctioning crash zone sensor circuit.</p> | <ol style="list-style-type: none"> 1. Visually check the wiring harness connection. 2. Replace the harness if it has visible damage. 3. Replace the crash zone sensor. 4. Replace the air bag diagnosis sensor unit. 5. Replace the related harness. |

WHIA0200E

| <Driver air bag module> | |
|---|---|
| Flash pattern | Repair order |
| <p>a through d are repeated. d: Two flashes indicate malfunctioning driver air bag module circuits.</p> | <ol style="list-style-type: none"> 1. Visually check the wiring harness connection. 2. Replace the harness if it has visible damage. 3. Inspect the spiral cable circuit. 4. Replace the air bag diagnosis sensor unit. 5. Replace driver air bag module. 6. Replace the related harness. |

AHIA0306GB

| <Front passenger air bag module> | |
|---|--|
| Flash pattern | Repair order |
| <p>a through d are repeated. d: Eight flashes indicate malfunctioning front passenger air bag module circuit.</p> | <ol style="list-style-type: none"> 1. Visually check the wiring harness connection. 2. Replace the harness if it has visible damage. 3. Replace the air bag diagnosis sensor unit. 4. Replace front passenger air bag module. 5. Replace the related harness. |

AHIA0307GB

| <Front RH seat belt pre-tensioner> | |
|--|---|
| Flash pattern | Repair order |
| <p>a through d are repeated. d: One flash indicates malfunctioning front RH seat belt pre-tensioner circuit.</p> | <ol style="list-style-type: none"> 1. Visually check the wiring harness connections. 2. Replace the harness if it has visible damage. 3. Replace front RH seat belt pre-tensioner. 4. Replace the air bag diagnosis sensor unit. 5. Replace the related harness. |

WHIA0262E

| <Front LH seat belt pre-tensioner> | |
|---|---|
| Flash pattern | Repair order |
| <p>a through d are repeated. d: Three flashes indicate malfunctioning front LH seat belt pre-tensioner circuit.</p> | <ol style="list-style-type: none"> 1. Visually check the wiring harness connections. 2. Replace the harness if it has visible damage. 3. Replace front LH seat belt pre-tensioner. 4. Replace the air bag diagnosis sensor unit. 5. Replace the related harness. |

WHIA0263E

A
B
C
D
E
F
G
I
J
K
L
M
N
O
P

SRC

DIAGNOSIS SENSOR UNIT

< ECU DIAGNOSIS INFORMATION >

| <Air bag diagnosis sensor unit> | |
|--|---|
| Flash pattern | Repair order |
| <p>a through d are repeated. d: Seven flashes indicate malfunctioning diagnosis sensor unit circuit.</p> | <ol style="list-style-type: none"> 1. Visually check the wiring harness connections. 2. Replace the harness if it has visible damage. 3. Replace the air bag diagnosis sensor unit. 4. Replace the related harness. |

WHIA0198E

SIDE AIR BAG SYSTEM WARNING LAMP FLASH CODE CHART

| <Front side air bag satellite sensor RH> | |
|---|--|
| Flash pattern | Repair order |
| <p>a through f are repeated. f: Three flashes indicate malfunctioning front side air bag satellite sensor RH.</p> | <ol style="list-style-type: none"> 1. Visually check the wiring harness connection. 2. Replace the harness if it has visible damage. 3. Replace the front side air bag satellite sensor RH. 4. Replace the air bag diagnosis sensor unit. 5. Replace the related harness. |

AWHIA0374GB

| <Front side air bag satellite sensor LH> | |
|--|--|
| Flash pattern | Repair order |
| <p>a through f are repeated. f: Four flashes indicate malfunctioning front side air bag satellite sensor LH.</p> | <ol style="list-style-type: none"> 1. Visually check the wiring harness connection. 2. Replace the harness if it has visible damage. 3. Replace the front side air bag satellite sensor LH. 4. Replace the air bag diagnosis sensor unit. 5. Replace the related harness. |

AWHIA0375GB

| <Front RH side air bag module> | |
|---|--|
| Flash pattern | Repair order |
| <p>a through f are repeated. f: One flash indicate malfunctioning front RH side air bag module circuit.</p> | <ol style="list-style-type: none"> 1. Visually check the wiring harness connection. 2. Replace the harness if it has visible damage. 3. Replace the air bag diagnosis sensor unit. 4. Replace the front RH side air bag module. 5. Replace the related harness. |

AWHIA0305GB

| <Front LH side air bag module> | |
|---|--|
| Flash pattern | Repair order |
| <p>a through f are repeated. f: Two flashes indicate malfunctioning front LH side air bag module circuit.</p> | <ol style="list-style-type: none"> 1. Visually check the wiring harness connection. 2. Replace the harness if it has visible damage. 3. Replace the air bag diagnosis sensor unit. 4. Replace the front LH side air bag module. 5. Replace the related harness. |

AWHIA0304GB

DIAGNOSIS SENSOR UNIT

< ECU DIAGNOSIS INFORMATION >

| <RH side front curtain air bag module> | |
|--|--|
| Flash pattern | Repair order |
| <p>a through f are repeated. f: Five flashes indicate malfunctioning RH side front curtain air bag module.</p> | <ol style="list-style-type: none"> 1. Visually check the wiring harness connection. 2. Replace the harness if it has visible damage. 3. Replace the air bag diagnosis sensor unit. 4. Replace RH side front curtain air bag module. 5. Replace the related harness. |

AWHIA0376GB

| <LH side front curtain air bag module> | |
|---|--|
| Flash pattern | Repair order |
| <p>a through f are repeated. f: Six flashes indicate malfunctioning LH side front curtain air bag module.</p> | <ol style="list-style-type: none"> 1. Visually check the wiring harness connection. 2. Replace the harness if it has visible damage. 3. Replace the air bag diagnosis sensor unit. 4. Replace LH side front curtain air bag module. 5. Replace the related harness. |

AWHIA0377GB

| <RH side rear curtain air bag module> | |
|--|---|
| Flash pattern | Repair order |
| <p>a through f are repeated. f: Seven flashes indicate malfunctioning RH side rear curtain air bag module.</p> | <ol style="list-style-type: none"> 1. Visually check the wiring harness connection. 2. Replace the harness if it has visible damage. 3. Replace the air bag diagnosis sensor unit. 4. Replace RH side rear curtain air bag module. 5. Replace the related harness. |

AWHIA0378GB

| <LH side rear curtain air bag module> | |
|--|---|
| Flash pattern | Repair order |
| <p>a through f are repeated. f: Eight flashes indicate malfunctioning LH side rear curtain air bag module.</p> | <ol style="list-style-type: none"> 1. Visually check the wiring harness connection. 2. Replace the harness if it has visible damage. 3. Replace the air bag diagnosis sensor unit. 4. Replace LH side rear curtain air bag module. 5. Replace the related harness. |

AWHIA0379GB

| <Rear side air bag satellite sensor RH> | |
|---|---|
| Flash pattern | Repair order |
| <p>a through f are repeated. f: Eleven flashes indicate malfunctioning rear side air bag satellite sensor RH.</p> | <ol style="list-style-type: none"> 1. Visually check the wiring harness connection. 2. Replace the harness if it has visible damage. 3. Replace the air bag diagnosis sensor unit. 4. Replace rear side air bag satellite sensor RH. 5. Replace the related harness. |

AWHIA0371GB

A
B
C
D
E
F
G
I
J
K
L
M
N
O
P

SRC

DIAGNOSIS SENSOR UNIT

< ECU DIAGNOSIS INFORMATION >

| -Rear side air bag satellite sensor LH> | |
|--|---|
| Flash pattern | Repair order |
| <p>a through f are repeated. f: Twelve flashes indicate malfunctioning rear side air bag satellite sensor LH.</p> | <ol style="list-style-type: none"> 1. Visually check the wiring harness connection. 2. Replace the harness if it has visible damage. 3. Replace the air bag diagnosis sensor unit. 4. Replace rear side air bag satellite sensor LH. 5. Replace the related harness. |

AWHIA0372GB

SRS AIR BAG CONTROL SYSTEM

< WIRING DIAGRAM >

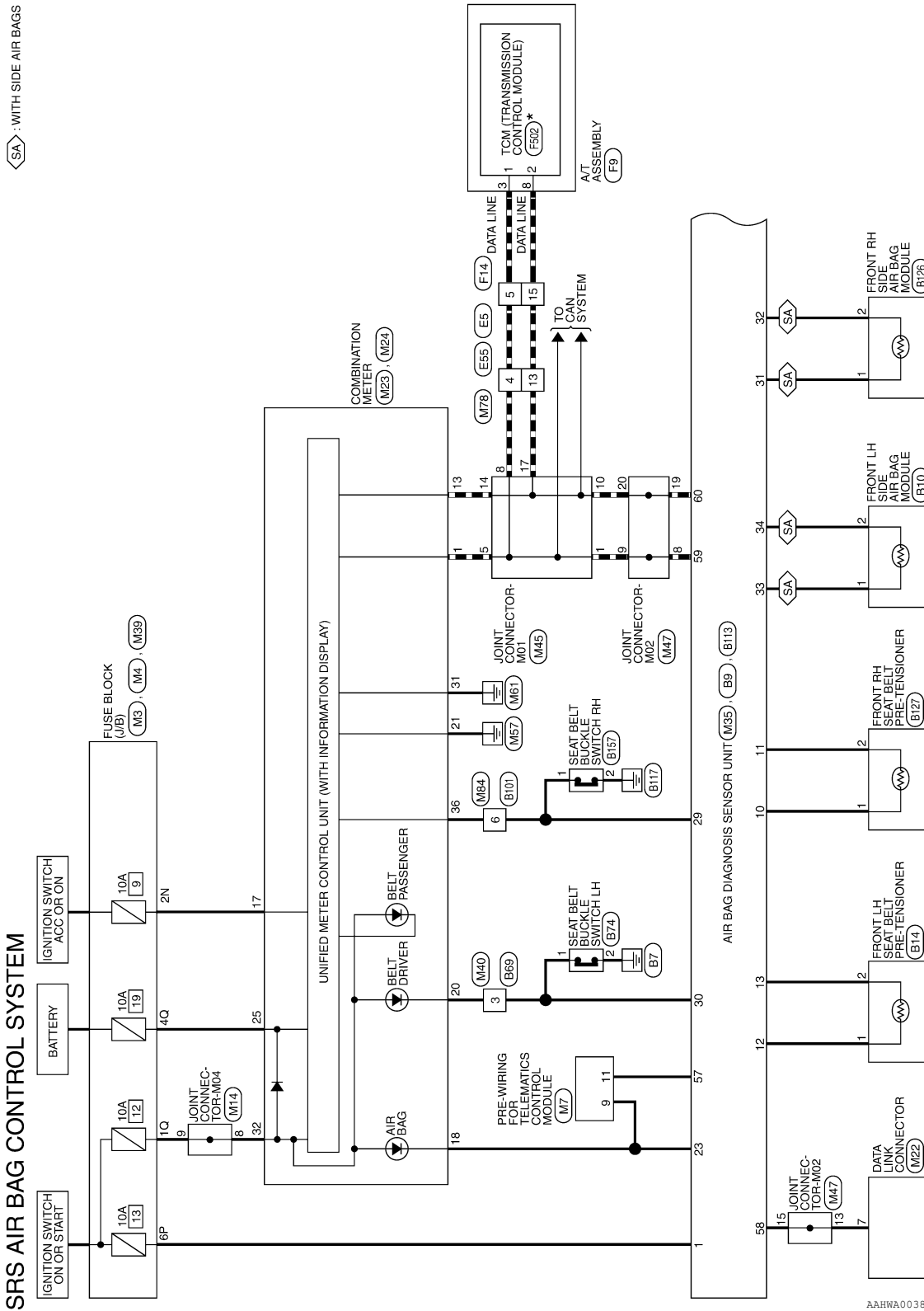
WIRING DIAGRAM

SRS AIR BAG CONTROL SYSTEM

Wiring Diagram

INFOID:000000006925415

◁SA▷ : WITH SIDE AIR BAGS



* : THIS CONNECTOR IS NOT SHOWN IN "HARNES LAYOUT" OF PG SECTION.

AAHWA0038GB

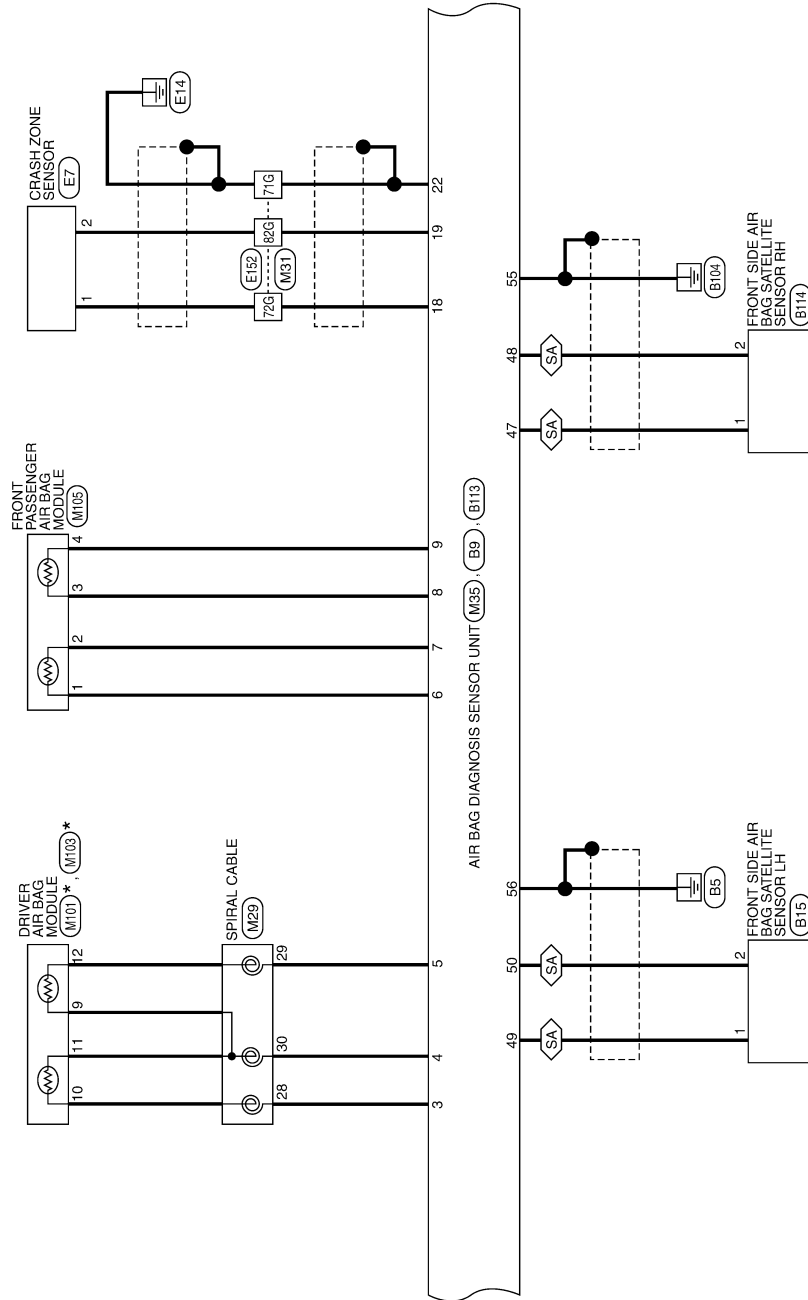
A
B
C
D
E
F
G
H
I
J
K
L
M
N
O
P

SRC

SRS AIR BAG CONTROL SYSTEM

< WIRING DIAGRAM >

SA : WITH SIDE AIR BAGS



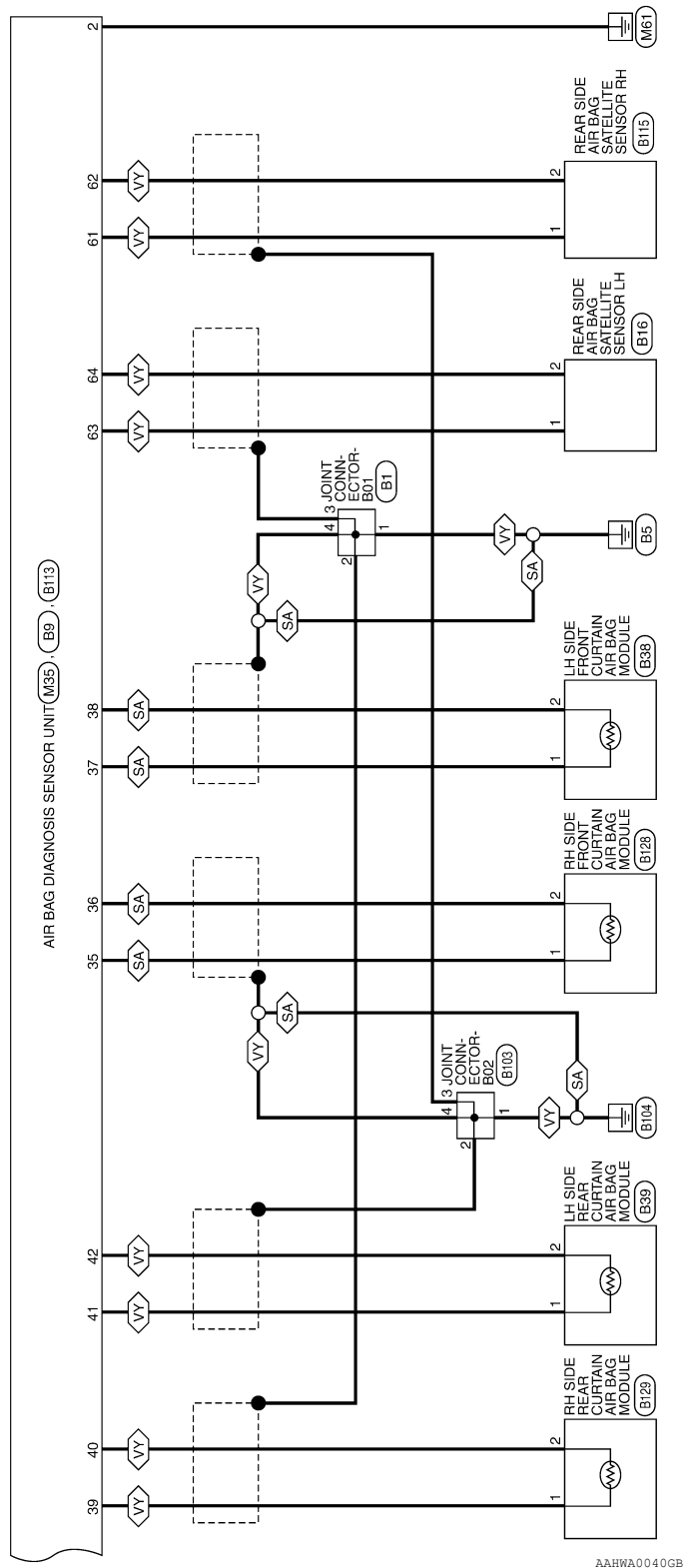
* : THIS CONNECTOR IS NOT SHOWN IN "HARNES LAYOUT" OF PG SECTION.

AAHWA0039GB

SRS AIR BAG CONTROL SYSTEM

< WIRING DIAGRAM >

(SA) : WITH SIDE AIR BAGS
 (VY) : PASSENGER VAN



AAHWA0040GB

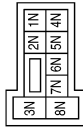
A
B
C
D
E
F
G
SRC
I
J
K
L
M
N
O
P

SRS AIR BAG CONTROL SYSTEM

< WIRING DIAGRAM >

SRS AIR BAG CONTROL SYSTEM CONNECTORS

| | |
|-----------------|------------------|
| Connector No. | M3 |
| Connector Name | FUSE BLOCK (J/B) |
| Connector Color | WHITE |



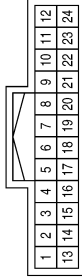
| | | | | | |
|--------------|----|---------------|---|-------------|---|
| Terminal No. | 2N | Color of Wire | O | Signal Name | - |
|--------------|----|---------------|---|-------------|---|

| | |
|-----------------|------------------|
| Connector No. | M4 |
| Connector Name | FUSE BLOCK (J/B) |
| Connector Color | WHITE |



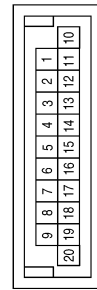
| | | | | | |
|--------------|----|---------------|---|-------------|---|
| Terminal No. | 6P | Color of Wire | W | Signal Name | - |
|--------------|----|---------------|---|-------------|---|

| | |
|-----------------|--|
| Connector No. | M7 |
| Connector Name | PRE-WIRING FOR TELEMATICS CONTROL MODULE |
| Connector Color | WHITE |



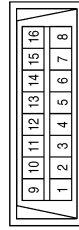
| | | | | | |
|--------------|----|---------------|---|-------------|------------------|
| Terminal No. | 9 | Color of Wire | P | Signal Name | AIRBAG WARNING |
| Terminal No. | 11 | Color of Wire | W | Signal Name | COLLISION NOTIFY |

| | |
|-----------------|---------------------|
| Connector No. | M14 |
| Connector Name | JOINT CONNECTOR-M04 |
| Connector Color | BLUE |



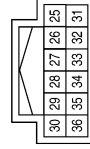
| | | | | | |
|--------------|---|---------------|---|-------------|---|
| Terminal No. | 8 | Color of Wire | R | Signal Name | - |
| Terminal No. | 9 | Color of Wire | R | Signal Name | - |

| | |
|-----------------|---------------------|
| Connector No. | M22 |
| Connector Name | DATA LINK CONNECTOR |
| Connector Color | WHITE |



| | | | | | |
|--------------|---|---------------|---|-------------|---|
| Terminal No. | 7 | Color of Wire | O | Signal Name | - |
|--------------|---|---------------|---|-------------|---|

| | |
|-----------------|-------------------|
| Connector No. | M23 |
| Connector Name | COMBINATION METER |
| Connector Color | WHITE |



| | | | | | |
|--------------|----|---------------|---|-------------|-----------------------|
| Terminal No. | 25 | Color of Wire | Y | Signal Name | BATTERY |
| Terminal No. | 31 | Color of Wire | B | Signal Name | GND (POWER) |
| Terminal No. | 32 | Color of Wire | R | Signal Name | RUN START |
| Terminal No. | 36 | Color of Wire | L | Signal Name | PASSENGER SEAT SWITCH |

SRS AIR BAG CONTROL SYSTEM

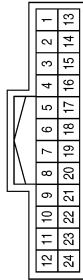
< WIRING DIAGRAM >

| | |
|-----------------|--------------|
| Connector No. | M29 |
| Connector Name | SPIRAL CABLE |
| Connector Color | YELLOW |



| Terminal No. | Color of Wire | Signal Name |
|--------------|---------------|-------------|
| 28 | Y | - |
| 29 | Y/G | - |
| 30 | Y/B | - |

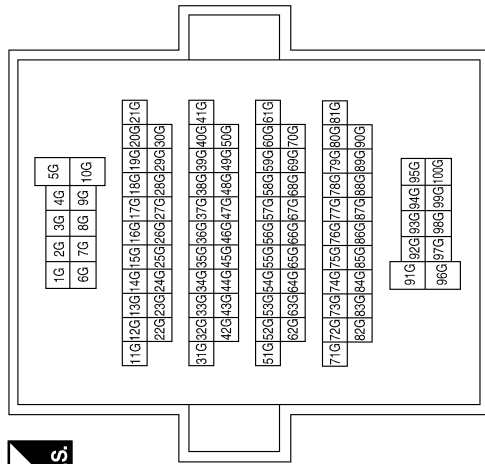
| | |
|-----------------|-------------------|
| Connector No. | M24 |
| Connector Name | COMBINATION METER |
| Connector Color | WHITE |



| Terminal No. | Color of Wire | Signal Name |
|--------------|---------------|-------------|
| 1 | L | CAN-H |
| 13 | P | CAN-L |
| 17 | O | ACC |
| 18 | P | AIRBAG CONT |
| 20 | O | SEATBELT |
| 21 | B | GND (ILL) |

| Terminal No. | Color of Wire | Signal Name |
|--------------|---------------|-------------|
| 71G | SHIELD | - |
| 72G | W | - |
| 82G | B | - |

| | |
|-----------------|--------------|
| Connector No. | M31 |
| Connector Name | WIRE TO WIRE |
| Connector Color | WHITE |



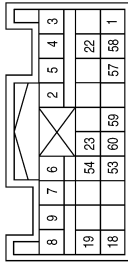
ABHIA0365GB

A
B
C
D
E
F
G
SRC
I
J
K
L
M
N
O
P

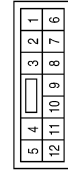
SRS AIR BAG CONTROL SYSTEM

< WIRING DIAGRAM >

| | |
|-----------------|-------------------------------|
| Connector No. | M35 |
| Connector Name | AIR BAG DIAGNOSIS SENSOR UNIT |
| Connector Color | YELLOW |

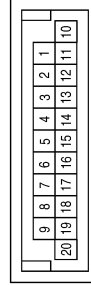


| Terminal No. | Color of Wire | Signal Name |
|--------------|---------------|---------------|
| 1 | W | IGN |
| 2 | B | GND |
| 3 | Y | DR1(+) |
| 4 | Y/B | DR1(-)&DR2(-) |



| Terminal No. | Color of Wire | Signal Name |
|--------------|---------------|-------------|
| 3 | O | - |

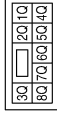
| Terminal No. | Color of Wire | Signal Name |
|--------------|---------------|-------------------------------|
| 5 | Y/G | DR2(+) |
| 6 | Y/G | AS1(+) |
| 7 | Y/R | AS1(-) |
| 8 | Y/B | AS2(+) |
| 9 | Y | AS2(-) |
| 18 | W | ECZS1(+) |
| 19 | B | ECZS1(-) |
| 22 | SHIELD | GND |
| 23 | P | AIRBAG W/L |
| 57 | W | DEPLOYMENT INFORMATION OUTPUT |
| 58 | O | K-LINE |
| 59 | L | CAN-H |
| 60 | P | CAN-L |



| | |
|-----------------|---------------------|
| Connector No. | M45 |
| Connector Name | JOINT CONNECTOR-M01 |
| Connector Color | BLUE |

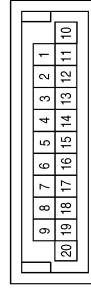
| Terminal No. | Color of Wire | Signal Name |
|--------------|---------------|-------------|
| 1 | L | - |
| 5 | L | - |
| 8 | L | - |
| 10 | P | - |
| 14 | P | - |
| 17 | P | - |

| | |
|-----------------|------------------|
| Connector No. | M39 |
| Connector Name | FUSE BLOCK (J/B) |
| Connector Color | WHITE |



| Terminal No. | Color of Wire | Signal Name |
|--------------|---------------|-------------|
| 1Q | R | - |
| 4Q | Y | - |

| | |
|-----------------|---------------------|
| Connector No. | M47 |
| Connector Name | JOINT CONNECTOR-M02 |
| Connector Color | GREEN |



| Terminal No. | Color of Wire | Signal Name |
|--------------|---------------|-------------|
| 8 | L | - |
| 9 | L | - |
| 13 | O | - |
| 15 | O | - |
| 19 | P | - |
| 20 | P | - |

SRS AIR BAG CONTROL SYSTEM

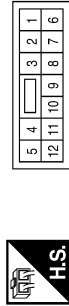
< WIRING DIAGRAM >

| | |
|-----------------|-----------------------|
| Connector No. | M101 |
| Connector Name | DRIVER AIR BAG MODULE |
| Connector Color | YELLOW |



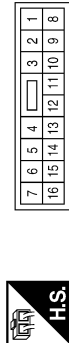
| Terminal No. | Color of Wire | Signal Name |
|--------------|---------------|-------------|
| 10 | B | - |
| 11 | W | - |

| | |
|-----------------|--------------|
| Connector No. | M84 |
| Connector Name | WIRE TO WIRE |
| Connector Color | WHITE |



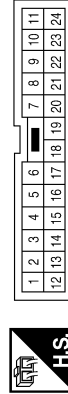
| Terminal No. | Color of Wire | Signal Name |
|--------------|---------------|-------------|
| 6 | L | - |

| | |
|-----------------|--------------|
| Connector No. | M78 |
| Connector Name | WIRE TO WIRE |
| Connector Color | WHITE |



| Terminal No. | Color of Wire | Signal Name |
|--------------|---------------|-------------|
| 4 | L | - |
| 13 | P | - |

| | |
|-----------------|--------------|
| Connector No. | E5 |
| Connector Name | WIRE TO WIRE |
| Connector Color | WHITE |



| Terminal No. | Color of Wire | Signal Name |
|--------------|---------------|-------------|
| 5 | L | - |
| 15 | P | - |

| | |
|-----------------|--------------------------------|
| Connector No. | M105 |
| Connector Name | FRONT-PASSENGER AIR BAG MODULE |
| Connector Color | YELLOW |



| Terminal No. | Color of Wire | Signal Name |
|--------------|---------------|-------------|
| 1 | Y/G | - |
| 2 | Y/R | - |
| 3 | Y/B | - |
| 4 | Y | - |

| | |
|-----------------|-----------------------|
| Connector No. | M103 |
| Connector Name | DRIVER AIR BAG MODULE |
| Connector Color | ORANGE |



| Terminal No. | Color of Wire | Signal Name |
|--------------|---------------|-------------|
| 9 | G | - |
| 12 | R | - |

ABHIA0367GB

A
B
C
D
E
F
G
H
I
J
K
L
M
N
O
P

SRC

SRS AIR BAG CONTROL SYSTEM

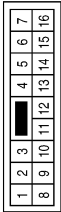
< WIRING DIAGRAM >

| | |
|-----------------|-------------------|
| Connector No. | E7 |
| Connector Name | CRASH ZONE SENSOR |
| Connector Color | YELLOW |



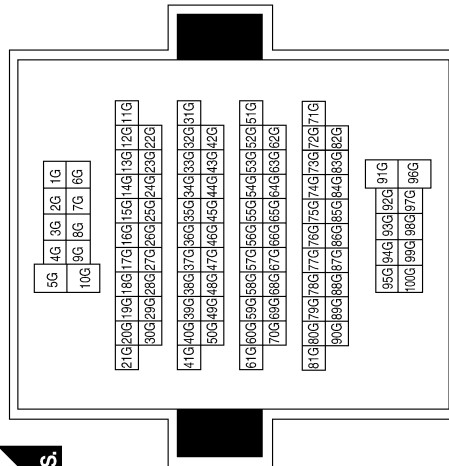
| Terminal No. | Color of Wire | Signal Name |
|--------------|---------------|-------------|
| 1 | W | - |
| 2 | B | - |

| | |
|-----------------|--------------|
| Connector No. | E55 |
| Connector Name | WIRE TO WIRE |
| Connector Color | WHITE |



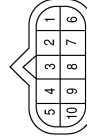
| Terminal No. | Color of Wire | Signal Name |
|--------------|---------------|-------------|
| 4 | L | - |
| 13 | P | - |

| | |
|-----------------|--------------|
| Connector No. | E152 |
| Connector Name | WIRE TO WIRE |
| Connector Color | WHITE |



| Terminal No. | Color of Wire | Signal Name |
|--------------|---------------|-------------|
| 71G | GR | - |
| 72G | W | - |
| 82G | B | - |

| | |
|-----------------|--------------|
| Connector No. | F9 |
| Connector Name | A/T ASSEMBLY |
| Connector Color | GREEN |



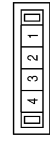
| Terminal No. | Color of Wire | Signal Name |
|--------------|---------------|-------------|
| 3 | L | - |
| 8 | P | - |

ABHIA0368GB

SRS AIR BAG CONTROL SYSTEM

< WIRING DIAGRAM >

| | |
|-----------------|---------------------|
| Connector No. | B1 |
| Connector Name | JOINT CONNECTOR-B01 |
| Connector Color | WHITE |



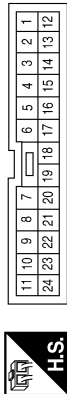
| Terminal No. | Color of Wire | Signal Name |
|--------------|---------------|-------------|
| 1 | GR | - |
| 2 | SHIELD | - |
| 3 | SHIELD | - |
| 4 | SHIELD | - |

| | |
|-----------------|-----------------------------------|
| Connector No. | F502 |
| Connector Name | TCM (TRANSMISSION CONTROL MODULE) |
| Connector Color | GRAY |



| Terminal No. | Color of Wire | Signal Name |
|--------------|---------------|-------------|
| 1 | BR | CAN-H |
| 2 | L/Y | CAN-L |

| | |
|-----------------|--------------|
| Connector No. | F14 |
| Connector Name | WIRE TO WIRE |
| Connector Color | WHITE |



| Terminal No. | Color of Wire | Signal Name |
|--------------|---------------|-------------|
| 5 | L | - |
| 15 | P | - |

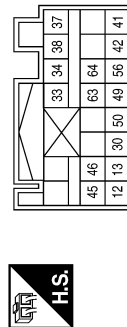
| | |
|-----------------|------------------------------|
| Connector No. | B10 |
| Connector Name | FRONT LH SIDE AIR BAG MODULE |
| Connector Color | YELLOW |



| Terminal No. | Color of Wire | Signal Name |
|--------------|---------------|-------------|
| 1 | P/L | - |
| 2 | LG/R | - |

| Terminal No. | Color of Wire | Signal Name |
|--------------|---------------|-----------------------------|
| 33 | P/L | S-LH(+) |
| 34 | LG/R | S-LH(-) |
| 37 | R | C-LH1(+) |
| 38 | G | C-LH1(-) |
| 41 | R | C-LH2(+) |
| 42 | W | C-LH2(-) |
| 49 | W | LH SATELLITE SENSOR(+) |
| 50 | B | LH SATELLITE SENSOR(-) |
| 56 | SHIELD | GND |
| 63 | W | LH REAR SATELLITE SENSOR(+) |
| 64 | B | LH REAR SATELLITE SENSOR(-) |

| | |
|-----------------|-------------------------------|
| Connector No. | B9 |
| Connector Name | AIR BAG DIAGNOSIS SENSOR UNIT |
| Connector Color | YELLOW |



| Terminal No. | Color of Wire | Signal Name |
|--------------|---------------|----------------------------|
| 12 | Y/G | P-LH1(+) |
| 13 | Y/R | P-LH1(-) |
| 30 | O | LH SEAT BELT BUCKLE SWITCH |

AAHIA0058GB

A
B
C
D
E
F
G
H
I
J
K
L
M
N
O
P

SRC

SRS AIR BAG CONTROL SYSTEM

< WIRING DIAGRAM >

| | |
|-----------------|--|
| Connector No. | B16 |
| Connector Name | REAR SIDE AIR BAG SATELLITE SENSOR LH |
| Connector Color | YELLOW |



| Terminal No. | Color of Wire | Signal Name |
|--------------|---------------|-------------|
| 1 | W | AGR(+) |
| 2 | B | AGR(-) |

| | |
|-----------------|---|
| Connector No. | B15 |
| Connector Name | FRONT SIDE AIR BAG SATELLITE SENSOR LH |
| Connector Color | YELLOW |



| Terminal No. | Color of Wire | Signal Name |
|--------------|---------------|-------------|
| 1 | W | AGR(+) |
| 2 | B | AGR(-) |

| | |
|-----------------|-------------------------------------|
| Connector No. | B14 |
| Connector Name | FRONT LH SEAT BELT PRE-TENSIONER |
| Connector Color | YELLOW |



| Terminal No. | Color of Wire | Signal Name |
|--------------|---------------|-------------|
| 1 | Y/G | - |
| 2 | Y/R | - |

| | |
|-----------------|--------------|
| Connector No. | B69 |
| Connector Name | WIRE TO WIRE |
| Connector Color | WHITE |



| Terminal No. | Color of Wire | Signal Name |
|--------------|---------------|-------------|
| 3 | O | - |

| | |
|-----------------|--|
| Connector No. | B39 |
| Connector Name | LH SIDE REAR CURTAIN AIR BAG MODULE |
| Connector Color | YELLOW |



| Terminal No. | Color of Wire | Signal Name |
|--------------|---------------|-------------|
| 1 | R | - |
| 2 | W | - |

| | |
|-----------------|---|
| Connector No. | B38 |
| Connector Name | LH SIDE FRONT CURTAIN AIR BAG MODULE |
| Connector Color | YELLOW |



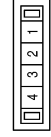
| Terminal No. | Color of Wire | Signal Name |
|--------------|---------------|-------------|
| 1 | R | - |
| 2 | G | - |

AAHIA0059GB

SRS AIR BAG CONTROL SYSTEM

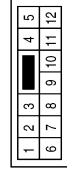
< WIRING DIAGRAM >

| | |
|-----------------|---------------------|
| Connector No. | B103 |
| Connector Name | JOINT CONNECTOR-B02 |
| Connector Color | WHITE |



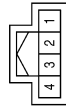
| Terminal No. | Color of Wire | Signal Name |
|--------------|---------------|-------------|
| 1 | GR | - |
| 2 | SHIELD | - |
| 3 | SHIELD | - |
| 4 | SHIELD | - |

| | |
|-----------------|--------------|
| Connector No. | B101 |
| Connector Name | WIRE TO WIRE |
| Connector Color | WHITE |



| Terminal No. | Color of Wire | Signal Name |
|--------------|---------------|-------------|
| 6 | L | - |

| | |
|-----------------|----------------------------|
| Connector No. | B74 |
| Connector Name | SEAT BELT BUCKLE SWITCH LH |
| Connector Color | WHITE |



| Terminal No. | Color of Wire | Signal Name |
|--------------|---------------|-------------|
| 1 | O | - |
| 2 | B | - |

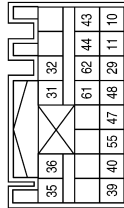
| | |
|-----------------|--|
| Connector No. | B114 |
| Connector Name | FRONT SIDE AIR BAG SATELLITE SENSOR RH |
| Connector Color | YELLOW |



| Terminal No. | Color of Wire | Signal Name |
|--------------|---------------|-------------|
| 1 | W | DGR(+) |
| 2 | B | DGR(-) |

| Terminal No. | Color of Wire | Signal Name |
|--------------|---------------|------------------------------|
| 31 | V/W | S-RH(+) |
| 32 | R/W | S-RH(-) |
| 35 | R | C-RH1(+) |
| 36 | G | C-RH1(-) |
| 39 | G | C-RH2(+) |
| 40 | L | C-RH2(-) |
| 47 | W | RH SATELLITE SENSOR(+) |
| 48 | B | RH SATELLITE SENSOR(-) |
| 55 | SHIELD | GND |
| 61 | W | RH REAR SATELLITE SENSOR (+) |
| 62 | B | RH REAR SATELLITE SENSOR (-) |

| | |
|-----------------|-------------------------------|
| Connector No. | B113 |
| Connector Name | AIR BAG DIAGNOSIS SENSOR UNIT |
| Connector Color | YELLOW |



| Terminal No. | Color of Wire | Signal Name |
|--------------|---------------|----------------------------|
| 10 | Y | P-RH1(+) |
| 11 | Y/B | P-RH1(-) |
| 29 | L | RH SEAT BELT BUCKLE SWITCH |

AAHIA0060GB

A
B
C
D
E
F
G
H
I
J
K
L
M
N
O
P

SRC

SRS AIR BAG CONTROL SYSTEM

< WIRING DIAGRAM >

| | |
|-----------------|---------------------------------------|
| Connector No. | B115 |
| Connector Name | REAR SIDE AIR BAG SATELLITE SENSOR RH |
| Connector Color | YELLOW |



| Terminal No. | Color of Wire | Signal Name |
|--------------|---------------|-------------|
| 1 | W | DGR(+) |
| 2 | B | DGR(-) |

| | |
|-----------------|------------------------------|
| Connector No. | B126 |
| Connector Name | FRONT RH SIDE AIR BAG MODULE |
| Connector Color | YELLOW |



| Terminal No. | Color of Wire | Signal Name |
|--------------|---------------|-------------|
| 1 | V/W | - |
| 2 | R/W | - |

| | |
|-----------------|----------------------------------|
| Connector No. | B127 |
| Connector Name | FRONT RH SEAT BELT PRE-TENSIONER |
| Connector Color | YELLOW |



| Terminal No. | Color of Wire | Signal Name |
|--------------|---------------|-------------|
| 1 | Y | - |
| 2 | Y/B | - |

| | |
|-----------------|--------------------------------------|
| Connector No. | B128 |
| Connector Name | RH SIDE FRONT CURTAIN AIR BAG MODULE |
| Connector Color | YELLOW |



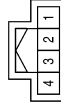
| Terminal No. | Color of Wire | Signal Name |
|--------------|---------------|-------------|
| 1 | R | - |
| 2 | G | - |

| | |
|-----------------|-------------------------------------|
| Connector No. | B129 |
| Connector Name | RH SIDE REAR CURTAIN AIR BAG MODULE |
| Connector Color | YELLOW |



| Terminal No. | Color of Wire | Signal Name |
|--------------|---------------|-------------|
| 1 | G | - |
| 2 | L | - |

| | |
|-----------------|----------------------------|
| Connector No. | B157 |
| Connector Name | SEAT BELT BUCKLE SWITCH RH |
| Connector Color | WHITE |



| Terminal No. | Color of Wire | Signal Name |
|--------------|---------------|-------------|
| 1 | L | - |
| 2 | B | - |

DIAGNOSIS AND REPAIR WORK FLOW

< BASIC INSPECTION >

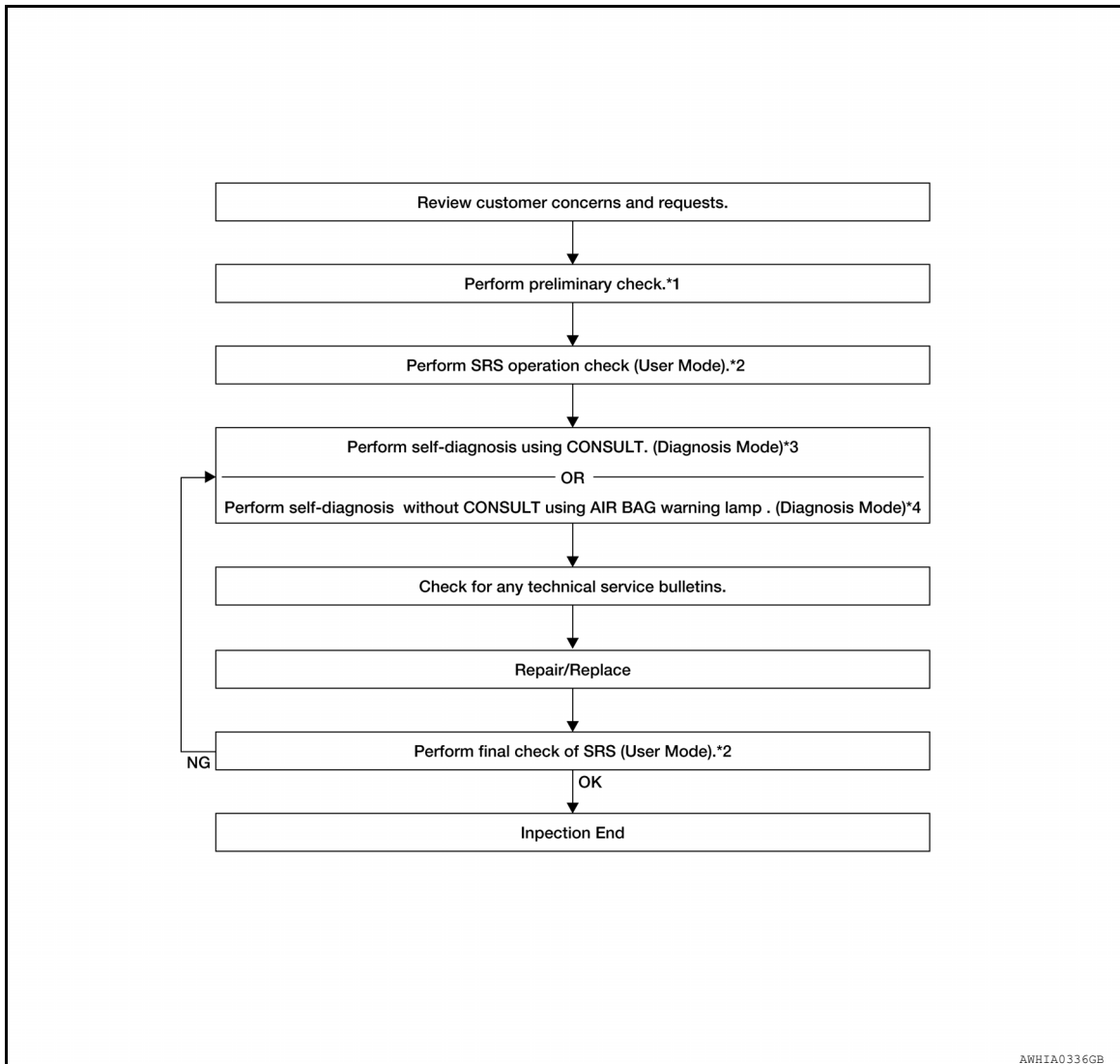
BASIC INSPECTION

DIAGNOSIS AND REPAIR WORK FLOW

Work Flow

INFOID:000000006925347

OVERALL SEQUENCE



*1 [SRC-11. "Diagnosis Description"](#)

*2 [SRC-11. "SRS Operation Check"](#)

*3 [SRC-12. "Trouble Diagnosis with CONSULT"](#)

*4 [SRC-13. "Trouble Diagnosis without CONSULT"](#)

DETAILED WORK FLOW

1. CUSTOMER INFORMATION

Get detailed information from the customer about the symptom.

>> GO TO 2

2. PRELIMINARY CHECK

Perform preliminary check. Refer to [SRC-11. "Diagnosis Description"](#).

DIAGNOSIS AND REPAIR WORK FLOW

< BASIC INSPECTION >

>> GO TO 3

3. SRS OPERATION CHECK (USER MODE)

Perform SRS operation check in User Mode. Refer to [SRC-11, "SRS Operation Check"](#).

>> GO TO 4

4. SELF-DIAGNOSIS (DIAGNOSIS MODE)

Perform SELF-DIAGNOSIS. Refer to [SRC-12, "Trouble Diagnosis with CONSULT"](#) or [SRC-13, "Trouble Diagnosis without CONSULT"](#).

>> GO TO 5

5. TECHNICAL SERVICE BULLETINS

Check for technical service bulletins.

>> GO TO 6

6. REPLACE PART

Replace the malfunctioning part.

>> GO TO 7

7. FINAL CHECK

Check SRS using Diagnosis Mode and User Mode.

Does Diagnosis Mode and User Mode indicate SRS normal?

YES >> Inspection End.

NO >> GO TO 4

INTERMITTENT INCIDENT

< BASIC INSPECTION >

INTERMITTENT INCIDENT

Inspection Procedure

INFOID:000000006925348

INTERMITTENT TROUBLE

An intermittent incident may have occurred in the past but is not being detected currently. This DTC will not be detected on SELF-DIAG [CURRENT], but may be viewed on SELF-DIAG [PAST] if the DTC has not been erased.

Trouble Diagnosis with CONSULT

INFOID:000000006925349

CHECK SRS REPAIR HISTORY

Refer to [SRC-13, "SRS History Check"](#).

A
B
C
D
E
F
G
I
J
K
L
M
N
O
P

SRC

B1033 – B1035 CRASH ZONE SENSOR

< DTC/CIRCUIT DIAGNOSIS >

DTC/CIRCUIT DIAGNOSIS

B1033 – B1035 CRASH ZONE SENSOR

Description

INFOID:000000006925392

DTC B1033 – B1035 CRASH ZONE SENSOR

The crash zone sensor is wired to the air bag diagnosis sensor unit. The air bag diagnosis sensor unit will monitor for opens and shorts in detected lines to the crash zone sensor.

PART LOCATION

Refer to [SRC-4. "Component Parts Location"](#).

DTC Logic

INFOID:000000006925393

DTC DETECTION LOGIC

With CONSULT

| CONSULT name | DTC | DTC detecting condition | Repair order |
|-------------------------------|-------|--|---|
| CRASH ZONE SEN [UNIT FAIL] | B1033 | Crash zone sensor has malfunctioned. | <ol style="list-style-type: none"> 1. Visually check the wiring harness connection. 2. Replace the harness if it has visible damage. 3. Replace the crash zone sensor. |
| | B1034 | | |
| CRASH ZONE SEN [COMM FAIL] | B1035 | Crash zone sensor communication error. | <ol style="list-style-type: none"> 4. Replace the air bag diagnosis sensor unit. 5. Replace the related harness. |

Without CONSULT

| <Crash zone sensor> | |
|--|---|
| Flash pattern | Repair order |
| <p>a through d are repeated. d: Six flashes indicate malfunctioning crash zone sensor circuit.</p> <p>ON OFF</p> <p>7 sec. 3 sec. 2 sec. 2 sec. 0.5 sec. 2 sec. 3 sec.</p> <p>a b c d a b</p> <p>6 flashes</p> | <ol style="list-style-type: none"> 1. Visually check the wiring harness connection. 2. Replace the harness if it has visible damage. 3. Replace the crash zone sensor. 4. Replace the air bag diagnosis sensor unit. 5. Replace the related harness. |

WH1A0200E

DTC CONFIRMATION PROCEDURE (With CONSULT)

1.INSPECTION START

Turn ignition switch ON.

>> GO TO 2.

2.CHECK SELF-DIAG RESULT

Check for the DTC on CONSULT.

Is the DTC detected?

- YES >> Refer to [SRC-37. "Diagnosis Procedure"](#).
NO >> Inspection End.

DTC CONFIRMATION PROCEDURE (Without CONSULT)

NOTE:

SRS will not enter diagnosis mode if no malfunction is detected in user mode.

1.IGNITION SWITCH

Turn ignition switch ON.

B1033 – B1035 CRASH ZONE SENSOR

< DTC/CIRCUIT DIAGNOSIS >

>> GO TO 2

2.IGNITION SWITCH

After air bag warning lamp lights for 7 seconds, turn ignition switch OFF within 1 second.

>> GO TO 3

3.WAIT TIME

Wait more than 3 seconds.

>> GO TO 4

4.REPEAT STEPS

Repeat steps 1 to 3 twice.

>> GO TO 5

5.IGNITION SWITCH

Turn ignition switch ON.

>> GO TO 6

6.DIAGNOSTIC MODE

SRS system is now in diagnostic mode and AIR BAG warning lamp flashes. Refer to [SRC-13, "Trouble Diagnosis without CONSULT"](#).

>> Inspection End.

Diagnosis Procedure

INFOID:000000006925394

Recheck SRS after each replacement.

1.HARNESSE CONNECTOR

Is there any visible damage to the connector?

YES or NO

YES >> Replace the harness.

NO >> GO TO 2

2.WIRING HARNESS

Is there any visible damage to the harness?

YES or NO

YES >> Replace the harness.

NO >> GO TO 3

3.CRASH ZONE SENSOR

Replace the crash zone sensor. Refer to [SR-19, "Removal and Installation"](#).

>> GO TO 4

4.AIR BAG DIAGNOSIS SENSOR UNIT

Replace the air bag diagnosis sensor unit. Refer to [SR-24, "Removal and Installation"](#).

>> GO TO 5

5.RELATED HARNESS

Replace the related harness.

A

B

C

D

E

F

G

SRC

I

J

K

L

M

N

O

P

B1033 – B1035 CRASH ZONE SENSOR

< DTC/CIRCUIT DIAGNOSIS >

>> Inspection End.

B1049 – B1052, B1054 – B1057 DRIVER AIRBAG MODULE

< DTC/CIRCUIT DIAGNOSIS >

B1049 – B1052, B1054 – B1057 DRIVER AIRBAG MODULE

Description

INFOID:000000006925368

DTC B1049 – B1052, B1054 – B1057 DRIVER AIRBAG MODULE

The driver air bag module is dual stage and wired to the air bag diagnosis sensor unit through the spiral cable. The air bag diagnosis sensor unit will monitor for opens and shorts in detected lines to the driver air bag module including the spiral cable.

PART LOCATION

Refer to [SRC-4, "Component Parts Location"](#).

DTC Logic

INFOID:000000006925369

DTC DETECTION LOGIC

With CONSULT

| CONSULT name | DTC | DTC detecting condition | Repair order |
|----------------------------------|-------|--|---|
| DRIVER AIRBAG MODULE [OPEN] | B1049 | Driver air bag module circuit (DR1) is open (including the spiral cable). | <ol style="list-style-type: none"> 1. Visually check the wiring harness connection. 2. Replace the harness if it has visible damage. 3. Inspect the spiral cable circuit. 4. Replace the air bag diagnosis sensor unit. 5. Replace the driver air bag module. 6. Replace the related harness. |
| | B1054 | Driver air bag module circuit (DR2) is open (including the spiral cable). | |
| DRIVER AIRBAG MODULE [VB-SHORT] | B1050 | Driver air bag module circuit (DR1) is shorted to a power supply circuit (including the spiral cable). | |
| | B1055 | Driver air bag module circuit (DR2) is shorted to a power supply circuit (including the spiral cable). | |
| DRIVER AIRBAG MODULE [GND-SHORT] | B1051 | Driver air bag module circuit (DR1) is shorted to ground (including the spiral cable). | |
| | B1056 | Driver air bag module circuit (DR2) is shorted to ground (including the spiral cable). | |
| DRIVER AIRBAG MODULE [SHORT] | B1052 | Driver air bag module circuits (DR1) are shorted to each other (including the spiral cable). | |
| | B1057 | Driver air bag module circuits (DR2) are shorted to each other (including the spiral cable). | |

Without CONSULT

| <Driver air bag module> | |
|--|---|
| Flash pattern | Repair order |
| <p>a through d are repeated. d: Two flashes indicate malfunctioning driver air bag module circuits.</p> | <ol style="list-style-type: none"> 1. Visually check the wiring harness connection. 2. Replace the harness if it has visible damage. 3. Inspect the spiral cable circuit. 4. Replace the air bag diagnosis sensor unit. 5. Replace driver air bag module. 6. Replace the related harness. |

AWHIA0306GB

DTC CONFIRMATION PROCEDURE (With CONSULT)

1. INSPECTION START

B1049 – B1052, B1054 – B1057 DRIVER AIRBAG MODULE

< DTC/CIRCUIT DIAGNOSIS >

Turn ignition switch ON.

>> GO TO 2.

2. CHECK SELF-DIAG RESULT

Check for the DTC on CONSULT.

Is the DTC detected?

- YES >> Refer to [SRC-40. "Diagnosis Procedure"](#).
- NO >> Inspection End.

DTC CONFIRMATION PROCEDURE (Without CONSULT)

NOTE:

SRS will not enter diagnosis mode if no malfunction is detected in user mode.

1. IGNITION SWITCH

Turn ignition switch ON.

>> GO TO 2

2. IGNITION SWITCH

After air bag warning lamp lights for 7 seconds, turn ignition switch OFF within 1 second.

>> GO TO 3

3. WAIT TIME

Wait more than 3 seconds.

>> GO TO 4

4. REPEAT STEPS

Repeat steps 1 to 3 twice.

>> GO TO 5.

5. IGNITION SWITCH

Turn ignition switch ON.

>> GO TO 6.

6. DIAGNOSTIC MODE

SRS system is now in diagnostic mode and AIR BAG warning lamp flashes. Refer to [SRC-16. "Flash Code Index"](#).

>> Inspection End.

Diagnosis Procedure

INFOID:000000007832491

Recheck SRS after each replacement.

1. HARNESS CONNECTOR

Is there any visible damage to the connector?

YES or NO

- YES >> Replace the harness.
- NO >> GO TO 2

2. WIRING HARNESS

Is there any visible damage to the harness?

B1049 – B1052, B1054 – B1057 DRIVER AIRBAG MODULE

< DTC/CIRCUIT DIAGNOSIS >

YES or NO

YES >> Replace the harness.

NO >> GO TO 3

3. CHECK SPIRAL CABLE CIRCUIT

1. Turn ignition switch OFF.
2. Disconnect driver air bag module harness connectors and spiral cable harness connector.
3. Check continuity between driver air bag module harness connector and spiral cable connector.

| Driver air bag module | | Spiral cable | | Continuity |
|-----------------------|----------|--------------|----------|------------|
| Connector | Terminal | Connector | Terminal | |
| M101 | 10 | M29 | 28 | Yes |
| | 11 | | 30 | |
| M103 | 12 | | 29 | |
| | 9 | | 30 | |

4. Check continuity between driver air bag module harness connector and ground.

| Driver air bag module | | Ground | Continuity |
|-----------------------|----------|--------|------------|
| Connector | Terminal | | |
| M101 | 10 | Ground | No |
| | 11 | | |
| M103 | 12 | | |
| | 9 | | |

Is the inspection result normal?

YES >> GO TO 4.

NO >> Replace the spiral cable. Refer to [SR-7, "Removal and Installation"](#).

4. AIR BAG DIAGNOSIS SENSOR UNIT

Replace the air bag diagnosis sensor unit. Refer to [SR-24, "Removal and Installation"](#).

>> GO TO 5

5. DRIVER AIR BAG MODULE

Replace the driver air bag module. Refer to [SR-4, "Removal and Installation"](#).

>> GO TO 6

6. RELATED HARNESS

Replace the related harness.

>> **END**

B1065 – B1068, B1070 – B1073 PASSENGER AIRBAG MODULE

< DTC/CIRCUIT DIAGNOSIS >

B1065 – B1068, B1070 – B1073 PASSENGER AIRBAG MODULE

Description

INFOID:000000006925371

DTC B1065 – B1068, B1070 – B1073 PASSENGER AIR BAG MODULE

The passenger air bag module is dual stage and wired to the air bag diagnosis sensor unit. The air bag diagnosis sensor unit will monitor for opens and shorts in detected lines to the passenger air bag module.

PART LOCATION

Refer to [SRC-4, "Component Parts Location"](#).

DTC Logic

INFOID:000000006925372

DTC DETECTION LOGIC

With CONSULT

| CONSULT name | DTC | DTC detecting condition | Repair order |
|-------------------------------|-------|--|--|
| ASSIST A/B MODULE [OPEN] | B1065 | Front passenger air bag module circuit (AS1) is open. | <ol style="list-style-type: none"> 1. Visually check the wiring harness connection. 2. Replace the harness if it has visible damage. 3. Replace the air bag diagnosis sensor unit. 4. Replace the front passenger air bag module. 5. Replace the related harness. |
| | B1070 | Front passenger air bag module circuit (AS2) is open. | |
| ASSIST A/B MODULE [VB-SHORT] | B1066 | Front passenger air bag module circuit (AS1) is shorted to a power supply circuit. | |
| | B1071 | Front passenger air bag module circuit (AS2) is shorted to a power supply circuit. | |
| ASSIST A/B MODULE [GND-SHORT] | B1067 | Front passenger air bag module circuit (AS1) is shorted to ground. | |
| | B1072 | Front passenger air bag module circuit (AS2) is shorted to ground. | |
| ASSIST A/B MODULE [SHORT] | B1068 | Front passenger air bag module circuits (AS1) are shorted to each other. | |
| | B1073 | Front passenger air bag module circuits (AS2) are shorted to each other. | |

Without CONSULT

| <Front passenger air bag module> | |
|---|--|
| Flash pattern | Repair order |
| <p>a through d are repeated. d: Eight flashes indicate malfunctioning front passenger air bag module circuit.</p> | <ol style="list-style-type: none"> 1. Visually check the wiring harness connection. 2. Replace the harness if it has visible damage. 3. Replace the air bag diagnosis sensor unit. 4. Replace front passenger air bag module. 5. Replace the related harness. |

AHIA0307GB

DTC CONFIRMATION PROCEDURE (With CONSULT)

1. INSPECTION START

Turn ignition switch ON.

>> GO TO 2.

2. CHECK SELF-DIAG RESULT

Check for the DTC on CONSULT.

B1065 – B1068, B1070 – B1073 PASSENGER AIRBAG MODULE

< DTC/CIRCUIT DIAGNOSIS >

Is the DTC detected?

- YES >> Refer to [SRC-43, "Diagnosis Procedure"](#).
NO >> Inspection End.

DTC CONFIRMATION PROCEDURE (Without CONSULT)

NOTE:

SRS will not enter diagnosis mode if no malfunction is detected in user mode.

1.IGNITION SWITCH

Turn ignition switch ON.

>> GO TO 2

2.IGNITION SWITCH

After air bag warning lamp lights for 7 seconds, turn ignition switch OFF within 1 second.

>> GO TO 3

3.WAIT TIME

Wait more than 3 seconds.

>> GO TO 4

4.REPEAT STEPS

Repeat steps 1 to 3 twice.

>> GO TO 5

5.IGNITION SWITCH

Turn ignition switch ON.

>> GO TO 6

6.DIAGNOSTIC MODE

SRS system is now in diagnostic mode and AIR BAG warning lamp flashes. Refer to [SRC-13, "Trouble Diagnosis without CONSULT"](#).

>> Inspection End.

Diagnosis Procedure

INFOID:000000006925373

Recheck SRS after each replacement.

1.HARNES CONNECTOR

Is there any visible damage to the connector?

YES or NO

- YES >> Replace the harness.
NO >> GO TO 2

2.WIRING HARNESS

Is there any visible damage to the harness?

YES or NO

- YES >> Replace the harness.
NO >> GO TO 3

3.AIR BAG DIAGNOSIS SENSOR UNIT

Replace the air bag diagnosis sensor unit. Refer to [SR-24, "Removal and Installation"](#).

B1065 – B1068, B1070 – B1073 PASSENGER AIRBAG MODULE

< DTC/CIRCUIT DIAGNOSIS >

>> GO TO 4

4.FRONT PASSENGER AIR BAG MODULE

Replace the front passenger air bag module. Refer to [SR-9, "Removal and Installation"](#).

>> GO TO 5

5.RELATED HARNESS

Replace the related harness.

>> Inspection End.

B1081 – B1084 SEAT BELT PRE-TENSIONER RH

< DTC/CIRCUIT DIAGNOSIS >

B1081 – B1084 SEAT BELT PRE-TENSIONER RH

Description

INFOID:000000006925389

DTC B1081 – B1084 SEAT BELT PRE-TENSIONER RH

The seat belt pre-tensioner RH is wired to the air bag diagnosis sensor unit. The air bag diagnosis sensor unit will monitor for opens and shorts in detected lines to the seat belt pre-tensioner RH.

PART LOCATION

Refer to [SRC-4, "Component Parts Location"](#).

DTC Logic

INFOID:000000006925390

DTC DETECTION LOGIC

With CONSULT

| CONSULT name | DTC | DTC detecting condition | Repair order |
|------------------------------|-------|--|--|
| PRE-TEN FRONT RH [OPEN] | B1081 | RH seat belt pre-tensioner circuit is open. | <ol style="list-style-type: none"> 1. Visually check the wiring harness connection. 2. Replace the harness if it has visible damage. 3. Replace the front RH seat belt pre-tensioner. 4. Replace the air bag diagnosis sensor unit. 5. Replace the related harness. |
| PRE-TEN FRONT RH [VB-SHORT] | B1082 | RH seat belt pre-tensioner circuit is shorted to a power supply circuit. | |
| PRE-TEN FRONT RH [GND-SHORT] | B1083 | RH seat belt pre-tensioner circuit is shorted to ground. | |
| PRE-TEN FRONT RH [SHORT] | B1084 | RH seat belt pre-tensioner circuits are shorted to each other. | |

Without CONSULT

| <Front RH seat belt pre-tensioner> | |
|--|---|
| Flash pattern | Repair order |
| <p>a through d are repeated. d: One flash indicates malfunctioning front RH seat belt pre-tensioner circuit.</p> | <ol style="list-style-type: none"> 1. Visually check the wiring harness connections. 2. Replace the harness if it has visible damage. 3. Replace front RH seat belt pre-tensioner. 4. Replace the air bag diagnosis sensor unit. 5. Replace the related harness. |

DTC CONFIRMATION PROCEDURE (With CONSULT)

1.INSPECTION START

Turn ignition switch ON.

>> GO TO 2.

2.CHECK SELF-DIAG RESULT

Check for the DTC on CONSULT.

Is the DTC detected?

YES >> Refer to [SRC-46, "Diagnosis Procedure"](#).

NO >> Inspection End.

DTC CONFIRMATION PROCEDURE (Without CONSULT)

NOTE:

SRS will not enter diagnosis mode if no malfunction is detected in user mode.

1.IGNITION SWITCH

B1081 – B1084 SEAT BELT PRE-TENSIONER RH

< DTC/CIRCUIT DIAGNOSIS >

Turn ignition switch ON.

>> GO TO 2

2.IGNITION SWITCH

After air bag warning lamp lights for 7 seconds, turn ignition switch OFF within 1 second.

>> GO TO 3

3.WAIT TIME

Wait more than 3 seconds.

>> GO TO 4

4.REPEAT STEPS

Repeat steps 1 to 3 twice.

>> GO TO 5

5.IGNITION SWITCH

Turn ignition switch ON.

>> GO TO 6

6.DIAGNOSTIC MODE

SRS system is now in diagnostic mode and AIR BAG warning lamp flashes. Refer to [SRC-16, "Flash Code Index"](#).

>> Inspection End.

Diagnosis Procedure

INFOID:000000006925391

Recheck SRS after each replacement.

1.HARNES CONNECTOR

Is there any visible damage to the connector?

YES or NO

YES >> Replace the harness.

NO >> GO TO 2

2.WIRING HARNESS

Is there any visible damage to the harness?

YES or NO

YES >> Replace the harness.

NO >> GO TO 3

3.FRONT RH SEAT BELT PRE-TENSIONER

Replace the front RH seat belt pre-tensioner. Refer to [SR-23, "Removal and Installation"](#).

>> GO TO 4

4.AIR BAG DIAGNOSIS SENSOR UNIT

Replace the air bag diagnosis sensor unit. Refer to [SR-24, "Removal and Installation"](#).

>> GO TO 5

5.RELATED HARNESS

B1081 – B1084 SEAT BELT PRE-TENSIONER RH

< DTC/CIRCUIT DIAGNOSIS >

Replace the related harness.

>> Inspection End.

A

B

C

D

E

F

G

SRC

I

J

K

L

M

N

O

P

B1086 – B1089 SEAT BELT PRE-TENSIONER LH

< DTC/CIRCUIT DIAGNOSIS >

B1086 – B1089 SEAT BELT PRE-TENSIONER LH

Description

INFOID:000000006925386

DTC B1086 – B1089 SEAT BELT PRE-TENSIONER LH

The seat belt pre-tensioner LH is wired to the air bag diagnosis sensor unit. The air bag diagnosis sensor unit will monitor for opens and shorts in detected lines to the seat belt pre-tensioner LH.

PART LOCATION

Refer to [SRC-4, "Component Parts Location"](#).

DTC Logic

INFOID:000000006925387

DTC DETECTION LOGIC

With CONSULT

| CONSULT name | DTC | DTC detecting condition | Repair order |
|------------------------------|-------|--|--|
| PRE-TEN FRONT LH [OPEN] | B1086 | LH seat belt pre-tensioner circuit is open. | <ol style="list-style-type: none"> 1. Visually check the wiring harness connection. 2. Replace the harness if it has visible damage. 3. Replace the front LH seat belt pre-tensioner. 4. Replace the air bag diagnosis sensor unit. 5. Replace the related harness. |
| PRE-TEN FRONT LH [VB-SHORT] | B1087 | LH seat belt pre-tensioner circuit is shorted to a power supply circuit. | |
| PRE-TEN FRONT LH [GND-SHORT] | B1088 | LH seat belt pre-tensioner circuit is shorted to ground. | |
| PRE-TEN FRONT LH [SHORT] | B1089 | LH seat belt pre-tensioner circuits are shorted to each other. | |

Without CONSULT

| <Front LH seat belt pre-tensioner> | |
|---|---|
| Flash pattern | Repair order |
| <p>a through d are repeated. d: Three flashes indicate malfunctioning front LH seat belt pre-tensioner circuit.</p> | <ol style="list-style-type: none"> 1. Visually check the wiring harness connections. 2. Replace the harness if it has visible damage. 3. Replace front LH seat belt pre-tensioner. 4. Replace the air bag diagnosis sensor unit. 5. Replace the related harness. |

DTC CONFIRMATION PROCEDURE (With CONSULT)

1.INSPECTION START

Turn ignition switch ON.

>> GO TO 2.

2.CHECK SELF-DIAG RESULT

Check for the DTC on CONSULT.

Is the DTC detected?

YES >> Refer to [SRC-49, "Diagnosis Procedure"](#).

NO >> Inspection End.

DTC CONFIRMATION PROCEDURE (Without CONSULT)

NOTE:

SRS will not enter diagnosis mode if no malfunction is detected in user mode.

1.IGNITION SWITCH

B1086 – B1089 SEAT BELT PRE-TENSIONER LH

< DTC/CIRCUIT DIAGNOSIS >

Turn ignition switch ON.

>> GO TO 2

2.IGNITION SWITCH

After air bag warning lamp lights for 7 seconds, turn ignition switch OFF within 1 second.

>> GO TO 3

3.WAIT TIME

Wait more than 3 seconds.

>> GO TO 4

4.REPEAT STEPS

Repeat steps 1 to 3 twice.

>> GO TO 5

5.IGNITION SWITCH

Turn ignition switch ON.

>> GO TO 6

6.DIAGNOSTIC MODE

SRS system is now in diagnostic mode and AIR BAG warning lamp flashes. Refer to [SRC-13, "Trouble Diagnosis without CONSULT"](#).

>> Inspection End.

Diagnosis Procedure

INFOID:000000006925388

Recheck SRS after each replacement.

1.HARNES CONNECTOR

Is there any visible damage to the connector?

YES or NO

YES >> Replace the harness.

NO >> GO TO 2

2.WIRING HARNESS

Is there any visible damage to the harness?

YES or NO

YES >> Replace the harness.

NO >> GO TO 3

3.FRONT LH SEAT BELT PRE-TENSIONER

Replace the front LH seat belt pre-tensioner. Refer to [SR-23, "Removal and Installation"](#).

>> GO TO 4

4.AIR BAG DIAGNOSIS SENSOR UNIT

Replace the air bag diagnosis sensor unit. Refer to [SR-24, "Removal and Installation"](#).

>> GO TO 5

5.RELATED HARNESS

A

B

C

D

E

F

G

SRC

I

J

K

L

M

N

O

P

B1086 – B1089 SEAT BELT PRE-TENSIONER LH

< DTC/CIRCUIT DIAGNOSIS >

Replace the related harness.

>> Inspection End.

B1113 – B1115 SATELLITE SENSOR RH (FRONT)

< DTC/CIRCUIT DIAGNOSIS >

B1113 – B1115 SATELLITE SENSOR RH (FRONT)

Description

INFOID:000000006925398

DTC B1113 – B1115 SATELLITE SENSOR RH (FRONT)

The front side air bag satellite sensor RH is wired to the air bag diagnosis sensor unit. The air bag diagnosis sensor unit will monitor the front side air bag satellite sensor RH for internal failures and its circuits for communication errors.

PART LOCATION

Refer to [SRC-4, "Component Parts Location"](#).

DTC Logic

INFOID:000000006925399

DTC DETECTION LOGIC

With CONSULT

| CONSULT name | DTC | DTC detecting condition | Repair order |
|----------------------------------|-------|---|--|
| SATELLITE SENS RH [UNIT FAIL] | B1113 | Front side air bag satellite sensor RH has malfunctioned. | 1. Visually check the wiring harness connection. 2. Replace the harness if it has visible damage. 3. Replace the front side air bag satellite sensor RH. |
| | B1114 | | |
| SATELLITE SENS RH [COMM FAIL] | B1115 | Front side air bag satellite sensor RH communication error. | 4. Replace the air bag diagnosis sensor unit. 5. Replace the related harness. |

A
B
C
D
E
F
G
H
I
J
K
L
M
N
O
P

SRC

Without CONSULT

| <Front side air bag satellite sensor RH> | |
|---|--|
| Flash pattern | Repair order |
| <p>a through f are repeated. f: Three flashes indicate malfunctioning front side air bag satellite sensor RH.</p> | <ol style="list-style-type: none"> 1. Visually check the wiring harness connection. 2. Replace the harness if it has visible damage. 3. Replace the front side air bag satellite sensor RH. 4. Replace the air bag diagnosis sensor unit. 5. Replace the related harness. |

AWHIA0374GB

DTC CONFIRMATION PROCEDURE (With CONSULT)

1.INSPECTION START

Turn ignition switch ON.

>> GO TO 2.

2.CHECK SELF-DIAG RESULT

Check for the DTC on CONSULT.

Is the DTC detected?

YES >> Refer to [SRC-52, "Diagnosis Procedure"](#).

NO >> Inspection End.

DTC CONFIRMATION PROCEDURE (Without CONSULT)

NOTE:

SRS will not enter diagnosis mode if no malfunction is detected in user mode.

1.IGNITION SWITCH

Turn ignition switch ON.

B1113 – B1115 SATELLITE SENSOR RH (FRONT)

< DTC/CIRCUIT DIAGNOSIS >

>> GO TO 2

2.IGNITION SWITCH

After air bag warning lamp lights for 7 seconds, turn ignition switch OFF within 1 second.

>> GO TO 3

3.WAIT TIME

Wait more than 3 seconds.

>> GO TO 4

4.REPEAT STEPS

Repeat steps 1 to 3 twice.

>> GO TO 5

5.IGNITION SWITCH

Turn ignition switch ON.

>> GO TO 6

6.DIAGNOSTIC MODE

SRS system is now in diagnostic mode and AIR BAG warning lamp flashes. Refer to [SRC-13, "Trouble Diagnosis without CONSULT"](#).

>> Inspection End.

Diagnosis Procedure

INFOID:000000006925400

Recheck SRS after each replacement.

1.HARNESSE CONNECTOR

Is there any visible damage to the connector?

YES or NO

YES >> Replace the harness.

NO >> GO TO 2

2.WIRING HARNESS

Is there any visible damage to the harness?

YES or NO

YES >> Replace the harness.

NO >> GO TO 3

3.FRONT SIDE AIR BAG SATELLITE SENSOR RH

Replace the front side air bag satellite sensor RH. Refer to [SR-17, "Removal and Installation"](#).

>> GO TO 4

4.AIR BAG DIAGNOSIS SENSOR UNIT

Replace the air bag diagnosis sensor unit. Refer to [SR-24, "Removal and Installation"](#).

>> GO TO 5

5.RELATED HARNESS

Replace the related harness.

B1113 – B1115 SATELLITE SENSOR RH (FRONT)

< DTC/CIRCUIT DIAGNOSIS >

>> Inspection End.

A

B

C

D

E

F

G

SRC

I

J

K

L

M

N

O

P

B1118 – B1120 SATELLITE SENSOR LH (FRONT)

< DTC/CIRCUIT DIAGNOSIS >

B1118 – B1120 SATELLITE SENSOR LH (FRONT)

Description

INFOID:000000006925395

DTC B1118 – B1120 SATELLITE SENSOR LH (FRONT)

The front side air bag satellite sensor LH is wired to the air bag diagnosis sensor unit. The air bag diagnosis sensor unit will monitor the front side air bag satellite sensor LH for internal failures and its circuits for communication errors.

PART LOCATION

Refer to [SRC-4, "Component Parts Location"](#).

DTC Logic

INFOID:000000006925396

DTC DETECTION LOGIC

With CONSULT

| CONSULT name | DTC | DTC detecting condition | Repair order |
|----------------------------------|-------|---|--|
| SATELLITE SENS LH [UNIT FAIL] | B1118 | Front side air bag satellite sensor LH has malfunctioned. | 1. Visually check the wiring harness connection. 2. Replace the harness if it has visible damage. 3. Replace the front side air bag satellite sensor LH. |
| | B1119 | | |
| SATELLITE SENS LH [COMM FAIL] | B1120 | Front side air bag satellite sensor LH communication error. | 4. Replace the air bag diagnosis sensor unit. 5. Replace the related harness. |

Without CONSULT

| <Front side air bag satellite sensor LH> | |
|--|--|
| Flash pattern | Repair order |
| <p>a through f are repeated. f: Four flashes indicate malfunctioning front side air bag satellite sensor LH.</p> | <ol style="list-style-type: none"> 1. Visually check the wiring harness connection. 2. Replace the harness if it has visible damage. 3. Replace the front side air bag satellite sensor LH. 4. Replace the air bag diagnosis sensor unit. 5. Replace the related harness. |

AWHIA0375GB

DTC CONFIRMATION PROCEDURE (With CONSULT)

1.INSPECTION START

Turn ignition switch ON.

>> GO TO 2.

2.CHECK SELF-DIAG RESULT

Check for the DTC on CONSULT.

Is the DTC detected?

YES >> Refer to [SRC-55, "Diagnosis Procedure"](#).

NO >> Inspection End.

DTC CONFIRMATION PROCEDURE (Without CONSULT)

NOTE:

SRS will not enter diagnosis mode if no malfunction is detected in user mode.

1.IGNITION SWITCH

Turn ignition switch ON.

B1118 – B1120 SATELLITE SENSOR LH (FRONT)

< DTC/CIRCUIT DIAGNOSIS >

>> GO TO 2

2.IGNITION SWITCH

After air bag warning lamp lights for 7 seconds, turn ignition switch OFF within 1 second.

>> GO TO 3

3.WAIT TIME

Wait more than 3 seconds.

>> GO TO 4

4.REPEAT STEPS

Repeat steps 1 to 3 twice.

>> GO TO 5

5.IGNITION SWITCH

Turn ignition switch ON.

>> GO TO 6

6.DIAGNOSTIC MODE

SRS system is now in diagnostic mode and AIR BAG warning lamp flashes. Refer to [SRC-13, "Trouble Diagnosis without CONSULT"](#).

>> Inspection End.

Diagnosis Procedure

INFOID:000000006925397

Recheck SRS after each replacement.

1.HARNES CONNECTOR

Is there any visible damage to the connector?

YES or NO

YES >> Replace the harness.

NO >> GO TO 2

2.WIRING HARNESS

Is there any visible damage to the harness?

YES or NO

YES >> Replace the harness.

NO >> GO TO 3

3.FRONT SIDE AIR BAG SATELLITE SENSOR LH

Replace the front side air bag satellite sensor LH. Refer to [SR-21, "Removal and Installation"](#).

>> GO TO 4

4.AIR BAG DIAGNOSIS SENSOR UNIT

Replace the air bag diagnosis sensor unit. Refer to [SR-24, "Removal and Installation"](#).

>> GO TO 5

5.RELATED HARNESS

Replace the related harness.

A

B

C

D

E

F

G

SRC

I

J

K

L

M

N

O

P

B1118 – B1120 SATELLITE SENSOR LH (FRONT)

< DTC/CIRCUIT DIAGNOSIS >

>> Inspection End.

B1129 – B1132 SIDE AIRBAG MODULE RH

< DTC/CIRCUIT DIAGNOSIS >

B1129 – B1132 SIDE AIRBAG MODULE RH

Description

INFOID:000000006925377

DTC B1129 – B1132 FRONT RH SIDE AIR BAG MODULE

The front RH side air bag module is wired to the air bag diagnosis sensor unit. The air bag diagnosis sensor unit will monitor for opens and shorts in detected lines to the front RH side air bag module.

PART LOCATION

Refer to [SRC-4, "Component Parts Location"](#).

DTC Logic

INFOID:000000006925378

DTC DETECTION LOGIC

With CONSULT

| CONSULT name | DTC | DTC detecting condition | Repair order |
|----------------------------|-------|--|--|
| SIDE MODULE RH [OPEN] | B1129 | Front RH side air bag module circuit is open. | <ol style="list-style-type: none"> 1. Visually check the wiring harness connection. 2. Replace the harness if it has visible damage. 3. Replace the air bag diagnosis sensor unit. 4. Replace the front RH side air bag module. 5. Replace the related harness. |
| SIDE MODULE RH [VB-SHORT] | B1130 | Front RH side air bag module circuit is shorted to a power supply circuit. | |
| SIDE MODULE RH [GND-SHORT] | B1131 | Front RH side air bag module circuit is shorted to ground. | |
| SIDE MODULE RH [SHORT] | B1132 | Front RH side air bag module circuits are shorted to each other. | |

Without CONSULT

| <Front RH side air bag module> | |
|---|--|
| Flash pattern | Repair order |
| <p>a through f are repeated. f: One flash indicate malfunctioning front RH side air bag module circuit.</p> | <ol style="list-style-type: none"> 1. Visually check the wiring harness connection. 2. Replace the harness if it has visible damage. 3. Replace the air bag diagnosis sensor unit. 4. Replace the front RH side air bag module. 5. Replace the related harness. |

DTC CONFIRMATION PROCEDURE (With CONSULT)

1.INSPECTION START

Turn ignition switch ON.

>> GO TO 2.

2.CHECK SELF-DIAG RESULT

Check for the DTC on CONSULT.

Is the DTC detected?

YES >> Refer to [SRC-58, "Diagnosis Procedure"](#).

NO >> Inspection End.

DTC CONFIRMATION PROCEDURE (Without CONSULT)

NOTE:

SRS will not enter diagnosis mode if no malfunction is detected in user mode.

1.IGNITION SWITCH

B1129 – B1132 SIDE AIRBAG MODULE RH

< DTC/CIRCUIT DIAGNOSIS >

Turn ignition switch ON.

>> GO TO 2

2.IGNITION SWITCH

After air bag warning lamp lights for 7 seconds, turn ignition switch OFF within 1 second.

>> GO TO 3

3.WAIT TIME

Wait more than 3 seconds.

>> GO TO 4

4.REPEAT STEPS

Repeat steps 1 to 3 twice.

>> GO TO 5

5.IGNITION SWITCH

Turn ignition switch ON.

>> GO TO 6

6.DIAGNOSTIC MODE

SRS system is now in diagnostic mode and AIR BAG warning lamp flashes. Refer to [SRC-13, "Trouble Diagnosis without CONSULT"](#).

>> Inspection End.

Diagnosis Procedure

INFOID:000000006925379

Recheck SRS after each replacement.

1.HARNES CONNECTOR

Is there any visible damage to the connector?

YES or NO

YES >> Replace the harness.

NO >> GO TO 2

2.WIRING HARNESS

Is there any visible damage to the harness?

YES or NO

YES >> Replace the harness.

NO >> GO TO 3

3.AIR BAG DIAGNOSIS SENSOR UNIT

Replace the air bag diagnosis sensor unit. Refer to [SR-24, "Removal and Installation"](#).

>> GO TO 4

4.FRONT RH SIDE AIR BAG MODULE

Replace the front RH side air bag module. Refer to [SR-17, "Removal and Installation"](#).

>> GO TO 5

5.RELATED HARNESS

B1129 – B1132 SIDE AIRBAG MODULE RH

< DTC/CIRCUIT DIAGNOSIS >

Replace the related harness.

>> Inspection End.

A

B

C

D

E

F

G

SRC

I

J

K

L

M

N

O

P

B1134 – B1137 SIDE AIRBAG MODULE LH

< DTC/CIRCUIT DIAGNOSIS >

B1134 – B1137 SIDE AIRBAG MODULE LH

Description

INFOID:000000006925374

DTC B1134 – B1137 FRONT LH SIDE AIR BAG MODULE

The front LH side air bag module is wired to the air bag diagnosis sensor unit. The air bag diagnosis sensor unit will monitor for opens and shorts in detected lines to the front LH side air bag module.

PART LOCATION

Refer to [SRC-4, "Component Parts Location"](#).

DTC Logic

INFOID:000000006925375

DTC DETECTION LOGIC

With CONSULT

| CONSULT name | DTC | DTC detecting condition | Repair order |
|----------------------------|-------|--|--|
| SIDE MODULE LH [OPEN] | B1134 | Front LH side air bag module circuit is open. | <ol style="list-style-type: none"> 1. Visually check the wiring harness connection. 2. Replace the harness if it has visible damage. 3. Replace the air bag diagnosis sensor unit. 4. Replace the front LH side air bag module. 5. Replace the related harness. |
| SIDE MODULE LH [VB-SHORT] | B1135 | Front LH side air bag module circuit is shorted to a power supply circuit. | |
| SIDE MODULE LH [GND-SHORT] | B1136 | Front LH side air bag module circuit is shorted to ground. | |
| SIDE MODULE LH [SHORT] | B1137 | Front LH side air bag module circuits are shorted to each other. | |

Without CONSULT

| <Front LH side air bag module> | |
|---|--|
| Flash pattern | Repair order |
| <p>a through f are repeated. f: Two flashes indicate malfunctioning front LH side air bag module circuit.</p> | <ol style="list-style-type: none"> 1. Visually check the wiring harness connection. 2. Replace the harness if it has visible damage. 3. Replace the air bag diagnosis sensor unit. 4. Replace the front LH side air bag module. 5. Replace the related harness. |

AWHIA0304GB

DTC CONFIRMATION PROCEDURE (With CONSULT)

1.INSPECTION START

Turn ignition switch ON.

>> GO TO 2.

2.CHECK SELF-DIAG RESULT

Check for the DTC on CONSULT.

Is the DTC detected?

YES >> Refer to [SRC-61, "Diagnosis Procedure"](#).

NO >> Inspection End.

DTC CONFIRMATION PROCEDURE (Without CONSULT)

NOTE:

SRS will not enter diagnosis mode if no malfunction is detected in user mode.

1.IGNITION SWITCH

B1134 – B1137 SIDE AIRBAG MODULE LH

< DTC/CIRCUIT DIAGNOSIS >

Turn ignition switch ON.

>> GO TO 2

2.IGNITION SWITCH

After air bag warning lamp lights for 7 seconds, turn ignition switch OFF within 1 second.

>> GO TO 3

3.WAIT TIME

Wait more than 3 seconds.

>> GO TO 4

4.REPEAT STEPS

Repeat steps 1 to 3 twice.

>> GO TO 5

5.IGNITION SWITCH

Turn ignition switch ON.

>> GO TO 6

6.DIAGNOSTIC MODE

SRS system is now in diagnostic mode and AIR BAG warning lamp flashes. Refer to [SRC-13, "Trouble Diagnosis without CONSULT"](#).

>> Inspection End.

Diagnosis Procedure

INFOID:000000006925376

Recheck SRS after each replacement.

1.HARNES CONNECTOR

Is there any visible damage to the connector?

YES or NO

YES >> Replace the harness.

NO >> GO TO 2

2.WIRING HARNESS

Is there any visible damage to the harness?

YES or NO

YES >> Replace the harness.

NO >> GO TO 3

3.AIR BAG DIAGNOSIS SENSOR UNIT

Replace the air bag diagnosis sensor unit. Refer to [SR-24, "Removal and Installation"](#).

>> GO TO 4

4.FRONT LH SIDE AIR BAG MODULE

Replace the front LH side air bag module. Refer to [SR-17, "Removal and Installation"](#).

>> GO TO 5

5.RELATED HARNESS

A

B

C

D

E

F

G

SRC

I

J

K

L

M

N

O

P

B1134 – B1137 SIDE AIRBAG MODULE LH

< DTC/CIRCUIT DIAGNOSIS >

Replace the related harness.

>> Inspection End.

B1145 – B1148 SIDE CURTAIN AIR BAG MODULE RH (FRONT)

< DTC/CIRCUIT DIAGNOSIS >

B1145 – B1148 SIDE CURTAIN AIR BAG MODULE RH (FRONT)

Description

INFOID:000000006925383

DTC B1145 – B1148 RH SIDE CURTAIN AIR BAG MODULE (FRONT)

The RH side front curtain air bag module is wired to the air bag diagnosis sensor unit. The air bag diagnosis sensor unit will monitor for opens and shorts in detected lines to the RH side front curtain air bag module.

PART LOCATION

Refer to [SRC-4, "Component Parts Location"](#).

DTC Logic

INFOID:000000006925384

DTC DETECTION LOGIC

With CONSULT

| CONSULT name | DTC | DTC detecting condition | Repair order |
|-------------------------------|-------|--|--|
| CURTAIN MODULE RH [OPEN] | B1145 | RH side front curtain air bag module circuit is open. | <ol style="list-style-type: none"> 1. Visually check the wiring harness connection. 2. Replace the harness if it has visible damage. 3. Replace the air bag diagnosis sensor unit. 4. Replace the RH side front curtain air bag module. 5. Replace the related harness. |
| CURTAIN MODULE RH [VB-SHORT] | B1146 | RH side front curtain air bag module circuit is shorted to a power supply circuit. | |
| CURTAIN MODULE RH [GND-SHORT] | B1147 | RH side front curtain air bag module circuit is shorted to ground. | |
| CURTAIN MODULE RH [SHORT] | B1148 | RH side front curtain air bag module circuits are shorted to each other. | |

Without CONSULT

| <RH side front curtain air bag module> | |
|---|--|
| Flash pattern | Repair order |
| <p>a through f are repeated. f: Five flashes indicate malfunctioning RH side front curtain air bag module.</p> | <ol style="list-style-type: none"> 1. Visually check the wiring harness connection. 2. Replace the harness if it has visible damage. 3. Replace the air bag diagnosis sensor unit. 4. Replace RH side front curtain air bag module. 5. Replace the related harness. |

AWHIA0376GB

DTC CONFIRMATION PROCEDURE (With CONSULT)

1.INSPECTION START

Turn ignition switch ON.

>> GO TO 2.

2.CHECK SELF-DIAG RESULT

Check for the DTC on CONSULT.

Is the DTC detected?

YES >> Refer to [SRC-64, "Diagnosis Procedure"](#).

NO >> Inspection End.

DTC CONFIRMATION PROCEDURE (Without CONSULT)

NOTE:

SRS will not enter diagnosis mode if no malfunction is detected in user mode.

1.IGNITION SWITCH

B1145 – B1148 SIDE CURTAIN AIR BAG MODULE RH (FRONT)

< DTC/CIRCUIT DIAGNOSIS >

Turn ignition switch ON.

>> GO TO 2

2.IGNITION SWITCH

After air bag warning lamp lights for 7 seconds, turn ignition switch OFF within 1 second.

>> GO TO 3

3.WAIT TIME

Wait more than 3 seconds.

>> GO TO 4

4.REPEAT STEPS

Repeat steps 1 to 3 twice.

>> GO TO 5

5.IGNITION SWITCH

Turn ignition switch ON.

>> GO TO 6

6.DIAGNOSTIC MODE

SRS system is now in diagnostic mode and AIR BAG warning lamp flashes. Refer to [SRC-13, "Trouble Diagnosis without CONSULT"](#).

>> Inspection End.

Diagnosis Procedure

INFOID:000000006925385

Recheck SRS after each replacement.

1.HARNES CONNECTOR

Is there any visible damage to the connector?

YES or NO

YES >> Replace the harness.

NO >> GO TO 2

2.WIRING HARNESS

Is there any visible damage to the harness?

YES or NO

YES >> Replace the harness.

NO >> GO TO 3

3.AIR BAG DIAGNOSIS SENSOR UNIT

Replace the air bag diagnosis sensor unit. Refer to [SR-24, "Removal and Installation"](#).

>> GO TO 4

4.RH SIDE FRONT CURTAIN AIR BAG MODULE

Replace the RH side front curtain air bag module. Refer to [SR-13, "Removal and Installation"](#).

>> GO TO 5

5.RELATED HARNESS

B1145 – B1148 SIDE CURTAIN AIR BAG MODULE RH (FRONT)

< DTC/CIRCUIT DIAGNOSIS >

Replace the related harness.

>> Inspection End.

A

B

C

D

E

F

G

SRC

I

J

K

L

M

N

O

P

B1150 – B1153 SIDE CURTAIN AIR BAG MODULE LH (FRONT)

< DTC/CIRCUIT DIAGNOSIS >

B1150 – B1153 SIDE CURTAIN AIR BAG MODULE LH (FRONT)

Description

INFOID:000000006925380

DTC B1150 – B1153 LH SIDE CURTAIN AIR BAG MODULE (FRONT)

The LH side front curtain air bag module is wired to the air bag diagnosis sensor unit. The air bag diagnosis sensor unit will monitor for opens and shorts in detected lines to the LH side front curtain air bag module.

PART LOCATION

Refer to [SRC-4, "Component Parts Location"](#).

DTC Logic

INFOID:000000006925381

DTC DETECTION LOGIC

With CONSULT

| CONSULT name | DTC | DTC detecting condition | Repair order |
|-------------------------------|-------|--|--|
| CURTAIN MODULE LH [OPEN] | B1150 | LH side front curtain air bag module circuit is open. | <ol style="list-style-type: none"> 1. Visually check the wiring harness connection. 2. Replace the harness if it has visible damage. 3. Replace the air bag diagnosis sensor unit. 4. Replace the LH side front curtain air bag module. 5. Replace the related harness. |
| CURTAIN MODULE LH [VB-SHORT] | B1151 | LH side front curtain air bag module circuit is shorted to a power supply circuit. | |
| CURTAIN MODULE LH [GND-SHORT] | B1152 | LH side front curtain air bag module circuit is shorted to ground. | |
| CURTAIN MODULE LH [SHORT] | B1153 | LH side front curtain air bag module circuits are shorted to each other. | |

Without CONSULT

| <LH side front curtain air bag module> | |
|---|--|
| Flash pattern | Repair order |
| <p>a through f are repeated. f: Six flashes indicate malfunctioning LH side front curtain air bag module.</p> | <ol style="list-style-type: none"> 1. Visually check the wiring harness connection. 2. Replace the harness if it has visible damage. 3. Replace the air bag diagnosis sensor unit. 4. Replace LH side front curtain air bag module. 5. Replace the related harness. |

AWHIA0377GB

DTC CONFIRMATION PROCEDURE (With CONSULT)

1.INSPECTION START

Turn ignition switch ON.

>> GO TO 2.

2.CHECK SELF-DIAG RESULT

Check for the DTC on CONSULT.

Is the DTC detected?

YES >> Refer to [SRC-67, "Diagnosis Procedure"](#).

NO >> Inspection End.

DTC CONFIRMATION PROCEDURE (Without CONSULT)

NOTE:

SRS will not enter diagnosis mode if no malfunction is detected in user mode.

1.IGNITION SWITCH

B1150 – B1153 SIDE CURTAIN AIR BAG MODULE LH (FRONT)

< DTC/CIRCUIT DIAGNOSIS >

Turn ignition switch ON.

>> GO TO 2

2.IGNITION SWITCH

After air bag warning lamp lights for 7 seconds, turn ignition switch OFF within 1 second.

>> GO TO 3

3.WAIT TIME

Wait more than 3 seconds.

>> GO TO 4

4.REPEAT STEPS

Repeat steps 1 to 3 twice.

>> GO TO 5

5.IGNITION SWITCH

Turn ignition switch ON.

>> GO TO 6

6.DIAGNOSTIC MODE

SRS system is now in diagnostic mode and AIR BAG warning lamp flashes. Refer to [SRC-13, "Trouble Diagnosis without CONSULT"](#).

>> Inspection End.

Diagnosis Procedure

INFOID:000000006925382

Recheck SRS after each replacement.

1.HARNES CONNECTOR

Is there any visible damage to the connector?

YES or NO

YES >> Replace the harness.

NO >> GO TO 2

2.WIRING HARNESS

Is there any visible damage to the harness?

YES or NO

YES >> Replace the harness.

NO >> GO TO 3

3.AIR BAG DIAGNOSIS SENSOR UNIT

Replace the air bag diagnosis sensor unit. Refer to [SR-24, "Removal and Installation"](#).

>> GO TO 4

4.LH SIDE FRONT CURTAIN AIR BAG MODULE

Replace the LH side front curtain air bag module. Refer to [SR-13, "Removal and Installation"](#).

>> GO TO 5

5.RELATED HARNESS

A
B
C
D
E
F
G
I
J
K
L
M
N
O
P

SRC

B1150 – B1153 SIDE CURTAIN AIR BAG MODULE LH (FRONT)

< DTC/CIRCUIT DIAGNOSIS >

Replace the related harness.

>> Inspection End.

B1193 – B1196 SIDE CURTAIN AIR BAG MODULE RH (REAR)

< DTC/CIRCUIT DIAGNOSIS >

B1193 – B1196 SIDE CURTAIN AIR BAG MODULE RH (REAR)

Description

INFOID:000000008059010

DTC B1193 – B1196 RH SIDE CURTAIN AIR BAG MODULE (REAR)

The RH side rear curtain air bag module is wired to the air bag diagnosis sensor unit. The air bag diagnosis sensor unit will monitor for opens and shorts in detected lines to the RH side rear curtain air bag module.

PART LOCATION

Refer to [SRC-4, "Component Parts Location"](#).

DTC Logic

INFOID:000000008059011

DTC DETECTION LOGIC

With CONSULT

| CONSULT name | DTC | DTC detecting condition | Repair order |
|--------------------------------|-------|---|---|
| FR CURTN MODULE RH [OPEN] | B1193 | RH side rear curtain air bag module circuit is open. | <ol style="list-style-type: none"> 1. Visually check the wiring harness connection. 2. Replace the harness if it has visible damage. 3. Replace the air bag diagnosis sensor unit. 4. Replace the RH side rear curtain air bag module. 5. Replace the related harness. |
| FR CURTN MODULE RH [VB-SHORT] | B1194 | RH side rear curtain air bag module circuit is shorted to a power supply circuit. | |
| FR CURTN MODULE RH [GND-SHORT] | B1195 | RH side rear curtain air bag module circuit is shorted to ground. | |
| FR CURTN MODULE RH [SHORT] | B1196 | RH side rear curtain air bag module circuits are shorted to each other. | |

Without CONSULT

| <RH side rear curtain air bag module> | |
|--|---|
| Flash pattern | Repair order |
| <p>a through f are repeated. f: Seven flashes indicate malfunctioning RH side rear curtain air bag module.</p> | <ol style="list-style-type: none"> 1. Visually check the wiring harness connection. 2. Replace the harness if it has visible damage. 3. Replace the air bag diagnosis sensor unit. 4. Replace RH side rear curtain air bag module. 5. Replace the related harness. |

AWHIA0378GB

DTC CONFIRMATION PROCEDURE (With CONSULT)

1.INSPECTION START

Turn ignition switch ON.

>> GO TO 2.

2.CHECK SELF-DIAG RESULT

Check for the DTC on CONSULT.

Is the DTC detected?

- YES >> Refer to [SRC-70, "Diagnosis Procedure \(Component Diagnosis\)"](#).
- NO >> Inspection End.

DTC CONFIRMATION PROCEDURE (Without CONSULT)

NOTE:

SRS will not enter diagnosis mode if no malfunction is detected in user mode.

1.IGNITION SWITCH

B1193 – B1196 SIDE CURTAIN AIR BAG MODULE RH (REAR)

< DTC/CIRCUIT DIAGNOSIS >

Turn ignition switch ON.

>> GO TO 2

2.IGNITION SWITCH

After air bag warning lamp lights for 7 seconds, turn ignition switch OFF within 1 second.

>> GO TO 3

3.WAIT TIME

Wait more than 3 seconds.

>> GO TO 4

4.REPEAT STEPS

Repeat steps 1 to 3 twice.

>> GO TO 5

5.IGNITION SWITCH

Turn ignition switch ON.

>> GO TO 6

6.DIAGNOSTIC MODE

SRS system is now in diagnostic mode and AIR BAG warning lamp flashes. Refer to [SRC-13, "Trouble Diagnosis without CONSULT"](#).

>> **END**

Diagnosis Procedure (Component Diagnosis)

INFOID:0000000008059012

Recheck SRS after each replacement.

1.HARNES CONNECTOR

Is there any visible damage to the connector?

YES or NO

YES >> Replace the harness.

NO >> GO TO 2

2.WIRING HARNESS

Is there any visible damage to the harness?

YES or NO

YES >> Replace the harness.

NO >> GO TO 3

3.AIR BAG DIAGNOSIS SENSOR UNIT

Replace the air bag diagnosis sensor unit. Refer to [SR-24, "Removal and Installation"](#).

>> GO TO 4

4.RH SIDE REAR CURTAIN AIR BAG MODULE

Replace the RH side rear curtain air bag module. Refer to [SR-13, "Removal and Installation"](#).

>> GO TO 5

5.RELATED HARNESS

B1193 – B1196 SIDE CURTAIN AIR BAG MODULE RH (REAR)

< DTC/CIRCUIT DIAGNOSIS >

Replace the related harness.

>> END

A

B

C

D

E

F

G

SRC

I

J

K

L

M

N

O

P

B1198 – B1201 SIDE CURTAIN AIR BAG MODULE LH (REAR)

< DTC/CIRCUIT DIAGNOSIS >

B1198 – B1201 SIDE CURTAIN AIR BAG MODULE LH (REAR)

Description

INFOID:000000008059013

DTC B1198 – B1201 LH SIDE CURTAIN AIR BAG MODULE (REAR)

The LH side rear curtain air bag module is wired to the air bag diagnosis sensor unit. The air bag diagnosis sensor unit will monitor for opens and shorts in detected lines to the LH side rear curtain air bag module.

PART LOCATION

Refer to [SRC-4, "Component Parts Location"](#).

DTC Logic

INFOID:000000008059014

DTC DETECTION LOGIC

With CONSULT

| CONSULT name | DTC | DTC detecting condition | Repair order |
|--------------------------------|-------|---|---|
| FR CURTN MODULE LH [OPEN] | B1198 | LH side rear curtain air bag module circuit is open. | <ol style="list-style-type: none"> 1. Visually check the wiring harness connection. 2. Replace the harness if it has visible damage. 3. Replace the air bag diagnosis sensor unit. 4. Replace the LH side rear curtain air bag module. 5. Replace the related harness. |
| FR CURTN MODULE LH [VB-SHORT] | B1199 | LH side rear curtain air bag module circuit is shorted to a power supply circuit. | |
| FR CURTN MODULE LH [GND-SHORT] | B1200 | LH side rear curtain air bag module circuit is shorted to ground. | |
| FR CURTN MODULE LH [SHORT] | B1201 | LH side rear curtain air bag module circuits are shorted to each other. | |

Without CONSULT

| <LH side rear curtain air bag module> | |
|--|---|
| Flash pattern | Repair order |
| <p>a through f are repeated. f: Eight flashes indicate malfunctioning LH side rear curtain air bag module.</p> | <ol style="list-style-type: none"> 1. Visually check the wiring harness connection. 2. Replace the harness if it has visible damage. 3. Replace the air bag diagnosis sensor unit. 4. Replace LH side rear curtain air bag module. 5. Replace the related harness. |

AWHIA0379GB

DTC CONFIRMATION PROCEDURE (With CONSULT)

1.INSPECTION START

Turn ignition switch ON.

>> GO TO 2.

2.CHECK SELF-DIAG RESULT

Check for the DTC on CONSULT.

Is the DTC detected?

- YES >> Refer to [SRC-73, "Diagnosis Procedure \(Component Diagnosis\)"](#).
NO >> Inspection End.

DTC CONFIRMATION PROCEDURE (Without CONSULT)

NOTE:

SRS will not enter diagnosis mode if no malfunction is detected in user mode.

1.IGNITION SWITCH

B1198 – B1201 SIDE CURTAIN AIR BAG MODULE LH (REAR)

< DTC/CIRCUIT DIAGNOSIS >

Turn ignition switch ON.

>> GO TO 2

2.IGNITION SWITCH

After air bag warning lamp lights for 7 seconds, turn ignition switch OFF within 1 second.

>> GO TO 3

3.WAIT TIME

Wait more than 3 seconds.

>> GO TO 4

4.REPEAT STEPS

Repeat steps 1 to 3 twice.

>> GO TO 5

5.IGNITION SWITCH

Turn ignition switch ON.

>> GO TO 6

6.DIAGNOSTIC MODE

SRS system is now in diagnostic mode and AIR BAG warning lamp flashes. Refer to [SRC-13, "Trouble Diagnosis without CONSULT"](#).

>> **END**

Diagnosis Procedure (Component Diagnosis)

INFOID:0000000008059015

Recheck SRS after each replacement.

1.HARNES CONNECTOR

Is there any visible damage to the connector?

YES or NO

YES >> Replace the harness.

NO >> GO TO 2

2.WIRING HARNESS

Is there any visible damage to the harness?

YES or NO

YES >> Replace the harness.

NO >> GO TO 3

3.AIR BAG DIAGNOSIS SENSOR UNIT

Replace the air bag diagnosis sensor unit. Refer to [SR-24, "Removal and Installation"](#).

>> GO TO 4

4.LH SIDE REAR CURTAIN AIR BAG MODULE

Replace the LH side rear curtain air bag module. Refer to [SR-13, "Removal and Installation"](#).

>> GO TO 5

5.RELATED HARNESS

A
B
C
D
E
F
G
I
J
K
L
M
N
O
P

SRC

B1198 – B1201 SIDE CURTAIN AIR BAG MODULE LH (REAR)

< DTC/CIRCUIT DIAGNOSIS >

Replace the related harness.

>> **END**

B1209 – B1211 COLLISION DETECTION

< DTC/CIRCUIT DIAGNOSIS >

B1209 – B1211 COLLISION DETECTION

Description

INFOID:000000006925410

DTC B1209 - B1211 COLLISION DETECTION

The air bag diagnosis sensor unit will set this DTC if it has detected a collision which has resulted in a deployment of one or more air bags or pre-tensioners. If this DTC is detected after a SRS repair, the air bag diagnosis sensor unit has not yet been replaced. This DTC can not be erased.

PART LOCATION

Refer to [SRC-4, "Component Parts Location"](#).

DTC Logic

INFOID:000000006925411

DTC DETECTION LOGIC

With CONSULT

| CONSULT name | DTC | DTC detecting condition | Repair order |
|-----------------------------|-------|---|---|
| FRONTAL COLLISION DETECTION | B1209 | Driver and/or front passenger air bag modules are deployed. | Refer to SR-26, "For Frontal Collision" . |
| SIDE COLLISION DETECTION | B1210 | Side and/or curtain air bag modules are deployed. | Refer to SR-28, "For Side and Rollover Collision" . |
| ROLLOVER DETECTION | B1211 | Curtain air bag module and seat belt pretensioner are deployed. | |

A

B

C

D

E

F

G

SRC

DTC CONFIRMATION PROCEDURE (With CONSULT)

1.INSPECTION START

Turn ignition switch ON.

>> GO TO 2.

2.CHECK SELF-DIAG RESULT

Check for the DTC on CONSULT.

Is the DTC detected?

YES >> Refer to [SRC-75, "Diagnosis Procedure"](#).

NO >> Inspection End.

Diagnosis Procedure

INFOID:000000006925412

Refer to [SR-26, "For Frontal Collision"](#) or [SR-28, "For Side and Rollover Collision"](#).

I

J

K

L

M

N

O

P

B1306 – B1308 SATELLITE SENSOR RH (REAR)

< DTC/CIRCUIT DIAGNOSIS >

B1306 – B1308 SATELLITE SENSOR RH (REAR)

Description

INFOID:000000008059016

DTC B1306 – B1308 SATELLITE SENSOR RH (REAR)

The rear side air bag satellite sensor RH is wired to the air bag diagnosis sensor unit. The air bag diagnosis sensor unit will monitor the rear side air bag satellite sensor RH for internal failures and it's circuits for communication errors.

PART LOCATION

Refer to [SRC-4, "Component Parts Location"](#).

DTC Logic

INFOID:000000008059017

DTC DETECTION LOGIC

With CONSULT

| CONSULT name | DTC | DTC detecting condition | Repair order |
|------------------------------------|-------|--|---|
| C-PILLAR SAT SEN RH [COMM MALF] | B1306 | Rear side air bag satellite sensor RH has malfunctioned. | <ol style="list-style-type: none"> 1. Visually check the wiring harness connection. 2. Replace the harness if it has visible damage. 3. Replace the rear side air bag satellite sensor RH. |
| | B1307 | | |
| C-PILLAR SAT SEN RH [COMM FAIL] | B1308 | Rear side air bag satellite sensor RH communication error. | <ol style="list-style-type: none"> 4. Replace the air bag diagnosis sensor unit. 5. Replace the related harness. |

Without CONSULT

| <Rear side air bag satellite sensor RH> | |
|---|---|
| Flash pattern | Repair order |
| <p>a through f are repeated. f: Eleven flashes indicate malfunctioning rear side air bag satellite sensor RH.</p> | <ol style="list-style-type: none"> 1. Visually check the wiring harness connection. 2. Replace the harness if it has visible damage. 3. Replace the air bag diagnosis sensor unit. 4. Replace rear side air bag satellite sensor RH. 5. Replace the related harness. |

AWHIA0371GB

DTC CONFIRMATION PROCEDURE (With CONSULT)

1.INSPECTION START

Turn ignition switch ON.

>> GO TO 2.

2.CHECK SELF-DIAG RESULT

Check for the DTC on CONSULT.

Is the DTC detected?

YES >> Refer to [SRC-77, "Diagnosis Procedure \(Component Diagnosis\)"](#).

NO >> Inspection End.

DTC CONFIRMATION PROCEDURE (Without CONSULT)

NOTE:

SRS will not enter diagnosis mode if no malfunction is detected in user mode.

1.IGNITION SWITCH

Turn ignition switch ON.

B1306 – B1308 SATELLITE SENSOR RH (REAR)

< DTC/CIRCUIT DIAGNOSIS >

>> GO TO 2

2.IGNITION SWITCH

After air bag warning lamp lights for 7 seconds, turn ignition switch OFF within 1 second.

>> GO TO 3

3.WAIT TIME

Wait more than 3 seconds.

>> GO TO 4

4.REPEAT STEPS

Repeat steps 1 to 3 twice.

>> GO TO 5

5.IGNITION SWITCH

Turn ignition switch ON.

>> GO TO 6

6.DIAGNOSTIC MODE

SRS system is now in diagnostic mode and AIR BAG warning lamp flashes. Refer to [SRC-13, "Trouble Diagnosis without CONSULT"](#).

>> **END**

Diagnosis Procedure (Component Diagnosis)

INFOID:000000008059018

Recheck SRS after each replacement.

1.HARNES CONNECTOR

Is there any visible damage to the connector?

YES or NO

YES >> Replace the harness.

NO >> GO TO 2

2.WIRING HARNESS

Is there any visible damage to the harness?

YES or NO

YES >> Replace the harness.

NO >> GO TO 3

3.REAR SIDE AIR BAG SATELLITE SENSOR RH

Replace the rear side air bag satellite sensor RH. Refer to [SR-13, "Removal and Installation"](#).

>> GO TO 4

4.AIR BAG DIAGNOSIS SENSOR UNIT

Replace the air bag diagnosis sensor unit. Refer to [SR-24, "Removal and Installation"](#).

>> GO TO 5

5.RELATED HARNESS

Replace the related harness.

A

B

C

D

E

F

G

SRC

I

J

K

L

M

N

O

P

B1306 – B1308 SATELLITE SENSOR RH (REAR)

< DTC/CIRCUIT DIAGNOSIS >

>> **END**

B1313 – B1315 SATELLITE SENSOR LH (REAR)

< DTC/CIRCUIT DIAGNOSIS >

B1313 – B1315 SATELLITE SENSOR LH (REAR)

Description

INFOID:000000008059019

DTC B1313 – B1315 SATELLITE SENSOR LH (REAR)

The rear side air bag satellite sensor LH is wired to the air bag diagnosis sensor unit. The air bag diagnosis sensor unit will monitor the rear side air bag satellite sensor LH for internal failures and it's circuits for communication errors.

PART LOCATION

Refer to [SRC-4, "Component Parts Location"](#).

DTC Logic

INFOID:000000008059020

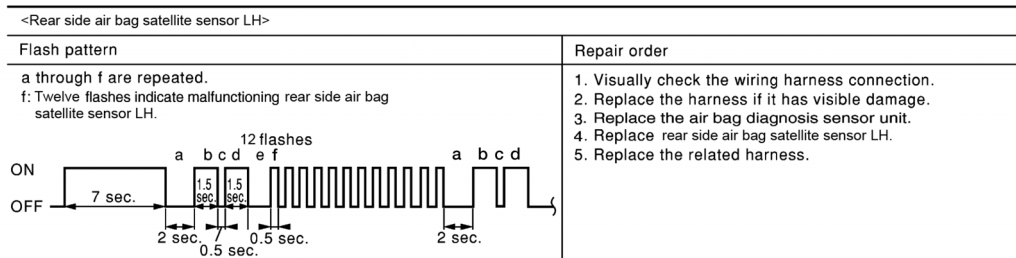
DTC DETECTION LOGIC

With CONSULT

| CONSULT name | DTC | DTC detecting condition | Repair order |
|------------------------------------|-------|--|---|
| C-PILLAR SAT SEN LH [COMM MALF] | B1313 | Rear side air bag satellite sensor LH has malfunctioned. | 1. Visually check the wiring harness connection. 2. Replace the harness if it has visible damage. 3. Replace the rear side air bag satellite sensor LH. |
| | B1314 | | |
| C-PILLAR SAT SEN LH [COMM FAIL] | B1315 | Rear side air bag satellite sensor LH communication error. | 4. Replace the air bag diagnosis sensor unit. 5. Replace the related harness. |

A
B
C
D
E
F
G
SRC

Without CONSULT



AWHIA0372GB

DTC CONFIRMATION PROCEDURE (With CONSULT)

1.INSPECTION START

Turn ignition switch ON.

>> GO TO 2.

2.CHECK SELF-DIAG RESULT

Check for the DTC on CONSULT.

Is the DTC detected?

YES >> Refer to [SRC-80, "Diagnosis Procedure \(Component Diagnosis\)"](#).

NO >> Inspection End.

DTC CONFIRMATION PROCEDURE (Without CONSULT)

NOTE:

SRS will not enter diagnosis mode if no malfunction is detected in user mode.

1.IGNITION SWITCH

Turn ignition switch ON.

I
J
K
L
M
N
O
P

B1313 – B1315 SATELLITE SENSOR LH (REAR)

< DTC/CIRCUIT DIAGNOSIS >

>> GO TO 2

2.IGNITION SWITCH

After air bag warning lamp lights for 7 seconds, turn ignition switch OFF within 1 second.

>> GO TO 3

3.WAIT TIME

Wait more than 3 seconds.

>> GO TO 4

4.REPEAT STEPS

Repeat steps 1 to 3 twice.

>> GO TO 5

5.IGNITION SWITCH

Turn ignition switch ON.

>> GO TO 6

6.DIAGNOSTIC MODE

SRS system is now in diagnostic mode and AIR BAG warning lamp flashes. Refer to [SRC-13, "Trouble Diagnosis without CONSULT"](#).

>> **END**

Diagnosis Procedure (Component Diagnosis)

INFOID:000000008059021

Recheck SRS after each replacement.

1.HARNESSE CONNECTOR

Is there any visible damage to the connector?

YES or NO

YES >> Replace the harness.

NO >> GO TO 2

2.WIRING HARNESS

Is there any visible damage to the harness?

YES or NO

YES >> Replace the harness.

NO >> GO TO 3

3.REAR SIDE AIR BAG SATELLITE SENSOR LH

Replace the rear side air bag satellite sensor LH. Refer to [SR-13, "Removal and Installation"](#).

>> GO TO 4

4.AIR BAG DIAGNOSIS SENSOR UNIT

Replace the air bag diagnosis sensor unit. Refer to [SR-24, "Removal and Installation"](#).

>> GO TO 5

5.RELATED HARNESS

Replace the related harness.

B1313 – B1315 SATELLITE SENSOR LH (REAR)

< DTC/CIRCUIT DIAGNOSIS >

>> END

A

B

C

D

E

F

G

SRC

I

J

K

L

M

N

O

P

B1XXX AIR BAG DIAGNOSIS SENSOR UNIT

< DTC/CIRCUIT DIAGNOSIS >

B1XXX AIR BAG DIAGNOSIS SENSOR UNIT

Description

INFOID:000000006925401

DTC B1XXX AIR BAG DIAGNOSIS SENSOR UNIT

The air bag diagnosis sensor unit will run self diagnostics when the ignition switch is turned ON. It has the potential to set many diagnostic trouble codes which will conform to the B1XXX format, but will not match any other SRS diagnostic trouble codes. Refer to [SRC-13. "CONSULT Function \(AIR BAG\)"](#).

PART LOCATION

Refer to [SRC-4. "Component Parts Location"](#).

DTC Logic

INFOID:000000006925402

DTC DETECTION LOGIC

With CONSULT

| CONSULT name | DTC | DTC detecting condition | Repair order |
|--------------|-------|--|--|
| CONTROL UNIT | B1XXX | Air bag diagnosis sensor unit is malfunctioning. | <ol style="list-style-type: none"> 1. Visually check the wiring harness connection. 2. Replace the harness if it has visible damage. 3. Replace the air bag diagnosis sensor unit. 4. Replace the related harness. |

Without CONSULT

| <Air bag diagnosis sensor unit> | |
|--|---|
| Flash pattern | Repair order |
| <p>a through d are repeated. d: Seven flashes indicate malfunctioning diagnosis sensor unit circuit.</p> <p>ON OFF</p> <p>7 sec. 3 sec. 2 sec. 0.5 sec. 2 sec.</p> <p>a b c d a b</p> <p>7 flashes</p> | <ol style="list-style-type: none"> 1. Visually check the wiring harness connections. 2. Replace the harness if it has visible damage. 3. Replace the air bag diagnosis sensor unit. 4. Replace the related harness. |

WHIA0198E

DTC CONFIRMATION PROCEDURE (With CONSULT)

1.INSPECTION START

Turn ignition switch ON.

>> GO TO 2.

2.CHECK SELF-DIAG RESULT

Check for the DTC on CONSULT.

Is the DTC detected?

- YES >> Refer to [SRC-83. "Diagnosis Procedure"](#).
NO >> Inspection End.

DTC CONFIRMATION PROCEDURE (Without CONSULT)

NOTE:

SRS will not enter diagnosis mode if no malfunction is detected in user mode.

1.IGNITION SWITCH

Turn ignition switch ON.

>> GO TO 2

B1XXX AIR BAG DIAGNOSIS SENSOR UNIT

< DTC/CIRCUIT DIAGNOSIS >

2.IGNITION SWITCH

After air bag warning lamp lights for 7 seconds, turn ignition switch OFF within 1 second.

>> GO TO 3

3.WAIT TIME

Wait more than 3 seconds.

>> GO TO 4

4.REPEAT STEPS

Repeat steps 1 to 3 twice.

>> GO TO 5

5.IGNITION SWITCH

Turn ignition switch ON.

>> GO TO 6

6.DIAGNOSTIC MODE

SRS system is now in diagnostic mode and AIR BAG warning lamp flashes. Refer to [SRC-13, "Trouble Diagnosis without CONSULT"](#).

>> Inspection End.

Diagnosis Procedure

INFOID:000000006925403

Recheck SRS after each replacement.

1.HARNESS CONNECTOR

Is there any visible damage to the connector?

YES or NO

YES >> Replace the harness.

NO >> GO TO 2

2.WIRING HARNESS

Is there any visible damage to the harness?

YES or NO

YES >> Replace the harness.

NO >> GO TO 3

3.AIR BAG DIAGNOSIS SENSOR UNIT

Replace the air bag diagnosis sensor unit. Refer to [SR-24, "Removal and Installation"](#).

>> GO TO 4

4.RELATED HARNESS

Replace the related harness.

>> Inspection End.

A
B
C
D
E
F
G
I
J
K
L
M
N
O
P

SRC

SRS AIR BAG WARNING LAMP DOES NOT TURN ON

< SYMPTOM DIAGNOSIS >

SYMPTOM DIAGNOSIS

SRS AIR BAG WARNING LAMP DOES NOT TURN ON

AIR BAG Warning Lamp Does Not Turn On

INFOID:000000006926664

1. CHECK METER FUSE

Check the 10A fuse [No. 12, located in the fuse block (J/B)].

Is the fuse blown?

YES >> GO TO 2

NO >> GO TO 3

2. REPLACE METER FUSE AND CHECK AGAIN

Replace 10A fuse [No. 12, located in the fuse block (J/B)] and turn ignition switch ON.

Does the fuse blow again?

YES >> Replace fuse and harness.

NO >> Inspection End.

3. CHECK HARNESS CONNECTIONS BETWEEN AIR BAG DIAGNOSIS SENSOR UNIT AND COMBINATION METER

Inspect the harness and connectors between the air bag diagnosis sensor unit and the combination meter.

Do the harness or connectors have any visible damage?

YES >> Replace harness.

NO >> GO TO 4

4. CHECK COMBINATION METER

Disconnect the air bag diagnosis sensor unit harness connectors and turn ignition switch ON.

Does AIR BAG warning lamp turn on?

YES >> Replace the air bag diagnosis sensor unit. Refer to [SR-24, "Removal and Installation"](#).

NO >> Replace the combination meter. Refer to [MWI-64, "Removal and Installation"](#).

SRS AIR BAG WARNING LAMP DOES NOT TURN OFF

< SYMPTOM DIAGNOSIS >

SRS AIR BAG WARNING LAMP DOES NOT TURN OFF

AIR BAG Warning Lamp Does Not Turn Off

INFOID:000000006925416

1.CHECK CONDITION OF AIR BAG MODULE

Inspect for any deployed air bag modules or seat belt pre-tensioners.

Are any air bag modules or seat belt pre-tensioners deployed?

- YES >> Refer to [SR-26. "For Frontal Collision"](#) or [SR-28. "For Side and Rollover Collision"](#).
- NO >> GO TO 2

2.CHECK THE AIR BAG FUSE

Check 10A fuse [No. 13, located in the fuse block (J/B)].

Is the fuse blown?

- YES >> GO TO 3
- NO >> GO TO 4

3.CHECK AIR BAG FUSE AGAIN

Replace 10A fuse [No. 13, located in the fuse block (J/B)] and turn ignition switch ON.

Does the fuse blow again?

- YES >> Replace fuse and harness.
- NO >> Inspection End.

4.CHECK AIR BAG DIAGNOSIS SENSOR UNIT

Connect CONSULT.

Is "AIR BAG" displayed on CONSULT?

- YES >> GO TO 5
- NO >> Visually inspect the air bag diagnosis sensor unit harness connections. If the connections are OK, replace the air bag diagnosis sensor unit. Refer to [SR-24. "Removal and Installation"](#).

5.CHECK HARNESS CONNECTION

Check for loose connections between the combination meter and the air bag diagnosis sensor unit.

Are there any loose connections?

- YES >> Properly connect the combination meter and air bag diagnosis sensor unit harness connectors. If AIR BAG warning lamp still does not turn off, replace the wiring harness.
- NO >> Replace air bag diagnosis sensor unit. Refer to [SR-24. "Removal and Installation"](#).

A
B
C
D
E
F
G
I
J
K
L
M
N
O
P

SRC

SEAT BELT WARNING SYSTEM

< SYMPTOM DIAGNOSIS >

SEAT BELT WARNING SYSTEM

Seat Belt Warning System Does Not Function

INFOID:000000006925418

1. SEAT BELT WARNING LIGHTS

Turn ignition switch ON.

Do the seat belt warning lamps come ON?

- YES >> GO TO 2
NO >> • Check 10A fuse [No. 12, located in the fuse block (J/B)].
• Check seat belt buckle switch LH/RH.
• Check harness between combination meter and seat belt buckle switch LH/RH.
• Check combination meter. Refer to [MWI-21, "Fail Safe"](#).
-

2. SEAT BELT BUCKLE SWITCH LH

Fasten the seat belt buckle LH.

Does the driver seat belt warning lamp go OFF?

- YES >> GO TO 3
NO >> • Check seat belt buckle switch LH.
• Check harness between combination meter, seat belt buckle switch LH and air bag diagnosis sensor unit.
-

3. SEAT BELT BUCKLE SWITCH RH

Fasten the seat belt buckle RH.

Does the passenger seat belt warning lamp go OFF?

- YES >> System OK.
NO >> • Check seat belt buckle switch RH.
• Check harness between combination meter, seat belt buckle switch RH and air bag diagnosis sensor unit.
• Check combination meter. Refer to [MWI-21, "Fail Safe"](#).