

SECTION **FAX**
FRONT AXLE

A
B
C

FAX

CONTENTS

E

PRECAUTION	2	PERIODIC MAINTENANCE	5	F
PRECAUTIONS	2	WHEEL HUB	5	G
Precaution for Supplemental Restraint System (SRS) "AIR BAG" and "SEAT BELT PRE-TEN- SIONER"	2	On-Vehicle Inspection and Service	5	
PREPARATION	3	UNIT REMOVAL AND INSTALLATION	6	H
PREPARATION	3	WHEEL HUB	6	
Commercial Service Tool	3	Exploded View	6	
SYMPTOM DIAGNOSIS	4	Removal and Installation	6	I
NOISE, VIBRATION, AND HARSHNESS (NVH) TROUBLESHOOTING	4	SERVICE DATA AND SPECIFICATIONS (SDS)	8	J
NVH Troubleshooting Chart	4	SERVICE DATA AND SPECIFICATIONS (SDS)	8	
		Wheel Bearing	8	K

E
F
G
H
I
J
K
L
M
N
O
P

PRECAUTIONS

< PRECAUTION >

PRECAUTION

PRECAUTIONS

Precaution for Supplemental Restraint System (SRS) "AIR BAG" and "SEAT BELT PRE-TENSIONER"

INFOID:000000012523970

The Supplemental Restraint System such as "AIR BAG" and "SEAT BELT PRE-TENSIONER", used along with a front seat belt, helps to reduce the risk or severity of injury to the driver and front passenger for certain types of collision. This system includes seat belt switch inputs and dual stage front air bag modules. The SRS system uses the seat belt switches to determine the front air bag deployment, and may only deploy one front air bag, depending on the severity of a collision and whether the front occupants are belted or unbelted. Information necessary to service the system safely is included in the SR and SB section of this Service Manual.

WARNING:

- To avoid rendering the SRS inoperative, which could increase the risk of personal injury or death in the event of a collision which would result in air bag inflation, all maintenance must be performed by an authorized NISSAN/INFINITI dealer.
- Improper maintenance, including incorrect removal and installation of the SRS, can lead to personal injury caused by unintentional activation of the system. For removal of Spiral Cable and Air Bag Module, see the SR section.
- Do not use electrical test equipment on any circuit related to the SRS unless instructed to in this Service Manual. SRS wiring harnesses can be identified by yellow and/or orange harnesses or harness connectors.

PRECAUTIONS WHEN USING POWER TOOLS (AIR OR ELECTRIC) AND HAMMERS

WARNING:

- When working near the Airbag Diagnosis Sensor Unit or other Airbag System sensors with the Ignition ON or engine running, DO NOT use air or electric power tools or strike near the sensor(s) with a hammer. Heavy vibration could activate the sensor(s) and deploy the air bag(s), possibly causing serious injury.
- When using air or electric power tools or hammers, always switch the Ignition OFF, disconnect the battery and wait at least three minutes before performing any service.

PREPARATION


< PREPARATION >

PREPARATION

PREPARATION

Commercial Service Tool

INFOID:000000012523971

Tool name	Description
<p data-bbox="164 415 272 443">Power tool</p>  <p data-bbox="829 632 894 653">PIIB1407E</p>	<p data-bbox="1013 415 1349 443">Loosening nuts, screws and bolts</p>

A

B

C

FAX

E

F

G

H

I

J

K

L

M

N

O

P

WHEEL HUB

< PERIODIC MAINTENANCE >

PERIODIC MAINTENANCE

WHEEL HUB

On-Vehicle Inspection and Service

INFOID:000000012523973

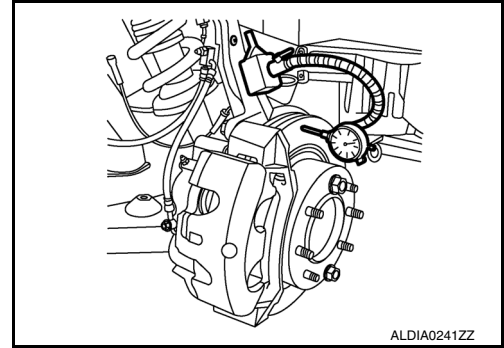
Make sure the mounting conditions (looseness, backlash) of each component and component status (wear, damage) are normal.

WHEEL BEARING INSPECTION

- Attach the disc rotor securely to the wheel hub and move in the axial direction by hand. Use suitable tool as shown to measure the axial end play. Make sure there is no looseness of wheel bearing.

Axial end play limit : Refer to [FAX-8, "Wheel Bearing"](#).

- Rotate wheel hub and make sure there is no unusual noise or other irregular conditions. If there are any irregular conditions, replace wheel hub and bearing assembly.



A

B

C

FAX

E

F

G

H

I

J

K

L

M

N

O

P

WHEEL HUB

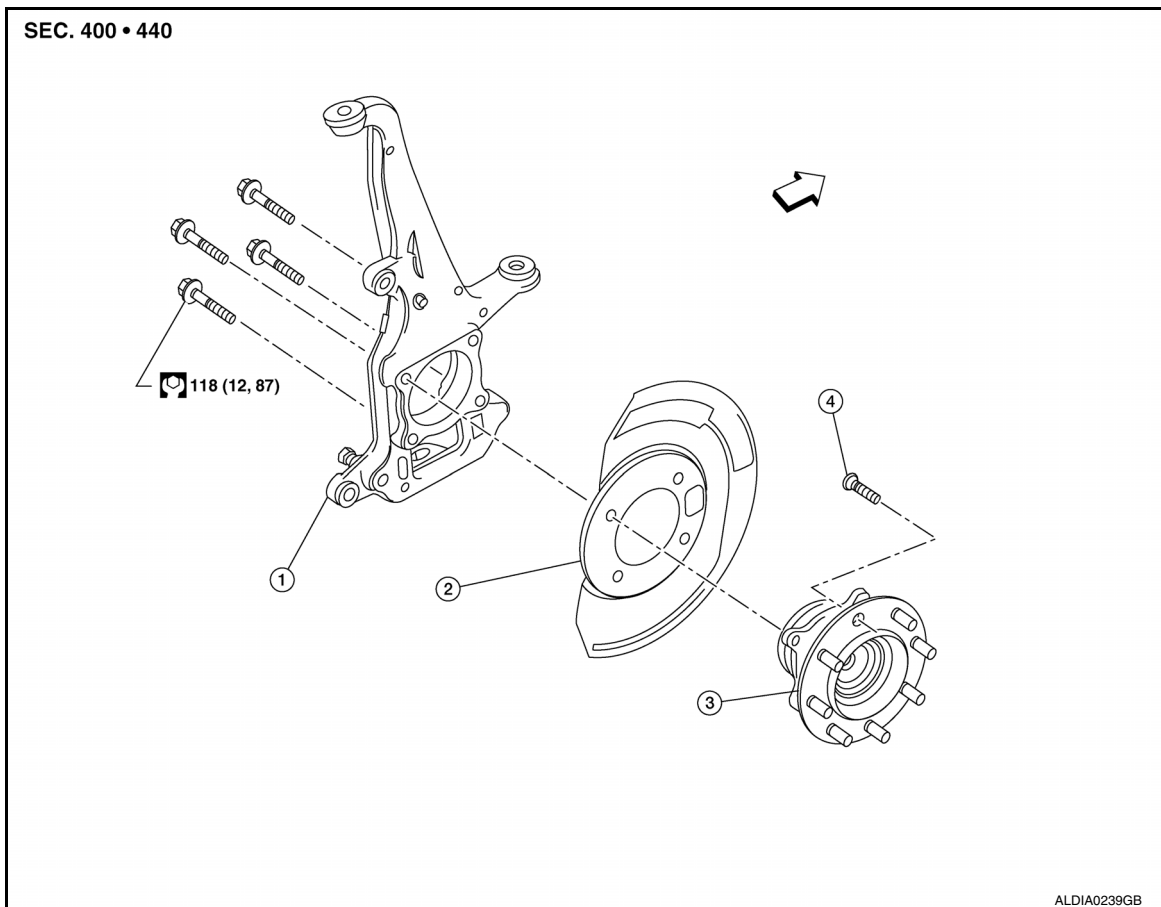
< UNIT REMOVAL AND INSTALLATION >

UNIT REMOVAL AND INSTALLATION

WHEEL HUB

Exploded View

INFOID:0000000012523974



1. Steering knuckle

2. Splash guard

3. Wheel hub and bearing assembly

4. Wheel stud

↗ Front

Removal and Installation

INFOID:0000000012523975

REMOVAL

1. Remove the wheel and tire assembly using power tool. Refer to [WT-62, "Adjustment"](#).
2. Remove the brake hose bracket from the steering knuckle. Refer to [FSU-11, "Exploded View"](#).
3. Remove the brake caliper torque member bolts using power tool, leaving the brake hose attached, then remove the disc rotor. Refer to [BR-34, "BRAKE CALIPER ASSEMBLY : Removal and Installation of Brake Caliper Assembly and Rotor"](#).

CAUTION:

Place matching marks on the wheel hub and disc rotor, if the disc rotor is to be reused.

NOTE:

Do not press brake pedal while brake caliper is removed.

4. Disconnect the harness connector from the wheel sensor.
5. Remove the harness from the routing brackets
6. Remove wheel hub and bearing assembly bolts using power tool.
7. Remove the wheel hub and bearing assembly with the wheel sensor harness from the steering knuckle.
8. Remove the splash guard.

INSPECTION AFTER REMOVAL

Check for deformity, cracks and damage on each part, replace if necessary.

WHEEL HUB

< UNIT REMOVAL AND INSTALLATION >

INSTALLATION

Installation is in the reverse order of removal.

- When installing the wheel sensor harness to the routing brackets, check that the wheel sensor harness is not twisted and the grommet is fully inserted into the bracket.

CAUTION:

- **Do not twist the wheel sensor harness.**
- **Do not pull on the wheel sensor harness.**
- When installing disc rotor on wheel hub and bearing assembly, position the disc rotor according to alignment mark.

A
B
C

FAX

E
F
G
H
I
J
K
L
M
N
O
P

SERVICE DATA AND SPECIFICATIONS (SDS)

< SERVICE DATA AND SPECIFICATIONS (SDS)

SERVICE DATA AND SPECIFICATIONS (SDS)

SERVICE DATA AND SPECIFICATIONS (SDS)

Wheel Bearing

INFOID:0000000012523976

Axial end play	0.060 mm (0.002 in) or less
----------------	-----------------------------