

SECTION IP
INSTRUMENT PANEL

A
 B
 C
 D
 E
 F
 G
 H
 I
IP
 K
 L
 M
 N
 O
 P

CONTENTS

<p>PRECAUTION 2</p> <p>PRECAUTIONS 2</p> <p style="padding-left: 20px;">Precaution for Supplemental Restraint System (SRS) "AIR BAG" and "SEAT BELT PRE-TENSIONER"2</p> <p style="padding-left: 20px;">Precaution for Work2</p> <p>PREPARATION 3</p> <p>PREPARATION 3</p> <p style="padding-left: 20px;">Special Service Tool3</p> <p style="padding-left: 20px;">Commercial Service Tool3</p> <p>CLIP LIST 4</p> <p style="padding-left: 20px;">Descriptions for Clips4</p> <p>SYMPTOM DIAGNOSIS 8</p> <p>SQUEAK AND RATTLE TROUBLE DIAGNOSES 8</p> <p style="padding-left: 20px;">Work Flow8</p> <p style="padding-left: 20px;">Generic Squeak and Rattle Troubleshooting9</p> <p style="padding-left: 20px;">Diagnostic Worksheet 12</p> <p>REMOVAL AND INSTALLATION14</p> <p>INSTRUMENT PANEL ASSEMBLY14</p> <p style="padding-left: 20px;">Exploded View 14</p>	<p style="padding-left: 20px;">Removal and Installation15</p> <p>INSTRUMENT LOWER PANEL LH18</p> <p style="padding-left: 20px;">Removal and Installation 18</p> <p>STEERING COLUMN COVERS20</p> <p style="padding-left: 20px;">Removal and Installation20</p> <p>CLUSTER LID A21</p> <p style="padding-left: 20px;">Removal and Installation21</p> <p>CLUSTER LID C22</p> <p style="padding-left: 20px;">Exploded View22</p> <p style="padding-left: 20px;">Removal and Installation22</p> <p>INSTRUMENT LOWER PANEL RH AND GLOVE BOX24</p> <p style="padding-left: 20px;">Exploded View24</p> <p style="padding-left: 20px;">Removal and Installation24</p> <p>CENTER CONSOLE ASSEMBLY25</p> <p style="padding-left: 20px;">Removal and Installation25</p> <p>UNIT DISASSEMBLY AND ASSEMBLY ...26</p> <p>CENTER CONSOLE ASSEMBLY26</p> <p style="padding-left: 20px;">Exploded View26</p> <p style="padding-left: 20px;">Disassembly and Assembly26</p>
---	--

PRECAUTIONS

< PRECAUTION >

PRECAUTION

PRECAUTIONS

Precaution for Supplemental Restraint System (SRS) "AIR BAG" and "SEAT BELT PRE-TENSIONER"

INFOID:0000000012520755

The Supplemental Restraint System such as "AIR BAG" and "SEAT BELT PRE-TENSIONER", used along with a front seat belt, helps to reduce the risk or severity of injury to the driver and front passenger for certain types of collision. This system includes seat belt switch inputs and dual stage front air bag modules. The SRS system uses the seat belt switches to determine the front air bag deployment, and may only deploy one front air bag, depending on the severity of a collision and whether the front occupants are belted or unbelted. Information necessary to service the system safely is included in the SR and SB section of this Service Manual.

WARNING:

- To avoid rendering the SRS inoperative, which could increase the risk of personal injury or death in the event of a collision which would result in air bag inflation, all maintenance must be performed by an authorized NISSAN/INFINITI dealer.
- Improper maintenance, including incorrect removal and installation of the SRS, can lead to personal injury caused by unintentional activation of the system. For removal of Spiral Cable and Air Bag Module, see the SR section.
- Do not use electrical test equipment on any circuit related to the SRS unless instructed to in this Service Manual. SRS wiring harnesses can be identified by yellow and/or orange harnesses or harness connectors.

PRECAUTIONS WHEN USING POWER TOOLS (AIR OR ELECTRIC) AND HAMMERS

WARNING:

- When working near the Airbag Diagnosis Sensor Unit or other Airbag System sensors with the Ignition ON or engine running, DO NOT use air or electric power tools or strike near the sensor(s) with a hammer. Heavy vibration could activate the sensor(s) and deploy the air bag(s), possibly causing serious injury.
- When using air or electric power tools or hammers, always switch the Ignition OFF, disconnect the battery and wait at least three minutes before performing any service.

Precaution for Work

INFOID:0000000012520756

- When removing or disassembling each component, be careful not to damage or deform it. If a component may be subject to interference, be sure to protect it with a shop cloth.
- When removing (disengaging) components with a screwdriver or similar tool, be sure to wrap the component with a shop cloth or vinyl tape to protect it.
- Protect the removed parts with a shop cloth and prevent them from being dropped.
- Replace a deformed or damaged clip.
- If a part is specified as a non-reusable part, always replace it with a new one.
- Be sure to tighten bolts and nuts securely to the specified torque.
- After installation is complete, be sure to check that each part works properly.
- Follow the steps below to clean components:
 - Water soluble dirt:
 - Dip a soft cloth into lukewarm water, wring the water out of the cloth and wipe the dirty area.
 - Then rub with a soft, dry cloth.
 - Oily dirt:
 - Dip a soft cloth into lukewarm water with mild detergent (concentration: within 2 to 3%) and wipe the dirty area.
 - Then dip a cloth into fresh water, wring the water out of the cloth and wipe the detergent off.
 - Then rub with a soft, dry cloth.
 - Do not use organic solvent such as thinner, benzene, alcohol or gasoline.
 - For genuine leather seats, use a genuine leather seat cleaner.

PREPARATION

< PREPARATION >

PREPARATION

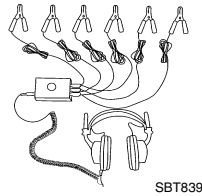
PREPARATION

Special Service Tool

INFOID:0000000012520757

The actual shape of the tools may differ from those illustrated here.

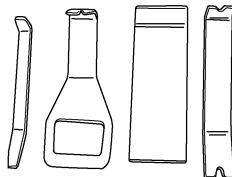
Tool number (TechMate No.) Tool name	Description
— (J-39570) Chassis Ear	Locating the noise
— (J-50397) NISSAN Squeak and Rattle kit	Repairing the cause of noise
— (J-46534) Trim Tool Set	Removing trim components



SBT839



ALJIA1232ZZ

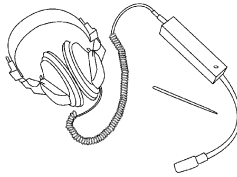


AWJIA0483ZZ

Commercial Service Tool

INFOID:0000000012520758

(TechMate No.) Tool name	Description
(J-39565) Engine Ear	Locating the noise
(—) Power Tool	Loosening nuts, screws and bolts



SIIA0995E



PIIB1407E

CLIP LIST


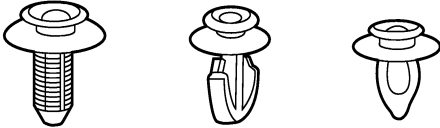


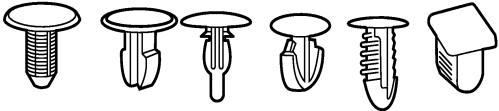
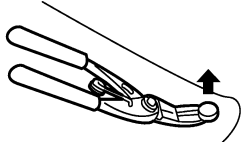

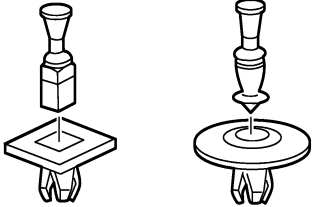
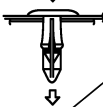
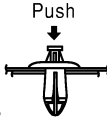

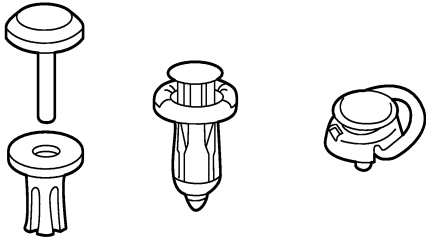
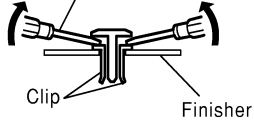

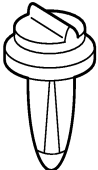
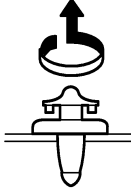
< PREPARATION >

CLIP LIST

Descriptions for Clips

INFOID:000000012520759


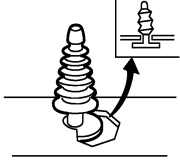
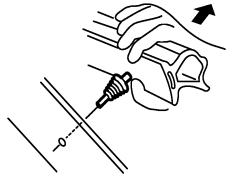

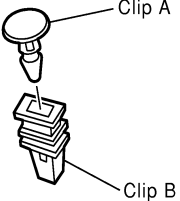
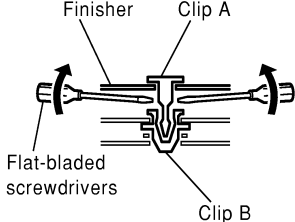

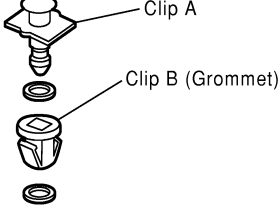
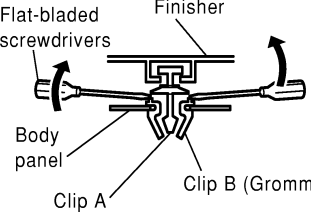
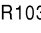

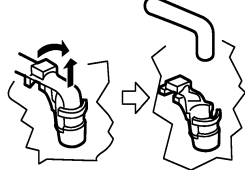

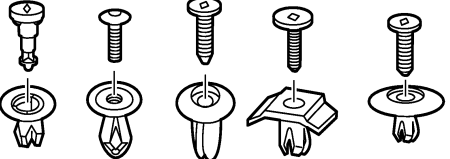

Replace any clips which are damaged during removal or installation.

Symbol No.	Shapes	Removal & Installation
<p>C101</p> 		<p>Removal: Remove by bending up with flat-bladed screwdrivers or clip remover.</p> 
<p>C103</p> 		 <p>Removal: Remove with a clip remover.</p>
<p>C203</p> 		<p>Removal: Push center pin to catching position. (Do not remove center pin by hitting it.)</p> <p>Push</p>  <p>Installation:</p> 
<p>C205</p> 		<p>Removal:</p> 
<p>C206</p> 		<p>Removal:</p> 

SIIA0315E

CLIP LIST

< PREPARATION >


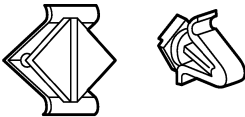
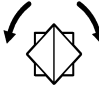
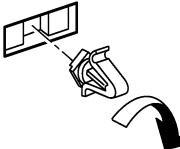

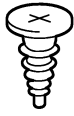



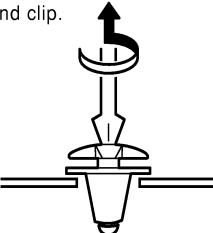


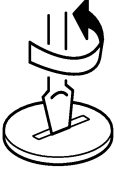
Symbol No.	Shapes	Removal & Installation
<p>CE103</p> 		<p>Removal:</p> 
<p>CF110</p> 		<p>Removal:</p> 
<p>CF118</p> 		<p>Removal:</p> 
<p>CR103</p> 		<p>Removal: Holder portion of clip must be spread out to remove rod.</p> 
<p>CS101</p> 		<p>Removal:</p> <ol style="list-style-type: none"> 1. Screw out with a Phillips screwdriver. 2. Remove female portion with flat-bladed screwdriver. 

SIIA0316E

A
B
C
D
E
F
G
H
I
IP
K
L
M
N
O
P

CLIP LIST


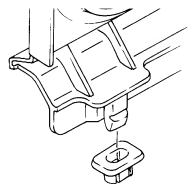
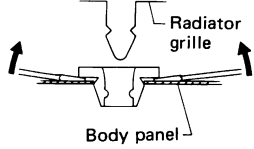
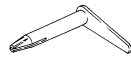
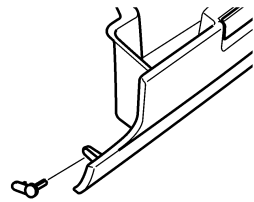
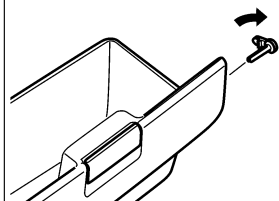
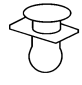
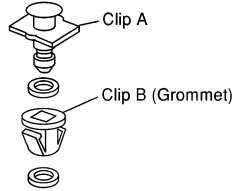
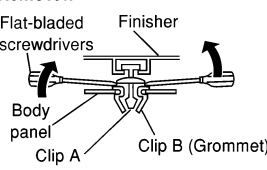
< PREPARATION >

Symbol No.	Shapes	Removal & Installation	
CG101 		Removal:  Rotate 45° to remove	Installation: 
CS102 			
CS113 		Removal: Disconnect upper connection of clip with a flat-bladed screwdriver, then remove clip while inserting a flat-bladed screwdriver between body panel and clip. 	
C111 			

SIIA0317E

CLIP LIST

< PREPARATION >

Symbol No.	Shapes	Removal & Installation
<p>CG104</p> 		<p>Removal: Remove by bending up with flat-bladed screwdrivers.</p>  <p>Radiator grille Body panel</p>
<p>CE114</p> 		
<p>CF118</p> 	 <p>Clip A Clip B (Grommet)</p>	<p>Removal: Flat-bladed screwdrivers Finisher</p>  <p>Body panel Clip A Clip B (Grommet)</p>

ALJIA0564GB

A
B
C
D
E
F
G
H
I
IP
K
L
M
N
O
P

SQUEAK AND RATTLE TROUBLE DIAGNOSES

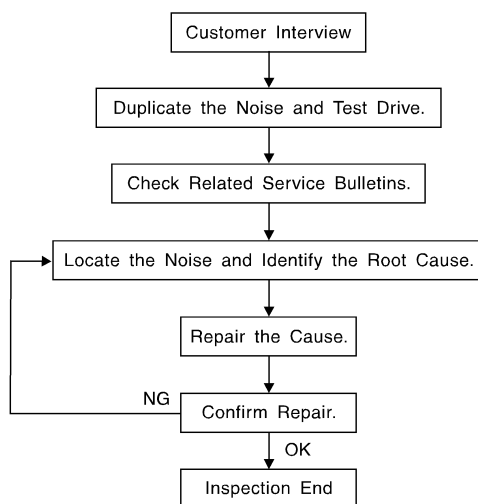
< SYMPTOM DIAGNOSIS >

SYMPTOM DIAGNOSIS

SQUEAK AND RATTLE TROUBLE DIAGNOSES

Work Flow

INFOID:000000012520760



SBT842

CUSTOMER INTERVIEW

Interview the customer if possible, to determine the conditions that exist when the noise occurs. Use the Diagnostic Worksheet during the interview to document the facts and conditions when the noise occurs and any customer's comments; refer to [IP-12, "Diagnostic Worksheet"](#). This information is necessary to duplicate the conditions that exist when the noise occurs.

- The customer may not be able to provide a detailed description or the location of the noise. Attempt to obtain all the facts and conditions that exist when the noise occurs (or does not occur).
- If there is more than one noise in the vehicle, be sure to diagnose and repair the noise that the customer is concerned about. This can be accomplished by test driving the vehicle with the customer.
- After identifying the type of noise, isolate the noise in terms of its characteristics. The noise characteristics are provided so the customer, service adviser and technician are all speaking the same language when defining the noise.
- Squeak —(Like tennis shoes on a clean floor)
Squeak characteristics include the light contact/fast movement/brought on by road conditions/hard surfaces = higher pitch noise/softer surfaces = lower pitch noises/edge to surface = chirping.
- Creak—(Like walking on an old wooden floor)
Creak characteristics include firm contact/slow movement/twisting with a rotational movement/pitch dependent on materials/often brought on by activity.
- Rattle—(Like shaking a baby rattle)
Rattle characteristics include the fast repeated contact/vibration or similar movement/loose parts/missing clip or fastener/incorrect clearance.
- Knock —(Like a knock on a door)
Knock characteristics include hollow sounding/sometimes repeating/often brought on by driver action.
- Tick—(Like a clock second hand)
Tick characteristics include gentle contacting of light materials/loose components/can be caused by driver action or road conditions.
- Thump—(Heavy, muffled knock noise)
Thump characteristics include softer knock/dead sound often brought on by activity.
- Buzz—(Like a bumble bee)
Buzz characteristics include high frequency rattle/firm contact.
- Often the degree of acceptable noise level will vary depending upon the person. A noise that you may judge as acceptable may be very irritating to the customer.
- Weather conditions, especially humidity and temperature, may have a great effect on noise level.

DUPLICATE THE NOISE AND TEST DRIVE

SQUEAK AND RATTLE TROUBLE DIAGNOSES

< SYMPTOM DIAGNOSIS >

If possible, drive the vehicle with the customer until the noise is duplicated. Note any additional information on the Diagnostic Worksheet regarding the conditions or location of the noise. This information can be used to duplicate the same conditions when you confirm the repair.

If the noise can be duplicated easily during the test drive, to help identify the source of the noise, try to duplicate the noise with the vehicle stopped by doing one or all of the following:

- 1) Close a door.
 - 2) Tap or push/pull around the area where the noise appears to be coming from.
 - 3) Rev the engine.
 - 4) Use a floor jack to recreate vehicle "twist".
 - 5) At idle, apply engine load (electrical load, half-clutch on M/T model, drive position on CVT and A/T models).
 - 6) Raise the vehicle on a hoist and hit a tire with a rubber hammer.
- Drive the vehicle and attempt to duplicate the conditions the customer states exist when the noise occurs.
 - If it is difficult to duplicate the noise, drive the vehicle slowly on an undulating or rough road to stress the vehicle body.

CHECK RELATED SERVICE BULLETINS

After verifying the customer concern or symptom, check ASIST for Technical Service Bulletins (TSBs) related to that concern or symptom.

If a TSB relates to the symptom, follow the procedure to repair the noise.

LOCATE THE NOISE AND IDENTIFY THE ROOT CAUSE

1. Narrow down the noise to a general area. To help pinpoint the source of the noise, use a listening tool (Chassis Ear: J-39570, Engine Ear: J-39565 and mechanic's stethoscope).
2. Narrow down the noise to a more specific area and identify the cause of the noise by:
 - removing the components in the area that you suspect the noise is coming from.
Do not use too much force when removing clips and fasteners, otherwise clips and fasteners can be broken or lost during the repair, resulting in the creation of new noise.
 - tapping or pushing/pulling the component that you suspect is causing the noise.
Do not tap or push/pull the component with excessive force, otherwise the noise will be eliminated only temporarily.
 - feeling for a vibration with your hand by touching the component(s) that you suspect is (are) causing the noise.
 - placing a piece of paper between components that you suspect are causing the noise.
 - looking for loose components and contact marks.Refer to [IP-9, "Generic Squeak and Rattle Troubleshooting"](#).

REPAIR THE CAUSE

- If the cause is a loose component, tighten the component securely.
- If the cause is insufficient clearance between components:
 - separate components by repositioning or loosening and retightening the component, if possible.
 - insulate components with a suitable insulator such as urethane pads, foam blocks, felt cloth tape or urethane tape. A NISSAN Squeak and Rattle Kit (J-50397) is available through your authorized NISSAN Parts Department.

CAUTION:

Do not use excessive force as many components are constructed of plastic and may be damaged.

NOTE:

- Always check with the Parts Department for the latest parts information.
- The materials contained in the NISSAN Squeak and Rattle Kit (J-50397) are listed on the inside cover of the kit; and can each be ordered separately as needed.
- The following materials not found in the kit can also be used to repair squeaks and rattles.
 - SILICONE GREASE: Use instead of UHMW tape that will be visible or does not fit. The silicone grease will only last a few months.
 - SILICONE SPRAY: Use when grease cannot be applied.
 - DUCT TAPE: Use to eliminate movement.

CONFIRM THE REPAIR

Confirm that the cause of a noise is repaired by test driving the vehicle. Operate the vehicle under the same conditions as when the noise originally occurred. Refer to the notes on the Diagnostic Worksheet.

Generic Squeak and Rattle Troubleshooting

INFOID:000000012520761

Refer to Table of Contents for specific component removal and installation information.

SQUEAK AND RATTLE TROUBLE DIAGNOSES

< SYMPTOM DIAGNOSIS >

INSTRUMENT PANEL

Most incidents are caused by contact and movement between:

1. Cluster lid A and the instrument panel
2. Acrylic lens and combination meter housing
3. Instrument panel to front pillar finisher
4. Instrument panel to windshield
5. Instrument panel pins
6. Wiring harnesses behind the combination meter
7. A/C defroster duct and duct joint

These incidents can usually be located by tapping or moving the components to duplicate the noise or by pressing on the components while driving to stop the noise. Most of these incidents can be repaired by applying felt cloth tape or silicone spray (in hard to reach areas). Urethane pads can be used to insulate wiring harness.

CAUTION:

Do not use silicone spray to isolate a squeak or rattle. If you saturate the area with silicone, you will not be able to recheck the repair.

CENTER CONSOLE

Components to pay attention to include:

1. Shift selector assembly cover to finisher
2. A/C control unit and cluster lid C
3. Wiring harnesses behind audio and A/C control unit

The instrument panel repair and isolation procedures also apply to the center console.

DOORS

Pay attention to the:

1. Finisher and inner panel making a slapping noise
2. Inside handle escutcheon to door finisher
3. Wiring harnesses tapping
4. Door striker out of alignment causing a popping noise on starts and stops

Tapping or moving the components or pressing on them while driving to duplicate the conditions can isolate many of these incidents. You can usually insulate the areas with felt cloth tape or insulator foam blocks from the NISSAN Squeak and Rattle Kit (J-50397) to repair the noise.

TRUNK

Trunk noises are often caused by a loose jack or loose items put into the trunk by the owner.

In addition look for:

1. Trunk lid bumpers out of adjustment
2. Trunk lid striker out of adjustment
3. The trunk lid torsion bars knocking together
4. A loose license plate or bracket

Most of these incidents can be repaired by adjusting, securing or insulating the item(s) or component(s) causing the noise.

SUNROOF/HEADLINING

Noises in the sunroof/headlining area can often be traced to one of the following:

1. Sunroof lid, rail, linkage or seals making a rattle or light knocking noise
2. Sun visor shaft shaking in the holder
3. Front or rear windshield touching headlining and squeaking

Again, pressing on the components to stop the noise while duplicating the conditions can isolate most of these incidents. Repairs usually consist of insulating with felt cloth tape.

OVERHEAD CONSOLE (FRONT AND REAR)

Overhead console noises are often caused by the console panel clips not being engaged correctly. Most of these incidents are repaired by pushing up on the console at the clip locations until the clips engage.

In addition look for:

SQUEAK AND RATTLE TROUBLE DIAGNOSES

< SYMPTOM DIAGNOSIS >

1. Loose harness or harness connectors.
2. Front console map/reading lamp lens loose.
3. Loose screws at console attachment points.

A

SEATS

When isolating seat noise it's important to note the position the seat is in and the load placed on the seat when the noise is present. These conditions should be duplicated when verifying and isolating the cause of the noise.

B

Cause of seat noise include:

C

1. Headrest rods and holder
2. A squeak between the seat pad cushion and frame
3. The rear seatback lock and bracket

D

These noises can be isolated by moving or pressing on the suspected components while duplicating the conditions under which the noise occurs. Most of these incidents can be repaired by repositioning the component or applying urethane tape to the contact area.

E

UNDERHOOD

Some interior noise may be caused by components under the hood or on the engine wall. The noise is then transmitted into the passenger compartment.

F

Causes of transmitted underhood noise include:

1. Any component installed to the engine wall
2. Components that pass through the engine wall
3. Engine wall mounts and connectors
4. Loose radiator installation pins
5. Hood bumpers out of adjustment
6. Hood striker out of adjustment

G

H

These noises can be difficult to isolate since they cannot be reached from the interior of the vehicle. The best method is to secure, move or insulate one component at a time and test drive the vehicle. Also, engine rpm or load can be changed to isolate the noise. Repairs can usually be made by moving, adjusting, securing, or insulating the component causing the noise.

I

IP

K

L

M

N

O

P

SQUEAK AND RATTLE TROUBLE DIAGNOSES

< SYMPTOM DIAGNOSIS >

Diagnostic Worksheet

INFOID:000000012520762

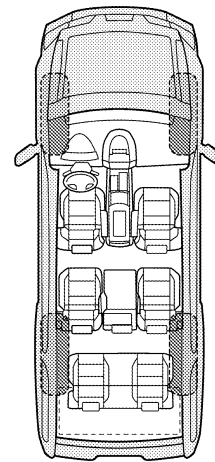
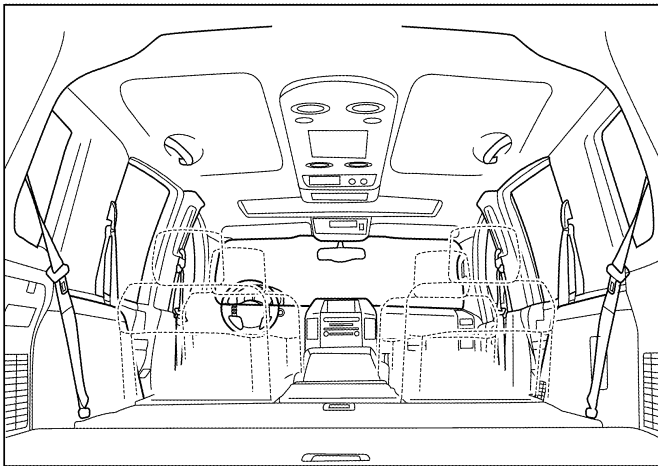
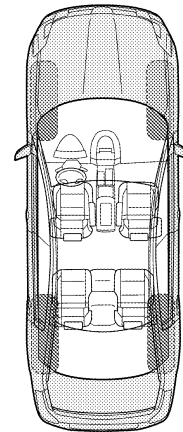
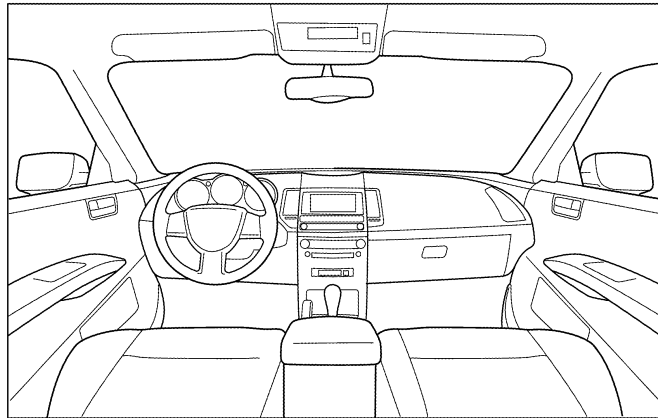
Dear Customer:

We are concerned about your satisfaction with your vehicle. Repairing a squeak or rattle sometimes can be very difficult. To help us fix your vehicle right the first time, please take a moment to note the area of the vehicle where the squeak or rattle occurs and under what conditions. You may be asked to take a test drive with a service advisor or technician to ensure we confirm the noise you are hearing.

SQUEAK & RATTLE DIAGNOSTIC WORKSHEET

I. WHERE DOES THE NOISE COME FROM? (circle the area of the vehicle)

The illustrations are for reference only, and may not reflect the actual configuration of your vehicle.



Continue to page 2 of the worksheet and briefly describe the location of the noise or rattle. In addition, please indicate the conditions which are present when the noise occurs.

SQUEAK AND RATTLE TROUBLE DIAGNOSES

< SYMPTOM DIAGNOSIS >

SQUEAK & RATTLE DIAGNOSTIC WORKSHEET - page 2

Briefly describe the location where the noise occurs:

II. WHEN DOES IT OCCUR? (please check the boxes that apply)

- | | |
|---|--|
| <input type="checkbox"/> Anytime | <input type="checkbox"/> After sitting out in the rain |
| <input type="checkbox"/> 1st time in the morning | <input type="checkbox"/> When it is raining or wet |
| <input type="checkbox"/> Only when it is cold outside | <input type="checkbox"/> Dry or dusty conditions |
| <input type="checkbox"/> Only when it is hot outside | <input type="checkbox"/> Other: |

III. WHEN DRIVING:

- Through driveways
- Over rough roads
- Over speed bumps
- Only about ____ mph
- On acceleration
- Coming to a stop
- On turns: left, right or either (circle)
- With passengers or cargo
- Other: _____
- After driving ____ miles or ____ minutes

IV. WHAT TYPE OF NOISE

- Squeak (like tennis shoes on a clean floor)
- Creak (like walking on an old wooden floor)
- Rattle (like shaking a baby rattle)
- Knock (like a knock at the door)
- Tick (like a clock second hand)
- Thump (heavy muffled knock noise)
- Buzz (like a bumble bee)

TO BE COMPLETED BY DEALERSHIP PERSONNEL

Test Drive Notes:

	YES	NO	Initials of person performing
Vehicle test driven with customer	<input type="checkbox"/>	<input type="checkbox"/>	_____
- Noise verified on test drive	<input type="checkbox"/>	<input type="checkbox"/>	_____
- Noise source located and repaired	<input type="checkbox"/>	<input type="checkbox"/>	_____
- Follow up test drive performed to confirm repair	<input type="checkbox"/>	<input type="checkbox"/>	_____

VIN: _____ Customer Name _____

W.O.# _____ Date: _____

This form must be attached to Work Order

LAI/A0071E

A
B
C
D
E
F
G
H
I
IP
K
L
M
N
O
P

INSTRUMENT PANEL ASSEMBLY

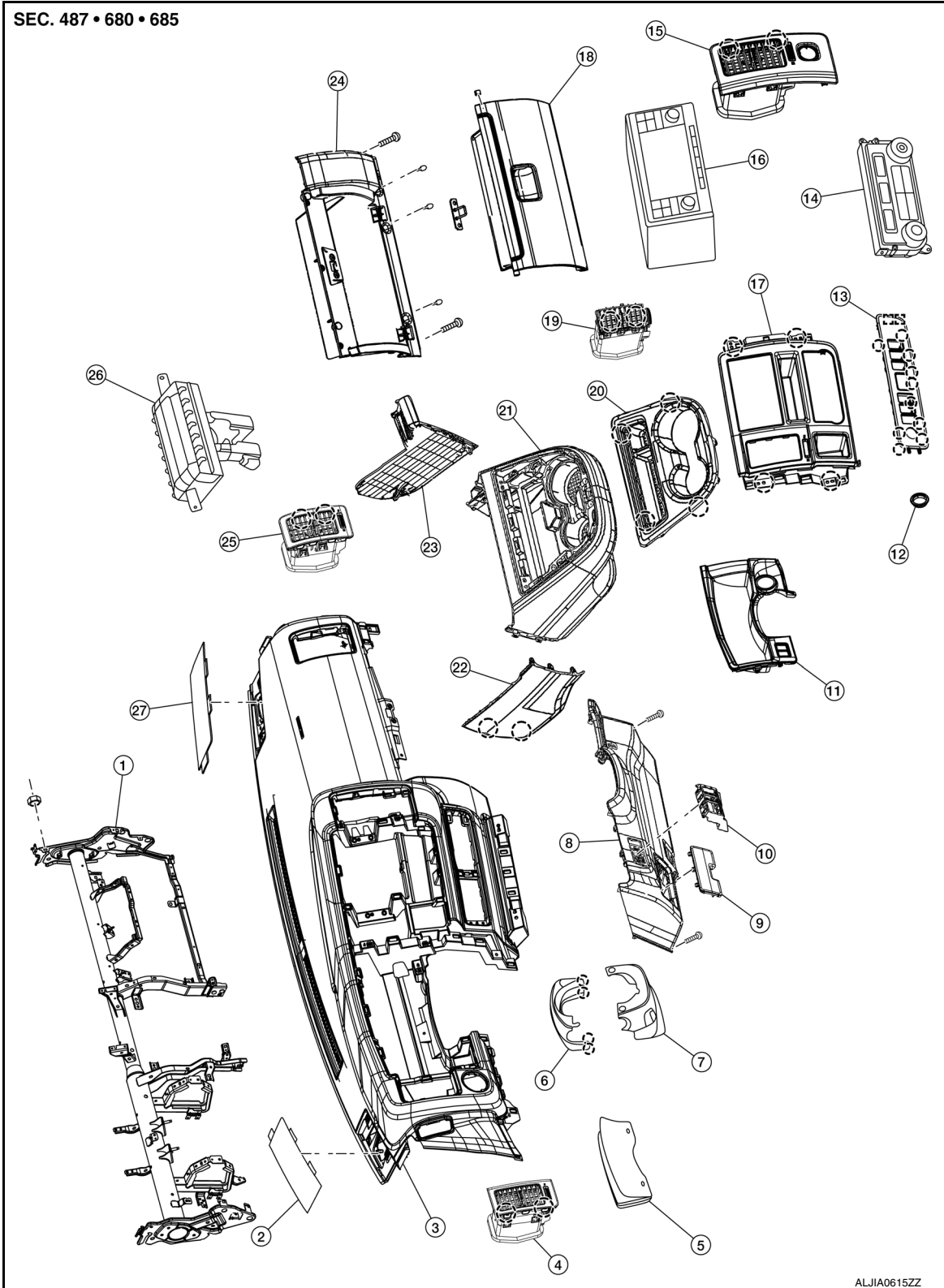
< REMOVAL AND INSTALLATION >

REMOVAL AND INSTALLATION

INSTRUMENT PANEL ASSEMBLY

Exploded View

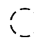
INFOID:000000012520763



INSTRUMENT PANEL ASSEMBLY

< REMOVAL AND INSTALLATION >

- | | | |
|-------------------------------------|-------------------------------------|--------------------------------------|
| 1. Steering member | 2. Tweeter grille (LH) | 3. Instrument panel and pad assembly |
| 4. Side ventilator grille (LH) | 5. Combination meter | 6. Steering column upper cover |
| 7. Steering column lower cover | 8. Instrument lower panel LH | 9. Fuse access cover |
| 10. Switch assembly | 11. Cluster lid A | 12. Key cylinder escutcheon |
| 13. Instrument panel switch carrier | 14. Front air control | 15. Center ventilator grille (RH) |
| 16. Audio unit | 17. Cluster lid C | 18. Glove box door |
| 19. Center ventilator grille (LH) | 20. Center lower IP finisher | 21. Center lower IP assembly |
| 22. Instrument center finisher (LH) | 23. Instrument center finisher (RH) | 24. Instrument lower panel RH |
| 25. Side ventilator grille (RH) | 26. Front passenger air bag module | 27. Tweeter grille (RH) |

 Pawl

Removal and Installation

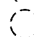
INFOID:0000000012520764

REMOVAL

WARNING:

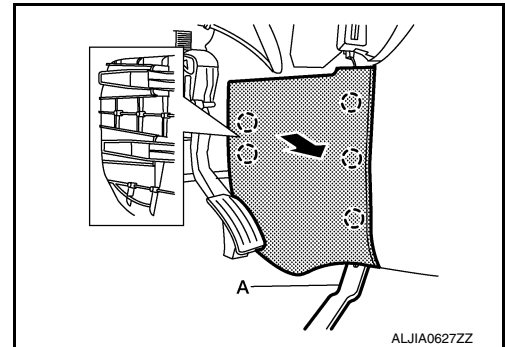
Before servicing, turn the ignition switch off, disconnect both battery terminals and wait at least three minutes.

1. Disconnect both the negative and positive terminals, then wait at least three minutes.
2. Remove front center console (if equipped). Refer to [IP-25. "Removal and Installation"](#).
3. Remove the combination switch assembly. Refer to [EXL-127. "Removal and Installation"](#).
4. Remove combination meter. Refer to [MWI-68. "Removal and Installation"](#).
5. Remove audio unit. Refer to [AV-27. "Removal and Installation"](#) (BASE AUDIO), [AV-78. "Removal and Installation"](#) (MID AUDIO), or [AV-146. "Removal and Installation"](#) (PREMIUM AUDIO).
6. Remove the lighting switch. Refer to [EXL-125. "Removal and Installation"](#).
7. Remove the steering wheel. Refer to [ST-10. "Removal and Installation"](#).
8. Release the clips, then remove the instrument center finisher (LH/RH).

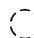
 Pawl

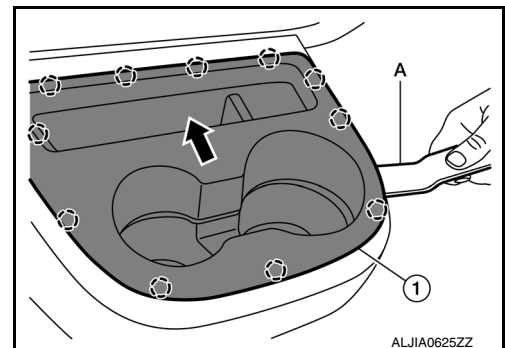
NOTE:

LH side shown; RH similar



9. Remove the instrument lower panel RH and glove box. Refer to [IP-24. "Removal and Installation"](#).
10. Release the pawls using a suitable tool (A), then pulling upward, remove the center lower IP finisher (1).

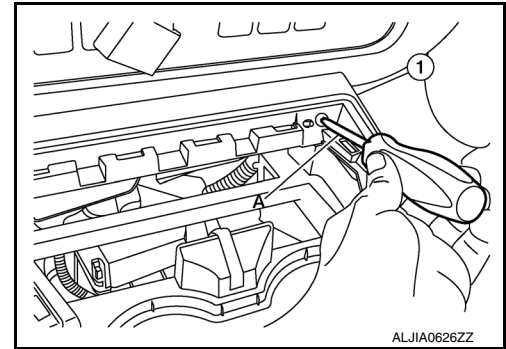
 Pawl



INSTRUMENT PANEL ASSEMBLY

< REMOVAL AND INSTALLATION >

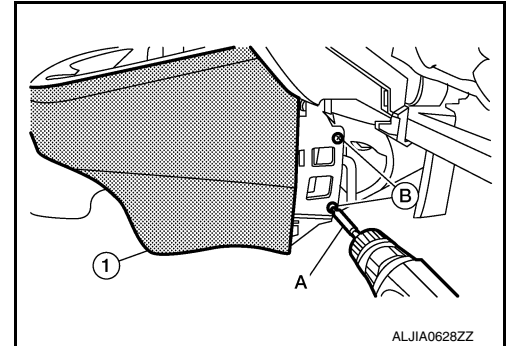
11. Remove two upper screws from the center lower IP assembly (1), using a suitable tool (A).



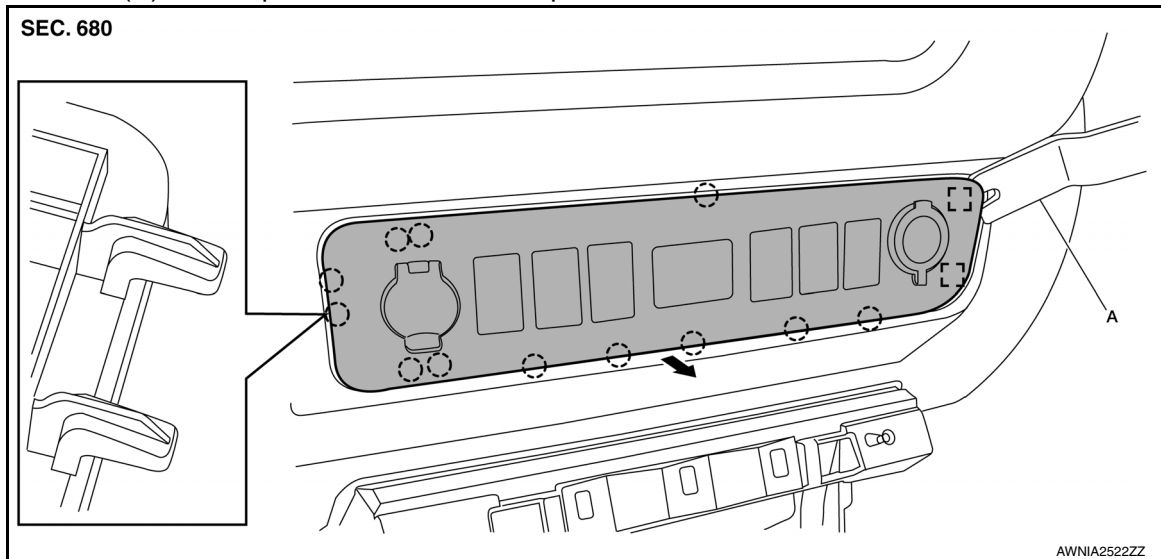
12. Remove two lower screws (B) from RH side and LH side using a suitable tool (A), then remove the center lower IP assembly (1).

NOTE:

RH side shown; LH similar.



13. Beginning on the RH side of the instrument panel switch carrier, release the metal clips and pawls using a suitable tool (A), then reposition the instrument panel switch carrier.



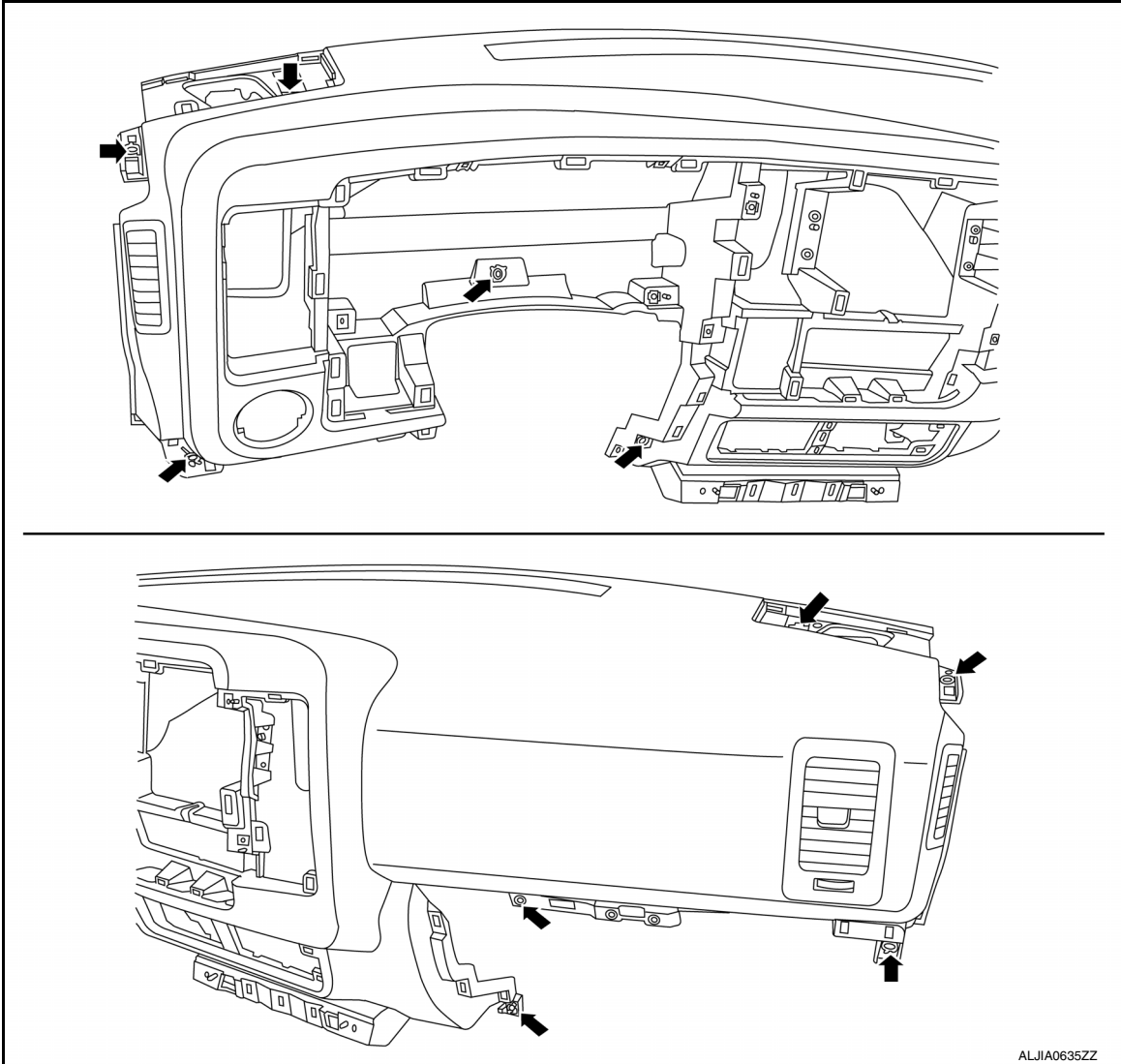
- ☐: Metal clip
- : Pawl

14. Disconnect the harness connector from each switch in the instrument panel switch carrier and remove carrier.
15. Disconnect the harness connector from the front passenger air bag module and remove the air bag module center bolt from steering member. Refer to [SR-16, "Removal and Installation"](#).
16. Remove the front pillar finisher (LH/RH) and assist grips. Refer to [INT-23, "FRONT PILLAR FINISHER : Removal and Installation"](#).
17. Release the clips, disconnect the harness connectors from center speaker and tweeters (LH/RH) (if equipped).

INSTRUMENT PANEL ASSEMBLY

< REMOVAL AND INSTALLATION >

18. Remove instrument panel and pad assembly screws.



19. Disconnect remaining optional equipment harness connectors (if equipped).

20. Release instrument panel and pad assembly lifting rearward away from steering member, then carefully remove through front door opening.

CAUTION:

Always use an assistant to steady the instrument panel and pad assembly during removal.

INSTALLATION

Installation is in the reverse order of removal.

A
B
C
D
E
F
G
H
I
IP
K
L
M
N
O
P

INSTRUMENT LOWER PANEL LH

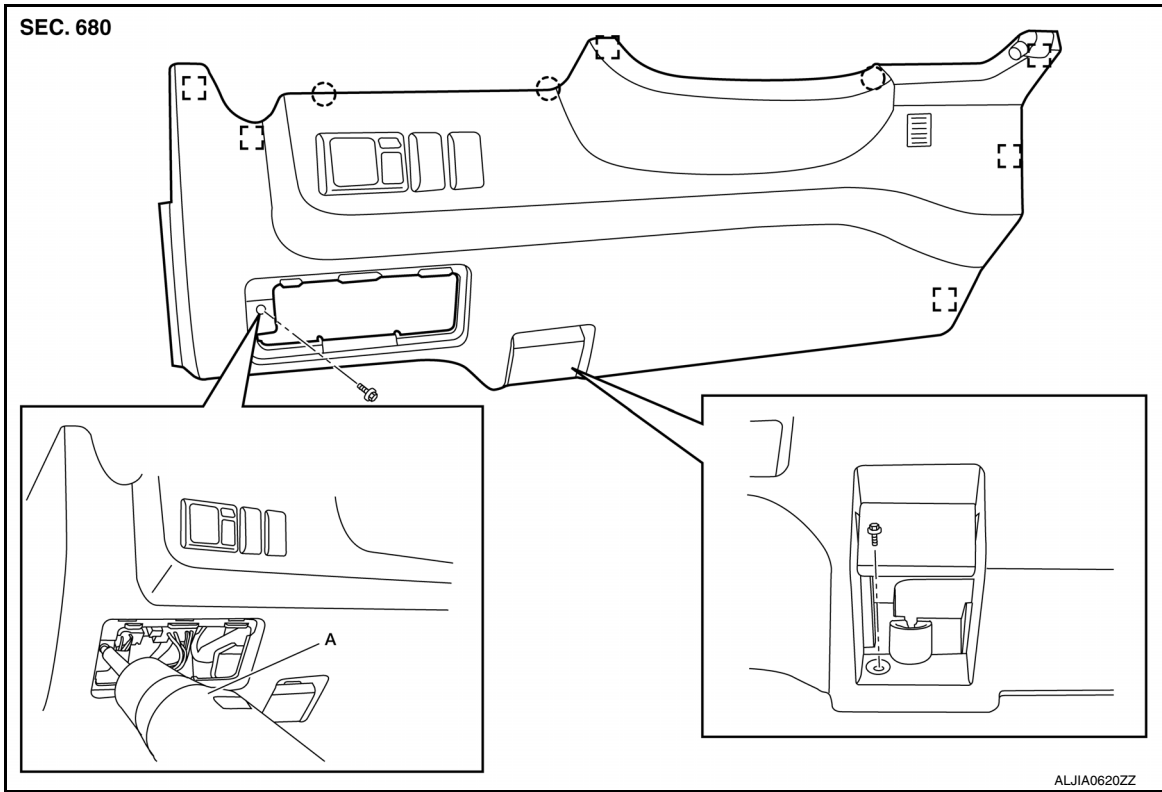
< REMOVAL AND INSTALLATION >

INSTRUMENT LOWER PANEL LH

Removal and Installation

INFOID:000000012520765

REMOVAL

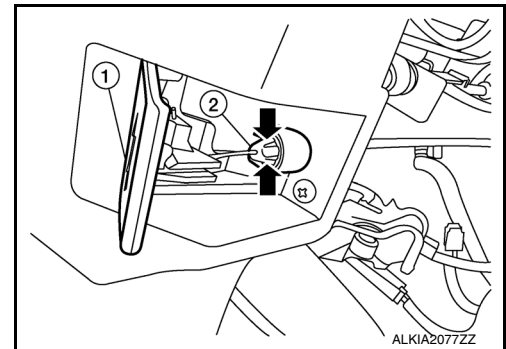


A. Suitable tool

□ Metal clip

○ Pawl

1. Remove fuse access cover by pulling rearward.
2. Lift hood release handle (1), then release the cable (2).

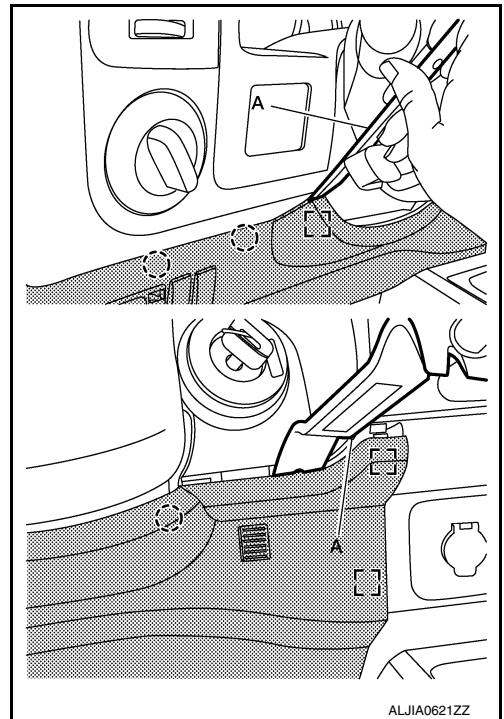


3. Remove instrument lower panel LH screws.

INSTRUMENT LOWER PANEL LH

< REMOVAL AND INSTALLATION >

4. Release the metal clips and pawls using a suitable tool (A), then pull instrument lower panel LH rearward.
 - : Metal clip
 - : Pawl



5. Disconnect harness connectors from instrument lower panel LH and remove.

INSTALLATION

Installation is in the reverse order of removal.

A
B
C
D
E
F
G
H
I
IP
K
L
M
N
O
P

STEERING COLUMN COVERS

< REMOVAL AND INSTALLATION >

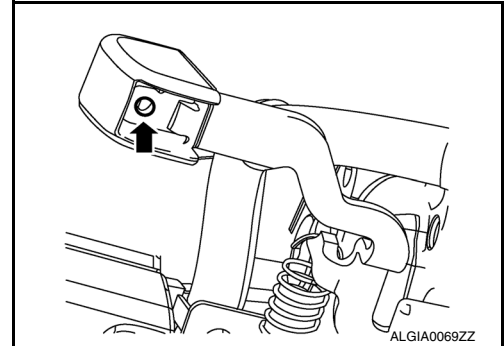
STEERING COLUMN COVERS

Removal and Installation

INFOID:000000012520766

REMOVAL

1. Remove tilt lever knob from tilt lever by inserting a suitable tool into slot of tilt lever knob, then depress tab and withdraw tilt lever knob.



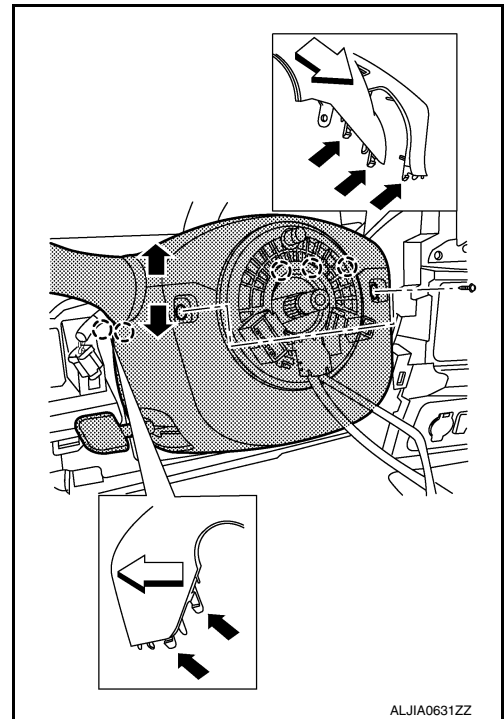
2. Remove cluster lid A. Refer to [IP-21, "Removal and Installation"](#).
3. Rotate the steering wheel enough to expose left or right steering column cover screw, then remove screw.

○: Pawl

NOTE:

Shown with steering wheel removed for clarity.

4. Rotate the steering wheel in opposite direction, then remove remaining screw.
5. Release the pawls and separate the steering column cover upper cover from the steering column lower cover and remove the covers.



INSTALLATION

Installation is in the reverse order of removal.

CLUSTER LID A

< REMOVAL AND INSTALLATION >

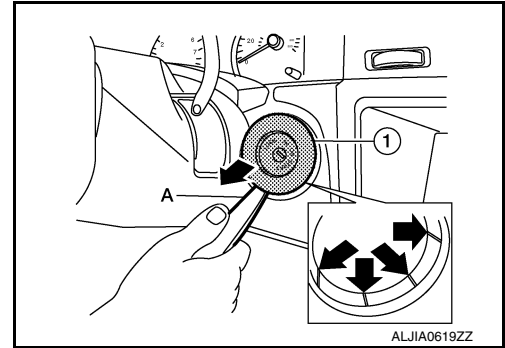
CLUSTER LID A

Removal and Installation

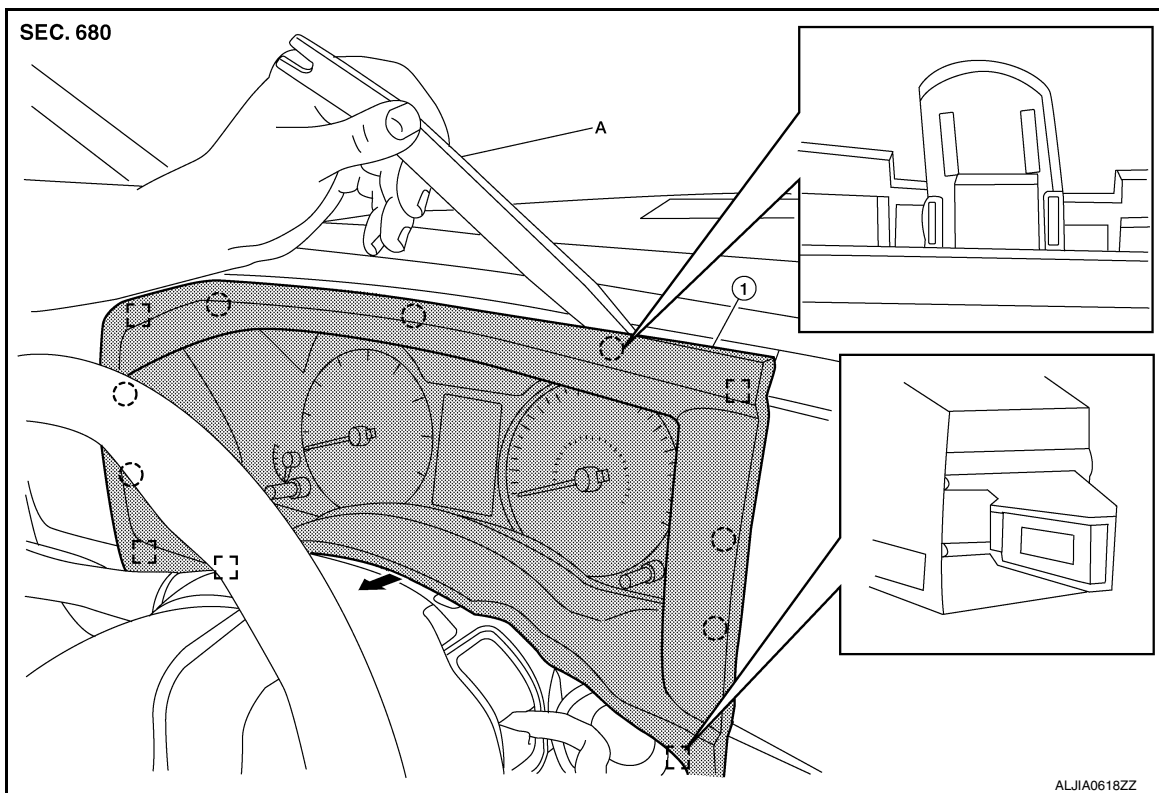
INFOID:000000012520767

REMOVAL

1. Remove instrument lower panel LH. Refer to [IP-18, "Removal and Installation"](#).
2. Remove side ventilator grille (LH). Refer to [VTL-11, "SIDE VENTILATOR GRILLES : Removal and Installation"](#).
3. Release the pawls by pulling rearward using a suitable tool (A), then remove key cylinder escutcheon (1) from cluster lid A.




4. Release the metal clips and pawls using a suitable tool (A), then pull cluster lid A rearward.



1. Cluster lid A

A. Suitable tool

 Metal clip

 Pawl

5. Disconnect harness connectors (if equipped) from cluster lid A then remove.

INSTALLATION

Installation is in the reverse order of removal.

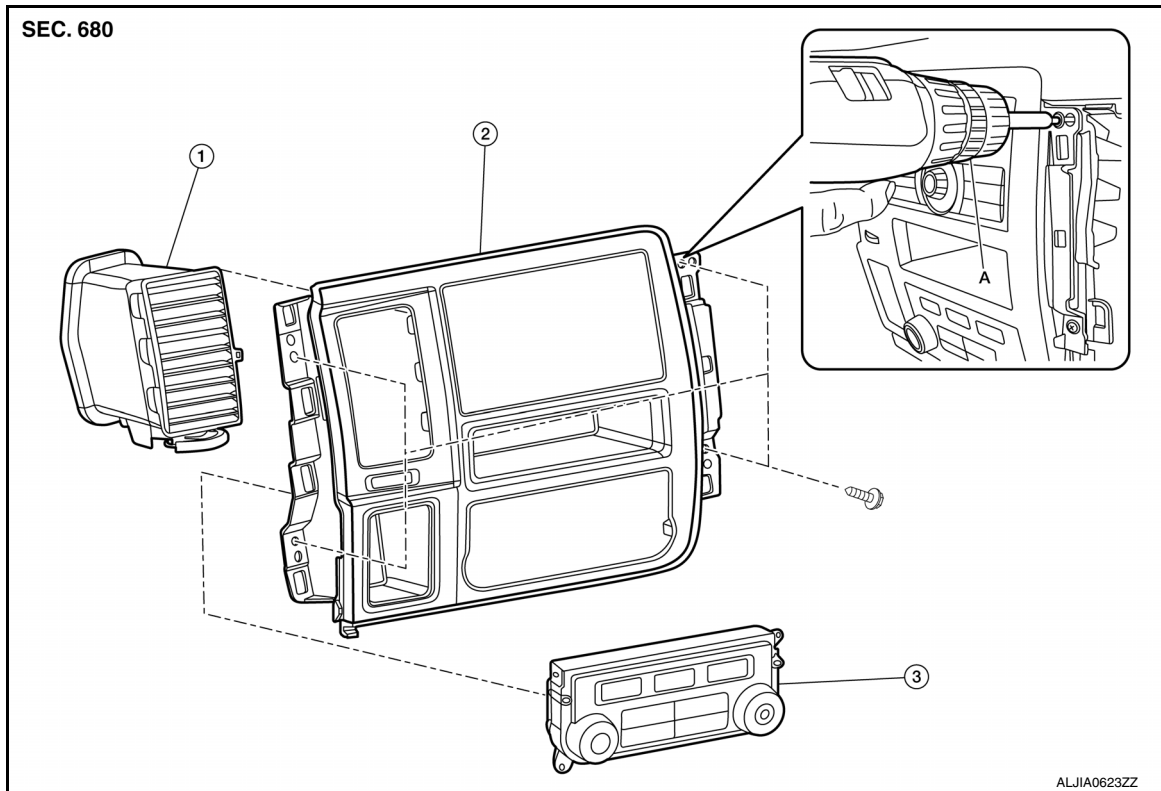
CLUSTER LID C

< REMOVAL AND INSTALLATION >

CLUSTER LID C

Exploded View

INFOID:000000012520768



1. Center ventilator grille (LH) 2. Cluster lid C 3. Front air control
A. Suitable tool

Removal and Installation

INFOID:000000012520769

REMOVAL

1. Remove cluster lid A. Refer to [IP-21, "Removal and Installation"](#).
2. Remove center ventilator grille (RH). Refer to [VTL-11, "CENTER VENTILATOR GRILLES : Removal and Installation"](#).
3. Remove cluster lid C screws, disconnect harness connector from control unit, then remove cluster lid C from instrument panel and pad assembly.
CAUTION:
The AV control unit and the front air control use the same 24-pin connector. Caution must be used to prevent misconnection. Colored tape has been added to the wiring harness to identify the connector.
 - White = AV control unit
 - Green = Front air control
4. Remove center ventilator grille (LH) from cluster lid C. Refer to [VTL-11, "CENTER VENTILATOR GRILLES : Removal and Installation"](#).
5. Remove front air control from cluster lid C. Refer to [HAC-211, "Removal and Installation - Front Air Control"](#).

INSTALLATION

Installation is in the reverse order of removal.

CAUTION:

The AV control unit and the front air control use the same 24-pin connector. Caution must be used to prevent misconnection. Colored tape has been added to the wiring harness to identify the connector.

- White = AV control unit

CLUSTER LID C

< REMOVAL AND INSTALLATION >

- Green = Front air control

A

B

C

D

E

F

G

H

I

IP

K

L

M

N

O

P

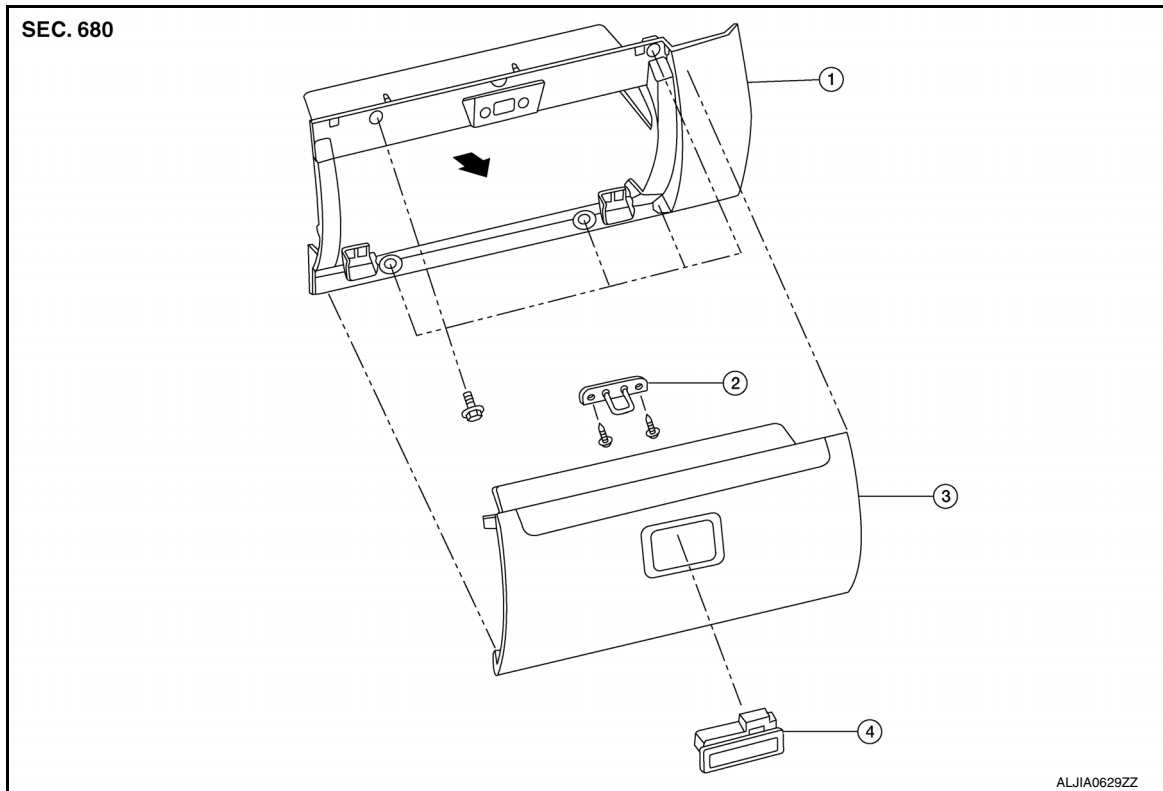
INSTRUMENT LOWER PANEL RH AND GLOVE BOX

< REMOVAL AND INSTALLATION >

INSTRUMENT LOWER PANEL RH AND GLOVE BOX

Exploded View

INFOID:000000012520770



1. Instrument lower panel RH
2. Glove box latch striker
3. Glove box door
4. Glove box latch handle

Removal and Installation

INFOID:000000012520771

REMOVAL

1. Remove the instrument lower panel RH and glove box screws, using a suitable tool.
2. Remove the instrument lower panel RH and glove box door from the instrument panel and pad assembly.
3. Remove the glove box latch striker screws from instrument panel and pad assembly, then remove latch striker.
4. Remove glove box latch handle from glove box door.

INSTALLATION

Installation is in the reverse order of removal.

CENTER CONSOLE ASSEMBLY

< REMOVAL AND INSTALLATION >

CENTER CONSOLE ASSEMBLY

Removal and Installation

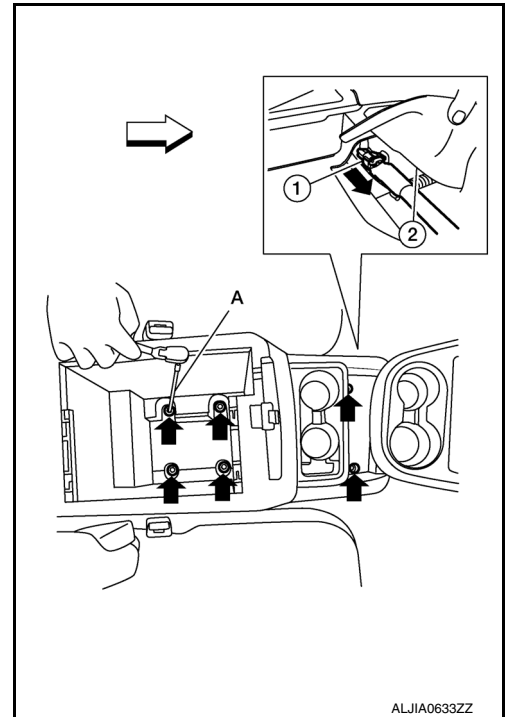
INFOID:000000012520772

REMOVAL

1. Disconnect the harness connector (1) from the center console assembly located under floor trim (2) near the front edge of the driver seat.
↳: Front
2. Open the center console lid and remove storage tray (for access). Remove the four bolts located inside the console, using a suitable tool (A).
3. Remove the two bolts located in the front storage tray.
4. Remove center console as an assembly from the floor.

CAUTION:

Always use an assistant to steady the center console assembly during removal.



INSTALLATION

Installation is in the reverse order of removal.

A
B
C
D
E
F
G
H
I

IP

K
L
M
N
O
P

CENTER CONSOLE ASSEMBLY

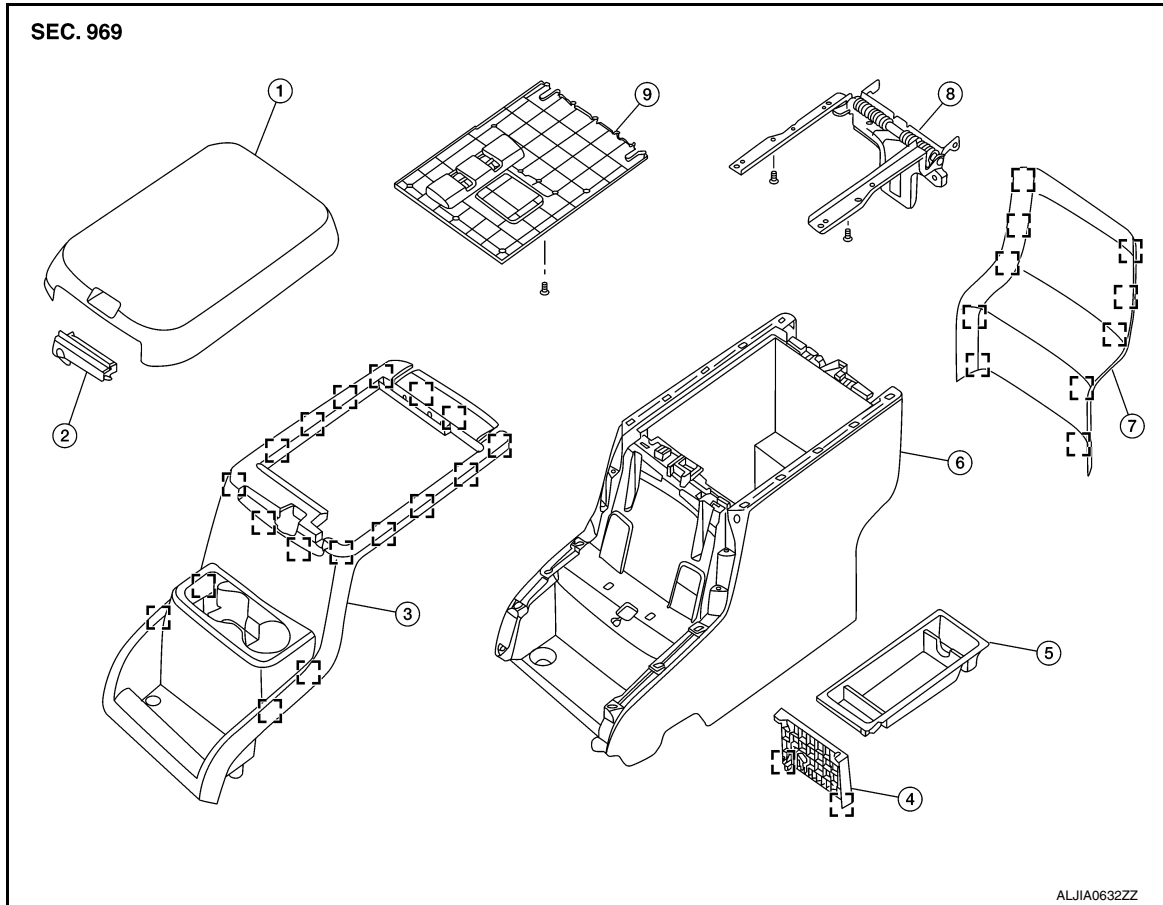
< UNIT DISASSEMBLY AND ASSEMBLY >

UNIT DISASSEMBLY AND ASSEMBLY

CENTER CONSOLE ASSEMBLY

Exploded View

INFOID:000000012520773



- | | | |
|---------------------------------|-------------------|---------------------------------------|
| 1. Center console lid | 2. Latch handle | 3. Center console upper finisher |
| 4. Outlet panel finisher | 5. Storage tray | 6. Center console housing assembly |
| 7. Center console rear finisher | 8. Hinge assembly | 9. Center console lid inside finisher |
- [] Metal clip

Disassembly and Assembly

INFOID:000000012520774

DISASSEMBLY

1. Remove latch handle and lid inside finisher from center console lid.
2. Remove center console lid and hinge assembly.
3. Remove storage tray.
4. Disconnect harness connector from power outlet and AC 120V plug (if equipped), and remove the outlet panel finisher.
5. Release the metal clips and separate the center console upper finisher from the center console housing assembly.

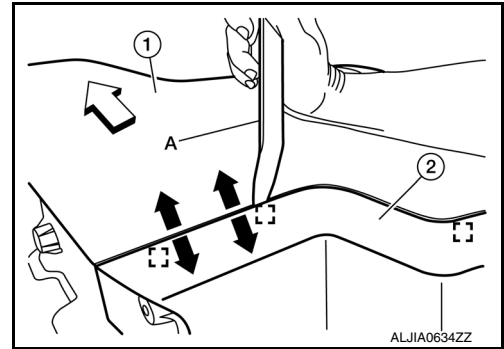
CENTER CONSOLE ASSEMBLY

< UNIT DISASSEMBLY AND ASSEMBLY >

6. Release the metal clips using a suitable tool (A) and separate the center console rear finisher (1) from center console housing assembly (2).

[]: Metal clip

[]: Front



ASSEMBLY

Assembly is in the reverse order of disassembly.

A
B
C
D
E
F
G
H
I
IP
K
L
M
N
O
P