

SECTION **SE**
SEAT

A
B
C
D
E
F
G
H
I
SE
K
L
M
N
O
P

CONTENTS

PRECAUTION	2	Removal and Installation - Seat Lumbar Actuator...	28
PRECAUTIONS	2	Removal and Installation - Seat Drawer	29
Precaution for Supplemental Restraint System (SRS) "AIR BAG" and "SEAT BELT PRE-TENSIONER"	2	Removal and Installation - Seatback Board	30
Precaution for Work	2	SECOND ROW SEATS	31
PREPARATION	3	Exploded View	31
PREPARATION	3	Removal and Installation	33
Special Service Tool	3	THIRD ROW SEATS	34
Commercial Service Tools	3	Exploded View	34
CLIP LIST	4	Removal and Installation	36
Descriptions for Clips	4	FOURTH ROW SEATS	37
WIRING DIAGRAM	8	Exploded View	37
POWER SEAT FOR DRIVER SIDE	8	Removal and Installation	39
Wiring Diagram	8	REAR SEAT RAILS	41
HEATED SEAT	12	Removal and Installation	41
Wiring Diagram	12	UNIT DISASSEMBLY AND ASSEMBLY ...	42
SYMPTOM DIAGNOSIS	16	FRONT SEAT	42
SQUEAK AND RATTLE TROUBLE DIAGNOSES	16	Exploded View	42
Work Flow	16	Disassembly and Assembly	47
Generic Squeak and Rattle Troubleshooting	17	SECOND ROW SEATS	56
Diagnostic Worksheet	20	Exploded View	56
REMOVAL AND INSTALLATION	22	Disassembly and Assembly - LH Bench Seat	58
FRONT SEAT	22	Disassembly and Assembly - RH Seat	60
Exploded View	22	THIRD ROW SEATS	64
Removal and Installation	27	Exploded View	64
Removal and Installation - Power Seat Switch	28	Disassembly and Assembly - LH Bench Seat	66
		Disassembly and Assembly - RH Seat	68
		FOURTH ROW SEATS	72
		Exploded View	72
		Disassembly and Assembly - LH Bench Seat	74
		Disassembly and Assembly - RH Bench Seat	76

PRECAUTIONS

< PRECAUTION >

PRECAUTION

PRECAUTIONS

Precaution for Supplemental Restraint System (SRS) "AIR BAG" and "SEAT BELT PRE-TENSIONER"

INFOID:000000012520775

The Supplemental Restraint System such as "AIR BAG" and "SEAT BELT PRE-TENSIONER", used along with a front seat belt, helps to reduce the risk or severity of injury to the driver and front passenger for certain types of collision. This system includes seat belt switch inputs and dual stage front air bag modules. The SRS system uses the seat belt switches to determine the front air bag deployment, and may only deploy one front air bag, depending on the severity of a collision and whether the front occupants are belted or unbelted. Information necessary to service the system safely is included in the SR and SB section of this Service Manual.

WARNING:

- To avoid rendering the SRS inoperative, which could increase the risk of personal injury or death in the event of a collision which would result in air bag inflation, all maintenance must be performed by an authorized NISSAN/INFINITI dealer.
- Improper maintenance, including incorrect removal and installation of the SRS, can lead to personal injury caused by unintentional activation of the system. For removal of Spiral Cable and Air Bag Module, see the SR section.
- Do not use electrical test equipment on any circuit related to the SRS unless instructed to in this Service Manual. SRS wiring harnesses can be identified by yellow and/or orange harnesses or harness connectors.

PRECAUTIONS WHEN USING POWER TOOLS (AIR OR ELECTRIC) AND HAMMERS

WARNING:

- When working near the Airbag Diagnosis Sensor Unit or other Airbag System sensors with the Ignition ON or engine running, DO NOT use air or electric power tools or strike near the sensor(s) with a hammer. Heavy vibration could activate the sensor(s) and deploy the air bag(s), possibly causing serious injury.
- When using air or electric power tools or hammers, always switch the Ignition OFF, disconnect the battery and wait at least three minutes before performing any service.

Precaution for Work

INFOID:000000012520776

- When removing or disassembling each component, be careful not to damage or deform it. If a component may be subject to interference, be sure to protect it with a shop cloth.
- When removing (disengaging) components with a screwdriver or similar tool, be sure to wrap the component with a shop cloth or vinyl tape to protect it.
- Protect the removed parts with a shop cloth and prevent them from being dropped.
- Replace a deformed or damaged clip.
- If a part is specified as a non-reusable part, always replace it with a new one.
- Be sure to tighten bolts and nuts securely to the specified torque.
- After installation is complete, be sure to check that each part works properly.
- Follow the steps below to clean components:
 - Water soluble dirt:
 - Dip a soft cloth into lukewarm water, wring the water out of the cloth and wipe the dirty area.
 - Then rub with a soft, dry cloth.
 - Oily dirt:
 - Dip a soft cloth into lukewarm water with mild detergent (concentration: within 2 to 3%) and wipe the dirty area.
 - Then dip a cloth into fresh water, wring the water out of the cloth and wipe the detergent off.
 - Then rub with a soft, dry cloth.
 - Do not use organic solvent such as thinner, benzene, alcohol or gasoline.
 - For genuine leather seats, use a genuine leather seat cleaner.

PREPARATION

< PREPARATION >

PREPARATION

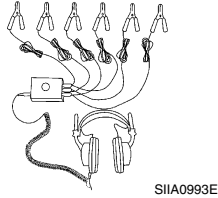
PREPARATION

Special Service Tool

INFOID:000000012520777

The actual shape of the tools may differ from those illustrated here.

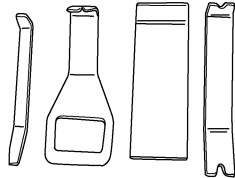
Tool number (TechMate No.) Tool name	Description
— (J-39570) Chassis Ear	Locating the noise
— (J-50397) NISSAN Squeak and Rattle Kit	Repairing the cause of noise
— (J-46534) Trim Tool Set	Removing trim components



SIIA0993E



ALJIA1232ZZ

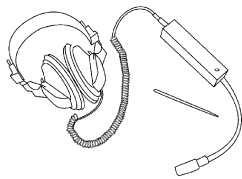


AWJIA0483ZZ

Commercial Service Tools

INFOID:000000012520778

Tool number (TechMate No.) Tool name	Description
— (J-39565) Engine Ear	Locating the noise



SIIA0995E

CLIP LIST


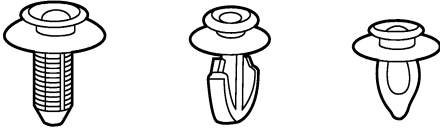


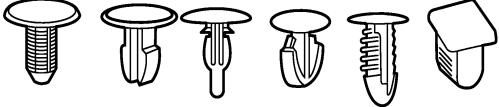
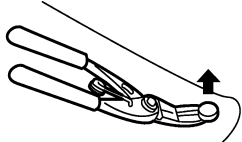

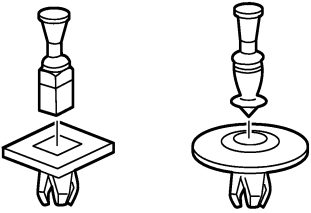
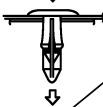
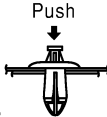

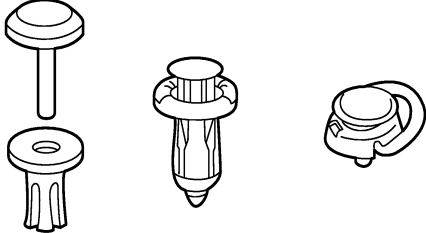
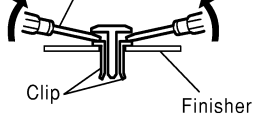

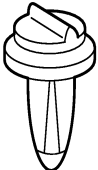
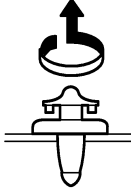
< PREPARATION >

CLIP LIST

Descriptions for Clips

INFOID:000000012520779


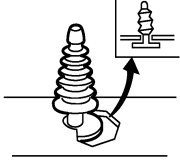
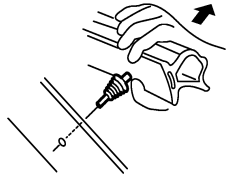

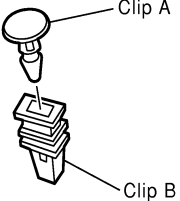
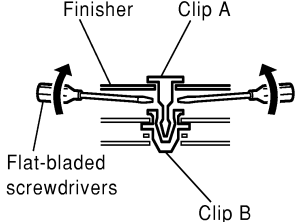

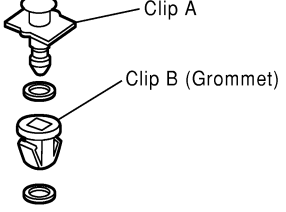
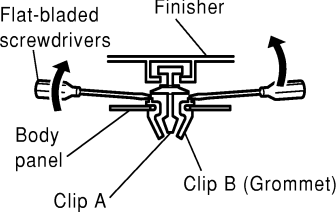
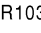

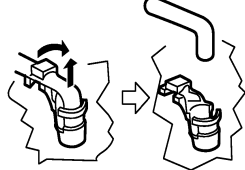

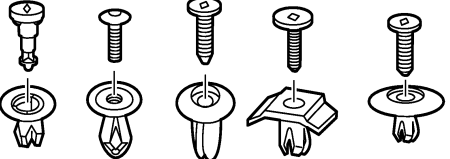

Replace any clips which are damaged during removal or installation.

Symbol No.	Shapes	Removal & Installation
<p>C101</p> 		<p>Removal: Remove by bending up with flat-bladed screwdrivers or clip remover.</p> 
<p>C103</p> 		 <p>Removal: Remove with a clip remover.</p>
<p>C203</p> 		<p>Removal: Push center pin to catching position. (Do not remove center pin by hitting it.)</p> <p>Push</p>  <p>Installation:</p> 
<p>C205</p> 		<p>Removal:</p>  <p>Flat-bladed screwdriver</p> <p>Clip</p> <p>Finisher</p>
<p>C206</p> 		<p>Removal:</p> 

SIIA0315E

CLIP LIST

< PREPARATION >


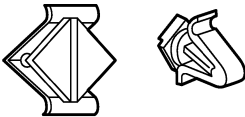
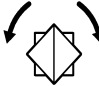
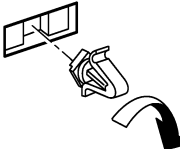

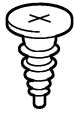



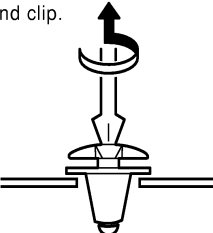


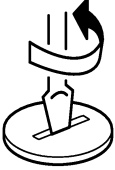
Symbol No.	Shapes	Removal & Installation
CE103 		Removal: 
CF110 		Removal: 
CF118 		Removal: 
CR103 		Removal: Holder portion of clip must be spread out to remove rod. 
CS101 		Removal: 1. Screw out with a Phillips screwdriver. 2. Remove female portion with flat-bladed screwdriver. 

SIIA0316E

A
B
C
D
E
F
G
H
I
SE
K
L
M
N
O
P

CLIP LIST


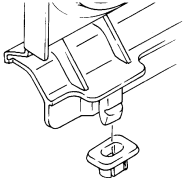
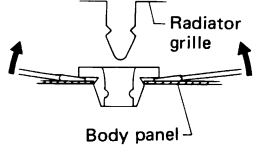

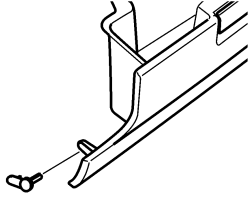
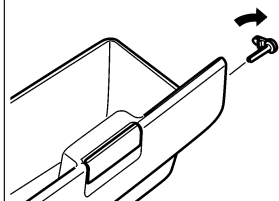
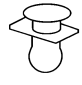
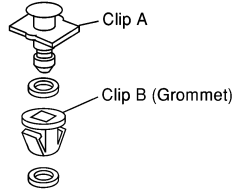
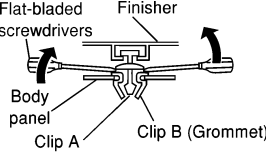
< PREPARATION >

Symbol No.	Shapes	Removal & Installation	
<p>CG101</p> 		<p>Removal:</p>  <p>Rotate 45° to remove</p>	<p>Installation:</p> 
<p>CS102</p> 			
<p>CS113</p> 		<p>Removal: Disconnect upper connection of clip with a flat-bladed screwdriver, then remove clip while inserting a flat-bladed screwdriver between body panel and clip.</p> 	
<p>C111</p> 			

SIIA0317E

CLIP LIST

< PREPARATION >

Symbol No.	Shapes	Removal & Installation
<p>CG104</p> 		<p>Removal: Remove by bending up with flat-bladed screwdrivers.</p>  <p>Radiator grille Body panel</p>
<p>CE114</p> 		
<p>CF118</p> 	 <p>Clip A Clip B (Grommet)</p>	<p>Removal: Flat-bladed screwdrivers Finisher</p>  <p>Body panel Clip A Clip B (Grommet)</p>

ALJIA0564GB

A
B
C
D
E
F
G
H
I

SE

K
L
M
N
O
P

POWER SEAT FOR DRIVER SIDE

< WIRING DIAGRAM >

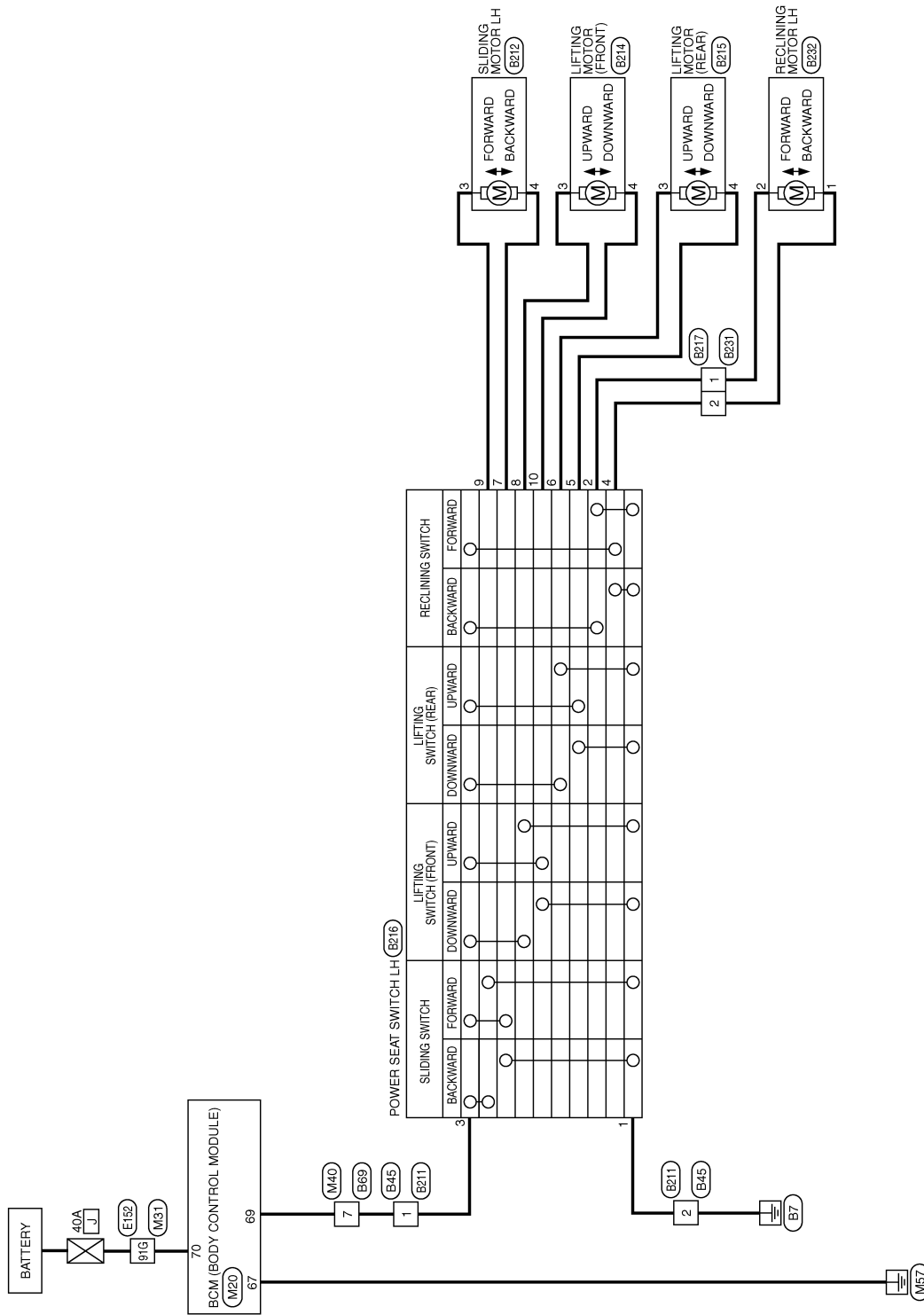
WIRING DIAGRAM

POWER SEAT FOR DRIVER SIDE

Wiring Diagram

INFOID:000000012520780

POWER SEAT FOR DRIVER SIDE



ABJWA0579GB

POWER SEAT FOR DRIVER SIDE

< WIRING DIAGRAM >

POWER SEAT FOR DRIVER SIDE CONNECTORS

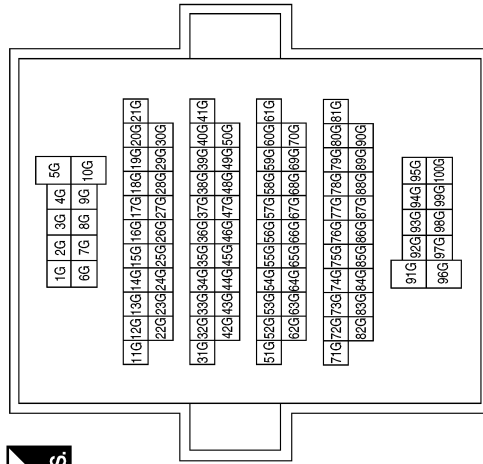
Connector No.	M20
Connector Name	BCM (BODY CONTROL MODULE)
Connector Color	BLACK

56	57	58	59	60	61	62	63	64
65	66	67	68	69	70			



Terminal No.	Color of Wire	Signal Name
67	B	GND
69	L	POWER WINDOW POWER SUPPLY (BATTERY)
70	R	BATTERY (F/L)

Connector No.	M31
Connector Name	WIRE TO WIRE
Connector Color	WHITE



Terminal No.	Color of Wire	Signal Name
91G	R	-

Connector No.	M40
Connector Name	WIRE TO WIRE
Connector Color	WHITE

5	4	3	2	1		
12	11	10	9	8	7	6



Terminal No.	Color of Wire	Signal Name
7	L	-

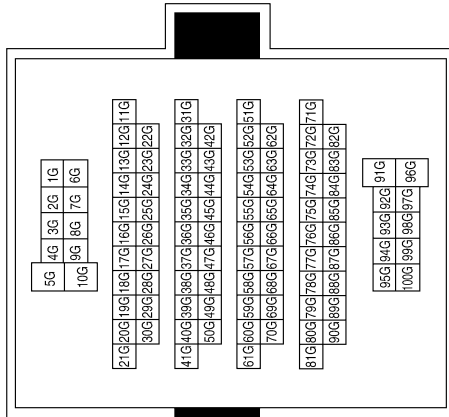
ABJIA0996GB

A
B
C
D
E
F
G
H
I
SE
K
L
M
N
O
P

POWER SEAT FOR DRIVER SIDE

< WIRING DIAGRAM >

Connector No.	E152
Connector Name	WIRE TO WIRE
Connector Color	WHITE



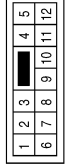
Terminal No.	91G	Color of Wire	R	Signal Name	-
--------------	-----	---------------	---	-------------	---

Connector No.	B45
Connector Name	WIRE TO WIRE
Connector Color	WHITE



Terminal No.	1	Color of Wire	L	Signal Name	-
Terminal No.	2	Color of Wire	B	Signal Name	-

Connector No.	B69
Connector Name	WIRE TO WIRE
Connector Color	WHITE



Terminal No.	7	Color of Wire	L	Signal Name	-
--------------	---	---------------	---	-------------	---

Connector No.	B211
Connector Name	WIRE TO WIRE
Connector Color	WHITE



Terminal No.	1	Color of Wire	R/Y	Signal Name	-
Terminal No.	2	Color of Wire	B	Signal Name	-

Connector No.	B212
Connector Name	SLIDING MOTOR LH
Connector Color	WHITE



Terminal No.	3	Color of Wire	W	Signal Name	-
Terminal No.	4	Color of Wire	BR	Signal Name	-

Connector No.	B214
Connector Name	LIFTING MOTOR (FRONT)
Connector Color	WHITE



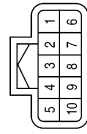
Terminal No.	3	Color of Wire	O	Signal Name	-
Terminal No.	4	Color of Wire	V	Signal Name	-

POWER SEAT FOR DRIVER SIDE

< WIRING DIAGRAM >

Terminal No.	Color of Wire	Signal Name
5	Y	-
6	L	-
7	BR	-
8	O	-
9	W	-
10	V	-

Connector No.	B216
Connector Name	POWER SEAT SWITCH LH
Connector Color	WHITE



Terminal No.	Color of Wire	Signal Name
1	B	-
2	LG	-
3	R/Y	-
4	G	-

Connector No.	B215
Connector Name	LIFTING MOTOR (REAR)
Connector Color	WHITE



Terminal No.	Color of Wire	Signal Name
3	L	-
4	Y	-

Connector No.	B232
Connector Name	RECLINING MOTOR LH
Connector Color	WHITE



Connector No.	B231
Connector Name	WIRE TO WIRE
Connector Color	WHITE



Terminal No.	Color of Wire	Signal Name
1	G	-
2	LG	-

Connector No.	B217
Connector Name	WIRE TO WIRE
Connector Color	WHITE



Terminal No.	Color of Wire	Signal Name
1	LG	-
2	G	-

ABJIA0532GB

A
B
C
D
E
F
G
H
I
SE
K
L
M
N
O
P

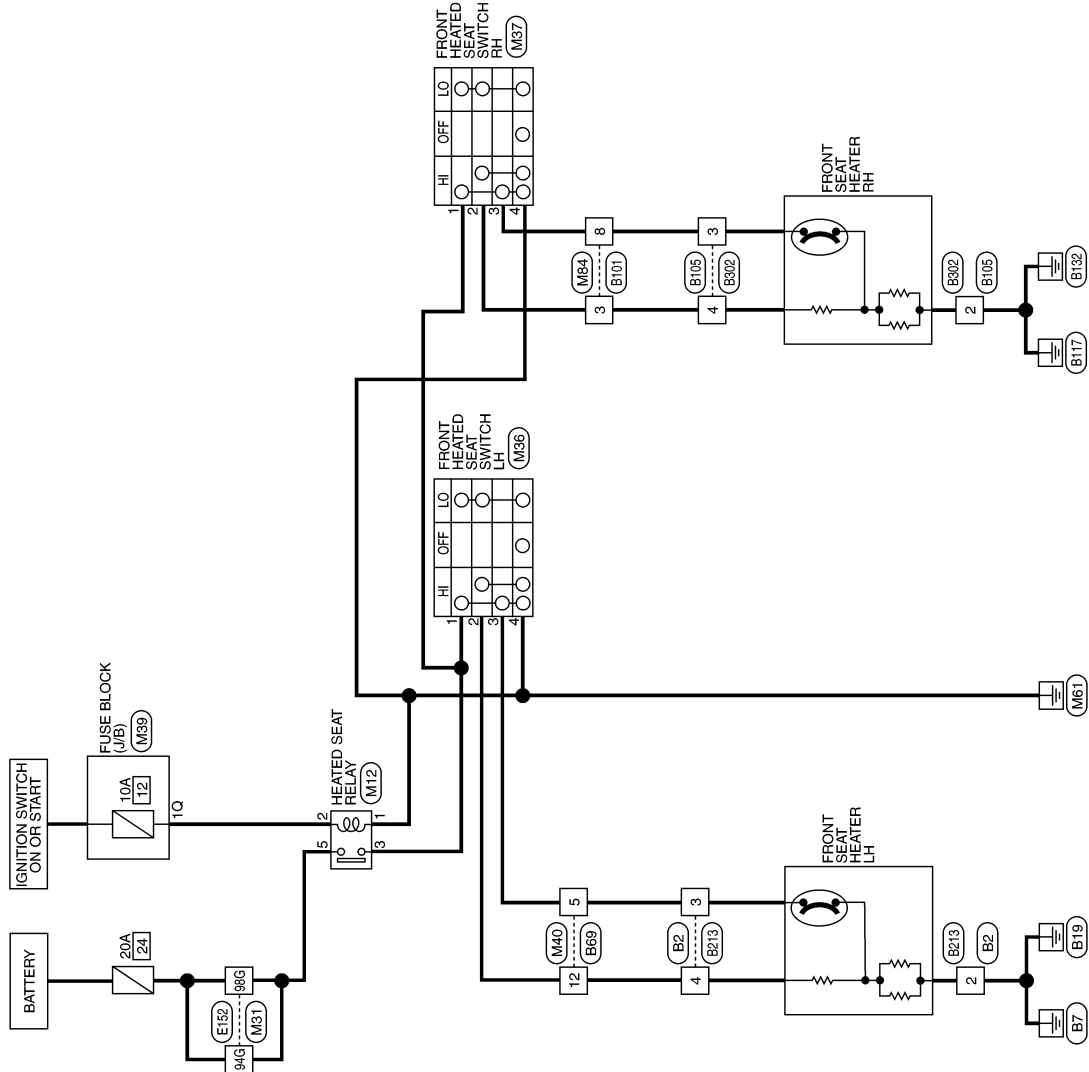
HEATED SEAT

< WIRING DIAGRAM >

HEATED SEAT

Wiring Diagram

INFOID:000000012520781



HEATED SEAT

ABJWA0417GB

HEATED SEAT

< WIRING DIAGRAM >

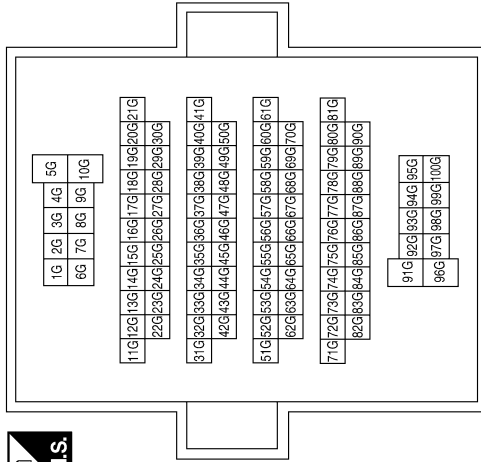
HEATED SEAT CONNECTORS

Connector No.	M12
Connector Name	HEATED SEAT RELAY
Connector Color	BLUE



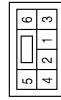
Terminal No.	Color of Wire	Signal Name
1	B	-
2	R	-
3	G	-
5	L	-

Connector No.	M31
Connector Name	WIRE TO WIRE
Connector Color	WHITE



Terminal No.	Color of Wire	Signal Name
94G	L	-
98G	L	-

Connector No.	M36
Connector Name	FRONT HEATED SEAT SWITCH LH
Connector Color	WHITE



Terminal No.	Color of Wire	Signal Name
1	G	-
2	GR	-
3	L	-
4	B	-

Connector No.	M37
Connector Name	FRONT HEATED SEAT SWITCH RH
Connector Color	BROWN



Terminal No.	Color of Wire	Signal Name
1	G	-
2	GR	-
3	L	-
4	B	-

Connector No.	M39
Connector Name	FUSE BLOCK (J/B)
Connector Color	WHITE



Terminal No.	Color of Wire	Signal Name
1Q	R	-

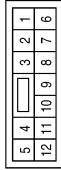
AAJIA0116GB

A
B
C
D
E
F
G
H
I
SE
K
L
M
N
O
P

HEATED SEAT

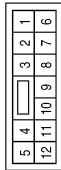
< WIRING DIAGRAM >

Connector No.	M84
Connector Name	WIRE TO WIRE
Connector Color	WHITE



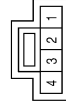
Terminal No.	Color of Wire	Signal Name
3	GR	-
8	L	-

Connector No.	M40
Connector Name	WIRE TO WIRE
Connector Color	WHITE



Terminal No.	Color of Wire	Signal Name
5	L	-
12	GR	-

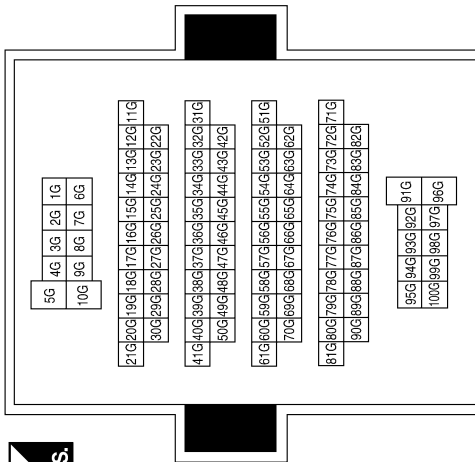
Connector No.	B2
Connector Name	WIRE TO WIRE
Connector Color	WHITE



Terminal No.	Color of Wire	Signal Name
2	B	-
3	L	-
4	GR	-

Terminal No.	94G	Color of Wire	L	Signal Name	-
	98G	Color of Wire	L	Signal Name	-

Connector No.	E152
Connector Name	WIRE TO WIRE
Connector Color	WHITE

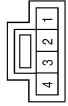


AAJIA0117GB

HEATED SEAT

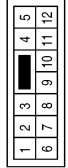
< WIRING DIAGRAM >

Connector No.	B105
Connector Name	WIRE TO WIRE
Connector Color	WHITE



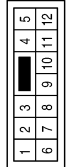
Terminal No.	Color of Wire	Signal Name
2	B	-
3	L	-
4	GR	-

Connector No.	B101
Connector Name	WIRE TO WIRE
Connector Color	WHITE



Terminal No.	Color of Wire	Signal Name
3	GR	-
8	L	-

Connector No.	B69
Connector Name	WIRE TO WIRE
Connector Color	WHITE



Terminal No.	Color of Wire	Signal Name
5	L	-
12	GR	-

Connector No.	B302
Connector Name	WIRE TO WIRE
Connector Color	WHITE



Terminal No.	Color of Wire	Signal Name
2	B	-
3	L	-
4	GR	-

Connector No.	B213
Connector Name	WIRE TO WIRE
Connector Color	WHITE



Terminal No.	Color of Wire	Signal Name
2	B	-
3	L	-
4	GR	-

AAJIA0118GB

A
B
C
D
E
F
G
H
I
SE
K
L
M
N
O
P

SQUEAK AND RATTLE TROUBLE DIAGNOSES

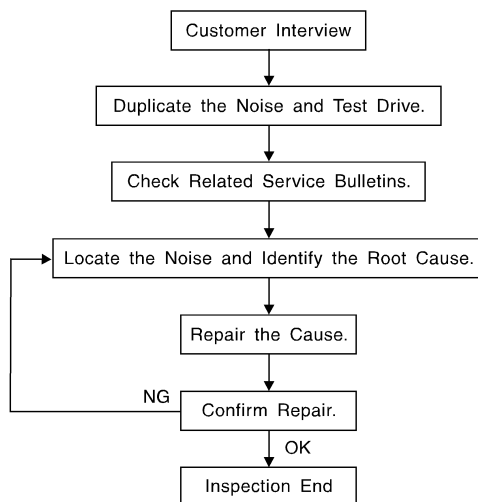
< SYMPTOM DIAGNOSIS >

SYMPTOM DIAGNOSIS

SQUEAK AND RATTLE TROUBLE DIAGNOSES

Work Flow

INFOID:000000012520782



SBT842

CUSTOMER INTERVIEW

Interview the customer if possible, to determine the conditions that exist when the noise occurs. Use the Diagnostic Worksheet during the interview to document the facts and conditions when the noise occurs and any customer's comments; refer to [SE-20, "Diagnostic Worksheet"](#). This information is necessary to duplicate the conditions that exist when the noise occurs.

- The customer may not be able to provide a detailed description or the location of the noise. Attempt to obtain all the facts and conditions that exist when the noise occurs (or does not occur).
- If there is more than one noise in the vehicle, be sure to diagnose and repair the noise that the customer is concerned about. This can be accomplished by test driving the vehicle with the customer.
- After identifying the type of noise, isolate the noise in terms of its characteristics. The noise characteristics are provided so the customer, service adviser and technician are all speaking the same language when defining the noise.
- Squeak —(Like tennis shoes on a clean floor)
Squeak characteristics include the light contact/fast movement/brought on by road conditions/hard surfaces = higher pitch noise/softer surfaces = lower pitch noises/edge to surface = chirping.
- Creak—(Like walking on an old wooden floor)
Creak characteristics include firm contact/slow movement/twisting with a rotational movement/pitch dependent on materials/often brought on by activity.
- Rattle—(Like shaking a baby rattle)
Rattle characteristics include the fast repeated contact/vibration or similar movement/loose parts/missing clip or fastener/incorrect clearance.
- Knock —(Like a knock on a door)
Knock characteristics include hollow sounding/sometimes repeating/often brought on by driver action.
- Tick—(Like a clock second hand)
Tick characteristics include gentle contacting of light materials/loose components/can be caused by driver action or road conditions.
- Thump—(Heavy, muffled knock noise)
Thump characteristics include softer knock/dead sound often brought on by activity.
- Buzz—(Like a bumble bee)
Buzz characteristics include high frequency rattle/firm contact.
- Often the degree of acceptable noise level will vary depending upon the person. A noise that you may judge as acceptable may be very irritating to the customer.
- Weather conditions, especially humidity and temperature, may have a great effect on noise level.

DUPLICATE THE NOISE AND TEST DRIVE

SQUEAK AND RATTLE TROUBLE DIAGNOSES

< SYMPTOM DIAGNOSIS >

If possible, drive the vehicle with the customer until the noise is duplicated. Note any additional information on the Diagnostic Worksheet regarding the conditions or location of the noise. This information can be used to duplicate the same conditions when you confirm the repair.

If the noise can be duplicated easily during the test drive, to help identify the source of the noise, try to duplicate the noise with the vehicle stopped by doing one or all of the following:

- 1) Close a door.
 - 2) Tap or push/pull around the area where the noise appears to be coming from.
 - 3) Rev the engine.
 - 4) Use a floor jack to recreate vehicle "twist".
 - 5) At idle, apply engine load (electrical load, half-clutch on M/T model, drive position on CVT and A/T models).
 - 6) Raise the vehicle on a hoist and hit a tire with a rubber hammer.
- Drive the vehicle and attempt to duplicate the conditions the customer states exist when the noise occurs.
 - If it is difficult to duplicate the noise, drive the vehicle slowly on an undulating or rough road to stress the vehicle body.

CHECK RELATED SERVICE BULLETINS

After verifying the customer concern or symptom, check ASIST for Technical Service Bulletins (TSBs) related to that concern or symptom.

If a TSB relates to the symptom, follow the procedure to repair the noise.

LOCATE THE NOISE AND IDENTIFY THE ROOT CAUSE

1. Narrow down the noise to a general area. To help pinpoint the source of the noise, use a listening tool (Chassis Ear: J-39570, Engine Ear: J-39565 and mechanic's stethoscope).
2. Narrow down the noise to a more specific area and identify the cause of the noise by:
 - removing the components in the area that you suspect the noise is coming from.
Do not use too much force when removing clips and fasteners, otherwise clips and fasteners can be broken or lost during the repair, resulting in the creation of new noise.
 - tapping or pushing/pulling the component that you suspect is causing the noise.
Do not tap or push/pull the component with excessive force, otherwise the noise will be eliminated only temporarily.
 - feeling for a vibration with your hand by touching the component(s) that you suspect is (are) causing the noise.
 - placing a piece of paper between components that you suspect are causing the noise.
 - looking for loose components and contact marks.Refer to [SE-17. "Generic Squeak and Rattle Troubleshooting"](#).

REPAIR THE CAUSE

- If the cause is a loose component, tighten the component securely.
- If the cause is insufficient clearance between components:
 - separate components by repositioning or loosening and retightening the component, if possible.
 - insulate components with a suitable insulator such as urethane pads, foam blocks, felt cloth tape or urethane tape. A NISSAN Squeak and Rattle Kit (J-50397) is available through your authorized NISSAN Parts Department.

CAUTION:

Do not use excessive force as many components are constructed of plastic and may be damaged.

NOTE:

- Always check with the Parts Department for the latest parts information.
- The materials contained in the NISSAN Squeak and Rattle Kit (J-50397) are listed on the inside cover of the kit; and can each be ordered separately as needed.
- The following materials not found in the kit can also be used to repair squeaks and rattles.
 - SILICONE GREASE: Use instead of UHMW tape that will be visible or does not fit. The silicone grease will only last a few months.
 - SILICONE SPRAY: Use when grease cannot be applied.
 - DUCT TAPE: Use to eliminate movement.

CONFIRM THE REPAIR

Confirm that the cause of a noise is repaired by test driving the vehicle. Operate the vehicle under the same conditions as when the noise originally occurred. Refer to the notes on the Diagnostic Worksheet.

Generic Squeak and Rattle Troubleshooting

INFOID:000000012520783

Refer to Table of Contents for specific component removal and installation information.

SQUEAK AND RATTLE TROUBLE DIAGNOSES

< SYMPTOM DIAGNOSIS >

INSTRUMENT PANEL

Most incidents are caused by contact and movement between:

1. Cluster lid A and the instrument panel
2. Acrylic lens and combination meter housing
3. Instrument panel to front pillar finisher
4. Instrument panel to windshield
5. Instrument panel pins
6. Wiring harnesses behind the combination meter
7. A/C defroster duct and duct joint

These incidents can usually be located by tapping or moving the components to duplicate the noise or by pressing on the components while driving to stop the noise. Most of these incidents can be repaired by applying felt cloth tape or silicone spray (in hard to reach areas). Urethane pads can be used to insulate wiring harness.

CAUTION:

Do not use silicone spray to isolate a squeak or rattle. If you saturate the area with silicone, you will not be able to recheck the repair.

CENTER CONSOLE

Components to pay attention to include:

1. Shift selector assembly cover to finisher
2. A/C control unit and cluster lid C
3. Wiring harnesses behind audio and A/C control unit

The instrument panel repair and isolation procedures also apply to the center console.

DOORS

Pay attention to the:

1. Finisher and inner panel making a slapping noise
2. Inside handle escutcheon to door finisher
3. Wiring harnesses tapping
4. Door striker out of alignment causing a popping noise on starts and stops

Tapping or moving the components or pressing on them while driving to duplicate the conditions can isolate many of these incidents. You can usually insulate the areas with felt cloth tape or insulator foam blocks from the NISSAN Squeak and Rattle Kit (J-50397) to repair the noise.

TRUNK

Trunk noises are often caused by a loose jack or loose items put into the trunk by the owner.

In addition look for:

1. Trunk lid bumpers out of adjustment
2. Trunk lid striker out of adjustment
3. The trunk lid torsion bars knocking together
4. A loose license plate or bracket

Most of these incidents can be repaired by adjusting, securing or insulating the item(s) or component(s) causing the noise.

SUNROOF/HEADLINING

Noises in the sunroof/headlining area can often be traced to one of the following:

1. Sunroof lid, rail, linkage or seals making a rattle or light knocking noise
2. Sun visor shaft shaking in the holder
3. Front or rear windshield touching headlining and squeaking

Again, pressing on the components to stop the noise while duplicating the conditions can isolate most of these incidents. Repairs usually consist of insulating with felt cloth tape.

OVERHEAD CONSOLE (FRONT AND REAR)

Overhead console noises are often caused by the console panel clips not being engaged correctly. Most of these incidents are repaired by pushing up on the console at the clip locations until the clips engage.

In addition look for:

SQUEAK AND RATTLE TROUBLE DIAGNOSES

< SYMPTOM DIAGNOSIS >

1. Loose harness or harness connectors.
2. Front console map/reading lamp lens loose.
3. Loose screws at console attachment points.

A

SEATS

When isolating seat noise it's important to note the position the seat is in and the load placed on the seat when the noise is present. These conditions should be duplicated when verifying and isolating the cause of the noise.

B

Cause of seat noise include:

C

1. Headrest rods and holder
2. A squeak between the seat pad cushion and frame
3. The rear seatback lock and bracket

D

These noises can be isolated by moving or pressing on the suspected components while duplicating the conditions under which the noise occurs. Most of these incidents can be repaired by repositioning the component or applying urethane tape to the contact area.

E

UNDERHOOD

Some interior noise may be caused by components under the hood or on the engine wall. The noise is then transmitted into the passenger compartment.

F

Causes of transmitted underhood noise include:

1. Any component installed to the engine wall
2. Components that pass through the engine wall
3. Engine wall mounts and connectors
4. Loose radiator installation pins
5. Hood bumpers out of adjustment
6. Hood striker out of adjustment

G

H

These noises can be difficult to isolate since they cannot be reached from the interior of the vehicle. The best method is to secure, move or insulate one component at a time and test drive the vehicle. Also, engine rpm or load can be changed to isolate the noise. Repairs can usually be made by moving, adjusting, securing, or insulating the component causing the noise.

I

SE

K

L

M

N

O

P

SQUEAK AND RATTLE TROUBLE DIAGNOSES

< SYMPTOM DIAGNOSIS >

Diagnostic Worksheet

INFOID:000000012520784

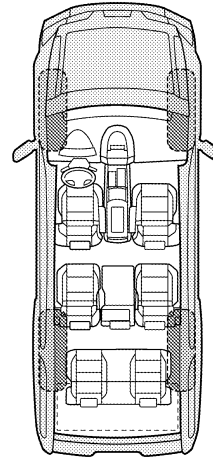
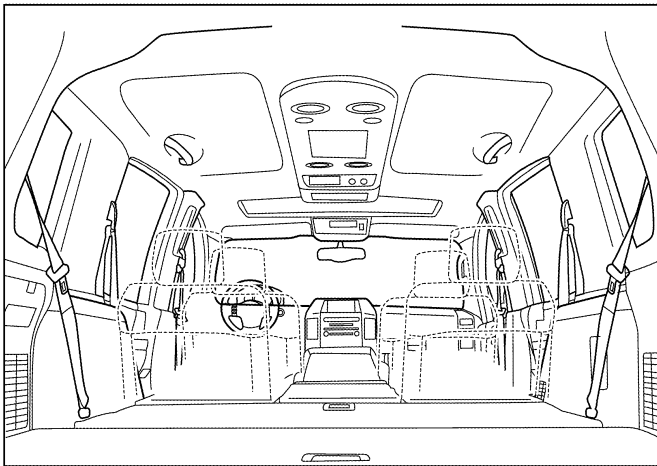
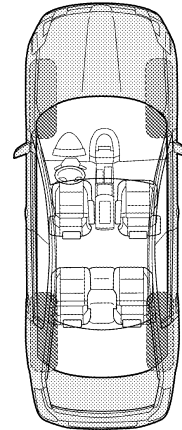
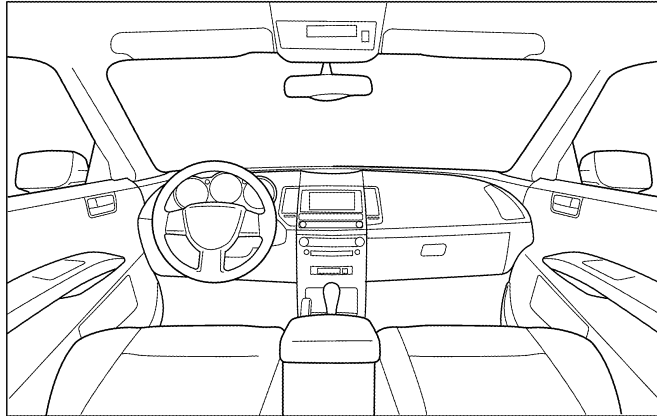
Dear Customer:

We are concerned about your satisfaction with your vehicle. Repairing a squeak or rattle sometimes can be very difficult. To help us fix your vehicle right the first time, please take a moment to note the area of the vehicle where the squeak or rattle occurs and under what conditions. You may be asked to take a test drive with a service advisor or technician to ensure we confirm the noise you are hearing.

SQUEAK & RATTLE DIAGNOSTIC WORKSHEET

I. WHERE DOES THE NOISE COME FROM? (circle the area of the vehicle)

The illustrations are for reference only, and may not reflect the actual configuration of your vehicle.



Continue to page 2 of the worksheet and briefly describe the location of the noise or rattle. In addition, please indicate the conditions which are present when the noise occurs.

SQUEAK AND RATTLE TROUBLE DIAGNOSES

< SYMPTOM DIAGNOSIS >

SQUEAK & RATTLE DIAGNOSTIC WORKSHEET - page 2

Briefly describe the location where the noise occurs:

II. WHEN DOES IT OCCUR? (please check the boxes that apply)

- | | |
|---|--|
| <input type="checkbox"/> Anytime | <input type="checkbox"/> After sitting out in the rain |
| <input type="checkbox"/> 1st time in the morning | <input type="checkbox"/> When it is raining or wet |
| <input type="checkbox"/> Only when it is cold outside | <input type="checkbox"/> Dry or dusty conditions |
| <input type="checkbox"/> Only when it is hot outside | <input type="checkbox"/> Other: |

III. WHEN DRIVING:

- Through driveways
- Over rough roads
- Over speed bumps
- Only about ____ mph
- On acceleration
- Coming to a stop
- On turns: left, right or either (circle)
- With passengers or cargo
- Other: _____
- After driving ____ miles or ____ minutes

IV. WHAT TYPE OF NOISE

- Squeak (like tennis shoes on a clean floor)
- Creak (like walking on an old wooden floor)
- Rattle (like shaking a baby rattle)
- Knock (like a knock at the door)
- Tick (like a clock second hand)
- Thump (heavy muffled knock noise)
- Buzz (like a bumble bee)

TO BE COMPLETED BY DEALERSHIP PERSONNEL

Test Drive Notes:

	YES	NO	Initials of person performing
Vehicle test driven with customer	<input type="checkbox"/>	<input type="checkbox"/>	_____
- Noise verified on test drive	<input type="checkbox"/>	<input type="checkbox"/>	_____
- Noise source located and repaired	<input type="checkbox"/>	<input type="checkbox"/>	_____
- Follow up test drive performed to confirm repair	<input type="checkbox"/>	<input type="checkbox"/>	_____

VIN: _____ Customer Name _____

W.O.# _____ Date: _____

This form must be attached to Work Order

LAIA0071E

A
B
C
D
E
F
G
H
I
SE
K
L
M
N
O
P

FRONT SEAT

< REMOVAL AND INSTALLATION >

REMOVAL AND INSTALLATION

FRONT SEAT

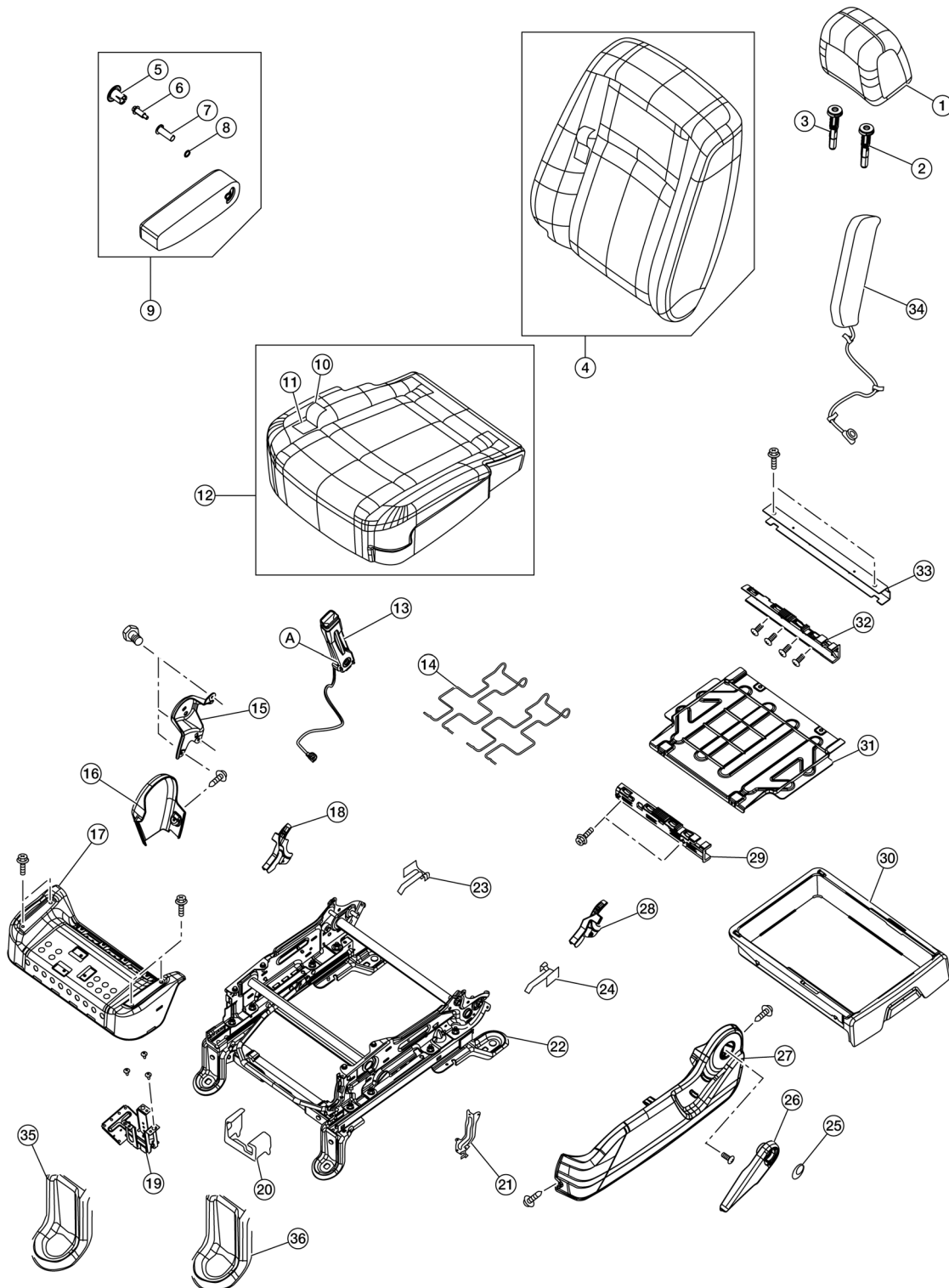
Exploded View

INFOID:000000012520785

DRIVER'S SEAT

Manual Control Seat

SEC. 868 • 870



AWJIA0811ZZ

FRONT SEAT

< REMOVAL AND INSTALLATION >

- | | | | |
|---|-------------------------------------|--|---|
| 1. Headrest | 2. Headrest holder (locked) | 3. Headrest holder (free) | A |
| 4. Seatback cushion assembly | 5. Armrest bolt cover (if equipped) | 6. Armrest bolt (if equipped) | |
| 7. Armrest insert (if equipped) | 8. Armrest washer (if equipped) | 9. Armrest assembly (if equipped) | |
| 10. Seat cushion trim | 11. Seat cushion pad | 12. Seat cushion assembly | B |
| 13. Seat belt buckle | 14. Seat cushion spring | 15. Armrest bracket | |
| 16. Seat cushion outer finisher (RH) | 17. Seat cushion frame | 18. Seat cushion inner finisher (RH) | |
| 19. Wiring harness bracket | 20. Front inner slide cover | 21. Seat cushion inner finisher (LH) | C |
| 22. Seat adjuster assembly | 23. Rear inner slide cover (RH) | 24. Rear inner slide cover (LH) | |
| 25. Recline lever cover | 26. Recline lever | 27. Seat cushion outer finisher (LH) | |
| 28. Seat cushion inner finisher (LH) | 29. Drawer slide (LH) (if equipped) | 30. Drawer assembly (if equipped) | D |
| 31. Drawer cover | 32. Drawer slide (RH) (if equipped) | 33. Rear reinforcement bracket (if equipped) | |
| 34. Side air bag module (if equipped) | 35. Slide rail finisher (RH) | 36. Slide rail finisher (LH) | E |
| A. Refer to SB-8. "Front Seat Belt" | | | |

F

G

H

I

SE

K

L

M

N

O

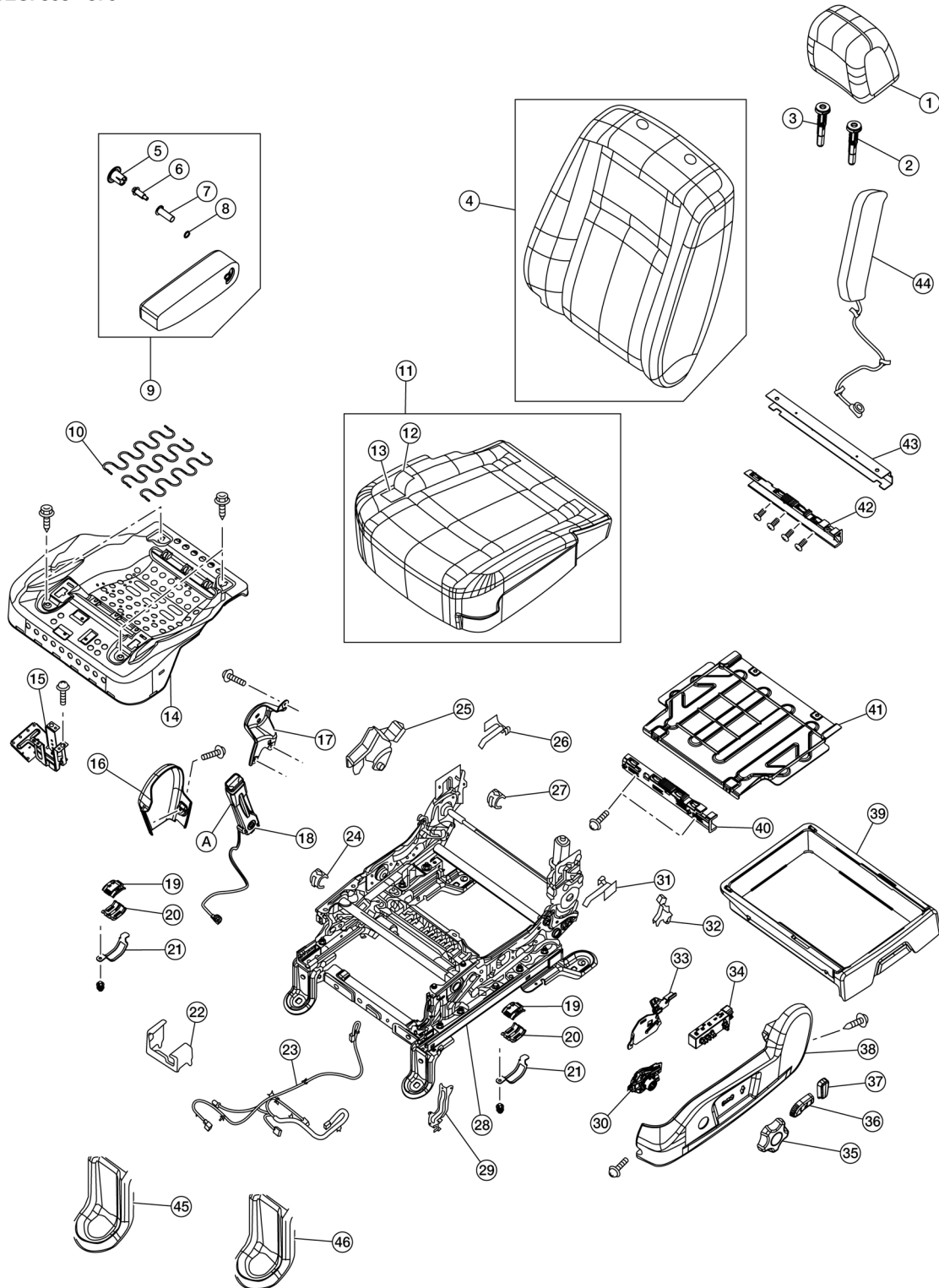
P

FRONT SEAT

< REMOVAL AND INSTALLATION >

Power Control Seat

SEC. 868 • 870



AWJIA0812ZZ

- | | | |
|--------------------------------------|-------------------------------------|-----------------------------------|
| 1. Headrest | 2. Headrest holder (locked) | 3. Headrest holder (free) |
| 4. Seatback cushion assembly | 5. Armrest bolt cover (if equipped) | 6. Armrest bolt (if equipped) |
| 7. Armrest insert (if equipped) | 8. Armrest washer (if equipped) | 9. Armrest assembly (if equipped) |
| 10. Seat cushion spring | 11. Seat cushion assembly | 12. Seat cushion trim |
| 13. Seat cushion pad | 14. Seat cushion frame | 15. Wiring harness bracket |
| 16. Seat cushion outer finisher (RH) | 17. Armrest bracket | 18. Seat belt buckle |

FRONT SEAT

< REMOVAL AND INSTALLATION >

- | | | | |
|--|---|-------------------------------------|---|
| 19. Upper attaching clip | 20. Lower bushing | 21. Clamp | |
| 22. Front inner slide cover | 23. Wiring harness | 24. Clip | A |
| 25. Seat cushion inner finisher (RH) | 26. Rear inner slide cover (RH) | 27. Clip | |
| 28. Seat adjuster assembly | 29. Seat cushion inner finisher (LH) | 30. Lumbar actuator | B |
| 31. Rear outer slide cover | 32. Recline outer finisher | 33. Lumbar actuator bracket | |
| 34. Seat switch assembly | 35. Lumbar knob | 36. Slide knob | |
| 37. Recline knob | 38. Seat cushion outer finisher (LH) | 39. Drawer assembly (if equipped) | C |
| 40. Drawer slide (LH) (if equipped) | 41. Drawer cover (if equipped) | 42. Drawer slide (RH) (if equipped) | |
| 43. Rear reinforcement bracket (if equipped) | 44. Side air bag module (if equipped) | 45. Slide rail finisher (RH) | D |
| 46. Slide rail finisher (LH) | A. Refer to SB-8. "Front Seat Belt" | | |

PASSENGER'S SEAT

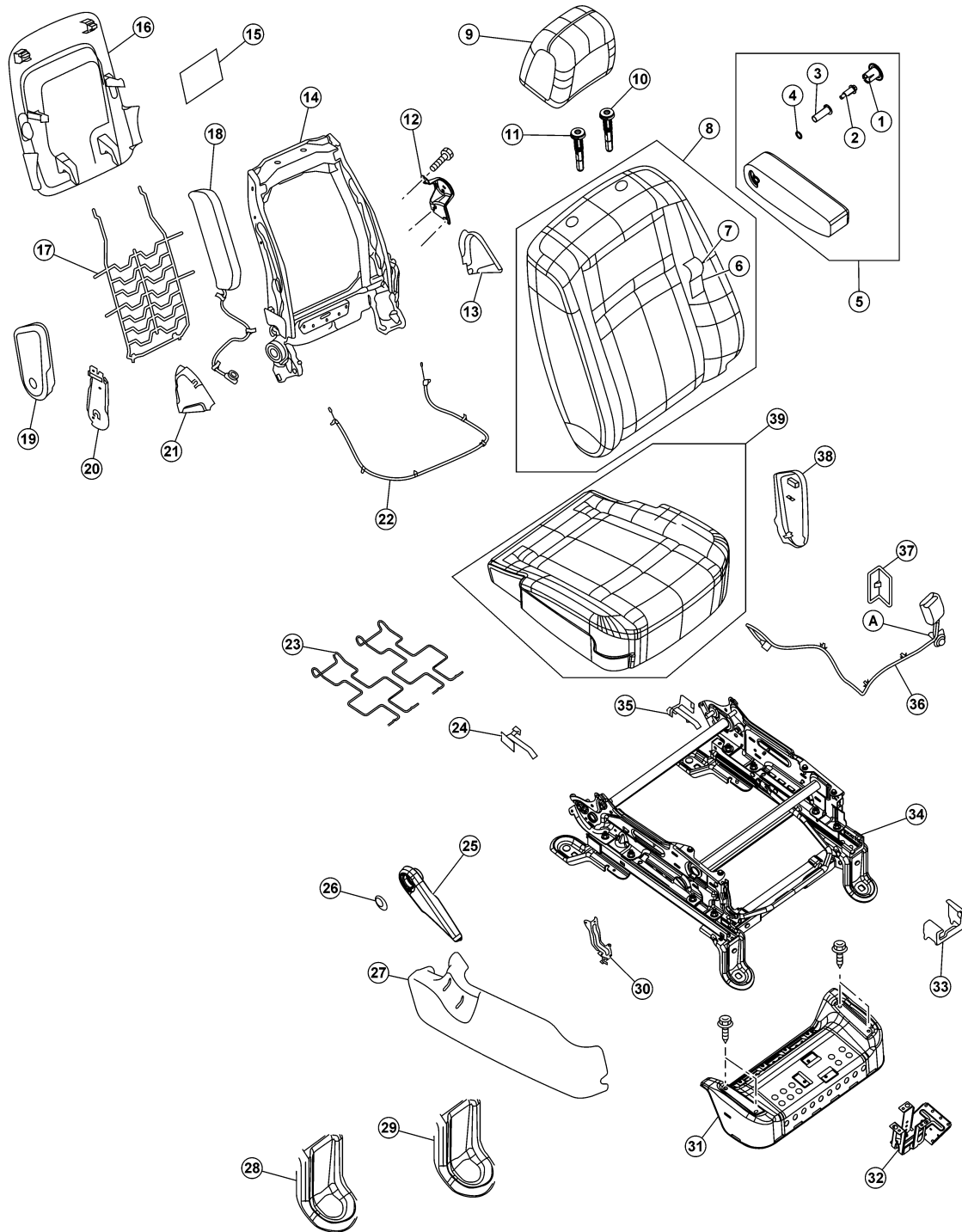
A
B
C
D
E
F
G
H
I
K
L
M
N
O
P

SE

FRONT SEAT

< REMOVAL AND INSTALLATION >

SEC. 870



ALJIA112ZZ

- | | | |
|--------------------------------------|-----------------------------------|---------------------------------------|
| 1. Armrest bolt cover (if equipped) | 2. Armrest bolt (if equipped) | 3. Armrest insert (if equipped) |
| 4. Armrest washer (if equipped) | 5. Armrest assembly (if equipped) | 6. Seatback pad |
| 7. Seatback trim | 8. Seatback cushion assembly | 9. Headrest |
| 10. Headrest holder (locked) | 11. Headrest holder (free) | 12. Armrest bracket |
| 13. Seat cushion outer finisher (LH) | 14. Seatback frame assembly | 15. Upper seat frame cover |
| 16. Seatback board | 17. Seatback spring | 18. Side air bag module (if equipped) |

FRONT SEAT

< REMOVAL AND INSTALLATION >

- | | | |
|--------------------------------------|------------------------------------|--|
| 19. Seat cushion outer finisher (RH) | 20. Fold flat mechanism cover | 21. Seat cushion inner finisher (RH) |
| 22. Recline/fold flat cable | 23. Seat cushion spring | 24. Rear inner slide finisher (RH) |
| 25. Recline/fold flat lever | 26. Recline/fold flat lever cover | 27. Seat cushion outer finisher (RH) |
| 28. Slide rail finisher (RH) | 29. Slide rail finisher (LH) | 30. Seat cushion outer bracket finisher (RH) |
| 31. Seat cushion frame | 32. Wiring harness bracket | 33. Front inner slide cover |
| 34. Seat adjuster assembly | 35. Rear inner slide finisher (LH) | 36. Seat belt buckle |
| 37. Seat cushion inner finisher (LH) | 38. Fold flat inner finisher (LH) | 39. Seat cushion assembly |
- A. Refer to [SB-8. "Front Seat Belt"](#)

Removal and Installation

INFOID:000000012520786

REMOVAL

WARNING:

Do not leave any objects (screwdrivers, tools, etc.) on the seat during seat back repair. It can lead to personal injury if the side air bag module should accidentally deploy.

CAUTION:

- When removing or installing the seat trim, handle it carefully to keep dirt out and avoid damage.
- Before removing the front seat, turn the ignition switch OFF, disconnect both battery cables and wait at least three minutes.
- When checking the power seat circuit for continuity using a circuit tester, do not confuse its connector with the side air bag module connector. Such an error may cause the air bag module to deploy.
- Do not drop, tilt, or bump the side air bag module while installing the seat. Always handle it with care.
- After front side air bag module inflates, the front seat back assembly must be replaced.
- When removing and installing the seat, use shop cloths to protect the vehicle from damage.

1. Disconnect the negative and positive battery terminals and wait at least three minutes. Refer to [PG-95. "Removal and Installation"](#).
2. Disconnect the harness connector from side air bag module. Refer to [SR-25. "Removal and Installation"](#).
3. Remove the floor trim kicking plate (if equipped). Refer to [INT-45. "Removal and Installation - Passenger Van"](#).
4. Remove the slide covers (if equipped) and front seat bolts.
5. Disconnect the following seat harness connectors:
 - Seat belt
 - Seat heater (if equipped)
 - Power seat switch (if equipped)
6. Remove the seat from the vehicle.

INSTALLATION

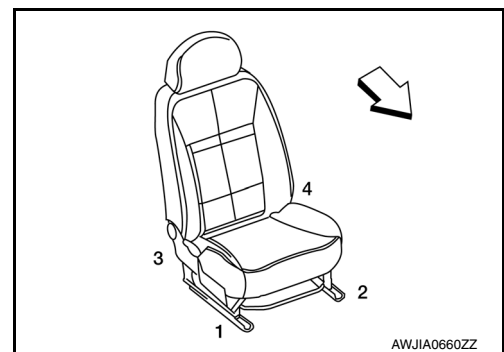
Installation is in the reverse order of removal.

NOTE:

- When installing the LH front seat, tighten the bolts in the order shown.

↙: Front

LH front seat bolt torque : 45 N-m (4.6 kg-m, 33 lb-ft)



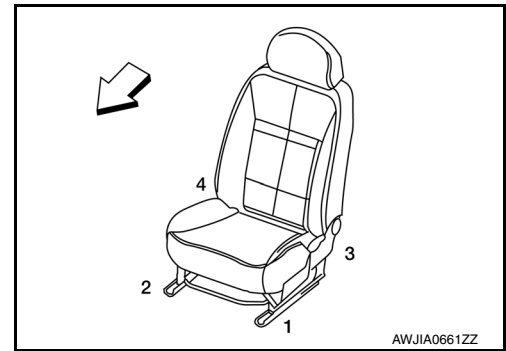
FRONT SEAT

< REMOVAL AND INSTALLATION >

- When installing the RH front seat, tighten the bolts in the order shown.

↔: Front

RH front seat bolt torque : 45 N·m (4.6 kg-m, 33 lb-ft)

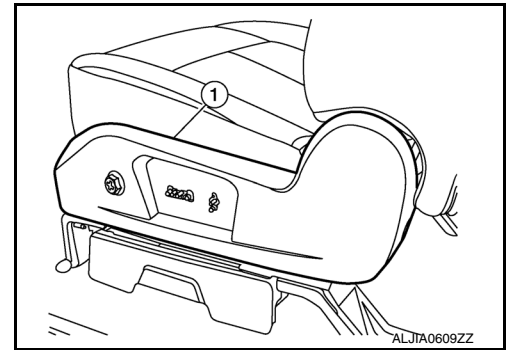


Removal and Installation - Power Seat Switch

INFOID:000000012520787

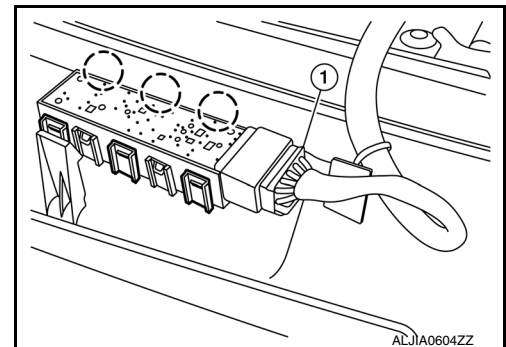
REMOVAL

1. Remove the lumbar knob.
2. Remove the slide knob and recline knob.
3. Remove the two screws and separate seat cushion outer finisher (LH) (1) from the seat.



4. Disconnect the harness connector (1) from seat switch assembly and release the seat switch assembly retainers and remove the seat switch assembly.

○: Seat switch assembly retainers



INSTALLATION

Installation is in the reverse order of removal.

Removal and Installation - Seat Lumbar Actuator

INFOID:000000012520788

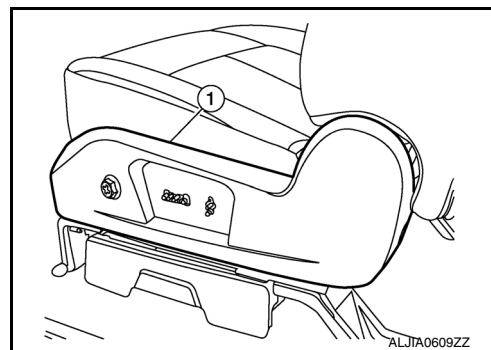
REMOVAL

1. Remove the lumbar knob.
2. Remove the slide knob and recline knob.

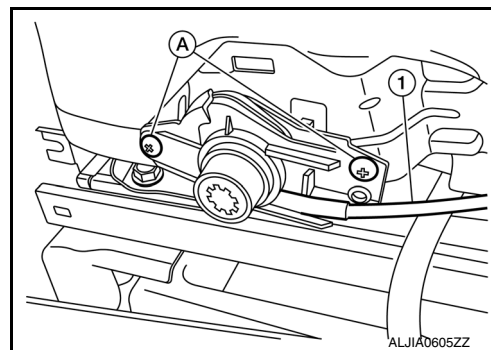
FRONT SEAT

< REMOVAL AND INSTALLATION >

3. Remove the two screws and separate seat cushion outer finisher (LH) (1) from the seat.



4. Remove the two lumbar actuator screws (A) and disconnect the cable (1).
5. Remove the lumbar actuator.



INSTALLATION

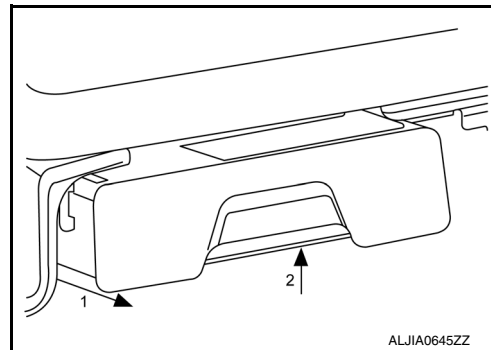
Installation is in the reverse order of removal.

Removal and Installation - Seat Drawer

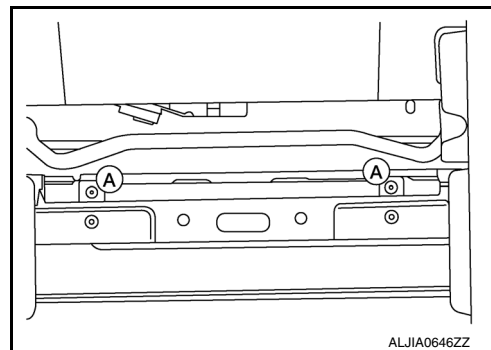
INFOID:0000000012520789

REMOVAL

1. Pull the seat drawer all the way out and lift the drawer upward and pull.



2. Remove the two front drawer cover screws (A).

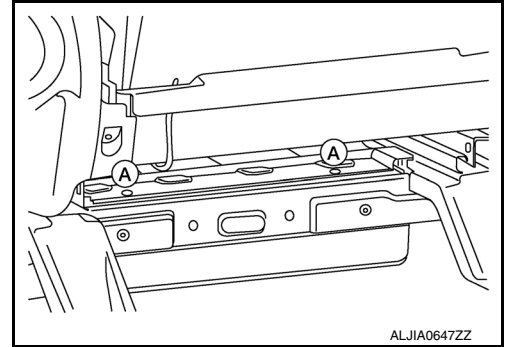


A
B
C
D
E
F
G
H
I
SE
K
L
M
N
O
P

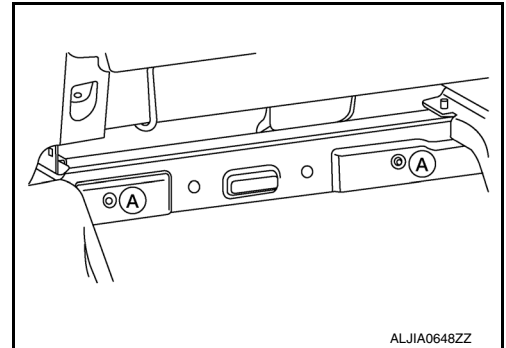
FRONT SEAT

< REMOVAL AND INSTALLATION >

3. Remove the two rear drawer cover screws (A).



4. Remove the drawer cover.
5. Remove the two rear drawer guide screws from the reinforcement (A).



6. Remove the two front drawer guide screws from the reinforcement.
7. Remove the drawer guides.

INSTALLATION

Installation is in the reverse order of removal.

Removal and Installation - Seatback Board

INFOID:0000000012520790

REMOVAL

For removal and installation of the seatback board, refer to [SE-47. "Disassembly and Assembly"](#).

SECOND ROW SEATS

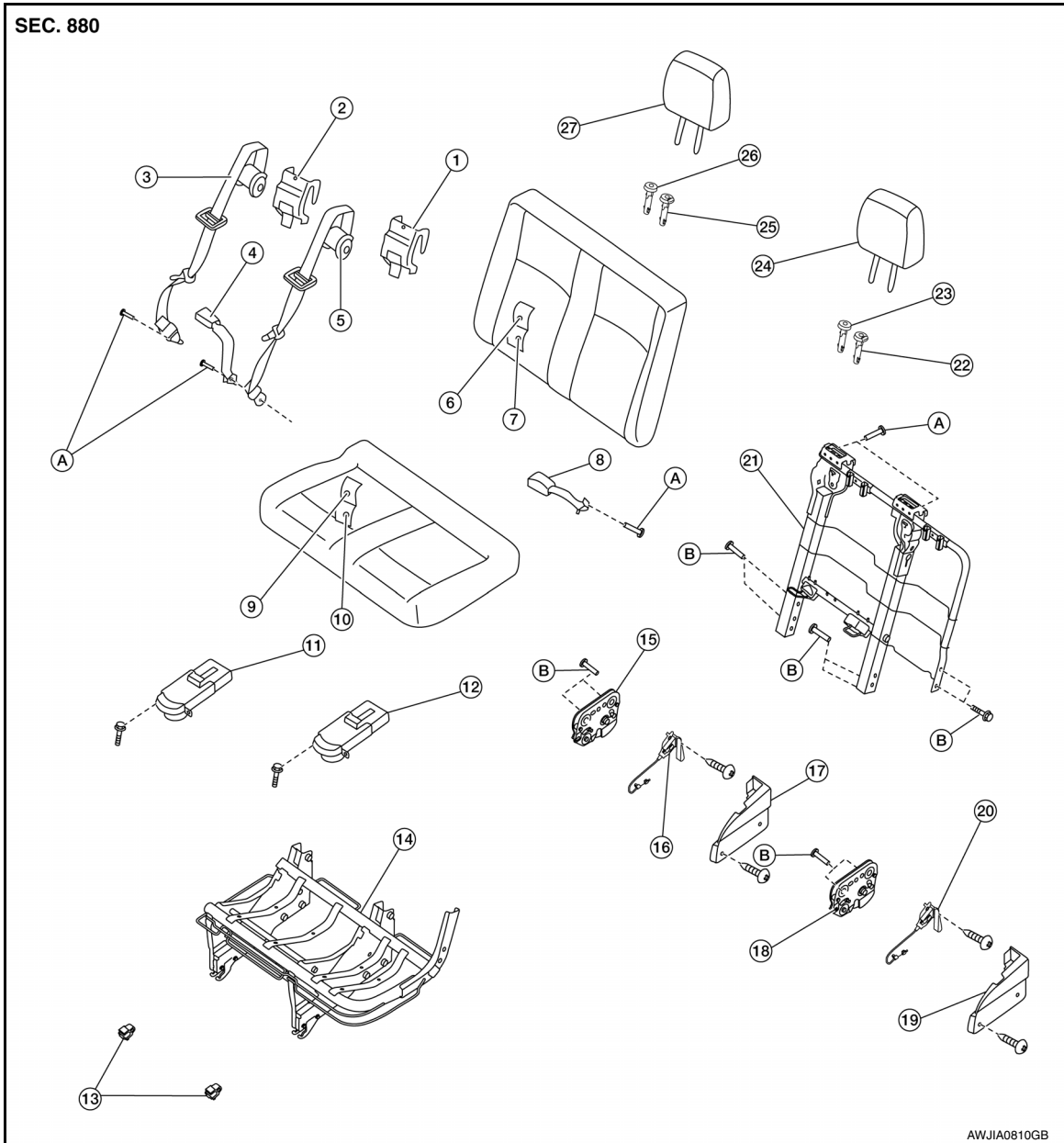
< REMOVAL AND INSTALLATION >

SECOND ROW SEATS

Exploded View

INFOID:000000012520791

LH BENCH SEAT



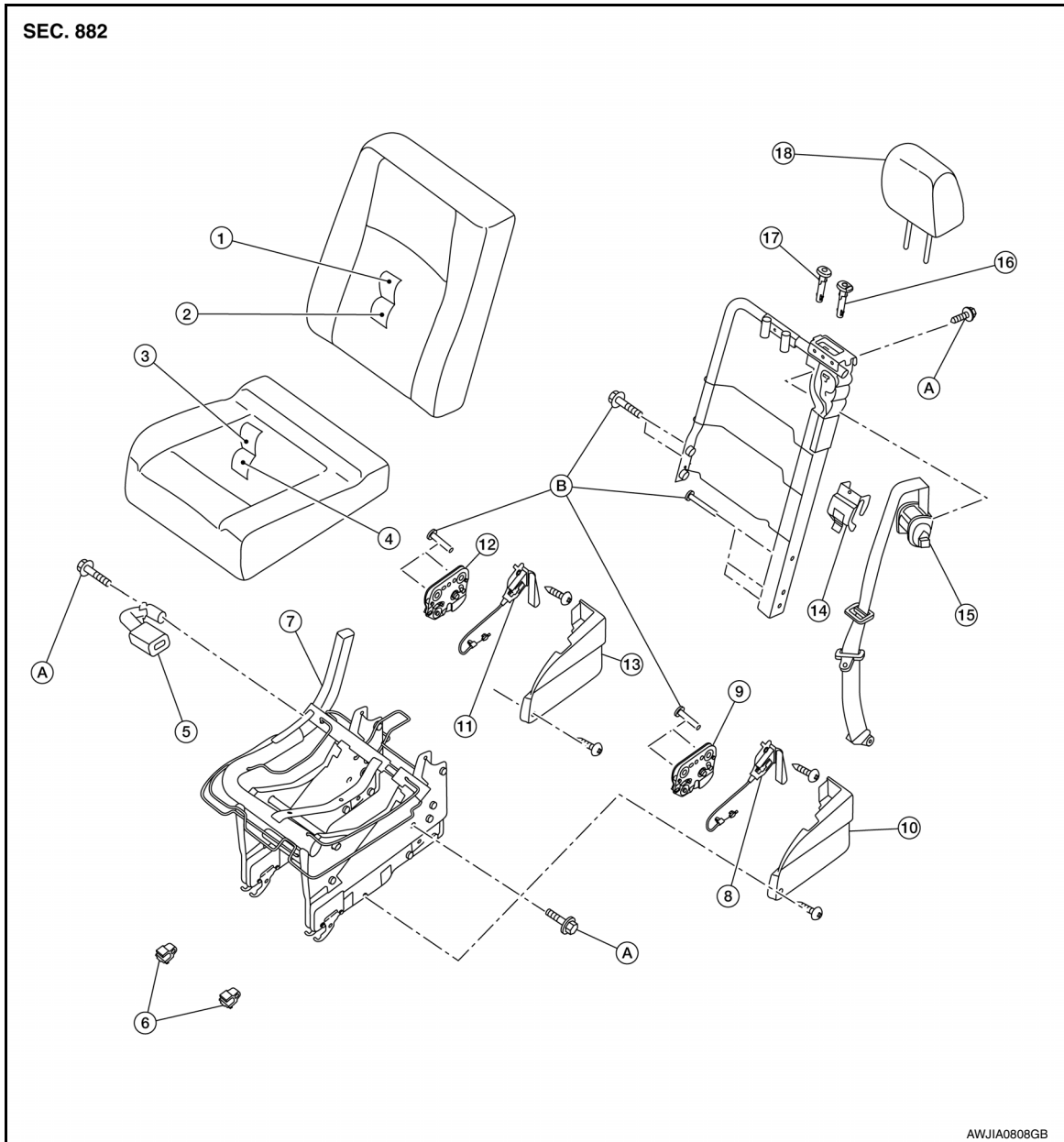
- | | | |
|--|--|--------------------------------|
| 1. Seat belt retractor shield (LH) | 2. Seat belt retractor shield (RH) | 3. Seat belt retractor (RH) |
| 4. Seat belt buckle (RH) | 5. Seat belt retractor (LH) | 6. Seatback trim |
| 7. Seatback pad | 8. Seat belt buckle (LH) | 9. Seat cushion trim |
| 10. Seat cushion pad | 11. Cup holder (RH) | 12. Cup holder (RH) |
| 13. Rubber bumper | 14. Seat cushion frame | 15. Seat rear floor latch (RH) |
| 16. Seat rear floor latch release cable (RH) | 17. Seat rear floor latch cover (RH) | 18. Seat rear floor latch (LH) |
| 19. Seat rear floor latch cover (LH) | 20. Seat rear floor latch release cable (LH) | 21. Seatback frame |
| 22. Headrest holder LH locked | 23. Headrest holder LH free | 24. Headrest (LH) |

SECOND ROW SEATS

< REMOVAL AND INSTALLATION >

- 25. Headrest holder RH locked
- 26. Headrest holder RH free
- 27. Headrest (RH)
- A. Refer to [SB-12, "Removal and Installation"](#)

RH SEAT



- | | | |
|---|---|--------------------------------|
| 1. Seatback trim | 2. Seatback pad | 3. Seat cushion trim |
| 4. Seat cushion pad | 5. Seat belt buckle | 6. Rubber bumper |
| 7. Seat cushion frame | 8. Seat rear floor latch release cable (LH) | 9. Seat rear floor latch (LH) |
| 10. Seat rear floor latch cover (LH) | 11. Seat rear floor release cable (RH) | 12. Seat rear floor latch (RH) |
| 13. Seat rear floor latch cover (RH) | 14. Seat belt retractor shield | 15. Seat belt retractor |
| 16. Headrest holder (locked) | 17. Headrest holder (free) | 18. Headrest |
| A. Refer to SB-12, "Removal and Installation" | | |

SECOND ROW SEATS

< REMOVAL AND INSTALLATION >

Removal and Installation

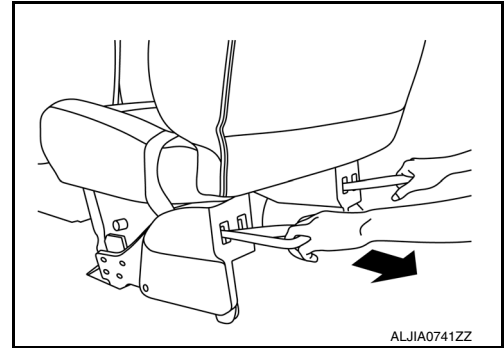
INFOID:000000012520792

CAUTION:

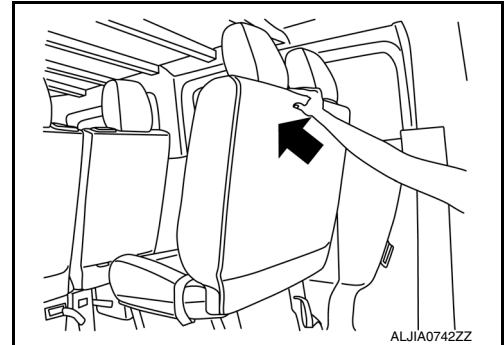
- Before removal and installation, use shop cloths to protect parts from damage.
- During removal and installation, an assistant is required to protect against injury or damage.
- RH seat must be removed for clearance to remove LH bench seat to protect parts from damage.

REMOVAL

1. Pull both pull straps to release the seat rear floor latches from the rear seat rail.
2. With a rocking motion, push upper edge of the seatback forward while lifting each seat rear floor latch out of the rear seat rail.

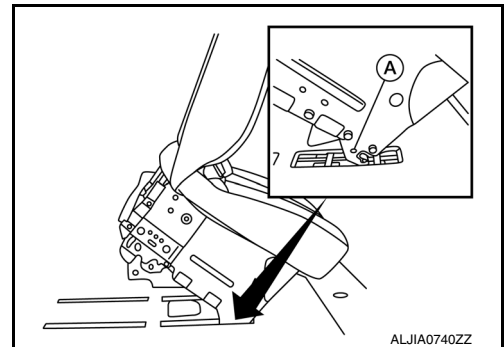


3. With an assistant, while tilted forward, evenly pull the entire seat assembly rearward to disengage the front hooks from the rear seat rail.
4. Remove the seat from the vehicle through the sliding door opening.



INSTALLATION

1. With an assistant, position the seat so the front hooks are over the rear seat rail locations.
2. Tilt the seat forward to engage the front hooks (A) into the rear seat rail.



3. Hold the seat rear floor latches approximately 100 mm (4 in) above the floor and release the seat so the seat rear floor latches drop onto the rear seat rail and lock.

WARNING:

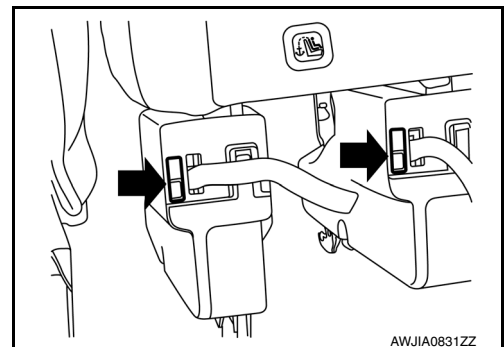
Make sure the seat is properly engaged. Make sure that the latch indicator does not show more than 50% red.

CAUTION:

Make sure the area beneath the seat is clear prior to dropping it.

NOTE:

Pull the straps and relatch the seats as necessary.



A
B
C
D
E
F
G
H
I
SE

K
L
M
N
O
P

THIRD ROW SEATS

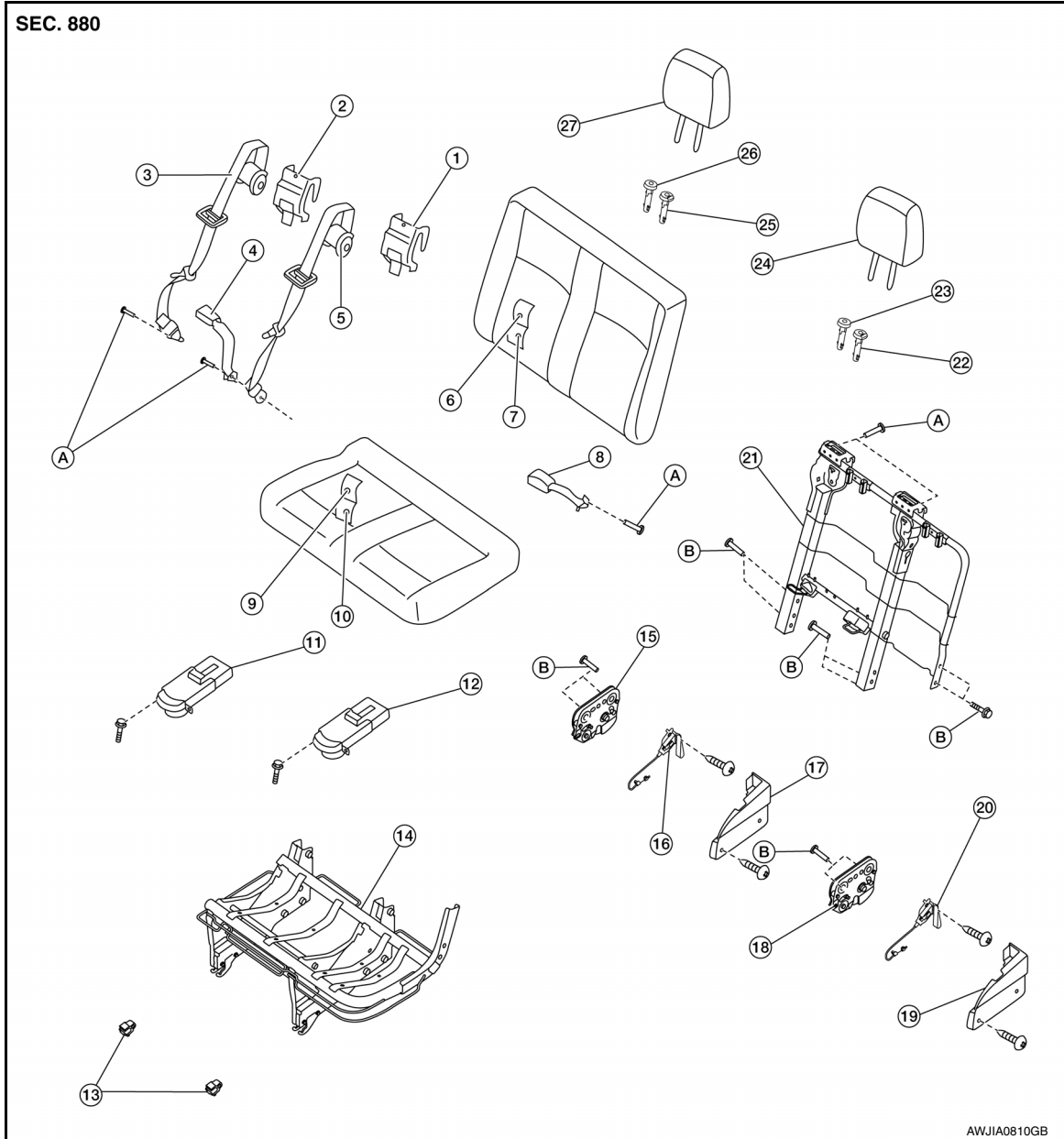
< REMOVAL AND INSTALLATION >

THIRD ROW SEATS

Exploded View

INFOID:000000012520793

LH BENCH SEAT



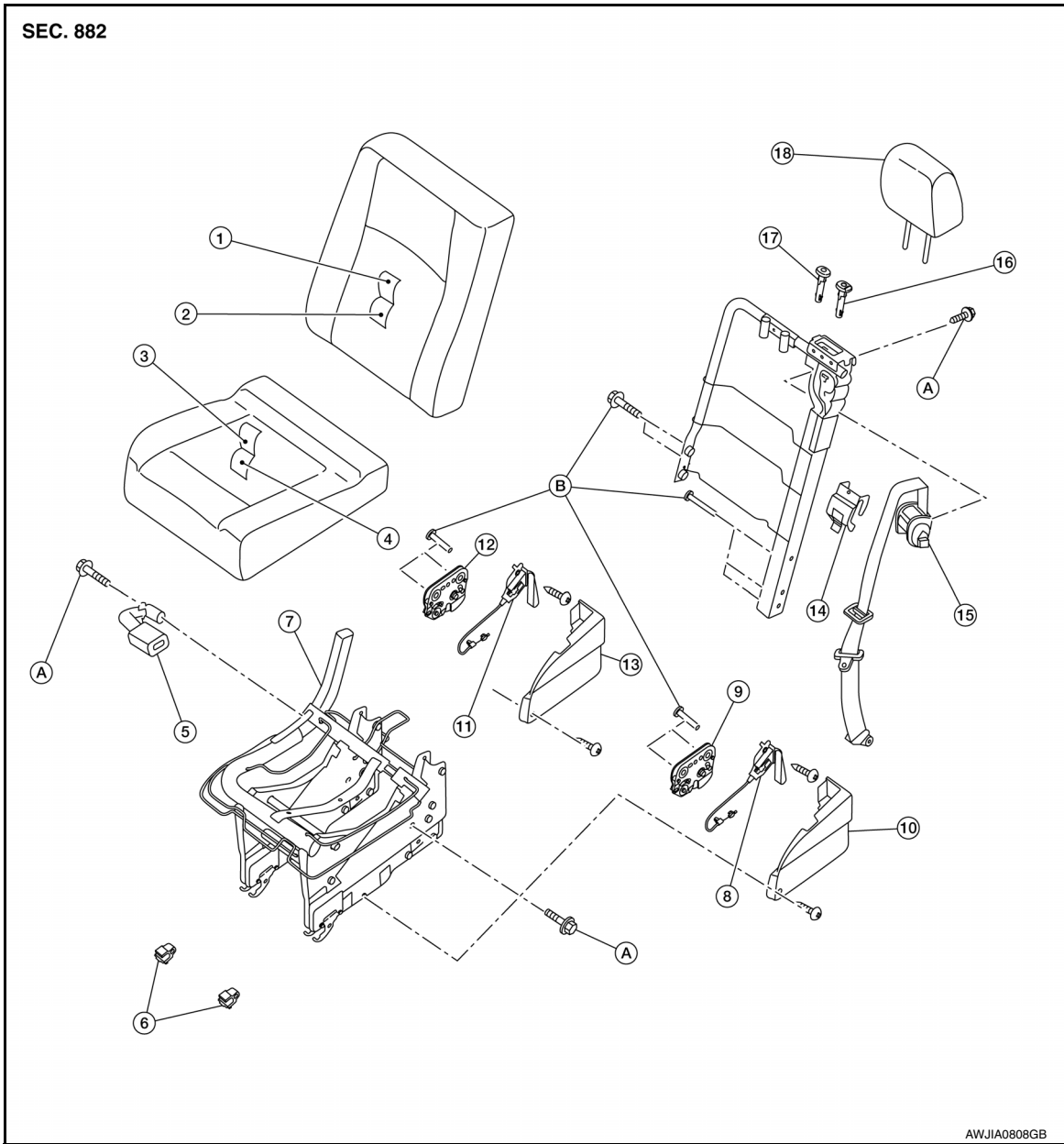
- | | | |
|--|--|--------------------------------|
| 1. Seat belt retractor shield (LH) | 2. Seat belt retractor shield (RH) | 3. Seat belt retractor (RH) |
| 4. Seat belt buckle (RH) | 5. Seat belt retractor (LH) | 6. Seatback trim |
| 7. Seatback pad | 8. Seat belt buckle (LH) | 9. Seat cushion trim |
| 10. Seat cushion pad | 11. Cup holder (RH) | 12. Cup holder (RH) |
| 13. Rubber bumper | 14. Seat cushion frame | 15. Seat rear floor latch (RH) |
| 16. Seat rear floor latch release cable (RH) | 17. Seat rear floor latch cover (RH) | 18. Seat rear floor latch (LH) |
| 19. Seat rear floor latch cover (LH) | 20. Seat rear floor latch release cable (LH) | 21. Seatback frame |
| 22. Headrest holder LH locked | 23. Headrest holder LH free | 24. Headrest (LH) |
| | | 25. Headrest (LH) |
| | | 26. Headrest (LH) |
| | | 27. Headrest (LH) |

THIRD ROW SEATS

< REMOVAL AND INSTALLATION >

- 25. Headrest holder RH locked
- 26. Headrest holder RH free
- 27. Headrest (RH)
- A. Refer to [SB-12, "Removal and Installation"](#)

RH SEAT



- 1. Seatback trim
- 2. Seatback pad
- 3. Seat cushion trim
- 4. Seat cushion pad
- 5. Seat belt buckle
- 6. Rubber bumper
- 7. Seat cushion frame
- 8. Seat rear floor latch release cable (LH)
- 9. Seat rear floor latch (LH)
- 10. Seat rear floor latch cover (LH)
- 11. Seat rear floor release cable (RH)
- 12. Seat rear floor latch (RH)
- 13. Seat rear floor latch cover (RH)
- 14. Seat belt retractor shield
- 15. Seat belt retractor
- 16. Headrest holder (locked)
- 17. Headrest holder (free)
- 18. Headrest
- A. Refer to [SB-12, "Removal and Installation"](#)

A
B
C
D
E
F
G
H
I
SE
K
L
M
N
O
P

THIRD ROW SEATS

< REMOVAL AND INSTALLATION >

Removal and Installation

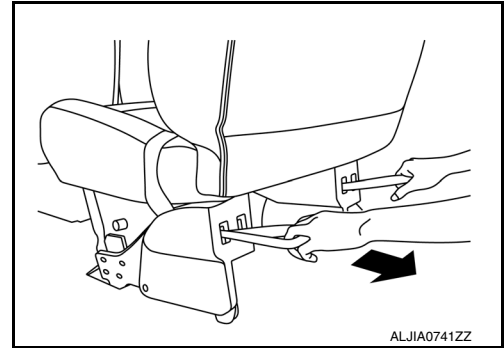
INFOID:000000012520794

CAUTION:

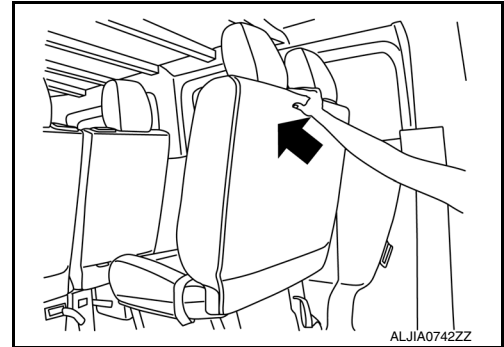
- Before removal and installation, use shop cloths to protect parts from damage.
- During removal and installation, an assistant is required to protect against injury or damage.
- RH seat must be removed for clearance to remove LH bench seat to protect parts from damage.

REMOVAL

1. Pull both pull straps to release the seat rear floor latches from the rear seat rail.
2. With a rocking motion, push upper edge of the seatback forward while lifting each seat rear floor latch out of the rear seat rail.

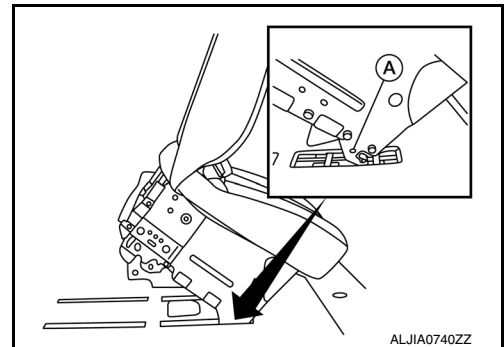


3. With an assistant, while tilted forward, evenly pull the entire seat assembly rearward to disengage the front hooks from the rear seat rail.
4. Remove the seat from the vehicle through the sliding door opening.



INSTALLATION

1. With an assistant, position the seat so the front hooks are over the rear seat rail locations.
2. Tilt the seat forward to engage the front hooks (A) into the rear seat rail.



3. Hold the seat rear floor latches approximately 100 mm (4 in) above the floor and release the seat so the seat rear floor latches drop onto the rear seat rail and lock.

WARNING:

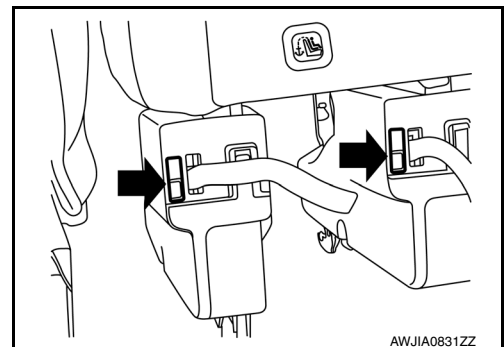
Make sure the seat is properly engaged. Make sure that the latch indicator does not show more than 50% red.

CAUTION:

Make sure the area beneath the seat is clear prior to dropping it.

NOTE:

Pull the straps and relatch the seats as necessary.



FOURTH ROW SEATS

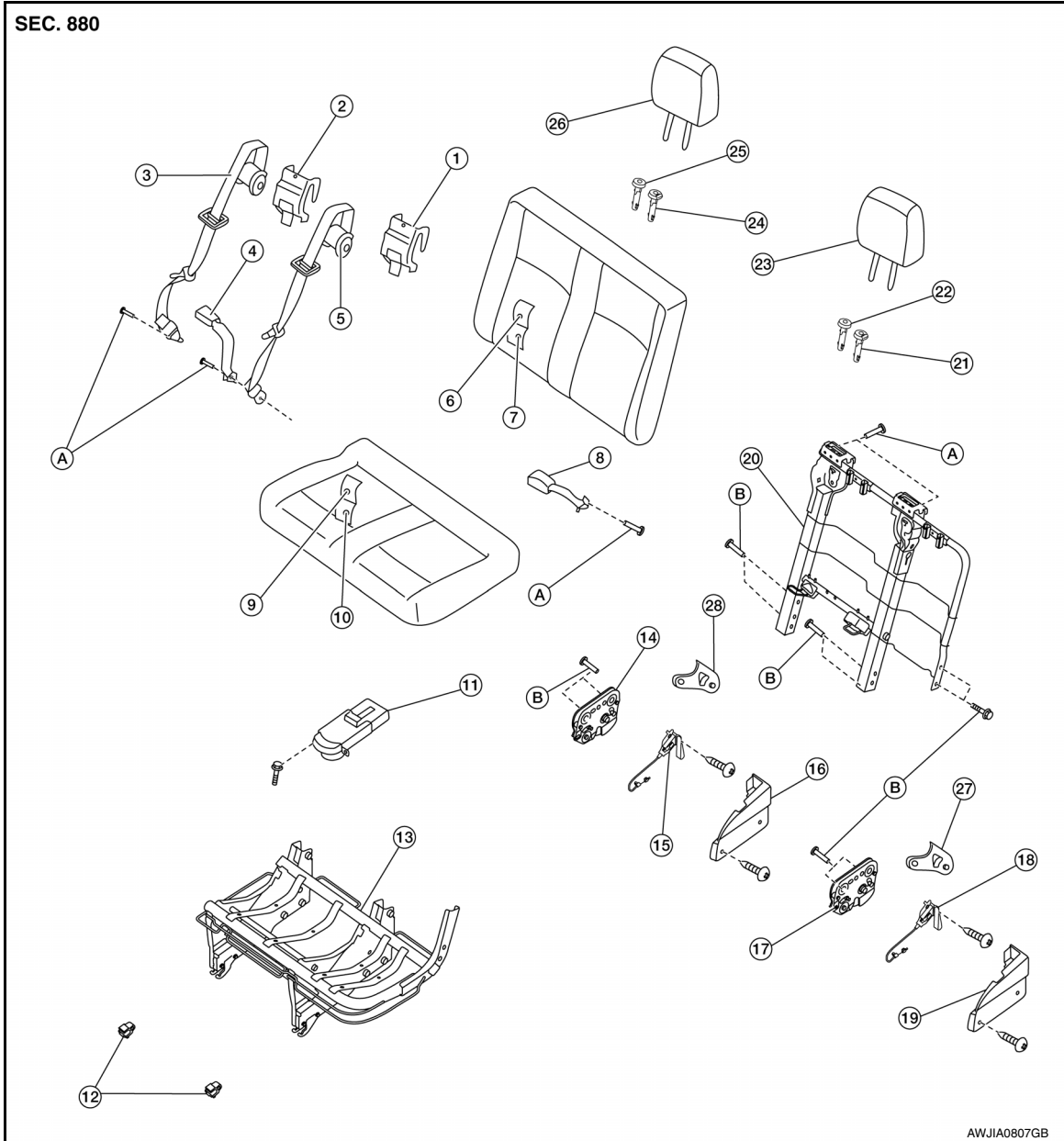
< REMOVAL AND INSTALLATION >

FOURTH ROW SEATS

Exploded View

INFOID:000000012520795

LH BENCH SEAT



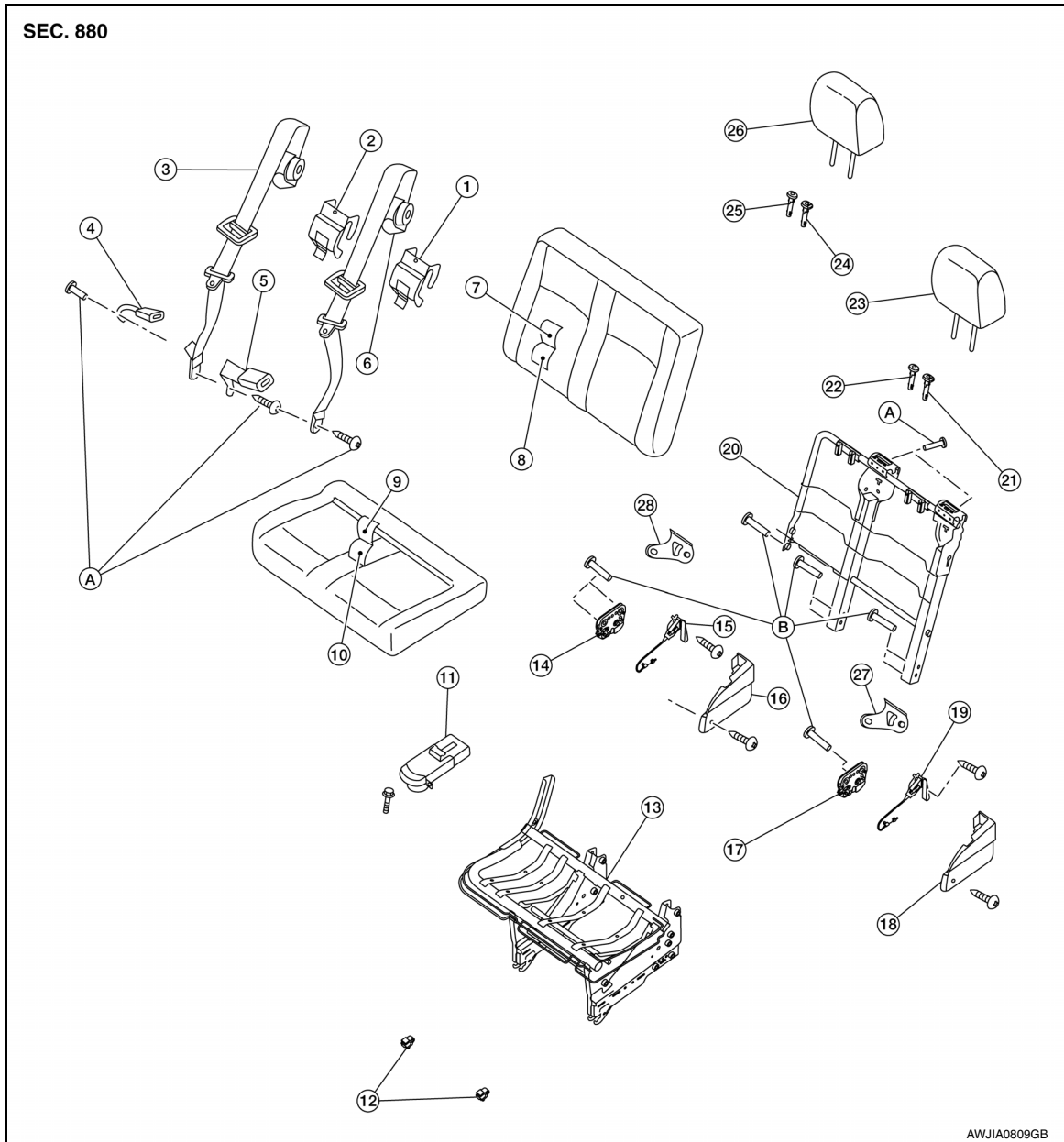
- | | | |
|--|------------------------------------|--|
| 1. Seat belt retractor shield (LH) | 2. Seat belt retractor shield (RH) | 3. Seat belt retractor (RH) |
| 4. Seat belt buckle (RH) | 5. Seat belt retractor (LH) | 6. Seatback trim |
| 7. Seatback pad | 8. Seat belt buckle (LH) | 9. Seat cushion trim |
| 10. Seat cushion pad | 11. Cup holder | 12. Rubber bumper |
| 13. Seat cushion frame | 14. Seat rear floor latch (RH) | 15. Seat rear floor latch release cable (RH) |
| 16. Seat rear floor latch (RH) | 17. Seat rear floor latch (LH) | 18. Seat rear floor latch cover (LH) |
| 19. Seat rear floor latch release cable (LH) | 20. Seatback frame | 21. Headrest holder LH locked |
| 22. Headrest holder LH free | 23. Headrest (LH) | 24. Headrest holder RH locked |

FOURTH ROW SEATS

< REMOVAL AND INSTALLATION >

- | | | |
|-----------------------------|---|-----------------------|
| 25. Headrest holder RH free | 26. Headrest (RH) | 27. Roller wheel (LH) |
| 28. Roller wheel (RH) | A. Refer to SB-20, "Removal and Installation" | B. Bolt |

RH BENCH SEAT



- | | | |
|--|------------------------------------|--|
| 1. Seat belt retractor shield (LH) | 2. Seat belt retractor shield (RH) | 3. Seat belt retractor (RH) |
| 4. Seat belt buckle (RH) | 5. Seat belt retractor (LH) | 6. Seatback trim |
| 7. Seatback pad | 8. Seat belt buckle (LH) | 9. Seat cushion trim |
| 10. Seat cushion pad | 11. Cup holder | 12. Rubber bumper |
| 13. Seat cushion frame | 14. Seat rear floor latch (RH) | 15. Seat rear floor latch release cable (RH) |
| 16. Seat rear floor latch cover (RH) | 17. Seat rear floor latch (LH) | 18. Seat rear floor latch cover (LH) |
| 19. Seat rear floor latch release cable (LH) | 20. Seatback frame | 21. Headrest holder LH locked |
| 22. Headrest holder LH free | 23. Headrest (LH) | 24. Headrest holder RH locked |

FOURTH ROW SEATS

< REMOVAL AND INSTALLATION >

25. Headrest holder RH free

26. Headrest (RH)

27. Roller wheel (LH)

28. Roller wheel (RH)

A. Refer to [SB-20, "Removal and Installation"](#)

B. Bolt

Removal and Installation

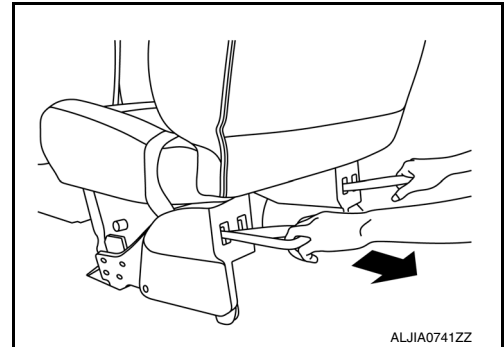
INFOID:000000012520796

CAUTION:

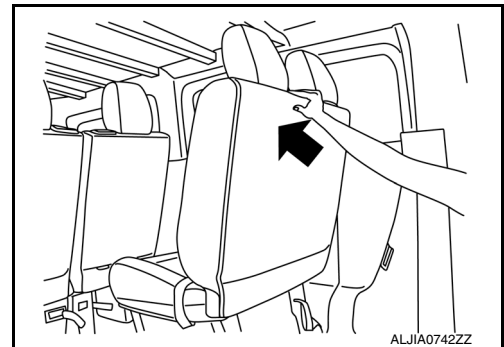
- Before removal and installation, use shop cloths to protect parts from damage.
- During removal and installation, an assistant is required to protect against injury or damage.

REMOVAL

1. Pull both pull straps to release the seat rear floor latches from the rear seat rail.
2. With a rocking motion, push upper edge of the seatback forward while lifting each seat rear floor latch out of the rear seat rail.

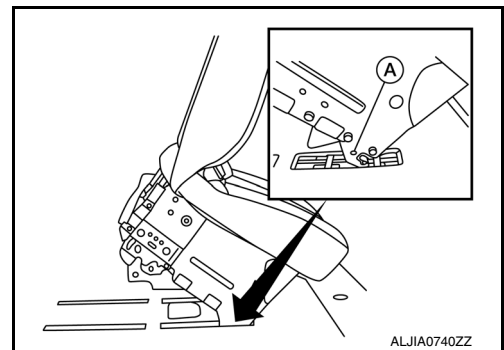


3. With an assistant, while tilted forward, evenly pull the entire seat assembly rearward to disengage the front hooks from the rear seat rail.
4. Remove the seat from the vehicle through the back door opening.



INSTALLATION

1. With an assistant, position the seat so the front hooks are over the rear seat rail locations.
2. Tilt the seat forward to engage the front hooks (A) into the rear seat rail.



FOURTH ROW SEATS

< REMOVAL AND INSTALLATION >

3. Hold the seat rear floor latches approximately 100 mm (4 in) above the floor and release the seat so the seat rear floor latches drop onto the rear seat rail and lock.

WARNING:

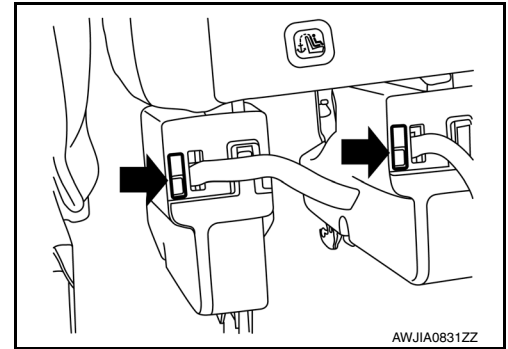
Make sure the seat is properly engaged. Make sure that the latch indicator does not show more than 50% red.

CAUTION:

Make sure the area beneath the seat is clear prior to dropping it.

NOTE:

Pull the straps and relatch the seats as necessary.



REAR SEAT RAILS

< REMOVAL AND INSTALLATION >

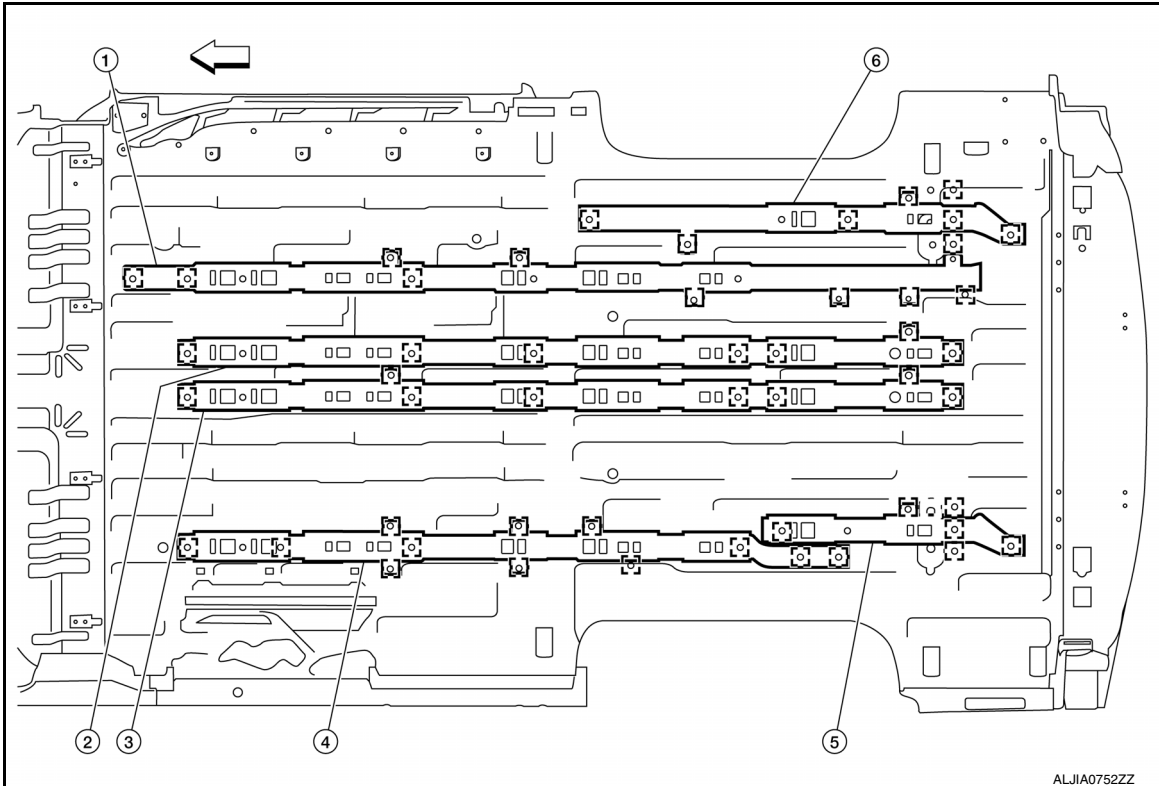
REAR SEAT RAILS

Removal and Installation

INFOID:000000012520797

REMOVAL

1. Remove the rear seats. Refer to [SE-33. "Removal and Installation" \(SECOND ROW SEATS\)](#), [SE-36. "Removal and Installation" \(THIRD ROW SEATS\)](#) and [SE-39. "Removal and Installation" \(FOURTH ROW SEATS\)](#).
2. Remove the rear floor carpet. Refer to [INT-45. "Removal and Installation - Passenger Van"](#).
3. Remove the rear seat rail bolts and the rear seat rails.



- | | | |
|------------------------|------------------------|------------------------|
| 1. Rear seat rail No.1 | 2. Rear seat rail No.2 | 3. Rear seat rail No.3 |
| 4. Rear seat rail No.4 | 5. Rear seat rail No.5 | 6. Rear seat rail No.6 |
| Bolts | Front | |

INSTALLATION

Installation is in the reverse order of removal.

Rear seat rail bolts : 80 N·m (8.2 kg-m, 59 ft-lb)

FRONT SEAT

< UNIT DISASSEMBLY AND ASSEMBLY >

UNIT DISASSEMBLY AND ASSEMBLY

FRONT SEAT

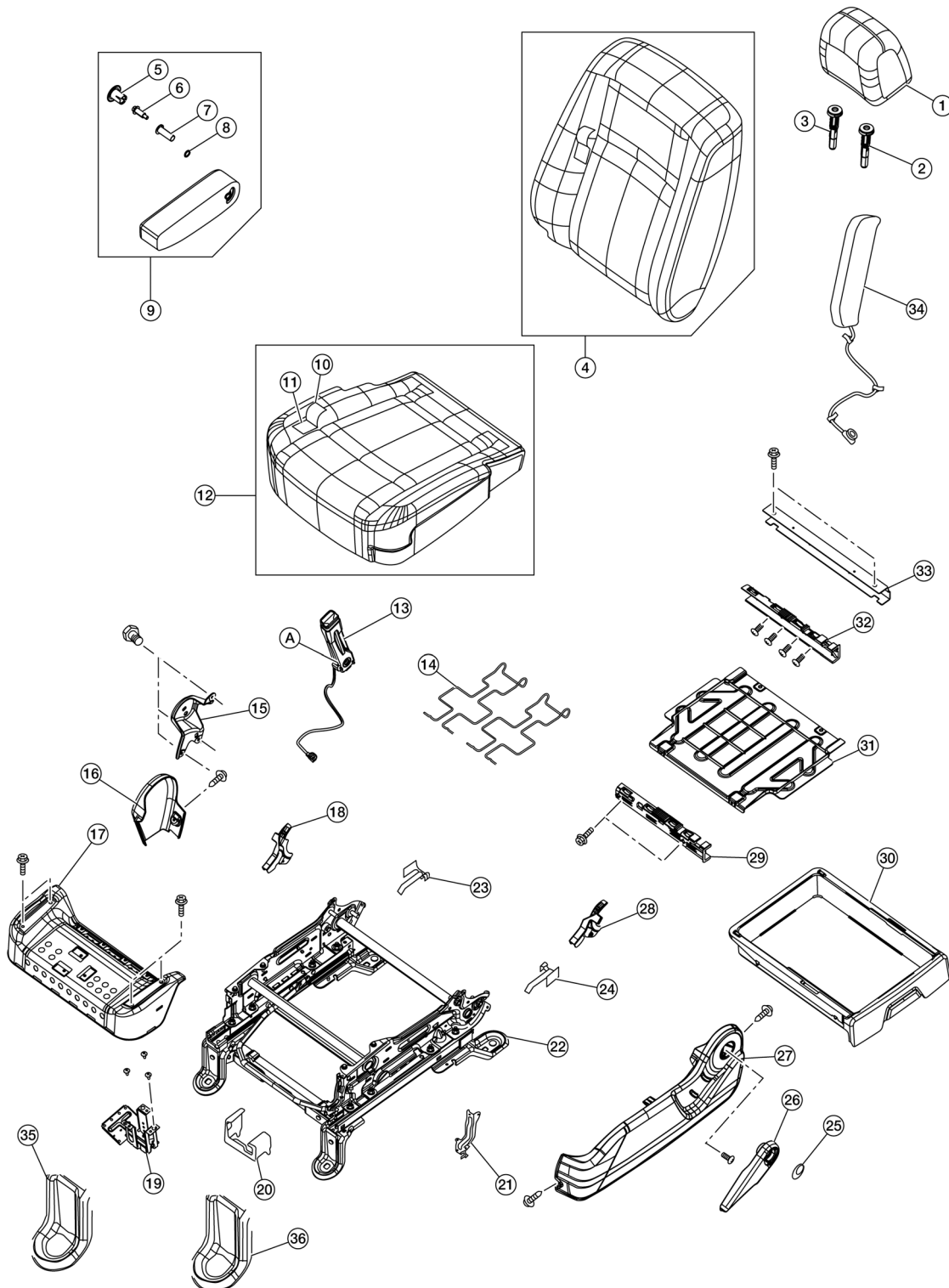
Exploded View

INFOID:000000012520798

DRIVER'S SEAT

Manual Control Seat

SEC. 868 • 870



AWJIA0811ZZ

FRONT SEAT

< UNIT DISASSEMBLY AND ASSEMBLY >

- | | | | |
|---|-------------------------------------|--|---|
| 1. Headrest | 2. Headrest holder (locked) | 3. Headrest holder (free) | A |
| 4. Seatback cushion assembly | 5. Armrest bolt cover (if equipped) | 6. Armrest bolt (if equipped) | |
| 7. Armrest insert (if equipped) | 8. Armrest washer (if equipped) | 9. Armrest assembly (if equipped) | |
| 10. Seat cushion trim | 11. Seat cushion pad | 12. Seat cushion assembly | B |
| 13. Seat belt buckle | 14. Seat cushion spring | 15. Armrest bracket | |
| 16. Seat cushion outer finisher (RH) | 17. Seat cushion frame | 18. Seat cushion inner finisher (RH) | |
| 19. Wiring harness bracket | 20. Front inner slide cover | 21. Seat cushion inner finisher (LH) | C |
| 22. Seat adjuster assembly | 23. Rear inner slide cover (RH) | 24. Rear inner slide cover (LH) | |
| 25. Recline lever cover | 26. Recline lever | 27. Seat cushion outer finisher (LH) | |
| 28. Seat cushion inner finisher (LH) | 29. Drawer slide (LH) (if equipped) | 30. Drawer assembly (if equipped) | D |
| 31. Drawer cover | 32. Drawer slide (RH) (if equipped) | 33. Rear reinforcement bracket (if equipped) | |
| 34. Side air bag module (if equipped) | 35. Slide rail finisher (RH) | 36. Slide rail finisher (LH) | E |
| A. Refer to SB-8. "Front Seat Belt" | | | |

F

G

H

I

SE

K

L

M

N

O

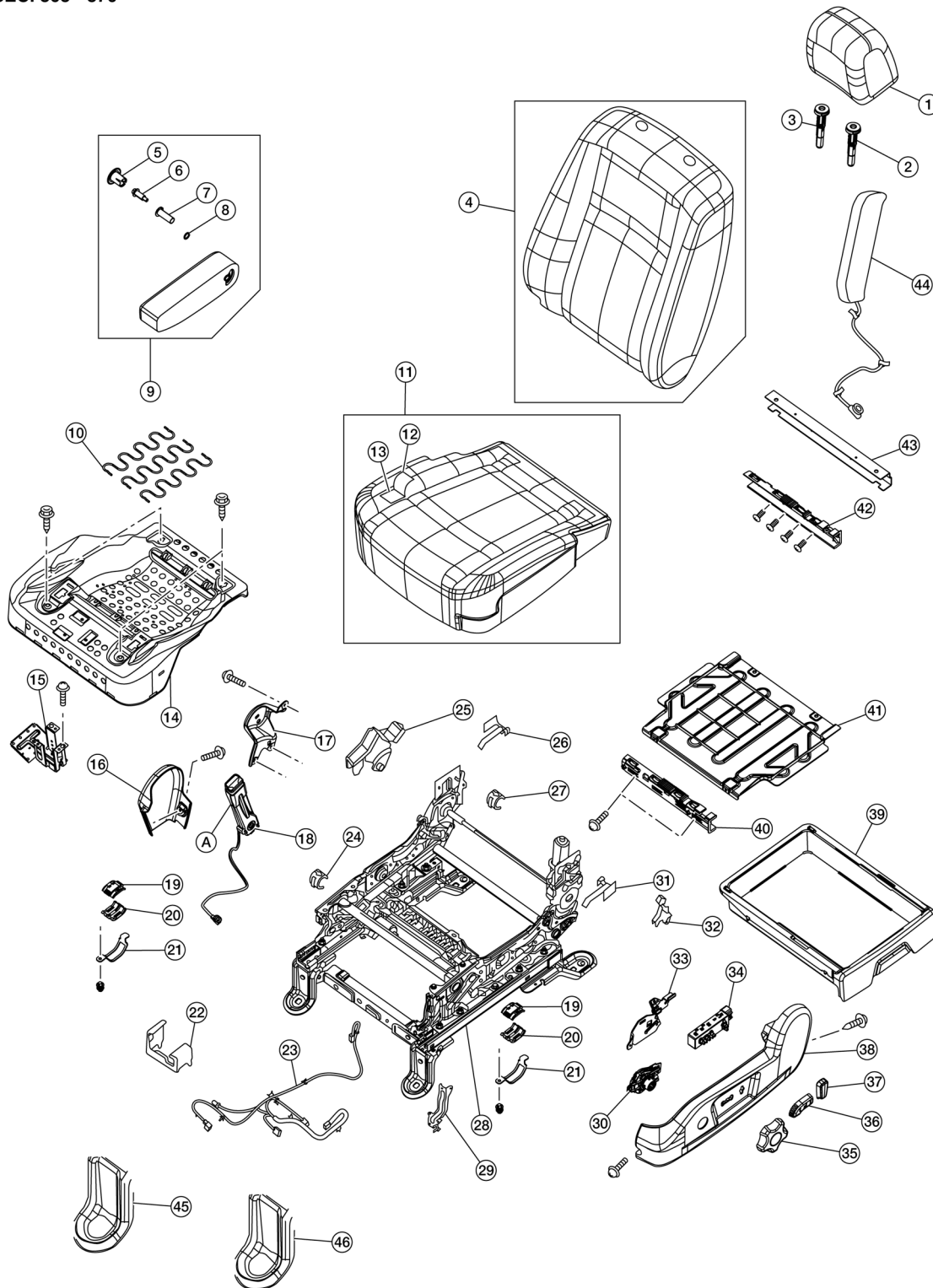
P

FRONT SEAT

< UNIT DISASSEMBLY AND ASSEMBLY >

Power Control Seat

SEC. 868 • 870



AWJIA0812ZZ

- | | | |
|--------------------------------------|-------------------------------------|-----------------------------------|
| 1. Headrest | 2. Headrest holder (locked) | 3. Headrest holder (free) |
| 4. Seatback cushion assembly | 5. Armrest bolt cover (if equipped) | 6. Armrest bolt (if equipped) |
| 7. Armrest insert (if equipped) | 8. Armrest washer (if equipped) | 9. Armrest assembly (if equipped) |
| 10. Seat cushion spring | 11. Seat cushion assembly | 12. Seat cushion trim |
| 13. Seat cushion pad | 14. Seat cushion frame | 15. Wiring harness bracket |
| 16. Seat cushion outer finisher (RH) | 17. Armrest bracket | 18. Seat belt buckle |

FRONT SEAT

< UNIT DISASSEMBLY AND ASSEMBLY >

- | | | | |
|--|---|-------------------------------------|---|
| 19. Upper attaching clip | 20. Lower bushing | 21. Clamp | A |
| 22. Front inner slide cover | 23. Wiring harness | 24. Clip | A |
| 25. Seat cushion inner finisher (RH) | 26. Rear inner slide cover (RH) | 27. Clip | B |
| 28. Seat adjuster assembly | 29. Seat cushion inner finisher (LH) | 30. Lumbar actuator | B |
| 31. Rear outer slide cover | 32. Recline outer finisher | 33. Lumbar actuator bracket | B |
| 34. Seat switch assembly | 35. Lumbar knob | 36. Slide knob | C |
| 37. Recline knob | 38. Seat cushion outer finisher (LH) | 39. Drawer assembly (if equipped) | C |
| 40. Drawer slide (LH) (if equipped) | 41. Drawer cover (if equipped) | 42. Drawer slide (RH) (if equipped) | C |
| 43. Rear reinforcement bracket (if equipped) | 44. Side air bag module (if equipped) | 45. Slide rail finisher (RH) | D |
| 46. Slide rail finisher (LH) | A. Refer to SB-8. "Front Seat Belt" | | D |

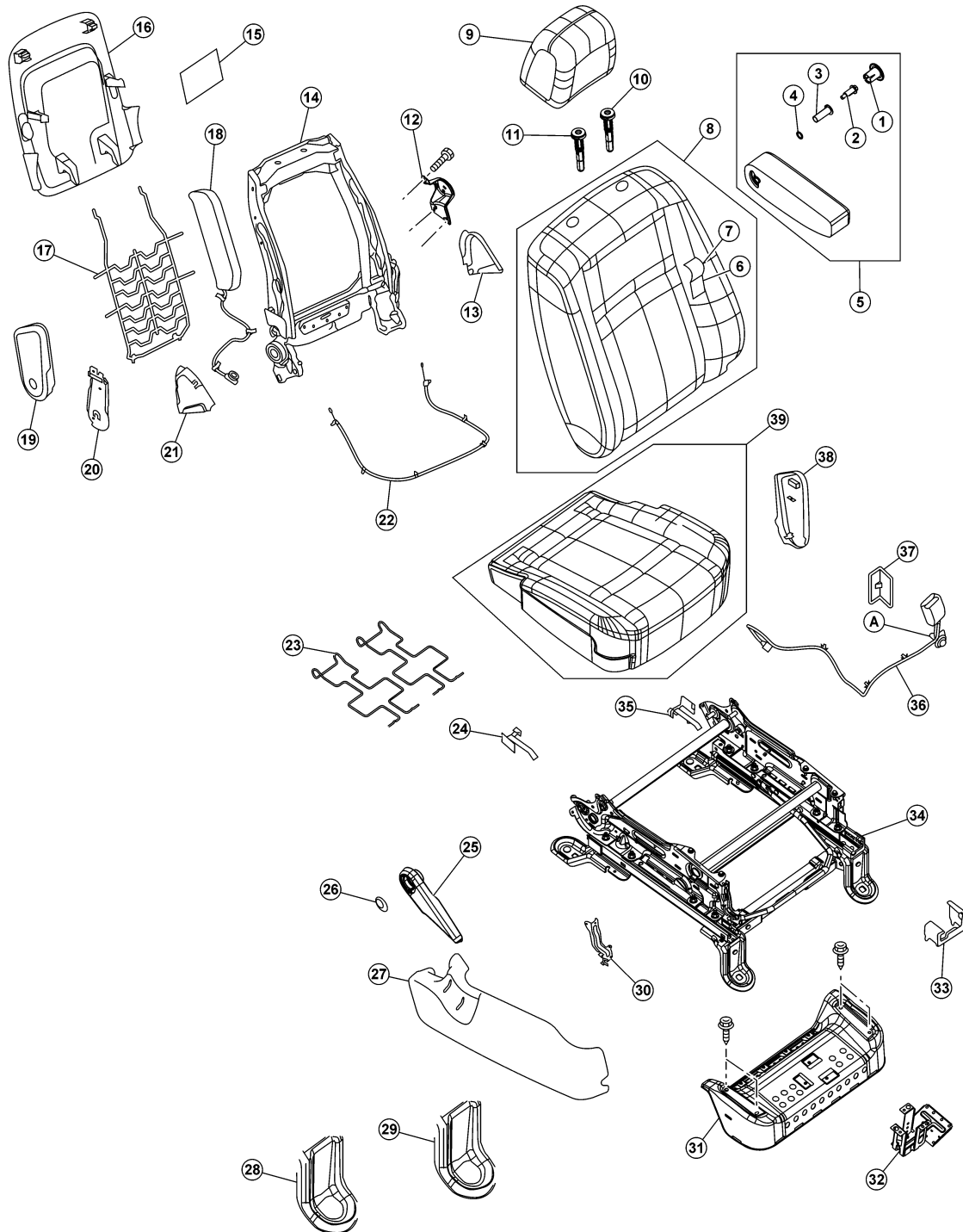
PASSENGER'S SEAT

A
B
C
D
E
F
G
H
I
SE
K
L
M
N
O
P

FRONT SEAT

< UNIT DISASSEMBLY AND ASSEMBLY >

SEC. 870



ALJIA112ZZ

- | | | |
|--------------------------------------|-----------------------------------|---------------------------------------|
| 1. Armrest bolt cover (if equipped) | 2. Armrest bolt (if equipped) | 3. Armrest insert (if equipped) |
| 4. Armrest washer (if equipped) | 5. Armrest assembly (if equipped) | 6. Seatback pad |
| 7. Seatback trim | 8. Seatback cushion assembly | 9. Headrest |
| 10. Headrest holder (locked) | 11. Headrest holder (free) | 12. Armrest bracket |
| 13. Seat cushion outer finisher (LH) | 14. Seatback frame assembly | 15. Upper seat frame cover |
| 16. Seatback board | 17. Seatback spring | 18. Side air bag module (if equipped) |

FRONT SEAT

< UNIT DISASSEMBLY AND ASSEMBLY >

- | | | |
|--------------------------------------|------------------------------------|--|
| 19. Seat cushion outer finisher (RH) | 20. Fold flat mechanism cover | 21. Seat cushion inner finisher (RH) |
| 22. Recline/fold flat cable | 23. Seat cushion spring | 24. Rear inner slide finisher (RH) |
| 25. Recline/fold flat lever | 26. Recline/fold flat lever cover | 27. Seat cushion outer finisher (RH) |
| 28. Slide rail finisher (RH) | 29. Slide rail finisher (LH) | 30. Seat cushion outer bracket finisher (RH) |
| 31. Seat cushion frame | 32. Wiring harness bracket | 33. Front inner slide cover |
| 34. Seat adjuster assembly | 35. Rear inner slide finisher (LH) | 36. Seat belt buckle |
| 37. Seat cushion inner finisher (LH) | 38. Fold flat inner finisher (LH) | 39. Seat cushion assembly |
- A. Refer to [SB-8. "Front Seat Belt"](#)

WARNING:

Do not leave any objects (screwdrivers, tools, etc.) on the seat during seatback repair. It can lead to personal injury if the side air bag module should accidentally deploy.

CAUTION:

- Before servicing, turn ignition switch OFF, disconnect both battery terminals and wait at least three minutes.
- Handle the side air bag module carefully. During disassembly, always hold the side air bag module; do not let it hang by the wire harness.
- Always place the air bag module with the deployment side facing upward.
- Always work from the side or back of the seatback assembly; do not work in front of seat.
- Do not use air tools or electric tools for servicing the seat assembly.
- Replace the side air bag module if it has been dropped or sustained an impact.
- Do not insert any objects into the side air bag module.
- Do not attempt to disassemble air bag module.
- Do not expose the side air bag module to temperatures exceeding 90°C (194°F).
- Do not expose the side air bag module to any oil, grease, detergent or water.
- During disassembly, do not damage the seatback cover, chutes, connectors, retainers, clips, module harness or the side air bag module.

NOTE:

- If the vehicle has been involved in a collision and the side air bag module has deployed, the front seatback assembly must be replaced.
- For side air bag module removal and installation, seatback cover and seatback foam pad must be removed.

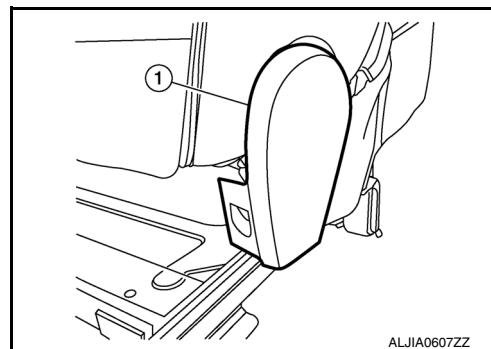
Disassembly and Assembly

INFOID:000000012520799

SEAT CUSHION - DRIVER MANUAL SEAT

Disassembly

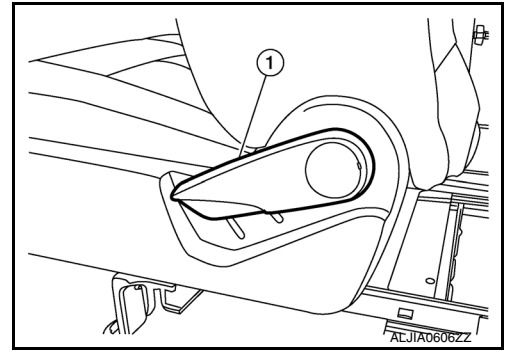
1. Remove the front seat. Refer to [SE-27. "Removal and Installation"](#).
2. Remove the seat cushion outer finisher (RH) (1).
 - Remove the cover, screw and release the clip.



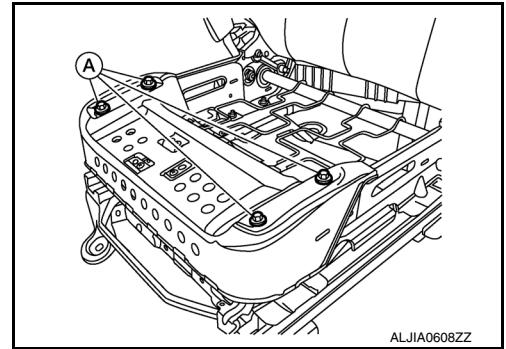
FRONT SEAT

< UNIT DISASSEMBLY AND ASSEMBLY >

3. Remove the recline lever (1).
 - a. Insert a suitable tool in the notch to remove the recline lever cover.
 - b. Remove the recline lever screw.
 - c. Remove the recline lever (1).



4. Remove the seat cushion outer finisher (LH).
5. Release the seat cushion rear retainers attached to frame.
6. Release the seat cushion LH/RH side retainers attached to frame.
7. Release the seat cushion front retainer.
8. Remove seat cushion assembly from the seat cushion frame.
9. Remove the four seat cushion frame bolts (A) and the seat cushion frame and seat cushion spring.

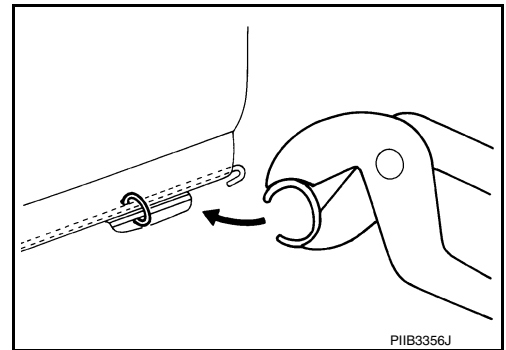


10. Remove the drawer assembly (if equipped).
11. Remove the seat belt buckle. Refer to [SB-8, "Front Seat Belt"](#).
12. Remove the four drawer lid screws and the drawer cover (if equipped).
13. Remove the two drawer cover screws and drawer slide (LH) (if equipped).
14. Remove the two drawer lid bolts and drawer slide (RH) with the rear reinforcement bracket (if equipped). Remove the two screws to separate the drawer slide from the bracket.
15. Separate the seat cushion trim from the seat cushion.

Assembly

Assembly is in the reverse order of disassembly.

- Install new hog rings on seat cushion trim in original position.



- Clamp the harness in position.
- Install the seat belt buckle. Refer to [SB-8, "Front Seat Belt"](#).

SEAT CUSHION - DRIVER POWER SEAT

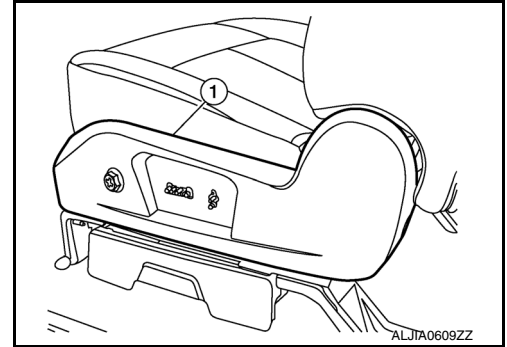
Disassembly

1. Remove the lumbar knob cover and screw, then the lumbar knob.

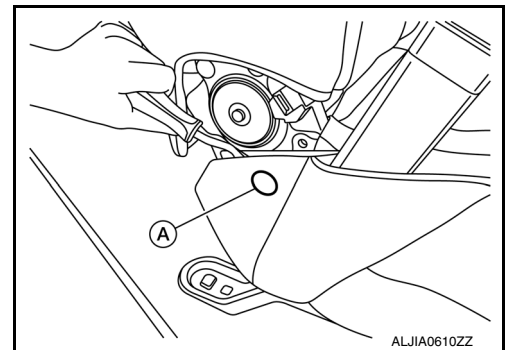
FRONT SEAT

< UNIT DISASSEMBLY AND ASSEMBLY >

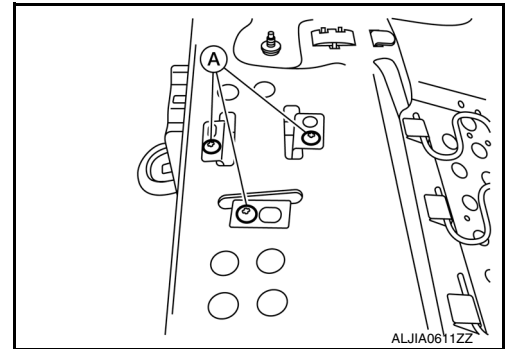
2. Remove the seat switch sliding knob and the reclining knob.
3. Remove the two seat cushion outer finisher LH screws and disconnect the harness connector from seat switch.
4. Remove the seat cushion outer finisher (1).



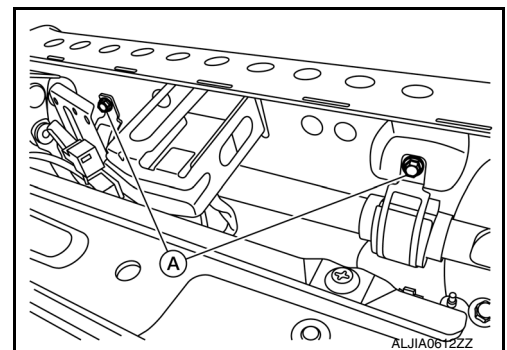
5. Remove the recline outer finisher screw and the recline outer finisher.
6. Remove the trim clip (A) and move the seat cushion trim away from the seat belt.



7. Release the seat cushion rear retainers attached to frame.
8. Release the seat cushion LH/RH side retainers attached to frame.
9. Release the seat cushion front retainer.
10. Remove the lumbar actuator and bracket assembly.
11. Remove the two lumbar actuator bracket screws.
12. Lift the seat cushion assembly upward to access the wire harness bracket. Remove the three wire harness bracket screws (A).



13. Remove the two seat cushion frame bolts (A) and the seat cushion frame attaching clips and clamps.



14. Remove the seat cushion assembly with the seat cushion frame.

A
B
C
D
E
F
G
H
I
K
L
M
N
O
P

SE

FRONT SEAT

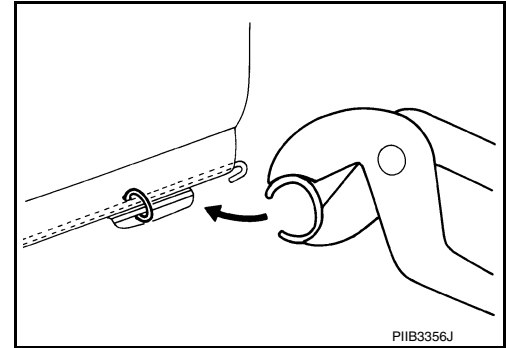
< UNIT DISASSEMBLY AND ASSEMBLY >

15. Separate the seat cushion assembly from the seat cushion frame.
16. Remove the seat cushion spring.
17. Remove the drawer assembly (if equipped).
18. Remove the seat belt buckle. Refer to [SB-8. "Front Seat Belt"](#).
19. Remove the four drawer cover screws and the drawer cover (if equipped).
20. Remove the two drawer cover screws and drawer slide LH (if equipped).
21. Remove the two drawer cover bolts and drawer slide RH with the rear reinforcement bracket (if equipped). Remove the two screws to separate the drawer slide from the bracket.
22. Separate the seat cushion trim from the seat cushion.

Assembly

Assembly is in the reverse order of disassembly.

- Install new hog rings on seat cushion trim in original position.



- Install the seat belt buckle. Refer to [SB-8. "Front Seat Belt"](#).

SEAT CUSHION - PASSENGER SEAT

Disassembly

1. Remove the recline/fold flat lever cover and the recline/fold flat lever.
2. Remove the seat cushion outer finisher (RH).
3. Remove the fold flat outer finisher (LH).
4. Remove the seat cushion inner finisher (LH).
5. Release the seat cushion rear retainers attached to spring.
6. Release the seat cushion LH/RH side retainers attached to frame.
7. Release the seat cushion front retainer.
8. Remove the two rear push pins.
9. Move the seat cushion trim away from the seat belt.
10. Lift the seat cushion assembly upward to access the wire harness bracket. Remove the three wire harness bracket screws.
11. Remove the seat cushion assembly.
12. Remove the four seat cushion frame bolts and the seat cushion frame and seat cushion spring.
13. Remove the seat cushion spring.
14. Remove the seat belt buckle. Refer to [SB-8. "Front Seat Belt"](#).
15. Remove the drawer assembly.
16. Remove the four drawer cover screws and the drawer cover (if equipped).
17. Remove the two drawer cover screws and drawer slide (LH) (if equipped).
18. Remove the two drawer cover bolts and drawer slide (RH) with the rear reinforcement bracket (if equipped). Remove the two screws to separate the drawer slide from the rear reinforcement bracket.
19. Separate the seat cushion trim from the seat cushion.

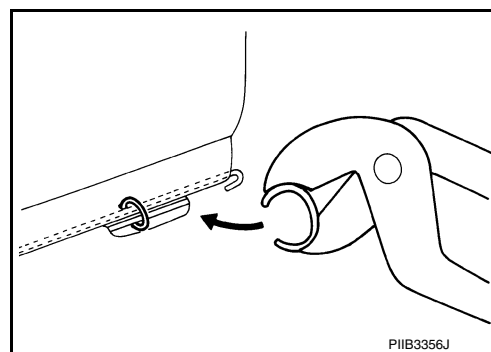
Assembly

Assembly is in the reverse order of disassembly.

FRONT SEAT

< UNIT DISASSEMBLY AND ASSEMBLY >

- Install new hog rings on seat cushion trim in original position.



- Install the seat belt buckle. Refer to [SB-8. "Front Seat Belt"](#).

SEATBACK CUSHION - DRIVER MANUAL SEAT

Disassembly

1. Unzip the rear cover.
2. Remove the armrest (if equipped).
 1. Remove the armrest bolt cover.
 2. Remove the armrest bolt and armrest.
3. Remove the headrest.
4. Release the rear cover lower retainer.
5. Release the headrest holder clips and remove the headrest holders.
6. Release the side air bag module harness clips.
7. Remove and discard the two side air bag module nuts.

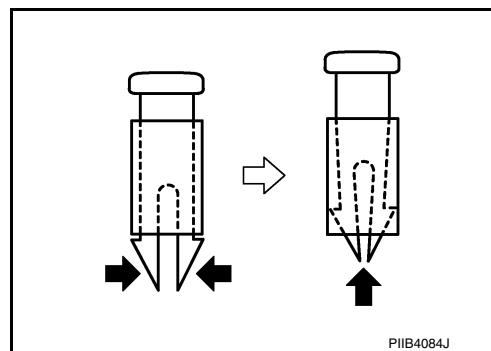
CAUTION:

Do not reuse the side air bag module nuts.

NOTE:

The side air bag module is in the side air bag chute. For side air bag module removal, refer to [SR-25. "Removal and Installation"](#).

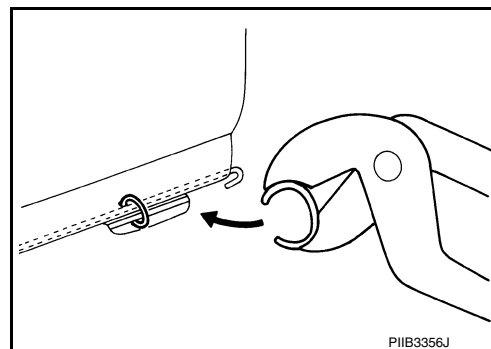
8. Remove the seatback cushion and seatback cushion trim.
9. Remove the seatback lower support.
10. Remove the four bolts and seatback frame.
11. Separate the seatback trim from the seatback cushion.
 - a. Pull seat cushion trim upward to release velcro strips.
 - b. Remove four center hog rings.
 - c. Pull the seat cushion trim up on the RH side and remove the hog rings.
 - d. Pull the seat cushion trim up on the LH side and remove the hog rings.
 - e. Remove the hog rings along seat cushion trim top.



Assembly

Assembly is in the reverse order of disassembly.

- Install new hog rings on seat cushion trim in the original position.



A
B
C
D
E
F
G
H
I
SE
K
L
M
N
O
P

FRONT SEAT

< UNIT DISASSEMBLY AND ASSEMBLY >

- For side air bag module installation, refer to [SR-25. "Removal and Installation"](#).

CAUTION:

- **Make sure to identify and position the front side air bag module pocket in the seatback pad during assembly.**
- **If a malfunction was detected by the air bag warning lamp, after repair or replacement of the malfunction parts, reset the memory using self-diagnosis or CONSULT.**
- **After work is completed, check that no system malfunction is detected by air bag warning lamp.**
- **Always install new side air bag module attaching nuts.**
- **Always route side air bag module harness in original location. Replace any deformed or damaged clips with same type and color. Always install clips in the original location in the harness.**
- **Smooth out all wrinkles during assembly.**
- **Inspect seatback foam pad, seatback cover and seatback cover chutes. Replace if damaged.**
- **Replace any deformed or damaged parts.**
- **Do not reuse hog rings. Ensure any old hog ring pieces are removed from the seat.**
- **Use only one hog ring in each designated location.**
- **Make sure hog rings are correctly fastened around both the seatback cover and pad wires.**

SEATBACK CUSHION - DRIVER POWER SEAT

Disassembly

1. Unzip the rear cover.
2. Remove the armrest, (if equipped).
 1. Remove the armrest bolt cover.
 2. Remove the armrest bolt and armrest.
3. Remove the headrest.
4. Release the headrest holder locks and remove the headrest holders.
5. Release the side air bag module harness clips.
6. Remove and discard the two side air bag module nuts.

CAUTION:

Do not reuse the side air bag module nuts.

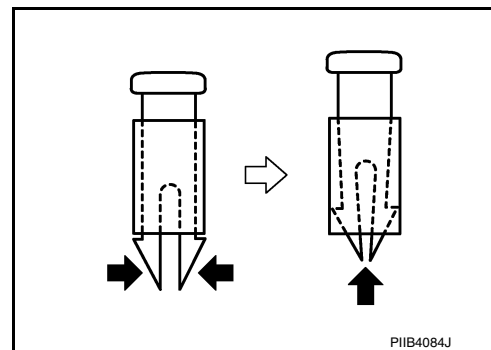
NOTE:

The side air bag module is in the side air bag chute. For side air bag module removal, refer to [SR-25. "Removal and Installation"](#).

7. Remove the seatback cushion and seatback cushion trim.
8. Remove the four bolts and seatback frame.
9. Remove the lumbar assembly.
 - a. Remove the four lumbar assembly bolts.
 - b. Disconnect the cable from the actuator.
 - c. Disconnect the cable retainers on the lower frame.
 - d. Remove the lumbar and cable assembly.
10. Separate the seatback trim from the seatback cushion.
 - a. Pull seat cushion trim upward to release velcro strips.
 - b. Remove four center hog rings.
 - c. Pull the seat cushion trim up on the RH side and remove the hog rings.
 - d. Pull the seat cushion trim up on the LH side and remove the hog rings.
 - e. Remove the hog rings along seat cushion trim top.

Assembly

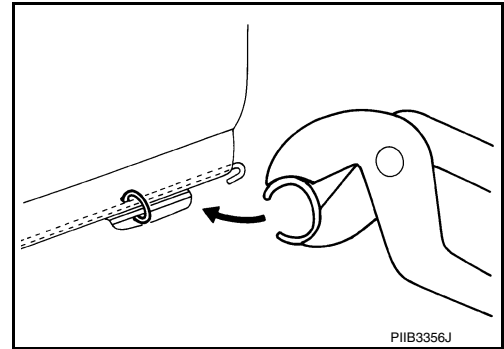
Assembly is in the reverse order of disassembly.



FRONT SEAT

< UNIT DISASSEMBLY AND ASSEMBLY >

- Install new hog rings on seat cushion trim in the original position.



- For side air bag module installation, refer to [SR-25, "Removal and Installation"](#).

CAUTION:

- **Make sure to identify and position the front side air bag module pocket in the seatback pad during assembly.**
- **If a malfunction was detected by the air bag warning lamp, after repair or replacement of the malfunction parts, reset the memory using self-diagnosis or CONSULT.**
- **After work is completed, check that no system malfunction is detected by air bag warning lamp.**
- **Always install new side air bag module attaching nuts.**
- **Always route side air bag module harness in original location. Replace any deformed or damaged clips with same type and color. Always install clips in the original location in the harness.**
- **Smooth out all wrinkles during assembly.**
- **Inspect seatback foam pad, seatback cover and seatback cover chutes. Replace if damaged.**
- **Replace any deformed or damaged parts.**
- **Do not reuse hog rings. Ensure any old hog ring pieces are removed from the seat.**
- **Use only one hog ring in each designated location.**
- **Make sure hog rings are correctly fastened around both the seatback cover and pad wires.**

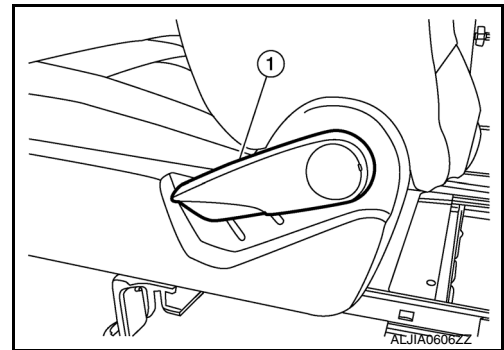
NOTE:

Use NISSAN standard hog rings and tools to assemble.

SEATBACK CUSHION - PASSENGER SEAT

Disassembly

1. Remove the seatback board using the following steps:
 - a. Position the seatback assembly forward and down to the fold flat position using the recline lever (1).

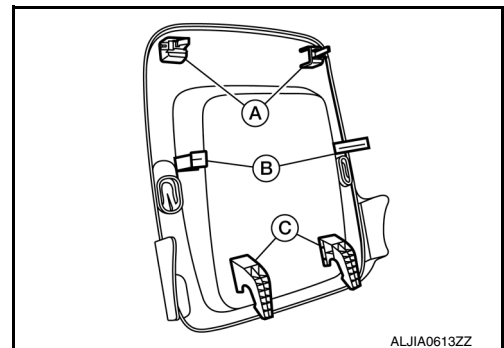


- b. Using a suitable tool, disengage the two top metal clips (A).
 - Two top metal clips (A)
 - Two side tabs (B)
 - Two bottom tabs (C)

CAUTION:

The air bag module is in close proximity to right side top clip. Do not let tool contact the air bag module.

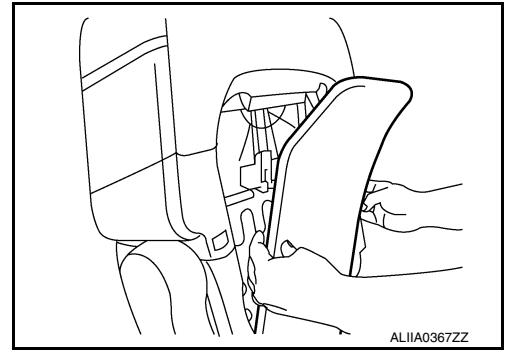
- c. Push the side tabs (B) inward to disengage the side tabs from the seatback frame.



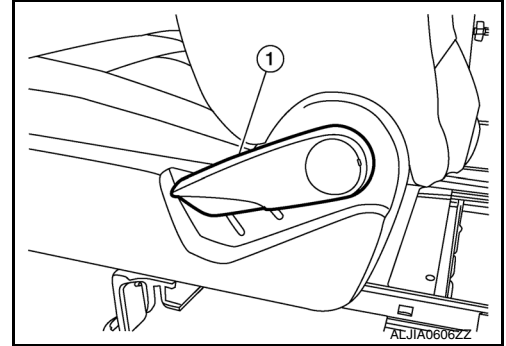
FRONT SEAT

< UNIT DISASSEMBLY AND ASSEMBLY >

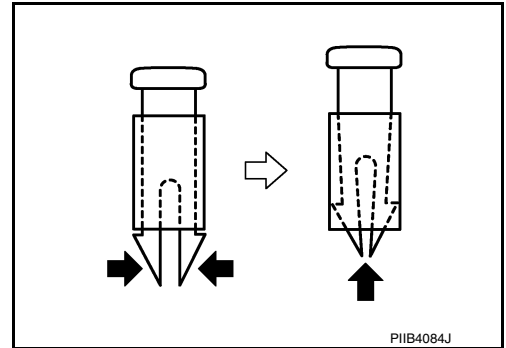
- d. Push downward at the lower part of the seatback board and slide the seatback board forward to disengage the bottom tabs from the seatback frame.



2. Remove the recline lever (1).
- a. Insert a suitable tool in the notch to remove the recline lever cover.
- b. Remove the recline lever screw.
- c. Remove the recline lever (1).



3. Remove the seat cushion outer finisher (LH).
- a. Pull the seat cushion outer finisher (LH) to disengage the attachment.
- b. Push upward to detach the fold flat outer finisher (LH) from the seat back frame.
4. Remove the armrest (if equipped).
- a. Remove the armrest bolt cover.
- b. Remove the armrest bolt and armrest.
5. Remove the headrest.
6. Release the headrest holder locks and remove the headrest holders.



7. Remove the fold flat outer finisher (RH) and the fold flat inner finisher (RH).
8. Remove the fold flat mechanism cover (RH).
9. Remove the seat cushion outer finisher (RH).
10. Disengage the two side air bag module harness clips.
11. Remove the seat cushion inner finisher (LH).
12. Release the seat cushion trim rear retainer.
13. Release the seatback upper retainer to frame.
14. Release the seatback LH/RH side retainers attached to frame.
15. Release the seatback lower retainer.
16. Remove the two push pins.
17. Remove the recline/fold flat inner finisher (LH).
18. Remove the recline/fold flat inner finisher (RH).

FRONT SEAT

< UNIT DISASSEMBLY AND ASSEMBLY >

19. Release the recline/fold flat cable from both reclining/fold flat mechanism
20. Remove and discard the two side air bag module nuts.

CAUTION:

Do not reuse side air bag module nuts.

NOTE:

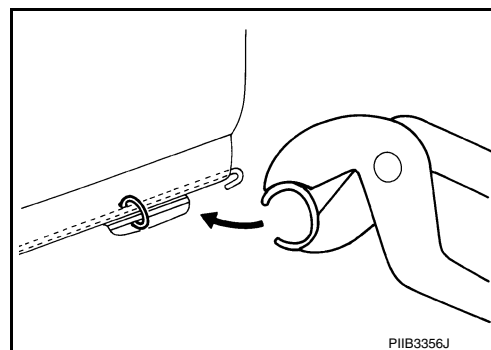
The side air bag module is in the side air bag chute. For side air bag module removal, refer to [SR-25, "Removal and Installation"](#).

21. Remove seatback assembly.
22. Remove the side air bag module from the side air bag chute.
23. Remove the four bolts and seatback frame assembly.
24. Separate the seatback trim from the seatback cushion.
 - a. Pull seat cushion trim upward to release velcro strips.
 - b. Remove four center hog rings.
 - c. Pull the seat cushion trim up on the RH side and remove the hog rings.
 - d. Pull the seat cushion trim up on the LH side and remove the hog rings.
 - e. Remove the hog rings along seat cushion trim top.
25. Separate the seat cushion spring from the seatback frame.

Assembly

Assembly is in the reverse order of disassembly.

- For side air bag module installation, refer to [SR-25, "Removal and Installation"](#).
- Install new hog rings on seat cushion trim in the original position.



For side air bag module installation, refer to [SR-25, "Removal and Installation"](#).

CAUTION:

- **Make sure to identify and position the front side air bag module pocket in the seatback pad during assembly.**
- **If a malfunction was detected by the air bag warning lamp, after repair or replacement of the malfunction parts, reset the memory using self-diagnosis or CONSULT.**
- **After work is completed, check that no system malfunction is detected by air bag warning lamp.**
- **Always install new side air bag module attaching nuts.**
- **Always route side air bag module harness in original location. Replace any deformed or damaged clips with same type and color. Always install clips in the original location in the harness.**
- **Smooth out all wrinkles during assembly.**
- **Inspect seatback foam pad, seatback cover and seatback cover chutes. Replace if damaged.**
- **Replace any deformed or damaged parts.**
- **Do not reuse hog rings. Ensure any old hog ring pieces are removed from the seat.**
- **Use only one hog ring in each designated location.**
- **Make sure hog rings are correctly fastened around both the seatback cover and pad wires.**

NOTE:

Use NISSAN standard hog rings and tools to assemble.

SECOND ROW SEATS

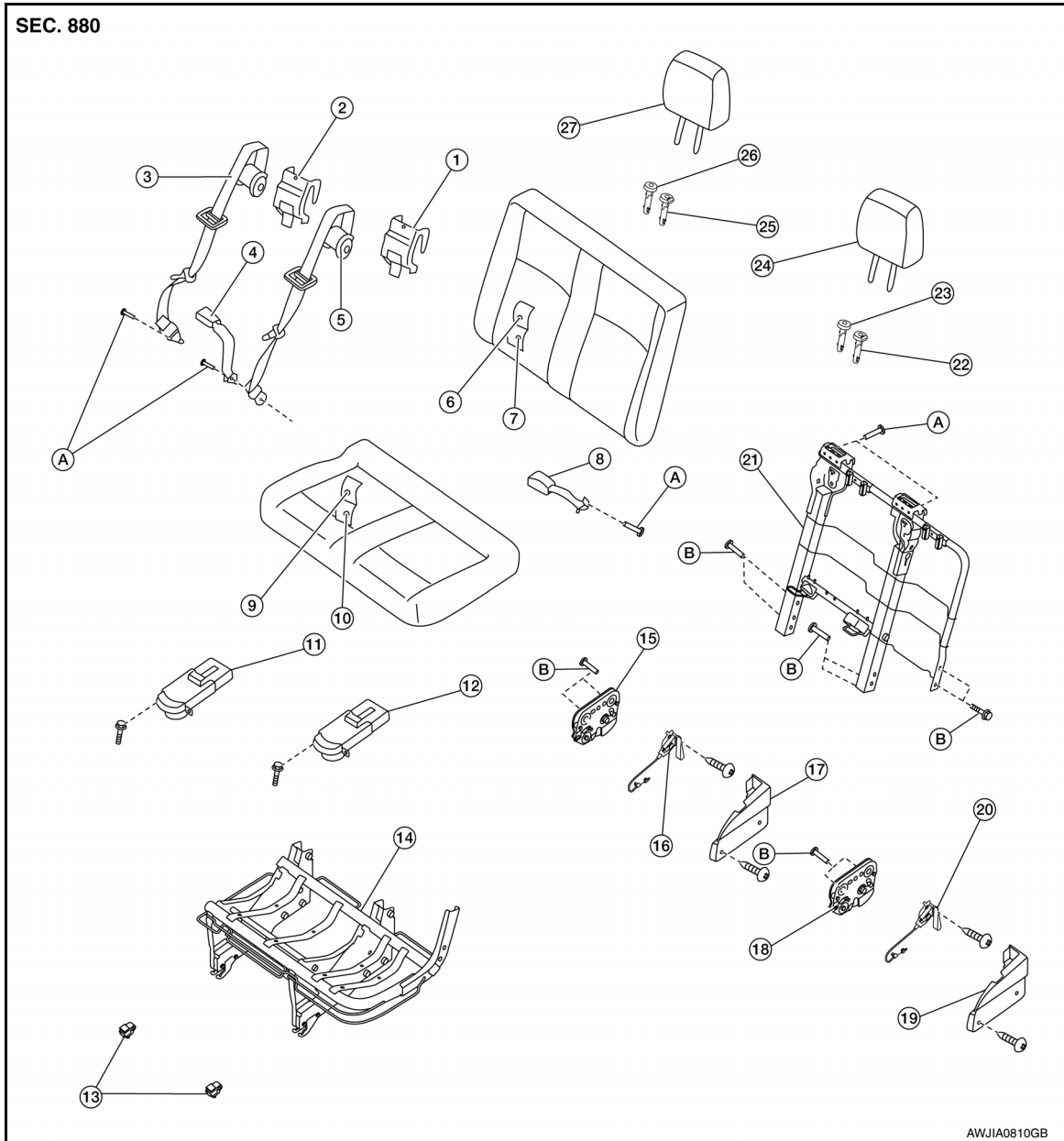
< UNIT DISASSEMBLY AND ASSEMBLY >

SECOND ROW SEATS

Exploded View

INFOID:000000012520800

LH BENCH SEAT



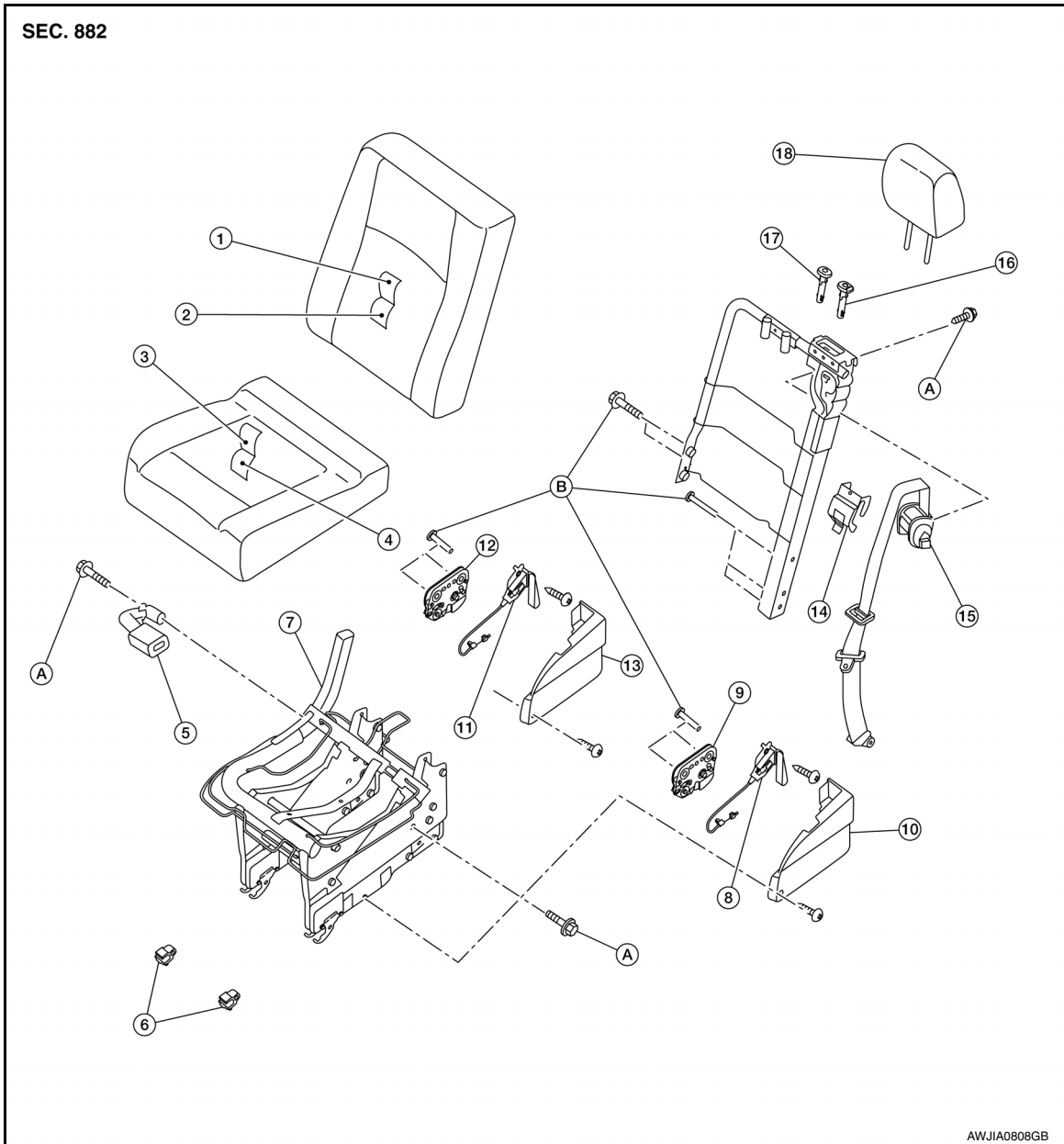
- | | | |
|--|--|--------------------------------|
| 1. Seat belt retractor shield (LH) | 2. Seat belt retractor shield (RH) | 3. Seat belt retractor (RH) |
| 4. Seat belt buckle (RH) | 5. Seat belt retractor (LH) | 6. Seatback trim |
| 7. Seatback pad | 8. Seat belt buckle (LH) | 9. Seat cushion trim |
| 10. Seat cushion pad | 11. Cup holder (RH) | 12. Cup holder (RH) |
| 13. Rubber bumper | 14. Seat cushion frame | 15. Seat rear floor latch (RH) |
| 16. Seat rear floor latch release cable (RH) | 17. Seat rear floor latch cover (RH) | 18. Seat rear floor latch (LH) |
| 19. Seat rear floor latch cover (LH) | 20. Seat rear floor latch release cable (LH) | 21. Seatback frame |
| 22. Headrest holder LH locked | 23. Headrest holder LH free | 24. Headrest (LH) |

SECOND ROW SEATS

< UNIT DISASSEMBLY AND ASSEMBLY >

- 25. Headrest holder RH locked
- 26. Headrest holder RH free
- 27. Headrest (RH)
- A. Refer to [SB-12, "Removal and Installation"](#)

RH SEAT



- 1. Seatback trim
- 2. Seatback pad
- 3. Seat cushion trim
- 4. Seat cushion pad
- 5. Seat belt buckle
- 6. Rubber bumper
- 7. Seat cushion frame
- 8. Seat rear floor latch release cable (LH)
- 9. Seat rear floor latch (LH)
- 10. Seat rear floor latch cover (LH)
- 11. Seat rear floor release cable (RH)
- 12. Seat rear floor latch (RH)
- 13. Seat rear floor latch cover (RH)
- 14. Seat belt retractor shield
- 15. Seat belt retractor
- 16. Headrest holder (locked)
- 17. Headrest holder (free)
- 18. Headrest
- A. Refer to [SB-12, "Removal and Installation"](#)

A
B
C
D
E
F
G
H
I
SE
K
L
M
N
O
P

SECOND ROW SEATS

< UNIT DISASSEMBLY AND ASSEMBLY >

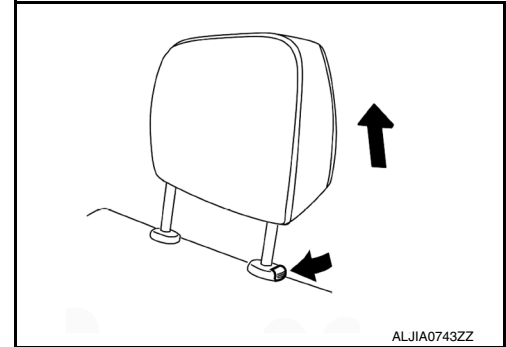
Disassembly and Assembly - LH Bench Seat

INFOID:000000012520801

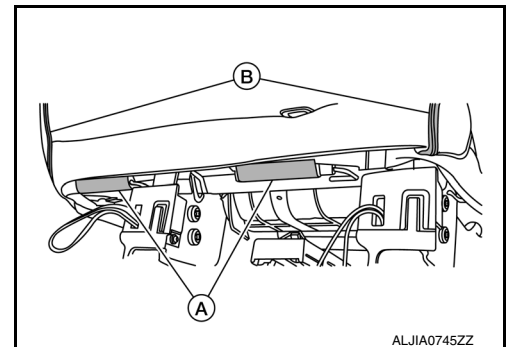
SEATBACK

Disassembly

1. Remove the second row seat. Refer to [SE-33. "Removal and Installation"](#).
2. Remove seat belt buckle (RH) inboard and seat belt retractor (LH) anchor bolt. Refer to [SE-33. "Removal and Installation"](#).
3. Press the headrest holder lock button in, then remove the headrest. Repeat for second headrest on seat assembly.



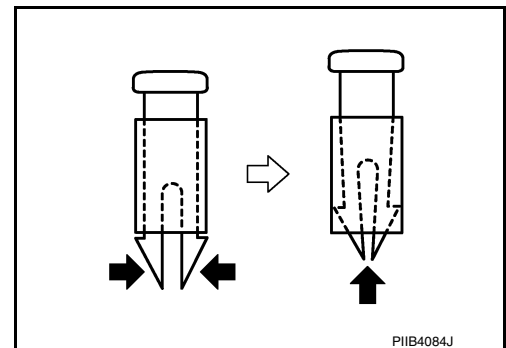
4. Remove the seat belt escutcheon.
 - a. Remove the (two for RH, two for LH) escutcheon screws from the seatback.
 - b. Thread each seat belt through the slot in the escutcheon to remove.
5. Release the two J-clip retainers (A) at the rear lower edge and unzip the sliders from the LH/RH zippers (B).



6. From the inside of the seatback, squeeze the headrest holder tabs at the base of the stay pipe and pull up to remove.

CAUTION:

**Before installing headrest holder, check its orientation.
(front/rear and right/left)**



7. Release the five remaining J-clips that wrap around the bottom of seatback as shown.
8. Remove the seatback trim.
 - a. Carefully lift the seatback trim and cushion up as an assembly from the seat frame.
 - b. Thread the seat belt assembly through the opening in the trim.
 - c. Release the seatback stiffener from the upper seatback frame edge.
9. Remove the hog rings and separate the seatback trim and seatback pad.

NOTE:

Remove all pieces of hog rings and discard them.

SECOND ROW SEATS

< UNIT DISASSEMBLY AND ASSEMBLY >

Assembly

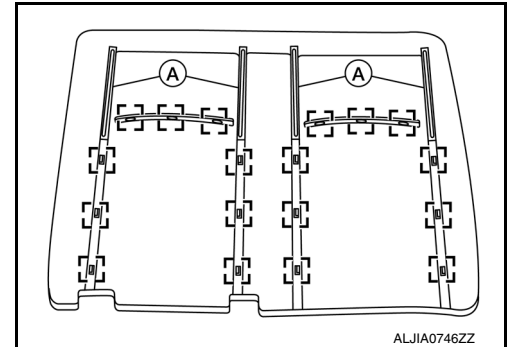
Assembly is in the reverse order of disassembly.

NOTE:

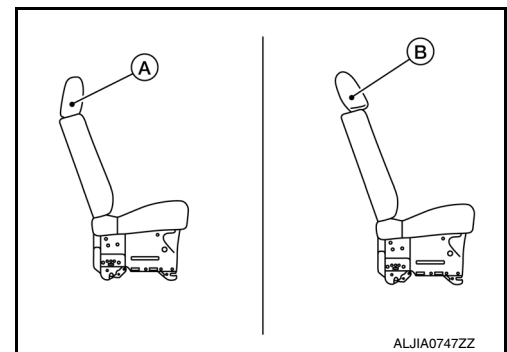
- Install new hog rings on the seat trim in their original positions.
- : Hog rings
- Use only one hog ring in each designated location.
- Be sure hook fastener (A) is pressed into place after seatback trim is assembled.

CAUTION:

- **Make sure hog rings are correctly fastened around both the seat trim and pad wires.**
- **Replace any deformed or damaged hog rings.**
- **Make sure any old hog ring pieces are removed from seat.**



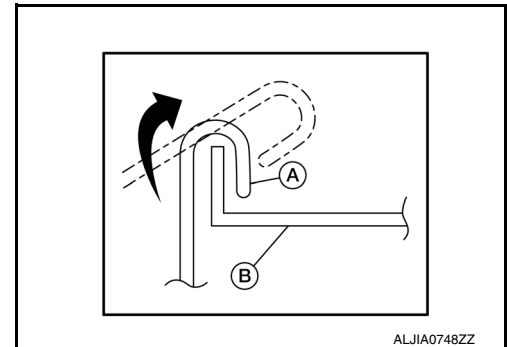
- **Before installing headrest, check its orientation and be sure it is correct (A); avoid incorrect (B).**
- **After installing headrest (A), pull it all the way up and be sure it does not disengage from the seatback.**



SEAT CUSHION

Disassembly

1. Remove the second row seats. Refer to [SE-33. "Removal and Installation"](#).
2. Remove seat belt buckle (LH) anchor bolt. Refer to [SE-33. "Removal and Installation"](#).
3. Release the 11 J-clips (A) holding the seat trim to the seat frame (B).



4. Remove the seat cushion trim and pad as an assembly from the seat frame.
5. Remove the hog rings and separate the seat cushion trim and seat cushion pad.

Assembly

Assembly is in the reverse order of disassembly.

CAUTION:

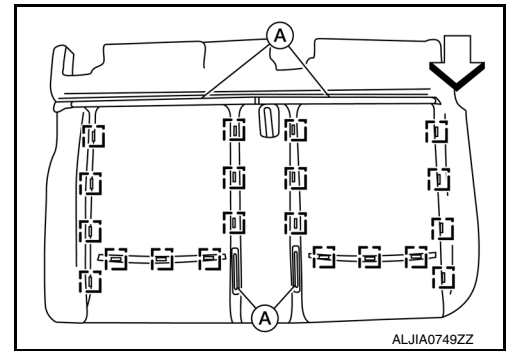
- **Make sure hog rings are correctly fastened around both the seat trim and pad wires.**
- **Replace any deformed or damaged hog rings.**
- **Make sure any old hog ring pieces are removed from seat.**

NOTE:

SECOND ROW SEATS

< UNIT DISASSEMBLY AND ASSEMBLY >

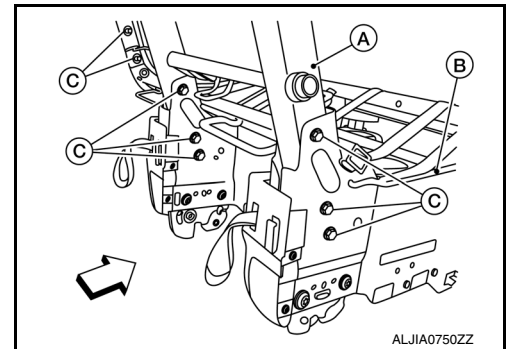
- Install new hog rings on the seat trim in their original positions.
 - ◀: Front
 - : Hog rings
- Use only one hog ring in each designated location.
- Be sure hook fastener (A) is pressed into place after seatback trim is assembled.



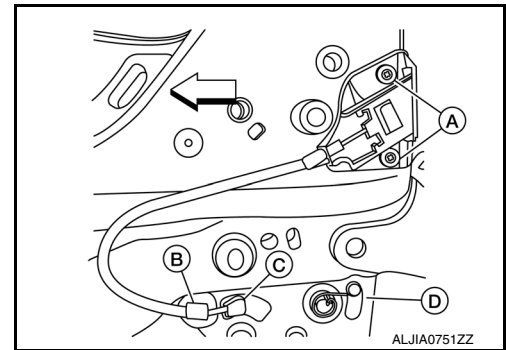
SEAT FRAME

Disassembly

1. Remove the seat belt retractors (LH/RH) from the seatback frame. Refer to [SB-12, "Removal and Installation"](#).
2. Remove the seatback bolts (C) and separate the seatback frame (A) from the seat cushion frame (B).
 - ◀: Front



3. Remove the seat rear floor latch cover screws and the seat rear floor latch cover.
4. Release the clip (B) and remove the seat rear floor latch release cable LH screws (A) and remove the seat rear floor latch release cable LH end (C) from the latch (D).
 - ◀: Front



5. Release the clip and remove the seat rear floor latch release cable RH screws and the seat rear floor latch release cable RH end from the latch.
6. Remove the cup holder screws and each of the cup holders (LH/RH).
7. Remove the seat rear floor latch (LH) bolts and the seat rear floor latch (LH) from the seat cushion frame.
8. Remove the seat rear floor latch (RH) bolts and the seat rear floor latch (RH) from the seat cushion frame.

Assembly

Assembly is in the reverse order of disassembly.

Disassembly and Assembly - RH Seat

INFOID:0000000112520802

SEATBACK

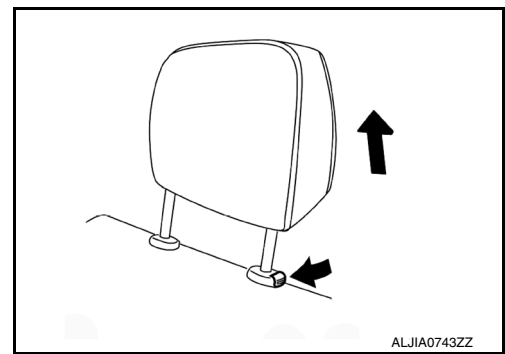
Disassembly

1. Remove the second row seat. Refer to [SE-33, "Removal and Installation"](#).
2. Remove seat belt buckle and seat belt retractor anchor bolt. Refer to [SB-12, "Removal and Installation"](#).

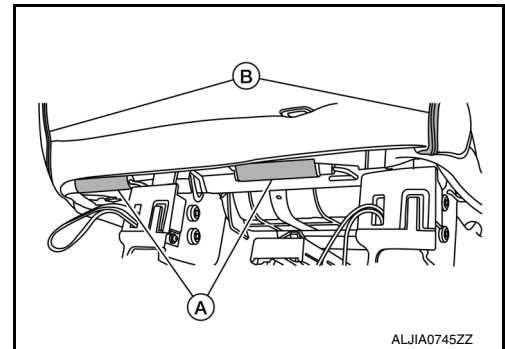
SECOND ROW SEATS

< UNIT DISASSEMBLY AND ASSEMBLY >

3. Press the headrest holder lock button in, then remove the headrest.



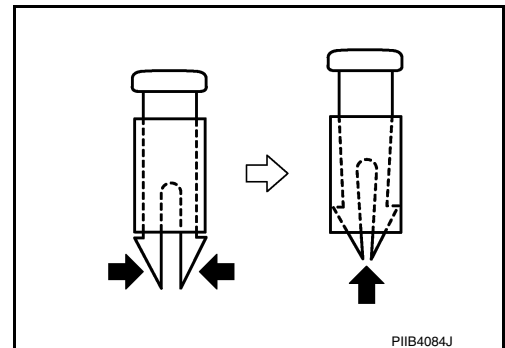
4. Remove the seat belt escutcheon.
 - a. Remove the escutcheon screws from the seatback.
 - b. Thread the seat belt through the slot in the escutcheon to remove.
5. Release the two J-clip retainers (A) at the lower edge and unzip the sliders from the LH/RH zippers (B).



6. From the inside of the seatback, squeeze the headrest holder tabs at the base of the stay pipe and pull up to remove.

CAUTION:

**Before installing headrest holder, check its orientation.
(front/rear and right/left)**



7. Release the five remaining J-clips that wrap around the bottom of seatback as shown.
8. Remove the seatback trim.
 - a. Carefully lift the seatback trim and cushion up as an assembly from the seat frame.
 - b. Thread the seat belt assembly through the opening in the trim.
 - c. Release the seatback stiffener from the upper seatback frame edge.
9. Remove the hog rings and separate the seatback trim and seatback pad.

NOTE:
Remove all pieces of hog rings and discard them.

Assembly

Assembly is in the reverse order of disassembly.

CAUTION:

- Make sure hog rings are correctly fastened around both the seat trim and pad wires.
- Replace any deformed or damaged hog rings.
- Make sure any old hog ring pieces are removed from seat.

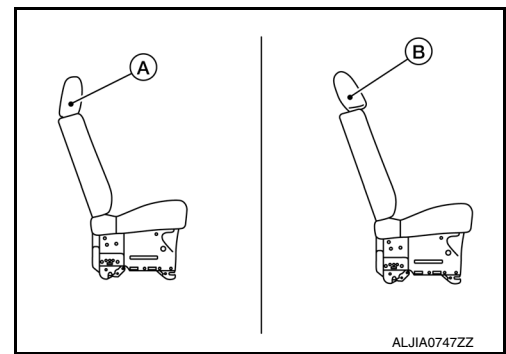
SECOND ROW SEATS

< UNIT DISASSEMBLY AND ASSEMBLY >

- Before installing headrest, check its orientation and be sure it is correct (A); avoid incorrect (B).
- After installing headrest (A), pull it all the way up and be sure it does not disengage from the seatback.

NOTE:

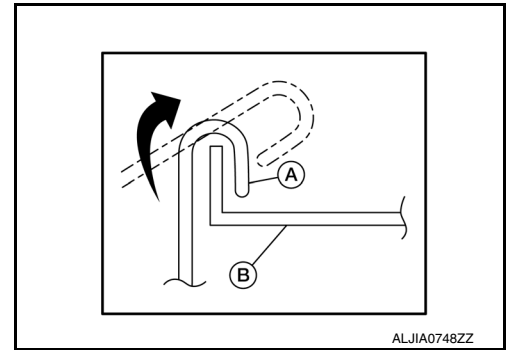
- Install new hog rings on the seat trim in their original positions.
- Use only one hog ring in each designated location.
- Be sure hook fastener is pressed into place after seatback trim is assembled.



SEAT CUSHION

Disassembly

1. Remove seat belt buckle anchor bolt. Refer to [SB-12, "Removal and Installation"](#).
2. Release the ten J-clips (A) holding the seat trim to the seat frame (B).



3. Remove the seat cushion trim and pad as an assembly from the seat frame.
4. Remove the hog rings and separate the seat cushion trim and seat cushion pad.

Assembly

Assembly is in the reverse order of disassembly.

CAUTION:

- Make sure hog rings are correctly fastened around both the seat trim and pad wires.
- Replace any deformed or damaged hog rings.
- Make sure any old hog ring pieces are removed from seat.

NOTE:

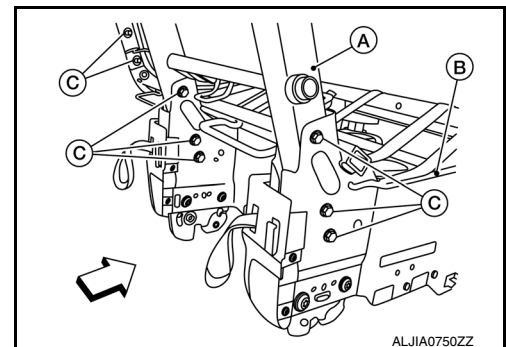
- Install new hog rings on the seat trim in their original positions.
- Use only one hog ring in each designated location.
- Be sure hook fastener is pressed into place after seatback trim is assembled.

SEAT FRAME

Disassembly

1. Remove the seat belt retractor from the seatback frame. Refer to [SB-12, "Removal and Installation"](#).
2. Remove the seatback bolts (C) and separate the seatback frame (A) from the seat cushion frame (B).

↔: Front



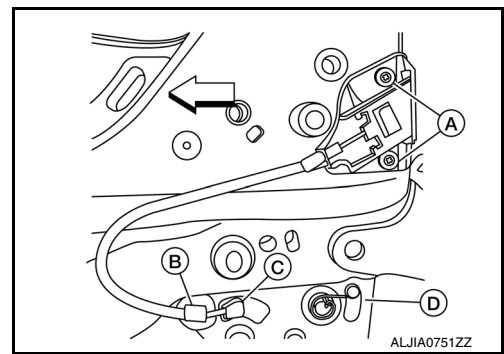
3. Remove the seat rear floor latch cover screws and the seat rear floor latch cover.

SECOND ROW SEATS

< UNIT DISASSEMBLY AND ASSEMBLY >

4. Release the clip (B) and remove the seat rear floor latch release cable LH screws (A) and the seat rear floor latch release cable LH end (C) from the seat rear floor latch (D).

⇐: Front



5. Release the clip and remove the seat rear floor latch release cable RH screws and the seat rear floor latch release cable RH end from the seat rear floor latch.
6. Remove the cup holder screws and the cup holder.
7. Remove the seat rear floor latch (LH) bolts and the seat rear floor latch (LH) from the seat cushion frame.
8. Remove the seat rear floor latch (RH) bolts and the seat rear floor latch (RH) from the seat cushion frame.

Assembly

Assembly is in the reverse order of disassembly.

A
B
C
D
E
F
G
H
I
SE
K
L
M
N
O
P

THIRD ROW SEATS

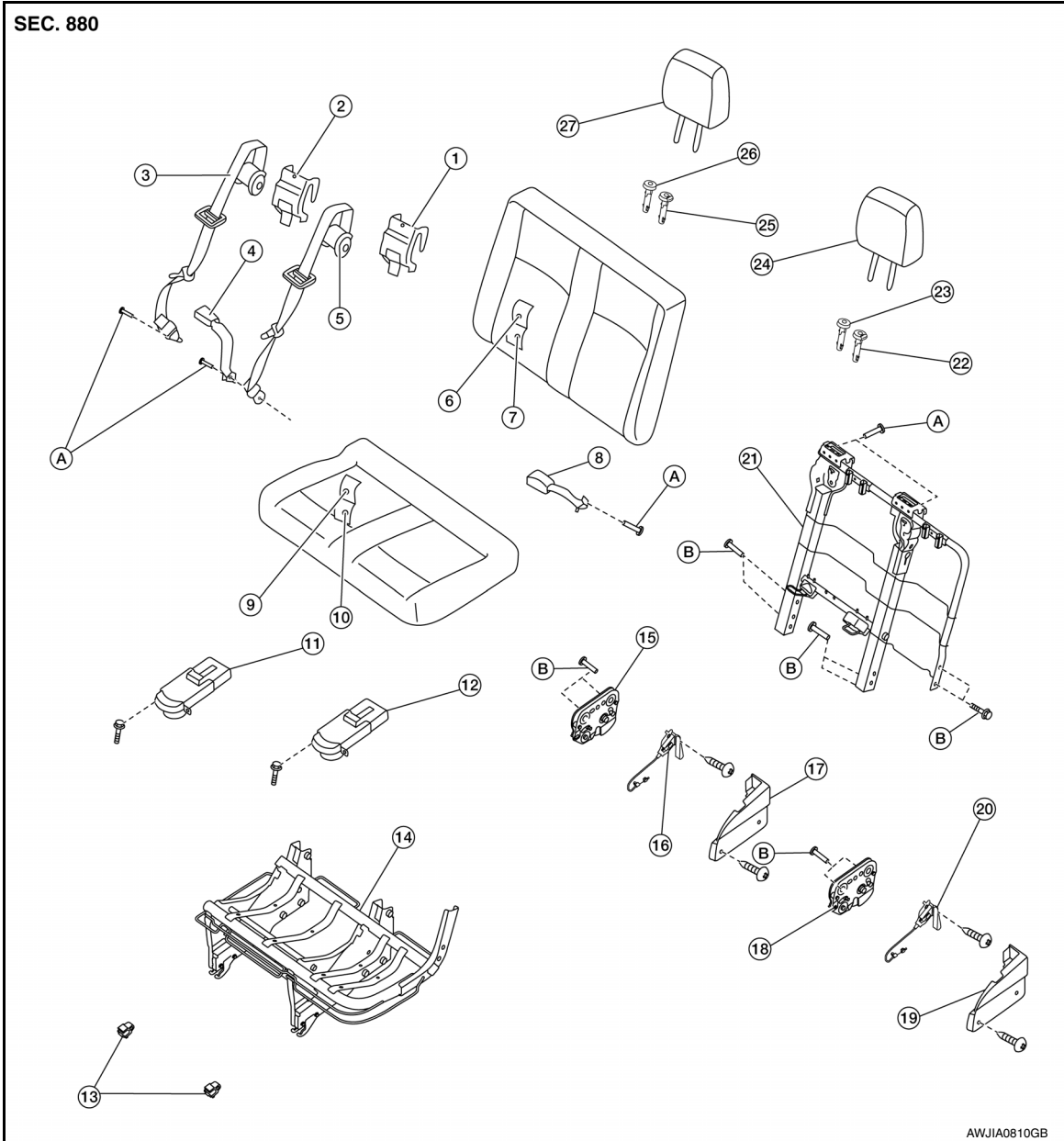
< UNIT DISASSEMBLY AND ASSEMBLY >

THIRD ROW SEATS

Exploded View

INFOID:000000012520803

LH BENCH SEAT



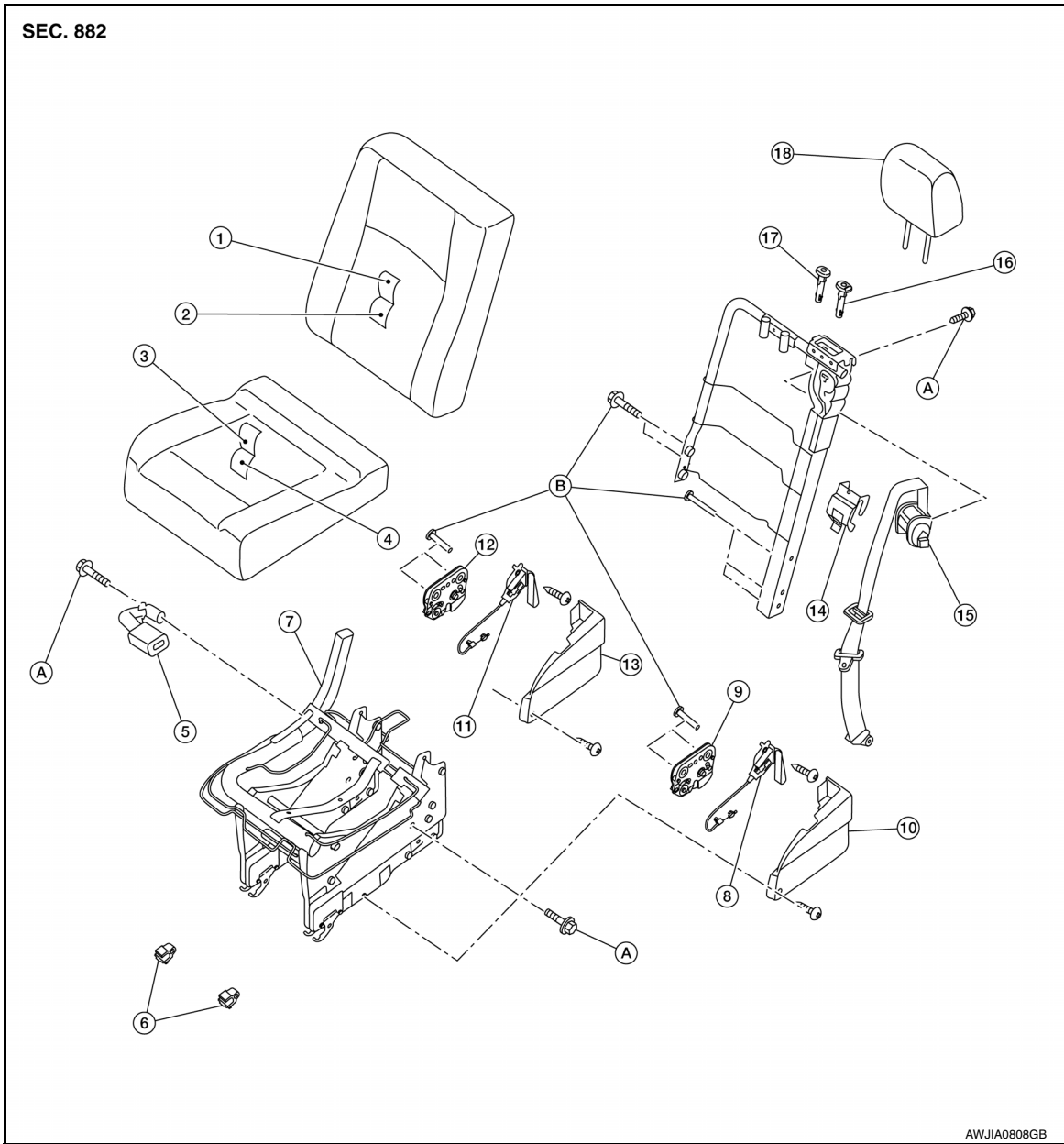
- | | | |
|--|--|--------------------------------|
| 1. Seat belt retractor shield (LH) | 2. Seat belt retractor shield (RH) | 3. Seat belt retractor (RH) |
| 4. Seat belt buckle (RH) | 5. Seat belt retractor (LH) | 6. Seatback trim |
| 7. Seatback pad | 8. Seat belt buckle (LH) | 9. Seat cushion trim |
| 10. Seat cushion pad | 11. Cup holder (RH) | 12. Cup holder (RH) |
| 13. Rubber bumper | 14. Seat cushion frame | 15. Seat rear floor latch (RH) |
| 16. Seat rear floor latch release cable (RH) | 17. Seat rear floor latch cover (RH) | 18. Seat rear floor latch (LH) |
| 19. Seat rear floor latch cover (LH) | 20. Seat rear floor latch release cable (LH) | 21. Seatback frame |
| 22. Headrest holder LH locked | 23. Headrest holder LH free | 24. Headrest (LH) |
| | | 25. Headrest (LH) |
| | | 26. Headrest (LH) |
| | | 27. Headrest (LH) |

THIRD ROW SEATS

< UNIT DISASSEMBLY AND ASSEMBLY >

- 25. Headrest holder RH locked
- 26. Headrest holder RH free
- 27. Headrest (RH)
- A. Refer to [SB-16, "Removal and Installation"](#)

RH SEAT



- 1. Seatback trim
- 2. Seatback pad
- 3. Seat cushion trim
- 4. Seat cushion pad
- 5. Seat belt buckle
- 6. Rubber bumper
- 7. Seat cushion frame
- 8. Seat rear floor latch release cable (LH)
- 9. Seat rear floor latch (LH)
- 10. Seat rear floor latch cover (LH)
- 11. Seat rear floor release cable (RH)
- 12. Seat rear floor latch (RH)
- 13. Seat rear floor latch cover (RH)
- 14. Seat belt retractor shield
- 15. Seat belt retractor
- 16. Headrest holder (locked)
- 17. Headrest holder (free)
- 18. Headrest
- A. Refer to [SB-16, "Removal and Installation"](#)

A
B
C
D
E
F
G
H
I
SE
K
L
M
N
O
P

THIRD ROW SEATS

< UNIT DISASSEMBLY AND ASSEMBLY >

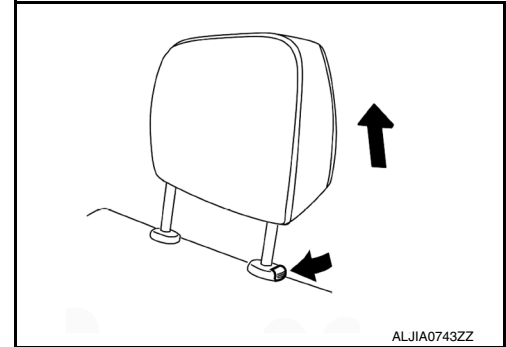
Disassembly and Assembly - LH Bench Seat

INFOID:000000012520804

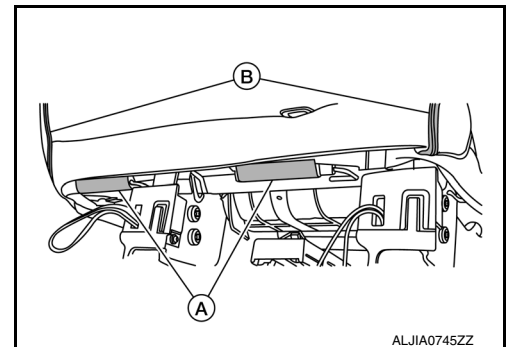
SEATBACK

Disassembly

1. Remove the third row seats. Refer to [SE-36. "Removal and Installation"](#).
2. Remove seat belt buckle (RH) and seat belt retractor (LH) anchor bolt. Refer to [SB-16. "Removal and Installation"](#).
3. Press the headrest holder lock button in, then remove the headrest. Repeat for second headrest on seat assembly.



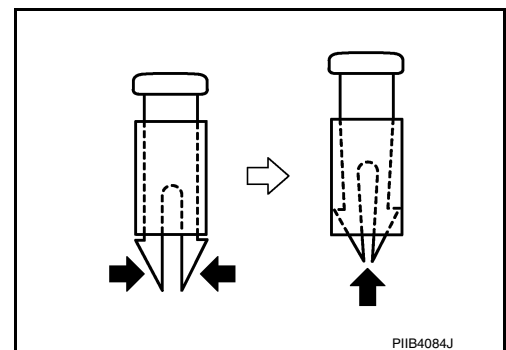
4. Remove the seat belt escutcheon.
 - a. Remove the (two for RH, two for LH) escutcheon screws from the seatback.
 - b. Thread each seat belt through the slot in the escutcheon to remove.
5. Release the two J-clip retainers (A) at the rear lower edge and unzip the sliders from the LH/RH zippers (B).



6. From the inside of the seatback, squeeze the headrest holder tabs at the base of the stay pipe and pull up to remove.

CAUTION:

**Before installing headrest holder, check its orientation.
(front/rear and right/left)**



7. Release the five remaining J-clips that wrap around the bottom of seatback as shown.
8. Remove the seatback trim.
 - a. Carefully lift the seatback trim and cushion up as an assembly from the seat frame.
 - b. Thread the seat belt assembly through the opening in the trim.
 - c. Release the seatback stiffener from the upper seatback frame edge.
9. Remove the hog rings and separate the seatback trim and seatback pad.

NOTE:

Remove all pieces of hog rings and discard them.

THIRD ROW SEATS

< UNIT DISASSEMBLY AND ASSEMBLY >

Assembly

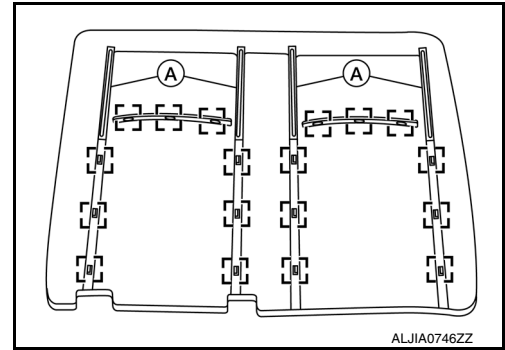
Assembly is in the reverse order of disassembly.

NOTE:

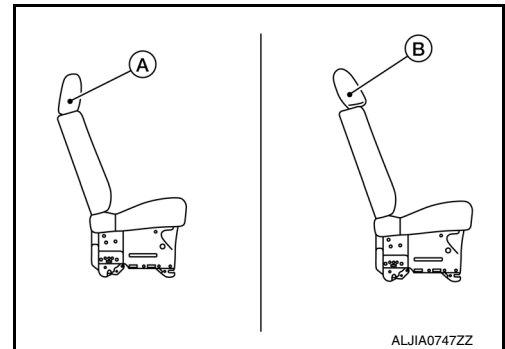
- Install new hog rings on the seat trim in their original positions.
- : Hog rings
- Use only one hog ring in each designated location.
- Be sure hook fastener (A) is pressed into place after seatback trim is assembled.

CAUTION:

- **Make sure hog rings are correctly fastened around both the seat trim and pad wires.**
- **Replace any deformed or damaged hog rings.**
- **Make sure any old hog ring pieces are removed from seat.**



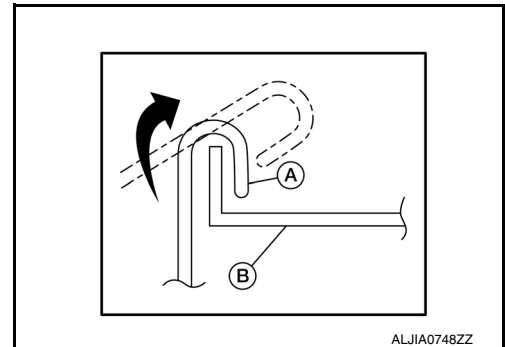
- **Before installing headrest, check its orientation and be sure it is correct (A); avoid incorrect (B).**
- **After installing headrest (A), pull it all the way up and be sure it does not disengage from the seatback.**



SEAT CUSHION

Disassembly

1. Remove the third row seats. Refer to [SE-36. "Removal and Installation"](#).
2. Remove seat belt buckle (LH) anchor bolt. Refer to [SB-16. "Removal and Installation"](#).
3. Release the 11 J-clips (A) holding the seat trim to the seat frame (B).



4. Remove the seat cushion trim and pad as an assembly from the seat frame.
5. Remove the hog rings and separate the seat cushion trim and seat cushion pad.

Assembly

Assembly is in the reverse order of disassembly.

CAUTION:

- **Make sure hog rings are correctly fastened around both the seat trim and pad wires.**
- **Replace any deformed or damaged hog rings.**
- **Make sure any old hog ring pieces are removed from seat.**

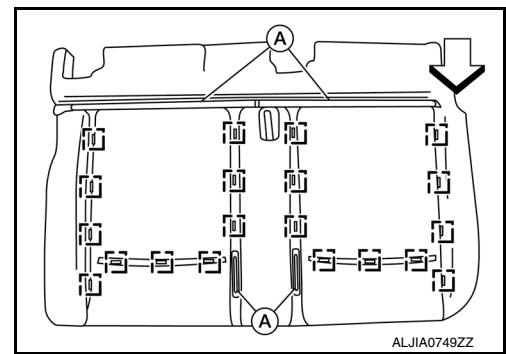
NOTE:

A
B
C
D
E
F
G
H
I
SE
K
L
M
N
O
P

THIRD ROW SEATS

< UNIT DISASSEMBLY AND ASSEMBLY >

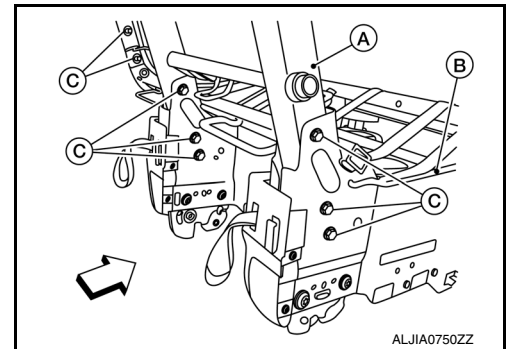
- Install new hog rings on the seat trim in their original positions.
 - ◀: Front
 - ◻: Hog rings
- Use only one hog ring in each designated location.
- Be sure hook fastener (A) is pressed into place after seatback trim is assembled.



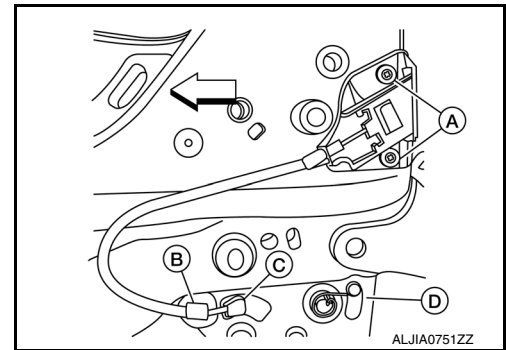
SEAT FRAME

Disassembly

1. Remove the seat belt retractors (LH/RH) from the seatback frame. Refer to [SB-16, "Removal and Installation"](#).
2. Remove the seatback bolts (C) and separate the seatback frame (A) from the seat cushion frame (B).
 - ◀: Front



3. Remove the seat rear floor latch cover screws and the seat rear floor latch cover.
4. Release the clip (B) and remove the seat rear floor latch release cable LH screws (A) and the seat rear floor latch release cable LH end (C) from the latch (D).
 - ◀: Front



5. Release the clip and remove the seat rear floor latch release cable RH screws and the seat rear floor latch release cable RH end from the latch.
6. Remove the cup holder screws and each of the cup holders (LH/RH).
7. Remove the seat rear floor latch (LH) bolts and the seat rear floor latch (LH) from the seat cushion frame.
8. Remove the seat rear floor latch (RH) bolts and the seat rear floor latch (RH) from the seat cushion frame.

Assembly

Assembly is in the reverse order of disassembly.

Disassembly and Assembly - RH Seat

INFOID:000000012520805

SEATBACK

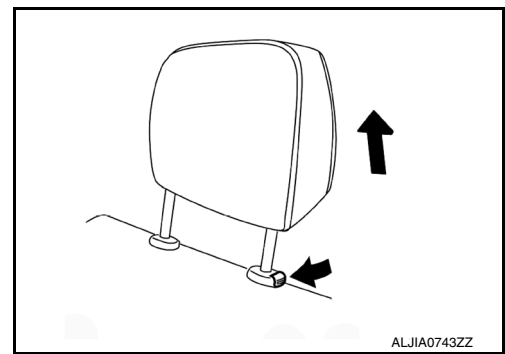
Disassembly

1. Remove the third row RH seat. Refer to [SE-36, "Removal and Installation"](#).
2. Remove seat belt buckle and seat belt anchor bolt. Refer to [SB-16, "Removal and Installation"](#).

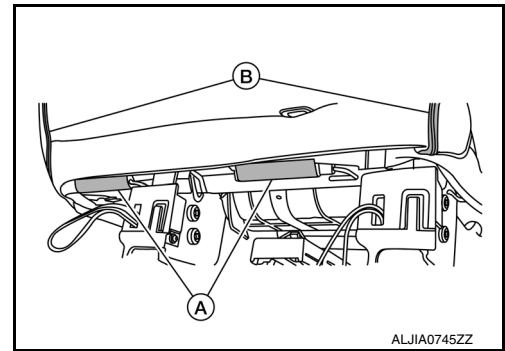
THIRD ROW SEATS

< UNIT DISASSEMBLY AND ASSEMBLY >

3. Press the headrest holder lock button in, then remove the headrest.



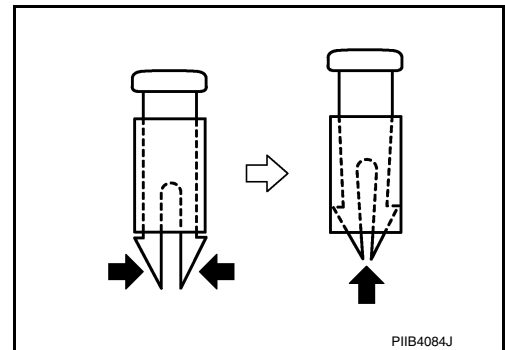
4. Remove the seat belt escutcheon.
 - a. Remove the escutcheon screws from the seatback.
 - b. Thread the seat belt through the slot in the escutcheon to remove.
5. Release the two J-clip retainers (A) at the lower edge and unzip the sliders from the LH/RH zippers (B).



6. From the inside of the seatback, squeeze the headrest holder tabs at the base of the stay pipe and pull up to remove.

CAUTION:

Before installing headrest holder, check its orientation. (front/rear and right/left)



7. Release the five remaining J-clips that wrap around the bottom of seatback as shown.
8. Remove the seatback trim.
 - a. Carefully lift the seatback trim and cushion up as an assembly from the seat frame.
 - b. Thread the seat belt assembly through the opening in the trim.
 - c. Release the seatback stiffener from the upper seatback frame edge.
9. Remove the hog rings and separate the seatback trim and seatback pad.

NOTE:

Remove all pieces of hog rings and discard them.

Assembly

Assembly is in the reverse order of disassembly.

CAUTION:

- Make sure hog rings are correctly fastened around both the seat trim and pad wires.
- Replace any deformed or damaged hog rings.
- Make sure any old hog ring pieces are removed from seat.

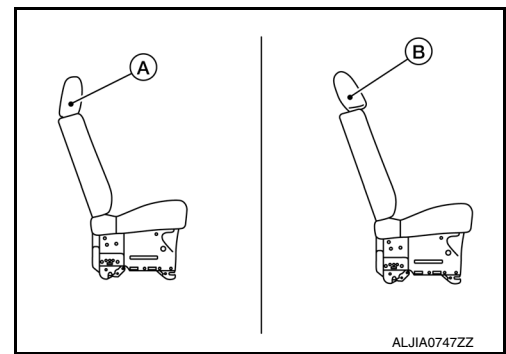
THIRD ROW SEATS

< UNIT DISASSEMBLY AND ASSEMBLY >

- Before installing headrest, check its orientation and be sure it is correct (A); avoid incorrect (B).
- After installing headrest (A), pull it all the way up and be sure it does not disengage from the seatback.

NOTE:

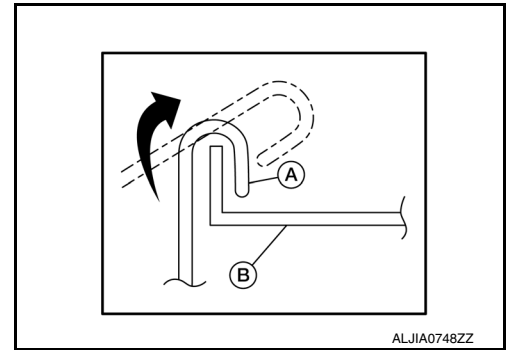
- Install new hog rings on the seat trim in their original positions.
- Use only one hog ring in each designated location.
- Be sure hook fastener is pressed into place after seatback trim is assembled.



SEAT CUSHION

Disassembly

1. Remove seat belt buckle anchor bolt. Refer to [SB-16, "Removal and Installation"](#).
2. Release the ten J-clips (A) holding the seat trim to the seat frame (B).



3. Remove the seat cushion trim and pad as an assembly from the seat frame.
4. Remove the hog rings and separate the seat cushion trim and seat cushion pad.

Assembly

Assembly is in the reverse order of disassembly.

CAUTION:

- Make sure hog rings are correctly fastened around both the seat trim and pad wires.
- Replace any deformed or damaged hog rings.
- Make sure any old hog ring pieces are removed from seat.

NOTE:

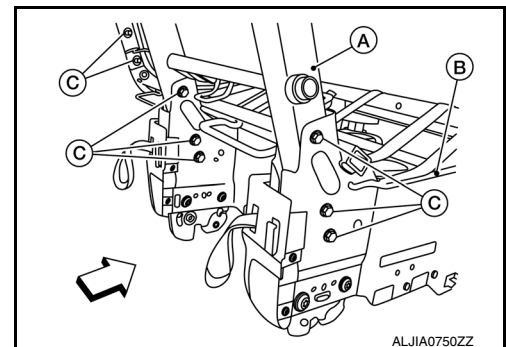
- Install new hog rings on the seat trim in their original positions.
- Use only one hog ring in each designated location.
- Be sure hook fastener is pressed into place after seatback trim is assembled.

SEAT FRAME

Disassembly

1. Remove the seat belt retractor from the seatback frame. Refer to [SB-16, "Removal and Installation"](#).
2. Remove the seatback bolts (C) and separate the seatback frame (A) from the seat cushion frame (B).

↔: Front



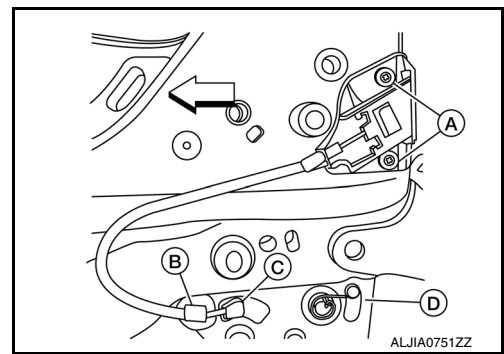
3. Remove the seat rear floor latch cover screws and the seat rear floor latch cover.

THIRD ROW SEATS

< UNIT DISASSEMBLY AND ASSEMBLY >

4. Release the clip (B) and remove the seat rear floor latch release cable LH screws (A) and the seat rear floor latch release cable LH end (C) from the seat rear floor latch (D).

⇐: Front



5. Release the clip and remove the seat rear floor latch release cable RH screws and the seat rear floor latch release cable RH end from the seat rear floor latch.
6. Remove the cup holder screws and the cup holder.
7. Remove the seat rear floor latch (LH) bolts and the seat rear floor latch (LH) from the seat cushion frame.
8. Remove the seat rear floor latch (RH) bolts and the seat rear floor latch (RH) from the seat cushion frame.

Assembly

Assembly is in the reverse order of disassembly.

A
B
C
D
E
F
G
H
I

SE

K
L
M
N
O
P

FOURTH ROW SEATS

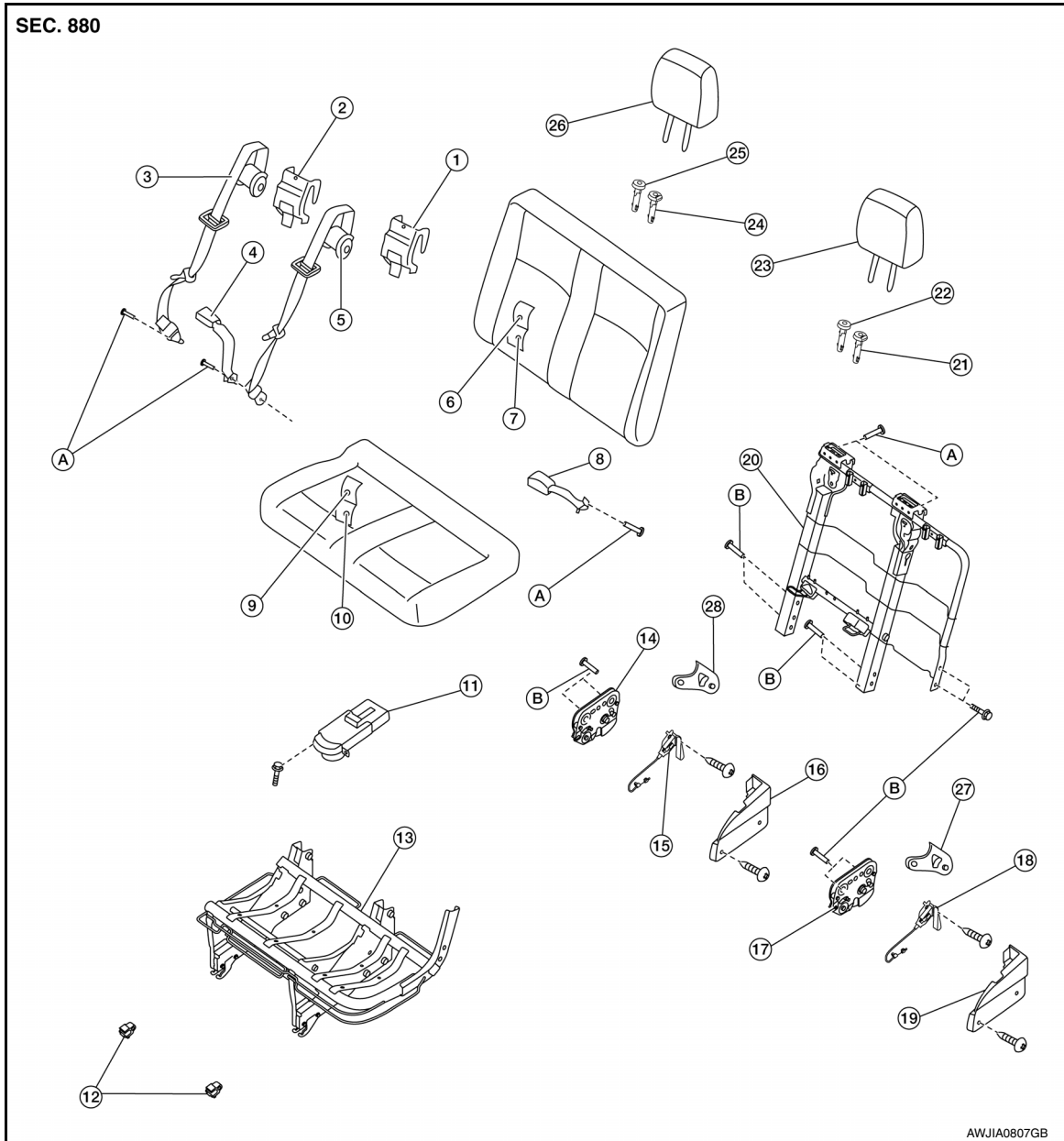
< UNIT DISASSEMBLY AND ASSEMBLY >

FOURTH ROW SEATS

Exploded View

INFOID:000000012520806

LH BENCH SEAT



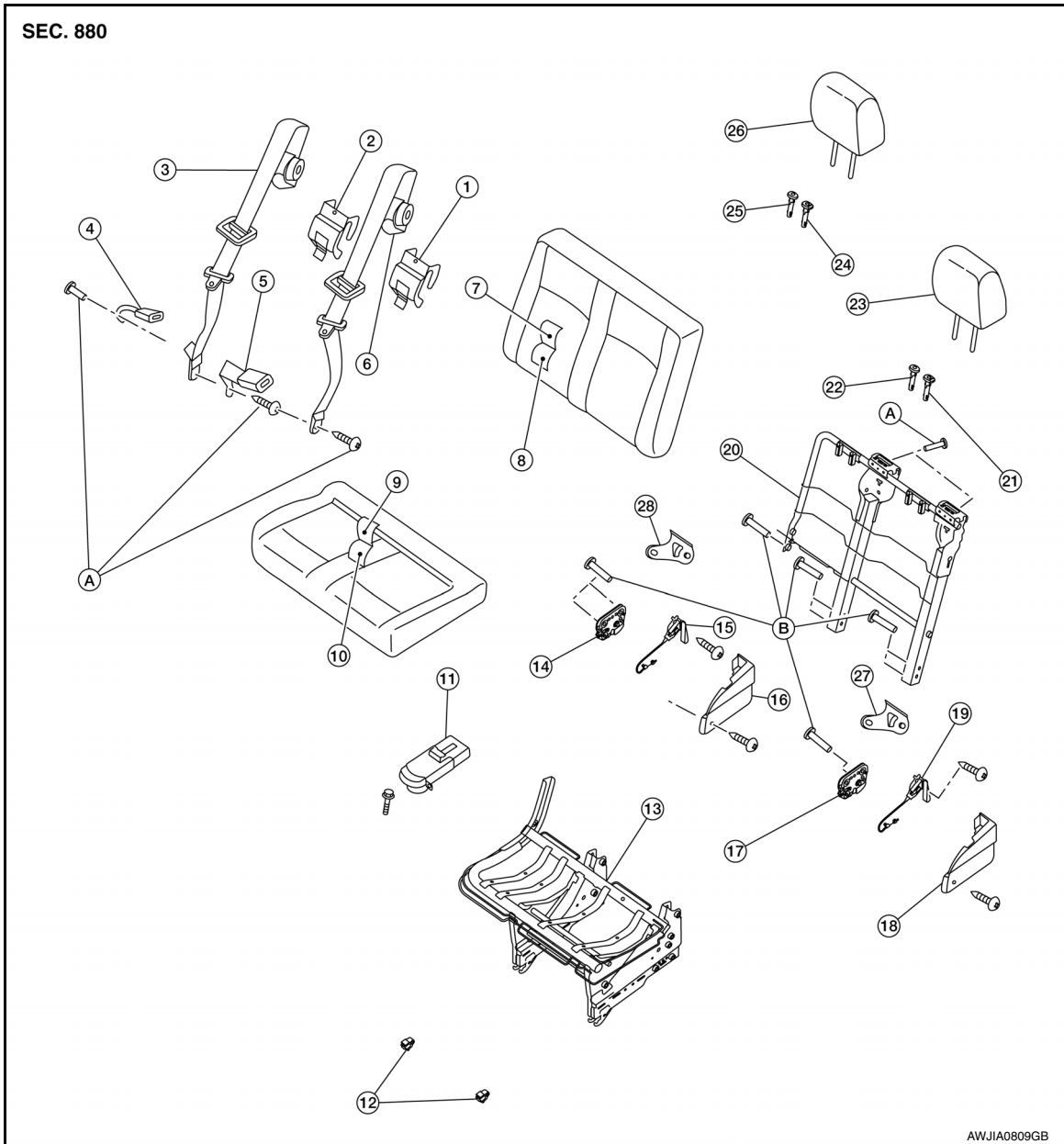
- | | | |
|--|------------------------------------|--|
| 1. Seat belt retractor shield (LH) | 2. Seat belt retractor shield (RH) | 3. Seat belt retractor (RH) |
| 4. Seat belt buckle (RH) | 5. Seat belt retractor (LH) | 6. Seatback trim |
| 7. Seatback pad | 8. Seat belt buckle (LH) | 9. Seat cushion trim |
| 10. Seat cushion pad | 11. Cup holder | 12. Rubber bumper |
| 13. Seat cushion frame | 14. Seat rear floor latch (RH) | 15. Seat rear floor latch release cable (RH) |
| 16. Seat rear floor latch (RH) | 17. Seat rear floor latch (LH) | 18. Seat rear floor latch cover (LH) |
| 19. Seat rear floor latch release cable (LH) | 20. Seatback frame | 21. Headrest holder LH locked |
| 22. Headrest holder LH free | 23. Headrest (LH) | 24. Headrest holder RH locked |

FOURTH ROW SEATS

< UNIT DISASSEMBLY AND ASSEMBLY >

- | | | |
|-----------------------------|---|-----------------------|
| 25. Headrest holder RH free | 26. Headrest (RH) | 27. Roller wheel (LH) |
| 28. Roller wheel (RH) | A. Refer to SB-20, "Removal and Installation" | B. Bolt |

RH BENCH SEAT



- | | | |
|--|------------------------------------|--|
| 1. Seat belt retractor shield (LH) | 2. Seat belt retractor shield (RH) | 3. Seat belt retractor (RH) |
| 4. Seat belt buckle (RH) | 5. Seat belt retractor (LH) | 6. Seatback trim |
| 7. Seatback pad | 8. Seat belt buckle (LH) | 9. Seat cushion trim |
| 10. Seat cushion pad | 11. Cup holder | 12. Rubber bumper |
| 13. Seat cushion frame | 14. Seat rear floor latch (RH) | 15. Seat rear floor latch release cable (RH) |
| 16. Seat rear floor latch cover (RH) | 17. Seat rear floor latch (LH) | 18. Seat rear floor latch cover (LH) |
| 19. Seat rear floor latch release cable (LH) | 20. Seatback frame | 21. Headrest holder LH locked |
| 22. Headrest holder LH free | 23. Headrest (LH) | 24. Headrest holder RH locked |

A
B
C
D
E
F
G
H
I
SE
K
L
M
N

FOURTH ROW SEATS

< UNIT DISASSEMBLY AND ASSEMBLY >

- | | | |
|-----------------------------|---|-----------------------|
| 25. Headrest holder RH free | 26. Headrest (RH) | 27. Roller wheel (LH) |
| 28. Roller wheel (RH) | A. Refer to SB-20, "Removal and Installation" | B. Bolt |

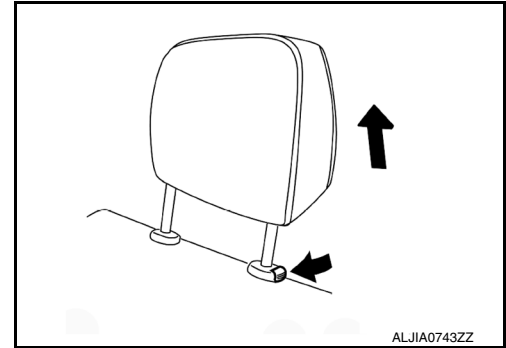
Disassembly and Assembly - LH Bench Seat

INFOID:000000012520807

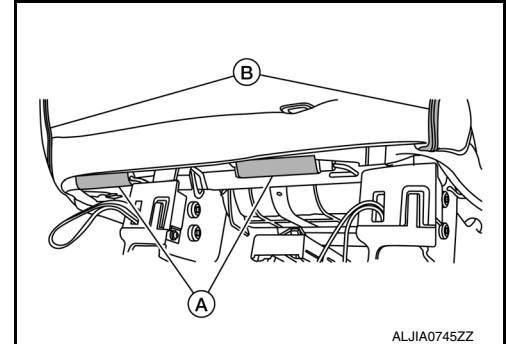
SEATBACK

Disassembly

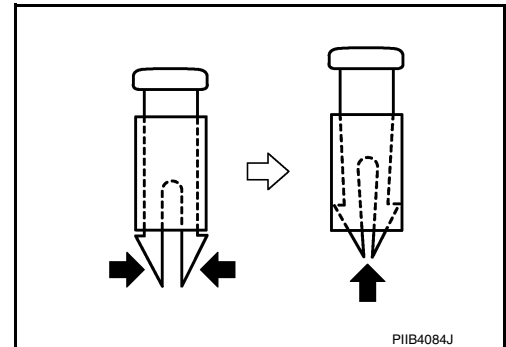
1. Remove the fourth row seat. Refer to [SE-39, "Removal and Installation"](#).
2. Remove seat belt buckle (RH) and seat belt retractor (LH) anchor bolt. Refer to [SB-20, "Removal and Installation"](#).
3. Press the headrest holder lock button in, then remove the headrest. Repeat for second headrest on seat assembly.



4. Remove the seat belt escutcheon.
 - a. Remove the (two for RH, two for LH) escutcheon screws from the seatback.
 - b. Thread each seat belt through the slot in the escutcheon to remove.
5. Release the two J-clip retainers (A) at the rear lower edge and unzip the sliders from the LH/RH zippers (B).



6. From the inside of the seatback, squeeze the headrest holder tabs at the base of the stay pipe and pull up to remove.
CAUTION:
Before installing headrest holder, check its orientation. (front/rear and right/left)



7. Release the five remaining J-clips that wrap around the bottom of seatback as shown.
8. Remove the seatback trim.
 - a. Carefully lift the seatback trim and cushion up as an assembly from the seat frame.
 - b. Thread the seat belt assembly through the opening in the trim.
 - c. Release the seatback stiffener from the upper seatback frame edge.

FOURTH ROW SEATS

< UNIT DISASSEMBLY AND ASSEMBLY >

9. Remove the hog rings and separate the seatback trim and seatback pad.

NOTE:

Remove all pieces of hog rings and discard them.

Assembly

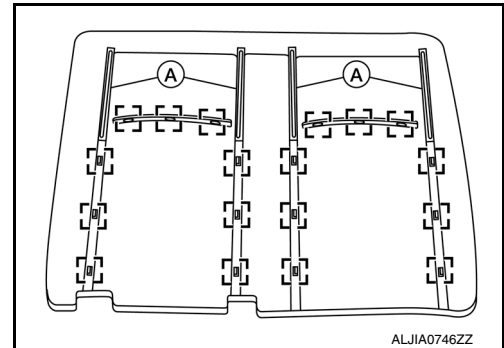
Assembly is in the reverse order of disassembly.

NOTE:

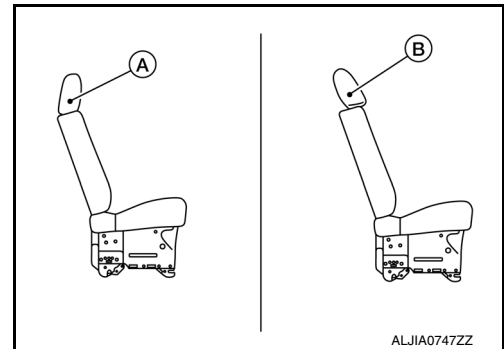
- Install new hog rings on the seat trim in their original positions.
- : Hog rings
- Use only one hog ring in each designated location.
- Be sure hook fastener (A) is pressed into place after seatback trim is assembled.

CAUTION:

- **Make sure hog rings are correctly fastened around both the seat trim and pad wires.**
- **Replace any deformed or damaged hog rings.**
- **Make sure any old hog ring pieces are removed from seat.**



- **Before installing headrest, check its orientation and be sure it is correct (A); avoid incorrect (B).**
- **After installing headrest (A), pull it all the way up and be sure it does not disengage from the seatback.**



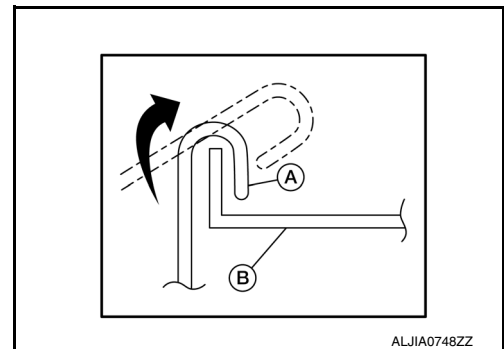
SEAT CUSHION

Disassembly

1. Remove the fourth row seat. Refer to [SE-39, "Removal and Installation"](#).

2. Remove seat belt LH buckle anchor bolt. Refer to [SB-20, "Removal and Installation"](#).

3. Release the 11 J-clips (A) holding the seat trim to the seat frame (B).



4. Remove the seat cushion trim and pad as an assembly from the seat frame.

5. Remove the hog rings and separate the seat cushion trim and seat cushion pad.

Assembly

Assembly is in the reverse order of disassembly.

CAUTION:

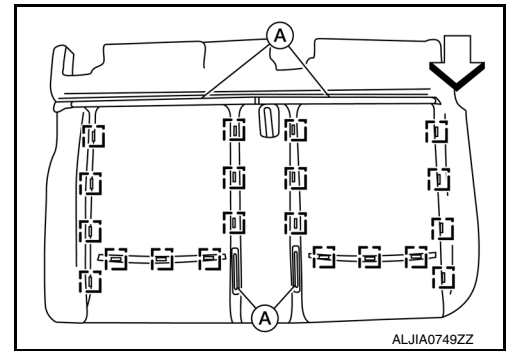
- **Make sure hog rings are correctly fastened around both the seat trim and pad wires.**
- **Replace any deformed or damaged hog rings.**
- **Make sure any old hog ring pieces are removed from seat.**

NOTE:

FOURTH ROW SEATS

< UNIT DISASSEMBLY AND ASSEMBLY >

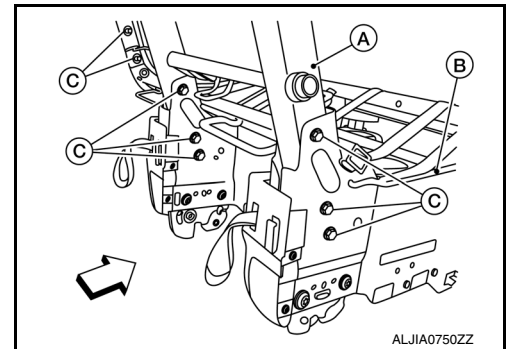
- Install new hog rings on the seat trim in their original positions.
 - ◀: Front
 - : Hog rings
- Use only one hog ring in each designated location.
- Be sure hook fastener (A) is pressed into place after seatback trim is assembled.



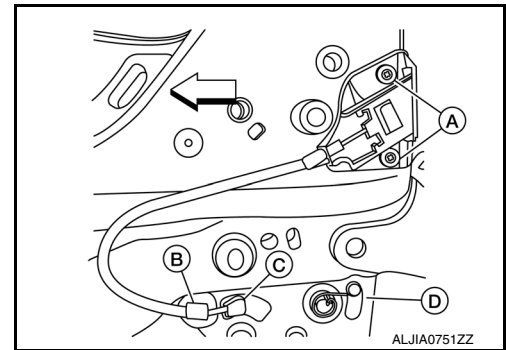
SEAT FRAME

Disassembly

1. Remove the seat belt retractors (LH/RH) from the seatback frame. Refer to [SB-20, "Removal and Installation"](#).
2. Remove the seatback bolts (C) and separate the seatback frame (A) from the seat cushion frame (B).
 - ◀: Front



3. Remove the seat rear floor latch cover screws and the seat rear floor latch cover.
4. Release the clip (B) and remove the seat rear floor latch release cable LH screws (A) and remove the seat rear floor latch release cable LH end (C) from the latch (D).
 - ◀: Front



5. Release the clip and remove the seat rear floor latch release cable RH screws and the seat rear floor latch release cable RH end from the latch.
6. Remove the cup holder screws and each of the cup holders (LH/RH).
7. Remove the seat rear floor latch (LH) bolts and the seat rear floor latch (LH) from the seat cushion frame.
8. Remove the seat rear floor latch (RH) bolts and the seat rear floor latch (RH) from the seat cushion frame.

Assembly

Assembly is in the reverse order of disassembly.

Disassembly and Assembly - RH Bench Seat

INFOID:0000000112520808

SEATBACK

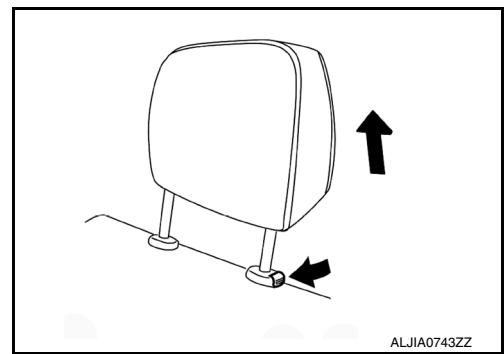
Disassembly

1. Remove the fourth row seat RH. Refer to [SE-39, "Removal and Installation"](#).
2. Remove seat belt buckle and seat belt retractor anchor bolt. Refer to [SB-20, "Removal and Installation"](#).

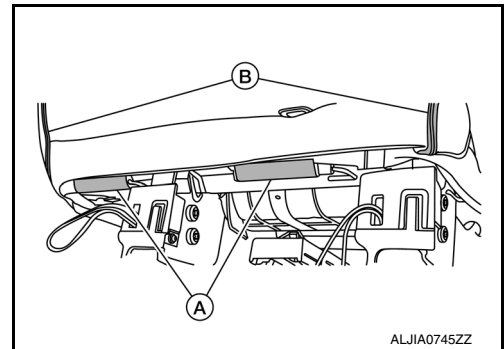
FOURTH ROW SEATS

< UNIT DISASSEMBLY AND ASSEMBLY >

3. Press the headrest holder lock button in, then remove the headrest. Repeat for second headrest on seat assembly.



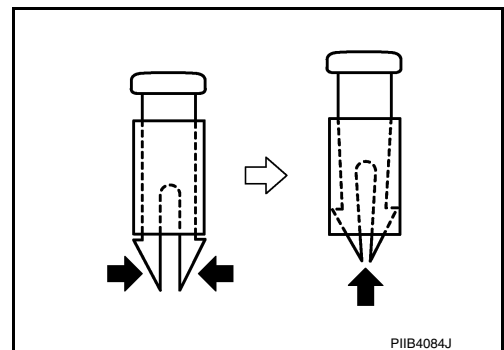
4. Remove the seat belt escutcheon.
 - a. Remove the (two for inner, two for outer) escutcheon screws from the seatback.
 - b. Thread each seat belt through the slot in the escutcheon to remove.
5. Release the two J-clip retainers (A) at the lower edge and unzip the sliders from the LH/RH zippers (B).



6. From the inside of the seatback, squeeze the headrest holder tabs at the base of the stay pipe and pull up to remove.

CAUTION:

**Before installing headrest holder, check its orientation.
(front/rear and right/left)**



7. Release the five remaining J-clips that wrap around the bottom of seatback as shown.
8. Remove the seatback trim.
 - a. Carefully lift the seatback trim and cushion up as an assembly from the seat frame.
 - b. Thread the seat belt assembly through the opening in the trim.
 - c. Release the seatback stiffener from the upper seatback frame edge.
9. Remove the hog rings and separate the seatback trim and seatback pad.

NOTE:

Remove all pieces of hog rings and discard them.

Assembly

Assembly is in the reverse order of disassembly.

NOTE:

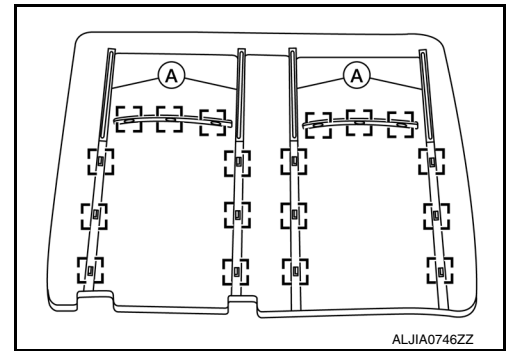
FOURTH ROW SEATS

< UNIT DISASSEMBLY AND ASSEMBLY >

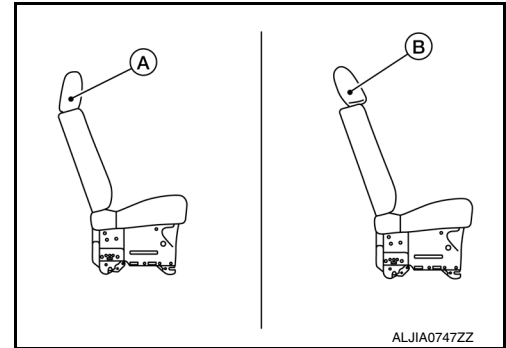
- Install new hog rings on the seat trim in their original positions.
[]: Hog rings
- Use only one hog ring in each designated location.
- Be sure hook fastener (A) is pressed into place after seatback trim is assembled.

CAUTION:

- Make sure hog rings are correctly fastened around both the seat trim and pad wires.
- Replace any deformed or damaged hog rings.
- Make sure any old hog ring pieces are removed from seat.



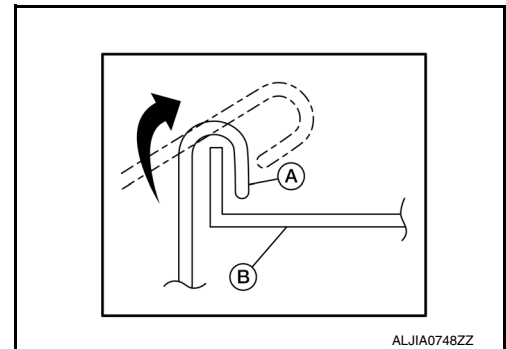
- Before installing headrest, check its orientation and be sure it is correct (A); avoid incorrect (B).
- After installing headrest (A), pull it all the way up and be sure it does not disengage from the seatback.



SEAT CUSHION

Disassembly

1. Remove seat belt buckle anchor bolt. Refer to [SB-20, "Removal and Installation"](#).
2. Release the 11 J-clips (A) holding the seat trim to the seat frame (B).



3. Remove the seat cushion trim and pad as an assembly from the seat frame.
4. Remove the hog rings and separate the seat cushion trim and seat cushion pad.

Assembly

Assembly is in the reverse order of disassembly.

CAUTION:

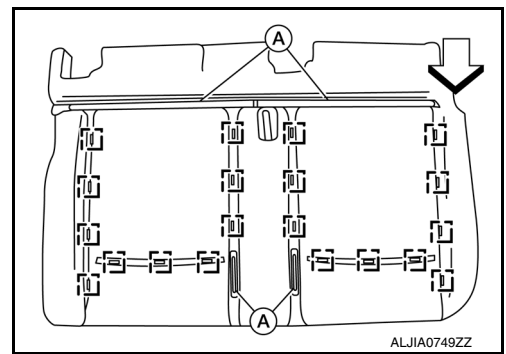
- Make sure hog rings are correctly fastened around both the seat trim and pad wires.
- Replace any deformed or damaged hog rings.
- Make sure any old hog ring pieces are removed from seat.

NOTE:

FOURTH ROW SEATS

< UNIT DISASSEMBLY AND ASSEMBLY >

- Install new hog rings on the seat trim in their original positions.
 - ⇐: Front
 - : Hog rings
- Use only one hog ring in each designated location.
- Be sure hook fastener (A) is pressed into place after seatback trim is assembled.

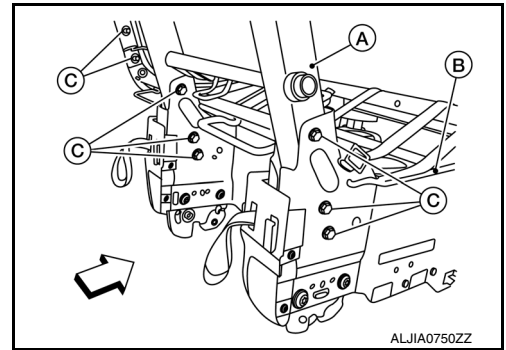


SEAT FRAME

Disassembly

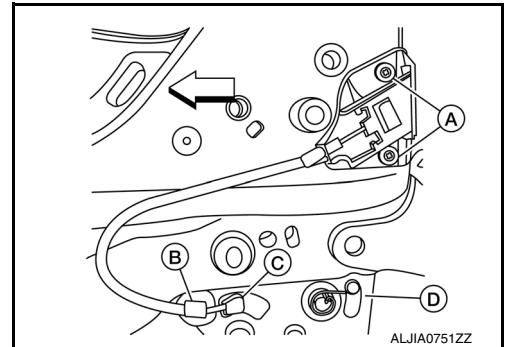
1. Remove the seat belt retractors from the seatback frame. Refer to [SB-20, "Removal and Installation"](#).
2. Remove the seatback bolts (C) and separate the seatback frame (A) from the seat cushion frame (B).

⇐: Front



3. Remove the seat rear floor latch cover screws and the seat rear floor latch cover.
4. Release the clip (B) and remove the seat rear floor latch release cable LH screws (A) and the seat rear floor latch release cable LH end (C) from the latch (D).

⇐: Front



5. Release the clip and remove the seat rear floor latch release cable RH screws and the seat rear floor latch release cable RH end from the latch.
6. Remove the cup holder screws and each of the cup holders (LH/RH).
7. Remove the seat rear floor latch (LH) bolts and the seat rear floor latch (LH) from the seat cushion frame.
8. Remove the seat rear floor latch (RH) bolts and the seat rear floor latch (RH) from the seat cushion frame.

Assembly

Assembly is in the reverse order of disassembly.