

SECTION **ADP**

AUTOMATIC DRIVE POSITIONER

A
B
C
D
E
F
G
H
I
ADP
K
L
M
N
O
P

CONTENTS

BASIC INSPECTION	4	EXIT ASSIST FUNCTION : Component Parts Location	22
PRE-INSPECTION FOR DIAGNOSTIC	4	EXIT ASSIST FUNCTION : Component Description	22
Basic Inspection	4	ENTRY ASSIST FUNCTION	23
DIAGNOSIS AND REPAIR WORKFLOW	6	ENTRY ASSIST FUNCTION : System Diagram	23
Work Flow	6	ENTRY ASSIST FUNCTION : System Description	23
INSPECTION AND ADJUSTMENT	9	ENTRY ASSIST FUNCTION : Component Parts Location	24
Preliminary Check	9	ENTRY ASSIST FUNCTION : Component Description	25
Special Repair Requirement	9	DIAGNOSIS SYSTEM (DRIVER SEAT C/U)	26
FUNCTION DIAGNOSIS	10	Diagnosis Description	26
AUTOMATIC DRIVE POSITIONER SYSTEM	10	CONSULT-III Function	26
AUTOMATIC DRIVE POSITIONER SYSTEM	10	COMPONENT DIAGNOSIS	29
AUTOMATIC DRIVE POSITIONER SYSTEM :		U1000 CAN COMM CIRCUIT	29
System Diagram	10	Description	29
AUTOMATIC DRIVE POSITIONER SYSTEM :		DTC Logic	29
Component Parts Location	11	Diagnosis Procedure	29
AUTOMATIC DRIVE POSITIONER SYSTEM :		Special Repair Requirement	29
System Description	11	B2112 SLIDING MOTOR	30
AUTOMATIC DRIVE POSITIONER SYSTEM :		Description	30
Component Description	12	DTC Logic	30
MANUAL FUNCTION	13	Diagnosis Procedure	30
MANUAL FUNCTION : System Diagram	14	B2113 RECLINING MOTOR	31
MANUAL FUNCTION : System Description	14	Description	31
MANUAL FUNCTION : Component Parts Location	15	DTC Logic	31
MANUAL FUNCTION : Component Description	16	Diagnosis Procedure	31
MEMORY FUNCTION	17	B2114 SEAT LIFTER FR	32
MEMORY FUNCTION : System Diagram	17	Description	32
MEMORY FUNCTION : System Description	17	DTC Logic	32
MEMORY FUNCTION : Component Parts Location	19	Diagnosis Procedure	32
MEMORY FUNCTION : Component Description....	19	B2115 SEAT LIFTER RR	33
EXIT ASSIST FUNCTION	20		
EXIT ASSIST FUNCTION : System Diagram	20		
EXIT ASSIST FUNCTION : System Description	21		

Description	33	Component Function Check	54
DTC Logic	33	Diagnosis Procedure	54
Diagnosis Procedure	33	Component Inspection	55
B2117 ADJ PEDAL MOTOR	34	PEDAL ADJUSTING SWITCH	57
Description	34	Description	57
DTC Logic	34	Component Function Check	57
Diagnosis Procedure	34	Diagnosis Procedure	57
B2120 ADJ PEDAL SENSOR	36	Component Inspection	59
Description	36	SEAT MEMORY SWITCH	60
DTC Logic	36	Description	60
Diagnosis Procedure	36	Component Function Check	60
B2126 DETENT SW	38	Diagnosis Procedure	60
Description	38	Component Inspection	61
DTC Logic	38	DOOR MIRROR REMOTE CONTROL	
Diagnosis Procedure	38	SWITCH	62
B2128 UART COMMUNICATION LINE	40	CHANGEOVER SWITCH	62
Description	40	CHANGEOVER SWITCH : Description	62
DTC Logic	40	CHANGEOVER SWITCH : Component Function	
Diagnosis Procedure	40	Check	62
POWER SUPPLY AND GROUND CIRCUIT	42	CHANGEOVER SWITCH : Diagnosis Procedure...	62
BCM	42	CHANGEOVER SWITCH : Component Inspec-	
BCM : Diagnosis Procedure	42	tion	64
DRIVER SEAT CONTROL UNIT	43	MIRROR SWITCH	64
DRIVER SEAT CONTROL UNIT :		MIRROR SWITCH : Description	64
Diagnosis Procedure	43	MIRROR SWITCH : Component Function Check...	64
DRIVER SEAT CONTROL UNIT : Special Repair		MIRROR SWITCH : Diagnosis Procedure	64
Requirement	44	MIRROR SWITCH : Component Inspection	66
AUTOMATIC DRIVE POSITIONER CONTROL		POWER SEAT SWITCH GROUND CIRCUIT ...	68
UNIT	44	Diagnosis Procedure	68
AUTOMATIC DRIVE POSITIONER CONTROL		PARK POSITION SWITCH	69
UNIT : Diagnosis Procedure	44	Description	69
AUTOMATIC DRIVE POSITIONER CONTROL		Component Function Check	69
UNIT : Special Repair Requirement	44	Diagnosis Procedure	69
SLIDING SWITCH	45	FRONT DOOR SWITCH (DRIVER SIDE)	71
Description	45	Description	71
Component Function Check	45	Component Function Check	71
Diagnosis Procedure	45	Diagnosis Procedure	71
Component Inspection	46	Component Inspection	72
RECLINING SWITCH	48	SLIDING SENSOR	73
Description	48	Description	73
Component Function Check	48	Component Function Check	73
Diagnosis Procedure	48	Diagnosis Procedure	73
Component Inspection	49	RECLINING SENSOR	75
LIFTING SWITCH (FRONT)	51	Description	75
Description	51	Component Function Check	75
Component Function Check	51	Diagnosis Procedure	75
Diagnosis Procedure	51	LIFTING SENSOR (FRONT)	77
Component Inspection	52	Description	77
LIFTING SWITCH (REAR)	54	Component Function Check	77
Description	54	Diagnosis Procedure	77

LIFTING SENSOR (REAR)	79	ECU DIAGNOSIS	102	
Description	79	DRIVER SEAT CONTROL UNIT	102	A
Component Function Check	79	Reference Value	102	
Diagnosis Procedure	79	Wiring Diagram	107	B
PEDAL ADJUSTING SENSOR	81	Fail Safe	121	
Description	81	DTC Index	122	
Component Function Check	81	AUTOMATIC DRIVE POSITIONER CON-		C
Diagnosis Procedure	81	TROL UNIT	123	
MIRROR SENSOR	83	Reference Value	123	D
DRIVER SIDE	83	Wiring Diagram	126	
DRIVER SIDE : Description	83	BCM (BODY CONTROL MODULE)	141	
DRIVER SIDE : Component Function Check	83	Reference Value	141	E
DRIVER SIDE : Diagnosis Procedure	83	Terminal Layout	144	
PASSENGER SIDE	85	Physical Values	144	F
PASSENGER SIDE : Description	85	Wiring Diagram	150	
PASSENGER SIDE :		Fail Safe	153	
Component Function Check	85	DTC Inspection Priority Chart	154	G
PASSENGER SIDE : Diagnosis Procedure	85	DTC Index	154	
SLIDING MOTOR	87	SYMPTOM DIAGNOSIS	156	
Description	87	ADP SYSTEM SYMPTOMS	156	H
Component Function Check	87	Symptom Table	156	
Diagnosis Procedure	87	NORMAL OPERATING CONDITION	158	I
RECLINING MOTOR	89	Description	158	
Description	89	PRECAUTION	159	
Component Function Check	89	PRECAUTIONS	159	ADP
Diagnosis Procedure	89	Precaution for Supplemental Restraint System (SRS) "AIR BAG" and "SEAT BELT PRE-TENSIONER"	159	
LIFTING MOTOR (FRONT)	91	Precaution Necessary for Steering Wheel Rotation After Battery Disconnect	159	K
Description	91	Precaution for Work	160	
Component Function Check	91	ON-VEHICLE REPAIR	161	L
Diagnosis Procedure	91	DRIVER SEAT CONTROL UNIT	161	
LIFTING MOTOR (REAR)	93	Removal and Installation	161	M
Description	93	AUTOMATIC DRIVE POSITIONER CON-		
Component Function Check	93	TROL UNIT	162	N
Diagnosis Procedure	93	Removal and Installation	162	
PEDAL ADJUSTING MOTOR	95	SEAT MEMORY SWITCH	163	O
Description	95	Removal and Installation	163	
Component Function Check	95	DOOR MIRROR REMOTE CONTROL		
Diagnosis Procedure	95	SWITCH	164	P
DOOR MIRROR MOTOR	97	Removal and Installation	164	
Description	97	PEDAL ADJUSTING MOTOR	165	
Component Function Check	97	Removal and Installation	165	
Diagnosis Procedure	97			
Component Inspection	99			
SEAT MEMORY INDICATOR LAMP	100			
Description	100			
Component Function Check	100			
Diagnosis Procedure	100			
Component Inspection	101			

PRE-INSPECTION FOR DIAGNOSTIC

< BASIC INSPECTION >

BASIC INSPECTION

PRE-INSPECTION FOR DIAGNOSTIC

Basic Inspection

INFOID:000000005256756

1. CHECK POWER SUPPLY AND DROUND CIRCUIT

Check the power supply and ground circuit as shown below.

- Driver seat control unit :Refer to [ADP-43, "DRIVER SEAT CONTROL UNIT : Diagnosis Procedure"](#).
- Automatic drive positioner control unit: Refer to [ADP-44, "AUTOMATIC DRIVE POSITIONER CONTROL UNIT : Diagnosis Procedure"](#).

Is the inspection result normally?

YES >> GO TO 2

NO >> Repair or replace the malfunctioning part.

2. CHECK MANUAL FUNCTION

Check the manual function operations by operating the relevant switches as shown below.

- Seat (slide, reclining, lifting front, lifting rear)
- Pedal assembly (forward, backward)
- Door mirror

Do all manual functions operate normally?

YES >> GO TO 3

NO (Seat, pedal, door mirror)>>Go to SYMPTOM 1, refer to [ADP-156, "Symptom Table"](#). And, GO TO 4 if the result of SYMPTOM 1 is OK.

3. CHECK MEMORY FUNCTION 1

Register the seat positions (refer to Owner's Manual) and check that all parts of the seat, pedals, and door mirrors move to their memory positions correctly.

Are the operations normal?

YES >> Check each malfunction according to the instruction of the SYMPTOM 4, refer to [ADP-156, "Symptom Table"](#).

NO (memory indicator operates normally)>> Go to SYMPTOM 2, refer to [ADP-156, "Symptom Table"](#).

NO (memory indicator does not operate normally either)>> GO TO 5

4. CHECK MEMORY FUNCTION 2

Register the seat positions (refer to Owner's Manual) and check that all parts of the seat, pedals, and door mirrors move to their memory positions correctly.

Are the operations normal?

YES >> Check intermittent incident. Refer to [GI-37, "Intermittent Incident"](#).

NO >> GO TO 7

5. CHECK SEAT MEMORY SWITCH/MEMORY INDICATOR

Check the seat memory switch/memory switch indicator of the SYMPTOM 5, refer to [ADP-156, "Symptom Table"](#).

Is the inspection result normal?

YES >> GO TO 6

NO >> Repair or replace the malfunctioning part.

6. CHECK OPERATION CONDITION

Check the memory operation conditions (refer to [ADP-11, "AUTOMATIC DRIVE POSITIONER SYSTEM : System Description"](#)).

Are all operation conditions fulfilled?

YES >> Go to SYMPTOM 6, refer to [ADP-156, "Symptom Table"](#).

NO >> Fulfill the operation conditions. Refer to [ADP-11, "AUTOMATIC DRIVE POSITIONER SYSTEM : System Description"](#).

7. CHECK MECHANISM

PRE-INSPECTION FOR DIAGNOSTIC

< BASIC INSPECTION >

Check for the following.

- Mechanism deformation or pinched foreign materials.
- Interference with other parts because of poor installation.

Is any malfunction present in the relevant parts?

- YES >> Go to SYMPTOM 3, refer to [ADP-156, "Symptom Table"](#).
NO >> Repair or replace the malfunctioning part.

A

B

C

D

E

F

G

H

I

ADP

K

L

M

N

O

P

DIAGNOSIS AND REPAIR WORKFLOW

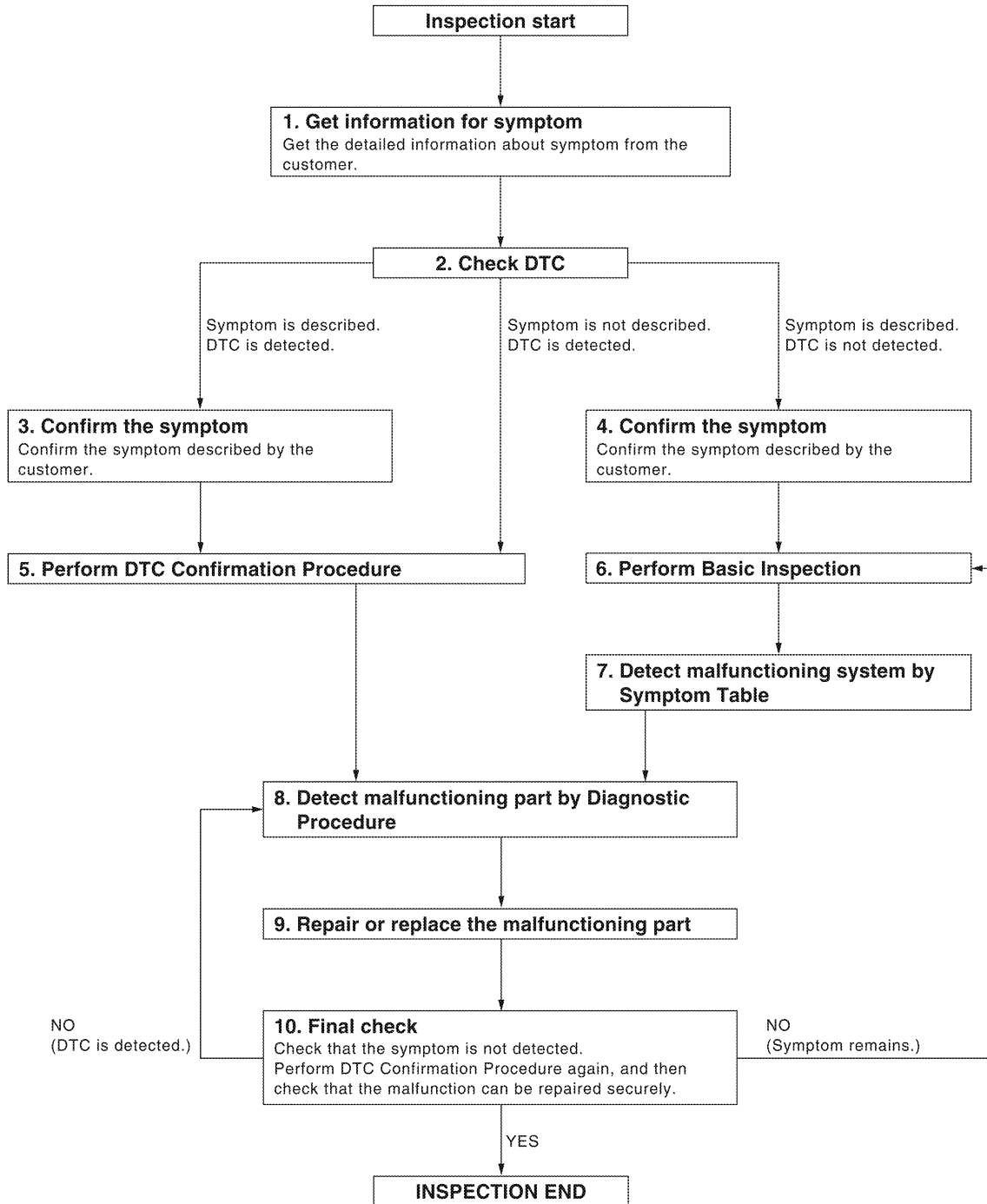
< BASIC INSPECTION >

DIAGNOSIS AND REPAIR WORKFLOW

Work Flow

INFOID:000000005256596

WORK FLOW



ALKIA0538GB

DETAILED FLOW

1. GET INFORMATION FOR SYMPTOM

DIAGNOSIS AND REPAIR WORKFLOW

< BASIC INSPECTION >

Get the detailed information from the customer about the symptom (the condition and the environment when the incident/malfunction occurred).

A

>> GO TO 2

2. CHECK DTC WITH AUTOMATIC DRIVE POSITIONER SYSTEM

B

Check "Self Diagnostic Result" with CONSULT-III.

Refer to [ADP-122, "DTC Index"](#).

C

Is any symptom described and any DTC is displayed?

Symptom is described, DTC is displayed.>>GO TO 3

Symptom is not described, DTC is displayed.>>GO TO 7

Symptom is described, DTC is not displayed.>>GO TO 4

D

3. CONFIRM THE SYMPTOM

Try to confirm the symptom described by the customer.

E

>> GO TO 7

4. CONFIRM THE SYMPTOM

F

Try to confirm the symptom described by the customer.

G

>> GO TO 5

5. CHECK NORMAL OPERATING CONDITION

H

Check normal operating condition. Refer to [ADP-158, "Description"](#).

Is the incident normal operation?

YES >> Inspection End.

NO >> GO TO 6

I

6. PERFORM BASIC INSPECTION

Isolate the malfunctioning point with the basic inspection. Refer to [ADP-9, "Preliminary Check"](#).

ADP

>> GO TO 8

7. PERFORM DTC CONFIRMATION PROCEDURE

K

Perform the confirmation procedure for the detected DTC.

Is the DTC displayed?

YES >> GO TO 9

NO >> Check intermittent incident. Refer to [GI-37, "Intermittent Incident"](#).

L

8. PERFORM COMPONENT FUNCTION CHECK

M

Perform the component function check for the isolated malfunctioning point.

>> GO TO 9

9. DETECT MALFUNCTIONING PART BY DIAGNOSTIC PROCEDURE

N

Isolate the malfunctioning point by performing the diagnosis procedure relevant to the symptom during the component diagnosis.

O

>> GO TO 10

10. REPAIR OR REPLACE

P

Repair or replace the malfunctioning part.

>> GO TO 11

DIAGNOSIS AND REPAIR WORKFLOW

< BASIC INSPECTION >

11. FINAL CHECK

Perform the DTC confirmation procedure (if DTC is detected) or component function check (if no DTC is detected) again, and then check that the malfunction can be repaired securely.

Are all malfunctions corrected?

YES >> Inspection End.
Symptom is detected.>> GO TO 4
DTC is detected.>> GO TO 7

INSPECTION AND ADJUSTMENT

< BASIC INSPECTION >

INSPECTION AND ADJUSTMENT

Preliminary Check

INFOID:000000005256597

1. FOREIGN OBJECTS

Check the following:

- objects on or behind the seats that could cause binding
- objects under the seats that may be interfering with the seat's moving parts
- objects under pedals that may interfere with movement

Are there any foreign objects that could be causing interference?

- YES >> Remove objects.
NO >> GO TO 2

2. WIRING CONNECTIONS

1. Disconnect harness connectors.
2. Check terminals for damage or loose connections.
3. Reconnect harness connectors.

Are any connectors damaged or loose?

- YES >> Repair or replace damaged parts.
NO >> GO TO 3

3. POWER AND GROUND

Check power supply and ground circuits for control unit. Refer to [ADP-43. "DRIVER SEAT CONTROL UNIT : Diagnosis Procedure"](#).

Is the inspection result normal?

- YES >> Refer to [ADP-122. "DTC Index"](#).
NO >> Repair or replace as necessary.

Special Repair Requirement

INFOID:000000005256598

Refer to Owner's Manual for Automatic Drive Positioner system operating instructions.

ADP

AUTOMATIC DRIVE POSITIONER SYSTEM

< FUNCTION DIAGNOSIS >

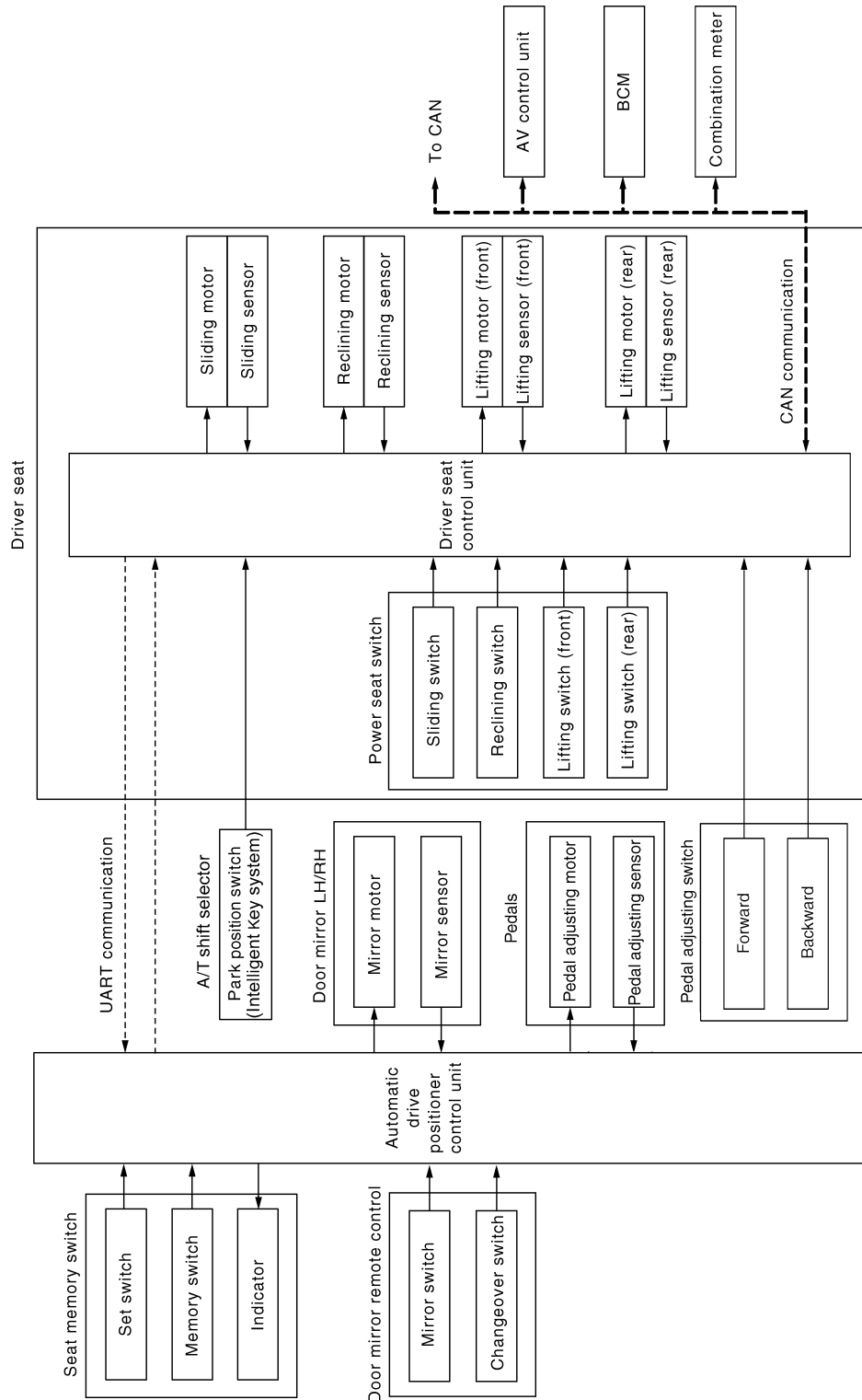
FUNCTION DIAGNOSIS

AUTOMATIC DRIVE POSITIONER SYSTEM

AUTOMATIC DRIVE POSITIONER SYSTEM

AUTOMATIC DRIVE POSITIONER SYSTEM : System Diagram

INFOID:000000005256599

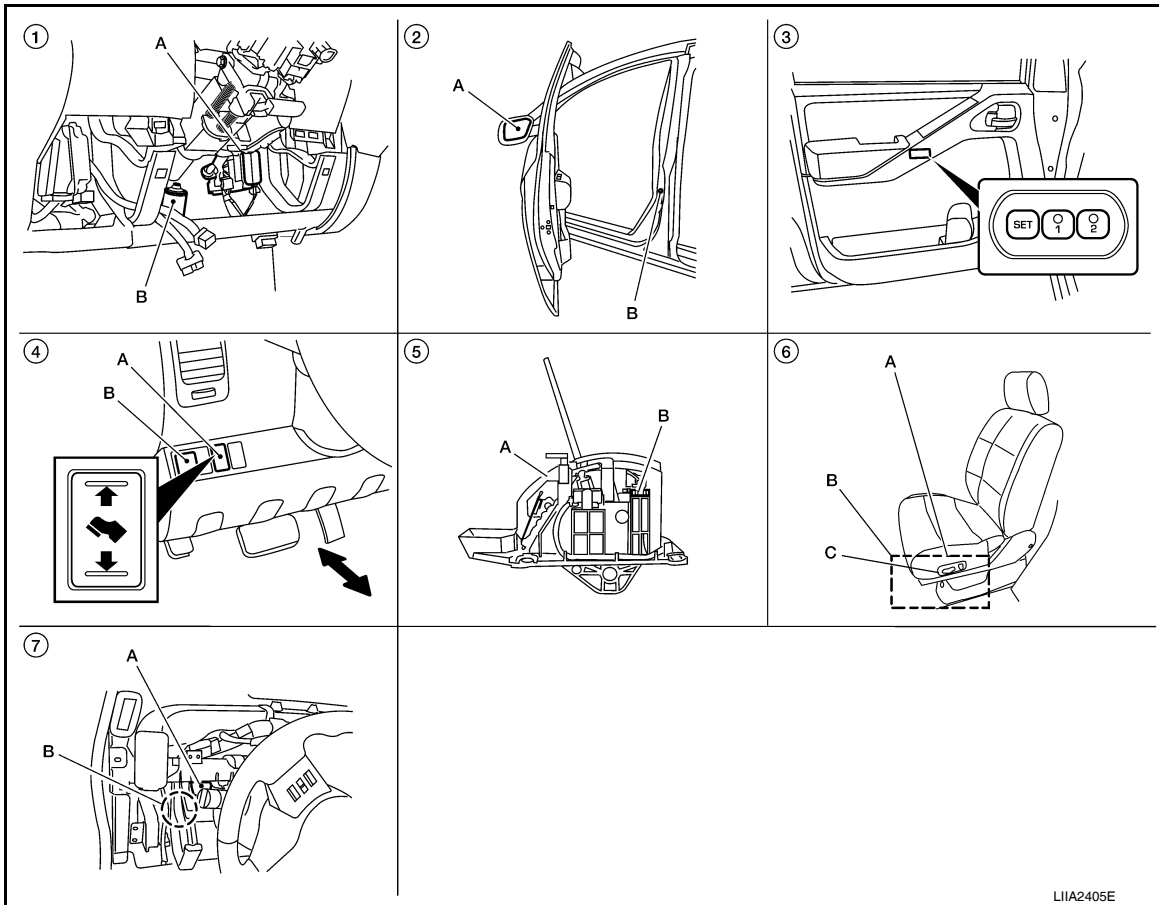


ALJIA0485GB

AUTOMATIC DRIVE POSITIONER SYSTEM

< FUNCTION DIAGNOSIS >

AUTOMATIC DRIVE POSITIONER SYSTEM : Component Parts Location INFOID:000000005256600



- | | | |
|--|---|---|
| <p>1. A. BCM M18, M19, M20
B. Pedal adjusting motor E109, E110 (view with lower instrument panel LH removed)</p> <p>4. A. Pedal adjusting switch M96
B. Door mirror remote control switch M163</p> <p>7. A. Automatic drive positioner control unit M33, M34
B. Circuit breaker-2 M82 (view with instrument panel removed)</p> | <p>2. A. Door mirror LH D18, RH D118
B. Front door switch LH B8</p> <p>5. A. A/T selector lever
B. A/T shift selector (park position switch) M156</p> | <p>3. Seat memory switch D5</p> <p>6. A. Sliding motor LH B204, reclining motor LH B232, lifting motor (front) B206, lifting motor (rear) B207
B. Driver seat control unit B202, B203
C. Power seat switch LH B208 (front seat LH view)</p> |
|--|---|---|

AUTOMATIC DRIVE POSITIONER SYSTEM : System Description INFOID:000000005256601

OUTLINE

The system automatically moves the driver seat, pedal assembly and door mirror position by the driver seat control unit and the automatic drive positioner control unit. The driver seat control unit corresponds with the automatic drive positioner control unit by UART communication.

Function	Description
Manual function	The driving position (seat, pedal assembly and door mirror position) can be adjusted by using the power seat switch, pedal adjusting switch or door mirror remote control switch.
Memory function	The seat, pedal assembly and outside mirror move to the stored driving position by pressing seat memory switch (1 or 2).

A
B
C
D
E
F
G
H
I
ADP
K
L
M
N
O
P

AUTOMATIC DRIVE POSITIONER SYSTEM

< FUNCTION DIAGNOSIS >

Function		Description
Entry/Exit assist function	Exit	On exit, the seat moves backward.
	Entry	On entry, the seat returns from exiting position to the previous driving position.
Keyfob interlock function		Perform memory operation, exiting operation and entry operation by key unlock operation.
Intelligent Key interlock function		Perform memory operation, exiting operation and entry operation by Intelligent Key unlock operation or driver side door request switch unlock operation .

AUTOMATIC DRIVE POSITIONER SYSTEM : Component Description

INFOID:000000005256602

CONTROL UNITS

Item	Function
Driver seat control unit	<ul style="list-style-type: none"> • Main unit of automatic drive positioner system • It is connected to the CAN. • It communicates with the automatic drive positioner control unit via UART communication.
Automatic drive positioner control unit	<ul style="list-style-type: none"> • It communicates with the driver seat control unit via UART communication. • Perform various controls with the instructions of driver seat control unit. • Perform the controls of the pedal adjusting, door mirror and the seat memory switch.
BCM	Transmit the following status to the driver seat control unit via CAN communication. <ul style="list-style-type: none"> • Front door LH: OPEN/CLOSE • Ignition switch position: ACC/ON • Door lock: UNLOCK (with Intelligent Key or remote keyless entry request switch operation) • Key ID • Key switch: Insert/Pull out Intelligent Key or ignition key • Starter: CRANKING/OTHER
Combination meter	Transmit the vehicle speed signal to the driver seat control unit via CAN communication.
AV control unit	The setting change of auto drive positioner system can be performed on the display.
A/T shift selector (park position switch)	Transmit the shift position signal (P range) to the driver seat control unit.

INPUT PARTS

Switches

Item	Function
Key switch and ignition knob switch	The key switch is installed to detect the key inserted/removed status.
Front door switch LH	Detect front door (driver side) open/close status.
A/T shift selector (park position switch)	Detect the P range position of A/T selector lever.
Set switch	The registration and system setting can be performed with its operation.
Seat memory switch 1/2	The registration and operation can be performed with its operation.
Power seat switch	The following switch is installed. <ul style="list-style-type: none"> • Reclining switch • Lifting switch (front) • Lifting switch (rear) • Sliding switch The specific parts can be operated with the operation of each switch.

AUTOMATIC DRIVE POSITIONER SYSTEM

< FUNCTION DIAGNOSIS >

Item	Function
Pedal adjusting switch	The following switch is installed. <ul style="list-style-type: none"> • Pedal forward • Pedal backward The specific parts can be operated with the operation of each switch.
Door mirror remote control switch	The following switch is installed. <ul style="list-style-type: none"> • Mirror switch • Changeover switch The specific parts can be operated with the operation of each switch.

Sensors

Item	Function
Door mirror sensor (LH/RH)	Detect the up/down and left/right position of outside mirror face.
Pedal adjusting sensor	Detect the forward/backward position of pedal assembly.
Lifting sensor (front)	Detect the up/down position of seat lifting (front).
Lifting sensor (rear)	Detect the up/down position of seat lifting (rear).
Reclining sensor	Detect the tilt of seatback.
Sliding sensor	Detect the front/rear position of seat.

OUTPUT PARTS

Item	Function
Door mirror motor (LH/RH)	Move the outside mirror face up/down and left/right.
Pedal adjusting motor	Move the pedal assembly forward/backward.
Lifting motor (front)	Move the seat lifting (front) up/down.
Lifting motor (rear)	Move the seat lifting (rear) up/down.
Reclining motor	Tilt and raise up the seatback.
Sliding motor	Slide the seat forward/backward.
Seat memory indicator	Illuminates or flashes according to the registration/operation status.

MANUAL FUNCTION

A
B
C
D
E
F
G
H
I
K
L
M
N
O
P

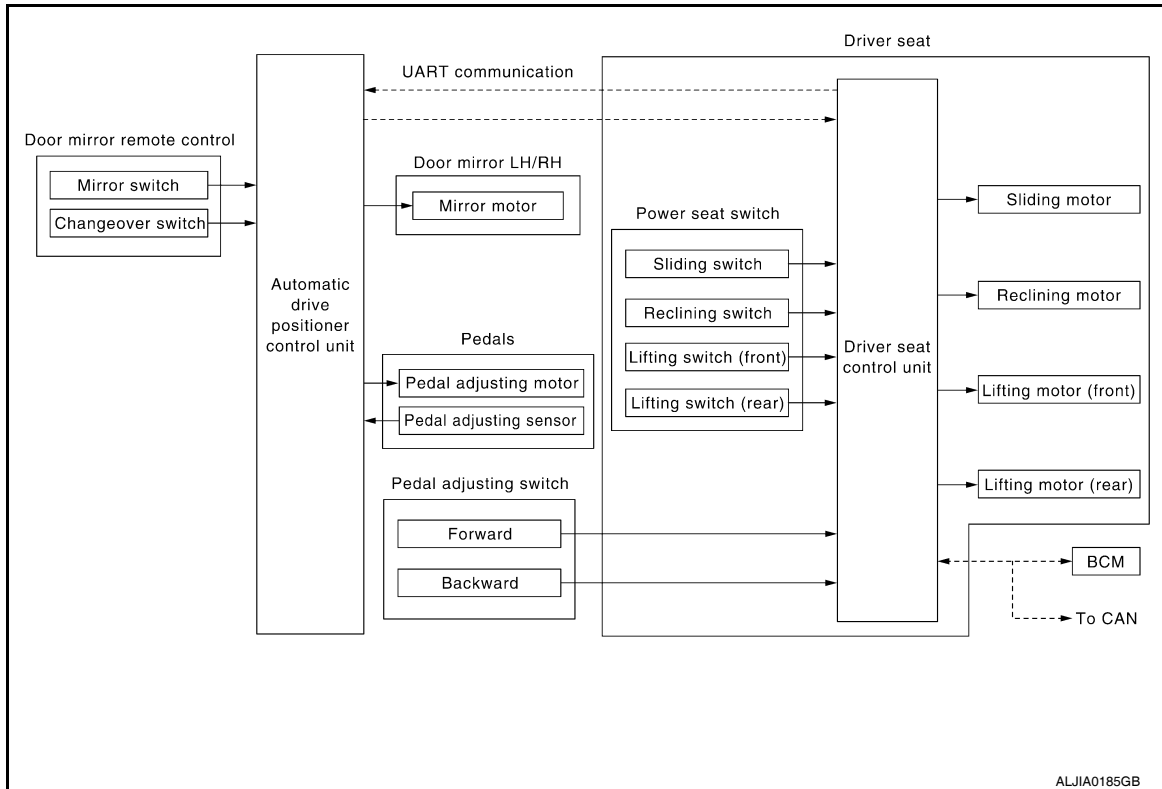
ADP

AUTOMATIC DRIVE POSITIONER SYSTEM

< FUNCTION DIAGNOSIS >

MANUAL FUNCTION : System Diagram

INFOID:000000005256603



MANUAL FUNCTION : System Description

INFOID:000000005256604

OUTLINE

The driving position (seat, pedal assembly and door mirror position) can be adjusted manually with power seat switch, pedal adjusting switch and door mirror remote control switch.

OPERATION PROCEDURE

1. Turn ignition switch ON.
2. Operate power seat switch, pedal adjusting switch or door mirror remote control switch.
3. The driver seat, pedal assembly or door mirror operates according to the operation of each switch.

DETAIL FLOW

Seat

Order	Input	Output	Control unit condition
1	Power seat switch (sliding, lifting, reclining)	—	The power seat switch signal is input to the driver seat control unit when the power seat switch is operated.
2	—	Motors (sliding, lifting, reclining)	The driver seat control unit outputs signals to each motor according to the power seat switch input signal.

Adjustable pedals

Order	Input	Output	Control unit condition
1	Pedal adjusting switch	—	The pedal adjusting switch signal is input to the automatic drive positioner control unit when the pedal adjusting switch is operated.

AUTOMATIC DRIVE POSITIONER SYSTEM

< FUNCTION DIAGNOSIS >

Order	Input	Output	Control unit condition
2	—	Motor	The automatic drive positioner control unit actuates the motor according to the operation of the pedal adjusting switch signal from the driver seat control unit.
3	Sensors (forward, backward)	—	The automatic drive positioner control unit recognizes any operation limit of each actuator via each sensor and will not operate the actuator anymore at that time.

Door Mirror

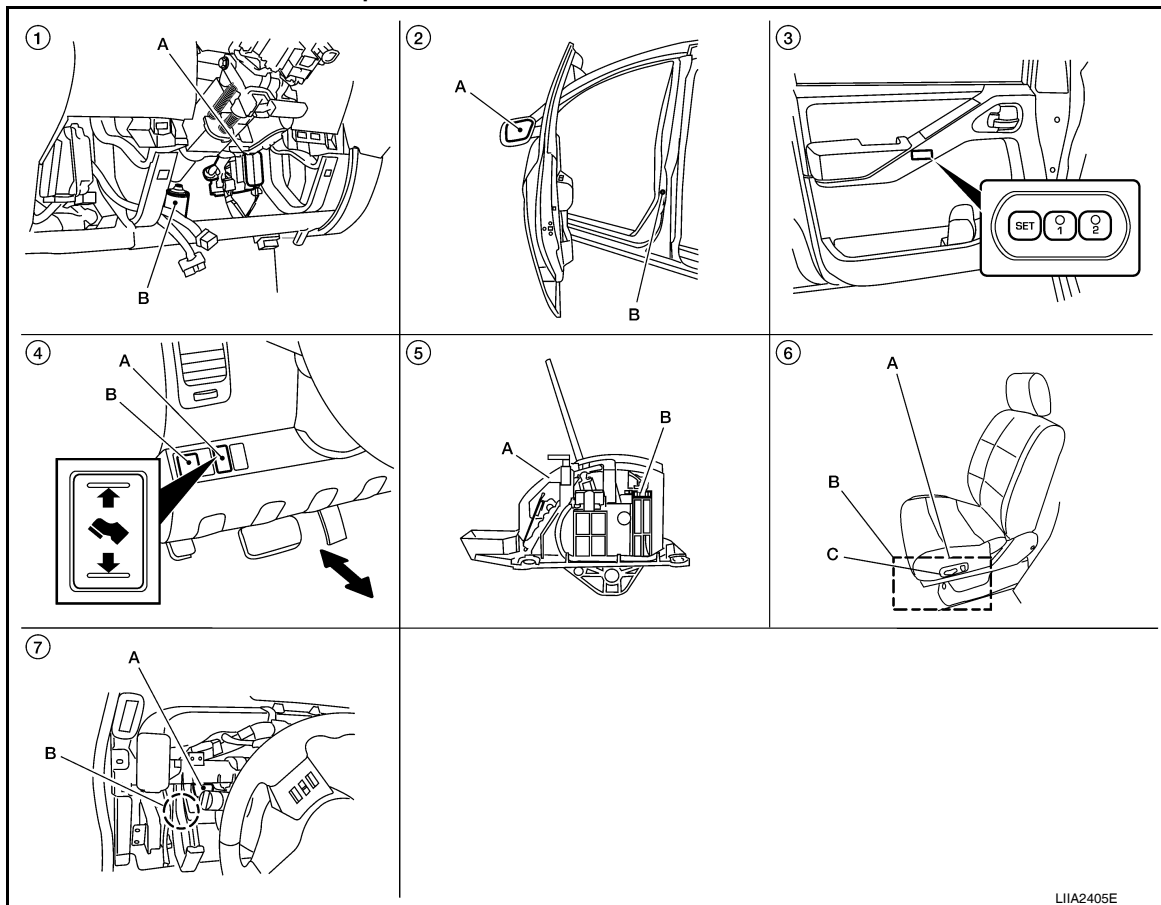
Order	Input	Output	Control unit condition
1	Door mirror remote control switch	—	The door mirror remote control switch signal is input to the automatic drive positioner control unit when the door mirror remote control switch is operated.
2	—	Motors (Door mirror motor)	The automatic drive positioner control unit actuates each motor according to the operation of the door mirror remote control switch.

NOTE:

The door mirrors can be operated manually when ignition switch is in either ACC or ON position. The ignition switch signal (ACC/ON) is transmitted from BCM to the driver seat control unit via CAN communication and from the driver seat control unit to the automatic drive positioner control unit via UART communication.

MANUAL FUNCTION : Component Parts Location

INFOID:000000005488313



LIIA2405E

AUTOMATIC DRIVE POSITIONER SYSTEM

< FUNCTION DIAGNOSIS >

- | | | |
|--|---|---|
| <p>1. A. BCM M18, M19, M20
B. Pedal adjusting motor E109, E110 (view with lower instrument panel LH removed)</p> <p>4. A. Pedal adjusting switch M96
B. Door mirror remote control switch M163</p> <p>7. A. Automatic drive positioner control unit M33, M34
B. Circuit breaker-2 M82 (view with instrument panel removed)</p> | <p>2. A. Door mirror LH D18, RH D118
B. Front door switch LH B8</p> <p>5. A. A/T selector lever
B. A/T shift selector (park position switch) M156</p> | <p>3. Seat memory switch D5</p> <p>6. A. Sliding motor LH B204, reclining motor LH B232, lifting motor (front) B206, lifting motor (rear) B207
B. Driver seat control unit B202, B203
C. Power seat switch LH B208 (front seat LH view)</p> |
|--|---|---|

MANUAL FUNCTION : Component Description

INFOID:000000005256606

CONTROL UNITS

Item	Function
Driver seat control unit	<ul style="list-style-type: none"> Operates the specific seat motor with the signal from the power seat switch. Transmits the ignition switch signal (ACC/ON) via UART communication to the automatic drive positioner control unit. Transmits the pedal adjusting switch signal via UART communication to the automatic drive positioner control unit.
Automatic drive positioner control unit	Operates the specific motor with the signal from driver seat control unit or door mirror remote control switch.
BCM	Recognizes the following status and transmits it to the driver seat control unit via CAN communication. <ul style="list-style-type: none"> Ignition position: ACC/ON

INPUT PARTS

Switches

Item	Function
Power seat switch	The following switch is installed. <ul style="list-style-type: none"> Reclining switch Lifting switch (front) Lifting switch (rear) Sliding switch The specific parts can be operated with the operation of each switch.
Pedal adjusting switch	The following switch is installed. <ul style="list-style-type: none"> Pedal forward Pedal backward The specific parts can be operated with the operation of each switch.
Door mirror remote control switch	The following switch is installed. <ul style="list-style-type: none"> Mirror switch Changeover switch The specific parts can be operated with the operation of each switch.

Sensors

Item	Function
Pedal adjusting sensor	Detect the forward/backward position of pedal assembly.

OUTPUT PARTS

AUTOMATIC DRIVE POSITIONER SYSTEM

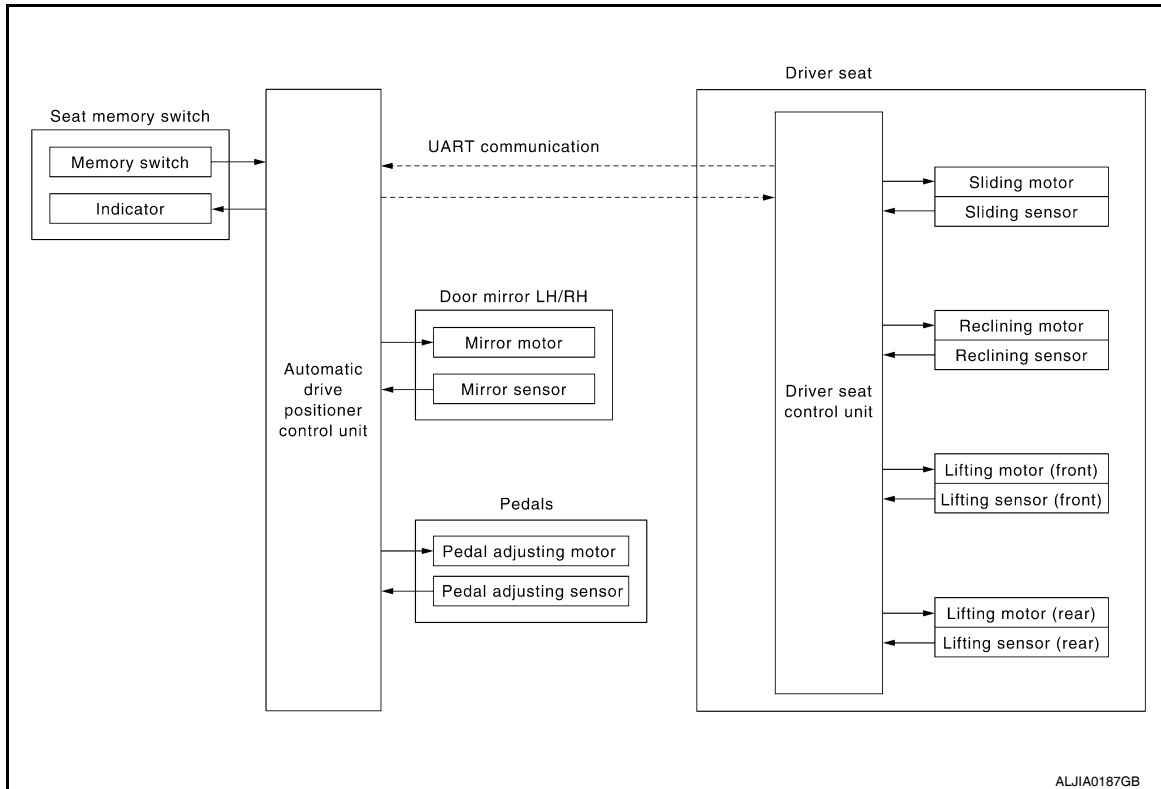
< FUNCTION DIAGNOSIS >

Item	Function
Door mirror motor (LH/RH)	Move the outside mirror face up/down and left/right.
Pedal adjusting motor	Move the pedal assembly forward/backward.
Lifting motor (front)	Move the seat lifter (front) up/down.
Lifting motor (rear)	Move the seat lifter (rear) up/down.
Reclining motor	Tilt and raise up the seatback.
Sliding motor	Slide the seat forward/backward.

MEMORY FUNCTION

MEMORY FUNCTION : System Diagram

INFOID:000000005256607



MEMORY FUNCTION : System Description

INFOID:000000005256608

OUTLINE

The driver seat control unit can store the optimum driving positions (seat, pedal assembly and door mirror position) for 2 people. If the front seat position is changed, one-touch (pressing desired memory switch for more than 0.5 second) operation allows changing to the other driving position.

NOTE:

Further information for the memory storage procedure. Refer to Owner's Manual.

OPERATION PROCEDURE

1. Turn ignition switch ON
2. Press desired memory switch for more than 0.5 second.
3. Front seat LH, pedal assembly and door mirror will move to the memorized position.

OPERATION CONDITION

Satisfy all of the following items. The memory function is not performed if these items are not satisfied.

AUTOMATIC DRIVE POSITIONER SYSTEM

< FUNCTION DIAGNOSIS >

Item	Request status
Ignition position	ON
Switch inputs <ul style="list-style-type: none"> • Power seat switch • Pedal adjusting switch • Door mirror control switch • Set switch • Seat memory switch 	OFF (Not operated)
A/T selector lever	P position

DETAIL FLOW

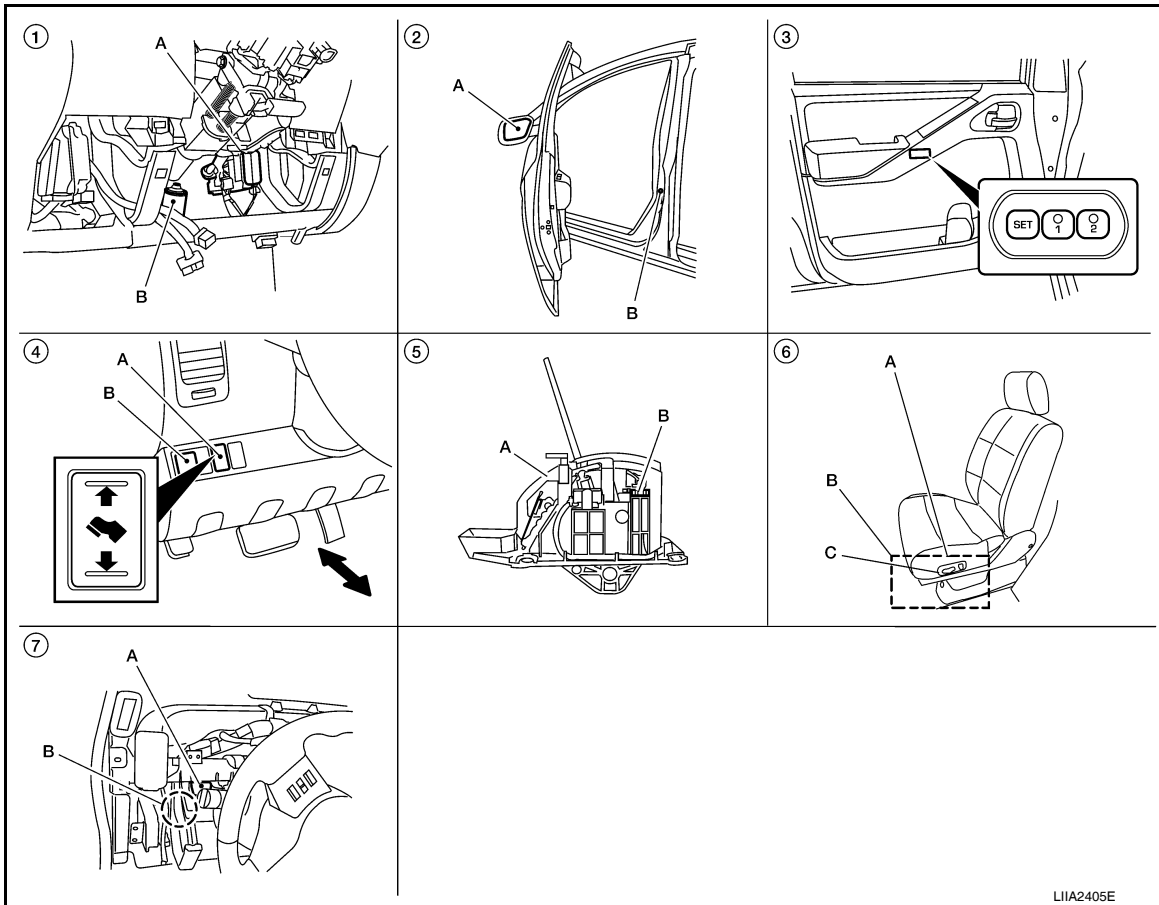
Order	Input	Output	Control unit condition
1	Memory switch	—	The memory switch signal is inputted to the automatic drive positioner control unit when memory switch 1 or 2 is operated. Memory switch signal is input to driver seat control unit via UART communication.
2	—	Motors (seat, pedal adjusting, door mirror)	Driver seat control unit operates each motor of seat when it recognizes the memory switch pressed for 0.5 second or more and requests each motor operation to automatic drive positioner control unit via UART communication. The automatic drive positioner control unit operates each motor.
		Memory switch Indicator	Driver seat control unit requests the flashing of memory indicator to automatic drive positioner control unit via UART communication while either of the motors is operating. The automatic drive positioner control unit illuminates the memory indicator.
3	Sensors (seat, pedal adjusting, door mirror)	—	Driver seat control unit judges the operating seat position with each seat sensor input. The positions of the adjustable pedals and outside mirror are monitored with each sensor signal that is input from auto drive positioner control unit via UART communication. Driver seat control unit stops the operation of each motor when each part reaches the recorded address.
4	—	Memory switch Indicator	Driver seat control unit requests the illumination of memory indicator to auto drive positioner control unit via UART communication after all motors stop. The auto driving positioner control unit illuminates the memory indicator for 5 seconds.

AUTOMATIC DRIVE POSITIONER SYSTEM

< FUNCTION DIAGNOSIS >

MEMORY FUNCTION : Component Parts Location

INFOID:000000005488314



- | | | |
|--|---|---|
| <p>1. A. BCM M18, M19, M20
B. Pedal adjusting motor E109, E110 (view with lower instrument panel LH removed)</p> <p>4. A. Pedal adjusting switch M96
B. Door mirror remote control switch M163</p> <p>7. A. Automatic drive positioner control unit M33, M34
B. Circuit breaker-2 M82 (view with instrument panel removed)</p> | <p>2. A. Door mirror LH D18, RH D118
B. Front door switch LH B8</p> <p>5. A. A/T selector lever
B. A/T shift selector (park position switch) M156</p> | <p>3. Seat memory switch D5</p> <p>6. A. Sliding motor LH B204, reclining motor LH B232, lifting motor (front) B206, lifting motor (rear) B207
B. Driver seat control unit B202, B203
C. Power seat switch LH B208 (front seat LH view)</p> |
|--|---|---|

MEMORY FUNCTION : Component Description

INFOID:000000005256610

CONTROL UNITS

Item	Function
Driver seat control unit	<ul style="list-style-type: none"> The address of each part is recorded. Operates each motor of seat to the registered position. Requests the operations of pedal assembly and door mirror to automatic drive positioner control unit
Automatic drive positioner control unit	Operates the pedal adjusting motor and door mirror with the instructions from the driver seat control.

INPUT PARTS

A
B
C
D
E
F
G
H
I

ADP

K
L
M

N
O

P

AUTOMATIC DRIVE POSITIONER SYSTEM

< FUNCTION DIAGNOSIS >

Switches

Item	Function
Memory switch 1/2	The registration and memory function can be performed with its operation.

Sensors

Item	Function
Door mirror sensor (LH/RH)	Detect the up/down and left/right position of outside mirror face.
Pedal adjusting sensor	Detect the forward/backward position of pedal assembly.
Lifting sensor (front)	Detect the up/down position of seat lifting (front).
Lifting sensor (rear)	Detect the up/down position of seat lifting (rear).
Reclining sensor	Detect the tilt of seatback.
Sliding sensor	Detect the front/rear position of seat.

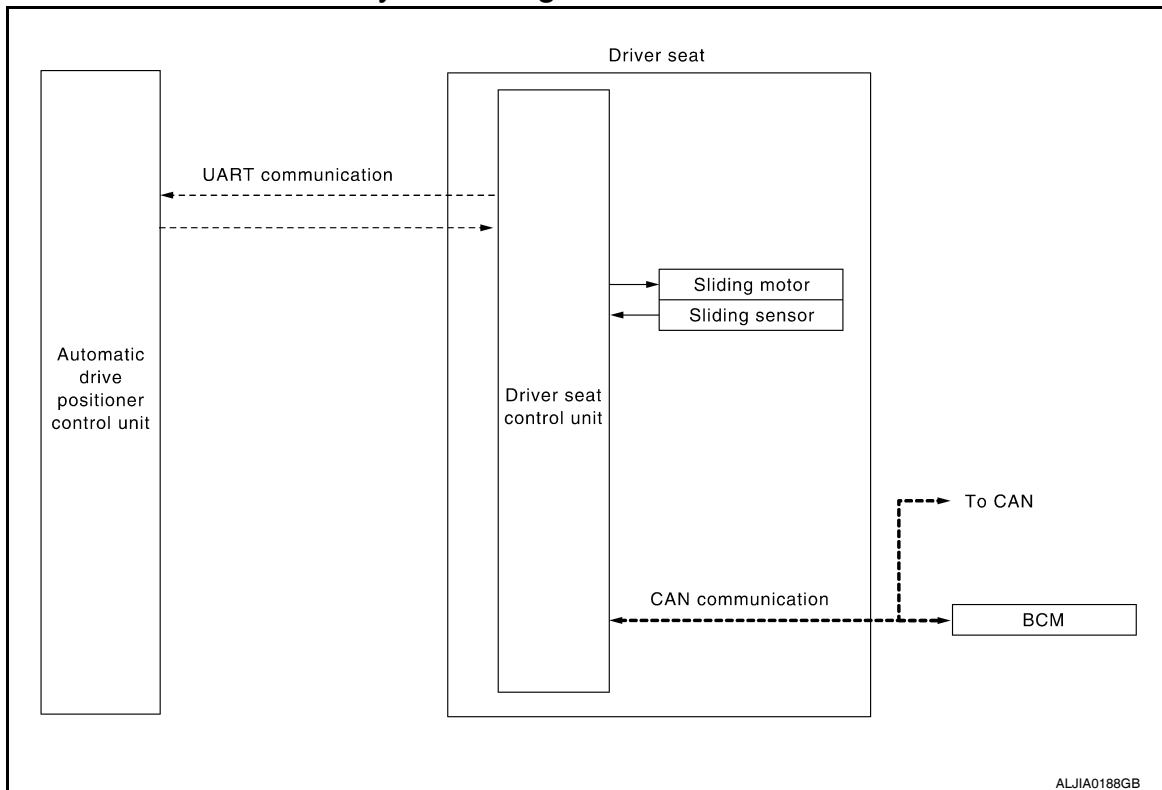
OUTPUT PARTS

Item	Function
Door mirror motor (LH/RH)	Move the outside mirror face up/down and left/right.
Pedal adjusting motor	Move the pedal assembly forward/backward.
Lifting motor (front)	Move the seat lifter (front) up/down.
Lifting motor (rear)	Move the seat lifter (rear) up/down.
Reclining motor	Tilt and raise up the seatback.
Sliding motor	Slide the seat forward/backward.
Memory indicator	Illuminates or blinks according to the registration/operation status.

EXIT ASSIST FUNCTION

EXIT ASSIST FUNCTION : System Diagram

INFOID:000000005256611



AUTOMATIC DRIVE POSITIONER SYSTEM

< FUNCTION DIAGNOSIS >

EXIT ASSIST FUNCTION : System Description

INFOID:000000005256612

OUTLINE

When exiting, if the conditions are satisfied, the seat is moved backward from normal sitting position. The seat slide amount at entry/exit operation can be changed.

NOTE:

- This function is set to OFF before delivery (initial setting).
- Further information for the system setting procedure. Refer to Owner's Manual.

OPERATION PROCEDURE

1. Open the driver door with ignition switch in OFF position.
2. Front seat LH will move to the exiting position.

OPERATION CONDITION

Satisfy all of the following items. The exit assist function is not performed if these items are not satisfied.

Item	Request status
Ignition switch	OFF
System setting [Entry/exit assist function]	ON
Initialization	Done
Switch inputs <ul style="list-style-type: none">• Power seat switch• Pedal adjusting switch• Door mirror remote control switch• Set switch• Seat memory switch	OFF (Not operated)
A/T selector lever	P position

DETAIL FLOW

Order	Input	Output	Control unit condition
1	Front door switch LH	—	Driver seat control unit receives front door switch LH signal (open) from BCM via CAN communication.
2	—	Motor (seat sliding)	Driver seat control unit operates the seat sliding motor, which recognizes that the front door LH is opened with ignition switch OFF.

A
B
C
D
E
F
G
H
I
K
L
M
N
O
P

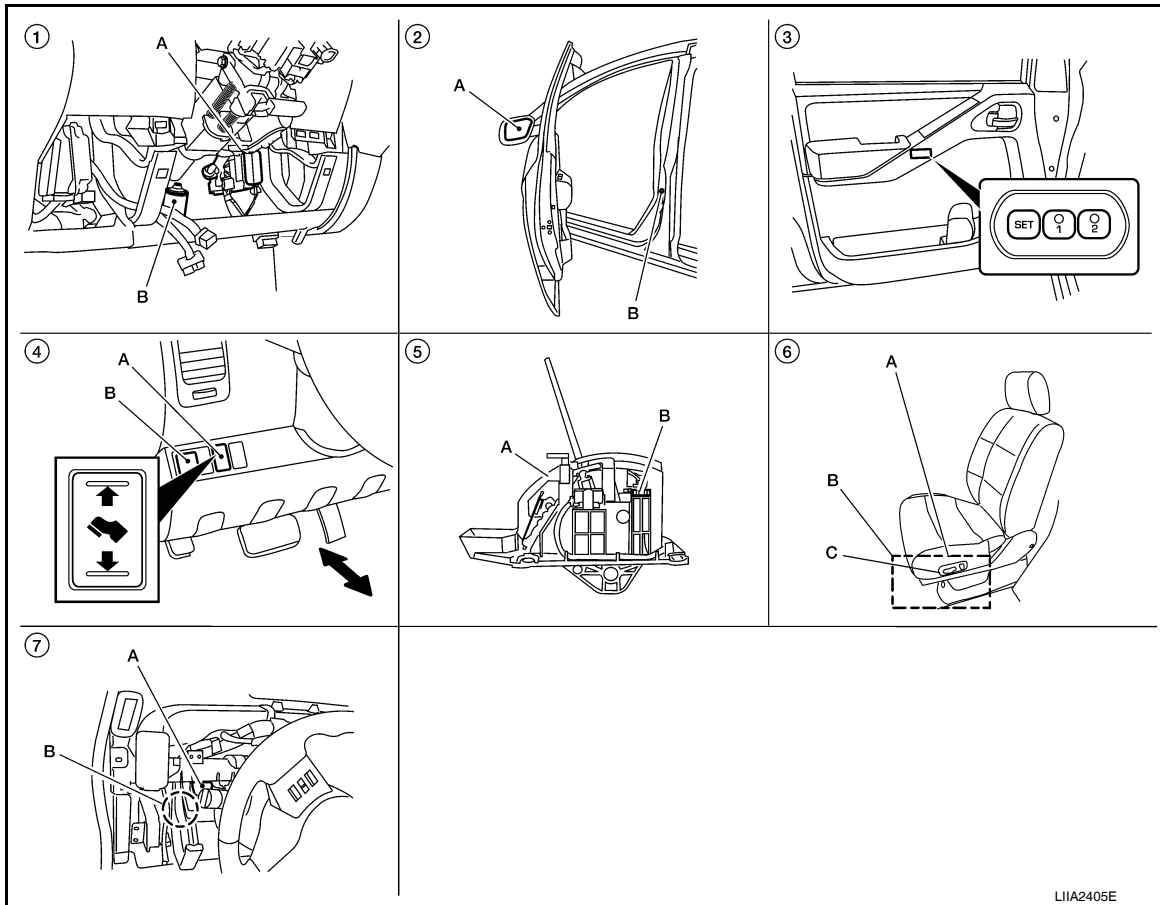
ADP

AUTOMATIC DRIVE POSITIONER SYSTEM

< FUNCTION DIAGNOSIS >

EXIT ASSIST FUNCTION : Component Parts Location

INFOID:000000005488315



LIIA2405E

- | | | |
|--|---|---|
| <p>1. A. BCM M18, M19, M20
B. Pedal adjusting motor E109, E110 (view with lower instrument panel LH removed)</p> <p>4. A. Pedal adjusting switch M96
B. Door mirror remote control switch M163</p> <p>7. A. Automatic drive positioner control unit M33, M34
B. Circuit breaker-2 M82 (view with instrument panel removed)</p> | <p>2. A. Door mirror LH D18, RH D118
B. Front door switch LH B8</p> <p>5. A. A/T selector lever
B. A/T shift selector (park position switch) M156</p> | <p>3. Seat memory switch D5</p> <p>6. A. Sliding motor LH B204, reclining motor LH B232, lifting motor (front) B206, lifting motor (rear) B207
B. Driver seat control unit B202, B203
C. Power seat switch LH B208 (front seat LH view)</p> |
|--|---|---|

EXIT ASSIST FUNCTION : Component Description

INFOID:000000005256614

CONTROL UNITS

Item	Function
Driver seat control unit	Operates the seat sliding motor for a constant amount.
BCM	Recognizes the following status and transmits it to the driver seat control unit via CAN communication. • Front door LH: OPEN/CLOSE

INPUT PARTS

Switches

AUTOMATIC DRIVE POSITIONER SYSTEM

< FUNCTION DIAGNOSIS >

Item	Function
Front door switch LH	Detect front door LH open/close status.

Sensors

Item	Function
Sliding sensor	Detect the front/rear position of seat.

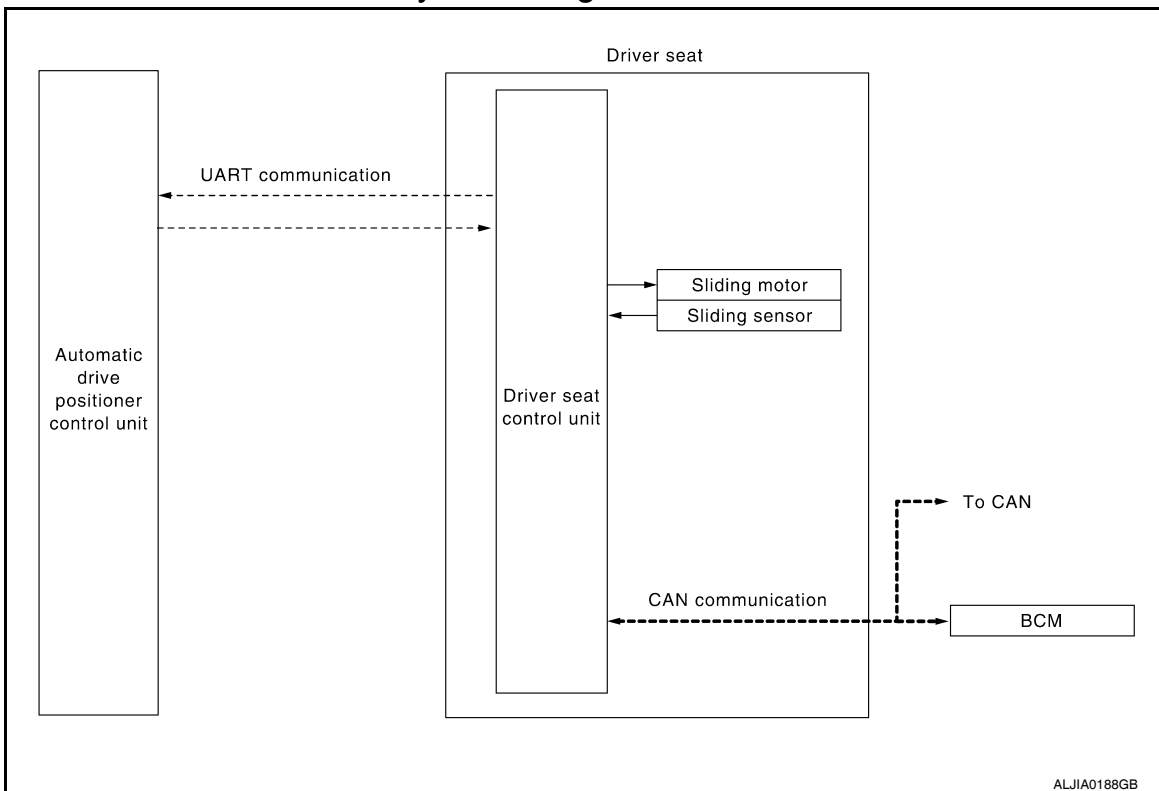
OUTPUT PARTS

Item	Function
Sliding motor	Slide the seat forward/backward.

ENTRY ASSIST FUNCTION

ENTRY ASSIST FUNCTION : System Diagram

INFOID:000000005256615



ENTRY ASSIST FUNCTION : System Description

INFOID:000000005256616

OUTLINE

The seat is in the exiting position when either following condition (A or B) is satisfied, the seat returns from exiting position to the previous driving position.

NOTE:

- This function is set to OFF before delivery (initial setting).
- Further information for the system setting procedure. Refer to Owner's Manual.

OPERATION PROCEDURE

1. A: Turn the ignition switch ON.
B: Turn the ignition switch from OFF to ACC after closing the driver door.
2. Front seat LH will return from the exiting position to entry position.

OPERATION CONDITION

Satisfy all of the following items. The entry assist function is not performed if these items are not satisfied.

AUTOMATIC DRIVE POSITIONER SYSTEM

< FUNCTION DIAGNOSIS >

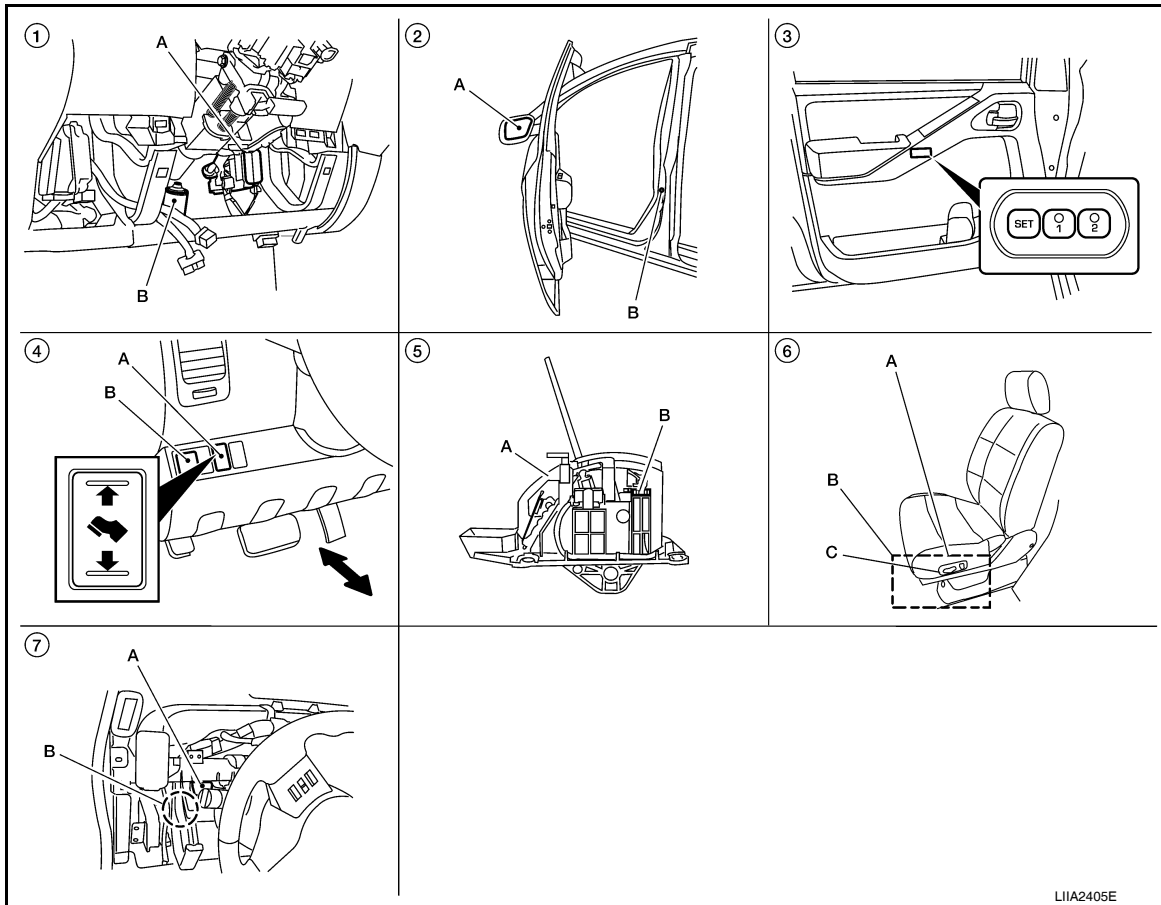
Item	Request status
Seat	The vehicle is not moved after performing the exit assist function.
Switch inputs <ul style="list-style-type: none"> • Power seat switch • Pedal adjusting switch • Door mirror control switch • Set switch • Memory switch 	OFF (Not operated)
A/T selector lever	P position

DETAIL FLOW

Order	Input	Output	Control unit condition
1	Door switch/Ignition switch	—	Driver seat control unit receives the signals of ignition switch signal and front door switch from BCM via CAN communication.
2	—	Motor (sliding)	Driver seat control unit operates the sliding motor when the operating conditions are satisfied.
	Sensor (sliding)	—	Sensor monitors the operating positions of seat and then stops the operation of motor when seat reaches the recorded address.

ENTRY ASSIST FUNCTION : Component Parts Location

INFOID:000000005488316



LIIA2405E

AUTOMATIC DRIVE POSITIONER SYSTEM

< FUNCTION DIAGNOSIS >

- | | | | |
|---|---|--|--------|
| 1. A. BCM M18, M19, M20
B. Pedal adjusting motor E109, E110
(view with lower instrument panel LH removed) | 2. A. Door mirror LH D18, RH D118
B. Front door switch LH B8 | 3. Seat memory switch D5 | A |
| 4. A. Pedal adjusting switch M96
B. Door mirror remote control switch M163 | 5. A. A/T selector lever
B. A/T shift selector (park position switch) M156 | 6. A. Sliding motor LH B204, reclining motor LH B232, lifting motor (front) B206, lifting motor (rear) B207
B. Driver seat control unit B202, B203
C. Power seat switch LH B208 (front seat LH view) | B
C |
| 7. A. Automatic drive positioner control unit M33, M34
B. Circuit breaker-2 M82 (view with instrument panel removed) | | | D |

ENTRY ASSIST FUNCTION : Component Description

INFOID:000000005256618

CONTROL UNITS

Item	Function
Driver seat control unit	According to the ignition signal and front door switch LH signal from BCM, • Operates the seat sliding motor for a constant amount.
BCM	Recognizes the following status and transmits it to the driver seat control unit via CAN communication. • Front door LH: OPEN/CLOSE • Ignition switch position: ACC/ON

INPUT PARTS

Switches

Item	Function
Front door switch LH	Detect front door LH open/close status.

Sensors

Item	Function
Sliding sensor	Detect the front/rear position of seat.

OUTPUT PARTS

Item	Function
Sliding motor	Slide the seat forward/backward.

A
B
C
D
E
F
G
H
I
K
L
M
N
O
P

ADP

DIAGNOSIS SYSTEM (DRIVER SEAT C/U)

< FUNCTION DIAGNOSIS >

DIAGNOSIS SYSTEM (DRIVER SEAT C/U)

Diagnosis Description

INFOID:000000005256619

The auto drive positioner system can be checked and diagnosed for component operation with CONSULT-III.

DIAGNOSTIC MODE

Diagnostic mode [AUTO DRIVE POS.]	Description
WORK SUPPORT	Changes the setting of each function.
SELF-DIAG RESULTS	Performs self-diagnosis for the auto drive positioner system and displays the results.
DATA MONITOR	Displays input signals transmitted from various switches and sensors to driver seat control unit in real time.
CAN DIAG SUPPORT MNTR	The result of transmit/receive diagnosis of CAN communication can be read.
ACTIVE TEST	Drive each output device.
ECU PART NUMBER	Displays part numbers of driver seat control unit parts.

CONSULT-III Function

INFOID:000000005256620

SELF-DIAGNOSIS RESULTS

Refer to [ADP-122, "DTC Index"](#).

DATA MONITOR

Monitor Item	Unit	Main Signals	Selection From Menu	Contents
SET SW	"ON/OFF"	×	×	ON/OFF status judged from the setting switch signal.
MEMORY SW 1	"ON/OFF"	×	×	ON/OFF status judged from the seat memory switch 1 signal.
MEMORY SW 2	"ON/OFF"	×	×	ON/OFF status judged from the seat memory switch 2 signal.
SLIDE SW-FR	"ON/OFF"	×	×	ON/OFF status judged from the sliding switch (forward) signal.
SLIDE SW-RR	"ON/OFF"	×	×	ON/OFF status judged from the sliding switch (backward) signal.
RECLN SW-FR	"ON/OFF"	×	×	ON/OFF status judged from the reclining switch (forward) signal.
RECLN SW-RR	"ON/OFF"	×	×	ON/OFF status judged from the reclining switch (backward) signal.
LIFT FR SW-UP	"ON/OFF"	×	×	ON/OFF status judged from the lifting switch front (up) signal.
LIFT FR SW-DN	"ON/OFF"	×	×	ON/OFF status judged from the lifting switch front (down) signal.
LIFT RR SW-UP	"ON/OFF"	×	×	ON/OFF status judged from the lifting switch rear (up) signal.
LIFT RR SW-DN	"ON/OFF"	×	×	ON/OFF status judged from the lifting switch rear (down) signal.
MIR CON SW-UP	"ON/OFF"	×	×	ON/OFF status judged from the mirror switch (up) signal.
MIR CON SW-DN	"ON/OFF"	×	×	ON/OFF status judged from the mirror switch (down) signal.
MIR CON SW-RH	"ON/OFF"	×	×	ON/OFF status judged from the door mirror remote control switch (passenger side) signal.
MIR CON SW-LH	"ON/OFF"	×	×	ON/OFF status judged from the door mirror remote control switch (driver side) signal.

DIAGNOSIS SYSTEM (DRIVER SEAT C/U)

< FUNCTION DIAGNOSIS >

Monitor Item	Unit	Main Signals	Selection From Menu	Contents
MIR CHNG SW-R	"ON/OFF"	×	×	ON/OFF status judged from the door mirror remote control switch (switching to right) signal.
MIR CHNG SW-L	"ON/OFF"	×	×	ON/OFF status judged from the door mirror remote control switch (switching to left) signal.
PEDAL SW-FR	"ON/OFF"	×	×	ON/OFF status judged from the pedal adjusting switch (forward) signal.
PEDAL SW-RR	"ON/OFF"	×	×	ON/OFF status judged from the pedal adjusting switch (backward) signal.
P POSI SW	"ON/OFF"	×	×	The selector lever position "OFF (P position) / ON (other than P position)" judged from the park position switch signal.
STARTER SW	"ON/OFF"	×	×	Ignition key switch ON (START, ON) / OFF (ACC, OFF) status judged from the ignition switch signal.
SLIDE PULSE	—	—	×	Value (32768) when battery connections are standard. If it moves backward, the value increases. If it moves forward, the value decreases.
RECLN PULSE	—	—	×	Value (32768) when battery connections are standard. If it moves backward, the value increases. If it moves forward, the value decreases.
LIFT FR PULSE	—	—	×	Value (32768) when battery connections are standard. If it moves DOWN, the value increases. If it moves UP, the value decreases.
LIFT RR PULSE	—	—	×	Value (32768) when battery connections are standard. If it moves DOWN, the value increases. If it moves UP, the value decreases.
MIR/SEN RH U-D	"V"	—	×	Voltage input from door mirror sensor (passenger side) up/down is displayed.
MIR/SEN RH R-L	"V"	—	×	Voltage input from door mirror sensor (passenger side) left/right is displayed.
MIR/SEN LH U-D	"V"	—	×	Voltage input from door mirror sensor (driver side) up/down is displayed.
MIR/SEN LH R-L	"V"	—	×	Voltage input from door mirror sensor (driver side) left/right is displayed.
PEDAL SEN	"V"	—	×	Pedal position (voltage) judged from the pedal adjusting sensor signal is displayed.

ACTIVE TEST

CAUTION:

When driving vehicle, do not perform active test.

Test item	Description
SEAT SLIDE	Activates/deactivates the sliding motor.
SEAT RECLINING	Activates/deactivates the reclining motor.
SEAT LIFTER FR	Activates/deactivates the lifting motor (front).
SEAT LIFTER RR	Activates/deactivates the lifting motor (rear).
PEDAL MOTOR	Activates/deactivates the pedal adjusting motor.
MIRROR MOTOR RH	Activates/deactivates the mirror motor (passenger side).
MIRROR MOTOR LH	Activates/deactivates the mirror motor (driver side).
MEMORY SW INDCTR	Turns ON/OFF the memory indicator.

WORK SUPPORT

DIAGNOSIS SYSTEM (DRIVER SEAT C/U)

< FUNCTION DIAGNOSIS >

Work item	Content	Item
SEAT SLIDE VOLUME SET	The amount of seat sliding for entry/exit assist can be selected from 3 items.	40 mm
		80 mm
		150 mm
EXIT SEAT SLIDE SETTING	Entry/exit assist (seat) can be selected: ON (operated) – OFF (not operated)	ON
		OFF

U1000 CAN COMM CIRCUIT

< COMPONENT DIAGNOSIS >

COMPONENT DIAGNOSIS

U1000 CAN COMM CIRCUIT

Description

INFOID:000000005256621

Refer to [LAN-53, "CAN Communication Signal Chart"](#).

DTC Logic

INFOID:000000005256622

DTC DETECTION LOGIC

DTC	Trouble diagnosis name	DTC detecting condition	Possible cause
U1000	CAN COMM CIRCUIT	<ul style="list-style-type: none">• Driver seat control unit cannot communicate to other control units.• Driver seat control unit cannot communicate for more than the specified time.	<ul style="list-style-type: none">• Harness or connectors (CAN communication line is open or shorted)

DTC CONFIRMATION PROCEDURE

1. STEP 1

Turn ignition switch ON and wait at least 3 seconds.

>> GO TO 2

2. STEP 2

Check "Self diagnostic result" with CONSULT-III.

Is the DTC detected?

YES >> Perform diagnosis procedure. Refer to [ADP-29, "Diagnosis Procedure"](#).

NO >> Inspection End.

Diagnosis Procedure

INFOID:000000005256623

Refer to [LAN-14, "Trouble Diagnosis Flow Chart"](#).

Special Repair Requirement

INFOID:000000005256624

Refer to Owner's Manual.

A
B
C
D
E
F
G
H
I
K
L
M
N
O
P

ADP

B2112 SLIDING MOTOR

< COMPONENT DIAGNOSIS >

B2112 SLIDING MOTOR

Description

INFOID:000000005256625

- The seat sliding motor is installed to the seat frame assembly.
- The seat sliding motor is installed with the driver seat control unit.
- Slides the seat frontward/rearward by changing the rotation direction of sliding motor.

DTC Logic

INFOID:000000005256626

DTC DETECTION LOGIC

DTC No.	Trouble diagnosis name	DTC detecting condition	Possible cause
B2112	SEAT SLIDE	The driver seat control unit detects the output of sliding motor output terminal for 0.1 second or more even if the sliding switch is not input.	• Driver seat control unit

DTC CONFIRMATION PROCEDURE

1. STEP 1

Turn ignition switch ON.

>> GO TO 2

2. STEP 2

Check "Self diagnostic result" with CONSULT-III.

Is the DTC detected?

YES >> Perform diagnosis procedure. Refer to [ADP-30, "Diagnosis Procedure"](#).

NO >> Inspection End.

NOTE:

First perform diagnosis for B2126 if B2126 is detected. Refer to [ADP-38, "Diagnosis Procedure"](#).

Diagnosis Procedure

INFOID:000000005256627

1. PERFORM DTC CONFIRMATION PROCEDURE

1. Turn ignition switch ON.
2. Check "Self diagnostic result" with CONSULT-III.
3. Erase the DTC.
4. Perform DTC confirmation procedure. Refer to [ADP-30, "DTC Logic"](#).

Is the DTC displayed again?

YES >> GO TO 2

NO >> Check intermittent incident. Refer to [GI-37, "Intermittent Incident"](#).

2. CHECK COMPONENTS

Refer to [ADP-73, "Component Function Check"](#) and [ADP-87, "Component Function Check"](#).

>> Inspection End.

B2113 RECLINING MOTOR

< COMPONENT DIAGNOSIS >

B2113 RECLINING MOTOR

Description

INFOID:000000005256628

- The seat reclining motor is installed to the seat frame assembly.
- The seat reclining motor is activated with the driver seat control unit.
- Tilts the seatback frontward/rearward by changing the rotation direction of reclining motor.

DTC Logic

INFOID:000000005256629

DTC DETECTION LOGIC

DTC No.	Trouble diagnosis name	DTC detecting condition	Possible cause
B2113	SEAT RECLINING	The driver seat control unit detects the output of reclining motor output terminal for 0.1 second or more even if the reclining switch is not input.	• Driver seat control unit

DTC CONFIRMATION PROCEDURE

1. STEP 1

Turn ignition switch ON.

>> GO TO 2

2. STEP 2

Check "Self diagnostic result" with CONSULT-III.

Is the DTC detected?

YES >> Perform diagnosis procedure. Refer to [ADP-31, "Diagnosis Procedure"](#).

NO >> Inspection End.

NOTE:

First perform diagnosis for B2126 if B2126 is detected. Refer to [ADP-38, "Diagnosis Procedure"](#).

Diagnosis Procedure

INFOID:000000005256630

1. PERFORM DTC CONFIRMATION PROCEDURE

1. Turn ignition switch ON.
2. Check "Self diagnostic result" with CONSULT-III.
3. Erase the DTC.
4. Perform DTC confirmation procedure. Refer to [ADP-31, "DTC Logic"](#).

Is the DTC displayed again?

YES >> GO TO 2

NO >> Check intermittent incident. Refer to [GI-37, "Intermittent Incident"](#).

2. CHECK COMPONENTS

Refer to [ADP-75, "Component Function Check"](#) and [ADP-89, "Component Function Check"](#).

>> Inspection End.

B2114 SEAT LIFTER FR

< COMPONENT DIAGNOSIS >

B2114 SEAT LIFTER FR

Description

INFOID:000000005256631

- The lifting motor (front) is installed to the seat frame assembly.
- The lifting motor (front) is activated with the driver seat control unit.
- Tilts the seat front up/down by changing the rotation direction of lifting motor (front).

DTC Logic

INFOID:000000005256632

DTC DETECTION LOGIC

DTC No.	Trouble diagnosis name	DTC detecting condition	Possible cause
B2114	SEAT LIFTER FR	The driver seat control unit detects the output of lifting motor (front) output terminal for 0.1 second or more even if the lifting switch is not input.	• Driver seat control unit

DTC CONFIRMATION PROCEDURE

1. STEP 1

Turn ignition switch ON.

>> GO TO 2

2. STEP 2

Check "Self diagnostic result" with CONSULT-III.

Is the DTC detected?

YES >> Perform diagnosis procedure. Refer to [ADP-32, "Diagnosis Procedure"](#).

NO >> Inspection End.

NOTE:

First perform diagnosis for B2126 if B2126 is detected. Refer to [ADP-38, "Diagnosis Procedure"](#).

Diagnosis Procedure

INFOID:000000005256633

1. PERFORM DTC CONFIRMATION PROCEDURE

1. Turn ignition switch ON.
2. Check "Self diagnostic result" with CONSULT-III.
3. Erase the DTC.
4. Perform DTC confirmation procedure. Refer to [ADP-32, "DTC Logic"](#).

Is the DTC displayed again?

YES >> GO TO 2

NO >> Check intermittent incident. Refer to [GI-37, "Intermittent Incident"](#).

2. CHECK COMPONENTS

Refer to [ADP-77, "Component Function Check"](#) and [ADP-91, "Component Function Check"](#).

>> Inspection End.

B2115 SEAT LIFTER RR

< COMPONENT DIAGNOSIS >

B2115 SEAT LIFTER RR

Description

INFOID:000000005256634

- The lifting motor (rear) is installed to the seat frame assembly.
- The lifting motor (rear) is activated with the driver seat control unit.
- Tilts the seat rear up/down by changing the rotation direction of lifting motor (rear).

DTC Logic

INFOID:000000005256635

DTC DETECTION LOGIC

DTC No.	Trouble diagnosis name	DTC detecting condition	Possible cause
B2115	SEAT LIFTER RR	The driver seat control unit detects the output of lifting motor (rear) output terminal for 0.1 second or more even if the lifting switch is not input.	• Driver seat control unit

DTC CONFIRMATION PROCEDURE

1. STEP 1

Turn ignition switch ON.

>> GO TO 2

2. STEP 2

Check "Self diagnostic result" with CONSULT-III.

Is the DTC detected?

YES >> Perform diagnosis procedure. Refer to [ADP-33, "Diagnosis Procedure"](#).

NO >> Inspection End.

NOTE:

First perform diagnosis for B2126 if B2126 is detected. Refer to [ADP-38, "Diagnosis Procedure"](#).

Diagnosis Procedure

INFOID:000000005256636

1. PERFORM DTC CONFIRMATION PROCEDURE

1. Turn ignition switch ON.
2. Check "Self diagnostic result" with CONSULT-III.
3. Erase the DTC.
4. Perform DTC confirmation procedure. Refer to [ADP-33, "DTC Logic"](#).

Is the DTC displayed again?

YES >> GO TO 2

NO >> Check intermittent incident. Refer to [GI-37, "Intermittent Incident"](#).

2. CHECK COMPONENTS

Refer to [ADP-79, "Component Function Check"](#) and [ADP-93, "Component Function Check"](#).

>> Inspection End.

B2117 ADJ PEDAL MOTOR

< COMPONENT DIAGNOSIS >

B2117 ADJ PEDAL MOTOR

Description

INFOID:000000005256637

- The pedal adjusting sensor is installed to pedal adjusting motor assembly.
- The resistance of pedal adjusting sensor is changed according to the forward/backward position of pedal assembly.
- The terminal voltage of automatic drive positioner control unit will be changed according to a change of pedal adjusting sensor resistance. Automatic drive positioner control unit calculates the pedal position from the voltage.

DTC Logic

INFOID:000000005256638

DTC DETECTION LOGIC

DTC No.	Trouble diagnosis name	DTC detecting condition	Possible cause
B2117	ADJ PEDAL MOTOR	When any manual or automatic operations are not performed, if motor operation is detected for 0.1 second or more, status is judged "Output error".	<ul style="list-style-type: none">• Harness and connectors (pedal adjusting sensor circuit is opened/shorted, pedal adjusting sensor power supply circuit is opened/shorted.)• Pedal adjusting sensor

DTC CONFIRMATION PROCEDURE

1. STEP 1

Turn ignition switch ON.

>> GO TO 2

2. STEP 2

Check "Self diagnostic result" with CONSULT-III.

Is the DTC detected?

YES >> Perform diagnosis procedure. Refer to [ADP-34, "Diagnosis Procedure"](#).

NO >> Inspection End.

Diagnosis Procedure

INFOID:000000005256639

Regarding Wiring Diagram information, refer to [ADP-126, "Wiring Diagram"](#).

1. CHECK PEDAL ADJUSTING MECHANISM

Check the following.

- Operation malfunction caused by pedal adjusting mechanism deformation or pinched harness or other foreign materials
- Operation malfunction and interference with other parts by poor installation

Is the inspection result normal

YES >> GO TO 2

NO >> Repair or replace the malfunctioning part and check again.

2. CHECK FUNCTION

1. Turn ignition switch ON.
2. Check "PEDAL MOTOR" in "Active test" mode with CONSULT-III.

Test item	Description
PEDAL MOTOR	The pedal adjusting motor is activated by receiving the drive signal.

B2117 ADJ PEDAL MOTOR

< COMPONENT DIAGNOSIS >

Is the inspection result normal?

- YES >> Pedal adjusting motor circuit is OK.
- NO >> GO TO 3

3. CHECK PEDAL ADJUSTING MOTOR CIRCUIT HARNESS CONTINUITY

1. Turn ignition switch OFF.
2. Disconnect automatic drive positioner control unit and pedal adjusting motor assembly.
3. Check continuity between automatic drive positioner control unit connector M34 terminals 37, 45 and pedal adjusting motor assembly connector E109 terminals 1, 2.

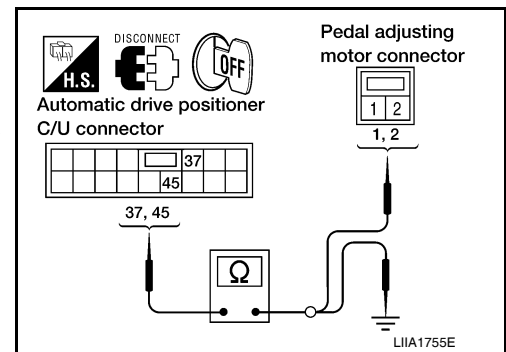
37 - 1 : Continuity should exist.

45 - 2 : Continuity should exist.

4. Check continuity between automatic drive positioner control unit connector M34 terminals 37, 45 and ground.

37 - Ground : Continuity should not exist.

45 - Ground : Continuity should not exist.



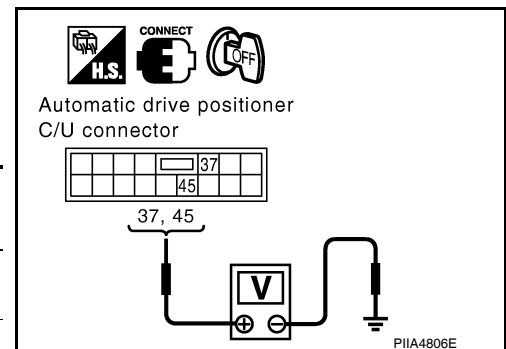
Is the inspection result normal?

- YES >> GO TO 4
- NO >> Repair or replace harness.

4. CHECK AUTOMATIC DRIVE POSITIONER CONTROL UNIT OUTPUT SIGNAL

1. Connect the automatic drive positioner control unit and pedal adjusting motor assembly.
2. Check voltage between automatic drive positioner control unit connector and ground.

Connector	Terminals		Condition	Voltage (V) (Approx.)
	(+)	(-)		
M34	37	Ground	Pedal adjusting switch ON (FORWARD operation)	Battery voltage
			Other than above	0
	45		Pedal adjusting switch ON (BACKWARD operation)	Battery voltage
			Other than above	0



Is the inspection result normal?

- YES >> Replace pedal adjusting motor assembly. Refer to [BR-23. "Removal and Installation"](#).
- NO >> GO TO 5

5. CHECK INTERMITTENT INCIDENT

Refer to [GI-37. "Intermittent Incident"](#).

Is the inspection result normal?

- YES >> Replace automatic drive positioner control unit. Refer to [ADP-162. "Removal and Installation"](#).
- NO >> Repair or replace the malfunctioning part.

B2120 ADJ PEDAL SENSOR

< COMPONENT DIAGNOSIS >

B2120 ADJ PEDAL SENSOR

Description

INFOID:000000005256640

- The pedal adjusting sensor is installed in the pedal adjusting motor assembly.
- The resistance of pedal adjusting sensor is changed according to the forward/backward position of pedal assembly.
- The terminal voltage of automatic drive positioner control unit will be changed according to a change of pedal adjusting sensor resistance. Automatic drive positioner control unit calculates the pedal assembly position from the voltage.

DTC Logic

INFOID:000000005256641

DTC DETECTION LOGIC

DTC No.	Trouble diagnosis name	DTC detecting condition	Possible cause
B2120	ADJ PEDAL SENSOR	The input voltage of pedal adjusting sensor is 0.5V or less or 4.5V or higher, for 0.5 seconds or more.	<ul style="list-style-type: none">• Harness and connectors (Pedal adjusting sensor circuit is opened/shorted, pedal adjusting sensor power supply circuit is opened/shorted.)• Pedal adjusting sensor

DTC CONFIRMATION PROCEDURE

1. STEP 1

Turn ignition switch ON.

>> GO TO 2

2. STEP 2

Check "Self diagnostic result" with CONSULT-III.

Is the DTC is detected?

YES >> Perform diagnosis procedure. Refer to [ADP-36, "Diagnosis Procedure"](#).

NO >> Inspection End.

Diagnosis Procedure

INFOID:000000005256642

Regarding Wiring Diagram information, refer to [ADP-126, "Wiring Diagram"](#).

1. CHECK PEDAL ADJUSTING SENSOR SIGNAL

1. Turn ignition switch ON.
2. Select "PEDAL SEN" in "Data monitor" mode with CONSULT-III.
3. Check the pedal adjusting sensor signal under the following condition.

Monitor item	Condition	Value
PEDAL SEN	Pedal position	Forward 0.5V
		Backward 4.5V

Is the value normal?

YES >> Pedal adjusting circuit is OK.

NO >> GO TO 2

2. CHECK PEDAL ADJUSTING SENSOR CIRCUIT HARNESS CONTINUITY

B2120 ADJ PEDAL SENSOR

< COMPONENT DIAGNOSIS >

1. Disconnect automatic drive positioner control unit and pedal adjusting motor assembly.
2. Check continuity between automatic drive positioner connector and pedal adjusting motor connector.

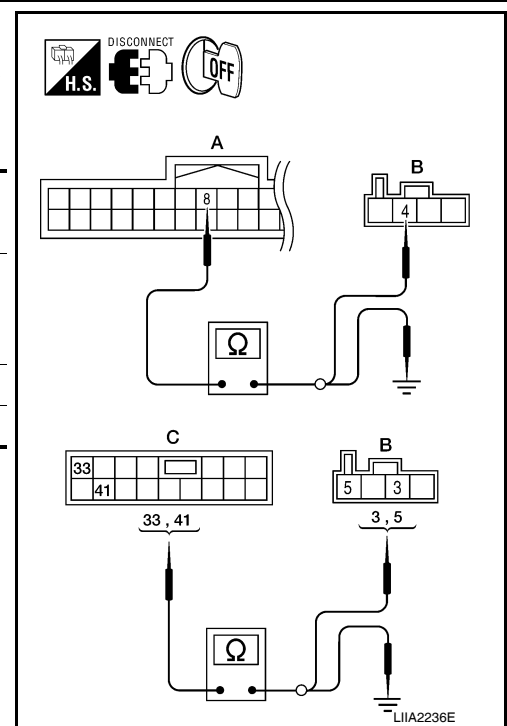
Connector	Terminal	Connector	Terminal	Continuity
A		B		Yes
Automatic drive positioner control unit: M33	8	Pedal adjusting motor assembly: E110	4	
C			5	Yes
Automatic drive positioner control unit: M34	33			
	41	3	Yes	

3. Check continuity between automatic drive positioner control unit connector and ground.

Connector	Terminal	Ground	Continuity
A			Ground
Automatic drive positioner control unit: M33	8		
B		No	
Automatic drive positioner control unit: M34	33		
	41	No	

Is the inspection result normal?

- YES >> Replace pedal adjusting motor assembly. Refer to [BR-23. "Removal and Installation"](#).
 NO >> Repair or replace harness.



A
B
C
D
E
F
G
H
I
K
L
M
N
O
P

ADP

B2126 DETENT SW

< COMPONENT DIAGNOSIS >

B2126 DETENT SW

Description

INFOID:000000005256643

- Park position switch is installed on A/T shift selector. It is turned OFF when the A/T selector lever is in P position.
- The driver seat control unit judges that the A/T selector lever is in P position if continuity does not exist in this circuit.

DTC Logic

INFOID:000000005256644

DTC DETECTION LOGIC

DTC No.	Trouble diagnosis name	DTC detecting condition	Possible cause
B2126	DETENT SW	A/T selector lever is in P position and the vehicle speed of 7±4km/h is detected.	<ul style="list-style-type: none">• Harness and connectors (Park position switch circuit is opened/shorted.)• Park position switch• Combination meter (CAN communication)

DTC CONFIRMATION PROCEDURE

1. STEP 1

Drive the vehicle at 7±4km/h or more.

>> GO TO 2

2. STEP 2

Check "Self diagnostic result" with CONSULT-III.

Is the DTC detected?

- YES >> Perform diagnosis procedure. Refer to [ADP-38, "Diagnosis Procedure"](#).
NO >> Inspection End.

Diagnosis Procedure

INFOID:000000005256645

Regarding Wiring Diagram information, refer to [ADP-107, "Wiring Diagram"](#).

1. CHECK DTC

Check "Self diagnostic result" for BCM with CONSULT-III.

Are other DTCs detected?

- YES >> Check The DTC.
NO >> GO TO 2

2. CHECK PARK POSITION SWITCH SIGNAL

1. Turn ignition switch ON.
2. Select "P POSI SW" in "Data Monitor" mode with CONSULT-III.
3. Check park position switch signal under the following condition.

Monitor item	Condition		Status
P POSI SW	A/T selector lever	P position	OFF
		Other than above	ON

Is the status normal?

- YES >> A/T shift selector (park position switch) circuit is OK.

B2126 DETENT SW

< COMPONENT DIAGNOSIS >

NO >> GO TO 3

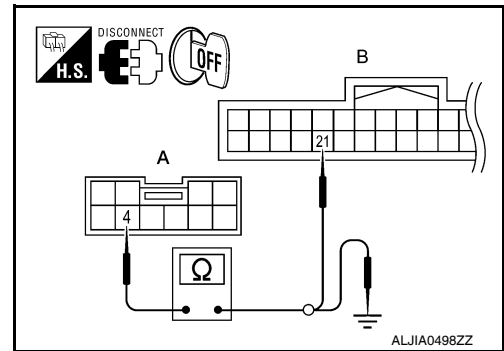
3. CHECK A/T SHIFT SELECTOR (PARK POSITION SWITCH) HARNESS

1. Turn ignition switch OFF.
2. Disconnect A/T shift selector and driver seat control unit.
3. Check continuity between A/T shift selector connector M158 (A) terminal 4 and driver seat control unit connector B202 (B) terminal 21.

4 - 21 : Continuity should exist.

4. Check continuity between A/T shift selector connector M158 (A) terminal 4 and ground.

4 - Ground : Continuity should not exist.



Is the inspection result normal?

YES >> GO TO 4

NO >> Repair or replace harness.

4. CHECK PARK POSITION SWITCH

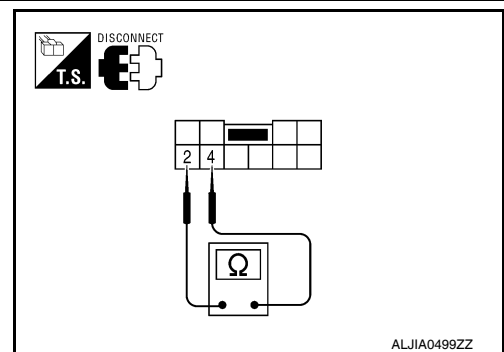
Check continuity between A/T shift selector (park position switch) terminals as follows.

Terminals		Condition	Continuity
2	4	P position	Yes
		Other than P position	No

Is the inspection result normal?

YES >> GO TO 5

NO >> Replace A/T shift selector. Refer to [TM-170. "Removal and Installation"](#).



5. CHECK INTERMITTENT INCIDENT

Refer to [GI-37. "Intermittent Incident"](#).

Is the inspection result normal?

YES >> Replace driver seat control unit. Refer to [SE-25. "Exploded View"](#).

NO >> Repair or replace the malfunctioning part.

A
B
C
D
E
F
G
H
I
K
L
M
N
O
P

ADP

B2128 UART COMMUNICATION LINE

< COMPONENT DIAGNOSIS >

B2128 UART COMMUNICATION LINE

Description

INFOID:000000005256646

Driver seat control unit performs UART communication with the automatic drive positioner control unit using 2 communication lines, TX and RX line. Driver seat control unit receives the operation signals of pedal adjusting switch, door mirror remote control switch, set switch and memory switch and the position signals of adjustable pedal sensor and door mirror sensor from the automatic drive positioner control unit and transmits the operation request signal.

DTC Logic

INFOID:000000005256647

DTC DETECTION LOGIC

DTC No.	Trouble diagnosis name	DTC detecting condition	Possible cause
B2128	UART COMM	The communication between driver seat control unit and automatic drive positioner control unit is interrupted for a period of time.	<ul style="list-style-type: none"> • UART communication line (UART communication line is open or shorted) • Driver seat control unit • Automatic drive positioner control unit

DTC CONFIRMATION PROCEDURE

1. STEP 1

Turn ignition switch ON.

>> GO TO 2

2. STEP 2

Operate pedal adjusting switch for more than 2 seconds.

>> GO TO 3

3. PROCEDURE 3

Check "Self diagnostic result" with CONSULT-III.

Is the DTC detected?

YES >> Perform diagnosis procedure. Refer to [ADP-40, "Diagnosis Procedure"](#).

NO >> Inspection End.

Diagnosis Procedure

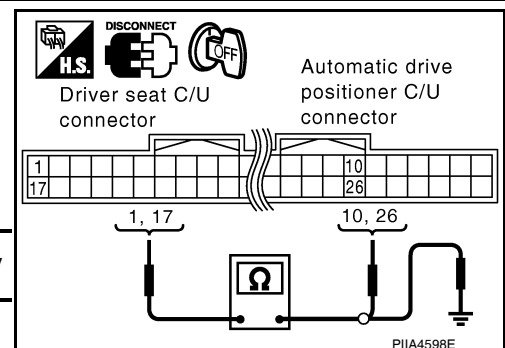
INFOID:000000005256648

Regarding Wiring Diagram information, refer to [ADP-107, "Wiring Diagram"](#).

1. CHECK UART COMMUNICATION LINE CONTINUITY

1. Turn ignition switch OFF.
2. Disconnect driver seat control unit and automatic drive positioner control unit.
3. Check continuity between driver seat control unit harness connector and automatic drive positioner control unit harness connector.

Driver seat control unit connector	Terminal	Automatic drive positioner control unit connector	Terminal	Continuity



B2128 UART COMMUNICATION LINE

< COMPONENT DIAGNOSIS >

B202	1	M33	10	Yes
	17		26	

4. Check continuity between driver seat control unit harness connector and ground.

Driver seat control unit connector	Terminal	Ground	Continuity
B202	1		
	17		

Is the inspection result normal?

- YES >> Check intermittent incident. Refer to [GI-37, "Intermittent Incident"](#).
- NO >> Repair or replace harness.

A
B
C
D
E
F
G
H
I
K
L
M
N
O
P

ADP

POWER SUPPLY AND GROUND CIRCUIT

< COMPONENT DIAGNOSIS >

POWER SUPPLY AND GROUND CIRCUIT

BCM

BCM : Diagnosis Procedure

INFOID:000000005488318

Regarding Wiring Diagram information, refer to [BCS-50. "Wiring Diagram"](#).

1. CHECK FUSES AND FUSIBLE LINK

Check that the following fuses and fusible link are not blown.

Terminal No.	Signal name	Fuses and fusible link No.
57	Battery power supply	18 (10A)
70		G (50A)
11	Ignition ACC or ON	4 (10A)
38	Ignition ON or START	1 (10A)

Is the fuse blown?

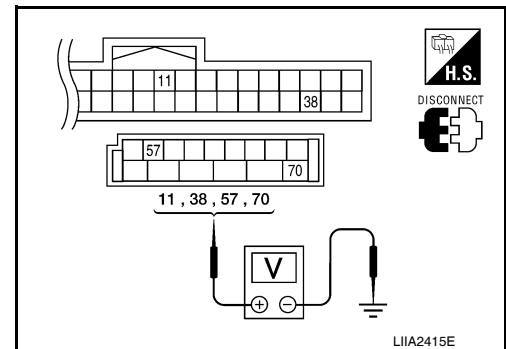
YES >> Replace the blown fuse or fusible link after repairing the affected circuit.

NO >> GO TO 2

2. CHECK POWER SUPPLY CIRCUIT

1. Turn ignition switch OFF.
2. Disconnect BCM.
3. Check voltage between BCM harness connector and ground.

Connector	Terminals		Power source	Condition	Voltage (V) (Approx.)
	(+)	(-)			
M18	11	Ground	ACC power supply	Ignition switch ACC or ON	Battery voltage
	38	Ground	Ignition power supply	Ignition switch ON or START	Battery voltage
M20	57	Ground	Battery power supply	Ignition switch OFF	Battery voltage
	70	Ground	Battery power supply	Ignition switch OFF	Battery voltage



Is the measurement value normal?

YES >> GO TO 3

NO >> Repair or replace harness.

3. CHECK GROUND CIRCUIT

POWER SUPPLY AND GROUND CIRCUIT

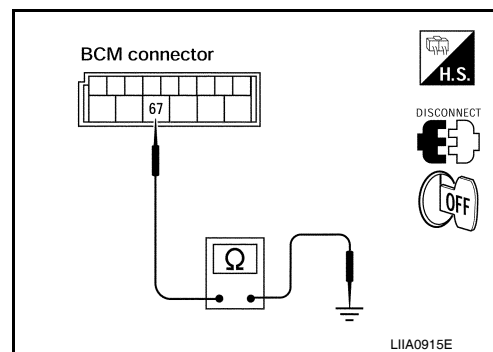
< COMPONENT DIAGNOSIS >

Check continuity between BCM harness connector and ground.

BCM		Ground	Continuity
Connector	Terminal		
M20	67		Yes

Does continuity exist?

- YES >> Inspection End.
 NO >> Repair or replace harness.



DRIVER SEAT CONTROL UNIT

DRIVER SEAT CONTROL UNIT : Diagnosis Procedure

INFOID:000000005256650

NOTE:

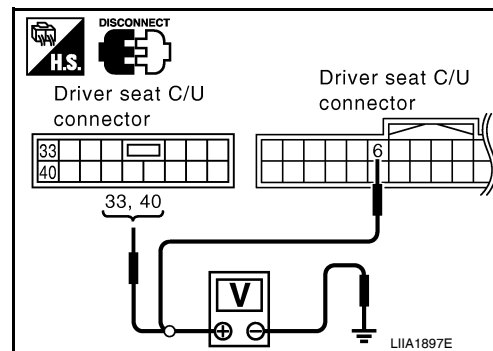
Do not disconnect the battery negative terminal and the driver seat control unit connector until DTC is confirmed with CONSULT-III.

Regarding Wiring Diagram information, refer to [ADP-107. "Wiring Diagram"](#).

1. CHECK POWER SUPPLY CIRCUIT

- Turn ignition switch OFF.
- Check voltage between driver seat control unit harness connector and ground.

Terminals		Power source	Condition	Voltage (V) (Approx.)
(+)	(-)			
Driver seat control unit connector	Terminal			
B202	6	START power supply	Ignition switch START	Battery voltage
B203	33	Battery power supply	Ignition switch OFF	
	40			



Is the inspection result normal?

- YES >> GO TO 2.
 NO >> Check the following.
- Repair or replace harness between driver seat control unit and fuse block (J/B).
 - Circuit breaker.

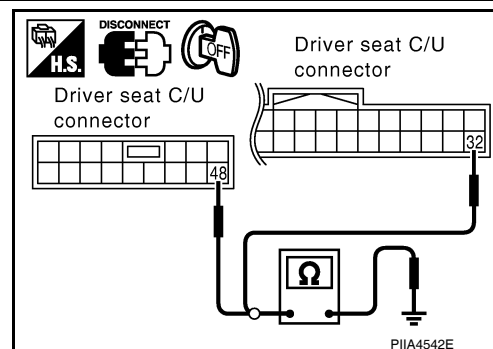
2. CHECK GROUND CIRCUIT

Check continuity between the driver seat control unit harness connector and ground.

Driver seat control unit connector	Terminal	Ground	Continuity
B202	32		
B203	48		

Is the inspection result normal?

- YES >> Driver seat control unit power supply and ground circuit are OK.
 NO >> Repair or replace harness.



POWER SUPPLY AND GROUND CIRCUIT

< COMPONENT DIAGNOSIS >

DRIVER SEAT CONTROL UNIT : Special Repair Requirement

INFOID:000000005256651

1. PERFORM ADDITIONAL SERVICE

Perform additional service when removing battery negative terminal.

>> Refer to Owner's Manual.

AUTOMATIC DRIVE POSITIONER CONTROL UNIT

AUTOMATIC DRIVE POSITIONER CONTROL UNIT : Diagnosis Procedure

INFOID:000000005256652

NOTE:

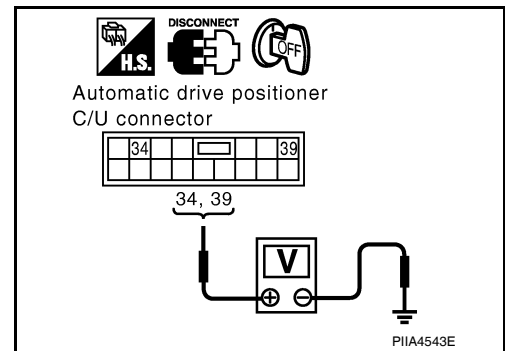
Do not disconnect the battery negative terminal and the driver seat control unit connector until DTC is confirmed with CONSULT-III.

Regarding Wiring Diagram information, refer to [ADP-126. "Wiring Diagram"](#).

1. CHECK POWER SUPPLY CIRCUIT

1. Turn ignition switch OFF.
2. Check voltage between automatic drive positioner control unit harness connector and ground.

Terminals		Voltage (V) (Approx.)
(+)	(-)	
Automatic drive positioner control unit connector	Terminal	Ground
M33	34	
	39	Battery voltage



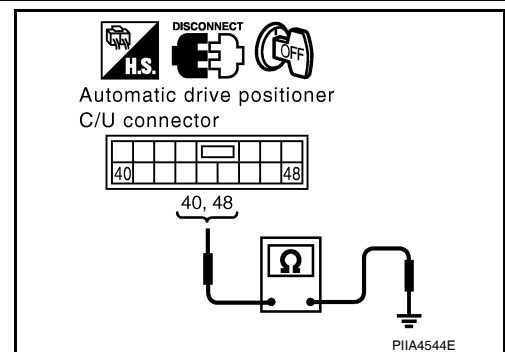
Is the inspection result normal?

- YES >> GO TO 2.
NO >> Repair or replace harness.

2. CHECK GROUND CIRCUIT

Check continuity between the automatic drive positioner control unit harness connector and ground.

Automatic drive positioner control unit connector	Terminal	Ground	Continuity
M33	40	Ground	Yes
	48		



Is the inspection result normal?

- YES >> Automatic drive positioner control unit power supply and ground circuit are OK.
NO >> Repair or replace harness.

AUTOMATIC DRIVE POSITIONER CONTROL UNIT : Special Repair Requirement

INFOID:000000005256653

1. PERFORM ADDITIONAL SERVICE

Perform additional service when removing battery negative terminal.

>> Refer to Owner's Manual.

SLIDING SWITCH

< COMPONENT DIAGNOSIS >

SLIDING SWITCH

Description

INFOID:000000005256654

Sliding switch is equipped to the power seat switch LH on the seat cushion trim. The operation signal is input to the driver seat control unit when the sliding switch is operated.

Component Function Check

INFOID:000000005256655

1. CHECK FUNCTION

1. Select "SLIDE SW-FR", "SLIDE SW-RR" in "Data monitor" mode with CONSULT-III.
2. Check sliding switch signal under the following conditions.

Monitor item	Condition	Status	
SLIDE SW-FR	Sliding switch (forward)	Operate	ON
		Release	OFF
SLIDE SW-RR	Sliding switch (backward)	Operate	ON
		Release	OFF

Is the indication normal?

YES >> Inspection End.

NO >> Perform diagnosis procedure. Refer to [ADP-45, "Diagnosis Procedure"](#).

Diagnosis Procedure

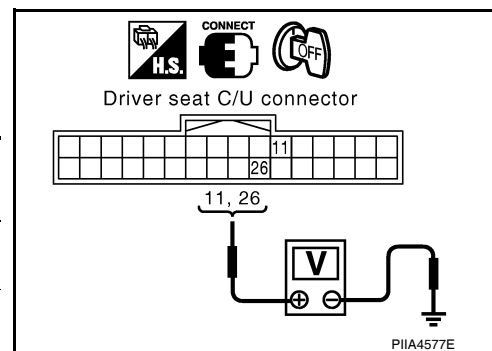
INFOID:000000005256656

Regarding Wiring Diagram information, refer to [ADP-107, "Wiring Diagram"](#).

1. CHECK SLIDING SWITCH SIGNAL

1. Turn ignition switch ON.
2. Check voltage between driver seat control unit harness connector and ground.

Driver seat control unit connector	Terminals		Condition	Voltage (V) (Approx.)
	(+)	(-)		
B202	11	Ground	Operate (backward)	0
			Release	Battery voltage
	26		Operate (forward)	0
			Release	Battery voltage



Is the inspection result normal?

YES >> GO TO 5

NO >> GO TO 2

2. CHECK SLIDING SWITCH CIRCUIT

SLIDING SWITCH

< COMPONENT DIAGNOSIS >

1. Turn ignition switch OFF.
2. Disconnect driver seat control unit and power seat switch LH.
3. Check continuity between driver seat control unit harness connector and power seat switch LH harness connector.

Driver seat control unit connector	Terminal	Power seat switch LH connector	Terminal	Continuity
B202 (A)	11	B208 (B)	1	Yes
	26		5	

4. Check continuity between driver seat control unit harness connector and ground.

Driver seat control unit connector	Terminal	Ground	Continuity
B202 (A)	11	Ground	No
	26		

Is the inspection result normal?

- YES >> GO TO 3
 NO >> Repair or replace harness.

3. CHECK DRIVER SEAT CONTROL UNIT OUTPUT

1. Connect the driver seat control unit.
2. Turn ignition switch ON.
3. Check voltage between driver seat control unit harness connector and ground.

Driver seat control unit connector	Terminals		Voltage (V) (Approx.)
	(+)	(-)	
B202	11	Ground	Battery voltage
	26		

Is the inspection result normal?

- YES >> GO TO 4
 NO >> Replace driver seat control unit. Refer to [SE-25, "Exploded View"](#).

4. CHECK SLIDING SWITCH

Refer to [ADP-46, "Component Inspection"](#).

Is the inspection result normal?

- YES >> GO TO 5
 NO >> Replace power seat switch LH. Refer to [SE-25, "Exploded View"](#).

5. CHECK INTERMITTENT INCIDENT

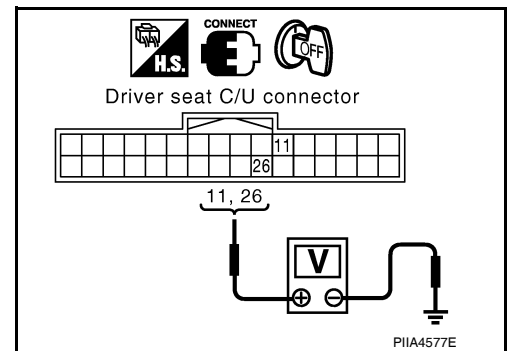
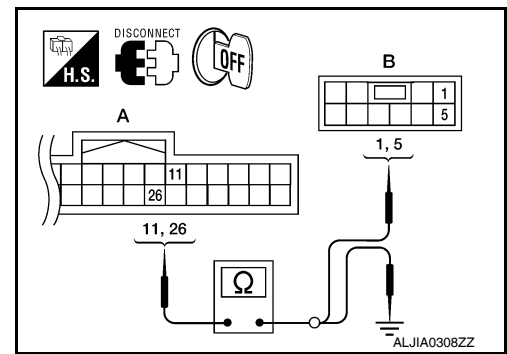
Refer to [GI-37, "Intermittent Incident"](#).

Is the inspection result normal?

- YES >> Replace driver seat control unit. Refer to [SE-25, "Exploded View"](#).
 NO >> Repair or replace malfunctioning part.

Component Inspection

1. CHECK SLIDING SWITCH



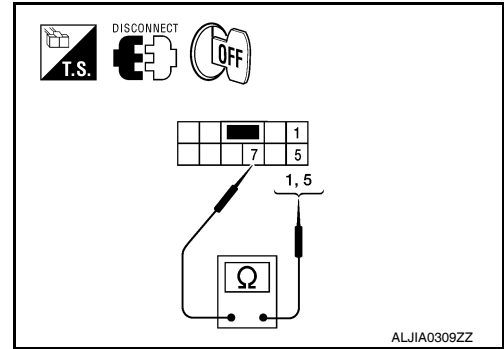
INFOID:000000005256657

SLIDING SWITCH

< COMPONENT DIAGNOSIS >

1. Turn ignition switch OFF.
2. Disconnect power seat switch LH.
3. Check continuity between power seat switch LH terminals.

Terminal		Condition	Continuity	
Power seat switch LH				
7	1	Sliding switch (backward)	Operate Release	Yes No
		5	Sliding switch (forward)	Operate Release



Is the inspection result normal?

YES >> Inspection End.

NO >> Replace power seat switch LH. Refer to [SE-25, "Exploded View"](#).

A
B
C
D
E
F
G
H
I
K
L
M
N
O
P

ADP

RECLINING SWITCH

< COMPONENT DIAGNOSIS >

RECLINING SWITCH

Description

INFOID:000000005256658

Reclining switch is equipped to the power seat switch LH on the seat cushion trim. The operation signal is input to the driver seat control unit when the reclining switch is operated.

Component Function Check

INFOID:000000005256659

1. CHECK FUNCTION

1. Select "RECLN SW-FR", "RECLN SW-RR" in "Data monitor" mode with CONSULT-III.
2. Check reclining switch signal under the following conditions.

Monitor item	Condition	Status	
RECLN SW-FR	Reclining switch (forward)	Operate	ON
		Release	OFF
RECLN SW-RR	Reclining switch (backward)	Operate	ON
		Release	OFF

Is the indication normal?

YES >> Inspection End.

NO >> Perform diagnosis procedure. Refer to [ADP-48, "Diagnosis Procedure"](#).

Diagnosis Procedure

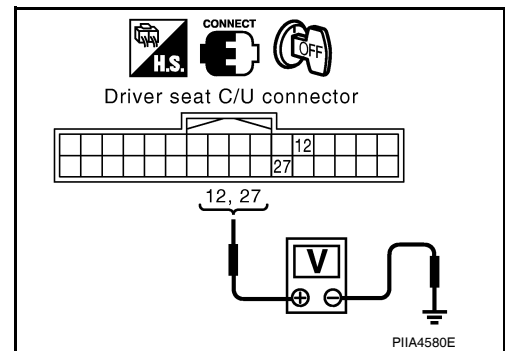
INFOID:000000005256660

Regarding Wiring Diagram information, refer to [ADP-107, "Wiring Diagram"](#).

1. CHECK RECLINING SWITCH SIGNAL

1. Turn ignition switch ON.
2. Check voltage between driver seat control unit harness connector and ground.

Driver seat control unit connector	Terminals		Condition	Voltage (V) (Approx.)
	(+)	(-)		
B202	12	Ground	Operate (forward)	0
			Release	Battery voltage
	27		Operate (backward)	0
			Release	Battery voltage



Is the inspection result normal?

YES >> GO TO 5

NO >> GO TO 2

2. CHECK RECLINING SWITCH CIRCUIT

RECLINING SWITCH

< COMPONENT DIAGNOSIS >

1. Turn ignition switch OFF.
2. Disconnect driver seat control unit and power seat switch LH.
3. Check continuity between driver seat control unit harness connector and power seat switch LH harness connector.

Driver seat control unit connector	Terminal	Power seat switch LH connector	Terminal	Continuity
B202 (A)	12	B208 (B)	3	Yes
	27		4	

4. Check continuity between driver seat control unit harness connector and ground.

Driver seat control unit connector	Terminal	Ground	Continuity
B202 (A)	12	Ground	No
	27		

Is the inspection result normal?

- YES >> GO TO 3
 NO >> Repair or replace harness.

3. CHECK DRIVER SEAT CONTROL UNIT OUTPUT

1. Connect the driver seat control unit connector.
2. Turn ignition switch ON.
3. Check voltage between driver seat control unit harness connector and ground.

Driver seat control unit connector	Terminals		Voltage (V) (Approx.)
	(+)	(-)	
B202	12	Ground	Battery voltage
	27		

Is the inspection result normal?

- YES >> GO TO 4
 NO >> Replace driver seat control unit. Refer to [SE-25, "Exploded View"](#).

4. CHECK RECLINING SWITCH

Refer to [ADP-49, "Component Inspection"](#).

Is the inspection result normal?

- YES >> GO TO 5
 NO >> Replace power seat switch LH. Refer to [SE-25, "Exploded View"](#).

5. CHECK INTERMITTENT INCIDENT

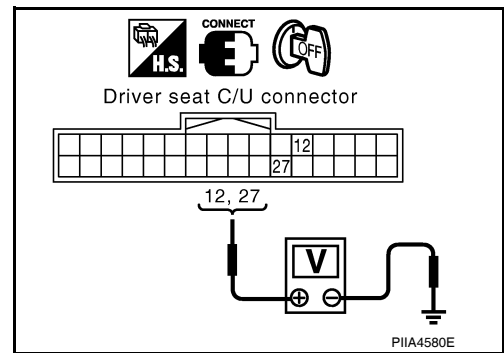
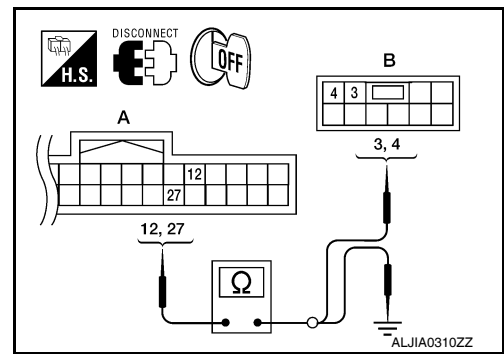
Refer to [GI-37, "Intermittent Incident"](#).

Is the inspection result normal?

- YES >> Replace driver seat control unit. Refer to [SE-25, "Exploded View"](#).
 NO >> Repair or replace the malfunctioning part. Refer to [SE-25, "Exploded View"](#).

Component Inspection

1. CHECK RECLINING SWITCH



A
B
C
D
E
F
G
H
I
ADP
K
L
M
N
O
P

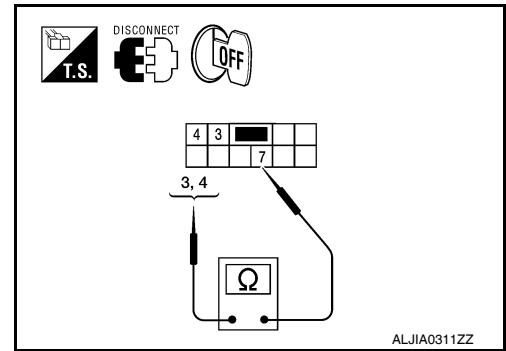
INFOID:000000005256661

RECLINING SWITCH

< COMPONENT DIAGNOSIS >

1. Turn ignition switch OFF.
2. Disconnect power seat switch LH.
3. Check continuity between power seat switch LH terminals.

Terminals		Condition		Continuity
Power seat switch LH				
7	3	Reclining switch (backward)	Operate	Yes
			Release	No
	4	Reclining switch (forward)	Operate	Yes
			Release	No



Is the inspection result normal?

YES >> Inspection End.

NO >> Replace power seat switch LH. Refer to [SE-25, "Exploded View"](#).

LIFTING SWITCH (FRONT)

< COMPONENT DIAGNOSIS >

LIFTING SWITCH (FRONT)

Description

INFOID:000000005256662

Lifting switch (front) is equipped to the power seat switch LH on the seat cushion trim. The operation signal is input to the driver seat control unit when the lifting switch (front) is operated.

Component Function Check

INFOID:000000005256663

1. CHECK FUNCTION

1. Select "LIFT FR SW-UP", "LIFT FR SW-DN" in "DATA MONITOR" mode with CONSULT-III.
2. Check lifting switch (front) signal under the following conditions.

Monitor item	Condition	Status	
LIFT FR SW-UP	Lifting switch front (up)	Operate	ON
		Release	OFF
LIFT FR SW-DN	Lifting switch front (down)	Operate	ON
		Release	OFF

Is the indication normal?

YES >> Inspection End.

NO >> Perform diagnosis procedure. Refer to [ADP-51, "Diagnosis Procedure"](#).

Diagnosis Procedure

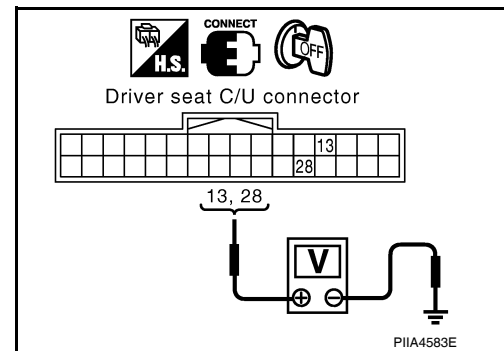
INFOID:000000005256664

Regarding Wiring Diagram information, refer to [ADP-107, "Wiring Diagram"](#).

1. CHECK LIFTING SWITCH SIGNAL

1. Turn ignition switch ON.
2. Check voltage between driver seat control unit harness connector and ground.

Driver seat control unit connector	Terminals		Condition	Voltage (V) (Approx.)
	(+)	(-)		
B202	13	Ground	Operate (down)	0V
			Release	Battery voltage
	28		Operate (up)	0V
			Release	Battery voltage



Is the inspection result normal?

YES >> GO TO 5

NO >> GO TO 2

2. CHECK LIFTING SWITCH (FRONT) CIRCUIT

LIFTING SWITCH (FRONT)

< COMPONENT DIAGNOSIS >

1. Turn ignition switch OFF.
2. Disconnect driver seat control unit and power seat switch LH.
3. Check continuity between driver seat control unit harness connector and power seat switch LH harness connector.

Driver seat control unit connector	Terminal	Power seat switch LH connector	Terminal	Continuity
B202 (A)	13	B208 (B)	9	Yes
	28		10	

4. Check continuity between driver seat control unit harness connector and ground.

Driver seat control unit connector	Terminal	Ground	Continuity
B202 (A)	13		No
	28		

Is the inspection result normal?

- YES >> GO TO 3
 NO >> Repair or replace harness.

3. CHECK DRIVER SEAT CONTROL UNIT OUTPUT

1. Connect the driver seat control unit.
2. Turn ignition switch ON.
3. Check voltage between driver seat control unit harness connector and ground.

Driver seat control unit connector	Terminals		Voltage (V) (Approx.)
	(+)	(-)	
B202	13	Ground	Battery voltage
	28		

Is the inspection result normal?

- YES >> GO TO 4
 NO >> Replace driver seat control unit. Refer to [SE-25, "Exploded View"](#).

4. CHECK LIFTING SWITCH (FRONT)

Refer to [ADP-52, "Component Inspection"](#).

Is the inspection result normal?

- YES >> GO TO 5
 NO >> Replace power seat switch LH. Refer to [SE-25, "Exploded View"](#).

5. CHECK INTERMITTENT INCIDENT

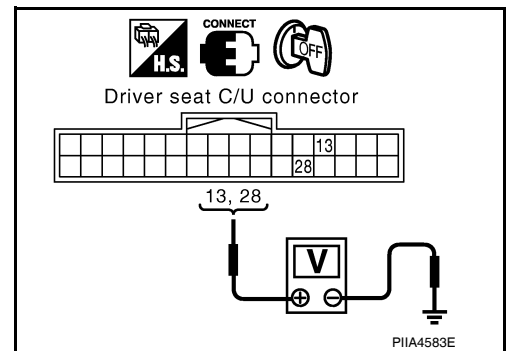
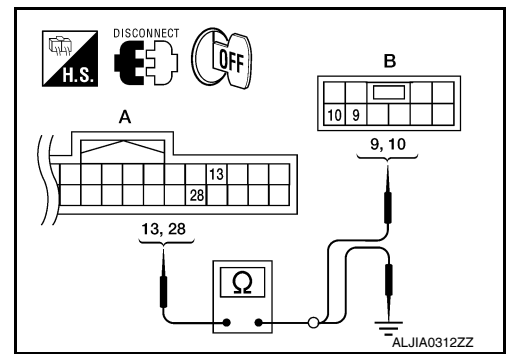
Refer to [GI-37, "Intermittent Incident"](#).

Is the inspection result normal?

- YES >> Replace driver seat control unit. Refer to [SE-25, "Exploded View"](#).
 NO >> Repair or replace the malfunctioning part.

Component Inspection

1. CHECK LIFTING SWITCH (FRONT)



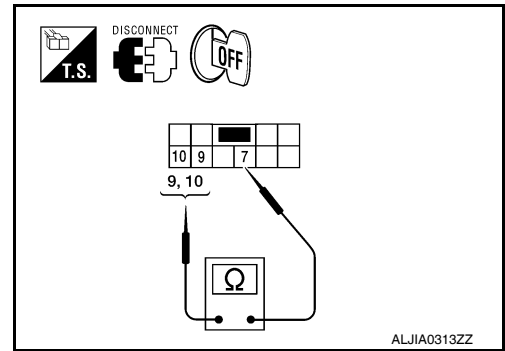
INFOID:000000005256665

LIFTING SWITCH (FRONT)

< COMPONENT DIAGNOSIS >

1. Turn ignition switch OFF.
2. Disconnect power seat switch LH.
3. Check continuity between power seat switch LH terminals.

Terminal		Condition	Continuity
Power seat switch LH			
7	9	Lifting switch front (down)	Operate Yes
		Release	No
	10	Lifting switch front (up)	Operate Yes
		Release	No



Is the inspection result normal?

- YES >> Inspection End.
 NO >> Replace power seat switch LH. Refer to [SE-25. "Exploded View"](#).

A
B
C
D
E
F
G
H
I
K
L
M
N
O
P

ADP

LIFTING SWITCH (REAR)

< COMPONENT DIAGNOSIS >

LIFTING SWITCH (REAR)

Description

INFOID:000000005256666

Lifting switch (rear) is equipped to the power seat switch LH on the seat cushion trim. The operation signal is input to the driver seat control unit when the lifting switch (rear) is operated.

Component Function Check

INFOID:000000005256667

1. CHECK FUNCTION

1. Select "LIFT RR SW-UP", "LIFT RR SW-DN" in "Data monitor" mode with CONSULT-III.
2. Check lifting switch (rear) signal under the following conditions.

Monitor item	Condition		Status
LIFT RR SW-UP	Lifting switch rear (up)	Operate	ON
		Release	OFF
LIFT RR SW-DN	Lifting switch rear (down)	Operate	ON
		Release	OFF

Is the indication normal?

YES >> Inspection End.

NO >> Perform diagnosis procedure. Refer to [ADP-54, "Diagnosis Procedure"](#).

Diagnosis Procedure

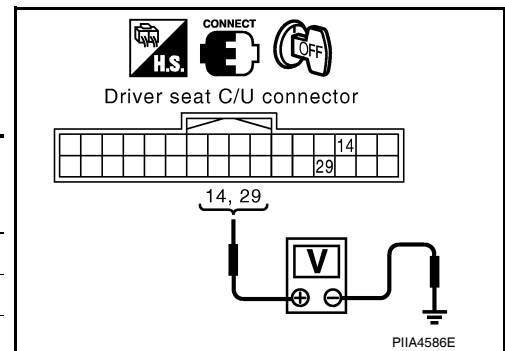
INFOID:000000005256668

Regarding Wiring Diagram information, refer to [ADP-107, "Wiring Diagram"](#).

1. CHECK LIFTING SWITCH (REAR) SIGNAL

1. Turn ignition switch ON.
2. Check voltage between driver seat control unit harness connector and ground.

Driver seat control unit connector	Terminals		Condition	Voltage (V) (Approx.)
	(+)	(-)		
B202	14	Ground	Operate (down)	0
			Release	Battery voltage
	29		Operate (up)	0
			Release	Battery voltage



Is the inspection result normal?

YES >> GO TO 5

NO >> GO TO 2

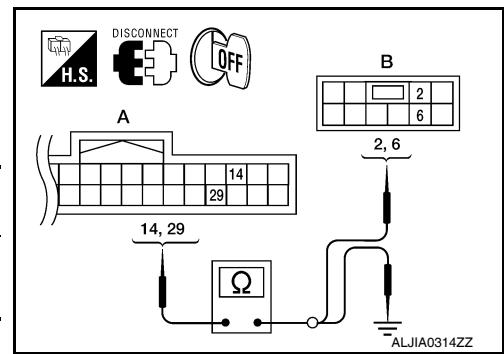
2. CHECK LIFTING SWITCH (REAR) CIRCUIT

LIFTING SWITCH (REAR)

< COMPONENT DIAGNOSIS >

1. Turn ignition switch OFF.
2. Disconnect driver seat control unit and power seat switch LH.
3. Check continuity between driver seat control unit harness connector and power seat switch LH harness connector.

Driver seat control unit connector	Terminal	Power sear switch LH connector	Terminal	Continuity
B202 (A)	14	B208 (B)	2	Yes
	29		6	



4. Check continuity between driver seat control unit harness connector and ground.

Driver seat control unit connector	Terminal	Ground	Continuity
B202 (A)	14	Ground	No
	29		

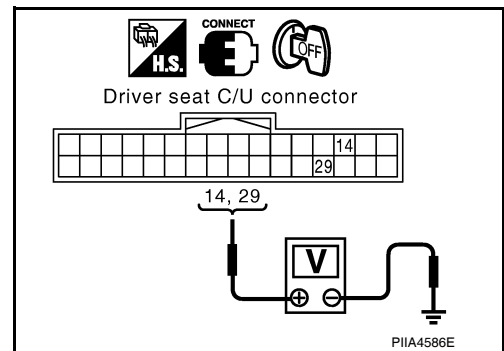
Is the inspection result normal?

- YES >> GO TO 3
 NO >> Repair or replace harness.

3. CHECK DRIVER SEAT CONTROL UNIT OUTPUT

1. Connect the driver seat control unit.
2. Turn ignition switch ON.
3. Check voltage between driver seat control unit harness connector and ground.

Driver seat control unit connector	Terminals		Voltage (V) (Approx.)
	(+)	(-)	
B202	14	Ground	Battery voltage
	29		



Is the inspection result normal?

- YES >> GO TO 4
 NO >> Replace driver seat control unit. Refer to [SE-25. "Exploded View"](#).

4. CHECK LIFTING SWITCH (REAR)

Refer to [ADP-55. "Component Inspection"](#).

Is the inspection result normal?

- YES >> GO TO 5
 NO >> Replace power seat switch LH. Refer to [SE-25. "Exploded View"](#).

5. CHECK INTERMITTENT INCIDENT

Refer to [GI-37. "Intermittent Incident"](#).

Is the inspection result normal?

- YES >> Replace driver seat control unit. Refer to [SE-25. "Exploded View"](#).
 NO >> Repair or replace the malfunctioning part.

Component Inspection

INFOID:000000005256669

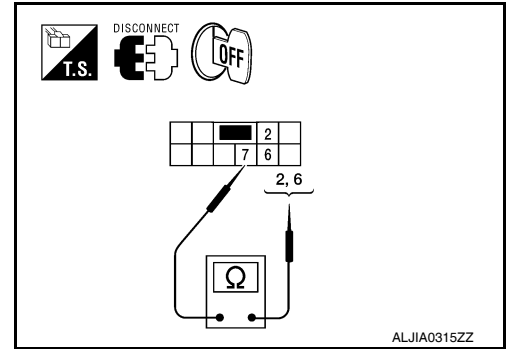
1. CHECK LIFTING SWITCH (REAR)

LIFTING SWITCH (REAR)

< COMPONENT DIAGNOSIS >

1. Turn ignition switch OFF.
2. Disconnect power seat switch LH.
3. Check continuity between power seat switch LH terminals.

Terminal		Condition	Continuity	
Power seat switch LH				
7	2	Lifting switch rear (down)	Operate Release	Yes No
		6	Lifting switch rear (up)	Operate Release



Is the inspection result normal?

- YES >> Inspection End.
 NO >> Replace power seat switch LH. Refer to [SE-25, "Exploded View"](#).

PEDAL ADJUSTING SWITCH

< COMPONENT DIAGNOSIS >

PEDAL ADJUSTING SWITCH

Description

INFOID:000000005256670

Pedal adjusting switch is on the instrument panel. The operation signal is input to the driver seat control unit when the pedal adjusting switch is operated. The pedal adjusting switch signal is sent to the automatic drive positioner control unit via UART communication.

Component Function Check

INFOID:000000005256671

1. CHECK FUNCTION

1. Select "PEDAL SW-FR", "PEDAL SW-RR" in "Data monitor" mode with CONSULT-III.
2. Check pedal adjusting switch signal under the following conditions.

Monitor item	Condition	Status	
PEDAL SW-FR	Pedal adjusting switch (forward)	Operate	ON
		Release	OFF
PEDAL SW-RR	Pedal adjusting switch (backward)	Operate	ON
		Release	OFF

Is the indication normal?

YES >> Inspection End.

NO >> Perform diagnosis procedure. Refer to [ADP-57. "Diagnosis Procedure"](#).

Diagnosis Procedure

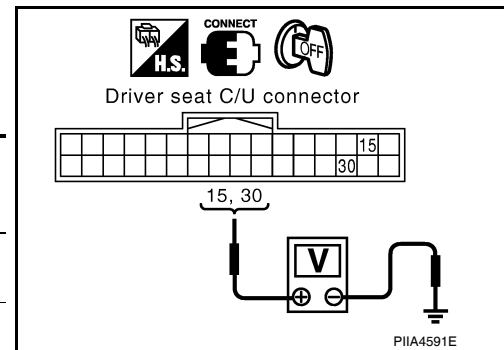
INFOID:000000005256672

Regarding Wiring Diagram information, refer to [ADP-107. "Wiring Diagram"](#).

1. CHECK PEDAL ADJUSTING SWITCH SIGNAL

1. Turn ignition switch ON.
2. Check voltage between driver seat control unit harness connector and ground.

Driver seat control unit connector	Terminals		Condition	Voltage (V) (Approx.)
	(+)	(-)		
B202	15	Ground	Operate (backward)	0
			Release	Battery voltage
	30		Operate (forward)	0
			Release	Battery voltage



Is the inspection result normal?

YES >> GO TO 5

NO >> GO TO 2

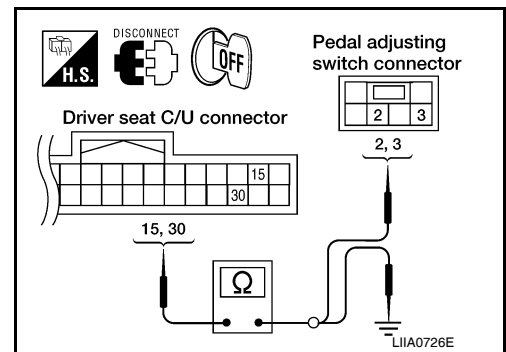
2. CHECK PEDAL ADJUSTING SWITCH CIRCUIT

PEDAL ADJUSTING SWITCH

< COMPONENT DIAGNOSIS >

1. Turn ignition switch OFF.
2. Disconnect driver seat control unit and pedal adjusting switch.
3. Check continuity between driver seat control unit harness connector and pedal adjusting switch harness connector.

Driver seat control unit connector	Terminal	Pedal adjusting switch connector	Terminal	Continuity
B202	15	M96	2	Yes
	30		3	



4. Check continuity between driver seat control unit harness connector and ground.

Driver seat control unit connector	Terminal	Ground	Continuity
B202	15	Ground	No
	30		

Is the inspection result normal?

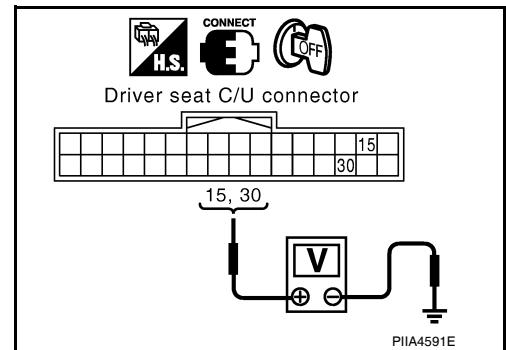
YES >> GO TO 3

NO >> Repair or replace harness.

3. CHECK DRIVER SEAT CONTROL UNIT OUTPUT

1. Connect the driver seat control unit.
2. Turn ignition switch ON.
3. Check voltage between driver seat control unit harness connector and ground.

Driver seat control unit connector	Terminals		Voltage (V) (Approx.)
	(+)	(-)	
B202	15	Ground	Battery voltage
	30		



Is the inspection result normal?

YES >> GO TO 4

NO >> Replace driver seat control unit. Refer to [SE-25, "Exploded View"](#).

4. CHECK PEDAL ADJUSTING SWITCH

Refer to [ADP-59, "Component Inspection"](#).

Is the inspection result normal?

YES >> GO TO 5

NO >> Replace pedal adjusting switch.

5. CHECK PEDAL ADJUSTING SWITCH GROUND CIRCUIT

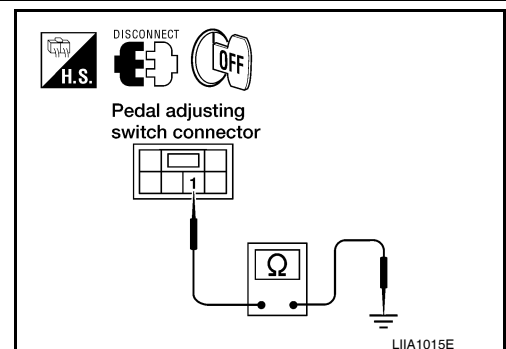
Check continuity between pedal adjusting switch connector M96 terminal 1 and ground.

1 - Ground : Continuity should exist.

Is the inspection result normal?

YES >> GO TO 6

NO >> Replace or replace harness.



6. CHECK INTERMITTENT INCIDENT

PEDAL ADJUSTING SWITCH

< COMPONENT DIAGNOSIS >

Refer to [GI-37. "Intermittent Incident"](#).

Is the inspection result normal?

- YES >> Replace automatic drive positioner control unit. Refer to [ADP-162. "Removal and Installation"](#).
- NO >> Repair or replace the malfunctioning part.

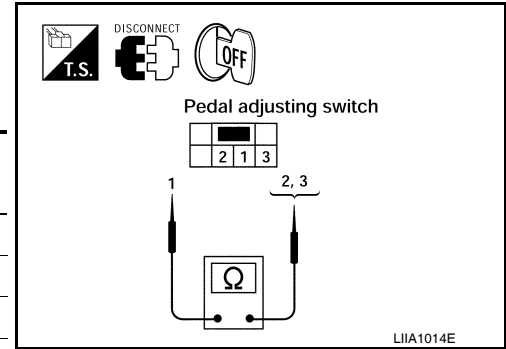
Component Inspection

INFOID:000000005256673

1. CHECK PEDAL ADJUSTING SWITCH

1. Turn ignition switch OFF.
2. Disconnect pedal adjusting switch.
3. Check continuity between pedal adjusting switch terminals.

Terminal		Condition	Continuity
Pedal adjusting switch			
1	2	Pedal adjusting switch (backward)	Operate Yes
		Release	No
	3	Pedal adjusting switch (forward)	Operate Yes
		Release	No



Is the inspection result normal?

- YES >> Inspection End.
- NO >> Replace pedal adjusting switch.

A
B
C
D
E
F
G
H
I
K
L
M
N
O
P

ADP

SEAT MEMORY SWITCH

< COMPONENT DIAGNOSIS >

SEAT MEMORY SWITCH

Description

INFOID:000000005256674

Memory switch is equipped on the seat memory switch installed to the front door LH trim. The operation signal is input to the automatic drive positioner control unit when the memory switch is operated.

Component Function Check

INFOID:000000005256675

1. CHECK FUNCTION

1. Select "MEMORY SW 1", "MEMORY SW 2", "SET SW" in "Data monitor" mode with CONSULT-III.
2. Check seat memory switch signal under the following conditions.

Monitor item	Condition	Status	
MEMORY SW1	Memory switch 1	Push	ON
		Release	OFF
MEMORY SW2	Memory switch 2	Push	ON
		Release	OFF
SET SW	Set switch	Push	ON
		Release	OFF

Is the indication normal?

YES >> Inspection End.

NO >> Perform diagnosis procedure. Refer to [ADP-60. "Diagnosis Procedure"](#).

Diagnosis Procedure

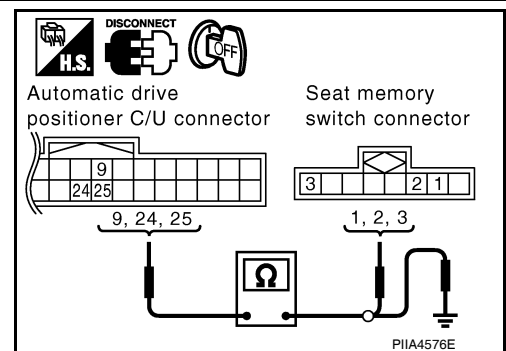
INFOID:000000005256676

Regarding Wiring Diagram information, refer to [ADP-126. "Wiring Diagram"](#).

1. CHECK MEMORY SWITCH CIRCUIT

1. Turn ignition switch OFF.
2. Disconnect automatic drive positioner control unit and seat memory switch.
3. Check continuity between automatic drive positioner control unit harness connector and seat memory switch harness connector.

Automatic drive positioner control unit connector	Terminal	Seat memory switch connector	Terminal	Continuity
M33	9	D5	1	Yes
	24		3	
	25		2	



4. Check continuity between automatic drive positioner control unit harness connector and ground.

Automatic drive positioner control unit connector	Terminal	Continuity
M33	9	No
	24	
	25	

Is the inspection result normal?

YES >> GO TO 2

NO >> Repair or replace harness.

SEAT MEMORY SWITCH

< COMPONENT DIAGNOSIS >

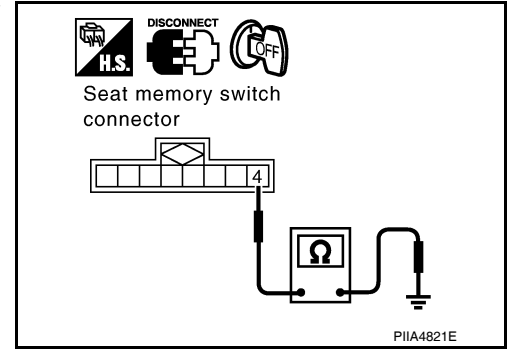
2. CHECK MEMORY SWITCH GROUND CIRCUIT

Check continuity between seat memory switch harness connector and ground.

Seat memory switch connector	Terminal	Ground	Continuity
D5	4		Yes

Is the inspection result normal?

- YES >> GO TO 3
- NO >> Repair or replace harness.



3. CHECK SEAT MEMORY SWITCH

Refer to [ADP-61, "Component Inspection"](#).

Is the inspection result normal?

- YES >> GO TO 4
- NO >> Replace seat memory switch. Refer to [INT-14, "Removal and Installation"](#).

4. CHECK INTERMITTENT INCIDENT

Refer to [GI-37, "Intermittent Incident"](#).

Is the inspection result normal?

- YES >> Replace automatic drive positioner control unit. Refer to [ADP-162, "Removal and Installation"](#).
- NO >> Repair or replace the malfunctioning part.

Component Inspection

INFOID:000000005256677

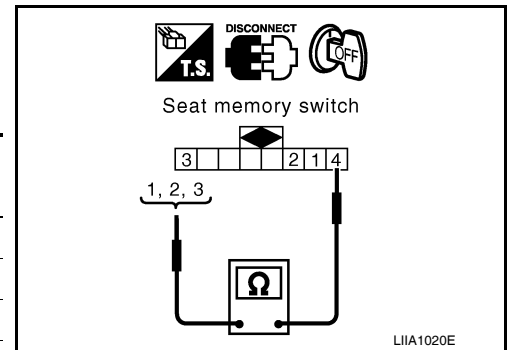
1. CHECK SEAT MEMORY SWITCH

1. Turn ignition switch OFF.
2. Disconnect seat memory switch.
3. Check continuity between seat memory switch terminals.

Terminal		Condition	Continuity	
Seat memory switch				
4	1	Memory switch 1	Push	Yes
			Release	No
	2	Memory switch 2	Push	Yes
			Release	No
	3	Set switch	Push	Yes
			Release	No

Is the inspection result normal?

- YES >> Inspection End.
- NO >> Replace seat memory switch.



A
B
C
D
E
F
G
H
I
K
L
M
N
O
P

ADP

DOOR MIRROR REMOTE CONTROL SWITCH

< COMPONENT DIAGNOSIS >

DOOR MIRROR REMOTE CONTROL SWITCH CHANGEOVER SWITCH

CHANGEOVER SWITCH : Description

INFOID:000000005256678

Changeover switch is integrated into door mirror remote control switch.
Changeover switch has three positions (L, N and R).
It changes door mirror motor operation by transmitting control signal to automatic drive positioner control unit.

CHANGEOVER SWITCH : Component Function Check

INFOID:000000005256679

1. CHECK CHANGEOVER SWITCH FUNCTION

Check the operation on "MIR CHNG SW-R" or "MIR CHNG SW-L" in "DATA MONITOR" mode with CONSULT-III.

Refer to [ADP-26, "CONSULT-III Function"](#).

Is the inspection result normal?

YES >> Changeover switch function is OK.

NO >> Refer to [ADP-62, "CHANGEOVER SWITCH : Diagnosis Procedure"](#).

CHANGEOVER SWITCH : Diagnosis Procedure

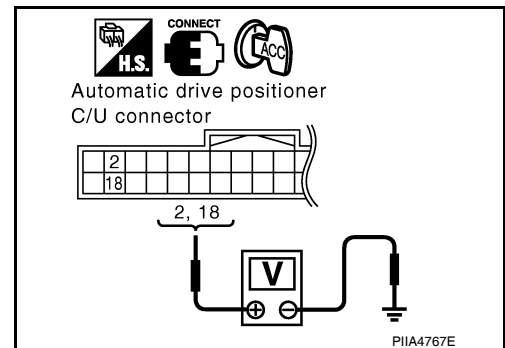
INFOID:000000005256680

Regarding Wiring Diagram information, refer to [ADP-126, "Wiring Diagram"](#).

1. CHECK CHANGEOVER SWITCH SIGNAL

1. Turn ignition switch ON.
2. Check voltage between automatic drive positioner control unit connector and ground.

Terminals		(-)	Change over switch condition	Voltage (V) (Approx.)
(+)	Terminal			
Automatic drive positioner control unit connector M33	2	Ground	RIGHT	0
			Other than above	5
	18		LEFT	0
			Other than above	5



Is the inspection result normal?

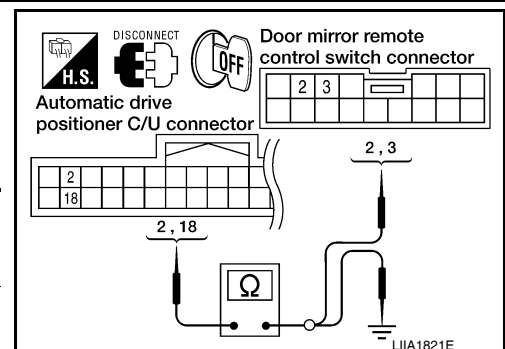
YES >> GO TO 6

NO >> GO TO 2

2. CHECK HARNESS CONTINUITY

1. Turn ignition switch OFF.
2. Disconnect automatic drive positioner control unit and door mirror remote control switch.
3. Check continuity between automatic drive positioner control unit connector and door mirror remote control switch connector.

Automatic drive positioner control unit connector	Terminal	Door mirror remote control switch connector	Terminal	Continuity
M33	2	M163	3	Yes
	18		2	



DOOR MIRROR REMOTE CONTROL SWITCH

< COMPONENT DIAGNOSIS >

4. Check continuity between automatic drive positioner control unit connector and ground.

Automatic drive positioner control unit connector	Terminal	Ground	Continuity
M33	2		
	18		

Is the inspection result normal?

YES >> GO TO 3

NO >> Repair or replace harness.

3. CHECK DOOR MIRROR REMOTE CONTROL SWITCH GROUND CIRCUIT

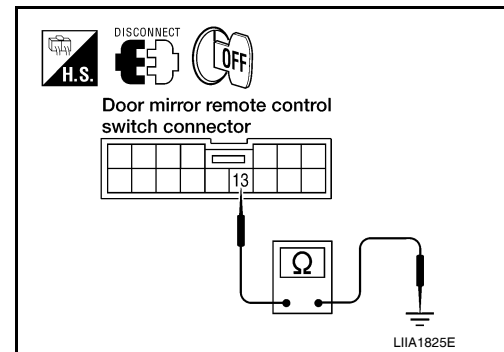
Check continuity between door mirror remote control switch connector and ground.

Door mirror remote control switch connector	Terminal	Ground	Continuity
M163	13		

Is the inspection result normal?

YES >> GO TO 4

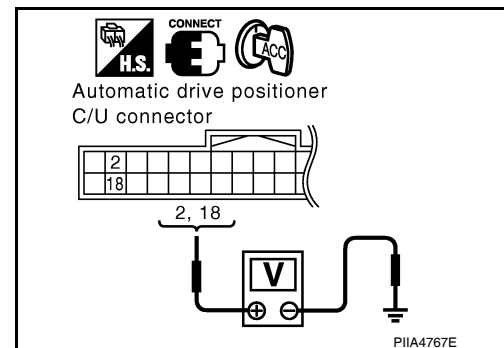
NO >> Repair or replace harness.



4. CHECK AUTOMATIC DRIVE POSITIONER CONTROL UNIT OUTPUT SIGNAL

1. Connect automatic drive positioner control unit.
2. Turn ignition switch ON.
3. Check voltage between automatic drive positioner control unit connector and ground.

Terminals		(-)	Voltage (V) (Approx.)
(+)	Terminal		
Automatic drive positioner control unit connector	2	Ground	5
	18		



Is the inspection result normal?

YES >> GO TO 5.

NO >> Replace automatic drive positioner control unit. Refer to [ADP-162, "Removal and Installation"](#).

5. CHECK CHANGEOVER SWITCH

Check changeover switch.

Refer to [ADP-64, "CHANGEOVER SWITCH : Component Inspection"](#).

Is the inspection result normal?

YES >> Refer to [GI-37, "Intermittent Incident"](#).

NO >> Replace door mirror remote control switch. Refer to [INT-14, "Removal and Installation"](#).

6. CHECK INTERMITTENT INCIDENT

Check intermittent incident.

Refer to [GI-37, "Intermittent Incident"](#).

Is the inspection result normal?

YES >> Replace automatic drive positioner control unit. Refer to [ADP-162, "Removal and Installation"](#).

NO >> Repair or replace the malfunctioning parts.

DOOR MIRROR REMOTE CONTROL SWITCH

< COMPONENT DIAGNOSIS >

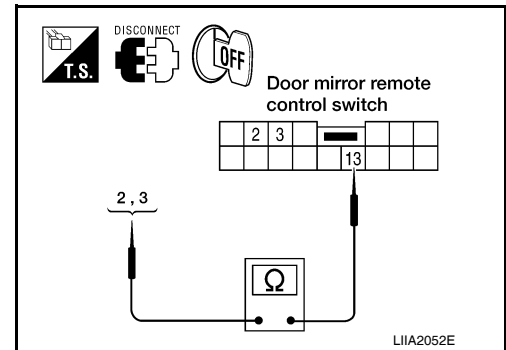
CHANGEOVER SWITCH : Component Inspection

INFOID:000000005256681

1. CHECK CHANGEOVER SWITCH

Check door mirror remote control switch.

Terminal		Change over switch condition	Continuity
Door mirror remote control switch			
2	13	LEFT	Yes
		Other than above	No
3	13	RIGHT	Yes
		Other than above	No



Is the inspection result normal?

YES >> Inspection End.

NO >> Replace door mirror remote control switch. Refer to [ADP-164, "Removal and Installation"](#).

MIRROR SWITCH

MIRROR SWITCH : Description

INFOID:000000005256682

It operates angle of the door mirror face.

It transmits mirror face adjust operation to automatic drive positioner control unit.

MIRROR SWITCH : Component Function Check

INFOID:000000005256683

1. CHECK MIRROR SWITCH FUNCTION

Check the operation on "MIR CON SW-UP/DN" and "MIR CON SW-RH/LH" in "DATA MONITOR" mode with CONSULT-III.

Refer to [ADP-26, "CONSULT-III Function"](#).

Is the inspection result normal?

YES >> Mirror switch function is OK.

NO >> Refer to [ADP-64, "MIRROR SWITCH : Diagnosis Procedure"](#).

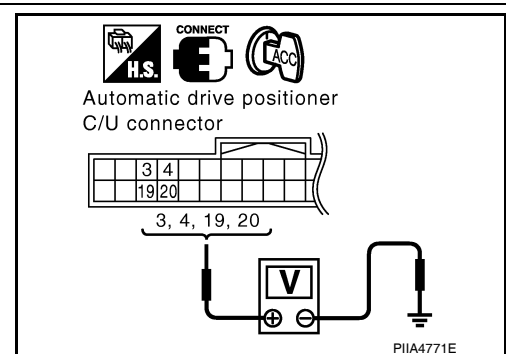
MIRROR SWITCH : Diagnosis Procedure

INFOID:000000005256684

Regarding Wiring Diagram information, refer to [ADP-126, "Wiring Diagram"](#).

1. CHECK MIRROR SWITCH FUNCTION

1. Turn ignition switch ON.
2. Check voltage between automatic drive positioner control unit connector and ground.



DOOR MIRROR REMOTE CONTROL SWITCH

< COMPONENT DIAGNOSIS >

Terminals		(-)	Mirror switch Condition	Voltage (V) (Approx.)
(+)	Terminal			
Automatic drive positioner control unit connector M33	3	Ground	UP	0
			Other than above	5
	4		LEFT	0
			Other than above	5
	19		DOWN	0
			Other than above	5
	20		RIGHT	0
			Other than above	5

Is the inspection result normal?

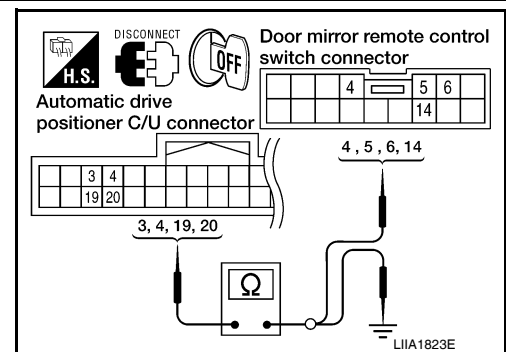
YES >> GO TO 6

NO >> GO TO 2

2. CHECK HARNESS CONTINUITY

1. Turn ignition switch OFF.
2. Disconnect automatic drive positioner control unit and door mirror remote control switch.
3. Check continuity between automatic drive positioner control unit connector and door mirror remote control switch connector.

Automatic drive positioner control unit connector	Terminal	Door mirror remote control switch connector	Terminal	Continuity
M33	3	M163	6	Yes
	4		5	
	19		14	
	20		4	



4. Check continuity between automatic drive positioner control unit connector and ground.

Automatic drive positioner control unit connector	Terminal	Ground	Continuity
M33	3	Ground	No
	4		
	19		
	20		

Is the inspection result normal?

YES >> GO TO 3

NO >> Repair or replace harness.

3. CHECK DOOR MIRROR REMOTE CONTROL SWITCH GROUND CIRCUIT

DOOR MIRROR REMOTE CONTROL SWITCH

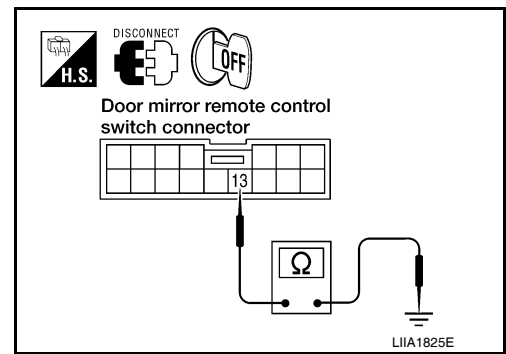
< COMPONENT DIAGNOSIS >

Check continuity between door mirror remote control switch connector and ground.

Door mirror remote control switch connector	Terminal	Ground	Continuity
M163	13		Yes

Is the inspection result normal?

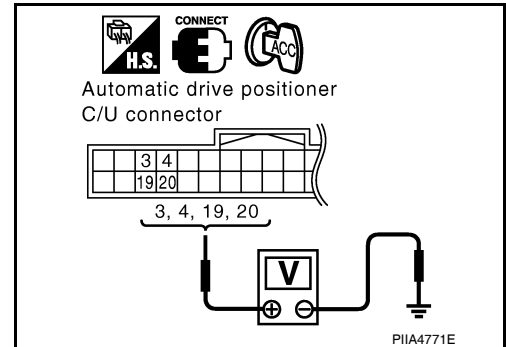
- YES >> GO TO 4
 NO >> Repair or replace harness.



4. CHECK AUTOMATIC DRIVE POSITIONER CONTROL UNIT OUTPUT SIGNAL

1. Connect automatic drive positioner control unit.
2. Turn ignition switch ON.
3. Check voltage between automatic drive positioner control unit and ground.

Terminals		(-)	Voltage (V) (Approx.)
(+)	Terminal		
Automatic drive positioner control unit connector	3	Ground	5
	4		
	19		
	20		
M33			



Is the inspection result normal?

- YES >> GO TO 5
 NO >> Replace automatic drive positioner control unit. Refer to [ADP-162, "Removal and Installation"](#).

5. CHECK MIRROR SWITCH

Check mirror switch.
 Refer to [ADP-66, "MIRROR SWITCH : Component Inspection"](#).

Is the inspection result normal?

- YES >> Refer to [GI-37, "Intermittent Incident"](#).
 NO >> Replace door mirror remote control switch. Refer to [ADP-164, "Removal and Installation"](#).

6. CHECK INTERMITTENT INCIDENT

Check intermittent incident.
 Refer to [GI-37, "Intermittent Incident"](#).

Is the inspection result normal?

- YES >> Replace automatic drive positioner control unit. Refer to [ADP-162, "Removal and Installation"](#).
 NO >> Repair or replace the malfunctioning parts.

MIRROR SWITCH : Component Inspection

INFOID:000000005256685

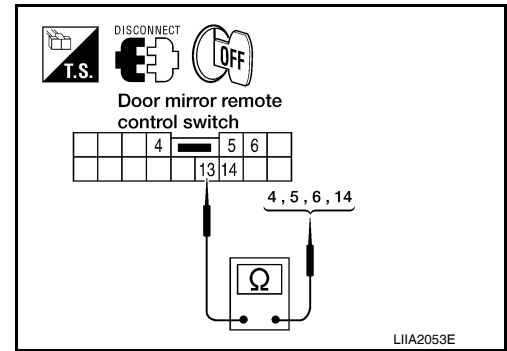
1. CHECK MIRROR SWITCH

DOOR MIRROR REMOTE CONTROL SWITCH

< COMPONENT DIAGNOSIS >

Check door mirror remote control switch.

Terminal		Mirror switch condition	Continuity
Door mirror remote control switch			
4	13	RIGHT	Yes
		Other than above	No
5		LEFT	Yes
		Other than above	No
6		UP	Yes
		Other than above	No
14		DOWN	Yes
		Other than above	No



Is the inspection result normal?

YES >> Inspection End.

NO >> Replace door mirror remote control switch. Refer to [ADP-164, "Removal and Installation"](#).

A
B
C
D
E
F
G
H
I
K
L
M
N
O
P

ADP

POWER SEAT SWITCH GROUND CIRCUIT

< COMPONENT DIAGNOSIS >

POWER SEAT SWITCH GROUND CIRCUIT

Diagnosis Procedure

INFOID:000000005256686

Regarding Wiring Diagram information, refer to [ADP-107. "Wiring Diagram"](#).

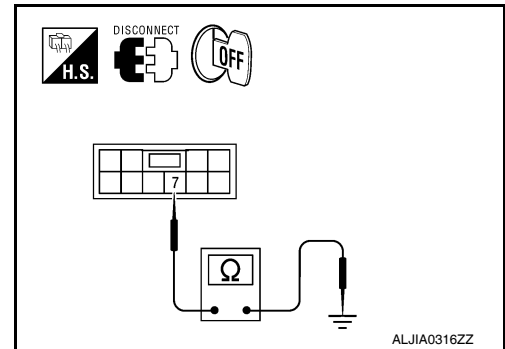
1. CHECK POWER SEAT SWITCH LH GROUND CIRCUIT

1. Turn ignition switch OFF.
2. Disconnect power seat switch LH.
3. Check continuity between power seat switch LH connector and ground.

Power seat switch LH connector	Terminal	Ground	Continuity
B208	7		Yes

Is the inspection result normal?

- YES >> Check intermittent incident. Refer to [GI-37. "Intermittent Incident"](#).
- NO >> Repair or replace harness.



PARK POSITION SWITCH

< COMPONENT DIAGNOSIS >

PARK POSITION SWITCH

Description

INFOID:000000005256687

Park position switch is installed on A/T shift selector. It is turned OFF when the A/T selector lever is in P position. The driver seat control unit judges that the A/T selector lever is in P position if continuity does not exist in this circuit.

Component Function Check

INFOID:000000005256688

1. CHECK FUNCTION

1. Select "P POSI SW" signal in "Data monitor" mode with CONSULT-III.
2. Check park position switch signal under the following conditions.

Monitor item	Condition		Status
P POSI SW	A/T selector lever	P position	OFF
		Other than above	ON

Is the indication normal?

- YES >> Inspection End.
 NO >> Perform diagnosis procedure. Refer to [ADP-69, "Diagnosis Procedure"](#).

Diagnosis Procedure

INFOID:000000005256689

Regarding Wiring Diagram information, refer to [ADP-107, "Wiring Diagram"](#).

1. CHECK DTC WITH "BCM"

Check "Self Diagnostic Result" for BCM with CONSULT-III.

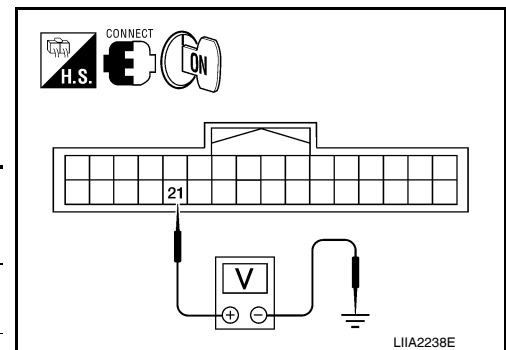
Is any other DTC detected?

- YES >> Check the DTC.
 NO >> GO TO 2

2. CHECK PARK POSITION SWITCH INPUT SIGNAL

1. Turn ignition switch ON.
2. Mechanical key must be removed from the key switch.
3. Check voltage between driver seat control unit harness connector and ground.

Driver seat control unit connector	Terminal		Condition	Voltage (V) (Approx.)
	(+)	(-)		
B202	21	Ground	A/T selector lever	Battery voltage
			Other than above	0V



Is the inspection result normal?

- YES >> GO TO 4
 NO >> GO TO 3

3. CHECK PARK POSITION SWITCH CIRCUIT

PARK POSITION SWITCH

< COMPONENT DIAGNOSIS >

1. Turn ignition switch OFF.
2. Disconnect driver seat control unit and A/T shift selector.
3. Check continuity between driver seat control unit harness connector and A/T shift selector harness connector.

A/T shift selector		Driver seat control unit		Continuity
Connector	Terminal	Connector	Terminal	
M158 (A)	4	B202 (B)	21	Yes

4. Check continuity between A/T shift selector harness connector and ground.

A/T shift selector		Ground	Continuity
Connector	Terminal		
M158 (A)	4		No

Is the inspection result normal?

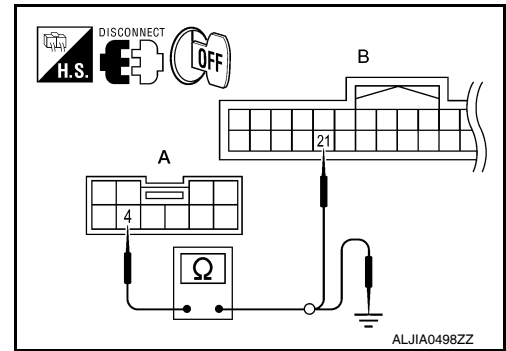
- YES >> GO TO 4
 NO >> Repair or replace harness.

4. CHECK INTERMITTENT INCIDENT

Refer to [GI-37, "Intermittent Incident"](#).

Is the inspection result normal?

- YES >> Replace driver seat control unit. Refer to [SE-25, "Exploded View"](#).
 NO >> Repair or replace the malfunctioning part.



FRONT DOOR SWITCH (DRIVER SIDE)

< COMPONENT DIAGNOSIS >

FRONT DOOR SWITCH (DRIVER SIDE)

Description

INFOID:000000005256690

Detects front door LH open/close condition.

Component Function Check

INFOID:000000005256691

1. CHECK FUNCTION

1. Select "DOOR SW-DR" in "Data monitor" mode with CONSULT-III.
2. Check the front door switch LH signal under the following conditions.

Monitor item	Condition		Status
DOOR SW-DR	Front door switch LH	Open	ON
		Close	OFF

Is the inspection result normal?

- YES >> Inspection End.
 NO >> Perform diagnosis procedure. Refer to [ADP-71, "Diagnosis Procedure"](#).

Diagnosis Procedure

INFOID:000000005256692

Regarding Wiring Diagram information, refer to [ADP-107, "Wiring Diagram"](#).

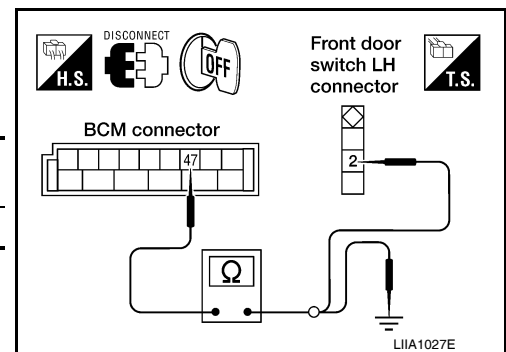
1. CHECK FRONT DOOR SWITCH LH CIRCUIT

1. Disconnect BCM.
2. Check continuity between BCM connector and front door switch LH connector.

BCM connector	Terminal	Front door switch LH connector	Terminal	Continuity
M19	47	B8	2	Yes

3. Check continuity between BCM connector and ground.

BCM connector	Terminal	Ground	Continuity
M19	47		No



Is the inspection result normal?

- YES >> GO TO 2
 NO >> Repair or replace harness.

2. CHECK FRONT DOOR SWITCH LH

Refer to [ADP-72, "Component Inspection"](#).

Is the inspection result normal?

- YES >> GO TO 3
 NO >> Replace front door switch LH.

3. CHECK INTERMITTENT INCIDENT

Refer to [GI-37, "Intermittent Incident"](#).

Is the inspection result normal?

- YES >> Replace BCM. Refer to [BCS-59, "Removal and Installation"](#).
 NO >> Repair or replace the malfunctioning part.

FRONT DOOR SWITCH (DRIVER SIDE)

< COMPONENT DIAGNOSIS >

Component Inspection

INFOID:000000005256693

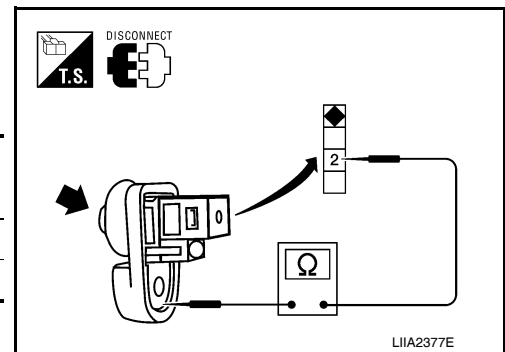
1. CHECK FRONT DOOR SWITCH LH

1. Turn ignition switch OFF.
2. Disconnect front door switch LH.
3. Check continuity between front door switch LH terminals.

Terminal		Condition		Continuity
Front door switch LH				
2	Ground part of door switch	Front door switch LH	Pushed	No
			Released	Yes

Is the inspection result normal?

- YES >> Inspection End.
NO >> Replace front door switch LH.



SLIDING SENSOR

< COMPONENT DIAGNOSIS >

SLIDING SENSOR

Description

INFOID:000000005256694

- The sliding sensor is installed to the seat frame assembly.
- The pulse signal is input to the driver seat control unit when sliding is performed.
- The driver seat control unit counts the pulse and calculates the sliding amount of the seat.

Component Function Check

INFOID:000000005256695

1. CHECK FUNCTION

1. Select "SLIDE PULSE" in "Data monitor" mode with CONSULT-III.
2. Check sliding sensor signal under the following conditions.

Monitor item	Condition		Valve
SLIDE PULSE	Seat sliding	Operate (forward)	Change (increase)
		Operate (backward)	Change (decrease)
		Release	No change

Is the indication normal?

- YES >> Inspection End.
 NO >> Perform diagnosis procedure. Refer to [ADP-73, "Diagnosis Procedure"](#).

Diagnosis Procedure

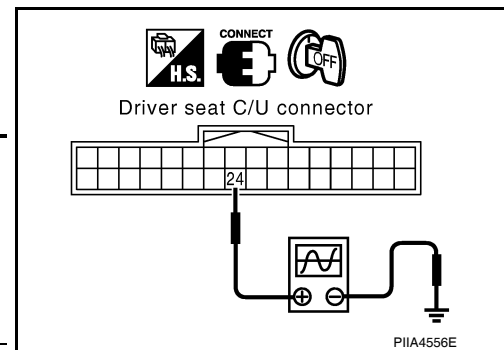
INFOID:000000005256696

Regarding Wiring Diagram information, refer to [ADP-107, "Wiring Diagram"](#).

1. CHECK SLIDING SENSOR SIGNAL

1. Turn ignition switch ON.
2. Read voltage signal between driver seat control unit harness connector and ground with oscilloscope.

Terminals			Condition	Voltage signal
(+)		(-)		
Driver's seat control unit	Terminal			
B202	24	Ground	Seat sliding	<p>PIIA3277E</p>
			Other than above	0 or 5



Is the inspection result normal?

- YES >> GO TO 4
 NO >> GO TO 2

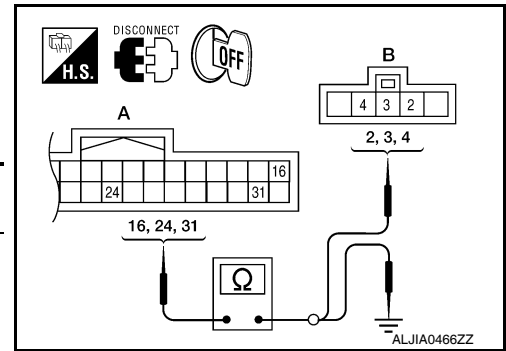
2. CHECK SLIDING SENSOR CIRCUITS

SLIDING SENSOR

< COMPONENT DIAGNOSIS >

1. Turn ignition switch OFF.
2. Disconnect driver seat control unit and sliding motor LH.
3. Check continuity between driver seat control unit harness connector and sliding motor LH harness connector.

Driver seat control unit connector	Terminal	Sliding motor LH connector	Terminal	Continuity
B202 (A)	16	B204 (B)	3	Yes
	24		4	
	31		2	



4. Check continuity between driver seat control unit harness connector and ground.

Driver seat control unit connector	Terminal	Continuity
B202 (A)	16	No
	24	
	31	

Is the inspection result normal?

- YES >> GO TO 3
 NO >> Repair or replace harness.

3. CHECK SEAT OPERATION

1. Connect driver seat control unit and sliding motor LH.
2. Check seat operation (except sliding operation) with memory function.

Is the inspection result normal?

- YES >> Replace sliding motor LH. Refer to [SE-25, "Exploded View"](#).
 NO >> Replace driver seat control unit. Refer to [SE-25, "Exploded View"](#).

4. CHECK INTERMITTENT INCIDENT

Refer to [GI-37, "Intermittent Incident"](#).

Is the inspection result normal?

- YES >> Replace driver seat control unit. Refer to [SE-25, "Exploded View"](#).
 NO >> Repair or replace the malfunctioning part.

RECLINING SENSOR

< COMPONENT DIAGNOSIS >

RECLINING SENSOR

Description

INFOID:000000005256697

- The reclining motor is installed to the seat frame assembly.
- The pulse signal is inputted to the driver seat control unit when the reclining is operated.
- The driver seat control unit counts the pulse and calculates the reclining amount of the seat.

Component Function Check

INFOID:000000005256698

1. CHECK FUNCTION

1. Select "RECLN PULSE" in "Data monitor" mode with CONSULT-III.
2. Check reclining sensor signal under the following conditions.

Monitor item	Condition		Value
RECLN PULSE	Seat reclining	Operate (forward)	Change (increase)
		Operate (backward)	Change (decrease)
		Release	No change

Is the indication normal?

YES >> Inspection End.

NO >> Perform diagnosis procedure. Refer to [ADP-75, "Diagnosis Procedure"](#).

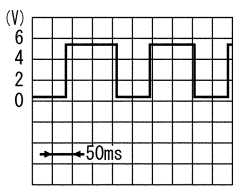
Diagnosis Procedure

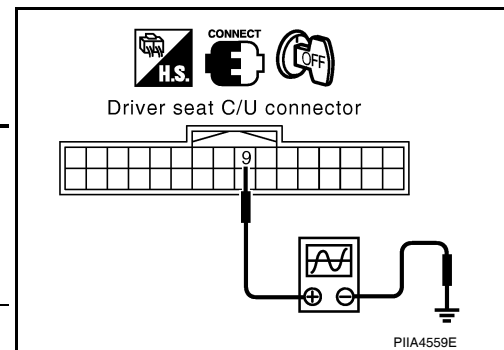
INFOID:000000005256699

Regarding Wiring Diagram information, refer to [ADP-107, "Wiring Diagram"](#).

1. CHECK RECLINING SENSOR SIGNAL

1. Turn ignition switch ON.
2. Read voltage signal between driver seat control unit harness connector and ground with oscilloscope.

Terminals		Condition	Voltage signal
(+)	(-)		
Driver seat control unit	Terminal		
B202	9	Seat reclining	 <p>S1IA0692J</p>
		Other than above	0 or 5



Is the inspection result normal?

YES >> GO TO 4

NO >> GO TO 2

2. CHECK RECLINING SENSOR CIRCUIT

RECLINING SENSOR

< COMPONENT DIAGNOSIS >

1. Turn ignition switch OFF.
2. Disconnect driver seat control unit and reclining motor LH.
3. Check continuity between driver seat control unit harness connector and reclining motor LH harness connector.

Driver seat control unit connector	Terminal	Reclining motor connector	Terminal	Continuity
B202 (A)	9	B232 (B)	1	Yes
	31		4	

4. Check continuity between driver seat control unit harness connector and ground.

Driver seat control unit connector	Terminal	Ground	Continuity
B202 (A)	9		No
	31		

Is the inspection result normal?

- YES >> GO TO 3
 NO >> Repair or replace harness.

3. CHECK SEAT OPERATION

1. Connect driver seat control unit and reclining motor LH.
2. Check seat operation (except reclining operation) with memory function.

Is the operation normal?

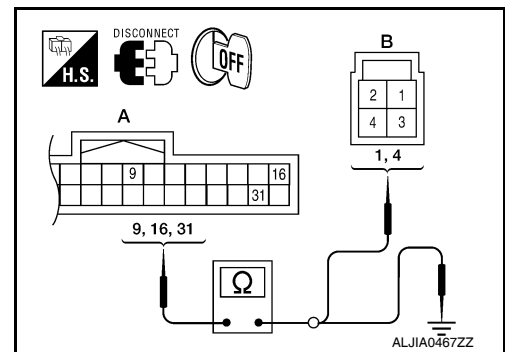
- YES >> Replace reclining motor LH. Refer to [SE-25. "Exploded View"](#).
 NO >> Replace driver seat control unit. Refer to [SE-25. "Exploded View"](#).

4. CHECK INTERMITTENT INCIDENT

Refer to [GI-37. "Intermittent Incident"](#).

Is the inspection result normal?

- YES >> Replace driver seat control unit. Refer to [SE-25. "Exploded View"](#).
 NO >> Repair or replace the malfunctioning part.



ALJIA0467ZZ

LIFTING SENSOR (FRONT)

< COMPONENT DIAGNOSIS >

LIFTING SENSOR (FRONT)

Description

INFOID:000000005256700

- The lifting sensor (front) is installed to the seat frame assembly.
- The pulse signal is input to the driver seat control unit when the lifting (front) is operated.
- The driver seat control unit counts the pulse and calculates the lifting (front) amount of the seat.

Component Function Check

INFOID:000000005256701

1. CHECK FUNCTION

1. Select "LIFT FR PULSE" in "Data monitor" mode with CONSULT-III.
2. Check the lifting sensor (front) signal under the following conditions.

Monitor item	Condition		Value
LIFT FR PULSE	Seat lifting (front)	Operate (up)	Change (increase)
		Operate (down)	Change (decrease)
		Release	No change

Is the indication normal?

YES >> Inspection End.

NO >> Perform diagnosis procedure. Refer to [ADP-77, "Diagnosis Procedure"](#).

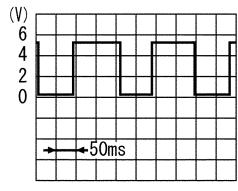
Diagnosis Procedure

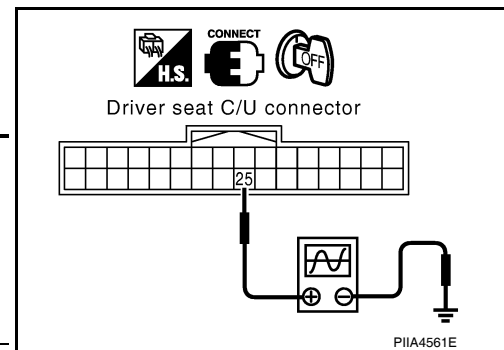
INFOID:000000005256702

Regarding Wiring Diagram information, refer to [ADP-107, "Wiring Diagram"](#).

1. CHECK LIFTING SENSOR (FRONT) SIGNAL

1. Turn ignition switch ON.
2. Read the voltage signal between driver seat control unit harness connector and ground with an oscilloscope.

Terminals		Condition	Voltage signal
(+)	(-)		
Driver seat control unit connector	Terminal		
B202	25	Seat lifting (front)	 <p>Operate</p>
		Other than above	0 or 5



Is the inspection result normal?

YES >> GO TO 4

NO >> GO TO 2

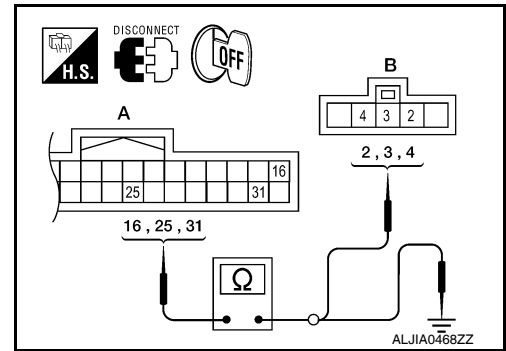
2. CHECK LIFTING SENSOR (FRONT) CIRCUIT

LIFTING SENSOR (FRONT)

< COMPONENT DIAGNOSIS >

1. Turn ignition switch OFF.
2. Disconnect driver seat control unit and lifting motor (front).
3. Check continuity between driver seat control unit harness connector and lifting motor (front) harness connector.

Driver seat control unit connector	Terminal	Lifting motor (front) connector	Terminal	Continuity
B202 (A)	16	B206 (B)	3	Yes
	25		4	
	31		2	



4. Check continuity between driver seat control unit harness connector and ground.

Driver seat control unit connector	Terminal	Ground	Continuity
B202 (A)	16	Ground	No
	25		
	31		

Is the inspection result normal?

- YES >> GO TO 3
 NO >> Repair or replace harness.

3. CHECK SEAT OPERATION

1. Connect driver seat control unit and lifting motor (front).
2. Check seat operation [except lifting (front) operation] with memory function.

Is the operation normal?

- YES >> Replace lifting motor (front). Refer to [SE-25, "Exploded View"](#).
 NO >> Replace driver seat control unit. Refer to [SE-25, "Exploded View"](#).

4. CHECK INTERMITTENT INCIDENT

Refer to [GI-37, "Intermittent Incident"](#).

Is the inspection result normal?

- YES >> Replace driver seat control unit. Refer to [SE-25, "Exploded View"](#).
 NO >> Repair or replace the malfunctioning part.

LIFTING SENSOR (REAR)

< COMPONENT DIAGNOSIS >

LIFTING SENSOR (REAR)

Description

INFOID:000000005256703

- The lifting sensor (rear) is installed to the seat frame assembly.
- The pulse signal is input to the driver seat control unit when the lifting (rear) is operated.
- The driver seat control unit counts the pulse and calculates the lifting (rear) amount of the seat.

Component Function Check

INFOID:000000005256704

1. CHECK FUNCTION

1. Select "LIFT RR PULSE" in "Data monitor" mode with CONSULT-III.
2. Check lifting sensor (rear) signal under the following conditions.

Monitor item	Condition	Value
LIFT RR PULSE	Operate (up)	Change (increase)
	Operate (down)	Change (decrease)
	Release	No change

Is the indication normal?

YES >> Inspection End.

NO >> Perform diagnosis procedure. Refer to [ADP-79, "Diagnosis Procedure"](#).

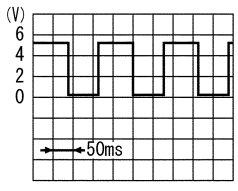
Diagnosis Procedure

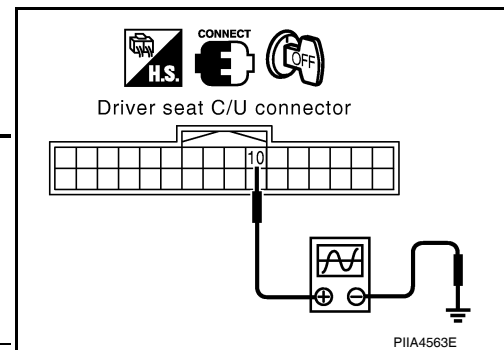
INFOID:000000005256705

Regarding Wiring Diagram information, refer to [ADP-107, "Wiring Diagram"](#).

1. CHECK LIFTING SENSOR (REAR) SIGNAL

1. Turn ignition switch OFF.
2. Read voltage signal between driver seat control unit harness connector and ground with oscilloscope.

Terminals		Condition	Voltage signal
(+)	(-)		
Driver seat control unit connector	Terminal		
B202	10	Seat lifting (rear)	 <p>SIIA0693J</p>
		Other than above	0 or 5



Is the inspection result normal?

YES >> GO TO 4

NO >> GO TO 2

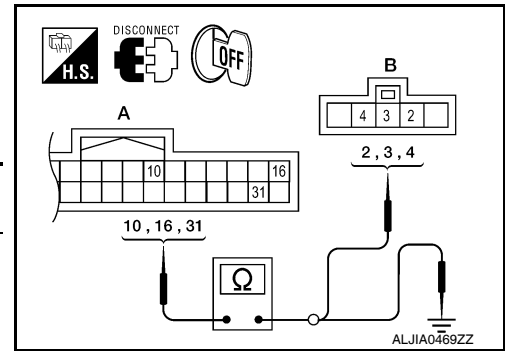
2. CHECK LIFTING SENSOR (REAR) CIRCUIT

LIFTING SENSOR (REAR)

< COMPONENT DIAGNOSIS >

1. Turn ignition switch OFF.
2. Disconnect driver seat control unit and lifting motor (rear).
3. Check the continuity between driver seat control unit harness connector and lifting motor (rear) harness connector.

Driver seat control unit connector	Terminal	Lifting motor (rear) connector	Terminal	Continuity
B202 (A)	10	B207 (B)	4	Yes
	16		3	
	31		2	



4. Check the continuity between driver seat control unit harness connector and ground.

Driver seat control unit connector	Terminal	Ground	Continuity
B202 (A)	10	Ground	No
	16		
	31		

Is the inspection result normal?

- YES >> GO TO 3
 NO >> Repair or replace harness.

3. CHECK SEAT OPERATION

1. Connect driver seat control unit and lifting motor (rear) connector.
2. Check the seat operation [except lifting (rear) operation] with memory function.

Is the operation normal?

- YES >> Replace lifting motor (rear). Refer to [SE-25, "Exploded View"](#).
 NO >> Replace driver seat control unit. Refer to [SE-25, "Exploded View"](#).

4. CHECK INTERMITTENT INCIDENT

Refer to [GI-37, "Intermittent Incident"](#).

Is the inspection result normal?

- YES >> Replace driver seat control unit. Refer to [SE-25, "Exploded View"](#).
 NO >> Repair or replace the malfunctioning part.

PEDAL ADJUSTING SENSOR

< COMPONENT DIAGNOSIS >

PEDAL ADJUSTING SENSOR

Description

INFOID:000000005256706

- The pedal adjusting sensor is installed to the pedal adjusting motor assembly.
- The resistance of pedal adjusting sensor is changed according to the forward/backward position of pedal assembly.
- The terminal voltage of automatic drive positioner control unit will be changed according to a change of pedal adjusting sensor resistance. Automatic drive positioner control unit calculates the pedal assembly position from the voltage.

Component Function Check

INFOID:000000005256707

1. CHECK FUNCTION

1. Select "PEDAL SEN" in "Data monitor" mode with CONSULT-III.
2. Check the pedal sensor signal under the following condition.

Monitor item	Condition		Value
PEDAL SEN	Pedal position	Forward	0.5V
		Backward	4.5V

Is the indication normal?

YES >> Inspection End.

NO >> Perform diagnosis procedure. Refer to [ADP-81, "Diagnosis Procedure"](#).

Diagnosis Procedure

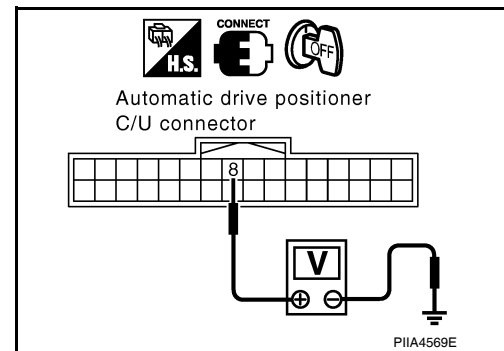
INFOID:000000005256708

Regarding Wiring Diagram information, refer to [ADP-126, "Wiring Diagram"](#).

1. CHECK PEDAL ADJUSTING SENSOR SIGNAL

1. Turn ignition switch ON.
2. Check voltage between automatic drive positioner control unit harness connector and ground.

Terminal (+)		Terminal (-)	Condition	Voltage (V) (Approx.)
Automatic drive positioner control unit	Terminal			
M33	8	Ground	Pedal assembly position	Forward 0.5 Backward 4.5



Is the inspection result normal?

YES >> GO TO 4

NO >> GO TO 2

2. CHECK PEDAL ADJUSTING SENSOR CIRCUIT

PEDAL ADJUSTING SENSOR

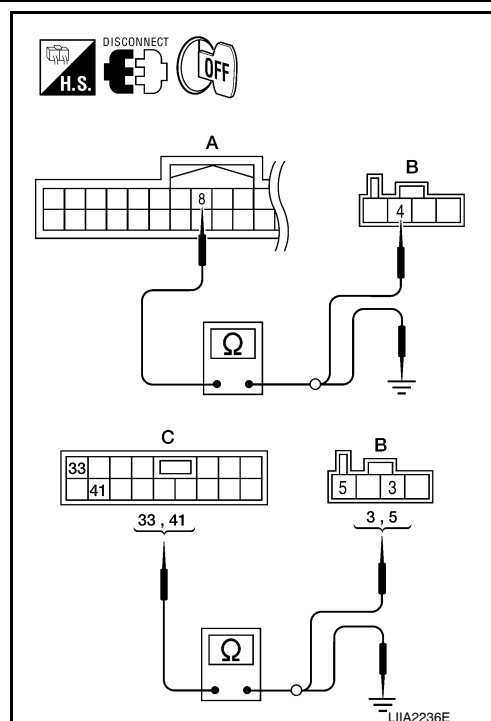
< COMPONENT DIAGNOSIS >

1. Turn ignition switch OFF.
2. Disconnect automatic drive positioner control unit and pedal adjusting motor assembly.
3. Check continuity between automatic drive positioner control unit harness connector and pedal adjusting motor assembly harness connector.

Automatic drive positioner control unit connector	Terminal	Pedal adjusting motor assembly connector	Terminal	Continuity
M33 (A)	8	E110 (B)	4	Yes
M34 (C)	33		5	
	41		3	

4. Check continuity between automatic drive positioner control unit harness connector and ground.

Automatic drive positioner control unit connector	Terminal	Ground	Continuity
M33 (A)	8	Ground	No
M34 (C)	33		
	41		



Is the inspection result normal?

- YES >> GO TO 3
 NO >> Repair or replace harness.

3. CHECK DOOR MIRROR OPERATION

1. Connect automatic drive positioner control unit and pedal adjusting motor assembly.
2. Turn ignition switch ON.
3. Check door mirror operation with memory function.

Is the operation normal?

- YES >> Replace pedal adjusting motor assembly. Refer to [BR-23. "Removal and Installation"](#).
 NO >> Replace automatic drive positioner control unit. Refer to [ADP-162. "Removal and Installation"](#).

4. CHECK INTERMITTENT INCIDENT

Refer to [GI-37. "Intermittent Incident"](#).

Is the inspection result normal?

- YES >> Replace automatic drive positioner control unit. Refer to [ADP-162. "Removal and Installation"](#).
 NO >> Repair or replace the malfunctioning part.

MIRROR SENSOR

< COMPONENT DIAGNOSIS >

MIRROR SENSOR

DRIVER SIDE

DRIVER SIDE : Description

INFOID:000000005256709

- The mirror sensor LH is installed to the door mirror LH.
- The resistance of 2 sensors (horizontal and vertical) is changed when the door mirror LH is operated.
- Automatic drive positioner control unit calculates the door mirror position according to the change of the voltage of 2 sensor input terminals.

DRIVER SIDE : Component Function Check

INFOID:000000005256710

1. CHECK FUNCTION

1. Select "MIR/SEN LH U-D", "MIR/SEN LH R-L" in "Data monitor" with CONSULT-III.
2. Check mirror sensor (driver side) signal under the following condition.

Monitor item	Condition	Value
MIR/SEN LH U-D	Close to peak	3.4V
	Close to valley	0.6V
MIR/SEN LH R-L	Close to right edge	3.4V
	Close to left edge	0.6V

Is the indication normal?

YES >> Inspection End.

NO >> Perform diagnosis procedure. Refer to [ADP-83, "DRIVER SIDE : Diagnosis Procedure"](#).

DRIVER SIDE : Diagnosis Procedure

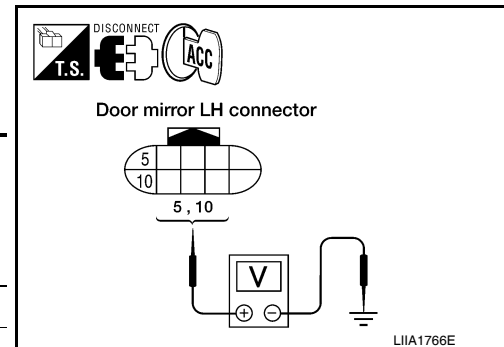
INFOID:000000005256711

Regarding Wiring Diagram information, refer to [ADP-126, "Wiring Diagram"](#).

1. CHECK DOOR MIRROR LH SENSOR SIGNAL

1. Turn ignition switch to ACC.
2. Check voltage between door mirror LH harness connector and ground.

Terminals		(-)	Condition	Voltage (V) (Approx.)	
(+)	Terminal				
Door mirror LH connector	10	Ground	Door mirror LH	Close to peak	3.4
	D18			5	Close to valley
Close to right edge					3.4
				Close to left edge	0.6



Is the inspection result normal?

YES >> GO TO 5

NO >> GO TO 2

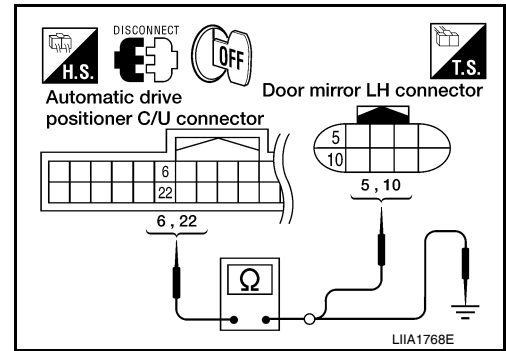
2. CHECK DOOR MIRROR LH SENSOR CIRCUIT 1

MIRROR SENSOR

< COMPONENT DIAGNOSIS >

1. Turn ignition switch OFF.
2. Disconnect automatic drive positioner control unit and door mirror LH.
3. Check continuity between automatic drive positioner control unit harness connector and door mirror LH harness connector.

Automatic drive positioner control unit connector	Terminal	Door mirror LH connector	Terminal	Continuity
M33	6	D18	10	Yes
	22		5	



4. Check continuity between automatic drive positioner control unit harness connector and ground.

Automatic drive positioner control unit connector	Terminal	Ground	Continuity
M33	6	Ground	No
	22		

Is the inspection result normal?

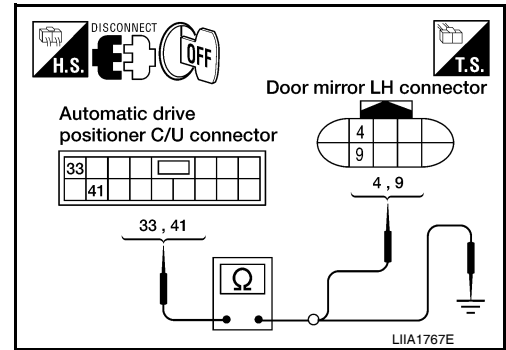
YES >> GO TO 3

NO >> Repair or replace harness.

3. CHECK DOOR MIRROR LH SENSOR CIRCUIT 2

1. Check continuity between automatic drive positioner control unit harness connector and door mirror LH harness connector.

Automatic drive positioner control unit connector	Terminal	Door mirror LH connector	Terminal	Continuity
M34	33	D18	4	Yes
	41		9	



2. Check continuity between automatic drive positioner control unit harness connector and ground.

Automatic drive positioner control unit connector	Terminal	Ground	Continuity
M34	33	Ground	No
	41		

Is the inspection result normal?

YES >> GO TO 4

NO >> Repair or replace harness.

4. CHECK PEDAL ADJUSTING OPERATION

1. Connect driver seat control unit connector and door mirror LH connector.
2. Turn ignition switch ON.
3. Check pedal adjusting operation with memory function.

Is the operation normal?

YES >> Replace door mirror actuator LH. Refer to [MIR-17, "Mirror Actuator"](#).

NO >> Replace automatic drive positioner control unit. Refer to [ADP-162, "Removal and Installation"](#).

5. CHECK INTERMITTENT INCIDENT

Refer to [GI-37, "Intermittent Incident"](#).

Is the inspection result normal?

YES >> Replace automatic drive positioner control unit. Refer to [ADP-162, "Removal and Installation"](#).

NO >> Repair or replace the malfunctioning part.

MIRROR SENSOR

< COMPONENT DIAGNOSIS >

PASSENGER SIDE

PASSENGER SIDE : Description

INFOID:000000005256712

- The mirror sensor RH is installed to the door mirror RH.
- The resistance of 2 sensors (horizontal and vertical) is changed when the door mirror RH is operated.
- Automatic drive positioner control unit calculates the door mirror position according to the change of the voltage of 2 sensor input terminals.

PASSENGER SIDE : Component Function Check

INFOID:000000005256713

1. CHECK FUNCTION

1. Select "MIR/SEN RH U-D", "MIR/SEN RH R-L" in "Data monitor" with CONSULT-III.
2. Check the mirror sensor RH signal under the following conditions.

Monitor item	Condition	Value
MIR/SEN RH U-D	Close to peak	3.4V
	Close to valley	0.6V
MIR/SEN RH R-L	Close to right edge	3.4V
	Close to left edge	0.6V

Is the indication normal?

YES >> Inspection End.

NO >> Perform diagnosis procedure. Refer to [ADP-85, "PASSENGER SIDE : Diagnosis Procedure"](#).

PASSENGER SIDE : Diagnosis Procedure

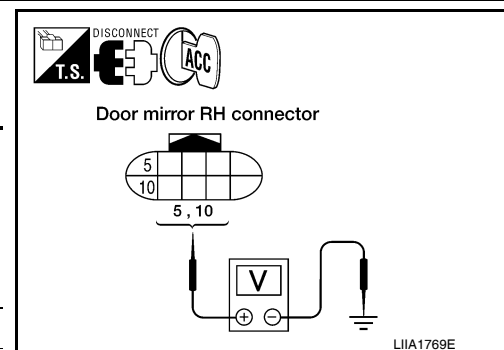
INFOID:000000005256714

Regarding Wiring Diagram information, refer to [ADP-126, "Wiring Diagram"](#).

1. CHECK DOOR MIRROR RH SENSOR SIGNAL

1. Turn ignition switch to ACC.
2. Check voltage between door mirror RH harness connector and ground.

Terminals		(-)	Condition	Voltage (V) (Approx.)
(+)	Terminal			
Door mirror RH connector		Ground	Door mirror RH	Close to peak 3.4
	10		Close to valley 0.6	
	5		Close to right edge 3.4	
D118			Close to left edge 0.6	



Is the inspection result normal?

YES >> GO TO 5

NO >> GO TO 2

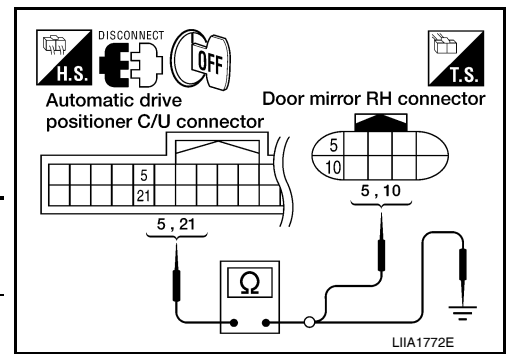
2. CHECK DOOR MIRROR RH SENSOR HARNESS CONTINUITY

MIRROR SENSOR

< COMPONENT DIAGNOSIS >

1. Turn ignition switch OFF.
2. Disconnect automatic drive positioner control unit and door mirror RH.
3. Check continuity between automatic drive positioner control unit harness connector and door mirror RH harness connector.

Automatic drive positioner control unit connector	Terminal	Door mirror RH connector	Terminal	Continuity
M33	5	D118	10	Yes
	21		5	



4. Check continuity between automatic drive positioner control unit harness connector and ground.

Automatic drive positioner control unit connector	Terminal	Ground	Continuity
M33	5	Ground	No
	21		

Is the inspection result normal?

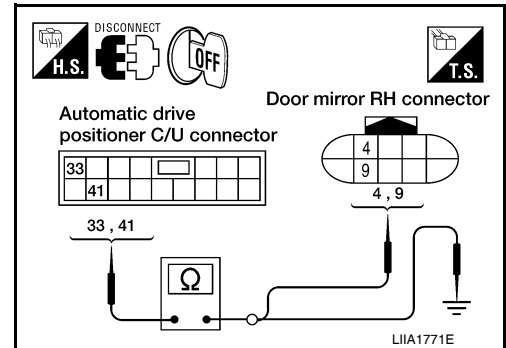
YES >> GO TO 3

NO >> Repair or replace harness.

3. CHECK DOOR MIRROR RH SENSOR POWER SUPPLY CIRCUIT

1. Check continuity between automatic drive positioner control unit harness connector and door mirror RH harness connector.

Automatic drive positioner control unit connector	Terminal	Door mirror RH connector	Terminal	Continuity
M34	33	D118	4	Yes
	41		9	



2. Check continuity between automatic drive positioner control unit harness connector and ground.

Automatic drive positioner control unit connector	Terminal	Ground	Continuity
M34	33	Ground	No
	41		

Is the inspection result normal?

YES >> GO TO 4

NO >> Repair or replace harness.

4. CHECK PEDAL ADJUSTING OPERATION

1. Connect driver seat control unit connector and door mirror RH connector.
2. Turn ignition switch ON.
3. Check pedal adjusting operation with memory function.

Is the operation normal?

YES >> Replace door mirror actuator RH. Refer to [MIR-17, "Mirror Actuator"](#).

NO >> Replace automatic drive positioner control unit. Refer to [ADP-162, "Removal and Installation"](#).

5. CHECK INTERMITTENT INCIDENT

Refer to [GI-37, "Intermittent Incident"](#).

Is the inspection result normal?

YES >> Replace automatic drive positioner control unit. Refer to [ADP-162, "Removal and Installation"](#).

NO >> Repair or replace the malfunctioning part.

SLIDING MOTOR

< COMPONENT DIAGNOSIS >

SLIDING MOTOR

Description

INFOID:000000005256715

- The sliding motor LH is installed to the seat frame assembly.
- The sliding motor LH is installed with the driver seat control unit.
- The seat is slid forward/backward by changing the rotation direction of sliding motor LH.

Component Function Check

INFOID:000000005256716

1. CHECK FUNCTION

1. Select "SEAT SLIDE" in "Active test" mode with CONSULT-III.
2. Check the sliding motor LH operation.

Test Item		Description	
SEAT SLIDE	OFF	Seat sliding	Stop
	FR		Forward
	RR		Backward

Is the operation of relevant parts normal?

- YES >> Inspection End.
 NO >> Perform diagnosis procedure. Refer to [ADP-87, "Diagnosis Procedure"](#).

Diagnosis Procedure

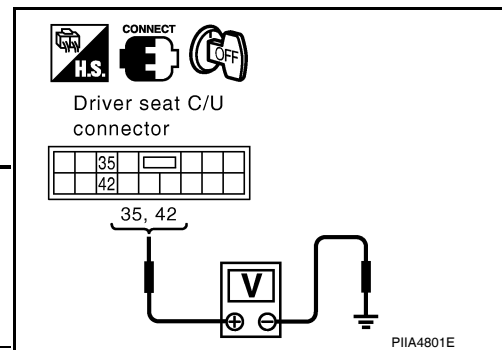
INFOID:000000005256717

Regarding Wiring Diagram information, refer to [ADP-107, "Wiring Diagram"](#).

1. CHECK SLIDING MOTOR LH POWER SUPPLY

1. Turn the ignition switch to ACC.
2. Perform "Active test" ("SEAT SLIDE") with CONSULT-III
3. Check voltage between driver seat control unit harness connector and ground.

Terminal (+)		Terminal (-)	Test Item	Voltage (V) (Approx.)
Driver seat control unit connector	Terminal			
B203	35	Ground	SEAT SLIDE OFF	0
			SEAT SLIDE FR (forward)	Battery voltage
			SEAT SLIDE RR (backward)	0
	42		SEAT SLIDE OFF	0
			SEAT SLIDE FR (forward)	0
			SEAT SLIDE RR (backward)	Battery voltage



Is the inspection result normal?

- YES >> Replace sliding motor LH. Refer to [SE-25, "Exploded View"](#).
 NO >> GO TO 2

2. CHECK SLIDING MOTOR LH CIRCUIT

SLIDING MOTOR

< COMPONENT DIAGNOSIS >

1. Turn ignition switch OFF.
2. Disconnect driver seat control unit and sliding motor LH.
3. Check continuity between driver seat control unit harness connector and sliding motor LH harness connector.

Driver seat control unit connector	Terminal	Sliding motor LH connector	Terminal	Continuity
B203 (A)	35	B204 (B)	5	Yes
	42		1	

4. Check continuity between driver seat control unit harness connector and ground.

Driver seat control unit connector	Terminal	Ground	Continuity
B203 (A)	35		No
	42		

Is the inspection result normal?

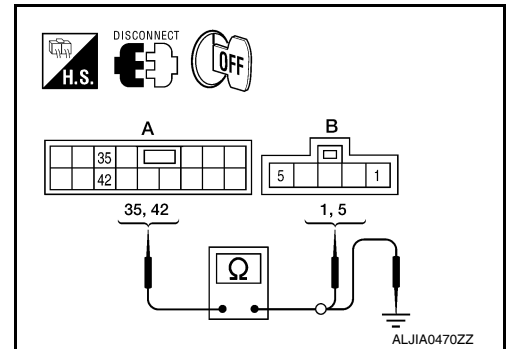
- YES >> GO TO 3
 NO >> Repair or replace harness.

3. CHECK INTERMITTENT INCIDENT

Refer to [GI-37. "Intermittent Incident"](#).

Is the inspection result normal?

- YES >> Replace driver seat control unit. Refer to [SE-25. "Exploded View"](#).
 NO >> Repair or replace the malfunctioning part.



RECLINING MOTOR

< COMPONENT DIAGNOSIS >

RECLINING MOTOR

Description

INFOID:000000005256718

- The reclining motor LH is installed to the seat back frame.
- The reclining motor LH is activated with the driver seat control unit.
- The seatback is reclined forward/backward by changing the rotation direction of reclining motor LH.

Component Function Check

INFOID:000000005256719

1. CHECK FUNCTION

1. Select "SEAT RECLINING" in "Active test" mode with CONSULT-III.
2. Check the reclining motor LH operation.

Test Item		Description	
SEAT RECLINING	OFF	Seat reclining	Stop
	FR		Forward
	RR		Backward

Is the operation of relevant parts normal?

- YES >> Inspection End.
 NO >> Perform diagnosis procedure. Refer to [ADP-89, "Diagnosis Procedure"](#).

Diagnosis Procedure

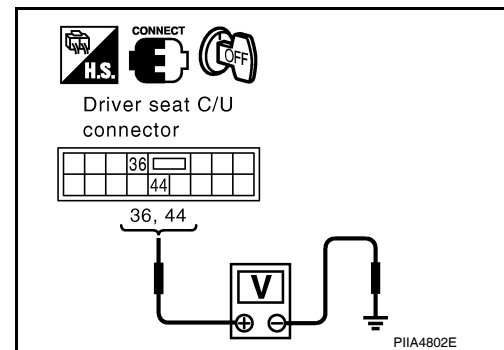
INFOID:000000005256720

Regarding Wiring Diagram information, refer to [ADP-107, "Wiring Diagram"](#).

1. CHECK RECLINING MOTOR LH POWER SUPPLY

1. Turn the ignition switch to ACC.
2. Perform "Active test" ("SEAT RECLINING") with CONSULT-III
3. Check voltage between driver seat control unit harness connector and ground.

Terminal (+)		Terminal (-)	Test Item	Voltage (V) (Approx.)	
Driver seat control unit connector	Terminal				
B203	36	Ground	SEAT RECLINING	OFF	0
			FR (forward)	Battery voltage	
	RR (backward)		0		
	44		OFF	0	
			FR (forward)	0	
			RR (backward)	Battery voltage	



Is the inspection result normal?

- YES >> Replace reclining motor LH. Refer to [SE-25, "Exploded View"](#).
 NO >> GO TO 2

2. CHECK RECLINING MOTOR LH CIRCUIT

RECLINING MOTOR

< COMPONENT DIAGNOSIS >

1. Turn ignition switch OFF.
2. Disconnect driver seat control unit and reclining motor LH.
3. Check continuity between driver seat control unit harness connector and reclining motor harness connector.

Driver seat control unit connector	Terminal	Reclining motor LH connector	Terminal	Continuity
B203 (A)	36	B232 (B)	2	Yes
	44		3	

4. Check continuity between driver seat control unit harness connector and ground.

Driver seat control unit connector	Terminal	Ground	Continuity
B203 (A)	36		No
	44		

Is the inspection result normal?

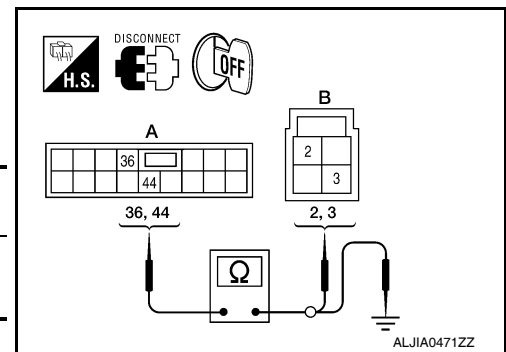
- YES >> GO TO 3
 NO >> Repair or replace harness.

3. CHECK INTERMITTENT INCIDENT

Refer to [GI-37. "Intermittent Incident"](#).

Is the inspection result normal?

- YES >> Replace driver seat control unit. Refer to [SE-25. "Exploded View"](#).
 NO >> Repair or replace the malfunctioning part.



LIFTING MOTOR (FRONT)

< COMPONENT DIAGNOSIS >

LIFTING MOTOR (FRONT)

Description

INFOID:000000005256721

- The lifting motor (front) is installed to the seat frame assembly.
- The lifting motor (front) is activated with the driver seat control unit.
- The lifter (front) is moved upward/downward by changing the rotation direction of lifting motor (front).

Component Function Check

INFOID:000000005256722

1. CHECK FUNCTION

1. Select "SEAT LIFTER FR" in "Active test" mode with CONSULT-III.
2. Check the lifting motor (front) operation.

Test Item		Description	
SEAT LIFTER FR	OFF	Seat lifting (front)	Stop
	UP		Upward
	DWN		Downward

Is the operation of relevant parts normal?

- YES >> Inspection End.
 NO >> Perform diagnosis procedure. Refer to [ADP-91, "Diagnosis Procedure"](#).

Diagnosis Procedure

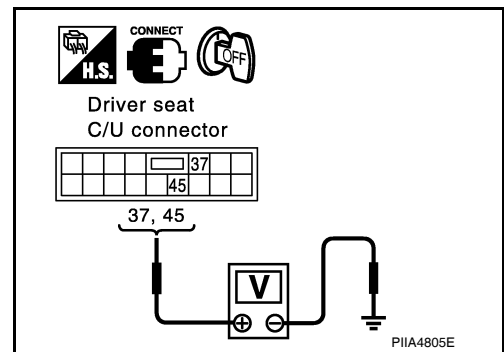
INFOID:000000005256723

Regarding Wiring Diagram information, refer to [ADP-107, "Wiring Diagram"](#).

1. CHECK LIFTING MOTOR (FRONT) POWER SUPPLY

1. Turn the ignition switch to ACC.
2. Perform "Active test" ("SEAT LIFTER FR") with CONSULT-III.
3. Check voltage between driver seat control unit harness connector and ground.

Terminal (+)		Terminal (-)	Test Item	Voltage (V) (Approx.)
Driver seat control unit connector	Terminal			
B203	37	Ground	SEAT LIFTER FR OFF	0
			SEAT LIFTER FR UP	0
			SEAT LIFTER FR DWN (down)	Battery voltage
	45		SEAT LIFTER FR OFF	0
			SEAT LIFTER FR UP	Battery voltage
			SEAT LIFTER FR DWN (down)	0



Is the inspection result normal?

- YES >> Replace lifting motor (front). Refer to [SE-25, "Exploded View"](#).
 NO >> GO TO 2

2. CHECK LIFTING MOTOR (FRONT) CIRCUIT

LIFTING MOTOR (FRONT)

< COMPONENT DIAGNOSIS >

1. Turn ignition switch OFF.
2. Disconnect driver seat control unit and lifting motor (front).
3. Check continuity between driver seat control unit harness connector and lifting motor (front) harness connector.

Driver seat control unit connector	Terminal	Lifting motor (front) connector	Terminal	Continuity
B203 (A)	37	B206 (B)	1	Yes
	45		5	

4. Check continuity between driver seat control unit harness connector and ground.

Driver seat control unit connector	Terminal	Ground	Continuity
B203 (A)	37		No
	45		

Is the inspection result normal?

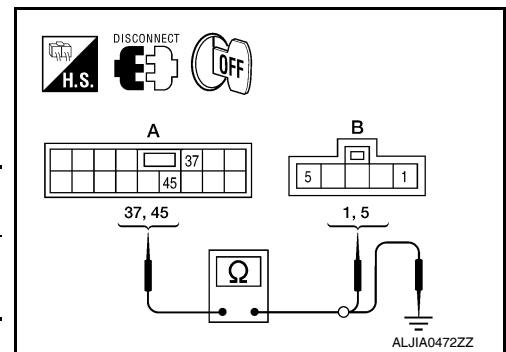
- YES >> GO TO 3
 NO >> Repair or replace harness.

3. CHECK INTERMITTENT INCIDENT

Refer to [GI-37. "Intermittent Incident"](#).

Is the inspection result normal?

- YES >> Replace driver seat control unit. Refer to [SE-25. "Exploded View"](#).
 NO >> Repair or replace the malfunctioning part.



LIFTING MOTOR (REAR)

< COMPONENT DIAGNOSIS >

LIFTING MOTOR (REAR)

Description

INFOID:000000005256724

- The lifting motor (rear) is installed to the seat frame assembly.
- The lifting motor (rear) is activated with the driver seat control unit.
- The seat lifter (rear) is moved upward/downward by changing the rotation direction of lifting motor (rear).

Component Function Check

INFOID:000000005256725

1. CHECK FUNCTION

1. Select "SEAT LIFTER RR" in "Active test" mode with CONSULT-III.
2. Check the lifting motor (rear) operation.

Test Item		Description	
SEAT LIFTER RR	OFF	Seat lifting (rear)	Stop
	UP		Upward
	DWN		Downward

Is the operation of relevant parts normal?

- YES >> Inspection End.
 NO >> Perform diagnosis procedure. Refer to [ADP-93, "Diagnosis Procedure"](#).

Diagnosis Procedure

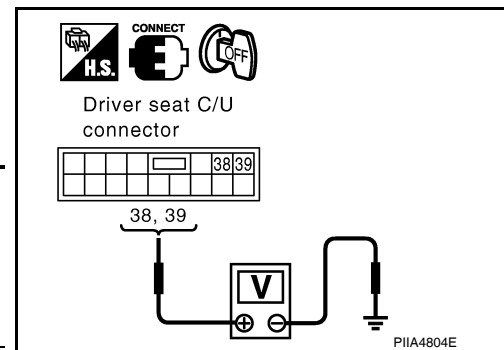
INFOID:000000005256726

Regarding Wiring Diagram information, refer to [ADP-107, "Wiring Diagram"](#).

1. CHECK LIFTING MOTOR (REAR) POWER SUPPLY

1. Turn the ignition switch OFF.
2. Perform "Active test" ("SEAT LIFTER RR") with CONSULT-III
3. Check voltage between driver seat control unit harness connector and ground.

Terminal (+)		Terminal (-)	Test Item	Voltage (V) (Approx.)
Driver seat control unit connector	Terminal			
B203	38	Ground	SEAT LIFTER RR OFF	0
			SEAT LIFTER RR UP	Battery voltage
			SEAT LIFTER RR DWN (down)	0
	39		SEAT LIFTER RR OFF	0
			SEAT LIFTER RR UP	0
			SEAT LIFTER RR DWN (down)	Battery voltage



Is the inspection result normal?

- YES >> Replace lifting motor (rear). Refer to [SE-25, "Exploded View"](#).
 NO >> GO TO 2

2. CHECK LIFTING MOTOR (REAR) CIRCUIT

LIFTING MOTOR (REAR)

< COMPONENT DIAGNOSIS >

1. Disconnect driver seat control unit and lifting motor (rear).
2. Check continuity between driver seat control unit harness connector and lifting motor (rear) harness connector.

Driver seat control unit connector	Terminal	Lifting motor (rear) connector	Terminal	Continuity
B203 (A)	38	B207 (B)	5	Yes
	39		1	

3. Check continuity between driver seat control unit harness connector and ground.

Driver seat control unit connector	Terminal	Ground	Continuity
B203 (A)	38	Ground	No
	39		

Is the inspection result normal?

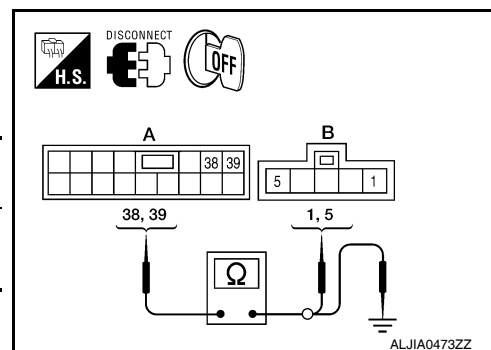
- YES >> GO TO 3
 NO >> Repair or replace harness.

3. CHECK INTERMITTENT INCIDENT

Refer to [GI-37. "Intermittent Incident"](#).

Is the inspection result normal?

- YES >> Replace driver seat control unit. Refer to [SE-25. "Exploded View"](#).
 NO >> Repair or replace the malfunctioning part.



PEDAL ADJUSTING MOTOR

< COMPONENT DIAGNOSIS >

PEDAL ADJUSTING MOTOR

Description

INFOID:000000005256727

- The pedal adjusting motor is installed to the pedal adjusting motor assembly.
- The pedal adjusting motor is activated with the automatic drive positioner control unit.
- The pedal assembly is adjusted forward/backward by changing the rotation direction of pedal adjusting motor.

Component Function Check

INFOID:000000005256728

1. CHECK FUNCTION

1. Select "PEDAL MOTOR" in "Active test" mode with CONSULT-III.
2. Check the pedal adjusting motor operation.

Test item		Description	
PEDAL MOTOR	OFF	Pedal adjusting motor	Stop
	FR		Forward
	RR		Backward

Is the operation of relevant parts normal?

- YES >> Inspection End.
 NO >> Perform diagnosis procedure. Refer to [ADP-95, "Diagnosis Procedure"](#).

Diagnosis Procedure

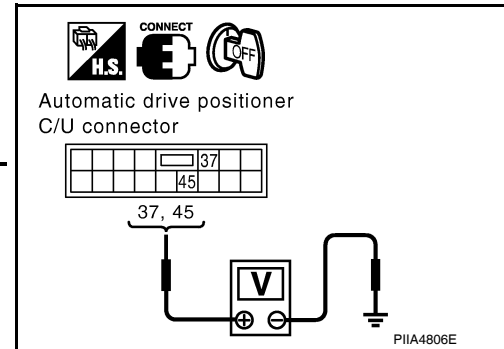
INFOID:000000005256729

Regarding Wiring Diagram information, refer to [ADP-126, "Wiring Diagram"](#).

1. CHECK PEDAL ADJUSTING MOTOR POWER SUPPLY

1. Turn the ignition switch OFF.
2. Perform "Active test" ("PEDAL MOTOR") with CONSULT-III.
3. Check voltage between automatic drive positioner control unit harness connector and ground.

Terminal (+)		Terminal (-)	Test Item	Voltage (V) (Approx.)
Automatic drive positioner control unit connector	Terminal			
M34	37	Ground	OFF	0
			RR (backward)	0
			FR (forward)	Battery voltage
	45		OFF	0
			RR (backward)	Battery voltage
			FR (forward)	0



Is the inspection result normal?

- YES >> Replace pedal adjusting motor assembly. Refer to [BR-23, "Removal and Installation"](#).
 NO >> GO TO 2

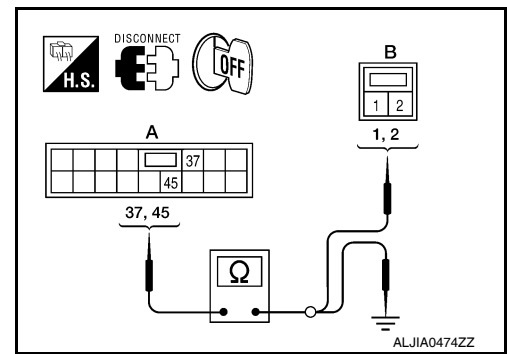
2. CHECK PEDAL ADJUSTING MOTOR CIRCUIT

PEDAL ADJUSTING MOTOR

< COMPONENT DIAGNOSIS >

1. Disconnect automatic drive positioner control unit and pedal adjusting motor assembly.
2. Check continuity between automatic drive positioner control unit harness connector and pedal adjusting motor harness connector.

Automatic drive positioner control unit connector	Terminal	Pedal adjusting motor assembly connector	Terminal	Continuity
M34 (A)	37	E109 (B)	2	Yes
	45		1	



3. Check continuity between automatic drive positioner control unit harness connector and ground.

Automatic drive positioner control unit connector	Terminal	Ground	Continuity
M34 (A)	37	Ground	No
	45		

Is the inspection result normal?

- YES >> GO TO 3
 NO >> Repair or replace harness.

3. CHECK INTERMITTENT INCIDENT

Refer to [GI-37, "Intermittent Incident"](#).

Is the inspection result normal?

- YES >> Replace automatic drive positioner control unit. Refer to [ADP-162, "Removal and Installation"](#).
 NO >> Repair or replace the malfunctioning part.

DOOR MIRROR MOTOR

< COMPONENT DIAGNOSIS >

DOOR MIRROR MOTOR

Description

INFOID:000000005256730

It makes mirror face operate from side to side and up and down with the electric power that automatic drive positioner control unit supplies.

Component Function Check

INFOID:000000005256731

1. CHECK DOOR MIRROR MOTOR FUNCTION

Check the operation with "MIRROR MOTOR RH" and "MIRROR MOTOR LH" in "ACTIVE TEST" mode with CONSULT-III

Refer to [ADP-26, "CONSULT-III Function"](#).

Is the inspection result normal?

YES >> Door mirror motor function is OK.

NO >> Refer to [ADP-97, "Diagnosis Procedure"](#).

Diagnosis Procedure

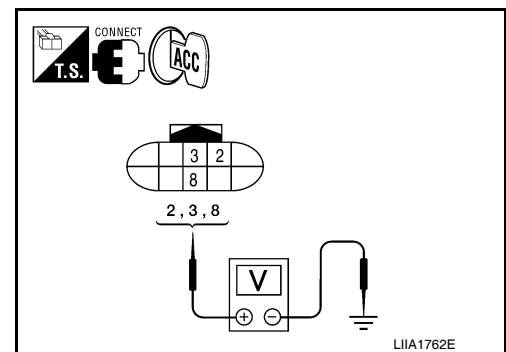
INFOID:000000005256732

Regarding Wiring Diagram information, refer to [ADP-126, "Wiring Diagram"](#).

1. CHECK DOOR MIRROR MOTOR INPUT SIGNAL

1. Turn ignition switch ON.
2. Check voltage between door mirror connector and ground.

Terminals		Door mirror remote control switch condition	Voltage (V) (Approx.)
(+)	(-)		
Door mirror connector	Terminal		
D18 (LH) D118 (RH)	3	UP	Battery voltage
		Other than above	0
	2	LEFT	Battery voltage
		Other than above	0
	8	DOWN / RIGHT	Battery voltage
		Other than above	0



Is the inspection result normal?

YES >> Refer to [ADP-99, "Component Inspection"](#).

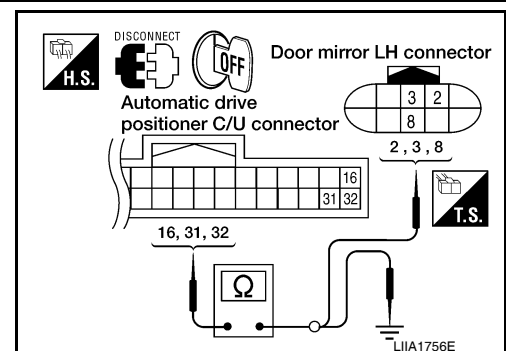
NO >> GO TO 2

2. CHECK HARNESS CONTINUITY

1. Turn ignition switch OFF.
2. Disconnect automatic drive positioner control unit connector and door mirror.
3. Check continuity between automatic drive positioner control unit connector and door mirror connector.

Door mirror LH

Automatic drive positioner control unit connector	Terminal	Door mirror LH connector	Terminal	Continuity
M33	16	D18	8	Yes
	31		3	
	32		2	



DOOR MIRROR MOTOR

< COMPONENT DIAGNOSIS >

Door mirror RH

Automatic drive positioner control unit connector	Terminal	Door mirror RH connector	Terminal	Continuity
M33	14	D118	3	Yes
	15		2	
	30		8	

4. Check continuity between automatic drive positioner control unit connector and ground.

Door mirror LH

Automatic drive positioner control unit connector	Terminal	Ground	Continuity
M33	16	Ground	No
	31		
	32		

Door mirror RH

Automatic drive positioner control unit connector	Terminal	Ground	Continuity
M33	14	Ground	No
	15		
	30		

Is the inspection result normal?

YES >> GO TO 3

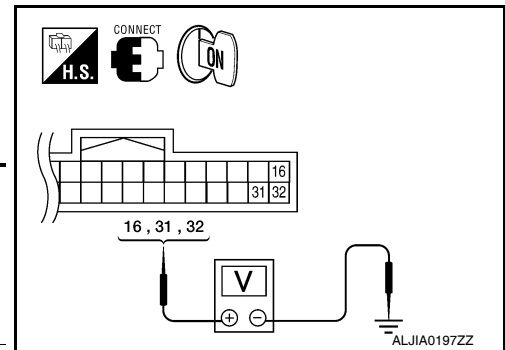
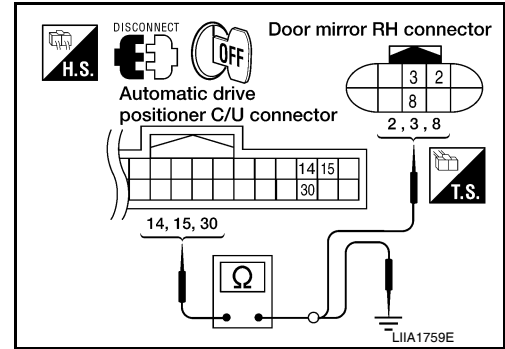
NO >> Repair or replace harness.

3. CHECK AUTOMATIC DRIVE POSITIONER CONTROL UNIT OUTPUT SIGNAL

1. Connect automatic drive positioner control unit.
2. Turn ignition switch ON.
3. Check voltage between automatic drive positioner control unit connector and ground.

Door mirror LH

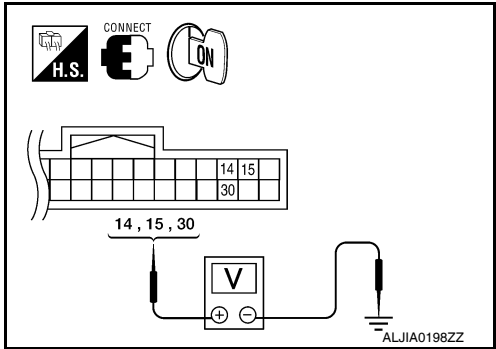
Terminals		Mirror switch condition	Voltage (V) (Approx.)
(+)	(-)		
Automatic drive positioner control unit connector	Terminal		
M33	16	DOWN / RIGHT	Battery voltage
		Other than above	0
	31	UP	Battery voltage
		Other than above	0
	32	LEFT	Battery voltage
		Other than above	0



DOOR MIRROR MOTOR

< COMPONENT DIAGNOSIS >

Door mirror RH				
Terminals		(-)	Mirror switch condition	Voltage (V) (Approx.)
(+)	Terminal			
Automatic drive positioner control unit connector M33	14	Ground	UP	Battery voltage
			Other than above	0
	15		LEFT	Battery voltage
			Other than above	0
	30		DOWN / RIGHT	Battery voltage
			Other than above	0



Is the inspection result normal?

YES >> GO TO 4

NO >> Replace automatic drive positioner control unit. Refer to [ADP-162, "Removal and Installation"](#).

4. CHECK DOOR MIRROR MOTOR

Check door mirror motor.

Refer to [ADP-99, "Component Inspection"](#).

Is the inspection result normal?

YES >> Refer to [GI-37, "Intermittent Incident"](#).

NO >> Replace door mirror actuator. Refer to [MIR-17, "Mirror Actuator"](#).

Component Inspection

INFOID:000000005256733

1. CHECK DOOR MIRROR MOTOR-I

Check that door mirror motor does not trap foreign objects and does not have any damage.

Refer to [MIR-17, "Mirror Actuator"](#).

Is the inspection result normal?

YES >> GO TO 2

NO >> Replace door mirror actuator. Refer to [MIR-17, "Mirror Actuator"](#).

2. CHECK DOOR MIRROR MOTOR-II

1. Turn ignition switch OFF.
2. Disconnect door mirror.
3. Apply 12V to each power supply terminal of door mirror motor.

Door mirror connector	Terminal		Operational direction
	(+)	(-)	
D18 (LH) D118 (RH)	8	2	RIGHT
	2	8	LEFT
	3	8	UP
	8	3	DOWN

Is the inspection result normal?

YES >> Inspection End.

NO >> Replace door mirror actuator. Refer to [MIR-17, "Mirror Actuator"](#).

SEAT MEMORY INDICATOR LAMP

< COMPONENT DIAGNOSIS >

SEAT MEMORY INDICATOR LAMP

Description

INFOID:000000005256734

- Memory switch is equipped on the seat memory switch installed to the driver side door trim. The operation signal is inputted to the automatic drive positioner control unit when the memory switch is operated.
- The status of automatic drive positioner system can be checked according to the illuminating/flashing status.

Component Function Check

INFOID:000000005256735

1. CHECK FUNCTION

1. Select "MEMORY SW INDCTR" in "Active test" mode with CONSULT-III.
2. Check the memory indicator operation.

Test item		Description	
MEMORY SW INDCTR	OFF	Memory switch indicator	OFF
	ON-1		Indicator 1: ON
	ON-2		Indicator 2: ON

Is the operation of relevant parts normal?

YES >> Inspection End.

NO >> Perform diagnosis procedure. Refer to [ADP-100. "Diagnosis Procedure"](#).

Diagnosis Procedure

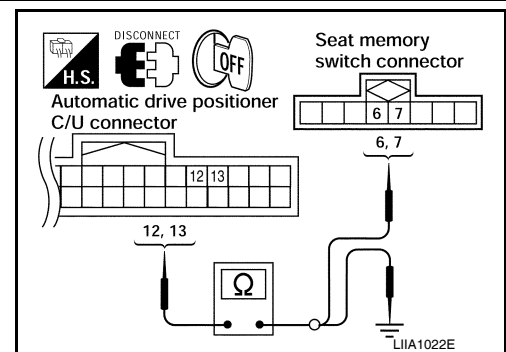
INFOID:000000005256736

Regarding Wiring Diagram information, refer to [ADP-126. "Wiring Diagram"](#).

1. CHECK SEAT MEMORY INDICATOR CIRCUIT

1. Turn ignition switch OFF.
2. Disconnect automatic drive positioner control unit and seat memory switch.
3. Check continuity between automatic drive positioner control unit harness connector and seat memory switch harness connector.

Automatic drive positioner control unit connector	Terminal	Seat memory switch connector	Terminal	Continuity
M33	12	D5	6	Yes
	13		7	



4. Check continuity between automatic drive positioner control unit harness connector and ground.

Automatic drive positioner connector	Terminal	Ground	Continuity
M33	12	Ground	No
	13		

Is the inspection result normal?

YES >> GO TO 2

NO >> Repair or replace harness.

2. CHECK MEMORY INDICATOR POWER SUPPLY

SEAT MEMORY INDICATOR LAMP

< COMPONENT DIAGNOSIS >

Check voltage between seat memory switch harness connector and ground.

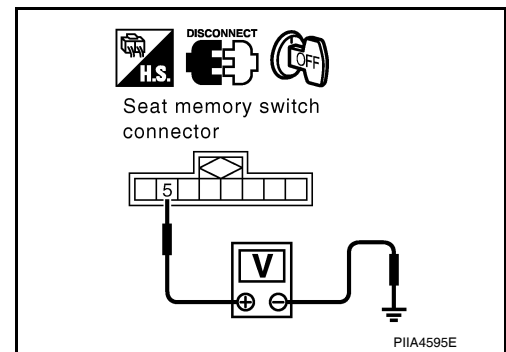
Seat memory switch connector	Terminals		Voltage (V) (Approx.)
	(+)	(-)	
D5	5	Ground	Battery voltage

Is the inspection result normal?

YES >> GO TO 3

NO >> Check the following.

- Fuse
- Harness for open or short between memory indicator and fuse.



3. CHECK MEMORY INDICATOR

Refer to [ADP-101, "Component Inspection"](#).

Is the inspection result normal?

YES >> GO TO 4

NO >> Replace seat memory switch. Refer to [INT-14, "Removal and Installation"](#).

4. CHECK INTERMITTENT INCIDENT

Refer to [GI-37, "Intermittent Incident"](#).

Is the inspection result normal?

YES >> Replace automatic drive positioner control unit. Refer to [ADP-162, "Removal and Installation"](#).

NO >> Repair or replace the malfunctioning part.

Component Inspection

INFOID:000000005256737

1. CHECK SEAT MEMORY INDICATOR

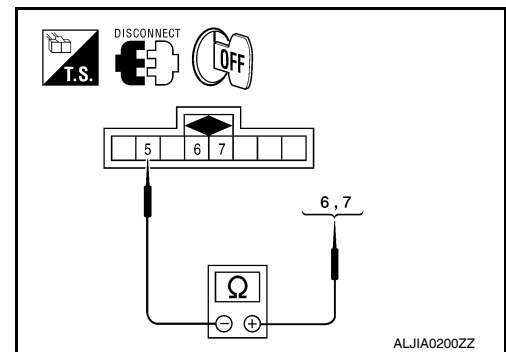
1. Disconnect seat memory switch.
2. Check continuity between seat memory switch terminals.

Terminal		Continuity
Seat memory switch		
(+)	(-)	
6	5	Yes
7		

Is the inspection result normal?

YES >> Inspection End.

NO >> Replace seat memory switch. Refer to [INT-14, "Removal and Installation"](#).



A
B
C
D
E
F
G
H
I
K
L
M
N
O
P

ADP

DRIVER SEAT CONTROL UNIT

< ECU DIAGNOSIS >

ECU DIAGNOSIS

DRIVER SEAT CONTROL UNIT

Reference Value

INFOID:000000005256738

VALUES ON THE DIAGNOSIS TOOL

CONSULT-III MONITOR ITEM

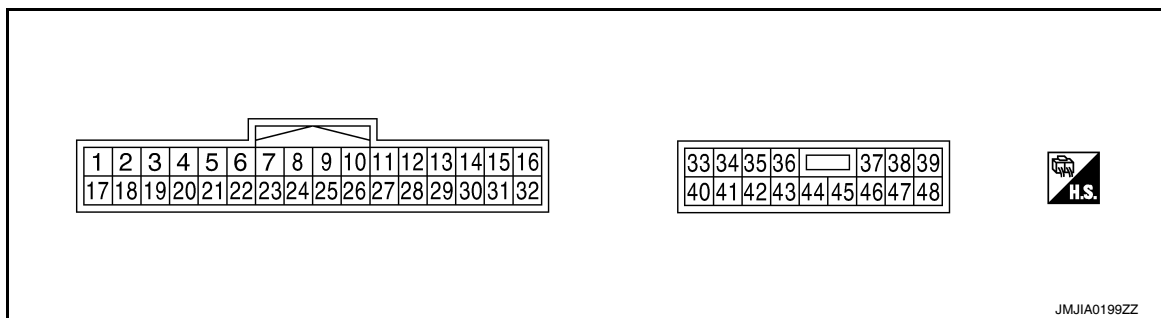
Monitor Item	Condition	Value/Status	
SET SW	Set switch	Push	ON
		Release	OFF
MEMORY SW1	Memory switch 1	Push	ON
		Release	OFF
MEMORY SW2	Memory switch 2	Push	ON
		Release	OFF
SLIDE SW-FR	Sliding switch (front)	Operate	ON
		Release	OFF
SLIDE SW-RR	Sliding switch (rear)	Operate	ON
		Release	OFF
RECLN SW-FR	Reclining switch (front)	Operate	ON
		Release	OFF
RECLN SW-RR	Reclining switch (rear)	Operate	ON
		Release	OFF
LIFT FR SW-UP	Lifting switch front (up)	Operate	ON
		Release	OFF
LIFT FR SW-DN	Lifting switch front (down)	Operate	ON
		Release	OFF
LIFT RR SW-UP	Lifting switch rear (up)	Operate	ON
		Release	OFF
LIFT RR SW-DN	Lifting switch rear (down)	Operate	ON
		Release	OFF
MIR CON SW-UP	Mirror switch	Up	ON
		Other than above	OFF
MIR CON SW-DN	Mirror switch	Down	ON
		Other than above	OFF
MIR CON SW-RH	Mirror switch	Right	ON
		Other than above	OFF
MIR CON SW-LH	Mirror switch	Left	ON
		Other than above	OFF
MIR CHNG SW-R	Changeover switch	Right	ON
		Other than above	OFF
MIR CHNG SW-L	Changeover switch	Left	ON
		Other than above	OFF
PEDAL SW-FR	Pedal adjusting switch	Forward	ON
		Other than above	OFF
PEDAL SW-RR	Pedal adjusting switch	Backward	ON
		Other than above	OFF

DRIVER SEAT CONTROL UNIT

< ECU DIAGNOSIS >

Monitor Item	Condition		Value/Status
P POSI SW	A/T selector lever	P position	OFF
		Other than above	ON
STARTER SW	Ignition position	Cranking	ON
		Other than above	OFF
SLIDE PULSE	Seat sliding	Forward	The numeral value decreases
		Backward	The numeral value increases
		Other than above	No change to numeral value
RECLN PULSE	Seat reclining	Forward	The numeral value decreases
		Backward	The numeral value increases
		Other than above	No change to numeral value
LIFT FR PULSE	Seat lifter (front)	Up	The numeral value decreases
		Down	The numeral value increases
		Other than above	No change to numeral value
LIFT RR PULSE	Seat lifter (rear)	Up	The numeral value decreases
		Down	The numeral value increases
		Other than above	No change to numeral value
MIR/SEN RH U-D	Door mirror (passenger side)	Close to peak	3.4
		Close to valley	0.6
MIR/SEN RH R-L	Door mirror (passenger side)	Close to left edge	3.4
		Close to right edge	0.6
MIR/SEN LH U-D	Door mirror (driver side)	Close to peak	3.4
		Close to valley	0.6
MIR/SEN LH R-L	Door mirror (driver side)	Close to left edge	0.6
		Close to right edge	3.4
PEDAL SEN	Pedal position	Forward	0.5
		Backward	4.5

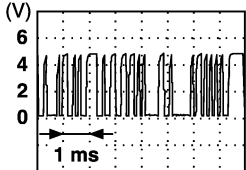
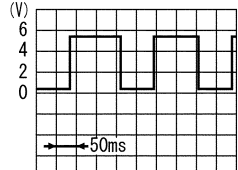
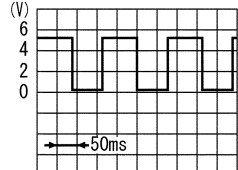
TERMINAL LAYOUT



PHYSICAL VALUES

DRIVER SEAT CONTROL UNIT

< ECU DIAGNOSIS >

Terminal No.		Wire color	Description		Condition	Voltage (V) (Approx)
+	-		Signal name	Input/Output		
1	Ground	R	UART LINE (RX)	Input	Ignition switch ON	 PIIA4813E
3	—	L	CAN-H	—	—	—
6	Ground	BR/W	Ignition switch (START)	Input	Ignition switch	OFF 0
					START	Battery voltage
9	Ground	L	Reclining sensor signal	Input	Seat reclining	 SIIA0692J
					Operate	0 or 5
10	Ground	L/Y	Lifting sensor (rear) signal	Input	Seat lifting (rear)	 SIIA0693J
					Operate	0 or 5
11	Ground	R/B	Sliding switch backward signal	Input	Sliding switch	Operate (backward) 0
					Release	Battery voltage
12	Ground	O/B	Reclining switch backward signal	Input	Reclining switch	Operate (backward) 0
					Release	Battery voltage
13	Ground	L/B	Lifting switch (front) down signal	Input	Lifting switch (front)	Operate (down) 0
					Release	Battery voltage
14	Ground	G/W	Lifting switch (rear) down signal	Input	Lifting switch (rear)	Operate (down) 0
					Release	Battery voltage
15	Ground	L	Pedal switch backward signal	Input	Pedal switch	Operate (backward) 0
					Release	Battery voltage
16	Ground	L	Sensor power supply	Output	—	5

DRIVER SEAT CONTROL UNIT

< ECU DIAGNOSIS >

Terminal No.		Wire color	Description		Condition	Voltage (V) (Approx)
+	-		Signal name	Input/ Output		
17	Ground	R/W	UART LINE (TX)	Output	Ignition switch ON	 PIIA4814E
19	—	P	CAN-L	—	—	—
21	Ground	L	A/T shift selector (park position switch)	Input	A/T selector lever	P position 0
						Except P position Battery voltage
24	Ground	Y/G	Sliding sensor signal	Input	Seat sliding	 PIIA3277E
						Operate
25	Ground	R/L	Lifting sensor (front) signal	Input	Seat lifting (front)	 SIIA0691J
						Operate
26	Ground	P/B	Sliding switch forward signal	Input	Sliding switch	Operate (forward) 0
						Release
27	Ground	G/B	Reclining switch forward signal	Input	Reclining switch	Operate (forward) 0
						Release
28	Ground	Y/B	Lifting switch (front) up signal	Input	Seat lifting switch (front)	Operate (up) 0
						Release
29	Ground	R/W	Lifting switch (rear) up signal	Input	Seat lifting switch (rear)	Operate (up) 0
						Release
30	Ground	L/W	Pedal switch forward signal	Input	Pedal switch	Operate (forward) 0
						Release
31	Ground	Y	Sensor ground	—	—	0
32	Ground	B	Ground (signal)	—	—	0
33	Ground	W/L	Battery power source (C/B)	Input	—	Battery voltage

A
B
C
D
E
F
G
H
I
K
L
M
N
O
P

ADP

DRIVER SEAT CONTROL UNIT

< ECU DIAGNOSIS >

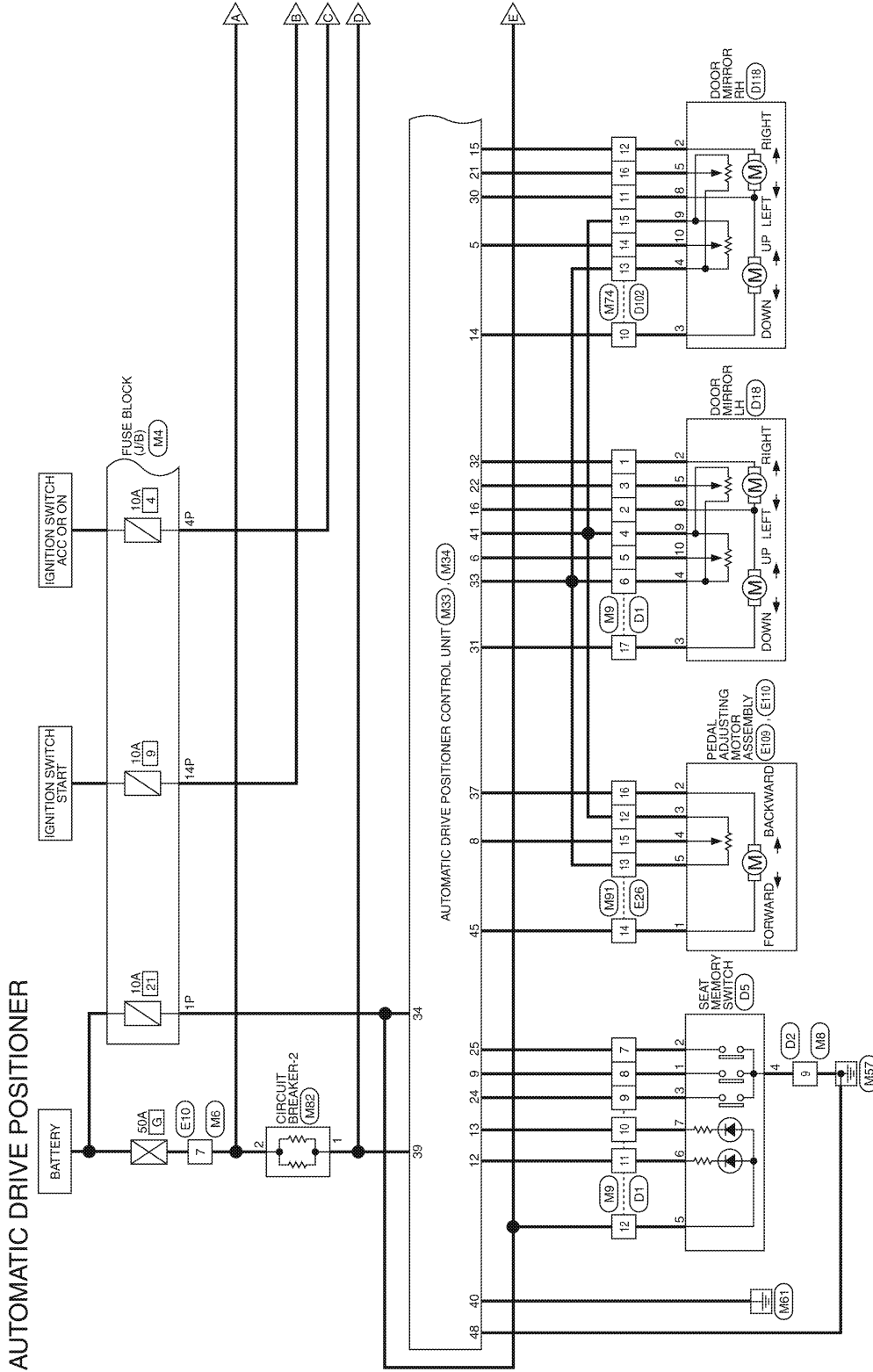
Terminal No.		Wire color	Description		Condition	Voltage (V) (Approx)
+	-		Signal name	Input/ Output		
35	Ground	R	Sliding motor forward output signal	Output	Seat sliding	Operate (forward) Battery voltage
					Release	0
36	Ground	R/W	Reclining motor forward output signal	Output	Seat reclining	Operate (forward) Battery voltage
					Release	0
37	Ground	B	Lifting motor (front) down output signal	Output	Seat lifting (front)	Operate (down) Battery voltage
					Stop	0
38	Ground	L	Lifting motor (rear) up output signal	Output	Seat lifting (rear)	Operate (up) Battery voltage
					Stop	0
39	Ground	L/W	Lifting motor (rear) down output signal	Output	Seat lifting (rear)	Operate (down) Battery voltage
					Stop	0
40	Ground	Y/R	Power source (Fuse)	Input	—	Battery voltage
42	Ground	G	Sliding motor backward output signal	Output	Seat sliding	Operate (backward) Battery voltage
					Stop	0
44	Ground	G/W	Reclining motor backward output signal	Output	Seat reclining	Operate (backward) Battery voltage
					Stop	0
45	Ground	Y	Lifting motor (front) up output signal	Output	Seat lifting (front)	Operate (up) Battery voltage
					Stop	0
48	Ground	B	Ground (power)	—	—	0

DRIVER SEAT CONTROL UNIT

< ECU DIAGNOSIS >

Wiring Diagram

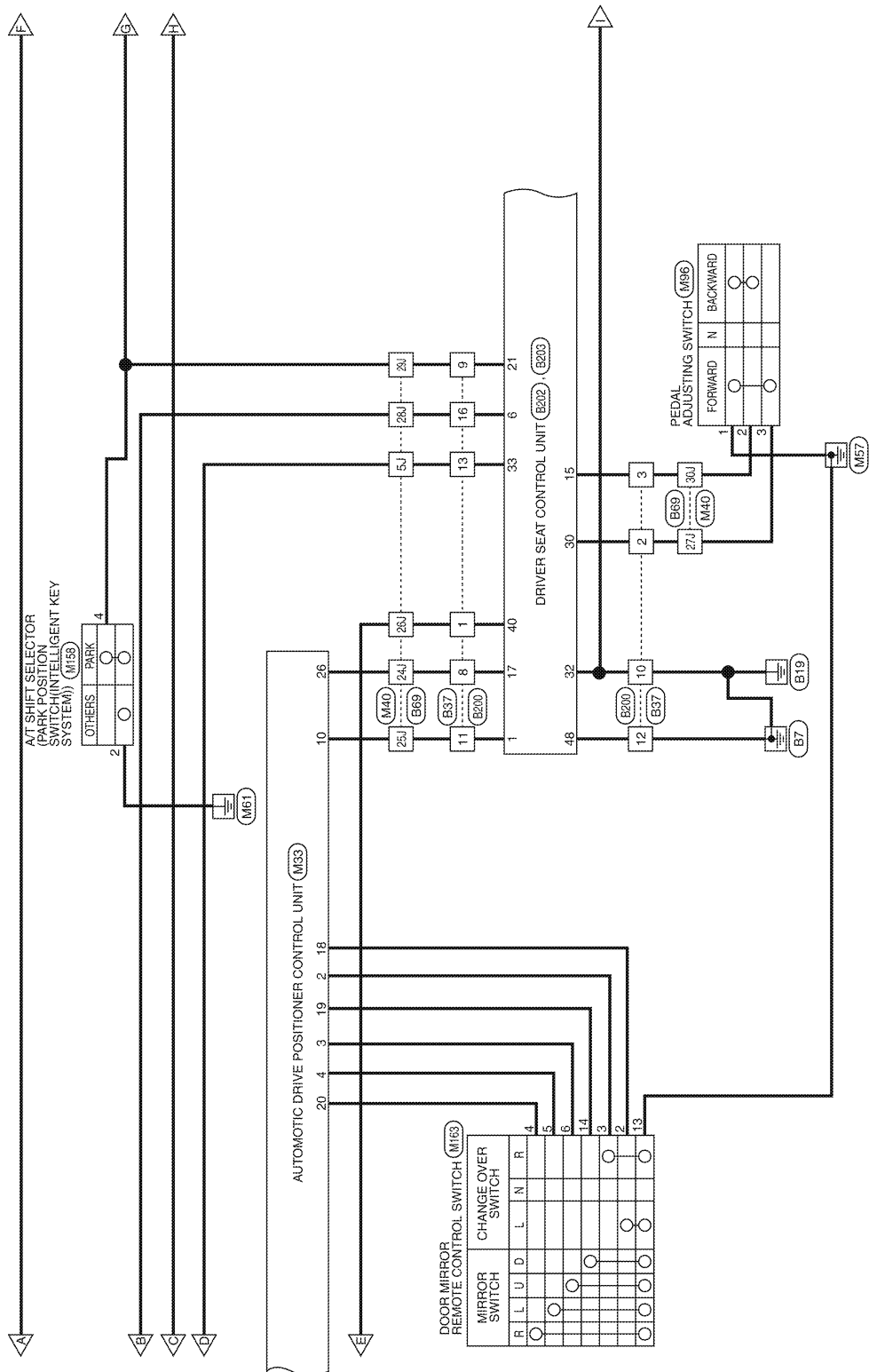
INFOID:000000005256739



A
B
C
D
E
F
G
H
I
ADP
K
L
M
N
O
P

DRIVER SEAT CONTROL UNIT

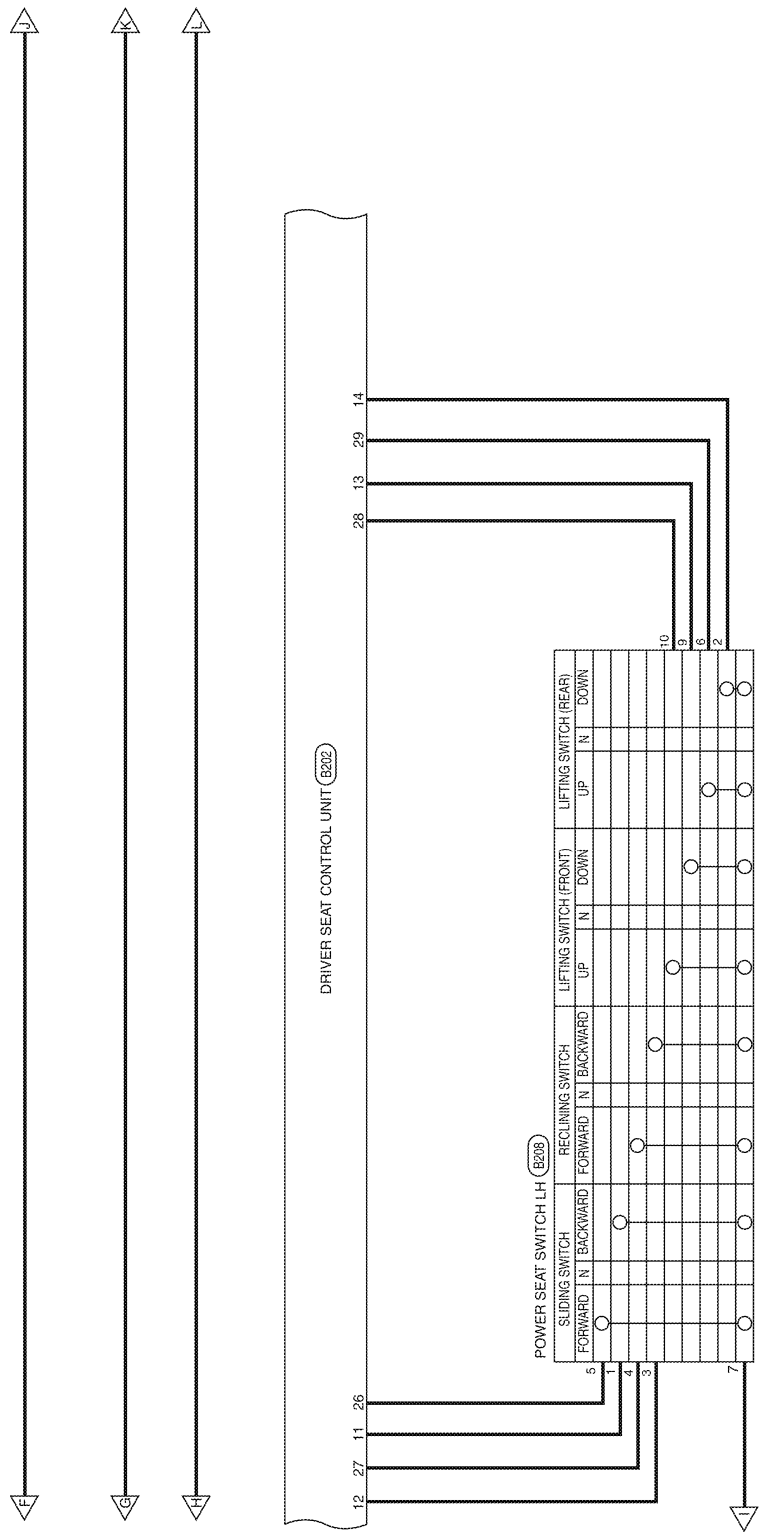
< ECU DIAGNOSIS >



ABJWA0126GB

DRIVER SEAT CONTROL UNIT

< ECU DIAGNOSIS >

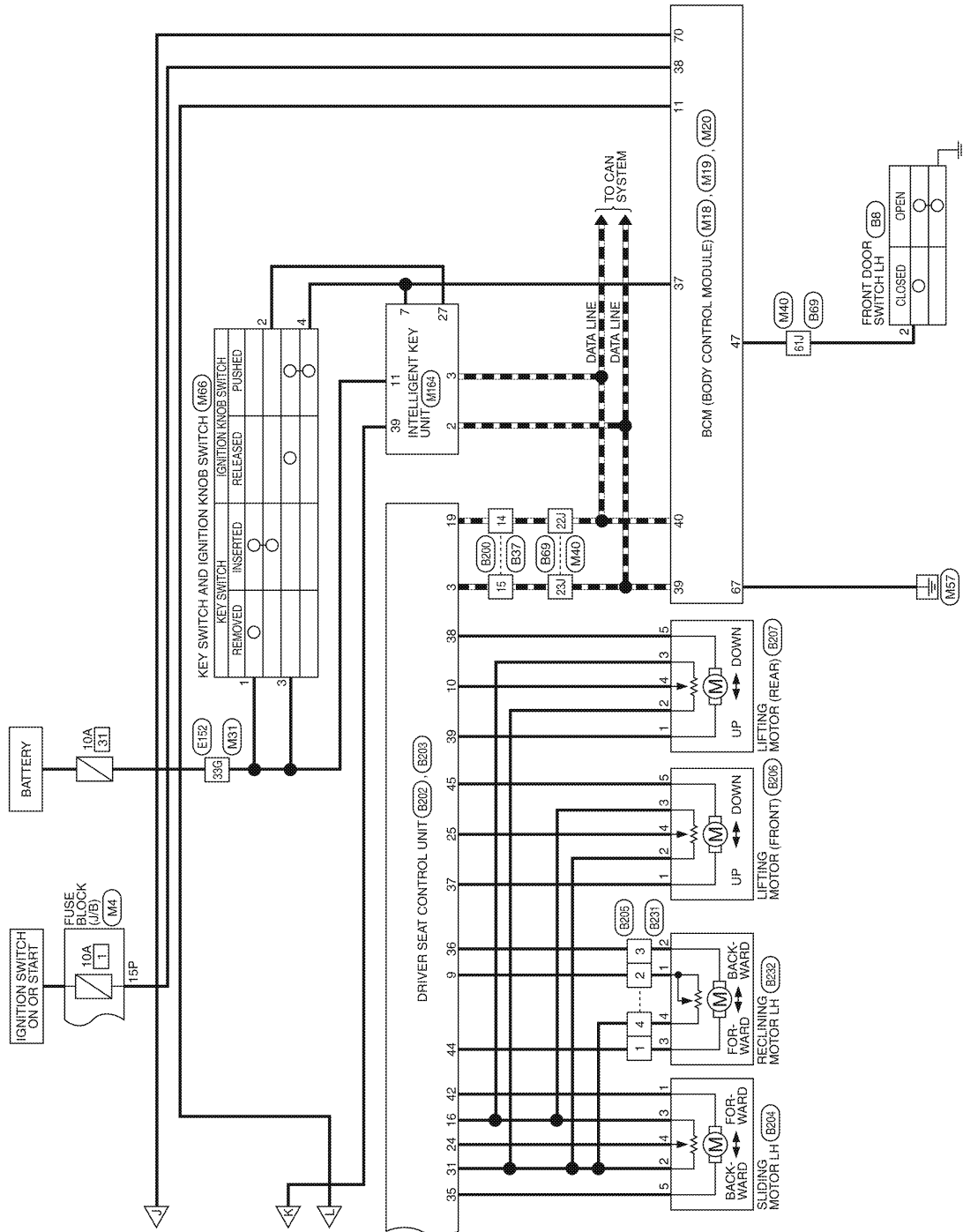


A
B
C
D
E
F
G
H
I
ADP
K
L
M
N
O
P

ABJWA0127GB

DRIVER SEAT CONTROL UNIT

< ECU DIAGNOSIS >



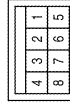
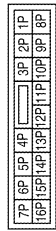
ABJWA0128GB

DRIVER SEAT CONTROL UNIT

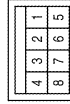
< ECU DIAGNOSIS >

AUTOMATIC DRIVE POSITIONER CONNECTORS

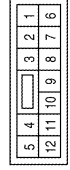
Connector No.	M4
Connector Name	FUSE BLOCK (J/B)
Connector Color	WHITE



Connector No.	M6
Connector Name	WIRE TO WIRE
Connector Color	WHITE



Connector No.	M8
Connector Name	WIRE TO WIRE
Connector Color	BROWN



Terminal No.	Color of Wire	Signal Name
1P	R/B	--
4P	G/B	--
14P	O	--
15P	W/R	--

Terminal No.	7	W	--
Color of Wire			
Signal Name			

Terminal No.	9	B	--
Color of Wire			
Signal Name			

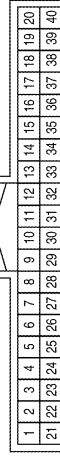
Connector No.	M9
Connector Name	WIRE TO WIRE
Connector Color	WHITE



Connector No.	M18
Connector Name	BCM (BODY CONTROL MODULE)
Connector Color	WHITE

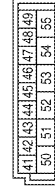


Terminal No.	Color of Wire	Signal Name
1	B	--
2	O	--
3	G	--
4	Y	--
5	L	--
6	W	--
7	P	--
8	LG	--
9	GR	--
10	Y	--
11	W	--
12	R	--
17	R	--



Terminal No.	Color of Wire	Signal Name
11	G/B	ACC SW
37	B	KEY SW
38	W/R	IGN SW
39	L	CAN-H
40	P	CAN-L

Connector No.	M19
Connector Name	BCM (BODY CONTROL MODULE)
Connector Color	WHITE



Terminal No.	47	GR	DOOR SW (DR)
Color of Wire			
Signal Name			

ABJIA0370GB

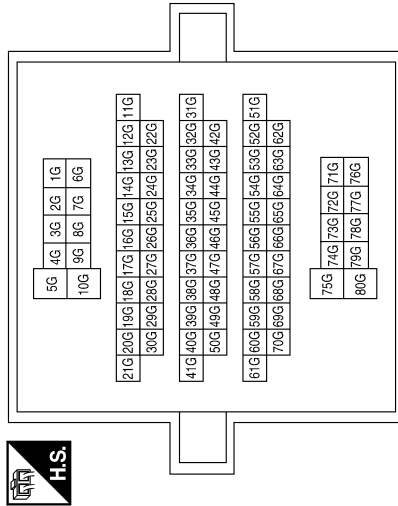
A
B
C
D
E
F
G
H
I
ADP
K
L
M
N
O
P

DRIVER SEAT CONTROL UNIT

< ECU DIAGNOSIS >

Terminal No.	Color of Wire	Signal Name
33G	R/B	-

Connector No.	M31
Connector Name	WIRE TO WIRE
Connector Color	WHITE



Connector No.	M20
Connector Name	BCM (BODY CONTROL MODULE)
Connector Color	BLACK

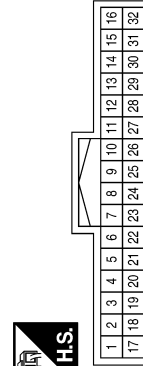


Terminal No.	Color of Wire	Signal Name
67	B	GND (POWER)
70	W	BAT (F/L)

Terminal No.	Color of Wire	Signal Name
19	BR	MIRROR SW (DOWN)
20	GR	MIRROR SW (RIGHT)
21	P	SENSOR HORIZ (RH)
22	G	SENSOR HORIZ (LH)
23	-	-
24	GR	SET SW
25	P	ADDRESS 2
26	G	RX
27	-	-
28	-	-
29	-	-
30	G	MOTOR COMMON
31	R	MOTOR VERT (LH)
32	B	MOTOR HORIZ (LH)

Terminal No.	Color of Wire	Signal Name
5	R	SENSOR VERT (RH)
6	L	SENSOR VERT (LH)
7	-	-
8	O	PEDAL SENSOR
9	LG	ADDRESS 1
10	SB	TX
11	-	-
12	W	IND 1
13	Y	IND 2
14	GR	MOTOR VERT (RH)
15	V	MOTOR HORIZ (RH)
16	O	MOTOR COMMON
17	-	-
18	Y	MIRROR SELECT SW (LH)

Connector No.	M33
Connector Name	AUTOMATIC DRIVE POSITIONER CONTROL UNIT
Connector Color	WHITE



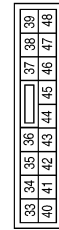
Terminal No.	Color of Wire	Signal Name
1	-	-
2	L	MIRROR SELECT SW (RH)
3	SB	MIRROR SW (UP)
4	V	MIRROR SW (LEFT)

ABJIA0160GB

DRIVER SEAT CONTROL UNIT

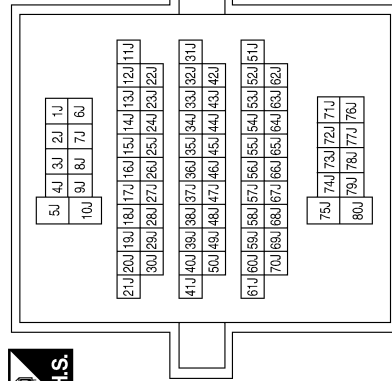
< ECU DIAGNOSIS >

Connector No.	M34
Connector Name	AUTOMATIC DRIVE POSITIONER CONTROL UNIT
Connector Color	WHITE



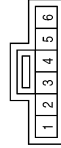
Terminal No.	Color of Wire	Signal Name
33	W	PWR
34	R	BAT
35	-	-
36	-	-
37	G	PEDAL MOTOR (FR)
38	-	-
39	SB	BAT
40	B	GND
41	Y	GND
42	-	-
43	-	-
44	-	-
45	BR	PEDAL MOTOR (RR)
46	-	-
47	-	-
48	B	GND

Connector No.	M40
Connector Name	WIRE TO WIRE
Connector Color	WHITE



Terminal No.	Color of Wire	Signal Name
5J	G	-
22J	P	-
23J	L	-
24J	G	-
25J	SB	-
26J	R	-
27J	P	-
28J	O	-
29J	V	-
30J	GR	-
61J	GR	-

Connector No.	M66
Connector Name	KEY SWITCH AND IGNITION KNOB SWITCH
Connector Color	GRAY



Terminal No.	Color of Wire	Signal Name
1	R	-
2	G	-
3	R/B	-
4	SB	-

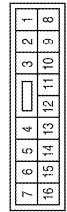
ABJIA0013GB

A
B
C
D
E
F
G
H
I
ADP
K
L
M
N
O
P

DRIVER SEAT CONTROL UNIT

< ECU DIAGNOSIS >

Connector No.	M91
Connector Name	WIRE TO WIRE
Connector Color	WHITE



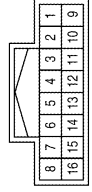
Terminal No.	Color of Wire	Signal Name
12	Y	-
13	W	-
14	BR	-
15	O	-
16	G	-

Connector No.	M82
Connector Name	CIRCUIT BREAKER-2 (WITH AUTOMATIC DRIVE POSITIONER)
Connector Color	WHITE



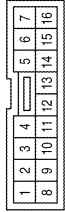
Terminal No.	Color of Wire	Signal Name
1	SB	-
2	P	-

Connector No.	M74
Connector Name	WIRE TO WIRE
Connector Color	WHITE



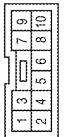
Terminal No.	Color of Wire	Signal Name
10	GR	-
11	G	-
12	V	-
13	W	-
14	R	-
15	Y	-
16	P	-

Connector No.	M163
Connector Name	DOOR MIRROR REMOTE CONTROL SWITCH (WITH AUTOMATIC DRIVE POSITIONER)
Connector Color	BROWN



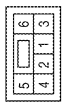
Terminal No.	Color of Wire	Signal Name
2	Y	-
3	L	-
4	GR	-
5	V	-
6	SB	-
13	B	-
14	BR	-

Connector No.	M158
Connector Name	AT SHIFT SELECTOR (WITH MANUAL MODE SWITCH AND INTELLIGENT KEY SYSTEM)
Connector Color	WHITE



Terminal No.	Color of Wire	Signal Name
2	B	-
4	V	-

Connector No.	M96
Connector Name	PEDAL ADJUSTING SWITCH (WITH AUTOMATIC DRIVE POSITIONER)
Connector Color	BROWN



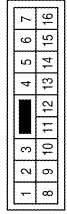
Terminal No.	Color of Wire	Signal Name
1	B	-
2	GR	-
3	P	-

ABJIA0371GB

DRIVER SEAT CONTROL UNIT

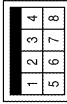
< ECU DIAGNOSIS >

Connector No.	E26
Connector Name	WIRE TO WIRE
Connector Color	WHITE



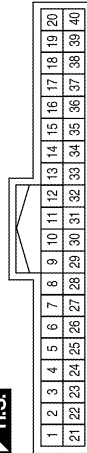
Terminal No.	Color of Wire	Signal Name
12	Y	--
13	W	--
14	BR	--
15	O	--
16	G	--

Connector No.	E10
Connector Name	WIRE TO WIRE
Connector Color	WHITE



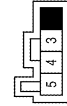
Terminal No.	Color of Wire	Signal Name
7	W	--

Connector No.	M164
Connector Name	INTELLIGENT KEY UNIT
Connector Color	WHITE



Terminal No.	Color of Wire	Signal Name
2	L	CAN-H
3	P	CAN-L
7	SB	KEY SW INPUT
11	R/B	BAT
27	G	PUSH SW INPUT
39	SB	P RANGE SW

Connector No.	E110
Connector Name	PEDAL-ADJUSTING MOTOR ASSEMBLY
Connector Color	BLACK



Terminal No.	Color of Wire	Signal Name
3	Y	--
4	O	--
5	W	--

Connector No.	E109
Connector Name	PEDAL-ADJUSTING MOTOR ASSEMBLY
Connector Color	GRAY



Terminal No.	Color of Wire	Signal Name
1	BR	--
2	G	--

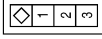
ABJIA0372GB

A
B
C
D
E
F
G
H
I
ADP
K
L
M
N
O
P

DRIVER SEAT CONTROL UNIT

< ECU DIAGNOSIS >

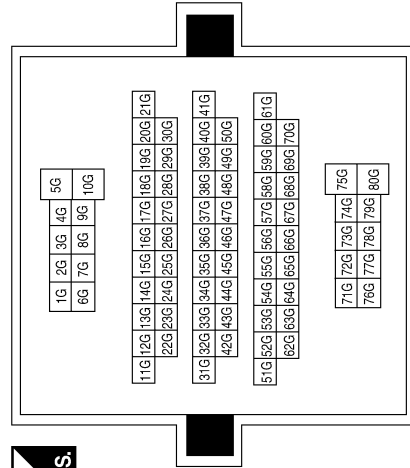
Connector No.	B8
Connector Name	FRONT DOOR SWITCH LH
Connector Color	WHITE



Terminal No.	Color of Wire	Signal Name
2	GR	-

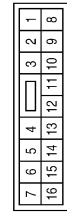
Terminal No.	Color of Wire	Signal Name
33G	R/B	-

Connector No.	E152
Connector Name	WIRE TO WIRE
Connector Color	WHITE



Terminal No.	Color of Wire	Signal Name
10	B	-
11	SB	-
12	B	-
13	G	-
14	P	-
15	L	-
16	O	-

Connector No.	B37
Connector Name	WIRE TO WIRE
Connector Color	WHITE



Terminal No.	Color of Wire	Signal Name
1	R	-
2	P	-
3	GR	-
8	G	-
9	V	-

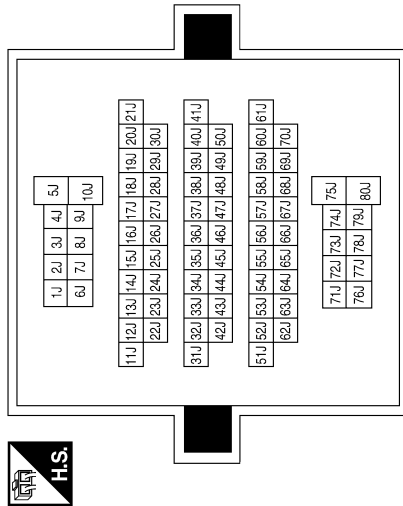
ABJIA0016GB

DRIVER SEAT CONTROL UNIT

< ECU DIAGNOSIS >

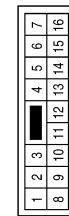
Terminal No.	Color of Wire	Signal Name
5J	G	-
22J	P	-
23J	L	-
24J	G	-
25J	SB	-
26J	R	-
27J	P	-
28J	O	-
29J	V	-
30J	GR	-
61J	GR	-

Connector No.	B69
Connector Name	WIRE TO WIRE
Connector Color	WHITE



Terminal No.	Color of Wire	Signal Name
1	Y/R	-
2	L/W	-
3	L	-
8	R/W	-
9	L	-
10	B	-
11	R	-
12	B	-
13	W/L	-
14	P	-
15	L	-
16	BR/W	-

Connector No.	B200
Connector Name	WIRE TO WIRE
Connector Color	WHITE



A
B
C
D
E
F
G
H
I
ADP
K
L
M
N
O
P

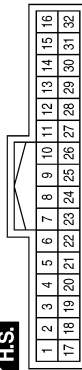
DRIVER SEAT CONTROL UNIT

< ECU DIAGNOSIS >

Terminal No.	Color of Wire	Signal Name
23	-	-
24	Y/G	PULSE SLIDE
25	R/L	PULSE FR LIFTING
26	P/B	SLIDE FWD SW
27	G/B	RECLINE FWD SW
28	Y/B	FR LIFTER UP SW
29	R/W	RR LIFTER UP SW
30	L/W	PEDAL FORWARD
31	Y	SENSOR GND
32	B	GND (SIGNAL)

Terminal No.	Color of Wire	Signal Name
7	-	-
8	-	-
9	L	PULSE RECLINING
10	L/Y	PULSE RR LIFTING
11	R/B	SLIDE BACKWD SW
12	O/B	RECLINE BACKWD SW
13	L/B	FRONT LIFT DN SW
14	GW	REAR LIFT DN SW
15	L	PEDAL BACK
16	L	POWER SUPPLY
17	R/W	TX
18	-	-
19	P	CAN-L
20	-	-
21	L	P RANGE SW
22	-	-

Connector No.	B202
Connector Name	DRIVER SEAT CONTROL UNIT
Connector Color	WHITE



Terminal No.	Color of Wire	Signal Name
1	R	RX
2	-	-
3	L	CAN-H
4	-	-
5	-	-
6	BR/W	ST SW

Connector No.	B204
Connector Name	SLIDING MOTOR LH (WITH AUTOMATIC DRIVE POSITIONER)
Connector Color	GRAY



Terminal No.	Color of Wire	Signal Name
1	R	-
2	Y/G	-
3	L	-
4	Y	-
5	G	-

Terminal No.	Color of Wire	Signal Name
39	L/W	RR LIFTER DN MTR
40	Y/R	BAT (FUSE)
41	-	-
42	G	SLIDE BACKWD MTR
43	-	-
44	G/W	RECLINE BACKWD MTR
45	Y	FR LIFTER UP MTR
46	-	-
47	-	-
48	B	GND (POWER)

Connector No.	B203
Connector Name	DRIVER SEAT CONTROL UNIT
Connector Color	WHITE



Terminal No.	Color of Wire	Signal Name
33	W/L	BAT (PTC)
34	-	-
35	R	SLIDING FWD MTR
36	R/W	RECLINING FWD MTR
37	B	FR LIFTER DN MTR
38	L	RR LIFTER UP MTR

ABJIA0018GB

DRIVER SEAT CONTROL UNIT


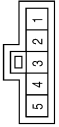
< ECU DIAGNOSIS >

Connector No.	B205
Connector Name	WIRE TO WIRE
Connector Color	WHITE





Terminal No.	Color of Wire	Signal Name
1	Y	-
2	G/W	-
3	R/W	-
4	L	-

Connector No.	B206
Connector Name	LIFTING MOTOR (FRONT) (WITH AUTOMATIC DRIVE POSITIONER)
Connector Color	GRAY


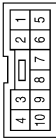
Terminal No.	Color of Wire	Signal Name
1	Y	-
2	R/L	-
3	L	-
4	Y	-
5	B	-

Connector No.	B207
Connector Name	LIFTING MOTOR (REAR) (WITH AUTOMATIC DRIVE POSITIONER)
Connector Color	GRAY




Terminal No.	Color of Wire	Signal Name
1	L	-
2	L/Y	-
3	L	-
4	Y	-
5	L/W	-


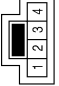
Connector No.	B208
Connector Name	POWER SEAT SWITCH LH (WITH AUTOMATIC DRIVE POSITIONER)
Connector Color	WHITE

Terminal No.	Color of Wire	Signal Name
1	R/B	-
2	G/W	-
3	O/B	-
4	G/B	-
5	P/B	-

Terminal No.	Color of Wire	Signal Name
6	R/W	-
7	B	-
8	-	-
9	L/B	-
10	Y/B	-

Connector No.	B231
Connector Name	WIRE TO WIRE
Connector Color	WHITE

Terminal No.	Color of Wire	Signal Name
1	Y	-
2	G/W	-
3	R/W	-
4	L	-

ABJIA0019GB

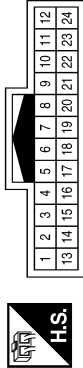
A
B
C
D
E
F
G
H
I
ADP
K
L
M
N
O
P

DRIVER SEAT CONTROL UNIT

< ECU DIAGNOSIS >

Terminal No.	Color of Wire	Signal Name
7	P/L	-
8	LG/B	-
9	V/W	-
10	Y/G	-
11	GR/R	-
12	R/Y	-
17	R	-

Connector No.	D1
Connector Name	WIRE TO WIRE
Connector Color	WHITE



Terminal No.	Color of Wire	Signal Name
1	BR	-
2	O	-
3	G	-
4	Y	-
5	L/Y	-
6	W/L	-

Connector No.	B232
Connector Name	RECLINING MOTOR LH (WITH AUTOMATIC DRIVE POSITIONER)
Connector Color	BLACK



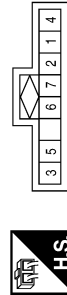
Terminal No.	Color of Wire	Signal Name
1	G/W	-
2	R/W	-
3	Y	-
4	L	-

Connector No.	D18
Connector Name	DOOR MIRROR LH (WITH AUTOMATIC DRIVE POSITIONER)
Connector Color	BLACK



Terminal No.	Color of Wire	Signal Name
2	BR	-
3	R	-
4	W/L	-
5	G	-
8	O	-
9	Y	-
10	L/Y	-

Connector No.	D5
Connector Name	SEAT MEMORY SWITCH
Connector Color	WHITE



Terminal No.	Color of Wire	Signal Name
1	LG/B	-
2	P/L	-
3	V/W	-
4	B	-
5	R/Y	-
6	GR/R	-
7	Y/G	-

Connector No.	D2
Connector Name	WIRE TO WIRE
Connector Color	BROWN



Terminal No.	Color of Wire	Signal Name
9	B	-

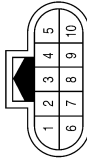
ABJIA0161GB

DRIVER SEAT CONTROL UNIT

< ECU DIAGNOSIS >

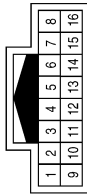
A
B
C
D
E
F
G
H
I
K
L
M
N
O
P

Connector No.	D118
Connector Name	DOOR MIRROR RH (WITH AUTOMATIC DRIVE POSITIONER)
Connector Color	BLACK



Terminal No.	Color of Wire	Signal Name
2	V/W	-
3	GR/R	-
4	W/L	-
5	L/W	-
8	Y	-
9	Y	-
10	R/B	-

Connector No.	D102
Connector Name	WIRE TO WIRE
Connector Color	WHITE



Terminal No.	Color of Wire	Signal Name
10	GR/R	-
11	Y	-
12	V/W	-
13	W/L	-
14	R/B	-
15	Y	-
16	L/W	-

ADP

ABJIA0162GB

INFOID:000000005256740

Fail Safe

The fail-safe mode may be activated if the following symptoms are observed.

FAIL-SAFE MODE

When any manual and automatic operations are not performed, if any motor operations of front seat LH or pedals are detected for T2 or more, status is judged "Output error".

DRIVER SEAT CONTROL UNIT

< ECU DIAGNOSIS >

OPERATED PORTION	T2
Seat sliding	Approx. 0.1 sec.
Seat reclining	Same as above
Seat lifting (Front)	Same as above
Seat lifting (Rear)	Same as above
Pedal adjust	Same as above

NOTE:

The front seat LH position and pedal adjustment functions (see the following table) operate simultaneously in the order of priority.

Priority	Function	Priority	Function
1	Seat sliding, (door mirror LH/RH)*	4	Seat lifter-FR
2	Pedal	5	Seat lifter-RR
3	Seat reclining		

*: In conjunction with sliding the seat, the door mirrors are positioned.

CANCEL OF FAIL-SAFE MODE

The mode is cancelled when the A/T selector lever is shifted to P position from any other position.

DTC Index

INFOID:000000005256741

CONSULT-III display	Timing*1		Item	Reference page
	Current mal-function	Previous mal-function		
CAN COMM CIRCUIT [U1000]	0	1-39	CAN communication	ADP-29
SEAT SLIDE [B2112]	0	1-39	Seat slide motor output	ADP-30
SEAT RECLINING [B2113]	0	1-39	Seat reclining motor output	ADP-31
SEAT LIFTER FRONT [B2114]	0	1-39	Seat lifting motor front output	ADP-34
SEAT LIFTER REAR [B2115]	0	1-39	Seat lifting motor rear output	ADP-34
ADJ PEDAL MOTOR [B2117]	0	1-39	Pedal adjusting motor output	ADP-34
ADJ PEDAL SENSOR [B2120]	0	1-39	Pedal adjusting sensor input	ADP-34
DETENT SW [B2126]	0	1-39	Park position switch condition	ADP-38
UART COMM [B2128]	0	1-39	UART communication	ADP-40

*1:

- 0: Current malfunction is present
- 1-39: Displayed if any previous malfunction is present when current condition is normal. The numeral value increases by one at each IGN ON to OFF cycle from 1 to 39. The counter remains at 39 even if the number of cycles exceeds it. However, the counter is reset to 1 if any malfunction is detected again, the normal operation is resumed and the ignition switch is turned from OFF to ON.

AUTOMATIC DRIVE POSITIONER CONTROL UNIT

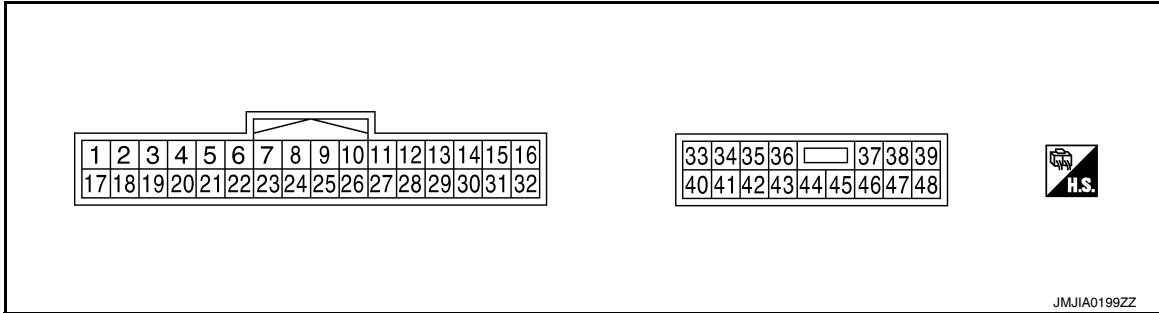
< ECU DIAGNOSIS >

AUTOMATIC DRIVE POSITIONER CONTROL UNIT

Reference Value

INFOID:000000005256742

TERMINAL LAYOUT



PHYSICAL VALUES

Terminal No.		Wire color	Description		Condition	Voltage (V) (Approx.)	
+	-		Signal name	Input/Output			
2	Ground	L	Changeover switch RH signal	Input	Changeover switch position	RH	0
						Neutral or LH	5
3	Ground	SB	Mirror switch up signal	Input	Mirror switch	Operated (up)	0
						Other than above	5
4	Ground	V	Mirror switch left signal	Input	Mirror switch	Operated (left)	0
						Other than above	5
5	Ground	R	Door mirror sensor (RH) up/down signal	Input	Door mirror RH position	Peak	3.4
						Valley	0.6
6	Ground	L	Door mirror sensor (LH) up/down signal	Input	Door mirror LH position	Peak	3.4
						Valley	0.6
8	Ground	O	Pedal sensor input signal	Input	Pedal sensor	Forward	0.5
						Backward	4.5
9	Ground	LG	Memory switch 1 signal	Input	Memory switch 1	Push	0
						Other than above	5
10	Ground	SB	UART LINE (TX)	Output	Ignition switch ON		
12	Ground	W	Memory indicator 1 signal	Output	Memory indicator 1	Illuminate	0
						Other than above	Battery voltage

AUTOMATIC DRIVE POSITIONER CONTROL UNIT

< ECU DIAGNOSIS >

Terminal No.		Wire color	Description		Condition	Voltage (V) (Approx.)
+	-		Signal name	Input/ Output		
13	Ground	Y	Memory indicator 2 signal	Output	Memory indicator 2	Illuminate 0
					Other than above	Battery voltage
14	Ground	GR	Door mirror motor (RH) up output signal	Output	Door mirror RH	Operate (up) 1.5 - Battery voltage
					Other than above	0
15	Ground	V	Door mirror motor (RH) left output signal	Output	Door mirror RH	Operate (left) 1.5 - Battery voltage
					Other than above	0
16	Ground	O	Door mirror motor (LH) down output signal	Output	Door mirror (LH)	Operate (down) 1.5 - Battery voltage
					Other than above	0
			Door mirror motor (LH) right output signal		Operate (right) 1.5 - Battery voltage	
					Other than above	0
18	Ground	Y	Changeover switch LH signal	Input	Changeover switch position	LH 0
					Neutral or RH 5	
19	Ground	BR	Mirror switch down signal	Input	Mirror switch	Operate (down) 0
					Other than above 5	
20	Ground	GR	Mirror switch right signal	Input	Mirror switch	Operate (right) 0
					Other than above 5	
21	Ground	P	Door mirror sensor (RH) left/right signal	Input	Door mirror RH position	Left edge 3.4
					Right edge 0.6	
22	Ground	G	Door mirror sensor (LH) left/right signal	Input	Door mirror LH position	Left edge 0.6
					Right edge 3.4	
24	Ground	GR	Set switch signal	Input	Set switch	Push 0
					Other than above 5	
25	Ground	P	Memory switch 2 signal	Input	Memory switch 2	Push 0
					Other than above 5	
26	Ground	G	UART LINE (RX)	Input	Ignition switch ON	<p style="text-align: right;">PIIA4814E</p>

AUTOMATIC DRIVE POSITIONER CONTROL UNIT

< ECU DIAGNOSIS >

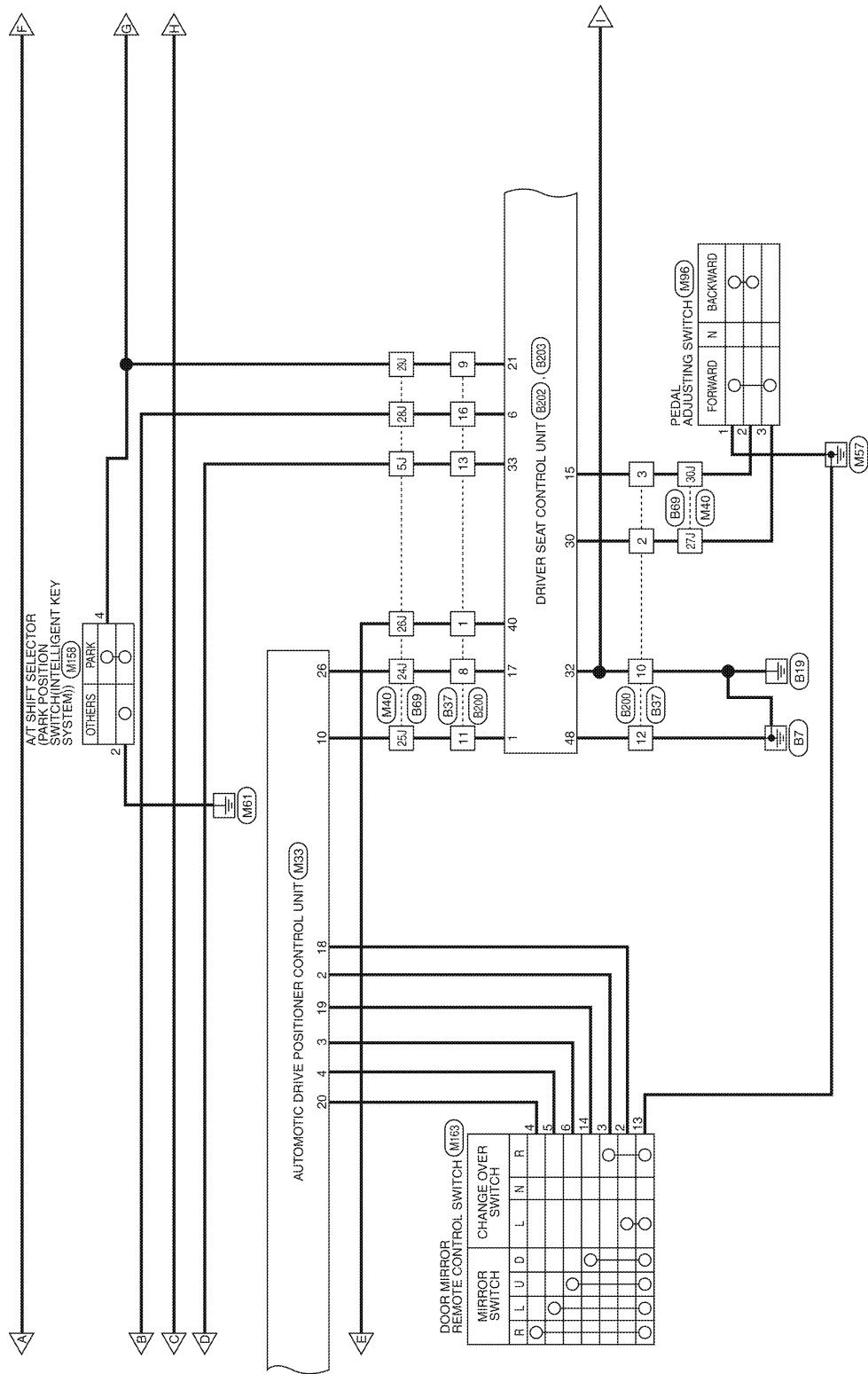
Terminal No.		Wire color	Description		Condition	Voltage (V) (Approx.)	
+	-		Signal name	Input/ Output			
30	Ground	G	Door mirror motor (RH) down output signal	Output	Door mirror (RH)	Operate (down)	1.5 - Battery voltage
						Other than above	0
			Door mirror motor (RH) right output signal			Operate (right)	1.5 - Battery voltage
						Other than above	0
31	Ground	R	Door mirror motor (LH) up output signal	Output	Door mirror (LH)	Operate (up)	1.5 - Battery voltage
						Other than above	0
32	Ground	B	Door mirror motor (LH) left output signal	Output	Door mirror (LH)	Operate (left)	1.5 - Battery voltage
						Other than above	0
33	Ground	W	Sensor power supply	Input	—	5	
34	Ground	R	Battery power source	Input	—	Battery voltage	
37	Ground	G	Pedal adjusting motor forward output signal	Output	Pedal adjusting motor	Operate (forward)	Battery voltage
						Other than above	0
39	Ground	SB	Battery power source		—	Battery voltage	
40	Ground	B	Ground	—	—	0	
41	Ground	Y	Sensor ground	—	—	0	
45	Ground	BR	Pedal adjusting motor backward output signal	Output	Pedal adjusting motor	Operate (back-ward)	Battery voltage
						Other than above	0
48	Ground	B	Ground	—	—	0	

A
B
C
D
E
F
G
H
I
K
L
M
N
O
P

ADP

AUTOMATIC DRIVE POSITIONER CONTROL UNIT

< ECU DIAGNOSIS >

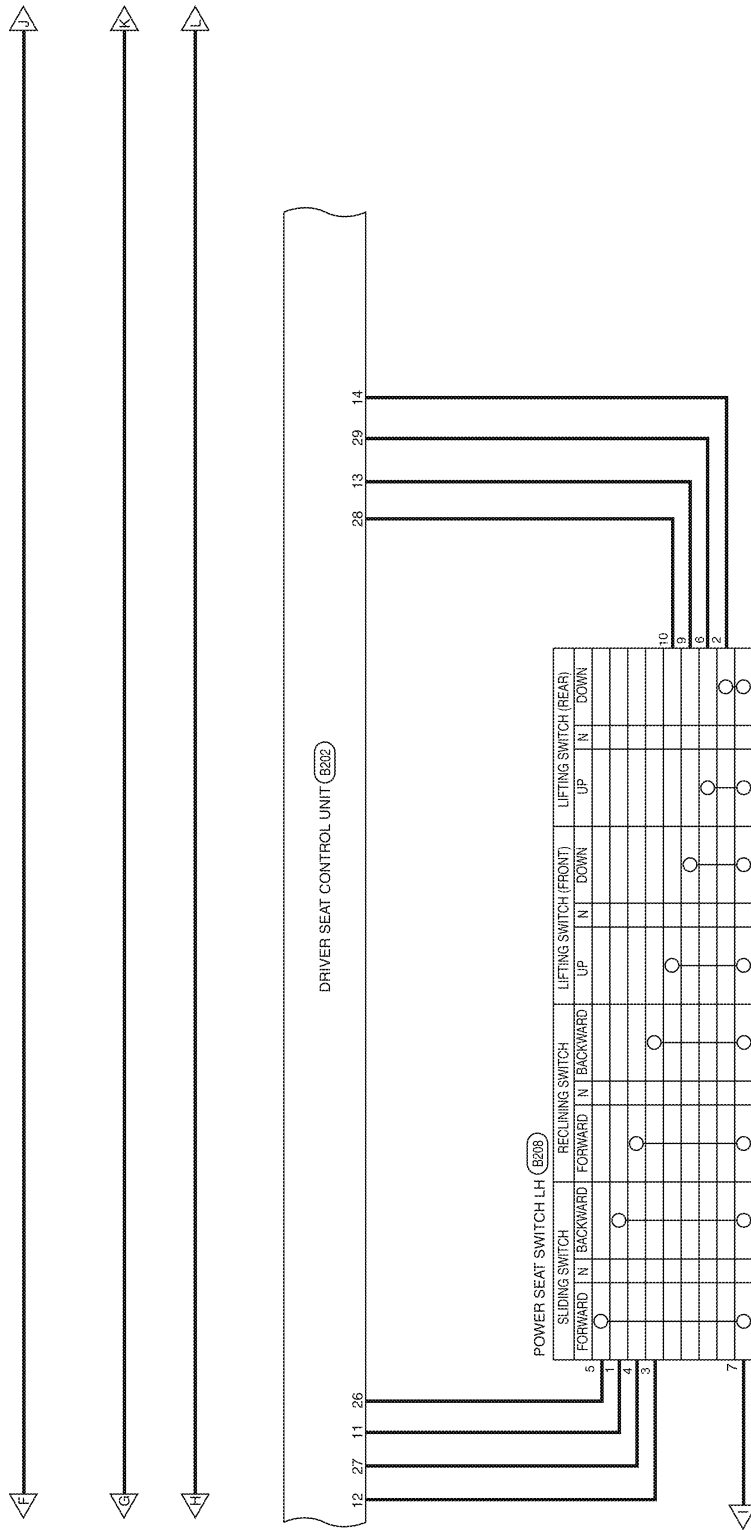


ABJWA0126GB

A
B
C
D
E
F
G
H
I
ADP
K
L
M
N
O
P

AUTOMATIC DRIVE POSITIONER CONTROL UNIT

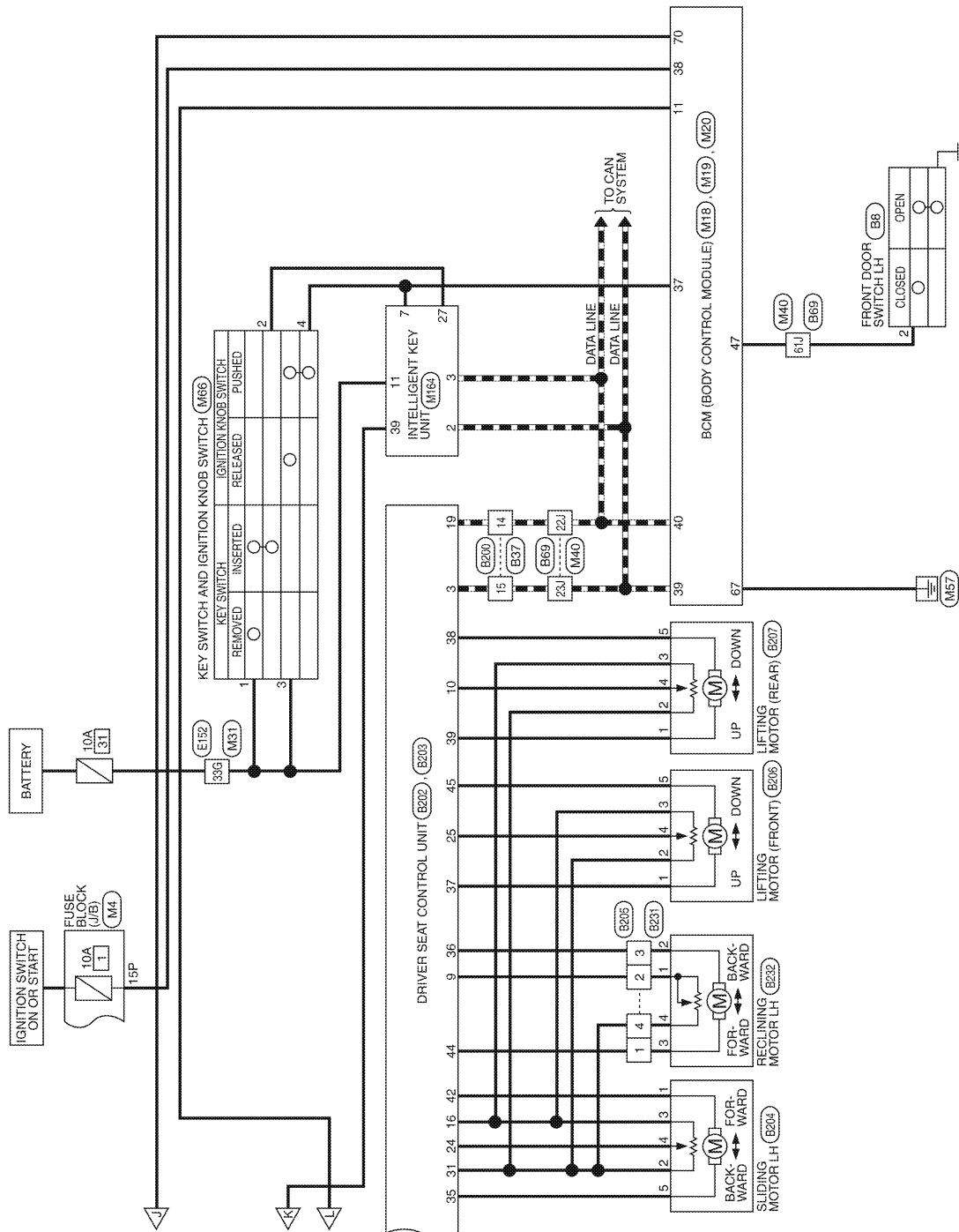
< ECU DIAGNOSIS >



ABJWA0127GB

AUTOMATIC DRIVE POSITIONER CONTROL UNIT

< ECU DIAGNOSIS >



ABJWA0128GB

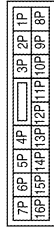
A
B
C
D
E
F
G
H
I
ADP
K
L
M
N
O
P

AUTOMATIC DRIVE POSITIONER CONTROL UNIT

< ECU DIAGNOSIS >

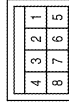
AUTOMATIC DRIVE POSITIONER CONNECTORS

Connector No.	M4
Connector Name	FUSE BLOCK (J/B)
Connector Color	WHITE



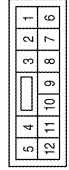
Terminal No.	Color of Wire	Signal Name
1P	R/B	--
4P	G/B	--
14P	O	--
15P	W/R	--

Connector No.	M6
Connector Name	WIRE TO WIRE
Connector Color	WHITE



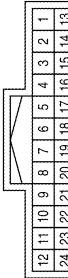
Terminal No.	Color of Wire	Signal Name
7	W	--

Connector No.	M8
Connector Name	WIRE TO WIRE
Connector Color	BROWN



Terminal No.	Color of Wire	Signal Name
9	B	--

Connector No.	M9
Connector Name	WIRE TO WIRE
Connector Color	WHITE



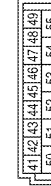
Terminal No.	Color of Wire	Signal Name
1	B	--
2	O	--
3	G	--
4	Y	--
5	L	--
6	W	--
7	P	--
8	LG	--
9	GR	--
10	Y	--
11	W	--
12	R	--
17	R	--

Connector No.	M18
Connector Name	BCM (BODY CONTROL MODULE)
Connector Color	WHITE



Terminal No.	Color of Wire	Signal Name
11	G/B	ACC SW
37	B	KEY SW
38	W/R	IGN SW
39	L	CAN-H
40	P	CAN-L

Connector No.	M19
Connector Name	BCM (BODY CONTROL MODULE)
Connector Color	WHITE



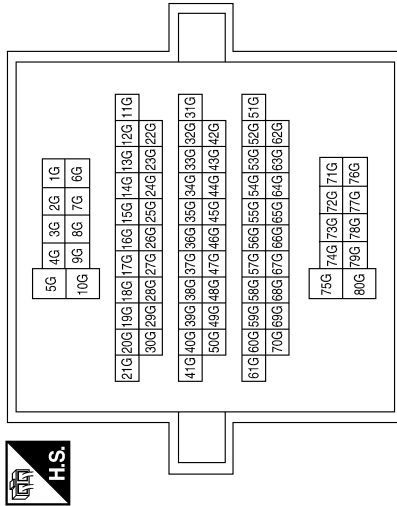
Terminal No.	Color of Wire	Signal Name
47	GR	DOOR SW (DR)

AUTOMATIC DRIVE POSITIONER CONTROL UNIT

< ECU DIAGNOSIS >

Terminal No.	Color of Wire	Signal Name
33G	R/B	-

Connector No.	M31
Connector Name	WIRE TO WIRE
Connector Color	WHITE



Connector No.	M20
Connector Name	BCM (BODY CONTROL MODULE)
Connector Color	BLACK

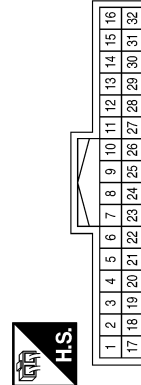


Terminal No.	Color of Wire	Signal Name
67	B	GND (POWER)
70	W	BAT (F/L)

Terminal No.	Color of Wire	Signal Name
19	BR	MIRROR SW (DOWN)
20	GR	MIRROR SW (RIGHT)
21	P	SENSOR HORIZ (RH)
22	G	SENSOR HORIZ (LH)
23	-	-
24	GR	SET SW
25	P	ADDRESS 2
26	G	RX
27	-	-
28	-	-
29	-	-
30	G	MOTOR COMMON
31	R	MOTOR VERT (LH)
32	B	MOTOR HORIZ (LH)

Terminal No.	Color of Wire	Signal Name
5	R	SENSOR VERT (RH)
6	L	SENSOR VERT (LH)
7	-	-
8	O	PEDAL SENSOR
9	LG	ADDRESS 1
10	SB	TX
11	-	-
12	W	IND 1
13	Y	IND 2
14	GR	MOTOR VERT (RH)
15	V	MOTOR HORIZ (RH)
16	O	MOTOR COMMON
17	-	-
18	Y	MIRROR SELECT SW (LH)

Connector No.	M33
Connector Name	AUTOMATIC DRIVE POSITIONER CONTROL UNIT
Connector Color	WHITE



Terminal No.	Color of Wire	Signal Name
1	-	-
2	L	MIRROR SELECT SW (RH)
3	SB	MIRROR SW (UP)
4	V	MIRROR SW (LEFT)

ABJIA0160GB

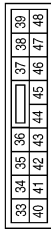
A B C D E F G H I J K L M N O P

ADP

AUTOMATIC DRIVE POSITIONER CONTROL UNIT

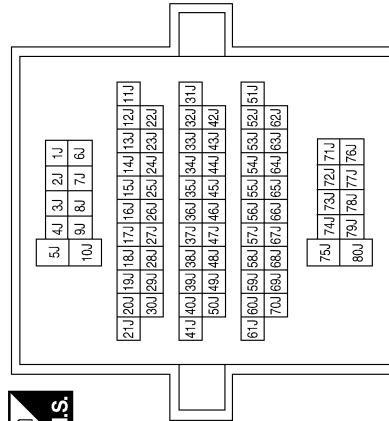
< ECU DIAGNOSIS >

Connector No.	M34
Connector Name	AUTOMATIC DRIVE POSITIONER CONTROL UNIT
Connector Color	WHITE



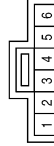
Terminal No.	Color of Wire	Signal Name
33	W	PWR
34	R	BAT
35	-	-
36	-	-
37	G	PEDAL MOTOR (FR)
38	-	-
39	SB	BAT
40	B	GND
41	Y	GND
42	-	-
43	-	-
44	-	-
45	BR	PEDAL MOTOR (RR)
46	-	-
47	-	-
48	B	GND

Connector No.	M40
Connector Name	WIRE TO WIRE
Connector Color	WHITE



Terminal No.	Color of Wire	Signal Name
5J	G	-
22J	P	-
23J	L	-
24J	G	-
25J	SB	-
26J	R	-
27J	P	-
28J	O	-
29J	V	-
30J	GR	-
61J	GR	-

Connector No.	M66
Connector Name	KEY SWITCH AND IGNITION KNOB SWITCH
Connector Color	GRAY

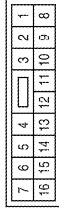


Terminal No.	Color of Wire	Signal Name
1	R	-
2	G	-
3	R/B	-
4	SB	-

AUTOMATIC DRIVE POSITIONER CONTROL UNIT

< ECU DIAGNOSIS >

Connector No.	M91
Connector Name	WIRE TO WIRE
Connector Color	WHITE



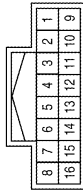
Terminal No.	Color of Wire	Signal Name
12	Y	-
13	W	-
14	BR	-
15	O	-
16	G	-

Connector No.	M82
Connector Name	CIRCUIT BREAKER-2 (WITH AUTOMATIC DRIVE POSITIONER)
Connector Color	WHITE



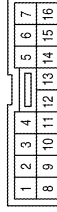
Terminal No.	Color of Wire	Signal Name
1	SB	-
2	P	-

Connector No.	M74
Connector Name	WIRE TO WIRE
Connector Color	WHITE



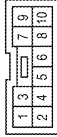
Terminal No.	Color of Wire	Signal Name
10	GR	-
11	G	-
12	V	-
13	W	-
14	R	-
15	Y	-
16	P	-

Connector No.	M163
Connector Name	DOOR MIRROR REMOTE CONTROL SWITCH (WITH AUTOMATIC DRIVE POSITIONER)
Connector Color	BROWN



Terminal No.	Color of Wire	Signal Name
2	Y	-
3	L	-
4	GR	-
5	V	-
6	SB	-
13	B	-
14	BR	-

Connector No.	M158
Connector Name	AT SHIFT SELECTOR (WITH MANUAL MODE SWITCH AND INTELLIGENT KEY SYSTEM)
Connector Color	WHITE



Terminal No.	Color of Wire	Signal Name
2	B	-
4	V	-

Connector No.	M96
Connector Name	PEDAL ADJUSTING SWITCH (WITH AUTOMATIC DRIVE POSITIONER)
Connector Color	BROWN



Terminal No.	Color of Wire	Signal Name
1	B	-
2	GR	-
3	P	-

ABJIA0371GB

A
B
C
D
E
F
G
H
I
ADP
K
L
M
N
O
P

AUTOMATIC DRIVE POSITIONER CONTROL UNIT

< ECU DIAGNOSIS >

Connector No.	E26
Connector Name	WIRE TO WIRE
Connector Color	WHITE



1	2	3	4	5	6	7		
8	9	10	11	12	13	14	15	16

Terminal No.	Color of Wire	Signal Name
12	Y	--
13	W	--
14	BR	--
15	O	--
16	G	--

Connector No.	E10
Connector Name	WIRE TO WIRE
Connector Color	WHITE



1	2	3	4
5	6	7	8

Terminal No.	Color of Wire	Signal Name
7	W	--

Connector No.	M164
Connector Name	INTELLIGENT KEY UNIT
Connector Color	WHITE



1	2	3	4	5	6	7	8	9	10	11	12	13	14	15	16	17	18	19	20
21	22	23	24	25	26	27	28	29	30	31	32	33	34	35	36	37	38	39	40

Terminal No.	Color of Wire	Signal Name
2	L	CAN-H
3	P	CAN-L
7	SB	KEY SW INPUT
11	R/B	BAT
27	G	PUSH SW INPUT
39	SB	P RANGE SW

Connector No.	E110
Connector Name	PEDAL ADJUSTING MOTOR ASSEMBLY
Connector Color	BLACK



5	4	3
---	---	---

Terminal No.	Color of Wire	Signal Name
3	Y	--
4	O	--
5	W	--

Connector No.	E109
Connector Name	PEDAL ADJUSTING MOTOR ASSEMBLY
Connector Color	GRAY



1	2
---	---

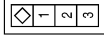
Terminal No.	Color of Wire	Signal Name
1	BR	--
2	G	--

ABJIA0372GB

AUTOMATIC DRIVE POSITIONER CONTROL UNIT

< ECU DIAGNOSIS >

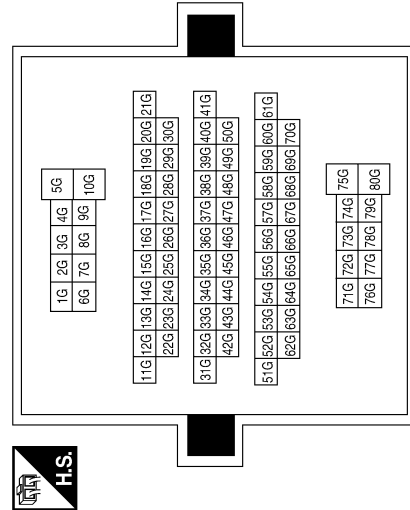
Connector No.	B8
Connector Name	FRONT DOOR SWITCH LH
Connector Color	WHITE



Terminal No.	Color of Wire	Signal Name
2	GR	-

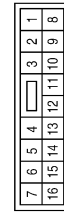
Terminal No.	Color of Wire	Signal Name
33G	R/B	-

Connector No.	E152
Connector Name	WIRE TO WIRE
Connector Color	WHITE



Terminal No.	Color of Wire	Signal Name
10	B	-
11	SB	-
12	B	-
13	G	-
14	P	-
15	L	-
16	O	-

Connector No.	B37
Connector Name	WIRE TO WIRE
Connector Color	WHITE



Terminal No.	Color of Wire	Signal Name
1	R	-
2	P	-
3	GR	-
8	G	-
9	V	-

ABJIA0016GB

A
B
C
D
E
F
G
H
I
K
L
M
N
O
P

ADP

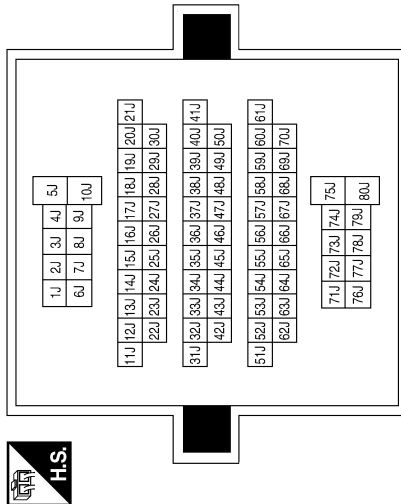
AUTOMATIC DRIVE POSITIONER CONTROL UNIT

< ECU DIAGNOSIS >

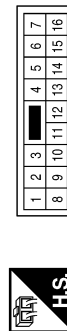
Terminal No.	Color of Wire	Signal Name
5J	G	-
22J	P	-
23J	L	-
24J	G	-
25J	SB	-
26J	R	-
27J	P	-
28J	O	-
29J	V	-
30J	GR	-
61J	GR	-

Terminal No.	Color of Wire	Signal Name
1	Y/R	-
2	LW	-
3	L	-
8	RW	-
9	L	-
10	B	-
11	R	-
12	B	-
13	W/L	-
14	P	-
15	L	-
16	BR/W	-

Connector No.	B69
Connector Name	WIRE TO WIRE
Connector Color	WHITE



Connector No.	B200
Connector Name	WIRE TO WIRE
Connector Color	WHITE



ABJIA0017GB

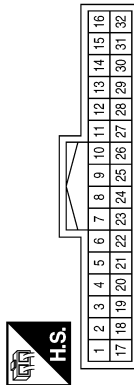
AUTOMATIC DRIVE POSITIONER CONTROL UNIT

< ECU DIAGNOSIS >

Terminal No.	Color of Wire	Signal Name
23	-	-
24	Y/G	PULSE SLIDE
25	R/L	PULSE FR LIFTING
26	P/B	SLIDE FWD SW
27	G/B	RECLINE FWD SW
28	Y/B	FR LIFTER UP SW
29	R/W	RR LIFTER UP SW
30	L/W	PEDAL FORWARD
31	Y	SENSOR GND
32	B	GND (SIGNAL)

Terminal No.	Color of Wire	Signal Name
7	-	-
8	-	-
9	L	PULSE RECLINING
10	L/Y	PULSE RR LIFTING
11	R/B	SLIDE BACKWD SW
12	O/B	RECLINE BACKWD SW
13	L/B	FRONT LIFT DN SW
14	GW	REAR LIFT DN SW
15	L	PEDAL BACK
16	L	POWER SUPPLY
17	R/W	TX
18	-	-
19	P	CAN-L
20	-	-
21	L	P RANGE SW
22	-	-

Connector No.	B202
Connector Name	DRIVER SEAT CONTROL UNIT
Connector Color	WHITE



Terminal No.	Color of Wire	Signal Name
1	R	RX
2	-	-
3	L	CAN-H
4	-	-
5	-	-
6	BR/W	ST SW

Connector No.	B204
Connector Name	SLIDING MOTOR LH (WITH AUTOMATIC DRIVE POSITIONER)
Connector Color	GRAY



Terminal No.	Color of Wire	Signal Name
1	R	-
2	Y/G	-
3	L	-
4	Y	-
5	G	-

Terminal No.	Color of Wire	Signal Name
39	L/W	RR LIFTER DN MTR
40	Y/R	BAT (FUSE)
41	-	-
42	G	SLIDE BACKWD MTR
43	-	-
44	GW	RECLINE BACKWD MTR
45	Y	FR LIFTER UP MTR
46	-	-
47	-	-
48	B	GND (POWER)

Connector No.	B203
Connector Name	DRIVER SEAT CONTROL UNIT
Connector Color	WHITE



Terminal No.	Color of Wire	Signal Name
33	W/L	BAT (PTC)
34	-	-
35	R	SLIDING FWD MTR
36	R/W	RECLINING FWD MTR
37	B	FR LIFTER DN MTR
38	L	RR LIFTER UP MTR


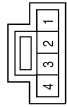
ABJIA0018GB

A
B
C
D
E
F
G
H
I
ADP
K
L
M
N
O
P

AUTOMATIC DRIVE POSITIONER CONTROL UNIT


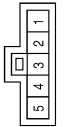
< ECU DIAGNOSIS >

Connector No.	B205
Connector Name	WIRE TO WIRE
Connector Color	WHITE


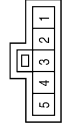
Terminal No.	Color of Wire	Signal Name
1	Y	-
2	G/W	-
3	R/W	-
4	L	-

Connector No.	B206
Connector Name	LIFTING MOTOR (FRONT) (WITH AUTOMATIC DRIVE POSITIONER)
Connector Color	GRAY


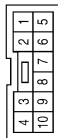
Terminal No.	Color of Wire	Signal Name
1	Y	-
2	R/L	-
3	L	-
4	Y	-
5	B	-

Connector No.	B207
Connector Name	LIFTING MOTOR (REAR) (WITH AUTOMATIC DRIVE POSITIONER)
Connector Color	GRAY

Terminal No.	Color of Wire	Signal Name
1	L	-
2	L/Y	-
3	L	-
4	Y	-
5	L/W	-


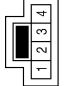
Connector No.	B208
Connector Name	POWER SEAT SWITCH LH (WITH AUTOMATIC DRIVE POSITIONER)
Connector Color	WHITE

Terminal No.	Color of Wire	Signal Name
1	R/B	-
2	G/W	-
3	O/B	-
4	G/B	-
5	P/B	-

Terminal No.	Color of Wire	Signal Name
6	R/W	-
7	B	-
8	-	-
9	L/B	-
10	Y/B	-

Connector No.	B231
Connector Name	WIRE TO WIRE
Connector Color	WHITE

Terminal No.	Color of Wire	Signal Name
1	Y	-
2	G/W	-
3	R/W	-
4	L	-

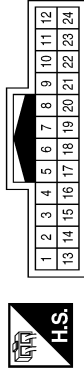
ABJIA0019GB

AUTOMATIC DRIVE POSITIONER CONTROL UNIT

< ECU DIAGNOSIS >

Terminal No.	Color of Wire	Signal Name
7	P/L	-
8	LG/B	-
9	V/W	-
10	Y/G	-
11	GR/R	-
12	R/Y	-
17	R	-

Connector No.	D1
Connector Name	WIRE TO WIRE
Connector Color	WHITE



Terminal No.	Color of Wire	Signal Name
1	BR	-
2	O	-
3	G	-
4	Y	-
5	L/Y	-
6	W/L	-

Connector No.	B232
Connector Name	RECLINING MOTOR LH (WITH AUTOMATIC DRIVE POSITIONER)
Connector Color	BLACK



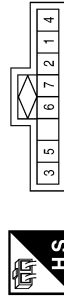
Terminal No.	Color of Wire	Signal Name
1	G/W	-
2	R/W	-
3	Y	-
4	L	-

Connector No.	D18
Connector Name	DOOR MIRROR LH (WITH AUTOMATIC DRIVE POSITIONER)
Connector Color	BLACK



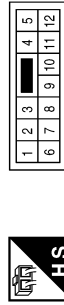
Terminal No.	Color of Wire	Signal Name
2	BR	-
3	R	-
4	W/L	-
5	G	-
8	O	-
9	Y	-
10	L/Y	-

Connector No.	D5
Connector Name	SEAT MEMORY SWITCH
Connector Color	WHITE



Terminal No.	Color of Wire	Signal Name
1	LG/B	-
2	P/L	-
3	V/W	-
4	B	-
5	R/Y	-
6	GR/R	-
7	Y/G	-

Connector No.	D2
Connector Name	WIRE TO WIRE
Connector Color	BROWN



Terminal No.	Color of Wire	Signal Name
9	B	-

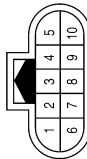
A B C D E F G H I K L M N O P

ADP

AUTOMATIC DRIVE POSITIONER CONTROL UNIT

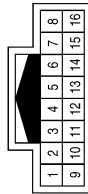
< ECU DIAGNOSIS >

Connector No.	D118
Connector Name	DOOR MIRROR RH (WITH AUTOMATIC DRIVE POSITIONER)
Connector Color	BLACK



Terminal No.	Color of Wire	Signal Name
2	V/W	-
3	GR/R	-
4	W/L	-
5	L/W	-
8	Y	-
9	Y	-
10	R/B	-

Connector No.	D102
Connector Name	WIRE TO WIRE
Connector Color	WHITE



Terminal No.	Color of Wire	Signal Name
10	GR/R	-
11	Y	-
12	V/W	-
13	W/L	-
14	R/B	-
15	Y	-
16	L/W	-

ABJIA0162GB

BCM (BODY CONTROL MODULE)

< ECU DIAGNOSIS >

BCM (BODY CONTROL MODULE)

Reference Value

INFOID:000000005488305

VALUES ON THE DIAGNOSIS TOOL

Monitor Item	Condition	Value/Status
AIR COND SW	A/C switch OFF	OFF
	A/C switch ON	ON
AUT LIGHT SYS	Outside of the room is dark	OFF
	Outside of the room is bright	ON
AUTO LIGHT SW	Lighting switch OFF	OFF
	Lighting switch AUTO	ON
BACK DOOR SW	Back door closed	OFF
	Back door opened	ON
CDL LOCK SW	Door lock/unlock switch does not operate	OFF
	Press door lock/unlock switch to the LOCK side	ON
CDL UNLOCK SW	Door lock/unlock switch does not operate	OFF
	Press door lock/unlock switch to the UNLOCK side	ON
DOOR SW-AS	Front door RH closed	OFF
	Front door RH opened	ON
DOOR SW-DR	Front door LH closed	OFF
	Front door LH opened	ON
DOOR SW-RL	Rear door LH closed	OFF
	Rear door LH opened	ON
DOOR SW-RR	Rear door RH closed	OFF
	Rear door RH opened	ON
ENGINE RUN	Engine stopped	OFF
	Engine running	ON
FR FOG SW	Front fog lamp switch OFF	OFF
	Front fog lamp switch ON	ON
FR WASHER SW	Front washer switch OFF	OFF
	Front washer switch ON	ON
FR WIPER LOW	Front wiper switch OFF	OFF
	Front wiper switch LO	ON
FR WIPER HI	Front wiper switch OFF	OFF
	Front wiper switch HI	ON
FR WIPER INT	Front wiper switch OFF	OFF
	Front wiper switch INT	ON
FR WIPER STOP	Any position other than front wiper stop position	OFF
	Front wiper stop position	ON
HAZARD SW	When hazard switch is not pressed	OFF
	When hazard switch is pressed	ON
LIGHT SW 1ST	Lighting switch OFF	OFF
	Lighting switch 1st	ON

A

B

C

D

E

F

G

H

I

ADP

K

L

M

N

O

P

BCM (BODY CONTROL MODULE)

< ECU DIAGNOSIS >

Monitor Item	Condition	Value/Status
HEAD LAMP SW1	Headlamp switch OFF	OFF
	Headlamp switch 1st	ON
HEAD LAMP SW2	Headlamp switch OFF	OFF
	Headlamp switch 1st	ON
HI BEAM SW	High beam switch OFF	OFF
	High beam switch HI	ON
IGN ON SW	Ignition switch OFF or ACC	OFF
	Ignition switch ON	ON
IGN SW CAN	Ignition switch OFF or ACC	OFF
	Ignition switch ON	ON
INT VOLUME	Wiper intermittent dial is in a dial position 1 - 7	1 - 7
I-KEY LOCK ¹	LOCK button of Intelligent Key is not pressed	OFF
	LOCK button of Intelligent Key is pressed	ON
I-KEY UNLOCK ¹	UNLOCK button of Intelligent Key is not pressed	OFF
	UNLOCK button of Intelligent Key is pressed	ON
KEY ON SW	Mechanical key is removed from key cylinder	OFF
	Mechanical key is inserted to key cylinder	ON
KEYLESS LOCK ²	LOCK button of key fob is not pressed	OFF
	LOCK button of key fob is pressed	ON
KEYLESS UNLOCK ²	UNLOCK button of key fob is not pressed	OFF
	UNLOCK button of key fob is pressed	ON
OIL PRESS SW	<ul style="list-style-type: none"> • Ignition switch OFF or ACC • Engine running 	OFF
	Ignition switch ON	ON
PASSING SW	Other than lighting switch PASS	OFF
	Lighting switch PASS	ON
PUSH SW ¹	Return to ignition switch to LOCK position	OFF
	Press ignition switch	ON
REAR DEF SW	Rear window defogger switch OFF	OFF
	Rear window defogger switch ON	ON
RR WASHER SW	Rear washer switch OFF	OFF
	Rear washer switch ON	ON
RR WIPER INT	Rear wiper switch OFF	OFF
	Rear wiper switch INT	ON
RR WIPER ON	Rear wiper switch OFF	OFF
	Rear wiper switch ON	ON
RR WIPER STOP	Rear wiper stop position	OFF
	Other than rear wiper stop position	ON
TAIL LAMP SW	Lighting switch OFF	OFF
	Lighting switch 1ST	ON
TRNK OPNR SW	When back door opener switch is not pressed	OFF
	When back door opener switch is pressed	ON
TURN SIGNAL L	Turn signal switch OFF	OFF
	Turn signal switch LH	ON

BCM (BODY CONTROL MODULE)

< ECU DIAGNOSIS >

Monitor Item	Condition	Value/Status
TURN SIGNAL R	Turn signal switch OFF	OFF
	Turn signal switch RH	ON
VEHICLE SPEED	While driving	Equivalent to speedometer reading

1: With Intelligent Key

2: With remote keyless entry system

A

B

C

D

E

F

G

H

I

ADP

K

L

M

N

O

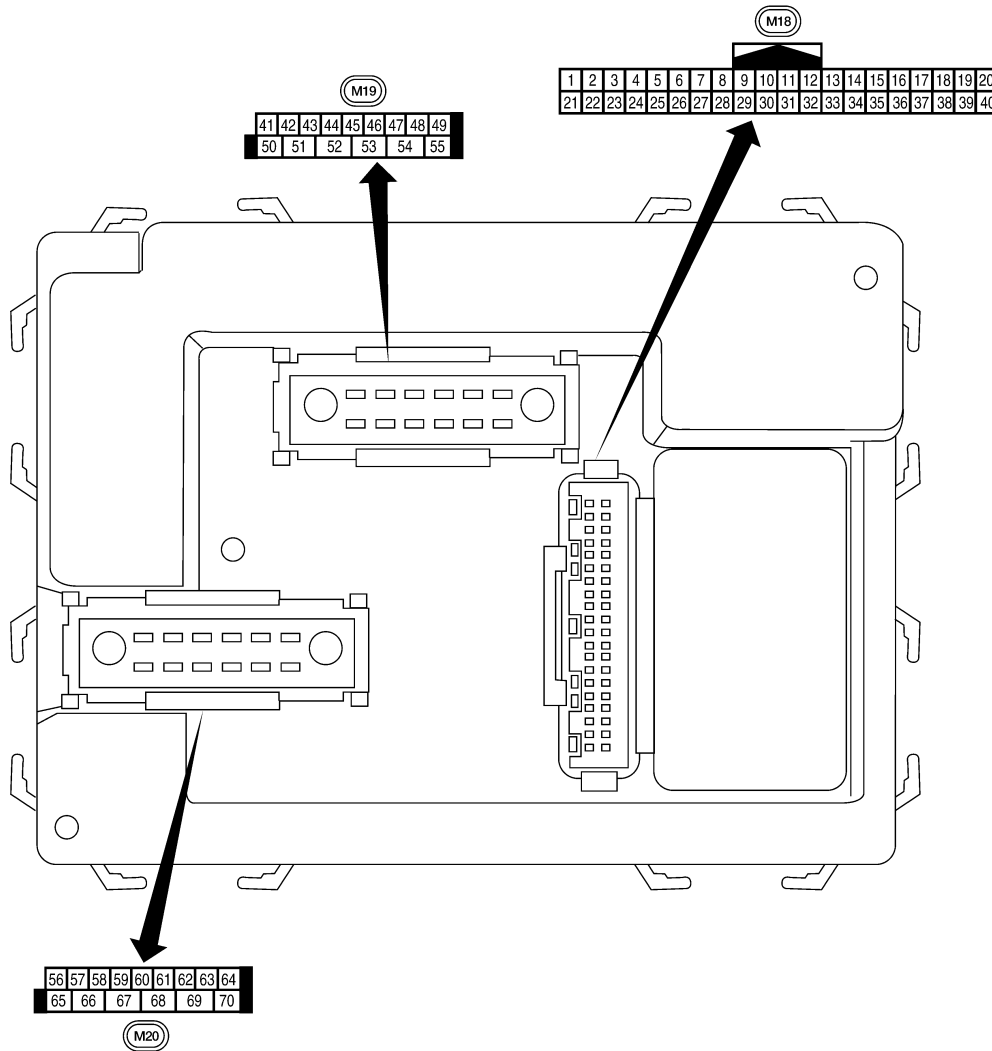
P

BCM (BODY CONTROL MODULE)

< ECU DIAGNOSIS >

Terminal Layout

INFOID:000000005488306




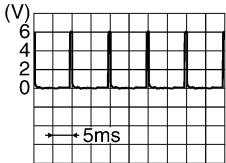

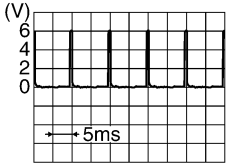
LIIA2443E

Physical Values

INFOID:000000005488307

BCM (BODY CONTROL MODULE)

< ECU DIAGNOSIS >

Terminal	Wire color	Signal name	Signal input/output	Measuring condition		Reference value or waveform (Approx.)
				Ignition switch	Operation or condition	
1	BR	Ignition keyhole illumination	Output	OFF	Door is locked (SW OFF)	Battery voltage
					Door is unlocked (SW ON)	0V
2	P	Combination switch input 5	Input	ON	Lighting, turn, wiper OFF Wiper dial position 4	 <p style="text-align: right; font-size: small;">SKIA5291E</p>
3	SB	Combination switch input 4	Input	ON	Lighting, turn, wiper OFF Wiper dial position 4	 <p style="text-align: right; font-size: small;">SKIA5292E</p>
4	V	Combination switch input 3	Input	ON	Lighting, turn, wiper OFF Wiper dial position 4	 <p style="text-align: right; font-size: small;">SKIA5291E</p>
5	L	Combination switch input 2	Input	ON	Lighting, turn, wiper OFF Wiper dial position 4	 <p style="text-align: right; font-size: small;">SKIA5292E</p>
6	R	Combination switch input 1				
9	Y	Rear window defogger switch	Input	ON	Rear window defogger switch ON	0V
					Rear window defogger switch OFF	5V
11	G/B	Ignition switch (ACC or ON)	Input	ACC or ON	Ignition switch ACC or ON	Battery voltage
12	LG	Front door switch RH	Input	OFF	ON (open)	0V
					OFF (closed)	Battery voltage
13	L	Rear door switch RH	Input	OFF	ON (open)	0V
					OFF (closed)	Battery voltage
15	W	Tire pressure warning check connector	Input	OFF	—	5V
18	BR	Remote keyless entry receiver and optical sensor (ground)	Output	OFF	—	0V

A
B
C
D
E
F
G
H
I
ADP
K
L
M
N
O
P

BCM (BODY CONTROL MODULE)

< ECU DIAGNOSIS >

Terminal	Wire color	Signal name	Signal input/output	Measuring condition		Reference value or waveform (Approx.)
				Ignition switch	Operation or condition	
19	V	Remote keyless entry receiver (power supply)	Output	OFF	Ignition switch OFF	<p style="text-align: right; font-size: small;">LIIA1893E</p>
20	G	Remote keyless entry receiver (signal)	Input	OFF	Stand-by (keyfob buttons released)	<p style="text-align: right; font-size: small;">LIIA1894E</p>
					When remote keyless entry receiver receives signal from keyfob (keyfob buttons pressed)	<p style="text-align: right; font-size: small;">LIIA1895E</p>
21	GR	NATS antenna amp.	Input	OFF → ON	Ignition switch (OFF → ON)	Just after turning ignition switch ON: Pointer of tester should move for approx. 1 second, then return to battery voltage.
22	V	BUS	—	—	Ignition switch ON or power window timer operates	<p style="text-align: right; font-size: small;">PIIA2344E</p>
23	G	Security indicator lamp	Output	OFF	Goes OFF → illuminates (Every 2.4 seconds)	Battery voltage → 0V
25	BR	NATS antenna amp.	Input	OFF → ON	Ignition switch (OFF → ON)	Just after turning ignition switch ON: Pointer of tester should move for approx. 1 second, then return to battery voltage.
27	W	Compressor ON signal	Input	ON	A/C switch OFF	5V
					A/C switch ON	0V
28	LG	Front blower monitor	Input	ON	Front blower motor OFF	Battery voltage
					Front blower motor ON	0V
29	G	Hazard switch	Input	OFF	ON	0V
					OFF	5V
30 ¹	G	Back door opener switch	Input	OFF	ON (open)	0V
					OFF (closed)	Battery voltage
30 ²	SB	Back door opener switch	Input	OFF	ON (open)	0V
					OFF (closed)	Battery voltage

BCM (BODY CONTROL MODULE)

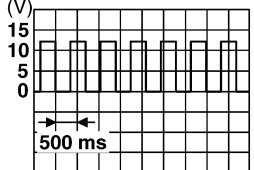
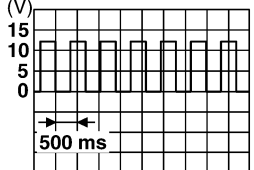
< ECU DIAGNOSIS >

Terminal	Wire color	Signal name	Signal input/output	Measuring condition		Reference value or waveform (Approx.)
				Ignition switch	Operation or condition	
32	O	Combination switch output 5	Output	ON	Lighting, turn, wiper OFF Wiper dial position 4	<p style="text-align: right; font-size: small;">SKIA5291E</p>
33	GR	Combination switch output 4	Output	ON	Lighting, turn, wiper OFF Wiper dial position 4	<p style="text-align: right; font-size: small;">SKIA5292E</p>
34	G	Combination switch output 3	Output	ON	Lighting, turn, wiper OFF Wiper dial position 4	<p style="text-align: right; font-size: small;">SKIA5291E</p>
35	BR	Combination switch output 2	Output	ON	Lighting, turn, wiper OFF Wiper dial position 4	<p style="text-align: right; font-size: small;">SKIA5292E</p>
36	LG	Combination switch output 1				
37 ¹	B	Key switch and key lock solenoid	Input	OFF	Key inserted	Battery voltage
					Key inserted	0V
37 ²	B	Key switch and ignition knob switch	Input	OFF	Intelligent Key inserted	Battery voltage
					Intelligent Key inserted	0V
38	W/R	Ignition switch (ON)	Input	ON	—	Battery voltage
39	L	CAN-H	—	—	—	—
40	P	CAN-L	—	—	—	—
42	LG	Glass hatch ajar switch	Input	ON	Glass hatch open	0V
					Glass hatch closed	Battery voltage
43	P	Back door latch switch	Input	OFF	ON (open)	0V
					OFF (closed)	Battery voltage

A
B
C
D
E
F
G
H
I
ADP
K
L
M
N
O
P

BCM (BODY CONTROL MODULE)

< ECU DIAGNOSIS >

Terminal	Wire color	Signal name	Signal input/output	Measuring condition		Reference value or waveform (Approx.)
				Ignition switch	Operation or condition	
44	O	Rear wiper auto stop switch	Input	ON	Rise up position (rear wiper arm on stopper)	0V
					A Position (full clockwise stop position)	Battery voltage
					Forward sweep (counterclockwise direction)	Fluctuating
					B Position (full counterclockwise stop position)	0V
					Reverse sweep (clockwise direction)	Fluctuating
47	GR	Front door switch LH	Input	OFF	ON (open)	0V
					OFF (closed)	Battery voltage
48	P	Rear door switch LH	Input	OFF	ON (open)	0V
					OFF (closed)	Battery voltage
49	L	Cargo lamp	Output	OFF	Any door open (ON)	0V
					All doors closed (OFF)	Battery voltage
51	O	Trailer turn signal (right)	Output	ON	Turn right ON	
52	LG	Trailer turn signal (left)	Output	ON	Turn left ON	
53	L	Back door latch actuator	Output	OFF	OFF	0
					ON	Battery voltage
55	W	Rear wiper output circuit 1	Output	ON	OFF	0
					ON	Battery voltage
56	R/Y	Battery saver output	Output	OFF	30 minutes after ignition switch is turned OFF	0V
				ON	—	Battery voltage
57	R/Y	Battery power supply	Input	OFF	—	Battery voltage
58	W	Optical sensor	Input	ON	When optical sensor is illuminated	3.1V or more
					When optical sensor is not illuminated	0.6V or less
59	GR	Front door lock assembly LH actuator (unlock)	Output	OFF	OFF (neutral)	0V
					ON (unlock)	Battery voltage

BCM (BODY CONTROL MODULE)

< ECU DIAGNOSIS >

Terminal	Wire color	Signal name	Signal input/output	Measuring condition		Reference value or waveform (Approx.)				
				Ignition switch	Operation or condition					
60	LG	Turn signal (left)	Output	ON	Turn left ON	<p style="text-align: right; font-size: small;">SKIA3009J</p>				
61	G	Turn signal (right)	Output	ON	Turn right ON	<p style="text-align: right; font-size: small;">SKIA3009J</p>				
63	BR	Interior room/map lamp	Output	OFF	Any door switch	<table border="1" style="width: 100%; border-collapse: collapse;"> <tr> <td style="width: 50%;">ON (open)</td> <td style="width: 50%;">0V</td> </tr> <tr> <td>OFF (closed)</td> <td>Battery voltage</td> </tr> </table>	ON (open)	0V	OFF (closed)	Battery voltage
ON (open)	0V									
OFF (closed)	Battery voltage									
65	V	All door lock actuators (lock)	Output	OFF	OFF (neutral)	0V				
					ON (lock)	Battery voltage				
66	L	Front door lock actuator RH, rear door lock actuators LH/RH and glass hatch lock actuator (unlock)	Output	OFF	OFF (neutral)	0V				
					ON (unlock)	Battery voltage				
67	B	Ground	Input	ON	—	0V				
68	O	Power window power supply (RAP)	Output	—	Ignition switch ON	Battery voltage				
					Within 45 seconds after ignition switch OFF	Battery voltage				
					More than 45 seconds after ignition switch OFF	0V				
					When front door LH or RH is open or power window timer operates	0V				
69	L	Power window power supply	Output	—	—	Battery voltage				
70	W	Battery power supply	Input	OFF	—	Battery voltage				

1: With remote keyless entry system

2: With Intelligent Key system

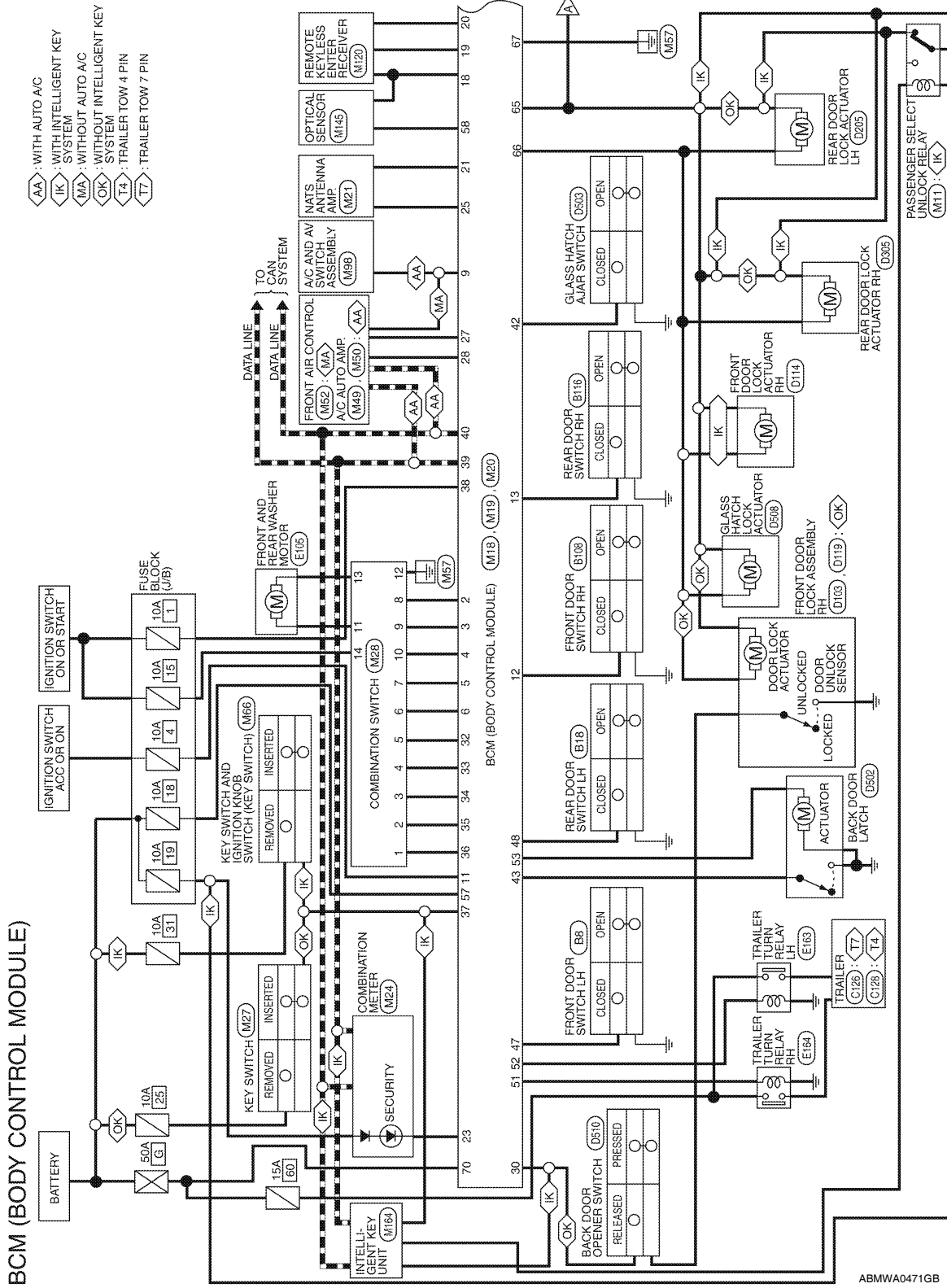
A
B
C
D
E
F
G
H
I
ADP
K
L
M
N
O
P

BCM (BODY CONTROL MODULE)

< ECU DIAGNOSIS >

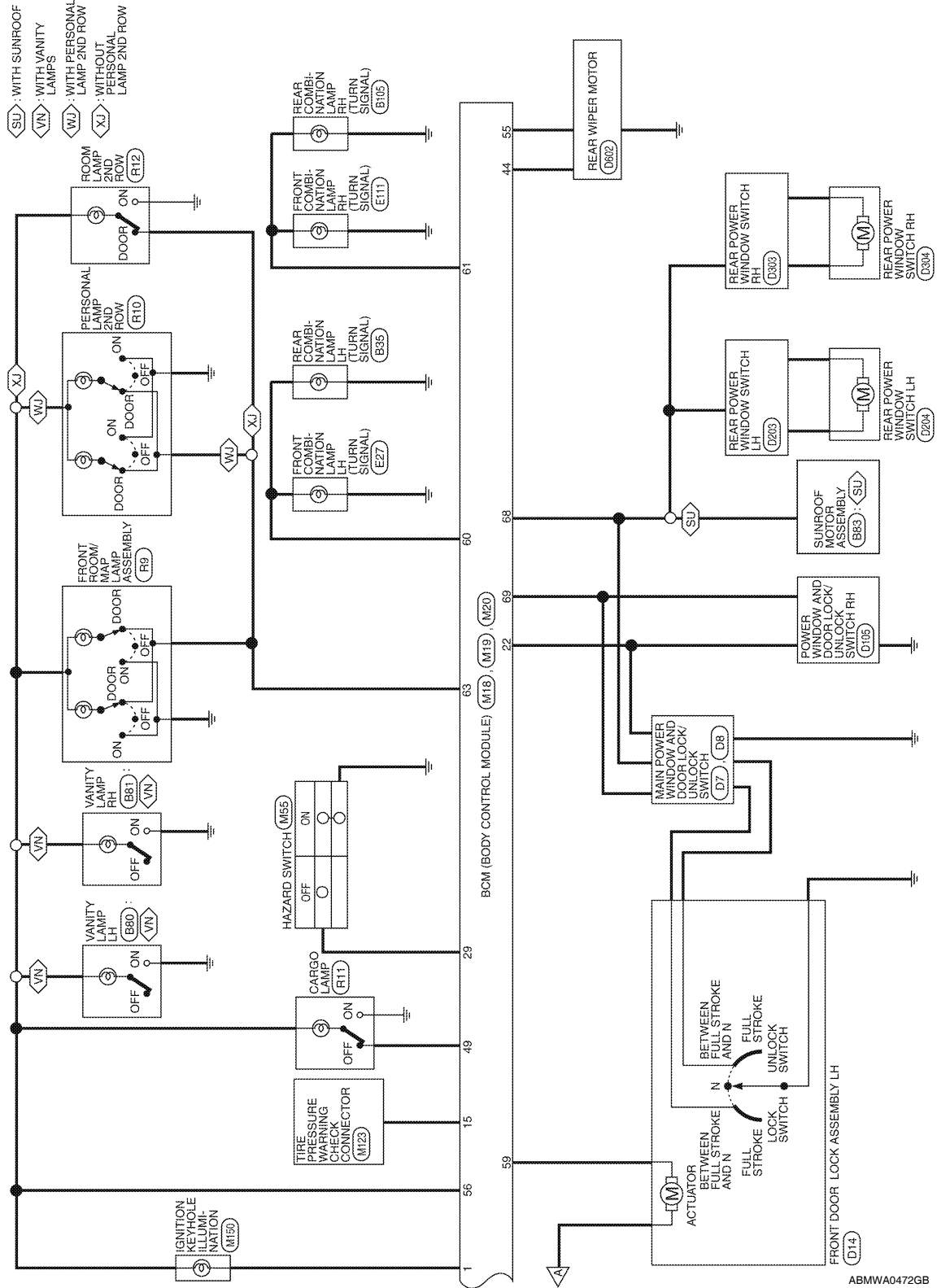
Wiring Diagram

INFOID:000000005488308



BCM (BODY CONTROL MODULE)

< ECU DIAGNOSIS >



A
B
C
D
E
F
G
H
I
ADP
K
L
M
N
O
P

BCM (BODY CONTROL MODULE)

< ECU DIAGNOSIS >

BCM (BODY CONTROL MODULE) CONNECTORS

Connector No.	M18
Connector Name	BCM (BODY CONTROL MODULE)
Connector Color	WHITE



1	2	3	4	5	6	7	8	9	10	11	12	13	14	15	16	17	18	19	20
21	22	23	24	25	26	27	28	29	30	31	32	33	34	35	36	37	38	39	40

Terminal No.	Color of Wire	Signal Name
1	BR	KEY RING OUTPUT
2	P	INPUT 5
3	SB	INPUT 4
4	V	INPUT 3
5	L	INPUT 2
6	R	INPUT 1
7	-	-
8	-	-
9	Y	REAR DEFOGGER SW
10	-	-

Connector No.	M19
Connector Name	BCM (BODY CONTROL MODULE)
Connector Color	WHITE



41	42	43	44	45	46	47	48	49
50	51	52	53	54	55			

Terminal No.	Color of Wire	Signal Name
41	-	-
42	LG	GLASS HATCH SW
43	P	BACK DOOR SW

Terminal No.	Color of Wire	Signal Name
11	G/B	ACC SW
12	LG	DOOR SW (AS)
13	L	DOOR SW (RR)
14	-	-
15	W	TPMS MODE TRIGGER SW
16	-	-
17	-	-
18	BR	KEYLESS AND AUTOLIGHT SENSOR GND
19	V	KEYLESS TUNER POWER SUPPLY OUTPUT
20	G	KEYLESS TUNER SIGNAL
21	GR	IMMOBILIZER ANTENNA SIG (CLOCK)
22	V	ANTI-PINCH SERIAL LINK (RX, TX)
23	G	SECURITY INDICATOR OUTPUT

Terminal No.	Color of Wire	Signal Name
25	BR	IMMOBILIZER ANTENNA SIGNAL (TX, RX)
26	-	-
27	W	AIRCON SW
28	LG	BLOWER FAN SW
29	G	HAZARD SW
30	SB	BACK DOOR AUTO CLOSURE (WITH INTELLIGENT KEY SYSTEM)
30	G	LIFTGATE OPENER SW (WITHOUT INTELLIGENT KEY SYSTEM)
31	-	-
32	O	OUTPUT 5
33	GR	OUTPUT 4
34	G	OUTPUT 3
35	BR	OUTPUT 2
36	LG	OUTPUT 1
37	B	KEY SW
38	W/R	IGN SW
39	L	CAN-H
40	P	CAN-L

Terminal No.	Color of Wire	Signal Name
44	O	REAR WIPER AUTO STOP SW1
45	-	-
46	-	-
47	GR	DOOR SW (DR)
48	P	DOOR SW (RL)
49	L	LUGGAGE LAMP OUTPUT
50	-	-
51	O	TRAILER FLASHER OUTPUT (RIGHT)

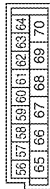
Terminal No.	Color of Wire	Signal Name
52	LG	TRAILER FLASHER OUTPUT (LEFT)
53	L	LIFTGATE OPENER OUTPUT
54	-	-
55	W	REAR WIPER MOTOR OUTPUT1

BCM (BODY CONTROL MODULE)

< ECU DIAGNOSIS >

Terminal No.	Color of Wire	Signal Name
61	G	FLASHER OUTPUT (RIGHT)
62	-	-
63	BR	ROOM LAMP
64	-	-
65	V	DOOR LOCK OUTPUT (ALL)
66	L	DOOR UNLOCK OUTPUT (OTHER)
67	B	GND (POWER)
68	O	POWER WINDOW POWER SUPPLY OUTPUT (LINKED TO RAP)
69	L	POWER WINDOW POWER SUPPLY OUTPUT (BAT)
70	W	BAT (F/L)

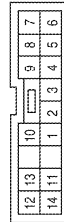
Connector No.	M20
Connector Name	BCM (BODY CONTROL MODULE)
Connector Color	BLACK



Terminal No.	Color of Wire	Signal Name
56	R/Y	BAT SAVER OUTPUT
57	R/Y	BAT (FUSE)
58	W	AUTO LIGHT SENSOR INPUT 2
59	GR	DOOR UNLOCK OUTPUT (DR)
60	LG	FLASHER OUTPUT (LEFT)

Terminal No.	Color of Wire	Signal Name
1	LG	INPUT 1
2	BR	INPUT 2
3	G	INPUT 3
4	GR	INPUT 4
5	O	INPUT 5
6	R	OUTPUT 1
7	L	OUTPUT 2
8	P	OUTPUT 5
9	SB	OUTPUT 4
10	V	OUTPUT 3
11	O	WASHER MOTOR (RR+)
12	B	GND
13	L	WASHER MOTOR (RR-)
14	W/G	IGN

Connector No.	M28
Connector Name	COMBINATION SWITCH
Connector Color	WHITE



Fail Safe

Fail-safe index

BCM performs fail-safe control when any DTC listed below is detected.

ABMIA1288GB

INFOID:000000005488309

A
B
C
D
E
F
G
H
I
ADP
K
L
M
N
O
P

BCM (BODY CONTROL MODULE)

< ECU DIAGNOSIS >

Display contents of CONSULT	Fail-safe	Cancellation
U1000: CAN COMM CIRCUIT	Inhibit engine cranking	When the BCM re-establishes communication with the other modules.

DTC Inspection Priority Chart

INFOID:000000005488310

If some DTCs are displayed at the same time, perform inspections one by one based on the following priority chart.

Priority	DTC
1	<ul style="list-style-type: none"> U1000: CAN COMM CIRCUIT
2	<ul style="list-style-type: none"> B2190: NATS ANTENNA AMP B2191: DIFFERENCE OF KEY B2192: ID DISCORD BCM-ECM B2193: CHAIN OF BCM-ECM B2013: STRG COMM 1 B2552: INTELLIGENT KEY B2590: NATS MALFUNCTION
3	<ul style="list-style-type: none"> C1729: VHCL SPEED SIG ERR C1735: IGNITION SIGNAL
4	<ul style="list-style-type: none"> C1704: LOW PRESSURE FL C1705: LOW PRESSURE FR C1706: LOW PRESSURE RR C1707: LOW PRESSURE RL C1708: [NO DATA] FL C1709: [NO DATA] FR C1710: [NO DATA] RR C1711: [NO DATA] RL C1712: [CHECKSUM ERR] FL C1713: [CHECKSUM ERR] FR C1714: [CHECKSUM ERR] RR C1715: [CHECKSUM ERR] RL C1716: [PRESSDATA ERR] FL C1717: [PRESSDATA ERR] FR C1718: [PRESSDATA ERR] RR C1719: [PRESSDATA ERR] RL C1720: [CODE ERR] FL C1721: [CODE ERR] FR C1722: [CODE ERR] RR C1723: [CODE ERR] RL C1724: [BATT VOLT LOW] FL C1725: [BATT VOLT LOW] FR C1726: [BATT VOLT LOW] RR C1727: [BATT VOLT LOW] RL

DTC Index

INFOID:000000005488311

NOTE:

- Details of time display
- CRNT: Displays when there is a malfunction now or after returning to the normal condition until turning ignition switch OFF → ON again.
 - 1 - 39: Displayed if any previous malfunction is present when current condition is normal. It increases like 1 → 2 → 3...38 → 39 after returning to the normal condition whenever ignition switch OFF → ON. The counter remains at 39 even if the number of cycles exceeds it. It is counted from 1 again when turning ignition switch OFF → ON after returning to the normal condition if the malfunction is detected again.

BCM (BODY CONTROL MODULE)

< ECU DIAGNOSIS >

CONSULT display	Fail-safe	Intelligent Key warning lamp ON	Tire pressure monitor warning lamp ON	Reference page
No DTC is detected. further testing may be required.	—	—	—	—
U1000: CAN COMM CIRCUIT	—	—	—	BCS-33
B2013: STRG COMM 1	—	—	—	SEC-29
B2190: NATS ANTENNA AMP	—	—	—	SEC-32 (with I- Key), SEC-136 (without I-Key)
B2191: DIFFERENCE OF KEY	—	—	—	SEC-35 (with I- Key), SEC-139 (without I-Key)
B2192: ID DISCORD BCM-ECM	—	—	—	SEC-36 (with I- Key), SEC-140 (without I-Key)
B2193: CHAIN OF BCM-ECM	—	—	—	SEC-38 (with I- Key), SEC-142 (without I-Key)
B2552: INTELLIGENT KEY	—	—	—	SEC-40
B2590: NATS MALFUNCTION	—	—	—	SEC-41
C1708: [NO DATA] FL	—	—	—	WT-14
C1709: [NO DATA] FR	—	—	—	WT-14
C1710: [NO DATA] RR	—	—	—	WT-14
C1711: [NO DATA] RL	—	—	—	WT-14
C1712: [CHECKSUM ERR] FL	—	—	—	WT-16
C1713: [CHECKSUM ERR] FR	—	—	—	WT-16
C1714: [CHECKSUM ERR] RR	—	—	—	WT-16
C1715: [CHECKSUM ERR] RL	—	—	—	WT-16
C1716: [PRESSDATA ERR] FL	—	—	—	WT-18
C1717: [PRESSDATA ERR] FR	—	—	—	WT-18
C1718: [PRESSDATA ERR] RR	—	—	—	WT-18
C1719: [PRESSDATA ERR] RL	—	—	—	WT-18
C1720: [CODE ERR] FL	—	—	—	WT-16
C1721: [CODE ERR] FR	—	—	—	WT-16
C1722: [CODE ERR] RR	—	—	—	WT-16
C1723: [CODE ERR] RL	—	—	—	WT-16
C1724: [BATT VOLT LOW] FL	—	—	—	WT-16
C1725: [BATT VOLT LOW] FR	—	—	—	WT-16
C1726: [BATT VOLT LOW] RR	—	—	—	WT-16
C1727: [BATT VOLT LOW] RL	—	—	—	WT-16
C1729: VHCL SPEED SIG ERR	—	—	—	WT-19
C1735: IGNITION SWITCH	—	—	—	—

A
B
C
D
E
F
G
H
I
ADP
K
L
M
N
O
P

ADP SYSTEM SYMPTOMS

< SYMPTOM DIAGNOSIS >

SYMPTOM DIAGNOSIS

ADP SYSTEM SYMPTOMS

Symptom Table

INFOID:000000005256751

NOTE:

Always perform the “Basic Inspection” before performing diagnosis in the following table. Refer to [ADP-6](#), “Work Flow”.

SYMPTOM 1

Symptom	Diagnosis procedure	Reference page
Manual functions (for specific part) do not operate	Sliding operation	Check sliding switch. ADP-45
	Reclining operation	Check reclining switch. ADP-48
	Lifting operation (front)	Check lifting switch (front). ADP-51
	Lifting operation (rear)	Check lifting switch (rear). ADP-54
	Pedal operation	1. Check pedal adjusting switch. ADP-57
		2. Check pedal adjusting sensor. ADP-81
	Door mirror operation	1. Changeover switch. ADP-62
2. Mirror switch ADP-64		
All parts of seat	Check power seat switch ground circuit. ADP-68	

SYMPTOM 2

Symptom	Diagnosis procedure	Reference page
Memory functions (for specific part) do not operate	Sliding operation	Check sliding sensor. ADP-73
	Reclining operation	Check reclining sensor. ADP-75
	Lifting operation (front)	Check lifting sensor (front). ADP-77
	Lifting operation (rear)	Check lifting sensor (rear). ADP-79
	Pedal operation	Check pedal adjusting sensor. ADP-81
	Door mirror operation	Check door mirror sensor. Driver side: ADP-83 Passenger side: ADP-85

SYMPTOM 3

Symptom	Diagnosis procedure	Reference page
Memory functions and manual functions (for specific part) do not operate	Sliding operation	Check sliding motor. ADP-87
	Reclining operation	Check reclining motor. ADP-89
	Lifting operation (front)	Check lifting motor (front). ADP-91
	Lifting operation (rear)	Check lifting motor (rear). ADP-93
	Pedal operation	Check pedal adjusting motor. ADP-95
	Door mirror operation	Check door mirror motor. ADP-97

SYMPTOM 4

ADP SYSTEM SYMPTOMS

< SYMPTOM DIAGNOSIS >

Symptom	Diagnosis procedure	Reference page
Entry/Exit assist function does not operate.	1. Check system setting.	ADP-21
	2. Perform initialization.	ADP-22
	3. Check front door switch (driver side).	ADP-71
Intelligent Key interlock function does not operate. (Other automatic operations and Intelligent Key system are normal)	1. Check door lock function.	DLK-22
	2. Perform memory storing.	ADP-11

SYMPTOM 5

Symptom	Diagnosis procedure	Reference page
Memory indicators 1 and/or 2 do not illuminate.	1. Check seat memory switch.	ADP-60
	2. Check seat memory indicator.	ADP-100

SYMPTOM 6

Symptom	Diagnosis procedure	Reference page
Memory operation does not operate.	Check A/T shift selector (park position switch).	ADP-69

A
B
C
D
E
F
G
H
I
K
L
M
N
O
P

ADP

NORMAL OPERATING CONDITION

< SYMPTOM DIAGNOSIS >

NORMAL OPERATING CONDITION

Description

INFOID:000000005256752

The following symptoms are normal operations, and they do not indicate a malfunction.

Symptom	Cause	Action to take	Reference page
Entry/Exit assist function does not operate.	No initialization has been performed.	Perform initialization.	ADP-20
	Entry/exit assist function is disabled. NOTE: The entry/exit assist function is disabled before delivery (initial setting).	Change the settings.	ADP-23
Entry assist function does not operate.	Manual operation with power seat switch was performed after exit assist function execution.	Perform the memory function.	ADP-23
Memory function, entry/exit assist function or Intelligent Key interlock function does not operate.	The operating conditions are not fulfilled.	Fulfill the operation conditions.	Memory function: ADP-17
			Exit assist function: ADP-21
			Entry assist function: ADP-23
			Intelligent Key interlock function: ADP-11

PRECAUTIONS

< PRECAUTION >

PRECAUTION

PRECAUTIONS

Precaution for Supplemental Restraint System (SRS) "AIR BAG" and "SEAT BELT PRE-TENSIONER"

INFOID:000000005503154

The Supplemental Restraint System such as "AIR BAG" and "SEAT BELT PRE-TENSIONER", used along with a front seat belt, helps to reduce the risk or severity of injury to the driver and front passenger for certain types of collision. This system includes seat belt switch inputs and dual stage front air bag modules. The SRS system uses the seat belt switches to determine the front air bag deployment, and may only deploy one front air bag, depending on the severity of a collision and whether the front occupants are belted or unbelted. Information necessary to service the system safely is included in the SR and SB section of this Service Manual.

WARNING:

- To avoid rendering the SRS inoperative, which could increase the risk of personal injury or death in the event of a collision which would result in air bag inflation, all maintenance must be performed by an authorized NISSAN/INFINITI dealer.
- Improper maintenance, including incorrect removal and installation of the SRS, can lead to personal injury caused by unintentional activation of the system. For removal of Spiral Cable and Air Bag Module, see the SR section.
- Do not use electrical test equipment on any circuit related to the SRS unless instructed to in this Service Manual. SRS wiring harnesses can be identified by yellow and/or orange harnesses or harness connectors.

PRECAUTIONS WHEN USING POWER TOOLS (AIR OR ELECTRIC) AND HAMMERS

WARNING:

- When working near the Airbag Diagnosis Sensor Unit or other Airbag System sensors with the Ignition ON or engine running, DO NOT use air or electric power tools or strike near the sensor(s) with a hammer. Heavy vibration could activate the sensor(s) and deploy the air bag(s), possibly causing serious injury.
- When using air or electric power tools or hammers, always switch the Ignition OFF, disconnect the battery, and wait at least 3 minutes before performing any service.

Precaution Necessary for Steering Wheel Rotation After Battery Disconnect

INFOID:000000005256754

NOTE:

- This Procedure is applied only to models with Intelligent Key system and NATS (NISSAN ANTI-THEFT SYSTEM).
- Remove and install all control units after disconnecting both battery cables with the ignition knob in the "LOCK" position.
- Always use CONSULT-III to perform self-diagnosis as a part of each function inspection after finishing work. If DTC is detected, perform trouble diagnosis according to self-diagnostic results.

For models equipped with the Intelligent Key system and NATS, an electrically controlled steering lock mechanism is adopted on the key cylinder.

For this reason, if the battery is disconnected or if the battery is discharged, the steering wheel will lock and steering wheel rotation will become impossible.

If steering wheel rotation is required when battery power is interrupted, follow the procedure below before starting the repair operation.

OPERATION PROCEDURE

1. Connect both battery cables.

NOTE:

Supply power using jumper cables if battery is discharged.

2. Use the Intelligent Key or mechanical key to turn the ignition switch to the "ACC" position. At this time, the steering lock will be released.
3. Disconnect both battery cables. The steering lock will remain released and the steering wheel can be rotated.
4. Perform the necessary repair operation.

A
B
C
D
E
F
G
H
I
ADP
K
L
M
N
O
P

PRECAUTIONS

< PRECAUTION >

5. When the repair work is completed, return the ignition switch to the "LOCK" position before connecting the battery cables. (At this time, the steering lock mechanism will engage.)
6. Perform a self-diagnosis check of all control units using CONSULT-III.

Precaution for Work

INFOID:000000005256755

- When removing or disassembling each component, be careful not to damage or deform it. If a component may be subject to interference, be sure to protect it with a shop cloth.
- When removing (disengaging) components with a screwdriver or similar tool, be sure to wrap the component with a shop cloth or vinyl tape to protect it.
- Protect the removed parts with a shop cloth and keep them.
- Replace a deformed or damaged clip.
- If a part is specified as a non-reusable part, always replace it with new one.
- Be sure to tighten bolts and nuts securely to the specified torque.
- After re-installation is completed, be sure to check that each part works normally.
- Follow the steps below to clean components.
 - Water soluble foul: Dip a soft cloth into lukewarm water, and wring the water out of the cloth to wipe the fouled area.
Then rub with a soft and dry cloth.
 - Oily foul: Dip a soft cloth into lukewarm water with mild detergent (concentration: within 2 to 3%), and wipe the fouled area.
Then dip a cloth into fresh water, and wring the water out of the cloth to wipe the detergent off. Then rub with a soft and dry cloth.
- Do not use organic solvent such as thinner, benzene, alcohol, or gasoline.
- For genuine leather seats, use a genuine leather seat cleaner.

DRIVER SEAT CONTROL UNIT

< ON-VEHICLE REPAIR >

ON-VEHICLE REPAIR

DRIVER SEAT CONTROL UNIT

Removal and Installation

INFOID:000000005256759

Refer to [SE-33, "Exploded View"](#) for removal and installation of driver seat control unit.

A

B

C

D

E

F

G

H

I

ADP

K

L

M

N

O

P

AUTOMATIC DRIVE POSITIONER CONTROL UNIT

< ON-VEHICLE REPAIR >

AUTOMATIC DRIVE POSITIONER CONTROL UNIT

Removal and Installation

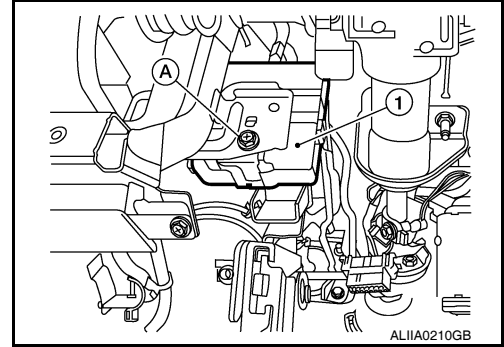
INFOID:000000005256760

REMOVAL

CAUTION:

When removing and installing, use shop cloths to protect parts from damage.

1. Remove the battery negative terminal.
2. Remove the instrument driver lower panel. Refer to [IP-12, "Removal and Installation"](#).
3. Remove the screw (A).
4. Remove automatic drive positioner control unit (1) from bracket and disconnect electrical connectors.



INSTALLATION

Installation is in the reverse order of removal.

CAUTION:

- **Clamp the harness in position.**

NOTE:

After installing the automatic drive positioner control unit, perform additional service when disconnecting battery negative terminal. Refer to [ADP-9, "Special Repair Requirement"](#).

SEAT MEMORY SWITCH

< ON-VEHICLE REPAIR >

SEAT MEMORY SWITCH

Removal and Installation

INFOID:000000005256761

Refer to [INT-14. "Removal and Installation"](#) for removal and installation of seat memory switch.

A
B
C
D
E
F
G
H
I
K
L
M
N
O
P

ADP

DOOR MIRROR REMOTE CONTROL SWITCH

< ON-VEHICLE REPAIR >

DOOR MIRROR REMOTE CONTROL SWITCH

Removal and Installation

INFOID:000000005256762

Refer to [MIR-15. "Door Mirror Assembly"](#) for removal and installation of door mirror remote control switch.

PEDAL ADJUSTING MOTOR

< ON-VEHICLE REPAIR >

PEDAL ADJUSTING MOTOR

Removal and Installation

INFOID:000000005256763

Refer to [ADP-165. "Removal and Installation"](#).

A

B

C

D

E

F

G

H

I

ADP

K

L

M

N

O

P