

A
B
C

SECTION **VTL**

VENTILATION SYSTEM

CONTENTS

<p>PRECAUTION 3</p> <p>PRECAUTIONS 3</p> <p style="padding-left: 20px;">Precaution for Supplemental Restraint System (SRS) "AIR BAG" and "SEAT BELT PRE-TENSIONER"3</p> <p style="padding-left: 20px;">Precaution for Procedure without Cowl Top Cover.....3</p> <p style="padding-left: 20px;">Precaution for Work3</p> <p>PREPARATION 5</p> <p>PREPARATION 5</p> <p style="padding-left: 20px;">Special Service Tool5</p> <p style="padding-left: 20px;">Commercial Service Tool5</p> <p>PERIODIC MAINTENANCE 6</p> <p>IN-CABIN MICROFILTER 6</p> <p style="padding-left: 20px;">Removal and Installation6</p> <p>SYSTEM DESCRIPTION 7</p> <p>VENTILATION SYSTEM 7</p> <p style="padding-left: 20px;">System Description7</p> <p>REMOVAL AND INSTALLATION10</p> <p>DUCTS AND GRILLES10</p> <p style="padding-left: 20px;">Exploded View10</p> <p>CENTER VENTILATOR DUCT 11</p> <p style="padding-left: 20px;">CENTER VENTILATOR DUCT : Removal and Installation 11</p> <p>SIDE DEFROSTER DUCT 11</p> <p style="padding-left: 20px;">SIDE DEFROSTER DUCT : Removal and Installation 11</p> <p>FRONT FLOOR DUCT 11</p> <p style="padding-left: 20px;">FRONT FLOOR DUCT : Removal and Installation - Front Floor Connecting Duct 11</p> <p style="padding-left: 20px;">FRONT FLOOR DUCT : Removal and Installation - Front Floor Duct 11</p>	<p style="text-align: right;">D E F G H I J K L M N O P</p> <p>ADAPTOR DUCT11</p> <p style="padding-left: 20px;">ADAPTOR DUCT : Removal and Installation11</p> <p style="padding-left: 20px;">Exploded View12</p> <p>REAR CENTER VENTILATOR DUCT12</p> <p style="padding-left: 20px;">REAR CENTER VENTILATOR DUCT : Removal and Installation 12</p> <p>CENTER FLOOR DUCT12</p> <p style="padding-left: 20px;">CENTER FLOOR DUCT : Removal and Installation - Center Floor Connecting Duct12</p> <p style="padding-left: 20px;">CENTER FLOOR DUCT : Removal and Installation - Center Floor Duct13</p> <p style="padding-left: 20px;">Exploded View13</p> <p>REAR VENTILATOR DUCT UPPER13</p> <p style="padding-left: 20px;">REAR VENTILATOR DUCT UPPER : Removal and Installation13</p> <p>REAR VENTILATOR DUCT LOWER13</p> <p style="padding-left: 20px;">REAR VENTILATOR DUCT LOWER : Removal and Installation 14</p> <p>REAR VENTILATOR DUCT 114</p> <p style="padding-left: 20px;">REAR VENTILATOR DUCT 1 : Removal and Installation 14</p> <p>REAR VENTILATOR DUCT 214</p> <p style="padding-left: 20px;">REAR VENTILATOR DUCT 2 : Removal and Installation14</p> <p>REAR VENTILATOR DUCT 314</p> <p style="padding-left: 20px;">REAR VENTILATOR DUCT 3 : Removal and Installation 14</p> <p style="padding-left: 20px;">Exploded View15</p> <p>CENTER VENTILATOR GRILLE15</p> <p style="padding-left: 20px;">CENTER VENTILATOR GRILLE : Removal and Installation 15</p> <p>SIDE VENTILATOR GRILLE16</p> <p style="padding-left: 20px;">SIDE VENTILATOR GRILLE : Removal and Installation - LH16</p>
--	---

VTL

SIDE VENTILATOR GRILLE : Removal and Installation - RH	16	FRONT BLOWER UNIT : Removal and Installation	19
SIDE DEFROSTER GRILLE	16	FRONT BLOWER MOTOR	19
SIDE DEFROSTER GRILLE : Removal and Installation	16	FRONT BLOWER MOTOR : Removal and Installation	19
REAR CENTER VENTILATOR GRILLE	17	REAR BLOWER MOTOR 1 UNIT ASSEMBLY	20
REAR CENTER VENTILATOR GRILLE : Removal and Installation	17	REAR BLOWER MOTOR 1 UNIT ASSEMBLY : Removal and Installation	20
REAR VENTILATOR GRILLE	17	REAR BLOWER MOTOR 1	20
REAR VENTILATOR GRILLE : Removal and Installation	17	REAR BLOWER MOTOR 1 : Removal and Installation	21
BLOWER UNIT	19	REAR BLOWER MOTOR 2	21
Exploded View	19	REAR BLOWER MOTOR 2 : Removal and Installation	22
FRONT BLOWER UNIT	19		

PRECAUTIONS

< PRECAUTION >

PRECAUTION

PRECAUTIONS

Precaution for Supplemental Restraint System (SRS) "AIR BAG" and "SEAT BELT PRE-TENSIONER"

INFOID:000000011152433

The Supplemental Restraint System such as "AIR BAG" and "SEAT BELT PRE-TENSIONER", used along with a front seat belt, helps to reduce the risk or severity of injury to the driver and front passenger for certain types of collision. Information necessary to service the system safely is included in the SR and SB section of this Service Manual.

WARNING:

- To avoid rendering the SRS inoperative, which could increase the risk of personal injury or death in the event of a collision which would result in air bag inflation, all maintenance must be performed by an authorized NISSAN/INFINITI dealer.
- Improper maintenance, including incorrect removal and installation of the SRS, can lead to personal injury caused by unintentional activation of the system. For removal of Spiral Cable and Air Bag Module, see the SR section.
- Do not use electrical test equipment on any circuit related to the SRS unless instructed to in this Service Manual. SRS wiring harnesses can be identified by yellow and/or orange harnesses or harness connectors.

PRECAUTIONS WHEN USING POWER TOOLS (AIR OR ELECTRIC) AND HAMMERS

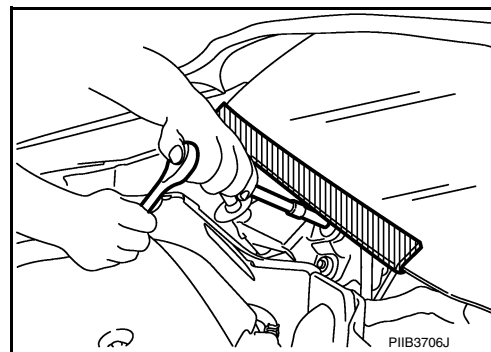
WARNING:

- When working near the Airbag Diagnosis Sensor Unit or other Airbag System sensors with the Ignition ON or engine running, DO NOT use air or electric power tools or strike near the sensor(s) with a hammer. Heavy vibration could activate the sensor(s) and deploy the air bag(s), possibly causing serious injury.
- When using air or electric power tools or hammers, always switch the Ignition OFF, disconnect the battery and wait at least three minutes before performing any service.

Precaution for Procedure without Cowl Top Cover

INFOID:000000011152434

When performing the procedure after removing cowl top cover, cover the lower end of windshield with urethane, etc to prevent damage to windshield.



Precaution for Work

INFOID:000000011152435

- When removing or disassembling each component, be careful not to damage or deform it. If a component may be subject to interference, be sure to protect it with a shop cloth.
- When removing (disengaging) components with a screwdriver or similar tool, be sure to wrap the component with a shop cloth or vinyl tape to protect it.
- Protect the removed parts with a shop cloth and prevent them from being dropped.
- Replace a deformed or damaged clip.
- If a part is specified as a non-reusable part, always replace it with a new one.
- Be sure to tighten bolts and nuts securely to the specified torque.
- After installation is complete, be sure to check that each part works properly.
- Follow the steps below to clean components:
 - Water soluble dirt:
 - Dip a soft cloth into lukewarm water, wring the water out of the cloth and wipe the dirty area.
 - Then rub with a soft, dry cloth.
 - Oily dirt:

A
B
C
D
E
F
G
H
VTL

J
K
L
M
N
O
P

PRECAUTIONS

< PRECAUTION >

- Dip a soft cloth into lukewarm water with mild detergent (concentration: within 2 to 3%) and wipe the dirty area.
- Then dip a cloth into fresh water, wring the water out of the cloth and wipe the detergent off.
- Then rub with a soft, dry cloth.
- Do not use organic solvent such as thinner, benzene, alcohol or gasoline.
- For genuine leather seats, use a genuine leather seat cleaner.

PREPARATION

< PREPARATION >

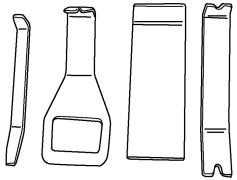
PREPARATION

PREPARATION

Special Service Tool


INFOID:000000011152436

The actual shape of the tools may differ from those illustrated here.

Tool number (TechMate No.) Tool name	Description
— (J-46534) Trim tool set  AWJIA0483ZZ	Removing trim components

Commercial Service Tool

INFOID:000000011152437

Tool name	Description
Power tool  PIIB1407E	Loosening nuts, screws and bolts

A
B
C
D
E
F
G
H
J
K
L
M
N
O
P

VTL

IN-CABIN MICROFILTER

< PERIODIC MAINTENANCE >

PERIODIC MAINTENANCE

IN-CABIN MICROFILTER

Removal and Installation

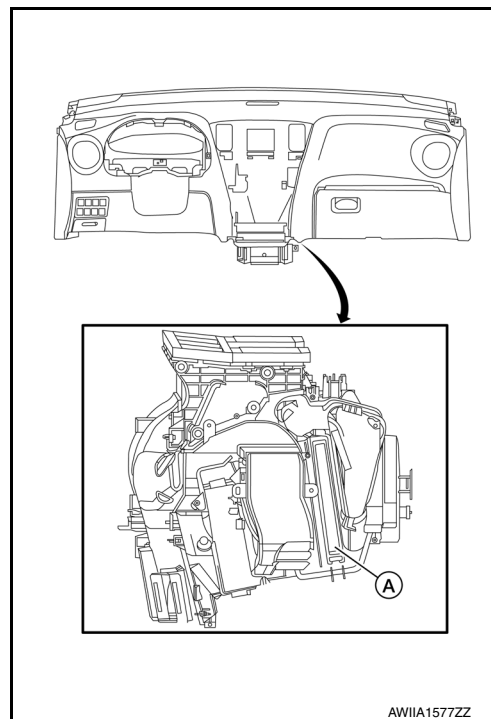
INFOID:000000011152438

REMOVAL

1. Remove center console side finisher (RH). Refer to [IP-18. "Exploded View"](#).
2. Release the in-cabin microfilter cover tab (A) and remove the cover from under the RH side of the instrument panel.

CAUTION:

Use care when lifting up on the tab to avoid damaging it.



3. Remove the in-cabin microfilter.

CAUTION:

If the filter is deformed/damaged when removing, replace it with a new one. A deformed or damaged filter may affect the dust collecting performance.

INSTALLATION

Installation is in the reverse order of removal.

CAUTION:

When installing, handle the filter with extreme care to avoid deforming or damaging the filter.

NOTE:

The in-cabin microfilter is marked with an air flow arrow. The end of the microfilter with the arrow should face the passenger side of the vehicle. The arrow should point towards the rear of the vehicle.

VENTILATION SYSTEM

< SYSTEM DESCRIPTION >

SYSTEM DESCRIPTION

VENTILATION SYSTEM

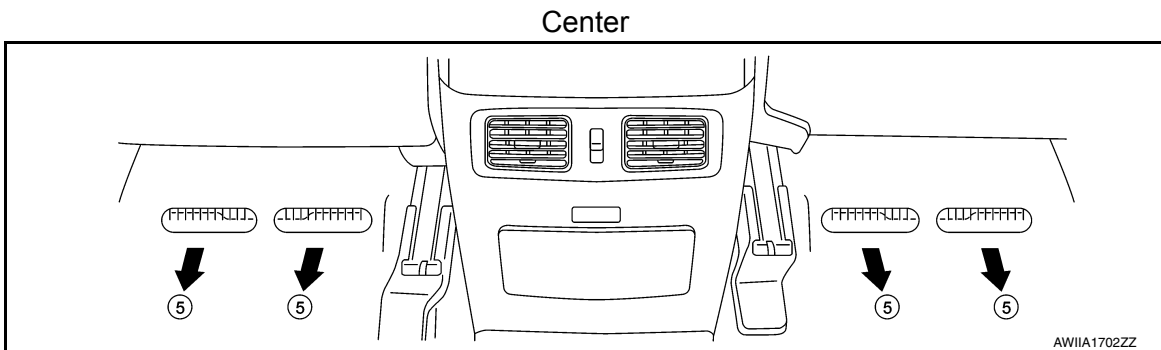
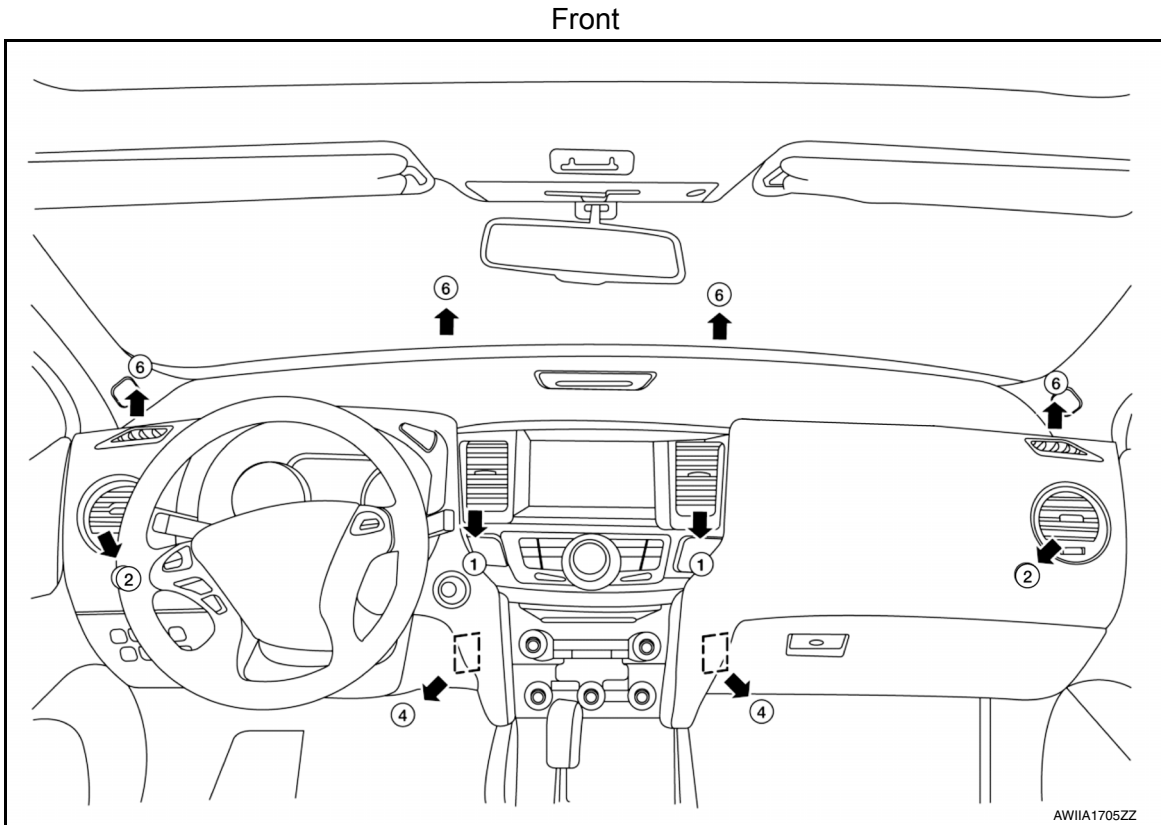
System Description

INFOID:000000011152439

OUTLINE

Ventilation system is controlled by A/C auto amp. For details of automatic air conditioner system, refer to [HAC-12. "FRONT AUTOMATIC AIR CONDITIONING SYSTEM : Component Description"](#).

AIR FLOW



Front Air Control

		Discharge air flow				
Mode position	Condition	Air outlet / distribution				
		VENT		FOOT		DEF (6)
		Center (1)	Side (2)	Front (4)	Center (5)	

A
B
C
D
E
F
G
H
I
J
K
L
M
N
O
P

VTL

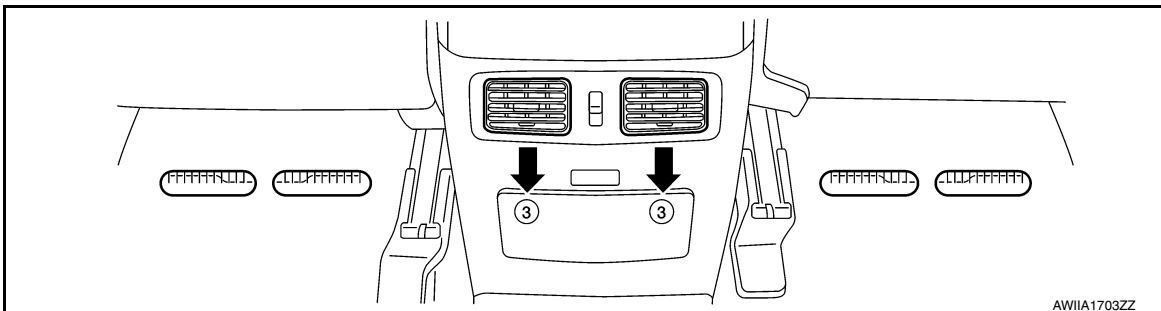
VENTILATION SYSTEM

< SYSTEM DESCRIPTION >

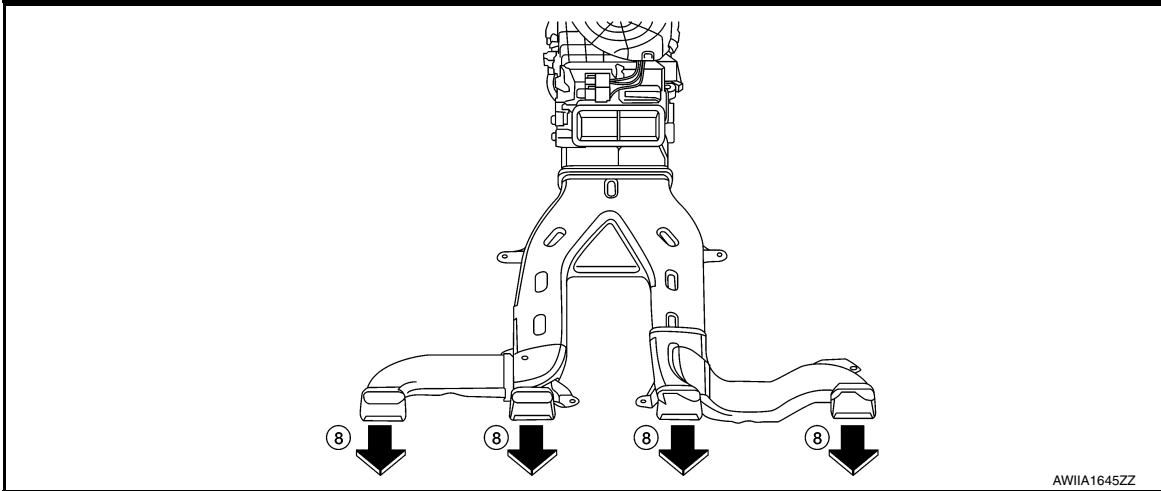
	Upper Vent: ON	Temperature control switch	18°C (60°F)	×	×	—	—	—
			Other than 18°C (60°F)*1	×	×	—	—	—
	<ul style="list-style-type: none"> DUAL: OFF Rear ventilator: Close 	—	×	×	×	×	—	
		—	—	—	×	×	—	
		—	—	—	—	—	×	×
		—	—	—	—	—	—	×
		—	—	—	—	—	—	×

- *1: Air flow is also supplied to front foot until passenger room temperature stabilizes when temperature setting is other than 18°C (60°F). At that time, air flowing is the same as 18°C (60°F) setting.
- *2: During automatic defogging control.

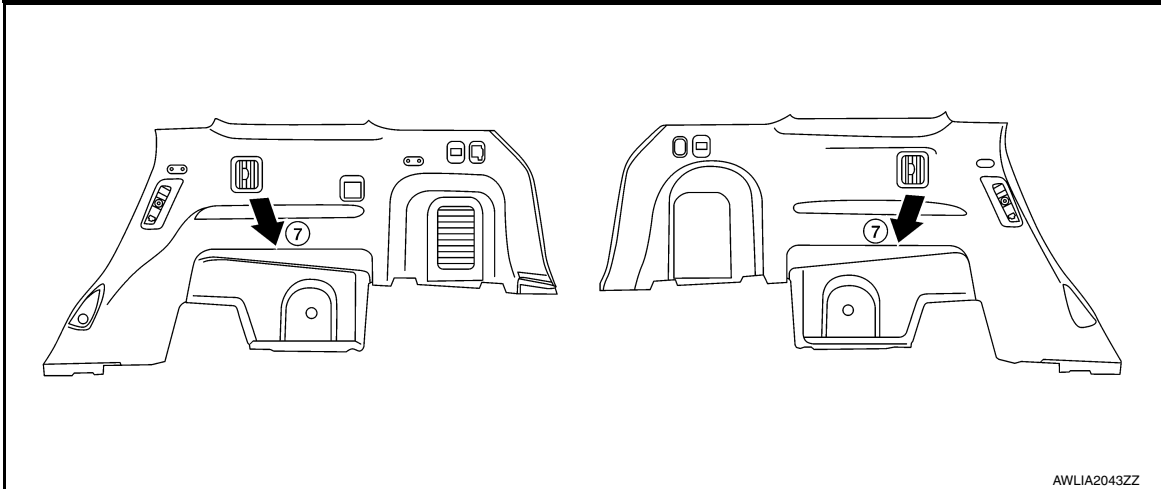
Rear



AWIIA1703ZZ



AWIIA1645ZZ






AWIIA2043ZZ

VENTILATION SYSTEM

< SYSTEM DESCRIPTION >

Rear Air Control

Discharge air flow							
Mode position	Condition				Air outlet / distribution		
					VENT		FOOT
					Center (3)	Side (7)	Rear (8)
	<ul style="list-style-type: none"> • DUAL: OFF • Rear ventilator: Close 	Upper Vent: ON	Temperature control switch	18°C (60°F)	×	×	—
				Other than 18°C (60°F) ^{*1}	×	×	—
			—		×	×	×
			—		—	—	×

- *1: Air flow is also supplied to front foot until passenger room temperature stabilizes when temperature setting is other than 18°C (60°F). At that time, air flowing is the same as 18°C (60°F) setting.

A
B
C
D
E
F
G
H
J
K
L
M
N
O
P

VTL

DUCTS AND GRILLES

< REMOVAL AND INSTALLATION >

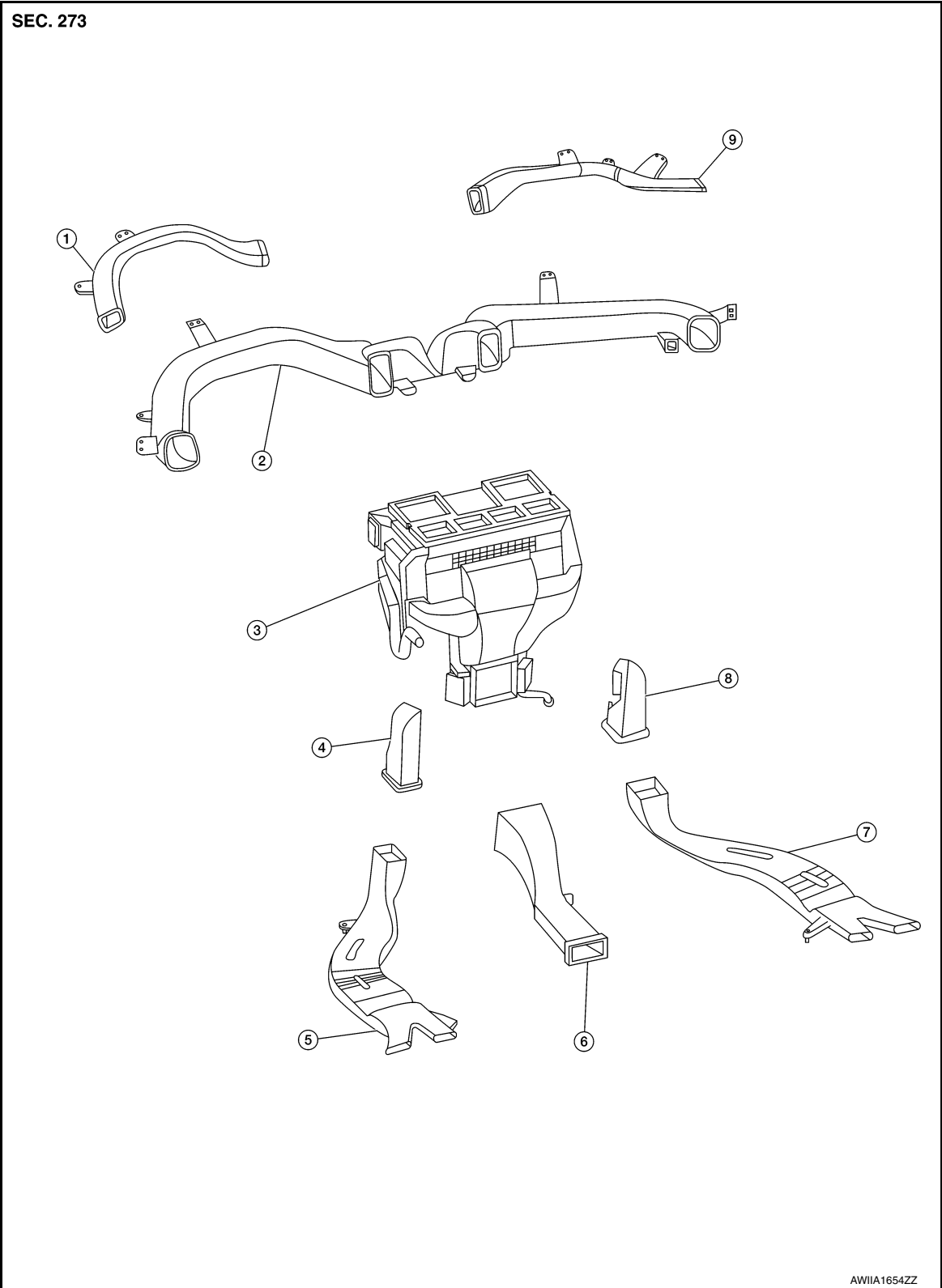
REMOVAL AND INSTALLATION

DUCTS AND GRILLES

Exploded View

INFOID:000000011152440

Front



DUCTS AND GRILLES

< REMOVAL AND INSTALLATION >

- | | | | |
|-------------------------------------|-------------------------------------|--|---|
| 1. Side defroster duct (LH) | 2. Center ventilator duct | 3. Front heating and cooling unit assembly | A |
| 4. Front floor connecting duct (LH) | 5. Front floor duct (LH) | 6. Adaptor duct (to rear blower motor 1 unit assembly) | |
| 7. Front floor duct (RH) | 8. Front floor connecting duct (RH) | 9. Side defroster duct (RH) | B |

CENTER VENTILATOR DUCT

CENTER VENTILATOR DUCT : Removal and Installation

INFOID:0000000011152441

REMOVAL

1. Remove the side defroster ducts (LH/RH). Refer to [VTL-11, "SIDE DEFROSTER DUCT : Removal and Installation"](#).
2. Remove the screws and the center ventilator duct.

INSTALLATION

Installation is in the reverse order of removal.

SIDE DEFROSTER DUCT

SIDE DEFROSTER DUCT : Removal and Installation

INFOID:0000000011152442

REMOVAL

1. Remove the instrument panel assembly. Refer to [IP-15, "Removal and Installation"](#).
2. Remove the screws and the side defroster duct.

INSTALLATION

Installation is in the reverse order of removal.

FRONT FLOOR DUCT

FRONT FLOOR DUCT : Removal and Installation - Front Floor Connecting Duct

INFOID:0000000011152443

REMOVAL

1. Remove the center console side finisher. Refer to [IP-18, "Exploded View"](#).
2. Unclip the harness wiring from the front floor connecting duct (RH only).
3. Remove the front floor connecting duct.

INSTALLATION

Installation is in the reverse order of removal.

FRONT FLOOR DUCT : Removal and Installation - Front Floor Duct

INFOID:0000000011152444

REMOVAL

1. Remove front floor trim. Refer to [INT-24, "Removal and Installation"](#).
2. Remove the screws and the front floor duct.

INSTALLATION

Installation is in the reverse order of removal.

ADAPTOR DUCT

ADAPTOR DUCT : Removal and Installation

INFOID:0000000011152445

REMOVAL

1. Remove the center console assembly. Refer to [IP-18, "Removal and Installation"](#).
2. Release the adaptor duct clip.
3. Remove the center console bracket.
4. Remove the adaptor duct (to rear blower motor 1 unit assembly).

DUCTS AND GRILLES

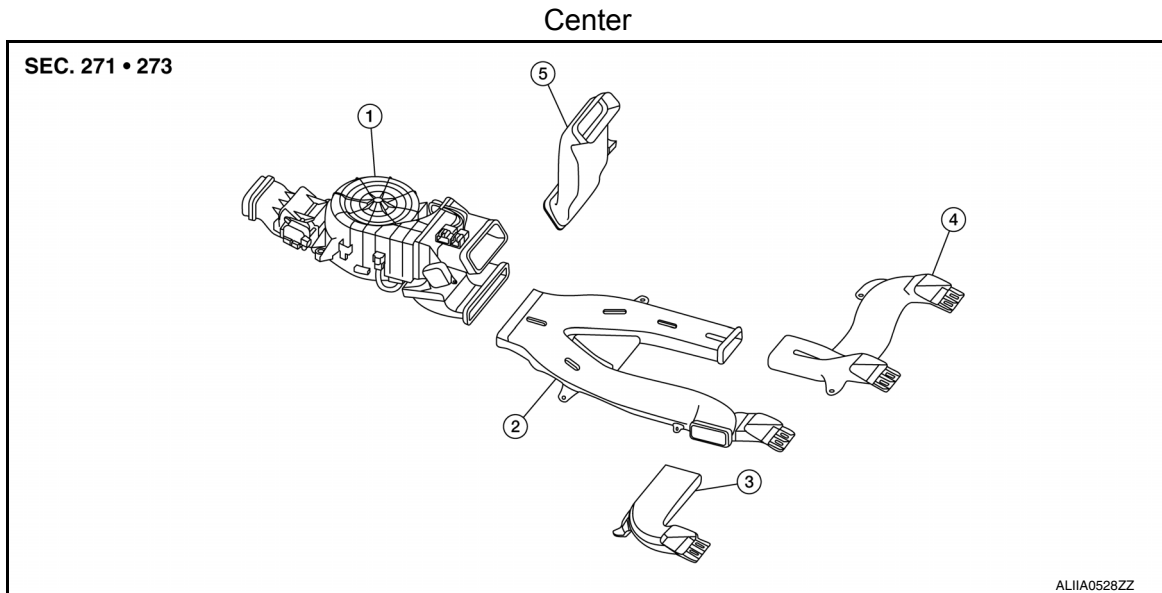
< REMOVAL AND INSTALLATION >

INSTALLATION

Installation is in the reverse order of removal.

Exploded View

INFOID:000000011152446



1. Rear blower motor 1 unit assembly
2. Center floor connecting duct
3. Center floor duct (LH)
4. Center floor duct (RH)
5. Rear center ventilator duct

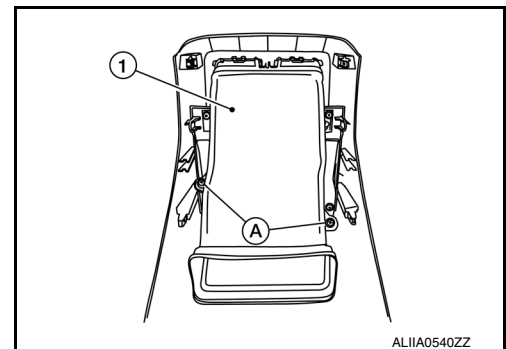
REAR CENTER VENTILATOR DUCT

REAR CENTER VENTILATOR DUCT : Removal and Installation

INFOID:000000011152447

REMOVAL

1. Remove center console rear finisher. Refer to [IP-18, "Exploded View"](#).
2. Remove the screws (A) and rear center ventilator duct (1).



INSTALLATION

Installation is in the reverse order of removal.

CENTER FLOOR DUCT

CENTER FLOOR DUCT : Removal and Installation - Center Floor Connecting Duct

INFOID:000000011152448

REMOVAL

1. Remove the rear floor trim. Refer to [INT-24, "Removal and Installation"](#).
2. Remove the screws and center floor connecting duct.

INSTALLATION

DUCTS AND GRILLES

< REMOVAL AND INSTALLATION >

Installation is in the reverse order of removal.

CENTER FLOOR DUCT : Removal and Installation - Center Floor Duct

INFOID:0000000011152449

REMOVAL

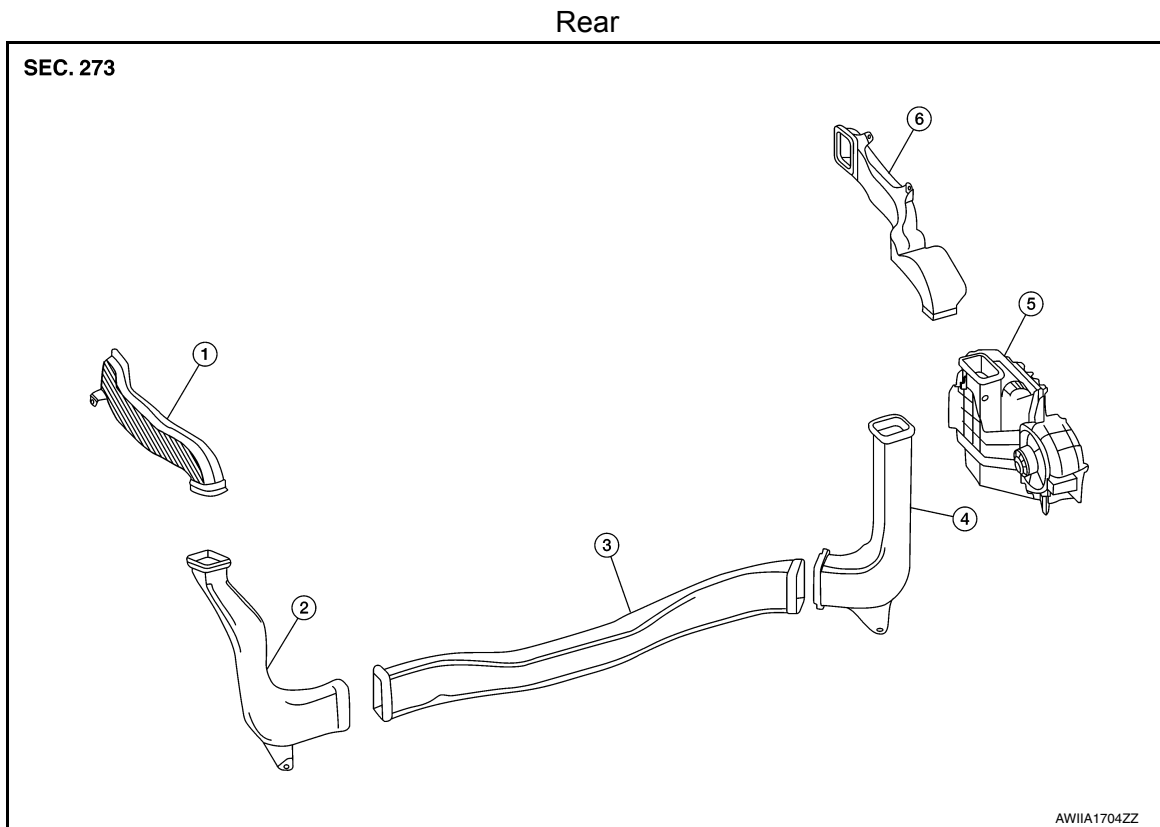
1. Remove the rear floor trim. Refer to [INT-24, "Removal and Installation"](#).
2. Remove the screws and center floor duct.

INSTALLATION

Installation is in the reverse order of removal.

Exploded View

INFOID:0000000011152450



- | | | |
|-------------------------------|-------------------------------|-------------------------------|
| 1. Rear ventilator duct 1 | 2. Rear ventilator duct 2 | 3. Rear ventilator duct 3 |
| 4. Rear ventilator duct lower | 5. Rear cooling unit assembly | 6. Rear ventilator duct upper |

REAR VENTILATOR DUCT UPPER

REAR VENTILATOR DUCT UPPER : Removal and Installation

INFOID:0000000011152451

REMOVAL

1. Remove the luggage side lower finisher (RH). Refer to [INT-31, "LUGGAGE SIDE LOWER FINISHER : Removal and Installation"](#).
2. Remove the clips and rear ventilator duct upper.

INSTALLATION

Installation is in the reverse order of removal.

REAR VENTILATOR DUCT LOWER

A
B
C
D
E
F
G
H
VTL
J
K
L
M
N
O
P

DUCTS AND GRILLES

< REMOVAL AND INSTALLATION >

REAR VENTILATOR DUCT LOWER : Removal and Installation

INFOID:0000000011152452

REMOVAL

1. Remove the rear ventilator duct upper. Refer to [VTL-13, "REAR VENTILATOR DUCT UPPER : Removal and Installation"](#).
2. Remove the screw and rear ventilator duct lower.

INSTALLATION

Installation is in the reverse order of removal.

REAR VENTILATOR DUCT 1

REAR VENTILATOR DUCT 1 : Removal and Installation

INFOID:0000000011152453

REMOVAL

1. Remove the luggage side lower finisher (LH). Refer to [INT-31, "LUGGAGE SIDE LOWER FINISHER : Removal and Installation"](#).
2. Remove the clips and rear ventilator duct 1.

INSTALLATION

Installation is in the reverse order of removal.

REAR VENTILATOR DUCT 2

REAR VENTILATOR DUCT 2 : Removal and Installation

INFOID:0000000011152454

REMOVAL

1. Remove rear ventilator duct 1. Refer to [VTL-14, "REAR VENTILATOR DUCT 1 : Removal and Installation"](#).
2. Remove the screw and rear ventilator duct 2.

INSTALLATION

Installation is in the reverse order of removal.

REAR VENTILATOR DUCT 3

REAR VENTILATOR DUCT 3 : Removal and Installation

INFOID:0000000011152455

REMOVAL

1. Remove the storage box. Refer to [INT-33, "STORAGE BOX : Removal and Installation"](#).
2. Remove the car jack bracket.
3. Remove rear ventilator duct 2. Refer to [VTL-14, "REAR VENTILATOR DUCT 2 : Removal and Installation"](#).
4. Remove the screws and the rear ventilator duct 3.

INSTALLATION

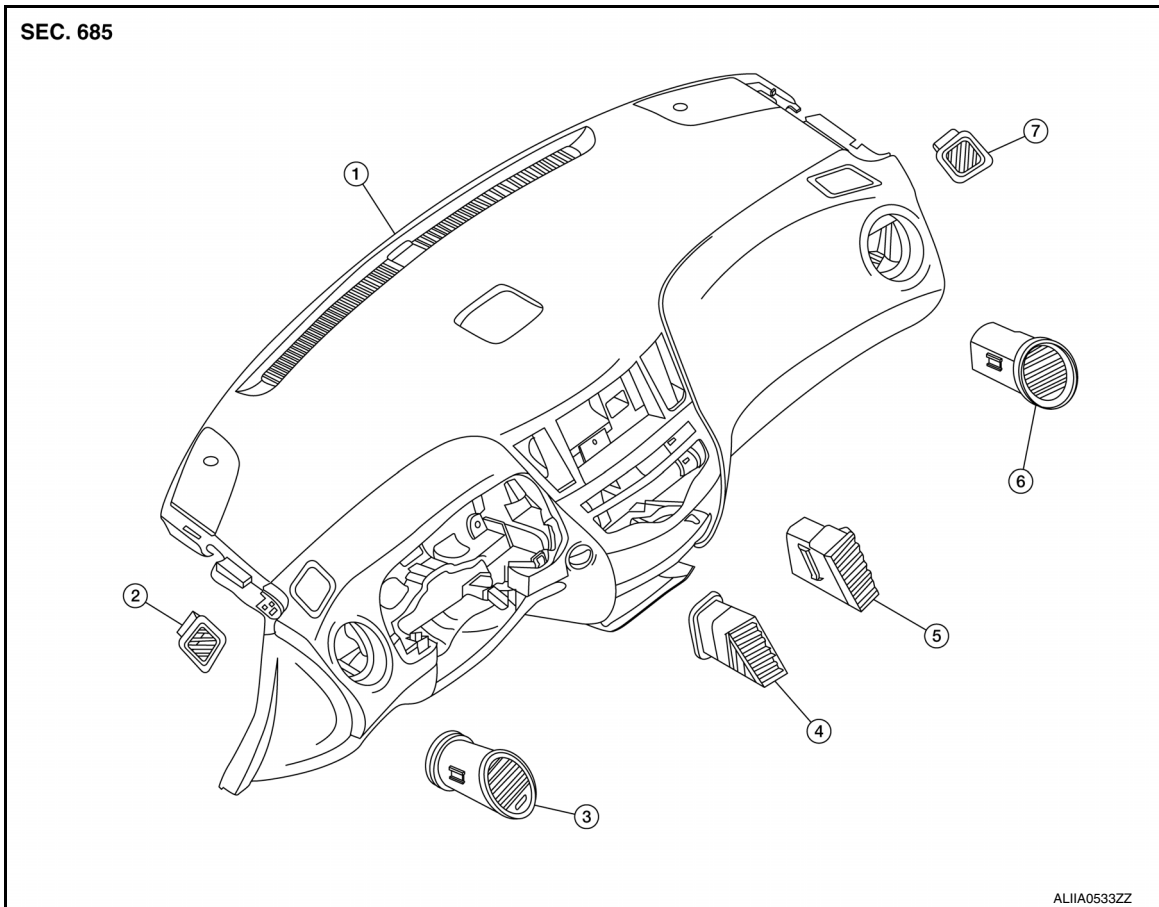
Installation is in the reverse order of removal.

DUCTS AND GRILLES

< REMOVAL AND INSTALLATION >

Exploded View

INFOID:000000011152456



- | | | |
|----------------------------------|----------------------------------|--------------------------------|
| 1. Instrument panel | 2. Side defroster grille (LH) | 3. Side ventilator grille (LH) |
| 4. Center ventilator grille (LH) | 5. Center ventilator grille (RH) | 6. Side ventilator grille (RH) |
| 7. Side defroster grille (RH) | | |

CENTER VENTILATOR GRILLE

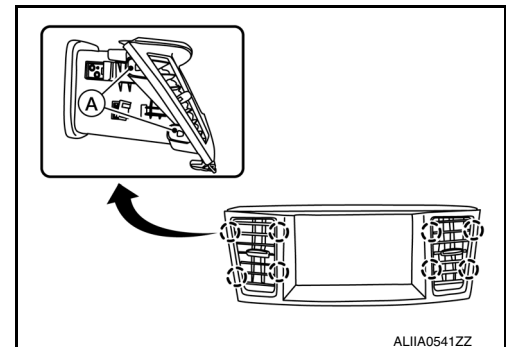
CENTER VENTILATOR GRILLE : Removal and Installation

INFOID:000000011152457

REMOVAL

1. Remove cluster lid D. Refer to [IP-24, "Removal and Installation"](#).
2. Release the center ventilator grille pawls (A) from cluster lid D using a suitable tool.

⊖: Pawl



3. Remove the center ventilator grille.

INSTALLATION

Installation is in the reverse order of removal.

A
B
C
D
E
F
G
H
VTL
J
K
L
M
N
O
P

DUCTS AND GRILLES

< REMOVAL AND INSTALLATION >

SIDE VENTILATOR GRILLE

SIDE VENTILATOR GRILLE : Removal and Installation - LH

INFOID:000000011152458

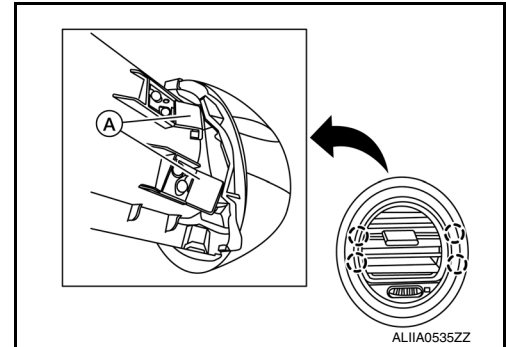
REMOVAL

1. Remove the instrument lower panel LH. Refer to [IP-25. "Removal and Installation"](#).
2. Release the side ventilator grille pawls (A) using a suitable tool.

CAUTION:

Apply protective tape around the side ventilator grille and instrument panel prior to removal to protect components from damage.

○: Pawl



3. Remove the side ventilator grille.

INSTALLATION

Installation is in the reverse order of removal.

SIDE VENTILATOR GRILLE : Removal and Installation - RH

INFOID:000000011152459

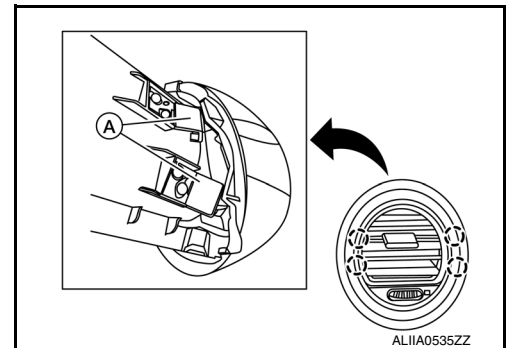
REMOVAL

1. Remove the glove box assembly. Refer to [IP-26. "Removal and Installation"](#).
2. Release the side ventilator grille pawls (A) using a suitable tool.

○: Pawl

CAUTION:

Apply protective tape around the side ventilator grille and instrument panel prior to removal to protect components from damage.



3. Remove the side ventilator grille.

INSTALLATION

Installation is in the reverse order of removal.

SIDE DEFROSTER GRILLE

SIDE DEFROSTER GRILLE : Removal and Installation

INFOID:000000011152460

REMOVAL

DUCTS AND GRILLES

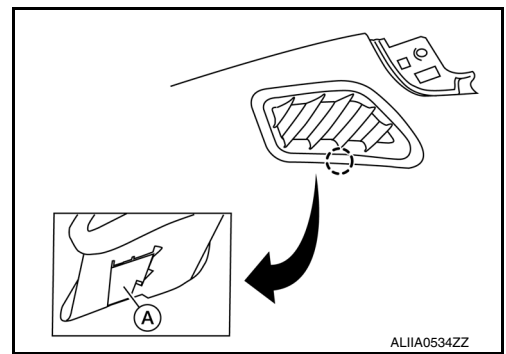
< REMOVAL AND INSTALLATION >

1. Release the side defroster grille pawl (A) using a suitable tool.

CAUTION:

Apply protective tape around the instrument panel and side defroster grille prior to removal to prevent components from damage.

○: Pawl



2. Remove the side defroster grille.

INSTALLATION

Installation is in the reverse order of removal.

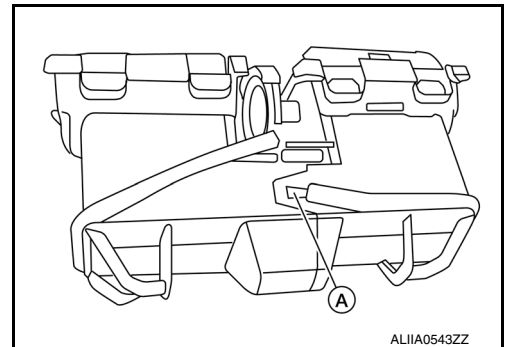
REAR CENTER VENTILATOR GRILLE

REAR CENTER VENTILATOR GRILLE : Removal and Installation

INFOID:000000011152461

REMOVAL

1. Remove center console rear finisher. Refer to [JP-18. "Exploded View"](#).
2. Remove the rear center ventilator duct from the center console rear finisher.
3. Release the clips, then remove the rear center ventilator grille.
4. Release the pawl (A) to separate the rear center ventilator grille (if necessary).



INSTALLATION

Installation is in the reverse order of removal.

REAR VENTILATOR GRILLE

REAR VENTILATOR GRILLE : Removal and Installation

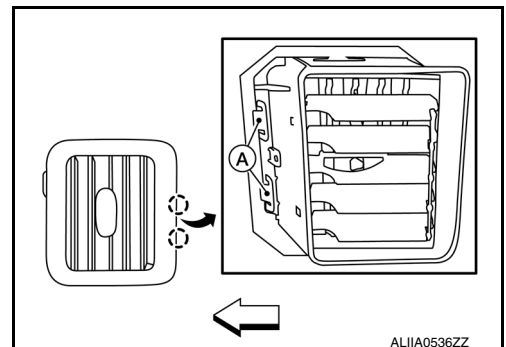
INFOID:000000011152462

REMOVAL

1. Release the rear ventilator grille pawls (A) using a suitable tool.

○: Pawl

⇐: Front



2. Remove the rear ventilator grille.

INSTALLATION

A
B
C
D
E
F
G
H
VTL
J
K
L
M
N
O
P

DUCTS AND GRILLES

< REMOVAL AND INSTALLATION >

Installation is in the reverse order of removal.

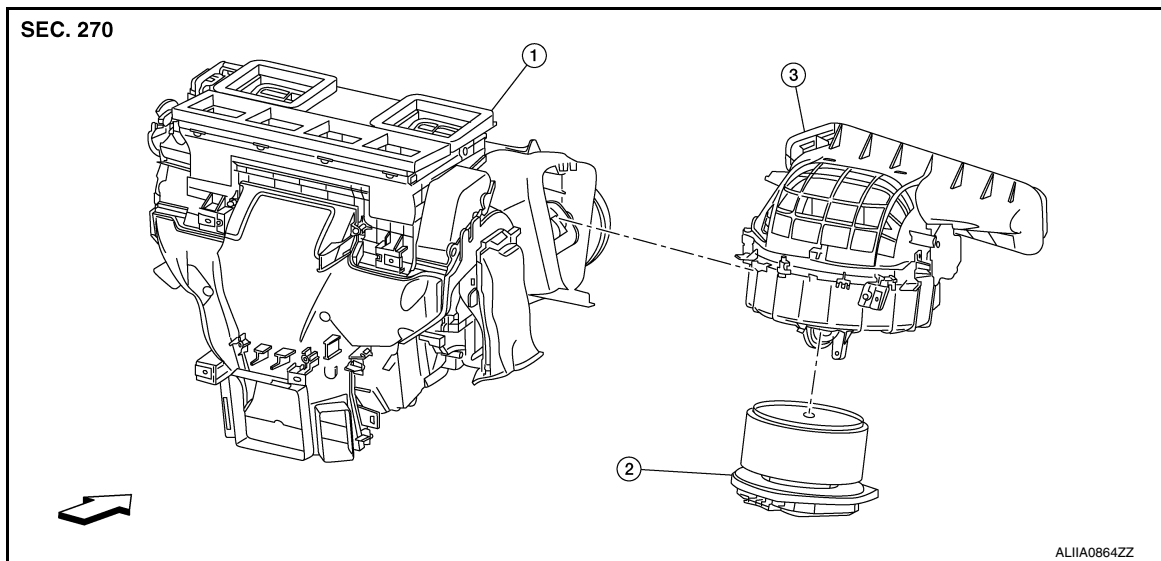
BLOWER UNIT

< REMOVAL AND INSTALLATION >

BLOWER UNIT

Exploded View

INFOID:000000011152463



1. Front heating and cooling unit assembly
3. Front blower unit

2. Front blower motor
- ⇐ Front

FRONT BLOWER UNIT

FRONT BLOWER UNIT : Removal and Installation

INFOID:000000011152464

REMOVAL

1. Remove the front heating and cooling unit assembly. Refer to [HA-42. "HEATING AND COOLING UNIT ASSEMBLY : Removal and Installation"](#).
2. Remove the screws, then separate the front blower unit from the front heating and cooling unit assembly.

INSTALLATION

Installation is in the reverse order of removal.

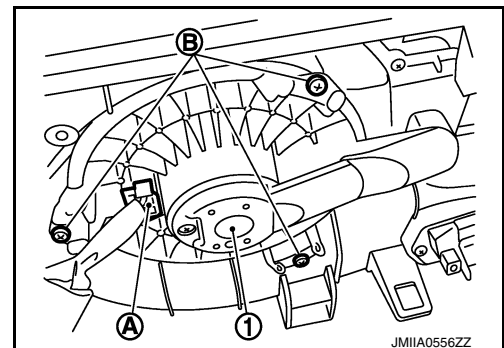
FRONT BLOWER MOTOR

FRONT BLOWER MOTOR : Removal and Installation

INFOID:000000011152465

REMOVAL

1. Remove glove box assembly. Refer to [IP-26. "Removal and Installation"](#).
2. Disconnect the harness connector (A) from the front blower motor.
3. Remove the screws (B) and the front blower motor (1).



INSTALLATION

Installation is in the reverse order of removal.

A
B
C
D
E
F
G
H
J
K
L
M
N
O
P

VTL

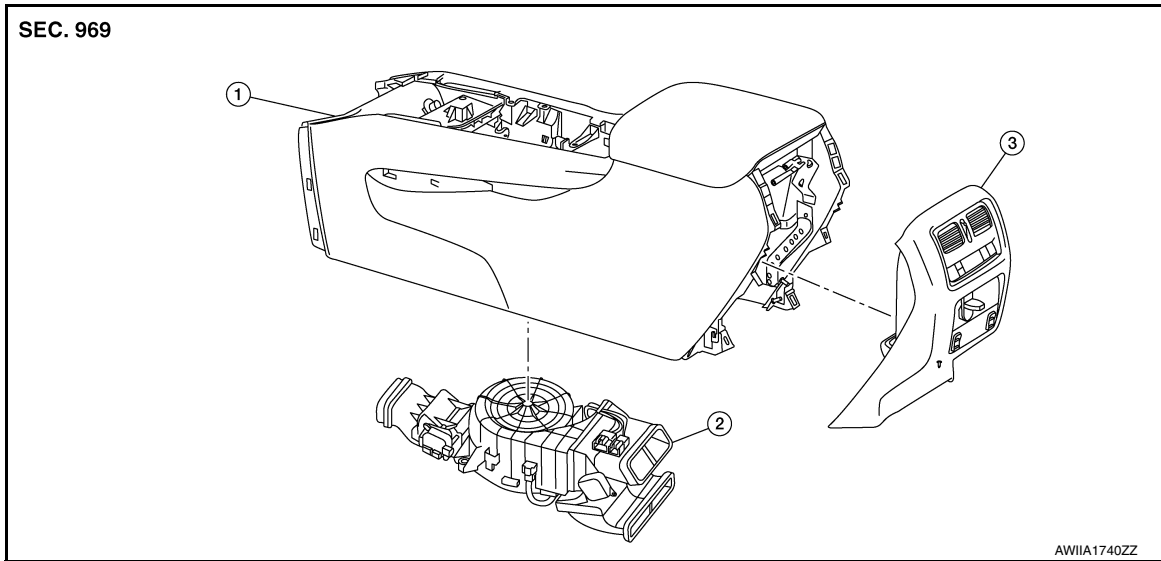
BLOWER UNIT

< REMOVAL AND INSTALLATION >

REAR BLOWER MOTOR 1 UNIT ASSEMBLY

REAR BLOWER MOTOR 1 UNIT ASSEMBLY : Removal and Installation

INFOID:000000011152466



REMOVAL

1. Remove the center console assembly. Refer to [IP-18, "Removal and Installation"](#).
2. Remove the center console bracket.
3. Disconnect the harness connectors from the rear blower motor 1 unit assembly.
4. Remove the bolts and the rear blower motor 1 unit assembly.

INSTALLATION

Installation is in the reverse order of removal.

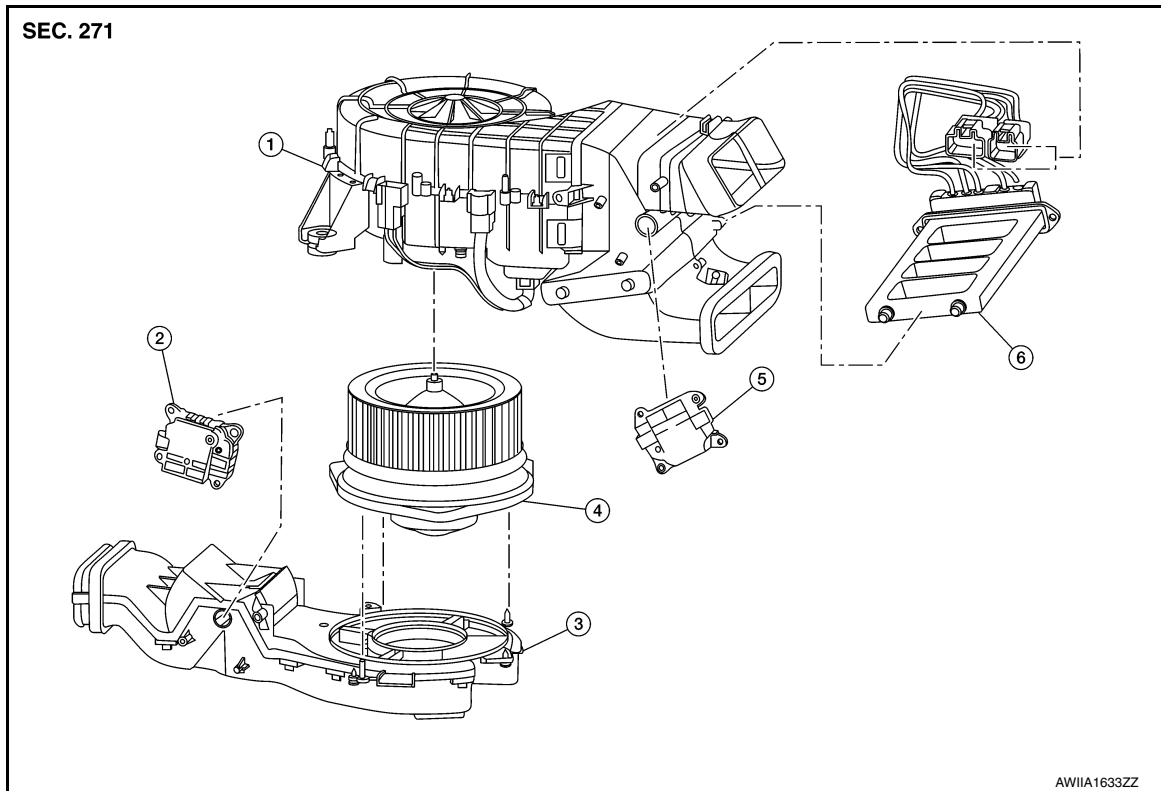
REAR BLOWER MOTOR 1

BLOWER UNIT

< REMOVAL AND INSTALLATION >

REAR BLOWER MOTOR 1 : Removal and Installation

INFOID:000000011152467



- | | | |
|---|-----------------------------|---|
| 1. Rear blower motor 1 unit assembly upper case | 2. Rear shut-off door motor | 3. Rear blower motor 1 unit assembly lower case |
| 4. Rear blower motor 1 | 5. Mode door motor (rear) | 6. PTC heater |

REMOVAL

1. Remove the rear blower motor 1 unit assembly. Refer to [VTL-20. "REAR BLOWER MOTOR 1 UNIT ASSEMBLY : Removal and Installation"](#).
2. Disconnect the harness connector from the rear blower motor 1.
3. Remove the screws and the rear blower motor 1.

INSTALLATION

Installation is in the reverse order of removal.

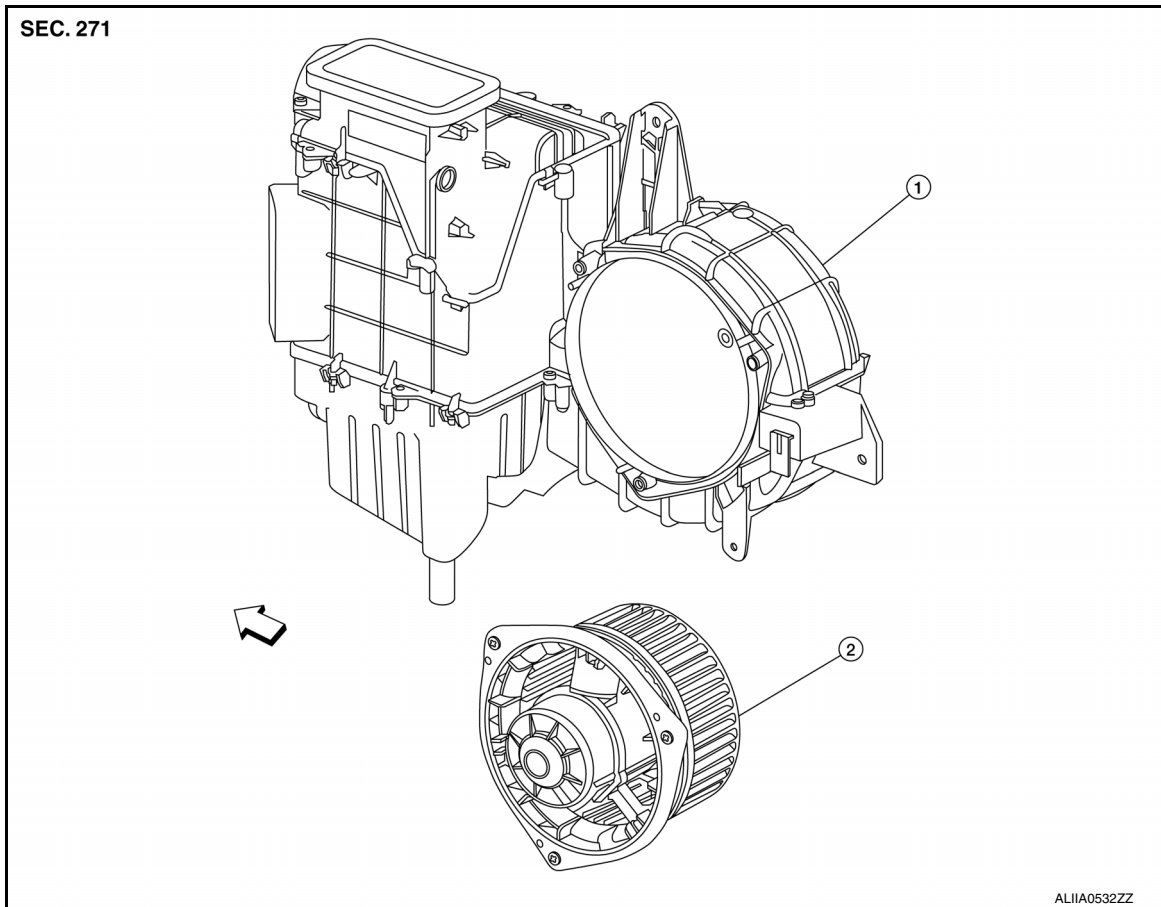
REAR BLOWER MOTOR 2

BLOWER UNIT

< REMOVAL AND INSTALLATION >

REAR BLOWER MOTOR 2 : Removal and Installation

INFOID:000000011152468



1. Rear cooling unit assembly

2. Rear blower motor 2

⇐ Front

REMOVAL

1. Remove the luggage side lower finisher (RH). Refer to [INT-31, "LUGGAGE SIDE LOWER FINISHER : Removal and Installation"](#).
2. Remove the rear ventilator duct lower. Refer to [VTL-14, "REAR VENTILATOR DUCT LOWER : Removal and Installation"](#).
3. Disconnect the harness connector from the rear blower motor 2.
4. Remove the screws and the rear blower motor 2.

INSTALLATION

Installation is in the reverse order of removal.