



T #

SERVICE BULLETIN

Classification: BF93-029	Section: Body & Frame	Models: 1987-93 Truck/Pathfinder (D21/WD21)
Reference: TECHNICAL BULLETIN NTB93-089		Date: June 1, 1993

1987-93 TRUCK/PATHFINDER VEHICLES "WATER LEAKS" TROUBLE DIAGNOSIS

93 JUN 21 PM 2:13
RECEIVED

The following pages show the areas on 1987-1993 Truck/Pathfinder (D21/WD21) vehicles which are sealed with body sealing or weatherstrip. Refer to the appropriate illustration for inspection of water leaks.

Sealant should be smooth and free from cuts or gaps. Weatherstrip should be correctly installed and free from wear or cracks. Refer to Bulletin BF93-023 (NTB93-075) "*DIAGNOSING WATER LEAKS.*"

CONTENTS

1. Body Sealing	2
2. Weatherstrip	5
3. Alignment	7

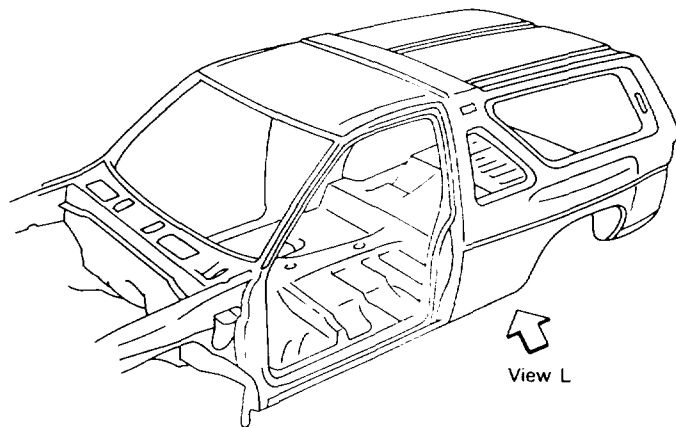
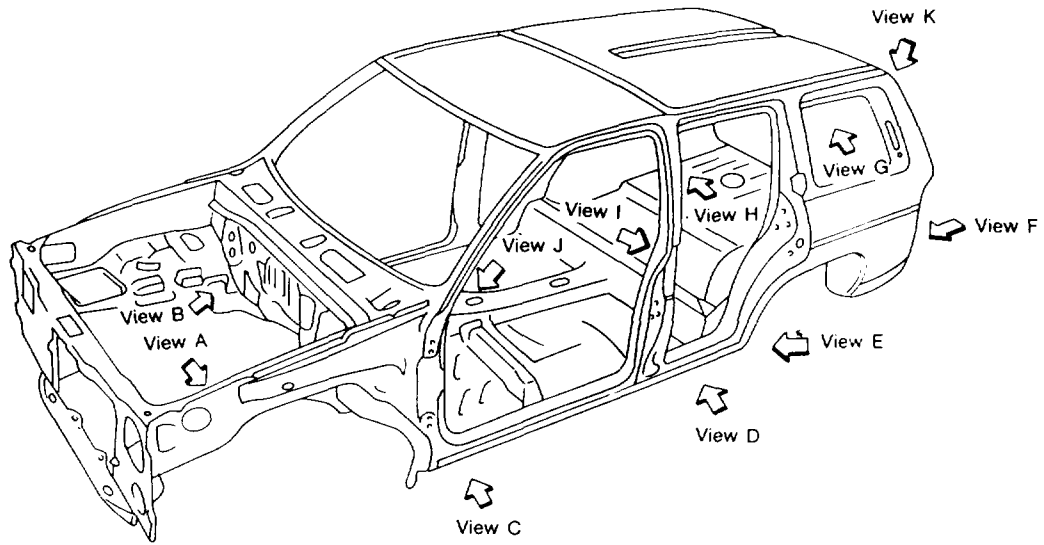
NISSAN MOTOR CORPORATION U.S.A.
Technical Publications Department

Index # **034364**

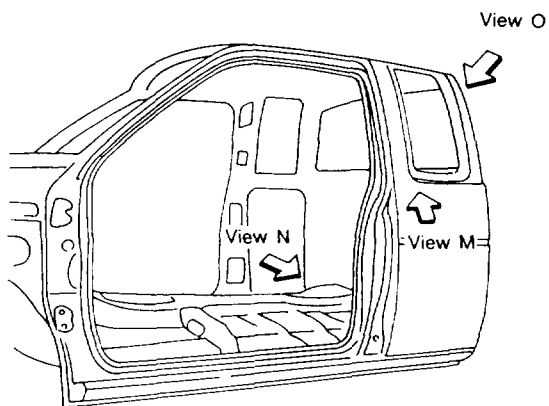
DESCRIPTION

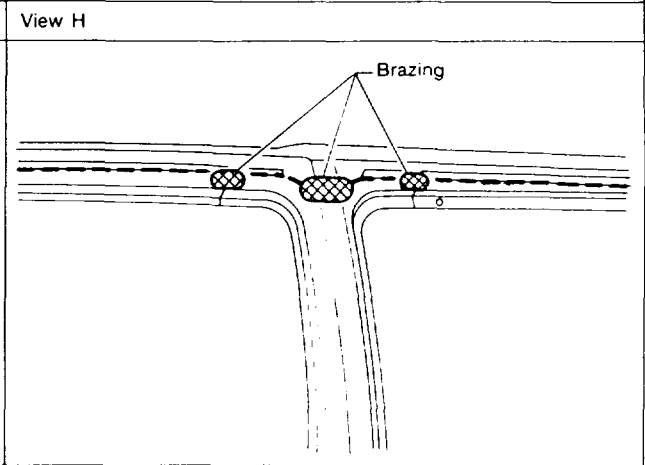
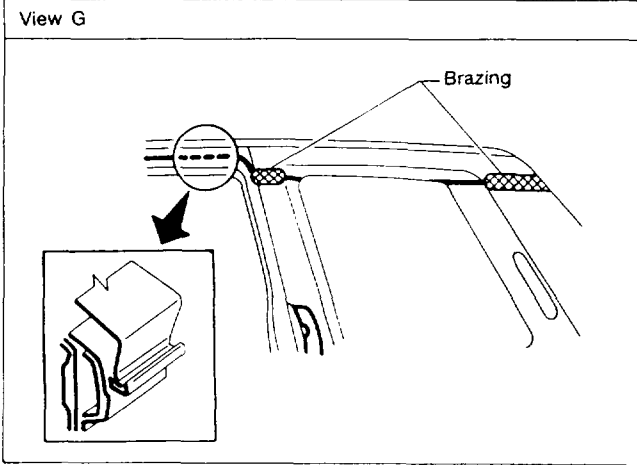
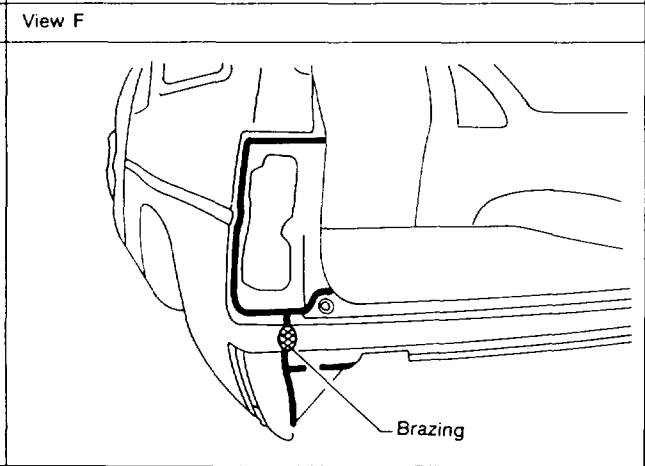
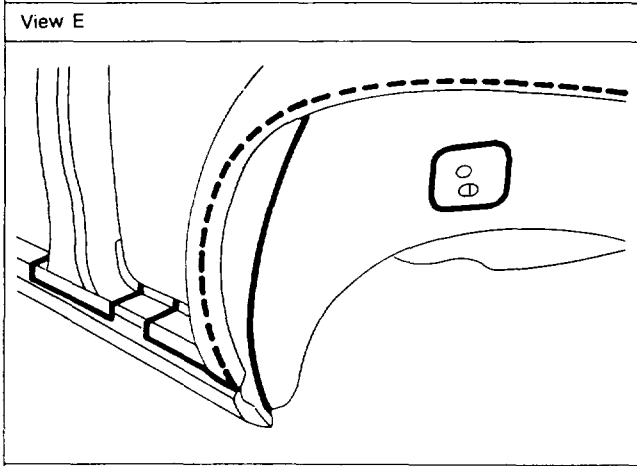
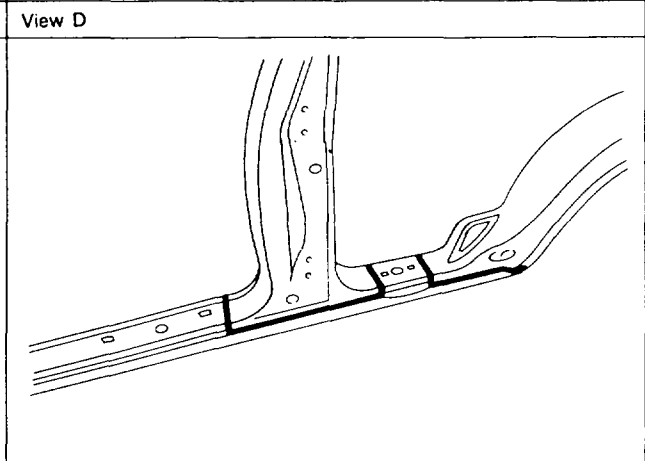
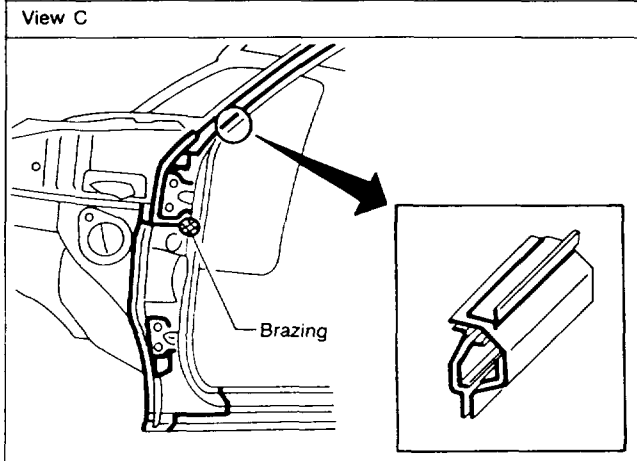
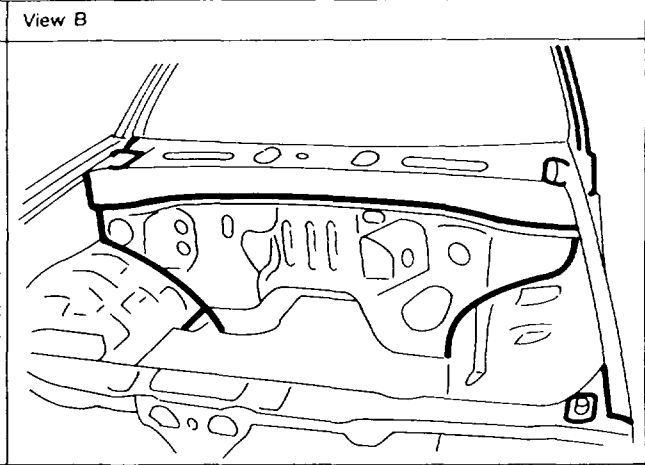
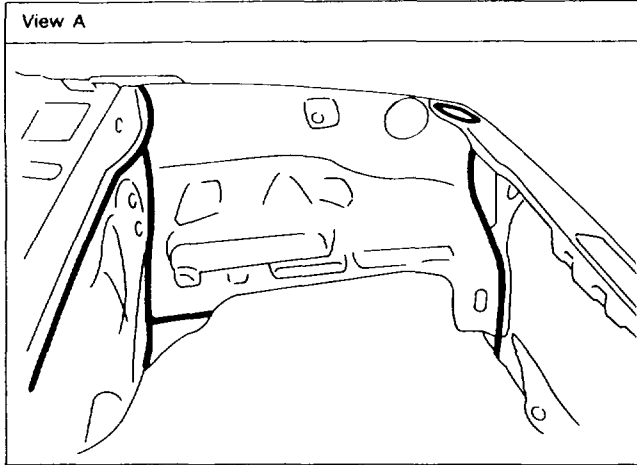
1. Body Sealing

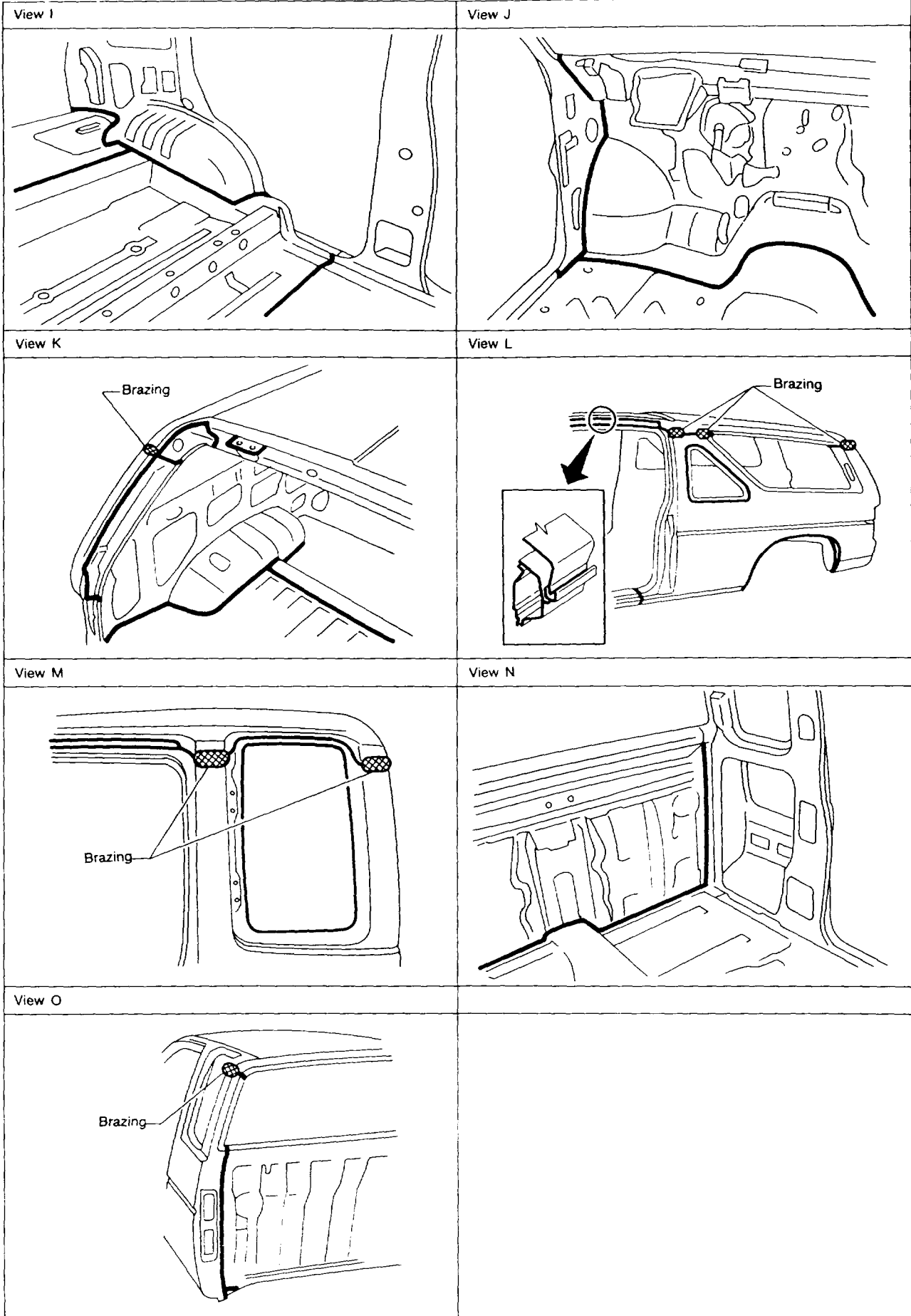
Pathfinder/Wagon



Truck

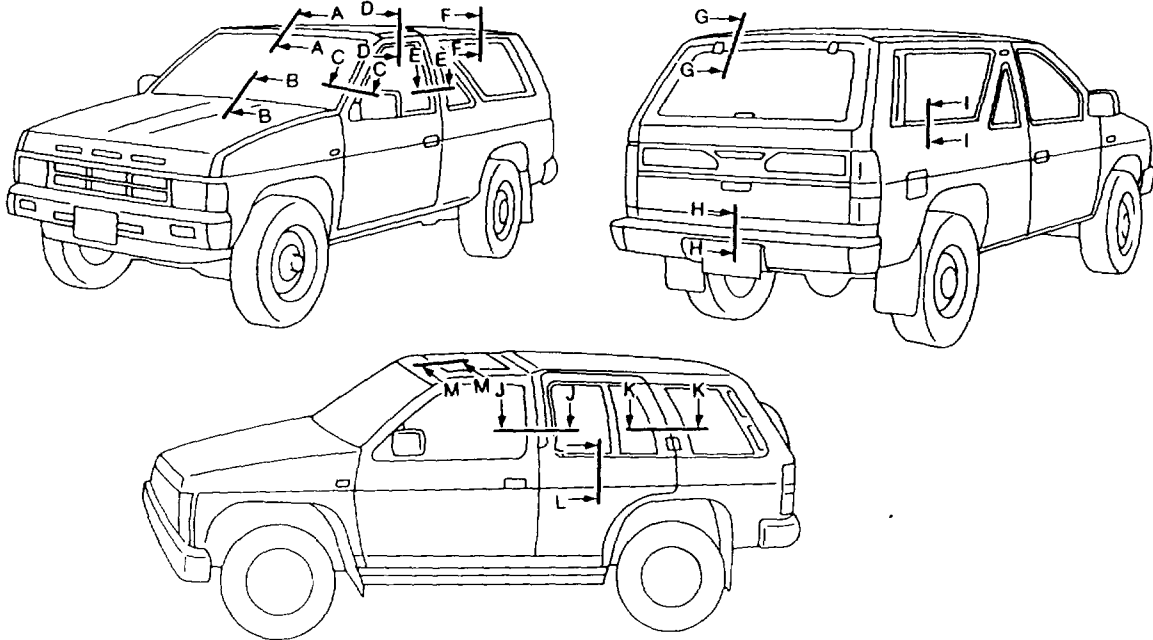




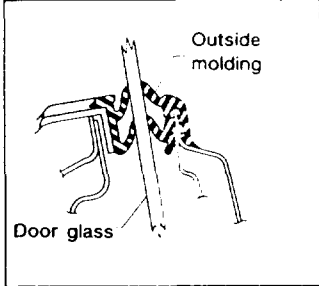
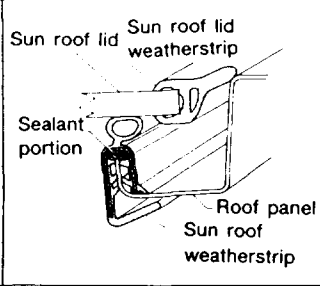


2. Weatherstrip

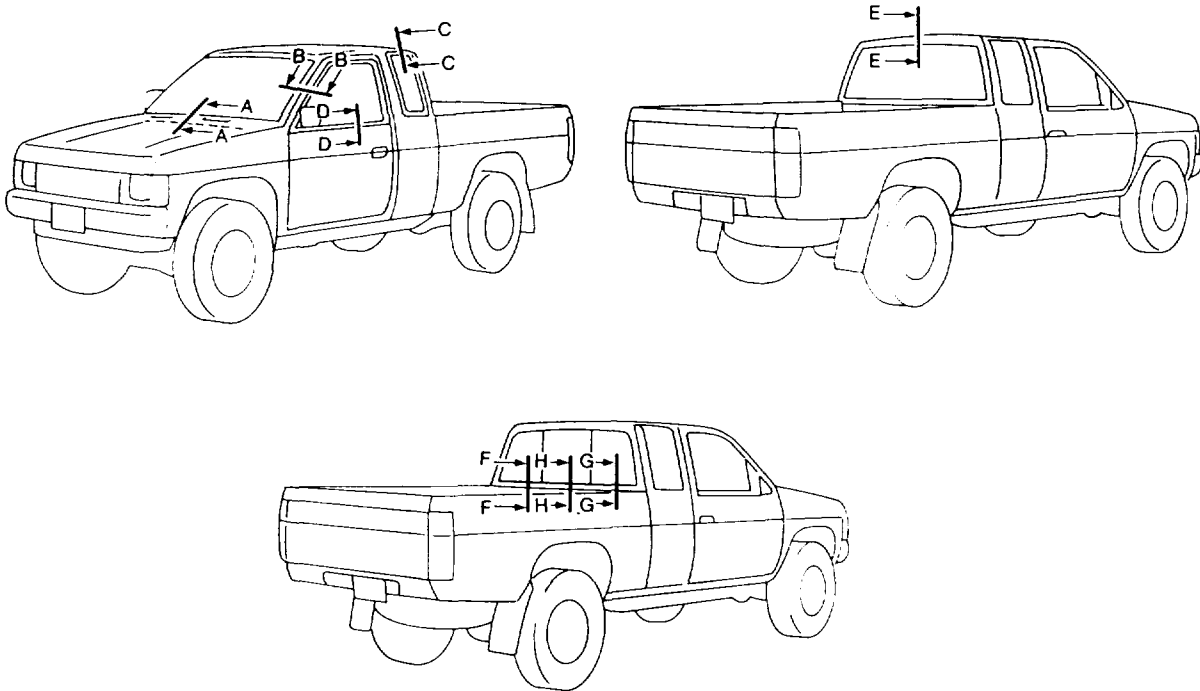
Pathfinder/Wagon 2 door & 4 door

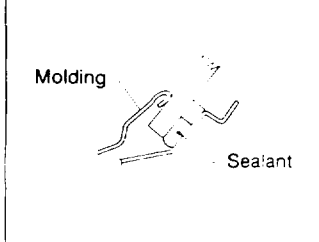
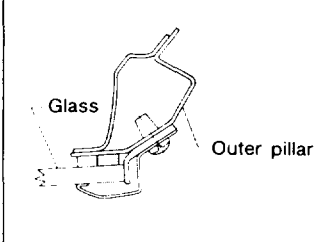
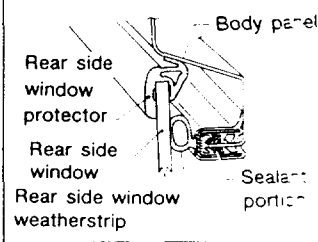
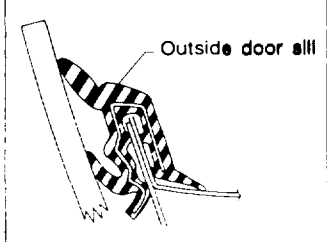
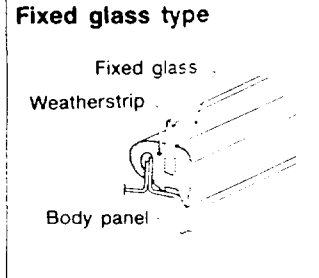
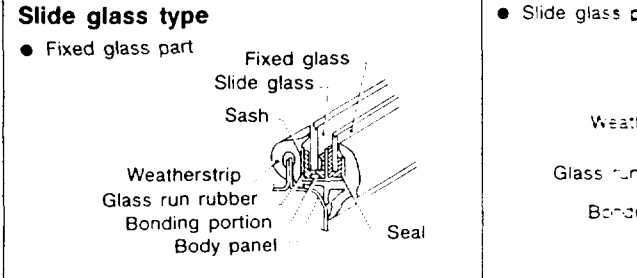
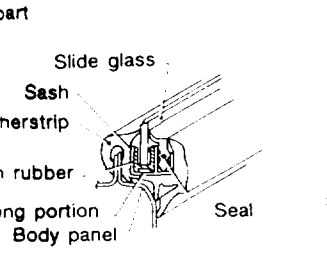


Section A—A	Section B—B	Section C—C	Section D—D
<p>Roof panel Molding Glass Sealant</p>	<p>Cowl top Sealant</p>	<p>Glass Pillar outer Sealant</p>	<p>Door weatherstrip Body side sill</p>
<p>Weather strip</p>	<p>Roof panel Molding Sealant Dam rubber</p>	<p>(Glass hatch model)</p> <p>Back door panel Glass Roof weatherstrip Sealant</p>	<p>(Fixed glass model)</p> <p>Back door panel Molding Dam rubber Roof weatherstrip Sealant</p>
<p>Rear panel lower Back door panel</p>	<p>Body panel inner Molding Sealant Body panel outer</p>		

Section L—L	Section M—M		
 <p>Outside molding Door glass</p>	 <p>Sun roof lid weatherstrip Sealant portion Roof panel Sun roof weatherstrip</p>		

Truck



Section A—A	Section B—B	Section C—C	Section D—D
 <p>Molding Sealant</p>	 <p>Glass Outer pillar</p>	 <p>Body panel Rear side window protector Rear side window Rear side window weatherstrip Sealant portion</p>	 <p>Outside door sill</p>
Section E—E	Section F—F, G—G		Section H—H
<p>Fixed glass type</p>  <p>Fixed glass Weatherstrip Body panel</p>	<p>Slide glass type</p> <ul style="list-style-type: none"> ● Fixed glass part  <p>Fixed glass Slide glass Sash Weatherstrip Glass run rubber Bonding portion Body panel</p>		<ul style="list-style-type: none"> ● Slide glass part  <p>Slide glass Sash Weatherstrip Glass run rubber Bonding portion Body panel</p>

3. Alignment

