



REVISIONS

70w

SERVICE BULLETIN

SEP 20 1994

Classification: EM94-007	Section: Engine	Models: Various
Reference: TECHNICAL BULLETIN NTB94-089		Date: September 13, 1994

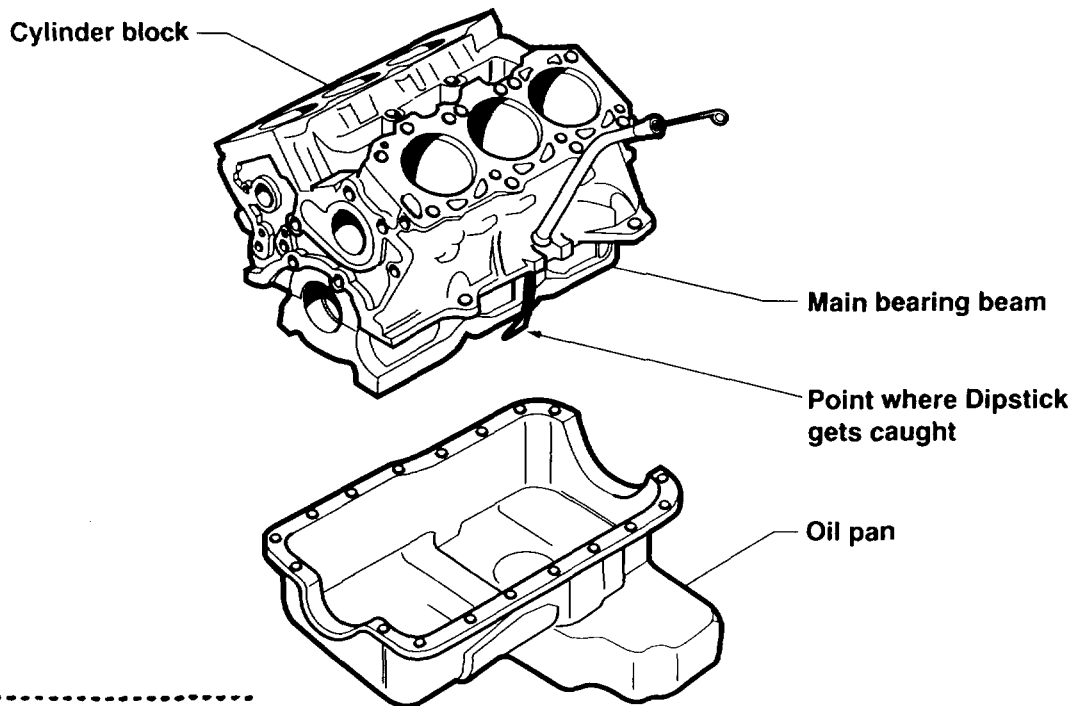
VG30 ENGINE OIL DIP STICK CAUTION

+

APPLIED MODELS: All VG30i/E or VG30DE equipped models

SERVICE INFORMATION

When performing any service that requires removal of the oil pan, always remove the dip stick before replacing the oil pan. If the dip stick is left in the engine the end of it may become caught between the main bearing beam and the windage tray of the oil pan. The only way to remove the dip stick after it has been caught is to remove the oil pan.



.....
Index # **040069**
.....

NISSAN MOTOR CORPORATION U.S.A.
Technical Communications Department