

ACCELERATOR CONTROL, FUEL & EXHAUST SYSTEMS

GI

MA

EM

LC

EC

FE

CL

MT

AT

TF

PD

FA

RA

BR

ST

RS

BT

HA

EL

IDX

SECTION FE

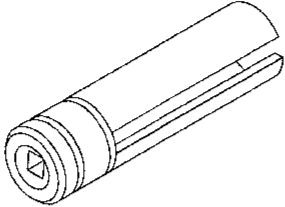
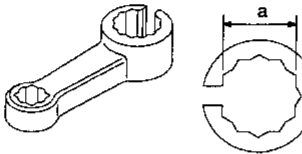
CONTENTS

PREPARATION2	FUEL SYSTEM4
Special Service Tools2	Fuel Tank5
ACCELERATOR CONTROL SYSTEM3	Fuel Pump and Gauge6
Accelerator Control System.....3	EXHAUST SYSTEM7
Adjusting Accelerator Wire3	

PREPARATION

Special Service Tools

The actual shapes of Kent-Moore tools may differ from those of special service tools illustrated here.

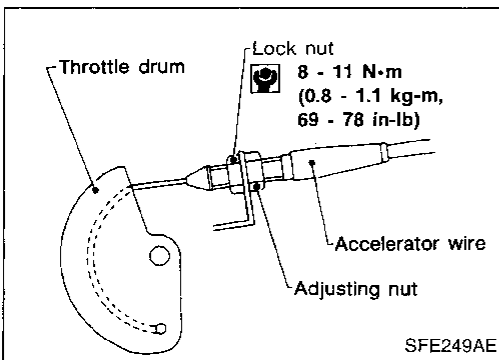
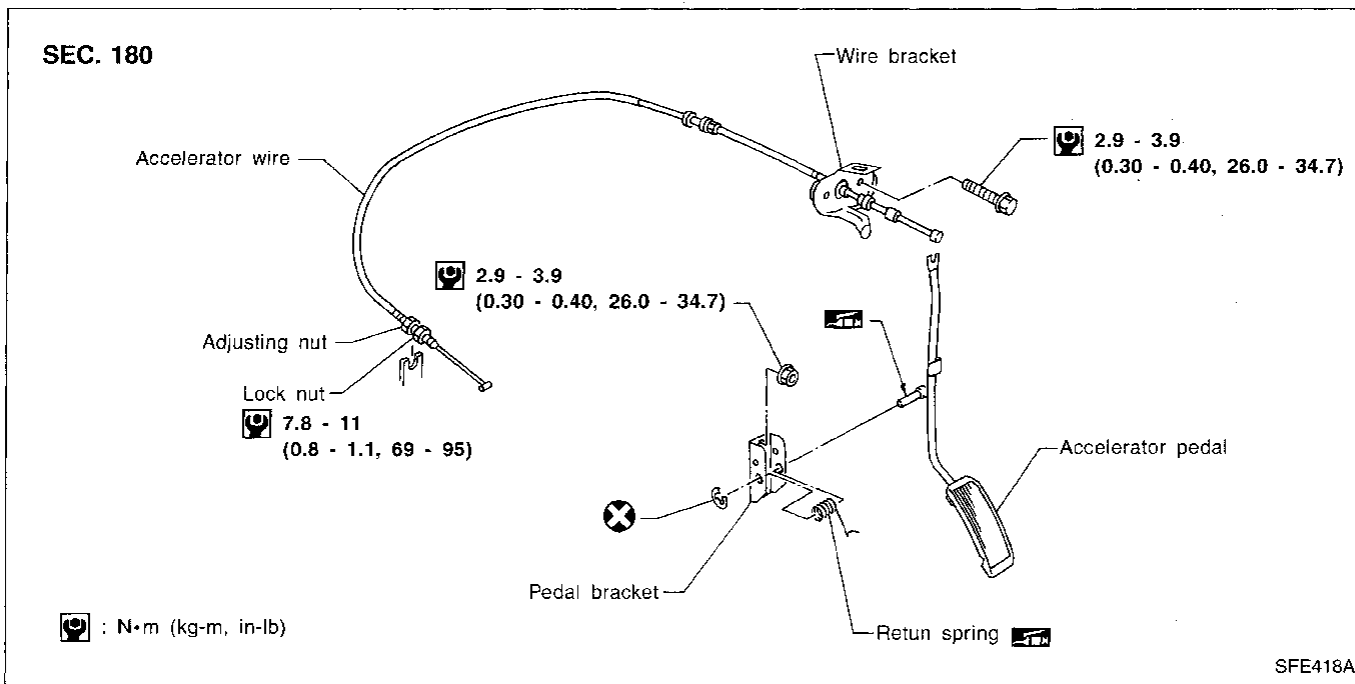
Tool number (Kent-Moore No.) Tool name	Description
KV10117100 (J3647-A) Heated oxygen sensor wrench	<div style="display: flex; align-items: center; justify-content: center;">  <div style="margin-left: 20px;"> <p>Loosening or tightening rear heated oxygen sensor (For left bank)</p> <p>For 22 mm (0.87 in) hexagon nut</p> </div> </div> <p style="margin-top: 10px;">NT379</p>
KV10114400 (J38365) Heated oxygen sensor wrench	<div style="display: flex; align-items: center; justify-content: center;">  <div style="margin-left: 20px;"> <p>Loosening or tightening rear heated oxygen sensor (For right bank)</p> <p>a: 22 mm (0.87 in)</p> </div> </div> <p style="margin-top: 10px;">NT636</p>

ACCELERATOR CONTROL SYSTEM

Accelerator Control System

CAUTION:

- When removing accelerator wire, make a mark to indicate lock nut's initial position.
- Check that throttle valve opens fully when accelerator pedal is fully depressed. Also check that it returns to idle position when pedal is released.
- Check accelerator control parts for improper contact with any adjacent parts.
- When connecting accelerator wire, be careful not to twist or scratch its inner wire.
- Refer to EL section ("AUTOMATIC SPEED CONTROL DEVICE") for ASCD wire adjustment.



Adjusting Accelerator Wire

1. Loosen lock nut, and tighten adjusting nut until throttle drum starts to move.
2. From that position turn back adjusting nut 1.5 to 2 turns, and secure lock nut.

FUEL SYSTEM

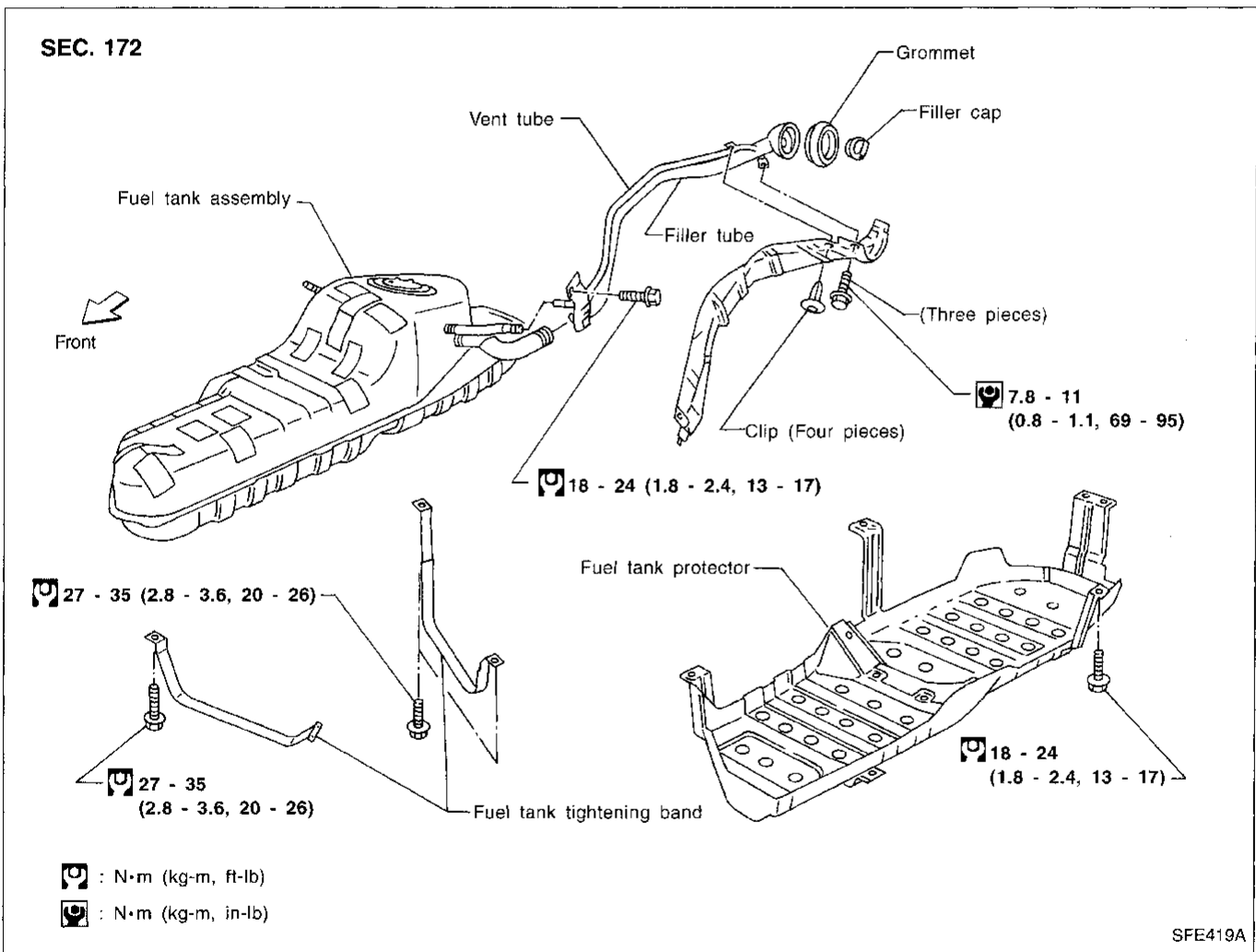
WARNING:

When replacing fuel line parts, be sure to observe the following:

- Put a "CAUTION: INFLAMMABLE" sign in workshop.
- Do not smoke while servicing fuel system. Keep open flames and sparks away from work area.
- Be sure to furnish the workshop with a CO₂ fire extinguisher.

CAUTION:

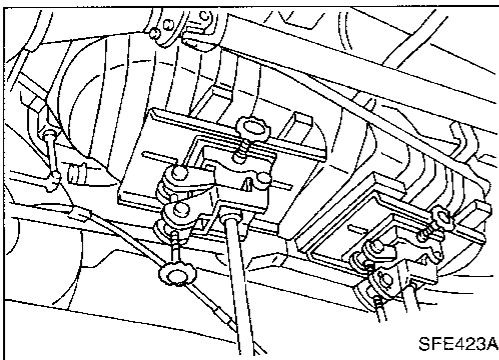
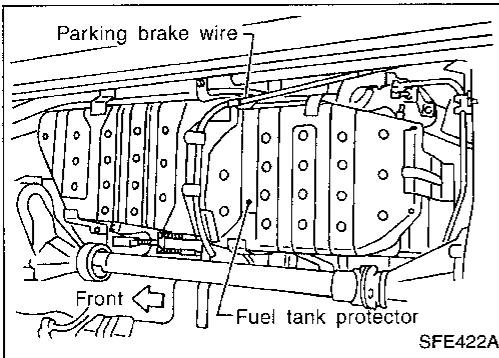
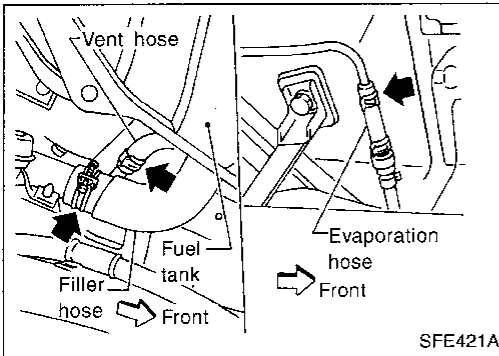
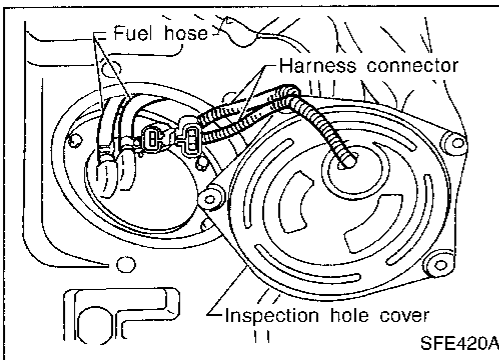
- Before removing fuel line parts, carry out the following procedures:
 - a. Put drained fuel in an explosion-proof container and put lid on securely.
 - b. Release fuel pressure from fuel line. Refer to MA section ("Changing Fuel Filter").
 - c. Disconnect battery ground cable.
- Always replace O-ring with new ones.
- Do not kink or twist hose and tube when they are installed.
- Do not tighten hose clamps excessively to avoid damaging hoses.
- When installing fuel check valve, be careful of its designated direction. Refer to EC section ("EVAPORATIVE EMISSION SYSTEM").
- After installation, run engine and check for fuel leaks at connections.



FUEL SYSTEM

Fuel Tank

REMOVAL AND INSTALLATION



1. Release fuel pressure from fuel line.
Refer to MA section ("Changing Fuel Filter").
 2. Remove inspection hole cover located behind the rear seat.
 3. Disconnect harness connectors under inspection hole cover.
 4. Disconnect fuel hoses.
 - Put mating marks on hoses for correct installation.
 5. Disconnect filler hose, vent hose and evaporation hose at fuel tank side.
 6. Remove parking brake wire from fuel tank protector.
 7. Remove fuel tank protector.
 8. Remove fuel tank band mounting bolts while supporting fuel tank.
 9. Remove fuel tank.
- Installation procedure is the reverse order of removal.

GI

MA

EM

LC

EC

FE

CL

MT

AT

TF

PD

FA

RA

BR

ST

RS

BT

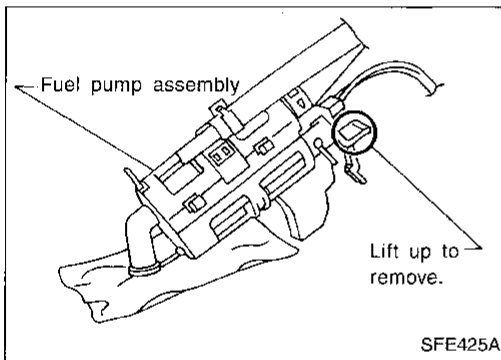
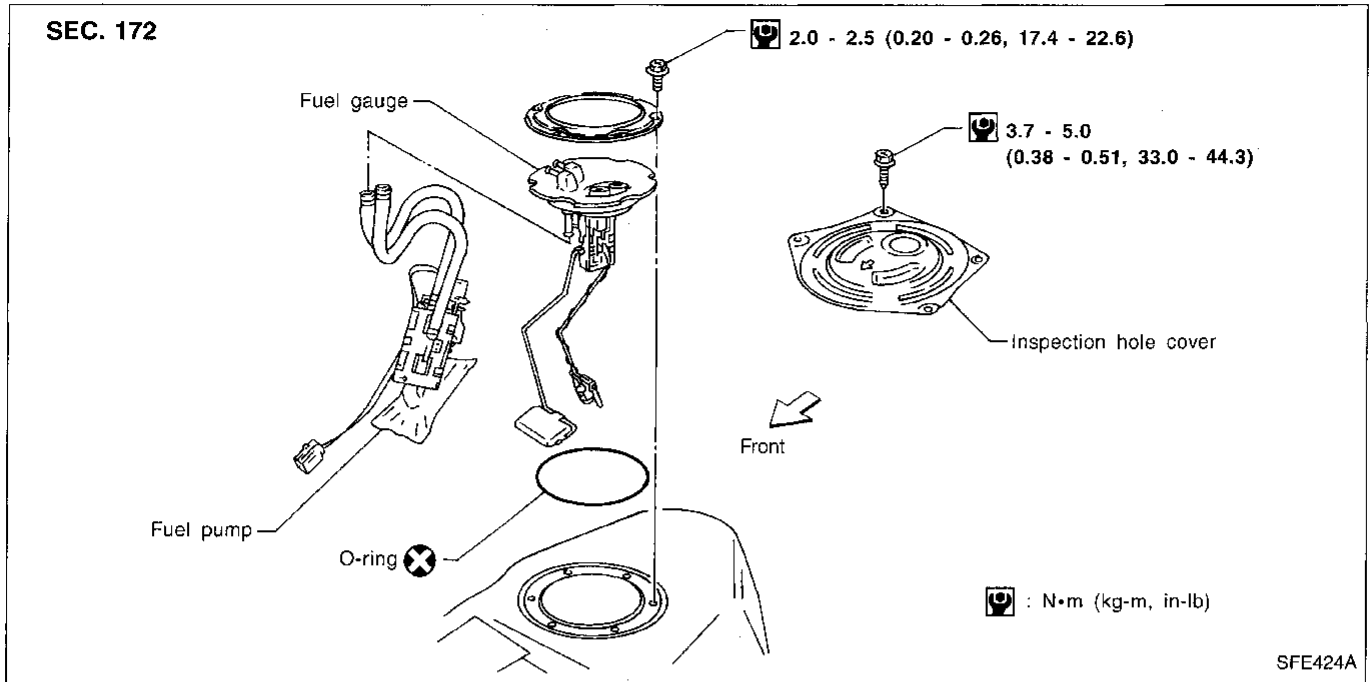
HA

EL

DX

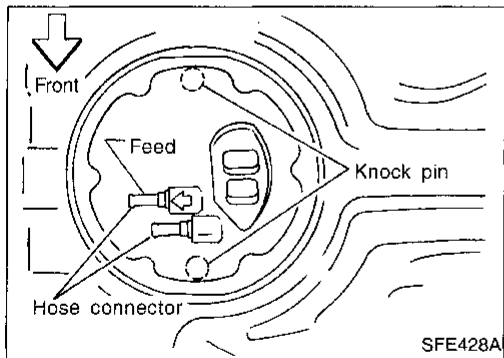
FUEL SYSTEM

Fuel Pump and Gauge



REMOVAL AND INSTALLATION

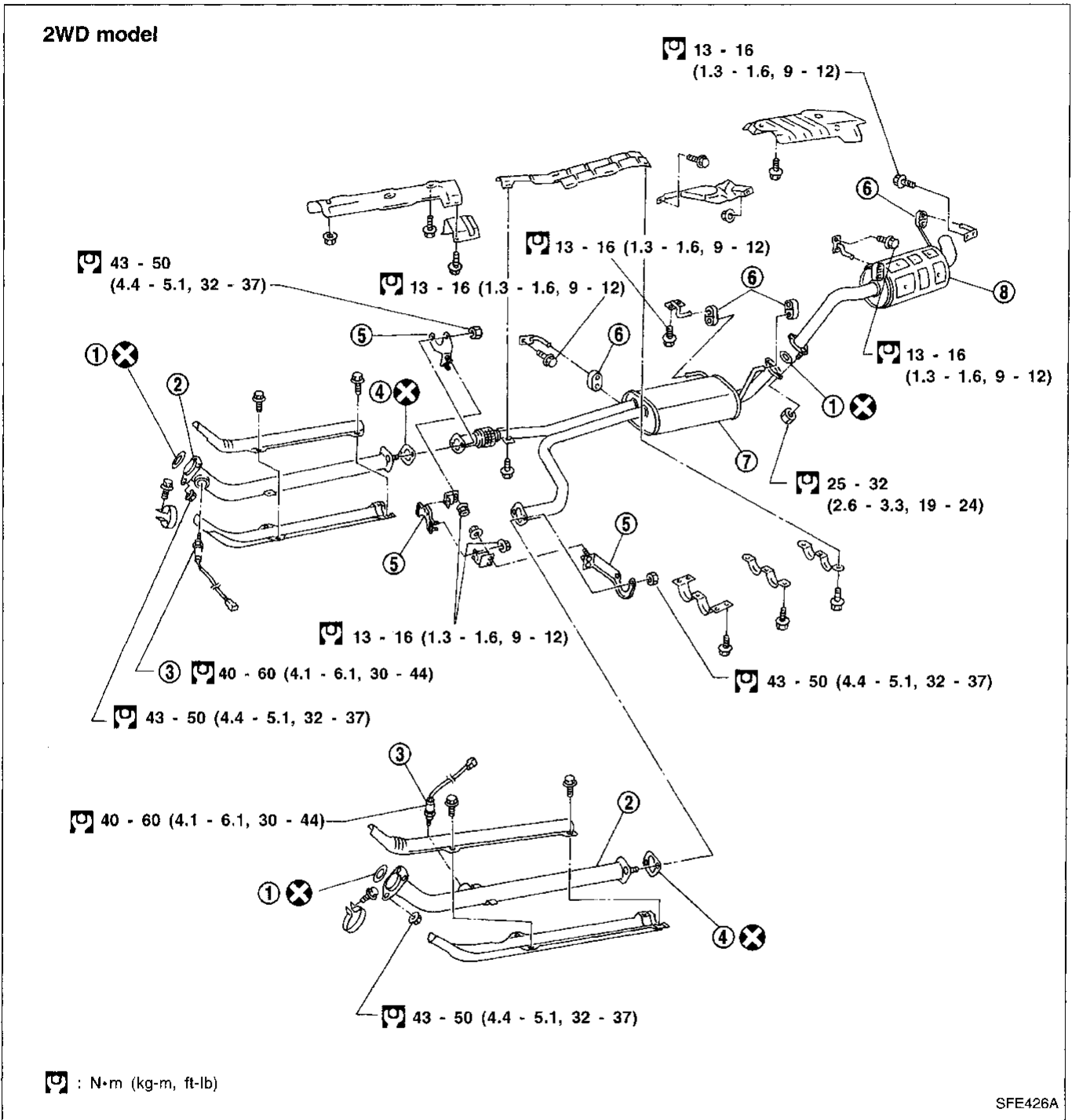
1. Release fuel pressure from fuel line.
Refer to MA section ("Changing Fuel Filter").
2. Remove inspection hole cover located behind the rear seat.
3. Disconnect harness connectors and fuel tubes from upper plate of fuel gauge.
 - Put mating marks on tubes for correct installation.
4. Remove fuel gauge retainer and fuel gauge.
5. Remove fuel pump with bracket while lifting the pawl of the fuel pump bracket upward.
6. Installation procedure is the reverse order of removal.
 - Install fuel gauge as shown.



EXHAUST SYSTEM

CAUTION:

- Always replace exhaust gaskets with new ones when reassembling.
- With engine running, check all tube connections for exhaust gas leaks, and entire system for unusual noises.
- Check to ensure that mounting brackets and mounting insulators are installed properly and free from undue stress. Improper installation could result in excessive noise or vibration.



- ① Gasket
- ② Front tube
- ③ Rear heated oxygen sensor

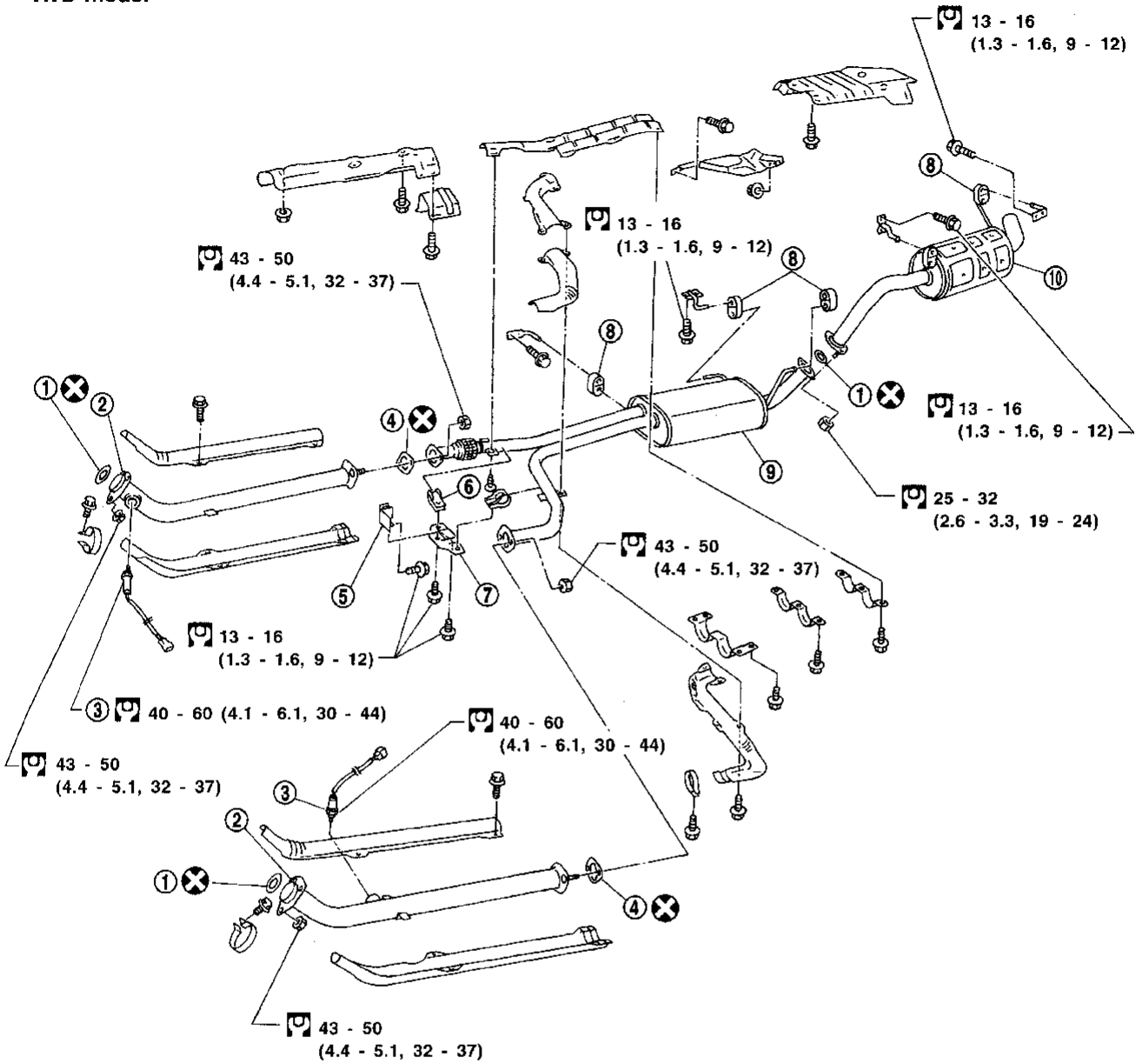
- ④ Gasket
- ⑤ Mounting bracket
- ⑥ Mounting rubber

- ⑦ Center muffler
- ⑧ Rear muffler

GI
MA
EM
LC
EC
FE
CL
MT
AT
TF
PD
FA
RA
BR
ST
RS
BT
HA
EL
IDX

EXHAUST SYSTEM

4WD model



: N·m (kg-m, ft-lb)

SFE427A

- | | | |
|-----------------------------|--------------------|-------------------|
| ① Gasket | ⑤ Mounting rubber | ⑧ Mounting rubber |
| ② Front tube | ⑥ Clamp | ⑨ Center muffler |
| ③ Rear heated oxygen sensor | ⑦ Mounting bracket | ⑩ Rear muffler |
| ④ Gasket | | |