

# MAINTENANCE

## SECTION MA

### CONTENTS

<b>PRECAUTIONS</b> .....	2	Checking M/T Oil .....	21
Precautions for Supplemental Restraint System (SRS) "AIR BAG" and "SEAT BELT PRE-TENSIONER" .....	2	Changing M/T Oil .....	21
<b>PREPARATION</b> .....	3	Checking Water Entry — For 4WD models with M/T .....	22
Special Service Tool .....	3	Checking A/T Fluid .....	22
Commercial Service Tool .....	3	Changing A/T Fluid .....	22
<b>GENERAL MAINTENANCE</b> .....	4	Checking Transfer Fluid .....	23
<b>PERIODIC MAINTENANCE</b> .....	6	Changing Transfer Fluid .....	23
Schedule 1 .....	7	Checking Propeller Shaft .....	24
EMISSION CONTROL SYSTEM MAINTENANCE .....	7	Greasing Propeller Shaft .....	24
CHASSIS AND BODY MAINTENANCE .....	8	Checking Differential Gear Oil .....	24
Schedule 2 .....	9	Changing Differential Gear Oil .....	25
EMISSION CONTROL SYSTEM MAINTENANCE .....	9	LIMITED-SLIP DIFFERENTIAL GEAR .....	25
CHASSIS AND BODY MAINTENANCE .....	10	Balancing Wheels .....	25
<b>RECOMMENDED FLUIDS AND LUBRICANTS</b> .....	11	Tire Rotation .....	25
Fluids and Lubricants .....	11	Checking Brake Fluid Level and Leaks .....	26
SAE Viscosity Number .....	12	Checking Brake Lines and Cables .....	26
GASOLINE ENGINE OIL .....	12	Checking Disc Brake .....	26
GEAR OIL .....	12	ROTOR .....	26
Anti-freeze Coolant Mixture Ratio .....	12	CALIPER .....	26
<b>ENGINE MAINTENANCE</b> .....	13	PAD .....	26
Checking Drive Belts .....	13	Checking Drum Brake .....	27
Changing Engine Coolant .....	14	WHEEL CYLINDER .....	27
—DRAINING ENGINE COOLANT— .....	14	DRUM .....	27
—REFILLING ENGINE COOLANT— .....	15	LINING .....	27
—FLUSHING COOLING SYSTEM— .....	16	TEMPORARY METHOD FOR CHECKING LINING WEAR .....	27
Checking Fuel Lines .....	16	Checking Steering Gear, Linkage and Transfer Gear .....	27
Changing Fuel Filter .....	16	STEERING GEAR .....	27
Ⓜ WITH CONSULT .....	16	STEERING LINKAGE .....	27
Ⓧ WITHOUT CONSULT .....	17	STEERING TRANSFER GEAR .....	27
Changing Air Cleaner Filter .....	17	Checking Power Steering Fluid and Lines .....	28
VISCIOUS PAPER TYPE .....	17	CHECKING FLUID LEVEL .....	28
Changing Engine Oil .....	17	CHECKING LINES .....	28
Changing Oil Filter .....	18	Lubricating Locks, Hinges and Hood Latches .....	28
Changing Spark Plugs .....	19	Checking Seat Belts, Buckles, Retractors, Anchors and Adjusters .....	29
Checking EVAP Vapor Lines .....	20	<b>SERVICE DATA AND SPECIFICATIONS (SDS)</b> .....	30
<b>CHASSIS AND BODY MAINTENANCE</b> .....	21	Engine Maintenance .....	30
Checking Exhaust System .....	21		
Checking Clutch Fluid Level and Leaks .....	21		

# CONTENTS (Cont'd)

DRIVE BELT DEFLECTION .....	30
DRIVE BELT TENSION .....	30
SPARK PLUG TYPE .....	30

Chassis and Body Maintenance .....	30
WHEEL BALANCE .....	30

GI

**MA**

EM

LC

EC

FE

CL

MT

AT

TF

PD

AX

SU

BR

ST

RS

BT

HA

SC

EL

IDX

## PRECAUTIONS

*Precautions for Supplemental Restraint System (SRS) "AIR BAG" and "SEAT BELT PRE-TENSIONER"*

---

### Precautions for Supplemental Restraint System (SRS) "AIR BAG" and "SEAT BELT PRE-TENSIONER"

NAMMA0001

The supplemental Restraint System such as "AIR BAG" and "SEAT BELT PRE-TENSIONER" used along with a seat belt, helps to reduce the risk or severity of injury to the driver and front passenger for certain types of collision. The SRS system composition which is available to NISSAN MODEL PATHFINDER is as follows:

- For a frontal collision  
The Supplemental Restraint System consists of driver air bag module (located in the center of the steering wheel), front passenger air bag module (located on the instrument panel on passenger side), seat belt pre-tensioners, a diagnosis sensor unit, warning lamp, wiring harness and spiral cable.
- For a side collision  
The Supplemental Restraint System consists of side air bag module (located in the outer side of front seat), satellite sensor, diagnosis sensor unit (one of components of air bags for a frontal collision), wiring harness, warning lamp (one of components of air bags for a frontal collision).

Information necessary to service the system safely is included in the **RS** section of this Service Manual.

#### **WARNING:**

- To avoid rendering the SRS inoperative, which could increase the risk of personal injury or death in the event of a collision which would result in air bag inflation, all maintenance must be performed by an authorized NISSAN dealer.
- Improper maintenance, including incorrect removal and installation of the SRS, can lead to personal injury caused by unintentional activation of the system. For removal of Spiral Cable and Air Bag Module, see the RS section.
- Do not use electrical test equipment on any circuit related to the SRS unless instructed to in this Service Manual. Spiral cable and wiring harnesses (except "SEAT BELT PRE-TENSIONER") covered with yellow insulation either just before the harness connectors or for the complete harness are related to the SRS.

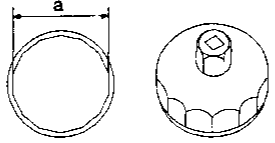
# PREPARATION

Special Service Tool

## Special Service Tool

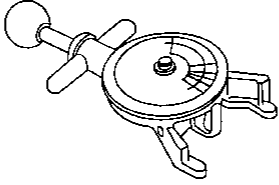
NAMA0002

The actual shapes of Kent-Moore tools may differ from those of special service tools illustrated here.

Tool number (Kent-Moore No.) Tool name	Description
KV10115801 (J38956) Oil filter cap wrench	<div style="display: flex; align-items: center; justify-content: center;">  <div style="margin-left: 20px;"> <p>Removing oil filter a: 64.3 mm (2.531 in)</p> </div> </div> <p>NT375</p>

## Commercial Service Tool

NAMA0045

Tool name (Kent-Moore No.)	Description
Belt tension gauge (BT3373-F)	<div style="display: flex; align-items: center; justify-content: center;">  <div style="margin-left: 20px;"> <p>Checking drive belt tension</p> </div> </div> <p>AMA126</p>

GI

MA

EM

LC

EC

FE

CL

MT

AT

TF

PD

AX

SU

BR

ST

RS

BT

HA

SC

EL

IDX

## GENERAL MAINTENANCE

General maintenance includes those items which should be checked during the normal day-to-day operation of the vehicle. They are essential if the vehicle is to continue operating properly. The owners can perform checks and inspections themselves or they can have their NISSAN dealers do them.

### OUTSIDE THE VEHICLE

The maintenance items listed here should be performed from time to time, unless otherwise specified.

Item		Reference page
<b>Tires</b>	Check the pressure with a gauge periodically when at a service station, including the spare, and adjust to the specified pressure if necessary. Check carefully for damage, cuts or excessive wear.	—
<b>Wheel nuts</b>	When checking the tires, make sure no nuts are missing, and check for any loose nuts. Tighten if necessary.	—
<b>Tire rotation</b>	Tires should be rotated every 12,000 km (7,500 miles) for 2WD models and 6,000 km (3,750 miles) for 4WD models.	MA-25
<b>Wheel alignment and balance</b>	If the vehicle pulls to either side while driving on a straight and level road, or if you detect uneven or abnormal tire wear, there may be a need for wheel alignment. If the steering wheel or seat vibrates at normal highway speeds, wheel balancing may be needed.	MA-25, "Front Wheel Alignment" in SU section
<b>Windshield wiper blades</b>	Check for cracks or wear if they do not wipe properly.	—
<b>Doors and engine hood</b>	Check that all doors and the engine hood operate smoothly as well as the trunk lid and back hatch. Also make sure that all latches lock securely. Lubricate if necessary. Make sure that the secondary latch keeps the hood from opening when the primary latch is released. When driving in areas using road salt or other corrosive materials, check lubrication frequently.	MA-28

### INSIDE THE VEHICLE

The maintenance items listed here should be checked on a regular basis, such as when performing periodic maintenance, cleaning the vehicle, etc.

Item		Reference page
<b>Lamps</b>	Make sure that the headlamps, stop lamps, tail lamps, turn signal lamps, and other lamps are all operating properly and installed securely. Also check headlamp aim.	—
<b>Warning lamps and buzzers/chimes</b>	Make sure that all warning lamps and buzzers/chimes are operating properly.	—
<b>Windshield wiper and washer</b>	Check that the wipers and washer operate properly and that the wipers do not streak.	—
<b>Windshield defroster</b>	Check that the air comes out of the defroster outlets properly and in sufficient quantity when operating the heater or air conditioning.	—
<b>Steering wheel</b>	Check that it has the specified play. Be sure to check for changes in the steering condition, such as excessive play, hard steering or strange noises. <b>Free play: Less than 35 mm (1.38 in)</b>	—
<b>Seats</b>	Check seat position controls such as seat adjusters, seatback recliner, etc. to make sure they operate smoothly and that all latches lock securely in every position. Check that the head restraints move up and down smoothly and that the locks (if equipped) hold securely in all latched positions. Check that the latches lock securely for folding-down rear seatbacks.	—
<b>Seat belts</b>	Check that all parts of the seat belt system (e.g. buckles, anchors, adjusters and retractors) operate properly and smoothly and are installed securely. Check the belt webbing for cuts, fraying, wear or damage.	MA-29 "Seat Belt Inspection" in RS section
<b>Clutch pedal</b>	Make sure the pedal operates smoothly and check that it has the proper free play.	"Adjusting Clutch Pedal" in CL section

# GENERAL MAINTENANCE

Item		Reference page
<b>Brakes</b>	Check that the brake does not pull the vehicle to one side when applied.	—
<b>Brake pedal and booster</b>	Check the pedal for smooth operation and make sure it has the proper distance under it when depressed fully. Check the brake booster function. Be sure to keep floor mats away from the pedal.	“Brake Pedal and Bracket” and “Brake Booster” in BR section
<b>Parking brake</b>	Check that the lever has the proper travel and make sure that the vehicle is held securely on a fairly steep hill when only the parking brake is applied.	“Parking Brake Control” in BR section
<b>Automatic transmission “Park” mechanism</b>	Check that the lock release button on the selector lever operates properly and smoothly. On a fairly steep hill check that the vehicle is held securely with the selector lever in the “P” position without applying any brakes.	—

## UNDER THE HOOD AND VEHICLE

The maintenance items listed here should be checked periodically (e.g. each time you check the engine oil or refuel).

Item		Reference page
<b>Windshield washer fluid</b>	Check that there is adequate fluid in the tank.	—
<b>Engine coolant level</b>	Check the coolant level when the engine is cold.	MA-15
<b>Radiator and hoses</b>	Check the front of the radiator and clean off any dirt, insects, leaves, etc., that may have accumulated. Make sure the hoses have no cracks, deformation, deterioration or loose connections.	—
<b>Brake and clutch fluid levels</b>	Make sure that the brake and clutch fluid levels are between the “MAX” and “MIN” lines on the reservoir.	MA-21, 26
<b>Battery</b>	Check the fluid level in each cell. It should be between the “MAX” and “MIN” lines.	—
<b>Engine drive belts</b>	Make sure that no belt is frayed, worn, cracked or oily.	MA-13
<b>Engine oil level</b>	Check the level on the dipstick after parking the vehicle on a level spot and turning off the engine.	MA-17
<b>Power steering fluid level and lines</b>	Check the level on the dipstick with the engine off. Check the lines for improper attachment, leaks, cracks, etc.	MA-28
<b>Automatic transmission fluid level</b>	Check the level on the dipstick after putting the selector lever in “P” with the engine idling.	MA-22
<b>Exhaust system</b>	Make sure there are no loose supports, cracks or holes. If the sound of the exhaust seems unusual or there is a smell of exhaust fumes, immediately locate the trouble and correct it.	MA-21
<b>Underbody</b>	The underbody is frequently exposed to corrosive substances such as those used on icy roads or to control dust. It is very important to remove these substances, otherwise rust will form on the floor pan, frame, fuel lines and around the exhaust system. At the end of winter, the underbody should be thoroughly flushed with plain water, being careful to clean those areas where mud and dirt can easily accumulate.	—
<b>Fluid leaks</b>	Check under the vehicle for fuel, oil, water or other fluid leaks after the vehicle has been parked for a while. Water dripping from the air conditioner after use is normal. If you should notice any leaks or gasoline fumes are evident, check for the cause and correct it immediately.	—

## PERIODIC MAINTENANCE

Two different maintenance schedules are provided, and should be used, depending upon the conditions in which the vehicle is mainly operated. **After 60,000 miles (96,000 km) or 48 months, continue the periodic maintenance at the same mileage/time intervals.**

Schedule 1	Follow Periodic Maintenance Schedule 1 if your driving habits frequently includes one or more of the following driving conditions: <ul style="list-style-type: none"> <li>● Repeated short trips of less than 5 miles (8 km).</li> <li>● Repeated short trips of less than 10 miles (16 km) with outside temperatures remaining below freezing.</li> <li>● Operating in hot weather in stop-and-go "rush hour" traffic.</li> <li>● Extensive idling and/or low speed driving for long distances, such as police, taxi or door-to-door delivery use.</li> <li>● Driving in dusty conditions.</li> <li>● Driving on rough, muddy, or salt spread roads.</li> <li>● Towing a trailer, using a camper or a car-top carrier.</li> </ul>	Emission Control System Maintenance	MA-7
		Chassis and Body Maintenance	MA-8
Schedule 2	Follow Periodic Maintenance Schedule 2 if none of the driving conditions shown in Schedule 1 apply to your driving habits.	Emission Control System Maintenance	MA-9
		Chassis and Body Maintenance	MA-10

### Maintenance for off-road driving (4x4 only)

Whenever you drive off-road through sand, mud or water, more frequent maintenance may be required of the following items:

- ▲ Brake pads and discs
- ▲ Brake lining and drums
- ▲ Brake lines and hoses
- ▲ Wheel bearing grease
- ▲ Differential, transmission and transfer oil
- ▲ Steering linkage
- ▲ Propeller shaft and drive shafts
- ▲ Air cleaner filter
- ▲ Clutch housing (Check water entry. Refer to MA-22.)

# PERIODIC MAINTENANCE

Schedule 1

## Schedule 1

### EMISSION CONTROL SYSTEM MAINTENANCE

NAMA0004S01

NAMA0004S0101

Abbreviations: R = Replace. I = Inspect. Correct or replace if necessary. [ ]: At the mileage intervals only

MAINTENANCE OPERATION	MAINTENANCE INTERVAL														Reference Section - Page or Content Title				
	Miles x 1,000 (km x 1,000) Months	3.75 (6) 3	7.5 (12) 6	11.25 (18) 9	15 (24) 12	18.75 (30) 15	22.5 (36) 18	26.25 (42) 21	30 (48) 24	33.75 (54) 27	37.5 (60) 30	41.25 (66) 33	45 (72) 36	48.75 (78) 39		52.5 (84) 42	56.25 (90) 45	60 (96) 48	
Perform at number of miles, kilometers or months, whichever comes first.																			
Drive belts									I*										I*
Air cleaner filter	NOTE (1)								[R]										[R]
EVAP vapor lines									I*										I*
Fuel lines									I*										I*
Fuel filter*	NOTE (2)																		
Engine coolant	NOTE (3)																		
Engine oil			R	R	R	R	R	R	R	R	R	R	R	R	R	R	R	R	R*
Engine oil filter (Use part No. 15208-31U00 or equivalent.)		R	R	R	R	R	R	R	R	R	R	R	R	R	R	R	R	R	R
Spark plugs (PLATINUM-TIPPED type)																			[R]
Timing belt																			
		Replace every 105,000 miles (168,000 km)																	

**NOTE:**

- (1) If operating mainly in dusty conditions, more frequent maintenance may be required.
  - (2) If vehicle is operated under extremely adverse weather conditions or in areas where ambient temperatures are either extremely low or extremely high, the filters might become clogged. In such an event, replace them immediately.
  - (3) After 60,000 miles (96,000 km) or 48 months, replace every 30,000 miles (48,000 km) or 24 months.
- ★ Maintenance items and intervals with "\*" are recommended by NISSAN for reliable vehicle operation. The owner need not perform such maintenance in order to maintain the emission warranty or manufacturer recall liability. Other maintenance items and intervals are required.

GI  
MA  
EM  
LC  
EC  
FE  
CL  
MT  
AT  
TF  
PD  
AX  
SU  
BR  
ST  
RS  
BT  
HA  
SC  
EL  
IDX



# PERIODIC MAINTENANCE

Schedule 1 (Cont'd)

## CHASSIS AND BODY MAINTENANCE

NAMA0004S0102

Abbreviations: R = Replace. I = Inspect. Correct or replace if necessary. L = Lubricate.

MAINTENANCE OPERATION	MAINTENANCE INTERVAL													Reference Section - Page or Content Title			
	3.75 (6) 3	7.5 (12) 6	11.25 (18) 9	15 (24) 12	18.75 (30) 15	22.5 (36) 18	26.25 (42) 21	30 (48) 24	33.75 (54) 27	37.5 (60) 30	41.25 (66) 33	45 (72) 36	48.75 (78) 39		52.5 (84) 42	56.25 (90) 45	60 (96) 48
Perform at number of miles, kilometers or months, whichever comes first.	Miles x 1,000 (km x 1,000) Months																
Brake lines & cables			I														MA-26
Brake pads, rotors, drums & linings		I															MA-26, 27
Automatic transmission & transfer fluid, manual transmission & differential gear oil (exc. LSD)	NOTE (1)			I													MA-21, 22, 23, 24
LSD gear oil	NOTE (1)								R								MA-25
Steering gear, linkage & transfer gear, axle & suspension parts		I															MA-27 NOTE (5)
Drive shaft boots (4x4)		I															AX - Drive Shaft
Propeller shaft	NOTE (2)	L															MA-24
Front wheel bearing grease	4x2																AX - Front Wheel Bearing
Front wheel bearing grease	4x4																AX - Front Wheel Bearing
Exhaust system		I															MA-21
Supplemental air bag systems	NOTE (4)																RS - Maintenance Items
ASCD vacuum hoses																	EL - ASCD ACTUATOR/PUMP CHECK, Trouble Diagnoses

**NOTE:**

- (1) If towing a trailer, using a camper or a car-top carrier, or driving on rough or muddy roads, change (not just inspect) oil (exc. LSD) at every 30,000 miles (48,000 km) or 24 months, and change LSD gear oil every 15,000 miles (24,000 km) or 12 months.
- (2) The propeller shaft should be re-greased after being immersed in water.
- (3) If operating frequently in water, replace grease every 3,750 miles (6,000 km) or 3 months.
- (4) Inspect the air bag system 10 years after the date of manufacture noted on the FMVSS certification label.
- (5) Refer to "Front Suspension Parts" and "Rear Suspension Parts" in SU section, "Front Axle Parts" and "Rear Axle Parts" in AX section.

# PERIODIC MAINTENANCE

Schedule 2

## Schedule 2

### EMISSION CONTROL SYSTEM MAINTENANCE

Abbreviations: R = Replace. I = Inspect. Correct or replace if necessary. [ ]: At the mileage intervals only

MAINTENANCE OPERATION	Miles x 1,000 (km x 1,000) Months	MAINTENANCE INTERVAL								Reference Section - Page or - Content Title	
		7.5 (12) 6	15 (24) 12	22.5 (36) 18	30 (48) 24	37.5 (60) 30	45 (72) 36	52.5 (84) 42	60 (96) 48		
Drive belts					I*					I*	MA-13
Air cleaner filter					[R]					[R]	MA-17
EVAP vapor lines					I*					I*	MA-20
Fuel lines					I*					I*	MA-16
Fuel filter*	NOTE (1)										MA-16
Engine coolant	NOTE (2)									R*	MA-14
Engine oil		R	R	R	R	R	R	R	R	R	MA-17
Engine oil filter (Use part No. 15208-31U00 or equivalent.)		R	R	R	R	R	R	R	R	R	MA-18
Spark plugs (PLATINUM-TIPPED type)										[R]	MA-19
Timing belt		Replace every 105,000 miles (168,000 km)								EM - Timing Belt	

**NOTE:**

- (1) If vehicle is operated under extremely adverse weather conditions or in areas where ambient temperatures are either extremely low or extremely high, the filters might become clogged. In such an event, replace them immediately.
- (2) After 60,000 miles (96,000 km) or 48 months, replace every 30,000 miles (48,000 km) or 24 months.
- ★ Maintenance items and intervals with "\*" are recommended by NISSAN for reliable vehicle operation. The owner need not perform such maintenance in order to maintain the emission warranty or manufacturer recall liability. Other maintenance items and intervals are required.

NAMA0004S02  
NAMA0004S0201

- GI
- MA
- EM
- LC
- EC
- FE
- CL
- MT
- AT
- TF
- PD
- AX
- SU
- BR
- ST
- RS
- BT
- HA
- SC
- EL
- IDX

# PERIODIC MAINTENANCE

Schedule 2 (Cont'd)

## CHASSIS AND BODY MAINTENANCE

NAMA0004S0202

Abbreviations: R = Replace. I = Inspect. Correct or replace if necessary. L = Lubricate.

MAINTENANCE OPERATION	Miles x 1,000 (km x 1,000) Months	MAINTENANCE INTERVAL								Reference Section - Page or - Content Title
		7.5 (12) 6	15 (24) 12	22.5 (36) 18	30 (48) 24	37.5 (60) 30	45 (72) 36	52.5 (84) 42	60 (96) 48	
Perform at number of miles, kilometers or months, whichever comes first.										
Brake lines & cables		I	I	I	I	I	I	I	I	MA-26
Brake pads, rotors, drums & linings		I	I							MA-26, 27
Automatic transmission & transfer fluid, manual transmission & differential gear oil (exc. LSD)		I	I		I					MA-21, 22, 23, 24
LSD gear oil		I	I		R				R	MA-25
Steering gear, linkage & transfer gear, axle & suspension parts					I					MA-27 NOTE (3)
Drive shaft boots ( <b>4x4</b> )			I		I					AX - Drive Shaft
Propeller shaft	NOTE (1)	L	L		L		L		L	MA-24
Front wheel bearing grease (4x2)					I				I	AX - Front Wheel Bearing
Front wheel bearing grease ( <b>4x4</b> )			I		R				R	AX - Front Wheel Bearing
Exhaust system					I					MA-21
Supplemental air bag systems	NOTE (2)									RS - Maintenance Items
ASCD vacuum hoses			I		I				I	EL - ASCD ACTUATOR/ PUMP CHECK, Trouble Diagnoses

**NOTE:**

- (1) The propeller shaft should be re-greased after being immersed in water.
- (2) Inspect the air bag system 10 years after the date of manufacture noted on the FMVSS certification label.
- (3) Refer to "Front Suspension Parts" in SU section, "Rear Suspension Parts" in SU section, "Front Axle Parts" and "Rear Axle Parts" in AX section.

# RECOMMENDED FLUIDS AND LUBRICANTS

Fluids and Lubricants

## Fluids and Lubricants

NAMA0005S01

			Capacity (Approximate)			Recommended Fluids/Lubricants
			US measure	Imp measure	Liter	
Engine oil	Drain and refill	With oil filter	3-7/8 qt	3-1/4 qt	3.7	<ul style="list-style-type: none"> <li>• API Certification Mark*1</li> <li>• API grade SG/SH, Energy Conserving II or API grade SJ, Energy Conserving*1</li> <li>• ILSAC grade GF-II*1</li> </ul>
		Without oil filter	3-5/8 qt	3 qt	3.4	
	Dry engine (Engine overhaul)		4-1/2 qt	3-3/4 qt	4.2	
Cooling system (With reservoir)			11-1/4 qt	9-3/8 qt	10.6	Genuine Nissan anti-freeze coolant or equivalent
Manual transmission gear oil	2WD		5-1/8 pt	4-1/4 pt	2.4	API GL-4, Viscosity SAE 75W-90 only
	4WD		10-3/4 pt	9 pt	5.1	
Transfer fluid			2-3/8 qt	2 qt	2.2	Nissan Matic "D" or Equivalent Automatic Transmission Fluid*2 or API GL-4*1
Differential carrier gear oil	Front (4WD)		3-7/8 pt	3-1/4 pt	1.85	Standard differential gear: API GL-5*1 Limited-slip differential (LSD) gear: Use only LSD gear oil API GL-5 and SAE 80W-90*4 approved for Nissan LSD*5.
	Rear		5-7/8 pt	4-7/8 pt	2.8	
Automatic transmission fluid	2WD		8-5/8 qt	7-1/8 qt	8.1	Nissan Matic "D" (Continental U.S. and Alaska) or Genuine Nissan Automatic Transmission Fluid (Canada)*2
	4WD		9 qt	7-1/2 qt	8.5	
Power steering fluid			—	—	—	Genuine Nissan PSF II or equivalent*6
Brake and clutch fluid			—	—	—	Genuine Nissan Brake Fluid*3 or equivalent DOT 3 (US FMVSS No. 116)
Propeller shaft grease			—	—	—	NLGI No. 2 (Molybdenum disulphide lithium soap base)
Multi-purpose grease			—	—	—	NLGI No. 2 (Lithium soap base)

\*1: For further details, see "SAE Viscosity Number".

\*2: Dexron™ III/Mercon™ or equivalent may also be used. Outside the continental United States and Alaska contact a NISSAN dealership for more information regarding suitable fluids, including recommended brand(s) of Dexron™ III/Mercon™ Automatic Transmission Fluid.

\*3: Available in mainland U.S.A. through your NISSAN dealer.

\*4: SAE 90 is acceptable in ambient temperatures above -18°C (0°F).

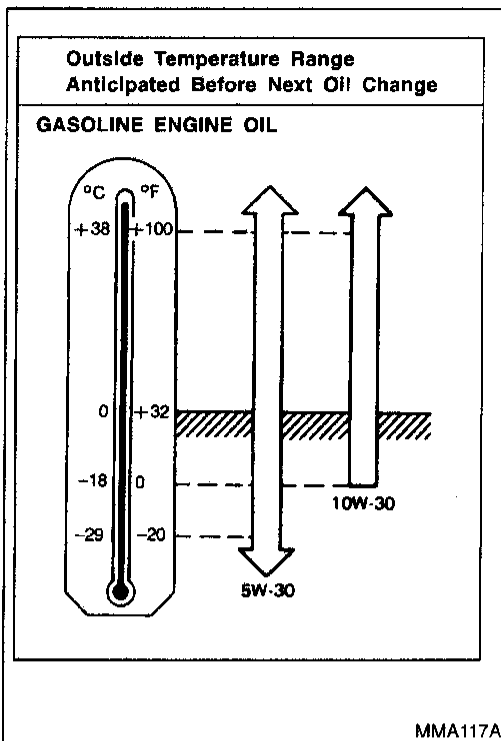
\*5: Contact a NISSAN dealer for a list of approved oils.

\*6: Genuine Nissan PSF, Canada Nissan Automatic Transmission Fluid, Dexron™ III/Mercon™ or equivalent ATF may also be used.

GI  
 MA  
 EM  
 LC  
 EC  
 FE  
 CL  
 MT  
 AT  
 TF  
 PD  
 AX  
 SU  
 BR  
 ST  
 RS  
 BT  
 HA  
 SC  
 EL  
 IDX  
 71

# RECOMMENDED FLUIDS AND LUBRICANTS

## SAE Viscosity Number



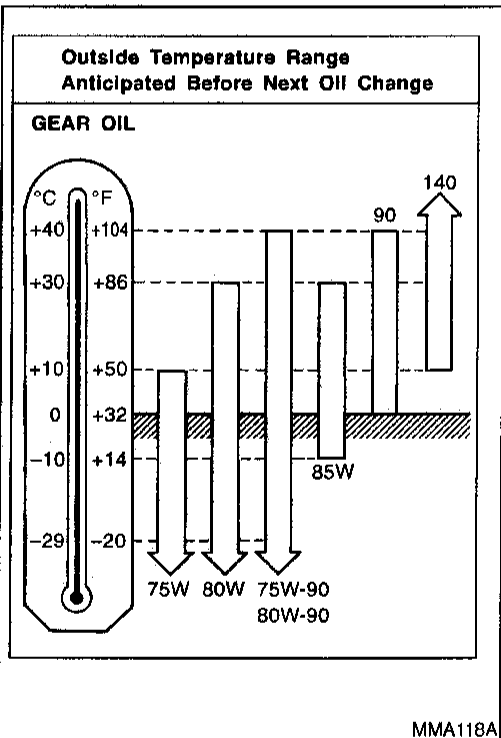
## SAE Viscosity Number

NAMA0005S02

### GASOLINE ENGINE OIL

NAMA0005S0201

SAE 5W-30 viscosity oil is preferred for all temperatures. SAE 10W-30 viscosity oil may be used if the ambient temperature is above  $-18^{\circ}\text{C}$  ( $0^{\circ}\text{F}$ ).



## GEAR OIL

NAMA0005S0202

75W-90 for transfer, and 80W-90 for differential are preferable if the ambient temperature is below  $40^{\circ}\text{C}$  ( $104^{\circ}\text{F}$ ).

Outside temperature down to		Anti-freeze	Demineralized water or distilled water
$^{\circ}\text{C}$	$^{\circ}\text{F}$		
-35	-30	50%	50%

SMA947CA

## Anti-freeze Coolant Mixture Ratio

NAMA0005S03

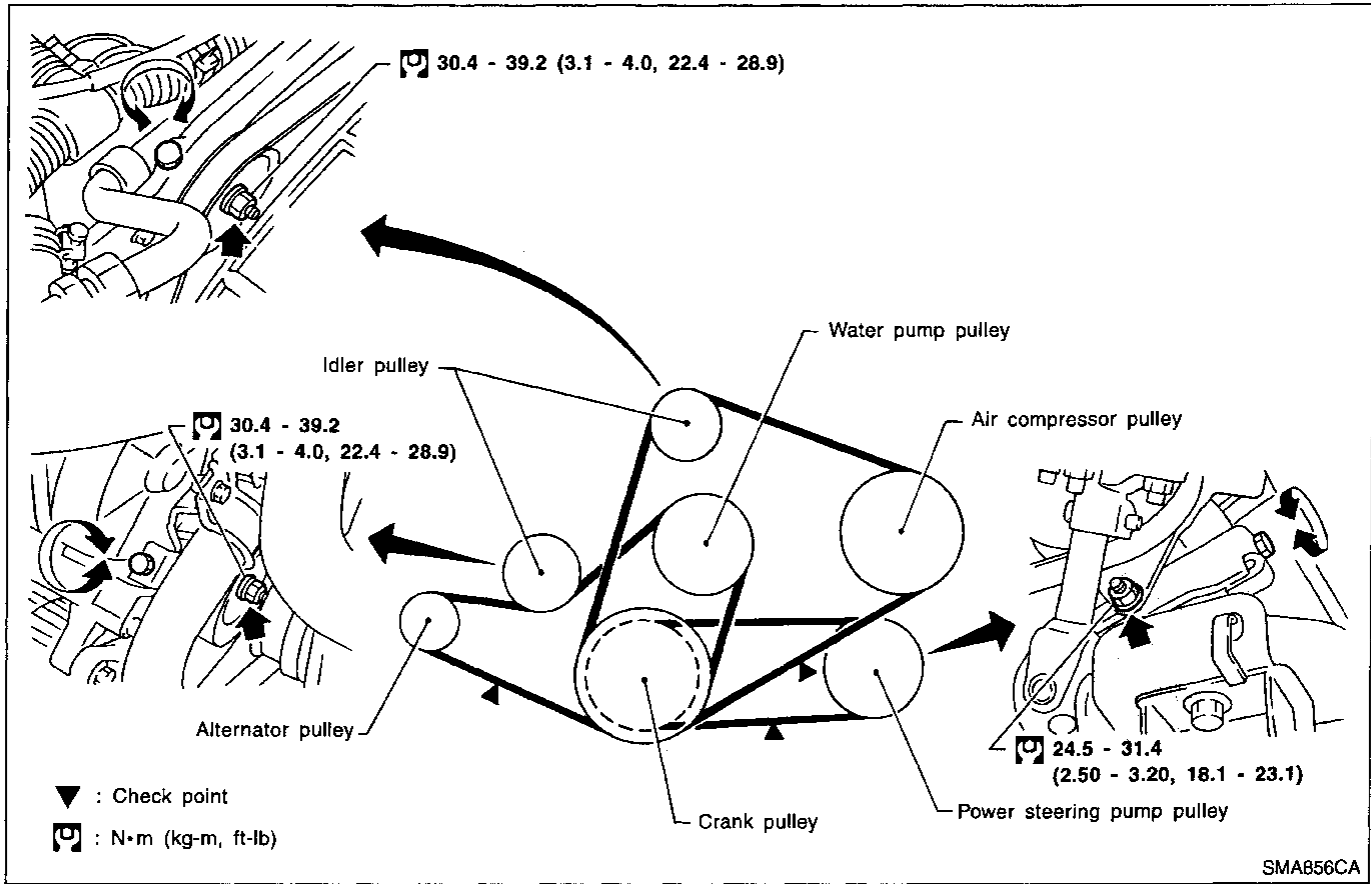
The engine cooling system is filled at the factory with a high-quality, year-round, anti-freeze coolant solution. The anti-freeze solution contains rust and corrosion inhibitors. Therefore, additional cooling system additives are not necessary.

### CAUTION:

When adding or replacing coolant, be sure to use only a Genuine Nissan anti-freeze coolant or equivalent with the proper mixture ratio of 50% anti-freeze and 50% demineralized water/distilled water. Other types of coolant solutions may damage your cooling system.

## Checking Drive Belts

NAMA0010



1. Inspect belt for cracks, fraying, wear and oil. If necessary, replace.
2. Inspect drive belt deflection or tension at a point on the belt midway between pulleys.
3. Check belt tension using belt tension gauge (BT3373-F or equivalent).

**Inspect drive belt deflection or tension when engine is cold. Adjust if belt deflections exceed the limit or if belt tension is not within specifications.**

**Drive belt tension can be checked at other points on the belt.**

### Belt deflection and tension

	Deflection adjustment		Unit: mm (in)	Tension adjustment *1		Unit: N (kg, lb)
	Used belt			Used belt	New belt	
	Limit	After adjustment	Limit			After adjustment
Generator	10.5 (0.413)	6 - 7 (0.24 - 0.28)	5.5 - 6.5 (0.217 - 0.256)	324 (33, 73)	731 - 818 (74.5 - 83.5, 165 - 184)	839 - 926 (85.5 - 94.5, 189 - 208)
Air conditioner compressor	16.5 (0.650)	10.5 - 11.5 (0.413 - 0.453)	9 - 10 (0.35 - 0.39)	196 (20, 44)	555 - 642 (56.5 - 65.5, 125 - 144)	672 - 760 (68.5 - 77.5, 151 - 170)
Power steering oil pump	18 (0.71)	11 - 13 (0.43 - 0.51)	9 - 10 (0.35 - 0.39)	147 (15, 33)	329 - 416 (33.5 - 42.5, 74 - 93)	466 - 554 (47.5 - 56.5, 105 - 124)
Applied pushing force	98 N (10 kg, 22 lb)		—			

\*1 If belt tension gauge cannot be installed at check points shown, check drive belt tension at a different location on the belt.

GI

MA

EM

LC

EC

FE

CL

MT

AT

TF

PD

AX

SU

BR

ST

RS

BT

HA

SC

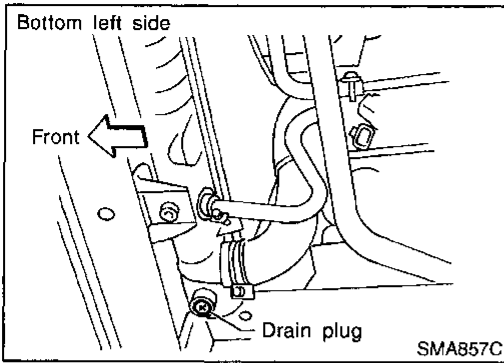
EL

IDX

73

# ENGINE MAINTENANCE

## Changing Engine Coolant



## Changing Engine Coolant

NAMA0011

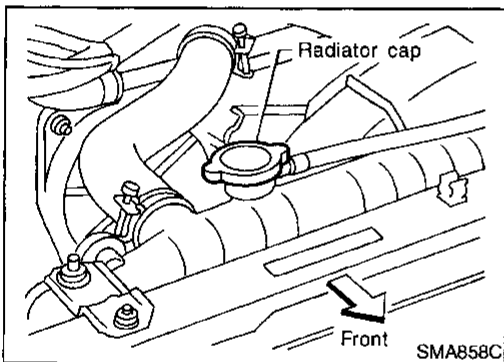
### WARNING:

To avoid the danger of being scalded, never change the coolant when the engine is hot.

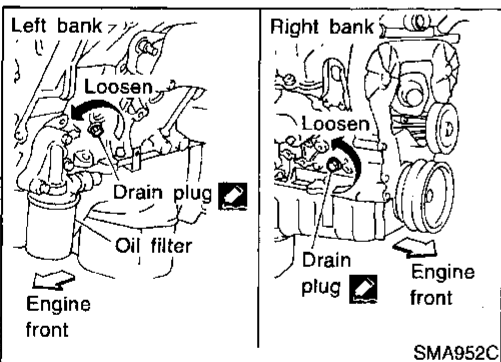
### —DRAINING ENGINE COOLANT—

NAMA0011S01

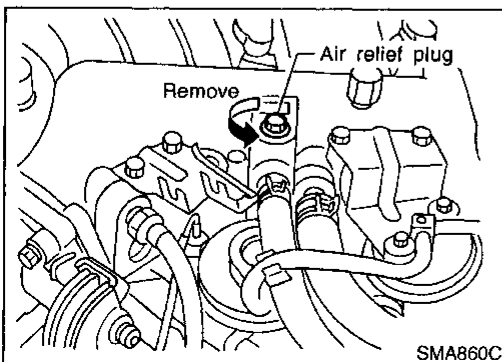
1. Set air conditioning system as follows to prevent coolant from remaining in the system.
  - a. Turn ignition switch "ON" and set temperature controller to maximum hot position.
  - b. Wait 10 seconds before turning ignition switch "OFF".
2. Open radiator drain plug at the bottom of radiator.



3. Remove radiator filler cap. Remove reservoir tank, drain coolant, then clean reservoir tank. Install it temporarily.
  - Be careful not to allow coolant to contact drive belts.



4. Open drain plugs on both sides of cylinder block and water pump side, then open air relief plug to drain coolant.
5. Check drained coolant for contaminants such as rust, corrosion or discoloration. If contaminated flush engine cooling system, "Refer to FLUSHING COOLING SYSTEM", MA-16.



GI

MA

EM

LC

EC

FE

CL

MT

AT

TF

PD

AX

SU

BR

ST

RS

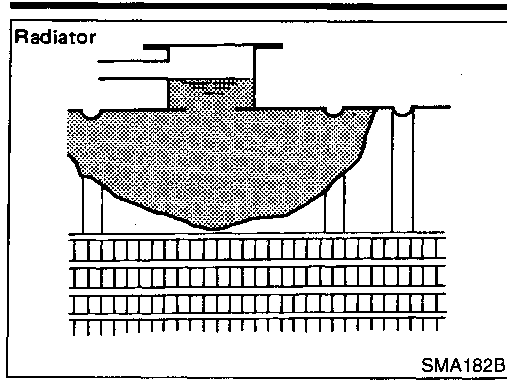
BT

HA

SC

EL

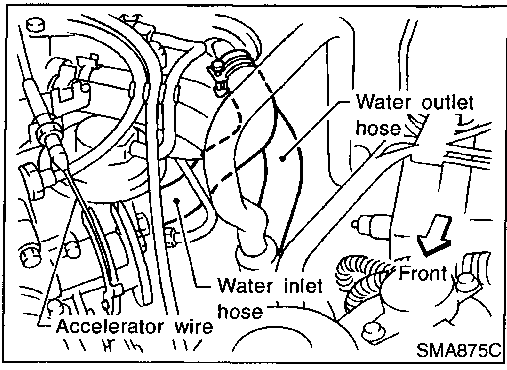
IDX



## —REFILLING ENGINE COOLANT—

NAMA0011S02

1. Install reservoir tank, radiator drain plug, and cylinder block drain plugs.
  - Apply sealant to the thread of cylinder block drain plug.
    - ⊗ : 34.3 - 44.1 N·m (3.5 - 4.5 kg·m, 25 - 33 ft·lb)



2. Remove heater hose at feeding connector on heater unit.
3. Fill radiator slowly with coolant until coolant spills from the air relief plug, then close air relief plug.
4. Fill radiator and reservoir tank with coolant up to the MAX level and install radiator cap.

### Air relief plug:

⊗ : 7 - 8 N·m (0.7 - 0.8 kg·m, 61 - 69 in·lb)

Use Genuine Nissan antifreeze coolant or equivalent mixed with demineralized water/distilled water.

For coolant mixture ratio, refer to "RECOMMENDED FLUIDS AND LUBRICANTS", MA-11.

Coolant capacity (Without reservoir tank):

9.4 ℓ (10 US qt, 8-1/4 Imp qt)

Reservoir tank capacity (for MAX level):

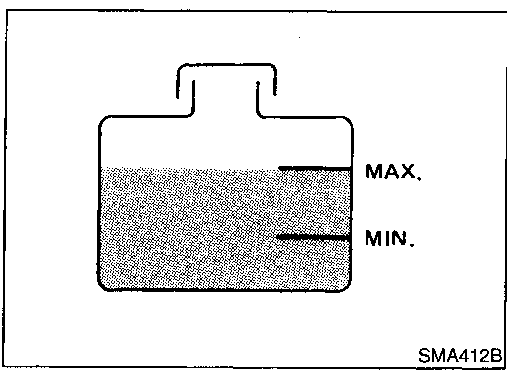
1.2 ℓ (1-1/4 US qt, 1-1/8 Imp qt)

Pour coolant through coolant filler neck slowly to allow air in system to escape.

5. Warm up engine to normal operating temperature.
6. Run engine at 3,000 rpm for 10 seconds and return to idle speed.
  - Repeat 2 or 3 times.

Watch coolant temperature gauge so as not to overheat the engine.

7. Stop engine and cool it down.
  - Cool down using a fan to reduce the time.
8. Remove the radiator filler cap and check coolant level.
  - If necessary, refill radiator up to filler neck with coolant.
9. Refill reservoir tank to Max line with coolant.
10. Repeat step 10 through step 14 two or more times.
11. Warm up engine, and check for sound of coolant flow while running engine from idle up to 3,000 rpm with heater temperature control set at several positions between COOL and HOT.
  - Sound may be noticeable at heater water cock.
12. If sound is heard, bleed air from cooling system by repeating





# ENGINE MAINTENANCE

## Changing Engine Coolant (Cont'd)

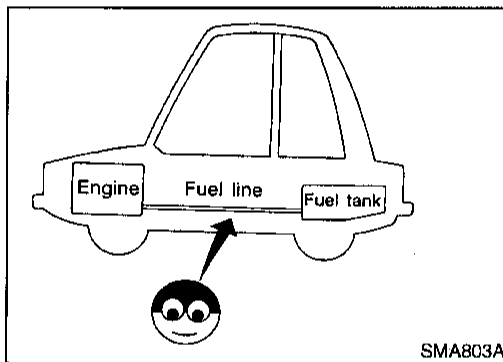
steps 10 through 14 until coolant level no longer drops.

- Clean excess coolant from engine.

### —FLUSHING COOLING SYSTEM—

NAMA0011S03

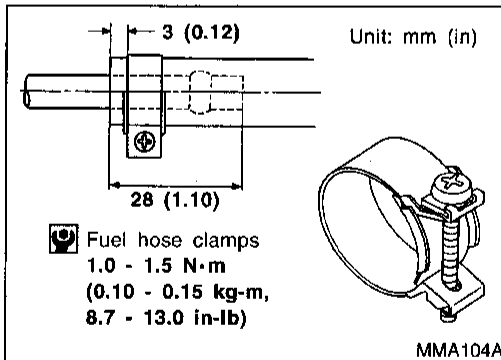
1. Open air relief plug.
2. Fill radiator with water until water spills from the air relief hole, then close air relief plug. Fill radiator and reservoir tank with water and reinstall radiator cap.
3. Run engine and warm it up to normal operating temperature.
4. Rev engine two or three times under no-load.
5. Stop engine and wait until it cools down.
6. Drain water.
7. Repeat steps 1 through 6 until clear water begins to drain from radiator.



## Checking Fuel Lines

NAMA0012

Inspect fuel lines and tank for improper attachment, leaks, cracks, damage, loose connections, chafing or deterioration. If necessary, repair or replace faulty parts.

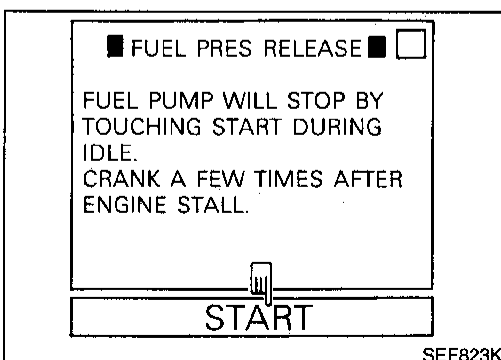


### CAUTION:

Tighten high-pressure rubber hose clamp so that clamp end is 3 mm (0.12 in) from hose end.

Tightening torque specifications are the same for all rubber hose clamps.

Ensure that screw does not contact adjacent parts.



## Changing Fuel Filter

NAMA0013

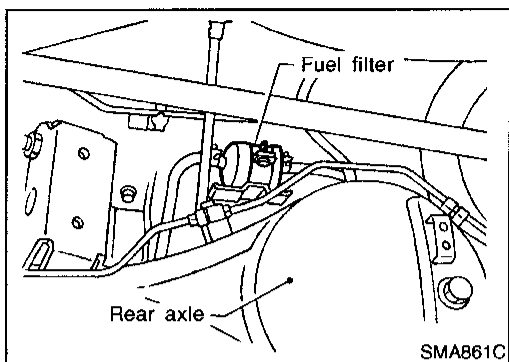
### WARNING:

Before removing fuel filter, release fuel pressure from fuel line.

### ⓑ WITH CONSULT

NAMA0013S01

1. Start engine.
2. Perform "FUEL PRESSURE RELEASE" in "WORK SUPPORT" mode to release fuel pressure to zero.
3. After engine stalls, crank engine two or three times to make sure that fuel pressure is released.
4. Turn ignition switch "OFF".



5. Loosen fuel hose clamps.
6. Replace fuel filter.
  - Be careful not to spill fuel over engine compartment. Place a shop towel to absorb fuel.
  - Use a high-pressure type fuel filter. Do not use a synthetic resinous fuel filter.
  - When tightening fuel hose clamps, refer to "Checking Fuel Lines".

GI

MA

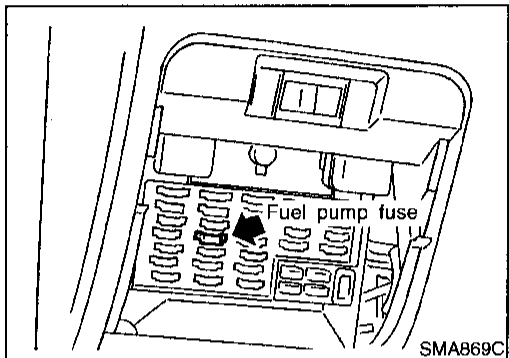
EM

LC

EC

NAMA0013S02

FE

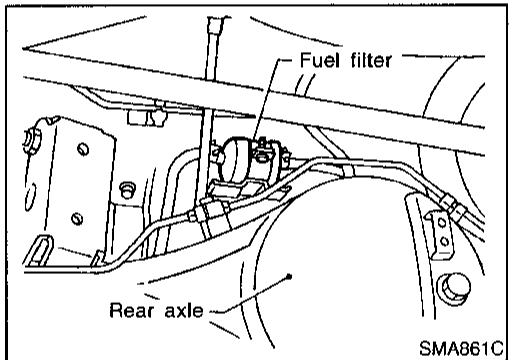


- ⊗ **WITHOUT CONSULT**
1. Remove fuel pump fuse.
  2. Start engine.
  3. After engine stalls, crank engine two or three times to make sure that fuel pressure is released.
  4. Turn ignition switch "OFF" and install fuel pump fuse.

CL

MT

AT



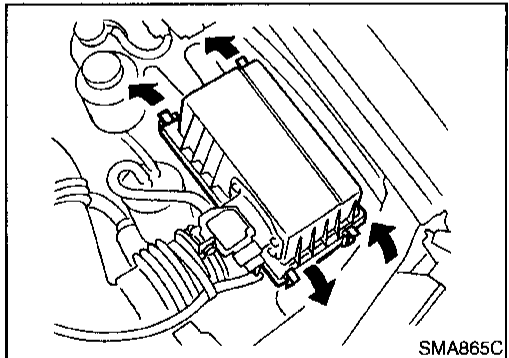
5. Loosen fuel hose clamps.
6. Replace fuel filter.
  - Be careful not to spill fuel over engine compartment. Place a shop towel to absorb fuel.
  - Use a high-pressure type fuel filter. Do not use a synthetic resinous fuel filter.
  - When tightening fuel hose clamps, refer to "Checking Fuel Lines".

TF

PD

AX

SU



## Changing Air Cleaner Filter

NAMA0014

### VISCOUS PAPER TYPE

NAMA0014S01

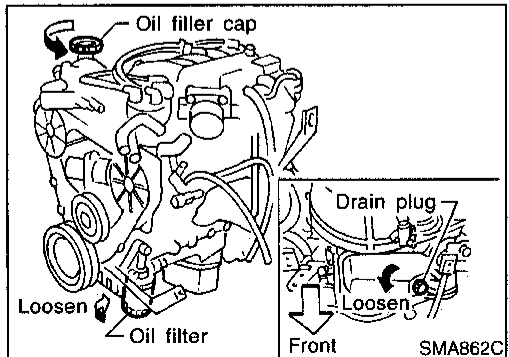
The viscous paper type filter does not need cleaning between replacement intervals.

BR

ST

RS

BT



## Changing Engine Oil

NAMA0015

### WARNING:

- Be careful not to burn yourself, as the engine oil is hot.
- Prolonged and repeated contact with used engine oil may cause skin cancer; try to avoid direct skin contact with used oil. If skin contact is made, wash thoroughly with soap or hand cleaner as soon as possible.

SC

EL

1. Warm up engine, and check for oil leakage from engine components.
2. Stop engine and wait for more than 10 minutes.
3. Remove drain plug and oil filler cap.

IDX

# ENGINE MAINTENANCE

## Changing Engine Oil (Cont'd)

4. Drain oil and refill with new engine oil.

### Oil specification and viscosity

- API SG or SH and Energy Conserving II
- API Certification Mark
- See "RECOMMENDED FLUIDS AND LUBRICANTS", MA-11.

### Oil capacity (Approximately):


Unit: ℓ (US qt, Imp qt)

Drain and refill	With oil filter change	3.8 (4, 3-3/8)
	Without oil filter change	3.6 (3-7/8, 3-1/8)
Dry engine (engine overhaul)		4.3 (4-1/2, 3-3/4)

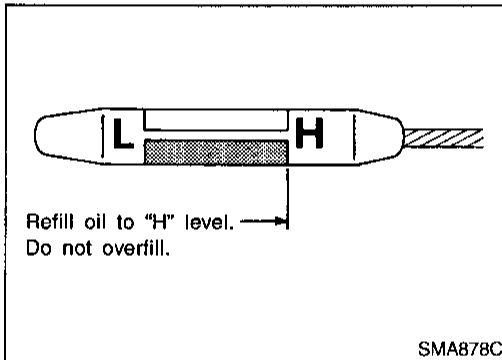
### CAUTION:

- Be sure to clean drain plug and install with new washer.

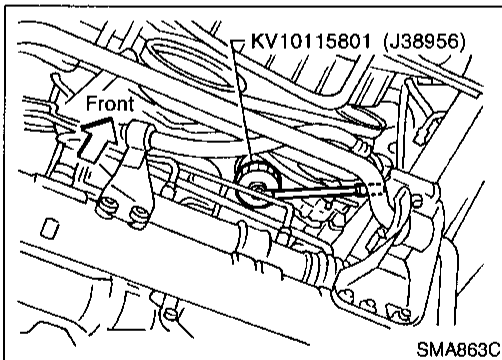
#### Oil pan drain plug:

 : 29 - 39 N·m (3.0 - 4.0 kg·m, 22 - 29 ft·lb)

- The refill capacity depends on the oil temperature and drain time; use the "Refill oil capacity" values as a reference and be certain to check with the dipstick when changing the oil.



5. Warm up engine and check area around drain plug and oil filter for oil leakage.
6. Stop engine and wait for more than 10 minutes.
7. Check oil level.



## Changing Oil Filter

NAMA0016

1. Remove oil filter with Tool.

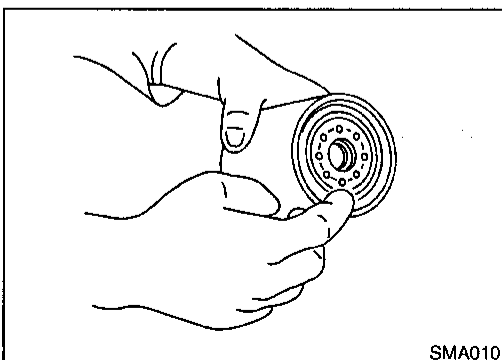
### WARNING:

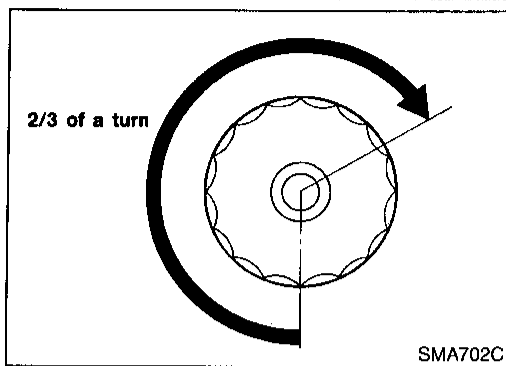
Be careful not to burn yourself, as the engine and engine oil are hot.

The filter is a full-flow cartridge type and is provided with a relief valve.

Refer to LC section ("Oil Filter", "ENGINE LUBRICATION SYSTEM").

2. Clean oil filter mounting surface on cylinder block. Coat rubber seal of new oil filter with engine oil.

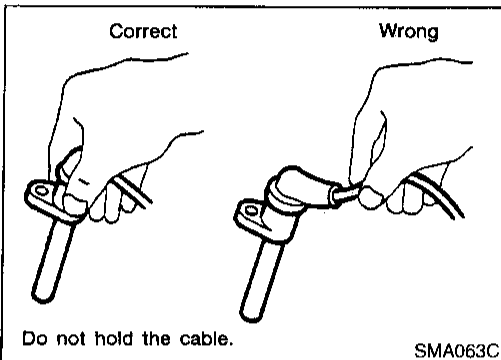




3. Screw in the oil filter until a slight resistance is felt, then tighten an additional 2/3 turn.
4. Add engine oil.

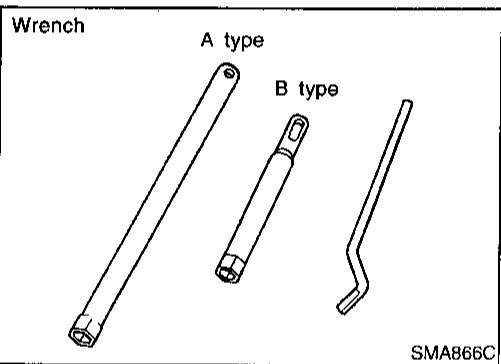
**Refer to Changing Engine Oil.**

- Clean excess oil from engine.



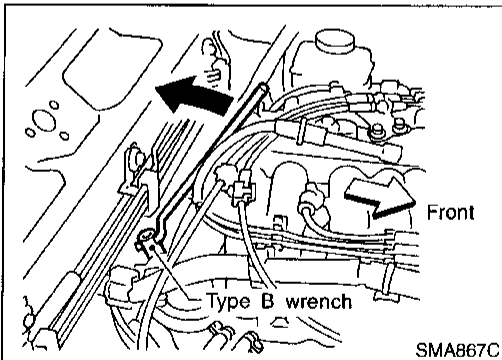
## Changing Spark Plugs

1. Disconnect ignition wires from spark plugs at boot. Do not pull on the wire.



2. Remove spark plugs with 16 mm (0.63 in) spark plug wrench.
- Spark plug wrench set is available in tool kit provided on vehicle.

A type is for spark plugs except for No. 6 cylinder. B type is for No. 6 cylinder. Refer to section 995 of PARTS CATALOG for tool kit.



3. Check type and gap of new spark plug.

### Spark plug type:

	Symbol	Make
Standard type	FR5AP-10	NGK
Cold type	FR6AP-10	NGK
Hot type	FR4AP-10	NGK

### Use standard type spark plug for normal condition.

The hot type spark plug is suitable when fouling may occur with the standard type spark plug such as:

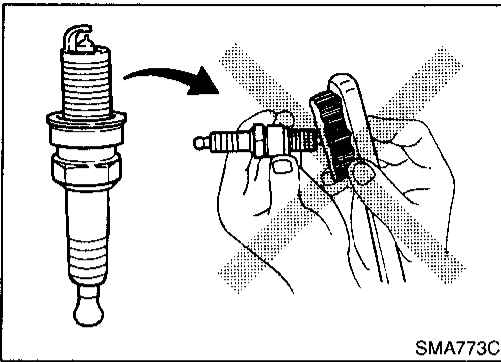
- frequent engine starts
- low ambient temperatures

The cold type spark plug is suitable when spark knock may occur with the standard type spark plug such as:

- extended highway driving
- frequent high engine revolution

# ENGINE MAINTENANCE

## Changing Spark Plugs (Cont'd)



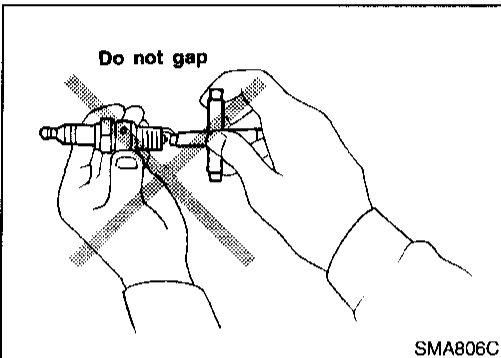
- Do not use a wire brush for cleaning.
- If plug tip is covered with carbon, spark plug cleaner may be used.

Cleaner air pressure:

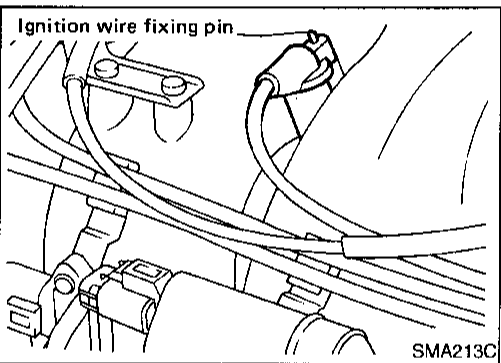
Less than 588 kPa (6 kg/cm<sup>2</sup>, 85 psi)

Cleaning time:

Less than 20 seconds




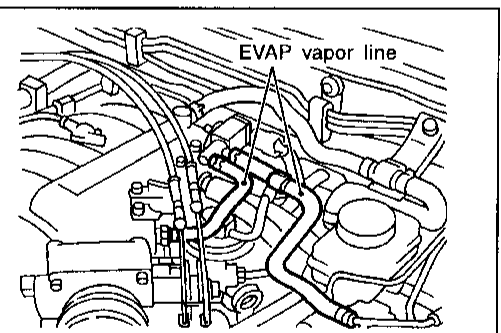
- Checking and adjusting plug gap is not required between change intervals.



When installing spark plugs to No. 2 and 4 cylinders, securely fit each ignition wire mounting hole onto the ignition wire fixing pin.

Spark plug:

 : 20 - 29 N·m (2.0 - 3.0 kg·m, 14 - 22 ft-lb)

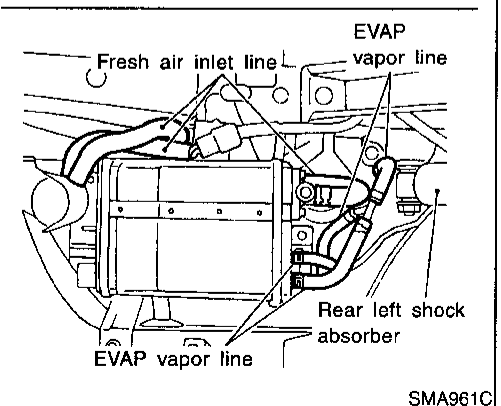


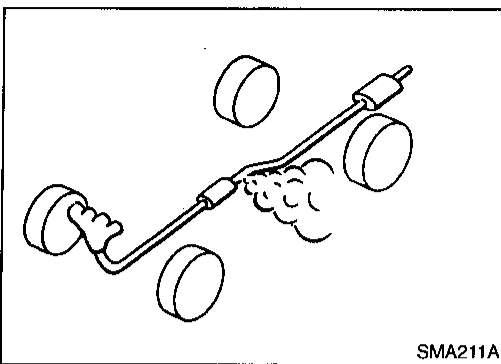
## Checking EVAP Vapor Lines

NAMA0018

1. Visually inspect EVAP vapor lines for improper attachment, cracks, damage, loose connections, chafing or deterioration.
2. Inspect vacuum relief valve of fuel tank filler cap for clogging, sticking, etc.

Refer to EC section ("EVAPORATIVE EMISSION SYSTEM").





SMA211A

## Checking Exhaust System

NAMA0019

Check exhaust pipes, muffler and mounting for improper attachment, leaks, cracks, damage, loose connections, chafing or deterioration.

GI

MA

EM

LC

EC

FE

CL

MT

AT

TF

PD

AX

SU

BR

ST

RS

BT

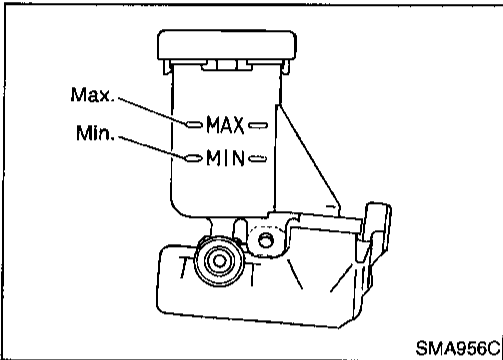
HA

SC

EL

IDX

81

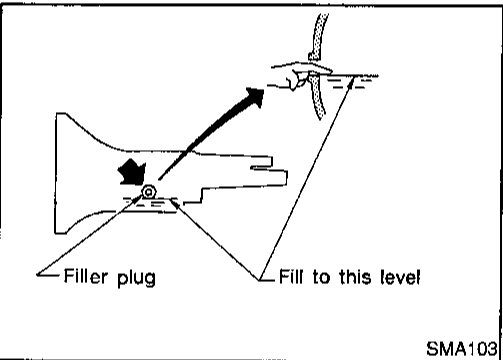


SMA956C

## Checking Clutch Fluid Level and Leaks

NAMA0020

If fluid level is extremely low, check clutch system for leaks.



SMA103

## Checking M/T Oil

NAMA0021

Check for oil leakage and oil level.

**Never start engine while checking oil level.**

**Filler plug:**

**☞ : 25 - 34 N·m (2.5 - 3.5 kg·m, 18 - 25 ft·lb)**

AT

TF

PD

AX

SU

## Changing M/T Oil

NAMA0022

1. Drain oil from drain plug and refill with new gear oil.
2. Check oil level.

**Oil grade and viscosity:**

**API GL-4. Refer to "Fluids and Lubricants", "RECOMMENDED FLUIDS AND LUBRICANTS", MA-11.**

**Oil capacity:**

**2WD 2.4 l (5-1/8 US pt, 4-1/4 Imp pt)**

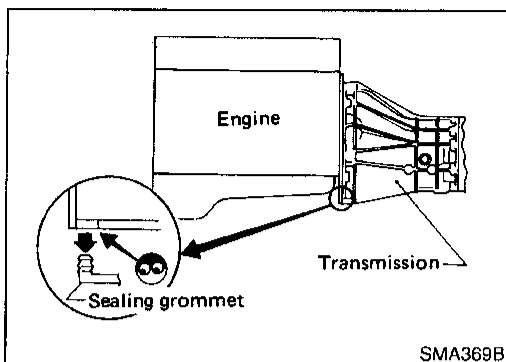
**4WD 5.1 l (10-3/4 US pt, 9 Imp pt)**

**Drain plug:**

**☞ : 25 - 34 N·m (2.5 - 3.5 kg·m, 18 - 25 ft·lb)**

# CHASSIS AND BODY MAINTENANCE

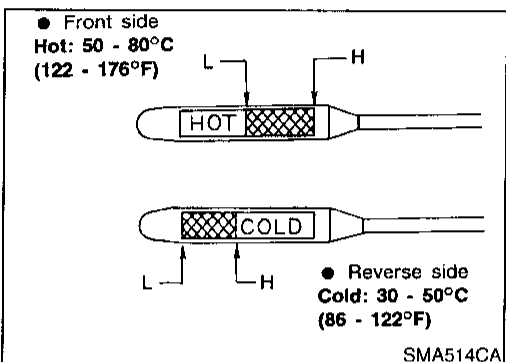
Checking Water Entry — For 4WD models with M/T



## Checking Water Entry — For 4WD models with M/T

NAMA0023

Check water entry in the clutch housing by removing the sealing grommet, whenever driving in deep water or mud.



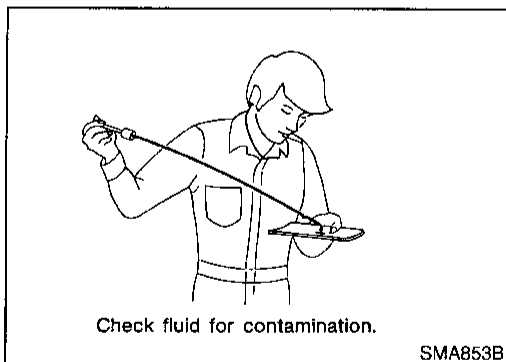
## Checking A/T Fluid

NAMA0024

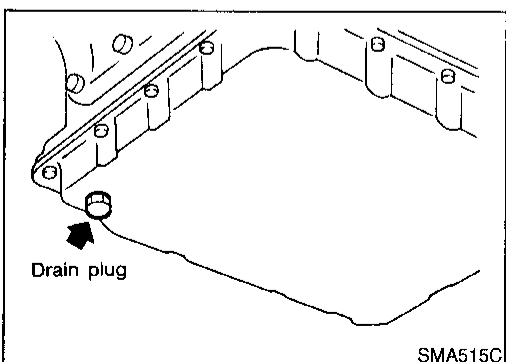
1. Warm up engine.
2. Check for fluid leakage.
3. Before driving, fluid level can be checked at fluid temperatures of 30 to 50°C (86 to 122°F) using "COLD" range on dipstick.
  - a. Park vehicle on level surface and set parking brake.
  - b. Start engine and move selector lever through each gear position. Leave selector lever in "P" position.
  - c. Check fluid level with engine idling.
  - d. Remove dipstick and note reading. If level is at low side of either range, and fluid to the charging pipe.
  - e. Re-insert dipstick into charging pipe as far as it will go.
  - f. Remove dipstick and note reading. If reading is at low side of range, add fluid to the charging pipe.

### Do not overfill.

4. Drive vehicle for approximately 5 minutes in urban areas.
5. Re-check fluid level at fluid temperatures of 50 to 80°C (122 to 176°F) using "HOT" range on dipstick.



6. Check fluid condition.
  - If fluid is very dark or smells burned, refer to AT section for checking operation of A/T. Flush cooling system after repair of A/T.
  - If A/T fluid contains frictional material (clutches, bands, etc.), replace radiator and flush cooler line using cleaning solvent and compressed air after repair of A/T. Refer to LC section ("Radiator", "ENGINE COOLING SYSTEM").



## Changing A/T Fluid

NAMA0025

1. Warm up A/T fluid.
2. Stop engine.
3. Drain A/T fluid from drain plug and refill with new A/T fluid. Always refill same volume with drained fluid.

### Fluid grade:

Nissan Matic "D" (Continental U.S. and Alaska) or Genuine Nissan Automatic Transmission Fluid (Canada). Refer to "RECOMMENDED FLUIDS AND LUBRICANTS", MA-11.


### Fluid capacity (With torque converter):

**MA-22**

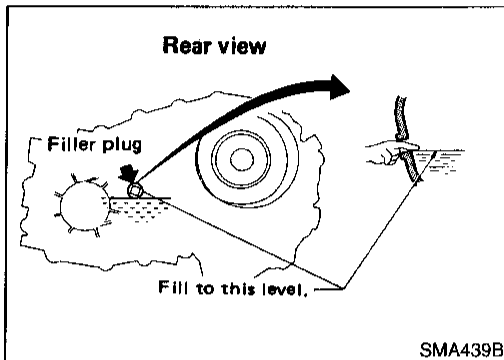
2WD 8.1 ℓ (8-5/8 US qt, 7-1/8 Imp qt)

4WD 8.5 ℓ (9 US qt, 7-1/2 Imp qt)

Drain plug:

 : 29 - 39 N·m (3.0 - 4.0 kg·m, 22 - 29 ft·lb)

4. Run engine at idle speed for five minutes.
5. Check fluid level and condition. Refer to "Checking A/T Fluid". If fluid is still dirty, repeat steps 2 through 5.



SMA439B


## Checking Transfer Fluid

Check for fluid leakage and fluid level.

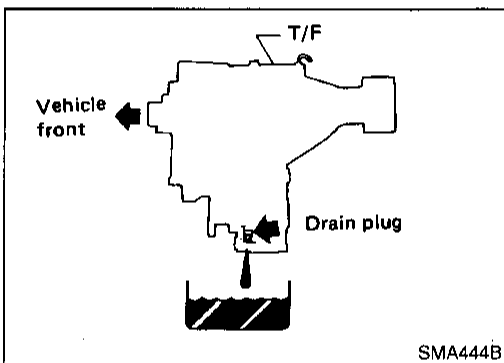
**A/T fluid is used for the transfer in the factory.**

**Never start engine while checking fluid level.**

Filler plug:

 : 25 - 34 N·m (2.5 - 3.5 kg·m, 18 - 25 ft·lb)

NAMA0026



SMA444B

## Changing Transfer Fluid

When changing transfer fluid completely, A/T fluid may be used.

Fluid grade:


**Nissan Matic "D" or Equivalent Automatic Transmission Fluid or API GL-4**

**Refer to "Fluids and Lubricants", "RECOMMENDED FLUIDS AND LUBRICANTS", MA-11.**

Fluid capacity:

2.2 ℓ (2-3/8 US qt, 2 Imp qt)

Drain plug:

 : 25 - 34 N·m (2.5 - 3.5 kg·m, 18 - 25 ft·lb)

NAMA0027

GI

MA

EM

LC

EC

FE

CL

MT

AT

TF

PD

AX

SU

BR

ST

RS

BT

HA

SC

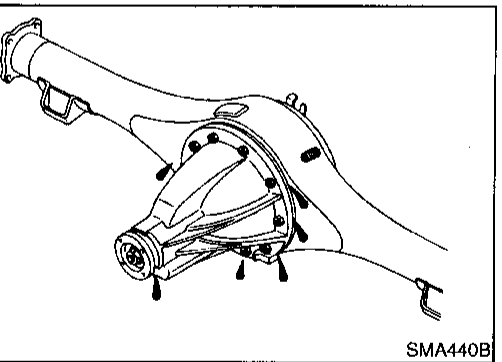
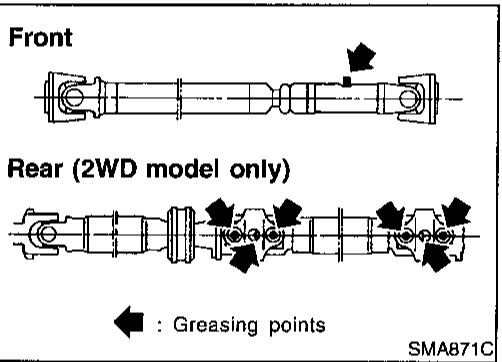
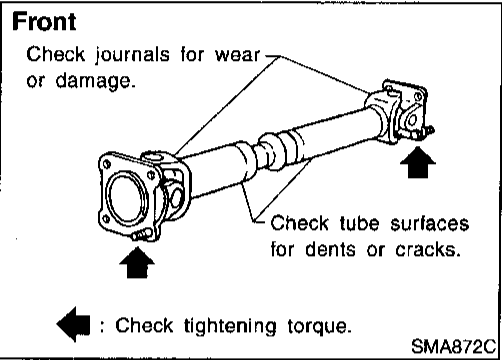
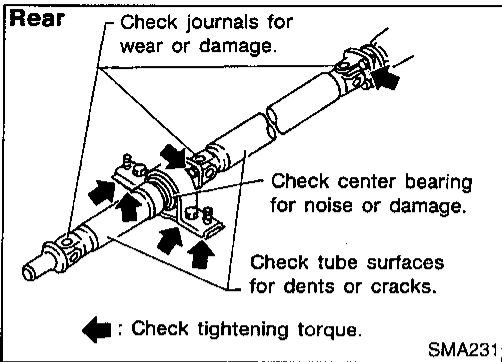
EL

IDX



# CHASSIS AND BODY MAINTENANCE

## Checking Propeller Shaft



## Checking Propeller Shaft

Check propeller shaft for damage, looseness or grease leakage. NAMA0028  
**Tightening torque: Refer to PD section.**

## Greasing Propeller Shaft

Apply specified grease to nipples provided on propeller shaft. NAMA0029

**Grease grade:**

Refer to "RECOMMENDED FLUIDS AND LUBRICANTS", MA-11.

## Checking Differential Gear Oil

Check for oil leakage and oil level. NAMA0030

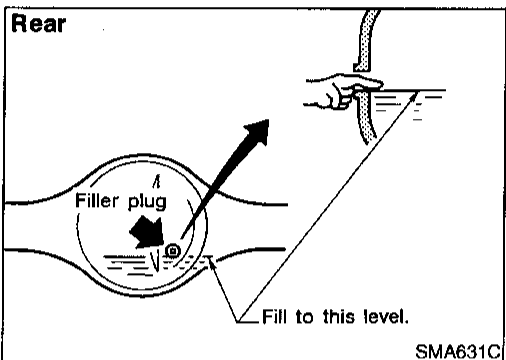
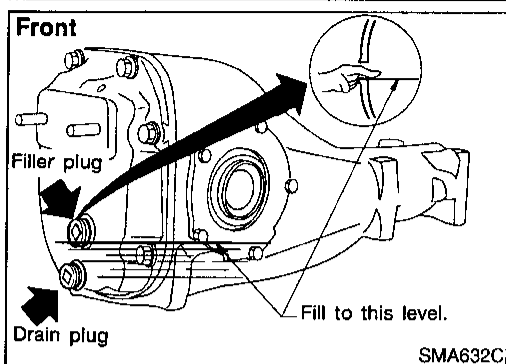
**Filler plug:**

**Front**

☐ : 39 - 59 N·m (4 - 6 kg-m, 29 - 43 ft-lb)

**Rear**

☐ : 59 - 118 N·m (6 - 12 kg-m, 43 - 87 ft-lb)



## Changing Differential Gear Oil

NAMA0031

1. Drain oil from drain plug and refill with new gear oil.
2. Check oil level.

### Oil grade and viscosity:

See "RECOMMENDED FLUIDS AND LUBRICANTS", MA-11, 12.

### Oil capacity:

#### Front

1.85ℓ (3-7/8 US pt, 3-1/4 Imp pt)

#### Rear

2.8ℓ (5-7/8 US pt, 4-7/8 Imp pt)

### Filler plug:

#### Front

: 39 - 59 N·m (4 - 6 kg-m, 29 - 43 ft-lb)

#### Rear

: 59 - 118 N·m (6 - 12 kg-m, 43 - 87 ft-lb)

### Drain plug:

#### Front

: 59 - 98 N·m (6 - 10 kg-m, 43 - 72 ft-lb)

#### Rear

: 59 - 118 N·m (6 - 12 kg-m, 43 - 87 ft-lb)

## LIMITED-SLIP DIFFERENTIAL GEAR

NAMA0031S01

- Use only approved limited-slip differential gear oil.
  - Limited-slip differential identification.
1. Lift both rear wheels off the ground.
  2. Turn one rear wheel by hand.
  3. If both rear wheels turn in the same direction simultaneously, vehicle is equipped with limited-slip differential.

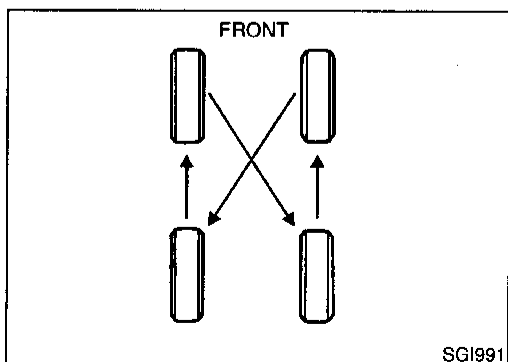
## Balancing Wheels

NAMA0032

Adjust wheel balance using the road wheel center.

**Wheel balance (Maximum allowable unbalance):**

Refer to SDS, MA-30.



## Tire Rotation

NAMA0033

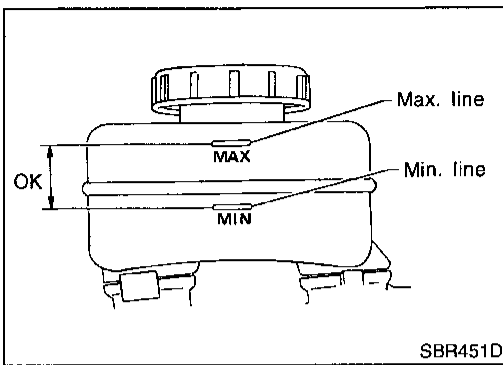
- After rotating the tires, adjust the tire pressure.
- Retighten the wheel nuts after the aluminum wheel has been run for the first 1,000 km (600 miles). (also in cases of a flat tire, etc.)

### Wheel nuts:

: 118 - 147 N·m (12 - 15 kg-m, 87 - 108 ft-lb)

# CHASSIS AND BODY MAINTENANCE

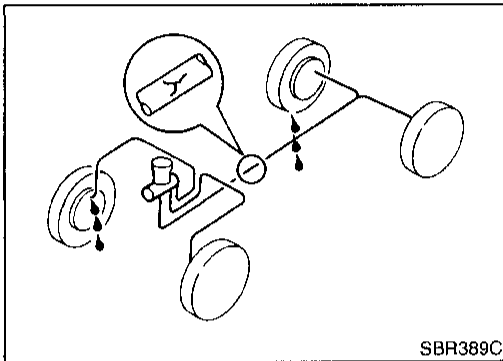
## Checking Brake Fluid Level and Leaks



## Checking Brake Fluid Level and Leaks

NAMA0034

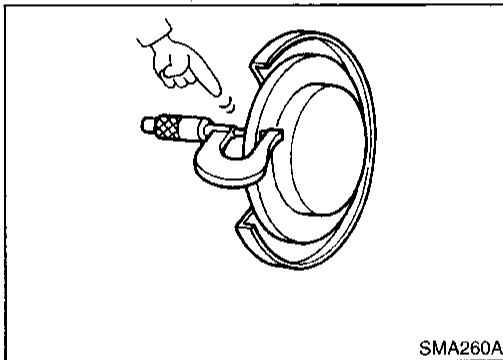
If fluid level is extremely low, check brake system for leaks.



## Checking Brake Lines and Cables

NAMA0035

Check brake fluid lines and parking brake cables for improper attachment, leaks, chafing, abrasions and deterioration.



## Checking Disc Brake ROTOR

NAMA0036

NAMA0036S01

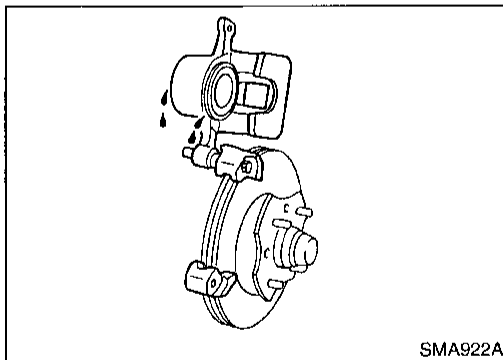
Check condition and thickness.

**Standard thickness:**

**28 mm (1.10 in)**

**Minimum thickness:**

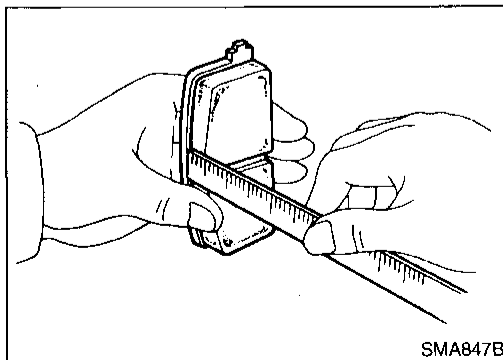
**26 mm (1.02 in)**



## CALIPER

NAMA0036S02

Check for leakage.



## PAD

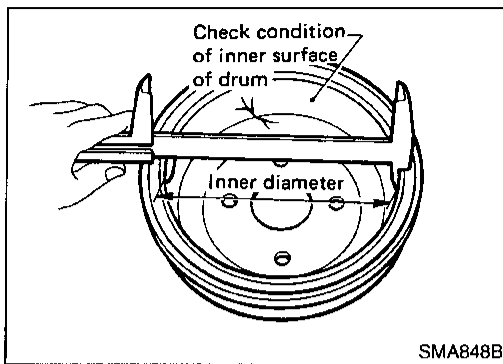
NAMA0036S03

Check wear or damage.

**Standard thickness:**

**11 mm (0.43 in)**

**Minimum thickness: 2 mm (0.08 in)**



## Checking Drum Brake

### WHEEL CYLINDER

Check for leakage.

### DRUM

Check condition and inner surface.

**Standard inner diameter:**

295 mm (11.61 in)

**Drum repair limit (Inner diameter):**

296.5 mm (11.67 in)

NAMA0037

NAMA0037S01

NAMA0037S02

NAMA0037S03

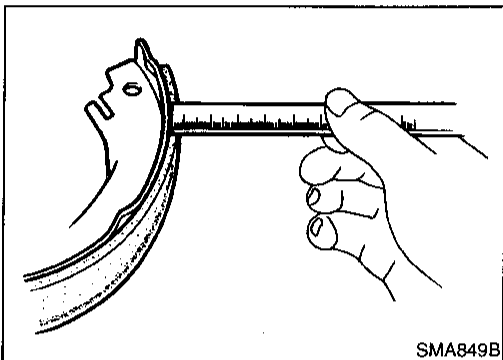
NAMA0037S04

NAMA0038

NAMA0038S01

NAMA0038S02

NAMA0038S03



### LINING

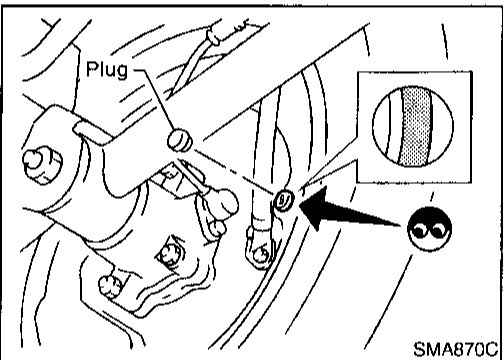
Check wear or damage.

**Standard thickness:**

6.1 mm (0.24 in)

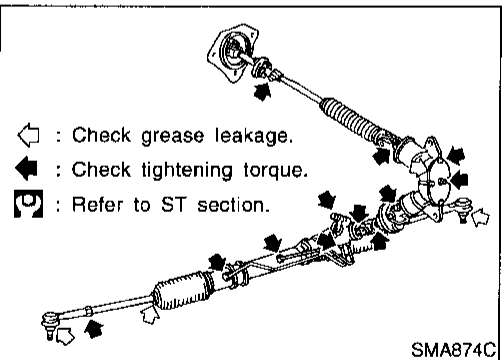
**Lining wear limit (Minimum thickness):**

1.5 mm (0.059 in)



### TEMPORARY METHOD FOR CHECKING LINING WEAR

Remove inspection hole plug and check for lining wear.



### Checking Steering Gear, Linkage and Transfer Gear

#### STEERING GEAR

- Check gear housing and boots for looseness, damage and grease leakage.
- Check connection with steering column for looseness.

#### STEERING LINKAGE

- Check ball joint, dust cover and other component parts for looseness, wear, damage and grease leakage.

#### STEERING TRANSFER GEAR

- Check gear box for looseness, damage and grease leakage.

GI

MA

EM

LC

EC

FE

CL

MT

AT

TF

PD

AX

SU

BR

ST

RS

BT

HA

SC

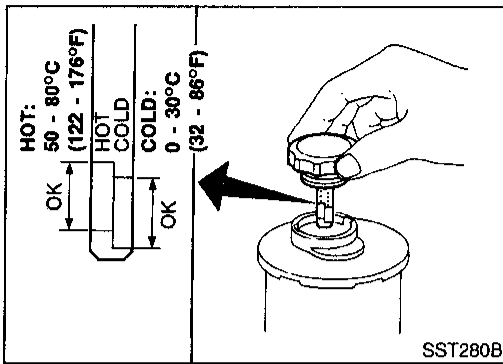
EL

IDX

87

# CHASSIS AND BODY MAINTENANCE

## Checking Power Steering Fluid and Lines



## Checking Power Steering Fluid and Lines

NAMA0039

### CHECKING FLUID LEVEL

NAMA0039S01

- Check fluid level with engine off.
- Check fluid level with dipstick on reservoir cap. Use "HOT" range at fluid temperatures of 50 to 80°C (122 to 176°F). Use "COLD" range at fluid temperatures of 0 to 30°C (32 to 86°F).

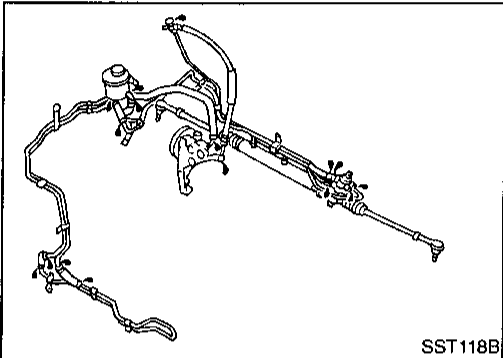
### CAUTION:

- Do not overfill.
- Recommended fluid is Genuine Nissan PSF II or equivalent. Refer to "RECOMMENDED FLUIDS AND LUBRICANTS", MA-11.

### CHECKING LINES

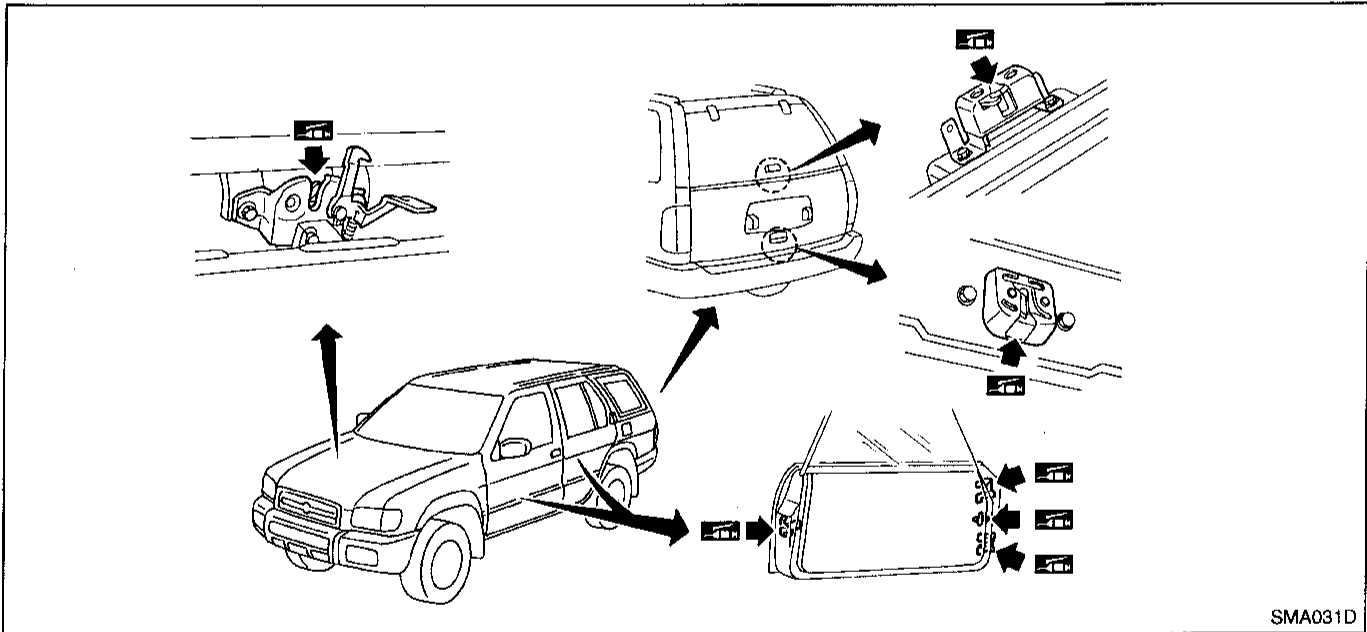
NAMA0039S02

- Check lines for improper attachment, leaks, cracks, damage, loose connections, chafing and deterioration.
- Check rack boots for accumulation of power steering fluid.



## Lubricating Locks, Hinges and Hood Latches

NAMA0040



# CHASSIS AND BODY MAINTENANCE

Checking Seat Belts, Buckles, Retractors, Anchors and Adjusters

## Checking Seat Belts, Buckles, Retractors, Anchors and Adjusters

NAMA0041

GI

MA

EM

LC

EC

FE

CL

MT

AT

TF

PD

AX

SU

BR

ST

RS

BT

HA

SC

EL


IDX

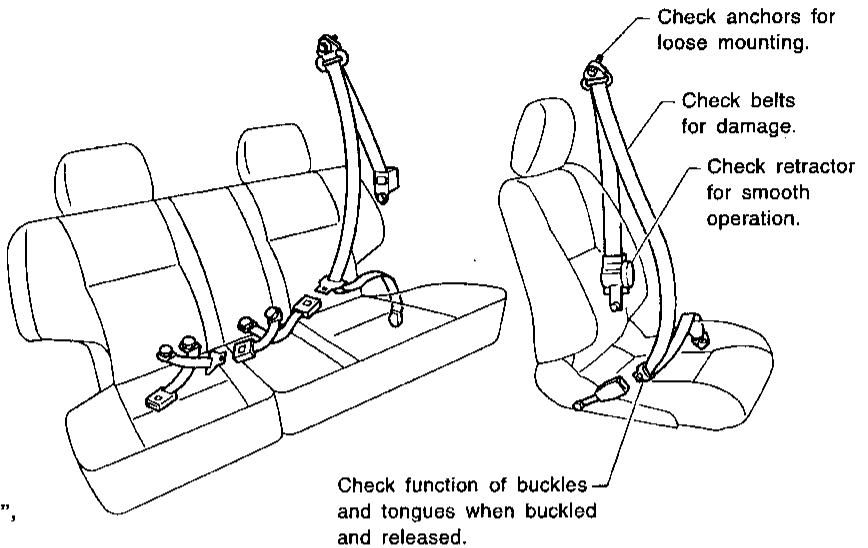
### CAUTION:

- After any collision, inspect all seat belt assemblies, including retractors and other attached hardware (i.e. guide rail set). Nissan recommends to replace all seat belt assemblies in use during a collision, unless not damaged and properly operating after minor collision. Also inspect seat belt assemblies not in use during a collision, and replace if damaged or improperly operating. Seat belt pre-tensioner should be replaced even if the seat belts are not in use during a frontal collision where the driver and passenger air bags are deployed.
- If any component of seat belt assembly is questionable, do not repair. Replace as seat belt assembly.
- If webbing is cut, frayed, or damaged, replace belt assembly.
- Never oil tongue and buckle.
- Use a genuine seat belt assembly.

For details, refer to "Seat Belt Inspection", "SEAT BELTS" in RS section.

#### Anchor bolt

 43 - 55 N·m  
(4.4 - 5.6 kg-m,  
32 - 41 ft-lb)



SMA854CB

# SERVICE DATA AND SPECIFICATIONS (SDS)

Engine Maintenance

## Engine Maintenance

### DRIVE BELT DEFLECTION

NAMA0042  
Unit: mm (in)

	Used belt deflection		Deflection of new belt
	Limit	Deflection after adjustment	
Alternator	10.5 (0.413)	6 - 7 (0.24 - 0.28)	5.5 - 6.5 (0.217 - 0.256)
Air conditioner compressor	16.5 (0.650)	10.5 - 11.5 (0.413 - 0.453)	9 - 10 (0.35 - 0.39)
Power steering oil pump	18 (0.71)	11 - 13 (0.43 - 0.51)	9 - 10 (0.35 - 0.39)
Applied pushing force	98 N (10 kg, 22 lb)		

### DRIVE BELT TENSION

NAMA0046  
Unit: N (kg, lb)

	Used belt		New belt
	Limit	After adjustment	
Generator	324 (33, 73)	731 - 818 (74.5 - 83.5, 165 - 184)	839 - 926 (85.5 - 94.5, 189 - 208)
Air conditioner compressor	196 (20, 44)	555 - 642 (56.5 - 65.5, 125 - 144)	672 - 760 (68.5 - 77.5, 151 - 170)
Power steering oil pump	147 (15, 33)	329 - 416 (33.5 - 42.5, 74 - 93)	466 - 554 (47.5 - 56.5, 105 - 124)

### SPARK PLUG TYPE

NAMA0043

	Symbol	Make
Standard type	FR5AP-10	NGK
Cold type	FR6AP-10	NGK
Hot type	FR4AP-10	NGK

## Chassis and Body Maintenance

### WHEEL BALANCE

NAMA0044

Maximum allowable unbalance	Dynamic (At rim flange) g (oz)	10 (0.35) (one side)
	Static g (oz)	20 (0.71)