



# CONTENTS (Cont'd)

BEARING .....	48	TOOTH CONTACT .....	57
Limited Slip Differential .....	48	Assembly .....	58
PREPARATION FOR DISASSEMBLY .....	48	DIFFERENTIAL CASE .....	58
DISASSEMBLY .....	49	DIFFERENTIAL CARRIER .....	59
INSPECTION .....	50	Service Data and Specifications (SDS).....	62
ADJUSTMENT .....	51	H233B.....	62
ASSEMBLY .....	52		
Adjustment .....	54		
PINION GEAR HEIGHT .....	54		

# PROPELLER SHAFT

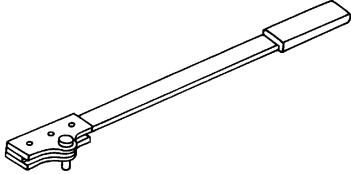
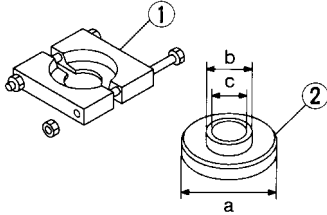
Preparation

## Preparation

### SPECIAL SERVICE TOOLS

NAPD0001

The actual shapes of Kent-Moore tools may differ from those of special service tools illustrated here.

Tool number (Kent-Moore No.) Tool name	Description	
KV38108300 (J44195) Companion flange wrench		Removing and installing propeller shaft lock nut, and drive pinion lock nut
ST3090S000 ( — ) Drive pinion rear inner race puller set 1 ST30031000 (J22912-01) Puller 2 ST30901000 (J26010-01) Base		Removing and installing drive pinion rear inner cone <b>a: 79 mm (3.11 in) dia.</b> <b>b: 45 mm (1.77 in) dia.</b> <b>c: 35 mm (1.38 in) dia.</b>

GI

MA

EM

LC

EC

FE

CL

MT

AT

TF

**PD**

AX

SU

BR

ST

RS

BT

HA

SC

EL

IDX

**PROPELLER SHAFT**  
*Noise, Vibration and Harshness (NVH) Troubleshooting*

**Noise, Vibration and Harshness (NVH)  
 Troubleshooting**

#NAPD0049

NA/PD0049/S01

**NVH TROUBLESHOOTING CHART**

Use the chart below to help you find the cause of the symptom. If necessary, repair or replace these parts.

Reference page	Possible cause and SUSPECTED PARTS					
	PROPELLER SHAFT	Noise	Shake	Vibration		
					DIFFERENTIAL	Noise
—		×			Uneven rotation torque	
PD-6		×	×		Center bearing improper installation	
—		×			Excessive center bearing axial end play	
—		×			Center bearing mounting (insulator) cracks, damage or deterioration	
—		×	×		Excessive joint angle	
PD-8		×			Rotation imbalance	
PD-8		×			Excessive runout	
PD-24, 48	×				Rough gear tooth	
PD-30, 57	×				Improper gear contact	
PD-24, 48	×				Tooth surfaces worn	
PD-19, 44	×				Incorrect backlash	
—	×				Companion flange excessive runout	
—	×				Improper gear oil	
—	×				PROPELLER SHAFT	
—				×	DIFFERENTIAL	
AX-3	×	×	×	×	DRIVE SHAFT	
AX-3	×	×	×	×	AXLE	
SU-3	×	×	×	×	SUSPENSION	
SU-3	×	×	×	×	TIRES	
SU-3	×		×	×	ROAD WHEEL	
BR-6	×		×	×	BRAKES	
ST-6	×	×	×	×	STEERING	

×: Applicable



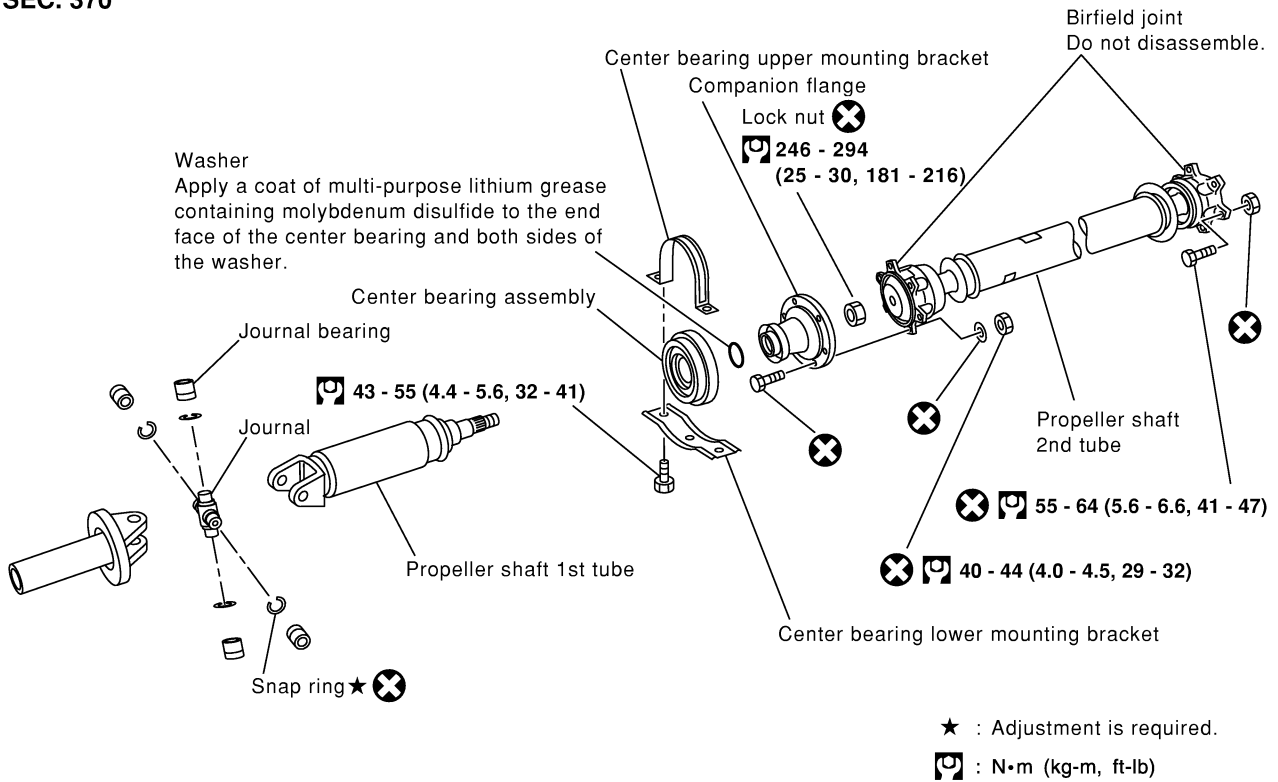
# PROPELLER SHAFT

Components (Cont'd)

## REAR PROPELLER SHAFT

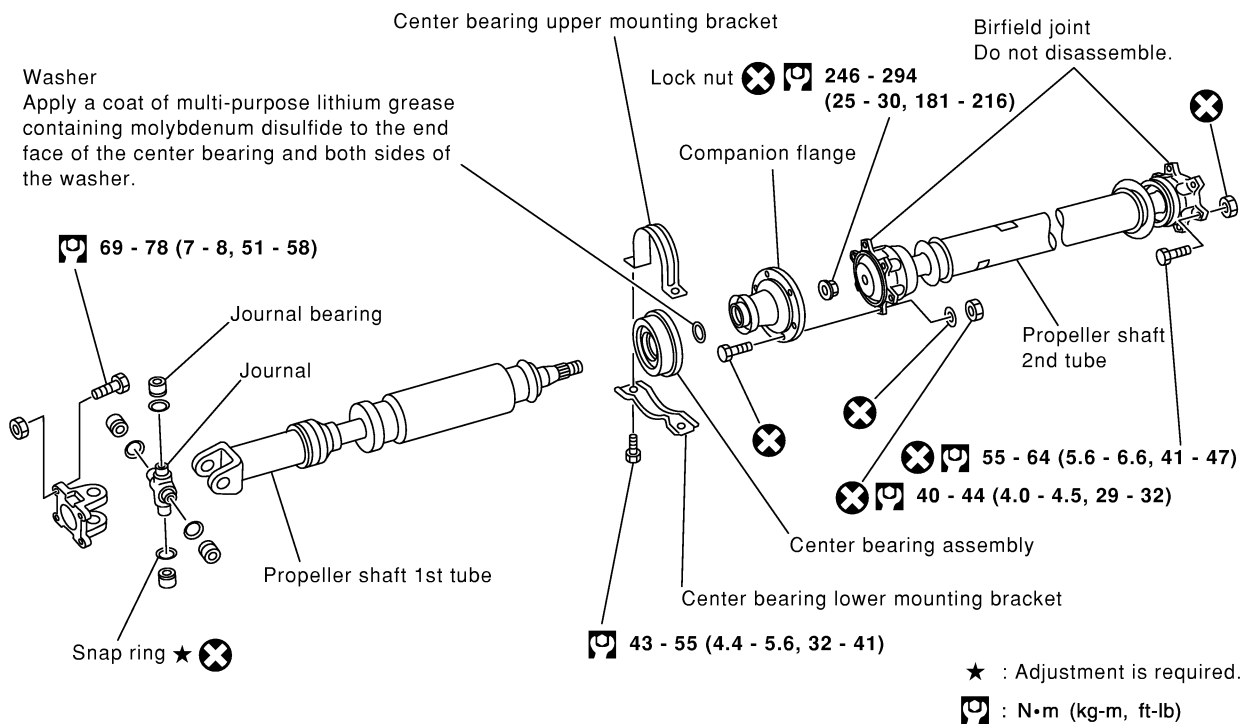
NAPD0002S02

### MODEL 3S80B-2BJ – 2WD M/T model – SEC. 370



SPD524A

### MODEL 3F80B-2BJ – 2WD A/T model – SEC. 370



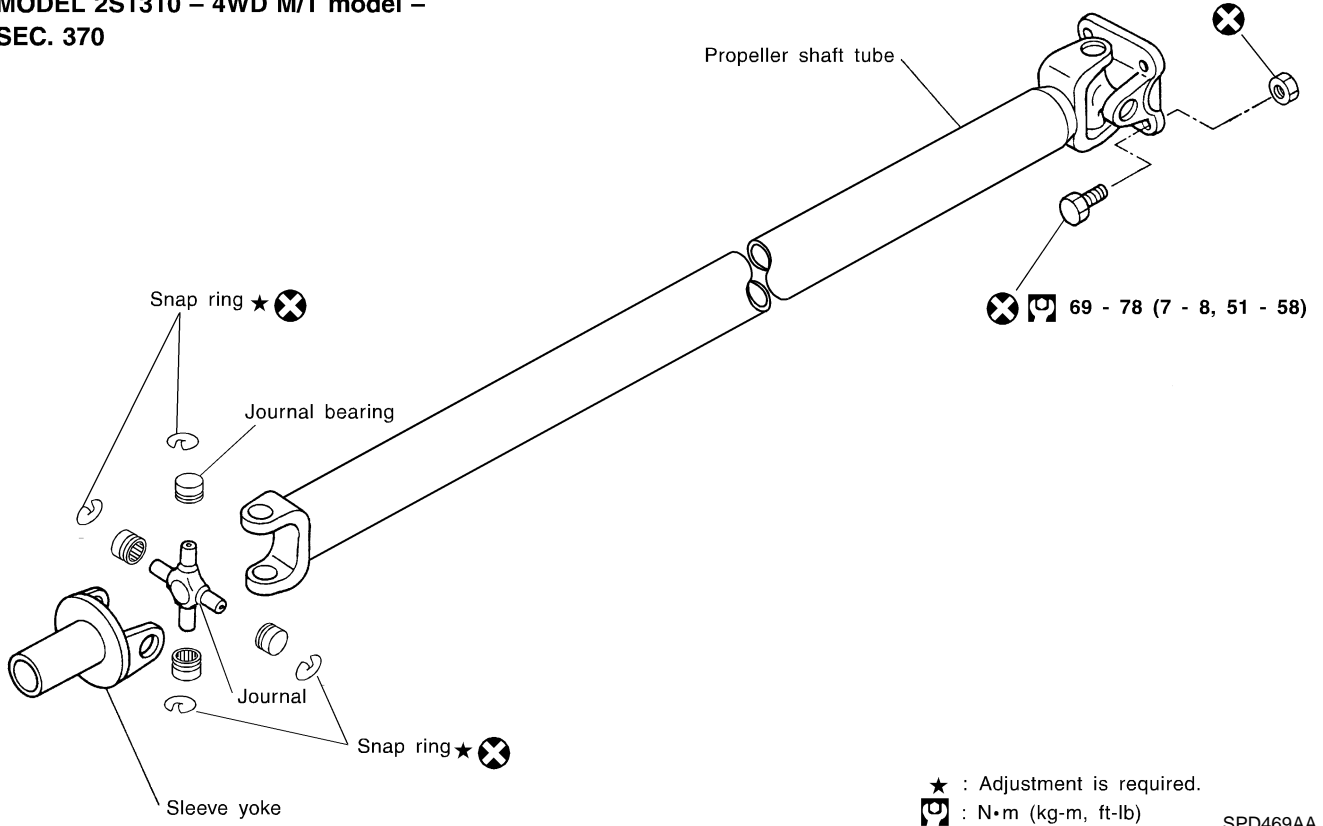
SPD522A

# PROPELLER SHAFT

Components (Cont'd)

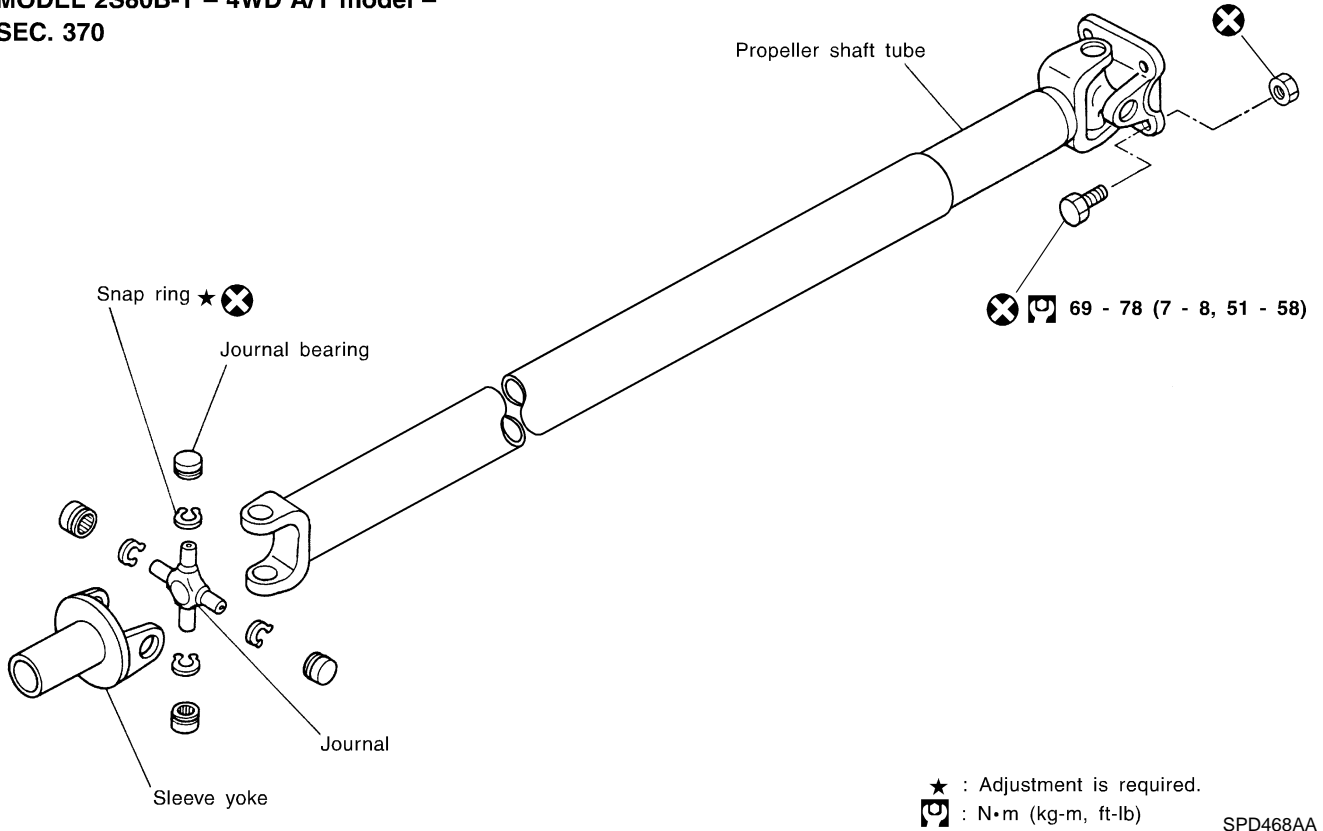
GI  
MA  
EM  
LC  
EC  
FE  
CL  
MT  
AT  
TF

## MODEL 2S1310 – 4WD M/T model – SEC. 370



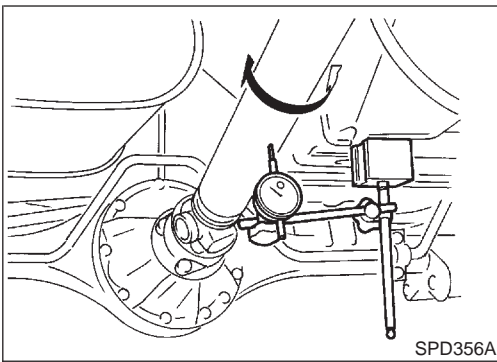
PD  
AX  
SU  
BR  
ST  
RS  
BT  
HA  
SC  
EL  
IDX

## MODEL 2S80B-T – 4WD A/T model – SEC. 370



# PROPELLER SHAFT

On-vehicle Service



## On-vehicle Service

### PROPELLER SHAFT VIBRATION

NAPD0003

If vibration is present at high speed, inspect propeller shaft runout first.

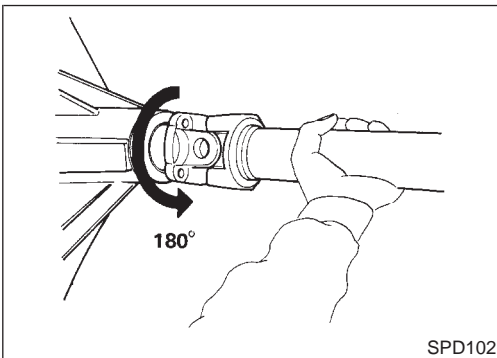
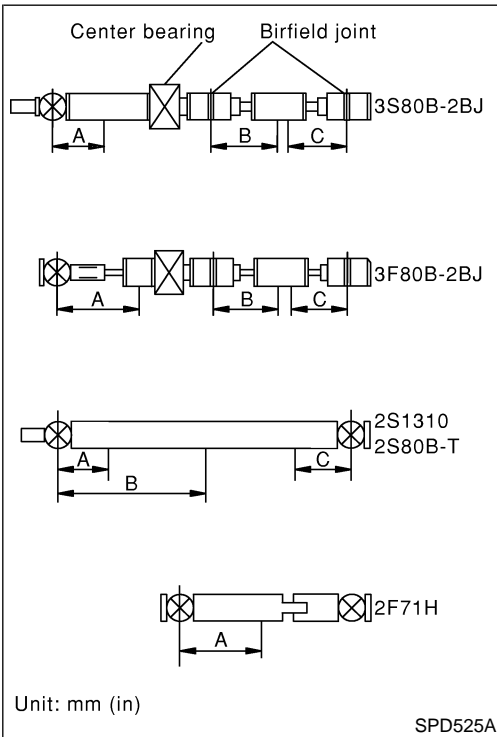
1. Raise rear wheels.
2. Measure propeller shaft runout at several points by rotating final drive companion flange with hands.

**Runout limit: 0.6 mm (0.024 in)**

**Propeller shaft runout measuring points:**

Unit: mm (in)

Distance		A	B	C
3S80B-2BJ	2WD M/T	162 (6.38)	240 (9.45)	240 (9.45)
3F80B-2BJ	2WD A/T	372.5 (14.67)	240 (9.45)	240 (9.45)
2S1310		280 (11.02)	480.8 (18.93)	266.5 (10.49)
2S80B-T	Part-time 4WD	280 (11.02)	480 (18.90)	266.5 (10.49)
	Full-time 4WD	280 (11.02)	463.5 (18.25)	266.5 (10.49)
2F71H	Part-time 4WD	179.5 (7.07)	—	—
	Full-time 4WD	173.5 (6.83)	—	—



3. If runout exceeds specifications, disconnect propeller shaft at final drive companion flange; then rotate companion flange 180 degrees and reconnect propeller shaft.
4. Check runout again. If runout still exceeds specifications, replace propeller shaft assembly.
5. Perform road test.

### APPEARANCE CHECKING

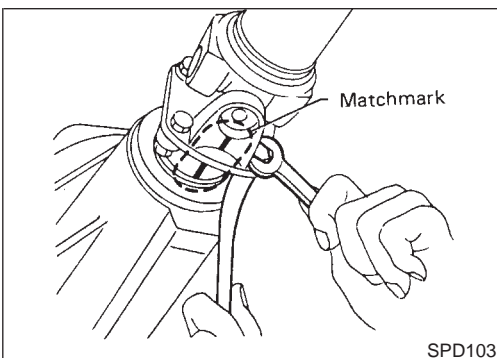
NAPD0004

- Inspect propeller shaft tube surface for dents or cracks. If damaged, replace propeller shaft assembly.
- If center bearing is noisy or damaged, replace center bearing.

### Removal and Installation

NAPD0005

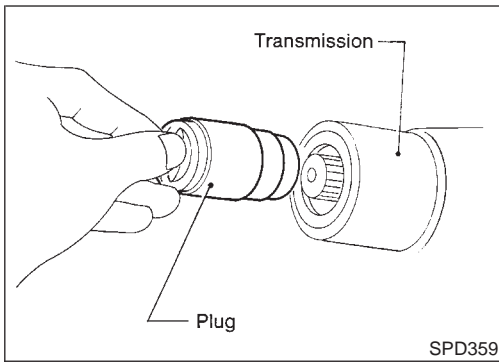
- Put match marks on flanges and separate propeller shaft from final drive.





# PROPELLER SHAFT

Removal and Installation (Cont'd)



- Draw out propeller shaft from transmission and plug up rear end of transmission rear extension housing.

GI

MA

EM

LC

EC

NAPD0006

## Inspection

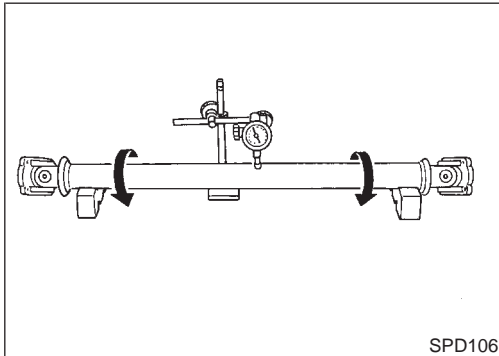
- Inspect propeller shaft runout. If runout exceeds specifications, replace propeller shaft assembly.

**Runout limit: 0.6 mm (0.024 in)**

FE

CL

MT



- If the play exceeds specifications, replace propeller shaft assembly.

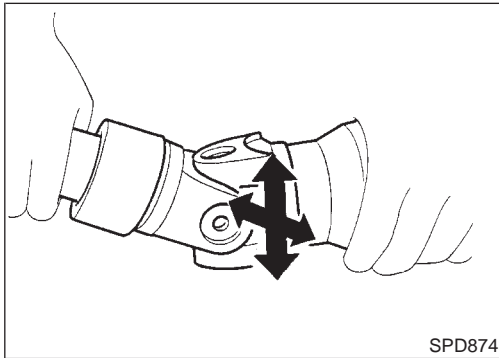
**Journal axial play:**

**0.02 mm (0.0008 in) or less**

AT

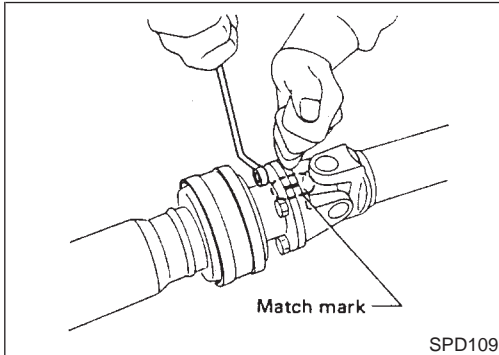
TF

PD



AX

SU



## Disassembly

### CENTER BEARING — 2WD —

NAPD0007

NAPD0007S01

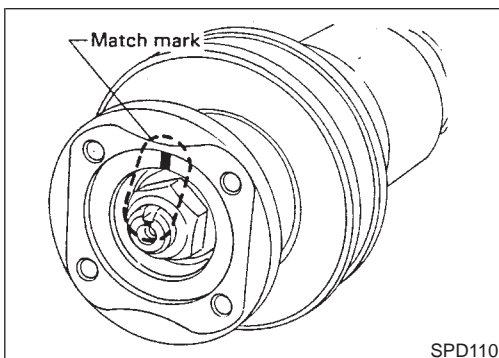
1. Put match marks on flanges, and separate 2nd tube from 1st tube.

BR

ST

RS

BT



2. Put match marks on the flange and shaft.

HA

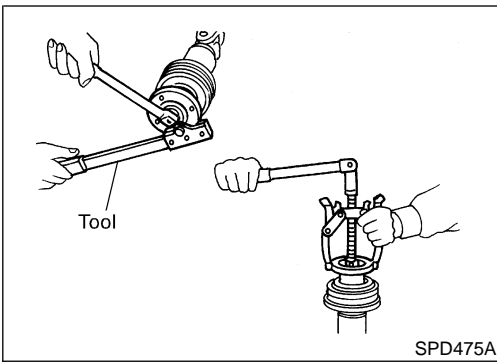
SC

EL

IDX

# PROPELLER SHAFT

Disassembly (Cont'd)

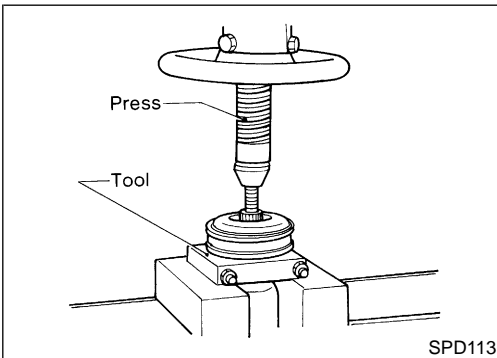


3. Remove locking nut with Tool.

**Tool number:**

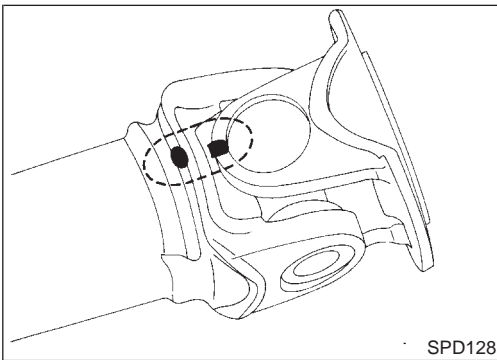
**KV38108300 (J44195)**

4. Remove companion flange with puller.



5. Remove center bearing with Tool and press.

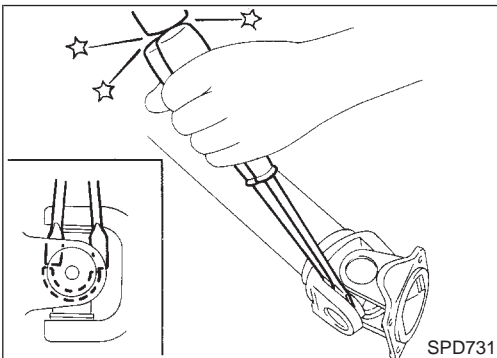
**Tool number: ST30031000 (J22912-01)**



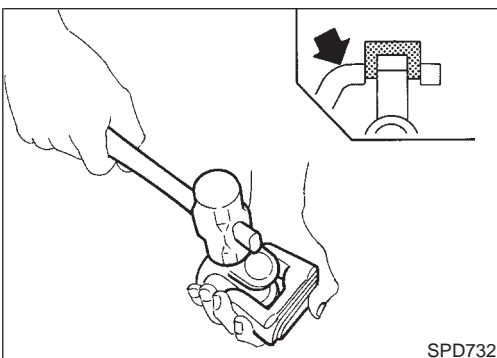
## JOURNAL (71H AND 80B)

NAPD0007S02

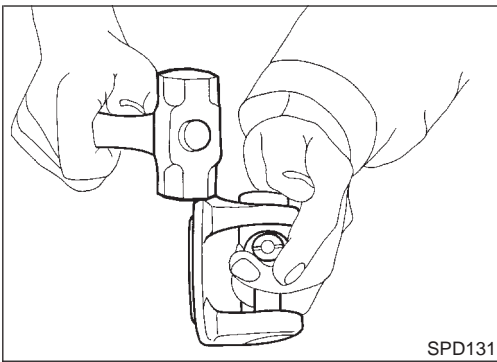
1. Put match marks on shaft and flange or yoke.



2. Remove snap ring.



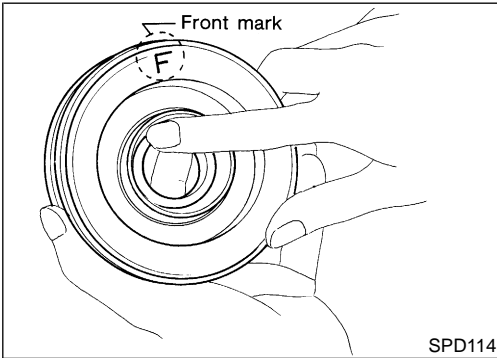
3. Remove pushed out journal bearing by lightly tapping yoke with a hammer, taking care not to damage journal and yoke hole.



SPD131

4. Remove bearing at opposite side in above operation.

Put marks on disassembled parts so that they can be reinstalled in their original positions from which they were removed.



SPD114

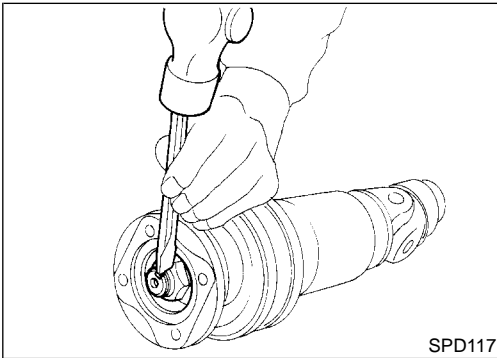
## Assembly

### CENTER BEARING — 2WD —

NAPD0008

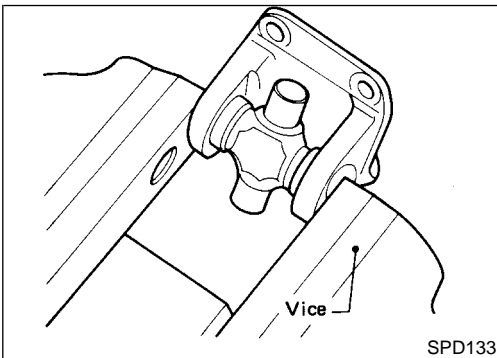
NAPD0008S01

- When installing center bearing, position the “F” mark on center bearing toward front of vehicle.
- Apply a coat of multi-purpose lithium grease containing molybdenum disulfide to the end face of the center bearing and both sides of the washer.



SPD117

- Stake the nut. Always use new one.
- Align match marks when assembling tubes.



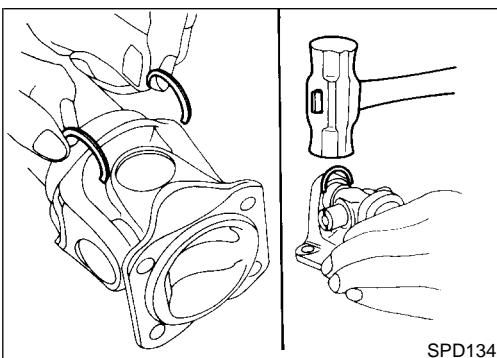
SPD133

### JOURNAL (71H AND 80B)

NAPD0008S02

1. Assemble journal bearing. Apply recommended multi-purpose grease on bearing inner surface.

When assembling, be careful that needle bearing does not fall down.



SPD134

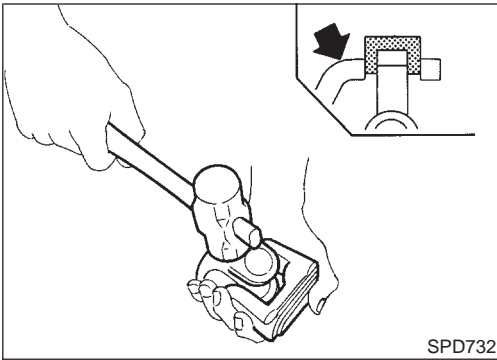
2. Select snap ring that will provide specified play in axial direction of journal, and install them. Refer to SDS, PD-13.

Select snap rings with a difference in thickness at both sides within 0.06 mm (0.0024 in).

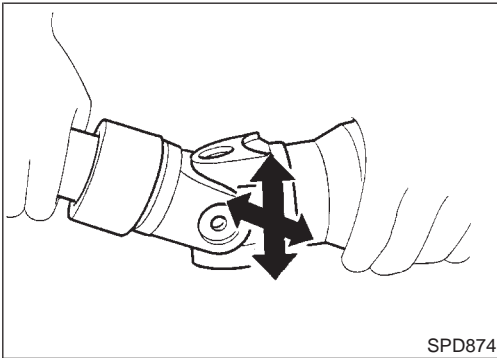
GI  
MA  
EM  
LC  
EC  
FE  
CL  
MT  
AT  
TF  
PD  
AX  
SU  
BR  
ST  
RS  
BT  
HA  
SC  
EL  
IDX

# PROPELLER SHAFT

Assembly (Cont'd)



- Adjust thrust clearance between bearing and snap ring to zero by tapping yoke.



- Check to see that journal moves smoothly and check for axial play.

**Axial play: 0.02 mm (0.0008 in) or less**

## Service Data and Specifications (SDS)

### GENERAL SPECIFICATIONS

#### 2WD Model

NAPD0009

NAPD0009S01

Transmission		M/T	A/T
Propeller shaft model		3S80B-2BJ	3F80B-2BJ
Number of joints		3	
Coupling method with transmission		Sleeve type	Flange type
Type of journal bearings		Solid type (disassembly type — without Birfield joint —)	
Distance between yokes mm (in)		80 (3.15)	
Shaft length (Spider to spider) mm (in)	1st	612 (24.19)	650 (25.59)
	2nd	749 (29.49)	
Shaft outer diameter mm (in)	1st	75 (2.95)	
	2nd	65 (2.56)	

#### 4WD Model

NAPD0009S02

Location	Front		Rear		
	Full-time	Part-time	M/T	A/T	
				Full time	Part time
Propeller shaft model	2F71H		2S1310	2S80B-T	
Number of joints	2				
Coupling method with transmission	Flange type		Sleeve type		
Type of journal bearings	Solid type (disassembly type)				
Distance between yokes mm (in)	71 (2.80)		80 (3.15)		
Shaft length (Spider to spider) mm (in)	553 (21.77)	565 (22.24)	965.1 (38.00)	927 (36.50)	960 (37.80)
Shaft outer diameter mm (in)	50.8 (2.000)		76.2 (3.000)	75 and 63.5 (2.95 and 2.500)	

# PROPELLER SHAFT

Service Data and Specifications (SDS) (Cont'd)

## SERVICE DATA

NAPD0010  
Unit: mm (in)

Propeller shaft runout limit	0.6 (0.024)
Journal axial play	0.02 (0.0008) or less

## SNAP RING (80B)

NAPD0011  
Unit: mm (in)

Thickness	Color	Part number*
1.99 (0.0783)	White	37146-C9400
2.02 (0.0795)	Yellow	37147-C9400
2.05 (0.0807)	Red	37148-C9400
2.08 (0.0819)	Green	37149-C9400
2.11 (0.0831)	Blue	37150-C9400
2.14 (0.0843)	Light brown	37151-C9400
2.17 (0.0854)	Black	37152-C9400
2.20 (0.0866)	No paint	37153-C9400

\*: Always check with the Parts Department for the latest parts information.

## SNAP RING (71H)

NAPD0012  
Unit: mm (in)

Thickness	Color	Part number*
1.99 (0.0783)	White	37146-01G00
2.02 (0.0795)	Yellow	37147-01G00
2.05 (0.0807)	Red	37148-01G00
2.08 (0.0819)	Green	37149-01G00
2.11 (0.0831)	Blue	37150-01G00
2.14 (0.0843)	Light brown	37151-01G00
2.17 (0.0854)	Pink	37152-01G00
2.20 (0.0866)	No paint	37153-01G00

\*: Always check with the Parts Department for the latest parts information.

## SNAP RING (1310)

NAPD0052  
Unit: mm (in)

Thickness	Color	Part number*
1.99 (0.0783)	White	37146-C9400
2.02 (0.0795)	Yellow	37147-C9400
2.05 (0.0807)	Red	37148-C9400
2.08 (0.0819)	Green	37149-C9400
2.11 (0.0831)	Blue	37150-C9400
2.14 (0.0843)	Light brown	37151-C9400
2.17 (0.0854)	Black	37152-C9400
2.20 (0.0866)	No paint	37153-C9400

\*: Always check with the Parts Department for the latest parts information.

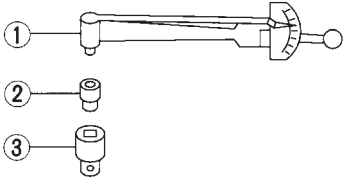
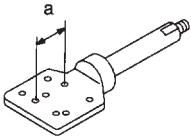
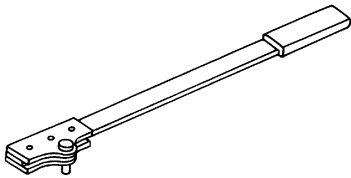
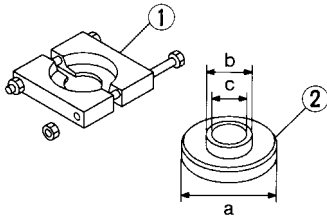
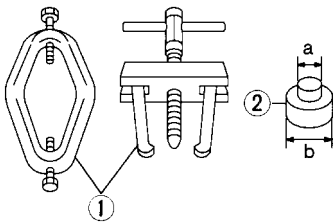
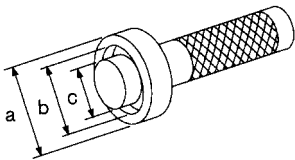
GI  
MA  
EM  
LC  
EC  
FE  
CL  
MT  
AT  
TF  
PD  
AX  
SU  
BR  
ST  
RS  
BT  
HA  
SC  
EL  
IDX

## Preparation

### SPECIAL SERVICE TOOLS

NAPD0013

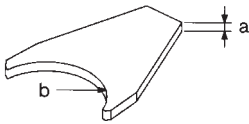
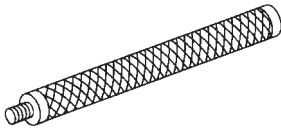
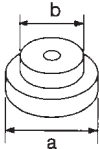
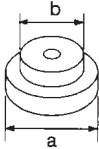
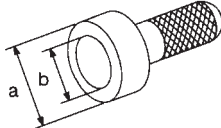
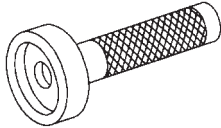


The actual shapes of Kent-Moore tools may differ from those of special service tools illustrated here.

Tool number (Kent-Moore No.) Tool name	Description	
ST3127S000 (See J25765-A) Preload gauge 1 GG91030000 (J25765) Torque wrench 2 HT62940000 ( — ) Socket adapter 3 HT62900000 ( — ) Socket adapter		Measuring pinion bearing preload and total preload  NT124
KV38100800 (J34310, J25604-01) Differential attachment		Mounting final drive (To use, make a new hole.) <b>a: 152 mm (5.98 in)</b>  NT119
KV38108300 (J44195) Companion flange wrench		Removing and installing propeller shaft lock nut, and drive pinion lock nut  NT771
ST3090S000 ( — ) Drive pinion rear inner race puller set 1 ST30031000 (J22912-01) Puller 2 ST30901000 (J26010-01) Base		Removing and installing drive pinion rear inner cone <b>a: 79 mm (3.11 in) dia.</b> <b>b: 45 mm (1.77 in) dia.</b> <b>c: 35 mm (1.38 in) dia.</b>  NT527
ST3306S001 Differential side bearing puller set 1 ST33051001 (J22888-20) Body 2 ST33061000 (J8107-2) Adapter		Removing and installing differential side bearing inner cone <b>a: 28.5 mm (1.122 in) dia.</b> <b>b: 38 mm (1.50 in) dia.</b>  NT072
KV38100300 (J25523) Differential side bearing drift		Installing side bearing inner cone <b>a: 54 mm (2.13 in) dia.</b> <b>b: 46 mm (1.81 in) dia.</b> <b>c: 32 mm (1.26 in) dia.</b>  NT085

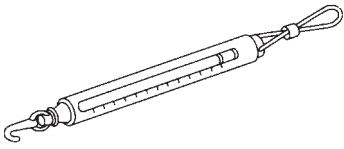
# FRONT FINAL DRIVE

**R200A**

*Preparation (Cont'd)*

Tool number (Kent-Moore No.) Tool name	Description		
KV38100600 (J25267) Side bearing spacer drift		Installing side bearing spacer <b>a: 8 mm (0.31 in)</b> <b>b: R42.5 mm (1.673 in)</b>	GI  MA  EM
NT528			
ST30611000 (J25742-1) Drift		Installing pinion rear bearing outer race (Use with ST30621000 or ST30613000)	LC  EC
NT090			
ST30621000 (J25742-5) Drift		Installing pinion rear bearing outer race (Use with ST30611000) <b>a: 79 mm (3.11 in) dia.</b> <b>b: 59 mm (2.32 in) dia.</b>	FE  CL
NT073			
ST30613000 (J25742-3) Drift		Installing pinion front bearing outer race (Use with ST30611000) <b>a: 72 mm (2.83 in) dia.</b> <b>b: 48 mm (1.89 in) dia.</b>	MT  AT  TF
NT073			
KV38100500 (J25273) Gear carrier front oil seal drift		Installing front oil seal <b>a: 85 mm (3.35 in) dia.</b> <b>b: 60 mm (2.36 in) dia.</b>	<b>PD</b>  AX
NT115			
KV38100200 (J26233) Gear carrier side oil seal drift		Installing side oil seal	SU  BR
NT120			
(J34309) Differential shim selector		Adjusting bearing pre-load and gear height	ST  RS  BT  HA
NT134			
(J25269-4) Side bearing discs (2 Req'd)		Selecting pinion height adjusting washer	SC  EL
NT136			

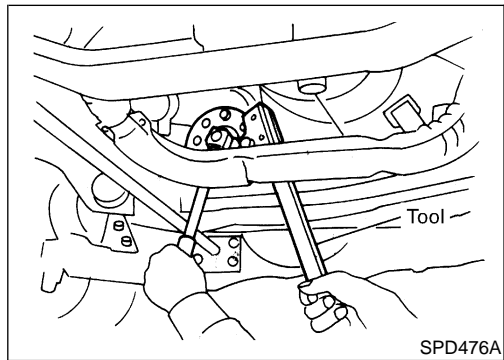
Preparation (Cont'd)

Tool number (Kent-Moore No.) Tool name	Description
(J8129) Spring gauge	 <p>Measuring carrier turning torque</p> <p>NT127</p>

**Noise, Vibration and Harshness (NVH)  
Troubleshooting**

Refer to "NVH TROUBLESHOOTING CHART", PD-4.

NAPD0050

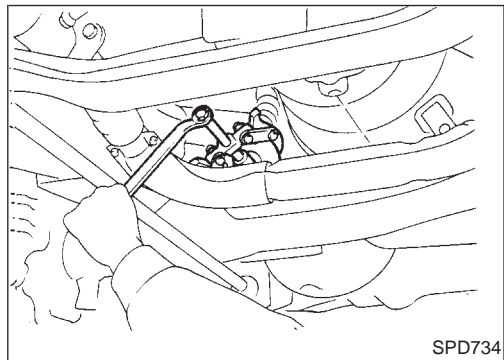


**On-vehicle Service  
FRONT OIL SEAL REPLACEMENT**

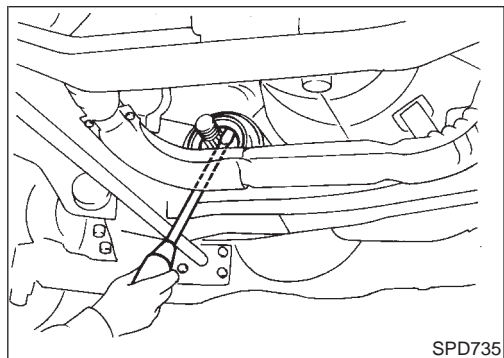
1. Remove front propeller shaft.
2. Loosen drive pinion nut.

**Tool number: KV38108300 (J44195)**

NAPD0014



3. Remove companion flange.



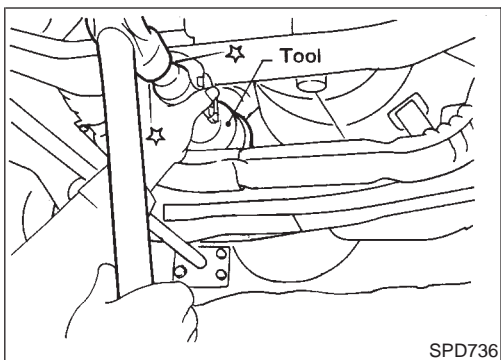
4. Remove front oil seal.



# FRONT FINAL DRIVE

**R200A**

*On-vehicle Service (Cont'd)*

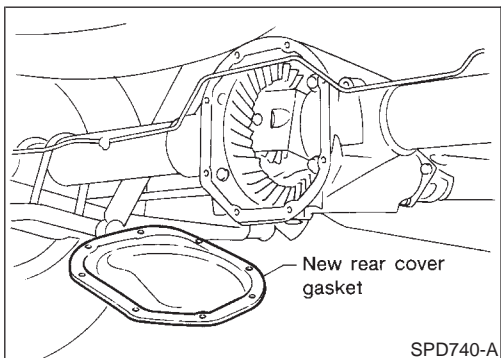


SPD736

5. Apply multi-purpose grease to cavity at sealing lips of oil seal. Press front oil seal into carrier.
6. Install companion flange and drive pinion nut.
7. Install propeller shaft.

**Tool number:**

**KV38100500 (J25273)**



SPD740-A

## REAR COVER GASKET REPLACEMENT

*NAPD0015*

1. Drain gear oil.
2. Remove rear cover and rear cover gasket.
3. Install new rear cover gasket and rear cover.
4. Fill final drive with recommended gear oil.

GI

MA

EM

LC

EC

FE

CL

MT

AT

TF

**PD**

AX

SU

BR

ST

RS

BT

HA

SC

EL

IDX



## Removal and Installation

### REMOVAL

- Remove front of propeller shaft.  
**Plug front end of transfer.**
- Remove drive shaft. Refer to AX-12, "Removal".
- Remove front final drive mounting bolts.

### CAUTION:

Be careful not to damage spline, sleeve yoke and front oil seal when removing propeller shaft.

 GI  
 NAPD0017

 MA  
 NAPD0017S01

GI

MA

EM

LC

EC

NAPD0017S02

FE

CL

MT

AT

NAPD0018

NAPD0018S01

TF

**PD**

AX

SU

BR

ST

RS

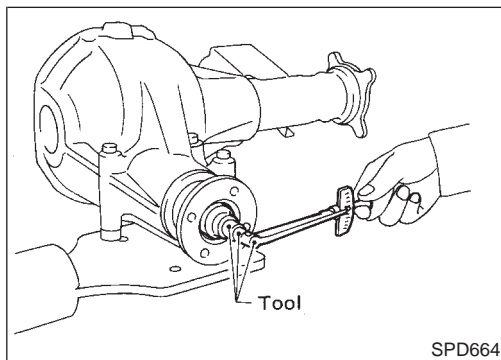
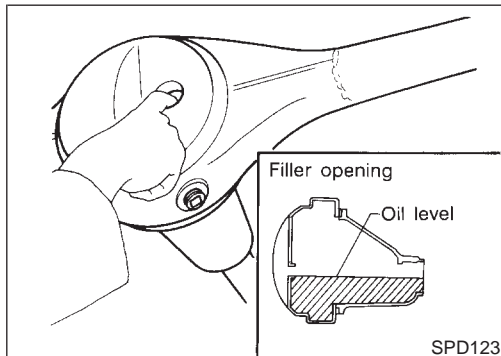
BT

HA

SC

EL

IDX



### INSTALLATION

- Fill final drive with recommended gear oil.

### Disassembly

#### PRE-INSPECTION

Before disassembling final drive, perform the following inspection.

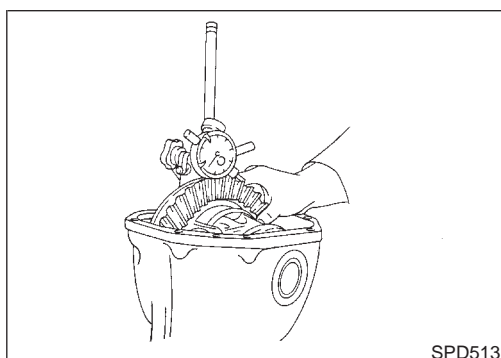
- Total preload
  - Turn drive pinion in both directions several times to set bearing rollers.
  - Check total preload with Tool.

**Tool number: ST3127S000 (J25765-A)**

**Total preload:**

**$P_1 + [0.3 - 1.5 \text{ N-m (3 - 15 kg-cm, 2.6 - 13.0 in-lb)]$**

**$P_1 = \text{Drive pinion preload}$**

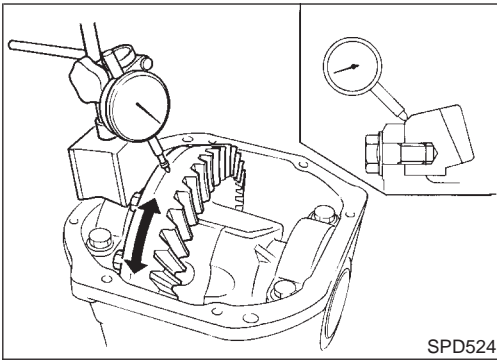


- Ring gear to drive pinion backlash  
Check backlash of ring gear with a dial indicator at several points.

**Ring gear-to-drive pinion backlash:**

**0.10 - 0.15 mm (0.0039 - 0.0059 in)**

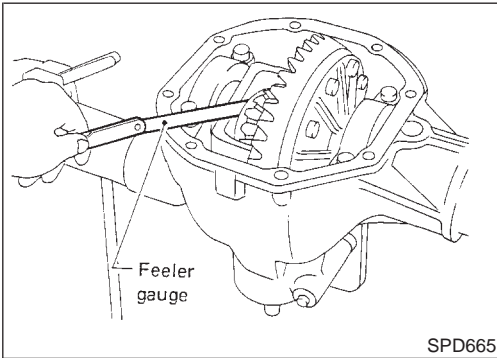
Disassembly (Cont'd)



- Ring gear runout  
Check runout of ring gear with a dial indicator.

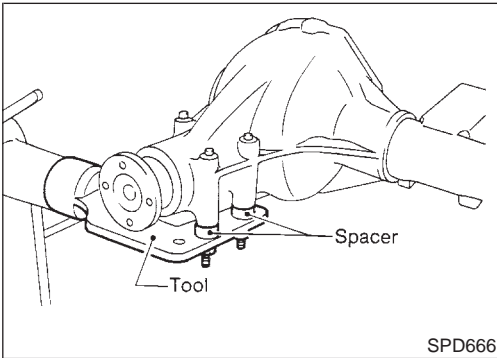
**Runout limit:**  
**0.05 mm (0.0020 in)**

- Tooth contact  
Check tooth contact. Refer to "TOOTH CONTACT", PD-30.



- Side gear to pinion mate gear backlash  
Using a feeler gauge, measure clearance between side gear thrust washer and differential case.

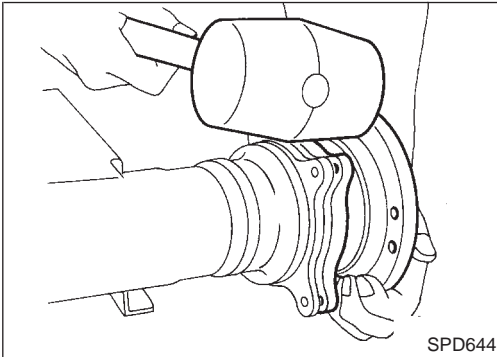
**Clearance between side gear thrust washer and differential case:**  
**Less than 0.15 mm (0.0059 in)**



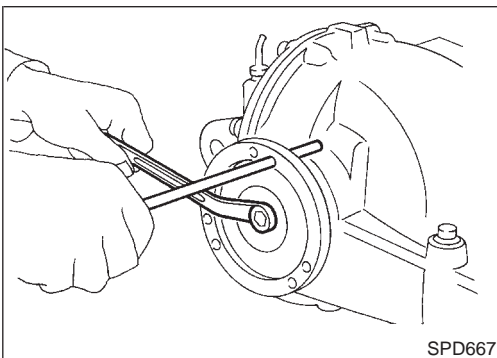
## FINAL DRIVE HOUSING

1. Using three spacers [20 mm (0.79 in)], mount final drive assembly on Tool. NAPD0018S02

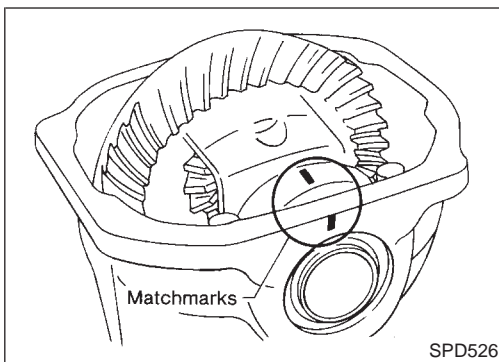
**Tool number:**  
**KV38100800 (J34310, J25604-01)**



2. Remove differential side shaft assembly.

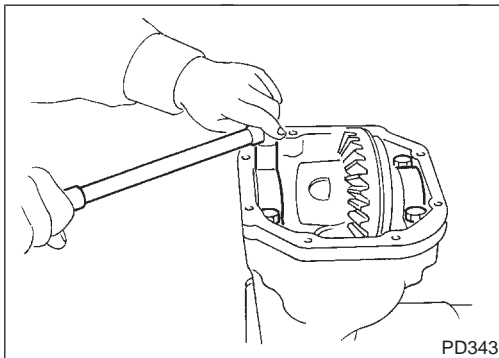


3. Remove differential side flange.

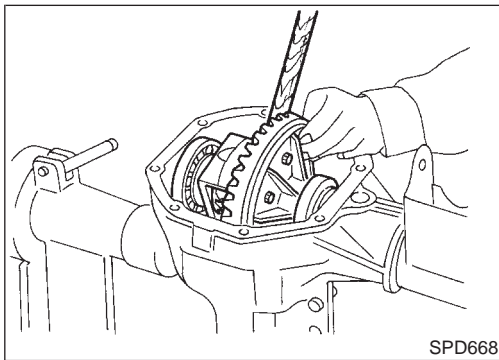


- Put match marks on one side of side bearing cap with paint or punch to ensure that it is replaced in proper position during reassembly.

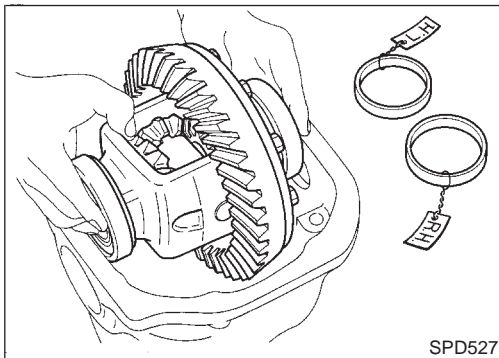
**Bearing caps are line-bored during manufacture and should be put back in their original places.**



- Remove side bearing caps.

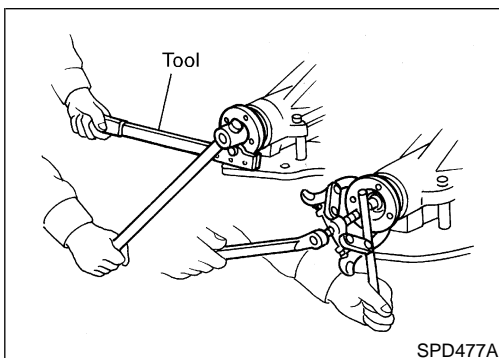


- Remove differential case assembly with a pry bar.



**Be careful to keep the side bearing outer races together with their respective inner cones — do not mix them up.**

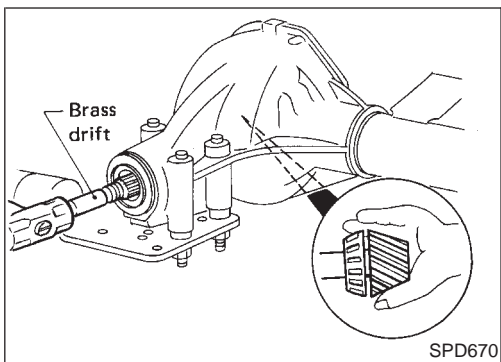
**CAUTION:**  
Side bearing spacer is placed on either the left or right depending upon final drive gear ratio. It should be labeled so that it may be replaced correctly.



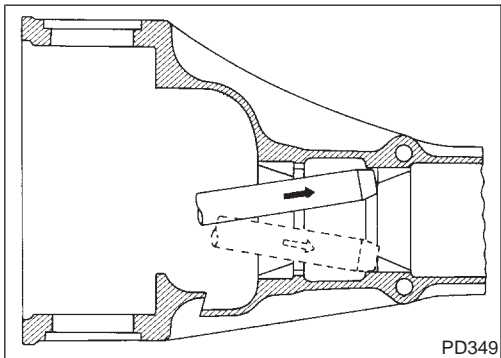
- Loosen drive pinion nut.  
**Tool number: KV38108300 (J44195)**
- Remove companion flange with puller.

GI  
MA  
EM  
LC  
EC  
FE  
CL  
MT  
AT  
TF  
**PD**  
AX  
SU  
BR  
ST  
RS  
BT  
HA  
SC  
EL  
IDX

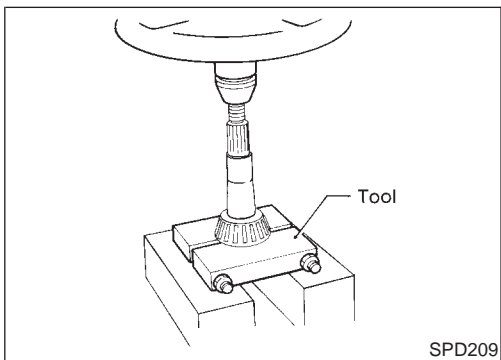
Disassembly (Cont'd)



9. Take out drive pinion together with rear bearing inner cone, drive pinion bearing spacer and pinion bearing adjusting washer.
10. Remove front oil seal and pinion front bearing inner cone.

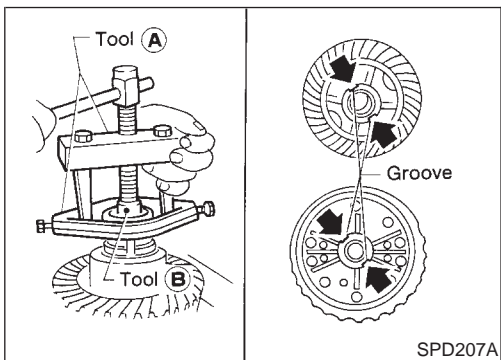


11. Remove pinion bearing outer races with a brass drift.



12. Remove pinion rear bearing inner cone and drive pinion height adjusting washer.

**Tool number: ST30031000 (J22912-01)**



## DIFFERENTIAL CASE

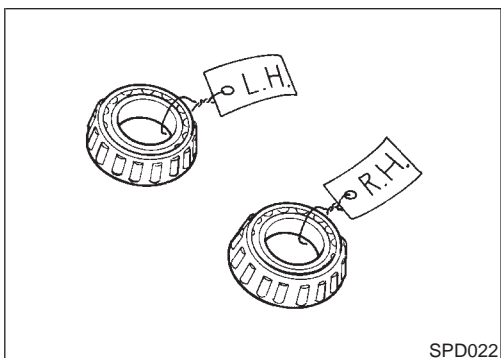
NAPD0018S03

1. Remove side bearing inner cones.  
To prevent damage to bearing, engage puller jaws in grooves.

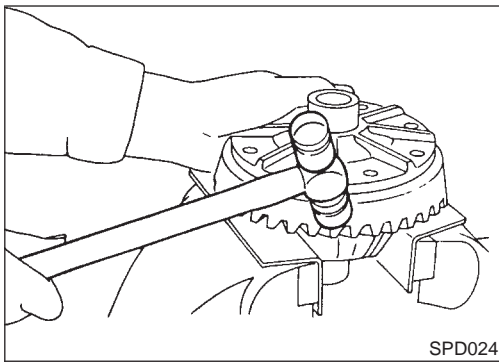
**Tool number:**

**A ST33051001 (J22888-20)**

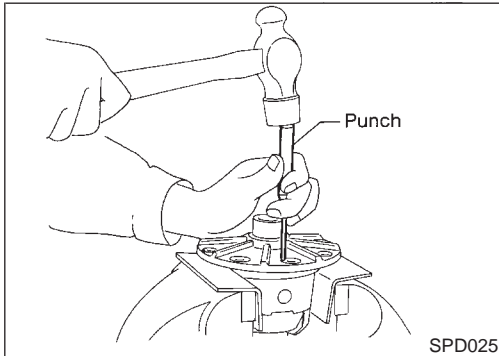
**B ST33061000 (J8107-2)**



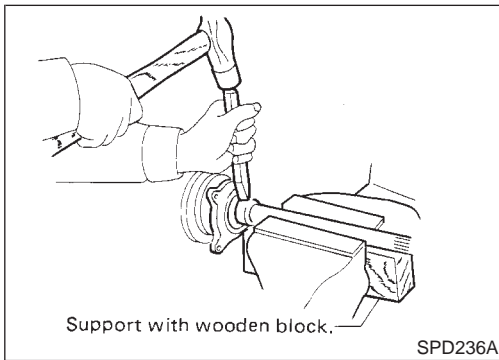
**Be careful not to confuse the right and left hand parts.  
Keep bearing and bearing race for each side together.**



2. Loosen ring gear bolts in a criss-cross pattern.
  3. Tap ring gear off the differential case with a soft hammer.
- Tap evenly all around to keep ring gear from binding.**



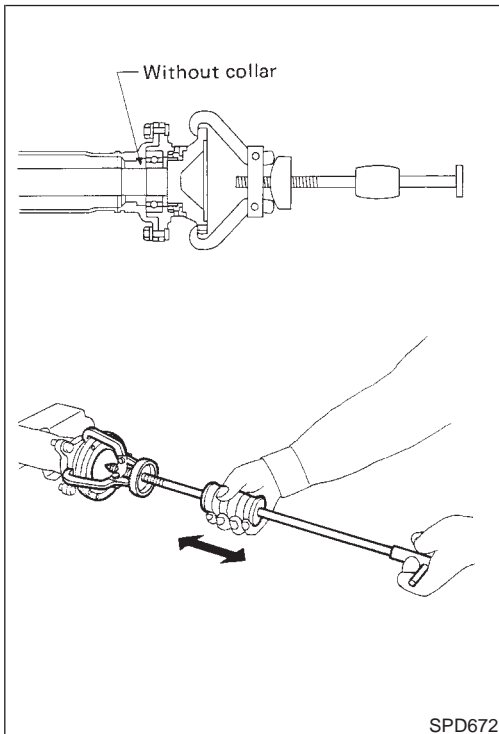
4. Punch off pinion mate shaft lock pin from ring gear side.



## DIFFERENTIAL SIDE SHAFT

NAPD0018S04

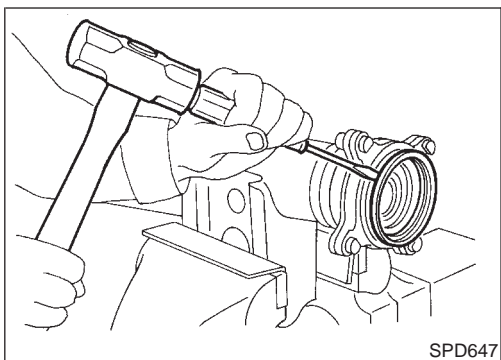
1. Cut collar with cold chisel. Be careful not to damage differential side shaft.



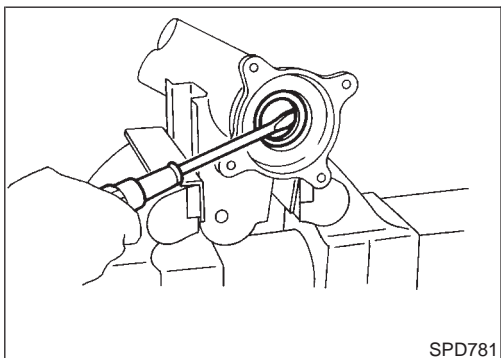
2. Reinstall differential side shaft into extension tube and secure with bolts. Remove rear axle bearing by drawing out differential side shaft from rear axle bearing with puller.

GI  
MA  
EM  
LC  
EC  
FE  
CL  
MT  
AT  
TF  
**PD**  
AX  
SU  
BR  
ST  
RS  
BT  
HA  
SC  
EL  
IDX

Disassembly (Cont'd)



3. Remove grease seal and oil seal.



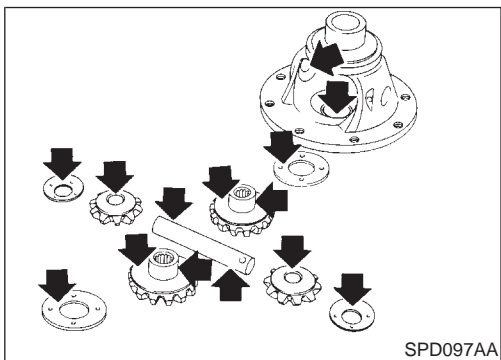
## Inspection

### RING GEAR AND DRIVE PINION

NAPD0019

NAPD0019S01

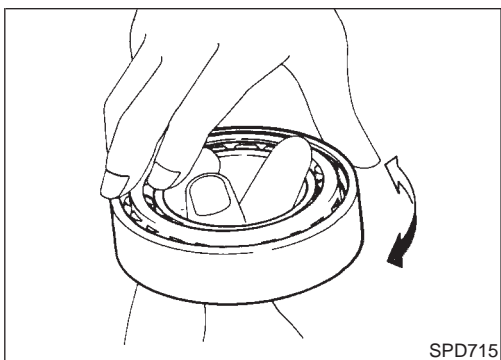
Check gear teeth for scoring, cracking or chipping. If any damaged part is evident, replace ring gear and drive pinion as a set (hypoid gear set).



### DIFFERENTIAL CASE ASSEMBLY

NAPD0019S02

Check mating surfaces of differential case, side gears, pinion mate gears, pinion mate shaft and thrust washers.



### BEARING

NAPD0019S03

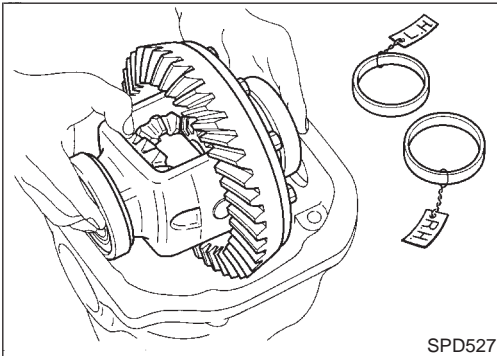
1. Thoroughly clean bearing.
2. Check bearing for wear, scratches, pitting or flaking. Check tapered roller bearing for smooth rotation. If damaged, replace outer race and inner cone as a set.



## Adjustment

For quiet and reliable final drive operation, the following five adjustments must be made correctly:

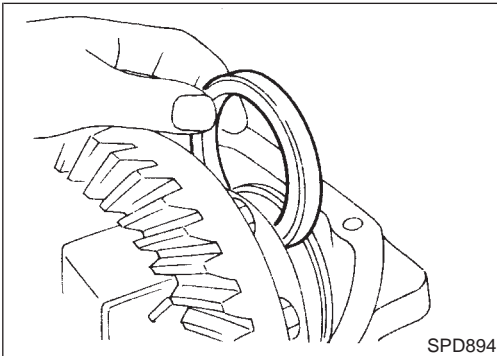
1. Side bearing preload
2. Pinion gear height
3. Pinion bearing preload
4. Ring gear-to-pinion backlash. Refer to SDS, PD-38.
5. Ring and pinion gear tooth contact pattern



### SIDE BEARING PRELOAD

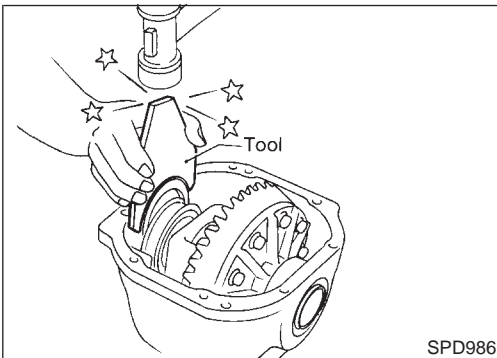
A selection of carrier side bearing adjusting washer is required for successful completion of this procedure.

1. Make sure all parts are clean and that the bearings are well lubricated with light oil or "DEXRON™" type automatic transmission fluid.
2. Place the differential carrier, with side bearings and bearing races installed, into the final drive housing.



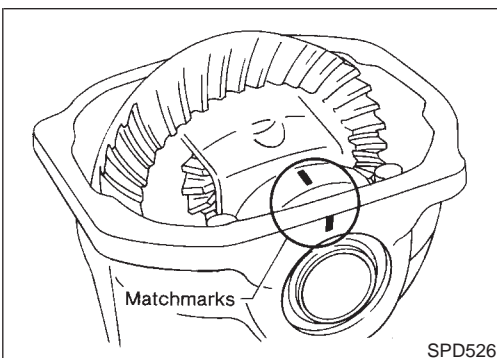
3. Put the side bearing spacer in place.

**CAUTION:**  
Side bearing spacer is placed on either the right or left depending upon final drive gear ratio. Be sure to replace it on the correct side.



4. Using Tool, install original carrier side bearing preload shims on the carrier end, opposite the ring gear.

**Tool number: KV38100600 (J25267)**



5. Install the side bearing caps in their correct locations and torque the bearing cap retaining bolts.

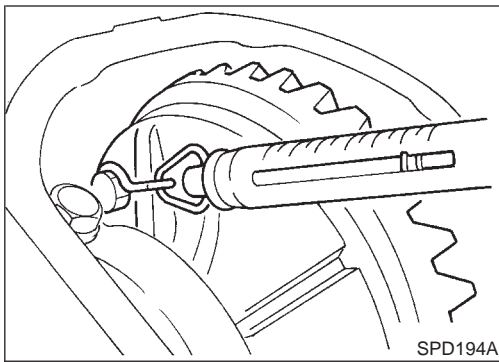
**Specification:**

**88 - 98 N-m (9 - 10 kg-m, 65 - 72 ft-lb)**

6. Turn the carrier several times to seat the bearings.

GI  
MA  
EM  
LC  
EC  
FE  
CL  
MT  
AT  
TF  
PD  
AX  
SU  
BR  
ST  
RS  
BT  
HA  
SC  
EL  
IDX

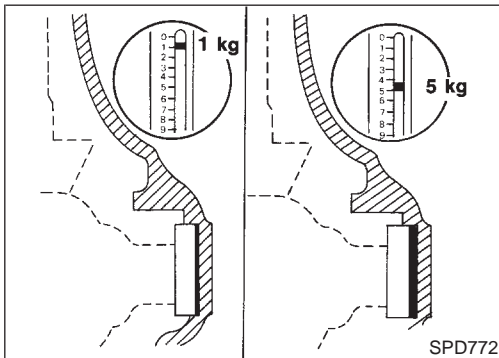
Adjustment (Cont'd)



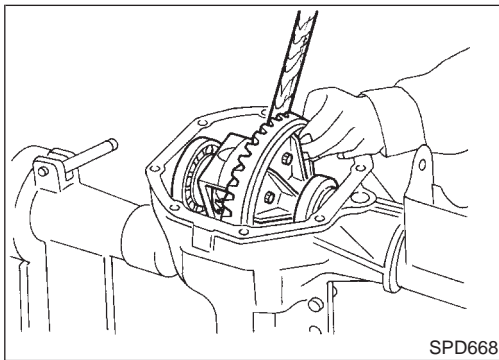
7. Measure the turning torque of the carrier at the ring gear retaining bolts with a spring gauge, J8129.

**Specification:**

**34.3 - 39.2 N (3.5 - 4.0 kg, 7.7 - 8.8 lb) of pulling force at the ring gear bolt**



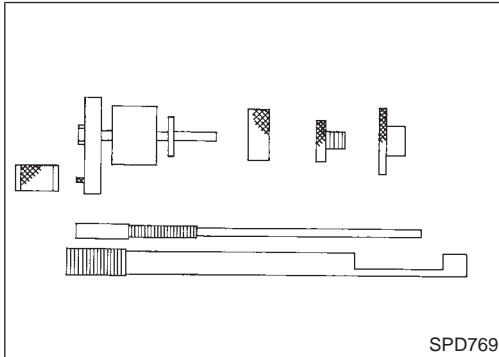
8. If the carrier turning torque is not within the specification range, increase or decrease the total thickness of the side bearing adjusting washers until the turning torque is correct. If the turning torque is less than the specified range, install washers of greater thickness; if the turning torque is greater than the specification, install thinner washers. See the SDS section for washer dimensions and part numbers.
9. Record the total amount of washer thickness required for the correct carrier side bearing preload.



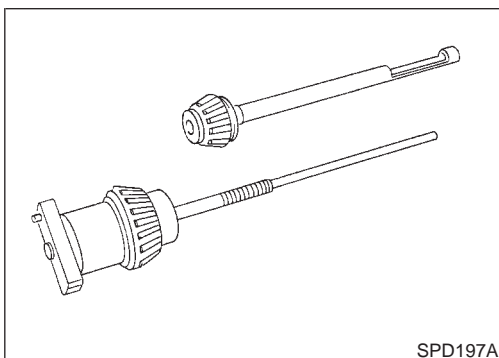
10. Remove the carrier from the final drive housing, saving the selected preload washers for later use during the assembly of the final drive unit.

## PINION GEAR HEIGHT AND PINION BEARING PRELOAD

NAPD0020S02



1. Make sure all parts are clean and that the bearings are well lubricated.
2. Assemble the pinion gear bearings into the pinion pre-load shim selector Tool, J34309.

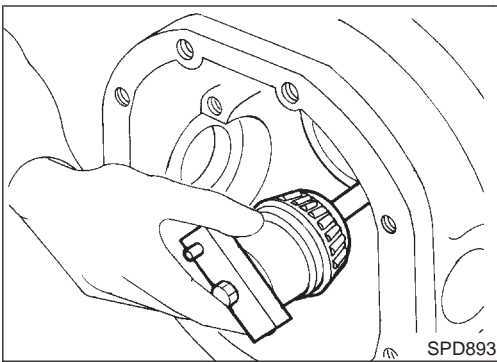


- **Front Pinion Bearing** — make sure the J34309-3 front pinion bearing seat is secured tightly against the J34309-2 gauge anvil. Then turn the front pinion bearing pilot, J34309-5, to secure the bearing in its proper position.
- **Rear Pinion Bearing** — the rear pinion bearing pilot, J34309-15, is used to center the rear pinion bearing only. The rear pinion bearing locking seat, J34309-4, is used to lock the bearing to the assembly.

# FRONT FINAL DRIVE

**R200A**

Adjustment (Cont'd)



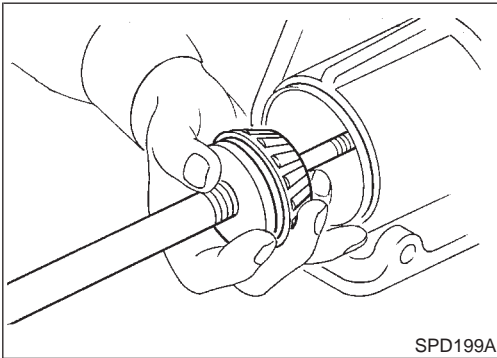
3. Place the pinion preload shim selector Tool, J34309-1, gauge screw assembly with the pinion rear bearing inner cone installed into the final drive housing.

GI

MA

EM

LC



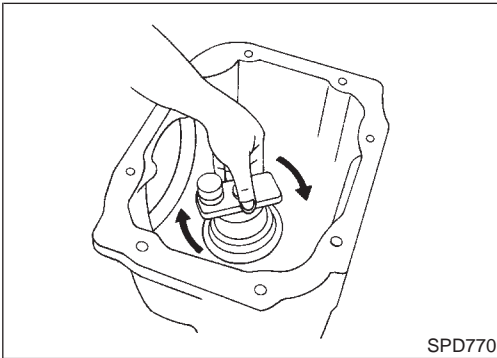
4. Assemble the front pinion bearing inner cone and the J34309-2 gauge anvil together with the J34309-1 gauge screw in the final drive housing. Make sure that the pinion height gauge plate, J34309-16, will turn a full 360 degrees, and tighten the two sections together by hand.

EC

FE

CL

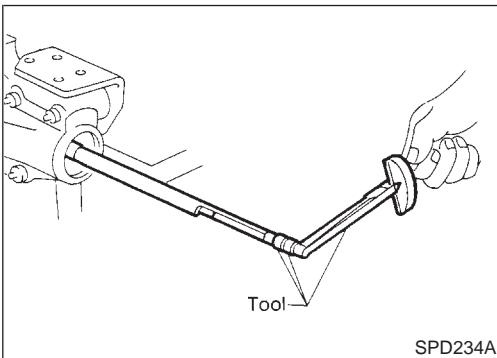
MT



5. Turn the assembly several times to seat the bearings.

AT

TF



6. Measure the turning torque at the end of the J34309-2 gauge anvil using torque wrench J25765A.

**Turning torque specification:**

**1.0 - 1.3 N·m (10 - 13 kg-cm, 8.7 - 11.3 in-lb)**

**PD**

AX

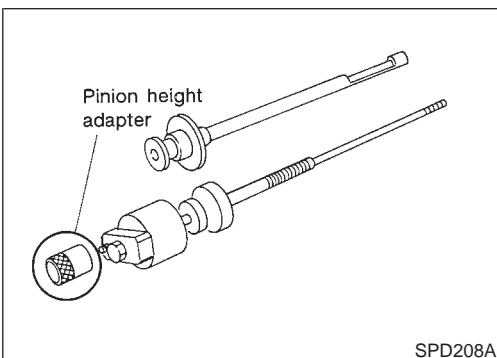
SU

BR

ST

RS

BT



7. Place the J34309-1 "R200A" pinion height adapter onto the gauge plate and tighten it by hand.

**CAUTION:**

**Make sure all machined surfaces are clean.**

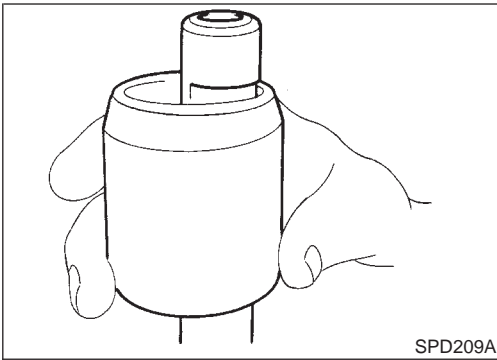
HA

SC

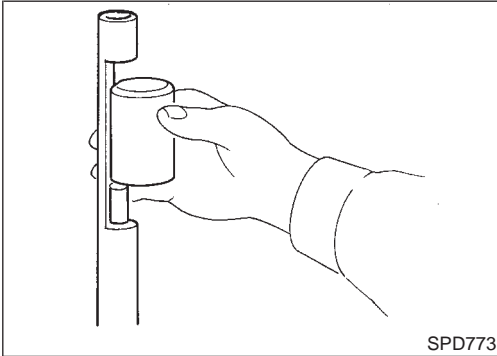
EL

IDX

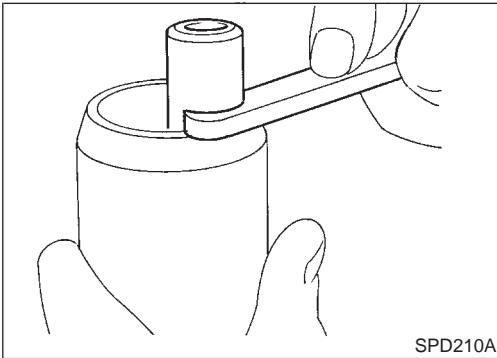
Adjustment (Cont'd)



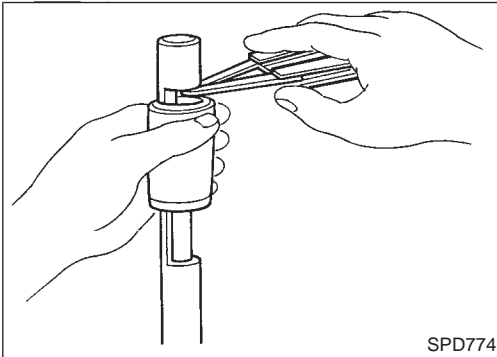
SPD209A



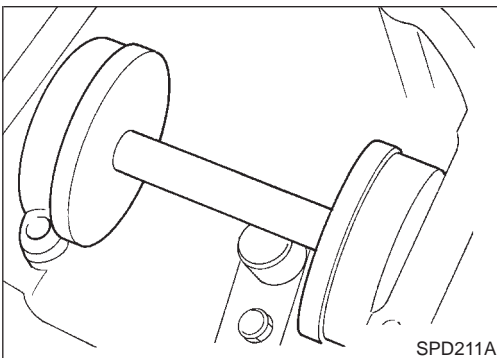
SPD773



SPD210A



SPD774



SPD211A

**PINION BEARING PRELOAD WASHER SELECTION**

8. Place the solid pinion bearing spacer, small end first, over the J34309-2 gauge anvil and seat the small end squarely against the tip of the J34309-1 gauge screw in the tool recessed portion.

9. Select the correct thickness of pinion bearing preload adjusting washer using a standard gauge of 3.5 mm (0.138 in) and your J34309-101 feeler gauge. The exact measure you get with your gauges is the thickness of the adjusting washer required. Select the correct washer.

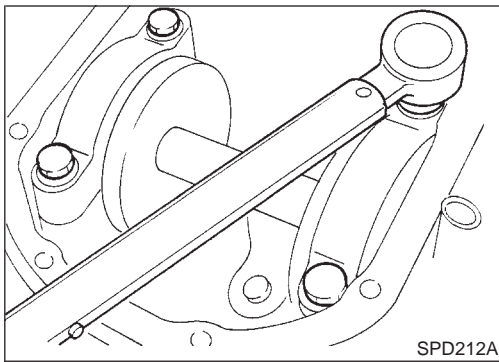
**Drive pinion bearing preload adjusting washer:**

**Refer to SDS, PD-38.**

10. Set your selected, correct pinion bearing preload adjusting washer aside for use when assembling the pinion gear and bearings into the final drive.

**PINION HEIGHT ADJUSTING WASHER SELECTION**

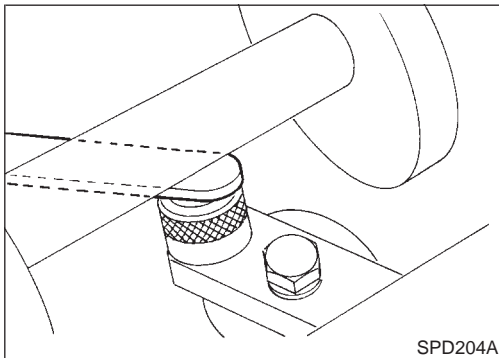
11. Now, position the side bearing discs, J25269-4, and arbor firmly into the side bearing bores.



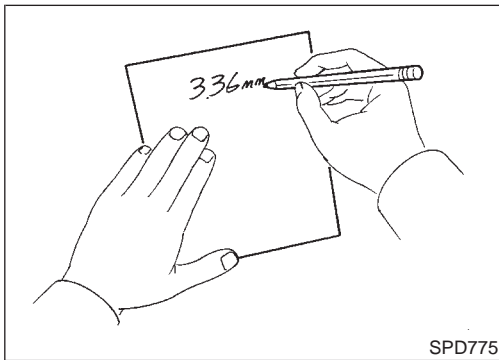
12. Install the side bearing caps and tighten the cap bolts.

**Specification:**

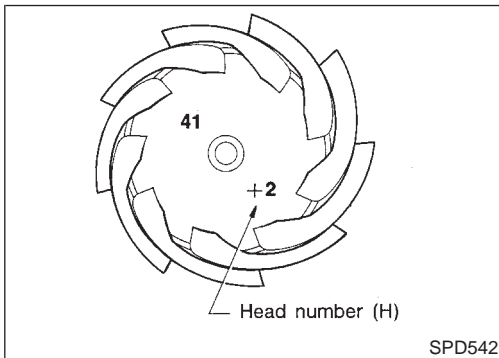
**88 - 98 N·m (9 - 10 kg·m, 65 - 72 ft·lb)**



13. Select the correct standard pinion height adjusting washer thickness by using a standard gauge of 3.0 mm (0.118 in) and your J34309-101 feeler gauge. Measure the gap between the J34309-11 "R200A" pinion height adapter and the arbor.



14. Write down your exact total measurement.

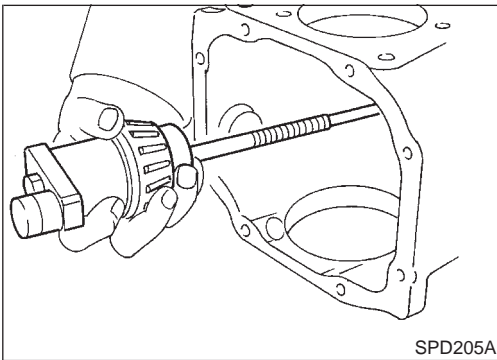


15. Correct the pinion height washer size by referring to the "pinion head number".

**There are two numbers painted on the pinion gear. The first one refers to the pinion and ring gear as a matched set and should be the same as the number on the ring gear. The second number is the "pinion head height number", and it refers to the ideal pinion height from standard for quietest operation. Use the following chart to determine the correct pinion height washer. Refer to SDS, PD-38.**

GI  
MA  
EM  
LC  
EC  
FE  
CL  
MT  
AT  
TF  
**PD**  
AX  
SU  
BR  
ST  
RS  
BT  
HA  
SC  
EL  
IDX

Pinion Head Height Number	Add or Remove from the Standard Pinion Height Washer Thickness Measurement
-6	Add 0.06 mm (0.0024 in)
-5	Add 0.05 mm (0.0020 in)
-4	Add 0.04 mm (0.0016 in)
-3	Add 0.03 mm (0.0012 in)
-2	Add 0.02 mm (0.0008 in)
-1	Add 0.01 mm (0.0004 in)
0	Use the selected washer thickness
+1	Subtract 0.01 mm (0.0004 in)
+2	Subtract 0.02 mm (0.0008 in)
+3	Subtract 0.03 mm (0.0012 in)
+4	Subtract 0.04 mm (0.0016 in)
+5	Subtract 0.05 mm (0.0020 in)
+6	Subtract 0.06 mm (0.0024 in)



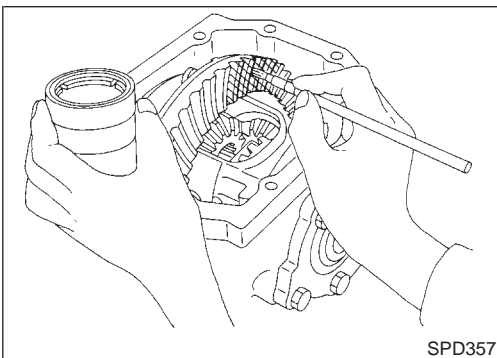
16. Remove the J34309 pinion preload shim selector tool from the final drive housing and disassemble to retrieve the pinion bearings.

## TOOTH CONTACT

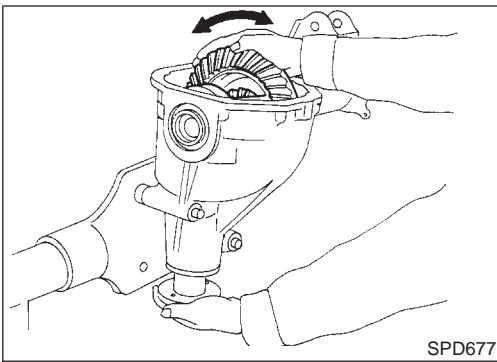
NAPD0020S03

Gear tooth contact pattern check is necessary to verify correct relationship between ring gear and drive pinion.

Hypoid gear sets which are not positioned properly in relation to one another may be noisy, or have short life, or both. With a pattern check, the most desirable contact for low noise level and long life can be assured.



1. Thoroughly clean ring gear and drive pinion teeth.
2. Sparingly apply a mixture of powdered ferric oxide and oil or equivalent to 3 or 4 teeth of ring gear drive side.

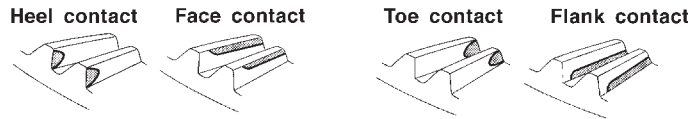


SPD677

3. Hold companion flange steady by hand and rotate the ring gear in both directions.

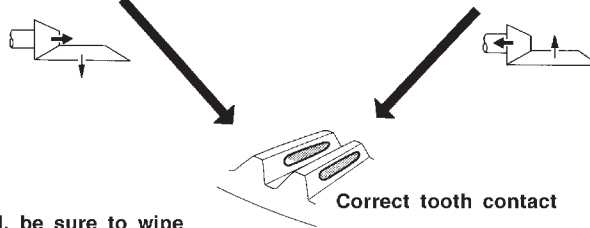
GI  
MA  
EM  
LC  
EC  
FE  
CL  
MT  
AT  
TF  
PD  
AX  
SU  
BR  
ST  
RS  
BT  
HA  
SC  
EL  
IDX

Usually the pattern will be correct if shims are correctly calculated and the backlash is correct. However, in rare cases, trial and error processes may be employed to obtain a correct pattern. The tooth pattern is the best indication of how well a differential has been set up.



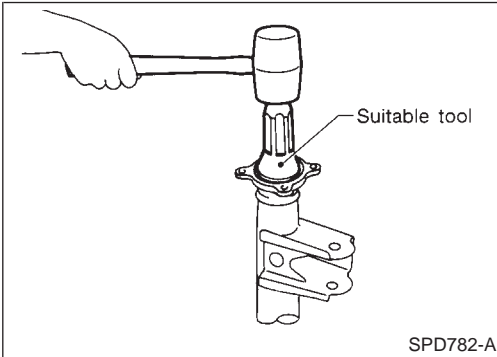
To correct, increase thickness of pinion height adjusting washer in order to bring drive pinion close to ring gear.

To correct, reduce thickness of pinion height adjusting washer in order to make drive pinion go away from ring gear.



When adjustment is completed, be sure to wipe off completely the ferric oxide and oil or their equivalent.

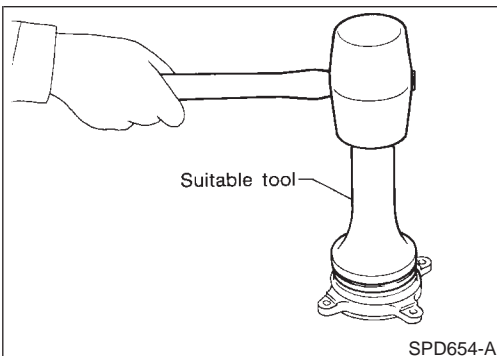
SPD007-B



SPD782-A

## Assembly DIFFERENTIAL SIDE SHAFT

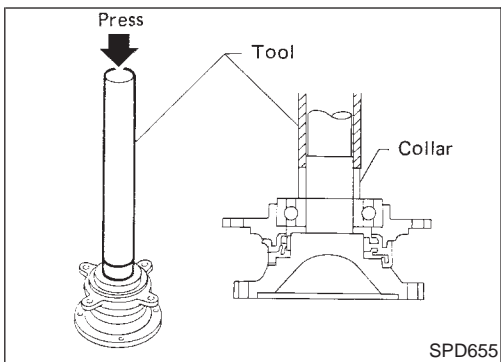
1. Install oil seal and grease seal.



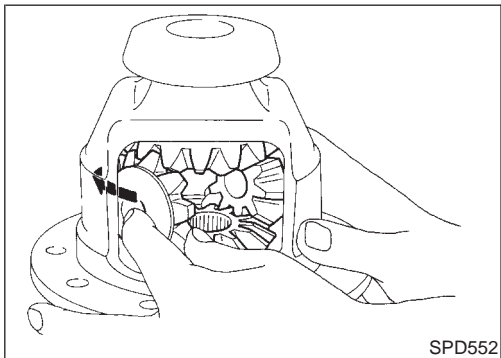
SPD654-A

NAPD0021  
NAPD0021S01

Assembly (Cont'd)



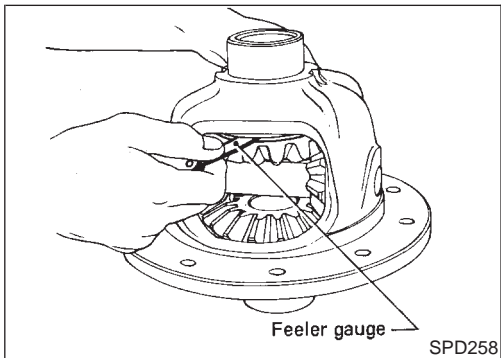
2. Install extension tube retainer, rear axle bearing and rear axle shaft bearing collar on differential side shaft.



## DIFFERENTIAL CASE

NAPD0021S02

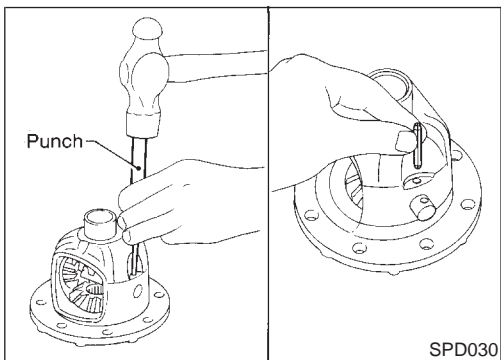
1. Install side gears, pinion mate gears and thrust washers into differential case.



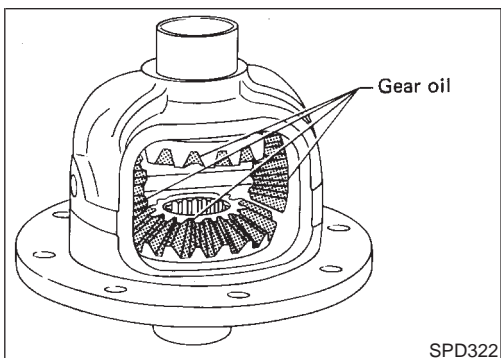
2. Fit pinion mate shaft to differential case so that it meets lock pin holes.
3. Adjust backlash between side gear and pinion mate gear by selecting side gear thrust washer. Refer to SDS, PD-37.

**Backlash between side gear and pinion mate gear (Clearance between side gear thrust washer and differential case):**

**Less than 0.15 mm (0.0059 in)**

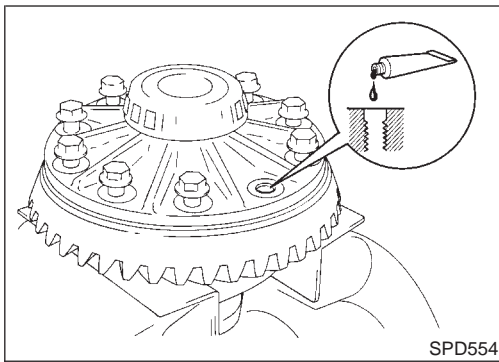


4. Install pinion mate shaft lock pin with a punch. **Make sure lock pin is flush with case.**



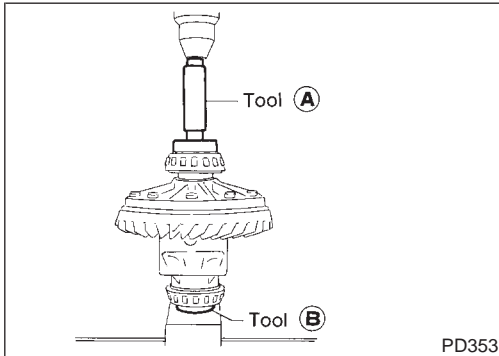
5. Apply gear oil to gear tooth surfaces and thrust surfaces and check to see they turn properly.





6. Install differential case assembly on ring gear.
7. Apply genuine medium strength thread locking sealant or equivalent. Refer to GI section, "Recommended chemical products and sealants" to ring gear bolts, and install them.

**Tighten bolts in a criss-cross pattern, lightly tapping bolt head with a hammer.**

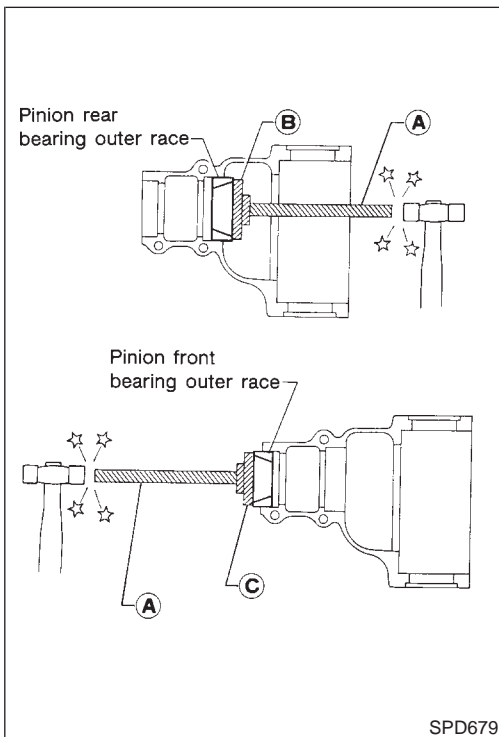


8. Press-fit side bearing inner cones on differential case with Tool.

**Tool number:**

**A KV38100300 (J25523)**

**B ST33061000 (J8107-2)**



## FINAL DRIVE HOUSING

NAPD0021S03

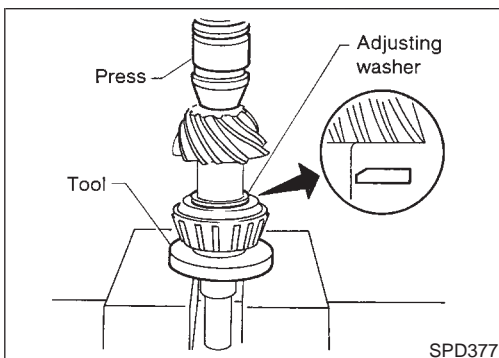
1. Press-fit front and rear bearing outer races with Tools.

**Tool number:**

**A ST30611000 (J25742-1)**

**B ST30621000 (J25742-5)**

**C ST30613000 (J25742-3)**



2. Select drive pinion height adjusting washer and pinion bearing adjusting washer. Refer to "PINION GEAR HEIGHT AND PINION BEARING PRELOAD", PD-26.

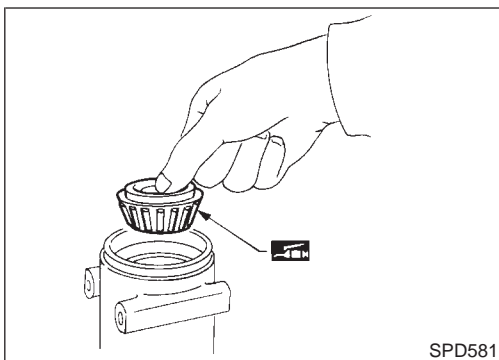
3. Install drive pinion height adjusting washer in drive pinion, and press-fit pinion rear bearing inner cone in it, using press and Tool.

**Tool number:**

**ST30901000 (J26010-01)**

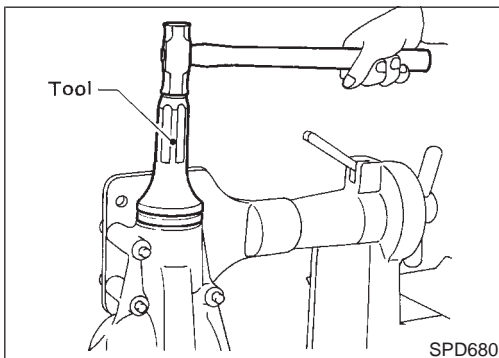
GI  
MA  
EM  
LC  
EC  
FE  
CL  
MT  
AT  
TF  
PD  
AX  
SU  
BR  
ST  
RS  
BT  
HA  
SC  
EL  
IDX

Assembly (Cont'd)



SPD581

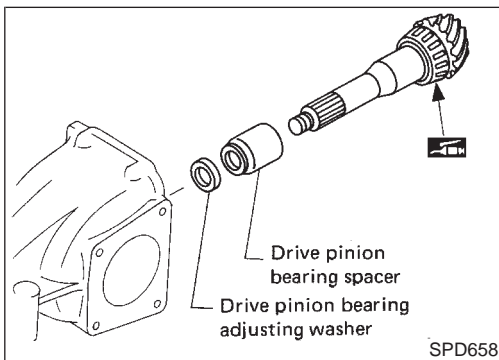
4. Place pinion front bearing inner cone in final drive housing.



SPD680

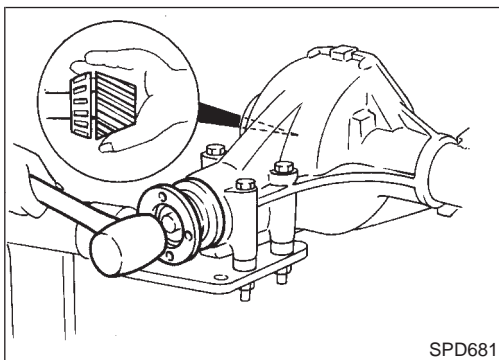
5. Apply multi-purpose grease to cavity at sealing lips of oil seal. Install front oil seal.

**Tool number:**  
**KV38100500 (J25273)**



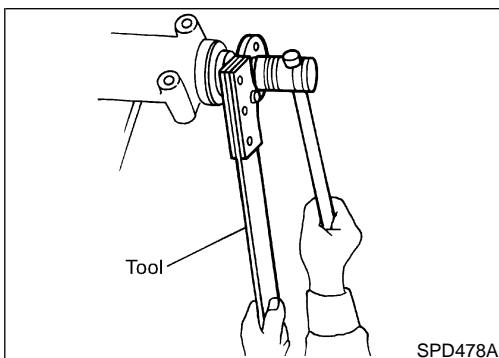
SPD658

6. Place drive pinion bearing spacer, drive pinion bearing adjusting washer and drive pinion in final drive housing.



SPD681

7. Insert companion flange into drive pinion by tapping the companion flange with a soft hammer.



SPD478A

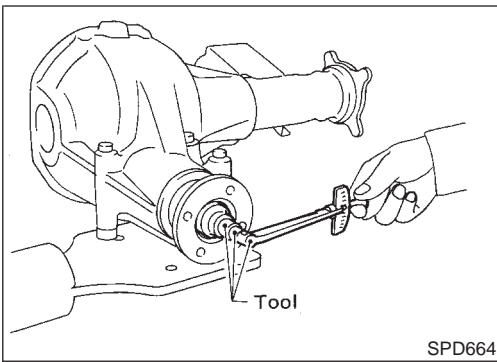
8. Tighten pinion nut to the specified torque. **The threaded portion of drive pinion and pinion nut should be free from oil or grease.**

**Tool number: KV38108300 (J44195)**

# FRONT FINAL DRIVE

**R200A**

Assembly (Cont'd)



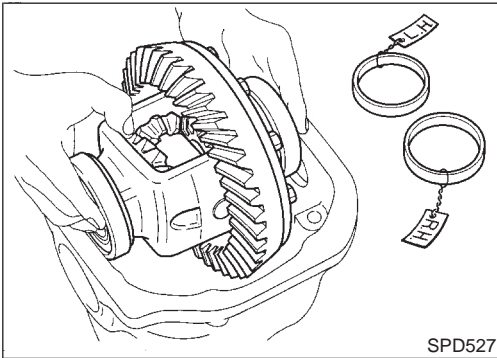
9. Turn drive pinion in both directions several revolutions, and measure pinion bearing preload.

**Tool number: ST3127S000 (J25765-A)**

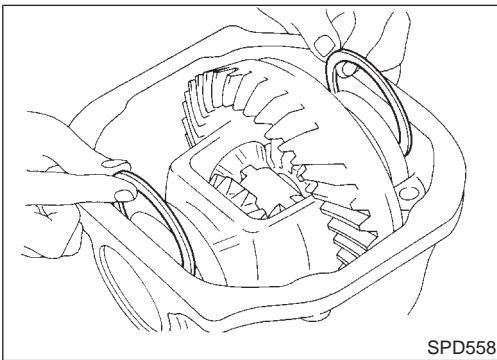
**Pinion bearing preload:**

**1.1 - 1.4 N·m (11 - 14 kg·cm, 9.5 - 12.2 in·lb)**

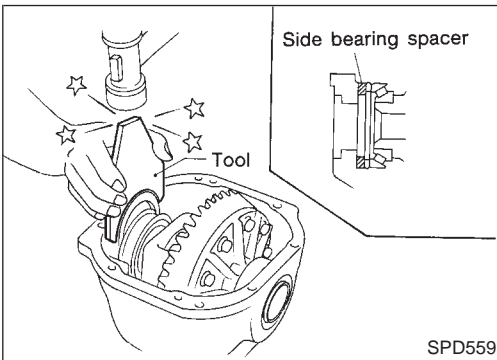
**When pinion bearing preload is outside the specifications, replace pinion bearing adjusting washer and spacer with a different thickness.**



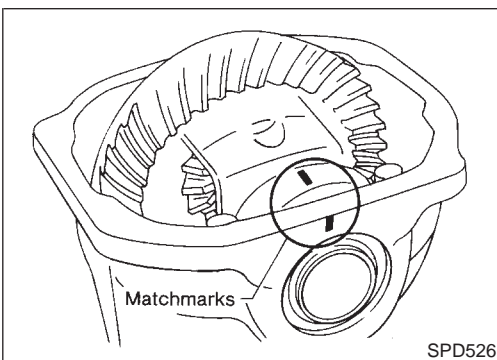
10. Select side bearing adjusting washer. Refer to "SIDE BEARING PRELOAD", PD-25.
11. Install differential case assembly with side bearing outer races into final drive housing.



12. Insert left and right side bearing adjusting washers in place between side bearings and final drive housing.



13. Drive in side bearing spacer with Tool.  
**Tool number: KV38100600 (J25267)**



14. Align mark on bearing cap with that on final drive housing and install bearing cap on final drive housing.

GI

MA

EM

LC

EC

FE

CL

MT

AT

TF

**PD**

AX

SU

BR

ST

RS

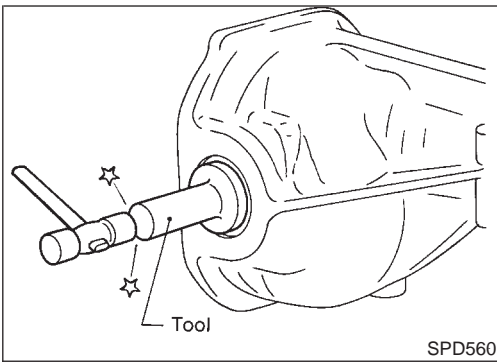
BT

HA

SC

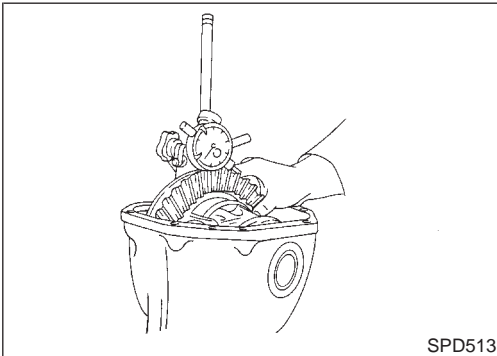
EL

IDX



15. Apply multi-purpose grease to cavity at sealing lips of oil seal. Install side oil seal.

**Tool number: KV38100200 (J26233)**

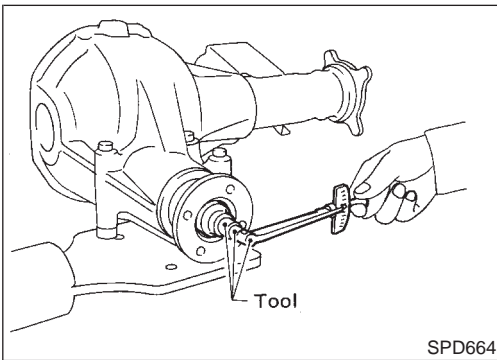


16. Measure ring gear to drive pinion backlash with a dial indicator.

**Ring gear-to-drive pinion backlash:  
0.10 - 0.15 mm (0.0039 - 0.0059 in)**

- If backlash is too small, decrease thickness of right shim and increase thickness of left shim by the same amount. If backlash is too great, reverse the above procedure.

**Never change the total amount of shims as it will change the bearing preload.**



17. Check total preload with Tool.

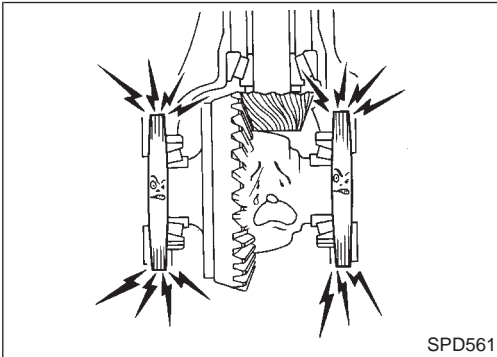
**When checking preload, turn drive pinion in both directions several times to set bearing rollers.**

**Tool number: ST3127S000 (J25765-A)**

**Total preload:**

**$P_1 + [0.3 - 1.5 \text{ N-m (3 - 15 kg-cm, 2.6 - 13.0 in-lb)]$**

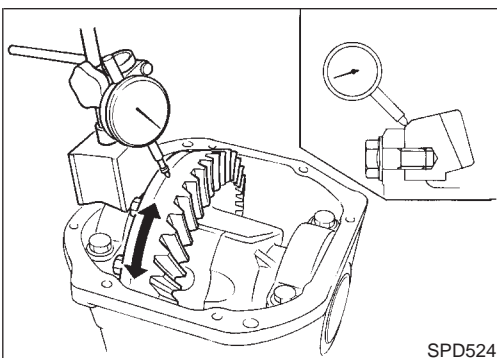
**$P_1 = \text{Drive pinion preload}$**



- If preload is too great, remove the same amount of shim from each side.
- If preload is too small, add the same amount of shim to each side.

**Never add or remove a different number of shims for each side as it will change ring gear to drive pinion backlash.**

18. Recheck ring gear to drive pinion backlash because increase or decrease in thickness of shims will cause change of ring gear-to-pinion backlash.



19. Check runout of ring gear with a dial indicator.

**Runout limit:  
0.05 mm (0.0020 in)**

- If backlash varies excessively in different places, the variance may have resulted from foreign matter caught between the ring gear and the differential case.
- If the backlash varies greatly when the runout of the ring gear is within a specified range, the hypoid gear set or differential case should be replaced.

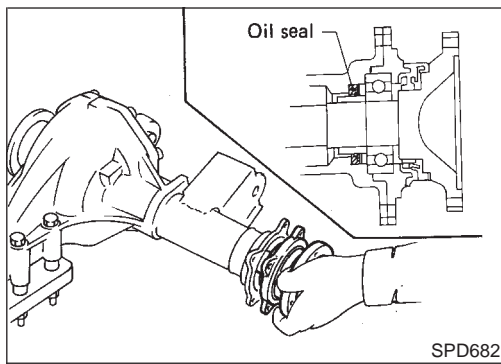
20. Check tooth contact. Refer to "TOOTH CONTACT", PD-30.

21. Install rear cover and gasket.

# FRONT FINAL DRIVE

**R200A**

Assembly (Cont'd)



22. Install differential side shaft assembly.

## Service Data and Specifications (SDS)

### R200A

#### General Specifications

NAPD0022

NAPD0022S01

Front final drive	Standard
	R200A
	2-pinion
Gear ratio	4.363
Number of teeth (Ring gear/drive pinion)	48/11
Oil capacity (Approx.) ℓ (US pt, Imp pt)	1.85 (3-7/8, 3-1/4)

#### Ring Gear Runout

NAPD0022S02

Ring gear runout limit mm (in)	0.05 (0.0020)
--------------------------------	---------------

#### Side Gear Adjustment

NAPD0022S03

Side gear backlash (Clearance between side gear and differential case) mm (in)	Less than 0.15 (0.0059)	
Available side gear thrust washers	Thickness mm (in)	Part number*
	0.75 (0.0295)	38424-N3110
	0.78 (0.0307)	38424-N3111
	0.81 (0.0319)	38424-N3112
	0.84 (0.0331)	38424-N3113
	0.87 (0.0343)	38424-N3114
	0.90 (0.0354)	38424-N3115
0.93 (0.0366)	38424-N3116	

\*: Always check with the Parts Department for the latest parts information.

#### Side Bearing Adjustment

NAPD0022S04

Differential carrier assembly turning resistance N (kg, lb)	34.3 - 39.2 (3.5 - 4.0, 7.7 - 8.8)	
Available side bearing adjusting washers	Thickness mm (in)	Part number*
	2.00 (0.0787)	38453-N3100
	2.05 (0.0807)	38453-N3101
	2.10 (0.0827)	38453-N3102
	2.15 (0.0846)	38453-N3103
	2.20 (0.0866)	38453-N3104
	2.25 (0.0886)	38453-N3105
	2.30 (0.0906)	38453-N3106
	2.35 (0.0925)	38453-N3107
	2.40 (0.0945)	38453-N3108
	2.45 (0.0965)	38453-N3109
	2.50 (0.0984)	38453-N3110
2.55 (0.1004)	38453-N3111	
2.60 (0.1024)	38453-N3112	

\*: Always check with the Parts Department for the latest parts information.

GI  
MA  
EM  
LC  
EC  
FE  
CL  
MT  
AT  
TF  
PD  
AX  
SU  
BR  
ST  
RS  
BT  
HA  
SC  
EL  
IDX

# FRONT FINAL DRIVE

R200A

Service Data and Specifications (SDS) (Cont'd)

## Total Preload Adjustment

NAPD0022S05

Total preload N·m (kg-cm, in-lb)	P <sub>1</sub> + [0.3 - 1.5 (3 - 15, 2.6 - 13.0)]
Ring gear backlash mm (in)	0.10 - 0.15 (0.0039 - 0.0059)

P<sub>1</sub> = Drive pinion preload

## Drive Pinion Height Adjustment

NAPD0022S06

	Thickness mm (in)	Part number*
Available pinion height adjusting washers	3.09 (0.1217)	38154-P6017
	3.12 (0.1228)	38154-P6018
	3.15 (0.1240)	38154-P6019
	3.18 (0.1252)	38154-P6020
	3.21 (0.1264)	38154-P6021
	3.24 (0.1276)	38154-P6022
	3.27 (0.1287)	38154-P6023
	3.30 (0.1299)	38154-P6024
	3.33 (0.1311)	38154-P6025
	3.36 (0.1323)	38154-P6026
	3.39 (0.1335)	38154-P6027
	3.42 (0.1346)	38154-P6028
	3.45 (0.1358)	38154-P6029
	3.48 (0.1370)	38154-P6030
	3.51 (0.1382)	38154-P6031
	3.54 (0.1394)	38154-P6032
	3.57 (0.1406)	38154-P6033
	3.60 (0.1417)	38154-P6034
3.63 (0.1429)	38154-P6035	
3.66 (0.1441)	38154-P6036	

\*: Always check with the Parts Department for the latest parts information.

## Drive Pinion Preload Adjustment

NAPD0022S07

Drive pinion bearing preload adjusting method	Adjusting washer and spacer	
Drive pinion preload with front oil seal N·m (kg-cm, in-lb) [P <sub>1</sub> ]	1.1 - 1.4 (11 - 14, 9.5 - 12.2)	
Available drive pinion bearing preload adjusting washers	Thickness mm (in)	
	3.81 (0.1500)	38125-61001
	3.83 (0.1508)	38126-61001
	3.85 (0.1516)	38127-61001
	3.87 (0.1524)	38128-61001
	3.89 (0.1531)	38129-61001
	3.91 (0.1539)	38130-61001
	3.93 (0.1547)	38131-61001
	3.95 (0.1555)	38132-61001
	3.97 (0.1563)	38133-61001
	3.99 (0.1571)	38134-61001
	4.01 (0.1579)	38135-61001
	4.03 (0.1587)	38136-61001
	4.05 (0.1594)	38137-61001
	4.07 (0.1602)	38138-61001
4.09 (0.1610)	38139-61001	
Available drive pinion bearing preload adjusting spacers	Length mm (in)	
	54.50 (2.1457)	38165-B4000
	54.80 (2.1575)	38165-B4001
	55.10 (2.1693)	38165-B4002
	55.40 (2.1811)	38165-B4003
	55.70 (2.1929)	38165-B4004
56.00 (2.2047)	38165-61001	

\*: Always check with the Parts Department for the latest parts information.

# REAR FINAL DRIVE

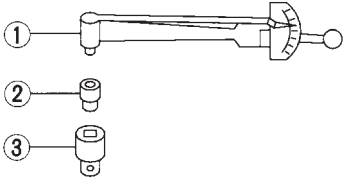
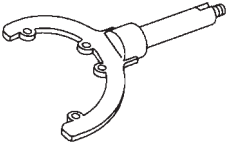
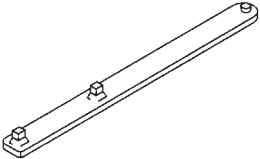
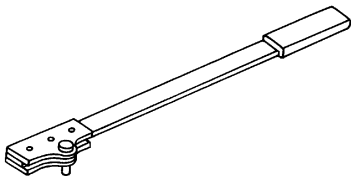
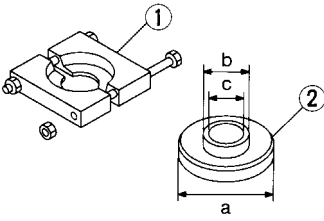
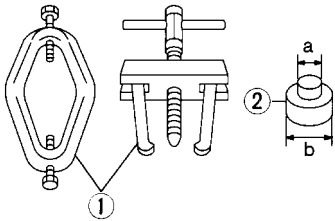
**H233B**

Preparation

## Preparation SPECIAL SERVICE TOOLS

NAPD0029

The actual shapes of Kent-Moore tools may differ from those of special service tools illustrated here.

Tool number (Kent-Moore No.) Tool name	Description	
ST3127S000 (See J25765-A) Preload gauge 1 GG91030000 (J25765) Torque wrench 2 HT62940000 ( — ) Socket adapter 3 HT62900000 ( — ) Socket adapter	 <p>NT124</p>	Measuring pinion bearing preload and total preload
ST06340000 (J24310, J34310) Differential attachment	 <p>NT140</p>	Mounting final drive
ST32580000 (J34312) Differential side bearing adjusting nut wrench	 <p>NT141</p>	Adjusting side bearing preload and backlash (ring gear-drive pinion)
KV38108300 (J44195) Companion flange wrench	 <p>NT771</p>	Removing and installing propeller shaft lock nut, and drive pinion lock nut
ST3090S000 ( — ) Drive pinion rear inner race puller set 1 ST30031000 (J22912-01) Puller 2 ST30901000 (J26010-01) Base	 <p>NT527</p>	Removing and installing drive pinion rear inner cone <b>a: 79 mm (3.11 in) dia.</b> <b>b: 45 mm (1.77 in) dia.</b> <b>c: 35 mm (1.38 in) dia.</b>
ST3306S001 Differential side bearing puller set 1 ST33051001 (J22888-20) Body 2 ST33061000 (J8107-2) Adapter	 <p>NT072</p>	Removing and installing differential side bearing inner cone <b>a: 28.5 mm (1.122 in) dia.</b> <b>b: 38 mm (1.50 in) dia.</b>

GI

MA

EM

LC

EC

FE

CL

MT

AT

TF

**PD**

AX

SU

BR

ST

RS

BT

HA

SC

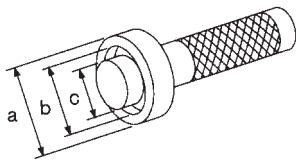
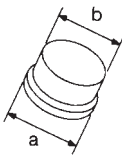
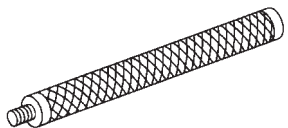
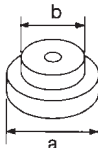
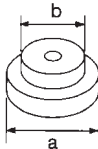
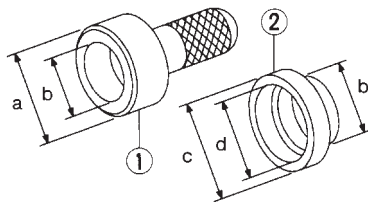

EL

IDX


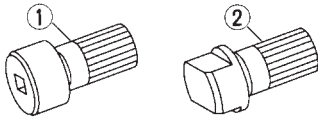
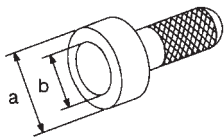
# REAR FINAL DRIVE

H233B

Preparation (Cont'd)

Tool number (Kent-Moore No.) Tool name	Description	
ST33190000 (J25523) Differential side bearing drift		Installing side bearing inner cone <b>a: 52 mm (2.05 in) dia.</b> <b>b: 45.5 mm (1.791 in) dia.</b> <b>c: 34 mm (1.34 in) dia.</b>
NT085		
ST33081000 ( ) Side bearing puller adapter		Installing side bearing inner cone <b>a: 43 mm (1.69 in) dia.</b> <b>b: 33.5 mm (1.319 in) dia.</b>
NT431		
ST30611000 (J25742-1) Drift		Installing pinion rear bearing outer race (Use with ST30621000 or ST30613000)
NT090		
ST30621000 (J25742-5) Drift		Installing pinion rear bearing outer race <b>a: 79 mm (3.11 in) dia.</b> <b>b: 59 mm (2.32 in) dia.</b>
NT073		
ST30613000 (J25742-3) Drift		Installing pinion front bearing outer race (Use with ST30611000) <b>a: 72 mm (2.83 in) dia.</b> <b>b: 48 mm (1.89 in) dia.</b>
NT073		
KV381025S0 ( ) Oil seal fitting tool 1 ST30720000 (J25405) Drift bar 2 KV38102510 ( ) Drift		Installing front oil seal <b>a: 77 mm (3.03 in) dia.</b> <b>b: 55 mm (2.17 in) dia.</b> <b>c: 71 mm (2.80 in) dia.</b> <b>d: 65 mm (2.56 in) dia.</b>
NT525		
(J34309) Differential shim selector		Adjusting bearing pre-load and gear height
NT134		



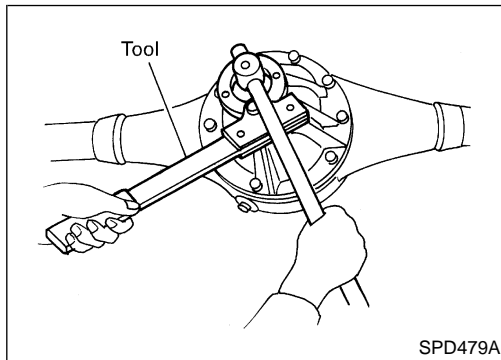
Tool number (Kent-Moore No.) Tool name	Description	
(J25269-18) Side bearing discs (2 Req'd)		Selecting pinion height adjusting washer
KV381052S0 ( — ) Rear axle shaft dummy 1 KV38105210 ( — ) Torque wrench side 2 KV38105220 ( — ) Vice side		Checking differential torque on limited slip differential
KV38100500 (J25273) Gear carrier front oil seal drift		Installing front oil seal <b>a: 85 mm (3.35 in) dia.</b> <b>b: 60 mm (2.36 in) dia.</b>

## Noise, Vibration and Harshness (NVH) Troubleshooting

Refer to "NVH TROUBLESHOOTING CHART", PD-4.

NAPD0051

GI  
MA  
EM  
LC  
EC  
FE  
CL  
MT  
AT  
TF  
**PD**  
AX  
SU  
BR  
ST  
RS  
BT  
HA  
SC  
EL  
IDX

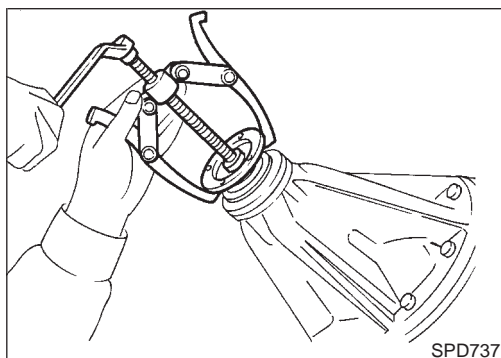


### On-vehicle Service FRONT OIL SEAL REPLACEMENT

NAPD0030

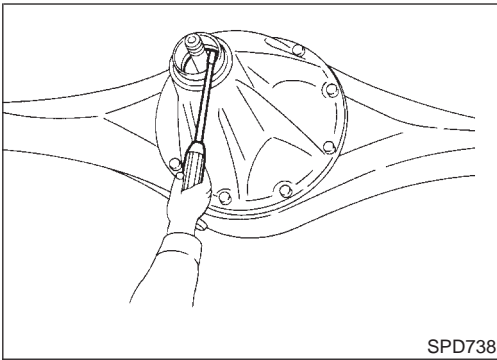
1. Remove propeller shaft.
2. Loosen drive pinion nut.

**Tool number: KV38108300 (J44195)**

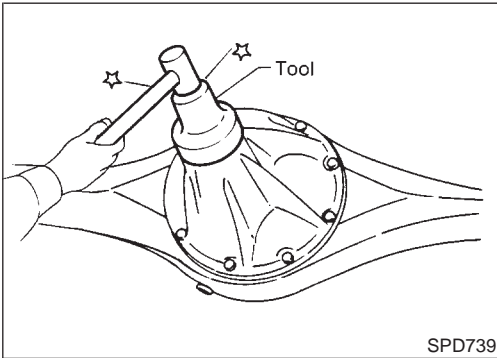


3. Remove companion flange.

On-vehicle Service (Cont'd)



4. Remove front oil seal.



5. Apply multi-purpose grease to cavity at sealing lips of oil seal. Press front oil seal into carrier.

**Tool number:**

**KV38100500 (J25273)**

6. Install companion flange and drive pinion nut.

7. Install rear propeller shaft.

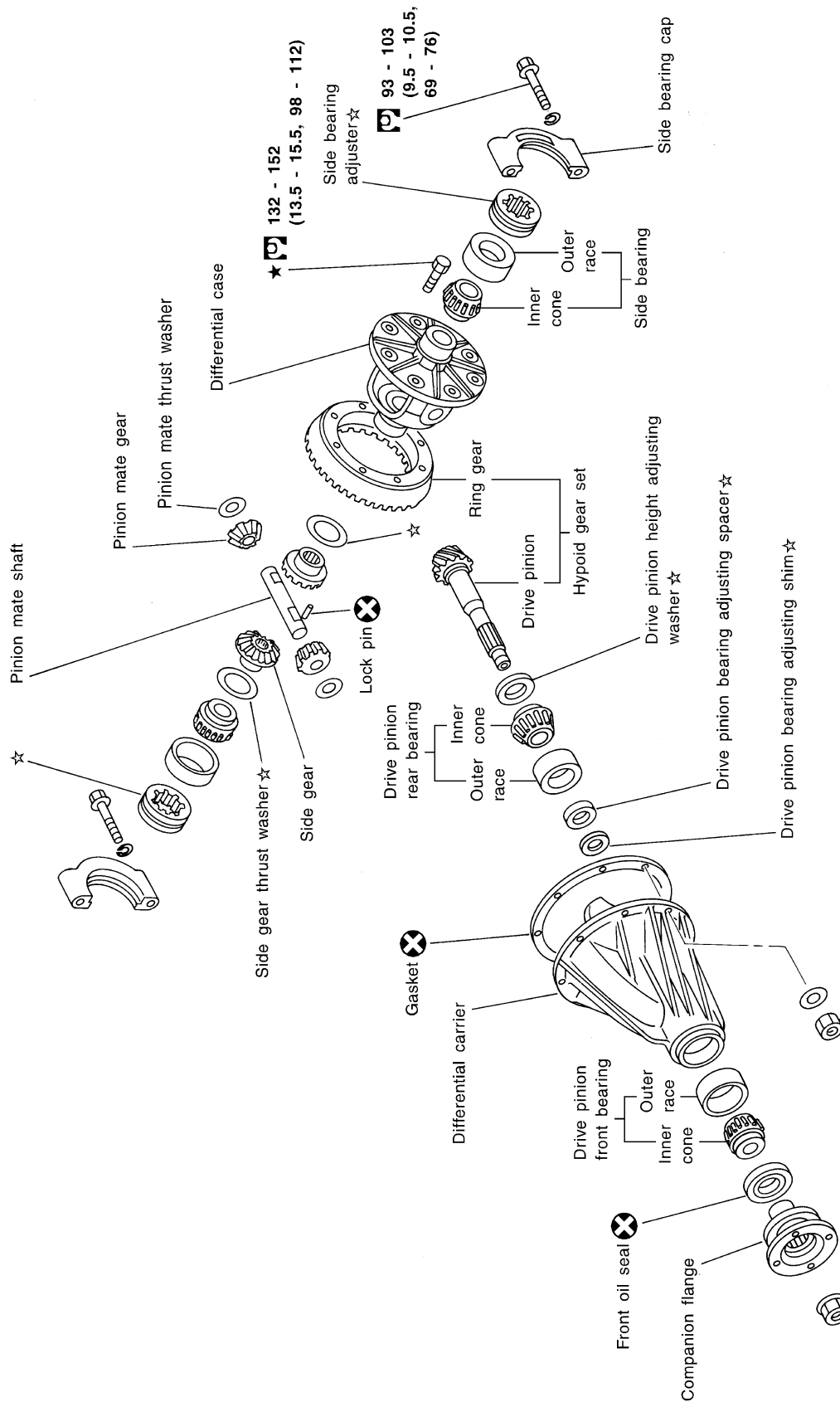
# REAR FINAL DRIVE

**H233B**

Components

NAPD0031

## Components



**P** : N•m (kg-m, ft-lb)

☆ : Adjustment is required.

★ : Apply genuine medium strength thread locking sealant or equivalent. Refer to GI section.

Apply differential oil to thread.

**P** 54 - 64 (5.5 - 6.5, 40 - 47)

**P** 148 - 196 (15 - 20, 109 - 144)

SEC. 380

- GI
- MA
- EM
- LC
- EC
- FE
- CL
- MT
- AT
- TF
- PD
- AX
- SU
- BR
- ST
- RS
- BT
- HA
- SC
- EL
- IDX

## Removal and Installation

### REMOVAL

NAPD0032

NAPD0032S01

- Remove rear of propeller shaft.  
**Plug front end of transfer.**
- Remove axle shaft.  
Refer to AX-20, "Removal".
- Remove rear final drive mounting bolts.

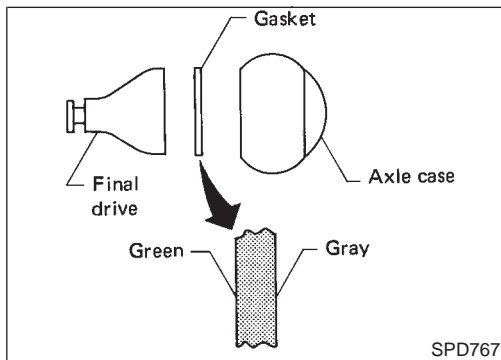
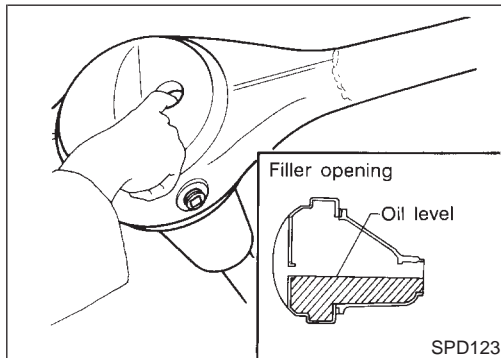
### CAUTION:

Be careful not to damage spline, sleeve yoke and front oil seal when removing propeller shaft.

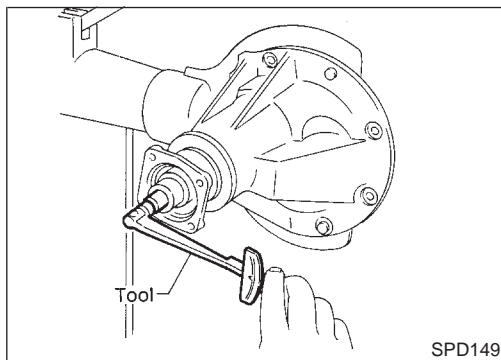
### INSTALLATION

NAPD0032S02

- Fill final drive with recommended gear oil.



- Pay attention to the direction of gasket.



### Disassembly

NAPD0033

### PRE-INSPECTION

NAPD0033S01

Before disassembling final drive, perform the following inspection.

- Total preload
  - a) Turn drive pinion in both directions several times to seat bearing rollers correctly.
  - b) Check total preload with Tool.

**Tool number: ST3127S000 (J25765-A)**

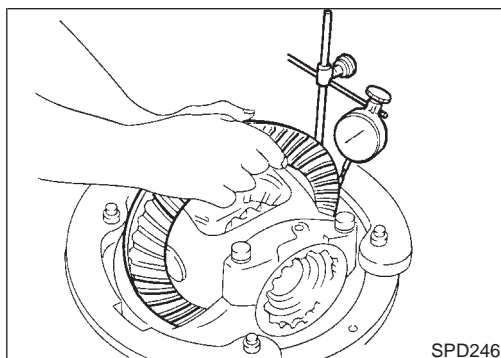
**Total preload:**

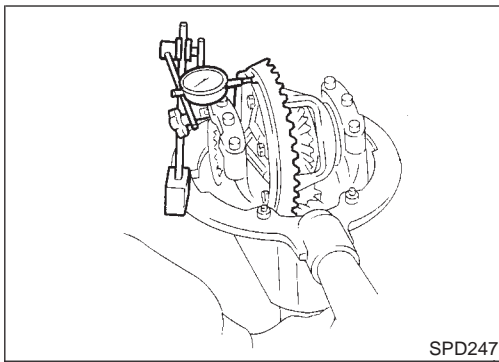
**1.2 - 2.0 N·m (12 - 20 kg-cm, 10 - 17 in-lb)**

- Ring gear to drive pinion backlash  
Check backlash of ring gear with a dial indicator at several points.

**Ring gear-to-drive pinion backlash:**

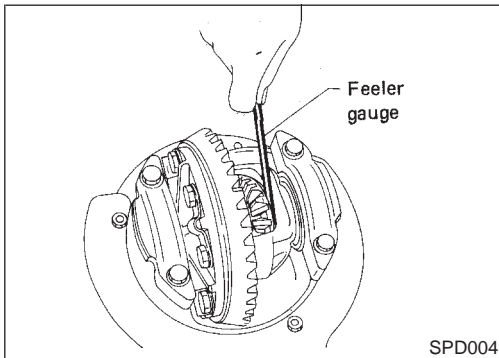
**0.13 - 0.18 mm (0.0051 - 0.0071 in)**





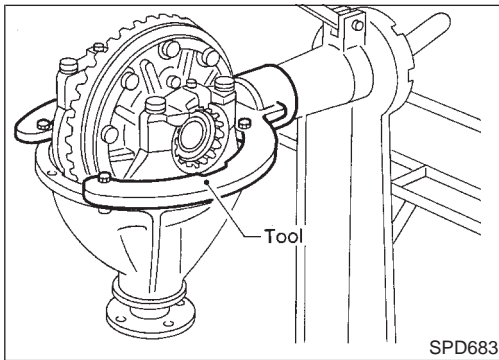
- Ring gear runout  
Check runout of ring gear with a dial indicator.

**Runout limit:**  
**0.08 mm (0.0031 in)**



- Tooth contact  
Check tooth contact. Refer to "TOOTH CONTACT", PD-57.
- Side gear to pinion mate gear backlash  
Measure clearance between side gear thrust washer and differential case with a feeler gauge.

**Clearance between side gear thrust washer and differential case:**  
**0.10 - 0.20 mm (0.0039 - 0.0079 in)**

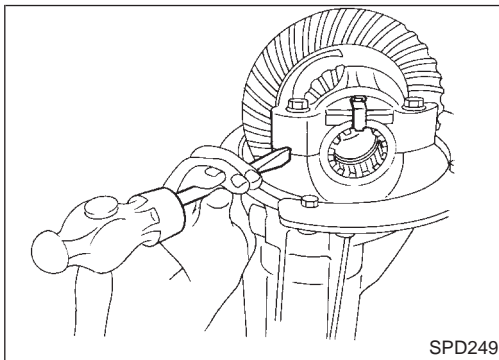


## DIFFERENTIAL CARRIER

NAPD0033S02

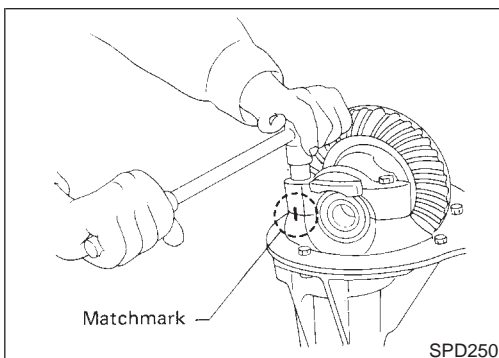
1. Mount final drive assembly on Tool.

**Tool number:**  
**ST06340000 (J24310, J34310)**



2. Put match marks on one side of side bearing cap with paint or punch to ensure that it is replaced in proper position during reassembly.

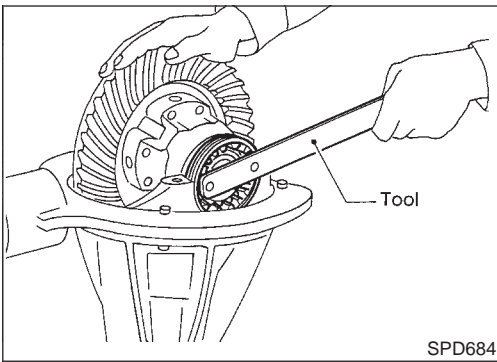
**Bearing caps are line-bored during manufacture and should be put back in their original places.**



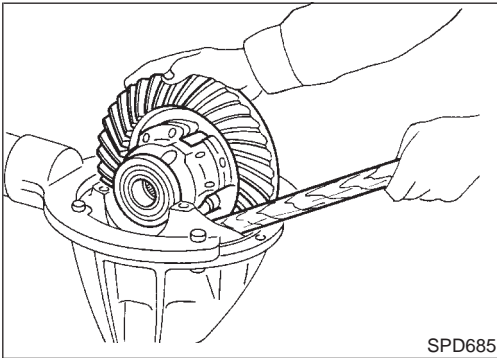
3. Remove side lock fingers and side bearing caps.

GI  
MA  
EM  
LC  
EC  
FE  
CL  
MT  
AT  
TF  
PD  
AX  
SU  
BR  
ST  
RS  
BT  
HA  
SC  
EL  
IDX

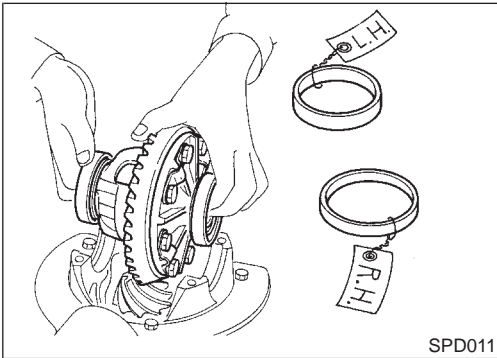
Disassembly (Cont'd)



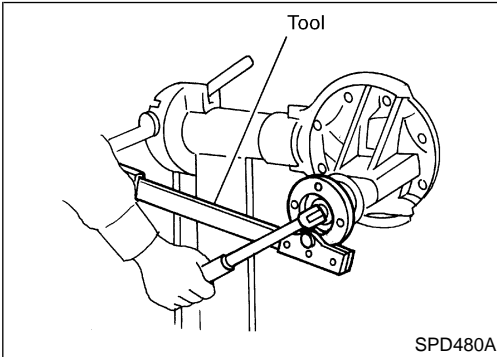
4. Remove side bearing adjuster with Tool.  
**Tool number: ST32580000 (J34312)**



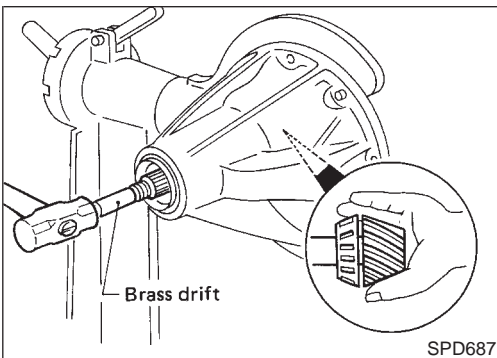
5. Remove differential case assembly with a pry bar.



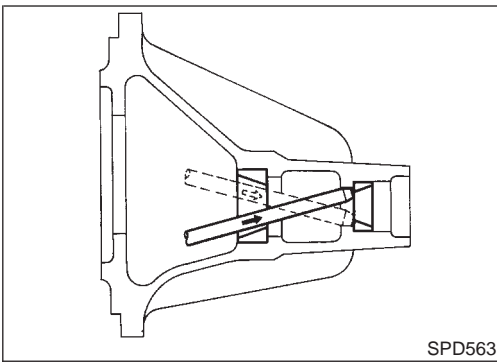
Be careful to keep the side bearing outer races together with their respective inner cones — do not mix them up.



6. Remove drive pinion nut with Tool.  
**Tool number: KV38108300 (J44195)**
7. Remove companion flange with puller.

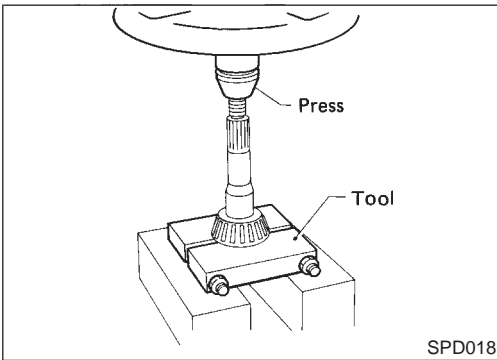


8. Take out drive pinion together with pinion rear bearing inner cone, drive pinion bearing spacer and pinion bearing adjusting shim.



9. Remove front oil seal and pinion front bearing inner cone.
10. Remove pinion bearing outer races with a brass drift.

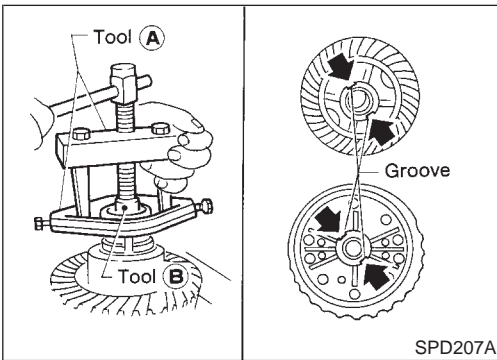
GI  
MA  
EM  
LC



11. Remove pinion rear bearing inner cone and drive pinion adjusting washer.

**Tool number: ST30031000 (J22912-01)**

EC  
FE  
CL



## DIFFERENTIAL CASE

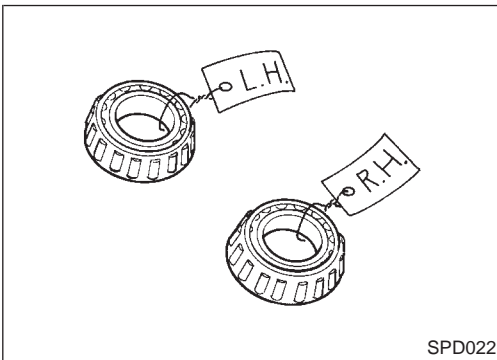
NAPD0033S03

1. Remove side bearing inner cones.  
**To prevent damage to bearing, engage puller jaws in groove.**

**Tool number:**  
**A ST33051001 (J22888-20)**  
**B ST33061000 (J8107-2)**

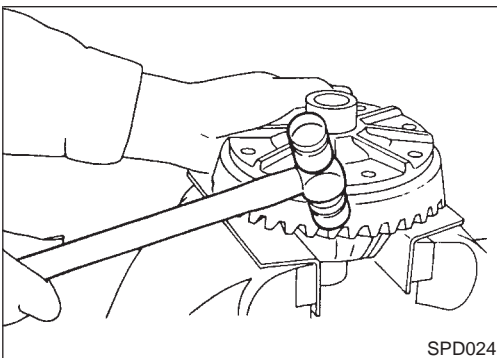
MT  
AT

TF  
**PD**



**Be careful not to confuse the left and right hand parts. Keep bearing and bearing race for each side together.**

AX  
SU



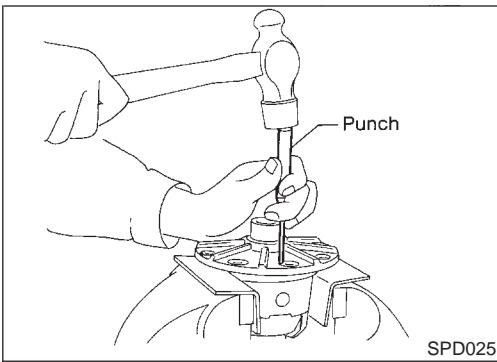
2. Loosen ring gear bolts in a criss-cross pattern.
3. Tap ring gear off differential case with a soft hammer.  
**Tap evenly all around to keep ring gear from binding.**

BR  
ST  
RS  
BT

HA  
SC

EL  
IDX

Disassembly (Cont'd)



4. Drive out pinion mate shaft lock pin, with punch from ring gear side.

Lock pin is calked at pin hole mouth on differential case.

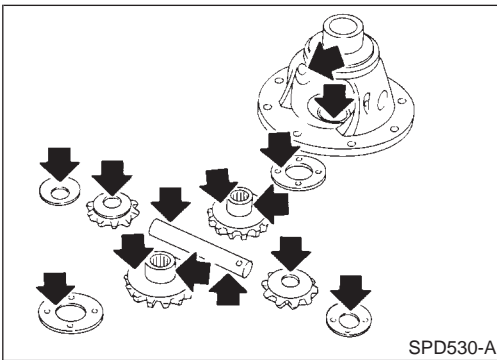
## Inspection

### RING GEAR AND DRIVE PINION

NAPD0034

NAPD0034S01

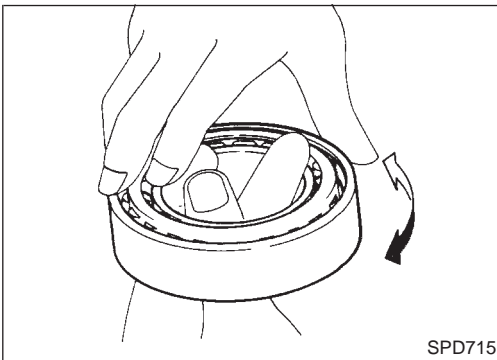
Check gear teeth for scoring, cracking or chipping. If any damaged part is evident, replace ring gear and drive pinion as a set (hypoid gear set).



### DIFFERENTIAL CASE ASSEMBLY

NAPD0034S02

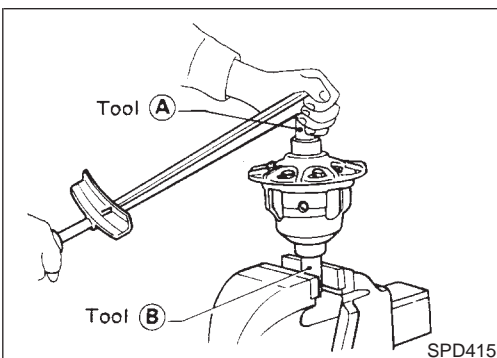
Check mating surfaces of differential case, side gears, pinion mate gears, pinion mate shaft, and thrust washers.



### BEARING

NAPD0034S03

1. Thoroughly clean bearing.
2. Check bearings for wear, scratches, pitting or flaking. Check tapered roller bearing for smooth rotation. If damaged, replace outer race and inner cone as a set.



### Limited Slip Differential PREPARATION FOR DISASSEMBLY

NAPD0035

#### Checking Differential Torque

NAPD0035S01

Measure differential torque with Tool. If it is not within the specifications, inspect components of limited slip differential.

**Differential torque:**

**88 - 108 N·m (9 - 11 kg·m, 65 - 80 ft·lb)**

**Tool number: A KV38105210 ( — )**

**Tool number: B KV38105220 ( — )**



### DISASSEMBLY


NAPD0036

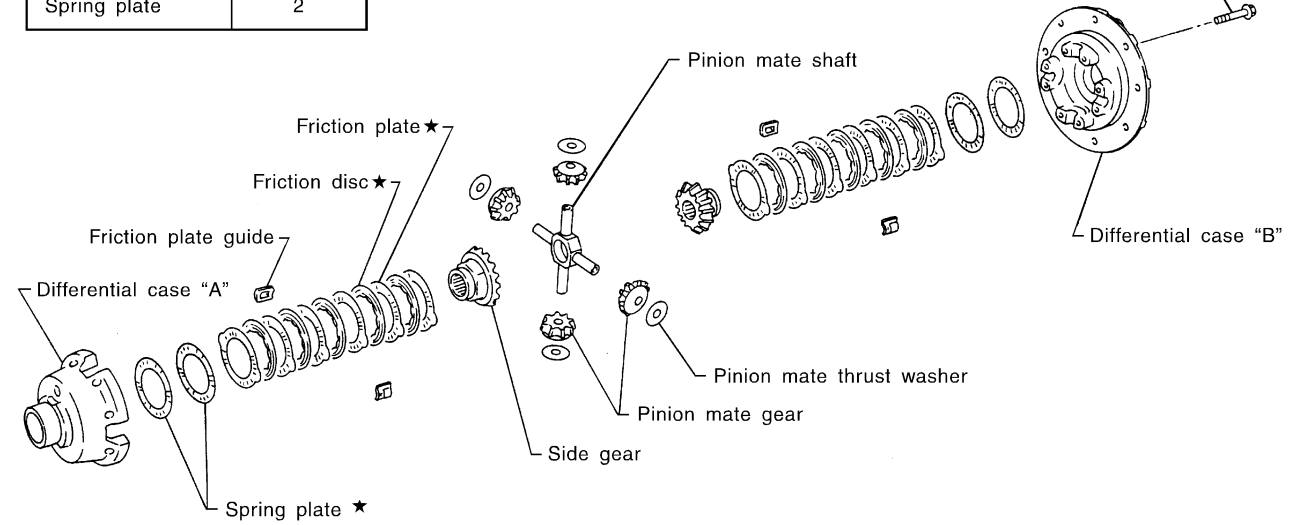
#### SEC. 380

No. of discs and plates (One side)


Model	H233B
Friction disc	2
Friction plate	9
Spring plate	2

Differential case couple bolt

 64 - 74 (6.5 - 7.5, 47 - 54)



★ : For number of discs of plates, refer to table.

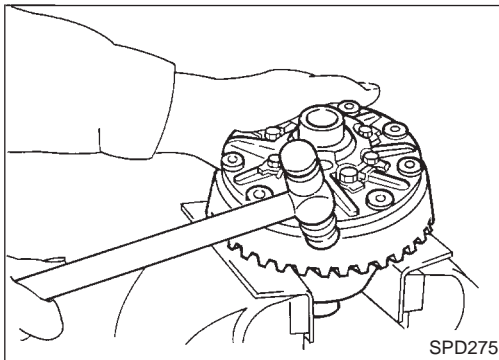
 : N·m (kg-m, ft-lb)

SPD380AA

GI  
MA  
EM  
LC  
EC  
FE  
CL  
MT  
AT  
TF  
PD  
AX  
SU  
BR  
ST  
RS  
BT  
HA  
SC  
EL  
IDX

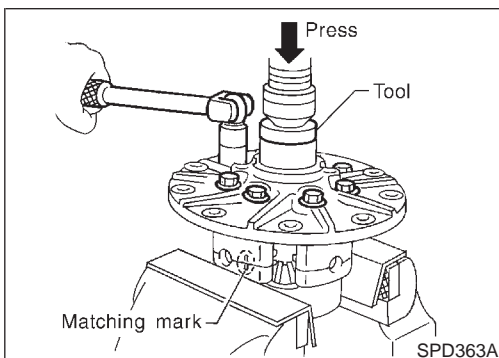
#### CAUTION:

Do not run engine when one wheel (rear) is off the ground.



SPD275

1. Remove side bearing inner cone with Tool.
2. Loosen ring gear bolts in a criss-cross pattern.
3. Tap ring gear off gear case with a soft hammer.  
**Tap evenly all around to keep ring gear from binding.**



SPD363A

4. Remove couple bolts on differential cases A and B with a press.

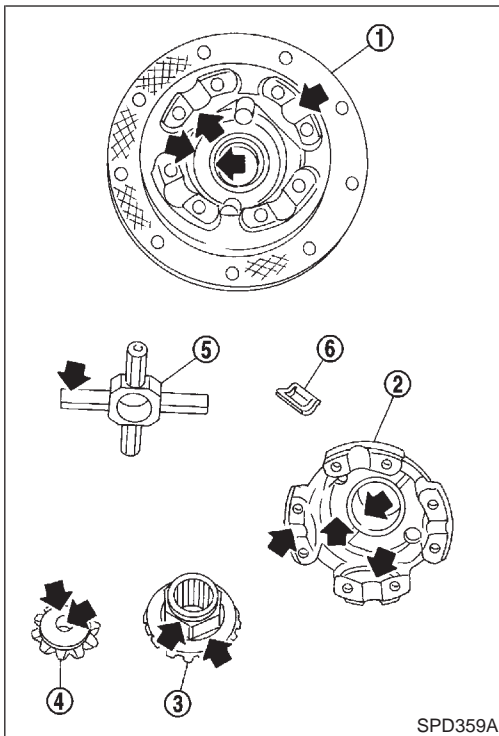
**Tool number: ST33081000 ( — )**

5. Separate differential case A and B.  
Draw out component parts (discs and plates, etc.).

**Put marks on gears and pressure rings so that they can be reinstalled in their original positions from which they were removed.**

NAPD0037

NAPD0037S01



## INSPECTION

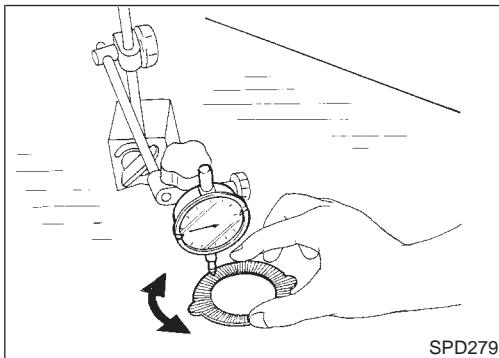
### Contact Surfaces

1. Clean the disassembled parts in suitable solvent and blow dry with compressed air.
2. If following surfaces are found with burrs or scratches, smooth with oil stone.
  - 1 Differential case B
  - 2 Differential case A
  - 3 Side gear
  - 4 Pinion mate gear
  - 5 Pinion mate shaft
  - 6 Friction plate guide

### Disc and Plate

NAPD0037S02

1. Clean the discs and plates in suitable solvent and blow dry with compressed air.
2. Inspect discs and plates for wear, nicks and burrs.

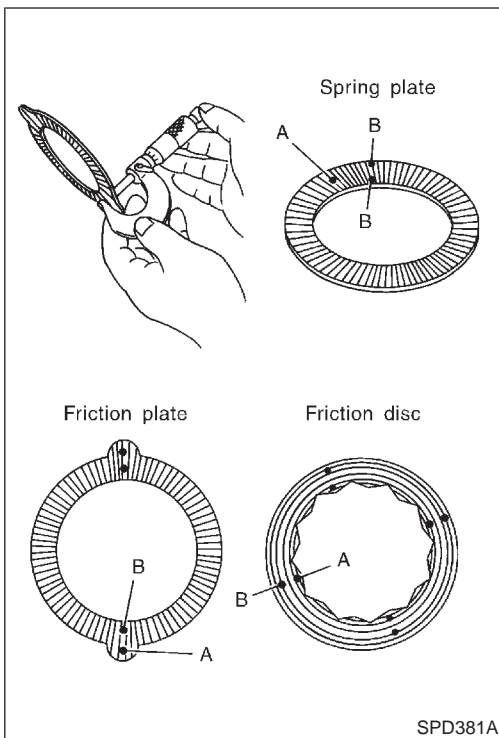


3. To test if friction disc or plate is not distorted, place it on a surface plate and rotate it by hand with indicating finger of dial gauge resting against disc or plate surface.

**Allowable warpage:**

**0.08 mm (0.0031 in)**

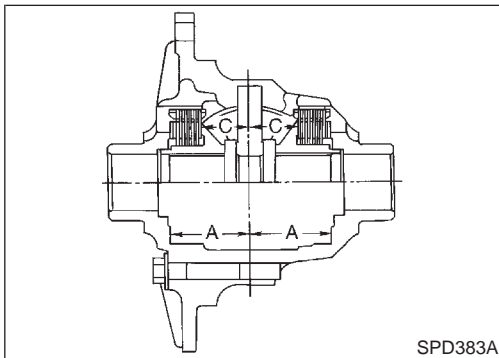
If it exceeds limits, replace with a new plate to eliminate possibility of clutch slippage or sticking.



4. Measure frictional surfaces and projected portions of friction disc, friction plate, spring plate, and determine each part's differences to see if the specified wear limit has been exceeded. If any part has worn beyond the wear limit, and deformed or fatigued, replace it with a new one that is the same thickness as the projected portion.

**Wear limit:**  
**0.1 mm (0.004 in) or less**  
 **$A - B = \text{Wear limit mm (in)}$**

- : Measuring points
- A: Projected portion
- B: Frictional surface



## ADJUSTMENT

### Friction Disc and Friction Plate End Play

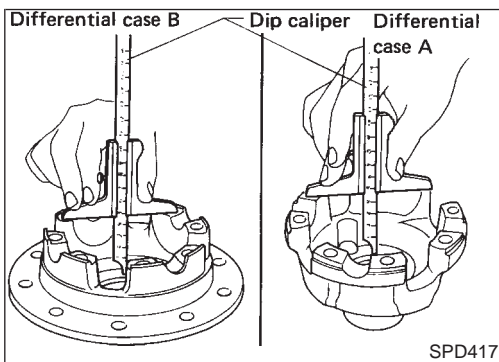
NAPD0038

NAPD0038S01

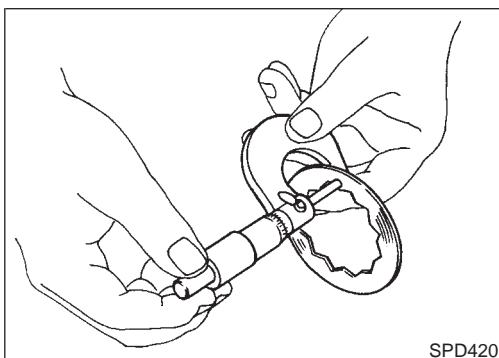
End play of friction disc and friction plate can be calculated by using following equation and should be adjusted within following range. Adjustment can be made by selecting friction disc having two different thicknesses.

**End play E:**  
**0.05 - 0.15 mm (0.0020 - 0.0059 in)**  
 **$E = A - (B + C)$**

- A: Length of differential case contact surface to differential case inner bottom.
- B: Total thickness of friction discs, friction plates, spring disc and spring plate in differential case on one side.
- C: Length of differential case contact surface to back side of side gear.



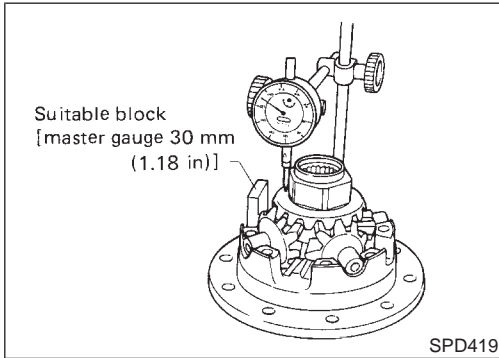
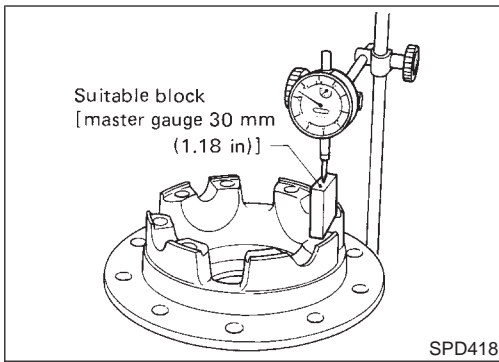
1. Measure values of "A".  
**Standard length A:**  
**49.50 - 49.55 mm (1.9488 - 1.9508 in)**



2. Measure thickness of each disc and plate.  
**Total thickness "B":**  
**19.24 - 20.26 mm (0.7575 - 0.7976 in)**

GI  
MA  
EM  
LC  
EC  
FE  
CL  
MT  
AT  
TF  
PD  
AX  
SU  
BR  
ST  
RS  
BT  
HA  
SC  
EL  
IDX

## Limited Slip Differential (Cont'd)



3. Measure values of "C".
  - a. Attach a dial indicator to the base plate.
  - b. Place differential case B on the base plate, and install a master gauge on case B.  
**Then adjust the dial indicator scale to zero with its tip on the master gauge.**

- c. Install pinion mate gears, side gears and pinion mate shaft in differential case B.
- d. Set dial indicator's tip on the side gear, and read the indication.

Example:

$$E = A - D = A - (B + C) = 0.05 \text{ to } 0.15 \text{ mm}$$

$$A = 49.52 \text{ mm}$$

$$B = 19.45 \text{ mm}$$

$$C = 29.7 \text{ mm}$$

$$D = B + C$$

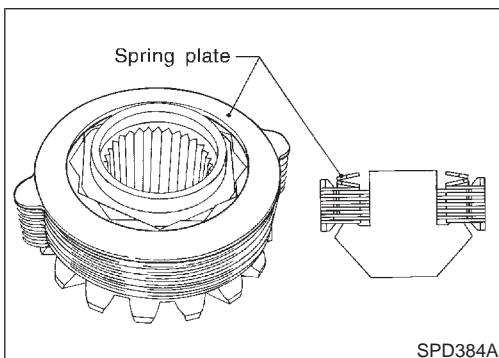
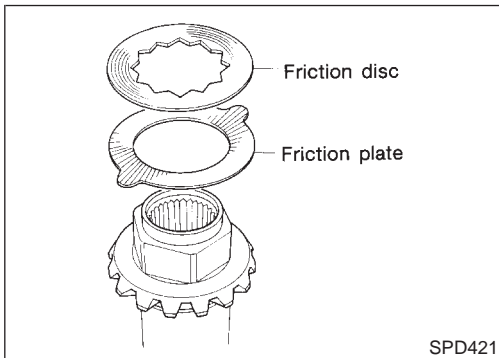
$$49.15 (D) = 19.45 (B) + 29.7 (C)$$

$$E = A - D$$

$$0.37 (E) = 49.52 (A) - 49.15 (D)$$

From the above equation, end play of 0.37 mm exceeds the specified range of 0.05 to 0.15 mm.

Select suitable discs and plates to adjust correctly.



## ASSEMBLY

NAPD0039

Prior to assembling discs and plates, properly lubricate them by dipping them in limited slip differential oil.

1. Alternately position specified number of friction plates and friction discs on rear of side gear.

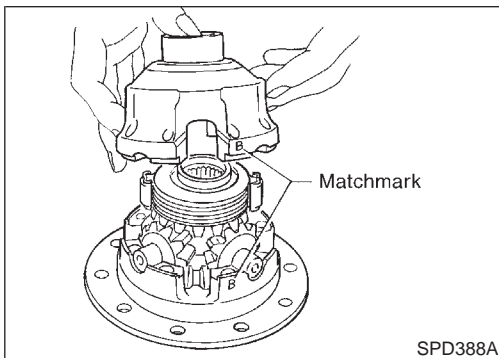
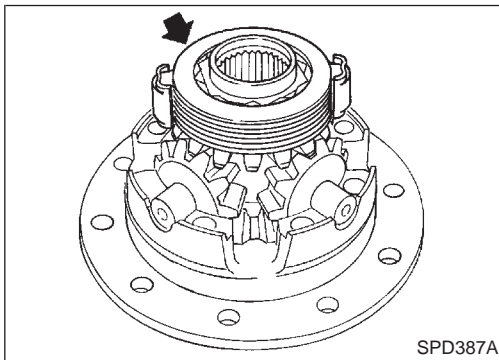
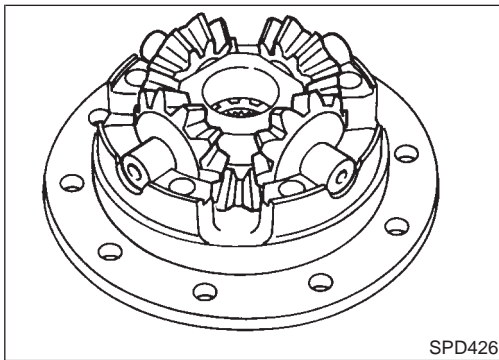
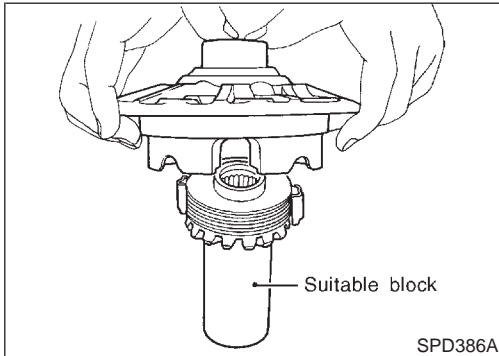
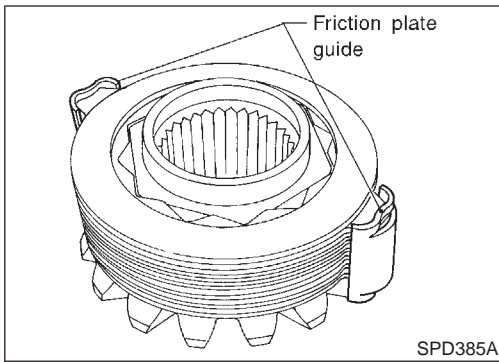
**Always position a friction plate first on rear of side gear.**

2. Install spring plate.

# REAR FINAL DRIVE

**H233B**

Limited Slip Differential (Cont'd)



3. Install friction plate guides.

**Correctly align the raised portions of friction plates, and apply grease to inner surfaces of friction plate guides to prevent them from falling.**

4. Install differential case B over side gear, discs, plates and friction plate guide assembly.

- **Install differential case B while supporting friction plate guides with your middle finger inserted through oil hole in differential case.**
- **Be careful not to detach spring disc from the hexagonal part of the side gear.**

5. Install pinion mate gears and pinion mate thrust washers on pinion mate shaft, then install pinion mate shaft in differential case B.

6. Install side gear to pinion mate gears.

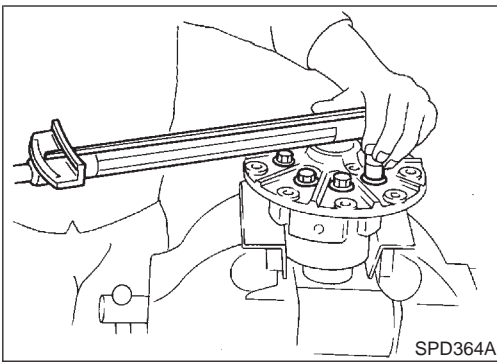
7. Install each disc and plate.

**Use same procedures as outlined in steps 1. through 4. above.**

8. Install differential case A.

**Position differential cases A and B by correctly aligning marks stamped on cases.**

GI  
MA  
EM  
LC  
EC  
FE  
CL  
MT  
AT  
TF  
PD  
AX  
SU  
BR  
ST  
RS  
BT  
HA  
SC  
EL  
IDX



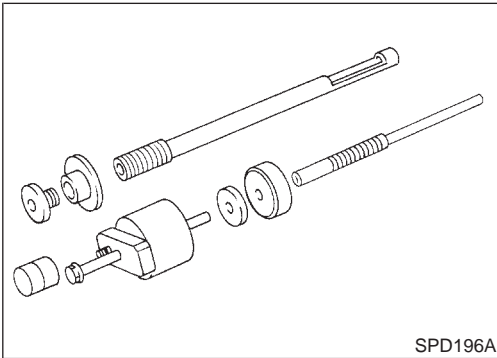
SPD364A

9. Tighten differential case couple bolts.
10. Place ring gear on differential case and tighten ring gear bolts.  
**Tighten bolts in a criss-cross pattern, lightly tapping bolt head with a hammer.**  
**Then bend up lock straps to lock the bolts in place.**
11. Install side bearing inner cone.
12. Check differential torque.

## Adjustment

For quiet and reliable final drive operation, the following five adjustments must be made correctly: NAPD0040

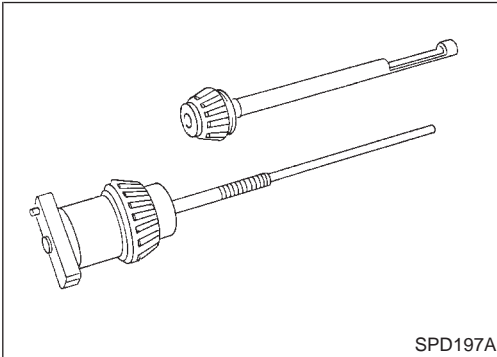
1. Side bearing preload
2. Pinion gear height
3. Side bearing preload
4. Ring gear-to-pinion backlash. Refer to SDS, PD-63.
5. Ring and pinion gear tooth contact pattern



SPD196A

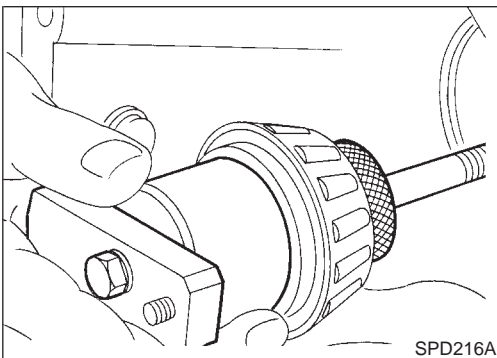
## PINION GEAR HEIGHT

1. Make sure all parts are clean and that the bearings are well lubricated. NAPD0040S01
2. Assemble the pinion gear bearings into the pinion pre-load shim selector tool, J34309.



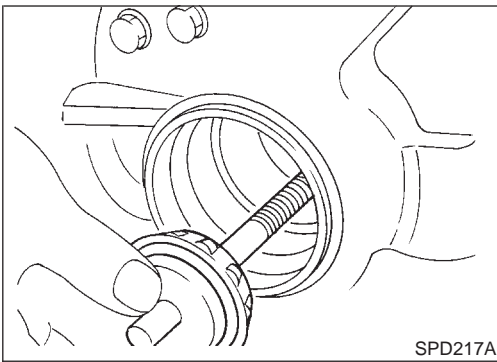
SPD197A

- **Rear Pinion Bearing** — the rear pinion bearing pilot, J34309-8, is used to center the rear pinion bearing only. The rear pinion bearing locking seat, J34309-4, is used to lock the bearing to the assembly.
- **Front Pinion Bearing** — make sure the J34309-3, front pinion bearing seat is secured tightly against the J34309-2 gauge anvil. Then turn the front pinion bearing pilot, J34309-5, to secure the bearing in its proper position.

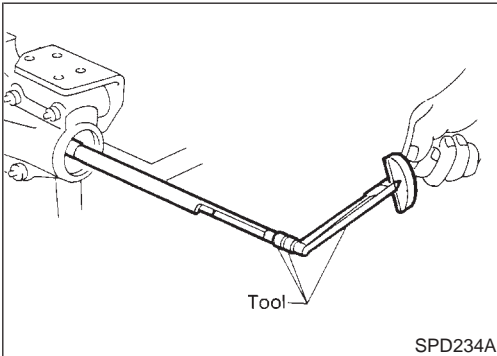


SPD216A

3. Place the pinion preload shim selector tool gauge screw assembly, J34309-1, with the pinion rear bearing inner cone installed, into the final drive housing.



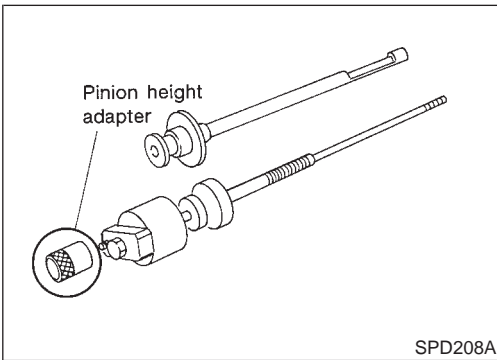
4. Install the J34309-2 gauge anvil with the front pinion bearing into the final drive housing and assemble it to the J34309-1 gauge screw. Make sure that the J34309-16 gauge plate will turn a full 360 degrees, and tighten the two sections by hand to set bearing pre-load.
5. Turn the assembly several times to seat the bearings.



6. Measure the turning torque at the end of the J34309-2 gauge anvil using torque wrench J25765A.

**Turning torque specification:**

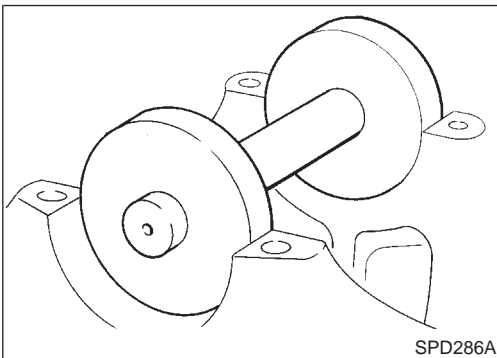
**0.4 - 0.9 N·m (4 - 9 kg·cm, 3.5 - 7.8 in·lb)**



7. Place the J34309-12 "H233B" pinion height adapter onto the gauge plate and tighten it by hand.

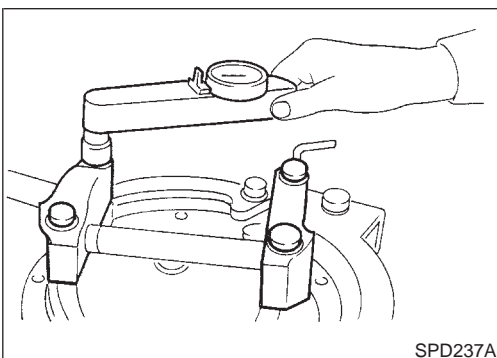
**CAUTION:**

**Make sure all machined surfaces are clean.**



**PINION HEIGHT ADJUSTING WASHER SELECTION**

8. Position the J25269-18 side bearing discs and the arbor into the side bearing bores.



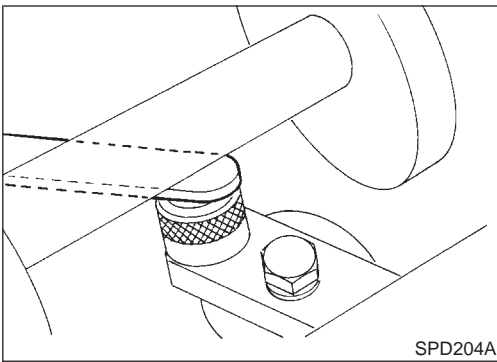
9. Install the bearing caps and torque the bolts.

**Specification:**

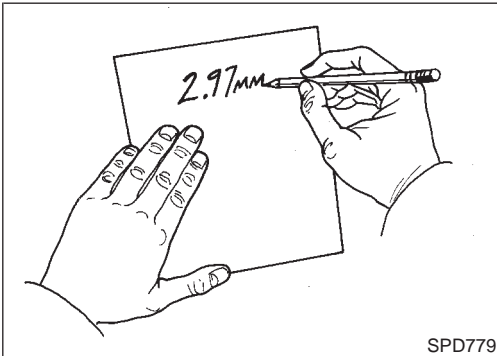
**93 - 103 N·m (9.5 - 10.5 kg·m, 69 - 76 ft·lb)**

GI  
MA  
EM  
LC  
EC  
FE  
CL  
MT  
AT  
TF  
PD  
AX  
SU  
BR  
ST  
RS  
BT  
HA  
SC  
EL  
IDX

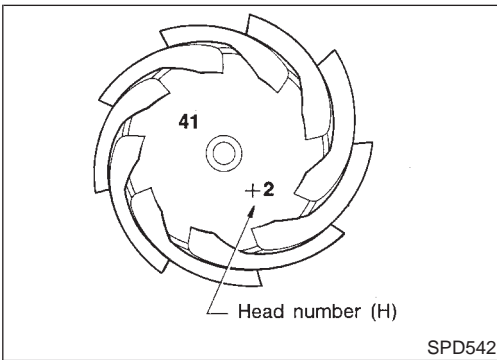
Adjustment (Cont'd)



10. Select the correct standard pinion height adjusting washer thickness using a standard gauge of 2.5, 3.0, or 3.5 mm (0.098, 0.118, or 0.138 in) and your J34309-101 feeler gauge. Measure the distance between the J34309-12 “H233B” pinion height adapter and the arbor.



11. Write down your exact total measurement.

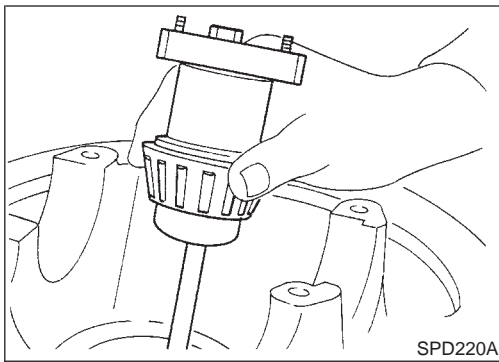


12. Correct the pinion height washer size by referring to the “pinion head height number”.

**There are two numbers painted on the pinion gear. The first one refers to the pinion and ring gear as a matched set and should be the same as the number on the ring gear. The second number is the “pinion head height number”, and it refers to the ideal pinion height from standard for the quietest operation. Use the following chart to determine the correct pinion height washer. Refer to SDS, PD-64.**

Pinion Head Height Number	Add or Remove from the Selected Standard Pinion Height Washer Thickness Measurement
-6	Add 0.06 mm (0.0024 in)
-5	Add 0.05 mm (0.0020 in)
-4	Add 0.04 mm (0.0016 in)
-3	Add 0.03 mm (0.0012 in)
-2	Add 0.02 mm (0.0008 in)
-1	Add 0.01 mm (0.0004 in)
0	Use the selected washer thickness
+1	Subtract 0.01 mm (0.0004 in)
+2	Subtract 0.02 mm (0.0008 in)
+3	Subtract 0.03 mm (0.0012 in)
+4	Subtract 0.04 mm (0.0016 in)
+5	Subtract 0.05 mm (0.0020 in)
+6	Subtract 0.06 mm (0.0024 in)





13. Remove the J34309 pinion preload shim selector tool from the final drive housing and disassemble to retrieve the pinion bearings.

GI

MA

EM

LC

EC

## TOOTH CONTACT

Gear tooth contact pattern check is necessary to verify correct relationship between ring gear and drive pinion. NAPD0040S02

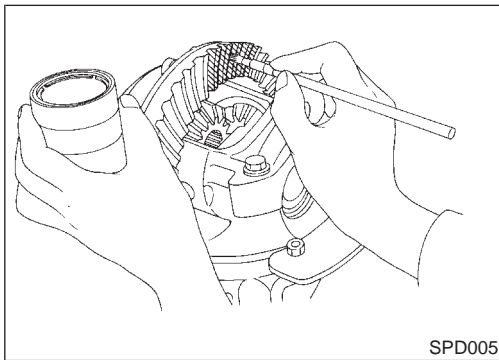
Hypoid gear sets which are not positioned properly in relation to one another may be noisy, or have short life or both. With a pattern check, the most desirable contact for low noise level and long life can be assured.

FE

CL

MT

AT



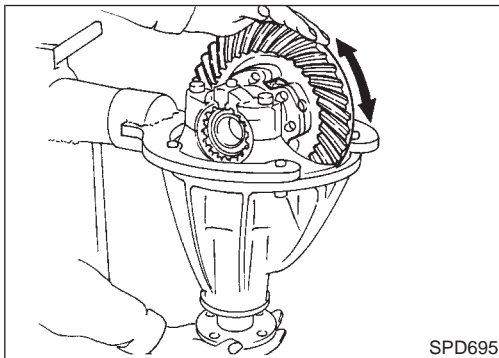
1. Thoroughly clean ring gear and drive pinion teeth.
2. Sparingly apply a mixture of powdered ferric oxide and oil or equivalent to 3 or 4 teeth of ring gear drive side.

TF

**PD**

AX

SU



3. Hold companion flange steady by hand and rotate the ring gear in both directions.

BR

ST

RS

BT

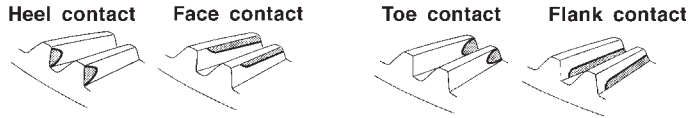
HA

SC

EL

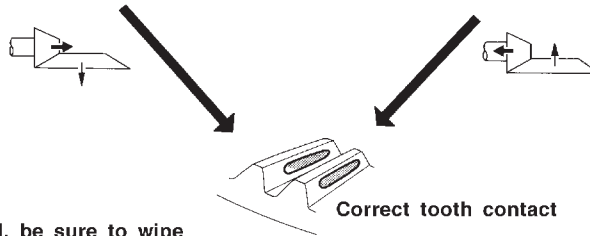
IDX

Usually the pattern will be correct if shims are correctly calculated and the backlash is correct. However, in rare cases, trial and error processes may be employed to obtain a correct pattern. The tooth pattern is the best indication of how well a differential has been set up.



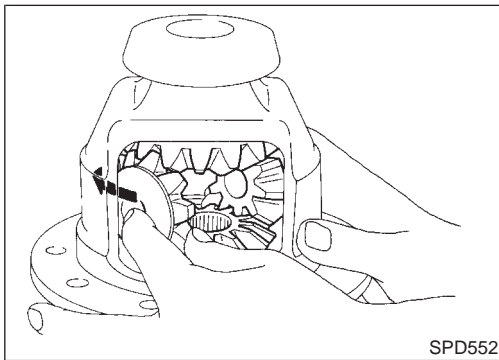
To correct, increase thickness of pinion height adjusting washer in order to bring drive pinion close to ring gear.

To correct, reduce thickness of pinion height adjusting washer in order to make drive pinion go away from ring gear.



When adjustment is completed, be sure to wipe off completely the ferric oxide and oil or their equivalent.

SPD007-B



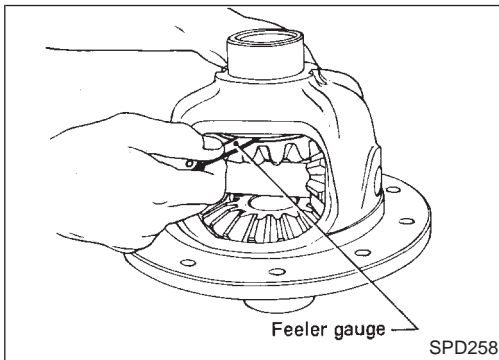
SPD552

## Assembly DIFFERENTIAL CASE

NAPD0041

NAPD0041S01

1. Install side gears, pinion mate gears and thrust washers into differential case.



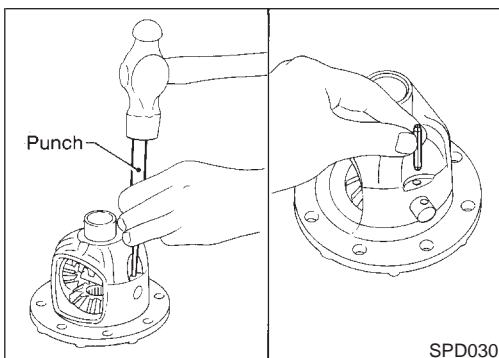
Feeler gauge

SPD258

2. Fit pinion mate shaft to differential case so that it meets lock pin holes.
3. Adjust backlash between side gear and pinion mate gear by selecting side gear thrust washer. Refer to SDS, PD-63.

**Backlash between side gear and pinion mate gear (Clearance between side gear thrust washer and differential case):**

**0.10 - 0.20 mm (0.0039 - 0.0079 in)**



Punch

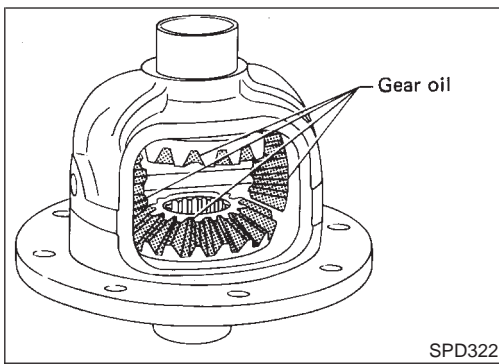
SPD030

4. Install pinion mate shaft lock pin with a punch. **Make sure lock pin is flush with case.**

# REAR FINAL DRIVE

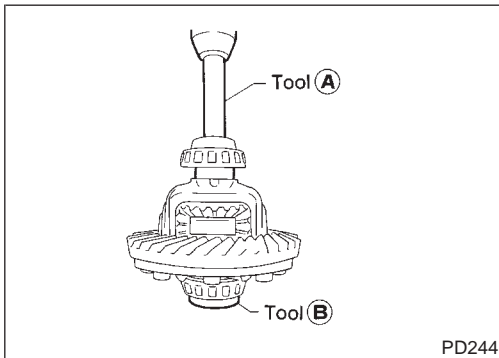
**H233B**

Assembly (Cont'd)



5. Apply gear oil to gear tooth surfaces and thrust surfaces and check to see they turn properly.
6. Install differential case assembly on ring gear.

**Tighten bolts in a criss-cross pattern, lightly tapping bolt head with a hammer.**

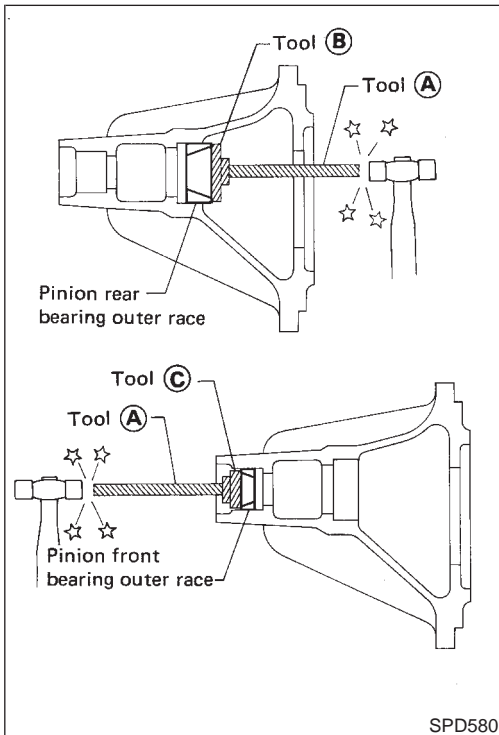


7. Press-fit side bearing inner cones on differential case with Tool.

**Tool number:**

**A ST33190000 (J25523)**

**B ST33081000 ( — )**



## DIFFERENTIAL CARRIER

NAPD0041S02

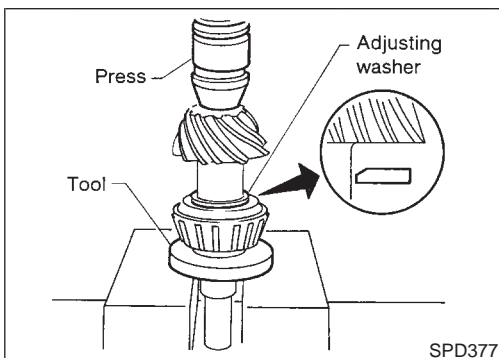
1. Press-fit front and rear bearing outer races with Tools.

**Tool number:**

**A ST30611000 (J25742-1)**

**B ST30621000 (J25742-5)**

**C ST30613000 (J25742-3)**



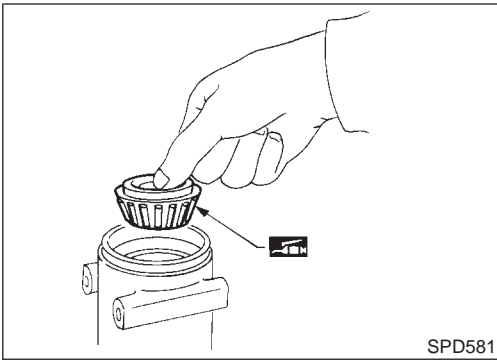
2. Select drive pinion height adjusting washer. Refer to "Adjustment", PD-54.
3. Install drive pinion adjusting washer in drive pinion, and press-fit pinion rear bearing inner cone in it, with press and Tool.

**Tool number:**

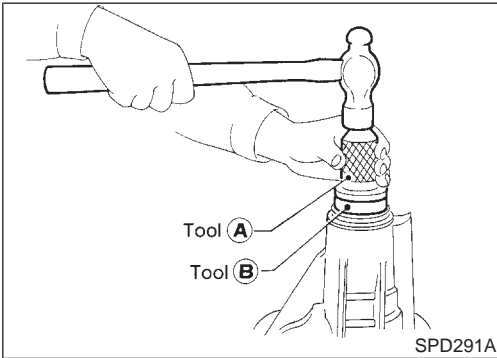
**ST30901000 (J26010-01)**

GI  
MA  
EM  
LC  
EC  
FE  
CL  
MT  
AT  
TF  
PD  
AX  
SU  
BR  
ST  
RS  
BT  
HA  
SC  
EL  
IDX

Assembly (Cont'd)



4. Place pinion front bearing inner cone in gear carrier.

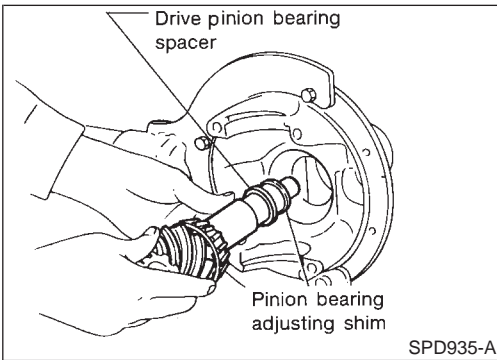


5. Apply multi-purpose grease to cavity at sealing lips of oil seal. Install front oil seal.

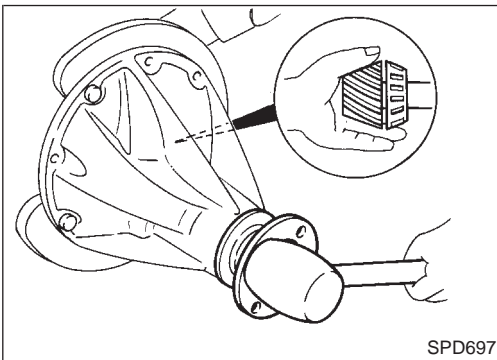
**Tool number:**

**A ST30720000 (J25405)**

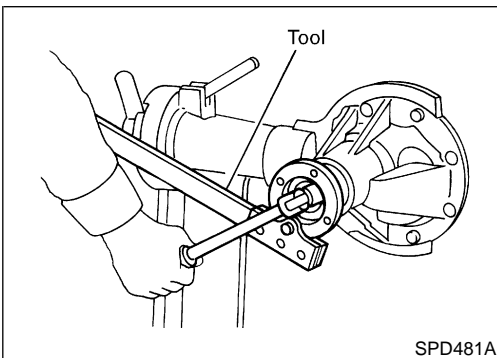
**B KV38102510 ( — )**



6. Install drive pinion bearing spacer, pinion bearing adjusting shim and drive pinion in gear carrier.



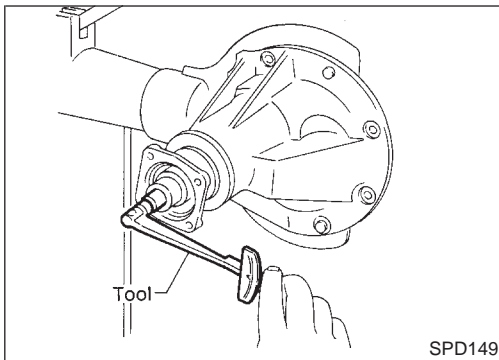
7. Insert companion flange into drive pinion by tapping the companion flange with a soft hammer.



8. Tighten pinion nut to the specified torque.

**The threaded portion of drive pinion and pinion nut should be free from oil or grease.**

**Tool number: KV38108300 (J44195)**



9. Turn drive pinion in both directions several times, and measure pinion bearing preload.

**Tool number: ST3127S000 (J25765-A)**

**Pinion bearing preload (Without front oil seal):**

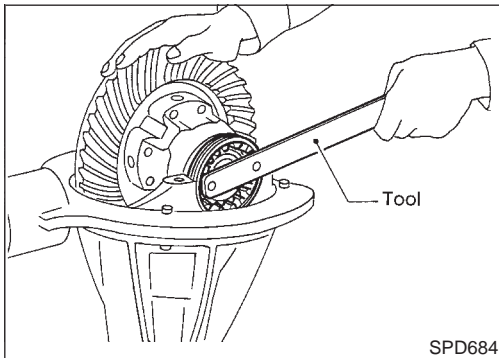
**0.12 - 0.20 N·m (1.2 - 2.0 kg-cm, 1.0 - 1.7 in-lb)**

If preload is out of specification, adjust the thickness of spacer and shim combination by replacing shim and spacer with thinner one.

- Start from the combination of thickest spacer and shim.
- Combine each spacer and shim thickness one by one until the correct specification are achieved.

**Drive pinion bearing preload adjusting spacer and shim:**

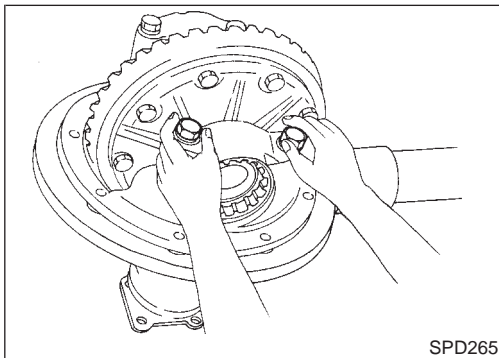
**Refer to SDS, PD-65.**



10. Install differential case assembly with side bearing outer races into gear carrier.

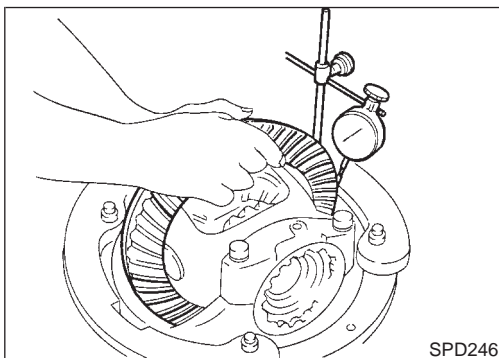
11. Position side bearing adjusters on gear carrier with threads properly engaged; screw in adjusters lightly at this stage of assembly.

**Tool number: ST32580000 (J34312)**



12. Align mark on bearing cap with that on gear carrier and install bearing cap on gear carrier.

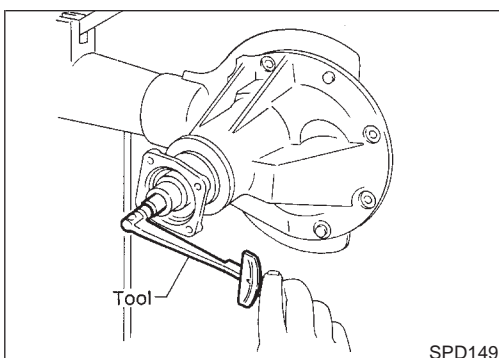
- Do not tighten at this point to allow further tightening of side bearing adjusters.



13. Tighten both right and left side bearing adjusters alternately and measure ring gear backlash and total preload at the same time. Adjust right and left side bearing adjusters by tightening them alternately so that proper ring gear backlash and total preload can be obtained.

**Ring gear-to-drive pinion backlash:**

**0.13 - 0.18 mm (0.0051 - 0.0071 in)**



- When checking preload, turn drive pinion in both directions several times to set bearing rollers.

**Tool number: ST3127S000 (J25765-A)**

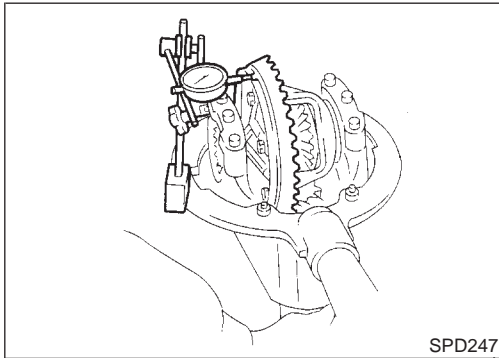
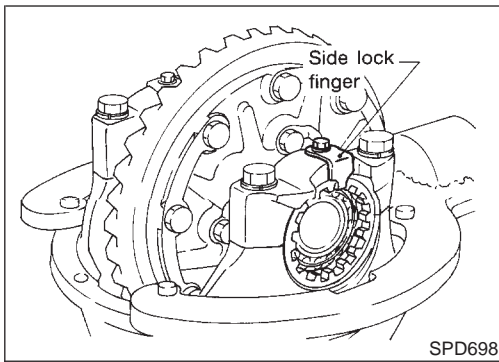
**Total preload:**

**$P_1 + [0.3 - 0.4 \text{ N·m (3 - 4 kg-cm, 2.6 - 3.5 in-lb)}]$**

**$P_1 = \text{Drive pinion preload}$**

GI  
MA  
EM  
LC  
EC  
FE  
CL  
MT  
AT  
TF  
PD  
AX  
SU  
BR  
ST  
RS  
BT  
HA  
SC  
EL  
IDX

Assembly (Cont'd)



14. Tighten side bearing cap bolts.
15. Install side lock finger in place to prevent rotation during operation.

16. Check runout of ring gear with a dial indicator.

**Runout limit: 0.08 mm (0.0031 in)**

- If backlash varies excessively in different places, the variance may have resulted from foreign matter caught between the ring gear and the differential case.
  - If the backlash varies greatly when the runout of the ring gear is within a specified range, the hypoid gear set or differential case should be replaced.
17. Check tooth contact. Refer to "TOOTH CONTACT", PD-57.

## Service Data and Specifications (SDS)

### H233B

#### General Specifications

#### 2WD Model

NAPD0042

NAPD0042S01

NAPD0042S0101

Applied model	Standard	Optional (SE grade)
Rear final drive	H233B	
	2-pinion	LSD
Gear ratio	4.363	
Number of teeth (Ring gear/drive pinion)	48/11	
Oil capacity (Approx.) ℓ (US pt, Imp pt)	2.8 (5-7/8, 4-7/8)	

#### 4WD Model

NAPD0042S0102

Applied model	All	
	Standard	Optional
Rear final drive	H233B	
	2-pinion	LSD
Gear ratio	4.363	
Number of teeth (Ring gear/drive pinion)	48/11	
Oil capacity (Approx.) ℓ (US pt, Imp pt)	2.8 (5-7/8, 4-7/8)	

#### Ring Gear Runout

NAPD0042S02

Ring gear runout limit mm (in)	0.08 (0.0031)
--------------------------------	---------------

# REAR FINAL DRIVE

**H233B**

Service Data and Specifications (SDS) (Cont'd)

## Side Gear Adjustment

NAPD0042S03

Side gear backlash (Clearance between side gear and differential case) mm (in)		0.10 - 0.20 (0.0039 - 0.0079)
Available side gear thrust washers	Thickness mm (in)	Part number*
	1.75 (0.0689)	38424-T5000
	1.80 (0.0709)	38424-T5001
	1.85 (0.0728)	38424-T5002

\*: Always check with the Parts Department for the latest parts information.

## Differential Torque Adjustment (LSD models)

NAPD0042S04

Differential torque N·m (kg-m, ft-lb)		88 - 108 (9 - 11, 65 - 80)	
Number of discs and plates (One side)	Friction disc	2	
	Friction plate	9	
	Spring plate	2	
Wear limit of plate and disc mm (in)		0.1 (0.004)	
Allowable warpage of friction disc and plate mm (in)		0.08 (0.0031)	
Available discs and plates	Friction disc	Thickness mm (in)	Part number*
		1.48 - 1.52 (0.0583 - 0.0598)	38433-C6002 (Standard type)
		1.38 - 1.42 (0.0543 - 0.0559)	38433-C6004 (Adjusting type)
	Friction plate	1.58 - 1.62 (0.0622 - 0.0638)	38433-C6003 (Adjusting type)
		1.48 - 1.52 (0.0583 - 0.0598)	38432-C6001
		1.38 - 1.42 (0.0543 - 0.0559)	38432-C6002
	Spring plate	1.58 - 1.62 (0.0622 - 0.0638)	38432-C6003
		1.48 - 1.52 (0.0583 - 0.0598)	38435-S9200

\*: Always check with the Parts Department for the latest parts information.

## Total Preload Adjustment

NAPD0042S05

Total preload N·m (kg-cm, in-lb)	$P_1 + [0.3 - 0.4 (3 - 4, 2.6 - 3.5)]$
Ring gear backlash mm (in)	0.13 - 0.18 (0.0051 - 0.0071)
Side bearing adjusting method	Side adjuster

$P_1$  = Drive pinion preload

GI  
MA  
EM  
LC  
EC  
FE  
CL  
MT  
AT  
TF  
PD  
AX  
SU  
BR  
ST  
RS  
BT  
HA  
SC  
EL  
IDX

# REAR FINAL DRIVE

H233B

*Service Data and Specifications (SDS) (Cont'd)*

## Drive Pinion Height Adjustment

NAPD0042S06

	Thickness mm (in)	Part number*
Available pinion height adjust washers	2.58 (0.1016)	38151-01J00
	2.61 (0.1028)	38151-01J01
	2.64 (0.1039)	38151-01J02
	2.67 (0.1051)	38151-01J03
	2.70 (0.1063)	38151-01J04
	2.73 (0.1075)	38151-01J05
	2.76 (0.1087)	38151-01J06
	2.79 (0.1098)	38151-01J07
	2.82 (0.1110)	38151-01J08
	2.85 (0.1122)	38151-01J09
	2.88 (0.1134)	38151-01J10
	2.91 (0.1146)	38151-01J11
	2.94 (0.1157)	38151-01J12
	2.97 (0.1169)	38151-01J13
	3.00 (0.1181)	38151-01J14
	3.03 (0.1193)	38151-01J15
	3.06 (0.1205)	38151-01J16
	3.09 (0.1217)	38151-01J17
	3.12 (0.1228)	38151-01J18
	3.15 (0.1240)	38151-01J19
	3.18 (0.1252)	38151-01J60
	3.21 (0.1264)	38151-01J61
	3.24 (0.1276)	38151-01J62
	3.27 (0.1287)	38151-01J63
	3.30 (0.1299)	38151-01J64
	3.33 (0.1311)	38151-01J65
	3.36 (0.1323)	38151-01J66
	3.39 (0.1335)	38151-01J67
	3.42 (0.1346)	38151-01J68
	3.45 (0.1358)	38151-01J69
3.48 (0.1370)	38151-01J70	
3.51 (0.1382)	38151-01J71	
3.54 (0.1394)	38151-01J72	
3.57 (0.1406)	38151-01J73	
3.60 (0.1417)	38151-01J74	
3.63 (0.1429)	38151-01J75	
3.66 (0.1441)	38151-01J76	

\*: Always check with the Parts Department for the latest parts information.



# REAR FINAL DRIVE

**H233B**

Service Data and Specifications (SDS) (Cont'd)

## Drive Pinion Preload Adjustment

NAPD0042S07

Drive pinion bearing preload adjusting method		Adjusting shim and spacer
Drive pinion preload without front oil seal N·m (kg-cm, in-lb) [P <sub>1</sub> ]		1.2 - 2.0 (12 - 20, 10 - 17)
Available front drive pinion bearing adjusting shims	Thickness mm (in)	Part number*
	2.31 (0.0909)	38125-82100
	2.33 (0.0917)	38126-82100
	2.35 (0.0925)	38127-82100
	2.37 (0.0933)	38128-82100
	2.39 (0.0941)	38129-82100
	2.41 (0.0949)	38130-82100
	2.43 (0.0957)	38131-82100
	2.45 (0.0965)	38132-82100
	2.47 (0.0972)	38133-82100
	2.49 (0.0980)	38134-82100
	2.51 (0.0988)	38135-82100
	2.53 (0.0996)	38136-82100
	2.55 (0.1004)	38137-82100
2.57 (0.1012)	38138-82100	
2.59 (0.1020)	38139-82100	
Available drive pinion bearing adjusting spacers	Thickness mm (in)	Part number*
	4.50 (0.1772)	38165-76000
	4.75 (0.1870)	38166-76000
	5.00 (0.1969)	38167-76000
	5.25 (0.2067)	38166-01J00
	5.50 (0.2165)	38166-01J10

\*: Always check with the Parts Department for the latest parts information.

GI

MA

EM

LC

EC

FE

CL

MT

AT

TF

**PD**

AX

SU

BR

ST

RS

BT

HA

SC

EL

IDX

## NOTES