

SECTION **MA**
 MAINTENANCE

A
B
C
D
E
F
G
H
I
J
K
L
M
N
O
MA

CONTENTS

PRECAUTION	3	FUEL FILTER	24
PRECAUTIONS	3	FUEL FILTER : Changing Fuel Filter	24
Precaution for Supplemental Restraint System (SRS) "AIR BAG" and "SEAT BELT PRE-TENSIONER"	3	AIR CLEANER FILTER	24
PREPARATION	4	AIR CLEANER FILTER : Exploded View	25
PREPARATION	4	AIR CLEANER FILTER : Removal and Installation	25
Special Service Tool	4	ENGINE OIL	25
Commercial Service Tool	4	ENGINE OIL : Changing Engine Oil	25
ON-VEHICLE MAINTENANCE	5	OIL FILTER	26
GENERAL MAINTENANCE	5	OIL FILTER : Removal and Installation	26
General Maintenance	5	SPARK PLUG	27
PERIODIC MAINTENANCE	9	SPARK PLUG : Exploded View	27
For North America	9	SPARK PLUG : Removal and Installation	27
For North America: Schedule 1	9	EVAP VAPOR LINES	28
For North America: Schedule 2	11	EVAP VAPOR LINES : Checking EVAP Vapor Line	28
For Mexico	13	ENGINE MAINTENANCE (VK56DE)	30
RECOMMENDED FLUIDS AND LUBRICANTS	16	DRIVE BELTS	30
For North America	16	DRIVE BELTS : Checking Drive Belts	30
For North America: Engine Oil Recommendation	17	DRIVE BELTS : Exploded View	30
For Mexico: Fluids and Lubricants	17	ENGINE COOLANT	30
For Mexico: SAE Viscosity Number	18	ENGINE COOLANT : Changing Engine Coolant	30
For Mexico: Engine Coolant Mixture Ratio	20	FUEL LINES	33
ENGINE MAINTENANCE (VQ40DE)	21	FUEL LINES : Checking Fuel Line	33
DRIVE BELTS	21	FUEL FILTER	33
DRIVE BELTS : Exploded View	21	FUEL FILTER : Changing Fuel Filter	33
DRIVE BELTS : Checking Drive Belts	21	AIR CLEANER FILTER	33
ENGINE COOLANT	21	AIR CLEANER FILTER : Exploded View	33
ENGINE COOLANT : Changing Engine Coolant	21	AIR CLEANER FILTER : Removal and Installation	33
FUEL LINES	24	ENGINE OIL	34
FUEL LINES : Checking Fuel Line	24	ENGINE OIL : Changing Engine Oil	34

OIL FILTER	34	DIFFERENTIAL GEAR OIL : Checking Differential Gear Oil	46
OIL FILTER : Removal and Installation	34	DIFFERENTIAL GEAR OIL : Changing Differential Gear Oil	46
SPARK PLUG	35	DIFFERENTIAL GEAR OIL : Rear Final Drive R230	46
SPARK PLUG : Exploded View	36	DIFFERENTIAL GEAR OIL : Checking Differential Gear Oil	46
SPARK PLUG : Removal and Installation	36	DIFFERENTIAL GEAR OIL : Changing Differential Gear Oil	47
EVAP VAPOR LINES	37	WHEELS	47
EVAP VAPOR LINES : Checking EVAP Vapor Line	37	WHEELS : Balancing Wheels	47
CHASSIS AND BODY MAINTENANCE	38	WHEELS : Rotation	49
IN-CABIN MICROFILTER	38	BRAKE FLUID LEVEL AND LEAKS	49
IN-CABIN MICROFILTER : Removal and Installation	38	BRAKE FLUID LEVEL AND LEAKS : Checking Brake Fluid Level and Leaks	49
EXHAUST SYSTEM	38	BRAKE LINES AND CABLES	49
EXHAUST SYSTEM : Checking the Exhaust System	39	BRAKE LINES AND CABLES : Checking Brake Line and Cables	49
A/T FLUID	39	DISC BRAKE	49
A/T FLUID : Checking the A/T Fluid (ATF)	39	DISC BRAKE : Checking Disc Brake	50
A/T FLUID : Changing the A/T Fluid (ATF)	41	STEERING GEAR AND LINKAGE	50
TRANSFER FLUID	42	STEERING GEAR AND LINKAGE : Checking Steering Gear and Linkage	50
TRANSFER FLUID : ATX14B	42	POWER STEERING FLUID AND LINES	51
TRANSFER FLUID : Inspection	42	POWER STEERING FLUID AND LINES : Checking Fluid Level	51
TRANSFER FLUID : Replacement	42	POWER STEERING FLUID AND LINES : Checking Fluid Leakage	51
TRANSFER FLUID : TX15B	43	AXLE AND SUSPENSION PARTS	51
TRANSFER FLUID : Inspection	43	AXLE AND SUSPENSION PARTS : Checking Axle and Suspension Parts	51
TRANSFER FLUID : Replacement	43	LOCKS, HINGES AND HOOD LATCH	52
PROPELLER SHAFT	44	LOCKS, HINGES AND HOOD LATCH : Lubricating Locks, Hinges and Hood Latches	53
PROPELLER SHAFT : Checking Propeller Shaft... ..	44	SEAT BELT, BUCKLES, RETRACTORS, ANCHORS AND ADJUSTERS	53
DIFFERENTIAL GEAR OIL	44	SEAT BELT, BUCKLES, RETRACTORS, ANCHORS AND ADJUSTERS : Checking Seat Belts, Buckles, Retractors, Anchors and Adjusters	53
DIFFERENTIAL GEAR OIL : Front Final Drive R180T	44		
DIFFERENTIAL GEAR OIL : Checking Differential Gear Oil	44		
DIFFERENTIAL GEAR OIL : Changing Differential Gear Oil	44		
DIFFERENTIAL GEAR OIL : Front Final Drive M205	45		
DIFFERENTIAL GEAR OIL : Checking Differential Gear Oil	45		
DIFFERENTIAL GEAR OIL : Changing Differential Gear Oil	45		
DIFFERENTIAL GEAR OIL : Rear Final Drive R200	46		

PRECAUTIONS

< PRECAUTION >

PRECAUTION

PRECAUTIONS

Precaution for Supplemental Restraint System (SRS) "AIR BAG" and "SEAT BELT PRE-TENSIONER"

INFOID:000000005548014

The Supplemental Restraint System such as "AIR BAG" and "SEAT BELT PRE-TENSIONER", used along with a front seat belt, helps to reduce the risk or severity of injury to the driver and front passenger for certain types of collision. This system includes seat belt switch inputs and dual stage front air bag modules. The SRS system uses the seat belt switches to determine the front air bag deployment, and may only deploy one front air bag, depending on the severity of a collision and whether the front occupants are belted or unbelted. Information necessary to service the system safely is included in the SR and SB section of this Service Manual.

WARNING:

- To avoid rendering the SRS inoperative, which could increase the risk of personal injury or death in the event of a collision which would result in air bag inflation, all maintenance must be performed by an authorized NISSAN/INFINITI dealer.
- Improper maintenance, including incorrect removal and installation of the SRS, can lead to personal injury caused by unintentional activation of the system. For removal of Spiral Cable and Air Bag Module, see the SR section.
- Do not use electrical test equipment on any circuit related to the SRS unless instructed to in this Service Manual. SRS wiring harnesses can be identified by yellow and/or orange harnesses or harness connectors.

PRECAUTIONS WHEN USING POWER TOOLS (AIR OR ELECTRIC) AND HAMMERS

WARNING:

- When working near the Airbag Diagnosis Sensor Unit or other Airbag System sensors with the Ignition ON or engine running, DO NOT use air or electric power tools or strike near the sensor(s) with a hammer. Heavy vibration could activate the sensor(s) and deploy the air bag(s), possibly causing serious injury.
- When using air or electric power tools or hammers, always switch the Ignition OFF, disconnect the battery, and wait at least 3 minutes before performing any service.

A
B
C
D
E
F
G
H
I
J
K
L
M
N
O

MA

PREPARATION

< PREPARATION >

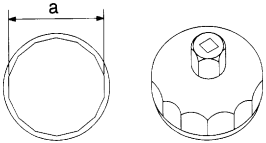
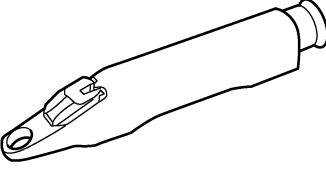
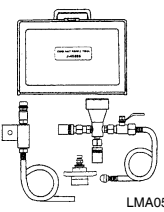
PREPARATION

PREPARATION

Special Service Tool

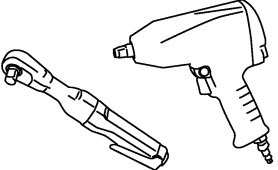
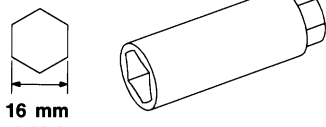
INFOID:000000005255660

The actual shapes of the Kent-Moore tools may differ from those of the special service tools illustrated here.

Tool number (Kent-Moore No.) Tool name		Description
KV10115801 (J-38956) Oil filter cap wrench	 <p style="text-align: center; font-size: small;">NT375</p>	Removing and installing oil filter a: 64.3 mm (2.531 in)
KV991J0010 (J-23688) Engine coolant refractometer	 <p style="text-align: center; font-size: small;">WBIA0539E</p>	Checking concentration of ethylene glycol in engine coolant
KV991J0070 (J-45695) Coolant refill tool	 <p style="text-align: center; font-size: small;">LMA053</p>	Filling cooling system

Commercial Service Tool

INFOID:000000005255661

Tool name		Description
Power tool	 <p style="text-align: center; font-size: small;">PBIC0190E</p>	Loosening bolts and nuts
Spark plug wrench	 <p style="text-align: center; font-size: small;">S-NT047</p>	Removing and installing spark plug

GENERAL MAINTENANCE

< ON-VEHICLE MAINTENANCE >

ON-VEHICLE MAINTENANCE

GENERAL MAINTENANCE

General Maintenance

INFOID:000000005255662

FOR NORTH AMERICA

FOR NORTH AMERICA: Explanation of General Maintenance

General maintenance includes those items which should be checked during the normal day-to-day operation of the vehicle. They are essential if the vehicle is to continue operating properly. The owner can perform these checks and inspections or have their NISSAN dealers perform them.

OUTSIDE THE VEHICLE

The maintenance items listed here should be performed from time to time, unless otherwise specified.

Item		Reference page
Tires	Check the pressure with a gauge often and always prior to a long distance trips. Adjust the pressure in all tires, including the spare, to the pressure specified. Check carefully for damage, cuts or excessive wear.	—
Wheel lug nuts	When checking the tires, make sure no nuts are missing, and check for any loose nuts. Tighten if necessary.	WT-49, "Rotation"
Windshield	Clean the windshield on a regular basis. Check the windshield at least every six months for cracks or other damage. Repair as necessary.	
Tire rotation	Tires should be rotated every 12,000 km (7,500 miles).	WT-49, "Rotation"
Tire pressure monitoring system (TPMS) transmitter components	Replace the TPMS transmitter grommet seal, valve core and cap when the tires are replaced due to wear or age.	WT-8, "System Diagram"
Wheel alignment and balance	If the vehicle pulls to either side while driving on a straight and level road, or if you detect uneven or abnormal tire wear, there may be a need for wheel alignment. If the steering wheel or seat vibrates at normal highway speeds, wheel balancing may be needed.	WT-48, "Balancing Wheels" , FSU-6, "Front Wheel Alignment"
Windshield wiper blades	Check for cracks or wear if they do not wipe properly.	—
Doors and engine hood	Check that all doors and the engine hood operate smoothly as well as the back hatch. Also make sure that all latches lock securely. Lubricate if necessary. Make sure that the secondary latch keeps the hood from opening when the primary latch is released. When driving in areas using road salt or other corrosive materials, check lubrication frequently.	MA-53, "LOCKS, HINGES AND HOOD LATCH : Lubricating Locks, Hinges and Hood Latches"
Lamps	Make sure that the head lamps, stop lamps, tail lamps, turn signal lamps, and other lamps are all operating properly and installed securely. Also check head lamp aim. Clean the head lamps on a regular basis.	EXL-145, "HEADLAMP : Aiming Adjustment"

INSIDE THE VEHICLE

The maintenance items listed here should be checked on a regular basis, such as when performing periodic maintenance, cleaning the vehicle, etc.

Item		Reference page
Warning lamps and buzzers/chimes	Make sure that all warning lamps and buzzers/chimes are operating properly.	WCS-19, "Component Function Check"
Windshield wiper and washer	Check that the wipers and washer operate properly and that the wipers do not streak.	—
Windshield defroster	Check that the air comes out of the defroster outlets properly and in sufficient quantity when operating the heater or air conditioner.	—
Steering wheel	Check that it has the specified play. Be sure to check for changes in the steering condition, such as excessive play, hard steering or strange noises. Free play: Less than 35 mm (1.38 in.)	ST-15, "On-Vehicle Inspection and Service"

GENERAL MAINTENANCE

< ON-VEHICLE MAINTENANCE >

Item		Reference page
Seats	Check seat position controls such as seat adjusters, seat back recliner, etc. to make sure they operate smoothly and that all latches lock securely in every position. Check that the head restraints move up and down smoothly and that the locks (if equipped) hold securely in all latched positions. Check that the latches lock securely for folding-down rear seat backs.	—
Seat belts	Check that all parts of the seat belt system (e.g. buckles, anchors, adjusters and retractors) operate properly and smoothly and are installed securely. Check the belt webbing for cuts, fraying, wear or damage.	SB-9, "Seat Belt Inspection" , MA-53, "SEAT BELT, BUCKLES, RETRACTORS, ANCHORS AND ADJUSTERS : Checking Seat Belts, Buckles, Retractors, Anchors and Adjusters"
Accelerator pedal	Check the pedal for smooth operation. Keep the floor mats away from the pedal.	—
Brakes	Check that the brake does not pull the vehicle to one side when applied.	—
Brake pedal and booster	Check the pedal for smooth operation and make sure it has the proper distance under it when depressed fully. Check the brake booster function. Keep the floor mats away from the pedal.	BR-17, "Inspection and Adjustment - Standard Pedal" , BR-18, "Inspection and Adjustment - Adjustable Pedal" , BR-10, "Inspection"
Parking brake	Check that the parking brake control has the proper travel and make sure that the vehicle is held securely on a fairly steep hill when only the parking brake is applied.	PB-5, "On-Vehicle Service"
Automatic transmission "Park" mechanism	On a fairly steep hill check that the vehicle is held securely with the selector lever in the P position without applying the brakes.	—

UNDER THE HOOD AND VEHICLE

The maintenance items listed here should be checked periodically (e.g. each time you check the engine oil or refuel).

Item		Reference page
Windshield washer fluid	Check that there is adequate fluid in the tank.	—
Engine coolant level	Check the coolant level when the engine is cold.	CO-11 (VQ40DE) CO-39 (VK56DE)
Radiator and hoses	Check the front of the radiator and clean off any dirt, insects, leaves, etc., that may have accumulated. Make sure the hoses have no cracks, deformation, deterioration or loose connections.	—
Brake fluid level	Make sure that the brake fluid level is between the "MAX" and "MIN" lines on the reservoirs	MA-49
Battery	Check the fluid level in each cell. It should be between the "MAX" and "MIN" lines. Vehicles operated in high temperatures or under severe conditions require frequent checks of the battery fluid level.	—
Engine drive belt	Make sure that no belt is frayed, worn, cracked or oily.	MA-21 (VQ40DE) EM-149 (VK56DE)
Engine oil level	Check the level on the dipstick after parking the vehicle on a level spot and turning off the engine.	LU-8 (VQ40DE) LU-24 (VK56DE)
Automatic transmission fluid level	Check the level on the dipstick after putting the selector lever in "P" with the engine idling.	MA-39
Power steering fluid level and lines	Check the level on the reservoir with the engine off. Check the lines for improper attachment, leaks, cracks, etc.	MA-51
Exhaust system	Make sure there are no loose supports, cracks or holes. If the sound of the exhaust seems unusual or there is a smell of exhaust fumes, immediately locate the trouble and correct it.	MA-39

GENERAL MAINTENANCE

< ON-VEHICLE MAINTENANCE >

Item		Reference page	
Underbody	The underbody is frequently exposed to corrosive substances such as those used on icy roads or to control dust. It is very important to remove these substances, otherwise rust will form on the floor pan, frame, fuel lines and around the exhaust system. At the end of winter, the underbody should be thoroughly flushed with plain water, being careful to clean those areas where mud and dirt can easily accumulate.	—	A B
Fluid leaks	Check under the vehicle for fuel, oil, water or other fluid leaks after the vehicle has been parked for a while. Water dripping from the air conditioner after use is normal. If you should notice any leaks or gasoline fumes are evident, check for the cause and correct it immediately.	—	C D

FOR MEXICO

FOR MEXICO: Explanation of General Maintenance

General maintenance includes those items which should be checked during the normal day-to-day operation of the vehicle. They are essential if the vehicle is to continue operating properly. The owner can perform these checks and inspections or have their NISSAN dealers perform them.

OUTSIDE THE VEHICLE

The maintenance items listed here should be performed from time to time, unless otherwise specified.

Item		Reference page	
Tires	Check the pressure with a gauge at least once a month and always prior to a long distance trip. Adjust to the specified pressure if necessary. Check carefully for damage, cuts or excessive wear.	—	E F G
Windshield wiper blades	Check for cracks or wear if they do not wipe properly.	—	H
Doors and engine hood	Check that all doors and the engine hood operate smoothly as well as the back hatch. Also make sure that all latches lock securely. Lubricate if necessary. Make sure that the secondary latch keeps the hood from opening when the primary latch is released. When driving in areas using road salt or other corrosive materials, check lubrication frequently.	MA-53. "LOCKS, HINGES AND HOOD LATCH : Lubricating Locks, Hinges and Hood Latches"	I J
Tire rotation	Tires should be rotated every 10,000 km (6,000 miles) for 2WD models and every 5,000 km (3,000 mi) for 4WD models.	WT-49. "Rotation"	

INSIDE THE VEHICLE

The maintenance items listed here should be checked on a regular basis, such as when performing periodic maintenance, cleaning the vehicle, etc.

Item		Reference page	
Lamps	Make sure that the headlamps, stop lamps, tail lamps, turn signal lamps, and other lamps are all operating properly and installed securely. Also check headlamp aim.	EXL-145. "HEADLAMP : Aiming Adjustment"	K L
Warning lamps and chimes	Make sure that all warning lamps and chimes are operating properly.	MWI-32. "Component Function Check" Fuel level sensor or MWI-35. "Component Function Check" Oil pressure switch.	M N
Steering wheel	Check that it has the specified play. Be sure to check for changes in the steering condition, such as excessive play, hard steering or strange noises. Free play: Less than 35 mm (1.38 in)	ST-15. "On-Vehicle Inspection and Service"	O
Seat belts	Check that all parts of the seat belt system (e.g. buckles, anchors, adjusters and retractors) operate properly and smoothly, and are installed securely. Check the belt webbing for cuts, fraying, wear or damage.	SB-9. "Seat Belt Inspection", MA-53. "SEAT BELT, BUCKLES, RETRACTORS, ANCHORS AND ADJUSTERS : Checking Seat Belts, Buckles, Retractors, Anchors and Adjusters"	MA

UNDER THE HOOD AND VEHICLE

The maintenance items listed here should be checked periodically (e.g. each time you check the engine oil or refuel).

GENERAL MAINTENANCE

< ON-VEHICLE MAINTENANCE >

Item		Reference page
Windshield washer fluid	Check that there is adequate fluid in the tank.	—
Engine coolant level	Check the coolant level when the engine is cold.	CO-11, "System Inspection"
Engine oil level	Check the level after parking the vehicle (on level ground) and turning off the engine.	LU-8, "Inspection" .
Brake fluid level	Make sure that the brake fluid level is between the "MAX" and "MIN" lines on the reservoirs.	BR-20, "On Board Inspection" .
Battery	Check the fluid level in each cell. It should be between the "MAX" and "MIN" lines.	—

PERIODIC MAINTENANCE

< ON-VEHICLE MAINTENANCE >

PERIODIC MAINTENANCE

For North America

INFOID:000000005255663

FOR NORTH AMERICA: Introduction of Periodic Maintenance

Two different maintenance schedules are provided, and should be used, depending upon the conditions in which the vehicle is mainly operated. **After 60,000 miles (96,000 km) or 48 months, continue the periodic maintenance at the same mileage or time intervals, whichever comes first.**

Schedule 1	Follow Periodic Maintenance Schedule 1 if your driving habits frequently includes one or more of the following driving conditions: <ul style="list-style-type: none"> • Repeated short trips of less than 5 miles (8 km). • Repeated short trips of less than 10 miles (16 km) with outside temperatures remaining below freezing. • Operating in hot weather in stop-and-go "rush hour" traffic. • Extensive idling and/or low speed driving for long distances, such as police, taxi or door-to-door delivery use. • Driving in dusty conditions. • Driving on rough, muddy, or salt spread roads. • Towing a trailer or using a car-top carrier. 	Emission Control System Maintenance	MA-9
		Chassis and Body Maintenance	MA-9
Schedule 2	Follow Periodic Maintenance Schedule 2 if none of the driving conditions shown in Schedule 1 apply to the driving habits.	Emission Control System Maintenance	MA-9
		Chassis and Body Maintenance	MA-9

Maintenance for off-road driving (4WD only)

After driving the vehicle off-road through sand, mud, or water; more frequent maintenance may be required for the following items:

- ▲ Brake pads and rotors
- ▲ Brake lines and hoses
- ▲ Rear final drive oil, transmission fluid, and transfer fluid
- ▲ Steering linkage
- ▲ Drive shafts
- ▲ Engine air cleaner filter
- ▲ In-cabin microfilters

For North America: Schedule 1

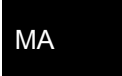
INFOID:000000005255664

EMISSION CONTROL SYSTEM MAINTENANCE

Abbreviations: R = Replace. I = Inspect. Correct or replace if necessary. []: At the mileage intervals only

MAINTENANCE OPERATION		MAINTENANCE INTERVAL								Reference Section - Page or - Content Title
		3.75 (6) 3	7.50 (12) 6	11.25 (18) 9	15 (24) 12	18.7 5 (30) 15	22.5 (36) 18	26.2 5 (42) 21	30 (48) 24	
Perform at number of miles, kilometers or months, whichever comes first.	Miles x 1,000 (km x 1,000) Months									
Drive belts	NOTE (1)									MA-21 (VQ40DE) MA-30 (VK56DE)
Air cleaner filter	NOTE (2)								[R]	MA-25 (VQ40DE) MA-33 (VK56DE)
EVAP vapor lines									I*	MA-37 (VQ40DE) MA-37 (VK56DE)
Fuel lines									I*	MA-24 (VQ40DE) MA-33 (VK56DE)
Fuel filter	NOTE (3)									—
Engine coolant	NOTE (4)									MA-21 (VQ40DE) MA-30 (VK56DE)
Engine oil		R	R	R	R	R	R	R	R	MA-25 (VQ40DE) MA-34 (VK56DE)

A
B
C
D
E
F
G
H
I
J
K
L
M
N
O



PERIODIC MAINTENANCE

< ON-VEHICLE MAINTENANCE >

MAINTENANCE OPERATION		MAINTENANCE INTERVAL								Reference Section - Page or - Content Title
Perform at number of miles, kilometers or months, which- ever comes first.	Miles x 1,000 (km x 1,000) Months	3.75 (6) 3	7.50 (12) 6	11.25 (18) 9	15 (24) 12	18.7 5 (30) 15	22.5 (36) 18	26.2 5 (42) 21	30 (48) 24	
Engine oil filter		R	R	R	R	R	R	R	R	MA-26 (VQ40DE) MA-34 (VK56DE)
Spark plugs (IRIDIUM- TIPPED type)		Replace every 105,000 miles (169,000 km).								MA-27 (VQ40DE) MA-36 (VK56DE)
Intake and exhaust valve clearance*	NOTE (5)									EM-128 (VQ40DE) EM-244 (VK56DE)

MAINTENANCE OPERATION		MAINTENANCE INTERVAL								Reference Section - Page or - Content Title
Perform at number of miles, kilometers or months, which- ever comes first.	Miles x 1,000 (km x 1,000) Months	33.75 (54) 27	37.5 (60) 30	41.2 5 (66) 33	45 (72) 36	48.7 5 (78) 39	52.5 (84) 42	56.2 5 (90) 45	60 (96) 48	
Drive belts	NOTE (1)								I*	MA-21 (VQ40DE) MA-30 (VK56DE)
Air cleaner filter	NOTE (2)								[R]	MA-25 (VQ40DE) MA-33 (VK56DE)
EVAP vapor lines									I*	MA-37 (VQ40DE) MA-37 (VK56DE)
Fuel lines									I*	MA-24 (VQ40DE) MA-33 (VK56DE)
Fuel filter	NOTE (3)									—
Engine coolant	NOTE (4)								R*	MA-21 (VQ40DE) MA-30 (VK56DE)
Engine oil		R	R	R	R	R	R	R	R	MA-25 (VQ40DE) MA-34 (VK56DE)
Engine oil filter		R	R	R	R	R	R	R	R	MA-26 (VQ40DE) MA-34 (VK56DE)
Spark plugs (IRIDIUM- TIPPED type)		Replace every 105,000 miles (169,000 km).								MA-27 (VQ40DE) MA-36 (VK56DE)
Intake and exhaust valve clearance*	NOTE (5)									EM-128 (VQ40DE) EM-244 (VK56DE)

NOTE:

- (1) After 60,000 miles (96,000 km) or 48 months, inspect every 15,000 miles (24,000 km) or 12 months. Replace the drive belts if found damaged, or if the auto tensioner reading reaches the maximum limit.
- (2) If operating mainly in dusty conditions, more frequent maintenance may be required.
- (3) Maintenance-free item. For service procedures, go to the FL section.
- (4) After 60,000 miles (96,000 km) or 48 months, replace every 30,000 miles (48,000 km) or 24 months.
- (5) Periodic maintenance is not required. However, if valve noise increases, inspect valve clearance.

* Maintenance items and intervals with "*" are recommended by NISSAN for reliable vehicle operation. The owner need not perform such maintenance in order to maintain the emission warranty or manufacturer recall liability. Other maintenance items and intervals are required.

CHASSIS AND BODY MAINTENANCE

PERIODIC MAINTENANCE

< ON-VEHICLE MAINTENANCE >

Abbreviations: R = Replace. I = Inspect. Correct or replace if necessary. L = Lubricate. []: At the mileage intervals only.

MAINTENANCE OPERATION		MAINTENANCE INTERVAL								Reference Section - Page or - Content Title
	Miles x 1,000 (km x 1,000) Months	3.75 (6) 3	7.5 (12) 6	11.25 (18) 9	15 (24) 12	18.75 (30) 15	22.5 (36) 18	26.25 (42) 21	30 (48) 24	
Perform at number of miles, kilometers or months, whichever comes first.										
Brake lines and cables					I				I	MA-49
Brake pads and rotors			I		I		I		I	MA-50
Automatic transmission fluid	NOTE (1)				I				I	MA-39
Transfer fluid and front final drive oil	NOTE (1)				I				I	MA-44, MA-43, MA-45
Rear final drive oil	NOTE (1)				I				I	MA-46, MA-46
Steering gear, linkage, axle, and suspension parts			I		I		I		I	MA-50, MA-51
Tire rotation	NOTE (2)									MA-49
Drive shaft boots and propeller shaft (4WD)			I		I		I		I	MA-44
Exhaust system			I		I		I		I	MA-39
In-cabin microfilter					R				R	MA-38

MAINTENANCE OPERATION		MAINTENANCE INTERVAL								Reference Section - Page or - Content Title
	Miles x 1,000 (km x 1,000) Months	33.75 (54) 27	37.5 (60) 30	41.25 (66) 33	45 (72) 36	48.75 (78) 39	52.5 (84) 42	56.25 (90) 45	60 (96) 48	
Perform at number of miles, kilometers or months, whichever comes first.										
Brake lines and cables					I				I	MA-49
Brake pads and rotors			I		I		I		I	MA-50
Automatic transmission fluid	NOTE (1)				I				I	MA-39
Transfer fluid and front final drive oil	NOTE (1)				I				I	MA-42, MA-43, MA-45
Rear final drive oil	NOTE (1)				I				I	MA-46, MA-46
Steering gear, linkage, axle, and suspension parts			I		I		I		I	MA-50, MA-51
Tire Rotation	NOTE (2)									MA-49
Drive shaft boots and propeller shaft (4WD)			I		I		I		I	MA-44
Exhaust system			I		I		I		I	MA-39
In-cabin microfilter					R				R	MA-38

NOTE:

(1) If towing a trailer, or using a car-top carrier, or driving on rough or muddy roads, change (not just inspect) oil at every 30,000 miles (48,000 km) or 24 months.

(2) Refer to "Tire rotation" under the "General maintenance" heading earlier in this section.

For North America: Schedule 2

INFOID:000000005255665

EMISSION CONTROL SYSTEM MAINTENANCE

PERIODIC MAINTENANCE

< ON-VEHICLE MAINTENANCE >

Abbreviations: R = Replace. I = Inspect. Correct or replace if necessary. []: At the mileage intervals only

MAINTENANCE OPERATION		MAINTENANCE INTERVAL								Reference Section - Page or - Content Title	
		Miles x 1,000 (km x 1,000) Months	7.5 (12) 6	15 (24) 12	22.5 (36) 18	30 (48) 24	37.5 (60) 30	45 (72) 36	52.5 (84) 42		60 (96) 48
Perform at number of miles, kilometers or months, whichever comes first.											
Drive belts	NOTE (1)								I*		MA-21 (VQ40DE) MA-30 (VK56DE)
Air cleaner filter					[R]				[R]		MA-25 (VQ40DE) MA-33 (VK56DE)
EVAP vapor lines					I*				I*		MA-37 (VQ40DE) MA-37 (VK56DE)
Fuel lines					I*				I*		MA-24 (VQ40DE) MA-33 (VK56DE)
Fuel filter	NOTE (2)										—
Engine coolant	NOTE (3)								R*		MA-21 (VQ40DE) MA-30 (VK56DE)
Engine oil		R	R	R	R	R	R	R	R		MA-25 (VQ40DE) MA-34 (VK56DE)
Engine oil filter		R	R	R	R	R	R	R	R		MA-26 (VQ40DE) MA-34 (VK56DE)
Spark plugs (IRIDIUM-TIPPED type)		Replace every 105,000 miles (169,000 km).									MA-27 (VQ40DE) MA-36 (VK56DE)
Intake and exhaust valve clearance*	NOTE (4)										EM-128 (VQ40DE) EM-244 (VK56DE)

NOTE:

- (1) After 60,000 miles (96,000 km) or 48 months, inspect every 15,000 miles (24,000 km) or 12 months. Replace the drive belts if found damaged, or if the auto tensioner reading reaches the maximum limit.
- (2) Maintenance-free item. For service procedures, go to FL section.
- (3) After 60,000 miles (96,000 km) or 48 months, replace every 30,000 miles (48,000 km) or 24 months.
- (4) Periodic maintenance is not required. However, if valve noise increases, inspect valve clearance.

* Maintenance items and intervals with "*" are recommended by NISSAN for reliable vehicle operation. The owner need not perform such maintenance in order to maintain the emission warranty or manufacturer recall liability. Other maintenance items and intervals are required.

CHASSIS AND BODY MAINTENANCE

Abbreviations: R = Replace. I = Inspect. Correct or replace if necessary. L = Lubricate. []: At the mileage interval only.

MAINTENANCE OPERATION		MAINTENANCE INTERVAL								Reference Section - Page or - Content Title	
		Miles x 1,000 (km x 1,000) Months	7.5 (12) 6	15 (24) 12	22.5 (36) 18	30 (48) 24	37.5 (60) 30	45 (72) 36	52.5 (84) 42		60 (96) 48
Perform at number of miles, kilometers or months, whichever comes first.											
Brake lines and cables				I		I		I		I	MA-49
Brake pads and rotors				I		I		I		I	MA-50
Automatic transmission fluid				I		I		I		I	MA-39
Transfer fluid and front final drive oil				I		I		I		I	MA-42 , MA-43 , MA-44 , MA-45
Rear final drive oil				I		I		I		I	MA-46 , MA-46
Steering gear, linkage, axle, and suspension parts.						I				I	MA-50 , MA-51
Tire rotation	NOTE (1)										MA-49

PERIODIC MAINTENANCE

< ON-VEHICLE MAINTENANCE >

MAINTENANCE OPERATION		MAINTENANCE INTERVAL								Reference Section - Page or - Content Title
	Miles x 1,000 (km x 1,000) Months	7.5 (12) 6	15 (24) 12	22.5 (36) 18	30 (48) 24	37.5 (60) 30	45 (72) 36	52.5 (84) 42	60 (96) 48	
Perform at number of miles, kilometers or months, whichever comes first.										
Drive shaft boots and propeller shaft (4X4)			I		I		I		I	MA-44
Exhaust system					I				I	MA-39
In-cabin microfilter			R		R		R		R	MA-38

NOTE:

(1) Refer to "Tire rotation" under the "General maintenance" heading earlier in this section.

For Mexico

INFOID:000000005548393

For Mexico: Periodic Maintenance

The following tables show the normal maintenance schedule. Depending upon weather and atmospheric conditions, varying road surfaces, individual driving habits and vehicle usage, additional or more frequent maintenance may be required.

Periodic maintenance beyond the last period shown on the tables requires similar maintenance.

ENGINE AND EMISSION CONTROL MAINTENANCE

Abbreviations: I = Inspect and correct or replace as necessary, R = Replace, E = Check and correct the engine coolant mixture ratio

MAINTENANCE OPERATION		MAINTENANCE INTERVAL								Reference page
	km x 1,000 (Miles x 1,000) Months	10 (6) 6	20 (12) 12	30 (18) 18	40 (24) 24	50 (30) 30	60 (36) 36	70 (42) 42	80 (48) 48	
Engine compartment and under vehicle										
Intake & exhaust valve clearance	See NOTE (1)									EM-92
Drive belts	See NOTE (2)				I				I	EM-14
Engine oil (Use recommended oil)★		R	R	R	R	R	R	R	R	LU-9
Engine oil filter (Use Genuine NISSAN engine oil filter or equivalent) ★		R	R	R	R	R	R	R	R	LU-11
Engine coolant (Use Genuine NISSAN Engine Coolant or equivalent in its quality)	See NOTE (3)				E				R	CO-12
Cooling system			I		I		I		I	CO-11
Fuel lines and EVAP vapor lines					I				I	MA-28
Air cleaner filter (Viscous paper type)★					R				R	MA-25
Fuel filter	See NOTE (4)									—
Spark plugs (Iridium-tipped type)		Replace every 100,000 km (60,000 miles)								EM-17

NOTE:

★ Maintenance items with "★" should be performed more frequently according to "Maintenance Under Severe Driving Conditions".

(1) Periodic maintenance is not required. However, if valve noise increases, check valve clearance.

(2) Replace the drive belts if found damaged or if the auto belt tensioner reading reaches the maximum limit.

(3) Use Genuine NISSAN Engine Coolant, or equivalent in its quality in order to avoid possible aluminum corrosion within the engine cooling system caused by the use of non-genuine engine coolant. After first replacement, replace every 40,000 km (24,000 miles) or 24 months.

(4) Fuel filter is maintenance-free. For service procedures, refer to FL section.

CHASSIS AND BODY MAINTENANCE

A
B
C
D
E
F
G
H
I
J
K
L
M
N
O

MA

PERIODIC MAINTENANCE

< ON-VEHICLE MAINTENANCE >

Abbreviations: I = Inspect and correct or replace as necessary, R = Replace, L = Lubricate, T = Tighten

MAINTENANCE OPERATION	MAINTENANCE INTERVAL									Reference page
	km x 1,000 (Miles x 1,000) Months	10 (6)	20 (12)	30 (18)	40 (24)	50 (30)	60 (36)	70 (42)	80 (48)	
Underhood and under vehicle										
Brake and automatic transmission fluid (For level & leaks)		I	I	I	I	I	I	I	I	BR-20 TM-155
Brake fluid★					R				R	BR-20
Brake booster vacuum hoses, connections & check valve					I				I	BR-10
Power steering fluid & lines (For level & leaks)		I	I	I	I	I	I	I	I	ST-13
Brake & exhaust systems		I	I	I	I	I	I	I	I	BR-13 Brakes, EX-5 Exhaust
Transfer gear fluid (For level & leaks)		I	I	I	I	I	I	I	I	DLN-135
Differential gear oil (For level & leaks)★		I	I	I	I	I	I	I	I	DLN-348 DLN-416
Steering gear & linkage, axle & suspension parts, propeller shaft, and drive shafts★			I		I		I		I	MA-50 MA-51 MA-44
Body mountings	See NOTE (1)		T		T		T		T	
Outside and inside										
Wheel alignment (If necessary, rotate & balance wheels)			I		I		I		I	FSU-6 , WT-49 WT-48
Brake pads, rotors & other brake components★		I	I	I	I	I	I	I	I	MA-50
Locks, hinges and hood latch★		L	L	L	L	L	L	L	L	MA-53
Seat belts, buckles, retractors, anchors and adjustor			I		I		I		I	MA-53
Foot brake & parking brake (For free play, stroke & operation)		I	I	I	I	I	I	I	I	BR-17 , PB-5 ,
Air conditioner filter★			R		R		R		R	VTL-6

★ Maintenance items with “★” should be performed more frequently according to “Maintenance Under Severe Driving Conditions”.

(1) It is applicable, when the vehicle is in commercial use.

MAINTENANCE UNDER SEVERE DRIVING CONDITIONS

The maintenance intervals shown on the preceding pages are for normal operating conditions. If the vehicle is mainly operated under severe driving conditions as shown below, more frequent maintenance must be performed on the following items as shown in the table.

Severe driving conditions

A — Driving in dusty conditions

B — Repeatedly driving short distances

C — Towing a trailer or caravan

D — Extensive idling

E — Driving in extremely adverse weather conditions or in areas where ambient temperatures are either extremely low or extremely high

F — Driving in high humidity or mountainous areas

G — Driving in areas using salt or other corrosive materials

H — Driving on rough and/or muddy roads or in the desert

PERIODIC MAINTENANCE

< ON-VEHICLE MAINTENANCE >

I — Driving with frequent use of braking or in mountainous areas

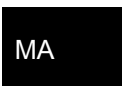
Driving condition									Maintenance item		Maintenance operation	Maintenance interval	Reference page
A	Air cleaner filter	Viscous paper filter	Replace	More frequently	EM-16
A	B	C	D	Engine oil and engine oil filter		Replace	Every 5,000 km (3,000 miles) or 3 months	LU-9 LU-11
.	F	.	.	.	Brake fluid		Replace	Every 20,000 km (12,000 miles) or 12 months	BR-20
.	.	C	H	.	Automatic transmission fluid		Replace	Every 40,000 km (24,000 miles) or 24 months	TM-157
.	.	C	H	.	Differential gear oil		Replace	Every 40,000 km (24,000 miles) or 24 months	DLN-348 DLN-416
.	G	H	.	Steering gear & linkage, axle & suspension parts & propeller shaft, & drive shafts		Inspect	Every 10,000 km (6,000 miles) or 6 months	MA-50 , MA-44
.	G	.	.	Locks, hinges and hood latch		Inspect	Every 5,000 km (3,000 miles) or 3 months	MA-53
A	.	C	.	.	.	G	H	I	Brake pads, rotors & other brake components		Inspect	Every 5,000 km (3,000 miles) or 3 months	MA-50
A	Air conditioner filter		Replace	More frequently	VTL-6

Maintenance for off-road driving (4WD only)

Whenever you drive off-road through sand, mud or water, more frequent maintenance may be required of the following items.

- Brake pads and rotors
- Brake lines and hoses
- Differential gear oil, transfer fluid and automatic transmission fluid
- Steering linkage
- Propeller shafts and front drive shafts
- Air cleaner filter

A
B
C
D
E
F
G
H
I
J
K
L
M
N
O



RECOMMENDED FLUIDS AND LUBRICANTS

< ON-VEHICLE MAINTENANCE >

RECOMMENDED FLUIDS AND LUBRICANTS

For North America

INFOID:000000005255666

For North America: Fluids and Lubricants

Description			Capacity (Approximate)			Recommended Fluids/Lubricants
			Metric	US measure	Imp measure	
Fuel			80 ℓ	21 1/8 gal	17 5/8 gal	Unleaded gasoline with an octane rating of at least 87 AKI (RON 91) *7
Engine oil Drain and refill	With oil filter change	VQ40DE	5.1 ℓ	5 3/8 qt	4 1/2 qt	<ul style="list-style-type: none"> • Engine oil with API Certification Mark *1 • Viscosity SAE 5W-30
		VK56DE	6.5 ℓ	6 3/4 qt	5 3/4 qt	
	Without oil filter change	VQ40DE	4.8 ℓ	5 1/8 qt	4 1/4 qt	
		VK56DE	6.2 ℓ	6 1/2 qt	5 1/2 qt	
Dry engine (engine overhaul)		VQ40DE	6.3 ℓ	6 5/8 qt	5 1/2 qt	
		VK56DE	7.6 ℓ	8 qt	6 3/4 qt	
Cooling system (with reservoir at "MAX" level)	Without rear A/C		10.2 ℓ	2 3/4 gal	2 1/4 gal	Genuine NISSAN Long Life Anti-freeze coolant or equivalent
	With rear A/C		13.4 ℓ	3 1/2 gal	3 gal	
Automatic transmission fluid (ATF)		VQ40DE	10.3 ℓ	10 7/8 qt	9 1/8 qt	Genuine NISSAN Matic S ATF *2
		VK56DE	10.6 ℓ	11 1/4 qt	9 3/8 qt	
Rear final drive oil		VQ40DE	1.4 ℓ	3 pt	2 1/2 pt	Genuine NISSAN differential oil synthetic 75W-90 or API GL-5 synthetic gear oil, Viscosity SAE 75W-90 *8
		VK56DE	1.75 ℓ	3 3/4 pt	3 1/8 pt	
Transfer fluid	ATX14B		3.0 ℓ	3 1/8 qt	2 5/8 qt	Genuine NISSAN Matic D ATF recommended *8
	TX15B		2.0 ℓ	2 1/8 qt	1 3/4 qt	
Front final drive oil		VQ40DE	0.85 ℓ	1 3/4 pt	1 1/2 pt	Genuine NISSAN Differential Oil Hypoid Super GL-5 80W-90 or API GL-5 Viscosity SAE 80W-90 *6
		VK56DE	1.6 ℓ	3 3/8 pt	2 7/8 pt	
Power steering fluid (PSF)			1.0 ℓ	2 1/8 pt	1 3/4 pt	Genuine NISSAN PSF or equivalent *3
Brake fluid			—	—	—	Genuine NISSAN Super Heavy Duty Brake Fluid *4 or equivalent, DOT 3
Multi-purpose grease			—	—	—	NLGI No. 2 (lithium soap base)
Windshield washer fluid			4.5 ℓ	1 1/4 gal	1 gal	Genuine NISSAN Windshield Washer Concentrate Cleaner & Anti-freeze or equivalent
A/C system refrigerant			0.85 ± 0.05 kg	1.87 ± 0.11 lb	1.87 ± 0.11 lb	HFC-134a (R134a) *5
A/C system oil			210 m ℓ	7.4 fl oz	7.1 fl oz	NISSAN A/C System Oil Type S or equivalent *5

*1: For further details, refer to [MA-17, "For North America: Engine Oil Recommendation"](#).

*2: If Genuine NISSAN Matic S ATF is not available, Genuine NISSAN Matic J ATF may also be used. Using automatic transmission fluid other than Genuine NISSAN Matic S ATF or Matic J ATF will cause deterioration in driveability and automatic transmission durability, and may damage the automatic transmission, which is not covered by the NISSAN new vehicle limited warranty.

*3: DEXRON™ VI type ATF may also be used.

*4: Available in mainland U.S.A. through your NISSAN dealer.

*5: For further details, see "Air conditioner Specification Label".

*6: For hot climates, viscosity SAE 90 is suitable for ambient temperatures above 0° C (32° F).

RECOMMENDED FLUIDS AND LUBRICANTS

< ON-VEHICLE MAINTENANCE >

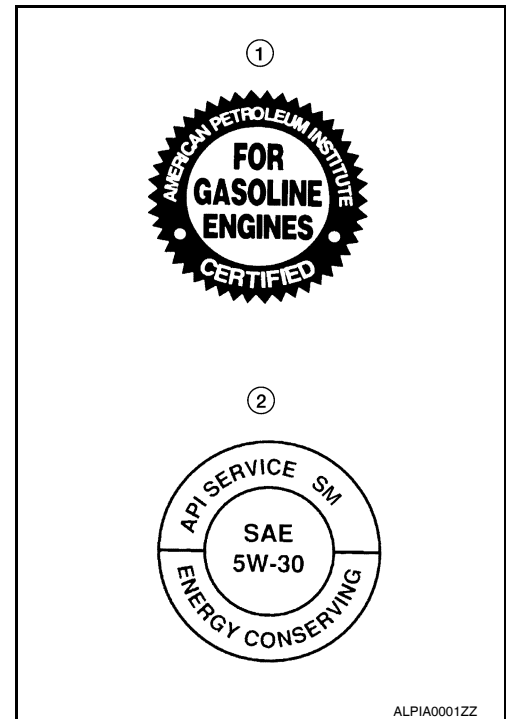
*7: For further details, refer to [GI-26, "Precaution for Fuel \(Unleaded Premium Gasoline Recommended\)"](#). For improved performance, NISSAN recommends the use of unleaded premium gasoline with an octane rating of at least 91 AKI (RON 96).

*8: Using automatic transmission fluid other than Genuine NISSAN Matic D ATF may cause deterioration in driveability and transfer durability, and may damage the transfer, which is not covered by the NISSAN new vehicle limited warranty.

For North America: Engine Oil Recommendation

INFOID:000000005255667

NISSAN recommends the use of an energy conserving oil in order to improve fuel economy. Select only engine oils that meet the American Petroleum Institute (API) certification and International Lubricant Standardization and Approval Committee (ILSAC) certification and SAE viscosity standard (2). These oils have the API certification mark (1) on the front of the container. Oils which do not have the specified quality label should not be used as they could cause engine damage.



ANTI-FREEZE COOLANT MIXTURE RATIO

The engine cooling system is filled at the factory with a high-quality, long life, year-round, anti-freeze coolant solution. The anti-freeze solution contains rust and corrosion inhibitors. Therefore, additional cooling system additives are not necessary.

For outside temperatures down to:		Anti-freeze coolant mixture ratio	
° C	° F	Genuine NISSAN Long Life Antifreeze coolant	Demineralized water or distilled water
- 35°	- 30°	50 %	50 %

CAUTION:

- When adding or replacing coolant, be sure to use only Genuine NISSAN Long Life Anti-freeze coolant or equivalent with the proper mixture ratio of 50% anti-freeze and 50% demineralized water or distilled water.
- Other types of coolant solutions may damage your cooling system.

For Mexico: Fluids and Lubricants

INFOID:00000000548415

For Mexico: Fluids and Lubricants

Description	Capacity (Approximate)			Recommended Fluids/Lubricants
	Metric	US measure	Imp measure	
Fuel	80 ℓ	21 1/8 gal	17 5/8 gal	Unleaded gasoline with an octane rating of at least 87 AKI (RON 91)

RECOMMENDED FLUIDS AND LUBRICANTS

< ON-VEHICLE MAINTENANCE >

Description		Capacity (Approximate)			Recommended Fluids/Lubricants
		Metric	US measure	Imp measure	
Engine oil Drain and refill	With oil filter change	5.1 ℓ	5 3/8 qt	4 1/2 qt	Genuine NISSAN engine oil API grade SL or SM *1 ILSAC grade GF-2, GF-3 or GF-4 *1
	Without oil filter change	4.8 ℓ	5 1/8 qt	4 1/4 qt	
Dry engine (engine overhaul)		6.3 ℓ	6 5/8 qt	5 1/2 qt	
Cooling system (with reservoir at "MAX" level)		10.2 ℓ	2 3/4 gal	2 1/4 gal	Genuine NISSAN Engine Coolant or equivalent *2
Automatic transmission fluid (ATF)		10.3 ℓ	10 7/8 qt	9 1/8 qt	Genuine NISSAN Matic S ATF *3
Rear final drive oil		2.01 ℓ	4 1/4 pt	3 1/2 pt	API GL-5 synthetic gear oil, Viscosity SAE 75W-90 or equivalent *4
Transfer fluid		2.0 ℓ	2 1/8 qt	1 3/4 qt	Genuine NISSAN Matic D ATF recommended *7
Front final drive oil		0.85 ℓ	1 3/4 pt	1 1/2 pt	Genuine NISSAN Differential Oil Hypoid Super GL-5 80W-90 or API GL-5, Viscosity SAE 80W-90 *1
Power steering fluid (PSF)		1.0 ℓ	2 1/8 pt	1 3/4 pt	Genuine NISSAN PSF or equivalent *5
Brake fluid		—	—	—	Genuine NISSAN Brake Fluid, or equivalent DOT 3
Multi-purpose grease		—	—	—	NLGI No. 2 (lithium soap base)
Brake grease		—	—	—	PBC (poly butyl cuprysil) grease or equivalent
A/C system refrigerant		0.85 ± 0.05 kg	1.87 ± 0.11 lb	1.87 ± 0.11 lb	HFC-134a (R134a) *6
A/C system oil		210 mℓ	7.1 fl oz	7.4 fl oz	NISSAN A/C System Oil Type S or equivalent *6

*1: For further details, refer to [MA-18, "For Mexico: SAE Viscosity Number"](#).

***2: Use Genuine NISSAN Engine Coolant or equivalent its quality, in order to avoid possible aluminium corrosion within the engine cooling system caused by the use of non-genuine engine coolant.**

Note that any repairs for the incidents within the engine cooling system while using non-genuine engine coolant may not be covered by the warranty even if such incidents occurred during the warranty period.

*3: If Genuine NISSAN Matic S ATF is not available, Genuine NISSAN Matic J ATF may also be used. Using automatic transmission fluid other than Genuine NISSAN Matic S ATF or Genuine NISSAN Matic J ATF will cause deterioration in driveability and automatic transmission durability, and may damage the automatic transmission, which is not covered by the warranty.

*4: See a NISSAN dealership for service for synthetic oil.

*5: DEXRON™ VI type ATF can be used.

*6: For further details, see "Air conditioner specification label".

*7: Using fluid other than Genuine NISSAN Matic D ATF will cause deterioration in driveability and transfer durability, and may damage the transfer, which is not covered by the warranty.

For Mexico: SAE Viscosity Number

INFOID:000000005548416

GASOLINE ENGINE

- 5W-30 is preferable.

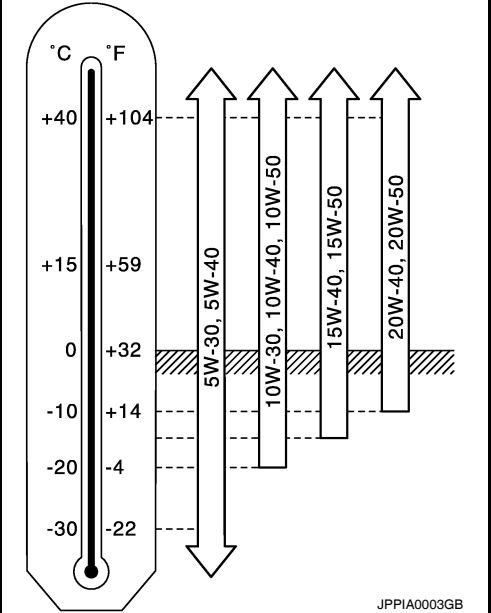
RECOMMENDED FLUIDS AND LUBRICANTS

< ON-VEHICLE MAINTENANCE >

If 5W-30 is not available, select the viscosity, from the chart, that is suitable for the outside temperature range.

Outside Temperature Range Anticipated Before Next Oil Change

GASOLINE ENGINE OIL

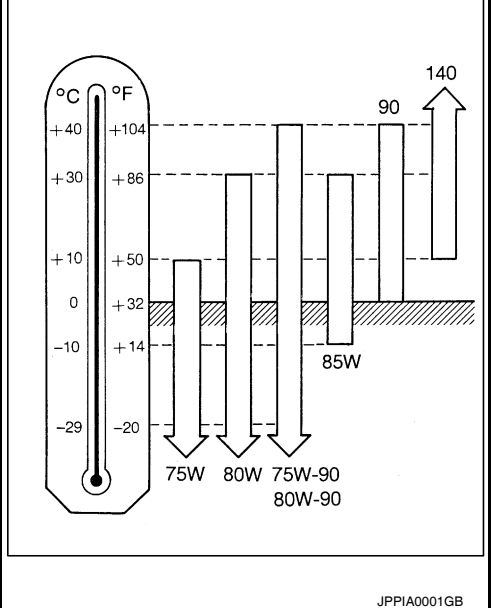


DIFFERENTIAL GEAR OIL

- 80W-90 for the front final drive is preferable.

Outside Temperature Range Anticipated Before Next Oil Change

DIFFERENTIAL GEAR OIL



A
B
C
D
E
F
G
H
I
J
K
L
M
N
O

MA

RECOMMENDED FLUIDS AND LUBRICANTS

< ON-VEHICLE MAINTENANCE >

For Mexico: Engine Coolant Mixture Ratio

INFOID:000000005548417

The engine cooling system is filled at the factory with a high-quality, year-round and extended life engine coolant. The high quality engine coolant contains the specific solutions effective for the anti-corrosion and the anti-freeze function. Therefore, additional cooling system additives are not necessary.

CAUTION:

• When adding or replacing coolant, be sure to use only Genuine NISSAN Engine Coolant.

The use of other types of engine coolant may damage your cooling system.

• When checking the engine coolant mixture ratio by the coolant hydrometer, use the chart below to correct your hydrometer reading (specific gravity) according to coolant temperature.

Outside temperature down to		Composition	
°C	°F	Engine coolant (Concentrated)	Demineralized water or distilled water
-15	5	30%	70%
-35	-30	50%	50%

SMA089D

Mixed coolant specific gravity

Unit: specific gravity

Engine coolant mixture ratio	Coolant temperature °C (°F)			
	15 (59)	25 (77)	35 (95)	45 (113)
30%	1.046 - 1.050	1.042 - 1.046	1.038 - 1.042	1.033 - 1.038
50%	1.076 - 1.080	1.070 - 1.076	1.065 - 1.071	1.059 - 1.065

WARNING:

Never remove the radiator cap when the engine is hot. Serious burns could be caused by high pressure fluid escaping from the radiator. Wait until the engine and radiator cool down.

ENGINE MAINTENANCE (VQ40DE)

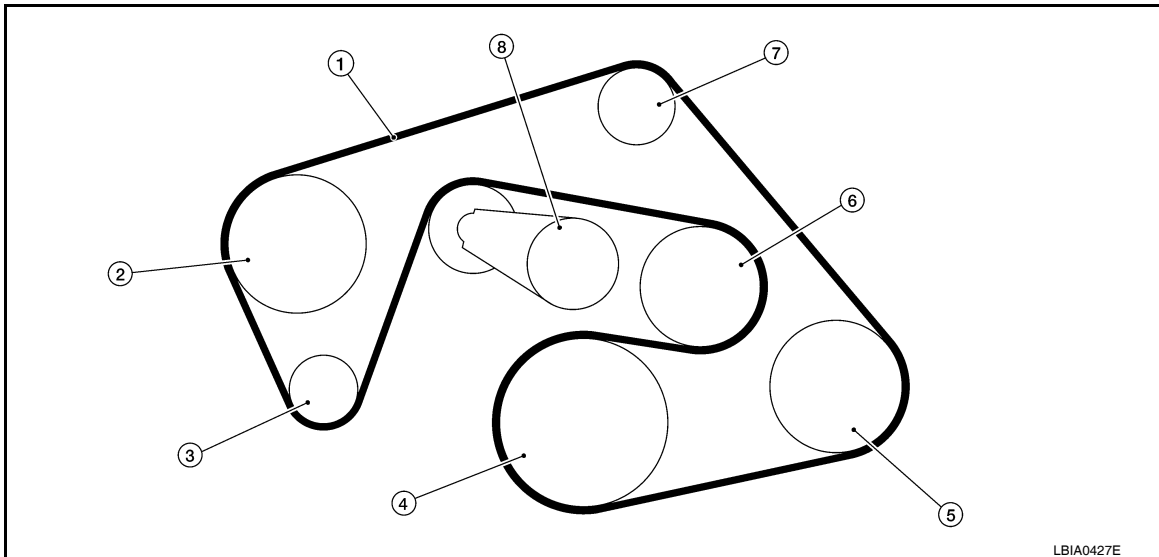
< ON-VEHICLE MAINTENANCE >

ENGINE MAINTENANCE (VQ40DE)

DRIVE BELTS

DRIVE BELTS : Exploded View

INFOID:000000005255668



- | | | |
|----------------------|-----------------------------------|-----------------------|
| 1. Drive belt | 2. Power steering oil pump pulley | 3. Generator pulley |
| 4. Crankshaft pulley | 5. A/C compressor | 6. Cooling fan pulley |
| 7. Idler pulley | 8. Drive belt tensioner | |

DRIVE BELTS : Checking Drive Belts

INFOID:000000005255669

WARNING:

Be sure to perform when the engine is stopped.

1. Remove air duct and resonator assembly when inspecting drive belt. Refer to [EM-26. "Removal and Installation"](#).
2. Visually check entire belt for wear, damage or cracks.

ENGINE COOLANT

ENGINE COOLANT : Changing Engine Coolant

INFOID:000000005255670

WARNING:

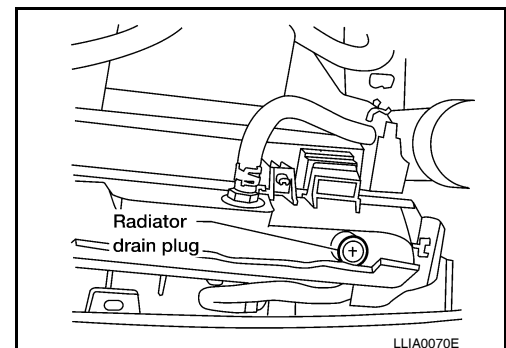
- To avoid being scalded, never change the coolant when the engine is hot.
- Wrap a thick cloth around the cap to carefully remove the cap. First, turn the cap a quarter of a turn to release any built-up pressure, then push down and turn the cap all the way to remove it.

DRAINING ENGINE COOLANT

1. Turn ignition switch ON and set temperature control lever all the way to HOT position or the highest temperature position. Wait 10 seconds and turn ignition switch OFF.
2. Remove the engine front undercover using power tool.
3. Open the radiator drain plug at the bottom of the radiator, and remove the reservoir cap. This is the only step required when partially draining the cooling system (radiator only).

CAUTION:

Do not to allow the coolant to contaminate the drive belts.



A
B
C
D
E
F
G
H
I
J
K
L
M
N
O

MA

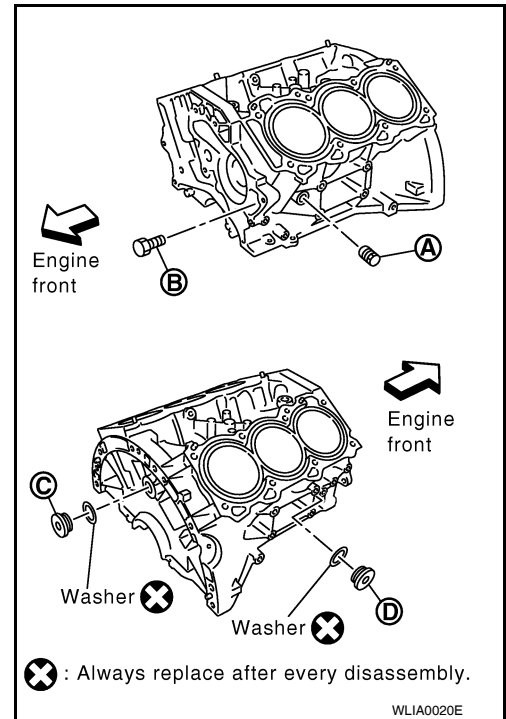
ENGINE MAINTENANCE (VQ40DE)

< ON-VEHICLE MAINTENANCE >

4. When draining all of the coolant in the system for engine removal or repair, it is necessary to drain the cylinder block. Remove the cylinder block drain plugs, and block heater if equipped, to drain the cylinder block as shown.

NOTE:

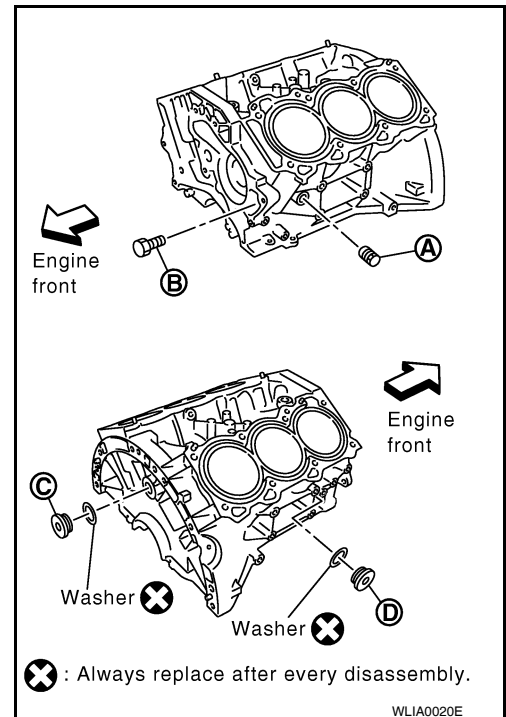
For Canada, the "D" cylinder block drain plug as shown, is not a cylinder block drain plug but a block heater.



5. Remove the reservoir tank to drain the engine coolant, then clean the reservoir tank before installing it.
6. Check the drained coolant for contaminants such as rust, corrosion or discoloration. If the coolant is contaminated, flush the engine cooling system. Refer to [CO-12. "Changing Engine Coolant"](#).

REFILLING ENGINE COOLANT

1. Close the radiator drain plug. Install the reservoir tank, cylinder block drain plugs, and block heater if equipped, if removed for a total system drain or for engine removal or repair.
 - The radiator must be completely empty of coolant and water.
 - Apply sealant to the threads of the cylinder block drain plug. Use Genuine High Performance Thread Sealant or equivalent. Refer to [GI-14. "Recommended Chemical Products and Sealants"](#).



Block Plug and Block Heater Installation

Part	Washer	Tightening Torque
A	No	19.6 N·m (2.0 kg-m, 14 ft-lb)
B	Reuse	9.8 N·m (1.0 kg-m, 87 in-lb)
	New	6.0 N·m (0.61 kg-m, 53 in-lb)

ENGINE MAINTENANCE (VQ40DE)

< ON-VEHICLE MAINTENANCE >

Part	Washer	Tightening Torque
C	Yes	62 N·m (6.3 kg-m, 46 ft-lb)
D	Plug	62 N·m (6.3 kg-m, 46 ft-lb)
	Block heater	73.5 N·m (7.5 kg-m, 54 ft-lb)

2. Set the vehicle heater controls to the full HOT and heater ON position. Turn the vehicle ignition ON with the engine OFF as necessary to activate the heater mode.
3. Remove the vented reservoir cap and replace it with a non-vented reservoir cap before filling the cooling system.
4. Install the Tool by installing the radiator cap adapter onto the radiator neck opening. Then attach the gauge body assembly with the refill tube and the venturi assembly to the radiator cap adapter.

Tool number : KV991J0070 (J-45695)

5. Insert the refill hose into the coolant mixture container that is placed at floor level. Make sure the ball valve is in the closed position.
 - Use Genuine NISSAN Long Life Anti-freeze coolant or equivalent, mixed 50/50 with distilled water or demineralized water. Refer to [MA-17, "For North America: Engine Oil Recommendation"](#).

Cooling system capacity (with reservoir) : Refer to MA-16, "For North America".

6. Install an air hose to the venturi assembly, the air pressure must be within specification.

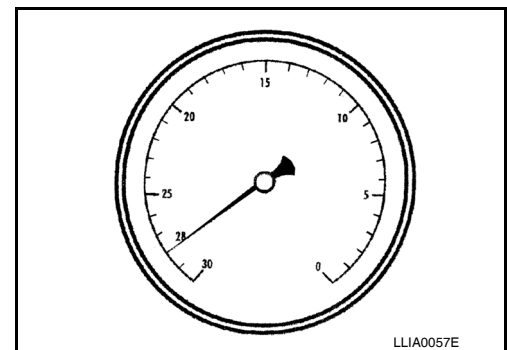
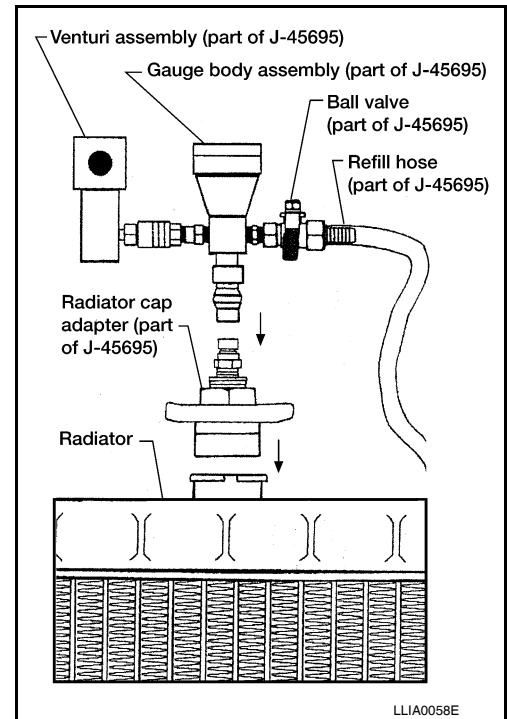
Compressed air supply pressure : 549 - 824 kPa (5.6 - 8.4 kg/cm², 80 - 119 psi)

CAUTION:

The compressed air supply must be equipped with an air dryer.

7. The vacuum gauge will begin to rise and there will be an audible hissing noise. During this process open the ball valve on the refill hose slightly. Coolant will be visible rising in the refill hose. Once the refill hose is full of coolant, close the ball valve. This will purge any air trapped in the refill hose.
8. Continue to draw the vacuum until the gauge reaches 28 inches of vacuum. The gauge may not reach 28 inches in high altitude locations, refer to the vacuum specifications based on the altitude above sea level.

Altitude above sea level	Vacuum gauge reading
0 - 100 m (328 ft)	: 28 inches of vacuum
300 m (984 ft)	: 27 inches of vacuum
500 m (1,641 ft)	: 26 inches of vacuum
1,000 m (3,281 ft)	: 24 - 25 inches of vacuum



9. When the vacuum gauge has reached the specified amount, disconnect the air hose and wait 20 seconds to see if the system loses any vacuum. If the vacuum level drops, perform any necessary repairs to the system and repeat steps 6 - 8 to bring the vacuum to the specified amount. Recheck for any leaks.
10. Place the coolant container (with the refill hose inserted) at the same level as the top of the radiator. Then open the ball valve on the refill hose so the coolant will be drawn up to fill the cooling system. The cooling system is full when the vacuum gauge reads zero.

CAUTION:

ENGINE MAINTENANCE (VQ40DE)

< ON-VEHICLE MAINTENANCE >

Do not allow the coolant container to get too low when filling, to avoid air from being drawn into the cooling system.

11. Remove the Tool from the radiator neck opening and install the radiator cap.
12. Remove the reservoir cap.
13. Fill the cooling system reservoir tank to the specified level. Run the engine to warm up the cooling system and top up the system as necessary before installing the reservoir cap.

FLUSHING COOLING SYSTEM

1. Drain the water from the engine cooling system. Refer to [CO-12. "Changing Engine Coolant"](#).
2. Fill the radiator and the reservoir tank (to the "MAX" line), with water. Reinstall the radiator cap and leave the vented reservoir cap off.
3. Run the engine until it reaches normal operating temperature.
4. Press the engine accelerator two or three times under no-load.
5. Stop the engine and wait until it cools down.
6. Drain the water from the engine cooling system. Refer to [CO-12. "Changing Engine Coolant"](#).
7. Repeat steps 2 through 6 until clear water begins to drain from the radiator.

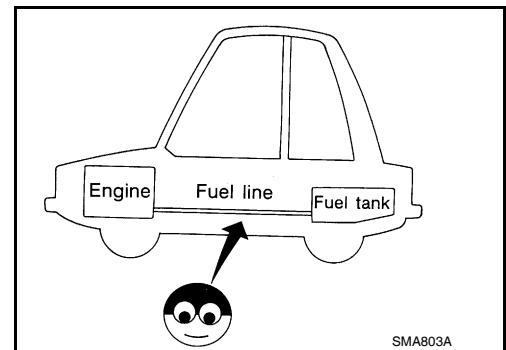
FUEL LINES

FUEL LINES : Checking Fuel Line

INFOID:000000005255671

Inspect fuel lines, fuel filler cap and fuel tank for improper attachment, leaks, cracks, damage, loose connections, chafing or deterioration.

If necessary, repair or replace damaged parts.



FUEL FILTER

FUEL FILTER : Changing Fuel Filter

INFOID:000000005255672

The fuel filter is part of the fuel level sensor unit, fuel filter and fuel pump assembly. Refer to [FL-11. "Removal and Installation"](#).

WARNING:

Before replacing the fuel filter, release the fuel pressure from the fuel system. Refer to [EC-495. "Fuel Pressure Check"](#).

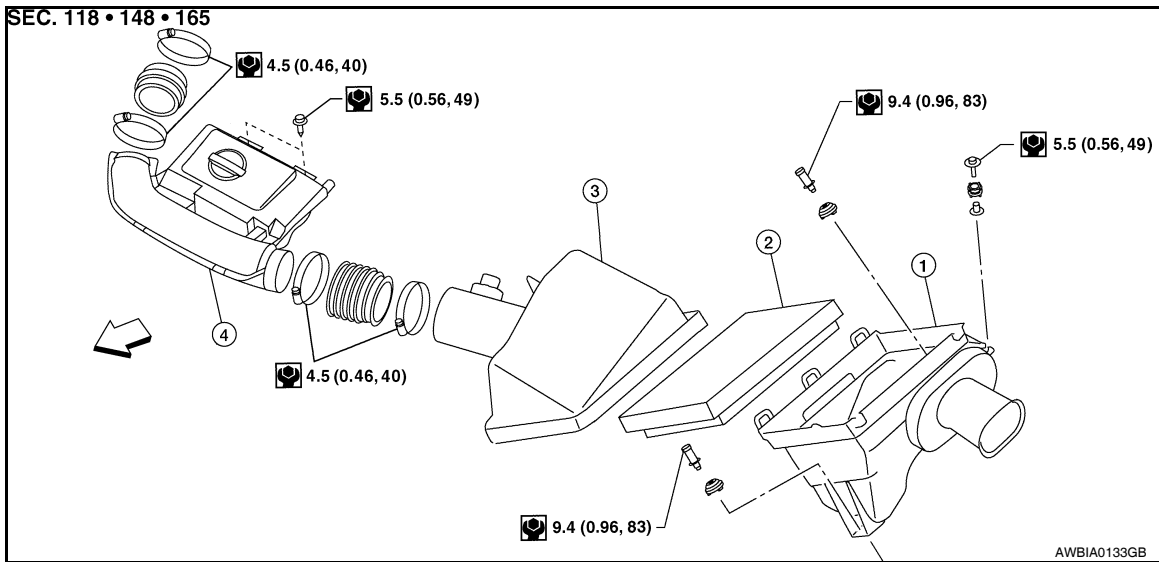
AIR CLEANER FILTER

ENGINE MAINTENANCE (VQ40DE)

< ON-VEHICLE MAINTENANCE >

AIR CLEANER FILTER : Exploded View

INFOID:000000005255673



- | | | |
|-----------------------------|-----------------------|-----------------------------|
| 1. Air cleaner case (lower) | 2. Air cleaner filter | 3. Air cleaner case (upper) |
| 4. Air duct and resonator | ← Front | |

AIR CLEANER FILTER : Removal and Installation

INFOID:000000005255674

REMOVAL

1. Unhook clips, and lift air cleaner case (upper).
2. Remove air cleaner filter.

INSTALLATION

Installation is in the reverse order of removal.

ENGINE OIL

ENGINE OIL : Changing Engine Oil

INFOID:000000005255675

WARNING:

- Be careful not to burn yourself, as the engine and engine oil may be hot.
- Prolonged and repeated contact with used engine oil may cause skin cancer; try to avoid direct skin contact with used oil. If skin contact is made, wash thoroughly with soap or hand cleaner as soon as possible.

1. Warm up the engine, and check for any oil leaks.
2. Stop the engine and wait for at least 10 minutes.
3. Remove the oil drain plug and oil filler cap to drain the old oil.
4. Install a new washer on the oil drain plug, then install the oil drain plug in the oil pan.

Oil drain plug : Refer to [EM-36, "Removal and Installation"](#).

CAUTION:

Clean the drain plug and install with a new washer.

5. Refill the engine with new specified engine oil.

Oil grade and viscosity : Refer to [MA-16, "For North America"](#).

Oil capacity : Refer to [MA-16, "For North America"](#).

CAUTION:

The refill capacity depends on the oil temperature and drain time. Use the "Refill oil capacity" values as a reference and check the oil level using the dipstick when filling the engine with oil.

A
B
C
D
E
F
G
H
I
J
K
L
M
N
O

MA

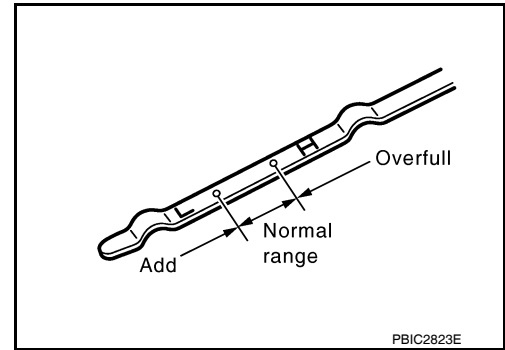
ENGINE MAINTENANCE (VQ40DE)

< ON-VEHICLE MAINTENANCE >

6. Warm up the engine and check the area around the drain plug and oil filter for any oil leaks.
7. Stop the engine and wait for more than 10 minutes.
8. Check the oil level using the dipstick as shown. Add oil as necessary and install the oil filler cap. Refer to [LU-8. "Inspection"](#).

CAUTION:

Do not overfill the engine with oil.



OIL FILTER

OIL FILTER : Removal and Installation

INFOID:000000005255676

REMOVAL

1. Remove the engine front undercover using power tool.
2. Remove the oil filter using Tool as shown.

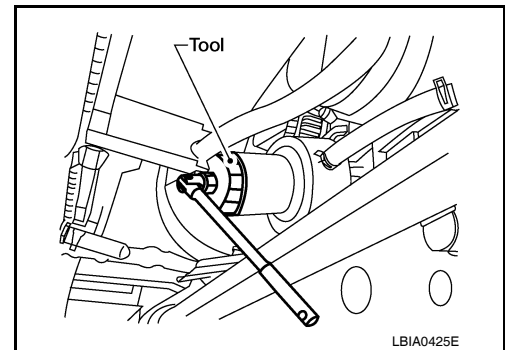
Tool number : KV10115801 (J-38956)

WARNING:

Be careful not to burn yourself, as the engine and engine oil may be hot.

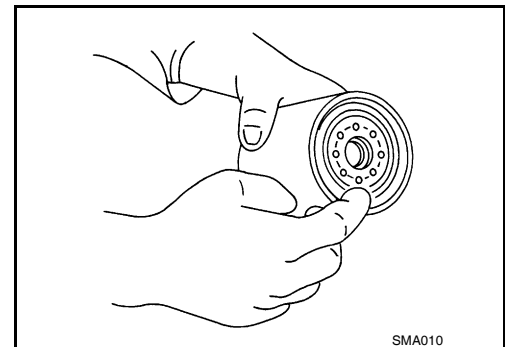
CAUTION:

- Oil filter is equipped with a pressure relief valve.
- Use Genuine NISSAN Oil Filter or equivalent.
- When removing, prepare a shop cloth to absorb any engine oil leaks or spills.
- Do not allow engine oil to adhere to drive belts.
- Completely wipe off any engine oil that adheres to the engine and the vehicle.



INSTALLATION

1. Remove foreign materials adhering to the oil filter seal mating surface.
2. Apply clean engine oil to the oil filter seal circumference of the new oil filter as shown.

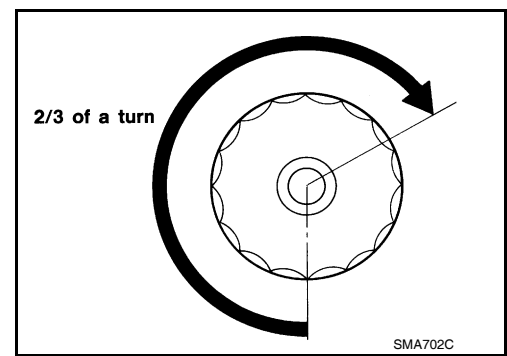


ENGINE MAINTENANCE (VQ40DE)

< ON-VEHICLE MAINTENANCE >

3. Screw on the oil filter manually until it touches the installation surface, then tighten it by 2/3 turn as shown. Or tighten to specification.

Oil filter : 17.7 N·m (1.8 kg-m, 13 ft-lb)



4. Inspect the engine for oil leaks. Refer to [MA-26, "OIL FILTER : Removal and Installation"](#).
5. Install the engine front undercover using power tool.

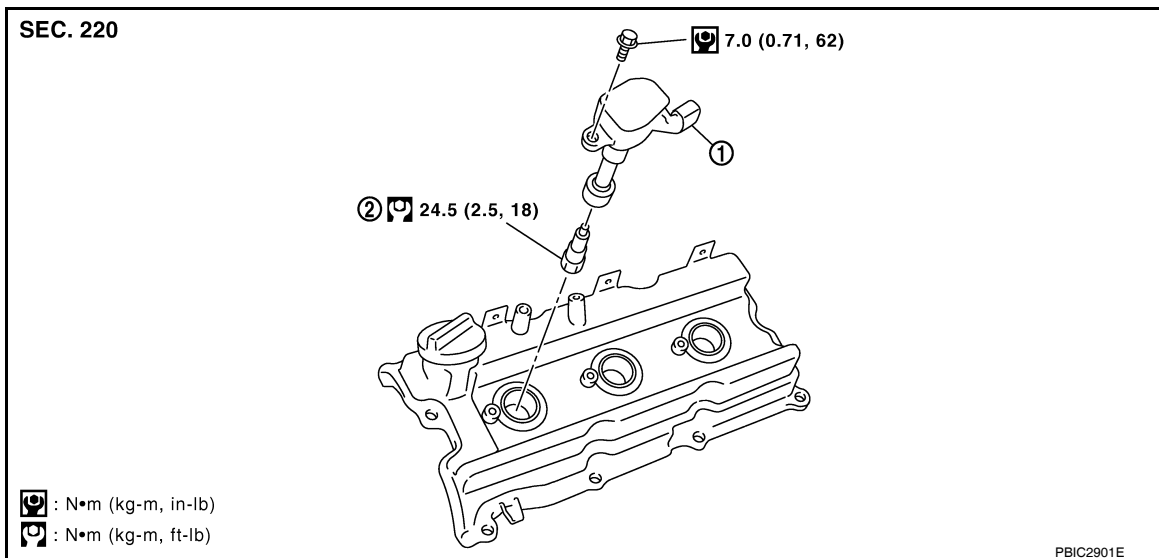
INSPECTION AFTER INSTALLATION

1. Check the engine oil level. Refer to [LU-8, "Inspection"](#).
2. Start the engine and check for engine oil leaks.
3. Stop the engine and wait for 10 minutes.
4. Check the engine oil level and add engine oil as required.

SPARK PLUG

SPARK PLUG : Exploded View

INFOID:000000005255677



1. Ignition coil
2. Spark plug

SPARK PLUG : Removal and Installation

INFOID:000000005255678

REMOVAL

1. Remove the ignition coil. Refer to [EM-41, "Removal and Installation"](#).

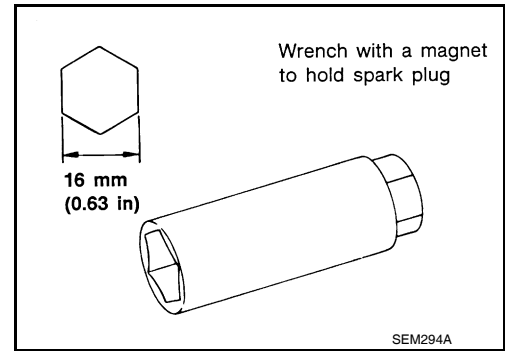
MA

ENGINE MAINTENANCE (VQ40DE)

< ON-VEHICLE MAINTENANCE >

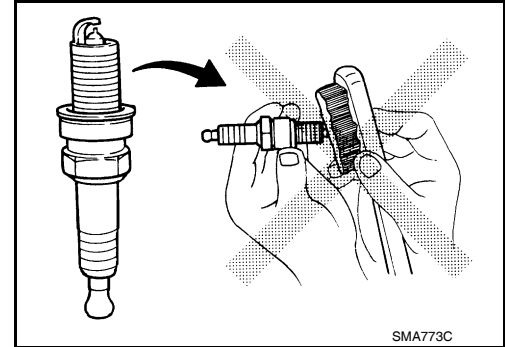
2. Remove the spark plug using a suitable tool.

CAUTION:
Do not drop or shock it.



INSPECTION AFTER REMOVAL

- Do not use a wire brush to clean the spark plug.

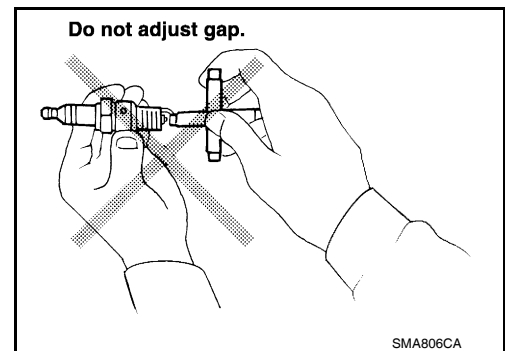


- If plug tip is covered with carbon, spark plug cleaner may be used.

Cleaner air pressure : Less than 588 kPa (5.9 bar, 6 kg/cm², 85 psi)

Cleaning time : Less than 20 seconds

- Checking and adjusting plug gap is not required between change intervals.



INSTALLATION

Installation is in the reverse order of removal.

CAUTION:
Do not drop or shock the spark plug.

Make	NGK
Standard type	DILFR5A-11
Gap (nominal)	1.1 mm (0.043 in)

EVAP VAPOR LINES

EVAP VAPOR LINES : Checking EVAP Vapor Line

INFOID:000000005255679

1. Visually inspect EVAP vapor lines for improper attachment, cracks, damage, loose connections, chafing or deterioration.
2. Inspect vacuum relief valve of fuel tank filler cap for clogging and sticking.

ENGINE MAINTENANCE (VQ40DE)

< ON-VEHICLE MAINTENANCE >

Refer to [EC-497. "How to Detect Fuel Vapor Leakage"](#).

A

B

C

D

E

F

G

H

I

J

K

L

M

N

O

MA

ENGINE MAINTENANCE (VK56DE)

< ON-VEHICLE MAINTENANCE >

ENGINE MAINTENANCE (VK56DE)

DRIVE BELTS

DRIVE BELTS : Checking Drive Belts

INFOID:000000005255680

WARNING:

Be sure to perform when the engine is stopped.

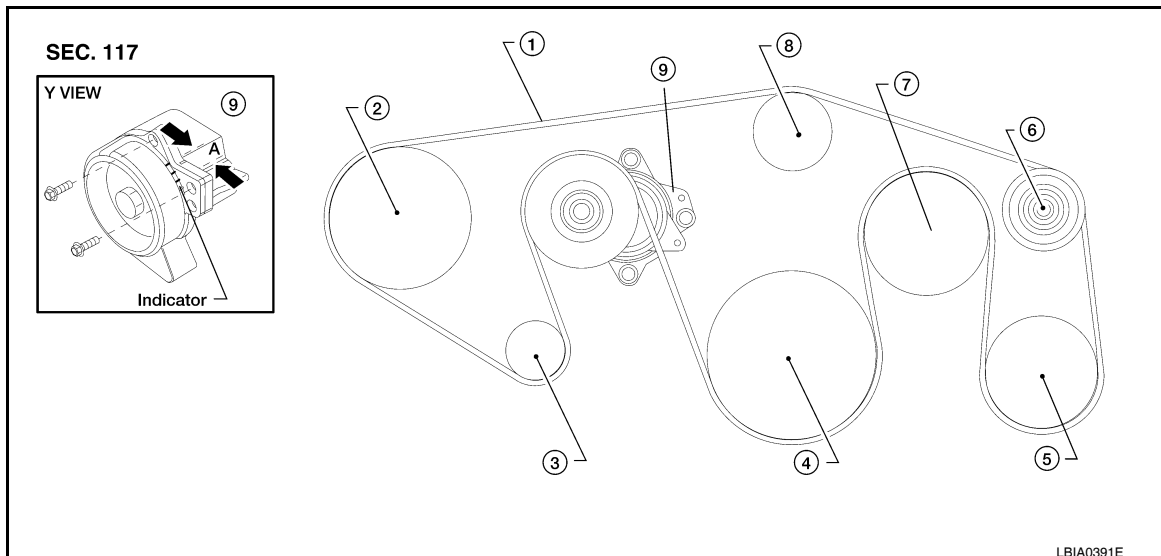
1. Remove air duct and resonator assembly when inspecting drive belt.
2. Make sure that indicator (single line notch) of each auto tensioner is within the allowable working range "A" (between three line notches) as shown.

NOTE:

- Check the drive belt auto tensioner indication when the engine is cold.
 - The indicator notch is located on the moving side of the drive belt auto tensioner.
3. Visually check entire belt for wear, damage or cracks.
 4. If the indicator is out of allowable working range or belt is damaged, replace the belt. Refer to [EM-149, "Removal and Installation"](#).

DRIVE BELTS : Exploded View

INFOID:000000005255681



- | | | |
|----------------------------|-------------------------------|------------------------------|
| 1. Drive belt | 2. Power steering pump pulley | 3. Generator pulley |
| 4. Crankshaft pulley | 5. A/C compressor | 6. Idler pulley |
| 7. Cooling fan pulley | 8. Water pump pulley | 9. Drive belt auto tensioner |
| A. Allowable working range | | |

ENGINE COOLANT

ENGINE COOLANT : Changing Engine Coolant

INFOID:000000005255682

WARNING:

- To avoid being scalded, never change the coolant when the engine is hot.
- Wrap a thick cloth around the cap to carefully remove the cap. First, turn the cap a quarter of a turn to release any built-up pressure, then push down and turn the cap all the way to remove it.

DRAINING ENGINE COOLANT

1. Turn ignition switch ON and set temperature control lever all the way to HOT position or the highest temperature position. Wait 10 seconds and turn ignition switch OFF.
2. Remove the engine front undercover using power tool.

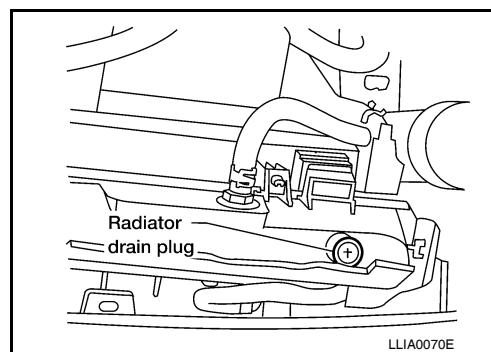
ENGINE MAINTENANCE (VK56DE)

< ON-VEHICLE MAINTENANCE >

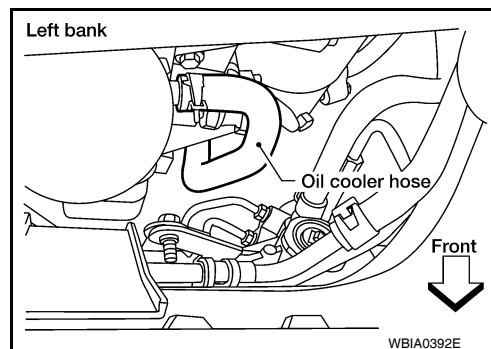
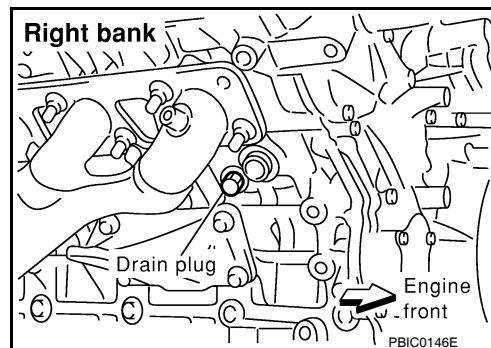
3. Open the radiator drain plug at the bottom of the radiator, and remove the radiator filler cap. This is the only step required when partially draining the cooling system (radiator only).

CAUTION:

Do not to allow the coolant to contact the drive belts.



4. When draining all of the coolant in the system for engine removal or repair, it is necessary to drain the cylinder block. Remove the RH cylinder block drain plug to drain the right bank, the oil cooler hose to drain the left bank as shown and the block heater if equipped.



5. Remove the reservoir tank to drain the engine coolant, then clean the reservoir tank before installing it.
6. Check the drained coolant for contaminants such as rust, corrosion or discoloration. If the coolant is contaminated, flush the engine cooling system. Refer to [CO-40. "Changing Engine Coolant"](#).

REFILLING ENGINE COOLANT

1. Close the radiator drain plug. Install the reservoir tank, cylinder block drain plug, the oil cooler hose and block heater if equipped, if removed for a total system drain or for engine removal or repair.
 - The radiator must be completely empty of coolant and water.
 - Apply sealant to the threads of the cylinder block drain plug. Use Genuine High Performance Thread Sealant or equivalent. Refer to [GI-14. "Recommended Chemical Products and Sealants"](#).

Radiator drain plug : Refer to [CO-44. "Removal and Installation"](#).

RH cylinder block drain plug : Refer to [EM-219. "Disassembly and Assembly"](#).

2. Set the vehicle heater controls to the full HOT and heater ON position. Turn the vehicle ignition ON with the engine OFF as necessary to activate the heater mode.
3. Remove the vented reservoir cap and replace it with a non-vented reservoir cap before filling the cooling system.

ENGINE MAINTENANCE (VK56DE)

< ON-VEHICLE MAINTENANCE >

4. Install the Tool by installing the radiator cap adapter onto the radiator neck opening. Then attach the gauge body assembly with the refill tube and the venturi assembly to the radiator cap adapter.

Tool number : KV991J0070 (J-45695)

5. Insert the refill hose into the coolant mixture container that is placed at floor level. Make sure the ball valve is in the closed position.
 - Use recommended coolant or equivalent.Refer to [MA-17, "For North America: Engine Oil Recommendation"](#).

Cooling system capacity (with reservoir) : Refer to [MA-16, "For North America"](#).

6. Install an air hose to the venturi assembly, the air pressure must be within specification.

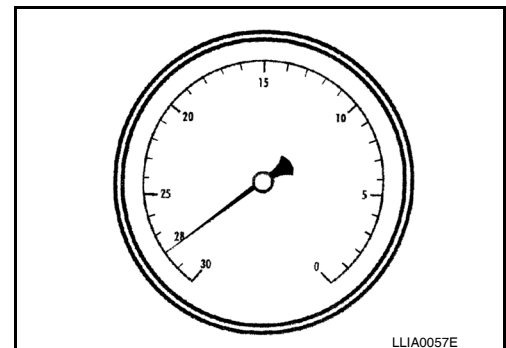
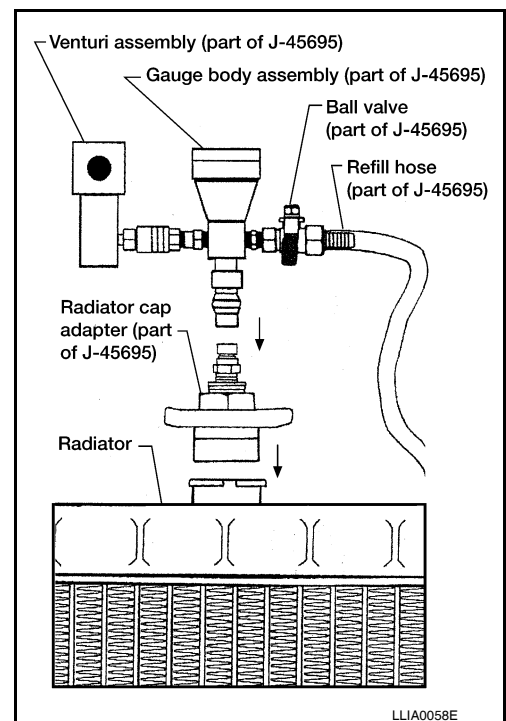
Compressed air supply pressure : 549 - 824 kPa (5.6 - 8.4 kg/cm², 80 - 119 psi)

CAUTION:

The compressed air supply must be equipped with an air dryer.

7. The vacuum gauge will begin to rise and there will be an audible hissing noise. During this process open the ball valve on the refill hose slightly. Coolant will be visible rising in the refill hose. Once the refill hose is full of coolant, close the ball valve. This will purge any air trapped in the refill hose.
8. Continue to draw the vacuum until the gauge reaches 28 inches of vacuum. The gauge may not reach 28 inches in high altitude locations, use the vacuum specifications based on the altitude above sea level.

Altitude above sea level	Vacuum gauge reading
0 - 100 m (328 ft)	: 28 inches of vacuum
300 m (984 ft)	: 27 inches of vacuum
500 m (1,641 ft)	: 26 inches of vacuum
1,000 m (3,281 ft)	: 24 - 25 inches of vacuum



9. When the vacuum gauge has reached the specified amount, disconnect the air hose and wait 20 seconds to see if the system loses any vacuum. If the vacuum level drops, perform any necessary repairs to the system and repeat steps 6 - 8 to bring the vacuum to the specified amount. Recheck for any leaks.
10. Place the coolant container (with the refill hose inserted) at the same level as the top of the radiator. Then open the ball valve on the refill hose so the coolant will be drawn up to fill the cooling system. The cooling system is full when the vacuum gauge reads zero.

CAUTION:

Do not allow the coolant container to get too low when filling, to avoid air from being drawn into the cooling system.

11. Remove the Tool from the radiator neck opening and install the radiator cap.
12. Remove the non-vented reservoir cap.
13. Fill the cooling system reservoir tank to the specified level. Run the engine to warm up the cooling system and top up the system as necessary before installing the vented reservoir cap.

FLUSHING COOLING SYSTEM

1. Drain the water from the engine cooling system. Refer to [CO-12, "Changing Engine Coolant"](#).
2. Fill the radiator and the reservoir tank (to the "MAX" line), with water. Reinstall the radiator cap and leave the vented reservoir cap off.

ENGINE MAINTENANCE (VK56DE)

< ON-VEHICLE MAINTENANCE >

3. Run the engine until it reaches normal operating temperature.
4. Press the engine accelerator two or three times under no-load.
5. Stop the engine and wait until it cools down.
6. Drain the water from the engine cooling system. Refer to [CO-12. "Changing Engine Coolant"](#).
7. Repeat steps 2 through 6 until clear water begins to drain from the radiator.

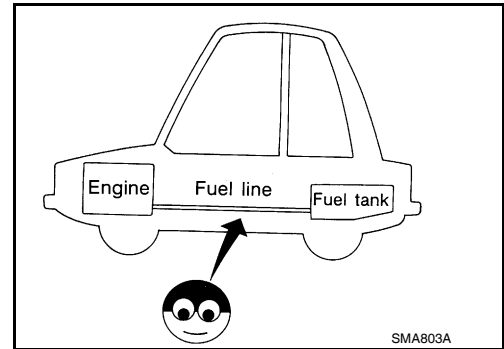
FUEL LINES

FUEL LINES : Checking Fuel Line

INFOID:000000005255683

Inspect fuel lines, fuel filler cap and fuel tank for improper attachment, leaks, cracks, damage, loose connections, chafing or deterioration.

If necessary, repair or replace damaged parts.



FUEL FILTER

FUEL FILTER : Changing Fuel Filter

INFOID:000000005255684

The fuel filter is part of the fuel level sensor unit, fuel filter and fuel pump assembly. Refer to [FL-16](#).

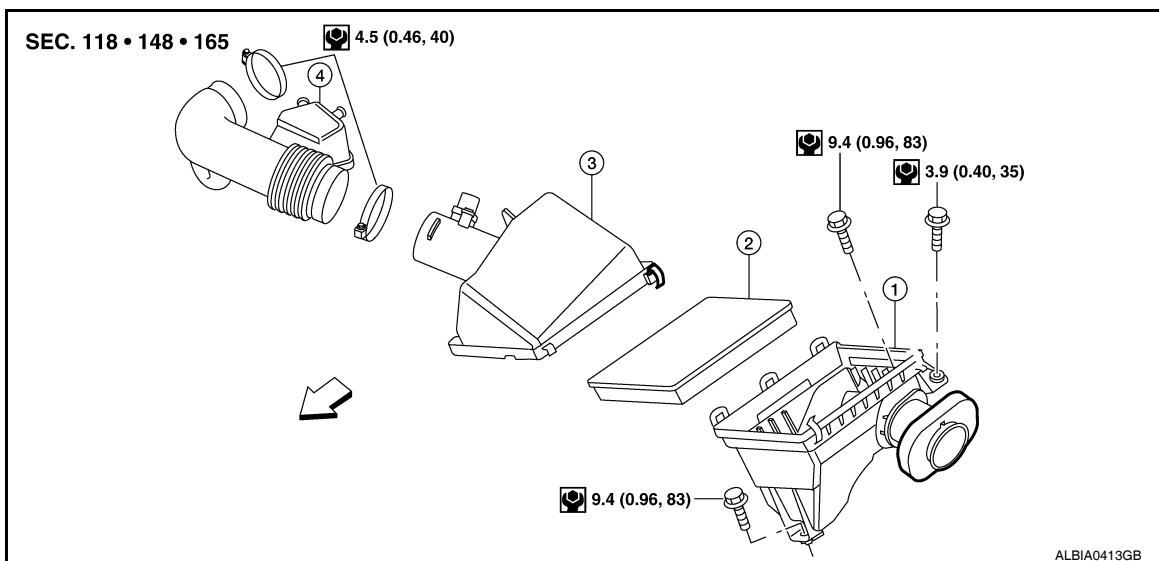
WARNING:

Before replacing the fuel filter, release the fuel pressure from the fuel system. Refer to [EC-958, "Fuel Pressure Check"](#).

AIR CLEANER FILTER

AIR CLEANER FILTER : Exploded View

INFOID:000000005255685



- | | | |
|------------------------------------|-----------------------|-----------------------------|
| 1. Air cleaner case (lower) | 2. Air cleaner filter | 3. Air cleaner case (upper) |
| 4. Air duct and resonator assembly | ← Front | |

AIR CLEANER FILTER : Removal and Installation

INFOID:000000005255686

REMOVAL

A
B
C
D
E
F
G
H
I
J
K
L
M
N
O

MA

ENGINE MAINTENANCE (VK56DE)

< ON-VEHICLE MAINTENANCE >

NOTE:

- The viscous paper type filter does not need cleaning between replacement intervals.
- Replace the air filter as necessary for periodic maintenance. Refer to [MA-9, "For North America"](#).

1. Unhook clips, and lift air cleaner case (upper).
2. Remove the air cleaner filter.

INSTALLATION

1. Installation is in the reverse order of removal.

ENGINE OIL

ENGINE OIL : Changing Engine Oil

INFOID:000000005255687

WARNING:

- **Be careful not to burn yourself, as the engine and engine oil may be hot.**
- **Prolonged and repeated contact with used engine oil may cause skin cancer; try to avoid direct skin contact with used oil. If skin contact is made, wash thoroughly with soap or hand cleaner as soon as possible.**

1. Warm up the engine, and check for any oil leaks.
2. Stop the engine and wait for at least 10 minutes.
3. Remove the oil drain plug and oil filler cap to drain the old oil.
4. Install a new washer on the oil drain plug, then install the oil drain plug in the oil pan.

Oil drain plug : Refer to [EM-169, "Removal and Installation"](#).

CAUTION:

Clean the drain plug and install with a new washer.

5. Refill the engine with new specified engine oil.

Oil grade and viscosity : Refer to [MA-16, "For North America"](#).

Oil capacity : Refer to [MA-16, "For North America"](#).

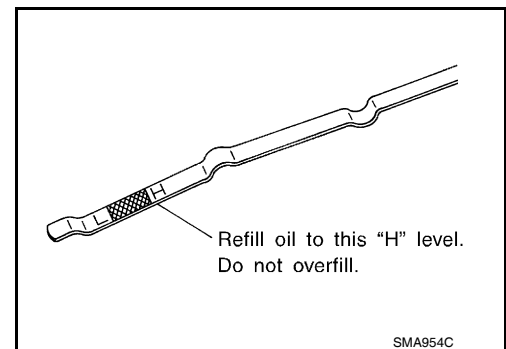
CAUTION:

The refill capacity depends on the oil temperature and drain time. Use the "Refill oil capacity" values as a reference and check the oil level using the dipstick when filling the engine with oil.

6. Warm up the engine and check the area around the drain plug and oil filter for any oil leaks.
7. Stop the engine and wait for more than 10 minutes.
8. Check the oil level using the dipstick as shown. Add oil as necessary and install the oil filler cap. Refer to [LU-24, "Inspection"](#).

CAUTION:

Do not overfill the engine with oil.



OIL FILTER

OIL FILTER : Removal and Installation

INFOID:000000005255688

REMOVAL

1. Remove the engine front undercover access plate using power tool.

ENGINE MAINTENANCE (VK56DE)

< ON-VEHICLE MAINTENANCE >

- Remove the oil filter using Tool as shown.

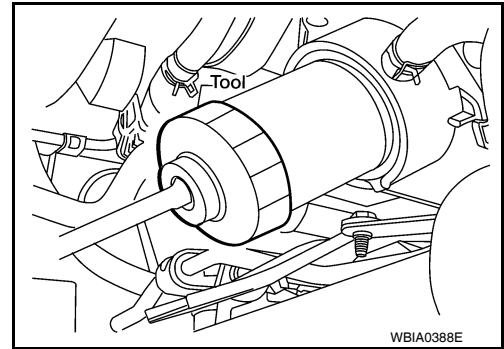
Tool number : KV10115801 (J-38956)

WARNING:

Be careful not to burn yourself, as the engine and engine oil may be hot.

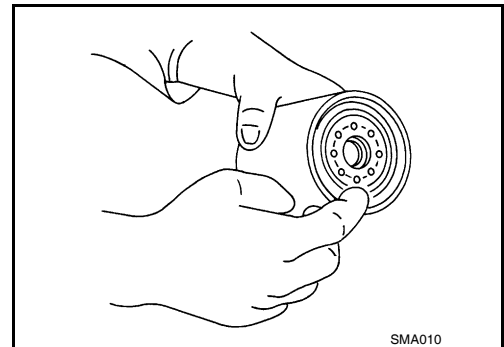
CAUTION:

- The oil filter is equipped with a pressure relief valve.
- Use Genuine NISSAN oil filter or equivalent.
- When removing, prepare a shop cloth to absorb any engine oil leaks or spills.
- Do not allow engine oil to adhere to the drive belts.
- Completely wipe off any engine oil that adheres to the engine and the vehicle.



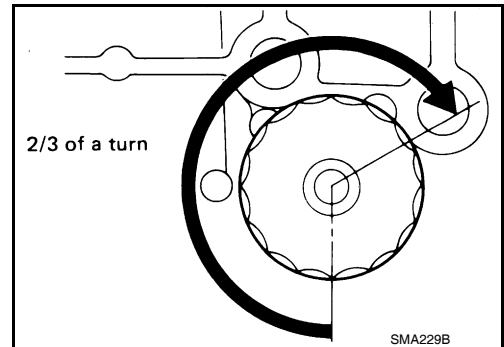
INSTALLATION

- Remove foreign materials adhering to the oil filter seal mating surface.
- Apply clean engine oil to the oil filter seal circumference of the new oil filter as shown.



- Screw on the oil filter manually until it touches the installation surface, then tighten it by 2/3 turn as shown. Or tighten to specification.

Oil filter : 17.7 N·m (1.8 kg-m, 13 ft-lb)



- Inspect the engine for oil leaks. Refer to [MA-34, "OIL FILTER : Removal and Installation"](#).
- Install the engine front undercover access plate using power tool.

INSPECTION AFTER INSTALLATION

- Check the engine oil level. Refer to [LU-24, "Inspection"](#).
- Start the engine and check for engine oil leaks.
- Stop the engine and wait for 10 minutes.
- Check the engine oil level and add engine oil as required.

SPARK PLUG

A
B
C
D
E
F
G
H
I
J
K
L
M
N
O

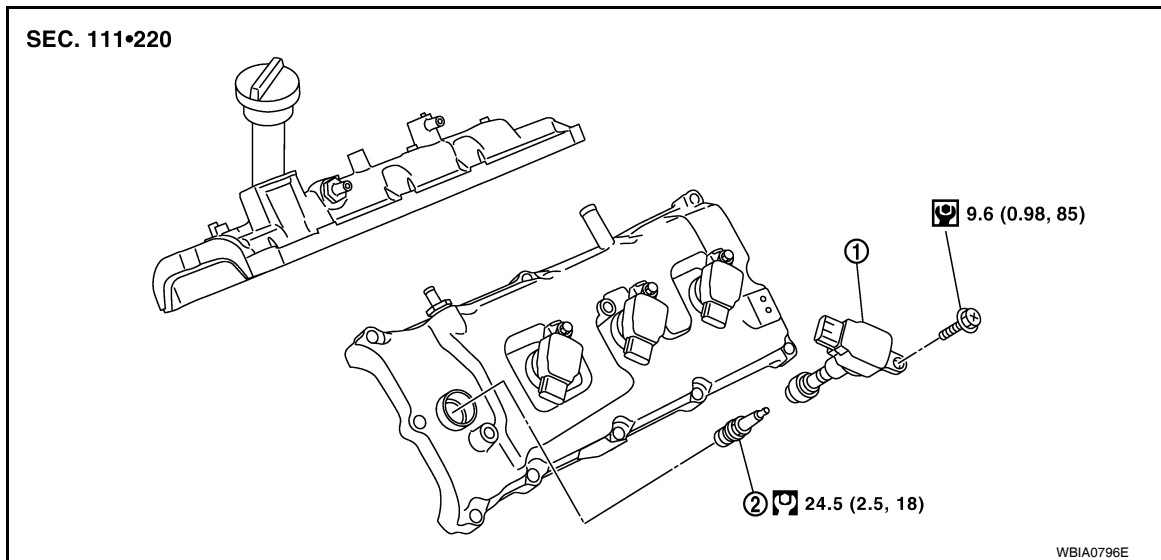
MA

ENGINE MAINTENANCE (VK56DE)

< ON-VEHICLE MAINTENANCE >

SPARK PLUG : Exploded View

INFOID:000000005255689



1. Ignition coil

2. Spark plug

SPARK PLUG : Removal and Installation

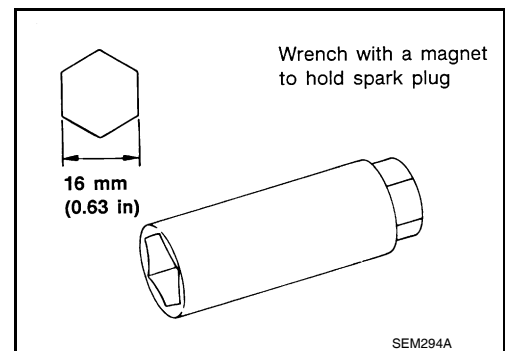
INFOID:000000005255690

REMOVAL

1. Remove the ignition coil. Refer to [EM-173, "Removal and Installation"](#).
2. Remove the spark plug using suitable tool.

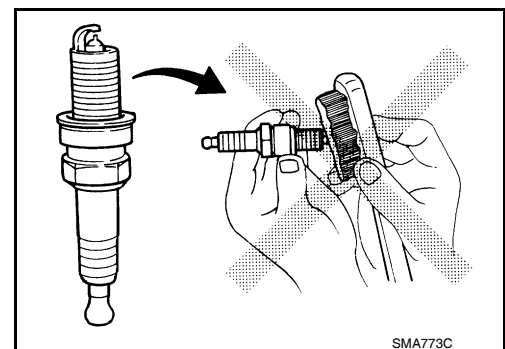
CAUTION:

Do not drop or shock it.



INSPECTION AFTER REMOVAL

- Do not use a wire brush for cleaning.



- If the spark plug tip is covered with carbon, a spark plug cleaner may be used.

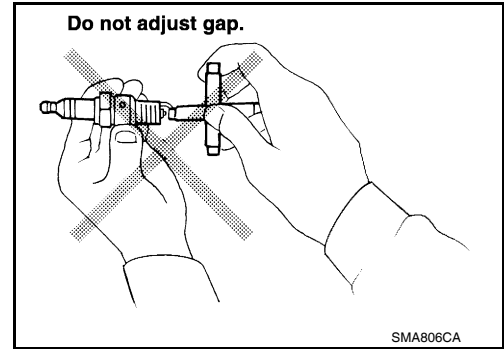
ENGINE MAINTENANCE (VK56DE)

< ON-VEHICLE MAINTENANCE >

Cleaner air pressure : Less than 588 kPa (5.9 bar, 6 kg/cm², 85 psi)

Cleaning time : Less than 20 seconds

- Checking and adjusting plug gap is not required between change intervals.



INSTALLATION

Installation is in the reverse order of removal.

CAUTION:

Do not drop or shock spark plug.

Make	NGK
Standard type	DILFR5A-11
Gap (Nominal)	1.1 mm (0.043 in)

EVAP VAPOR LINES

EVAP VAPOR LINES : Checking EVAP Vapor Line

INFOID:000000005255691

1. Visually inspect EVAP vapor lines for improper attachment, cracks, damage, loose connections, chafing or deterioration.
2. Inspect vacuum relief valve of fuel tank filler cap for clogging and sticking.
Refer to [EC-960. "How to Detect EVAP Leakage"](#).

CHASSIS AND BODY MAINTENANCE

< ON-VEHICLE MAINTENANCE >

CHASSIS AND BODY MAINTENANCE

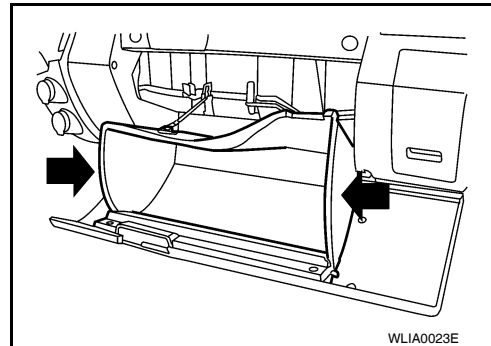
IN-CABIN MICROFILTER

IN-CABIN MICROFILTER : Removal and Installation

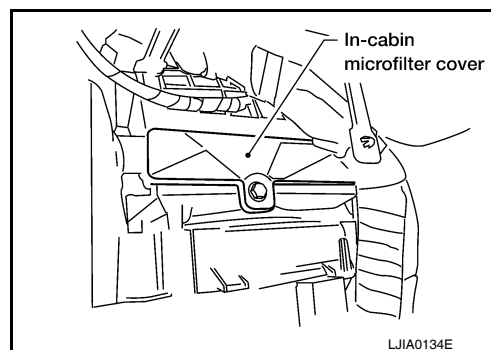
INFOID:000000005255692

REPLACEMENT PROCEDURE

1. Open the lower glove box and press in on the sides so that it will open completely allowing it to hang by the cord.



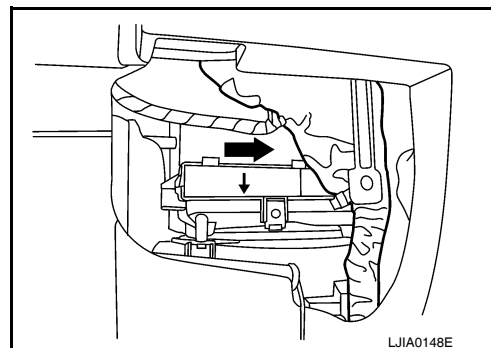
2. Remove the screw and remove the in-cabin microfilter cover.
3. Remove the in-cabin microfilters from the front heater and cooling unit housing.



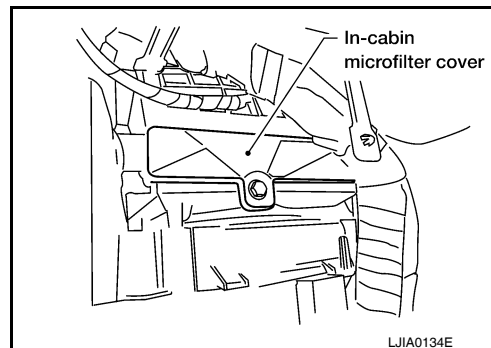
4. Insert the first new in-cabin microfilter into the front heater and cooling unit housing and slide it over to the right. Insert the second new in-cabin microfilter into the front heater and cooling unit housing.

NOTE:

The in-cabin microfilters are marked with air flow arrows. The end of the microfilter with the arrow should face the rear of the vehicle. The arrows should point downward.



5. Install the in-cabin microfilter cover.



6. Close the lower glove box completely.

EXHAUST SYSTEM

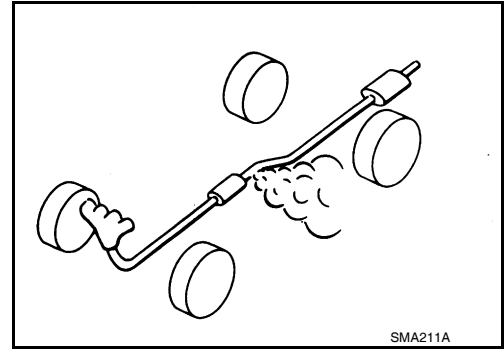
CHASSIS AND BODY MAINTENANCE

< ON-VEHICLE MAINTENANCE >

EXHAUST SYSTEM : Checking the Exhaust System

INFOID:000000005255693

Check exhaust pipes, muffler and mounting for improper attachment, leaks, cracks, damage, loose connections, chafing or deterioration.



A/T FLUID

A/T FLUID : Checking the A/T Fluid (ATF)

INFOID:000000005255694

CAUTION:

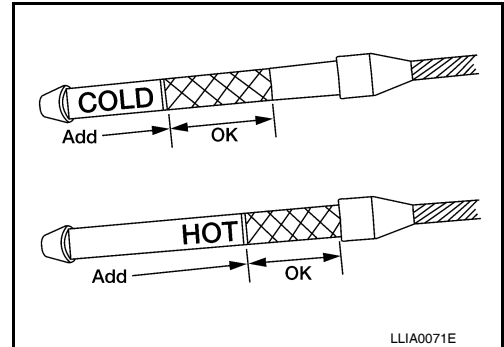
If using the vehicle for towing, the A/T fluid must be replaced as specified. Refer to [MA-9, "For North America"](#).

1. Before driving, the A/T fluid level can be checked at A/T fluid temperatures of 30° to 50° C (86° to 122° F) using the "COLD" range on the A/T fluid level gauge as follows:

- Park the vehicle on a level surface and set the parking brake.
- Start the engine and move the selector lever through each gear position. Shift the selector lever into the "P" position.
- Check the A/T fluid level with the engine idling.
- Remove the A/T fluid level gauge and wipe it clean with a lint-free paper.

CAUTION:

When wiping the A/T fluid from the A/T fluid level gauge, always use a lint-free paper, not a cloth.



e. Re-insert the A/T fluid level gauge into the A/T fluid charging pipe until the cap contacts the top of the A/T fluid charging pipe as shown.

CAUTION:

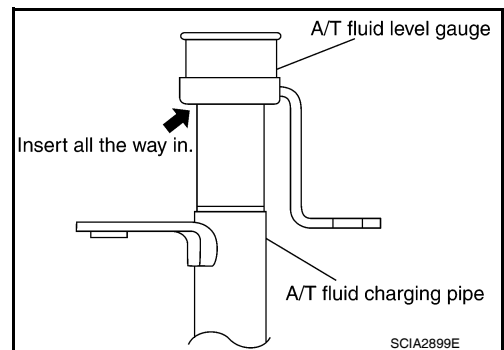
To check A/T fluid level, insert the A/T fluid level gauge until the cap contacts the top of the A/T fluid charging pipe, with the gauge reversed from the normal inserted position.

f. Remove the A/T fluid level gauge and note the A/T fluid level. If the A/T fluid level is at low side of range, add A/T fluid to the transmission through the A/T fluid charging pipe.

CAUTION:

Do not overfill the transmission with A/T fluid.

g. Install the A/T fluid level gauge and the A/T fluid level gauge bolt.



A/T fluid level gauge bolt : Refer to [TM-191, "2WD : Exploded View" \(2WD\)](#) or [TM-194, "4WD : Exploded View" \(4WD\)](#).

- Warm up the engine and transmission.
- Check for any A/T fluid leaks.
- Drive the vehicle to increase the A/T fluid temperature to 80° C (176° F).

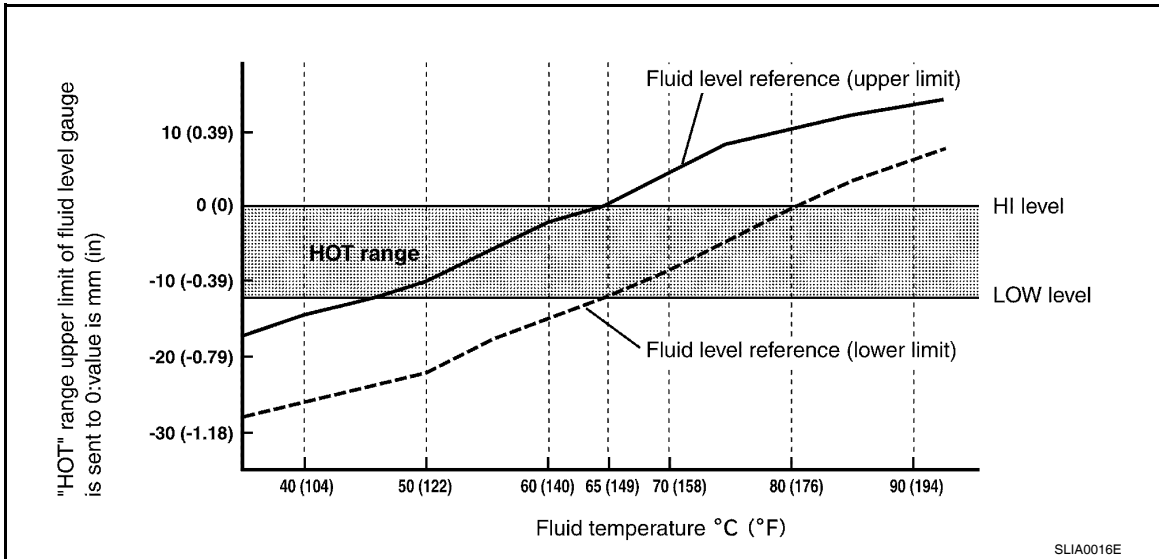
A
B
C
D
E
F
G
H
I
J
K
L
M
N
O

MA

CHASSIS AND BODY MAINTENANCE

< ON-VEHICLE MAINTENANCE >

5. Allow the A/T fluid temperature to fall to approximately 65°C (149°F). Use the CONSULT-III to monitor the A/T fluid temperature as follows:



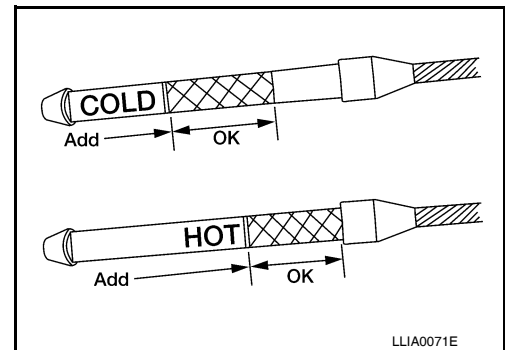
NOTE:

The A/T fluid level will be significantly affected by the A/T fluid temperature as shown. Therefore monitor the A/T fluid temperature data using the CONSULT-III.

- a. Connect CONSULT-III to data link connector.
 - b. Select "MAIN SIGNALS" in "DATA MONITOR" mode for "A/T" with CONSULT-III.
 - c. Read out the value of "ATF TEMP 1".
6. Re-check the A/T fluid level at A/T fluid temperatures of approximately 65°C (149°F) using the "HOT" range on the A/T fluid level gauge as shown. The HOT range is between 50° - 80° C (122° - 176° F).

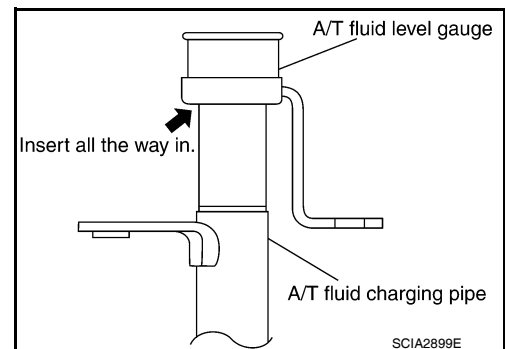
CAUTION:

- When wiping the A/T fluid from the A/T fluid level gauge, always use lint-free paper, not a cloth.



- To check the A/T fluid level, insert the A/T fluid level gauge until the cap contacts the top of the A/T fluid charging pipe, with the gauge reversed from the normal inserted position as shown.

7. Check the A/T fluid condition.
 - If the A/T fluid is very dark or has some burned smell, there may be an internal problem with the transmission. Refer to [TM-116](#). Flush the transmission cooling system after repairing the transmission.
 - If the A/T fluid contains frictional material (clutches, bands, etc.), replace the radiator and flush the transmission cooler lines using cleaning solvent and compressed air after repairing the transmission.



8. Install the A/T fluid level gauge in the A/T fluid charging pipe.
9. Tighten the A/T fluid level gauge bolt to specification.

A/T fluid level gauge bolt : Refer to [TM-191, "2WD : Exploded View" \(2WD\)](#) or [TM-194, "4WD : Exploded View" \(4WD\)](#).

CHASSIS AND BODY MAINTENANCE

< ON-VEHICLE MAINTENANCE >

A/T FLUID : Changing the A/T Fluid (ATF)

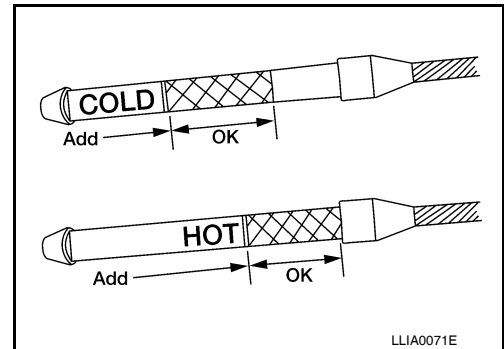
INFOID:000000005255695

CAUTION:

If using the vehicle for towing, the A/T fluid must be replaced as specified. Refer to [MA-9, "For North America"](#).

1. Drive the vehicle to warm up the A/T fluid to approximately 80° C (176° F).
2. Stop the engine.
3. Remove the A/T fluid level gauge.
4. Drain the A/T fluid from the drain plug hole, then install the drain plug with a new gasket. Refill the transmission with new A/T fluid. Always refill with the same volume as the drained A/T fluid. Use the A/T fluid level gauge to check the A/T fluid level as shown. Add A/T fluid as necessary.

Drain plug : Refer to [TM-172, "Removal and Installation"](#).



- To flush out the old A/T fluid from the transmission oil coolers, pour new A/T fluid into the A/T fluid charging pipe with the engine idling and at the same time drain the old A/T fluid from the auxiliary transmission oil cooler hose return line.
- When the color of the A/T fluid coming out of the auxiliary transmission oil cooler hose return line is about the same as the color of the new A/T fluid, flushing out the old A/T fluid is complete. The amount of new A/T fluid used for flushing should be 30% to 50% of the specified capacity.

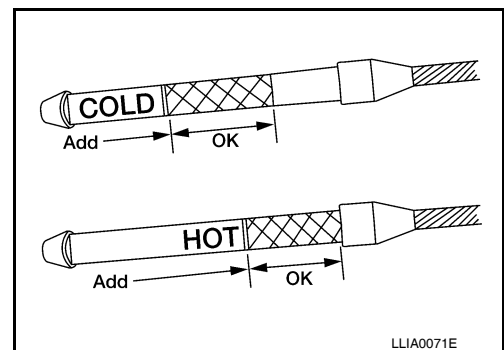
A/T fluid grade and capacity : Refer to [MA-16, "For North America"](#).

CAUTION:

- Use only Genuine NISSAN Matic J ATF and do not mix with other fluids.
 - Using A/T fluid other than Genuine NISSAN Matic J ATF will cause deterioration in driveability and automatic transmission durability, and may damage the automatic transmission, which is not covered by the warranty.
 - When filling the transmission with A/T fluid, do not spill the A/T fluid on any heat generating parts such as the exhaust manifold.
 - Do not reuse the drain plug gasket.
5. Install the A/T fluid level gauge and tighten the A/T fluid level gauge bolt to specification.

A/T fluid level gauge bolt : Refer to [TM-191, "2WD : Exploded View" \(2WD\)](#) or [TM-194, "4WD : Exploded View" \(4WD\)](#).

6. Drive the vehicle to warm up the A/T fluid to approximately 80° C (176° F).
7. Check the fluid level and condition. If the A/T fluid is still dirty, repeat steps 2 through 6.



8. Install the A/T fluid level gauge in the A/T fluid charging pipe and install the A/T fluid level gauge bolt.
9. Tighten the A/T fluid level gauge bolt to specification.

CHASSIS AND BODY MAINTENANCE

< ON-VEHICLE MAINTENANCE >

A/T fluid level gauge bolt : Refer to [TM-191, "2WD : Exploded View" \(2WD\)](#) or [TM-194, "4WD : Exploded View" \(4WD\)](#).

TRANSFER FLUID

TRANSFER FLUID : ATX14B

INFOID:000000005255696

TRANSFER FLUID : Inspection

INFOID:000000005255697

CAUTION:

If using the vehicle for towing, the transfer fluid must be replaced as specified. Refer to [MA-9, "For North America"](#).

FLUID LEAKAGE AND FLUID LEVEL

1. Make sure that fluid is not leaking from the transfer assembly or around it.
2. Check fluid level from the filler plug hole as shown.

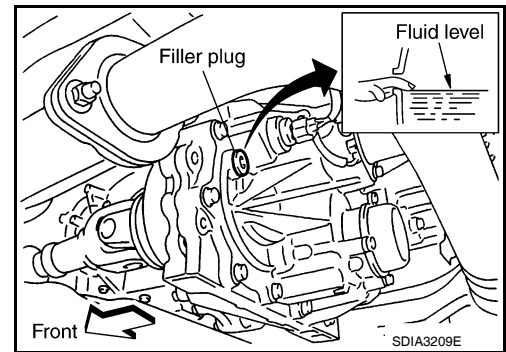
CAUTION:

Do not start engine while checking fluid level.

3. Install the filler plug with a new gasket to the transfer. Tighten to the specified torque. Refer to [DLN-154, "Disassembly and Assembly"](#).

CAUTION:

Do not reuse gasket.



TRANSFER FLUID : Replacement

INFOID:000000005255698

CAUTION:

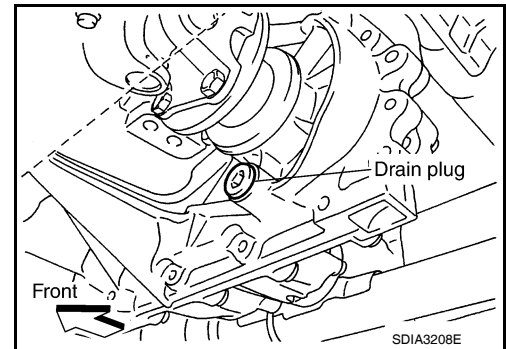
If using the vehicle for towing, the transfer fluid must be replaced as specified. Refer to [MA-9, "For North America"](#).

DRAINING

1. Stop engine.
2. Remove the drain plug and gasket and drain the fluid.
3. Install the drain plug with a new gasket to the transfer. Tighten to the specified torque. Refer to [DLN-154, "Disassembly and Assembly"](#).

CAUTION:

Do not reuse gasket.



FILLING

CHASSIS AND BODY MAINTENANCE

< ON-VEHICLE MAINTENANCE >

1. Remove the filler plug and gasket.
2. Fill the transfer with new fluid until the fluid level reaches the specified limit near the filler plug hole.

Fluid grade and capacity : Refer to [MA-16, "For North America"](#).

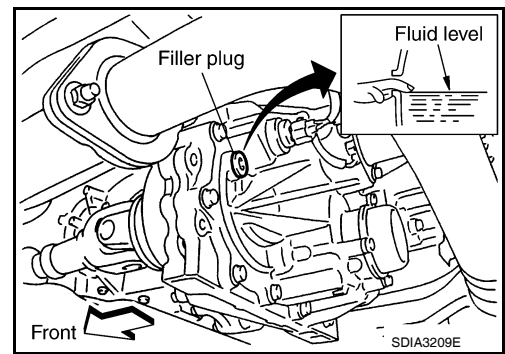
CAUTION:

Carefully fill fluid. (Fill up for approx. 3 minutes.)

3. Leave the vehicle for 3 minutes, and check fluid level again.
4. Install the filler plug with a new gasket to the transfer. Tighten to the specified torque. Refer to [DLN-154, "Disassembly and Assembly"](#).

CAUTION:

Do not reuse gasket.



TRANSFER FLUID : TX15B

INFOID:000000005255699

TRANSFER FLUID : Inspection

INFOID:000000005255700

CAUTION:

If using the vehicle for towing, the transfer fluid must be replaced as specified. Refer to [MA-9, "For North America"](#).

FLUID LEAKAGE AND FLUID LEVEL

1. Make sure that fluid is not leaking from the transfer assembly or around it.
2. Check fluid level from the filler plug hole as shown.

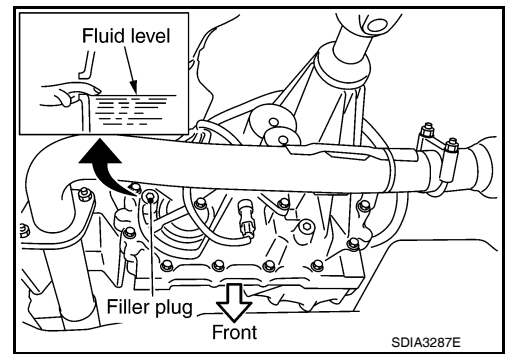
CAUTION:

Do not start engine while checking fluid level.

3. Install the filler plug with a new gasket to the transfer. Tighten to the specified torque. Refer to [DLN-283, "Disassembly and Assembly"](#).

CAUTION:

Do not reuse gasket.



TRANSFER FLUID : Replacement

INFOID:000000005255701

CAUTION:

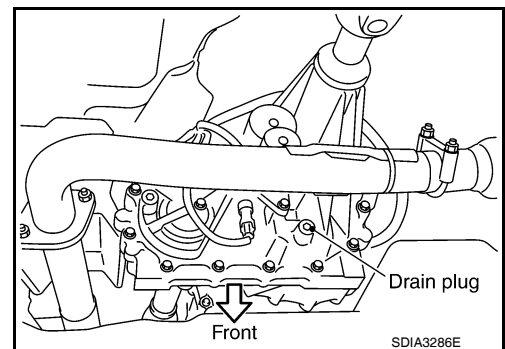
If using the vehicle for towing, the transfer fluid must be replaced as specified. Refer to [MA-9, "For North America"](#).

DRAINING

1. Stop engine.
2. Remove the drain plug and gasket and drain the fluid.
3. Install the drain plug with a new gasket to the transfer. Tighten to the specified torque. Refer to [DLN-283, "Disassembly and Assembly"](#).

CAUTION:

Do not reuse gasket.



FILLING

1. Remove the filler plug and gasket.

A
B
C
D
E
F
G
H
I
J
K
L
M
N
O

MA

CHASSIS AND BODY MAINTENANCE

< ON-VEHICLE MAINTENANCE >

2. Fill the transfer with new fluid until the fluid level reaches the specified limit near the filler plug hole.

Fluid grade and capacity : Refer to [MA-16, "For North America"](#).

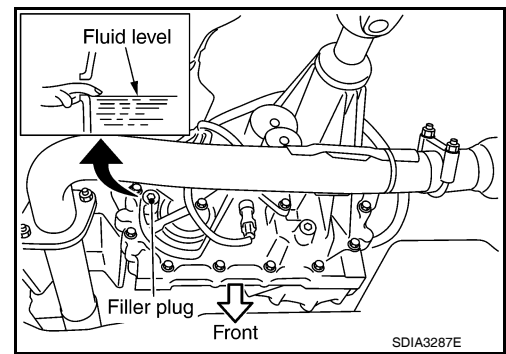
CAUTION:

Carefully fill fluid. (Fill up for approx. 3 minutes.)

3. Leave the vehicle for 3 minutes, and check fluid level again.
4. Install the filler plug with a new gasket to the transfer. Tighten to the specified torque. Refer to [DLN-283, "Disassembly and Assembly"](#).

CAUTION:

Do not reuse gasket.



PROPELLER SHAFT

PROPELLER SHAFT : Checking Propeller Shaft

INFOID:000000005255702

Check the front and rear propeller shafts for damage, dents, and cracks. Check the joints for looseness and any damage. Repair or replace as necessary. Refer to [DLN-203, "NVH Troubleshooting Chart"](#).

DIFFERENTIAL GEAR OIL

DIFFERENTIAL GEAR OIL : Front Final Drive R180T

INFOID:000000005255703

DIFFERENTIAL GEAR OIL : Checking Differential Gear Oil

INFOID:000000005255704

DIFFERENTIAL GEAR OIL LEAKAGE AND LEVEL

1. Make sure that differential gear oil is not leaking from the front final drive assembly or around it.
2. Check the differential gear oil level from the filler plug hole as shown.

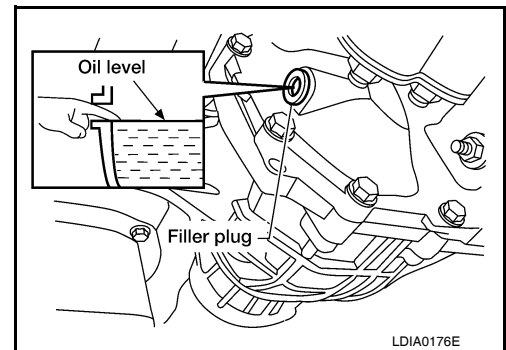
CAUTION:

Do not start engine while checking differential gear oil level.

3. Install the filler plug with a new gasket on it to the front final drive assembly. Tighten to the specified torque. Refer to [DLN-356, "Disassembly and Assembly"](#).

CAUTION:

Do not reuse gasket.



DIFFERENTIAL GEAR OIL : Changing Differential Gear Oil

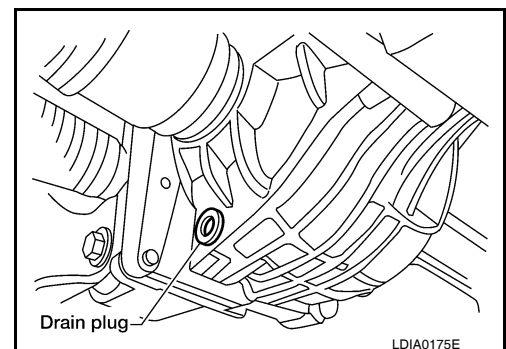
INFOID:000000005255705

DRAINING

1. Stop the engine.
2. Remove the drain plug and gasket from the front final drive assembly to drain the differential gear oil.
3. Install the drain plug with a new gasket to the front final drive assembly. Tighten to the specified torque. Refer to [DLN-356, "Disassembly and Assembly"](#).

CAUTION:

Do not reuse gasket.



FILLING

CHASSIS AND BODY MAINTENANCE

< ON-VEHICLE MAINTENANCE >

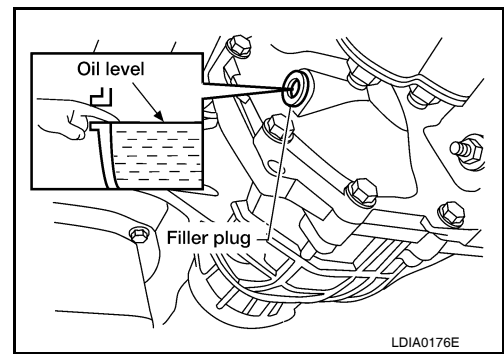
1. Remove the filler plug and gasket from the front final drive assembly.
2. Fill the front final drive assembly with new differential gear oil until the level reaches the specified level near the filler plug hole.

Differential gear oil grade and capacity : Refer to [MA-16, "For North America"](#).

3. Install the filler plug with a new gasket on it to the front final drive assembly. Tighten to the specified torque. Refer to [DLN-356, "Disassembly and Assembly"](#).

CAUTION:

Do not reuse gasket.



DIFFERENTIAL GEAR OIL : Front Final Drive M205

INFOID:000000005255706

DIFFERENTIAL GEAR OIL : Checking Differential Gear Oil

INFOID:000000005255707

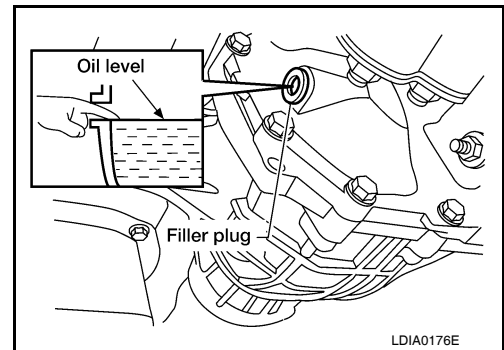
DIFFERENTIAL GEAR OIL LEAKAGE AND LEVEL

1. Make sure that differential gear oil is not leaking from the front final drive assembly or around it.
2. Check the differential gear oil level from the filler plug hole as shown.

CAUTION:

Do not start engine while checking differential gear oil level.

3. Install the filler plug with sealant applied on the threads to the front final drive assembly. Tighten to the specified torque. Refer to [DLN-390, "Disassembly and Assembly"](#).
 - Use High Performance Thread Sealant or equivalent. Refer to [GI-14, "Recommended Chemical Products and Sealants"](#).



DIFFERENTIAL GEAR OIL : Changing Differential Gear Oil

INFOID:000000005255708

DRAINING

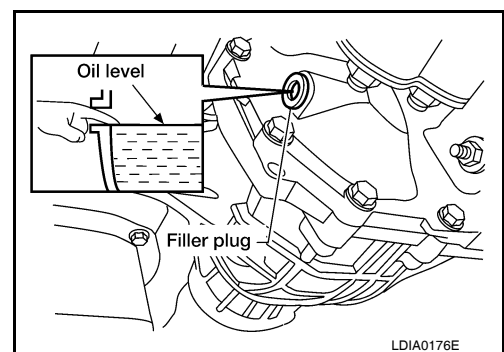
1. Stop the engine.
2. Remove the drain plug from the front final drive assembly to drain the differential gear oil.
3. Install the drain plug with sealant applied on the threads to the front final drive assembly. Tighten to the specified torque. Refer to [DLN-390, "Disassembly and Assembly"](#).
 - Use High Performance Thread Sealant or equivalent. Refer to [GI-14, "Recommended Chemical Products and Sealants"](#).

FILLING

1. Remove the filler plug from the front final drive assembly.
2. Fill the front final drive assembly with new differential gear oil until the level reaches the specified level near the filler plug hole.

Differential gear oil grade and capacity : Refer to [MA-16, "For North America"](#).

3. Install the filler plug with sealant applied on the threads to the front final drive assembly. Tighten to the specified torque. Refer to [DLN-390, "Disassembly and Assembly"](#).
 - Use High Performance Thread Sealant or equivalent. Refer to [GI-14, "Recommended Chemical Products and Sealants"](#).



CHASSIS AND BODY MAINTENANCE

< ON-VEHICLE MAINTENANCE >

DIFFERENTIAL GEAR OIL : Rear Final Drive R200

INFOID:000000005255709

DIFFERENTIAL GEAR OIL : Checking Differential Gear Oil

INFOID:000000005255710

OIL LEAKAGE AND OIL LEVEL

1. Make sure that differential gear oil is not leaking from the rear final drive assembly or around it.
2. Check the differential gear oil level from the filler plug hole as shown.

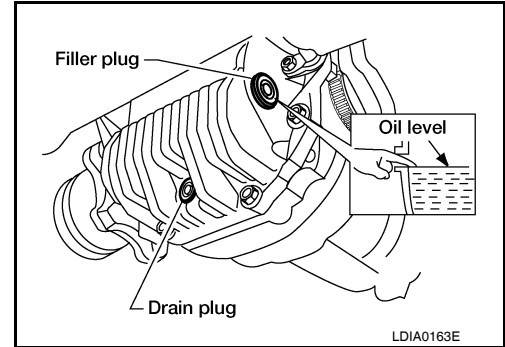
CAUTION:

Do not start engine while checking differential gear oil level.

3. Install the filler plug with a new gasket on it to the rear final drive assembly. Tighten to the specified torque. Refer to [DLN-426](#), "[Disassembly and Assembly](#)".

CAUTION:

Do not reuse gasket.



LDIA0163E

DIFFERENTIAL GEAR OIL : Changing Differential Gear Oil

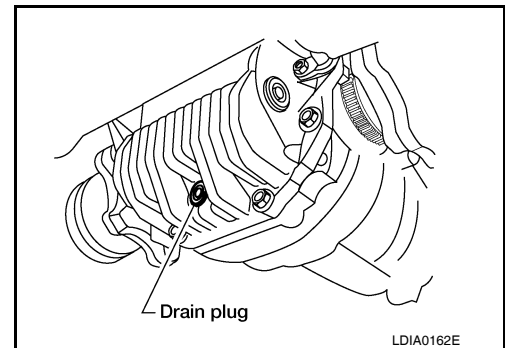
INFOID:000000005255711

DRAINING

1. Stop the engine.
2. Remove the drain plug and gasket from the rear final drive assembly to drain the differential gear oil.
3. Install the drain plug with a new gasket to the rear final drive assembly. Tighten to the specified torque. Refer to [DLN-426](#), "[Disassembly and Assembly](#)".

CAUTION:

Do not reuse gasket.



LDIA0162E

FILLING

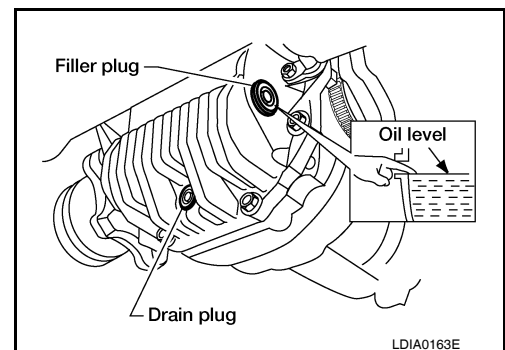
1. Remove the filler plug and gasket from the rear final drive assembly.
2. Fill the rear final drive assembly with new differential gear oil until the level reaches the specified level near the filler plug hole.

Differential gear oil grade and capacity : Refer to [MA-16](#), "[For North America](#)".

3. Install the filler plug with a new gasket on it to the rear final drive assembly. Tighten to the specified torque. Refer to [DLN-426](#), "[Disassembly and Assembly](#)".

CAUTION:

Do not reuse gasket.



LDIA0163E

DIFFERENTIAL GEAR OIL : Rear Final Drive R230

INFOID:000000005255712

DIFFERENTIAL GEAR OIL : Checking Differential Gear Oil

INFOID:000000005255713

OIL LEAKAGE AND OIL LEVEL

1. Make sure that differential gear oil is not leaking from the rear final drive assembly or around it.

CHASSIS AND BODY MAINTENANCE

< ON-VEHICLE MAINTENANCE >

2. Check the differential gear oil level from the filler plug hole as shown.

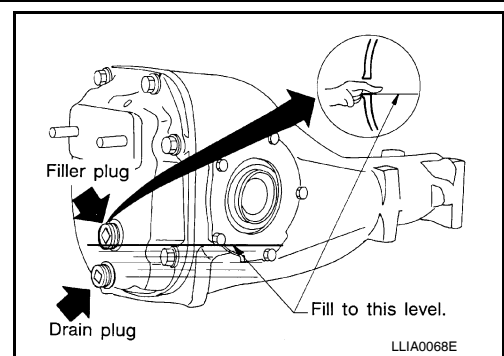
CAUTION:

Do not start engine while checking differential gear oil level.

3. Install the filler plug with a new gasket on it to the rear final drive assembly. Tighten to the specified torque. Refer to [DLN-464](#), "[Disassembly and Assembly](#)".

CAUTION:

Do not reuse gasket.



DIFFERENTIAL GEAR OIL : Changing Differential Gear Oil

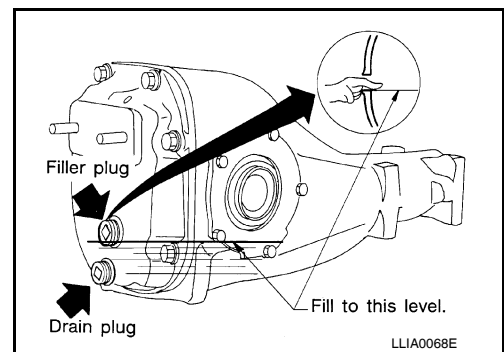
INFOID:000000005255714

DRAINING

1. Stop the engine.
2. Remove the drain plug and gasket from the rear final drive assembly to drain the differential gear oil.
3. Install the drain plug with a new gasket to the rear final drive assembly. Tighten to the specified torque. Refer to [DLN-464](#), "[Disassembly and Assembly](#)".

CAUTION:

Do not reuse gasket.



FILLING

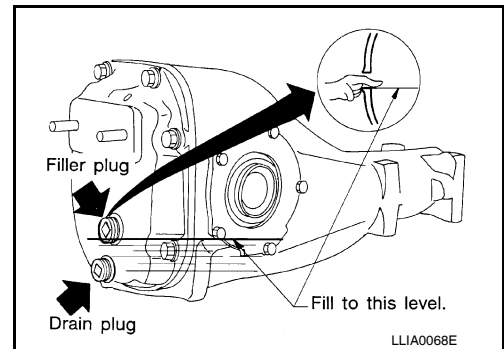
1. Remove the filler plug and gasket from the rear final drive assembly.
2. Fill the rear final drive assembly with new differential gear oil until the level reaches the specified level near the filler plug hole.

Differential gear oil grade and capacity : Refer to [MA-16](#), "[For North America](#)".

3. Install the filler plug with a new gasket on it to the rear final drive assembly. Tighten to the specified torque. Refer to [DLN-464](#), "[Disassembly and Assembly](#)".

CAUTION:

Do not reuse gasket.



WHEELS

WHEELS : Balancing Wheels

INFOID:000000005255715

WHEEL BALANCE REMOVAL

1. Remove wheel and tire using power tool.
2. Using releasing agent, remove double-faced adhesive tape from the wheel.

CAUTION:

- **Be careful not to scratch the wheel during removal.**
- **After removing double-faced adhesive tape, wipe clean traces of releasing agent from the wheel.**

WHEEL BALANCE INSTALLATION AND ADJUSTMENT

- If a tire balance machine has adhesion balance weight mode settings and drive-in weight mode setting, select and adjust a drive-in weight mode suitable for wheels.

1. Set wheel on wheel balancer using the center hole as a guide. Start the tire balance machine.

CHASSIS AND BODY MAINTENANCE

< ON-VEHICLE MAINTENANCE >

2. When inner and outer imbalance values are shown on the wheel balancer indicator, multiply outer imbalance value by 1.6 to determine balance weight that should be used. Select the outer balance weight with a value closest to the calculated value and install it to the designated outer position of, or at the designated angle in relation to the road wheel.

CAUTION:

- Do not install the inner balance weight before installing the outer balance weight.
- Before installing the balance weight, be sure to clean the mating surface of the wheel.

Indicated imbalance value $\times 5/3$ = balance weight to be installed

Calculation example:

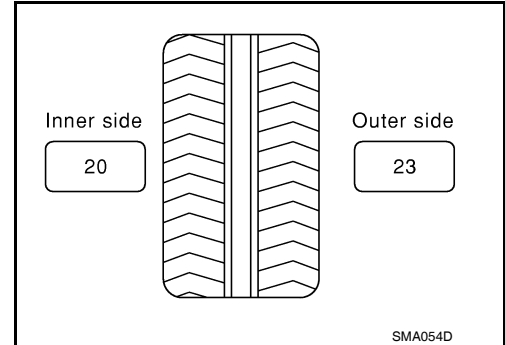
$23 \text{ g (0.81 oz)} \times 5/3 = 38.33 \text{ g (1.35 oz)} = 40 \text{ g (1.41 oz)}$ balance weight (closer to calculated balance weight value)

Note that balance weight value must be closer to the calculated balance weight value.

Example:

$37.4 \text{ g} = 35 \text{ g (1.23 oz)}$

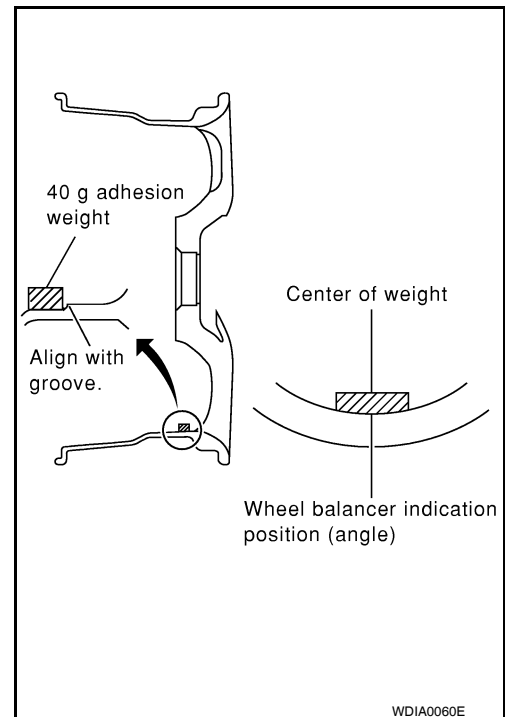
$37.5 \text{ g} = 40 \text{ g (1.41 oz)}$



- a. Install balance weight in the position shown.
- b. When installing balance weight to wheels, set it into the grooved area on the inner wall of the wheel as shown so that the balance weight center is aligned with the wheel balancer indication position (angle).

CAUTION:

- Always use Genuine NISSAN adhesion balance weights.
- Balance weights are not reusable; always replace with new ones.
- Do not install more than three sheets of balance weights.



- c. If calculated balance weight value exceeds 50 g (1.76 oz), install two balance weight sheets in line with each other as shown.

CAUTION:

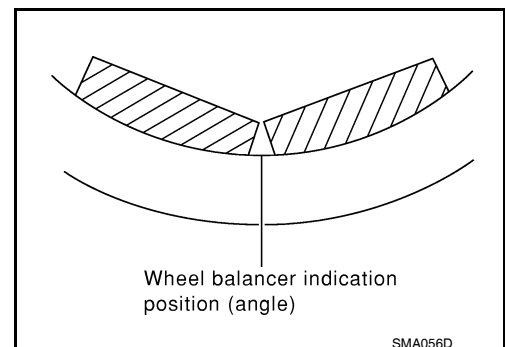
Do not install one balance weight sheet on top of another.

3. Start wheel balancer again.
4. Install drive-in balance weight on inner side of road wheel in the wheel balancer indication position (angle).

CAUTION:

Do not install more than two balance weights.

5. Start wheel balancer. Make sure that inner and outer residual imbalance values are 5 g (0.18 oz) each or below.
- If either residual imbalance value exceeds 5 g (0.18 oz), repeat installation procedures.



CHASSIS AND BODY MAINTENANCE

< ON-VEHICLE MAINTENANCE >

Wheel Balance (Maximum Allowable Imbalance)

Maximum allowable imbalance	Dynamic (at rim flange)	5 g (0.18 oz) (one side)
	Static	10 g (0.35 oz)

WHEELS : Rotation

INFOID:000000005255716

NOTE:

Follow the maintenance schedule for tire rotation service intervals. Refer to [MA-5. "General Maintenance"](#).

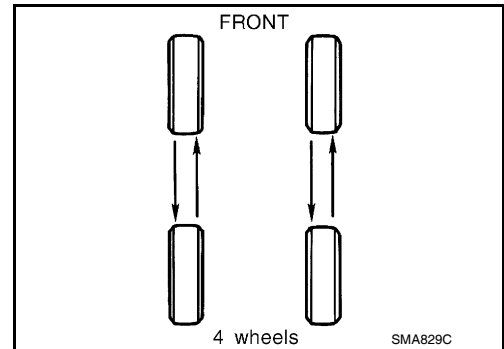
1. Remove wheels and tires.
2. Rotate wheels and tires on each side from front to back as shown. Do not include the spare wheel and tire when rotating the wheels and tires.

Wheel nut : 133 N-m (14 kg-m, 98 ft-lb)

CAUTION:

When installing wheels and tires, tighten them diagonally by dividing the work two to three times in order to prevent the wheels from developing any distortion.

3. Adjust the tire pressure to specification. Refer to [WT-53. "Tire"](#).
4. After the wheel and tire rotation, retighten the wheel nuts after the vehicle has been driven for 1,000 km (600 miles), and also after any wheel and tire has been installed, such as after repairing a flat tire.

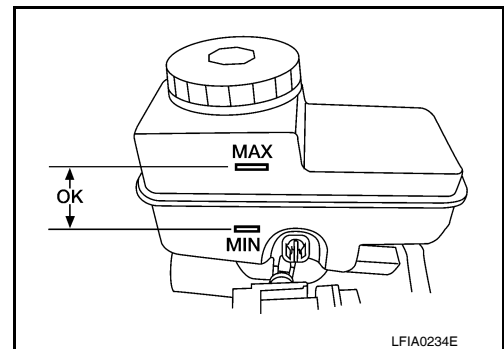


BRAKE FLUID LEVEL AND LEAKS

BRAKE FLUID LEVEL AND LEAKS : Checking Brake Fluid Level and Leaks

INFOID:000000005255717

- Check the brake fluid level in the reservoir tank. It should be between the "MAX" and "MIN" lines on the reservoir tank.
- Visually check around reservoir tank for fluid leaks.
- If the fluid level is extremely low, check the brake system.
- If the brake warning lamp comes on when the fluid is at the correct level, check the brake fluid level switch and the parking brake switch.



BRAKE LINES AND CABLES

BRAKE LINES AND CABLES : Checking Brake Line and Cables

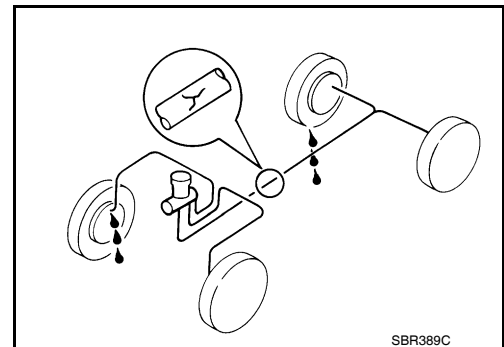
INFOID:000000005255718

1. Check the brake lines and hoses for cracks, deterioration, and other damage. Replace any damaged parts.

CAUTION:

If brake fluid leaks are visible around the brake line joints, retighten the joint, or replace damaged parts as necessary.

2. Check for brake fluid leaks by fully depressing brake pedal while engine is running.



DISC BRAKE

A
B
C
D
E
F
G
H
I
J
K
L
M
N
O

MA

CHASSIS AND BODY MAINTENANCE

< ON-VEHICLE MAINTENANCE >

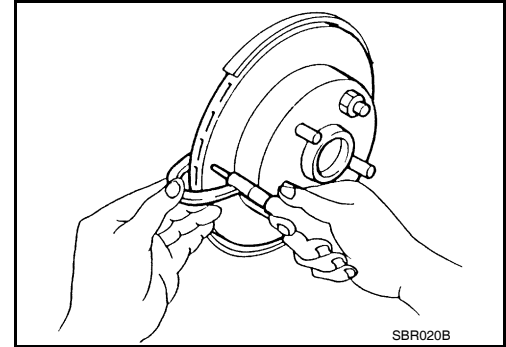
DISC BRAKE : Checking Disc Brake

INFOID:000000005255719

ROTOR

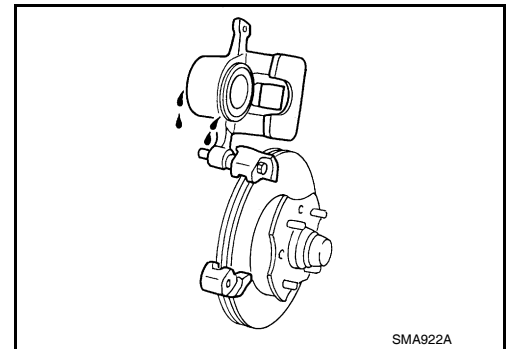
Check the condition of the rotor, and for any wear or damage. Repair or replace as necessary.

- Standard thickness** : Refer to [BR-58, "Front Disc Brake"](#), [BR-58, "Rear Disc Brake"](#).
- Repair limit thickness** : Refer to [BR-58, "Front Disc Brake"](#), [BR-58, "Rear Disc Brake"](#).



CALIPER

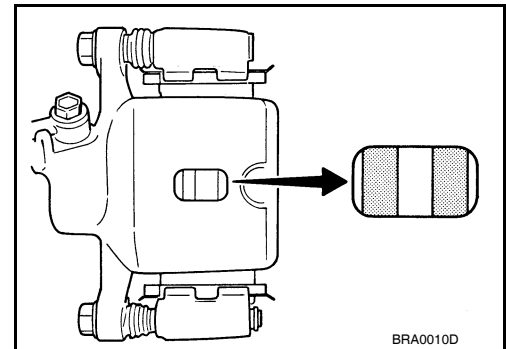
Check for any fluid leakage. Repair as necessary.



PAD

Inspect the thickness of pad through cylinder body inspection hole. Use a scale for inspection if necessary.

- Standard thickness** : Refer to [BR-58, "Front Disc Brake"](#), [BR-58, "Rear Disc Brake"](#).
- Repair limit thickness** : Refer to [BR-58, "Front Disc Brake"](#), [BR-58, "Rear Disc Brake"](#).



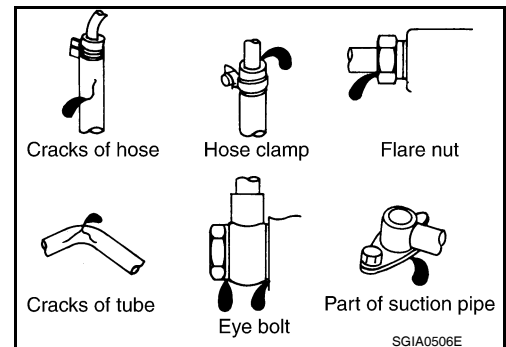
STEERING GEAR AND LINKAGE

STEERING GEAR AND LINKAGE : Checking Steering Gear and Linkage

INFOID:000000005255720

STEERING GEAR

- Check the steering gear housing for looseness, damage and oil leakage as shown.
- Check the steering column connections for looseness.



STEERING LINKAGE

CHASSIS AND BODY MAINTENANCE

< ON-VEHICLE MAINTENANCE >

- Check the ball joint, dust cover and other component parts for looseness, wear, damage and grease leakage.

POWER STEERING FLUID AND LINES

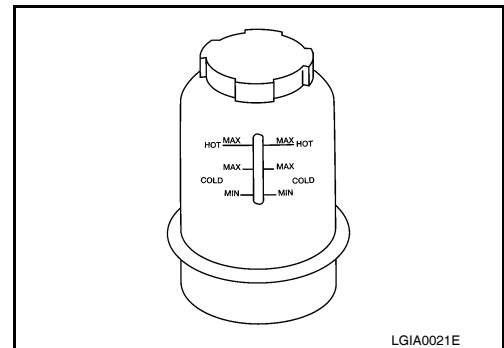
POWER STEERING FLUID AND LINES : Checking Fluid Level

INFOID:000000005255721

Check fluid level, referring to the scale on the reservoir tank.
Use HOT range for fluid temperatures of 50° – 80°C (122° – 176°F).
Use COLD range for fluid temperatures of 0° – 30°C (32° – 86°F).

CAUTION:

- Do not overfill.
- Do not reuse any power steering fluid.
- Recommended fluid is Genuine NISSAN PSF or equivalent. Refer to [MA-16, "For North America"](#).



POWER STEERING FLUID AND LINES : Checking Fluid Leakage

INFOID:000000005255722

Check the hydraulic piping lines for improper attachment, leaks, cracks, damage, loose connections, chafing and deterioration.

1. Run the engine until the fluid temperature reaches 50° – 80°C (122° – 176°F) in the reservoir tank. Keep engine speed idle.

CAUTION:

Do not allow steering fluid reservoir tank to go below the MIN level line. Check tank frequently and add fluid as needed.

2. Turn the steering wheel to the right and left several times.
3. Hold the steering wheel at each "locked" position for five seconds to check for fluid leakage.

CAUTION:

Do not hold steering wheel in the locked position for more than 10 seconds. (There is the possibility that the oil pump may be damaged.)

4. If fluid leakage at a connection is noticed, loosen the connection and then retighten. Do not over-tighten connector as this can damage O-ring, washer and connector. Refer to [ST-17](#) and [ST-26](#).
5. If fluid leakage from the oil pump is noticed, check the oil pump. Refer to [ST-17](#).
6. Check steering gear boots for accumulation of fluid, indicating a leak from the steering gear.

CAUTION:

Do not reuse copper washers.

AXLE AND SUSPENSION PARTS

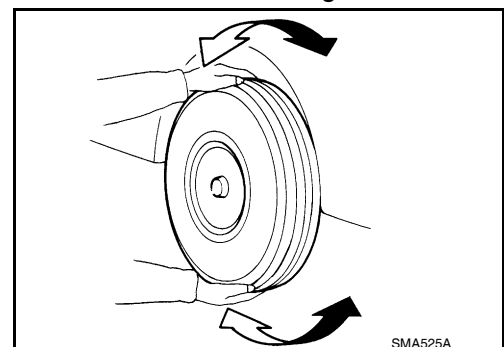
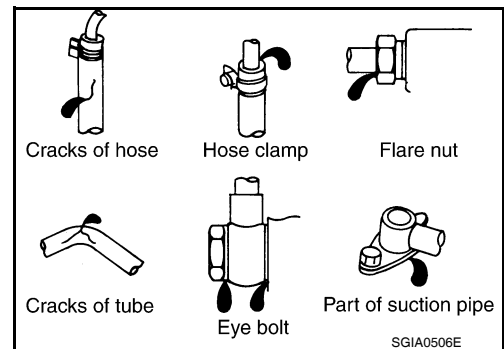
AXLE AND SUSPENSION PARTS : Checking Axle and Suspension Parts

INFOID:000000005255723

FRONT AND REAR AXLE AND SUSPENSION PARTS

Check front and rear axle and suspension parts for excessive play, cracks, wear or other damage.

- Shake each wheel to check for excessive play.
- Rotate each wheel to check for abnormal noise.
- Check axle and suspension nuts and bolts for looseness.



A
B
C
D
E
F
G
H
I
J
K
L
M
N
O
MA

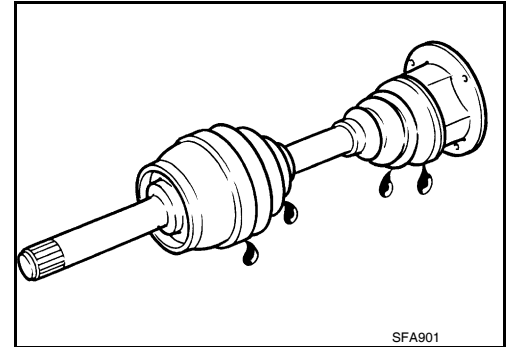
CHASSIS AND BODY MAINTENANCE

< ON-VEHICLE MAINTENANCE >

- Check the strut and shock absorber for oil leakage or other damage.
- Check suspension ball joints for grease leakage and ball joint dust cover for cracks or other damage.

FRONT AND REAR DRIVE SHAFT

Check the boots and drive shaft for cracks, wear, damage, and grease leakage.



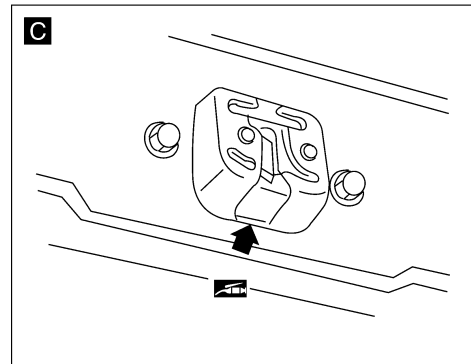
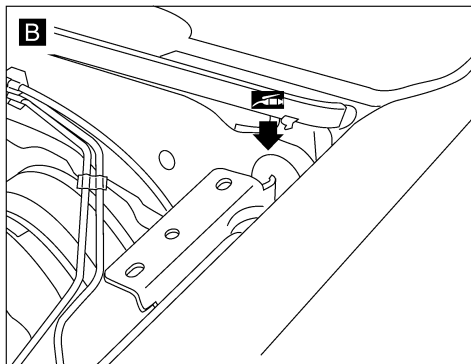
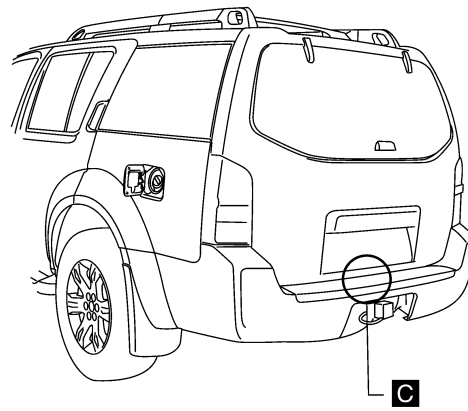
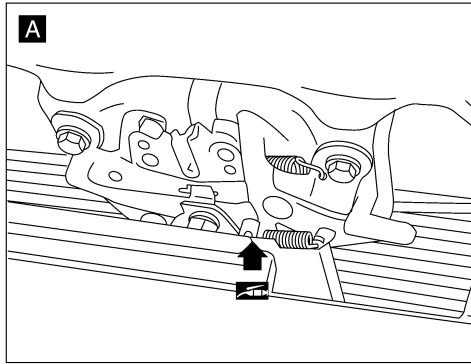
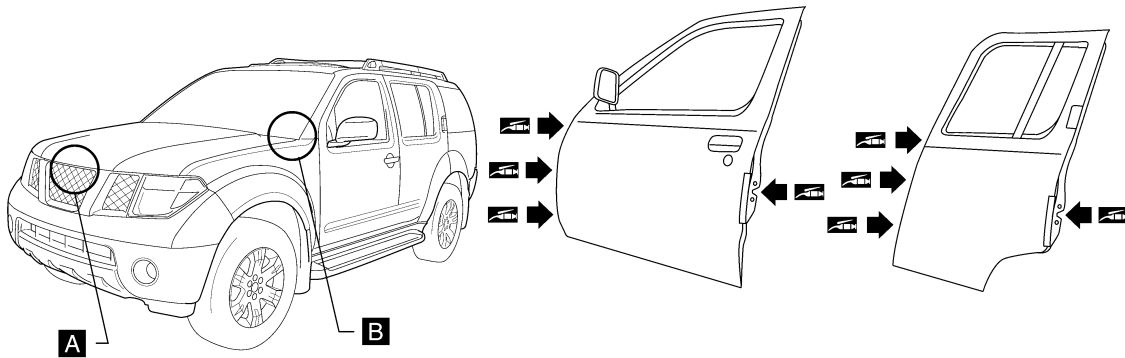
LOCKS, HINGES AND HOOD LATCH

CHASSIS AND BODY MAINTENANCE

< ON-VEHICLE MAINTENANCE >

LOCKS, HINGES AND HOOD LATCH : Lubricating Locks, Hinges and Hood Latches

INFOID:000000005255724



• Lubricate the locations shown. Refer to [MA-16, "For North America"](#).

SEAT BELT, BUCKLES, RETRACTORS, ANCHORS AND ADJUSTERS

SEAT BELT, BUCKLES, RETRACTORS, ANCHORS AND ADJUSTERS : Checking Seat Belts, Buckles, Retractors, Anchors and Adjusters

INFOID:000000005255725

Check the seat belt buckles, webbing, retractors, anchors and adjusters. Replace any seat belt assembly as necessary. Refer to [SB-9, "Seat Belt Inspection"](#).

- Check the seat belt anchors for loose mounting bolts, damage, or excessive wear.
- Check the seat belt webbing for any damage, cuts, fraying, or excessive wear.
- Check the retractor for smooth operation.

A
B
C
D
E
F
G
H
I
J
K
L
M
N
O

CHASSIS AND BODY MAINTENANCE

< ON-VEHICLE MAINTENANCE >

- Check the function of the buckles by inserting the seat belt tongue and checking for proper engagement of the buckle and press the button on the buckle to check for proper release of the seat belt tongue.

CAUTION:

- **After any collision, inspect all seat belt assemblies, including retractors and other attached components, such as the guide rail set. NISSAN recommends replacing all seat belt assemblies in use during a collision, unless they are not damaged and are inspected to confirm they are operating properly after a minor collision.**

Also inspect all seat belt assemblies that are not in use during a collision, and replace any components if damaged or not operating properly. The seat belt pre-tensioner should be replaced even if the seat belts are not in use during a frontal collision where the driver and passenger air bags have been deployed.

- **If any component of the seat belt assembly is suspected of being damaged or not operating properly, do not repair the component. Replace the components as an assembly.**
- **If the seat belt webbing is cut, frayed, or damaged then replace the seat belt assembly.**
- **Never lubricate the seat belt buckle or tongue.**
- **When replacing any seat belt assembly always use a Genuine NISSAN seat belt assembly.**