

SECTION **FSU**
FRONT SUSPENSION

A
B
C
D

FSU

CONTENTS

| | | | | |
|--|----|--|----|---|
| PRECAUTION | 2 | UNIT REMOVAL AND INSTALLATION | 15 | F |
| PRECAUTIONS | 2 | COIL SPRING AND SHOCK ABSORBER | 15 | G |
| Precaution for Supplemental Restraint System (SRS) "AIR BAG" and "SEAT BELT PRE-TENSIONER" | 2 | Removal and Installation | 15 | |
| Precaution Necessary for Steering Wheel Rotation After Battery Disconnect | 2 | Disposal | 15 | |
| Precaution for Front Suspension | 3 | STABILIZER BAR | 16 | H |
| PREPARATION | 4 | Removal and Installation | 16 | |
| PREPARATION | 4 | UPPER LINK | 17 | I |
| Special Service Tool | 4 | Removal and Installation | 17 | |
| Commercial Service Tool | 4 | LOWER LINK | 18 | J |
| SYMPTOM DIAGNOSIS | 6 | Removal and Installation | 18 | |
| NOISE, VIBRATION, AND HARSHNESS (NVH) TROUBLESHOOTING | 6 | UPPER BALL JOINT AND LOWER BALL JOINT | 19 | K |
| NVH Troubleshooting Chart | 6 | Removal and Installation | 19 | |
| PERIODIC MAINTENANCE | 7 | KNUCKLE | 20 | L |
| ON-VEHICLE SERVICE | 7 | Removal and Installation | 20 | |
| Front Suspension Parts | 7 | UNIT DISASSEMBLY AND ASSEMBLY ... | 23 | M |
| Front Wheel Alignment | 7 | COIL SPRING AND SHOCK ABSORBER | 23 | |
| UPPER BALL JOINT AND LOWER BALL JOINT | 11 | Disassembly and Assembly | 23 | |
| Inspection | 11 | SERVICE DATA AND SPECIFICATIONS (SDS) | 25 | N |
| KNUCKLE | 13 | SERVICE DATA AND SPECIFICATIONS (SDS) | 25 | O |
| On-Vehicle Inspection and Service | 13 | General Specification (Front) | 25 | |
| REMOVAL AND INSTALLATION | 14 | Spring Free Height | 25 | |
| FRONT SUSPENSION ASSEMBLY | 14 | Wheel Alignment (Unladen*1) | 25 | |
| Component | 14 | Ball Joint | 26 | P |
| | | Wheelarch Height (Unladen*1) | 26 | |

PRECAUTIONS

< PRECAUTION >

PRECAUTION

PRECAUTIONS

Precaution for Supplemental Restraint System (SRS) "AIR BAG" and "SEAT BELT PRE-TENSIONER"

INFOID:000000006245776

The Supplemental Restraint System such as "AIR BAG" and "SEAT BELT PRE-TENSIONER", used along with a front seat belt, helps to reduce the risk or severity of injury to the driver and front passenger for certain types of collision. This system includes seat belt switch inputs and dual stage front air bag modules. The SRS system uses the seat belt switches to determine the front air bag deployment, and may only deploy one front air bag, depending on the severity of a collision and whether the front occupants are belted or unbelted. Information necessary to service the system safely is included in the SR and SB section of this Service Manual.

WARNING:

- To avoid rendering the SRS inoperative, which could increase the risk of personal injury or death in the event of a collision which would result in air bag inflation, all maintenance must be performed by an authorized NISSAN/INFINITI dealer.
- Improper maintenance, including incorrect removal and installation of the SRS, can lead to personal injury caused by unintentional activation of the system. For removal of Spiral Cable and Air Bag Module, see the SR section.
- Do not use electrical test equipment on any circuit related to the SRS unless instructed to in this Service Manual. SRS wiring harnesses can be identified by yellow and/or orange harnesses or harness connectors.

PRECAUTIONS WHEN USING POWER TOOLS (AIR OR ELECTRIC) AND HAMMERS

WARNING:

- When working near the Airbag Diagnosis Sensor Unit or other Airbag System sensors with the Ignition ON or engine running, DO NOT use air or electric power tools or strike near the sensor(s) with a hammer. Heavy vibration could activate the sensor(s) and deploy the air bag(s), possibly causing serious injury.
- When using air or electric power tools or hammers, always switch the Ignition OFF, disconnect the battery, and wait at least 3 minutes before performing any service.

Precaution Necessary for Steering Wheel Rotation After Battery Disconnect

INFOID:000000006245777

NOTE:

- This Procedure is applied only to models with Intelligent Key system and NATS (NISSAN ANTI-THEFT SYSTEM).
- Remove and install all control units after disconnecting both battery cables with the ignition knob in the "LOCK" position.
- Always use CONSULT-III to perform self-diagnosis as a part of each function inspection after finishing work. If DTC is detected, perform trouble diagnosis according to self-diagnostic results.

For models equipped with the Intelligent Key system and NATS, an electrically controlled steering lock mechanism is adopted on the key cylinder.

For this reason, if the battery is disconnected or if the battery is discharged, the steering wheel will lock and steering wheel rotation will become impossible.

If steering wheel rotation is required when battery power is interrupted, follow the procedure below before starting the repair operation.

OPERATION PROCEDURE

1. Connect both battery cables.

NOTE:

Supply power using jumper cables if battery is discharged.

2. Use the Intelligent Key or mechanical key to turn the ignition switch to the "ACC" position. At this time, the steering lock will be released.
3. Disconnect both battery cables. The steering lock will remain released and the steering wheel can be rotated.
4. Perform the necessary repair operation.

PRECAUTIONS

< PRECAUTION >

5. When the repair work is completed, return the ignition switch to the "LOCK" position before connecting the battery cables. (At this time, the steering lock mechanism will engage.)
6. Perform a self-diagnosis check of all control units using CONSULT-III.

Precaution for Front Suspension

INFOID:000000006245778

- When installing the rubber bushings, the final tightening must be done under unladen condition and with the tires on level ground. Oil will shorten the life of the rubber bushings, so wipe off any spilled oil immediately.
- Unladen condition means the fuel tank, engine coolant and lubricants are at the full specification. The spare tire, jack, hand tools, and mats are in their designated positions.
- After installing suspension components, check the wheel alignment.
- Lock nuts are not reusable. Always use new lock nuts for installation. New lock nuts are pre-oiled, do not apply any additional lubrication.

A
B
C
D
F
G
H
I
J
K
L
M
N
O
P

FSU

PREPARATION

< PREPARATION >

PREPARATION

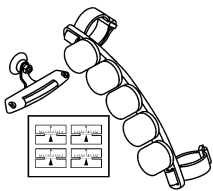
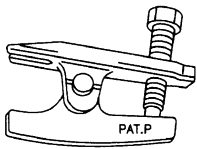
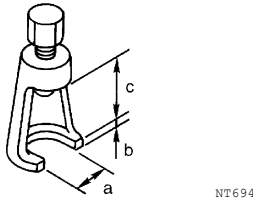
PREPARATION

Special Service Tool

INFOID:000000006245779

The actual shapes of Kent-Moore tools may differ from those of special service tools illustrated here.

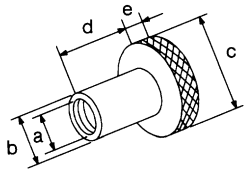
| Tool number (Kent-Moore No.) Tool name | Description |
|---|---|
| ST29020001 (J-24319-01) Gear arm puller | Removing ball joint for knuckle a: 34 mm (1.34 in) b: 6.5 mm (0.256 in) c: 61.5 mm (2.421 in) |
| HT72520000 (J-25730-A) Ball joint remover | Removing tie-rod outer end |
| — (J-49286) Drift and Pull gauge | Measuring drift and pull |



Commercial Service Tool

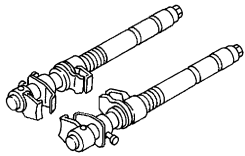
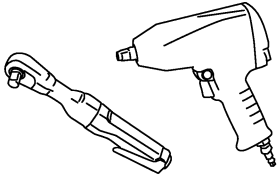
INFOID:000000006245780

| Tool name | Description |
|----------------------------|--|
| Attachment wheel alignment | Measuring wheel alignment a: Screw M24 x 1.5 pitch b: 35 mm (1.38 in) dia. c: 65 mm (2.56 in) dia. d: 56 mm (2.20 in) e: 12 mm (0.47 in) |



PREPARATION

< PREPARATION >

| Tool name | Description |
|---|--|
| <p data-bbox="162 197 354 224">Spring compressor</p>  <p data-bbox="824 415 873 432">NT717</p> | <p data-bbox="1008 197 1360 224">Removing and installing coil spring</p> |
| <p data-bbox="162 449 272 476">Power tool</p>  <p data-bbox="824 667 906 684">PBIC0190E</p> | <p data-bbox="1008 449 1263 476">Loosening bolts and nuts</p> |

A

B

C

D

FSU

F

G

H

I

J

K

L

M

N

O

P

NOISE, VIBRATION, AND HARSHNESS (NVH) TROUBLESHOOTING

< SYMPTOM DIAGNOSIS >

SYMPTOM DIAGNOSIS

NOISE, VIBRATION, AND HARSHNESS (NVH) TROUBLESHOOTING

NVH Troubleshooting Chart

INFOID:000000006245781

Use the chart below to help you find the cause of the symptom. Repair or replace parts as necessary.

| Reference page | | FSU-14 | FSU-15 | FSU-14 | FSU-14 | FSU-26 | FSU-7 | FSU-7 | FSU-7 | FSU-7 | FAX-5, "NVH Troubleshooting Chart" | DLN-349, "NVH Troubleshooting Chart" (R180A) DLN-384, "NVH Troubleshooting Chart" (M205) | FAX-5, "NVH Troubleshooting Chart" | FAX-5, "NVH Troubleshooting Chart" | FAX-5, "NVH Troubleshooting Chart" | BR-6, "NVH Troubleshooting Chart" | ST-12, "NVH Troubleshooting Chart" | |
|------------------------------------|-------------------------------|----------------------------------|--|-----------------------------------|--------------------|----------------|----------------------|---------------------------|------------------------|-------------|------------------------------------|---|------------------------------------|------------------------------------|------------------------------------|-----------------------------------|------------------------------------|---|
| Possible Cause and SUSPECTED PARTS | | Improper installation, looseness | Shock absorber deformation, damage or deflection | Bushing or mounting deterioration | Parts interference | Spring fatigue | Suspension looseness | Incorrect wheel alignment | Stabilizer bar fatigue | DRIVE SHAFT | DIFFERENTIAL | WHEEL HUB AND BEARING | TIRES | ROAD WHEEL | BRAKES | STEERING | | |
| Symptom | Noise | x | x | x | x | x | x | | | x | x | x | x | x | x | x | x | x |
| | Shake | x | x | x | x | | x | | | x | | x | x | x | x | x | x | x |
| | Vibration | x | x | x | x | x | | | | x | | x | x | | | | | x |
| | Shimmy | x | x | x | x | | | x | | | | x | x | x | x | x | x | x |
| | Shudder | x | x | x | | | | | | | | x | x | x | x | x | | x |
| | Poor quality ride or handling | x | x | x | x | x | | x | x | | | x | x | x | x | | | |

x: Applicable

ON-VEHICLE SERVICE

< PERIODIC MAINTENANCE >

PERIODIC MAINTENANCE

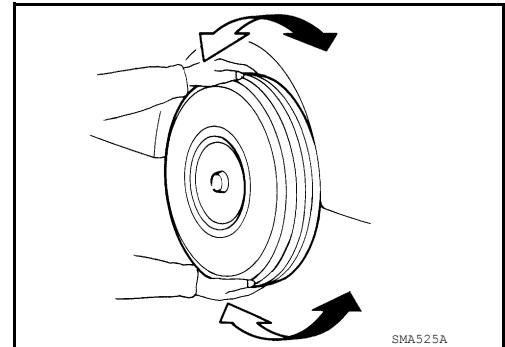
ON-VEHICLE SERVICE

Front Suspension Parts

INFOID:000000006245782

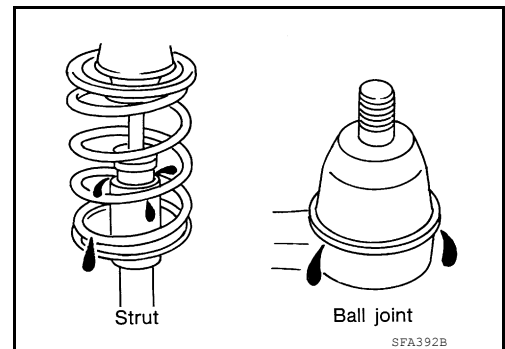
Check front suspension parts for excessive play, cracks, wear and other damage.

- Shake each front wheel to check for excessive play. If looseness is noted:
 - inspect wheel bearing end play. Refer to [FAX-6, "On-Vehicle Inspection and Service"](#).
 - check ball joint end play. Refer to [FSU-11, "Inspection"](#).
- Make sure that the cotter pin is inserted in drive shaft end (4WD only).
- Retighten all nuts and bolts to the specified torque.



Suspension component torques : Refer to [FSU-14, "Component"](#).

- Check shock absorber for oil leakage and other damage.
- Check suspension ball joint for grease leakage and ball joint dust cover for cracks and other damage.



Front Wheel Alignment

INFOID:000000006245783

PRELIMINARY INSPECTION

WARNING:

Always adjust the alignment with the vehicle on a flat surface.

NOTE:

If alignment is out of specification, inspect and replace any damaged or worn rear suspension parts before making any adjustments.

1. Check and adjust the wheel alignment with the vehicle under unladen conditions. "Unladen conditions" means that the fuel, coolant, and lubricant are full; and that the spare tire, jack, hand tools and mats are in their designated positions.
2. Check the tires for incorrect air pressure and excessive wear.
3. Check the wheels for run out and damage. Refer to [WT-49, "Inspection"](#).
4. Check the wheel bearing axial end play. Refer to [FAX-6, "On-Vehicle Inspection and Service"](#).
5. Check the shock absorbers for leaks or damage.
6. Check each mounting point of the suspension components for any excessive looseness or damage.
7. Check each link, arm, and the suspension member for any damage.
8. Check the vehicle height. Refer to [FSU-26, "Wheelarch Height \(Unladen*1\)"](#).

GENERAL INFORMATION AND RECOMMENDATIONS

1. A Four-Wheel Thrust Alignment should be performed.
 - This type of alignment is recommended for any NISSAN vehicle.
 - The four-wheel "thrust" process helps ensure that the vehicle is properly aligned and the steering wheel is centered.
 - The alignment machine itself should be capable of accepting any NISSAN vehicle.
 - The alignment machine should be checked to ensure that it is level.

A
B
C
D
FSU
F
G
H
I
J
K
L
M
N
O
P

ON-VEHICLE SERVICE

< PERIODIC MAINTENANCE >

2. Make sure the alignment machine is properly calibrated.
 - Your alignment machine should be regularly calibrated in order to give correct information.
 - Check with the manufacturer of your specific alignment machine for their recommended Service/Calibration Schedule.

THE ALIGNMENT PROCESS

IMPORTANT: Use only the alignment specifications listed in this Service Manual. Refer to [FSU-25, "Wheel Alignment \(Unladen*1\)"](#).

1. When displaying the alignment settings, many alignment machines use "indicators": (Green/red, plus or minus, Go/No Go). **Do NOT use these indicators.**
 - The alignment specifications programmed into your alignment machine that operate these indicators may not be correct.
 - This may result in an ERROR.
2. Most camera-type alignment machines are equipped with both "Rolling Compensation" method and optional "Jacking Compensation" method to "compensate" the alignment targets or head units. "Rolling Compensation" is the preferred method.
 - If using the "Rolling Compensation" method, after installing the alignment targets or head units, push or pull on the rear wheel to move the vehicle. Do not push or pull on the vehicle body.
 - If using the "Jacking Compensation" method, after installing the alignment targets or head units, raise the vehicle and rotate the wheels 1/2 turn both ways.

NOTE:

- Do not use the "Rolling Compensation" method if you are using sensor-type alignment equipment.
- Follow all instructions for the alignment machine you are using for more information.

CAMBER AND CASTER

1. Measure camber and caster of both the right and left wheels with a suitable alignment gauge and adjust as necessary to specification.

Camber : Refer to [FSU-25, "Wheel Alignment \(Unladen*1\)"](#).

NOTE:

Some vehicles may be equipped with straight (non-adjustable) lower link bolts and washers. In order to adjust camber and caster on these vehicles, first replace the lower link bolts and washers with adjustable (cam) bolts and washers.

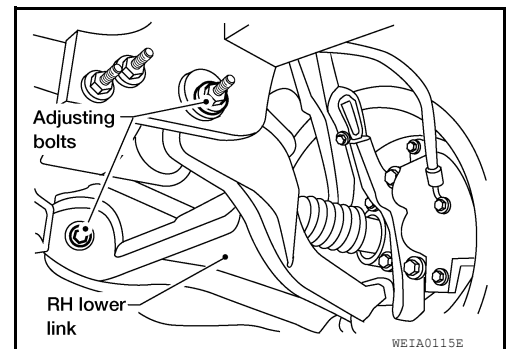
2. If outside of the specified value, adjust camber and caster using the adjusting bolts in the front lower link.

CAUTION:

After adjusting the camber then check the toe-in.

NOTE:

Camber changes about 3' (0.05°) with each graduation of one adjusting bolt. Refer to table below for examples of lower link adjusting bolt effect on camber and caster.



| | | | | | | | | |
|---|----------------|-------------|------------|---------------|------------|---------------|---------------|---------------|
| Rear adjusting bolt | 1 In | 1 Out | 1 In | 1 Out | 0 | 0 | 1 In | 1 Out |
| Front adjusting bolt | 1 Out | 1 In | 1 In | 1 Out | 1 In | 1 Out | 0 | 0 |
| Camber Degree minute (Decimal degree) | 0 (0) | 0 (0) | 7' (0.12°) | - 7' (-0.12°) | 3' (0.05°) | - 3' (-0.05°) | 3' (0.05°) | - 3' (-0.05°) |
| Caster Degree minute (Decimal degree) | - 12' (-0.20°) | 12' (0.20°) | 0 (0) | 0 (0) | 6' (0.10°) | - 6' (-0.10°) | - 6' (-0.10°) | 6' (0.10°) |

3. Tighten the adjusting bolt nuts to specification. Refer to [FSU-14, "Component"](#).

ON-VEHICLE SERVICE

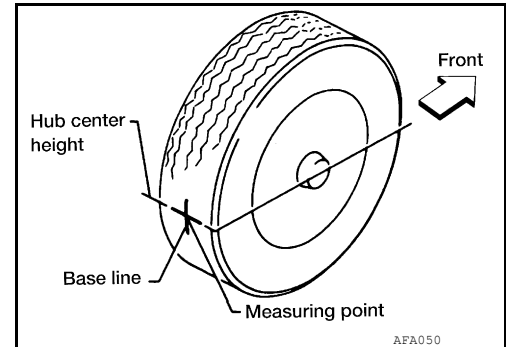
< PERIODIC MAINTENANCE >

TOE-IN

WARNING:

- Always perform the following procedure on a flat surface.
- Make sure that no person is in front of the vehicle before pushing it.

1. Bounce the front of vehicle up and down to stabilize the vehicle height (posture).
2. Push the vehicle straight ahead about 5 m (16 ft).
3. Put a mark on base line of the tread (rear side) of both front tires at the same height as hub center as shown. These marks are measuring points.

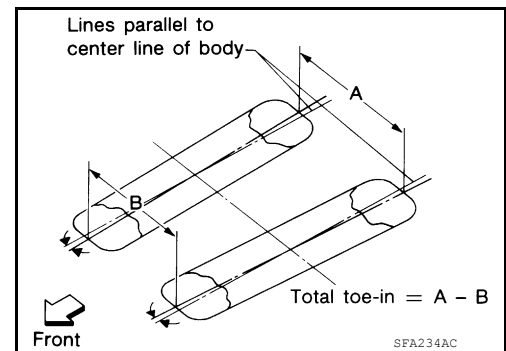


4. Measure the distance (A) on the rear side of the front tires as shown.
5. Push the vehicle slowly ahead to rotate the wheels 180° degrees (1/2 a turn).

CAUTION:

If the wheels have rotated more than 180° degrees (1/2 turn), start this procedure again from the beginning. Never push the vehicle backward.

6. Measure the distance (B) on the front side of the front tires at the same marks as shown. Total toe-in is calculated as (A - B).



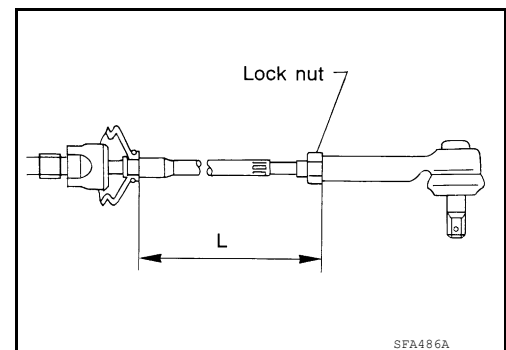
Total toe-in : Refer to [FSU-25, "Wheel Alignment \(Unladen*1\)"](#).

7. Adjust the toe-in by varying the length of the steering outer tie-rods.
 - a. Loosen the outer tie-rod lock nuts.
 - b. Adjust the toe-in by screwing the outer tie-rods in or out.

Standard length (L) : Refer to [ST-36, "Steering Gear"](#).

- c. Tighten the outer tie-rod lock nuts to specification.

Lock nut : Refer to [ST-33, "Disassembly and Assembly"](#).



FRONT WHEEL TURNING ANGLE

NOTE:

Check front wheel turning angle after the toe-in inspection.

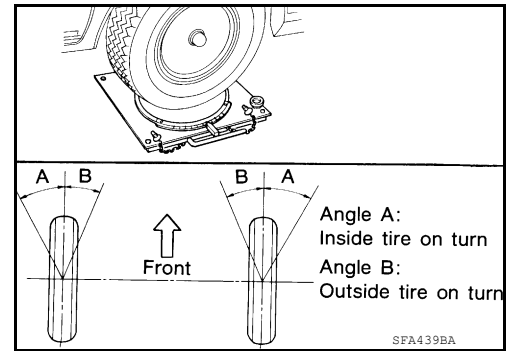
ON-VEHICLE SERVICE

< PERIODIC MAINTENANCE >

1. Place front wheels on turning radius gauges in straight ahead position and rear wheels on stands so that vehicle can be level. Check the maximum inner and outer wheel turning angles for LH and RH road wheels.
2. Start engine and run at idle, turn steering wheel all the way right and left, measure the turning angle.

Wheel turning angle (full turn) : Refer to [FSU-25, "Wheel Alignment \(Unladen*1\)"](#).

- Any turning angles are not adjustable. If any of steering angles are out of the specification, check if the following parts are worn or damaged.
 - Steering gear
 - Steering column
 - Front suspension componentsIf found that they are worn or damaged, replace them with new ones.



UPPER BALL JOINT AND LOWER BALL JOINT

< PERIODIC MAINTENANCE >

UPPER BALL JOINT AND LOWER BALL JOINT

Inspection

INFOID:000000006245784

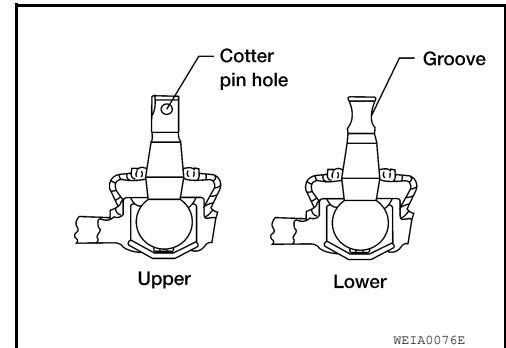
- Check the ball joint for excessive play. Replace the upper or lower link assembly if any of the following exists:
 - Ball joint stud is worn.
 - Ball joint is hard to swing.
 - Ball joint play in axial directions or end play is excessive.

SWINGING FORCE

NOTE:

Before checking the axial forces and end play, turn the lower ball joint at least 10 revolutions so that the ball joint is properly broken in.

1. Measure the ball joint swinging force using a suitable tool.
 - Measure at the cotter pin hole for upper ball joint as shown.
 - Measure at the groove for lower ball joint as shown.



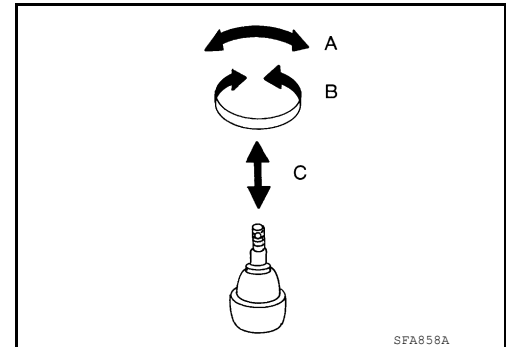
2. Verify the ball joint swinging force is within specification.

Swinging force (A)

(Measurement point at either cotter pin hole or groove of ball stud)

Upper : Refer to [FSU-26, "Ball Joint"](#).

Lower : Refer to [FSU-26, "Ball Joint"](#).



TURNING FORCE

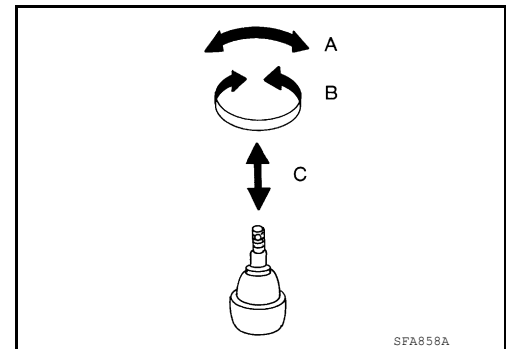
NOTE:

Before checking the axial forces and end play, turn the lower ball joint at least 10 revolutions so that the ball joint is properly broken in.

Turning torque (B)

Upper : Refer to [FSU-26, "Ball Joint"](#).

Lower : Refer to [FSU-26, "Ball Joint"](#).



VERTICAL END PLAY

Check dust cover for damage. Replace it and the cover clamp if necessary.

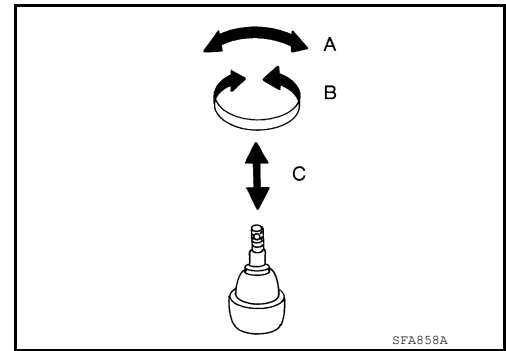
NOTE:

UPPER BALL JOINT AND LOWER BALL JOINT

< PERIODIC MAINTENANCE >

Before checking the axial forces and end play, turn the lower ball joint at least 10 revolutions so that the ball joint is properly broken in.

Vertical end play (C) : Refer to [FSU-26, "Ball Joint"](#).



KNUCKLE

< PERIODIC MAINTENANCE >

KNUCKLE

On-Vehicle Inspection and Service

INFOID:000000006245785

Make sure the mounting conditions (looseness, backlash) of each component and component status (wear, damage) are within specifications. Refer to [FSU-26. "Ball Joint"](#).

A
B
C
D
F
G
H
I
J
K
L
M
N
O
P

FSU

FRONT SUSPENSION ASSEMBLY

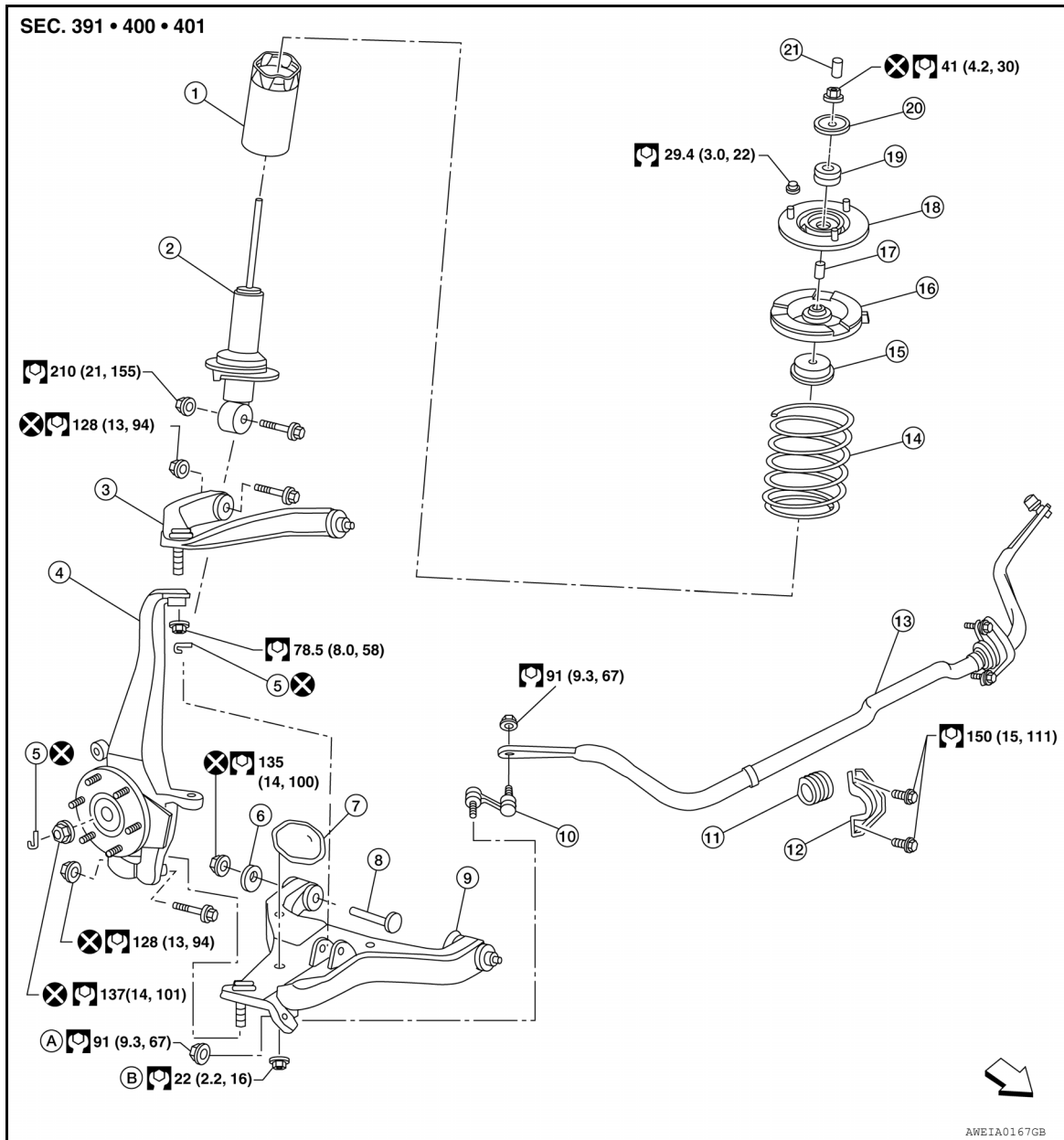
< REMOVAL AND INSTALLATION >

REMOVAL AND INSTALLATION

FRONT SUSPENSION ASSEMBLY

Component

INFOID:000000006245786



- | | | |
|-----------------------|----------------------------|---------------------------------------|
| 1. Dust cover | 2. Shock absorber | 3. Upper link |
| 4. Steering knuckle | 5. Cotter pin | 6. Washer |
| 7. Jounce bumper | 8. Bolt | 9. Lower link |
| 10. Connecting rod | 11. Stabilizer bar bushing | 12. Stabilizer bar bracket |
| 13. Stabilizer bar | 14. Coil spring | 15. Dust cover cap |
| 16. Upper spring seat | 17. Spacer | 18. Shock absorber mounting insulator |
| 19. Spacer | 20. Washer | 21. Cap |
| A. To connecting rod | B. To jounce bumper | ← Vehicle front |

COIL SPRING AND SHOCK ABSORBER

< UNIT REMOVAL AND INSTALLATION >

UNIT REMOVAL AND INSTALLATION

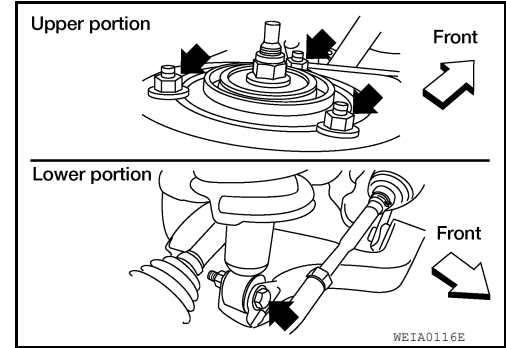
COIL SPRING AND SHOCK ABSORBER

Removal and Installation

INFOID:000000006245787

REMOVAL

1. Remove the wheel and tire using power tool.
2. Support the lower link using a suitable jack.
3. Remove connecting rod upper joints from stabilizer bar using power tool. Refer to [FSU-14, "Component"](#).
 - Swing stabilizer bar down, repositioning it out of the way to access shock absorber lower mount.
4. Remove the shock absorber lower bolt and nut using power tool.
5. Remove the three shock absorber upper mounting nuts using power tool.
6. Remove the coil spring and shock absorber assembly.
 - Turn steering knuckle out to gain enough clearance for removal.



INSTALLATION

Installation is in the reverse order of removal.

- The step in the strut assembly lower seat faces outside of vehicle.
- Tighten all nuts and bolts to specification. Refer to [FSU-14, "Component"](#).
- When installing wheel and tire, refer to [WT-50, "Adjustment"](#).

Disposal

INFOID:000000006245788

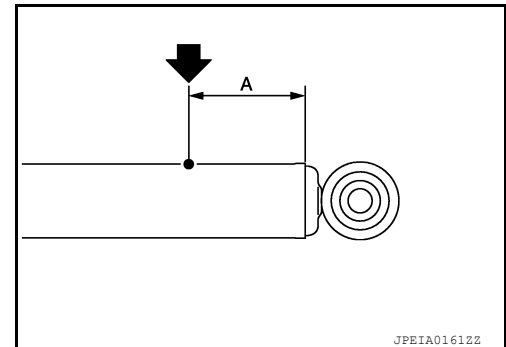
1. Set shock absorber horizontally with the piston rod fully extended.
2. Drill 2 – 3 mm (0.08 – 0.12 in) hole at the position (●) from top as shown in the figure to release gas gradually.

CAUTION:

- **Wear eye protection (safety glasses).**
- **Wear gloves.**
- **Be careful with metal chips or oil blown out by the compressed gas.**

NOTE:

- Drill vertically in this direction (←).
- Directly to the outer tube avoiding brackets.
- The gas is clear, colorless, odorless, and harmless.



A : 20 – 30 mm (0.79 – 1.18 in)

3. Position the drilled hole downward and drain oil by moving the piston rod several times.

CAUTION:

Dispose of drained oil according to the law and local regulations.

STABILIZER BAR

< UNIT REMOVAL AND INSTALLATION >

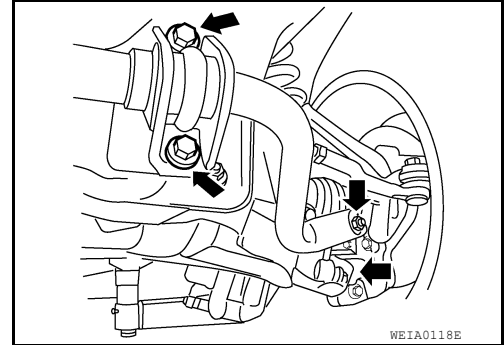
STABILIZER BAR

Removal and Installation

INFOID:000000006245789

REMOVAL

1. Remove the front valance center.
2. Remove engine undercover using power tool.
3. Remove connecting rod nuts using power tool.
4. Loosen top bolts for stabilizer bar brackets, then remove lower bolts from brackets and remove stabilizer bar.
5. Remove bushings from stabilizer bar.



INSPECTION AFTER REMOVAL

- Check stabilizer bar for twist and deformation. Replace if necessary.
- Check rubber bushing for cracks, wear and deterioration. Replace if necessary.

INSTALLATION

Installation is in the reverse order of removal.

- Tighten all nuts and bolts to specification. Refer to [FSU-14, "Component"](#).

UPPER LINK

< UNIT REMOVAL AND INSTALLATION >

UPPER LINK

Removal and Installation

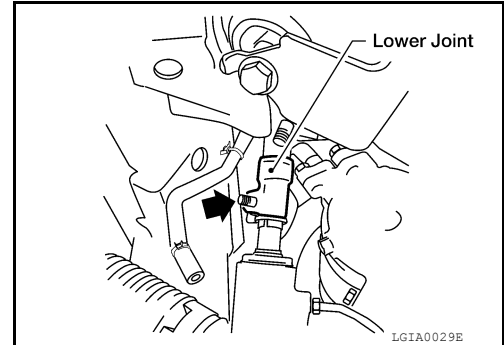
INFOID:00000006245791

REMOVAL

1. Remove the wheel and tire using power tool.
2. Support the lower link using a suitable jack.
3. For the LH side only, remove the pinch bolt from the lower joint shaft at the steering gear, and position the lower joint shaft out of the way.

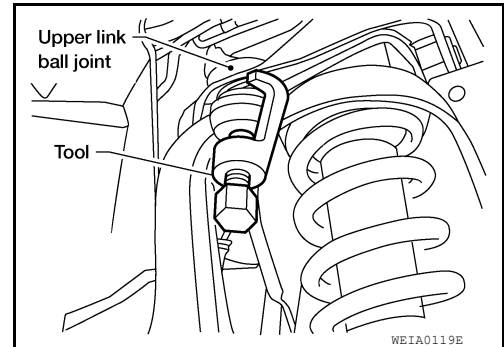
CAUTION:

- Do not damage the lower joint.

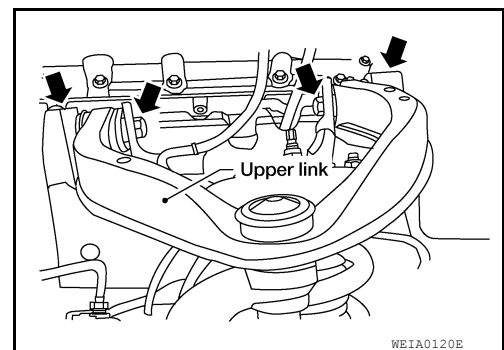


4. Remove cotter pin and nut from upper link ball joint.
5. Separate upper link ball joint stud from steering knuckle using Tool.

Tool number : ST29020001 (J-24319-01)



6. Remove upper link bolts and nuts.



INSPECTION AFTER REMOVAL

Upper Link

Check for deformation and cracks. Replace if necessary.

Upper Link Ball Joint

Check for distortion and damage. Replace if necessary.

INSTALLATION

Installation is in the reverse order of removal.

- Tighten all nuts and bolts to specification. Refer to [FSU-14, "Component"](#).

CAUTION:

Always replace drive shaft lock nut and cotter pin.

- When installing wheel and tire, refer to [WT-50, "Adjustment"](#).
- After installation, check that the front wheel alignment is within specification. Refer to [FSU-7, "Front Wheel Alignment"](#).

A
B
C
D
FSU
F
G
H
I
J
K
L
M
N
O
P

LOWER LINK

< UNIT REMOVAL AND INSTALLATION >

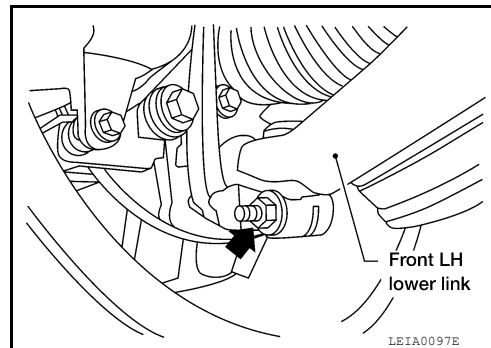
LOWER LINK

Removal and Installation

INFOID:000000006245790

REMOVAL

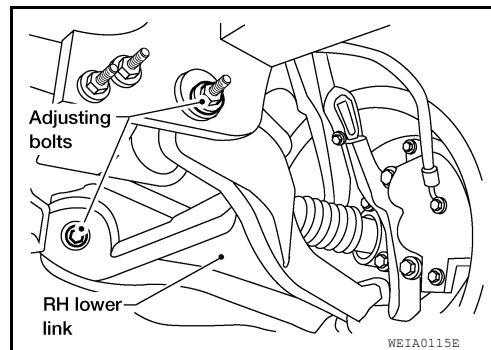
1. Remove the wheel and tire using power tool.
2. Remove lower shock absorber bolt and nut using power tool.
3. Remove stabilizer bar connecting rod lower nut using power tool, then separate connecting rod from lower link. Refer to [FSU-16, "Removal and Installation"](#).
4. For 4WD models, remove the drive shaft. Refer to [FAX-7, "VQ40DE : Removal and Installation"](#) (VQ40DE) and [FAX-8, "VK56DE : Removal and Installation"](#) (VK56DE) procedures.
5. Remove pinch bolt from steering knuckle using power tool, then separate lower link ball joint from steering knuckle.



6. Remove lower link adjusting bolts and nuts, then the lower link.

NOTE:

Some vehicles may be equipped with straight (non-adjustable) lower link bolts and washers. In order to adjust camber and caster on these vehicles, first replace the lower link bolts and washers with adjustable (cam) bolts and washers.



7. Remove the jounce bumper from the lower link.

INSPECTION AFTER REMOVAL

Lower Link

Check for deformation and cracks. Replace if necessary.

Lower Link Bushing

Check for distortion and damage. Replace if necessary.

INSTALLATION

Installation is in the reverse order of removal.

- Tighten all nuts and bolts to specification. Refer to [FSU-14, "Component"](#).
- When installing wheel and tire, refer to [WT-50, "Adjustment"](#).
- After installation, check that the front wheel alignment is within specification. Refer to [FSU-7, "Front Wheel Alignment"](#).

UPPER BALL JOINT AND LOWER BALL JOINT

< UNIT REMOVAL AND INSTALLATION >

UPPER BALL JOINT AND LOWER BALL JOINT

Removal and Installation

INFOID:000000006245792

The ball joints are part of the upper and lower links. Refer to [FSU-17. "Removal and Installation"](#) (upper link), [FSU-18. "Removal and Installation"](#) (lower link).

A
B
C
D
F
G
H
I
J
K
L
M
N
O
P

FSU

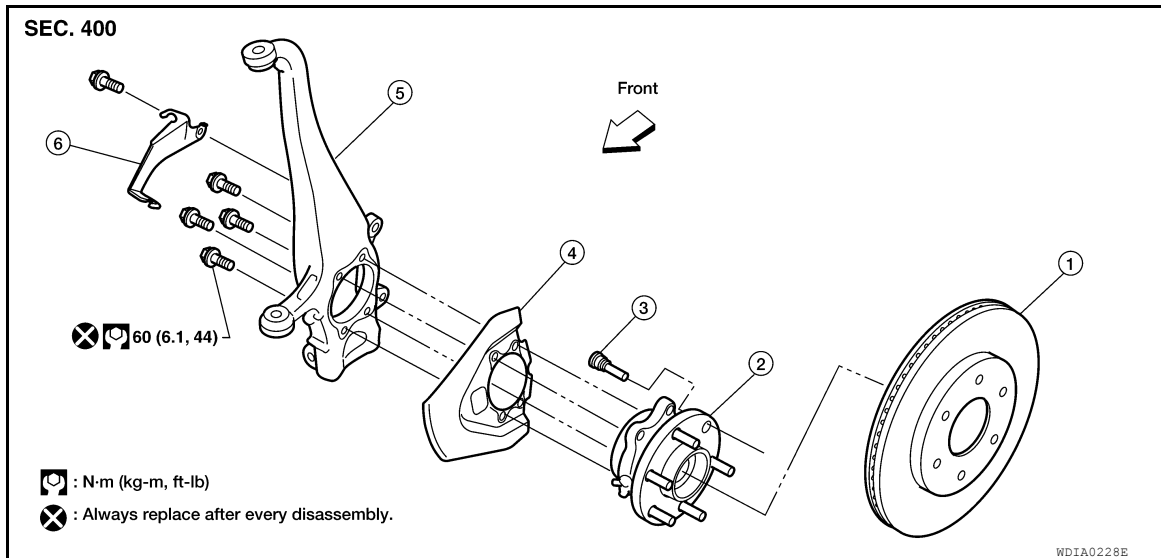
KNUCKLE

< UNIT REMOVAL AND INSTALLATION >

KNUCKLE

Removal and Installation

INFOID:00000006245793



- | | | |
|-----------------|-----------------------------------|-------------------------|
| 1. Disc rotor | 2. Wheel hub and bearing assembly | 3. Wheel stud |
| 4. Splash guard | 5. Steering knuckle | 6. Wheel sensor bracket |

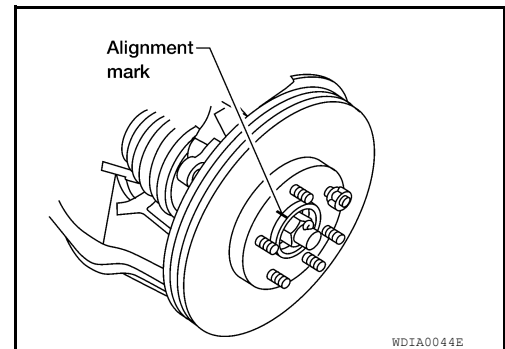
REMOVAL

1. Remove wheel and tire from vehicle using power tool.
2. Remove the engine undercover using power tool, if equipped.
3. Without disassembling the hydraulic lines, remove brake caliper using power tool. Reposition it aside with wire. Refer to [BR-43, "Removal and Installation of Brake Caliper and Disc Rotor"](#).

NOTE:

Avoid depressing brake pedal while brake caliper is removed.

4. Put alignment marks on disc rotor and wheel hub and bearing assembly, then remove disc rotor.



5. Disconnect wheel sensor and remove bracket from steering knuckle.

CAUTION:

Do not pull on wheel sensor harness.

6. On 4WD models, remove cotter pin, then remove lock nut from drive shaft using power tool. Refer to [FAX-7, "VQ40DE : Removal and Installation"](#) (VQ40DE) and [FAX-8, "VK56DE : Removal and Installation"](#) (VK56DE).
7. Remove steering outer socket cotter pin at steering knuckle, then loosen nut using power tool. Refer to [ST-33, "Disassembly and Assembly"](#).

KNUCKLE

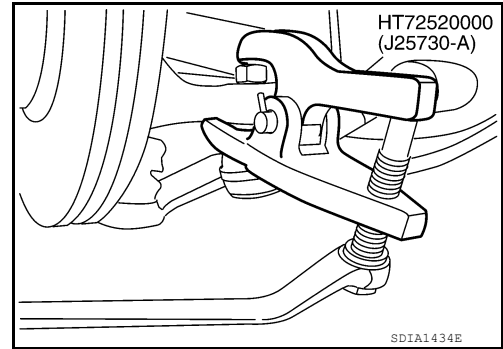
< UNIT REMOVAL AND INSTALLATION >

8. Disconnect steering outer socket from steering knuckle using Tool. Be careful not to damage outer socket boot.

Tool number : HT72520000 (J-25730-A)

CAUTION:

To prevent damage to threads and to prevent Tool from coming off suddenly, temporarily tighten nut.



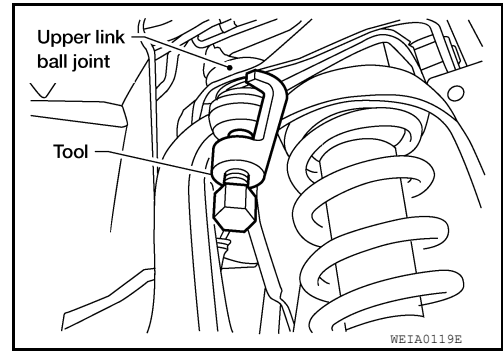
9. Remove wheel hub and bearing assembly bolts using power tool.
10. Remove splash guard and wheel hub and bearing assembly from steering knuckle.

CAUTION:

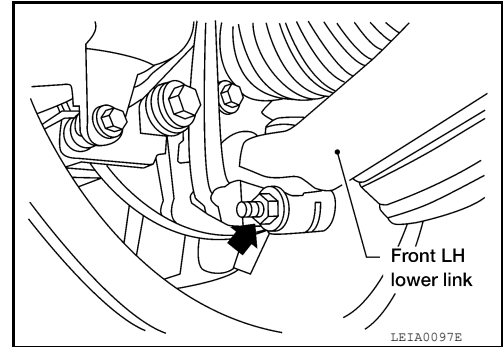
Do not pull on wheel sensor harness.

11. Remove cotter pin and nut from upper link ball joint.
12. Separate upper link ball joint from steering knuckle using Tool.

Tool number : ST29020001 (J-24319-01)



13. Remove pinch bolt from steering knuckle using power tool, then separate lower link ball joint from steering knuckle.



14. Remove steering knuckle from vehicle.

INSPECTION AFTER REMOVAL

Check for deformity, cracks and damage on each part, replace if necessary.

- Perform ball joint inspection. Refer to [FSU-11, "Inspection"](#).

INSTALLATION

Installation is in the reverse order of removal.

- For 4WD models, refer to [FAX-7, "VQ40DE : Removal and Installation"](#) (VQ40DE) and [FAX-8, "VK56DE : Removal and Installation"](#) (VK56DE) for drive shaft lock nut tightening torque.

CAUTION:

Always replace drive shaft lock nut and cotter pin.

- Refer to [ST-33, "Disassembly and Assembly"](#) for outer socket nut tightening torque.
- Refer to [FSU-14, "Component"](#) for front suspension tightening torques.

A
B
C
D
FSU
F
G
H
I
J
K
L
M
N
O
P

KNUCKLE

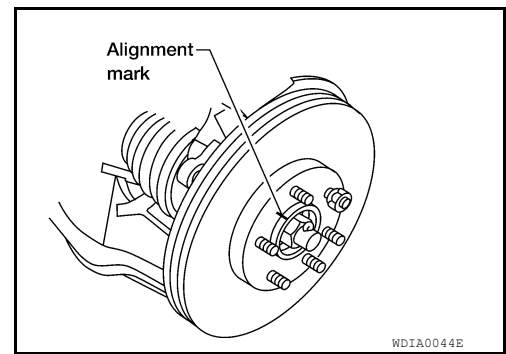
< UNIT REMOVAL AND INSTALLATION >

- When installing disc rotor on wheel hub and bearing assembly, align the marks.

NOTE:

When not using the alignment mark, refer to [BR-43. "Removal and Installation of Brake Caliper and Disc Rotor"](#).

- When installing wheel and tire, refer to [WT-50. "Adjustment"](#).
- Perform wheel alignment. Refer to [FSU-7. "Front Wheel Alignment"](#).



COIL SPRING AND SHOCK ABSORBER

< UNIT DISASSEMBLY AND ASSEMBLY >

UNIT DISASSEMBLY AND ASSEMBLY

COIL SPRING AND SHOCK ABSORBER

Disassembly and Assembly

INFOID:000000006245794

DISASSEMBLY

1. Set the shock absorber in a vise, then loosen (without removing) the piston rod lock nut as shown.

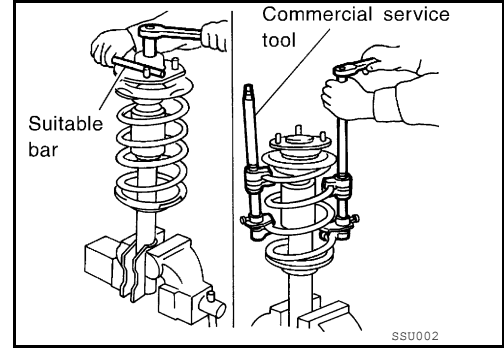
CAUTION:

Do not remove piston rod lock nut at this time.

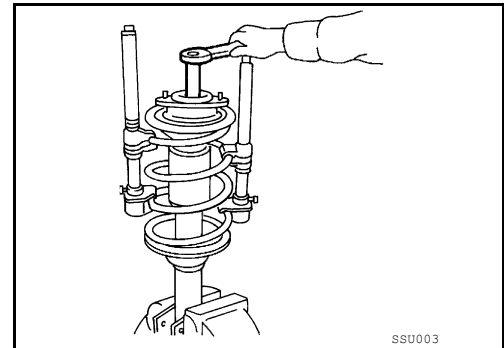
2. Compress the coil spring using commercial service tool until the shock absorber mounting insulator can be turned by hand.

WARNING:

Make sure that the pawls of the two spring compressors are firmly hooked on the coil spring. The spring compressors must be tightened alternately and evenly so as not to tilt the coil spring.



3. Remove the piston rod lock nut.
 - Discard the piston rod lock nut, use a new nut for assembly.
4. Remove the components from the shock absorber.
 - Keep the coil spring compressed in the commercial service tool if reusing it for assembly.



INSPECTION AFTER DISASSEMBLY

Shock Absorber Assembly

- Check for smooth operation through a full stroke, both compression and extension.
- Check for oil leakage on welded or gland packing portions.
- Check piston rod for cracks, deformation or other damage and replace if necessary.

Mounting Insulator and Rubber Parts

Check cemented rubber-to-metal portion for separation or cracks. Check rubber parts for deterioration and replace if necessary.

Coil Spring

- Check for cracks, deformation or other damage and replace if necessary.
- Check the coil spring free height.

Front spring free height

2WD : Refer to [FSU-25, "Spring Free Height"](#).

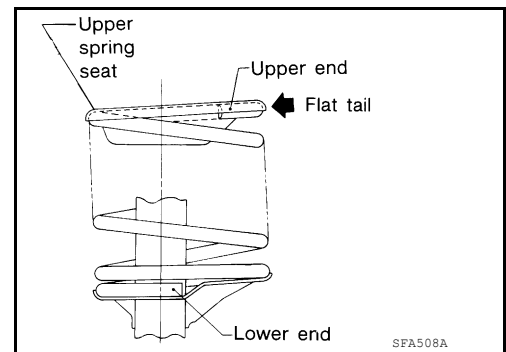
4WD : Refer to [FSU-25, "Spring Free Height"](#).

ASSEMBLY

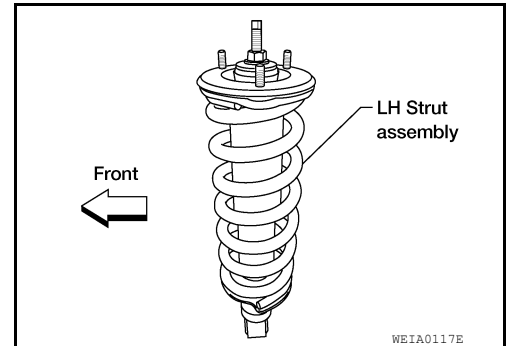
COIL SPRING AND SHOCK ABSORBER

< UNIT DISASSEMBLY AND ASSEMBLY >

1. When installing coil spring on strut, it must be positioned as shown.



2. Install the shock absorber mounting insulator as shown in line with lower shock mount and step in lower seat.
 - The step in the strut assembly lower seat faces outside of vehicle.
3. Tighten the new piston rod lock nut to specification. Refer to [FSU-14, "Component"](#).
 - Use a new piston rod lock nut for assembly.
4. Remove commercial service tool.



SERVICE DATA AND SPECIFICATIONS (SDS)

< SERVICE DATA AND SPECIFICATIONS (SDS)

SERVICE DATA AND SPECIFICATIONS (SDS)

SERVICE DATA AND SPECIFICATIONS (SDS)

General Specification (Front)

INFOID:000000006245795

| | |
|---------------------|---|
| Suspension type | Independent double wishbone coil over shock |
| Shock absorber type | Double-acting hydraulic |
| Stabilizer | Standard equipment |

Spring Free Height

INFOID:000000006245796

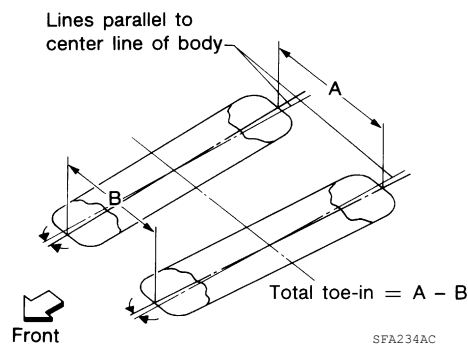
Unit: mm (in)

| Drive type | 2WD | 4WD |
|--------------------------|--------------|------------|
| Front spring free height | 345.4 (13.6) | 356 (14.0) |

Wheel Alignment (Unladen*1)

INFOID:000000006245797

| Drive type | | 2WD | 4WD |
|---|--------------|------------------------|------------------------|
| Camber Degree minute (decimal degree) | Minimum | -0° 30' (-0.50°) | -0° 15' (-0.25°) |
| | Nominal | 0° 15' (0.25°) | 0° 30' (0.50°) |
| | Maximum | 1° 00' (1.00°) | 1° 15' (1.25°) |
| | Cross camber | 0° 45' (0.75°) or less | 0° 45' (0.75°) or less |
| Caster Degree minute (decimal degree) | Minimum | 2° 15' (2.25°) | 2° 00' (2.00°) |
| | Nominal | 3° 0' (3.00°) | 2° 45' (2.75°) |
| | Maximum | 3° 45' (3.75°) | 3° 30' (3.50°) |
| | Cross caster | 0° 45' (0.75°) or less | 0° 45' (0.75°) or less |
| Kingpin inclination Degree minute (decimal degree) | Nominal | 13° 0' (13.00°) | 12° 45' (12.75°) |



| Total toe-in | Distance (A - B) | Minimum | In 1.2 mm (0.05 in) | In 1.2 mm (0.05 in) |
|--------------|---|---------|-----------------------|-----------------------|
| | | Nominal | In 3.2 mm (0.12 in) | In 3.2 mm (0.12 in) |
| | | Maximum | In 5.2 mm (0.20 in) | In 5.2 mm (0.20 in) |
| | Angle (left wheel or right wheel) Degree minute (decimal degree) | Minimum | In 0° 4' 48" (0.08°) | In 0° 4' 48" (0.08°) |
| | | Nominal | In 0° 14' 24" (0.24°) | In 0° 14' 24" (0.24°) |
| | | Maximum | In 0° 24' (0.40°) | In 0° 24' (0.40°) |

SERVICE DATA AND SPECIFICATIONS (SDS)

< SERVICE DATA AND SPECIFICATIONS (SDS)

| Drive type | | 2WD | 4WD |
|---------------------------------|---|---|---|
| Wheel turning angle (full turn) | Inside Degree minute (Decimal degree) | 33° 26' - 35° 26' *2 (33.43° - 35.43°) | 33° 33' - 35° 33' *4 (33.55° - 35.55°) |
| | Outside Degree minute (Decimal degree) | 29° 22' - 31° 22' *3 (29.37° - 31.37°) | 29° 38' - 31° 38' *5 (29.63° - 31.63°) |

*1: Fuel, radiator coolant and engine oil full. Spare tire, jack, hand tools and mats in designated positions.

*2: Target value 35° 26' (35.43°)

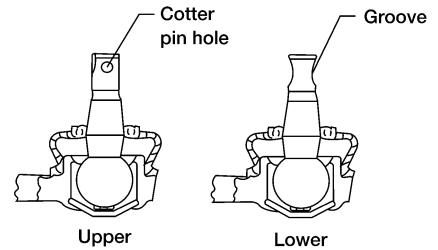
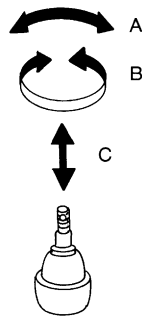
*3: Target value 31° 22' (31.37°)

*4: Target value 35° 33' (35.55°)

*5: Target value 31° 38' (31.63°)

Ball Joint

INFOID:000000006245798



SFA858A

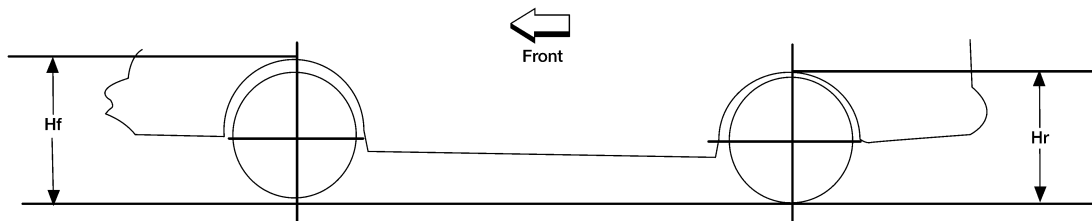
WEIA0076E

| | | |
|---|-------------|---|
| Swinging force (A) (Measurement point at either cotter pin hole or groove of ball stud.) | Upper | 8.1 - 79 N (0.83 - 8.1 kg-f, 1.82 - 17.8 lb-f) at hole |
| | Lower | 11.4 - 145.5 N (1.16 - 14.84 kg-f, 2.56 - 32.71 lb-f) at groove |
| Turning torque (B) | Upper | 0.5 - 4.9 N·m (0.05 - 0.49 kg-m, 5 - 43 in-lb) |
| | Lower | 0.5 - 6.4 N·m (0.05 - 0.65 kg-m, 5 - 56 in-lb) |
| Vertical end play (C) | 0 mm (0 in) | |

Wheelarch Height (Unladen*1)

INFOID:000000006245799

Unit: mm (in)



LEIA0085E

| Engine | VQ40DE | | | | | | VK56DE |
|-----------------------------|----------------|----------------|----------------|----------------|----------------|----------------|----------------|
| | 2WD | | | 4WD | | | 4WD |
| Tire size | P245/75R16 | P265/65R17 | P265/60R18 | P245/75R16 | P265/65R17 | P265/60R18 | P265/60R18 |
| Front wheelarch height (Hf) | 867 (34.13) | 865 (34.06) | 867 (34.13) | 875 (34.45) | 874 (34.41) | 891 (35.08) | 876 (34.49) |
| Rear wheelarch height (Hr) | 875 (34.45) | 873 (34.37) | 875 (34.45) | 884 (34.80) | 883 (34.76) | 901 (35.47) | 886 (34.88) |

SERVICE DATA AND SPECIFICATIONS (SDS)

< SERVICE DATA AND SPECIFICATIONS (SDS)

*1: Fuel, radiator coolant and engine oil full. Spare tire, jack, hand tools and mats in designated positions.

A

B

C

D

FSU

F

G

H

I

J

K

L

M

N

O

P