

SECTION **MIR**  
MIRRORS

A  
B  
C  
D  
E  
F  
G  
H  
I  
J  
K  
M  
N  
O  
P

CONTENTS

<b>WIRING DIAGRAM</b> .....	2	<b>PREPARATION</b> .....	14
<b>DOOR MIRROR</b> .....	2	<b>PREPARATION</b> .....	14
Wiring Diagram - With Heated Mirrors .....	2	Special Service Tools .....	14
Wiring Diagram - Without Heated Mirrors .....	5	Commercial Service Tool .....	14
<b>INSIDE MIRROR</b> .....	8	<b>UNIT REMOVAL AND INSTALLATION</b> .....	15
Wiring Diagram - With HomeLink Universal Transceiver .....	8	<b>INSIDE MIRROR</b> .....	15
Wiring Diagram - Without HomeLink Universal Transceiver .....	10	Removal and Installation .....	15
<b>PRECAUTION</b> .....	12	<b>DOOR MIRROR</b> .....	16
<b>PRECAUTIONS</b> .....	12	Door Mirror Assembly .....	16
Precaution for Supplemental Restraint System (SRS) "AIR BAG" and "SEAT BELT PRE-TENSIONER" .....	12	Door Mirror Glass .....	16
Precaution Necessary for Steering Wheel Rotation After Battery Disconnect .....	12	<b>UNIT DISASSEMBLY AND ASSEMBLY</b> ...	18
Precaution for Work .....	13	<b>DOOR MIRROR</b> .....	18
		Mirror Actuator .....	18

**MIR**

# DOOR MIRROR

< WIRING DIAGRAM >

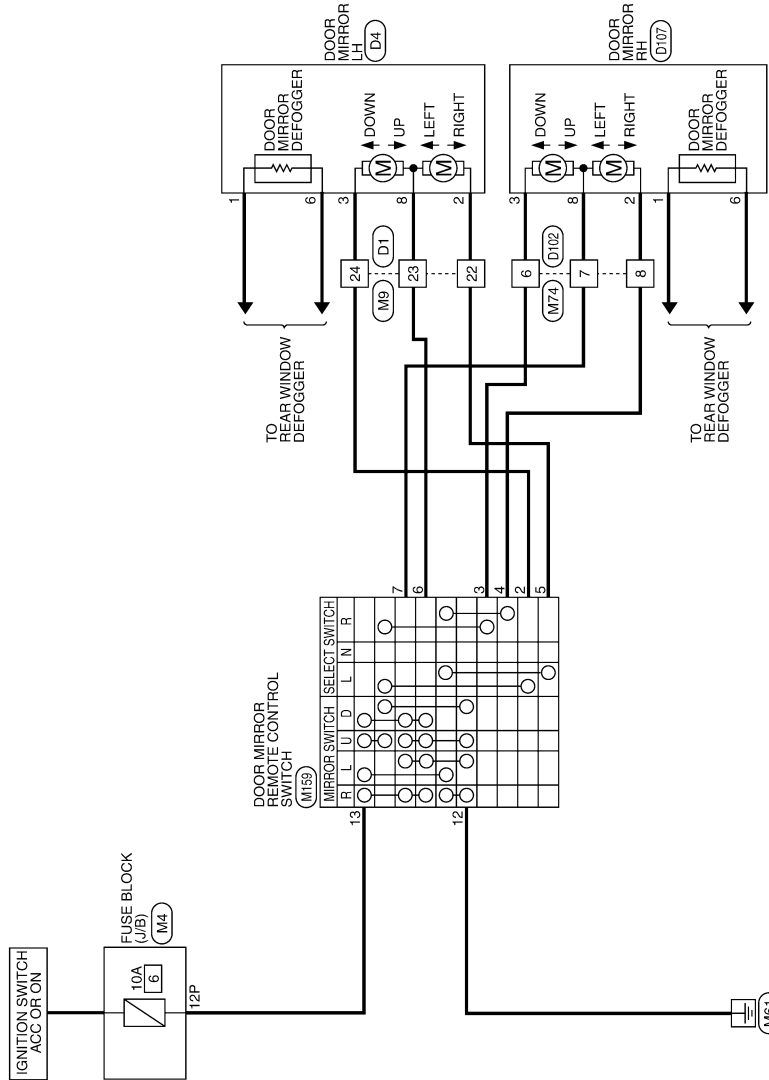
## WIRING DIAGRAM

### DOOR MIRROR

Wiring Diagram - With Heated Mirrors

INFOID:000000006534911

#### DOOR MIRROR - WITH HEATED MIRRORS



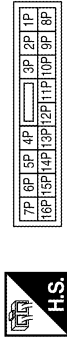
ABLW1199GB

# DOOR MIRROR

< WIRING DIAGRAM >

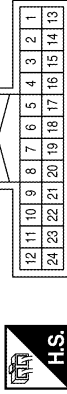
## DOOR MIRROR CONNECTORS - WITH HEATED MIRRORS

Connector No.	M4
Connector Name	FUSE BLOCK (J/B)
Connector Color	WHITE



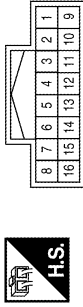
Terminal No.	Color of Wire	Signal Name
12P	G/Y	--

Connector No.	M9
Connector Name	WIRE TO WIRE
Connector Color	WHITE



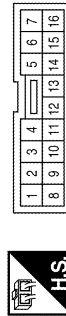
Terminal No.	Color of Wire	Signal Name
22	Y	--
23	V	--
24	L	--

Connector No.	M74
Connector Name	WIRE TO WIRE
Connector Color	WHITE



Terminal No.	Color of Wire	Signal Name
6	R	--
7	P	--
8	LG	--

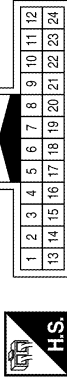
Connector No.	M159
Connector Name	DOOR MIRROR REMOTE CONTROL SWITCH (WITHOUT AUTOMATIC DRIVE POSITIONER)
Connector Color	WHITE



Terminal No.	Color of Wire	Signal Name
2	L	--
3	R	--

Terminal No.	Color of Wire	Signal Name
4	LG	--
5	Y	--
6	V	--
7	P	--
12	B	--
13	G/Y	--

Connector No.	D1
Connector Name	WIRE TO WIRE
Connector Color	WHITE



Terminal No.	Color of Wire	Signal Name
22	Y/R	--
23	V/W	--
24	L/R	--

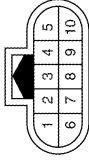
A  
B  
C  
D  
E  
F  
G  
H  
I  
J  
K  
M  
N  
O  
P

MIR

# DOOR MIRROR

## < WIRING DIAGRAM >

Connector No.	D107
Connector Name	DOOR MIRROR RH (WITH HEATED MIRRORS)
Connector Color	BLACK



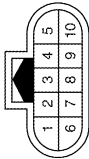
Terminal No.	Color of Wire	Signal Name
1	L/B	--
2	Y/B	--
3	L/B	--
6	B	--
8	V/W	--

Connector No.	D102
Connector Name	WIRE TO WIRE
Connector Color	WHITE



Terminal No.	Color of Wire	Signal Name
6	L/B	--
7	V/W	--
8	Y/B	--

Connector No.	D4
Connector Name	DOOR MIRROR LH (WITH HEATED MIRRORS)
Connector Color	BLACK



Terminal No.	Color of Wire	Signal Name
1	L/B	--
2	Y/R	--
3	L/R	--
6	B	--
8	V/W	--

ABL1A1694GB

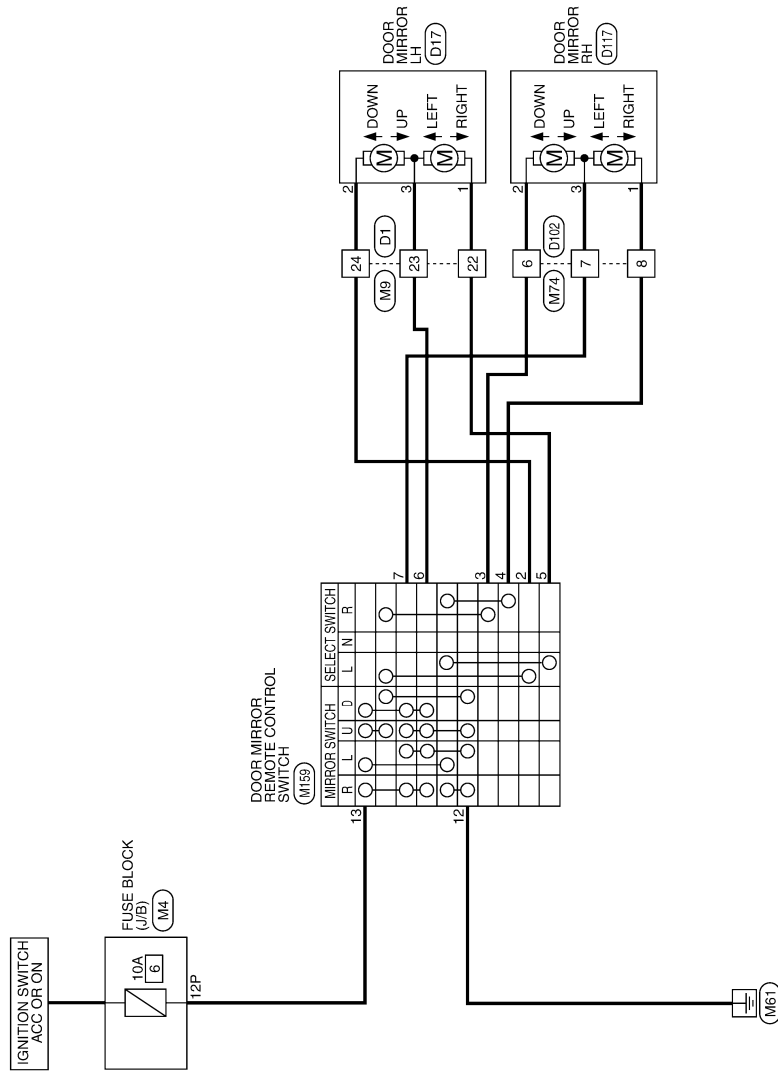
# DOOR MIRROR

< WIRING DIAGRAM >

## Wiring Diagram - Without Heated Mirrors

INFOID:000000006534912

### DOOR MIRROR - WITHOUT HEATED MIRRORS



A  
B  
C  
D  
E  
F  
G  
H  
I  
J  
K  
M  
N  
O  
P

MIR

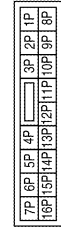
ABLWA1200GB

# DOOR MIRROR

< WIRING DIAGRAM >

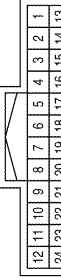
## DOOR MIRROR CONNECTORS - WITHOUT HEATED MIRRORS

Connector No.	M4
Connector Name	FUSE BLOCK (J/B)
Connector Color	WHITE



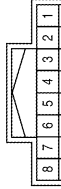
Terminal No.	Color of Wire	Signal Name
12P	G/Y	--

Connector No.	M9
Connector Name	WIRE TO WIRE
Connector Color	WHITE



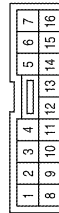
Terminal No.	Color of Wire	Signal Name
22	Y	--
23	V	--
24	L	--

Connector No.	M74
Connector Name	WIRE TO WIRE
Connector Color	WHITE



Terminal No.	Color of Wire	Signal Name
6	R	--
7	P	--
8	LG	--

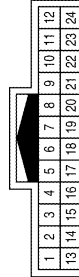
Connector No.	M159
Connector Name	DOOR MIRROR REMOTE CONTROL SWITCH (WITHOUT AUTOMATIC DRIVE POSITIONER)
Connector Color	WHITE



Terminal No.	Color of Wire	Signal Name
2	L	--
3	R	--

Terminal No.	Color of Wire	Signal Name
4	LG	--
5	Y	--
6	V	--
7	P	--
12	B	--
13	G/Y	--

Connector No.	D1
Connector Name	WIRE TO WIRE
Connector Color	WHITE



Terminal No.	Color of Wire	Signal Name
22	Y/R	--
23	V/W	--
24	L/R	--

# DOOR MIRROR

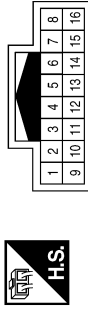
< WIRING DIAGRAM >

Connector No.	D117
Connector Name	DOOR MIRROR RH (WITHOUT HEATED MIRRORS)
Connector Color	BLACK



Terminal No.	Color of Wire	Signal Name
1	Y/B	-
2	L/B	-
3	V/W	-

Connector No.	D102
Connector Name	WIRE TO WIRE
Connector Color	WHITE



Terminal No.	Color of Wire	Signal Name
6	L/B	-
7	V/W	-
8	Y/B	-

Connector No.	D17
Connector Name	DOOR MIRROR LH (WITHOUT HEATED MIRRORS)
Connector Color	BLACK



Terminal No.	Color of Wire	Signal Name
1	Y/R	-
2	L/R	-
3	V/W	-

A  
B  
C  
D  
E  
F  
G  
H  
I  
J  
K  
M  
N  
O  
P

MIR

ABLIA0381GB

# INSIDE MIRROR

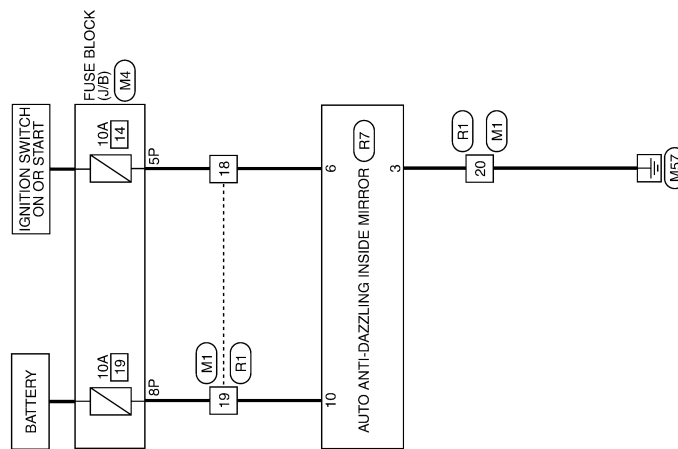
< WIRING DIAGRAM >

## INSIDE MIRROR

Wiring Diagram - With HomeLink Universal Transceiver

INFOID:000000006534913

### INSIDE MIRROR - WITH HOMELINK UNIVERSAL TRANSCEIVER



ABLWA0106GB

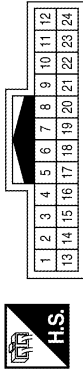


# INSIDE MIRROR

< WIRING DIAGRAM >

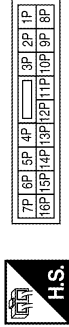
## INSIDE MIRROR CONNECTORS - WITH HOMELINK UNIVERSAL TRANSCIEVER

Connector No.	M1
Connector Name	WIRE TO WIRE
Connector Color	WHITE



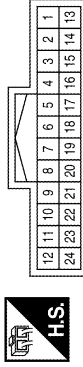
Terminal No.	Color of Wire	Signal Name
18	W/G	--
19	R/Y	--
20	B	--

Connector No.	M4
Connector Name	FUSE BLOCK (J/B)
Connector Color	WHITE



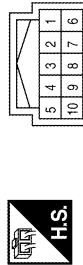
Terminal No.	Color of Wire	Signal Name
5P	W/G	--
8P	R/Y	--

Connector No.	R1
Connector Name	WIRE TO WIRE
Connector Color	WHITE



Terminal No.	Color of Wire	Signal Name
18	W/G	--
19	R/Y	--
20	B	--

Connector No.	R7
Connector Name	AUTO ANTI-DAZZLING INSIDE MIRROR (WITH HOMELINK UNIVERSAL TRANSCIEVER)
Connector Color	BLACK



Terminal No.	Color of Wire	Signal Name
3	B	GND
6	W/G	IGN
10	R/Y	B

A  
B  
C  
D  
E  
F  
G  
H  
I  
J  
K  
M  
N  
O  
P

MIR

ABL1A1696GB

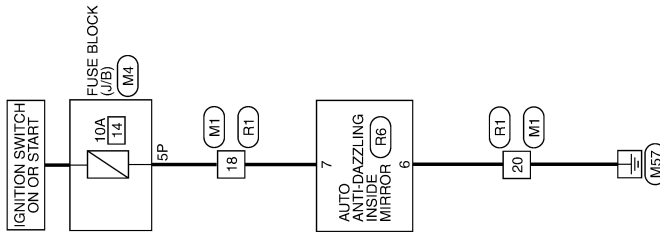
# INSIDE MIRROR

< WIRING DIAGRAM >

## Wiring Diagram - Without HomeLink Universal Transceiver

INFOID:000000006534914

INSIDE MIRROR - WITHOUT HOMELINK UNIVERSAL TRANSCEIVER



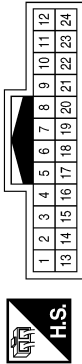
ABLWA0157GB

# INSIDE MIRROR

< WIRING DIAGRAM >

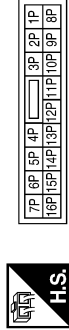
## INSIDE MIRROR CONNECTORS - WITHOUT HOMELINK UNIVERSAL TRANSCIEVER

Connector No.	M1
Connector Name	WIRE TO WIRE
Connector Color	WHITE



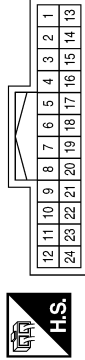
Terminal No.	Color of Wire	Signal Name
18	W/G	-
20	B	-

Connector No.	M4
Connector Name	FUSE BLOCK (J/B)
Connector Color	WHITE



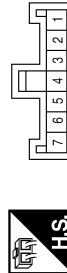
Terminal No.	Color of Wire	Signal Name
5P	W/G	-

Connector No.	R1
Connector Name	WIRE TO WIRE
Connector Color	WHITE



Terminal No.	Color of Wire	Signal Name
18	W/G	-
20	B	-

Connector No.	R6
Connector Name	AUTO ANTI-DAZZLING INSIDE MIRROR (WITHOUT HOMELINK UNIVERSAL TRANSCIEVER)
Connector Color	WHITE



Terminal No.	Color of Wire	Signal Name
6	B	GND
7	W/G	IGN

A  
B  
C  
D  
E  
F  
G  
H  
I  
J  
K  
M  
N  
O  
P

MIR

# PRECAUTIONS

< PRECAUTION >

## PRECAUTION

### PRECAUTIONS

#### Precaution for Supplemental Restraint System (SRS) "AIR BAG" and "SEAT BELT PRE-TENSIONER"

INFOID:000000006243544

The Supplemental Restraint System such as "AIR BAG" and "SEAT BELT PRE-TENSIONER", used along with a front seat belt, helps to reduce the risk or severity of injury to the driver and front passenger for certain types of collision. This system includes seat belt switch inputs and dual stage front air bag modules. The SRS system uses the seat belt switches to determine the front air bag deployment, and may only deploy one front air bag, depending on the severity of a collision and whether the front occupants are belted or unbelted. Information necessary to service the system safely is included in the SR and SB section of this Service Manual.

#### **WARNING:**

- To avoid rendering the SRS inoperative, which could increase the risk of personal injury or death in the event of a collision which would result in air bag inflation, all maintenance must be performed by an authorized NISSAN/INFINITI dealer.
- Improper maintenance, including incorrect removal and installation of the SRS, can lead to personal injury caused by unintentional activation of the system. For removal of Spiral Cable and Air Bag Module, see the SR section.
- Do not use electrical test equipment on any circuit related to the SRS unless instructed to in this Service Manual. SRS wiring harnesses can be identified by yellow and/or orange harnesses or harness connectors.

#### PRECAUTIONS WHEN USING POWER TOOLS (AIR OR ELECTRIC) AND HAMMERS

#### **WARNING:**

- When working near the Airbag Diagnosis Sensor Unit or other Airbag System sensors with the Ignition ON or engine running, DO NOT use air or electric power tools or strike near the sensor(s) with a hammer. Heavy vibration could activate the sensor(s) and deploy the air bag(s), possibly causing serious injury.
- When using air or electric power tools or hammers, always switch the Ignition OFF, disconnect the battery, and wait at least 3 minutes before performing any service.

#### Precaution Necessary for Steering Wheel Rotation After Battery Disconnect

INFOID:000000006827743

#### **NOTE:**

- This Procedure is applied only to models with Intelligent Key system and NATS (NISSAN ANTI-THEFT SYSTEM).
- Remove and install all control units after disconnecting both battery cables with the ignition knob in the "LOCK" position.
- Always use CONSULT-III to perform self-diagnosis as a part of each function inspection after finishing work. If DTC is detected, perform trouble diagnosis according to self-diagnostic results.

For models equipped with the Intelligent Key system and NATS, an electrically controlled steering lock mechanism is adopted on the key cylinder.

For this reason, if the battery is disconnected or if the battery is discharged, the steering wheel will lock and steering wheel rotation will become impossible.

If steering wheel rotation is required when battery power is interrupted, follow the procedure below before starting the repair operation.

#### OPERATION PROCEDURE

1. Connect both battery cables.

#### **NOTE:**

Supply power using jumper cables if battery is discharged.

2. Use the Intelligent Key or mechanical key to turn the ignition switch to the "ACC" position. At this time, the steering lock will be released.
3. Disconnect both battery cables. The steering lock will remain released and the steering wheel can be rotated.
4. Perform the necessary repair operation.

# PRECAUTIONS

## < PRECAUTION >

5. When the repair work is completed, return the ignition switch to the "LOCK" position before connecting the battery cables. (At this time, the steering lock mechanism will engage.)
6. Perform a self-diagnosis check of all control units using CONSULT-III.

### Precaution for Work

INFOID:000000006827746

- When removing or disassembling each component, be careful not to damage or deform it. If a component may be subject to interference, be sure to protect it with a shop cloth.
- When removing (disengaging) components with a screwdriver or similar tool, be sure to wrap the component with a shop cloth or vinyl tape to protect it.
- Protect the removed parts with a shop cloth and prevent them from being dropped.
- Replace a deformed or damaged clip.
- If a part is specified as a non-reusable part, always replace it with new one.
- Be sure to tighten bolts and nuts securely to the specified torque.
- After installation is complete, be sure to check that each part works properly.
- Follow the steps below to clean components.
  - Water soluble dirt: Dip a soft cloth into lukewarm water, and wring the water out of the cloth to wipe the dirty area.  
Then rub with a soft and dry cloth.
  - Oily dirt: Dip a soft cloth into lukewarm water with mild detergent (concentration: within 2 to 3%), and wipe the dirty area.  
Then dip a cloth into fresh water, and wring the water out of the cloth to wipe the detergent off. Then rub with a soft and dry cloth.
- Do not use organic solvent such as thinner, benzene, alcohol, or gasoline.
- For genuine leather seats, use a genuine leather seat cleaner.

A

B

C

D

E

F

G

H

I

J

K

MIR

M

N

O

P

# PREPARATION

< PREPARATION >

## PREPARATION

### PREPARATION

#### Special Service Tools

INFOID:000000006827747

The actual shapes of Kent-Moore tools may differ from those of special service tools illustrated here.

Tool number (Kent-Moore No.) Tool name	Description
(J-39570) Chassis ear <div data-bbox="630 537 850 730" data-label="Image"> <p style="text-align: right; font-size: small;">SIIA0993E</p> </div>	Locating the noise
(J-43980) NISSAN Squeak and Rattle Kit <div data-bbox="623 789 850 982" data-label="Image"> <p style="text-align: right; font-size: small;">SIIA0994E</p> </div>	Repairing the cause of noise

#### Commercial Service Tool

INFOID:000000006827745

(Kent-Moore No.) Tool name	Description
(J-39565) Engine ear <div data-bbox="594 1218 850 1411" data-label="Image"> <p style="text-align: right; font-size: small;">SIIA0995E</p> </div>	Locating the noise

# INSIDE MIRROR

< UNIT REMOVAL AND INSTALLATION >

## UNIT REMOVAL AND INSTALLATION

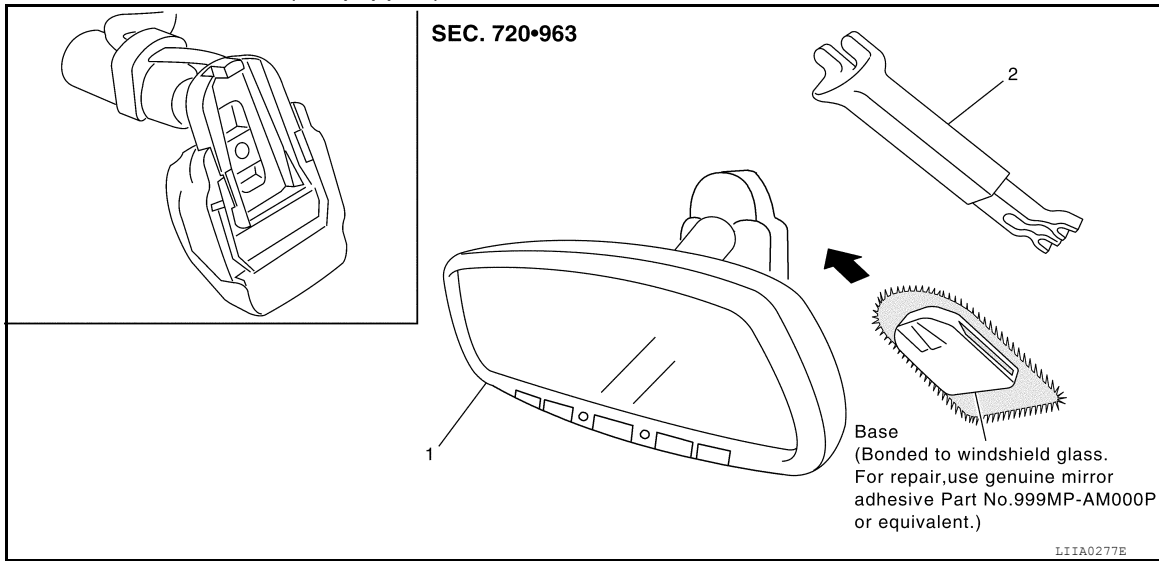
### INSIDE MIRROR

#### Removal and Installation

INFOID:000000006243547

#### INSIDE MIRROR

1. Remove inside mirror finisher.
2. Remove inside mirror screw and slide the mirror upward to remove.
3. Disconnect the connector (if equipped).



1. Inside mirror
2. Inside mirror finisher

Installation is in the reverse order of removal.

A  
B  
C  
D  
E  
F  
G  
H  
I  
J  
K  
L  
M  
N  
O  
P

MIR

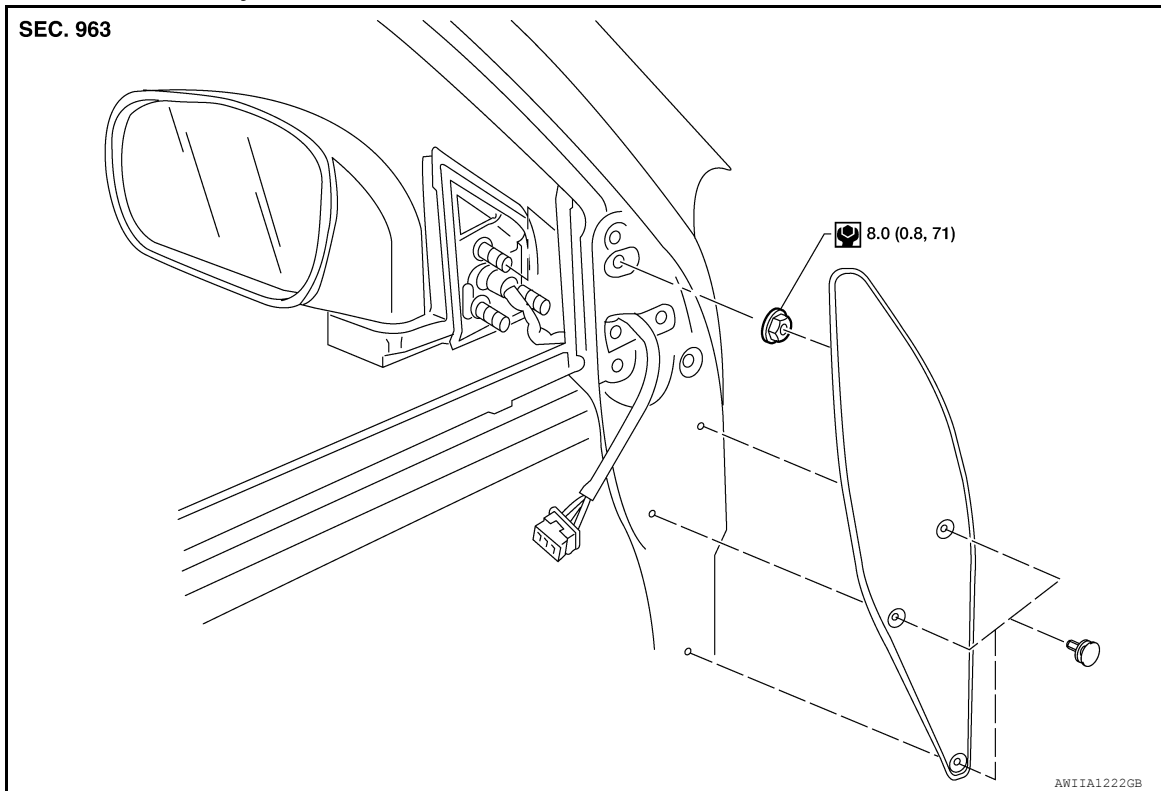
# DOOR MIRROR

< UNIT REMOVAL AND INSTALLATION >

## DOOR MIRROR

### Door Mirror Assembly

INFOID:000000006243548



### REMOVAL

#### CAUTION:

Be careful not to damage the mirror bodies.

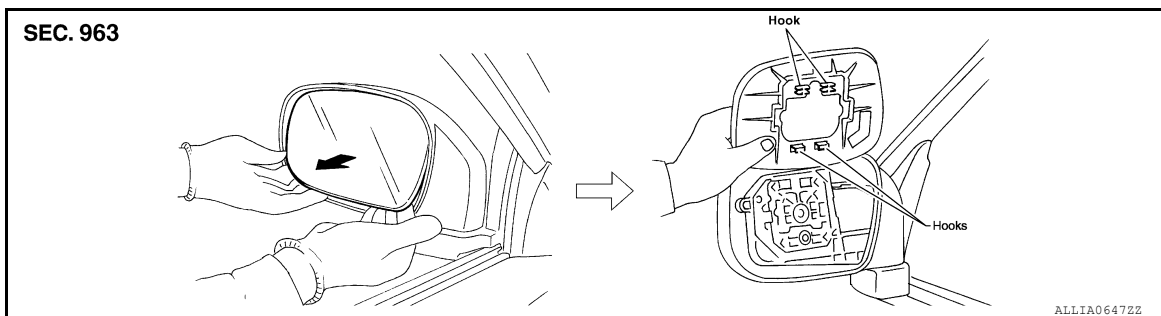
1. Remove the front door sash cover.
2. Remove the front door finisher. Refer to [INT-15, "Removal and Installation"](#).
3. Disconnect the door mirror harness connector.
4. Remove the nuts and the door mirror assembly.

### INSTALLATION

Installation is in the reverse order of removal.

### Door Mirror Glass

INFOID:000000006243549



### REMOVAL

1. Angle the mirror fully up.
2. Remove the mirror.



## DOOR MIRROR

### < UNIT REMOVAL AND INSTALLATION >

---

- Pull from the bottom to disengage the clips.
  - Continue to pivot the mirror upward from the bottom to separate the hooks.
3. Disconnect the harness connectors and remove the mirror glass.

#### INSTALLATION

Installation is in the reverse order of removal.

A

B

C

D

E

F

G

H

I

J

K

MIR

M

N

O

P

# DOOR MIRROR

< UNIT DISASSEMBLY AND ASSEMBLY >

## UNIT DISASSEMBLY AND ASSEMBLY

### DOOR MIRROR

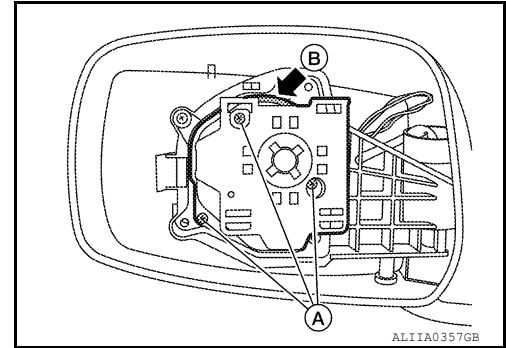
#### Mirror Actuator

INFOID:000000006243550

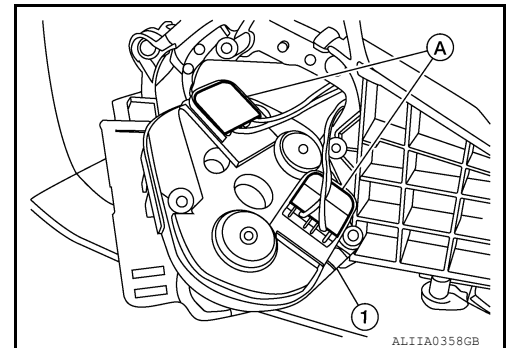
#### DISASSEMBLY AND ASSEMBLY

##### Disassembly

1. Remove the mirror glass. Refer to [MIR-16. "Door Mirror Glass"](#).
2. Remove the screws (A) and release the actuator from housing (B).



3. Disconnect the connectors (A) and remove the actuator (1).



##### Assembly

Assembly is the reverse order of disassembly.